

All rights reserved by **CNHi**.

The information contained in this catalogue is intended to be of a general nature only. **CNHi** may at any time and from time to time, for technical or other necessary reasons, modify any of the details or specifications of the product described in this catalogue.

To be sure of getting accurate, detailed and up-to-date information, an intending buyer should consult his nearest **CNHi** dealer or distributor.

Single item numeration method used in this catalogue may not be used without written consent from **CNHi**.

CLICK HERE TO **DOWNLOAD** THE COMPLETE MANUAL

- Thank you very much for reading the preview of the manual.
- You can download the complete manual from: www.heydownloads.com by clicking the link below



- Please note: If there is no response to CLICKING the link, please download this PDF first and then click on it.

CLICK HERE TO **DOWNLOAD** THE COMPLETE MANUAL

TABLE OF CONTENTS

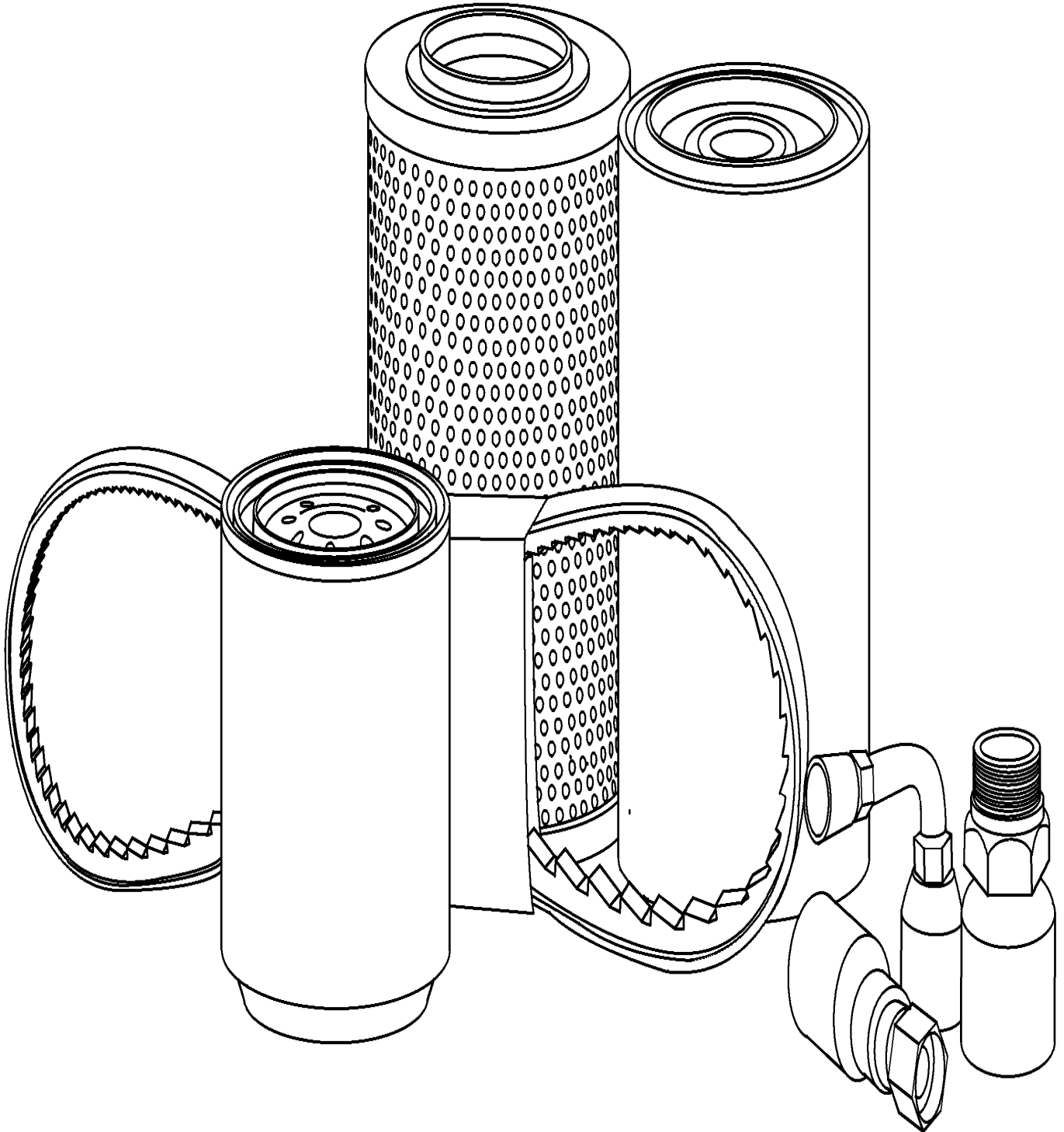
09-39		ARM CYLINDER - MOUNTING
09-40		BUCKET CYLINDER - MOUNTING
09-41	01	BUCKET LINKAGE (LONG REACH)
09-41B		BUCKET, LINKAGE (STD & LONG REACH)
09-41C		BUCKET, LINKAGE (HEAVY DUTY)
09-42		BUCKETS, ESCO - GENERAL PURPOSE BUCKETS
09-42A		BUCKETS, ESCO - HEAVY DUTY BUCKETS
09-42B		BUCKETS, ESCO - SEVERE DUTY BUCKETS
09-42C		BUCKETS, ESCO - HEAVY DUTY CAST BUCKET
09-43		BUCKETS, ESCO - DITCH CLEANING BUCKETS
09-44		DECALS
09-45		DECALS
09-46		DECALS
09-47		DECALS
09-48		DECALS
09-49		DECALS - CONTROL PATTERN SELECTOR VALVE
09-51		DECALS
05-02		GUARD, TRANSMISSION
05-03		UNDERCARRIAGE COVER, LOWER
05-04		TRACK CHAINS, 600 MM (23-5/8 IN) - P.I.N. DAC0724099 - DAC0724274
05-04A		TRACK CHAINS, 600 MM (23-5/8 IN) - P.I.N. DAC0724275 -
05-04B		TRACK CHAINS, 700 MM (27-5/8 IN) - P.I.N. DAC0724099 - DAC0724274
05-04C		TRACK CHAINS, 700 MM (27-5/8 IN) - P.I.N. DAC0724275 -
05-04D		TRACK CHAINS, 800 MM (31-1/2 IN) - P.I.N. DAC0724099 - DAC0724274
05-04E		TRACK CHAINS, 800 MM (31-1/2 IN) - P.I.N. DAC0724275 -
05-05		TRACK - IDLER
05-06		TRACK - ADJUSTER
05-07		TRACK - ROLLER, UPPER; PIN DAC0724099 - DAC0724170
05-07A		TRACK - ROLLER, UPPER; PIN DAC0724171 -
05-07B		TRACK - ROLLER, UPPER
05-08		TRACK - ROLLER, LOWER
05.100.03		FILTERS & CAPACITIES, CX240

05.100.02

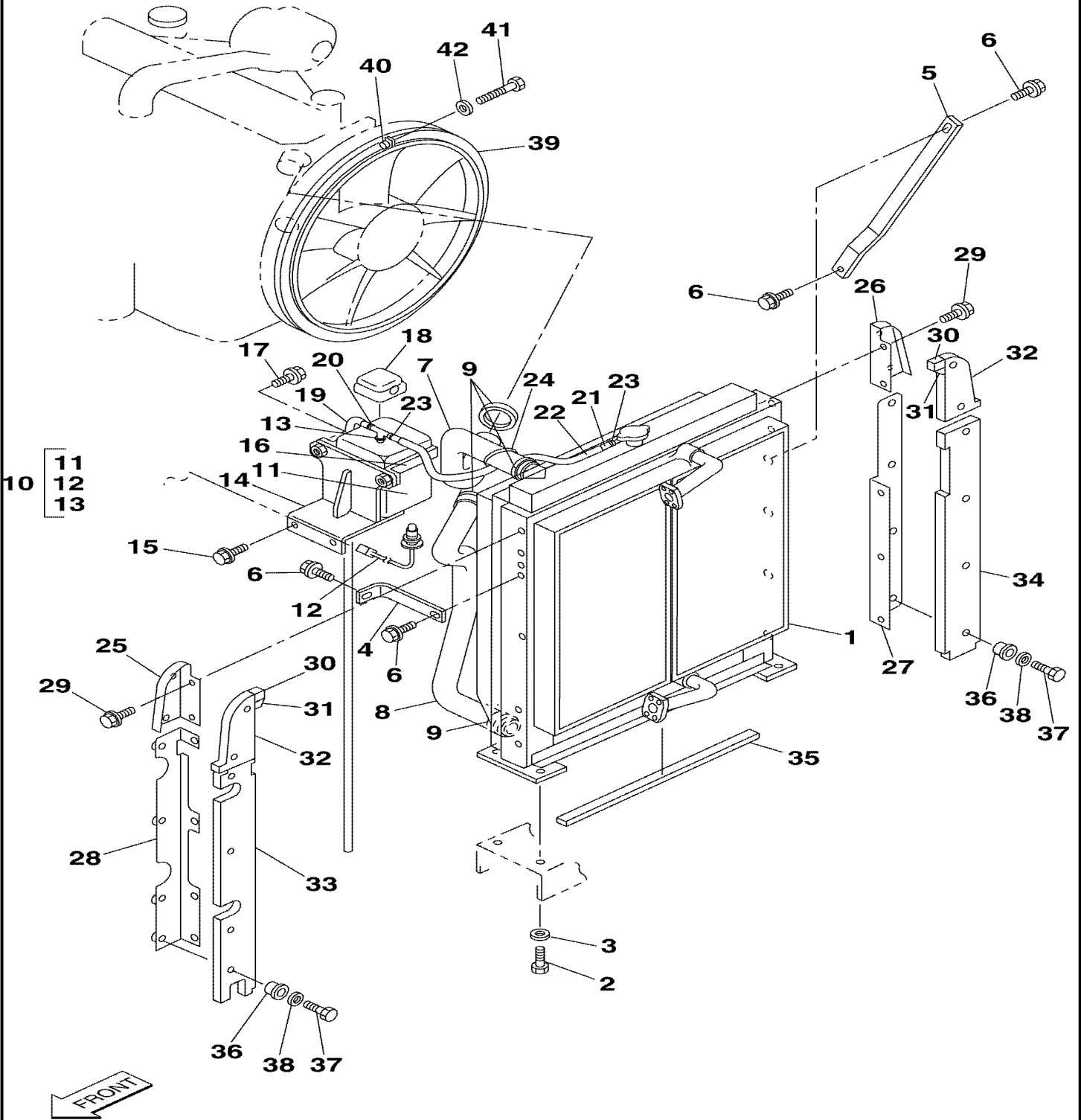
p1

11/202
0

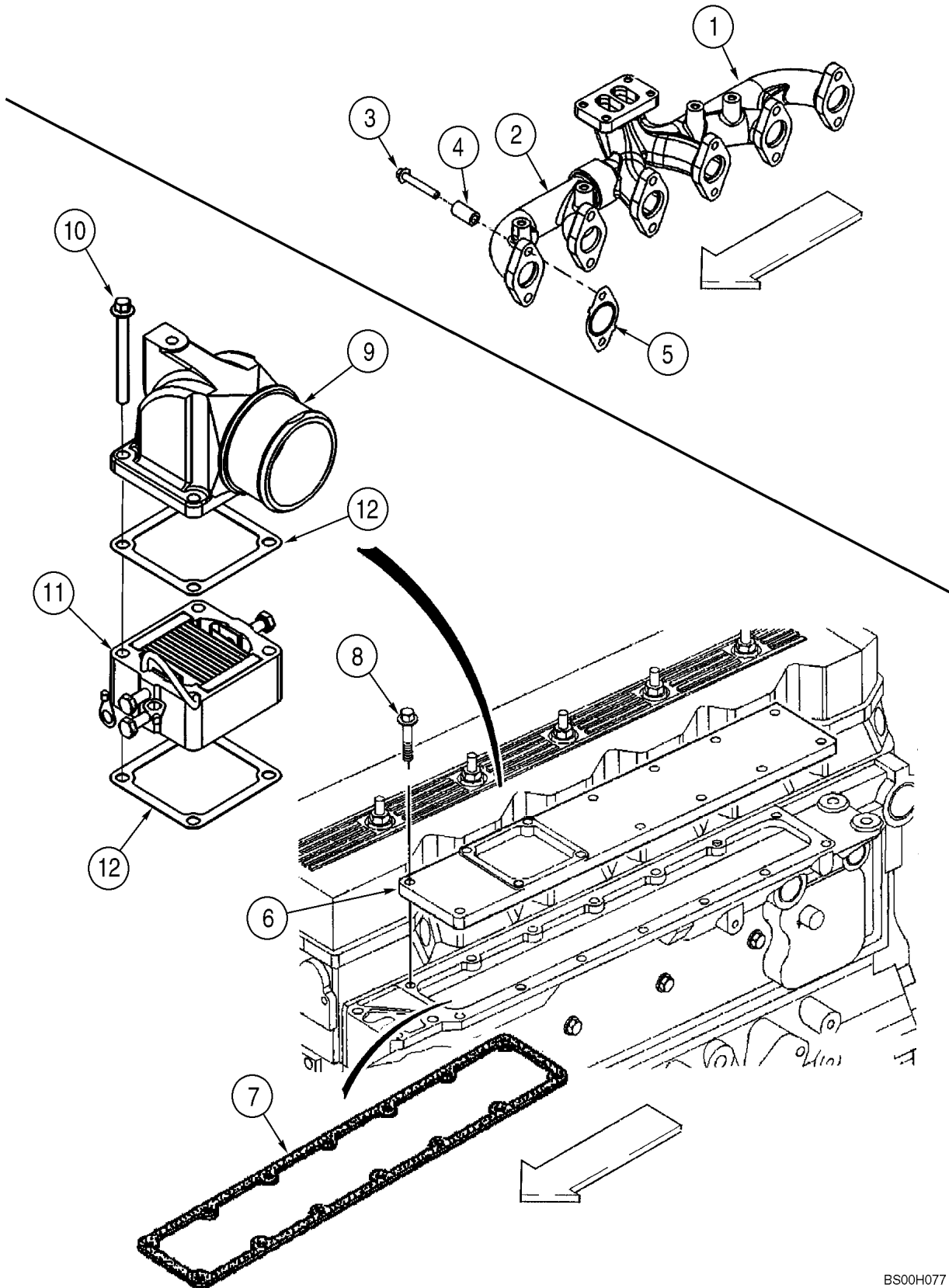
INITIAL STOCKING LIST (LIST B)



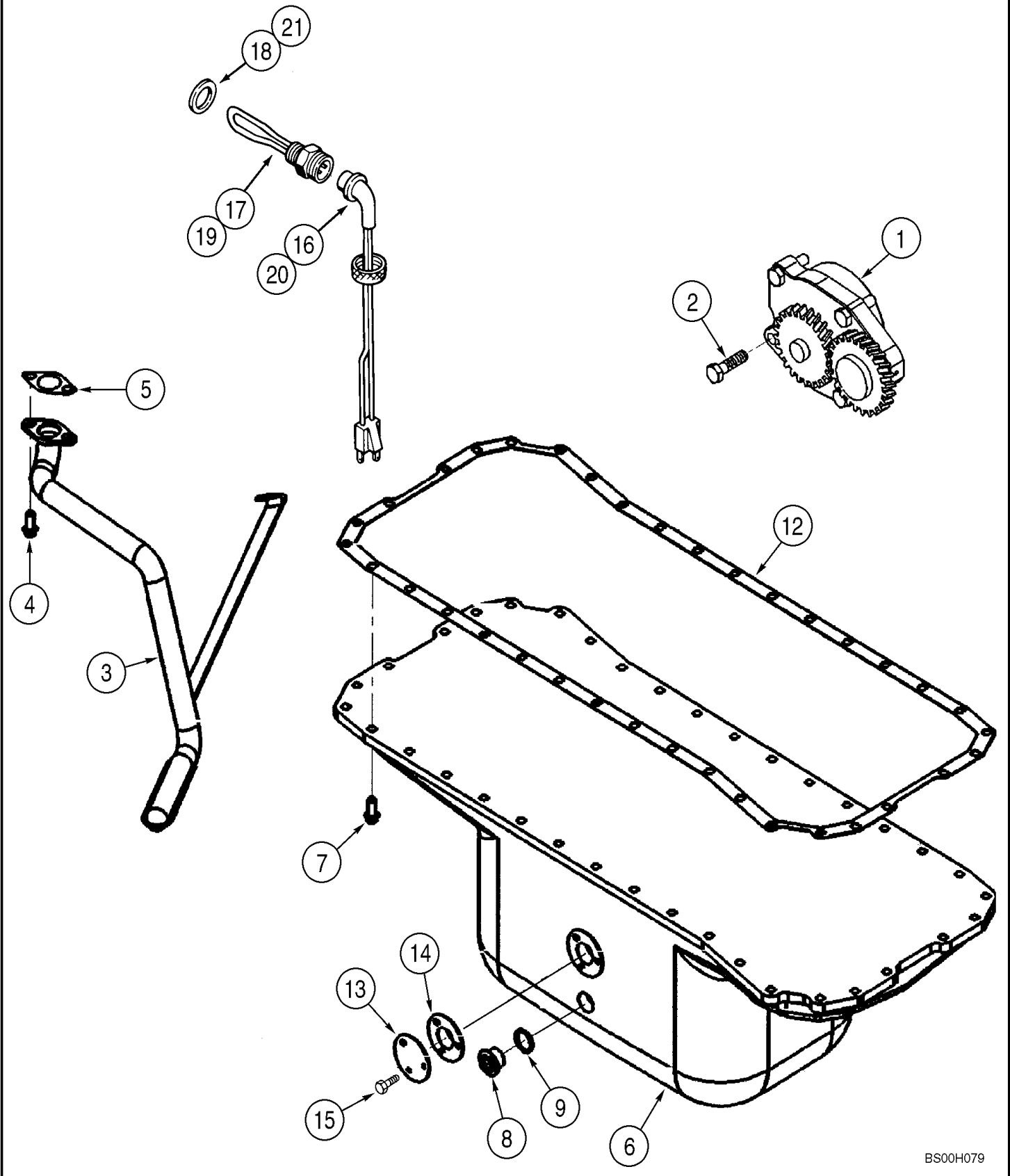
RADIATOR AND CONNECTIONS



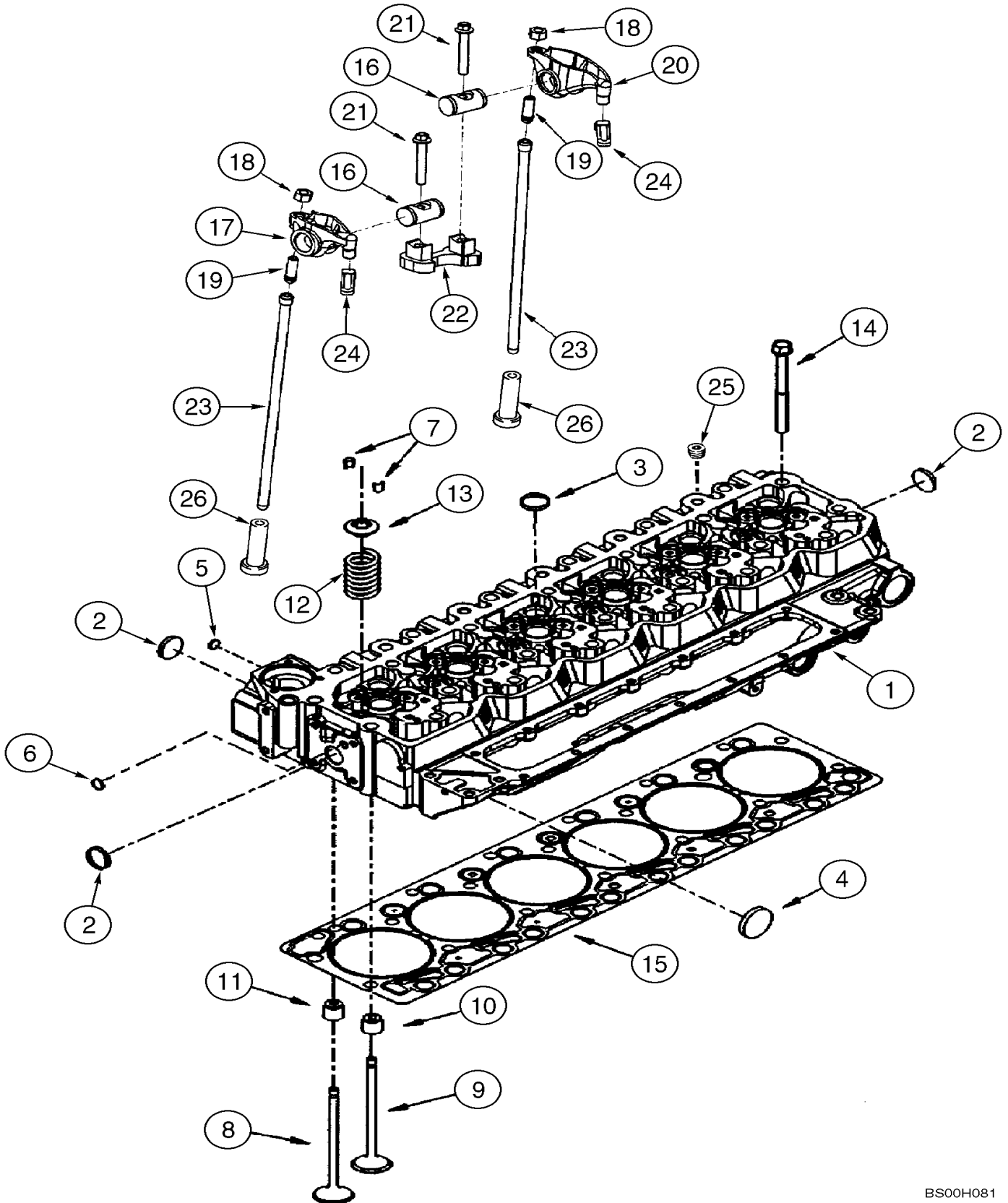
MANIFOLDS - EXHAUST AND INTAKE



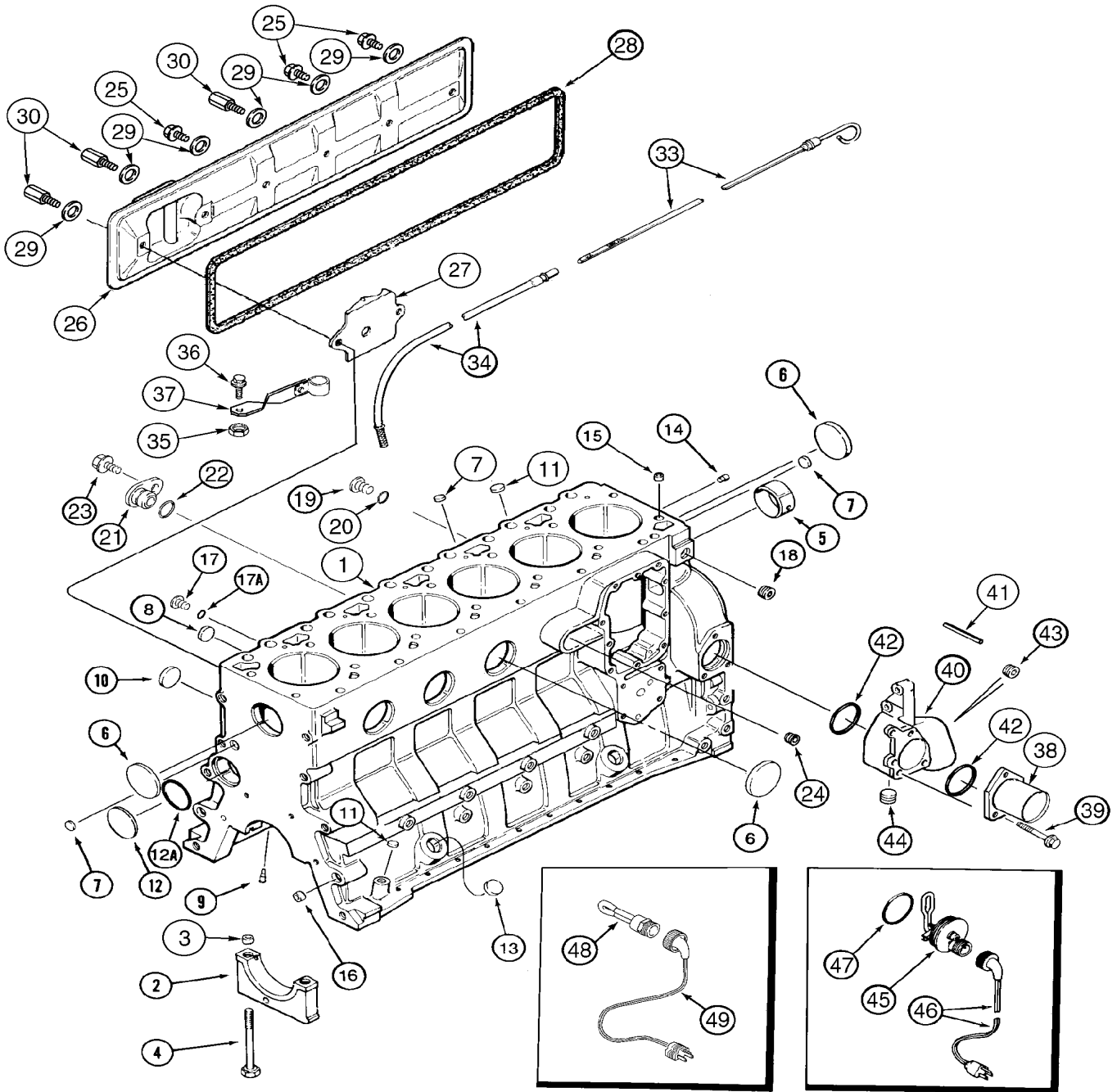
OIL PUMP, PAN - HEATER



CYLINDER HEAD - VALVE MECHANISM



CYLINDER BLOCK

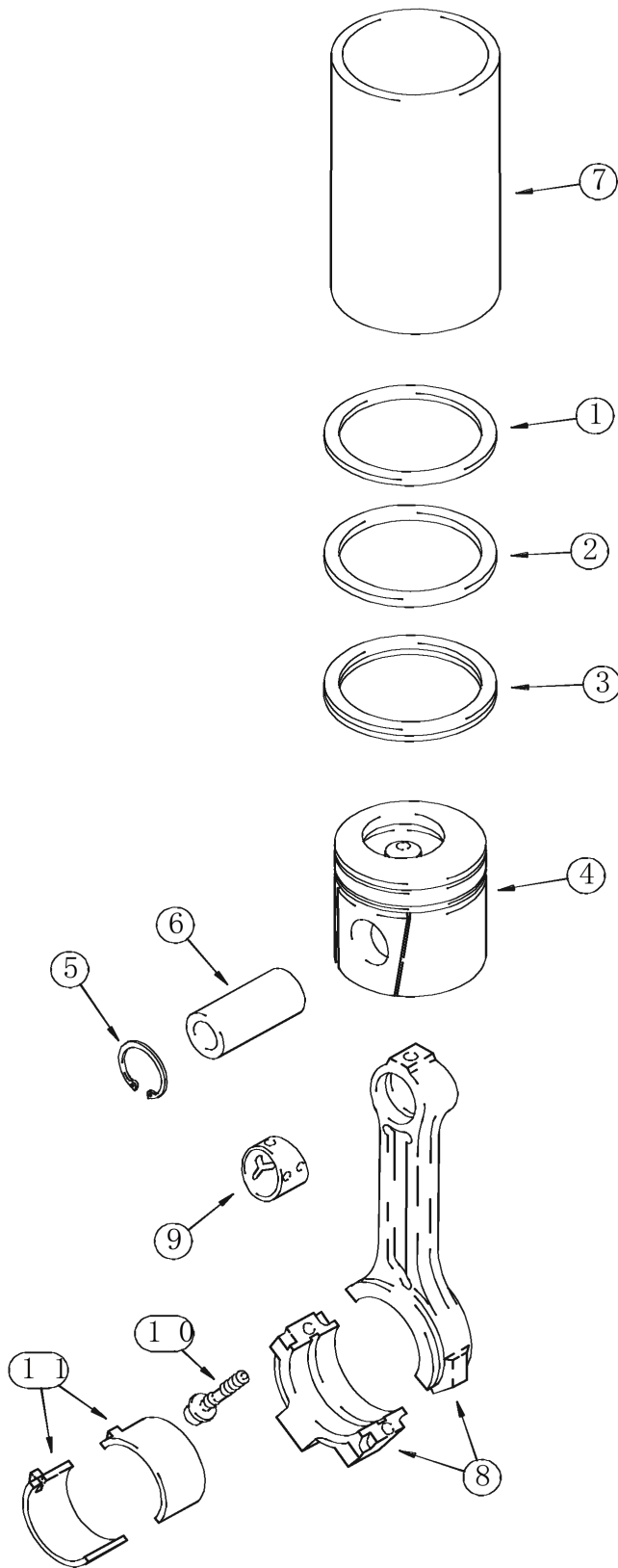


BS01M135

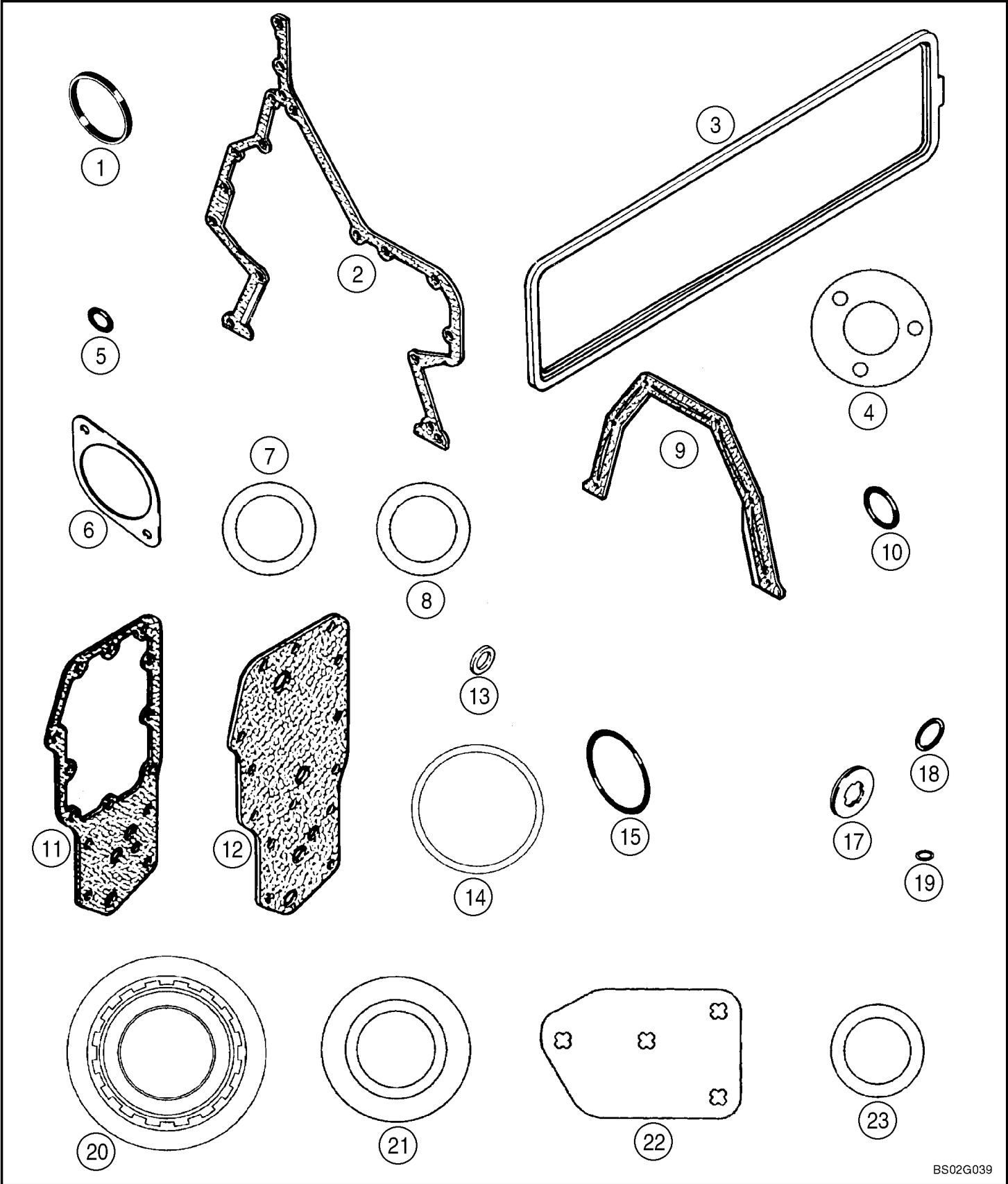
NOTE: Order J933220 Hardware Kit when ordering J938144 Short Block or J935936 Stripped Block.

Note: Basic engines and reman engines are generic engines. The engines are complete internally; however, externally all parts are not supplied with the engines. Check the configuration of the engine being removed, with the configuration of the engine being installed. For any external components not supplied with the engine being installed, reuse those parts from the engine that has just been removed. Do not return the old engine, until the unit is reassembled.

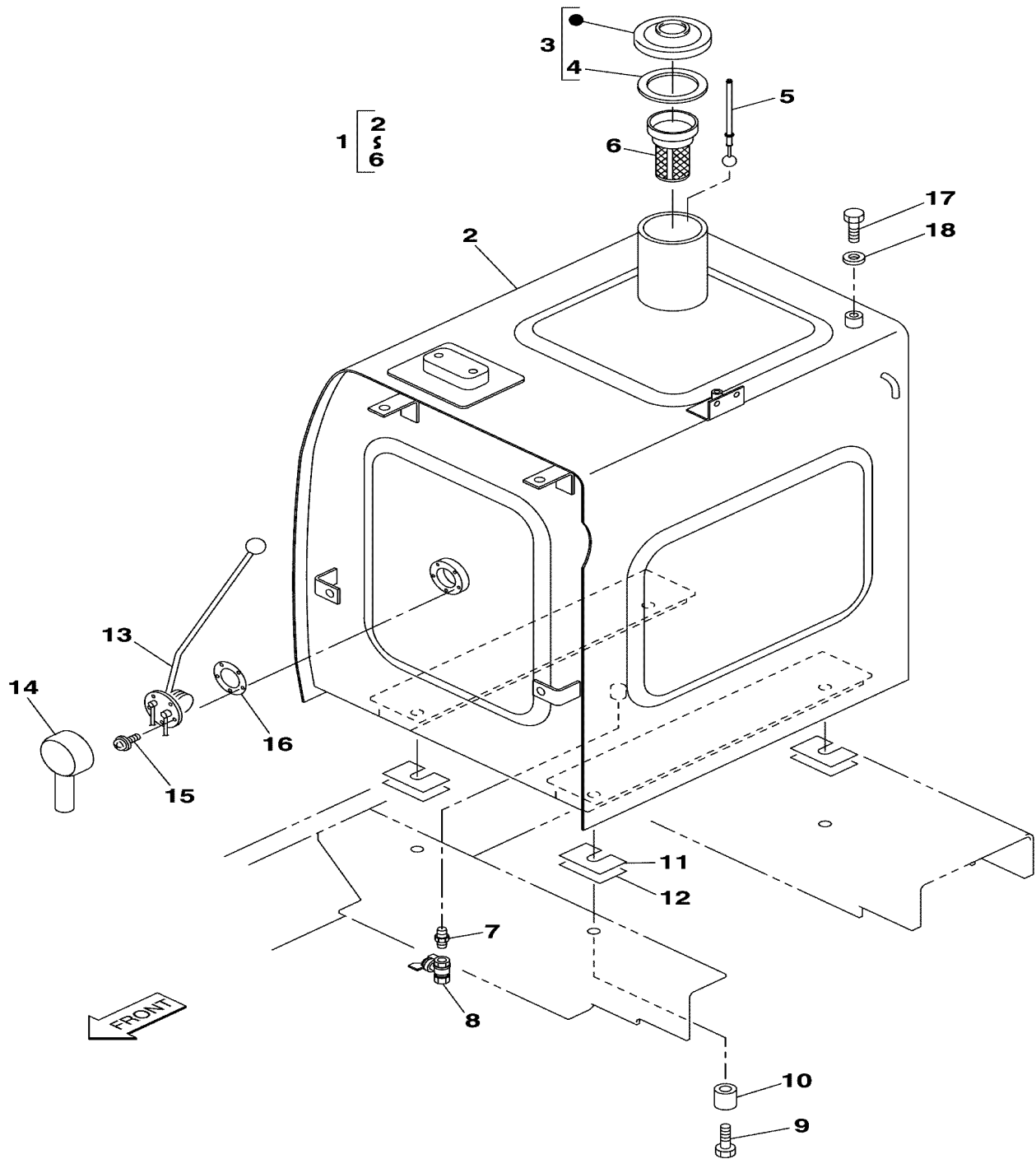
PISTONS - CONNECTING RODS



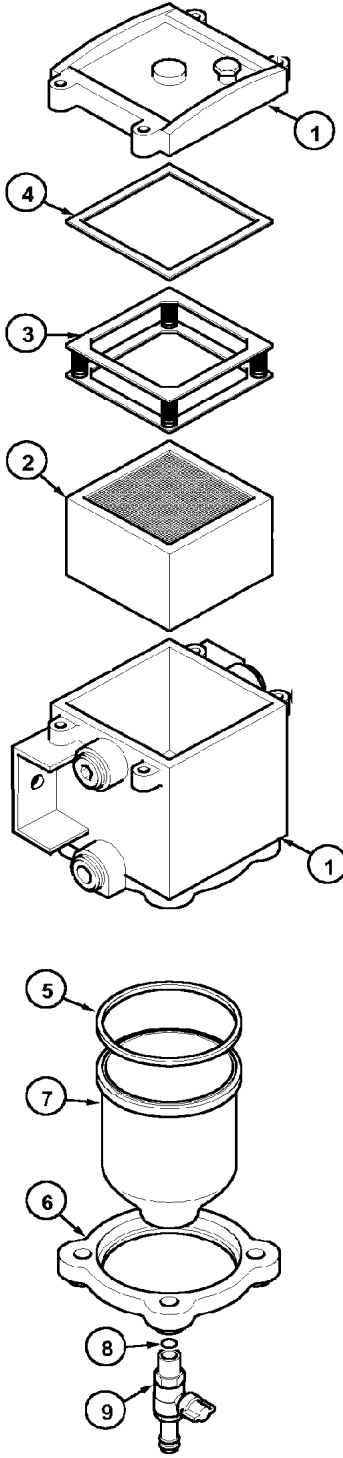
GASKET KIT, CYLINDER BLOCK



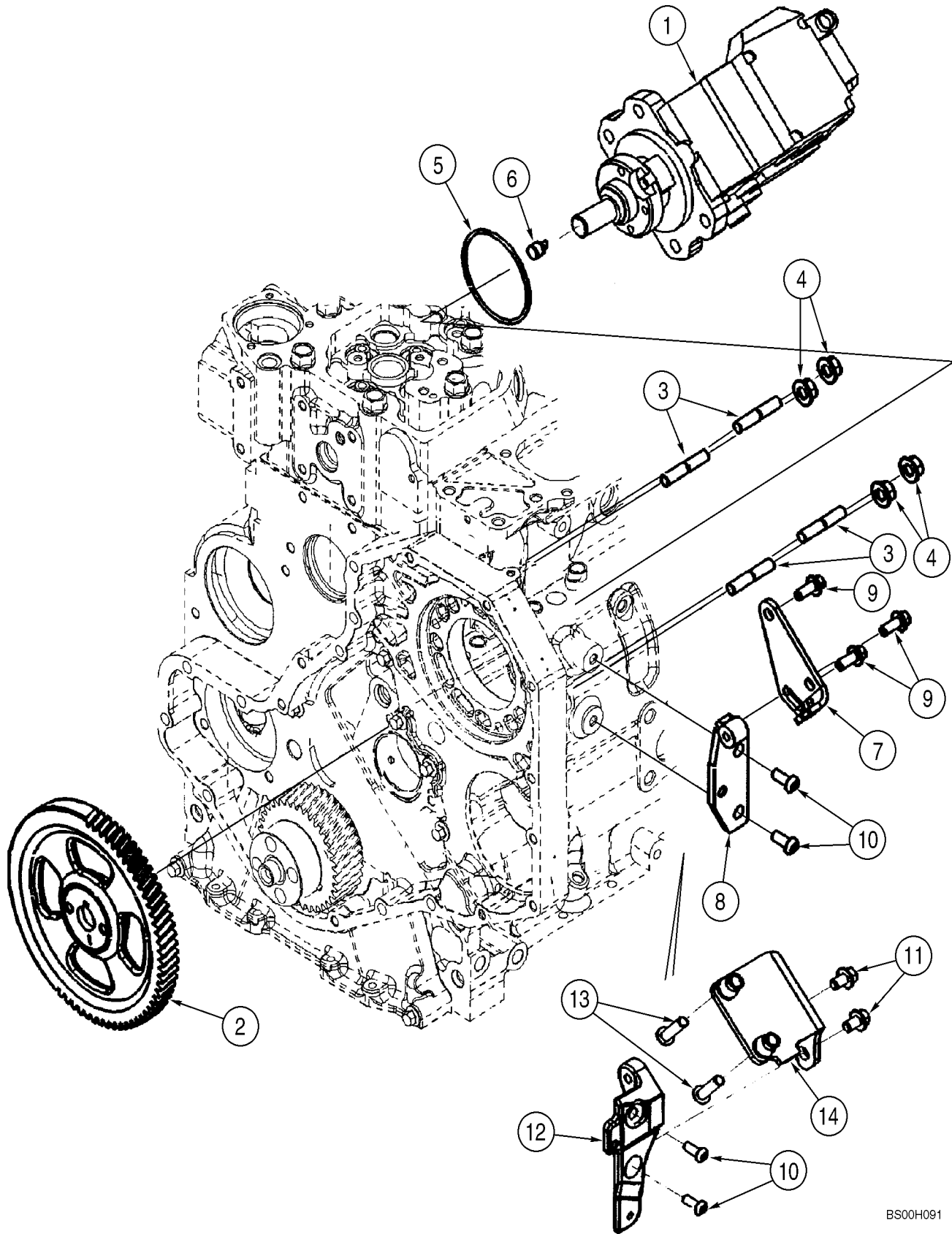
FUEL TANK



FUEL FILTER (P.I.N. DAC241502 -)



FUEL INJECTION PUMP - GEAR AND MOUNTING BRACKETS

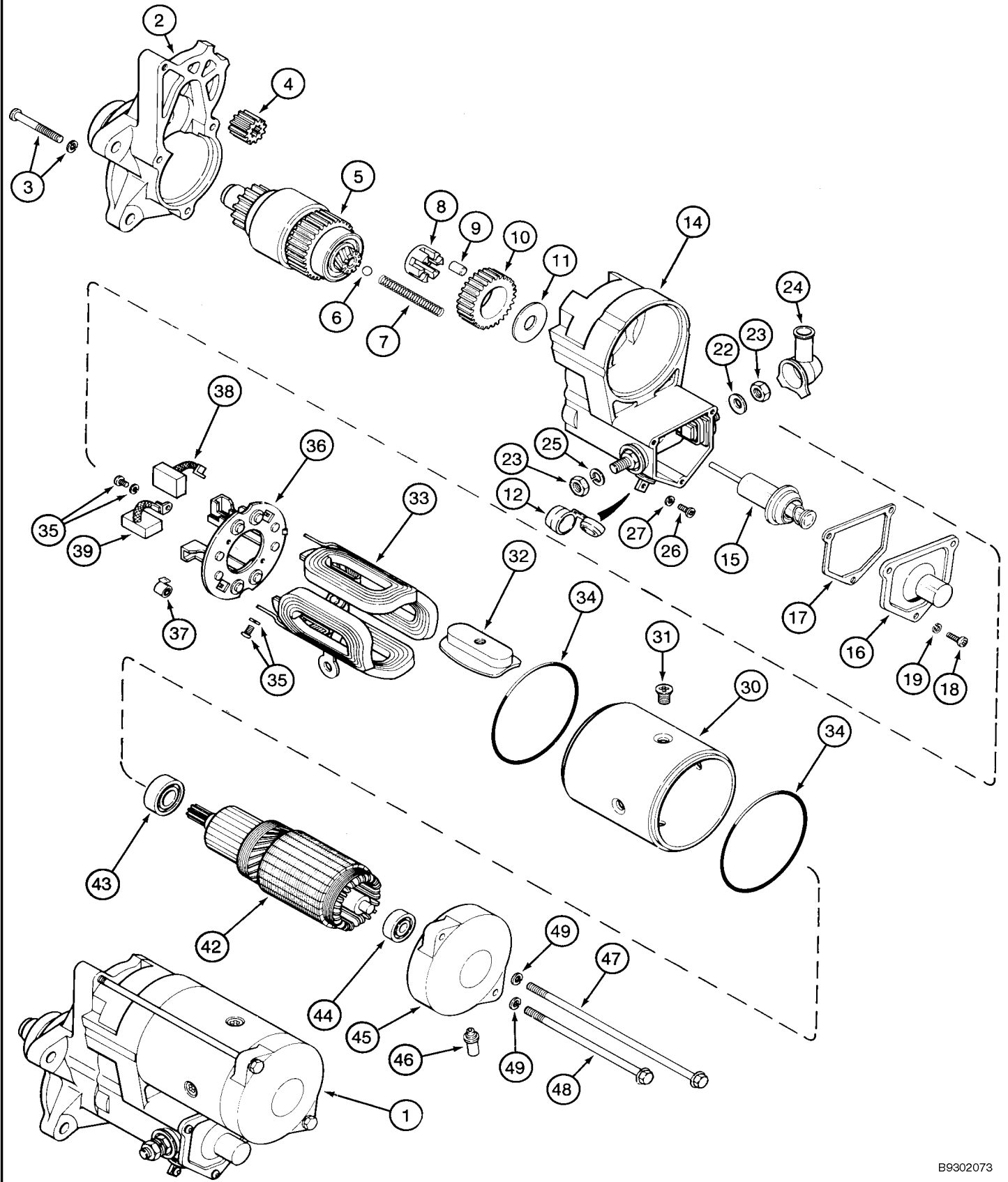


04-01

p1

11/202
0

STARTER ASSY

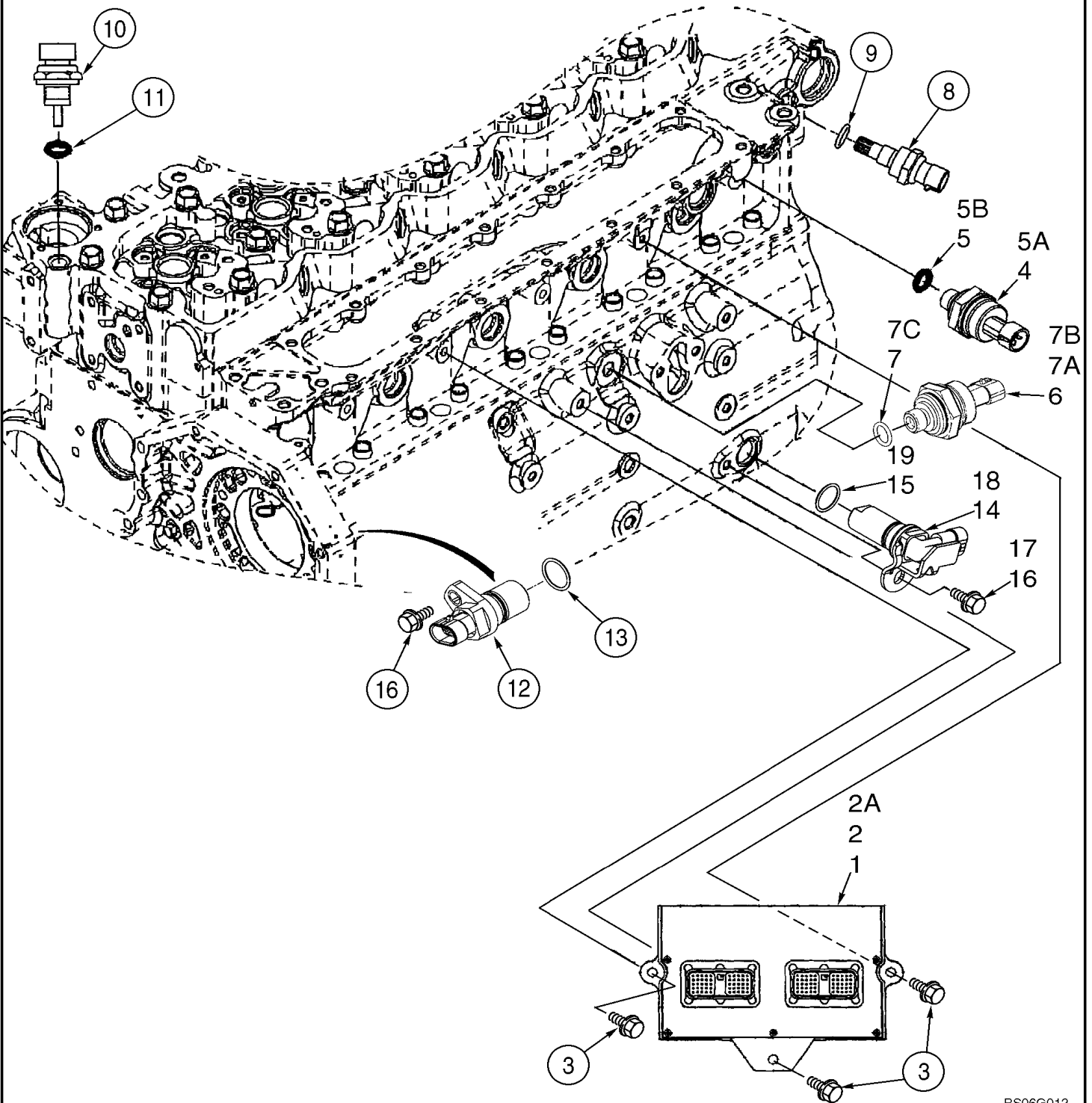


04-03

p1

11/2020

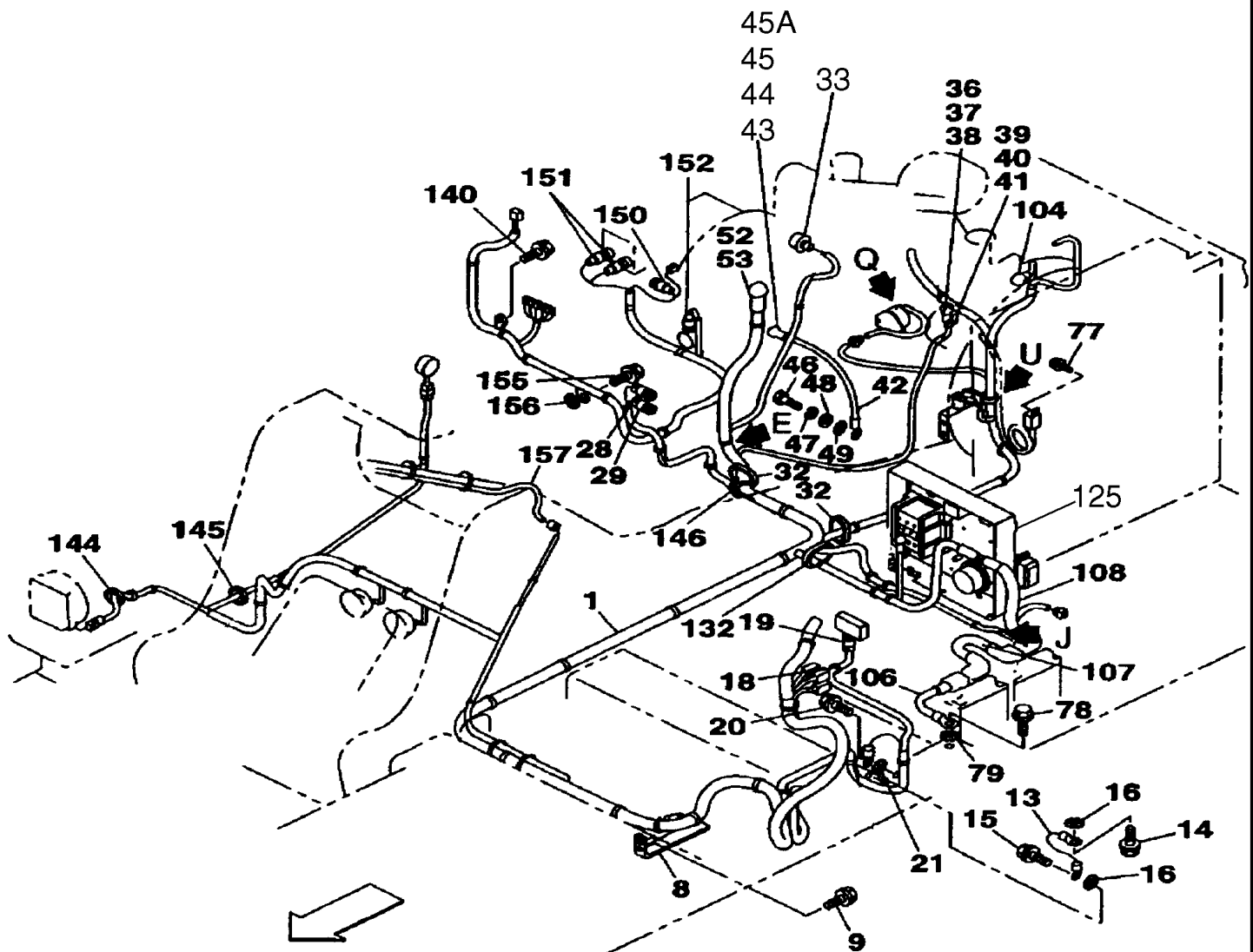
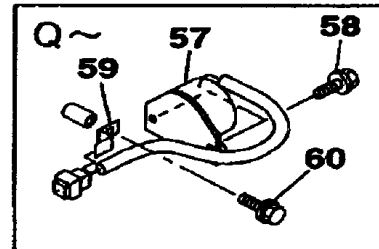
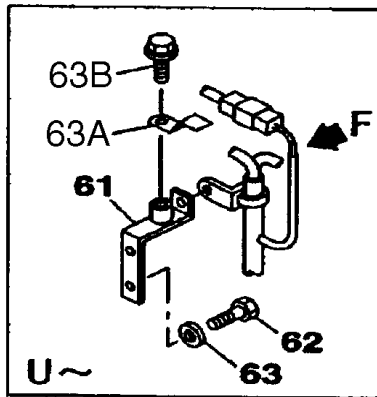
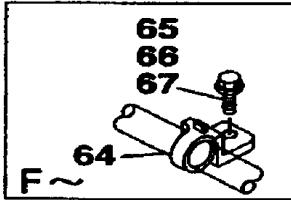
MODULE, ENGINE CONTROL (Jul 21 2010 9:02AM)



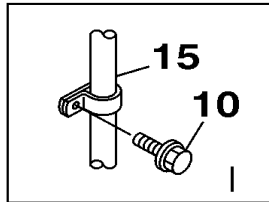
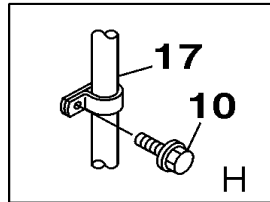
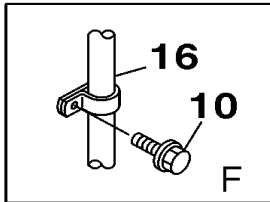
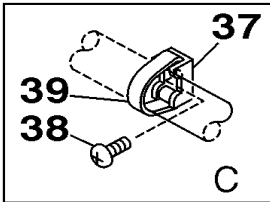
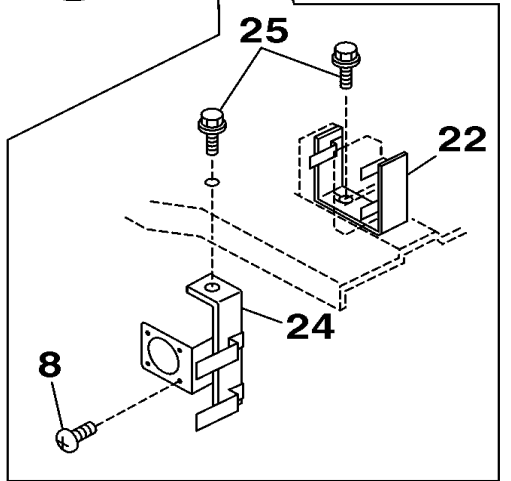
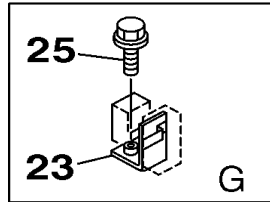
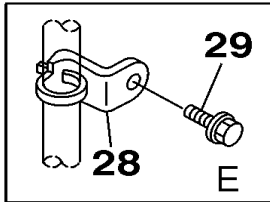
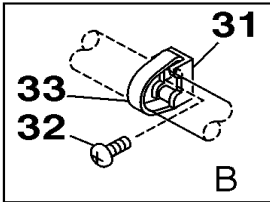
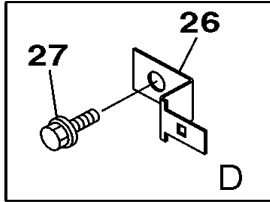
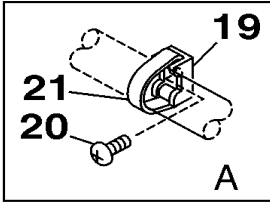
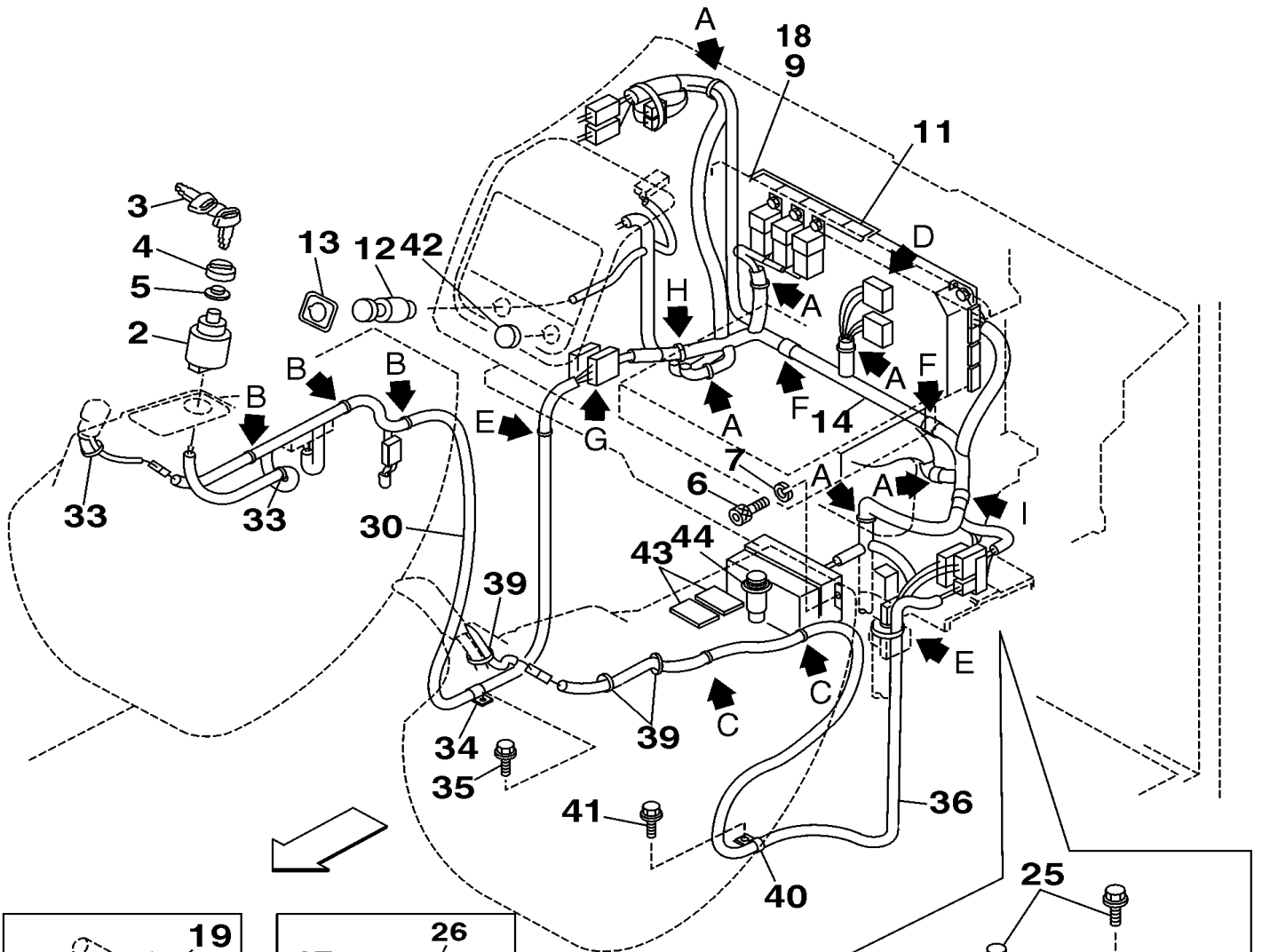
BS06G012

Part Number 87404590
TECHNICAL- CHANGE: 22APR2009 BY: EPLUS
THIS IS A PRE-PROGRAMMED ENGINE CONTROL
MODULE. WHEN STOCK IS EXHAUSTED YOU
WILL HAVE TO ORDER 87403972
PROGRAMMABLE ENGINE CONTROL MODULE AND
GET IT PROGRAMMED FOR YOUR PARTICULAR

HARNESS, MAIN - CHASSIS, UPPERSTRUCTURE



ELECTRICAL - CAB

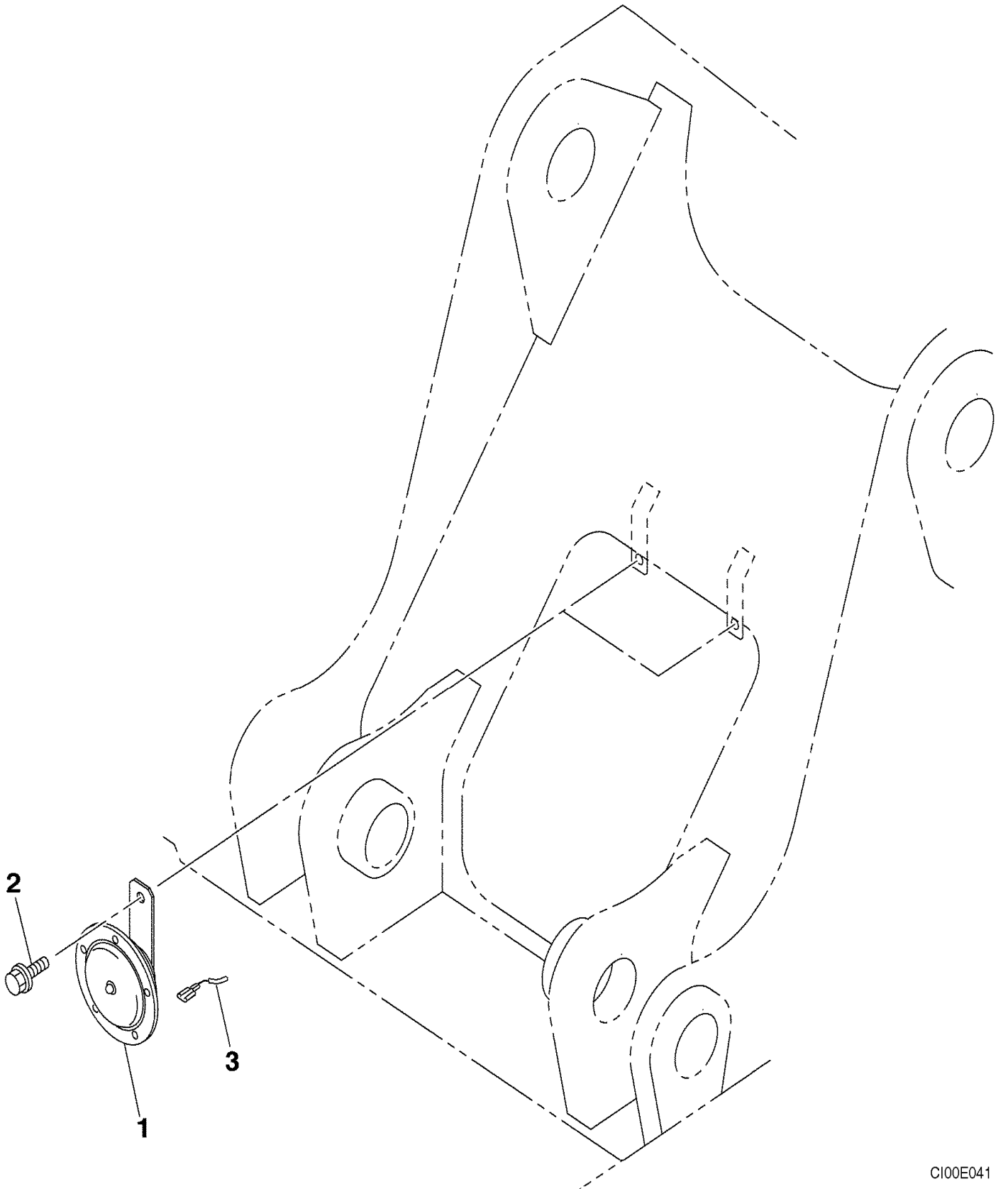


04-09

p1

11/202
0

HORN



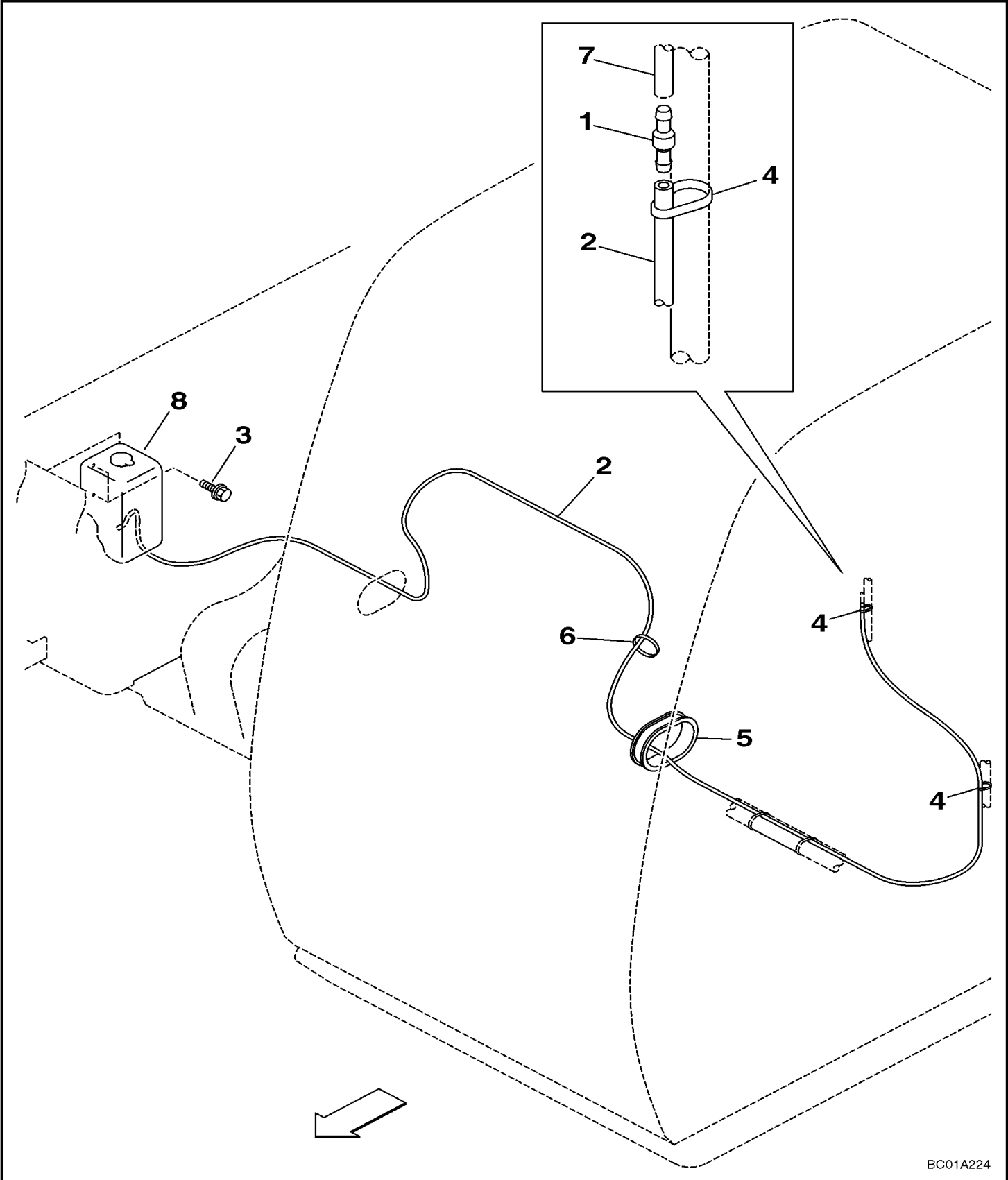
C100E041

04-14

p1

11/2020

WINDSHIELD WASHER



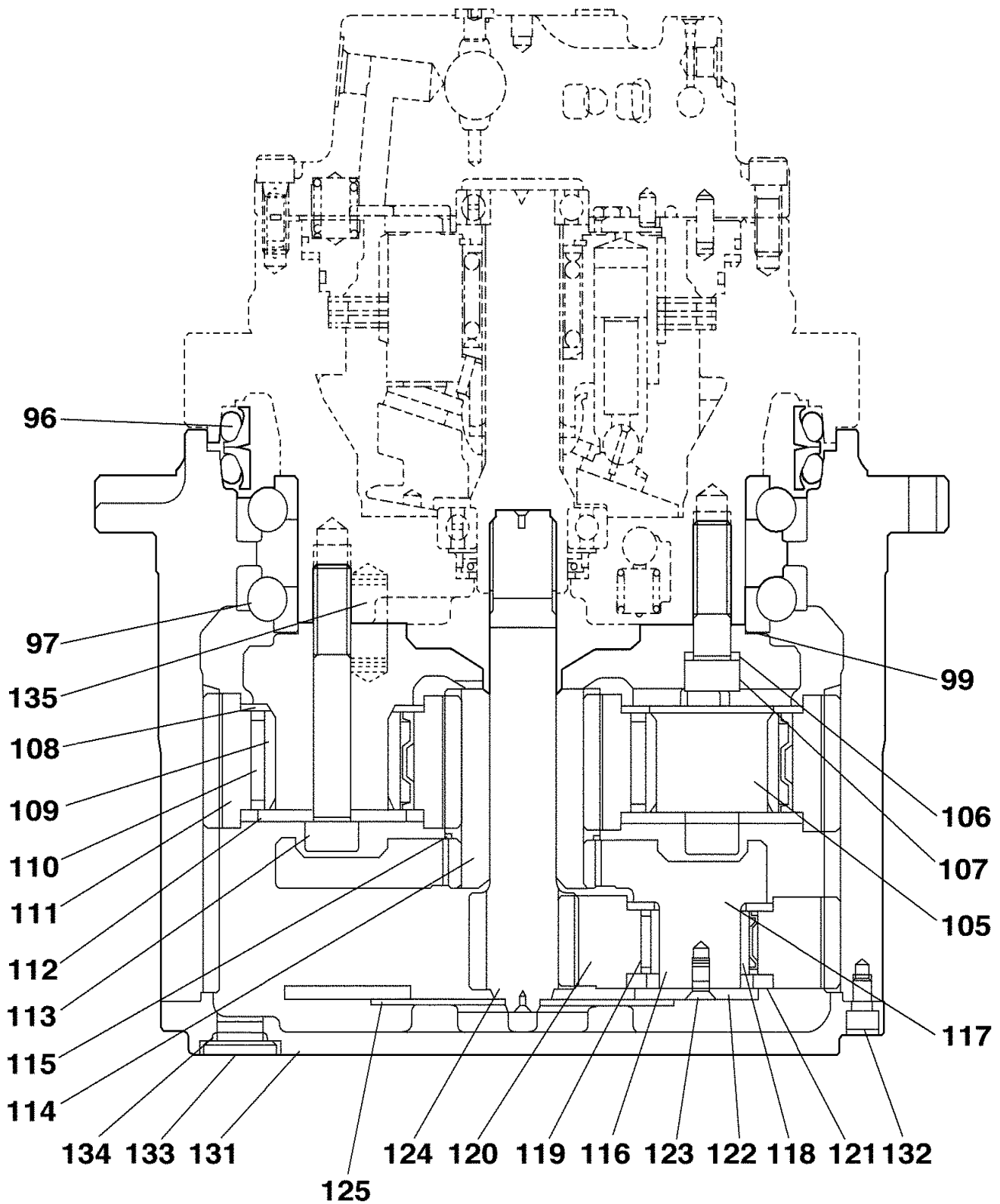
06-02

01

p2

11/202
0

MOTOR ASSY - GEAR ASSY, REDUCTION (SEP 9 2011 9:22AM)

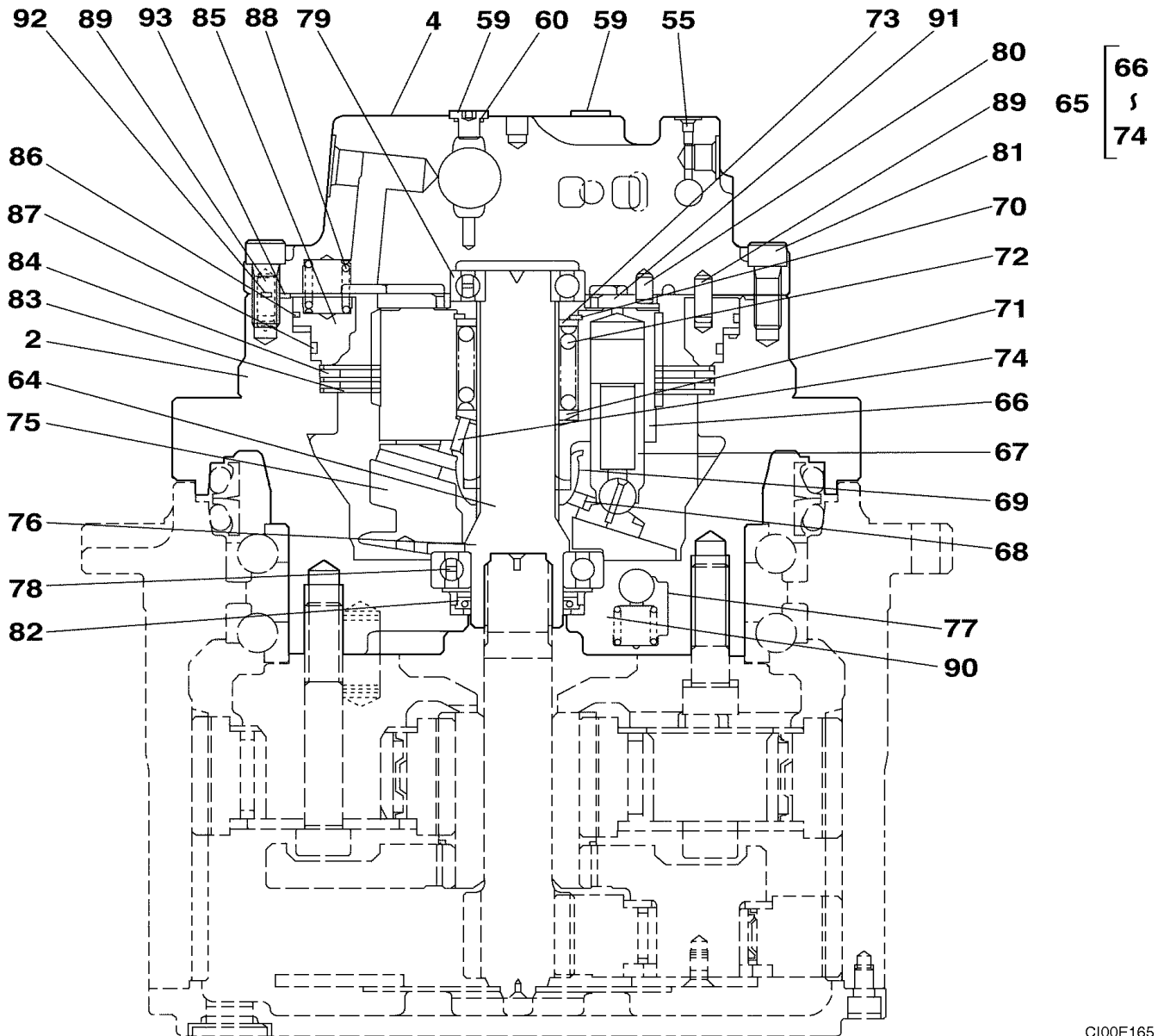
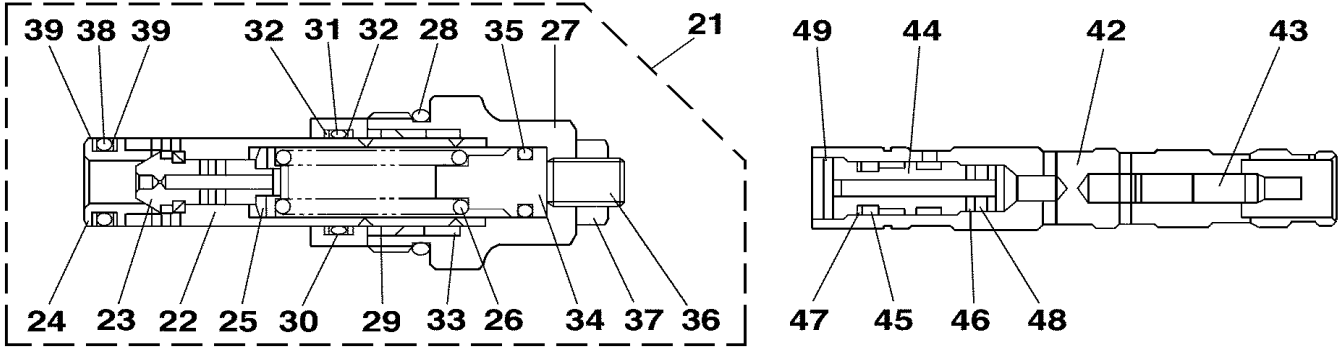


06-04

p3

11/202
0

MOTOR ASSY - TRACK DRIVE



06-08

01

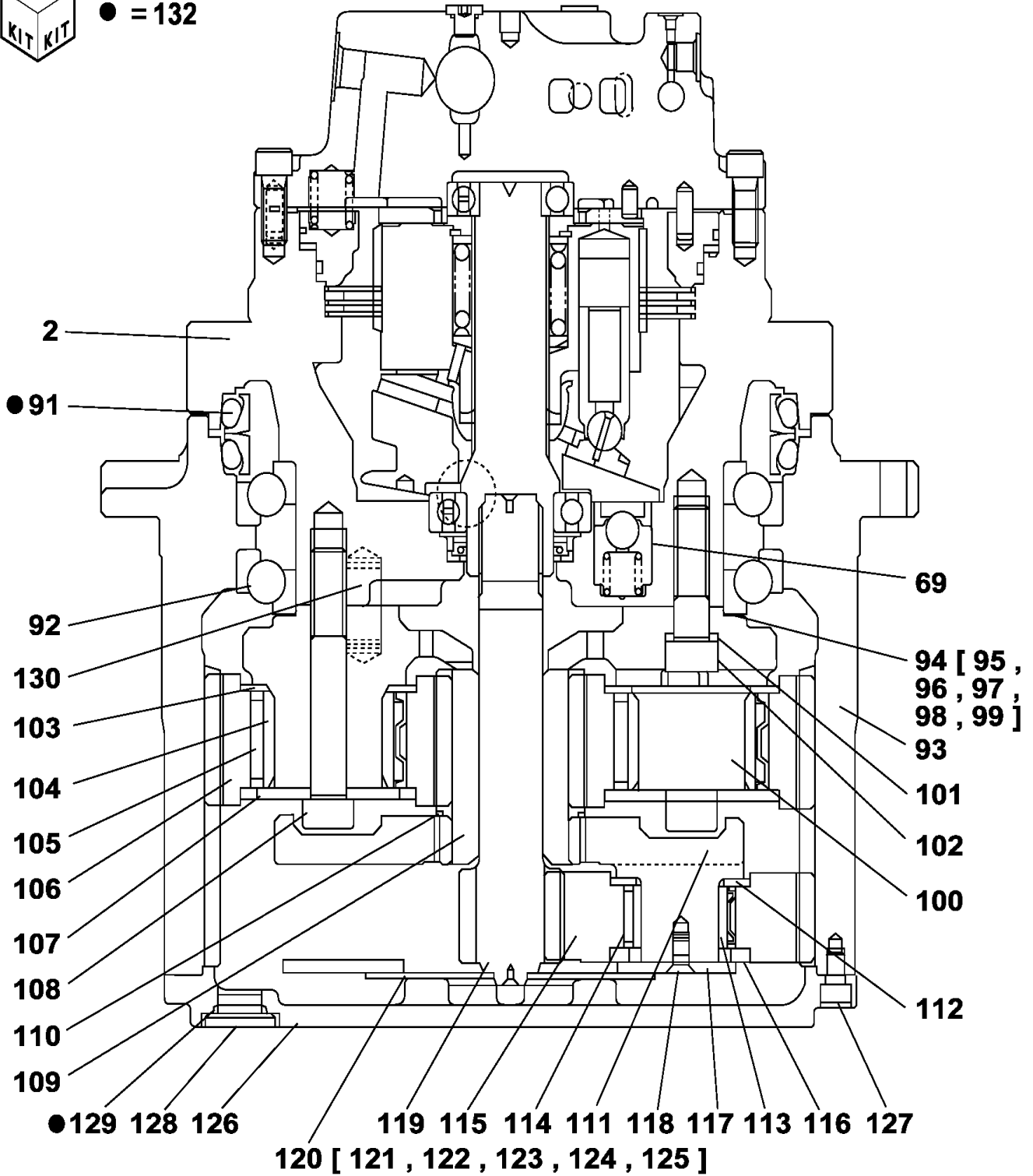
p1

11/202
0

TRAVEL MOTOR & REDUCTION GEAR (KBA10060)



● = 132



B

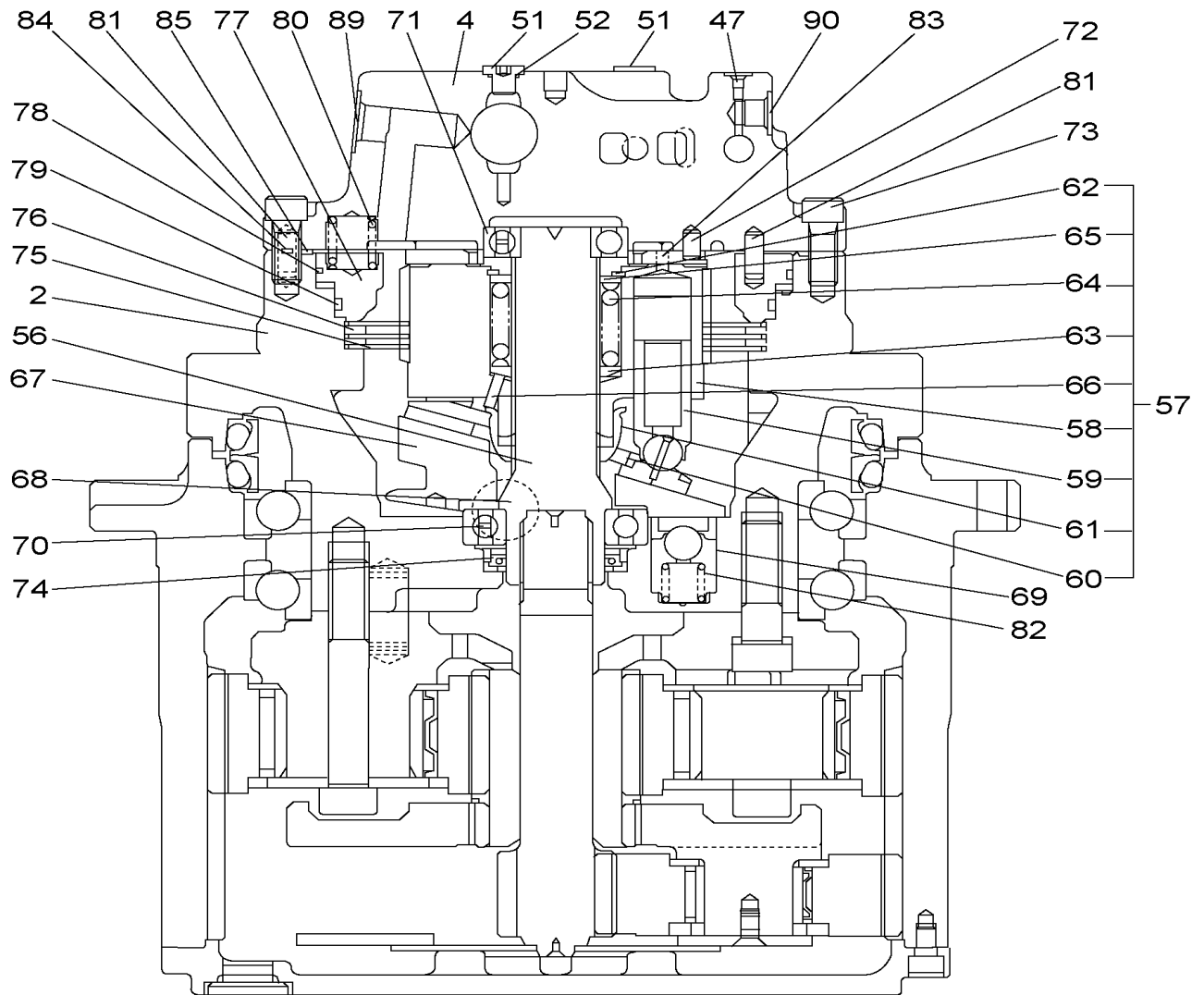
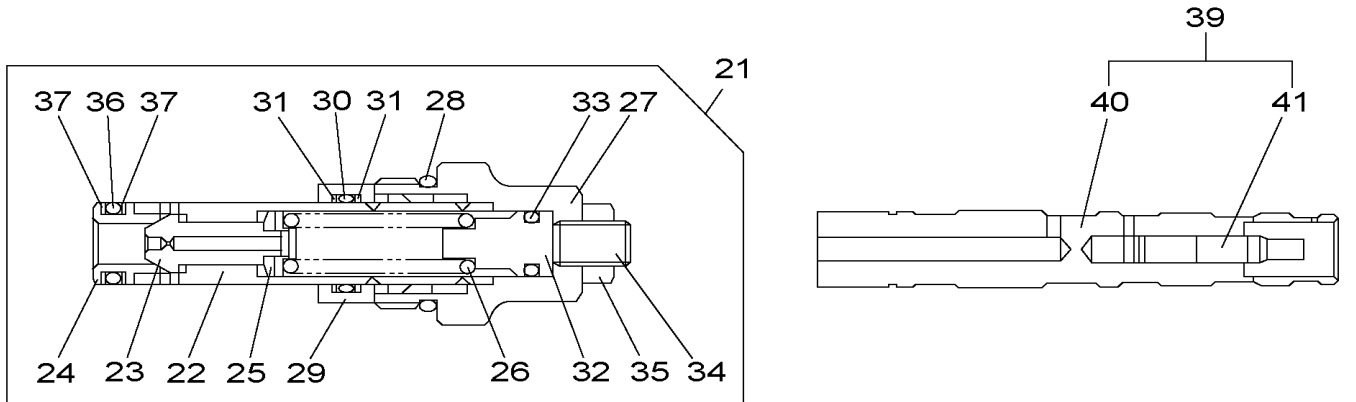
06-08

03

p2

11/202
0

TRAVEL MOTOR & REDUCTION GEAR (KBA10060)



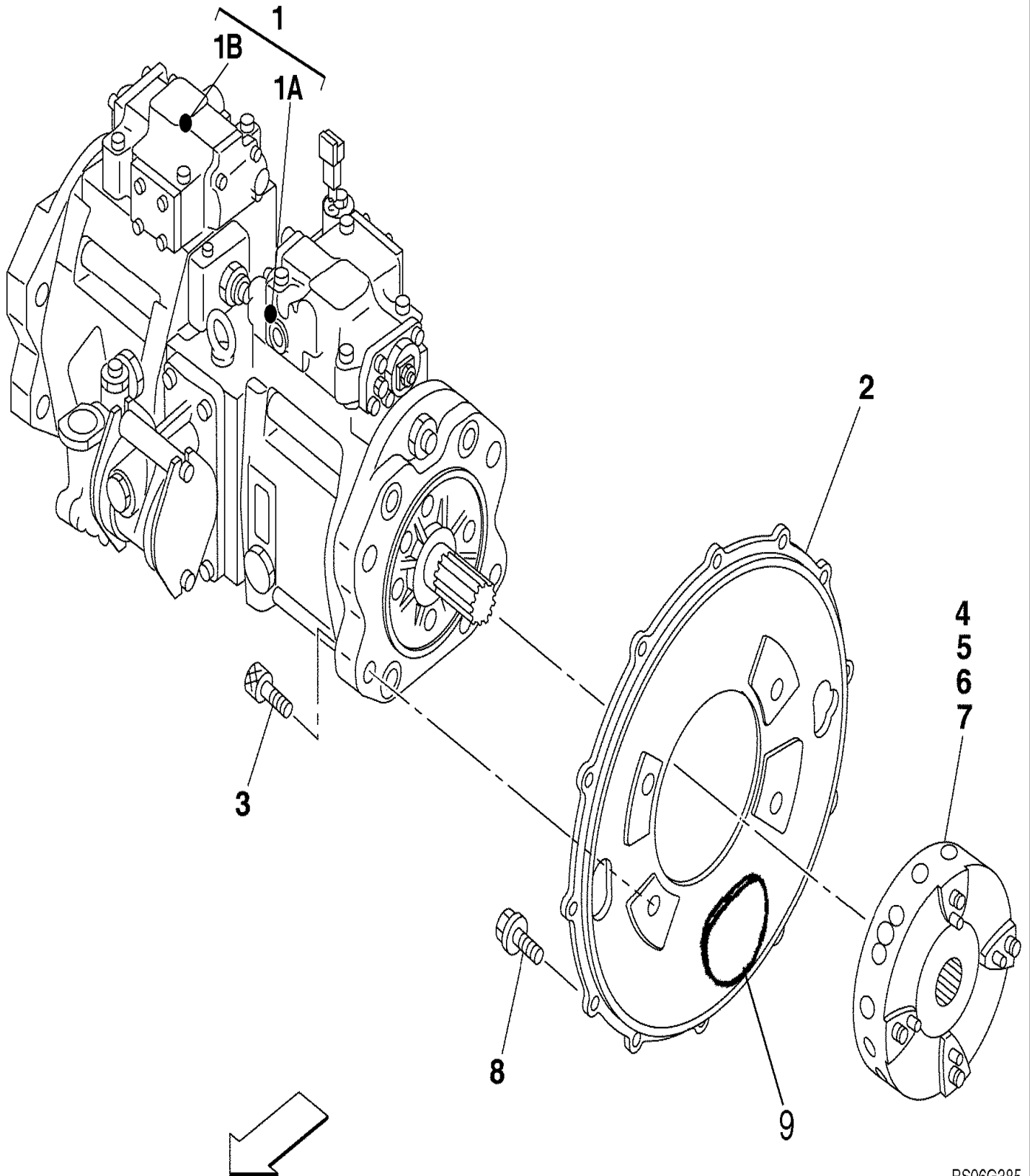
B

08-02

p1

11/2020

PUMP ASSY, HYDRAULIC - COUPLING (Aug 12 2010 11:25AM)



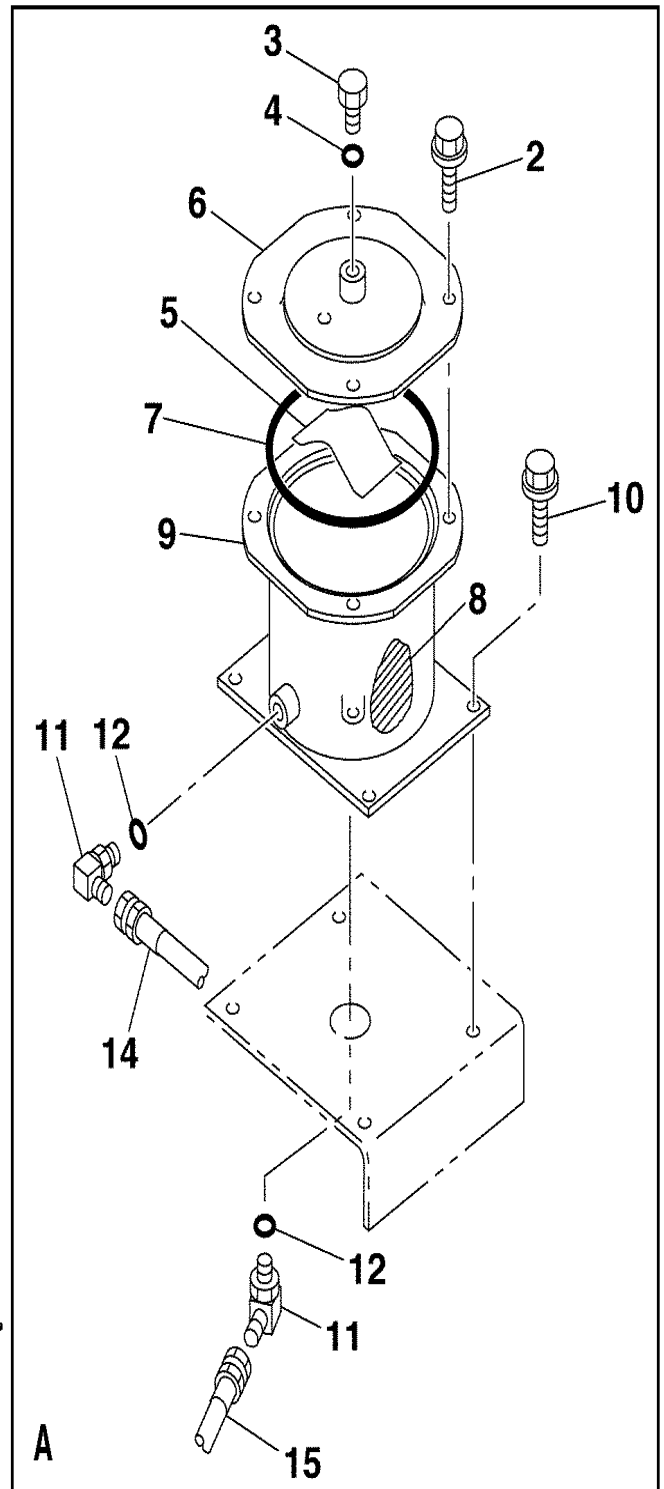
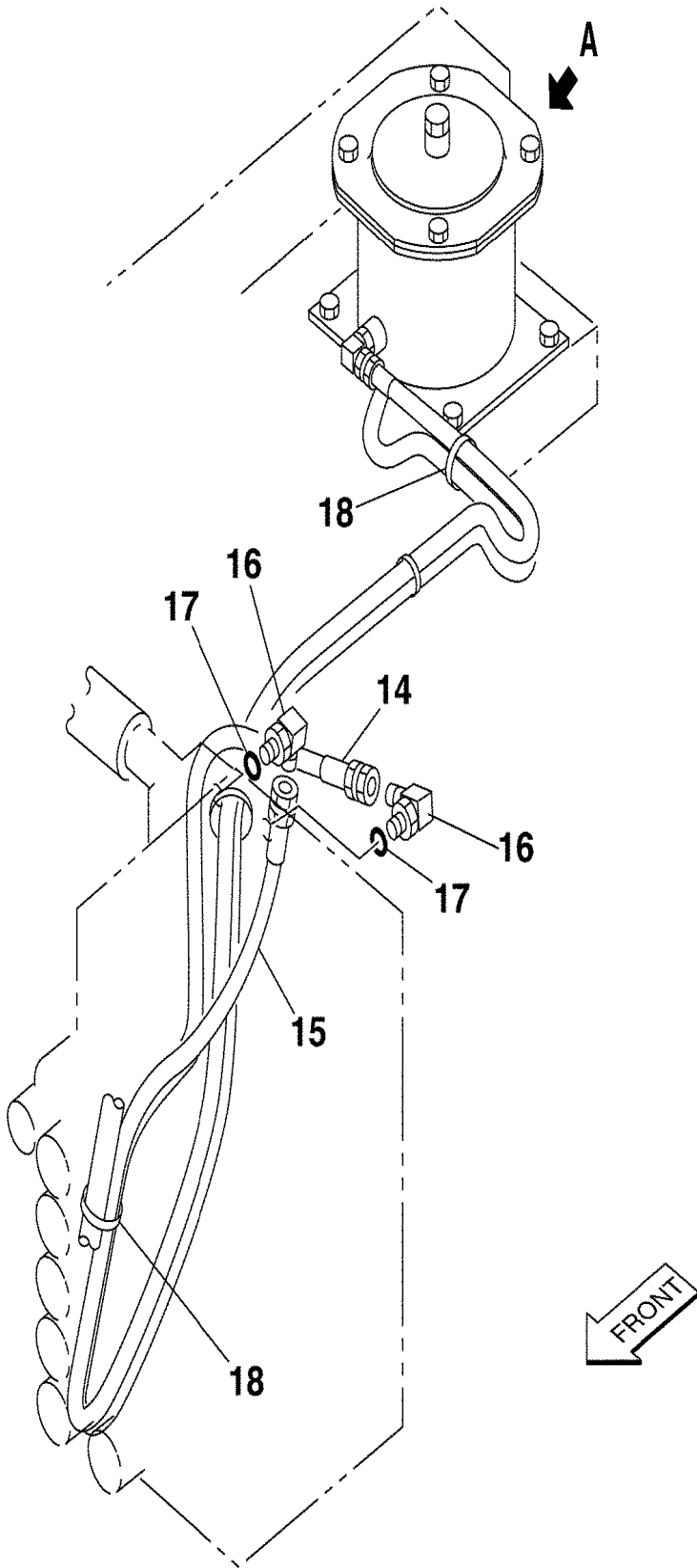
BS06G385

08-06

p1

11/2020

HYDRAULICS - BYPASS FILTER (Mar 9 2011 1:27PM)

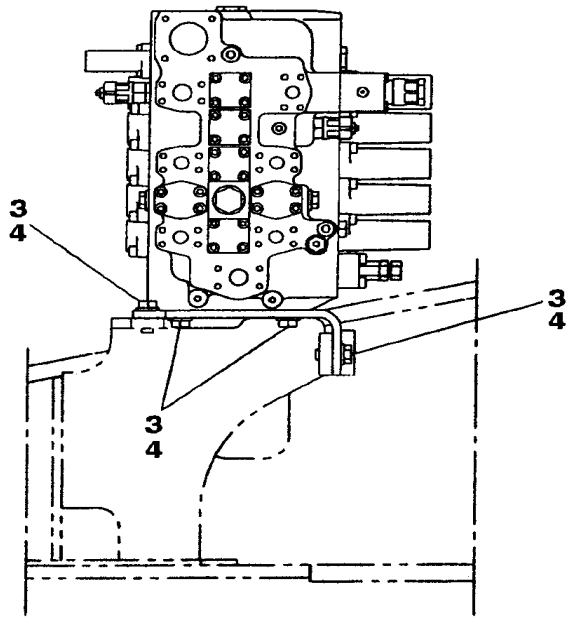
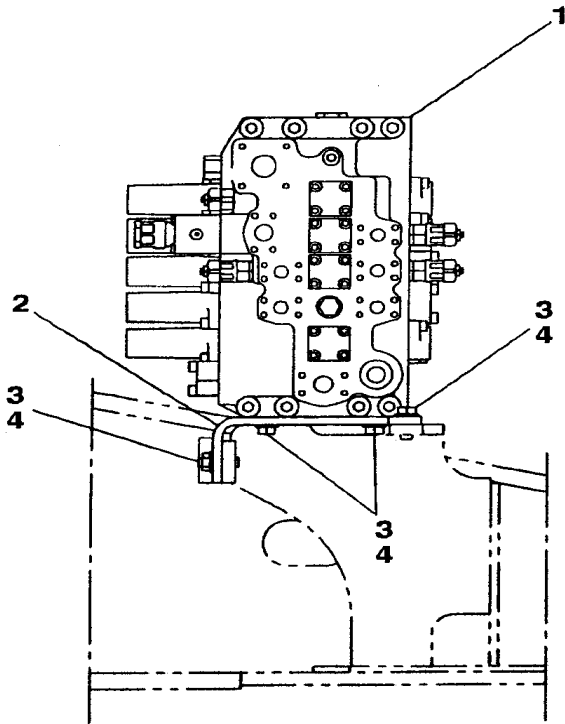
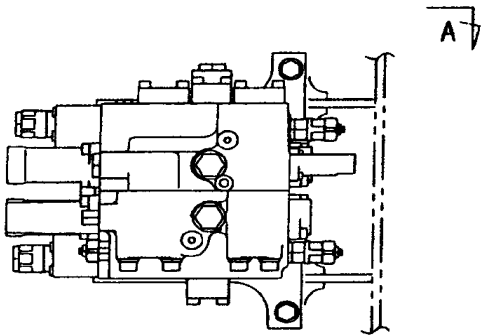


08-100

p1

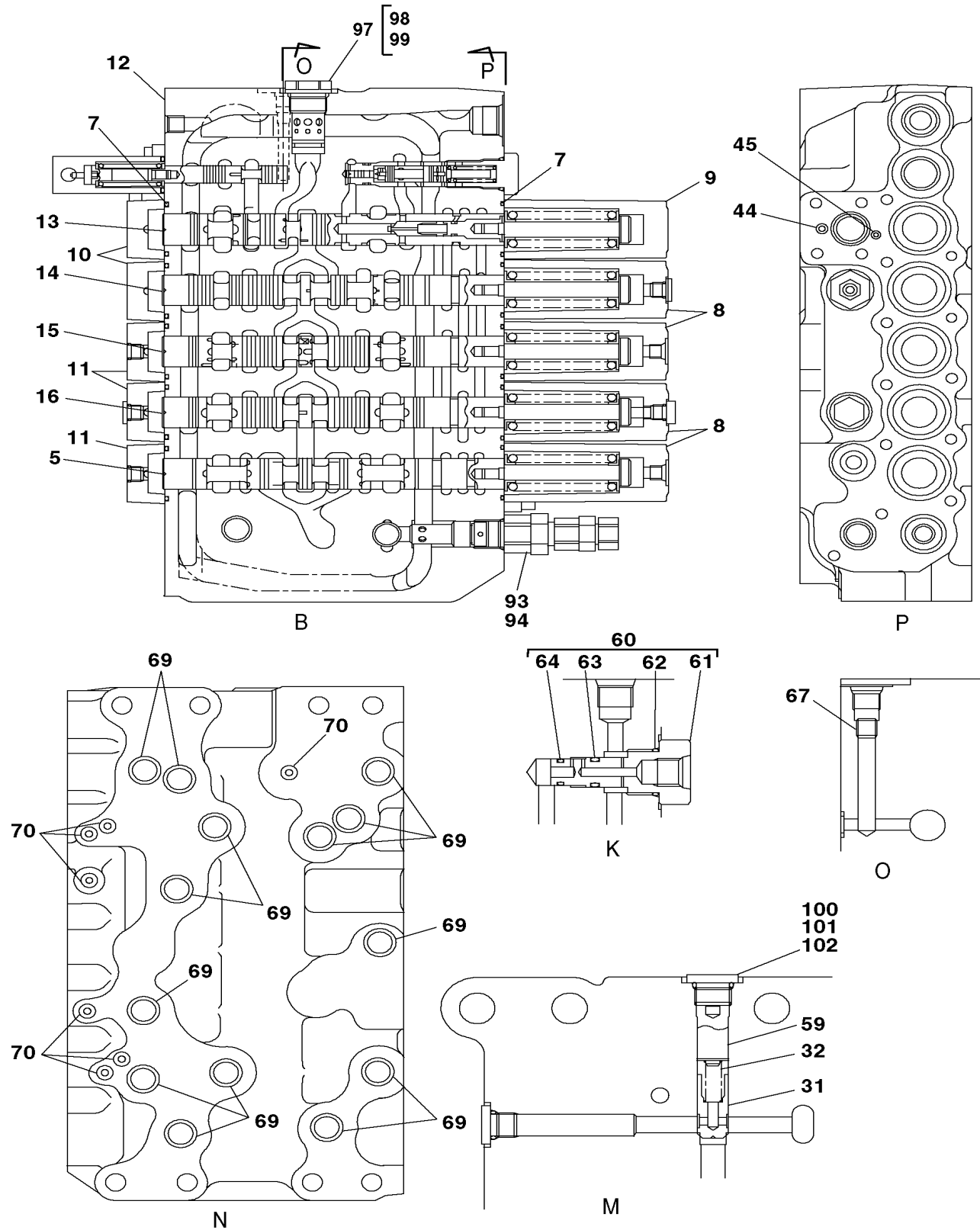
11/202
0

CONTROL VALVE, SUPPORT

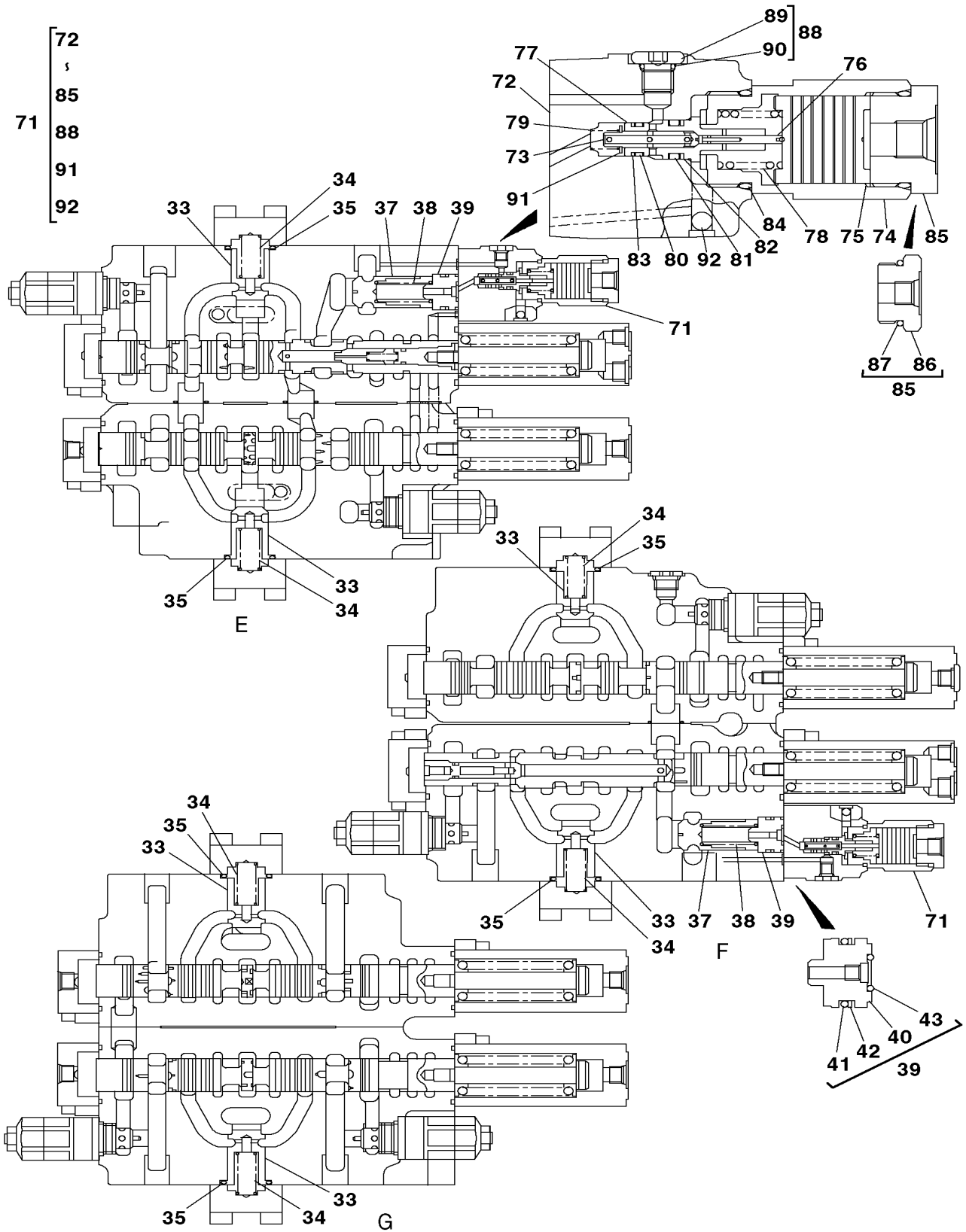


A

CONTROL VALVE, COMPONENTS



CONTROL VALVE, COMPONENTS

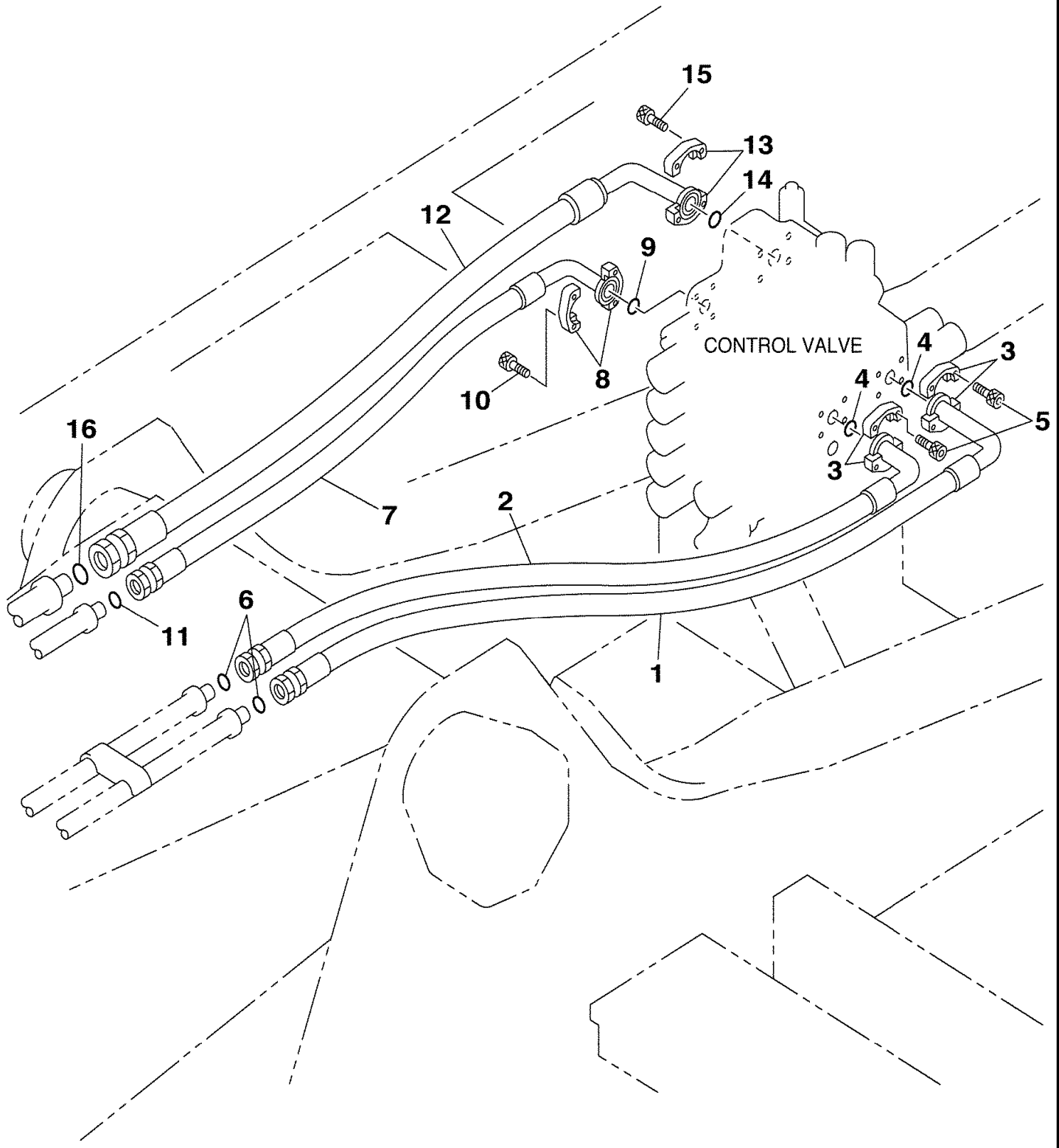


08-11

p1

11/2020

HYDRAULICS - ARM AND BUCKET

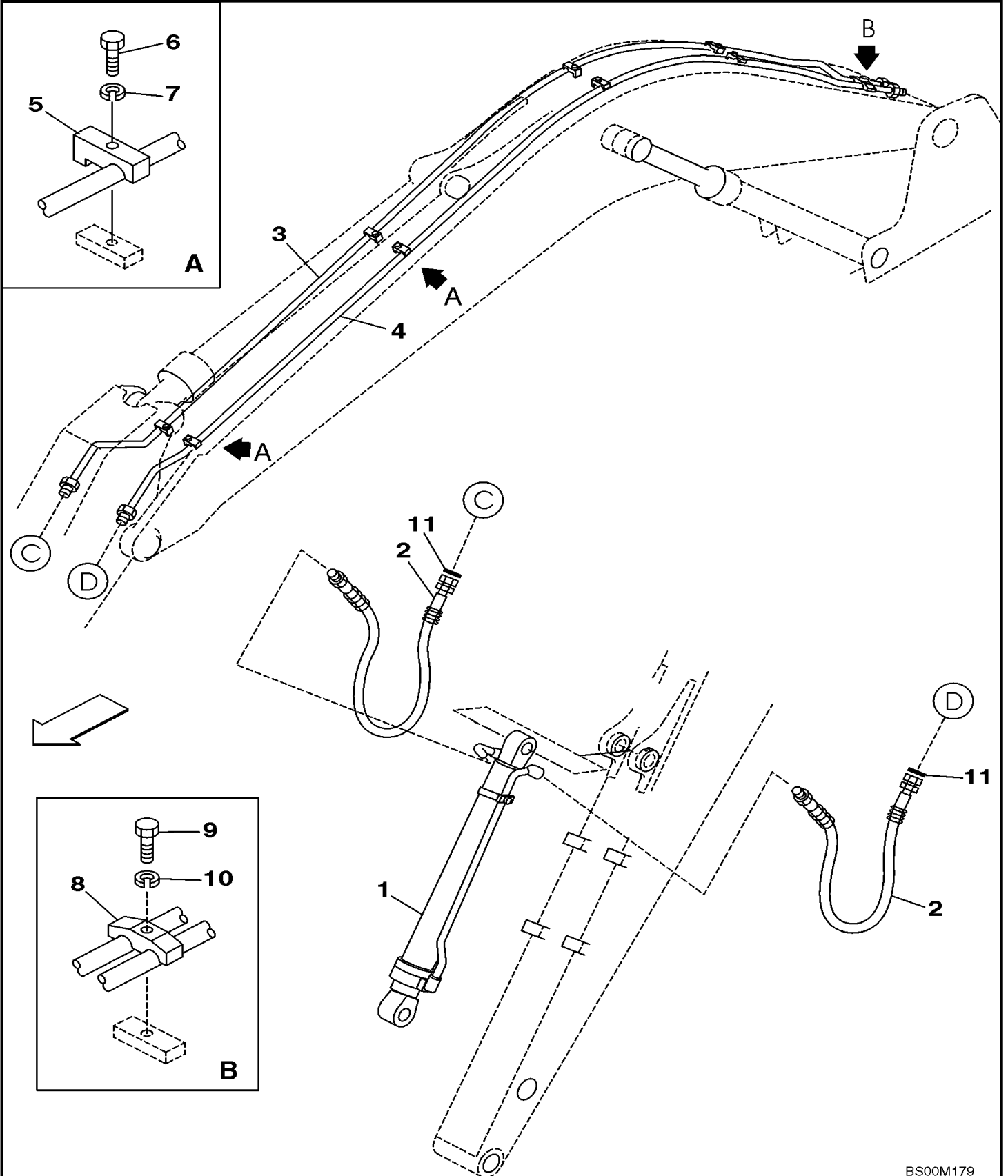


08-13A

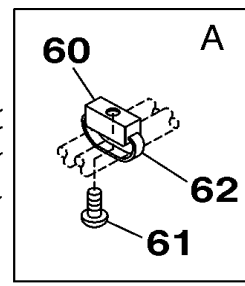
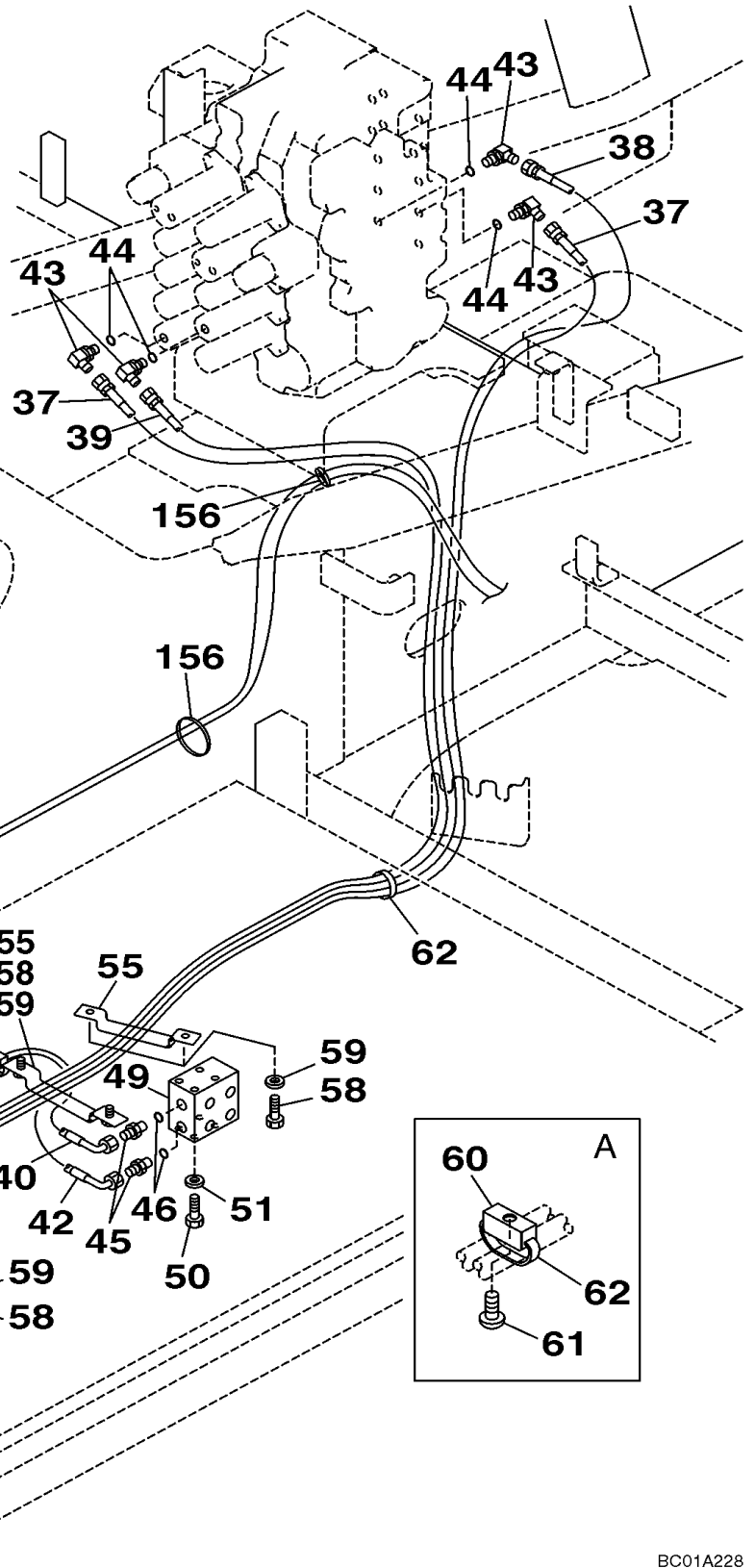
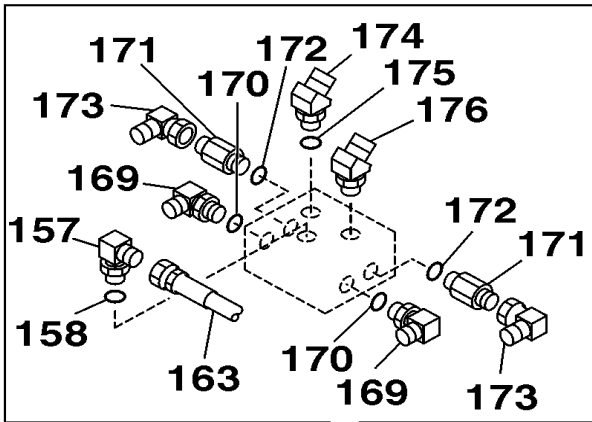
p1

11/202
0

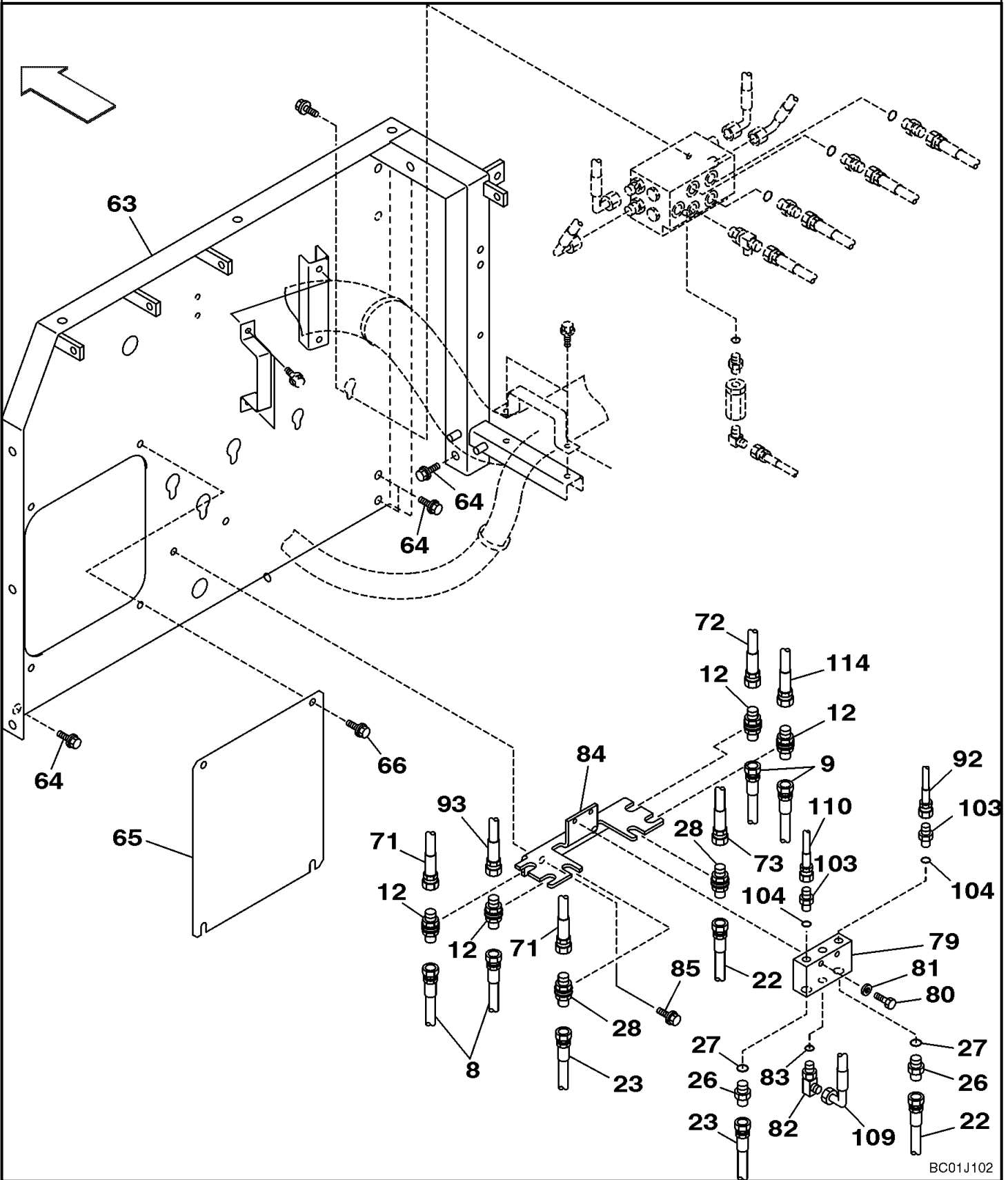
HYDRAULICS - BUCKET, 3,50 M (11 FT 6 IN) ARM



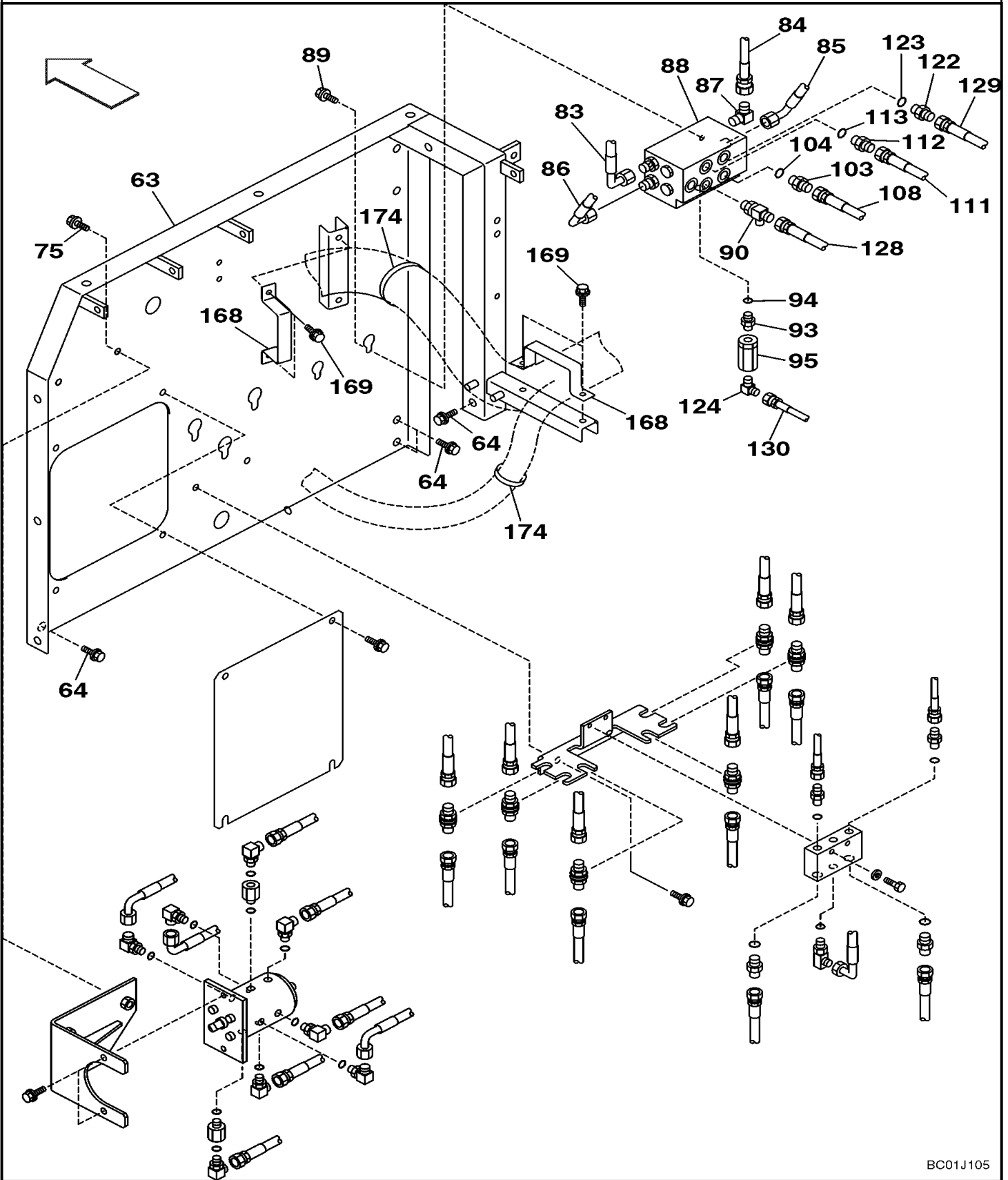
PILOT CONTROL LINES, TRAVEL - MODELS WITH LOAD HOLD & CONTROL SELECTOR VALVE



PILOT CONTROL LINES, PARTITION - MODELS WITHOUT LOAD HOLD



PILOT CONTROL LINES, PARTITION - MODELS WITH CONTROL SELECTOR VALVE

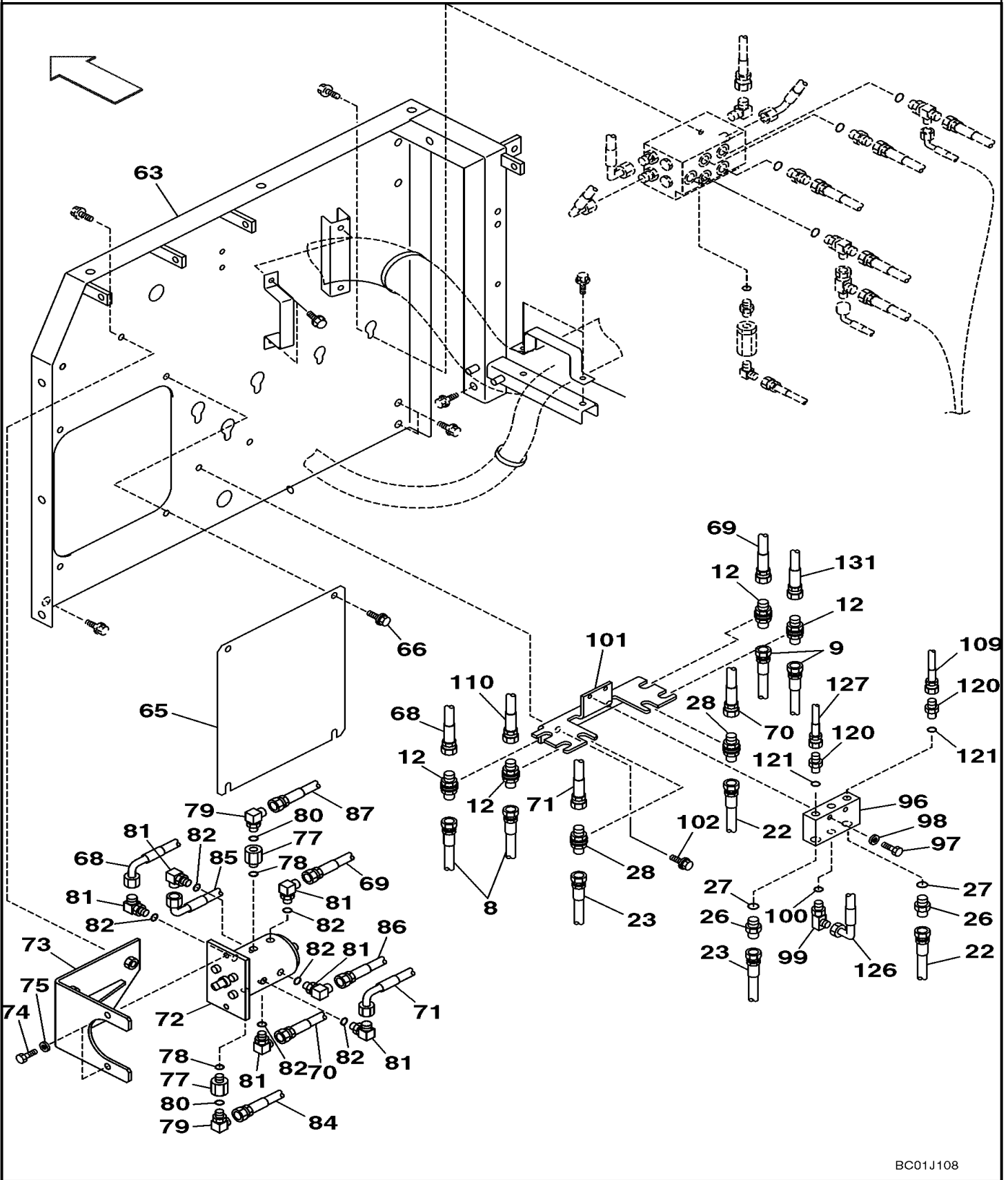


08-21C

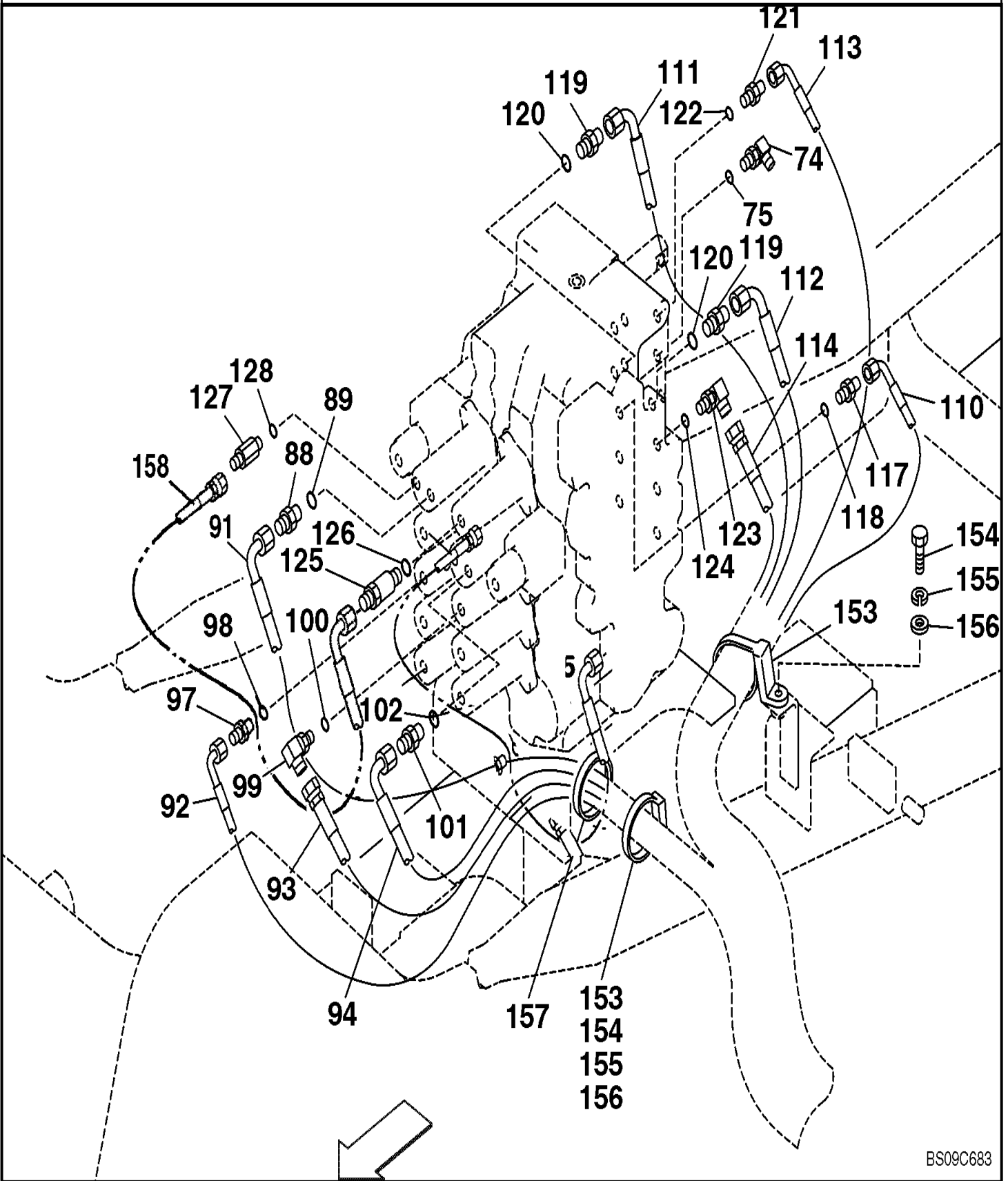
p1

11/202
0

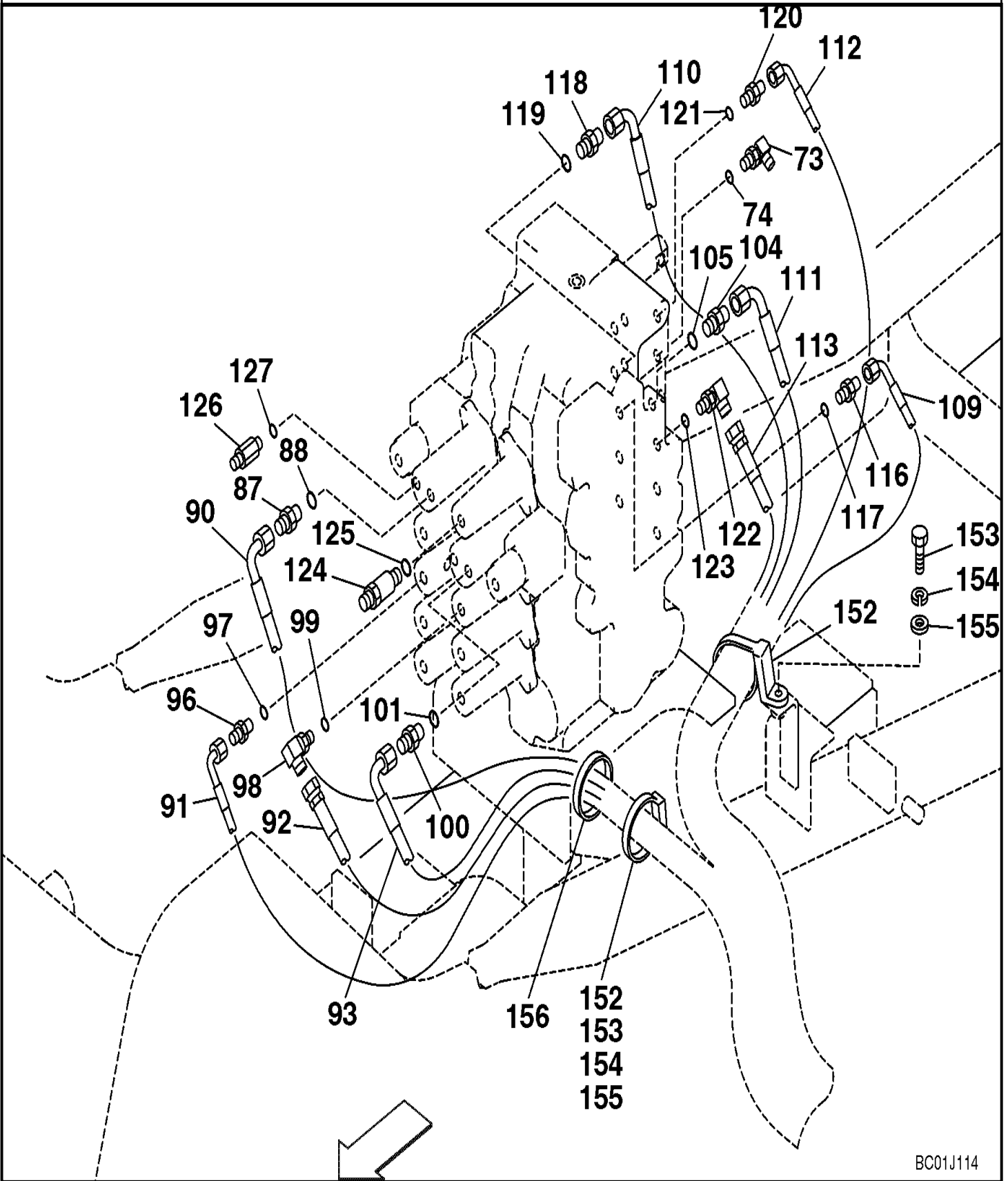
PILOT CONTROL LINES, PARTITION - MODELS WITH LOAD HOLD & CONTROL SELECTOR VALVE



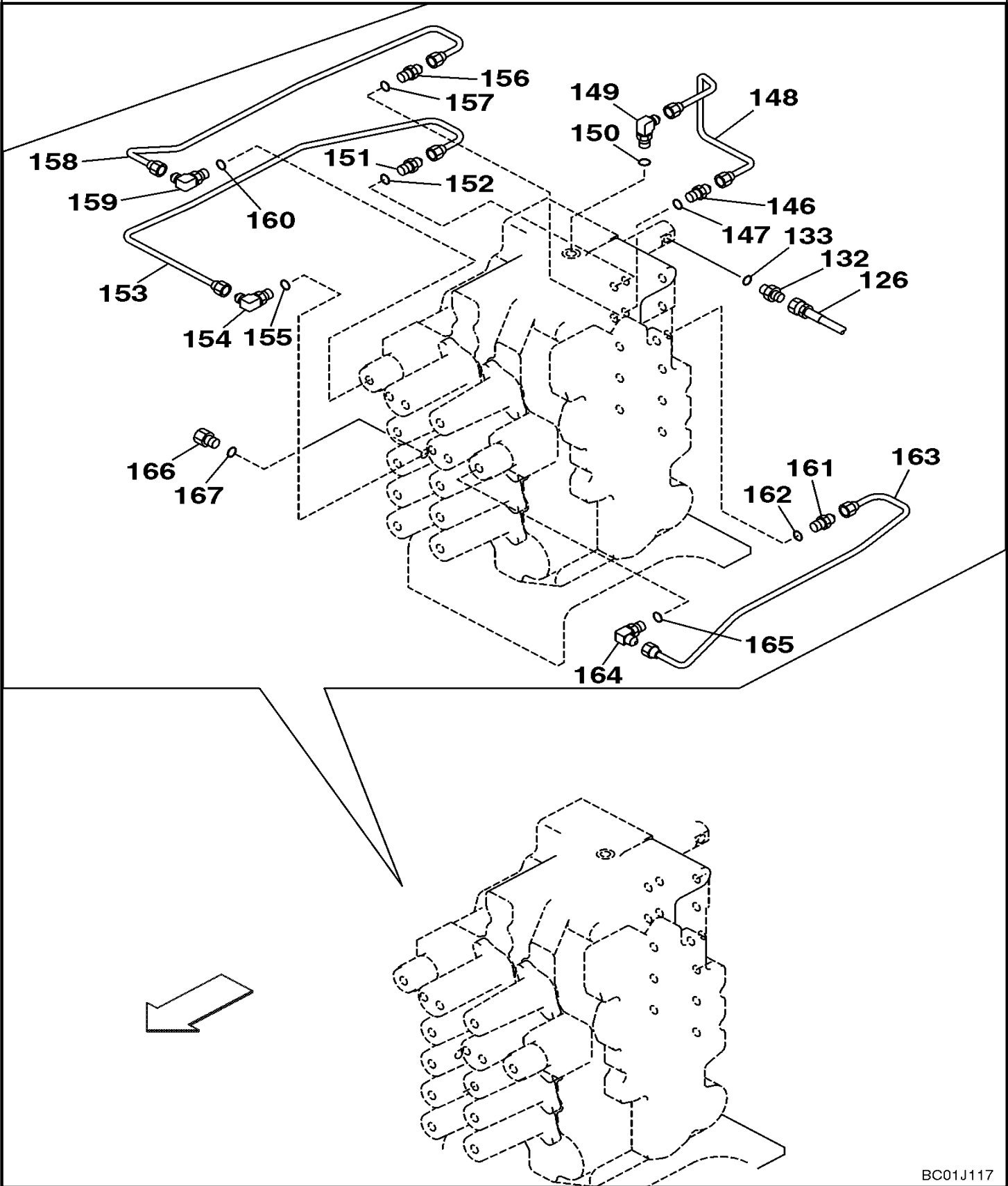
PILOT CONTROL LINES, CONTROL VALVE - MODELS WITHOUT LOAD HOLD



PILOT CONTROL LINES, CONTROL VALVE - MODELS WITH LOAD HOLD



PILOT CONTROL LINES, CONTROL VALVE - MODELS WITH LOAD HOLD & CONTROL SELECTOR VALVE

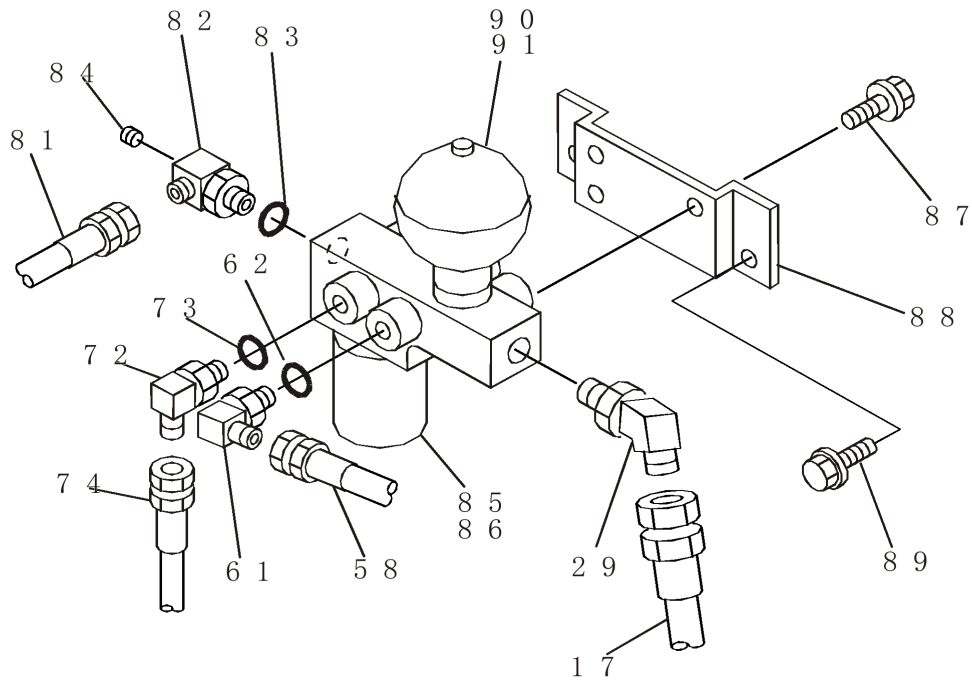


08-28

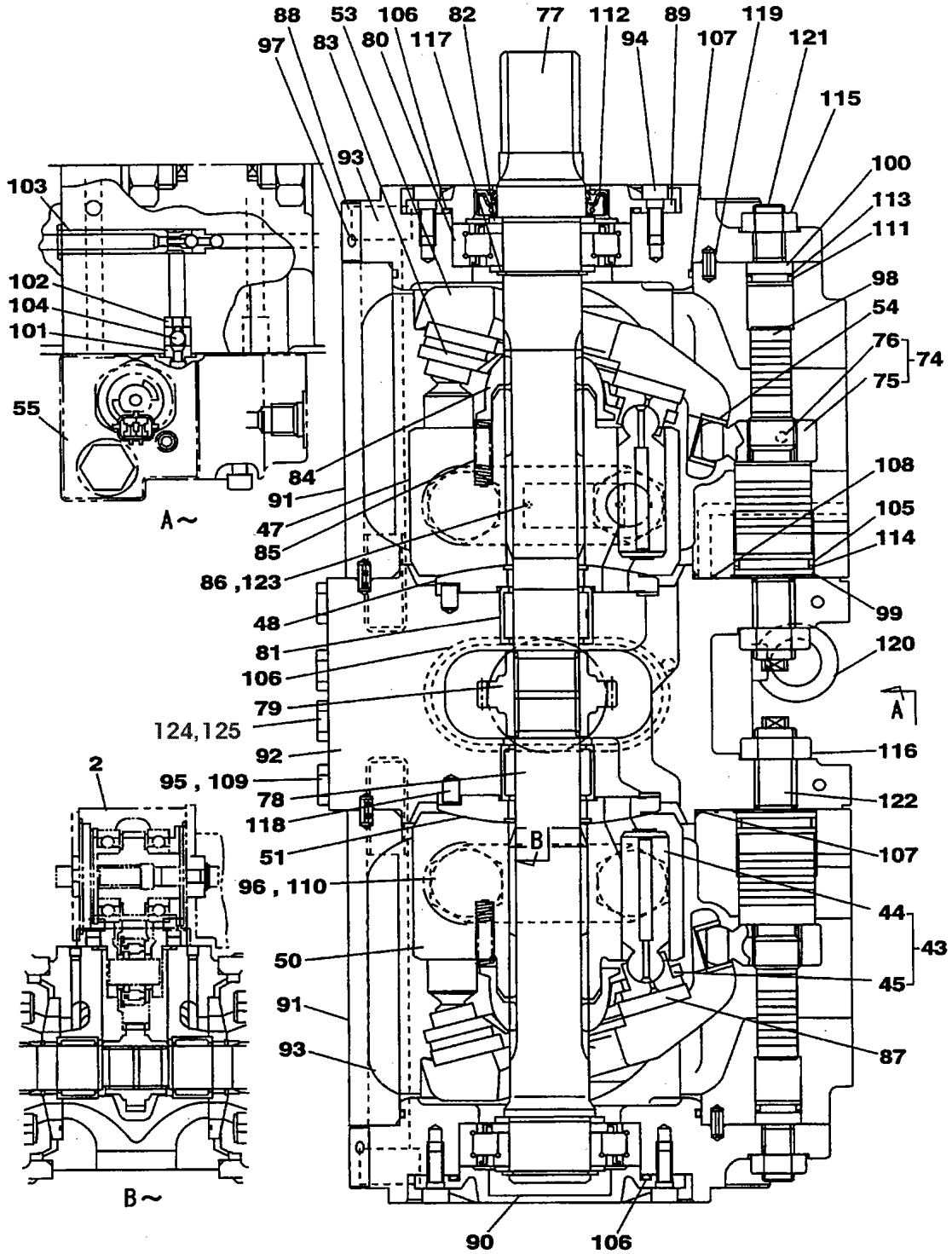
p1

11/202
0

ACCUMULATOR - PILOT PRESSURE, RETURN LINES (Nov 3 2009 8:16AM)



PUMP ASSY, HYDRAULIC - PISTON (Nov 3 2009 8:16AM)

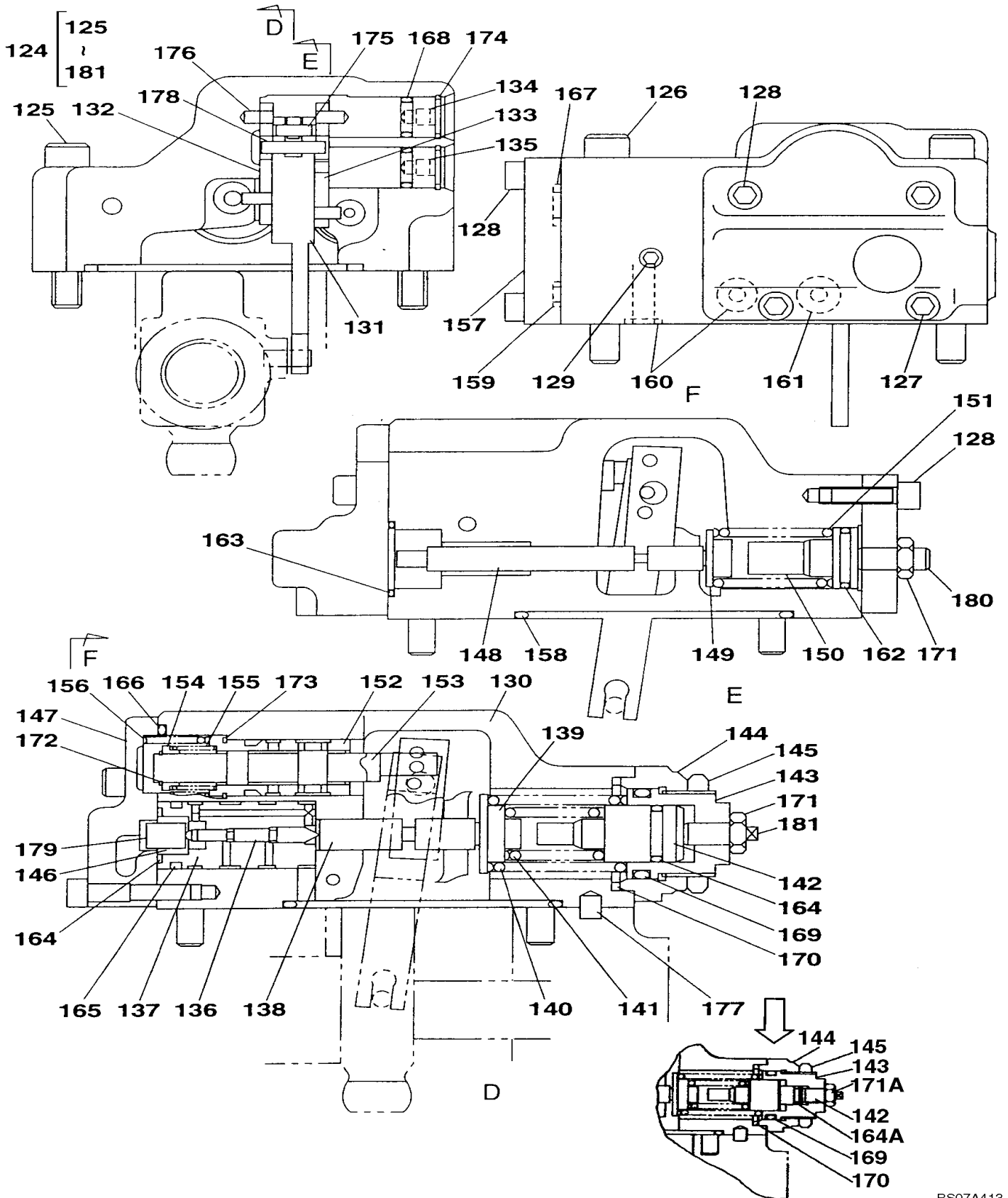


08-34

p1

11/202
0

PUMP ASSY, HYDRAULIC - REGULATOR (Nov 3 2009 8:16AM)

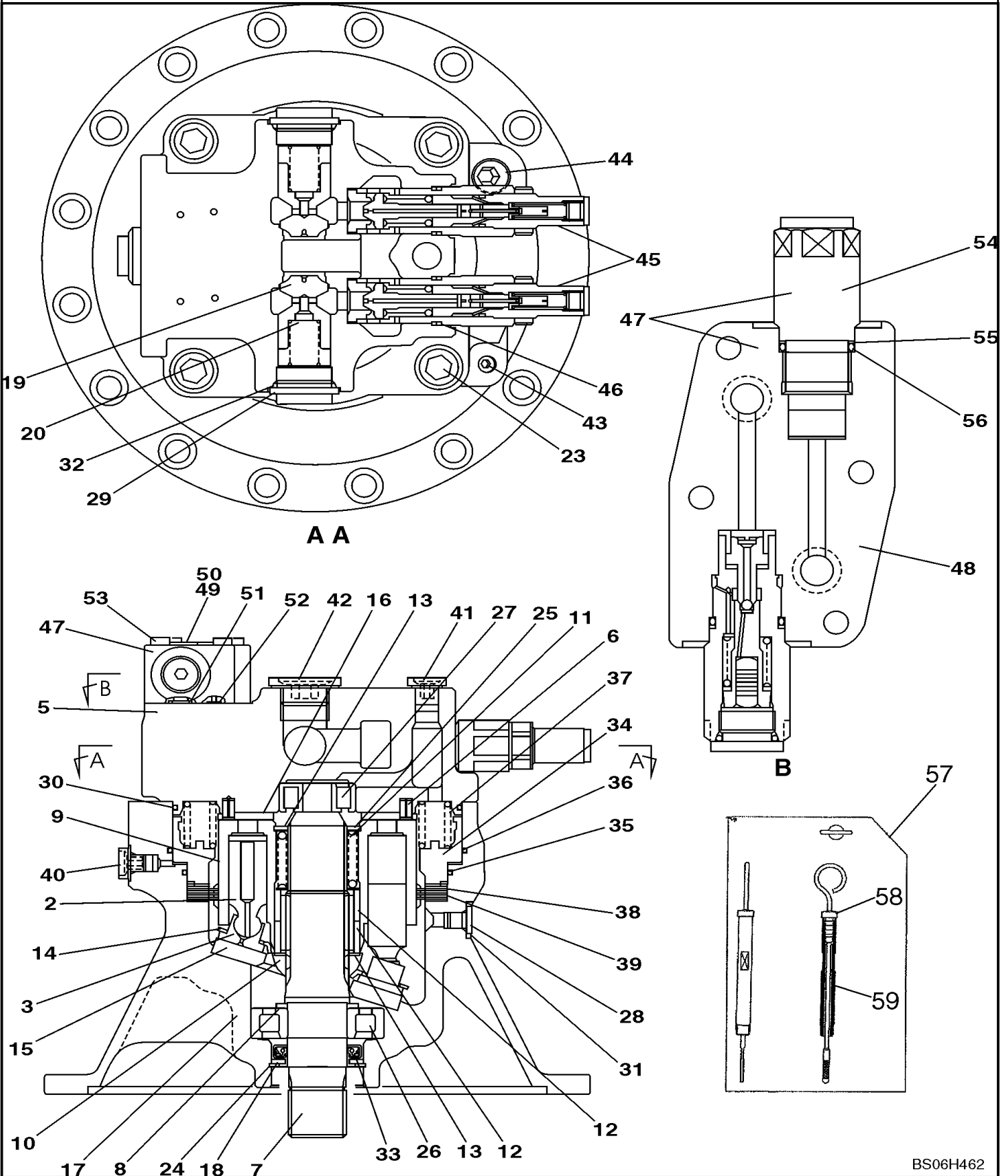


08-36

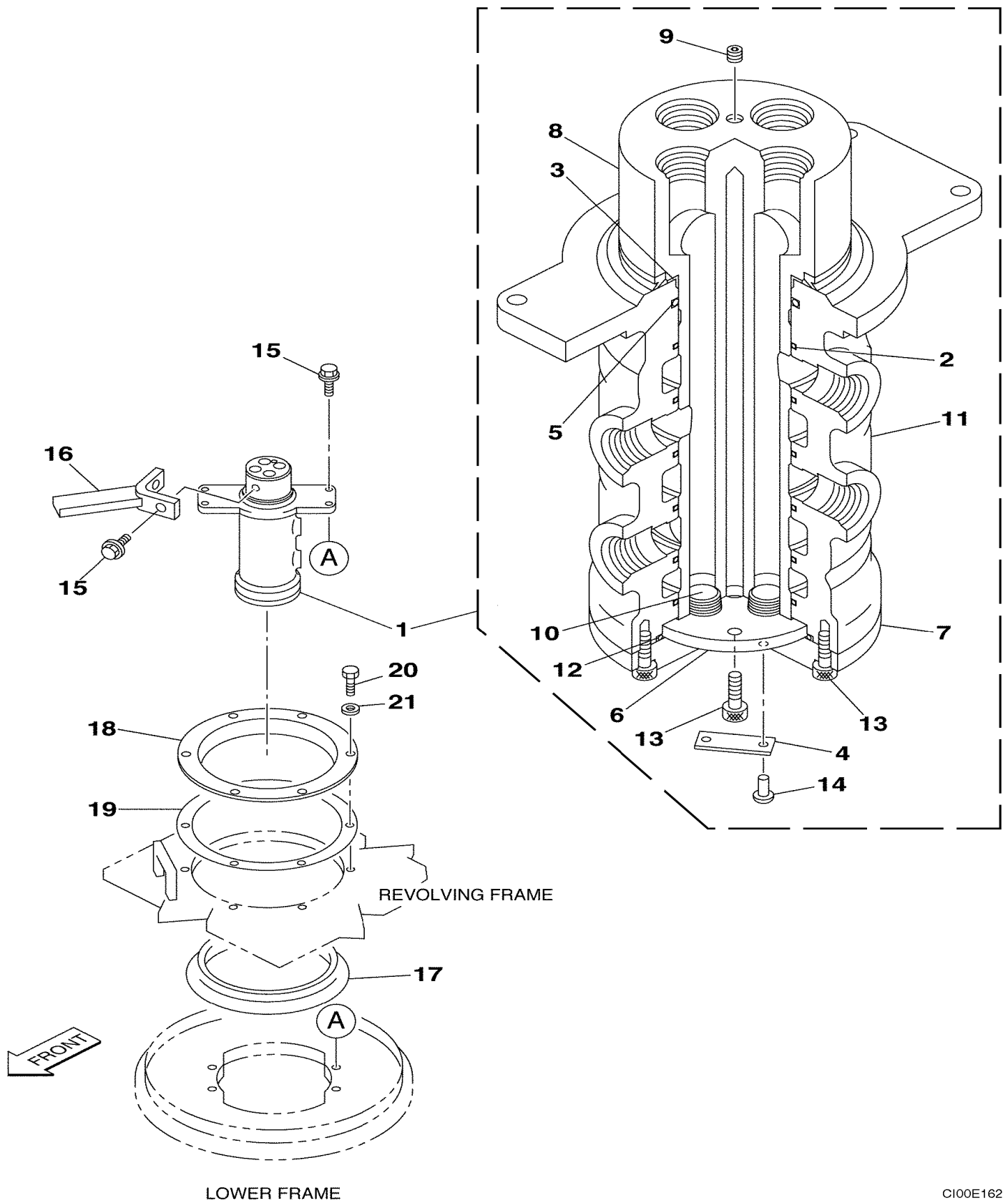
p2

11/202
0

KBC0108 MOTOR ASSY - SWING



HYDRAULICS - JOINT, SWIVEL CENTER, - P.I.N. DAC0724306

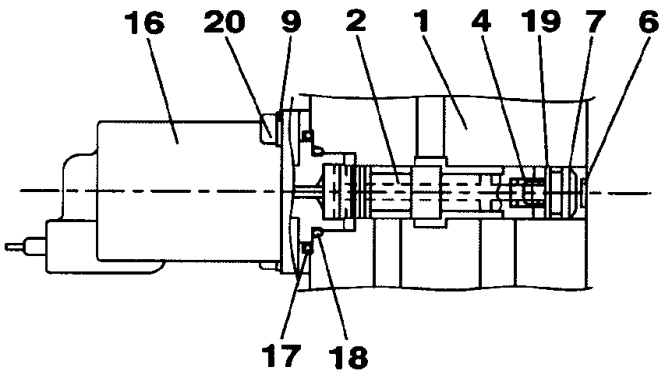
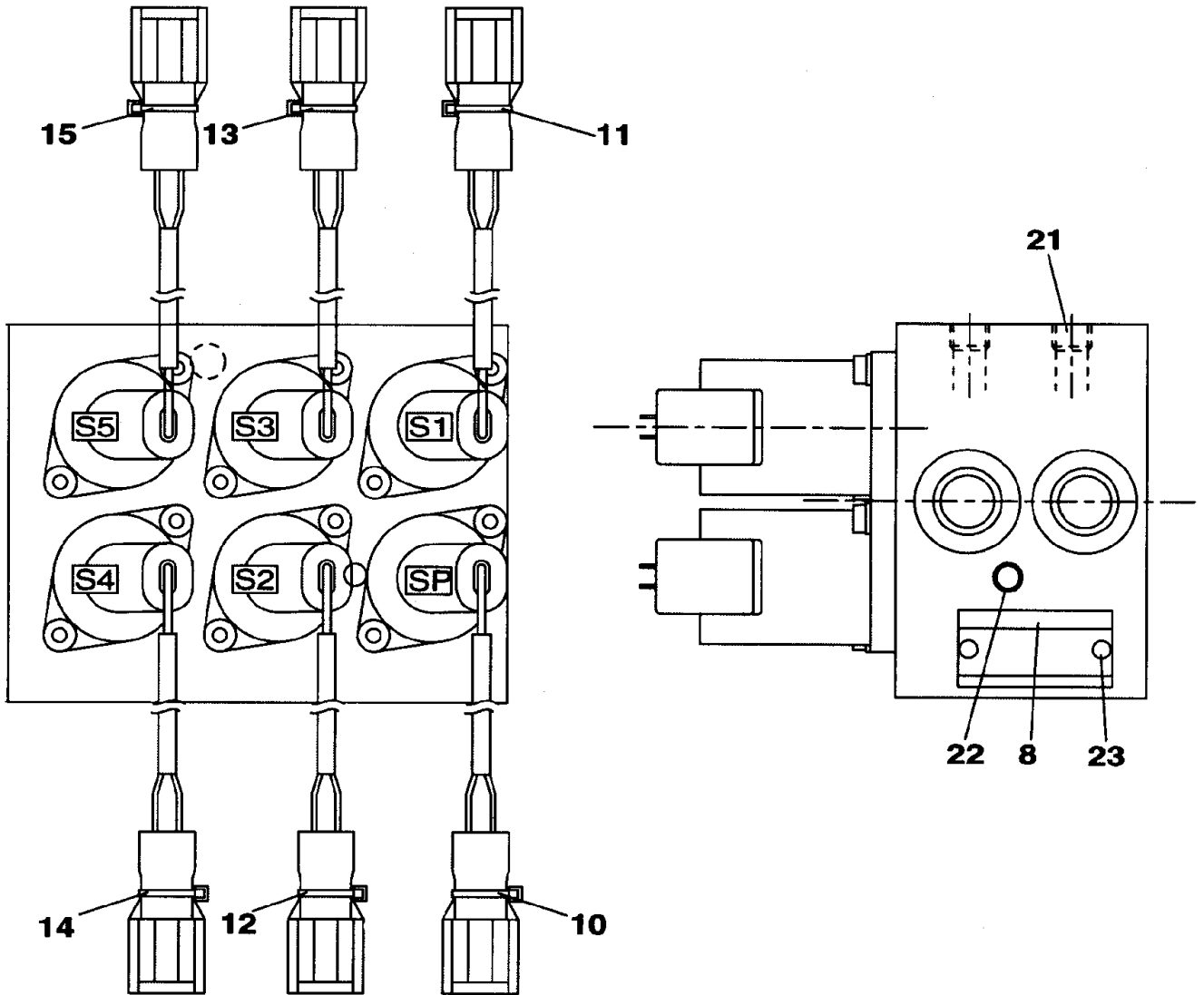


08-44C

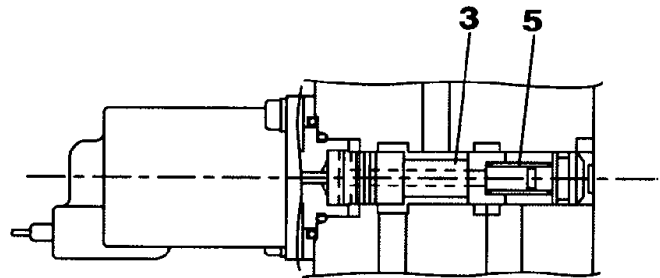
p1

11/202
0

VALVE, SOLENOID

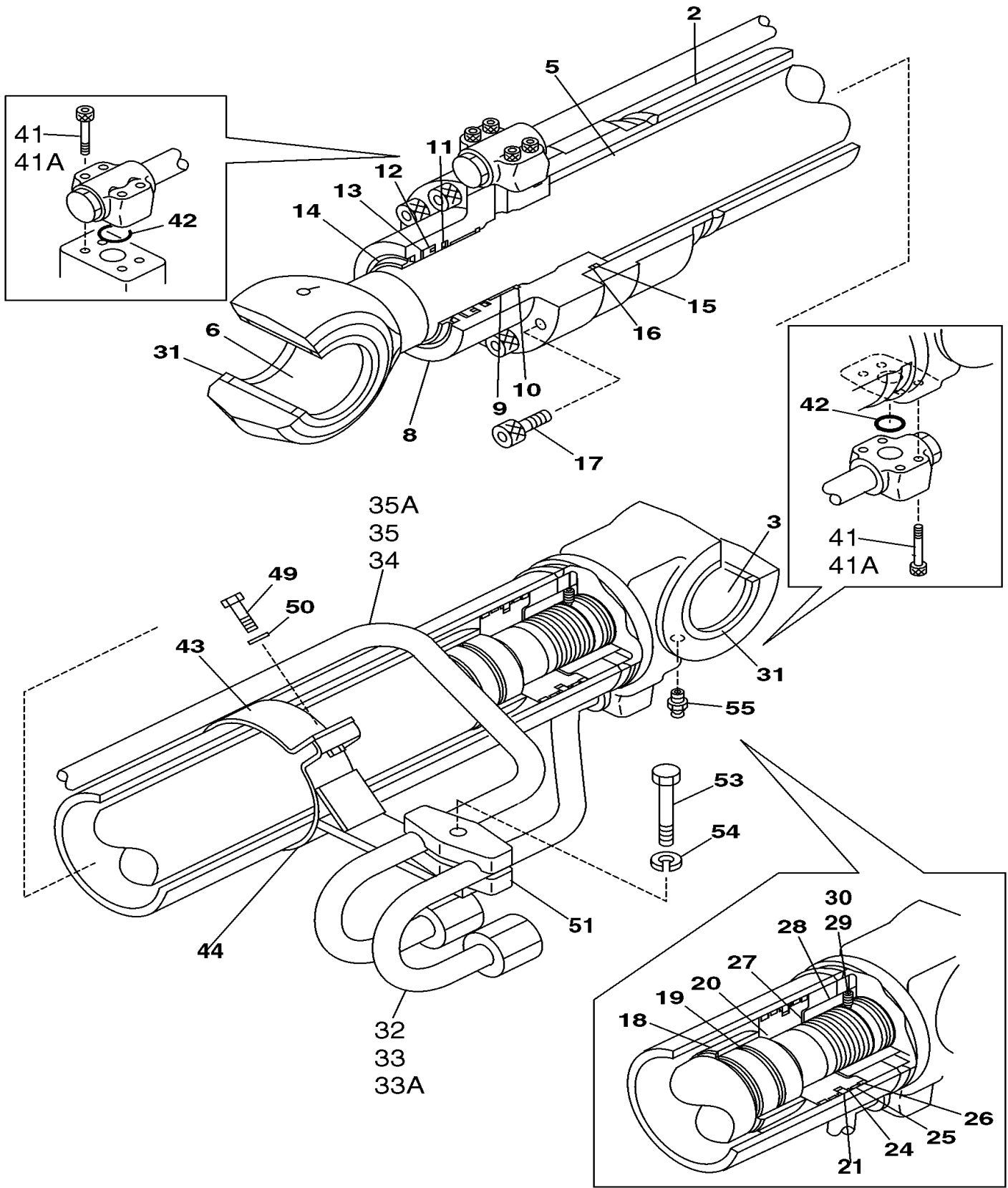


SP, S1, S3, S4, S5



S2

CYLINDER ASSY, BOOM, RIGHT HAND - MODELS WITHOUT LOAD HOLD



CLICK HERE TO **DOWNLOAD** THE COMPLETE MANUAL

- Thank you very much for reading the preview of the manual.
- You can download the complete manual from: www.heydownloads.com by clicking the link below



- Please note: If there is no response to CLICKING the link, please download this PDF first and then click on it.

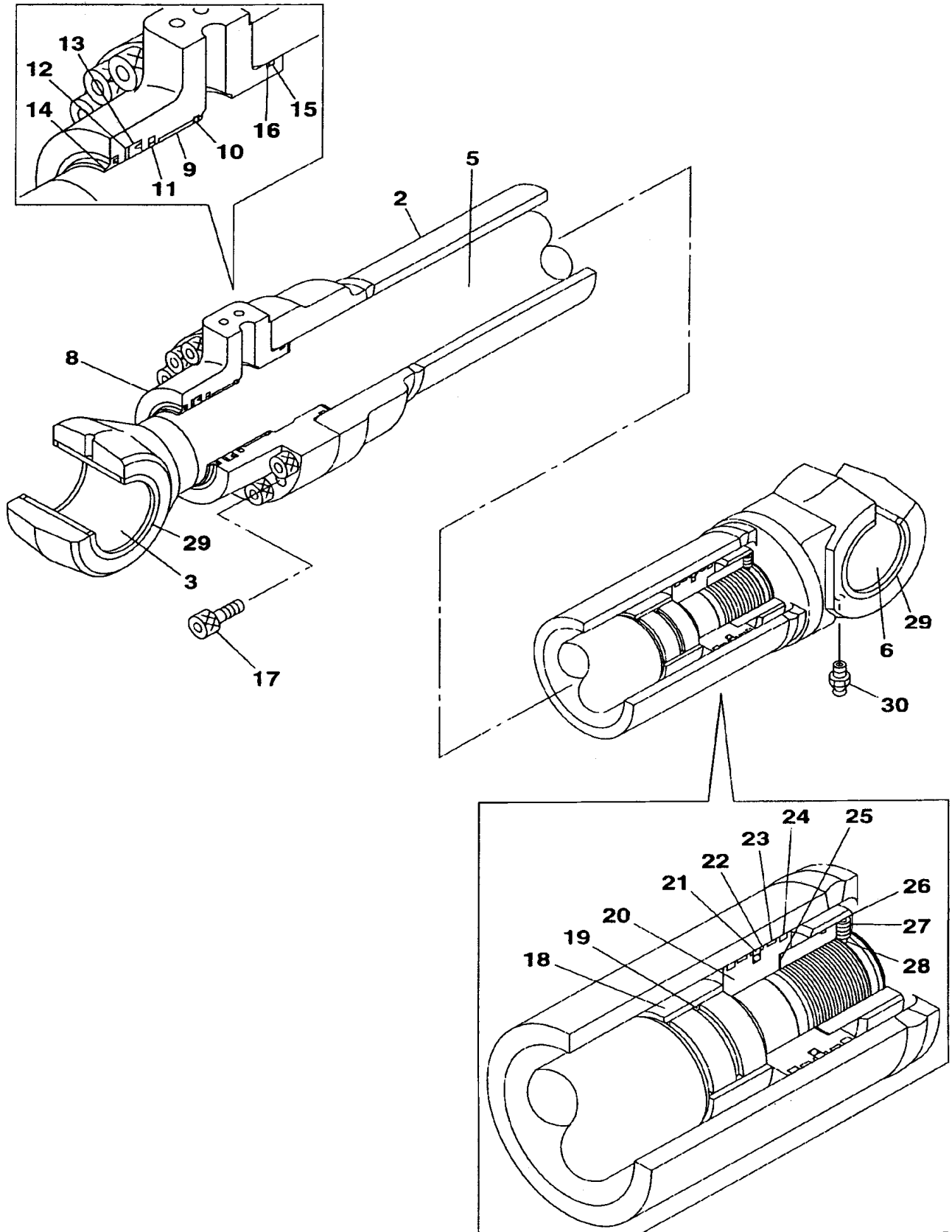
CLICK HERE TO **DOWNLOAD** THE COMPLETE MANUAL

08-47A

p1

11/202
0

CYLINDER ASSY, BOOM - MODELS WITH LOAD HOLD

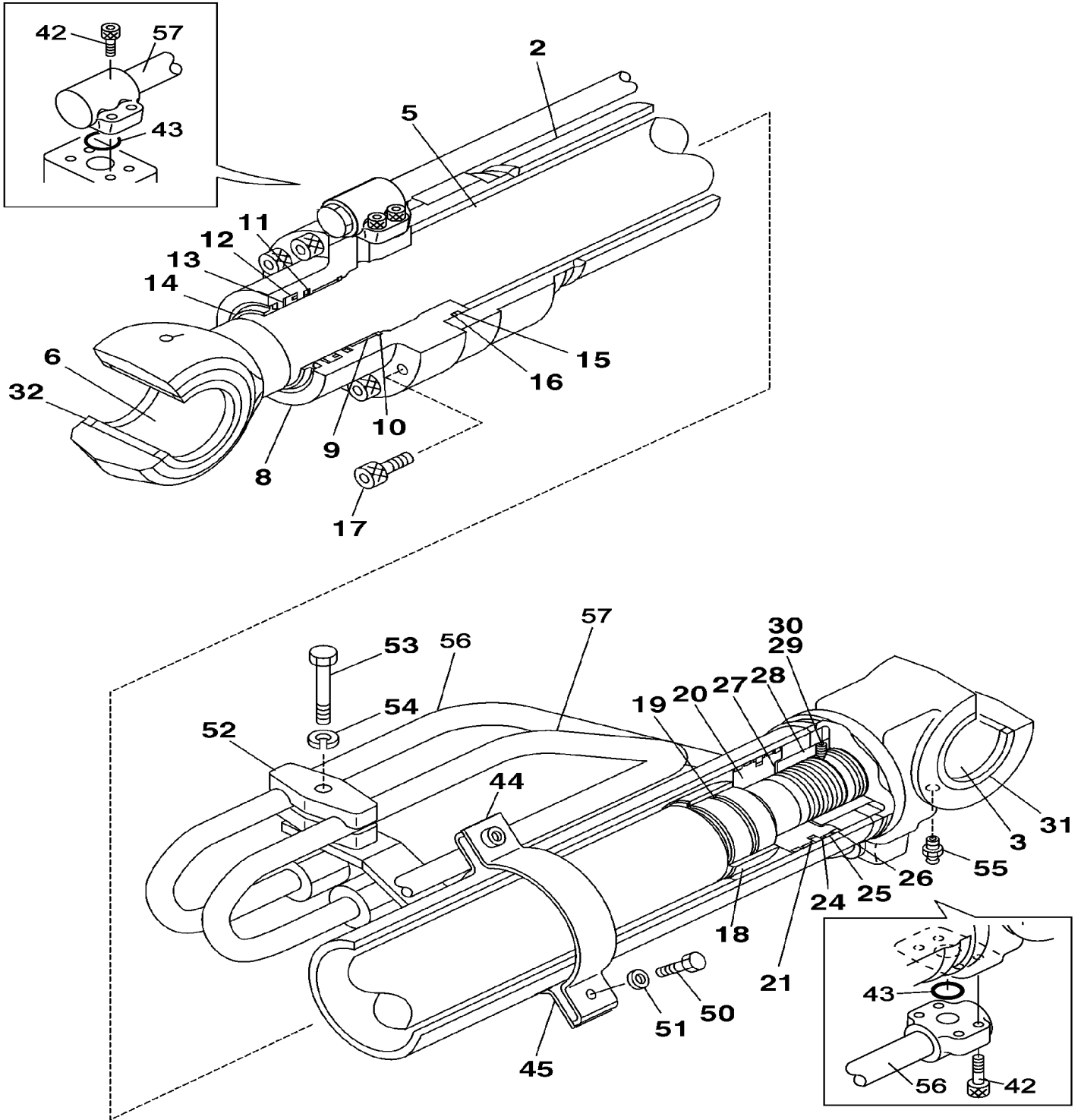


08-47C

p2

11/202
0

BOOM CYLINDER - LEFT - WITHOUT VALVE, PRESSURE RELIEF



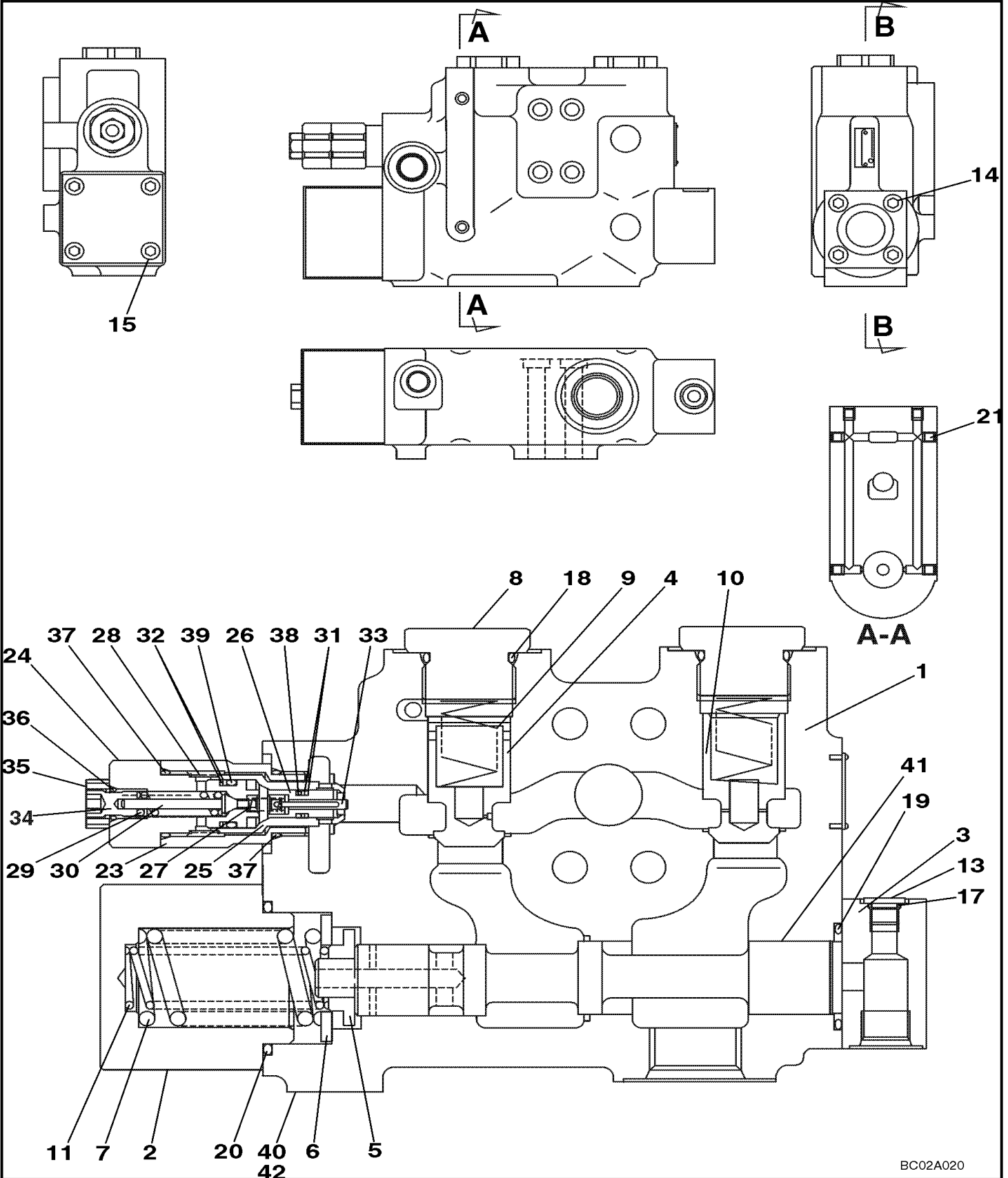
CX210 LC DCH21B0621 And After / CX210 NLC DCH21N0132 And After / CX210 LR DCH21B0621 And After / CX230 DC23N0001 And After

08-48B

p1

11/202
0

VALVE ASSY, RELIEF - ARM CYLINDER, MODELS WITH LOAD HOLD



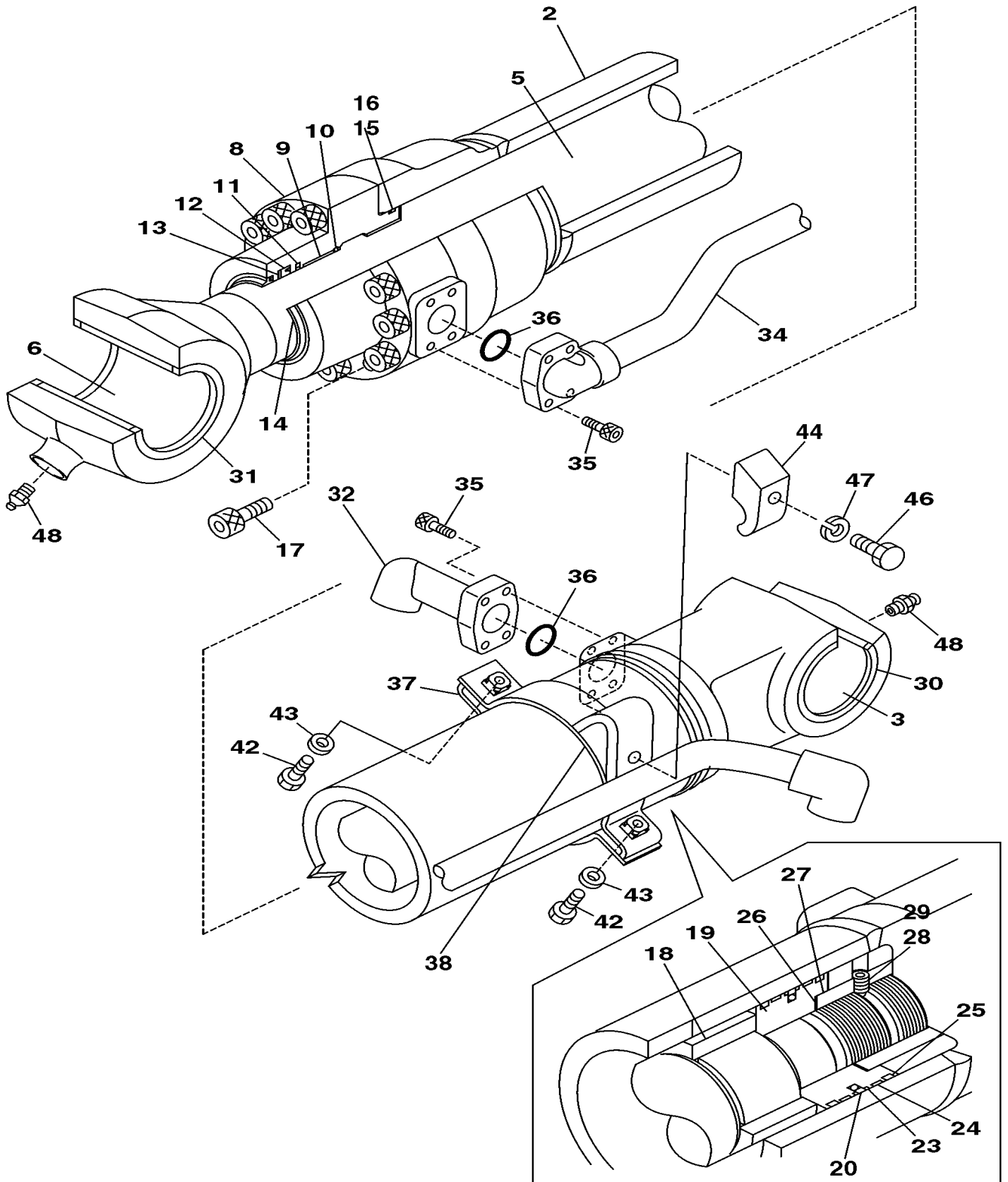
08-49

01

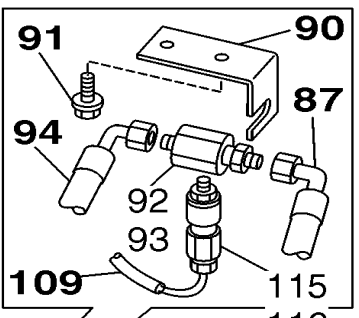
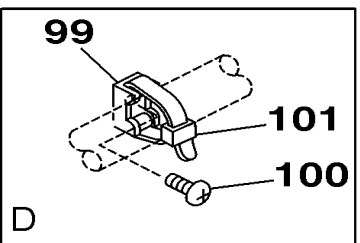
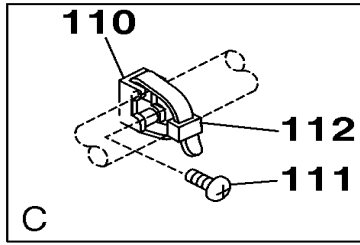
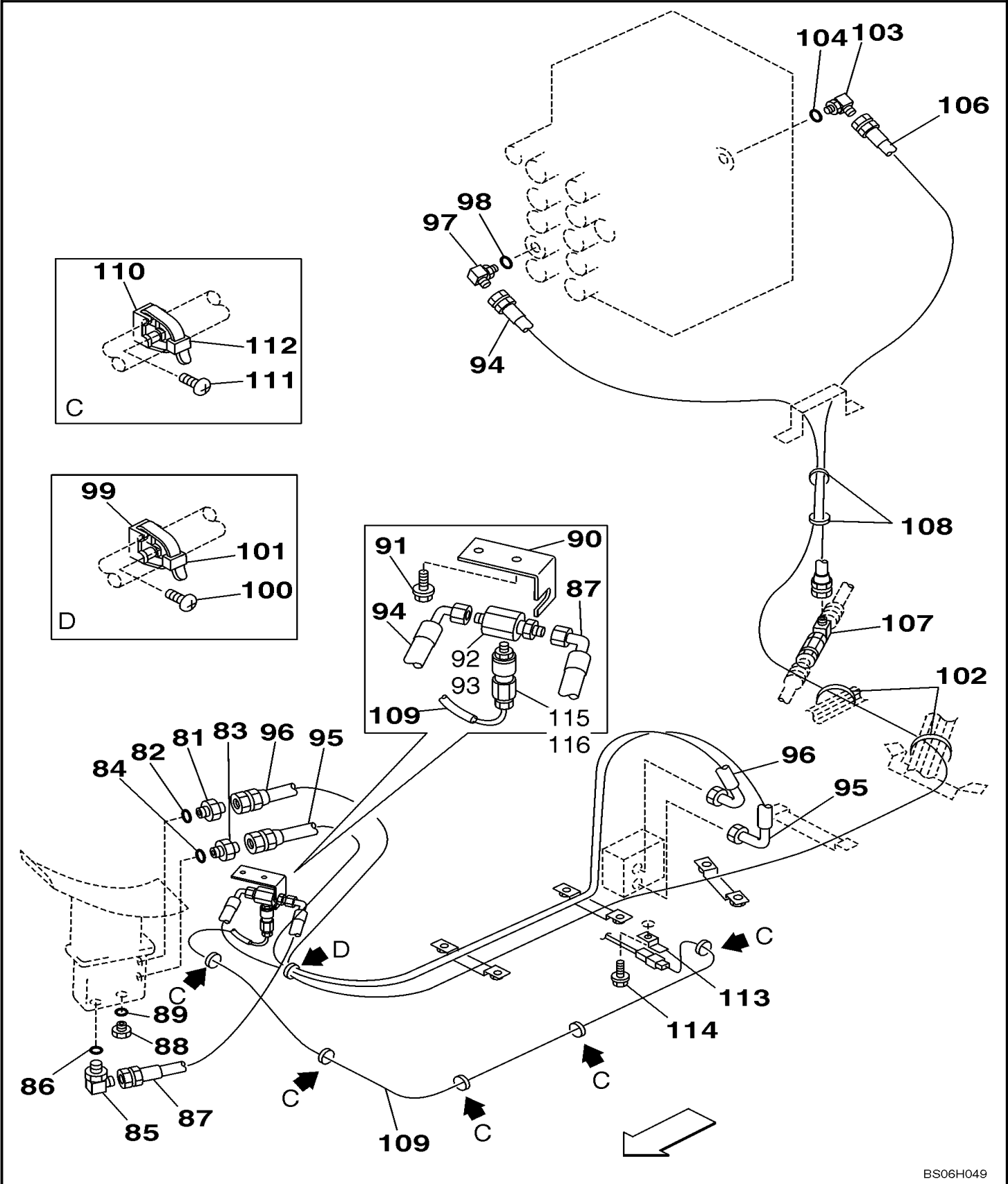
p2

11/2020

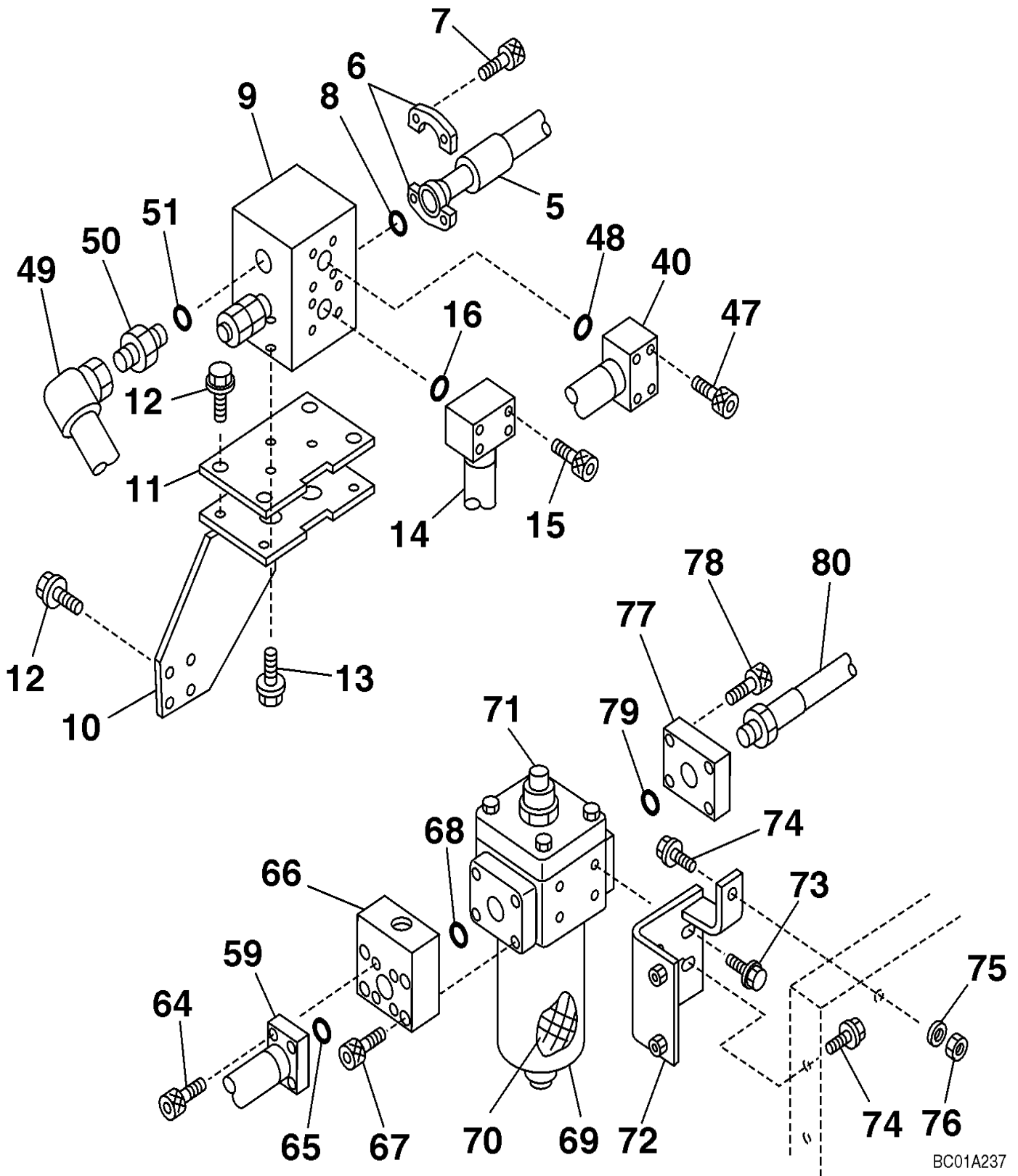
CYLINDER, ASSY - BUCKET (KBV1790)



HYDRAULICS, AUXILIARY - SINGLE ACTING CIRCUIT, PEDAL ACTIVATED



HYDRAULICS, AUXILIARY - SINGLE ACTING CIRCUIT, HAND OPERATED

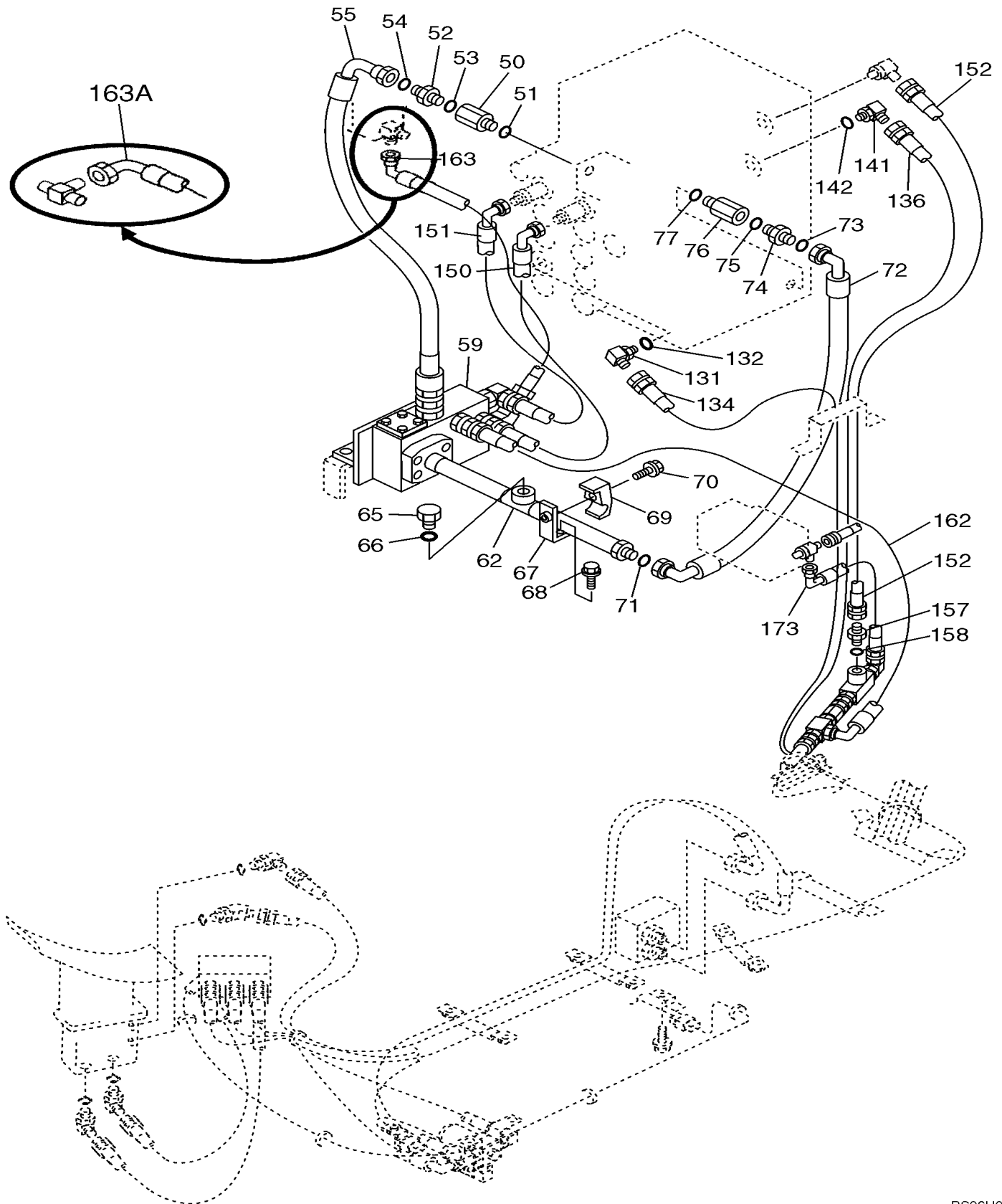


08-54

p1

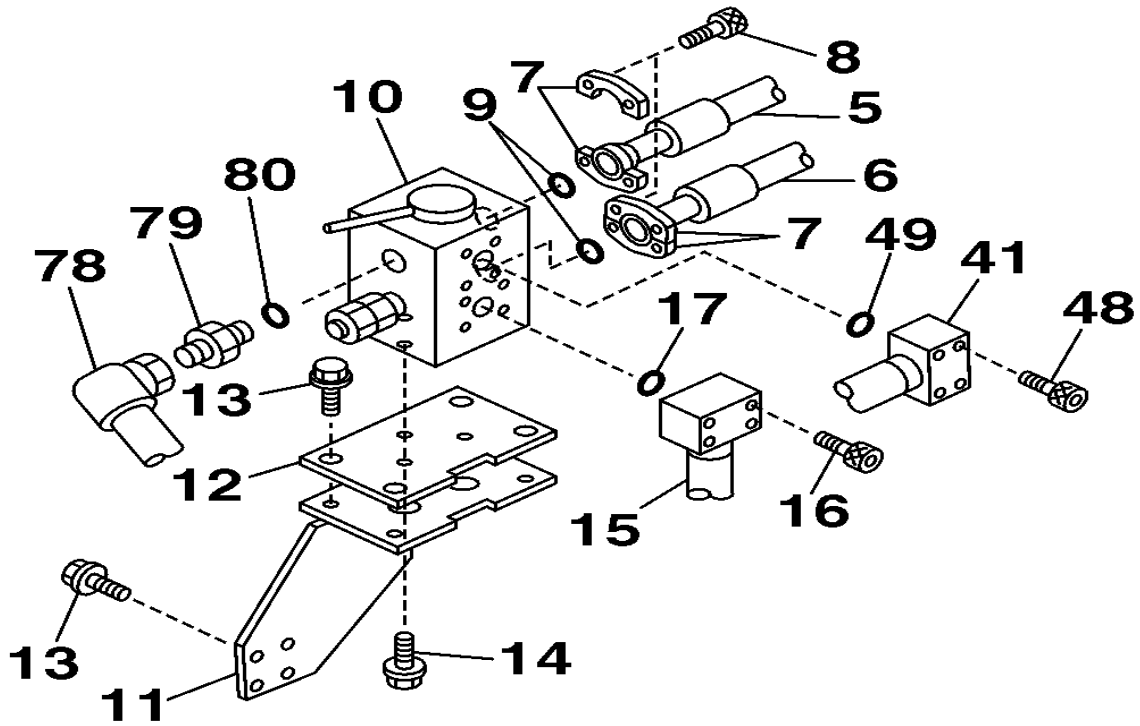
11/2020

HYDRAULICS, AUXILIARY - DOUBLE ACTING CIRCUIT, PEDAL ACTIVATED

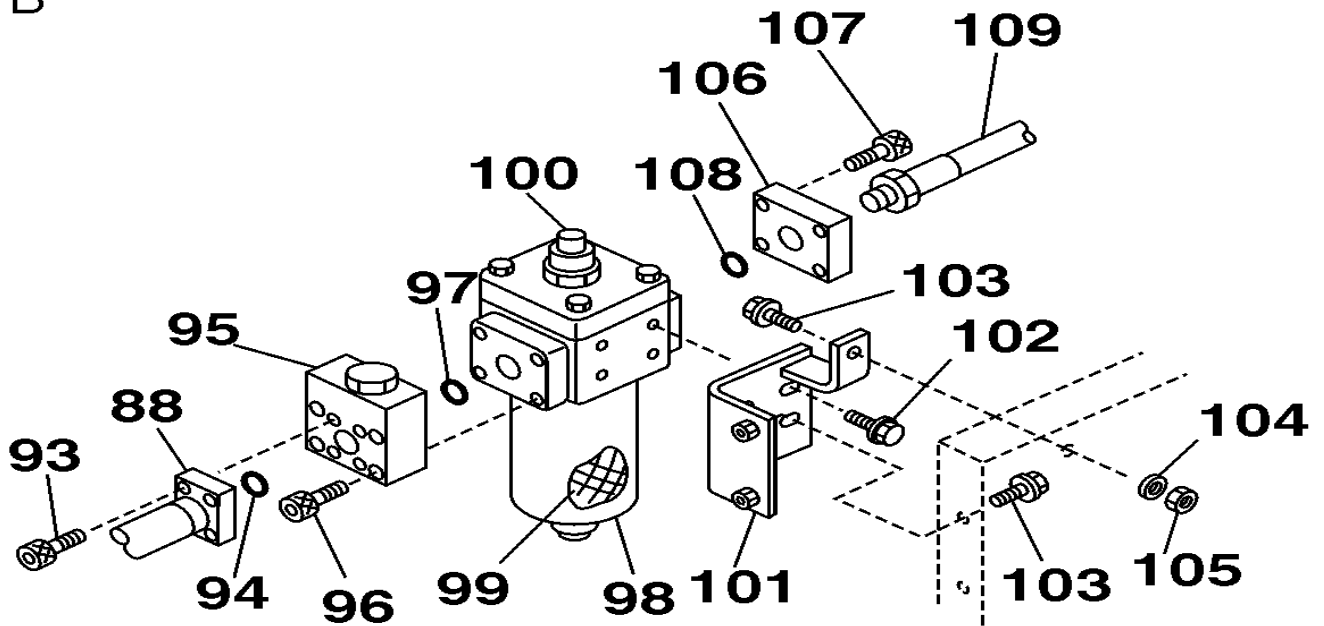


HYDRAULICS, AUXILIARY - DOUBLE ACTING CIRCUIT, PEDAL ACTIVATED (Feb 7 2011 2:45PM)

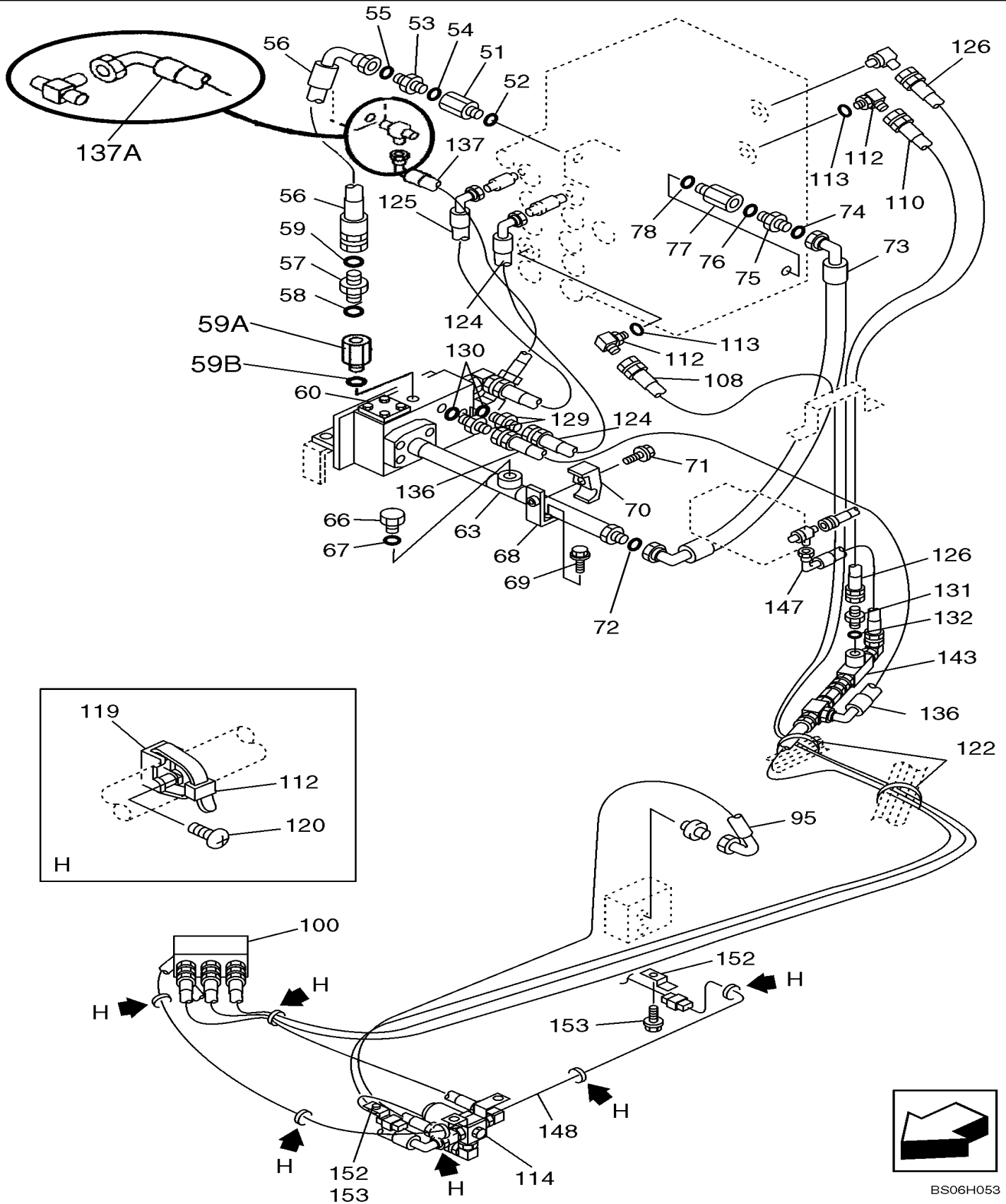
A



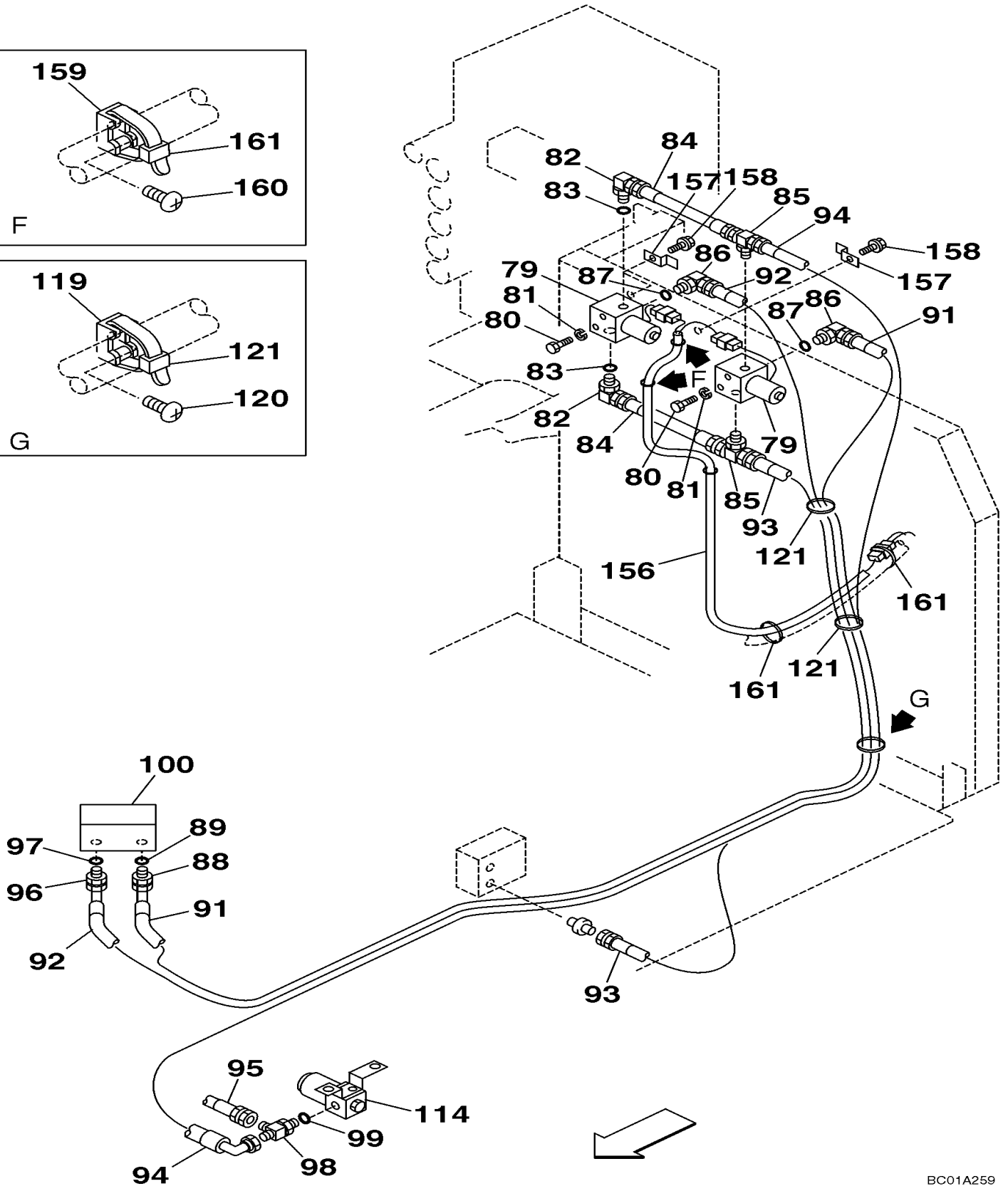
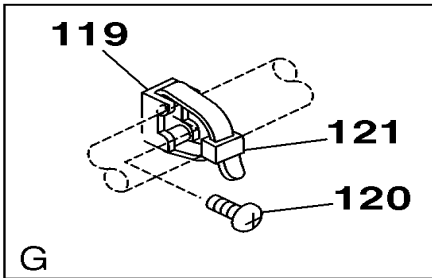
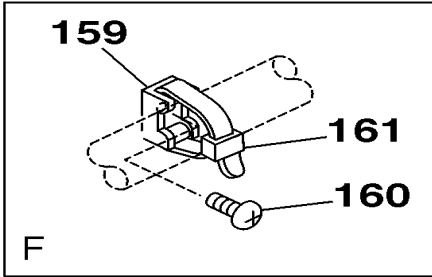
B



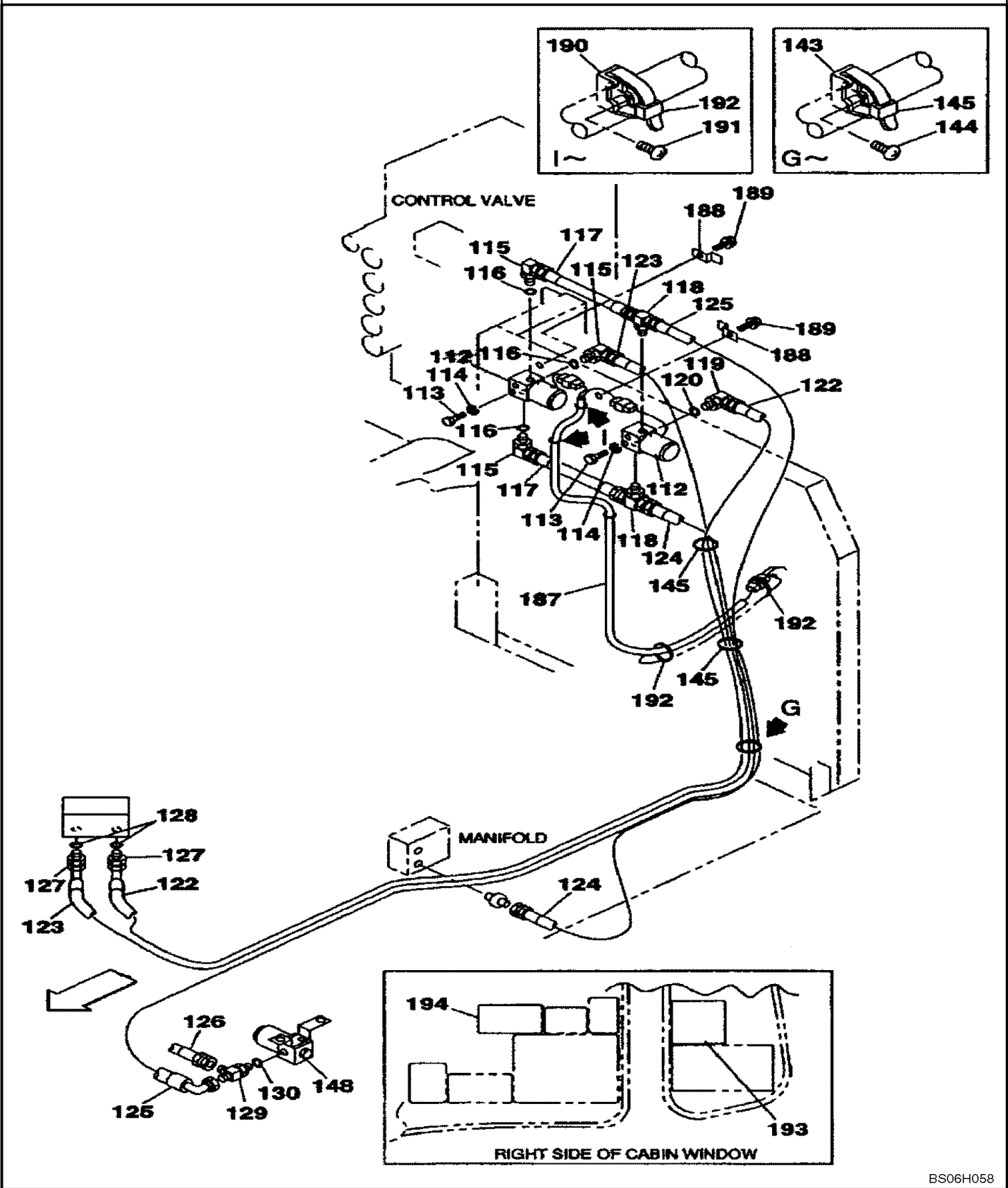
HYDRAULICS, AUXILIARY - DOUBLE ACTING CIRCUIT, TRIGGER ACTIVATED (Feb 24 2012 9:48AM)



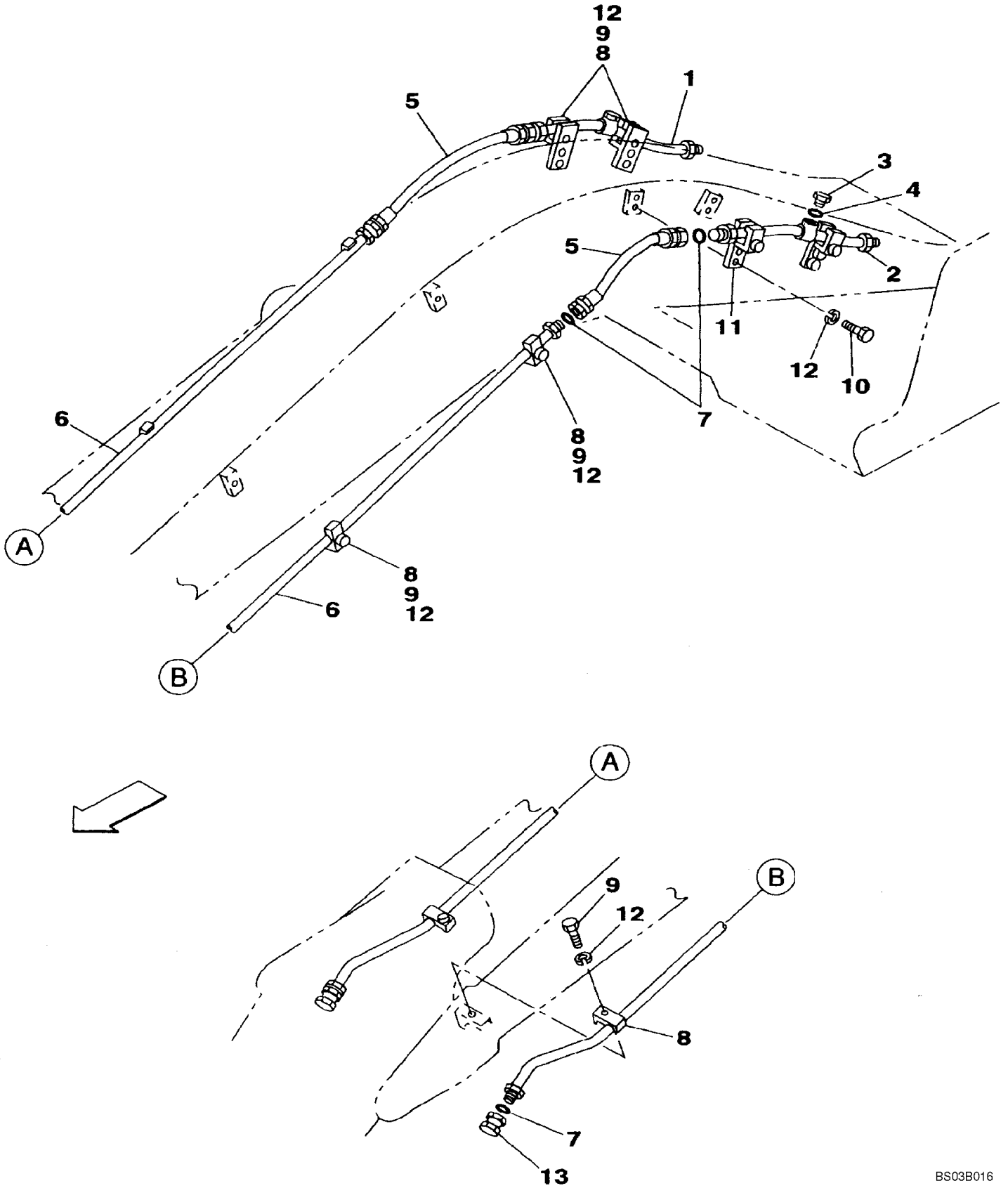
HYDRAULICS, AUXILIARY - DOUBLE ACTING CIRCUIT, TRIGGER ACTIVATED



HYDRAULICS, AUXILIARY - DOUBLE ACTING CIRCUIT, HAND OPERATED



HYDRAULICS, AUXILIARY ATTACHMENT - BOOM LINE

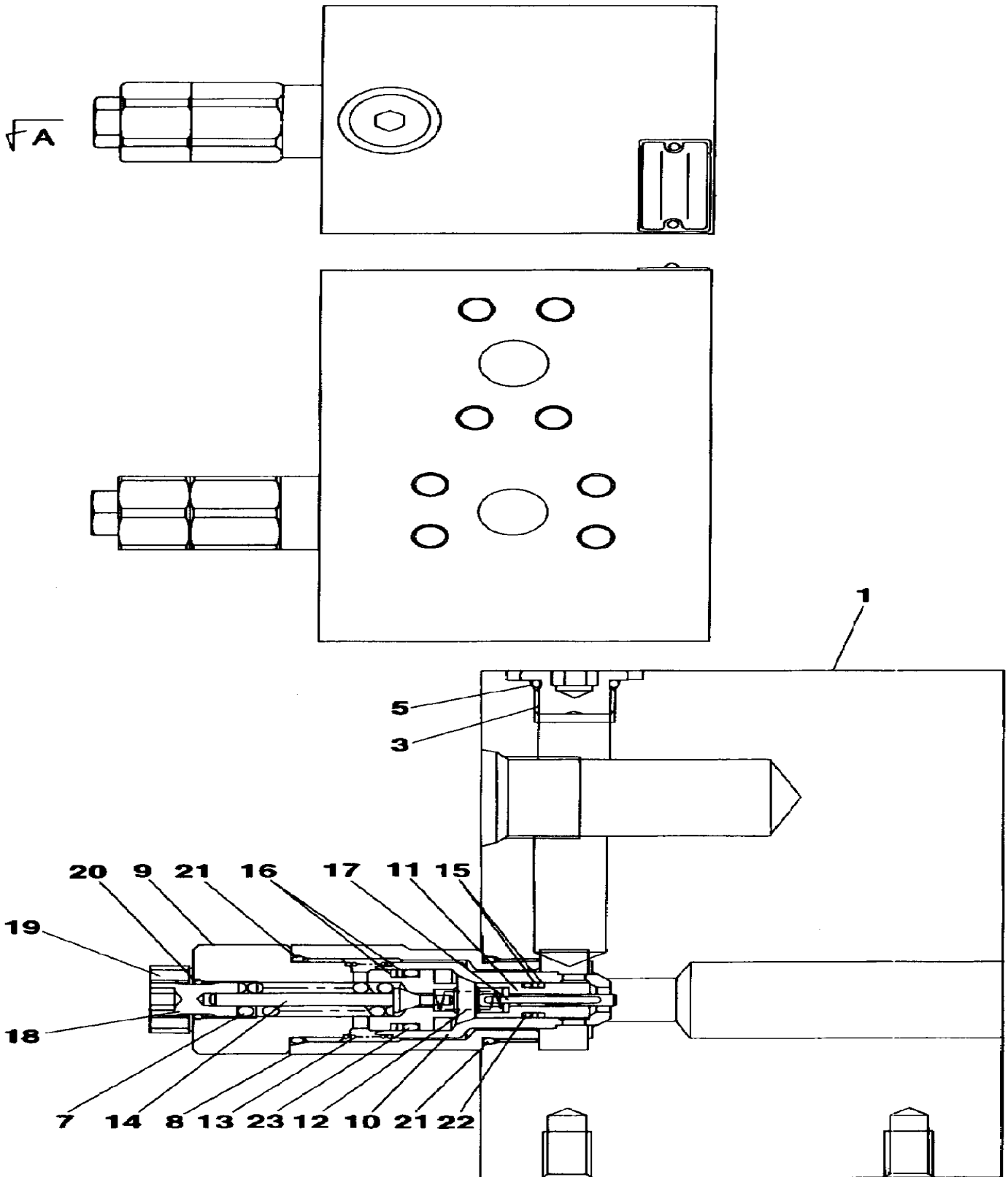


08-67

p1

11/202
0

MANIFOLD ASSY - AUXILIARY HYDRAULICS



A~

BS00N032

SECTION INDEX

CHASSIS

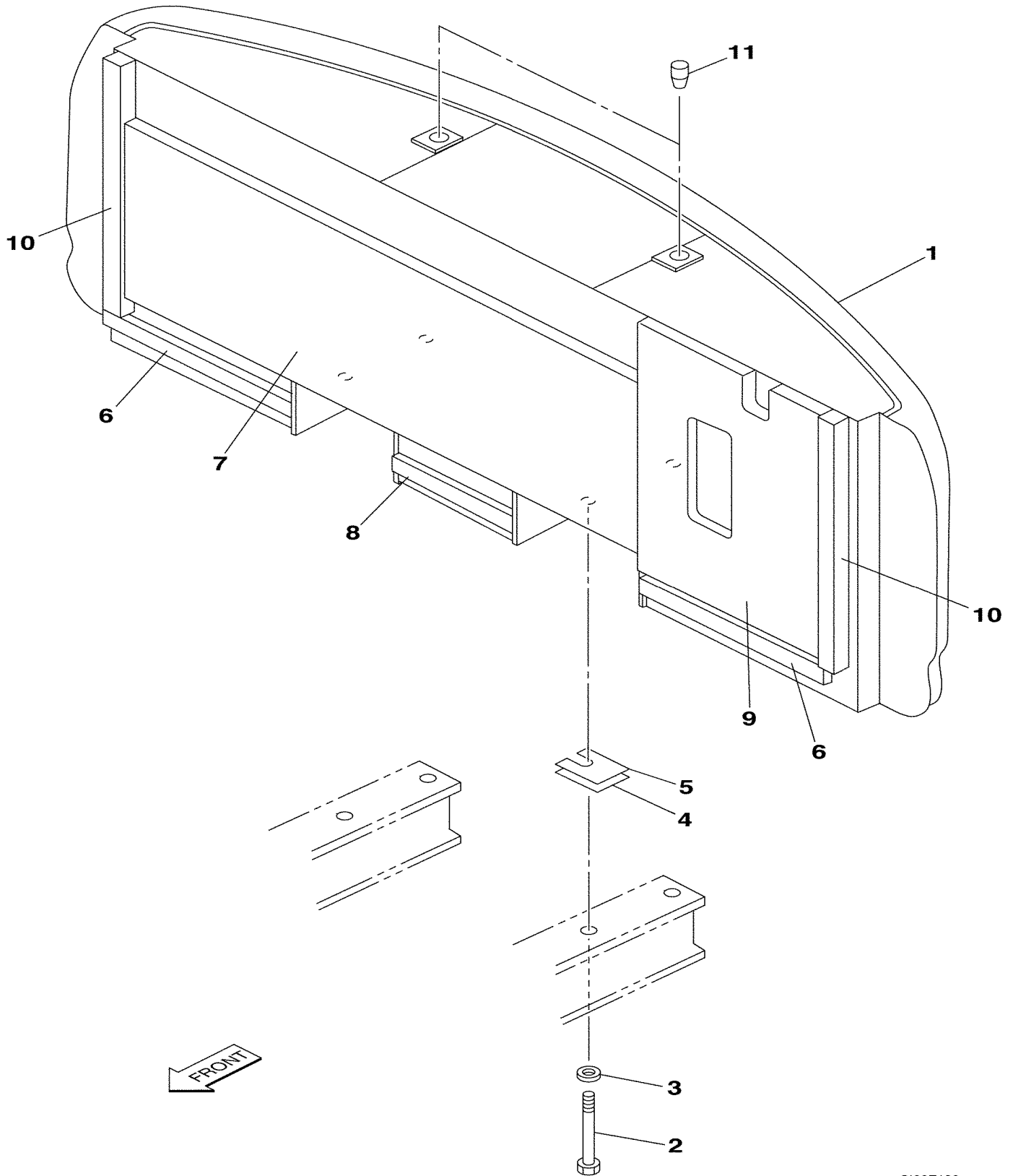
09-01-01	TURNTABLE BEARING
09-02-01	TURNTABLE
09-03-01	TURNTABLE - ACCESS COVERS
09-04	COUNTERWEIGHT - SOUNDPROOFING
09-05	FRAMES, COVERS - INSULATION (P.I.N. DAC0724099 - DAC0724170)
09-05A	FRAMES, COVERS - INSULATION (P.I.N. DAC0724171 -)
09-06-00	ACCESS DOOR - INSULATION
09-07	HOOD, ENGINE - INSULATION (P.I.N. DAC0724099 - DAC0724170)
09-07A	HOOD, ENGINE - INSULATION (P.I.N. DAC0724171 -)
09-08	STORAGE BOX - INSULATION (P.I.N. DAC0724099 - DAC0724170)
09-08A	STORAGE BOX - INSULATION (P.I.N. DAC0724171 -)
09-09	CONTROLS - OPERATORS COMPARTMENT
09-09A	TRAVEL CONTROL - SINGLE PEDAL
09-09B	AUXILIARY HYDRAULIC CONTROL - TRAVEL CONTROL, SINGLE PEDAL
09-10	MAT, FLOOR - OPERATORS COMPARTMENT
09-11	OPERATORS COMPARTMENT
09-12	CONSOLE, CONTROL - OPERATORS COMPARTMENT
09-13	SEAT, MOUNTING - SEAT BELTS
09-14	SEAT, GREY
09-14A	SEAT, WHEAT
09-15	SEAT, LOCKING MECHANISM
09-16	SEAT, MOUNTING
09-17	HAND CONTROL, LEFT-HAND ARM - GREY
09-17A	HAND CONTROL, LEFT-HAND ARM - WHEAT
09-18	HAND CONTROL, RIGHT-HAND ARM - GREY
09-18A	HAND CONTROL, RIGHT-HAND ARM - WHEAT
09-19	DOG CHAIN
09-20	AIR CONDITIONING - DUCTS
09-21	AIR CONDITIONING SYSTEM
09-22	AIR CONDITIONING - EVAPORATOR
09-23	AIR CONDITIONING - CONDENSER AND RECEIVER-DRIER
09-24	CAB - AIR CONDITIONING
09-25	AIR CONDITIONING - CONDENSER AND RECEIVER-DRIER

09-04

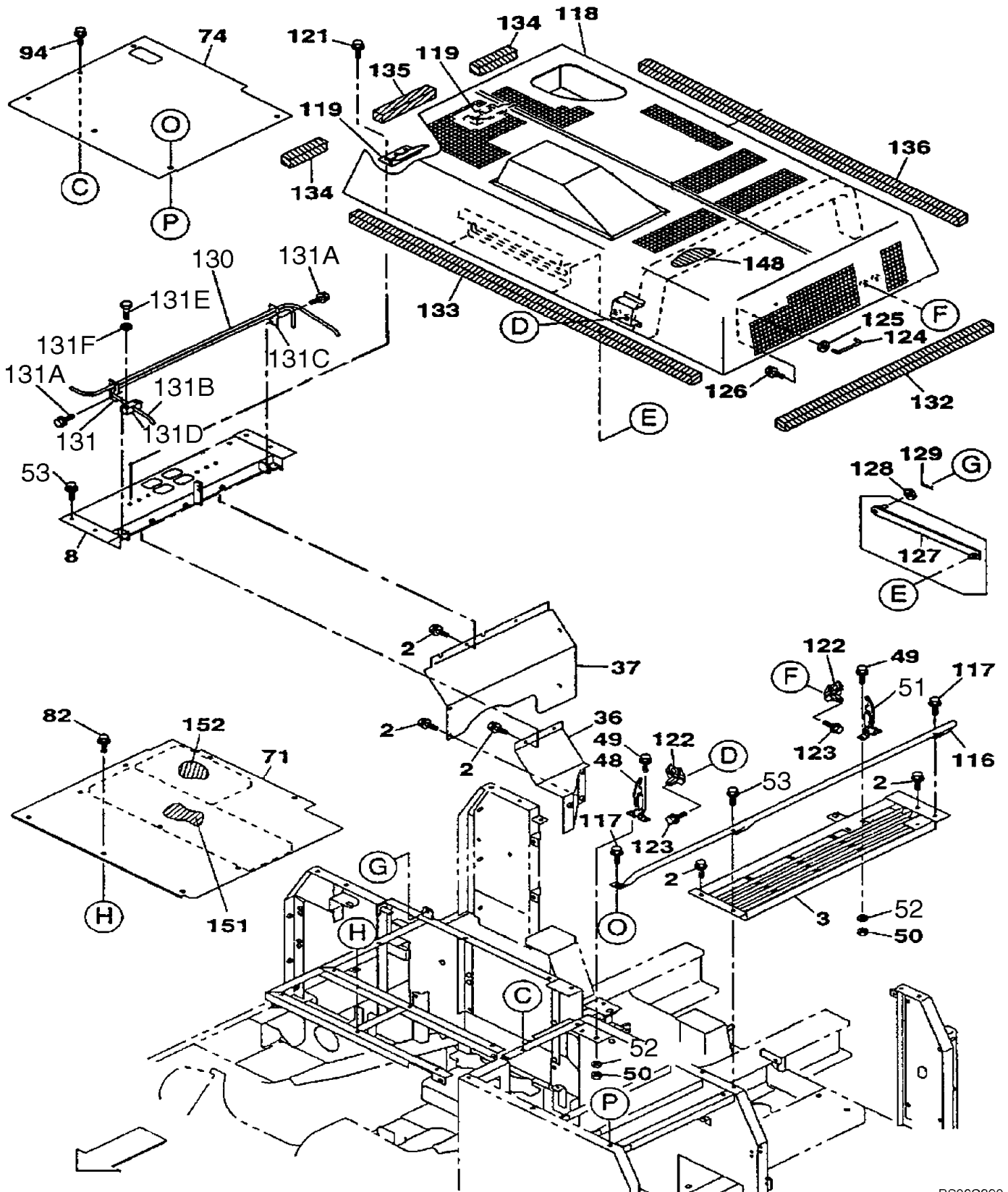
p1

11/2020

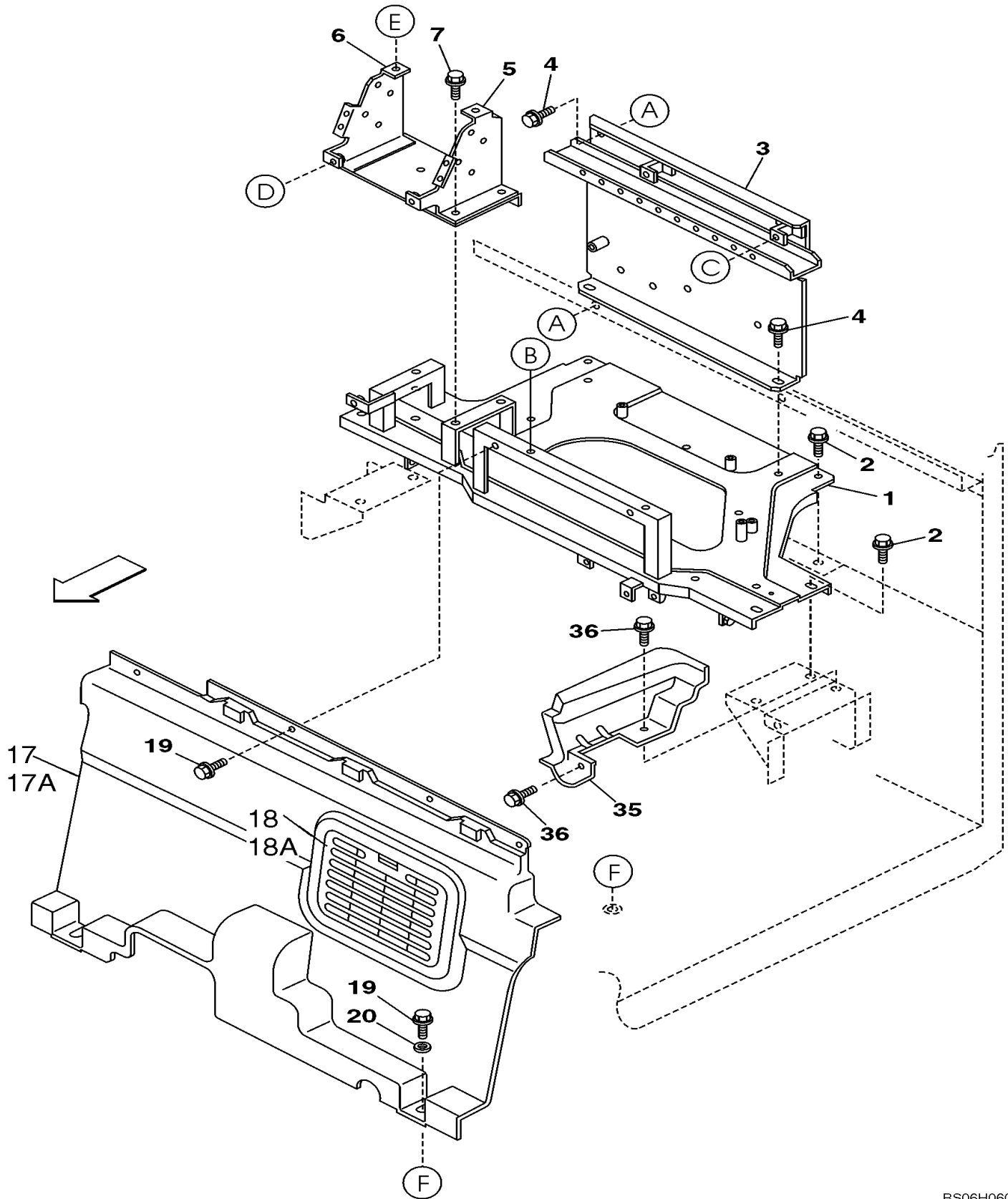
COUNTERWEIGHT - SOUNDPROOFING



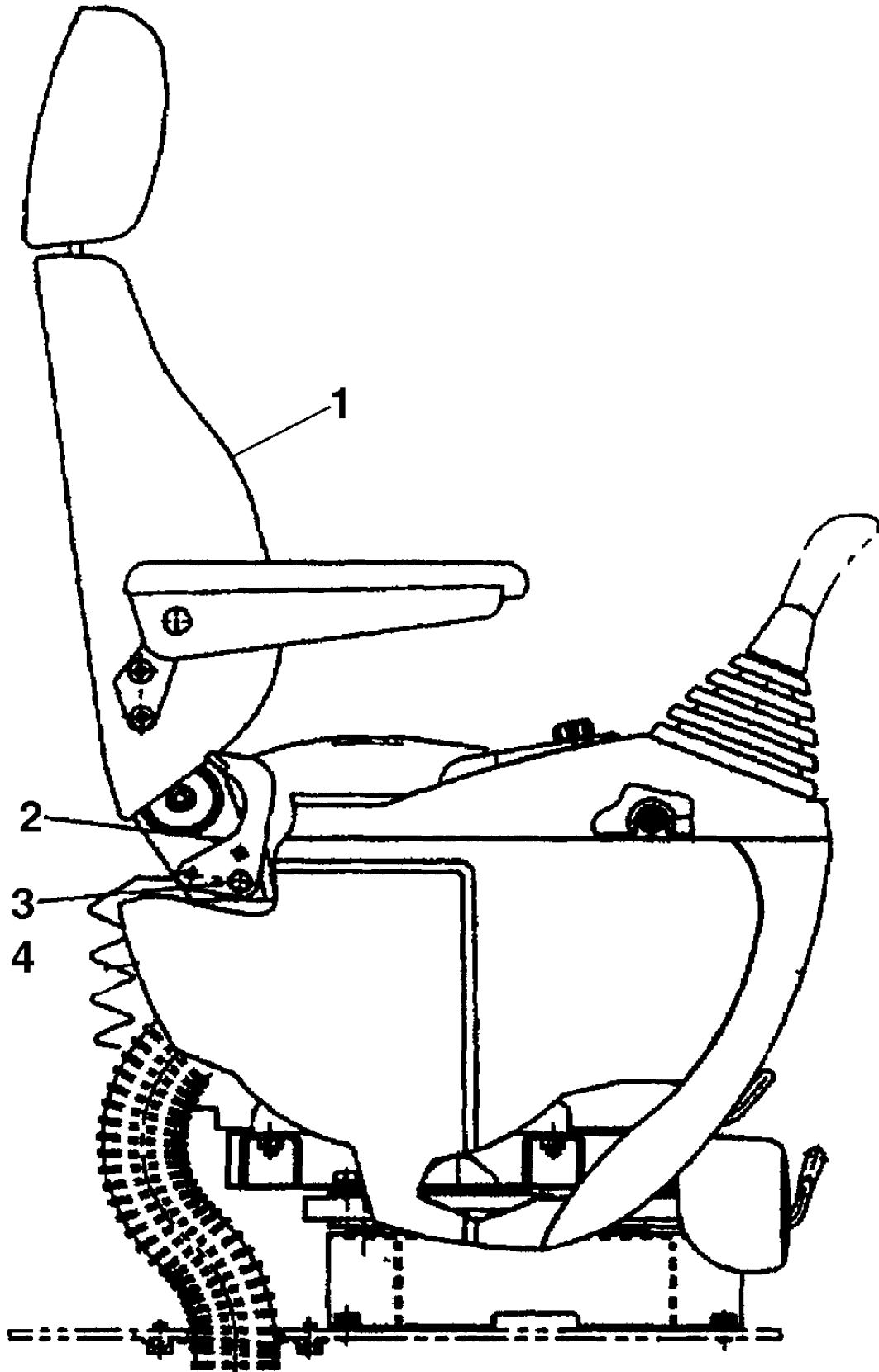
HOOD, ENGINE - INSULATION (P.I.N. DAC0724171 -)



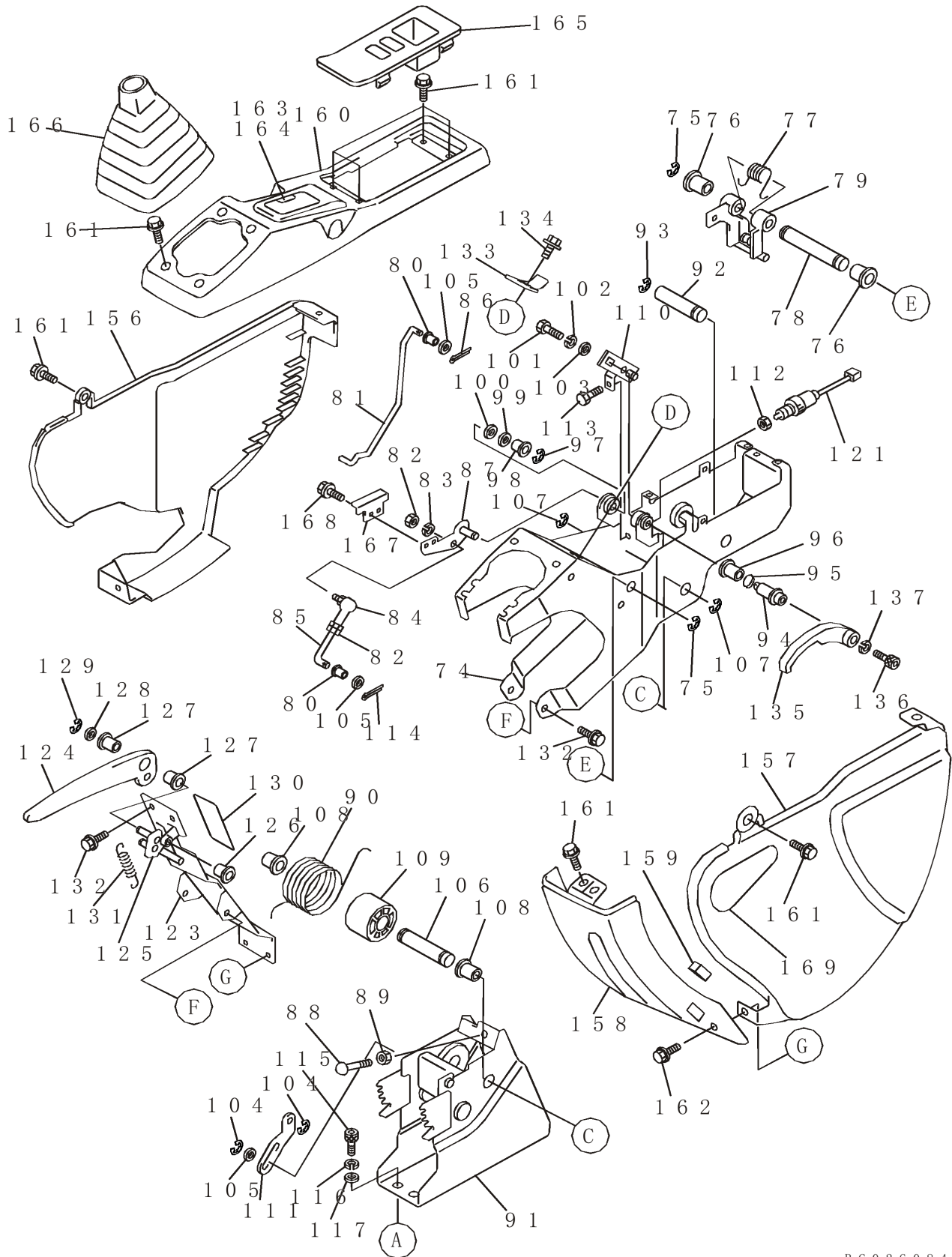
OPERATORS COMPARTMENT



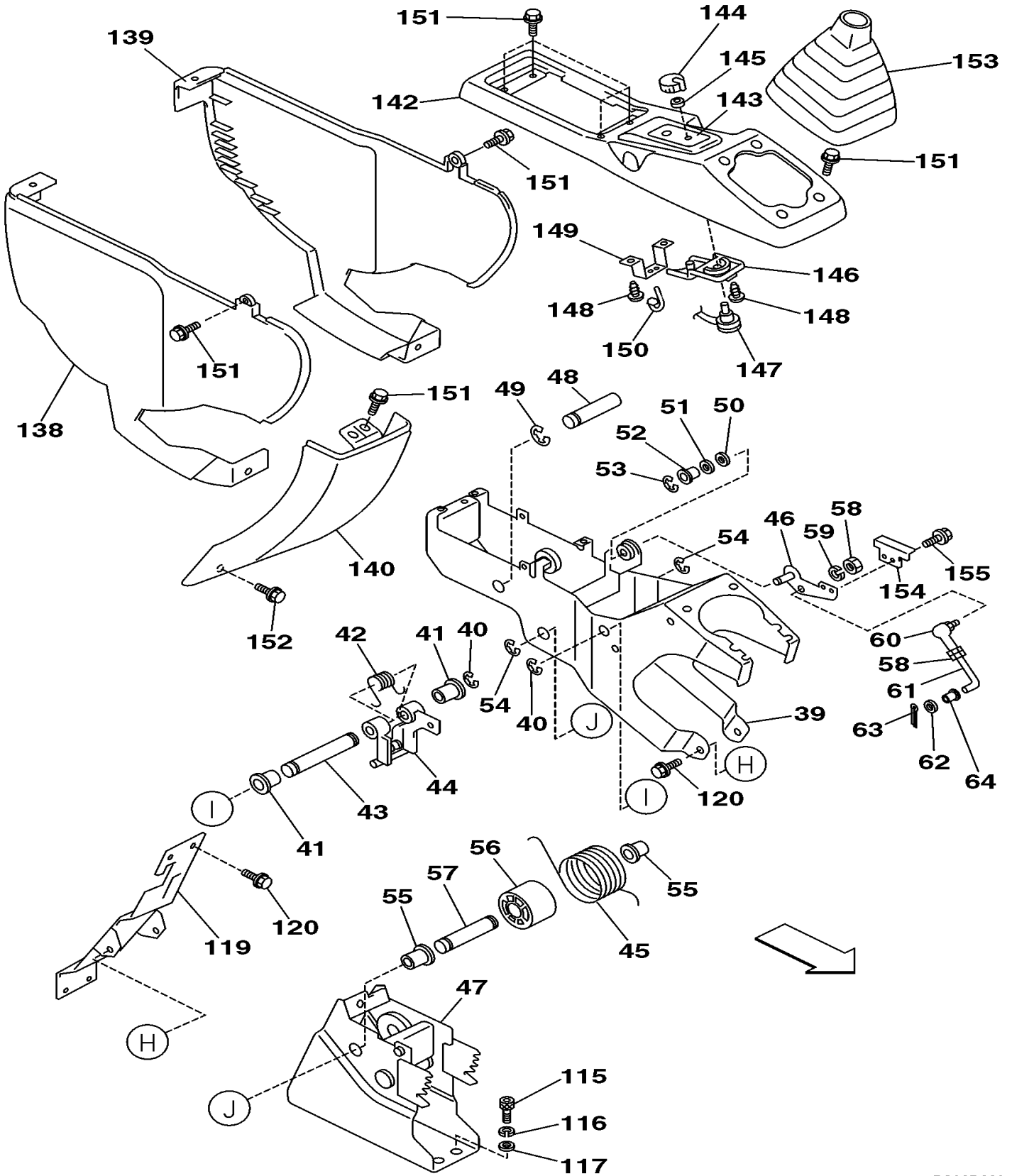
SEAT, LOCKING MECHANISM



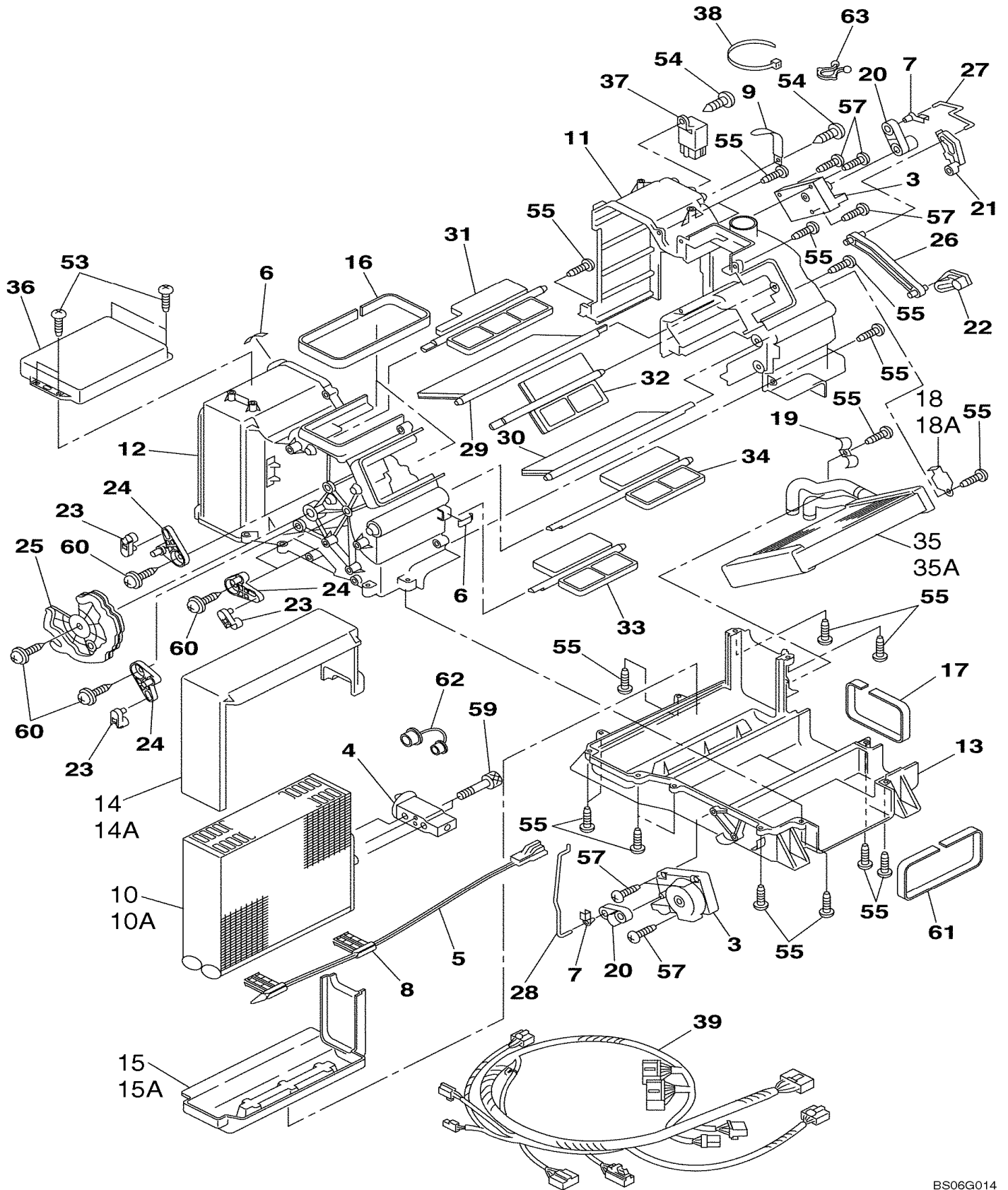
HAND CONTROL, LEFT-HAND ARM - WHEAT



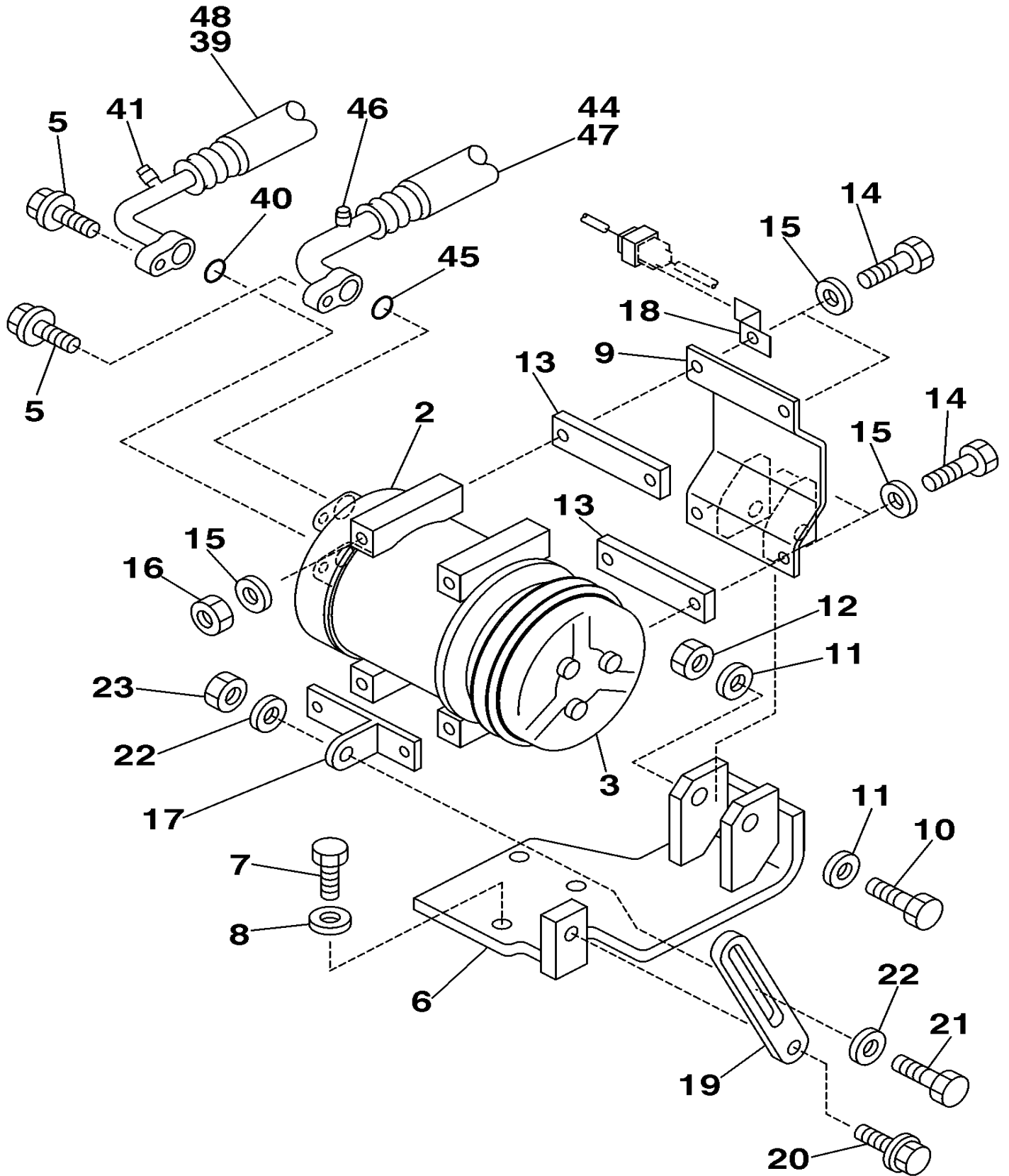
HAND CONTROL, RIGHT-HAND ARM - WHEAT



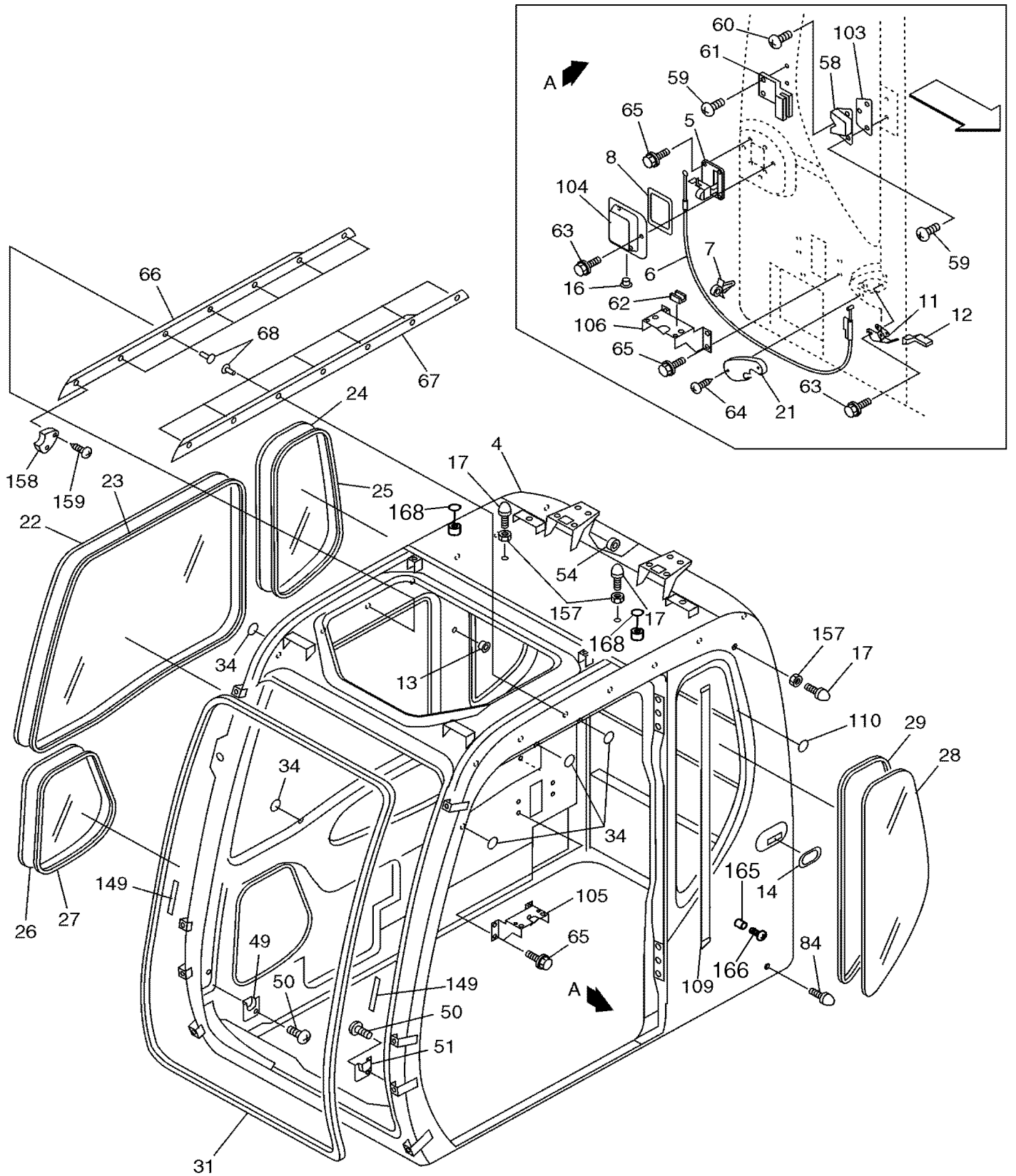
AIR CONDITIONING SYSTEM



CAB - AIR CONDITIONING



CAB - GLASS

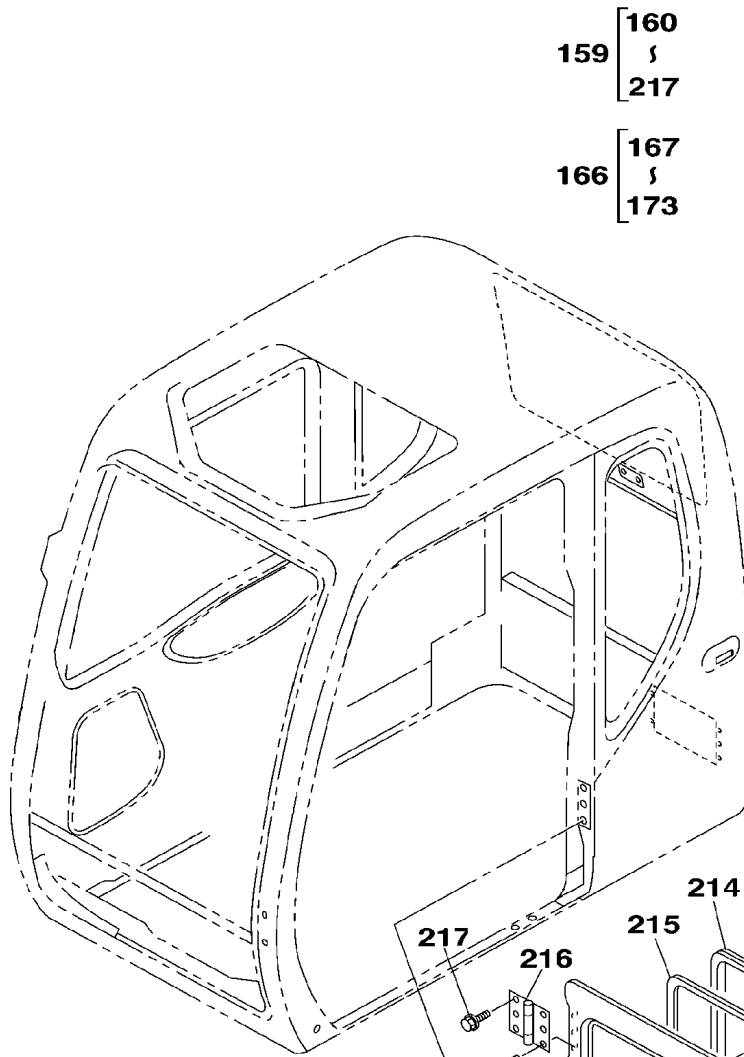


09-31

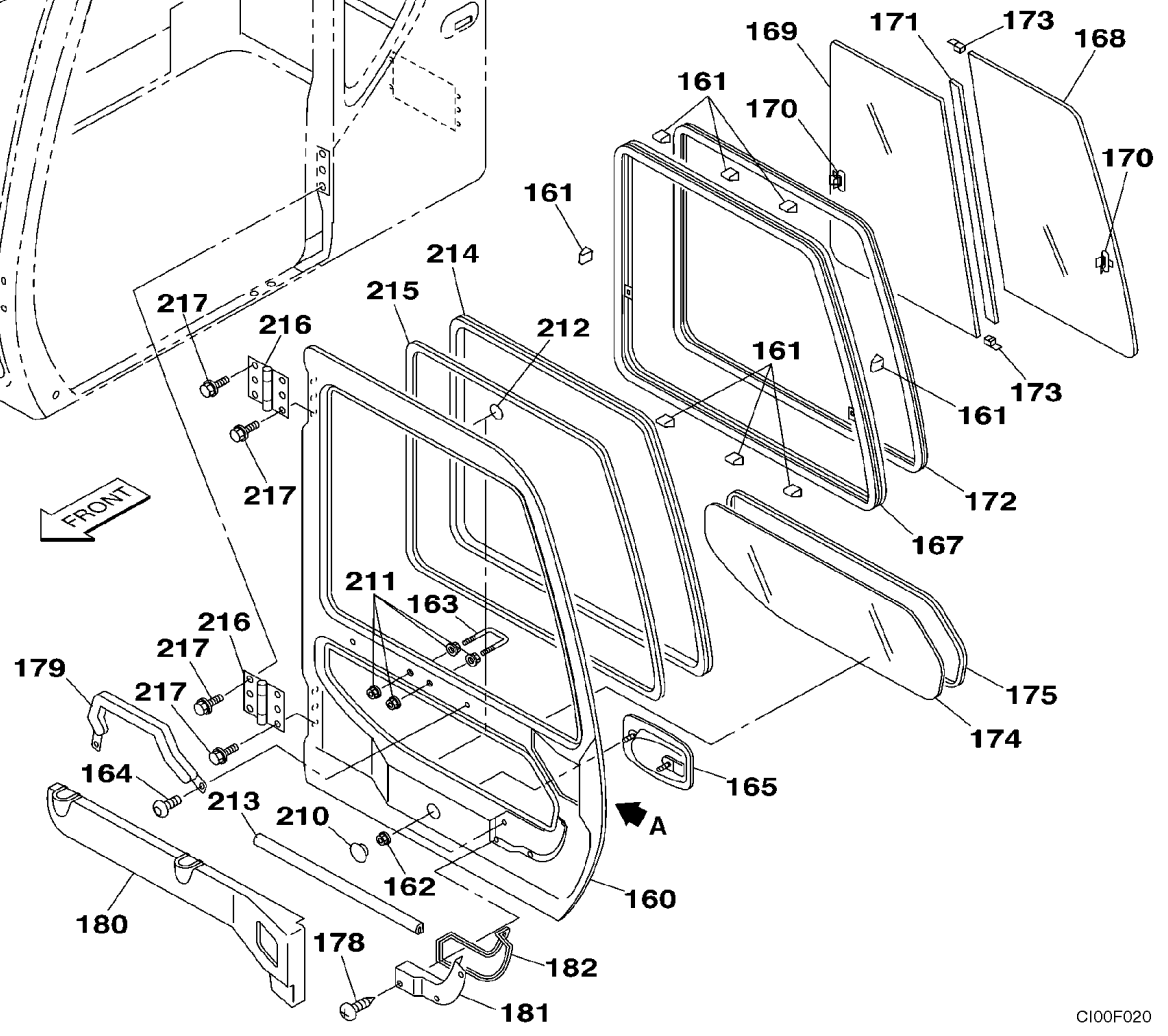
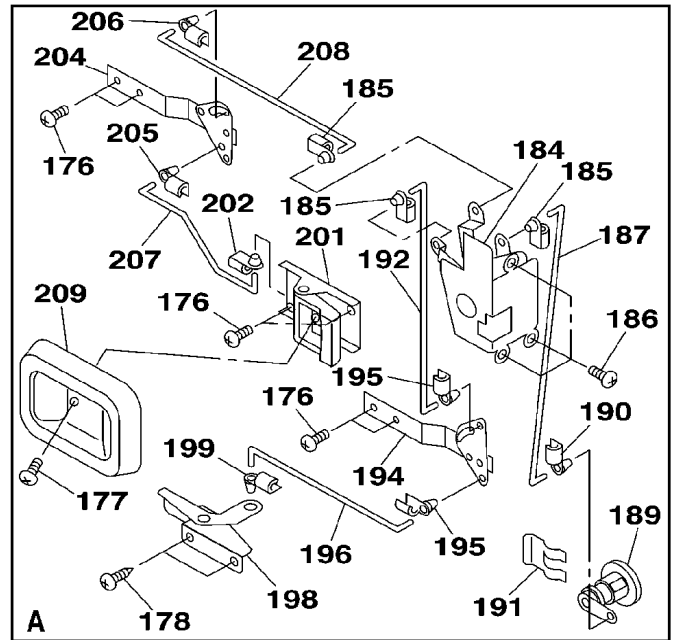
p1

11/2020

CAB DOOR (- PRIOR TO P.I.N. DAC241362)



- 159 { 160
217
- 166 { 167
173



09-31B

p1

11/202
0

6 FOOT CAB RISER PACKAGE

ART

NOT

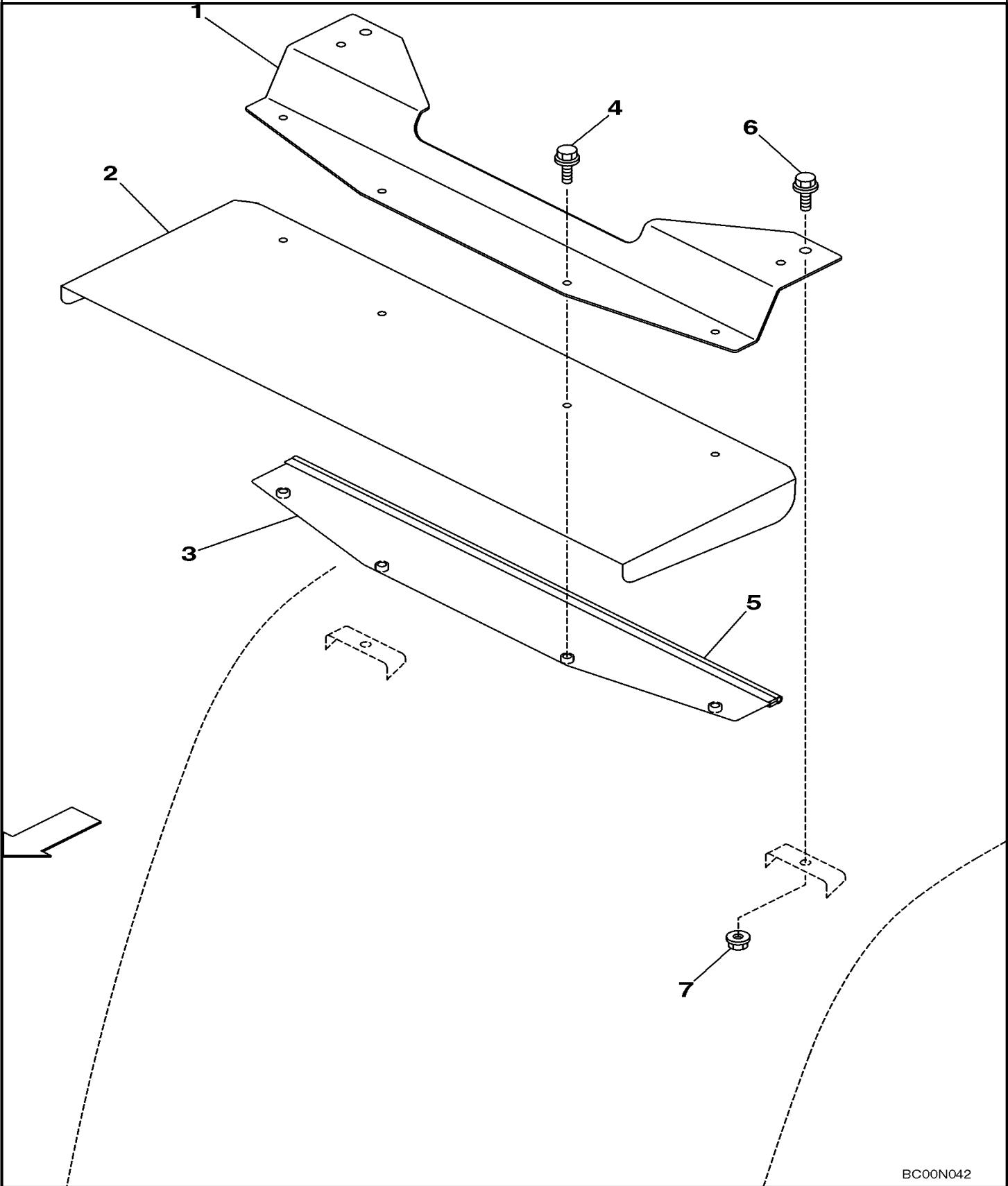
AVAILABLE

09-34B

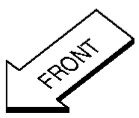
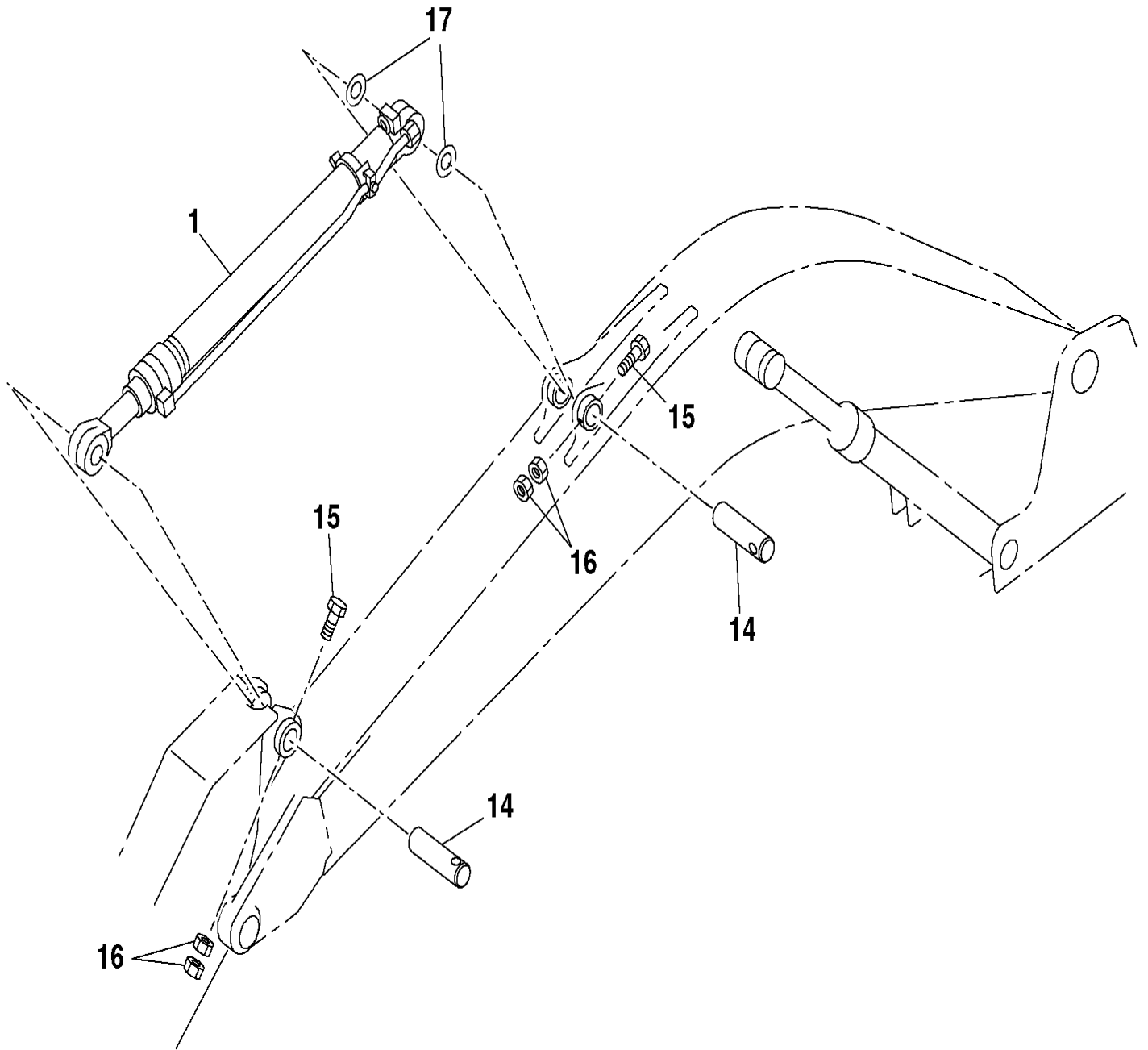
p1

11/2020

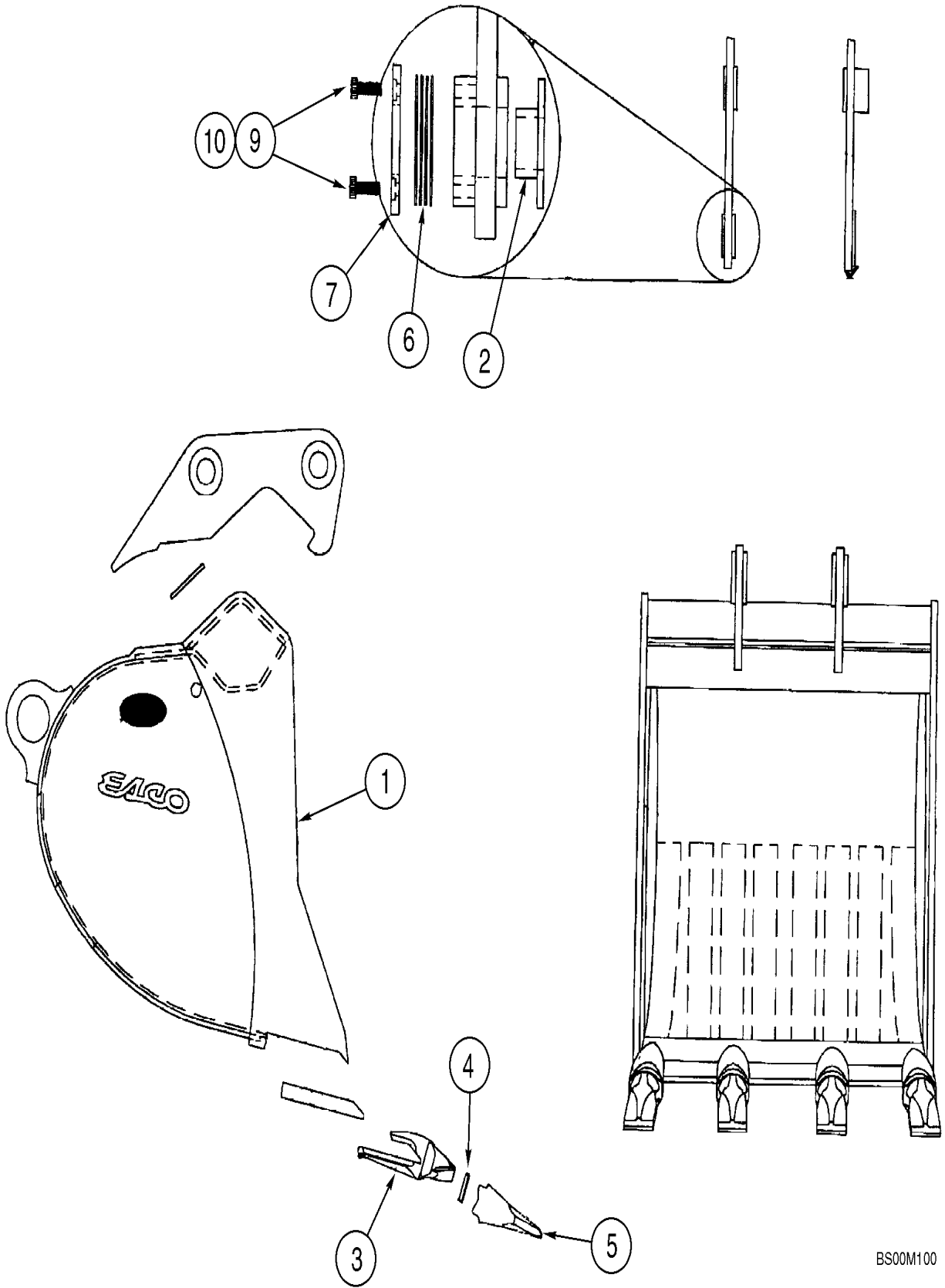
RAIN DEFLECTOR



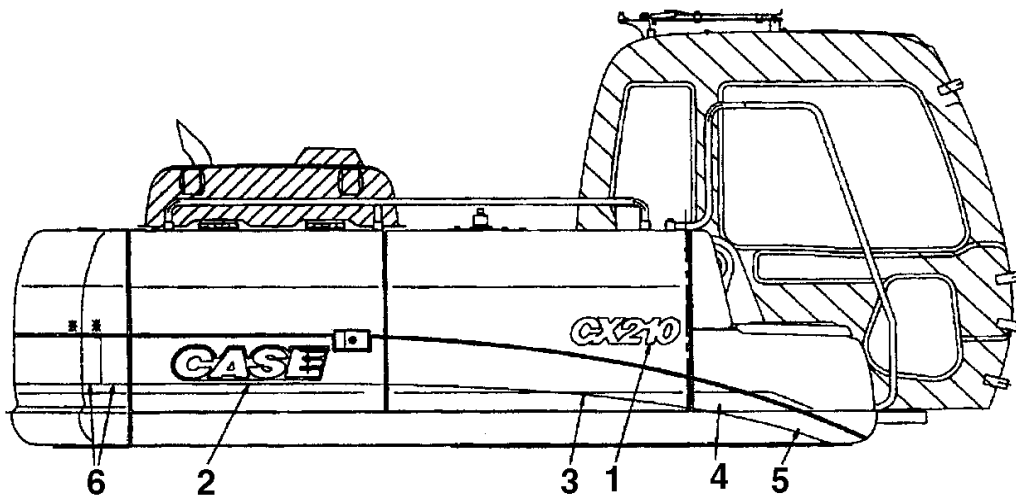
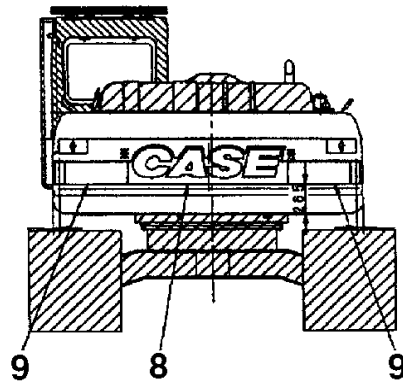
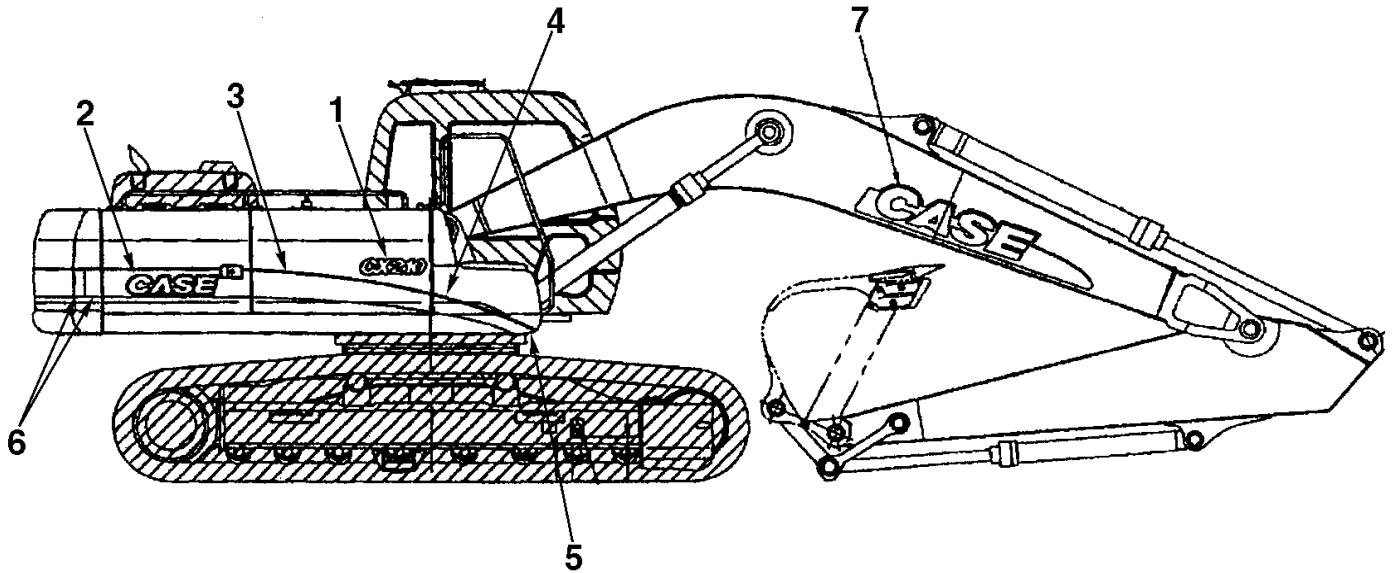
ARM CYLINDER - MOUNTING



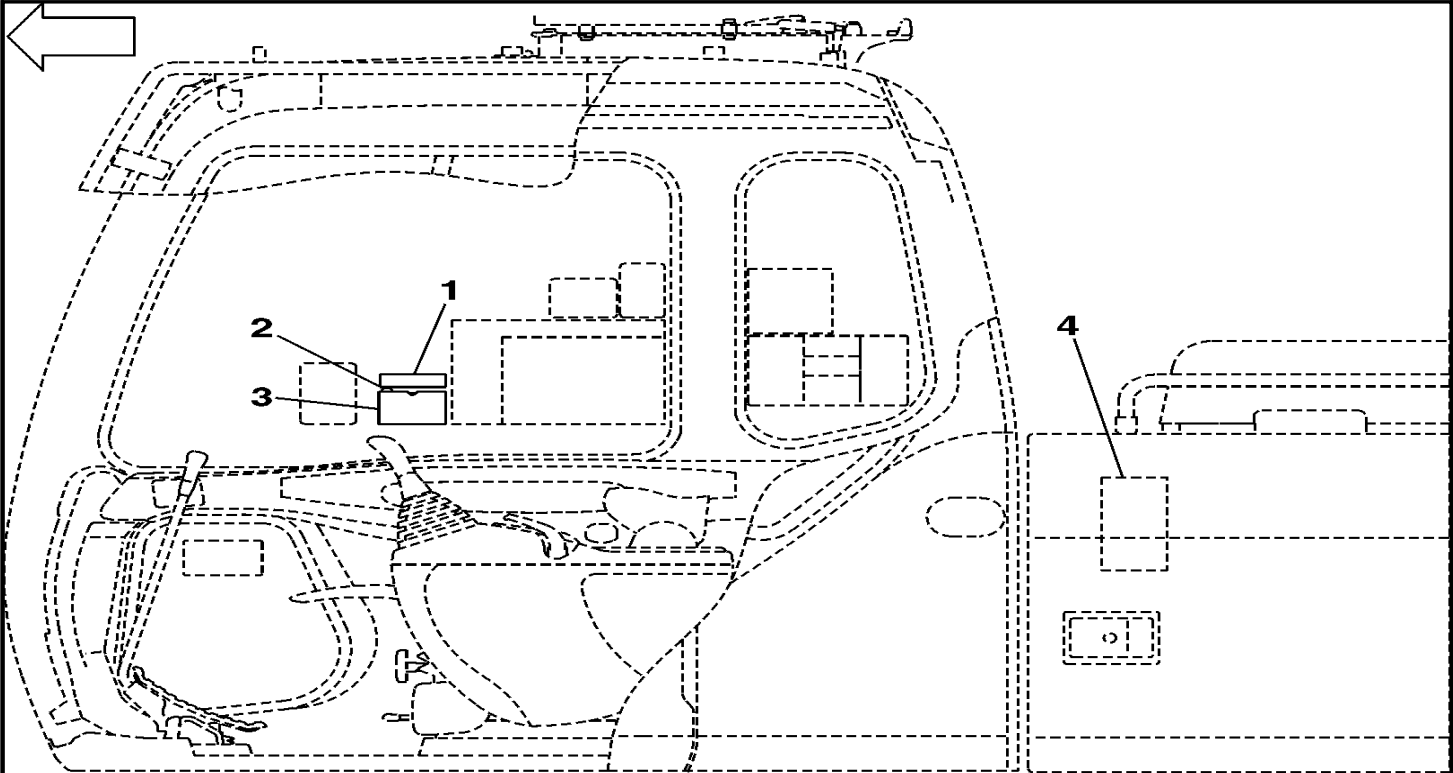
BUCKETS, ESCO - GENERAL PURPOSE BUCKETS



DECALS



DECALS - CONTROL PATTERN SELECTOR VALVE



1

WARNING

THIS MACHINE IS EQUIPPED WITH A CONTROL PATTERN SELECTOR. DO NOT OPERATE UNLESS CONTROL PATTERN CARD IN THIS HOLDER MATCHES SELECTOR VALVE POSITION. SERIOUS INJURY OR DEATH COULD RESULT.

KHP1587-00

2

KHP1588-00

4

WARNING

PATTERN C

PATTERN D

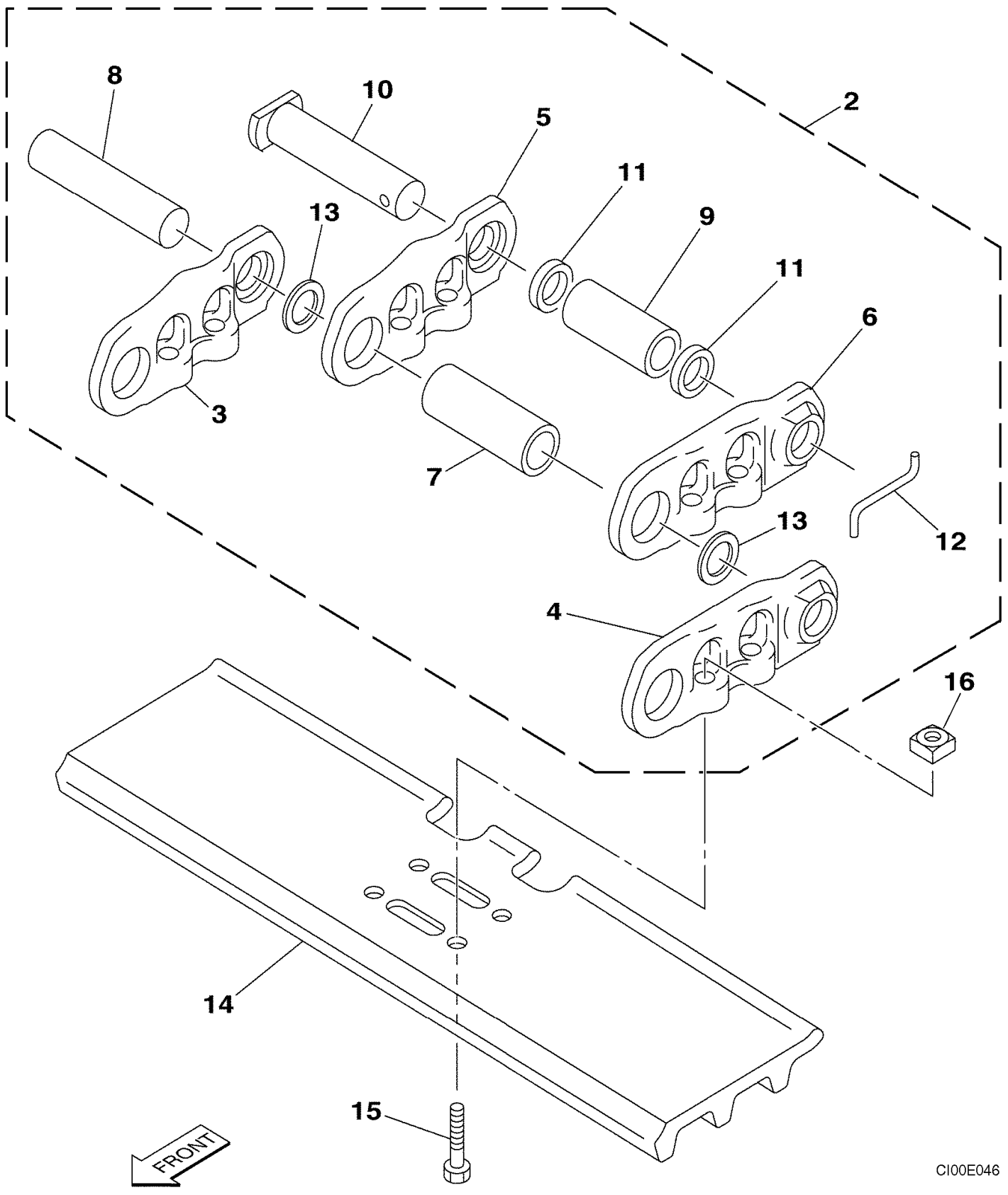
KHP1589-00

05-04

p1

11/2020

TRACK CHAINS, 600 MM (23-5/8 IN) - P.I.N. DAC0724099 - DAC0724274

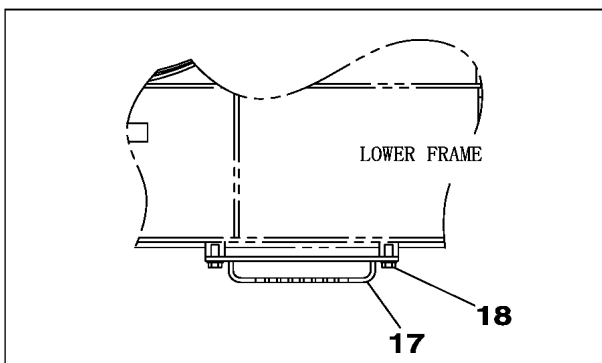
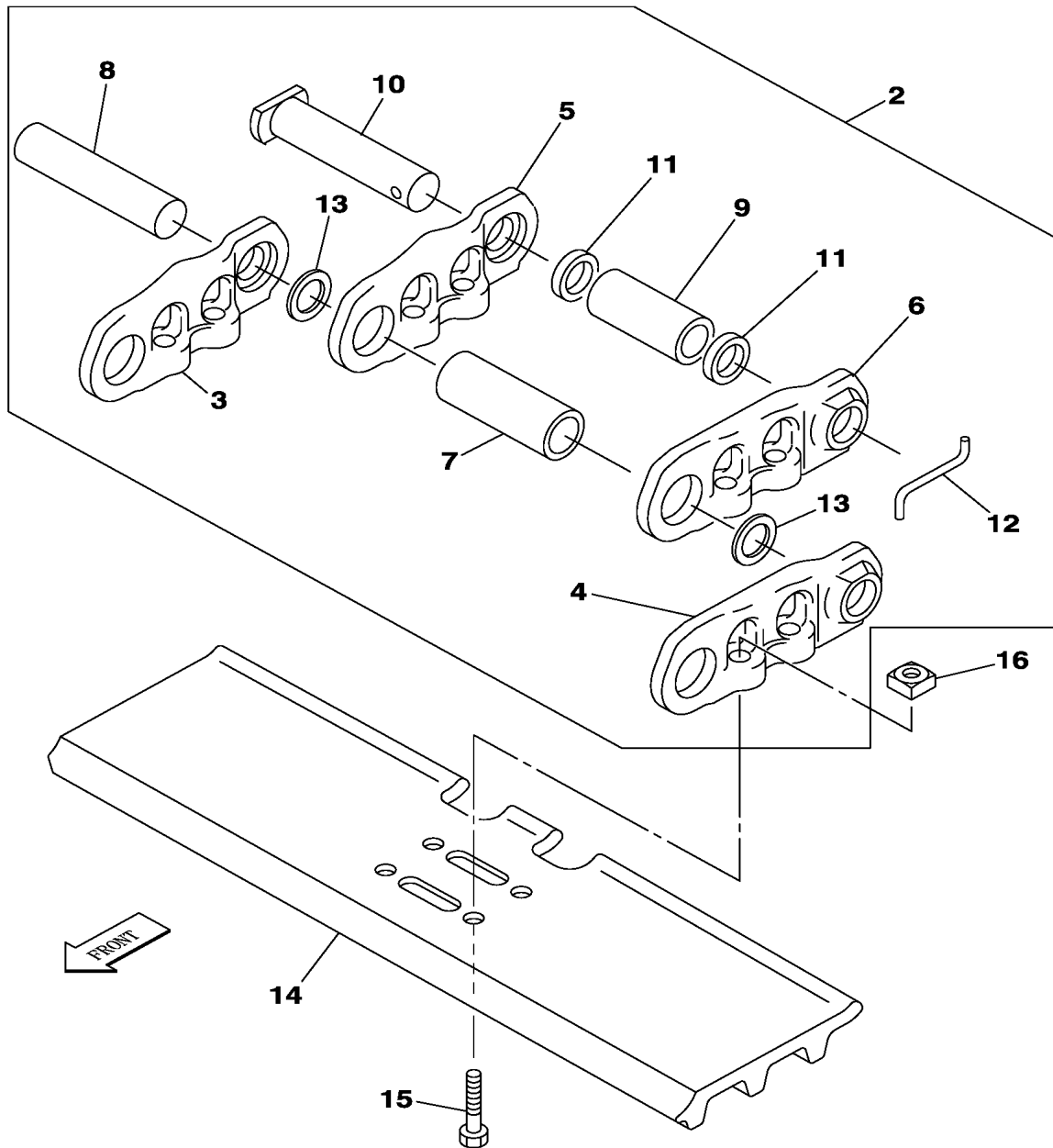


05-04E

p1

11/202
0

TRACK CHAINS, 800 MM (31-1/2 IN) - P.I.N. DAC0724275 -

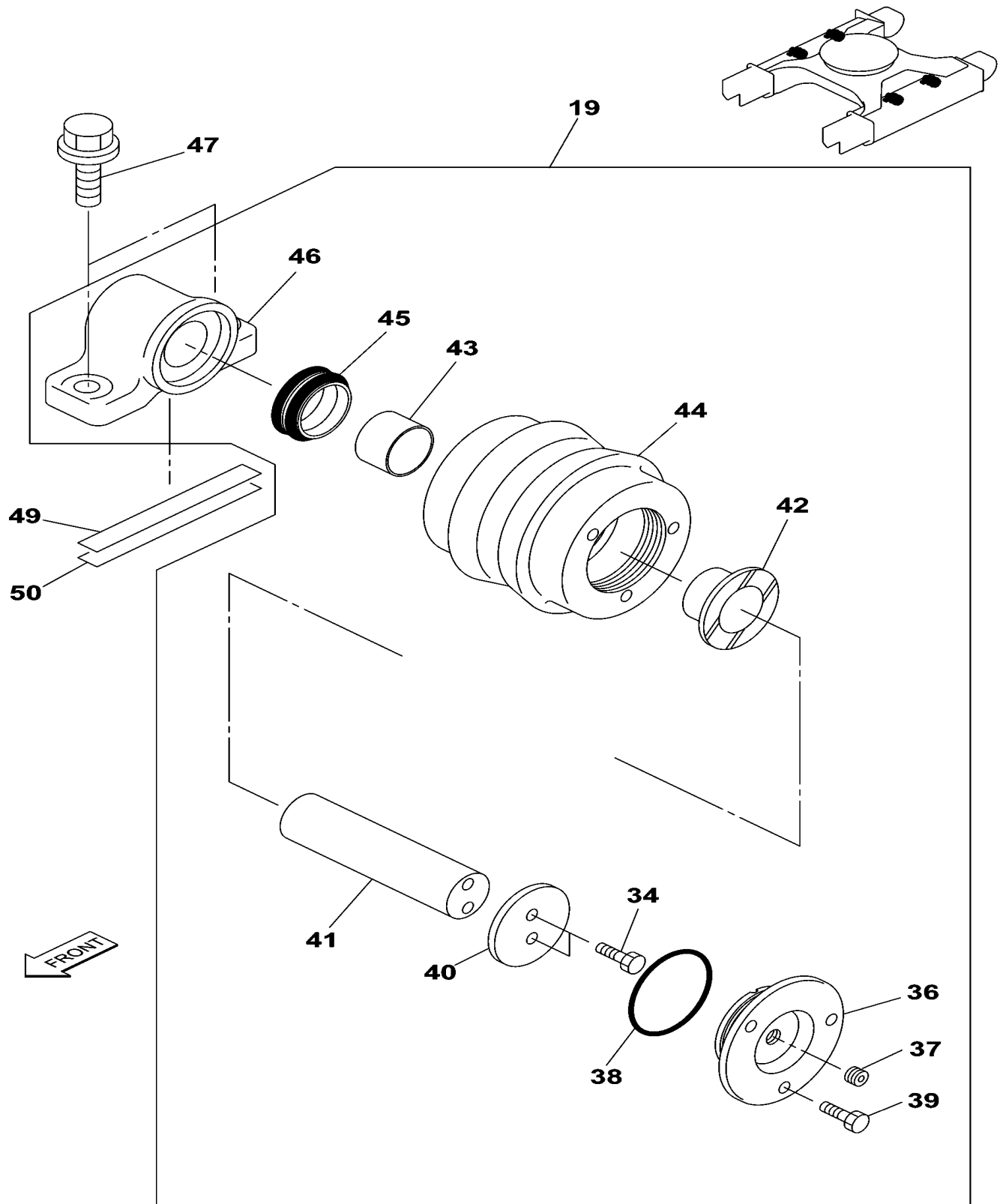


05-07B

p1

11/2020

TRACK - ROLLER, UPPER



INDEX - INDICE - INDEX - ZAHLENVERZEICHNIS - INDICE - INDICE - INDHOLD - INHOUD

Number	Figure	Sequence	Ref.	Number	Figure	Sequence	Ref.
150496A1	03-02		23	150645A1	09-46		7
150496A1	03-02A		11	150662A1	02-03-00		4
150496A1	04-05A		137	150714A1	09-09		3
150496A1	04-05A		146	150760A1	09-09		4
150496A1	04-05A		158	150774A1	02-05		12
150496A1	04-05A		27	150777A1	08-50		24
150496A1	04-05A		4	150777A1	08-50		43
150496A1	04-05A		54	150777A1	08-52A		24
150496A1	04-05A		76	150777A1	08-52A		43
150496A1	04-14		6	150777A1	08-53		25
150496A1	06-07		30	150777A1	08-53		44
150496A1	08-12A		28	150777A1	08-58		25
150496A1	08-26		104	150777A1	08-58		45
150496A1	08-52		101	150777A1	08-61A		25
150496A1	08-52		112	150777A1	08-61A		44
150496A1	08-52C		106	150777A1	08-62		15
150496A1	08-52C		116	150777A1	08-63		15
150496A1	08-52C		95	150777A1	08-63A		15
150496A1	08-55		140	150777A1	08-63B		8
150496A1	08-59		121	150785A1	09-07		122
150496A1	08-61		121	150785A1	09-07A		122
150496A1	08-61		161	150790A1	09-07		51
150496A1	08-61B		182	150790A1	09-07A		51
150496A1	08-61E		145	150811A1	02-01		11
150496A1	08-61E		192	150811A1	04-05		63
150496A1	09-23		76	150811A1	05-03		5
150498A1	02-04		24	150811A1	08-04		14
150498A1	08-14		18	150811A1	08-04		20
150502A1	09-41	01	21	150811A1	08-10		9
150520A1	04-05B		98	150811A1	08-10B		29
150529A1	09-27		280	150811A1	08-10B		55
150529A1	09-27A		274	150811A1	08-50		56
150545A1	02-02		16	150811A1	08-50		62
150561A1	08-04		6	150811A1	08-51		75
150597A1	05-05		7	150811A1	08-52A		56
150597A1	05-08		9	150811A1	08-52A		62
150604A1	09-09		13	150811A1	08-52B		75
150604A1	09-09		16	150811A1	08-53		85
150604A1	09-09		20	150811A1	08-53		91
150604A1	09-09A		3	150811A1	08-56		104
150604A1	09-09A		6	150811A1	08-61A		85
150604A1	09-09A		9	150811A1	08-61A		91
150604A1	09-09B		3	150811A1	08-61D		106
150604A1	09-09B		6	150811A1	09-07A		131F
150604A1	09-09B		9	150811A1	09-15		4
150627A1	02-04		19	150811A1	09-24		11

INDEX - INDICE - INDEX - ZAHLENVERZEICHNIS - INDICE - INDICE - INDHOLD - INHOUD

Number	Figure	Sequence	Ref.	Number	Figure	Sequence	Ref.
154475A1	08-21B		95	154486A1	08-43		16
154475A1	08-21C		80	154486A1	08-45A		7
154475A1	08-21D		104	154486A1	08-70		16
154475A1	08-21D		113	154487A1	06-03		52
154475A1	08-21D		177	154487A1	06-05		11
154475A1	08-21D		184	154487A1	06-05		14
154475A1	08-22		102	154487A1	06-08	02	44
154475A1	08-22		120	154487A1	08-07		10
154475A1	08-22		89	154487A1	08-07		5
154475A1	08-23		130	154487A1	08-08		10
154475A1	08-24		106	154487A1	08-08		16
154475A1	08-24		119	154487A1	08-08		18
154475A1	08-24		137	154487A1	08-08		5
154475A1	08-25		147	154487A1	08-102		62
154475A1	08-25A		101	154487A1	08-12A		20
154475A1	08-25A		105	154487A1	08-23		159
154475A1	08-25A		119	154487A1	08-25		176
154475A1	08-25A		88	154487A1	08-26		80
154475A1	08-25B		129	154487A1	08-27		49
154475A1	08-25C		106	154487A1	08-27		52
154475A1	08-25C		119	154487A1	08-28		83
154475A1	08-25C		123	154487A1	08-28		91
154475A1	08-25C		137	154487A1	08-34		162
154475A1	08-25D		147	154487A1	08-44C		18
154475A1	08-26A		10	154487A1	08-47B		6
154475A1	08-27		31	154487A1	08-68		29
154475A1	08-27		38	154491A1	08-34		165
154475A1	08-30		125	154491A1	08-36		55
154475A1	08-44B		11	154491A1	08-41		14
154475A1	08-47B		7	154491A1	08-44		6
154475A1	08-64		8	154491A1	08-65		7
154475A1	08-66		13	154495A1	06-03		10
154475A1	08-67		5	154495A1	06-04		31
154475A1	08-68		28	154495A1	06-08	02	10
154479A1	06-04		38	154495A1	06-08	03	30
154479A1	06-08	03	36	154495A1	08-102		99
154481A1	08-47B		38	154495A1	08-103		99
154481A1	08-48B		39	154499A1	08-34		163
154481A1	08-66		36	154503A1	06-02	01	134
154481A1	08-67		23	154503A1	06-05		2
154482A1	08-45		11	154503A1	06-06		10
154483A1	08-103		29	154503A1	06-06		12
154483A1	08-32		220	154503A1	06-08	01	129
154483A1	08-32		41	154503A1	08-01		28A
154483A1	08-33		61	154503A1	08-03		9
154485A1	08-34		164	154503A1	08-07		2

INDEX - INDICE - INDEX - ZAHLENVERZEICHNIS - INDICE - INDICE - INDHOLD - INHOUD

Number	Figure	Sequence	Ref.	Number	Figure	Sequence	Ref.
159906A1	09-25		37	160103A1	06-04		70
159919A1	04-06		9	160103A1	06-08	03	62
159960A1	08-48		14	160104A1	06-02	01	135
159960A1	08-48A		14	160104A1	06-08	01	130
159977A1	08-69		5	160113A1	08-30		87
159979A1	08-69		7	160115A1	08-30		99
159993A1	08-49	01	23	160116A1	08-30		100
160001A1	08-42		32	160122A1	08-49	01	18
160001A1	08-42A		31	160128A1	08-48		33
160001A1	08-65		23	160128A1	08-48A		31
160014A1	08-65		6	160129A1	08-48		34
160022A1	08-42		27	160129A1	08-48A		32
160022A1	08-42A		26	160130A1	08-65		4
160022A1	08-65		18	160154A1	08-30		43
160023A1	08-65		8	160161A1	08-30		74
160026A1	08-41		11	160203A1	06-04		71
160027A1	08-41		12	160203A1	06-08	03	63
160033A1	08-30		77	160212A1	08-30		98
160034A1	08-30		78	160215A1	08-49	01	19
160035A1	08-42		26	160217A1	08-46C		20
160035A1	08-42A		25	160217A1	08-47C		20
160035A1	08-65		17	160232A1	08-65		13
160048A1	08-48		3	160250A1	08-42		23
160048A1	08-48		6	160250A1	08-42A		22
160048A1	08-48A		3	160250A1	08-65		16
160048A1	08-48A		6	160256A1	08-43		5
160049A1	08-48		9	160257A1	08-43		8
160049A1	08-48A		9	160258A1	08-43		13
160050A1	08-46		9	160261A1	06-03		12
160050A1	08-47		9	160261A1	06-08	02	12
160050A1	08-47A		9	160281A1	08-42		31
160050A1	08-49	01	9	160281A1	08-42A		30
160051A1	08-49	01	3	160281A1	08-65		22
160052A1	08-49	01	6	160282A1	08-42		30
160055A1	08-65		3	160282A1	08-42A		29
160070A1	08-41		10	160282A1	08-65		21
160072A1	08-43		3	160283A1	08-42		21
160073A1	08-43		6	160283A1	08-42A		20
160074A1	08-43		15	160283A1	08-65		14
160083A1	08-47B		12	160284A1	08-65		11
160090A1	08-42		28	160287A1	08-101		108
160090A1	08-42A		27	160287A1	08-101A		108
160090A1	08-65		19	160293A1	06-04		37
160092A1	08-43		14	160295A1	08-30		121
160097A1	06-04		89	160296A1	08-30		122
160097A1	06-08	03	81	160298A1	08-45		8

INDEX - INDICE - INDEX - ZAHLENVERZEICHNIS - INDICE - INDICE - INDHOLD - INHOUD

Number	Figure	Sequence Ref.	Number	Figure	Sequence Ref.
514-1222	09-41B	16	627-10025	09-09	9
514-1222	09-41C	16	627-10025	09-10	3
514-1502	09-35	19	627-10025	09-10	6
6-590-SHBC	02-17		627-10025	09-23	71
614-10020	09-13	26	627-10025	09-24	20
614-8012	03-07	9	627-10025	09-25	30
615-8012	04-04	1	627-10030	08-01	9
626-10016	05-07	12	627-10030	08-02	8
626-10016	05-07A	6	627-10030	08-57	61
626-10016	05-07B	34	627-10030	08-60	62
627-10016	08-57	147	627-10035	02-03-00	7
627-10016	08-60	118	627-10040	09-24	7
627-10016	09-16	118	627-12020	03-01A	17
627-10016	09-20	74	627-12020	04-05	62
627-10020	02-01	3	627-12025	04-05	43
627-10020	04-05	63B	627-12030	02-01	8
627-10020	04-05	9	627-12030	08-05	14
627-10020	05-06	13	627-12030	08-05	24
627-10020	06-07	5	627-12030	08-05	31
627-10020	08-01	8	627-12030	08-39	20
627-10020	08-06	2	627-12030	08-39A	20
627-10020	08-26A	2	627-12030	08-51	12
627-10020	08-28	89	627-12030	08-51	74
627-10020	08-51	73	627-12030	08-56	103
627-10020	08-56	102	627-12030	08-56	13
627-10020	09-06-00	32	627-12030	08-58	13
627-10020	09-34C	24	627-12030	09-06-00	91
627-10025	02-02	9	627-12030	09-06-00	95
627-10025	04-05	46	627-12030	09-07	117
627-10025	04-05	65	627-12030	09-07	53
627-10025	04-05B	81	627-12030	09-08	115
627-10025	08-06	10	627-12030	09-28	274
627-10025	08-20	102	627-12030	09-34B	6
627-10025	08-20	66	627-12035	02-01	10
627-10025	08-21	89	627-12035	08-04	13
627-10025	08-21A	66	627-12035	08-04	19
627-10025	08-21A	84	627-12035	09-06-00	38
627-10025	08-21B	68	627-12040	05-03	4
627-10025	08-21C	102	627-12040	09-28	275
627-10025	08-21C	66	627-12060	08-54	70
627-10025	08-21D	90	627-12060	08-59	71
627-10025	08-51	13	627-12080	08-50	55
627-10025	08-56	14	627-12080	08-52A	55
627-10025	08-58	14	627-16030	02-04	2
627-10025	09-08	103	627-16035	04-10	11
627-10025	09-09	5	627-16035	08-35	34

INDEX - INDICE - INDEX - ZAHLENVERZEICHNIS - INDICE - INDICE - INDHOLD - INHOUD

Number	Figure	Sequence	Ref.	Number	Figure	Sequence	Ref.
J678912	02-17		20	J902425	02-23		13
J678912	02-22		7	J903035	03-05		5
J678912	02-23		9	J903035	03-07		6
J678912	04-03		11	J903242	02-16		7
J678912	04-03		9	J903463	02-08		17
J678921	02-17		19	J903475	02-08		18
J678923	02-17		17	J903475	02-21		16
J678923	03-04		1	J903857	02-18		7
J759917	02-11		6	J904166	02-20.		7
J800333	02-20.		.	J904483	02-18		3
J800336	02-20.		.	J904519	03-03		9
J800337	02-20.		.	J905114	02-13		20
J806213	02-20.		.	J905114	02-17		46
J806214	02-20.		.	J905114	02-17		49
J806285	02-20.		.	J905351	03-07		11
J818823	02-10		3	J905427	02-19		7
J818824	02-10		4	J906619	02-12		3
J822934	04-04		8	J906697	02-17		42
J863104	02-13		6	J906697	02-22		10
J863456	02-17		33	J906697	02-23		15
J865346	04-03		10	J906698	02-07		3
J867043	02-23		10	J906698	02-22		14
J867043	03-03		23	J907586	02-17		27
J882589	02-21		4	J907769	02-07		7
J883284	02-10		19	J907860	02-10		12
J883284	02-21		5	J908226	02-14		22
J883284	02-23		11	J908560	02-14		16
J900068	02-17		16	J908560	04-02		27
J900068	02-17		3	J908563	02-14		17
J900227	02-16		5	J908563	04-02		28
J900257	02-08		13	J910248	02-19		14
J900257	02-17		14	J910517	02-17		47
J900269	02-19		8	J910739	02-07		10
J900677	02-13		2	J911924	02-07		11
J900919	02-20.		10	J912072	02-19		5
J900955	02-15		6	J912473	02-19		2
J900955	02-17		11	J912473	02-22		15
J900956	02-17		7	J912473	02-23		16
J900958	02-17		10	J912772	02-08		4
J901395	02-19		9	J913433	02-07		6
J901895	02-14		5	J914462	02-07		5
J902343	02-17		15	J915787	02-12		5
J902425	02-13		18	J916662	02-17		45
J902425	02-13		21	J917716	03-03		11
J902425	02-13		9	J917717	03-03		12
J902425	02-22		13	J917746	03-03		13

INDEX - INDICE - INDEX - ZAHLENVERZEICHNIS - INDICE - INDICE - INDHOLD - INHOUD

Number	Figure	Sequence	Ref.	Number	Figure	Sequence	Ref.
KHN2132	09-17		134	KHN2254	09-17A		123
KHN2132	09-17		161	KHN2256	09-17		125
KHN2132	09-17A		134	KHN2256	09-17A		125
KHN2132	09-17A		161	KHN2257	09-17		110
KHN2132	09-18		151	KHN2257	09-17A		110
KHN2132	09-18A		151	KHN2258	09-17		87
KHN2143	09-07		119	KHN2258	09-17A		87
KHN2143	09-07A		119	KHN2259	09-17		106
KHN21750	09-28			KHN2259	09-17A		106
KHN2227	09-11		1	KHN2259	09-18		57
KHN2232	09-27		271	KHN2259	09-18A		57
KHN2234	09-27		266	KHN2260	09-17		85
KHN2235	09-27		78	KHN2260	09-17A		85
KHN2236	09-12			KHN2260	09-18		61
KHN2237	09-12		9	KHN2260	09-18A		61
KHN2238	09-12		21	KHN2261	09-17		108
KHN2239	09-11			KHN2261	09-17A		108
KHN2240	09-11		17	KHN2261	09-18		55
KHN2241	09-11		18	KHN2261	09-18A		55
KHN2242	09-12		25	KHN2262	09-17		96
KHN2243	09-27		74	KHN2262	09-17A		96
KHN2245	09-17		91	KHN2263	09-17		77
KHN2245	09-17A		91	KHN2263	09-17A		77
KHN2246	09-18		47	KHN2264	09-17		94
KHN2246	09-18A		47	KHN2264	09-17A		94
KHN2247	09-17		74	KHN2266	09-17		92
KHN2247	09-17A		74	KHN2266	09-17A		92
KHN2248	09-18		39	KHN2266	09-18		48
KHN2248	09-18A		39	KHN2266	09-18A		48
KHN2249	09-17		76	KHN2267	09-17		111
KHN2249	09-17A		76	KHN2267	09-17A		111
KHN2249	09-18		41	KHN2268	09-17		95
KHN2249	09-18A		41	KHN2268	09-17A		95
KHN2250	09-17		78	KHN2269	09-17		97
KHN2250	09-17A		78	KHN2269	09-17A		97
KHN2250	09-18		43	KHN2269	09-18		53
KHN2250	09-18A		43	KHN2269	09-18A		53
KHN2251	09-17		127	KHN2270	09-17		75
KHN2251	09-17		80	KHN2270	09-17A		75
KHN2251	09-17A		127	KHN2270	09-18		40
KHN2251	09-17A		80	KHN2270	09-18A		40
KHN2251	09-18		64	KHN2272	09-17		107
KHN2251	09-18A		64	KHN2272	09-17A		107
KHN2253	09-17		79	KHN2272	09-18		54
KHN2253	09-17A		79	KHN2272	09-18A		54
KHN2254	09-17		123	KHN2273	09-18		46

INDEX - INDICE - INDEX - ZAHLENVERZEICHNIS - INDICE - INDICE - INDHOLD - INHOUD

Number	Figure	Sequence	Ref.	Number	Figure	Sequence	Ref.
KRC0148	08-38A		9	KRH1417	02-02		19
KRC0154	08-38		6	KRH1418	02-02		17
KRC0154	08-38A		6	KRH1428	02-01		2
KRC0154	08-38B		2	KRH1433	02-05		6
KRC0155	08-38		10	KRH1444	02-05		11
KRC0155	08-38A		10	KRH1450	09-34A		1
KRC0155	08-38B		6	KRH1457	02-05		4
KRH0652	00-04	01	1	KRH1462	02-04		1
KRH0652	02-02		4	KRH1463	02-04		4
KRH0652	05.100.01			KRH1464	02-04		5
KRH1225	02-01		12	KRH1466	02-04		14
KRH1226	02-01		13	KRH1467	02-04		27
KRH1236	02-02		12	KRH1468	02-04		33
KRH1237	02-02		10	KRH1469	02-04		34
KRH1248	02-02		3	KRH1479	03-01A		1
KRH1249	02-02		6	KRH1512	02-05		2
KRH1250	02-02		7	KRH1630	02-04		1
KRH1251	02-01		17	KRJ12280	08-50		80
KRH1256	02-01		16	KRJ12280	08-51		80
KRH1270	02-04		16	KRJ12280	08-52A		80
KRH1275	02-04		30	KRJ12280	08-52B		80
KRH1276	02-04		31	KRJ12280	08-53		109
KRH1319	02-02		2	KRJ12280	08-56		109
KRH1320	00-04	01	2	KRJ12280	08-61A		109
KRH1320	02-02		5	KRJ12280	08-61D		111
KRH1320	05.100.01			KRJ3569	08-18		73
KRH1321	02-03-00		3	KRJ3569	08-19		73
KRH1337	02-04		35	KRJ3569	08-21A		72
KRH1343	03-02		1	KRJ3569	08-21B		72
KRH1343	03-02B			KRJ3851	08-05		25
KRH1352	03-01		2	KRJ3893	08-20		86
KRH1375	02-04		39	KRJ3893	08-21		86
KRH1376	02-04		40	KRJ3893	08-21C		87
KRH1377	02-04		41	KRJ3893	08-21D		87
KRH1393	03-02		3	KRJ3932	08-18		72
KRH1393	03-02A		3	KRJ3932	08-19		72
KRH1393	04-05		32	KRJ3932	08-21A		71
KRH1393	08-29		98	KRJ3932	08-21B		71
KRH1396	09-23		49	KRJ4336	08-17		8
KRH1396	09-25		49	KRJ4336	08-18		8
KRH1397	02-01		6	KRJ4336	08-20		8
KRH1398	02-01		7	KRJ4336	08-21A		8
KRH1399	02-01		9	KRJ4336	08-21C		8
KRH1404	02-04		7	KRJ5726	08-58		5
KRH1405	02-04		8	KRJ5751	08-57		146
KRH1416	02-02		15	KRJ5751	08-60		117

CLICK HERE TO **DOWNLOAD** THE COMPLETE MANUAL

- Thank you very much for reading the preview of the manual.
- You can download the complete manual from: www.heydownloads.com by clicking the link below



- Please note: If there is no response to CLICKING the link, please download this PDF first and then click on it.

CLICK HERE TO **DOWNLOAD** THE COMPLETE MANUAL