

All rights reserved by **CNHi**.

The information contained in this catalogue is intended to be of a general nature only. **CNHi** may at any time and from time to time, for technical or other necessary reasons, modify any of the details or specifications of the product described in this catalogue.

To be sure of getting accurate, detailed and up-to-date information, an intending buyer should consult his nearest **CNHi** dealer or distributor.

Single item numeration method used in this catalogue may not be used without written consent from **CNHi**.

CLICK HERE TO **DOWNLOAD** THE COMPLETE MANUAL

- Thank you very much for reading the preview of the manual.
- You can download the complete manual from: www.heydownloads.com by clicking the link below



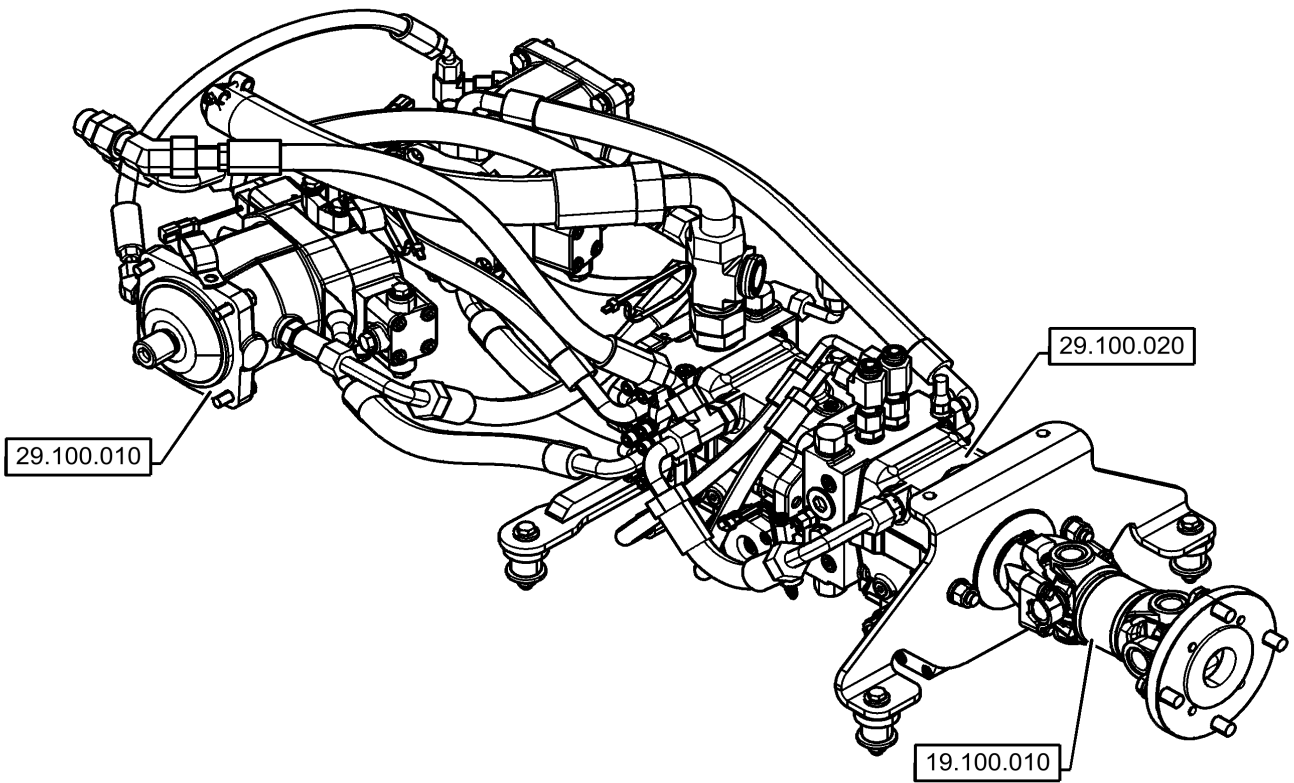
- Please note: If there is no response to CLICKING the link, please download this PDF first and then click on it.

CLICK HERE TO **DOWNLOAD** THE COMPLETE MANUAL

TABLE OF CONTENTS

90.160.010		FLOOR MAT, CAB
90.160.010		FOAM INSULATION
90.160.010	02	FLOOR MAT, CAB
90.160.010	03	FLOOR MAT, CAB
90.160.020		PEDAL DECEL
90.160.030		CAB INTERIOR TRIM
90.160.030		CONSOLE, ASSY
90.160.030		SOUNDPROOFING, CAB
90.160.050		SOUNDPROOFING
90.160.060		CAB INTERIOR TRIM
90.160.060		HEADLINER

PICTORIAL INDEX - HYDROSTATIC TRANSMISSION

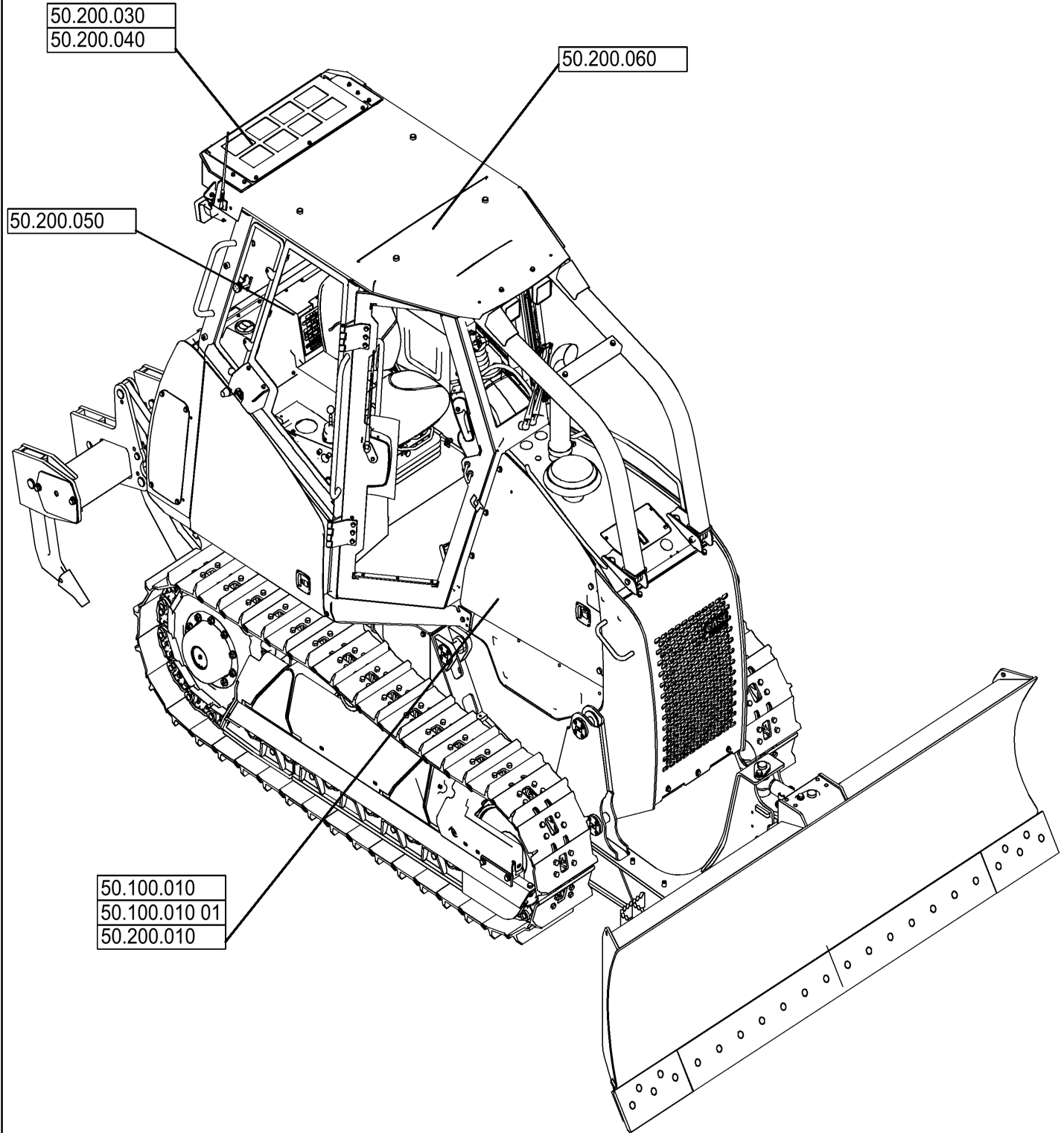


00.000.50

p1

6/2020

PICTORIAL INDEX - CAB CLIMATE CONTROL



PICTORIAL INDEX - PLATFORM, CAB, BODYWORK AND DECALS

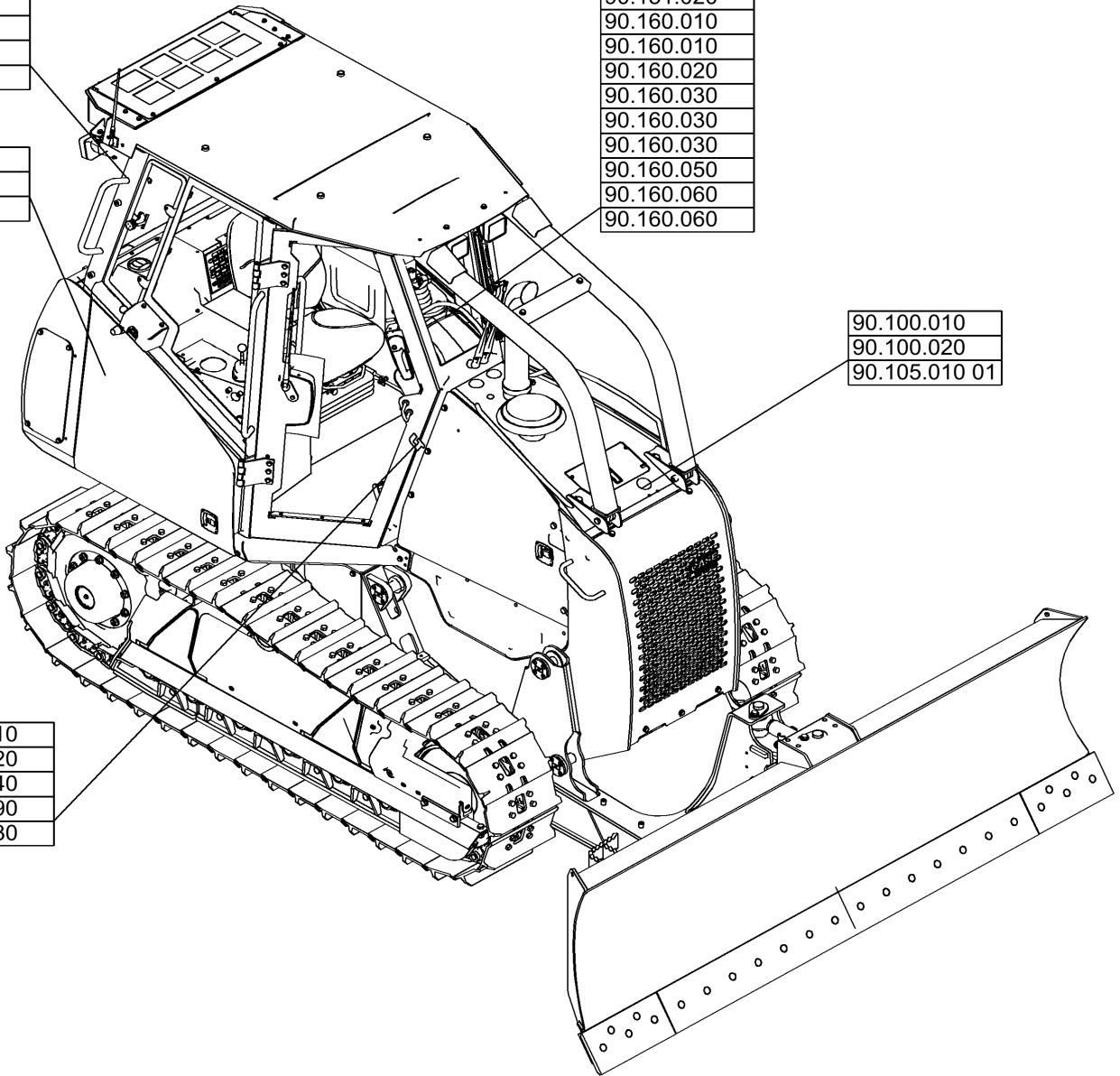
- 90.101.010
- 90.102.010
- 90.118.010
- 90.150.010
- 90.150.010
- 90.150.010
- 90.150.020
- 90.150.020
- 90.151.010
- 90.154.020
- 90.154.030
- 90.154.040

- 90.105.010
- 90.105.010
- 90.105.020

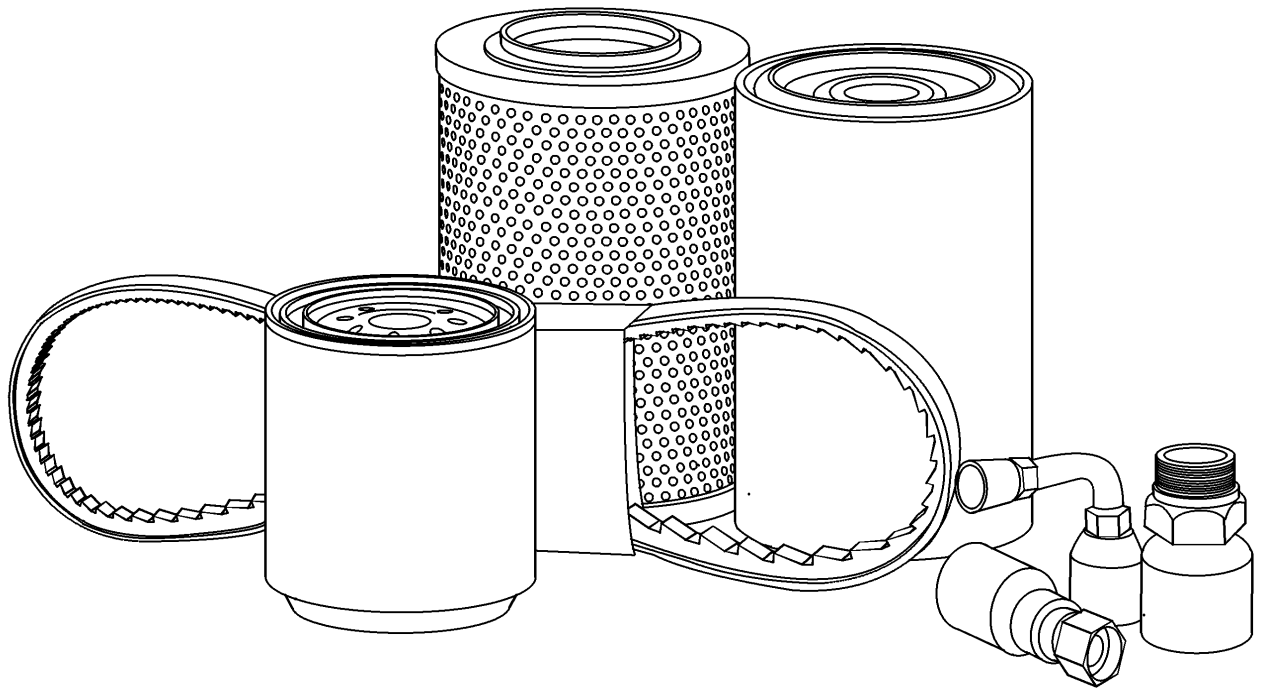
- 90.108.010
- 90.108.020
- 90.108.040
- 90.108.090
- 90.108.130

- 90.110.010
- 90.120.010
- 90.124.010
- 90.124.020
- 90.124.020
- 90.124.030
- 90.124.040
- 90.150.010
- 90.151.010
- 90.151.010
- 90.151.020
- 90.151.020
- 90.151.020
- 90.160.010
- 90.160.010
- 90.160.020
- 90.160.030
- 90.160.030
- 90.160.030
- 90.160.050
- 90.160.060
- 90.160.060

- 90.100.010
- 90.100.020
- 90.105.010 01



INITIAL STOCKING LIST (LIST A)

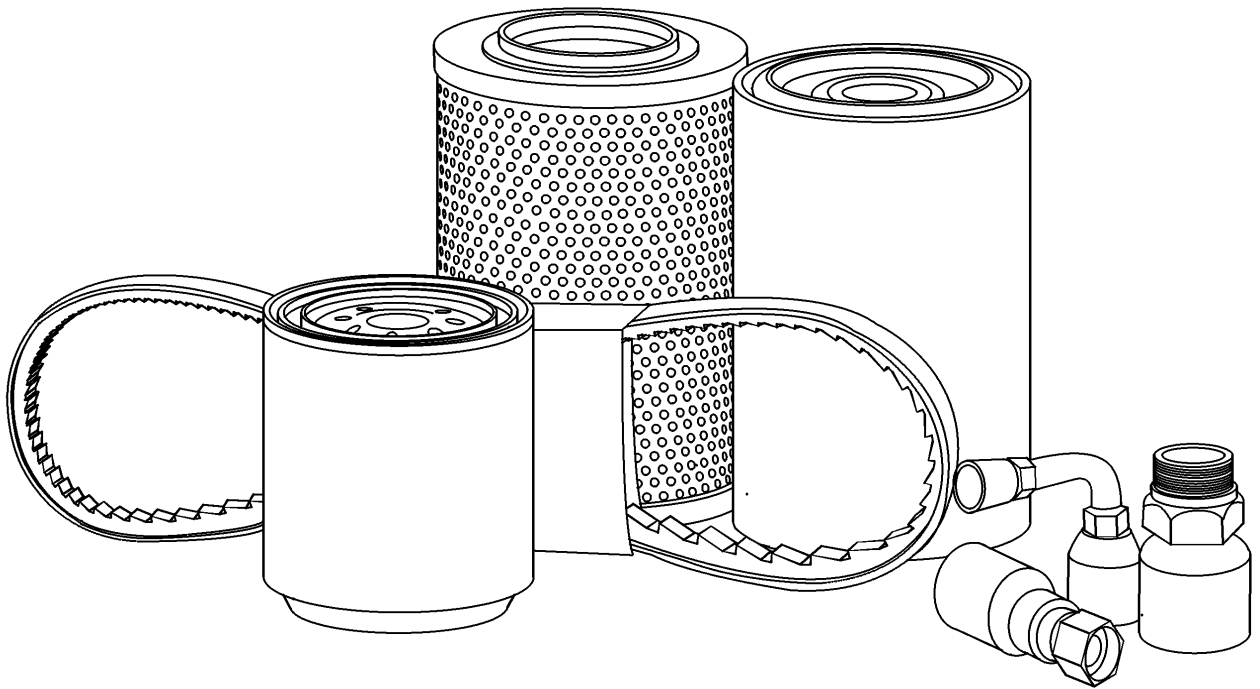


05.100.99

p1

6/2020

INITIAL STOCKING LIST (LIST C)

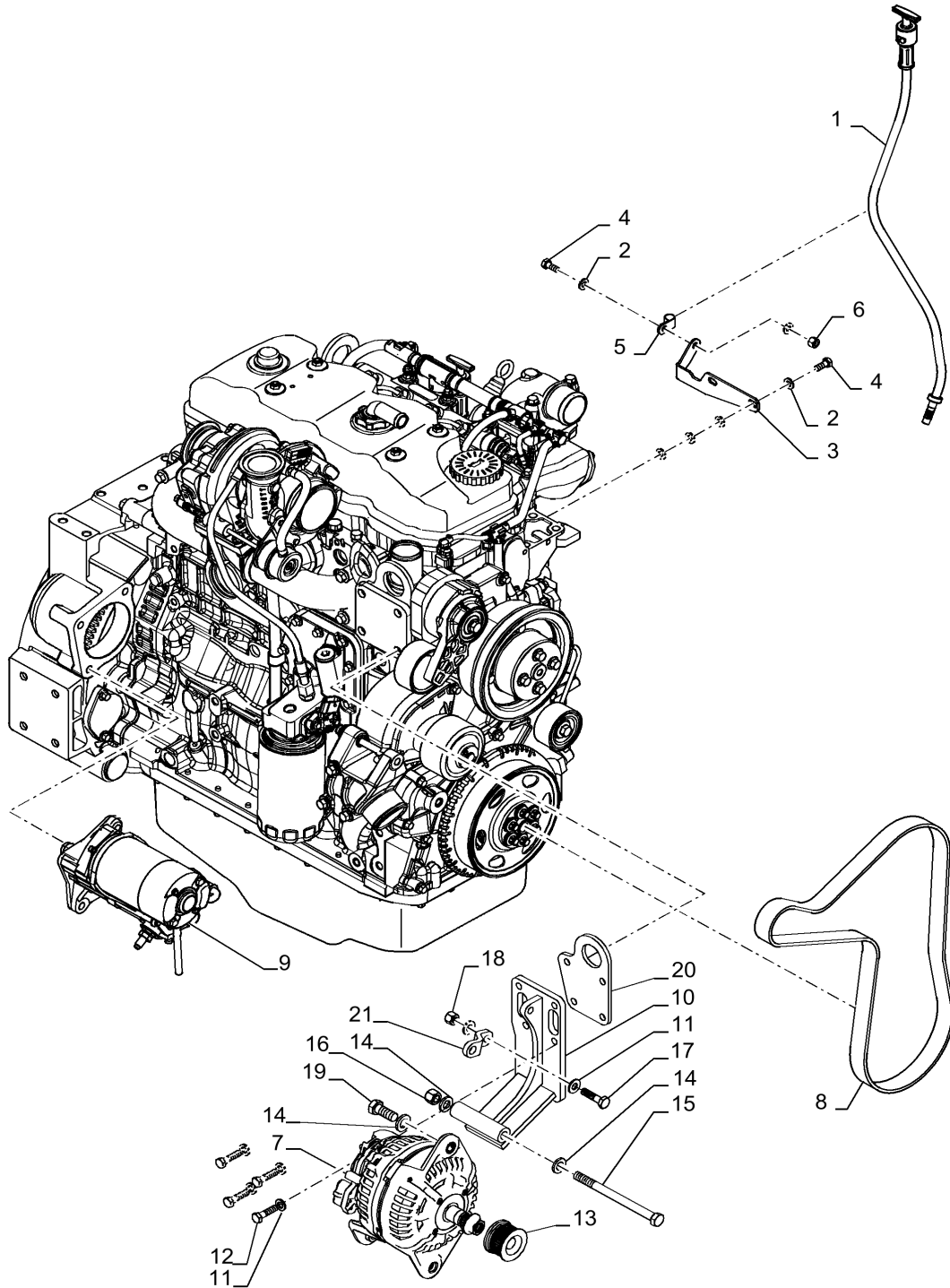


10.001.030

p1

6/2020

ENGINE, ACCESSORIES

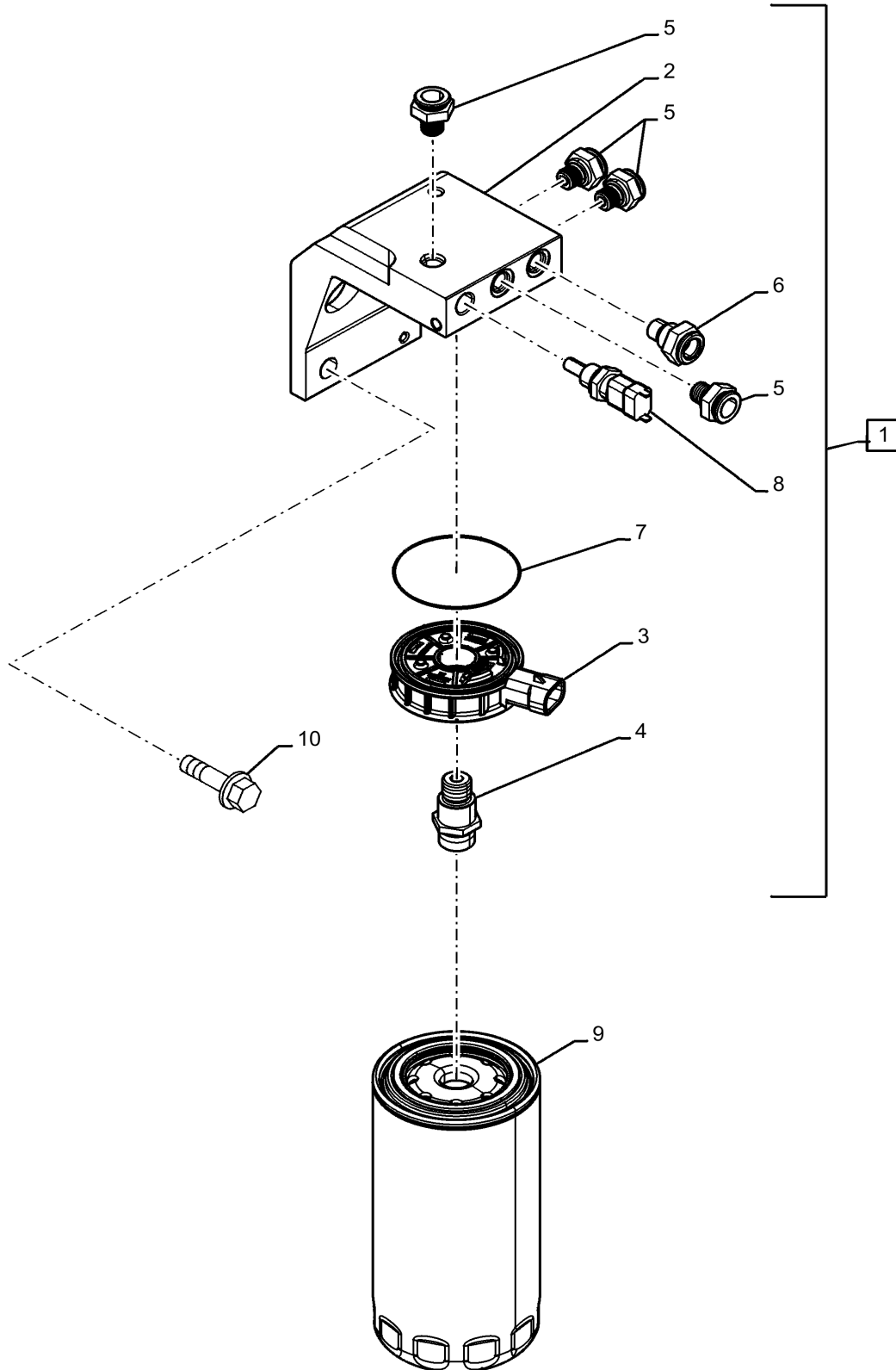


10.218.010

p1

6/2020

FUEL FILTER, ENGINE, MOUNTED

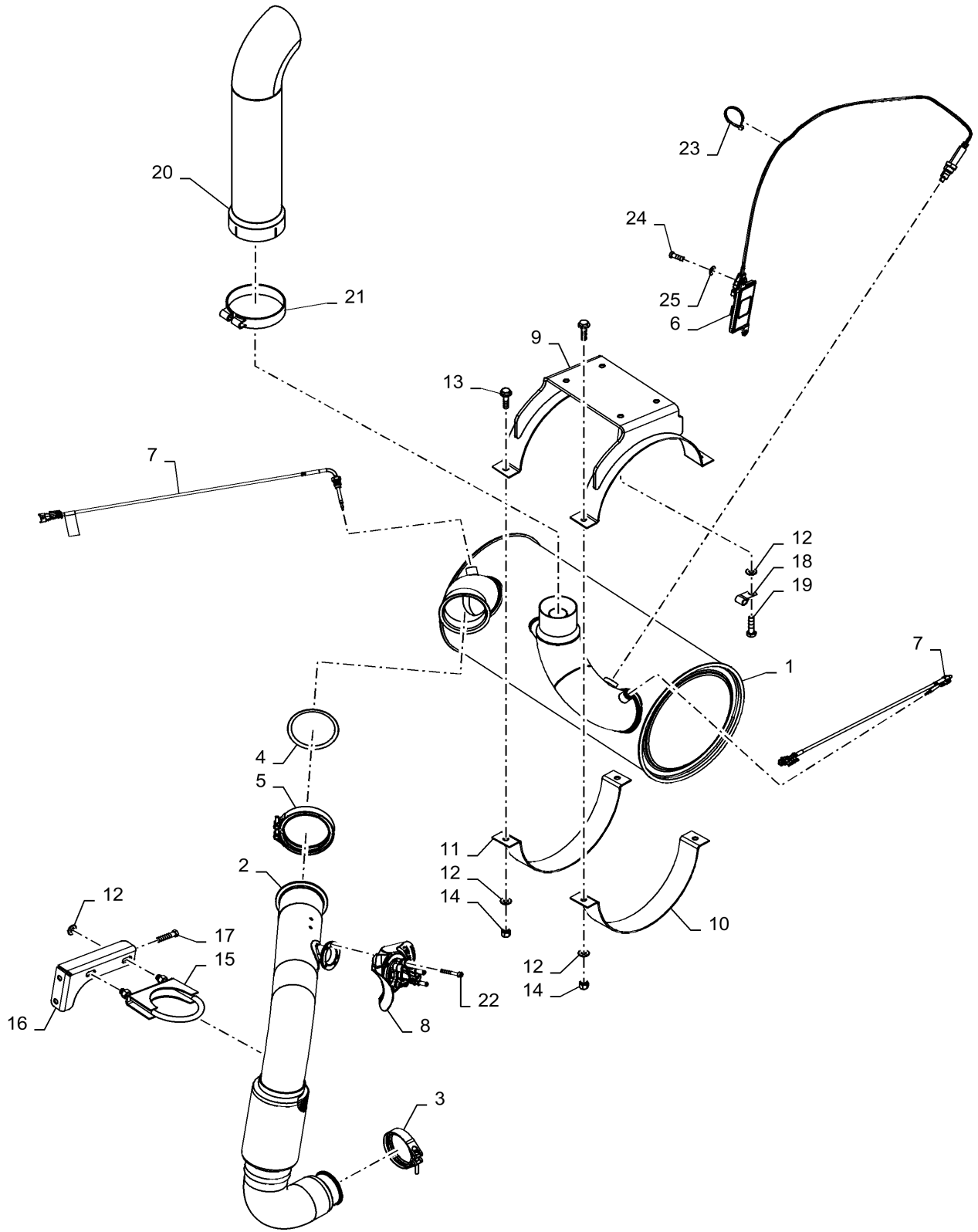


10.254.015

p1

6/2020

MUFFLER, SCR

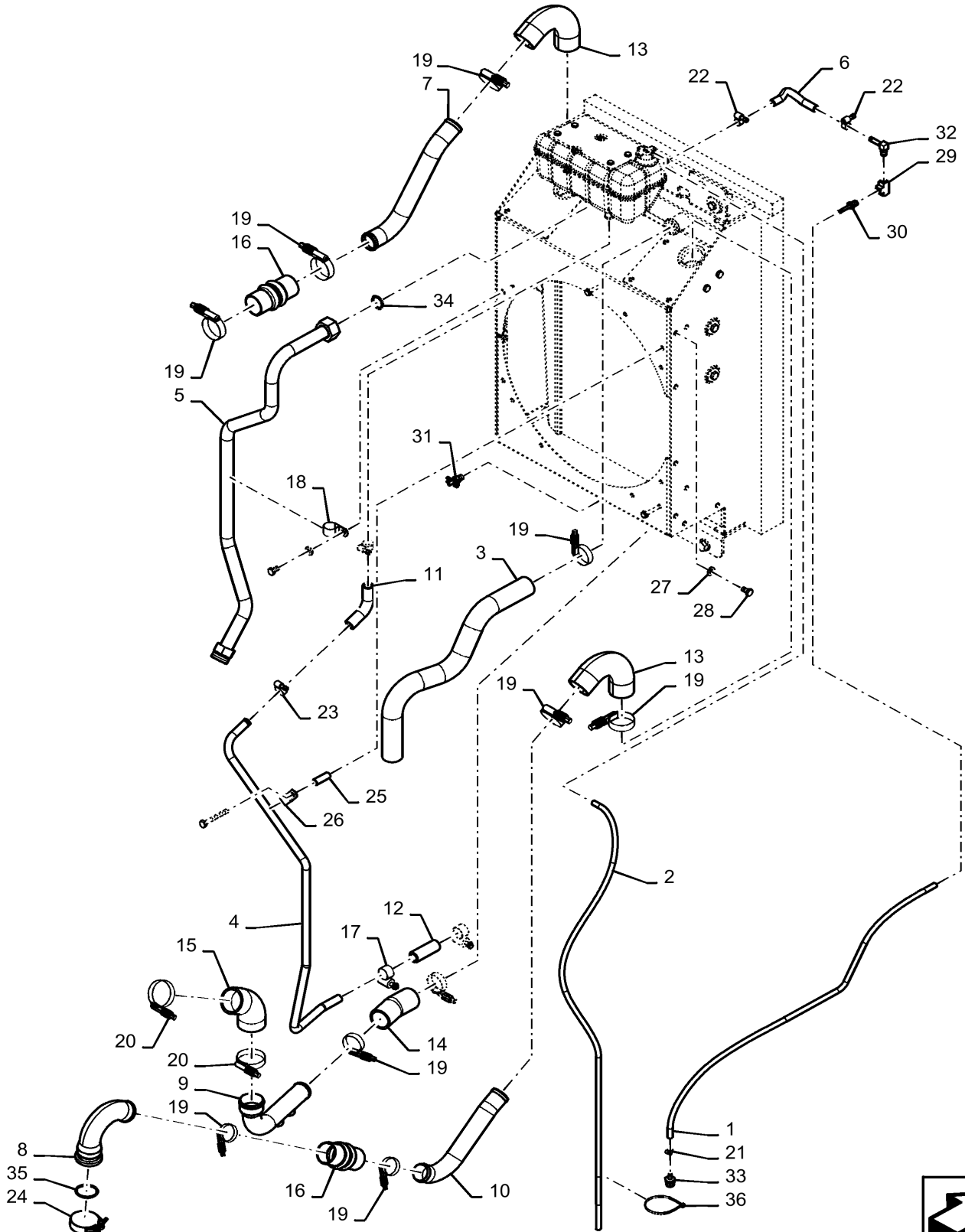


10.400.020

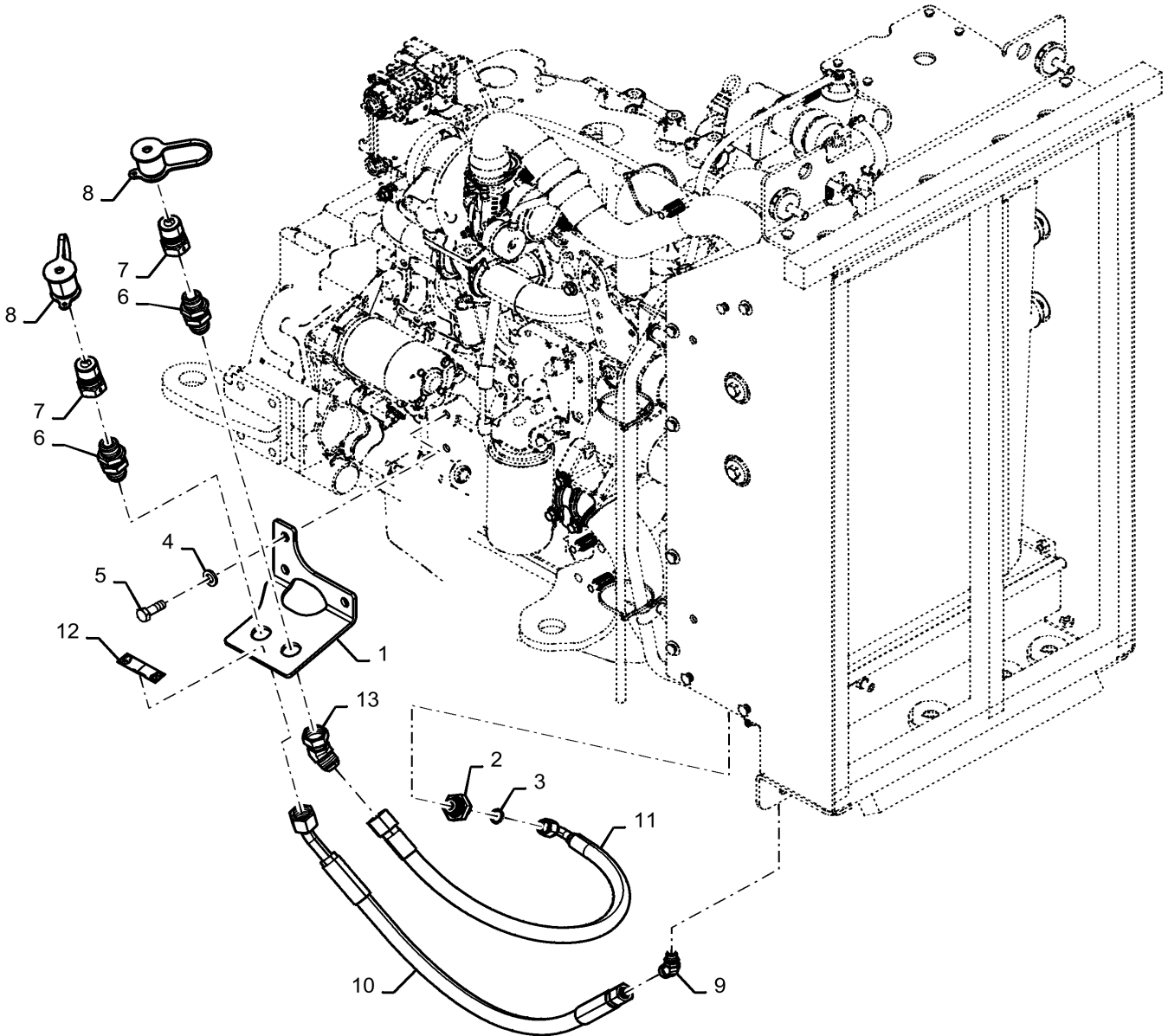
p1

6/2020

RADIATOR & COOLER, HOSE ASSY.



DRAIN, ENGINE OIL

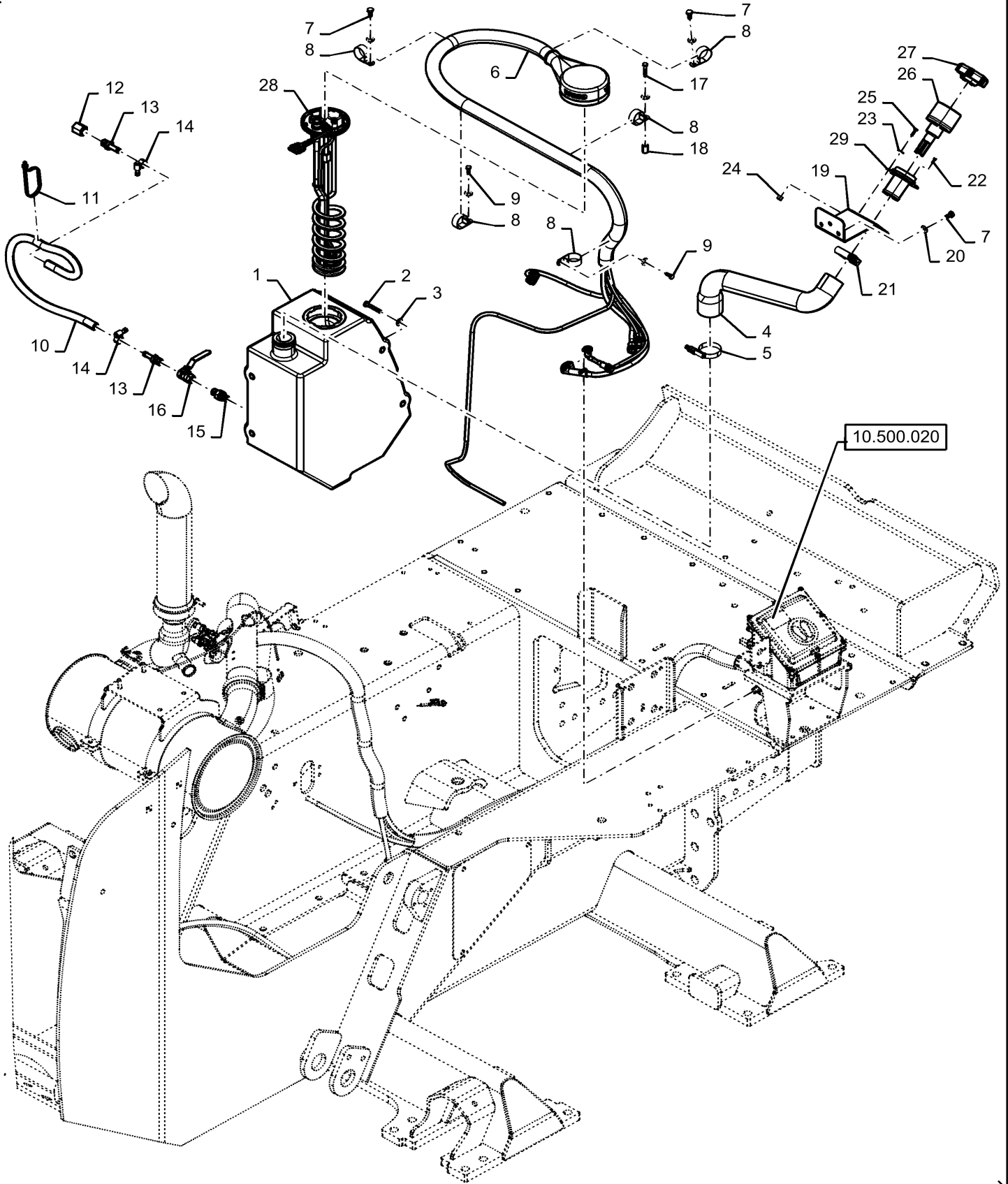


10.500.010

p2

6/2020

DEF TANK, DEF/ADBLUE™ LINES

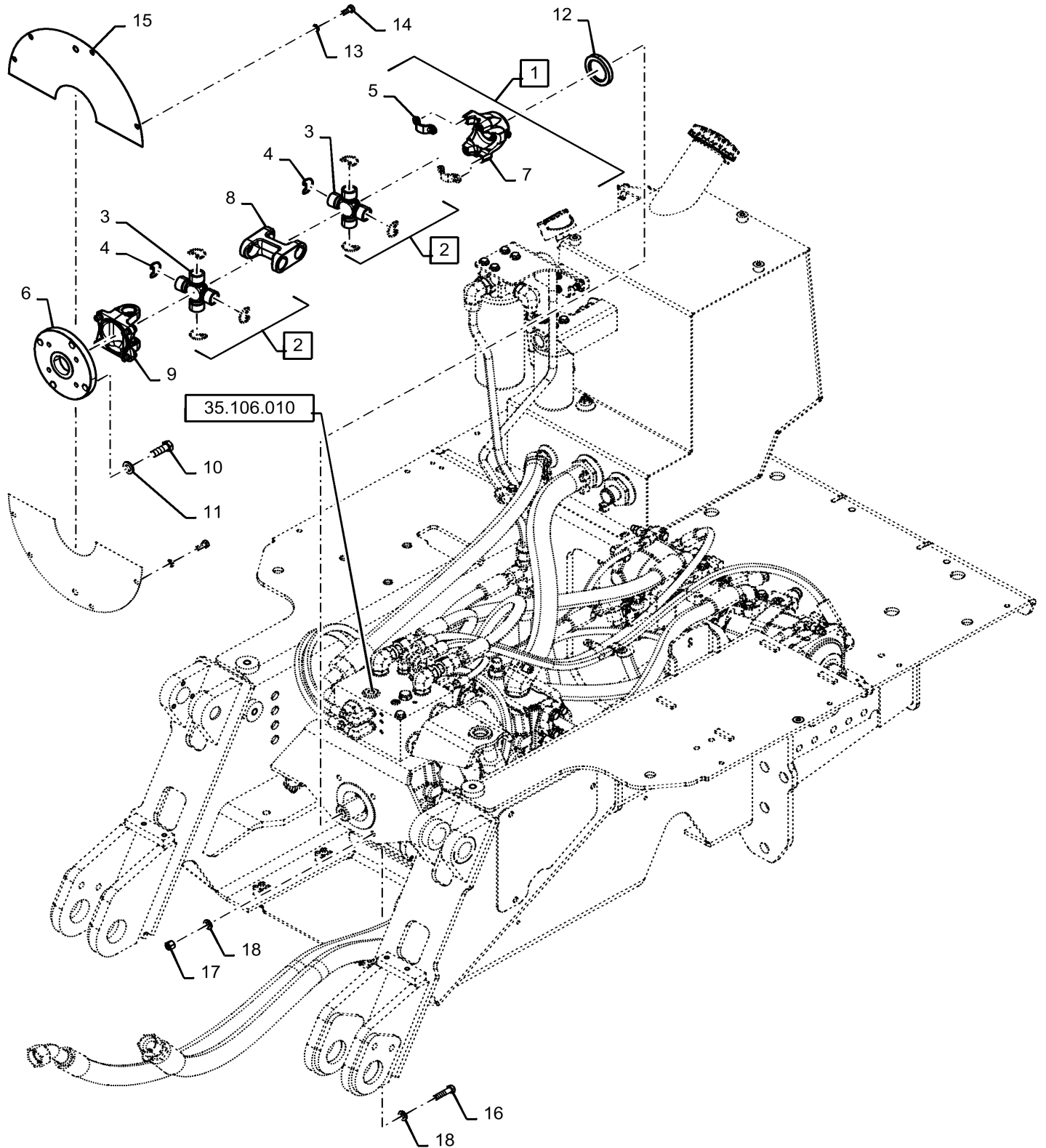


19.100.010

p1

6/2020

FLYWHEEL HYDROSTATIC PUMP, COUPLING



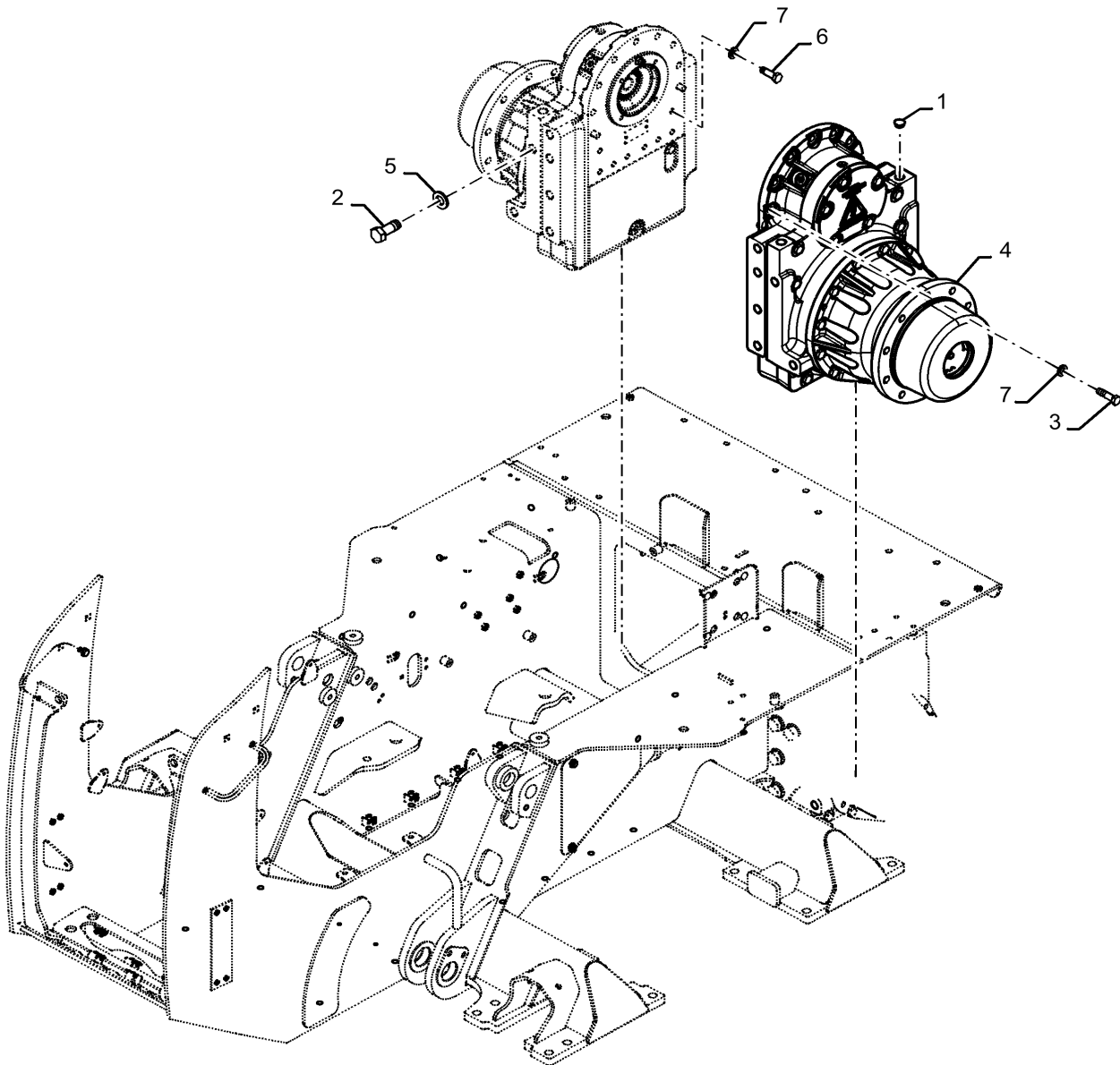
27.120.010

03

p1

6/2020

FINAL DRIVE, MOUNTING PARTS



29.100.010

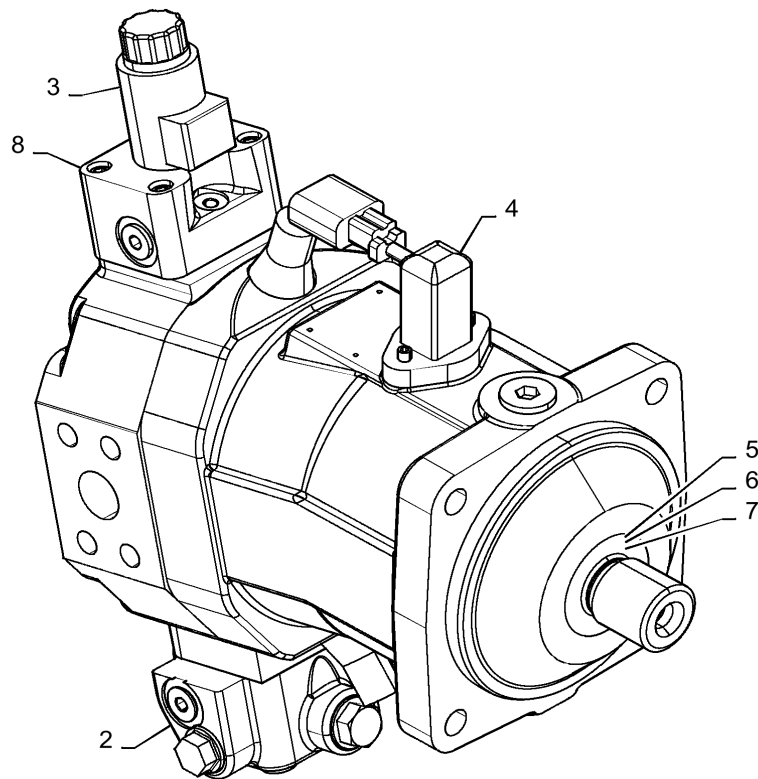
p1

6/2020

HYDROSTATIC MOTOR



1



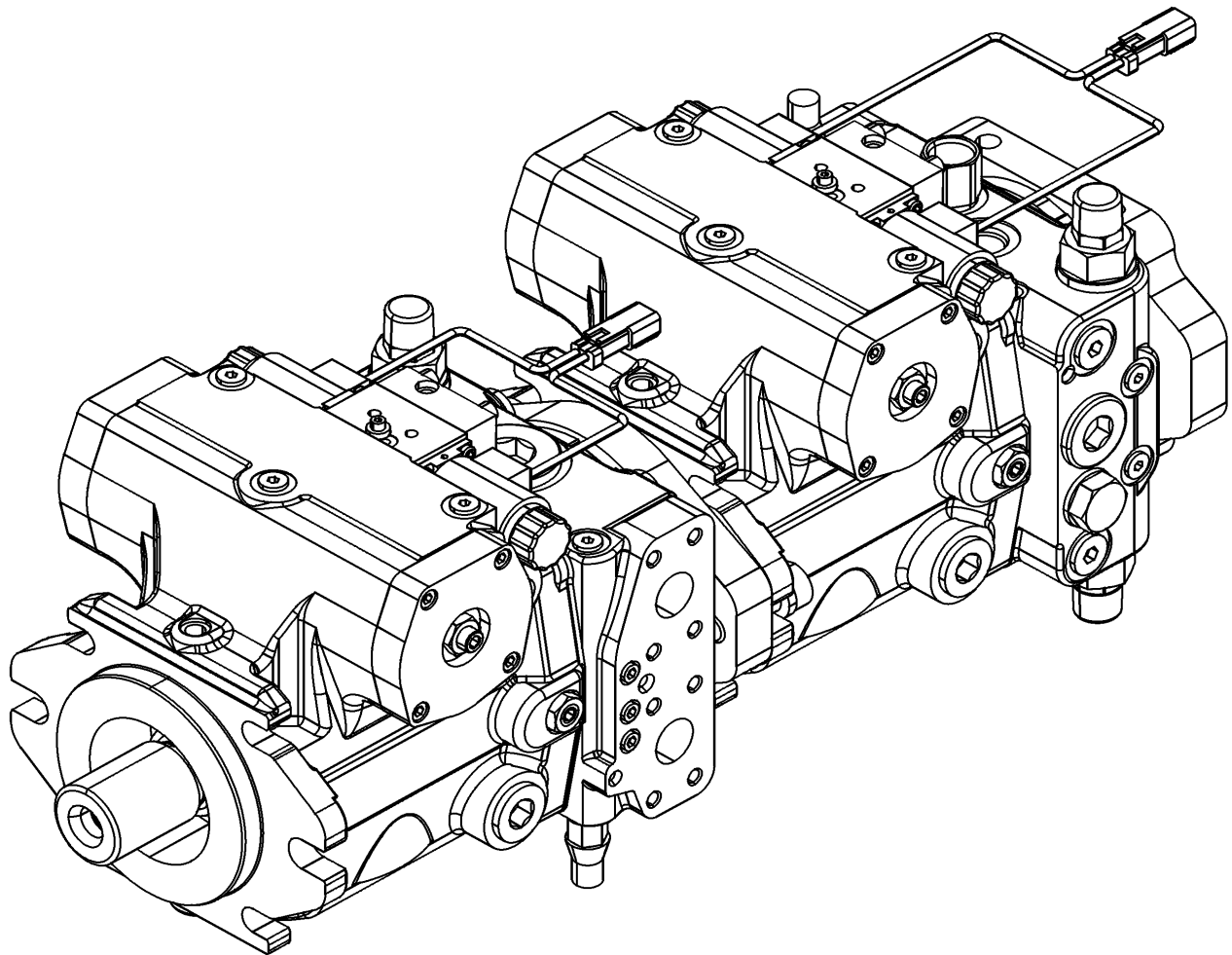
29.100.080

p1

6/2020

HYDROSTATIC PUMP, COUPLING

10



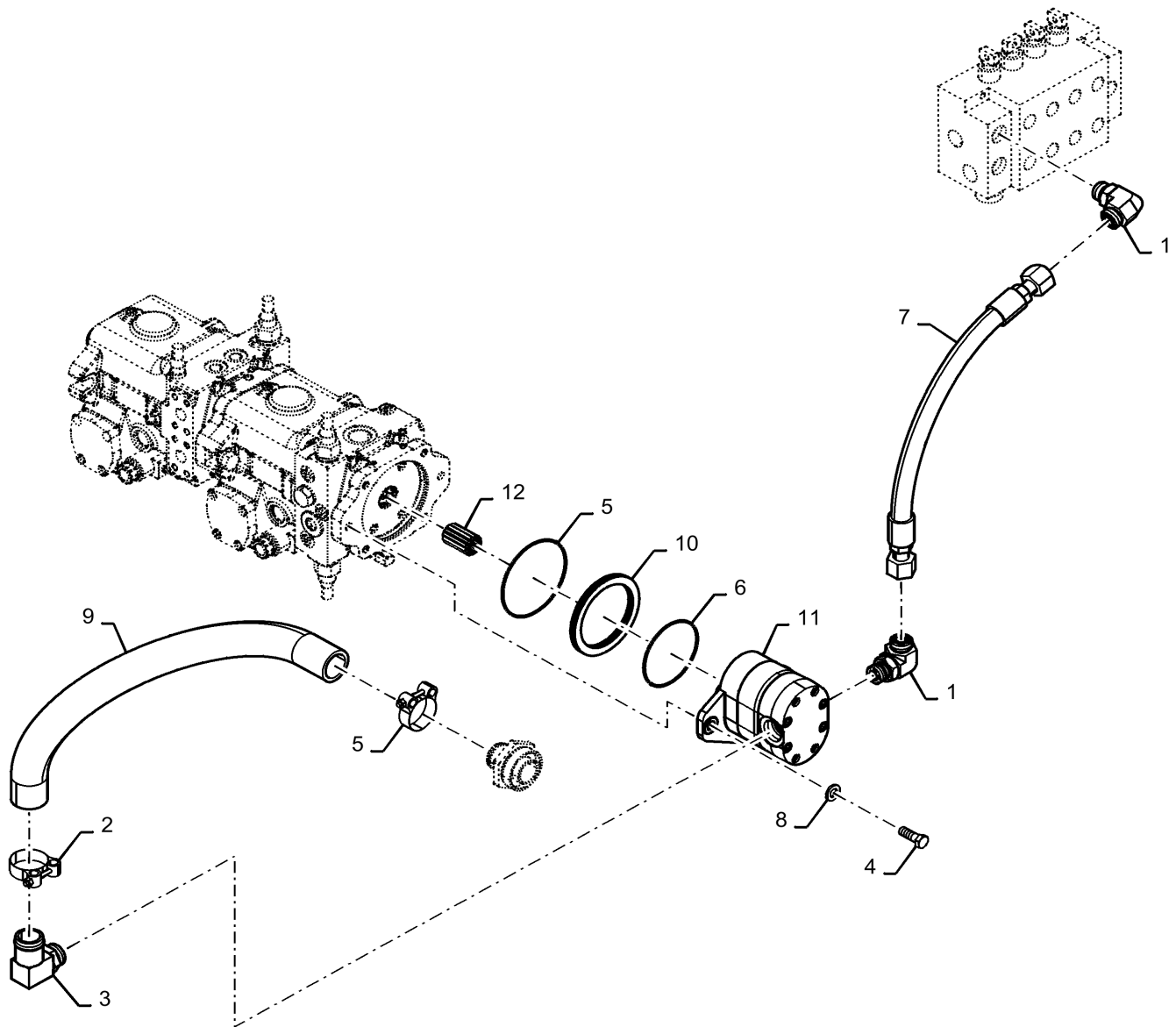
35.106.010

02

p1

6/2020

PUMP, W/O PTO

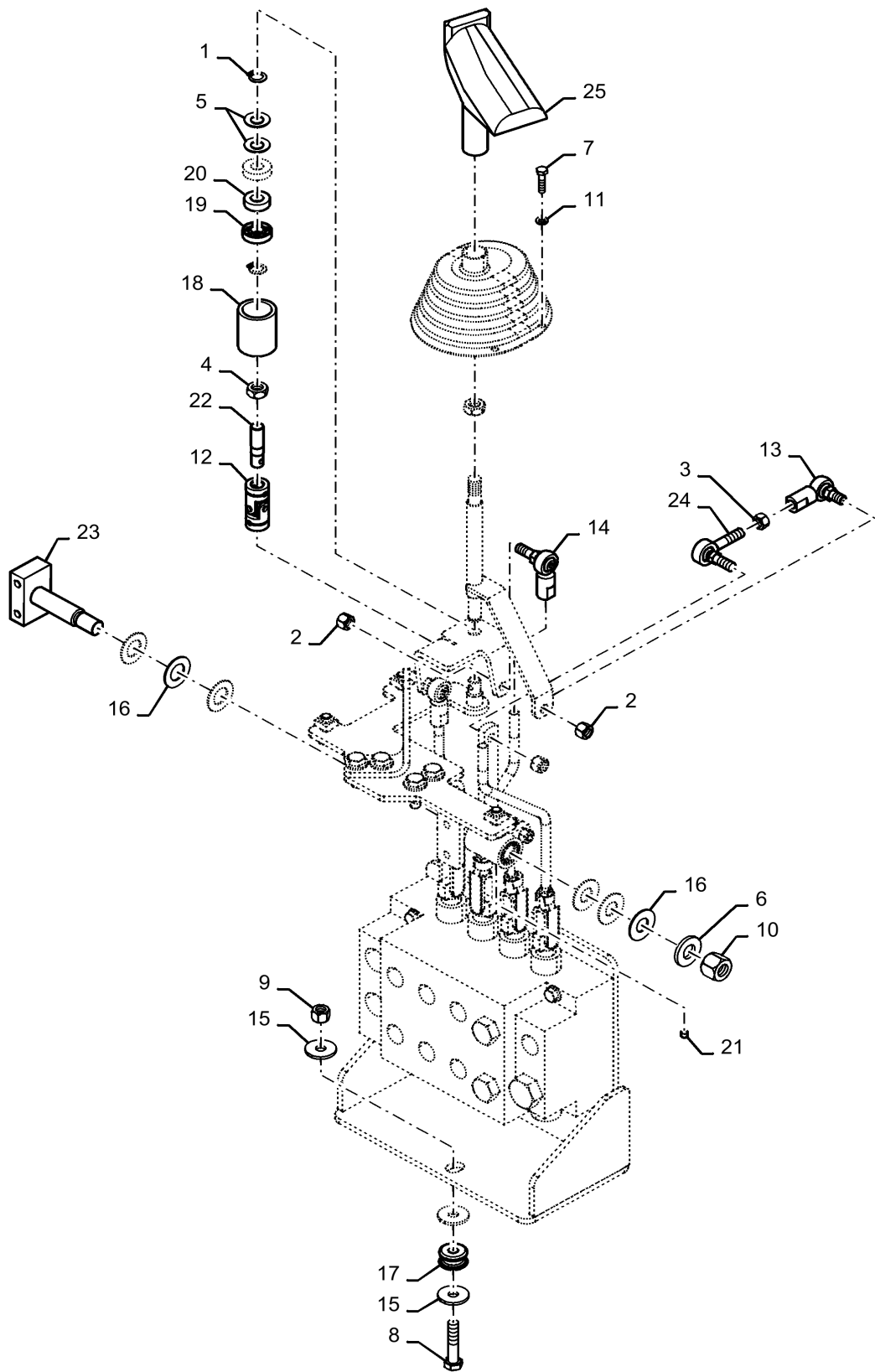


35.359.010

p1

6/2020

CONTROL VALVE, 3 SP MECH



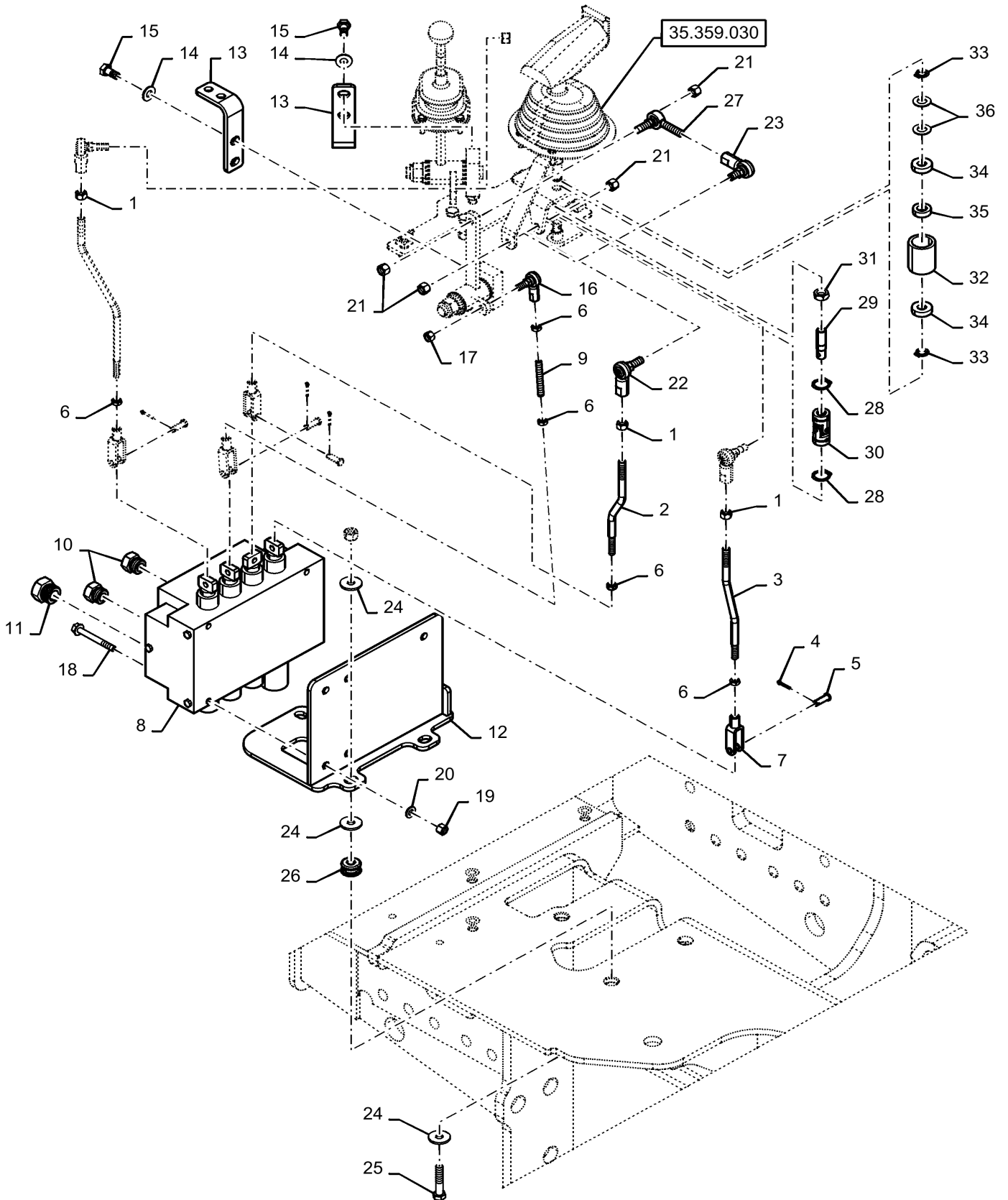
35.359.040

02.

p2

6/2020

4-SPOOL VALVE, LINKAGE



35.359.050

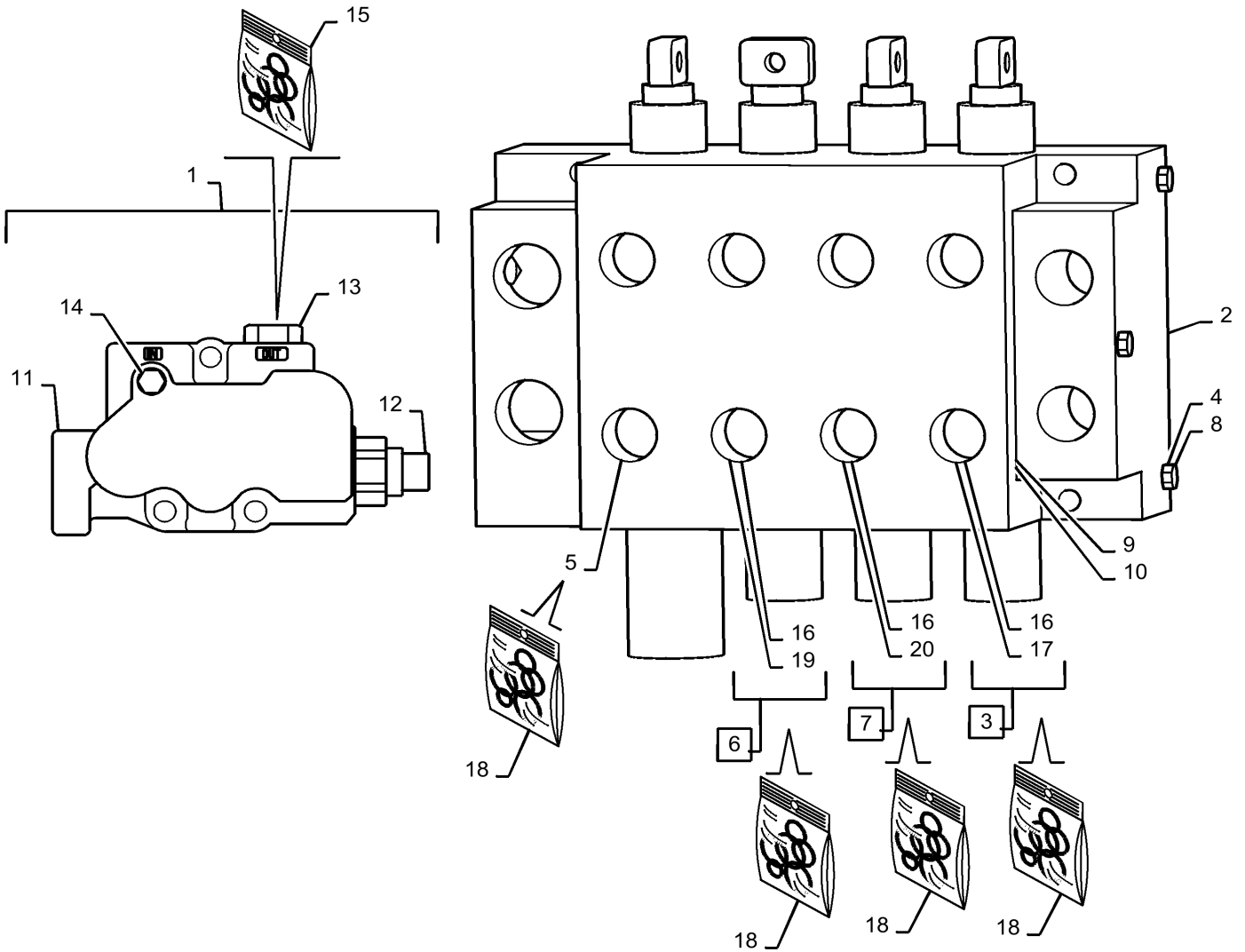
02

p1

6/2020

CONTROL VALVE ASSY - 4-SPOOL

21

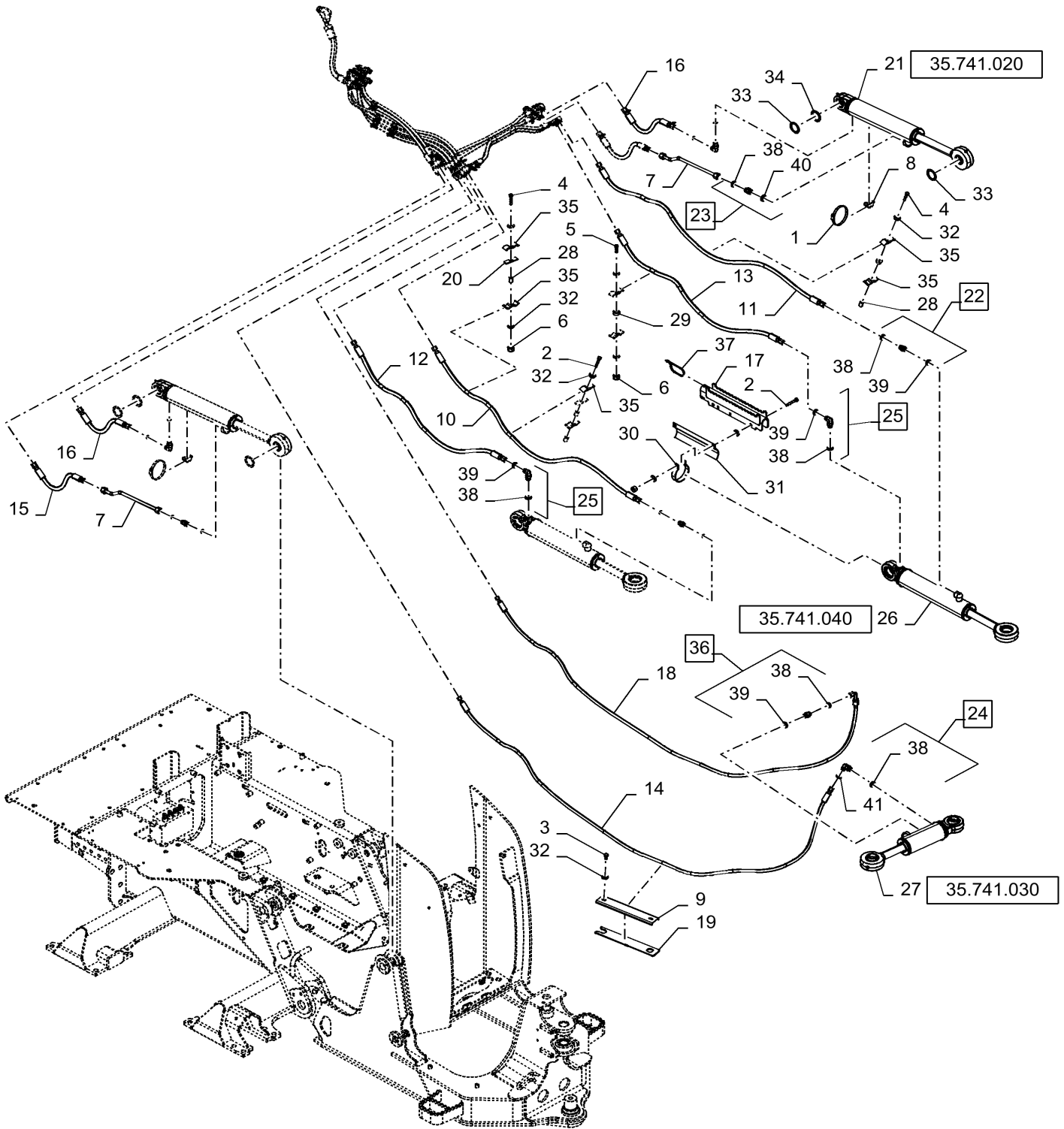


35.741.010

p3

6/2020

BLADE, CYLINDER AND HOSE ASSY.



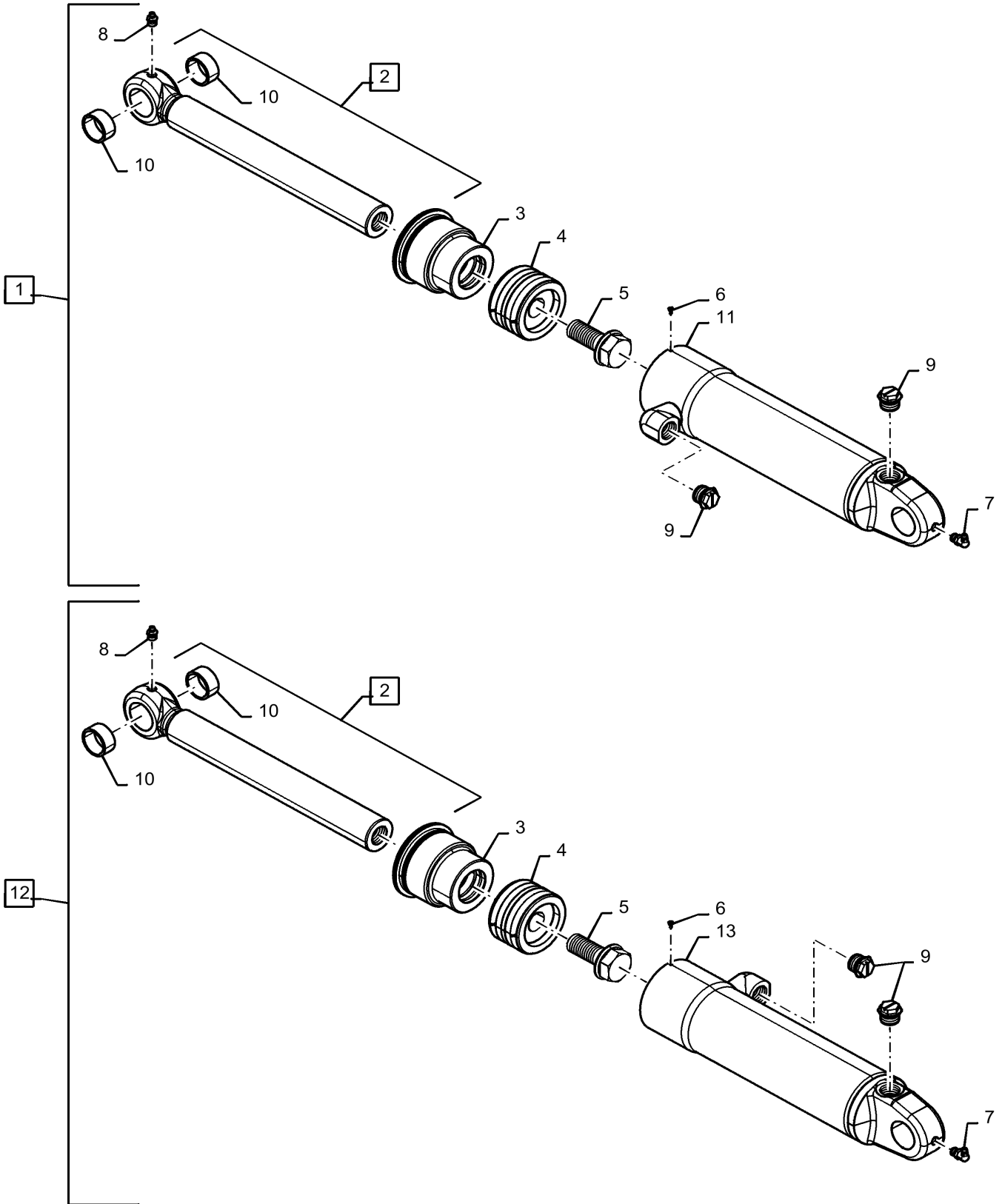
35.742.010

01

p1

6/2020

RIPPER, HYDRAULIC CYLINDER

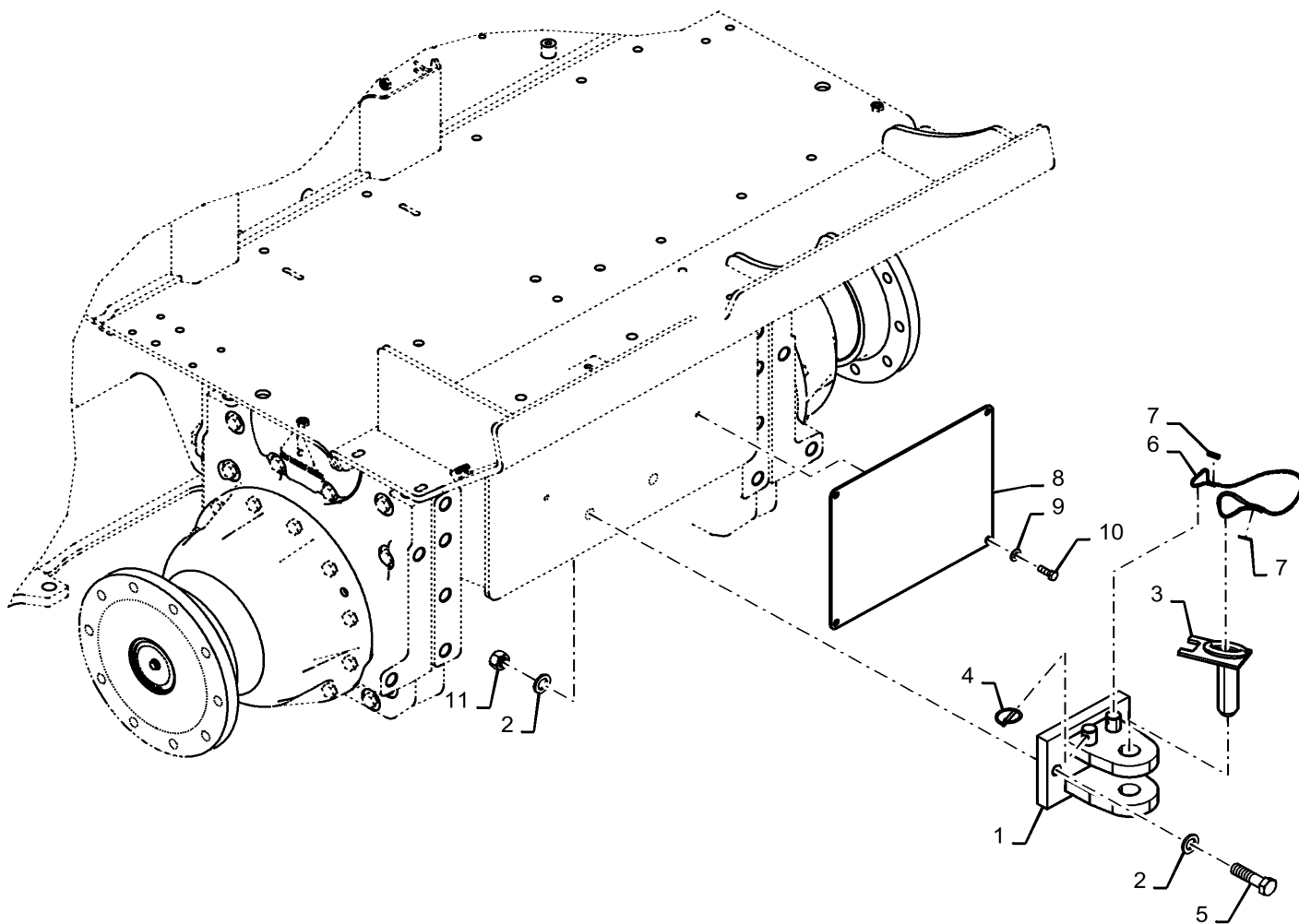


37.106.010

p1

6/2020

REAR, TOW HOOK

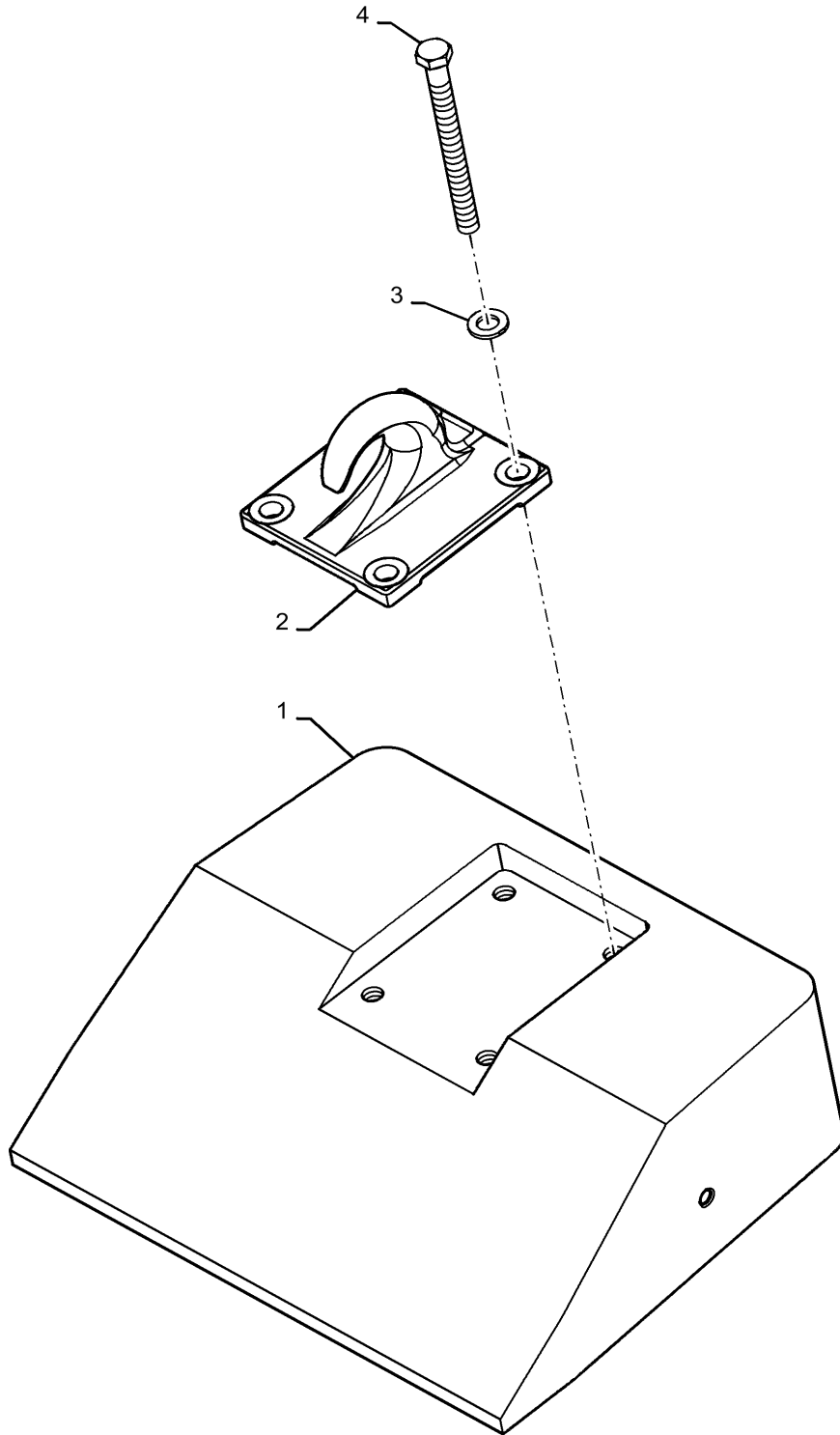


39.110.010

p1

6/2020

FRONT, COUNTERWEIGHT, HOOK

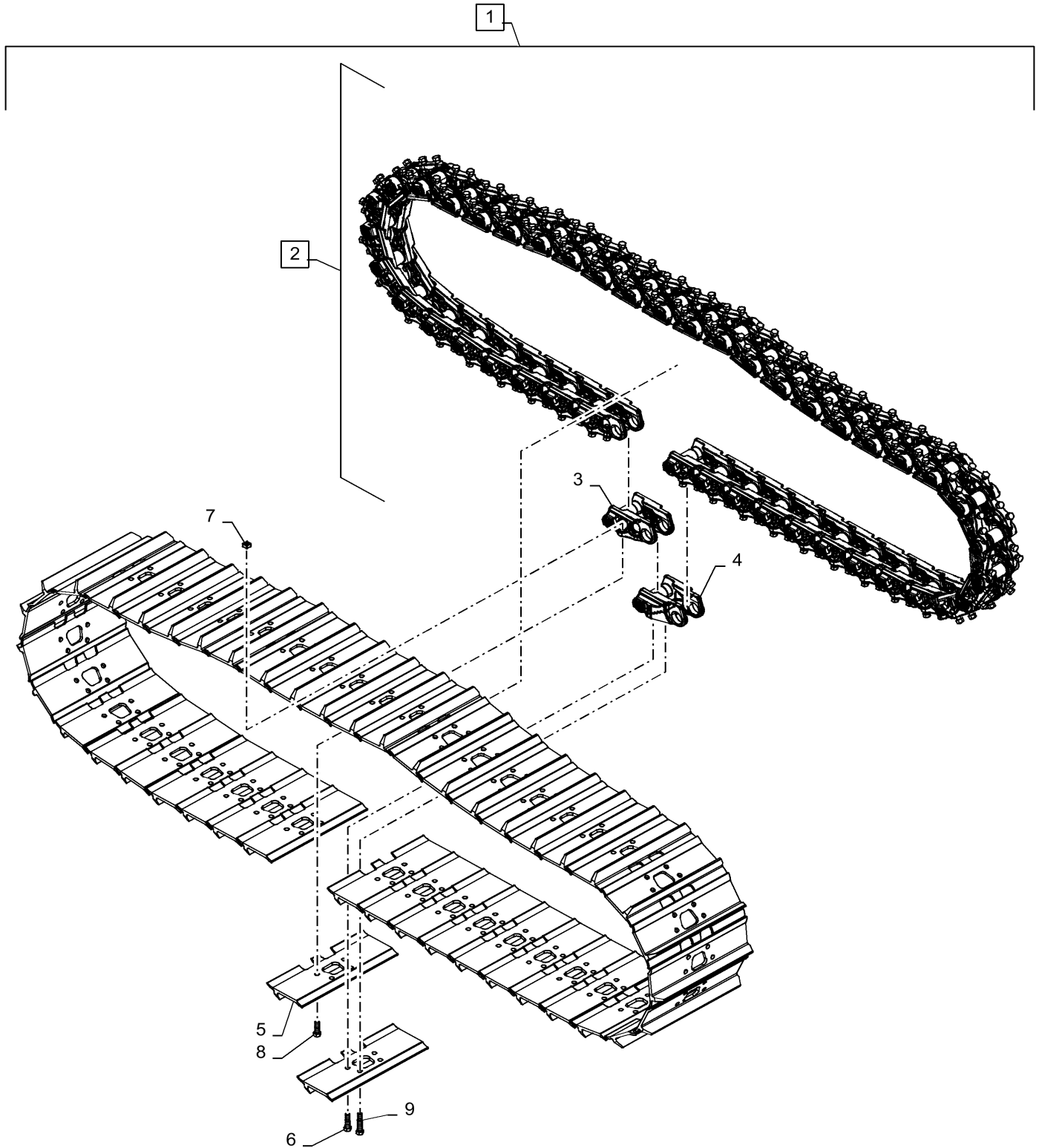


48.100.067

p1

6/2020

CRAWLER TRACK ASSY, MAX LIFE, OPEN, 20"

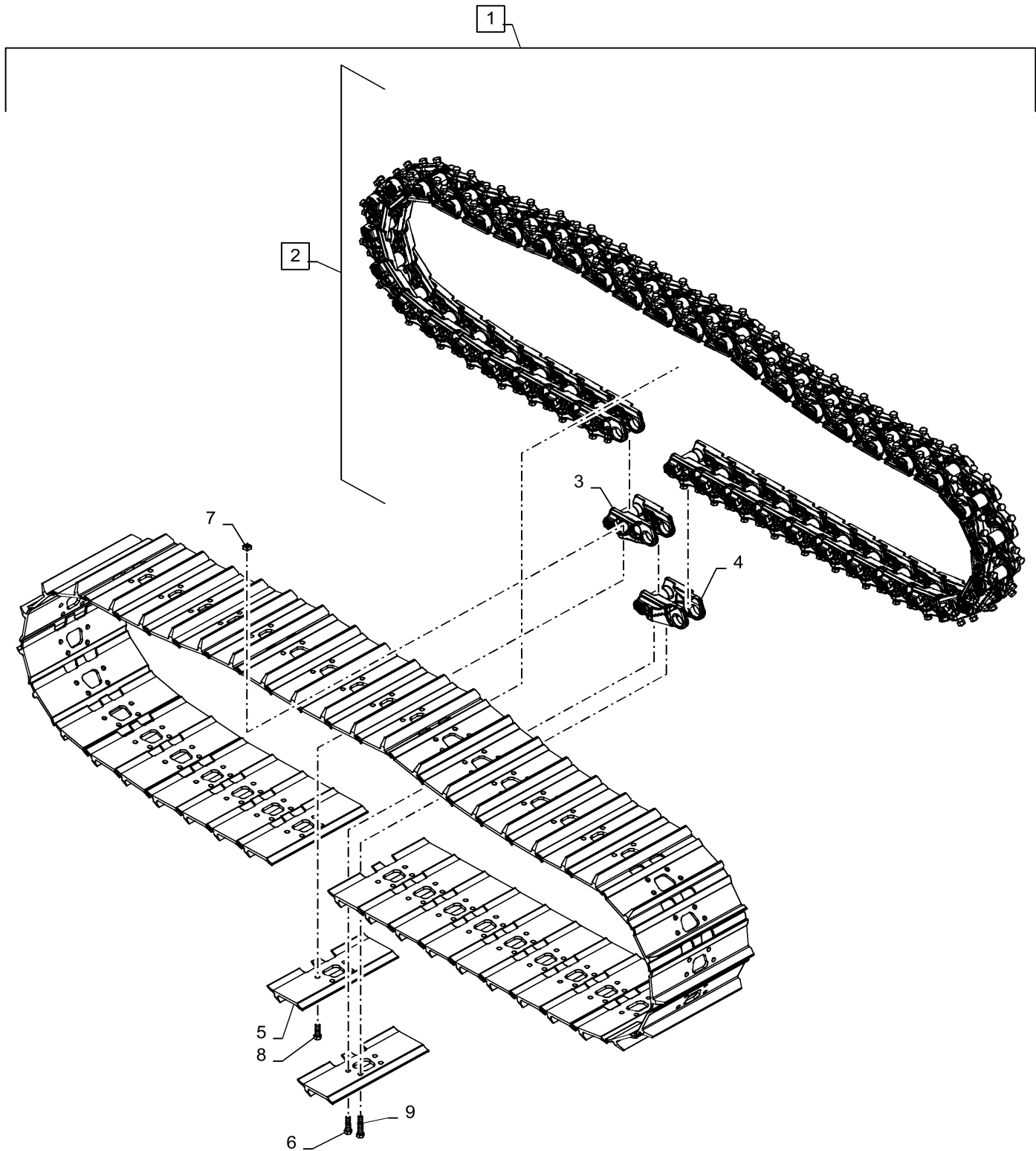


48.100.083

p1

6/2020

CRAWLER TRACK ASSY, SALT, OPEN, 20"



KIT, MASTER TRACK LINK, SALT HD



INSTALLATION INSTRUCTIONS

47940055
47962894
47962900
47980199

TRACK CHAIN LINK KIT – MAX LIFE

47940052
47962896
47962904
47980191

TRACK CHAIN LINK KIT – SEALED AND LUBRICATED TRACK (SALT) HD

47940657
47962922
47962924
47980202

TRACK CHAIN MASTER LINK KIT – MAX LIFE

47940655
47962923
47962925
47980197

TRACK CHAIN MASTER LINK KIT – SEALED AND LUBRICATED TRACK (SALT) HD

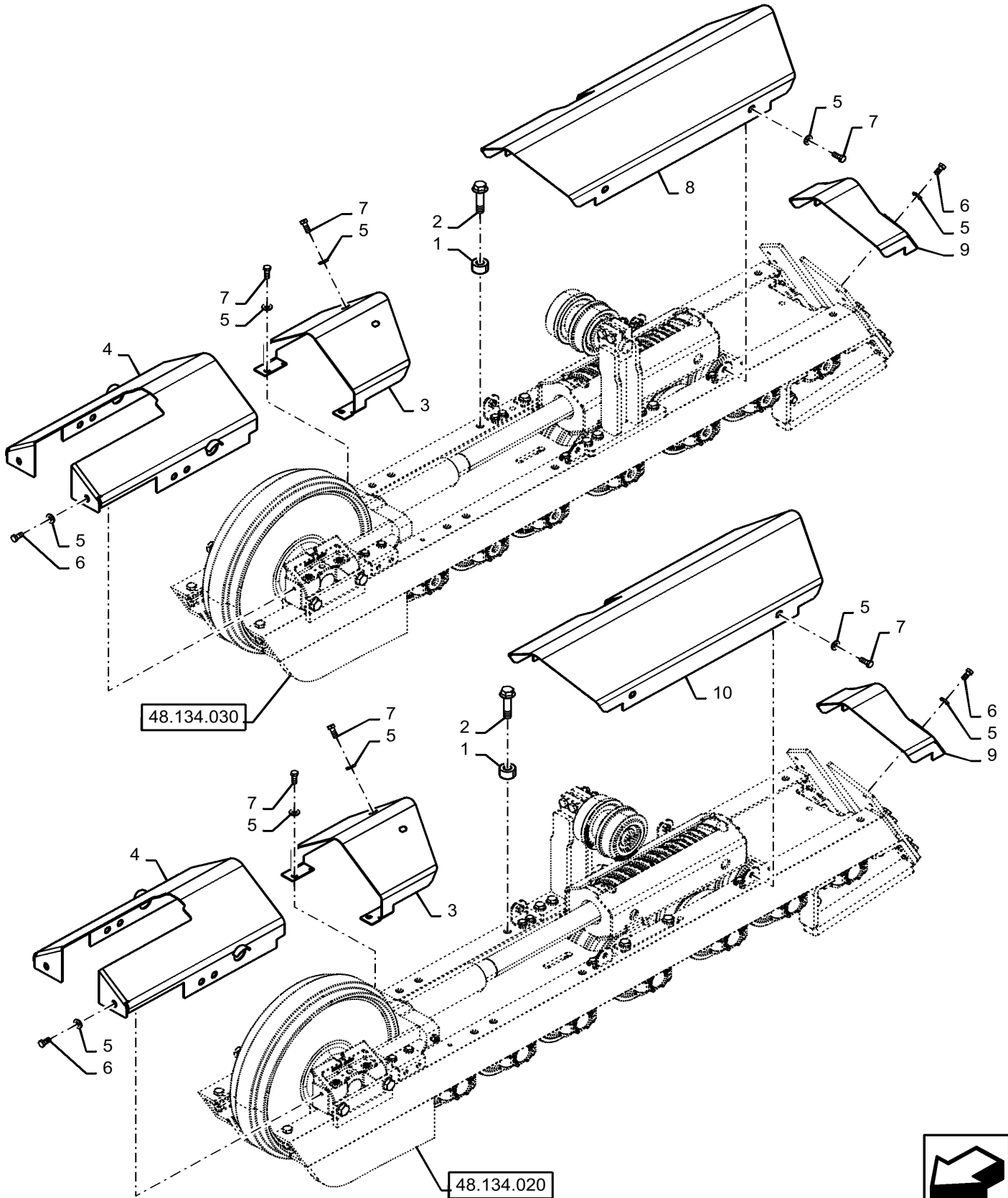
APPROXIMATE INSTALLATION TIME: 4.0 hours

48.134.010

p1

6/2020

UNDERCARRIAGE



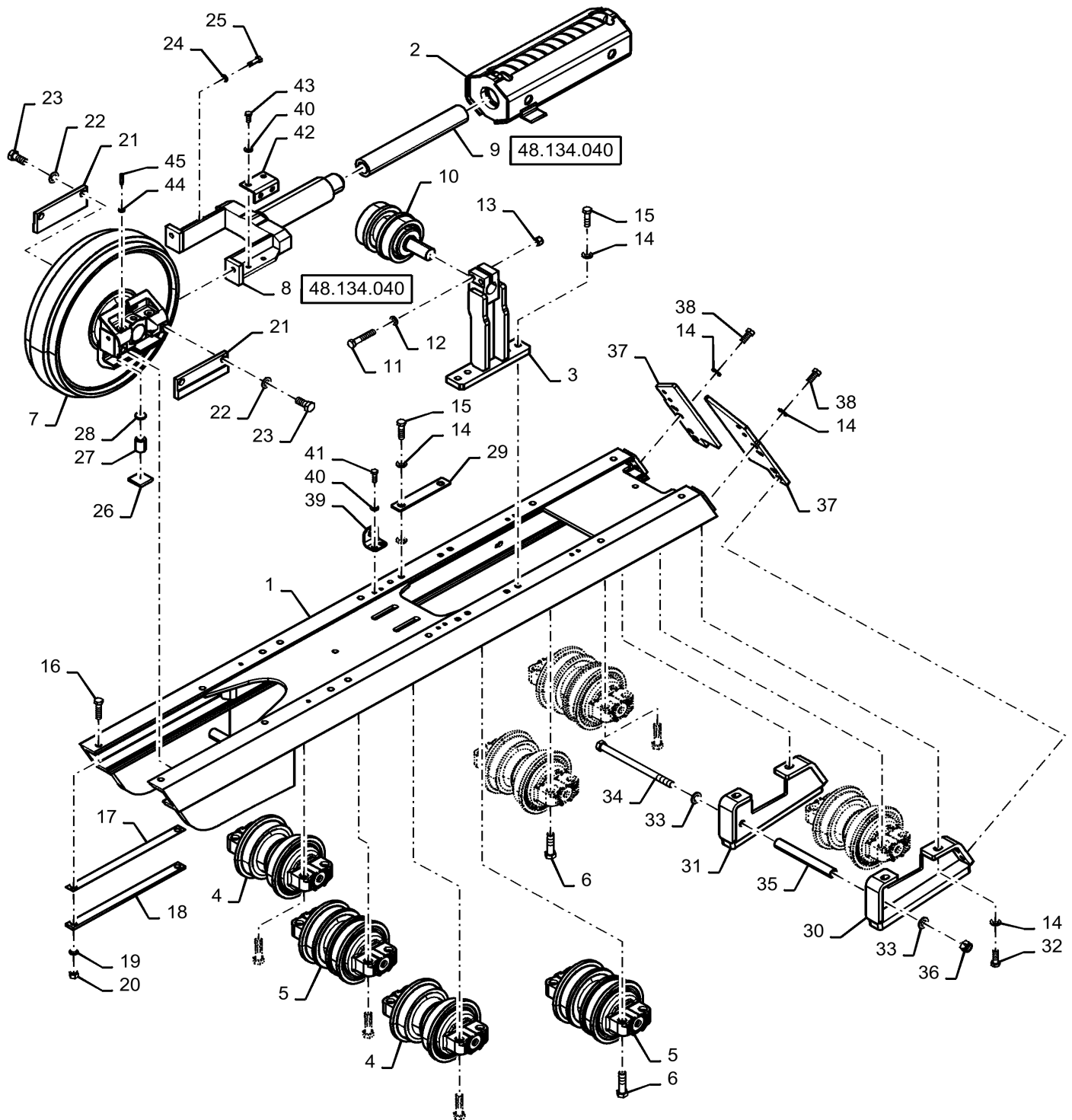
48.134.020

02

p2

6/2020

LH, TRACK ASSY

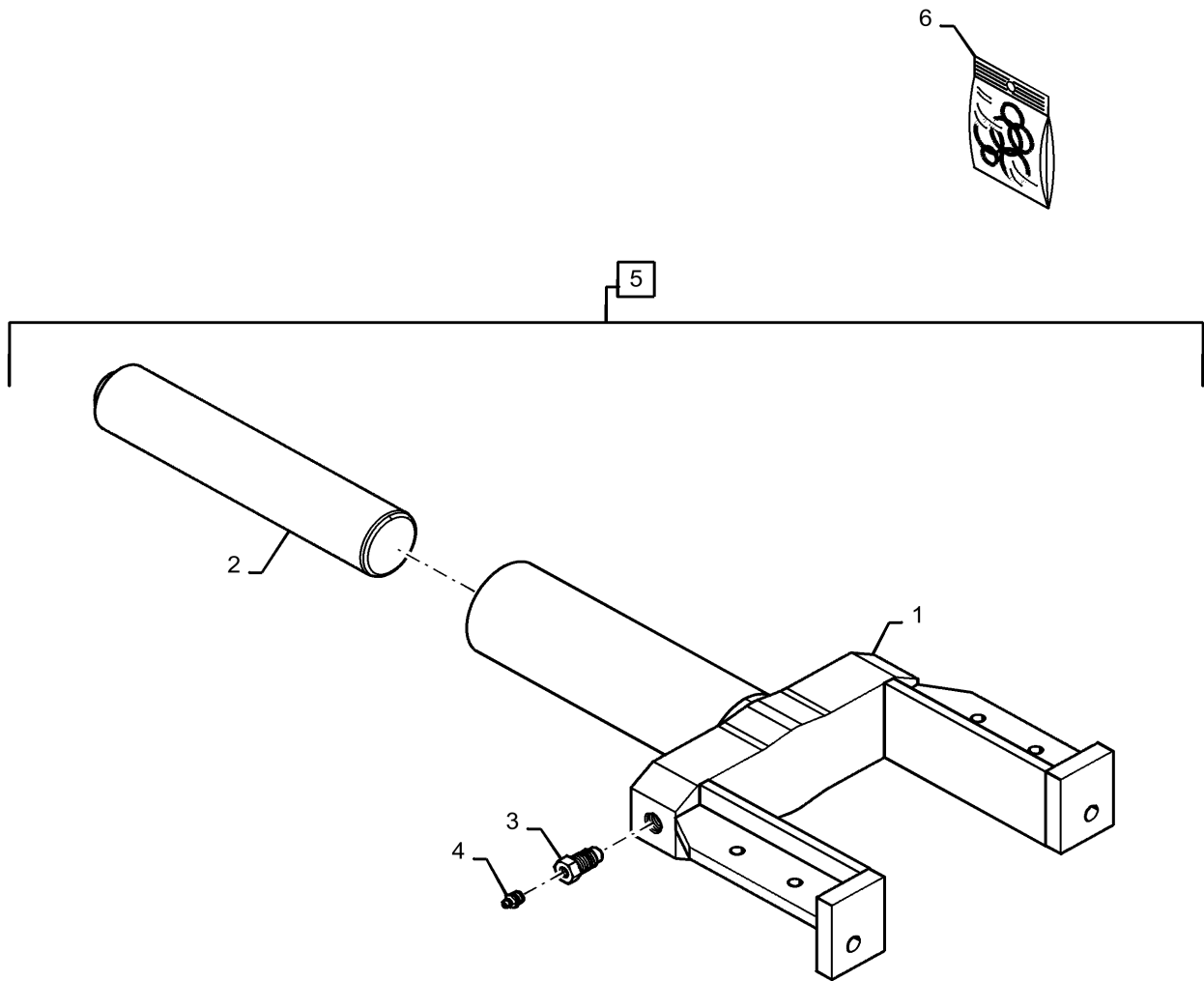


48.134.040

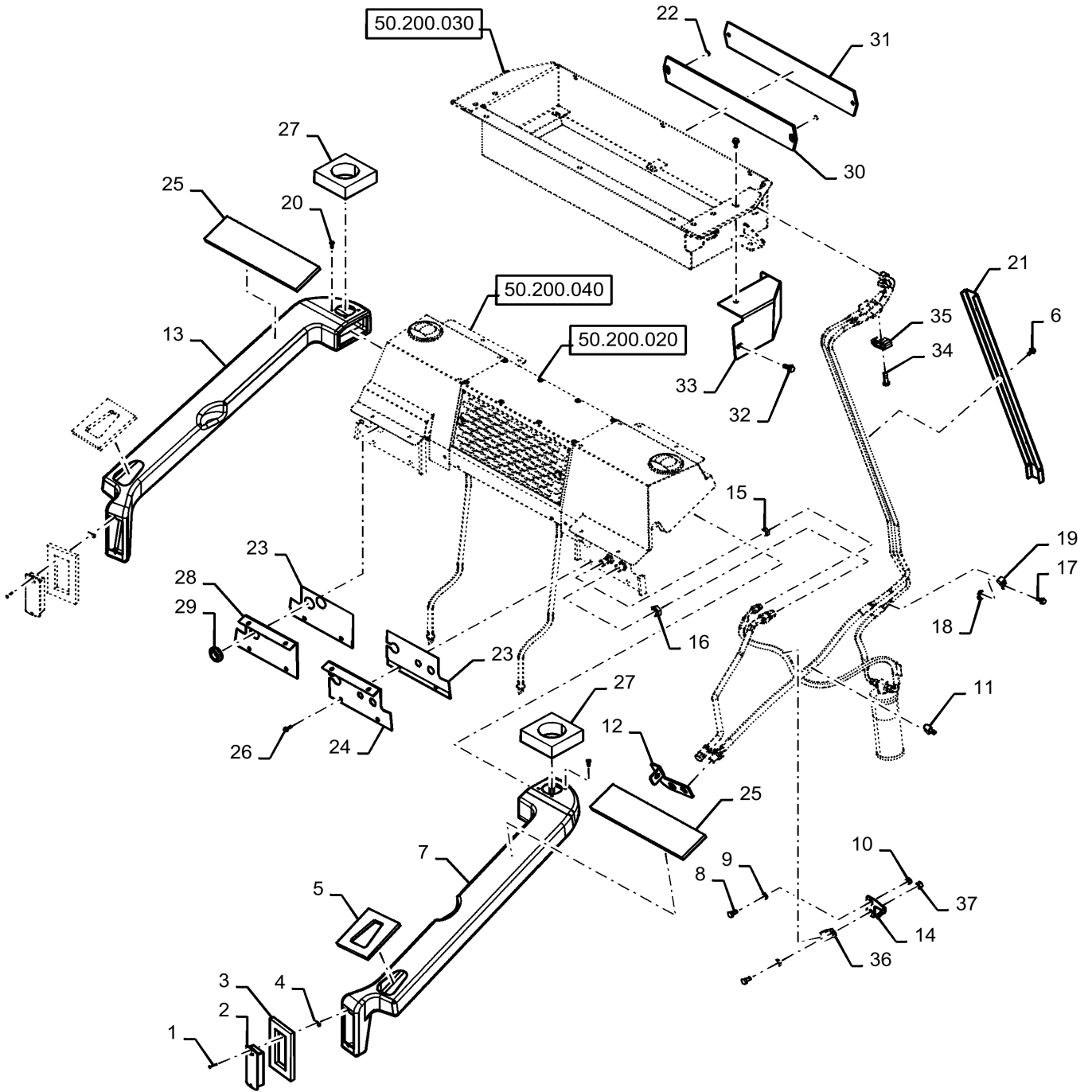
p1

6/2020

LH, YOKE, TRACK CHAIN, ADJUSTER



AIR CONDITIONING, HEATER



CLICK HERE TO **DOWNLOAD** THE COMPLETE MANUAL

- Thank you very much for reading the preview of the manual.
- You can download the complete manual from: www.heydownloads.com by clicking the link below



- Please note: If there is no response to CLICKING the link, please download this PDF first and then click on it.

CLICK HERE TO **DOWNLOAD** THE COMPLETE MANUAL

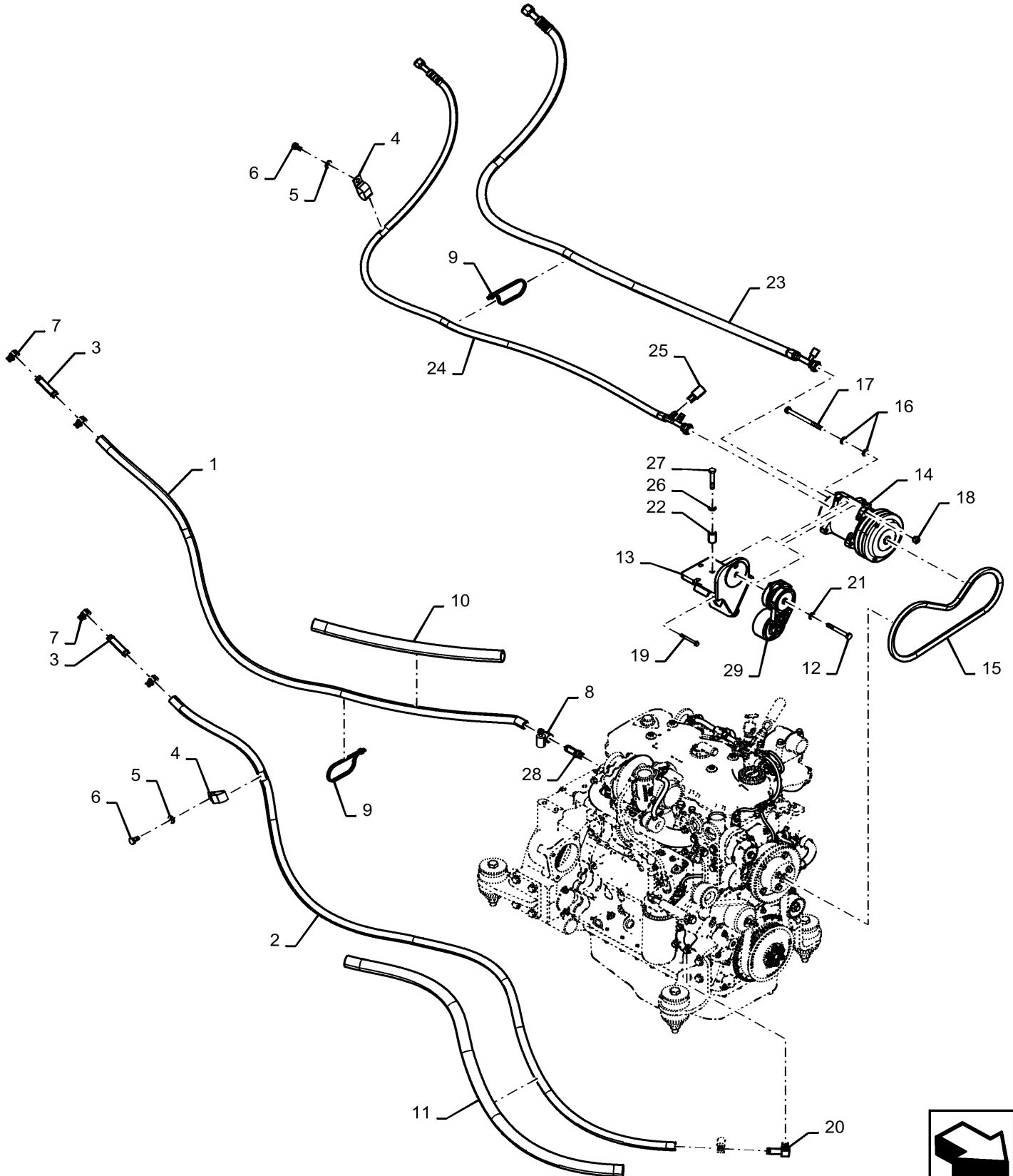
50.200.010

01

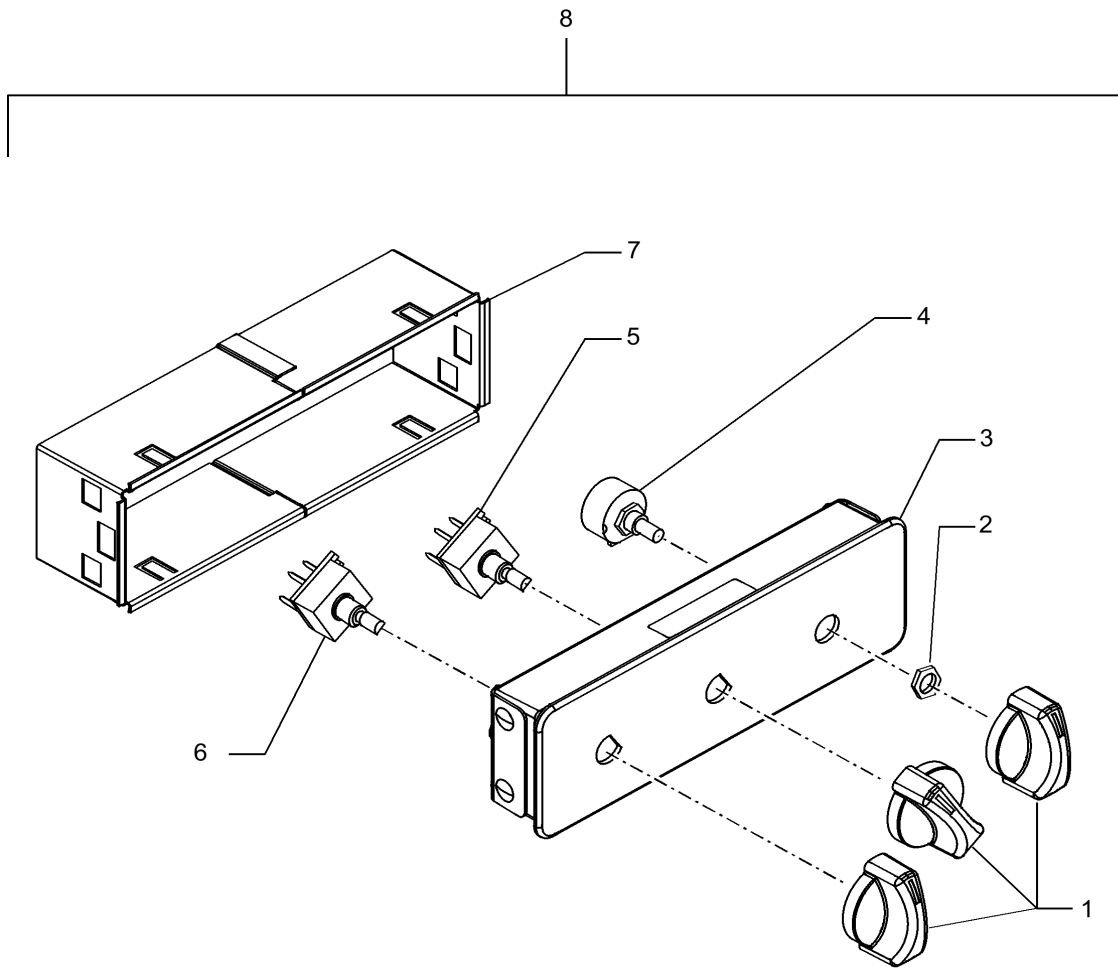
p2

6/2020

HEATER, AIR CONDITIONING, COMPRESSOR, HOSES



AIR CONDITIONER, CONTROLS

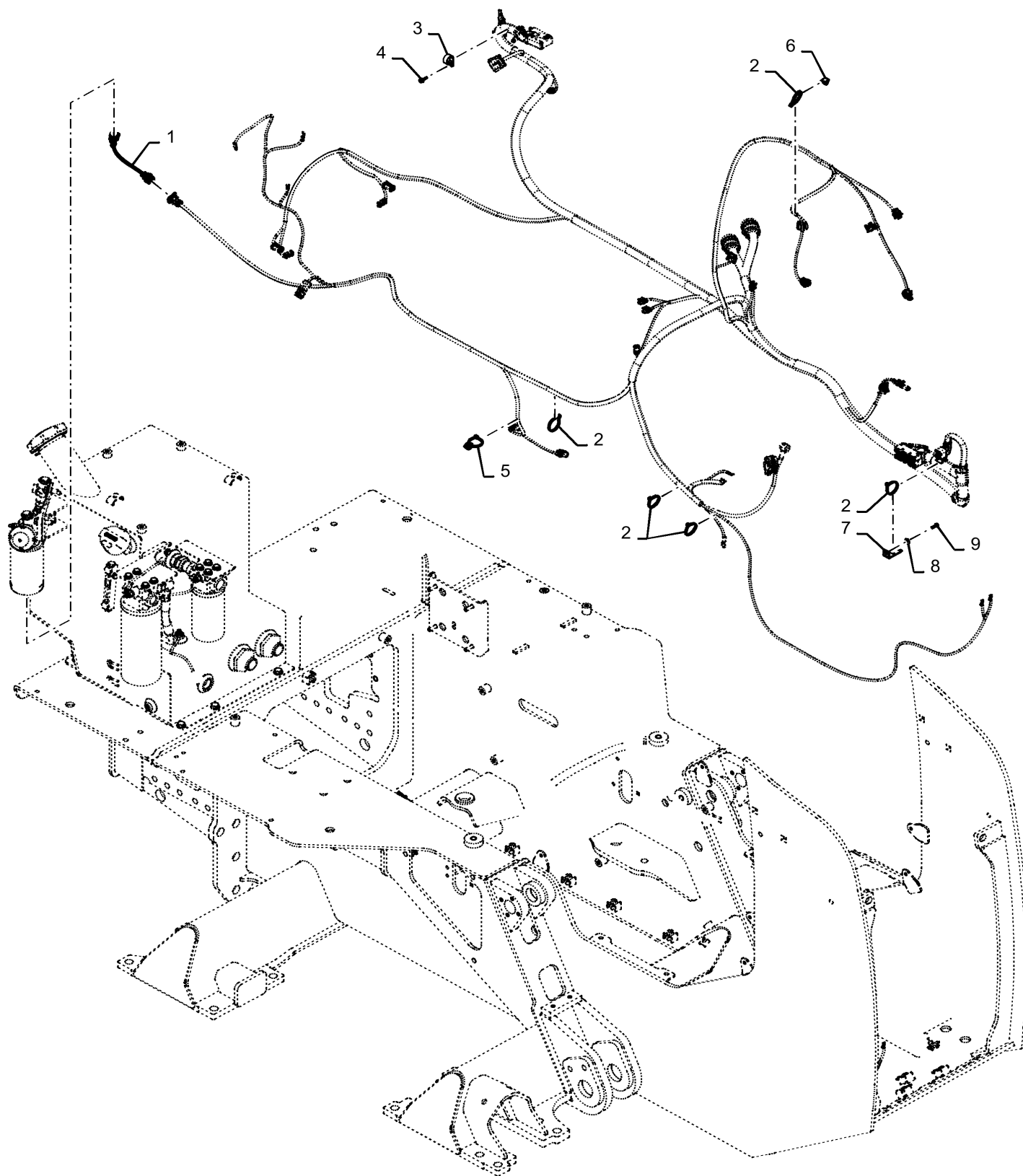


55.101.010

p1

6/2020

CHASSIS, ENGINE, WIRE HARNESS, NA T4B

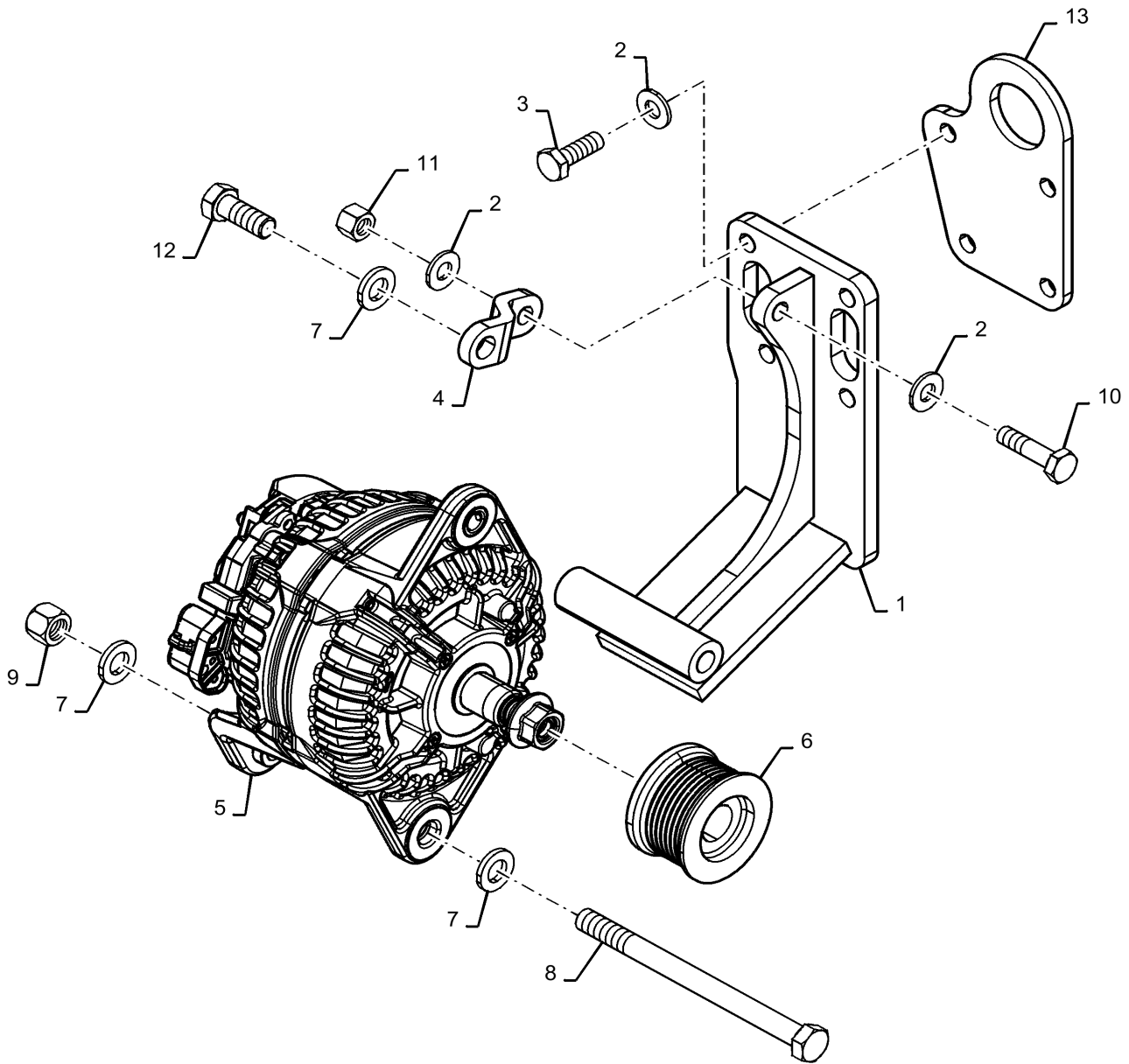


55.301.010

p1

6/2020

ALTERNATOR

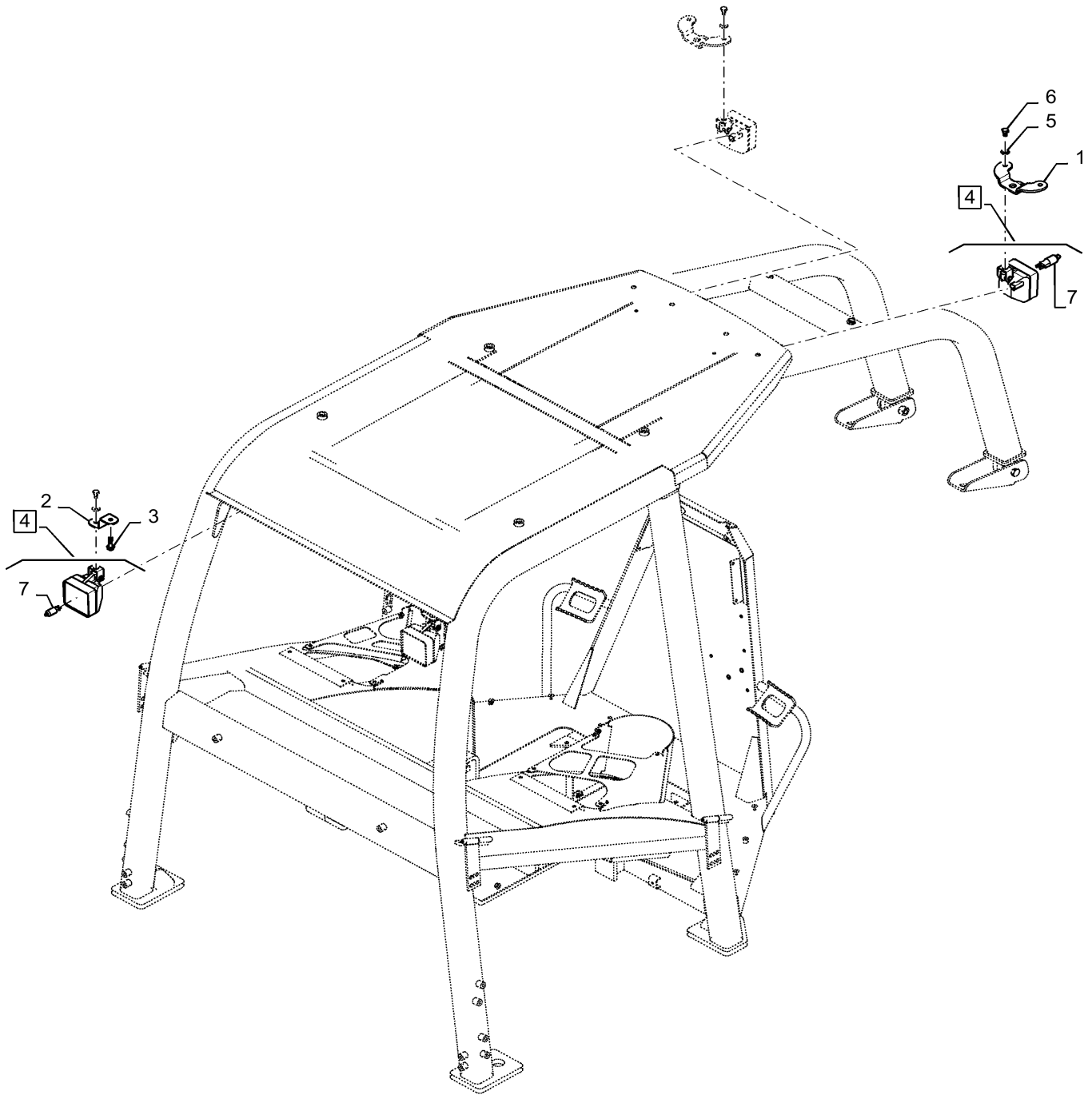


55.404.050

p1

6/2020

LAMP, CANOPY W/ SWEEP

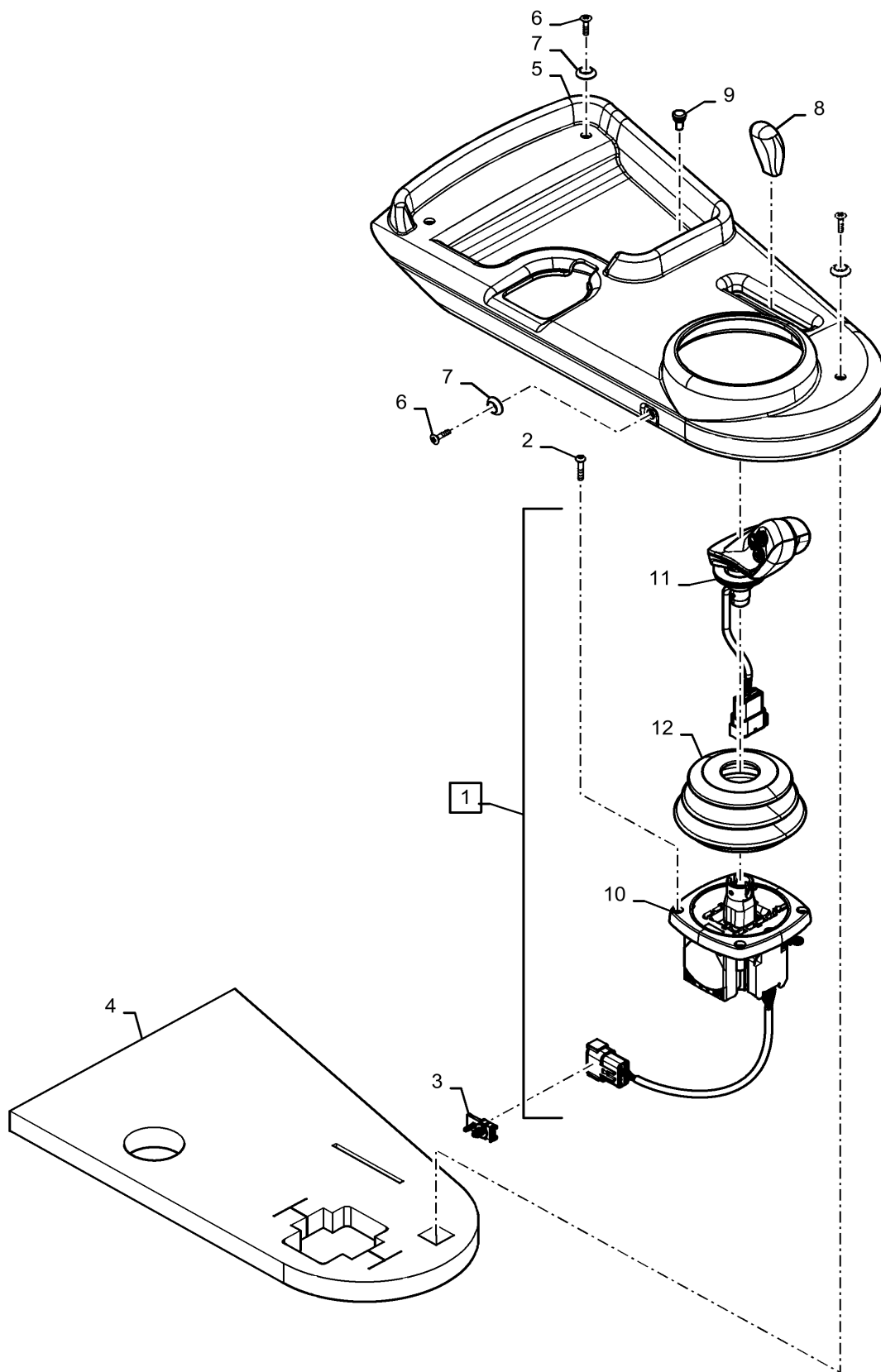


55.512.020

p1

6/2020

LH, CONSOLE, JOYSTICK, DETENT

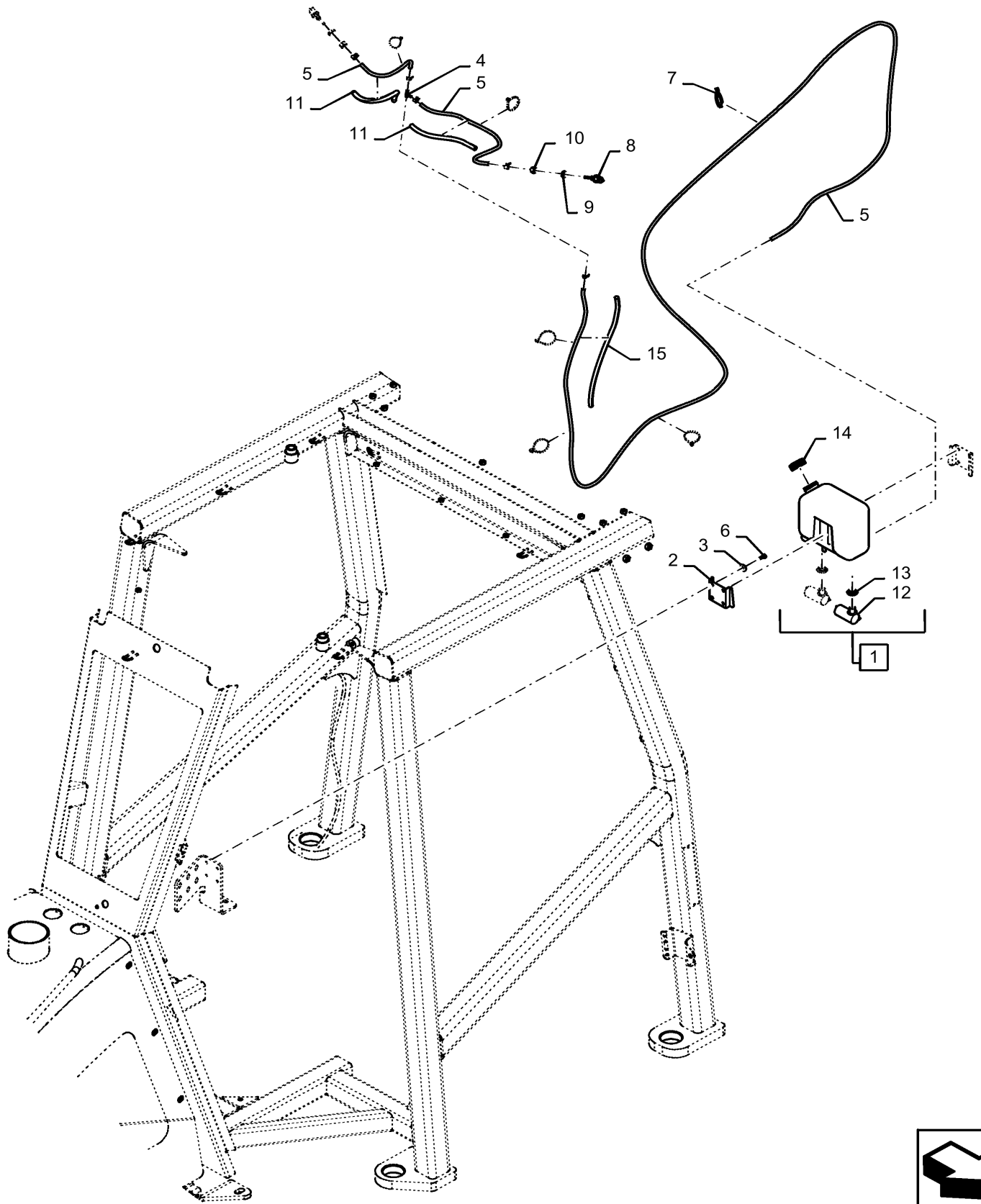


55.518.010

p1

6/2020

WINDSHIELD WASHER



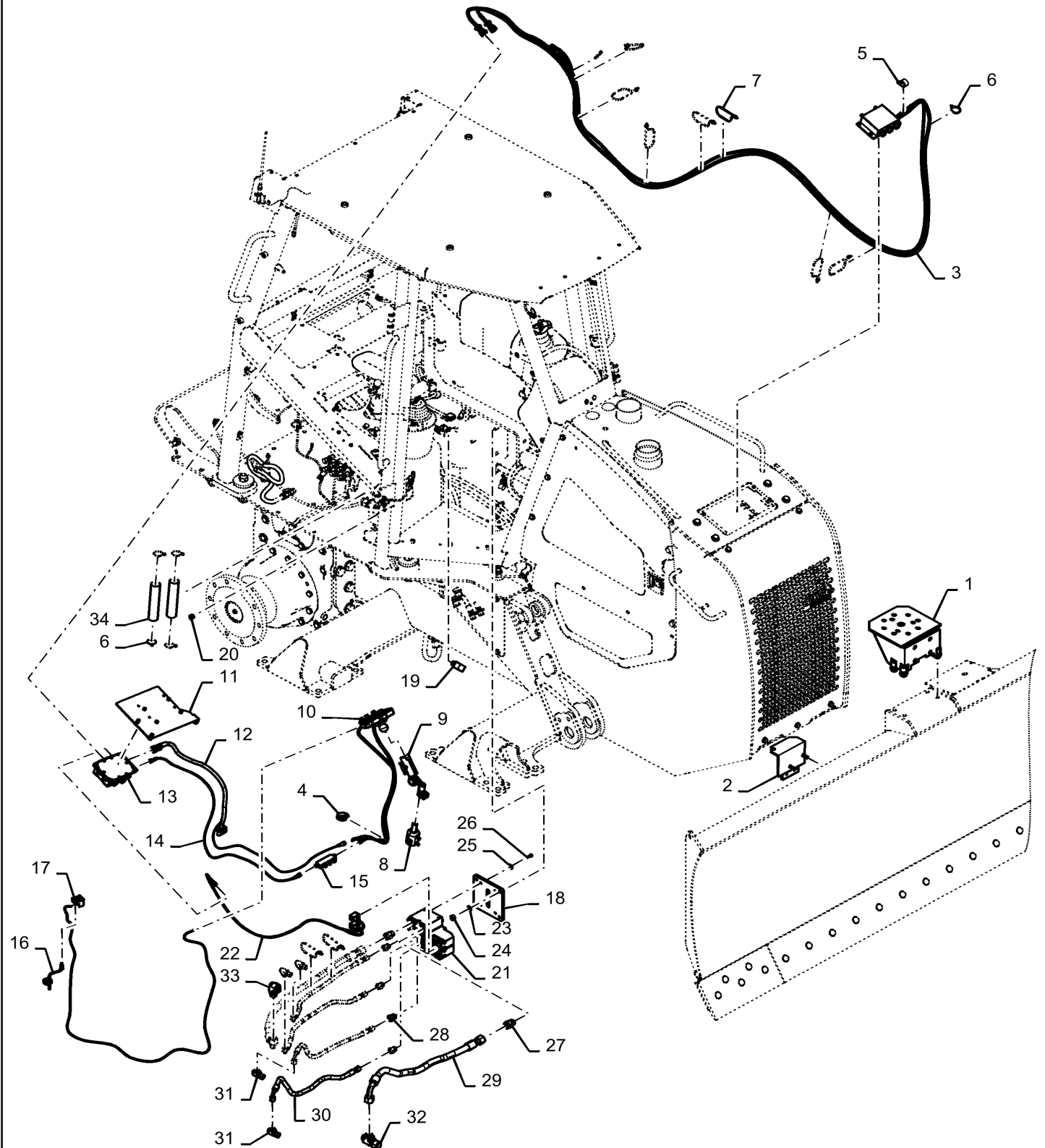
55.680.070

01

p1

6/2020

COMPUTER, GUIDE, LEICA READY



SECTION INDEX

LUBRICATION SYSTEM

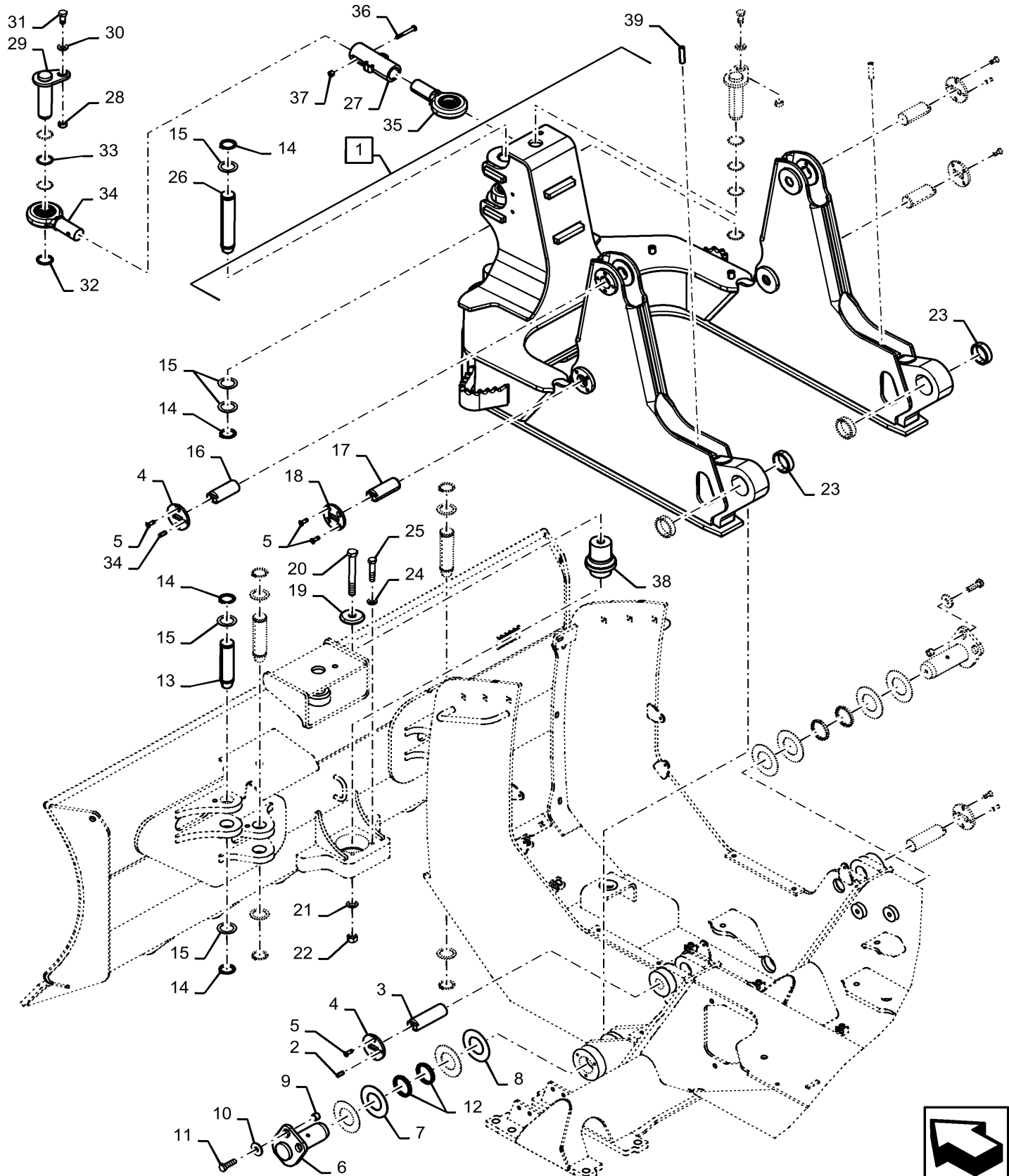
71.000.000	PICTORIAL INDEX - LUBRICATION SYSTEM
71.460.010	GREASE, HOSE

86.100.010

p1

6/2020

FRAME, C AND PITCH LINK NHC103266, AND PRIOR

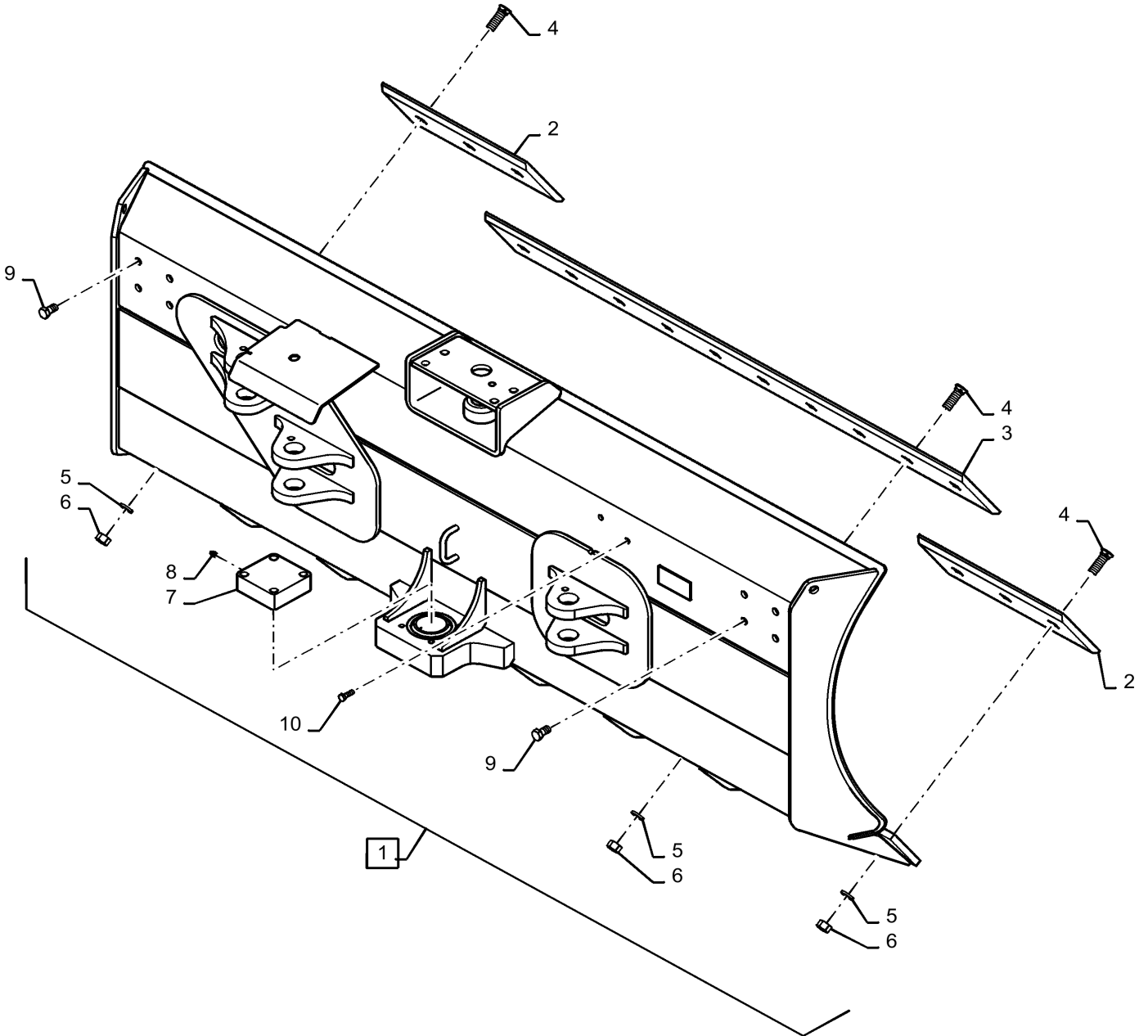


86.110.020

p1

6/2020

DOZER, BLADE, 120"

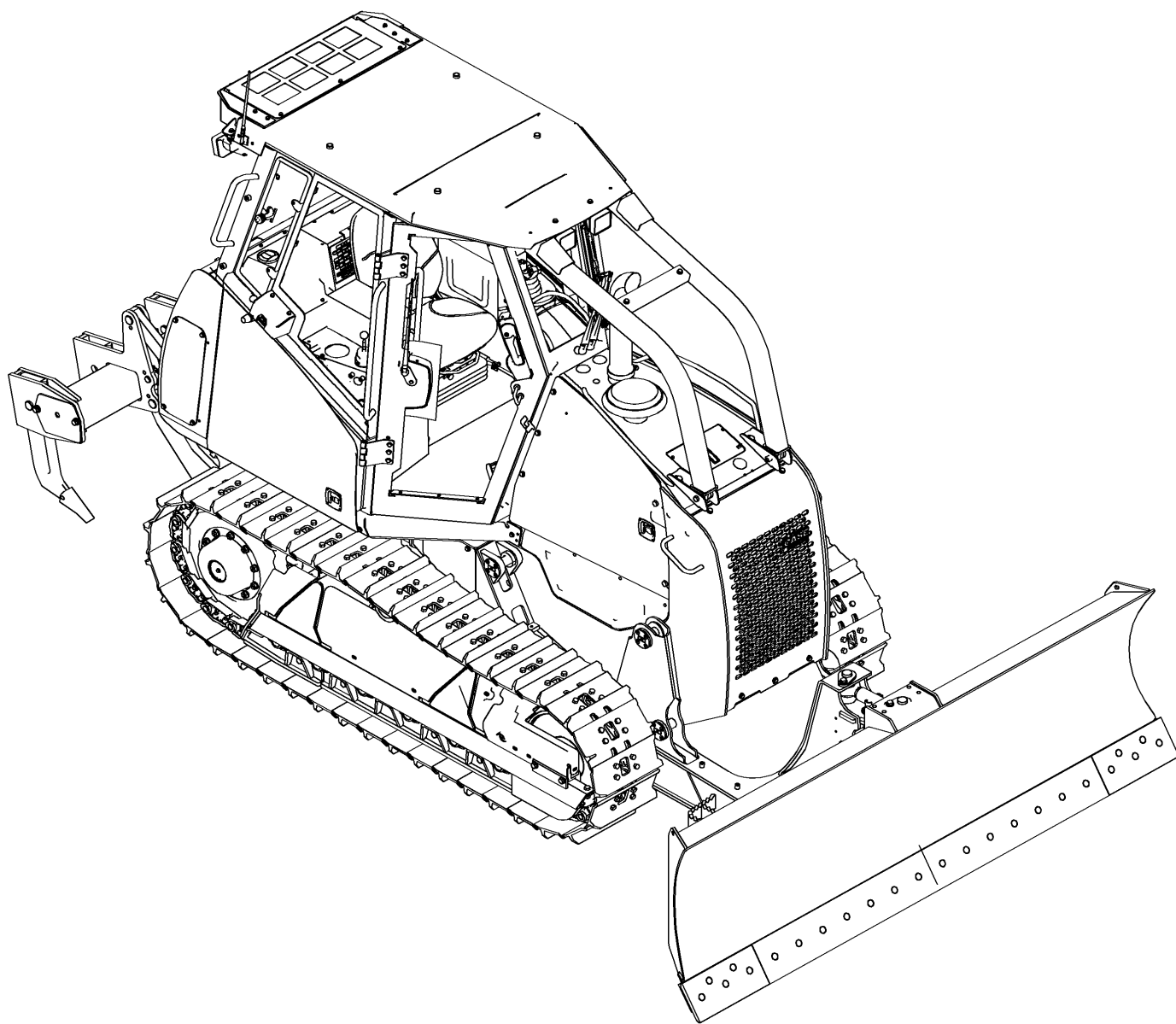


88.000.000

p1

6/2020

PICTORIAL INDEX - ACCESSORIES



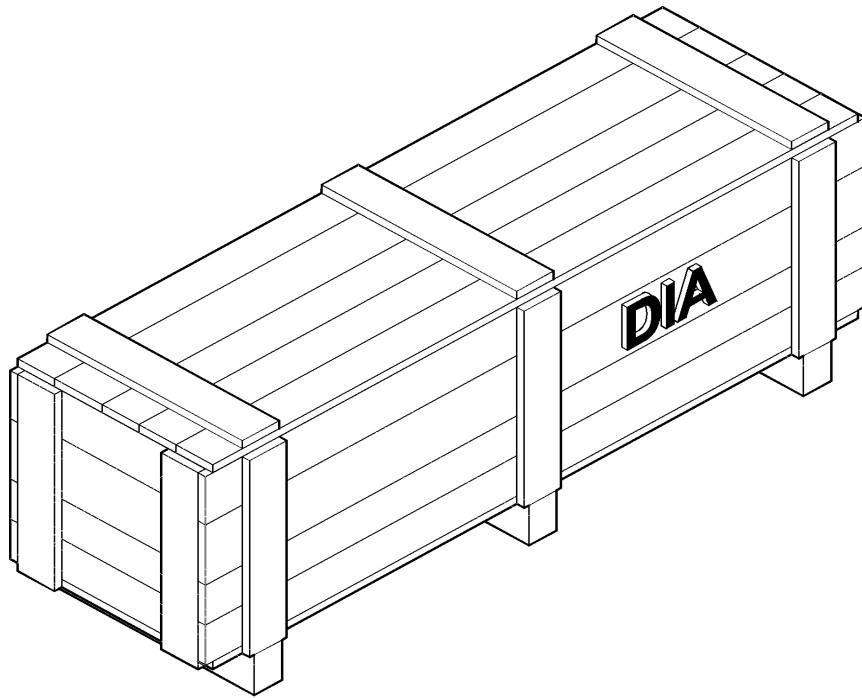
88.100.35

10

p2

6/2020

KIT, 3 TO 4 SPOOL COVERSION



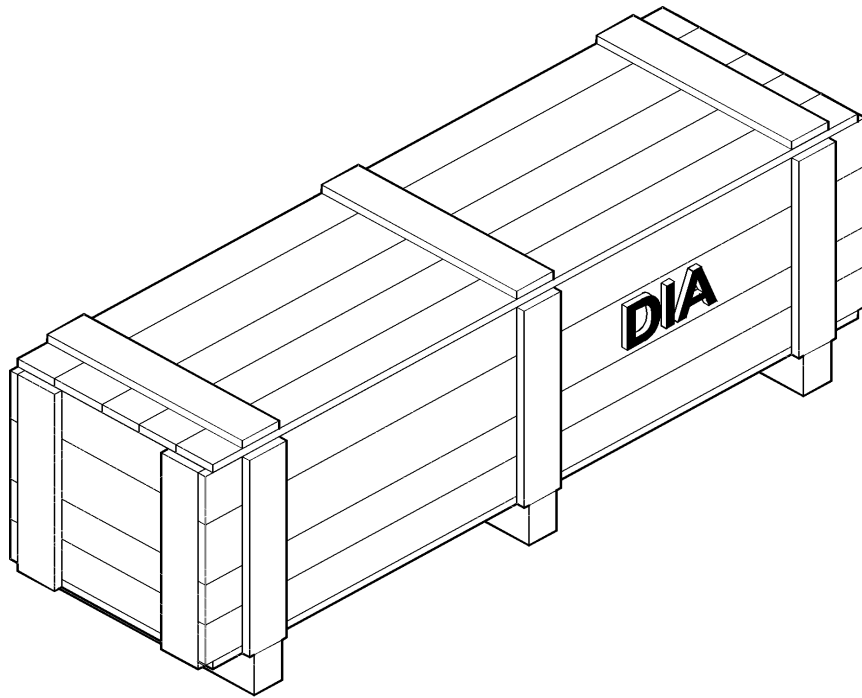
88.100.39

04

p1

6/2020

DIA, FRONT, COUNTERWEIGHT



88.100.55

01

p1

6/2020

KIT DIA TELEMATIC SYSTEM



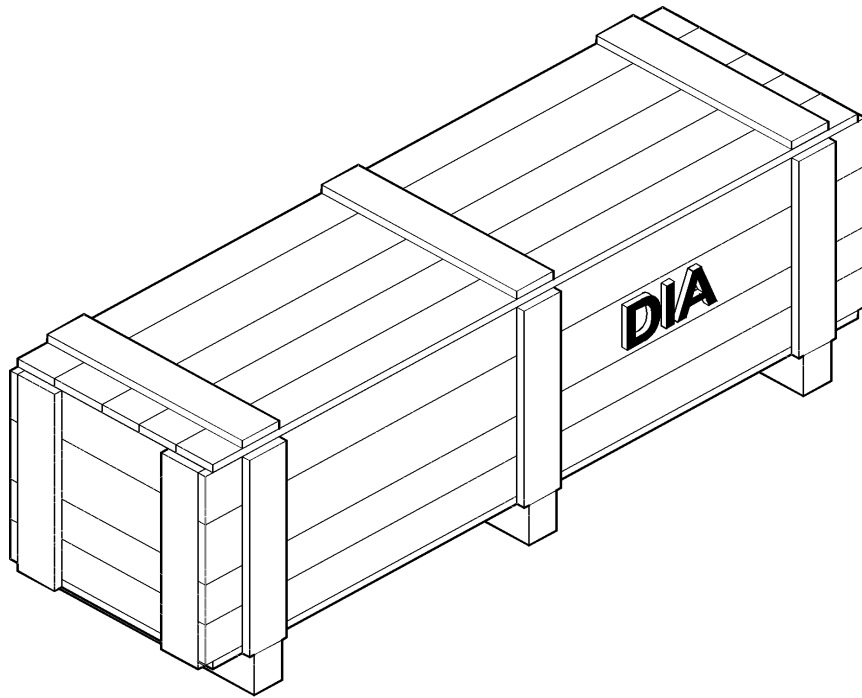
88.100.55

12

p1

6/2020

DIA KIT, DIODE, HARNESS WIF



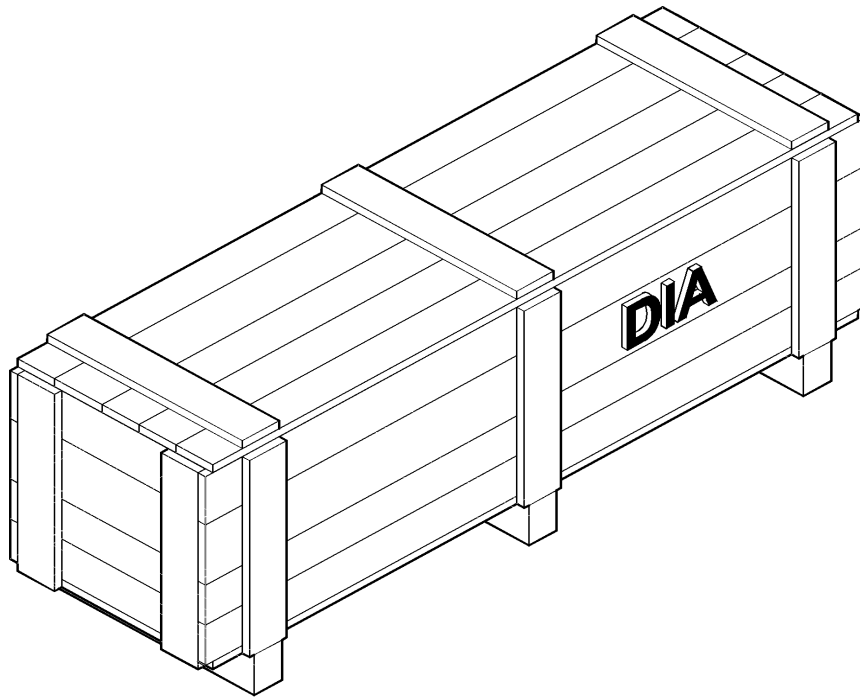
88.100.55

14

p3

6/2020

DIA KIT, TELEMATIC SYSTEM, TRIMBLE, NON-EH



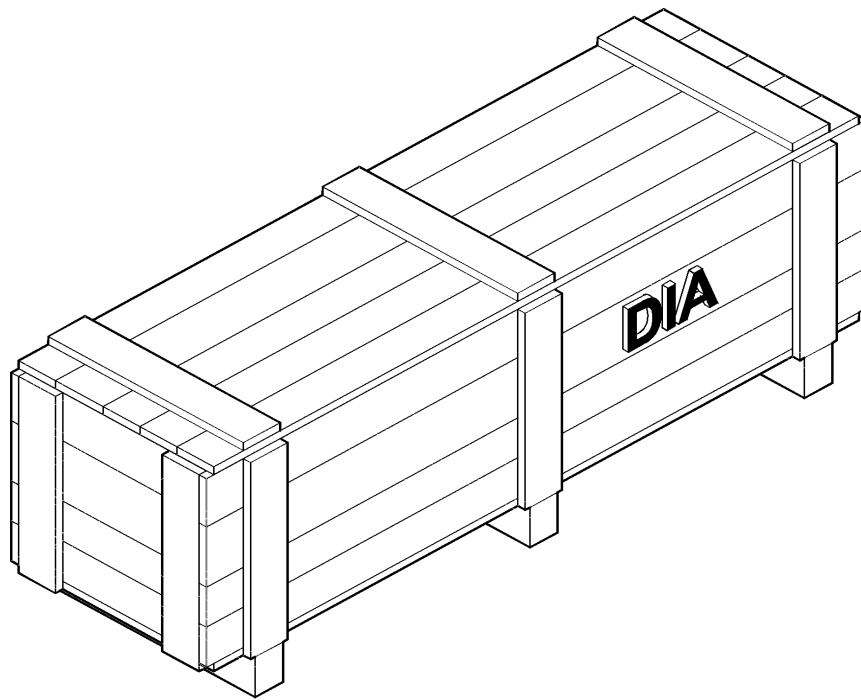
88.100.89

06

p1

6/2020

DIA KIT, RIPPER



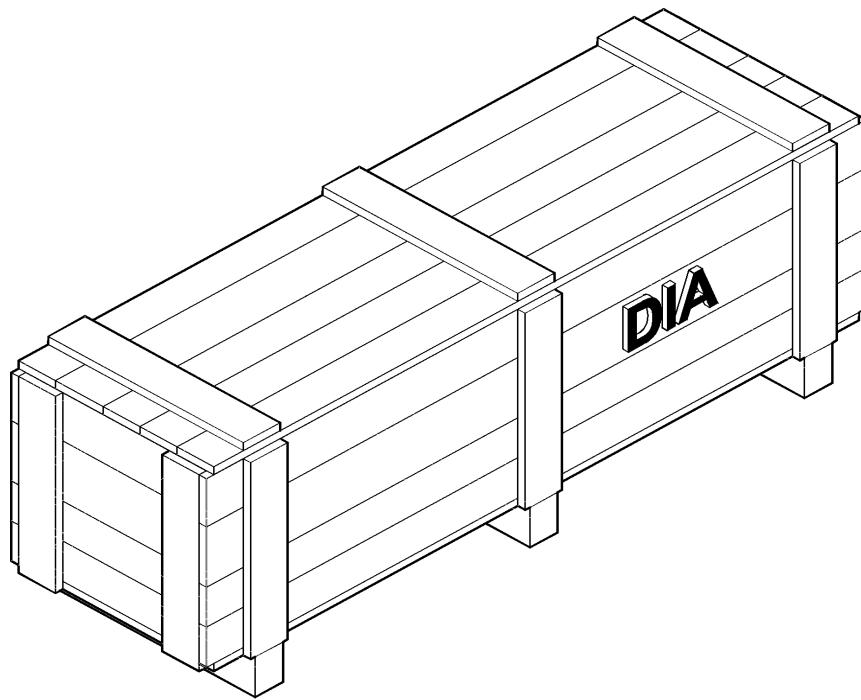
88.100.90

03

p1

6/2020

DIA, FORESTRY SIDE , SCREEN

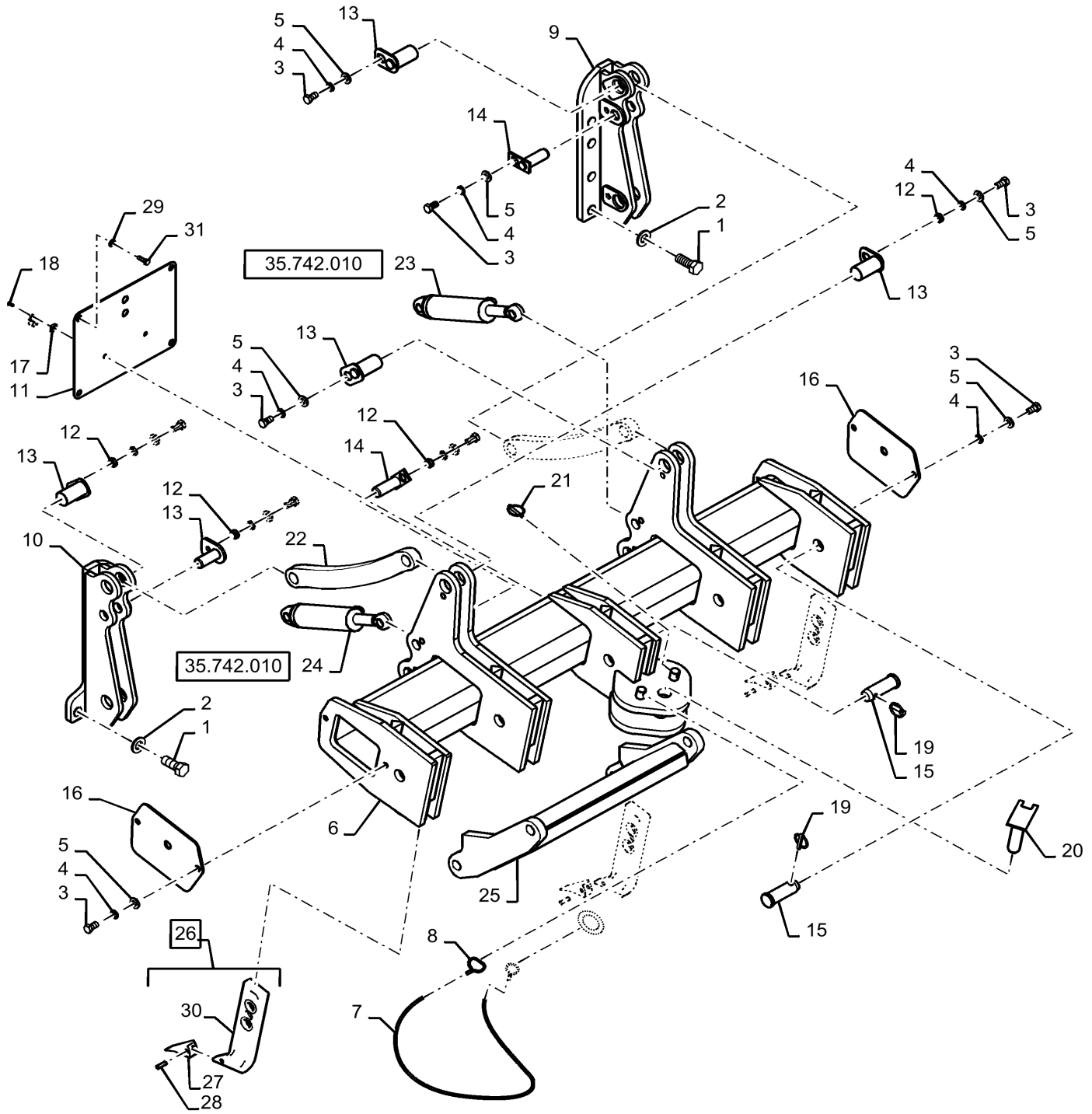


89.128.010

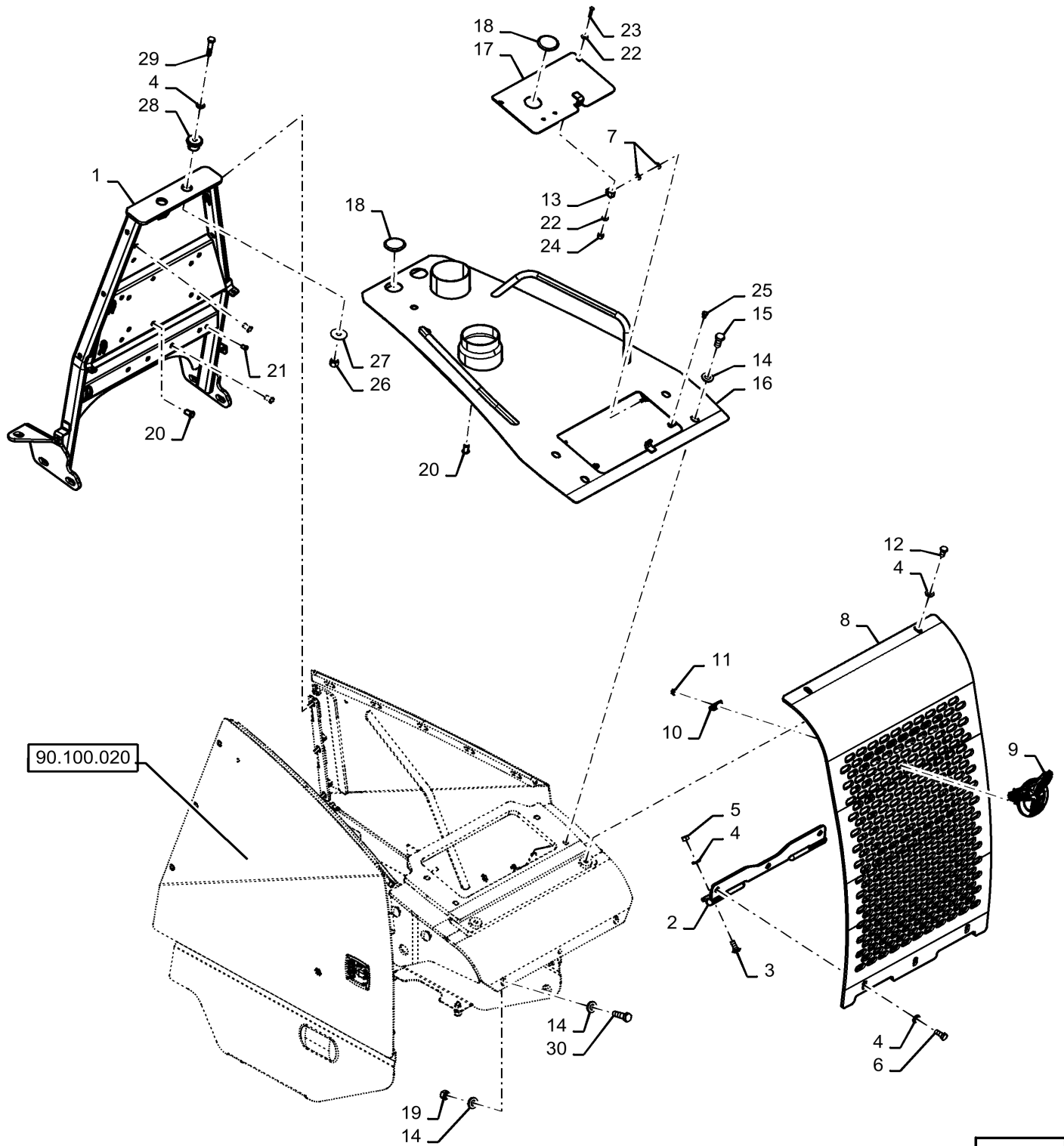
p2

6/2020

RIPPER, MECHANICAL



HOOD, PANELS, GRILLE

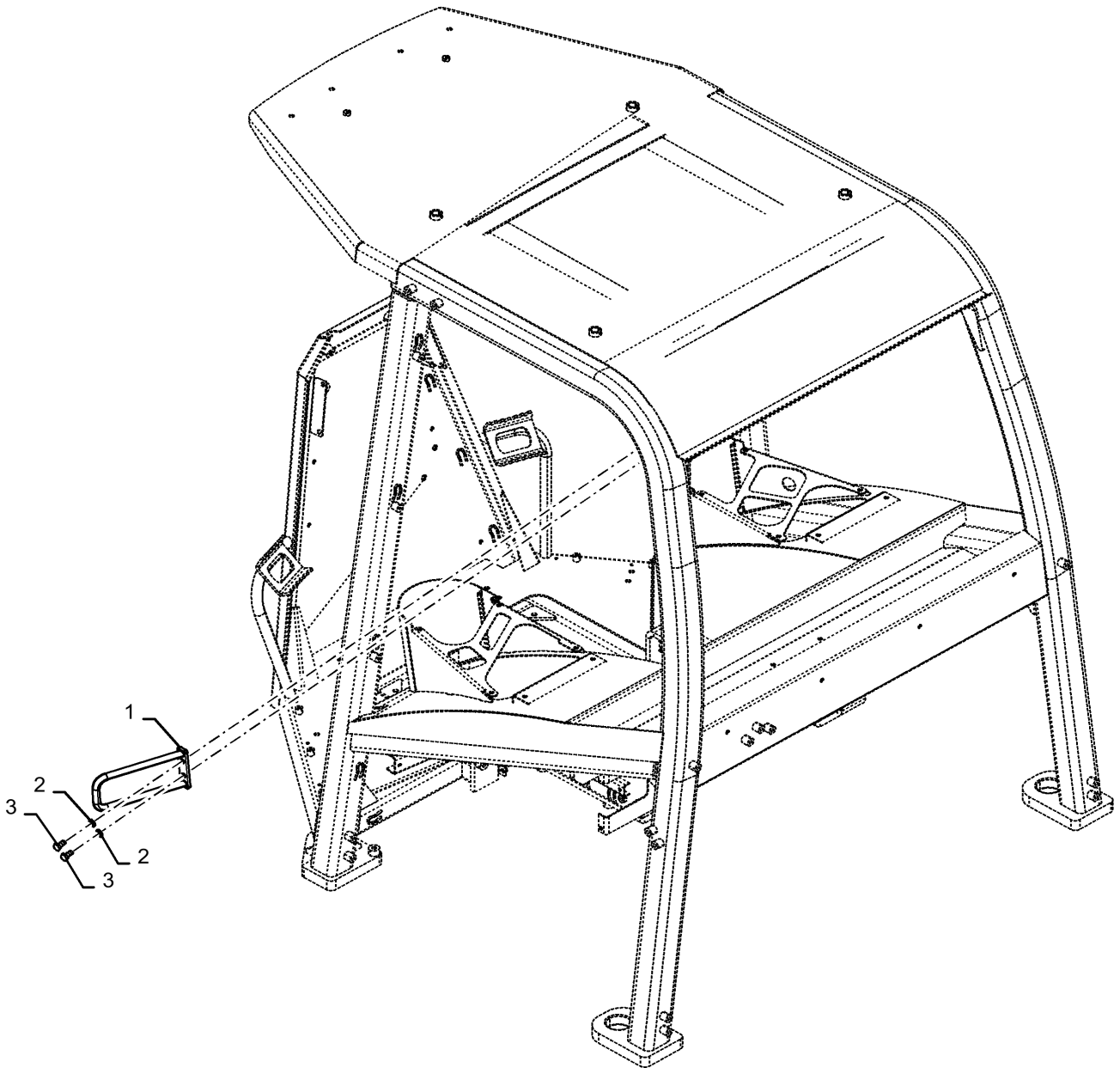


90.102.010

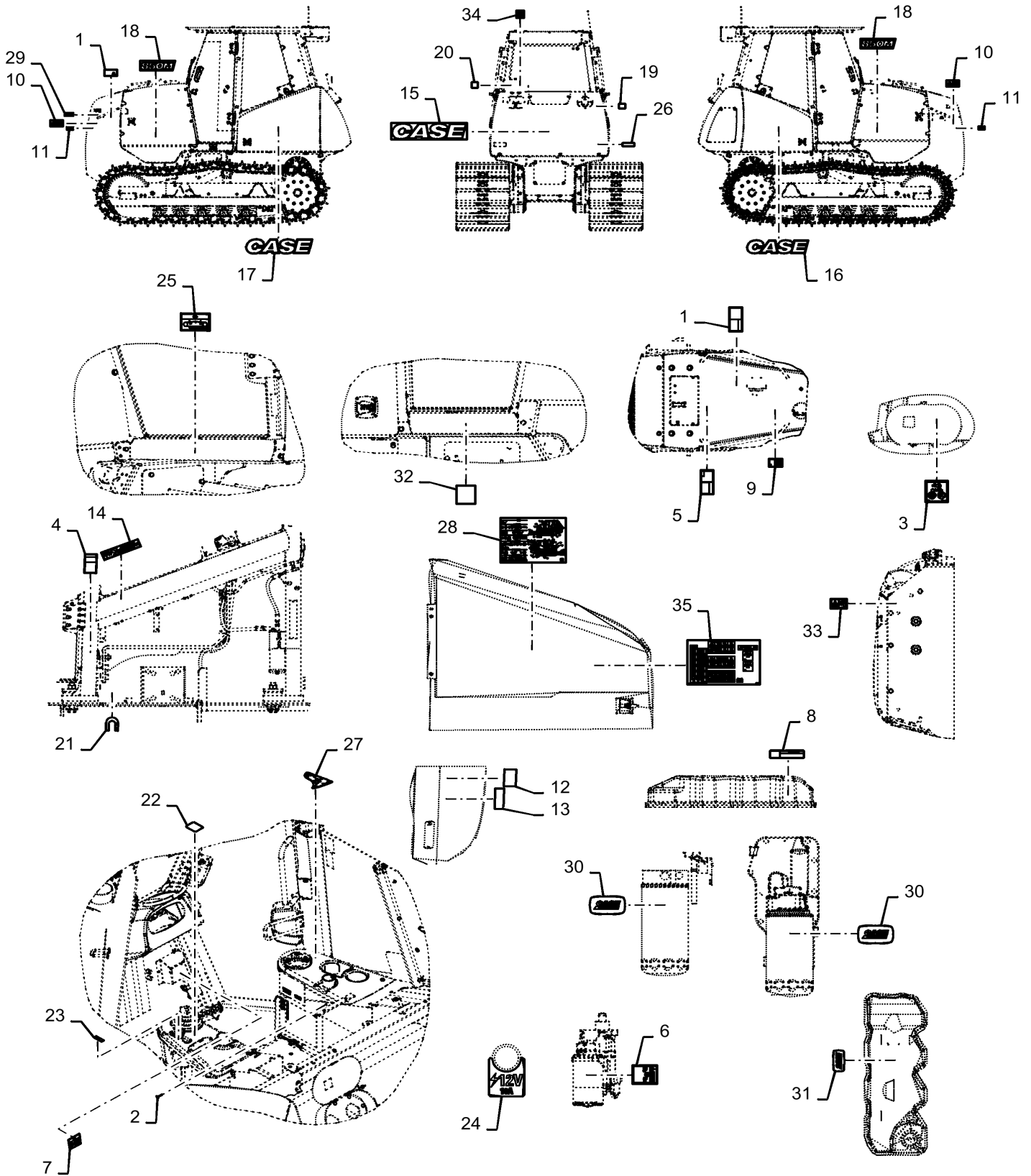
p1

6/2020

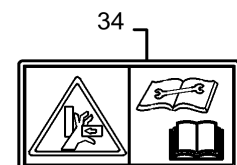
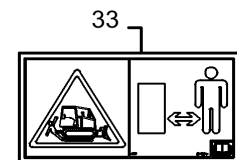
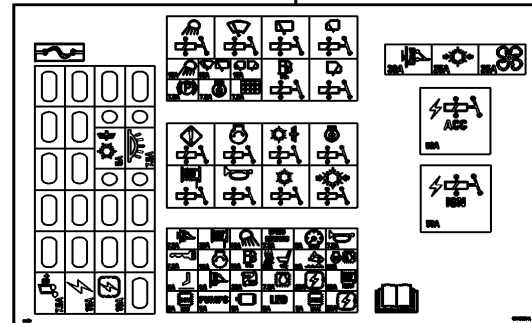
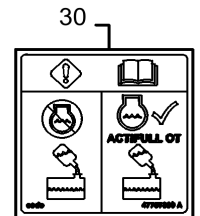
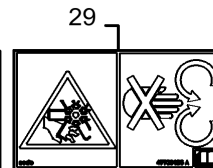
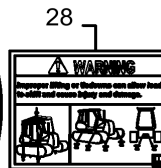
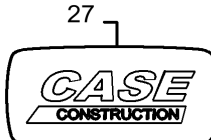
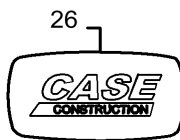
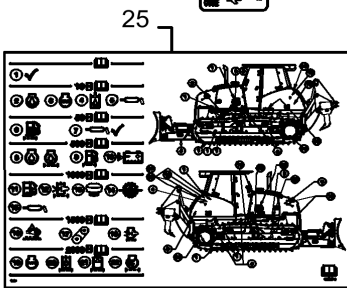
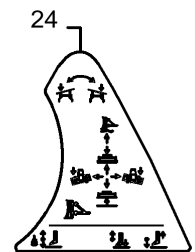
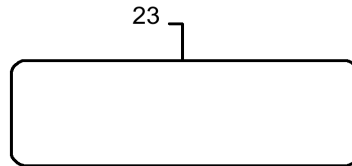
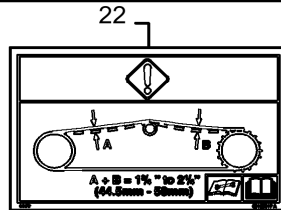
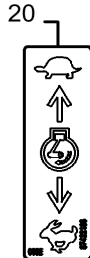
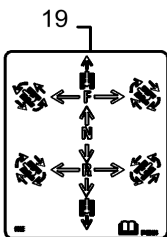
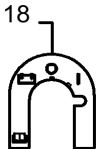
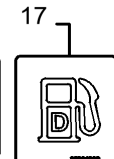
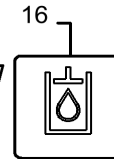
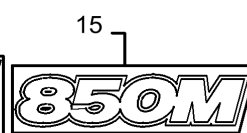
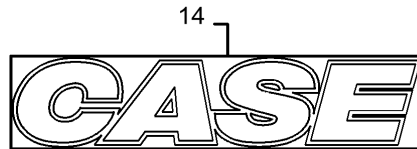
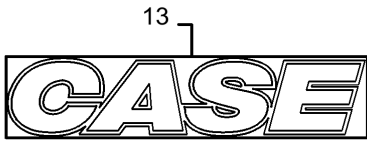
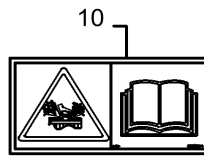
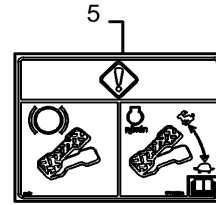
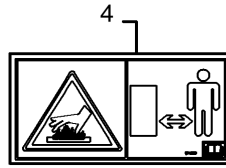
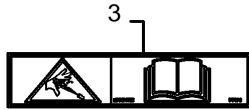
ROPS, HANDLE GRIP



DECALS ENGLISH



DECALS, ANSI REFERENCE

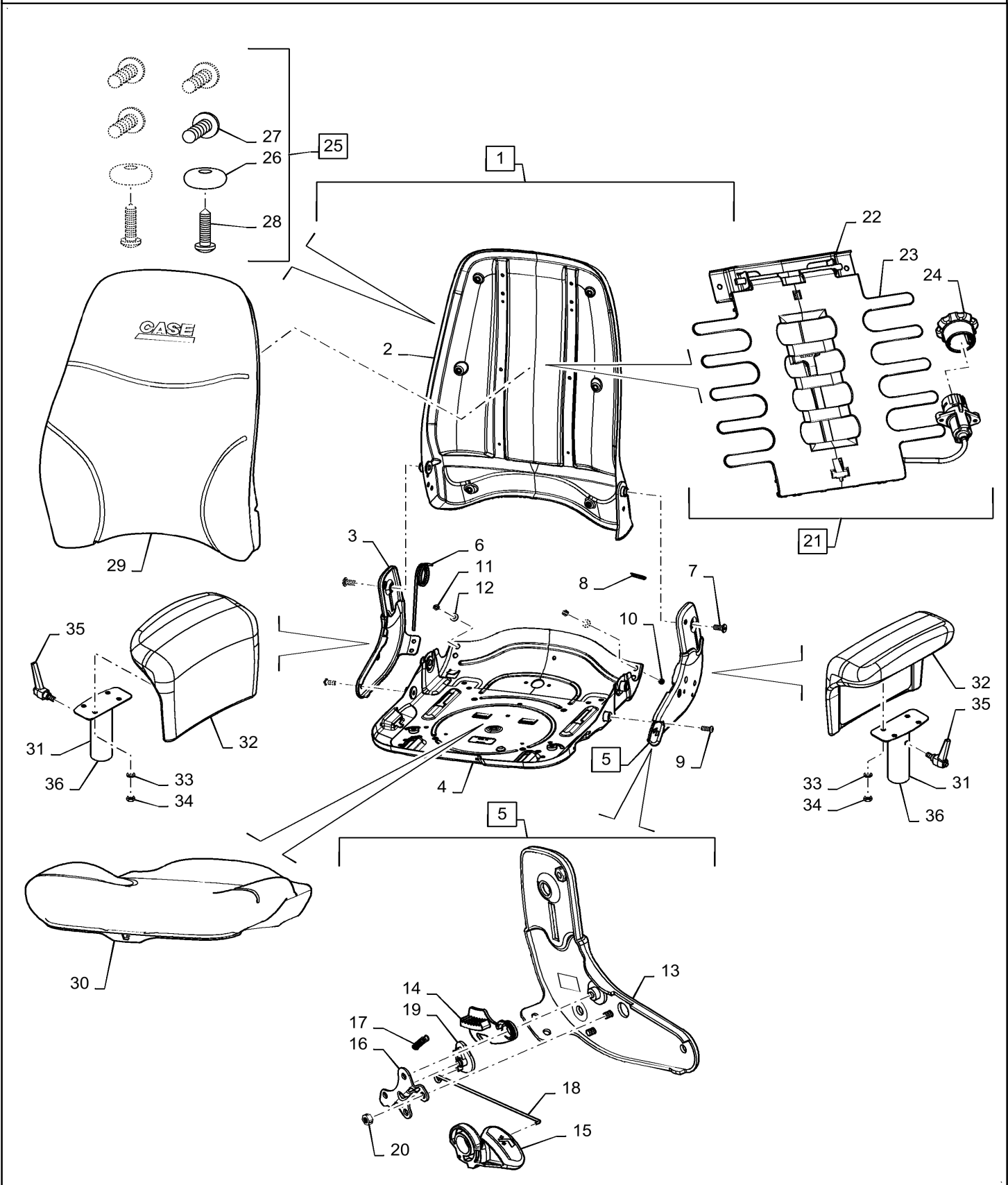


90.124.010

p1

6/2020

SEAT, UPPER, CLOTH

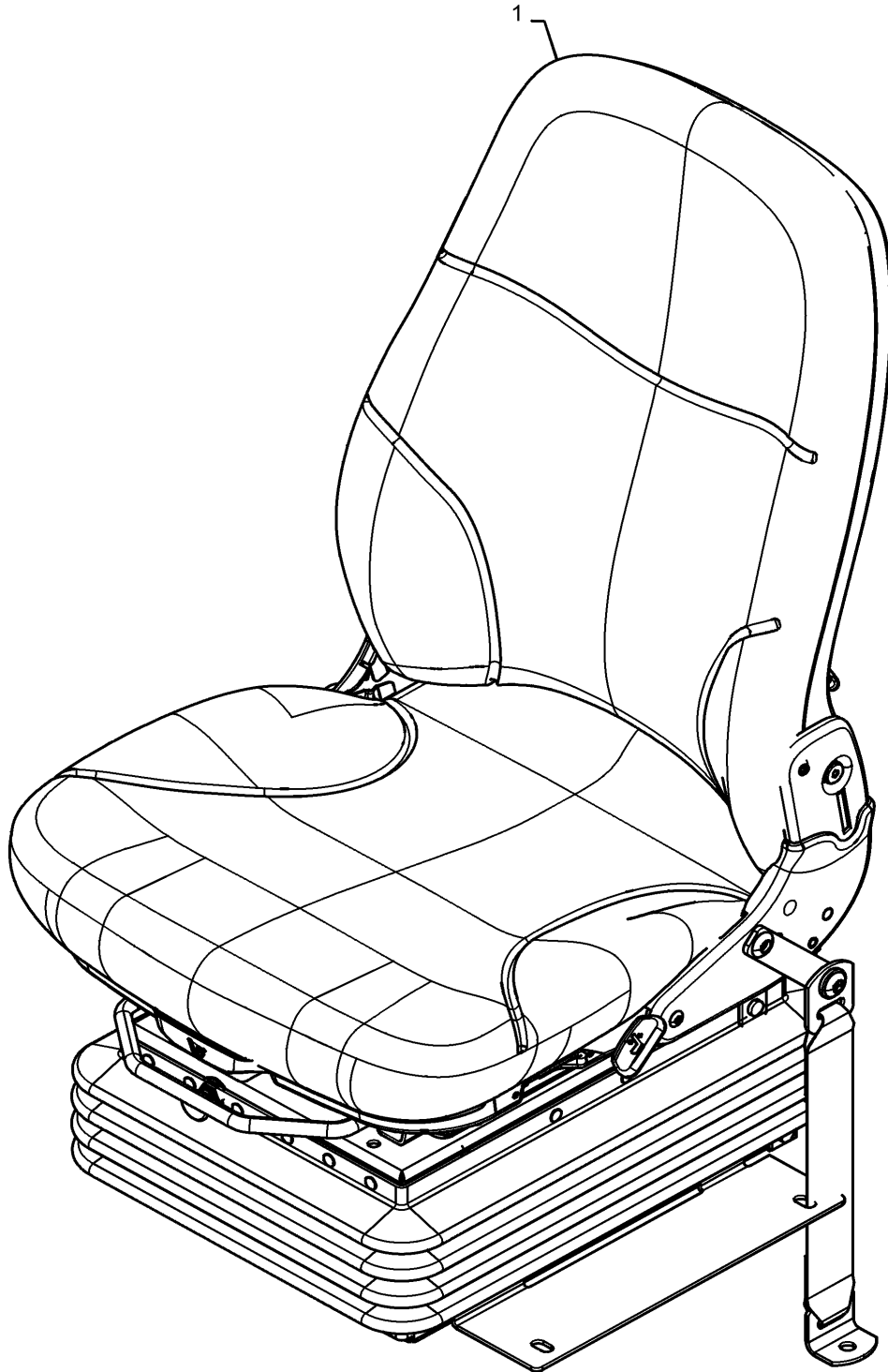


90.124.030

p1

6/2020

SEAT, ASSY

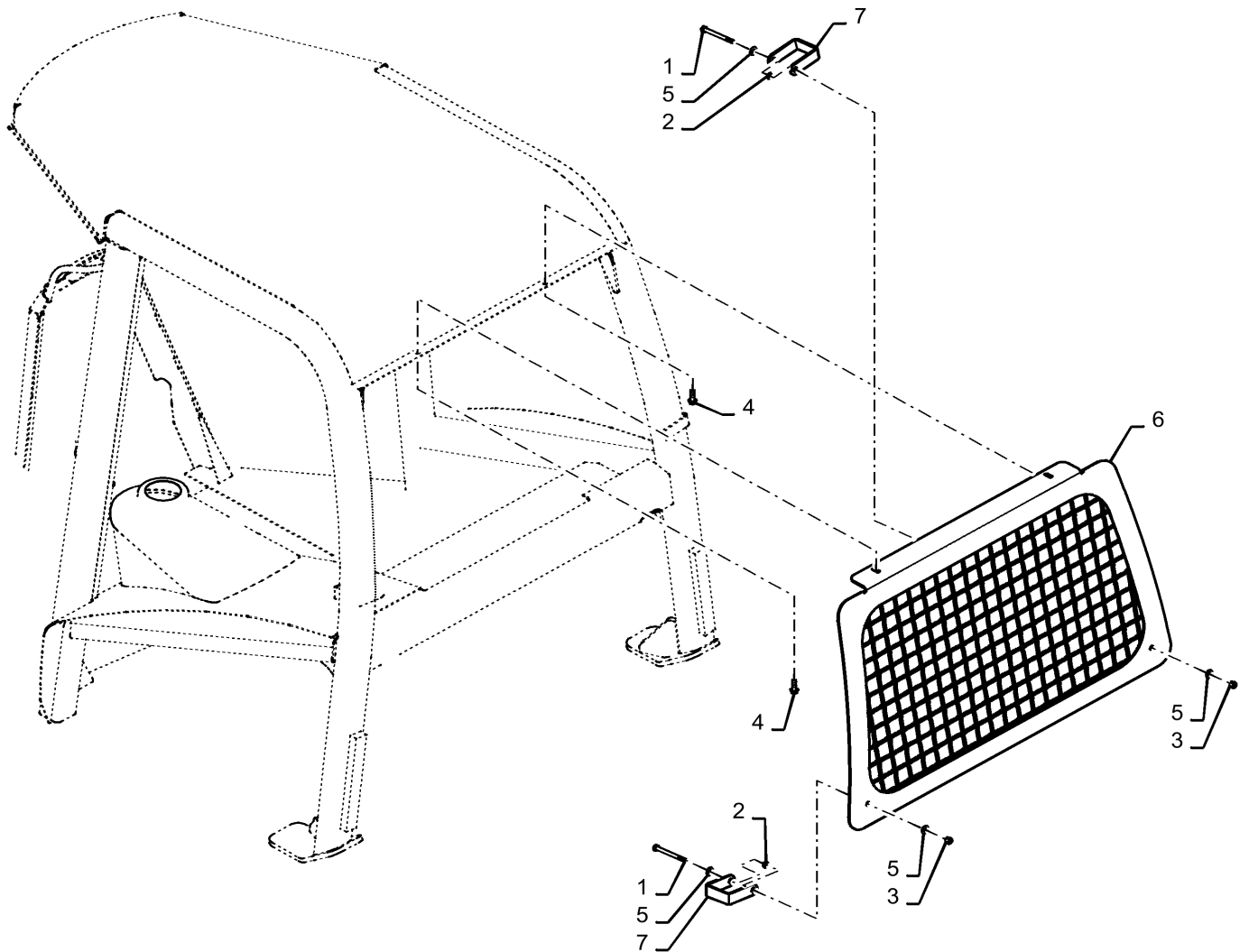


90.150.010

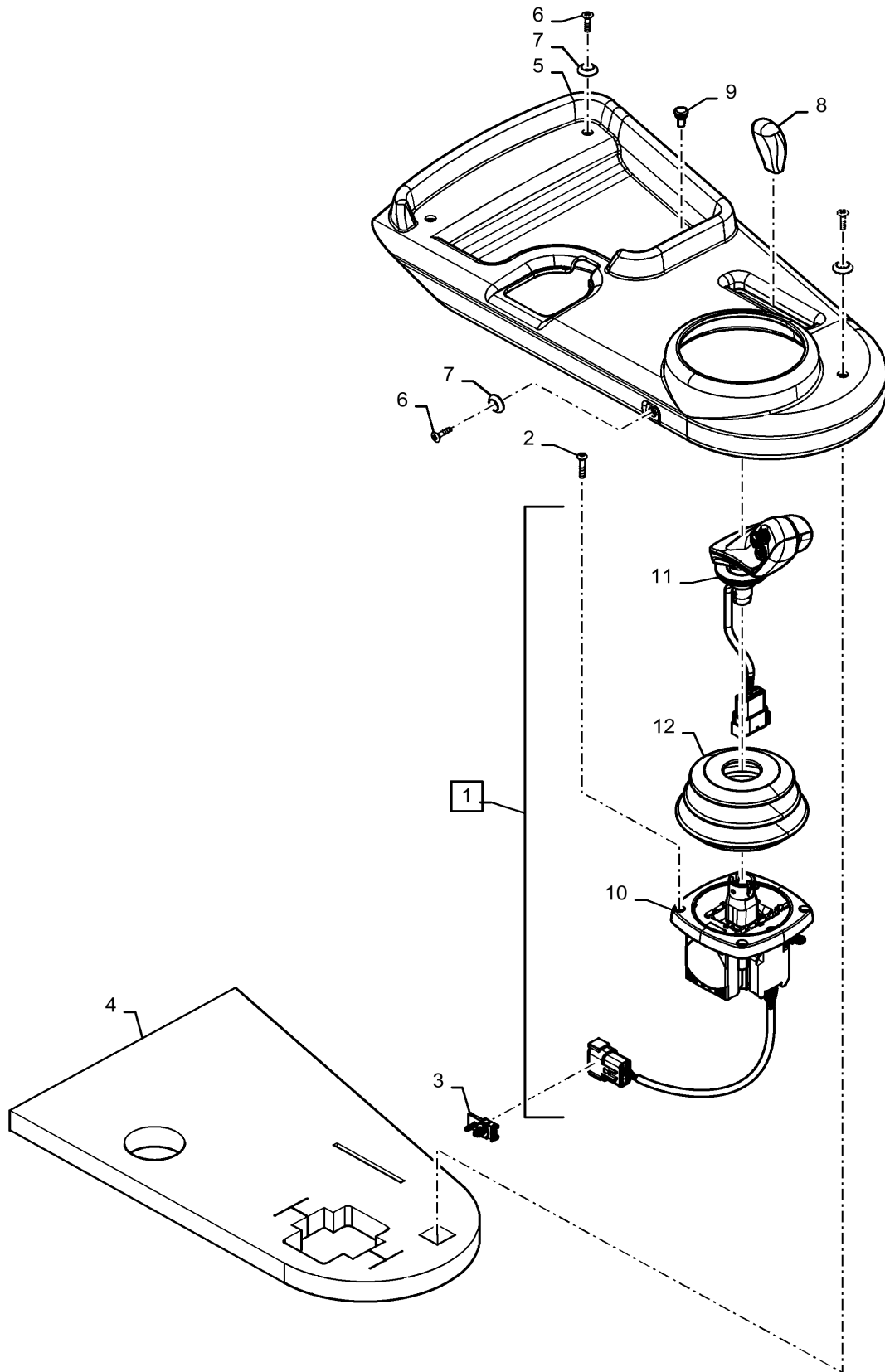
p1

6/2020

VAR - 784569 - CANOPY, SCREEN, REAR



LH, CONSOLE, JOYSTICK, DETENT

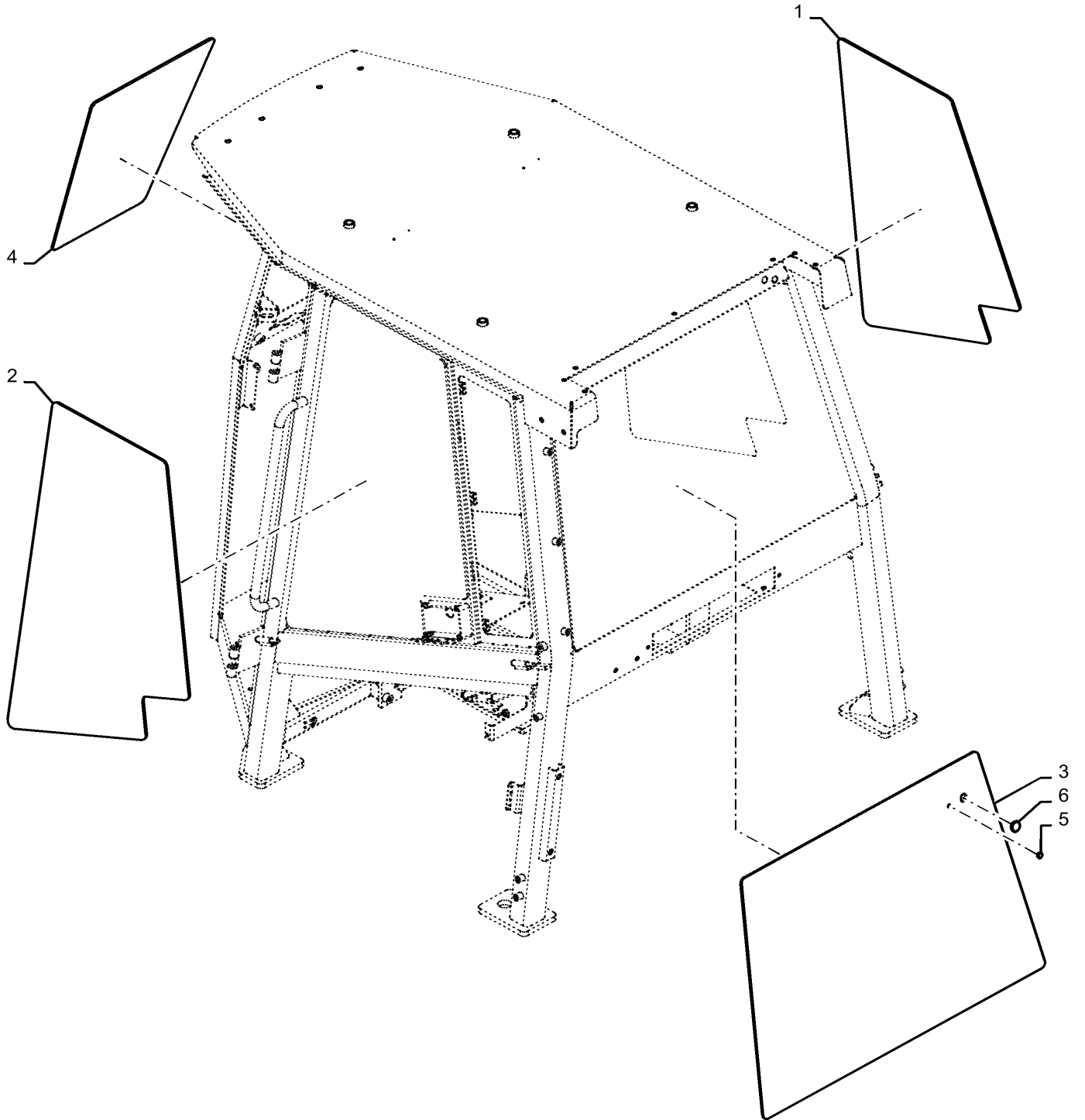


90.154.010

p1

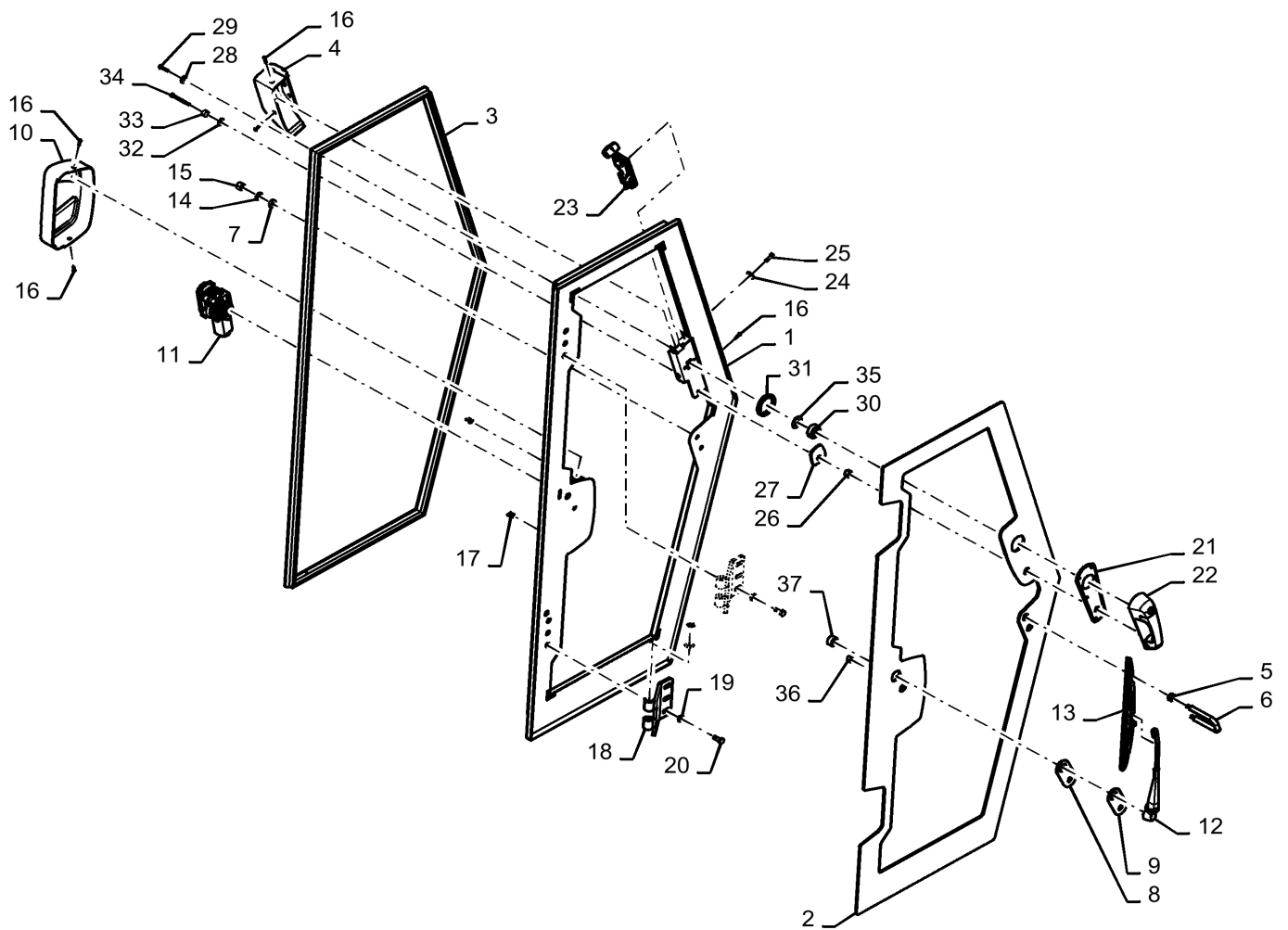
6/2020

GLASS BONDED



RH CAB DOOR

38

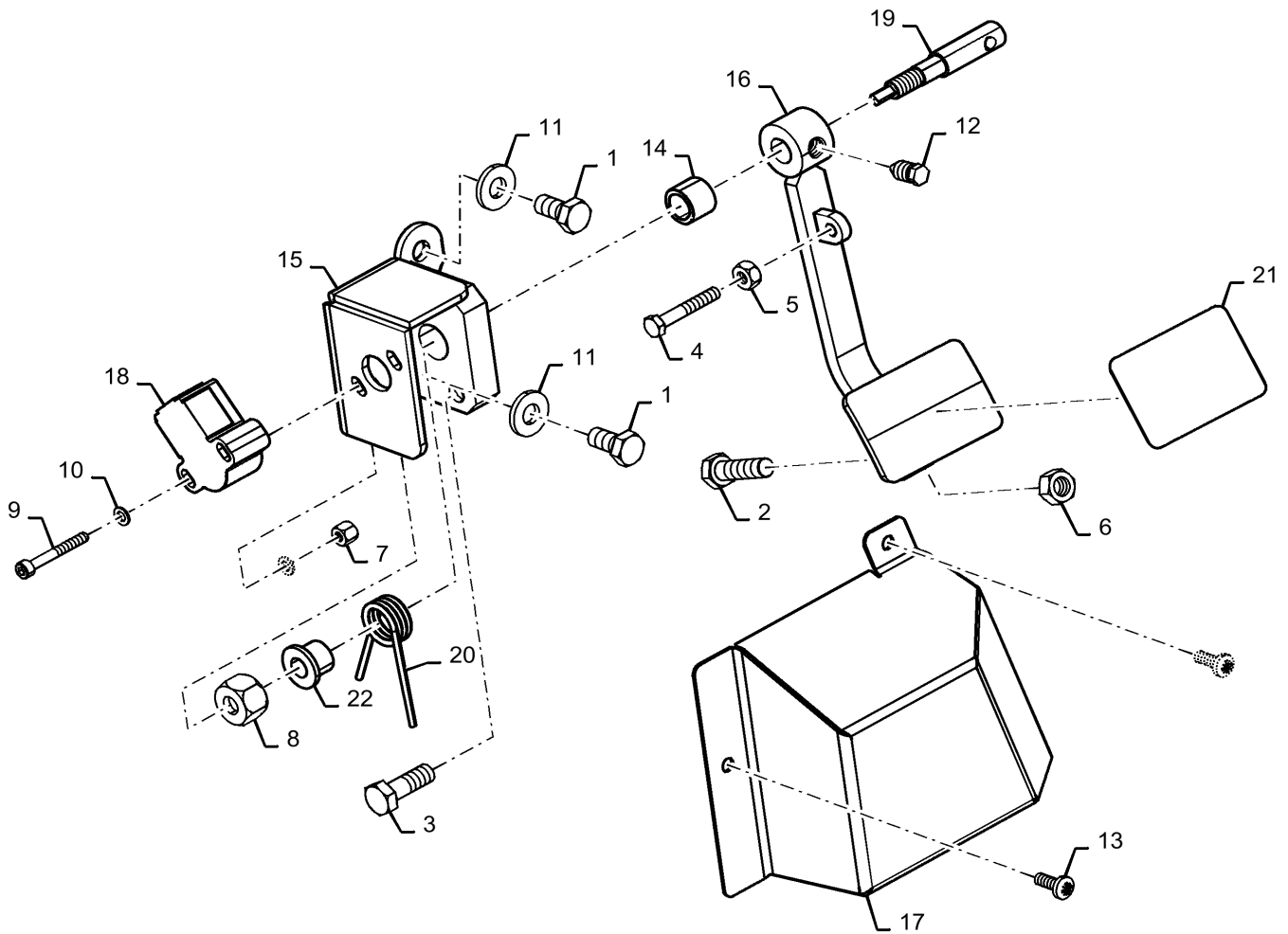


90.160.020

p1

6/2020

PEDAL DECEL

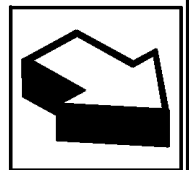
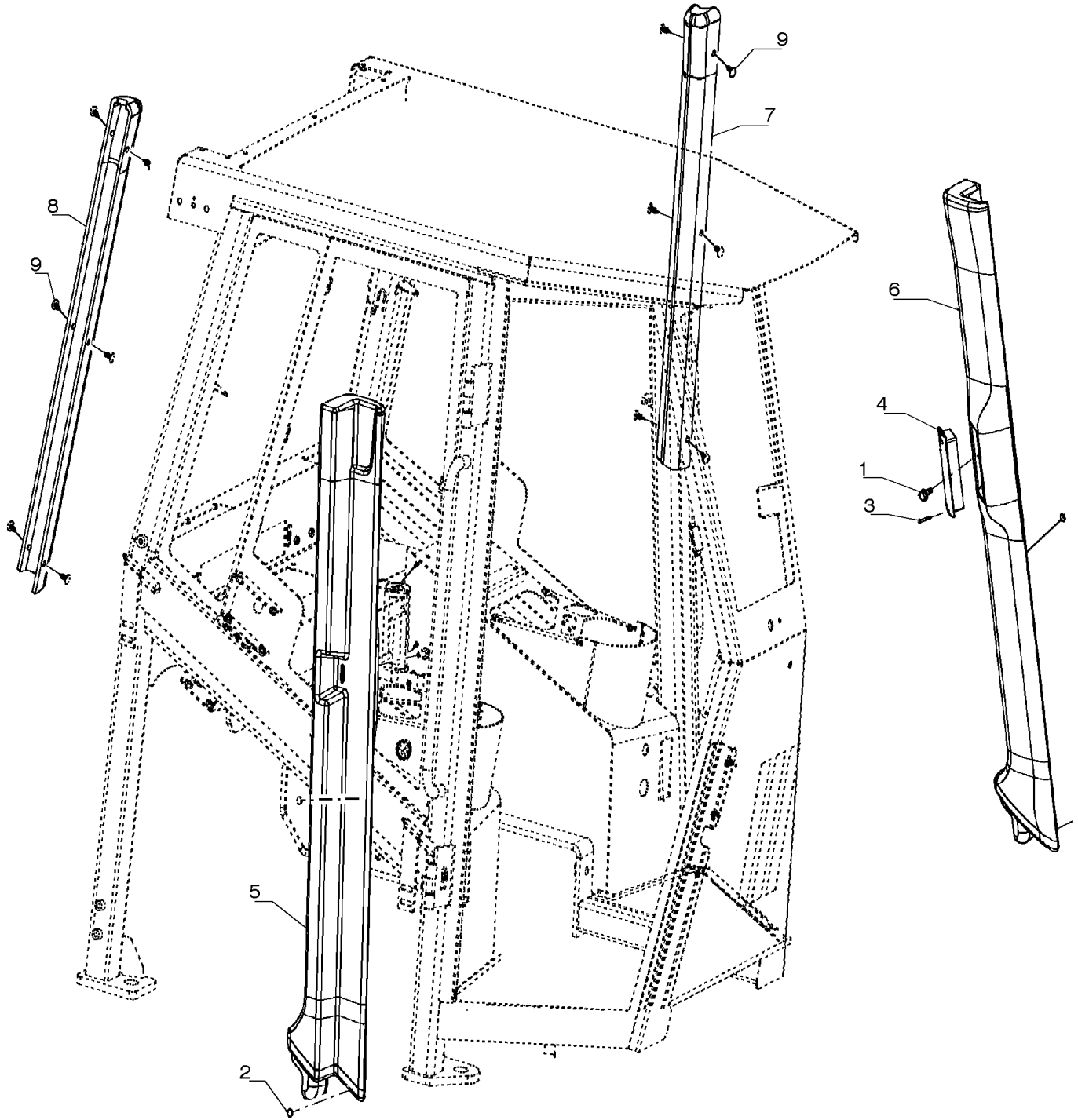


90.160.060

p1

6/2020

CAB INTERIOR TRIM



INDEX - INDICE - INDEX - ZAHLENVERZEICHNIS - INDICE - INDICE - INDHOLD - INHOUD

Number	Figure	Sequence	Ref.	Number	Figure	Sequence	Ref.
43128	90.160.020		3	43248	88.100.55	14	9
43129	10.500.020		20	43248	90.105.020		11
43130	90.160.020		4	43249	35.742.010		8
43138	10.400.040		10	43249	88.100.89	06	14
43138	10.400.050		6	43252	50.200.010		12
43138	10.500.010		7	43252	50.200.010	01	12
43138	90.160.020		1	43252	86.100.010		36
43139	19.100.010		14	43252	86.100.020		36
43139	35.359.040	03	7	43260	90.100.010		6
43139	55.680.060	01	26	43260	90.105.010		17
43139	55.680.080		25	43263	90.100.010		29
43139	88.100.55	14	28	43362	35.102.010		12
43139	90.150.015		2	43362	55.680.060	01	14
43140	10.202.010		18	43362	55.680.080		12
43140	10.254.010		17	43362	88.100.55	09	14
43140	10.254.015		17	43362	88.100.55	14	16
43140	10.500.020		11	434130A1	35.741.010		35
43140	86.110.010		10	434130A1	35.742.010		20
43140	86.110.020		10	434130A1	88.100.89	06	4
43140	86.110.030		10	434177A1	10.500.020		22
43140	86.110.040		10	434177A1	55.015.010		4
43140	86.110.050		10	434451A1	35.106.010	02	12
43140	90.150.015		3	434451A1	88.100.35	01	14
43158	29.100.030		5	434451A1	88.100.37	09	16
431997A1	37.100.010		2	434759A1	35.359.010		22
431997A1	37.106.010		3	434759A1	35.359.040	02	20
431997A1	88.100.37	06	4	434759A1	35.359.040	02.	29
431997A1	88.100.37	08	8	434759A1	35.359.040	04	21
431997A1	88.100.37	10	5	435038A1	35.741.010		36
431997A1	88.100.89	06	24	437131A1	35.359.010		23
431997A1	89.128.010		20	437131A1	35.359.040	02	21
431997A1	89.128.015		20	437131A1	35.359.040	04	22
43232	35.741.010		3	437131A1	88.100.35	10	3
43232	55.680.060	01	29	437143A2	35.359.020		24
43232	88.100.55	14	31	437143A2	35.359.040	02.	7
43235	90.100.020		7	437143A2	35.359.040	03	32
432365A2	35.359.010		21	437143A2	88.100.35	10	4
432365A2	35.359.040	02	19	438449A1	35.359.020		25
432365A2	35.359.040	04	20	438449A1	35.359.040	03	33
43248	10.001.030		17	440-11014	90.105.020		20
43248	10.254.010		19	440038A1	55.202.010		4
43248	10.254.015		19	440038A1	88.100.55	13	6
43248	55.301.010		10	442773A1	90.154.030		20
43248	55.680.060	01	7	442773A1	90.154.040		18
43248	55.680.080		8	446424A1	35.359.020		26
43248	88.100.55	09	10	446424A1	35.359.040	02.	9

INDEX - INDICE - INDEX - ZAHLENVERZEICHNIS - INDICE - INDICE - INDHOLD - INHOUD

Number	Figure	Sequence	Ref.	Number	Figure	Sequence	Ref.
47968055	48.100.082		6	48032309	88.100.35	10	1
47968055	48.100.083		6	48032313	88.100.35	10	16
47968055	48.100.084		6	48032318	10.216.020		12
47968055	48.100.092		6	48032318	10.216.025		12
47968056	48.100.011		6	48034853	10.254.010		1
47968056	48.100.067		8	48034853	10.254.015		1
47968056	48.100.074		7	48035855	90.105.010		6
47968056	48.100.078		8	48035857	90.105.010		3
47968056	48.100.081		8	48046334	88.100.55	14	2
47968056	48.100.082		8	48046338	88.100.55	14	1
47968056	48.100.083		8	48052570	90.160.010	02	1
47968056	48.100.084		8	48052575	90.160.030		15
47968056	48.100.092		8	48052576	90.160.030		20
47968166	48.100.067		5	48054335	10.400.010		37
47968166	48.100.083		5	48056741	55.101.010		2
47968167	48.100.074		5	48056741	55.302.010		12
47968167	48.100.082		5	48058522	90.150.020		2
47968168	48.100.011		5	48058522	90.160.010	03	1
47968168	48.100.084		5	48060374	90.150.020		1
47968172	48.100.092		5	48061701	55.680.070	01	13
47968173	48.100.081		5	48061701	88.100.55	16	13
47968174	48.100.078		5	48064054	90.124.010		30
47968691	27.120.010		1	48064054	90.124.020		35
47971267	27.120.010		30	48064068	90.124.010		29
47971267	27.120.010	03	4	48064068	90.124.020		36
47971270	27.120.010		30	48076286	48.100.083		1
47971270	27.120.010	03	4	48076288	48.100.082		1
47971270	27.120.020	02	37	48076289	48.100.084		1
47985037	55.680.010		1	48076360	90.108.010		29
47987850	55.680.010		5	48076360	90.108.040		1
47998400	55.680.010		3	48076360	90.108.130		31
48002470	90.108.010		16	48077953	48.134.060		1
48003906	90.105.010		5	48079880	48.134.060		2
48003910	90.105.010		1	48080024	48.134.060		3
48004962	90.154.040		1	48080653	48.134.060		4
48005000	90.154.040		38	48086148	86.100.020		1
48005028	90.154.030		6	48086155	86.100.010		39
48005028	90.154.040		6	48086283	39.100.010		23
48005095	90.154.030		1	48086741	39.100.010		7
48005114	90.154.030		38	48091812	10.254.010		16
48008242	35.300.020		1	48091812	10.254.015		16
48009544	35.106.010	01	10	48099502	90.100.010		8
48011779	90.105.010		8	48103617	90.108.010		25
48023598	48.134.010		1	48103617	90.108.130		22
48023598	48.134.010	02	1	48113972	88.100.50		1
48031085	90.105.010		16	48115147	10.216.020		4

INDEX - INDICE - INDEX - ZAHLENVERZEICHNIS - INDICE - INDICE - INDHOLD - INHOUD

Number	Figure	Sequence	Ref.	Number	Figure	Sequence	Ref.
86508624	48.130.010		4	86579689	10.210.010		2
86508624	48.134.020		32	86588450	55.101.010		8
86508624	48.134.020	02	32	86588450	55.202.010		6
86508624	48.134.030		30	86588450	88.100.55	01	5
86508624	48.134.030	02	30	86588450	88.100.55	13	8
86508624	88.100.48	05	6	86588450	88.100.55	14	42
86509558	55.510.010		21	86588450	90.100.010		19
86511841	55.680.060	01	12	86588450	90.100.010		7
86511841	55.680.080		10	86588450	90.105.010		11
86511841	88.100.55	09	12	86590562	55.680.070	01	20
86511841	88.100.55	14	14	86590562	55.680.080		46
86511842	10.400.010		33	86590562	88.100.55	14	65
86512139	55.680.060	01	22	86590562	88.100.55	16	20
86512139	88.100.55	14	24	86592702	10.001.020		7
86512439	90.105.010		10	86598046	10.216.020		8
86512512	35.359.040	02.	10	86598046	10.216.025		8
86512554	90.151.010		3	86598101	10.216.020		9
86512554	90.151.020		3	86598101	10.216.025		9
86512555	48.134.020		13	86624147	10.400.010		23
86512555	48.134.020	02	13	86624149	90.105.010		18
86512555	48.134.030		13	86624176	50.200.010		21
86512555	48.134.030	02	13	86624176	50.200.010	01	21
86512947	71.460.010		4	86624176	55.202.010		26
86513589	71.460.010		13	86624176	55.680.060	01	27
86517328	35.359.040	03	13	86624176	55.680.080		26
86517328	88.100.55	14	60	86624176	88.100.55	13	28
86521605	90.100.020		16	86624176	88.100.55	14	29
86521733	48.134.030		11	86624183	55.015.010		3
86529541	29.100.050		7	86624184	55.680.060	01	13
86529976	90.100.010		15	86624184	55.680.070	01	25
86531147	55.510.010		38	86624184	55.680.080		11
86531147	88.100.90		3	86624184	88.100.55	09	13
86531147	90.118.010		2	86624184	88.100.55	14	15
86536985	48.130.010		8	86624184	88.100.55	16	25
86536985	48.134.020		36	86624977	55.302.010		5
86536985	48.134.020	02	36	86624978	90.151.010		4
86536985	48.134.030		33	86624978	90.151.020		4
86536985	48.134.030	02	33	86624994	39.110.010		4
86536985	88.100.48	05	10	86624994	88.100.39	04	6
86541970	48.134.020		11	86625021	10.400.020		17
86541970	48.134.020	02	11	86625036	50.200.010		19
86541970	48.134.030	02	11	86625037	55.302.010		13
86556139	10.414.010		4	86625040	10.400.040		5
86566990	10.400.020		36	86625041	10.400.020		22
86577946	86.100.010		25	86625041	50.200.010		11
86577946	86.100.020		25	86625060	90.100.010		11

CLICK HERE TO **DOWNLOAD** THE COMPLETE MANUAL

- Thank you very much for reading the preview of the manual.
- You can download the complete manual from: www.heydownloads.com by clicking the link below



- Please note: If there is no response to CLICKING the link, please download this PDF first and then click on it.

CLICK HERE TO **DOWNLOAD** THE COMPLETE MANUAL