

All rights reserved by **CNHi**.

The information contained in this catalogue is intended to be of a general nature only. **CNHi** may at any time and from time to time, for technical or other necessary reasons, modify any of the details or specifications of the product described in this catalogue.

To be sure of getting accurate, detailed and up-to-date information, an intending buyer should consult his nearest **CNHi** dealer or distributor.

Single item numeration method used in this catalogue may not be used without written consent from **CNHi**.

CLICK HERE TO **DOWNLOAD** THE COMPLETE MANUAL

- Thank you very much for reading the preview of the manual.
- You can download the complete manual from: www.heydownloads.com by clicking the link below



- Please note: If there is no response to **CLICKING** the link, please download this PDF first and then click on it.

CLICK HERE TO **DOWNLOAD** THE COMPLETE MANUAL

TABLE OF CONTENTS

55.518.020		VAR - 734065 - WASHER BOTTLE INSTALLATION
55.518.020	01	VAR - 734065 - WASHER BOTTLE ASSEMBLY
55.518.030		VAR - 734065 - REAR WINDSHIELD WIPER INSTALLATION
55.518.040		VAR - 734065 - FRONT WINDSHIELD WIPER MOUNT
55.988.010		SCR HARNESS INSTALLATION
55.988.010	01	SCR HARNESS ASSEMBLY
55.990.010	01	HOOD HARNESS INSTALLATION
55.990.010	02	HOOD HARNESS ASSEMBLY
55.991.010	01	VAR - 424233 - TELEMATIC SYSTEM
82.001.00		ATTACHMENT, FRONT LOADER, BUCKET
82.100.010		VAR - 782537 - LIFT ARM PIN XT/TC
82.100.020		VAR - 782537, 782851 - LIFT ARM PIN, Z BAR LIFT ARM AND XR/LR
82.100.030		VAR - 482956, 482972, 782135 - HYDRAULIC QUICK COUPLER, Z-BAR, XR
82.300.060	01	VAR - 424249, 482957 - BUCKET TOOTH
82.300.070	01	VAR - 424250 - CUTTING EDGE, BUCKET
82.300.080	01	VAR - 482957 - CUTTING EDGE, BUCKET
88.100.030		WHEEL CHOCKS
88.100.040		ACCESSORY MOUNTING POLE
88.100.070		VAR - 482140 - REAR LICENSE PLATE LAMP AND BRACKET
88.100.33	01	DIA KIT, RIGHT HAND BRAKE PEDAL
88.100.35	02	FOURTH SPOOL CONVERSION KIT
88.100.35	03	DIA KIT, ACCESSORY LINE, Z - BAR
88.100.35	04	DIA KIT, ACCESSORY LINE, XT
88.100.35	05	DIA KIT, ACCESSORY LINE, XR
88.100.35	06	DIA KIT, VARIABLE SPEED REVERSIBLE FAN
88.100.35	07	DIA KIT, FIELD RIDE CONTROL CONVERSION
88.100.35	08	DIA KIT, 2 FUNCTION LEVER TO 3 FUNCTION LEVER CONVERSION KIT
88.100.35	09	DIA KIT, 2 FN LEVER TO 3 FN JOYSTICK CONVERSION KIT
88.100.35	10	DIA KIT, 2 FN LEVER TO 4 FN JOYSTICK CONVERSION KIT
88.100.35	11	DIA KIT, 3 FN LEVER TO 4 FN JOYSTICK CONVERSION KIT
88.100.35	12	DIA KIT, 2 FN JOYSTICK TO 3 FN JOYSTICK CONVERSION KIT
88.100.35	13	DIA KIT, 2 FN JOYSTCIK TO 4 FN JOYSTICK CONVERSION KIT
88.100.35	14	DIA KIT, 3 FN JOYSTICK TO 4 FN JOYSTICK CONVERSION KIT
88.100.35	15	DIA KIT, 2 FN JOYSTICK TO 3 FN LEVER CONVERSION KIT
88.100.35	16	DIA KIT, 2 FN LEVER TO 2 FN JOYSTICK CONVERSION KIT
88.100.35	17	DIA KIT, 3 FN LEVER TO 3 FN JOYSTICK CONVERSION KIT

LOCATION OF SERIAL AND PRODUCT IDENTIFICATION NUMBERS

Product identification

Model, serial number, and year of manufacture

Record the machine and part identification numbers. When ordering parts, obtaining information or assistance, always supply your dealer with the type and serial number of your machine or accessories. Keep a record of these numbers and your Manufacturer's Statement of Origin in a safe place. If the machine is stolen, report the numbers to your local law enforcement agency.

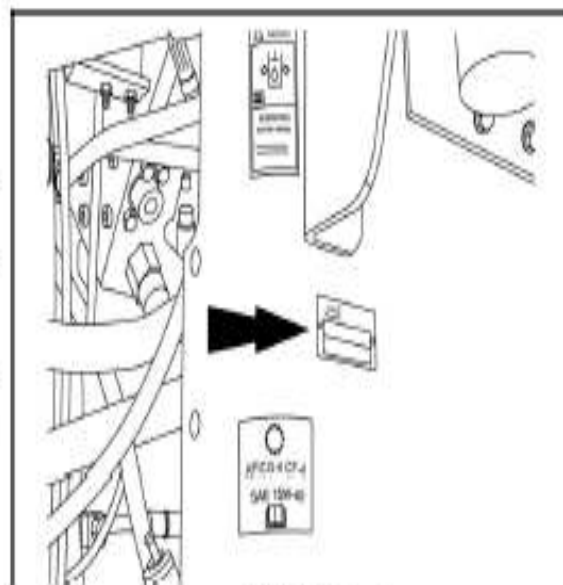
Machine identification

Model name

PIN

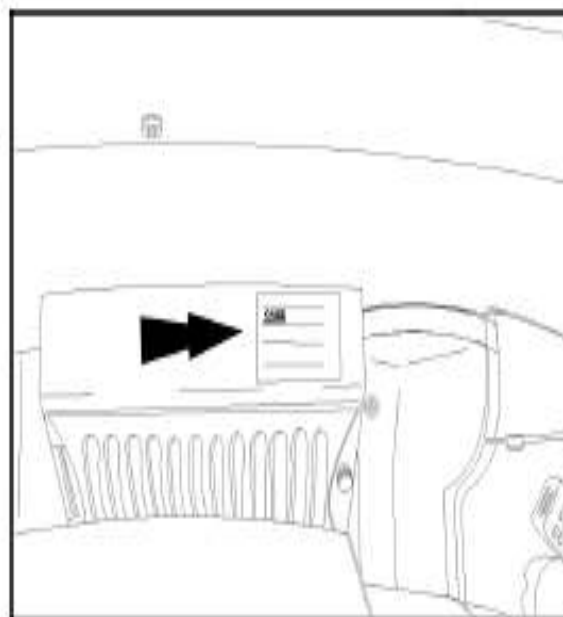
Model year

The Product identification number (PIN) plate is located on the right-hand side of the machine.

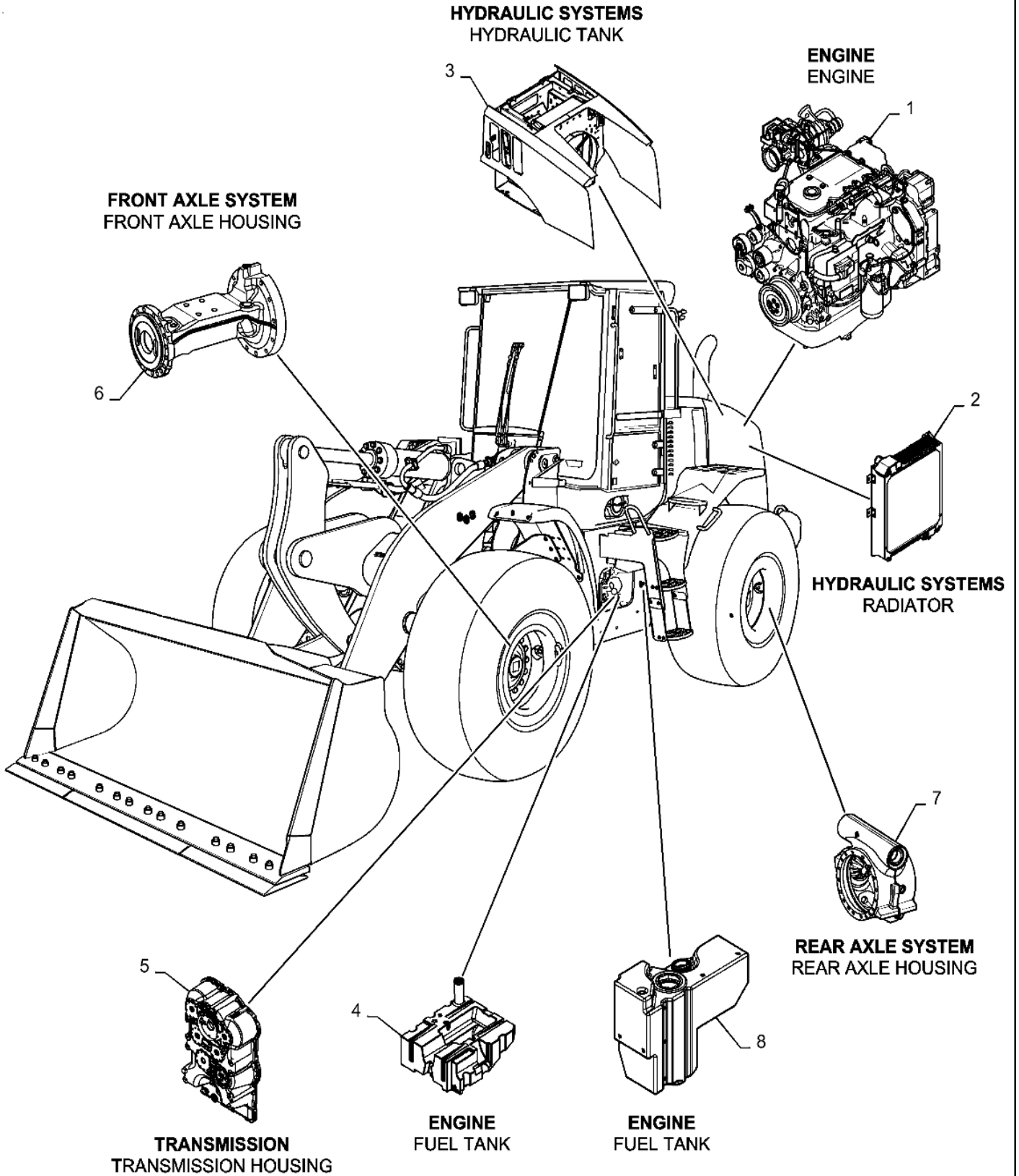


Roll-Over Protective Structure (ROPS)

The serial number plate is behind the operator's seat on the air filter cover.



CAPACITIES



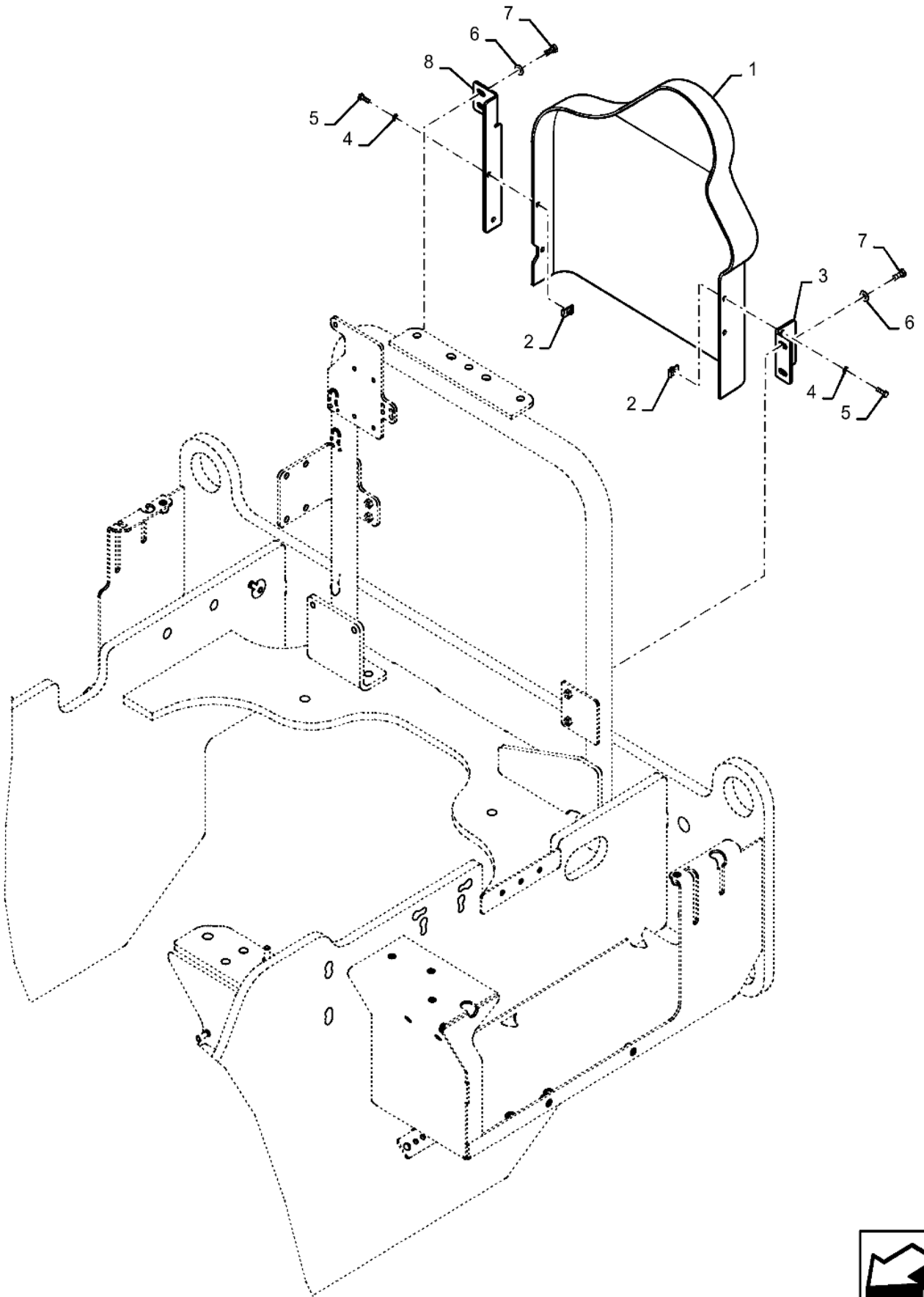
10.102.030

01

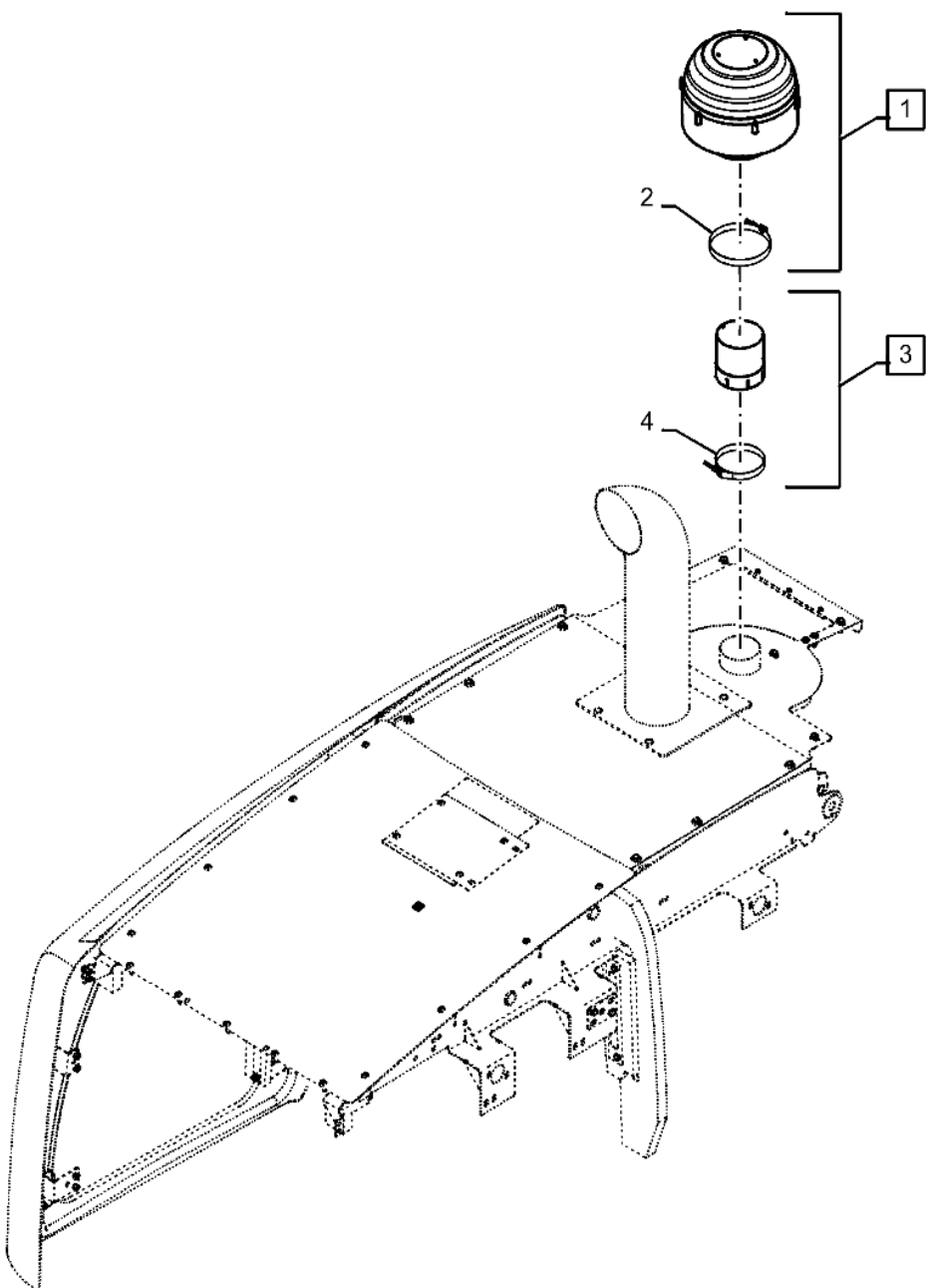
p1

3/2019

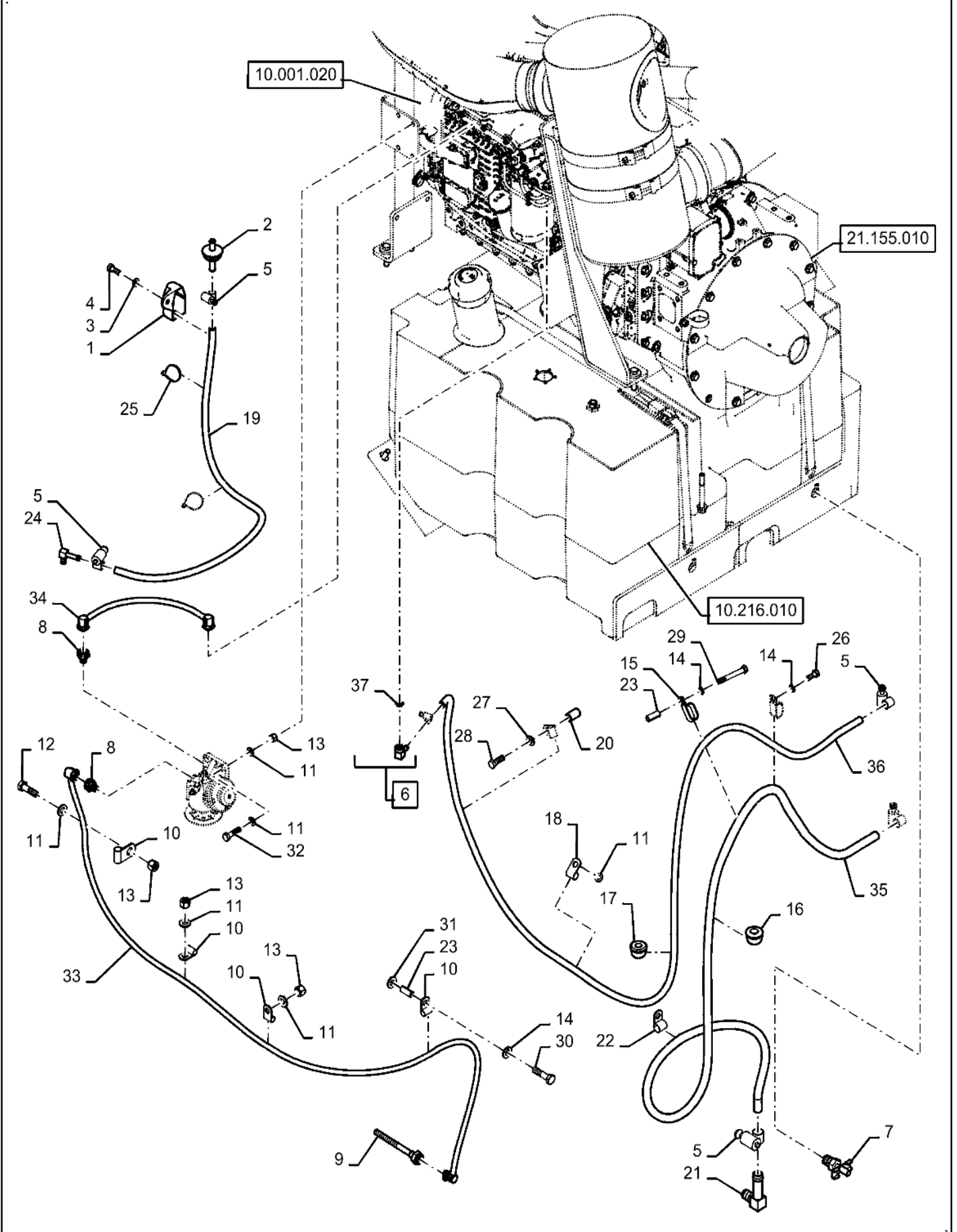
VAR - 782440 - DRIVE BELT COVER, W/ AIR CONDITIONING



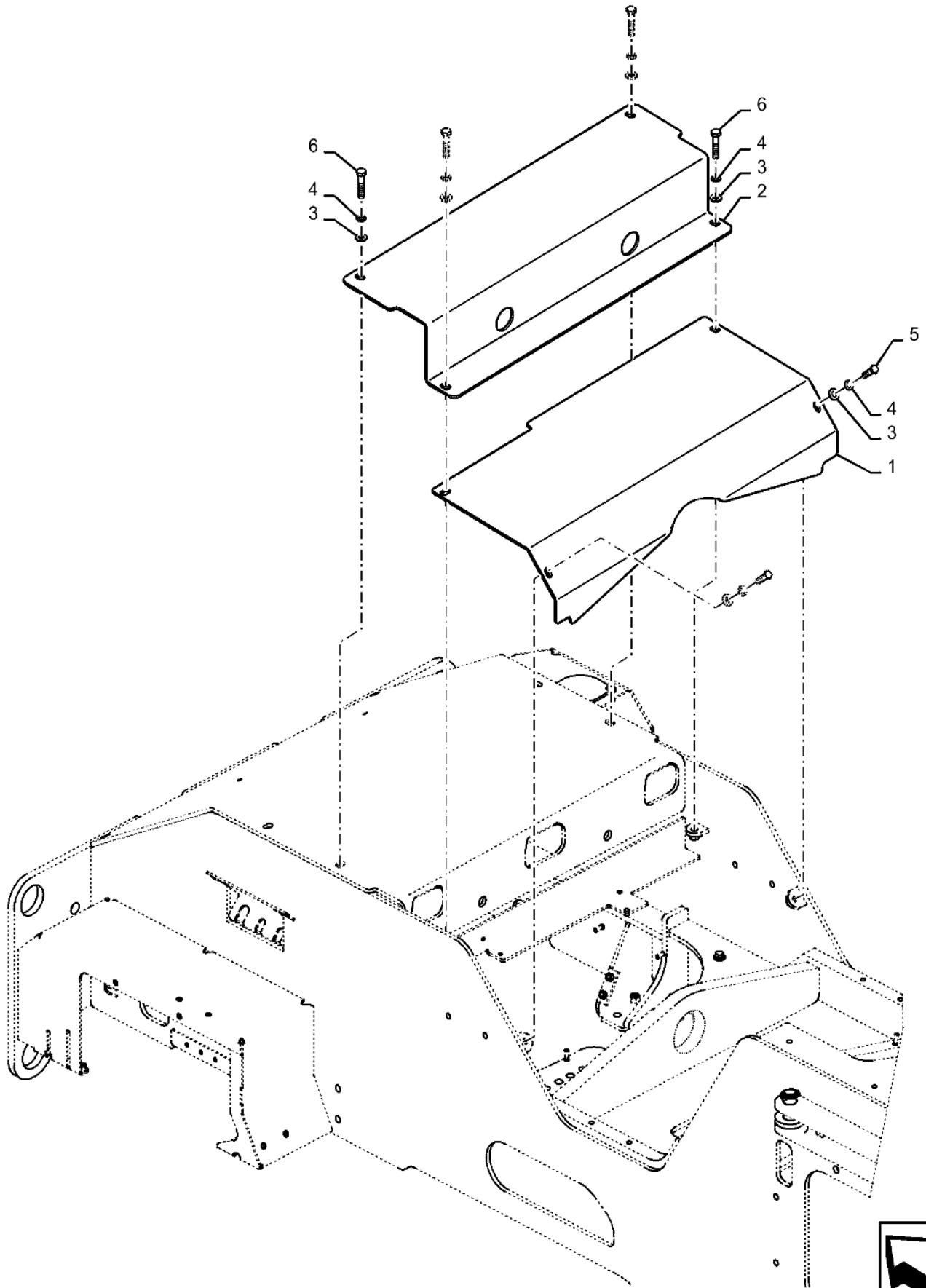
SYKLONE AIR PRECLEANER AND ADAPTER



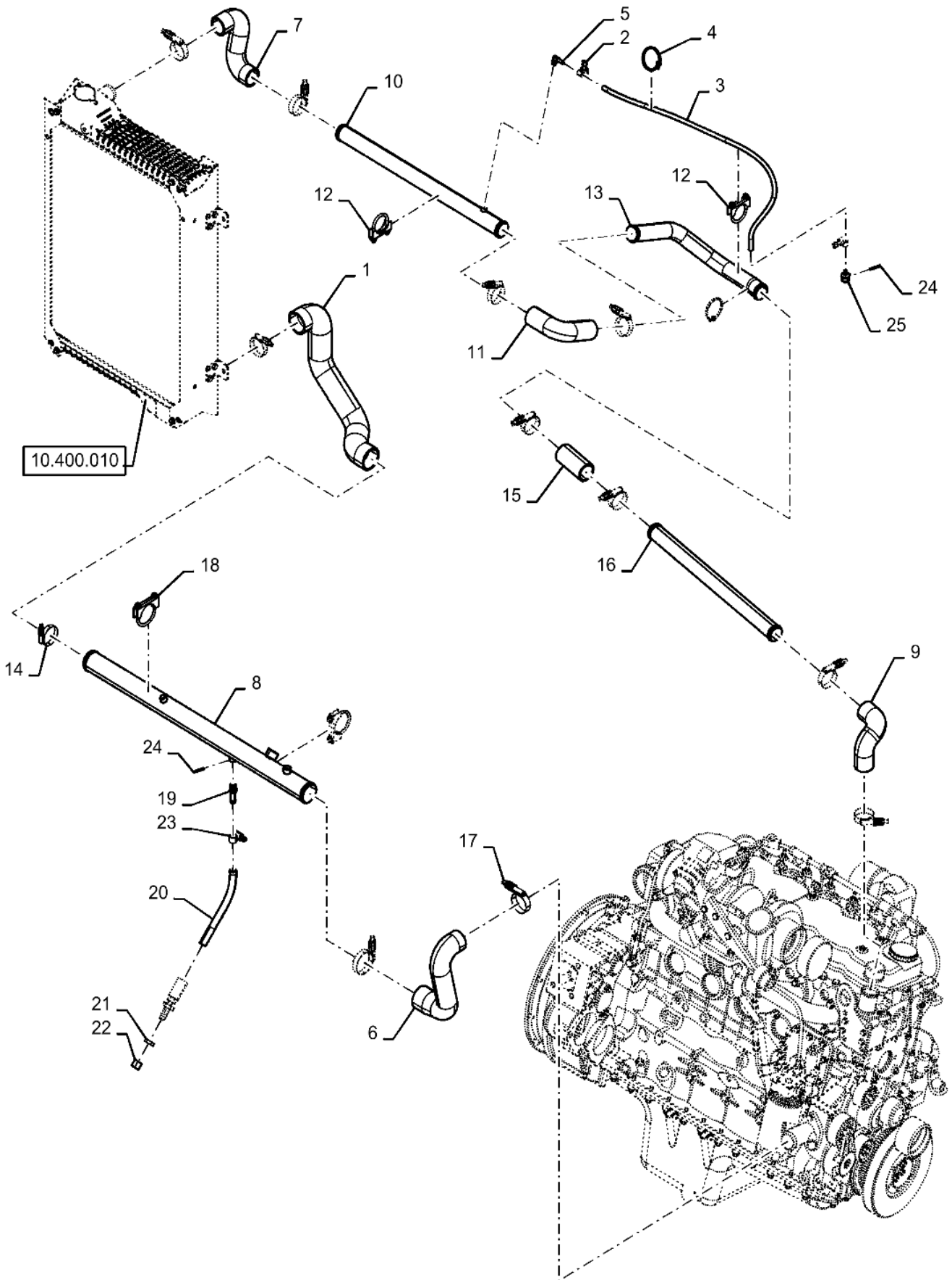
FUEL LINE INSTALLATION



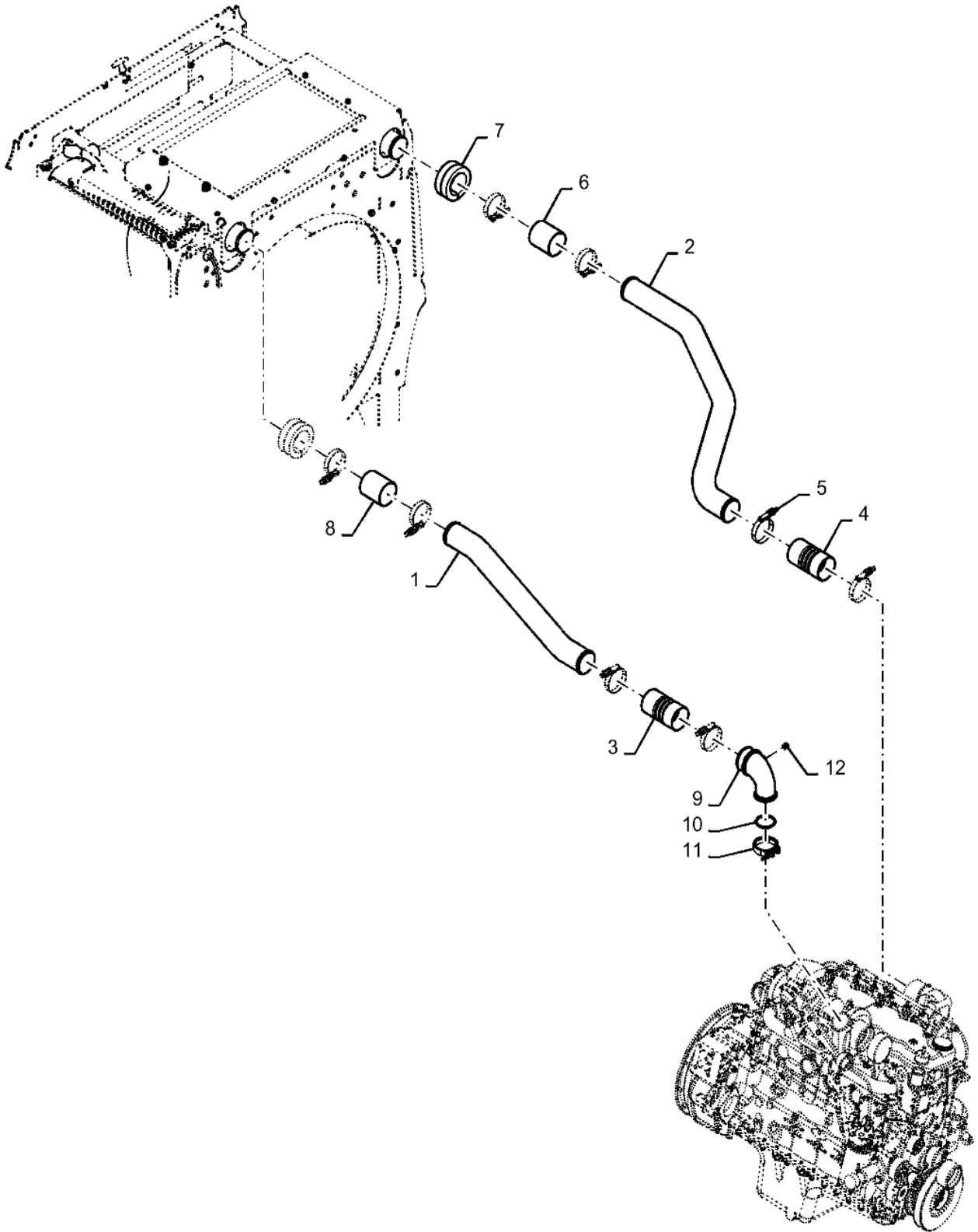
FUEL TANK COVER



COOLING SYSTEM LINE INSTALLATION



COOLING SYSTEM LINE INSTALLATION



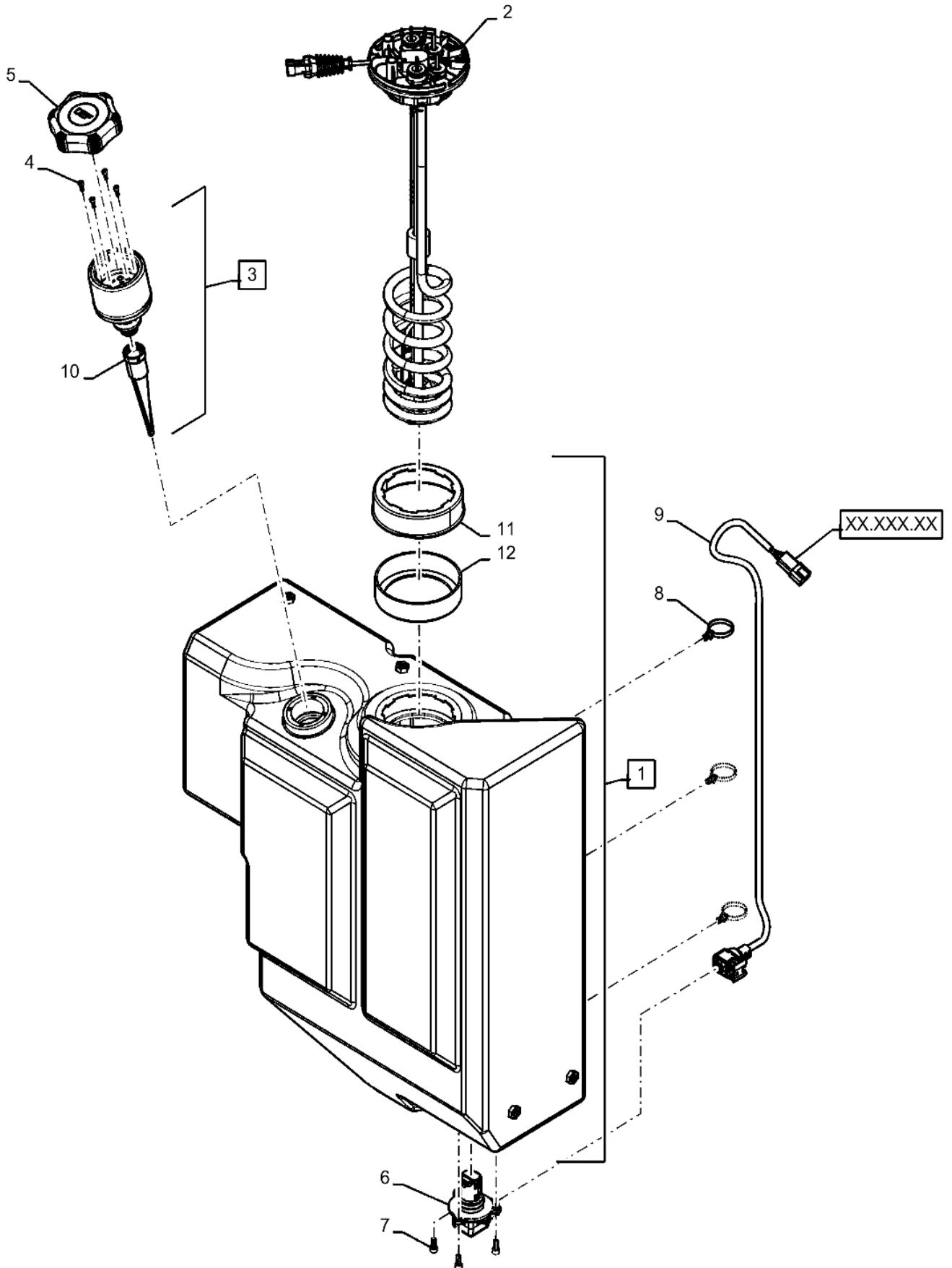
10.500.020

02

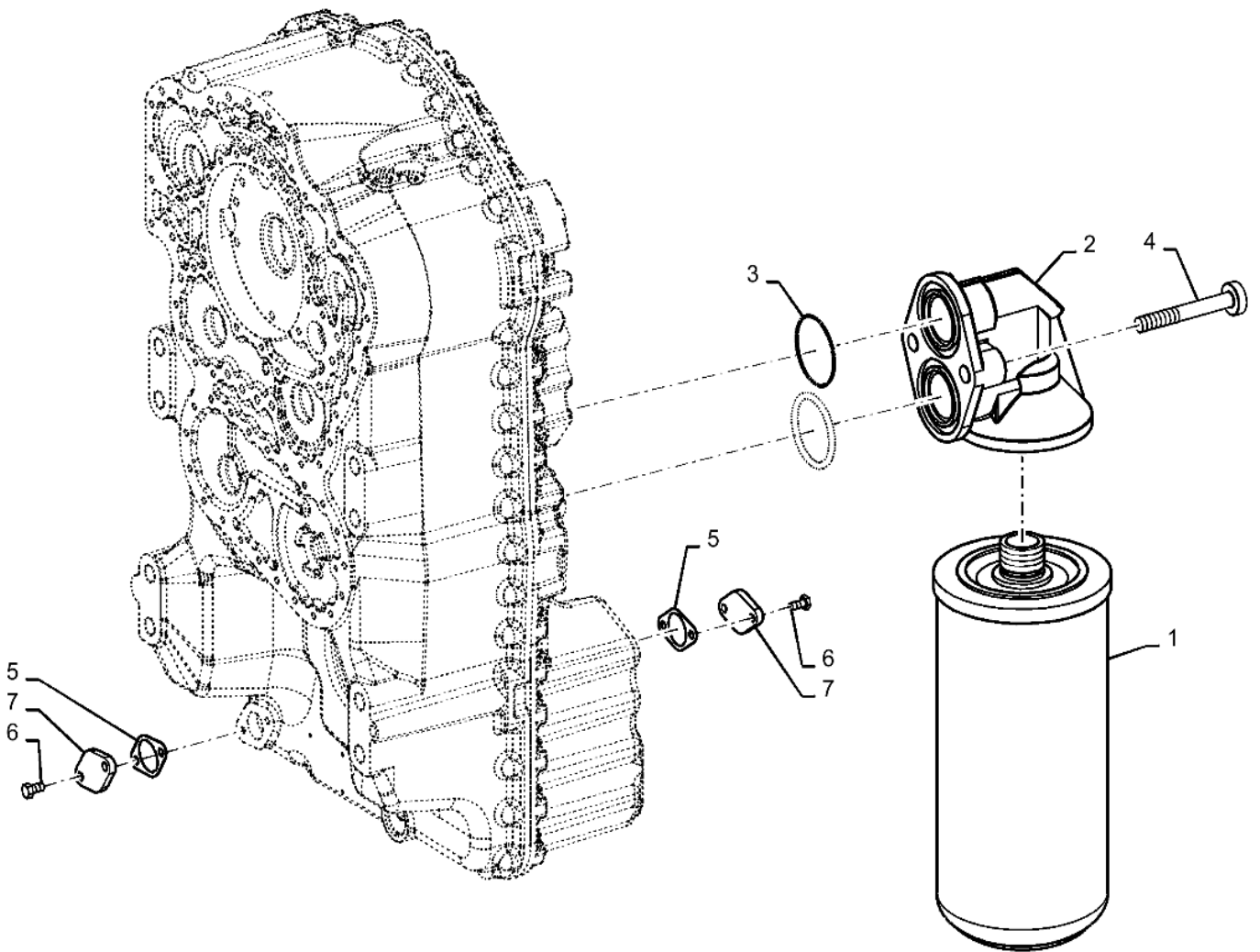
p1

3/2019

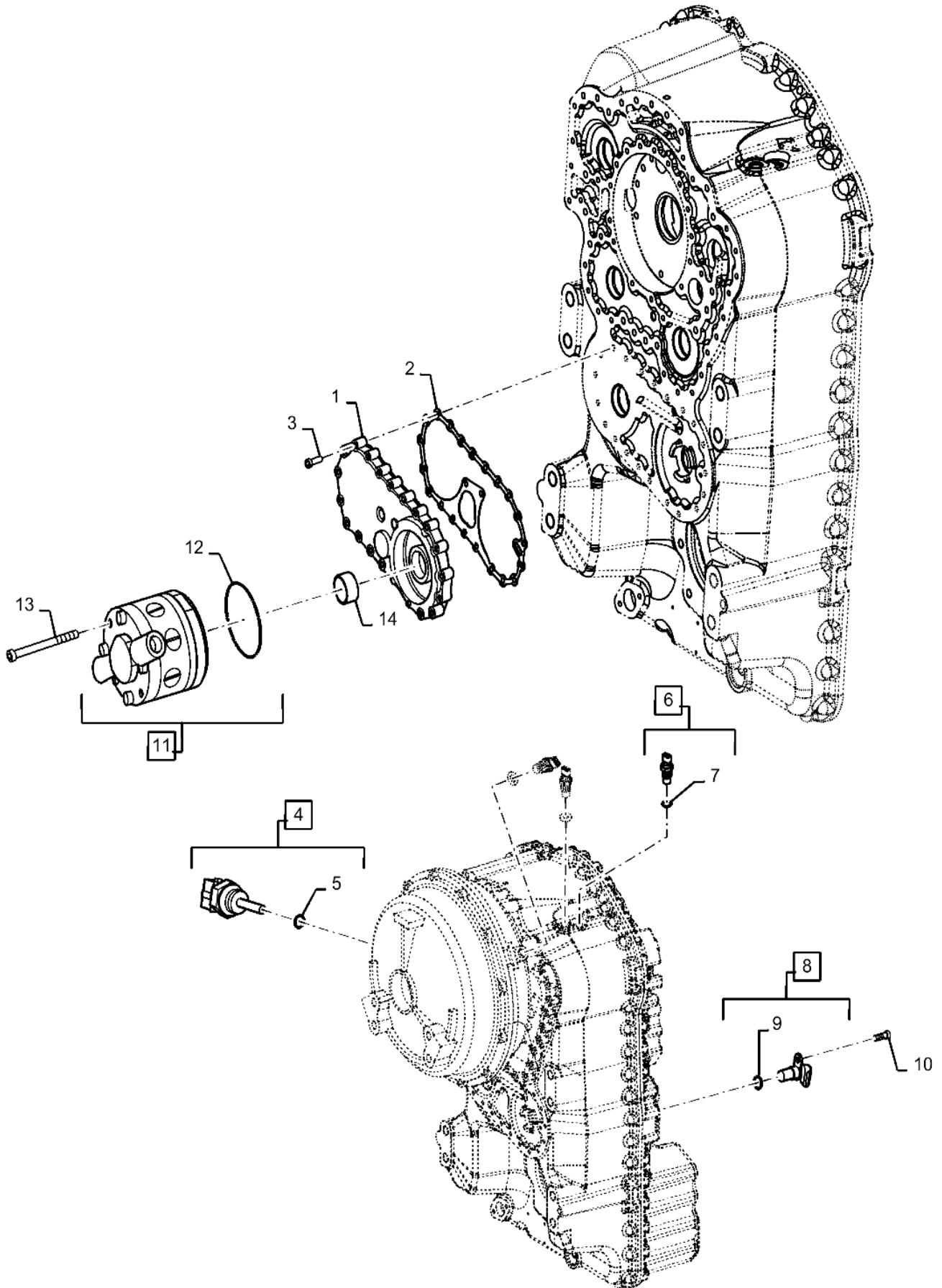
DEF TANK ASSEMBLY



TRANSMISSION, FILTER AND FILL COVERS



TEMPERATURE SENDER, PUMP COVER, SPEED SENSOR, 5 SPEED

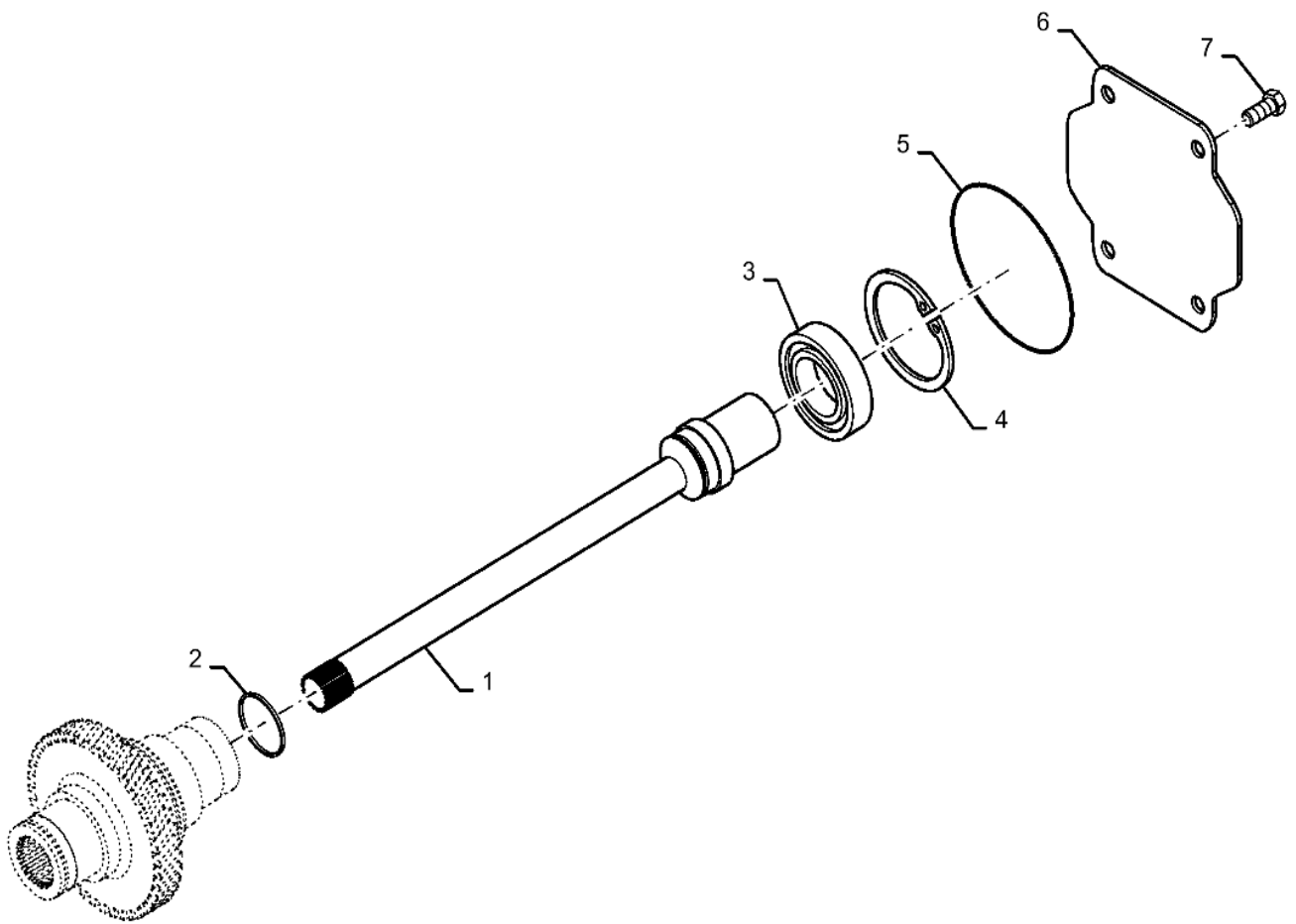


21.140.010

p1

3/2019

VAR - 424224 - PTO SHAFT ASSEMBLY, 4 SPEED



21.155.010

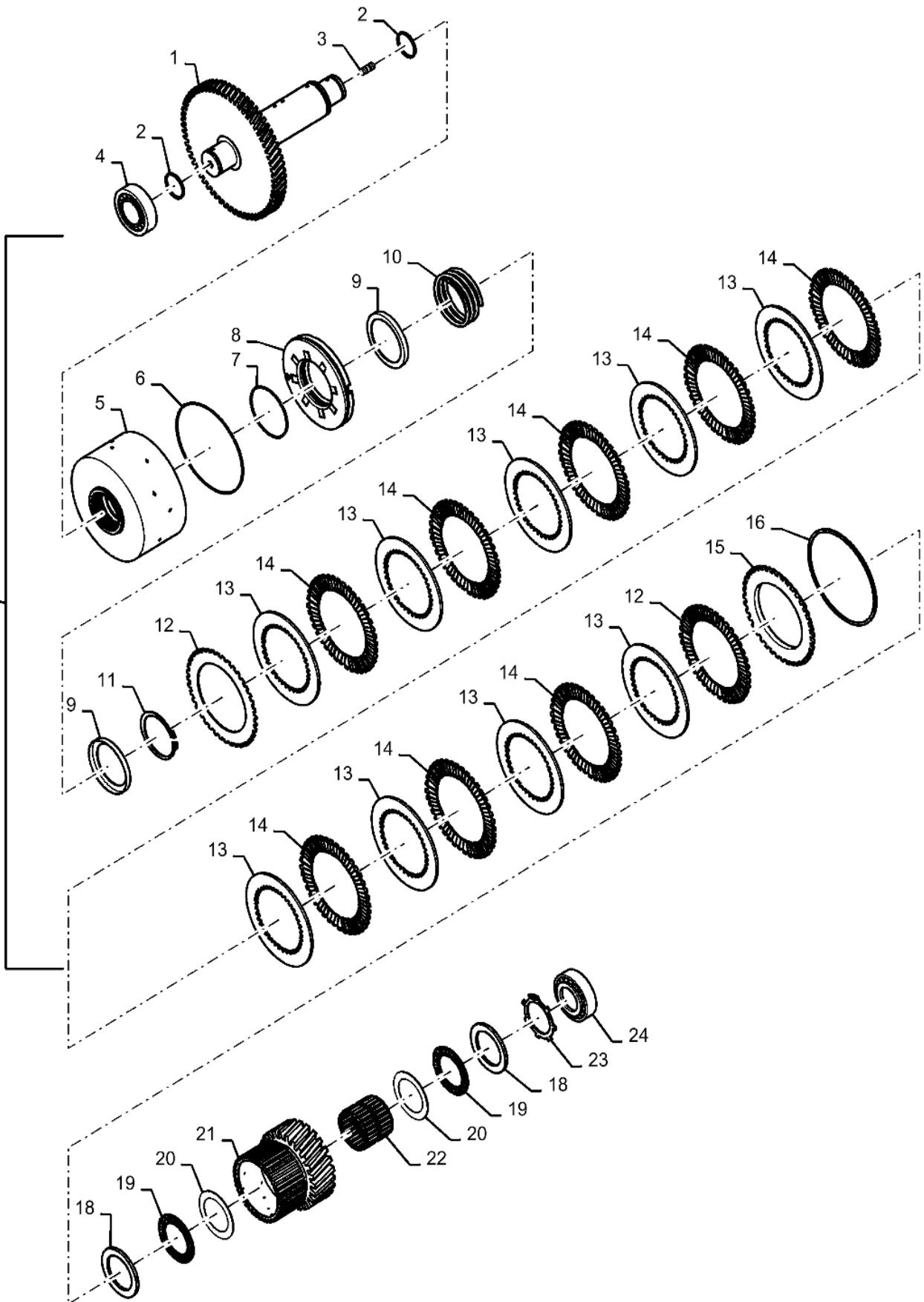
04

p1

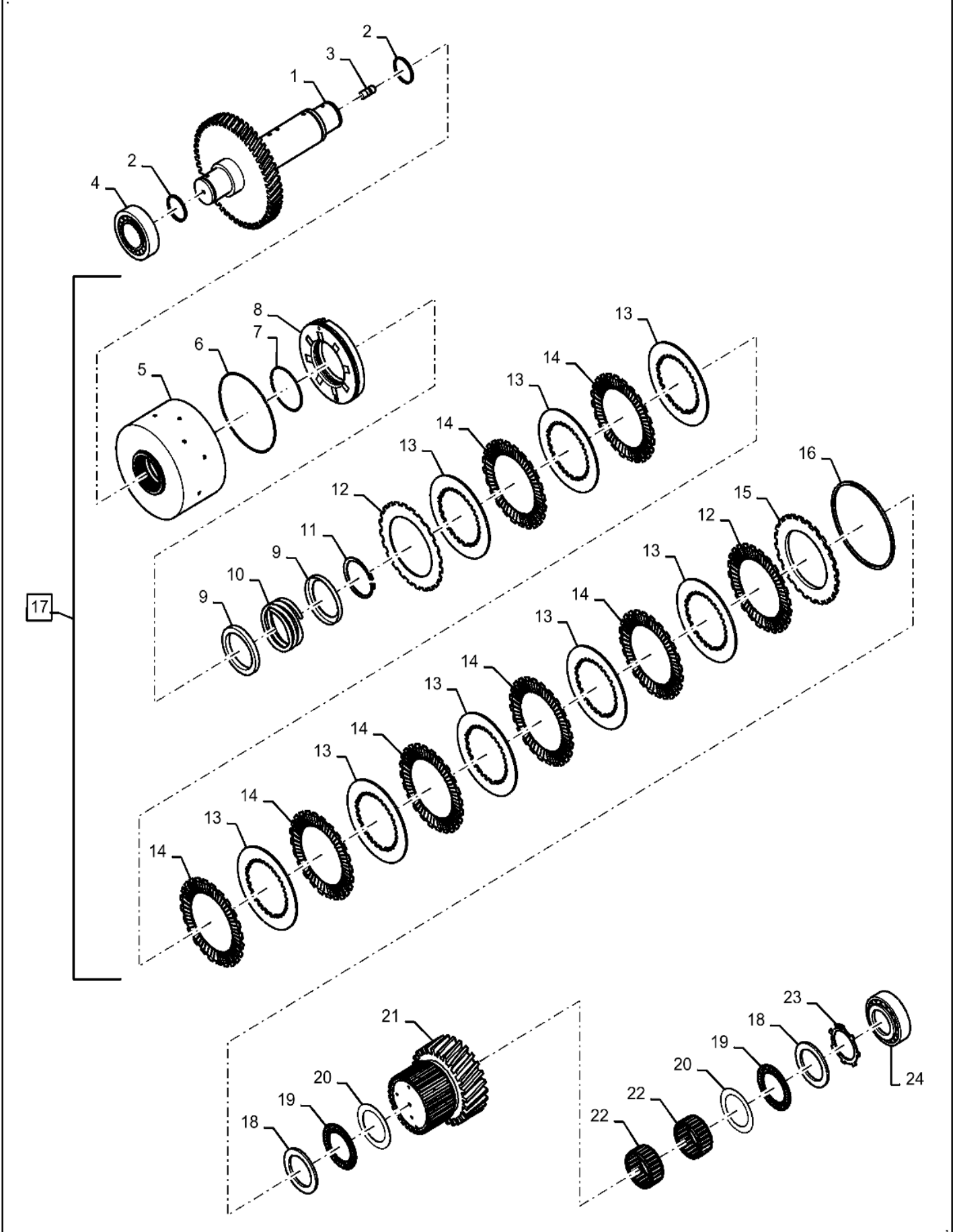
3/2019

VAR - 424224 - 1ST GEAR CLUTCH ASSEMBLY, 4 SPEED

17



2ND GEAR CLUTCH ASSEMBLY, 4 SPEED



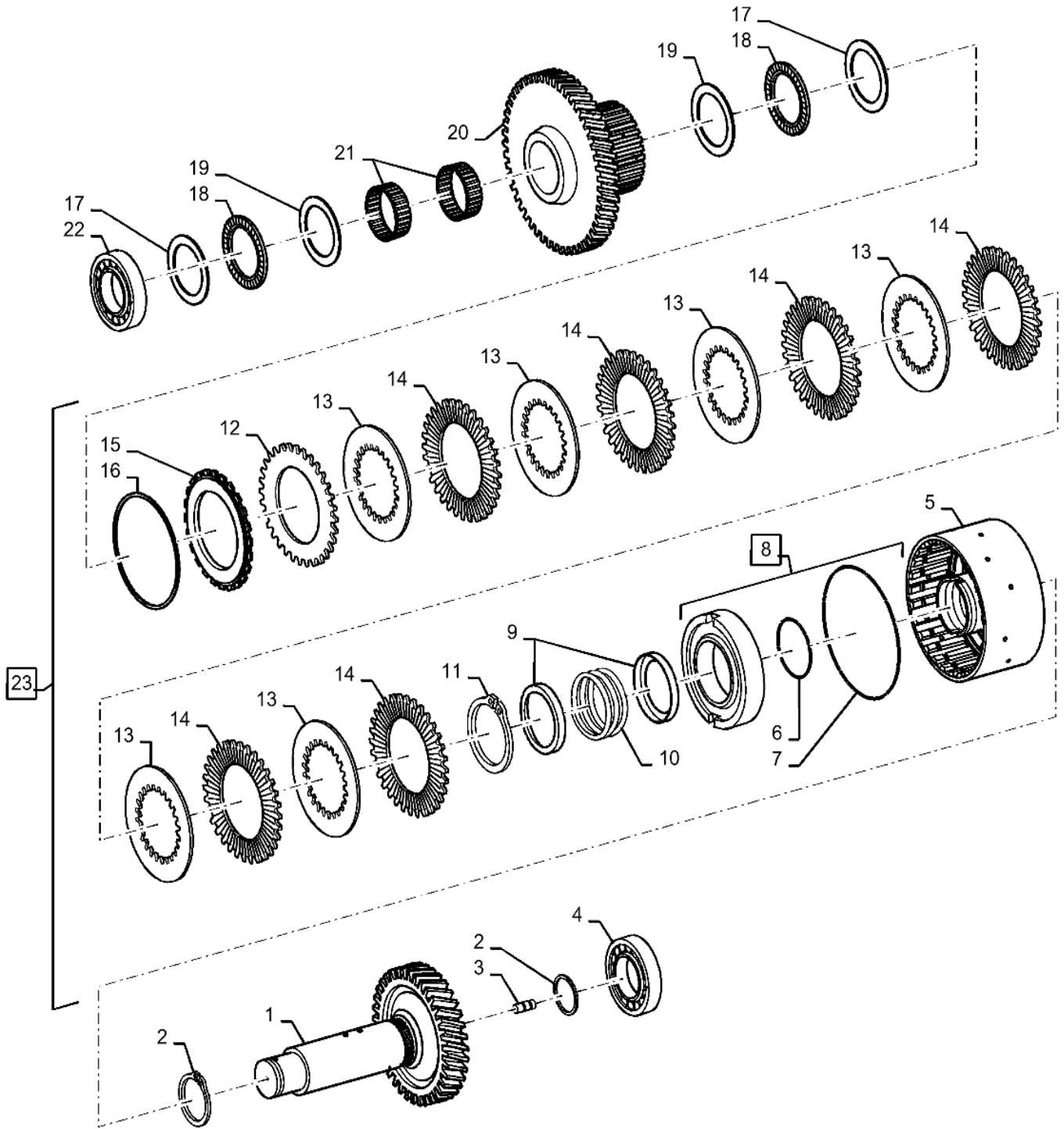
21.155.010

06

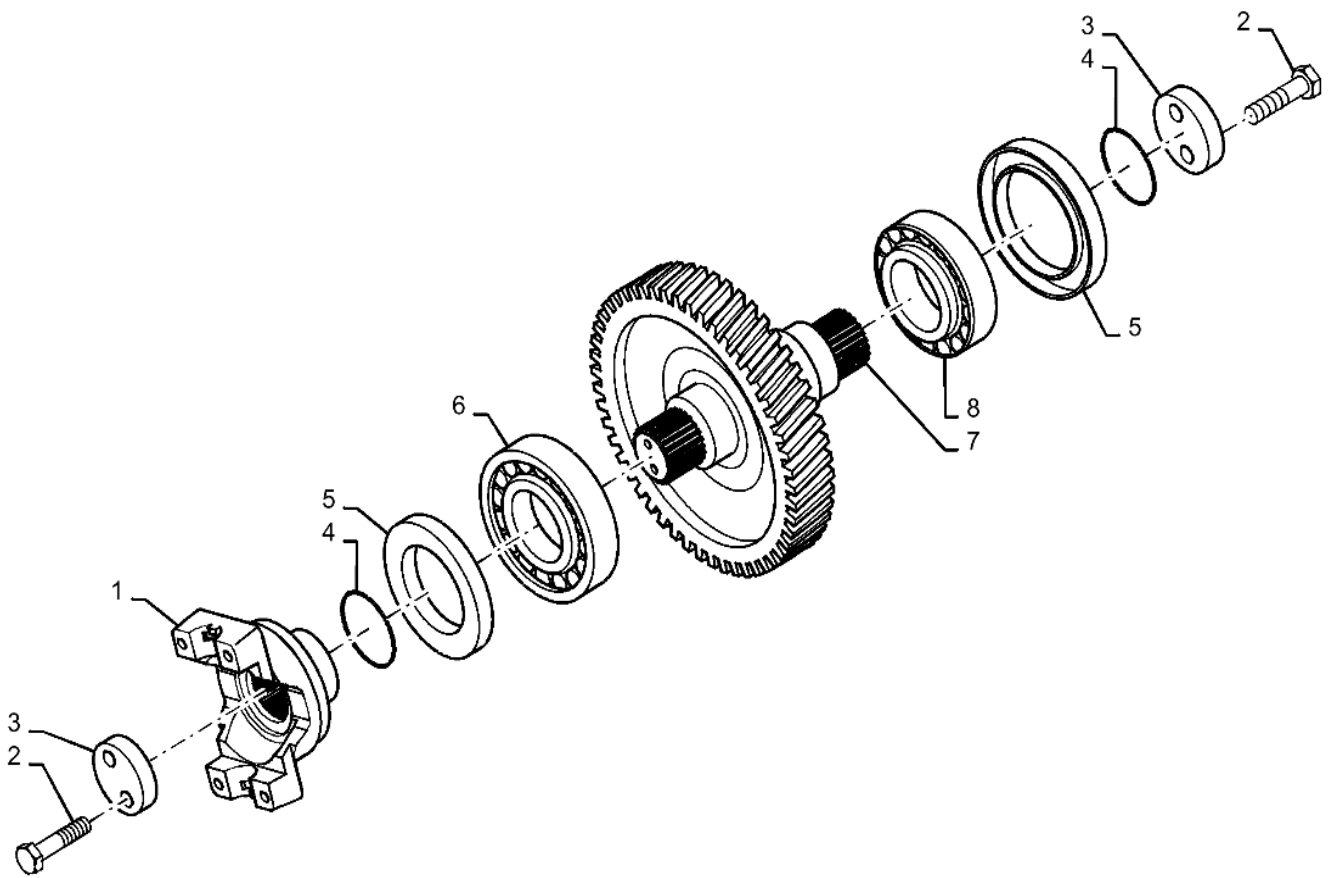
p1

3/2019

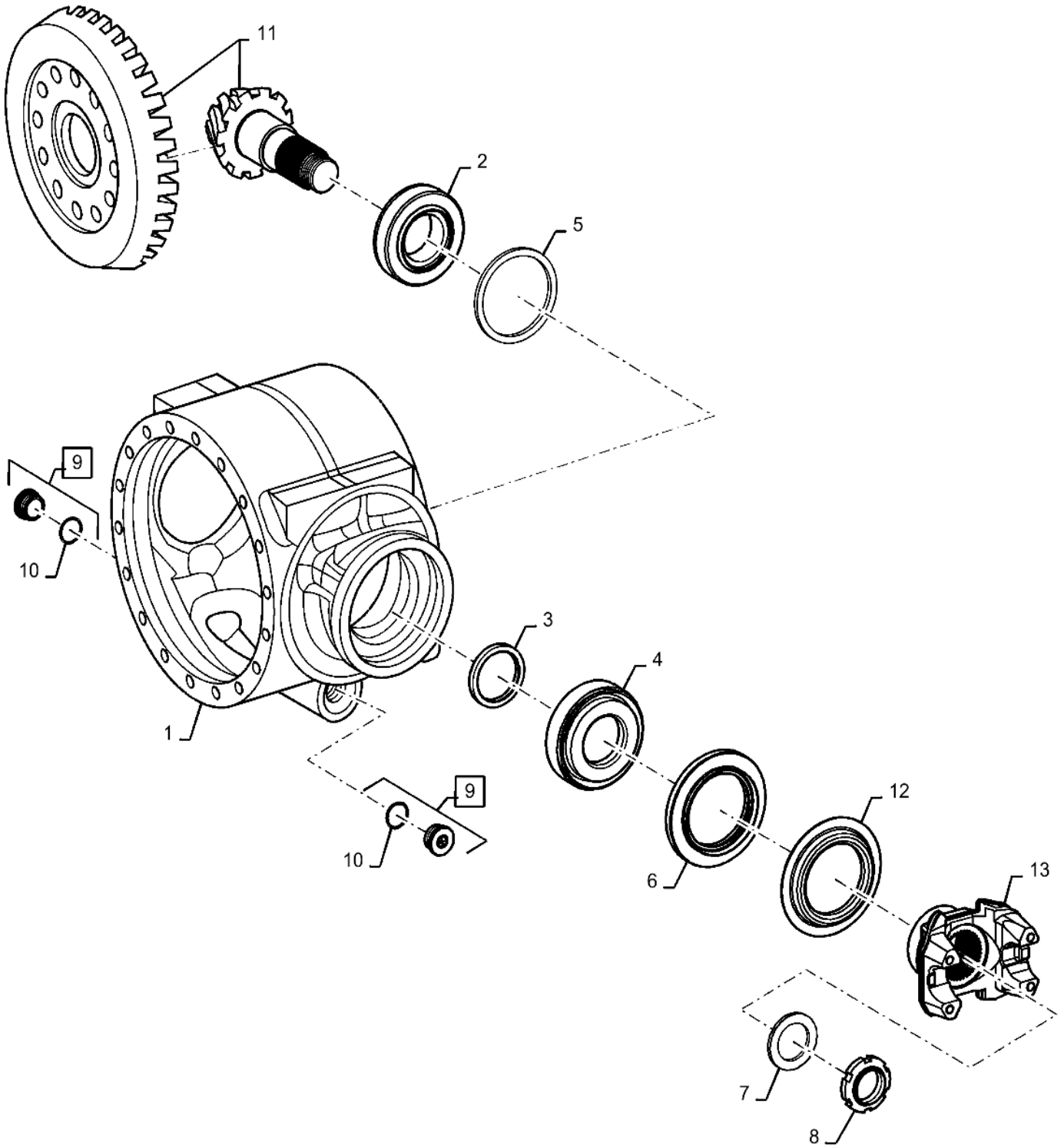
VAR - 424224 - 3RD GEAR CLUTCH ASSEMBLY, 5 SPEED



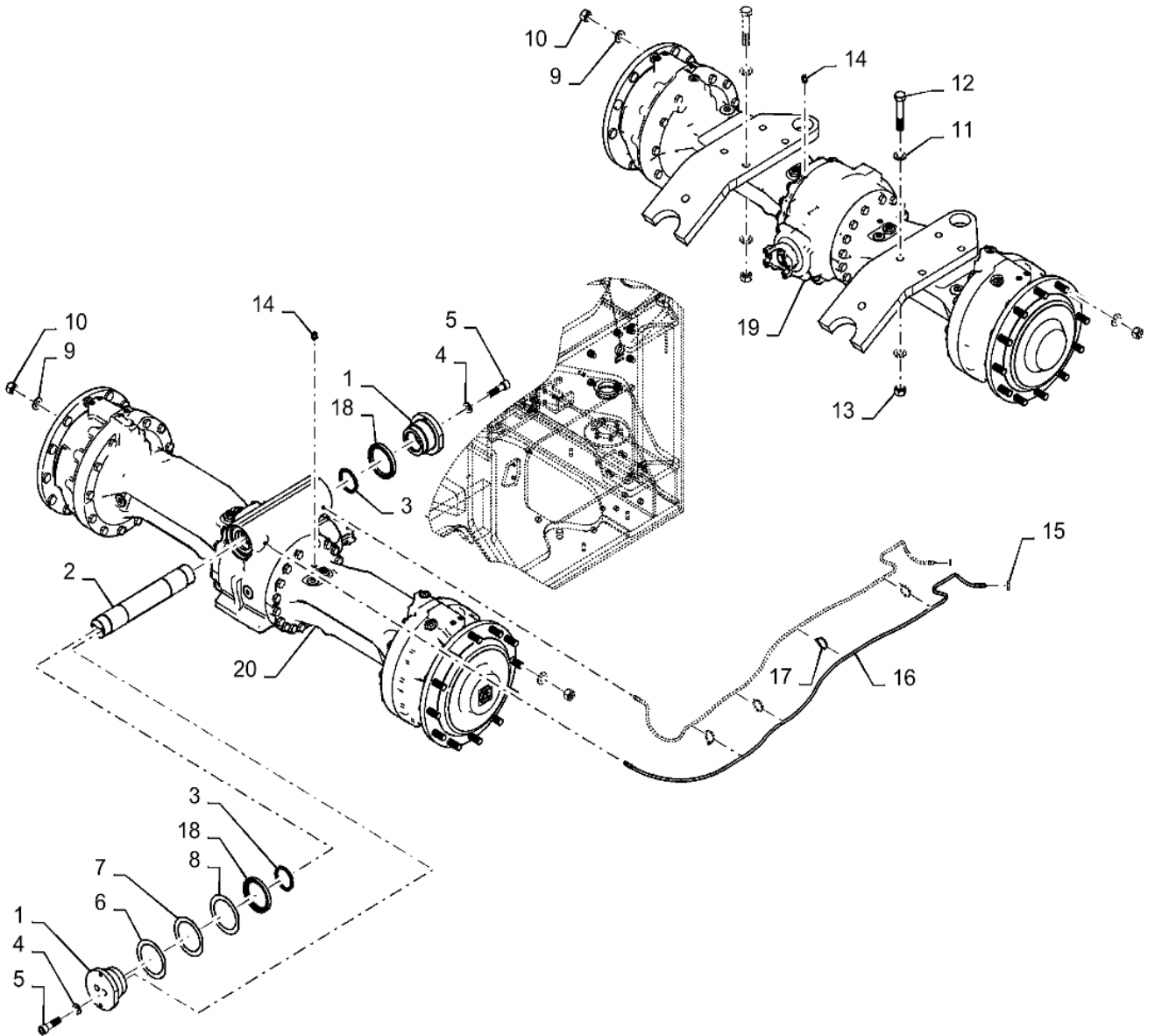
VAR - 424224 - OUTPUT SHAFT ASSEMBLY, 4 SPEED



VAR - 782122, 424235 - AXLE HOUSING AND DRIVE, STANDARD AND HEAVY DUTY



VAR - 424235 - HEAVY DUTY FRONT AND REAR AXLE INSTALLATION

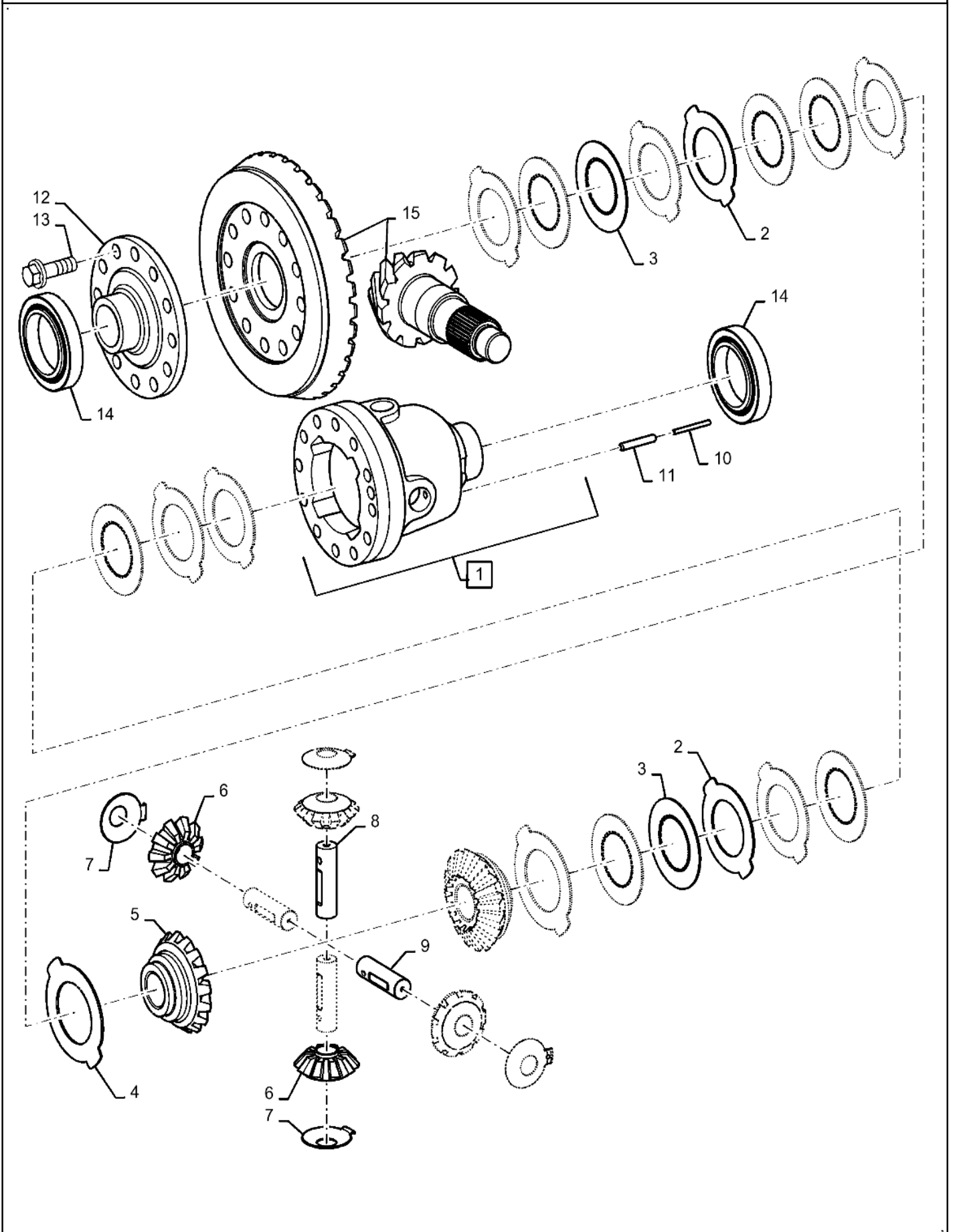


SECTION INDEX

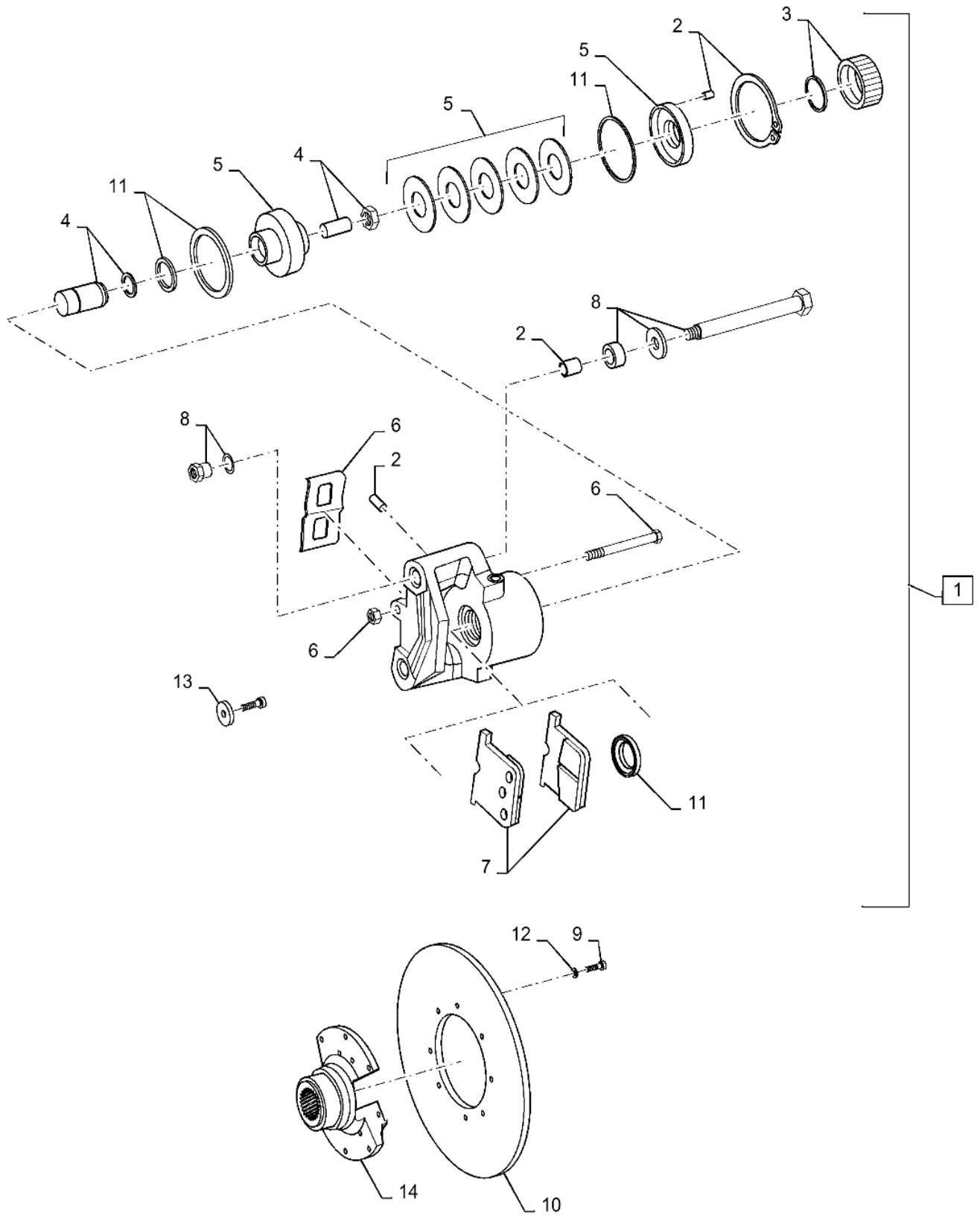
REAR AXLE SYSTEM

27.100.010	VAR - 782122, 424235 - REAR AXLE ASSEMBLY, STANDARD AND HEAVY DUTY
27.100.020	REAR AXLE STOP, 8 DEG
27.106.010	VAR - 782122, 424235 - AXLE HOUSING AND DRIVE
27.106.020	VAR - 782122 - DIFFERENTIAL ASSEMBLY, STANDARD
27.106.030	VAR - 424235 - DIFFERENTIAL ASSEMBLY, HEAVY DUTY
27.120.010	VAR - 782122 - FINAL DRIVE ASSEMBLY, STANDARD
27.120.020	VAR - 424235 - FINAL DRIVE ASSEMBLY, HEAVY DUTY

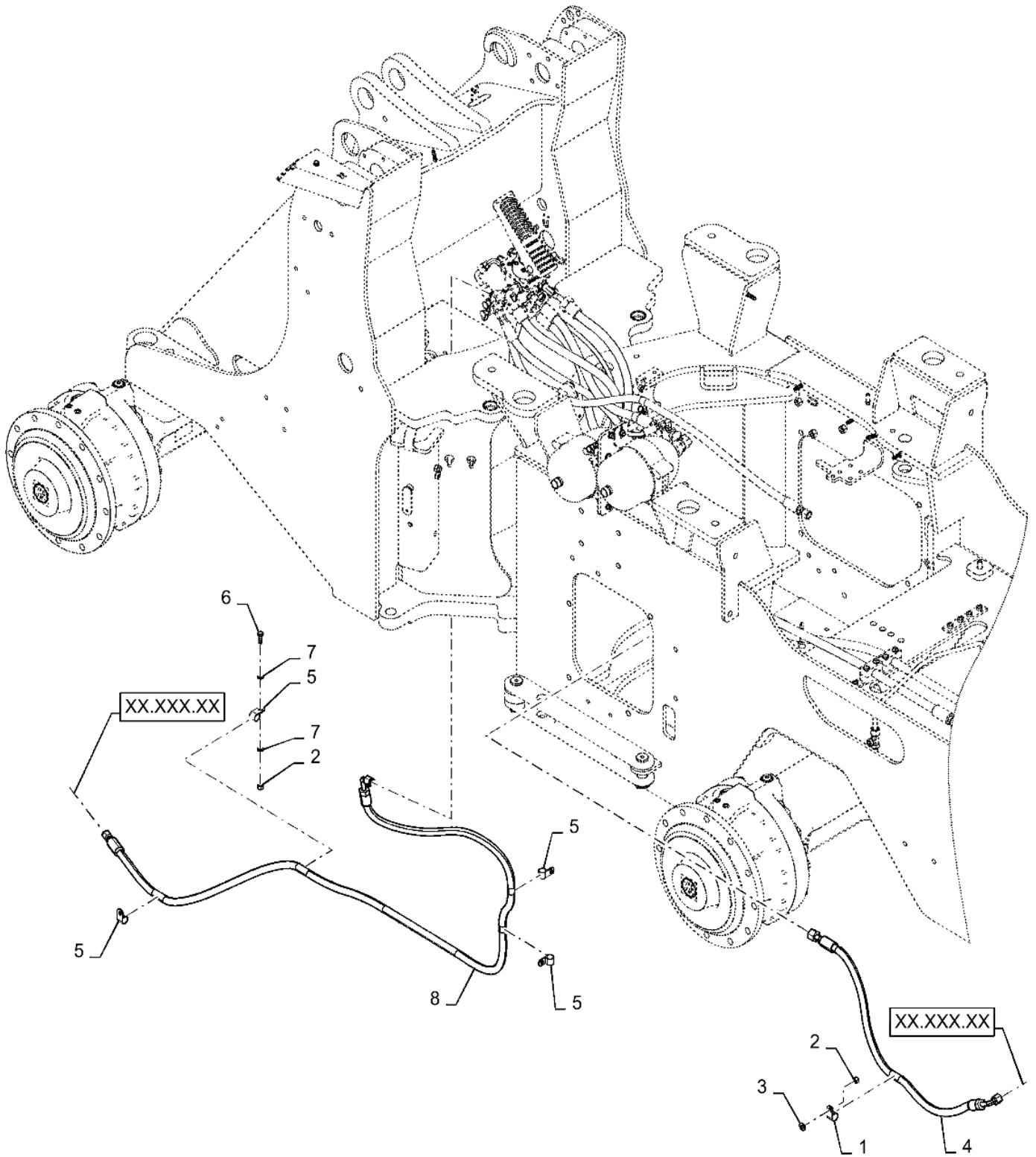
VAR - 782122 - DIFFERENTIAL ASSEMBLY, STANDARD



PARKING BRAKE



BRAKE LINE INSTALATION, STANDARD



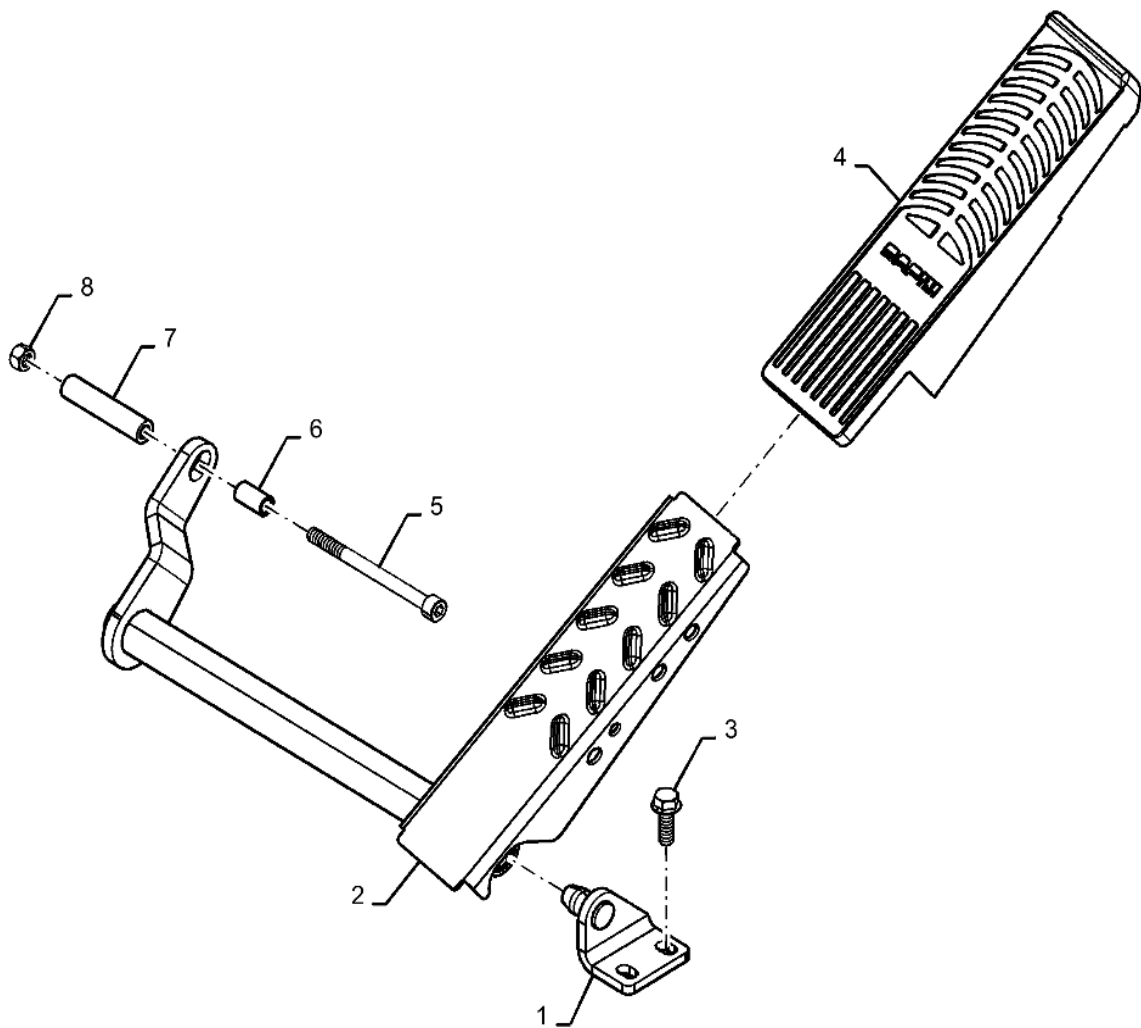
33.202.060

01

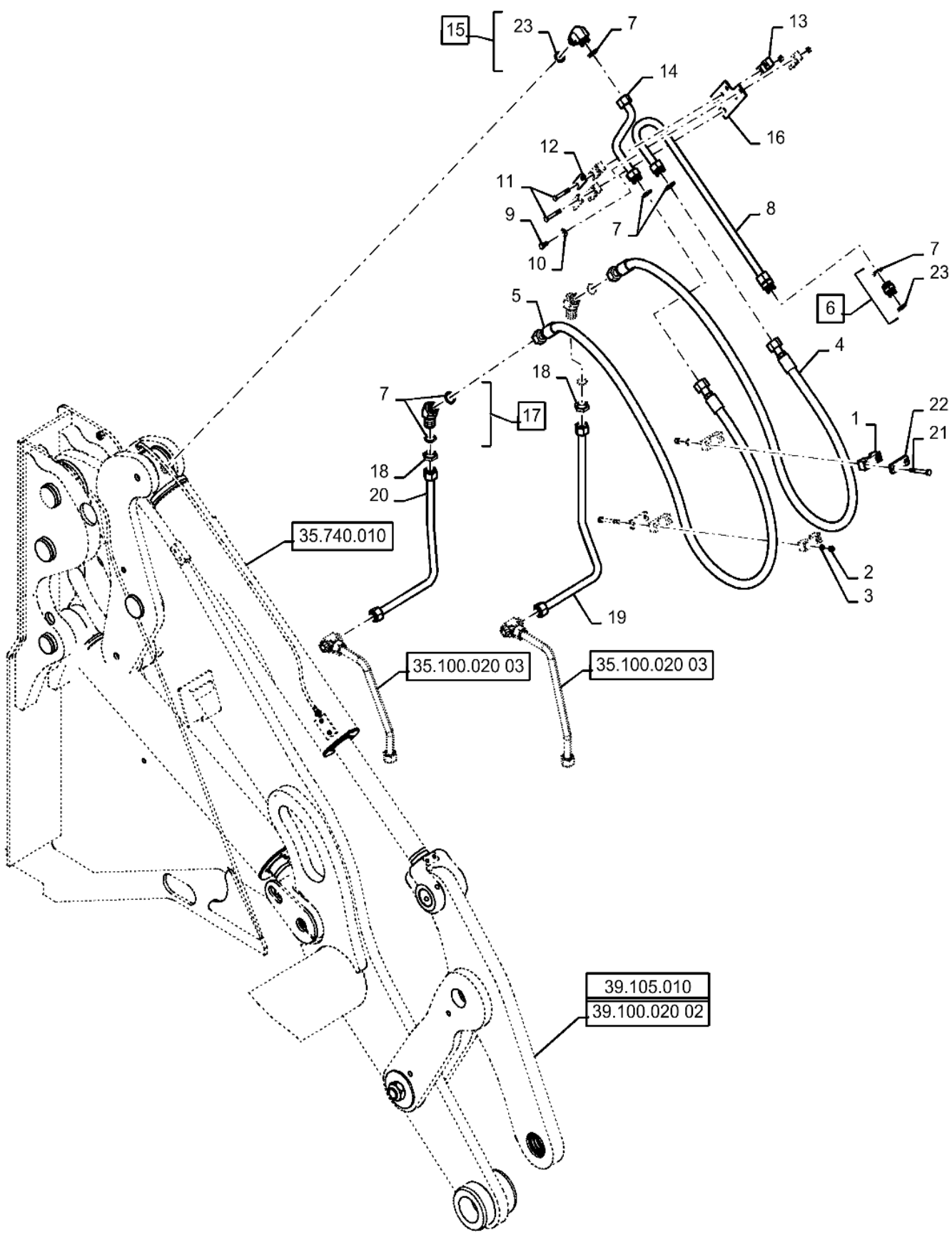
p1

3/2019

VAR - 782436 - BRAKE, PEDAL, RIGHT



TILT CYLINDER LINES AND FITTINGS, XT/TC LEFT SIDE

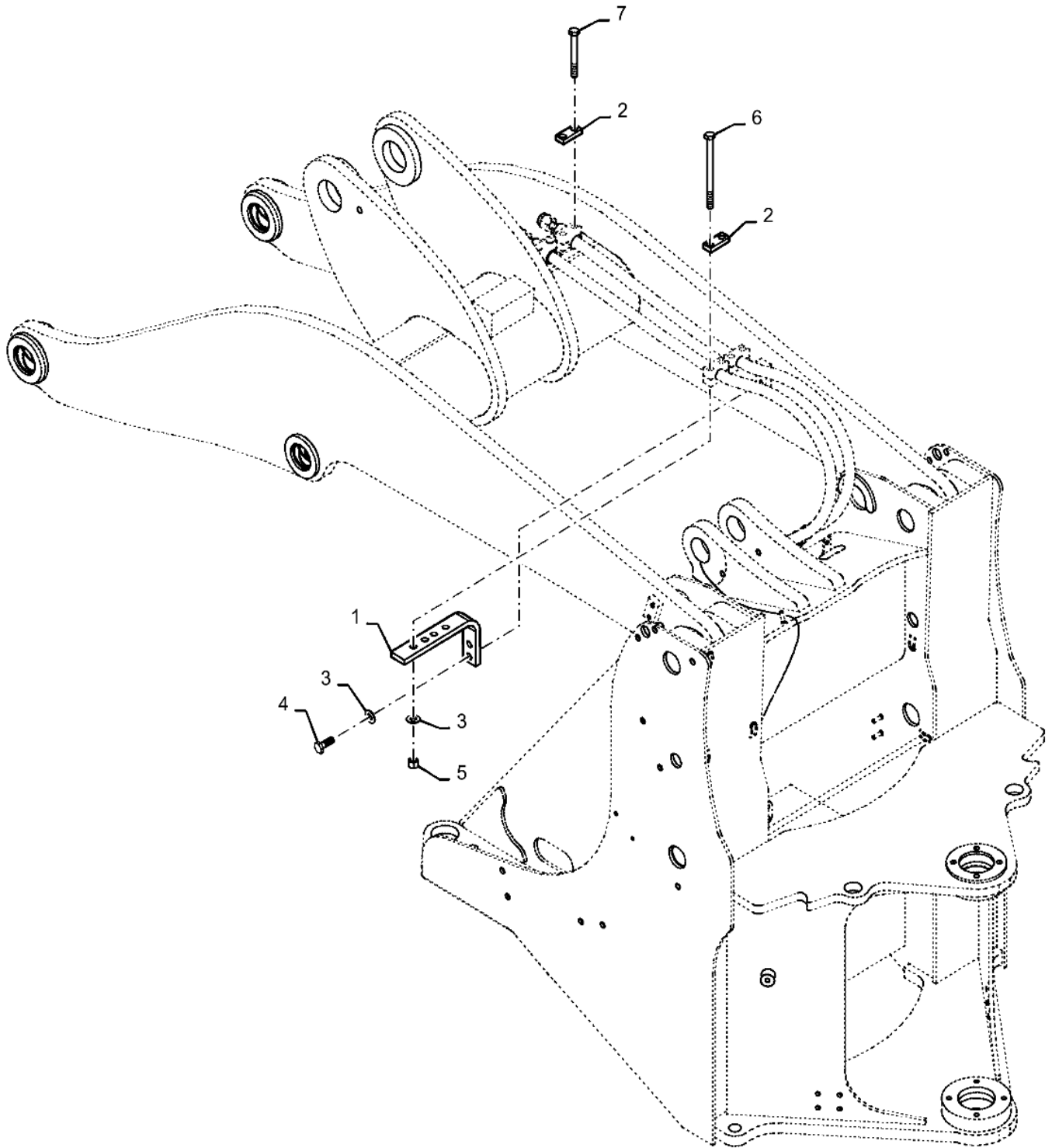


35.200.030

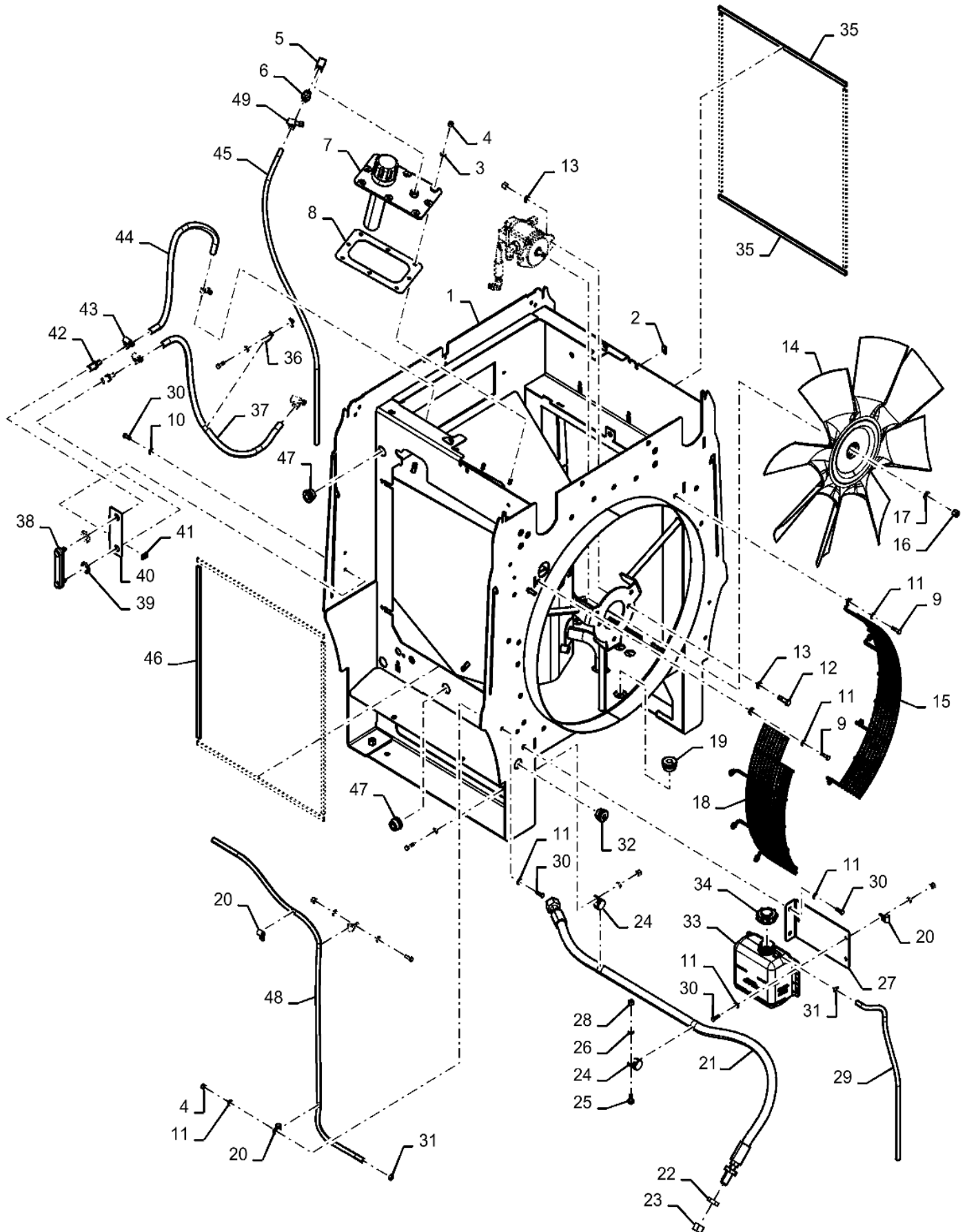
p1

3/2019

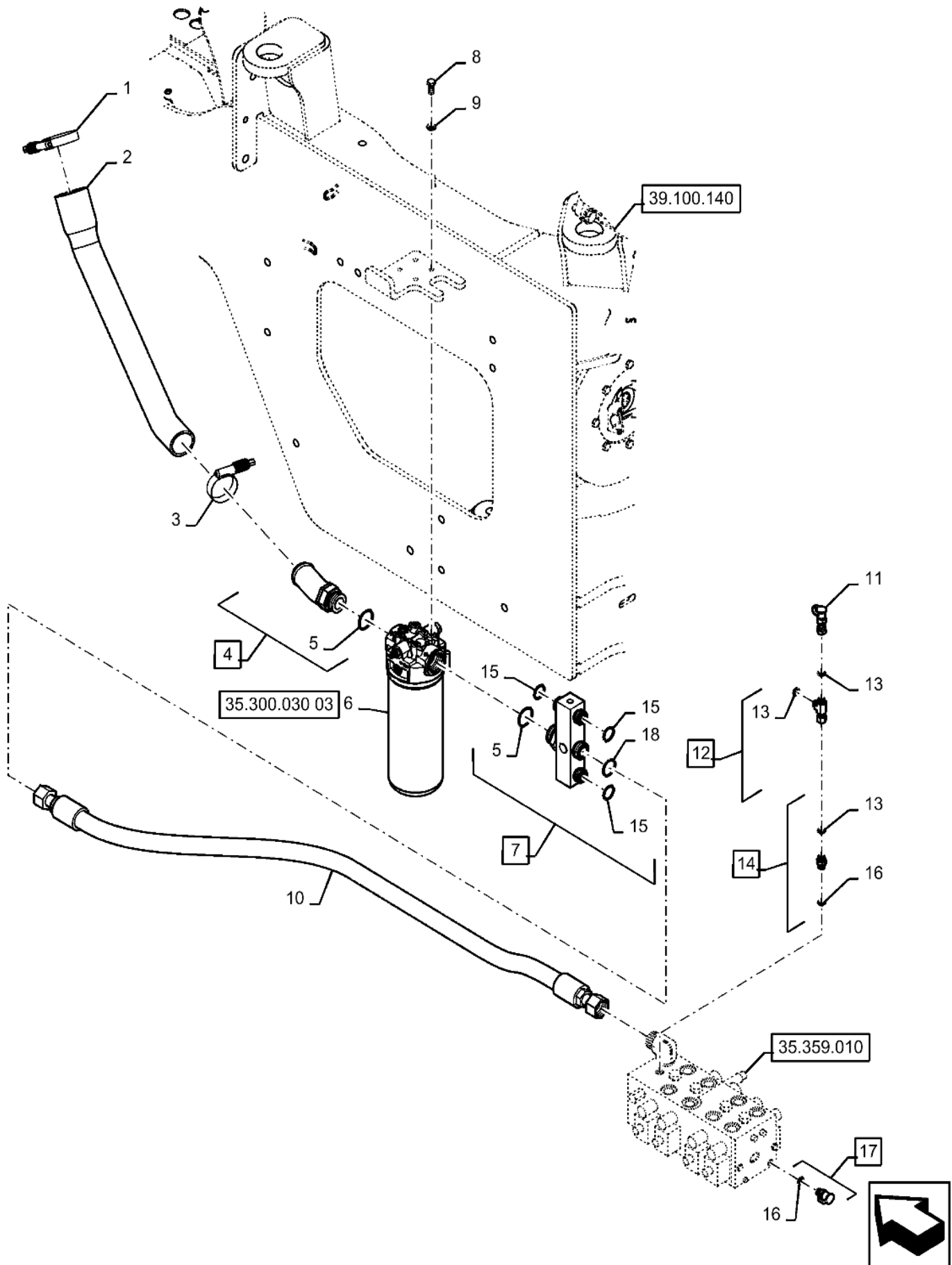
BLOCK, FASTENER 2 BLOCK



HYDRAULIC RESERVOIR/ COOLANT RECOVERY, FAN



HYDRAULIC RESERVOIR RETURN LINE



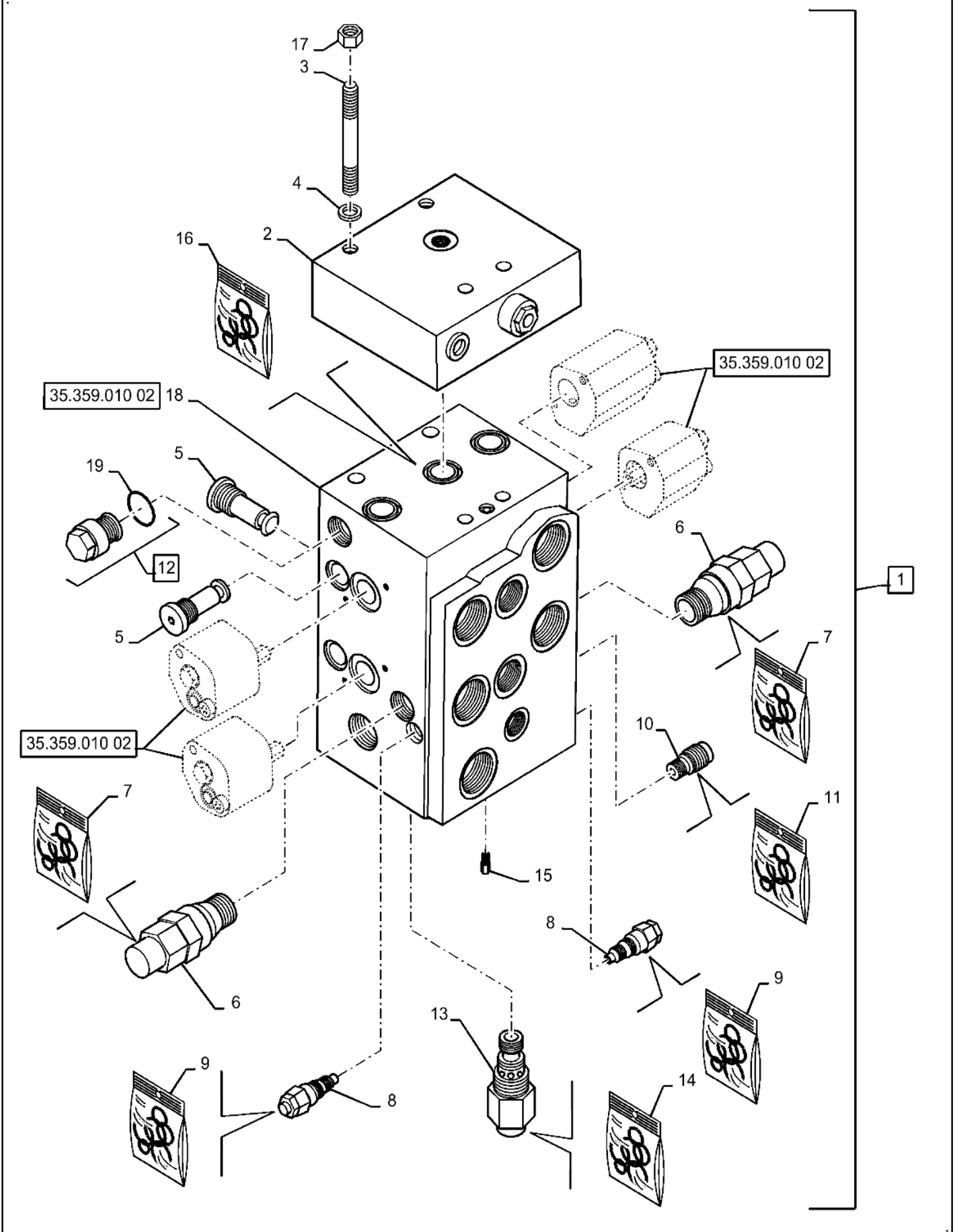
35.359.010

01

p1

3/2019

VAR - 734051, 734052 - CONTROL VALVE ASSY - 2 SPOOL, Z-BAR / XR / LR



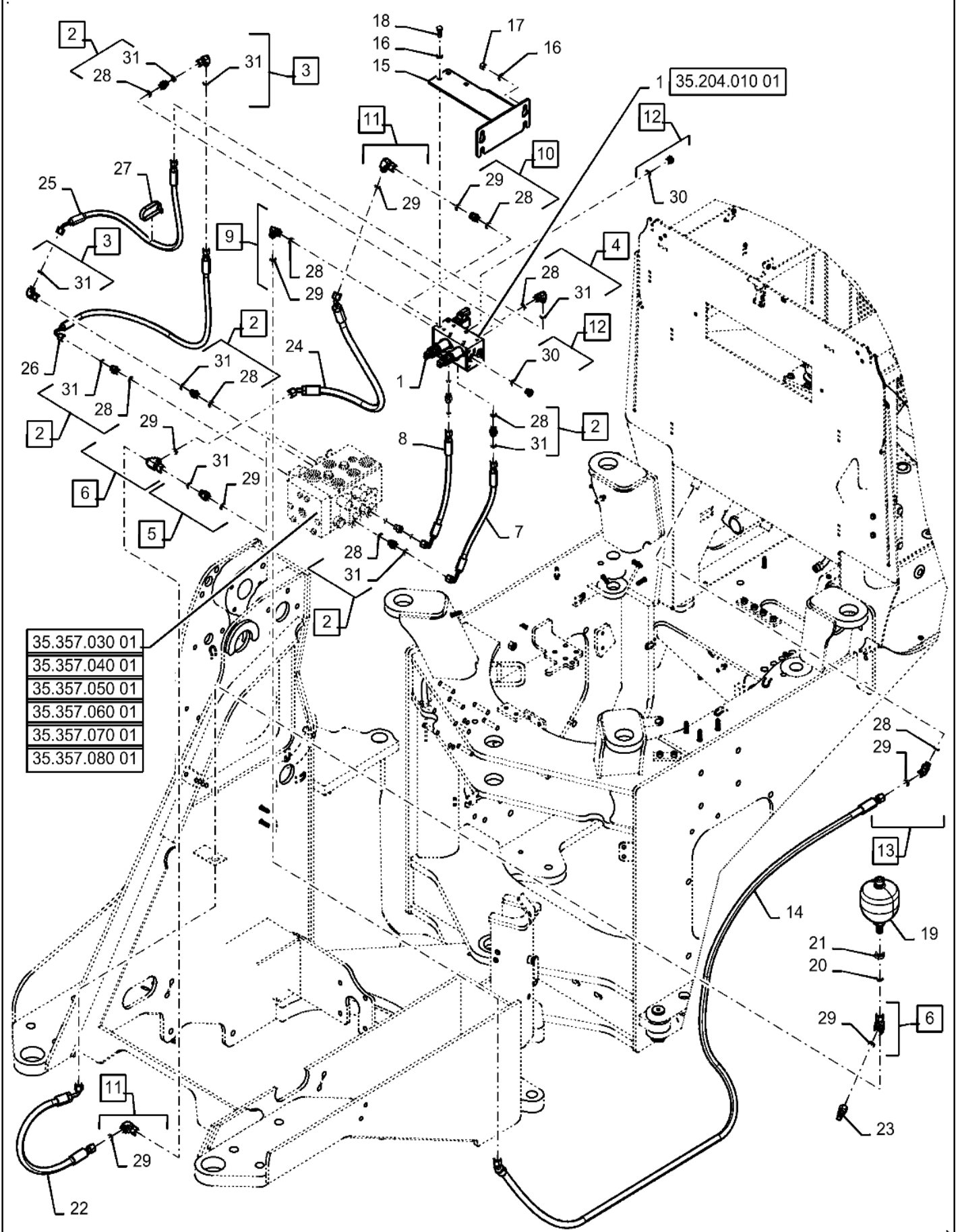
35.480.010

01

p2

3/2019

VAR - 734051, 734052 - CONTROL VALVE LINE - 2 SPOOL, EH



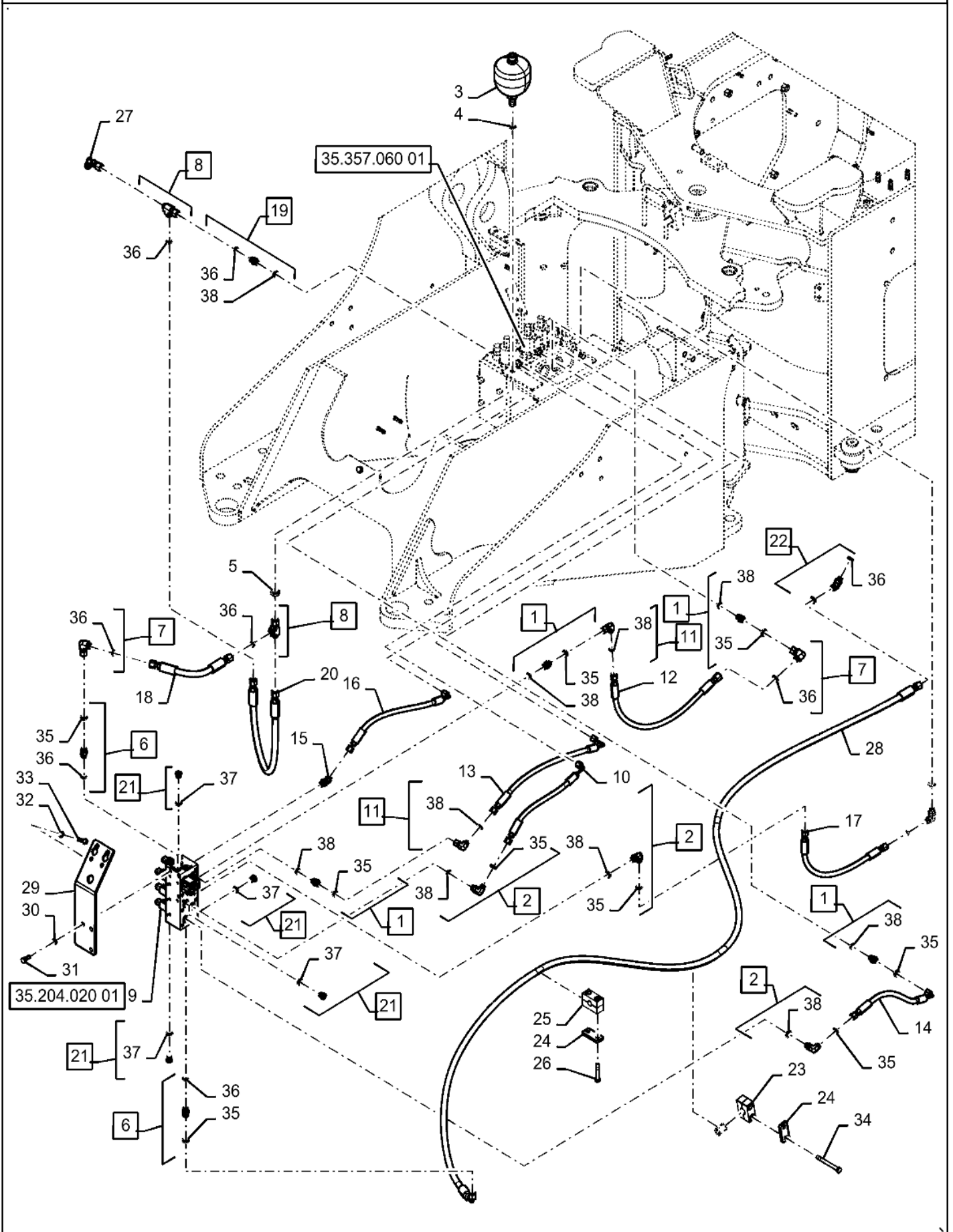
35.480.040

01

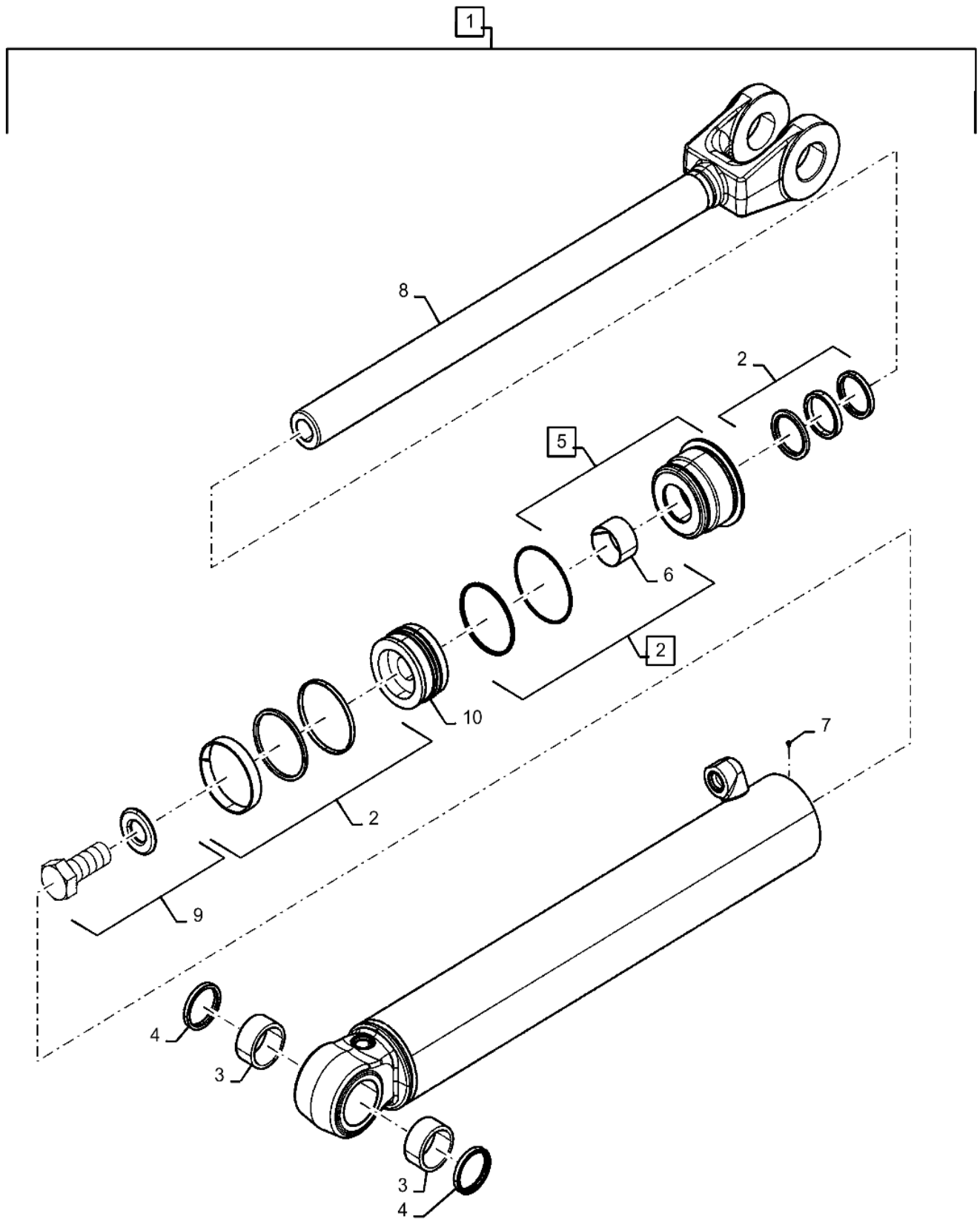
p1

3/2019

VAR - 734053, 734054 - CONTROL VALVE LINE - 3 SPOOL, EH, XT



LIFT CYLINDER ASSEMBLY, Z-BAR, XR & XT



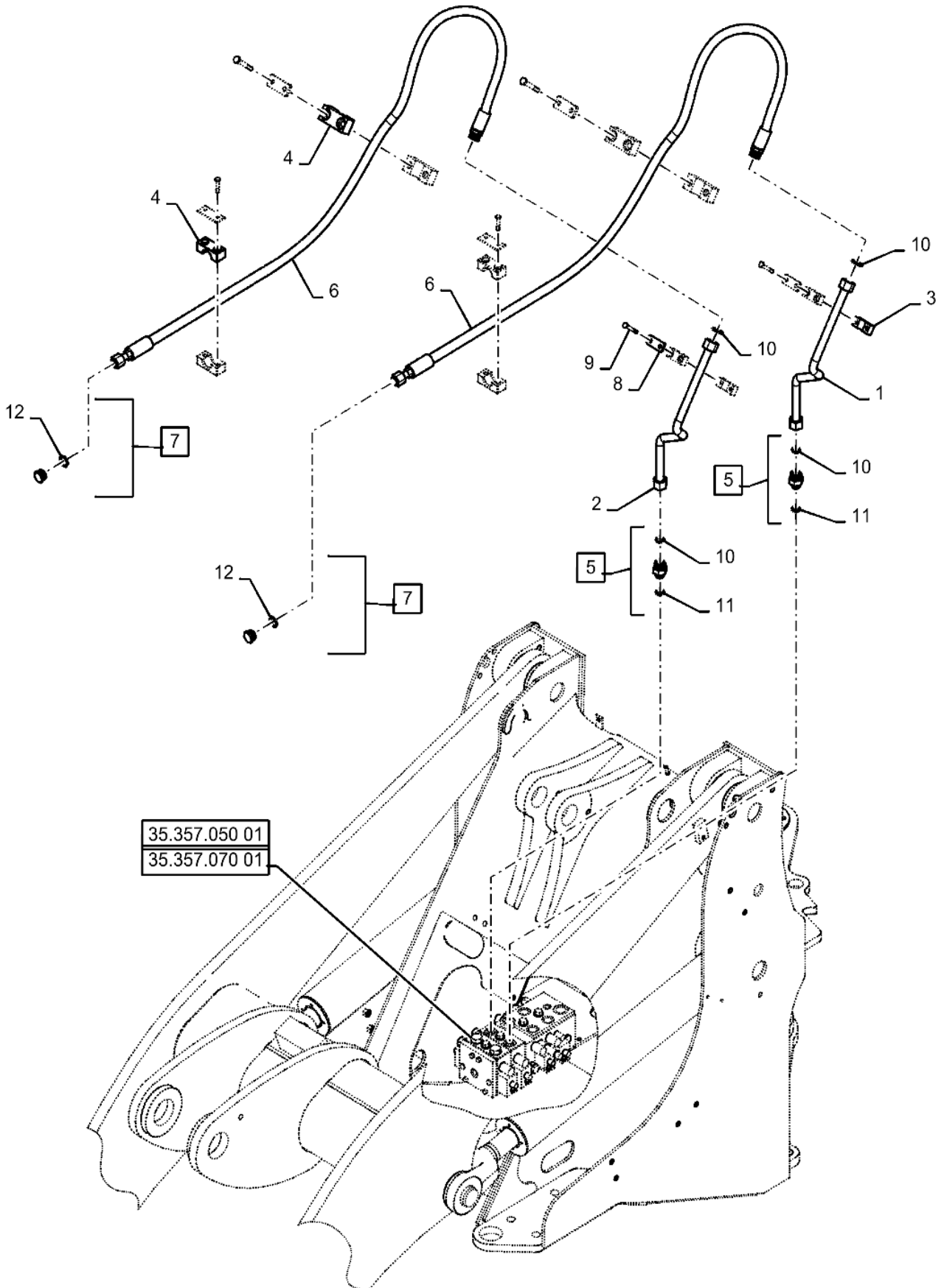
35.701.080

01

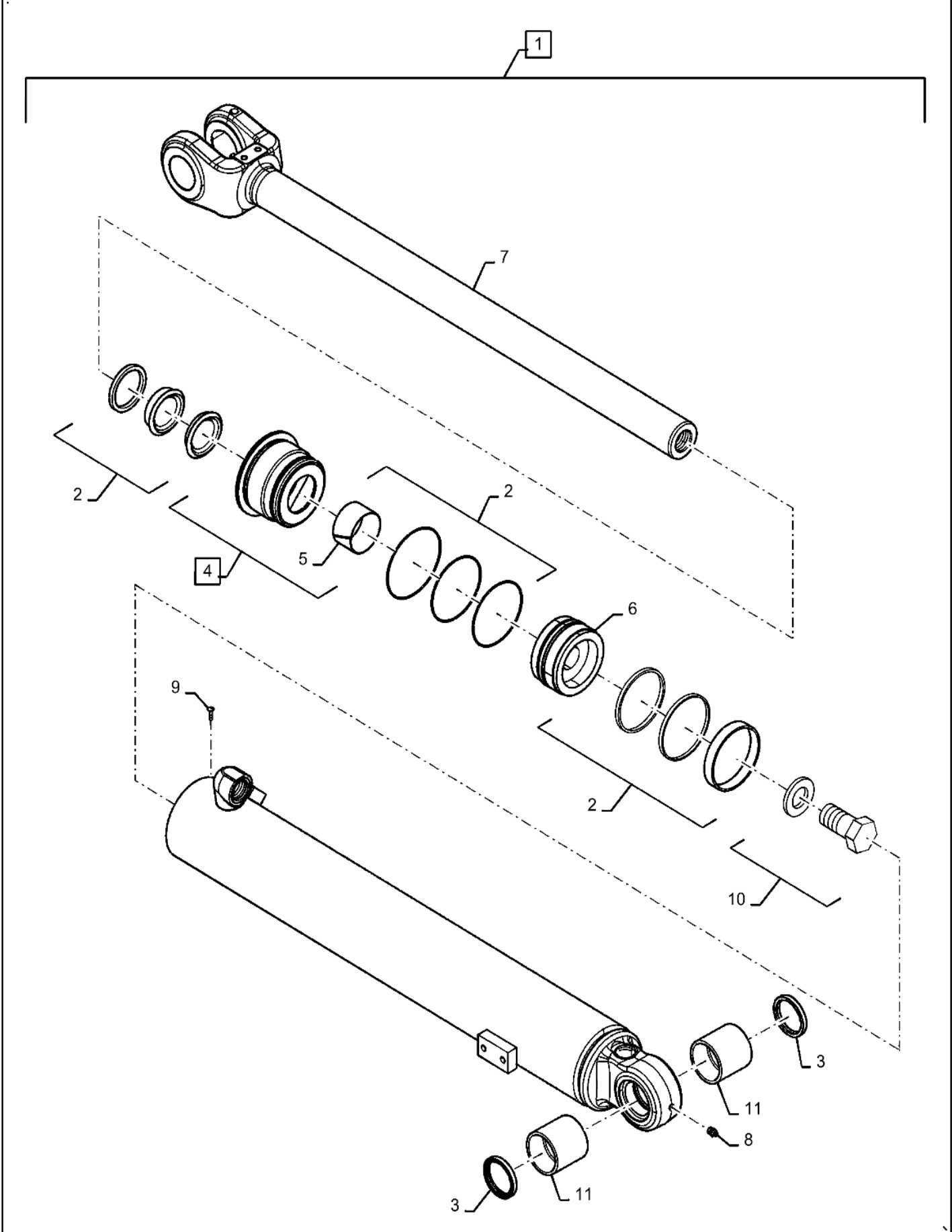
p1

3/2019

VAR - 734053, 734054, 734055 - THIRD SPOOL AUXILIARY LINE INSTALLATION, XR



TILT CYLINDER ASSEMBLY, XT/TC



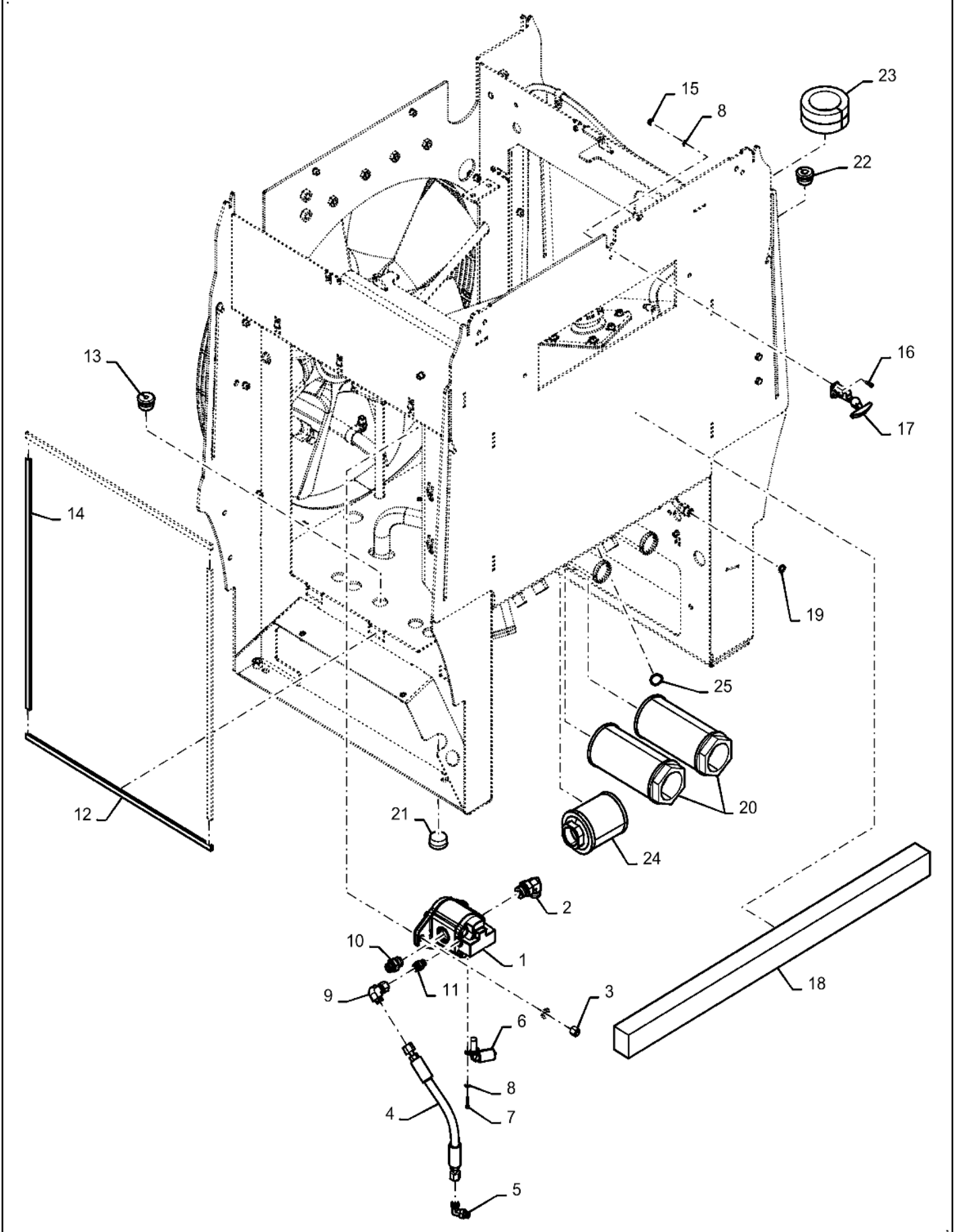
35.752.010

03

p1

3/2019

FAN DRIVE MOTOR & FILTERS



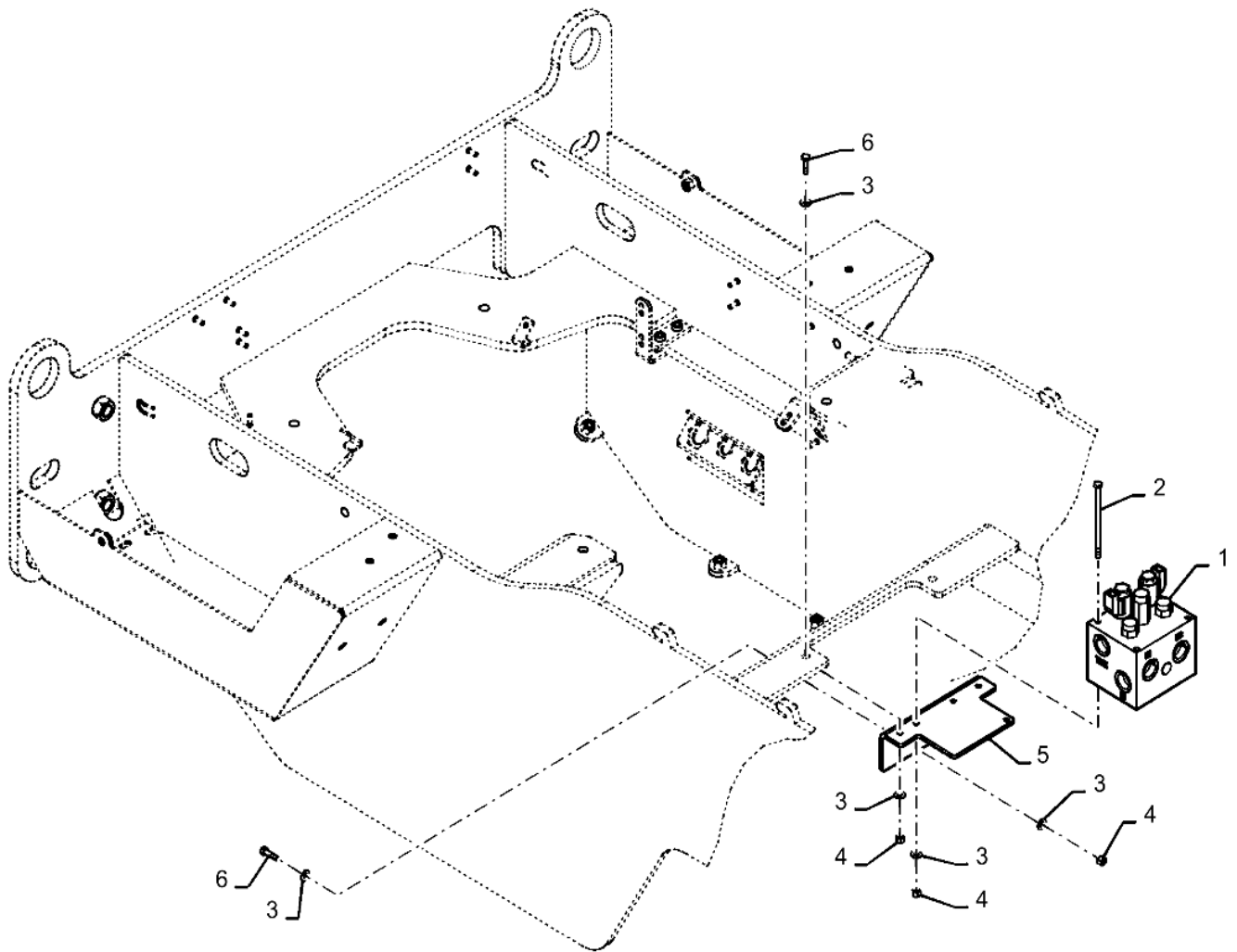
35.752.030

01

p1

3/2019

VARIABLE SPEED REVERSING FAN VALVE

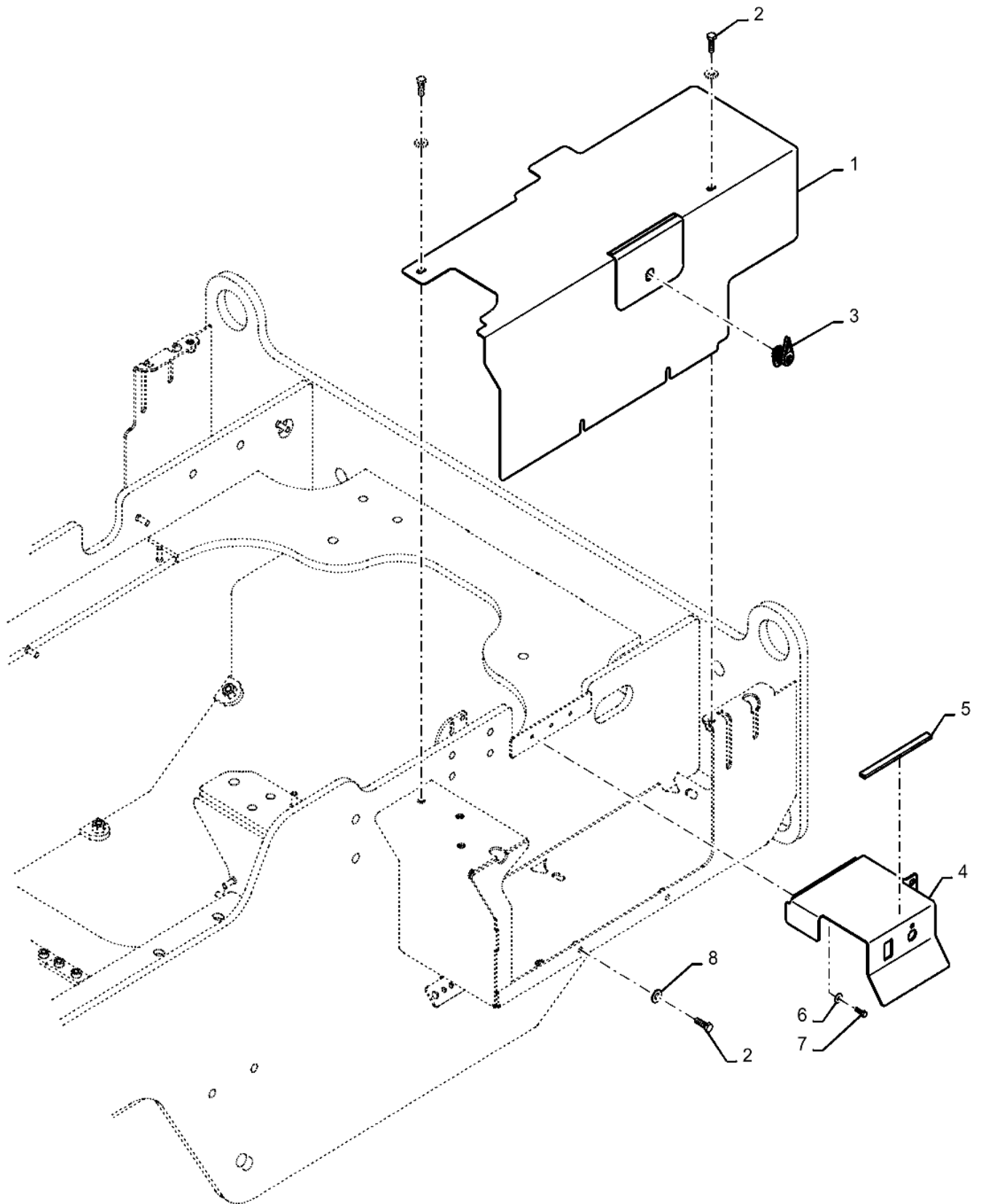


39.100.030

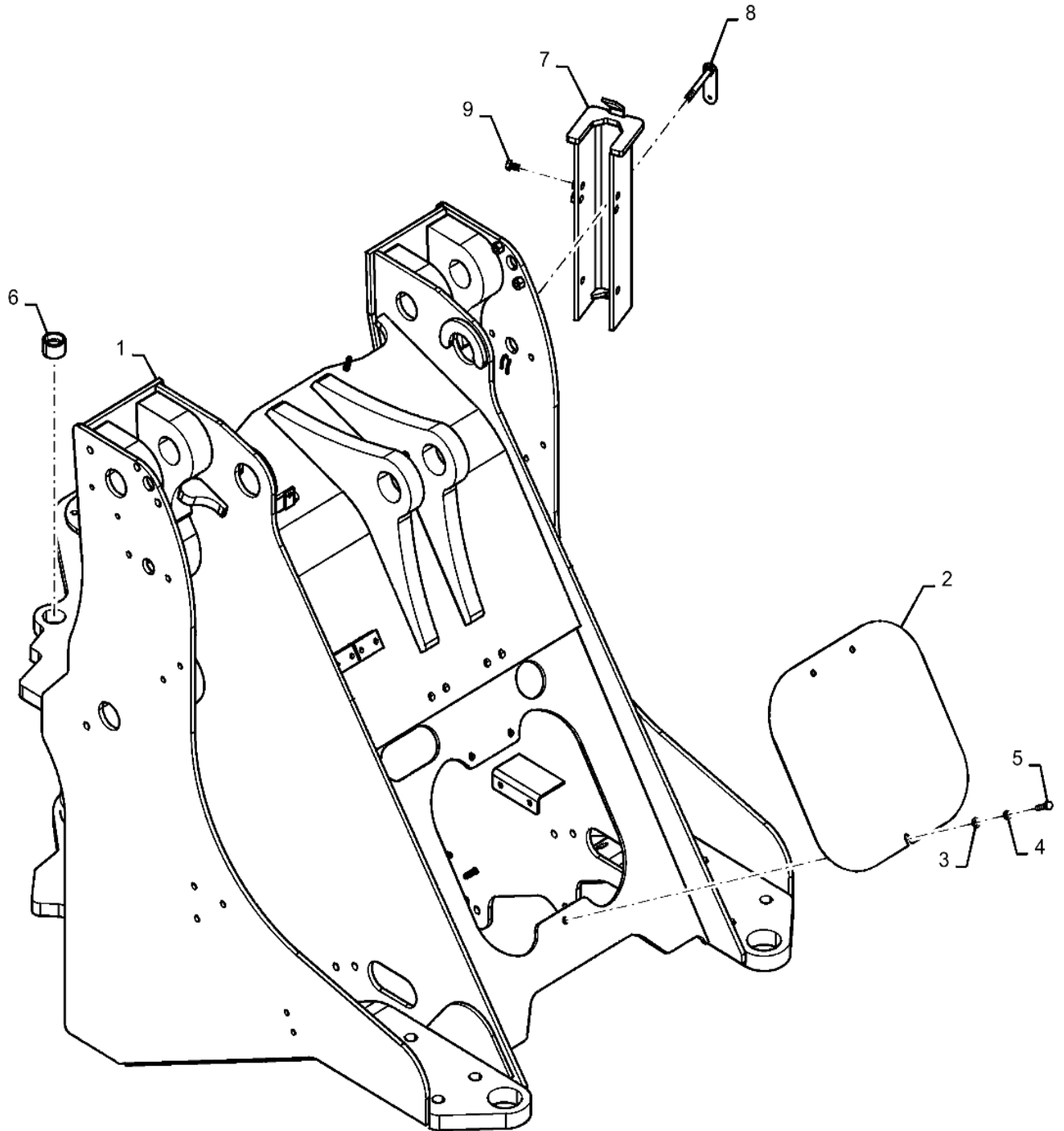
p1

3/2019

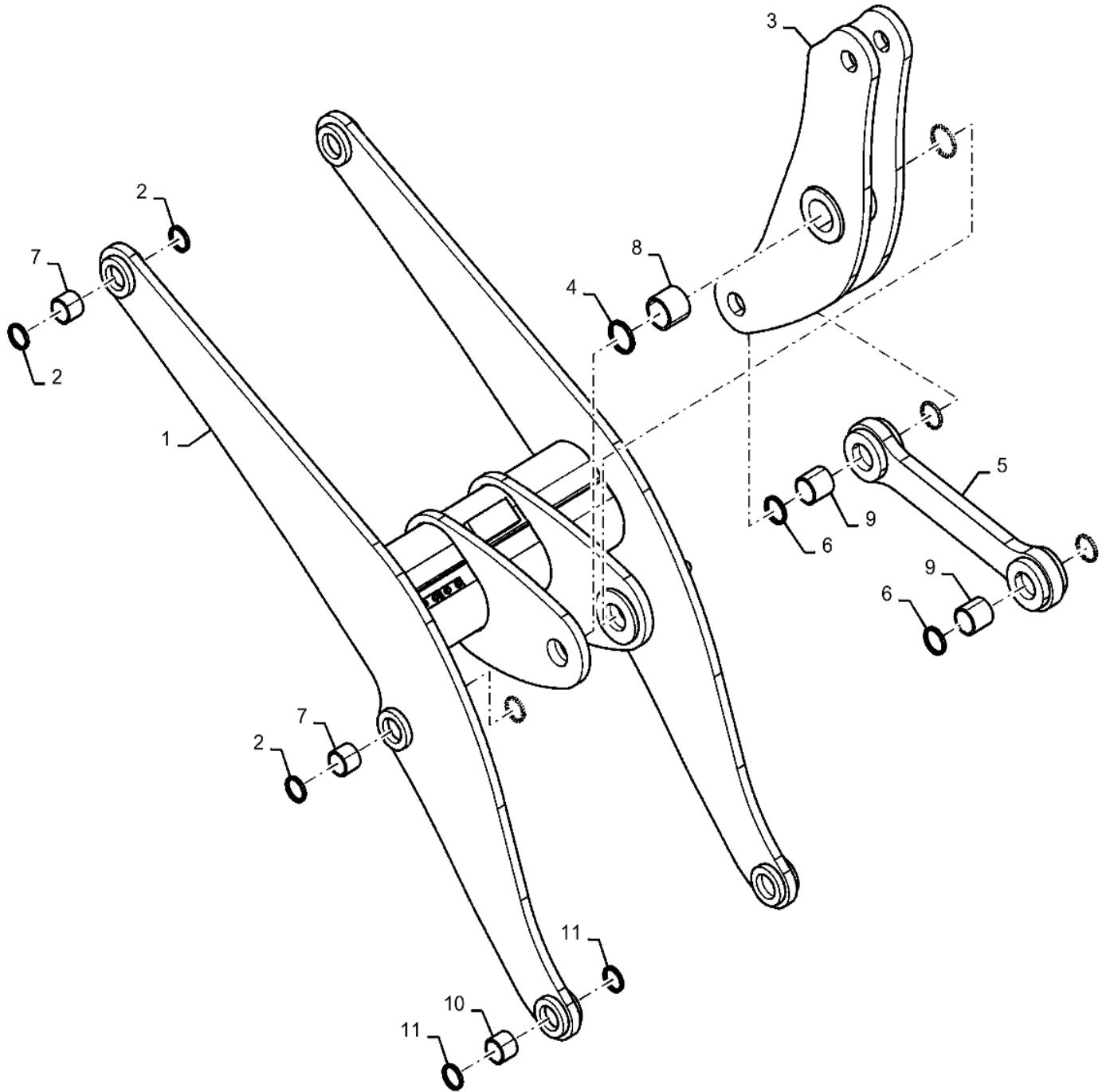
VAR - 402051 - BATTERY, COVERS, MOUNTING, NO JUMP POST, EU



FRONT FRAME INSTALLATION, Z-BAR & XR



LIFT ARM COMPONENTS Z-BAR



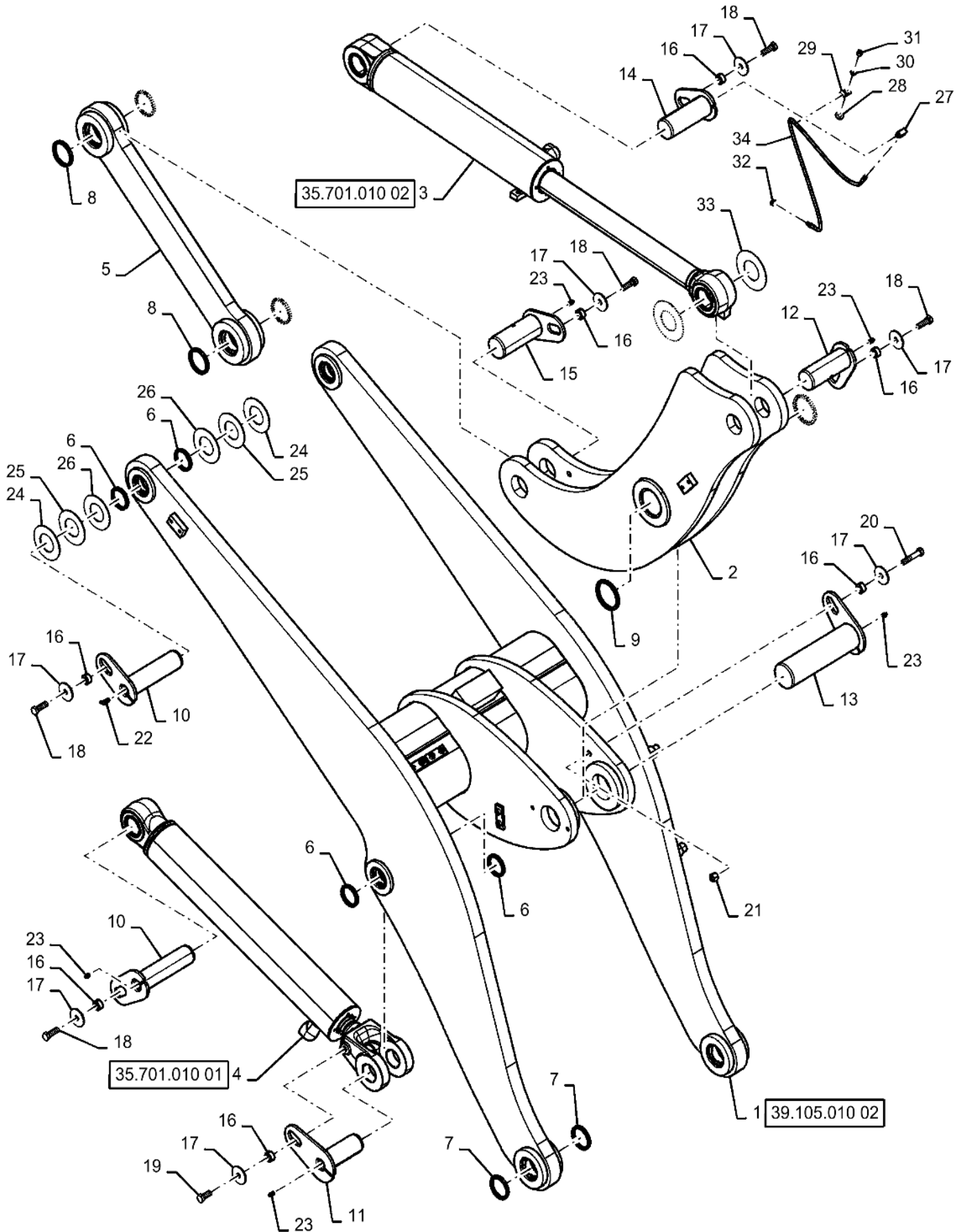
39.105.020

01

p1

3/2019

LIFT ARM INSTALLATION, XR

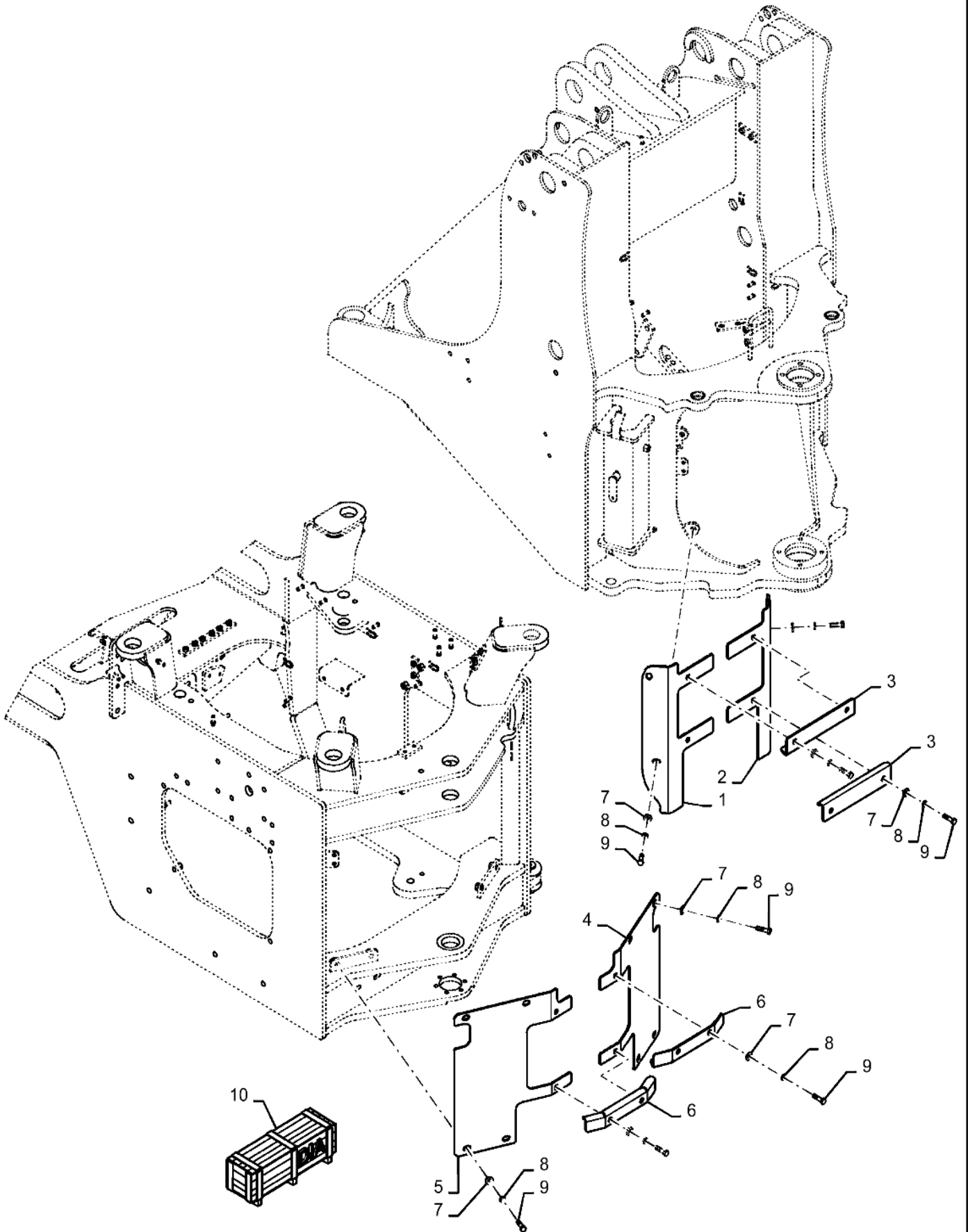


SECTION INDEX

STEERING

41.101.010		VAR - 734065 - STEERING COLUMN COVER INSTALLATION
41.101.010	01	VAR - 734065 - STEERING COLUMN INSTALLATION
41.101.010	02	STEERING COLUMN KIT
41.101.020		STEERING COLUMN ELECTRICAL PEDESTAL
41.106.010		ARTICULATION JOINT
41.200.030	01	VAR - 482913, 782442 - ELECTRIC SYSTEM CONTROL, STEERING - W/ JOYSTICK
41.200.030	02	VAR - 482913, 782442 - ELECTRIC SYSTEM CONTROL, STEERING - W/ JOYSTICK
41.200.040	01	VAR - 782442 - ELECTRIC SYSTEM CONTROL, STEERING - W/O JOYSTICK
41.200.060	01	VAR - 482913 - STANDARD, STEERING - EH W/ JOYSTICK
41.200.060	02	VAR - 482913 - STANDARD , STEERING - EH W/ JOYSTICK
41.200.070	01	VAR - 482913, 782442 - MANIFOLD, ASSY, STEERING
41.200.080	01	STEERING CONTROL VALVE, ORBITROL
41.206.010	01	VAR - 482913, 782442 - PUMP, ASSY, STEERING
41.216.010		STEERING CYLINDER, MOUNTING
41.216.020	01	STEERING CYLINDER ASSEMBLY

ARTICULATION JOINT



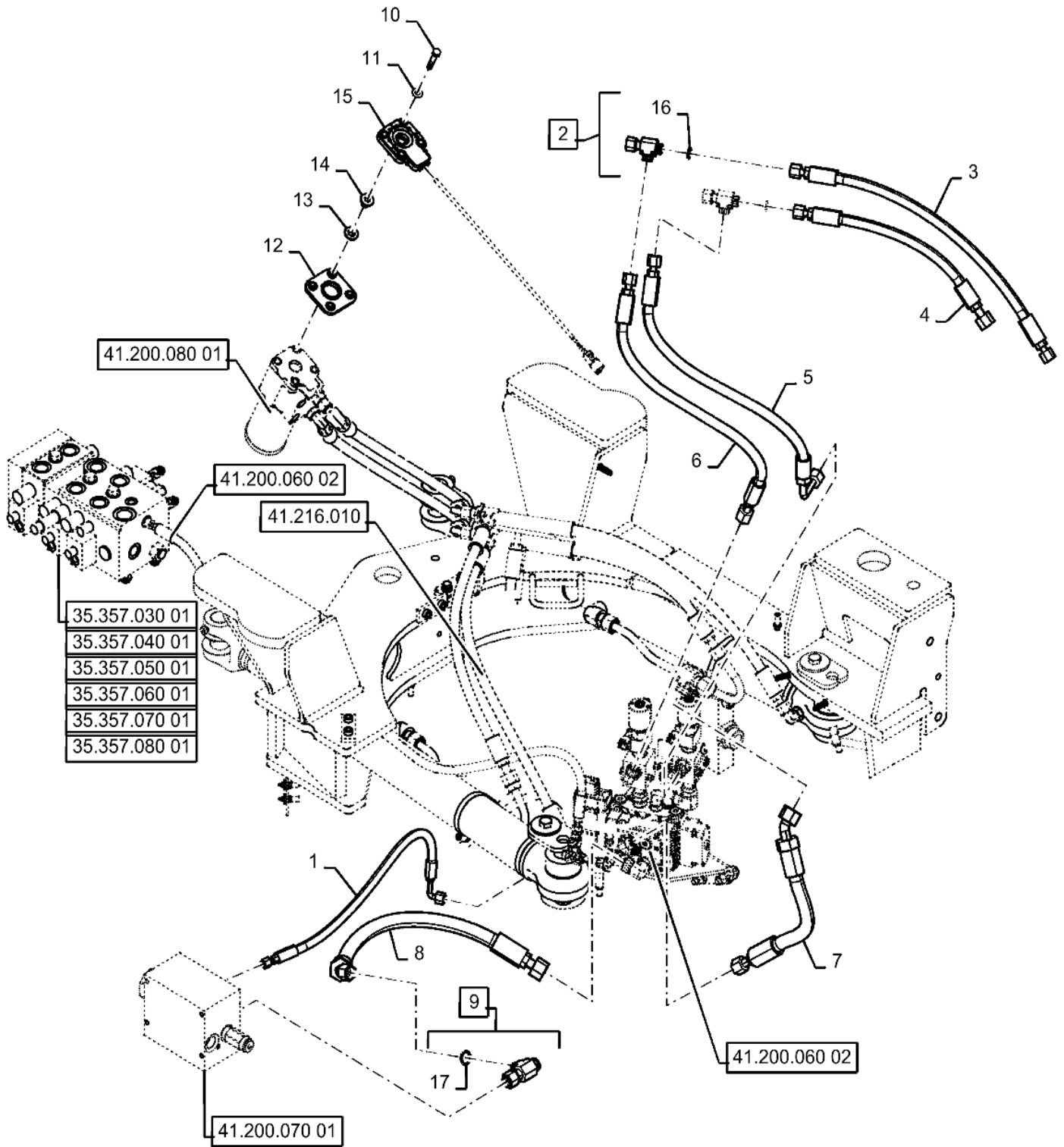
41.200.060

01

p1

3/2019

VAR - 482913 - STANDARD, STEERING - EH W/ JOYSTICK



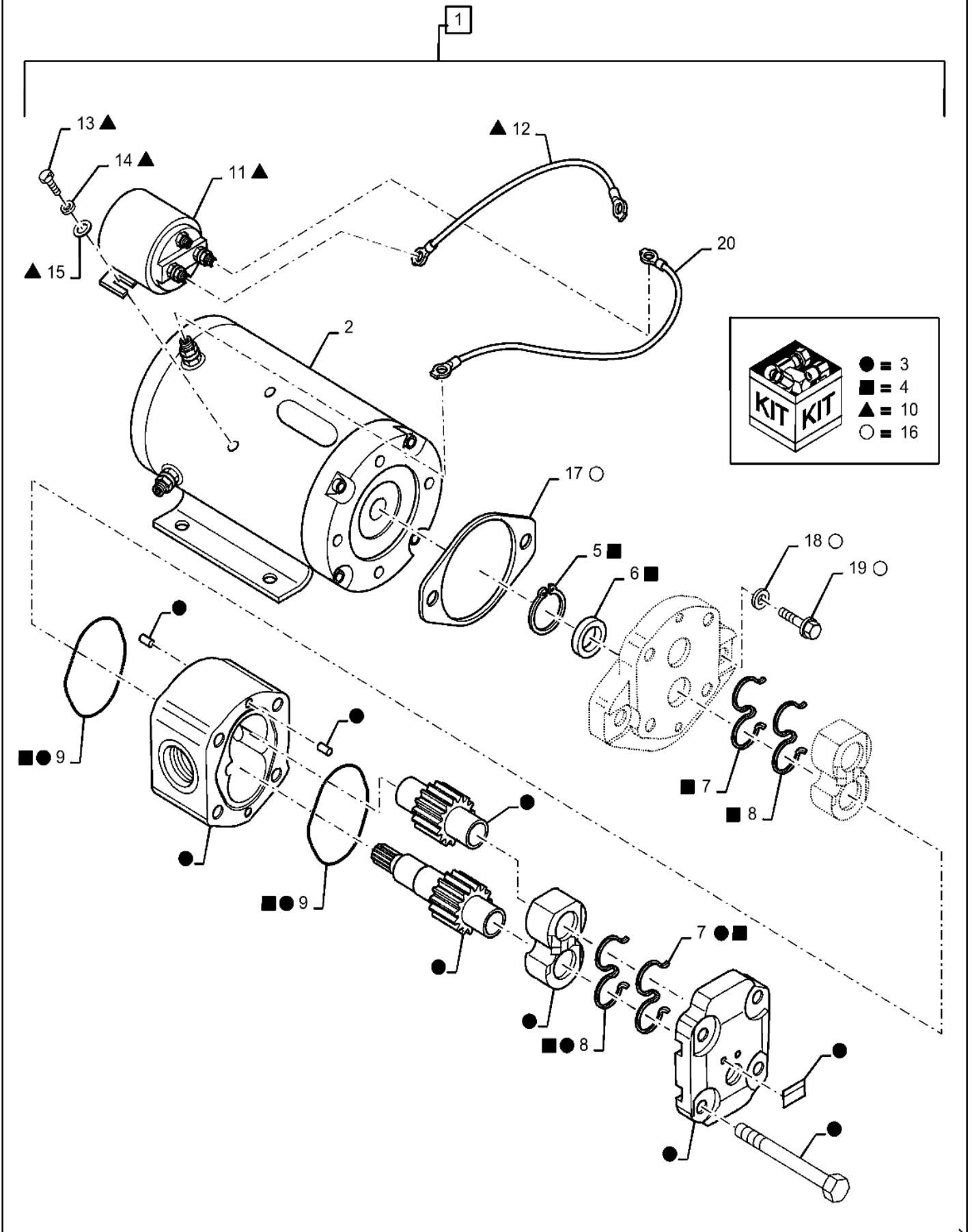
41.206.010

01

p1

3/2019

VAR - 482913, 782442 - PUMP, ASSY, STEERING

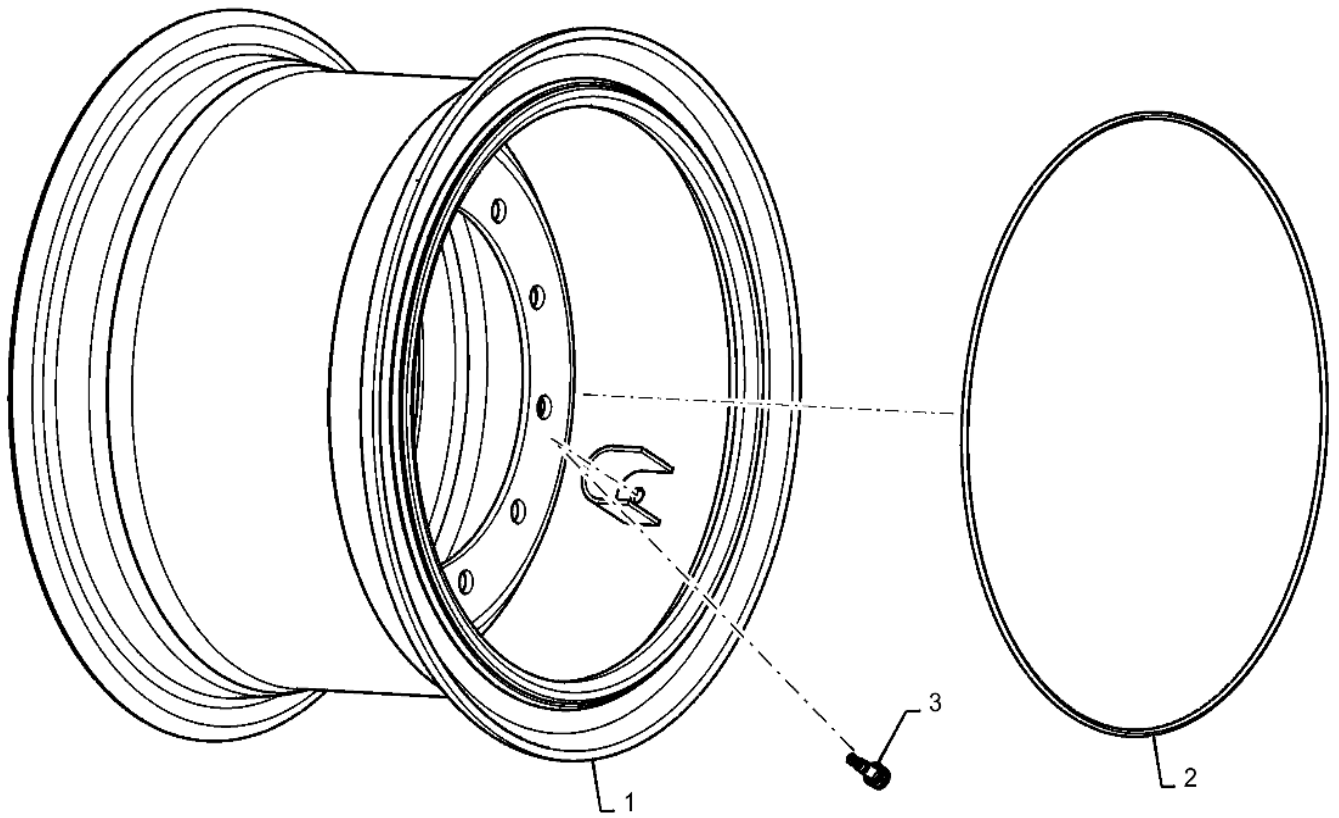


44.000.010

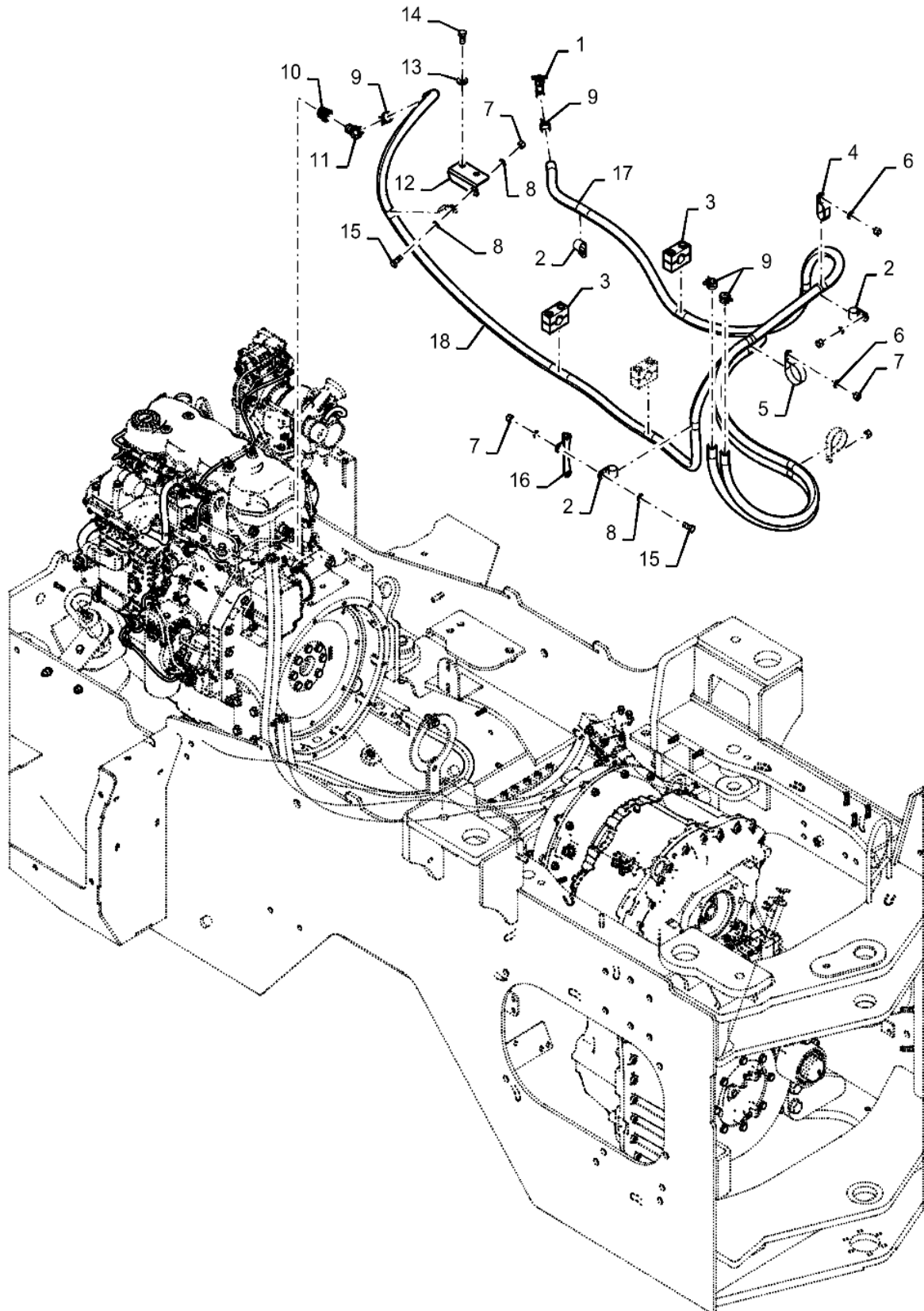
p1

3/2019

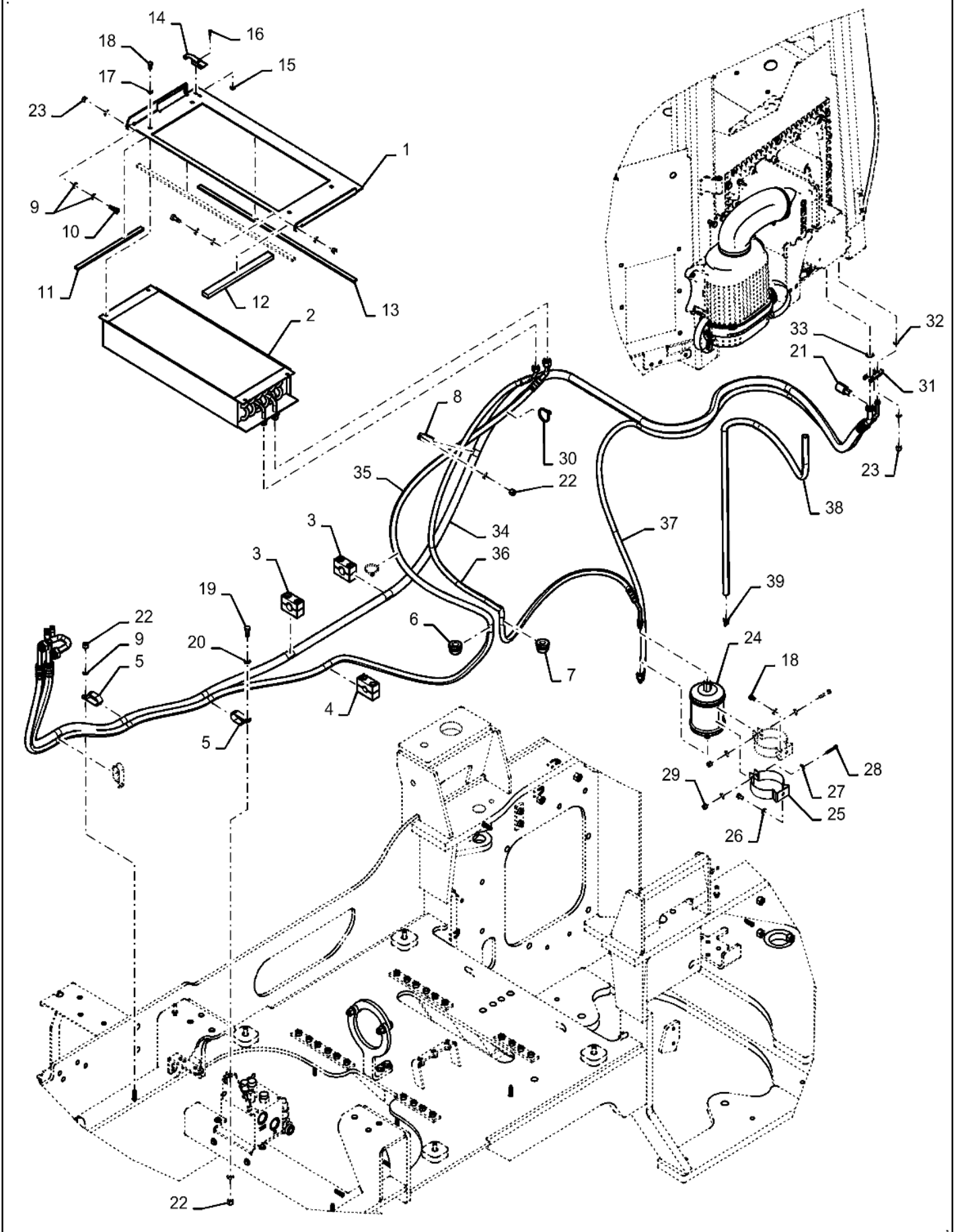
VAR - 9420437, 9420466, 9420474, 782585, 424784,424785,424786,424787,424919,424998 - WHEEL ASSEMBLY THREE PIECE



VAR - 782439, 782440 - CAB HEATER HOSES



AIR CONDITIONING CONDENSER



CLICK HERE TO **DOWNLOAD** THE COMPLETE MANUAL

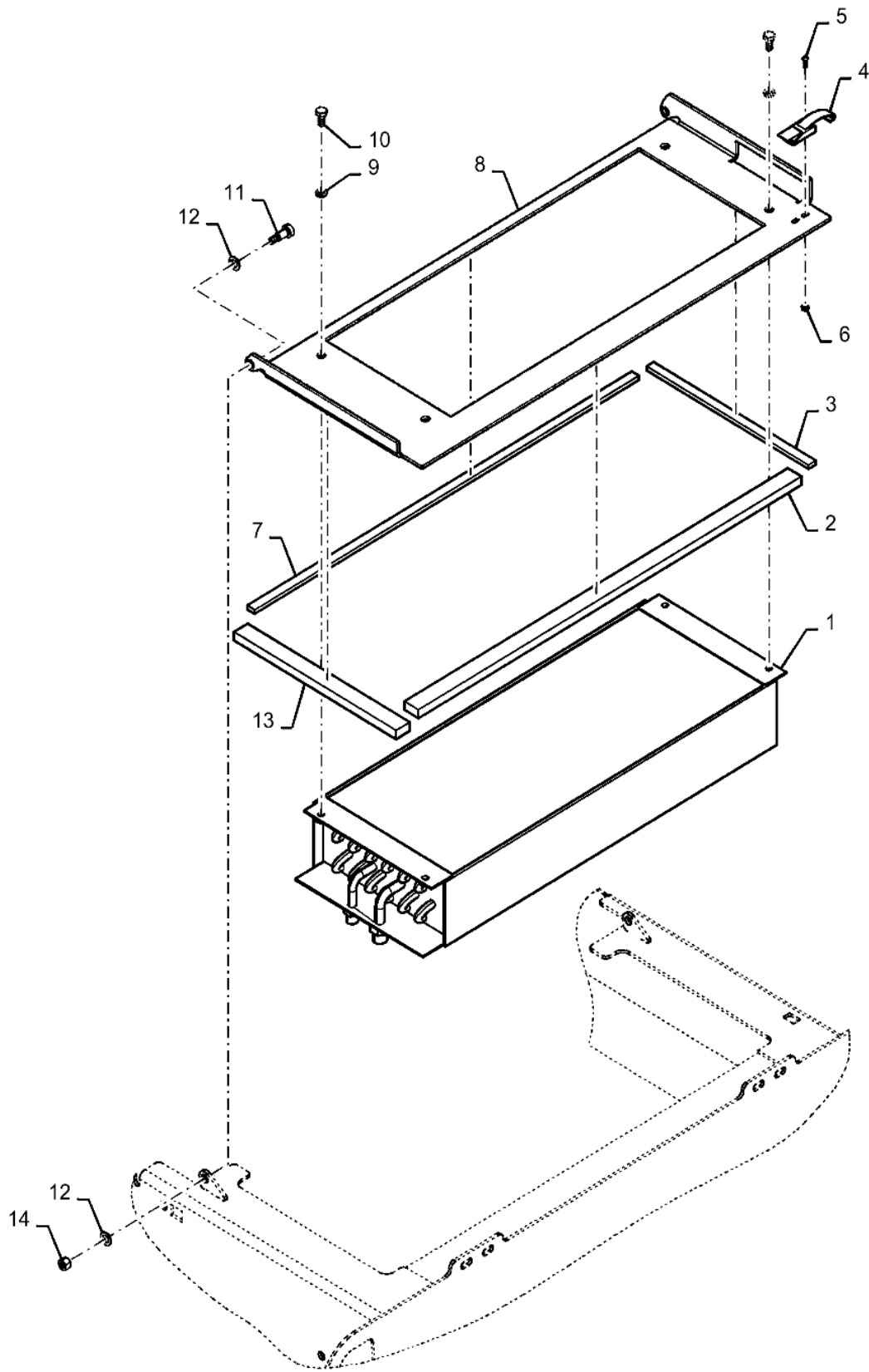
- Thank you very much for reading the preview of the manual.
- You can download the complete manual from: www.heydownloads.com by clicking the link below



- Please note: If there is no response to **CLICKING** the link, please download this PDF first and then click on it.

CLICK HERE TO **DOWNLOAD** THE COMPLETE MANUAL

VAR - 782440 - AIR CONDITIONING, CONDENSER



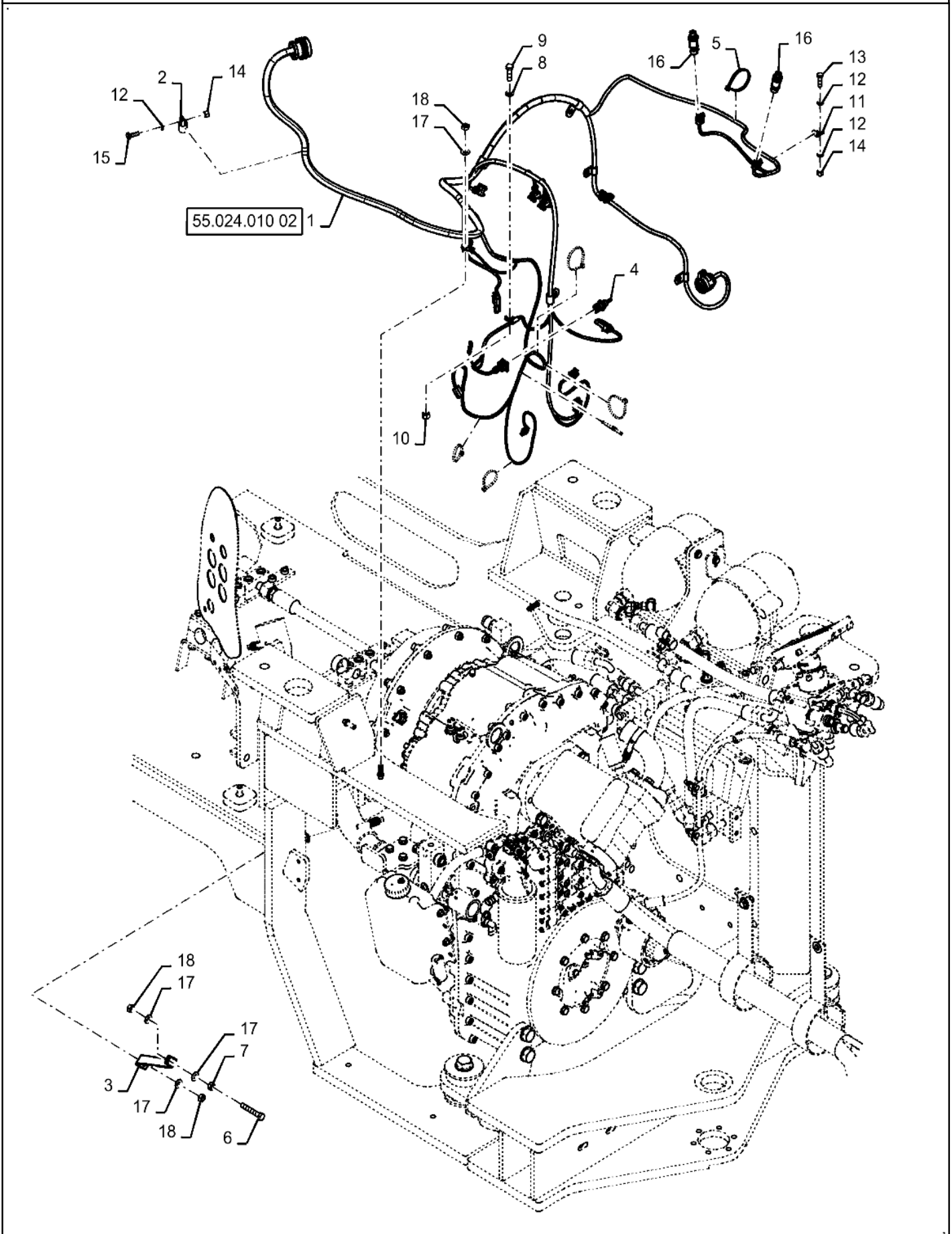
55.024.010

01

p1

3/2019

TRANSMISSION HARNESS INSTALLATION



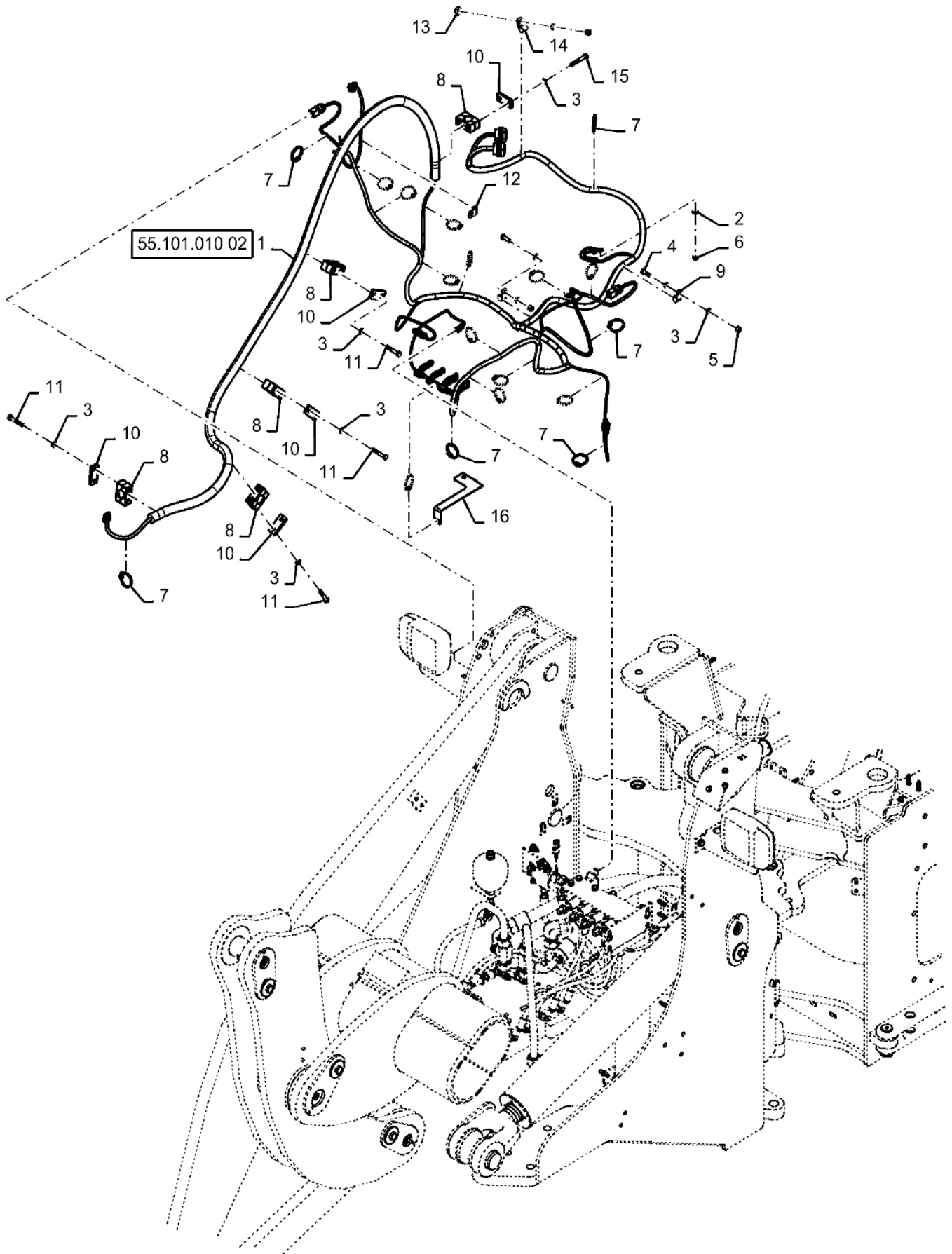
55.101.010

01

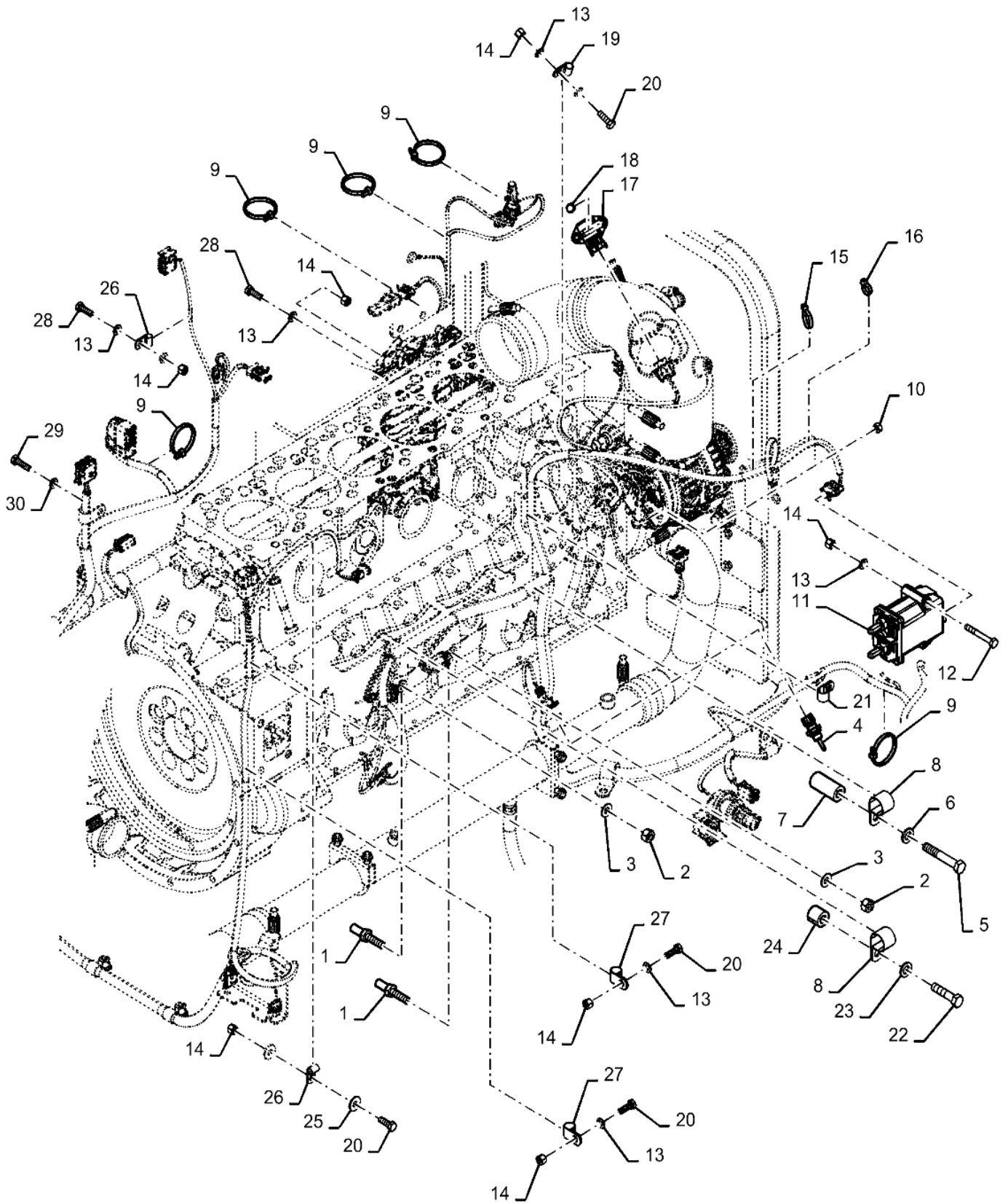
p1

3/2019

FRONT CHASSIS HARNESS INSTALLATION, Z-BAR / XR

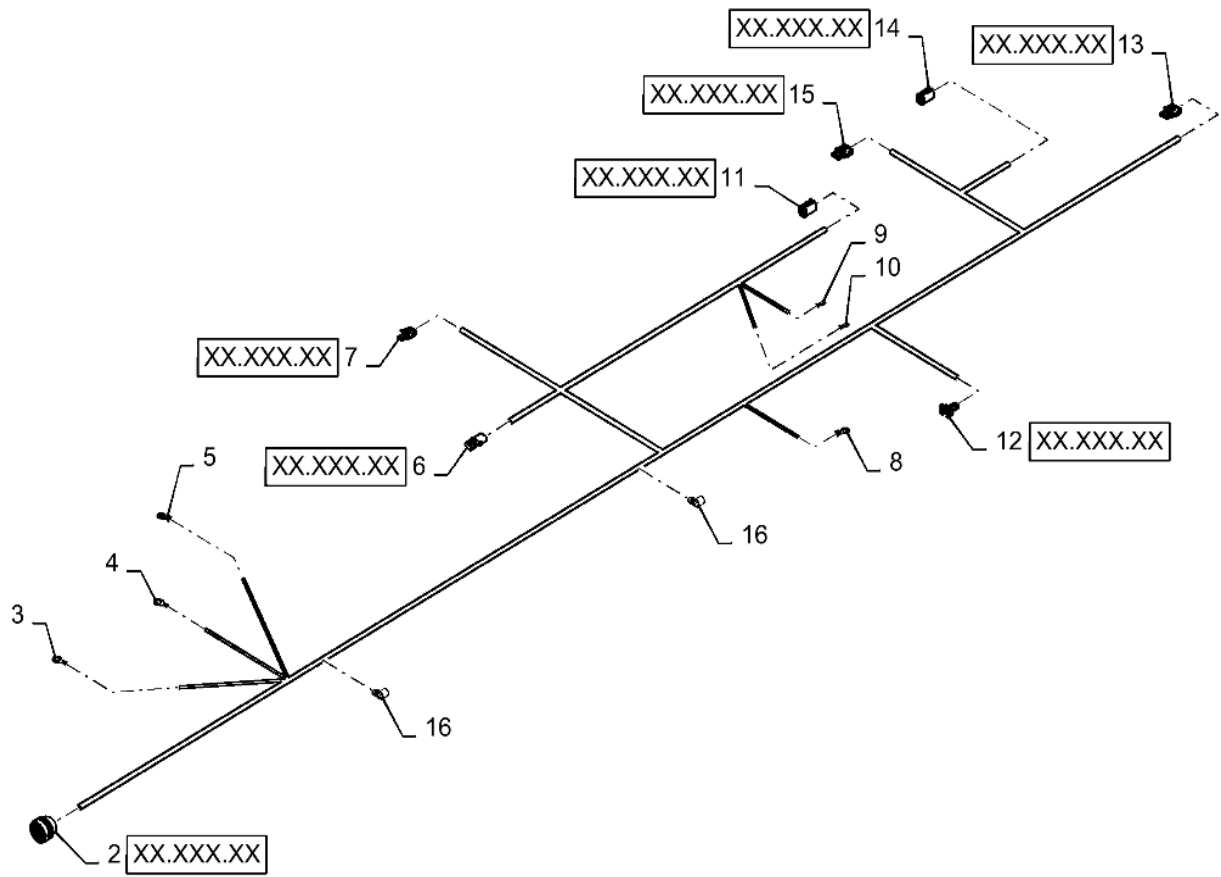


ENGINE AND REAR CHASSIS HARNESS INSTALLATION



FRONT CHASSIS HARNESS ASSEMBLY

1



55.101.050

01

p1

3/2019

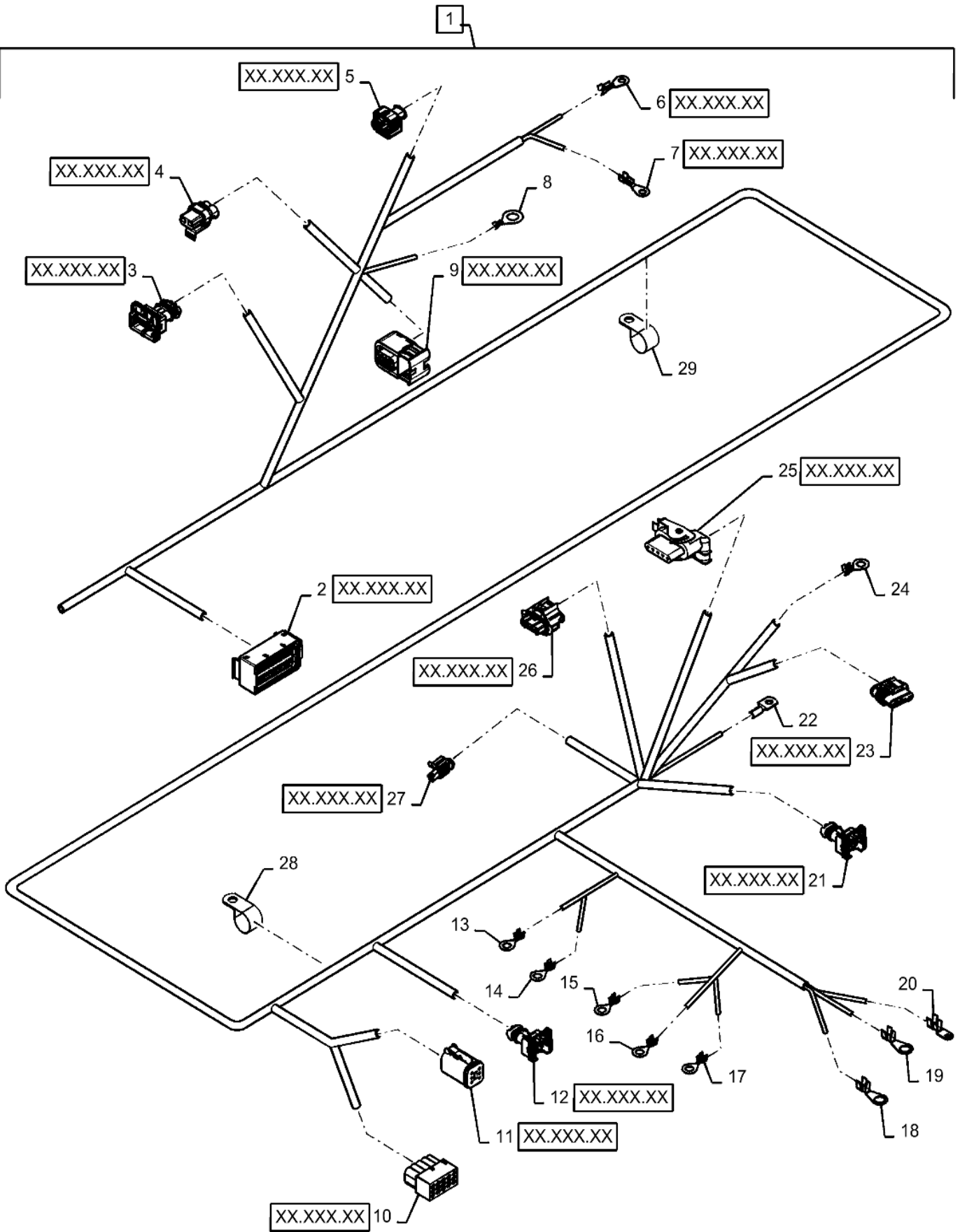
ENGINE AND REAR CHASSIS HARNESS ASSEMBLY

ART

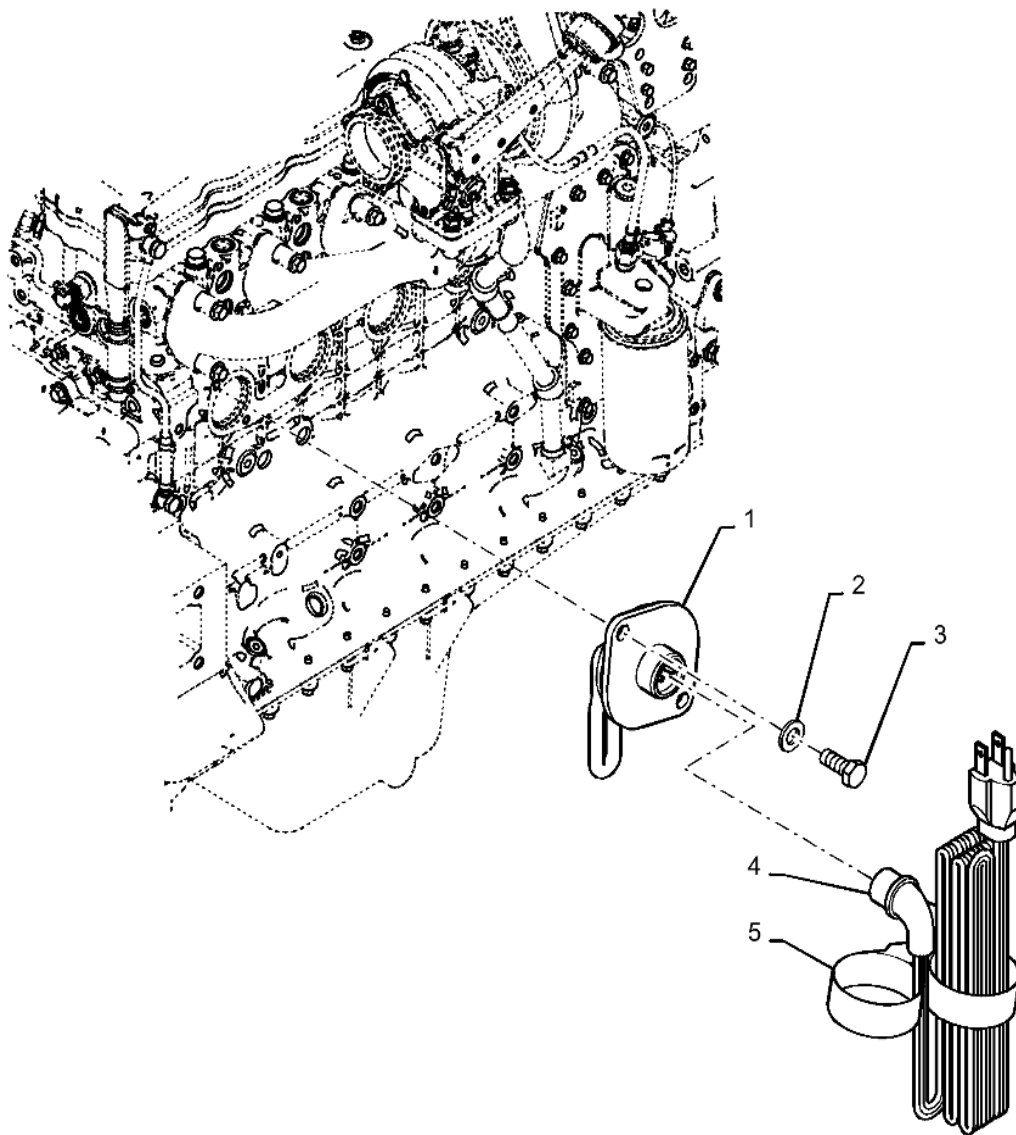
NOT

AVAILABLE

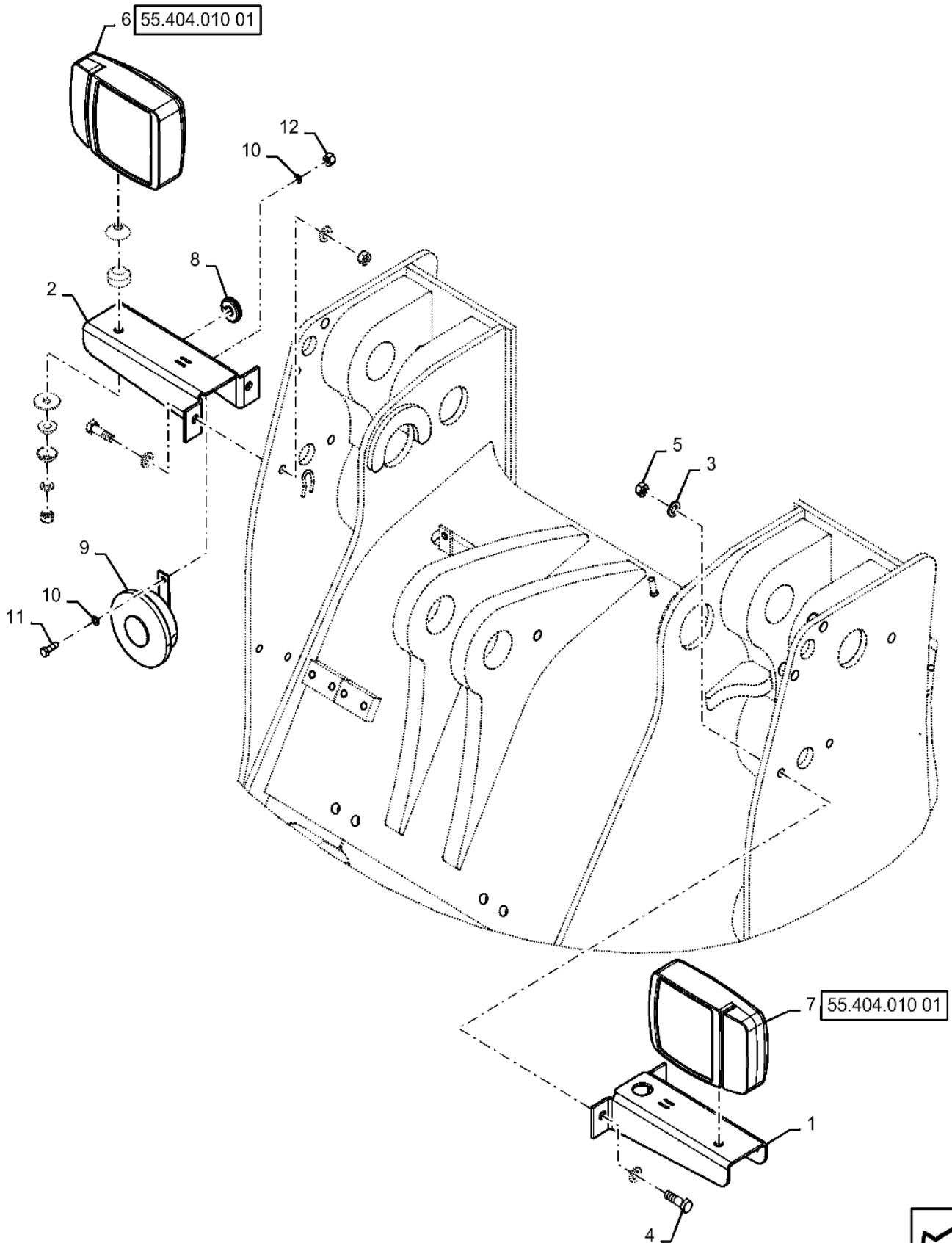
ENGINE AND REAR CHASSIS HARNESS ASSEMBLY



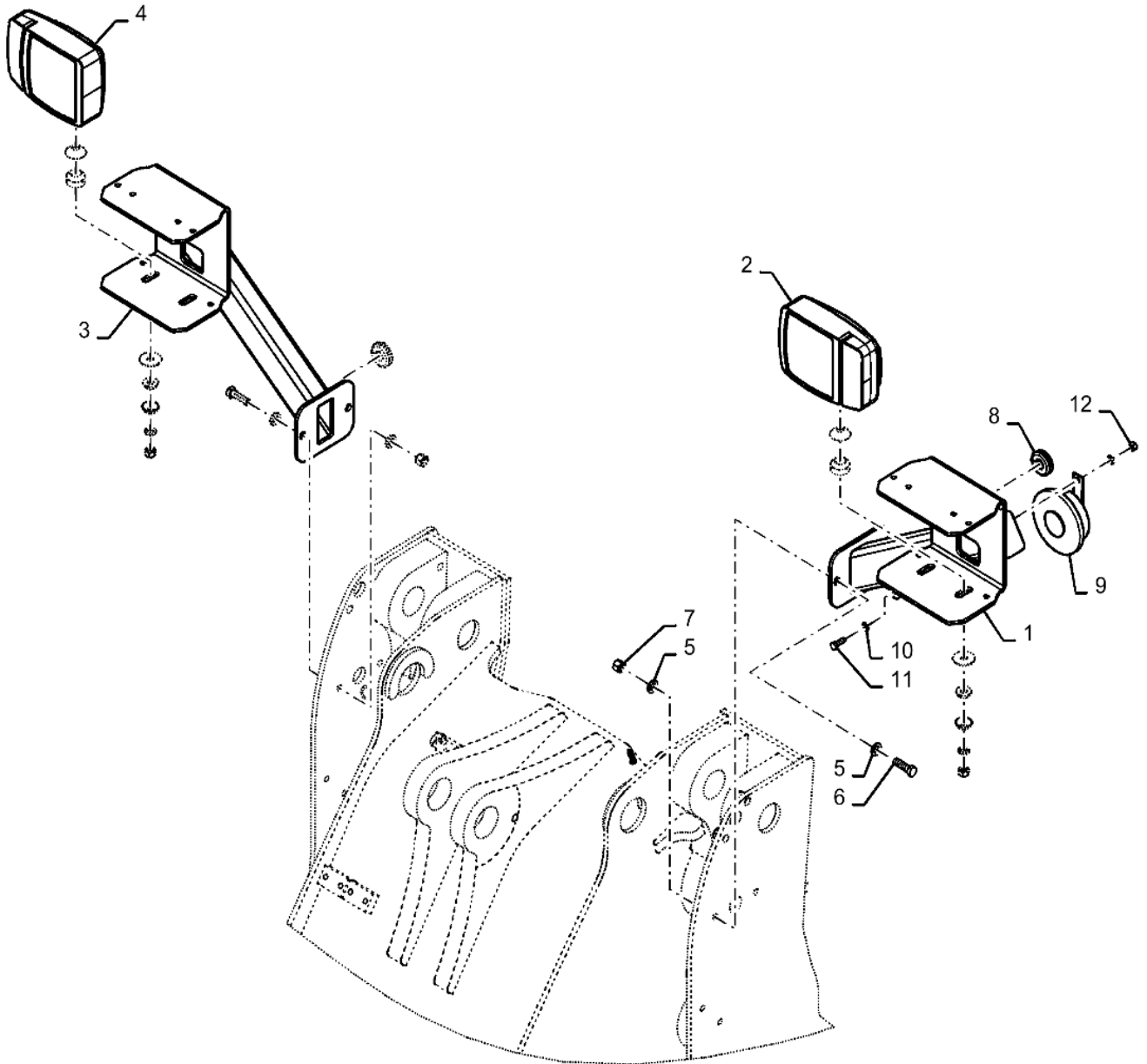
CYLINDER BLOCK HEATER



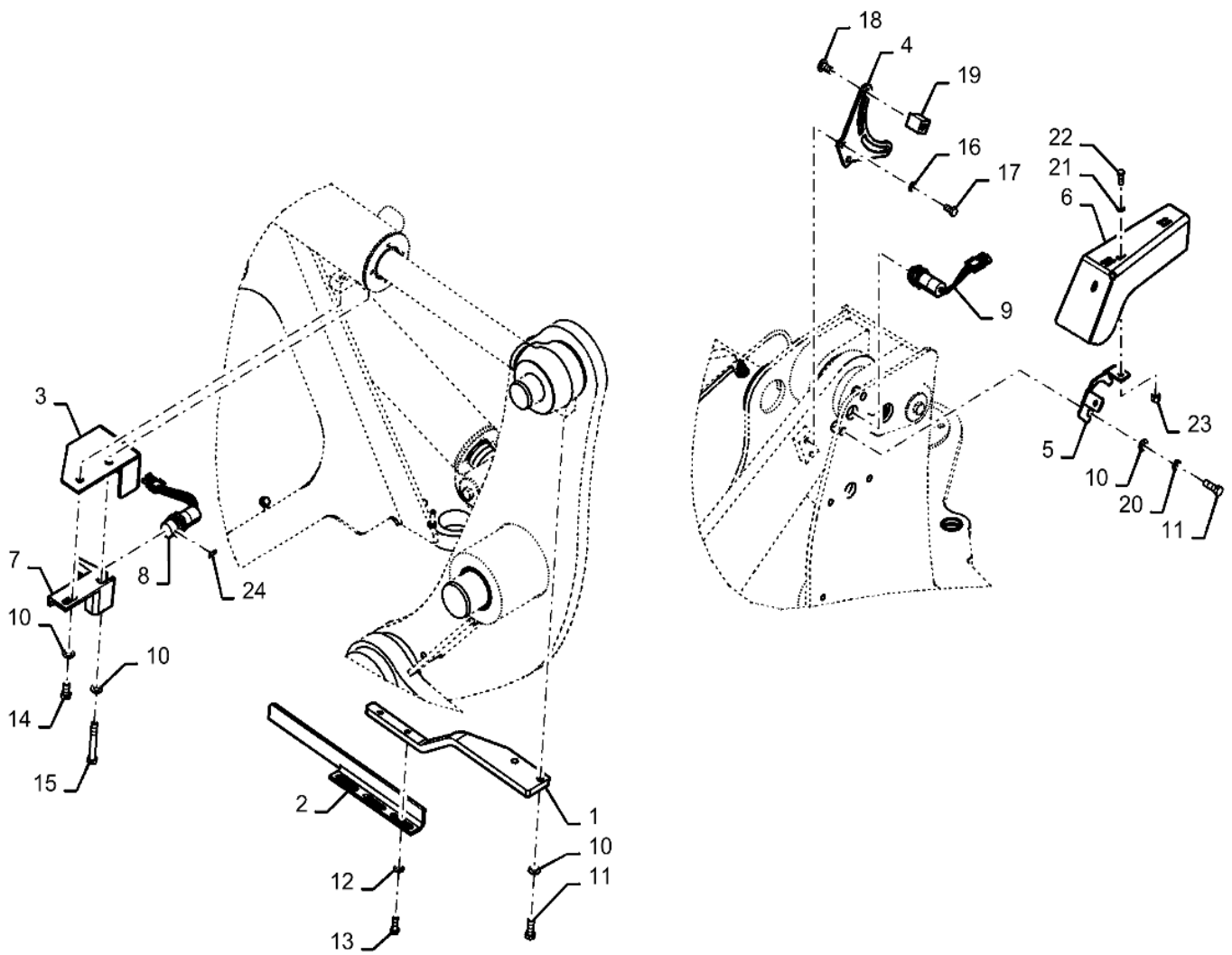
VAR - 734087 - FRONT LIGHT INSTALLATION



FRONT LIGHT INSTALLATION



RIDE CONTROL SWITCH



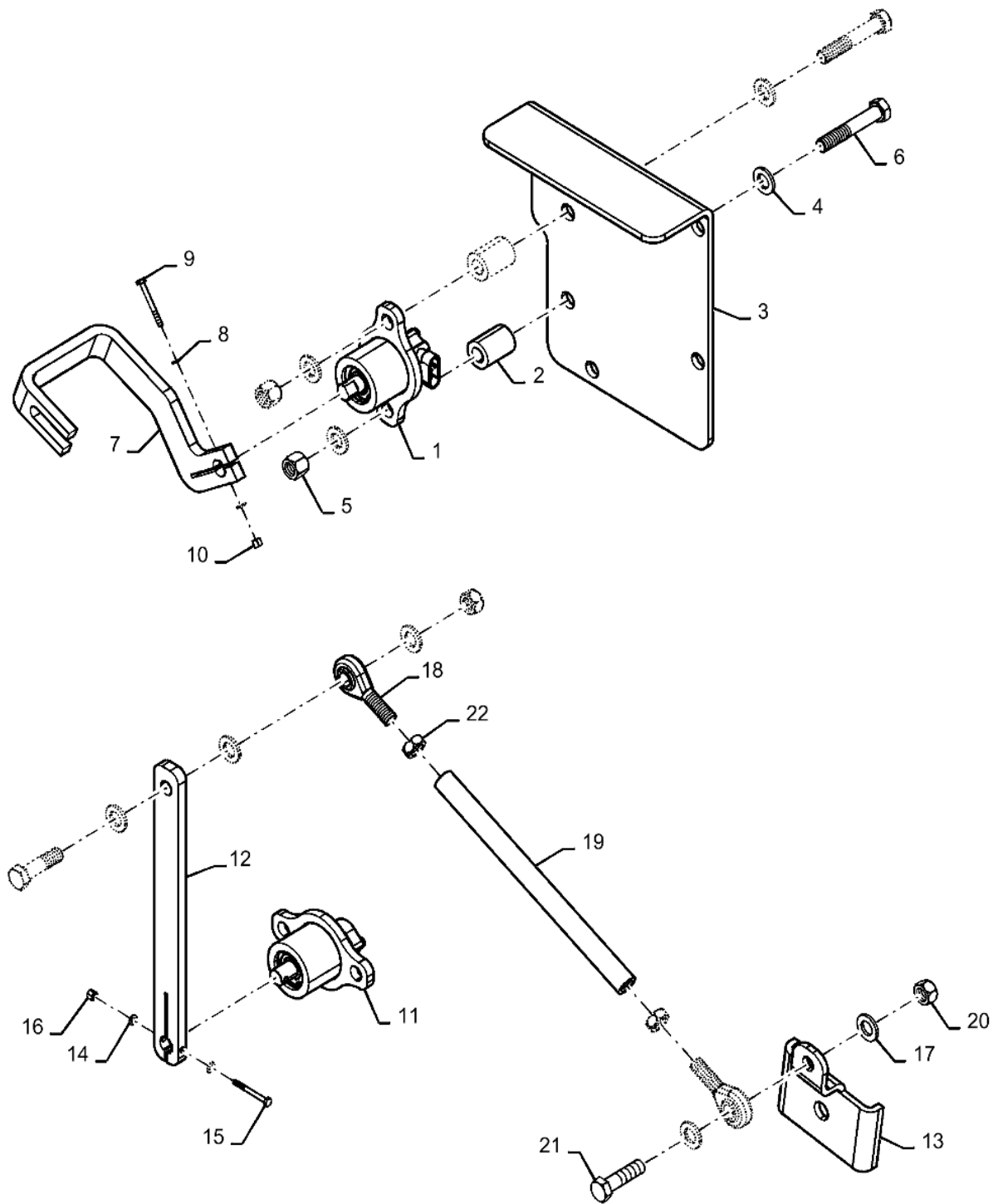
55.425.020

01

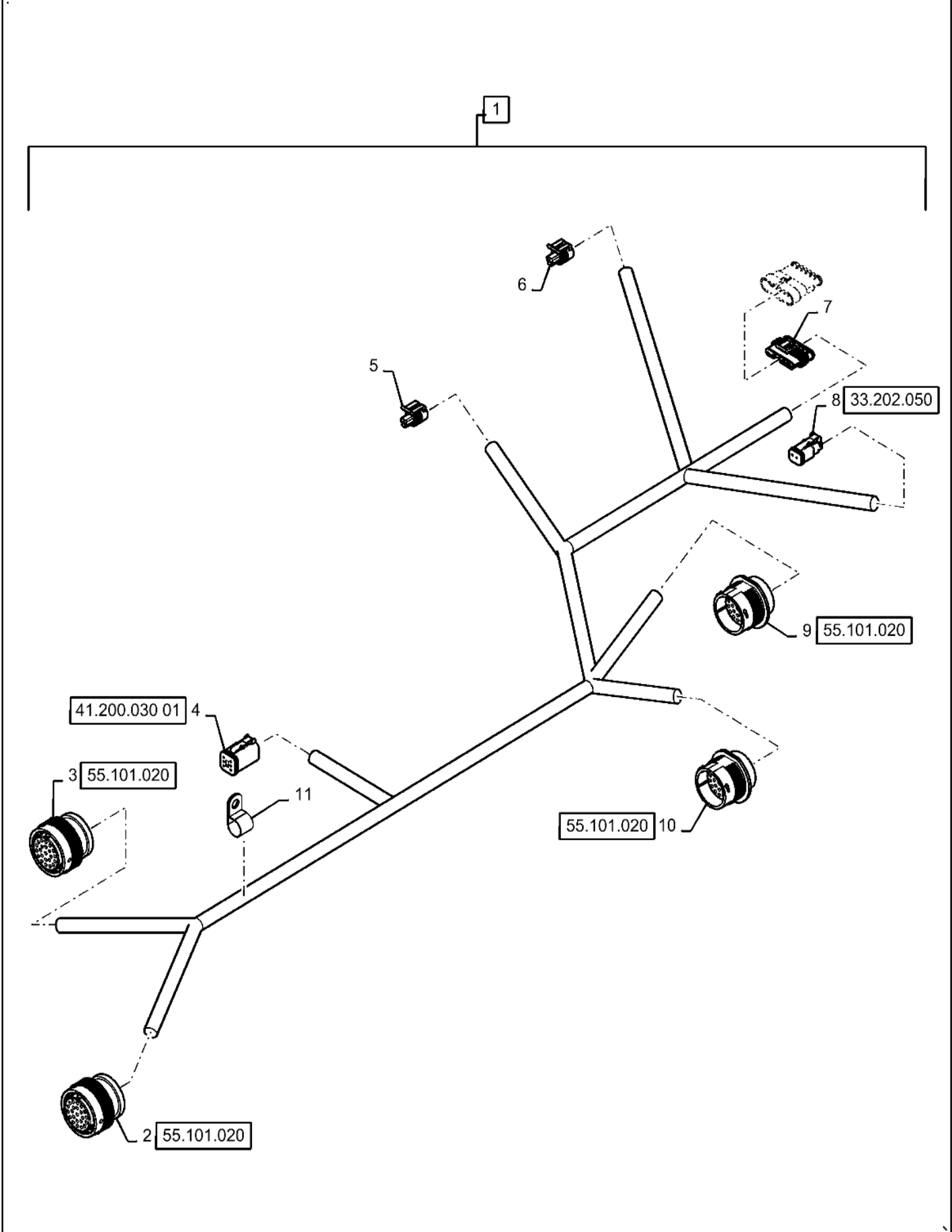
p1

3/2019

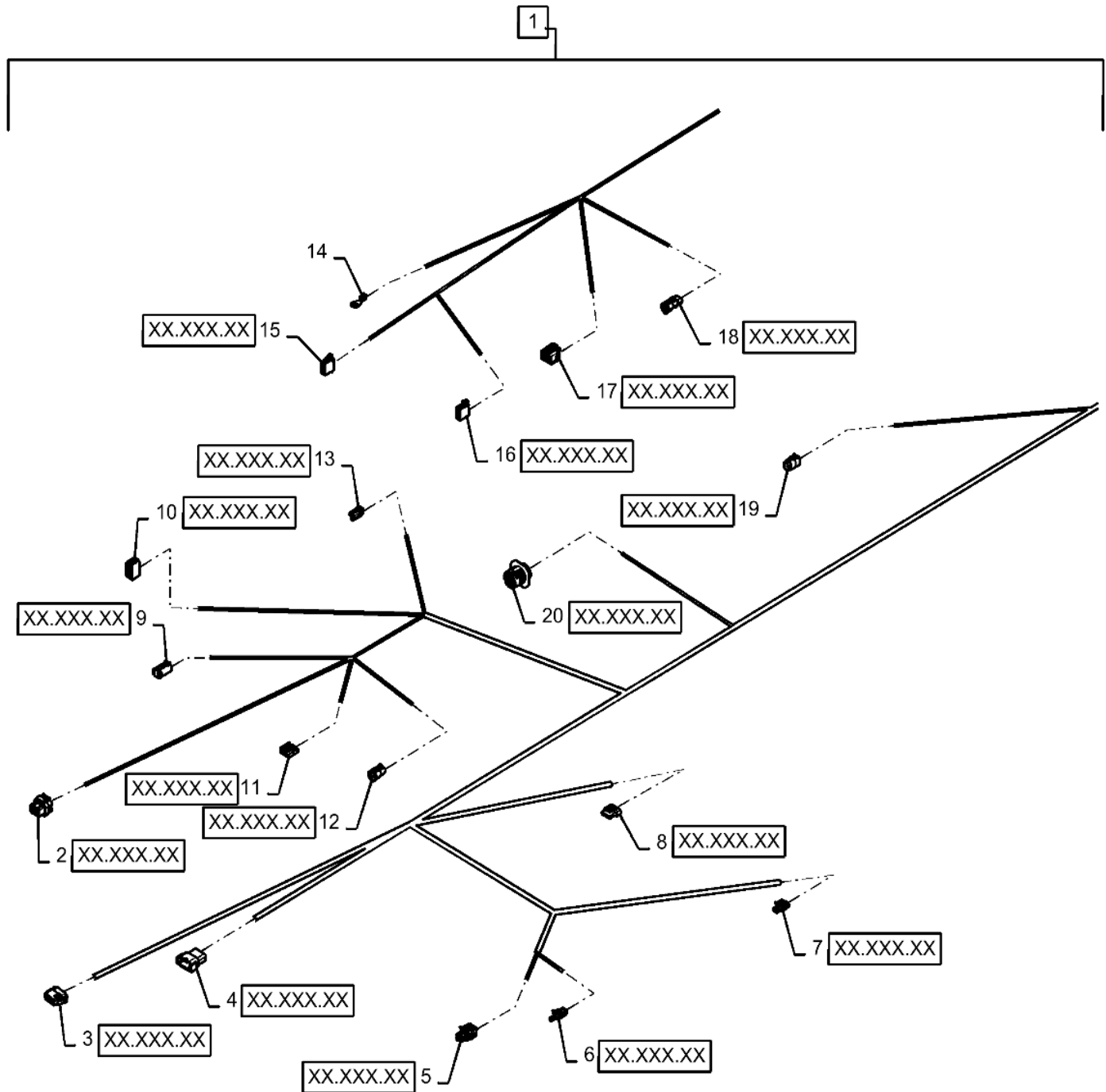
ELECTROHYDRAULIC SENSOR ASSEMBLY, LIFT AND TILT XT



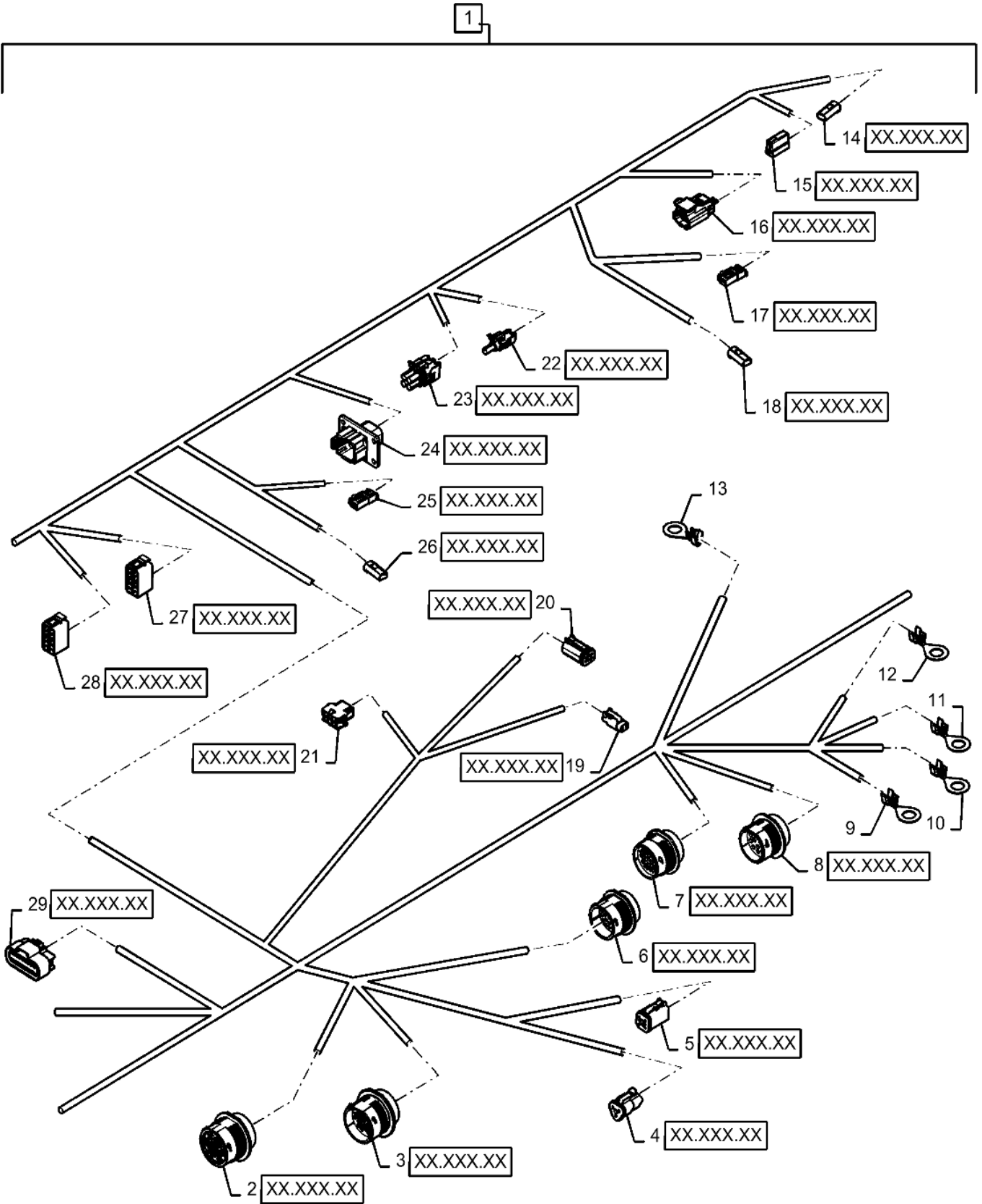
CAB BOTTOM HARNESS ASSEMBLY



CAB MAIN WIRE HARNESS ASSEMBLY

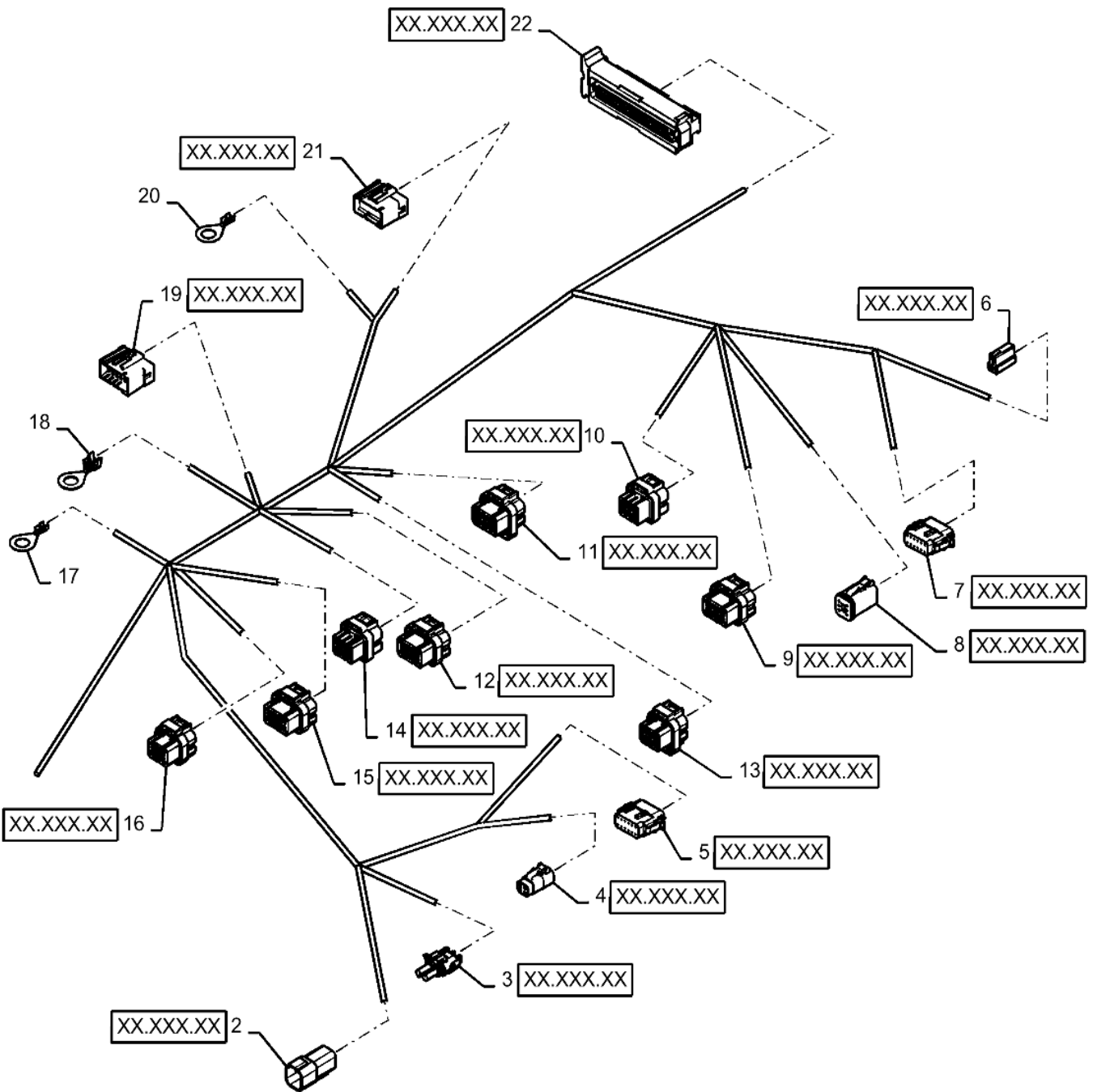


CAB MAIN WIRE HARNESS ASSEMBLY



CAB MAIN WIRE HARNESS ASSEMBLY

1



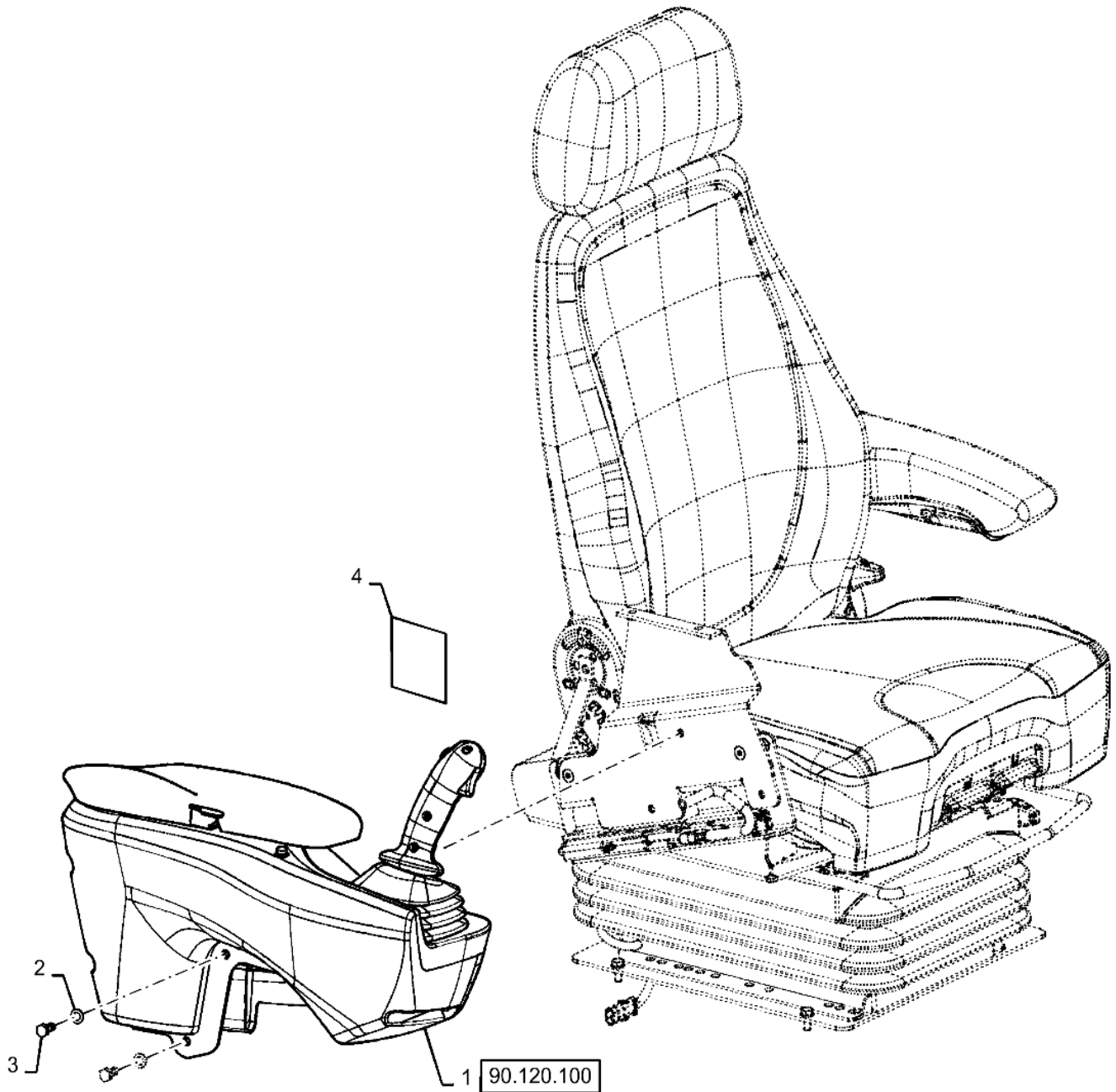
55.512.040

01

p1

3/2019

VAR - 734052 - JOYSTICK, CONTROL - 2 LEVER - EH



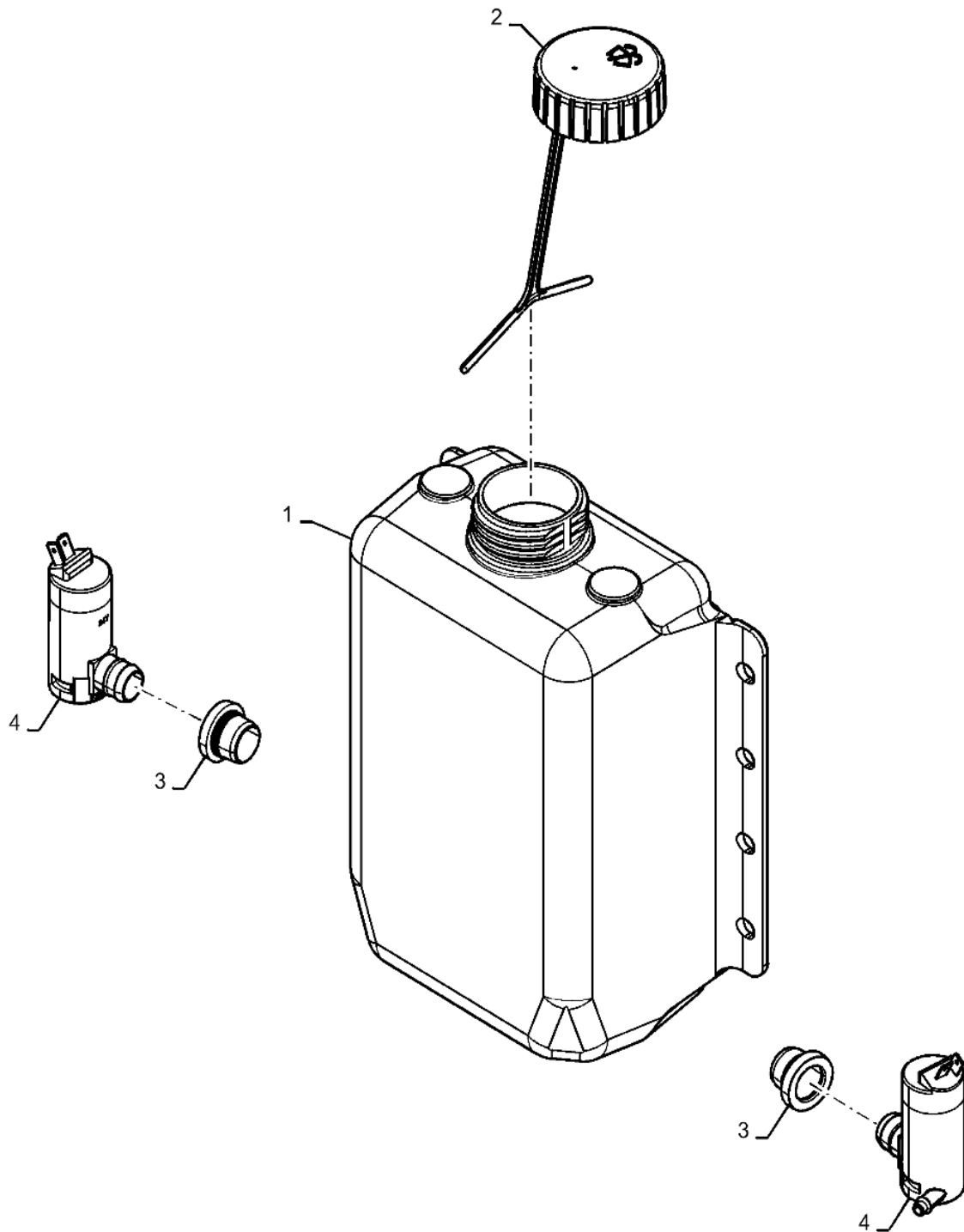
55.518.020

01

p1

3/2019

VAR - 734065 - WASHER BOTTLE ASSEMBLY



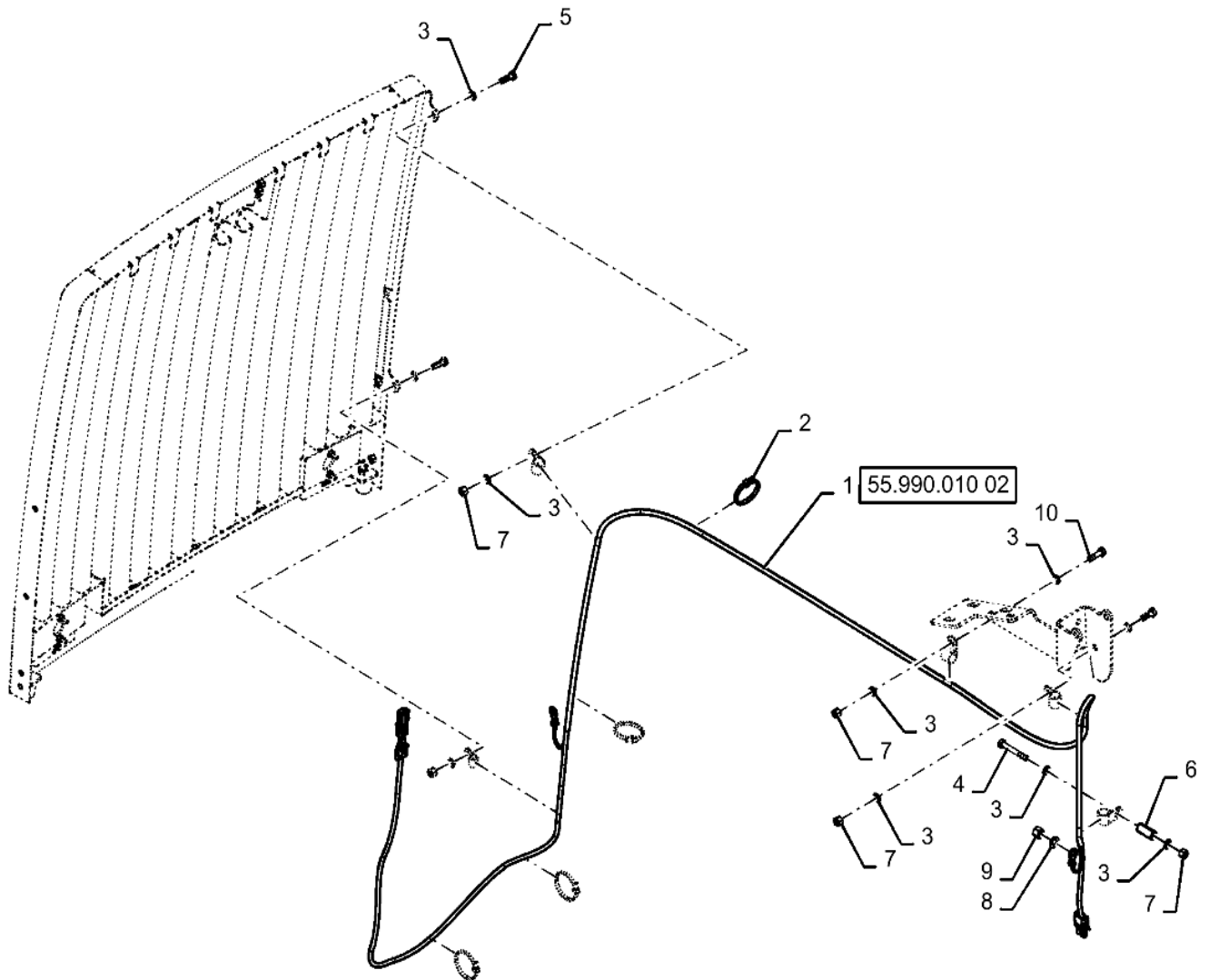
55.990.010

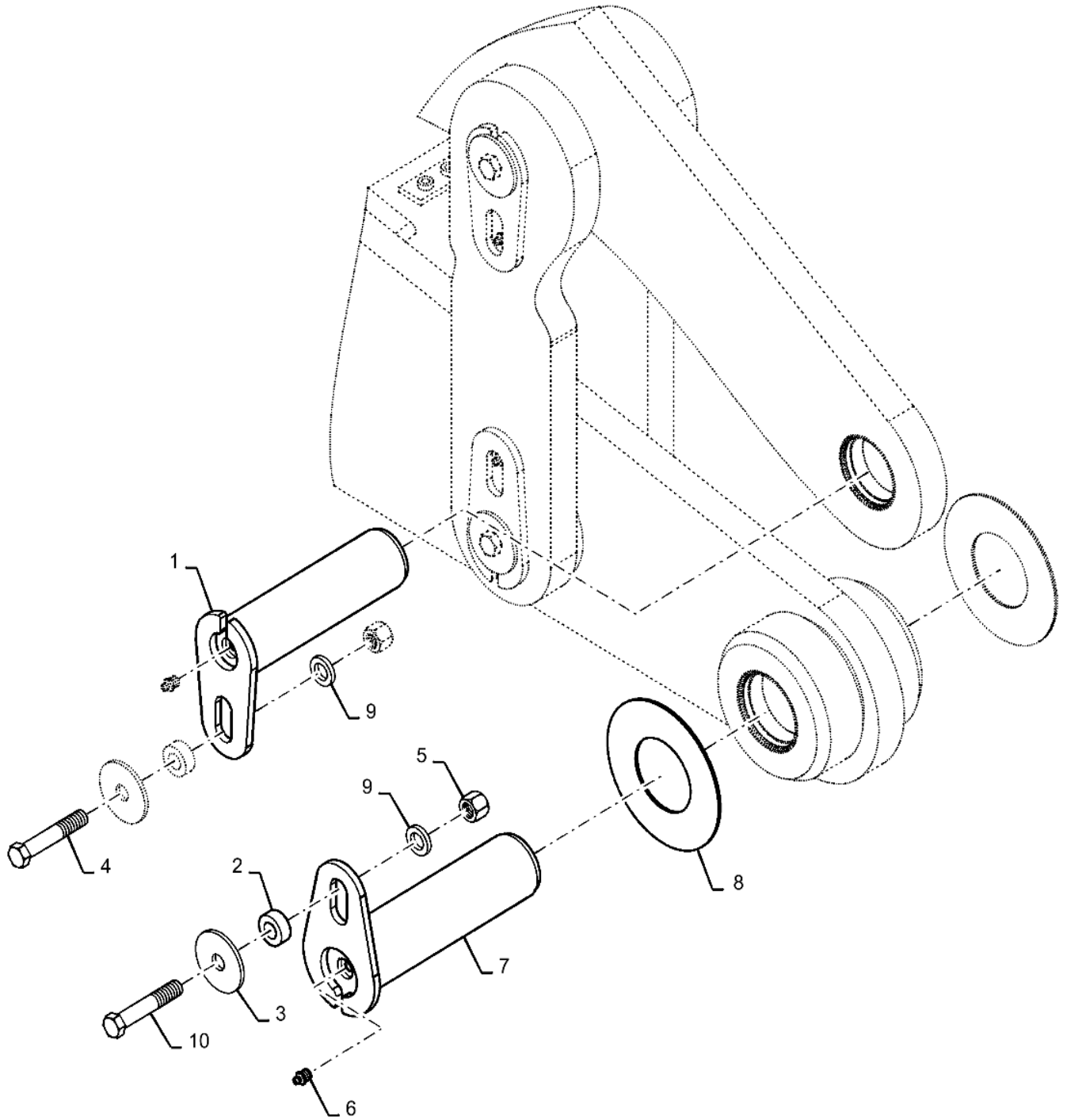
01

p1

3/2019

HOOD HARNESS INSTALLATION





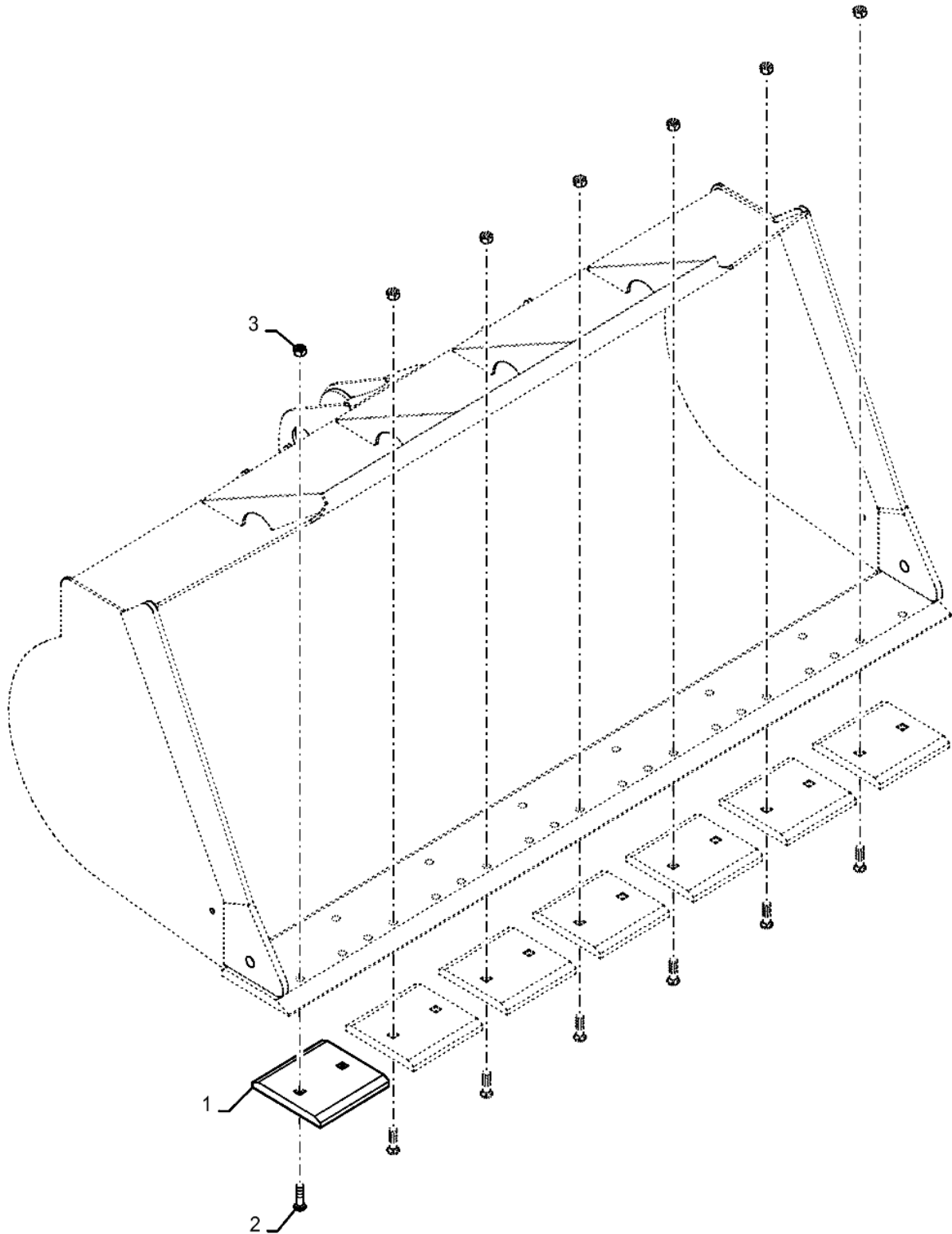
82.300.080

01

p1

3/2019

VAR - 482957 - CUTTING EDGE, BUCKET



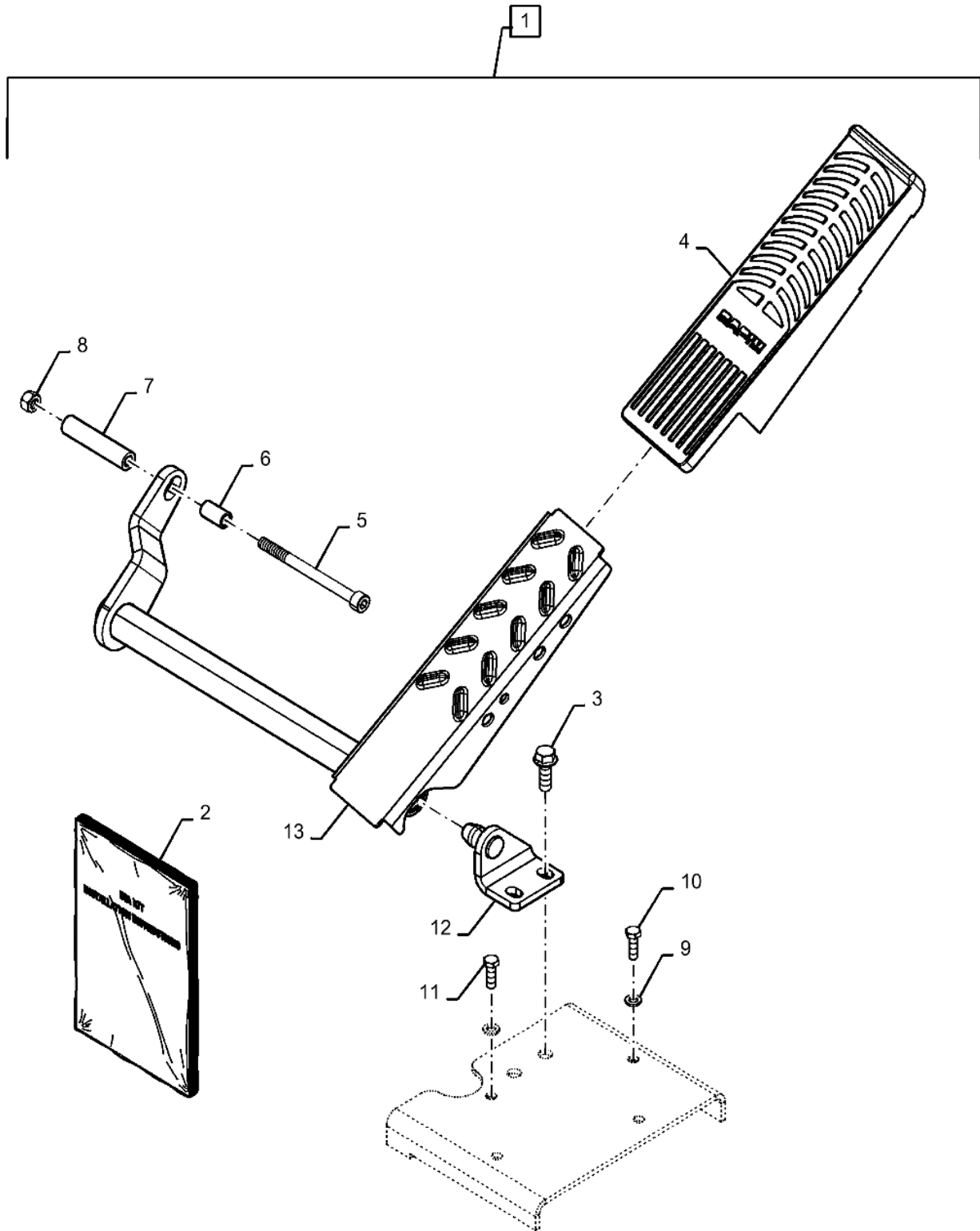
88.100.33

01

p1

3/2019

DIA KIT, RIGHT HAND BRAKE PEDAL



88.100.35

06

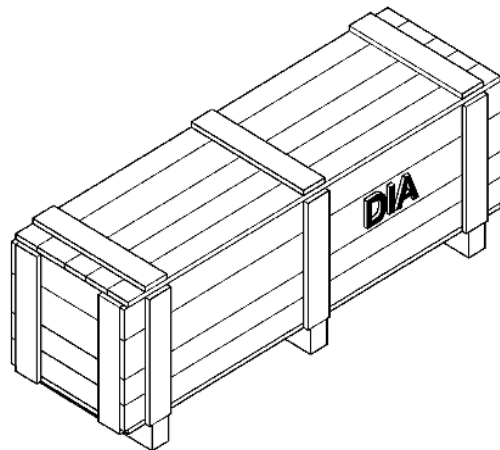
p1

3/2019

DIA KIT, VARIABLE SPEED REVERSIBLE FAN



DIA KIT, 3 FN LEVER TO 4 FN JOYSTICK CONVERSION KIT



88.100.35

16

p1

3/2019

DIA KIT, 2 FN LEVER TO 2 FN JOYSTICK CONVERSION KIT



88.100.35

20

p2

3/2019

DIA KIT, LOCKING HYDRAULICS - Z-BAR / XR



DIA KIT, SKID AND FUEL TANK GUARDS

ART

NOT

AVAILABLE

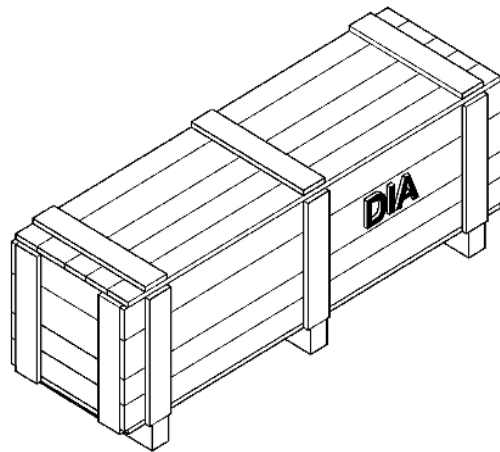
88.100.50

01

p1

3/2019

DIA KIT, AIR CONDITIONING CAB



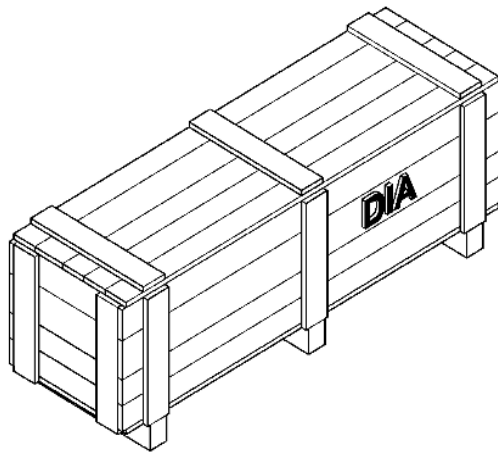
88.100.55

04

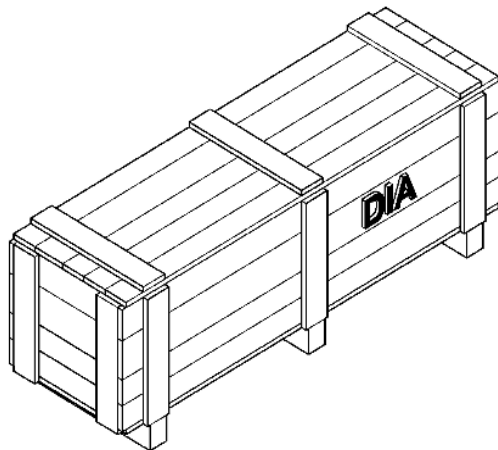
p1

3/2019

DIA KIT, WASTE HANDLER LIGHTS



DIA KIT, JRB COMP Z-BAR, XR/LR COUPLER

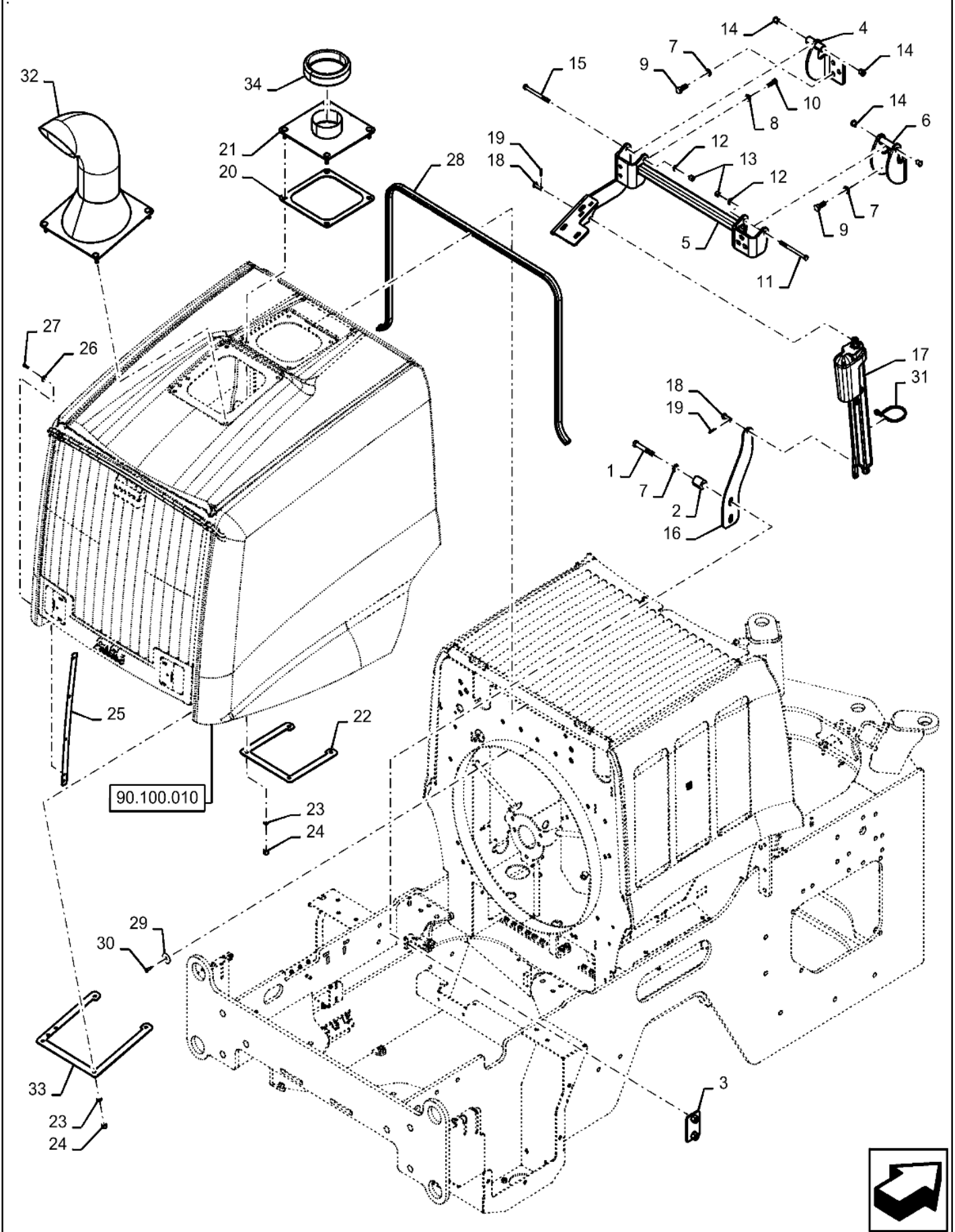


SECTION INDEX

PLATFORM, CAB, BODYWORK AND DECALS

90.100.010		ENGINE HOOD
90.100.010	01	ENGINE HOOD INSTALLATION, ROW
90.100.020		ENGINE HOOD INSTALLATION
90.100.030		VAR - 424223 - RAIN CAP
90.100.050		VAR - 402018, 402019 - HOOD PANELS
90.102.010	01	VAR - 402049, 424234 - NO CAMERA COVER
90.105.010		UPPER ARTICULATION COVER
90.108.010	01	DECALS COMMON TO MODEL
90.108.010	02	DECALS COMMON TO MODEL
90.108.020	01	VAR - 482105 - DECALS, ENGLISH
90.116.010	01	SKIRT, CAB, POWER TAN
90.116.020		WHEEL WELL GUARD
90.116.040		FRONT FENDER INSTALLATION, STANDARD
90.116.050		FENDER SUPPORT BRACKET, RIGHT HAND
90.116.060		REAR SKID PLATE
90.116.070	01	TRANSMISSION GUARD
90.116.080	01	FRONT CHASSIS GUARD
90.116.090		VAR - 782509 - REAR FENDER STANDARD
90.116.100		VAR - 782510 - REAR FENDER SHORT
90.116.110		REAR FENDER WIDE
90.116.130	01	VAR - 782509, 782510, 782511 - FRONT FENDER INSTALLATION, STANDARD
90.116.130	02	FRONT FENDER WIDE
90.118.010		VAR - 782509, 782510, 782511 - STEP, LEFT SIDE
90.118.020		RIGHT SIDE STEP INSTALLATION
90.118.030		VAR - 782203 - MIRROR
90.118.040		HEATED GLASS MIRRORS, EU
90.119.010		CYLINDER GUARD COVER
90.119.010		PRESSURE RELIEF VALVE COVER
90.119.020	01	VAR - 734070 - FRONT LIGHT SHIELD
90.119.020	02	VAR - 734070 - REAR LIGHT SHIELD
90.120.010		VAR - 734062, 734072 - SEAT, MECHANICAL SUSPENSION
90.120.010	01	VAR - 734062, 734072 - SEAT, MECHANICAL SUSPENSION SERVICE PARTS
90.120.010	02	SEAT, MECHANICAL SUSPENSION SERVICE PARTS
90.120.020	01	VAR - 482913, 482930 - ARMREST INSTALLATION, LH, MILSCO
90.120.020	02	VAR - 482913, 482930 - ARMREST ASSEMBLY, LH, MILSCO

ENGINE HOOD INSTALLATION

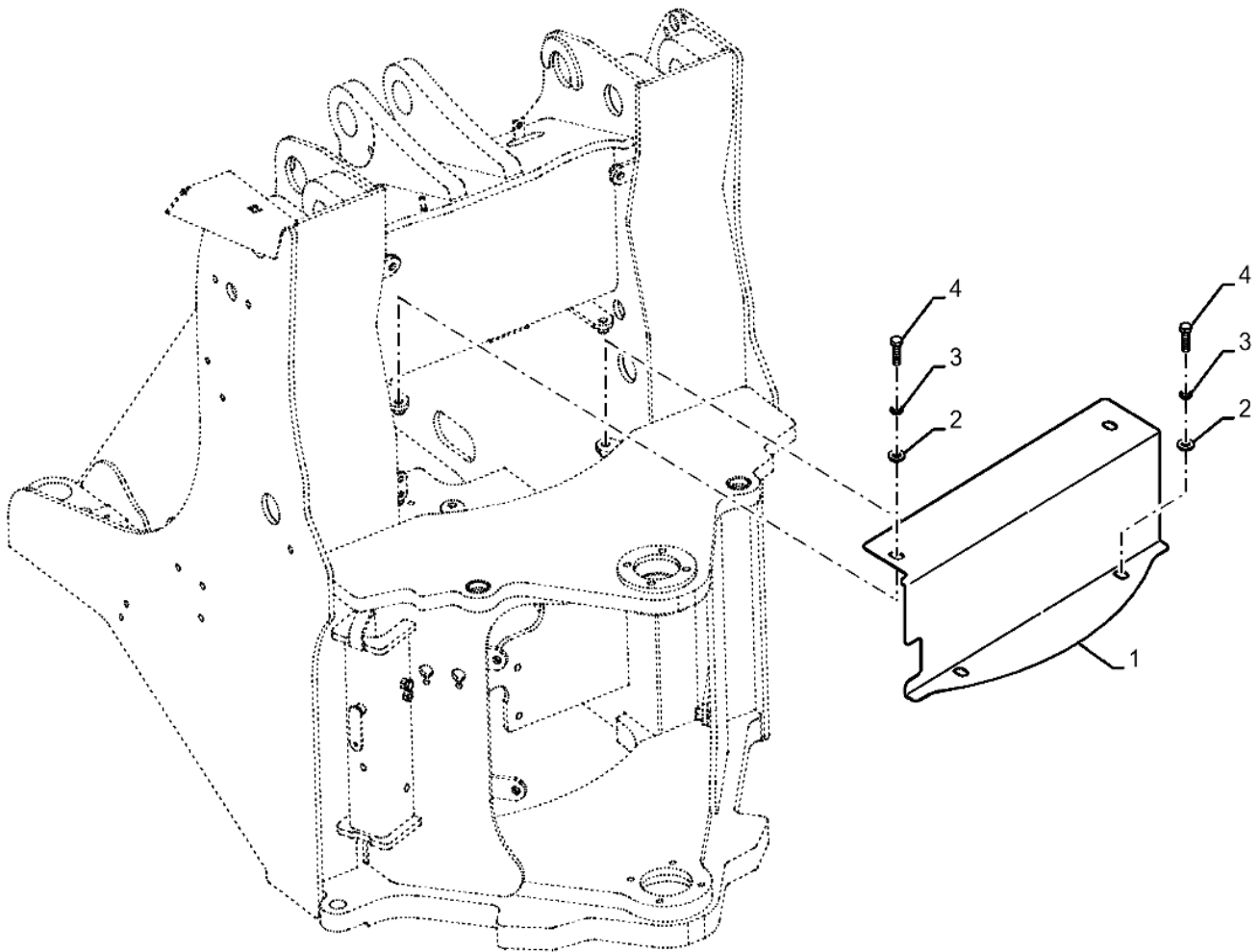


90.105.010

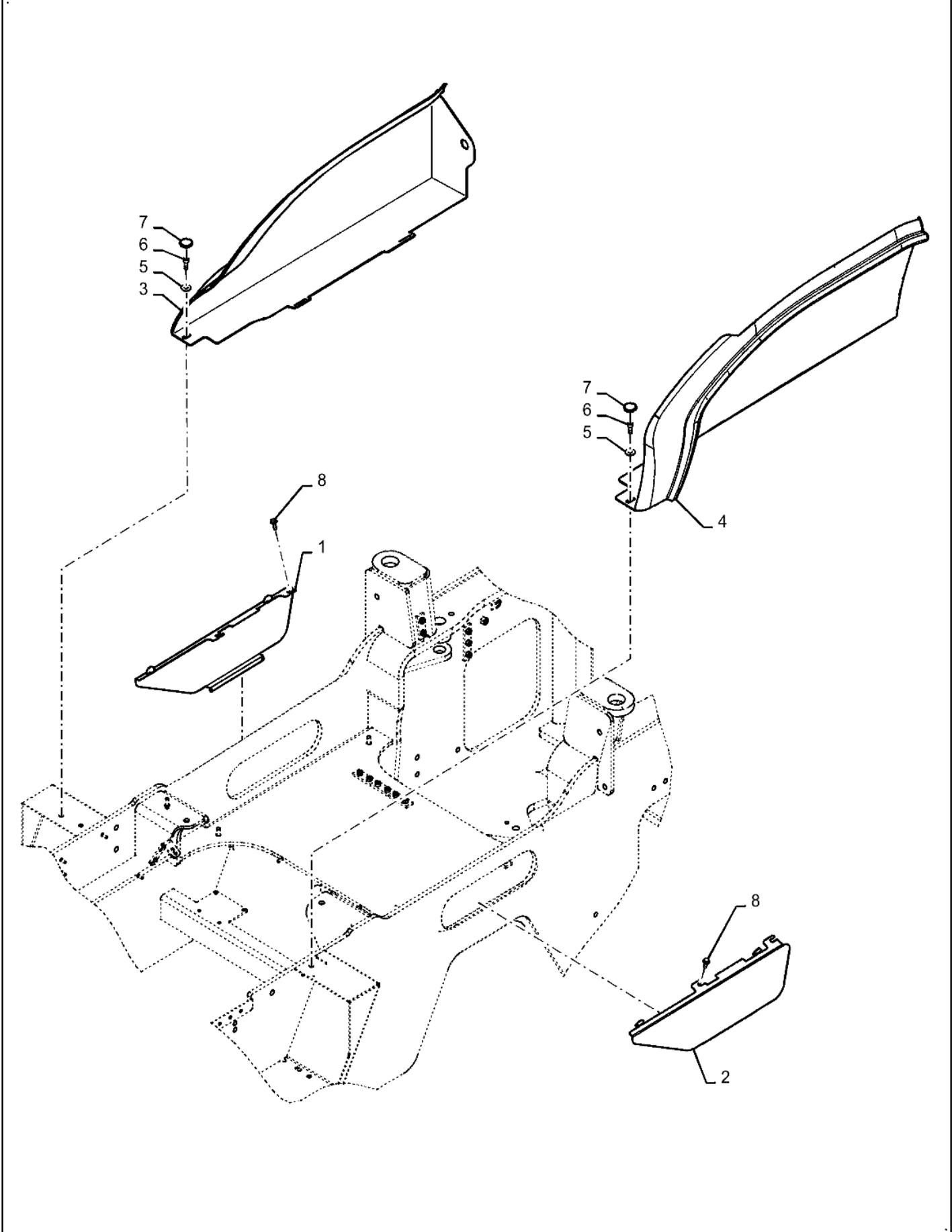
p1

3/2019

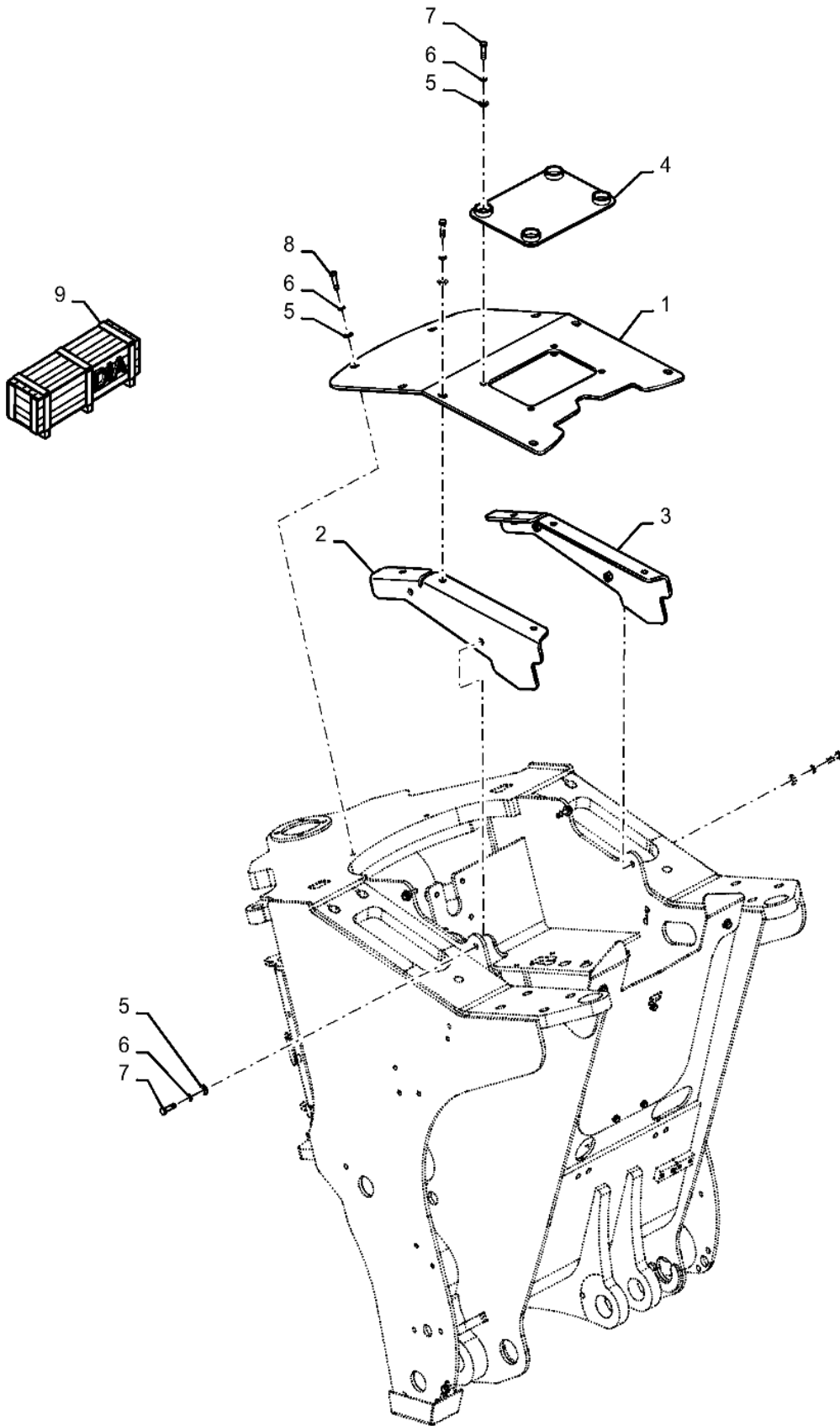
UPPER ARTICULATION COVER



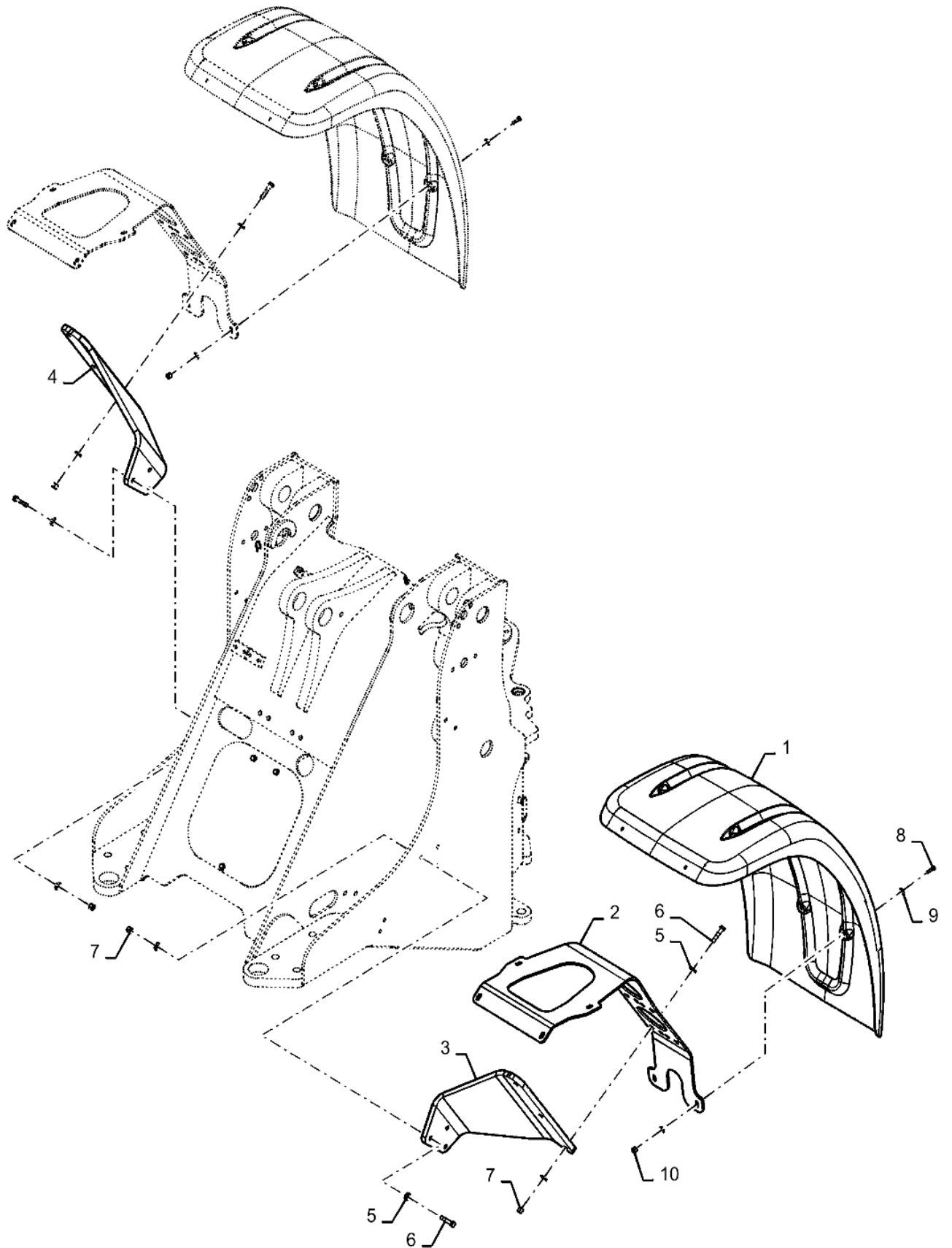
WHEEL WELL GUARD



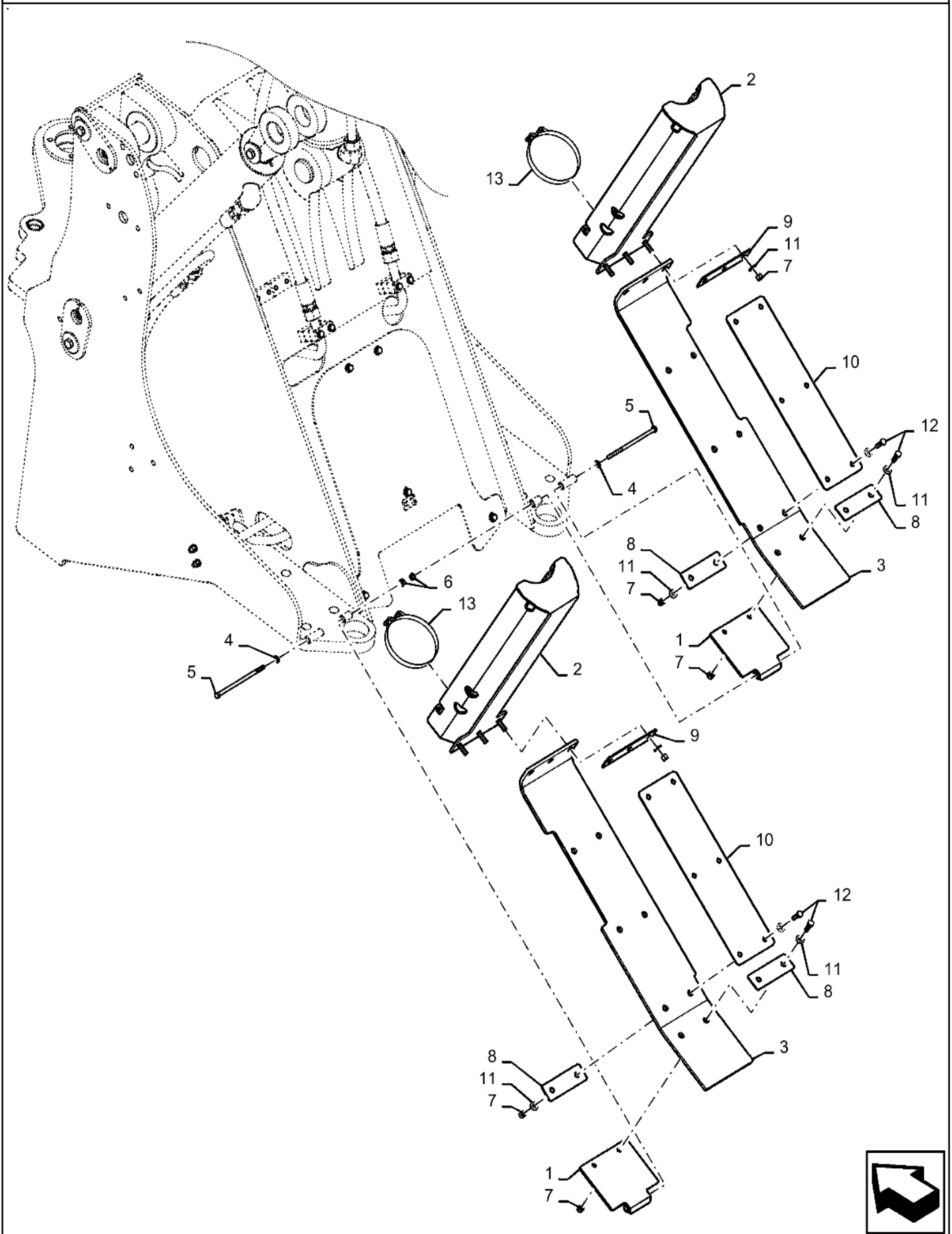
FRONT CHASSIS GUARD



FRONT FENDER WIDE



CYLINDER GUARD COVER



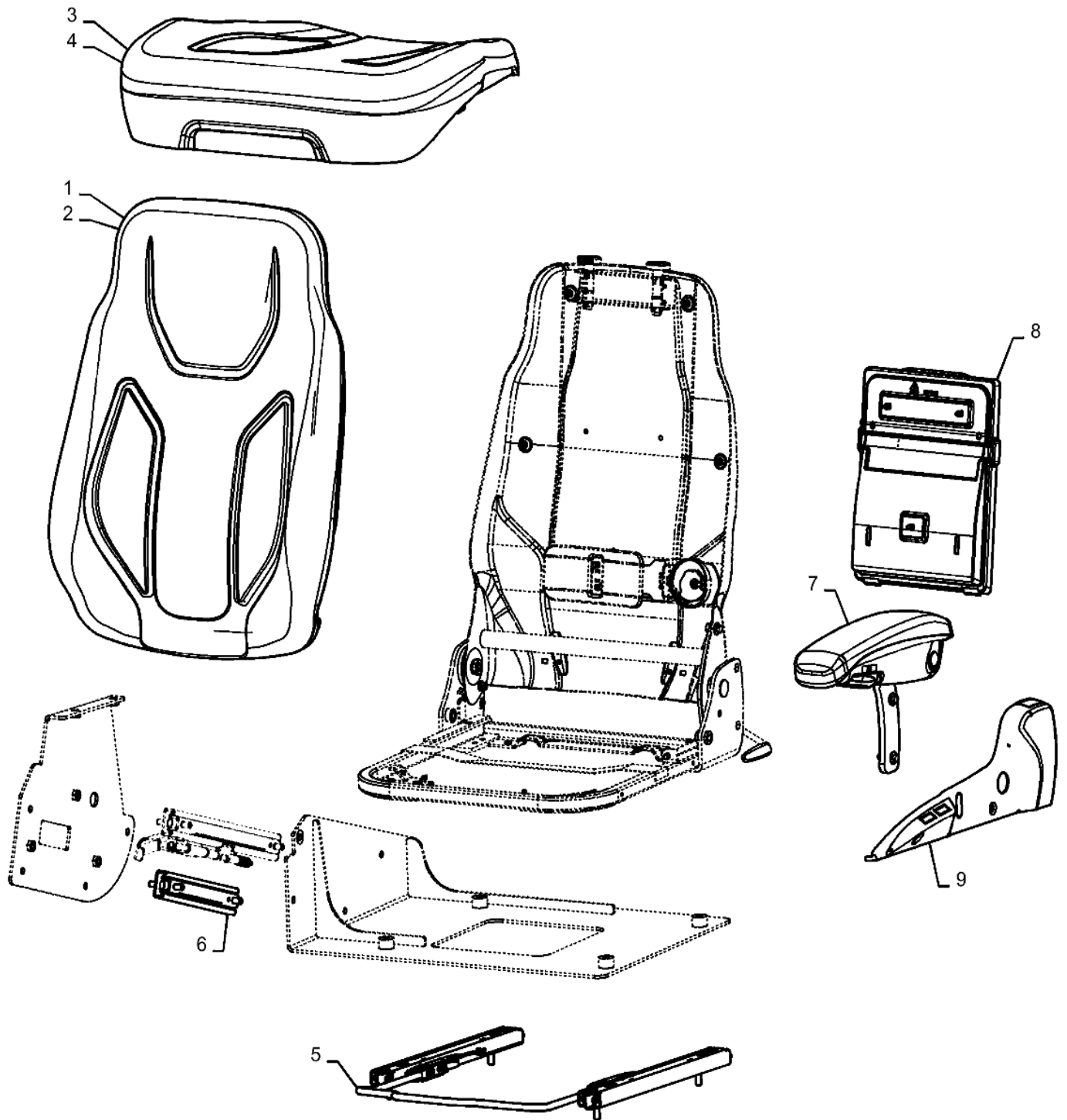
90.120.010

01

p1

3/2019

VAR - 734062, 734072 - SEAT, MECHANICAL SUSPENSION SERVICE PARTS



90.120.020

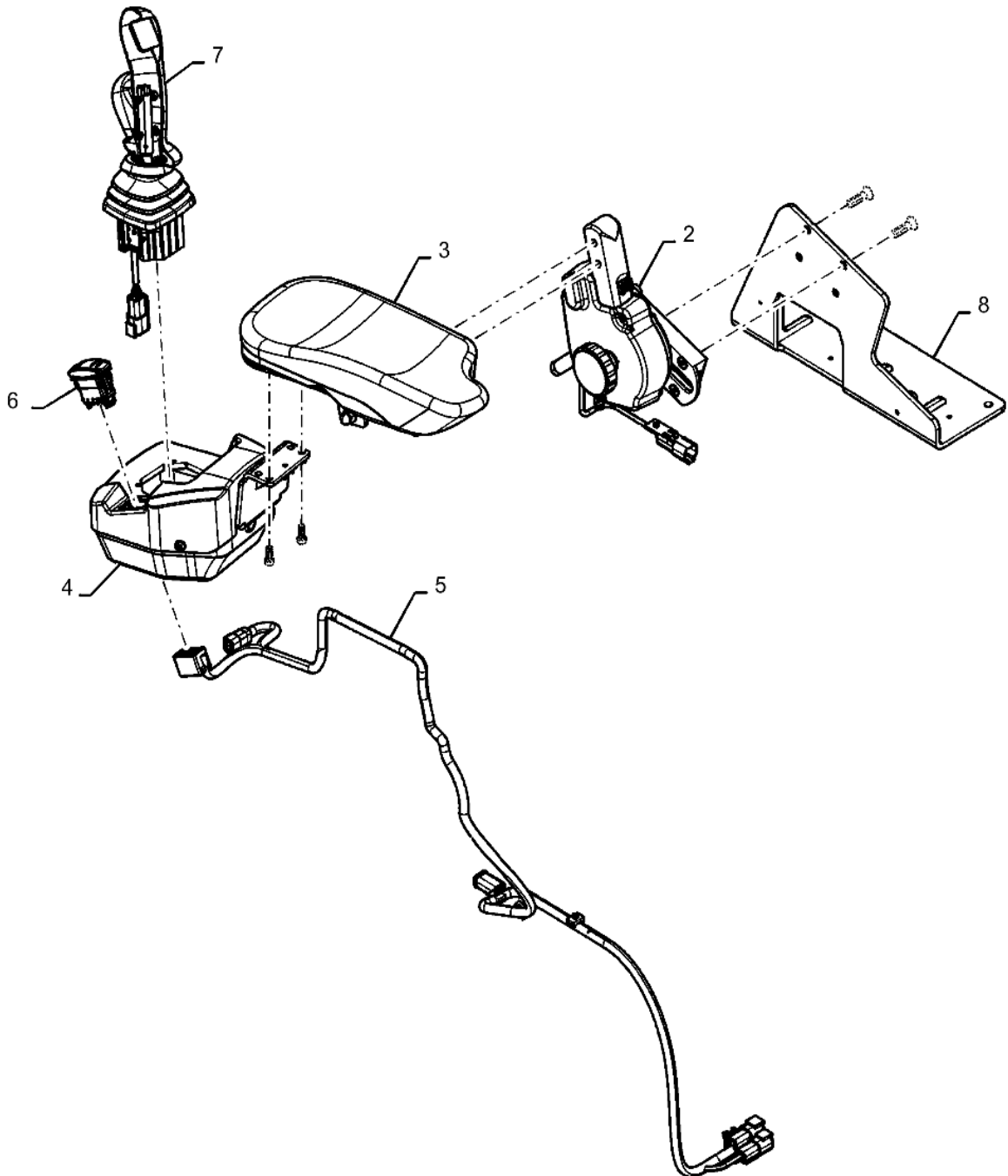
02

p1

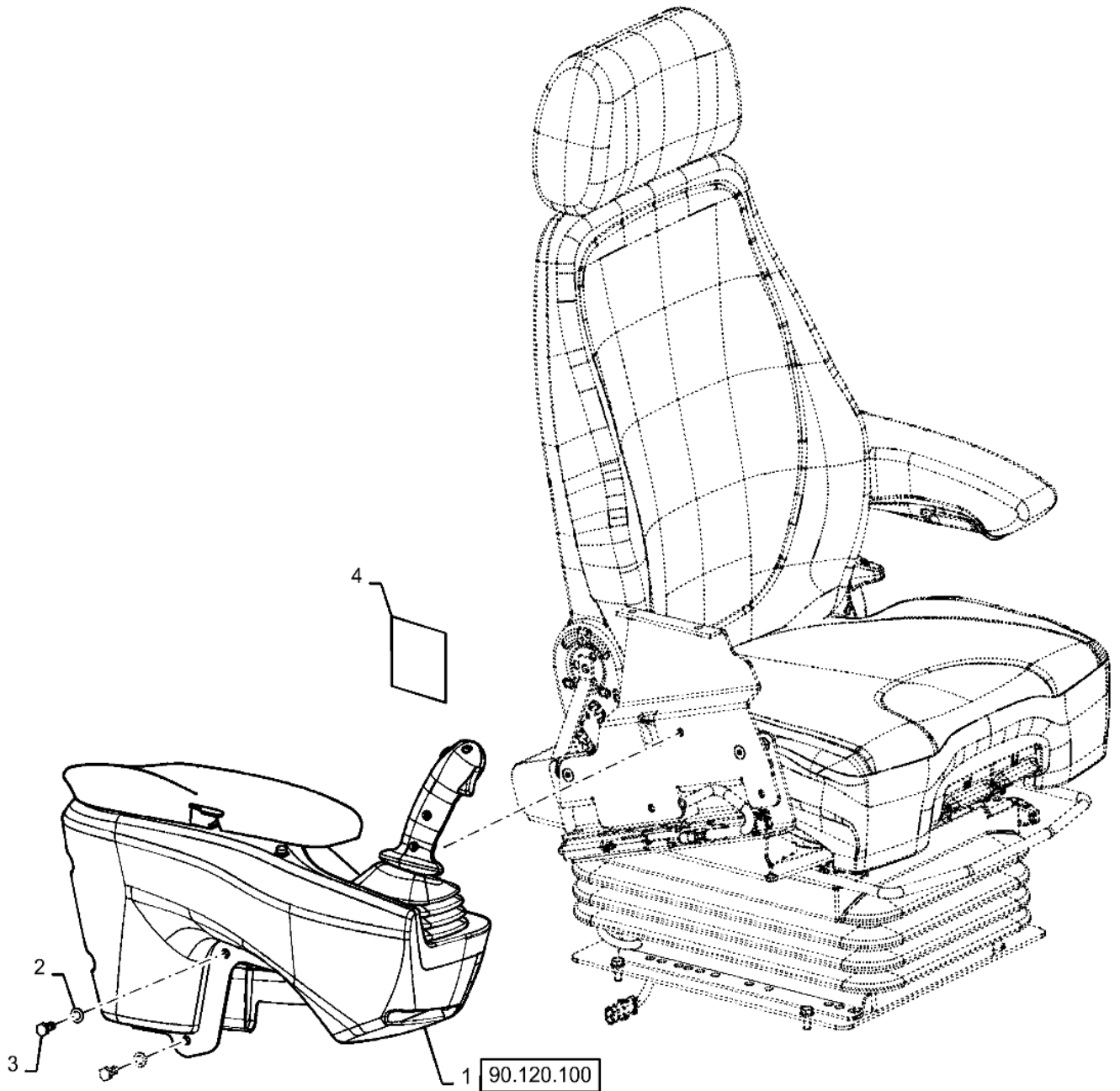
3/2019

VAR - 482913, 482930 - ARMREST ASSEMBLY, LH, MILSCO

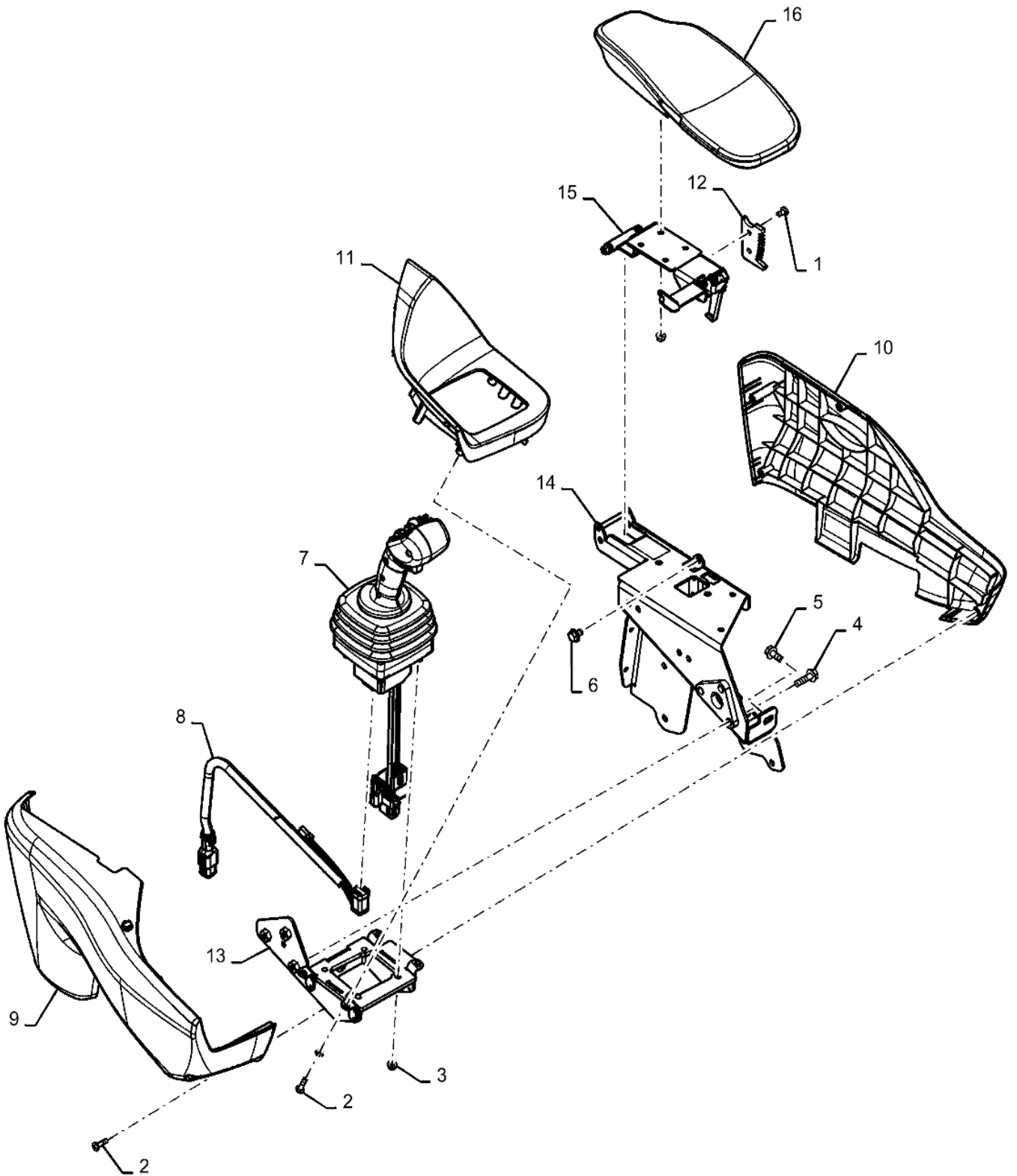
1



VAR - 734052 - JOYSTICK INSTALLATION, RIGHT SIDE



ARMREST ASSY, JOYSTICK AND 2 AUX CONTROL



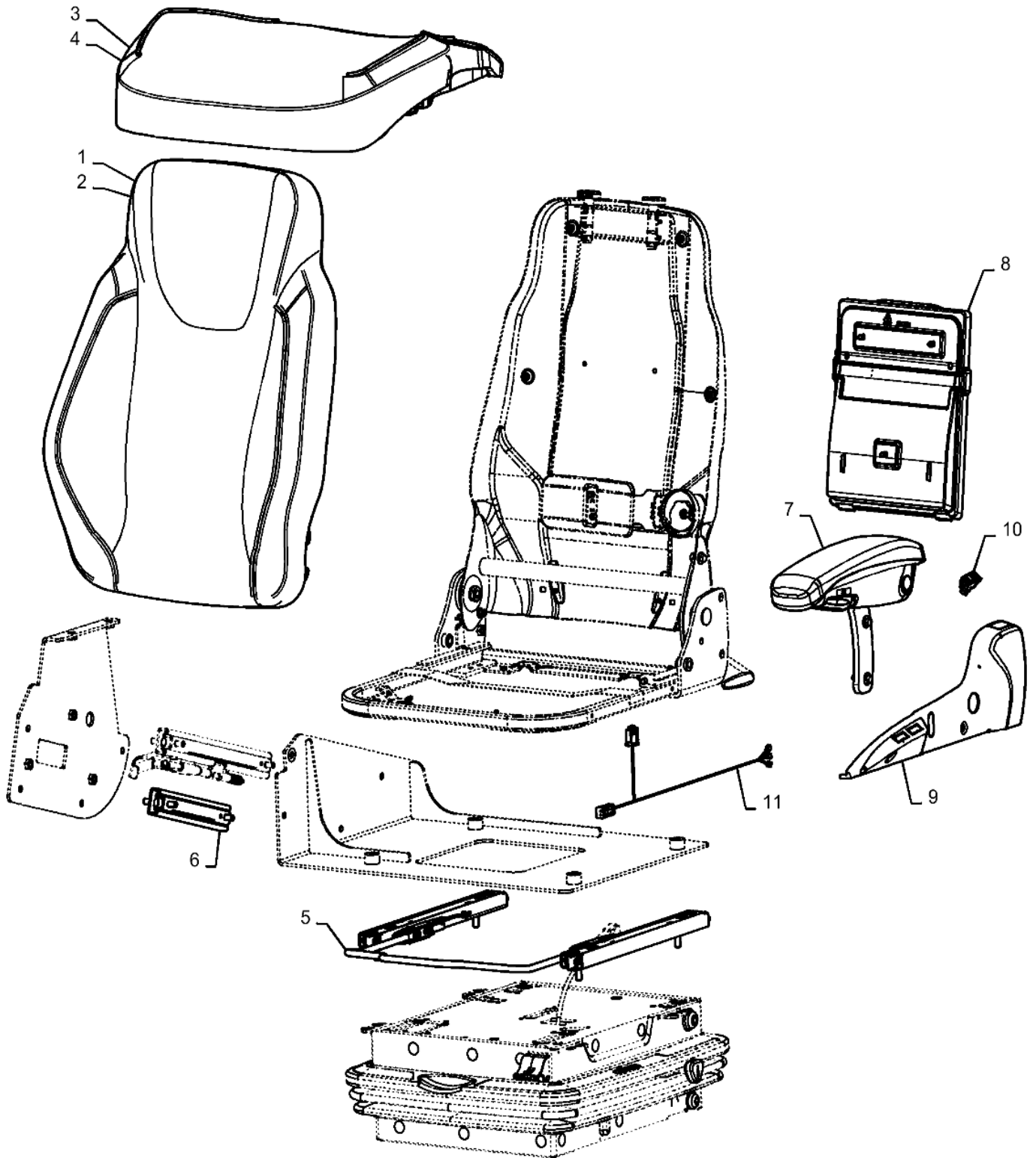
90.124.010

01

p1

3/2019

VAR - 734063, 734073 - SEAT, AIR SUSPENSION SERVICE PARTS, HEATED

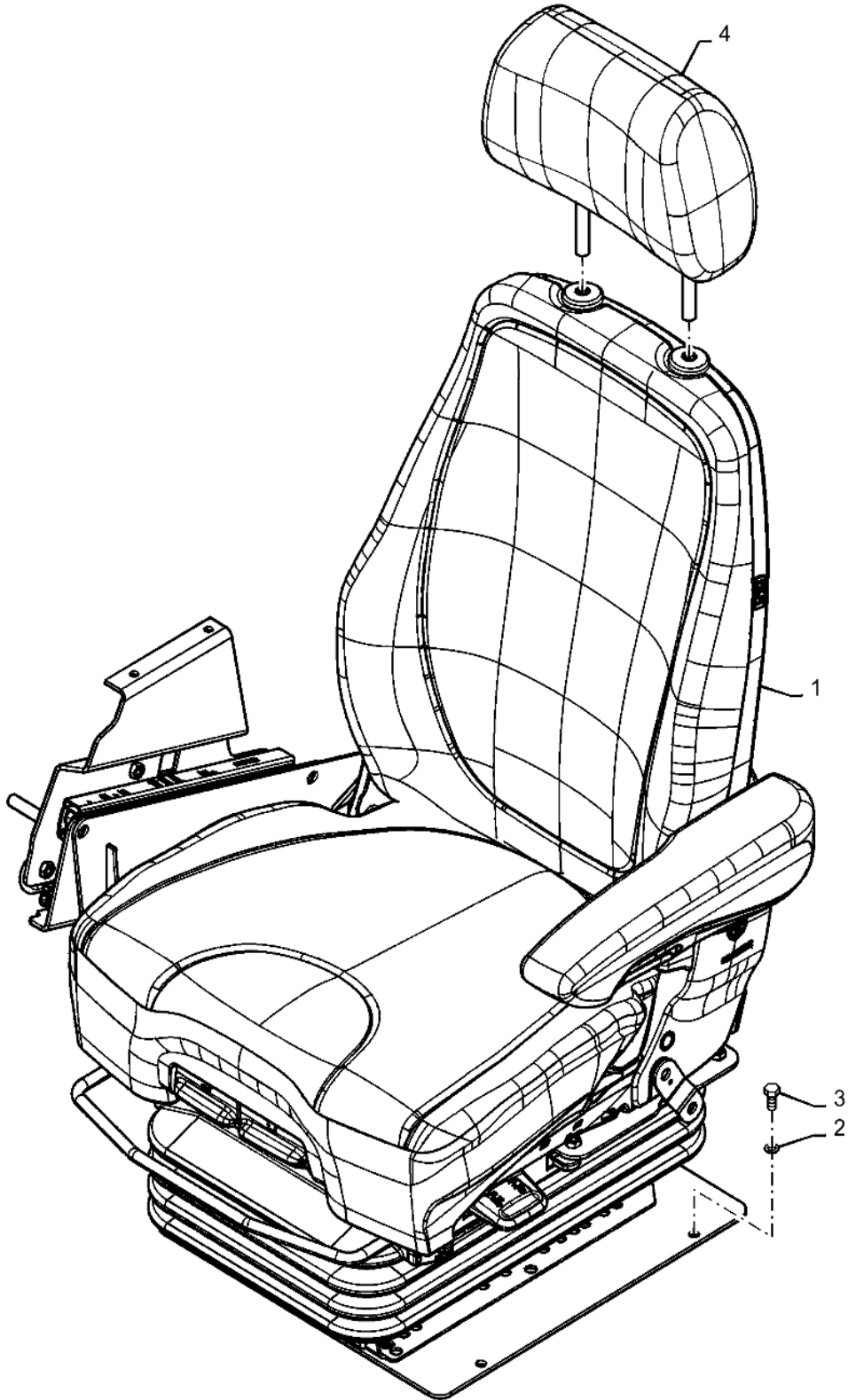


90.124.020

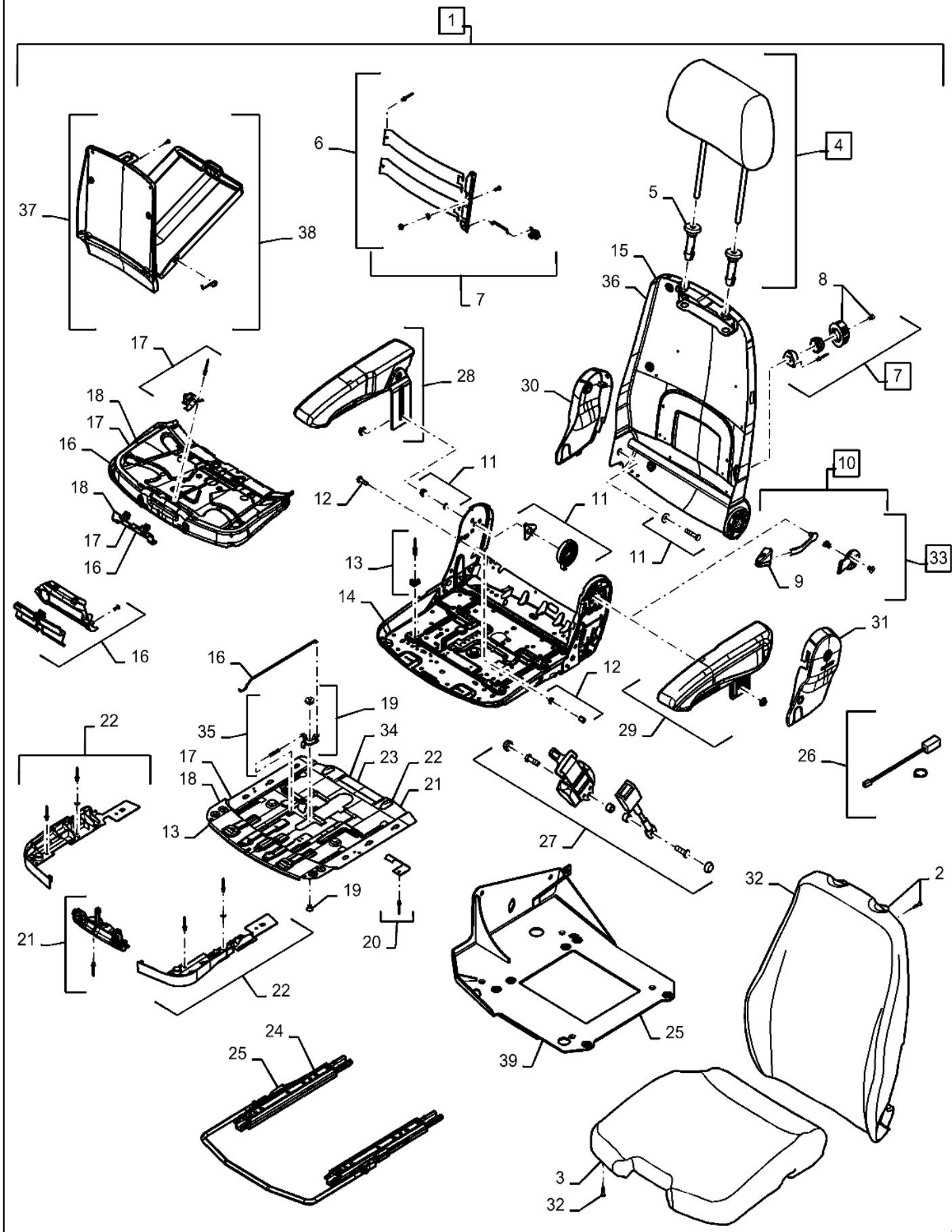
p1

3/2019

VAR - 734085 - PREMIUM HEATED AIR SEAT



SEAT, PREMIUM HEATED AIR SUSPENSION



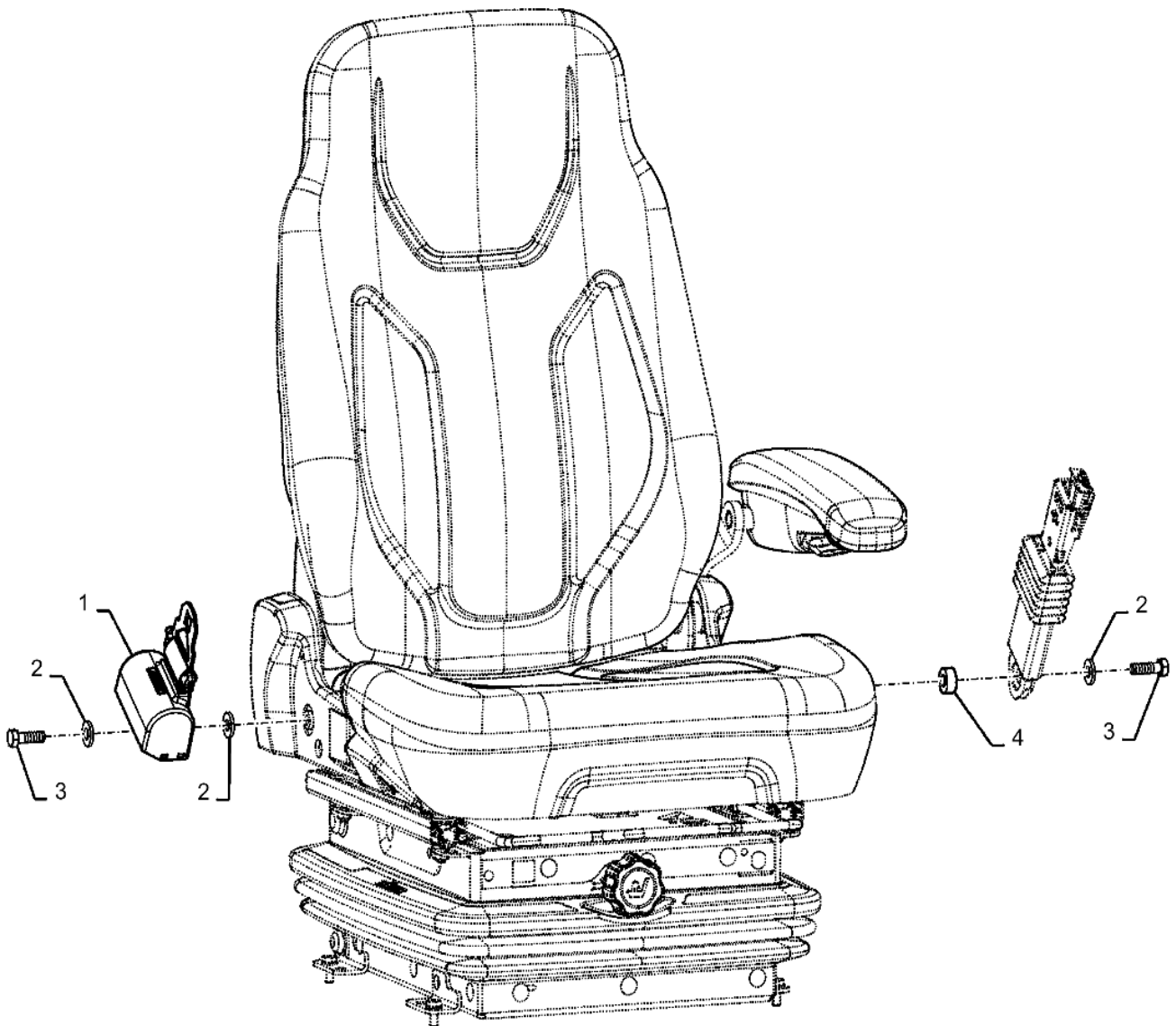
90.151.010

01

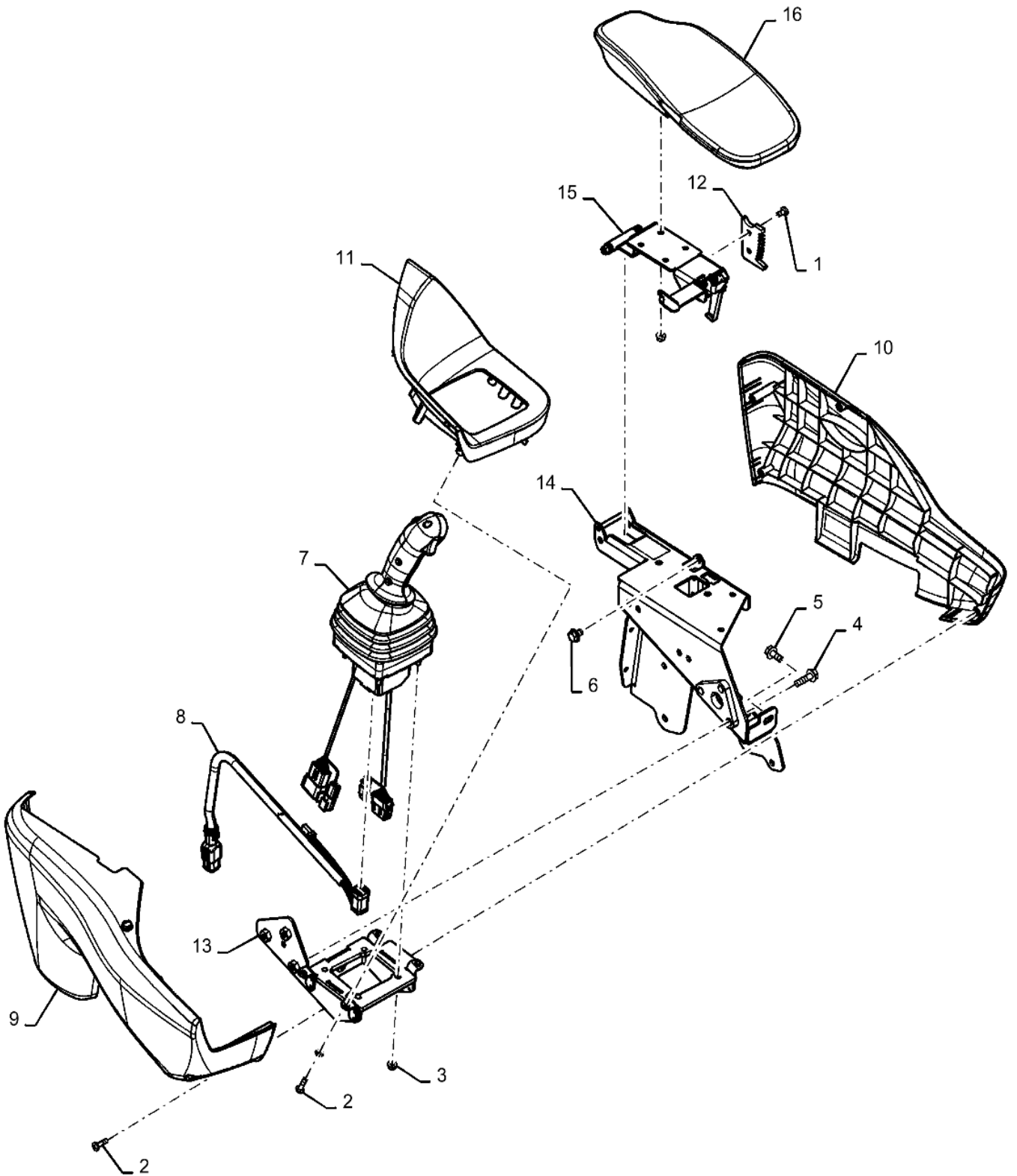
p1

3/2019

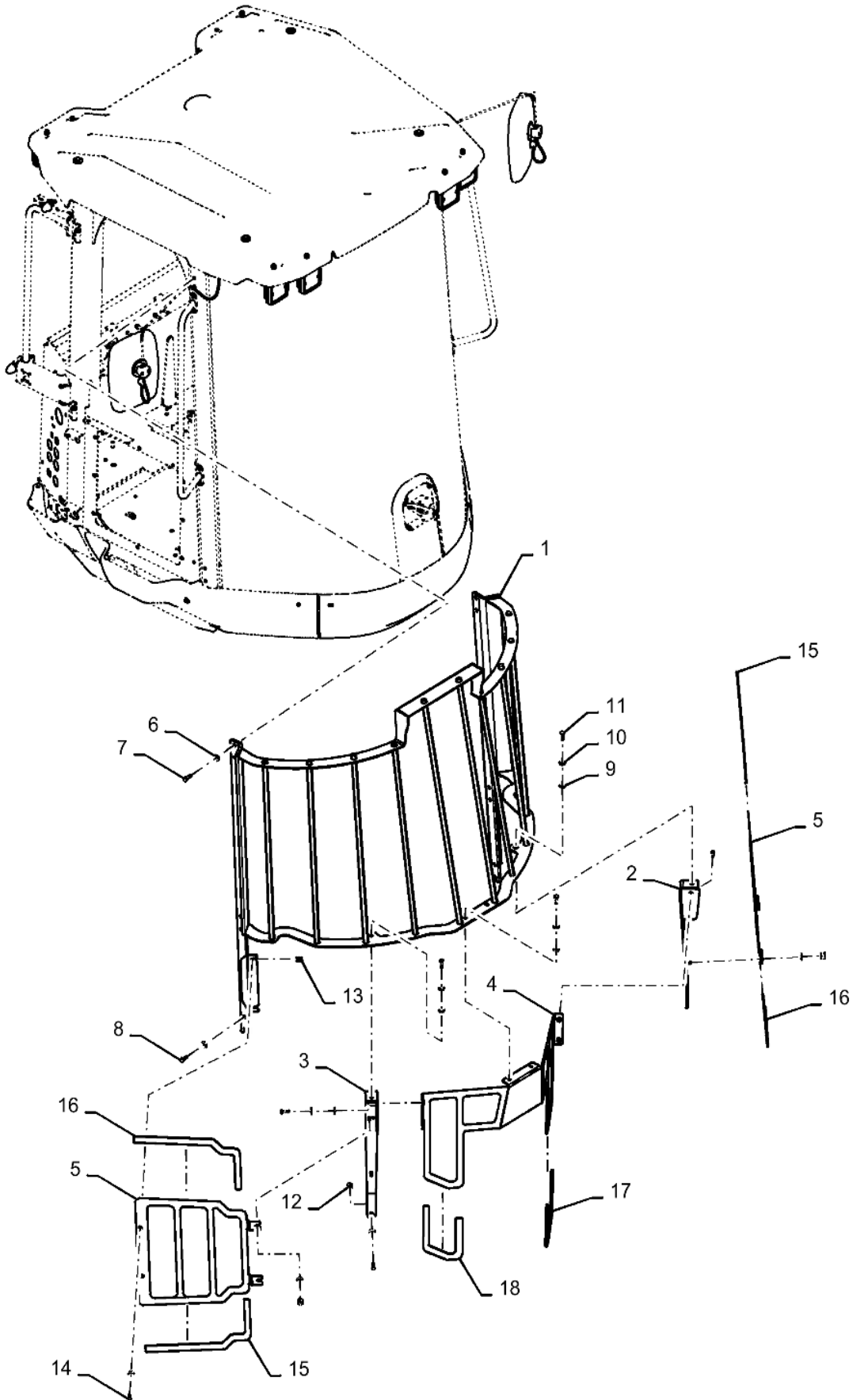
VAR - 734058 - 2" SEAT BELT HARDWARE AND MOUNTING



ARMREST ASSY, JOYSTICK AND 1 AUX CONTROL



WINDSHIELD GUARD

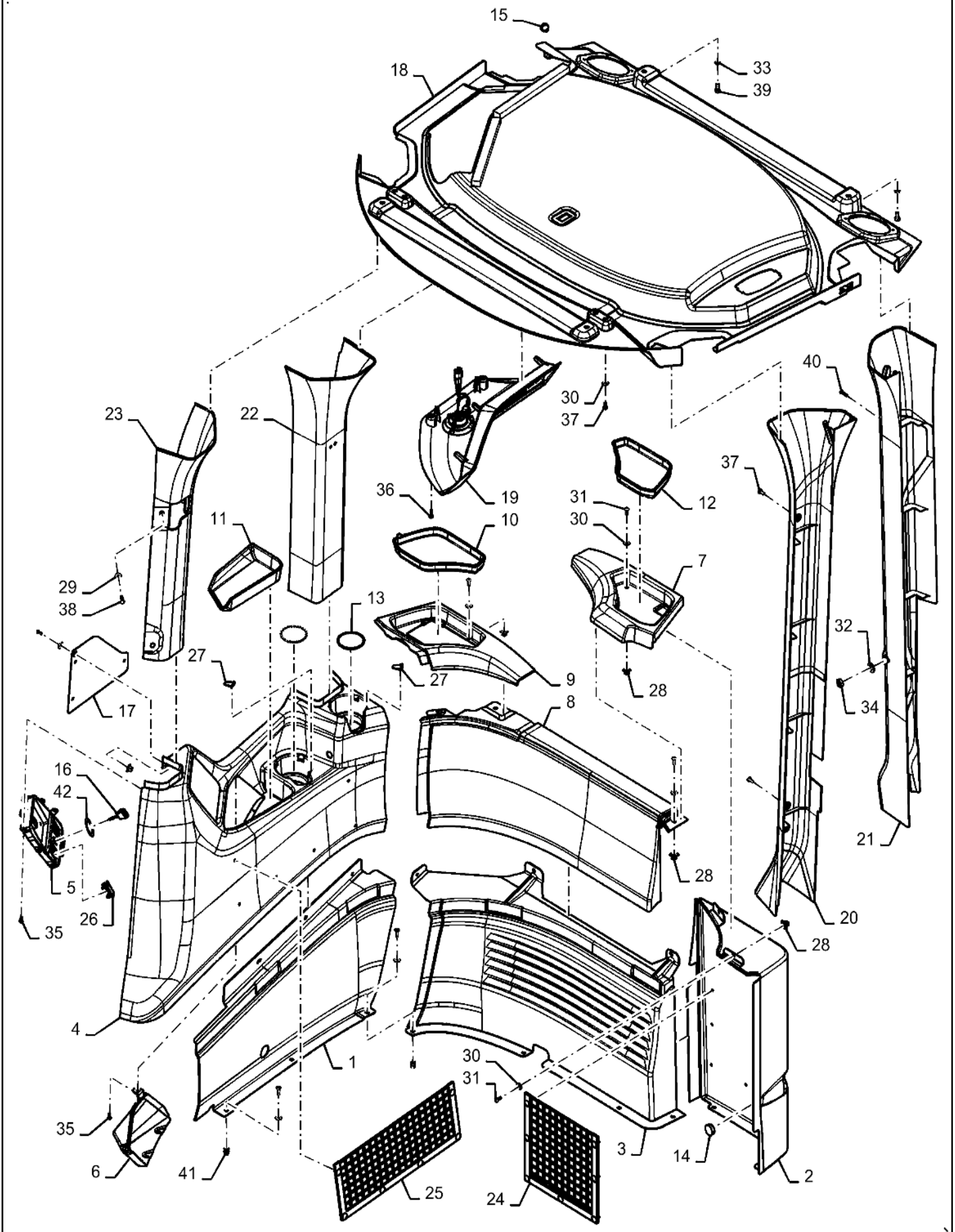


90.160.010

p1

3/2019

VAR - 734065 - CAB INTERIOR COVER



INDEX - INDICE - INDEX - ZAHLENVERZEICHNIS - INDICE - INDICE - INDHOLD - INHOUD

Number	Figure	Sequence	Ref.	Number	Figure	Sequence	Ref.
	05.100.03		1	13276621	88.100.35	18	8
	05.100.03		2	13276621	88.100.35	19	7
	05.100.03		3	13311214	90.156.020	01	17
	05.100.03		4	13407211	82.100.030		33
	05.100.03		5	140028	39.100.020	02	7
	05.100.03		6	140045	41.200.040	01	4
	05.100.03		7	140045	41.200.060	01	11
	05.100.03		8	14142490	05.100.02	01	43
-	82.001.00			14420231	82.100.030		8
1-34-751-727	90.124.040	02	22	14421031	82.100.030		7
1-34-751-728	90.124.040	02	21	14438185	33.202.010	02	43
1-34-751-739	90.124.040	02	17	14496631	82.100.030		29
100080A1	33.202.050		11	14496705	55.301.010	01	12
100113A1	33.202.050		1	14496705	55.301.020	01	16
10395890	05.100.02	01	54	14496731	82.100.030		24
10401190	05.100.02	01	58	14507687	90.102.010	01	5
10571577	88.100.35	18	7	1472163	90.124.040	01	24
10571577	88.100.35	19	6	1542830C2	35.752.030		19
109239C2	50.100.060		39	1542831C1	41.200.070	01	8
109239C2	50.200.050		10	1542833C1	35.752.030		7
10979231	82.100.030		30	1546497C1	55.417.010		8
11107831	82.100.030		6	1546498C1	55.417.010		9
11112631	82.100.030		25	1546498C1	55.417.010	02	7
11113831	90.116.130	01	9	1547924C1	35.300.010	02	3
116893A1	39.105.010		22	1547924C1	35.300.020	03	34
117025A1	39.105.010		27	16043231	35.752.030	01	2
120162	10.500.010	01	22	16739295	05.100.02	01	44
120229A1	88.100.070		6	178889A1	35.300.030	02	17
121410A1	88.100.55	01	13	182721A2	88.100.55	07	3
12164321	82.300.070	01	4	184716A1	25.102.010		13
12164321	82.300.080	01	3	184716A1	27.106.020		13
124639A1	35.701.010	02	4	184716A1	27.106.030		13
1251791C1	10.216.010	02	4	185439A1	21.155.010	05	16
12574111	88.100.030		11	185439A1	21.155.010	05	16
12577221	82.100.030		5	185439A1	21.155.010	06	16
126268A1	39.100.140	01	3	185439A1	21.155.010	06	16
126268A1	39.100.140	02	3	185439A1	21.155.010	07	12
12644301	55.404.110	01	2	185439A1	21.155.010	07	12
12644301	55.404.110	02	2	185442A1	21.155.010	05	16
12644401	90.154.010	01	22	185442A1	21.155.010	05	16
126844A1	90.118.030		6	185442A1	21.155.010	06	16
126844A1	90.160.010		26	185442A1	21.155.010	06	16
128483A1	50.100.060		36	185442A1	21.155.010	07	12
128483A1	50.100.060		37	185442A1	21.155.010	07	12
128484A1	50.100.060		35	185446A1	21.155.010	05	16
128485A1	50.100.060		34	185446A1	21.155.010	05	16
131-141	35.300.010	01	21	185446A1	21.155.010	06	16
131-141	35.300.020	03	39	185446A1	21.155.010	06	16
131-431	90.108.010	02	9	185446A1	21.155.010	07	12
131-53	39.105.010		28	185446A1	21.155.010	07	12

INDEX - INDICE - INDEX - ZAHLENVERZEICHNIS - INDICE - INDICE - INDHOLD - INHOUD

Number	Figure	Sequence	Ref.	Number	Figure	Sequence	Ref.
47606573	33.202.060	01	1	47656859	10.202.010		2
47615303	10.254.010		31	47657122	90.108.010	02	2
47616172	90.156.020	01	4	47657740	35.480.040	01	18
47616178	90.154.010	01	6	47657976	35.480.010	01	15
47619845	90.151.050		4	47657976	35.480.020	01	15
47624200	50.100.060		32	47657976	35.480.030	01	15
47624200	50.200.060		15	47659233	35.480.010	01	26
47624200	88.100.50	01	20	47659233	35.480.020	01	26
47624208	50.100.060		33	47659233	35.480.030	01	27
47624208	50.200.060		13	47659236	35.480.030	01	3
47624208	88.100.50	01	21	47659237	35.480.010	01	7
47626093	10.400.040	02	1	47659237	35.480.020	01	7
47629403	90.120.010		1	47659237	35.480.030	01	7
47629448	90.156.020	01	10	47659237	35.480.040	01	16
47629480	90.154.010	01	2	47660285	35.480.010	01	24
47629480	90.156.020	01	3	47660285	35.480.020	01	24
47632192	41.101.020		2	47660285	35.480.030	01	24
47633591	55.024.010	02	16	47662783	90.151.070		1
47633591	55.024.010	02	17	47664124	90.150.010		2
47635462	90.108.010	01	6	47664125	90.150.010		1
47636298	10.400.060		1	47667658	90.124.010		2
47638123	33.202.030	01	13	47667702	50.100.050		18
47638258	55.518.030		1	47669071	55.024.010	02	15
47638278	10.102.010	01	3	47670916	55.510.020	01	3
47638278	10.102.030	01	3	47672852	33.202.010	02	10
47638281	10.102.010	01	8	47675929	50.100.040		1
47638281	10.102.030	01	8	47675929	50.100.050		1
47639539	90.118.010		3	47675929	88.100.50	01	3
47639539	90.118.020		3	47676445	10.500.020	02	3
47640144	33.202.060	01	2	47678022	90.156.020	01	8
47640144	88.100.33	01	13	47678023	90.154.010	01	3
47643480	41.101.020		3	47680524	05.100.01	01	14
47643484	55.510.030	01	19	47680524	05.100.03	01	6
47643834	90.154.010	01	17	47680524	10.500.020	02	10
47645292	50.100.010		1	47682004	90.150.010		3
47645292	50.100.020		1	47684473	35.752.010	03	18
47646636	41.101.020		6	47685336	55.510.030	06	5
47646722	35.480.020	01	1	47686204	55.101.020	02	11
47646722	35.480.040	01	9	47686363	88.100.33	01	1
47646729	88.100.55	07	10	47686571	35.752.030		27
47646862	35.480.010	01	8	47686571	88.100.35	06	1
47646862	35.480.020	01	8	47687020	35.701.100	01	25
47646862	35.480.030	01	8	47687020	88.100.35	07	1
47646869	35.480.040	01	17	47687026	88.100.35	21	1
47647166	10.254.010		7	47687032	88.100.50	01	1
47647458	90.151.060		2	47687034	88.100.55	05	1
47647774	88.100.55	06	6	47687035	88.100.90	02	1
47647833	10.500.020	01	27	47687036	88.100.55	04	1
47654964	10.500.020	01	4	47688490	50.200.040		2
47655476	10.500.020	02	2	47689567	50.100.060		31

CLICK HERE TO **DOWNLOAD** THE COMPLETE MANUAL

- Thank you very much for reading the preview of the manual.
- You can download the complete manual from: www.heydownloads.com by clicking the link below



- Please note: If there is no response to **CLICKING** the link, please download this PDF first and then click on it.

CLICK HERE TO **DOWNLOAD** THE COMPLETE MANUAL