

All rights reserved by **CNHi**.

The information contained in this catalogue is intended to be of a general nature only. **CNHi** may at any time and from time to time, for technical or other necessary reasons, modify any of the details or specifications of the product described in this catalogue.

To be sure of getting accurate, detailed and up-to-date information, an intending buyer should consult his nearest **CNHi** dealer or distributor.

Single item numeration method used in this catalogue may not be used without written consent from **CNHi**.

CLICK HERE TO **DOWNLOAD** THE COMPLETE MANUAL

- Thank you very much for reading the preview of the manual.
- You can download the complete manual from: www.heydownloads.com by clicking the link below



- Please note: If there is no response to CLICKING the link, please download this PDF first and then click on it.

CLICK HERE TO **DOWNLOAD** THE COMPLETE MANUAL

TABLE OF CONTENTS

55.405.010	BRAKE, LIGHT SWITCH
55.405.040	HAZARD LIGHT SWITCH
55.405.050	WORK LIGHT, REAR, SWITCH
55.405.060	VAR - 423000, 442082, 442085, 747853, 747854, 747855 - WORK LIGHT, SWITCH
55.405.080	VAR - 423060, 423061, 423062 - SEMI-POWERSHIFT, POWERSHIFT, TRANSMISSION, FRONT, CONSOLE, INDICATOR LIGHT, SWITCH
55.405.090	VAR - 423062 - TRANSMISSION, POWERSHIFT, STOP LIGHT, PRESSURE SWITCH, 4WD
55.405.100	VAR - 728758 - ROTARY BEACON, SWITCH
55.405.140	VAR - 423058, 423059 - POWERSHUTTLE, TRANSMISSION, FRONT, CONSOLE, INDICATOR LIGHT, SWITCH
55.408.010	HORN
55.408.020	HORN
55.408.030	BACKUP ALARM
55.408.040	INSTRUMENT CLUSTER
55.415.010	LOADER ARM, BUCKET, LEVEL INDICATOR
55.425.010	VAR - 747662 - BACKHOE ARM, PILOT CONTROLS, HAMMER, HARNESS
55.425.020	VAR - 423078, 747669 - BACKHOE ARM, PILOT CONTROLS, HARNESS
55.425.030	VAR - 423078, 747669 - BACKHOE ARM, PILOT CONTROLS, STABILIZER, SWITCH
55.425.040	VAR - 423078, 747669 - BACKHOE ARM, PILOT CONTROLS, SWITCH
55.425.050	7-SPOOL, AUXILIARY CONTROL VALVE, SENSOR
55.425.060	8-SPOOL, AUXILIARY CONTROL VALVE, SENSOR
55.510.010	AUXILIARY POWER OUTLET, 12V
55.510.030	VAR - 423058, 423059 - POWERSHUTTLE, TRANSMISSION, RIGHT SIDE, HARNESS
55.510.040	VAR - 423058, 423059 - POWERSHUTTLE, TRANSMISSION, RIGHT SIDE, HARNESS W/ OPT, FUSE BOX, DIODE
55.510.050	VAR - 423060, 423061, 423062 - SEMI-POWERSHIFT, POWERSHIFT, TRANSMISSION, FRONT, CONSOLE, HARNESS
55.510.060	VAR - 423060, 423061, 423062 - SEMI-POWERSHIFT, POWERSHIFT, TRANSMISSION, FRONT, CONSOLE, HARNESS, DIODE
55.510.070	VAR - 423060, 423061, 423062 - SEMI-POWERSHIFT, POWERSHIFT, TRANSMISSION, SIDE, CONSOLE, HARNESS
55.510.080	VAR - 423060, 423061, 423062 - SEMI-POWERSHIFT, POWERSHIFT, TRANSMISSION, SIDE, CONSOLE, HARNESS, DIODE
55.510.090	VAR - 747853, 747854, 747855 - CAB, ROOF, WIRE HARNESS
55.510.160	VAR - 423058, 423059 - POWERSHUTTLE, TRANSMISSION, FRONT, CONSOLE, HARNESS
55.511.040	VAR - 423000, 442082 - CANOPY, WORK LIGHT, REAR, HARNESS
55.511.050	VAR - 423000, 442082 - CANOPY, WORK LIGHT, FRONT, HARNESS
55.511.090	VAR - 423000, 442082 - CANOPY, WORK LIGHT, C-POST, HARNESS
55.512.010	INSTRUMENT CLUSTER, MULTIFUNCTION SWITCH

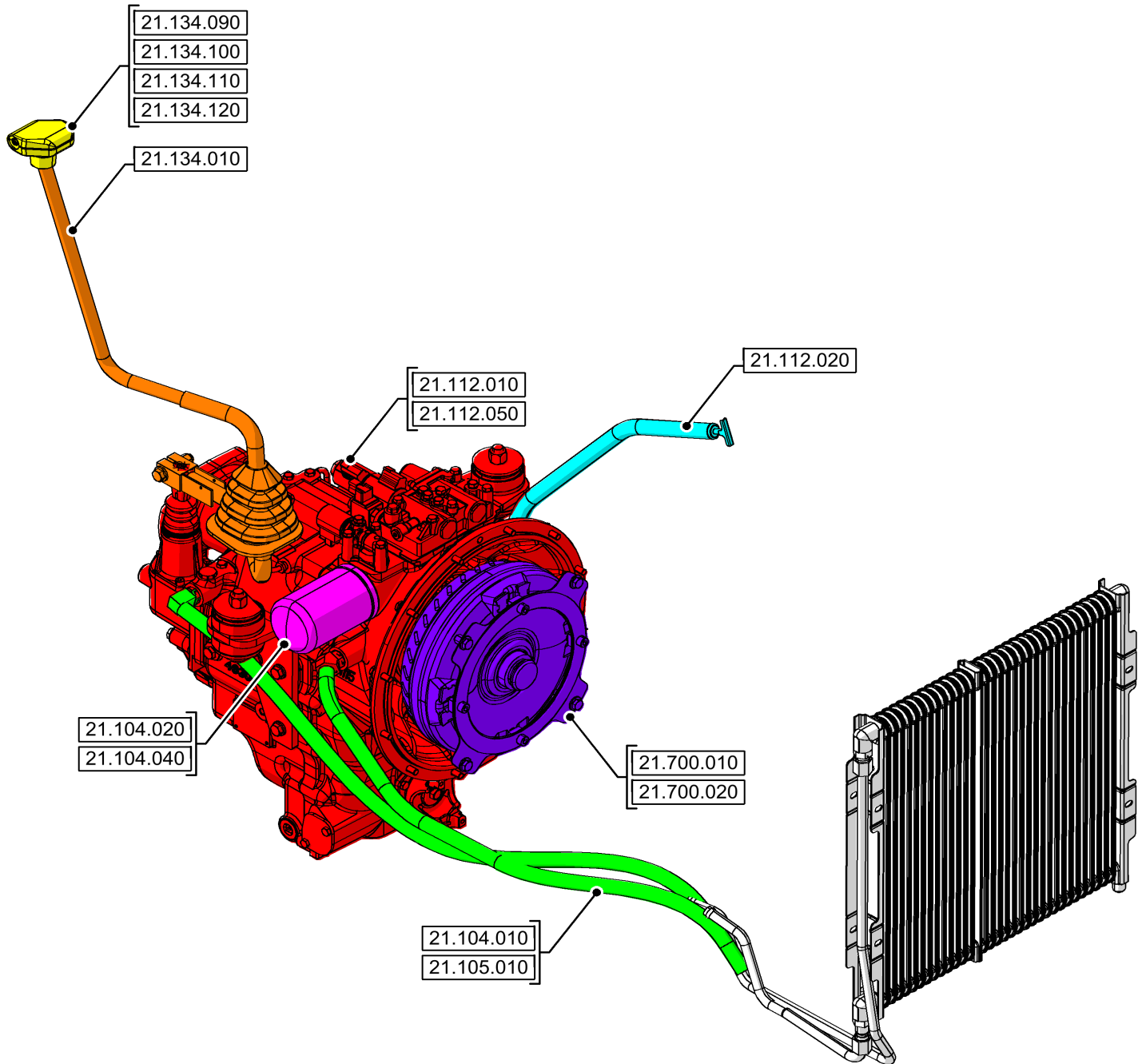
00.000.21

01

p1

6/2019

PICTORIAL INDEX - TRANSMISSION, POWERSHUTTLE



00.000.35

01

p1

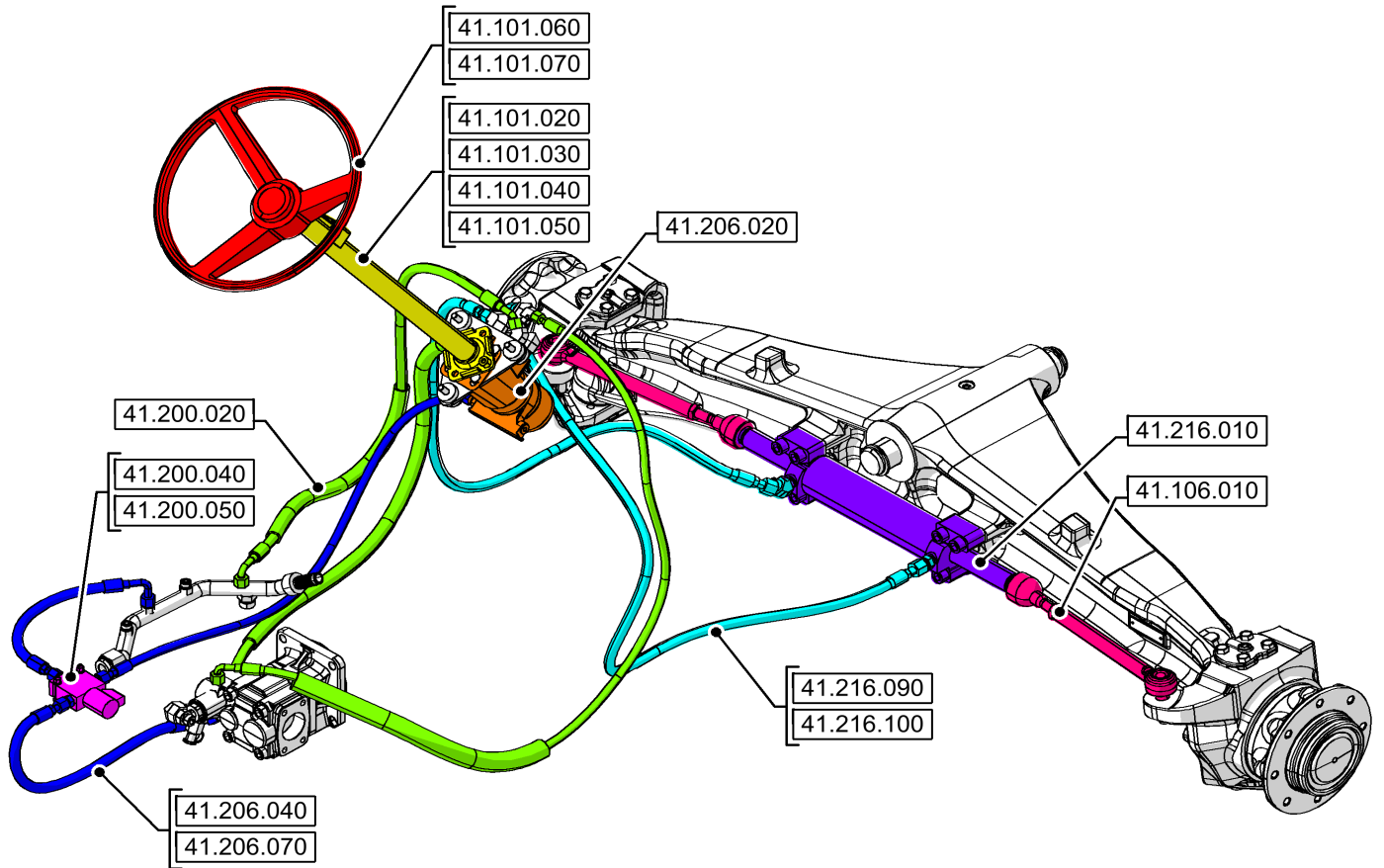
6/2019

PICTORIAL INDEX - HYDRAULIC SYSTEMS

REF FN	PART NUMBER	YR/SN	QTY	DESCRIPTION
---------------	--------------------	--------------	------------	--------------------

580SN-BACKHOE LOADER, 4WD - TIER 3 NRC - MY18

PICTORIAL INDEX - STEERING, 2WD



00.000.55

07

p1

6/2019

PICTORIAL INDEX - ELECTRICAL SYSTEMS

REF FN	PART NUMBER	YR/SN	QTY	DESCRIPTION
---------------	--------------------	--------------	------------	--------------------

580SN-BACKHOE LOADER, 4WD - TIER 3 NRC - MY18

00.100.04

02

p1

6/2019

OPTIONAL EQUIPMENT

VARIANT CODE	DESCRIPTION	APPLICATION											
		580N NR 2WD	580N NR 2WD Malaysia	580N NR 2WD China	580N NR 4WD	580N NR 4WD China	580SN NR 2WD	580SN NR 2WD Malaysia	580SN NR 4WD	580SN NR 4WD Malaysia	580SN WT NR	590SN NR 2WD	590SN NR 4WD
442100	SPARE WHEEL/TIRE 19.5L X 24, 10PR	●		●	●	●	●		●		●	●	●
442101	SPARE WHEEL/TIRE 17.5L X 24, 10PR		●										
728758	ROTATING BEACON	●		●	●	●		●		●	●	●	●
742242	STANDARD LOADER LINKAGE W/O FRONT END EQUIPMENT	●		●	●	●		●		●	●	●	●
742369	2 LEVER CONTROLS	●		●	●	●		●		●	●	●	●
742433	BUCKET, 1.2 YD - 93 IN 4-IN-1	●		●	●	●		●		●	●	●	●
742651	TILT STEERING - CAB UNITS ONLY	●		●	●	●		●		●	●	●	●
742803	FRONT FENDERS	●		●	●	●		●		●	●	●	●
745119	CANADIAN COMPLIANCE LABEL		●					●		●			
745121	CASE SITEWATCH ON-BOARD TELEMATICS - CAB	●		●	●	●		●		●	●	●	●
745124	TELEMATICS 1 YEAR BASIC SUBSCRIPTION	●		●	●	●		●		●	●	●	●
745125	TELEMATICS 2 YEAR BASIC SUBSCRIPTION	●		●	●	●		●		●	●	●	●
745126	TELEMATICS 3 YEAR BASIC SUBSCRIPTION	●		●	●	●		●		●	●	●	●
745127	TELEMATICS 4 YEAR BASIC SUBSCRIPTION	●		●	●	●		●		●	●	●	●
745128	TELEMATICS 5 YEAR BASIC SUBSCRIPTION	●		●	●	●		●		●	●	●	●
745129	TELEMATICS 1 YEAR ADVANCED SUBSCRIPTION	●	●		●	●		●	●		●	●	●
745130	TELEMATICS 2 YEAR ADVANCED SUBSCRIPTION	●		●	●	●		●		●	●	●	●
745131	TELEMATICS 3 YEAR ADVANCED SUBSCRIPTION	●		●	●	●		●		●	●	●	●
745132	TELEMATICS 4 YEAR ADVANCED SUBSCRIPTION	●		●	●	●		●		●	●	●	●
745133	TELEMATICS 5 YEAR ADVANCED SUBSCRIPTION	●		●	●	●		●		●	●	●	●
745136	4WD GUARD	●		●	●	●		●		●	●	●	●
745159	WORK LIGHTS - CAB	●		●	●	●		●		●	●	●	●
745160	SEAT, DELUXE VINYL - HEATED AND AIR SUSPENSION		●					●		●			
745161	SEAT, DELUXE CLOTH - HEATED AND AIR SUSPENSION	●		●	●	●		●		●	●	●	●
745162	BACKHOE UNIVERSAL MECH QUICK COUPLER	●		●	●	●		●		●	●	●	●
745165	SWING DAMPENING FOR PILOT CONTROLS	●		●	●	●		●		●	●	●	●
745166	SWING DAMPENING FOR MECHANICAL CONTROLS	●		●	●	●		●		●	●	●	●
745167	LOCKING DEF COVER	●		●	●	●		●		●	●	●	●
745168	STD SPARE WHEEL/TIRE 19.5L X 24, 10 PR	●		●	●	●		●		●	●	●	●
745169	STD SPARE WHEEL/TIRE 17.5L X 24, 10 PR		●					●		●			
745171	ENGINE ECONOMY MODE	●		●	●	●		●		●	●	●	●
745242	LED LIGHT PACKAGE	●		●	●	●		●		●	●	●	●
745243	STANDARD LIGHTS	●		●	●	●		●		●	●	●	●
745252	SEVERE COLD WEATHER PACKAGE	●		●	●	●		●		●	●	●	●
745269	STANDARD 4WD FRONT AXLE	●		●	●	●		●		●	●	●	●
745270	OPTIONAL 4WD FRONT AXLE	●		●	●	●		●		●	●	●	●
747539	BUCKET, 1.25 YD - 93 IN LONG LIP	●		●	●	●		●		●	●	●	●
747580	LIGHT FRONT COUNTERWEIGHT, STANDARD DIPPER	●		●	●	●		●		●	●	●	●
747657	BUCKET, 1 YD - 82 IN HD LONG LIP W/ CUTTING EDGE	●		●	●	●		●		●	●	●	●
747661	AUXILIARY HYDRAULICS/UNI-DIRECT W/O PILOT CONTROLS	●		●	●	●		●		●	●	●	●
747662	AUXILIARY HYDRAULICS/UNI-DIRECT W/ PILOT CONTROLS	●		●	●	●		●		●	●	●	●
747665	CHAFF SCREEN	●		●	●	●		●		●	●	●	●
747669	PILOT CONTROLS W/ AUTO-UP		●					●		●			
747735	3 INCH RETRACTABLE SEAT BELT	●		●	●	●		●		●	●	●	●
747770	CLOTH SEAT SUSP W/ ARMRESTS	●		●	●	●		●		●	●	●	●
747776	3 SPOOL VALVE HYDRAULICS AND CONTROLS, W/O PILOT CONTROLS	●		●	●	●		●		●	●	●	●
747850	SEAT, VINYL W/O ARMRESTS	●		●	●	●		●		●	●	●	●
747851	VINYL SEAT SUSPENSION W/ ARMRESTS	●		●	●	●		●		●	●	●	●
747853	CAB, 2 DOOR W/HEAT AND A/C	●		●	●	●		●		●	●	●	●
747854	CAB, SINGLE DOOR W/ HEAT		●					●		●			
747855	CAB, SINGLE DOOR W/ HEAT AND A/C	●		●	●	●		●		●	●	●	●
747862	BUCKET, 1 YD - 82 IN HD LONG LIP	●		●	●	●		●		●	●	●	●
747863	BUCKET, 1 YD - 82 IN 4-IN-1	●		●	●	●		●		●	●	●	●
747864	3 SPOOL VALVE HYDRAULICS AND CONTROLS FOR PILOT CONTROLS	●		●	●	●		●		●	●	●	●

CAPACITIES

REF	FN	PART NUMBER	YR/SN	QTY	DESCRIPTION
1	^{1.2}	{-}		13.6	Engine Crank Case (Qty in Liters), (14.4 US qt)
2	³	{-}		159	Fuel Tank (Qty in Liters), (42 US Gallons)
3	⁴	{-}		17.3	Cooling System W/O Heater (Qty in Liters), (18.3 US qt)
3	⁴	{-}		18	Cooling System W/ Heater (Qty in Liters), (19.0 US qt)
4	^{5.6}	{-}		113	Hydraulic System, Total (Qty in Liters), (119.4 US qt)
4	^{5.6}	{-}		118.7	Hydraulic System, Total with Extendahoe (Qty in Liters), (125.4 US qt)
5	^{5.6}	{-}		55	Hydraulic Oil Reservoir W/ Filter Change (Qty in Liters), (58.1 US qt)
5	^{5.6}	{-}		53	Hydraulic Oil Reservoir W/O Filter Change (Qty in Liters), (56 US qt)
6	^{5.6}	{-}		17	Powershuttle Transmission, 2WD, Total (Qty in Liters), (18 US qt)
6	^{5.6}	{-}		10.5	Powershuttle Transmission, 2WD, Refill (Qty in Liters), (11 US qt)
6	^{5.6}	{-}		19.4	Powershuttle Transmission, 4WD, Total (Qty in Liters), (21 US qt)
6	^{5.6}	{-}		13	Powershuttle Transmission, 4WD, Refill (Qty in Liters), (14 US qt)
7	^{5.6}	{-}		21.7	Powershift S-Type Transmission, 2WD, Total (Qty in Liters), (22.9 US qt)
(1)		Recommended Product: CASE AKCELA UNITEK N.1™ SBL CJ-4 SAE 10W-40 Engine Oil			
(2)		Recommended Product (SCWP) : CASE AKCELA UNITEK N.1™ SSL CJ-4 SAE 0W-40 Engine Oil			
(3)		Recommended Product: ASTM D975 Grade No. 2-D S15 (No. 2 Diesel)			
(4)		Recommended Product: 50% CASE AKCELA ACTIFULL™ OT EXTENDED LIFE Coolant + 50% Distilled Water			
(5)		Recommended Product: CASE AKCELA NEXPLORE™ Fluid			
(6)		Recommended Product (SCWP) : CASE AKCELA HY-TRAN® ULTRACTION SSL Fluid			

580SN-BACKHOE LOADER, 4WD - TIER 3 NRC - MY18

10.254.010

p1

6/2019

ENGINE HOOD, EXHAUST PIPE

REF FN	PART NUMBER	YR/SN	QTY DESCRIPTION
1	87309656		1 EXHAUST SYSTEM PIPE
2	87437804		1 PIPE CLAMP 94mm ID
3	87655046		2 SPECIAL WASHER 10.65mm ID x 23mm OD x 2.2mm Thk
4	892-11010		1 LOCK WASHER M10
5	829-1410		1 NUT M10 x 1.5, CI 10.9
6	614-10080		1 BOLT Hex, M10 x 1.5 x 80mm, CI 8.8, Full Thd

580SN-BACKHOE LOADER, 4WD - TIER 3 NRC - MY18

ENGINE, FAN, W/O AIR CONDITIONING

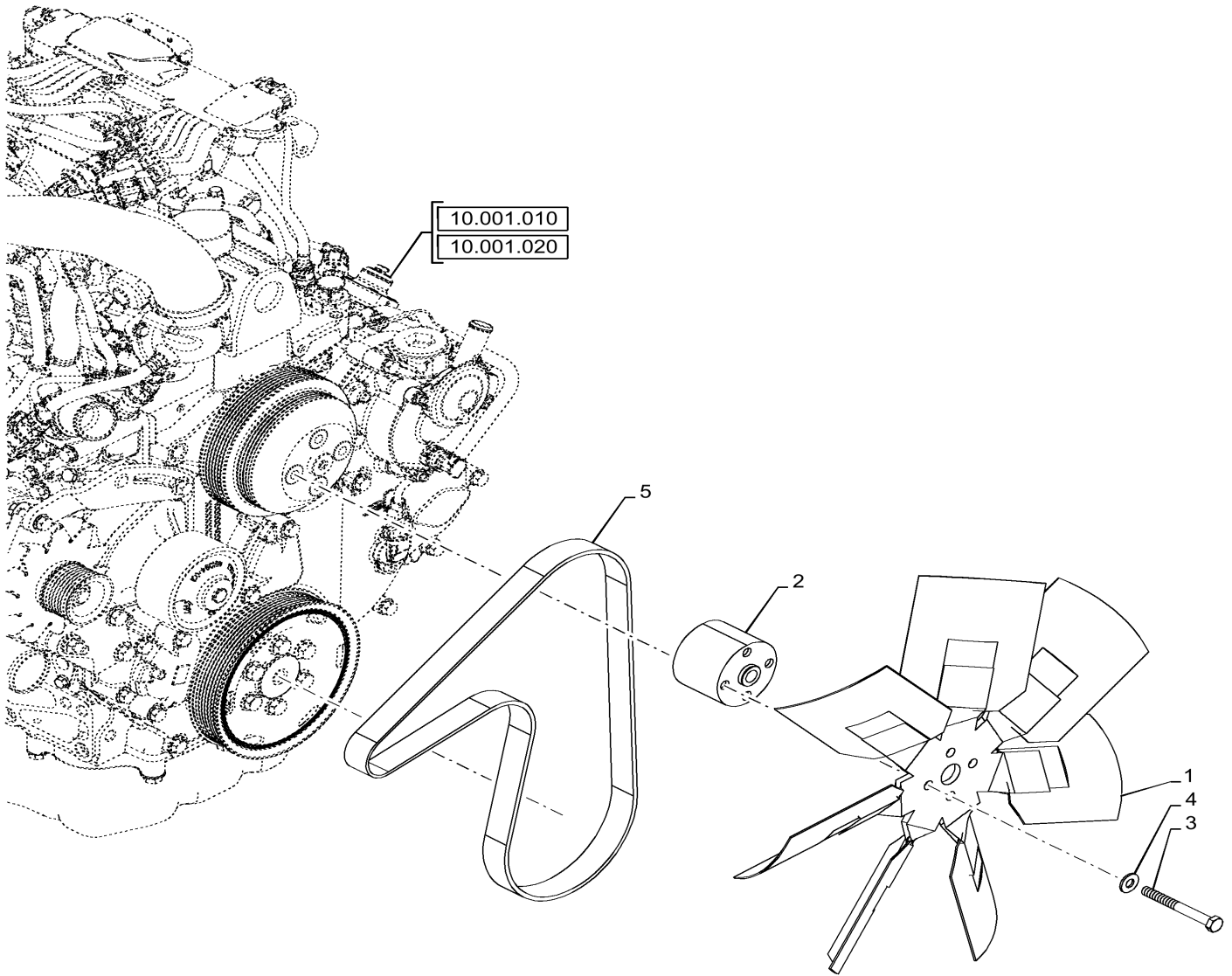


Figure is Valid with STD Equipment only when Var. X05021X (STD Cab Package) or Var. 423000, 423001, 442082 (Canopy) or Var. 747854 (Cab without Air Conditioning) is Equipped

VAR - 423058, 423059 - TRANSMISSION, POWERSHUTTLE, OIL COOLER, LINE

REF FN	PART NUMBER	YR/SN	QTY DESCRIPTION
1	87422597		1 HOSE 15.88mm ID x 975mm L, SAE 100R6 Transmission Cooler Fill
2	87422598		1 HOSE 15.88mm ID x 1225mm L, SAE 100R6 Transmission Cooler Return
3	D134399		1 LOOM
4	217-314		1 FITTING 45 Degree Elbow, 5/8" Hose Barb x 7/8" - 14 Male ORB
5	217-349		1 ELBOW 90 Degree Elbow, 5/8" Hose Barb x 7/8" - 14 Male ORB
6	328186A1		4 HOSE CLAMP 400mm L
7	L11541		1 CABLE TIE 203.2mm L, Nylon
8	D39696		1 CLAMP 25.40mm - 13.49mm Bolt, CTD
9	829-1410		1 NUT M10 x 1.5, CI 10.9

580SN-BACKHOE LOADER, 4WD - TIER 3 NRC - MY18

VAR - 423059 - TRANSMISSION, POWERSHUTTLE, COMPONENTS, HOUSING, 4WD

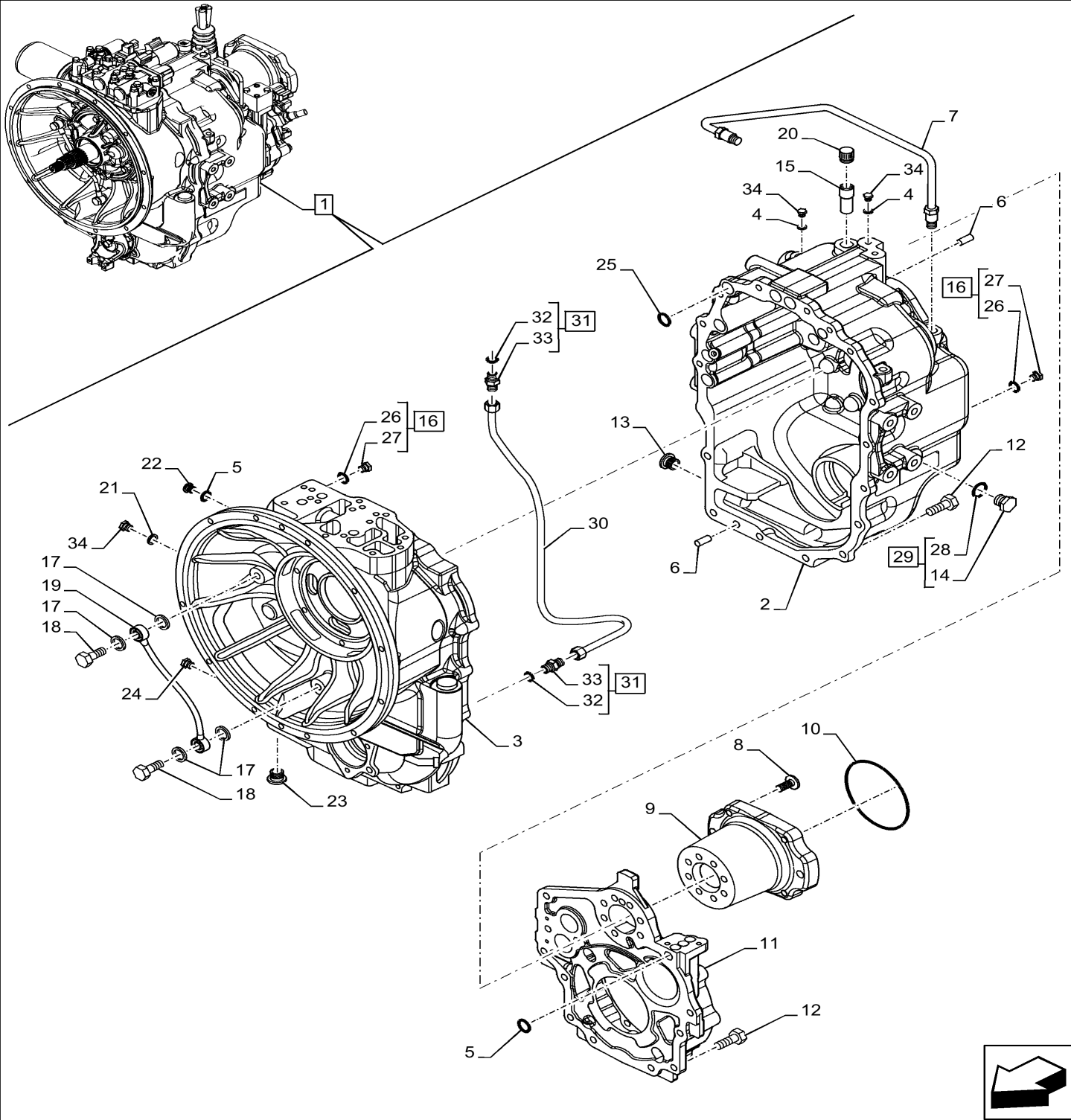


Figure is Valid with Commercial Var. 423059

VAR - 423059 - TRANSMISSION, POWERSHUTTLE, COMPONENTS, CONTROL VALVE, 4WD

REF FN	PART NUMBER	YR/SN	QTY DESCRIPTION
1	1 87395301		1 TRANSMISSION Pwrshuttle - 4wd ASSY, TLB 1 Up with SAHR, Incl 2 - 7
2	321428A1		1 HOUSING 4WD Valve
3	190431A1		1 VALVE
4	814-8060		3 BOLT Hex, M8 x 1.25 x 60mm, Cl 8.8
5	934667R1		1 SEALING RING M10 x 14 x 1
6	181100A1		1 PLUG 1/8 CAS x 8
7	366910A1		1 GASKET
(1)	See also Transmission Components in Figures 21.104.040, 21.112.060, 21.112.080, 21.134.050, 21.134.060, 21.154.070, 21.154.080, 21.154.090, 21.154.100, 21.154.110, 21.154.120, 21.154.130, 33.110.020, 55.024.040, 55.031.030, 55.031.040		

580SN-BACKHOE LOADER, 4WD - TIER 3 NRC - MY18

21.154.090

p1

6/2019

VAR - 423059 - TRANSMISSION, POWERSHUTTLE, COMPONENTS, DRIVE SHAFT, DRIVEN SHAFT, 4WD

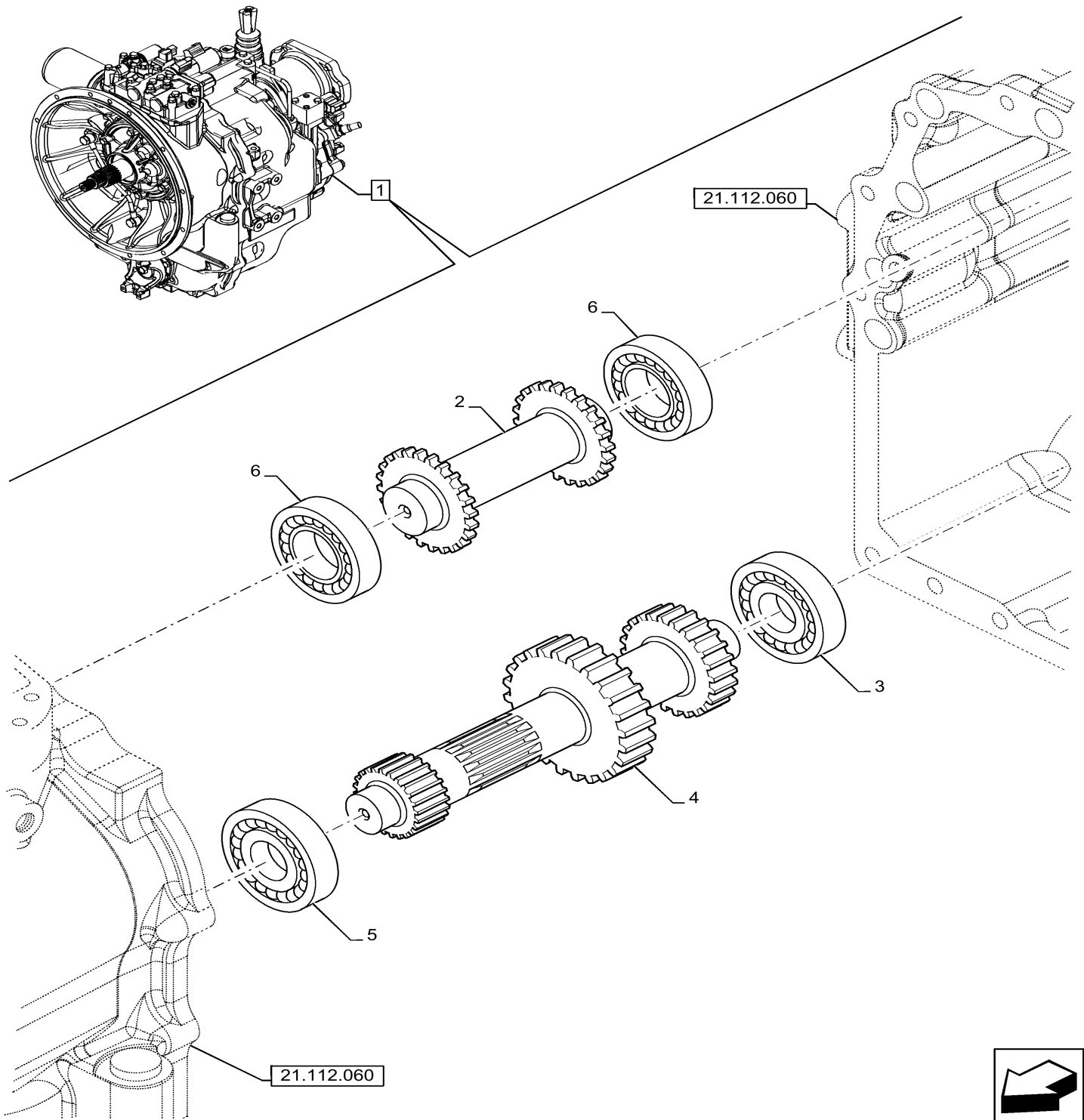


Figure is Valid with Commercial Var. 423059



VAR - 423062 - TRANSMISSION, POWERSHIFT, COMPONENTS, OUTPUT SHAFT, 4WD

REF FN	PART NUMBER	YR/SN	QTY DESCRIPTION
1	1	87567534	1 TRANSMISSION Pwrshft - H type ASSY, TLB 2, Powershift, Incl 2 - 29
2		87705564	1 FLANGE
3		100748A1	1 O-RING 1.421" ID x 1.699" OD x 0.139"
4		P3533055	1 SCREW M12 x 1.25 x 25mm
5		181123A1	1 OIL SEAL 60mm ID x 75mm OD x 8mm Thk
6		700524R91	1 BALL BEARING
7		87705528	1 SNAP RING
8		87705529	AR SHIM 0.1mm Thk
8		87705530	AR SHIM 0.3mm Thk
8		87705531	AR SHIM 0.5mm Thk
9		87705543	1 THRUST WASHER
10		87705544	6 BELLEVILLE WASHER
11		87705545	1 SPACER
12		358645A1	1 SEALING RING
13		87705547	1 PISTON
14		87705548	1 O-RING
15		87705549	1 BRAKE PLATE Powershift Transmission
16		87705551	3 PIN
17		87705552	3 O-RING 11.91mm ID x 2.6mm Width
18		87705550	1 SHAFT Output
19		87705554	1 CLUTCH OVERHAUL KIT Powershift Transmission Clutch KIT (4WD)
20		87705555	1 CIRCLIP
21		87705557	1 CIRCLIP 156.6mm OD x 2.5mm Thk
22		87705560	1 GEAR 41T Output Shaft
23		358633A1	1 BEARING, NEEDLE 50mm ID x 58mm OD x 25mm W

(1) See also Transmission Components in Figures 21.105.020, 21.105.030, 21.113.030, 21.113.040, 21.155.010, 21.155.020, 21.155.030, 21.155.040, 21.155.050, 33.110.050, 55.020.030, 55.022.060, 55.024.070, 55.024.110, 55.031.090, 55.031.100

580SN-BACKHOE LOADER, 4WD - TIER 3 NRC - MY18

VAR - 745269, 745270 - FRONT AXLE, HALF SHAFT, COMPONENTS, 4WD

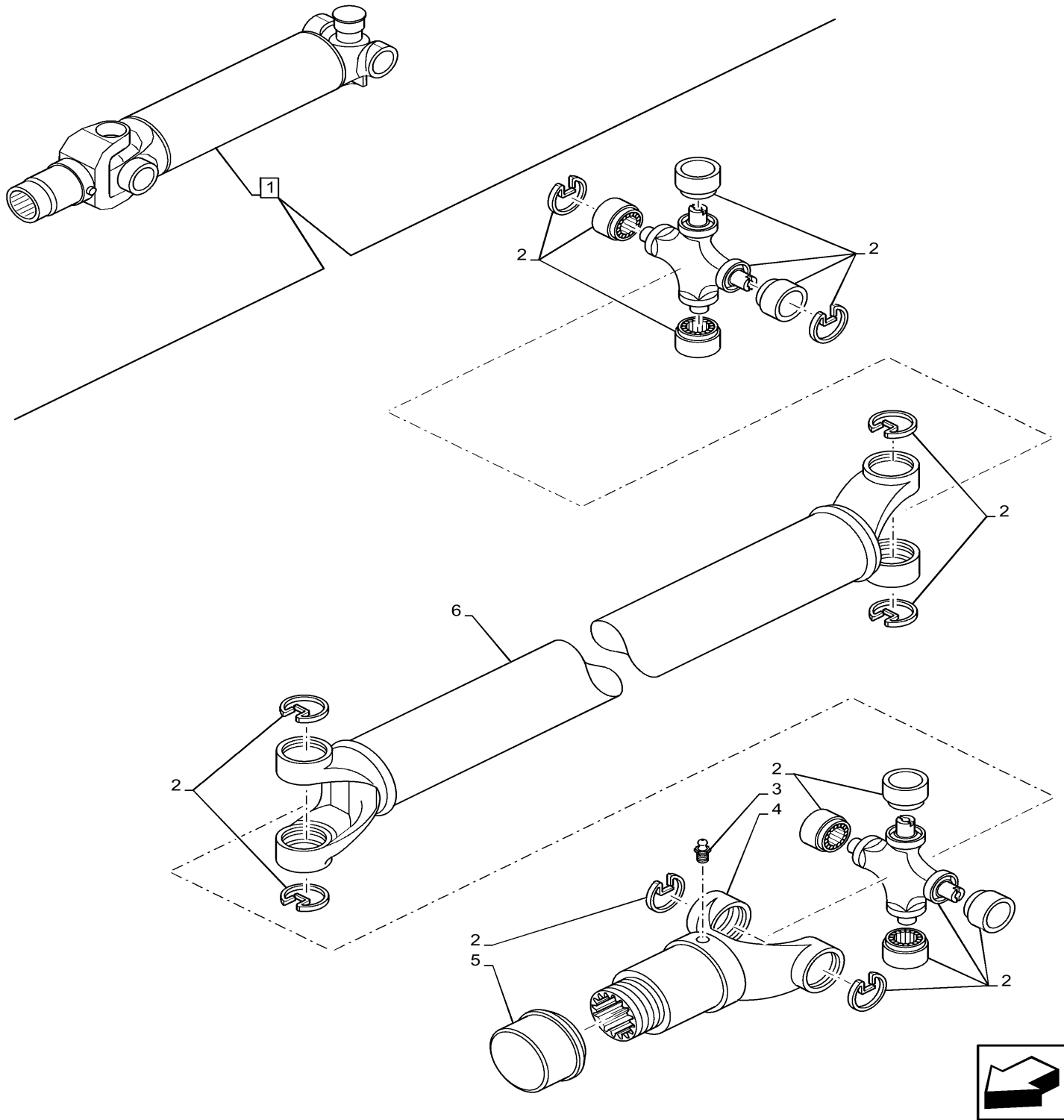


Figure is Valid with Commercial Var. 745269 or Var. 745270

VAR - 745269 - FRONT AXLE, DIFFERENTIAL GEAR, 4WD

REF	FN	PART NUMBER	YR/SN	QTY DESCRIPTION
1	1	47559839		1 FRONT AXLE ASSY, Grey, PS1321 ACP, 12.1-1, Incl 2 - 14
2		84268545		1 PIN 21.9mm OD x 122.9mm L Differential Cross
3		87727553		2 THRUST WASHER 20.27mm ID x 41.75mm OD x 1.5mm Thk Pinion
4		47777024		2 PINION 12T
5		84225954		1 DISC 69.7mm OD x 1.5mm Thk Clutch Separator
6		47777025		2 GEAR 18T
7		84268547		1 PIN 6.99mm OD x 61.5mm L Dowel
8		84273742		2 BOLT Hex, Lock, M8 x 1.25 x 16mm, Cl. 10.9
9		87748532		2 RETAINER 9mm Dia Bearing Lock
10		84273744		12 LOCK BOLT Hex, Lock, M12 x 1.75 x 30mm, Cl. 10.9
11		561201		2 TAPERED BEARING 50mm ID x 90mm OD x 21.75mm W
12		4966240		2 BEARING LOCK NUT M95 x 2, 15T
13		84411585		1 DIFFERENTIAL GEAR 12/18T ASSY, Incl 2 - 6
14		84253805		1 AXLE HOUSING Differential

(1) See also Front Axle Components in Figures 25.100.020, 25.100.030, 25.102.020, 25.108.010, 25.108.020, 25.108.030, 25.108.040, 25.310.010, 41.106.040, 41.216.040

580SN-BACKHOE LOADER, 4WD - TIER 3 NRC - MY18

25.310.060

p1

6/2019

VAR - 745270 - FRONT AXLE, COMPONENTS, PLANETARY REDUCER, CARRIER, 4WD

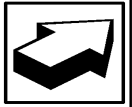
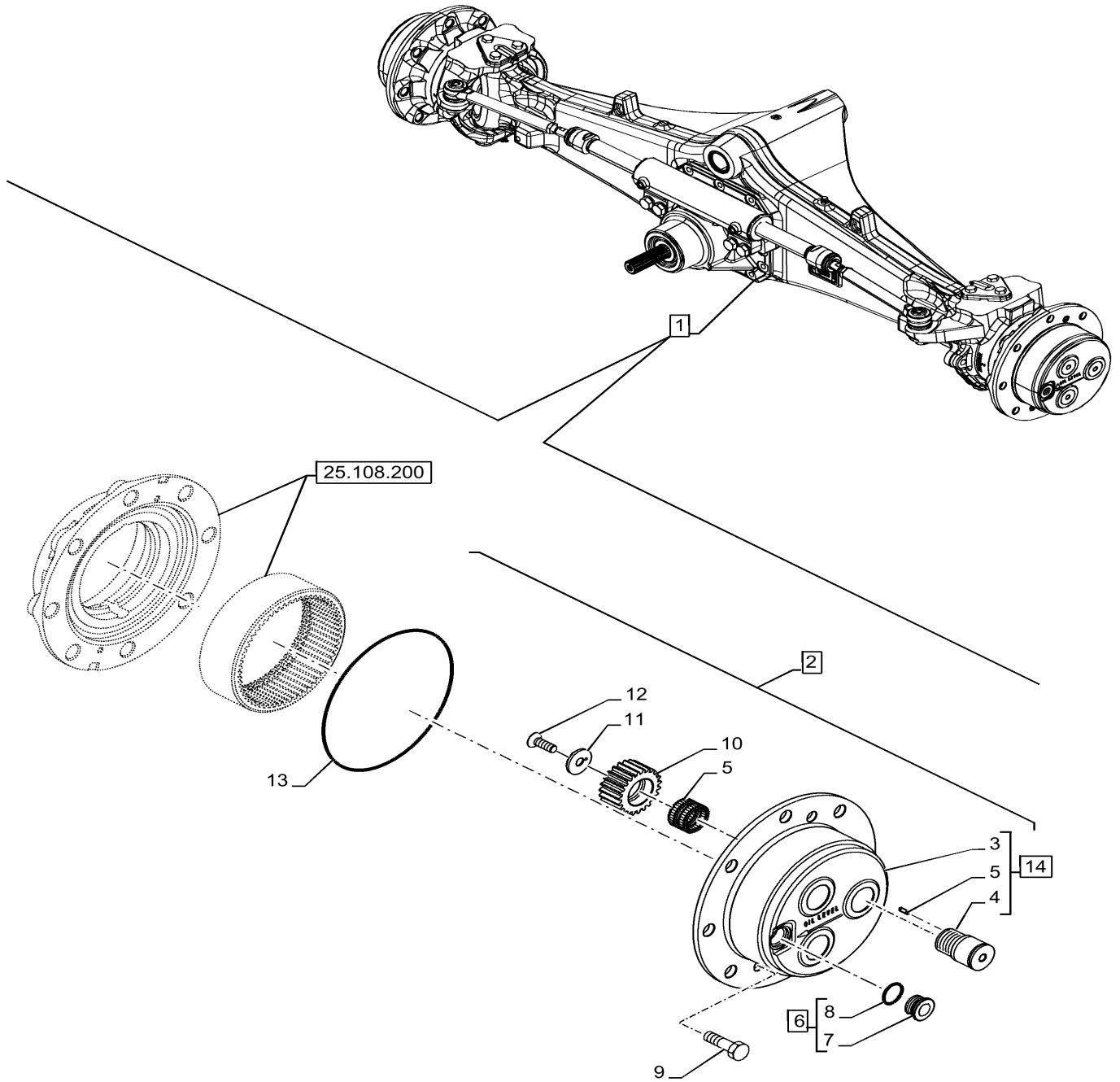


Figure is Valid with Commercial Var. 745270

27.106.120

p1

6/2019

VAR - 423060, 423061 - TRANSMISSION, SEMI-POWERSHIFT, DIFFERENTIAL LOCK, OIL, SUCTION PIPE

REF FN	PART NUMBER	YR/SN	QTY DESCRIPTION
1	87431701		1 HYDRAULIC HOSE 6.4mm ID x 1350mm L Differential Lock
2	218-5105		2 ELBOW 90 Degree Elbow, 9/16" - 18 Male JIC x 9/16" - 18 Male ORB ASSY, Incl 3, 4
3	237-6006		2 O-RING 0.078" Thk x 0.468" ID, -906, CI 6, 90 Duro
4	NSS		2 NOT SOLD SEPARAT 90° Elbow, Incl in 2
5	L11541		1 CABLE TIE 203.2mm L, Nylon

580SN-BACKHOE LOADER, 4WD - TIER 3 NRC - MY18

BRAKE, LINE, TRANSMISSION

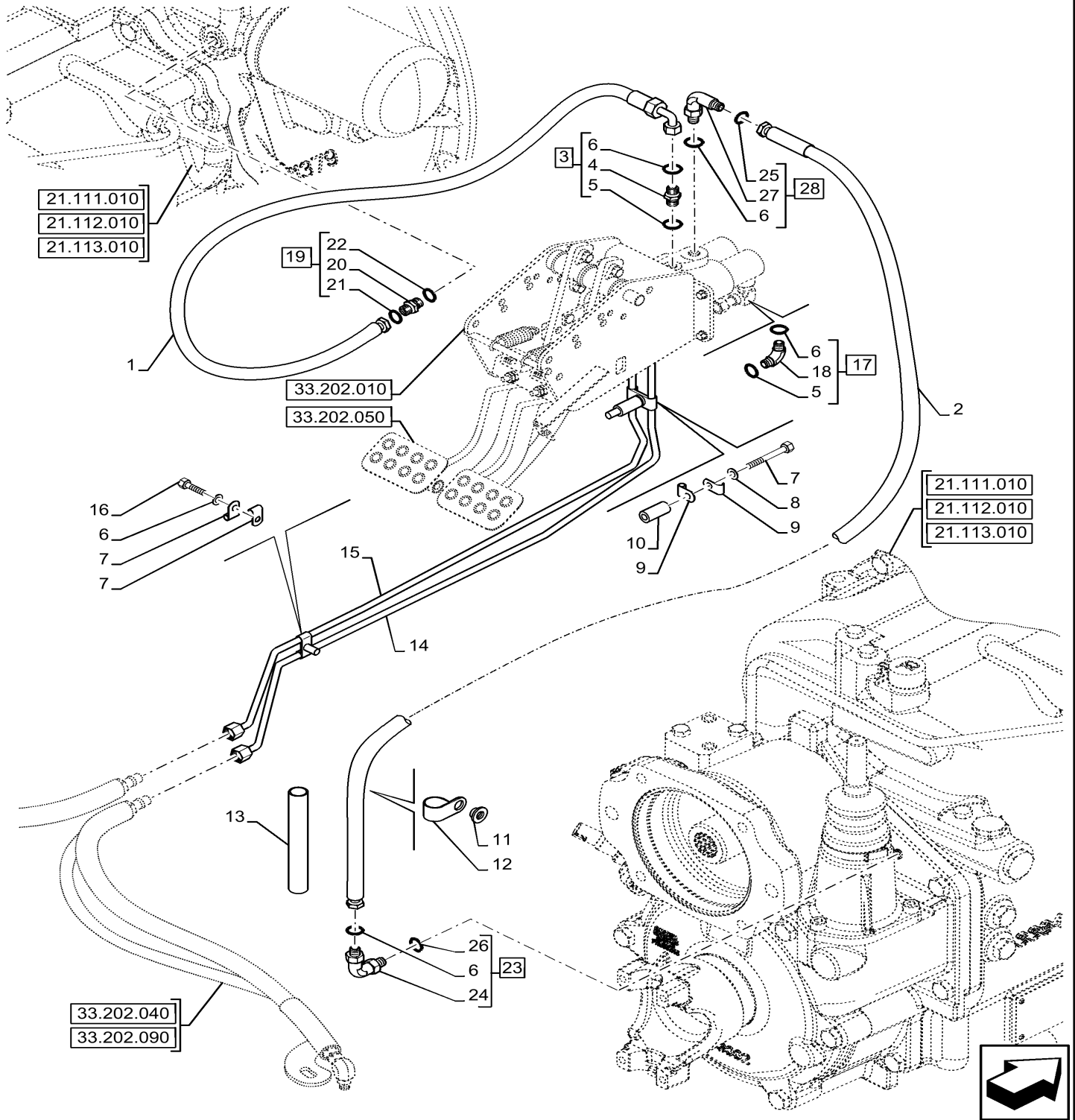


Figure is Valid with STD Equipment

35.000.00

02

p1

6/2019

SECTION INDEX - HYDRAULIC SYSTEMS

REF FN	PART NUMBER	YR/SN	QTY	DESCRIPTION
---------------	--------------------	--------------	------------	--------------------

580SN-BACKHOE LOADER, 4WD - TIER 3 NRC - MY18

35.106.030

02

p1

6/2019

PUMP, OIL LINE, FITTING - BEGIN YR 17-FEB-2018

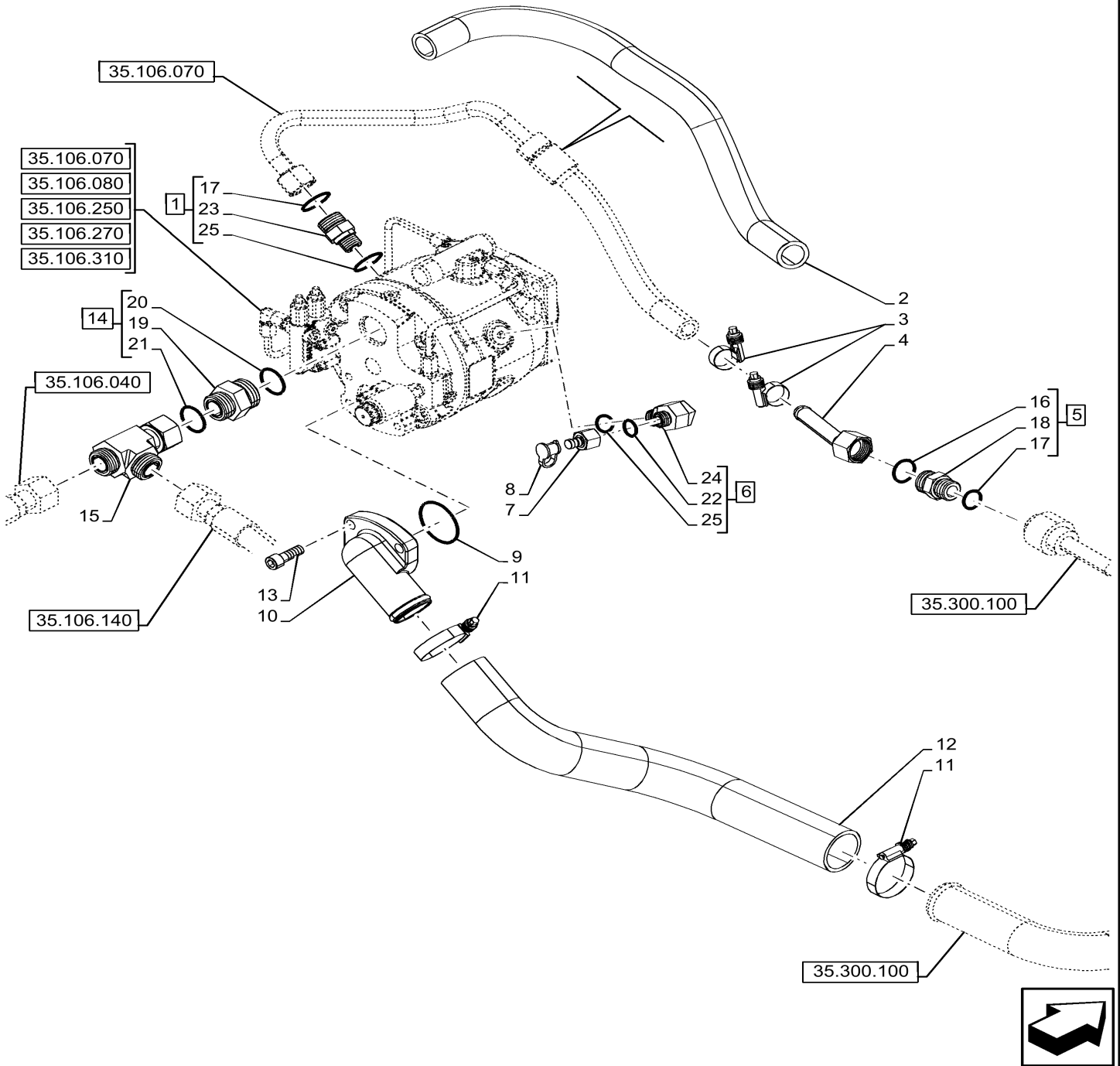


Figure is Valid with STD Equipment; D9366 After Date 16 February 2018

35.106.140

02

p1

6/2019

LOADER, HYDRAULIC PUMP, CONTROL VALVE, PILOT CONTROLS, 2-SPOOL, LINE - BEGIN YR 17-FEB-2018

REF FN	PART NUMBER	YR/SN	QTY DESCRIPTION
1	47955919		1 HYDRAULIC HOSE 25mm ID, 450mm L, SAE100R12 Pressure, Pump to Loader Valve
2	48179244		1 ELBOW ASSY, Incl 3, 4

580SN-BACKHOE LOADER, 4WD - TIER 3 NRC - MY18

35.106.300

p1

6/2019

VAR - 423080 - VARIABLE DISPLACEMENT HYDRAULIC PUMP (W/ POWER LIFT), COMPONENTS

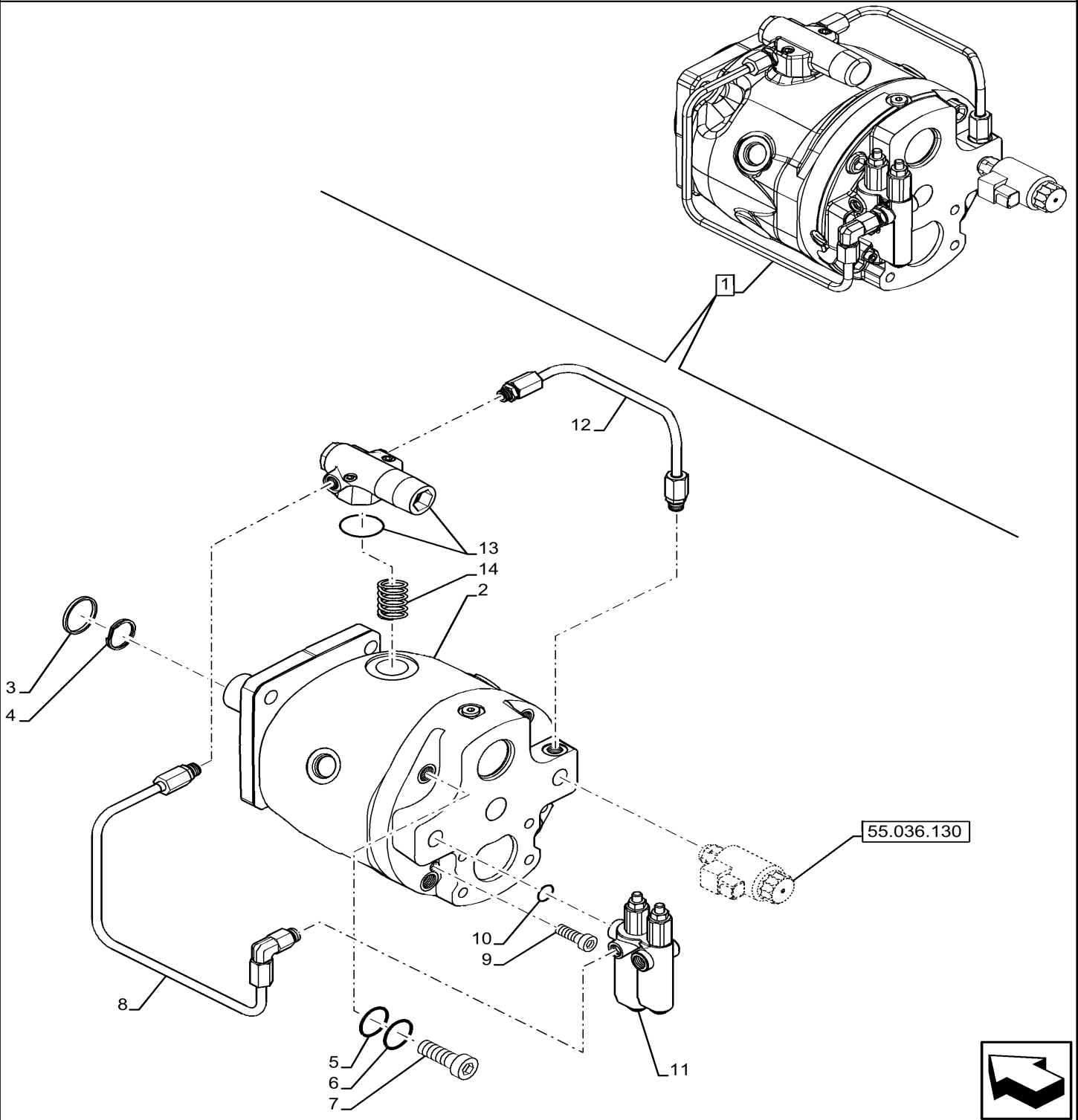


Figure is Valid with Commercial Var. 423080

35.355.030

p1

6/2019

VAR - 742369 - BACKHOE ARM, MECHANICAL CONTROL, SLEWING/SWING, COVER

REF FN	PART NUMBER	YR/SN	QTY DESCRIPTION
1	47945943		1 COVER Rear, Backhoe Console
2	136824A1		1 LARGE PLATE Boot Retaining 2 Lever
3	87310126		6 SCREW Phillips Drive, Pan HD, #10 - 24 x 3/4", SST
4	131-861		6 SPRING NUT Tinn, U, #10-24
5	87310156		5 SELF-TAP SCREW M6.3 x 1.8 x 16mm, Stainless
6	87310139		5 WASHER 7.14mm ID x 15.88mm OD x 1.65mm Thk
7	353-411		1 PLUG Dome, 1.000" hole, Nylon

580SN-BACKHOE LOADER, 4WD - TIER 3 NRC - MY18

35.356.050

p2

6/2019

BACKHOE CONTROL VALVE, 7-SPOOL, MECHANICAL CONTROL, EXTENDABLE DIPPER, FOOT SWING, W/O 2 LEVER CONTROLS, W/O DOUBLE AUXILIARY, MOUNTING PARTS

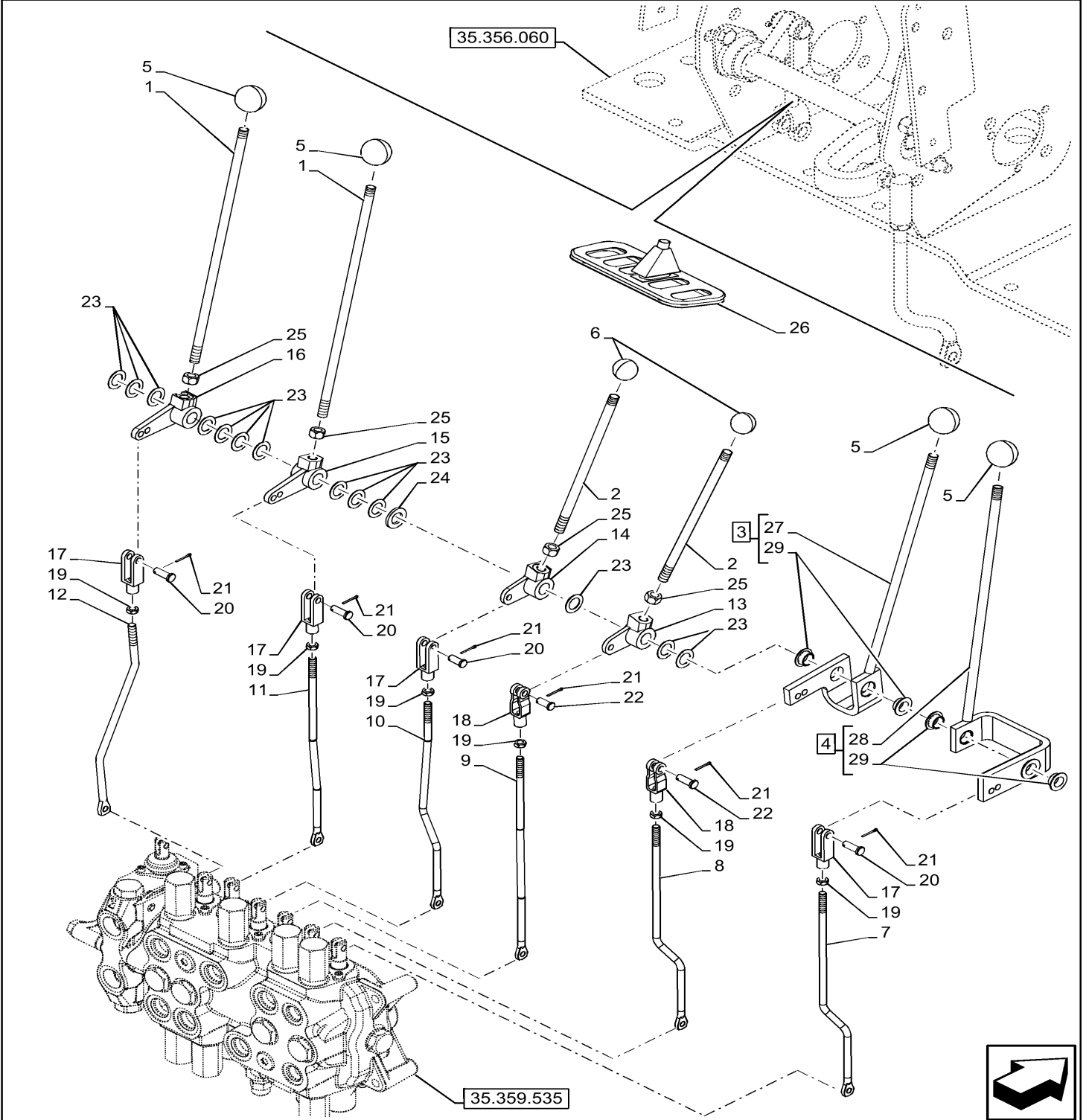


Figure is Valid with STD Equipment only when Var. 423076 (Extendahoe) or Var. 747661 (Uni-Direct No Pilot) or Var. 747882 (Canadian French) or Var. 747883 (Latin American Spanish) or Var. X20036X (W/O Bhoe Aux Hyds) or Var. X20038X (Std Foot Swing Controls) or Var. X47086X (Standard English) is Equipped

35.357.030

p2

6/2019

VAR - 423078, 747669 - BACKHOE ARM, PILOT CONTROLS, BOOT

REF FN	PART NUMBER	YR/SN	QTY DESCRIPTION
25	309096A1		2 SQUARE NUT Square, M10 x 1.5, LH Thd, CI 5A
26	87425696		2 FOAM Pad
27	87437366		1 ARMREST Wrist RH
28	87437369		1 ARMREST Wrist LH
29	87310186		2 WASHER 6.6mm ID x 25mm OD x 1.6mm Thk, SST
30	87437689		2 KNOB Wrist Armrest Adjustment

580SN-BACKHOE LOADER, 4WD - TIER 3 NRC - MY18

35.357.150

p1

6/2019

8-SPOOL, PRESSURE CONTROL VALVE, EXTENDABLE DIPPER, W/ PILOT CONTROLS, W/ DOUBLE AUXILIARY HYDRAULIC, MOUNTING PARTS

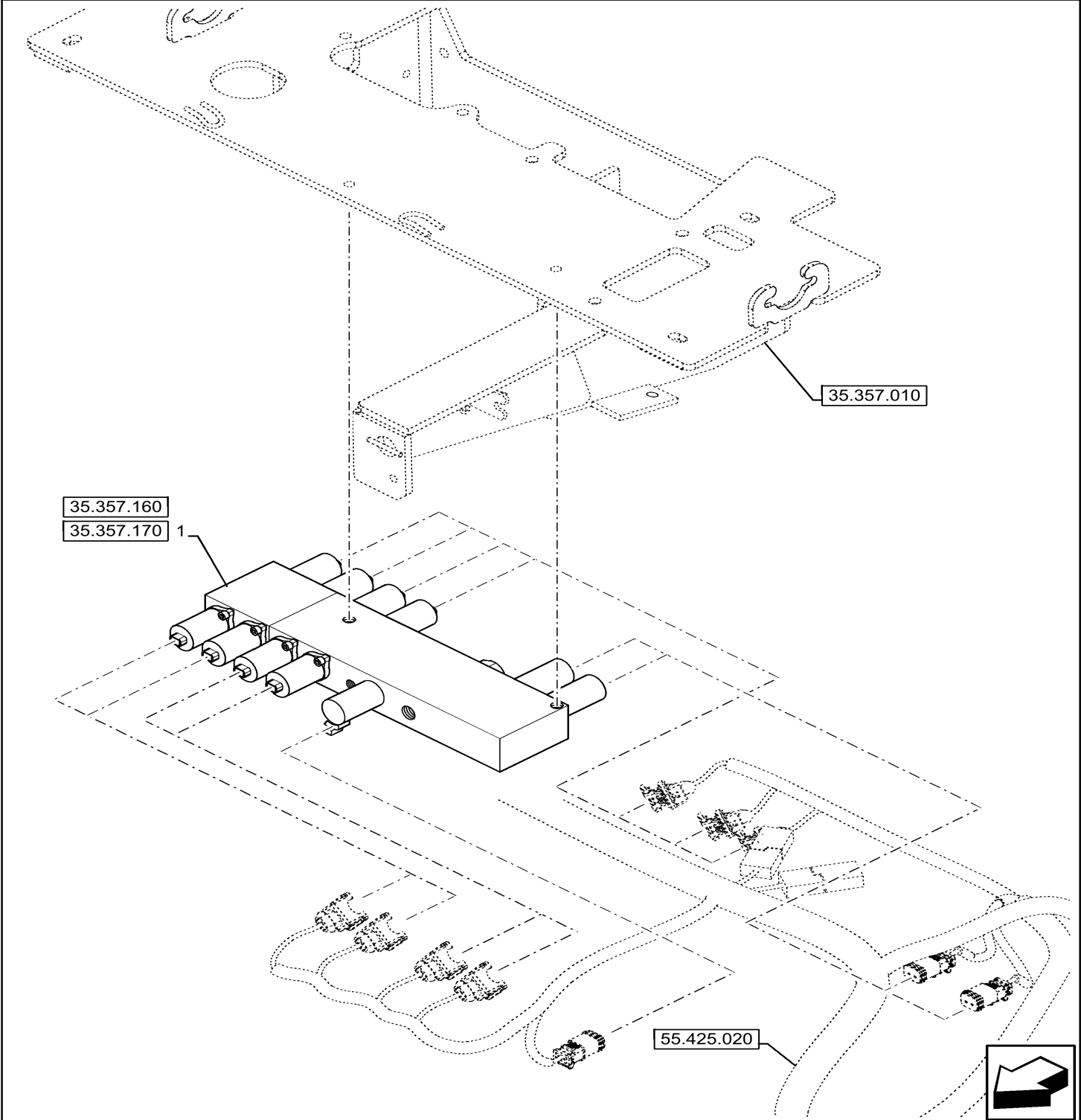


Figure is Valid with STD Equipment only when Var. 423056 (Portuguese) or Var. 423076 (Extendahoe) or Var. 423078 (Pilot Controls W/ Heavy Lift) or Var. 423084 (Aux Hyds, Combo Direct - Pilot Controls) or Var. 747669 (Pilot Cntrls W/Auto-Up) or Var. 747882 (Canadian French) or Var. 747883 (Latin American Spanish) or Var. X47086X (Standard English) is Equipped

35.357.260

p1

6/2019

7-SPOOL, PRESSURE CONTROL VALVE, LINE, STANDARD DIPPER, W/ PILOT CONTROLS, W/DBL AUX

REF FN	PART NUMBER	YR/SN	QTY DESCRIPTION
1	9617873		2 O-RING 0.078" Thk x 0.468" ID, -906, CI 6, 90 Duro
2	87438015		1 HYD TUBE from Reducing Valve to AUX A 7 Spool
3	NSS		2 NOT SOLD SEPARAT Connector, Incl in 8
4	87438012		1 HYD TUBE from Reducing Valve to AUX 7 Spool
5	218-5053		2 HYD CONNECTOR 7/16" - 20 JIC x 7/16" - 20 ORB ASSY, Incl 6 (Qty 2), 7
6	165202		6 O-RING 0.072" Thk x 0.351" ID, -904, CI 6, 90 Duro
7	NSS		2 NOT SOLD SEPARAT Connector, Incl in 5
8	218-5089		2 HYD CONNECTOR 7/16" - 20 Male JIC x 9/16" - 18 Male ORB ASSY, Incl 1, 3, 6 (Qty 1)

580SN-BACKHOE LOADER, 4WD - TIER 3 NRC - MY18

35.359.135

p1

6/2019

LOADER, CONTROL VALVE, PILOT CONTROLS, 2-SPOOL, COMPONENTS

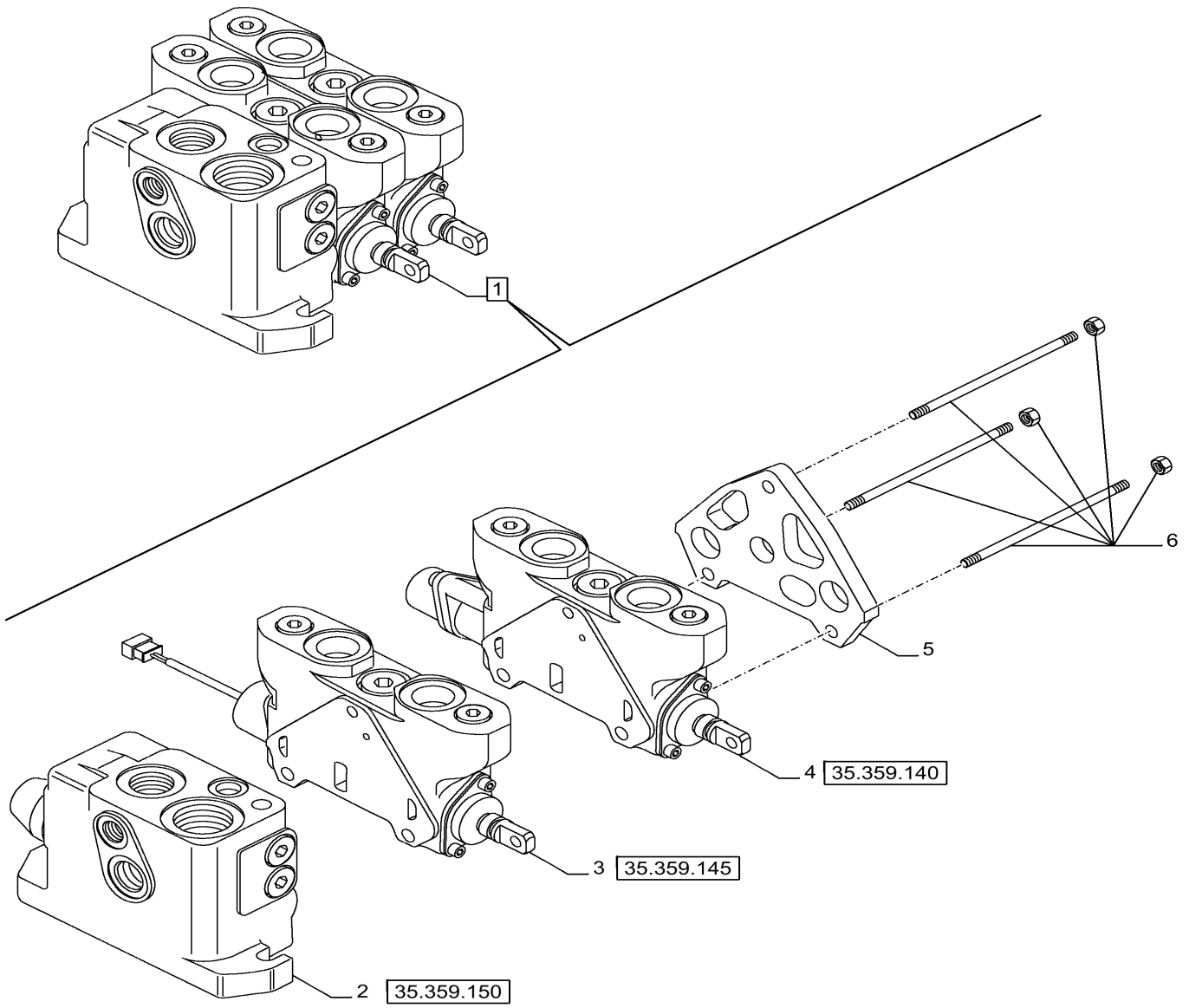


Figure is Valid with STD Equipment

VAR - 747776 - LOADER, CONTROL VALVE, MECHANICAL, 3-SPOOL, COMPONENTS

REF FN	PART NUMBER	YR/SN	QTY DESCRIPTION
1	47907465		1 VALVE ASSY, Loader, 3-Spool with Priority, Incl 2 - 32
2	87426238		2 VALVE, CHECK ASSY, Incl 28 - 32
3	84296814		1 KIT Magnetic Detent Group
4	87426227		1 DETENT ASSY, Incl 20, 21, 24 - 27
5	84296864		1 VALVE PRESSURE RELIEF 7/8" - 14
6	84296801		2 VALVE PRESSURE RELIEF 1-1/4" - 12 Loader Dump
7	81868381		2 CHECK VALVE 1-1/16" - 12 ASSY, Anti Void, Incl 22, 23
8	84315193		1 SEAL
9	84327674		1 KIT Seal Plate
10	87757931		1 END
11	87757932		1 END
12	86625138		1 PLUG 7/18" - 14 ASSY, Incl 33, 34
13	84296863		1 KIT Mechanical Priority End Group
14	163410		1 PLUG 1-1/16" - 12 ORB ASSY, Incl 17, 18
15	84328445		1 CHECK VALVE Orifice Load
16	84296788		1 SEAL KIT Mechanical Loader Control Valve Seal
17	167266		1 O-RING 0.116" Thk x 0.924" ID, -912, CI 6, 90 Duro
18	NSS		1 NOT SOLD SEPARAT Plug, Incl in 14
19	NSS		1 NOT SOLD SEPARAT Body, Incl in 1
20	87454547		1 O-RING
21	NSS		1 NOT SOLD SEPARAT Endcap, Incl in 4
22	87455580		2 O-RING KIT Backhoe Control Valve, Anti-Void Check Valve
23	NSS		2 NOT SOLD SEPARAT Check Valve, Incl in 7
24	NSS		1 NOT SOLD SEPARAT Detent, Incl in 4
25	87310276		4 BALL BEARING

580SN-BACKHOE LOADER, 4WD - TIER 3 NRC - MY18

35.359.215

01

p1

6/2019

VAR - 747864 - LOADER, CONTROL VALVE, PILOT CONTROLS, 3-SPOOL, COMPONENTS - END YR 23-FEB-2018

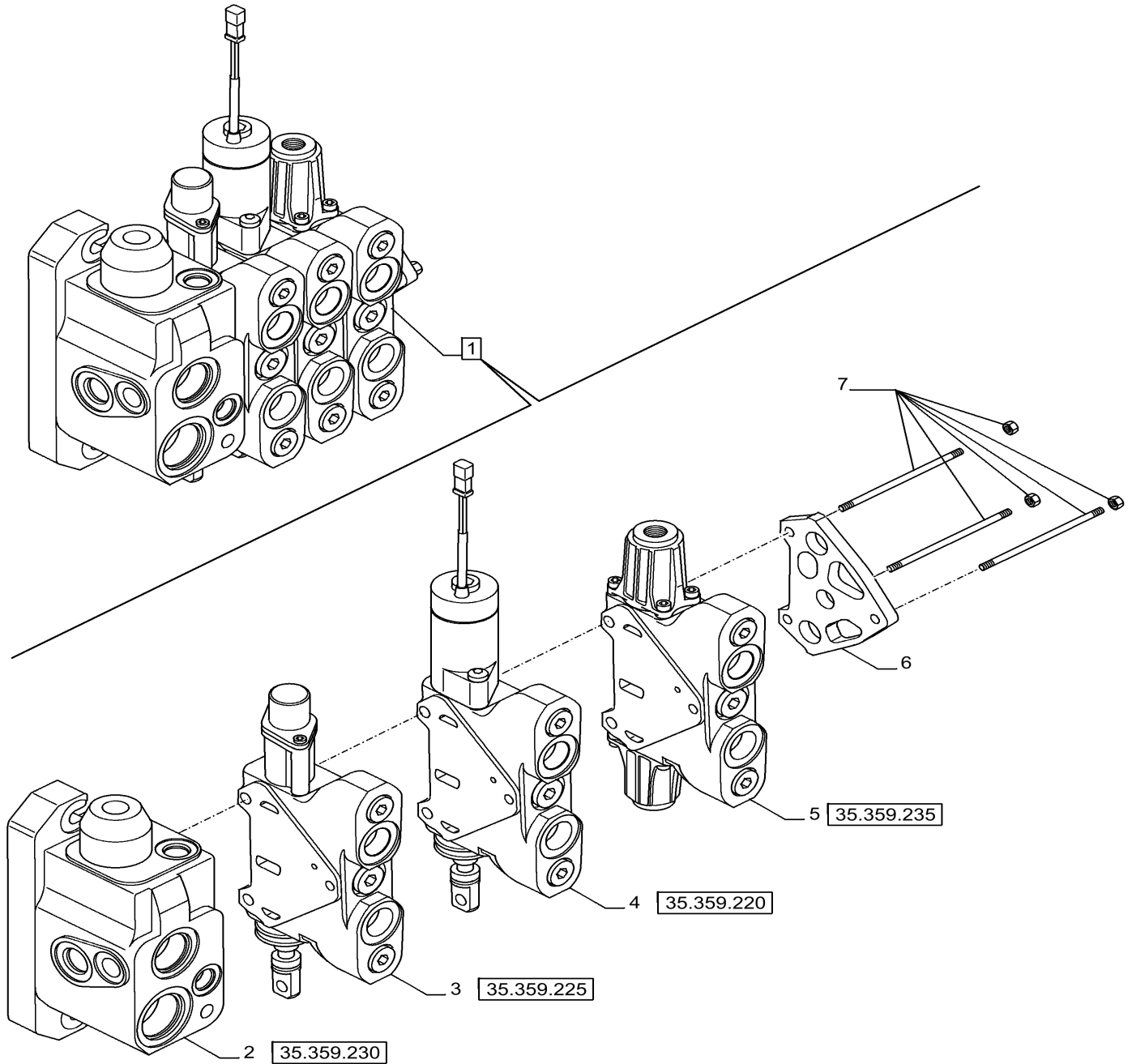


Figure is Valid with Commercial Var. 747864; C9375 Before Date 24 February 2018

35.359.350

p1

6/2019

LOADER, BACKHOE CONTROL VALVE, LINE, BRACKET

REF FN	PART NUMBER	YR/SN	QTY DESCRIPTION
1	48165321		1 BRACKET Loader PB Tube Mounting
2	412087		2 BOLT Hex, M12 x 1.75 x 45mm, CI 10.9, Full Thd
3	87655043		4 WASHER M12, 13.65mm ID x 24.90mm OD x 3.20mm, HT Boron, ZNM
4	10903721		2 BOLT Hex, M6 x 55mm, CI 8.8
5	1541537C1		1 PLATE
6	87022323		1 CLAMP 25.4mm D Clamping Pipe
7	87655041		2 SPECIAL WASHER 6.85mm ID x 13.5mm OD x 2mm Thk
8	832-10406		2 NUT M6 x 1, CI 8

580SN-BACKHOE LOADER, 4WD - TIER 3 NRC - MY18

35.359.405

p1

6/2019

VAR - 747864 - LOADER, AUXILIARY CONTROL VALVE, OIL FILTER, LINE

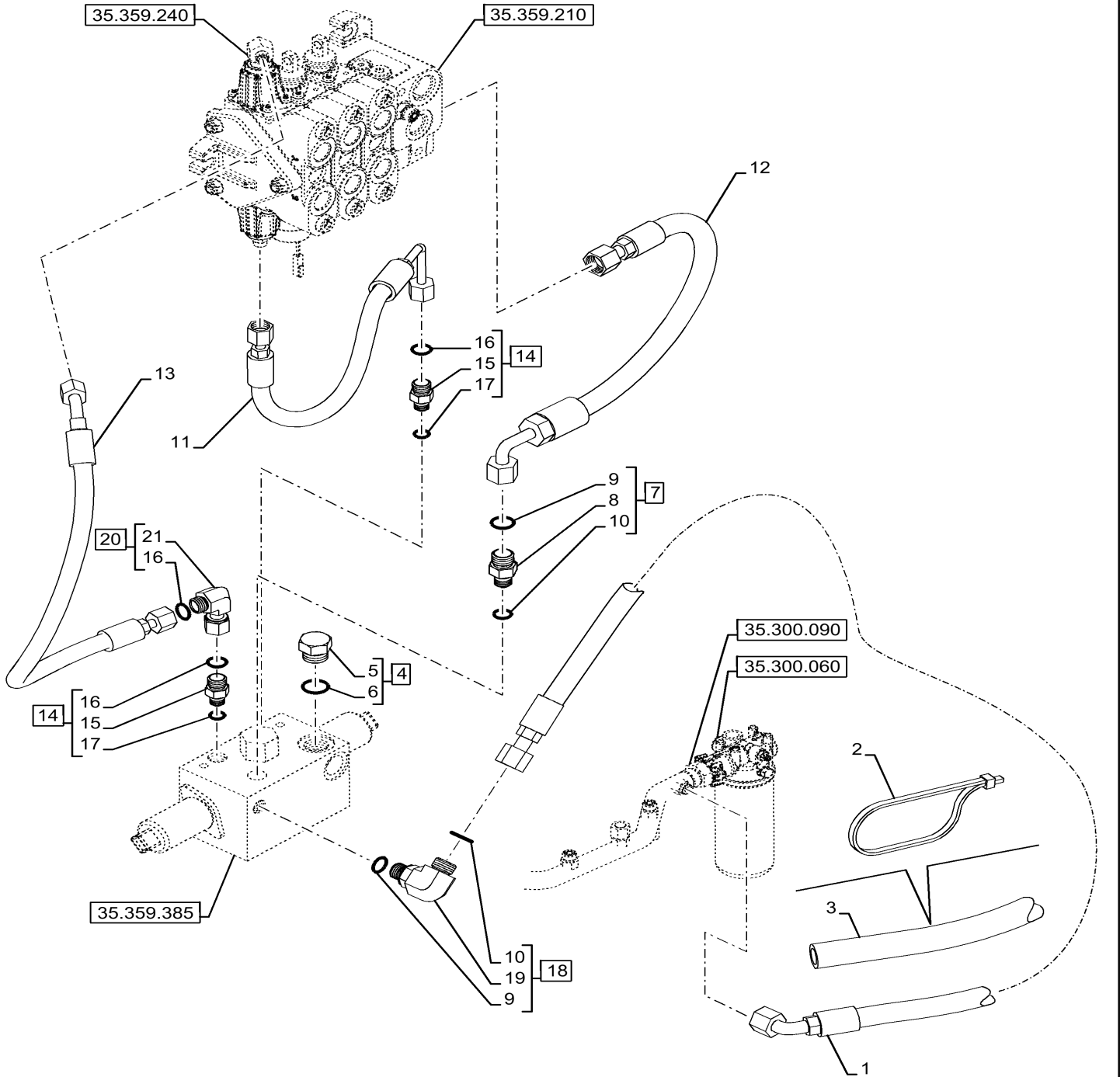


Figure is Valid with Commercial Var. 747864

35.359.505

p1

6/2019

7-SPOOL, BACKHOE CONTROL VALVE, STANDARD DIPPER, HAND SWING, W/ 2 LEVER CONTROLS, W/ DOUBLE AUXILIARY HYDRAULIC, MOUNTING PARTS

REF FN	PART NUMBER	YR/SN	QTY DESCRIPTION
1	48039935		1 VALVE ASSY, 7 Spool, STD Dipper
2	814-10080		2 BOLT Hex, M10 x 1.5 x 80mm, CI 8.8
3	614-10035		1 BOLT Hex, M10 x 1.5 x 35mm, CI 8.8, Full Thd
4	87687101		2 WASHER 10.65mm ID x 31mm OD x 3.3mm Thk
5	D52276		1 ISOLATOR 10.16mm ID x 28.07mm OD x mm L
6	87655046		2 SPECIAL WASHER 10.65mm ID x 23mm OD x 2.2mm Thk
7	829-1410		2 NUT M10 x 1.5, CI 10.9

580SN-BACKHOE LOADER, 4WD - TIER 3 NRC - MY18

35.359.540

p2

6/2019

7-SPOOL, BACKHOE CONTROL VALVE, EXTENDABLE DIPPER, FOOT SWING, W/O 2 LEVER CONTROLS, W/O DOUBLE AUXILIARY HYDRAULIC COMPONENTS

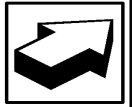
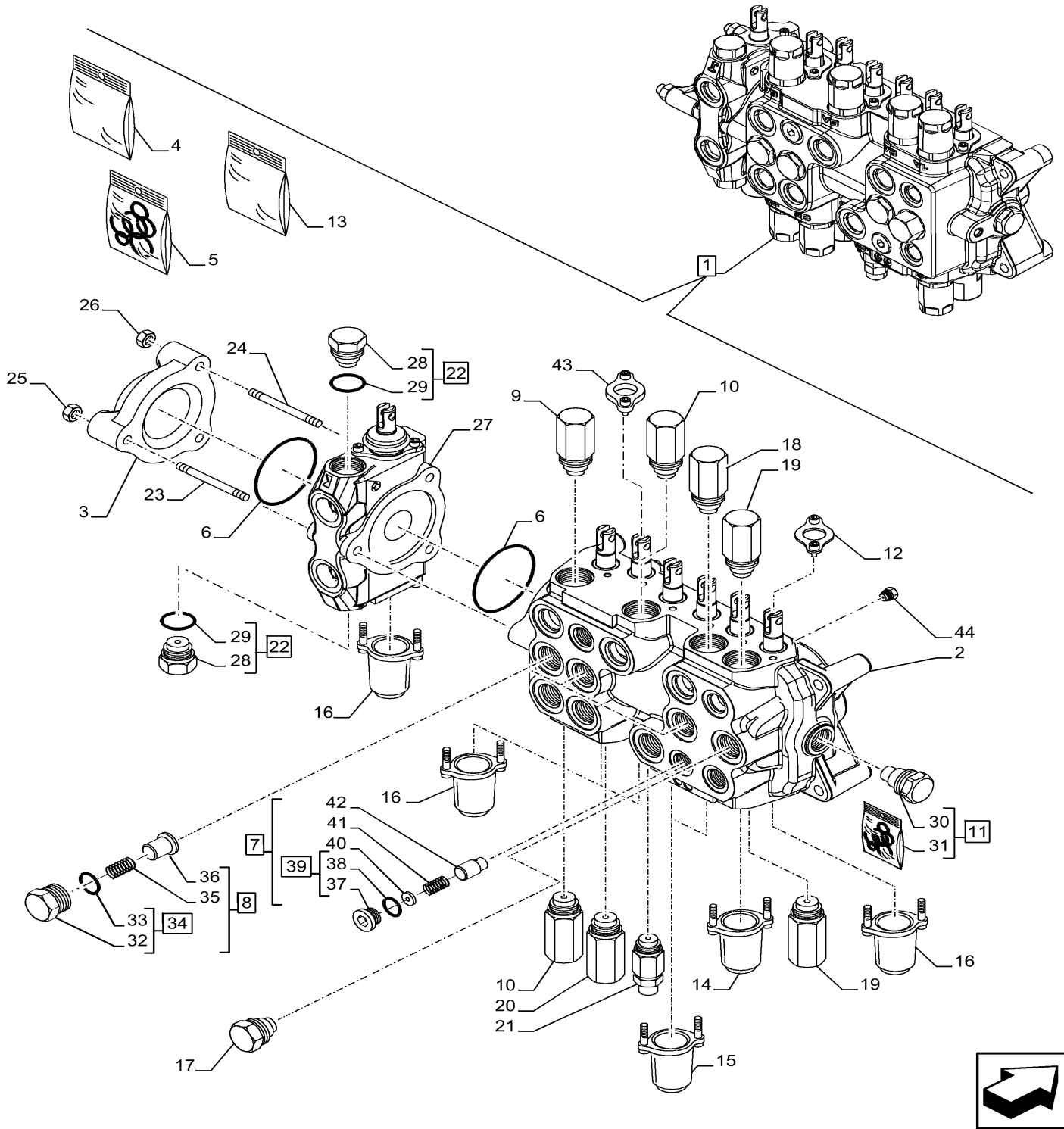


Figure is Valid with STD Equipment only when Var. 423076 (Extendahoe) or Var. 747661 (Uni-Direct No Pilot) or Var. 747882 (Canadian French) or Var. 747883 (Latin American Spanish) or Var. X20036X (W/O Bhoe Aux Hyds) or Var. X20038X (Std Foot Swing Controls) or Var. X47086X (Standard English) is Equipped

35.359.580

p1

6/2019

6-SPOOL, BACKHOE CONTROL VALVE, STANDARD DIPPER, W/ PILOT CONTROLS, COMPONENTS

REF FN	PART NUMBER	YR/SN	QTY DESCRIPTION
1	48057527		1 VALVE ASSY, 6 Spool, STD Dipper, Pilot Control, Incl 2 - 9
2	48072690		1 VALVE SECTION Inlet Pilot
3	48072679		1 VALVE SECTION Swing
4	48072681		1 VALVE SECTION Boom
5	48179285		2 VALVE SECTION Stabilizer
6	48072683		1 VALVE SECTION Dipper
7	48072687		1 VALVE SECTION Bucket
8	85811915		1 HYD VALVE SECTION Outlet Section
9	87447474		1 BOLT AND NUT

580SN-BACKHOE LOADER, 4WD - TIER 3 NRC - MY18

35.359.705

p1

6/2019

BACKHOE CONTROL VALVE, STANDARD DIPPER, W/ PILOT CONTROLS, STABILIZER, COMPONENTS

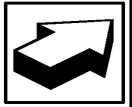
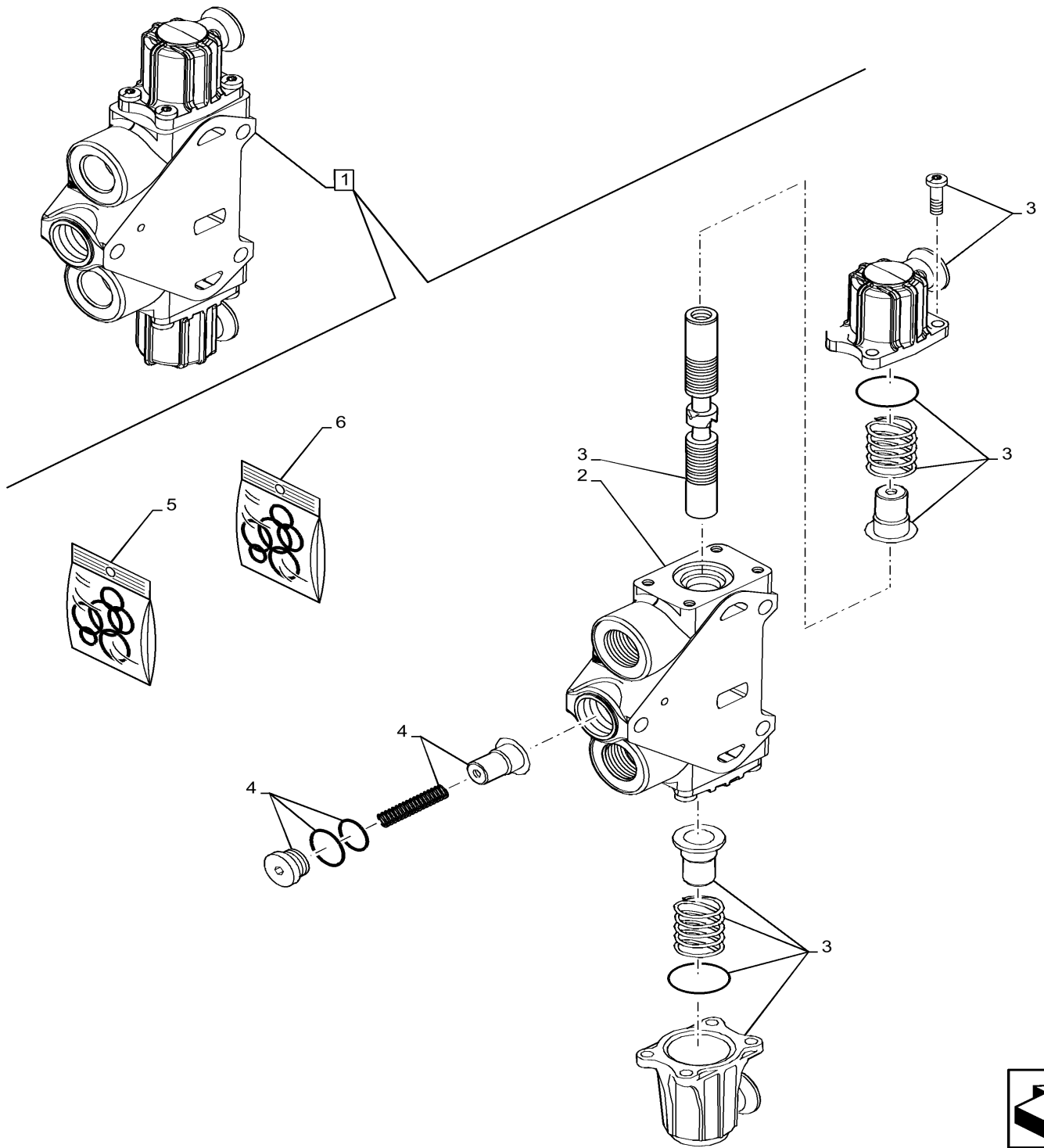


Figure is Valid with STD Equipment only when Var. 423075 (Standard Backhoe) or Var. 423076 (Extendahoe) or Var. 747662 (Aux Hyds/Uni-Direct For Pilot) OR Var. 423084 (Aux Hyds, Combo Direct - Pilot Controls) or Var. 747669 (Pilot Controls W/Auto-Up) or Var. X20036X (W/O Bhoe Aux Hyds) is Equipped

35.525.050

p1

6/2019

VAR - 423083, 423084, 747661, 747662 - AUXILIARY HYDRAULIC, LINE

REF FN	PART NUMBER	YR/SN	QTY DESCRIPTION
1	84377870		1 CABLE 1630mm L Hammer Valve Adjustment
2	48056540		1 BRACKET UNI-Aux Flow Adjustment
3	120112		1 BOLT Hex, M10 x 1.5 x 40mm, Cl 8.8, Full Thd
4	412141		1 NUT M10 x 1.5, Cl 8
5	47468161		1 SET SCREW Hex Soc, M5 x 8mm, Cl 9.9
6	84367646		1 KNOB Black, Cable
7	D138055		1 CLAMP 10,3mm ID x 58,4mm L
8	120303A1		1 SPACER 11mm ID x 15.82mm OD x 15mm Thk

580SN-BACKHOE LOADER, 4WD - TIER 3 NRC - MY18

35.525.190

p1

6/2019

VAR - 747662 - AUXILIARY HYDRAULIC, CONTROL VALVE, LINE

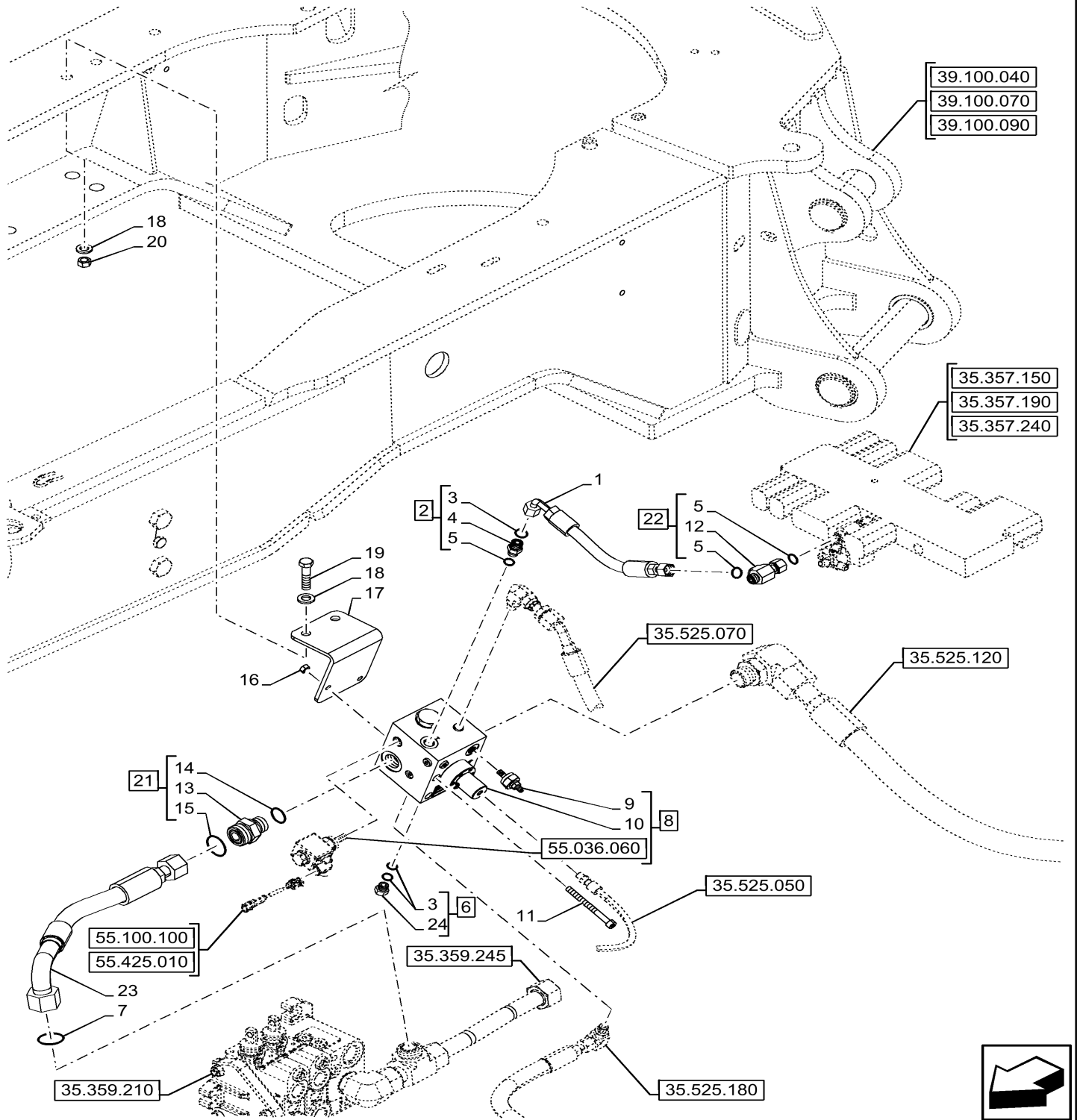


Figure is Valid with Commercial Var. 747662

PILOT CONTROLS, W/ FAST STEER™ SYSTEM, QUICK COUPLER, LINE

REF FN	PART NUMBER	YR/SN	QTY DESCRIPTION
1	48151275		1 HYDRAULIC HOSE Quick Coupler LS
2	48140836		1 HYDRAULIC HOSE Fast Steer Pressure
3	48140450		1 HYDRAULIC HOSE Coupler Pressure
4	87305436		1 HYD CONNECTOR 11/16-16 ORFS, 9/16-18 ORB ASSY, Incl 5, 6 (Qty 2), 7
5	NSS		1 NOT SOLD SEPARAT Tee, Incl in 4
6	9993141		5 O-RING 0.07" Thk x 0.364" ID, -12, CI 6, 90 Duro
7	9825770		1 O-RING 0.07" Thk x 0.301" ID, -11, CI 6, 90 Duro
8	9993143		1 HYD CONNECTOR 11/16" - 16 ORFS x 9/16" - 18 ORB ASSY, Incl 6 (Qty 1), 9, 10
9	NSS		1 NOT SOLD SEPARAT Connector, Incl in 8
10	9617873		1 O-RING 0.078" Thk x 0.468" ID, -906, CI 6, 90 Duro
11	84989848		1 TEE 11/16" - 16 ORFS x 11/16" - 16 ORFS x 11/16" - 16 JIC ASSY, Incl 6 (Qty 2), 12
12	NSS		1 NOT SOLD SEPARAT Tee, Incl in 11
13	48137454		1 ELBOW 90 Degree, -6 ORFS x -6 STC Female
14	48130671		1 ELBOW 90 Degree, -6 ORB x -6 STC Female
15	827-12065		1 BOLT Hex, M12 x 1.75 x 65mm, CI 10.9
16	87655043		1 WASHER M12, 13.65mm ID x 24.90mm OD x 3.20mm, HT Boron, ZNM
17	L302731		1 CLAMP 19mm D Clamping Pipes
18	84420571		1 SPACER 13.51mm ID x 19.05mm OD x 20mm L
19	86633356		1 CARRIAGE BOLT M10 x 34.8mm, CI 8.8
20	87698854		1 NUT M10
21	L101181		1 CLAMP 0.75" D Clamping pipes x 2

580SN-BACKHOE LOADER, 4WD - TIER 3 NRC - MY18

35.701.260

p1

6/2019

VAR - 747776, 747864 - LOADER ARM, CYLINDER, LINE

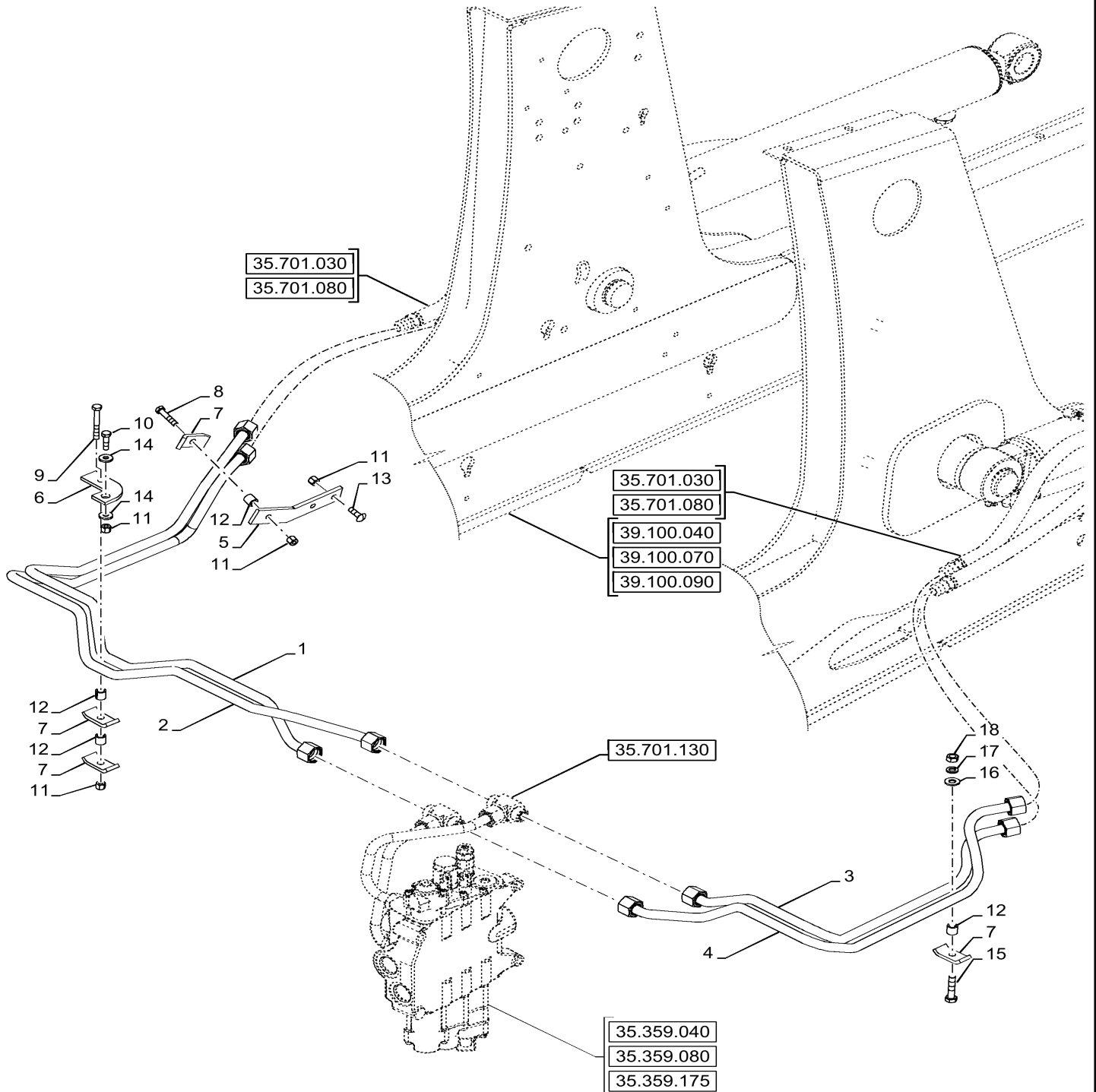


Figure is Valid with Commercial Var. 747776 or Var. 747864

35.701.470

p1

6/2019

LOADER, CONTROL VALVE, 2-SPOOL, PILOT CONTROLS, W/ LOADER CONTROLS, LINES

REF FN	PART NUMBER	YR/SN	QTY DESCRIPTION
1	84293669		1 TUBE Loader Lift Port A
2	84293671		1 TUBE Loader Lift Port B
3	83962539		2 HYD CONNECTOR 1" - 14 ORFS x 1-1/16 - 12 ORB ASSY, Incl 4 - 6
4	NSS		2 NOT SOLD SEPARAT Connector, Incl in 3
5	9992069		2 O-RING 0.07" Thk x 0.614" ID, -16, CI 6, 90 Duro
6	167266		2 O-RING 0.116" Thk x 0.924" ID, -912, CI 6, 90 Duro

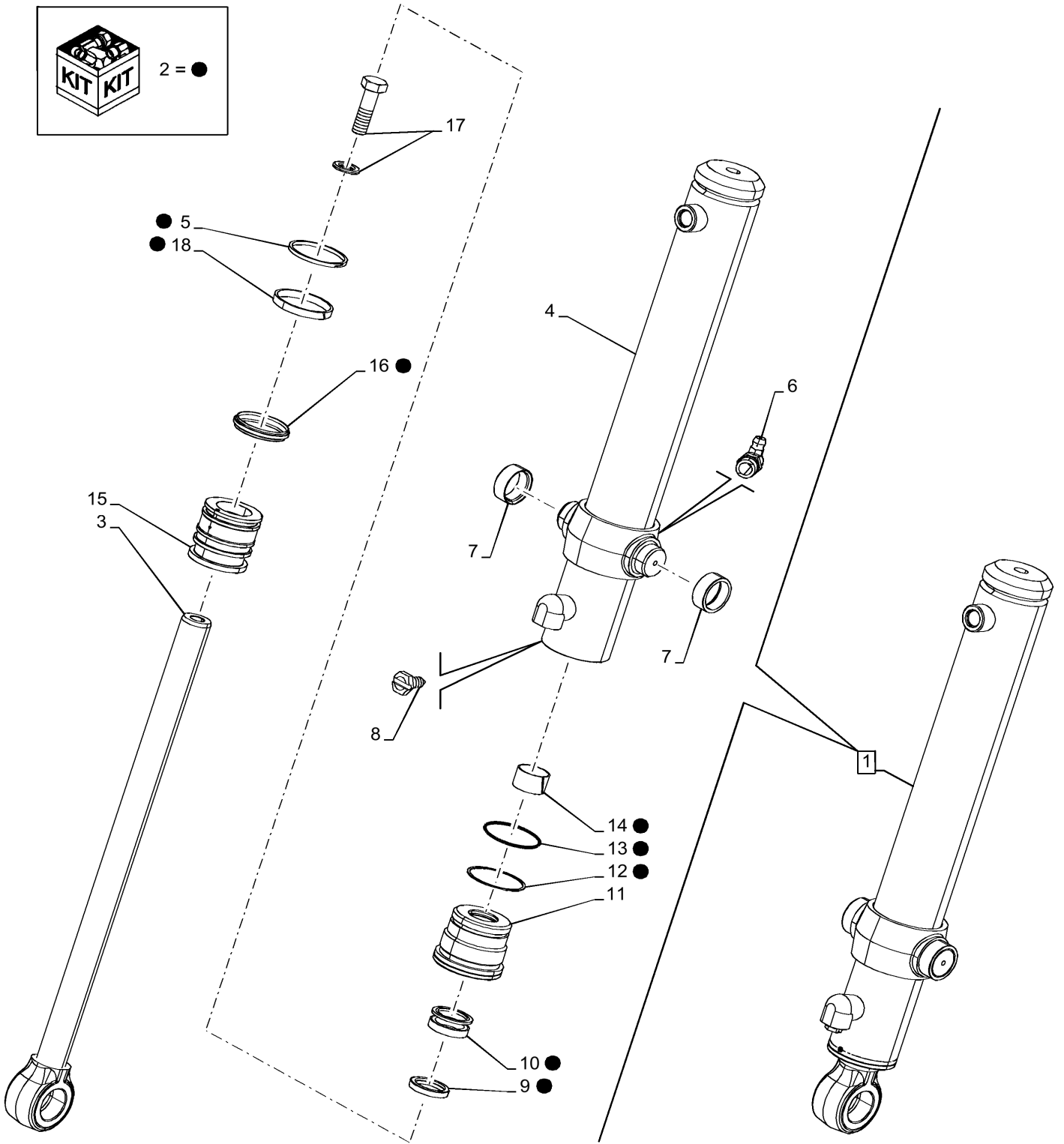
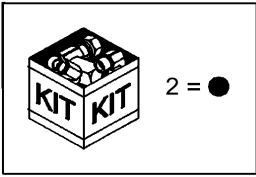
580SN-BACKHOE LOADER, 4WD - TIER 3 NRC - MY18

35.723.050

p1

6/2019

LOADER BUCKET, CONTROLS, CYLINDER, COMPONENTS



35.723.260

p1

6/2019

VAR - 742433, 747863 - LOADER BUCKET, CYLINDER, RH, COMPONENTS

REF FN	PART NUMBER	YR/SN	QTY DESCRIPTION
1	87455459		1 HYDRAULIC CYLINDER Double Acting, 44.4mm Rod, 76.2mm Bore, 230.6mm Stroke ASSY, Clam RH, Incl 2 - 21
2	86982377		1 SEAL KIT ASSY, Clam Cylinder, Repair, Incl 9 - 11, 16, 18 - 21
3	1346195C1		1 PISTON ROD 44.4mm OD ASSY, Incl 4 (Qty 2), 5
4	30634		4 BUSHING 32.05mm ID x 38.18mm OD x 17.6mm L
5	NSS		1 NOT SOLD SEPARAT Rod, Incl in 3
6	219-1		1 LUBE NIPPLE 1/8" - 27 NPTF
7	1542987C1		1 GLAND ASSY, Incl 15, 16, 18 - 21
8	1340798C1		1 PISTON 76.2mm Bore, 44.4mm Rod, 37.85mm W
9	G100444		1 SEALING RING Square, 5.28mm Thk x 62.61mm ID
10	G100443		1 SEAL 67.9mm ID x 77.1mm OD x 6.8mm Thk Rectangular Piston
11	G100449		1 WEAR RING Split, 69.85mm ID x 76.2mm OD x 9.52mm Thk
12	86982437		1 BOLT Sems, Hex, 1" - 14 x 2.50"
13	219-55		1 LUBE NIPPLE 90 Degree Elbow, 1/8" - 27 NPTF Fitting
14	NSS		1 NOT SOLD SEPARAT Tube, Incl in 1
15	297281A1		1 GLAND
16	238-5231		1 O-RING 0.139" Thk x 2.609" ID, -231, CI 5, 75 Duro
17	G109395		1 SELF-TAP SCREW Hex, #8 - 32 x 3/8"
18	G109298		1 RING 69.47mm ID x 75.57mm OD x 1.4mm Thk
19	D95143		1 WIPER SEAL 44.42mm ID x 57.17mm OD x 7.92mm Thk
20	1542875C1		1 SEAL KIT 44.4mm Rod Rod and Buffer Seal

580SN-BACKHOE LOADER, 4WD - TIER 3 NRC - MY18

35.724.080

p1

6/2019

CONTROL, LOADER BUCKET, VARIABLE VOLUME PUMP MODELS

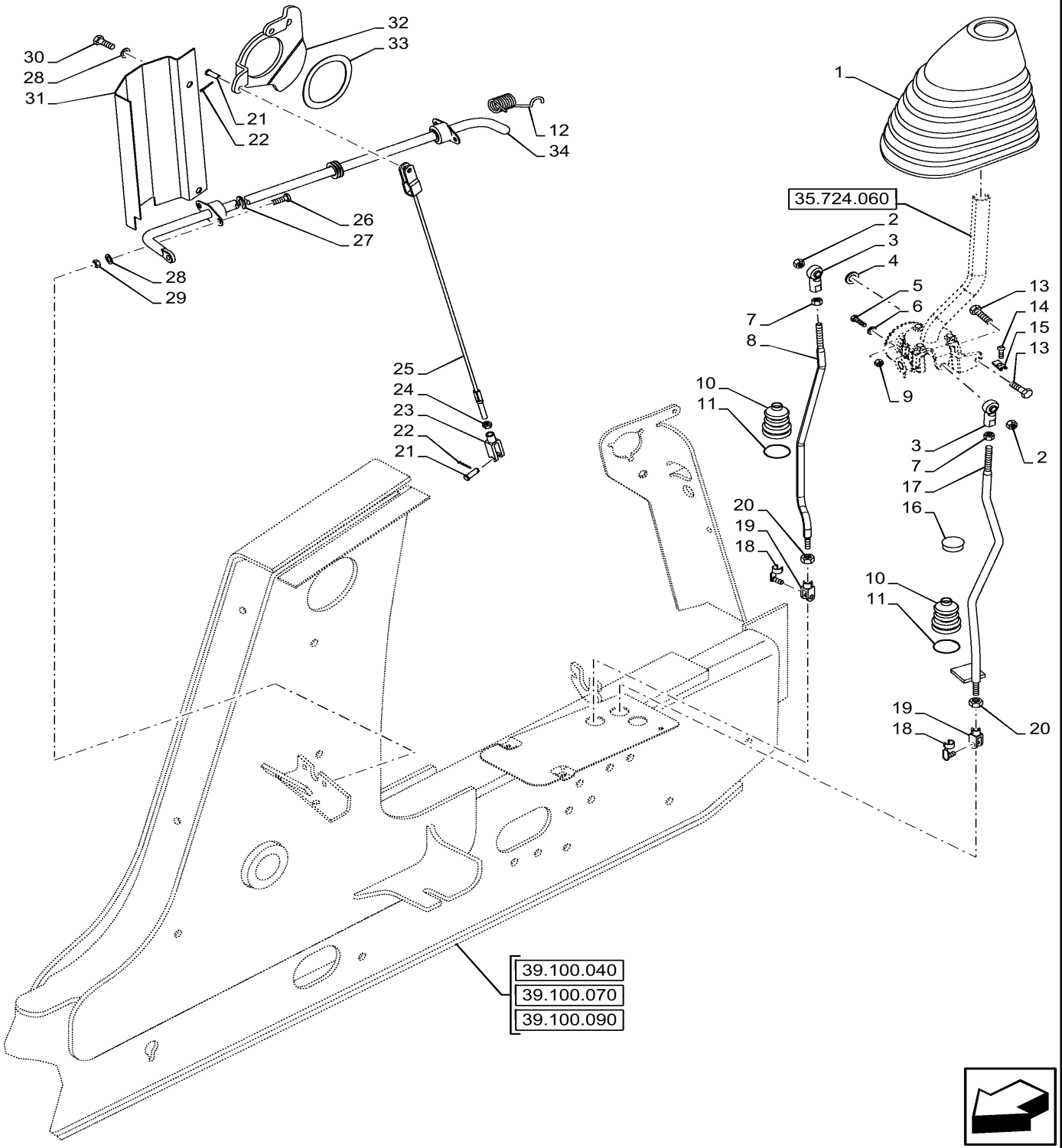


Figure is Valid with STD Equipment

35.726.130

p1

6/2019

7- SPOOL, 8-SPOOL, JOYSTICK MOUNTING, LH, W/ PILOT CONTROLS, W/ DOUBLE AUXILIARY HYDRAULIC

REF FN	PART NUMBER	YR/SN	QTY DESCRIPTION
1	87685952		1 JOYSTICK ASSY, LH

580SN-BACKHOE LOADER, 4WD - TIER 3 NRC - MY18

STABILIZER, CONTROLS, PILOT CONTROLS, LINES

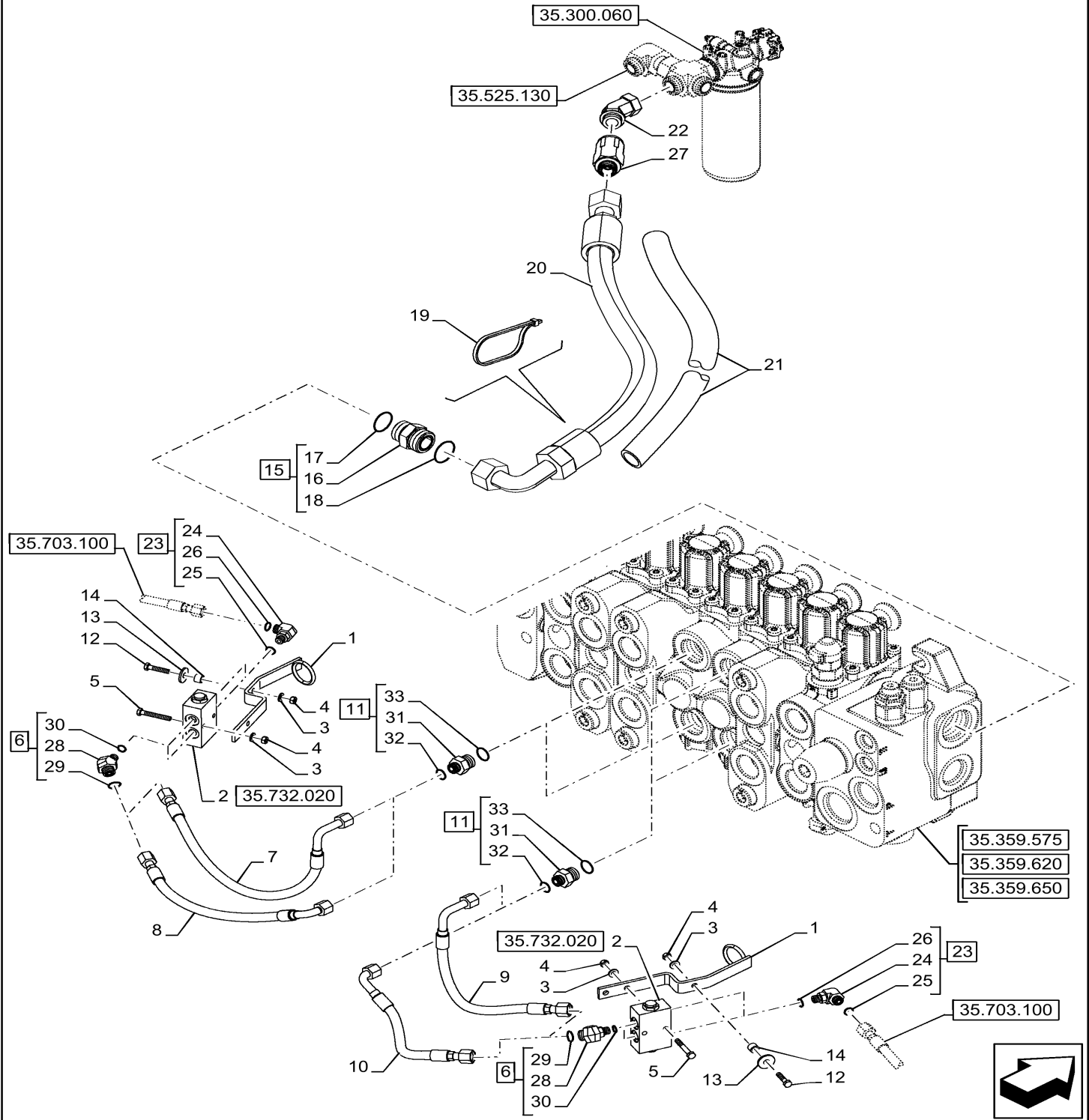


Figure is Valid with STD Equipment

35.734.050

p1

6/2019

QUICK COUPLER, VALVE, COMPONENTS

REF FN	PART NUMBER	YR/SN	QTY DESCRIPTION
1	87435909		1 SOLENOID VALVE 4W, 2P ASSY, Hydraulic Coupler, Incl 2 - 14
2	87438021		1 SOLENOID VALVE ASSY, w/Coil, Incl 3 - 5
3	87438022		1 HYDRAULIC VALVE
4	87438023		1 COIL
5	87438024		1 SEAL KIT 4-Way Solenoid
6	87438025		1 SOLENOID VALVE ASSY, Incl 7 - 9
7	87438026		1 HYDRAULIC VALVE
8	87438027		1 COIL
9	87438028		1 SEAL KIT 2-Way Solenoid
10	84200896		1 VALVE PRESSURE RELIEF ASSY, TLB Coupler, Incl 9, 11
11	NSS		1 NOT SOLD SEPARAT Valve, Incl in 10
12	87438029		1 VALVE, CHECK ASSY, Incl 9, 13
13	NSS		1 NOT SOLD SEPARAT Valve, Incl in 12
14	NSS		1 NOT SOLD SEPARAT Valve Body, Incl in 1

580SN-BACKHOE LOADER, 4WD - TIER 3 NRC - MY18

CLICK HERE TO **DOWNLOAD** THE COMPLETE MANUAL

- Thank you very much for reading the preview of the manual.
- You can download the complete manual from: www.heydownloads.com by clicking the link below



- Please note: If there is no response to CLICKING the link, please download this PDF first and then click on it.

CLICK HERE TO **DOWNLOAD** THE COMPLETE MANUAL

35.734.250

p1

6/2019

EXTENDABLE DIPPER, HYDRAULIC COUPLER, LINE

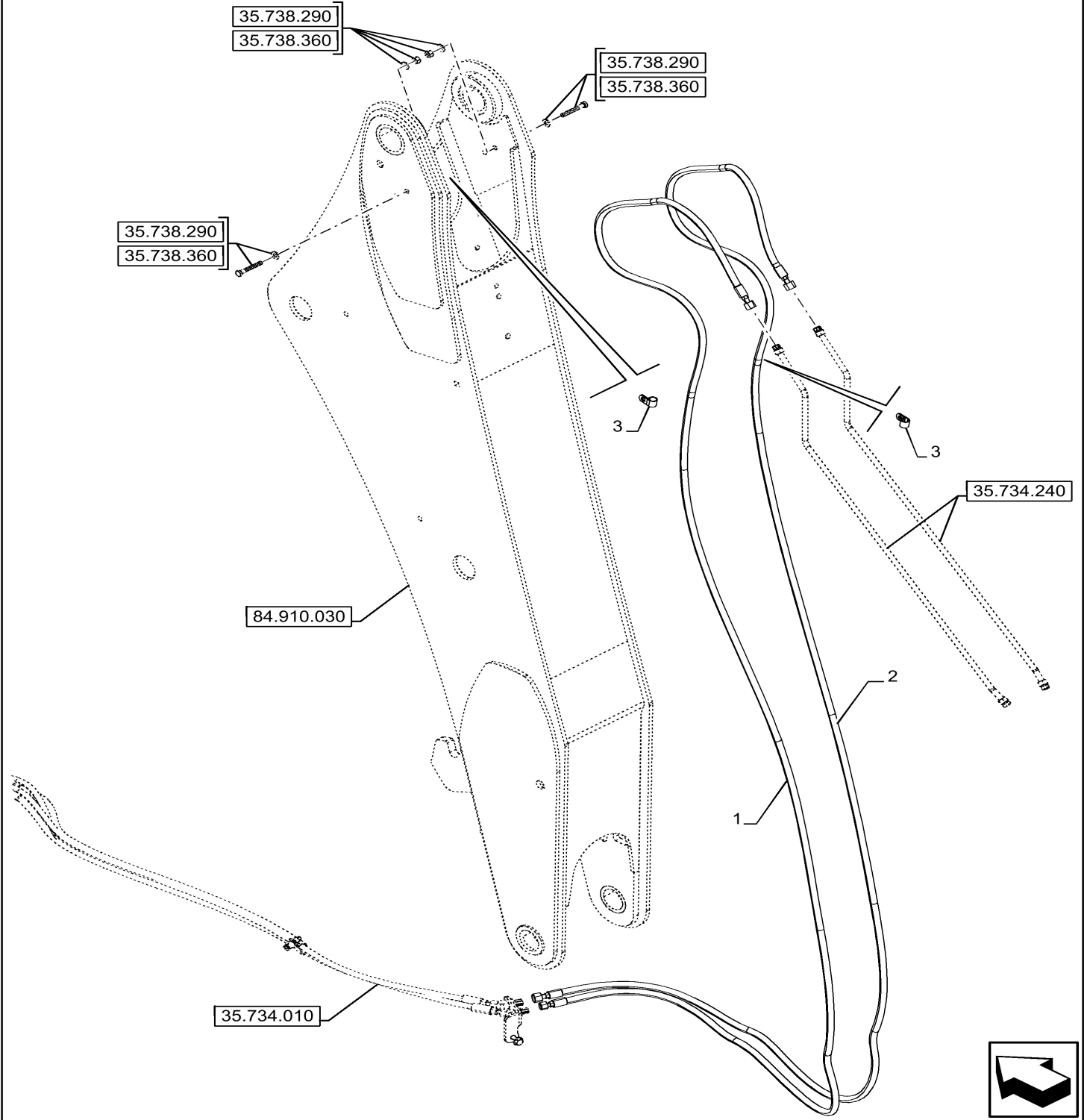


Figure is Valid with STD Equipment only when Var. 423076 (Extendable Dipper) or Var. 442017 (Coupler Hydraulic Backhoe Bucket) is Equipped

35.738.050

p1

6/2019

HYDRAULIC LIFT, PILOT CONTROLS, VALVE, LINE

REF FN	PART NUMBER	YR/SN	QTY DESCRIPTION
1	48185332		1 VALVE ASSY, Heavy Lift Pilot Control
2	48185587		1 BRACKET Valve Mounting
3	84573697		1 HOSE 10mm ID x 810mm L Heavy Lift
4	84573695		1 HOSE 10mm ID x 463mm L Heavy Lift Pilot Control
5	84573696		1 HOSE 10mm ID x 317mm L Heavy Lift Return
6	84989848		1 TEE 11/16" - 16 ORFS x 11/16" - 16 ORFS x 11/16" - 16 JIC ASSY, Incl 7, 8 (Qty 2)
7	NSS		1 NOT SOLD SEPARAT Tee, Incl in 6
8	9993141		6 O-RING 0.07" Thk x 0.364" ID, -12, CI 6, 90 Duro
9	87331950		1 CAP ASSY. Hex, 11/16"-16
10	87681202		1 HYD CONNECTOR 9/16" - 18 ORFS x 7/16" - 20 ORB ASSY, Incl 11 - 13
11	NSS		1 NOT SOLD SEPARAT Connector, Incl in 10
12	9825770		1 O-RING 0.07" Thk x 0.301" ID, -11, CI 6, 90 Duro
13	165202		1 O-RING 0.072" Thk x 0.351" ID, -904, CI 6, 90 Duro
14	9840543		2 90 ELBOW 90 Degree, 11/16"-16 x 9/16"-18 Adj, ORFS ASSY, Incl 8 (Qty 2), 15, 16
15	NSS		2 NOT SOLD SEPARAT 90° Elbow, Incl in 14
16	9617873		1 O-RING 0.078" Thk x 0.468" ID, -906, CI 6, 90 Duro
17	84989392		1 ELBOW 90 Degree, 11/16"-16 ORFS x 11/16"-16 Fem Sw ASSY, Incl 8 (Qty 1), 18

580SN-BACKHOE LOADER, 4WD - TIER 3 NRC - MY18

35.738.310

p1

6/2019

VAR - 423076 - COLD CLIMATE, BACKHOE BUCKET, EXTENDABLE DIPPER, CYLINDER

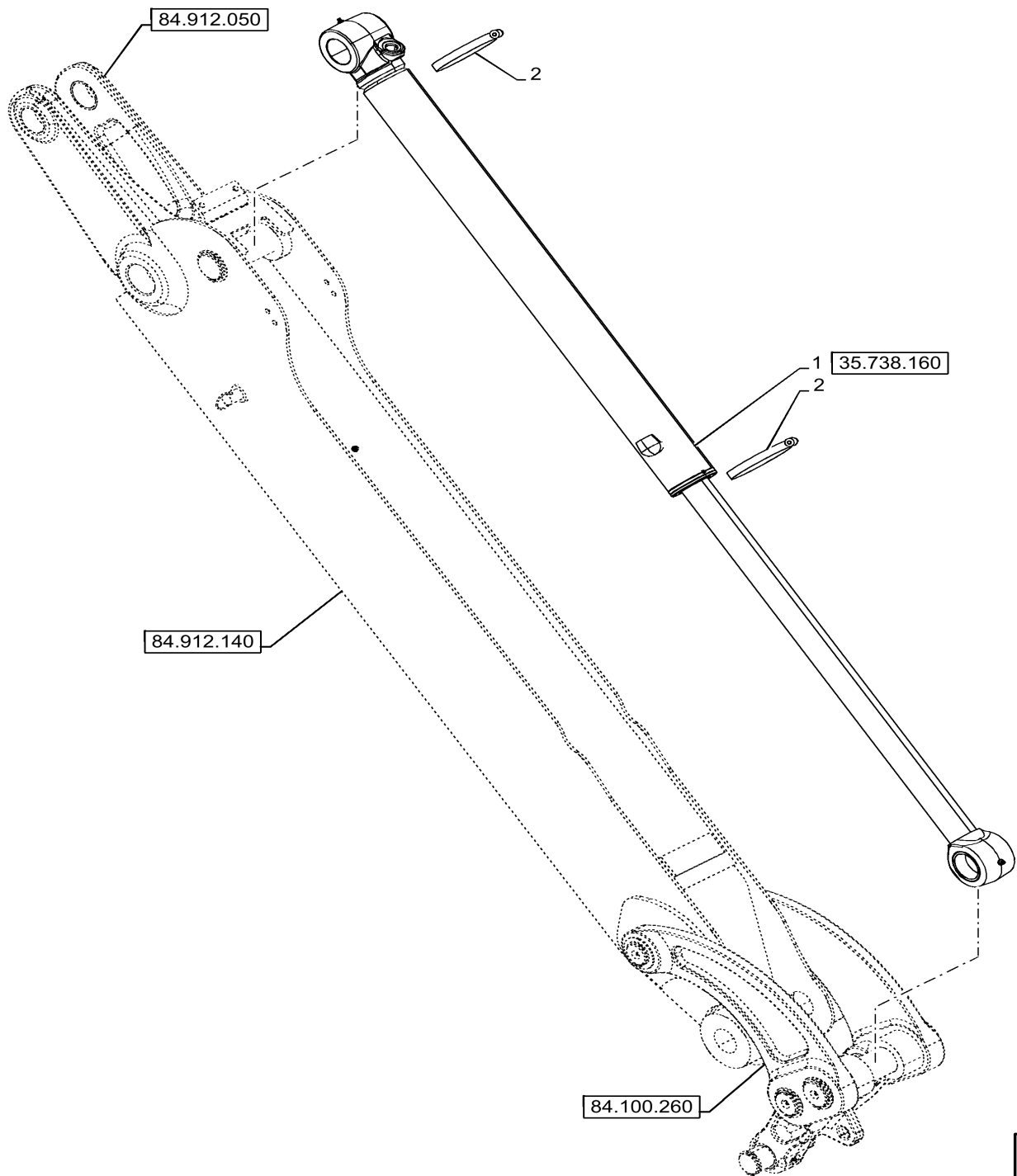


Figure is Valid with Commercial Var. 423076

35.739.060

p1

6/2019

BOOM SWING, MECHANICAL, CONTROLS, DAMPING VALVE, LINE

REF FN	PART NUMBER	YR/SN	QTY DESCRIPTION
1	84285086		1 HOSE 12.5mm ID x 1100mm L Dampen Valve Lower Port SWI
2	84254941		1 HYDRAULIC HOSE 12.5mm ID x 935mm L Dampen Valve Upper Port TO
3	84254943		1 HYD TUBE Swing Dampen Top Port
4	84254944		1 HYD TUBE Swing Dampen Bottom Port
5	9992307		2 90 ELBOW 90 Degree, 13/16"-16 x 3/4"-16 Adj, ORFS ASSY, Incl 6, 7, 8 (Qty 2)
6	NSS		2 NOT SOLD SEPARAT 90° Elbow, Incl in 5
7	128825		2 O-RING 0.087" Thk x 0.644" ID, -908, CI 6, 90 Duro
8	9992298		3 O-RING 0.07" Thk x 0.489" ID, -14, CI 6, 90 Duro
9	9621483		4 HYD CONNECTOR 1"-14 ORFS x 7/8"-14 ORB ASSY, Incl 10, 11, 12 (Qty 4)
10	NSS		4 NOT SOLD SEPARAT Connector, Incl in 9
11	128359		4 O-RING 0.07" Thk x 0.614" ID, -16, CI 5, 75 Duro
12	167269		6 O-RING 0.097" Thk x 0.755" ID, -910, CI 6, 90 Duro
13	85802961		1 ELBOW 13/16"-16 UN-2A x 7/8"-14 UNF-2A ASSY, Incl 8 (Qty 1), 12 (Qty 1), 14
14	NSS		1 NOT SOLD SEPARAT 90° Elbow, Incl in 13
15	87675522		1 90 ELBOW 90 Degree 1"-14 x 7/8"-14 Adj ORFS ASSY, Incl 12 (Qty 1), 16, 17
16	NSS		1 NOT SOLD SEPARAT 90° Elbow, Incl in 15

580SN-BACKHOE LOADER, 4WD - TIER 3 NRC - MY18

35.740.040

p1

6/2019

VAR - 423076 - EXTENDABLE DIPPER, CYLINDER

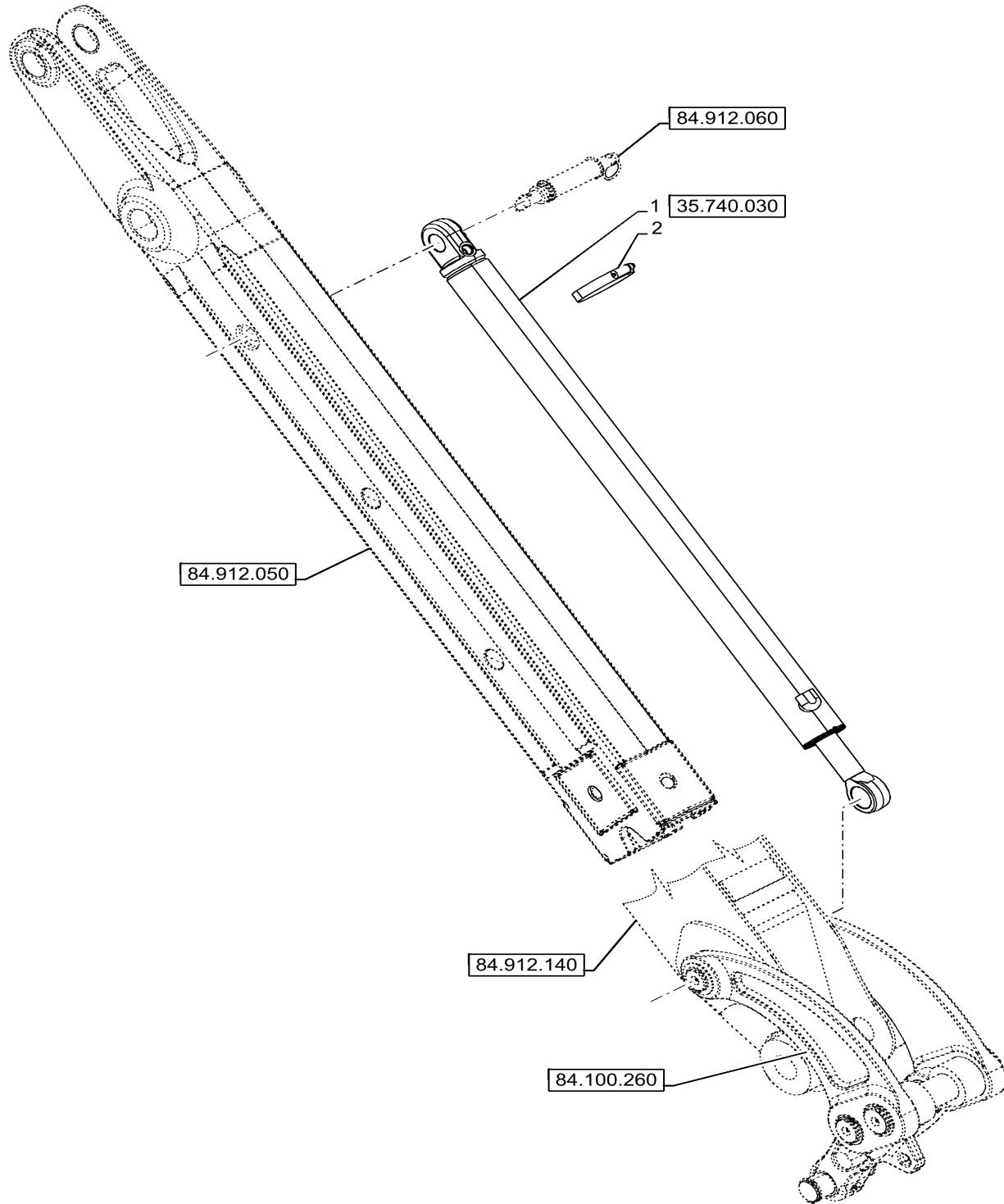


Figure is Valid with Commercial Var. 423076

39.129.050

p1

6/2019

VAR - 442055 - STABILIZER, PAD

REF FN	PART NUMBER	YR/SN	QTY DESCRIPTION
1	47959670		2 PAD Grey
2	D28648		2 PIN 1.5" OD x 10 7/16" L
3	D25279		4 SNAP RING M35, Int

580SN-BACKHOE LOADER, 4WD - TIER 3 NRC - MY18

STEERING WHEEL

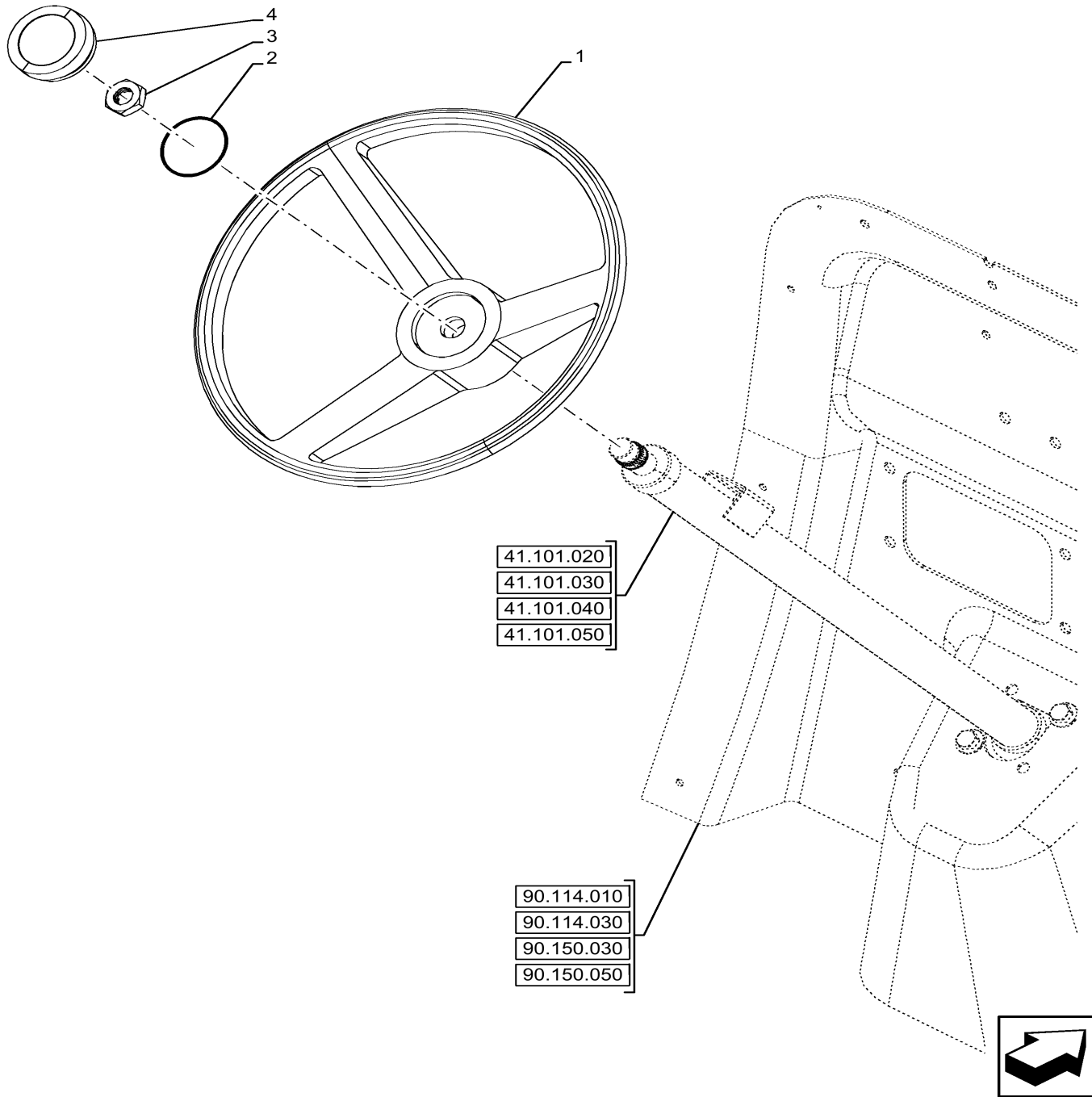


Figure is Valid with STD Equipment

41.200.100

p1

6/2019

LOADER, CONTROL VALVE, PILOT CONTROLS, 3-SPOOL, STEERING VALVE, LINES

REF FN	PART NUMBER	YR/SN	QTY DESCRIPTION
1	48135059		1 HYDRAULIC HOSE Loader Valve to Steering Pump, Pressure
2	48140442		1 HYDRAULIC HOSE 6.3mm ID x 1450mm L Loader Valve to Steering Pump, LS Pilot
3	84329867		2 HOSE PROTECTION 26.87mm ID x 590mm L
4	9840575		1 CAP 13/16" - 16 ORFS
5	L18331		1 CABLE TIE 375.9mm L, Nylon, Black
6	87417721		1 THREADED INSERT M10 x 1.5-6H x 29 L
7	L302731		1 CLAMP 19mm D Clamping Pipes
8	87655046		1 SPECIAL WASHER 10.65mm ID x 23mm OD x 2.2mm Thk
9	120112		1 BOLT Hex, M10 x 1.5 x 40mm, Cl 8.8, Full Thd
10	9993143		1 HYD CONNECTOR 11/16" - 16 ORFS x 9/16" - 18 ORB ASSY, Incl 11 - 13
11	NSS		1 NOT SOLD SEPARAT Connector, Incl in 10
12	9617873		1 O-RING 0.078" Thk x 0.468" ID, -906, Cl 6, 90 Duro
13	9993141		1 O-RING 0.07" Thk x 0.364" ID, -12, Cl 6, 90 Duro
14	48137454		1 ELBOW 90 Degree, -6 ORFS x -6 STC Female
15	48140443		1 HYD TUBE Steering Pressure
16	84533155		1 RUN TEE 13/16" - 16 ORFS x 13/16" - 16 ORFS x 3/4" - 16 ORB

580SN-BACKHOE LOADER, 4WD - TIER 3 NRC - MY18

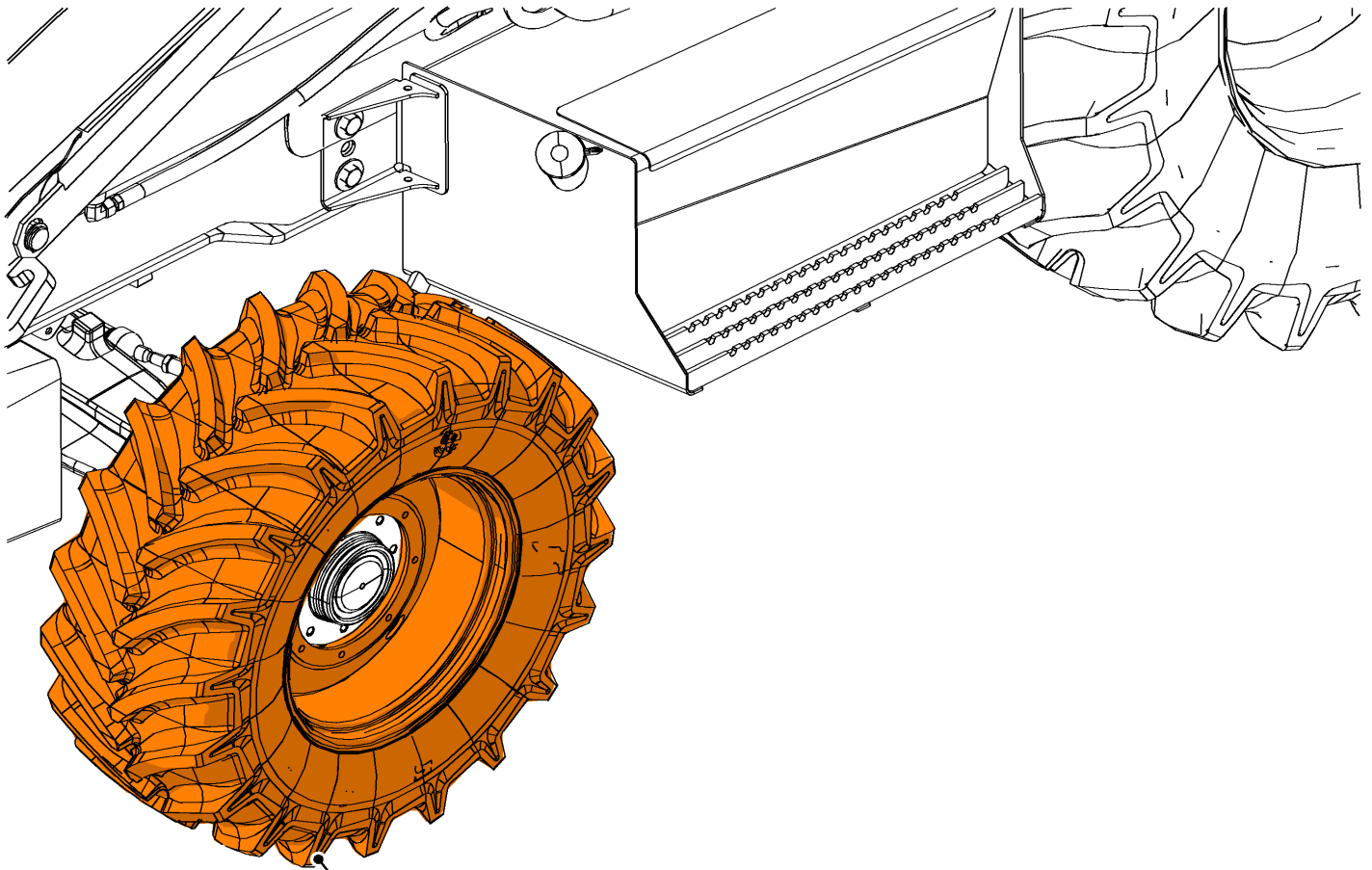
44.000.00

03

p1

6/2019

SECTION INDEX - WHEELS, 4WD



EQUIP	TYRE SIZE	RIM	FIGURE
8201110	12 - 16,5	9,75X16,5	44.511.020
			44.511.030
9200012	14 - 17,5	10,5X17,5	44.511.060
9200013	10,5/80 - 18	9X18	44.511.090
9200015	12,5/80 - 18		44.511.040
			44.511.100
9200019	12L - 16,5	9,75X16,5	44.511.020
			44.511.030
9200023	300/70 R16,5		44.511.020
			44.511.030
9200024	340/80 R18	11X18	44.511.070
			44.511.110
9200025	360/70 R17,5	10,5X17,5	44.511.060

50.100.020

p1

6/2019

VAR - 747853, 747854, 747855 - CAB, HEATER, CORE, FILTER

REF FN	PART NUMBER	YR/SN	QTY DESCRIPTION
1	360262A2		1 CORE Heater
2	406287A1		1 SEALING STRIP 19mm W x 736mm L x 19mm Thk
3	1987096C1		1 PLATE
4	360260A2		1 CAB FILTER A/C, 740mm L x 140.4mm W x 50mm Thk, Pleatloc Fresh Air, Recirculation

580SN-BACKHOE LOADER, 4WD - TIER 3 NRC - MY18

SECTION INDEX

ELECTRICAL SYSTEMS

55.100.120	VAR - 423084 - HARNESS, HAMMER, PILOT CONTROLS
55.100.170	AUXILIARY CONTROL VALVE, JUMPER, HARNESS
55.100.180	VAR - 747776, 747864 - AUXILIARY CONTROL VALVE, JUMPER, HARNESS
55.101.020	VAR - 423058, 423059 - POWERSHUTTLE, TRANSMISSION, CHASSIS, HARNESS, W/ OPTION
55.101.030	VAR - 423060, 423061, 423062 - SEMI-POWERSHIFT, POWERSHIFT, TRANSMISSION, CHASSIS, HARNESS, W/ OPTION
55.201.010	STARTER MOTOR
55.201.020	IGNITION SWITCH
55.201.030	STARTER MOTOR, WIRE HARNESS, JUMPER
55.202.010	VAR - 423088 - BLOCK HEATER
55.202.020	VAR - 423093 - GRID HEATER, COLD START SYSTEM
55.202.040	GRID HEATER, W/O COLD START SYSTEM
55.301.010	ALTERNATOR
55.301.020	ALTERNATOR, WIRE HARNESS, JUMPER
55.302.010	VAR - 423093 - DUAL BATTERY
55.302.020	VAR - 423093 - DUAL BATTERY, POSITIVE, CABLE
55.302.030	VAR - 423093 - DUAL BATTERY, NEGATIVE, CABLE
55.302.040	BATTERY
55.302.050	BATTERY, POSITIVE, CABLE
55.302.060	BATTERY, NEGATIVE, CABLE
55.302.100	VAR - 423093 - DUAL BATTERY, CABLE, JUMPER
55.302.140	VAR - 747874 - BATTERY CUT-OUT
55.404.040	VAR - 745242 - CAB, WORK LIGHT
55.404.060	VAR - 747853, 747854, 747855 - CAB, FRONT, FLASHER LAMP
55.404.070	VAR - 747853, 747854, 747855 - CAB, REAR, FLASHER LAMP
55.404.120	VAR - 745242 - CANOPY, WORK LIGHT
55.404.130	VAR - 423000, 442082 - CANOPY, TURN SIGNAL LIGHT
55.404.140	VAR - 423000, 442082 - CANOPY, STOP LIGHT
55.404.190	VAR - 728758 - ROTARY BEACON
55.404.200	VAR - 745242 - CANOPY, WORK LIGHT
55.404.210	VAR - 745242 - CAB, WORK LIGHT
55.405.010	BRAKE, LIGHT SWITCH
55.405.040	HAZARD LIGHT SWITCH

55.014.010

p1

6/2019

AIR CLEANER, AIR RESTRICTION INDICATOR

REF FN	PART NUMBER	YR/SN	QTY DESCRIPTION
1 1	84535708		1 AIR CLEANER ASSY, Incl 2
2	79081900		1 SENSOR Vacuum
(1)	See also Air Cleaner Components in Figure 10.202.020		

580SN-BACKHOE LOADER, 4WD - TIER 3 NRC - MY18

55.024.030

p1

6/2019

VAR - 423058, 423059 - TRANSMISSION, POWERSHUTTLE, CONTROL VALVE, COMPONENTS, SOLENOID

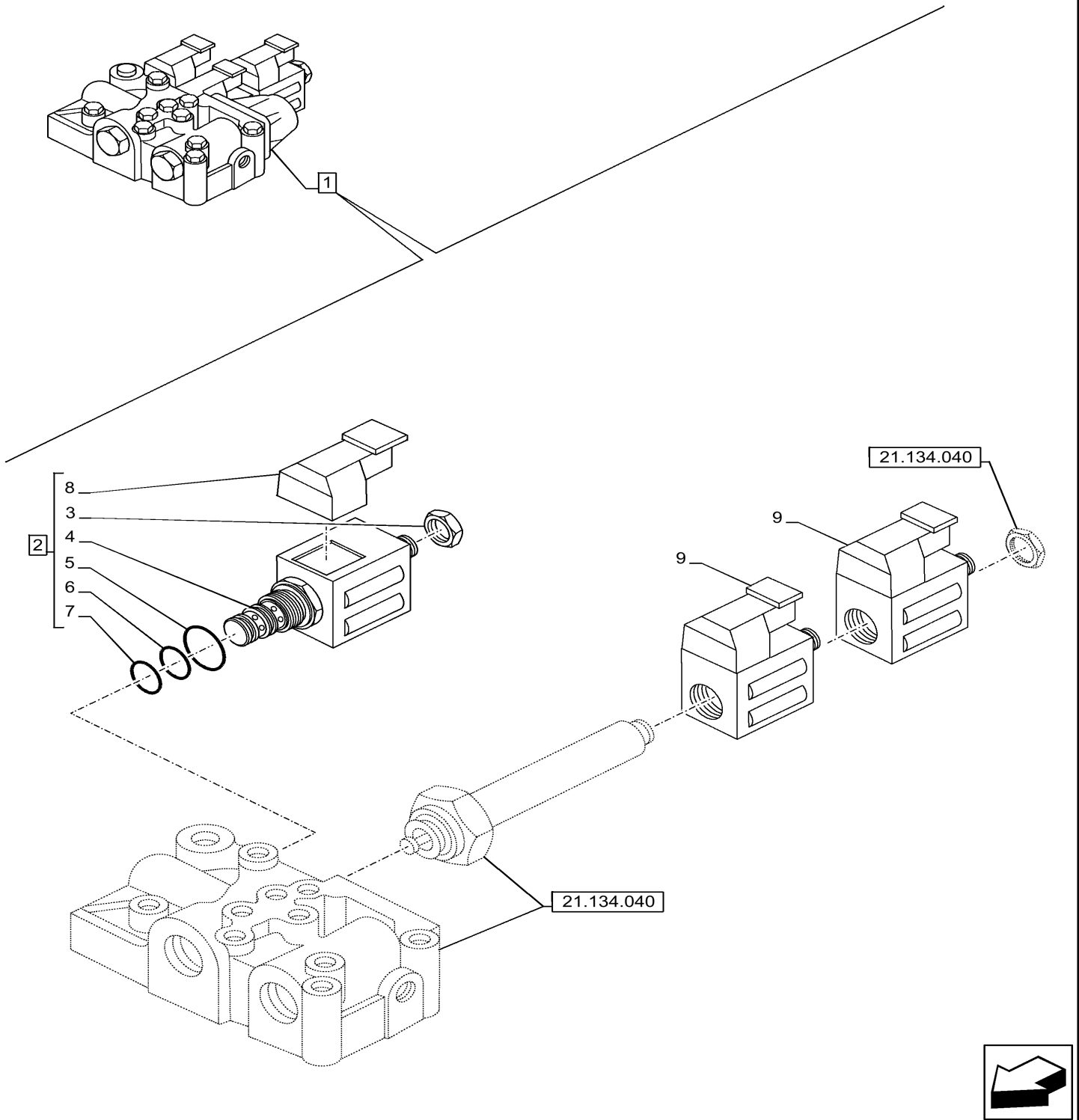


Figure is Valid with Commercial Var. 423058 or Var. 423059

55.031.070

p1

6/2019

VAR - 423061 - TRANSMISSION, SEMI-POWERSHIFT, COMPONENTS, PRESSURE SWITCH, 4WD

REF FN	PART NUMBER	YR/SN	QTY DESCRIPTION
1	1 84327512		1 TRANSMISSION Pwrshft - S type - 4wd ASSY, Semi-powershift, 4WD, Incl 2, 3
2	87701313		1 SENSOR Transmission Oil Pressure Sensor
3	181105A1		1 SEALING WASHER 14mm ID x 20mm OD x 1.5mm Thk
(1)	See also Transmission Components in Figures 21.103.030, 21.103.040, 21.111.070, 21.111.080, 21.152.060, 21.152.070, 21.152.080, 21.152.090, 21.152.100, 21.152.110, 33.110.040, 55.020.020, 55.021.020, 55.022.050, 55.023.020, 55.024.060, 55.024.100, 55.031.080		

580SN-BACKHOE LOADER, 4WD - TIER 3 NRC - MY18

55.036.130

p1

6/2019

VAR - 423080 - VARIABLE DISPLACEMENT HYDRAULIC PUMP (W/ POWER LIFT), COMPONENTS, CONTROL VALVE

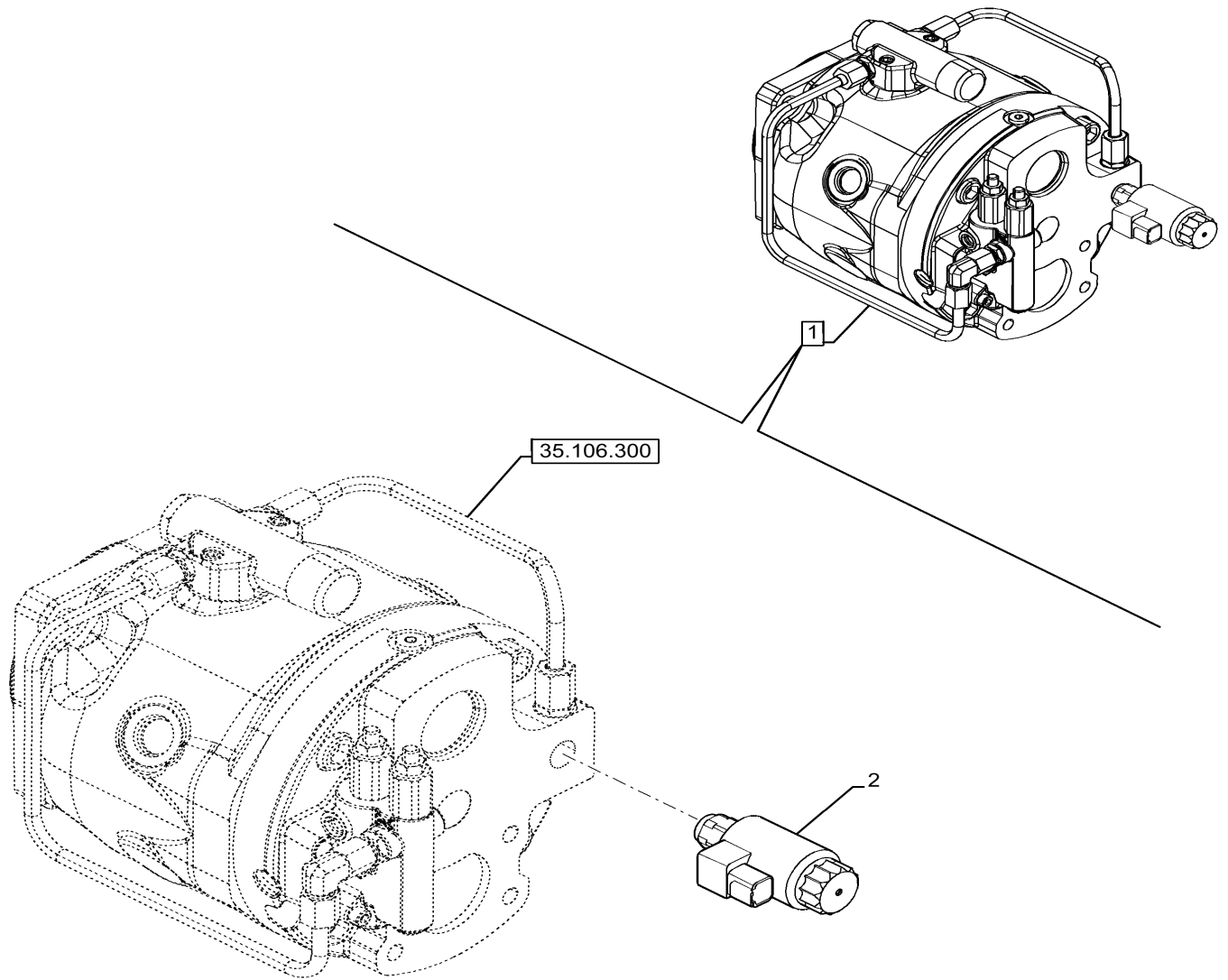


Figure is Valid with Commercial Var. 423080

55.100.010

p1

6/2019

STARTER MOTOR, ALTERNATOR, GROUND CABLE

REF FN	PART NUMBER	YR/SN	QTY DESCRIPTION
1	48037941		1 GROUND STRAP Starter Motor
2	844-10020		4 BOLT Hvy Hex, M10 x 20mm, Cl 8.8
3	493-11039		1 LOCK WASHER 3/8", Int-Ext Tooth
4	829-1408		1 NUT Hex, M8 x 1.25, Cl 10.9
5	493-21033		2 LOCK WASHER Int Tooth, 5/16"
6	515-23127		2 CLAMP 1/2", Insul, 3/8" Bolt

580SN-BACKHOE LOADER, 4WD - TIER 3 NRC - MY18

55.101.030

p1

6/2019

VAR - 423060, 423061, 423062 - SEMI-POWERSHIFT, POWERSHIFT, TRANSMISSION, CHASSIS, HARNESS, W/ OPTION

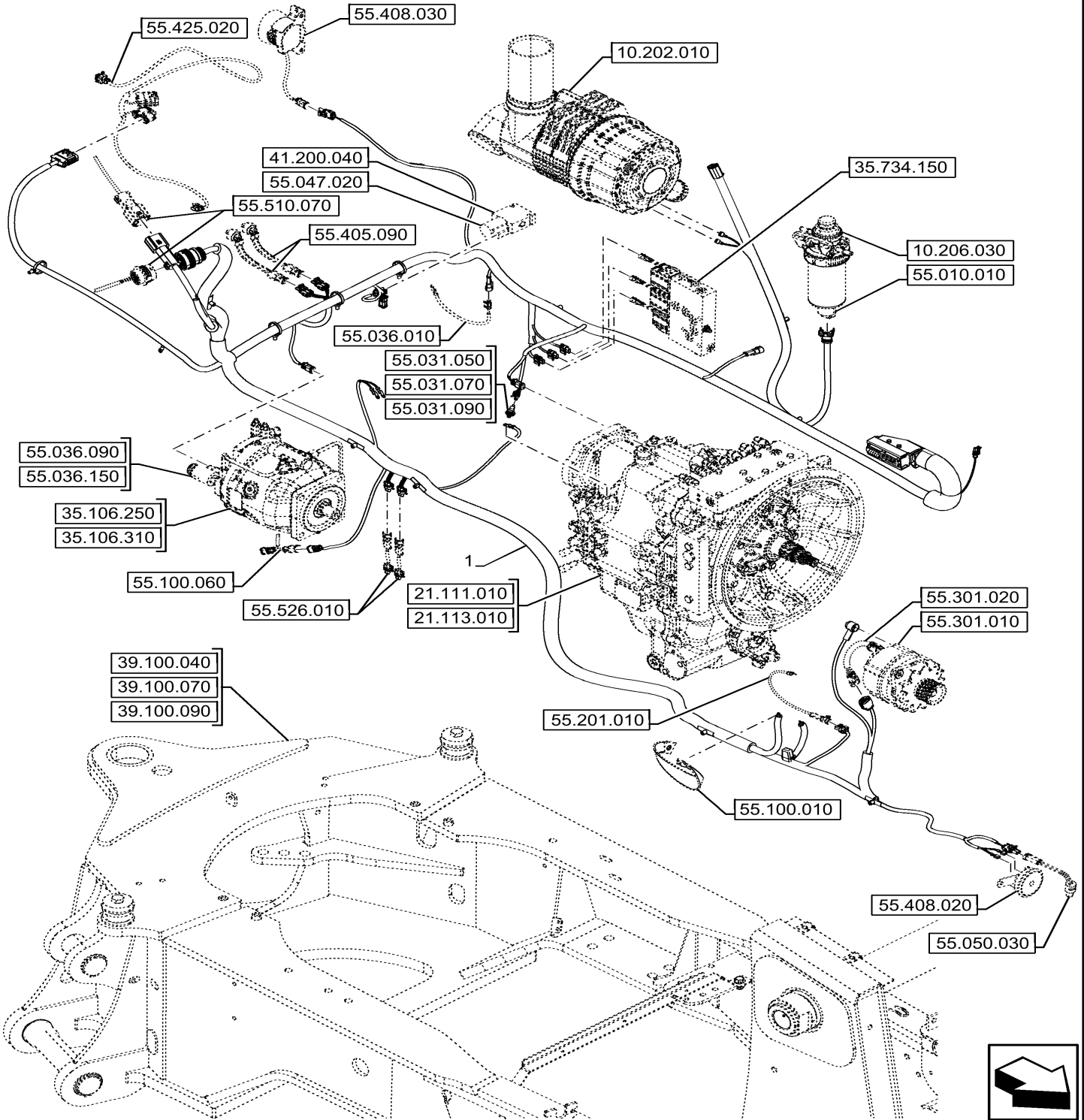


Figure is Valid with Commercial Var. 423060 or Var. 423061 or Var. 423062

55.302.020

p1

6/2019

VAR - 423093 - DUAL BATTERY, POSITIVE, CABLE

REF FN	PART NUMBER	YR/SN	QTY DESCRIPTION
1	87610679		1 POS BATTERY CABLE Battery to Battery Disconnect or Starter

580SN-BACKHOE LOADER, 4WD - TIER 3 NRC - MY18

VAR - 423000, 442082 - CANOPY, STOP LIGHT

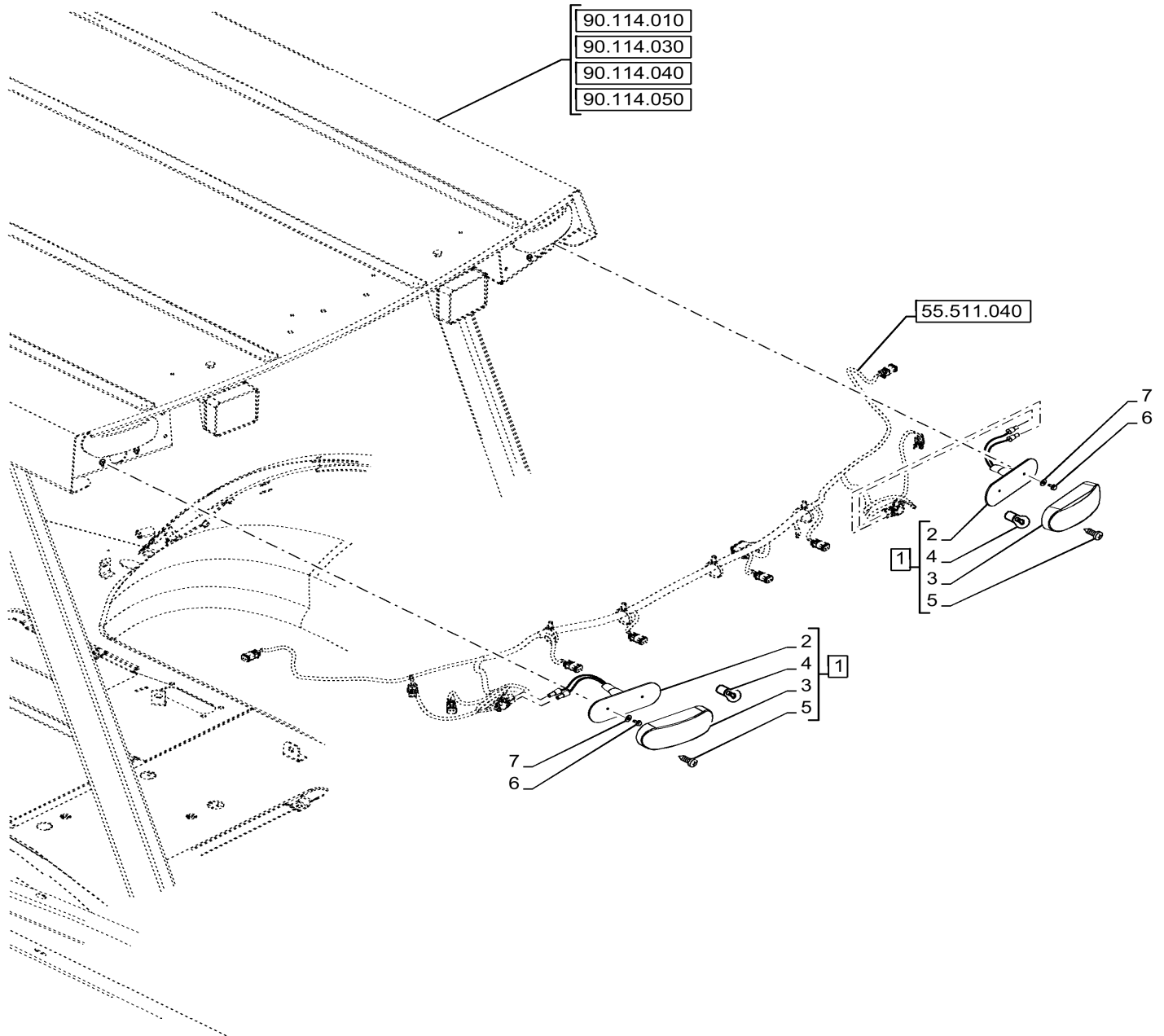


Figure is Valid with Commercial Var. 423000 or Var. 442082

VAR - 423058, 423059 - POWERSHUTTLE, TRANSMISSION, FRONT, CONSOLE, INDICATOR LIGHT, SWITCH

REF FN	PART NUMBER	YR/SN	QTY DESCRIPTION
1	1	48037973	1 WIRE HARNESS ASSY, Front Console, Powershuttle Transmission, Incl 2, 3
2	NSS		1 NOT SOLD SEPARAT Harness, Incl in 1
3	389487A1		1 LIGHT SWITCH Turn Signal / Driving Lights, High - Low Beam / Horn

(1) See also Wire Harness Components in Figures 55.100.050, 90.108.215

580SN-BACKHOE LOADER, 4WD - TIER 3 NRC - MY18

55.510.010

p1

6/2019

AUXILIARY POWER OUTLET, 12V

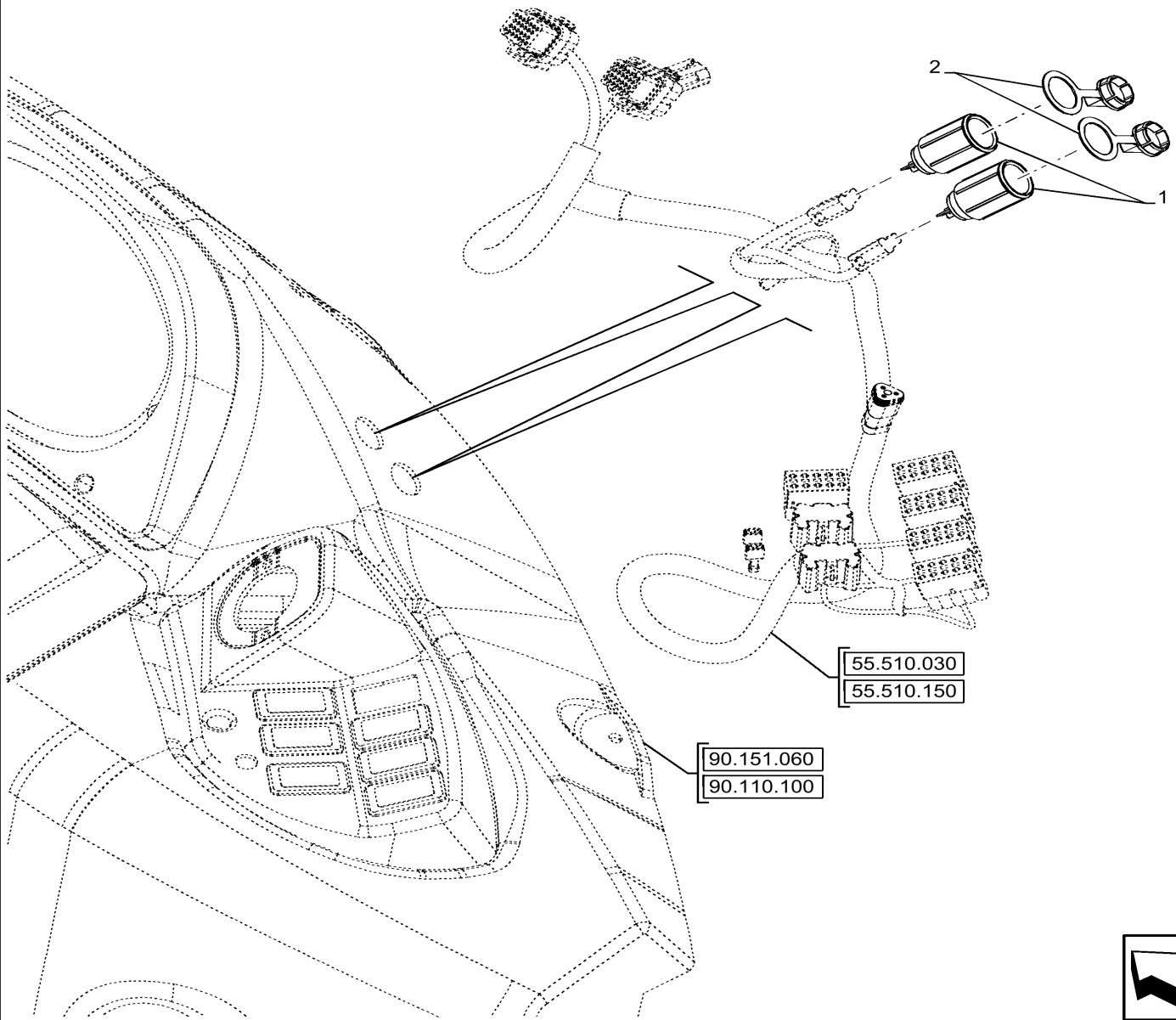


Figure is Valid with STD Equipment

55.511.090

p1

6/2019

VAR - 423000, 442082 - CANOPY, WORK LIGHT, C-POST, HARNESS

REF FN	PART NUMBER	YR/SN	QTY DESCRIPTION
1	47714176		1 WIRE HARNESS C-Post, Canopy
2	L11541		4 CABLE TIE 203.2mm L, Nylon

580SN-BACKHOE LOADER, 4WD - TIER 3 NRC - MY18

55.512.190

p1

6/2019

VAR - 423080 - VALVE HEAVY LIFT, COMPONENTS, SOLENOID

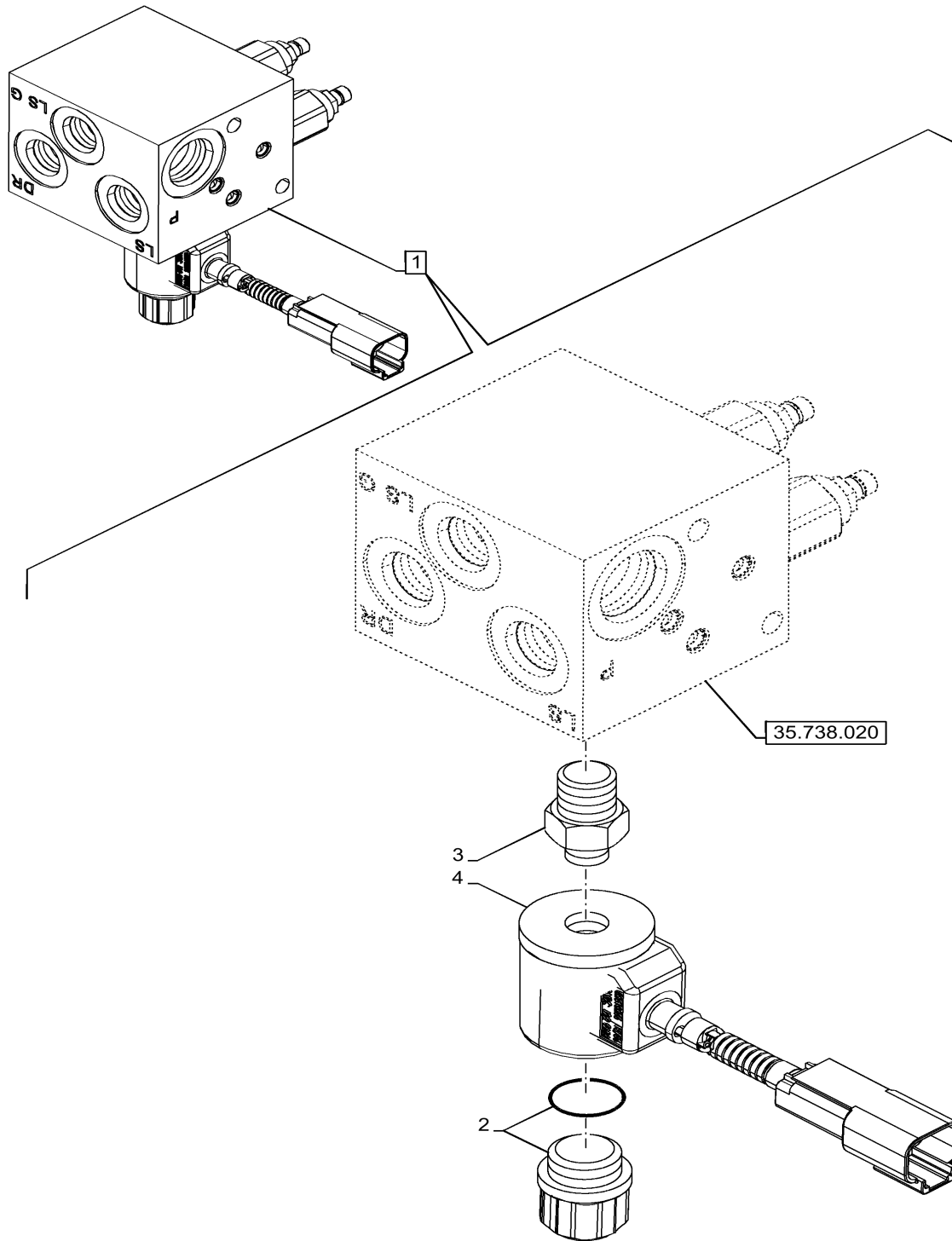


Figure is Valid with Commercial Var. 423080

55.512.350

p1

6/2019

3-SPOOL CONTROL VALVE, SEMI-POWERSHIFT, POWERSHIFT TRANSMISSION, LOADER, JOYSTICK MOUNTING

REF FN	PART NUMBER	YR/SN	QTY DESCRIPTION
1	87638044		1 JOYSTICK ASSY, Loader Control 4 Button
2	256347A1		1 CONNECTOR, ELEC Male, 4 Cavities
3	258616A1		1 LOCK
4	256341A1		1 ELEC CONNECTOR Male, 2 Pin
5	258613A1		1 LOCK 23mm L x 11,3mm W
6	239451A1		1 MULTIPOLE CONNECTOR Female, 4 Pin
7	225327C1		1 WEDGE Lock, Black

580SN-BACKHOE LOADER, 4WD - TIER 3 NRC - MY18

55.514.050

p1

6/2019

VAR - 747853, 747854, 747855 - CAB, DOOR SWITCH

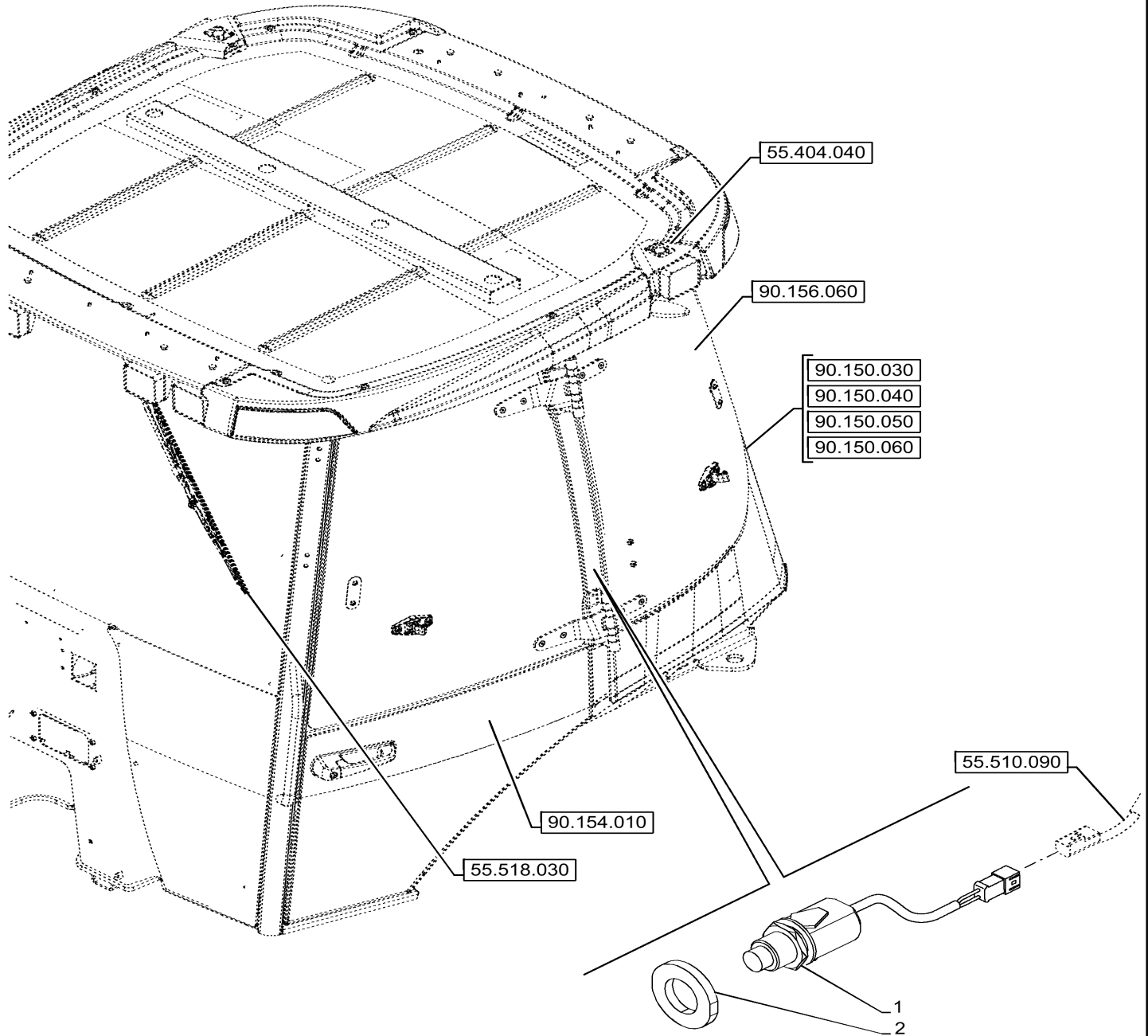


Figure is Valid with Commercial Var. 747853 or Var. 747854 or Var. 747855

55.519.020

p1

6/2019

BRAKE, CONTROL, SWITCH

REF FN	PART NUMBER	YR/SN	QTY DESCRIPTION
1	87614808		1 ROCKER SWITCH Brake, SAHR

580SN-BACKHOE LOADER, 4WD - TIER 3 NRC - MY18

55.991.020

p1

6/2019

VAR - 745121 - CANOPY, TELEMATIC SYSTEM, ANTENNA, CONTROL UNIT

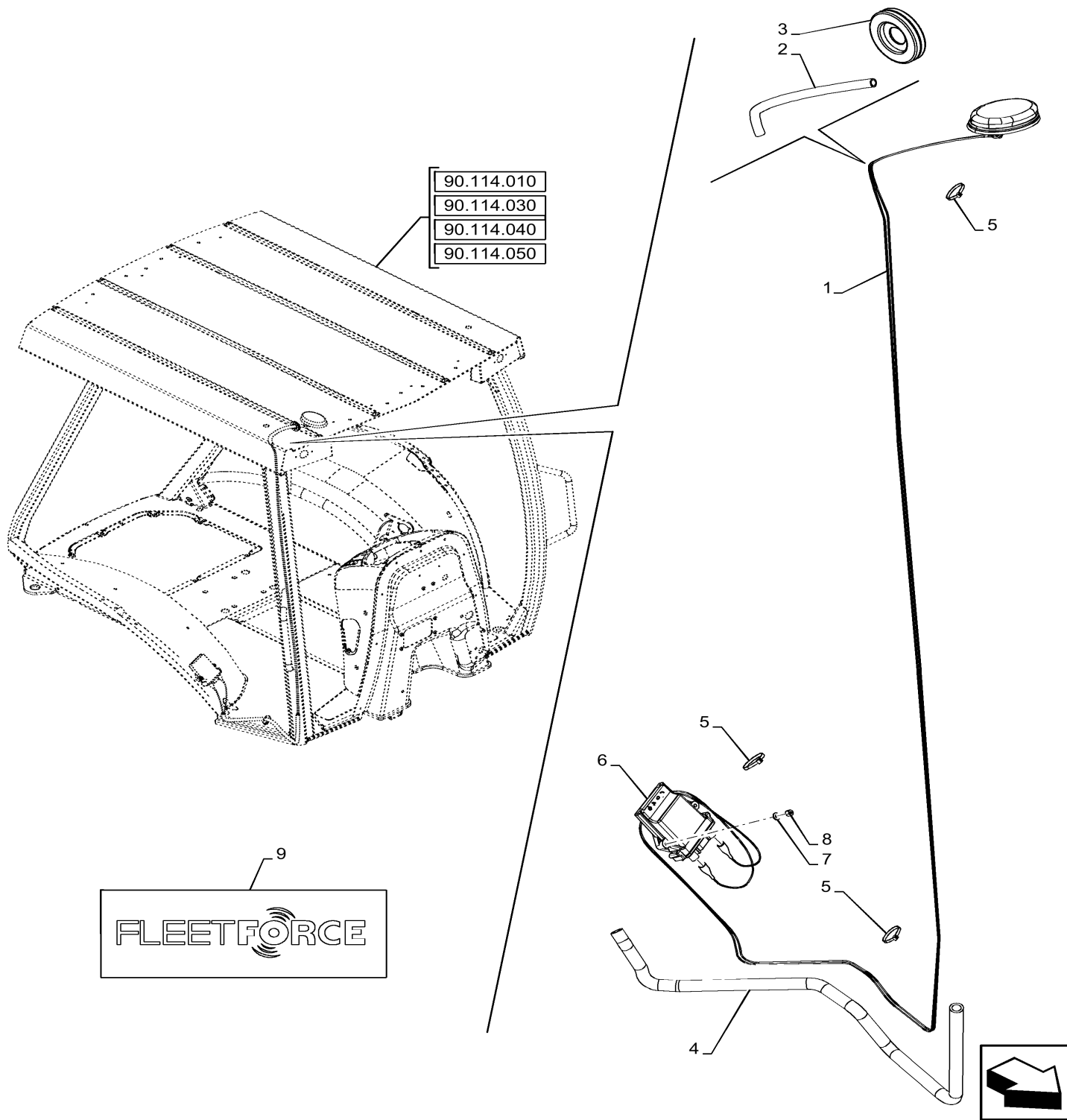


Figure is Valid with Commercial Var. 745121

82.300.150

p1

6/2019

VAR - 423049 - BUCKET, QUICK COUPLER, MOUNTING

REF FN	PART NUMBER	YR/SN	QTY DESCRIPTION
1	84265982		1 COUPLING ASSY, Loader with Auxiliary Hydraulic

580SN-BACKHOE LOADER, 4WD - TIER 3 NRC - MY18

84.100.110

p1

6/2019

VAR - 745162 - BACKHOE BUCKET, UNIVERSAL COUPLING, STANDARD DIPPER, LINK

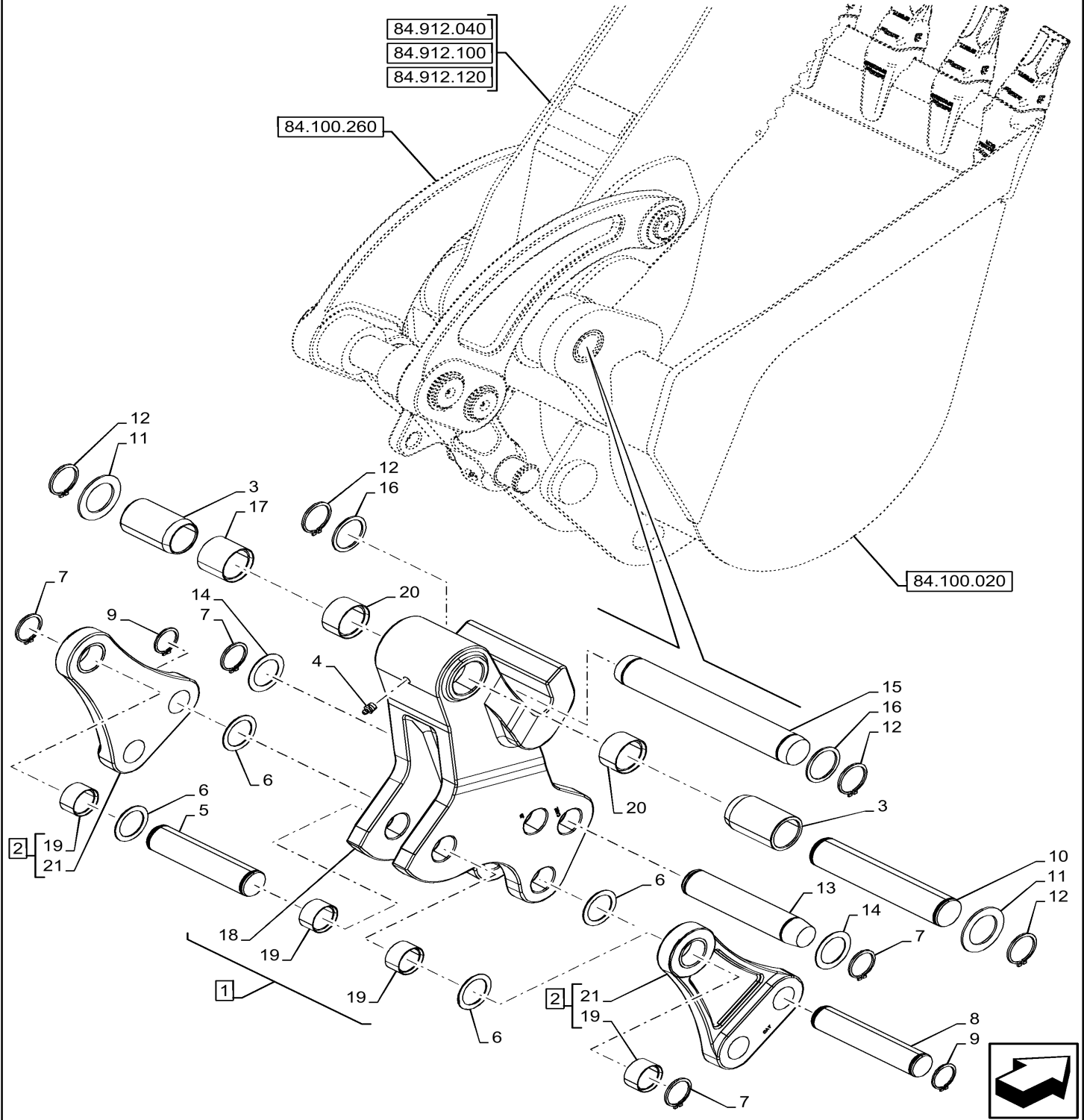


Figure is Valid with Commercial Var. 745162

84.114.010

p1

6/2019

BOOM SWING, TOWER

REF FN	PART NUMBER	YR/SN	QTY DESCRIPTION
1	48063030		1 TOWER ASSY, Power Tan, Swing, Incl 2 - 6
2	84230813		2 BUSHING 60.19mm ID x 70mm OD x 36mm L
3	84326988		4 BUSHING 60.19mm ID x 80mm OD x 24mm L
4	135249A1		4 BUSHING 50.96mm ID x 63.5mm OD x 28.6mm L
5	84235607		4 BUSHING 80mm ID x 96mm OD x 30mm L
6	NSS		1 NOT SOLD SEPARAT Swing Tower, Incl in 1

580SN-BACKHOE LOADER, 4WD - TIER 3 NRC - MY18

84.912.060

p1

6/2019

VAR - 423076 - EXTENDABLE DIPPER, PIN

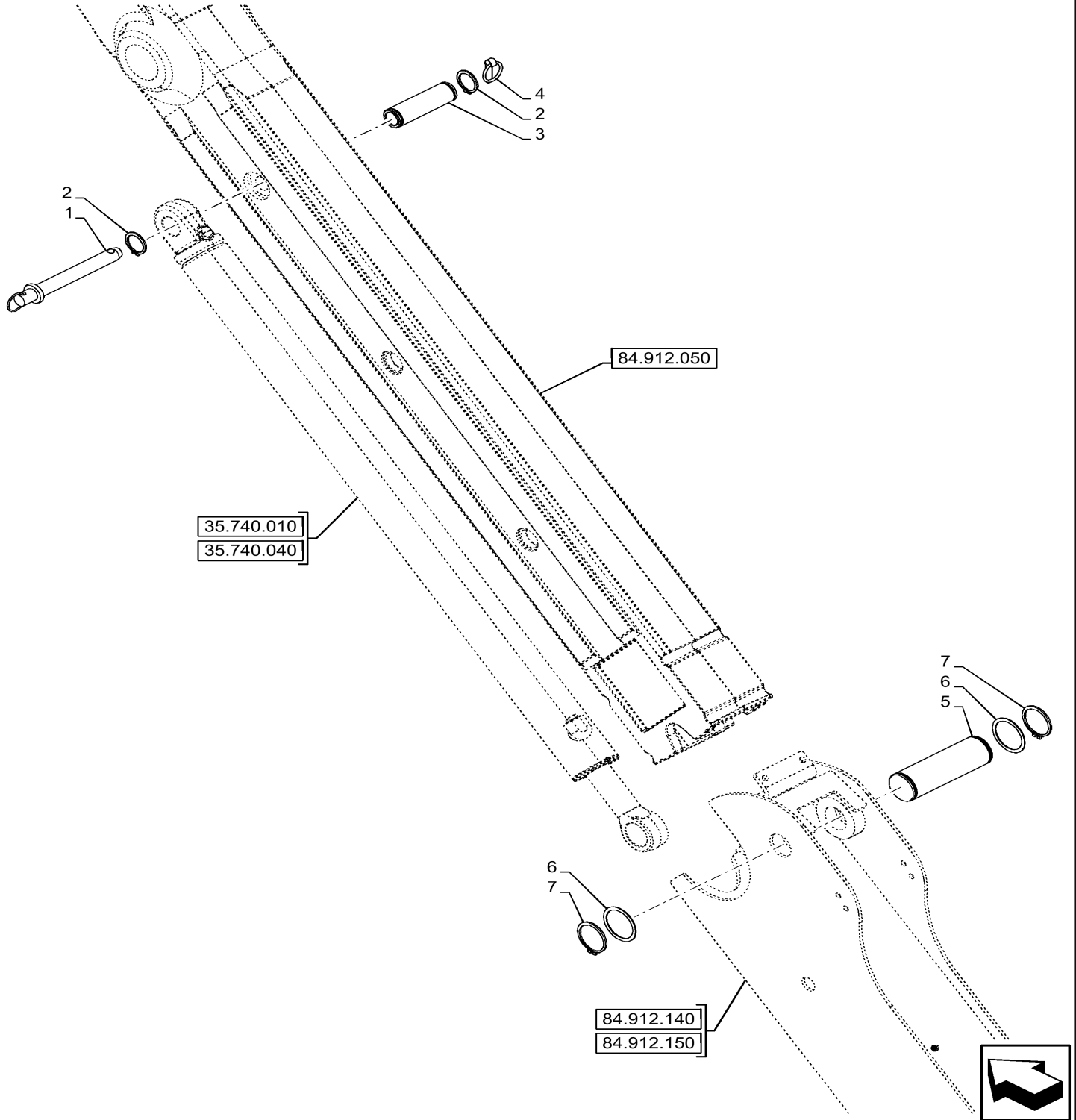


Figure is Valid with Commercial Var. 423076

88.100.21

00

p1

6/2019

DIA KIT, TRANSMISSION

REF	FN	PART NUMBER	YR/SN	QTY	DESCRIPTION
1	1	47411176		1	CONSTRUCTION DIA Torque Converter, Inst. Instruction P/N 47411178
2		47917016		1	CONSTRUCTION DIA Remote Transmission Filter, Inst. Instruction P/N 47917021

(1) Valid for 580SN WT (MY18), 590SN (MY18) Models only

580SN-BACKHOE LOADER, 4WD - TIER 3 NRC - MY18

SECTION INDEX

PLATFORM, CAB, BODYWORK AND DECALS

90.108.220	VAR - 423056, 742369, 747882, 747883 - WARNING DECAL, MECHANICAL, CONTROLS
90.108.230	WARNING DECAL, FRAME
90.108.240	WARNING DECAL
90.108.250	WARNING DECAL, FRONT LOADER
90.108.260	WARNING DECAL
90.108.270	WARNING DECAL
90.108.280	VAR - 423056, 747882, 747883 - WARNING DECAL, CHASSIS
90.108.290	VAR - 747882, 747883 - WARNING DECAL, CHASSIS
90.108.300	VAR - 423056, 747882, 747883 - WARNING DECAL
90.108.305	VAR - 747874 - WARNING DECAL, BATTERY CUT-OUT
90.108.310	VAR - 423078, 747669 - CONTROL, DECAL, STABILIZER
90.108.320	CONTROL, DECAL, BACKHOE, FOOT SWING
90.108.330	CONTROL, DECAL, EXTENDAHOE, FOOT SWING
90.108.350	VAR - 423083, 423084, 747661, 747662 - CONTROLS, DECAL, FLOW-RATE REGULATOR
90.108.510	DECAL, FRAME
90.108.520	VAR - 423083 - DECAL, AUXILIARY HYDRAULIC, BACKHOE CONTROL VALVE
90.108.530	VAR - 423056, 747882, 747883 - DECAL, FRAME
90.108.560	VAR - 423000, 423001, 442082 - CANOPY, DECAL
90.108.630	VAR - 423056, 747882, 747883 - DECAL, FRAME
90.108.640	DECAL, CANADA, INFORMATION
90.108.710	EMBLEM, HOOD
90.108.750	MODEL IDENTIFICATION DECAL
90.108.760	VAR - 747882, 747883 - MODEL IDENTIFICATION DECAL
90.108.810	MODEL IDENTIFICATION DECAL, MANUFACTURE
90.108.830	MODEL IDENTIFICATION DECAL
90.108.840	VAR - 423056, 747882, 747883 - MODEL IDENTIFICATION DECAL
90.108.850	VAR - 423056, 747882, 747883 - MODEL IDENTIFICATION DECAL, MANUFACTURE
90.108.880	VAR - 423075 - MODEL IDENTIFICATION DECAL
90.108.890	VAR - 423076 - MODEL IDENTIFICATION DECAL
90.108.910	EMBLEM, FILTER
90.108.920	VAR - 747665 - EMBLEM, HOOD
90.108.930	WARNING DECAL, CAB
90.110.010	VAR - 423000 - DELUXE CANOPY, FLOOR MAT

90.100.060

p1

6/2019

ENGINE HOOD, GRILLE

REF FN	PART NUMBER	YR/SN	QTY DESCRIPTION
1	47965524		1 SCREEN 9.5mm Perforation Radiator Grille
2	87719495		1 BUMPER 741mm L RH, Rubber
3	87719497		1 BUMPER 741mm L LH, Rubber
4	392828A2		6 BOLT M10-1.5 x 40mm L W/CAPTURED WASHER
5	87417721		2 THREADED INSERT M10 x 1.5-6H x 29 L

580SN-BACKHOE LOADER, 4WD - TIER 3 NRC - MY18

90.108.018

p1

6/2019

VAR - 423080 - WARNING DECAL, MECHANICAL, CONTROLS

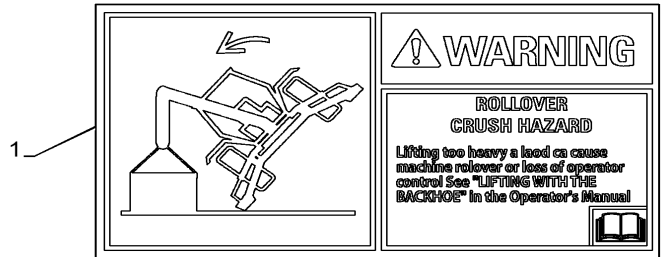
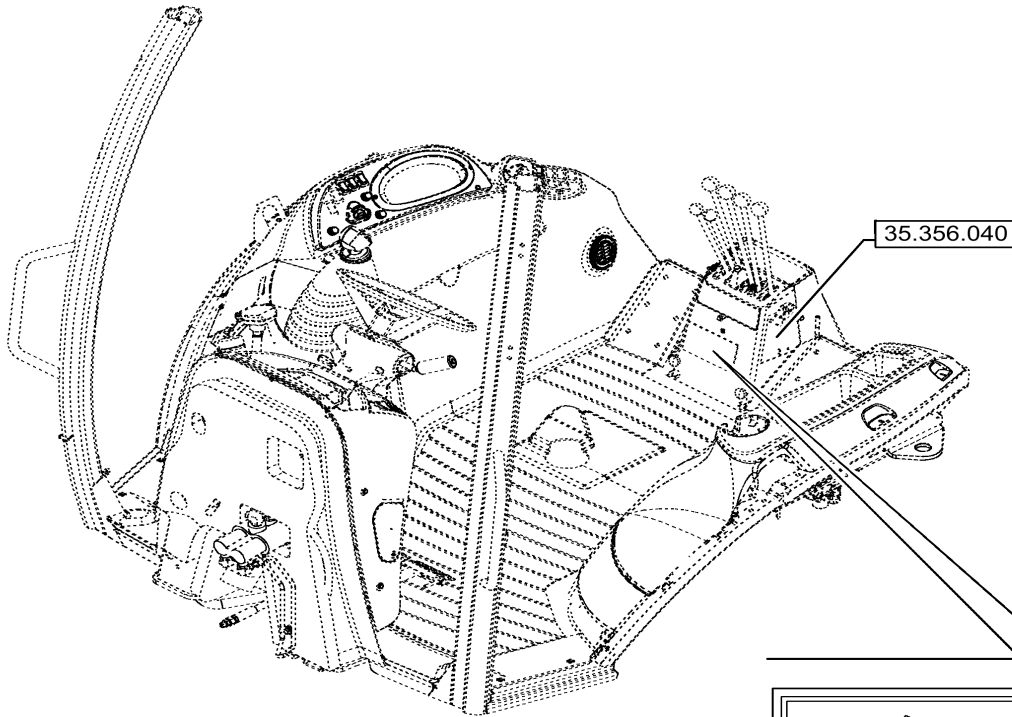


Figure is Valid with Commercial Var. 423080

90.108.031

p1

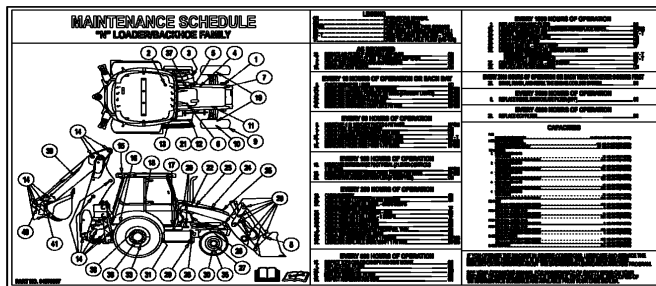
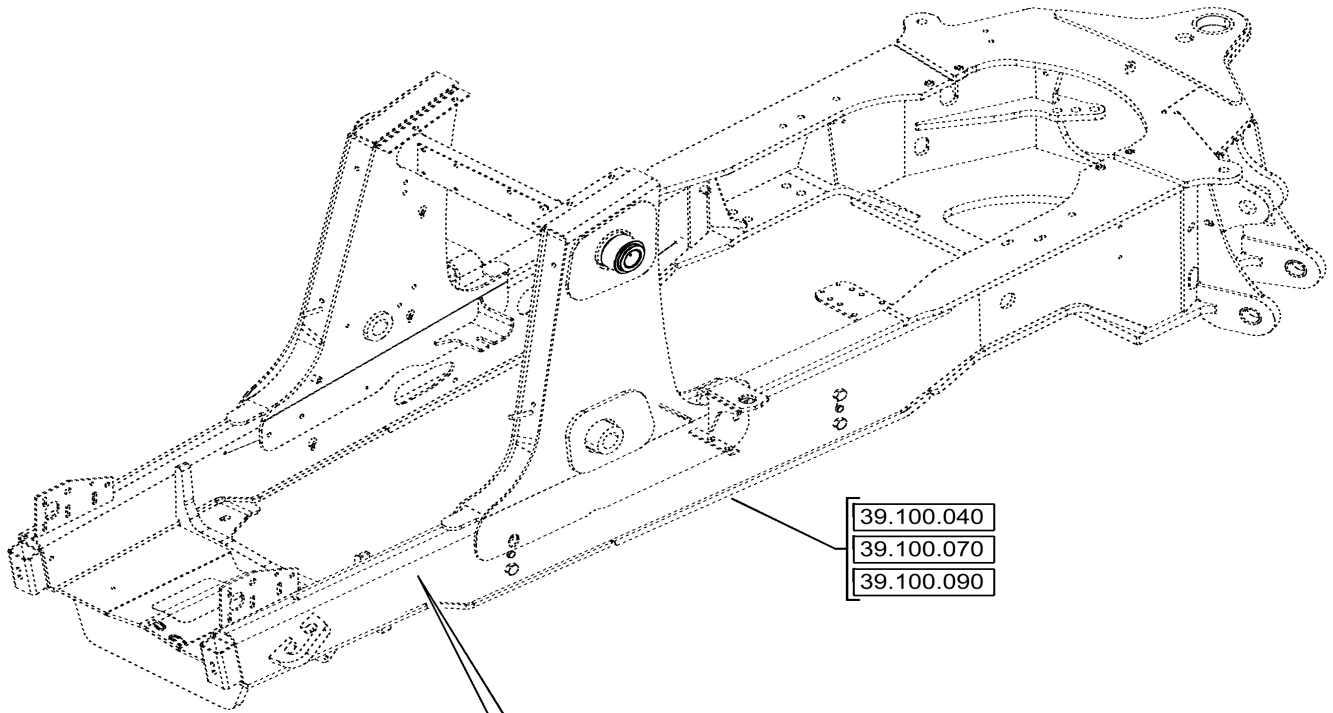
6/2019

3-SPOOL, CONTROL VALVE, DECAL

REF FN	PART NUMBER	YR/SN	QTY DESCRIPTION
1	84292386		1 DECAL Black, Loader Control
2	84237478		1 DECAL Three Function Loader Control

580SN-BACKHOE LOADER, 4WD - TIER 3 NRC - MY18

WARNING DECAL, MAINTENANCE



1



Figure is Valid with STD Equipment

90.108.150

p1

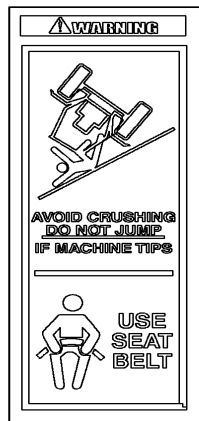
6/2019

WARNING DECAL, RADIATOR

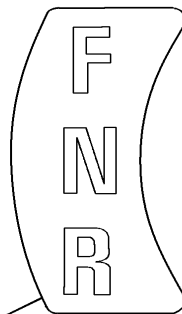
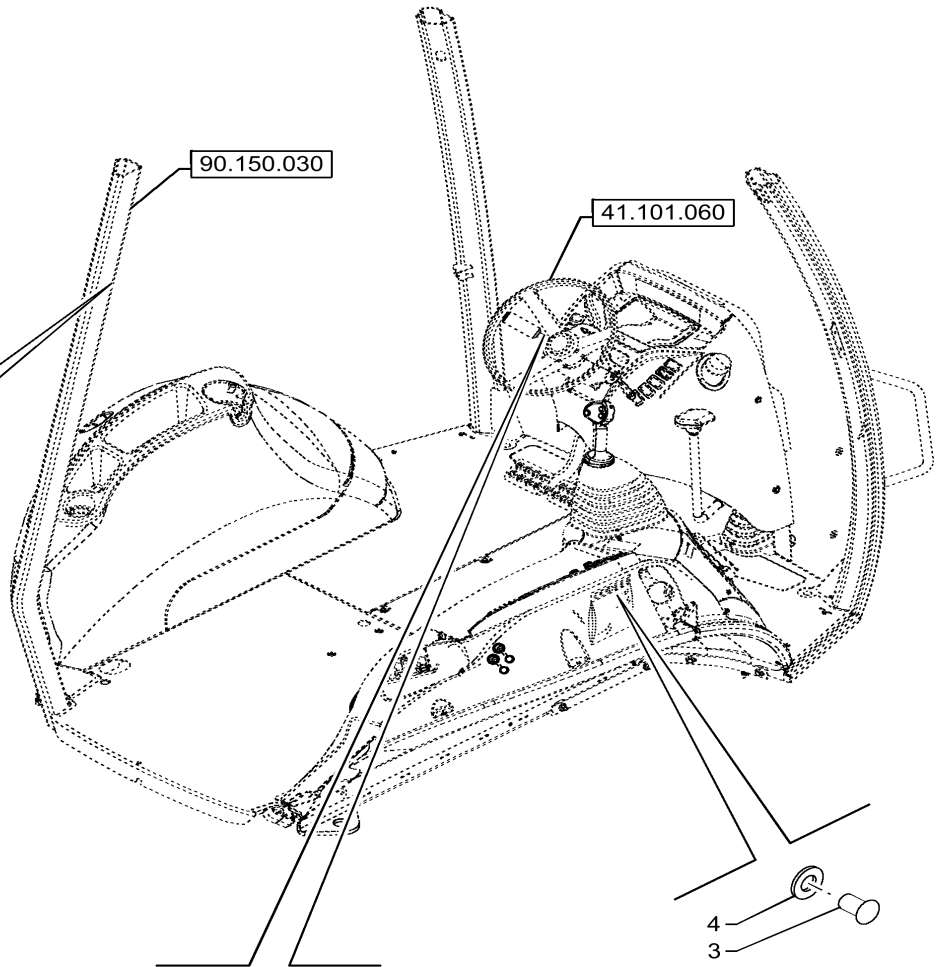
REF FN	PART NUMBER	YR/SN	QTY DESCRIPTION
1	47727079		1 DECAL Radiator Cap OAT Coolant Warning

580SN-BACKHOE LOADER, 4WD - TIER 3 NRC - MY18

WARNING DECAL



2



1



Figure is Valid with STD Equipment

90.108.350

p1

6/2019

VAR - 423083, 423084, 747661, 747662 - CONTROLS, DECAL, FLOW-RATE REGULATOR

REF FN	PART NUMBER	YR/SN	QTY DESCRIPTION
1	48056539		1 PLATE UNI-Aux Flow VVP

580SN-BACKHOE LOADER, 4WD - TIER 3 NRC - MY18

90.108.840

p1

6/2019

VAR - 423056, 747882, 747883 - MODEL IDENTIFICATION DECAL

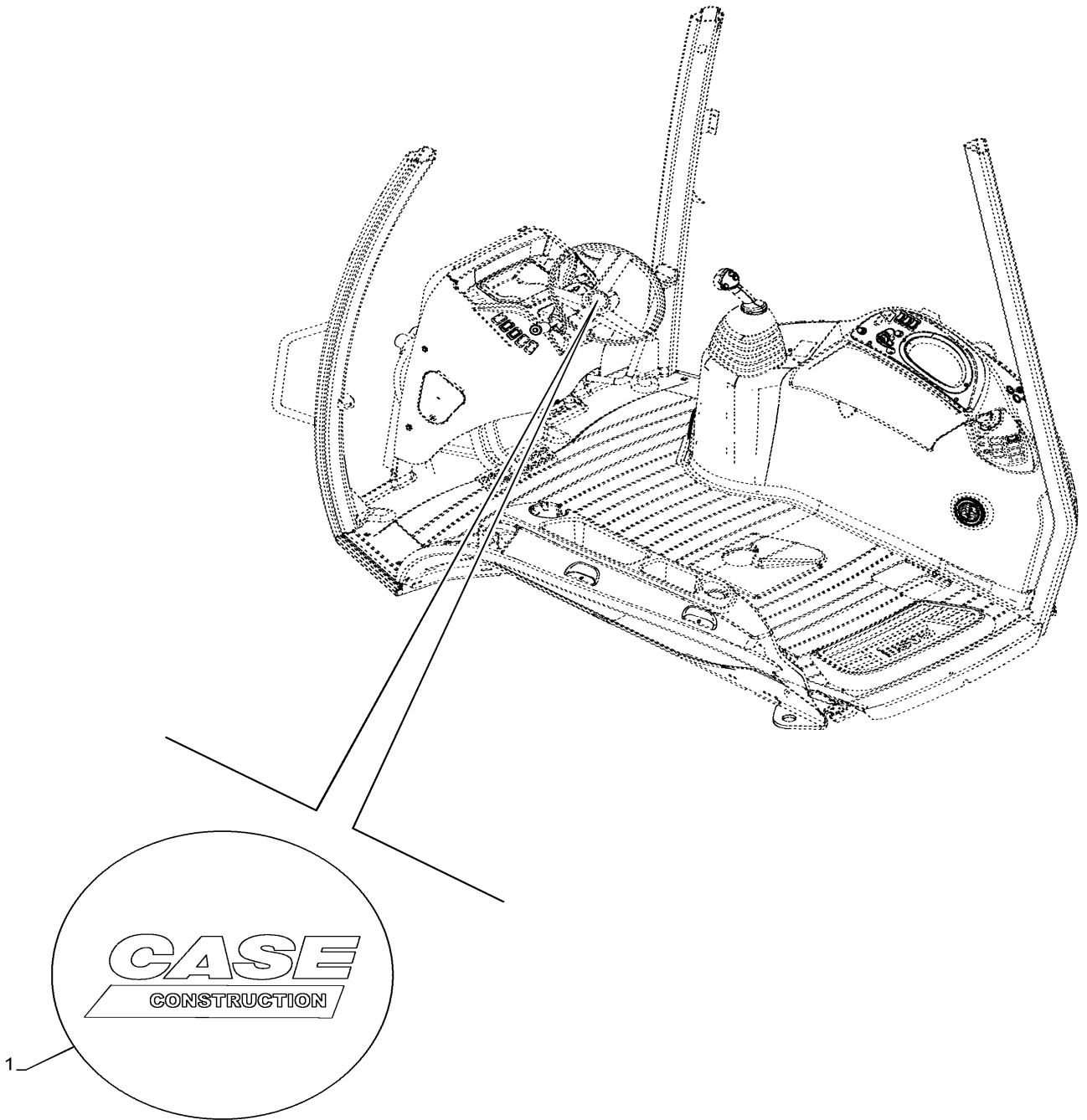


Figure is Valid with Commercial Var. 423056, 747882 or Var. 747883

CANOPY, FRONT, CONSOLE, STEERING COLUMN, COVERS

REF FN	PART NUMBER	YR/SN	QTY DESCRIPTION
1 1	47605302		1 COVER ASSY Steering Column Upper, Incl 2 - 5
2	303467A1		1 SYMBOLS LH
3	373693A1		1 SCREW Torx, #8 - 18 x 7/16"
4	303466A1		1 SYMBOLS RH
5	NSS		1 NOT SOLD SEPARAT Cover Steering, Incl in 1
6	360243A2		1 COVER RH
7	87310124		4 SCREW Phillips Drive, Pan HD, #10 - 24 x 1/2", SST
8	87540980		1 SCREW Phillips Drive, Pan HD, #10 - 16 x 1/2", SST
9	414033A1		4 STRIP 60mm
10	414034A1		1 STRIP 330mm
11	87310152		6 BOLT M6 x 16 Full SST BLO
12	833-40406		6 NUT M6, U
13	47954913		1 COVER Fuse Access
14	414572A1		1 STRIP Fuse Door
15	87310086		1 CAPTIVE WASHER SCREW SI Pan Hd, #10 - 16 x 17mm, Stainless Steel
16	127009A1		1 CLIP,ELECTRICAL
17	131-861		1 SPRING NUT Tinn, U, #10-24
18	87637384		1 GROMMET 35mm OD, 9mm ID, 12mm L

(1) See also Cover Components in Figure 55.514.010

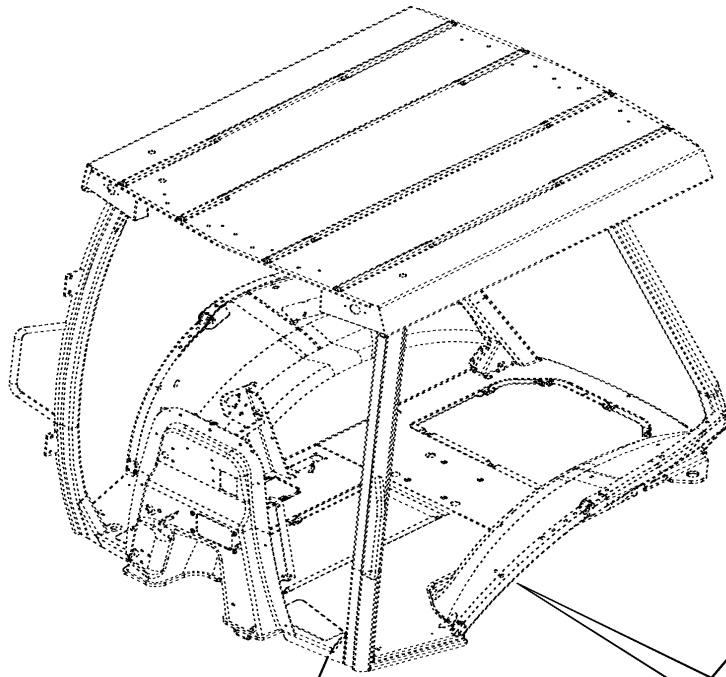
580SN-BACKHOE LOADER, 4WD - TIER 3 NRC - MY18

90.118.030

p1

6/2019

VAR - 423000, 442082 - CANOPY, HANDRAIL



- 90.114.010
- 90.114.030
- 90.114.040
- 90.114.050

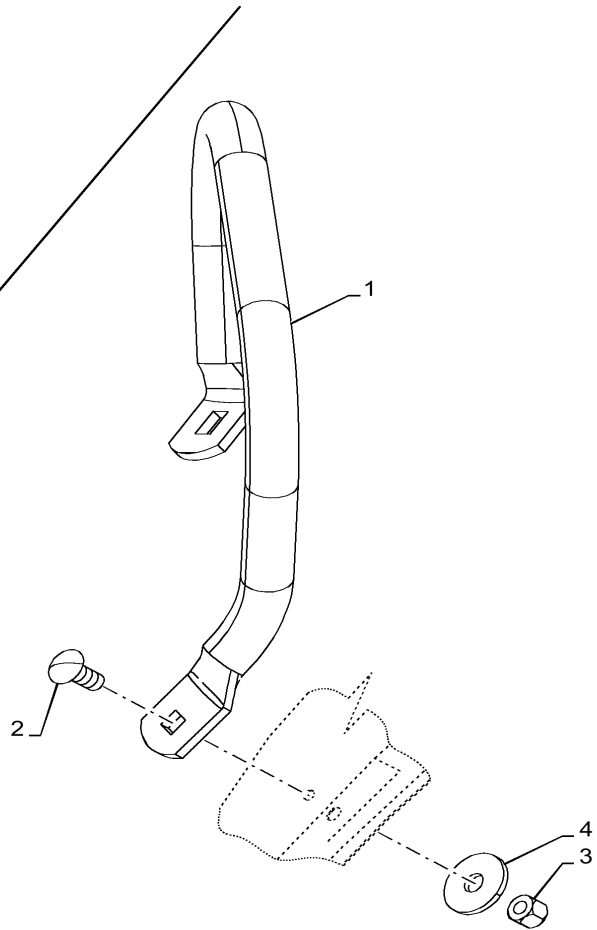


Figure is Valid with Commercial Var. 423000 or Var 442082

VAR - 747897 - SEAT, AIR SUSPENSION, CLOTH, SWIVEL PIVOT, COMPONENTS

REF	FN	PART NUMBER	YR/SN	QTY	DESCRIPTION
1	1	48133422		1	DRIVER SEAT ASSY, Cloth, Gray Fabric, Incl 2 - 6
2		300680A1		1	KIT Slide Puck
3		87308131		1	SEAT ACCESSORY Swivel Sears
4		NSS		1	NOT SOLD SEPARAT Bracket Front Stop, Incl in 1
5		87308132		1	BEARING ASSY Swivel
6		87475826		1	SERVICE KIT Tether Belt

(1) See also Driver Seat Components in Figures 55.512.260, 90.124.020, 90.124.040, 90.124.050

580SN-BACKHOE LOADER, 4WD - TIER 3 NRC - MY18

90.151.060

p1

6/2019

VAR - 747853, 747854, 747855 - CAB INTERIOR TRIM, INSERT, INSTRUMENT PANEL

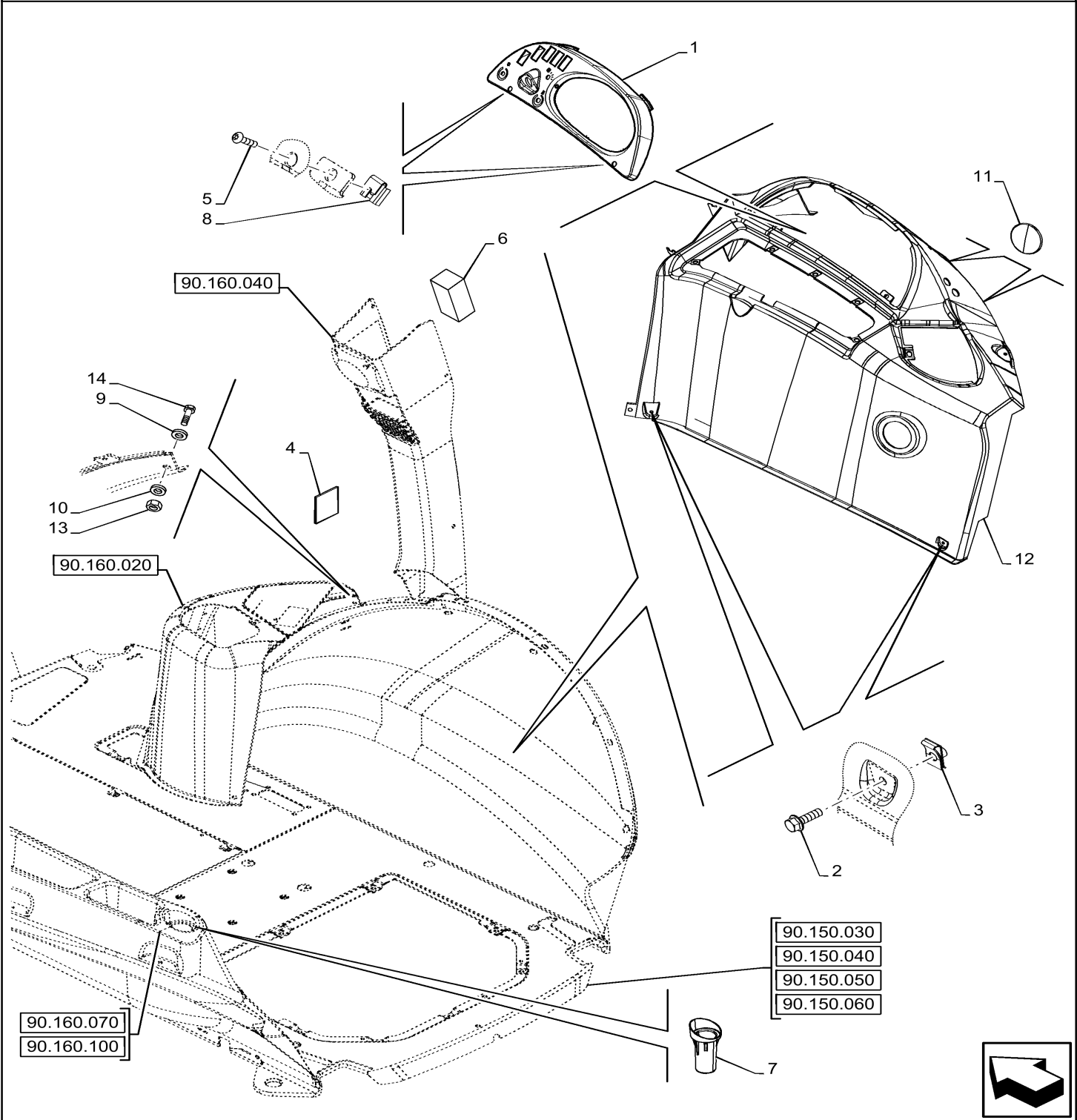


Figure is Valid with Commercial Var. 747853 or Var. 747854 or Var. 747855

90.154.100

p1

6/2019

VAR - 747853 - CAB, RIGHT, DOOR, RETAINER, STOP

REF FN	PART NUMBER	YR/SN	QTY DESCRIPTION
1	396841A1		4 CAP 3/8 Inch x 18.03mm L
2	232-1446		4 NUT 3/8"-16, GC
3	87039401		4 WASHER 0.41" ID x 0.81" OD x 0.13" Thk
4	3233348R1		2 CLIP S13-A2J
5	432431A1		2 BALL STUD M8 x 1.25
6	47710478		1 GAS STRUT
7	832-10408		2 NUT M8 x 1.25, CI 8.8
8	84497747		1 STRIKER PLATE
9	84405935		1 GUARD
10	84405934		1 BOLT 12mm OD x 52.3mm L

580SN-BACKHOE LOADER, 4WD - TIER 3 NRC - MY18

VAR - 747853, 747854, 747855 - CAB, WINDSHIELD

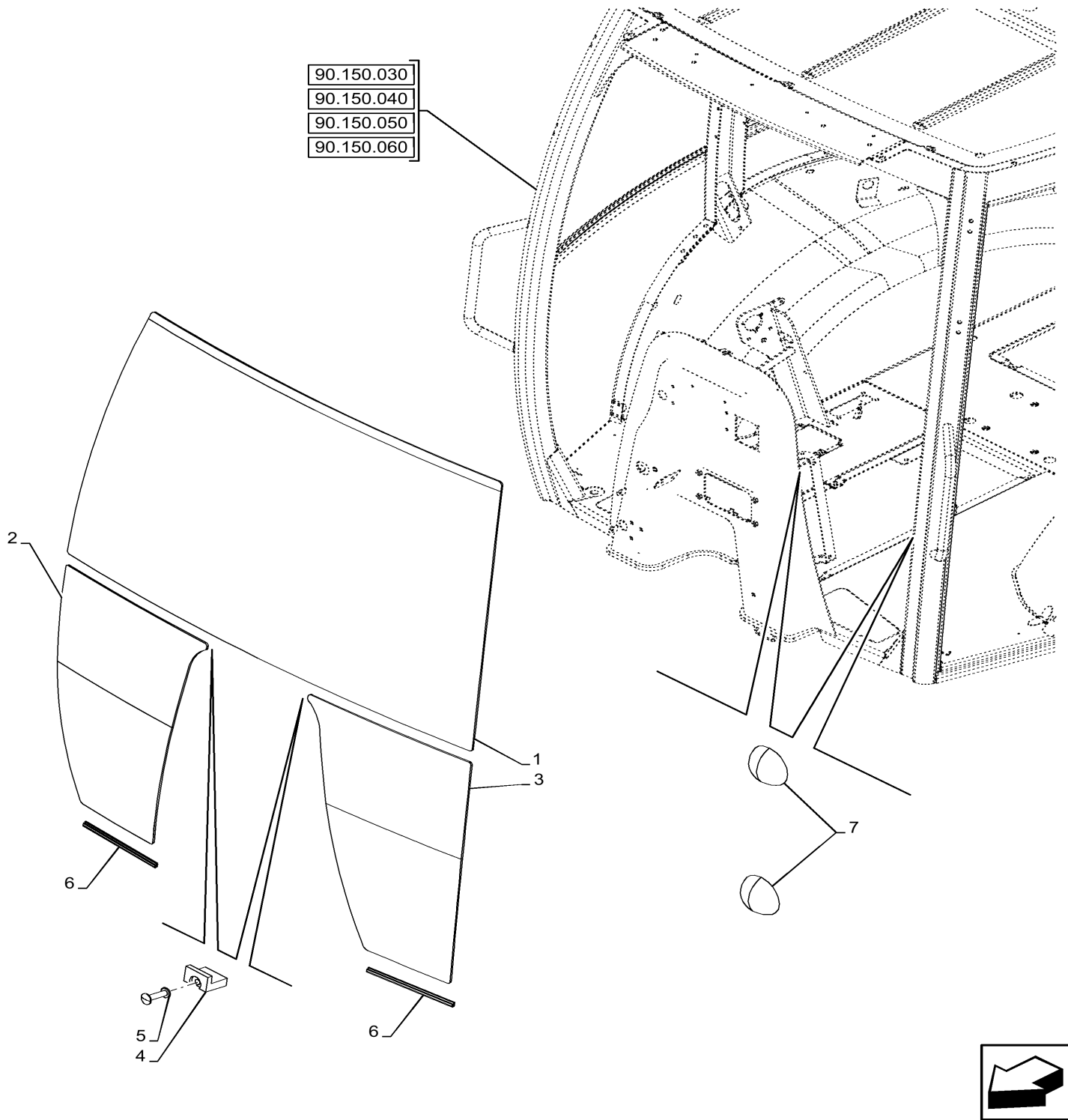


Figure is Valid with Commercial Var. 747853 or Var. 747854 or Var. 747855

VAR - 442083 - CAB INTERIOR TRIM, PILLAR

REF FN	PART NUMBER	YR/SN	QTY DESCRIPTION
1	47954937		1 COVER LH Pillar, Soft
2	378227A1		1 STRAP 500mm L
3	114549A1		1 COAT HOOK
4	87310147		3 SCREW Pan Cross Recess Phillips, M4 x 0.7 x 16mm, Stainless
5	895-11004		3 WASHER 4.3mm ID x 9mm OD x 0.8mm Thk
6	832-10404		2 NUT M4 x 0.7, CI 8.8
7	187281A1		2 COVER
8	761-17325		8 SELF-TAP SCREW Pan Hd, M4.2 x 25
9	177269A1		8 SPRING NUT M4.2
10	401949A1		10 FASTENER 32mm L
11	47954929		1 COVER RH Pillar, Soft
12	412285A1		1 STRIP
13	840-1625		1 SCREW Pan, M6 x 25mm, CI 4.8
14	87713130		1 WASHER 6.85mm ID x 12.75mm OD x 1.8mm Thk
15	47954930		1 BEZEL RH Pillar Radio
16	87603595		1 NUT BH, M4 x 0.7 x 11.9mm L
17	84224377		1 NET
18	414939A1		2 SEAL 200mm L RH Lower Flange

580SN-BACKHOE LOADER, 4WD - TIER 3 NRC - MY18

INDEX - INDICE - INDEX - ZAHLENVERZEICHNIS - INDICE - INDICE - INDHOLD - INHOUD

Number	Figure	Sequence Ref.	Number	Figure	Sequence Ref.
14420231	21.700.050	3	16047031	44.511.030	4
14441427	90.154.010	10	16047031	44.511.100	4
14468780	25.310.010	13	16047031	44.511.110	4
14468780	25.310.060	13	16104121	35.701.250	11
144908A2	90.100.020	3	16104121	35.701.260	11
14496831	90.116.030	9	16104121	35.701.270	7
14507887	90.150.090	9	16104121	35.701.280	7
14508087	90.150.090	10	16104121	35.701.290	11
147114A1	90.108.280	1	16104121	35.701.300	11
147675A1	90.108.115	1	16104121	35.701.310	7
147679A1	90.108.115	2	16104121	35.701.320	11
148017A1	90.108.125	1	16104121	35.701.330	7
148554A1	90.108.055	2	16104121	35.723.140	9
151-516	90.114.050	9	16104121	35.723.150	9
151-516	90.156.120	5	16104121	35.723.160	9
151-522	90.108.240	3	16104121	35.723.170	9
151-522	90.108.300	5	16104121	35.723.180	9
1530028C1	21.111.080	4	16104121	35.723.190	9
1530028C1	21.112.060	20	163410	35.359.125	11
1530028C1	21.113.040	13	163410	35.359.170	14
1541537C1	35.359.350	5	163410	35.359.180	14
1541537C1	35.359.355	5	165202	35.106.050	5
1542874C1	35.723.050	10	165202	35.106.090	6
1542875C1	35.701.050	16	165202	35.357.260	6
1542875C1	35.723.250	20	165202	35.357.270	6
1542875C1	35.723.260	20	165202	35.357.280	6
1542875C1	35.740.030	15	165202	35.359.380	17
1542876C1	35.739.040	9	165202	35.359.395	17
1542877C1	05.100.02	26	165202	35.359.400	17
1542877C1	35.703.050	4	165202	35.359.405	17
1542877C1	35.703.060	4	165202	35.734.060	01 5
1542879C1	05.100.02	25	165202	35.734.060	02 5
1542879C1	35.736.040	4	165202	35.734.170	6
1542879C1	35.737.040	8	165202	35.734.180	5
1542879C1	35.738.160	18	165202	35.738.010	01 7
1542987C1	35.723.250	7	165202	35.738.010	02 19
1542987C1	35.723.260	7	165202	35.738.050	13
1542987C1	35.740.030	18	167266	35.106.030	01 16
1543028C1	35.739.040	7	167266	35.106.030	02 16
15687475	35.726.140	11	167266	35.300.020	19
15687475	35.726.160	11	167266	35.357.120	8
15687475	35.726.200	11	167266	35.359.125	13
15687475	35.726.220	11	167266	35.359.155	01 6
15687475	35.726.250	11	167266	35.359.160	13
16044321	33.110.020	20	167266	35.359.170	17
16044321	33.110.040	20	167266	35.359.180	17

INDEX - INDICE - INDEX - ZAHLENVERZEICHNIS - INDICE - INDICE - INDHOLD - INHOUD

Number	Figure	Sequence	Ref.	Number	Figure	Sequence	Ref.
47948342	82.100.060		16	47959100	82.100.120		2
47954910	90.151.060		12	47959115	84.100.180		1
47954911	90.110.030		1	47959115	84.100.190		1
47954913	90.110.070		13	47959402	39.129.070		1
47954913	90.160.010		13	47959418	44.511.030		1
47954916	90.110.060		1	47959421	84.100.150		1
47954916	90.160.210		1	47959424	84.100.240		1
47954919	90.110.100		1	47959426	84.100.240		5
47954919	90.110.130		1	47959521	10.216.010		8
47954921	90.110.080		20	47959531	35.300.020		8
47954921	90.160.030		20	47959570	39.129.020		1
47954923	90.110.080		13	47959572	84.100.210		1
47954923	90.160.030		13	47959581	82.300.110		2
47954926	90.110.100		7	47959633	35.300.010		1
47954926	90.110.130		7	47959648	44.520.010		1
47954927	90.110.030		2	47959648	44.520.040		1
47954928	90.160.070		10	47959650	44.520.020		1
47954929	90.160.100		11	47959663	39.129.080		1
47954930	90.160.070		17	47959670	39.129.050		1
47954930	90.160.100		15	47959690	44.511.100		1
47954932	90.160.060		1	47959725	88.100.020		5
47954933	90.160.090		1	47960437	90.108.270		3
47954934	90.110.080		1	47961438	90.108.065		4
47954934	90.160.030		1	47961439	90.108.065		4
47954935	90.160.070		1	47965524	90.100.060		1
47954937	90.160.100		1	47965524	90.100.070		11
47954940	90.110.040		1	47968110	25.100.160		1
47954940	90.160.200		1	47968110	25.100.170		1
47955677	88.100.50	00	1	47968110	25.100.180		1
47955689	88.100.50	00	2	47968110	25.102.110		1
47955704	88.100.35	00	21	47968110	25.102.120		1
47955708	88.100.35	00	22	47968110	25.108.180		1
47955719	88.100.35	00	23	47968110	25.108.190		1
47955728	88.100.35	00	24	47968110	25.108.200		1
47955736	88.100.35	00	25	47968110	25.310.060		1
47955743	88.100.35	00	26	47968110	41.106.090		1
47955814	90.160.110		1	47968110	41.216.120		1
47955841	88.100.84	00	2	47973369	41.106.090		5
47955842	88.100.84	00	3	47981357	90.154.030		6
47955919	35.106.140	02	1	47981357	90.154.080		3
47957251	84.100.110		1	47981357	90.156.070		6
47957252	84.100.130		1	47981357	90.156.100		5
47957838	41.106.090		2	47981357	90.156.140		13
47957839	41.106.090		3	47981853	90.108.270		2
47959089	84.100.110		2	47981856	90.108.065		2
47959089	84.100.130		2	47981858	90.108.065		2

CLICK HERE TO **DOWNLOAD** THE COMPLETE MANUAL

- Thank you very much for reading the preview of the manual.
- You can download the complete manual from: www.heydownloads.com by clicking the link below



- Please note: If there is no response to CLICKING the link, please download this PDF first and then click on it.

CLICK HERE TO **DOWNLOAD** THE COMPLETE MANUAL