

All rights reserved by **CNHi**.

The information contained in this catalogue is intended to be of a general nature only. **CNHi** may at any time and from time to time, for technical or other necessary reasons, modify any of the details or specifications of the product described in this catalogue.

To be sure of getting accurate, detailed and up-to-date information, an intending buyer should consult his nearest **CNHi** dealer or distributor.

Single item numeration method used in this catalogue may not be used without written consent from **CNHi**.

CLICK HERE TO **DOWNLOAD** THE COMPLETE MANUAL

- Thank you very much for reading the preview of the manual.
- You can download the complete manual from: www.heydownloads.com by clicking the link below



- Please note: If there is no response to CLICKING the link, please download this PDF first and then click on it.

CLICK HERE TO **DOWNLOAD** THE COMPLETE MANUAL

TABLE OF CONTENTS

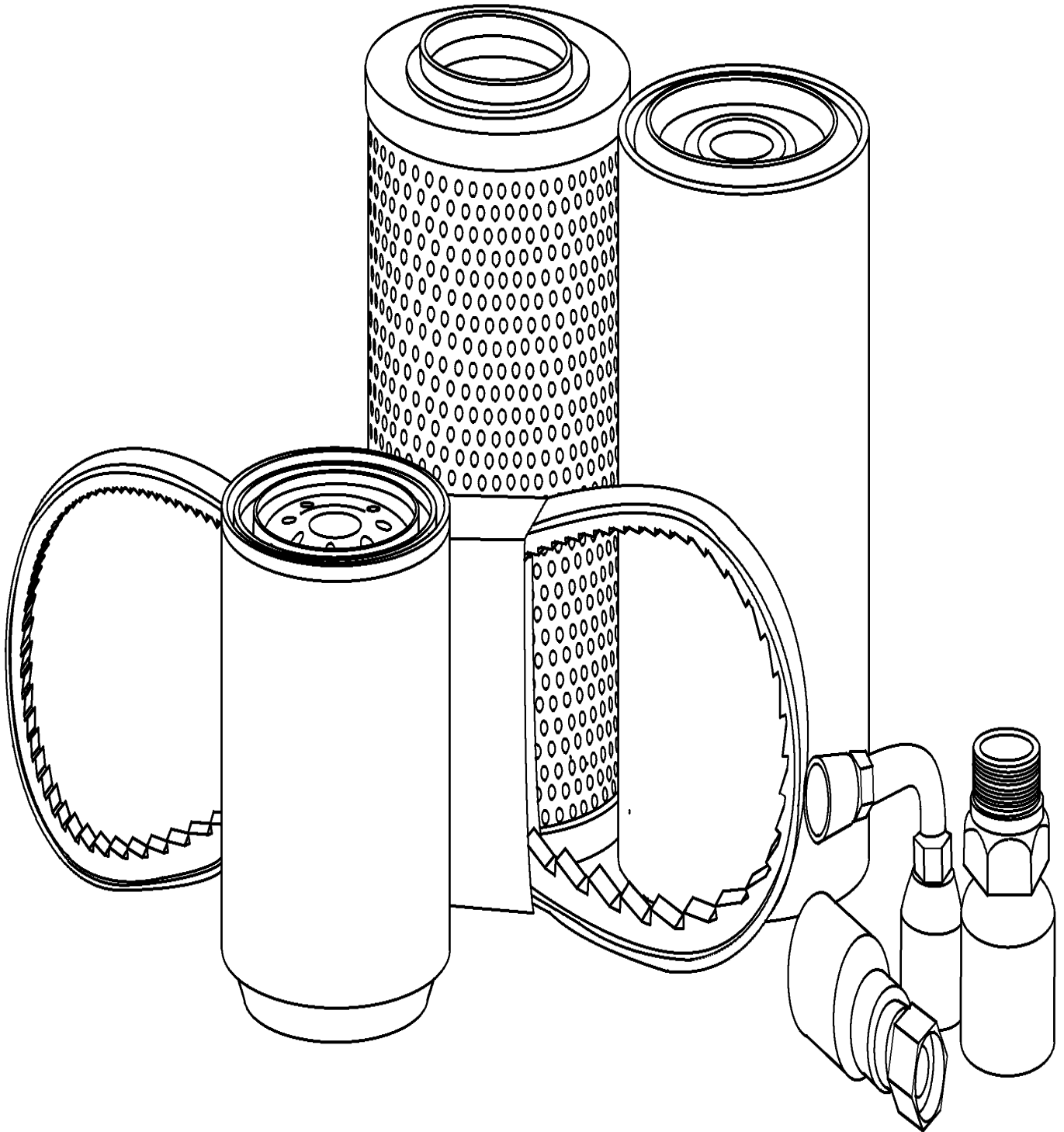
09-31		DEMOLITION DOOR - MOUNTING
09-32		DEMOLITION DOOR
09-32A		DEMOLITION DOOR SUB
09-33		LOCK - REAR DOOR
09-34		SEAT BAR
09-35		SEAT BELT, LAP BELT (2 IN)
09-36		SEAT BELT, LAP BELT (3 IN)
09-37		SHOULDER BELT
09-38		REAR VIEW MIRROR
09-39		SPECIAL PARTS FOR ITALY - MIRROR, REAR VIEW
09-40		SEAT MOUNTING - STANDARD SEAT
09-40A		SEAT ASSY STANDARD, 87702543
09-41		SEAT MOUNTING - SUSPENSION SEAT
09-41A		SEAT ASSY, SUSPENSION 87662513
09-42		SEAT MOUNTING - DELUXE SUSPENSION SEAT
09-42A		SEAT MOUNTING - DELUXE SUSPENSION SEAT
09-43		TOP WINDOW; IF USED
09-43A		TOP WINDOW; IF USED
09-43B		TOP WINDOW ASSY; IF USED
09-44		SIDE WINDOWS
09-45		REAR WINDOW, LG RADIUS
09-46		REAR WINDOW, SM RADIUS
09-47		INTERIOR TRIM
09-48		HEADLINER - STANDARD
09-49		HEADLINER - HEATER AND AIR CONDITIONING
09-50		FLOOR MAT
09-51		AIR CONDITIONING SYSTEM
09-52		HEATER SYSTEM
09-53	01	HEATER SYSTEM
09-53	02	HEATER SYSTEM 3-WAY WATER SUPPLY VALVE
09-53A	01	HEATER SYSTEM
09-53A	02	HEATER SYSTEM 3-WAY WATER SUPPLY VALVE
09-54		HEATER ASSEMBLY
09-54A		KIT HVAC SEAL

00-01

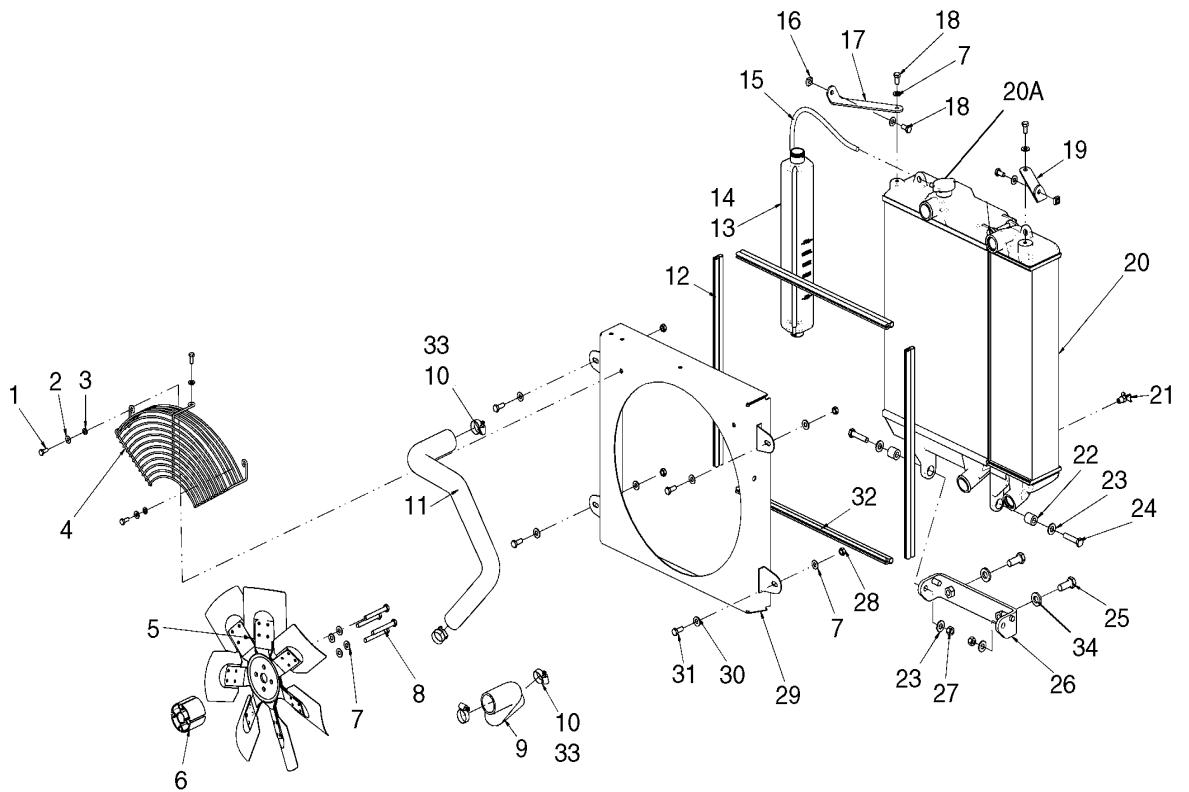
p3

8/2018

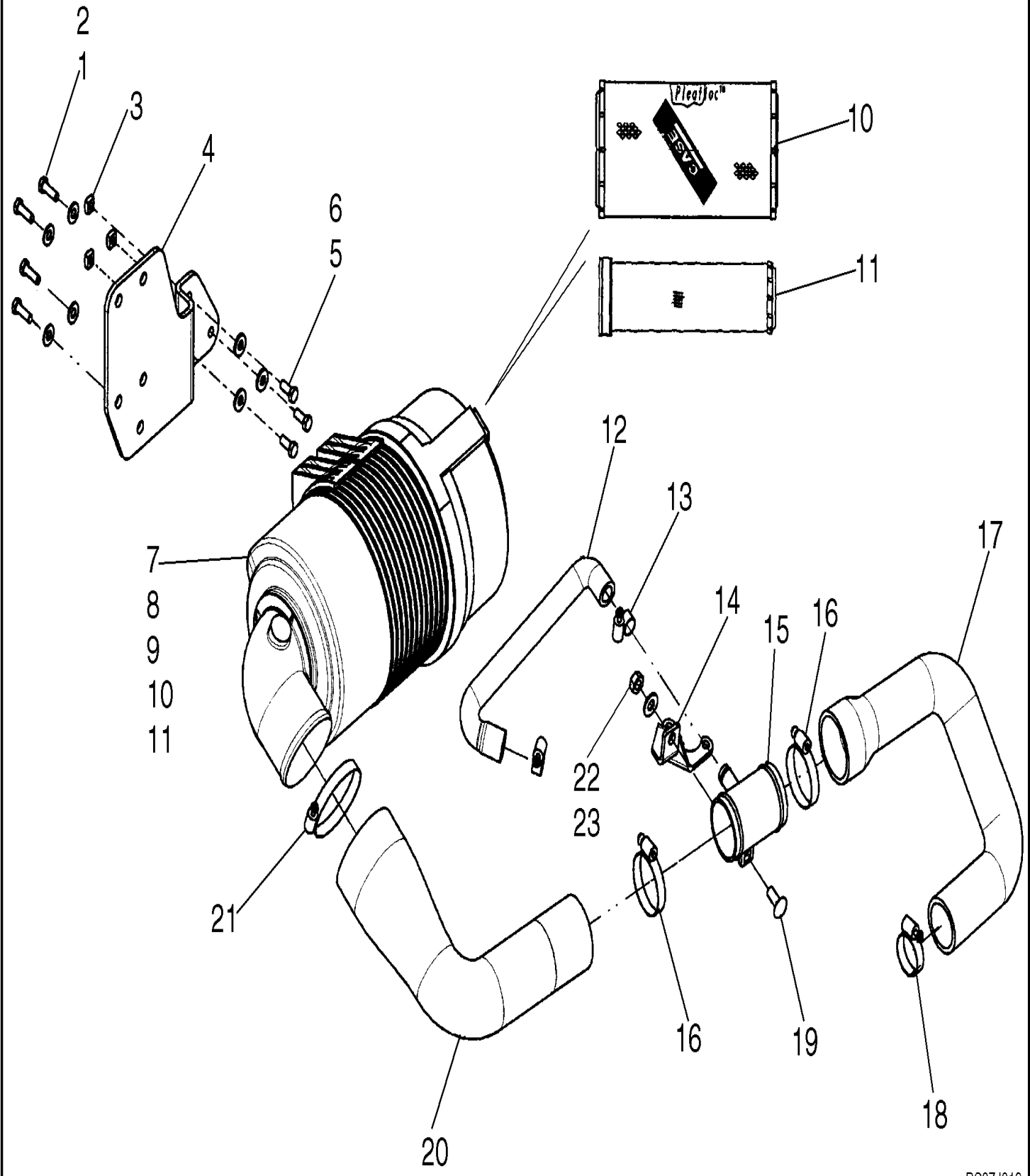
INITIAL STOCKING LIST (ISL) FOR N.A. ONLY



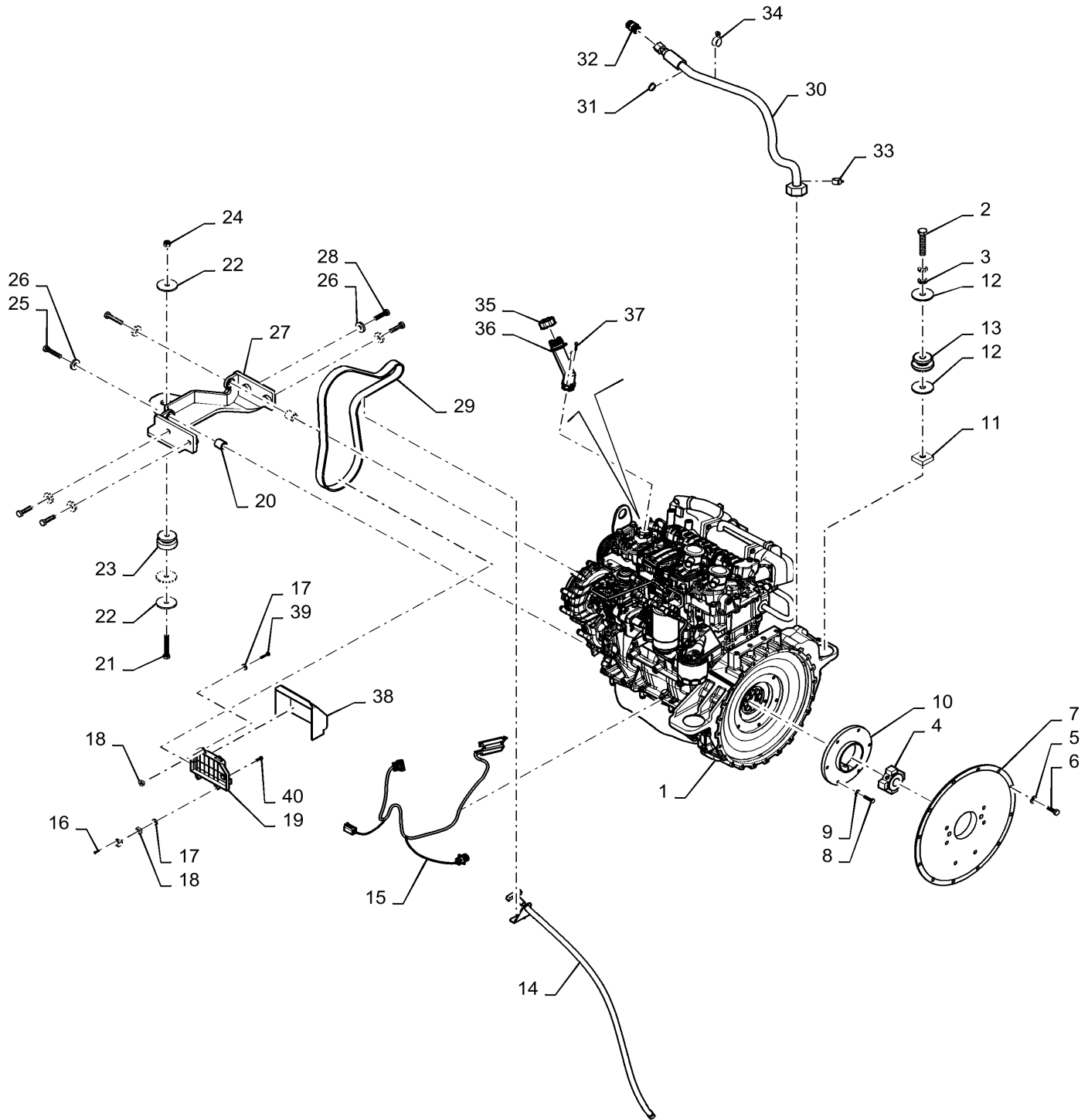
FAN, RADIATOR/OIL COOLER - COOLANT RECOVERY SYSTEM



ENGINE - AIR CLEANER SYSTEM; IF USED, SEE REF 12



ENGINE - MOUNTING

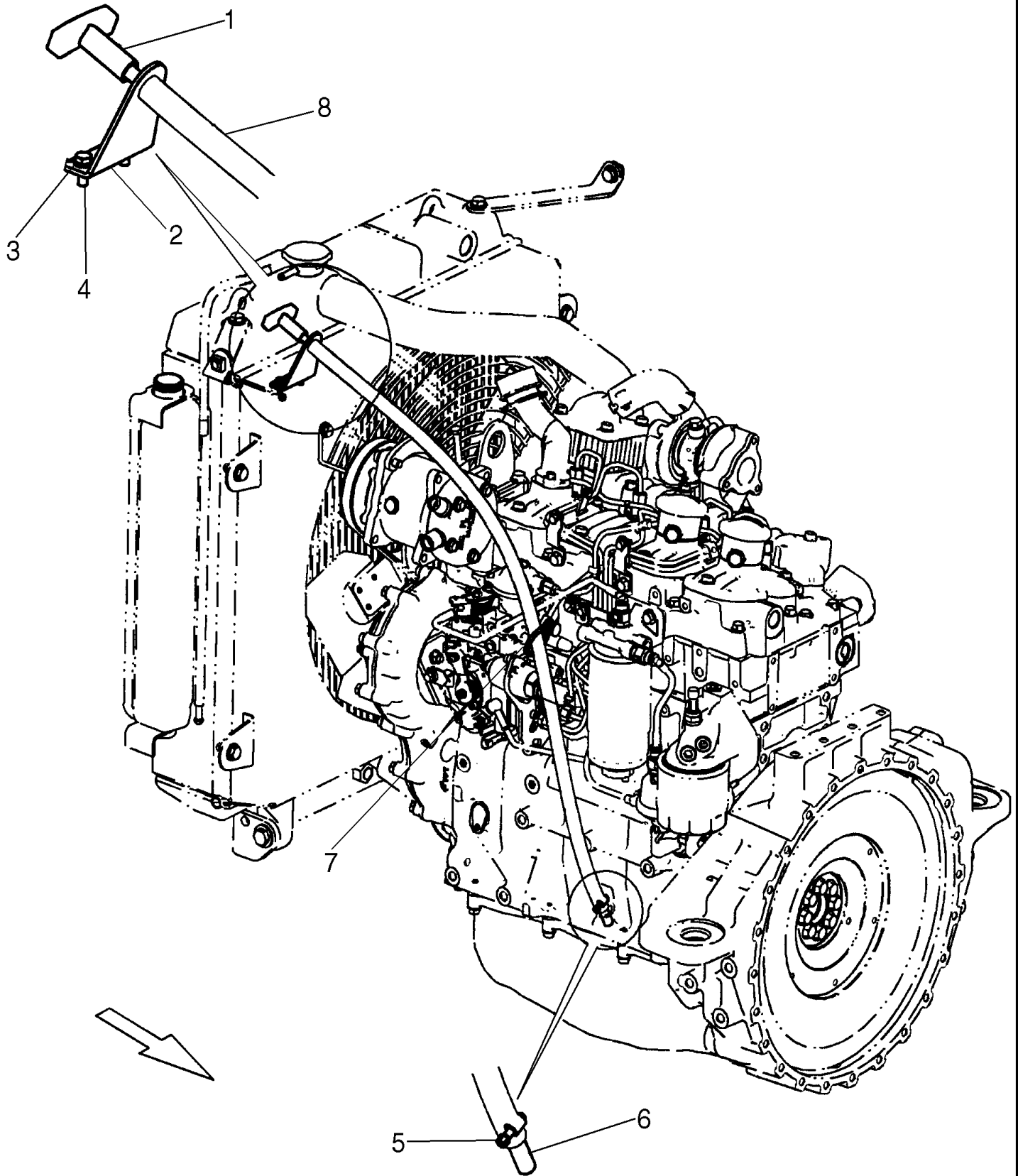


02-08

p1

8/2018

ENGINE - DIPSTICK, OIL FILL

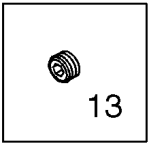
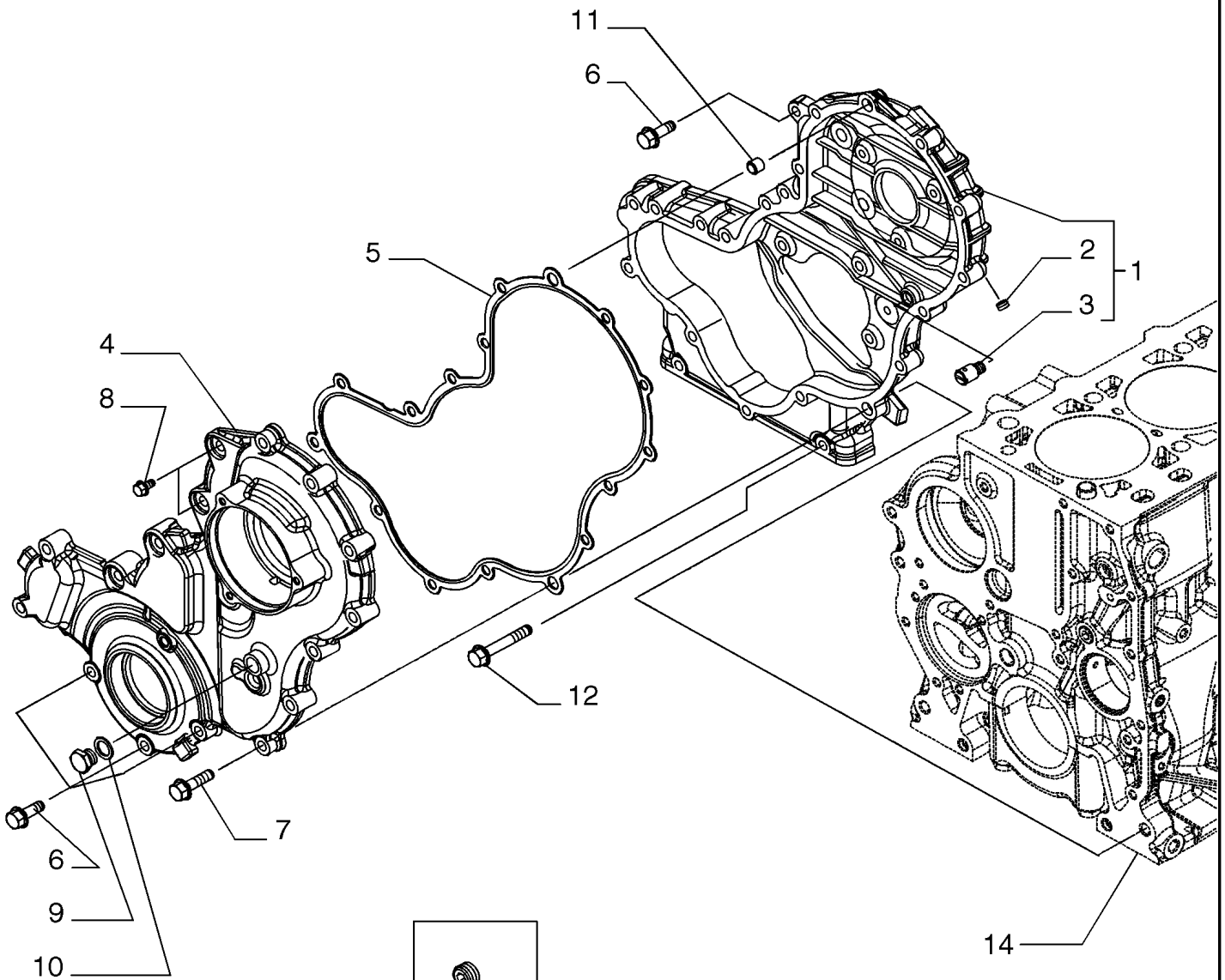
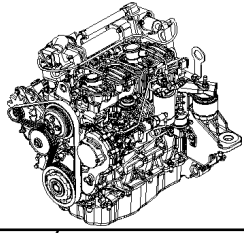


02-13

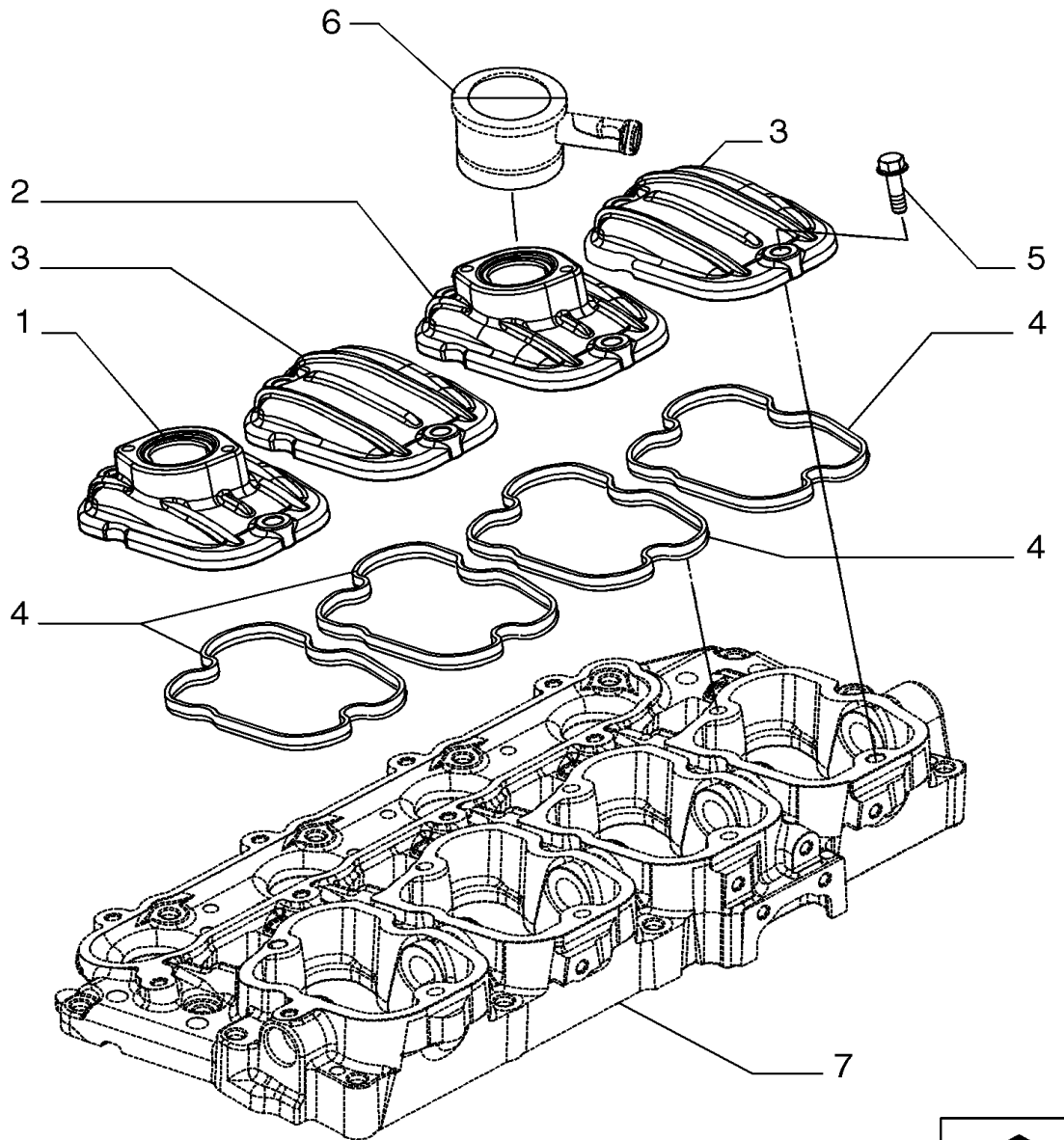
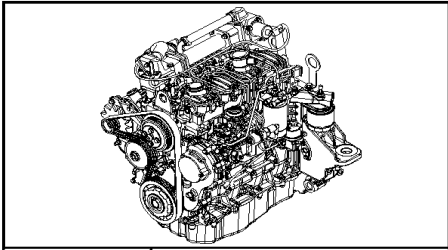
p1

8/2018

ENGINE BLOCK FRONT COVER (87530652)



CYLINDER HEAD COVERS (87530652)

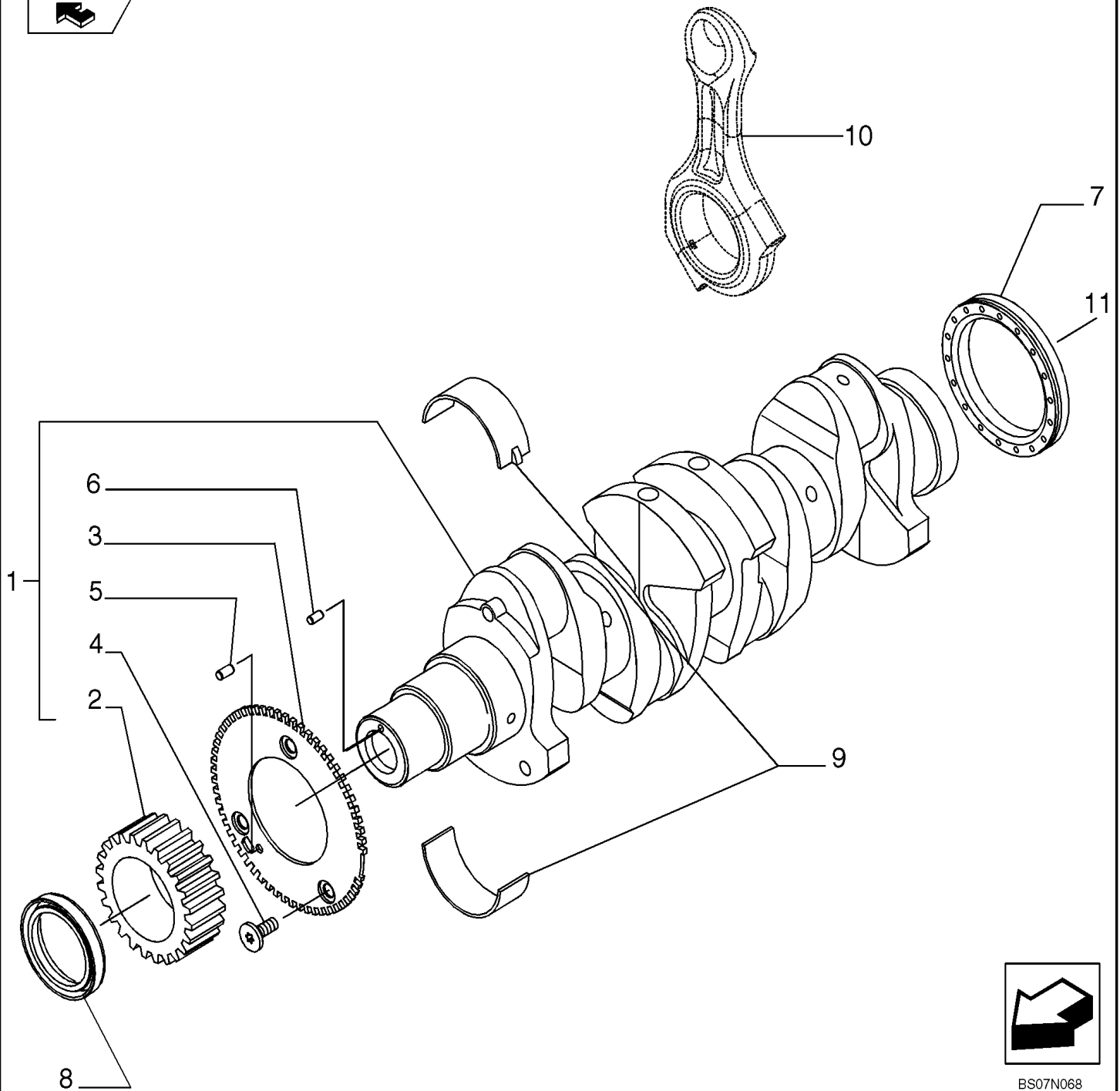
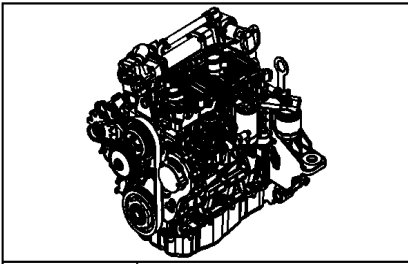


02-22

p1

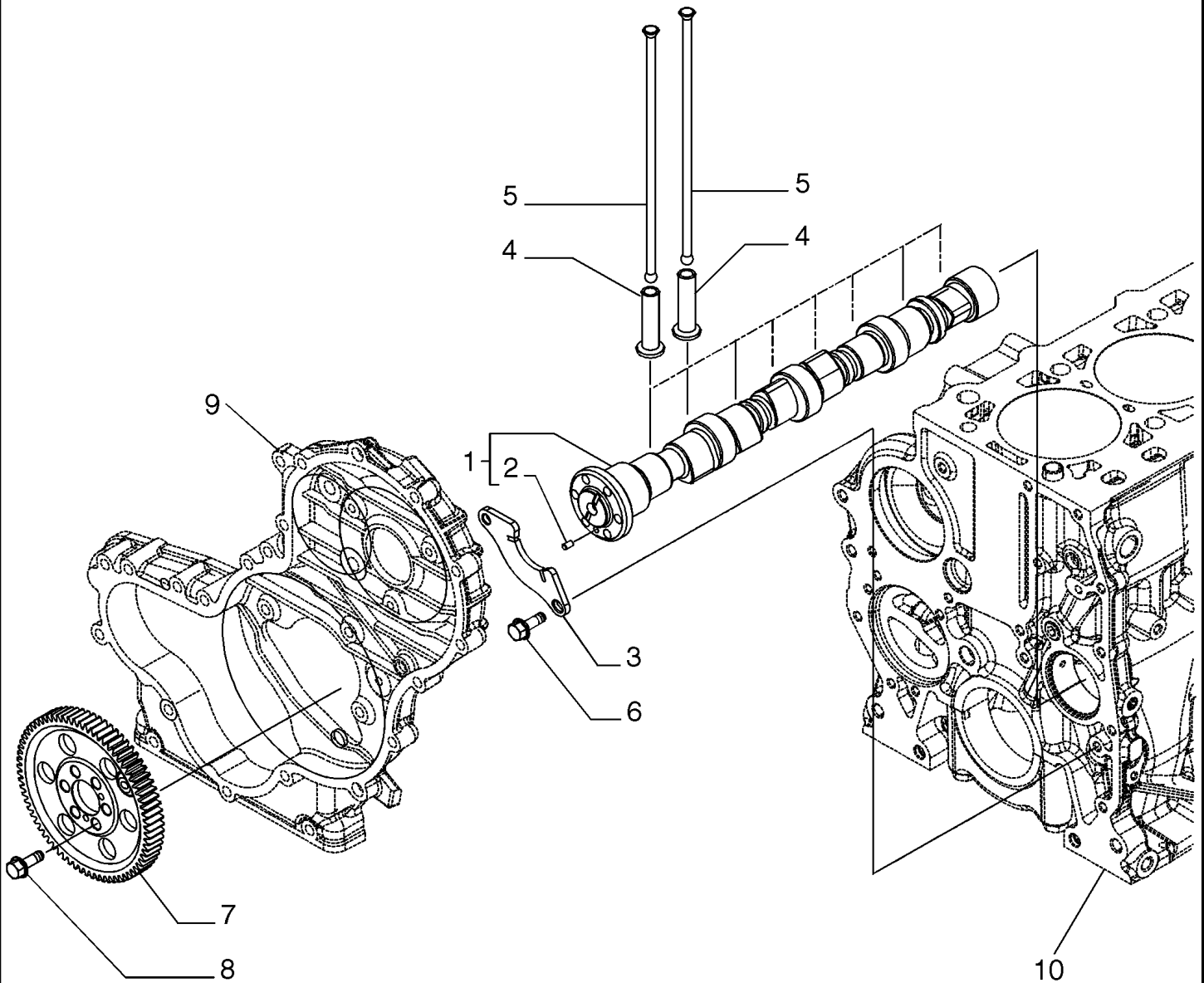
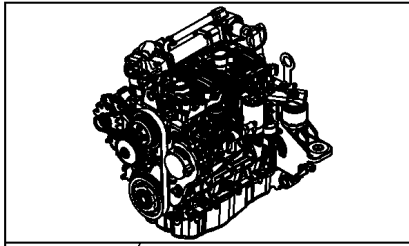
8/2018

CRANKSHAFT (87530652)



BS07N068

CAMSHAFT - TIMING CONTROL (87530652)

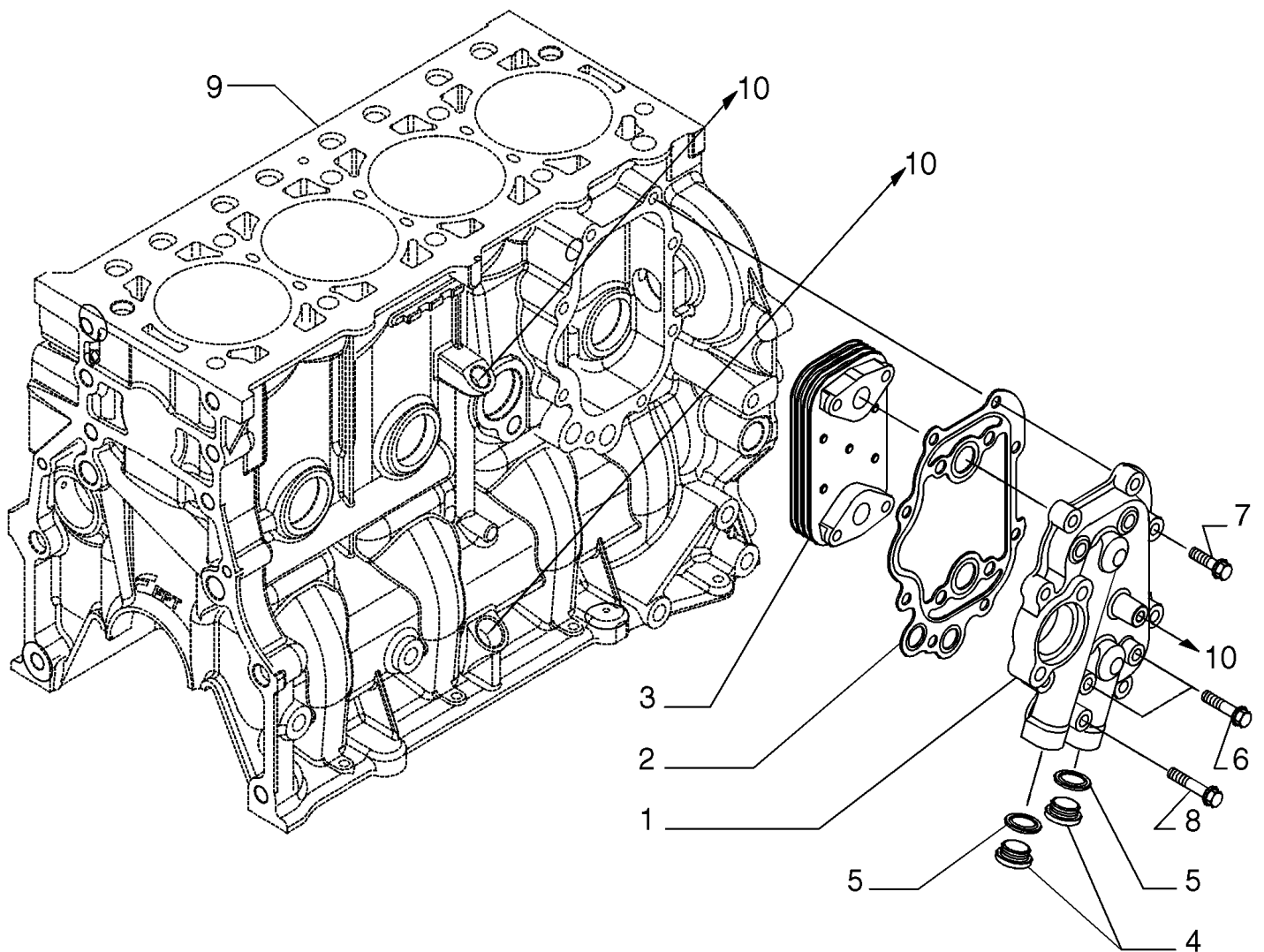
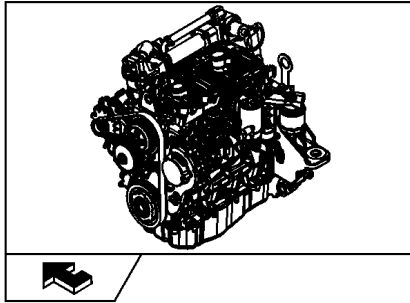


02-33

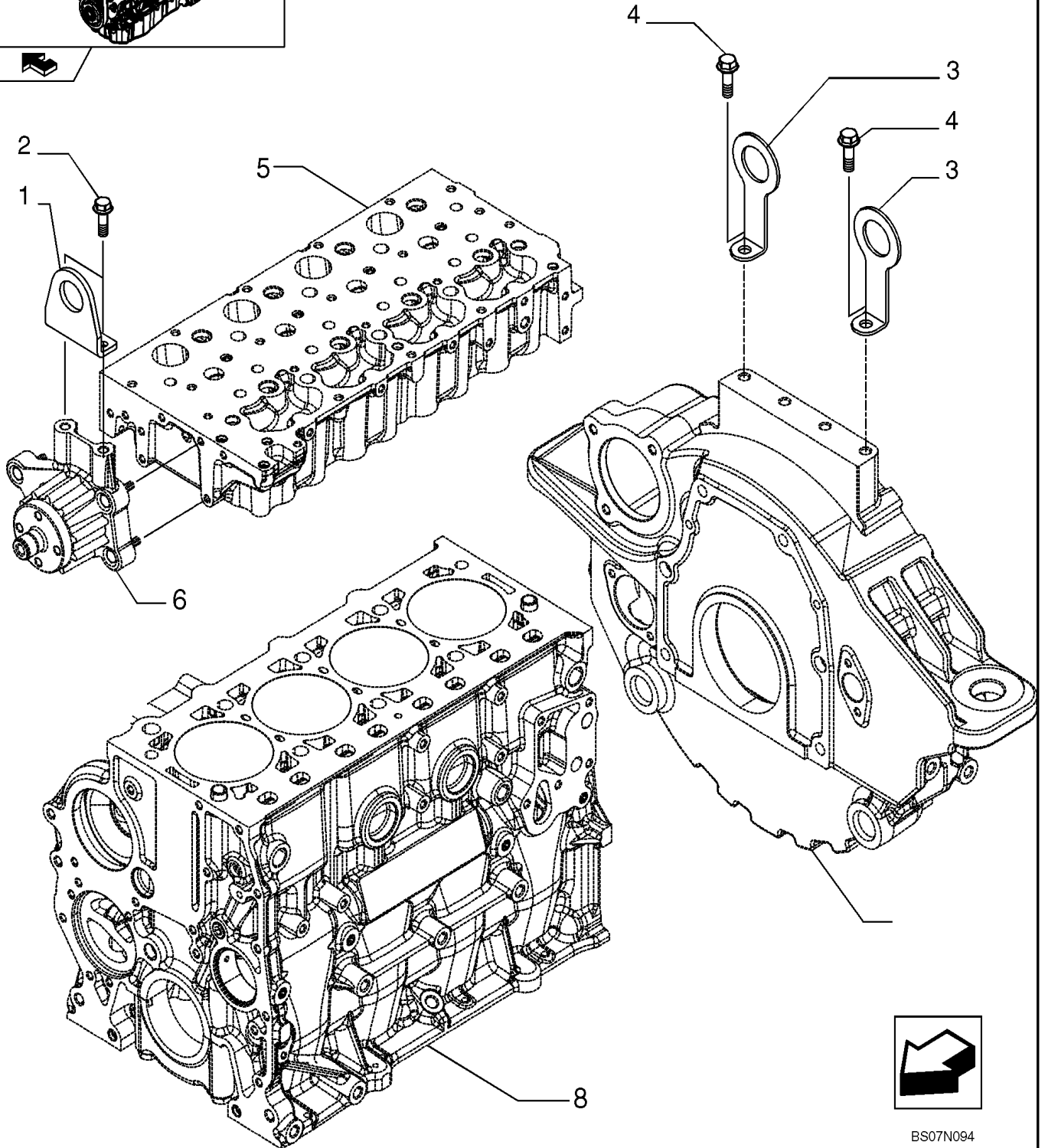
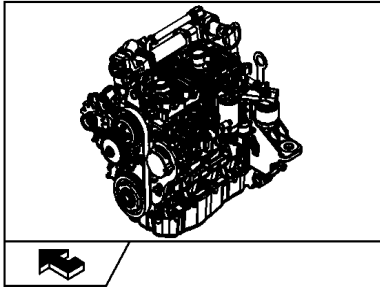
p1

8/2018

HEAT EXCHANGER (87530652)



HOOKS - ENGINE (87530652)

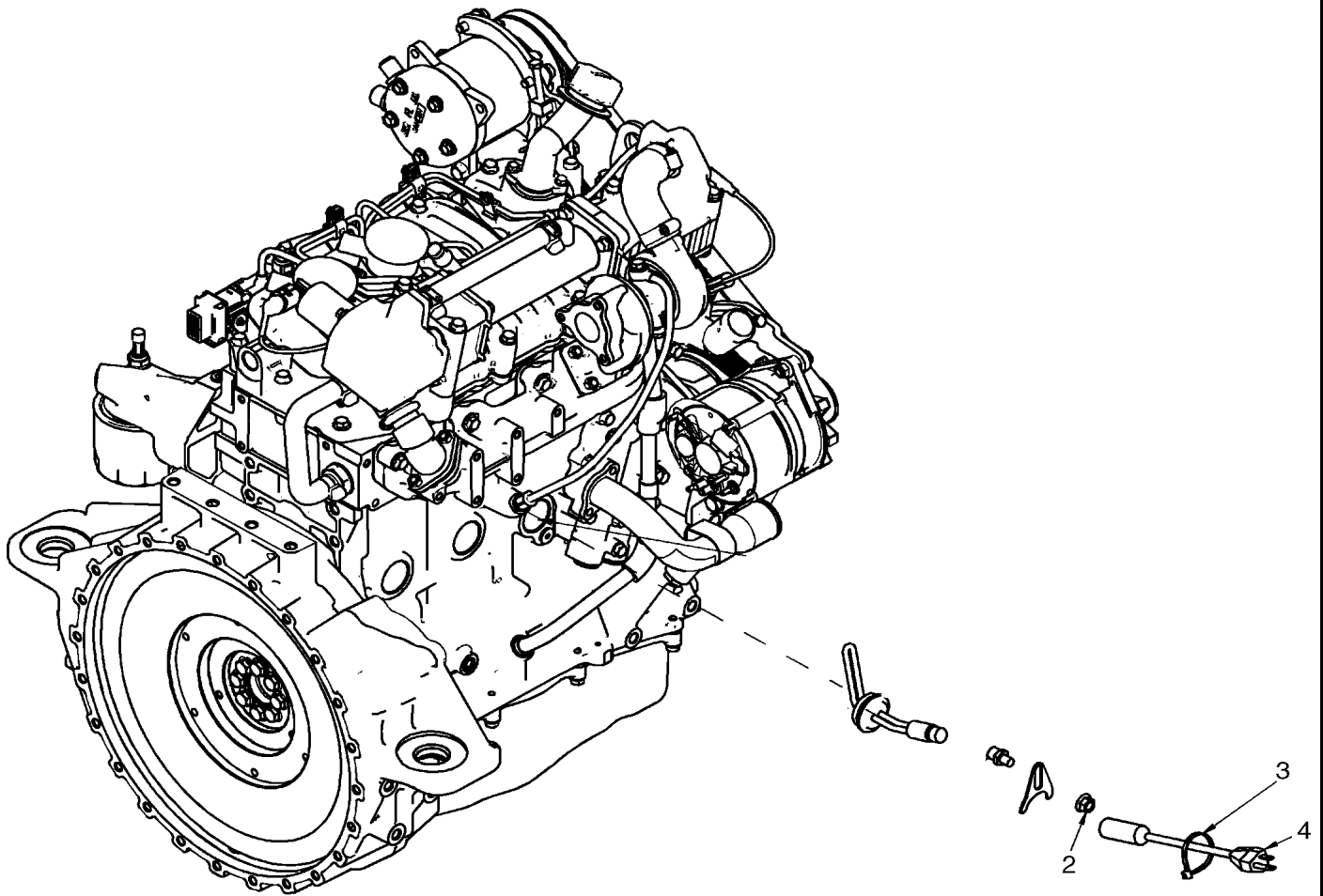


02-8B

p1

8/2018

ENGINE - BLOCK HEATER (EUROPE)

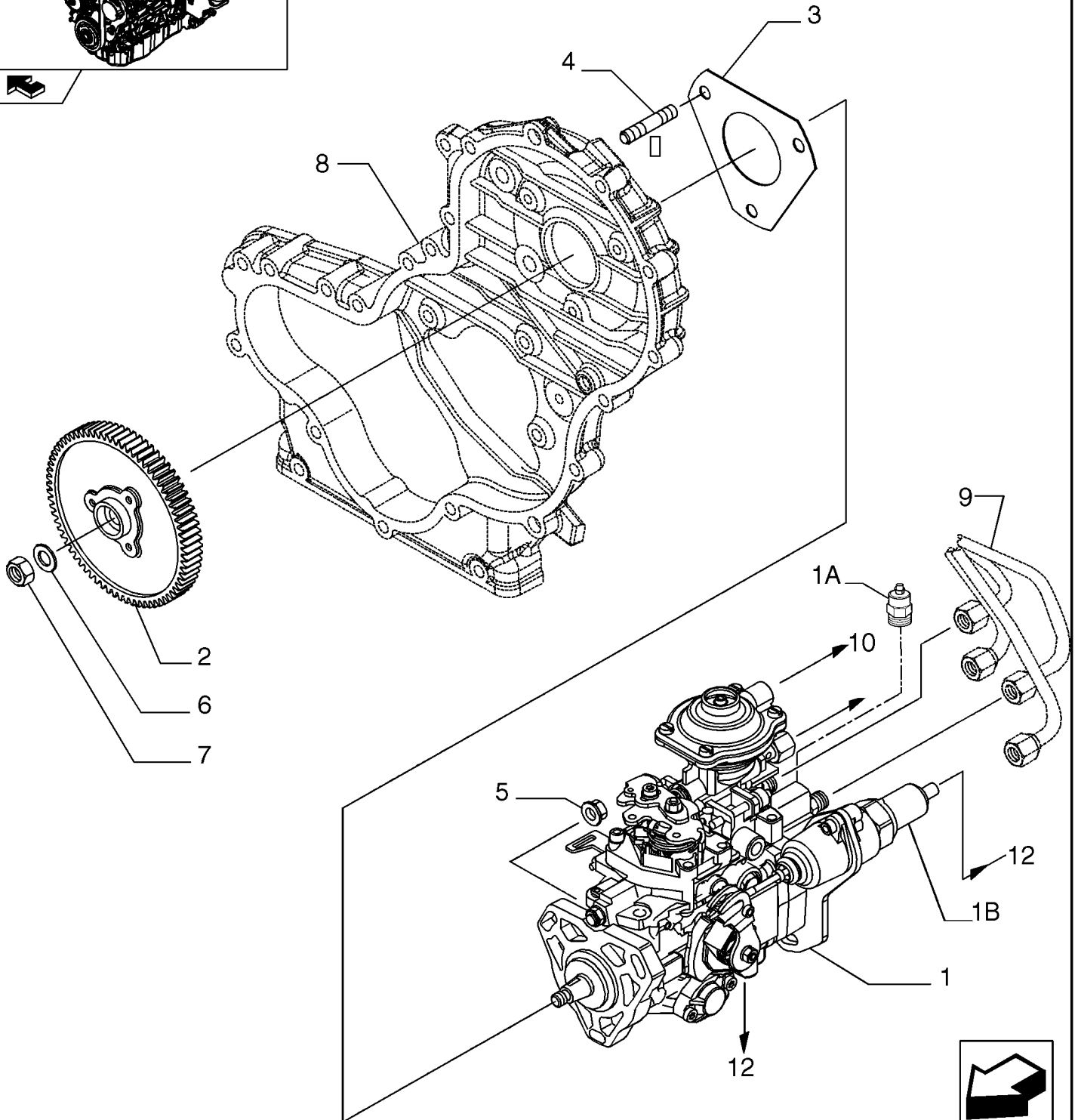
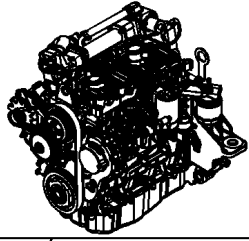


03-03

p1

8/2018

INJECTION PUMP (87530652)



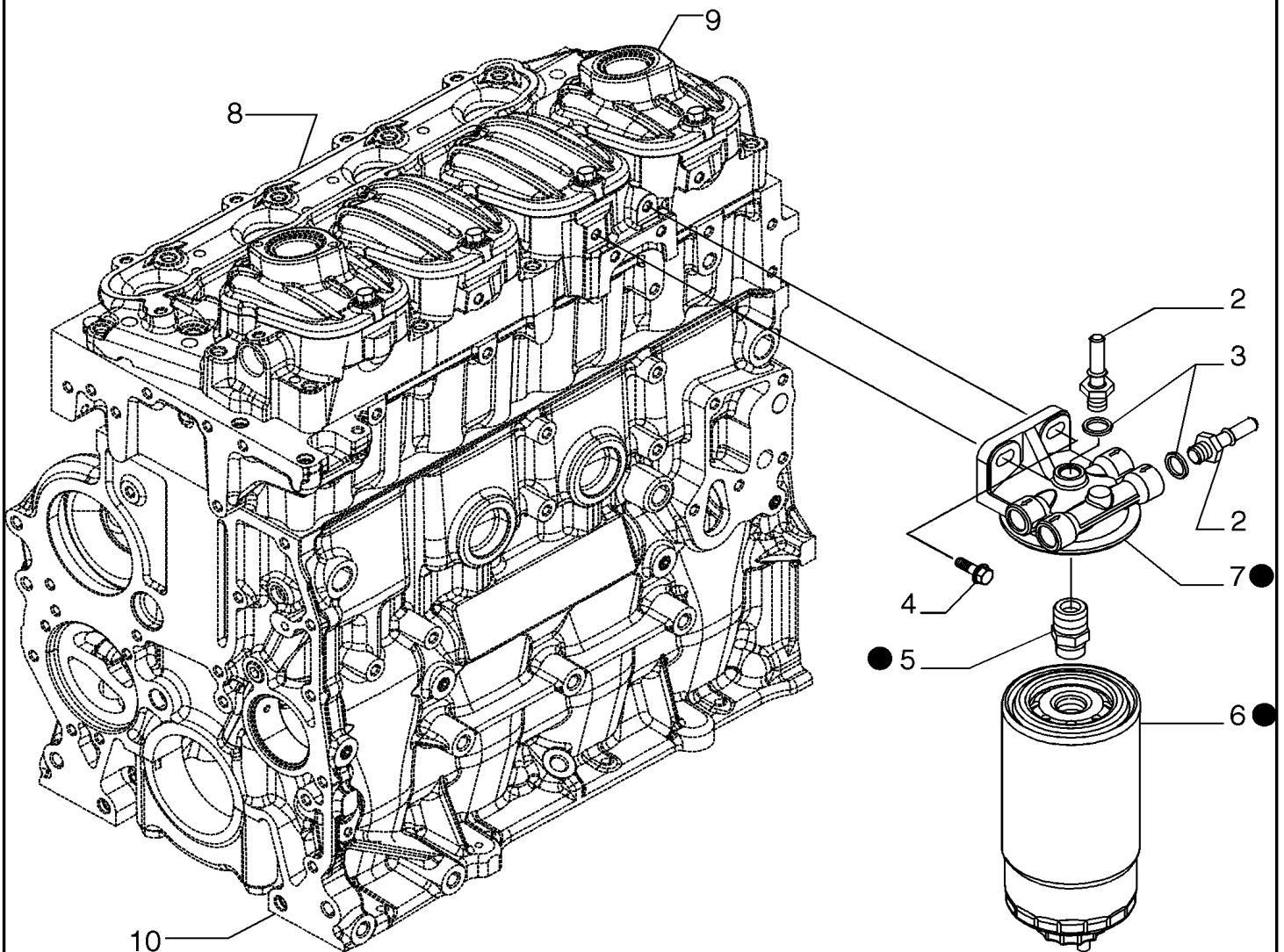
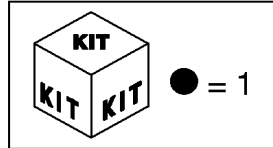
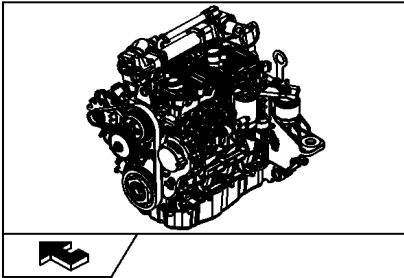
BS07N074

03-08

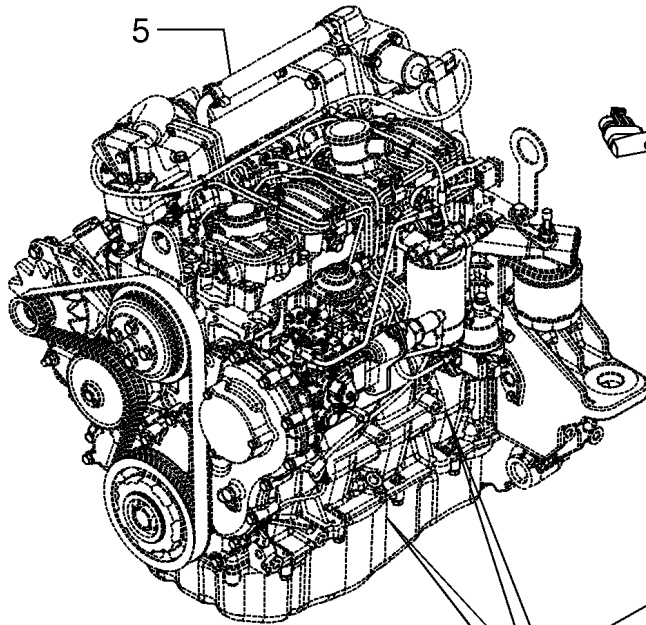
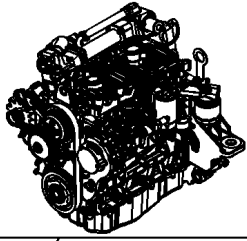
p1

8/2018

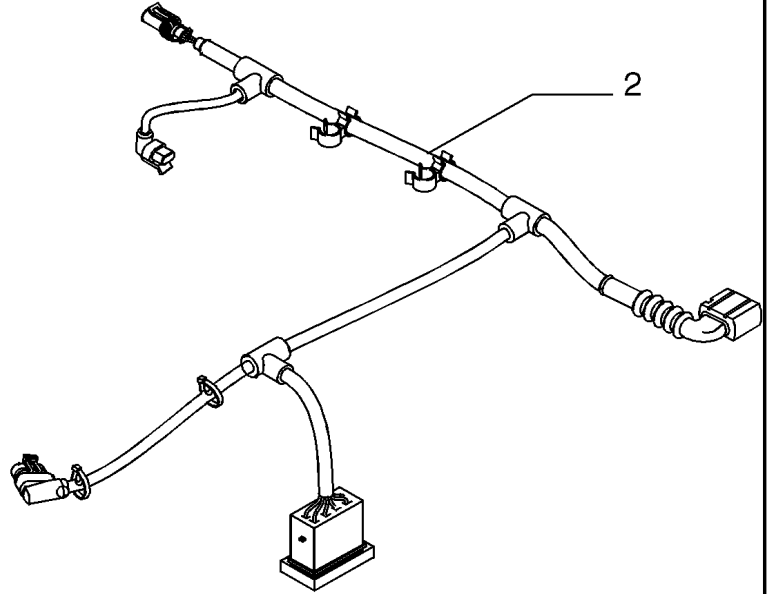
FUEL FILTER (87530652)



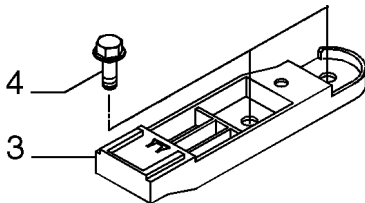
ENGINE ELECTRIC INSTALLATION (87530652)



5

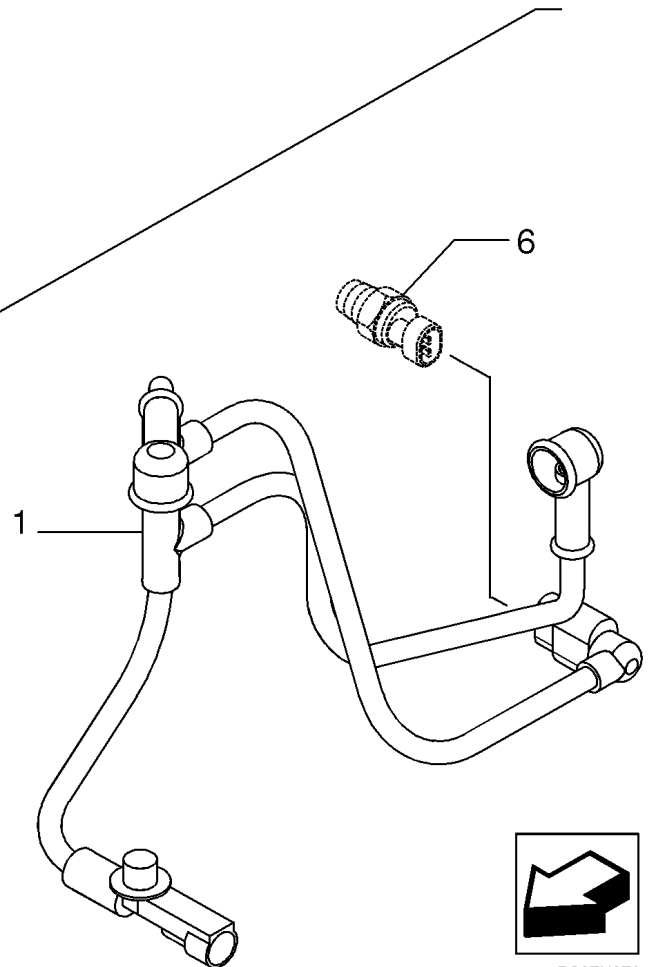


2



4

3

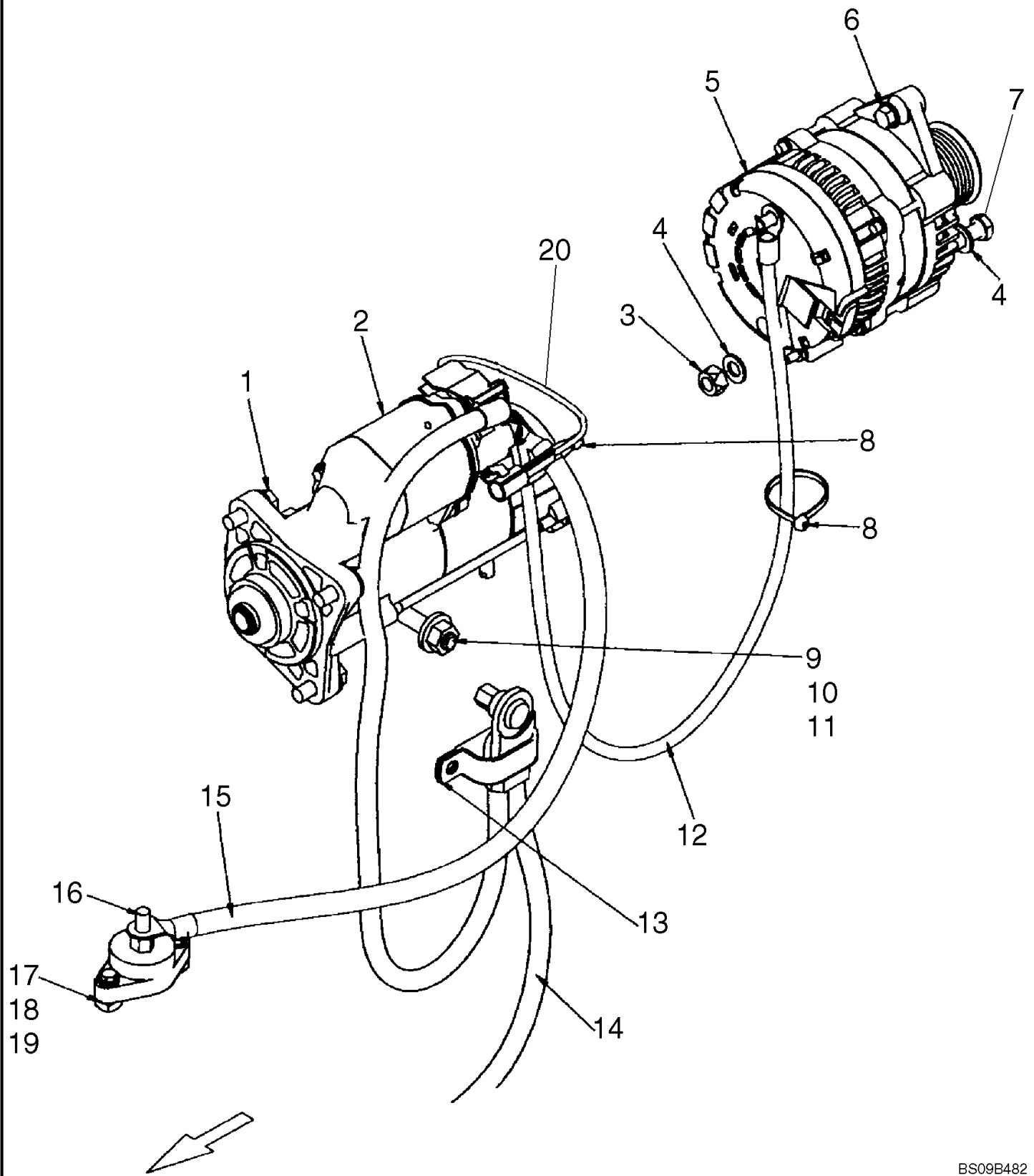


1

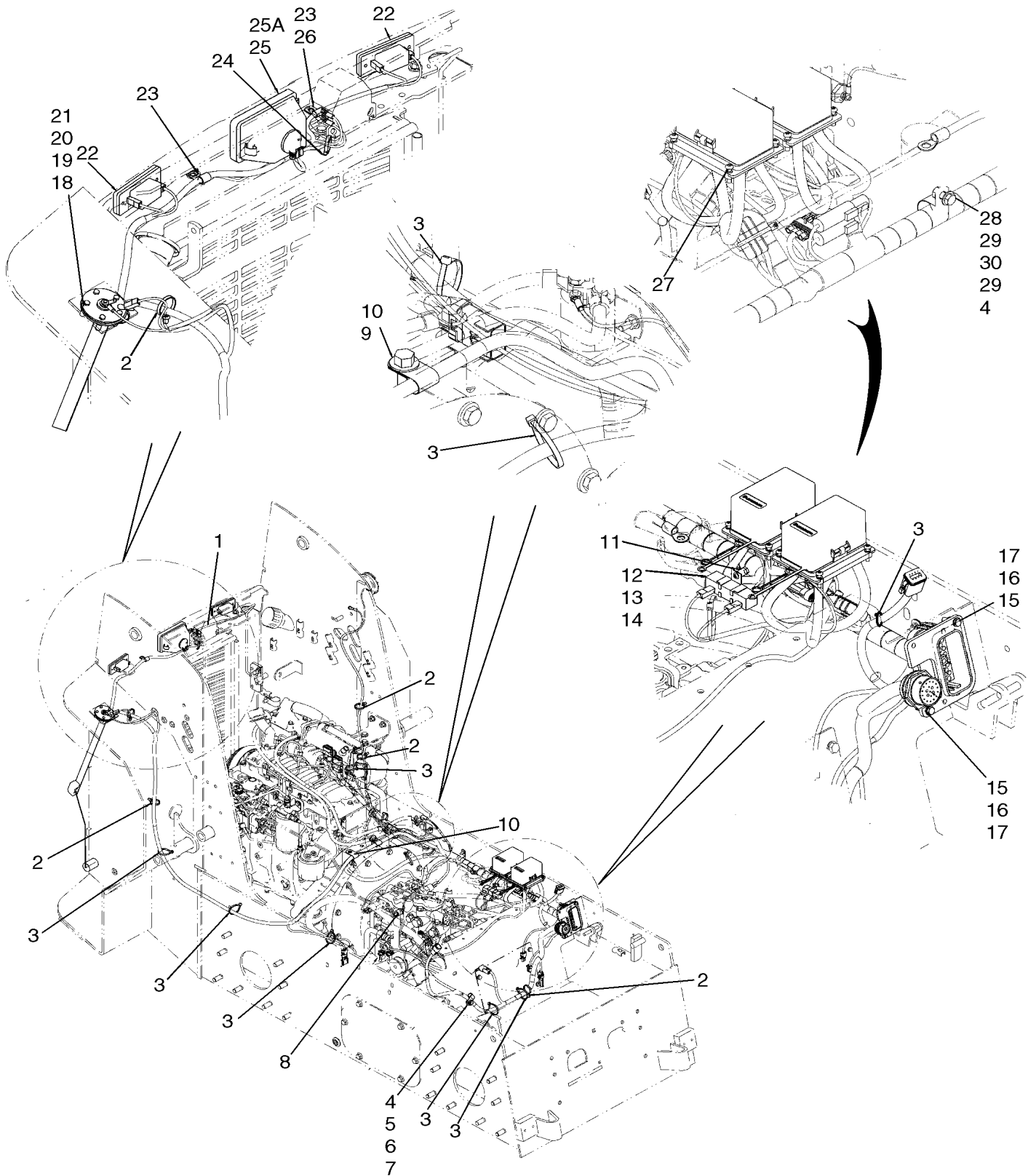
6



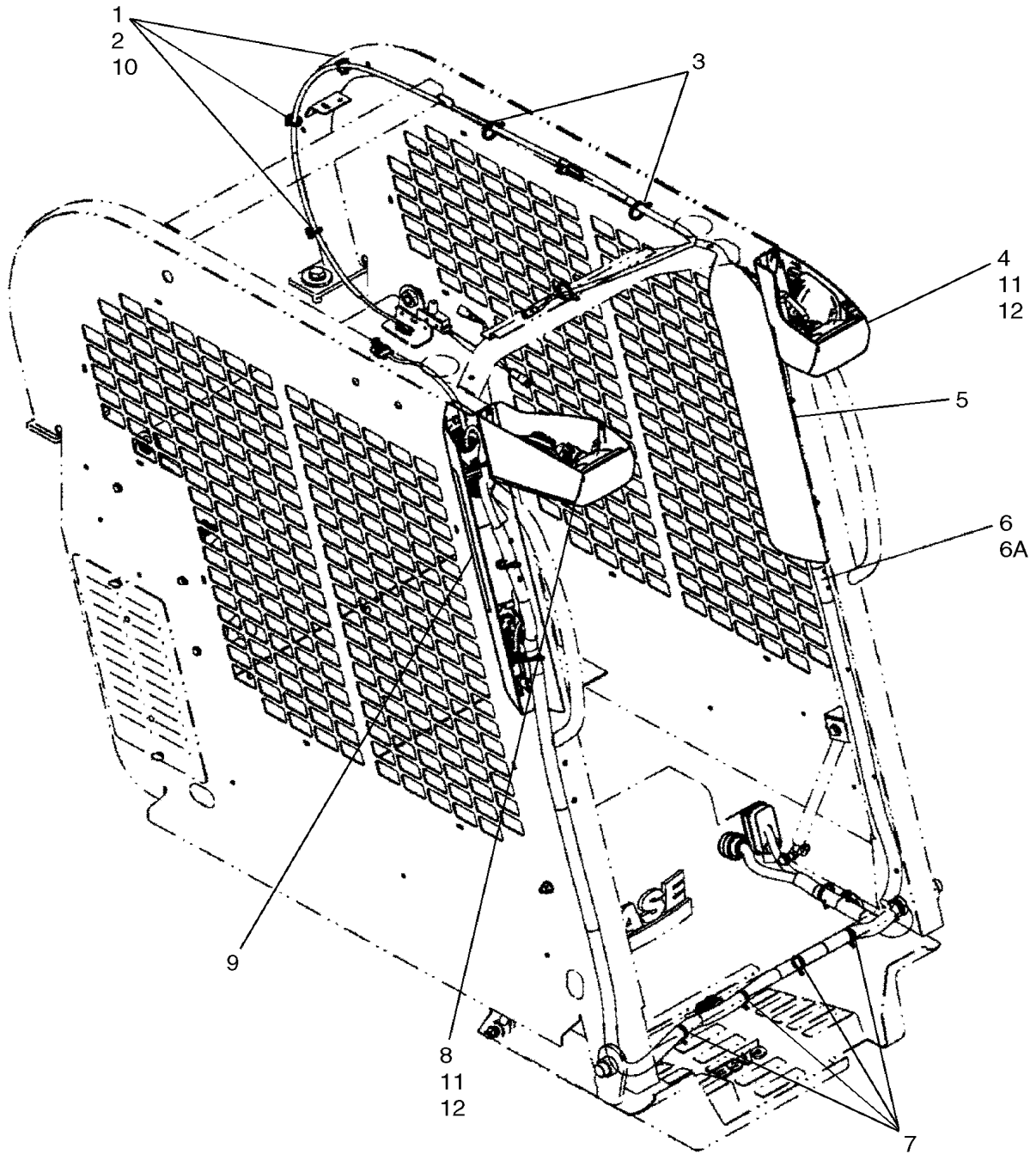
STARTER AND ALTERNATOR MOUNTING



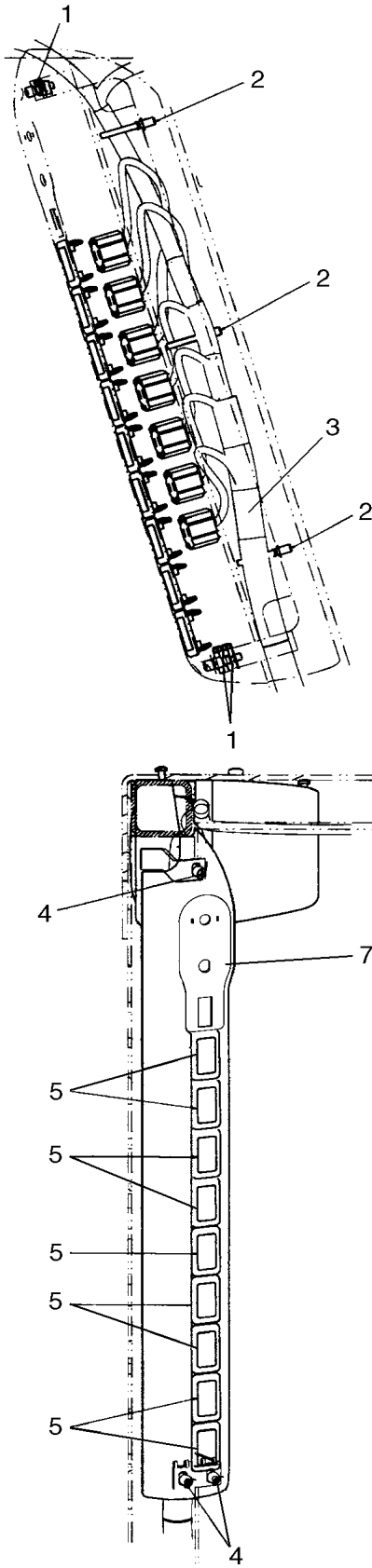
CHASSIS - ELECTRICAL



ELECTRIC - CAB



CONSOLE - LH

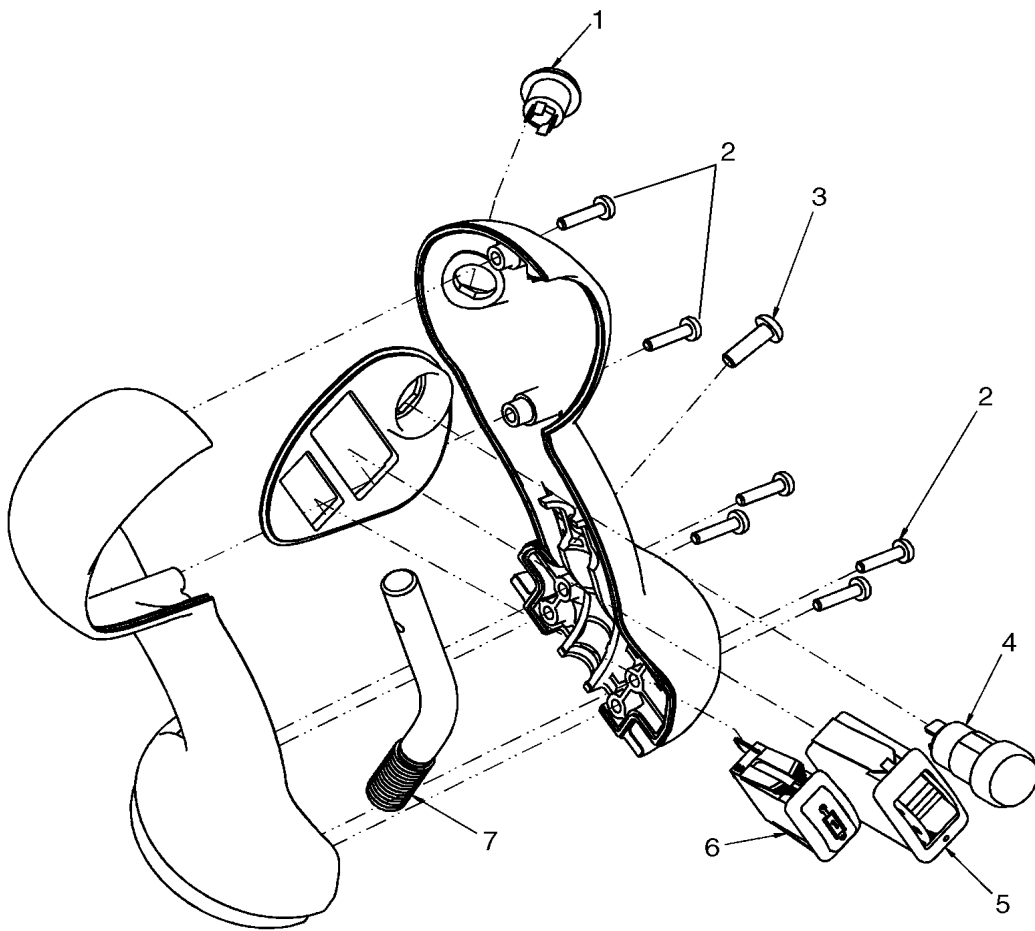


04-14

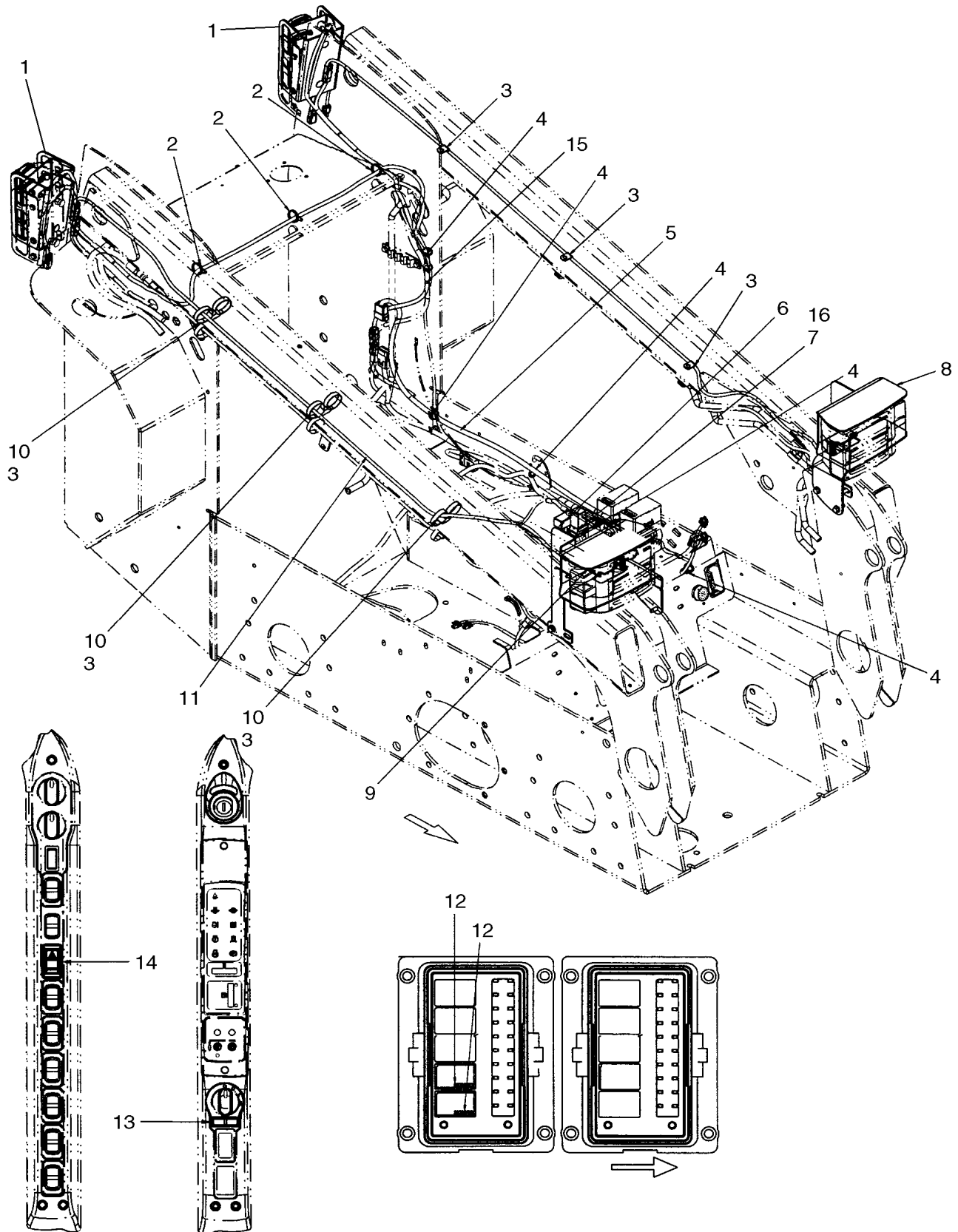
p1

8/2018

CONTROL HANDLE, RH - DELUXE



ELECTRICAL - ROAD LIGHTS (NA)

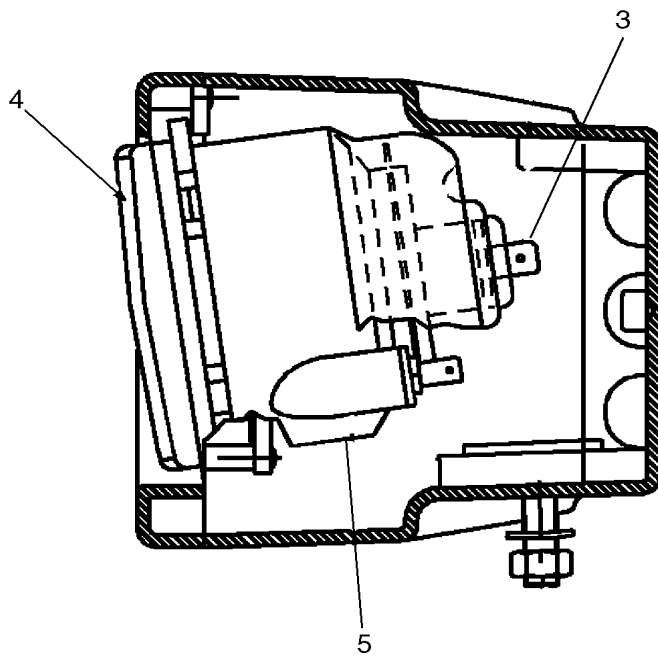
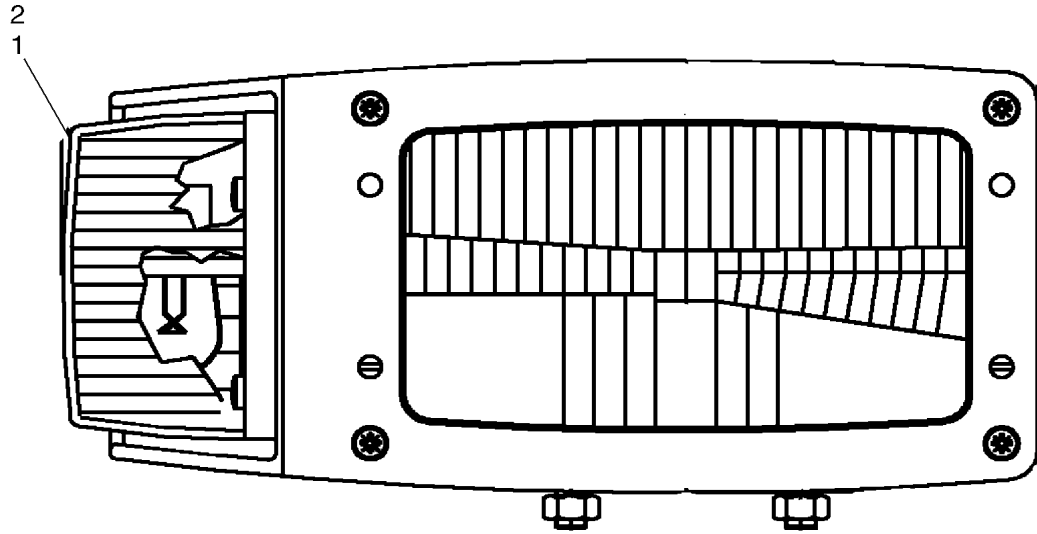


04-21

p1

8/2018

HEADLAMP - RH

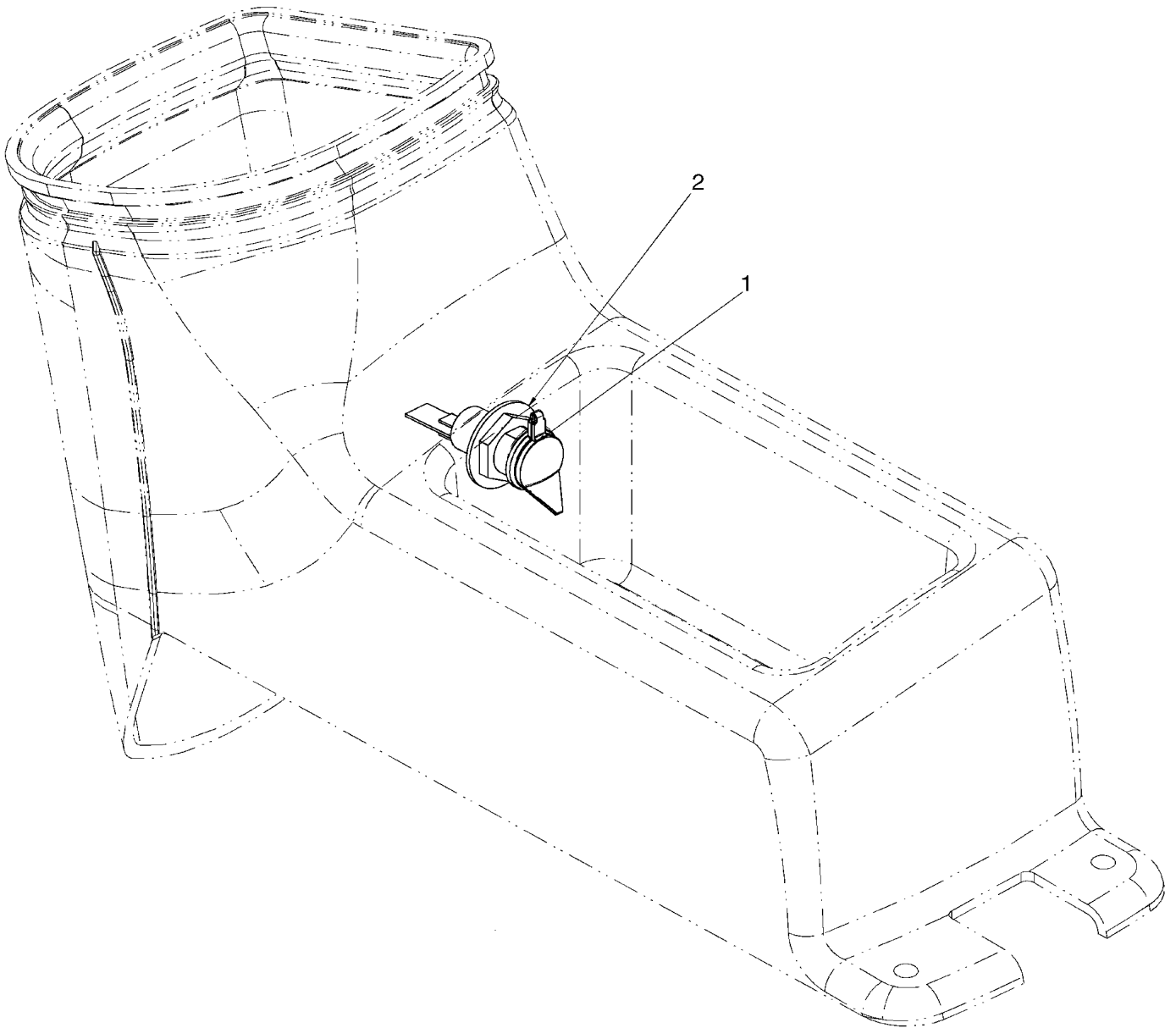


04-26

p1

8/2018

ELECTRICAL ACCESSORY SOCKET (EUROPE)

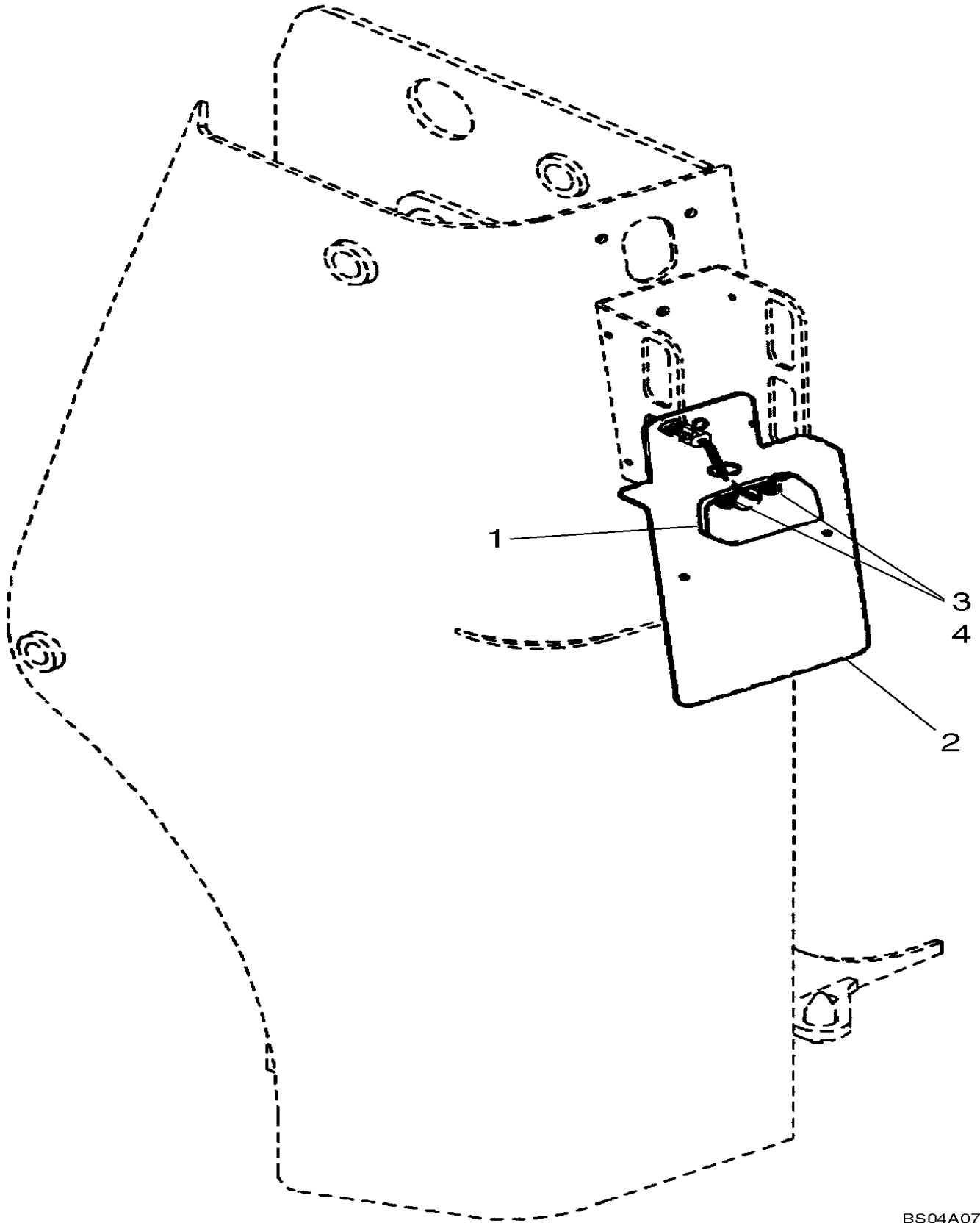


04-30

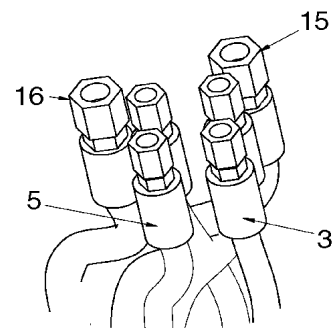
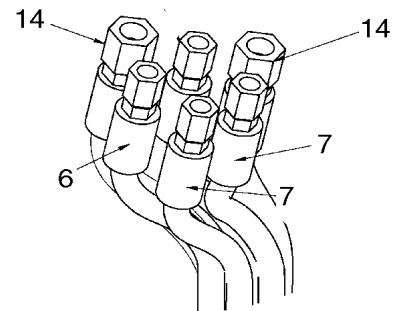
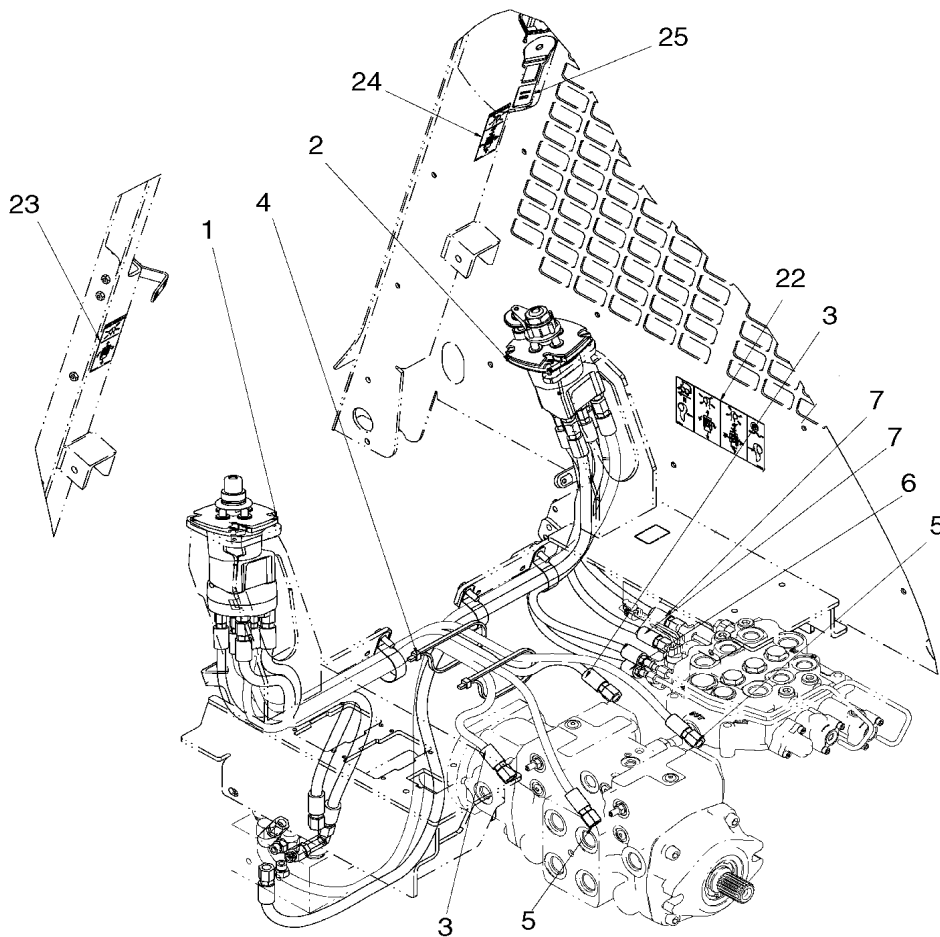
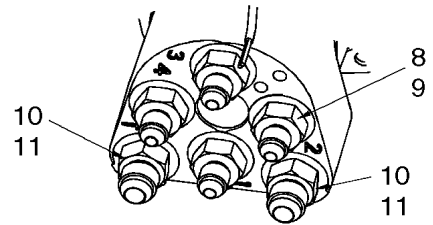
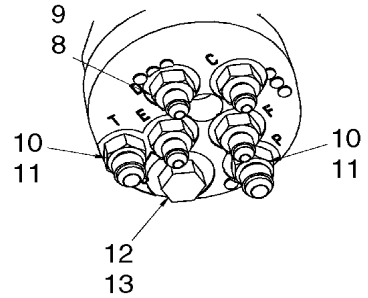
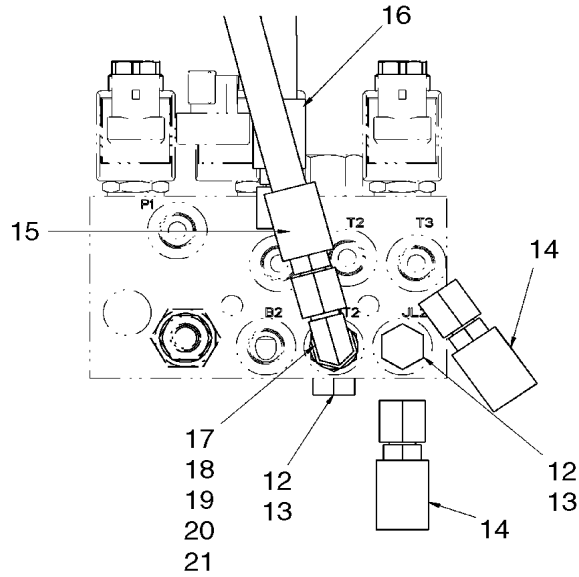
p1

8/2018

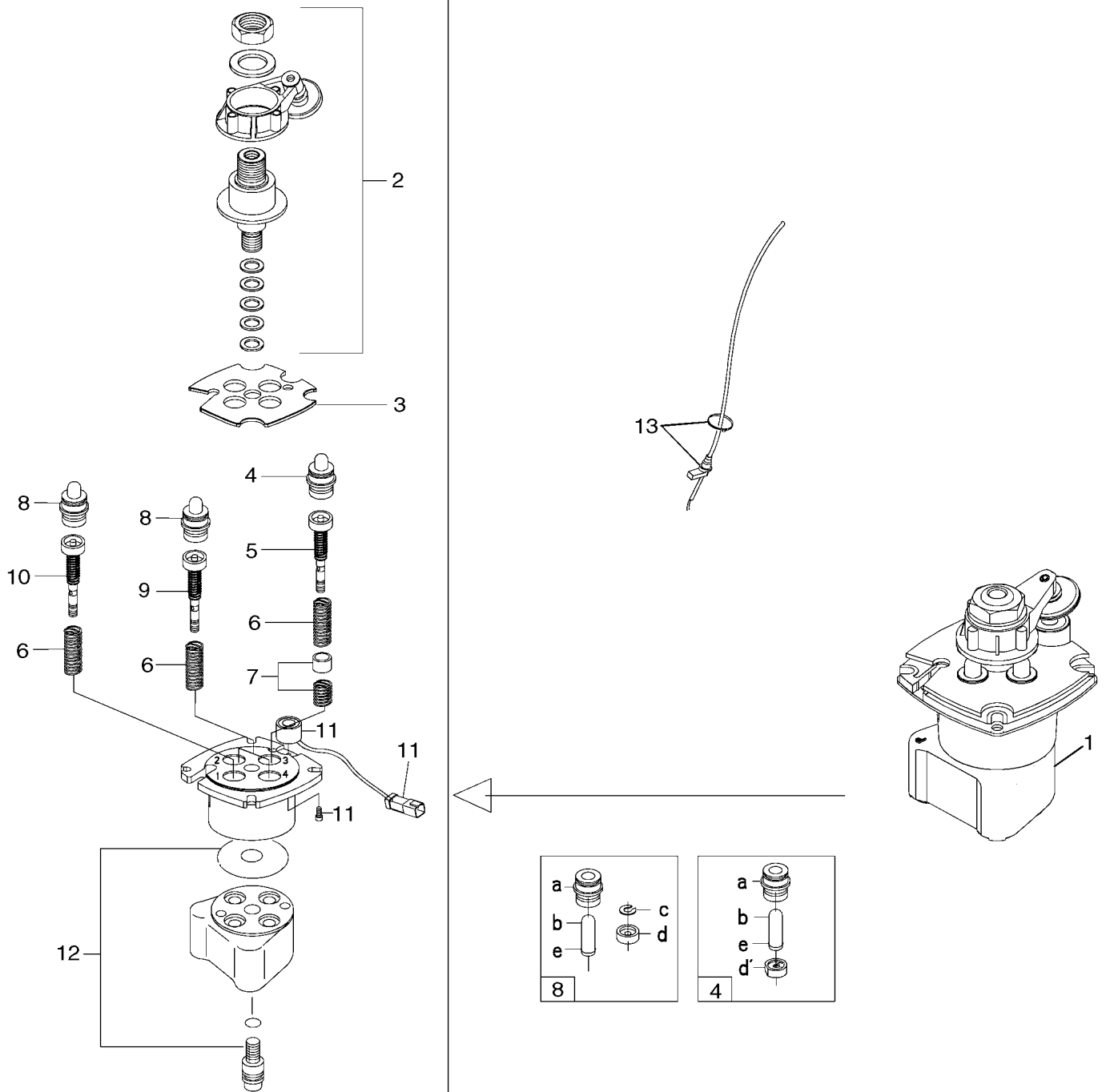
SPECIAL PARTS FOR ITALY - LICENSE PLATE LIGHT



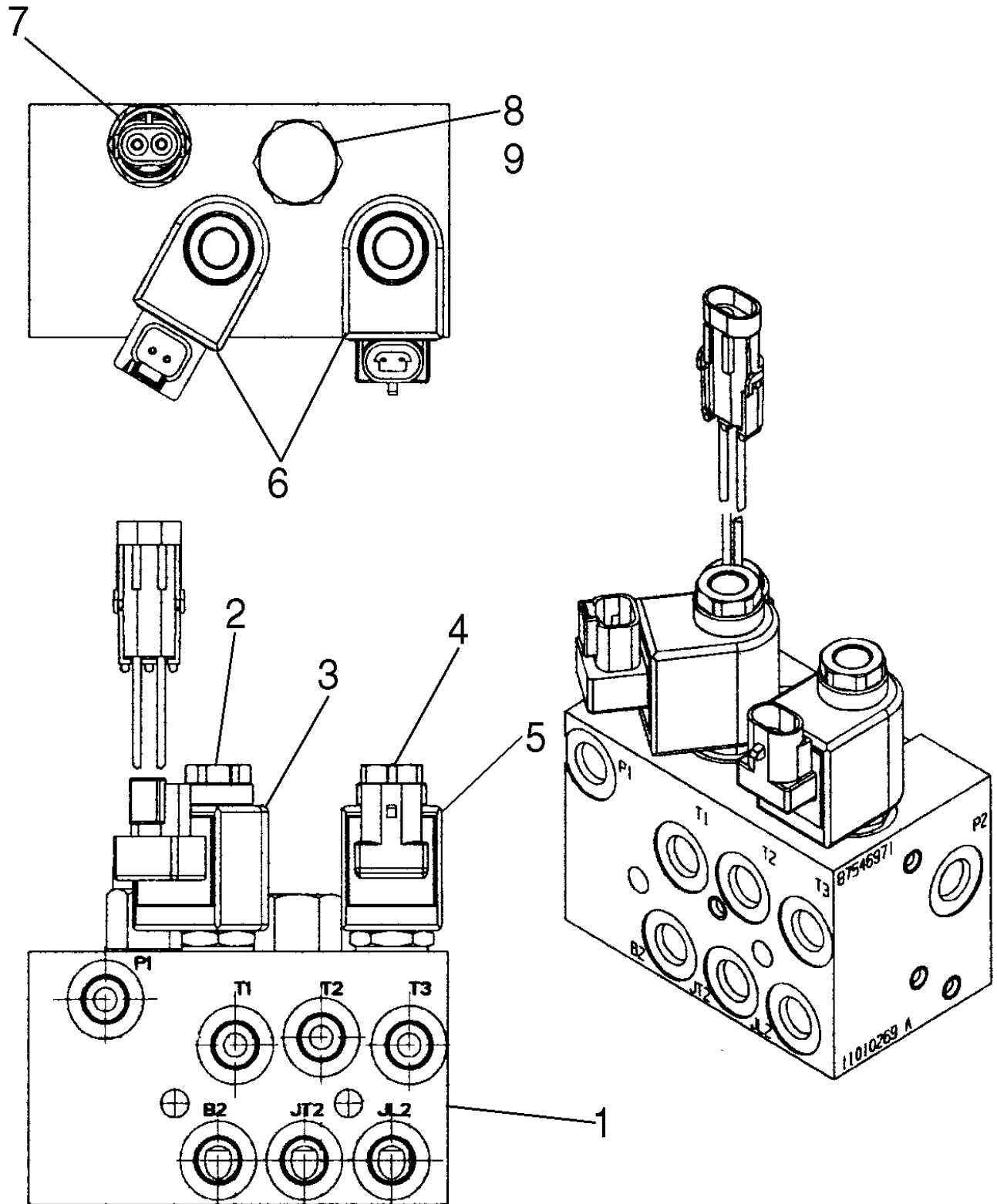
JOYSTICK CONTROL PLUMBING - ISO PATTERN (WITH PILOT CONTROL)



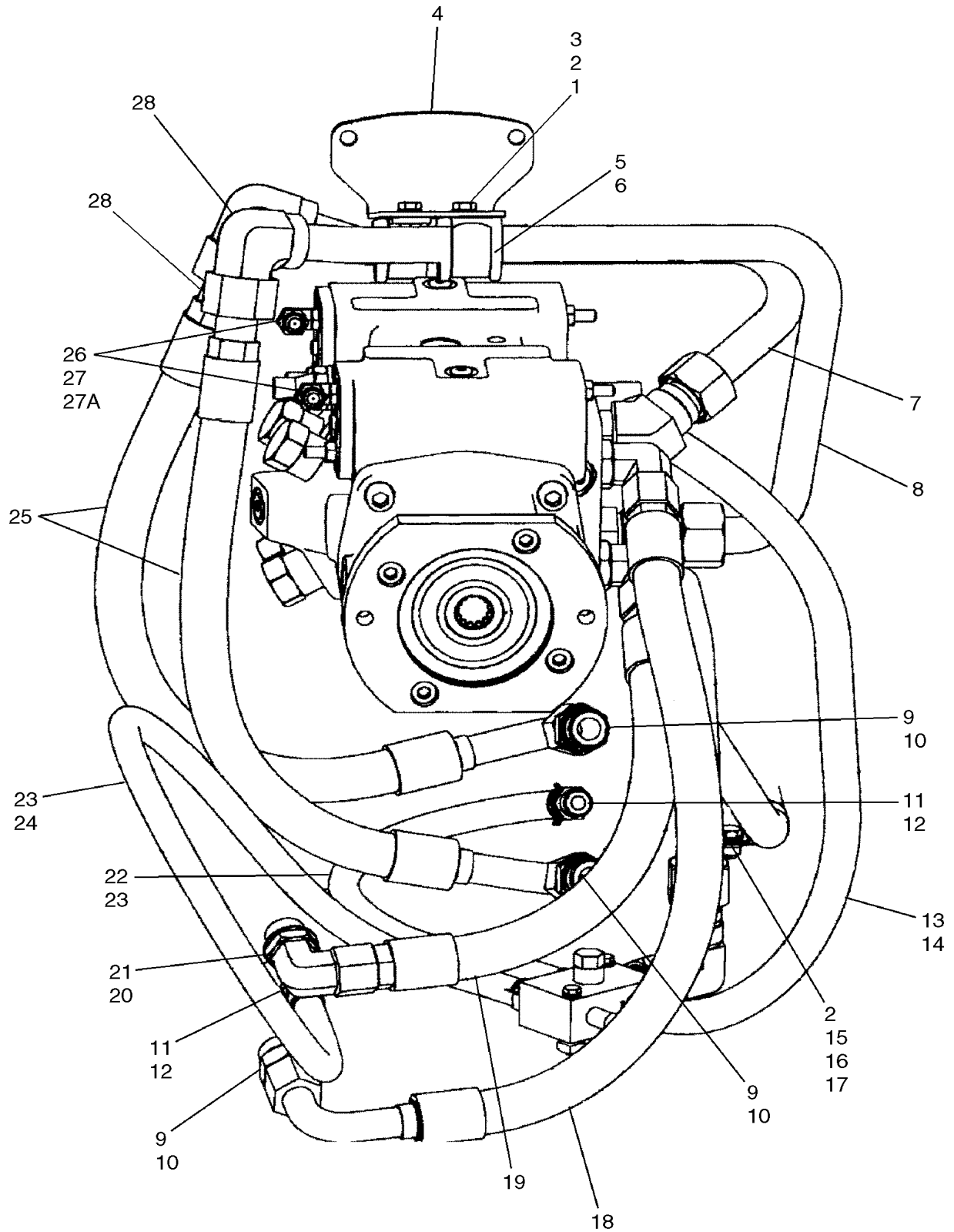
JOYSTICK VALVE KITS - ISO PATTERN, RH



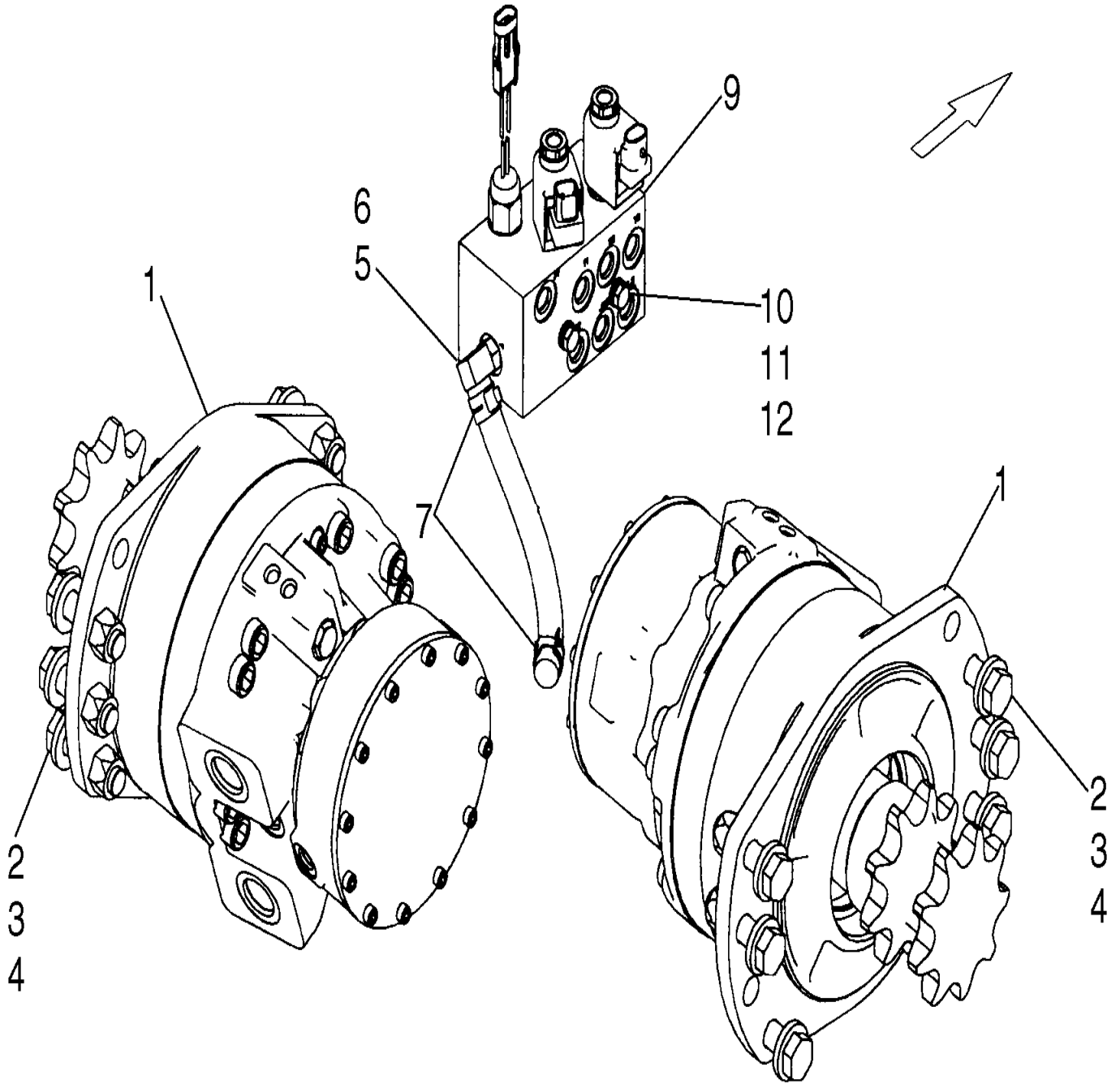
HYDROSTATICS - MULTI VALVE ASSEMBLY



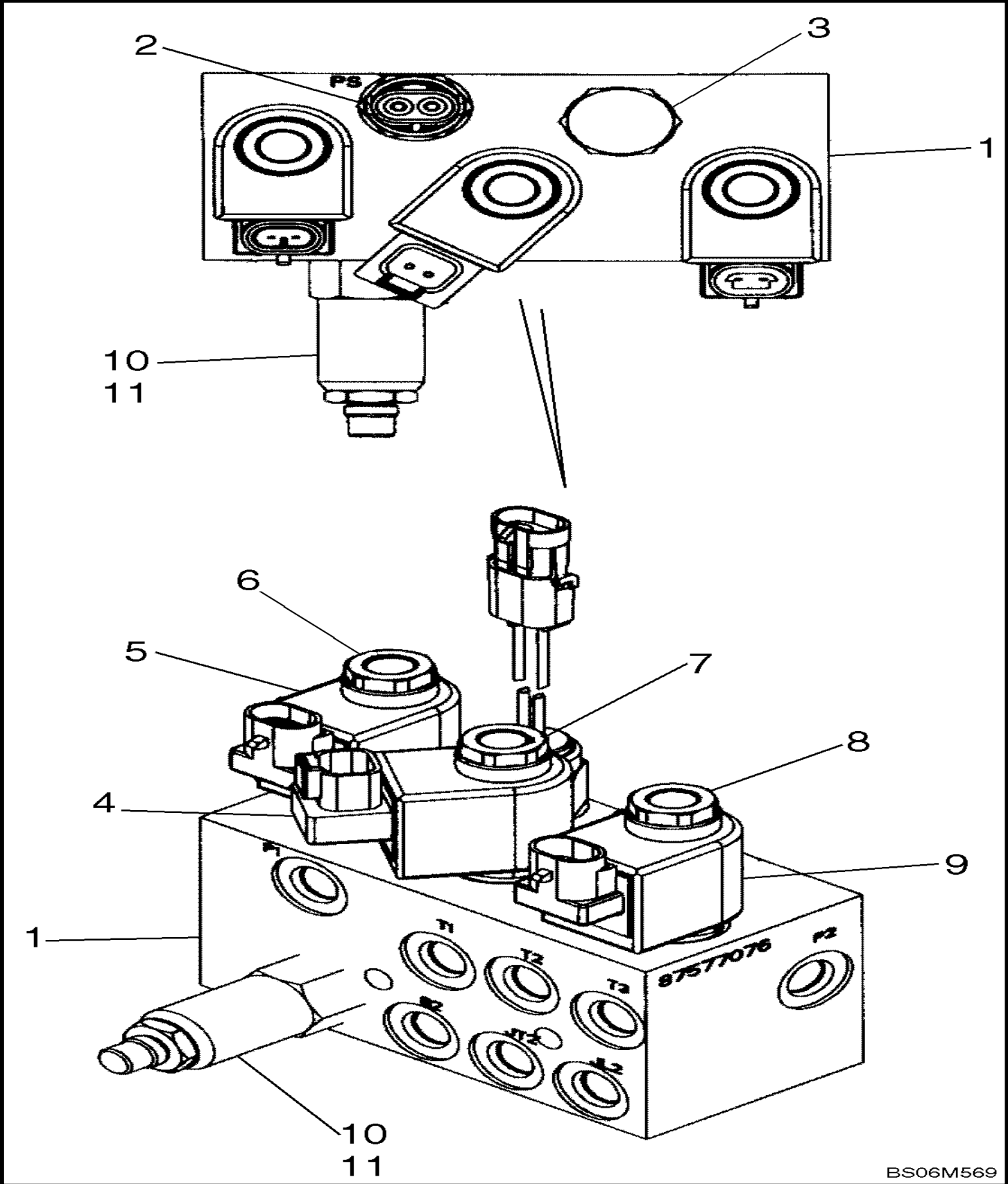
HYDROSTATICS - HOSES (430 WITH PILOT CONTROL)



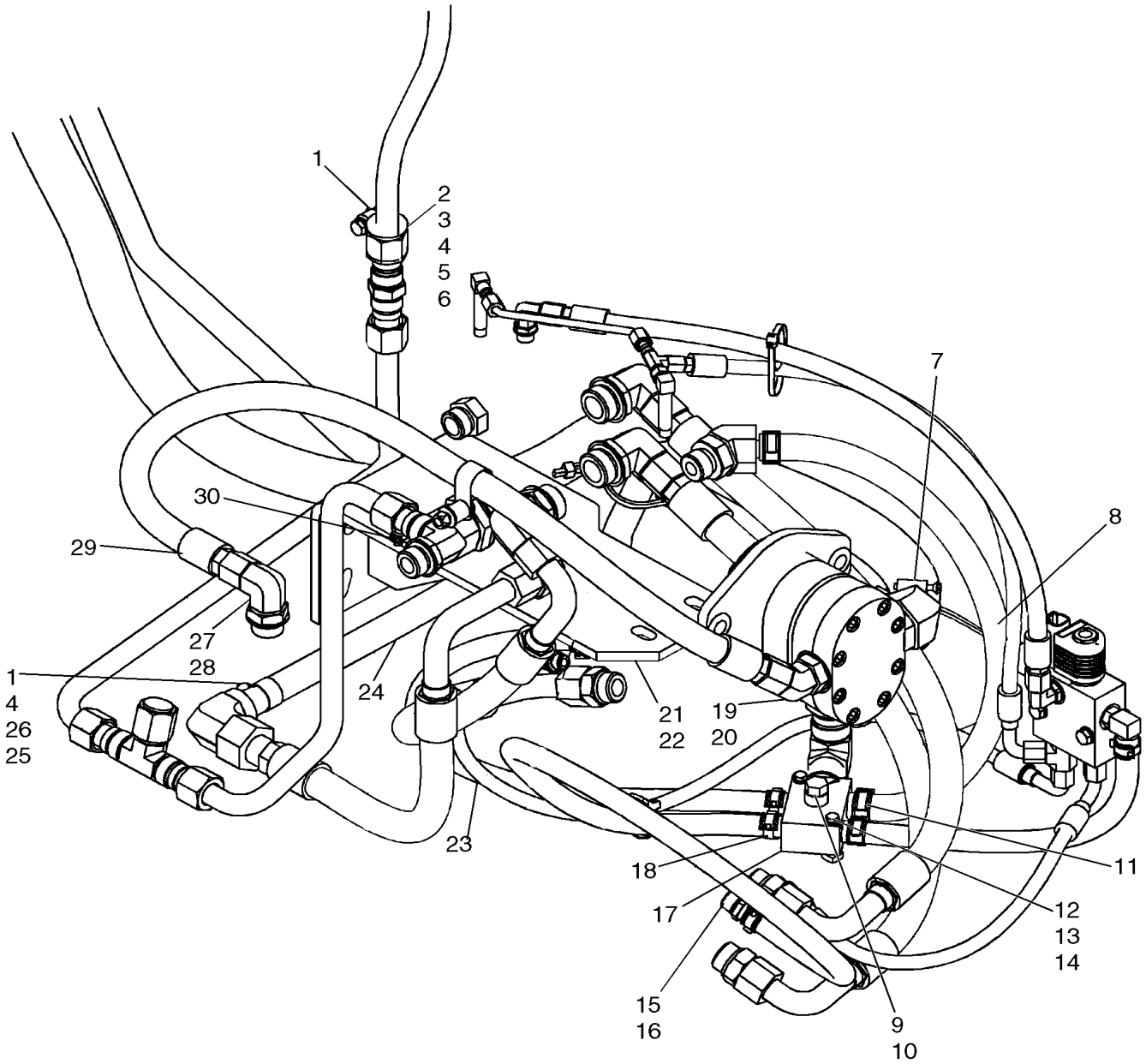
HYDROSTATICS - SINGLE SPEED, DRIVE MOTORS (PILOT CONTROL)



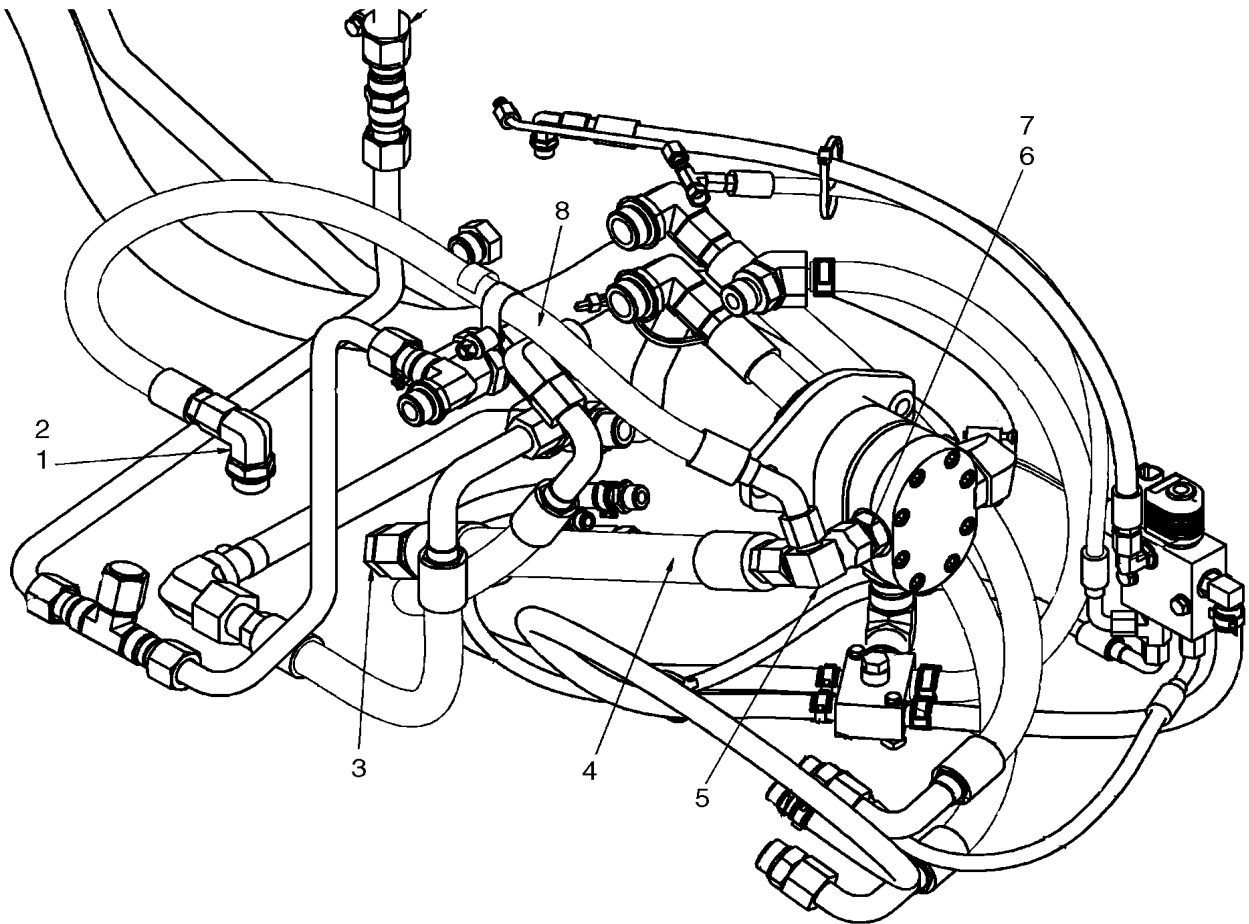
HYDROSTATICS - TWO SPEED, VALVE ASSY (WITH PILOT CONTROL)



HYDROSTATICS - SUPPLY, RETURN AND DRAIN PLUMBING (MECHANICAL CONTROL)



HYDROSTATICS - RESONATOR (EUROPE)

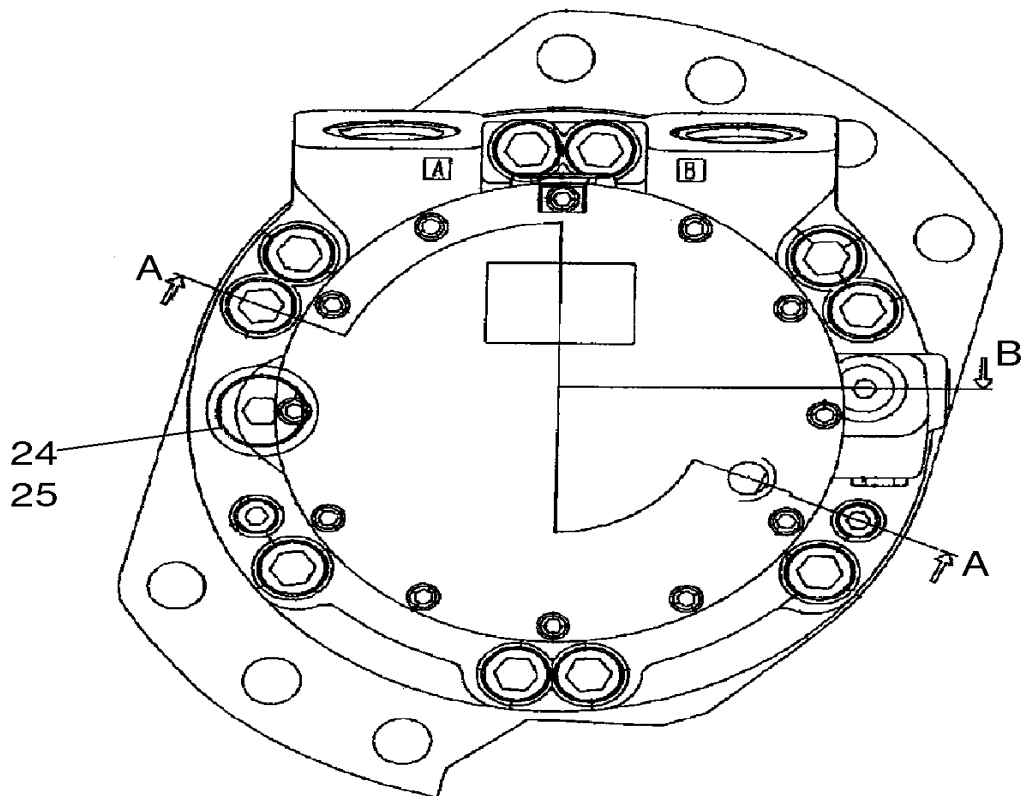
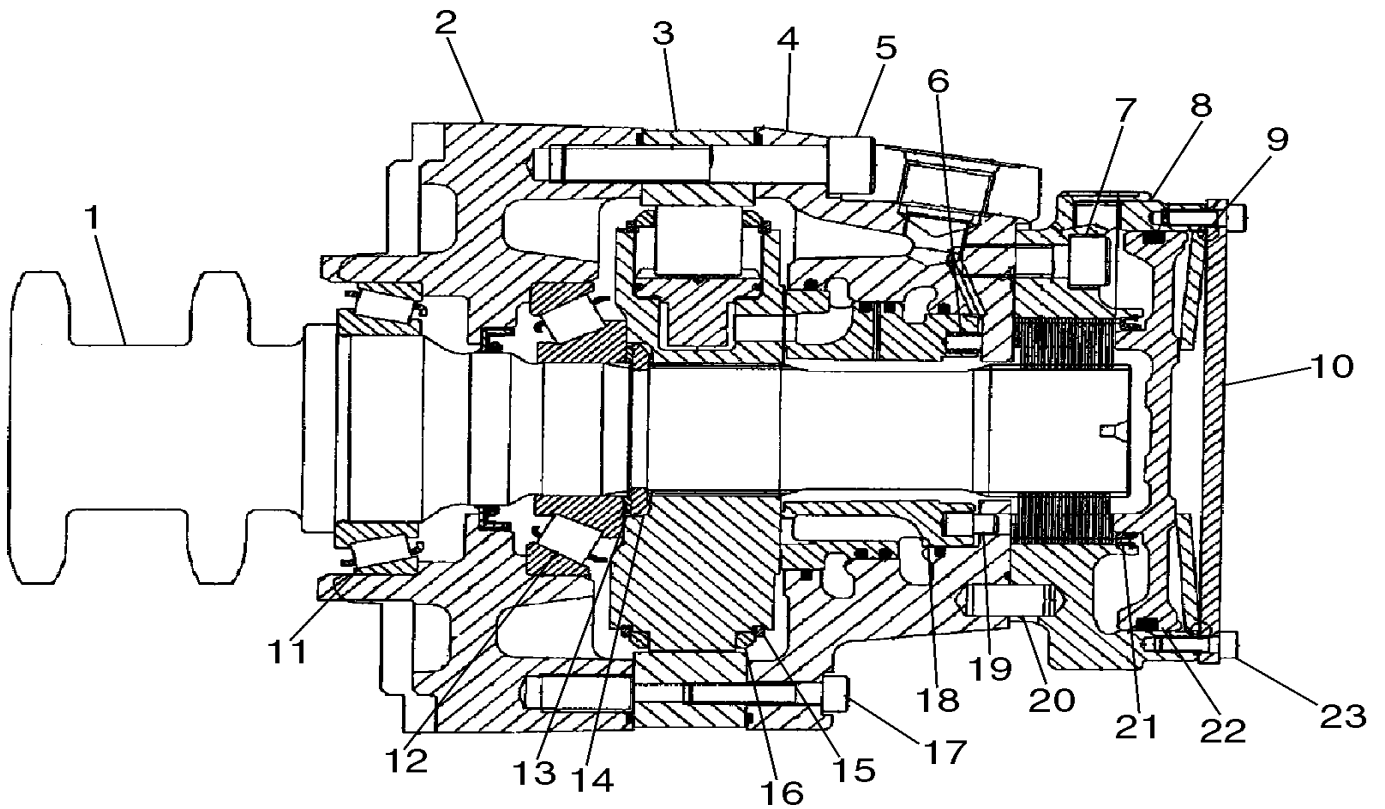


06-23

p1

8/2018

MOTOR ASSY - SINGLE SPEED

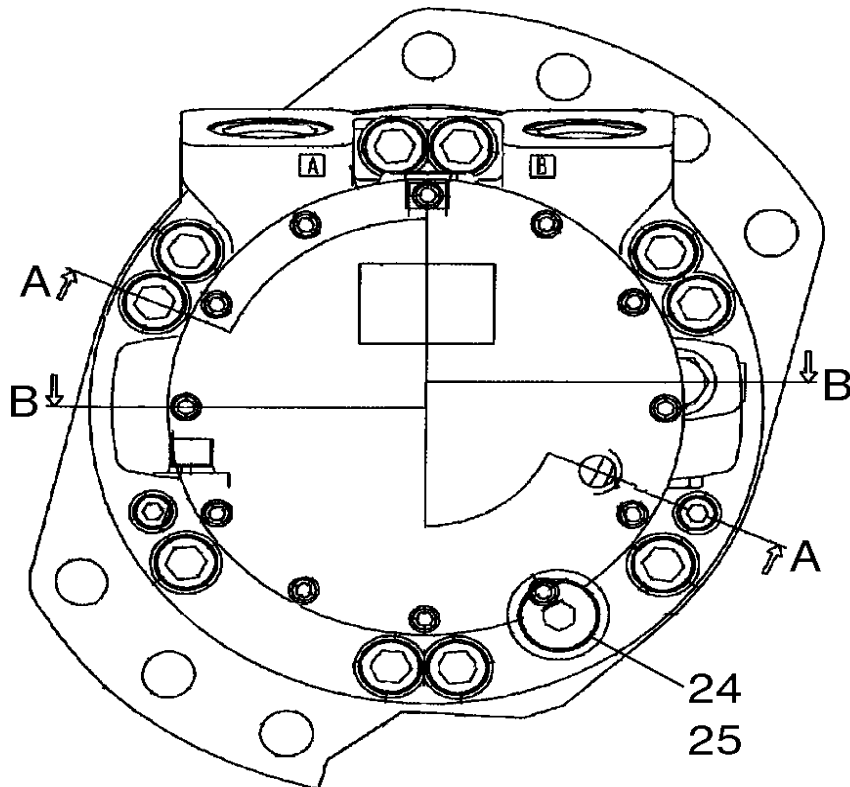
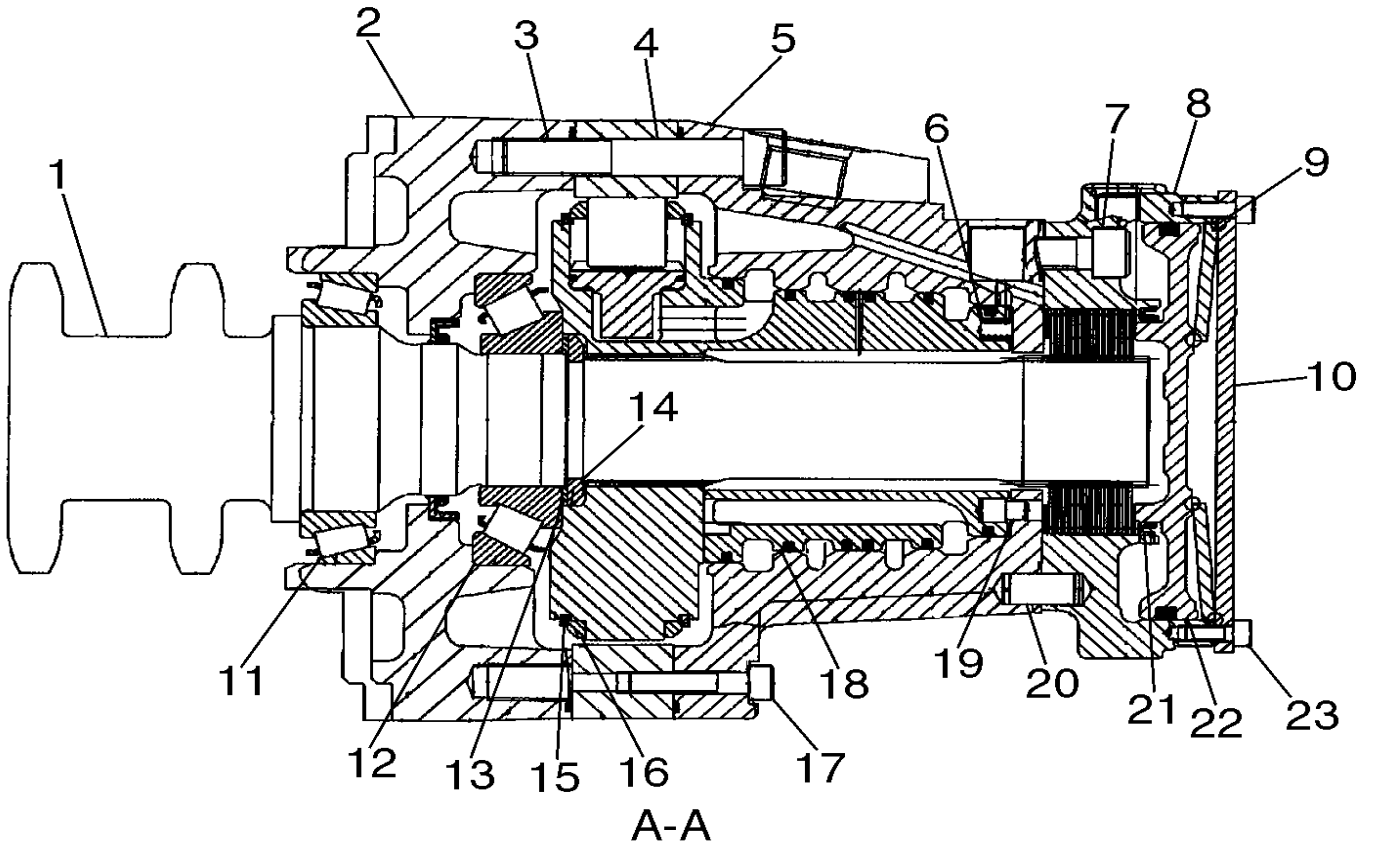


06-26

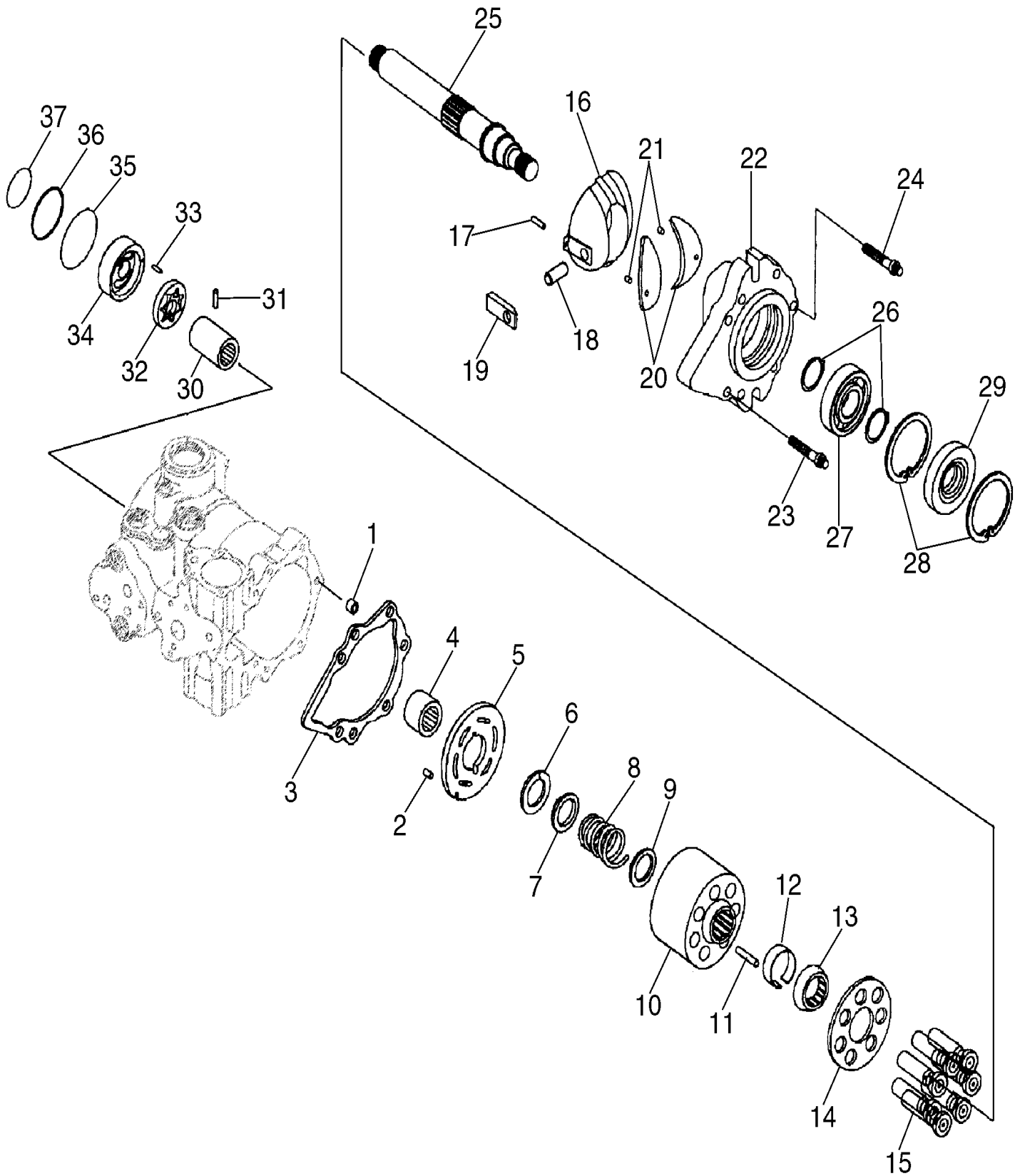
p1

8/2018

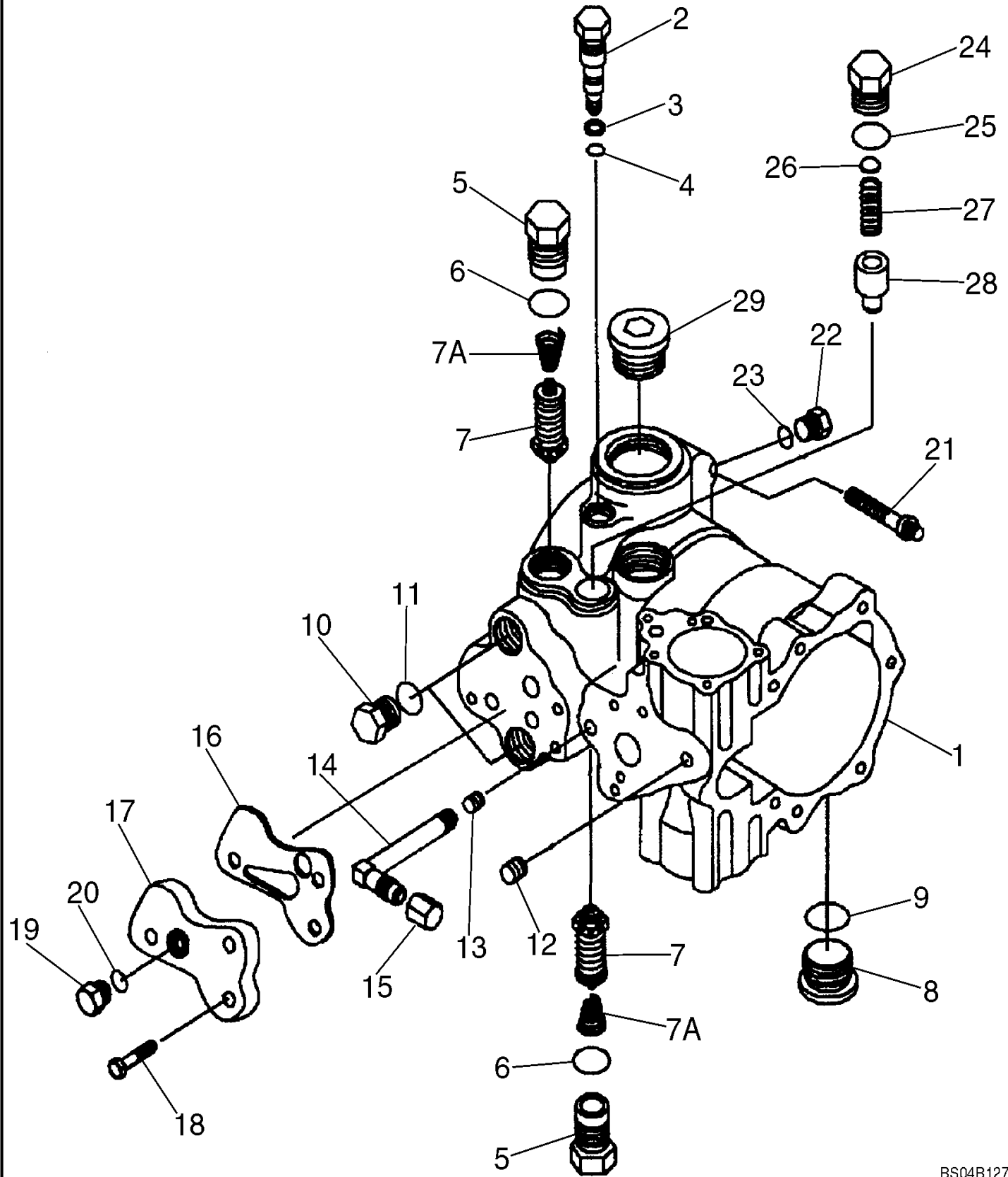
MOTOR ASSY - TWO SPEED



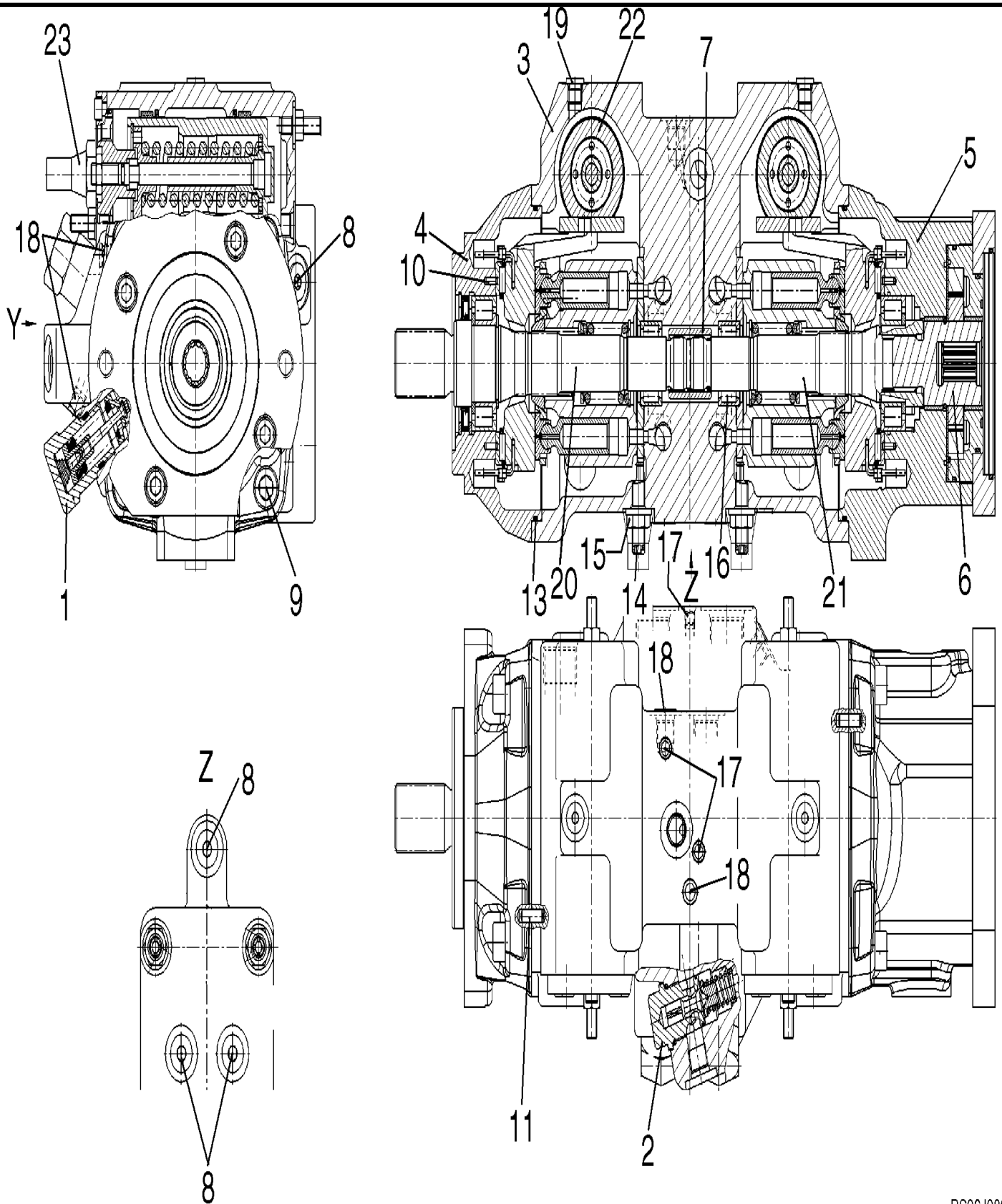
PUMP, TANDEM - FRONT



PUMP, TANDEM - REAR



REXROTH PUMP, PILOT CONTROL

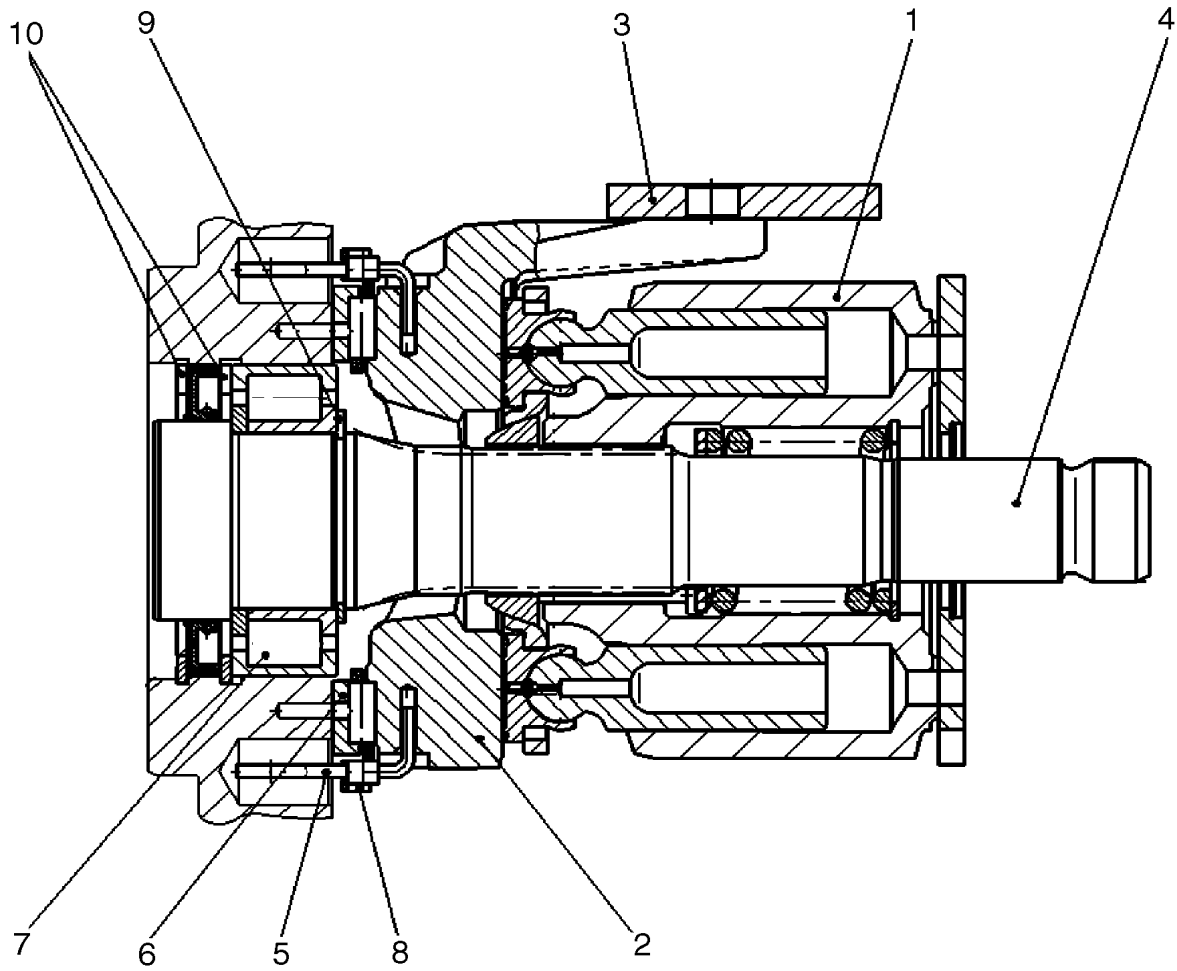


06-39

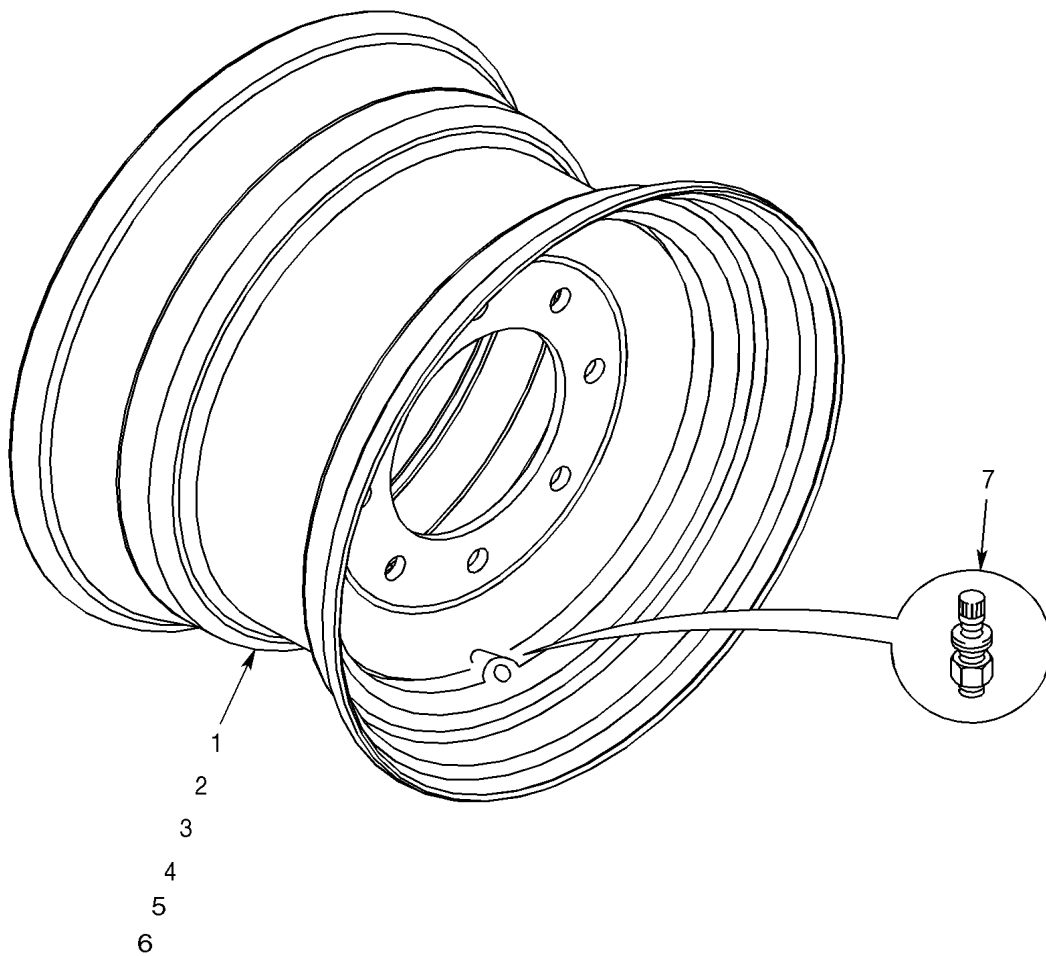
p1

8/2018

ROTARY GROUP, LEFT HAND ROTATION



WHEELS

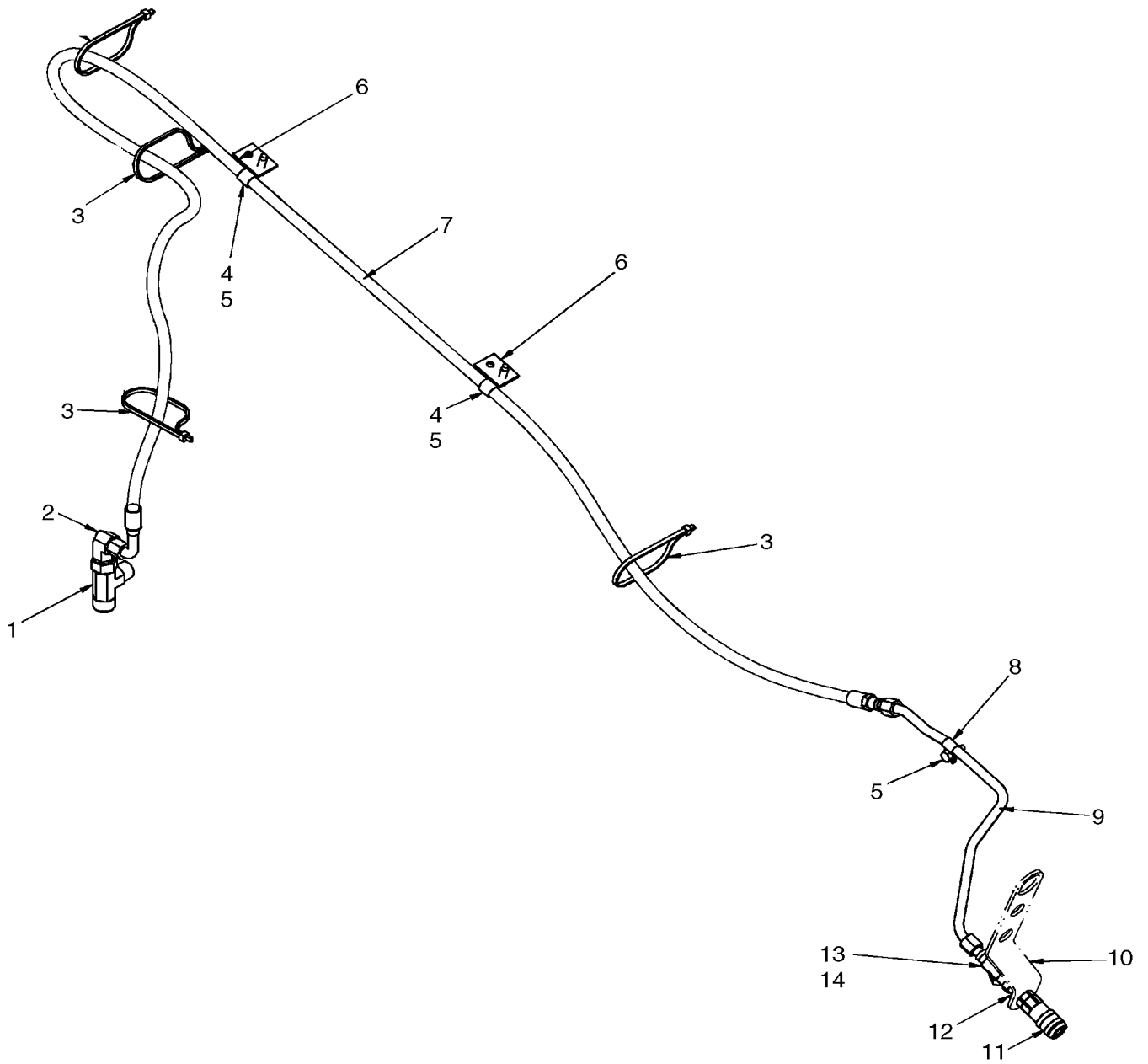


SECTION INDEX

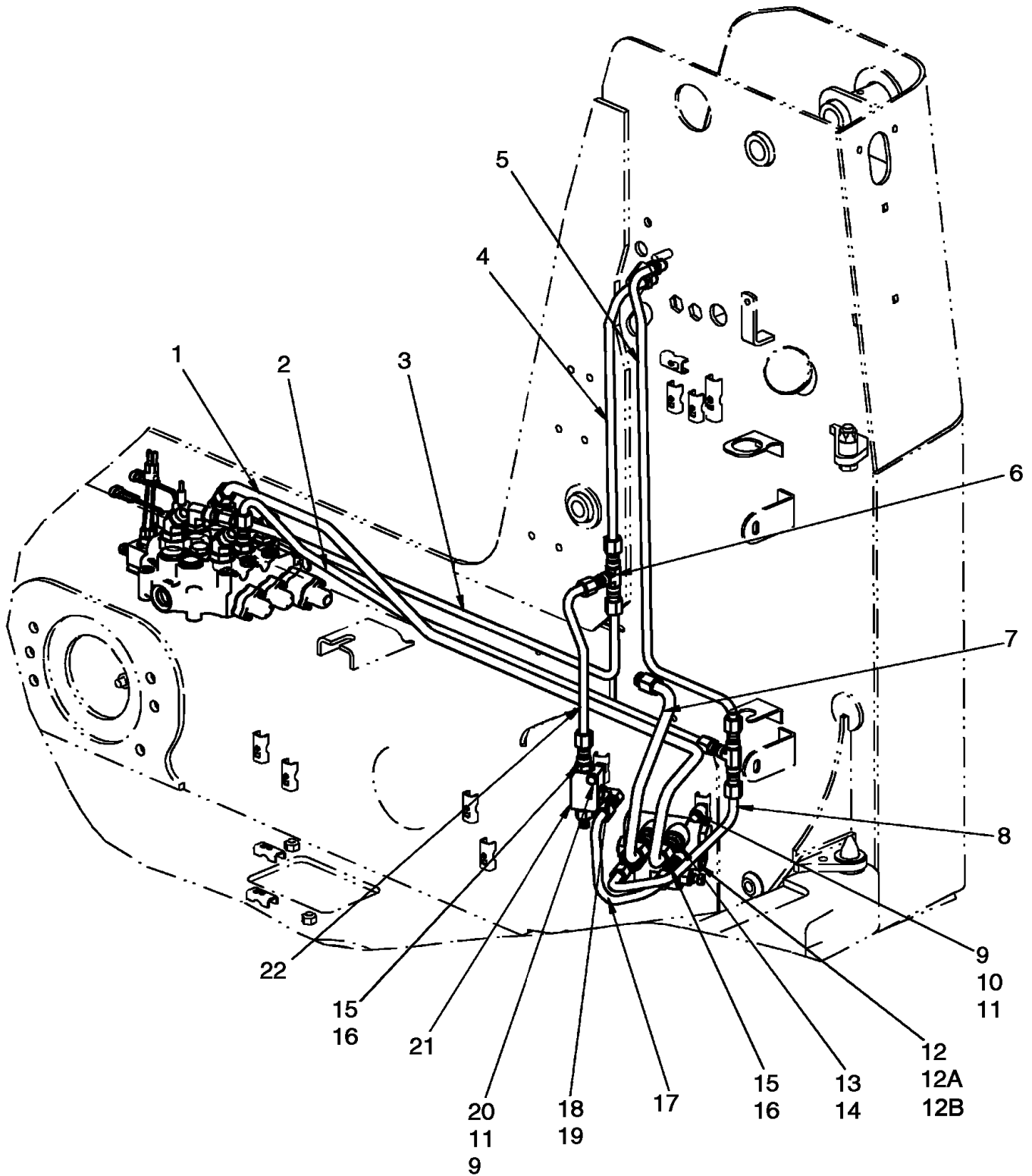
HYDRAULICS

08-01		HYDRAULICS - TILT
08-02		HYDRAULICS - LIFT
08-03		HYDRAULICS - CASE DRAIN; IF USED
08-03A		HYDRAULICS - CASE DRAIN
08-03B		HYDRAULICS - CASE DRAIN; HIGH FLOW
08-04		HYDRAULICS - RIDE CONTROL
08-05		HYDRAULICS - SELF LEVELING
08-06		HYDRAULICS - SECONDARY FRONT AUXILIARY
08-07	1	HYDRAULICS - ATTACHMENT, PROPORTIONAL (WITH PILOT CONTROL)
08-07	2	EH PROPORTIONAL AUX PILOT CONTROL
08-07	3	EH PROPORTIONAL AUX MECH CONTROL
08-07	4	KIT CONTROL VALVE W/EH
08-08		HYDRAULICS - ATTACHMENT (MECHANICAL CONTROL)
08-09		HYDRAULICS - COUPLER SYSTEM
08-10		HYDRAULICS - COUPLER SYSTEM
08-11		HYDRAULICS - COUPLER SYSTEM (ITALIAN)
08-11A		HYDRAULICS - COUPLER SYSTEM
08-12		HYDRAULICS - COUPLER SYSTEM (ITALIAN)
08-13		CYLINDER - TILT
08-14		CYLINDER - LIFT
08-15		HIGH FLOW HYDRAULICS - PILOT CONTROL
08-15A		HYDRAULIC SYSTEM, STANDARD
08-16		CONTROL VALVE ASSEMBLY - HIGH FLOW
08-17		CONTROL VALVE - 87546975 VALVE ASSY
08-18		CONTROL VALVE - 87583286 VALVE ASSY
08-19		CONTROL VALVE - 87546974 VALVE ASSY (STANDARD PILOT CONTROL)
08-20		CONTROL VALVE - 87583285 VALVE ASSY (STANDARD MANUAL CONTROL)
08-20	04	KIT CONTROL VALVE STANDARD FLOW
08-21		CONTROL VALVE - SEAL REPLACEMENT KITS
08-22		CONTROL VALVE - SEAL KIT
08-23		CONTROL VALVE - MAIN RELIEF VALVE
08-24		CONTROL VALVE - RELIEF VALVES
08-25		CONTROL VALVE - SPOOL END GROUP

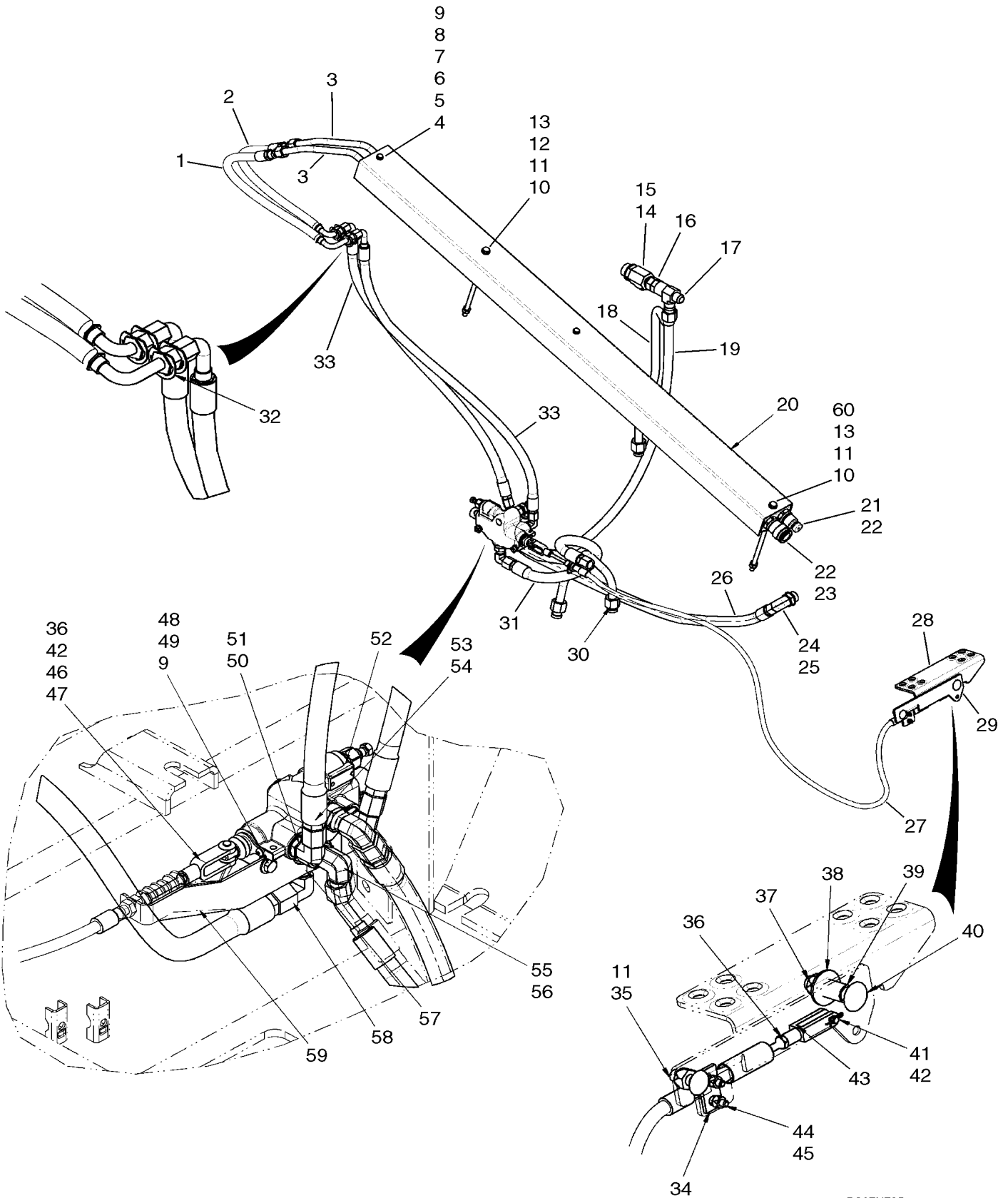
HYDRAULICS - CASE DRAIN; IF USED



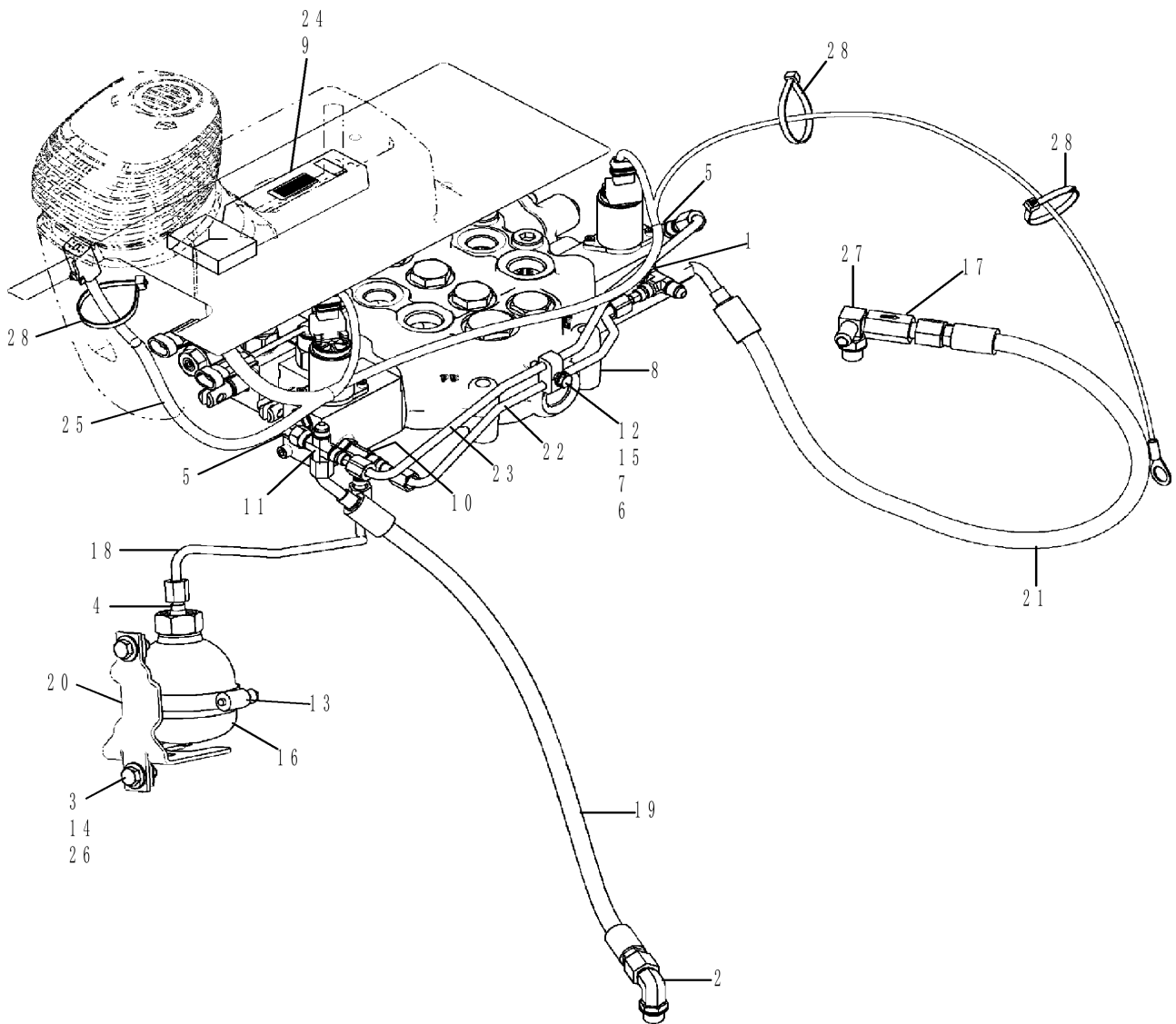
HYDRAULICS - SELF LEVELING



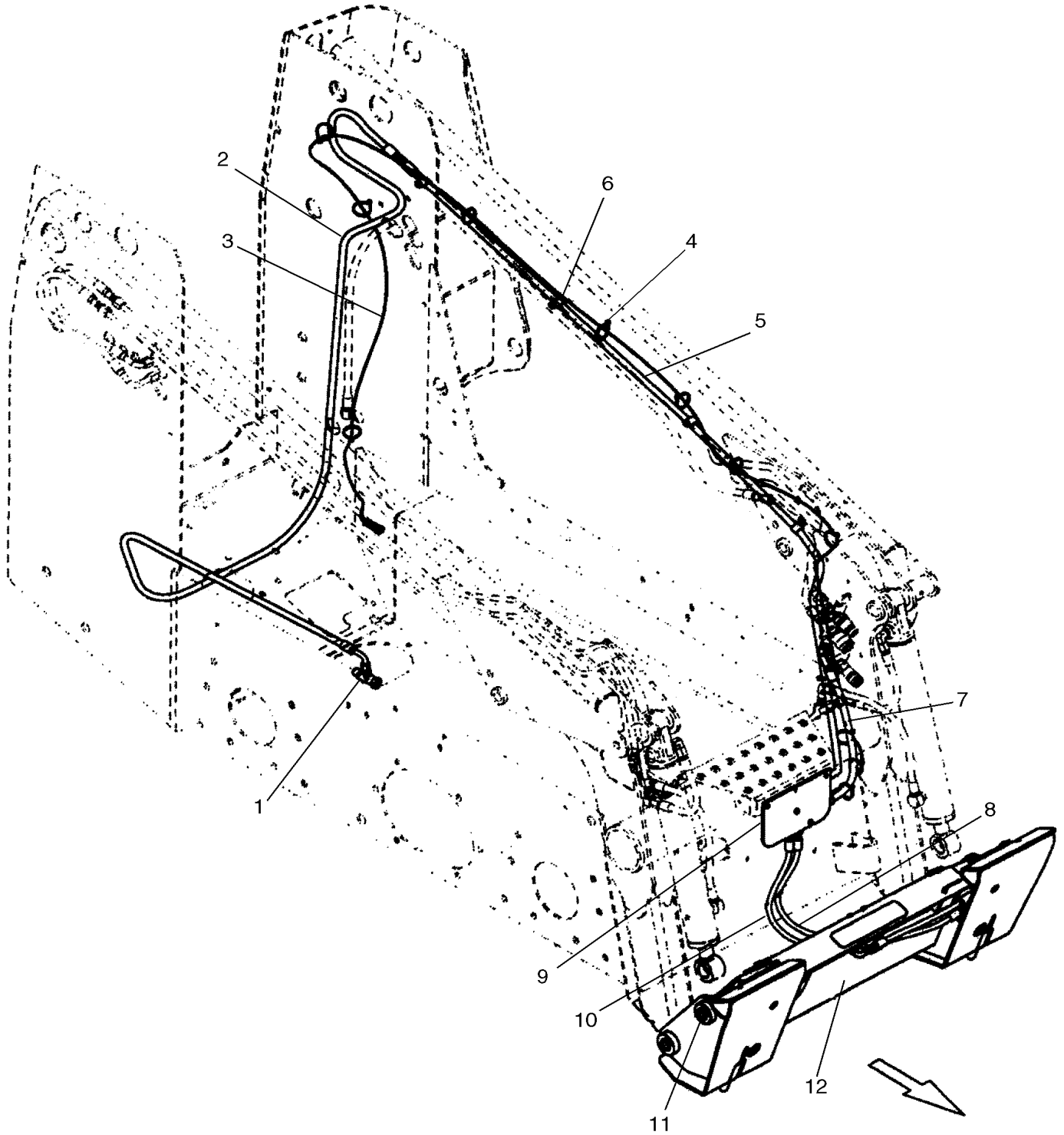
HYDRAULICS - SECONDARY FRONT AUXILIARY



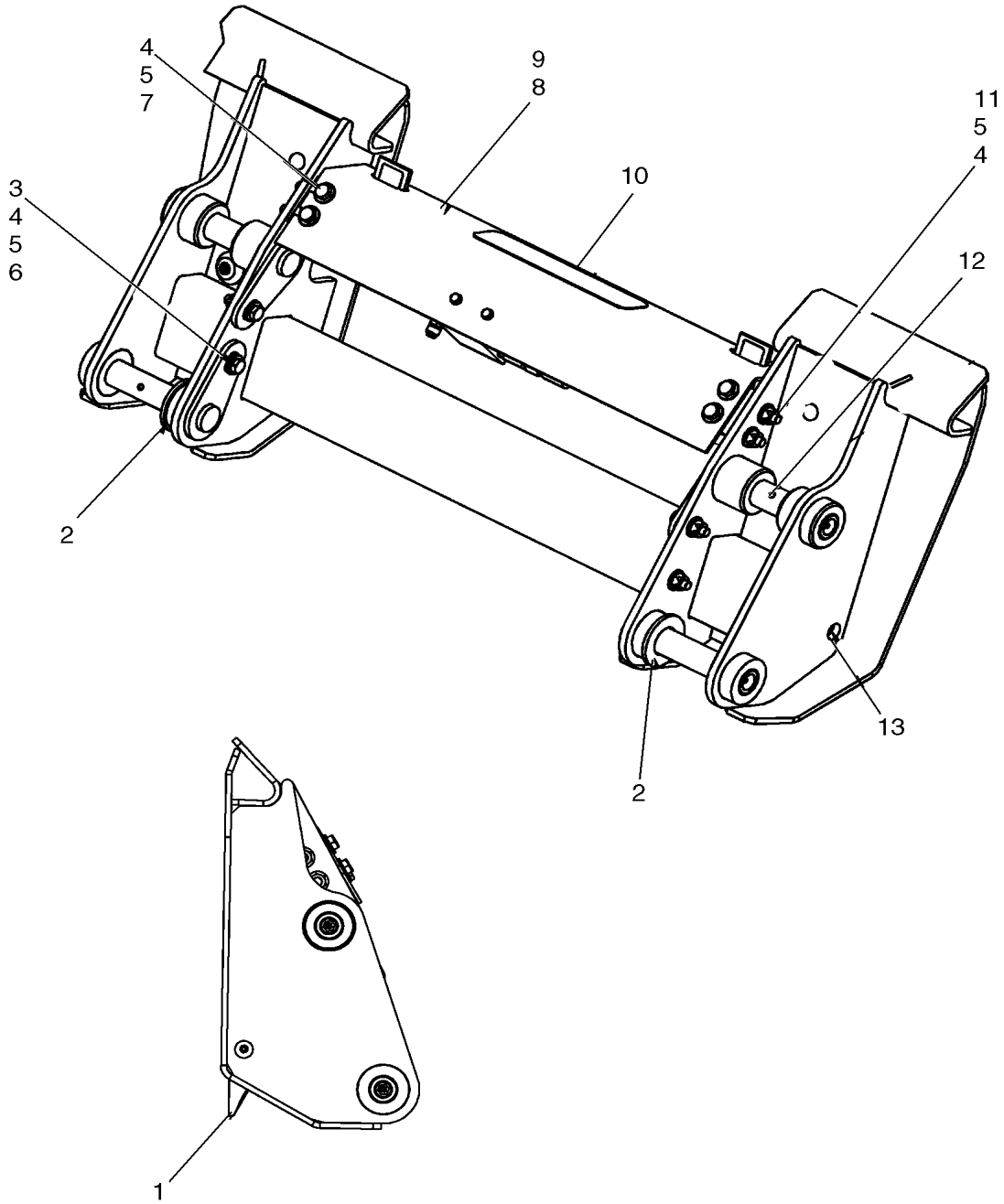
EH PROPORTIONAL AUX MECH CONTROL



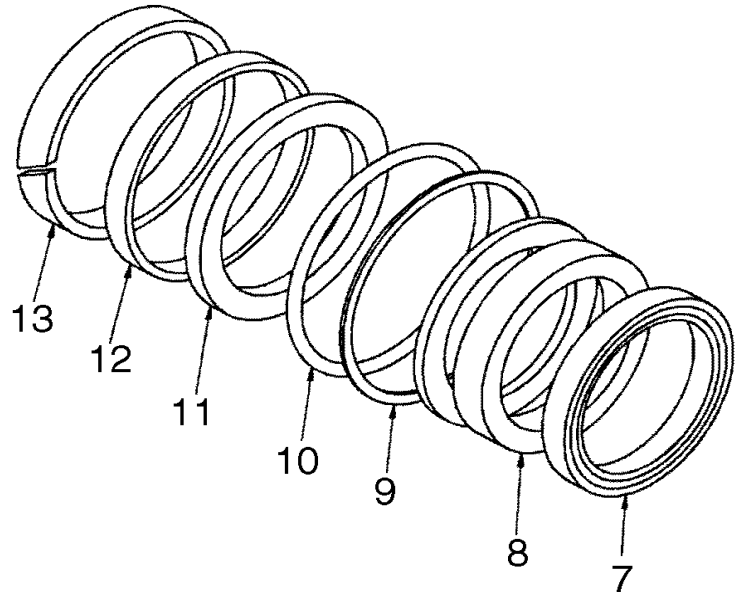
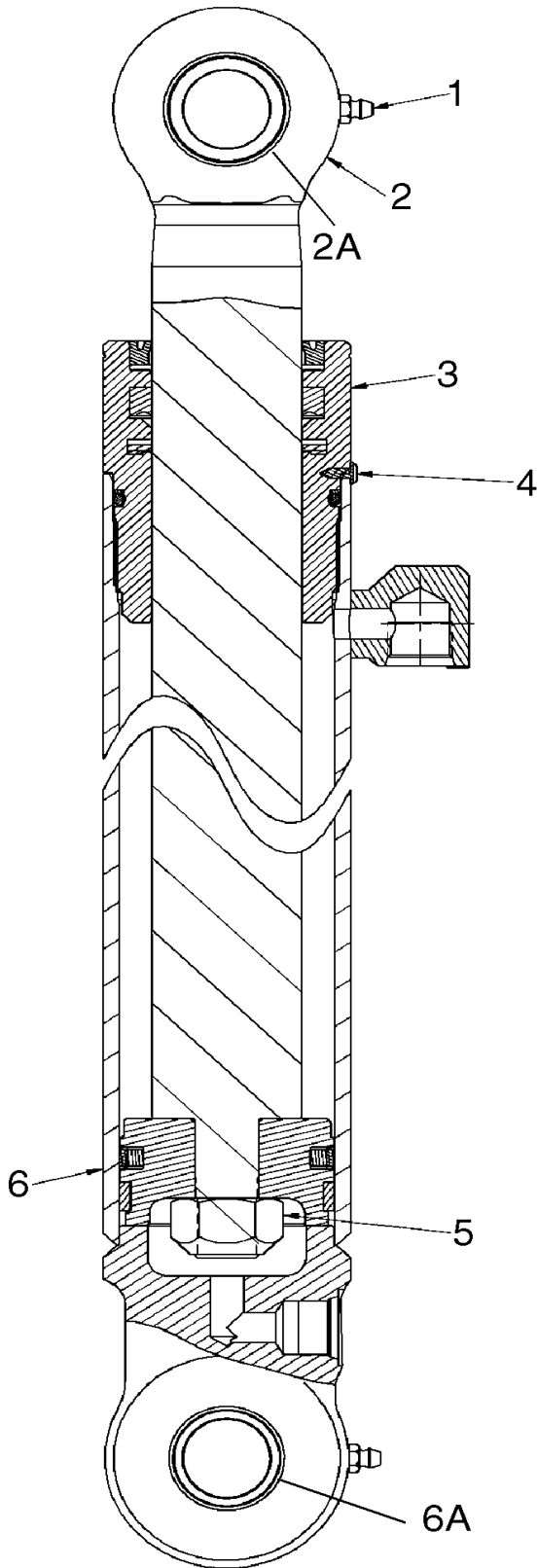
HYDRAULICS - COUPLER SYSTEM



HYDRAULICS - COUPLER SYSTEM



CYLINDER - LIFT



CLICK HERE TO **DOWNLOAD** THE COMPLETE MANUAL

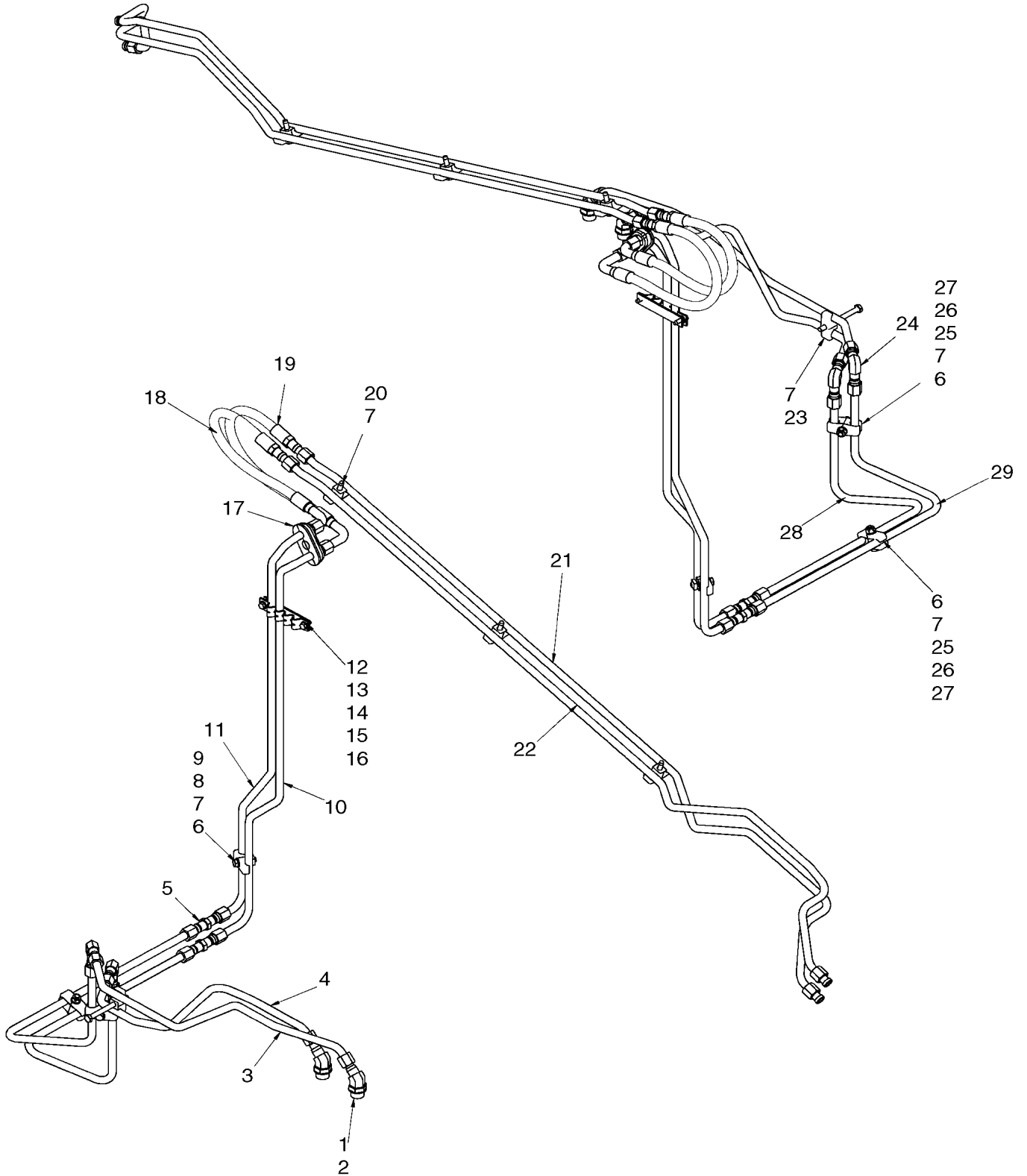
- Thank you very much for reading the preview of the manual.
- You can download the complete manual from: www.heydownloads.com by clicking the link below



- Please note: If there is no response to CLICKING the link, please download this PDF first and then click on it.

CLICK HERE TO **DOWNLOAD** THE COMPLETE MANUAL

HYDRAULIC SYSTEM, STANDARD

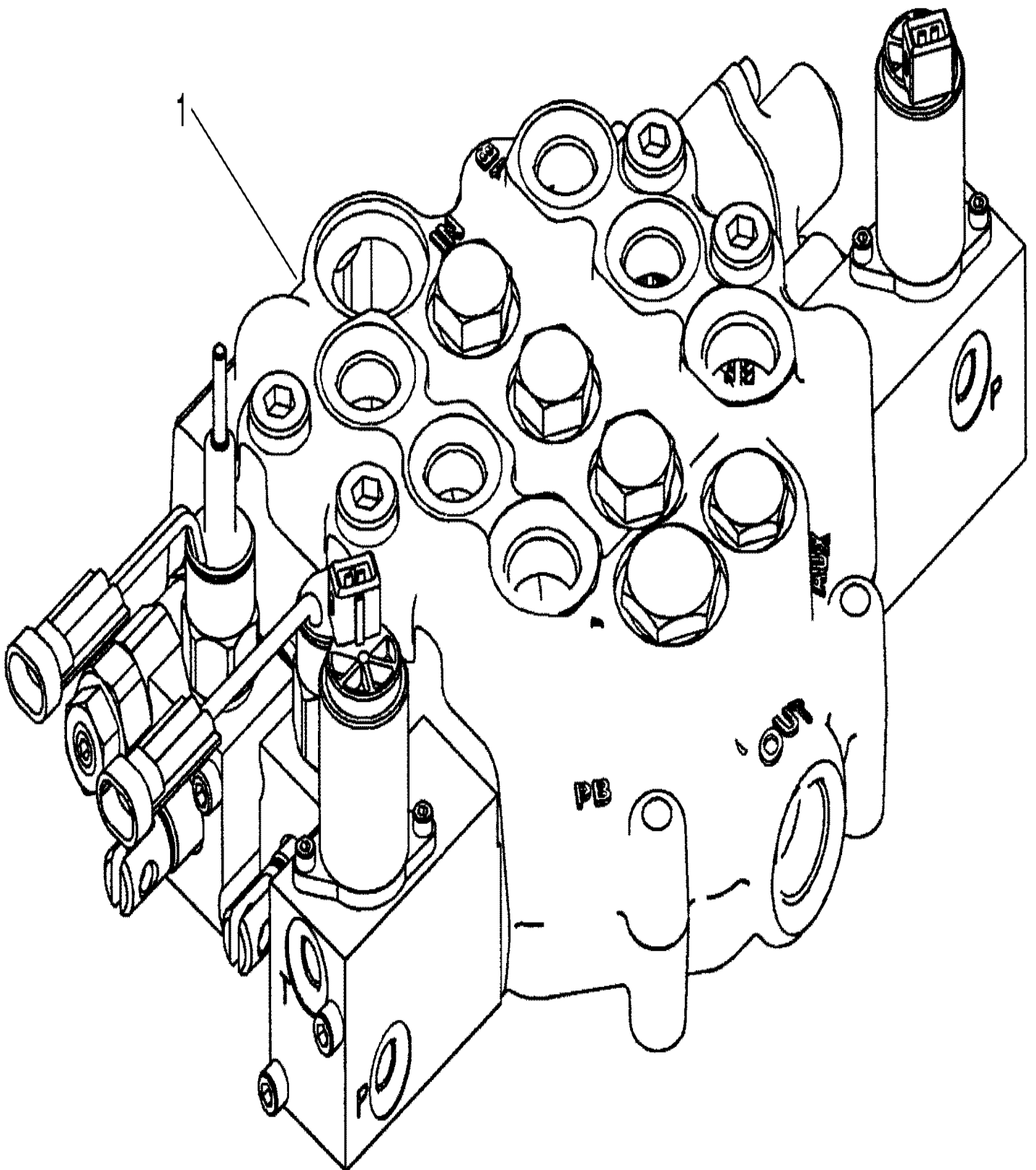


08-18

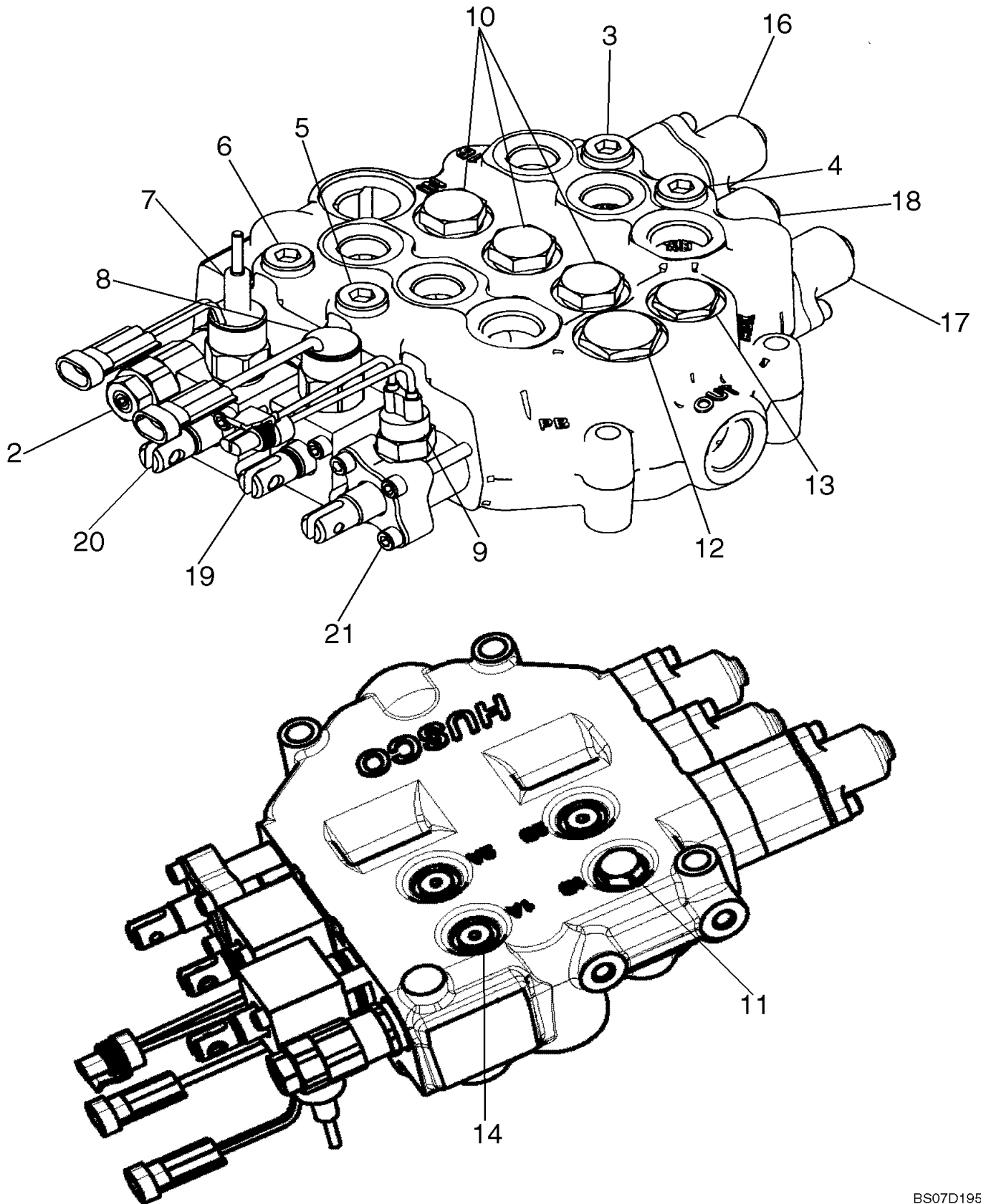
p1

8/2018

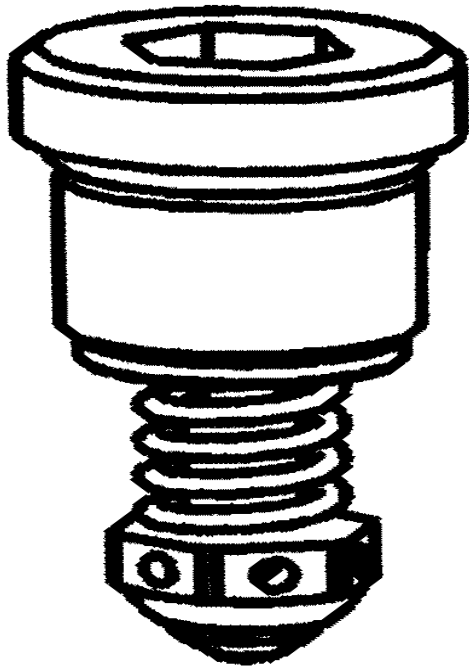
CONTROL VALVE - 87583286 VALVE ASSY



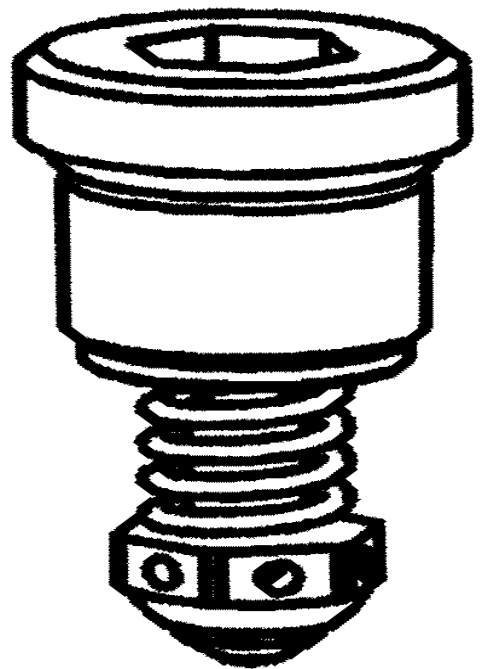
CONTROL VALVE - 87583285 VALVE ASSY (STANDARD MANUAL CONTROL)



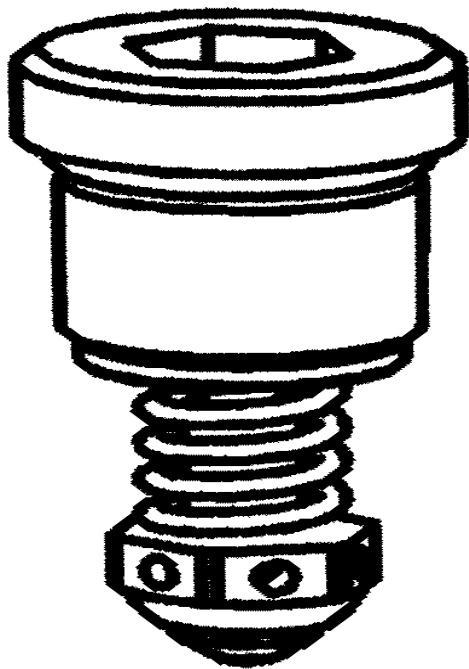
CONTROL VALVE - RELIEF VALVES



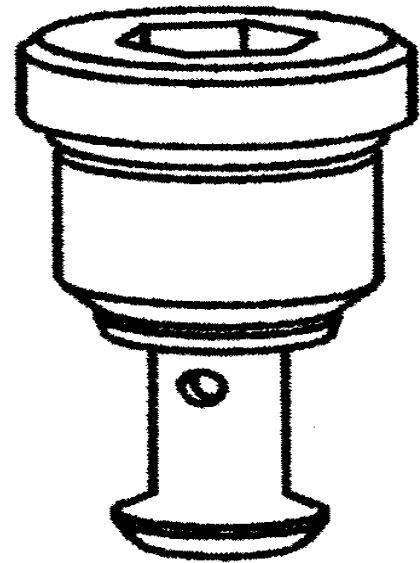
1



2

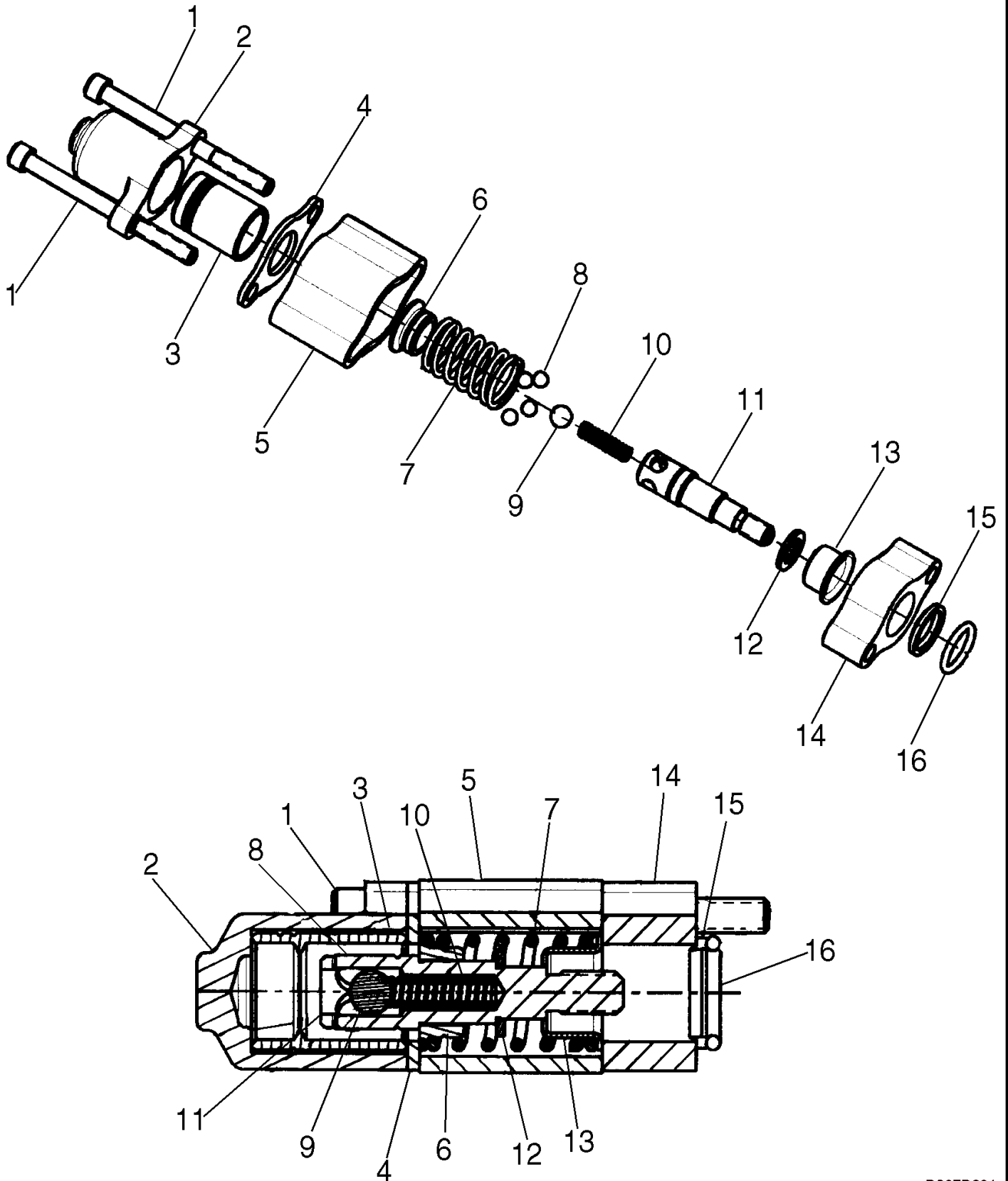


3

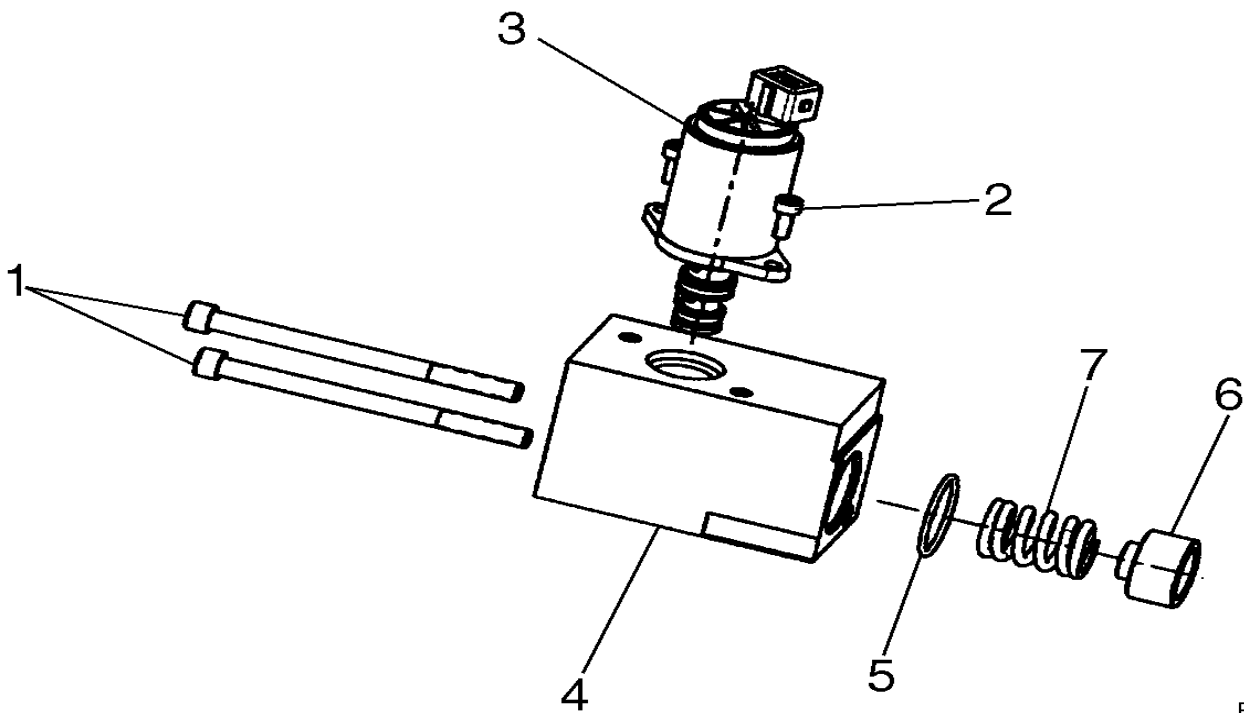
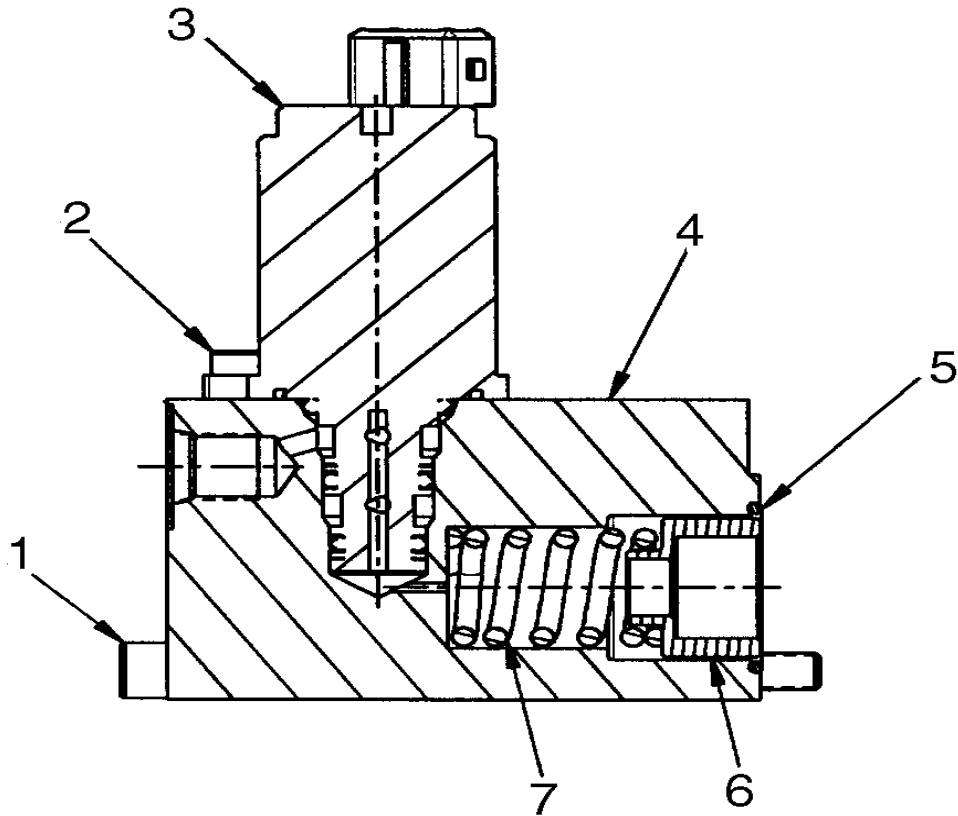


4

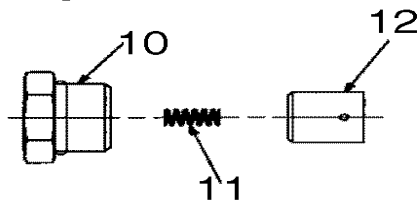
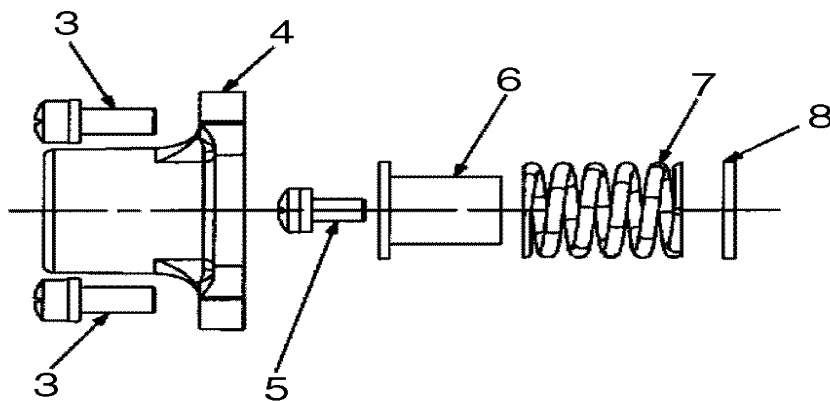
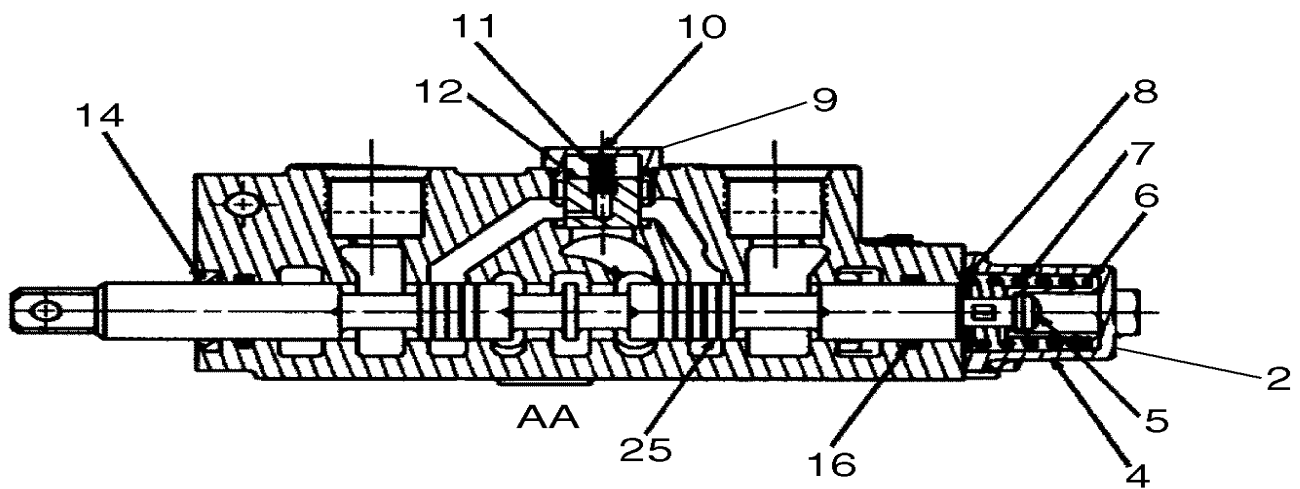
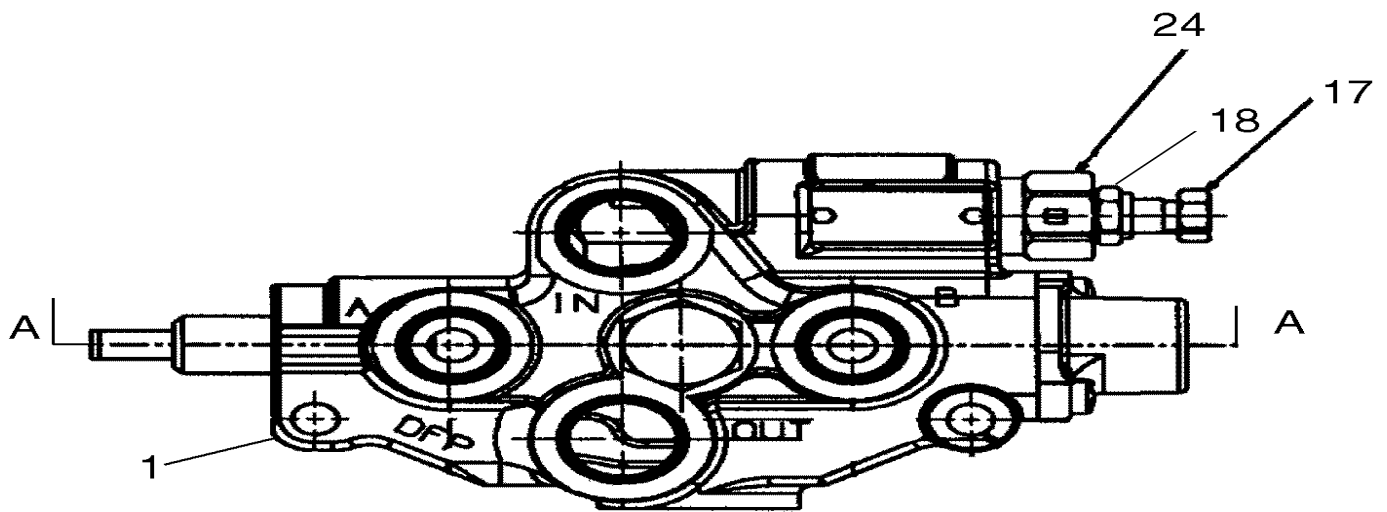
CONTROL VALVE - SPOOL END GROUP, DETENT



CONTROL VALVE - SPOOL END GROUP, EHPV



SECONDARY FRONT AUXILIARY - VALVE ASSY



SECTION INDEX

CHASSIS

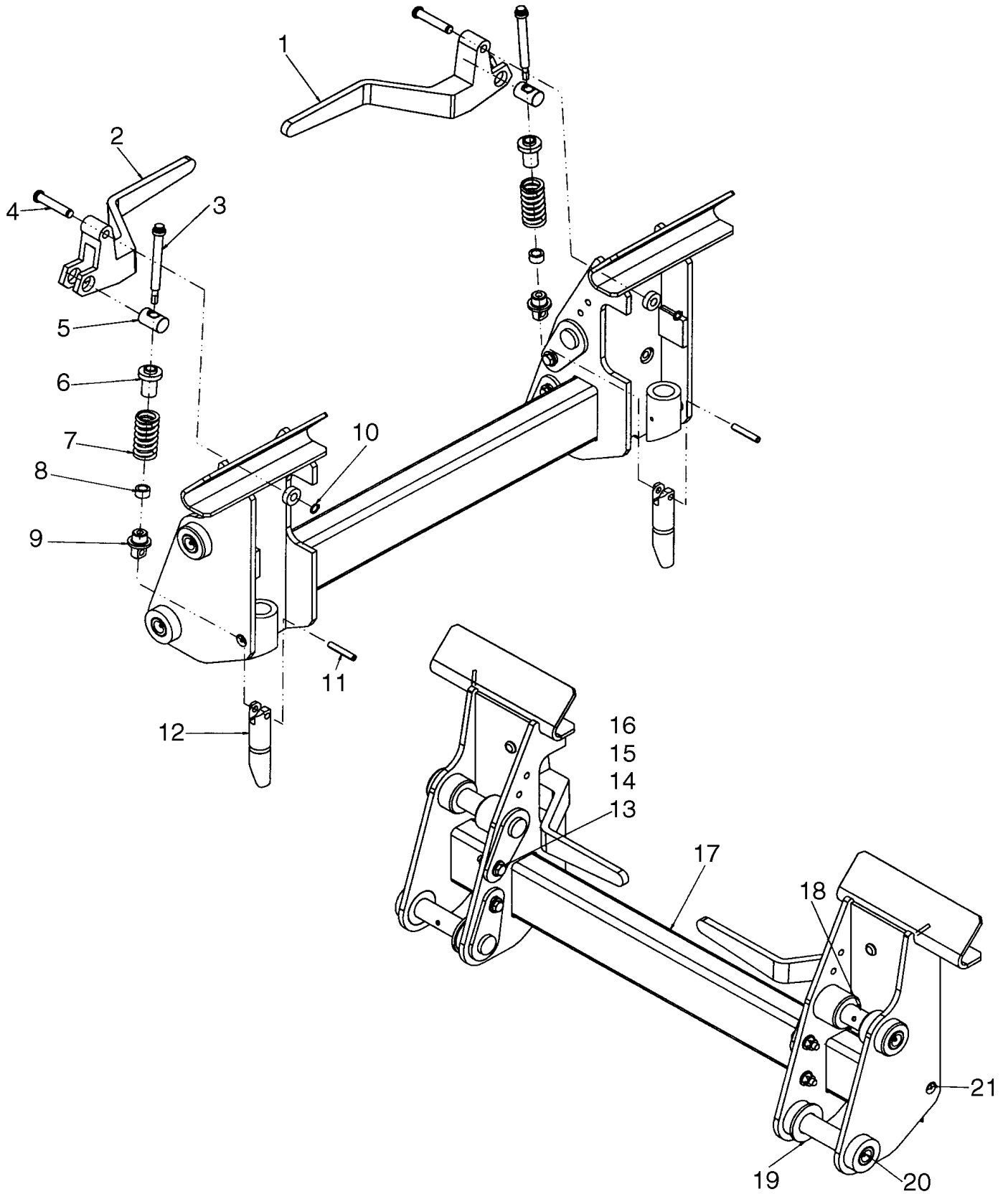
09-01		LOADER LIFT
09-02		LIFT CYLINDER - COVERS
09-03		COUPLER, MECHANICAL
09-04		COUPLER, MECHANICAL (ITALIAN)
09-05		LOADER ARM ADJUSTMENT BLOCKS
09-06		BUCKETS - LOADER (DIRT/FOUNDRY)
09-07		BUCKETS - LOADER (LOW PROFILE/ EXTENDED LOW PROFILE)
09-08		BUCKETS - LOADER (UTILITY/LIGHT MATERIAL)
09-09		BUCKETS - LOADER, HEAVY DIRT
09-10		BUCKET, CUTTING EDGE (BOLT-ON CUTTING EDGE)
09-11		SPECIAL PARTS FOR ITALY - GUARD, BUCKET
09-12		PALLET FORK
09-13		CHASSIS
09-14		CHASSIS
09-15		CONTROLLER - MOUNTING (PILOT CONTROL)
09-16		LOADER & GROUND DRIVE CONTROL - RH
09-16A		CONSOLE - RH
09-17		LOADER & GROUND DRIVE CONTROL - LH
09-17A		CONSOLE - LH
09-18		LOADER & GROUND DRIVE CONTROL - LINKAGE
09-18A		BOOM LOCK; IF USED
09-19		CONTROLS - AUXILIARY HYDRAULICS
09-20	01	HOOD (BSN 415565)
09-20	02	HOOD (ASN 415564)
09-21	01	HOOD - AIR CONDITIONING (BSN 415565)
09-21	02	HOOD - AIR CONDITIONING (ASN 415564)
09-22		REAR DOOR
09-23		REAR DOOR - LOUVERED (EUROPE)
09-24		CAB DOOR - MOUNTING
09-24A		STANDARD CAB DOOR KIT
09-24B		CAB DOOR - VISOR
09-24C		CAB DOOR - WASHER SYSTEM
09-25		CAB DOOR - WASHER SYSTEM

09-03

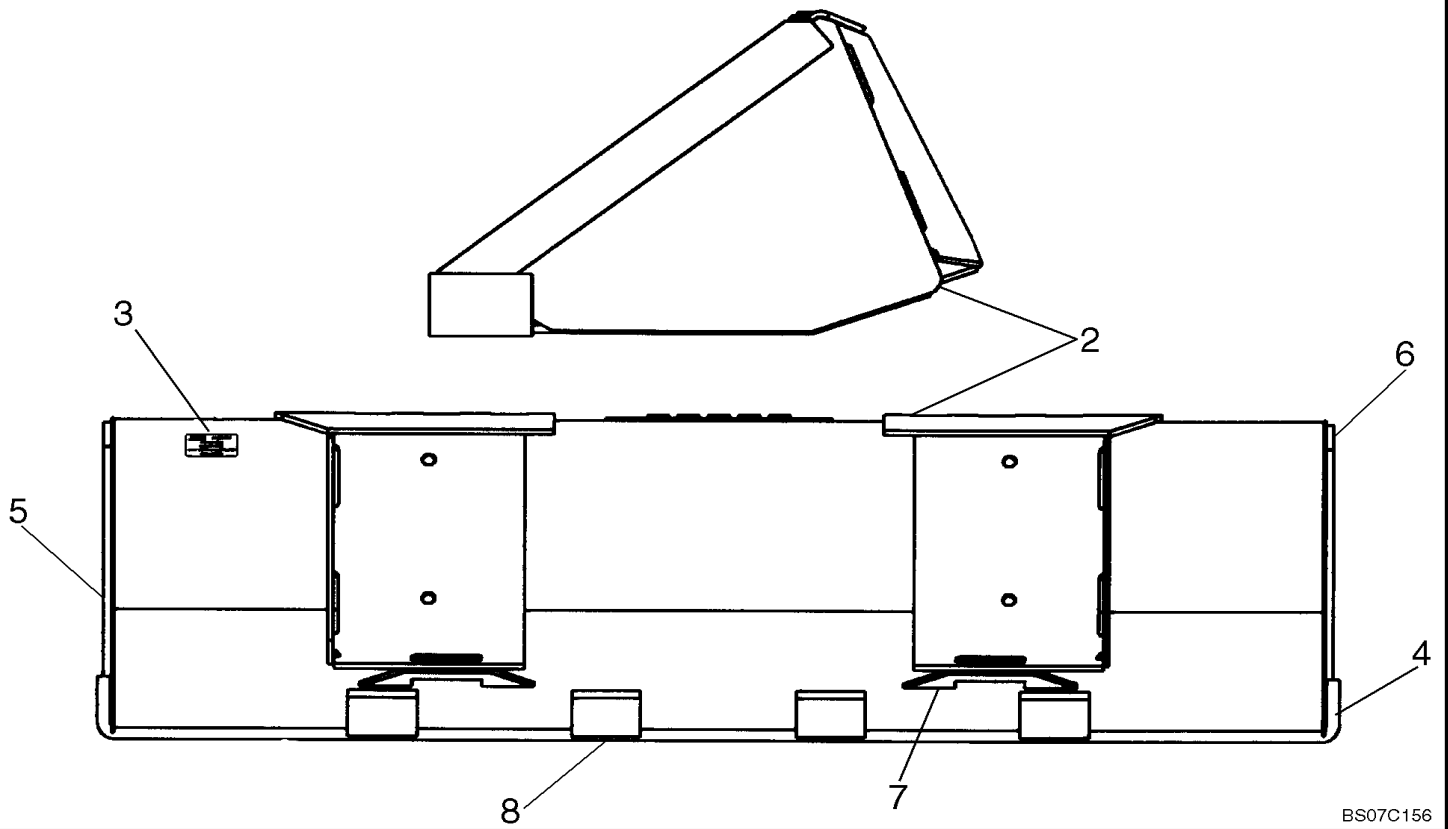
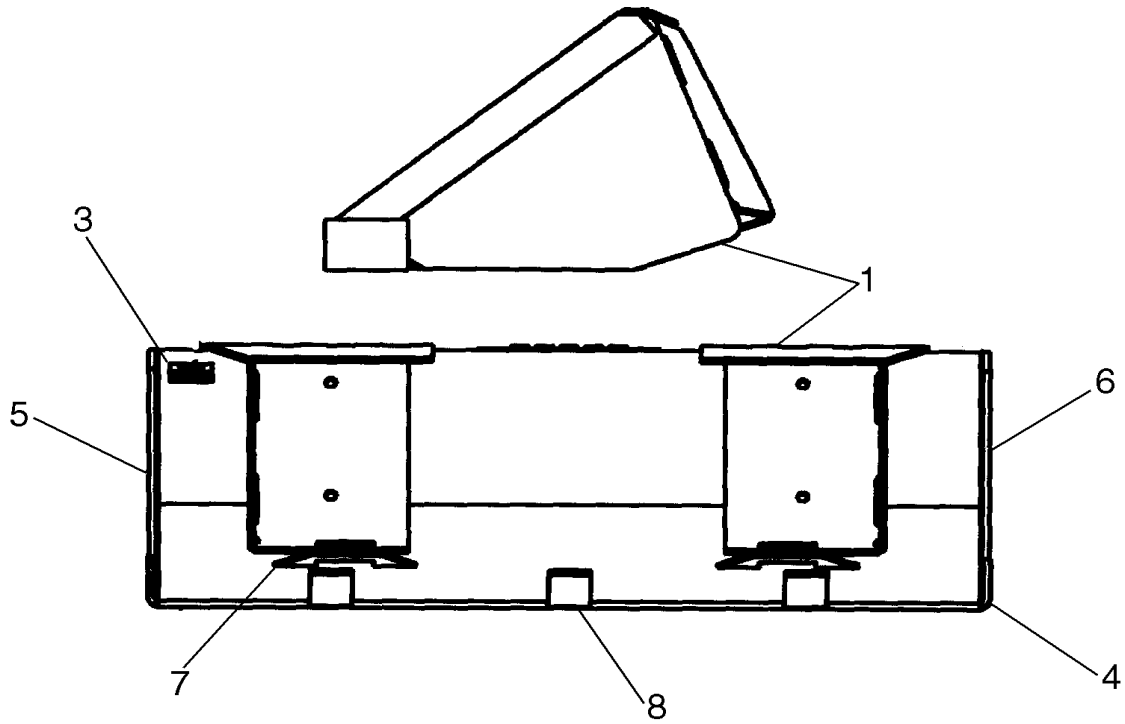
p1

8/2018

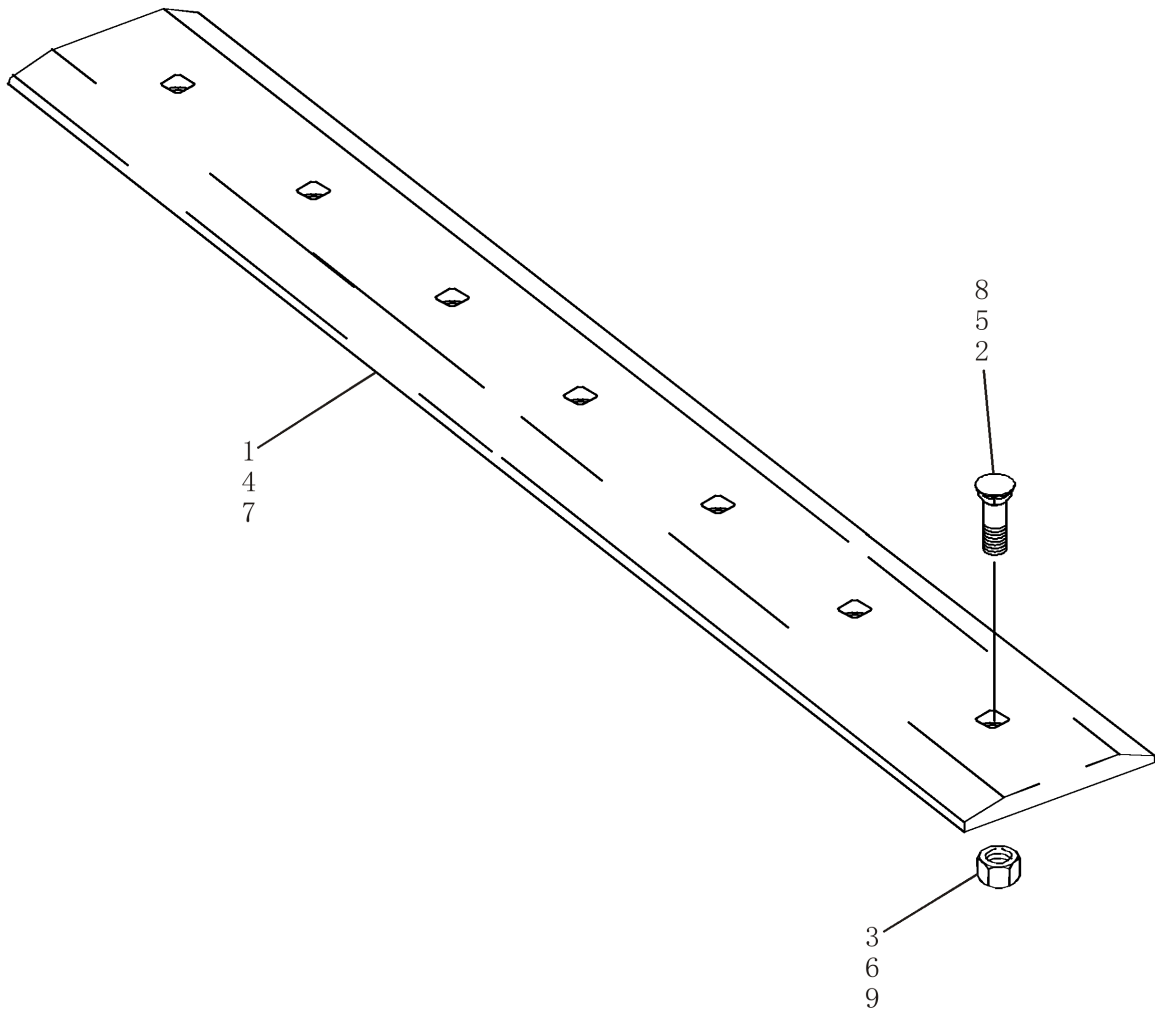
COUPLER, MECHANICAL



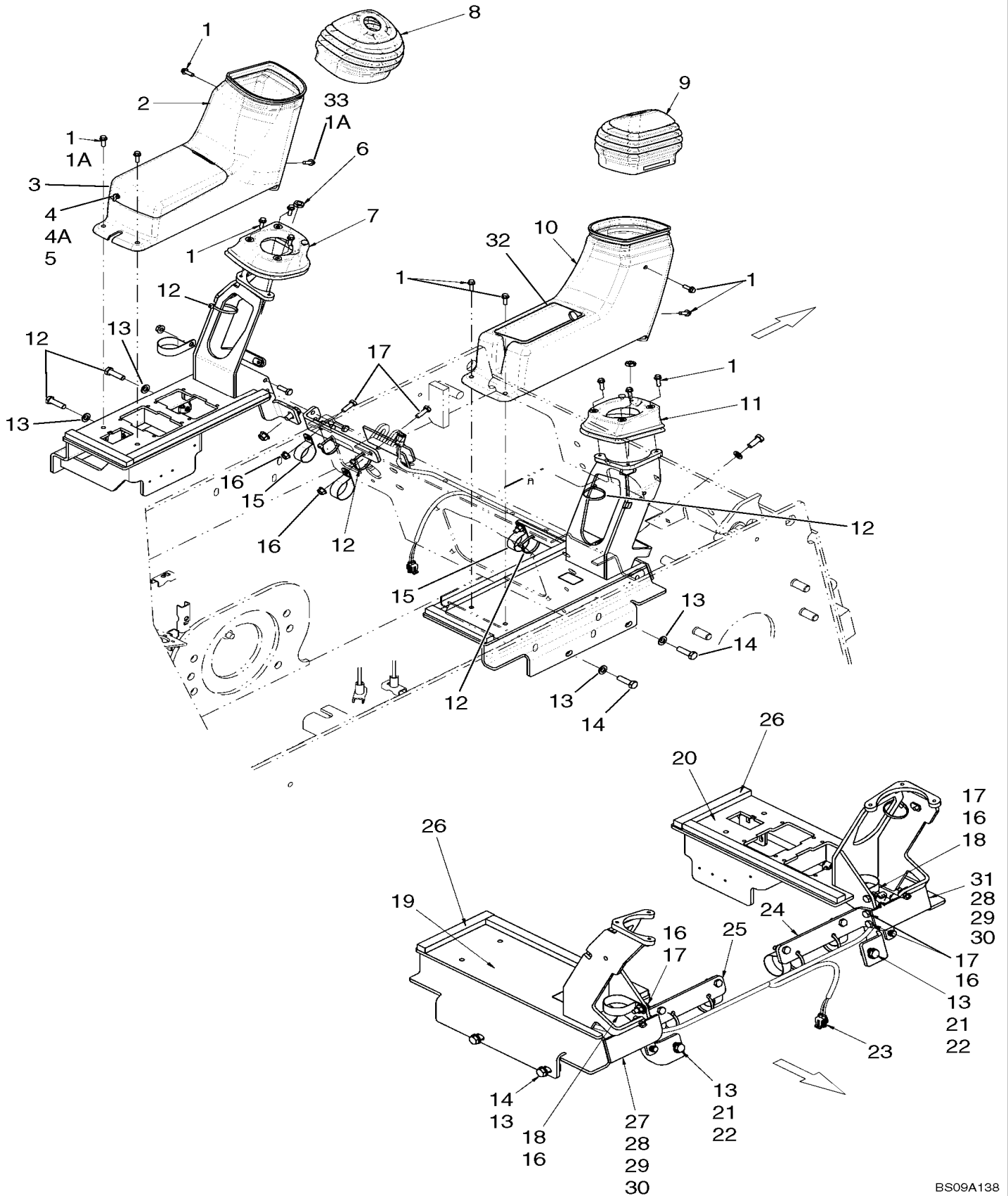
BUCKETS - LOADER (LOW PROFILE/ EXTENDED LOW PROFILE)



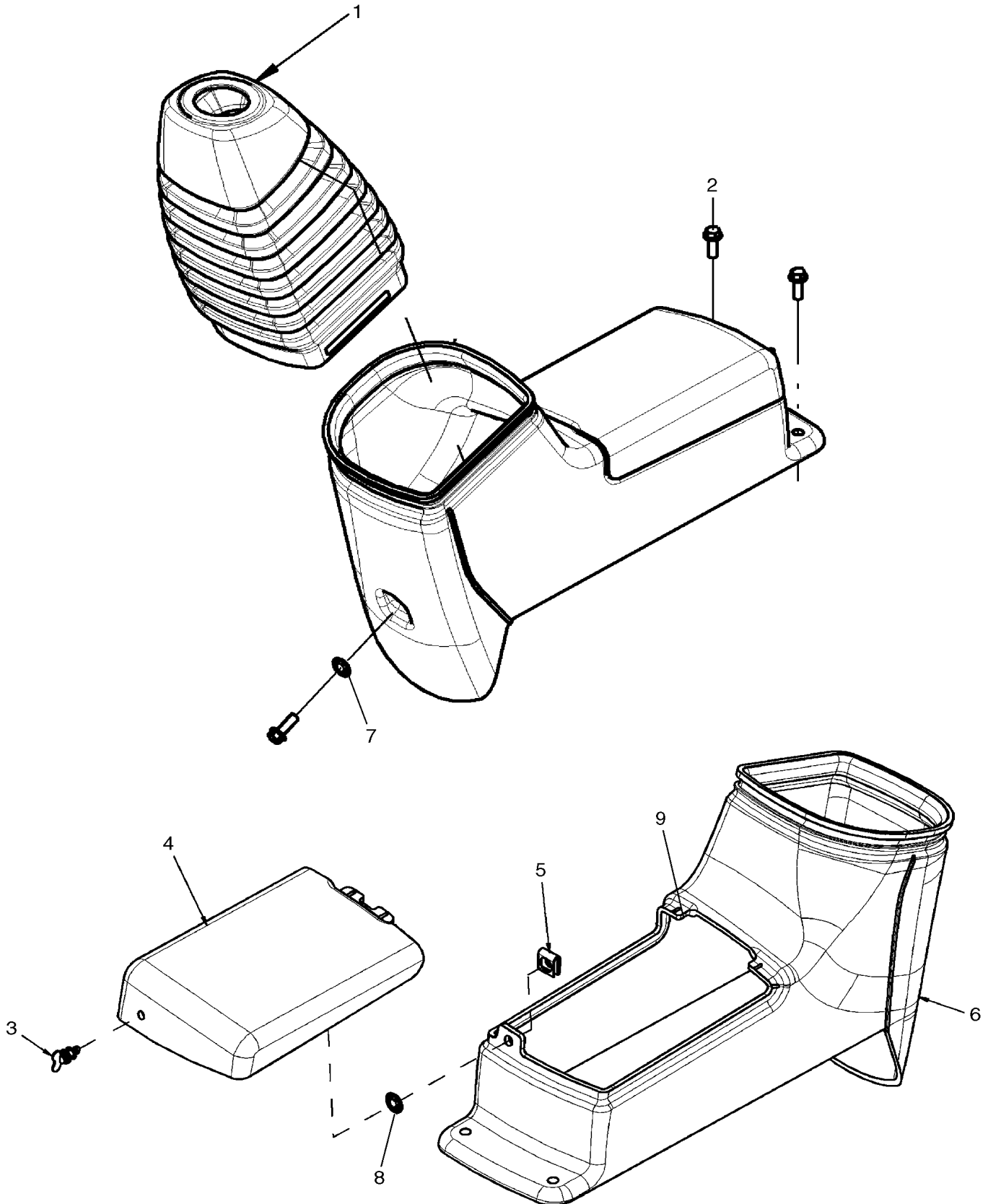
BUCKET, CUTTING EDGE (BOLT-ON CUTTING EDGE)



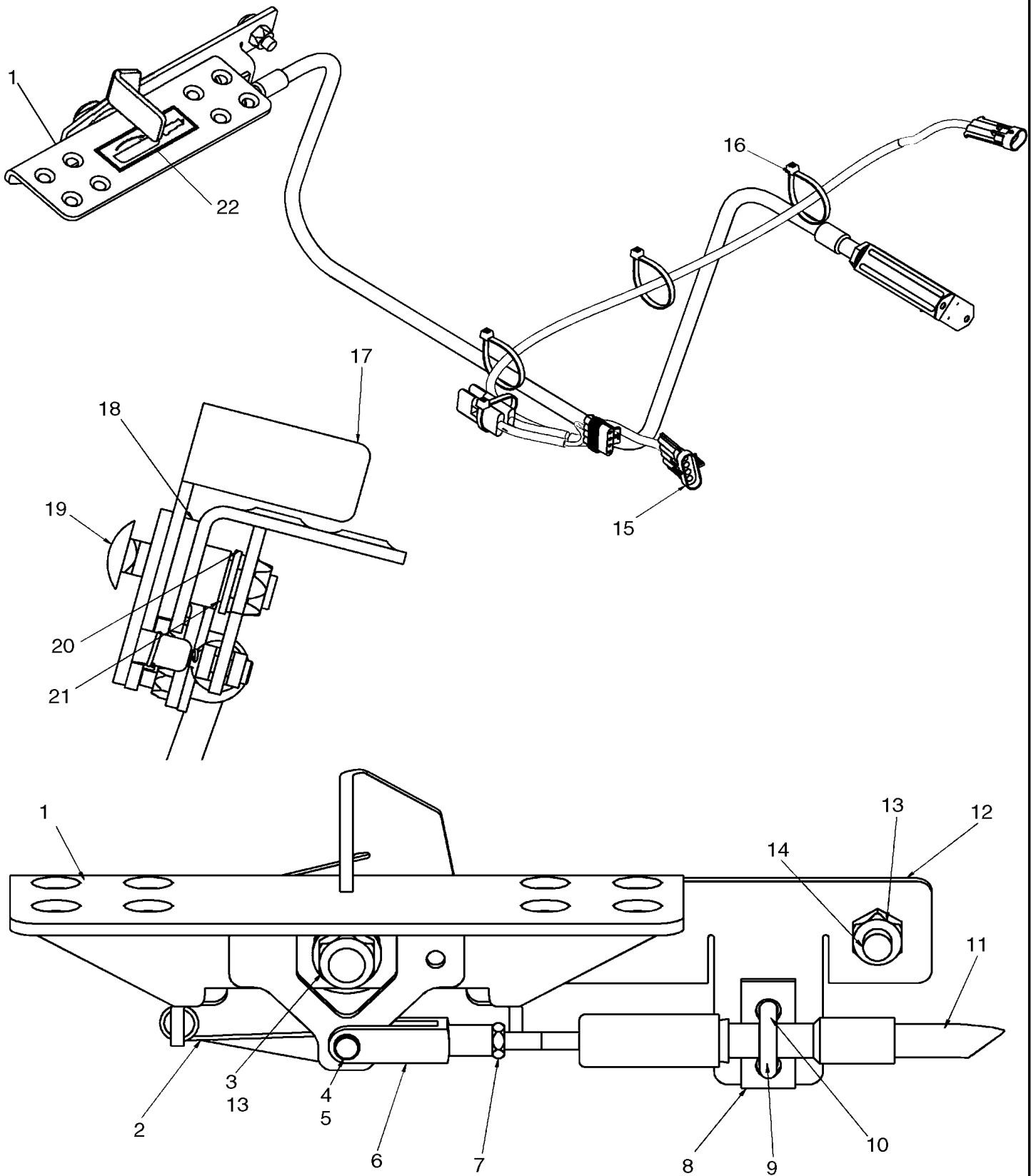
CONTROLLER - MOUNTING (PILOT CONTROL)



CONSOLE - LH



CONTROLS - AUXILIARY HYDRAULICS



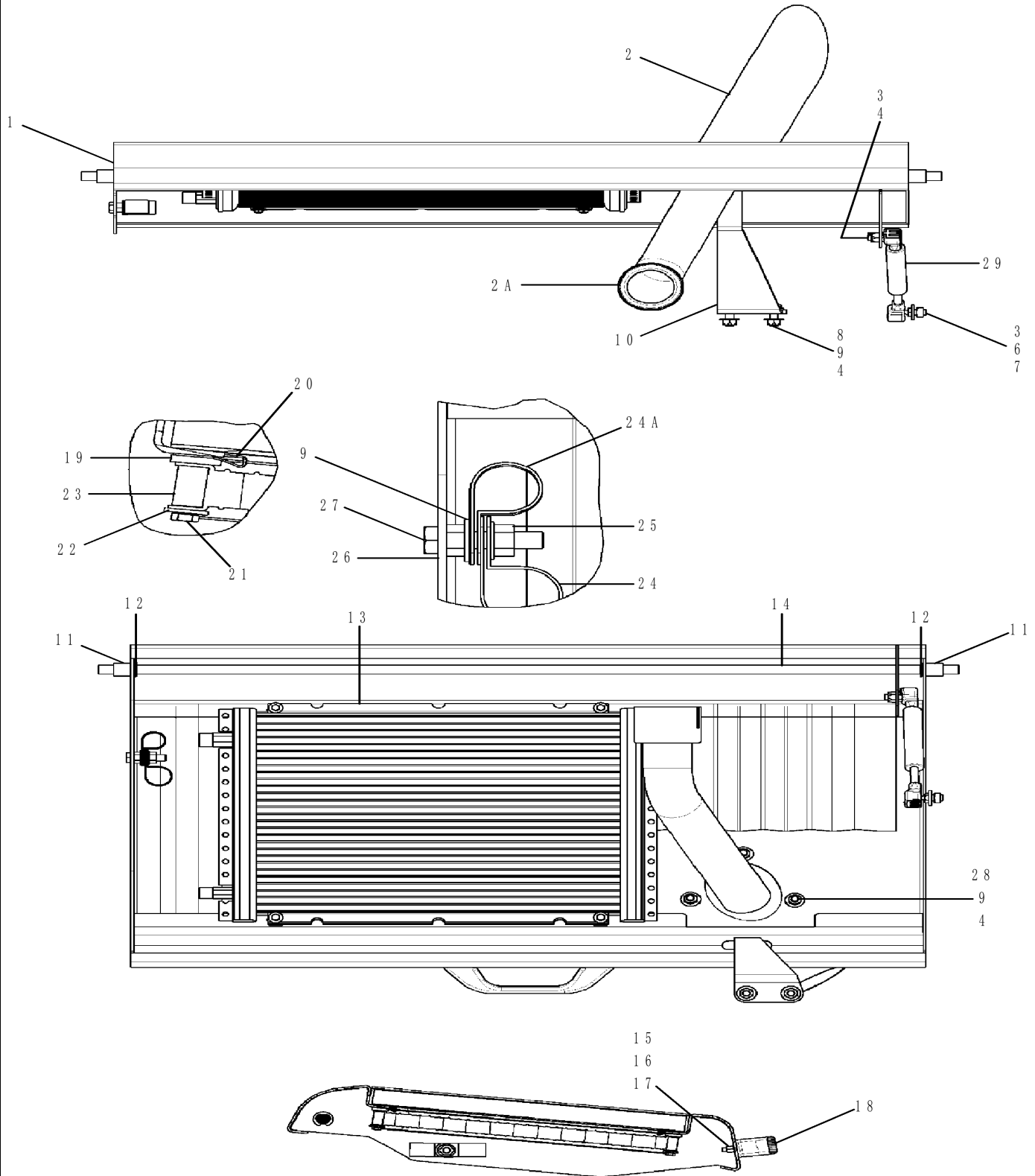
09-21

02

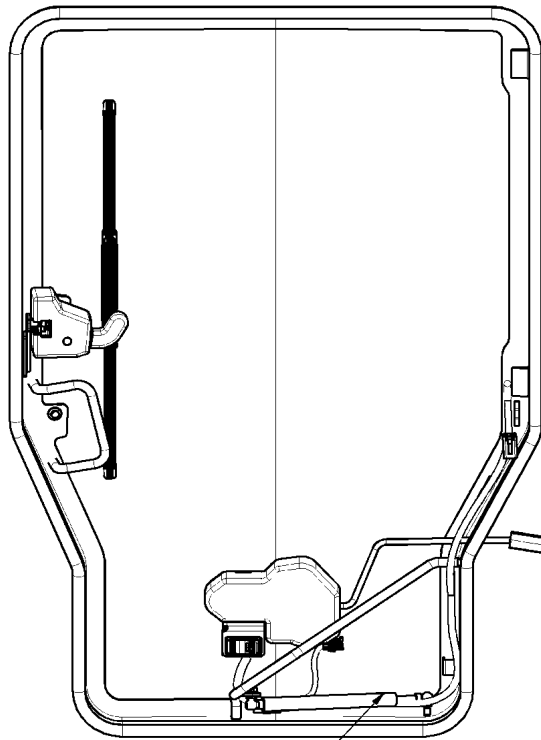
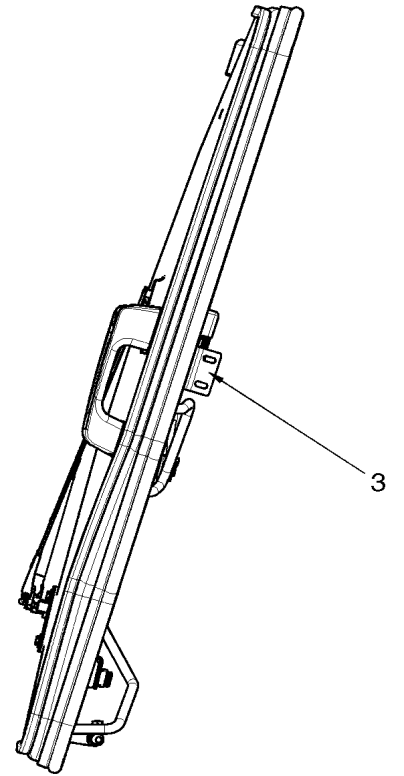
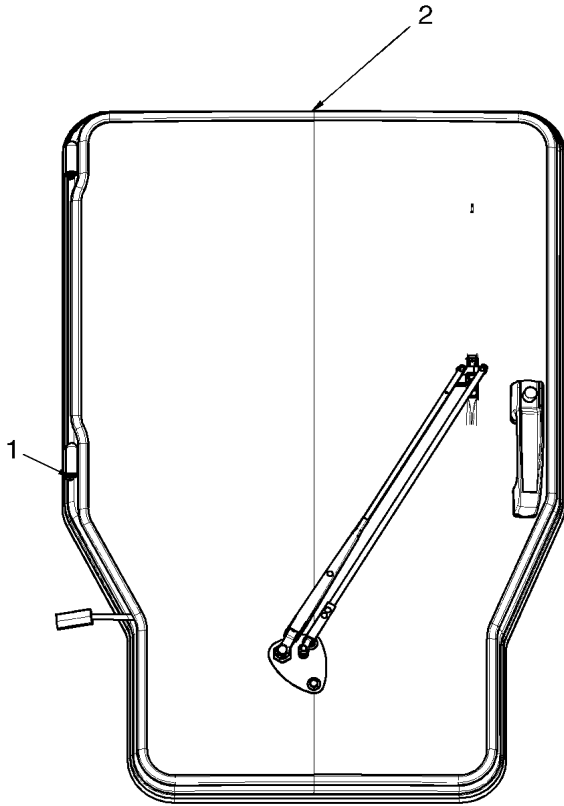
p1

8/2018

HOOD - AIR CONDITIONING (ASN 415564)

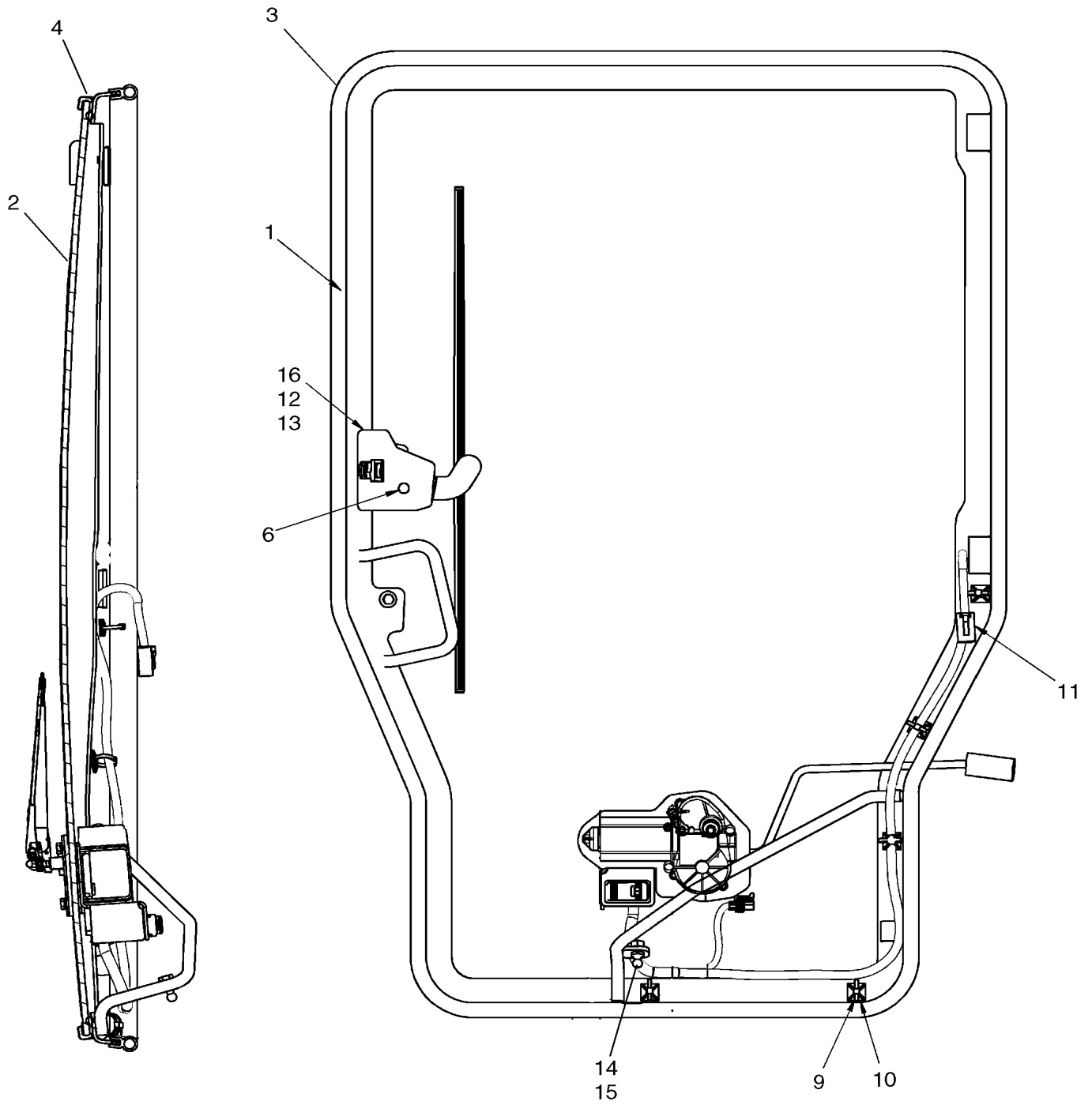


STANDARD CAB DOOR KIT

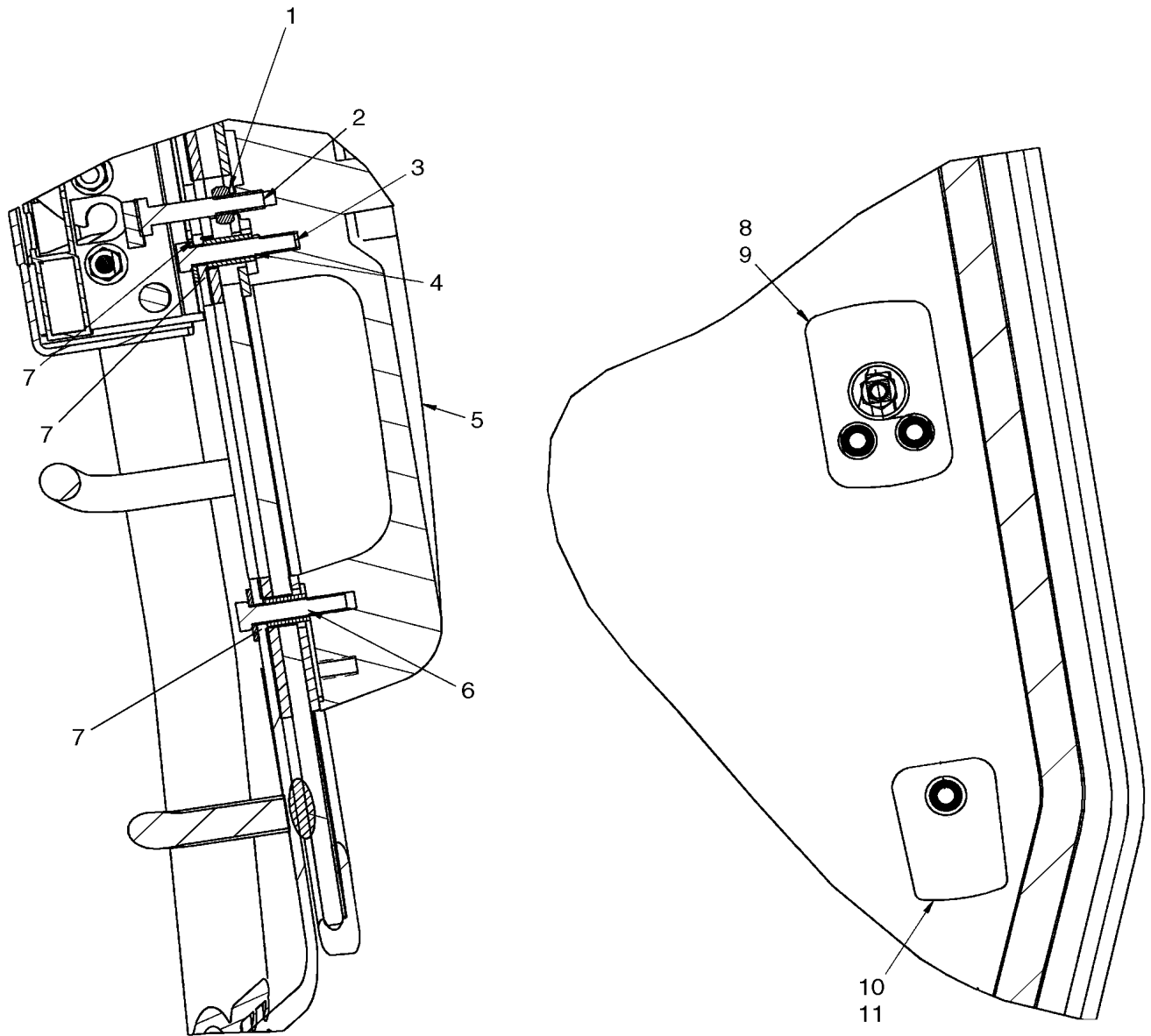


4

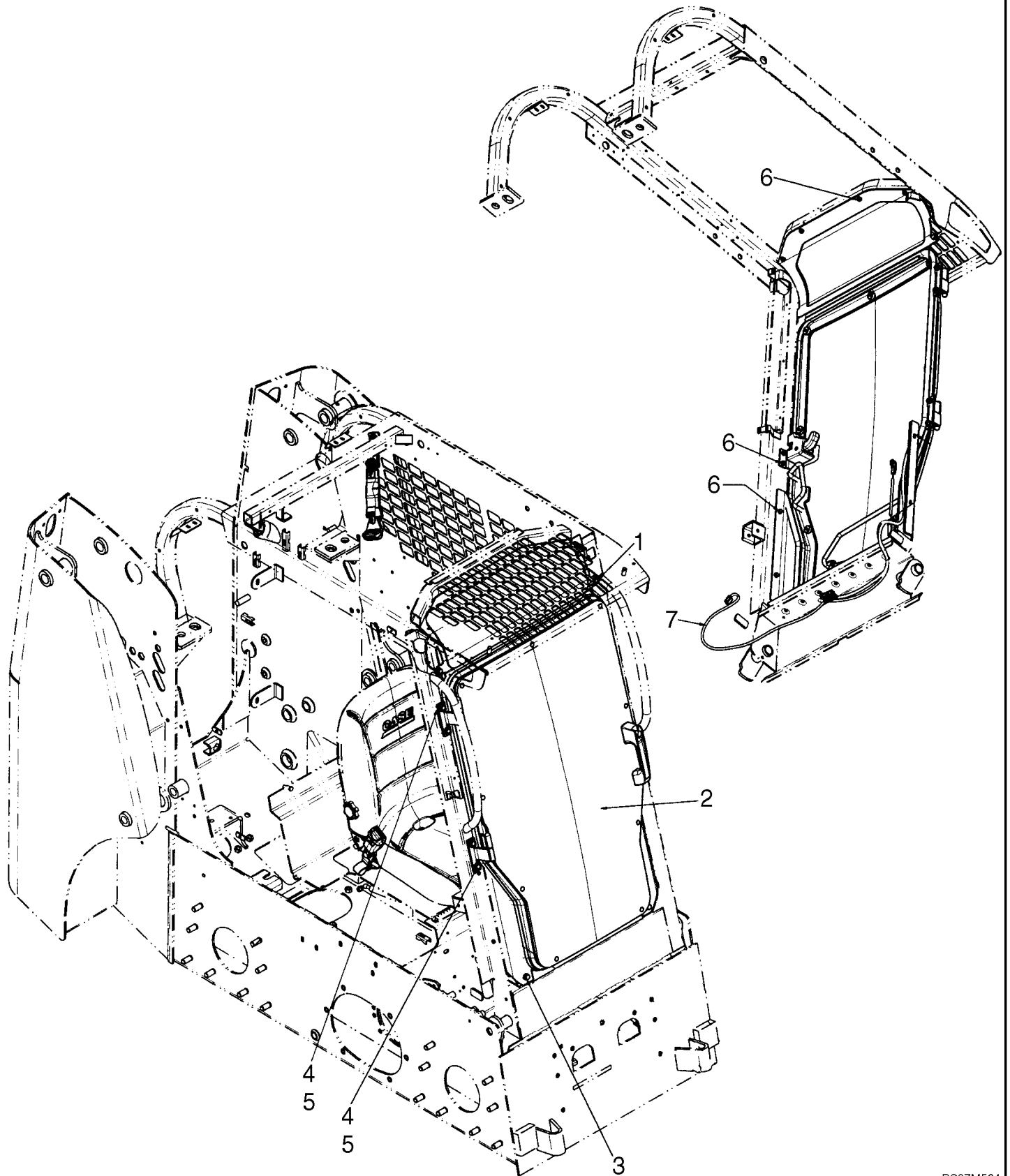
CAB DOOR



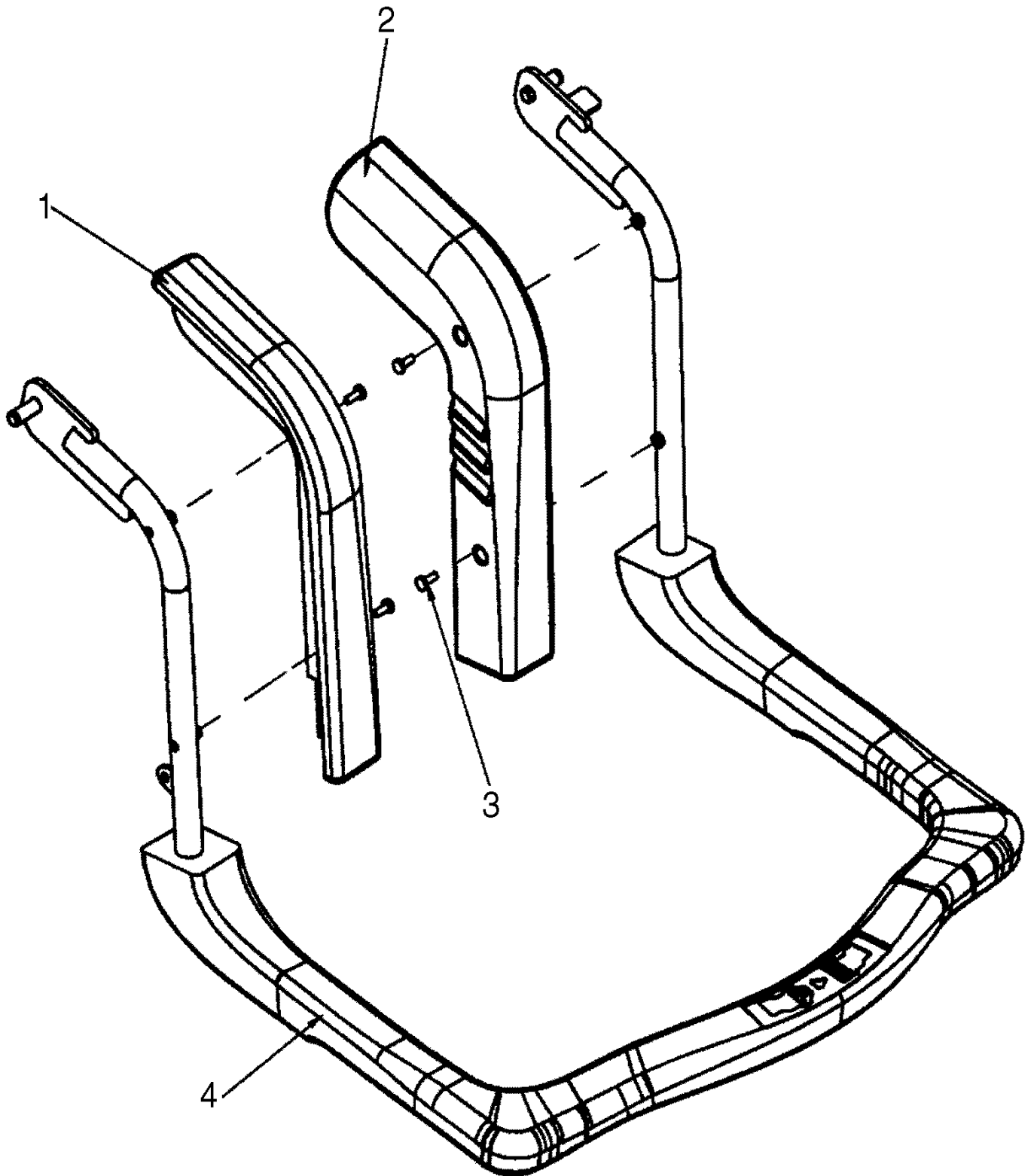
CAB DOOR - HANDLE



DEMOLITION DOOR - MOUNTING



SEAT BAR

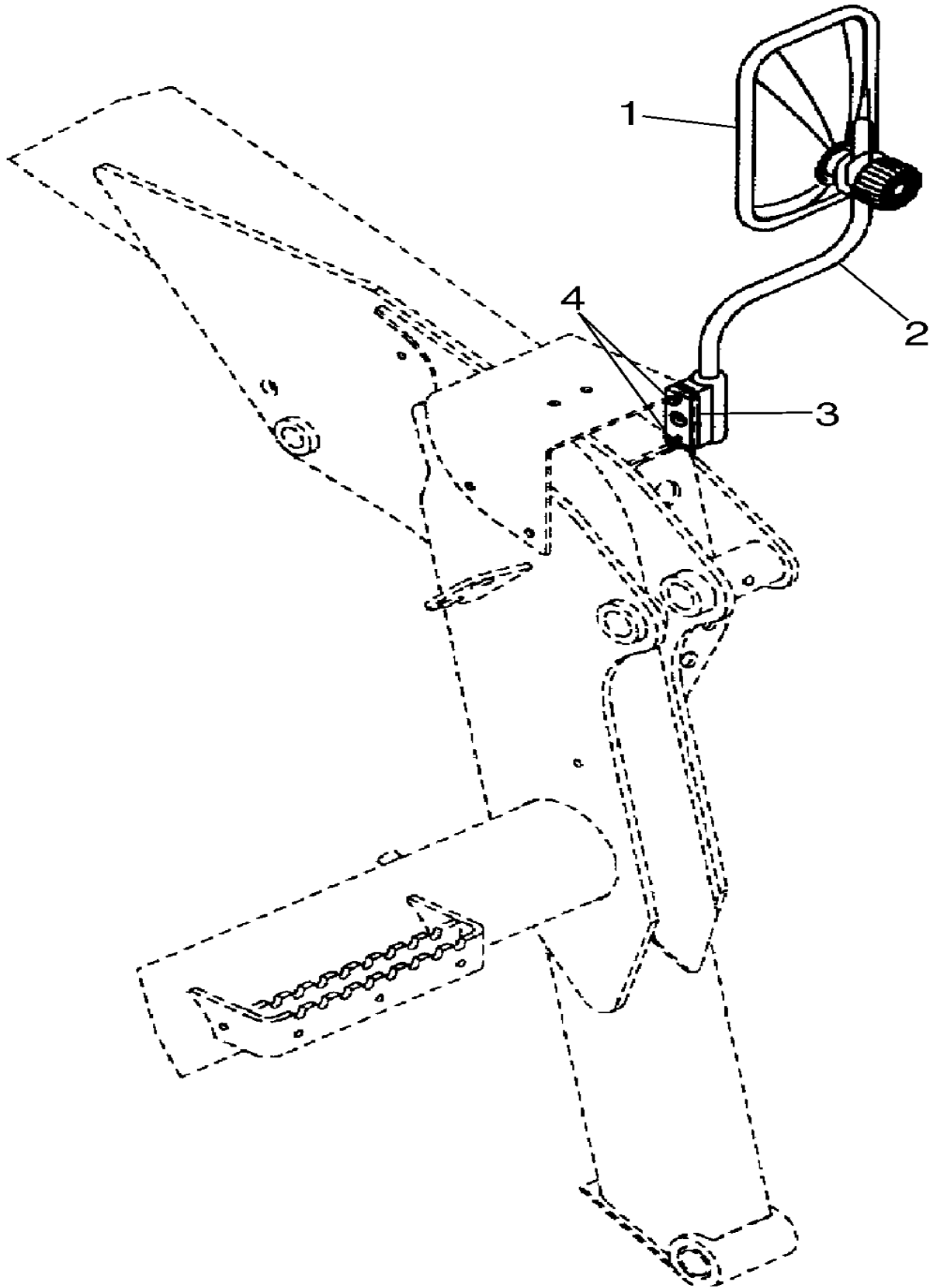


09-39

p1

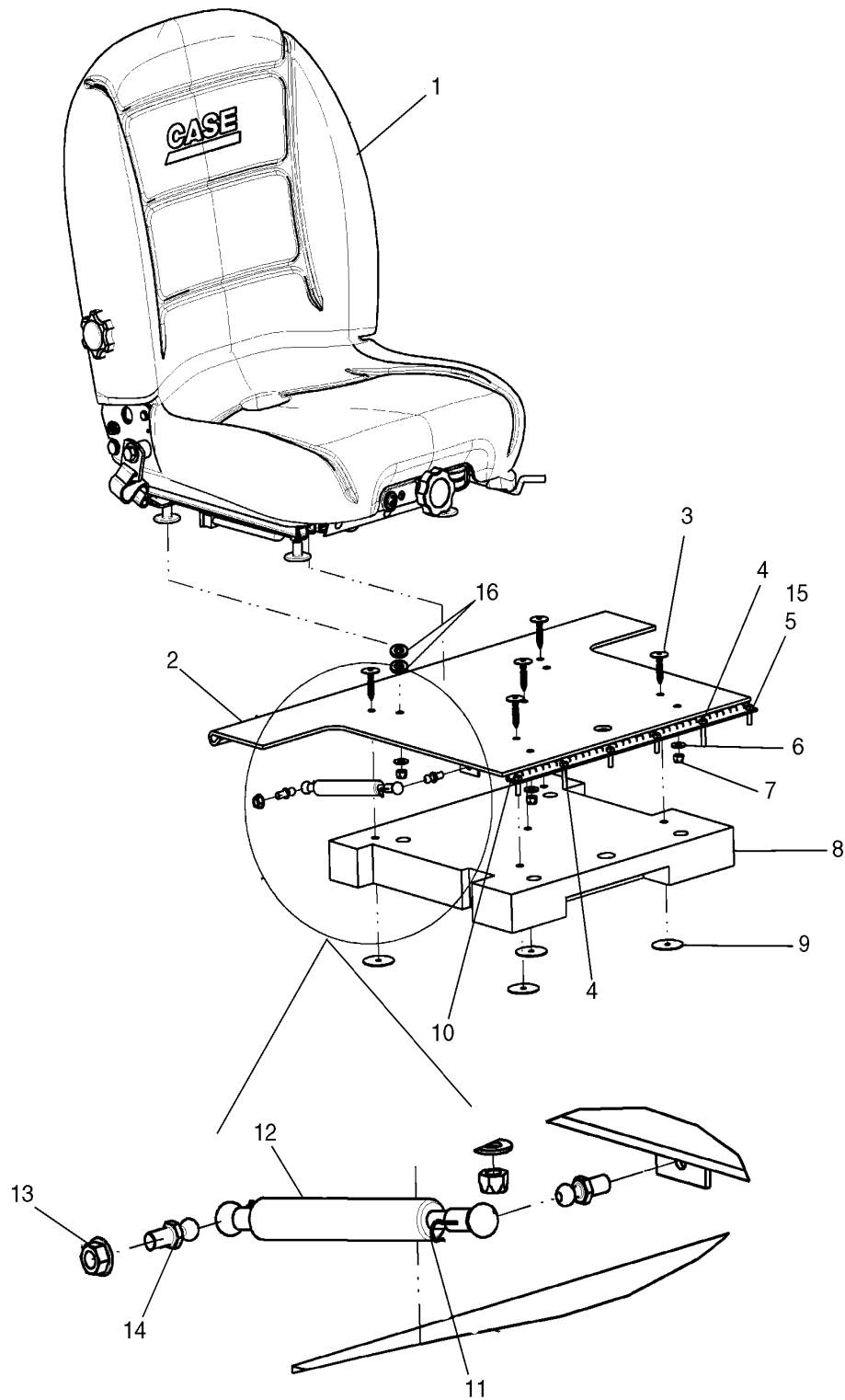
8/2018

SPECIAL PARTS FOR ITALY - MIRROR, REAR VIEW

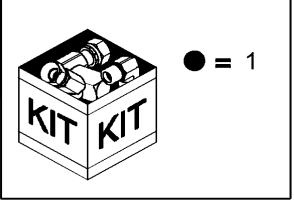
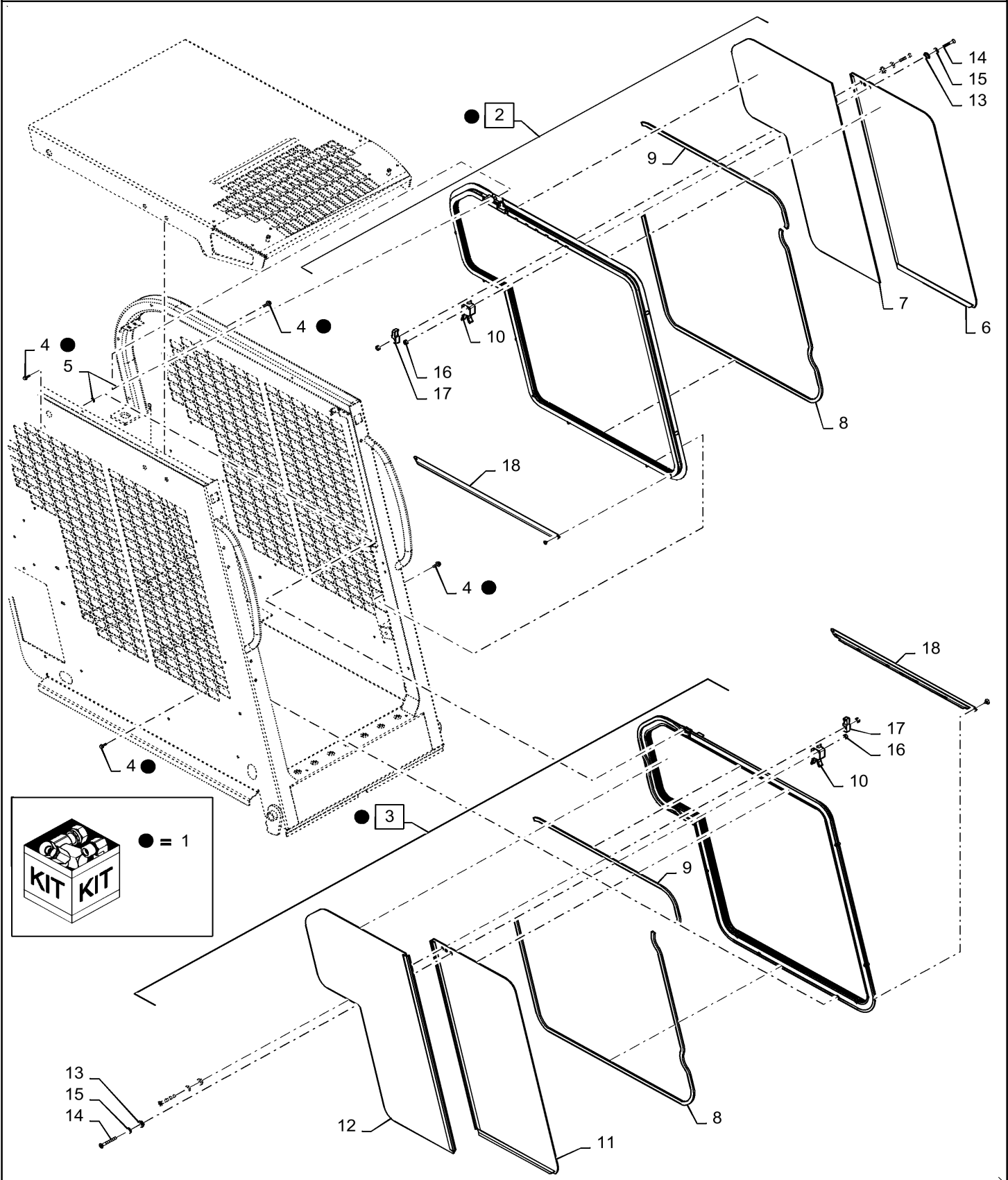


BS04A112

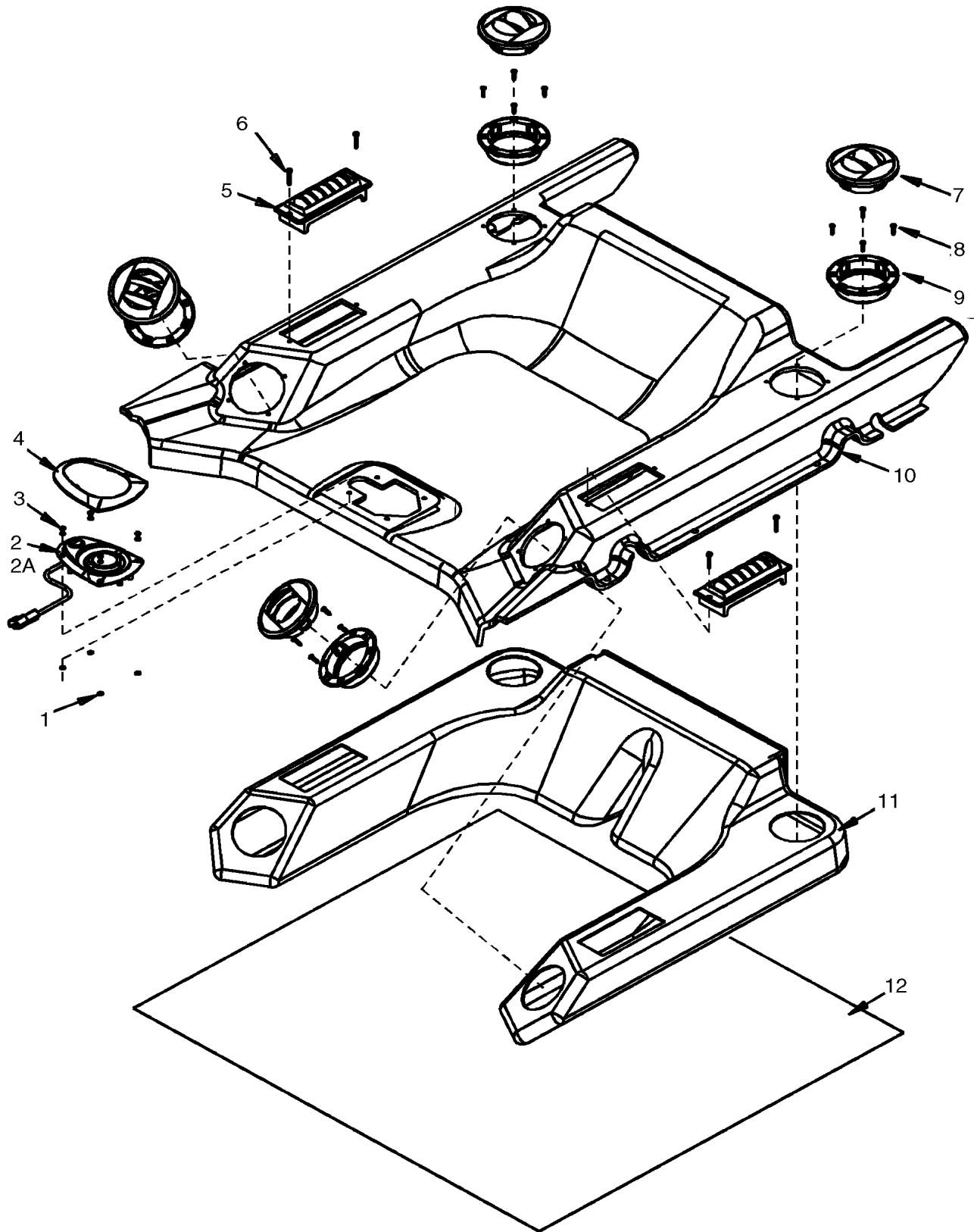
SEAT MOUNTING - DELUXE SUSPENSION SEAT



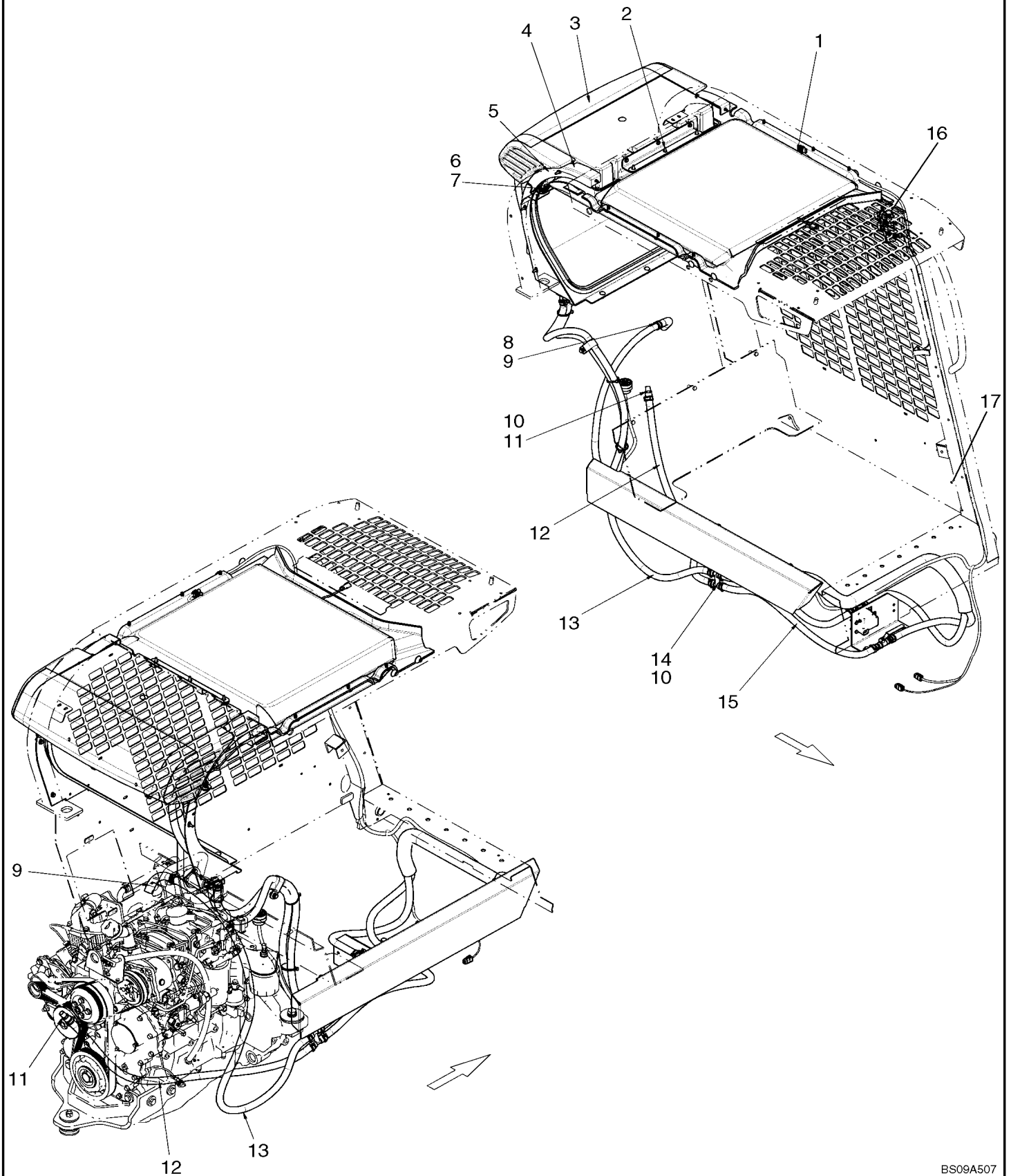
SIDE WINDOWS



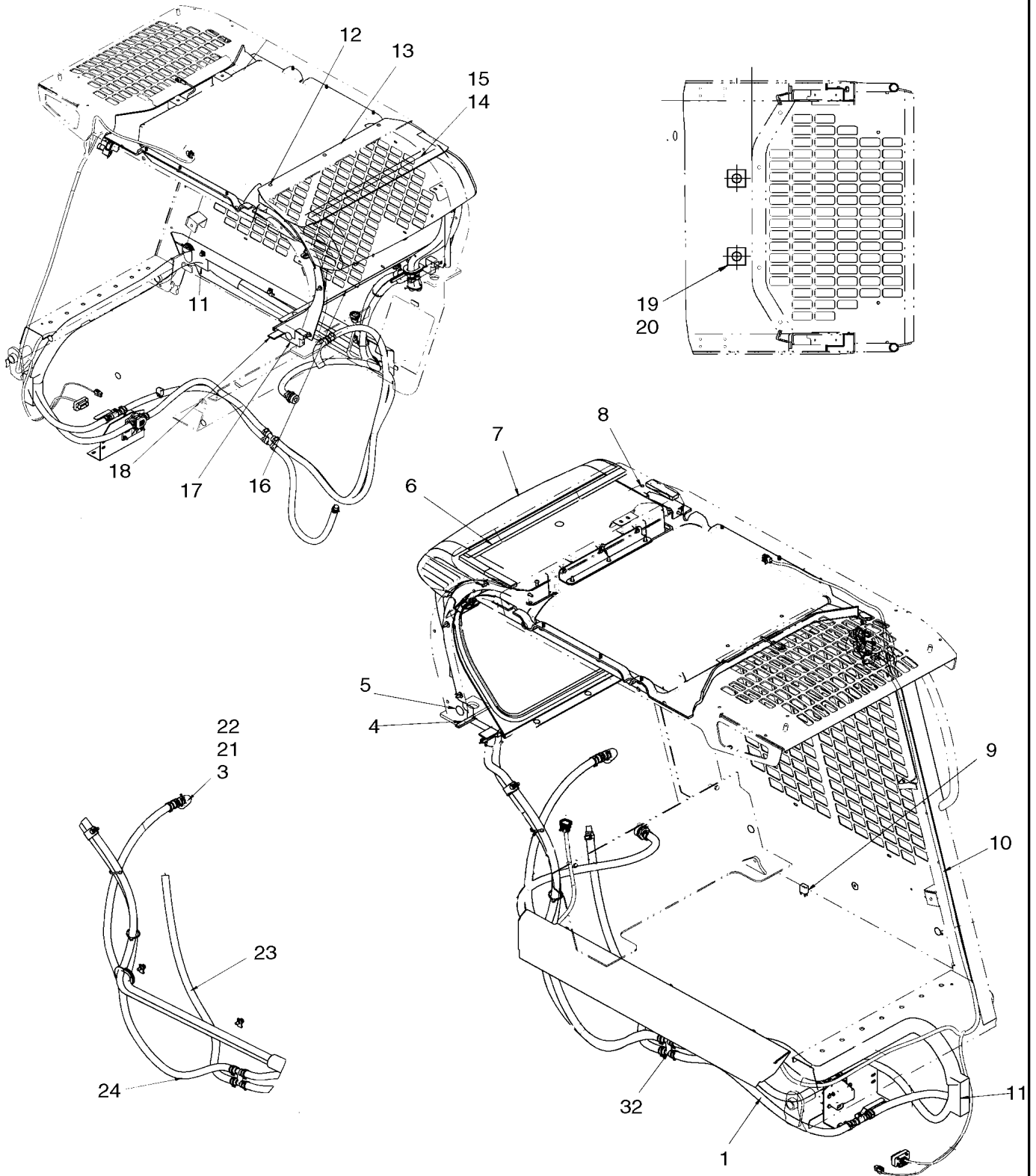
HEADLINER - HEATER AND AIR CONDITIONING



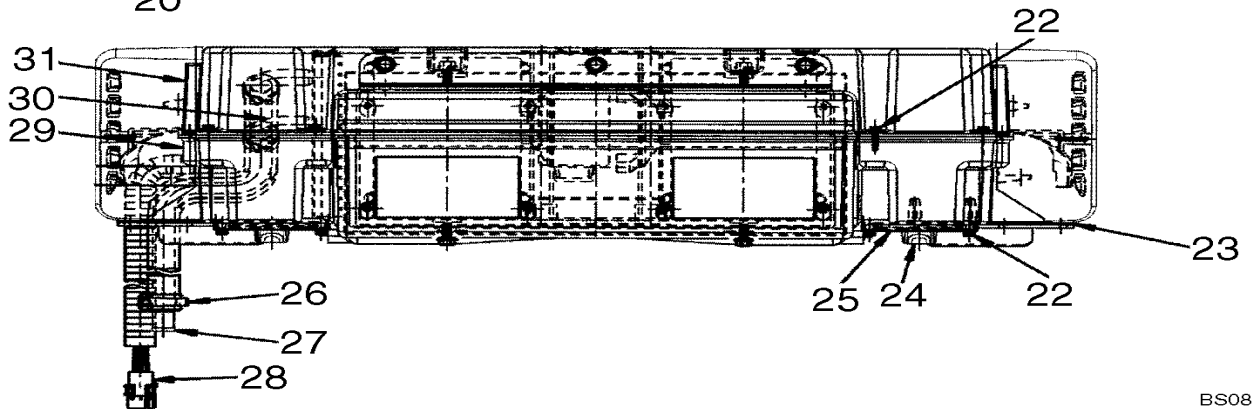
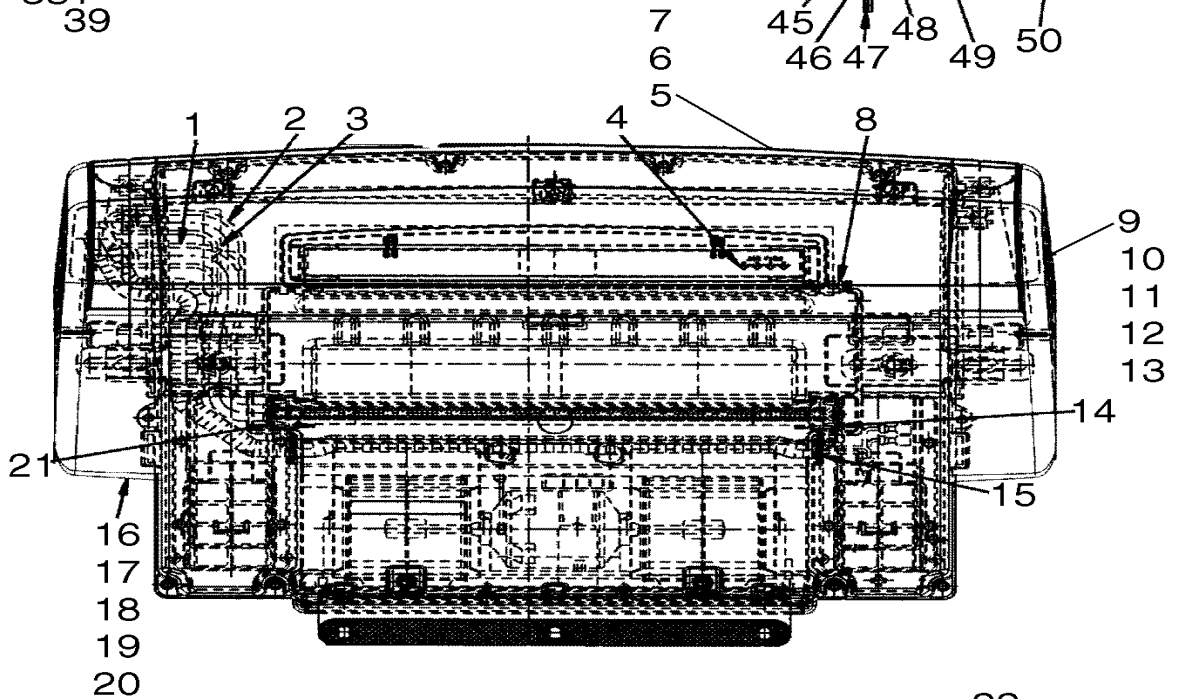
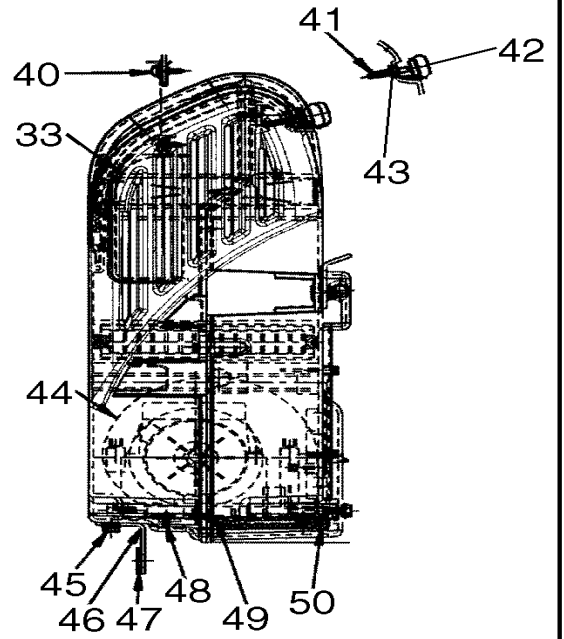
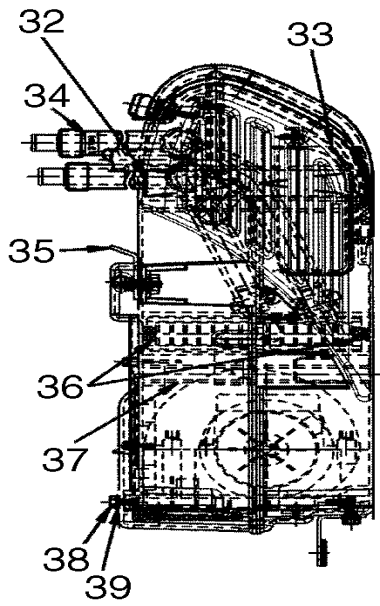
HEATER SYSTEM



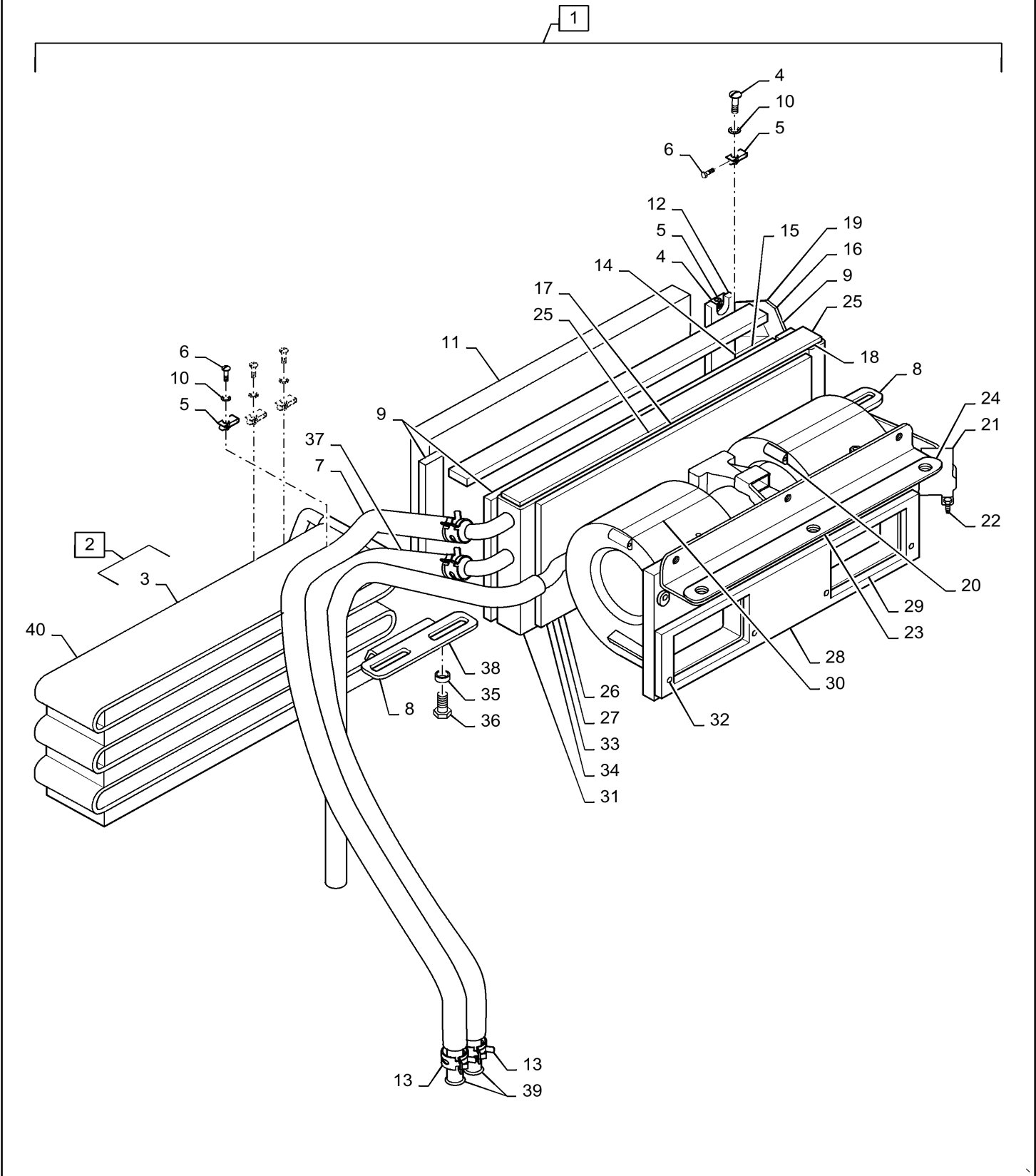
HEATER SYSTEM



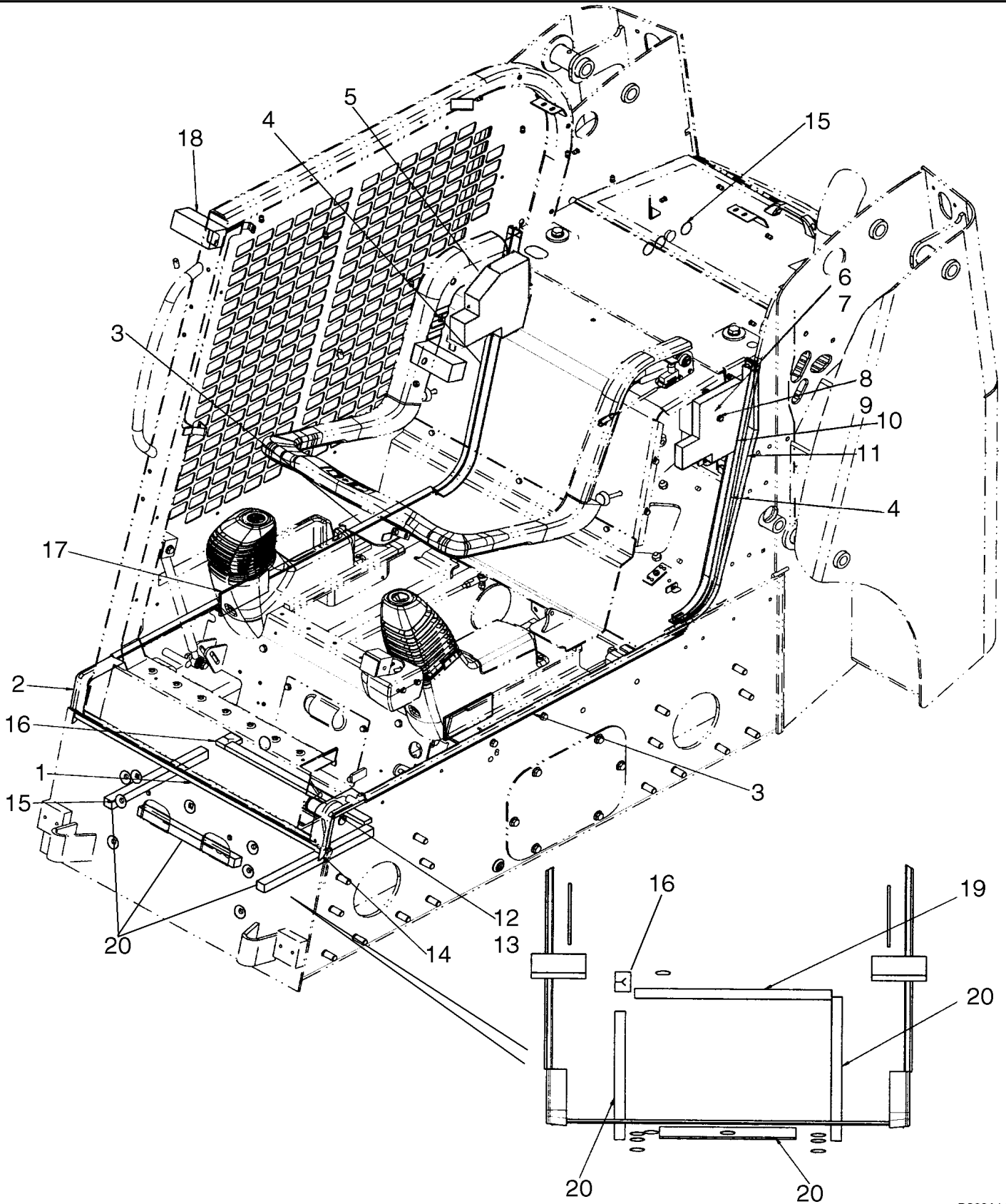
HEATER ASSEMBLY



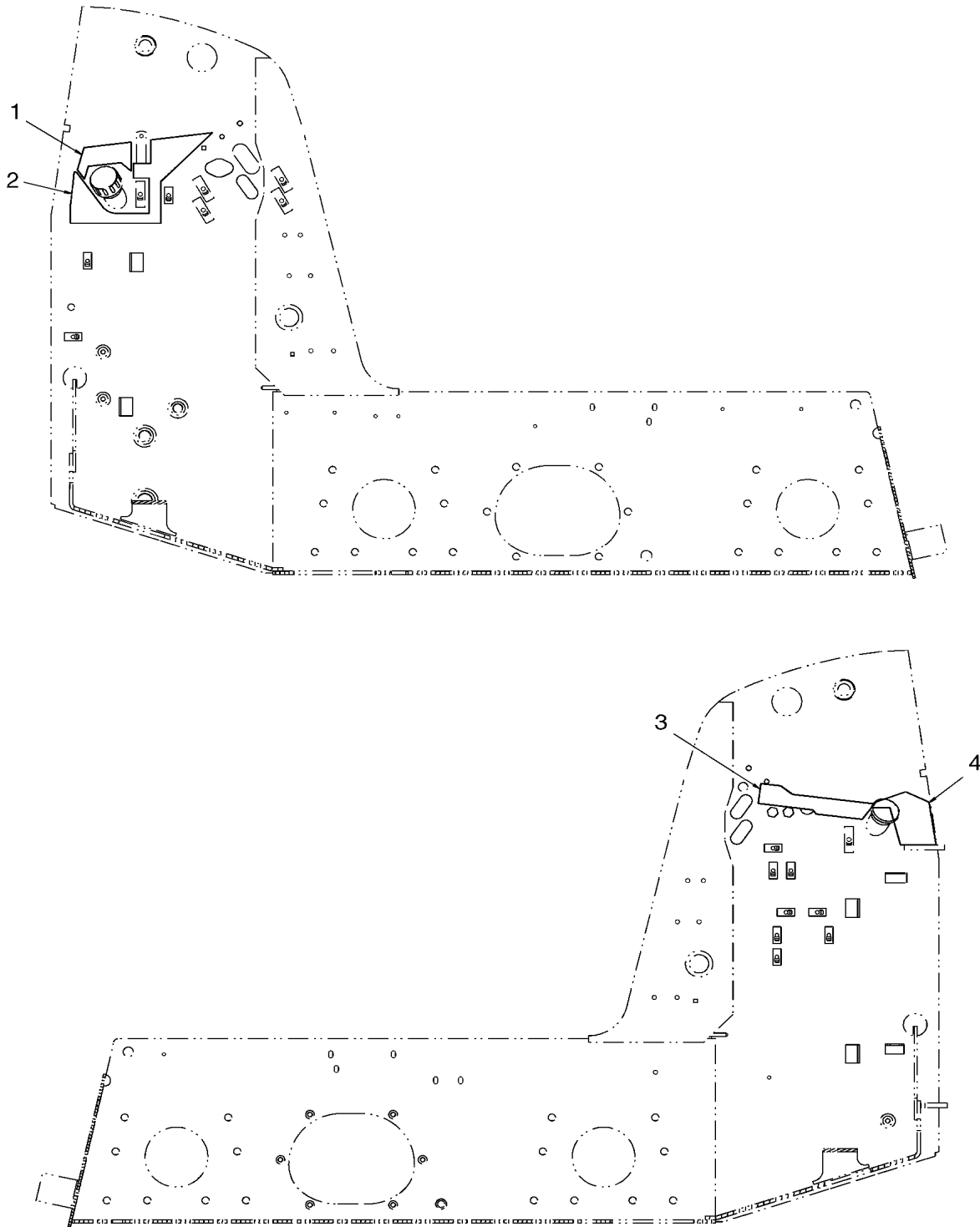
HEATER AND AIR CONDITIONING ASSEMBLY



SOUNDPROOFING - SEAL; IF USED



NOISE CONTROL (EUROPE)



DECALS - ENGLISH

! DANGER

CRUSH HAZARD
Before leaving seat:

- Lower lift arm or engage lift arm lock.
- Stop engine.
- Raise seat bar.
- Move loader controls until locked.

1 2517444

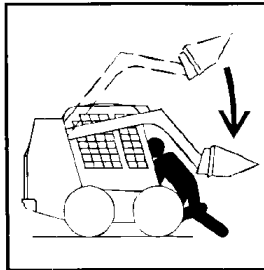
! DANGER

CRUSH HAZARD
Before leaving seat:

- Lower lift arm or engage lift arm lock pin or strut.
- STOP Engine
- Raise seat bar
- Move loader controls until locked

Code: 87400000 A

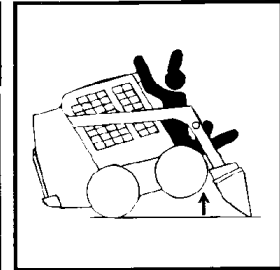
1A



! DANGER

CRUSH HAZARD
Keep out of this area when lift arm is raised, unless lift arm is supported.

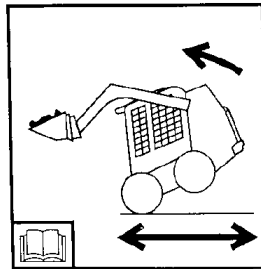
2



! CAUTION

ALWAYS INSPECT COUPLER-LATCH PIN ENGAGEMENT BEFORE OPERATING VEHICLE.

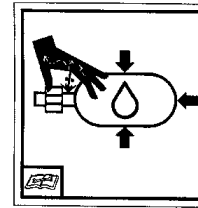
3 0137146



! WARNING

TIP HAZARD
Carry load low.

4 2517641



! WARNING

PRESSURIZED SYSTEM HAZARD
Relieve pressure before maintenance. Precharge only with dry inert gas such as high purity nitrogen.

5

! WARNING

- Read Operator's Manual.
- Fasten seat belt.
- No riders.
- Keep others away.

6 2517641

! DANGER

Starting in gear can cause death. Start engine only from operator seat with transmission control(s) in NEUTRAL.

7 331-7070

! WARNING

ENTANGLEMENT HAZARD
Keep clear or stop engine before servicing.

8

DO NOT OPERATE

See Other Side

CASE CORPORATION

Signed by: _____

9

! WARNING

IF YOU SERVICE THE MACHINE WITH LOADER LIFT ARMS RAISED, ALWAYS USE THE SUPPORT STRUT. FAILURE TO FOLLOW THIS PROCEDURE CAN CAUSE SERIOUS INJURY OR DEATH IF THE LOADER LIFT ARMS ARE LOWERED BY ACCIDENT.

PROCEDURE TO USE THE SUPPORT STRUT:

1. MAKE SURE THE LOADER BUCKET IS EMPTY. LOWER THE LOADER LIFT ARMS TO THE GROUND AND STOP THE ENGINE.
2. REMOVE THE PIN FROM THE SUPPORT STRUT AND LOWER THE SUPPORT STRUT OVER THE LIFT CYLINDER.
3. START THE ENGINE AND SLOWLY RAISE THE LOADER LIFT ARMS UNTIL THE SUPPORT STRUT IS ON THE LIFT CYLINDER ROD. SLOWLY LOWER THE LOADER LIFT ARMS UNTIL THE SUPPORT STRUT MAKES CONTACT WITH THE LIFT CYLINDER TUBE.
4. INSTALL THE PIN IN THE SUPPORT STRUT.

PROCEDURE TO PUT THE SUPPORT STRUT IN STORAGE:

1. START THE ENGINE AND RAISE THE LOADER LIFT ARMS APPROXIMATELY ONE OR TWO INCHES (25 TO 50mm).
2. STOP THE ENGINE AND RAISE BOTH SEAT BARS. MAKE SURE THE LOADER CONTROLS ARE LOCKED. REMOVE SUPPORT STRUT PIN, RAISE SUPPORT STRUT TO THE STORAGE POSITION AND INSTALL PIN.
3. SIT IN THE SEAT, PUSH BOTH SEAT BARS DOWN AND LOWER THE LOADER LIFT ARMS TO THE GROUND.

10

! WARNING

11



! WARNING

DO NOT TURN THE RIDE CONTROL OIL IF THE LOADER ARMS AND HOIST ARE RAISED. THE FRONT OF THE MACHINE OFF THE GROUND. THE MACHINE CAN DROP CAUSING SERIOUS INJURY OR DEATH.

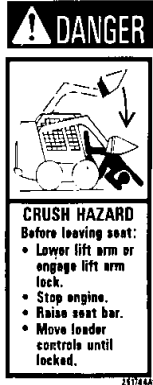
13

! DANGER

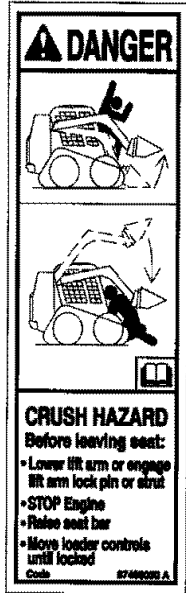
DO NOT use other starting fluid. AN EXPLOSION MAY OCCUR. Failure to comply will result in death or serious injury.

14

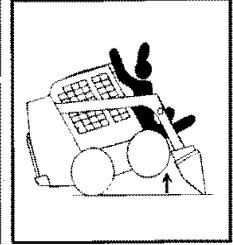
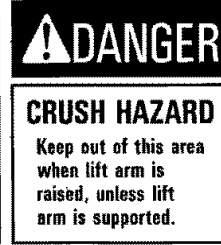
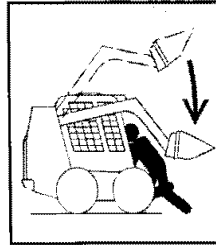
DECALS - ITALIAN, NORWEGIAN, POLISH



1



1A

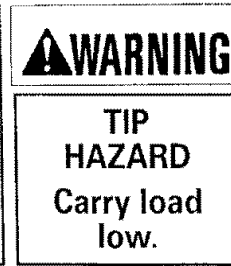
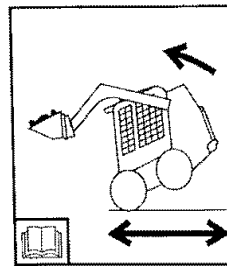


2

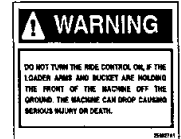


ALWAYS INSPECT COUPLER-LATCH PIN ENGAGEMENT BEFORE OPERATING VEHICLE.

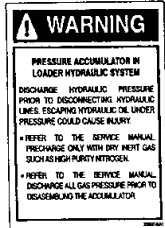
3



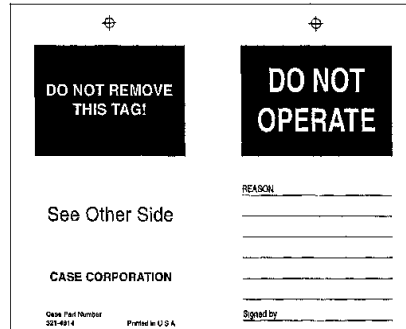
4



5



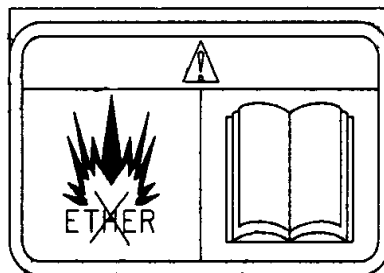
6



7



8



9

DECALS - BRAZILIAN PORTUGUESE, CANADIAN FRENCH, LATIN AMERICAN SPANISH

⚠ DANGER

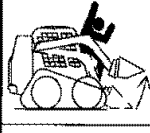


CRUSH HAZARD

- Before leaving seat:
- Lower lift arm or engage lift arm lock.
 - Stop engine.
 - Raise seat bar.
 - Move loader controls until locked.

1

⚠ DANGER



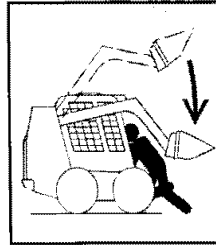
CRUSH HAZARD

Before leaving seat:

- Lower lift arm or engage lift arm lock pin or strut
- STOP Engine
- Raise seat bar
- Move loader controls until locked

Code 87460000 A

1A

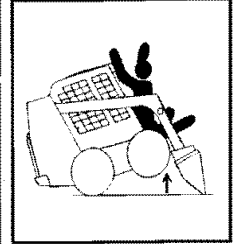


⚠ DANGER

CRUSH HAZARD

Keep out of this area when lift arm is raised, unless lift arm is supported.

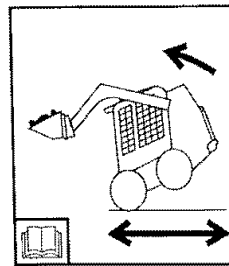
2



⚠ CAUTION

ALWAYS INSPECT COUPLER-LATCH PIN ENGAGEMENT BEFORE OPERATING VEHICLE.

3



⚠ WARNING

TIP HAZARD
Carry load low.

4

⚠ WARNING

DO NOT TURN THE SIDE CONTROL OIL, IF THE LOADER ARMS AND BUCKET ARE HOLDING THE FRONT OF THE MACHINE OFF THE GROUND. THE MACHINE CAN TIP OVER CAUSING SERIOUS INJURY OR DEATH.

5

⚠ WARNING

PRESSURE ACCUMULATOR IN LOADER HYDRAULIC SYSTEM

DISCHARGE HYDRAULIC PRESSURE PRIOR TO DISCONNECTING HYDRAULIC LINES. ESCAPING HYDRAULIC OIL UNDER PRESSURE COULD CAUSE INJURY.

- REFER TO THE SERVICE MANUAL. PRECHARGE ONLY WITH DRY NITROGEN GAS SUCH AS HIGH PURITY NITROGEN.
- REFER TO THE SERVICE MANUAL. DISCHARGE ALL GAS PRESSURE PRIOR TO DISASSEMBLING THE ACCUMULATOR.

6

DO NOT REMOVE THIS TAG!

DO NOT OPERATE

REASON

See Other Side

CASE CORPORATION

Case Part Number 321-4014 Printed in U.S.A.

7

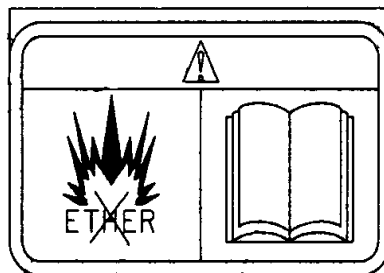
⚠ DANGER



Para mettre le moteur en marche par temps froid, ne pas utiliser d'éther.

L'observation de cette directive peut provoquer la mort ou des blessures graves.

8



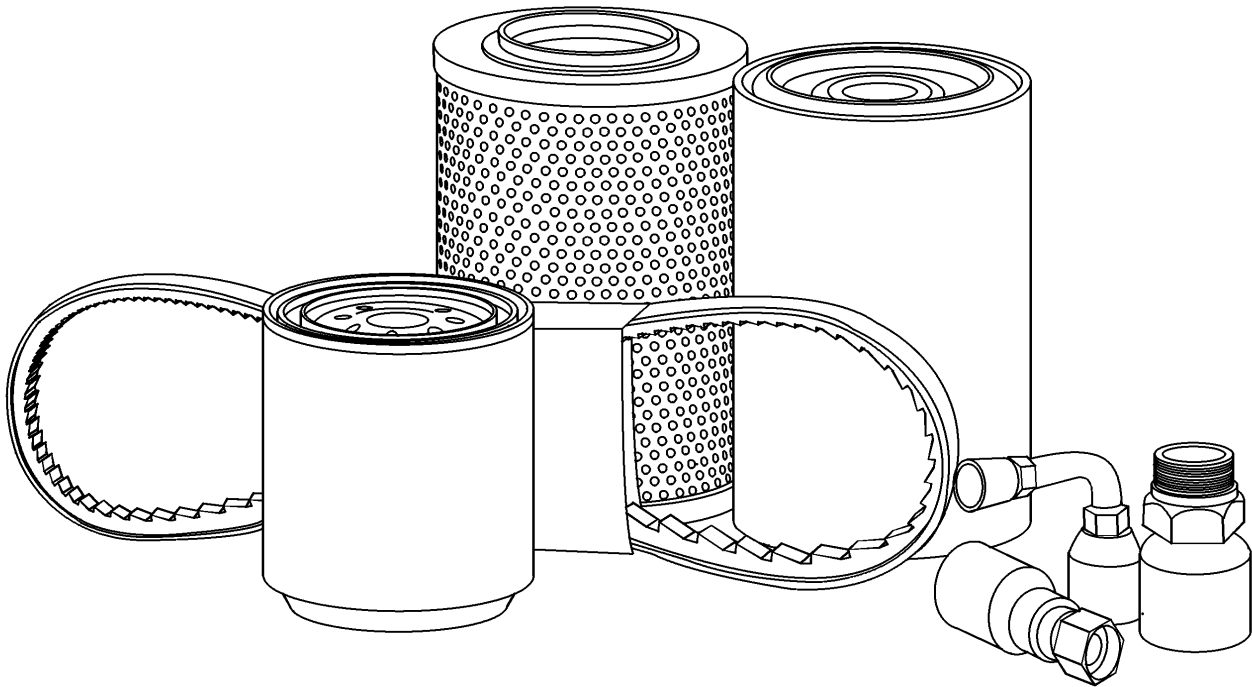
9

05.100.03

p1

8/2018

FILTERS & CAPACITIES, 430 III

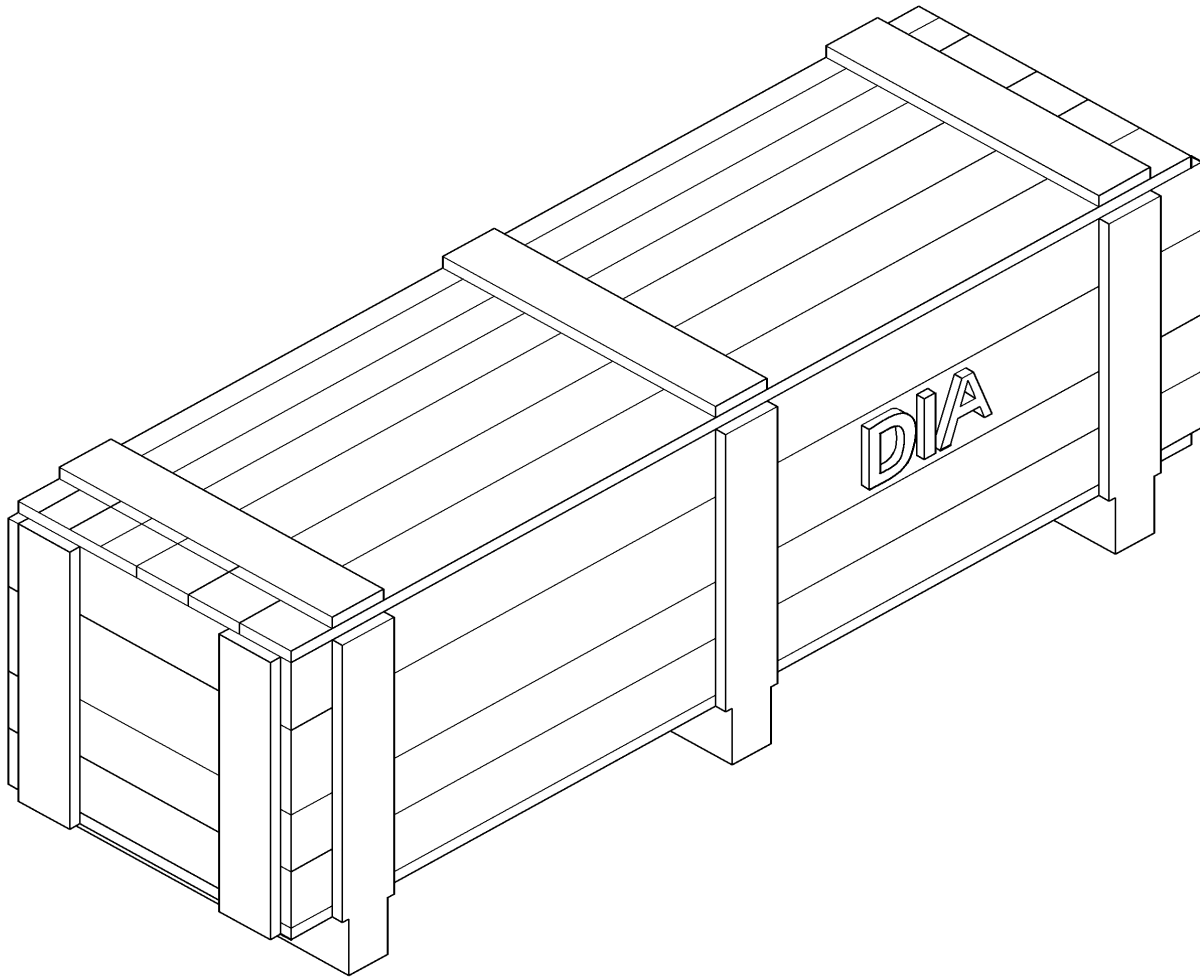


88.050.01

p2

8/2018

DIA KIT, HEATER AND AIR CONDITIONER



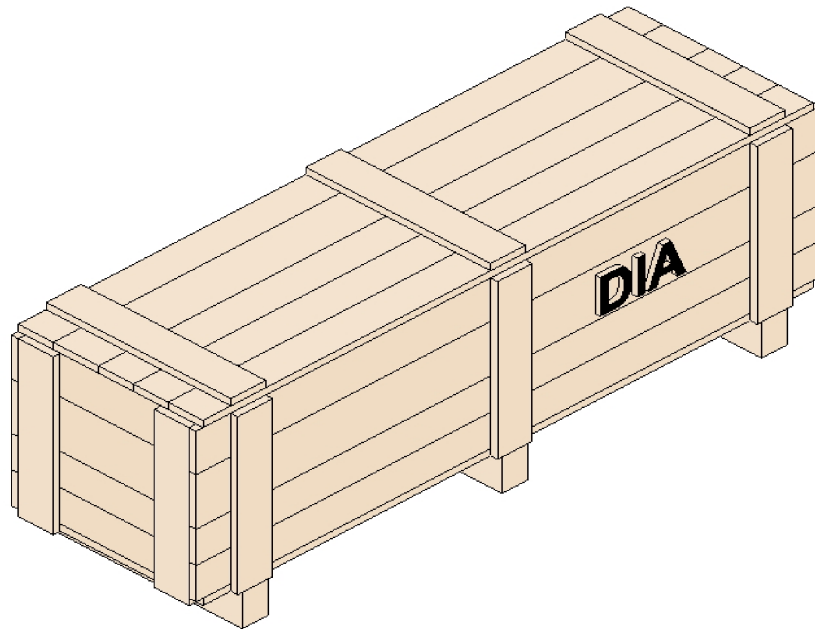
88.100.90

01

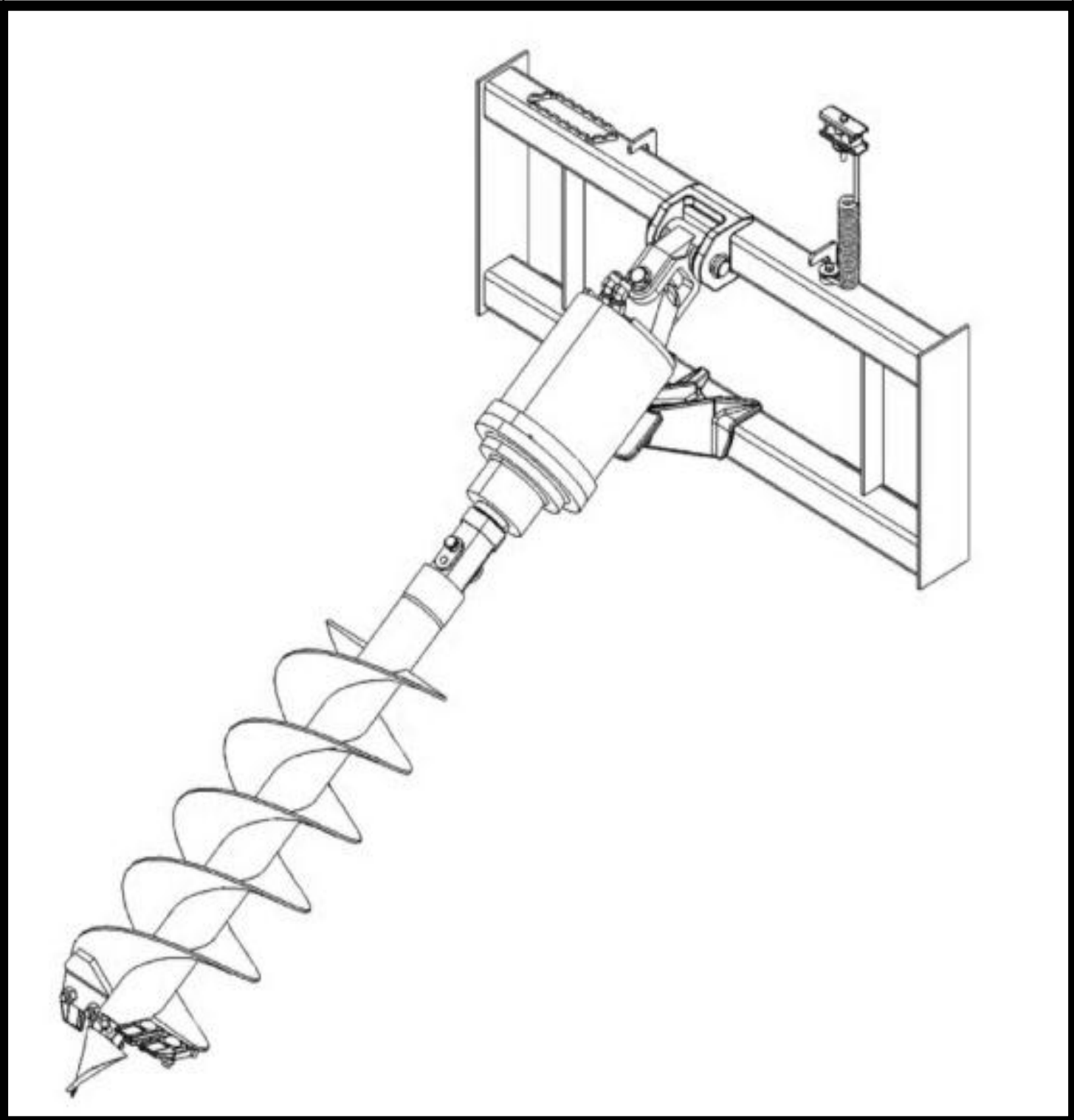
p1

8/2018

FRONT DOOR KIT



AUGER DRIVE, 430



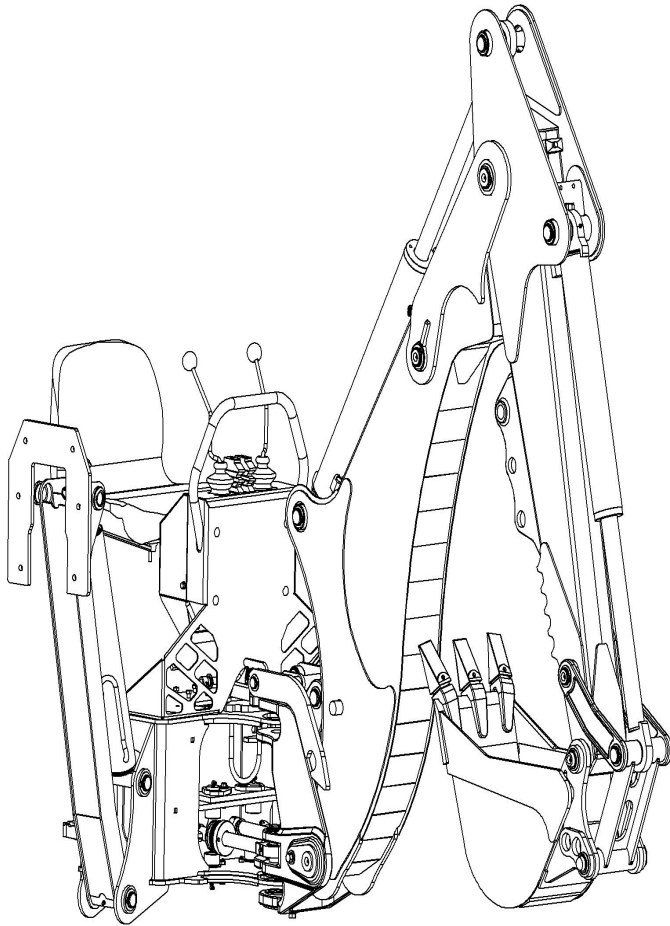
Must Order Bit for Complete Unit

95.008.AAC

p3

8/2018

BACKHOES, 430



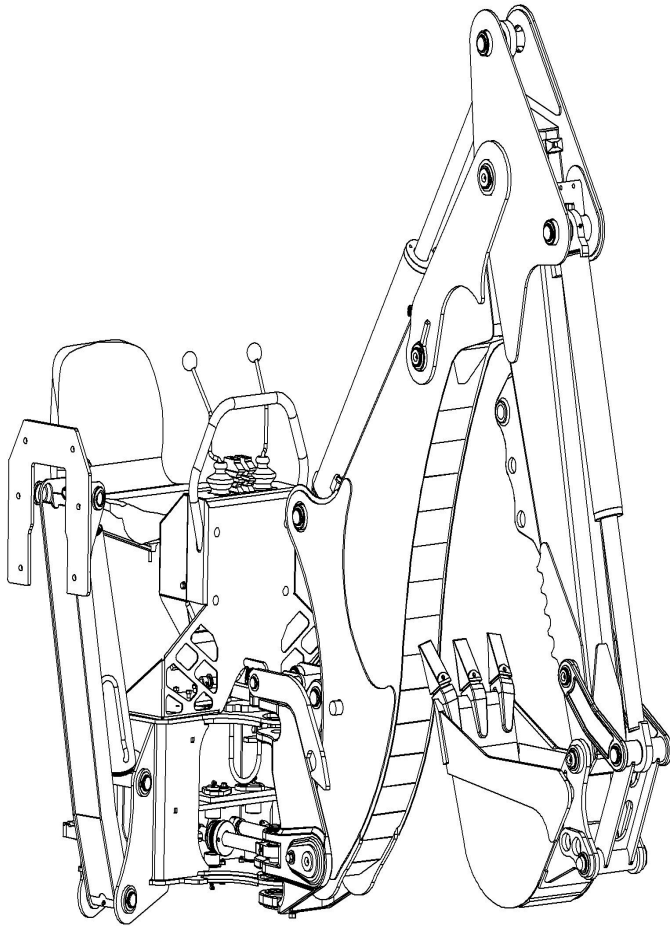
Must Order Mounting kit, Stabilizer Pad Option as Indicated and Bucket for Complete Unit, Backhoes are Not Compatible W/ Cab or Demolition Doors, Doors Must be Removed for Backhoe Operation

95.008.AAC

p8

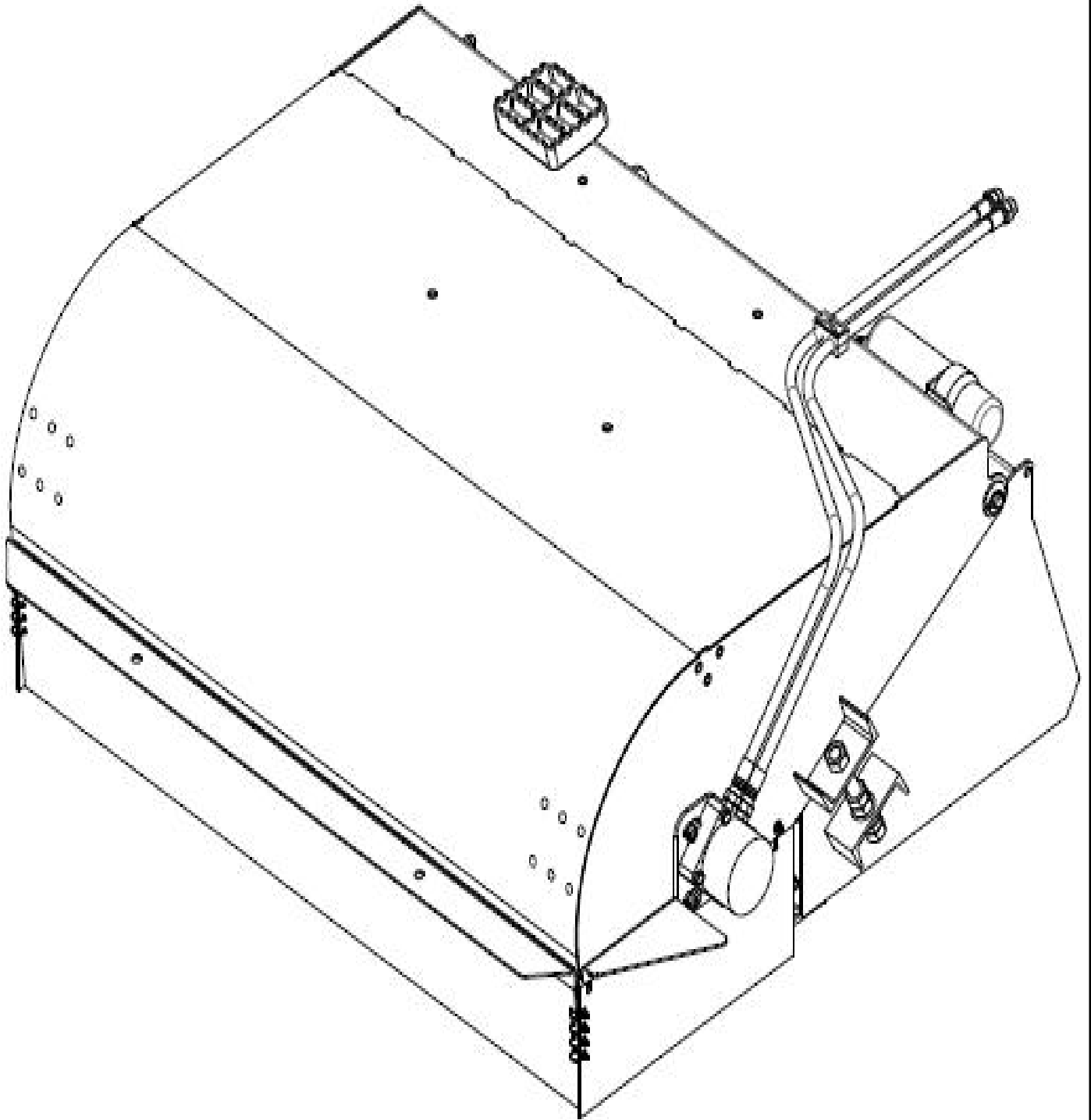
8/2018

BACKHOES, 430



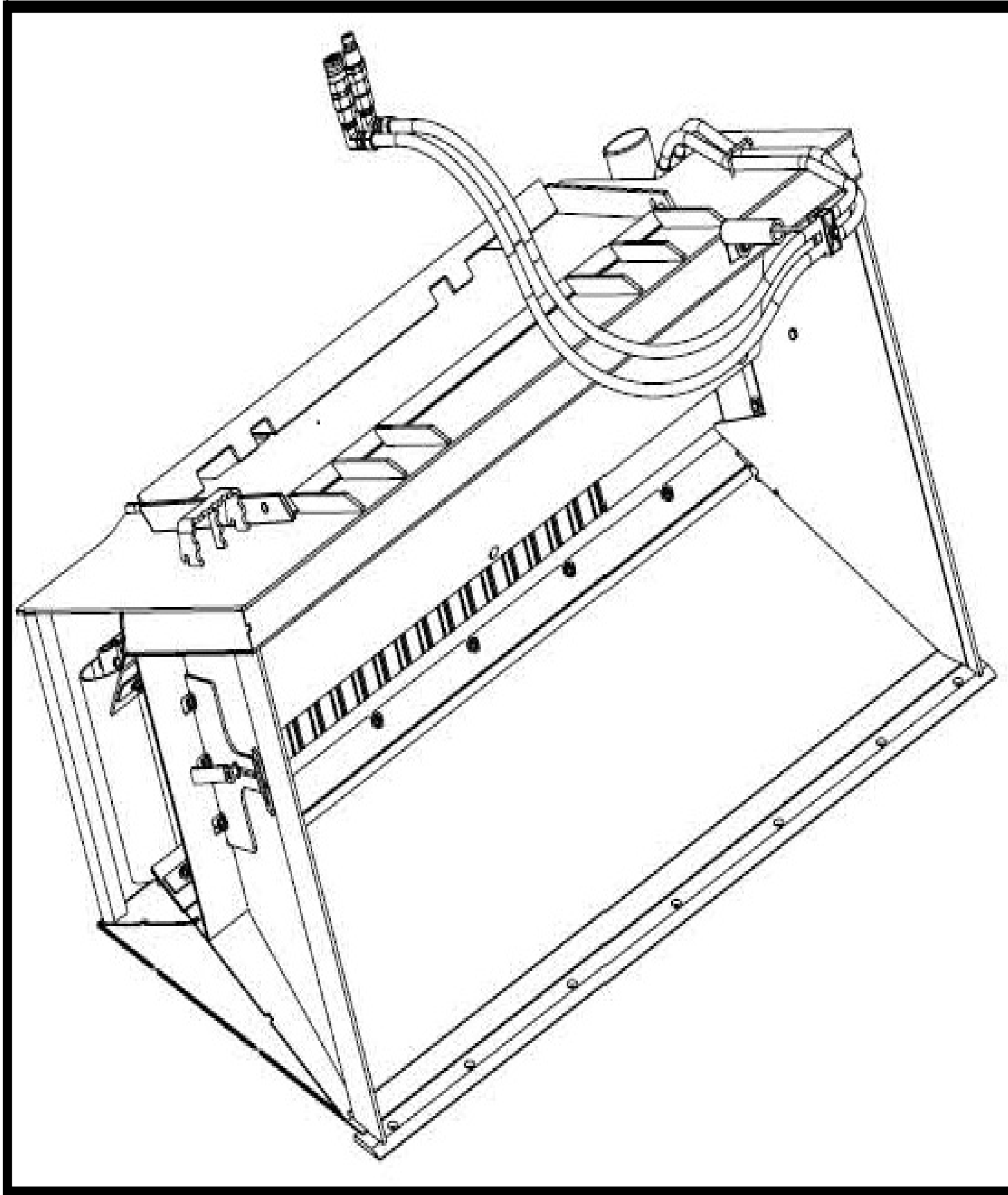
Must Order Mounting kit, Stabilizer Pad Option as Indicated and Bucket for Complete Unit, Backhoes are Not Compatible W/ Cab or Demolition Doors, Doors Must be Removed for Backhoe Operation

HOPPER BROOM, 430

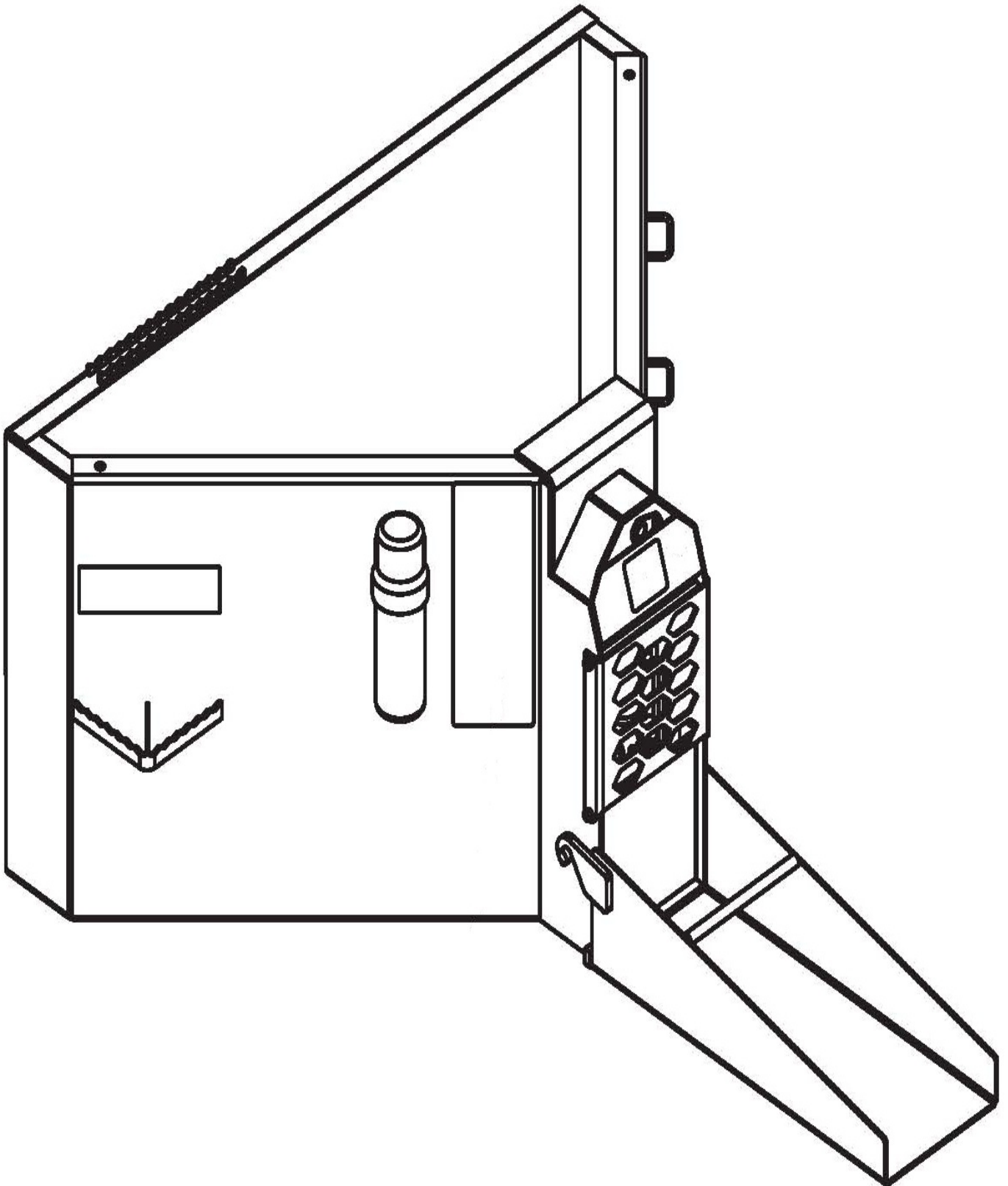


Loader Mounted Water Kits Available Separately, See Fig xxx, Water Kit

POWER SIDE DISCHARGE BUCKETS, 430



CONCRETE BUCKET, 430

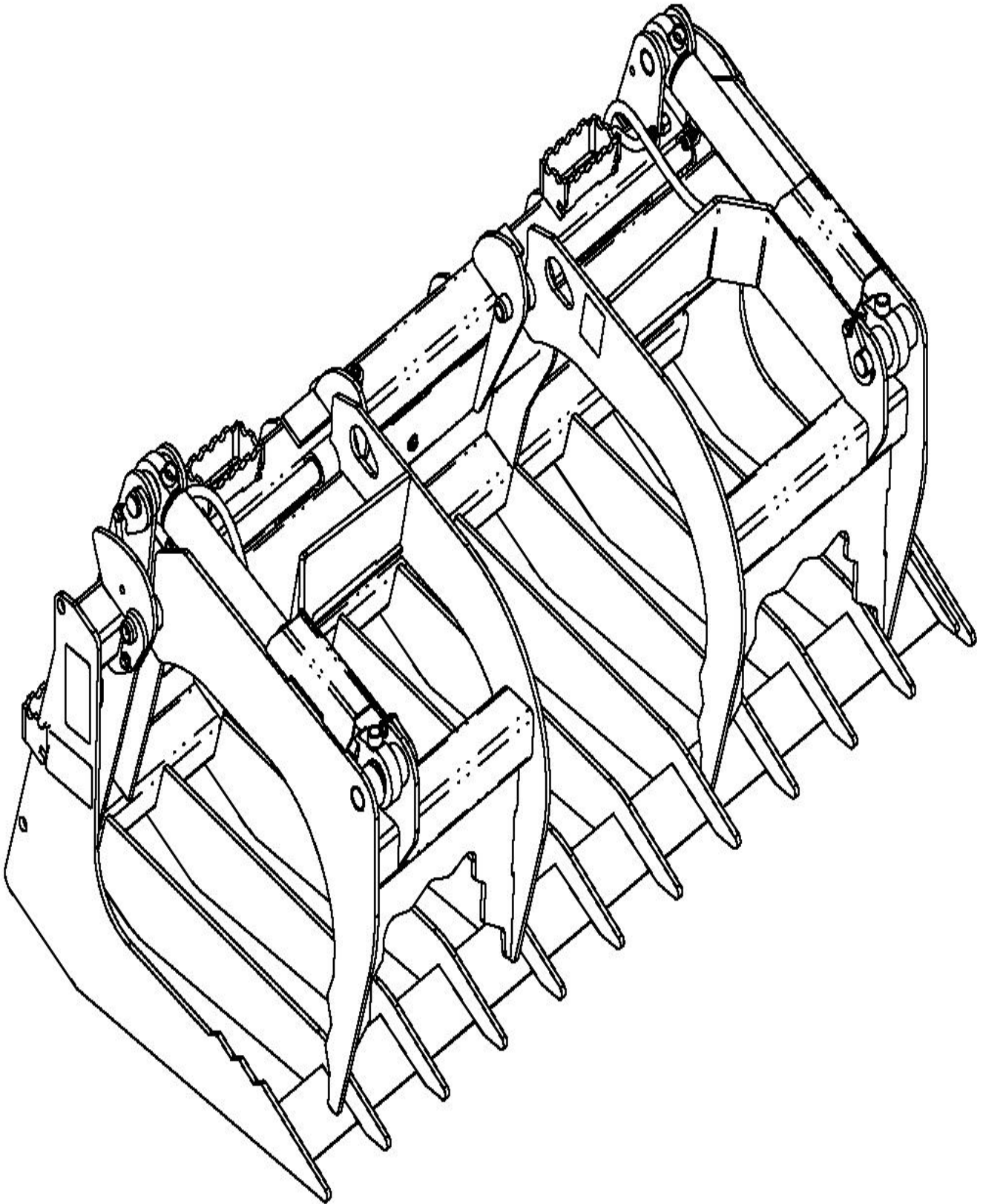


95.036.CCC

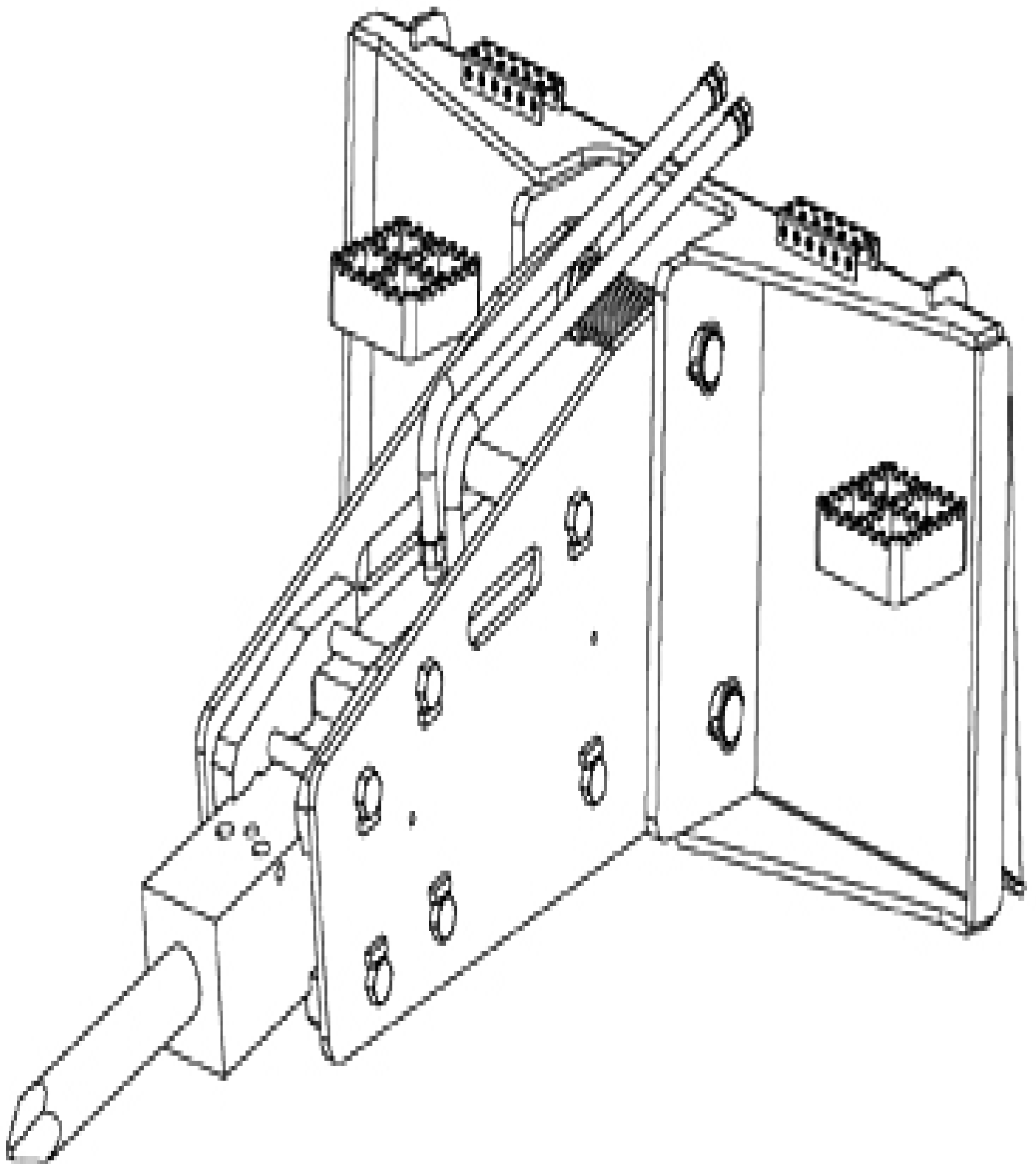
p1

8/2018

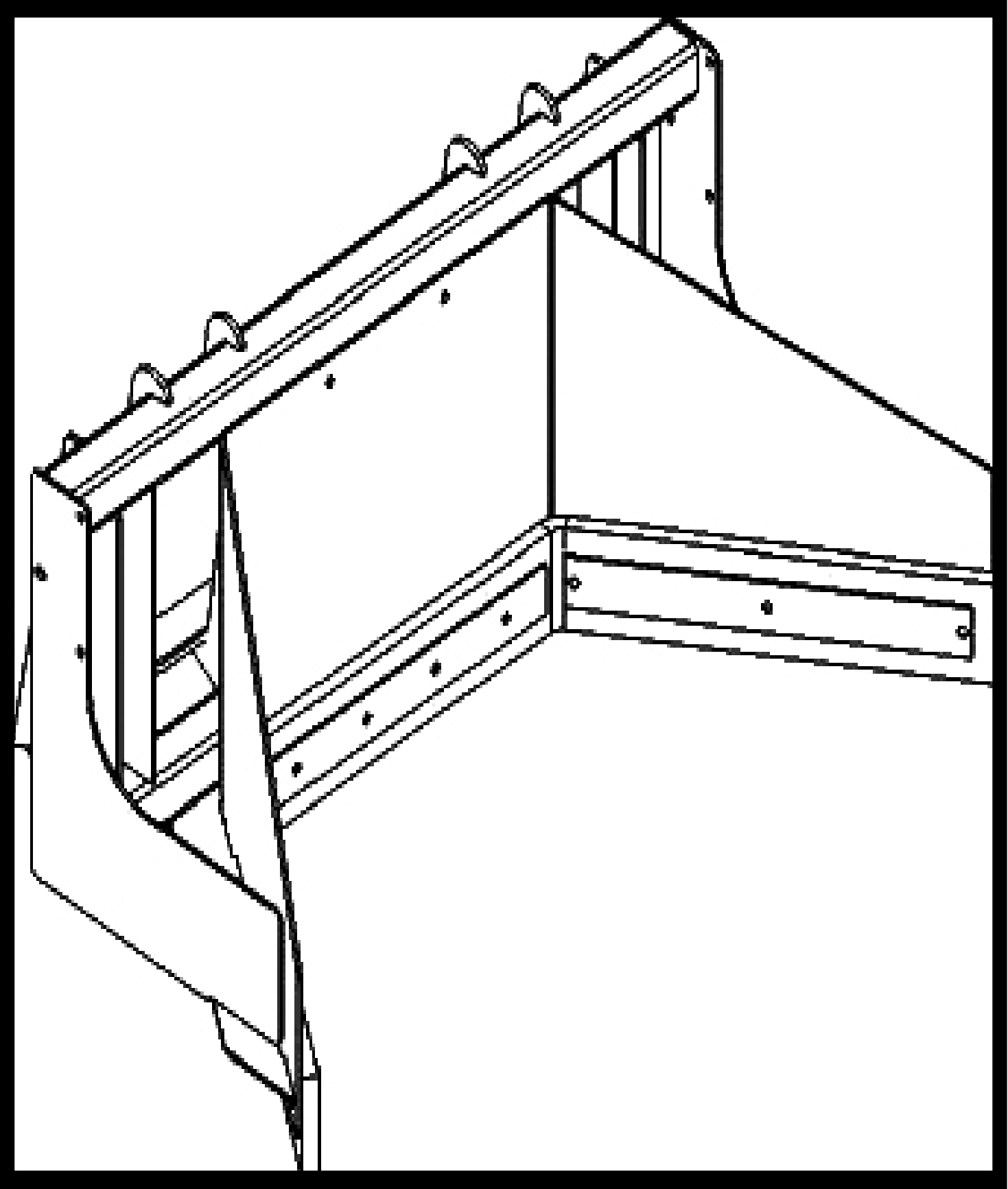
GRAPPLES, BRUSH, UTILITY, 430



HYDRAULIC HAMMERS, 430



MANURE SCRAPERS, 430



INDEX - INDICE - INDEX - ZAHLENVERZEICHNIS - INDICE - INDICE - INDHOLD - INHOUD

Number	Figure	Sequence	Ref.	Number	Figure	Sequence	Ref.
18088392	02-20		16	216773	08-08		3
18139424	02-38		2	216773	08-10		11
181680A1	06-29		33	216773	08-12		30
182596A1	09-67		7	216791	08-01		27
182609A1	09-67		7	219-86	09-01		3
182610A1	09-70		7	219606	06-10A		39
182611A1	09-68		7	219606	06-16		45
182977	08-06		58	222004A2	04-06		7
186905A1	03-02		18	222004A2	04-06A		25
187035A2	03-02		19	222421A1	02-05A		10
187140A1	04-20B		2	222421A1	02-05B		10
187140A1	04-23		2	222422A1	00-05		
188571	06-32		28	222422A1	02-05A		11
189609A1	09-20	01	9	222422A1	02-05B		11
189609A1	09-20	02	9	223677A1	06-29		23
189609A1	09-21	01	3	223677A1	06-31		6
189609A1	09-21	02	3	223680A1	06-29		24
189609A1	09-30		33	223680A1	06-31		7
189609A1	09-40		15	225037C1	04-06C		29
189609A1	09-41		13	225060C1	04-06C		4
189609A1	09-42		14	225066C1	04-06C		7
189609A1	88.050.01		113	225066C1	04-06C		8
189787A2	09-40		13	225066C1	04-06C		9
189787A2	09-41		12	225071C1	04-06C		18
189787A2	09-42		12	225071C1	04-06C		19
189995A1	06-43		3	225072C1	04-06C		26
19000345224	00-01		27	225072C1	04-06C		5
191048A2	06-43		4	225316C1	04-06C		50
193494A1	06-31		10	225326C1	04-06C		20
194739A1	08-06		5	225350C1	04-06C		25
1964831C2	09-32		19A	225388C1	04-06C		30
196985A1	04-06		5	225389C1	04-06C		2
196985A1	04-06A		20	225408C1	04-06C		47
197379A1	09-70		7	226129	09-12		5
197380A1	09-67		7	226130	09-12		9
197381A1	09-69		7	228141A2	00-01		48
197805A1	06-43		8	229197A1	02-05A		3
200329	04-06C		36	229197A1	02-05B		3
200329	04-06C		39	229197A1	03-02		30
214389	06-23		24	229197A1	04-07B		5
214389	06-24		11	229197A1	04-16		12
214389	06-26		24	229197A1	04-27		7
214389	06-27		13	229197A1	06-10		17
216773	08-07	1	3	229197A1	06-10A		19
216773	08-07	2	5	229197A1	06-11		12
216773	08-07	3	5	229197A1	06-13		11

INDEX - INDICE - INDEX - ZAHLENVERZEICHNIS - INDICE - INDICE - INDHOLD - INHOUD

Number	Figure	Sequence Ref.	Number	Figure	Sequence Ref.
504204989	02-13	3	504253059	02-20	5
504207948	03-10	1	504253448	03-05	1
504207952	03-07	1	504254092	02-16	1
504209127	00-01	45	504254094	02-16	6
504209127	02-36	1	504254884	00-01	44
504213230	02-22	1	504254884	02-15	3
504216298	03-06	1	504255370	02-37	7
504216814	02-15	1	504255374	02-37	1
504216828	02-34	1	504264644	04-02	2
504216828C	02-34		504264648	04-02	1
504216828R	02-34		504268669	02-14	6
504218931	03-09	4	504271928	02-31	1
504218933	03-09	3	504272265	02-27	1
504220143	02-20	1	504272265C	02-27	1
504220149	02-20	4	504272265R	02-27	1
504220154	02-20	7	504272778	04-02	3
504220156	02-20	8	504273002	02-18	15
504221515	02-20	11	504273290	02-39	3
504221516	02-20	10	504273736	02-26	1
504221907	02-18	1	504275234	03-04	1
504221914	02-18	6	504275234C	03-04	
504221915	02-18	5	504275234R	03-04	
504221916	02-17	3	504276025C	02-22	1
504225741	02-20	5A	504276025R	02-22	1
504235816	02-31	6	504276997	04-01	1
504239237	02-38	3	504283235	02-19	11
504240396	02-27	7	504287001	03-08	7
504240405	03-03	2	504305536	02-17	2
504240426	02-22	2	504315404	03-04	3
504241684	02-30	1	504315406	02-19	8
504242762	02-13	4	504356829	02-11	12
504242763	02-28	1	504357733	02-43	1
504242763C	02-28		504374952	03-03	1
504242763R	02-28		504374952C	03-03	1
504243953	04-01	7	504374952R	03-03	1
504244214	02-13	1	507586	02-04	2
504244287	02-13	5	507586	02-04	A 13
504245406	02-41	1	507586	02-06	31
504245565	02-17	1	507586	02-07	39
504249191	02-20	2	511212	06-30	15A
504249195	02-19	4	516742	09-25	12
504249196	02-19	6	523282	04-32	13
504249332	02-20	6	524036	08-03	12
504249332	88.050.01	83	524036	08-03A	11
504250345	02-18	2	524036	08-03B	12
504250954	02-20	3	524036	08-39	2 4

INDEX - INDICE - INDEX - ZAHLENVERZEICHNIS - INDICE - INDICE - INDHOLD - INHOUD

Number	Figure	Sequence	Ref.	Number	Figure	Sequence	Ref.
86625256	09-63		4	86629586	04-30A		9
86625258	06-11		2	86631606	08-13		10
86625258	06-13		3	86631609	08-13		9
86625258	06-18		19	86631615	08-13		11
86625260	09-13		14	86632548	06-20A		7
86625263	02-03		2	86632588	09-05		2
86625263	02-04		5	86632589	09-30		36
86625263	02-04	A	5	86632595	04-05		25
86625263	02-05A		1	86632595	04-07A		1
86625263	02-05B		1	86632601	04-27		4
86625263	02-09		5	86632601	04-27A		4
86625263	04-06A		6	86632601	09-22		7
86625263	06-10A		55	86632601	09-23		2
86625263	06-16		30	86633059	09-07		2
86625263	08-06		49	86633060	09-06		1
86625263	08-07	1	28	86633195	09-03		1
86625263	08-07	2	13	86633195	09-04		4
86625263	08-07	3	14	86633196	09-03		2
86625263	08-08		26	86633196	09-04		3
86625263	09-21	01	9	86633356	02-01		31
86625263	09-21	02	9	86633356	02-05A		19
86625263	09-40		7	86633356	02-05B		19
86625263	09-41		6	86633356	04-20B		11
86625263	09-42		6	86633356	04-23		11
86625263	88.050.01		45	86634307	09-26		15
86625264	09-20	01	5	86635434	95.018.EEC		4
86625264	09-20	02	5	86637935	09-30		10
86625264	09-21	01	16	86637977	06-10		16
86625264	09-21	02	16	86637977	06-17		25
86625264	88.050.01		46	86637977	06-18		11
86625266	02-06		3	86637978	04-06		8
86625266	02-07		14	86637978	04-06A		26
86625266	09-22		20	86637995	02-06		34
86625266	09-30		38	86637995	02-07		41
86625480	09-55A		21	86637998	09-15		15
86625481	09-51		25	86639001	06-10A		3
86625481	88.050.01		47	86639001	06-16		4
86625515	09-51		24	86639004	04-06A		10
86625515	88.050.01		48	86639006	06-16		35
86627432	04-08		12	86639137	88.100.90	01	10
86629542	02-04		4	86639241	09-20	01	3
86629542	02-04	A	4	86639241	09-20	02	3
86629542	09-18A		7	86639241	09-21	01	15
86629544	09-40		8	86639241	09-21	02	15
86629544	09-41		7	86639241	88.050.01		49
86629544	09-42		7	86639310	09-58		5

INDEX - INDICE - INDEX - ZAHLENVERZEICHNIS - INDICE - INDICE - INDHOLD - INHOUD

Number	Figure	Sequence	Ref.	Number	Figure	Sequence	Ref.
87454000	08-15		30	87460042	08-08		22
87454000	08-39	1	39	87460167	09-60		12
87454483	00-01		64	87460195	09-61		1
87454483	09-10		4	87460558	09-56		1
87454487	09-10		7	87460732	09-30		30
87454488	00-01		66	87460753	88.100.90	01	18
87454488	09-10		7	87461248	88.100.90	01	19
87455257	08-38		9	87461561	09-50		1
87455258	08-38		13	87461604	09-22		1
87455274	08-38		2	87461604	09-23		17
87455412	06-12		4	87461995	02-03		10
87455412	06-13		13	87462144	09-53A	01	6
87456974	08-04		6	87462144	09-53A	02	4
87458061	06-08		7	87462144	09-59		3
87458061	06-08A		2	87462144	09-59A		7
87458061	06-15		2	87462144	88.050.01		76
87458061	07-01		25	87462215	08-06		1
87458118	04-28		11	87462531	88.100.90	01	20
87458467	04-16		2	87462631	09-53	01	32
87458510	09-18		15	87462741	09-16		6
87458511	09-18		26	87471361	09-24C		2
87458514	09-18		18A	87471945	02-05A		14
87458642	09-13		2	87471945	02-05B		14
87458660	09-18		32	87473627	95.012.AAC		2
87458662	09-18		16	87473628	95.012.AAC		3
87458664	09-17		4	87473629	95.012.AAC		4
87458665	09-18		44	87473630	95.012.AAC		5
87458667	09-16		15	87473780	09-30		3
87458961	04-05		5	87473782	09-30		34
87458961	04-05A		9	87473785	09-30		41
87458990	09-01		24	87473790	08-07	1	30
87458997	06-16		21	87473790	08-07	2	19
87459020	09-65		2	87473790	08-07	3	20
87459056	09-01		19	87473790	08-08		30
87459075	09-21	01	14	87473791	09-60A		1
87459075	09-21	02	14	87473792	09-60A		4
87459075	88.050.01		74	87473817	09-30A		8
87459076	09-21	01	10	87473824	08-15		42
87459076	88.050.01		75	87473824	08-39	1	41
87459542	88.100.90	01	16	87475601	88.100.90	01	23
87459553	88.100.90	01	17	87477164	09-43B		11
87460011	08-15		55	87477368	02-06		19
87460011	08-39	1	40	87477368	02-07		32
87460042	08-07	1	21	87479196	09-43B		7
87460042	08-07	2	18	87481886	09-32		29
87460042	08-07	3	19	87482933	09-53	01	6

INDEX - INDICE - INDEX - ZAHLENVERZEICHNIS - INDICE - INDICE - INDHOLD - INHOUD

Number	Figure	Sequence Ref.	Number	Figure	Sequence Ref.
87656097	09-55A	23	87656126	09-54	19
87656098	09-54	2	87656126	09-54	43
87656098	09-55A	37	87656126	09-55	1B
87656099	09-54	1	87656126	09-55	5C
87656099	09-55A	7	87656126	09-55A	5
87656100	09-54	24	87656127	09-55A	4
87656100	09-55		87656866	04-11	
87656101	09-54	25	87656868	04-10	
87656101	09-55	16	87656870	04-13	
87656102	09-55	11	87656872	04-12	
87656103	09-54	30	87657080	08-07	1 2
87656103	09-55A	31	87657080	08-08	2
87656104	09-55	8	87657980	06-10A	1
87656105	09-54	17	87657980	06-16	1
87656105	09-55	1A	87658431	00-01	83
87656106	09-54	46	87658431	06-21	11
87656106	09-55A	24	87658636	09-57	9
87656107	09-54	49	87658709	09-54	29
87656107	09-55A	28	87658710	09-54	31
87656108	09-54	50	87659208	04-19	10
87656108	09-55	17	87659208	04-20	11
87656108	09-55A	29	87659212	09-24	9
87656109	09-54	10	87659212	09-31	7
87656109	09-55	5A	87659246	06-20A	5
87656110	09-55A	26	87659248	06-10A	12
87656111	09-55A	16	87659248	08-15	54
87656112	09-55A	14	87659250	06-20A	1
87656113	09-55A	2	87659253	08-03	7
87656118	00-01	6	87659406	08-11A	12
87656118	00-05		87659406	08-12	8
87656118	09-54	4	87659406	09-03	18
87656118	09-55A	11	87659406	09-04	18
87656119	09-55A	25	87659996	08-02	37
87656120	09-54	28	87660180	09-26	5
87656120	09-55A	33	87660180	09-27	3
87656121	09-54	9	87660180	09-32A	3
87656121	09-55	5	87660800	09-22	3
87656122	09-54	16	87660816	02-01	29
87656122	09-55	1	87660842	02-01	20
87656123	09-54	11	87660842	02-02	
87656123	09-55	9	87660856	06-16	14
87656124	09-54	18	87661301	09-14	2
87656124	09-55	18	87661376	02-01	11
87656125	09-54	42	87661377	02-01	9
87656125	09-55A	6	87661381	00-01	37
87656126	09-54	12	87661382	00-01	36

CLICK HERE TO **DOWNLOAD** THE COMPLETE MANUAL

- Thank you very much for reading the preview of the manual.
- You can download the complete manual from: www.heydownloads.com by clicking the link below



- Please note: If there is no response to CLICKING the link, please download this PDF first and then click on it.

CLICK HERE TO **DOWNLOAD** THE COMPLETE MANUAL