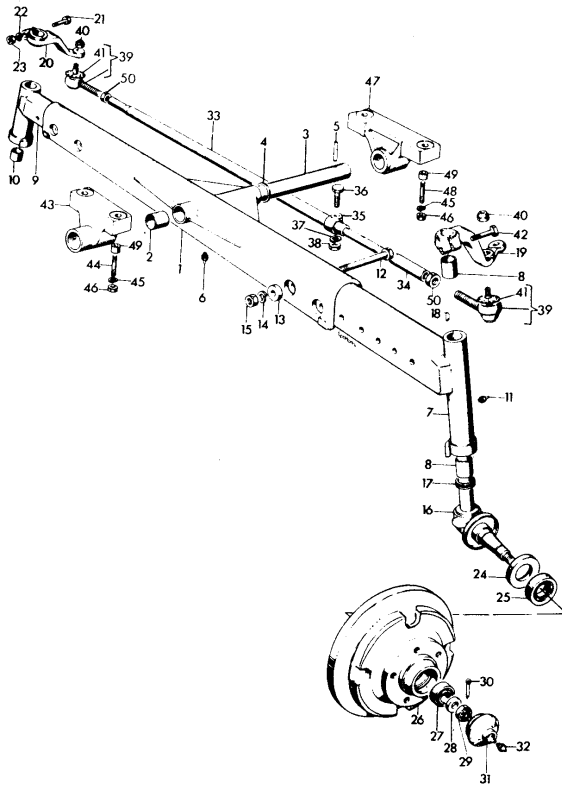


ACCESSORIES AND APPLICATION MISCELLANEOUS

50 8550



FRONT AXLE



- | | | | | |
|----|------------|---|----------------|--------------|
| 1 | 1424488M91 | | 1 | FRONT AXLE |
| 2 | 1423636M1 | ! | 1 | BUSH |
| 3 | 1423630M1 | ● | 1423630M2 (1) | 1 CLEVIS PIN |
| 4 | 1423631M1 | | | 2 PRESSURE W |
| 5 | 390949X1 | | | 1 PIN |
| 6 | 339608X1 | | | 1 GREASER |
| 7 | 1424591M91 | ◀ | | 1 SUPPORT |
| 8 | 975208M1 | ! | 7 | 2 BUSH |
| 9 | 1424592M91 | ▶ | | 1 SUPPORT |
| 10 | 975208M1 | ! | 9 | 2 BUSH |
| 11 | 339608X1 | | | 1 GREASER |
| 12 | 339616X1 | | | 4 BOLT |
| 13 | 1822489M91 | ● | 1822489M1 (4) | 4 WASHER |
| 14 | 391414X1 | | | 4 WASHER |
| 15 | 1440202X1 | | | 4 NUT BSF |
| 16 | 1424578M93 | ● | 1424578M94 (2) | 2 BALL JOINT |
| 17 | 392060X1 | | | 2 BUSH |
| 18 | 393116X1 | | | 2 KEY |
| 19 | 1424974M1 | ● | 1424974M2 (1) | 1 LEVER |
| 20 | 1424584M1 | ● | 1424584M2 (1) | 1 LEVER |
| 21 | 390690X1 | ● | 3015045X1 (1) | 1 BOLT |
| 22 | 1440315X1 | | | 1 WASHER |
| 23 | 1440200X1 | | | 1 NUT BSF |
| 24 | 394014X1 | | | 2 RING |
| 25 | 339394X1 | | | 2 BEARING |
| 26 | 1423654M2 | | | 2 HUB |
| 27 | 339393X1 | | | 2 BEARING |
| 28 | 3304452M1 | | | 2 DISC |

CLICK HERE TO **DOWNLOAD** THE COMPLETE MANUAL

- Thank you very much for reading the preview of the manual.
- You can download the complete manual from: www.heydownloads.com by clicking the link below



- Please note: If there is no response to CLICKING the link, please download this PDF first and then click on it.

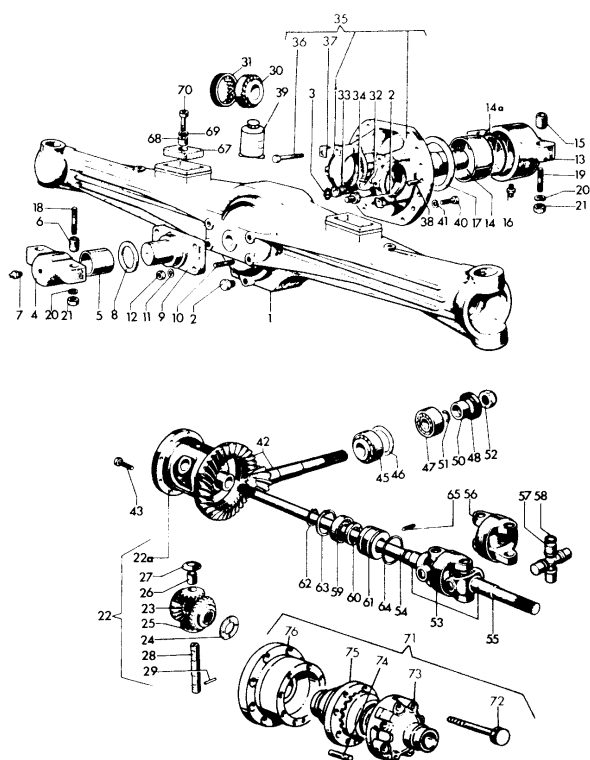
CLICK HERE TO **DOWNLOAD** THE COMPLETE MANUAL

ACCESSORIES AND APPLICATION MISCELLANEOUS

50 8550



FRONT AXLE



63	1440479X1		2	CIRCLIP	
64	3019924X1		2	O RING	
65	3000021X1		2	SCREW	
67	1424837M1	●	3543387M1 (2)	2	PAD
		⊖	2251753		
67	3302343M3	●	3309152M1 (2)	2	PAD
		⊖	2251754		
68	1424838M1		2	SPACER	
69	390734X1		2	WASHER	
70	390580X1		2	SCREW	
71	3426071M93	C	1	HOUSING	
72	1442901X1	! 71	8	SCREW	
		C			
73	3426073M2	! 71	1	HOUSING	
		C			
74	3426075M2	! 71	2	PIN	
		C			
75	3426074M92	! 71	1	DIFFERENTIAL	
		C			
76	3426072M3	! 71	1	HOUSING	
		C			

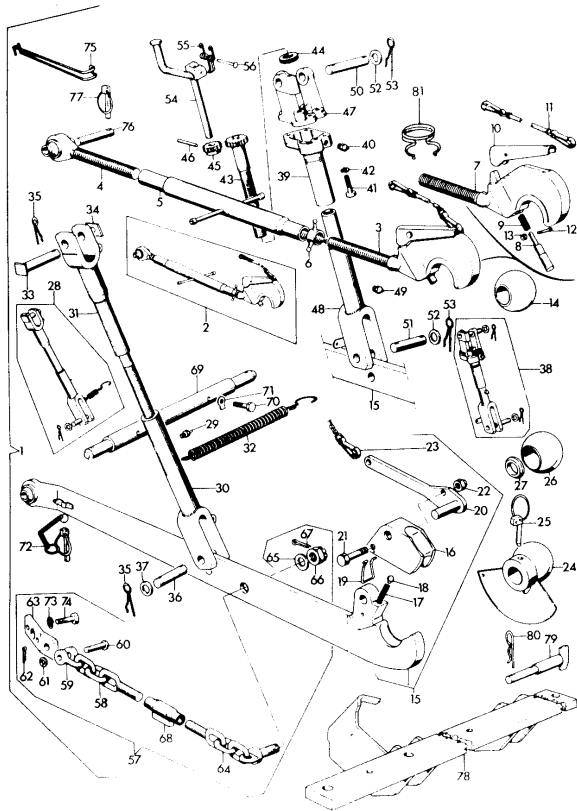
! THIS IS A COMPONENT OF AN ASSEMBLY
 ➔ FROM SERIAL OR ENGINE NUMBER
 ➞ UP TO SERIAL OR ENGINE NUMBER
 A SERIAL NUMBER FRONT AXLE
 X SHIM
 B USED WITHOUT AUTOMATIC DIFFERENTIAL LOCK
 C USED ONLY WITH AUTOMATIC DIFFERENTIAL LOCK
 ■ NUMBER OF TEETH/SPLINES

ACCESSORIES AND APPLICATION MISCELLANEOUS

50 8550



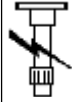
LINKAGE CAT. II



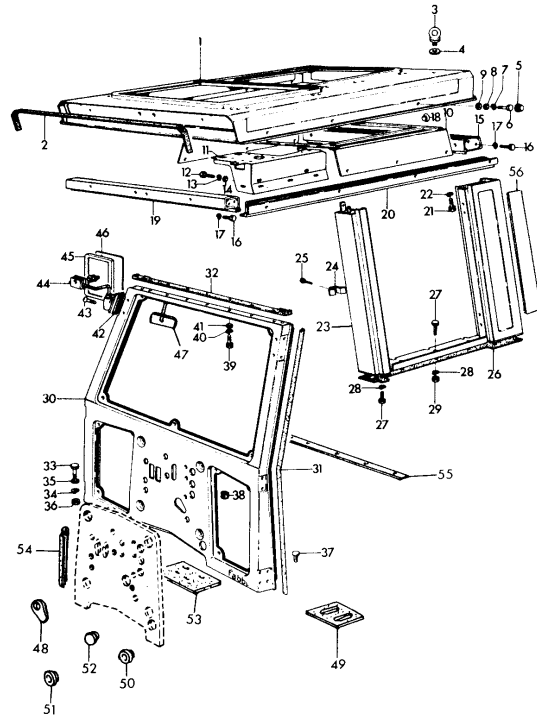
- | | | | | | |
|----|------------|---|----------------|---|----------|
| 71 | 394990X1 | ● | N.L.A. (2) | 2 | WASHER |
| | | ! | 1 | | |
| 72 | 1825417M91 | ! | 1 | 4 | RETAINER |
| 73 | 391414X1 | | | 4 | WASHER |
| 74 | 390419X1 | | | 4 | BOLT |
| 75 | 1426070M1 | | | 1 | SUPPORT |
| 76 | 1825297M1 | | | 1 | PIN |
| 77 | 3304172M91 | ● | 1426056M91 (1) | 1 | RETAINER |
| 78 | 3303238M91 | ● | 3303238M92 (1) | 1 | BAR |
| | | ⊕ | | | |
| 78 | 3306432M2 |) | | 1 | BAR |
| | | ⊕ | | | |
| | | ⊕ | | | |
| 78 | 829032M1 | ● | 3306432M2 (1) | 1 | BAR |
| | | ⊕ | | | |
| | | ⊕ | | | |
| 79 | 3304183M1 | | | 2 | PIN |
| 80 | 1433140M1 | | | 2 | RETAINER |
| 81 | 3304813M1 | | | 2 | SPRING |

ACCESSORIES AND APPLICATION MISCELLANEOUS

50 8550



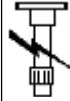
CAB



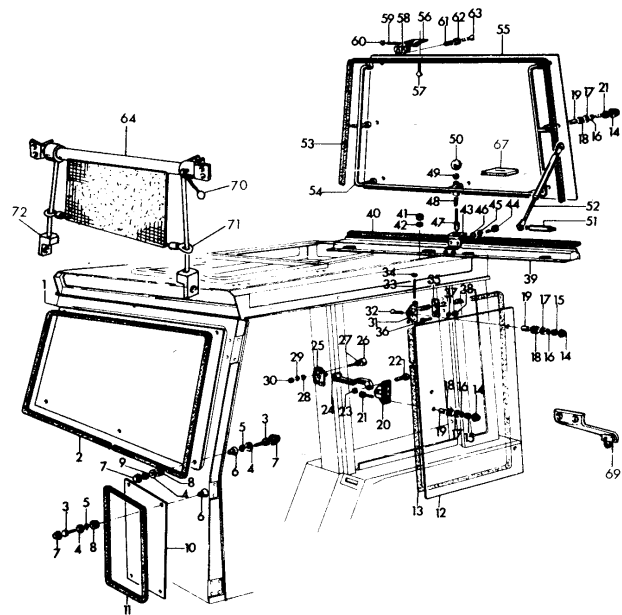
19	3301797M91	▶	1250597/2252615	1	SUPPORT
19	3302697M91	●	N.L.A. (1)	1	SUPPORT
		▶	1250598/2252616		
20	3301790M91	▶		1	SUPPORT
20	3301794M91	●	N.L.A. (1)	1	SUPPORT
		▶			
21	1442601X1			6	BOLT
22	1440315X1			6	WASHER
23	3301770M91	▶	398	1	KIT
		▶	C		
23	3301782M91	●	N.L.A. (1)	1	SUPPORT
		▶	398		
23	3306116M91	●	3306118M91 (1)	1	FRAME
		▶	399		
23	3306117M91	●	3306119M91 (1)	1	PANEL
		▶	399		
		▶	C		
24	3301780M1			4	CLAMP
25	392831X1			4	SCREW
26	3301781M1	●	1687436M1 (1)	1	GASKET
		▶			
26	3301788M1	●	1687437M1 (1)	1	GASKET
		▶			
27	1442601X1			16	BOLT
28	1440315X1			16	BOLT
29	1441344X1			16	NUT BSF
30	3301862M91	●	N.L.A. (1)	1	FRAME
31	3301885M1			2	GASKET
32	3301886M1			1	GASKET

ACCESSORIES AND APPLICATION MISCELLANEOUS

50 8550



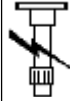
CAB



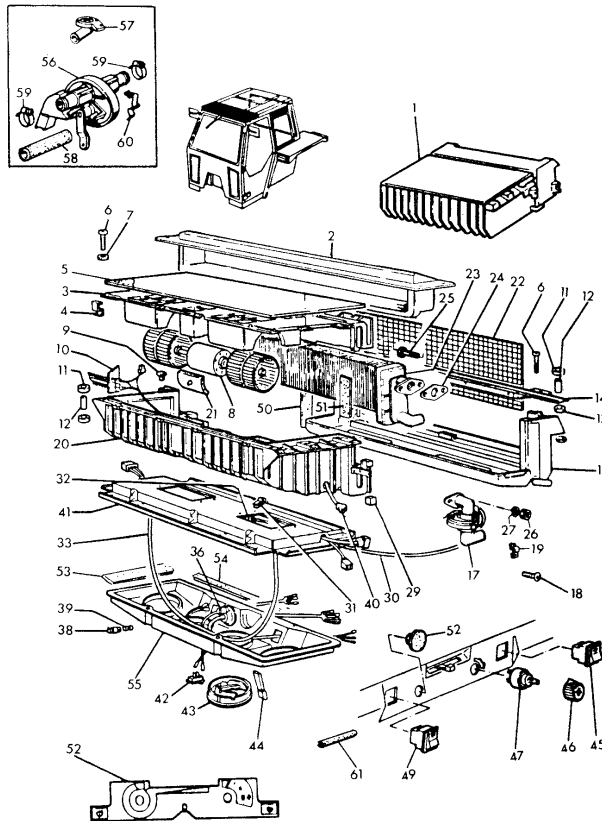
- | | | | | | |
|----|------------|---|-----------------|----|------------|
| 12 | 3301812M2 | ▶ | | 1 | GLASS |
| 13 | 3301810M1 | ◀ | A | 1 | GASKET |
| 13 | 3301813M1 | ▶ | | 1 | GASKET |
| 14 | 3301571M1 | | | 13 | CAP |
| 15 | 339169X1 | ● | 394367X1 (8) | 8 | NUT BSF |
| 16 | 1440313X1 | ● | 339374X1 (13) | 13 | WASHER |
| 17 | 3301745M1 | ● | 391039X1 (13) | 13 | WASHER |
| 18 | 3301815M1 | ● | 3555532M1 (13) | 13 | GROMMET |
| 19 | 3301814M2 | | | 13 | SPACER |
| 20 | 3301821M1 | | | 4 | HINGE |
| 21 | 339761X1 | | | 5 | SCREW |
| 22 | 3301822M1 | | | 2 | CLEVIS PIN |
| 23 | 1440522X1 | | | 2 | CLIP |
| 24 | 3301819M1 | ◀ | | 1 | HANDLE |
| 24 | 3301820M1 | ▶ | | 1 | HANDLE |
| 25 | 3301816M92 | | | 2 | GUARD |
| 26 | 1427090M1 | ● | 1427090M2 (4) | 4 | GUARD |
| 27 | 339123X1 | | | 4 | SCREW |
| 28 | 390972X1 | | | 4 | WASHER |
| 29 | 1440313X1 | ● | 339374X1 (4) | 4 | WASHER |
| 30 | 339169X1 | ● | 394367X1 (4) | 4 | NUT BSF |
| 31 | 3301222M1 | | | 4 | HINGE |
| 32 | 3009442X1 | | | 4 | SCREW |
| 33 | 3301941M1 | ➔ | 1250763/2253803 | 4 | CLEVIS PIN |
| 33 | 3385322M1 | ➔ | 1250764/2253804 | 4 | PIN |
| 34 | 1440522X1 | ➔ | 1250763/2253803 | 8 | CLIP |

ACCESSORIES AND APPLICATION MISCELLANEOUS

50 8550



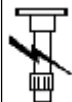
CAB



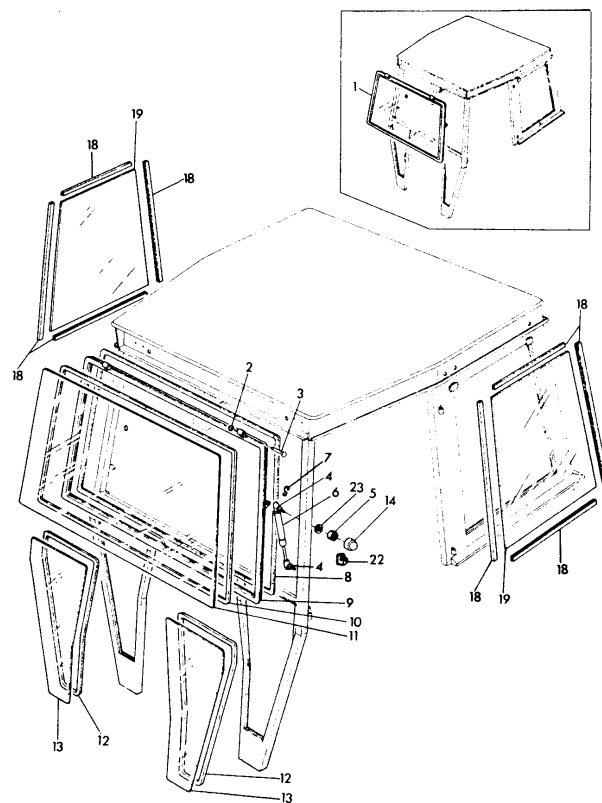
1	3301746M93	●	N.L.A. (1)	1	HEATER
2	3302173M91	●	N.L.A. (1)	1	HOUSING
		!	1		
3	3304509M92	!	1	1	HOUSING
4	3302175M1	!	1	4	SPRING
5	3302176M1	!	1	1	GASKET
6	3001254X1	●	3015126X1 (14)	14	KIT
		!	1		
7	390353X1	!	1	10	WASHER
8	3302177M91	●	3310484M91 (1)	1	FAN
		!	1		
9	3302178M1			14	BUTTON
10	3304510M92	!	1	1	RESISTOR
11	1427611M1	!	1	6	RING
12	1427612M1	●	N.L.A. (6)	6	SPACER
		!	1		
13	3302180M1	!	1	2	SPACER
14	3302181M91	!	1	1	SUPPORT
15	3302182M94	!	1	1	HOUSING
17	3310775M91	●	3541571M91 (1)	1	COCK
		!	3556299M1 (1)		
			1		
18	3005686X1	!	1	1	SCREW
19	3530578M1	●	N.L.A. (1)	1	STRAP
		!	1		
20	3304513M92	!	1	1	HOUSING
21	3302187M1	●	N.L.A. (3)	3	GROMMET
		!	1		
			D		
21	3310485M1	!	1	3	GROMMET
			E		
22	3304514M91	!	1	1	FILTER
23	3310774M92	!	1	1	RADIATOR

ACCESSORIES AND APPLICATION MISCELLANEOUS

50 8550



CAB

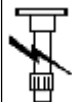


- | | | | | | |
|----|------------|---|-----------------|---|-----------|
| 1 | 3101840M91 | ● | N.L.A. (1) | 1 | GLASS |
| 2 | 1440988X1 | | | 2 | CLIP |
| 3 | 3188617M1 | | | 2 | PIN |
| 4 | 3188616M1 | | | 4 | UNIVERSAL |
| 5 | 339169X1 | ● | 394367X1 (2) | 2 | NUT BSF |
| 6 | 3101831M1 | | | 2 | DAMPER |
| 7 | 3101832M1 | ● | 3615737M1 (2) | 2 | RETAINER |
| 8 | | ! | 1 | 1 | GASKET |
| | | ▣ | 365CM 3101893M1 | | |
| 9 | 3101839M1 | ! | 1 | 1 | FRAME |
| 10 | 3101841M1 | ! | 1 | 1 | GASKET |
| 11 | 3101829M1 | ● | N.L.A. (1) | 1 | GLASS |
| | | ! | 1 | | |
| 12 | 3101843M1 | | | 2 | GASKET |
| 13 | 3101827M1 | | | 2 | GLASS |
| 14 | 3188605M1 | | | 4 | GUARD |
| 18 | 3101850M1 | ● | N.L.A. (1) | 1 | GASKET |
| | | ▲ | | | |
| 18 | 3101851M1 | ▼ | | 1 | GASKET |
| 19 | 3101826M1 | ● | N.L.A. (2) | 2 | GLASS |
| 22 | 3101866M1 | | | 2 | STOP |
| 23 | 1717194M1 | | | 2 | WASHER |

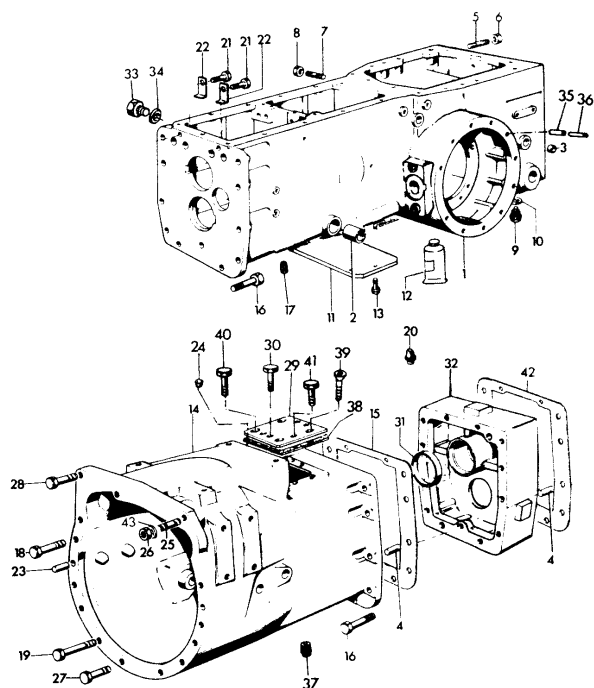
- ! THIS IS A COMPONENT OF AN ASSEMBLY
 ▣ NOT SERVICED, ORDER
 ▲ LEFT HAND
 ▼ RIGHT HAND

ACCESSORIES AND APPLICATION MISCELLANEOUS

50 8550



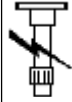
CENTRE AXLE HOUSING AND TRANSMISSION HOUSING



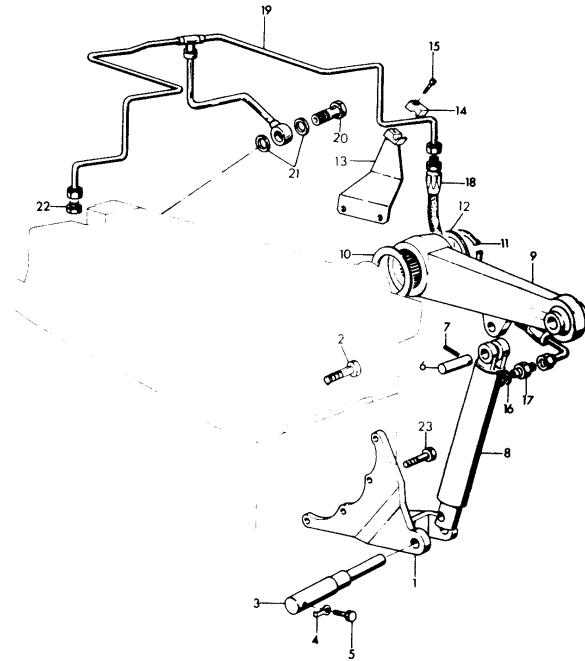
31	1427265M1	C	1	BUSH
32	1427264M2	C #D M #D	1	FLANGE
32	3305070M1	B	1	FLANGE
32	3307289M1	C #D G #D	1	FLANGE
33	392798X1	➔ 1250476/2250798	1	PLUG
34	1444746X1	➔ 1250476/2250798	1	RING
35	3306538M1	● 392764X1 (2) A 1250476/2250798 E 1250476/2250798	2	DOWEL
35	392764X1	E 1250476/2250798 P 1250476/2250798	2	DOWEL
36	339055X1	E 1250476/2250798 P 1250476/2250798	2	DOWEL
36	339307X1	● 339055X1 (2) A 1250476/2250798 E 1250476/2250798	2	PIN
37	3305043M1	B	1	UNIVERSAL
38	3305043M1	B	1	UNIVERSAL
39	1441456X1	B	1	SCREW
40	339139X1	B	3	SCREW
41	339761X1	B	1	SCREW
42	1824657M3	B	1	GASKET
43	390734X1	Q	1	WASHER
43	390735X1	R	1	WASHER

ACCESSORIES AND APPLICATION MISCELLANEOUS

50 8550



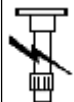
CYLINDER FOR HYDRAULIC LIFT



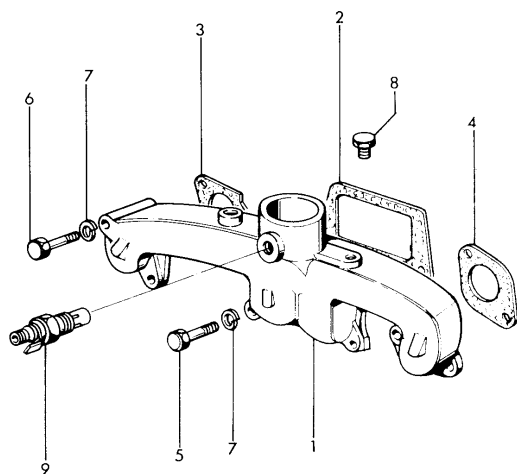
- | | | | | | |
|----|------------|---|----------------|---|------------|
| 1 | 3303141M91 | ◀ | | 1 | SUPPORT |
| 1 | 3303142M91 | ▶ | | 1 | SUPPORT |
| 1 | 3305006M91 | ◀ | | 1 | SUPPORT |
| | | | A | | |
| 1 | 3305007M91 | ▶ | | 1 | SUPPORT |
| | | | A | | |
| | | | A | | |
| 2 | 3000253X1 | | | 8 | BOLT |
| 2 | 391198X1 | | | 8 | SCREW |
| 3 | 3303259M1 | ● | 3303259M2 (2) | 2 | CLEVIS PIN |
| 4 | 394990X1 | ● | N.L.A. (2) | 2 | PLATE |
| 5 | 339018X1 | | | 2 | BOLT |
| 6 | 3302104M1 | ● | 3656560M1 (1) | 1 | PIN |
| 7 | 1441805X1 | | | 1 | PIN |
| 8 | | ◇ | 184 | 1 | CYLINDER |
| 9 | 3303262M92 | ▶ | | 1 | ARM |
| 9 | 3303275M92 | ◀ | | 1 | ARM |
| 10 | | ◇ | 160 | 2 | RING |
| 11 | | ◇ | 160 | 2 | CIRCLIP |
| 12 | | ◇ | 160 | 2 | SPACER |
| 13 | 3302430M91 | ● | 3534711M91 (1) | 1 | SUPPORT |
| | | ▶ | | | |
| 13 | 3302431M91 | ● | 3308658M91 (1) | 1 | SUPPORT |
| | | ▲ | | | |
| 14 | 3300924M1 | | | 2 | CLAMP |
| 15 | 395579X1 | | | 2 | SCREW |
| 16 | 1442936X1 | | | 2 | GASKET |
| 17 | 1426284M1 | | | 1 | UNION |
| 18 | 1425954M91 | | | 1 | HYDR HOSE |
| 19 | 3307459M91 | | | 1 | PIPE |
| 20 | 392884X1 | | | 1 | BOLT |
| 21 | 3007189X1 | | | 2 | GASKET |

ACCESSORIES AND APPLICATION MISCELLANEOUS

50 8550



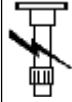
INDUCTION MANIFOLD



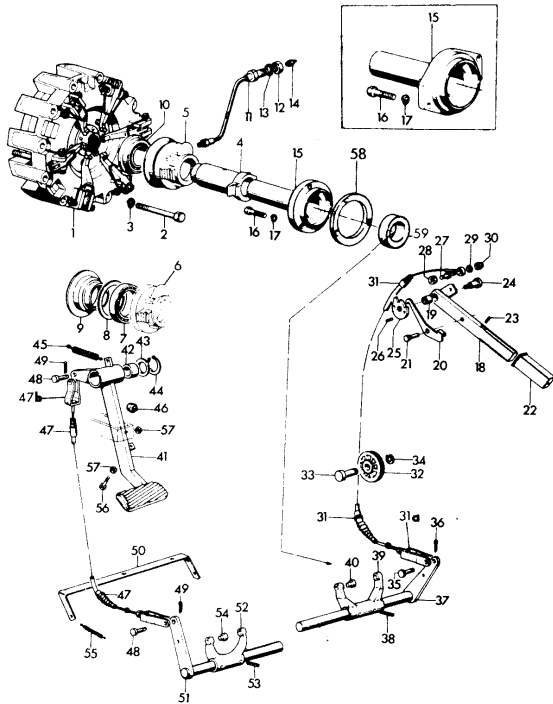
- | | | | | | |
|---|----------|---|--------------|---|-----------|
| 1 | 3777E013 | ● | 3777E018 (1) | 1 | MANIFOLD |
| | | ● | 3777E011 | | |
| 2 | 36862133 | ● | 36862209 (1) | 1 | UNIVERSAL |
| 3 | 36862131 | ● | 36862208 (1) | 1 | UNIVERSAL |
| 4 | 36866462 | ● | 36866472 (1) | 1 | UNIVERSAL |
| 5 | 0096439 | | | 1 | BOLT |
| 6 | 0746424 | | | 5 | BOLT |
| 7 | 0920054 | | | 6 | WASHER |
| 8 | 2431A054 | ● | 0650586 (1) | 1 | PLUG |
| | | ● | 0650586 | | |
| | | | A | | |
| 9 | | ◊ | 26 | 1 | HEATER |
- REPAIRS AND REPLACES
- ◊ SEE PAGE - REFERENCE NUMBER
- A USED ONLY WITH 3777E013 AND 37787443. NOT REQUIRED WITH 3777E011

ACCESSORIES AND APPLICATION MISCELLANEOUS

50 8550



CLUTCH CONTROL



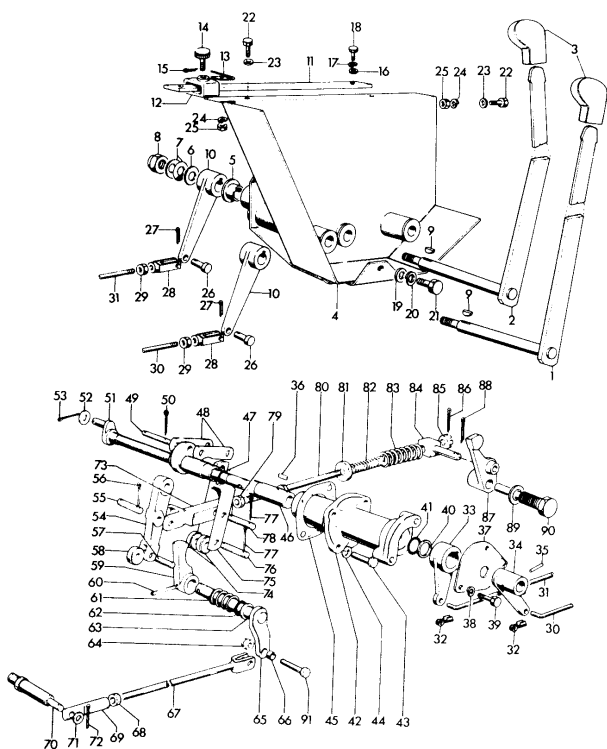
- | | | | | |
|----|------------|---|---|------------|
| 23 | 1821734M1 | | 2 | SPRING |
| 24 | 1427403M1 | | 1 | CLEVIS PIN |
| 25 | 1427400M1 | | 1 | PLATE |
| 26 | 394106X1 | ● 1440399X1 (1) | 1 | DOWEL |
| 27 | 1427402M1 | | 1 | CLEVIS PIN |
| 28 | 392364X1 | ● 339186X1 (1) | 1 | NUT BSF |
| 29 | 390971X1 | | 1 | WASHER |
| 30 | 1441500X1 | | 1 | LOCKNUT |
| 31 | 1427397M93 | | 1 | FORK |
| 31 | 3304522M1 | ! 31
ITEM 31A | 1 | CABLE |
| 32 | 1427404M1 | | 1 | PULLEY |
| 33 | 1427405M1 | | 1 | PIN |
| 34 | 339069X1 | | 1 | CIRCLIP |
| 35 | 392434X1 | | 1 | PIN |
| 36 | 1442993X1 | | 1 | PIN |
| 37 | 1427395M91 | ● 3534204M92 (2)
393361X1 (1)
3534199M3 (1) | 1 | SHAFT |
| 38 | 394131X1 | | 2 | PIN |
| 39 | 1423476M1 | ● N.L.S. (1) | 1 | FORK |
| 40 | 973144M1 | | 2 | PIN |
| 41 | 1427406M92 | ● 1427406M93 (1) | 1 | PEDAL |
| 42 | 1425819M2 | ! 41 | 3 | BUSH |
| 43 | 1423609M1 | | 1 | WASHER |
| 44 | 1440477X1 | ● 392758X1 (2) | 2 | CIRCLIP |
| 45 | 1425298M1 | ➔ 12500278/22500896 | 1 | SPRING |
| 45 | 1680157M2 | ➔ 12500279/22500897 | 1 | SPRING |

ACCESSORIES AND APPLICATION MISCELLANEOUS

50 8550



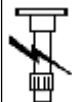
LIFT CONTROL



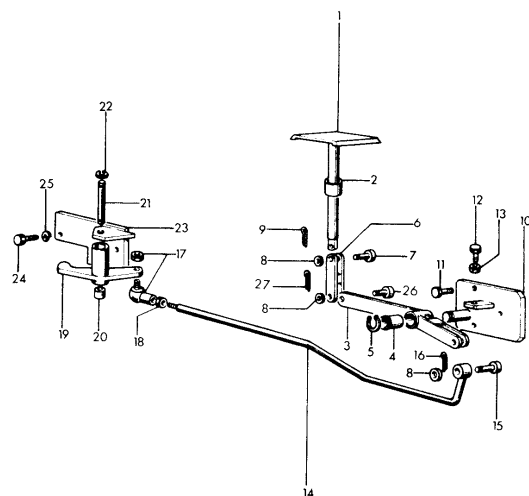
- | | | | | |
|----|------------|--|---|---------|
| 1 | 1427629M91 | | 1 | LEVER |
| 2 | 1427635M91 | ● 3002104X1 (1)
3532950M91 (1)
3647007M3 (1) | 1 | LEVER |
| 3 | 1427634M1 | ● 3647007M3 (2) | 2 | HANDLE |
| 4 | 1427638M91 | ● 3648552M91 (1) | 1 | BEARER |
| 5 | 1427647M1 | ! 4 | 6 | BUSH |
| 6 | 390735X1 | | 2 | WASHER |
| 7 | 392468X1 | | 4 | SPRING |
| 8 | 1440330X1 | | 2 | LOCKNUT |
| 9 | 1440358X1 | | 2 | KEY |
| 10 | 1427637M91 | | 2 | LEVER |
| 11 | 1427648M1 | | 1 | SUPPORT |
| 12 | 1425632M2 | | 1 | RAIL |
| 13 | 1425633M1 | | 1 | SPRING |
| 14 | 1425634M91 | | 1 | KNOB |
| 15 | 1440324X1 | ● 1442956X1 (1) | 1 | PIN |
| 16 | 390972X1 | | 2 | WASHER |
| 17 | 1440313X1 | ● 339374X1 (2) | 2 | WASHER |
| 18 | 339123X1 | | 2 | SCREW |
| 19 | 390734X1 | | 1 | WASHER |
| 20 | 1440314X1 | | 1 | WASHER |
| 21 | 339401X1 | | 1 | SCREW |
| 22 | 339123X1 | | 4 | SCREW |
| 23 | 390972X1 | | 4 | WASHER |
| 24 | 1440313X1 | ● 339374X1 (4) | 4 | WASHER |
| 25 | 339169X1 | ● 394367X1 (4) | 4 | NUT BSF |

ACCESSORIES AND APPLICATION MISCELLANEOUS

50 8550



DIFFERENTIAL



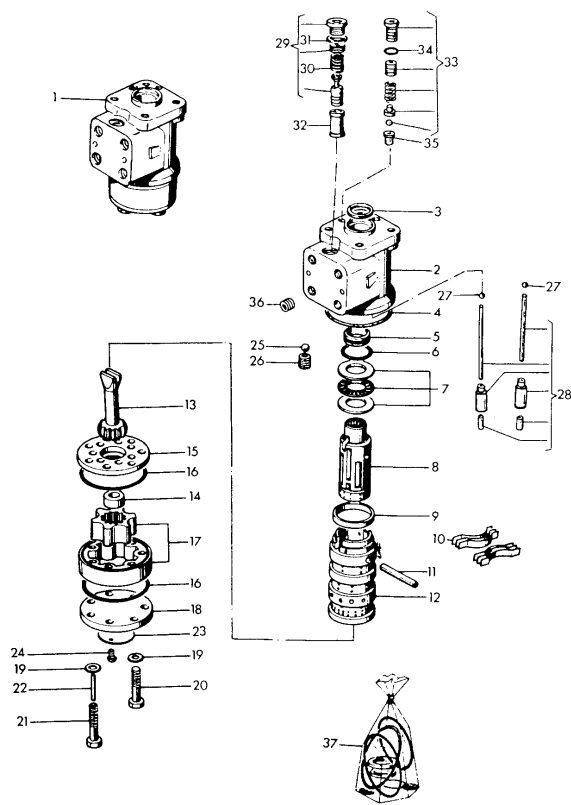
1	3300084M91		1	PEDAL
2	3300082M1		2	BUSH
3	3300085M91		1	LEVER
4	3300174M1	! 3	1	BUSH
5	339069X1		1	CIRCLIP
6	3300086M91	● 1442967X1 (1)	1	FORK
		➔ 3301322M1 (1)		
		392812X1 (1)		
		1250478/2251377		
6	3301322M1	➔ 1250479/2251378	1	LEVER
7	392796X1	● 392790X1 (1)	1	PIN
8	390972X1		3	WASHER
9	392321X1		1	PIN
10	3300087M91		1	SUPPORT
11	339761X1		3	SCREW
12	339337X1		1	SCREW
13	339169X1	● 394367X1 (1)	1	NUT BSF
14	3300088M91		1	ROD
15	392767X1		1	PIN
16	1442034X1		1	PIN
17	392295X1		1	UNIVERSAL
18	392310X1		1	NUT BSF
19	3300089M91		1	LEVER
20	3300175M1	● N.L.A. (2)	2	BUSH
		! 19		
21	3300090M1		1	PIN
22	1440474X1		2	CIRCLIP
23	3300091M91		1	SUPPORT
24	339401X1		2	SCREW
25	1440314X1		2	WASHER
26	392796X1	● 392790X1 (1)	1	PIN
		➔ 1250478/2251377		

ACCESSORIES AND APPLICATION MISCELLANEOUS

50 8550



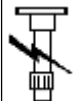
STEERING CONTROL VALVE



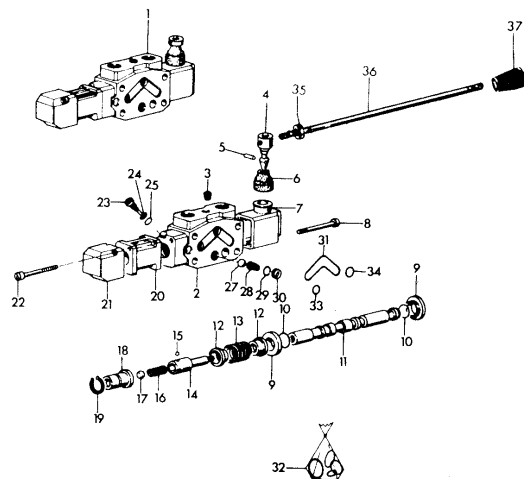
1	3305002M92		1	DISTRIBUTOR
2	!	1	1	BODY
	➡	3305002M92		
3	1887719M1	!	1	SEAL
		Y1		
4	1806314M1	!	1	SEAL
		Y1		
5	1887717M1	!	1	SEAL
		Y1		
6	1887718M1	!	1	SEAL
		Y1		
7	1894414M91	!	1	BEARING
8	!	1	1	VALVE
	➡	3305002M92		
9	1806303M1	!	1	BUSH
10	1894415M1	!	1	SPRING
11	1806310M1	!	1	PIN
12	!	1	1	BODY
	➡	3305002M92		
13	1806416M1	!	1	SHAFT
14	1887732M1	!	1	SPACER
15	1806319M1	!	1	PLATE
16	1806315M1	!	2	SEAL
		Y1		
17	1887733M1	!	1	KIT
18	1806316M1	!	1	CAP
19	1806317M1	!	7	WASHER
		Y1		
20	1887730M1	!	6	SCREW
21	1887727M1	!	1	SCREW
22	1806312M1	!	1	PIN
23	1890402M1	!	1	PLATE
24	1806318M1	!	2	SCREW
25	1806311M1	!	1	BALL

ACCESSORIES AND APPLICATION MISCELLANEOUS

50 8550



AUXILIARY DISTRIBUTOR



- 36 3304489M1 1 SHIFTER
- 37 3304484M1 1 KNOB
- ! THIS IS A COMPONENT OF AN ASSEMBLY
- 👁 SEE PAGE - REFERENCE NUMBER
- 📄 NOT SERVICED, ORDER
- A INCLUDED ON REPAIR KIT 3310879M91

CLICK HERE TO **DOWNLOAD** THE COMPLETE MANUAL

- Thank you very much for reading the preview of the manual.
- You can download the complete manual from: www.heydownloads.com by clicking the link below

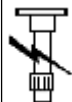


- Please note: If there is no response to CLICKING the link, please download this PDF first and then click on it.

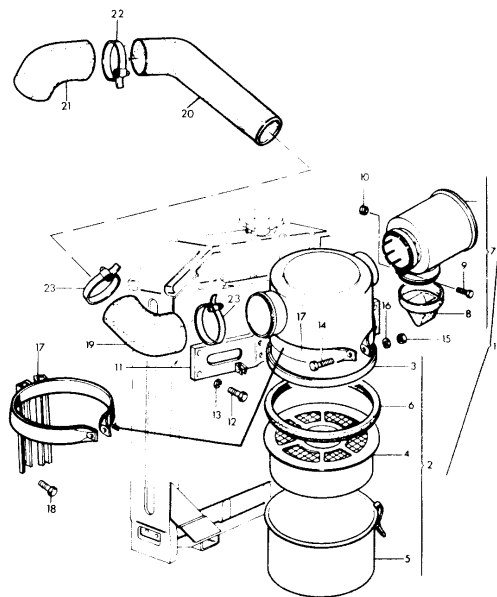
CLICK HERE TO **DOWNLOAD** THE COMPLETE MANUAL

ACCESSORIES AND APPLICATION MISCELLANEOUS

50 8550



WET AIR FILTER



- 22 3307668M91 ● 3307667M91 (2) 2 CLAMP
C
- 22 973063M1 ● N.L.A. (4) 4 CLAMP
B
- 23 3307667M91 C 2 CLAMP

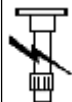
! THIS IS A COMPONENT OF AN ASSEMBLY

B UP TO SERIAL OR ENGINE NUMBER 1250715, 2 WHEEL DRIVE ,
UP TO SERIAL OR ENGINE NUMBER 2253293 25 KM/H, 4 WHEEL
DRIVE , UP TO SERIAL OR ENGINE NUMBER 1250709, 2 WHEEL
DRIVE , UP TO SERIAL OR ENGINE NUMB

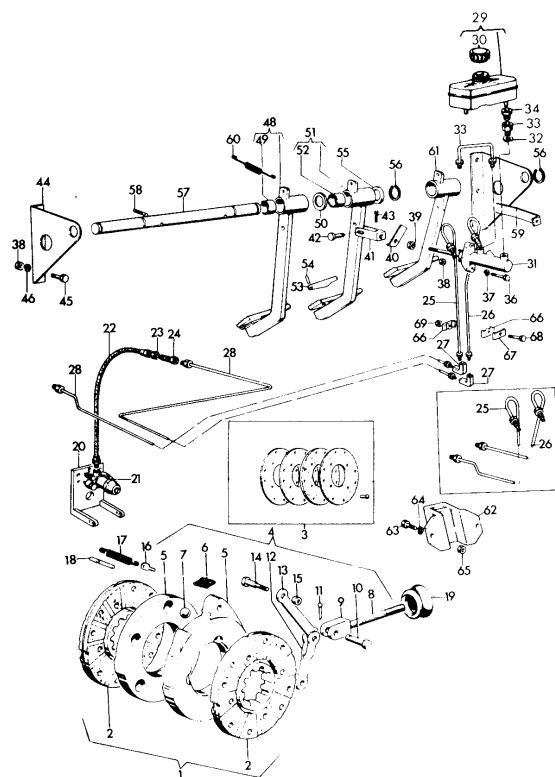
C FROM SERIAL OR ENGINE NUMBER 1250716, 2 WHEEL DRIVE ,
FROM SERIAL OR ENGINE NUMBER 2253294 25 KM/H, 4 WHEEL
DRIVE , FROM SERIAL OR ENGINE NUMBER 1250710, 2 WHEEL
DRIVE , FROM SERIAL OR ENGINE NUMBER 2

ACCESSORIES AND APPLICATION MISCELLANEOUS

50 8550



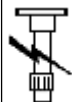
BRAKES



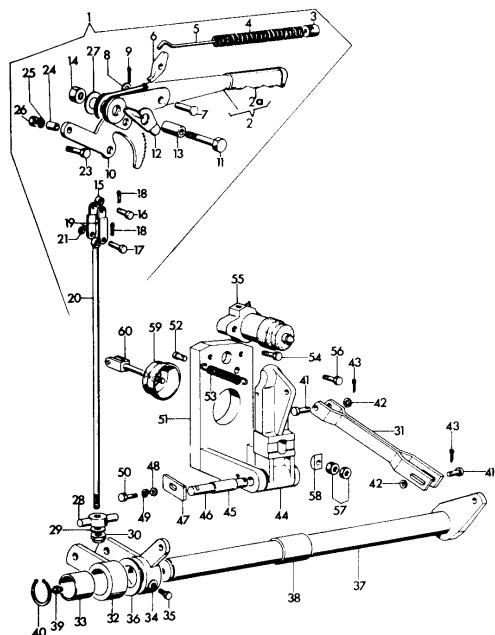
- | | | | | |
|----|------------|------------------|---|---------|
| 39 | 353916X1 | | 2 | NUT UNF |
| 40 | 1425827M1 | | 1 | PLATE |
| 41 | 1427416M1 | | 2 | FORK |
| 42 | 339670X1 | | 2 | PIN |
| 43 | 1442993X1 | | 2 | PIN |
| 44 | 1427414M1 | | 1 | SUPPORT |
| 45 | 339124X1 | | 6 | SCREW |
| 46 | 1440313X1 | ● 339374X1 (6) | 6 | WASHER |
| 48 | 1427410M91 | ● 1427410M93 (1) | 1 | PEDAL |
| 49 | 1425819M1 | ● 1425819M2 (3) | 3 | BUSH |
| | | ! 48 | | |
| 50 | 1425822M1 | | 1 | SPACER |
| 51 | 1427409M91 | ● 1427409M93 (1) | 1 | PEDAL |
| 52 | 1425819M1 | ● 1425819M2 (3) | 3 | BUSH |
| | | ! 51 | | |
| 53 | 1425818M1 | ! 51 | 1 | PLATE |
| 54 | 1442387X1 | ! 51 | 1 | PIN |
| 55 | 1423609M1 | | 1 | WASHER |
| 56 | 392758X1 | | 2 | RING |
| 57 | 1427413M1 | | 1 | SHAFT |
| 58 | 1441739X1 | ● 339248X1 (2) | 2 | PIN |
| 59 | 1427415M91 | | 1 | SUPPORT |
| 60 | 1425298M1 | | 2 | SPRING |
| 61 | | ◊ 72 | 1 | PEDAL |
| 62 | 1425851M91 | | 2 | BEARER |
| 63 | 339451X1 | ● 3015039X1 (2) | 2 | SCREW |
| 64 | 1440314X1 | | 2 | WASHER |
| 65 | 392293X1 | ● 339402X1 (2) | 2 | NUT |

ACCESSORIES AND APPLICATION MISCELLANEOUS

50 8550



HAND BRAKE



- | | | | | |
|----|-----------|--------------|---|------------|
| 48 | 390972X1 | | 2 | WASHER |
| 49 | 339585X1 | | 2 | WASHER |
| 50 | 390379X1 | | 2 | BOLT |
| 51 | | ◊ 106-110 | 2 | SUPPORT |
| 52 | 1427357M1 | | 2 | PIN |
| 53 | 1427356M1 | | 2 | SPRING |
| 54 | 390580X1 | | 4 | SCREW |
| 55 | | ◊ 126-128 | 2 | BRAKE CYLI |
| 56 | 1442692X1 | | 4 | BOLT |
| 57 | 1441344X1 | | 4 | NUT BSF |
| 58 | 981972M1 | ● N.L.A. (2) | 2 | CHOCK |
| 59 | | ◊ 106-110 | 2 | GUARD |
| 60 | | ◊ 106-110 | 2 | ROD |

! THIS IS A COMPONENT OF AN ASSEMBLY

◊ SEE PAGE - REFERENCE NUMBER

C UP TO SERIAL OR ENGINE NUMBER 1250667, 2 WHEEL DRIVE ,
UP TO SERIAL OR ENGINE NUMBER 2252892 25 KM/H, 4 WHEEL
DRIVE , UP TO SERIAL OR ENGINE NUMBER 12500068, 2 WHEEL
DRIVE , UP TO SERIAL OR ENGINE NUM

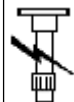
E FROM SERIAL OR ENGINE NUMBER 1250668, 2 WHEEL DRIVE ,
FROM SERIAL OR ENGINE NUMBER 2252893 25 KM/H, 4 WHEEL
DRIVE , FROM SERIAL OR ENGINE NUMBER 12500069, 2 WHEEL
DRIVE , FROM SERIAL OR ENGINE NUMBER

◄ LEFT HAND

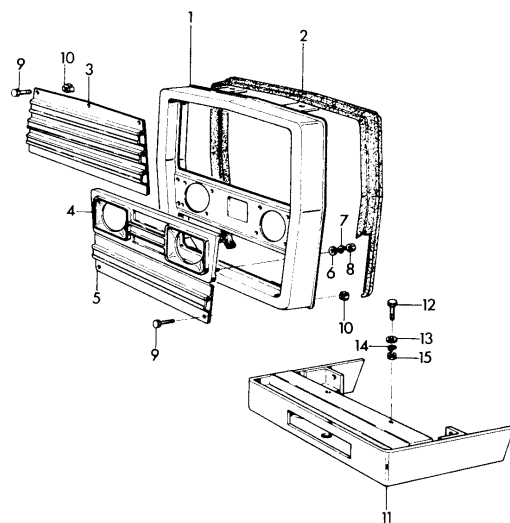
► RIGHT HAND

ACCESSORIES AND APPLICATION MISCELLANEOUS

50 8550



HARDNOSE AND GRILLES



12	339017X1	●	339814X1 (2)	2	BOLT
13	3301118M1	➔	1250521/2251791	2	PRESSURE W
			B		
13	390734X1	➔	1250520/2251790	2	WASHER
			A		
14	1440314X1			2	WASHER
15	392293X1	●	339402X1 (2)	2	NUT
		➔	1250520/2251790		
			A		



FROM SERIAL OR ENGINE NUMBER



UP TO SERIAL OR ENGINE NUMBER

A

FROM SERIAL OR ENGINE NUMBER 2251799 - 22517805, FROM SERIAL OR ENGINE NUMBER 2251808 - 2251815

B

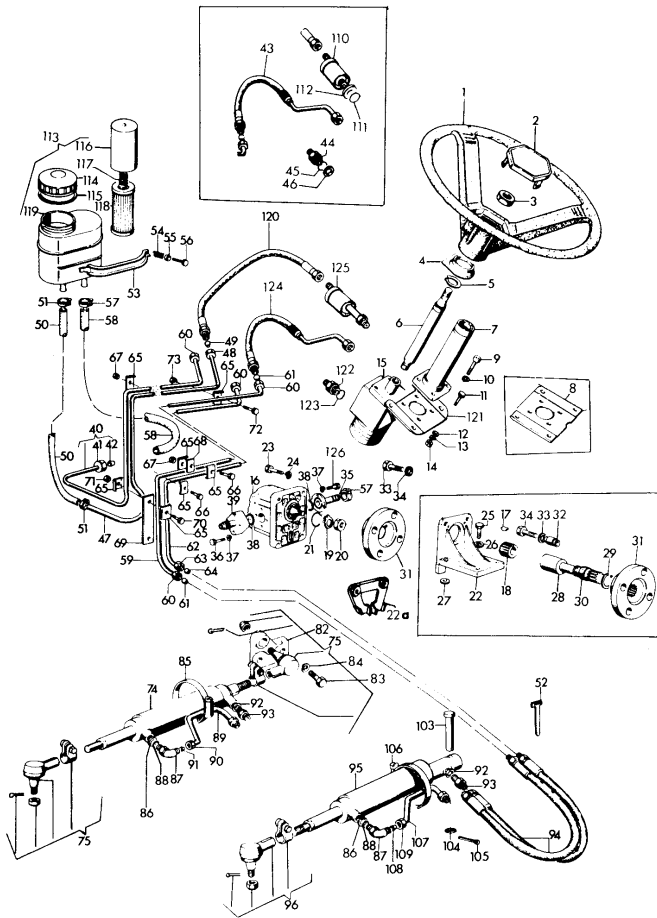
EXCLUDED SERIAL NUMBER FROM 2251799 TO 22517805 INCLUDED AND FROM 2251808 TO 2251815 INCLUDED

ACCESSORIES AND APPLICATION MISCELLANEOUS

50 8550



STEERING HYDRAULIC EQUIPMENT



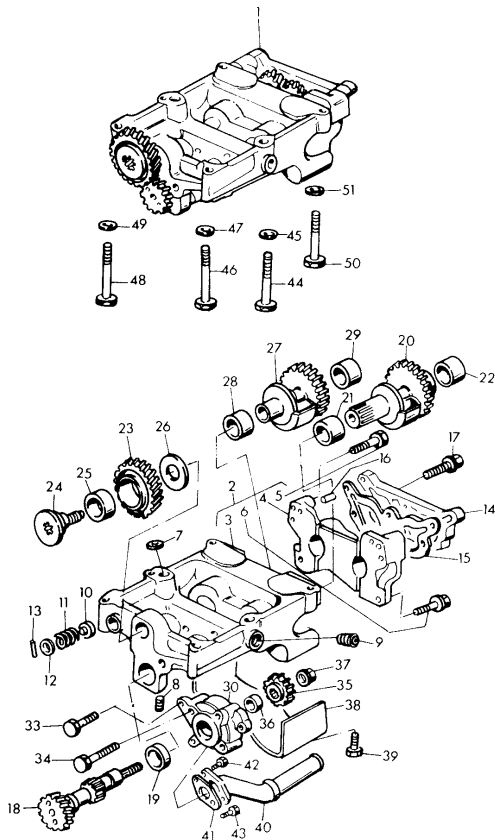
- | | | | | | |
|----|------------|---|-----------------|---|--------------|
| 37 | 391130X1 | ● | 339375X1 (8) | 8 | WASHER |
| | | | A | | |
| 38 | 1441115X1 | ● | 851258M1 (2) | 2 | O RING |
| | | | A | | |
| 38 | 3019914X1 | | B | 2 | RING |
| 39 | 1424961M1 | | A | 1 | FLANGE |
| 39 | 3307752M1 | | B | 1 | FLANGE |
| 40 | 3300504M91 | ● | N.L.A. (1) | 1 | LEAD |
| | | | A | | |
| 40 | 3307774M91 | ● | 3533083M91 (1) | 1 | EXHAUST PIPE |
| | | | 3540254M91 (1) | | |
| | | | B | | |
| 41 | 195960M1 | ! | 40 | 1 | NUT |
| 42 | 1426846M1 | ! | 40 | 2 | OLIVE |
| 43 | 3300508M91 | ➔ | 1250767/2253983 | 3 | PIPE |
| 44 | 3300676M91 | ● | 3300676M93 (3) | 3 | UNION |
| | | ➔ | 1250767/2273983 | | |
| 45 | 1443243X1 | ● | 1442477X1 (3) | 3 | GASKET |
| | | | 44 | | |
| 46 | 1426743M1 | ! | 44 | 3 | WASHER |
| 47 | 3300507M91 | ● | N.L.A. (1) | 1 | EXHAUST PIPE |
| 48 | 195960M1 | ! | 47 | 1 | NUT |
| 49 | 1426846M1 | ! | 47 | 1 | NUT |
| 50 | 3300678M1 | | | 1 | PIPE |
| 51 | 394300X1 | ● | 3530490M91 (2) | 2 | CLAMP |
| 52 | 395515X1 | ● | 3533937M1 (1) | 1 | CLAMP |
| 53 | 3300128M1 | | | 1 | CLAMP |
| 54 | 1860174M1 | | | 1 | SPRING |
| 55 | 390971X1 | | | 1 | WASHER |
| 56 | 392526X1 | | | 1 | BOLT |
| 57 | 394299X1 | | | 2 | CLAMP |

ACCESSORIES AND APPLICATION MISCELLANEOUS

50 8550



BALANCER UNIT



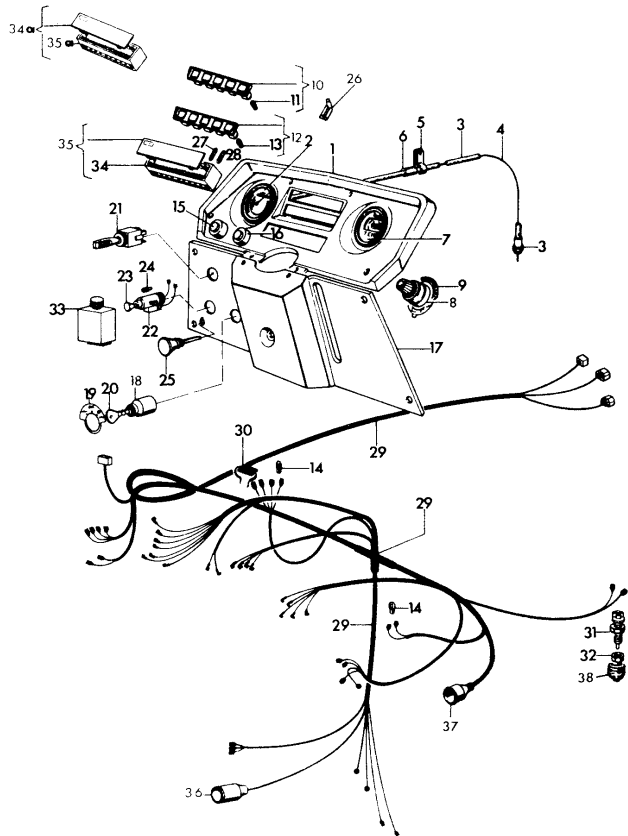
24	3212T003	●	2314J606 (1)	1	HUB
		!	33451804 (1)		
			1		
25	2551A201	!	1	1	BEARING NE
26	3321A002	!	1	1	WASHER
27	3116K004	!	1	1	WEIGHT
28	2511A730	!	1	1	BUSH
29	2511A730	!	1	1	BUSH
30	4132F014	●	4132F041 (1)	1	OIL PUMP
		!	1		
33	2315C053	●	2314H006 (1)	1	SCREW
		!	1		
34	2315C059	●	2314H012 (2)	2	SCREW
		!	1		
35	3116W001	!	1	1	GEAR
36	2551A014	!	1	1	BEARING NE
37	3348Y001	!	1	1	NUT
38	3661M005	●	3661K001 (1)	1	COVER
		!	1		
39	2314C034	!	1	4	SCREW
40	3764E031	●	2314H007 (1)	1	PIPE
		→	2314H013 (1)		
			2415A047 (1)		
			4134E037 (1)		
			U923015K		
40	3764V012	!	1	1	PIPE
		→	U923014K		
41	3683L002	●	3683L005 (1)	1	UNIVERSAL
		!	1		
		→	U923014K		
42	2315C053	●	2314H006 (1)	1	SCREW
		→	U923015K		
42	2315C053	●	2314H006 (1)	1	SCREW
		!	1		
		→	U923014K		

ACCESSORIES AND APPLICATION MISCELLANEOUS

50 8550



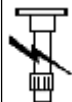
INSTRUMENT PANEL



- | | | | | | |
|----|------------|---|------------------|----|------------|
| 19 | 3302035M1 | ● | 3302035M2 (1) | 1 | DECAL |
| | | ➔ | 1250457/2251084 | | |
| 20 | 3305190M91 | | | 1 | KEY |
| 21 | 1424108M92 | | | 1 | SWITCH |
| 22 | 1437433M91 | ● | 3304480M91 (1) | 1 | LIGHTER |
| 23 | | ! | 22 | 1 | LIGHTER |
| | | ➔ | 1437433M91 | | |
| 24 | 1453781M1 | | | 1 | BULB |
| 25 | | ◇ | 54 | 1 | CABLE |
| 26 | 3220048M1 | ● | 3536709M1 (1) | 1 | KEY |
| | | | A | | |
| 27 | 973561M3 | | | 10 | FUSE |
| 28 | 1426123M1 | | | 3 | FUSE |
| 29 | 3300539M91 | ● | 3308330M93 (1) | 1 | HARNESS |
| | | ➔ | 3536709M1 (1) | | |
| | | | 1250724/22500662 | | |
| 29 | 3308330M91 | ● | 3308330M93 (1) | 1 | HARNESS |
| | | ➔ | 1250725/22500663 | | |
| 30 | 1427348M1 | ! | 29 | 1 | RESISTOR |
| 31 | 1424104M92 | C | | 3 | COMMUTATOR |
| 32 | 339252X1 | ! | 31 | 3 | NUT BSF |
| | | | C | | |
| 33 | 3300536M91 | ● | 3300536M92 (1) | 1 | BLINKER |
| 34 | 3300538M91 | ● | 3305201M91 (1) | 1 | FUSE BOX |
| 34 | 3530025M91 | ● | 3300568M91 (1) | 1 | WORK LIGHT |
| | | | ITEM 34A | | |
| 35 | 3301621M1 | ! | 34 | 1 | COVER |
| 35 | 3530026M1 | ! | ITEM 35A | 1 | COVER |

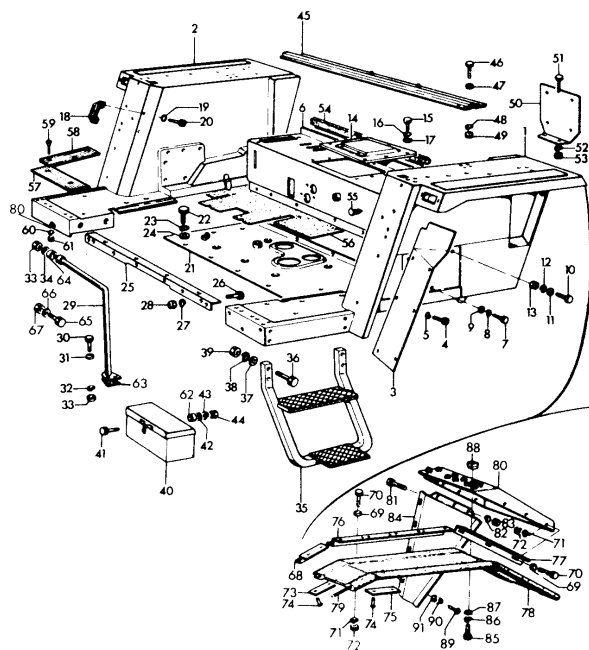
ACCESSORIES AND APPLICATION MISCELLANEOUS

50 8550



FENDERS AND PLATFORM

81
BEFÖRDERUNG VON PERSONEN
AUF DER ZUGMASCHINE OHNE
GEEIGNETE SITZGELEGENHEIT
VERBOTEN



68	3192927M1	●	3543006M1 (1)	1	GUARD
		▼			
69	3006154X1			8	WASHER
70	3001992X1	●	1442186X1 (8)	8	SCREW
71	390990X1			12	SCREW
72	1440312X1			12	WASHER
73	390469X1			12	WASHER
74	395579X1			12	NUT
75	3193169M1	●	N.L.A. (1)	1	GUARD
		▲			
75	3193170M1	●	N.L.A. (1)	1	GUARD
		▼			
76	339721X1			18	SCREW
77	339489X1	●	391038X1 (18)	18	WASHER
78	390995X1			18	NUT BSF
79	1426901M91	●	1426901M92 (2)	2	REFLECTOR
80	339588X1			6	WASHER
81	3306263M1	Ⓢ		2	DECAL



FROM SERIAL OR ENGINE NUMBER



UP TO SERIAL OR ENGINE NUMBER



FOR GERMANY ONLY



USED FOR TRACTORS WITH CAB



2 WHEEL DRIVE



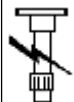
LEFT HAND



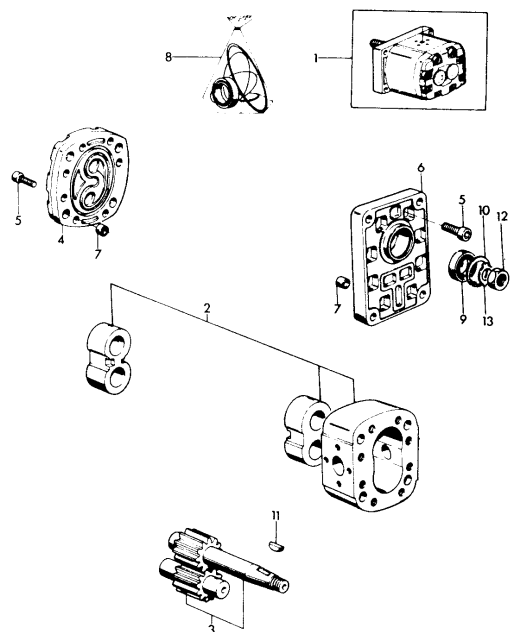
RIGHT HAND

ACCESSORIES AND APPLICATION MISCELLANEOUS

50 8550



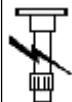
STEERING PUMP



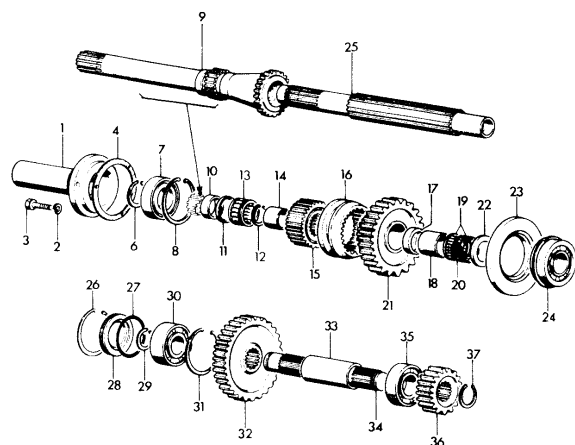
1	1825210M91	●	3539858M91 (1)	1	PUMP
2	1493872M91	●	3539858M91 (999)	999	PACKING
		!	1		
3	1493899M91	●	3539858M91 (999)	999	KIT
		!	1		
4	1429567M1	!	1	1	COVER
5	390796X1	!	1	16	SCREW
6	1429569M1	●	N.L.S. (1)	1	COVER
		!	1		
7	1429572M1	●	3302051M1 (8)	8	DOWEL
		!	1		
8	1493867M91	●	3540159M91 (999)	999	KIT SEAL
		!	1		
9	1429586M1	!	8	1	RING
10	339361X1	!	1	1	CIRCLIP
11	393105X1	●	1440360X1 (1)	1	KEY
		!	1		
12	392846X1	●	1442576X1 (1)	1	NUT BSF
		!	1		
13	1429574M1	●	3302053M1 (1)	1	WASHER
		!	1		
!			THIS IS A COMPONENT OF AN ASSEMBLY		

ACCESSORIES AND APPLICATION MISCELLANEOUS

50 8550



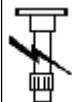
REDUCER



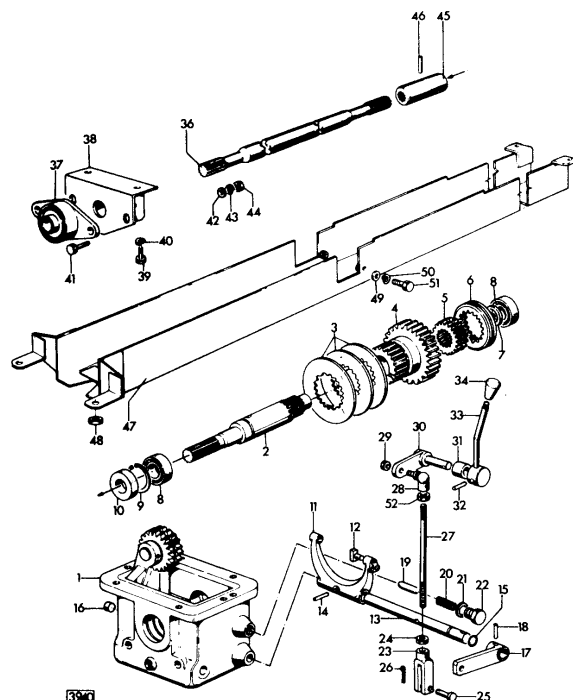
1	3305040M1	●	3305040M4 (1)	1	SUPPORT
		◊	72		
2	339761X1	◊	72	3	SCREW
3	1440314X1	◊	72	3	WASHER
4	3305041M1	●	3305041M2 (1)	1	UNIVERSAL
		◊	74		
6	339820X1			1	CIRCLIP
7	339818X1			1	BEARING
8	339437X1			1	CIRCLIP
9	3305046M1			1	SHAFT
10	1442903X1			1	SEAL
11	3305063M1			1	SPACER
12	3006803X1			1	CIRCLIP
13	3304944M1			1	BEARING NE
14	3305062M1	●	3305062M2 (1)	1	RING
15	3305060M1	■	27	1	GEAR
16	3305093M2			1	SLEEVE
17	3305059M1			1	WASHER
18	392517X1			1	BUSH
19	3305055M1			2	BEARING NE
20	3305056M1			1	WASHER
21	3305054M1	■	40	1	GEAR
22	2714111M1			1	WASHER
23	3305836M1			1	DISC
24	831789M1			1	BEARING
25	3305071M1			1	SHAFT
26	1443524X1			1	CIRCLIP
27	3305049M1			1	SEAL
28	3305048M1	●	3305048M2 (1)	1	COVER
29	339469X1			1	SEGMENT
30	339818X1			1	BEARING
31	339437X1			1	CIRCLIP

ACCESSORIES AND APPLICATION MISCELLANEOUS

50 8550



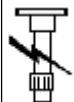
TRANSFER GEAR BOX



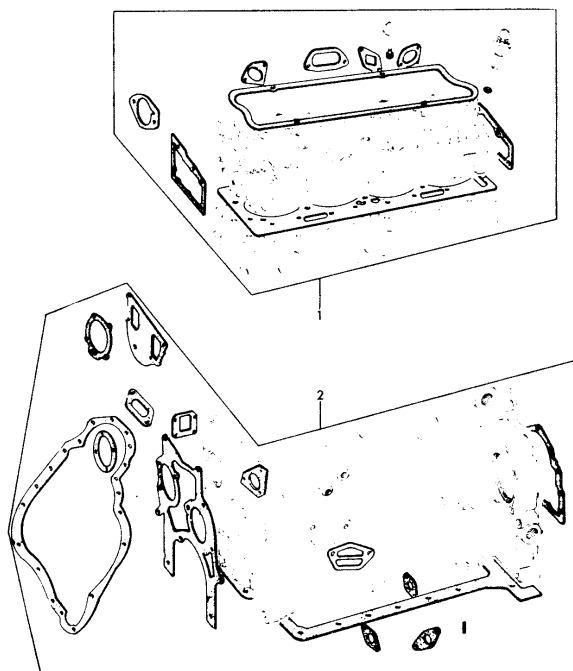
33	3300079M92		1 LEVER
34	973075M1		1 KNOB
36	3302376M2		1 SHAFT
37	1427376M91	● 1440314X1 (2) 339018X1 (2) 339402X1 (2) 3547684M91 (1) 390734X1 (2)	1 BEARING
38	1427375M91	● 1440314X1 (2) 339018X1 (2) 339402X1 (2) 3547682M91 (1) 390734X1 (2)	1 SUPPORT
39	339299X1		2 SCREW
40	1440315X1		2 WASHER
41	391886X1		2 BOLT
42	390973X1		2 WASHER
43	1440316X1		2 WASHER
44	339079X1		2 NUT
45	1824119M2		2 SLEEVE
46	339248X1		2 PIN
47	3302377M91	● N.L.A. (1) C	1 GUARD
47	3304661M92	● N.L.A. (1) A 28 E 28	1 PROTECTOR
48	392370X1		2 NUT BSF
49	390972X1		2 WASHER
50	1440313X1	● 339374X1 (2)	2 WASHER
51	339008X1	● 339337X1 (2)	2 BOLT

ACCESSORIES AND APPLICATION MISCELLANEOUS

50 8550



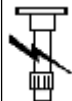
KIT GASKETS



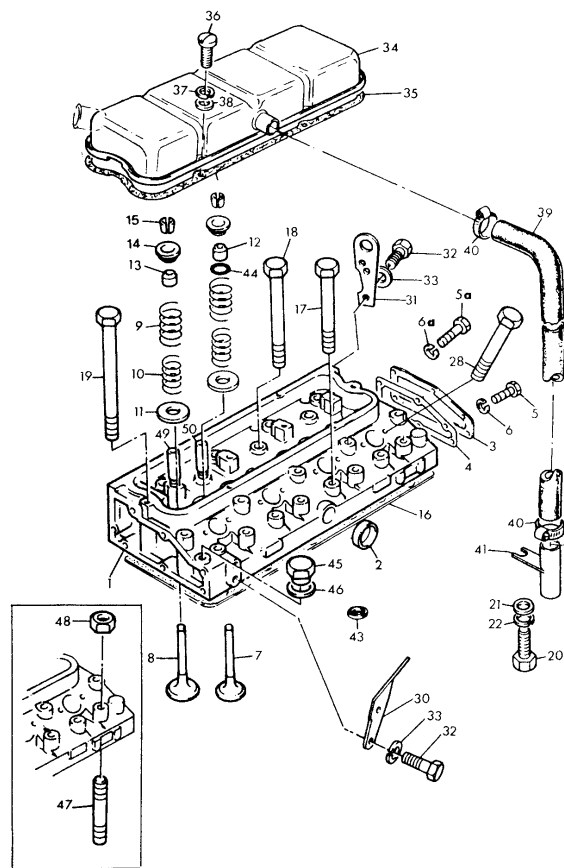
- | | | | | |
|---|----------|--|-------------------------------|---------|
| 1 | U5LT0015 | | N.L.S. (999) | 999 KIT |
| 1 | U5LT0052 | | N.L.S. (999) | 999 KIT |
| 2 | U5LB0016 | | U5LB5145 (999) | 999 KIT |
| | | | FROM SERIAL OR ENGINE NUMBER | |
| | | | UP TO SERIAL OR ENGINE NUMBER | |

ACCESSORIES AND APPLICATION MISCELLANEOUS

50 8550



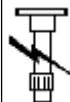
CYLINDER HEAD AND COVER



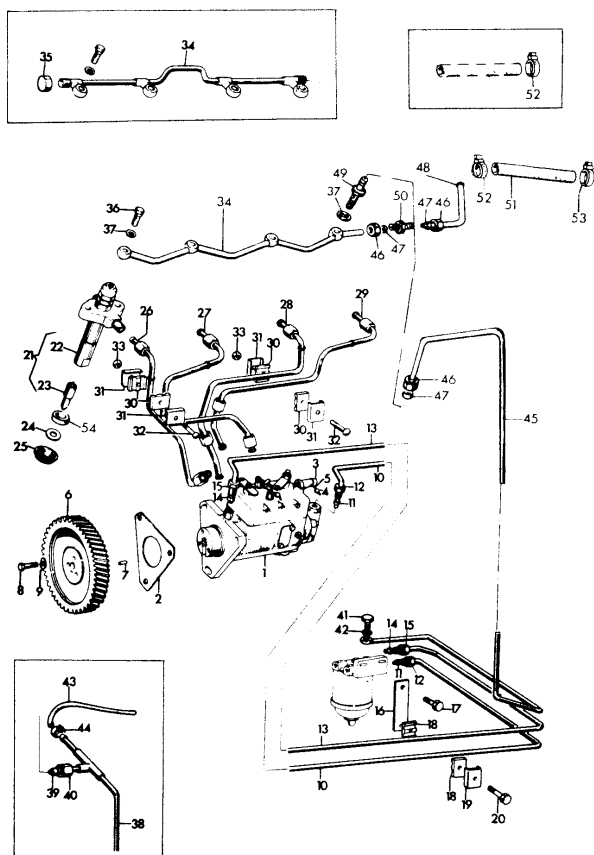
1	ZZ80015	●	A5BD2631	1	KIT CYL.HEAD
2	0650563	!	1	1	PLUG
3	3621F005	!	1	1	PLATE
			B		
3	3623K007	!	1	1	PLATE
			C		
4	36851409	●	3687M018 (1)	1	UNIVERSAL
		!	1		
			B		
4	3685R004	●	3687M018 (1)	1	UNIVERSAL
		!	1		
			C		
5	0746254	●	353517X1 (4)	4	SETSCREW
		!	1		
			C		
5	0746254	●	353517X1 (6)	6	SETSCREW
		!	1		
			B		
5	0746452	!	1	2	SETSCREW
			C		
			ITEM 5A		
6	0920053	!	1	6	WASHER
			B		
6	0920053	!	1	4	WASHER
			C		
6	0920054	!	1	2	WASHER
			C		
			ITEM 6A		
7	31431401	●	31431641 (999)	999	VALVE
		▲	3343F041 (999)		
			+0,076MM.		
			D		
7	31431402	▲	+0,38MM.	999	VALVE
			D		

ACCESSORIES AND APPLICATION MISCELLANEOUS

50 8550



FUEL PIPINGS



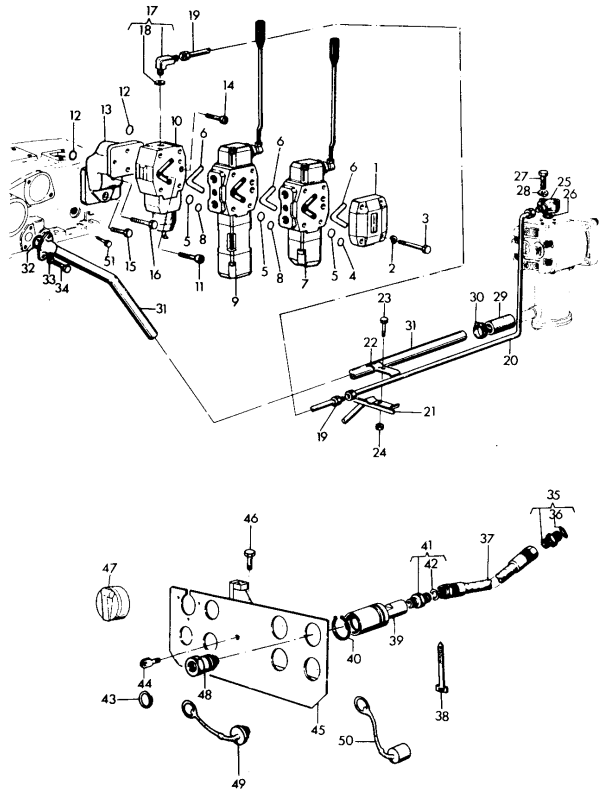
- | | | | | | |
|----|------------|---|--|---|---------|
| 25 | 3381P003 | ● | 3281M001 (4)
33813129 (4)
33813133 (4) | 4 | SEAL |
| 26 | 35343025 | ● | 35343136 (1) | 1 | PIPE |
| 27 | 35343026 | ● | 35343137 (1) | 1 | PIPE |
| 28 | 35343027 | ● | 35343138 (1) | 1 | PIPE |
| 29 | 35343028 | ● | 35343139 (1) | 1 | PIPE |
| 30 | 36844116 | ● | 733868M1 (4) | 4 | BRIDLE |
| 31 | 36511123 | ● | 733869M1 (4) | 4 | PLATE |
| 32 | 0726260 | ● | 376141X1 (2) | 2 | BOLT |
| 33 | 2211401 | | | 2 | NUT |
| 34 | 35587344 | ➔ | U806973H | 1 | PIPE |
| 34 | 3558X005 | ➔ | U806974H | 1 | PIPE |
| 35 | 393993X1 | ● | N.L.A. (1) | 1 | PLUG |
| 36 | 0095315 | | | 4 | BOLT |
| 37 | 0920107 | | | 8 | WASHER |
| 38 | 3301054M91 | ● | N.L.A. (1)
A | 1 | PIPE |
| 39 | 33811112 | | A | 1 | OLIVE |
| 40 | 33225412 | ● | 376521X1 (1)
A | 1 | NUT BSF |
| 41 | 0095344 | ● | 3302623M1 (1)
A | 1 | BOLT |
| 41 | 3302623M1 | | B | 1 | SCREW |
| 42 | 1444744X1 | | | 2 | GASKET |

ACCESSORIES AND APPLICATION MISCELLANEOUS

50 8550



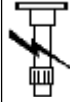
PIPING AUXILIARY VALVE



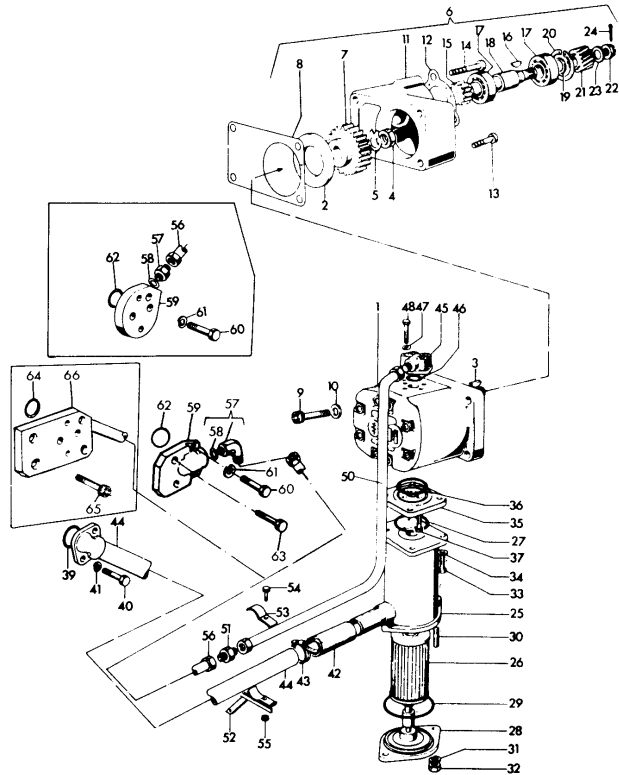
5	762191M1	A	3	GASKET
5	762191M1	B	4	GASKET
5	762191M1	D	2	GASKET
6		⊕ 198-200	3	GASKET
		B		
6		⊕ 198-200	1	GASKET
		D		
6		⊕ 198-200	2	GASKET
		A		
7		⊕ 194	1	DISTRIBUTOR
		D		
7		⊕ 194	2	DISTRIBUTOR
		A		
		B		
8	1000578M1	A	3	O RING
8	1000578M1	D	2	O RING
8	1000578M1	B	4	O RING
9		⊕ 196	1	DISTRIBUTOR
		B		
10		⊕ 198-200	1	VALVE
		A		
		B		
		D		
11	391136X1	➡	1	SCREW
		A		
		B		
		D		
12	762026M1	A	2	O RING
		B		
		D		
13	3304434M1	A	1	SUPPORT
		B		
		C		
		D		

ACCESSORIES AND APPLICATION MISCELLANEOUS

50 8550



HYDRAULIC LIFT PIPINGS



1		154	1	PUMP
2	979599M1		1	RING
3		154	1	KEY
4		154	1	NUT
5		154	1	WASHER
6	1424121M94		1	SUPPORT
7	1825214M2	3302106M2 (1)	1	GEAR
		3302107M2 (1)		
		3302108M1 (1)		
		3302109M1 (1)		
		3308788M1 (1)		
		339199X1 (1)		
		6		
		1250502/2251591		
		24		
7	3302107M2	6	1	GEAR
		1250503/2251592		
		23		
8	974443M1	6	1	GASKET
9	390871X1	6	4	SCREW
10	392879X1	6	4	GASKET
11	1424585M1	3302108M1 (1)	1	BEARER
		339199X1 (1)		
		6		
		1250502/2251591		
11	3302108M1	6	1	HOUSING
		1250503/2251592		
12	3302869M1	3308788M1 (1)	1	GASKET
		6		
		1250503/2251592		
12	982211M2	3308788M1 (1)	1	GASKET
		6		
		1250502/2251591		
13	2232151		2	SCREW

CLICK HERE TO **DOWNLOAD** THE COMPLETE MANUAL

- Thank you very much for reading the preview of the manual.
- You can download the complete manual from: www.heydownloads.com by clicking the link below



- Please note: If there is no response to CLICKING the link, please download this PDF first and then click on it.

CLICK HERE TO **DOWNLOAD** THE COMPLETE MANUAL