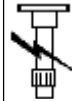
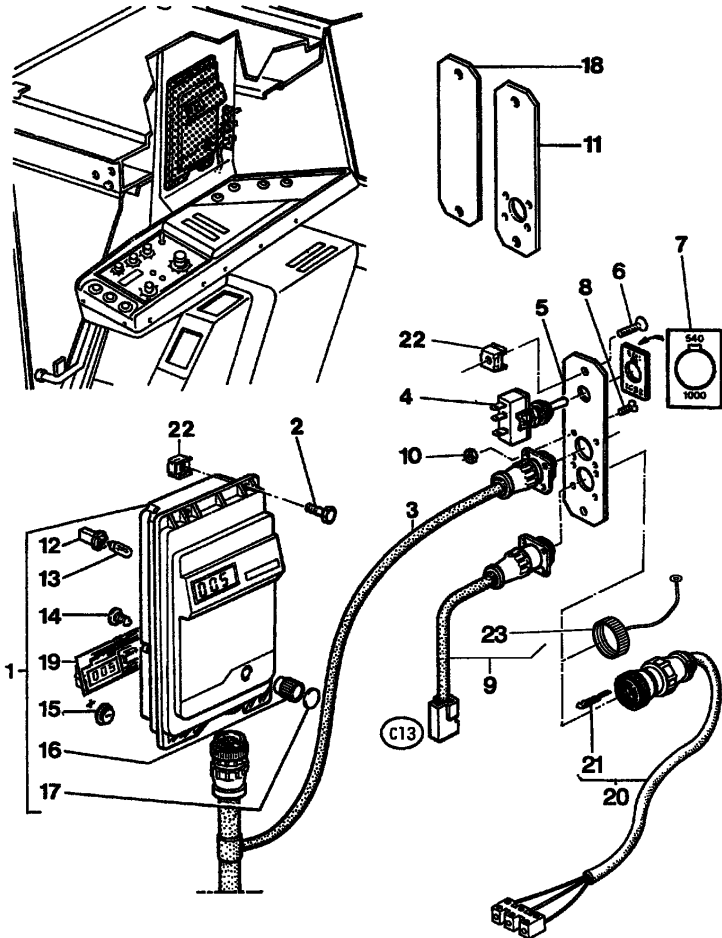


ACCESSORIES AND APPLICATION MISCELLANEOUS



Large importato 1 19000

1-AU31-021



ABOARD COMPUTER

1	3388670M1		1	COMPUTER
2	339160X1		4	SCREW
3		◇ 348/1	1	CABLE
4	3389297M1		1	SWITCH
5	3389284M1		1	SUPPORT
6	3004514X1		2	SCREW
7	3389298M2		1	PLATE
8	339367X1	M3X8	8	SCREW
9	3389283M1		1	PLUG SOCKET
10	391216X1		8	NUT BSF
11	3389286M1		1	SUPPORT
12	3476710M1	!	4	LAMP SOCKET
13	3405185M1	● 3310618M1 (4)	4	BULB
		!	1	
14	3476712M1	!	1	6 SCREW
15	3476711M1	!	1	2 BATTERY
		3 VOLTS		
16	3584067M1	!	1	1 BUTTON
17	3584068M1	!	1	1 DECAL
18	3389285M1		1	1 PLATE
19	3584045M91	!	1	1 VIEWER
20	3581139M1		1	1 HARNESS
21	3389622M1	!	20	1 THIMBLE
22	3389353M1		999	BOXNUT
23	3900383M1	!	9	1 PLUG
!				THIS IS A COMPONENT OF AN ASSEMBLY
◇				SEE PAGE - REFERENCE NUMBER

CLICK HERE TO **DOWNLOAD** THE COMPLETE MANUAL

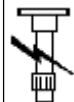
- Thank you very much for reading the preview of the manual.
- You can download the complete manual from: www.heydownloads.com by clicking the link below



- Please note: If there is no response to CLICKING the link, please download this PDF first and then click on it.

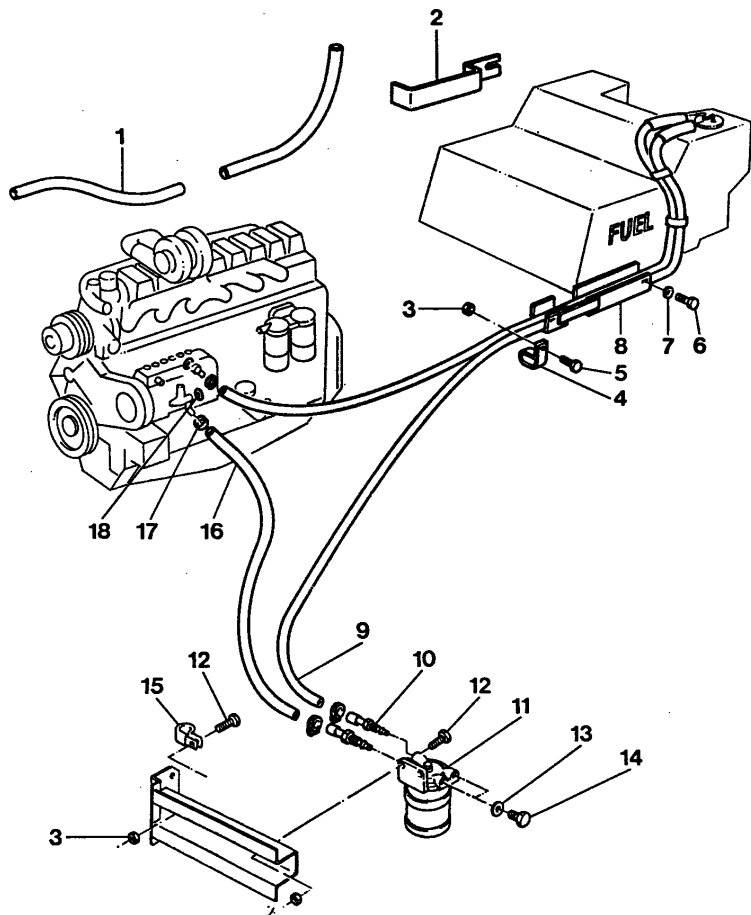
CLICK HERE TO **DOWNLOAD** THE COMPLETE MANUAL

ACCESSORIES AND APPLICATION MISCELLANEOUS



Large importato 1 19000

1-AC24-043

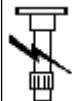


FUEL SYSTEM- PIPES WITH THERMOSTART

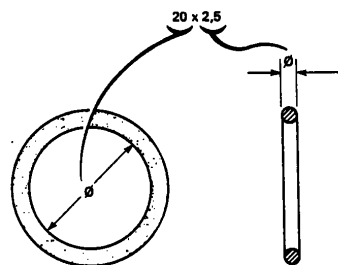
- | | | | | | |
|----|------------|---|--------------|---|---------------|
| 1 | 3580974M2 | | | 2 | SHEATH |
| 2 | 3387280M2 | | | 2 | BRIDLE |
| 3 | 339169X1 | ● | 394367X1 (5) | 5 | NUT BSF |
| | | ∅ | M8 | | |
| 4 | 3386294M1 | | | 2 | STRAP |
| 5 | 339124X1 | ∅ | M8 | 2 | SCREW |
| 6 | 391074X1 | ∅ | M6 | 2 | SCREW |
| 7 | 390971X1 | ∅ | M6 | 2 | WASHER |
| 8 | 3388042M91 | | | 1 | COWL |
| 9 | 3615354M3 | | | 1 | TUBING |
| 10 | 3615331M1 | | | 2 | UNION |
| 11 | 1695571M91 | ◊ | 51/1 | 1 | SEDIMENT BOWL |
| 12 | 339761X1 | ∅ | M8X25 | 3 | SCREW |
| 13 | 731388M1 | ● | 0920154 (2) | 2 | WASHER |
| 14 | 731364M1 | ● | 0650204 (2) | 2 | PLUG |
| 15 | 3387756M1 | | | 2 | STRAP |
| 16 | 3615357M1 | ◄ | 1400MM | 1 | HYDR HOSE |
| 17 | 338612X1 | | | 4 | HOSE CLIP |
| 18 | 1440012X1 | | | 2 | UNIVERSAL |
- ◊ SEE PAGE - REFERENCE NUMBER
 ◄ LENGTH
 ∅ DIAMETER

ACCESSORIES AND APPLICATION MISCELLANEOUS

Large importato 1 19000



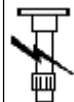
O RINGS



3388350M1	115 X 3	999 O RING
3389314M1	● N.L.A. (999) 8,93 X 2	999 O RING
3389503M1	● N.L.A. (999) 42,5 X 1,8	999 O RING
3580247M1	59,9 X 3,5	999 O RING
359118X1	145,6 X 3,5	999 O RING
365392X1	● 831617M1 (999) 22,2 X 2,4	999 O RING
366434X1	34,6 X 2,62	999 O RING
368374X1	● 364784X1 (999) 20,6 X 2,4	999 O RING
368540X1	30,2 X 1,6	999 O RING
368541X1	● 3010474X1 (999) 17,5 X 1,6	999 O RING
371119X1	● 3010471X1 (999) 7,6 X 1,6	999 O RING
831452M1	11,8 X 2,1	999 O RING
831495M1	8,8 X 1,9	999 O RING
831496M1	10,4 X 1,9	999 O RING
831497M1	10,5 X 1,8	999 O RING
832276M1	18,80 X 3	999 O RING
835025M1	23,5 X 3	999 O RING
851258M1	15,9 X 2,4	999 O RING

1-9975-001

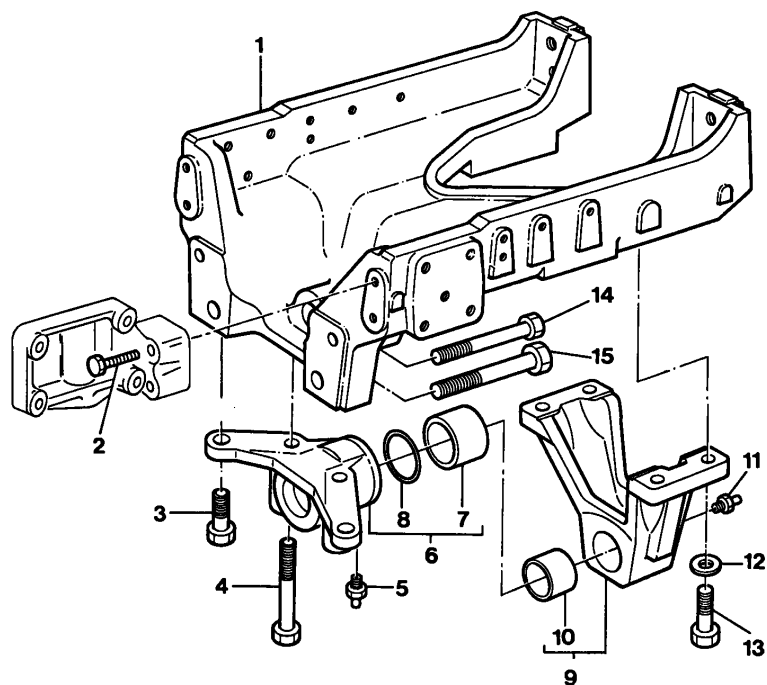
ACCESSORIES AND APPLICATION MISCELLANEOUS



Large importato 1 19000

1-AJ03-002

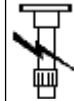
FRONT AXLE 2 WHEEL DRIVE- AXLE SUPPORT



1	3384096M7	●	3715695M4 (1)	1	HOLDER
2	3009806X1	∅	M16X70	4	SCREW
3	3384129M1	◄►	55MM ∅ M20	2	SCREW
4	3384132M1	◄►	150MM ∅ M16	2	SCREW
5	339608X1			1	GREASER
6	3384102M91			1	SUPPORT
7	3384093M1	!	6	1	BEARING
8	1441176X1	!	6	1	O RING
9	3384099M94	●	3387822M1 (1) 3384100M3 (1)	1	BEARING
10	3387822M1	!	9	2	BEARING
11	339608X1			1	GREASER
12	385365X1	∅	M20	4	WASHER
13	3386216M1	◄►	60MM ∅ M20	4	SCREW
14	3389552M1	∅	M20X155	2	SCREW
15	3389553M1	∅	M24X165	2	SCREW

! THIS IS A COMPONENT OF AN ASSEMBLY
 ◄► LENGTH
 ∅ DIAMETER

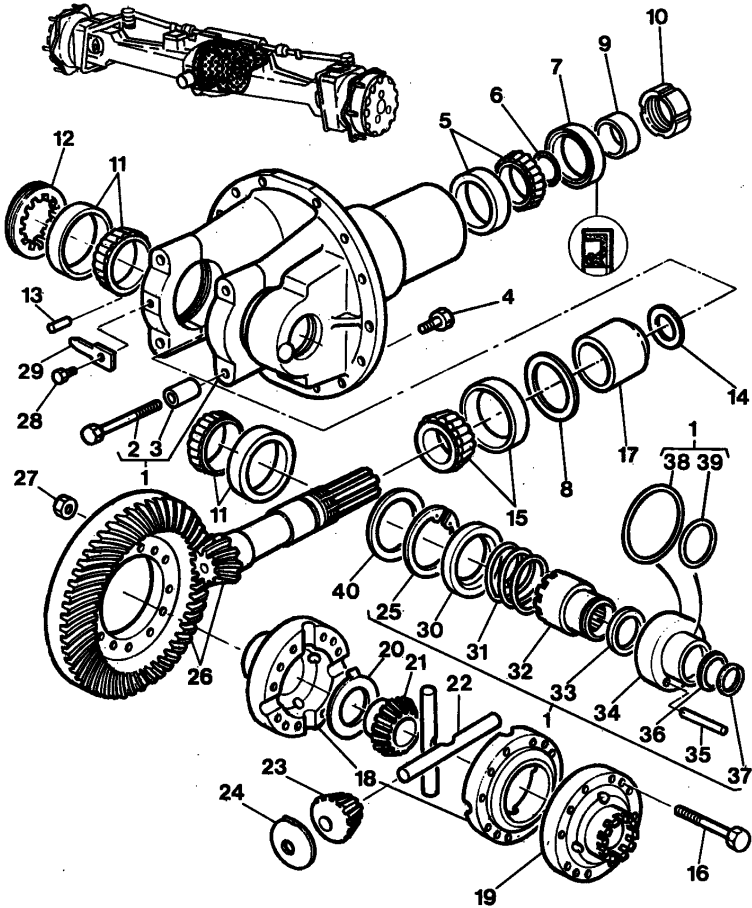
ACCESSORIES AND APPLICATION MISCELLANEOUS



Large importato 1 19000

FRONT AXLE 4 WHEEL DRIVE- DIFFERENTIAL

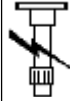
1-AK04-012



20	3427461M1		2	WASHER
21	▶ 3427815M91		2	PLANETARY
	A			
22	3427091M3	● 3428408M1 (2)	2	CLEVIS PIN
23	▶ 3427815M91		4	PINION
	A			
24	3427311M1		4	WASHER
25	3427079M1	! 1	1	SPACER
26	3428310M91	8X39	1	KIT
27	3019947X1		12	NUT
28	1444071X1	M8X8	1	SCREW
29	3427466M1		1	PLATE
30	3427839M1	! 1	1	GUIDE
31	3427313M1	! 1	1	SPRING
32	3427838M1	! 1	1	SLEEVE
33	3427443M1	! 1	1	WASHER
34	3427460M1	! 1	1	PISTON
35	3427444M1	! 1	1	DOWEL
36	3427463M1	! 1	1	WASHER
37	1442697X1	! 1	1	CIRCLIP
38	359236X1	! 1	1	O RING
39	3019927X1	! 1	1	O RING
40	3427281M1	▲ 0,10MM	999	SHIM
40	3427282M1	▲ 0,15MM	999	SHIM
40	3427283M1	▲ 0,30MM	999	SHIM
40	3427284M1	▲ 0,50MM	999	SHIM
40	3427285M1	▲ 0,70MM	999	SHIM
40	3427286M1	● 3427284M1 (1998)	999	SHIM
		▲ 1MM		
!	THIS IS A COMPONENT OF AN ASSEMBLY			
▶	NOT SERVICED, ORDER			
A	3427815M91 INCLUDES (2)3427442M1 AND (4)3427090M1			
▲	SHIM			

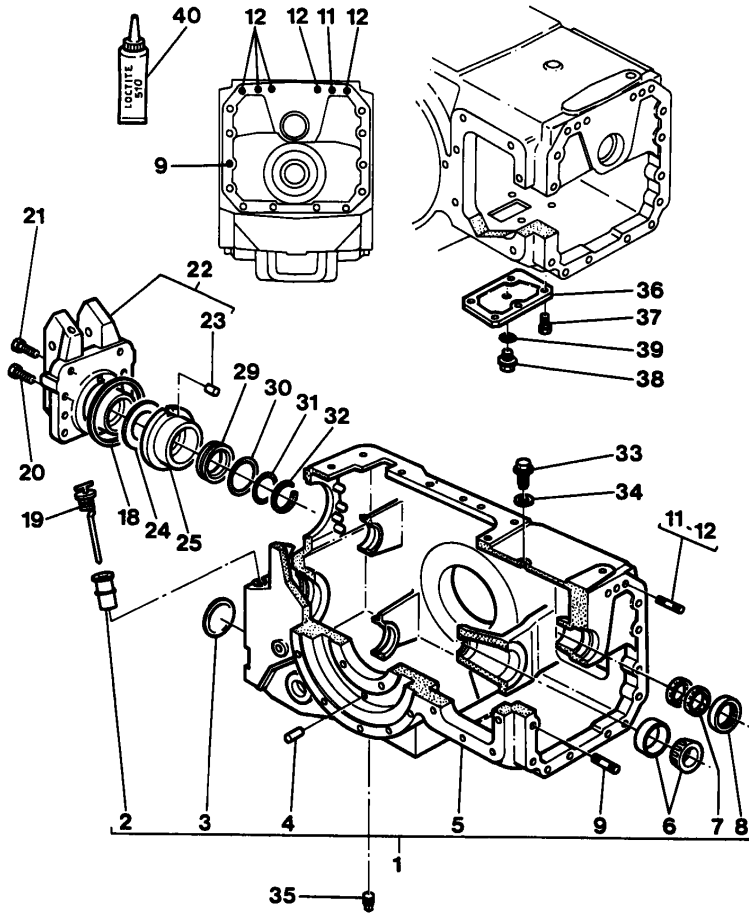
ACCESSORIES AND APPLICATION MISCELLANEOUS

Large importato 1 19000



REAR AXLE - CENTRE HOUSING

1_AG02-001

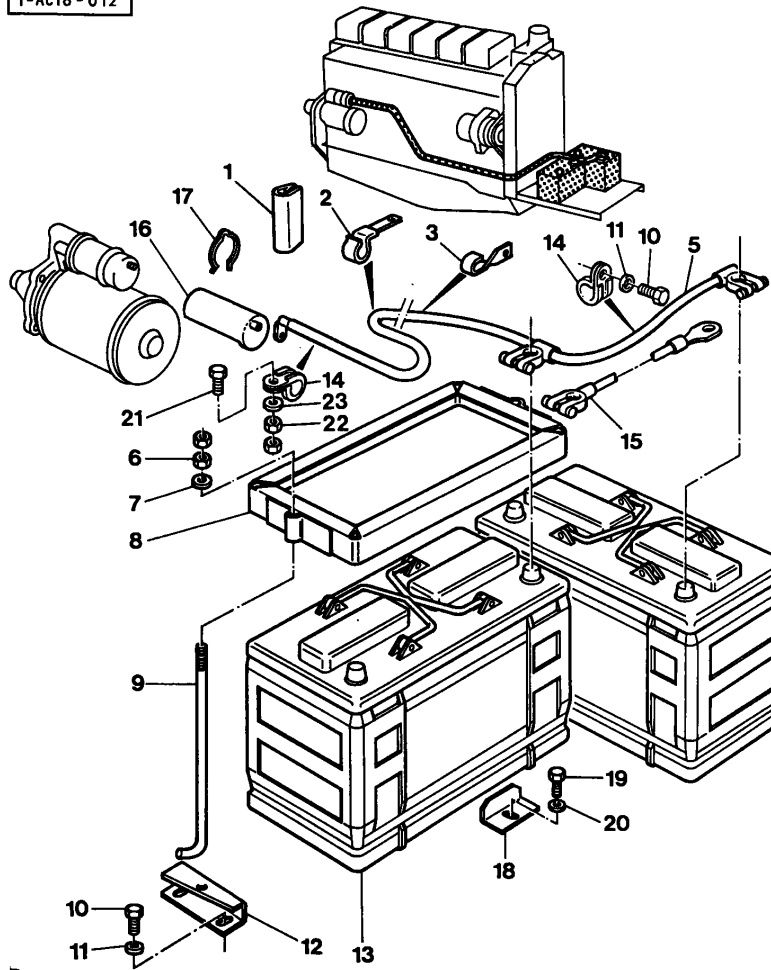


- | | | | | | |
|----|------------------------------------|---|-----------------|-----|-------------|
| 23 | 3045437M1 | ! | 22 | 1 | PIN |
| 24 | 3045383M1 | | | 2 | WASHER |
| 25 | 3052464M91 | ● | 3042700M2 (1) | 1 | BRAKE |
| 29 | 3045431M3 | | | 1 | BRAKE |
| 30 | 3045432M1 | | | 1 | GASKET |
| 31 | 3045435M1 | | | 2 | GASKET |
| 32 | 3045429M1 | | | 1 | RING |
| 33 | 1610629M1 | | | 1 | CENTRALISER |
| 34 | 180474M1 | ● | 3427185M1 (1) | 1 | GASKET |
| 35 | 363821X1 | | | 1 | PLUG |
| 36 | 1610241M3 | ↗ | 04/90 | 1 | COVER |
| 37 | 353690X1 | ● | 0748522 (5) | 5 | SCREW |
| | | ↗ | 04/90 | | |
| 38 | 3429400M1 | ↗ | 04/1990 | 1 | PLUG |
| | | ● | 884691M2 | | |
| 39 | 851258M1 | ↗ | 04/90 | 1 | O RING |
| 40 | 1633270M2 | ● | 3303226M1 (999) | 999 | LOCTITE |
| ! | THIS IS A COMPONENT OF AN ASSEMBLY | | | | |
| ↗ | UP TO SERIAL OR ENGINE NUMBER | | | | |
| ● | REPAIRS AND REPLACES | | | | |
| ↗ | NOT SERVICED, ORDER | | | | |
| A | WITH PTO PROTECTOR CRAMER HITCH | | | | |
| ↔ | LENGTH | | | | |
| ∅ | DIAMETER | | | | |

ACCESSORIES AND APPLICATION MISCELLANEOUS

Large importato 1 19000

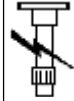
1-AC16-012



BATTERIES AND CABLES

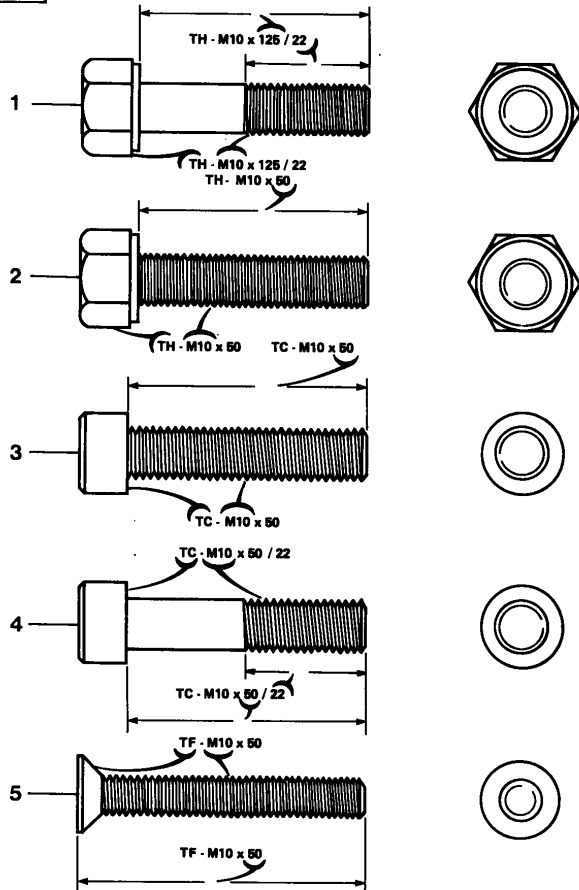
- | | | | | | |
|----|-----------|----|---------------|---|------------|
| 1 | 3580939M1 | ◄▶ | 50MM | 2 | PROTECTOR |
| 2 | 3387128M1 | | | 1 | CLAMP |
| 3 | 3580938M1 | | | 1 | STRAP |
| 5 | 3583633M2 | ● | 3583633M3 (1) | 1 | CABLE |
| | | ● | 3389829M1 | | |
| 6 | 339030X1 | ● | 1441500X1 (8) | 8 | NUT BSF |
| | | ∅ | M6 | | |
| 7 | 339588X1 | | | 4 | WASHER |
| 8 | 906170M91 | | | 2 | FRAME ASSY |
| 9 | 1691384M2 | → | S281012 | 4 | DRAGLINK |
| | | ◄▶ | 215MM | | |
| 9 | 3387040M1 | → | S281011 | 4 | DRAGLINK |
| | | ◄▶ | 255MM | | |
| 10 | 339124X1 | ∅ | M8X16MM | 2 | SCREW |
| 10 | 339228X1 | ∅ | M8X12MM | 6 | SCREW |
| 11 | 391039X1 | | | 8 | WASHER |
| 12 | 3387032M3 | | | 4 | STOP |
| 13 | 3582679M1 | ● | 3582679M2 (2) | 2 | BATTERY |
| | | | 465 AMP. | | |
| 14 | 3387756M1 | | | 2 | STRAP |
| 15 | 3583463M1 | ◄▶ | 850MM | 2 | CABLE |
| 16 | 3387113M1 | | A | 1 | CAP |
| 17 | 1683829M1 | | A | 1 | CLIP |
| 18 | 3580937M1 | | | 2 | STRAP |
| 19 | 339124X1 | | | 2 | SCREW |
| 20 | 391039X1 | | | 2 | WASHER |
| 21 | 339761X1 | ∅ | M8X25 | 1 | SCREW |
| 22 | 390345X1 | ● | 392309X1 (2) | 2 | NUT BSF |
| | | ∅ | M8 | | |
| 23 | 390972X1 | | | 1 | WASHER |

ACCESSORIES AND APPLICATION MISCELLANEOUS



Large importato 1 19000

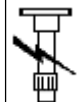
1 - 9895 - 002



BOLTS

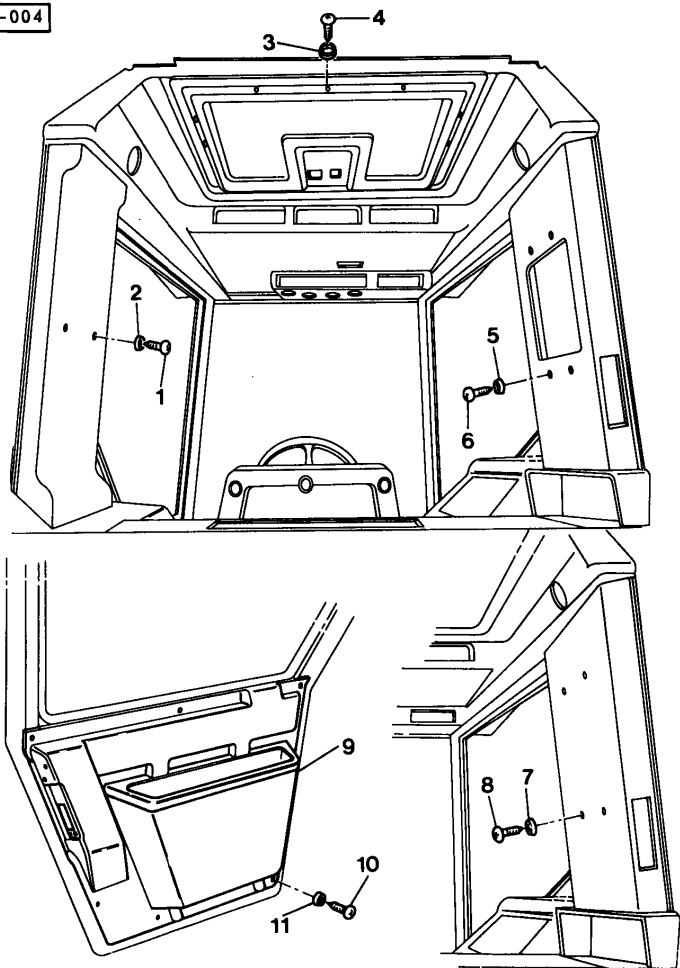
2	1444071X1	TH-M8X8	999	SCREW
2	3001968X1	TH-M20X60	999	SCREW
2	3002009X1	● 3428397M1 (999) TH-M12X40	999	SCREW
2	3008654X1	TH-M20X45	999	SCREW
2	3009492X1	● 339401X1 (999) TH-M10X25	999	SCREW
2	3009493X1	TH-M10X30	999	SCREW
2	3009494X1	TH-M10X35	999	SCREW
2	3009745X1	TH-M18X55	999	SCREW
2	3580231M1	TH-M20X75	999	SCREW
3	1440349X1	TC-M8X30	999	SCREW
3	1441000X1	TC-M8X16	999	SCREW
3	1444203X1	TC-M6X10	999	SCREW
3	3000926X1	TC-M5X10	999	SCREW
3	3001379X1	TC-M8X20	999	SCREW
3	3001414X1	TC-M8X12	999	SCREW
3	3007934X1	TC-M6X16	999	SCREW
3	3009281X1	● 395579X1 (999) TC-M6X16	999	SCREW
3	3009282X1	● 1442692X1 (999) TC-M6X25	999	SCREW
3	3009285X1	TC-M8X16	999	SCREW
3	3389857M1	TC-M5X16	999	SCREW
3	3389885M1	TC-M5X12	999	SCREW
3	3389886M1	TC-M5X25	999	SCREW
3	3580257M1	TC-M5X20	999	SCREW
4	1441764X1	● N.L.A. (999) TC-M8X60/28	999	SCREW
4	3009284X1	TC-M6X45/24	999	SCREW
4	3009289X1	TC-M8X70/28	999	SCREW
4	3009296X1	TC-M10X80/32	999	SCREW
4	3009300X1	TC-M12X70/36	999	SCREW
4	3009313X1	TC-M16X90/44	999	SCREW

ACCESSORIES AND APPLICATION MISCELLANEOUS



Large importato 1 19000

1-AU19-004

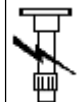


TRACTOR CAB - CLADDING

- | | | | |
|----|-----------|----|--------|
| 1 | 3580257M1 | 2 | SCREW |
| 2 | 1427000M1 | 2 | WASHER |
| 3 | 1427000M1 | 9 | WASHER |
| 4 | 3389854M1 | 9 | KIT |
| 5 | 1427000M1 | 4 | WASHER |
| 6 | 3580257M1 | 4 | SCREW |
| 7 | 1427000M1 | 4 | WASHER |
| 8 | 3580257M1 | 4 | SCREW |
| 9 | 3385299M2 | 1 | FACING |
| 9 | 3385300M2 | 1 | FACING |
| 10 | 3389854M1 | 14 | KIT |
| 11 | 1427000M1 | 14 | WASHER |

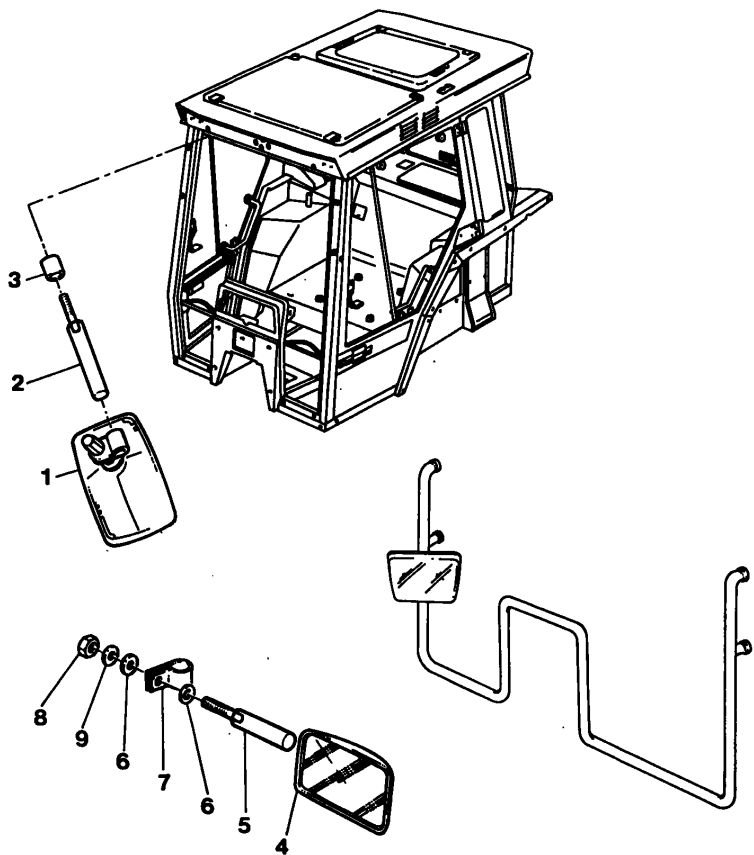
◀ LEFT HAND
▶ RIGHT HAND

ACCESSORIES AND APPLICATION MISCELLANEOUS



Large importato 1 19000

1-AU30-003



TRACTOR CAB

- | | | | | | |
|---|-----------|---|----------------|---|------------|
| 1 | 3582044M1 | ● | 3806618M91 (1) | 1 | MIRROR |
| | | ● | 1688343M1 | | |
| 2 | 3581239M1 | ● | 3389753M91 | 1 | CLEVIS PIN |
| 3 | 3389751M1 | | | 1 | SPACER |
| 4 | 3582044M1 | ● | 3806618M91 (1) | 1 | MIRROR |
| | | ● | 1688343M1 | | |
| 5 | 3581239M1 | ● | 3389753M91 | 1 | CLEVIS PIN |
| 6 | 385362X1 | | | 2 | WASHER |
| 7 | 3581507M1 | ● | 3580667M1 | 1 | CLAMP |
| 8 | 339402X1 | | | 1 | NUT BSF |
| 9 | 391026X1 | | | 1 | WASHER |



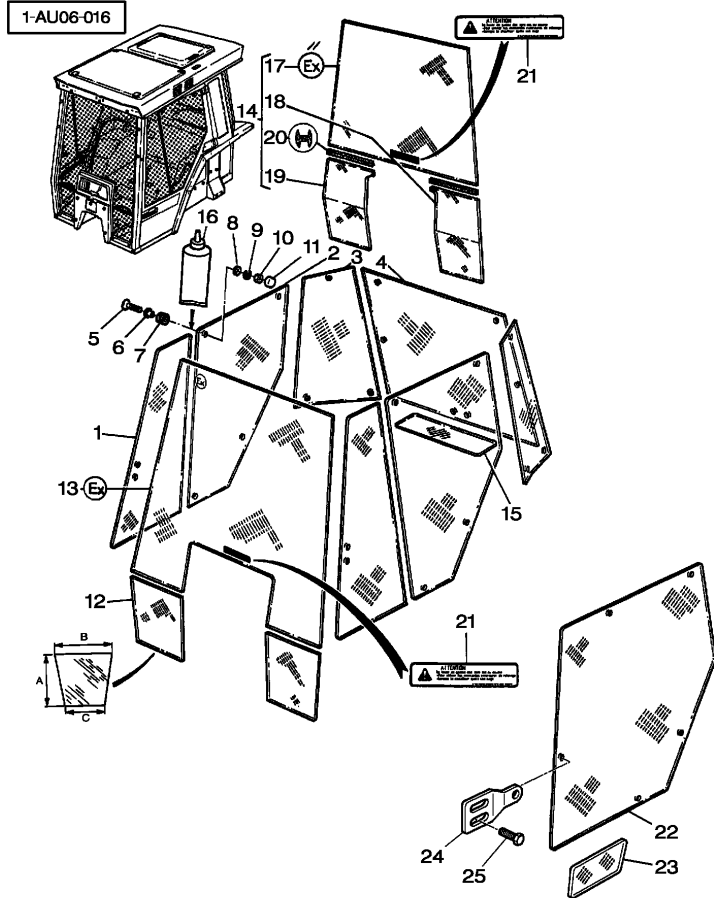
REPAIRS AND REPLACES

ACCESSORIES AND APPLICATION MISCELLANEOUS

Large importato 1 19000



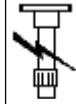
CAB - WINDOWS



17	3582160M2	!	14	1	WINDSCREEN
			A		
			Y1		
18	3582161M2	!	14	1	WINDOW
19	3582162M2	!	14	1	WINDOW
20	3619235M1	!	14	2	FACING
		●	3385469M1		
21	3583499M2	⊕		1	DECAL
21	3583500M2	⊕		1	DECAL
		⊕			
		⊕			
21	3583501M3	⊕		1	DECAL
21	3583502M2	⊕		1	DECAL

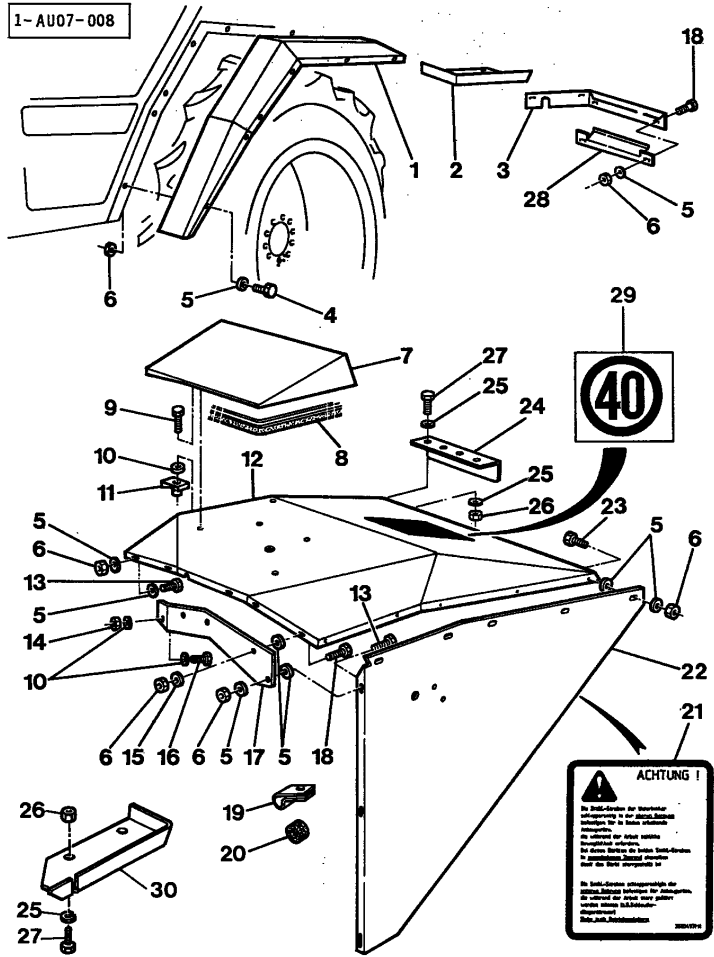
- ! THIS IS A COMPONENT OF AN ASSEMBLY
- ➔ UP TO SERIAL OR ENGINE NUMBER
- REPAIRS AND REPLACES
- ⊕ SEE PAGE - REFERENCE NUMBER
- ⊕ FOR GERMANY ONLY
- ⊕ FOR FRANCE ONLY
- ⊕ FOR ITALY ONLY
- ⊕ FOR U.K. ONLY
- A THE APPROPRIATE SAFETY DECALS MUST BE ORDERED-AN FITTED TO THIS PART
- ▲ SHIM
- ◀ LEFT HAND
- ▶ RIGHT HAND
- ⊕ FOR UNITED STATES OF AMERICA
- ⊕ FOR SWEDEN
- Y1 NOTA PAGINA ANOMALA

ACCESSORIES AND APPLICATION MISCELLANEOUS



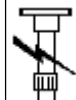
Large importato 1 19000

TRACTOR CAB - FENDERS



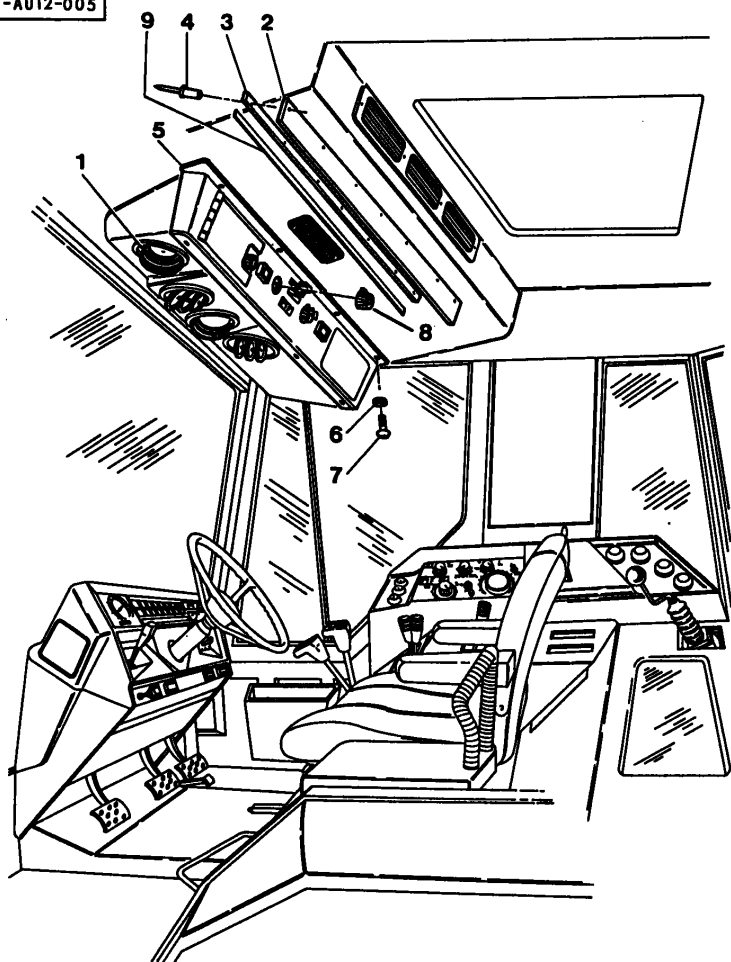
18	339124X1	M8X16	4	SCREW
19	360052X1		2	CLAMP
20	367439X1		2	PROTECTOR
21	3583497M1	⊙	1	DECAL
22	3581651M2	▶	1	SKIRT
22	3581652M1	▶	1	SKIRT
22	3583595M1	▶	1	SKIRT
22	3583596M1	▶	1	SKIRT
22	3617286M1	▶	1	SKIRT
22	3617287M1	▶	1	SKIRT
23	339123X1	M8X20	16	SCREW
24	3615275M1		1	SUPPORT
25	390971X1		8	WASHER
26	339030X1	●	4	NUT BSF
27	339560X1	M6X16	4	SCREW
28	3615254M1	▶	1	COWL
28	3615258M1	▶	1	COWL
29	3537678M1	●	1	DECAL
30	3385421M1	▶	1	COWL
30	3385422M1	▶	1	COWL

ACCESSORIES AND APPLICATION MISCELLANEOUS



Large importato 1 19000

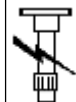
1-AU12-005



CAB - HEATER

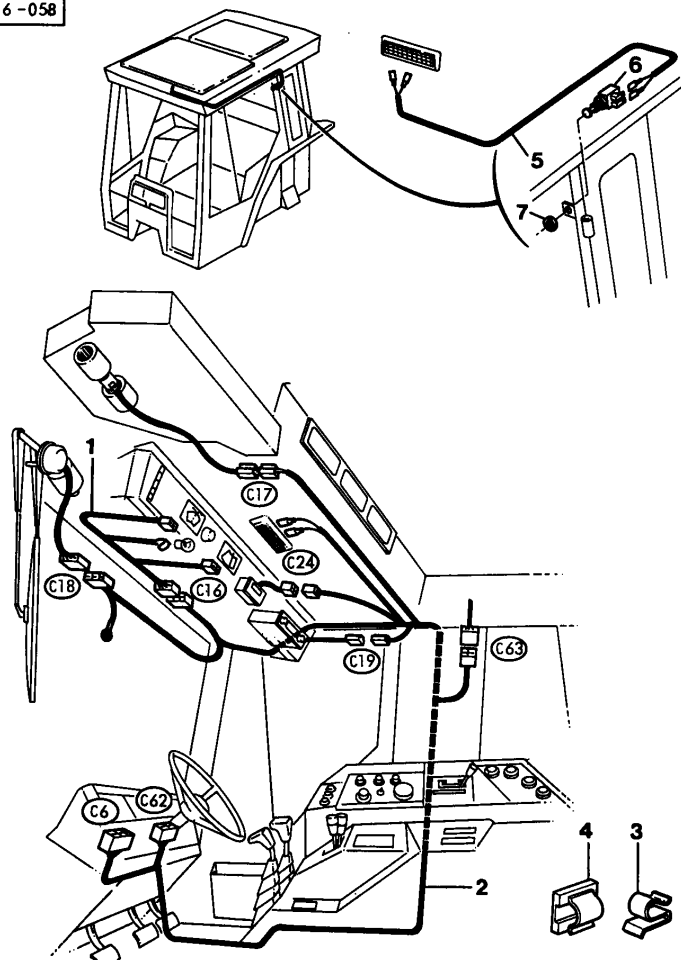
- | | | | | |
|---|-----------|--------------------------|---|-----------|
| 1 | 3388030M1 | | 4 | LOUVRE |
| 2 | 3388658M1 | | 1 | SHUTTER |
| 3 | 3388659M1 | | 1 | NAMEPLATE |
| 4 | 391349X1 | | 7 | RIVET |
| 5 | | ◇ 284/1 | 1 | PANEL |
| 6 | 1427000M1 | | 7 | WASHER |
| 7 | 3389854M1 | M10X19 | 1 | KIT |
| 7 | 373269X1 | ● 365926X1 (6)
M10X25 | 6 | KIT |
| 8 | | ◇ 284/27
C | 1 | BUTTON |
| 8 | | ◇ 284/11
B | 1 | PLUG |
| 9 | 3580731M1 | B | 1 | TAPE |
- ◇ SEE PAGE - REFERENCE NUMBER
B WITHOUT CONDITIONED-AIR
C WITH CONDITIONED AIR

ACCESSORIES AND APPLICATION MISCELLANEOUS



Large importato 1 19000

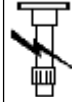
1-AU16-058



TRACTOR CAB - ELECTRICAL WIRING

- | | | | |
|---|-----------|-------------------|--------------|
| 1 | 3583254M2 | | 1 HARNESS |
| 2 | 3583253M4 | ● N.L.A. (1) | 1 HARNESS |
| 3 | 963497M1 | ● 3699579M1 (999) | 999 CLIP |
| 4 | 1677803M1 | ● 3760697M1 (999) | 999 CLIP |
| 5 | 3615413M1 | | 1 HARNESS |
| 6 | 3380073M1 | | 1 SWITCH,IND |
| 7 | 390333X1 | ● 392483X1 (1) | 1 NUT BSF |

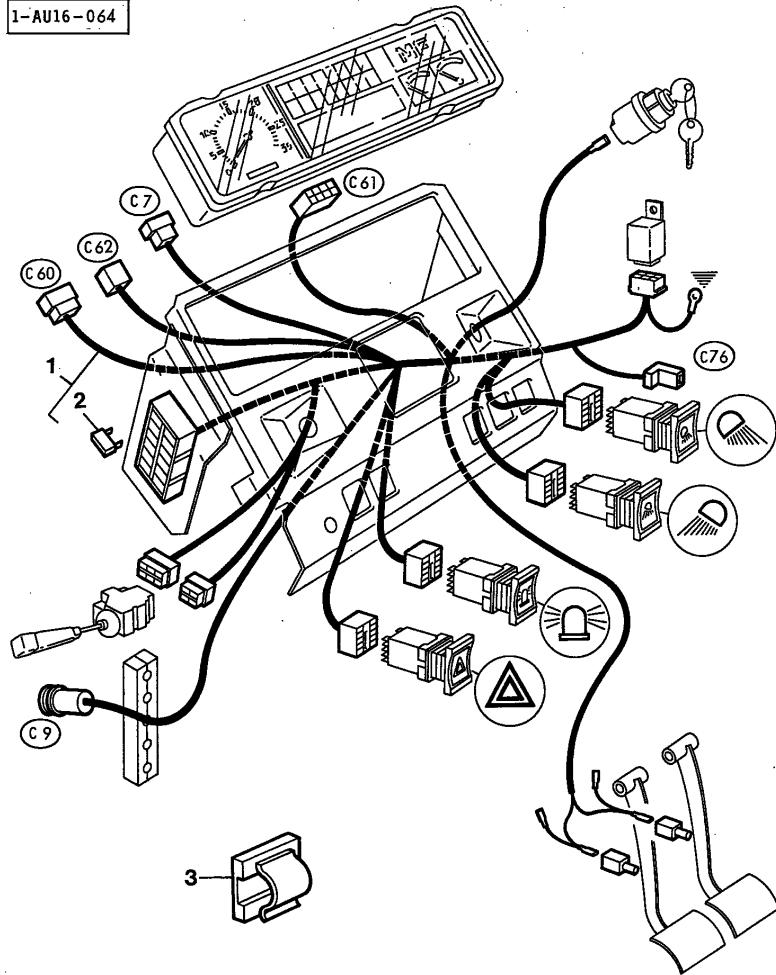
ACCESSORIES AND APPLICATION MISCELLANEOUS



TRACTOR CAB - ELECTRICAL WIRING

Large importato 1 19000

1-AU16-064

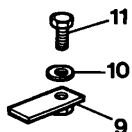
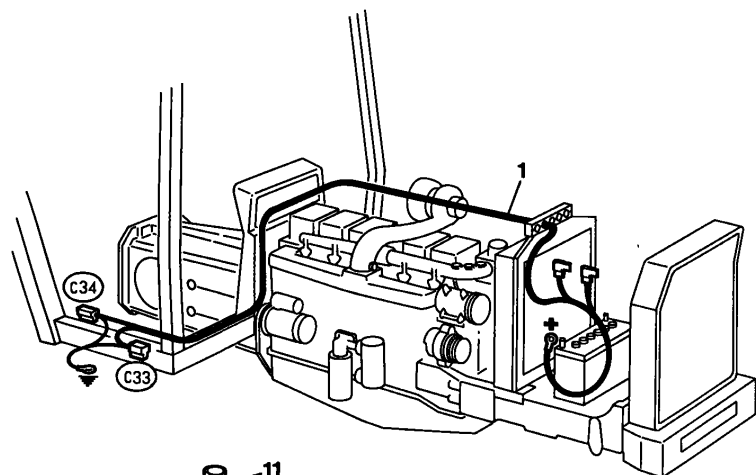
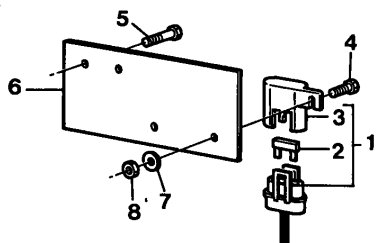


- | | | | | |
|---|------------------------------------|------------------|---|--------|
| 1 | 3583289M93 | | 1 | HARNES |
| 2 | 3387319M1 | ● 3533928M91 (4) | 4 | FUSE |
| | | ! 1 | | |
| | | 7,5A | | |
| 2 | 3387320M1 | ● 1695939M1 (2) | 2 | FUSE |
| | | ! 1 | | |
| | | 10A | | |
| 2 | 3387321M1 | ● 3536581M91 (5) | 5 | FUSE |
| | | ! 1 | | |
| | | 15A | | |
| 3 | 3582094M1 | | 2 | TIE |
| ! | THIS IS A COMPONENT OF AN ASSEMBLY | | | |

ACCESSORIES AND APPLICATION MISCELLANEOUS

Large importato 1 19000

1-AU16-034

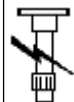


TRACTOR CAB - ELECTRICAL WIRING

- | | | | | | |
|----|------------|---|----------------|---|-------------|
| 1 | 3583318M91 | ● | 3583262M91 (1) | 1 | HARNESS |
| 2 | 3387319M1 | ● | 3533928M91 (1) | 1 | FUSE |
| | | ! | 1 | | |
| | | | 7,5 AMP. | | |
| 2 | 3387320M1 | ● | 1695939M1 (1) | 1 | FUSE |
| | | ! | 1 | | |
| | | | 10 AMP. | | |
| 3 | 3600224M1 | ! | 1 | 1 | COVER |
| 4 | 390990X1 | | | 2 | SCREW |
| 5 | 339124X1 | | | 2 | SCREW |
| 6 | 3582018M1 | | | 1 | SUPPORT |
| 7 | 339381X1 | | | 2 | LOCK WASHER |
| 8 | 390995X1 | | | 2 | NUT BSF |
| 9 | 3583301M91 | | | 1 | STRAP |
| 10 | 339375X1 | | | 1 | LOCK WASHER |
| 11 | 391074X1 | | | 1 | SCREW |

! THIS IS A COMPONENT OF AN ASSEMBLY

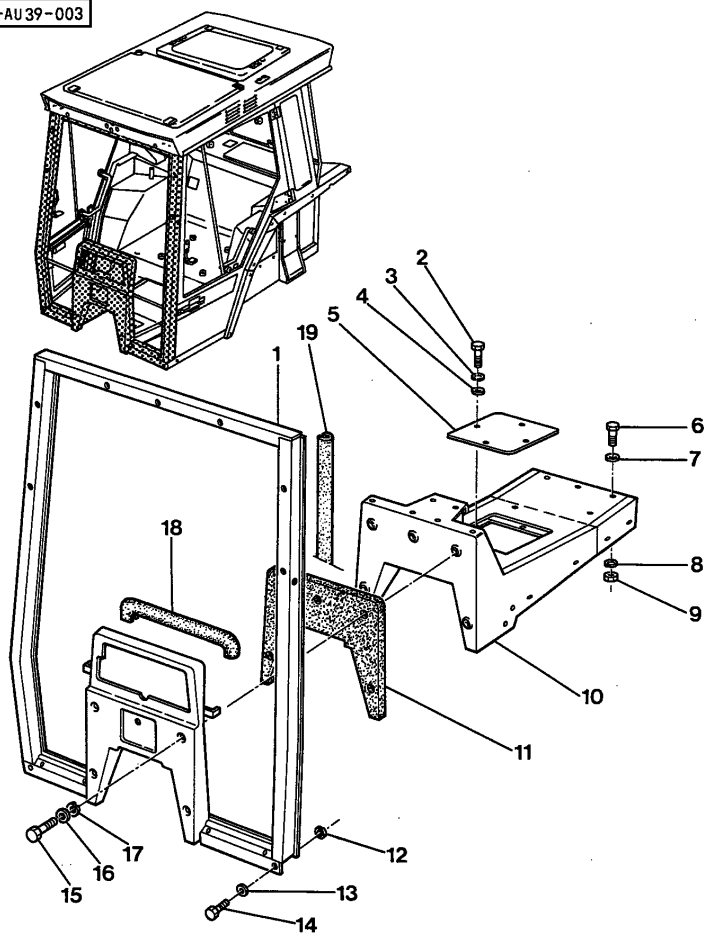
ACCESSORIES AND APPLICATION MISCELLANEOUS



Large importato 1 19000

TRACTOR CAB- FRONT SIDE - TUNNEL

1-AU39-003



- | | | | | |
|----|-----------|---------------|---|--------|
| 14 | 339326X1 | M14X25 | 6 | SCREW |
| 14 | 339761X1 | M8X25 | 9 | SCREW |
| 15 | 339123X1 | | 5 | SCREW |
| 16 | 390972X1 | | 5 | WASHER |
| 17 | 1650484M1 | ● 0920053 (5) | 5 | WASHER |
| 18 | 3581066M1 | | 1 | GASKET |
| 19 | 3385458M1 | | 2 | GASKET |



FROM SERIAL OR ENGINE NUMBER



UP TO SERIAL OR ENGINE NUMBER

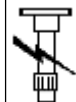


DIAMETER

Y1

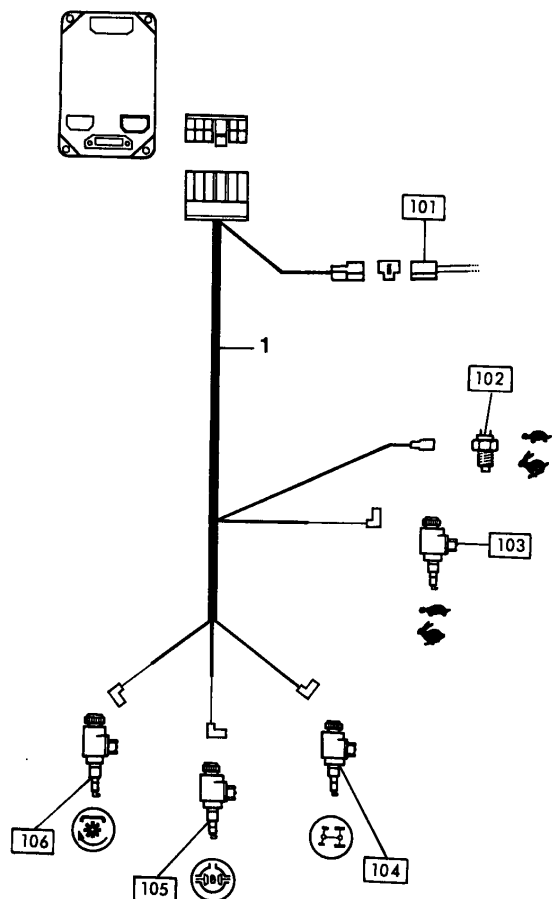
NOTA PAGINA ANOMALA

ACCESSORIES AND APPLICATION MISCELLANEOUS



Large importato 1 19000

1-AW08-002



ELECTROVANES HARNESS

- | | | |
|-----|-----------|------------|
| 1 | 3387312M1 | 1 HARNESS |
| 101 | ⊕ 321/1 | 999 CABLE |
| 102 | B | 999 SWITCH |
| 103 | B | 999 VALVE |
| 104 | B | 999 VALVE |
| 105 | B | 999 VALVE |
| 106 | B | 999 VALVE |



SEE PAGE - REFERENCE NUMBER

B

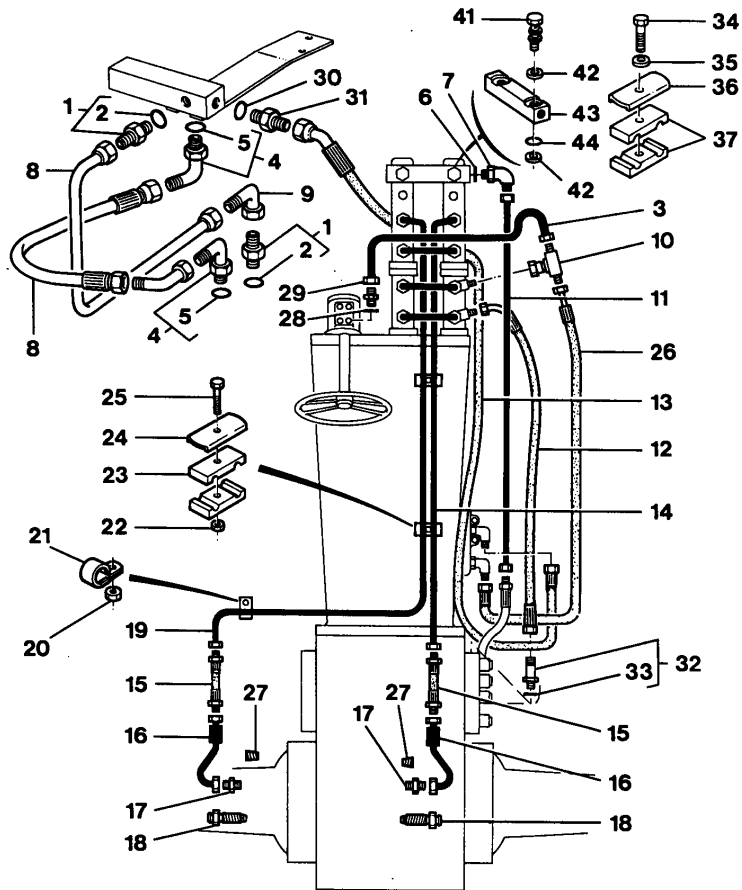
FOR THE PART NUMBERS OF THESE PARTS, PLEASE REFER TO THE PAGE OF THE ASSY ON WHICH THEY ARE MOUNTED.

ACCESSORIES AND APPLICATION MISCELLANEOUS

Large importato 1 19000



1-AG33-006



POWER BRAKING CYLINDERS

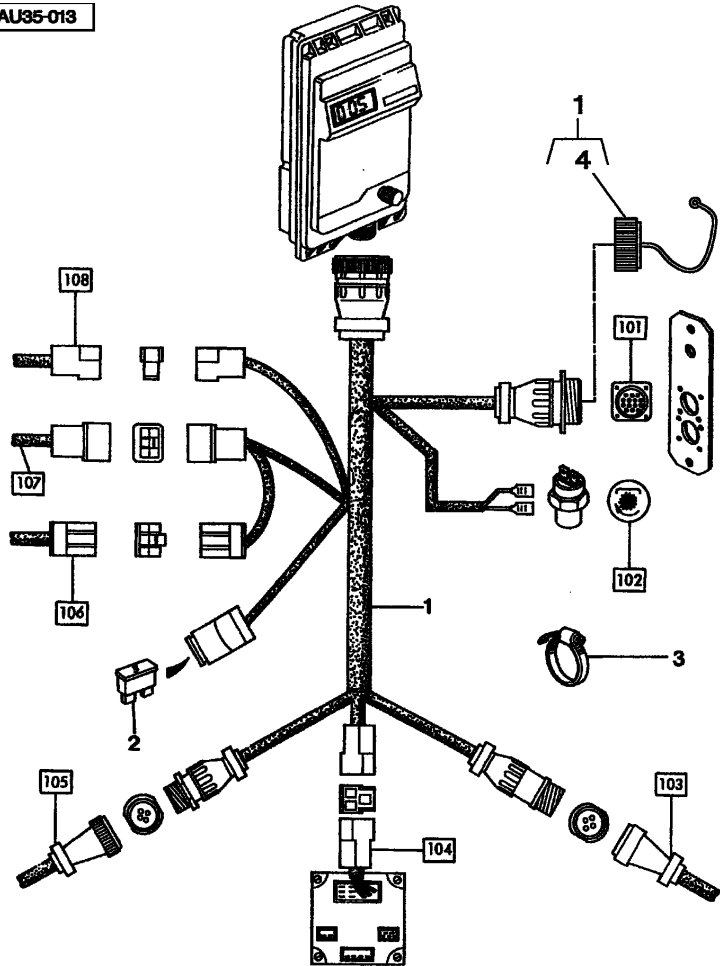
- | | | | |
|----|------------|-------|--------|
| 28 | 831497M1 | 1 | O RING |
| 29 | 358734X1 | 1 | UNION |
| 30 | 3019395X1 | 1 | O RING |
| 31 | 3581988M1 | 1 | UNION |
| 32 | 3019623X91 | 1 | UNION |
| 33 | 3019395X1 | ! | 32 |
| 34 | 391244X1 | M6X45 | 1 |
| 35 | 390971X1 | | 1 |
| 36 | 1626672M2 | | 1 |
| 37 | 3320043M1 | | 2 |
| 41 | 3581491M1 | | 2 |
| 42 | 3581464M1 | | 4 |
| 43 | 3581463M2 | | 1 |
| 44 | 3019395X1 | | 2 |

! THIS IS A COMPONENT OF AN ASSEMBLY
 ⇨ FROM SERIAL OR ENGINE NUMBER
 ⇩ UP TO SERIAL OR ENGINE NUMBER
 ▲ LEFT HAND
 ▼ RIGHT HAND

ACCESSORIES AND APPLICATION MISCELLANEOUS

Large importato 1 19000

1-AU35-013

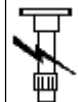


ABOARD COMPUTER- WIRING

1	3580325M1		1	CABLE
2	3580868M1	!	1	FUSE
			3 AMP	
3	3619622M1		2	CLAMP
4	3900383M1	!	1	PLUG
101	A		999	PLUG SOCKET
	B			
102	B		999	SWITCH,IND
	P.T.O			
103	B		999	CABLE
104	B		999	BOX
105	B		999	CABLE
106	B		999	CABLE
107	B		999	CONSOLE
108	B		999	CABLE

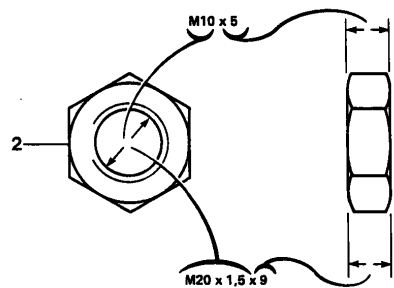
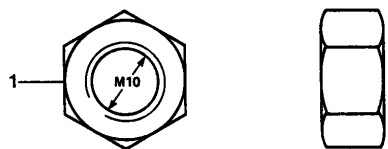
! THIS IS A COMPONENT OF AN ASSEMBLY
 A REFER TO ACCESSORY BOOK,
 B FOR THE PART NUMBERS OF THESE PARTS, PLEASE REFER TO THE PAGE OF THE ASSY ON WHICH THEY ARE MOUNTED.

ACCESSORIES AND APPLICATION MISCELLANEOUS



Large importato 1 19000

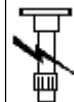
NUTS



2	339592X1	H-M20X1,5X9	999 NUT
2	353429X1	H-5/8UNFX9,6	999 NUT BSF
2	358706X1	H-3/4UNFX8	999 NUT
2	375107X1	H-1/4UNCX4	999 NUT BSF
2	375112X1	H-5/8UNCX9,6	999 NUT UNC
2	390191X1	H-M30X1X6	999 NUT BSF
2	390197X1	H-M24X1,5X10	999 NUT BSF

1-9932-001

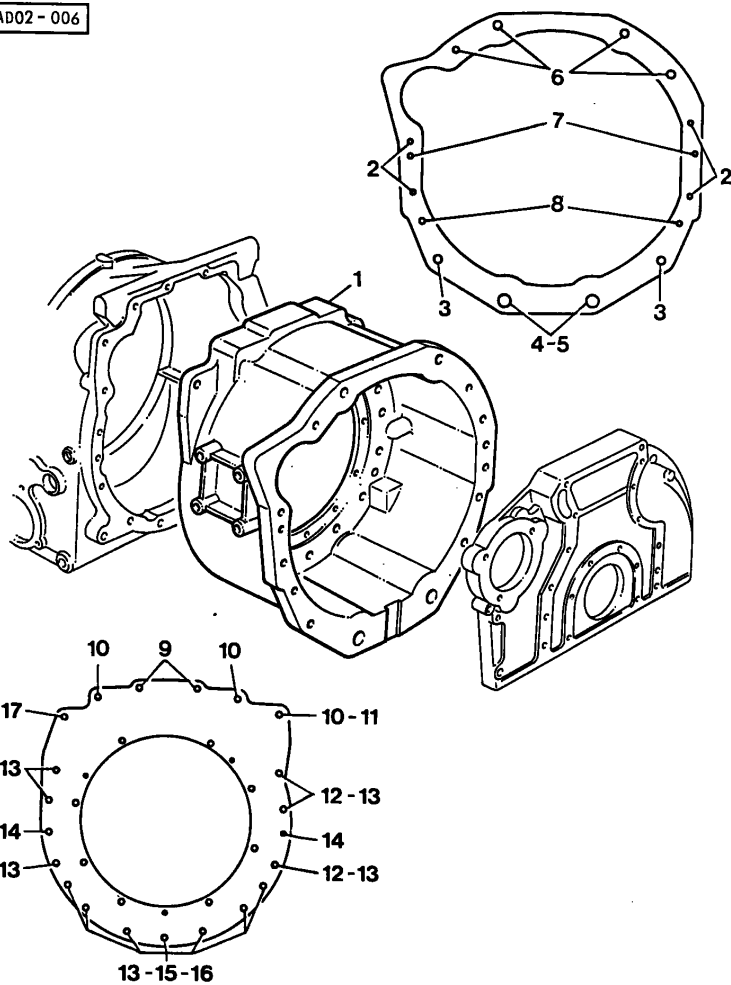
ACCESSORIES AND APPLICATION MISCELLANEOUS



Large importato 1 19000

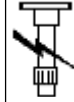
1-AD02-006

FRONT SPACER



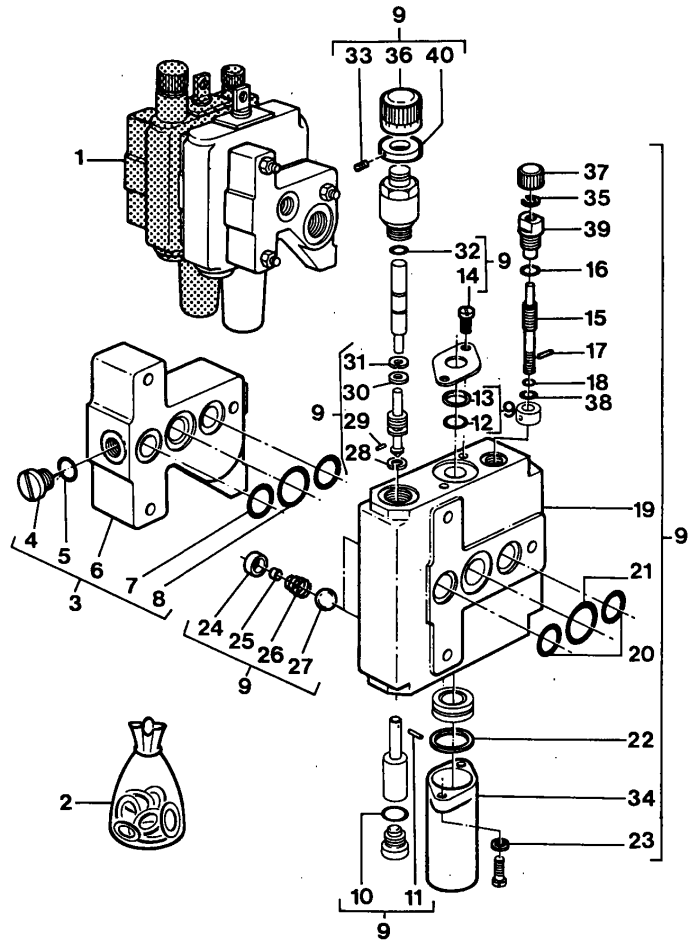
- | | | | | |
|----|-----------|--------------------------------|----|-------------|
| 1 | 3616094M3 | | 1 | SPACER |
| 2 | 3019851X1 | Ø M12X45 | 4 | BOLT |
| 3 | 3580796M1 | Ø 22X100 | 2 | SCREW |
| 4 | 3581641M1 | Ø 22X130 | 2 | SCREW |
| 5 | 3581642M1 | Ø 22 | 2 | NUT |
| 6 | 3384131M1 | Ø M16X55 | 4 | BOLT |
| 7 | 3583428M1 | | 2 | CENTRALISER |
| 8 | 3580795M1 | Ø M16X80 | 2 | SCREW |
| 9 | 372991X1 | Ø 7/16-14X51 | 2 | SCREW |
| 10 | 372992X1 | Ø 1/2-14X50,8 | 3 | SCREW |
| 11 | 373590X1 | ◄ 51 | 1 | NUT |
| 12 | 377557X1 | ● 377824X1 (6)
Ø 7/16-14X35 | 6 | SCREW |
| 13 | 3052971M1 | | 13 | WASHER |
| 14 | 191314M1 | | 2 | CENTRALISER |
| 15 | 377590X1 | Ø 51 | 7 | STUD |
| 16 | 377185X1 | Ø 7/16-20 | 7 | NUT UNF |
| 17 | 372950X1 | Ø 1/2-13X31,7 | 1 | SCREW |
- ◄ LENGTH
Ø DIAMETER

ACCESSORIES AND APPLICATION MISCELLANEOUS



Large importato 1 19000

1-AP34-071



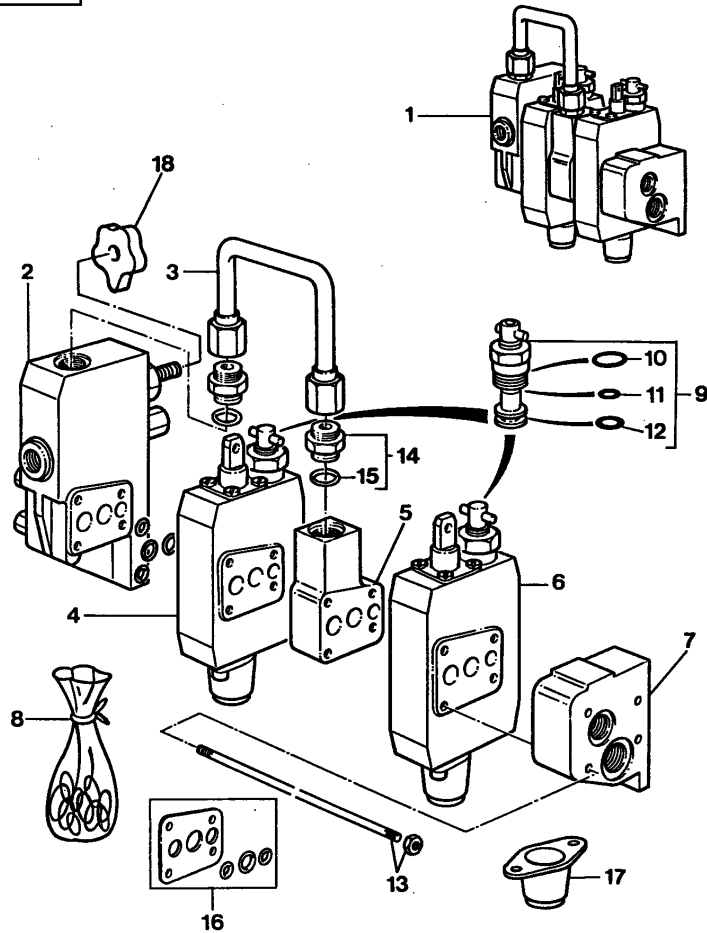
DISTRIBUTOR

1	3388337M91	➔ P104036	1	DISTRIBUTOR
		A		
		C		
		2 DIST. BOSCH		
2	3104876M91	!	1	KIT SEAL
3	3104874M1	!	1	ELEMENT
4	3105077M1	!	3	PLUG
5	1806968M1	!	3	GASKET
6		!	3	ELEMENT
		➔ REF NO 3		
7	3102329M1	● F816860100020 (2)	2	O RING
		!	3	
8	3102326M1	!	3	O RING
9	3580360M1	!	1	DISTRIBUTOR
		C		
10	3105062M1	!	9	O RING
11	3105076M1	!	9	ROLL PIN
12		!	9	GASKET
		➔ REF NO 2		
13		!	9	BUSH
		➔ REF NO 2		
14	391242X1	!	9	2 SCREW
15		!	9	1 SCREW
		➔ FD 750		
		E		
15	3600083M91	!	9	1 SCREW
		➔ FD 751		
16	1806968M1	!	9	1 GASKET
17	3007947X1	!	9	1 ROLL PIN
18	3105326M1	!	9	1 VALVE SEAT
19		!	9	1 ELEMENT
		➔ REF NO 9		
20		!	9	2 GASKET
		➔ REF NO 2		

ACCESSORIES AND APPLICATION MISCELLANEOUS

Large importato 1 19000

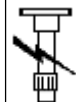
1-AP34-092



DISTRIBUTOR

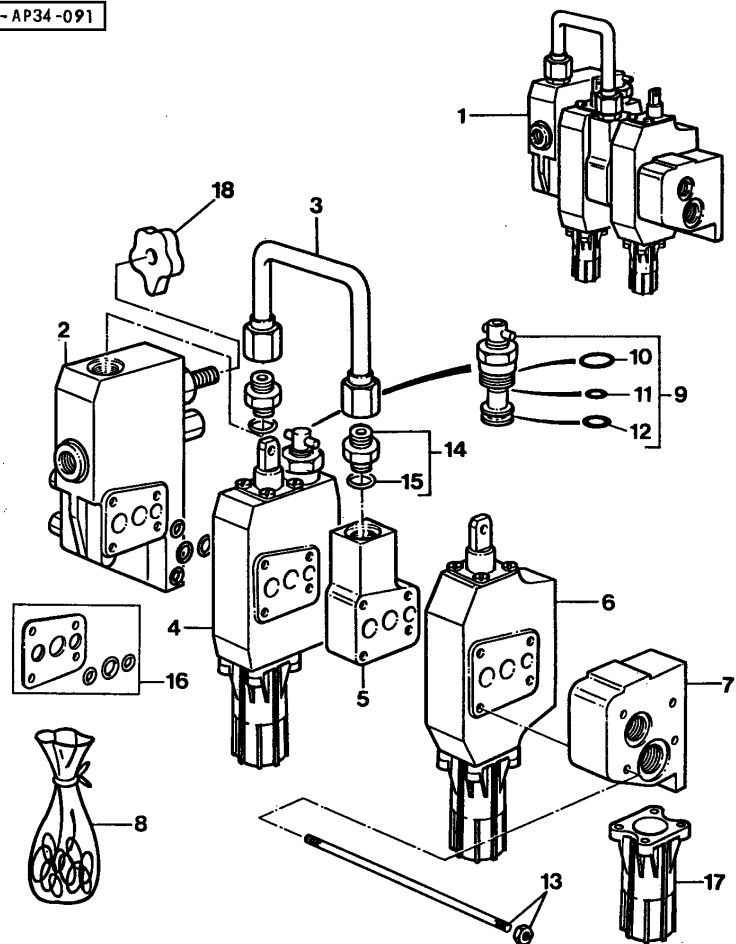
1	3582506M91	➔	S050035	1	DISTRIBUTOR
			A		
			REXROTH		
			2 DIST.		
2	3582523M1	!	1	1	DISTRIBUTOR
3	3467065M91	!	1	1	PIPE
4	3582516M1	!	1	1	DISTRIBUTOR
5	3582522M1	!	1	1	SPACER
6	3582516M1	!	1	1	DISTRIBUTOR
7	3467955M91	!	1	1	ELEMENT
8	3467062M91	!	1	1	KIT
9	3467936M1	!	1	2	VALVE
10	364101X1	!	9	1	SEAL
11	1442438X1	!	9	1	RING
12	1441528X1	●	1000557M1 (1)	1	SEAL
		!	9		
13	3467687M91			1	PACKING
14	1886876M91	●	N.L.A. (2)	2	UNION
		!	1		
15	831497M1	!	14	1	O RING
16	3600209M91	!	1	999	PACKING
17	3600430M1	!	4	1	CRANKCASE
17	3600430M1	!	6	1	CRANKCASE
18	3900300M1	!	2	1	BUTTON
!					THIS IS A COMPONENT OF AN ASSEMBLY
➔					UP TO SERIAL OR ENGINE NUMBER
A					3 POSITION DISTRIBUTOR SIMPLE AND DOUBLE ACTION WITH FLOW DIVIDER SLICE

ACCESSORIES AND APPLICATION MISCELLANEOUS



Large importato 1 19000

1-AP34-091

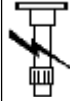


DISTRIBUTOR

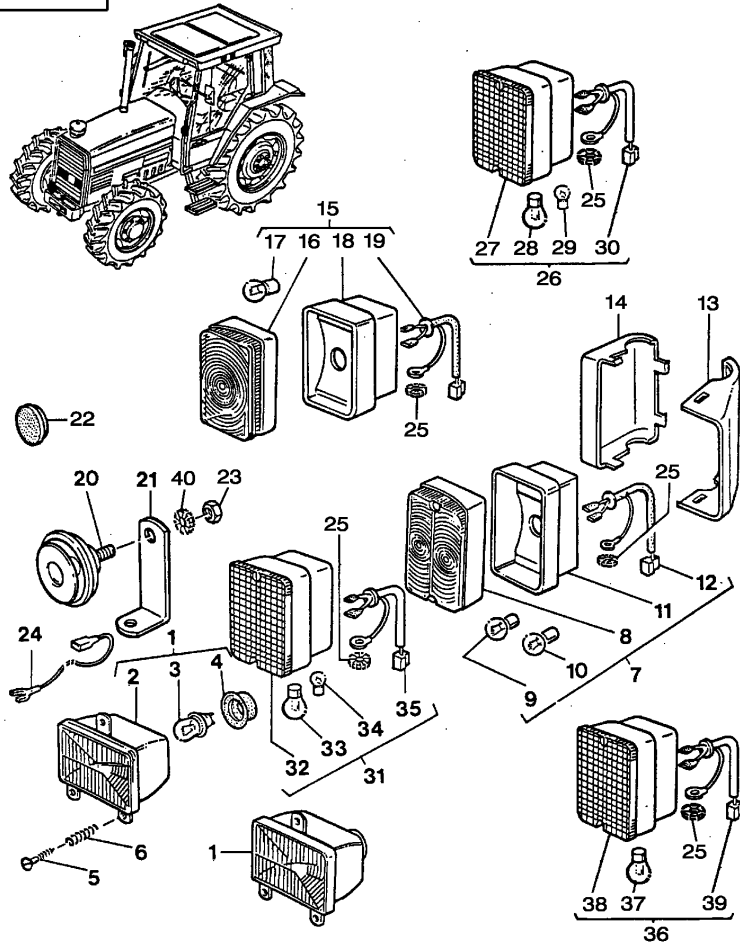
1	3582507M91	●	3582507M92 (1)	1	DISTRIBUTOR
			A		
			B		
			C		
			REXROTH		
			2 DIST.		
2	3582523M1	!	1	1	DISTRIBUTOR
			C		
3	3467065M91	!	1	1	PIPE
4	3582517M1	!	1	1	DISTRIBUTOR
			B		
5	3582322M1	!	1	1	SUPPORT
6	3582515M1	!	1	1	DISTRIBUTOR
			A		
7	3467955M91	!	1	1	ELEMENT
8	3467063M91	!	1	1	KIT
9	3467936M1	!	4	1	VALVE
10	364101X1	!	9	1	SEAL
11	1442438X1	!	9	1	RING
12	1441528X1	●	1000557M1 (1)	1	SEAL
		!	9		
13	3467687M91			1	PACKING
14	1886876M91	●	N.L.A. (2)	2	UNION
		!	1		
15	831497M1	!	14	1	O RING
16	3600209M91	!	1	999	PACKING
17	3600431M1	!	6	1	CRANKCASE
17	3600431M1	!	4	1	CRANKCASE
18	3900300M1	!	2	1	BUTTON
!					THIS IS A COMPONENT OF AN ASSEMBLY
A					4 POSITION DISTRIBUTOR, 1 FLOATING, DOUBLE ACTION WITH HYDRAULIC KICK-OUT
B					3 POSITION DISTRIBUTOR SIMPLE AND DOUBLE ACTION WITH HYDRAULIC KICK-OUT
C					FLOW DIVIDER SLICE

ACCESSORIES AND APPLICATION MISCELLANEOUS

Large importato 1 19000



1-AW02-012



LIGHTING EQUIPMENT- FRONT

35	3582230M1	!	31	1	HARNESS
36		➡	REP 15	2	LIGHT
		Ⓢ	SAW		
37	3105506M1	!	36	1	LENS
		Ⓢ			
38	621235M1	●	395551X1 (1)	1	BULB
		!	36		
		Ⓢ			
39	3582233M1	!	36	1	HARNESS
		Ⓢ			
40	339374X1	∅	8MM	1	LOCK WASHER
		!	THIS IS A COMPONENT OF AN ASSEMBLY		
		➡	FROM SERIAL OR ENGINE NUMBER		
		➡	UP TO SERIAL OR ENGINE NUMBER		
		●	REPAIRS AND REPLACES		
		➡	NOT SERVICED, ORDER		
		A	WHITE BULB,		
		C	FINLAND		
		C	FOR L.H DRIVING		
		D	YELLOW BULB,		
		D	FOR R.H DRIVING		
		◀	LEFT HAND		
		▶	RIGHT HAND		
		∅	DIAMETER		
		Ⓢ	FOR UNITED STATES OF AMERICA		

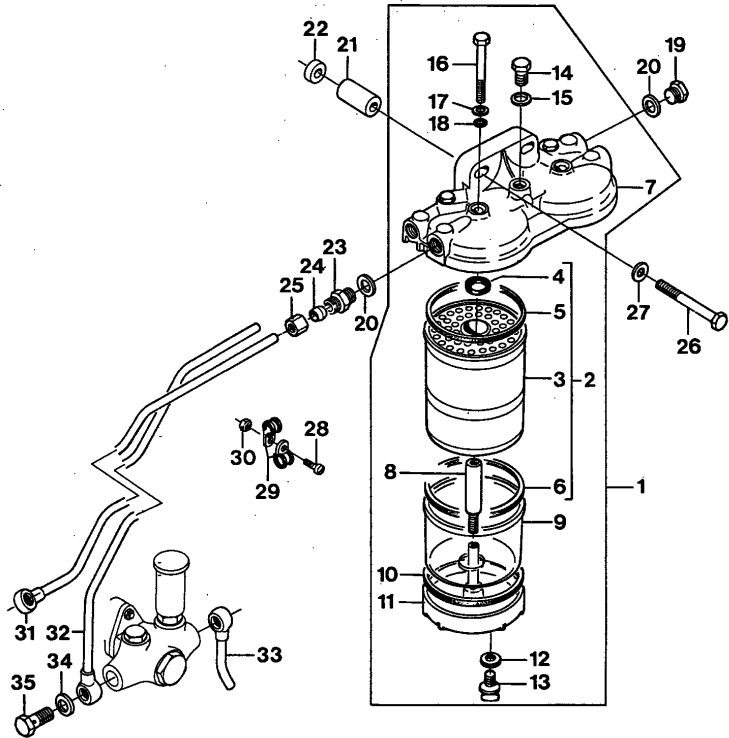
ACCESSORIES AND APPLICATION MISCELLANEOUS

Large importato 1 19000



FUEL FILTER

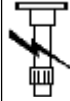
1-LA18-003



- | | | | | |
|----|------------|----------------|---|-------------|
| 1 | V836339370 | | 1 | FUEL FILTER |
| 2 | 1896287M91 | ● 26560602 (2) | 2 | ELEMENT |
| | | ! 1 | | |
| | | ● V836339371 | | |
| 3 | | ! 2 | 1 | ELEMENT |
| | | ➡ REF 2 | | |
| 4 | V836015142 | ! 2 | 2 | O RING |
| 5 | V835330014 | ! 2 | 1 | GASKET |
| 6 | V835330015 | ! 2 | 1 | GASKET |
| 7 | V836015959 | ! 1 | 1 | CAP |
| 8 | V836339372 | ! 1 | 2 | STUD |
| 9 | V836015144 | ! 1 | 2 | BOWL |
| 10 | V835330015 | ! 1 | 2 | GASKET |
| 11 | V836015146 | ! 1 | 2 | HOUSING |
| 12 | V836015147 | ! 1 | 2 | GASKET |
| 13 | V836015148 | ! 1 | 2 | PLUG |
| 14 | V836015958 | ! 1 | 1 | SCREW |
| 15 | V615571014 | ! 1 | 1 | SEAL |
| 16 | V836015149 | ! 1 | 2 | SCREW |
| 17 | V836015918 | ! 1 | 2 | WASHER |
| 18 | V836015919 | ! 1 | 2 | O RING |
| 19 | V836117323 | | 2 | PLUG |
| 20 | V615581317 | | 3 | SEAL |
| 21 | V836338607 | | 2 | SPACER |
| 22 | V835336841 | | 2 | DISTANCE P |
| 23 | V835329832 | | 1 | UNION |
| 24 | V641596010 | | 1 | OLIVE |
| 25 | V641626010 | | 1 | NUT |
| 26 | V529801910 | | 2 | SCREW |
| 27 | V500151050 | | 2 | WASHER |
| 28 | V572502622 | | 2 | SCREW |
| 29 | V602068610 | | 4 | CLAMP |
| 30 | V504600400 | | 2 | NUT |
| 31 | | ◊ 46/20 | 1 | HOLDING FI |

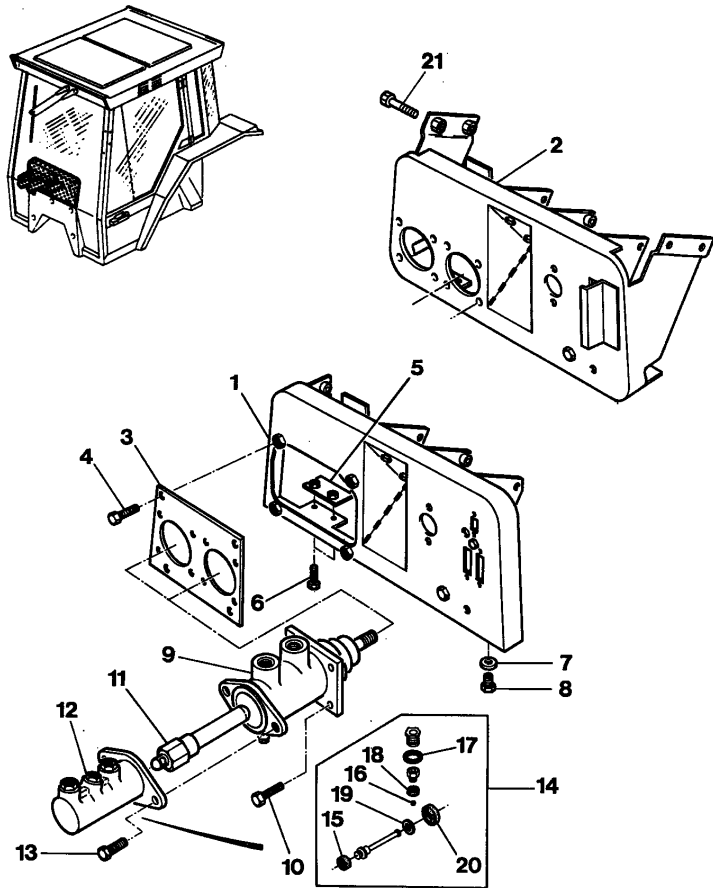
ACCESSORIES AND APPLICATION MISCELLANEOUS

Large importato 1 19000



BRAKES- MASTER CYLINDER

1-AG18-009



1	3388827M96	➔	P186010	1	SUPPORT
1	3583305M91	➔	P186011	1	SUPPORT
		➔	S157040		
2	3616240M92	➔	S157041	1	SUPPORT
3	3384651M91	➔	S157040	1	SUPPORT
4	339228X1	➔	S157040	4	SCREW
5	3384653M92			1	STOP
6	391074X1			2	SCREW
7	390972X1			6	WASHER
8	339123X1		M8X20	4	SCREW
8	339124X1		M8X16	2	SCREW
8	339169X1	●	394367X1 (6)	6	NUT BSF
9	3383344M2	●	3617655M00 (2) C	2	BRAKE CYLI
9	3617596M1	➔	S207019	2	BRAKE CYLI
10	339761X1			8	SCREW
11	3384703M91	●	3617655M00 (2) C	2	STEM
11	3617594M91	●	N.L.A. (2)	2	ROD
		➔	S207019		
12	3383079M4	●	3383079M5 (2) A	2	MAIN CYLIDER
12	3384685M2	●	3384685M3 (2) A	2	MAIN CYLIDER
13	339761X1			4	SCREW
14	1810832M91	!	12	1	KIT,REPAIR
15		!	14	1	GASKET
		➔	REF 14		
16		!	14	1	BALL
		➔	REF 14		
17		!	14	1	GASKET
		➔	REF 14		
18		!	14	1	GASKET
		➔	REF 14		

CLICK HERE TO **DOWNLOAD** THE COMPLETE MANUAL

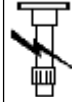
- Thank you very much for reading the preview of the manual.
- You can download the complete manual from: www.heydownloads.com by clicking the link below



- Please note: If there is no response to CLICKING the link, please download this PDF first and then click on it.

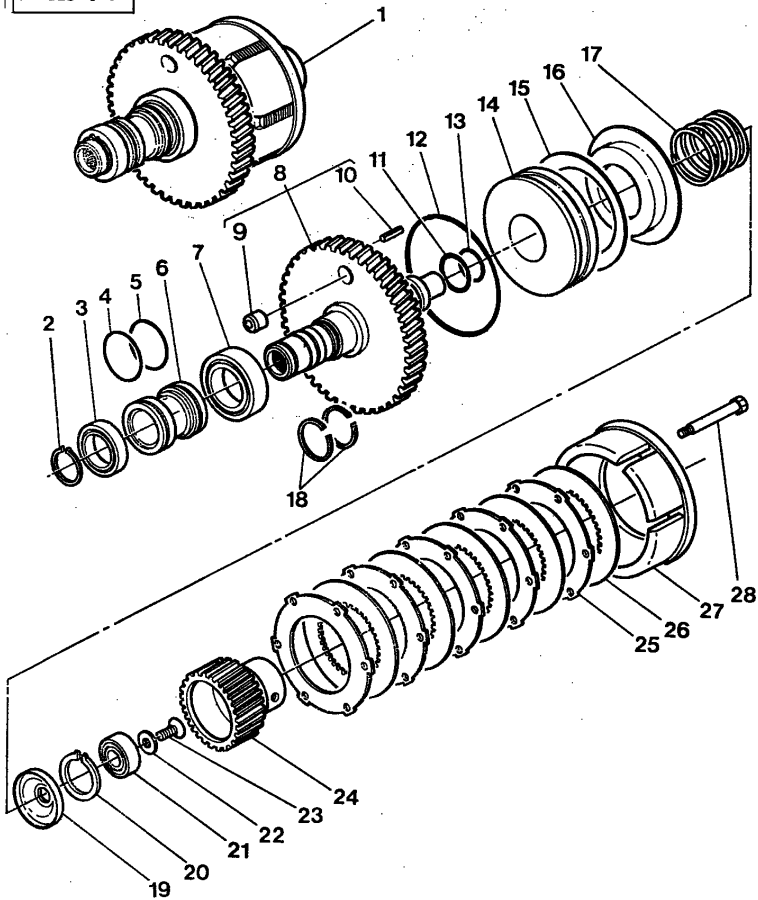
CLICK HERE TO **DOWNLOAD** THE COMPLETE MANUAL

ACCESSORIES AND APPLICATION MISCELLANEOUS



Large importato 1 19000

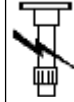
1-AG23-013



INDEPENDANT POWER TAKE OFF CLUTCH

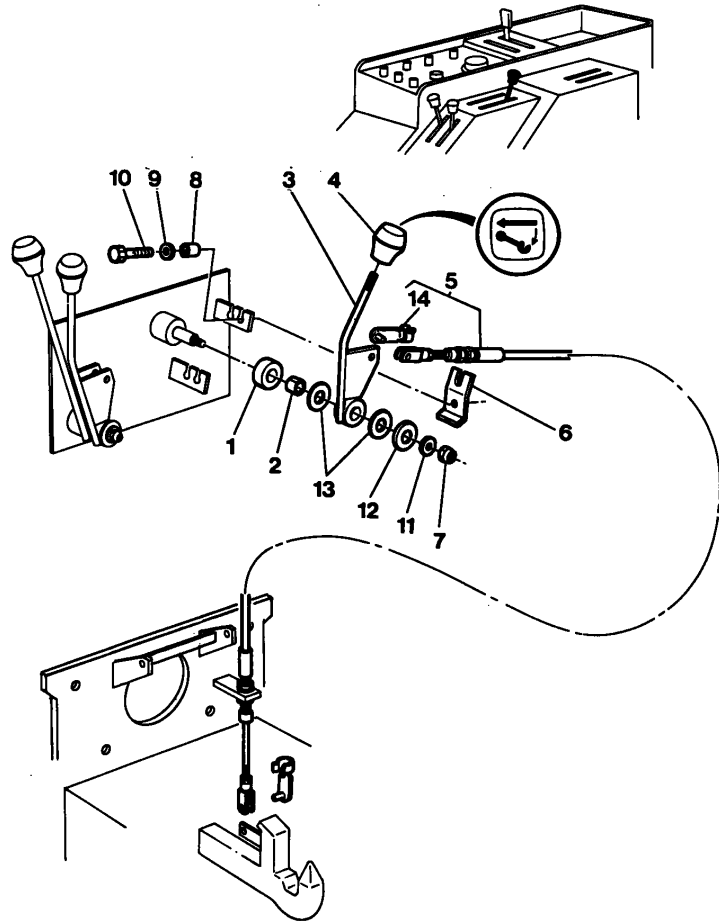
1	3615678M91	●	N.L.A. (1)	1	CLUTCH
2	391832X1	!	1	1	CIRCLIP
3	3009701X1	●	1101409 (1)	1	BEARING
		!	1		
4	3007077X1	!	1	1	GASKET
5	365801X1	●	3673222M1 (1)	1	RING
		!	1		
6	3384388M1	!	1	1	HUB
7	3002233X1	!	1	1	BEARING
8	3615675M91	●	N.L.S. (1)	1	HOUSING
		!	1		
9	1872134M92	!	8	1	VALVE
10	3006444X1	!	8	2	PIN
11	3582934M1	!	1	1	GASKET
12	3582933M1	!	1	1	GASKET
13	832038M1	●	70923989 (1)	1	O RING
		!	1		
14	3387193M1	!	1	1	PISTON
15	3619148M1	!	1	1	SPRING
		●	3582894M1		
16	3387198M1	!	1	1	SUPPORT
17	3582893M1	!	1	1	SPRING
18	3384502M1	!	1	2	SEGMENT
19	3387199M1	!	1	1	SPRING
20	3019350X1	!	1	1	RING
21	339073X1	●	391057X1 (1)	1	BEARING BALL
		!	1		
22	3389211M1	!	1	1	WASHER
23	3009450X1	!	1	1	SCREW
			M10X20		
24	3387197M1	●	N.L.A. (1)	1	HUB
		!	1		
25	3387346M1	!	1	5	COUNTERPLATE

ACCESSORIES AND APPLICATION MISCELLANEOUS



Large importato 1 19000

1-AQ21-012

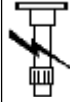


AUTOMATIC HITCH- WITH REMOTE CONTROL

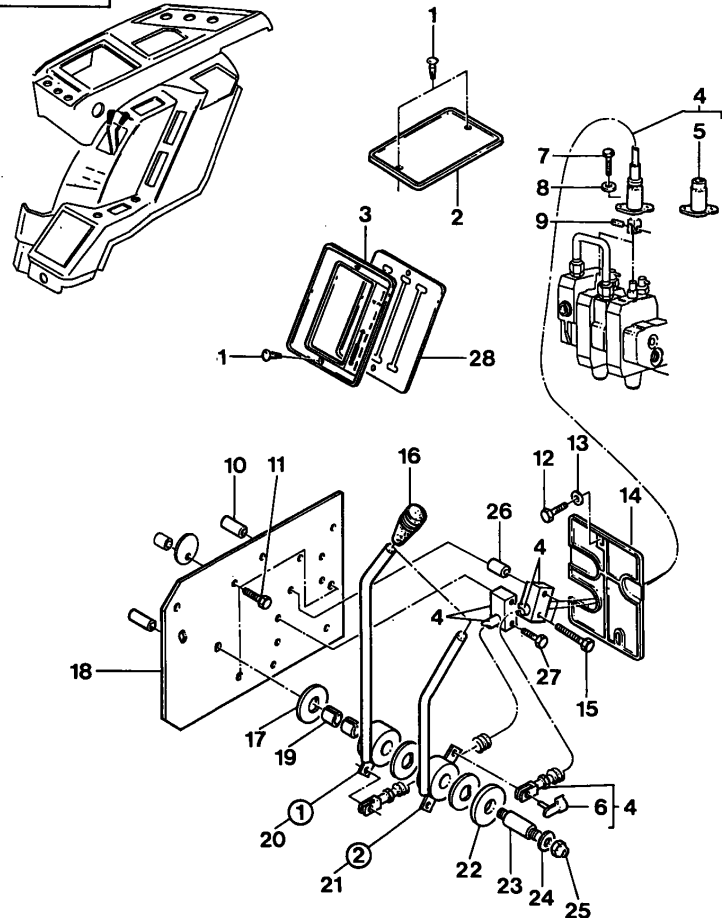
1	3389982M1	B	1	SPACER
2	3386515M1		1	BEARING
3	3389974M91		1	LEVER
4	3581695M1	● 3580022M1	1	KNOB
5	3581041M1	● 3581041M2 (1)	1	CABLE
6	3581104M91	● 3389986M91	1	STOP
7	394367X1	B	1	LOCKNUT
8	3581105M1	● 3389996M1	1	INSERT
9	390972X1		1	WASHER
10	339761X1		1	SCREW
11	390972X1	B	1	WASHER
12	3387447M1		1	WASHER
13	3386514M1	C	1	DISC
13	3386514M1	B	2	DISC
14	3600190M1	! 5 ◄ 28MM	1	CLEVIS PIN
14	3600191M1	! 5 ◄ 40MM	1	CLEVIS PIN
!	THIS IS A COMPONENT OF AN ASSEMBLY			
●	REPAIRS AND REPLACES			
B	WITH 2 DISTRIBUTORS			
C	WITH 3 DISTRIBUTORS			
◄	LENGTH			

ACCESSORIES AND APPLICATION MISCELLANEOUS

Large importato 1 19000



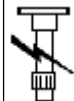
1 - AP35 - 025



AUXILIARY HYDRAULICS

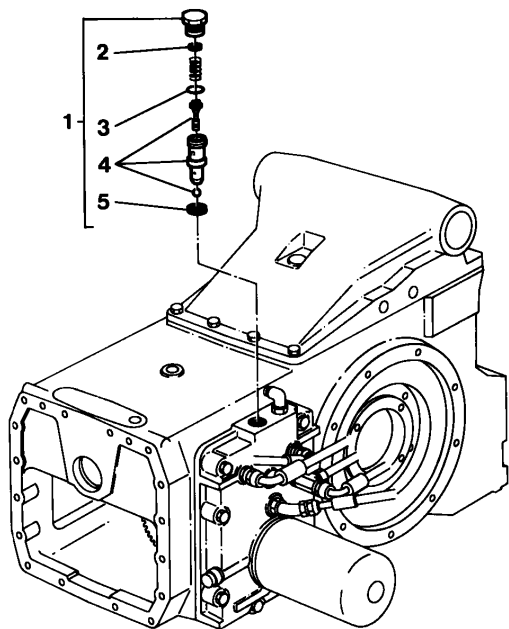
1	3616374M1		4	RIVET
2	3615819M1		1	COVER
3	3615816M1		1	COVER
4	3582422M3		2	CABLE
5	3600254M91	! 4	1	PACKING
6	3600190M1	! 4	1	CLEVIS PIN
		◄ 28MM		
6	3600191M1	! 4	1	CLEVIS PIN
		◄ 40MM		
		M5X16		
7	339721X1		4	SCREW
8	390971X1		4	WASHER
9	3387566M2		2	CLEVIS PIN
10	3582393M1		2	SPACER
11	339168X1		3	BOLT
12	339124X1		2	SCREW
13	390972X1		2	WASHER
14	3582196M2		1	PLATE
15	391884X1	M6X50	2	BOLT
16	3387529M2		2	HANDLE
17	3386514M1		3	DISC
18	3582399M92		1	PLATE
19	3386515M1		2	BEARING
20	3581508M94		1	LEVER
21	3581509M94		1	LEVER
22	3387447M1		1	WASHER
23	3582411M1		1	CLEVIS PIN
24	390972X1		1	WASHER
25	394367X1		1	LOCKNUT
26	3582836M1		1	SPACER
27	339262X1	M6X30	1	BOLT
28	3615897M1		1	BOOT
!	THIS IS A COMPONENT OF AN ASSEMBLY			
◄	LENGTH			

ACCESSORIES AND APPLICATION MISCELLANEOUS



Large importato 1 19000

1- AP30-003



HYDRAULICS- HYDRAULIC COVER LH

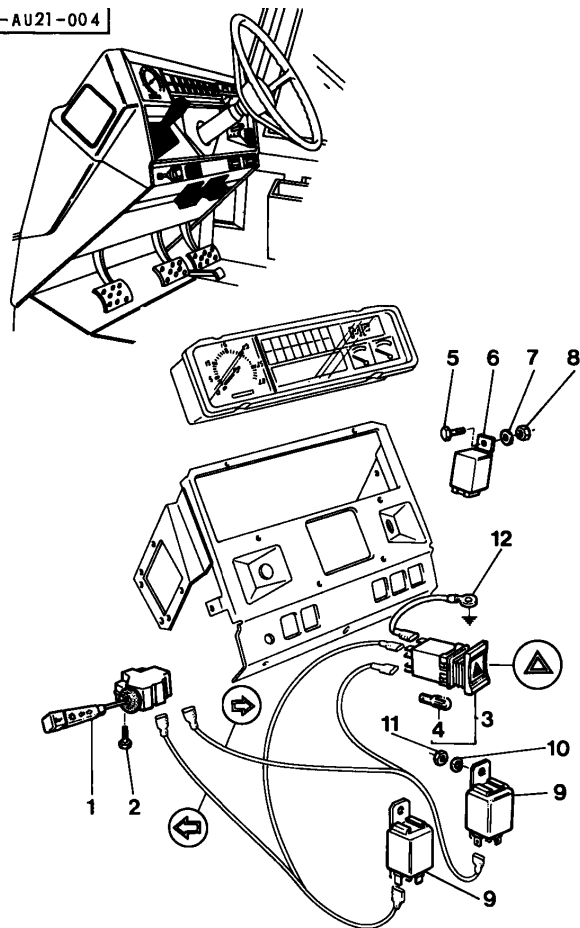
1	3382294M91		1	VALVE
2	1806184M1	!	1	SHIM
		▲	0,5MM	
2	3102068M1	!	1	999 SHIM
		▲	0,3MM	
2	3102069M1	!	1	999 SHIM
		▲	0,4MM	
2	3104724M1	!	1	999 SHIM
		▲	0,8MM	
3	1807116M1	!	1	1 O RING
4	1807049M1	!	1	1 VALVE
5	3104723M1	!	1	1 WASHER
!	THIS IS A COMPONENT OF AN ASSEMBLY			
▲	SHIM			

ACCESSORIES AND APPLICATION MISCELLANEOUS

Large importato 1 19000



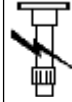
1-AU21-004



ELECTRIC EQUIPMENT & INSTRUMENT PANEL

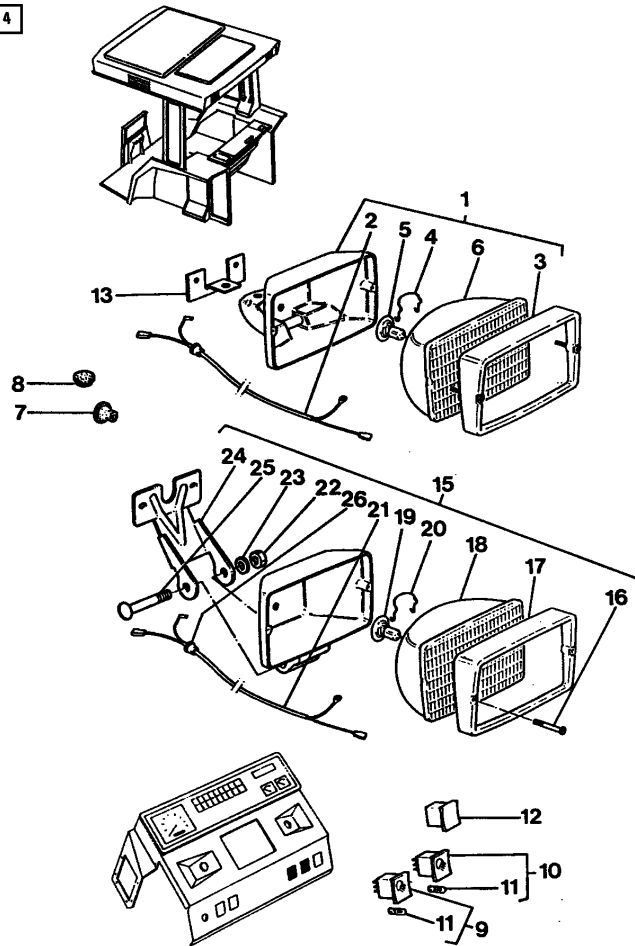
1	3381403M1		1	COMMUTATOR
2	339160X1	M5X10	2	SCREW
3	3581474M91	● 3385754M91	1	SWITCH,IND
4	3405185M1	● 3310618M1 (1)	1	BULB
		↓		
		3		
		● 3370435M1		
5	339560X1	M6X16	1	SCREW
6	3617865M1	● 3533171M92 (1)	1	BLINKER
7	1441206X1	● N.L.A. (1)	1	LOCK WASHER
7	339375X1		1	LOCK WASHER
8	339030X1	● 1441500X1 (1)	1	NUT BSF
		M6		
9	3615652M1	● 3583507M1	2	RELAY
10	339381X1		2	LOCK WASHER
11	390995X1		2	NUT BSF
12	903078M1		1	EARTH STRAP
!	THIS IS A COMPONENT OF AN ASSEMBLY			
●	REPAIRS AND REPLACES			

ACCESSORIES AND APPLICATION MISCELLANEOUS



Large importato 1 19000

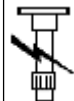
1- AW05-014



FIELD LIGHTS

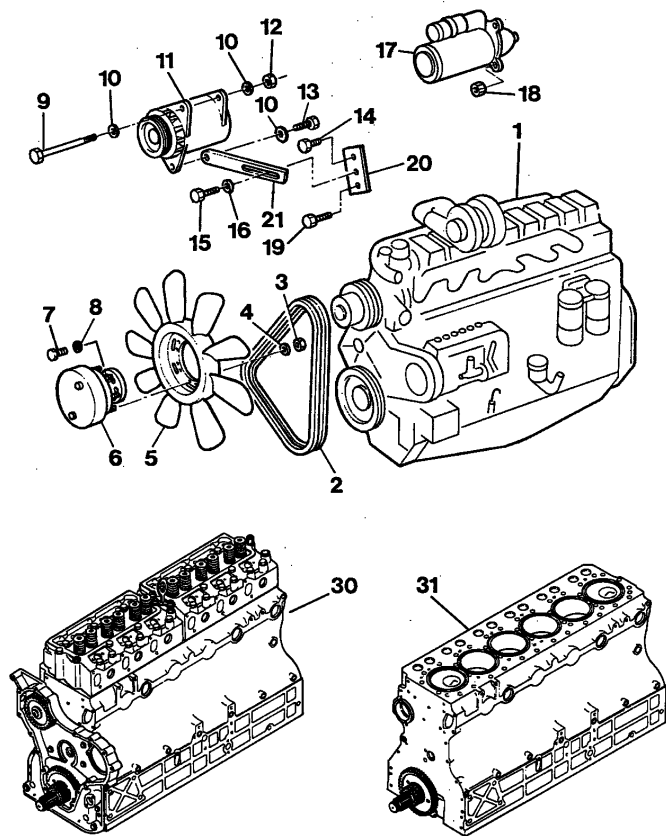
1	3387863M91	➔	S070009 HELLA	999 LAMP
2	3388268M1	!	1	1 HARNESS
3	3104790M1	!	1	1 CRANKCASE
4	3104792M1	!	1	1 SPRING
5	1628494M1	●	3217708M1 (1)	1 BULB H3
		!	1	
6	3104791M1	!	1	1 INSERT
7	390972X1			999 GROMMET
7	833062M1			999 WASHER
8	1874928M1			999 PLUG
9	3385758M91	●	3385758M92 (1)	1 SWITCH,IND
10	3385760M91	●	3385760M92 (1)	1 SWITCH,IND
11	3405185M1	●	3310618M1 (999)	999 BULB
		!	10	
12	3385765M1			999 PLUG
13	3385196M1	➔	S070009	999 SUPPORT
15	3617494M91	➔	S070010 SAW	999 LAMP
16	3106817M1	!	15	2 SCREW
17	3106813M1	!	15	1 CRANKCASE
18	3106819M1	!	15	1 INSERT
19	1628494M1	●	3217708M1 (1)	1 BULB H3
		!	15	
20	3106812M1	!	15	1 SPRING
21	3106815M1	!	15	1 HARNESS
22	390575X1	!	15	1 NUT BSF
23	1443780X1	●	339374X1 (1)	1 WASHER
		!	15	
24	3106814M1	!	15	1 SUPPORT
25	3106818M1	!	15	1 SCREW
26	3106816M1	!	15	1 GROMMET
!	THIS IS A COMPONENT OF AN ASSEMBLY			
➔	FROM SERIAL OR ENGINE NUMBER			
➔	UP TO SERIAL OR ENGINE NUMBER			

ACCESSORIES AND APPLICATION MISCELLANEOUS



Large importato 1 19000

1-AA01-029



ENGINE

31 V836014334 C

1 PINION

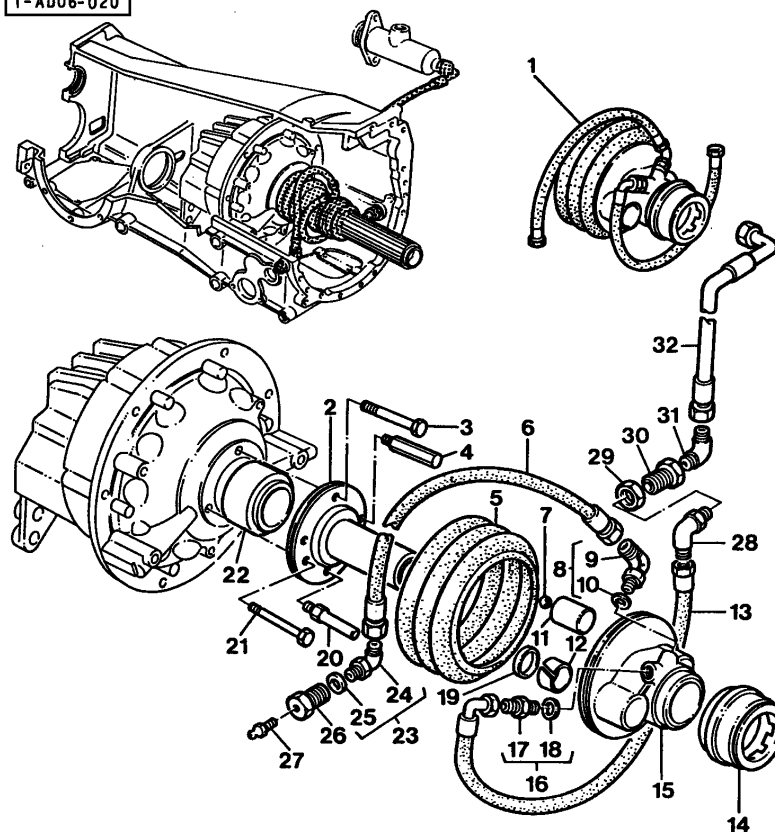
ACCESSORIES AND APPLICATION MISCELLANEOUS

Large importato 1 19000



CLUTCH PEDAL AND LINKAGE

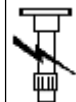
1-AD06-020



- !
-
- ↑
- ◇
- ⊂
- C
- ↔

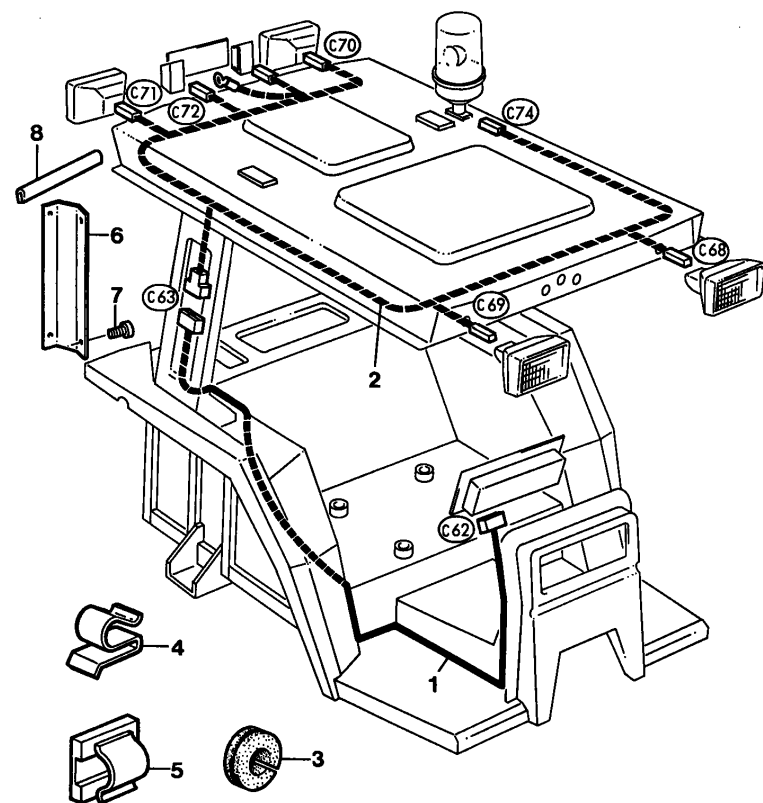
THIS IS A COMPONENT OF AN ASSEMBLY
 FROM SERIAL OR ENGINE NUMBER
 UP TO SERIAL OR ENGINE NUMBER
 SEE PAGE - REFERENCE NUMBER
 NOT SERVICED, ORDER
 DETAILS ORDER
 LENGTH

ACCESSORIES AND APPLICATION MISCELLANEOUS



Large importato 1 19000

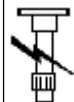
1-AS12-002



PLATFORM WITH PILLARS - ELECTRICAL WIRING

- | | | | | |
|---|-----------|-------------------|-----|----------|
| 1 | 3580471M1 | | 1 | CABLE |
| 2 | 3580557M1 | | 1 | CABLE |
| 3 | 3388889M1 | ∅ 11/25MM | 1 | GROMMET |
| 4 | 963497M1 | ● 3699579M1 (999) | 999 | CLIP |
| 5 | 1677803M1 | ● 3760697M1 (999) | 999 | CLIP |
| | | ∅ 11MM | | |
| 5 | 3583514M1 | | 999 | STRAP |
| 6 | 3580472M1 | | 1 | COWL |
| 7 | 360369X1 | | 4 | SCREW |
| 8 | 3580475M1 | ◄ 50MM | 1 | PROFILE |
| | | ◄ | | LENGTH |
| | | ∅ | | DIAMETER |

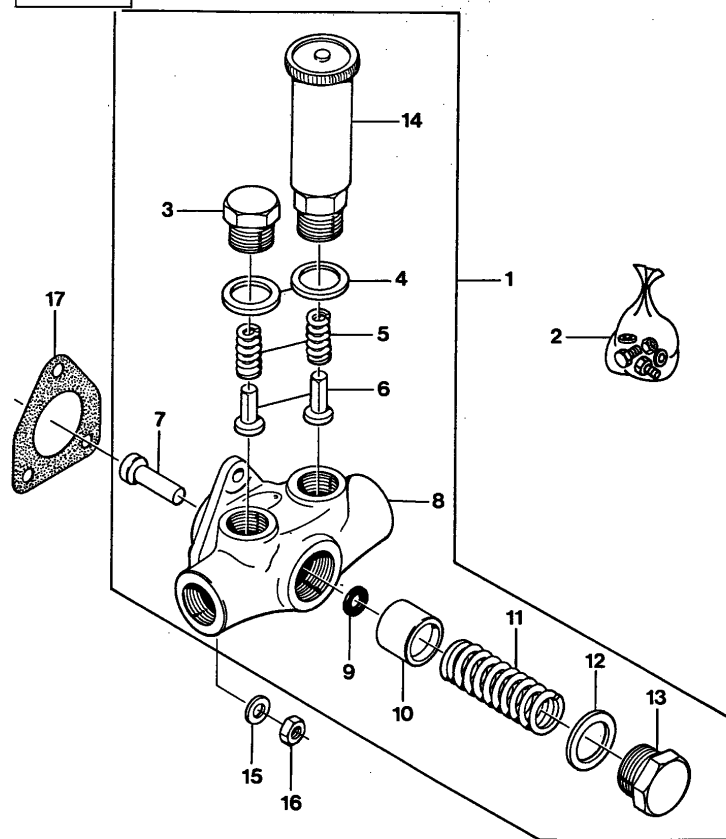
ACCESSORIES AND APPLICATION MISCELLANEOUS



Large importato 1 19000

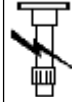
FUEL LIFT PUMP

1- LA15-003



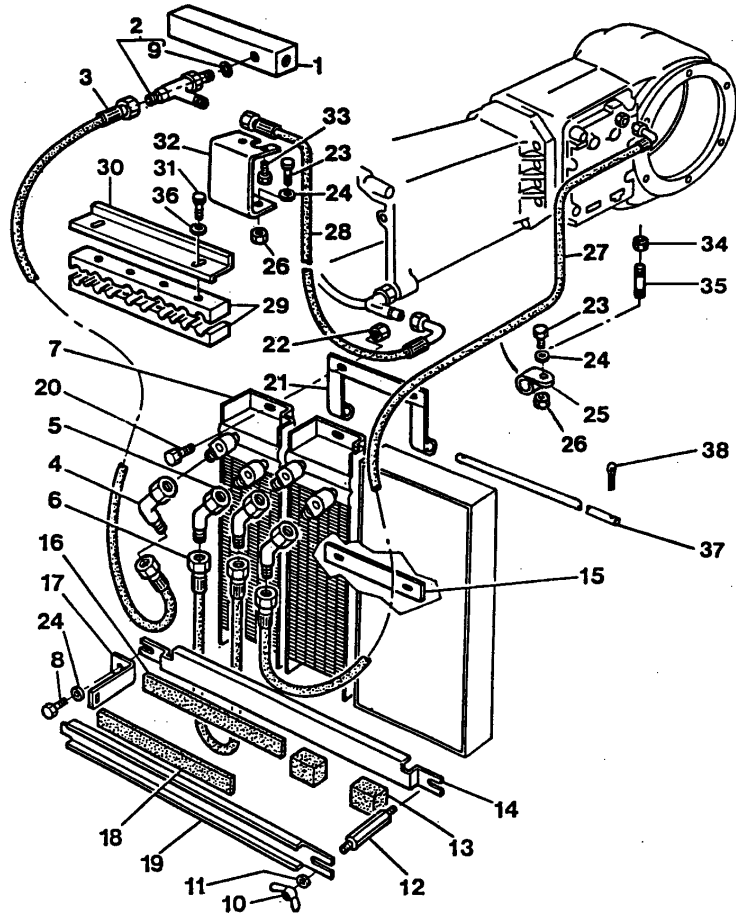
1	➔ 079200	1	PUMP
	➤ V835340017		
2	V835339294	1	KIT,REPAIR
3	V836330751	!	1
4	V615881620	!	2
5	V836083268	!	2
6	V836007778	!	2
7	V836139014	!	1
8	V836139013	!	1
9	V836139015	!	2
10	V836330889	!	1
	∅ 21,98MM		
10	V836330890	!	1
	∅ 21,99MM		
11	V836330613	!	1
12	V836330614	!	2
13	V836131346	!	1
14	V836007781	!	1
15	V500450602		3
16	V504600602		3
17	V836329194	!	2
!	THIS IS A COMPONENT OF AN ASSEMBLY		
➔	UP TO SERIAL OR ENGINE NUMBER		
➤	NOT SERVICED, ORDER		
∅	DIAMETER		

ACCESSORIES AND APPLICATION MISCELLANEOUS



Large importato 1 19000

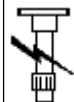
1-AP19-014



OIL BATH AIR FILTER - LAUTRETTE

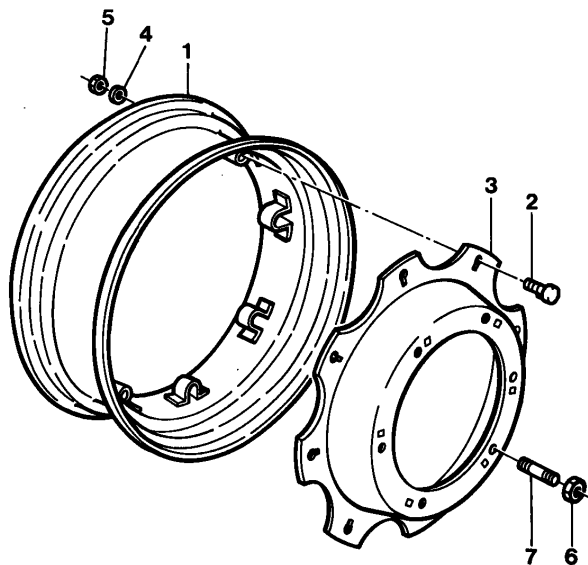
- | | | | | |
|----|-----------|-----------------|-----|------------|
| 1 | 3581691M4 | | 1 | BAR |
| 2 | 3581694M1 | | 1 | JET |
| 3 | 3580783M1 | | 1 | HYDR HOSE |
| 4 | 367386X1 | | 1 | ELBOW |
| 5 | 373784X1 | | 3 | ELBOW |
| 6 | 3385555M1 | | 1 | HYDR HOSE |
| 7 | 3583351M1 | ● 3387464M1 | 2 | COOLER |
| 8 | 339666X1 | | 1 | SCREW |
| 9 | 3019397X1 | ! 2 | 1 | O RING |
| 10 | 339722X1 | | 1 | NUT |
| 11 | 390971X1 | | 1 | WASHER |
| 12 | 3582450M1 | | 1 | STUD |
| 13 | 3582457M1 | | 2 | GASKET |
| 14 | 3582454M1 | | 1 | TRANSVERSE |
| 15 | 3582451M1 | | 1 | SUPPORT |
| 16 | 3582447M1 | | 1 | RUBBER |
| 17 | 3582459M1 | | 1 | SUPPORT |
| 18 | 3582447M1 | | 1 | RUBBER |
| 19 | 3582448M1 | | 1 | TRANSVERSE |
| 20 | 339123X1 | | 4 | SCREW |
| 21 | 3582453M1 | | 1 | HINGE |
| 22 | 1441461X1 | | 4 | NUT BSF |
| 23 | 339761X1 | | 3 | SCREW |
| 24 | 390972X1 | | 999 | WASHER |
| 25 | 3580988M1 | | 3 | CLAMP |
| 26 | 339169X1 | ● 394367X1 (3) | 3 | NUT BSF |
| 27 | 3386686M1 | ● 3386686M2 (1) | 1 | HYDR HOSE |
| 28 | 3386657M1 | | 1 | HYDR HOSE |
| 29 | 3387160M1 | | 2 | BRIDLE |
| 30 | 3615682M1 | ● 3615682M2 (1) | 1 | SUPPORT |
| 31 | 339168X1 | | 2 | BOLT |

ACCESSORIES AND APPLICATION MISCELLANEOUS



Large importato 1 19000

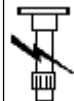
1-AL03-003



FRONT WHEELS - 4 WHEEL DRIVE

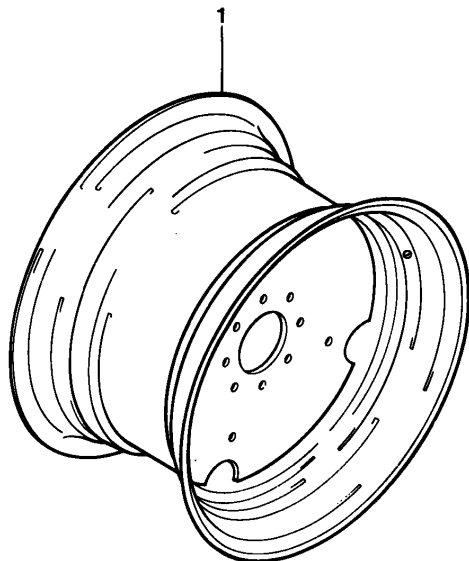
1	1678716M91	●	1678716M92 (2) B 14X30	2	RIM
1	1678717M91	➔	A 14X30	2	RIM
1	3383278M91		A 11X28	2	RIM
1	3383279M91		A 12X28	2	RIM
1	3383280M91		A 14X28	2	RIM
1	3581862M1		B 11X28	2	RIM
1	3581864M1		B 12X28	2	RIM
1	3582433M1		B 14X28	2	RIM
1	3583098M1	➔	A C 12X28	2	RIM
1	3583099M1	● ➔	3583099M2 (2) B 12X28	2	RIM
1	3583346M1	➔	A C 14X28	2	RIM
1	3583347M1	● ➔	3583347M2 (2) B 14X28	2	RIM

ACCESSORIES AND APPLICATION MISCELLANEOUS



Large importato 1 19000

1-AN01-001



REAR WHEELS

1	3384828M91	21X32	2	RIM
1	3583781M1	A	2	RIM
		23X34		
A	WITH SHAFT DIAMETER 95MM			

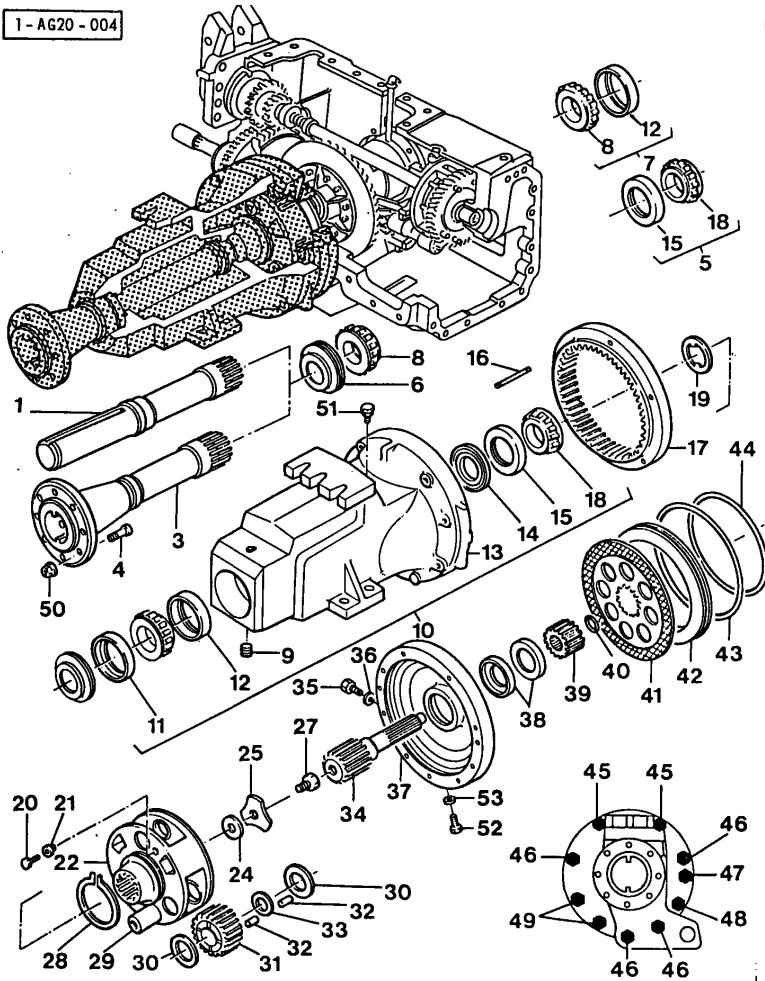
ACCESSORIES AND APPLICATION MISCELLANEOUS

Large importato 1 19000



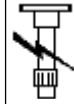
SHORT REAR AXLE HOUSINGS- OUTER FINAL DRIVE GEAR

1-AG20-004



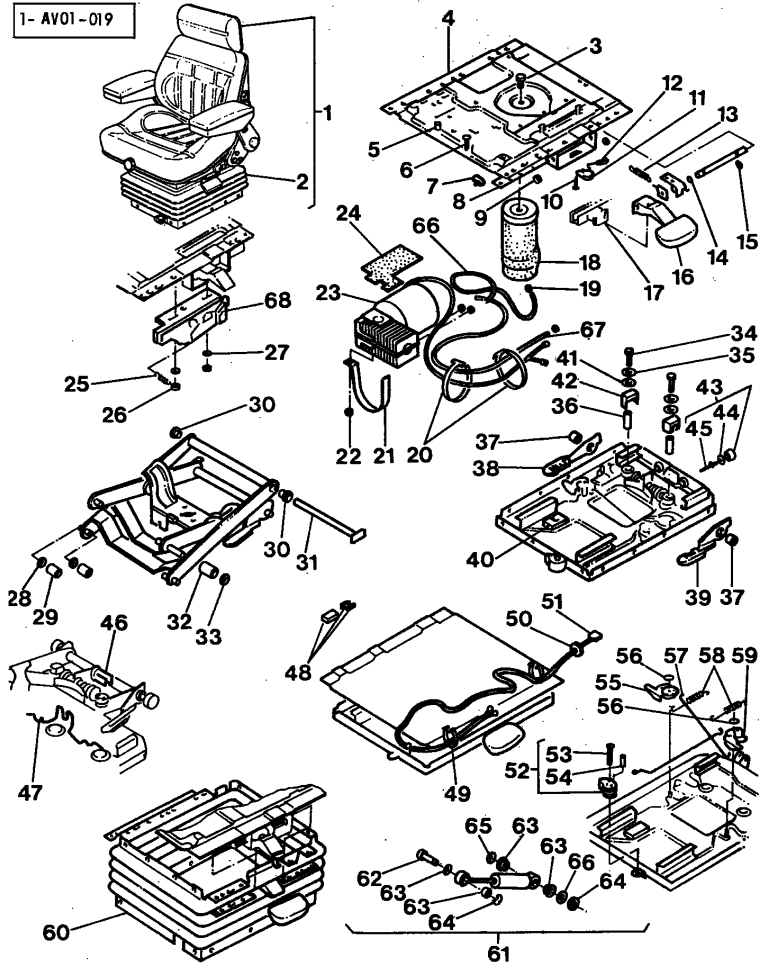
18	!	5	2	CONE
	➡	REF 5	2	WASHER
19		3580458M1	2	SCREW
20		353693X1	2	BUSH
21		3046114M1	2	CARRIER
22	▲	3581051M1 30	999	SHIM
24	▲	519954M1 0,05 MM	999	SHIM
24	▲	519955M1 0,13 MM	999	SHIM
24	▲	519956M1 0,25 MM	999	SHIM
24	▲	519957M1 0,46 MM	999	SHIM
25		3580436M1	2	WASHER
27		3008654X1 M20X45	2	SCREW
28	●	3380713M1 3380713M2 (2)	2	RING
29	●	1610204M1 1610204M2 (6)	6	CLEVIS PIN
30		3321291M1	12	SPACER
31	●	3052951M3 3792923M1 (6)	6	PINION
	▲	29	336	NEEDLE
32		1610191M1	6	RING
33		1626976M2	2	PLANETARY
34	▲	3582191M3 14	2	PLUG
35	●	3019644X1 3019397X1 (2) 3583993M1 (2)	2	O RING
36		3019397X1	1	DISC
37	▲	3582192M2	1	DISC
37	▼	3582193M2	4	SEAL
38		3582195M1	2	HUB
39		3582194M1	2	CLIP
40	●	380005X1 N.L.A. (2)	2	DISC
41		3386897M92	2	PISTON
42	➡	1611471M5 S283003		

ACCESSORIES AND APPLICATION MISCELLANEOUS



Large importato 1 19000

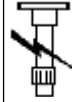
1- AV01-019



SEAT- GRAMMER

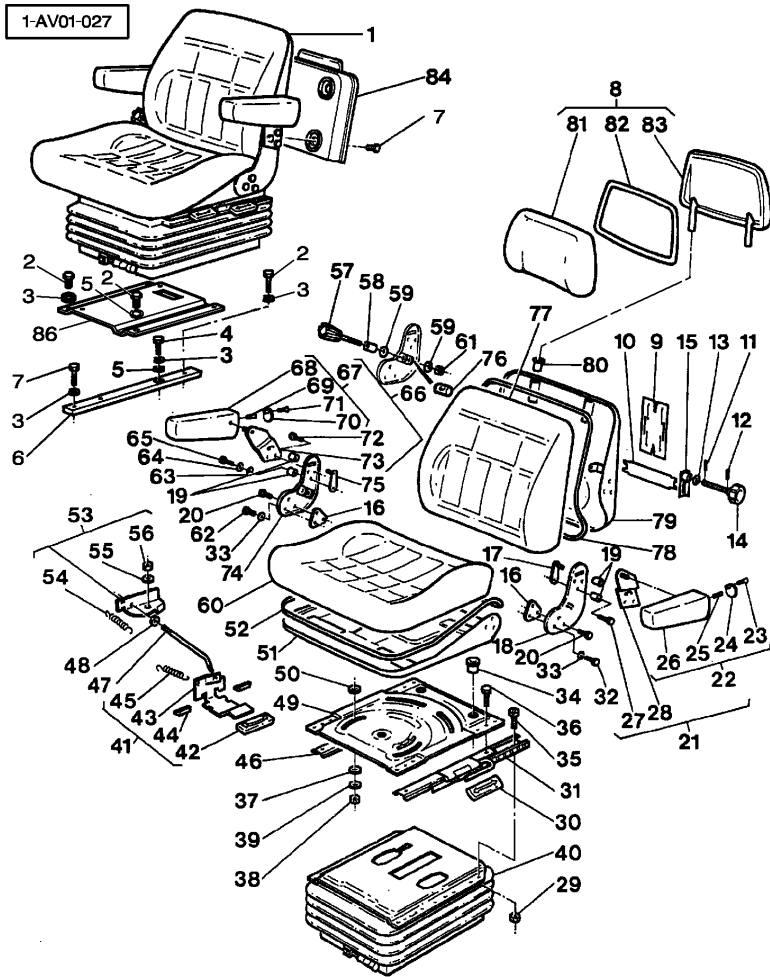
1	3615905M91	●	N.L.A. (1)	1	SEAT
2	3106368M91	!	1	1	SUSPENSION
3	1441000X1	!	2	1	SCREW
4	3100433M1	!	2	1	STRAP
5	3105425M91	!	2	1	CRANKCASE
6	1719896M1	!	2	14	PLUG
7	3105384M1	!	2	4	CLAMPING D
8	3105422M1	!	2	1	SLAT
9	3105388M1	!	2	2	BUSH
10	3105386M1	!	2	1	SPRING
11	3105389M1	!	2	1	EXCLUDER
12	3105390M1	!	2	1	SPRING
13	3105391M1	!	2	1	SPRING
14	3105393M1	!	2	1	WASHER
15	1440988X1	!	2	2	CLIP
16	3106360M1	!	2	1	HANDLE
17	3105386M1	!	2	1	SPRING
18		!	2	1	RAM
	▣		3106363M91		
19	3105395M1	!	2	4	HOSE CLIP
20	3105397M1	!	2	999	CLAMPING D
21	3105396M1	!	2	1	STIRRUP
22	1441461X1	!	2	1	NUT BSF
23		!	2	1	COMPRESSOR
	▣		3106369M91		
24	3105383M1	!	2	1	PLATE
25	3105386M1	!	2	1	SPRING
26	1440085X1	!	2	2	NUT BSF
27	390972X1	!	2	2	WASHER
28	3105381M1	!	2	4	RING
29	3105382M1	!	2	5	BEARING NE
30	3105046M1	!	2	2	THIMBLE
31	3103598M1	!	2	1	CLEVIS PIN

ACCESSORIES AND APPLICATION MISCELLANEOUS



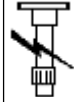
Large importato 1 19000

SEAT- GRAMMER



1	3389500M2	A	1 SEAT
		DS 85H/90A	
2	339124X1		8 SCREW
3	339374X1		4 LOCK WASHER
4	339123X1		2 SCREW
5	390972X1		4 WASHER
6	3389569M2	➔ B007013	2 RAIL
7	339123X1	➔ B007013	2 SCREW
8	3389501M2		1 HEAD REST
9	3103615M1	! 1	1 PLATE
10	3101502M1	! 1	1 PLATE
11	1440910X1	! 1	1 PIN
12	1441723X1	● 1441725X1 (1)	1 SPIROL PIN
		! 1	
13	391583X1	! 1	1 WASHER
14	3103616M1	! 1	1 LIFT CYLINDER
15	3101503M1	! 1	1 ANGLE
16	3101510M1	! 1	2 CHOCK
17	3101508M1	! 1	1 SPACER
18	3101507M1	● N.L.A. (1)	1 STRAP
		! 1	
19	3101509M1	! 1	4 PIPE
20	3101656M1	! 1	4 SCREW
21	3103588M91	● 3530139M91 (1)	1 ARMREST
		! 1	
		▲	
22	3103589M91	● 3530139M91 (1)	1 ARMREST
		! 21	
23	392405X1	● 3008558X1 (1)	1 KIT
		! 22	
24	3102297M1	! 22	1 COVER
25	3102001M1	! 22	1 SCREW
26	3102296M1	● 3530139M91 (1)	1 ARMREST
		! 22	

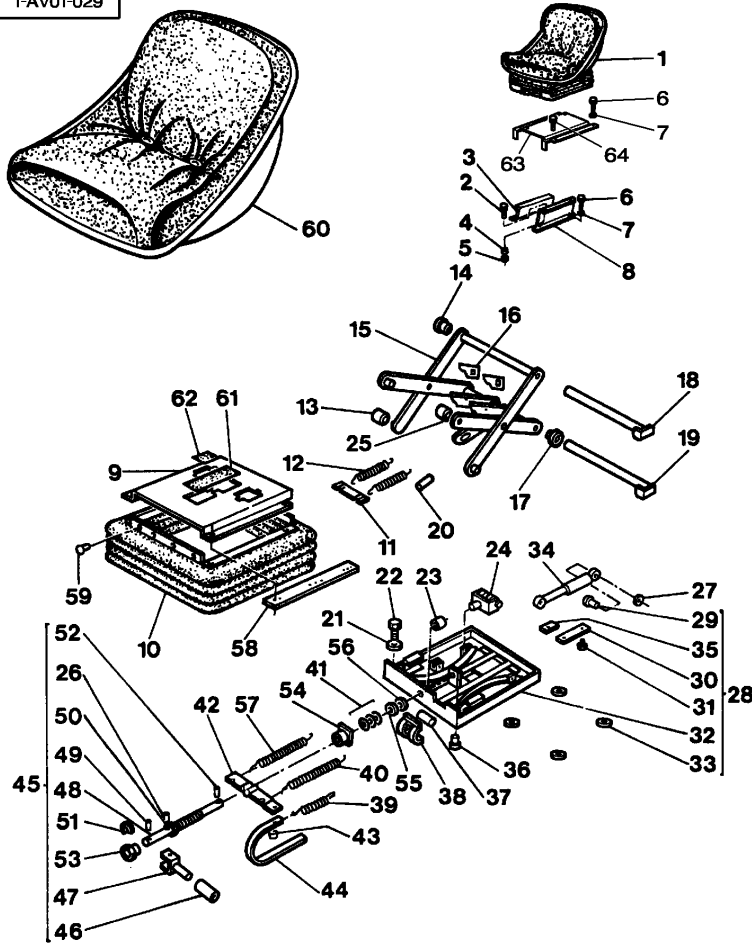
ACCESSORIES AND APPLICATION MISCELLANEOUS



Large importato 1 19000

SEAT- GRAMMER

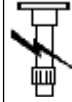
1-AV01-029



- | | | | | | |
|----|------------|---|-------|---|---------|
| 61 | 3100437M1 | ! | 1 | 1 | PLATE |
| 62 | 3101700M1 | ! | 1 | 4 | COVER |
| 63 | 3618606M91 | ➡ | 05/93 | 1 | SUPPORT |
| 64 | 339168X1 | ➡ | 05/93 | 4 | BOLT |

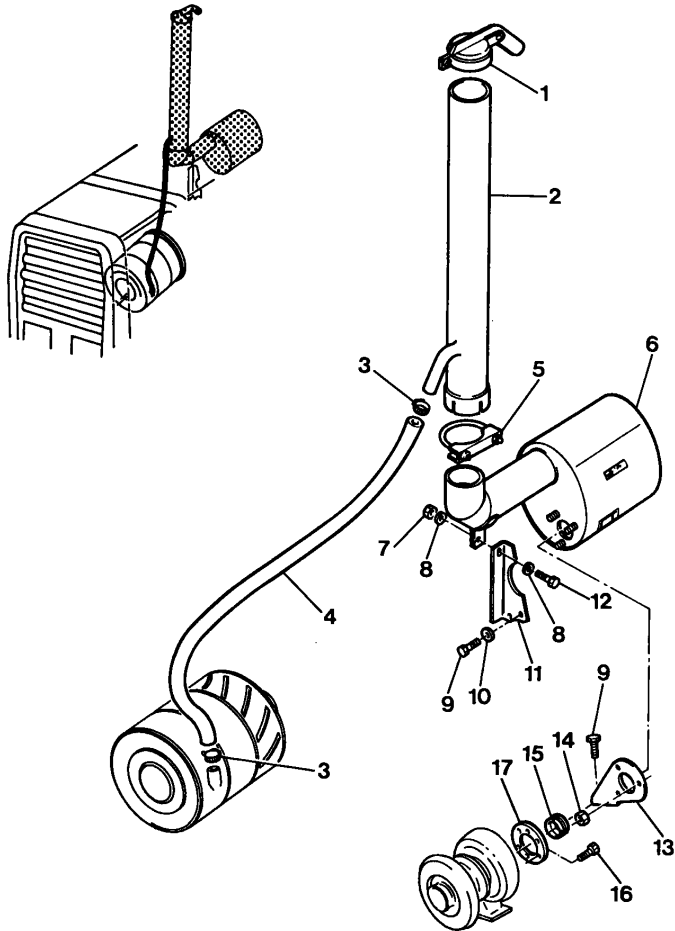
- ! THIS IS A COMPONENT OF AN ASSEMBLY
- ➡ FROM SERIAL OR ENGINE NUMBER
- ➡ UP TO SERIAL OR ENGINE NUMBER
- ➡ NOT SERVICED, ORDER
- ◀ LEFT HAND
- ▶ RIGHT HAND

ACCESSORIES AND APPLICATION MISCELLANEOUS



Large importato 1 19000

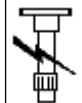
I-AC11-005



EXHAUST SYSTEM- VERTICAL

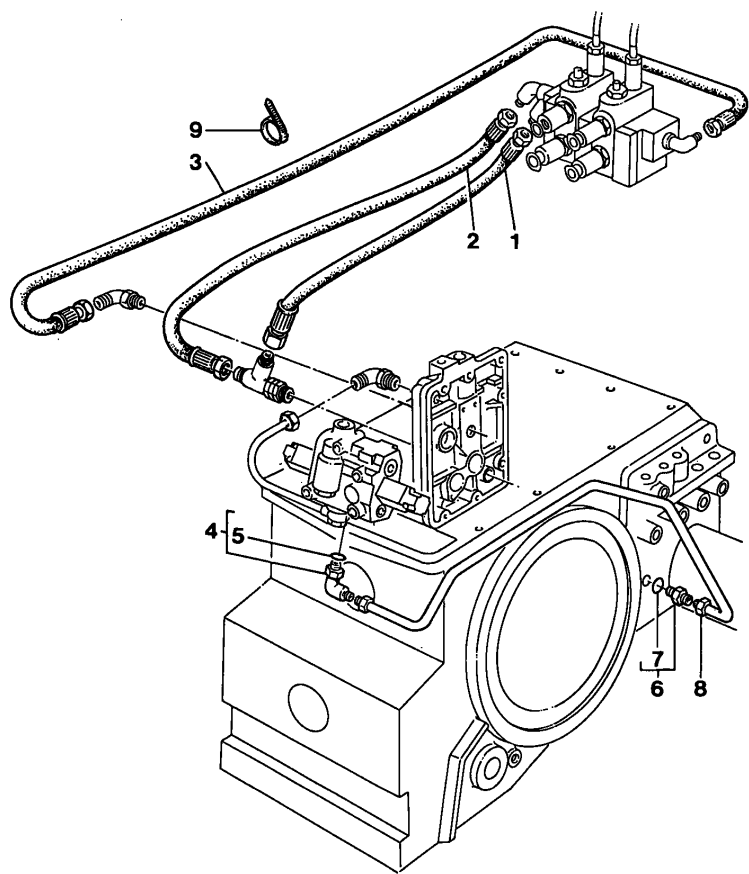
1	1022537M91	↑	R123019	1	CAP
1	3615086M1	↑	R123020	1	CAP
2	3580479M1	↑	R123019	1	PIPE
2	3615085M1	↑	R123020	1	PIPE
3	338615X1	∅	25-40MM	2	CLAMP
4	3040888M1	●	N.L.A. (1)	1	PIPE
5	3580480M1	↑	R123019	1	BRIDLE
5	3616097M1	↑	R123020	1	CLAMP
		●	3615118M1		
6	3389810M2	↑	R123019 MF 103	1	SILENCER
6	3615119M1	↑	R123020 MF 109	1	SILENCER
7	339169X1	●	394367X1 (1) ∅ M8	1	NUT BSF
8	390972X1			2	WASHER
9	339081X1			4	SCREW
10	390734X1			2	WASHER
11	3389811M1			1	SUPPORT
12	339761X1			1	SCREW
13	3389809M1			1	SUPPORT
14	1441233X1	∅	M8	3	NUT BSF
15	3389812M1			1	UNION
16	339123X1	◄	20MM ∅ M8	6	SCREW
17	3389594M1			1	ADAPTOR
		↑			FROM SERIAL OR ENGINE NUMBER
		↑			UP TO SERIAL OR ENGINE NUMBER
		●			REPAIRS AND REPLACES
		◄			LENGTH
		∅			DIAMETER

ACCESSORIES AND APPLICATION MISCELLANEOUS



Large importato 1 19000

1-AP18-009



ELECTRONIC LIFT- HYDRAULIC VALVE

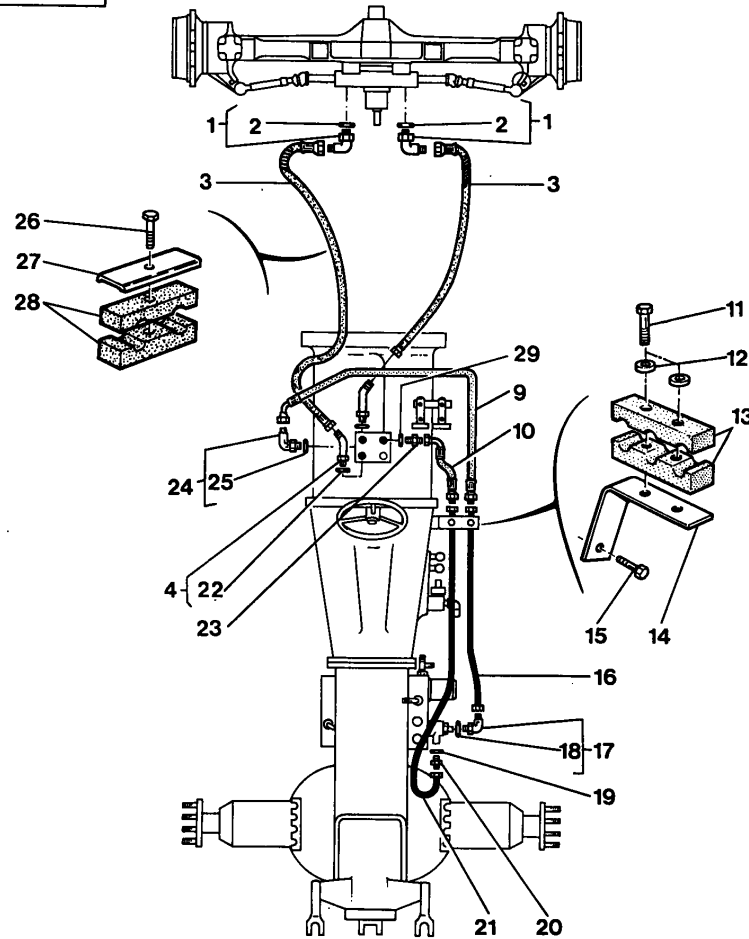
- | | | | |
|---|---------------|---|-----------|
| 1 | 3387753M2 | 1 | HYDR HOSE |
| 2 | 3387753M2 | 1 | HYDR HOSE |
| 3 | 3387757M3 | 1 | HYDR HOSE |
| 4 | 3019420X91 | 1 | UNION |
| 5 | 3019398X1 ! 4 | 1 | O RING |
| 6 | 3019389X91 | 1 | UNION |
| 7 | 3019398X1 ! 6 | 1 | O RING |
| 8 | 3386240M91 | 1 | PIPE |
| 9 | 3619622M1 | 3 | CLAMP |

! THIS IS A COMPONENT OF AN ASSEMBLY

ACCESSORIES AND APPLICATION MISCELLANEOUS

Large importato 1 19000

1-AN 06 - 010



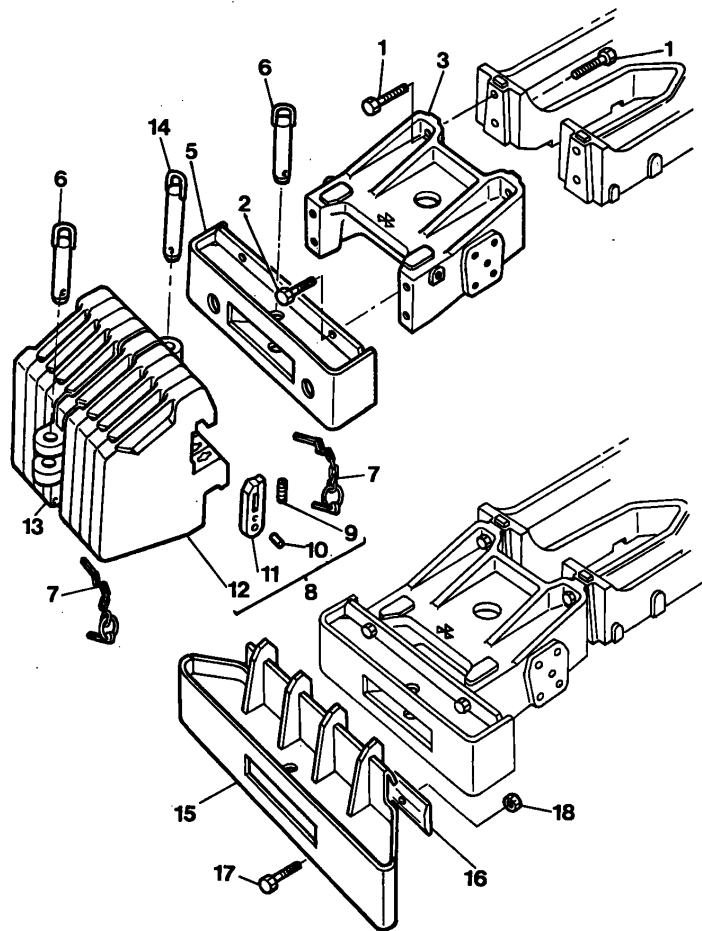
STEERING HYDRAULIC LINES

1	3019414X91		2	UNION
2	3019396X1	! 1	1	O RING
3	3580591M92	● N.L.A. (2)	2	HYDR HOSE
		◀ 2850MM		
3	3617894M91	▶ 3500MM	2	HYDR HOSE
		B		
4	358782X91		2	ELBOW
9	3384202M1		1	HYDR HOSE
10	3386645M2		1	EXHAUST PIPE
11	339229X1		2	BOLT
12	339588X1		2	WASHER
13	3387466M1		2	BRIDLE
14	3387491M92		1	SUPPORT
15	354702X1		1	SCREW
16	3387765M91		1	HYDR HOSE
17	358760X91		1	ELBOW
18	831495M1	! 17	1	O RING
19	3019397X1		1	O RING
20	3019384X1	● N.L.A. (1)	1	UNION
21	3387367M93	● 3387367M94 (1)	1	PIPE
22	831497M1	! 4	3	O RING
23	358734X1		1	UNION
24	358760X91		1	ELBOW
25	831495M1	! 24	1	O RING
26	339168X1	∅ M8X50	1	BOLT
26	339168X1	B	2	BOLT
		M8X50		
27	3387866M1		1	PLATE
27	3387866M1	B	2	PLATE
28	3387865M1		2	BRIDLE
28	3387865M1	B	4	BRIDLE
29	831497M1		1	O RING

ACCESSORIES AND APPLICATION MISCELLANEOUS

Large importato 1 19000

1-AX15-006



WEIGHT FRAME AND TOW PIN



- ! THIS IS A COMPONENT OF AN ASSEMBLY
- ↑ UP TO SERIAL OR ENGINE NUMBER
- REPAIRS AND REPLACES
- ↳ NOT SERVICED, ORDER
- ⊕ FOR GERMANY ONLY
- A FOR WEIGHT 50MM ONLY
- ↔ LENGTH
- ∅ DIAMETER

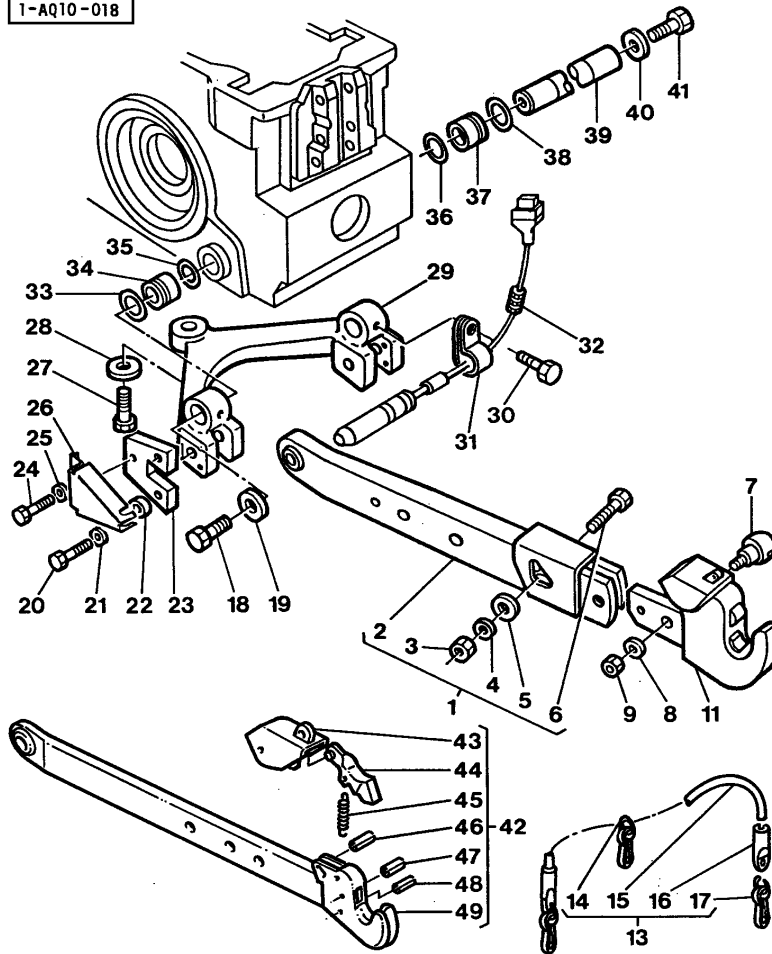
ACCESSORIES AND APPLICATION MISCELLANEOUS

Large importato 1 19000



LINKAGE

1-AQ10-018

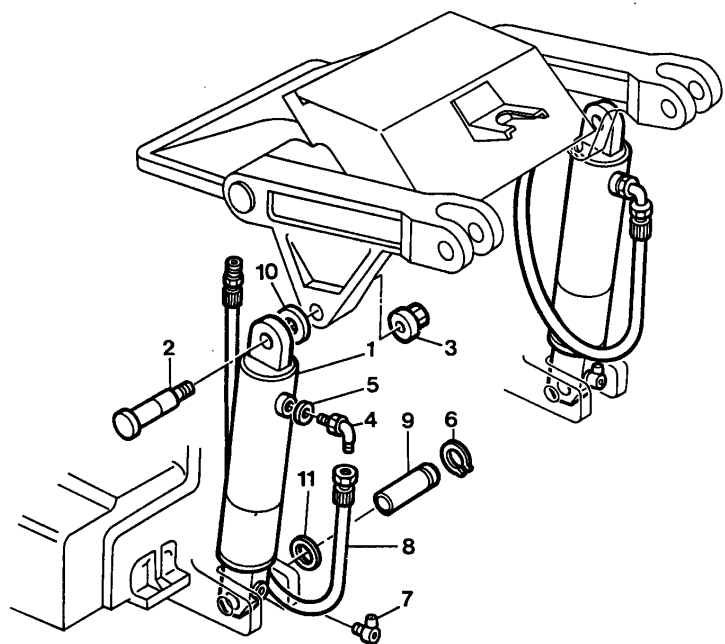


1	3580234M92	●	1442739X1 (1)	1	BAR
		▼	3009313X1 (1)		
		▲	3019575X1 (1)		
			3580004M2 (1)		
			831985M1 (1)		
			A042018		
1	3580235M92	●	1442739X1 (1)	1	BAR
		▼	3009313X1 (1)		
		▲	3019575X1 (1)		
			3580005M2 (1)		
			831985M1 (1)		
			A042018		
2		!	1	1	BAR
		▣	REF 1		
3	1442739X1	!	1	1	LOCKNUT
		∅	M16		
4	3019575X1	!	1	1	WASHER
		∅	M16		
5	831985M1	!	1	1	WASHER
6	3009313X1	!	1	1	SCREW
			M16X90MM		
7	3580193M1	●	3580193M2 (2)	2	TRUNNION
		▼	A042018		
8	353776X1	!	A042018	2	WASHER
		∅	7/8"		
9	353920X1	!	A042018	2	NUT UNF
		∅	7/8"		
11	3580919M1	!	A042018	1	HOOK
		∅	213/1		
		▲	CAT.3		
11	3580920M1	!	A042018	1	HOOK
		∅	213/1		
		▼	CAT.3		

ACCESSORIES AND APPLICATION MISCELLANEOUS

Large importato 1 19000

1-AQ17-007



LINKAGE

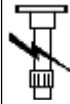
1	3386307M2	●	3401371M92 (2)	2	LIFT CYLINDER
		↑	R 061002		
		◇	206/1		
		∅	89MM		
1	3386307M3	●	3401371M92 (2)	2	LIFT CYLINDER
		↑	R 061003		
		↑	S 276007		
		◇	206/1		
1	3617432M91	↑	S 276008	2	LIFT CYLINDER
		◇	207/1		
		∅	89MM SIMA		
2	3582519M1	◄	132MM	2	CLEVIS PIN
		∅	M22X1,5		
3	3384585M1	∅	M 22X1,5	2	NUT
4	3019417X1	●	3019416X91 (2)	2	UNION
		∅	M 18X1,5		
		∅	7/8-14		
5	3019396X1	∅	M 16	1	O RING
6	22608X			2	CIRCLIP
7	365572X1	●	364461X1 (2)	2	NIPPLE
8	3387754M1			2	HYDR HOSE
9	3580250M2			2	CLEVIS PIN
10	3583118M1			2	SPACER
11	3383308M1			2	SPACER

- ↑ FROM SERIAL OR ENGINE NUMBER
- ↑ UP TO SERIAL OR ENGINE NUMBER
- ◇ SEE PAGE - REFERENCE NUMBER
- ◄ LENGTH
- ∅ DIAMETER

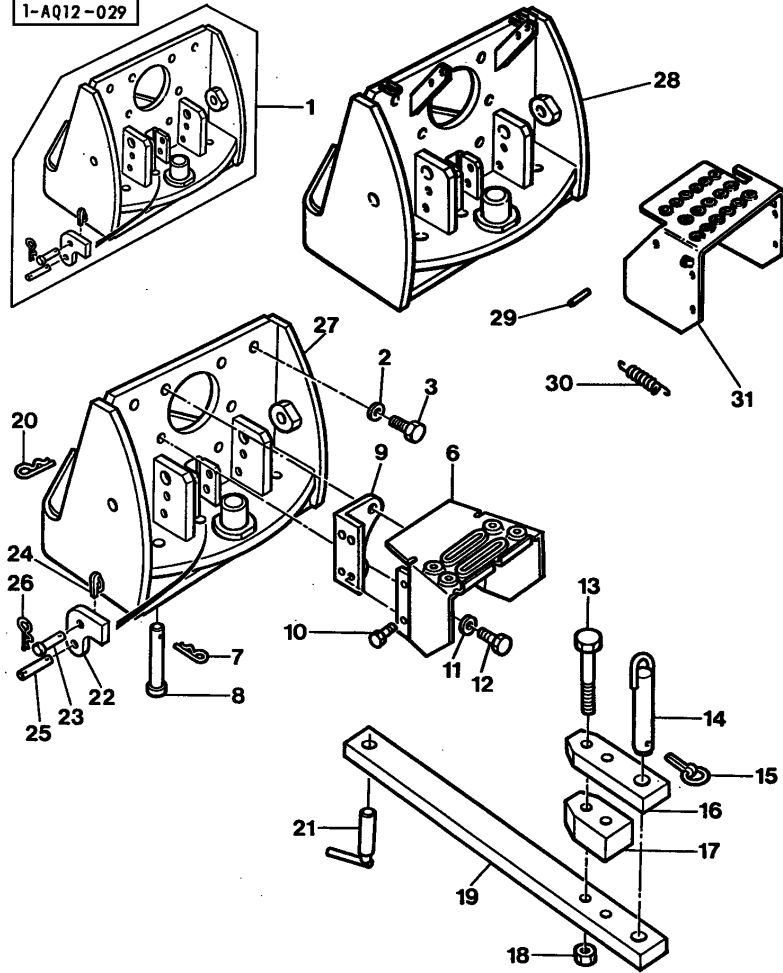
ACCESSORIES AND APPLICATION MISCELLANEOUS

Large importato 1 19000

LINKAGE- SWINGING DRAWBAR



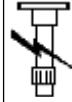
1-AQ12-029



24	3382824M1	!	1	1	PIN
25	3582197M1	!	1	1	CLEVIS PIN
26	391403X1	!	1	2	PIN
27	3582260M91	⊙	N.L.A. (1)	1	SUPPORT
		!	1		
		⊣	A051012		
28	3582260M92	⊙	N.L.A. (1)	1	SUPPORT
		⊣	A051013		
29	3019541X1			2	ROLL PIN
30	3616740M1	⊙	3616740M2 (2)	2	SPRING
31	3616764M91	⊣	A051013	1	COWL
		◇	243/7		
		A			

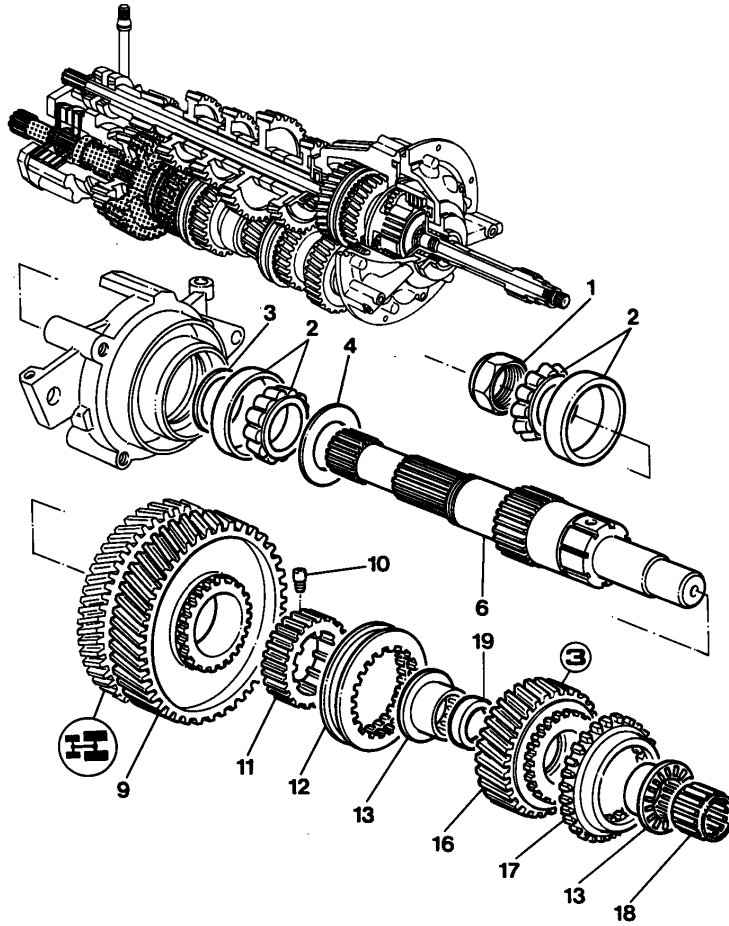
- ! THIS IS A COMPONENT OF AN ASSEMBLY
- ⊣ FROM SERIAL OR ENGINE NUMBER
- ⊣ UP TO SERIAL OR ENGINE NUMBER
- ◇ SEE PAGE - REFERENCE NUMBER
- A THE APPROPRIATE SAFETY DECALS MUST BE ORDERED-AN FITTED TO THIS PART, SHIM
- ⊣ WITHOUT SWINGING DRAWBAR, WITHOUT HITCH
- ◀ LEFT HAND
- ▶ RIGHT HAND
- ∅ DIAMETER

ACCESSORIES AND APPLICATION MISCELLANEOUS



Large importato 1 19000

1-AE64-003

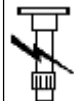


16 SPEED MARK 3 TRANSMISSION - OUTPUT SHAFT

1	1614882M1	●	1614882M3 (1)	1	NUT
1	3380461M1	Y	3380461M1	1	NUT
2	968636M91		1614882M1	2	BEARING
3	3041853M3	●	3791378M1 (1)	1	SHIM
		▲	4,46 MM		
4	3385639M1	▲	4MM	999	SHIM
4	3385640M1	▲	4,40MM	999	SHIM
4	3581361M1	▲	3,50MM	999	SHIM
4	3581362M1	▲	3,70MM	999	SHIM
4	3581363M1	▲	3,85MM	999	SHIM
4	3581364M1	▲	4,15MM	999	SHIM
4	3581365M1	▲	4,30MM	999	SHIM
6	3385625M1			1	SHAFT
9	3582545M91	⚙	44	1	PINION
10	3385635M2			1	PIN
11	1619205M2			1	HUB
12	3385628M2			1	COUPLER
13	3580715M1			2	BEARING
16	3580714M1	⚙	28	1	PINION
17	3383627M1			1	RING
18	3385633M1			1	BEARING
19	3583374M1			1	SPACER

Y ALTERNATIVE
 ▲ SHIM
 ⚙ NUMBER OF TEETH/SPLINES

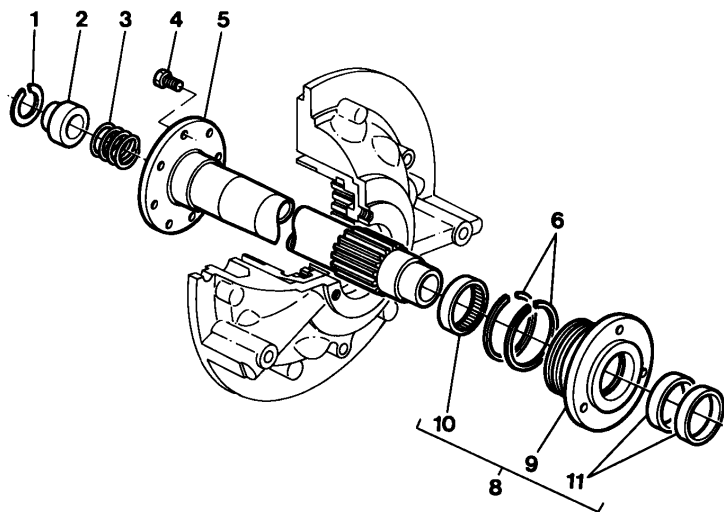
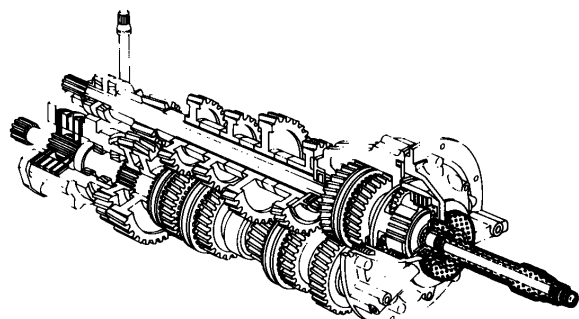
ACCESSORIES AND APPLICATION MISCELLANEOUS



Large importato 1 19000

16 SPEED MARK 3 TRANSMISSION - GAMMA 2 REDUCER SHAFT

1-AE57-001



1	358886X1		1	CLIP
2	3039516M1		1	BUSH
3	3039517M1		1	SPRING
4	353518X1	● 2183205 (8)	8	SCREW
5	3580229M2		1	SHAFT
6	1611675M1		2	SEGMENT
8	3380089M92	● 3380089M12 (1)	1	BEARER
9		! 8	1	SUPPORT
		▣ REF 8		
10	1612725M1	! 8	1	BEARING
11	3052323M1	! 8	2	GASKET

! THIS IS A COMPONENT OF AN ASSEMBLY
 ▣ NOT SERVICED, ORDER

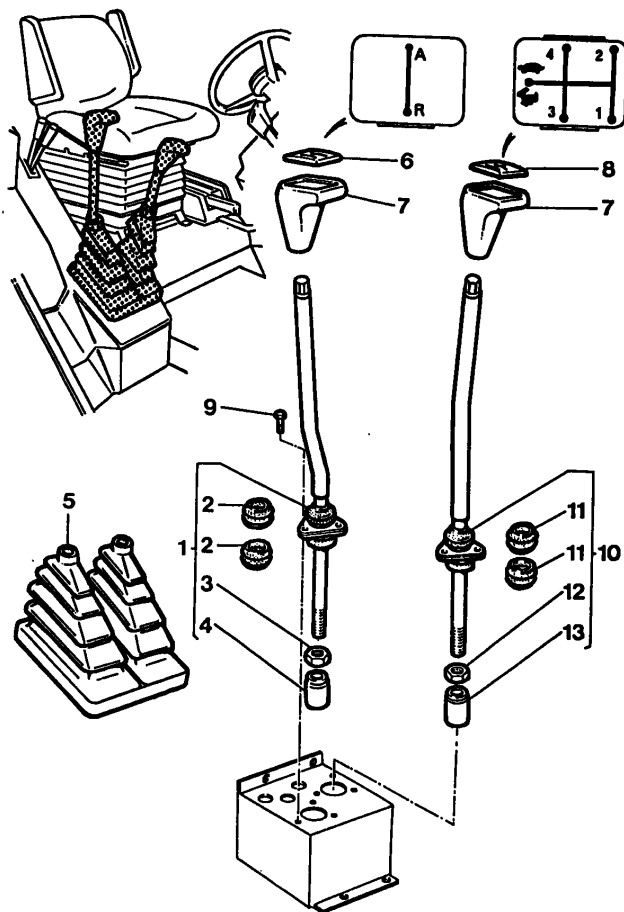
ACCESSORIES AND APPLICATION MISCELLANEOUS

Large importato 1 19000



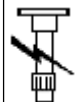
16 SPEED MARK 3 TRANSMISSION - SHIFT LEVERS

[1-AE76-002]



1	3389473M92		1	LEVER
2	3389506M1	!	1	BELLOWS
3	339592X1	!	1	NUT BSF
		Ø	M20 X 1,5	
4	3388603M1	!	1	GUIDE
5	3388796M2		1	BELLOWS
6	3388836M2	●	3388836M3 (1)	NOTE PLATE
7	3387626M2		2	KNOB
8	3388837M1		1	NOTE PLATE
9	339124X1		6	SCREW
10	3389478M92		1	LEVER
11	3389506M1	!	10	BELLOWS
12	339592X1	!	10	NUT BSF
		Ø	M20 X 1,5	
13	3388603M1	!	10	GUIDE
!	THIS IS A COMPONENT OF AN ASSEMBLY			
Ø	DIAMETER			

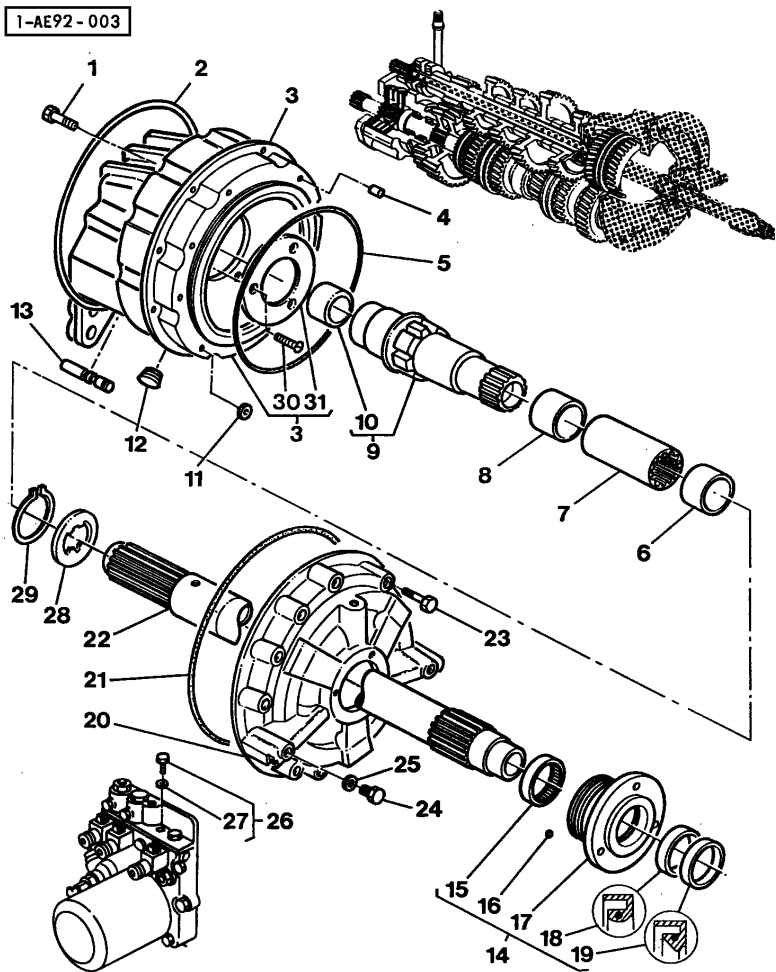
ACCESSORIES AND APPLICATION MISCELLANEOUS



TRANSMISSION - WITHOUT SPEEDSHIFT

Large importato 1 19000

1-AE92-003



28	3382246M1		1	LOCK WASHER
29	1440528X1		1	CIRCLIP
30	3617152M1	!	3	BUSH
31	3009431X1	!	3	SCREW

M6X20

- ! THIS IS A COMPONENT OF AN ASSEMBLY
- ⊥ UP TO SERIAL OR ENGINE NUMBER
- ⊣ NOT SERVICED, ORDER

CLICK HERE TO **DOWNLOAD** THE COMPLETE MANUAL

- Thank you very much for reading the preview of the manual.
- You can download the complete manual from: www.heydownloads.com by clicking the link below



- Please note: If there is no response to CLICKING the link, please download this PDF first and then click on it.

CLICK HERE TO **DOWNLOAD** THE COMPLETE MANUAL