

**PowerTech 5030TF270  
OEM Engine**



**JOHN DEERE**

**PARTS CATALOG**

**PowerTech 5030TF270  
OEM Engine**

**PC9672 (Apr-11) English**

**John Deere Power Systems**

Worldwide Edition  
Litho in USA (Revised)  
COPYRIGHT © 2011  
DEERE & COMPANY  
Moline, Illinois  
All rights reserved

CLICK HERE TO **DOWNLOAD** THE COMPLETE MANUAL

- Thank you very much for reading the preview of the manual.
- You can download the complete manual from: [www.heydownloads.com](http://www.heydownloads.com) by clicking the link below



- Please note: If there is no response to CLICKING the link, please download this PDF first and then click on it.

CLICK HERE TO **DOWNLOAD** THE COMPLETE MANUAL

## ENGINE SERIAL NUMBER PLATE

RGP9304 -UN-27JUL05



RGP9304

### FIRST LINE (ENGINE SERIAL NO.) DEFINES

PE - MOTORES JOHN DEERE  
 5  
 030 (3.0 LITERS)  
 T - TURBOCHARGED  
 H - AIR-TO-AIR AFTERCOOLED  
 000000

ENGINE MANUFACTURING LOCATION  
 NUMBER OF CYLINDERS  
 ENGINE DISPLACEMENT  
 ASPIRATION TYPE

ENGINE SERIAL NUMBER

### SECOND LINE (ENGINE MODEL NO.) DEFINES

5030TF270  
 5030HF270  
 5030TF220 (GENSET)  
 5030HF220 (GENSET)  
 F (OEM)  
 270 OR 220

MARKETING UNIT  
 SPECIFIC APPLICATION

## ALPHABETICAL INDEX - CONTINUED

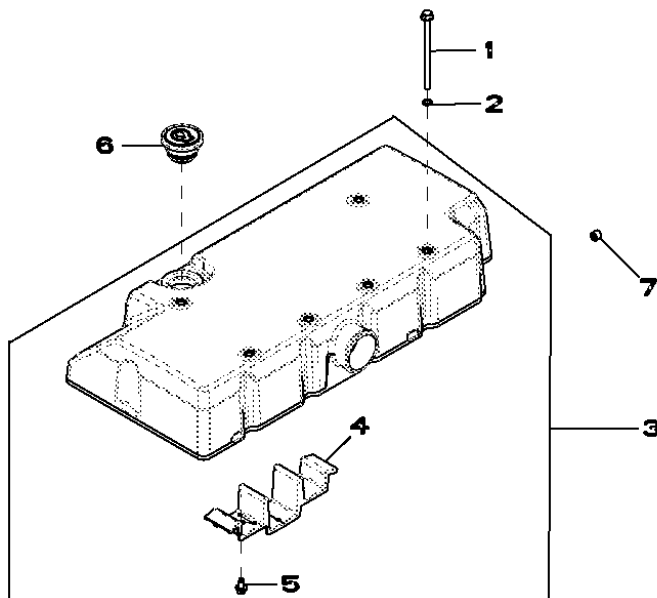
	PAGE		PAGE
FRICITION WASHER, CRANKSHAFT PULLEY(1302) (TF270,HF270).....	130-1	GASKET, TURBOCHARGER (6503) HF270 .....	650-2
FRONT AUXILIARY DRIVE (4103) (TF270,HF270).....	410-1	GASKET, TURBOCHARGER (6508) (TF270).....	650-4
FRONT AUXILIARY DRIVE (9701) (HF220/HF270).....	970-26	GASKET, TURBOCHARGER (6509) (TF270).....	650-6
FRONT OIL SEAL (4401).....	440-2	GASKET, TURBOCHARGER (6521) TF270.....	650-8
FUEL CONTROL RACK (1604) (TF270).....	160-2	GASKET, TURBOCHARGER (6523) TF270,TF220 .....	650-10
FUEL CONTROL RACK (1605) (TF270).....	160-4	GASKET, TURBOCHARGER (6527) TF270.....	650-11
FUEL CONTROL RACK (1633) (TF270).....	160-6	GEAR, AUX DRIVE (5201) (TF270,HF270).....	520-1
FUEL CONTROL RACK (1633) (TF270).....	160-8	GEAR, AUX DRIVE (5207) (TF270,HF270).....	520-4
FUEL CONTROL RACK (1655) (TF270).....	160-10	GEAR, AUX DRIVE (5208) (TF270,HF270).....	520-5
FUEL CONTROL RACK (1656) (TF270).....	160-12	GEAR, AUX DRIVE (5209) (TF270,HF270).....	520-6
FUEL FILTER (3503) (TF270,HF270).....	350-1	GEAR, FLYWHEEL (1506) (TF270,HF270).....	150-1
FUEL FILTER (3506).....	350-2	GEAR, FLYWHEEL (1507) (TF270,HF270).....	150-2
FUEL FILTER (3508) (TF270, HF270).....	350-3	GEAR, FLYWHEEL (1508) (TF270,HF270).....	150-3
FUEL INJECTION NOZZLE (1604) (TF270).....	160-2	GEAR, FLYWHEEL (1511) (TF270,HF270).....	150-4
FUEL INJECTION NOZZLE (1605) (TF270).....	160-4	GEAR, FLYWHEEL (1512) (TF270,HF270).....	150-5
FUEL INJECTION NOZZLE (1633) (TF270).....	160-6	GEAR, FLYWHEEL (1513) (TF270,HF270).....	150-6
FUEL INJECTION NOZZLE (1633) (TF270).....	160-8	GEAR, FLYWHEEL (1514) (TF270).....	150-7
FUEL INJECTION NOZZLE (1655) (TF270).....	160-10	GEAR, FLYWHEEL (1515) (TF270,HF270).....	150-8
FUEL INJECTION NOZZLE (1656) (TF270).....	160-12	GEAR, FLYWHEEL (1517) (TF270,HF270).....	150-9
FUEL INJECTION PUMP SEAL KIT (9901) (TF270,HF270).....	990-4	GEAR, FLYWHEEL (1518) (TF270,HF270).....	150-10
FUEL LINES (3503) (TF270,HF270).....	350-1	GEAR, FLYWHEEL (1522) (TF270,HF270).....	150-11
FUEL LINES (3506).....	350-2	GLOW PLUG, STARTING AID (4302) (TF270,HF270).....	430-1
FUEL LINES (3508) (TF270, HF270).....	350-3	GLOW PLUG, STARTING AID (4304) (TF270,HF270).....	430-2
FUEL SHUTOFF ACTUATOR (1633) (TF270).....	160-6	GLOW PLUG, STARTING AID (4306) (TF270,HF270).....	430-3
FUEL SHUTOFF ACTUATOR (1633) (TF270).....	160-8	GLOW PLUG, STARTING AID (4308) (TF270,HF270).....	430-4
FUEL SHUTOFF SOLENOID (72AW) (TF270).....	720-11	GLOW PLUG, STARTING AID (4310) (TF270,HF270).....	430-5
FUEL SHUTOFF SOLENOID (72AX) (TF270).....	720-12	GLOW PLUG, STARTING AID (4312) (TF270,HF270).....	430-6
FUEL SHUTOFF SOLENOID (7204) (TF270).....	720-1	GLOW PLUG, STARTING AID (4314) (TF270,HF270).....	430-7
FUEL SHUTOFF SOLENOID (7243) (TF270).....	720-4	GOVERNOR LEVER (1604) (TF270).....	160-2
FUEL SHUTOFF SOLENOID (7244) (TF270).....	720-5	GOVERNOR LEVER (1605) (TF270).....	160-4
FUEL SHUTOFF SOLENOID (7268) (TF270).....	720-7	GOVERNOR LEVER (1633) (TF270).....	160-6
FUEL SHUTOFF SOLENOID (7269) (TF270).....	720-8	GOVERNOR LEVER (1633) (TF270).....	160-8
FUEL SHUTOFF SOLENOID (7272) (TF270).....	720-9	GOVERNOR LEVER (1655) (TF270).....	160-10
FUEL SHUTOFF SOLENOID (7273) (TF270).....	720-10	GOVERNOR LEVER (1656) (TF270).....	160-12
FUEL SYSTEM UNIT PUMP (1604) (TF270).....	160-2	GOVERNOR LEVER KIT (9901).....	990-25
FUEL SYSTEM UNIT PUMP (1605) (TF270).....	160-4		
FUEL SYSTEM UNIT PUMP (1633) (TF270).....	160-6	H	
FUEL SYSTEM UNIT PUMP (1633) (TF270).....	160-8	HARNESS, ALTERNATOR WIRING (3102) (TF270,HF270).....	310-1
FUEL SYSTEM UNIT PUMP (1655) (TF270).....	160-10	HARNESS, ALTERNATOR WIRING (3103) (TF220,HF220).....	310-4
FUEL SYSTEM UNIT PUMP (1656) (TF270).....	160-12	HARNESS, ALTERNATOR WIRING (3103) (TF270,HF270).....	310-2
FUEL TRANSFER PUMP (3701) TF270,HF270 .....	370-1	HARNESS, ALTERNATOR WIRING (3104) (TF220, HF220).....	310-5
FUEL TRANSFER PUMP (3702) TF270,HF270 .....	370-2	HARNESS, ALTERNATOR WIRING (3104) (TF270, HF270).....	310-3
FUNNEL, OIL FILLER (1203) (TF270,HF270).....	120-2	HARNESS, STARTER WIRING (3002) (TF270,HF270).....	300-1
		HARNESS, STARTER WIRING (3003) (TF270, HF270).....	300-2
G		HARNESS, STARTING AID WIRING (4302) (TF270,HF270).....	430-1
GASKET KIT, ENGINE (9901) (TF270, HF270).....	990-2	HARNESS, STARTING AID WIRING (4304) (TF270,HF270).....	430-2
GASKET, CYLINDER HEAD, OVERSIZED (9901) (TF270,HF270).....	990-19		
GASKET, CYLINDER HEAD, STD (5102) (TF270,HF270).....	510-2		
GASKET, EXHAUST MANIFOLD (2802) (TF270,HF270).....	280-1		
GASKET, EXHAUST MANIFOLD (2805) (TF270,HF270).....	280-2		
GASKET, EXHAUST MANIFOLD (2807) (TF270,HF270).....	280-3		
GASKET, OIL COOLER (5903).....	590-1		
GASKET, OIL COOLER (5904) (TF220/TF270/HF220/HF270).....	590-2		
GASKET, OIL COOLER (5905) (TF270).....	590-4		
GASKET, TIMING GEAR COVER (4401).....	440-2		

# 110-1

ROCKER ARM COVER

1103 (ROCKER ARM COVER)  
 1103 (CULBUTEURS)  
 1103 (ZYLINDERKOPFHAUBE)  
 1103 (COPERCHIO BILANCIERI)  
 1103 (TAPA DE BALANCINES)  
 1103 (VENTILKAPA)

RE509871PCDD04 -UN-29OCT09



RE509871PCDD04

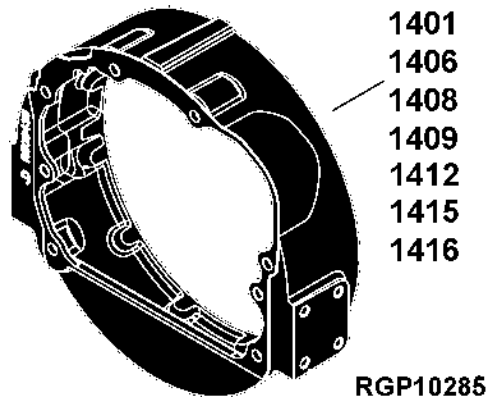
KEY	PART NO.	PART NAME	QTY.	ENGINE SERIAL NO.	REMARKS
1	RE517080	SCREW	6		M6 X 100
2	R26287	O-RING	6		
3	RE509945	VALVE COVER	1		
4	R504876	ISOLATOR	1		
5	37M7089	SCREW	2		M6 X 12
6	R515057	FILLER CAP	1		
7	RE42713	PIPE PLUG	1	-052424	1/8"-27NPT
..	PM710XX280	SEALANT	AR		

# 140-A01

FLYWHEEL HOUSING

SECTIONAL INDEX  
INDEX DE SECTION  
GRUPPENINDEX  
INDICE DELLA SEZIONE  
INDICE DE SECCION  
GRUPPSFORTECKNING

RGP10285 -UN-07MAR08



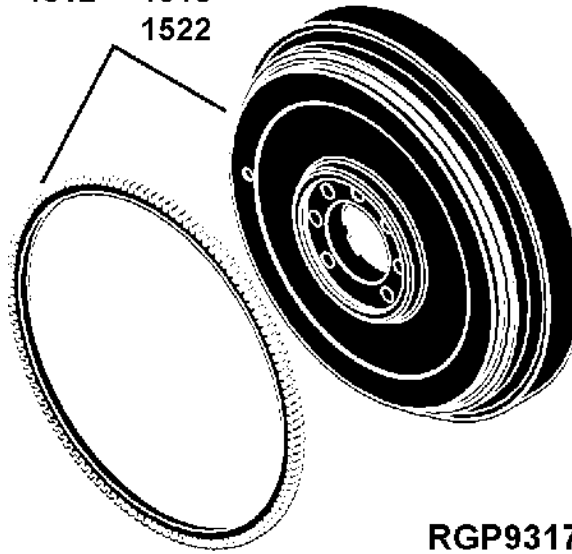
# 150-A01

FLYWHEEL

SECTIONAL INDEX  
INDEX DE SECTION  
GRUPPENINDEX  
INDICE DELLA SEZIONE  
INDICE DE SECCION  
GRUPPSFORTECKNING

RGP9317 -UN-22JUN07

1506 1513  
1507 1514  
1508 1515  
1511 1517  
1512 1518  
1522

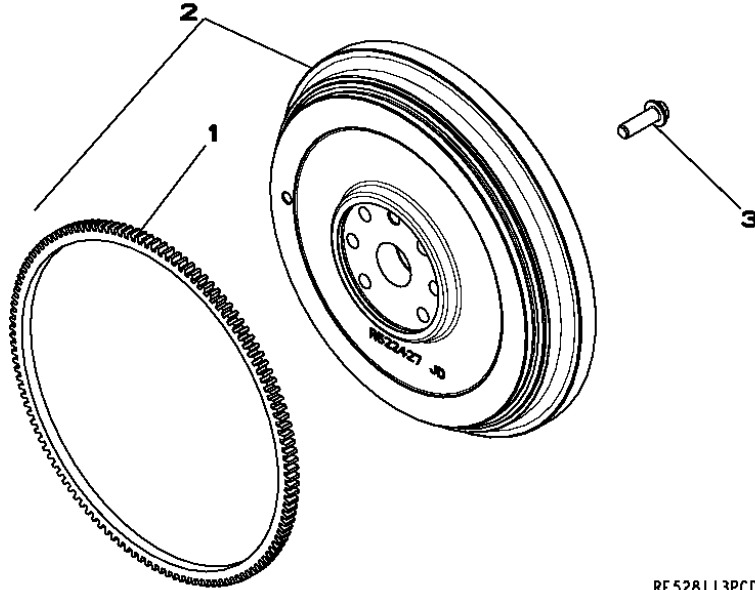


# 150-9

FLYWHEEL

1517 (FLYWHEEL)  
 1517 (VOLANT)  
 1517 (CHWUNGRAD)  
 1517 (VOLANO)  
 1517 (VOLANTE)  
 1517 (SVAENGHJUL)

RE528113PCDA01 -UN-05DEC06



RE528113PCDA01

KEY	PART NO.	PART NAME	QTY.	ENGINE SERIAL NO.	REMARKS
1	R519447	RING GEAR	1		Z = 127
2	RE528112	FLYWHEEL	1		(MARKED R522427)
3	RE515576	SCREW	6		M12 X 38

# 160-5

## FUEL INJECTION SYSTEM

KEY	PART NO.	PART NAME	QTY.	ENGINE SERIAL NO.	REMARKS
1	R524622	CLAMP	5		(SUB FOR R502996)
2	19M9766	SCREW	5		M10 X 45
3	51M7039	O-RING	1		
4	RE519890	ADAPTER FITTING	1		
5	28H1511	WASHER	1		
6	R135106	CLAMP	1		
7	19M7866	SCREW	1		M8 X 20
8	R51936	SEALING WASHER	2		
9	RE522410	ANEROID LINE	1		
10	RE502650	FITTING	1		
11	RE522774	RACK	1		
12	34M7201	SPRING PIN	2		4 X 10 MM
13	R515112	SHIM	1		
14	R502760	SPUR GEAR	1		(CAMSHAFT)
15	R516770	WASHER	1		
16	R517240	SCREW	1		M12 X 60
17	RE521054	KIT	1	-064217	(C) (SUB RE528481 AND RE528480)
	RE528481	WEIGHT KIT	1	064218-	(C) (USE WITH RE528480)
18	19M8425	CAP SCREW	4		M6 X 16
19	RE524705	MAGNET KIT	1		
20	RE42713	PIPE PLUG	1		
21	19M8483	SCREW	1		M6 X 65
22	A4365R	O-RING	2		
23	R520209	COVER	1		
24	RE521049	GOVERNOR KIT	1	-064217	(A) (D) (SUB RE528480 AND RE528481)
	RE528480	GOVERNOR KIT	1	064218-	(A) (D) (USE WITH RE528481)
25	R504206	PLUG	2		
26	14M7147	NUT	1		M8
27	14M7273	NUT	1		M8
28	R520420	EXTENSION SPRING	1		
29	R515352	LEAF SPRING	1		
30	14M7297	NUT	1		M5
31	RE525797	LEVER	1		
32	R519746	STUD	1		
33	RE521050	THROTTLE KIT	1		(B)
34	34M7278	SPRING PIN	2		3 X 18 MM
35	R72653	SNAP RING	1		
36	RE507488	SEAL	1		
37	14M7273	NUT	1		M8
38	22M7179	SET SCREW	2		M6 X 35
39	14M7272	NUT	2		M6
40	R72654	SNAP RING	1		
41	R515303	PIN FASTENER	1		
42	RE521048	GUIDE KIT	1		
43	19M7864	SCREW	1		M8 X 12
44	RE523413	RACK	1		
45	R518615	CLAMP	5		
46	RE530792	FUEL INJECTION PUMP	5		(SUB FOR RE520132 OR RE526487)
	SE502055	FUEL INJECTION PUMP REMAN	5		(REMAN FOR RE530792)
	.....	SEAL KIT	AR		(9901) (ORDER RE521175)
..	.....	SPRING PIN	AR		(4600 CODES) 4 X 16 MM
..	PM710XX280	SEALANT	AR		

(A) LEAF SPRING NOT INCLUDED IN KIT  
 RESSORT A LAME NON INCLUS DANS LE JEU  
 BLATTFEDER NICHT IM LIEFERUMF.,NACHRUESTSATZ  
 MOLLA A LAMINA NON INCLUSA NEL KIT  
 RESORTE DE BALLESTA NO INCLUIDO EN EL KIT  
 SATSEN INKLUDERAR INTE BLADFAEDRAR

(C) FLYWEIGHT  
 MASSELOTTE  
 FLIEHGEWICHT  
 CONTRAPPESO  
 CONTRAPESO  
 CENTRIFUGALVIKT

(B) THROTTLE LEVER  
 LEVIER D' ACCELERATION  
 DREHZAHLEREGULIERHEBEL  
 LEVA ACCELERATORE A MANO  
 PALANCA DEL ACELERAOR  
 GASSPAK

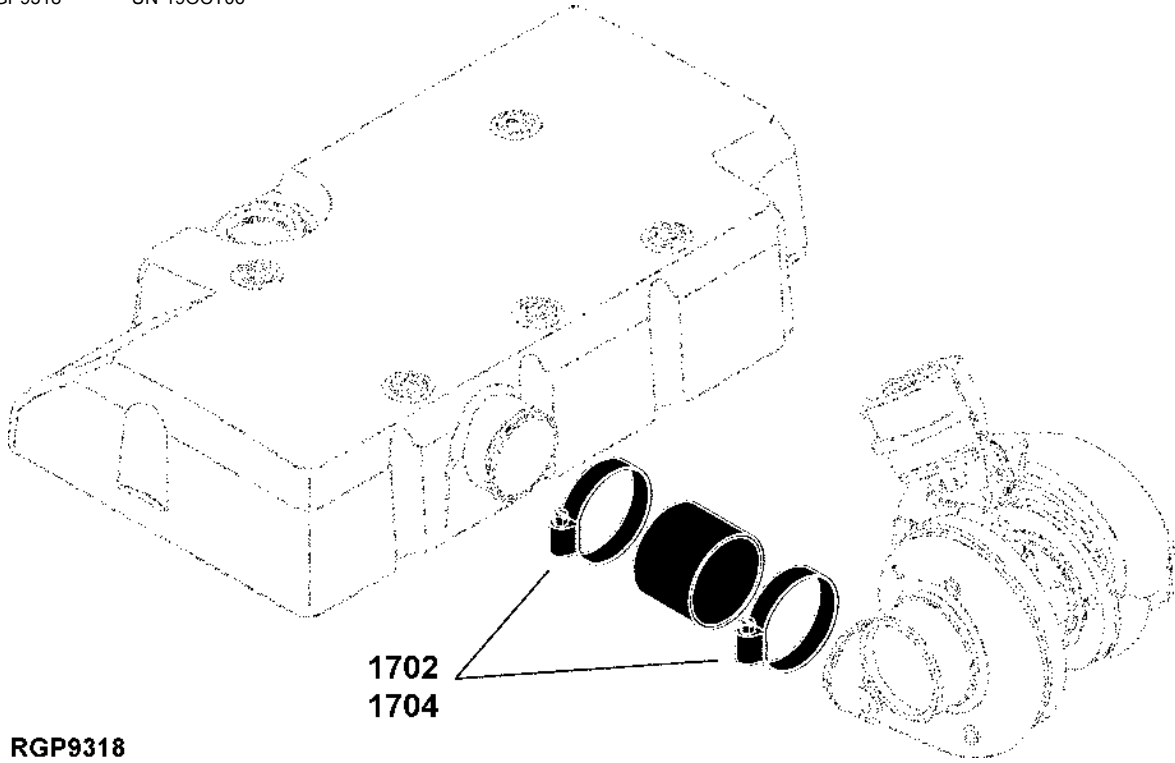
(D) GOVERNOR LEVER  
 LEVIER DE REGULATEUR  
 REGLERHEBEL  
 LEVA REGOLATORE  
 PALANCA REGULADORA  
 REGULATORARM

# 170-A01

AIR INLET

SECTIONAL INDEX  
INDEX DE SECTION  
GRUPPENINDEX  
INDICE DELLA SEZIONE  
INDICE DE SECCION  
GRUPPSFORTECKNING

RGP9318 -UN-19OCT06

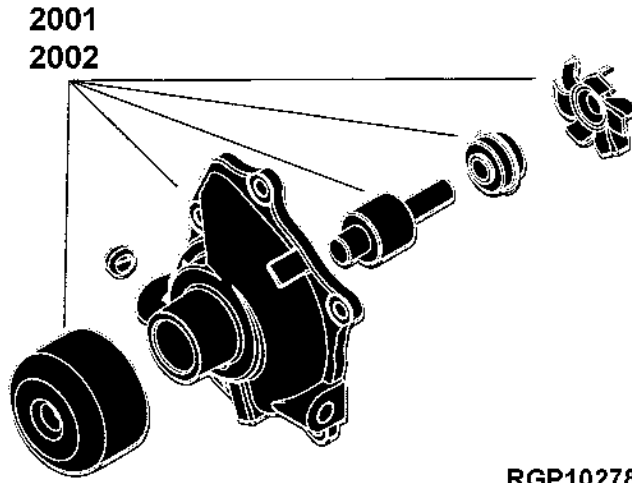


# 200-A01

WATER PUMP PULLEY

SECTIONAL INDEX  
INDEX DE SECTION  
GRUPPENINDEX  
INDICE DELLA SEZIONE  
INDICE DE SECCION  
GRUPPSFORTECKNING

RGP10278 -UN-27JUL05

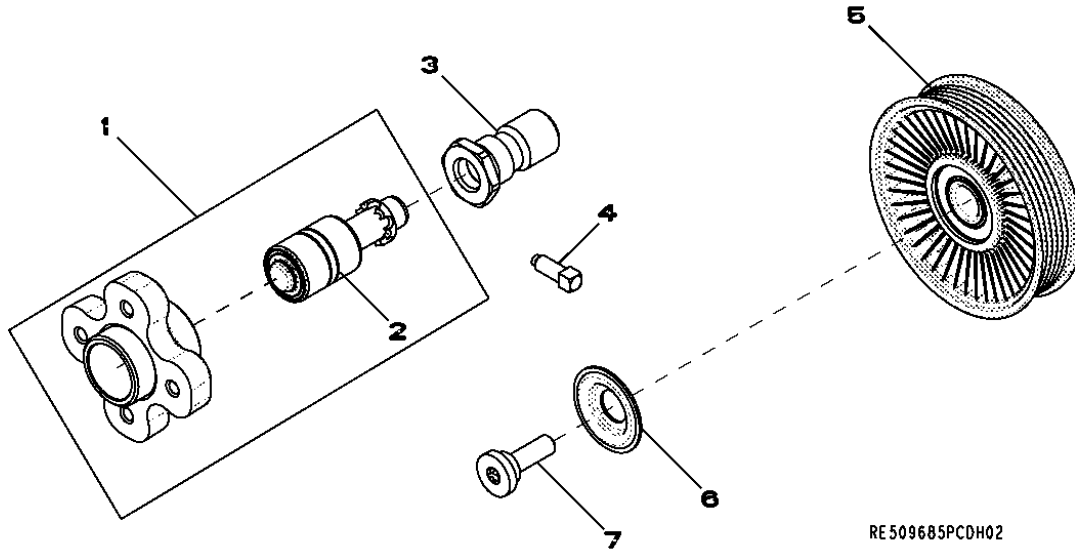


# 230-1

FAN DRIVE

2301 (FAN DRIVE)  
 2301 (ENTRAINEMENT DU VENTILATEUR)  
 2301 (GEBLAESEANTRIEB)  
 2301 (COMANDO VENTILATORE)  
 2301 (TRANSMISION DEL VENTILADOR)  
 2301 (FLAEKTRIVNING)

RE509685PCDH02 -UN-27JUN08



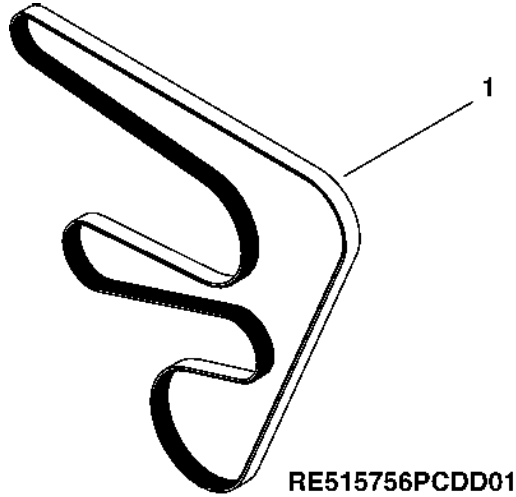
KEY	PART NO.	PART NAME	QTY.	ENGINE SERIAL NO.	REMARKS
1	RE505621	HUB	1		
2	R520229	BALL BEARING	1		
3	R515308	BUSHING	1	-010659	(USE WITH R504054)
	R519436	TUBE NUT	1	010660-	(USE WITH R519653)
4	22M7171	SET SCREW	1		M8 X 20
5	RE527250	IDLER	1		(A) (SUB RE537940) (ALSO ORDER R527985 AND R527987) (SUB FOR RE515375)
	RE537940	IDLER	1		(USE WITH R527985 AND R527987)
6	R515135	SLEEVE	1		(A) (SUB R527985) (ALSO ORDER R527987)
	R527985	DUST SHIELD	1		(USE WITH R527987)
7	R153677	SCREW	1		(A) M10 X 35, (SUB R527987) (ALSO ORDER R527985)
	R527987	SOCKET HEAD SCREW	1		(USE WITH R527985)
..	.....	COVER	1	-010659	(USE WITH R504054) (4401)
..	.....	COVER	1	010660-	(USE WITH R519653) (4401)

(A) NOT AS ILLUSTRATED  
 PAS COMME ILLUSTRE  
 NICHT WIE ABGEBILDET  
 NON CORRISPONDENTE ALLA FIGURA  
 DIFIERE DE LA UNIDAD ILUSTRADA  
 EJ SOM PAA BILDEN

# 240-5

FAN BELT

2405 (FAN BELT)  
2405 (COURROIE DU VENTILATEUR)  
2405 (LUEFTERRIEMEN)  
2405 (CINGHIA VENTOLA)  
2405 (CORREA DEL VENTILADOR)  
2405 (FLAECTREM)  
RE515756PCDD01 -UN-29OCT03

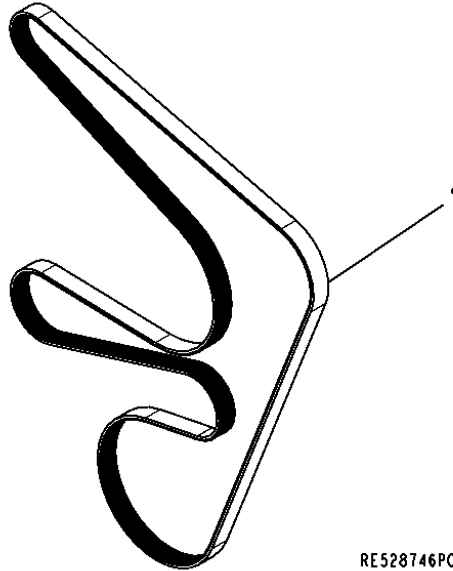


KEY	PART NO.	PART NAME	QTY.	ENGINE SERIAL NO.	REMARKS
1	R517041	V-BELT	1	(2415MM)	

# 240-15

FAN BELT

2421 (FAN BELT)  
2421 (COURROIE DU VENTILATEUR)  
2421 (LUEFTERRIEMEN)  
2421 (CINGHIA VENTOLA)  
2421 (CORREA DEL VENTILADOR)  
2421 (FLAECTREM)  
RE528746PCDA01 -UN-18JUL06



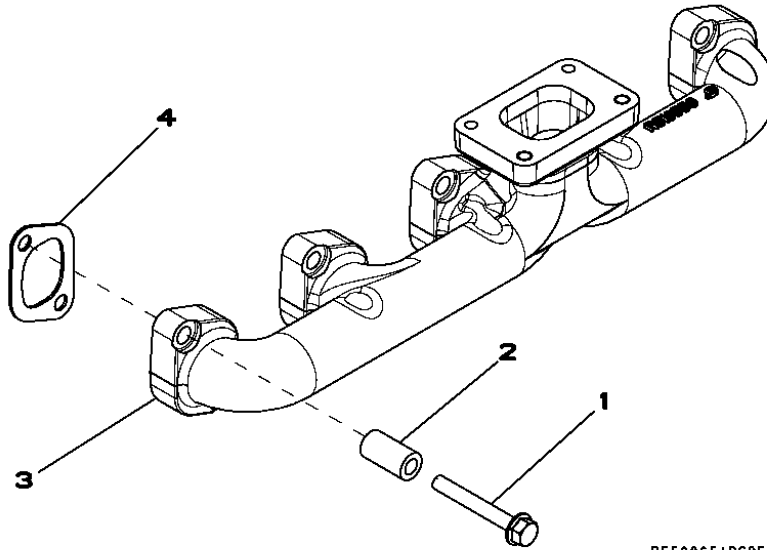
KEY	PART NO.	PART NAME	QTY.	ENGINE SERIAL NO.	REMARKS
1	R522751	BELT SET	1	(2395 MM)	

# 280-1

EXHAUST MANIFOLD

2802 (EXHAUST MANIFOLD)  
 2802 (COLLECTEUR D'ÉCHAPPEMENT)  
 2802 (AUSPUFFKRUEMMER)  
 2802 (COLLETTORE DI SCARICO)  
 2802 (COLECTOR DE ESCAPE)  
 2802 (AVGASGRENROER)

RE509651PCDE01 -UN-18JUN07



RE509651PCDE01

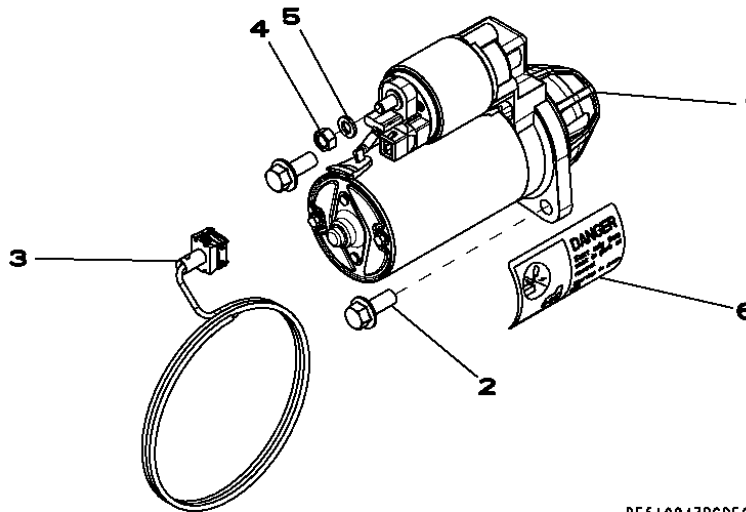
KEY	PART NO.	PART NAME	QTY.	ENGINE SERIAL NO.	REMARKS
1	19M7801	SCREW	10		M8 X 60, (USE WITH R525211)
2	R525211	SPACER	10		
3	R518559	EXHAUST MANIFOLD	1		(SUB FOR R516638)
4	R515296	GASKET	5		

# 300-1

STARTING MOTOR

3002 (STARTING MOTOR)  
 3002 (DEMARREUR)  
 3002 (STARTER)  
 3002 (MOT.D'AVVIAMENTO)  
 3002 (MOTOR DA ARRANQUE)  
 3002 (STARTMOTOR)

RE519847PCDF04 -UN-13FEB07



RE519847PCDF04

KEY	PART NO.	PART NAME	QTY.	ENGINE SERIAL NO.	REMARKS
1	RE508922	STARTER MOTOR	1		12V - 2.2KW (ROBERT BOSCH)
	SE501844	STARTER MOTOR REMAN	1		12V (REMAN FOR RE508922)
2	19M7785	SCREW	2		M10 X 25
3	RE519783	WIRING HARNESS	1		
4	14M7273	NUT	1	M8	
5	12M7065	LOCK WASHER	1	8 MM	
6	T146102	LABEL	1		
	T146106	SAFETY SIGN	1	(A)	
	T146104	SAFETY SIGN	1	(B)	
	T146515	SAFETY SIGN	1	(C)	
	T146516	SAFETY SIGN	1	(D)	

(A) SPANISH  
 ESPAGNOL  
 SPANISCH  
 SPAGNOLO  
 ESPANOL  
 SPANSKA

(B) FRENCH  
 FRANCAIS  
 FRANZOESISCH  
 FRANCESE  
 FRANCES  
 FRANSKA

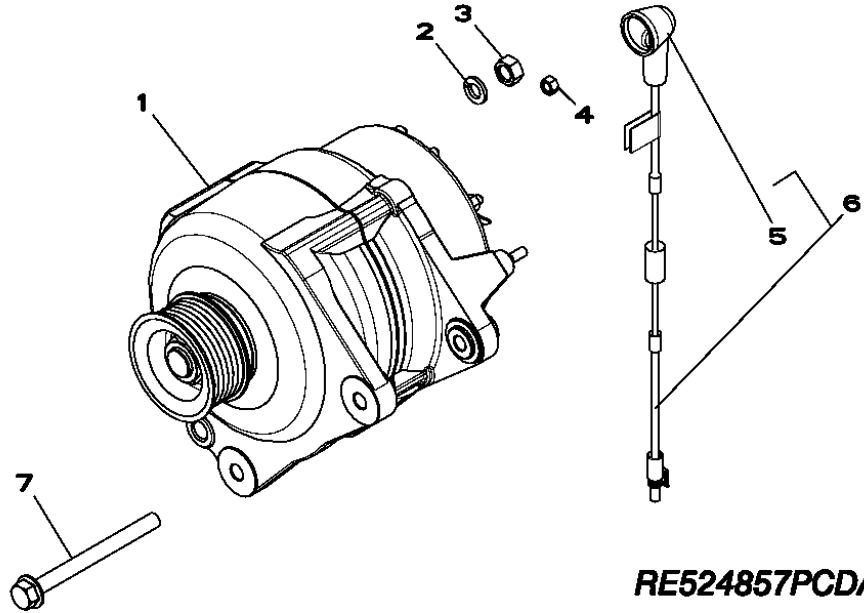
(C) GERMAN  
 ALLEMAND  
 DEUTSCH  
 TEDESCO  
 ALEMAN  
 TYSKA

(D) ITALIAN  
 ITALIEN  
 ITALIENISCH  
 ITALIANO  
 ITALIANO  
 ITALIENSKA

# 310-5

ALTERNATOR

3104 (ALTERNATOR)  
 3104 (ALTERNATEUR)  
 3104 (DREHSTROMGENERATOR)  
 3104 (ALTERNATORE)  
 3104 (ALTERNADOR)  
 3104 (VAEXELSTROEMSGENERATOR)  
 RE524857PCDA01 -UN-12OCT04



**RE524857PCDA01**

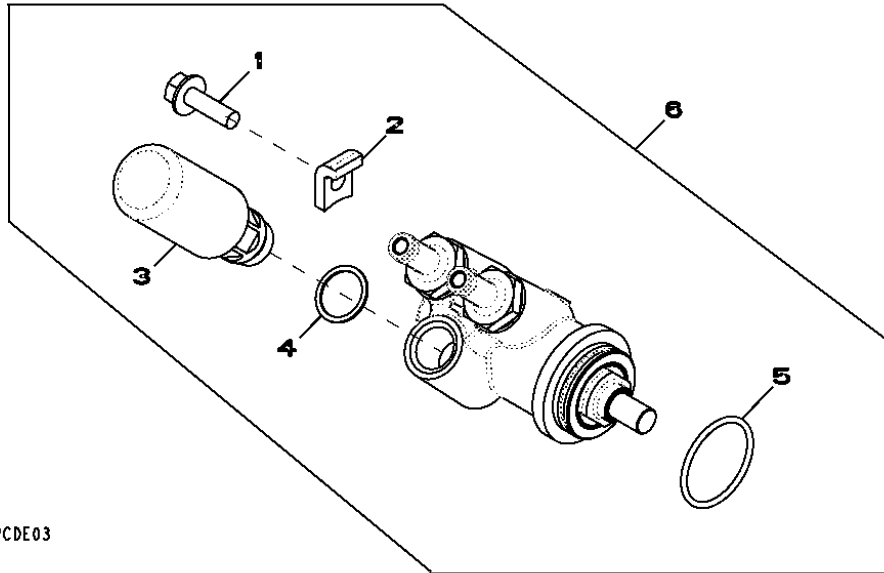
KEY	PART NO.	PART NAME	QTY.	ENGINE SERIAL NO.	REMARKS
1	RE522401	ALTERNATOR	1		24V - 50AMP (ISKRA)
2	12M7065	LOCK WASHER	1		8 MM
3	14M7273	NUT	1		M8
4	14M7297	NUT	1		M5
5	R74993	BOOT	1		
6	RE505489	WIRING HARNESS	1		
7	19M7913	SCREW	2		M8 X 90

# 370-1

FUEL TRANSFER PUMP

3701 (FUEL TRANSFER PUMP)  
 3701 (POMPE D'ALIMENTATION)  
 3701 (KRAFTSTOFFOERDERPUMPE)  
 3701 (POMPA DI ALIMENTAZIONE)  
 3701 (BOMBA DE ALIMENTACION DE COMBUSTIBLE)  
 3701 (BRAENSLEMATARPUMP)

RE509690PCDE03 -UN-01SEP09



RE509690PCDE03

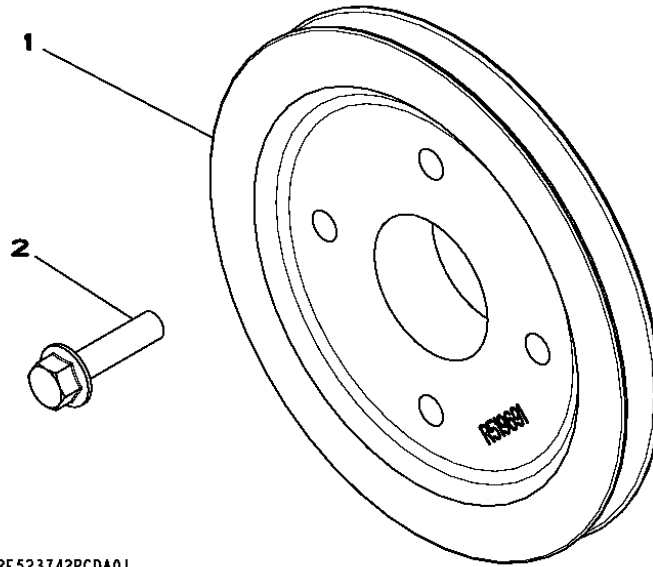
KEY	PART NO.	PART NAME	QTY.	ENGINE SERIAL NO.	REMARKS
1	19M7862	SCREW	2		M6 X 20
2	.....	BRACKET	2		NSEP
3	RE65265	HAND PRIMER	1		
4	R54025	WASHER	1		
5	RE504827	O-RING KIT	1		(SUB FOR R502142, THIS APPLICATION)
6	RE525101	FUEL PUMP	1		(SUB FOR RE509778) (ORDER RE532210)

# 410-1

FRONT AUXILIARY DRIVE

4103 (FRONT AUXILIARY DRIVE)  
4103 (ENTRAINEMENT AUXILIAIRE AVANT)  
4103 (VORDERER ZUSATZANTRIEB)  
4103 (COMANDO AUSILIARIO ANTERIORE)  
4103 (TRANSMISION AUXILIAR FRONTAL)  
4103 (FRAEMRE TILLBEHOERSDRIVNING)

RE523742PCDA01 -UN-13MAR06



RE523742PCDA01

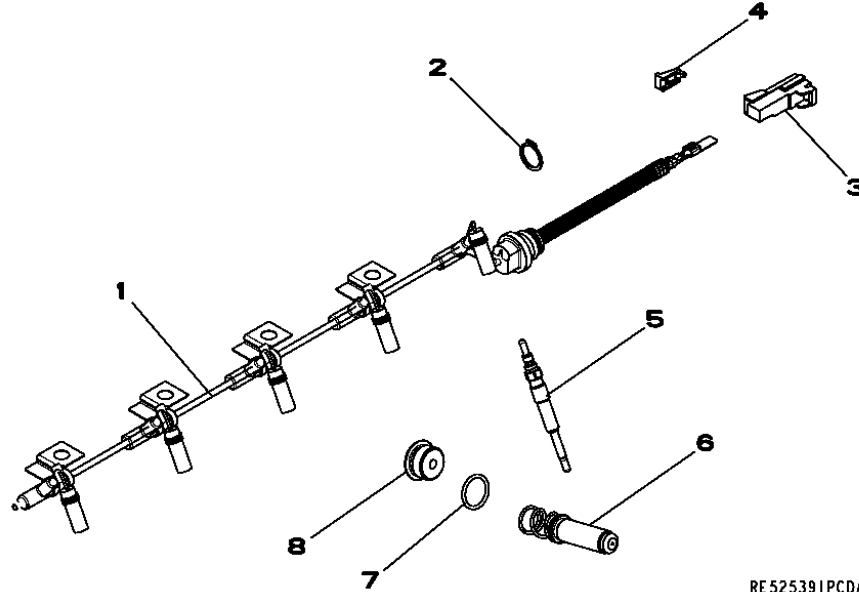
KEY	PART NO.	PART NAME	QTY.	ENGINE SERIAL NO.	REMARKS
1	R519691	PULLEY	1		
2	19M8162	SCREW	2	M10 X 40	

# 430-7

COLD WEATHER STARTING AIDS

4314 (STARTING AID)  
 4314 (AIDE AU DEMARRAGE)  
 4314 (STARHILFE)  
 4314 (AUSILIO DI AVVIAMENTO)  
 4314 (TERMOARRANQUE)  
 4314 (STARHJÆLP)

RE525391PCDA01 -UN-30AUG07



RE525391PCDA01

KEY	PART NO.	PART NAME	QTY.	ENGINE SERIAL NO.	REMARKS
1	RE521505	WIRING HARNESS	1		
2	40M1823	SNAP RING	1		
3	R519641	ELECTRICAL CONNECTOR CAP	1		
4	R520298	DIFFERENTIAL LOCK	1		
5	RE522425	GLOW PLUG	5	24V	
6	RE522416	PLUG	1		
7	51M7045	O-RING	1		
8	RE519621	FITTING PLUG	1		

# 460-1

CYLINDER BLOCK, MAIN BEARING CAPS AND CAMSHAFT

---

MEMORANDA  
MEMORANDA  
MEMORANDA  
MEMORANDA  
MEMORANDA

CLICK HERE TO **DOWNLOAD** THE COMPLETE MANUAL

- Thank you very much for reading the preview of the manual.
- You can download the complete manual from: [www.heydownloads.com](http://www.heydownloads.com) by clicking the link below



- Please note: If there is no response to CLICKING the link, please download this PDF first and then click on it.

CLICK HERE TO **DOWNLOAD** THE COMPLETE MANUAL

# 480-1

PISTON, CONNECTING ROD, CYLINDER LINER

---

MEMORANDA  
MEMORANDA  
MEMORANDA  
MEMORANDA  
MEMORANDA

# 490-1

ROCKER ARM, ROCKER ARM SHAFT AND CAM FOLLOWER

---

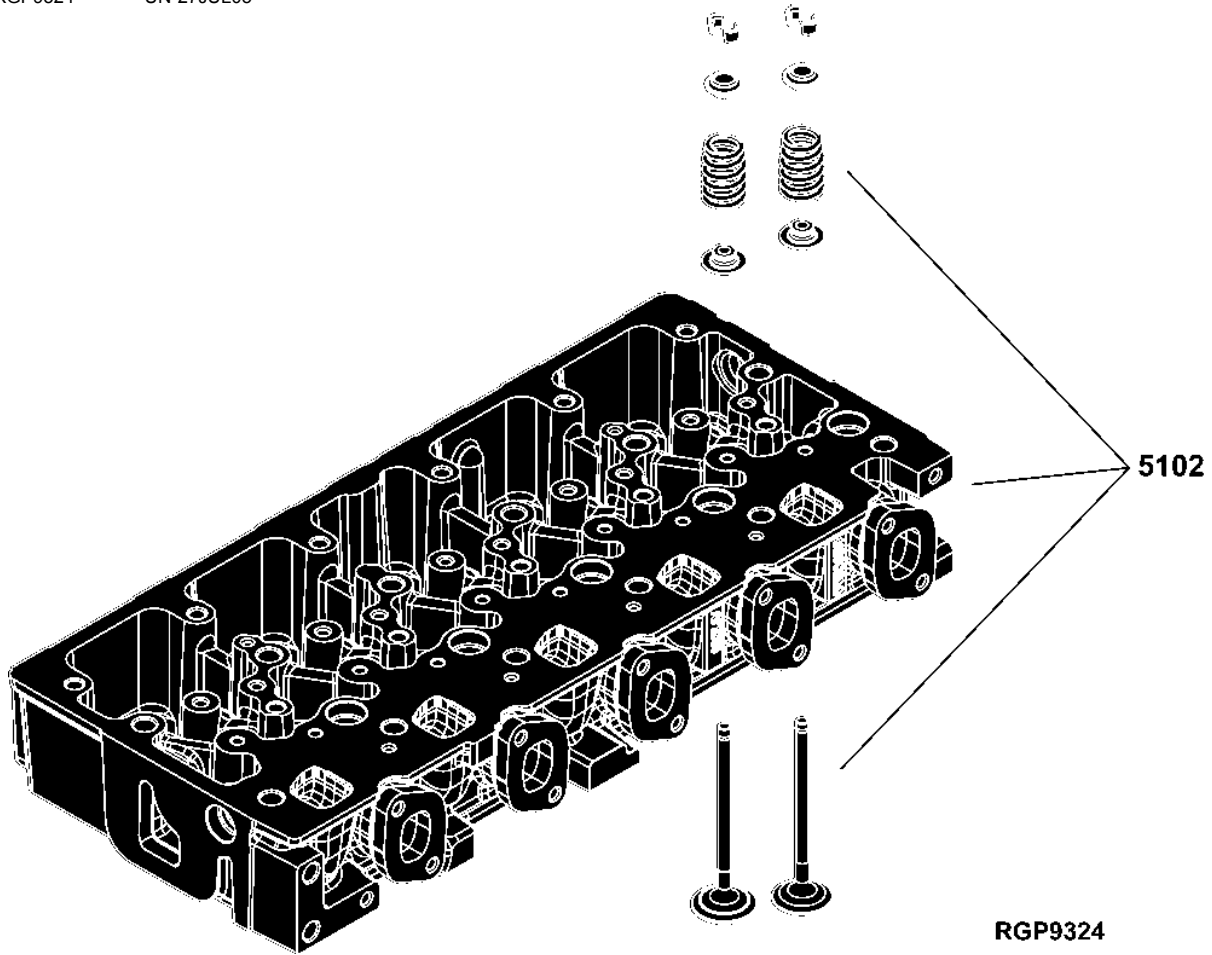
MEMORANDA  
MEMORANDA  
MEMORANDA  
MEMORANDA  
MEMORANDA

# 510-A01

CYLINDER HEAD AND GASKET

SECTIONAL INDEX  
INDEX DE SECTION  
GRUPPENINDEX  
INDICE DELLA SEZIONE  
INDICE DE SECCION  
GRUPPSFORTECKNING

RGP9324 -UN-27JUL05

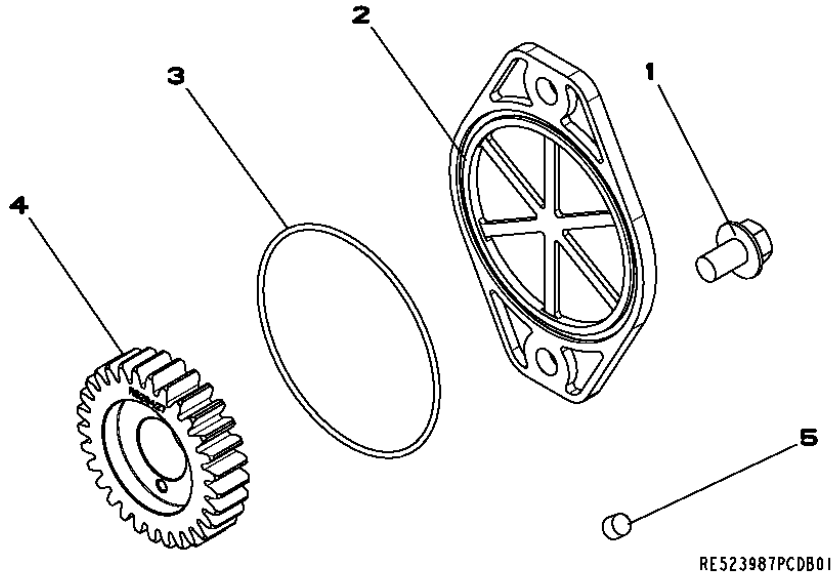


# 520-3

AUXILIARY DRIVE ADAPTER, LINES AND COVER

5206 (AUXILIARY DRIVE)  
 5206 (ENTRAINEMENT AUXILIAIRE)  
 5206 (ZUSATZANTRIEB)  
 5206 (COMANDO AUSILIARIO)  
 5206 (TRANSMISION ADICIONAL)  
 5206 (HJAELPDRIFT)

RE523987PCDB01 -UN-22MAR06



KEY	PART NO.	PART NAME	QTY.	ENGINE SERIAL NO.	REMARKS
1	19M7787	SCREW	2		M12 X 20
2	R135757	COVER	1		
3	T20758	O-RING	1		
4	R520427	GEAR	1		Z = 29
5	RE42713	PIPE PLUG	1		

# 590-5

OIL COOLER

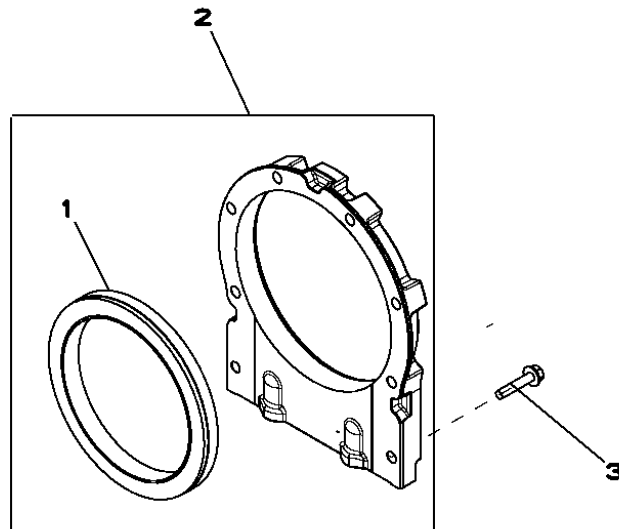
KEY	PART NO.	PART NAME	QTY.	ENGINE SERIAL NO.	REMARKS
1	RE528265	HOSE	1		
2	61M5005	ADAPTER FITTING	4		
3	51M7047	O-RING	1		23.600 X 2.900 MM
4	38H5005	ADAPTER FITTING	1		
5	T77858	O-RING	1		
6	RE528265	HOSE	1		
7	R516067	COVER	1		
8	R70956	GASKET	2		
9	R521392	ADAPTER FITTING	1		
10	R522083	THREADED NIPPLE	1		
11	RE515469	OIL COOLER	1		
12	R515182	GASKET	1		
13	RE537136	HOSE CLAMP	4		
14	TY22328	BULK HOSE	1		52MM
15	R515183	HOSE FITTING	1		
16	R527990	BRACKET	1		
17	19M7867	SCREW	1		M8 X 25
18	R515287	HOSE FITTING	1		
19	R515280	HOSE	1		
20	R522476	FILTER HOUSING	1		
21	R517560	ADAPTER FITTING	1		

# 630-1

REAR OIL SEAL

6301 (REAR OIL SEAL)  
 6301 (JOINT D'ARRET D'HUILE ARRIERE)  
 6301 (HINTERER OELABDICHRING)  
 6301 (ANELLO DI TENUTA POSTERIORE)  
 6301 (RETEN DE ACEITE TRASERO)  
 6301 (BAKRE OLJETAETNING)

RE517321PCDE02 -UN-04MAY06



RE517321PCDE02

KEY	PART NO.	PART NAME	QTY.	ENGINE SERIAL NO.	REMARKS
1	RE44574	SEAL	1		
2	RE521003	SEAL KIT	1		
	R515025	HOUSING	1		
3	19M7796	SCREW	8	M6 X 30	
..	PM710XX280	SEALANT	AR		

# 650-7

TURBOCHARGER AND OIL LINES

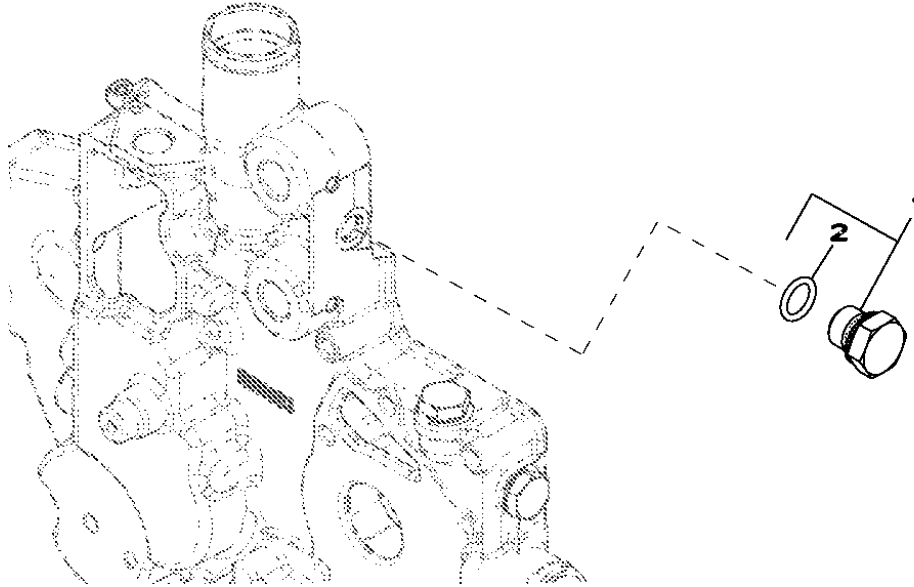
KEY	PART NO.	PART NAME	QTY.	ENGINE SERIAL NO.	REMARKS
1	R516662	SCREW	4		
2	RE518228	TURBOCHARGER	1		(MARKED RE518233) (SUB FOR (1) RE518233)
	SE501678	TURBOCHARGER REMAN	1		(REMAN FOR RE518228)
3	R515197	GASKET	1		
4	RE539357	OIL LINE	1		
5	RE65978	CLAMP	2		(SUB FOR THIS APPLICATION TY22465)
6	R518865	HOSE	1		
7	R515287	HOSE FITTING	1		
8	RE539488	ADAPTER FITTING	1		
9	T77814	O-RING	1		
10	RE524599	HYDRAULIC HOSE	1		(SUB FOR RE521852)

# 660-3

TEMPERATURE SWITCH

6699 (TEMPERATURE SWITCH)  
6699 (CONTACTEUR DE TEMPERATURE)  
6699 (TEMPERATURSCHALTER)  
6699 (INTERRUPTORE DI TEMPERATURA)  
6699 (INTERRUPTOR DE TEMPERATURA)  
6699 (TEMPERATURKONTAKT)

RE516551PCDD02 -UN-18MAY09



RE516551PCDD02

KEY	PART NO.	PART NAME	QTY.	ENGINE SERIAL NO.	REMARKS
1	RE46684	FITTING PLUG	1		
2	51M7041	O-RING	1		

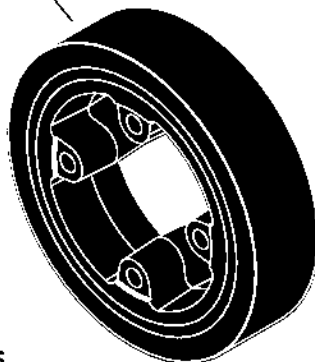
# 680-A01

DAMPER

SECTIONAL INDEX  
INDEX DE SECTION  
GRUPPENINDEX  
INDICE DELLA SEZIONE  
INDICE DE GRUPOS  
GRUPPSFORTECKNING

RGP9275 -UN-27JUL05

6801



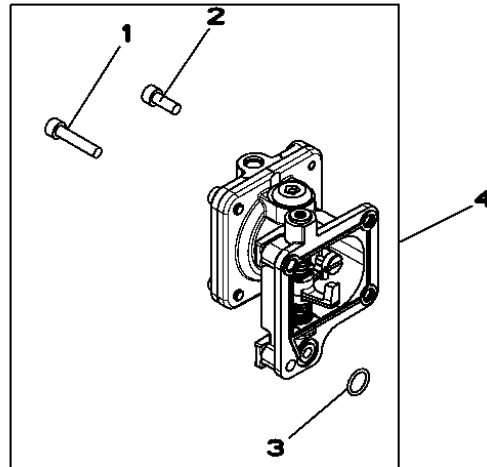
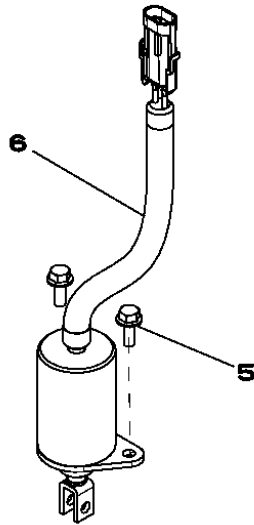
RGP9275

# 720-5

ENGINE PERFORMANCE

7244 (ENGINE PERFORMANCE)  
 7244 (PERFORMANCE DU MOTEUR)  
 7244 (MOTORLEISTUNG)  
 7244 (PRESTAZIONI DEL MOTORE)  
 7244 (RENDIMIENTO DEL MOTOR)  
 7244 (MOTORPRESTANDA)

RE525404PCDB01 -UN-20JUN07



RE525404PCDB01

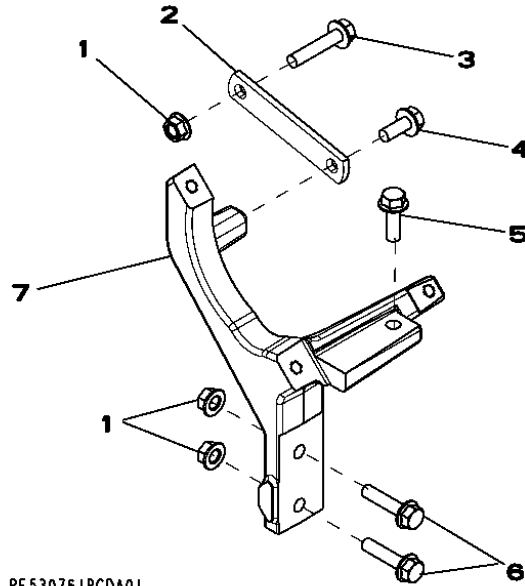
KEY	PART NO.	PART NAME	QTY.	ENGINE SERIAL NO.	REMARKS
1	19M8263	SCREW	2		M6 X 30
2	19M7768	SCREW	2		M6 X 16
3	AT259636	O-RING	1		
4	RE526546	ANEROID	1		(SUB FOR RE521164)
5	19M7775	SCREW	2		M6 X 16
6	RE522421	SOLENOID	1		
..	PM710XX280	SEALANT	AR		

# 740-1

COMPRESSOR SUPPORT

7401 (AIR CONDITIONING MOUNTING)  
 7401 (SUPPORT POUR CLIMATISATION)  
 7401 (HALTERUNG FUER KLIMAAANLAGE)  
 7401 (SUPPORTO PER CONDIZIONATORE ARIA)  
 7401 (SOPORTE PARA AIRE ACONDICIONADO)  
 7401 (FAESTE FOER LUFTKONDITIONERING)

RE530761PCDA01 -UN-20DEC06



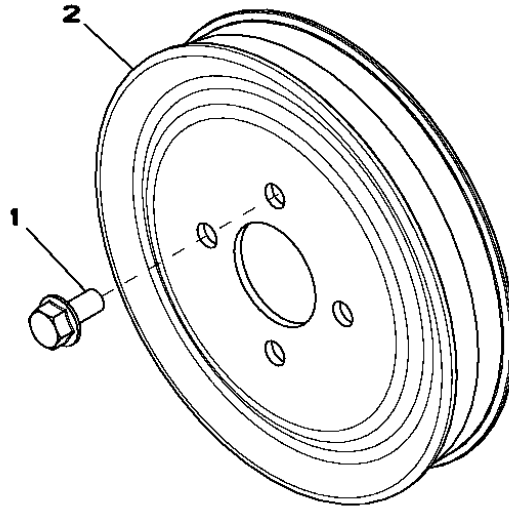
RE530761PCDA01

KEY	PART NO.	PART NAME	QTY.	ENGINE SERIAL NO.	REMARKS
1	14M7298	FLANGE NUT	3	M8	
2	R200417	STRAP	1		
3	19M7798	SCREW	1	M8 X 40	
4	19M7866	SCREW	1	M8 X 20	
5	19M7867	SCREW	1	M8 X 25	
6	19M7897	SCREW	2	M8 X 35	
7	R195207	SUPPORT	1		

# 860-3

FAN PULLEY

8603 (FAN PULLEY)  
8603 (POULIE DU VENTILATEUR)  
8603 (LUEFTERRIEMENSCHIBE)  
8603 (PULEGGIA VENTOLA)  
8603 (POEA DEL VENTILADOR)  
8603 (FLAECTREMSSKIVA)  
RE515308PCDD02 -UN-25MAY04



**RE515308PCDD02**

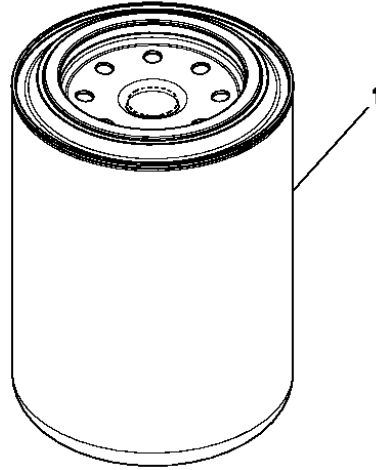
KEY	PART NO.	PART NAME	QTY.	ENGINE SERIAL NO.	REMARKS
1	19M9064	SCREW	4	M8 X 16	
2	R516400	PULLEY	1		

# 880-1

OIL FILTER AND FILTER HEADER

8801 (OIL FILTER)  
8801 (FILTRE A HUILE)  
8801 (OELFILTER)  
8801 (FILTRO DELL'OLIO)  
8801 (FILTRO DE ACEITE)  
8801 (OLJEFILTER)

RE509750PCDD01 -UN-16NOV05



RE509750PCDD01

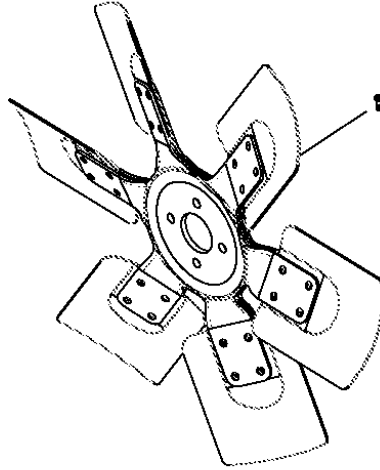
KEY	PART NO.	PART NAME	QTY.	ENGINE SERIAL NO.	REMARKS
1	RE519626	OIL FILTER	1		

# 970-7

FIELD INSTALLED

9701 (BLOWER FAN)  
9701 (VENTILATEUR SOUFFLANT)  
9701 (DRUCKLUEFTER)  
9701 (VENTILATORE)  
9701 (VENTILADOR)  
9701 (TRYCKFLAECT)

RE522405PCDA02 -UN-06AUG08



RE522405PCDA02

KEY	PART NO.	PART NAME	QTY.	ENGINE SERIAL NO.	REMARKS
1	RE522405	FAN KIT	1	(A)	

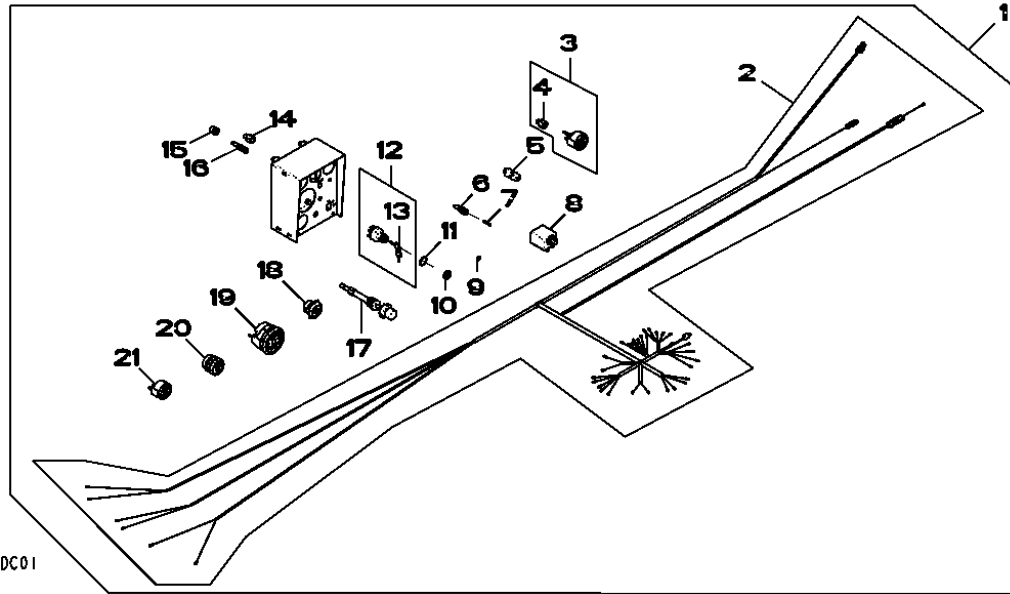
(A) ORDER THROUGH DISTRIBUTOR  
A COMMANDER AUPRES DU FOURNISSEUR  
BEIM LIEFERANTEN BESTELLEN  
ORDINARE ATTRAVERSO IL DISTRIBUTORE  
PEDIR A TRAVES DEL DISTRIBUIDOR  
BESTAELL VIA NORMALA RESERVDELSKANALER

# 970-17

FIELD INSTALLED

9701 (INSTRUMENT PANEL)  
 9701 (TABLEAU DE BORD)  
 9701 (INSTRUMENTENTAFEL)  
 9701 (PANNELLO PORTA-STRUMENTI)  
 9701 (TABLERO DE INSTRUMENTOS)  
 9701 (INSTRUMENTPANEL)

RE526316PCDC01 -UN-21JUL08



RE526316PCDC01

KEY	PART NO.	PART NAME	QTY.	ENGINE SERIAL NO.	REMARKS
1	RE526316	INSTRUMENT PANEL	1		
2	RE523886	WIRING HARNESS	1		
3	RE501656	TEMPERATURE GAUGE	1		
4	R501306	BUSHING	1		
5	AT188735	SWITCH	1		
6	RE63643	FUSE HOLDER	1		
7	AT28077	FUSE	1		
8	RE63642	SWITCH	1		
9	51M7041	O-RING	1		
10	R44342	NUT	1		
11	A4827R	WASHER	1		
12	AR58126	ROTARY SWITCH	1		
13	AR51481	KEY	1		
14	R501306	BUSHING	1		
15	R501207	BUSHING	1		
16	RE63695	HYDRAULIC HOSE	1		
17	RE526317	PUSH PULL CABLE	1		
18	F305213	HOUR METER	1		
19	RE523884	TACHOMETER	1		
20	RE523882	AMMETER	1		
21	RE43305	METER	1		

# 970-27

FIELD INSTALLED

KEY	PART NO.	PART NAME	QTY.	ENGINE SERIAL NO.	REMARKS
1	RE534125	LINE	1		
2	19M7864	SCREW	1		M8 X 12
3	14M7298	FLANGE NUT	1		M8
4	R81710	CLAMP	2		
5	19M7866	SCREW	1		M8 X 20
6	19M8651	SCREW	1		M12 X 25
7	RE534126	LINE	1		
8	T77857	O-RING	1		
9	38H5017	ELBOW FITTING	2		(ALSO ORD T77857)
10	51M7043	O-RING	2		
11	RE528869	OIL LINE	2		
12	R135261	FITTING	1		
13	RE502650	FITTING	1		
14	15H584	PIPE PLUG	1		
15	R524559	BRACKET	1		
16	19M7865	SCREW	2		M8 X 16
17	R522733	SPACER	1		
18	19H3467	SCREW	1		
19	R126287	ELBOW FITTING	2		
20	R522690	GASKET	1		
21	R522569	GEAR	1		
22	24H1368	WASHER	1		
23	14H1083	NUT	1		

# 970-37

FIELD INSTALLED

KEY	PART NO.	PART NAME	QTY.	ENGINE SERIAL NO.	REMARKS
1	19M7786	SCREW	10		M10 X 30
2	24M7178	WASHER	4		
3	RE522106	GUARD	1		
4	AT116162	ISOLATOR	4		
5	R92751	HUB	1		
6	.....	BLOWER FAN	1		(ORDER RE522405)
7	R519247	RADIATOR HOSE	1		
8	TY22470	CLAMP	4		
9	R519248	RADIATOR HOSE	1		
10	19M7970	SCREW	4		M8 X 100
11	19M7784	SCREW	13		M10 X 20
12	R520390	BRACE	1		
13	14M7298	FLANGE NUT	2		M8
14	19M7868	SCREW	2		M8 X 30
15	R519509	BRACE	1		
16	19M8317	SCREW	2		M8 X 40
17	R519250	BRACKET	1		
18	RE522107	SHROUD	1		
19	R519249	BRACKET	1		
20	R519529	ANGLE	4		
21	14M7296	FLANGE NUT	18		M10
22	LVU16044	GROMMET	4		
23	RE522990	ISOLATOR	1		
24	KV23226	RADIATOR	1		(INCL KEY KV25481)
25	KV25481	FILLER CAP	1		
26	RE522101	SUPPORT	1		
27	RE522100	SUPPORT	1		
28	R520069	SPACER	2		
29	19M7910	SCREW	4		M16 X 55
30	RE522099	SUPPORT	1		
31	19M7785	SCREW	4		M10 X 25
32	R519442	BRACE	1		
33	R519997	STRAP	1		
34	RE522085	COMPLETE GOODS/SHIP. BUNDLE	1		

# 990-3

SERVICE KITS

KEY	PART NO.	PART NAME	QTY.	ENGINE SERIAL NO.	REMARKS
1	R26287	O-RING	6		
2	AT259636	O-RING	1		
3	RE44574	SEAL	1	(A)	
4	T77814	O-RING	1		
5	R518865	HOSE	1		
6	R51936	SEALING WASHER	2		
7	R515197	GASKET	1		
8	R72328	O-RING	4		
9	R70956	GASKET	2		
10	R515296	GASKET	5		
11	R47153	O-RING	2		
12	RE521176	SEAL KIT	5		
13	.....	O-RING	5	(C)	
14	.....	O-RING	5	(D)	
15	RE521175	SEAL KIT	5		
16	RE507488	SEAL	1	(E)	
17	R526139	GASKET	1	(SUB FOR R504230)	
18	R516396	PLUG	1		
19	AR67942	SEAL	1	(B)	
20	T143324	O-RING	1		
21	R504680	CAP SCREW	1		
22	A4365R	O-RING	2		
23	RE524593	GASKET KIT	1		

(A) REAR  
ARRIERE  
HINTEN  
POSTERIORE  
TRASERO  
BAK

(B) FRONT  
AVANT  
VORN  
ANTERIORE  
DELANTE  
FRAMRE

(C) BROWN  
MARRON  
BRAUN  
MARRONE  
MARRON  
BRUN

(D) BLACK  
NOIR  
SCHWARZ  
NERO  
NEGRO  
SVART

(E) THROTTLE LEVER  
LEVIER D' ACCELERATION  
DREHZAHREGULIERHEBEL  
LEVA ACCELERATORE A MANO  
PALANCA DEL ACELERAOR  
GASSPAK

# 990-13

SERVICE KITS

KEY	PART NO.	PART NAME	QTY.	ENGINE SERIAL NO.	REMARKS
1	RE528294	COMPLETE BLOCK ASSEMBLY	1	-123878	(MARKED R504114) (PISTON MARKED RE522094) (ALSO ORDER RE529913, (2)R47153 AND (2)21M753 APPLICATION)
	RE528294	COMPLETE BLOCK ASSEMBLY	1	123879-	(MARKED R522413) (PISTON MARKED RE522094) (USE WITH RE529913)
	SE501602	COMPLETE BLOCK ASSY REMAN	1		(A) (REMAN FOR RE528294)
	SE501604	COMPLETE BLOCK ASSY REMAN	1		(B)
..	.....	TUBE	1	-123878	(1900)
..	.....	TUBE	1	123879-	(1900)

(A) WITH PISTON CODE 4805

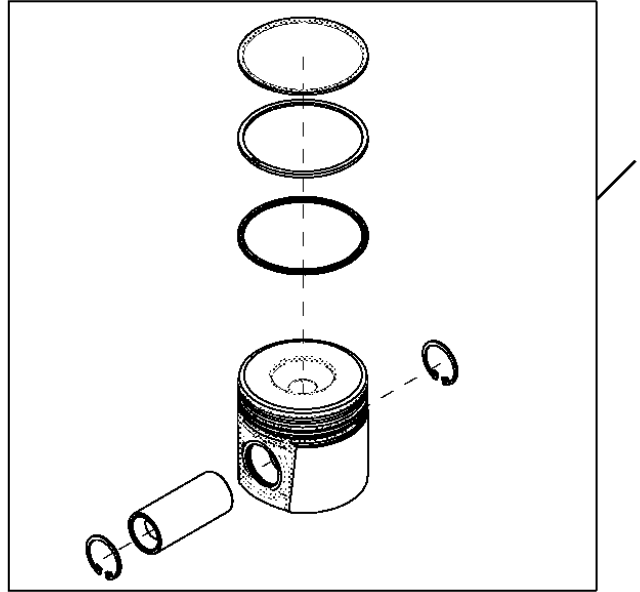
(B) WITH PISTON CODE 4808

# 990-23

SERVICE KITS

9901 (PISTON, PISTON RING KIT )  
 9901 (PISTON, JEU DE SEGMENTS DE PISTON )  
 9901 (KOLBEN, KOLBENRINGSATZ)  
 9901 (PISTONE, SERIE SEGMENTI DEL PISTONE )  
 9901 (PISTON, JUEGO SEGMENTOS DE PISTON )  
 9901 (KOLV, KOLVRINGSSATS)

RE522308PCDB01 -UN-23OCT09



RE 522308PCDB01

KEY	PART NO.	PART NAME	QTY.	ENGINE SERIAL NO.	REMARKS
1	RE522308	PISTON REPLACEMENT KIT	1		

CLICK HERE TO **DOWNLOAD** THE COMPLETE MANUAL

- Thank you very much for reading the preview of the manual.
- You can download the complete manual from: [www.heydownloads.com](http://www.heydownloads.com) by clicking the link below



- Please note: If there is no response to CLICKING the link, please download this PDF first and then click on it.

CLICK HERE TO **DOWNLOAD** THE COMPLETE MANUAL