

N57758 -UN-22JUN01



*JOHN DEERE 9986 COTTON PICKER
(MANUFACTURED 2002-)*

(SPECIFICATIONS AND DESIGN ARE SUBJECT TO CHANGE WITHOUT NOTICE.)

CLICK HERE TO **DOWNLOAD** THE COMPLETE MANUAL

- Thank you very much for reading the preview of the manual.
- You can download the complete manual from: www.heydownloads.com by clicking the link below



- Please note: If there is no response to CLICKING the link, please download this PDF first and then click on it.

CLICK HERE TO **DOWNLOAD** THE COMPLETE MANUAL

ALPHABETICAL INDEX - CONTINUED

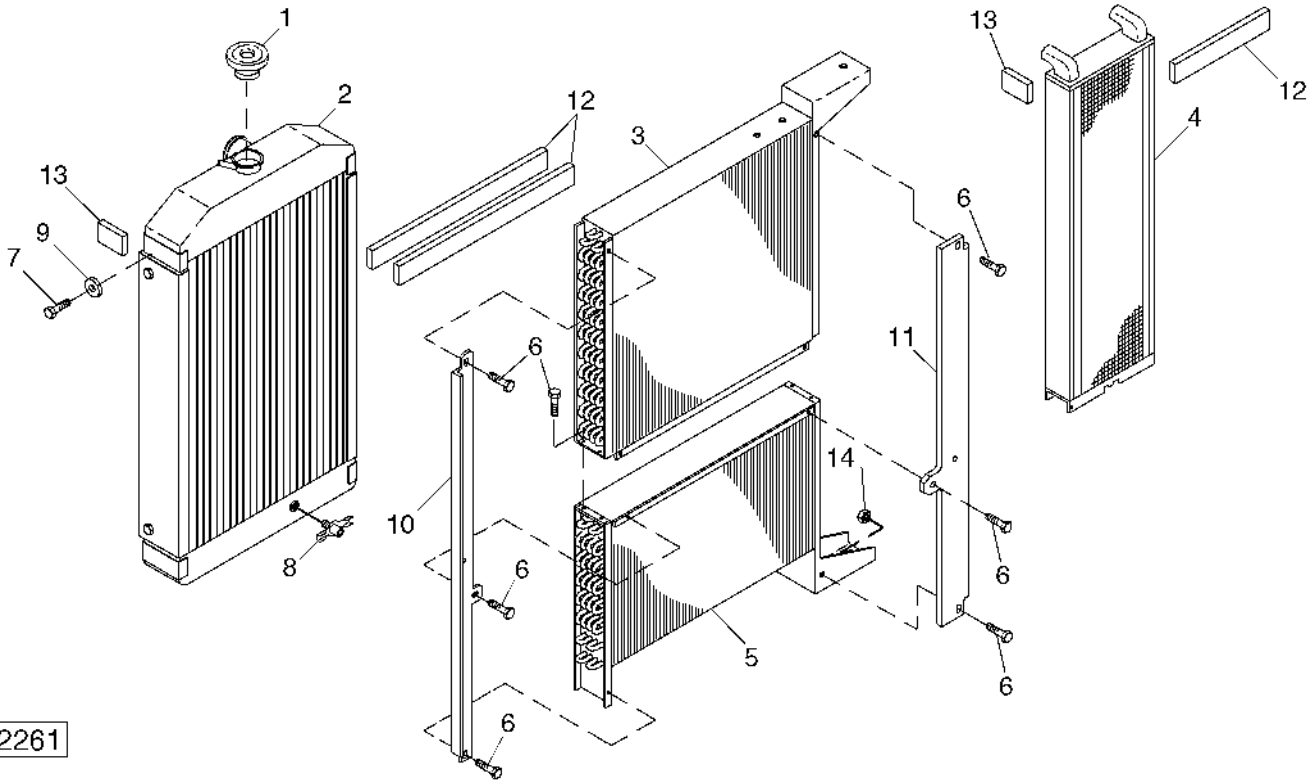
<i>GRID</i>		<i>PAGE</i>	<i>GRID</i>		<i>PAGE</i>
3C20	FRAME, CONVEYOR DOOR	160 - 16	1C12	GASKET, OIL PAN	20 - 34
3C2	FRAME, DUCT SUPPORT	150 - 16	1C14	GASKET, OIL PAN	20 - 36
2C22	FRAME, ENGINE SIDE	80 - 14	1C6	GASKET, OIL PUMP INTAKE (ESN -209310)	20 - 27
2C18	FRAME, MAIN	80 - 10	1B19	GASKET, REAR OIL SEAL (6081HN003)	20 - 15
2H22	FRAME, PICKING UNIT BOTTOM (PRO-12 UNIT)	110 - 12	1C3	GASKET, ROCKER ARM COVER (6081HN003)	20 - 24
2H24	FRAME, PICKING UNIT BOTTOM (PRO-16 UNIT)	110 - 14	1C20	GASKET, WATER MANIFOLD (6081HN003)	20 - 42
2E9	FRAME, PLATFORM (S/N -14000)	90 - 2	1C18	GASKET, WATER PUMP (6081HN003)	20 - 40
2E11	FRAME, PLATFORM (S/N 14001-)	90 - 4	1C14	GASKET,OIL PUMP (ESN 209311-)	20 - 36
2H5	FRAMES, UNIT LIFT	100 - 2	1E11	GASKETS, EXHAUST MANIFOLD (6081HN003)	30 - 18
2C18	FRONT AXLE	80 - 10	1C5	GASKETS, OIL PUMP (6081HN003)	20 - 26
1F6	FRONT CHASSIS WIRING HARNESS	40 - 12	1D21	GASKETS, TURBOCHARGER	30 - 4
2I5	FRONT DRUM PRESSURE PLATE (PRO-12 18S)	110 - 20	2K7	GAUGES, DOFFER	120 - 28
2I7	FRONT DRUM PRESSURE PLATE (PRO-16 20S)	110 - 22	1F22	GAUGES, MONITOR	40 - 28
1B23	FRONT OIL SEAL AND TIMING GEAR COVER (6081HN003)	20 - 19	2J4	GEAR BOX, SKIP ROW	120 - 1
2E3	FRONT WHEEL SHIELD, LH, 4 ROW WITH DUAL WHEELS	80 - 46	2J11	GEAR CASE HUB, LOWER	120 - 8
2E1	FRONT WHEEL SHIELD, RH	80 - 44	2J9	GEAR CASE, PICKING UNIT	120 - 6
1E13	FUEL CHECK VALVE (6081HN003)	30 - 20	1B24	GEAR, CAMSHAFT (6081HN003)	20 - 20
1B5	FUEL COOLER KIT	20 - 1	3D15	GEAR, COMPACTOR DRIVE	160 - 36
1E13	FUEL FILTER/PRE-FUEL FILTER AND LINES (6081HN003)	30 - 20	2K3	GEAR, DOFFER	120 - 24
1F22	FUEL GAUGE	40 - 28	2K8	GEAR, DOFFER DRIVE IDLER	120 - 29
1E12	FUEL INJECTION NOZZLE (6081HN003)	30 - 19	2J17	GEAR, DOFFER IDLER	120 - 14
1E5	FUEL INJECTION NOZZLES AND LINES (6081HN003)	30 - 12	1H16	GEAR, FINAL DRIVE	50 - 14
1G5	FUEL INJECTION PUMP ACCESS COVER (6081HN003)	40 - 36	1E7	GEAR, FUEL INJECTION PUMP	30 - 14
1E7	FUEL INJECTION PUMP AND LINES	30 - 14	1C5	GEAR, OIL PUMP (6081HN003)	20 - 26
1E9	FUEL INJECTION PUMP HOUSING CONNECTORS (6081HN003)	30 - 16	1B15	GEAR, OIL PUMP DRIVE (6081HN003)	20 - 11
1E5	FUEL LEAK-OFF LINE (6081HN003)	30 - 12	1B21	GEAR, STARTER (6081HN003)	20 - 17
1F1	FUEL SENDER AND REAR LIGHTS WIRING HARNESS	40 - 7	1C18	GEAR, WATER PUMP (6081HN003)	20 - 40
1E3	FUEL TANK WITH FUEL COOLER	30 - 10	1H10	GEARS, DIFFERENTIAL	50 - 8
1E7	FUEL TEMPERATURE SENSOR	30 - 14	2J13	GEARS, DRUM IDLER (-16000)	120 - 10
1E10	FUEL TRANSFER PUMP (ROBERT BOSCH) (6081HN003)	30 - 17	2J15	GEARS, DRUM IDLER (16001-)	120 - 12
3E19	FUSES, DECALS	170 - 6	2J23	GEARS, PICKER BAR	120 - 20
1G1	FUSES, RELAYS AND CIRCUIT BREAKERS	40 - 32	1H6	GEARS, TRANSMISSION INPUT	50 - 4
	G		1H8	GEARS, TRANSMISSION INTERMEDIATE	50 - 6
1B8	GASKET KIT, CYLINDER HEAD (6081HN003)	20 - 4	2J17	GEARS, UPPER HOUSING DRUM DRIVE	120 - 14
1B8	GASKET KIT, ENGINE REBUILD (6081HN003)	20 - 4	2F23	GEARSHIFT LEVER AND LINKAGE	90 - 40
1B8	GASKET KIT, SHORT BLOCK (6081HN003)	20 - 4	2F3	GLASS, CAB AND DOOR	90 - 20
1B16	GASKET, CYLINDER HEAD (6081HN003)	20 - 12	3D17	GRATE, FINGER, BASKET EXTENSION LID	160 - 38
1C22	GASKET, CYLINDER HEAD TOP COVER (6081HN003)	20 - 44	2I17	GRATE, STALKLIFTER, PRO-12 - 18S	110 - 32
1C14	GASKET, DIPSTICK COVER (ENGINE SERIAL NO. 209311-)	20 - 36	1G23	GREASE CHIME CONNECTOR	40 - 54
1D23	GASKET, INTAKE MANIFOLD (6081HN003)	30 - 6	2K16	GREASE MANIFOLD	130 - 7
1C10	GASKET, OIL FILTER HOUSING (6081HN003)	20 - 32	2K13	GREASE PUMP SYSTEM	130 - 4
			2K11	GREASE TANK	130 - 2
			3B9	GREEN FLUSH WATER LINES	140 - 12
			2I1	GRID BARS AND SUPPORTS, PICKING UNIT (PRO-12 18S)	110 - 16
			2I3	GRID BARS AND SUPPORTS, PICKING UNIT (PRO-16 20S)	110 - 18
			1G9	GRILLE, RADIO SPEAKER	40 - 40
			2F7	GRILLE, SPEAKER	90 - 24
			2I22	GROMMETS, UNIT CABINET	110 - 38
			2G18	GROUND WIRE, A/C ELECTRIC CLUTCH (6081HN003)	90 - 59

1B5

ENGINE (6081HN003)

NP12261 -UN-17APR02

HEAT EXCHANGER CORES



NP12261

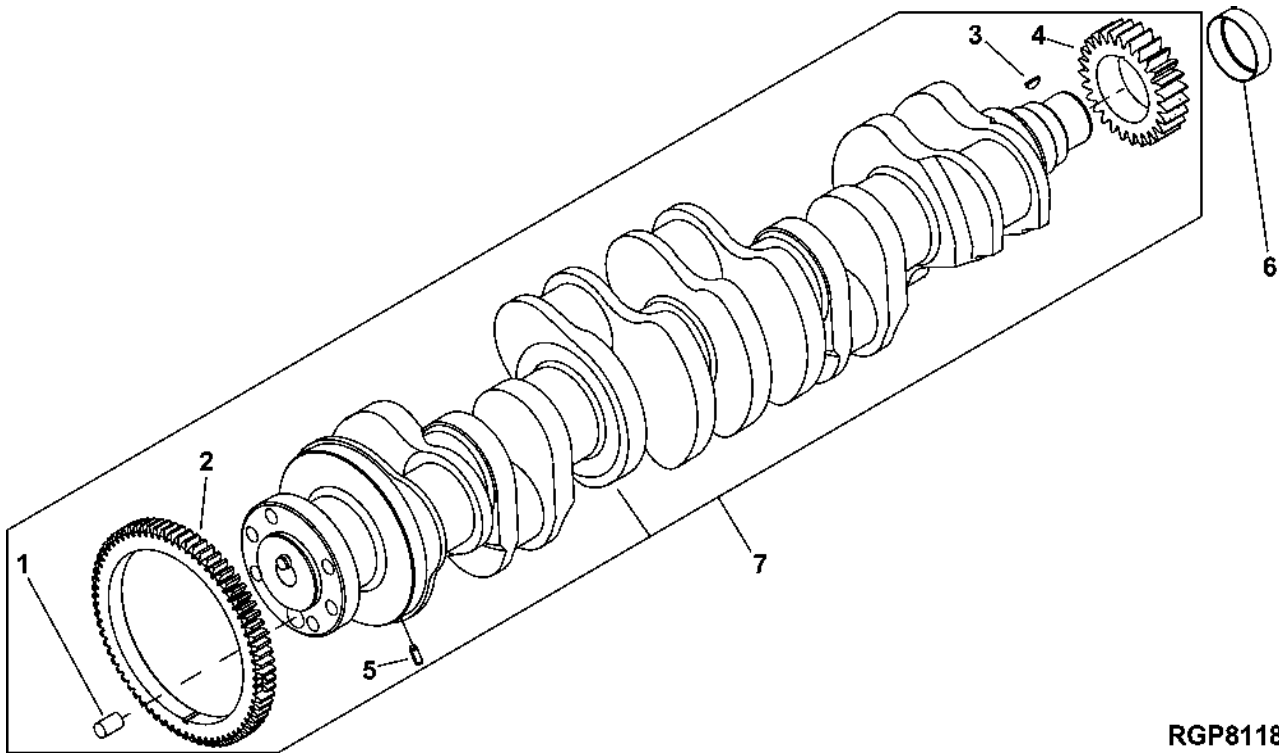
KEY	PART NO.	PART NAME	QTY	SERIAL NO.	REMARKS
1	AH148649	FILLER CAP	1		RADIATOR, 10PSI
2	AH138940	RADIATOR	1		
3	AN275259	OIL COOLER	1		
4	AN273814	AIR COOLER	1		CHARGE AIR COOLER
5	AH163522	VAPOR CONDENSER	1		AIR CONDITIONING WITH FUEL COOLER
6	19M7775	SCREW	6		(A) M6 X 16
7	19M7865	SCREW	4		M8 X 16
8	AT13740	DRAIN VALVE	1		
9	24M7207	WASHER	2		8.400 X 24 X 2 MM
10	H162585	BRACKET	1		LH
11	H162584	BRACKET	1		(A) RH
12	H88769	ISOLATOR	1		
13	T55974	ISOLATOR	2		
14	LOCK NUT	6		
..	N271002	SEALANT	1		
..	N205415	CLAMP	1		(A)
..	AN275630	KIT	1		INCLUDES PARTS MARKED (A)

1B15

ENGINE (6081HN003)

RGP8118 -UN-06FEB02

CRANKSHAFT



RGF8118

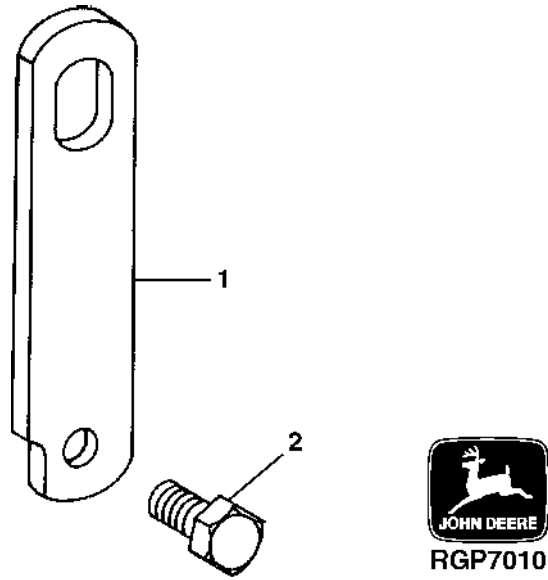
KEY	PART NO.	PART NAME	QTY	ENGINE SERIAL NO.	REMARKS
1	R41934	DOWEL PIN	1		
2	GEAR	1		(ORDER RE505124)
3	R120752	KEY	1		
4	R104587	GEAR	1		
5	34M7089	DOWEL PIN	1		4 X 12 MM
6	R32617	SLEEVE	1		
7	RE505124	CRANKSHAFT	1		

1B25

ENGINE (6081HN003)

RGP7010 -UN-20OCT00

LIFT STRAPS



KEY	PART NO.	PART NAME	QTY	ENGINE SERIAL NO.	REMARKS
1	R61497	STRAP	2		
2	19H1756	CAP SCREW	2	5/8" X 1-1/2"	

MEMORANDA

1C19

ENGINE (6081HN003)

WATER PUMP AND INLET - CONTINUED

KEY	PART NO.	PART NAME	QTY	ENGINE SERIAL NO.	REMARKS
1	R119383	GASKET	1		
2	FITTING	1		
3	RE39134	SEAL	1		
4	R504778	O-RING	1	(BLUE)	
	R504791	O-RING	1	(PINK)	
5	R121316	RING	1	RETAINING (SPECIAL)	
	R26976	O-RING	1		
6	RE68318	SEAL KIT	1		
7	RE521503	WATER PUMP	1	(HIGH FLOW) (MARKED R503501) (SUB FOR RE509599)	
8	24H1136	WASHER	1	11/32" X 11/16" X 0.065"	
9	19H1897	CAP SCREW	1	5/16" X 3-3/4"	
10	AT13740	DRAIN VALVE	1		
11	24M7096	WASHER	3	10.500 X 18 X 1.600 MM	
12	19H1854	CAP SCREW	3	3/8" X 3-3/4"	
13	19H3411	SCREW	2	3/8" X 1-1/8"	
14	RE57836	PIPE PLUG	2	(SHIPPING PLUG)	
15	15H690	PIPE PLUG	1	3/4"	
16	15H685	PIPE PLUG	1	1/4"	
17	R503427	COVER	1		

1D4

ENGINE (6081HN003)

ROTARY SCREEN - CONTINUED

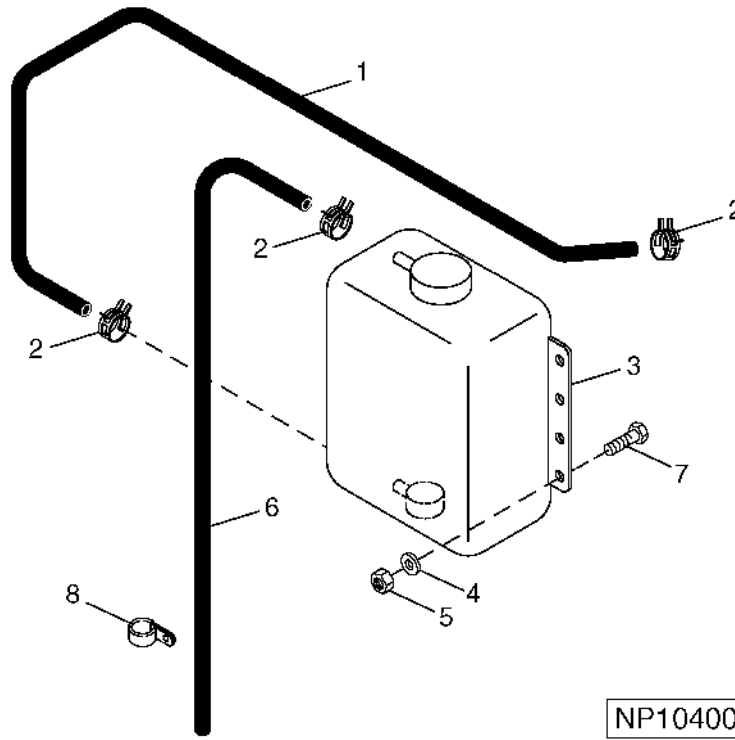
KEY	PART NO.	PART NAME	QTY	SERIAL NO.	REMARKS
1	11M7015	COTTER PIN	4		
2	N276842	PIN FASTENER	2		
3	AN274120	DOOR	1		
4	19M8162	SCREW	1	M10 X 40	
5	24M7028	WASHER	1	10.500 X 20 X 2 MM	
6	AH138257	WIRING LEAD	1		
7	AH134642	HUB	1		
8	AH141849	BRUSH	1		
9	AH109788	TAPERED ROLLER BEARING	1		
10	H83285	SNAP RING	1		
11	AH141671	SCREEN	1		
12	H140380	HUB	1		
13	AH141672	SCREEN	1		
14	TY22473	CLAMP	2		
15	N371228	HOSE	1	3" X 68"	
16	A47883	CLAMP	1		
17	19M7784	SCREW	1	M10 X 20	
18	E63526	NUT	1		
19	TY22473	CLAMP	1		
20	AN276328	CLAMP	2		
21	N275294	TUBE	1		
22	N371139	ANGLE	1		
23	E63525	NUT	4	(A)	
24	AN273453	AIR DUCT	1		
25	19M8292	SCREW	1	M10 X 50	
26	24H1312	WASHER	1	13/32" X 1-3/8" X 0.105"	
27	N120831	SPACER	1		
28	TY22491	HOSE CLAMP	1		
29	N275605	SUPPORT	1		
30	03M7183	BOLT	2	M8 X 16	
31	19M7865	SCREW	15	M8 X 16	
32	24H1402	WASHER	1	25/32" X 1-7/8" X 1/4"	

1D14

ENGINE (6081HN003)

NP10400 -UN-21APR99

COOLANT RECOVERY SYSTEM



KEY	PART NO.	PART NAME	QTY	SERIAL NO.	REMARKS
1	TY22412	BULK HOSE	1		
2	TY22462	CLAMP	3		
3	AT162597	TANK	1		
4	24M7207	WASHER	4	0.331" X 0.945" X 0.079"	
5	E63525	NUT	4		
6	TY22566	BULK HOSE	1		
7	19M7660	SCREW	4	M8 X 20	
8	AH89557	CLIP	4		

1E2

FUEL AND AIR (6081HN003)

EXHAUST PIPE AND MUFFLER - CONTINUED

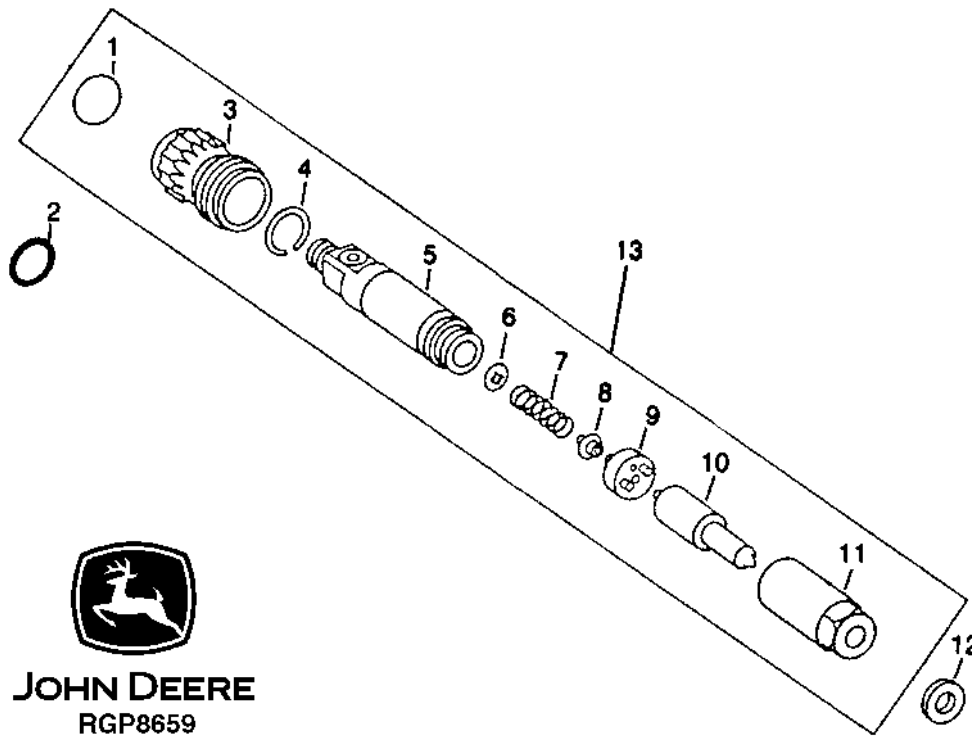
KEY	PART NO.	PART NAME	QTY	SERIAL NO.	REMARKS
1	E63526	NUT	8		
2	19M7784	SCREW	2	M10 X 20	
3	N275785	CLAMP	1		
4	AN272826	TUBE	1		
5	N275847	U-BOLT	1		
6	N273744	EXHAUST PIPE	1		
7	03M7217	BOLT	2	M10 X 55	
8	R77178	CLAMP	2		
9	AN275468	MUFFLER	1		
10	37M7060	SCREW	1	M4 X 10	
11	N279221	HOSE CLAMP	1		
12	AN191704	CLAMP	1		
13	AN272783	EXHAUST PIPE	1		
14	AN275793	TUBE	1		
15	RE70212	CLAMP	1		
16	N370276	BRACE	1		

1E12

FUEL AND AIR (6081HN003)

RGP8659 -UN-12JUN02

FUEL INJECTION NOZZLE (ROBERT BOSCH)



JOHN DEERE
RGP8659

KEY	PART NO.	PART NAME	QTY	ENGINE SERIAL NO.	REMARKS
1	R60277	SNAP RING	1		
2	R51603	O-RING	1		
3	R60279	TUBE NUT	1		
4	R60278	SNAP RING	1		
5	NOZZLE HOLDER	1		
6	R83720	WASHER	1	1.02 MM (.0402")	
	R83721	WASHER	1	1.08 MM (.0425")	
	R83722	WASHER	1	1.12 MM (.0441")	
	R83723	WASHER	1	1.18 MM (.0465")	
	R83724	WASHER	1	1.22 MM (.0480")	
	R83725	WASHER	1	1.28 MM (.0504")	
	R83726	WASHER	1	1.30 MM (.0512")	
	R83727	WASHER	1	1.38 MM (.0543")	
	R83728	WASHER	1	1.42 MM (.0559")	
	R83729	WASHER	1	1.48 MM (.0583")	
	R83730	WASHER	1	1.50 MM (.0591")	
	R83731	WASHER	1	1.58 MM (.0622")	
	R83732	WASHER	1	1.60 MM (.0630")	
	R83733	WASHER	1	1.68 MM (.0661")	
	R83734	WASHER	1	1.70 MM (.0669")	
	R83735	WASHER	1	1.78 MM (.0701")	
	R83736	WASHER	1	1.82 MM (.0717")	
	R83737	WASHER	1	1.88 MM (.0740")	
	R83738	WASHER	1	1.90 MM (.0748")	
	R83739	WASHER	1	1.98 MM (.0780")	
7	R108699	SPRING	1		
8	R108700	SEAT	1		
9	R108701	PLATE	1		
10	RE64533	INJECTION NOZZLE	1		
11	R127181	NUT	1		
12	R84472	WASHER	1		
13	SE500445	INJECTION NOZZLE	6		(A) (REMANUFACTURED) (CALL 1-888-697-3626)
	RE63073	INJECTION NOZZLE	6		(ROBERT BOSCH) (2 RED DOTS)

(A) CALL 1-888-697-3626 FOR ORDERING DETAILS

1E24

ELECTRICAL

LOAD CENTER WIRING HARNESS - CONTINUED

KEY	PART NO.	PART NAME	QTY	SERIAL NO.	REMARKS
1	AN277283	WIRING HARNESS	1		
2	CONNECTOR	1		CAB MAIN HARNESS
3	CONNECTOR	1		CAB HARNESS
4	CONNECTOR	1		CAB MAIN HARNESS
5	CONNECTOR	1		ARMREST HARNESS
6	CONNECTOR	1		FRONT CHASSIS HARNESS
7	CONNECTOR	1		REAR CHASSIS HARNESS
8	CONNECTOR	1		REAR CHASSIS HARNESS
9	AN205067	DIODE	1		1A
	57M7688	FUSE	1		5A
	57M7689	FUSE	1		10A
	57M7690	FUSE	1		15A
	57M7691	FUSE	1		20A
10	RE68327	RELAY	2		
11	RE73096	RELAY	AR		

CHASSIS WIRING HARNESS - CONTINUED

KEY	PART NO.	PART NAME	QTY	SERIAL NO.	REMARKS
1	AN277851	WIRING HARNESS	1		(SUB FOR AN277284)
2	CONNECTOR	1		LOAD CENTER HARNESS
3	CONNECTOR	1		AIR CONDITIONING HARNESS
4	CONNECTOR	1		CAB MAIN HARNESS
5	CONNECTOR	2		ARMREST HARNESS/LOAD CENTER HARNESS
6	CONNECTOR	1		REAR CHASSIS TO FRONT CHASSIS
7	CONNECTOR	1		RH SERVICE LIGHTS
8	CONNECTOR	1		A/C HIGH PRESSURE SWITCH
9	CONNECTOR	1		DIODE CONNECTION
10	CONNECTOR	1		FAN CLUTCH
11	CONNECTOR	1		FAN SPEED SENSOR
12	CONNECTOR	1		LH SERVICE LIGHT
13	CONNECTOR	1		WATER LEVEL SWITCH
14	CONNECTOR	1		ENGINE HARNESS
15	CONNECTOR	1		REAR WHEEL DRIVE DUAL SPEED
16	CONNECTOR	1		REAR WHEEL SENSOR
17	CONNECTOR	1		REAR WHEEL DRIVE
18	GROUND CABLE	2		START RELAY (LOWER) LARGE SCREW
19	GROUND CABLE	1		START RELAY (UPPER) LARGE SCREW
20	GROUND CABLE	1		START RELAY OUTBOARD SMALL SCREW
21	GROUND CABLE	1		START RELAY (INBOARD) SMALL SCREW
22	CONNECTOR	1		HYDRO PUMPS AND RESERVOIR HARNESS
23	CONNECTOR	1		GREASE SOLENOID
24	GROUND CABLE	1		AIR FILTER SWITCH GROUND
25	CONNECTOR	1		AIR FILTER SWITCH
26	GROUND CABLE	1		STARTER MOTOR SOLENOID
27	CONNECTOR	1		GROUND SPEED SENSOR
28	CONNECTOR	1		TRANSMISSION NEUTRAL SWITCH
29	CONNECTOR	1		CHASSIS HARNESS TO REAR LIGHTS HARNESS
30	CONNECTOR	1		DOOR VALVE SOLENOIDS
31	CONNECTOR	1		BASKET EXTENSION VALVE SOLENOID - RAISE/LOWER
32	CONNECTOR	1		COMPACTOR AND CONVEYOR SOLENOIDS
33	CONNECTOR	1		DOOR CONTACT SWITCH
34	CONNECTOR	1		BASKET EXT. HARNESS
35	GROUND CABLE	1		COMPACTOR VALVE FLOOR SWITCH
36	GROUND CABLE	1		COMPACTOR VALVE FLOOR SWITCH
37	GROUND CABLE	2		FLUSH VALVE FLOOR SWITCH
38	CONNECTOR	1		STEERING COLUMN HARNESS
39	CONNECTOR	1		AUTO STEER CONTROL VALVE
40	CONNECTOR	1		AUTO STEER DUMP VALVE AND PRESSURE SWITCH
41	CONNECTOR	1		ROW TRACK CONTROLLER
42	CONNECTOR	1		FOCUS ENGINE CONTROLLER
43	CONNECTOR	1		FOCUS ENGINE CONTROLLER
44	CONNECTOR	1		SHAFT SPEED MONITOR
45	CONNECTOR	1		SHAFT SPEED MONITOR
46	CONNECTOR	1		REAR CHASSIS TO FRONT CHASSIS
47	CONNECTOR	1		REAR WHEEL DRIVE
48	CONNECTOR	1		CHASSIS HARNESS TO REAR LIGHTS HARNESS
49	FUSE HOLDER	1		
..	N301293	WIRING DIAGRAM	1		ELECTRICAL WIRING SCHEMATIC

1F19

ELECTRICAL

MAIN CAB WIRING HARNESS - CONTINUED

KEY	PART NO.	PART NAME	QTY	SERIAL NO.	REMARKS
1	CONNECTOR	1		CAN BUS DIAGNOSTIC W/CAP
2	CONNECTOR	1		REAR CHASSIS HARNESS
3	CONNECTOR	1		CONVENIENCE OUTLET
4	TERMINAL	2		CAB GROUND
5	CONNECTOR	1		LOAD CENTER HARNESS
6	CONNECTOR	1		LOAD CENTER HARNESS
7	R104927	ELECTRICAL CONNECTOR ASSY	1		RIGHT SPEAKER
8	R78055	ELECTRICAL CONNECTOR ASSY	1		DOME LIGHT HARNESS
9	57M7538	ELEC. CONNECTOR HOUSING	1		CAN BUSS TERMINATOR
10	CONNECTOR	1		GAUGE BOARD
11	CONNECTOR	1		DIGITAL TACHOMETER
12	CONNECTOR	1		LAMP DIMMER
13	57M7973	ELECTRICAL CONNECTOR ASSY	1		HAZARD SWITCH
14	57M7973	ELECTRICAL CONNECTOR ASSY	1		ROAD SWITCH
15	57M7973	ELECTRICAL CONNECTOR ASSY	1		FIELD SWITCH
16	57M7973	ELECTRICAL CONNECTOR ASSY	1		BASKET AND SERVICE LIGHT SWITCH
17	CONNECTOR	1		RADIO
18	R104927	ELECTRICAL CONNECTOR ASSY	1		LEFT SPEAKER
19	57M8128	ELECTRICAL CONNECTOR ASSY	1		RIGHT OUTSIDE ROAD LAMP
20	57M8128	ELECTRICAL CONNECTOR ASSY	1		RIGHT SIDE FIELD LAMP
21	57M8128	ELECTRICAL CONNECTOR ASSY	1		RIGHT INSIDE ROAD LAMP
22	57M8128	ELECTRICAL CONNECTOR ASSY	1		LEFT INSIDE ROAD LAMP
23	57M8128	ELECTRICAL CONNECTOR ASSY	1		LEFT SIDE FIELD LAMP
24	57M8128	ELECTRICAL CONNECTOR ASSY	1		LEFT OUTSIDE ROAD LAMP
25	CONNECTOR	2		DOOR SWITCH
26	RE12363	ELECTRICAL CONNECTOR ASSY	1		WIPER MOTOR
27	CONNECTOR	1		WARNING DISPLAY PANEL J1
28	57M7973	ELECTRICAL CONNECTOR ASSY	1		WIPER SWITCH
29	CONNECTOR	1		WARNING DISPLAY PANEL J2
30	57M7262	ELEC. CONNECTOR HOUSING	1		GREENSTAR DISPLAY
31	57M8203	ELECTRICAL CONNECTOR ASSY	1		MAPPING COMPUTER
32	AN277857	WIRING HARNESS	1		(SUB FOR AN277281)
33	RE51234	DOOR LIGHT SWITCH	1		
34	RE70773	ELECTRONIC TERMINATOR	1		ACTIVE CAN BUS

1G4

ELECTRICAL

CONVENIENCE OUTLET - CONTINUED

KEY	PART NO.	PART NAME	QTY	SERIAL NO.	REMARKS
1	RE68495	STRIP	1		
2	AH201496	WIRING HARNESS	1		(SUB FOR AH201495)
3	WIRING HARNESS	1		
4	AH153133	WIRING HARNESS	1		ADAPTER POWER STRIP
5	RE67013	ELECTRICAL CONNECTOR ASSY	1		AUXILIARY POWER
6	RE67015	ADAPTER	1		
7	H159806	INSERT	1		
8	RE67014	ADAPTER	1		CIGARETTE LIGHTER
9	21M7296	SCREW	2		M6 X 20

1G14

ELECTRICAL

TERMINAL AND WIRING KIT - CONTINUED

KEY	PART NO.	PART NAME	QTY	SERIAL NO.	REMARKS
1	R65608	RACK	AR		
2	R65610	CONTAINER	AR	11	COMPARTMENT
3	PM797N	BOX	AR	(A)	
4	R65594	TOOL	AR		WIRING, CRIMPING
5	R32016	ELEC. CONNECTOR TERMINAL	AR	(A) (E) (F)	NO. 10 SPADE
6	R32017	ELEC. CONNECTOR TERMINAL	AR	(A) (C) (D)	NO. 10 SPADE
7	R32018	ELEC. CONNECTOR TERMINAL	AR	(A) (E) (F)	NO. 10 EYELET
8	R32021	ELEC. CONNECTOR TERMINAL	AR	(A) (C) (D)	1/4" EYELET
9	R32022	ELEC. CONNECTOR TERMINAL	AR	(A) (C) (D)	3/8" EYELET
10	R32027	ELEC. CONNECTOR TERMINAL	AR	(A) (E) (F)	SPLICE
11	R32028	ELEC. CONNECTOR TERMINAL	AR	(A) (C) (D)	SPLICE
12	AL2976T	ELEC. CONNECTOR TERMINAL	AR		2-WIRE BULLET CONNECTOR
13	R65596	ELEC. CONNECTOR TERMINAL	AR	(A) (E) (F)	
14	R65597	ELEC. CONNECTOR TERMINAL	AR	(G) (H)	
15	R65598	ELEC. CONNECTOR TERMINAL	AR	(A) (E) (F)	
16	R65599	ELEC. CONNECTOR TERMINAL	AR	(A) (E) (F)	1/4" EYELET
17	R65600	ELEC. CONNECTOR TERMINAL	AR	(A) (E) (F)	
18	R65601	ELEC. CONNECTOR TERMINAL	AR	(A) (D)	TWIN-LOCK
19	R65603	ELEC. CONNECTOR ACCESSORY	AR		FUSE
20	R65604	ELEC. CONNECTOR ACCESSORY	AR	(A) (E) (F) (G)	
21	R65605	ELEC. CONNECTOR ACCESSORY	AR	(A) (B) (C) (D)	
22	R65607	ELEC. CONNECTOR TERMINAL	AR	(A) (G) (H)	
23	U46663	ELEC. CONNECTOR TERMINAL	AR	(A) (G) (H)	
24	JDG361	SPECIAL SERVICE TOOL	AR	(A) (D)	
	JDG362	SPECIAL SERVICE TOOL	AR	(A) (F)	
	JDG363	SPECIAL SERVICE TOOL	AR	(A) (H)	
25	JDG364	SPECIAL SERVICE TOOL	AR	(A)	WEATHERPACK
26	R78065	ELEC. CONNECTOR TERMINAL	AR	(A) (F) (G)	
27	R78066	ELEC. CONNECTOR TERMINAL	AR	(A) (F) (G)	
28	R78069	ELEC. CONNECTOR TERMINAL	AR	(A)	
29	R78067	ELEC. CONNECTOR TERMINAL	AR	(A) (D) (E)	
30	R78068	ELEC. CONNECTOR TERMINAL	AR	(A) (D) (E)	
31	AA33322	ELEC. CONNECTOR TERMINAL	AR	(A) (G) (H)	
32	R32012	ELEC. CONNECTOR TERMINAL	AR	(A)	
33	R32013	ELEC. CONNECTOR TERMINAL	AR	(A)	
..	PM797NA	KIT	1		ELECTRICAL CONNECTORS (INCLUDES PARTS MARKED (A))

- (B) 8 GA. WIRE
- (C) 10 GA. WIRE
- (D) 12 GA. WIRE
- (E) 14 GA. WIRE
- (F) 16 GA. WIRE
- (G) 18 GA. WIRE
- (H) 20 GA. WIRE

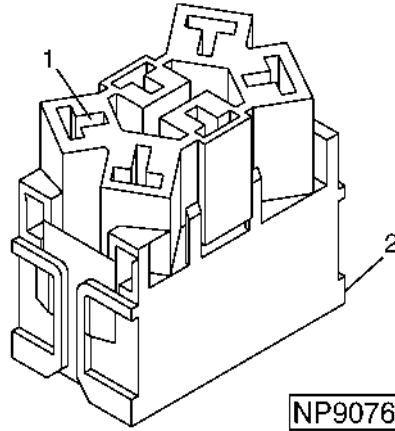
REFER TO ELECTRICAL CONNECTORS AND TERMINALS REFERENCE GUIDE P17148 FOR QUANTITIES

1G24

ELECTRICAL

NP9076 -UN-27JAN98

CONSOLE SWITCH CONNECTOR



KEY	PART NO.	PART NAME	QTY	SERIAL NO.	REMARKS
1	57M7511	ELEC. CONNECTOR TERMINAL	AR		18 GA.
	57M7429	ELECTRICAL CONNECTOR ASSY	AR		14-16 GA.
	57M7512	ELEC. CONNECTOR TERMINAL	AR		12 GA.
2	57M7896	ELECTRICAL PLUG	1		

1H9

POWER TRAIN

TRANSMISSION INTERMEDIATE SHAFT - CONTINUED

KEY	PART NO.	PART NAME	QTY	SERIAL NO.	REMARKS
1	N274622	HELICAL GEAR	1		45 TOOTH
2	R26265	SNAP RING	4		
3	H133010	SHIFT COLLAR	1		
4	H129564	SHIFT COLLAR	1		
5	N274621	GEAR	1		43 TOOTH
6	H132618	GEAR	1		24 TOOTH
7	26M4228	SHAFT KEY	1		8 X 28 MM
8	DRIVE SHAFT	1		(ORDER AH131862)
9	H110539	ORIFICE	1		
10	AH131862	PINION SHAFT	1		
11	JD8182	BEARING CONE	1		
12	JD8223	BEARING CUP	1		
13	H144385	BEARING CAP	1		
14	U10746	O-RING	1		
15	H129558	SNAP RING	1		
16	CE18201	PLANET PINION CARRIER	1		
17	19M7786	SCREW	3		M10 X 30
18	H132892	SHIM	AR		0.076 MM (.003")
	H132893	SHIM	AR		0.127 MM (.005")
	H132894	SHIM	AR		0.508 MM (.020")
19	U10776	O-RING	1		
20	JD8267	BEARING CUP	1		
21	JD8979	BEARING CONE	1		
22	H103167	WASHER	1		

1H18

POWER TRAIN

FINAL DRIVE PINION, DRIVE SHAFTS AND BEARINGS - CONTINUED

KEY	PART NO.	PART NAME	QTY	SERIAL NO.	REMARKS
1	JD7278	BEARING CUP	1		
2	JD7228	BEARING CONE	2		
3	H167722	PINION	1		10 TEETH
	H168899	PINION	1		10 TEETH
4	JD7278	BEARING CUP	1		
5	AH128391	SEAL	1		
6	N197448	BOOT	3		
7	JD7797	LUBRICATION FITTING	2		
8	N197291	SPLINED COUPLING	2		
9	19M7809	SCREW	2		M10 X 70
10	N279672	SHAFT	1		INPUT, LH (ILLUSTRATED)
	N279671	SHAFT	1		INPUT, RH
11	N370410	SPACER	1		
12	R52921	WASHER	4		
13	M82222	LOCK NUT	2		

HYDROSTATIC PUMP AUXILIARY PUMP MOUNTING - CONTINUED

KEY	PART NO.	PART NAME	QTY	SERIAL NO.	REMARKS
1	T155704	COUPLING	1	(B)	
2	REDUCER	1	(A) (B)	
3	T155677	KEY	1	(A)	
	T155699	SHAFT KEY	1	(B)	
4	T155678	DRIVE SHAFT	1	(A) CHARGE PUMP	
	DRIVE SHAFT	1	(B) CHARGE PUMP	
5	T155676	PIN	1	(A)	
	T155698	PIN	1	(B)	
6	AT214865	PUMP	1	(A) CHARGE PUMP SET	
	PUMP	1	(B) CHARGE PUMP SET	
7	N203492	O-RING	1	(A)	
8	N203486	BUSHING	1	(A)	
	T155695	BUSHING	1	(B)	
9	COVER	1	(A)	
10	PLATE	1	(A) (B)	
11	T155680	SCREW	6	(A)	
	T155727	SCREW	6	(B)	
12	FLANGE	1	(B) AUXILIARY	
13	AN274964	HYD. QUICK-CONNECT COUPLER	1	(A) (B)	
14	T155965	SCREW	4	(B)	
15	T155964	WASHER	4	(B)	
16	E65286	O-RING	1	(B)	
17	ADAPTER	1	(B)	
18	O-RING	1	(B)	
19	COVER	1	(B)	
..	AN275823	PUMP	1	(100 CC HYDRO, UNIT DRIVE) INCLUDES PARTS MARKED (A)	
..	AN275824	PUMP	1	(130 CC HYDRO, GROUND DRIVE) COMPLETE INCLUDES PARTS MARKED (B)	

HYDROSTATIC PUMP END CAP - CONTINUED

KEY	PART NO.	PART NAME	QTY	SERIAL NO.	REMARKS
1	R151095	PLUG	2	(A) (B)	
2	AT214853	CHECK VALVE	2	(A) (B)	
3	T155604	GASKET	1	(A) END CAP	
	T155696	GASKET	1	(B)	
4	T155601	BEARING	1	(A) JOURNAL	
	T155694	BEARING	1	(B) JOURNAL	
5	N203486	BUSHING	1	(A)	
	T155695	BUSHING	1	(B)	
6	19M8123	SCREW	1	(A) (B) M8 X 45	
7	24H1136	WASHER	1	(A) 11/32" X 11/16" X 0.065"	
	T155642	WASHER	1	(B)	
8	BRACKET	1	LIFTING (ORDER AN275823 UNIT DRIVE PUMP OR AN275824 GROUND DRIVE PUMP)	
9	SPACER	1	LIFTING BRACKET (ORDER AN275823 UNIT DRIVE PUMP OR AN275824 GROUND DRIVE PUMP)	
10	CAP	1	END, ASSY. (ORDER AN275823 UNIT DRIVE PUMP OR AN275824 GROUND DRIVE PUMP)	
..	AN275823	PUMP	1	(UNIT DRIVE) COMPLETE, INCLUDES PARTS MARKED (A)	
..	AN275824	PUMP	1	(GROUND DRIVE) COMPLETE, INCLUDES PARTS MARKED (B)	

FOR COMPLETE PUMP, ORDER AN274940 UNIT DRIVE PUMP OR AN274941 GROUND DRIVE PUMP

STEERING COLUMN (LOWER) - CONTINUED

KEY	PART NO.	PART NAME	QTY	SERIAL NO.	REMARKS
1	H133205	SCREW	3		
2	H152173	HOUSING	1		
3	14M7274	NUT	2	M10	
4	H107566	ISOLATOR	1		
5	H110310	HOUSING	1		
6	H110229	CRANK	1		
7	H170382	BOLT	2		
8	H107687	SCREW	2		
9	H141327	PAWL	1		
10	H152172	COVER	1		
11	H165693	SCREW	4		
12	H152174	PEDAL	1		
13	34M7102	SPRING PIN	2	5 X 26 MM	
14	H113864	PIN FASTENER	1		
15	H133106	SNAP RING	1		
16	24M7055	WASHER	1	8.400 X 16 X 1.600 MM	
17	19M7800	SCREW	4	M8 X 50	
18	H113404	SPRING	1		
19	H113402	ROD	1		
20	H123874	SEAL	1		
21	H110700	BOLT	4		
22	24M7028	WASHER	4	10.500 X 20 X 2 MM	
23	H134353	ISOLATOR	2		
24	H108725	GROMMET	1		
25	H123875	SUPPORT	1		
26	19M7867	SCREW	4	M8 X 25	
27	AN276430	VALVE	1		
28	H107582	ARM	1		
29	H107584	SPRING	1		
30	R26501	CLIP	1		
31	H131186	ROD	1		
32	R26524	CLIP	1		
33	H107567	HOUSING	1		
34	AH97920	BALL BEARING	2		
35	H80753	SNAP RING	2		
36	AH139065	UNIVERSAL JOINT WITH SHAFT	1		
37	34M7124	SPRING PIN	1	8 X 30 MM	
38	19M7866	SCREW	2	M8 X 20	
39	AH129236	BEARING	1		
40	14M7166	LOCK NUT	2	M8	
41	H162569	COUPLING	1		
42	H164921	SCREW	1		
43	22M7072	SET SCREW	2	M6 X 10	
44	H134624	ISOLATOR	1		
45	H134623	SPLINED COUPLING	1		
46	H99294	WASHER	2		
47	AH130429	STEERING SHAFT	1		
48	H36256	O-RING	1		
49	H137667	SHAFT KEY	1		
50	H107570	STEERING SHAFT	1		
51	H107586	PIN	1		
52	14M7257	NUT	1	M20	
53	H141946	WASHER	4		
54	14M7396	LOCK NUT	1	M8	

BRAKE MASTER CYLINDER - CONTINUED

KEY	PART NO.	PART NAME	QTY	SERIAL NO.	REMARKS
1	SEAT	4		
2	AH136305	CONNECTOR	1		BLEEDER AND TUBE SEAT
3	O-RING	2		(A) (B)
4	VALVE	2		
5	SPRING	2		
6	BALL	2		
7	VALVE SEAT	2		
8	SEAL	2		
9	AH133126	FLOW CONTROL HYD. VALVE	2		
10	HOUSING	1		
11	SPRING	2		(A) (B)
12	O-RING	2		(A) (B)
13	BEARING	2		(A) (B)
14	POPPET	2		(A) (B)
15	SPRING	2		(A) (B)
16	O-RING	2		(A) (B)
17	H81467	FITTING PLUG	2		
18	SCREW	2		
19	RETAINER	2		
20	SPRING	2		
21	RETAINER	2		
22	OIL CUP	2		
23	RETAINER	2		
24	PISTON	2		
25	O-RING	2		
26	AH162545	KIT	2		PISTON ASSEMBLY
27	R21612	BLEED VALVE	1		
28	SNAP RING	2		(A) (B)
29	BOOT	2		(A) (B)
30	H81461	RETAINER	2		
31	AH155787	CYLINDER	1		(SUB AH209442) MASTER CYLINDER
	AH209442	CYLINDER	1		
32	BOLT	1		(A) (B)
..	AH133128	KIT	1		MASTER CYLINDER REBUILD (INCLUDES PARTS MARKED (A))
..	AH161485	KIT	1		SPRINGS, BEARINGS, POPPET, AND O-RING (INCLUDES PARTS MARKED (B))

1J17

STEERING AND BRAKES

STEERING VALVE - CONTINUED
(ROW-TRAK GUIDANCE SYSTEM)
(SERIAL NO. -14000)

KEY	PART NO.	PART NAME	QTY	SERIAL NO.	REMARKS
1	AN220247	SOLENOID VALVE	1		PROPORTIONAL STEERING
2	AN220249	SWITCH	1		ADJUSTABLE PRESSURE
3	38H1030	TEE FITTING	2		
4	AN276643	HYDRAULIC HOSE	4		11/16" X 1 143 MM (45") X 11/16"
5	38H1160	ADAPTER	6		
6	19M7784	SCREW	3		M10 X 20
7	E63526	NUT	3		
8	N10216	SELF-LOCKING SCREW	4		
9	N371898	BRACKET	1		
10	N220710	MANIFOLD	1		
11	AT158988	MANUAL HYDRAULIC VALVE	1		SHUTTLE
12	AN276382	CONTROL VALVE	1		
13	AN220246	ELECTRICAL COIL	1		
14	T77613	O-RING	4		9.246 X 1.778 MM (0.364" X 0.070")
15	T149597	CLAMP	AR		
16	AN275932	HYDRAULIC HOSE	2		
17	R26448	O-RING	6		11.887 X 1.981 MM (0.468" X 5/64")
18	AT184869	PLUG	2		
19	R30903	O-RING	2		6.071 X 1.626 MM (0.239" X 0.064")

**SENSOR BRACE - CONTINUED
(ROW-TRAK GUIDANCE SYSTEM)**

KEY	PART NO.	PART NAME	QTY	SERIAL NO.	REMARKS
1	N220699	BRACE	1		FEEDBACK SENSOR (NARROW ROW) (90" GUIDE AXLE)
2	19M7784	SCREW	1		M10 X 20
3	19M7913	SCREW	2		M8 X 90
4	AN220253	ISOLATOR	2		
5	24M7178	WASHER	6		10.500 X 30 X 2.500 MM, (80"=4, 90"=2)
6	E64256	LOCK NUT	2		
7	N220706	BUSHING	2		
8	19M7958	SCREW	2		M10 X 150
9	E63526	NUT	2		
10	N279841	BRACE	1		FEEDBACK SENSOR (WIDE ROW) (80" GUIDE AXLE)
11	N279328	BRACE	1		FEEDBACK SENSOR, UPPER (MUDHOG OPTION)
12	N279327	BRACE	1		FEEDBACK SENSOR, LOWER (MUDHOG OPTION)
13	19M8320	SCREW	2		M10 X 45
14	M82222	LOCK NUT	2		

2B11

HYDRAULICS

HYDRAULIC PUMP (45 CM3 (2.75 CU. IN.)) - CONTINUED

KEY	PART NO.	PART NAME	QTY	PUMP SERIAL NO.	REMARKS
1	R107810	SNAP RING	1		
2	SEAL	1	(A)	
3	R108016	BOLT	6		
4	R107818	HOUSING	1		
5	GASKET	1	(A)	
6	RE49136	KIT	1	YOKE SPRING	
7	JD7449	BEARING CUP	1		
8	JD8118	BEARING CONE	1		
9	R107811	YOKE	1		
10	N277988	SHAFT	1		
11	R108015	CAP SCREW	8		
12	R107816	COVER	2		
13	RE52579	SHIM KIT	1	PINTLE SHIM	
14	O-RING	2	(A)	
15	R107814	SPACER	2		
16	JD8253	BEARING CUP	2		
17	JD8935	BEARING CONE	2		
18	RE67354	KIT	1		
19	R131149	O-RING	1		
20	RE60275	PUMP	1		
21	RE52580	KIT	1		
22	R123963	PLATE	1		
23	JD8905	BEARING CONE	1		
24	JD8237	BEARING CUP	1		
25	R108019	SPRING PIN	2		
26	PIN	1	(A)	
27	R27474	DRAIN PLUG	1		
28	R26906	O-RING	1		
29	T102478	SNAP RING	1		
30	GASKET	1	(A)	
31	O-RING	1	(A)	
32	R107795	PIPE PLUG	1		
33	19H3070	SCREW	4	0.190" X 1-1/4"	
34	AN220515	COMPENSATOR	1	COMPENSATOR	
35	SPOOL	1		
36	R107796	SEAT	1		
37	R107797	SPRING	1		
38	R131150	O-RING	1		
39	BACK-UP RING	1	(A)	
40	R107798	PLUG	1		
41	M15973	SHAFT KEY	1		
42	AN272979	HYDRAULIC PUMP	1		
..	RE43836	SEAL KIT	1	(INCLUDES PARTS MARKED (A))	

2B21

HYDRAULICS

COMPACTOR HYDRAULIC LINES - CONTINUED

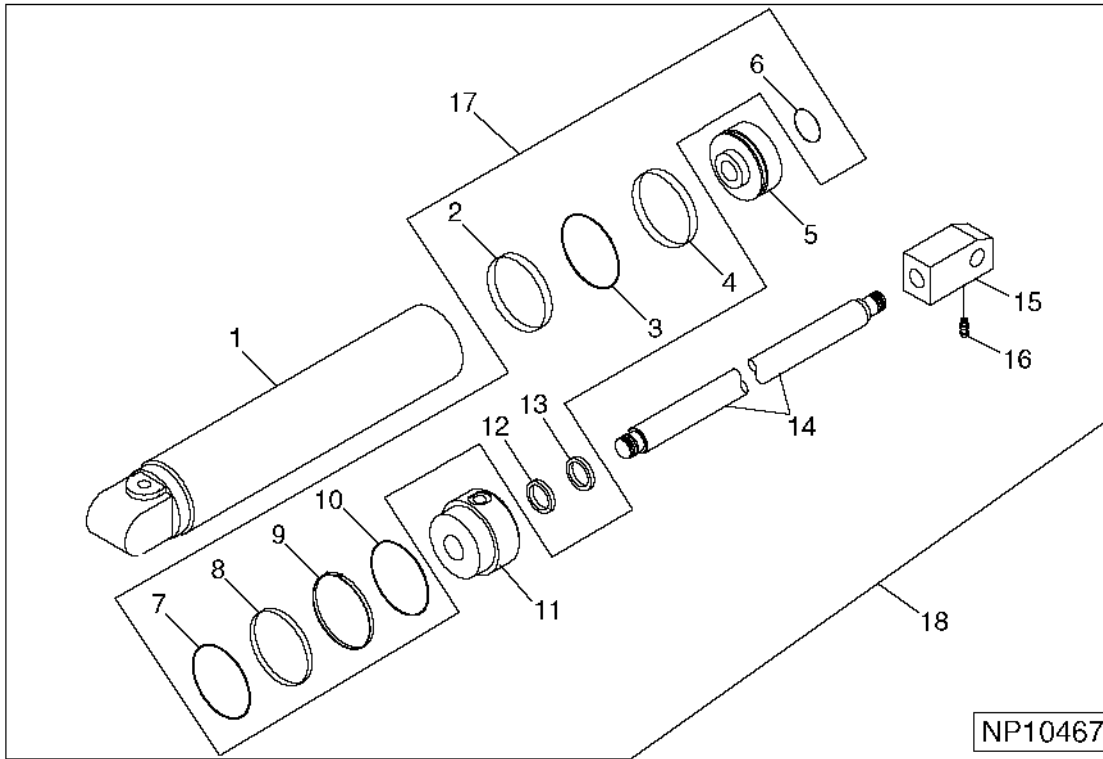
KEY	PART NO.	PART NAME	QTY	SERIAL NO.	REMARKS
1	AN272717	HYDRAULIC MOTOR	1		
	AN191177	SEAL KIT	1		MOTOR SERVICE
2	R26906	O-RING	2		
3	38H1174	ADAPTER	2		
4	T77857	O-RING	8		
5	AN273365	LINE	1		
6	AN273366	LINE	1		
7	38H1323	ELBOW FITTING	2		
8	24H1939	WASHER	2		27/32" X 1-3/8" X 0.120"
9	T78716	NUT	2		
10	AN275909	HYDRAULIC HOSE	1		13/16" X 2 286 MM (90") X 13/16"
11	AN275908	HYDRAULIC HOSE	1		1" X 1 524 MM (60") X 13/16"
12	38H1095	ELBOW FITTING	1		
13	38H1161	ADAPTER	1		
14	R26375	O-RING	1		
15	N277242	COVER	1		

2C6

HYDRAULICS

3-3/4" X 8" HYDRAULIC CYLINDER (UNIT LIFT)

NP10467 -UN-20MAY99



KEY	PART NO.	PART NAME	QTY	SERIAL NO.	REMARKS
1	HYDRAULIC CYLINDER BARREL	1		
2	WEAR RING	1		
3	O-RING	1		
4	SEAL	1		PISTON
5	PISTON	1		
6	O-RING	1		
7	O-RING	1		
8	BACK-UP RING	1		
9	SNAP RING	1		
10	O-RING	1		
11	BEARING	1		
12	SEAL	1		ROD
13	SEAL	1		WIPER
14	ROD	1		PISTON
15	H180031	END	1		
16	JD7798	LUBRICATION FITTING	1		
17	AN274913	SEAL KIT	1		(SUB AH176354)
	AH176354	HYDRAULIC CYLINDER KIT	1		
18	AH176352	HYDRAULIC CYLINDER	1		(SUB AH176353)
	AH176353	HYDRAULIC CYLINDER	1		

INDIVIDUAL PARTS NOT AVAILABLE SEPARATELY. ORDER COMPLETE CYLINDER OR SEAL KIT.

MEMORANDA

2D2

WHEELS, REAR AXLES AND SHEET METAL

FIRE EXTINGUISHER AND BRACKETS - CONTINUED

KEY	PART NO.	PART NAME	QTY	SERIAL NO.	REMARKS
1	AH170596	BRACKET	1		DRY CHEMICAL
2	AN276493	BRACKET	1		WATER
3	AN276490	FIRE EXTINGUISHER	1		DRY CHEMICAL (ILLUSTRATED)
	AN276491	FIRE EXTINGUISHER	1		WATER
4	N372945	ANGLE	1		DRY CHEMICAL
5	19M7784	SCREW	8		
6	E63526	NUT	8		
7	J16931	PIN	2		WATER

CLICK HERE TO **DOWNLOAD** THE COMPLETE MANUAL

- Thank you very much for reading the preview of the manual.
- You can download the complete manual from: www.heydownloads.com by clicking the link below



- Please note: If there is no response to CLICKING the link, please download this PDF first and then click on it.

CLICK HERE TO **DOWNLOAD** THE COMPLETE MANUAL

2D11

WHEELS, REAR AXLES AND SHEET METAL

TUNNEL BOTTOM PANELS, CENTER - CONTINUED (SERIAL NO. -14000)

KEY	PART NO.	PART NAME	QTY	SERIAL NO.	REMARKS
1	N276213	CHANNEL	1	-4000	
	N373931	PANEL	1	4001-	
2	N276215	CHANNEL	1	-4000	LH
3	E63526	NUT	AR		
4	N275509	ANGLE	1		
5	19M7784	SCREW	AR		M10 X 20
6	N276025	PIN FASTENER	1		
7	N33404	SPRING	1		
8	N33504	SNAP RING	1		
9	N278025	HINGE	3		
10	N371595	ANGLE	1	-4000	
	N374161	PANEL	1	4001-	
11	19M8375	CAP SCREW	AR		M10 X 35
12	N276337	ANGLE	1		
13	N275673	ANGLE	1		
14	N276336	ANGLE	1		
15	N371594	ANGLE	1	-4000	
	N374160	ANGLE	1	4001-	
16	N275768	ANGLE	1		
17	N276214	CHANNEL	1		RH
18	E63525	NUT	6		
19	19M8163	CAP SCREW	6		M8 X 16
20	AN273752	DOOR	1		
	AN276602	DOOR	1		AUSTRALIA EXPORT ONLY

2D21

WHEELS, REAR AXLES AND SHEET METAL

HYDRO PUMP MODULE FRAME ASSEMBLY - CONTINUED

KEY	PART NO.	PART NAME	QTY	SERIAL NO.	REMARKS
1	19M7784	SCREW	6	M10 X 20	
2	N274541	SUPPORT	1	BATTERY ANGLE	
3	N279752	SUPPORT	1	BATTERY SHEET	
4	03M7192	BOLT	4	M10 X 30	
5	AN276526	FRAME	1		
6	24H1307	WASHER	4	13/32" X 1" X 1/16"	
7	14M7400	LOCK NUT	4	M10	
8	E63526	NUT	2		
9	N370629	PLATE	1		
10	N205452	CLAMP	2		
11	24H1136	WASHER	1	11/32" X 11/16" X 0.065"	
12	19M7785	SCREW	2	M10 X 25	
13	21M7396	SCREW	2	M4 X 10	
14	AN273539	LATCH	1		
15	12H315	LOCK WASHER	2	0.164"	
16	14M7100	NUT	2	M4	
17	N374869	SHIELD	1	(SUB FOR N371321)	
18	19M7784	SCREW	1	M10 X 20	
19	19M8374	SCREW	1	M10 X 30	
20	R50454	CLAMP	1		

MEMORANDA

2E18

OPERATOR'S STATION

PLATFORM FLOORS - CONTINUED
(4 ROW 34" - SINGLE WHEELS)
(38" AND 40"/64" SKIP ROW)

KEY	PART NO.	PART NAME	QTY	SERIAL NO.	REMARKS
1	AN275130	FLOOR	1		
2	N278842	CHANNEL	AR		
3	N279026	STRAP	4		
4	AN274953	FLOOR	2		
5	19M7785	SCREW	AR		M10 X 25
6	E63526	NUT	AR		
7	N278962	CHANNEL	1		
8	AN273668	FLOOR	1		
9	03M7190	BOLT	AR		M10 X 20
10	N275608	CHANNEL	1		
11	N277568	ANGLE	1		

2F4

OPERATOR'S STATION

CAB GLASS AND DOOR - CONTINUED

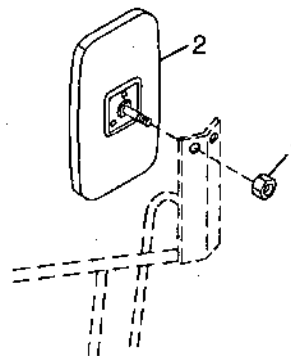
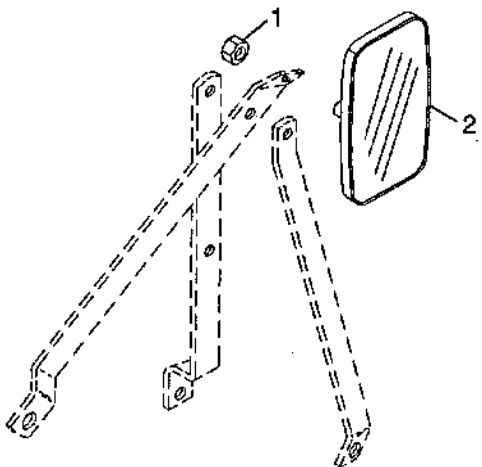
KEY	PART NO.	PART NAME	QTY	SERIAL NO.	REMARKS
1	19M7866	SCREW	2		
2	AH132819	BRACKET	2		
3	WINDSHIELD	1		
4	AH166648	KIT	1		GLASS REPLACEMENT
5	H123794	WINDOWPANE	1		
6	AH168703	DOOR	1		
7	H125769	WINDOWPANE	1		
8	H153394	BEZEL	1		
9	H169403	PAD	1		
10	H165689	SCREW	12		
11	H165490	HOUSING	1		
12	AH104259	ASHTRAY	1		
13	H169634	NUT	2		
14	37M7160	SCREW	2		
15	L58890	WASHER	2		
16	L78703	CAP	2		
17	L78851	BUSHING	2		
18	R131261	WASHER	2		
19	24M7036	WASHER	2		9 X 16 X 1.600 MM
20	19M7868	SCREW	2		M8 X 30
21	AH168702	HANDLE	1		
22	37M7160	SCREW	8		M6 X 16
23	L100285	SCREW	2		
24	AH206878	STRIKER	1		
25	H136590	DISK SPRING	2		
26	H207001	STRAP	1		

2F14

OPERATOR'S STATION

NP12007 -UN-17SEP01

REAR VIEW MIRRORS



NP12007

KEY	PART NO.	PART NAME	QTY	SERIAL NO.	REMARKS
1	N10215	LOCK NUT	2		
2	AT103919	REAR VIEW MIRROR	2		

2F24

OPERATOR'S STATION

GEARSHIFT LEVER AND LINKAGE - CONTINUED

KEY	PART NO.	PART NAME	QTY	SERIAL NO.	REMARKS
1	KNOB	1		
2	LABEL	1		
3	AH206788	KIT	1		
4	AH172140	LEVER	1		
5	19M8318	SCREW	4		M8 X 45
6	H131040	BEARING	4		
7	H177930	BOOT	1		
8	H133660	SEAL	1		
9	H177928	SUPPORT	1		
10	19M8291	SCREW	4		M8 X 35
11	14M7296	FLANGE NUT	1		M10
12	24H1296	WASHER	5		11/32" X 1-3/8" X 0.134"
13	19M8319	SCREW	1		M8 X 50
14	H133662	ISOLATOR	2		
15	19M7867	SCREW	4		M8 X 25
16	AH172313	CABLE	1		
17	AH125958	BALL JOINT	2		
18	H133047	CLAMP	2		
19	24H1309	WASHER	1		13/32" X 1-1/16" X 0.120"
20	AH77724	CLIP	1		
21	37M7058	SCREW	1		M8 X 20
..	TY9371	SEALANT	1		6 ML HIGH STRENGTH

2G10

OPERATOR'S STATION

OPERATOR'S SEAT PIVOT AND ADJUST ASSEMBLIES - CONTINUED

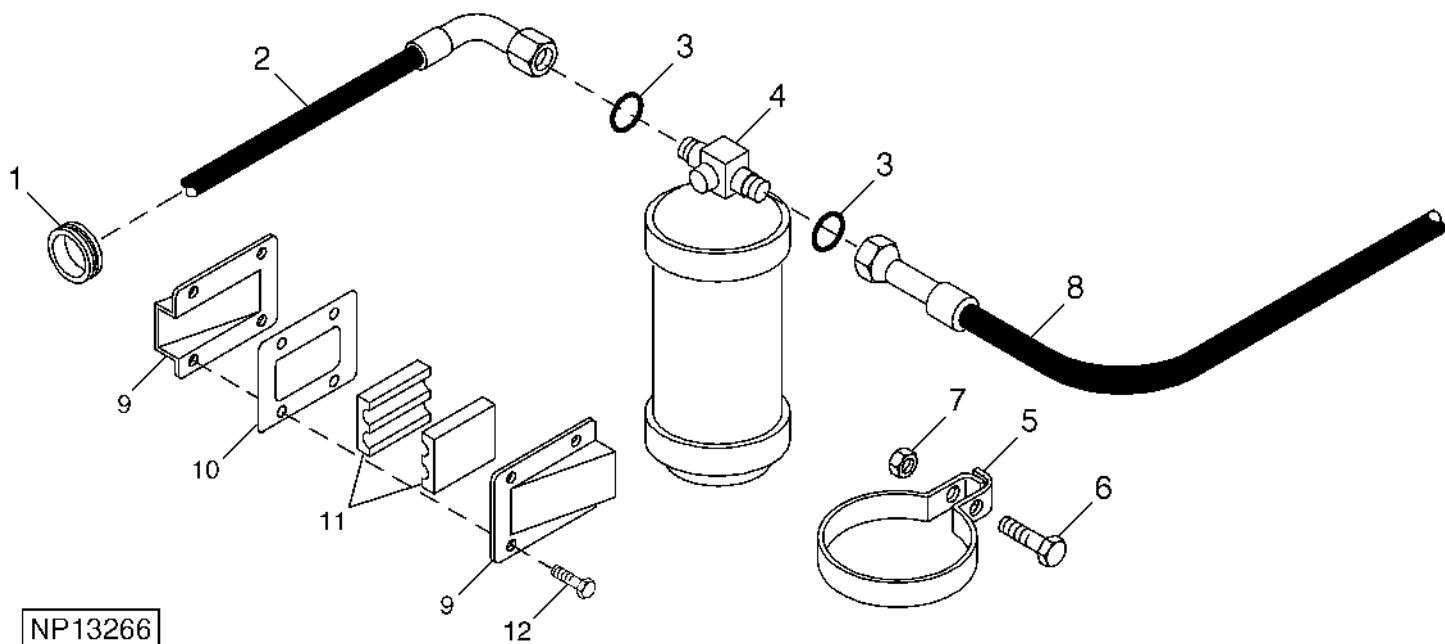
KEY	PART NO.	PART NAME	QTY	SERIAL NO.	REMARKS
1	AL117352	LEVER	1		
2	AH203004	OPR PRESENCE SWITCH KIT	1		
3	AL117443	SHIELD	1		
4	AH203005	SUPPORT	1		
5	14M7426	LOCK NUT	4	M8	
6	H203729	BUSHING	1		
7	L36292	NUT	1		
8	AL117447	GRIP	1		
9	AL117448	PLATE	1		
10	AL117444	GRIP	1		
11	16M7114	RIVET	4	6 MM	
12	L115017	GRIP	1		
13	AL117446	SHIELD	1		
14	L115016	LEVER	1		
15	AL117445	PLATE	1		

2G20

OPERATOR'S STATION

NP13266 -UN-17NOV03

AIR CONDITIONING SYSTEM - RECEIVER-DRYER



NP13266

KEY	PART NO.	PART NAME	QTY	SERIAL NO.	REMARKS
1	N370375	GROMMET	2		
2	AN273410	HOSE	1		LIQUID
3	R10093	O-RING	2		
4	AH137486	RECEIVER-DRYER	2		
5	R53422	CLAMP	2		
6	19M8162	SCREW	2		M10 X 40
7	E63526	NUT	3		
8	AE50831	HOSE	1		A/C LIQUID
9	H129606	RETAINER	2		
10	H114525	GASKET	1		
11	H114523	SEAL	2		
12	37M7090	SCREW	4		M6 X 16
..	R120956	CAP	1		

2H6

PICKING UNIT LIFT

UNIT LIFT FRAMES - CONTINUED
(LEFT SIDE ILLUSTRATED)

KEY	PART NO.	PART NAME	QTY	SERIAL NO.	REMARKS
1	A32225	BOLT	4		
2	AN276827	FRAME	1		LH UNIT LIFT (INCLUDES REFLECTIVE MARKER)
	AN276826	FRAME	1		RH UNIT LIFT (INCLUDES REFLECTIVE MARKER)
3	19M7910	SCREW	AR		M16 X 55
4	14M7291	FLANGE NUT	AR		M16
5	AN273493	EXTENSION	1		13.00", LH REAR
	AN273496	EXTENSION	1		59.50", RH REAR
	AN273497	EXTENSION	1		43.00", LH REAR
	AN273501	EXTENSION	1		28.25", RH REAR
	AN274760	EXTENSION	1		35.00" RH REAR
	AN274600	EXTENSION	1		8.00", LH REAR
	JD5902	REFLECTOR	1		RED
6	N278438	ANGLE	1		RH
	N278439	ANGLE	1		LH
7	E63527	NUT	8		
8	AN274301	CHANNEL	2		(INCLUDES DECAL)
9	19M7788	SCREW	4		M12 X 25
10	AN275570	SHEET	1		RH (INCLUDES DECAL)
	AN275571	SHEET	1		LH (INCLUDES DECAL)
11	24H1111	WASHER	AR		17/32" X 1-1/16" X 0.090"
12	19M7788	SCREW	8		M12 X 25
13	03M7201	BOLT	4		M12 X 45
14	AN275883	EXTENSION	1		23.25", RH FRAME, (INCLUDES REFLECTORS)
	AN275882	EXTENSION	1		38.00", LH FRAME, (INCLUDES REFLECTORS)
	AN273153	EXTENSION	1		8.00", LH FRONT
	AN272885	EXTENSION	1		18.25", LH FRONT
	AN275884	EXTENSION	1		30.00", RH FRONT, (INCLUDES REFLECTORS)
	AN275885	EXTENSION	1		54.50", RH FRONT, (INCLUDES REFLECTORS)
	AN275880	EXTENSION	1		30.00", RH
15	19M7910	SCREW	4		M16 X 55
16	AN275131	EXTENSION	1		UNIT LIFT, MIDDLE FRONT (INCLUDES LABEL FOR 36"- 38"- 40" UNIT LOCATION)
	AN275879	EXTENSION	1		UNIT LIFT, RH FRONT (INCLUDES LABEL FOR 38"- 40" UNIT LOCATION)
17	N276143	PLATE	2		LIFT FRAME
18	03M7233	BOLT	4		M10 X 70
19	N278538	PLATE	1		
20	N276592	STRAP	1		
21	19M7793	SCREW	1		M16 X 40
22	N278440	STRAP	1		
23	19M7810	SCREW	4		M10 X 80
24	E63526	NUT	12		
25	AN274890	BRACE	1		RH, SIX ROW (BETWEEN FRONT AND REAR EXTENSIONS)
26	19M7789	SCREW	4		M12 X 30
27	19M7819	SCREW	2		M12 X 90
28	19M7816	SCREW	2		M12 X 65
29	R55159	SHIM	AR		
30	N279140	ANGLE	1		
31	E63526	NUT	1		
32	19M7785	SCREW	1		
33	19M7889	CAP SCREW	2		M24 X 80
34	14M7278	NUT	2		M24

2H17

PICKING UNIT CABINET

PICKING UNIT POSTS - CONTINUED
(PRO-12 18S)

KEY	PART NO.	PART NAME	QTY	SERIAL NO.	REMARKS
1	AN274530	POST	1		LH REAR
2	19M7785	SCREW	AR		M10 X 25
3	E63526	NUT	AR		
4	N275311	STRAP	AR		.036" SHIM
5	N198646	SHIM	AR		.030"
	N198647	STRAP	AR		.048" SHIM
	N198650	STRAP	AR		.036" SHIM
6	19M7784	SCREW	AR		M10 X 20
7	AN274499	CHANNEL	1		LH FRONT
8	N275803	STRAP	AR		SHIM
9	N275205	SHIM	AR		.030"
	N275206	SHIM	AR		.048"
10	AN274517	POST	1		RH REAR
11	19M8374	SCREW	AR		M10 X 30
12	AN274503	POST	1		RH FRONT
13	03M7190	BOLT	1		M10 X 20
14	03M7183	BOLT	AR		M8 X 16
15	AN272510	FLAP	1		DOFFER
16	E63525	NUT	AR		
17	AN275036	COVER	1		
18	P47210	NUT	2		
19	19M7660	SCREW	2		M8 X 20

PICKING UNIT GRID BARS AND SUPPORTS - CONTINUED
(PRO-12 18S)

KEY	PART NO.	PART NAME	QTY	SERIAL NO.	REMARKS
1	AN273507	SHEET	1		THROAT
2	19M7784	SCREW	AR		M10 X 20
3	N277543	BAR	17		REAR
4	19M7865	SCREW	AR	-14000	M8 X 16
	03M7386	BOLT	AR	14001-	M8 X 20
5	N277542	BAR	17		FRONT
6	E63526	NUT	AR		
7	N278041	PANEL	1		
8	N278044	DEFLECTOR	1		(SUB N374648)
	N374648	DEFLECTOR	1		
9	AN274968	CHANNEL	2		
10	N274171	NUT	AR		
11	03M7183	BOLT	AR		M8 X 16
12	AN274511	ANGLE	2	-14000	BAR FASTENER
	N373194	ANGLE	2	14001-	
13	19M7865	SCREW	AR		M8 X 16
14	AN274515	SHIELD	1		
15	AN276818	POST	1		
16	03M7190	BOLT	AR		M10 X 20
17	N274243	STRAP	1		
18	14M7298	FLANGE NUT	AR	14001-	M8
19	N373196	ANGLE	2	14001-	

**REAR DRUM PRESSURE PLATE - CONTINUED
(PRO-16 20S)**

KEY	PART NO.	PART NAME	QTY	SERIAL NO.	REMARKS
1	19M7784	SCREW	2		
2	AN272903	TUBE	1		
3	N279108	ANGLE	1		
4	37M7137	SCREW	6		M8 X 30
5	N190464	SPRING	4		MIDDLE POSITIONS
	N276341	SPRING	2		TOP AND BOTTOM
6	14M7400	LOCK NUT	2		M10
7	N276048	TUBE	2		SPRING COVER
8	AN273753	CABLE	2		
9	AN131764	PIN FASTENER	2		
10	AN274593	PLATE	1		
11	N274103	EXTENSION	1		
12	E63526	NUT	11		
13	03M7017	BOLT	4		M10 X 25
14	24H1312	WASHER	4		13/32" X 1-3/8" X 0.105"
15	03M7191	BOLT	4		M10 X 25
16	N274104	EXTENSION	1		
17	N274102	ANGLE	1		
18	N198712	REINFORCEMENT	3		
19	N33504	SNAP RING	1		
20	N33404	SPRING	1		
21	N275113	PIN FASTENER	1		(ILLUSTRATED) (SUB N276025)
	N276025	PIN FASTENER	1		
22	34H314	SPRING PIN	1		1/4" X 1-1/4"
23	24H1660	WASHER	1		57/64" X 1-3/8" X 0.060"
24	N196136	ANGLE	2		
25	N274290	STRAP	2		WELDMENT REQUIRED

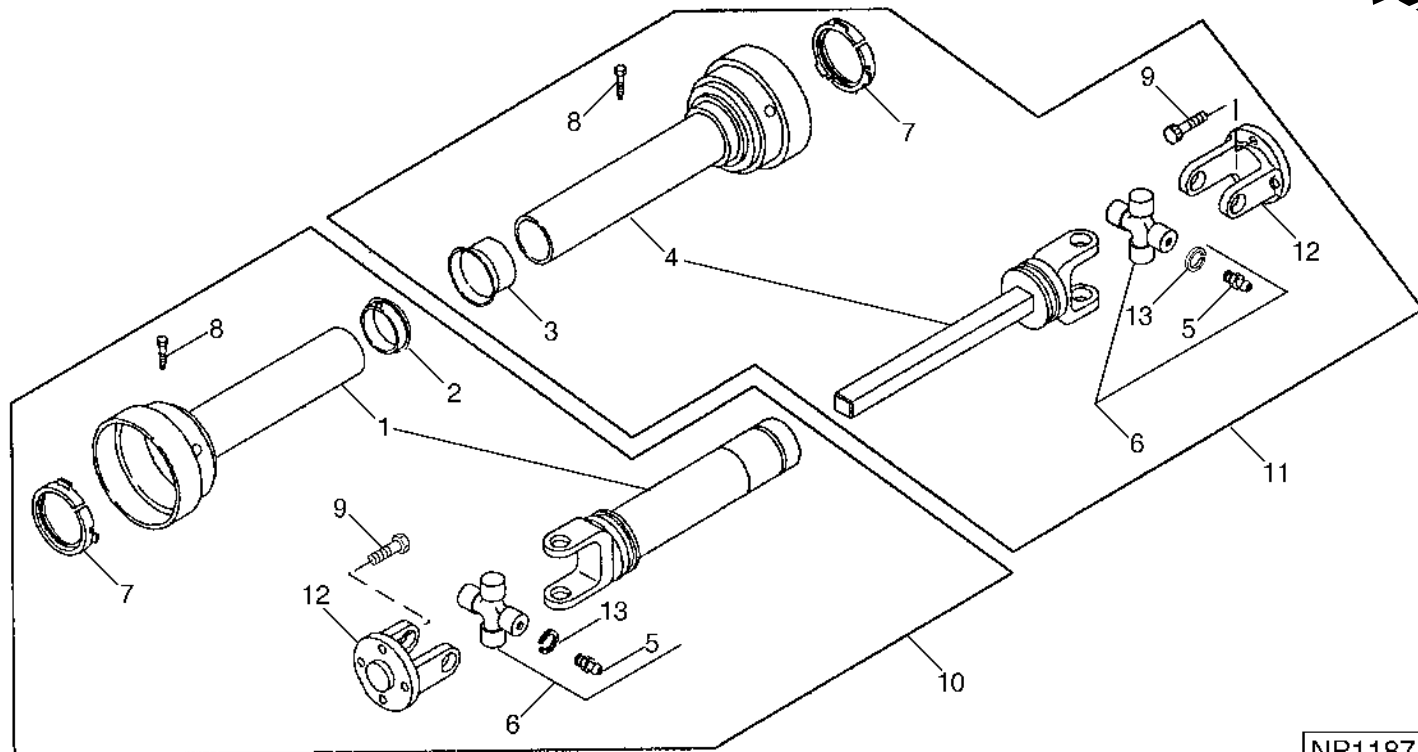
MEMORANDA

2J8

PICKING UNIT SYSTEM

UNIVERSAL JOINT, CROSS SHAFT

NP11871 -UN-28JUN01



NP11871

KEY	PART NO.	PART NAME	QTY	SERIAL NO.	REMARKS
1	AN272425	POWERSHAFT SHIELD	1		(SHORT - 14")
	AN272428	POWERSHAFT SHIELD	1		(LONG - 19")
	N273546	BEARING	1		(INCLUDED IN AN272425 AND AN272428)
3	N273547	GUIDE	1		
4	AN272426	POWERSHAFT SHIELD	1		
	E82514	SAFETY SIGN	1		DANGER-"ENTANGLEMENT IN ROTATING DRIVELINE.."
	H151673	LABEL	1		(EXPORT ONLY)
5	JD7842	LUBRICATION FITTING	2		
6	AN272429	CROSS AND BEARING ASSEMBLY	2		
7	H118943	BEARING	2		(INCLUDED IN AN272425 AND AN272428)
8	37M7067	SCREW	2		
9	N275214	SCREW	8		12 POINT HEAD
10	AN273488	UNIVERSAL JOINT	1		(SHORT -14")
	AN273896	UNIVERSAL JOINT	1		(LONG - 19")
	AN273489	UNIVERSAL JOINT	1		
12	YOKE	2		
13	SNAP RING	8		
..	BN272108	COMPLETE GOODS/SHIP. BUNDLE	1		LONG CROSS SHAFT (36"-40")

2J18

PICKING UNIT SYSTEM

UPPER HOUSING DRUM DRIVE GEARS - CONTINUED

KEY	PART NO.	PART NAME	QTY	SERIAL NO.	REMARKS
1	N273690	COVER	1		
2	19M7784	SCREW	11		M10 X 20, (USE WITH N273690)
3	F3353R	O-RING	2		
4	R61467	O-RING	1		
5	N275038	NUT	1		
6	N371324	WASHER	1		
7	N371325	WASHER	1		
8	JD9209	BALL BEARING	1		
9	24H1512	WASHER	1		1-13/32" X 2" X 0.032"
10	AN273684	COVER	1		PRO-16
	AN273685	COVER	1		PRO-12
11	AN274263	TEE FITTING	1		ELBOW
12	19M8374	SCREW	3		M10 X 30
13	AN273864	HUB	1		
14	N273348	WASHER	AR		
15	AN272968	SPUR GEAR	1		74 TOOTH, PRO 16 UNIT, FRONT
	AN272969	SPUR GEAR	1		62 TOOTH, PRO 12, PRO 16 UNIT, REAR
16	E63526	NUT	9		M10
17	N274156	SPUR GEAR	1		44 TOOTH, PRO-16, FRONT
	N371644	SPUR GEAR	1		33 TOOTH, PRO-12
	N274157	SPUR GEAR	1		34 TOOTH, PRO-16, REAR
18	H63261	O-RING	2		
19	N274233	SPACER	1		
20	AN274404	SPUR GEAR	1		70 TOOTH, PRO-16, FRONT
	AN274403	SPUR GEAR	1		54 TOOTH, PRO-12, PRO-16, REAR
21	N278399	WASHER	2		
22	JD9323	BALL BEARING	2		
23	N274242	HUB	1		SPACER
24	N275650	SCREW	1		
25	19M8375	CAP SCREW	3		M10 X 35
26	AN273700	SPOOL	3		
27	AN272787	BALL BEARING	1		
28	N273955	SPUR GEAR	1		25 TOOTH
29	24H1302	WASHER	1		13/32" X 11/16" X 0.035"
30	AN272800	SPUR GEAR	1		138 TOOTH PRO-16
	AN272801	SPUR GEAR	1		100 TOOTH, PRO-12
31	N275080	WASHER	1		CLAMP
32	N273303	SHAFT	1		UPPER DRUM
33	N131820	O-RING	2		(A)
34	N278412	LOCKING COLLAR	2		
35	N157017	SNAP RING	1		
36	N273302	BRACKET	1		
37	AH116104	SENSOR	1		DRUM SPEED
38	R27448	NUT	1		
39	N277237	FITTING PLUG	1		
..	AN105350	SEAL KIT	1		(INCLUDES PARTS MARKED (A))
..	AN278370	KIT	1		DRUM SPEED MONITOR FIRMWARE UPGRADE

2K4

PICKING UNIT SYSTEM

UPPER DOFFER ADJUSTING HOUSING - CONTINUED

KEY	PART NO.	PART NAME	QTY	SERIAL NO.	REMARKS
1	37M7087	SCREW	4		
2	N277146	NUT	1		
3	N275853	HOUSING	1		
4	N275931	SHIM	AR		
5	N275852	ADJUSTER	1		
6	P43026	SNAP RING	1		
7	JD9467	BALL BEARING	1		
8	N123156	SNAP RING	1		
9	N277150	SPACER	1		
10	N273954	SPUR GEAR	1		20 TOOTH
11	34H385	SPRING PIN	1		1/4" X 1-3/4"
12	N277236	SEAL	1		
13	N275308	PLUG	2		
14	AN273484	SHAFT	1		
15	19M8374	SCREW	3		M10 X 30
16	E63526	NUT	3		

2K14

PICKING UNIT LUBRICATION SYSTEM

LUBRICATION PUMP SYSTEM - CONTINUED

KEY	PART NO.	PART NAME	QTY	SERIAL NO.	REMARKS
1	N275769	HYDRAULIC HOSE	1		
2	AN273590	HYDRAULIC HOSE	1		
3	T77857	O-RING	1		
4	R39249	ADAPTER	1		
5	R26448	O-RING	4		
6	AN274011	HYDRAULIC PUMP	1		
	AN274479	O-RING KIT	1		PUMP REPAIR
7	38H1160	ADAPTER	2		
8	T77613	O-RING	1		
9	38H1004	ELBOW FITTING	1		
10	AN276480	HYDRAULIC HOSE	1		
11	AN276522	HYDRAULIC HOSE	1		
12	AN275964	HOSE CLAMP	1		
13	R26375	O-RING	1		
14	AN153154	DRAIN VALVE	1		SYSTEM AIR BLEED
15	N279033	ORIFICE	1		
16	N276843	ADAPTER	1		
17	AH76882	CLIP	1		
18	E63526	NUT	1		
19	19M8374	SCREW	1		
20	N276001	WASHER	1		
21	19M7784	SCREW	2		M10 X 20
22	E63526	NUT	2		M10
23	AN277616	SOLENOID VALVE	1		
24	N375288	APERTURE	1		
25	N222607	SPOOL VALVE	1		
26	N222612	SOLENOID VALVE	1		

WATER TANK AND SADDLE - CONTINUED

KEY	PART NO.	PART NAME	QTY	SERIAL NO.	REMARKS
1	TY24415	BULK HOSE	1		
2	TY22467	CLAMP	2		1 X 57"
3	N203094	HOSE FITTING	1		
4	TY22470	CLAMP	1		
5	N203163	HOSE FITTING	1		
6	AN275842	SWITCH	1		LEVEL
7	TY22467	CLAMP	2		
8	N273889	CHANNEL	1		
9	E63526	NUT	2		
10	M84497	ELBOW FITTING	2		
11	N194814	HOSE CLAMP	2		
12	N194902	TUBE	1		
13	PMRN200-125	THREADED NIPPLE	1		
14	PMSL125-90	ELBOW FITTING	1		
15	AN273785	VALVE	1		
16	A54870	FITTING	1		
17	N203569	ADAPTER	1		
18	N202989	HOSE FITTING	1		
19	N276666	BALL	2		
20	N279947	TANK	1		
21	RE216842	FILLER CAP	1		(SUB FOR RE64733)
22	19M7784	SCREW	2		M10 X 20
23	N276480	ANGLE	1		
24	N273890	SADDLE	1		
25	N195029	PIPE PLUG	1		
26	AN202343	COUPLING	1		
..	AN114022	CLEANING SOLVENT	1		SPINDLE CLEANER, 5 GAL
..	AN114023	CLEANING SOLVENT	1		SPINDLE CLEANER, 55 GAL
..	AN30975	WETTING AGENT	1		SPINDLE WETTING AGENT, 1 GAL
..	AL1112N	WETTING AGENT	1		SPINDLE WETTING AGENT, 5 GAL

3B10

WATER SYSTEM

FLUSH WATER LINES AND FITTINGS - CONTINUED
(INSIDE UNIT TO MOISTENER COLUMN)
(GREEN LINES)

KEY	PART NO.	PART NAME	QTY	SERIAL NO.	REMARKS
1	AN193650	UNION FITTING	1		
2	N194814	HOSE CLAMP	10		
3	TUBE	1		(MAKE FROM 63" OF N276795)
4	N371996	HOSE FITTING	1		
5	TUBE	2		16 BAR DRUM (MAKE FROM 13-1/2" OF N276795)
	TUBE	2		12 BAR DRUM (MAKE FROM 11-3/4" OF N276795)
6	AN274653	HOSE FITTING	2		
7	N276085	TUBE	2		
8	19M7784	SCREW	AR		M10 X 20
9	N277119	CLIP	AR		
10	E63526	NUT	AR		
11	N278448	NUT	2		

MEMORANDA

MEMORANDA

3C12

BASKET

BASKET ASSEMBLY (LOWER FRONT) - CONTINUED

KEY	PART NO.	PART NAME	QTY	SERIAL NO.	REMARKS
1	N274034	CHANNEL	1		
2	19M7785	SCREW	AR	M10 X 25	
3	N279392	SCREEN	4		
4	N274044	CHANNEL	1		
5	N279441	CHANNEL	1		(ALSO ORDER (2) 19M7785 AND (2) E63526)
6	N276785	ANGLE	1		
7	37M7086	SCREW	AR	M10 X 20	
8	E63526	NUT	AR		
9	N276783	BUSHING	1		
10	28H3435	BUSHING	1	0.493" X 0.675" X 3-1/16"	
11	N276786	ANGLE	1		
12	19M7812	SCREW	2	M10 X 100	
13	N274722	STRAP	3		
14	N274731	STRAP	2		
15	N274721	TUBE	1		
16	N274723	PLATE	2		
17	19M7837	SCREW	6	M12 X 110	
18	N274732	ANGLE	2		
19	19M7817	SCREW	6	M12 X 70	
20	E63527	NUT	AR		
21	19M8374	SCREW	12	M10 X 30	
22	11M7073	COTTER PIN	2	8 X 63 MM	
23	N134600	PIN FASTENER	2		
24	N274880	ANGLE	4		
25	03M7238	BOLT	1	M10 X 35	
26	N279590	ANGLE	1		
27	N274910	ANGLE	1		
28	N371997	ANGLE	1		
29	N279294	ANGLE	1		
30	N274465	STRAP	1		
31	N274746	ANGLE	1		
32	N275218	CHANNEL	1		
33	N274215	CHANNEL	3		
34	N274765	CHANNEL	2		
35	N275216	PLATE	2		
36	14M7426	LOCK NUT	2	M8	
37	N278692	PAD	2	DOOR WING	
38	19M7660	SCREW	2	M8 X 20	
39	19M7840	SCREW	2	M12 X 150	
40	N275306	ANGLE	1		
41	N370505	SHIELD	1	LH	
42	N276288	SHIELD	1	RH	
43	N274739	COVER	1		
44	N276848	CHANNEL	1		BASKET VALVE
45	N275426	STRAP	1		
46	N275425	CHANNEL	1		
47	N371977	TUBE	1		
48	N275962	CLIP	1		
49	N279572	PLATE	1		
50	19M8375	CAP SCREW	3	M10 X 35	
51	N274778	COVER	1	LH FRONT	
52	N276284	ANGLE	1		
53	N276152	SCREW	2		
54	N275565	STRAP	1		
55	19M8162	SCREW	2	M10 X 40	
56	19M7791	SCREW	2	M12 X 40	
57	19M7913	SCREW	1	M8 X 90	
58	H140462	BUSHING	1		
59	H112567	PLATE	2		
60	H135155	CLAMP	2		
61	14M7396	LOCK NUT	1	M8	
62	03M7191	BOLT	1	M10 X 25	
..	N60625	GROMMET	1	(DUCT HYDRO HOSE)	

BASKET DOOR STRUCTURE - CONTINUED

KEY	PART NO.	PART NAME	QTY	SERIAL NO.	REMARKS
1	N274333	PANEL	2		
2	N274775	SUPPORT	5		
3	37M7086	SCREW	AR	M10 X 20	
4	N274547	ANGLE	2		
5	19M7784	SCREW	8	M10 X 20	
6	E63526	NUT	AR		
7	N374227	CHANNEL	2	(SUB FOR N273764)	
8	N278896	CHANNEL	2		
9	19M7786	SCREW	20	M10 X 30	
10	E63527	NUT	4		
11	N275170	ANGLE	2		
12	N274546	COVER	2		
13	N278527	STRAP	2		
14	AN274725	HINGE	1		
	N275271	BUSHING	1		
15	N278652	SLEEVE	1		
16	N276193	CHANNEL	1	HARNES COVER	
17	N276836	CHANNEL	1	SENSOR PIVOT	
18	19M7609	CAP SCREW	1	M16 X 90	
19	14M7260	NUT	1	M16	
20	19M7285	CAP SCREW	4	M12 X 30	
21	19M7785	SCREW	1	M10 X 25	
22	N10010	CLIP	1		

3D6

BASKET

BASKET DOOR EXTENSION - CONTINUED

KEY	PART NO.	PART NAME	QTY	SERIAL NO.	REMARKS
1	19M7784	SCREW	AR		M10 X 20
2	AN275057	CHANNEL	1		REAR (INCLUDES DECAL)
3	19M8374	SCREW	12		M10 X 30
4	N275920	PLATE	2		
5	N275889	CHANNEL	1		
6	E63527	NUT	12		
7	N273764	CHANNEL	1	-14000	
	N374227	CHANNEL	1	14001-	
8	N276531	PLATE	1		
9	N275888	CHANNEL	1		
10	N275890	PANEL	2		
11	19M7784	SCREW	AR		M10 X 20
12	E63526	NUT	AR		
13	N275562	CHANNEL	1		
14	N275896	CHANNEL	1		
15	AN273688	LINK CHAIN	4	-14000	
	AN277633	LINK CHAIN	4	14001-	
16	M82222	LOCK NUT	AR		
17	W29025	PIN	AR		PIN CONNECTOR
18	11M7059	COTTER PIN	4		3.200 X 20 MM
19	N279639	CAP SCREW	AR		
20	N279637	SLAT	6		
21	N276964	STUD	2		
22	H140692	SCREW	AR		
23	N275891	STRIP	4		
24	14M7396	LOCK NUT	8		
25	N275892	CHANNEL	1		
26	PM00010	SPRING LOCKING PIN	2		
27	M40463	WASHER	3		
28	37M7086	SCREW	12		M10 X 20
29	19M7836	SCREW	2		M10 X 110
30	28H3464	SPACER	2		0.493" X 0.675" X 3-1/2"
31	AN275276	CHANNEL	1		FRONT (INCLUDES DECAL)
32	PIN FASTENER	1		PIN CONNECTOR (PRESS FIT) (ORDER AN275275)
33	11M7012	COTTER PIN	2		3.200 X 16 MM
34	AN275275	LINK CHAIN	1		REPAIR KIT
35	AW19911	LINK	1		REPAIR KIT
..	BN272104	COMPLETE GOODS/SHIP. BUNDLE	1		BASKET DOOR EXTENSION (STANDARD ON 6 ROW)
..	AN276117	DOOR	1		INCLUDES PARTS LISTED ON THIS PAGE

3D16

BASKET

COMPACTOR - CONTINUED

KEY	PART NO.	PART NAME	QTY	SERIAL NO.	REMARKS
1	AN276489	AUGER	3		
2	34H188	SPRING PIN	3		
3	03M7190	BOLT	12	M10 X 20	
4	E63526	NUT	14		
5	N198135	SPACER	6		
6	N15764	PRESSED FLANGED HOUSING	14		
7	JD9313	BALL BEARING	7		
8	N197882	BEVEL GEAR	3		
9	N101345	LOCK NUT	3		
10	AN272717	HYDRAULIC MOTOR	1		
	AN191177	SEAL KIT	1	MOTOR SERVICE	
11	N194644	SPLINED COUPLING	1		
12	34H316	SPRING PIN	1	1/4" X 1-1/2"	
13	N274125	DRIVE SHAFT	1		
14	C17964	RING	1		
15	N197881	BEVEL GEAR	3		
16	N277167	CHANNEL	3		
17	37M7086	SCREW	12	M10 X 20	
18	T10510	WASHER	3		
19	19M7783	SCREW	4	M10 X 16	
20	N275959	SHIM	AR		
21	03M7191	BOLT	6	M10 X 25	
22	N197974	WASHER	7		

BASKET EXTENSION, REAR - CONTINUED

KEY	PART NO.	PART NAME	QTY	SERIAL NO.	REMARKS
1	N274856	CHANNEL	1		
2	N275736	ANGLE	2		
3	19M7785	SCREW	AR	M10 X 25	
4	E63526	NUT	14		
5	N274180	ANGLE	1	RH	
6	N274190	CHANNEL	1		
7	N276152	SCREW	AR		
8	N278680	ANGLE	1		
9	N274191	CHANNEL	2		
10	N275986	SCREEN	3		
11	N274181	ANGLE	1	LH	
12	N278687	CHANNEL	1		
13	AN274978	SHEAR PIN	2		
14	03M7192	BOLT	AR	M10 X 30	
15	N274875	BRACKET	1		
16	03M7196	BOLT	2	M10 X 50, RH ONLY	
17	N276174	STRAP	2	RH ONLY	
18	03M7192	BOLT	2	M10 X 30, INTERMEDIATE POSITION LH	
19	03M7196	BOLT	2	M10 X 50, INTERMEDIATE POSITION RH	
20	N275153	STRAP	2		

3E12

BASKET

BASKET LID HANDRAILS - CONTINUED

KEY	PART NO.	PART NAME	QTY	SERIAL NO.	REMARKS
1	N372777	RETAINER	2		LH, (ILLUSTRATED) (SUB N373425)
	N373425	RETAINER	2		
	N372776	RETAINER	2		RH, (SUB N373424)
	N373424	RETAINER	2		
2	E63525	NUT	4		
3	19M8063	SCREW	4		M8 X 25
4	N372653	TUBE	2		
5	E63526	NUT	4		
6	24H1312	WASHER	2		13/32" X 1-3/8" X 0.105"
7	N279383	COMPRESSION SPRING	2		
8	B28851	SPACER	2		
9	19M7944	SCREW	2		M10 X 120

3E22

DECALS

SAFETY DECALS - CONTINUED

KEY	PART NO.	PART NAME	QTY	SERIAL NO.	REMARKS
1	N272929	LABEL	1		
	N272930	LABEL	1		(SPANISH)
2	N372826	LABEL	1		
3	N278745	SAFETY SIGN	6		
4	N272950	LABEL	2		
5	N372821	LABEL	1		
6	N278973	SAFETY SIGN	2		
7	N277199	LABEL	2		
8	N279100	SAFETY SIGN	2		
9	N278535	DECAL	1		

NUMERICAL INDEX - CONTINUED

PART NO.	GRID	KEY	PAGE	PART NO.	GRID	KEY	PAGE	PART NO.	GRID	KEY	PAGE
AN233013	2K21	8	130 - 12	AN272944	2I8	17	110 - 23	AN273461	2J4	1	120 - 1
AN260231	2C7	17	70 - 30	AN272956	2J6	9	120 - 3	AN273468	2J14	10	120 - 11
AN260252	2C5	19	70 - 28	AN272968	2J18	15	120 - 15	AN273469	1H24	8	50 - 24
AN260455	3C3	37	150 - 17	AN272969	2J18	15	120 - 15	AN273474	3B12	14	140 - 15
AN272126	2H19	10	110 - 9	AN272972	2J12	14	120 - 9	AN273484	2K4	14	120 - 25
AN272152	2K6	4	120 - 27	AN272979	2B9	31	70 - 7	AN273488	2J8	10	120 - 5
AN272177	2K16	5	130 - 7	AN272979	2B11	42	70 - 9	AN273489	2J8	11	120 - 5
AN272236	3B23	7	150 - 11	AN273000	2I16	23	110 - 31	AN273490	2J7	9	120 - 4
AN272236	3B25	7	150 - 13	AN273005	1D15	1	20 - 62	AN273493	2H6	5	100 - 3
AN272239	3B23	27	150 - 11	AN273005	3B15	25	150 - 3	AN273496	2H6	5	100 - 3
AN272239	3B25	27	150 - 13	AN273006	3B15	24	150 - 3	AN273497	2H6	5	100 - 3
AN272244	1F13	2	40 - 19	AN273009	2C23	9	80 - 15	AN273501	2H6	5	100 - 3
AN272328	2B13	18	70 - 11	AN273019	3B12	9	140 - 15	AN273507	2I2	1	110 - 17
AN272328	2B18	7	70 - 16	AN273026	1E20	1	40 - 1	AN273507	2I4	1	110 - 19
AN272378	2B13	9	70 - 11	AN273027	1E20	2	40 - 1	AN273512	3B12	17	140 - 15
AN272425	2J8	1	120 - 5	AN273052	3D14	2	160 - 35	AN273515	2I16	7	110 - 31
AN272425	2J8	2	120 - 5	AN273061	1F3	1	40 - 9	AN273516	2I16	2	110 - 31
AN272425	2J8	7	120 - 5	AN273067	2K16	3	130 - 7	AN273517	3B12	23	140 - 15
AN272426	2J8	4	120 - 5	AN273079	3B15	3	150 - 3	AN273539	2D21	14	80 - 39
AN272428	2J8	1	120 - 5	AN273094	3C10	14	160 - 5	AN273546	3D12	9	160 - 33
AN272428	2J8	2	120 - 5	AN273095	3C10	14	160 - 5	AN273586	2C2	6	70 - 25
AN272428	2J8	7	120 - 5	AN273122	2D23	2	80 - 41	AN273587	2C2	7	70 - 25
AN272429	2J8	6	120 - 5	AN273130	2B9	33	70 - 7	AN273590	2K14	2	130 - 5
AN272433	2J7	4	120 - 4	AN273135	2H19	7	110 - 9	AN273590	3B6	14	140 - 9
AN272435	2J7	5	120 - 4	AN273153	2H6	14	100 - 3	AN273606	2B23	7	70 - 21
AN272464	1F13	12	40 - 19	AN273166	2B23	17	70 - 21	AN273607	2B23	6	70 - 21
AN272464	2D25	31	80 - 43	AN273170	2H21	16	110 - 11	AN273668	2E18	8	90 - 11
AN272464	2H2	3	90 - 67	AN273186	2B25	5	70 - 23	AN273676	2H15	31	110 - 5
AN272510	2H17	15	110 - 7	AN273188	2C4	14	70 - 27	AN273676	2J20	2	120 - 17
AN272520	2D3	2	80 - 21	AN273189	2C4	12	70 - 27	AN273681	3B15	10	150 - 3
AN272520	2H13	9	110 - 3	AN273190	2C4	10	70 - 27	AN273684	2J18	10	120 - 15
AN272520	2H13	28	110 - 3	AN273191	2B25	7	70 - 23	AN273685	2J18	10	120 - 15
AN272520	2H15	9	110 - 5	AN273193	2C4	8	70 - 27	AN273686	2H15	32	110 - 5
AN272520	2H15	28	110 - 5	AN273195	2C4	19	70 - 27	AN273688	3D6	15	160 - 27
AN272520	3C8	35	160 - 3	AN273213	2I4	12	110 - 19	AN273691	2D15	21	80 - 33
AN272538	1F25	9	40 - 31	AN273214	2C4	21	70 - 27	AN273691	2D17	21	80 - 35
AN272582	2J10	27	120 - 7	AN273215	2B25	13	70 - 23	AN273692	2H13	12	110 - 3
AN272582	2J10	30	120 - 7	AN273233	2C4	25	70 - 27	AN273700	2J18	26	120 - 15
AN272583	2J10	30	120 - 7	AN273248	2C2	12	70 - 25	AN273701	2K6	3	120 - 27
AN272593	2H19	1	110 - 9	AN273249	2C2	9	70 - 25	AN273732	3B23	41	150 - 11
AN272636	2I4	14	110 - 19	AN273276	3C10	6	160 - 5	AN273733	3B23	40	150 - 11
AN272654	3C8	21	160 - 3	AN273277	3C10	11	160 - 5	AN273733	3B25	40	150 - 13
AN272672	2C19	11	80 - 11	AN273283	2C4	18	70 - 27	AN273752	2D11	20	80 - 29
AN272716	2C4	1	70 - 27	AN273284	2C4	15	70 - 27	AN273752	2D13	20	80 - 31
AN272717	2B21	1	70 - 19	AN273285	2C4	16	70 - 27	AN273752	2D25	29	80 - 43
AN272717	3D16	10	160 - 37	AN273299	2J6	13	120 - 3	AN273753	2I10	8	110 - 25
AN272736	2K2	4	120 - 23	AN273303	2C4	24	70 - 27	AN273753	2I12	8	110 - 27
AN272737	2K2	4	120 - 23	AN273317	3D14	1	160 - 35	AN273762	2D25	9	80 - 43
AN272783	1E2	13	30 - 9	AN273324	3C23	1	160 - 19	AN273766	2H15	12	110 - 5
AN272787	2J18	27	120 - 15	AN273325	3C23	12	160 - 19	AN273768	2K12	9	130 - 3
AN272787	2K2	10	120 - 23	AN273360	2K16	4	130 - 7	AN273785	3A24	15	140 - 3
AN272787	2K8	4	120 - 29	AN273365	2B21	5	70 - 19	AN273789	3B4	9	140 - 7
AN272788	3B20	10	150 - 9	AN273366	2B21	6	70 - 19	AN273797	3B12	32	140 - 15
AN272800	2J18	30	120 - 15	AN273370	1J20	24	60 - 29	AN273813	1H25	..	50 - 25
AN272801	2J18	30	120 - 15	AN273371	1E21	2	40 - 2	AN273814	1B5	4	20 - 1
AN272826	1E2	4	30 - 9	AN273399	2B25	1	70 - 23	AN273816	3B12	12	140 - 15
AN272845	3C23	7	160 - 19	AN273410	2G20	2	90 - 61	AN273826	2C4	7	70 - 27
AN272845	3D8	7	160 - 29	AN273411	2D25	30	80 - 43	AN273838	2H13	31	110 - 3
AN272864	3D8	26	160 - 29	AN273413	2I4	9	110 - 19	AN273838	2H15	33	110 - 5
AN272885	2H6	14	100 - 3	AN273420	2H19	15	110 - 9	AN273838	2J20	2	120 - 17
AN272893	3B20	2	150 - 9	AN273434	2J22	12	120 - 19	AN273840	2H15	10	110 - 5
AN272902	2E5	4	80 - 48	AN273439	3B20	12	150 - 9	AN273841	2H13	13	110 - 3
AN272903	2I8	2	110 - 23	AN273440	1F7	29	40 - 13	AN273841	2H15	13	110 - 5
AN272903	2I12	2	110 - 27	AN273441	2B25	15	70 - 23	AN273841	3F4	8	170 - 15
AN272904	3C23	28	160 - 19	AN273442	2B25	17	70 - 23	AN273844	1F3	2	40 - 9
AN272912	1E4	21	30 - 11	AN273445	2K6	13	120 - 27	AN273864	2J18	13	120 - 15
AN272935	3C8	22	160 - 3	AN273453	1D4	24	20 - 51	AN273882	3D2	12	160 - 23

NUMERICAL INDEX - CONTINUED

PART NO.	GRID	KEY	PAGE	PART NO.	GRID	KEY	PAGE	PART NO.	GRID	KEY	PAGE
N196136	2I10	24	110 - 25	N203163	3B4	3	140 - 7	N272732	2H21	3	110 - 11
N196136	2I12	24	110 - 27	N203255	2B13	7	70 - 11	N272753	2I21	3	110 - 36
N196148	2H21	12	110 - 11	N203305	3E24	4	170 - 11	N272803	2J4	4	120 - 1
N196369	2E12	20	90 - 5	N203486	1I2	8	50 - 27	N272841	2J12	16	120 - 9
N196389	3C10	28	160 - 5	N203486	1I12	5	50 - 37	N272920	3E24	7	170 - 11
N196551	3F2	6	170 - 13	N203492	1I2	7	50 - 27	N272929	3E22	1	170 - 9
N196960	2J12	22	120 - 9	N203569	3A24	17	140 - 3	N272930	3E22	1	170 - 9
N197195	3B20	5	150 - 9	N203671	2B25	19	70 - 23	N272935	3E24	3	170 - 11
N197195	3B21	2	150 - 9A	N203859	2B13	28	70 - 11	N272950	3E22	4	170 - 9
N197264	3B20	11	150 - 9	N203862	3E24	6	170 - 11	N272966	2H19	20	110 - 9
N197291	1H18	8	50 - 17	N203905	2I20	5	110 - 35	N272970	2D3	1	80 - 21
N197291	2C21	13	80 - 13	N204099	3E24	6	170 - 11	N272970	2H13	27	110 - 3
N197335	3E18	4	170 - 5	N205415	1B5	..	20 - 1	N272970	2H15	27	110 - 5
N197418	2D5	21	80 - 23	N205452	2D15	24	80 - 33	N272970	3C8	34	160 - 3
N197419	2D5	20	80 - 23	N205452	2D17	24	80 - 35	N273012	2J20	4	120 - 17
N197422	1H11	3	50 - 9	N205452	2D21	10	80 - 39	N273016	2J20	4	120 - 17
N197448	1H18	6	50 - 17	N206796	2C2	27	70 - 25	N273019	3B6	42	140 - 9
N197448	2C21	10	80 - 13	N207696	3B6	40	140 - 9	N273066	2F15	1	90 - 32
N197881	3D16	15	160 - 37	N207973	3B15	13	150 - 3	N273067	2F15	1	90 - 32
N197882	3D16	8	160 - 37	N208025	3B15	16	150 - 3	N273068	2F15	7	90 - 32
N197974	3D16	22	160 - 37	N208929	1I6	8	50 - 31	N273070	2F15	6	90 - 32
N198135	3D16	5	160 - 37	N208929	1I16	29	50 - 41	N273085	1F15	5	40 - 21
N198140	2H21	11	110 - 11	N208934	3B4	11	140 - 7	N273145	3B23	14	150 - 11
N198275	3F4	6	170 - 15	N212383	2H15	40	110 - 5	N273145	3B25	14	150 - 13
N198287	2I14	21	110 - 29	N217966	2I20	23	110 - 35	N273181	3E24	4	170 - 11
N198287	2I16	21	110 - 31	N220584	2C17	16	80 - 8	N273218	3B12	20	140 - 15
N198472	3B4	5	140 - 7	N220585	2C17	2	80 - 8	N273302	2H13	21	110 - 3
N198473	3B4	10	140 - 7	N220693	1J20	25	60 - 29	N273302	2H15	21	110 - 5
N198582	3B17	14	150 - 5	N220695	1J20	13	60 - 29	N273302	2J18	36	120 - 15
N198631	1D13	6	20 - 60	N220699	1K2	1	60 - 35	N273303	2J18	32	120 - 15
N198634	3E16	12	170 - 3	N220705	1J22	5	60 - 31	N273309	2K2	12	120 - 23
N198646	2H17	5	110 - 7	N220706	1K2	7	60 - 35	N273348	2J18	14	120 - 15
N198646	2H19	5	110 - 9	N220710	1J17	10	60 - 25	N273349	2H13	18	110 - 3
N198647	2H17	5	110 - 7	N220914	2C17	12	80 - 8	N273349	2H15	18	110 - 5
N198647	2H19	5	110 - 9	N220940	1I14	15	50 - 39	N273350	2H21	4	110 - 11
N198650	2H17	5	110 - 7	N221194	3E8	34	160 - 53	N273351	2H13	16	110 - 3
N198650	2H19	5	110 - 9	N221372	2E14	32	90 - 7	N273351	2H15	16	110 - 5
N198712	2E4	2	80 - 47	N221831	1F13	10	40 - 19	N273351	2H21	19	110 - 11
N198712	2I10	18	110 - 25	N221831	2D25	32	80 - 43	N273462	2B13	26	70 - 11
N198712	2I12	18	110 - 27	N221921	3E16	6	170 - 3	N273477	2B23	21	70 - 21
N198724	2J22	2	120 - 19	N222607	2B7	2	70 - 5	N273477	3C3	33	150 - 17
N198746	2K6	8	120 - 27	N222607	2K14	25	130 - 5	N273496	1D18	3	30 - 1
N198763	2E2	12	80 - 45	N222612	2B7	1	70 - 5	N273543	3C23	22	160 - 19
N198764	2E2	8	80 - 45	N222612	2K14	26	130 - 5	N273543	3D8	20	160 - 29
N198812	3C3	25	150 - 17	N231749	2J6	2	120 - 3	N273546	2J8	2	120 - 5
N198886	3B20	15	150 - 9	N235854	3C3	13	150 - 17	N273547	2J8	3	120 - 5
N198934	3E16	2	170 - 3	N240083	2D17	15	80 - 35	N273580	2I18	12	110 - 33
N199131	3B20	7	150 - 9	N240663	1J20	1	60 - 29	N273658	2J20	5	120 - 17
N199131	3B21	6	150 - 9A	N271002	1B5	..	20 - 1	N273659	2J20	5	120 - 17
N199289	2I18	30	110 - 33	N271002	2H11	..	110 - 1	N273690	2J18	1	120 - 15
N199632	2H21	20	110 - 11	N271002	2H13	..	110 - 3	N273690	2J18	2	120 - 15
N199790	2D7	6	80 - 25	N271002	2H15	..	110 - 5	N273707	3C23	20	160 - 19
N199879	2I18	11	110 - 33	N272051	2I14	10	110 - 29	N273707	3D8	15	160 - 29
N199886	2I18	22	110 - 33	N272051	2I16	13	110 - 31	N273714	3B23	5	150 - 11
N199920	1H13	8	50 - 11	N272312	2C21	22	80 - 13	N273714	3B25	5	150 - 13
N202634	2C22	7	80 - 14	N272366	2H13	1	110 - 3	N273730	1H21	2	50 - 21
N202725	3B4	13	140 - 7	N272366	2H15	1	110 - 5	N273730	1H21	15	50 - 21
N202734	1E4	2	30 - 11	N272377	2H13	25	110 - 3	N273742	1H5	11	50 - 3
N202859	3B15	29	150 - 3	N272377	2H15	25	110 - 5	N273742	1H13	15	50 - 11
N202894	2F20	33	90 - 37	N272405	2H13	26	110 - 3	N273744	1E2	6	30 - 9
N202901	1F23	7	40 - 29	N272405	2H15	26	110 - 5	N273759	1D2	2	20 - 49
N202989	1E4	3	30 - 11	N272430	2H23	3	110 - 13	N273764	3C21	7	160 - 17
N202989	3A24	18	140 - 3	N272430	2H25	3	110 - 15	N273764	3D6	7	160 - 27
N202989	3B6	46	140 - 9	N272482	2K6	17	120 - 27	N273767	3D10	1	160 - 31
N203094	3A24	3	140 - 3	N272482	2K9	1	120 - 30	N273782	3B23	28	150 - 11
N203163	3A24	5	140 - 3	N272557	3E16	5	170 - 3	N273782	3B25	28	150 - 13
N203163	3B2	3	140 - 5	N272730	2J12	18	120 - 9	N273790	3C23	5	160 - 19

CLICK HERE TO **DOWNLOAD** THE COMPLETE MANUAL

- Thank you very much for reading the preview of the manual.
- You can download the complete manual from: www.heydownloads.com by clicking the link below



- Please note: If there is no response to CLICKING the link, please download this PDF first and then click on it.

CLICK HERE TO **DOWNLOAD** THE COMPLETE MANUAL