

HP8673

-UN-23JUN99



*JOHN DEERE 9650 STS SELF-PROPELLED COMBINE™ WITH 90 SERIES CORN HEAD
MANUFACTURED (1999-)*

(SPECIFICATIONS AND DESIGN SUBJECT TO CHANGE WITHOUT NOTICE)

COPYRIGHT (C) 2000. DEERE & COMPANY. MOLINE, ILLINOIS, USA. ALL RIGHTS RESERVED.

CLICK HERE TO **DOWNLOAD** THE COMPLETE MANUAL

- Thank you very much for reading the preview of the manual.
- You can download the complete manual from: www.heydownloads.com by clicking the link below



- Please note: If there is no response to CLICKING the link, please download this PDF first and then click on it.

CLICK HERE TO **DOWNLOAD** THE COMPLETE MANUAL

ALPHABETICAL INDEX - CONTINUED

GRID		PAGE	GRID		PAGE
1H4	BATTERIES AND CABLES	40 - 51	1G17	BLADE, WIPER (LONG)	40 - 40
1C21	BEARING KIT, UNDERSIZED MAIN BEARING CRANKSHAFT	25 - 13	3F16	BLADES, CLEANING FAN ASSEMBLY	125 - 16
4D16	BEARING, BOGEY WHEEL (RUBBER TRACK)	160 - 16	3H18	BLADES, STRAW SPREADER	135 - 18
4D14	BEARING, BOGEY WHEEL AXLE (RUBBER TRACK)	160 - 14	1C14	BLOCK, SHORT	25 - 6
3E8	BEARING, ROTOR	120 - 13	3B10	BLOWER AIR DUCT	95 - 4
3H22	BEARING, STRAW SPREADER	135 - 22	3B10	BLOWER FAN, AIR CONDITION AND HEATER	95 - 4
1C22	BEARING, THRUST	25 - 14	4D16	BOGEY WHEEL ASSEMBLY (RUBBER TRACK)	160 - 16
3F4	BEARINGS, AUGER BED	125 - 4	4D14	BOGEY WHEEL AXLES (RUBBER TRACK)	160 - 14
2C20	BEARINGS, CAM LOBE MOTOR	50 - 40	1D2	BOLTS, CYLINDER HEAD	25 - 20
3F19	BEARINGS, CLEANING FAN	125 - 20	3G5	BOOT ASSEMBLY, CLEAN GRAIN ELEVATOR	130 - 8
2C6	BEARINGS, FINAL DRIVE	50 - 24	4D17	BOX, GEAR, TRANSFER (RUBBER TRACK)	160 - 18
4D13	BEARINGS, IDLER WHEEL (RUBBER TRACK)	160 - 12	2I12	BOX, TOOL	80 - 38
1C22	BEARINGS, MAIN	25 - 14	3C15	BRACE, FIXED SPEED FEEDER HOUSE DRIVE TIGHTENER	110 - 14
2B24	BEARINGS, TRANSMISSION	50 - 16	3H12	BRACE, STRAW CHOPPER JACKSHAFT	135 - 12
2C1	BEARINGS, TRANSMISSION PINION SHAFT	50 - 18	3C13	BRACE, VARIABLE SPEED FEEDER HOUSE DRIVE TIGHTENER	110 - 12
3E19	BEATER ASSEMBLY, DISCHARGE	120 - 26	2B11	BRACKET, ADJUSTABLE REAR AXLE (NON-POWERED)	50 - 3
3F2	BED ASSEMBLY, AUGER	125 - 2	2B10	BRACKET, ADJUSTABLE REAR AXLE (POWERED)	50 - 2
2J20	BELLCRANK, FEEDER HOUSE REVERSER FOOT CONTROL	90 - 32	1E24	BRACKET, AIR CLEANER	30 - 20
4D23	BELT AND DRIVE WHEEL (RUBBER TRACK)	160 - 24	1H9	BRACKET, ALTERNATOR (185 AMP)	40 - 56
2F21	BELT PICKUP/REEL DRIVE, PUMP MOUNTING SHEAVE	70 - 26	1H7	BRACKET, ALTERNATOR (95 AMP)	40 - 54
1H9	BELT, ALTERNATOR (185 AMP)	40 - 56	3B8	BRACKET, ATC CONTROLLER	95 - 2
1H7	BELT, ALTERNATOR (95 AMP)	40 - 54	3F4	BRACKET, AUGER BED SHAFT	125 - 4
4F6	BELT, CLEAN GRAIN ELEVATOR	170 - 28	2E8	BRACKET, BRAKE CABLE SUPPORT	60 - 13
3K1	BELT, CLEAN GRAIN ELEVATOR DRIVE TIGHTENER AND IDLER	140 - 48	2E1	BRACKET, BRAKE LINES	60 - 6
4F6	BELT, CLEANING FAN	170 - 28	2J1	BRACKET, CAB GLASS	90 - 12
3J16	BELT, CLEANING FAN DRIVE	140 - 38	2I20	BRACKET, CAB REAR SIDE PANELS	90 - 6
3H12	BELT, COUNTERSHAFT	135 - 12	3G5	BRACKET, CLEAN GRAIN ELEVATOR BOOT ASSEMBLY	130 - 8
4F8	BELT, COUNTERSHAFT, DISCHARGE BEATER AND CHOPPER	170 - 30	3F23	BRACKET, CLEAN GRAIN LOWER AUGER	130 - 2
3H12	BELT, DISCHARGE BEATER	135 - 12	3F17	BRACKET, CLEANING FAN	125 - 18
3J24	BELT, ELEVATOR DRIVE JACKSHAFT ASSEMBLY	140 - 46	4C5	BRACKET, CROSS AUGERS	150 - 24
3J17	BELT, FAN DRIVE	140 - 39	4C11	BRACKET, DISPLAY YIELD MAPPING	155 - 4
4F6	BELT, FEED ACCELERATOR	170 - 28	3I7	BRACKET, ENGINE GEARCASE OIL FILTER ASSEMBLY	140 - 4
3J10	BELT, FEED ACCELERATOR DRIVE IDLER	140 - 32	1H15	BRACKET, FEEDER HOUSE BACKSHAFT SPEED SENSOR	40 - 62
3C17	BELT, FEEDER HOUSE DRIVE TIGHTENER	110 - 16	2G5	BRACKET, FEEDER HOUSE GEARCASE OIL COOLER	70 - 34
3C17	BELT, HEADER AND REEL PUMP (HI-CAPACITY)	110 - 16	3D3	BRACKET, FEEDER HOUSE UPPER SHAFT	110 - 26
3C17	BELT, HEADER AND REEL PUMP (STANDARD)	110 - 16	2B9	BRACKET, FIXED REAR AXLE (NON-POWERED)	50 - 1
3J7	BELT, HEADER ELECTROMAGNETIC CLUTCH (HI-CAPACITY)	140 - 28	3C15	BRACKET, FIXED SPEED FEEDER HOUSE DRIVE TIGHTENER	110 - 14
3J7	BELT, HEADER ELECTROMAGNETIC CLUTCH (STANDARD)	140 - 28	2J22	BRACKET, GEARSHIFT LEVER	90 - 34
4F6	BELT, R.H. JACKSHAFT (FRONT)	170 - 28	3J7	BRACKET, HEADER ELECTROMAGNETIC CLUTCH	140 - 28
4F6	BELT, R.H. JACKSHAFT (REAR)	170 - 28	4C3	BRACKET, HORIZONTAL UNLOADING AUGER SWIVEL	150 - 22
1B10	BELT, ROTARY SCREEN	20 - 4	2I19	BRACKET, HORN ASSEMBLY	90 - 4
1B8	BELT, ROTARY SCREEN DRIVE	20 - 2	3D9	BRACKET, IDLER, FEEDER CONVEYOR	110 - 32
4F10	BELT, ROTARY SCREEN DRIVE (ENGINE SIDE)	170 - 32	2B24	BRACKET, INPUT SHAFT	50 - 16
4F10	BELT, ROTARY SCREEN DRIVE (SCREEN SIDE)	170 - 32	1H23	BRACKET, L.H. FRONT LIGHT	40 - 70
3I19	BELT, SEPARATOR DRIVE VARIABLE SPEED	140 - 16	2K7	BRACKET, LADDER EXTENSION ASSEMBLY	90 - 44
4F6	BELT, SHOE FAN AND CONVEYOR AUGERS	170 - 28	1I5	BRACKET, LIGHT SWITCH	40 - 77
3H12	BELT, STRAW CHOPPER	135 - 12	3G20	BRACKET, LOWER TAILINGS AUGER	130 - 24
3H12	BELT, STRAW CHOPPER JACKSHAFT	135 - 12	2F17	BRACKET, MAIN HYDRAULIC FILTER	70 - 22
4F8	BELT, STS VARIABLE BELT	170 - 30	4C13	BRACKET, MASS FLOW SENSOR YIELD MAPPING	155 - 6
4F6	BELT, TAILINGS AUGER AND ELEVATOR	170 - 28	1I6	BRACKET, MOISTURE SENSOR	40 - 78
3K4	BELT, UNLOADING AUGER COUNTERSHAFT DRIVE	140 - 52	4C15	BRACKET, MOISTURE SENSOR YIELD MAPPING	155 - 8
4F8	BELT, UNLOADING AUGER SYSTEM	170 - 30	2G12	BRACKET, ONE HALF GALLON ACCUMULATOR	70 - 41
3G14	BELT, UPPER TAILINGS ELEVATOR	130 - 18	4C9	BRACKET, POSITION RECEIVER YIELD MAPPING	155 - 2
3C4	BELT, VARIABLE SPEED FEEDER HOUSE (HI-CAPACITY)	110 - 2	3J8	BRACKET, PRIMARY COUNTERSHAFT	140 - 30
3C4	BELT, VARIABLE SPEED FEEDER HOUSE (STANDARD)	110 - 2			
3H8	BLADE, STRAW CHOPPER ROTOR	135 - 8			

ALPHABETICAL INDEX - CONTINUED

<i>GRID</i>		<i>PAGE</i>	<i>GRID</i>		<i>PAGE</i>
3G18	LEVER, TAILINGS ELEVATOR.....	130 - 22	3I15	MAIN GEARCASE (CONTINUED)	140 - 12
2F19	LIFT CYLINDER, HEADER, HYDRAULIC	70 - 24	3I11	MAIN GEARCASE (9650 STS)	140 - 8
1D6	LIFT STRAPS, ENGINE.....	25 - 24	3I13	MAIN GEARCASE (9750 STS)	140 - 10
3C3	LIFT SUPPORT, FEEDER HOUSE.....	110 - 1	2E22	MAIN HYDRAULIC PUMP.....	70 - 2
1I5	LIGHT SWITCH AND BRACKET	40 - 77	3B17	MANIFOLD, A/C COMPRESSOR, R134A	95 - 11
1I8	LIGHT, CLEANING SHOE INSPECTION	40 - 80	2C22	MANIFOLD, CAM LOBE MOTOR	50 - 42
1H23	LIGHT, L.H. FRONT.....	40 - 70	1D25	MANIFOLD, EXHAUST	25 - 46
1H24	LIGHT, R.H. FRONT	40 - 71	1D21	MANIFOLD, INTAKE	25 - 42
1H25	LIGHT, REAR, AMBER	40 - 72	1D19	MANIFOLD, WATER, FRONT	25 - 40
2I17	LIGHT, SERVICE, CAB SUPPORT.....	90 - 2	2D16	MANIFOLD, 4-WHEEL DRIVE CASE DRAIN HYDRAULIC LINES.....	50 - 62
2H13	LIGHT, SERVICE, L.H. GULLWING	80 - 12	2D12	MANIFOLDS, 4-WHEEL DRIVE HYDRAULIC LINES AND HOSES L.H.	50 - 58
2H15	LIGHT, SERVICE, L.H. REAR GULLWING	80 - 14	4C13	MASS FLOW SENSOR YIELD MAPPING	155 - 6
2H21	LIGHT, SERVICE, R.H. GULLWING.....	80 - 20	4C13	MASS FLOW SENSOR BRACKET YIELD MAPPING	155 - 6
2H17	LIGHT, SERVICE, REAR WALL	80 - 16	4C13	MASS FLOW SENSOR DOOR YIELD MAPPING	155 - 6
1H21	LIGHT, UNLOADING AUGER	40 - 68	2E3	MASTER BRAKE CYLINDER	60 - 8
1H22	LIGHTS, CAB ROOF	40 - 69	3G18	MATERIAL SENSOR AND COVERS, TAILINGS ELEVATOR	130 - 22
1I1	LIGHTS, REAR TURN AND TAIL.....	40 - 73	2K8	MIRROR, L.H.	90 - 46
1I2	LIGHTS, SIDE FINDER	40 - 74	2K10	MIRROR, R.H.	90 - 48
1I3	LIGHTS, TRANSPORT WARNING	40 - 75	4C11	MOBILE PROCESSOR YIELD MAPPING	155 - 4
3H18	LIMIT CURTAIN, STRAW SPREADER.....	135 - 18	3E9	MODULE RAILS, SEPARATOR	120 - 14
3H20	LIMIT CURTAINS, STRAW SPREADER SHIELDS	135 - 20	1H1	MODULE, CENTRAL ELECTRONICS AND CIRCUIT BOARDS	40 - 48
1E8	LINE, INJECTION PUMP LUBE	30 - 4	4C19	MODULE, DATASTORE	155 - 12
1C18	LINER O-RINGS.....	25 - 10	4C21	MODULE, DATASTORE	155 - 14
1C18	LINER SHIM.....	25 - 10	2F13	MODULE, SIX STACK SOLENOID CONTROL VALVE ASSEMBLY & MOUNTINGS.....	70 - 18
1C18	LINERS, CYLINDER	25 - 10	2J24	MODULES, R.H. CORNERPOST DISPLAY PANEL	90 - 36
2D10	LINES AND HOSES, HYDROSTATIC OIL COOLER.....	50 - 56	1I6	MOISTURE SENSOR	40 - 78
2D12	LINES AND HOSES, L.H. 4-WHEEL DRIVE HYDRAULIC.....	50 - 58	4C15	MOISTURE SENSOR YIELD MAPPING	155 - 8
2F3	LINES AND HOSES, WET CLUTCH OIL COOLER,	70 - 8	4C15	MOISTURE SENSOR BRACKET YIELD MAPPING	155 - 8
2D14	LINES AND HOSES, 4-WHEEL DRIVE	50 - 60	4C15	MOISTURE SENSOR COVER YIELD MAPPING	155 - 8
2D17	LINES, DRIVE, TWO-WHEEL DRIVE.....	50 - 64	4C17	MOISTURE SENSOR COVERS YIELD MAPPING	155 - 10
1E14	LINES, FUEL FILTER	30 - 10	4C17	MOISTURE SENSOR COVERS - YIELD MAPPING W/O MOISTURE SENSOR	155 - 10
1E6	LINES, FUEL INJ.....	30 - 2	4C22	MOISTURE SENSOR DECALS YIELD MONITOR.....	155 - 15
1E6	LINES, FUEL LEAK-OFF.....	30 - 2	4C15	MOISTURE SENSOR MOTOR YIELD MAPPING	155 - 8
1E8	LINES, FUEL LEAK-OFF	30 - 4	4C15	MOISTURE SENSOR MOTOR HARNESS YIELD MAPPING	155 - 8
2D6	LINES, OIL, HYDROSTATIC DRIVE, LOWER (TWO WHEEL DRIVE)	50 - 52	1G19	MONITOR SYSTEM, GRAIN LOSS	40 - 42
2E24	LINES, PRESSURE, HYDRAULIC	70 - 4	2C19	MOTOR VALVE, HYDROSTATIC	50 - 39
1D23	LINES, TURBOCHARGER OIL	25 - 44	2G18	MOTOR, CHAFF SPREADER	70 - 47
2D14	LINES, 4-WHEEL DRIVE	50 - 60	1H18	MOTOR, CONCAVE ADJUSTING.....	40 - 65
2J22	LINKAGE, GEARSHIFT	90 - 34	1H19	MOTOR, CONCAVE ADJUSTING.....	40 - 66
3J17	LINKAGE, SPEED CONTROL.....	140 - 39	3E14	MOTOR, CONCAVE ADJUSTING ASSEMBLY	120 - 20
3G6	LOADING AUGER HOUSING, UPPER CLEAN GRAIN	130 - 10	3E16	MOTOR, CONCAVE ADJUSTING ASSEMBLY	120 - 22
3G12	LOADING AUGER SPOUT ASSEMBLY	130 - 16	2C17	MOTOR, HYDROSTATIC DRIVE	50 - 36
3G10	LOADING AUGER, CLEAN GRAIN	130 - 14	4C15	MOTOR, MOISTURE SENSOR YIELD MAPPING	155 - 8
3B13	LOUVER, AIR CONDITIONING AND HEATER	95 - 7	3B8	MOTOR, PRESSURE BLOWER	95 - 2
2J5	LOUVER, SEAT CONSOLE	90 - 16	3B10	MOTOR, RECIRCULATION BLOWER	95 - 4
1H20	LOW SHAFT SPEED SENSORS	40 - 67	1H18	MOTOR, SEPARATOR FAN DRIVE ADJUSTING	40 - 65
3F23	LOWER AUGER, CLEAN GRAIN	130 - 2	1H19	MOTOR, SEPARATOR FAN DRIVE ADJUSTING	40 - 66
4B17	LOWER GEARCASE, VERTICAL AUGER	150 - 12	1G17	MOTOR, WINDSHIELD WIPER (LONG)	40 - 40
2D6	LOWER HYDROSTATIC DRIVE OIL LINES AND HOSES (TWO WHEEL DRIVE)	50 - 52	2E21	MOUNTING, HYDRAULIC OIL RESERVOIR	70 - 1
3G20	LOWER TAILINGS AUGER.....	130 - 24			
3E19	LUBE HOSE, DISCHARGE BEATER ASSEMBLY.....	120 - 26			
2B24	LUBE PUMP, TRANSMISSION.....	50 - 16			
1C11	LUBRICANT, ELECTRICAL CONNECTOR, ENGINE	25 - 2			
1C11	LUBRICANT, VALVE STEM	25 - 2			
M					
1G21	MAGNETIC PICK-UP (ENGINE)	40 - 44			
1H20	MAGNETS, LOW SHAFT SPEED SENSOR	40 - 67			
1C12	MAIN BEARING CAPS	25 - 4			
1C22	MAIN BEARINGS.....	25 - 14			
4D5	MAIN FRAME PIVOT BUSHINGS (RUBBER TRACK) ..	160 - 4			
3I9	MAIN GEARCASE	140 - 6			

MEMORANDA

1B16

ENGINE ACCESSORIES

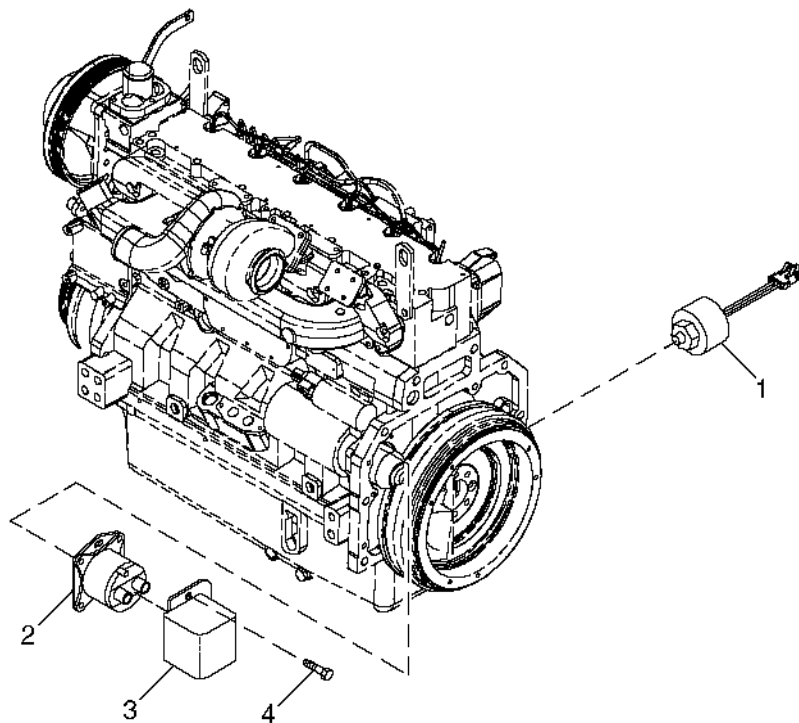
RADIATOR HOSES - CONTINUED

KEY	PART NO.	PART NAME	QTY	SERIAL NO.	9 9 6 7 5 5 0 0	REMARKS
1	RE52702	CLAMP	7		X X	
2	H168359	HOSE	3		X X	
3	H123297	CLAMP	1		X X	
4	19M7866	SCREW	1		X X	M8 X 20
5	H157046	LINE	1		X X	
6	H152403	HOSE	1		X X	
7	AH149629	TUBE	1		X X	
8	AR21999	HOSE CLAMP	4		X X	
9	AH147658	RADIATOR HOSE	1		X X	
10	AH147659	RADIATOR HOSE	1	-091442	X X	LOWER (2" WATER PUMP INLET)
	AH163519	RADIATOR HOSE	1	091443-	X X	LOWER (2.5" WATER PUMP INLET)
11	AT39141	HOSE CLAMP	1		X X	
12	AH156144	COOLANT TEMPERATURE SENSOR	1		X X	

1C1

START RELAY AND OIL PRESSURE SENSOR

HP8423 -UN-04JUN99



HP8423

9 9
6 7
5 5
0 0

KEY	PART NO.	PART NAME	QTY	SERIAL NO.	REMARKS
1	AH133896	SWITCH	1	X X	OIL PRESSURE
2	AH160279	RELAY	1	X X	
3	R113164	COVER	1	X X	
4	37H147	SCREW	2	X X	

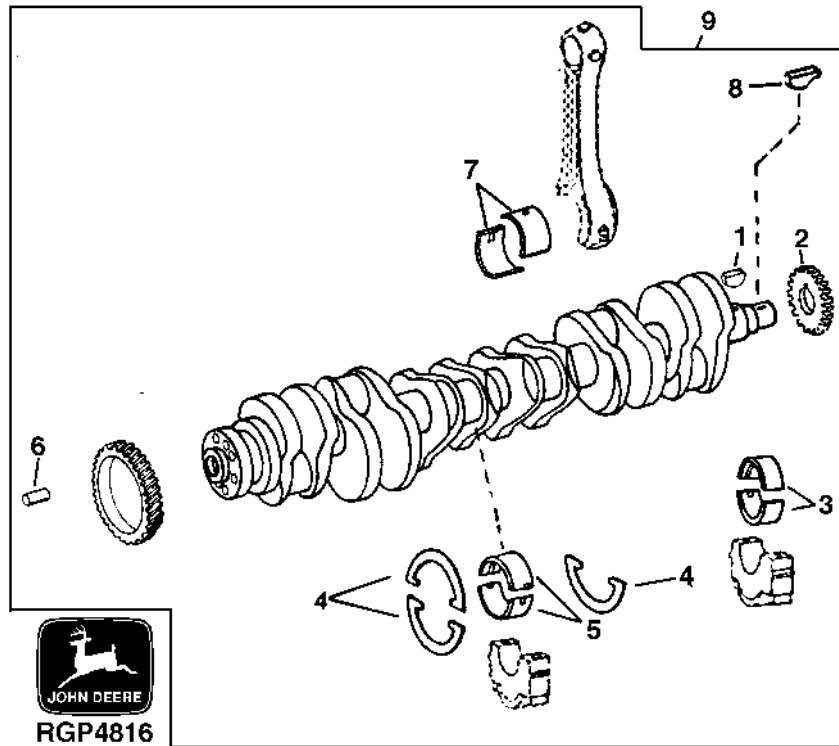
MEMORANDA

1C21

ENGINE

UNDERSIZE MAIN BEARING CRANKSHAFT AND BEARING KIT

RGP4816 -UN-21OCT96

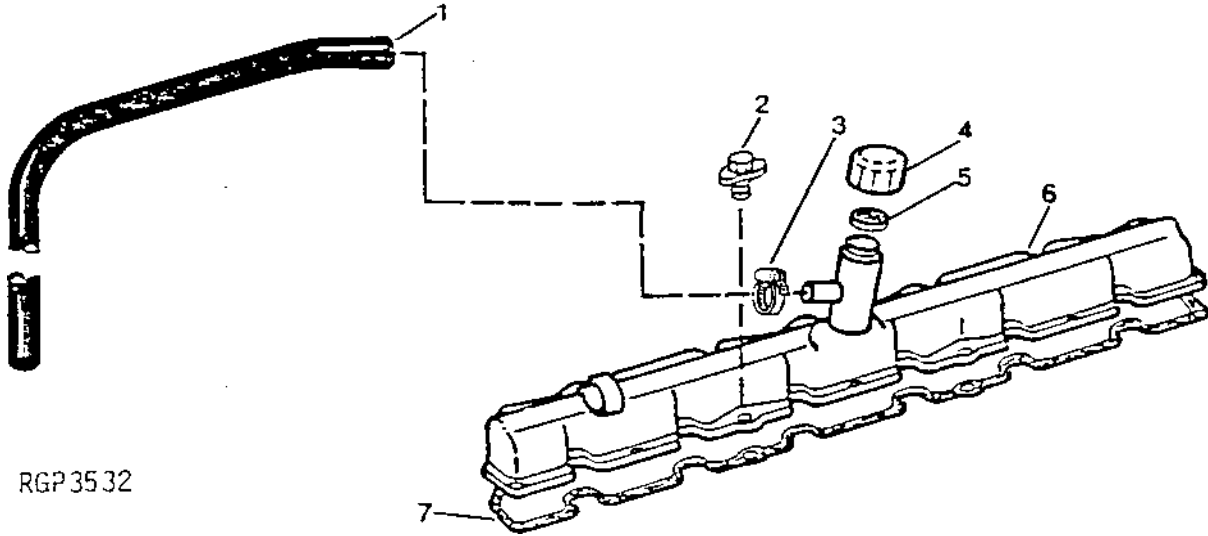


KEY	PART NO.	PART NAME	QTY	ENGINE		REMARKS
				SERIAL NO.		
				9	9	
				6	7	
				5	5	
				0	0	
1	R120752	KEY	1	X	X	1/8" X 0.625"
2	R104587	GEAR	1	X	X	
3	RE57172	BEARING	6	X	X	.292 MM (.011") US (PKG R121342 AND, R121346) (SUB RE504196)
4	RE504196	THRUST BEARING	6	X	X	.292MM (.011") US
	RE61851	THRUST WASHER	1	X	X	0.18 MM (.007") OS FLANGE (PKG (3) R124842)
5	RE57177	THRUST BEARING	1	X	X	.292 MM (.011") US (PKG R121350 AND, R121354) (SUB RE504199)
	RE504199	THRUST BEARING	1	X	X	.292MM (.011") US
6	R41934	DOWEL PIN	1	X	X	
7	R116081	BEARING	6	X	X	STD
8	R116311	KEY	1	X	X	
9	RE61268	CRANKSHAFT	1	X	X	(MARKED R122654 OR RE58781)

1D5

ENGINE

ROCKER ARM COVER
RGP3532 -UN-01JAN94



RGP 35 32

KEY	PART NO.	PART NAME	QTY	ENGINE SERIAL NO.	REMARKS
				9 9	
				6 7	
				5 5	
				0 0	
1	BULK HOSE	AR		X X (BULK)
2	AR100124	SCREW, WITH WASHER	8		X X
3	TY22467	CLAMP	1		X X
4	T20294	CAP	1		X X
5	T20328	GASKET	1		X X
6	AR93173	COVER	1		X X
7	R49866	GASKET	1		X X
..	TY24446	ADHESIVE	1		X X

1D13

ENGINE

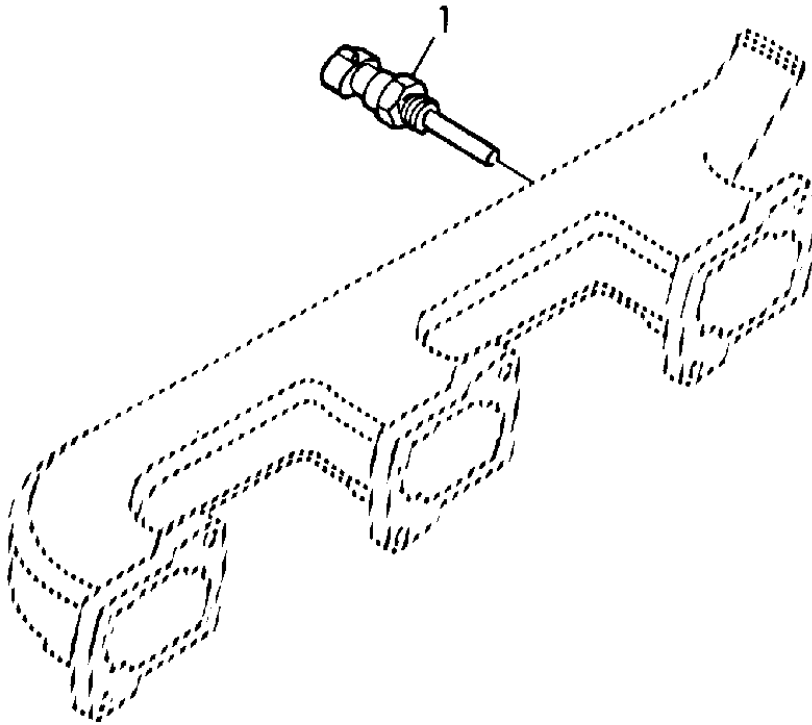
OIL FILTER - CONTINUED

KEY	PART NO.	PART NAME	QTY	ENGINE	REMARKS
				SERIAL NO.	
				9 9	
				6 7	
				5 5	
				0 0	
1	RE57561	CONNECTOR	1	X X	
2	R128694	BASE	1	X X	
3	R500055	VALVE	1	X X	
4	R98064	SPRING	1	X X	
5	U17409	O-RING	1	X X	
6	R117073	FITTING PLUG	1	X X	
7	R47153	O-RING	4	X X	
8	R86063	TUBE	2	X X	
9	RE57394	OIL FILTER	1	X X	(MARKED RE57399)
9A	R43660	PACKING	1	X X	
10	R129820	HOUSING	1	X X	
11	19H3239	CAP SCREW	1	X X	3/8" X 1-1/4"
12	R119847	GASKET	1	X X	
13	R124186	RELIEF VALVE	1	X X	
14	R500330	SPRING	1	X X	
15	U17409	O-RING	1	X X	
16	R129821	FITTING PLUG	1	X X	
17	19H3445	CAP SCREW	2	X X	3/8" X 3-3/4"
18	R104621	ADAPTER	1	X X	
19	19H3104	CAP SCREW	2	X X	7/16" X 1-1/4"
20	RE71255	PIPE PLUG	2	X X	

1D22

ENGINE

AFTERCOOLER AND INTAKE MANIFOLD
ZX016683 -UN-25FEB99



ZX 016683

KEY	PART NO.	PART NAME	QTY	SERIAL NO.	REMARKS
1	AH156145	SENSOR	1	9 9 6 7 5 5 0 0	X X

FUEL INJECTION NOZZLES / FUEL LINES - CONTINUED

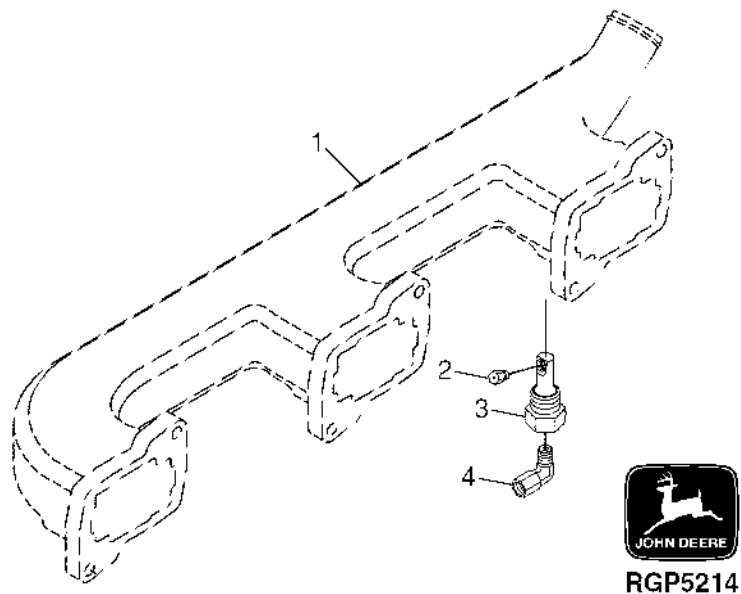
KEY	PART NO.	PART NAME	QTY	ENGINE		REMARKS
				SERIAL NO.		
					9 9	
					6 7	
					5 5	
					0 0	
1	RE57151	FUEL LINE	1		X X	NO. 6
2	RE57150	FUEL LINE	1		X X	NO. 5
3	RE57149	FUEL LINE	1		X X	NO. 4
4	R120185	BOLT	4		X X	
	R120181	STRAP	4		X X	
	R58186	CLAMP	8		X X	
	R120182	STRAP	4		X X	
5	RE57148	FUEL LINE	1		X X	NO. 3
6	RE502933	FUEL LINE	1		X X	NO. 2
7	RE502932	FUEL LINE	1		X X	NO. 1
8	R120186	BOLT	2		X X	
	R120183	STRAP	1		X X	
	R71212	CLAMP	1		X X	
	R59297	HALF CLAMP	2		X X	
	R120184	STRAP	1		X X	
9	R120186	BOLT	2		X X	
	R120183	STRAP	1		X X	
	R71212	CLAMP	1		X X	
	R59297	HALF CLAMP	2		X X	
	R120184	STRAP	1		X X	
10	R120185	BOLT	2		X X	
	R120183	STRAP	1		X X	
	R59297	HALF CLAMP	2		X X	
11	RE55662	ABSORBER	1		X X	
12	24H1884	WASHER	1		X X	13/32" X 13/16" X 0.120"
13	19M7166	CAP SCREW	1		X X	M10 X 20
14	RE63073	INJECTION NOZZLE	6		X	(HH005) ROBERT BOSCH (2 RED DOTS)
	RE57152	INJECTION NOZZLE	6		X	(HH006) ROBERT BOSCH (2 ORANGE DOTS)
	SE500182	INJECTION NOZZLE	6		X	(HH006) REMANUFACTURED
15	R84472	WASHER	6		X X	
16	T44604	O-RING	6		X X	
17	RE501970	CONNECTOR	6		X X	
18	R79604	TUBE NUT	6		X X	
19	R51936	PACKING	1		X X	
20	RE503256	FUEL LINE	1		X X	
21	RE500803	FUEL LINE	1		X X	
22	AR85519	PLUG	1		X X	
23	R51937	TUBE NUT	1		X X	

1E17

FUEL AND AIR

ETHER AID

RGP5214 -UN-11JUN99



KEY	PART NO.	PART NAME	QTY	ENGINE SERIAL NO.	9 9	REMARKS
					6 7	
					5 5	
					0 0	
1	R132290	INTAKE MANIFOLD	1		X X	
2	T155858	NOZZLE	1		X X	
3	R47160	NOZZLE HOLDER	1		X X	
4	RE21790	ELBOW FITTING	1		X X	

1F2

AIR CLEANER BRACKETS AND SUPPORTS - CONTINUED

KEY	PART NO.	PART NAME	QTY	SERIAL NO.	9 9 6 7 5 5 0 0	REMARKS
1	H168480	CHANNEL	1		X X	
2	H168935	PLATE	1		X X	
3	19M7867	SCREW	29		X X	M8 X 25
4	AH163786	CHANNEL	1		X X	
5	14M7298	FLANGE NUT	29		X X	M8
6	H169538	BRACKET	1		X X	
7	AH160025	SUPPORT	1		X X	
8	H166502	BRACKET	1		X X	
9	H164089	ANGLE	1		X X	
10	AH167670	CHANNEL	1		X X	(SUB FOR AH159366)
11	AH159487	SUPPORT	1		X X	
12	AH163886	BRACKET	1		X X	
13	AH159762	HANDLE	1		X X	
14	AH160116	CHANNEL	1		X X	
15	AH159488	SUPPORT	1		X X	
16	H165547	PLUG	1		X X	

ELECTRICAL CONNECTOR SERVICE KIT - CONTINUED

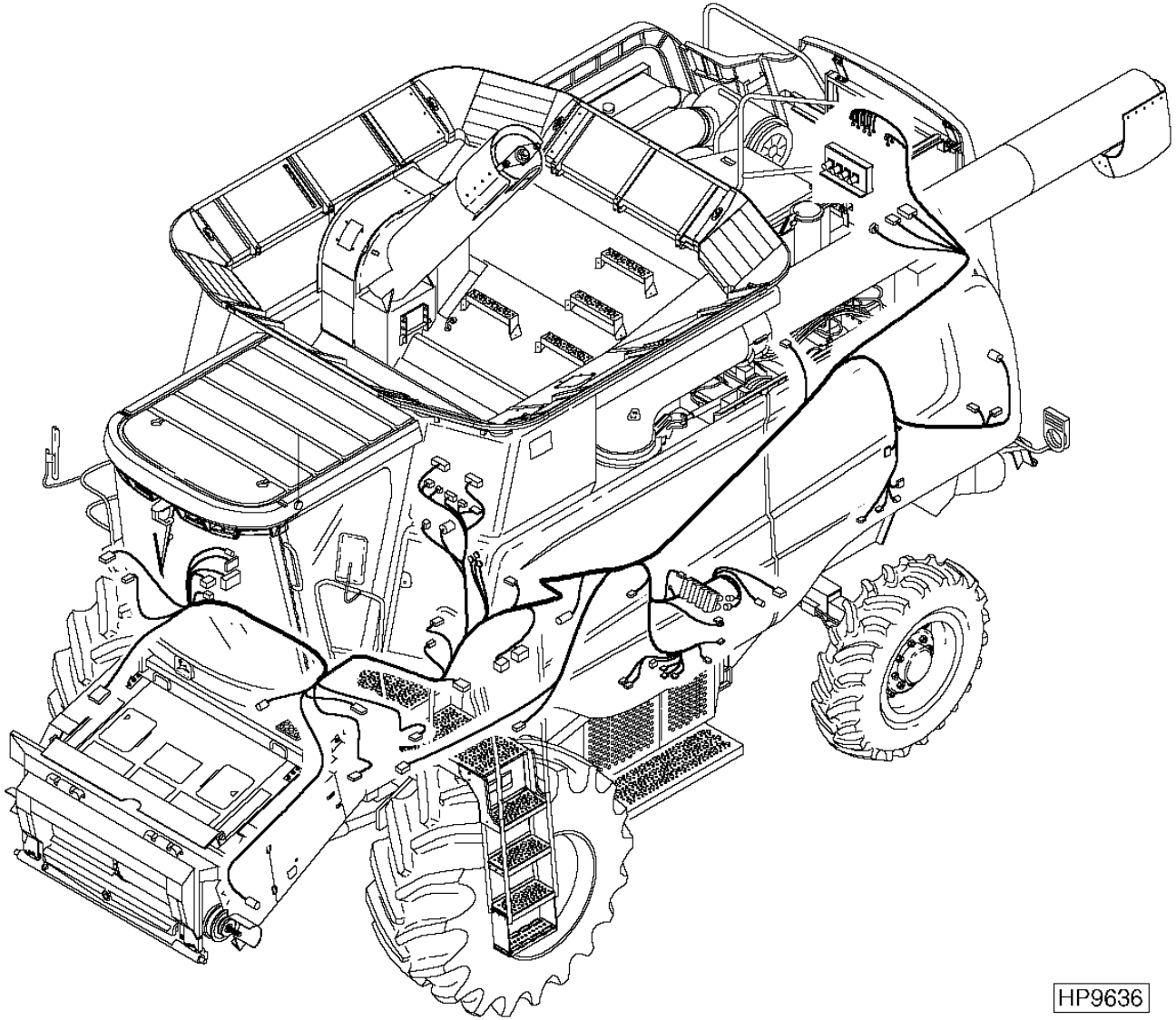
KEY	PART NO.	PART NAME	QTY	SERIAL NO.	REMARKS
				9 9	
				6 7	
				5 5	
				0 0	
35	R77469	TERMINAL	1	X X	(PKG. OF 5) 18 GA.
36	RE11156	TERMINAL	1	X X	(B) MALE
37	RE11157	TERMINAL	1	X X	(B) FEMALE
38	R70222	PIN CONTACT	1	X X	(D) (H)
39	R70221	ELECTRICAL PLUG	1	X X	(E)
40	R70219	PLUG	1	X X	(PKG. OF (2) R70218 AND (2) R70219) 10 WAY
	R70217	PLUG	1	X X	(PKG. OF (2) R70216 AND (2) R70217) 7 WAY
	R70215	PLUG	1	X X	(PKG. OF (2) R70214 AND (2) R70215) 4 WAY
	R70213	PIN CONTACT CONNECTOR BODY	1	X X	(PKG. OF (2) R70212 AND (2) R70213) 3 WAY
	R70211	CONNECTOR	1	X X	(PKG. OF (2) R70210 AND (2) R70211) 2 WAY
41	R70218	RECEPTACLE	1	X X	ORDER R70219 WHICH CONTAINS (2) R70218 AND (2) R70219
	R70216	RECEPTACLE	1	X X	ORDER R70217 WHICH CONTAINS (2) R70216 AND (2) R70217
	R70214	RECEPTACLE	1	X X	ORDER R70215 WHICH CONTAINS (2) R70214 AND (2) R70215
	R70212	RECEPTACLE	1	X X	ORDER R70213 WHICH CONTAINS (2) R70212 AND (2) R70213
	R70210	RECEPTACLE	1	X X	(ORDER R70211) ORDER R70211 WHICH CONTAINS (2) R70210 AND (2) R70211
42	AR91793	SOCKET CONTACT	1	X X	(D)
43	R30378	SPRING	1	X X	(C)
44	R77474	CONNECTOR	1	X X	(A) 6 WAY
45	R77470	TERMINAL	1	X X	SPLICE (PKG. OF 15) 16-18-20 OR 22 GA. WIRE
	R77471	TERMINAL	1	X X	(C) (G) SPLICE
	R77472	TERMINAL	1	X X	(A) SPLICE (8 GA. WIRE)
	R77473	TERMINAL	1	X X	(A) SPLICE (6 GA. WIRE)
46	R65607	TERMINAL	1	X X	(C) (18 OR 20 GA. WIRE)
47	U46664	TERMINAL	1	X X	(C) (F)
48	R32026	TERMINAL	1	X X	(D) (F)
49	R65602	SOCKET CONTACT	1	X X	(C) 16 OR 18 GA. WIRE
50	R70220	TERMINAL	1	X X	(C) 18 OR 20 GA. WIRE
51	R77489	TERMINAL	1	X X	(D) 14-16-18 OR 20 GA. WIRE; NO. 10 EYELET
	R77493	TERMINAL	1	X X	(D) (G) NO. 10 EYELET
	R77488	TERMINAL	1	X X	(D) 14-16-18 OR 20 GA. WIRE; 3/8" EYELET
	R77490	TERMINAL	1	X X	(D) (G) (1/2" EYELET)
52	R77496	TERMINAL	1	X X	(D) (F) NO. 8 SPADE
	R77495	TERMINAL	1	X X	(D) 18 GA. WIRE; NO. 10 SPADE
53	R77497	TERMINAL	1	X X	(D) (F) NO. 6 SPADE
54	R77491	TERMINAL	1	X X	(D) (G) 3/8" EYELET
	R77492	TERMINAL	1	X X	(D) (G) 1/4" EYELET
55	R77494	TERMINAL	1	X X	(D) 6 OR 8 GA. WIRE; 1/4" EYELET
56	R77502	TUBE	1	X X	(PKG. OF 8) 3/8", HEAT SHRINK
	R77503	TUBE	1	X X	(PKG. OF 8) 3/16", HEAT SHRINK
57	PM797NA	KIT	1	X X	

- (A) PKG. OF 2
- (B) PKG. OF 3
- (C) PKG. OF 10
- (D) PKG. OF 20
- (E) PKG. OF 25
- (F) 14 OR 16 GA. WIRE
- (G) 10 OR 12 GA. WIRE
- (H) 14-16 OR 18 GA. WIRE

1F21

ELECTRICAL

L.H. MAIN WIRING HARNESS - REFERENCE
 HP9636 -UN-27MAR00



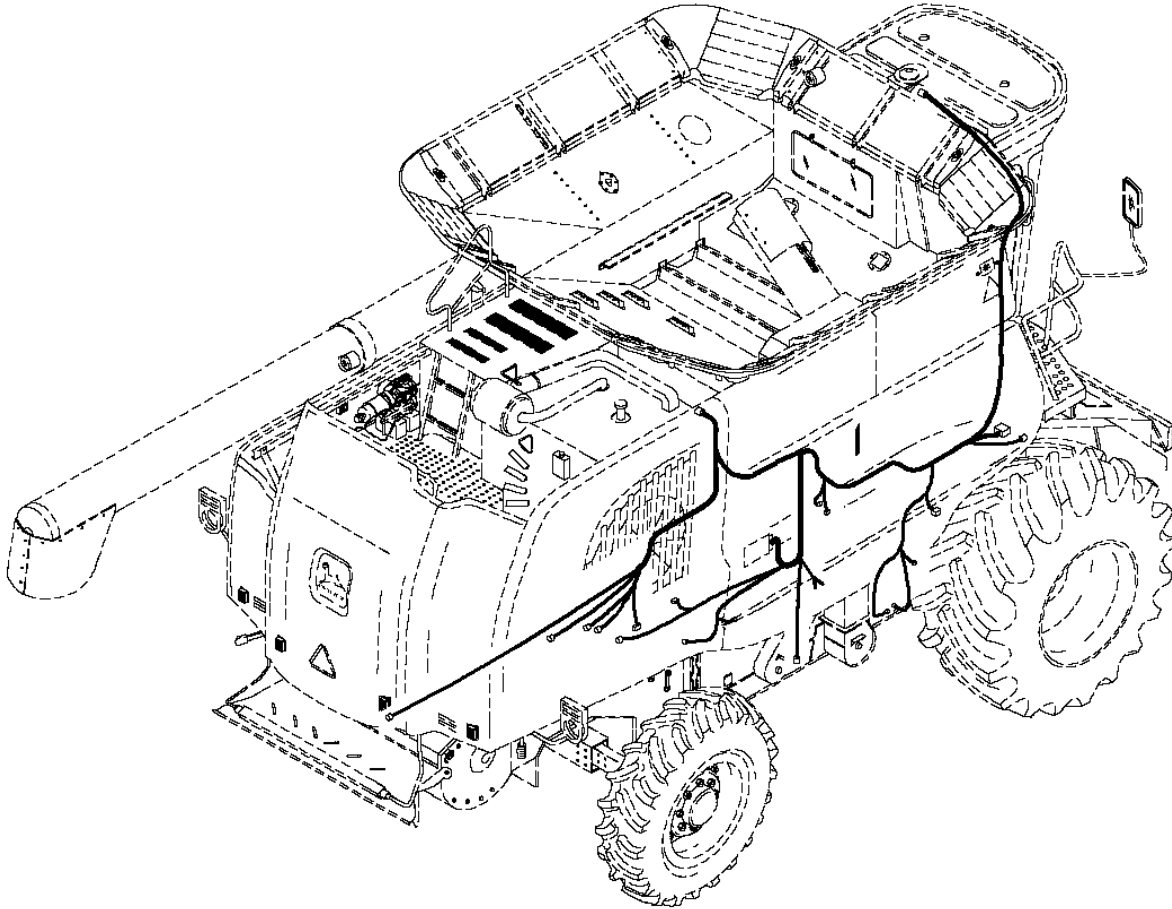
HP9636

KEY	PART NO.	PART NAME	QTY	SERIAL NO.	REMARKS
				9 9	
				6 7	
				5 5	
				0 0	
1	AH166986	WIRING HARNESS	1	X X	L.H. MAIN

1G4

ELECTRICAL

R.H. MAIN WIRING HARNESS W/GREENSTAR - REFERENCE
HP9628 -UN-24MAR00



HP9628

KEY	PART NO.	PART NAME	QTY	SERIAL NO.	REMARKS
				9 9 6 7 5 5 0 0	
1	AH166984	WIRING HARNESS	1	X X	

1G14

ELECTRICAL

AIR CONDITIONING WIRING HARNESS - CONTINUED

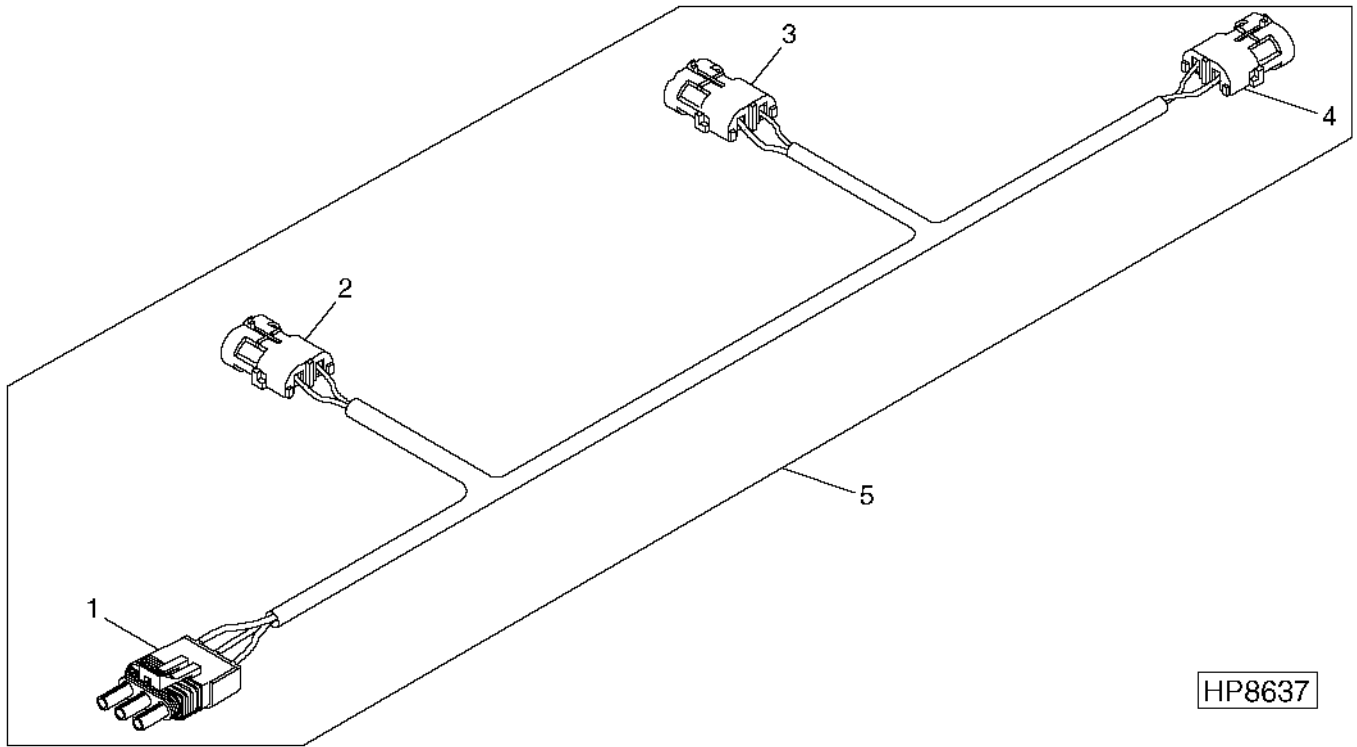
KEY	PART NO.	PART NAME	QTY	SERIAL NO.	REMARKS
				9 9	
				6 7	
				5 5	
				0 0	
1	57M8044	RECEPTACLE	1	X X	CAB WALL CONNECTOR
2	57M7118	TERMINAL	1	X X	MAIN GROUNDS
	57M7572	TERMINAL	1	X X	
3	T106409	CONNECTOR	1	X X	CONVENIENCE OUTLET
4	57M7144	RECEPTACLE CONNECTOR BODY	1	X X	AIR RIDE SEAT
5	CONNECTOR	1	X X	RECIRCULATING FAN MOTOR DRIVER
6	57M7813	RECEPTACLE	1	X X	OUTLET TEMPERATURE SENSOR
7	57M7813	RECEPTACLE	1	X X	AMBIENT AIR TEMPERATURE SENSOR
8	57M7538	RECEPTACLE CONNECTOR BODY	1	X X	CAN BUS TERMINATOR
	57M7540	INSULATING CAPSULE	1	X X	
9	CONNECTOR	1	X X	CONTROL MODULE
10	57M7144	RECEPTACLE CONNECTOR BODY	1	X X	PRESSURIZER FAN
11	57M7254	RECEPTACLE CONNECTOR BODY	1	X X	CORE TEMPERATURE PROBE
12	R78053	PIN CONTACT CONNECTOR BODY	1	X X	LOW PRESSURE SWITCH
13	57M7813	RECEPTACLE	1	X X	INLET AIR TEMPERATURE CONNECTOR
14	ET15766	CONNECTOR BODY,(PIN&SOCKET)	1	X X	PRESSURIZER FAN RELAY
15	RE12363	CONNECTOR	1	X X	DIAGNOSTIC SELECT
16	CONNECTOR	1	X X	WATER VALVE
17	CONNECTOR	1	X X	CAB MAIN
18	Z55272	ELECTRICAL PLUG	1	X X	ARMREST CAN BUS
19	57M7919	RECEPTACLE	1	X X	CAN BUS DIAGNOSTIC
	57M7923	INSULATING SLEEVE	1	X X	
20	RE70773	DEVICE	1	X X	CAN TERMINATOR (6 PIN)
21	AH166144	WIRING HARNESS	1	X X	AIR CONDITIONING

1G24

ELECTRICAL

FOLDING CHOPPER WIRING HARNESS

HP8637 -UN-11JUN99



HP8637

KEY	PART NO.	PART NAME	QTY	SERIAL NO.	REMARKS
				9 9	
				6 7	
				5 5	
				0 0	
1	CONNECTOR	1	X X	L.H. MAIN
2	CONNECTOR	1	X X	L.H. MAIN
3	CONNECTOR	1	X X	FOLDING CHOPPER ACTUATOR
4	CONNECTOR	1	X X	LSSM SENSOR
5	AH165883	WIRING HARNESS	1	X X	

1H10

ELECTRICAL

**ALTERNATOR, SHEAVE AND BELT - CONTINUED
(185 AMP)**

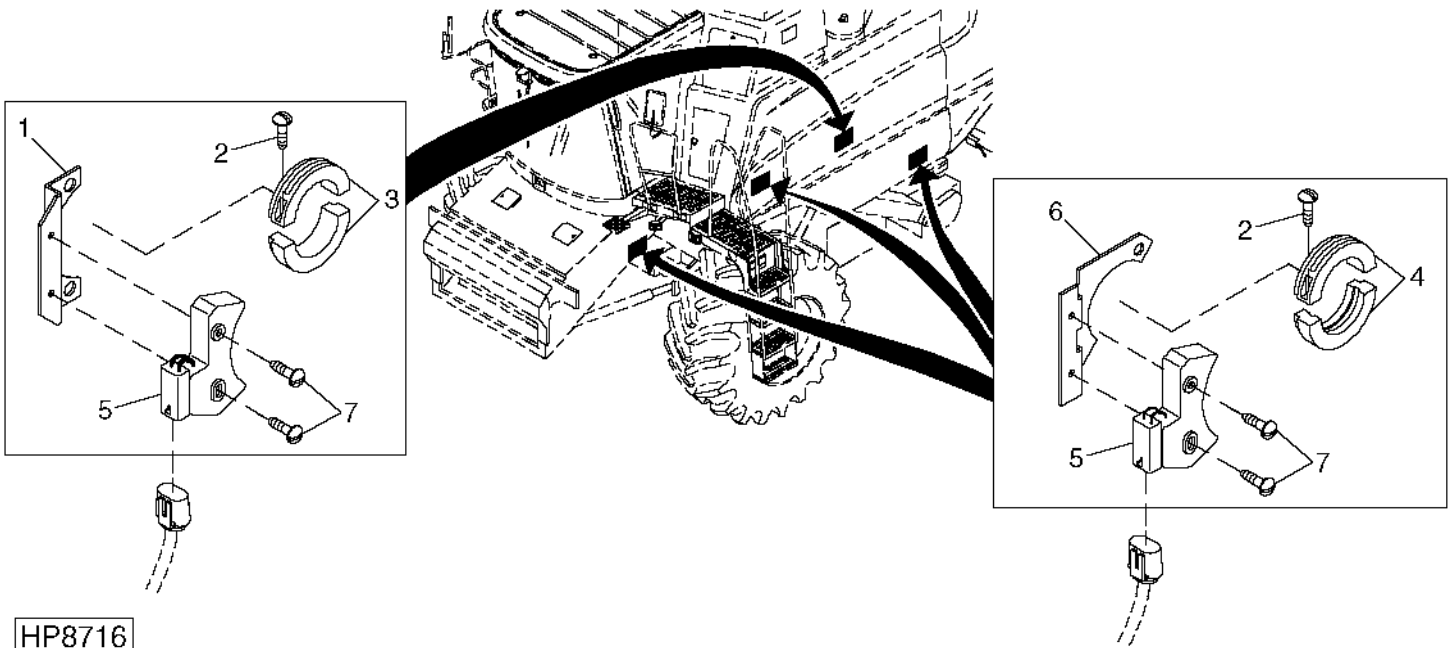
KEY	PART NO.	PART NAME	QTY	SERIAL NO.	REMARKS
				9 9	
				6 7	
				5 5	
				0 0	
1	AH148633	ALTERNATOR	1	X X	REMANUFACTURED
2	H166878	PULLEY	1	X X	
3	R135609	BELT	1	X X	
4	AH163488	SCREEN	1	X X	
5	R500608	BRACKET	1	X X	
6	24M7239	WASHER	3	X X	10.700 X 21 X 2.500 MM
7	14M7299	FLANGE NUT	2	X X	M12
8	14H650	NUT	1	X X	
9	19H3239	CAP SCREW	3	X X	3/8" X 1-1/4"
10	19H2472	CAP SCREW	1	X X	1/2" X 1"
11	19M7791	SCREW	1	X X	M12 X 40
12	19M7817	SCREW	1	X X	M12 X 70
13	AH154383	WIRING HARNESS	1	X X	
14	12H302	LOCK WASHER	1	X X	1/4"
15	14H860	NUT	1	X X	1/4"
16	19H2934	SCREW	1	X X	1/2" X 3/4"
17	24M7047	WASHER	1	X X	13 X 24 X 2.500 MM
18	24M7180	WASHER	1	X X	13 X 37 X 3 MM
19	24H1776	WASHER	1	X X	5/16" X 47/64" X 0.065"
..	AH167604	VOLTAGE REGULATOR	1	X X	
..	BH81579	COMPLETE GOODS/SHIP. BUNDLE	1	X X	185 AMP ALTERNATOR CONVERSION

1H20

ELECTRICAL

LOW SHAFT SPEED SENSORS AND BRACKETS

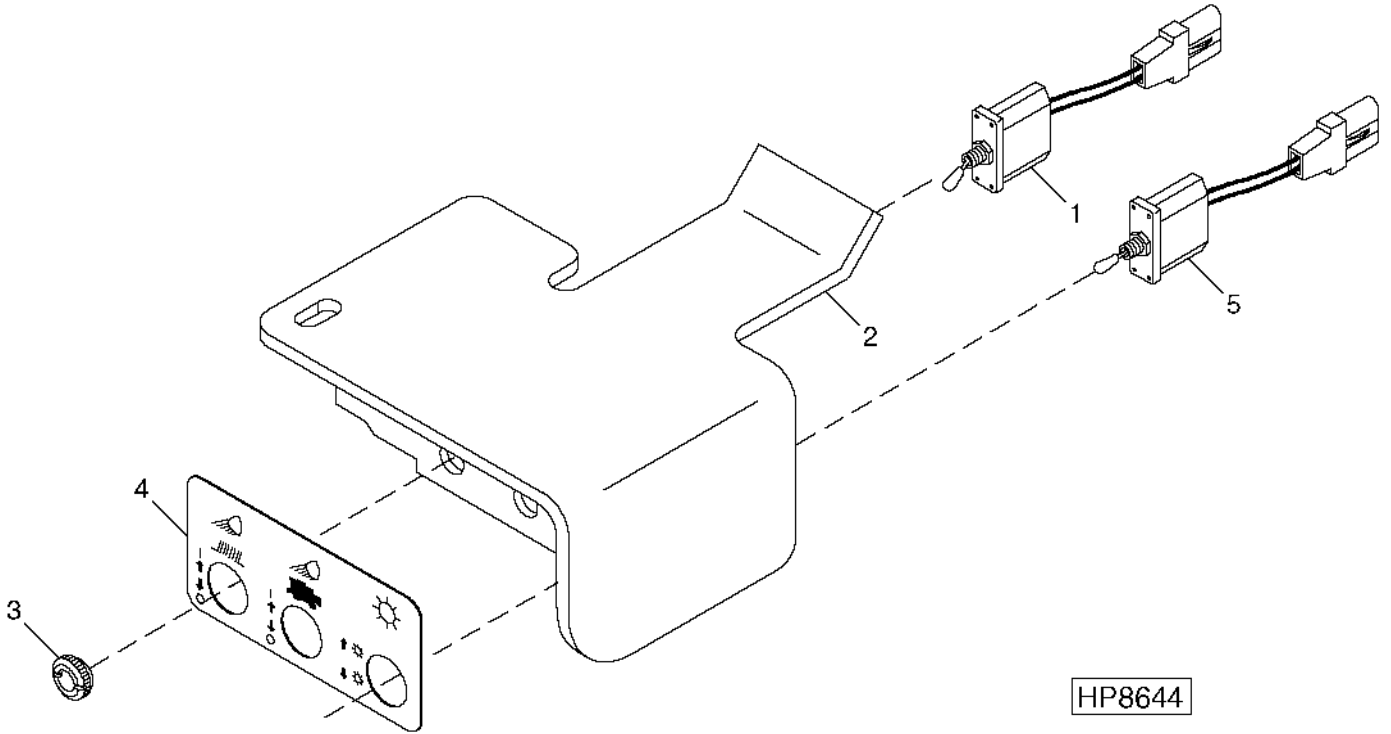
HP8716 -UN-25JUN99



HP8716

KEY	PART NO.	PART NAME	QTY	SERIAL NO.	REMARKS
				9 9	
				6 7	
				5 5	
				0 0	
1	H148270	BRACKET	2	X X	
2	H168924	SCREW	AR	X X	
3	AH161839	MAGNET	1	X X	LARGE SET
4	AH161838	MAGNET	1	X X	SMALL SET
5	AH131320	SWITCH	5	X X	
6	H148271	BRACKET	3	X X	
7	37M7077	SCREW	10	X X	4.8 X 32 MM

LIGHT SWITCH AND BRACKET
HP8644 -UN-27JUL99



HP8644

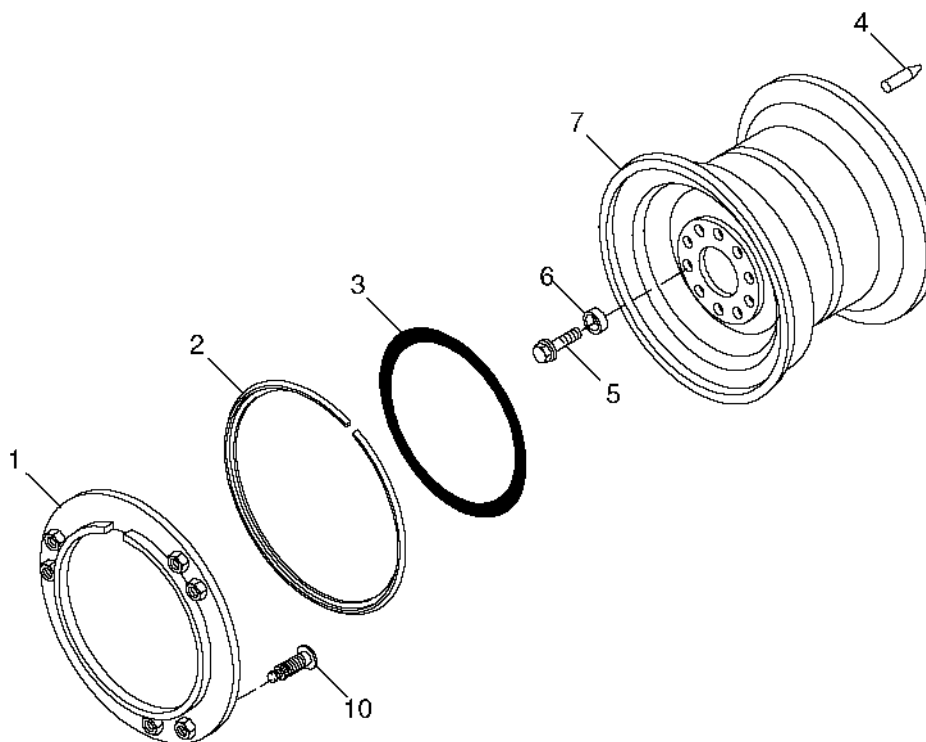
KEY	PART NO.	PART NAME	QTY	SERIAL NO.	REMARKS
				9 9	
				6 7	
				5 5	
				0 0	
1	AH158310	TOGGLE SWITCH	1	X X	
2	AH159266	BRACKET	1	X X	
3	H140248	NUT	1	X X	
4	H165560	LABEL	1	X X	
5	AH159283	TOGGLE SWITCH	1	X X	CHOPPER POSITION

2B15

HIGH FLOATION DRIVE WHEELS

HEAVY DUTY FINAL DRIVE

HP9718 -UN-18APR00



HP9718

KEY	PART NO.	PART NAME	QTY	SERIAL NO.	REMARKS
				9 9	
				6 7	
				5 5	
				0 0	
1	AH147544	FLANGE	1		X X
2	H105822	RING	1		X X
3	H111500	O-RING	1		X X
4	H138607	STUD	1		X X
5	H170072	SCREW	10		X X
6	H134114	SPACER	10		X X
7	AH147546	WHEEL	1		X X (32X44)
8	AT36212	TIRE VALVE STEM	1		X X
..	BH81148	COMPLETE GOODS/SHIP. BUNDLE	1		X X TIRE/WHEEL
..	BH81149	COMPLETE GOODS/SHIP. BUNDLE	1		X X TIRE/WHEEL
..	BH81537	COMPLETE GOODS/SHIP. BUNDLE	1		X X WHEEL BOLTS (FLOTATION TIRES)

NOTE: REFERENCE SECTION 170 FOR TIRE/WHEEL LABELS AND DECALS
 NOTE: QUANTITIES SHOWN ARE FOR ONE UNIT. TWO UNITS USED PER MACHINE.

2B25

POWER TRAIN

TRANSMISSION INPUT SHAFT, GEARS, LUBE PUMP AND BEARINGS - CONTINUED

KEY	PART NO.	PART NAME	QTY	SERIAL NO.	REMARKS
				9 9	
				6 7	
				5 5	
				0 0	
1	AH128528	ROTOR	1	X X	
2	H82234	PLATE	1	X X	LUBE PUMP PORT
3	H82232	WASHER	1	X X	(WAVE TYPE)
4	H82233	BUSHING	1	X X	
5	JD8257	BEARING CUP	1	X X	
6	AR94761	BEARING CONE	1	X X	
7	R394R	O-RING	8	X X	
8	H142030	HOUSING	1	X X	
9	19M7786	SCREW	3	X X	M10 X 30
10	15H638	PIPE PLUG	1	X X	1/8"
11	H131296	OIL TUBE	1	X X	
12	H132892	SHIM	AR	X X	0.076 (.003) THICK
	H132893	SHIM	AR	X X	0.127 (.005") THICK
	H132894	SHIM	AR	X X	0.508 (.02") THICK
13	TY6304	SEALANT	1	X X	PLASTIC GASKET
14	H131297	OIL TUBE	1	X X	
15	19M8162	CAP SCREW	1	X X	M10 X 40
16	AH125228	FITTING	1	X X	
17	R495R	O-RING	2	X X	
18	AH121580	SCREEN	1	X X	
19	AH20868	BREATHER	1	X X	
20	19M7844	SCREW	4	X X	M16 X 45
21	42M7029	STUD	4	X X	
22	H133165	BRACKET	1	X X	
23	JD8237	BEARING CUP	1	X X	
24	JD10182	BEARING CONE	1	X X	
25	P43969	SNAP RING	1	X X	
26	H129564	SHIFT COLLAR	1	X X	
27	H129565	SHIFT COLLAR	1	X X	THIRD GEAR
28	H135943	GEAR	1	X X	(36 TOOTH)
29	26M4228	SHAFT KEY	1	X X	8 X 28 MM
30	H75358	DOWEL PIN	1	X X	
31	H110539	ORIFICE	1	X X	
32	H133161	SHAFT	1	X X	INPUT WITH GEAR
	H143409	SHAFT	1	X X	INPUT WITH GEAR (EXPORT ONLY - AUSTRALIA)
33	R63308	O-RING	1	X X	
34	H129525	SPLINED COUPLING	1	X X	
35	M41029	SNAP RING	2	X X	
36	14M7299	FLANGE NUT	4	X X	M12
37	H142031	SLEEVE	1	X X	
..	TY9371	ADHESIVE	1	X X	HIGH STRENGTH 6 ML (0.2 OZ) TUBE
..	TY6304	SEALANT	1	X X	

HYDROSTATIC DRIVE CONTROL CABLE - CONTINUED

KEY	PART NO.	PART NAME	QTY	SERIAL NO.	REMARKS
				9 9	
				6 7	
				5 5	
				0 0	
1	14M7272	NUT	2	X X	M6
2	14M7260	NUT	5	X X	M16
3	24M7241	WASHER	5	X X	17 X 34 X 4 MM
4	AH147263	PUSH PULL CABLE	1	X X	
5	H142045	SUPPORT	1	X X	HEAVY DUTY
6	37M7131	SCREW	4	X X	M6 X 20
7	H126124	CLAMP	2	X X	
8	H126123	GASKET	1	X X	
9	19M7868	SCREW	1	X X	M8 X 30
10	AH80916	CLIP	3	X X	
11	AH106933	BALL JOINT	2	X X	
12	14M7298	FLANGE NUT	1	X X	M8
13	37M7058	SCREW	1	X X	M8 X 20
14	19M7867	SCREW	2	X X	M8 X 25
15	H168961	LOCK NUT	1	X X	
16	H168988	LEVER	1	X X	

2C18

POWER TRAIN

HYDROSTATIC DRIVE MOTOR - CONTINUED

KEY	PART NO.	PART NAME	QTY	SERIAL NO.	REMARKS
				9 9	
				6 7	
				5 5	
				0 0	
1	AH131388	PISTON	1	X X	
2	H63271	PIN	5	X X	
3	H135700	PLATE	1	X X	
4	AH131387	KIT	1	X X	
5	H138901	PLATE	1	X X	
6	H135702	GASKET	1	X X	
7	AH65358	BEARING	1	X X	
8	AH112678	SHIM	1	X X	
9	R77175	COVER	2	X X	
10	AH125760	HYD. QUICK-CONNECT COUPLER	2	X X	
11	R26448	O-RING	2	X X	
12	19H2347	CAP SCREW	6	X X	7/16" X 3"
13	COVER	1	X X	
14	19H1899	CAP SCREW	2	X X	7/16" X 2"
15	19H3352	SCREW	4	X X	5/16" X 1-1/4"
16	AH131392	KIT	1	X X	
17	SWASH PLATE	1	X X	
18	AH133662	SHAFT	1	X X	
19	JD7297	BEARING CUP	1	X X	
20	HOUSING	1	X X	
21	H135571	SEALING WASHER	2	X X	
22	19H3192	SCREW	2	X X	5/16" X 3"
23	U12547	O-RING	1	X X	
24	H64813	DOWEL PIN	1	X X	
25	15H558	PIPE PLUG	1	X X	1/8"
26	R27175	DRAIN PLUG	1	X X	
27	N196034	O-RING	2	X X	
28	SEAL	1	X X	
29	N191174	SPRING	6	X X	
30	U15415	O-RING	1	X X	
31	SEAL	1	X X	
32	T19832	O-RING	1	X X	
33	N126612	SNAP RING	1	X X	
34	AN193085	SEAL KIT	1	X X	
..	AH131390	HYDRAULIC MOTOR	1	X X	(INCLUDES AH141811) 105CC REMANUFACTURED

2D2

YOKE, PIVOTS AND CAPS - CONTINUED

KEY	PART NO.	PART NAME	QTY	SERIAL NO.	REMARKS
				9 9	
				6 7	
				5 5	
				0 0	
1	U11647	O-RING	2	X X	
2	R73102	WASHER	2	X X	
3	19H3031	CAP SCREW	2	X X	3/8" X 2-1/2"
4	R60239	THRUST WASHER	2	X X	
5	19H3267	CAP SCREW	2	X X	3/8" X 1-5/8"
6	R53668	THRUST WASHER	8	X X	
7	19H2855	CAP SCREW	2	X X	3/8" X 3-1/4"
8	R85374	CAP	1	X X	
9	R85376	PIN	2	X X	
10	R85378	TUBE	2	X X	
11	JD7799	LUBRICATION FITTING	3	X X	65° X 0.840" LONG
12	R26375	O-RING	1	X X	
13	R39112	FITTING	1	X X	
14	R89015	YOKE	1	X X	
15	R85373	CAP	1	X X	
16	19H3267	CAP SCREW	2	X X	3/8" X 1-5/8"
17	H75423	PIN	4	X X	
18	H166431	WASHER	8	X X	(SUB H174025)
	H174025	SPACER	8	X X	
19	19M8002	CAP SCREW	8	X X	M20 X 55

2D11

POWER TRAIN

HYDROSTATIC OIL COOLER LINES AND HOSES

KEY	PART NO.	PART NAME	QTY	SERIAL NO.	REMARKS
				9 9	
				6 7	
				5 5	
				0 0	
1	T77858	O-RING	4	X X	
2	AH156746	HYDRAULIC HOSE	1	X X	
3	AH159948	HYDRAULIC HOSE	1	X X	
4	U12547	O-RING	1	X X	
5	38H1163	ADAPTER	1	X X	
6	38H1052	ELBOW FITTING	1	X X	
7	R29936	O-RING	1	X X	
8	H151585	CLAMP	2	X X	
9	19M8318	SCREW	6	X X	M8 X 45
10	14M7298	FLANGE NUT	8	X X	M8
11	H155777	SUPPORT	1	X X	
12	AH80328	CLIP	1	X X	
13	H168854	CLAMP	1	X X	
14	19M7868	SCREW	2	X X	M8 X 30
15	19M7866	SCREW	2	X X	M8 X 20

MEMORANDA

2E6

STEERING AND BRAKES

BRAKE SHOES AND DRUM - CONTINUED (L.H. ILLUSTRATED)

KEY	PART NO.	PART NAME	QTY	SERIAL NO.	REMARKS
				9 9	
				6 7	
				5 5	
				0 0	
1	R44302	TIE BAND	1	X X	
2	WASHER	1	X X	
3	CAM	1	X X	
4	LEVER	1	X X	
5	SPRING	1	X X	
6	BOLT	1	X X	(ANCHOR PIN)
7	AH131058	KIT	1	X X	R.H.
	AH131059	KIT	1	X X	L.H.
8	SPRING	1	X X	(UPPER SHOE-TO-SHOE)
9	H140135	LINK	2	X X	
10	SPRING	2	X X	(LOWER SHOE-TO-SHOE)
11	SPRING	2	X X	(HOLD DOWN)
12	AH131051	KIT	1	X X	
13	COVER	1	X X	(RUBBER)
14	PIN	1	X X	
15	CABLE	1	X X	
16	GUIDE	1	X X	
17	SPRING	1	X X	
18	PAWL	1	X X	(ADJUSTER)
19	AH131054	KIT	1	X X	R.H.
	AH131055	KIT	1	X X	L.H.
20	WHEEL	1	X X	
21	SCREW	1	X X	
22	CE18206	BRAKE DRUM	2	X X	
23	B32564	RING	2	X X	
24	AH143333	BRAKE SHOE	1	X X	HEAVY DUTY
25	19M7597	CAP SCREW	5	X X	M20 X 50
26	N12679	WASHER	5	X X	
27	H133351	GUIDE	2	X X	
28	H162536	KIT	1	X X	HEAVY DUTY
29	AH141582	CABLE	1	X X	
30	AH128842	OIL LINE	1	X X	L.H.
	AH128843	OIL LINE	1	X X	R.H.
31	AH155785	BRAKE	1	X X	R.H. (HEAVY DUTY)
	AH155786	BRAKE	1	X X	L.H. (HEAVY DUTY)
..	AH160680	KIT	2	X X	HOLD DOWN AND GUIDE (HEAVY DUTY)
..	AH162001	SEAL KIT	1	X X	HEAVY DUTY SEAL KIT

NOTE: QUANTITIES SHOWN ARE FOR ONE UNIT. TWO UNITS USED PER MACHINE.

2E16

STEERING AND BRAKES

REAR AXLE SPINDLES (HEAVY DUTY) - CONTINUED

KEY	PART NO.	PART NAME	QTY	SERIAL NO.	9 6 5 0	9 7 5 0	REMARKS
1	H164559	SPINDLE	1		X	X	
2	RE49243	SEAL	1		X	X	
3	R60239	THRUST WASHER	2		X	X	
4	AR86539	SEAL	2		X	X	
5	H164561	PIN	2		X	X	
6	H169128	WASHER	1		X	X	
7	T12529	CAP	1		X	X	
8	H174361	NUT	1		X	X	
9	40M7117	SNAP RING	1		X	X	
10	H174081	YOKE	1		X	X	(SUB FOR H164562)
11	19M7786	SCREW	6		X	X	M10 X 30
12	JD9043	BEARING CONE	1		X	X	
13	R57269	OIL CUP	1		X	X	
14	JD7448	BEARING CUP	1		X	X	
15	JD7798	LUBRICATION FITTING	1		X	X	
16	R68102	BUSHING	2		X	X	
17	JD7799	LUBRICATION FITTING	2		X	X	
18	JD9109	BEARING CUP	1		X	X	
19	AH162466	SPINDLE	1	-685774	X	X	R.H.
	AH168054	SPINDLE	1	685775-	X	X	R.H.
	AH162467	SPINDLE	1	-685744	X	X	L.H.
	AH168053	SPINDLE	1	685775-	X	X	L.H.
20	JD10462	BEARING CONE	1		X	X	
21	AH162146	SPINDLE	1	-685744	X	X	R.H.
	AH168051	SPINDLE	1	685775-	X	X	R.H.
	AH162147	SPINDLE	1	-685744	X	X	L.H.
	AH168050	SPINDLE	1	685775-	X	X	L.H.
22	H168476	SCREW	8		X	X	M16 X 55
23	19M8002	CAP SCREW	4		X	X	M20 X 55

2F4

HYDRAULICS

WET CLUTCH OIL COOLER LINES AND HOSES - CONTINUED

KEY	PART NO.	PART NAME	QTY	SERIAL NO.	REMARKS
				9 9	
				6 7	
				5 5	
				0 0	
1	H151585	CLAMP	2	X X	
2	T77932	O-RING	5	X X	
3	19M8317	SCREW	6	X X	M8 X 40
4	14M7298	FLANGE NUT	3	X X	M8
5	H163603	HOSE SUPPORT	2	X X	
6	AH156743	HYDRAULIC HOSE	2	X X	
7	38H1175	ADAPTER	1	X X	
8	14M7296	FLANGE NUT	4	X X	M10
9	AH80328	CLIP	1	X X	
10	19M7868	SCREW	1	X X	M8 X 30
11	AH128780	HYDRAULIC HOSE	1	X X	13/16" X 725 MM X 13/16"
12	AH128779	HYDRAULIC HOSE	1	X X	1" X 275 MM X 13/16"
13	T77857	O-RING	3	X X	
14	38H1013	ELBOW FITTING	1	X X	
15	U12547	O-RING	2	X X	
16	H168854	CLAMP	1	X X	
17	19M7866	SCREW	1	X X	M8 X 20

2F14

HYDRAULICS

**SOLENOID CONTROL VALVE MODULE ASSEMBLY AND MOUNTINGS - CONTINUED
SIX STACK**

KEY	PART NO.	PART NAME	QTY	SERIAL NO.	REMARKS
				9 9	
				6 7	
				5 5	
				0 0	
1	R77175	COVER	1	X X	PLATE
2	AH125760	HYD. QUICK-CONNECT COUPLER	1	X X	
3	R26448	O-RING	1	X X	
4	14H786	NUT	6	X X	1/4"
5	12H297	LOCK WASHER	6	X X	1/4"
6	E62892	STUD	3	X X	1/4" X 11-3/4" (CUT TO LENGTH)
7	H168170	BRACKET	2	X X	
8	AZ50073	SEAL	2	X X	(WITH O-RING)
9	AH161527	SEAL	8	X X	(WITH O-RING)
10	AH161526	VALVE	3	X X	(1) REEL FORE/AFT (1) AUGER SWING (1) CONTOUR MASTER
11	AH139060	VALVE	1	X X	REEL LIFT/VSC
12	AH147084	VALVE	1	X X	HEADER LIFT
13	AH164450	VALVE	1	X X	UNLOAD (RELIEF)
14	AH161529	SEAL	2	X X	
15	H145051	APERTURE	1	X X	.940 MM DIA.
16	AH164500	ORIFICE	1	X X	.457 MM DIA.
17	R77464	PIN CONTACT	AR	X X	(PACKAGE OF 50)
18	AH161530	ELECTRICAL COIL	7	X X	(USE ON MODULES 10 AND 13)
19	E62942	COVER	11	X X	
20	H168171	COVER	2	X X	
21	A4655R	NUT	7	X X	
22	57M7199	RECEPTACLE	2	X X	(24 WAY)
23	21H1290	SCREW	8	X X	0.138" X 1/2"
	14H1026	NUT	8	X X	0.138"
24	H135777	ORIFICE	2	X X	0.76MM DIA.
25	Z60904	ORIFICE	2	X X	0.66 MM DIA.
26	AH124731	ELECTRICAL COIL	4	X X	(USE ON MODULES 11 AND 12)

2F24

HYDRAULICS

REEL DRIVE FLOW CONTROL VALVE - CONTINUED

KEY	PART NO.	PART NAME	QTY	SERIAL NO.	9 9 6 7 5 5 0 0	REMARKS
1	GROOVE PIN	1		X X	
2	STEM	1		X X	
3	BACK-UP RING	1		X X	(A)
4	O-RING	1		X X	(A)
5	PLUG	1		X X	
6	AH140903	KIT	1		X X	
7	BACK-UP RING	1		X X	(A)
8	O-RING	1		X X	(A)
9	O-RING	1		X X	(A)
10	H63289	O-RING	2		X X	(A)
11	PLUG	1		X X	
12	SHIM	1		X X	
13	SPRING	1		X X	
14	HOUSING	1		X X	
15	SPOOL	1		X X	
16	PLUG	1		X X	
17	R26448	O-RING	1		X X	(A)
18	AH125760	HYD. QUICK-CONNECT COUPLER	1		X X	DIAGNOSTIC
19	R77175	COVER	1		X X	
20	14M7298	FLANGE NUT	2		X X	M8
21	19M7801	SCREW	2		X X	M8 X 60
22	SHIM	AR		X X	
23	SHIM	AR		X X	
24	SHIM	AR		X X	
25	AH140902	CHECK VALVE	1		X X	
..	AH136248	SEAL KIT	1		X X	INCLUDES PARTS MARKED (A)

2G10

HYDRAULICS

TILT CYLINDER HOSES AND FITTINGS - CONTOUR MASTER - CONTINUED

KEY	PART NO.	PART NAME	QTY	SERIAL NO.	REMARKS
				9 9	
				6 7	
				5 5	
				0 0	
1	AH162642	HYDRAULIC HOSE	1	X X	RETRACT
2	19M7866	SCREW	2	X X	M8 X 20
3	24H1291	WASHER	2	X X	21/64" X 1-15/32" X 7/64"
4	28H1511	WASHER	2	X X	0.364" X 0.540" X 1/4"
5	R56930	PIN	2	X X	
6	R28782	O-RING	1	X X	
7	38H1003	ELBOW FITTING	1	X X	
8	T77814	O-RING	1	X X	
9	R26448	O-RING	1	X X	
10	38H1004	ELBOW FITTING	1	X X	
11	T77613	O-RING	1	X X	
12	AH162641	HYDRAULIC HOSE	1	X X	
13	38H1045	ELBOW FITTING	1	X X	
14	R26375	O-RING	1	X X	
15	38H1171	ADAPTER	1	X X	
16	AH77884	CLIP	1	X X	EXTEND
17	AH77869	CLIP	1	X X	
18	R49921	CLAMP	1	X X	
19	14M7298	FLANGE NUT	1	X X	M8
20	R35668	CLAMP	1	X X	

2G20

HYDRAULICS

UNLOADING AUGER BELT TENSIONING HYDRAULIC CYLINDER, HOSES AND FITTINGS - CONTINUED

KEY	PART NO.	PART NAME	QTY	SERIAL NO.	9 9 6 7 5 5 0 0	REMARKS
1	AH145216	HYDRAULIC CYLINDER	1		X X	
2	R26448	O-RING	2		X X	
3	38H1168	ADAPTER	2		X X	
4	T77814	O-RING	2		X X	
5	AH153985	HYDRAULIC HOSE	1		X X	
6	AH153984	HYDRAULIC HOSE	1		X X	
7	R35668	CLAMP	1		X X	
8	14M7298	FLANGE NUT	1		X X	M8
9	19M7866	SCREW	1		X X	M8 X 20
10	T77613	O-RING	2		X X	
11	38H1004	ELBOW FITTING	1		X X	
12	H60821	ORIFICE	1		X X	
13	38H1160	ADAPTER	1		X X	

2H8

BODY AND SHIELDS

LEFT HAND SHIELDS - CONTINUED

KEY	PART NO.	PART NAME	QTY	SERIAL NO.	9 6 5 0	9 7 5 0	REMARKS
1	AH164852	PIN	5		X	X	WITH CABLE AND SNAP-IN CLIP
2	AH153535	SHIELD	1		X	X	
3	AH153536	SHIELD	1		X	X	
4	AH163880	ANGLE	1		X	X	
5	19M7866	SCREW	2		X	X	M8 X 20
6	AH160299	SHIELD	1		X	X	
7	AH158225	SHIELD	1		X	X	
8	AH161997	SHIELD	1		X	X	

2H18

BODY AND SHIELDS

REAR WALL AND SUPPORTS - CONTINUED

KEY	PART NO.	PART NAME	QTY	SERIAL NO.	REMARKS
				9 9	
				6 7	
				5 5	
				0 0	
1	AH164126	DOOR	1	X X	(SUB FOR AH150945)
2	19M7784	SCREW	4	X X	M10 X 20
3	14M7296	FLANGE NUT	4	X X	M10
4	19M7865	SCREW	2	X X	M8 X 16
5	19M7786	SCREW	AR	X X	M10 X 30
6	14M7298	FLANGE NUT	AR	X X	M8
7	H164086	GUSSET	2	X X	
8	H164140	CHANNEL	1	X X	
9	H164089	ANGLE	1	X X	
10	H164281	ANGLE	1	X X	
11	H164491	ANGLE	2	X X	
12	H166513	BRACKET	1	X X	
13	H169086	ANGLE	1	X X	
14	H164139	ANGLE	1	X X	
15	H174485	BRACKET	1	X X	(SUB FOR H164770)
16	H172384	ANGLE	1	X X	
17	AH168475	BRACE	1	X X	(SUB FOR AH166119)
18	AH165877	BULB	1	X X	
19	AH158038	FLOODLAMP	1	X X	
20	AH165881	WIRING HARNESS	1	X X	
21	H172381	ANGLE	1	X X	
22	19M7866	SCREW	AR	X X	M8 X 20
23	H164615	ANGLE	1	X X	
24	AH165899	SUPPORT	1	X X	
25	AA45031	LAMP	2	X X	RED
26	A63127	GASKET	2	X X	
27	A62454	LENS	2	X X	
28	A63635	SCREW	4	X X	
29	AA45032	TURN SIGNAL LAMP	1	X X	AMBER
30	A63127	GASKET	1	X X	
31	A63124	LENS	1	X X	
32	A63635	SCREW	2	X X	
33	14M7396	LOCK NUT	AR	X X	M8

REAR LANDING AND LADDER - CONTINUED

KEY	PART NO.	PART NAME	QTY	SERIAL NO.	REMARKS
				9 9	
				6 7	
				5 5	
				0 0	
1	H159371	CHANNEL	1	X X	
2	H160295	CHANNEL	1	X X	
3	19M7775	SCREW	2	X X	M6 X 16
	14M7303	FLANGE NUT	2	X X	M6
4	H167134	ANGLE	2	X X	
5	H119411	PIN	2	X X	
6	T40867	BUSHING	2	X X	
7	AH166641	BRACKET	1	X X	
8	19M7865	SCREW	4	X X	M8 X 16
	14M7298	FLANGE NUT	4	X X	M8
9	BOLT	2	X X	
10	AH160432	LADDER	1	X X	REAR LOWER EXTENSION
11	AH140111	LADDER	1	X X	REAR
12	C3203E	GRIP	1	X X	
13	H120082	LATCH	1	X X	
14	19M7774	SCREW	2	X X	M6 X 12
	14M7303	FLANGE NUT	2	X X	M6
15	AH130193	CHANNEL	1	X X	
16	A31867	LOCK NUT	1	X X	
17	AH160152	LADDER	1	X X	LANDING ASSEMBLY
18	H160294	CHANNEL	1	X X	
19	19M7785	SCREW	12	X X	M10 X 25
	14M7400	LOCK NUT	12	X X	M10
20	H64612	CLIP	1	X X	
21	H167133	BRACKET	2	X X	
22	03M7184	BOLT	4	X X	M8 X 20
23	14M7396	LOCK NUT	4	X X	M8
24	Z39386	WASHER	1	X X	
25	AH120216	ADJUSTER	1	X X	
26	H166206	BRACKET	1	X X	
27	19M7784	SCREW	AR	X X	M10 X 20
28	H160296	PLATE	1	X X	
29	14M7296	FLANGE NUT	AR	X X	M10
..	AH160406	TAPE	8	X X	

CLICK HERE TO **DOWNLOAD** THE COMPLETE MANUAL

- Thank you very much for reading the preview of the manual.
- You can download the complete manual from: www.heydownloads.com by clicking the link below



- Please note: If there is no response to CLICKING the link, please download this PDF first and then click on it.

CLICK HERE TO **DOWNLOAD** THE COMPLETE MANUAL

ENGINE COVERS AND AIR DEFLECTORS - CONTINUED

KEY	PART NO.	PART NAME	QTY	SERIAL NO.	REMARKS
				9 9	
				6 7	
				5 5	
				0 0	
1	H165435	DEFLECTOR	1	X X	
2	H172789	SHIELD	1	X X	
3	14M7298	FLANGE NUT	AR	X X	M8
4	H169108	PLATE	1	X X	
5	19M7867	SCREW	AR	X X	M8 X 25
6	03M7183	BOLT	1	X X	M8 X 16
7	H165438	DEFLECTOR	1	X X	
8	24H1373	WASHER	1	X X	21/32" X 1-9/16" X 0.180"
9	19H1708	CAP SCREW	1	X X	5/8" X 1-3/4"
10	24M7024	WASHER	2	X X	9 X 28 X 3 MM
11	H168302	DOOR	1	X X	
12	H168303	HINGE	1	X X	
13	14M7396	LOCK NUT	1	X X	M8
14	H166791	SHIELD	1	X X	
15	AH160207	DEFLECTOR	1	X X	
16	H166638	COVER	1	X X	
17	H140715	BOLT	2	X X	
18	H166639	COVER	1	X X	
19	H164152	PLATE	1	X X	
20	H166792	COVER	1	X X	
21	AH162366	COVER	1	X X	(SUB AH168008)
	AH168008	COVER	1	X X	
22	H136014	MAT	1	X X	
23	H172320	STRAP	1	X X	

CAB REAR, SIDE AND FLOOR PANELS - CONTINUED

KEY	PART NO.	PART NAME	QTY	SERIAL NO.	REMARKS
				9 9	
				6 7	
				5 5	
				0 0	
1	H135614	SEAL	2	X X	
2	H133391	BRACKET	1	X X	
3	37M7089	SCREW	14	X X	M6 X 12
4	AH141774	SEAL	1	X X	
5	H85233	RIVET	16	X X	
6	H135615	RETAINER	2	X X	
7	H169194	PLATE	1	X X	
8	H169613	SEAL	1	X X	
9	H133665	SHEET	1	X X	
10	H124260	PLATE	1	X X	
11	H133666	SHEET	1	X X	
12	H131300	GROMMET	1	X X	
13	H141292	PLATE	1	X X	
14	AH90990	CLIP	1	X X	
15	37M7131	SCREW	6	X X	M6 X 20
16	AH162746	HANDLE	1	X X	
17	H131574	RETAINER	1	X X	
18	19M7865	SCREW	2	X X	M8 X 16
19	H162748	SCREW	3	X X	
20	19M7268	CAP SCREW	2	X X	M12 X 25
21	19M2972	CAP SCREW	1	X X	M8 X 45
22	14M7259	NUT	1	X X	M16

SEAT CONSOLE - CONTINUED

KEY	PART NO.	PART NAME	QTY	SERIAL NO.	REMARKS
				9 9	
				6 7	
				5 5	
				0 0	
1	CONSOLE	1	X X	
2	H168781	STUD	6	X X	
3	H165691	SCREW	8	X X	
4	H167912	SPINDLE	1	X X	
5	AH161348	CONSOLE	1	X X	
6	H161023	FITTING	1	X X	
7	AH147173	SEAT	1	X X	
8	H169083	PAN	1	X X	
9	H169082	TRAY	1	X X	
10	14M7303	FLANGE NUT	8	X X	M6
11	AH162559	HINGE	2	X X	
12	03M7221	BOLT	4	X X	M6 X 16
13	37M7214	SCREW	3	X X	4.8MM DIA. X 9.5MM
14	AH165634	FOLDER	1	X X	
15	AH161755	SEAT	1	X X	
16	AH155276	SEAT	1	X X	W/FIELD OFFICE
17	H168433	CONTAINER	1	X X	
18	AH134724	LOUVER	1	X X	
19	H167337	BRACKET	1	X X	
20	37M7155	SCREW	2	X X	4.8 X 13 MM
21	H169634	NUT	8	X X	
22	AH161754	SEAT	1	X X	
23	19M8331	CAP SCREW	8	X X	M8 X 20
24	03M7184	BOLT	4	X X	M8 X 20
25	14M7298	FLANGE NUT	4	X X	M8

2J15

OPERATOR'S STATION

ARMREST CONTROL PANEL - CONTINUED

KEY	PART NO.	PART NAME	QTY	SERIAL NO.	9 6 5 0	9 7 5 0	REMARKS
1	AA27536	BULB	6		X	X	
2	H169864	KNOB	1		X	X	
3A	H170912	PANEL	1	-XXXXXX	X	X	
3B	H174192	PANEL	1	XXXXXX-	X	X	
4	H118166	SCREW	8		X	X	
5	AH163000	BEZEL	1		X	X	
6	H106246	LOCK NUT	2		X	X	
7	AH121190	SWITCH	1		X	X	
8	H160799	CLIP	1		X	X	
9	AH159180	SWITCH	1		X	X	
10	H172760	WASHER	1		X	X	
11	RE65816	SENSOR	1		X	X	
12	AH159241	PAD	1	-XXXXXX	X	X	
	AH164278	PAD	1	XXXXXX-	X	X	
13	H111364	SCREW	1		X	X	
14	AH154407	SWITCH	1		X	X	
15	H170373	PLUG	1		X	X	
16	AR56766	HOUSING	1		X	X	
17	H156363	LABEL	1		X	X	
18	H153453	LABEL	1		X	X	
19	H153457	LENS	1		X	X	
20	H168133	LIGHT BAR	1		X	X	
21	H153443	COVER	1		X	X	
22	H129367	SPACER	1		X	X	
23	12M7084	LOCK WASHER	1		X	X	4.300 MM
24	14H605	NUT	1		X	X	0.164"
25	AH155007	SWITCH	2		X	X	
26	R126355	SCREW	2		X	X	
27	AH147170	CUSHION	1		X	X	
28	H170073	LABEL	1		X	X	START SEQUENCE AND SEAT SAFETY
29	AR27940	LINK CHAIN	1		X	X	
30	H111706	SCREW	2		X	X	
31	AH126811	KNOB	1		X	X	
..	H173146	DOCUMENT	1		X	X	
	9650 S.N. BREAK (-690500)(690501-)				
	9750 S.N. BREAK (-690600)(690601-)				

2J25

OPERATOR'S STATION

R.H. CORNERPOST DISPLAY PANEL - CONTINUED

KEY	PART NO.	PART NAME	QTY	SERIAL NO.	9 6 5 0	REMARKS
1	H162559	HOUSING	1		X X	
2	H162560	PANEL	1		X X	
3	H171285	BOLT	16		X X	
4	AH161969	MODULE	1		X X	AUTOMATIC HEADER HEIGHT CONTROL
5	AH155933	MODULE	1		X X	GRAIN LOSS DISPLAY
6	AH155932	MODULE	1		X X	TACHOMETER DISPLAY
7	AH161864	CIRCUIT BOARD	1		X X	
8	AH161865	WIRING HARNESS	1		X X	
9	21M7268	SCREW	8		X X	M3 X 6
10	R107890	BULB	6		X X	

2K9

OPERATOR'S STATION

LANDING AND MIRROR (L.H.) - CONTINUED

KEY	PART NO.	PART NAME	QTY	SERIAL NO.	REMARKS
				9 9	
				6 7	
				5 5	
				0 0	
1	AH142404	REAR VIEW MIRROR	1	X X	
2	AH160115	HANDRAIL	1	X X	
3	H136110	ISOLATOR	4	X X	
4	H161289	CLAMP	2	X X	
5	37M7131	SCREW	8	X X	M6 X 20
6	14M7296	FLANGE NUT	15	X X	M10
7	19M7784	SCREW	9	X X	M10 X 20
8	AH155210	PLATFORM	1	X X	
9	03M7190	BOLT	4	X X	M10 X 20
10	19M7786	SCREW	3	X X	M10 X 30
11	AH130594	STEP	1	X X	
12	H173616	PLATE	1	X X	(SUB FOR H172944)
13	AH122099	BUMPER	1	X X	
14	37M7046	SCREW	2	X X	

3B11

AIR CONDITIONING AND HEATING

AIR CONDITIONING AND HEATER HOUSING, LOWER - CONTINUED

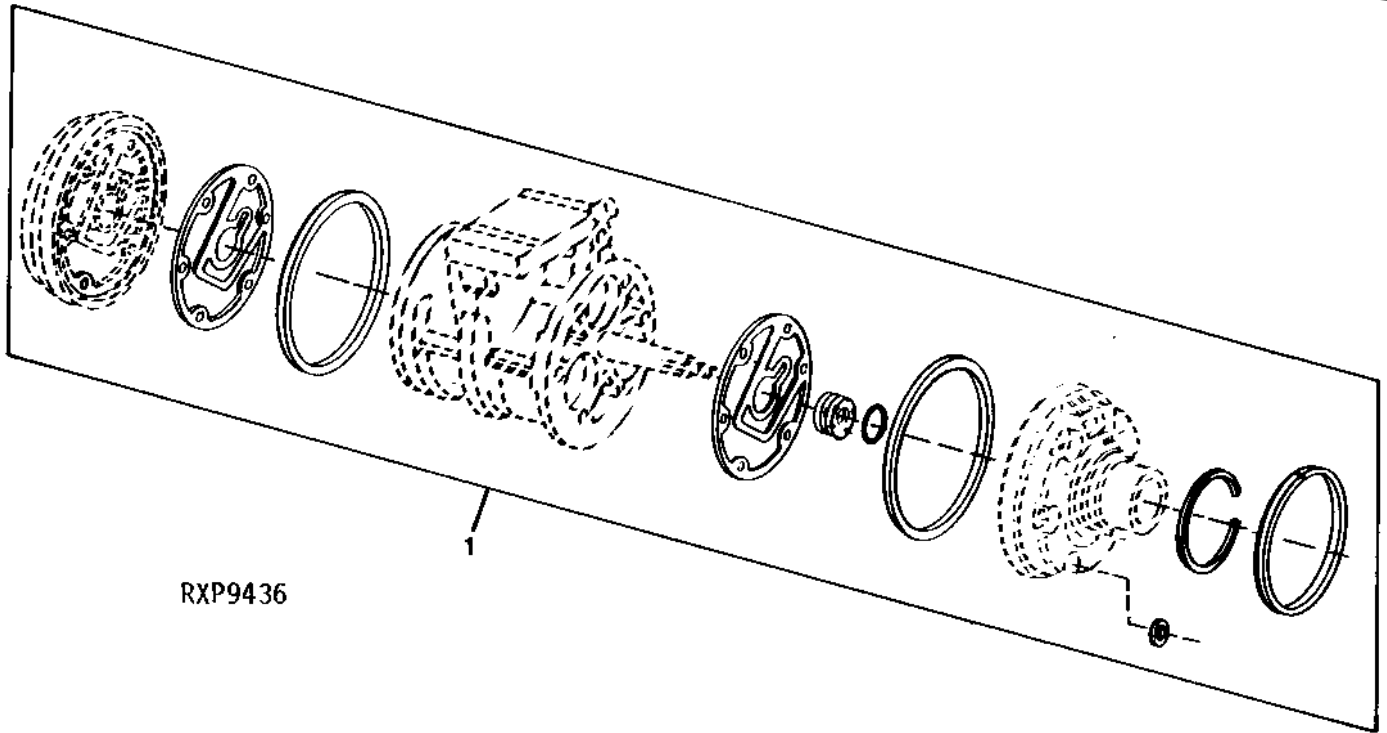
KEY	PART NO.	PART NAME	QTY	SERIAL NO.	9 6 5 0	9 7 5 0	REMARKS
1	AH155852	BLOWER MOTOR	1		X	X	RECIRCULATION BLOWER
2	19M7862	SCREW	AR		X	X	M6 X 20
3	H126590	COVER	1		X	X	RECIRCULATION BLOWER
4	H115521	ISOLATOR	2		X	X	
5	H114046	BLOWER FAN	1		X	X	
6	24M7117	WASHER	AR		X	X	4.300 X 9 X 0.800 MM
7	14M7264	LOCK NUT	AR		X	X	M4
8	H123998	SCREW	AR		X	X	
9	H153349	PLATE	1		X	X	MOUNTING
10	RE65815	SENSOR	1		X	X	TEMPERATURE
11	R159807	GROMMET	1		X	X	
12	AR21999	HOSE CLAMP	2		X	X	
13	H118871	LINE	1		X	X	R.H.
14	H118872	LINE	1		X	X	REAR
15	H129887	ISOLATOR	AR		X	X	
16	H158525	HOUSING	1	-685815	X	X	EVAPORATOR, UPPER R.H.
	H173793	HOUSING	1	685816-	X	X	
17	AH115836	AIR FILTER	1		X	X	RECIRCULATION
18	H114142	PRESCREENER	2		X	X	
19	H118619	SEAL	1		X	X	
20	H119362	INSERT	21		X	X	
21	AH163317	HOUSING	1		X	X	LOWER
22	AH134884	SUPPORT	1		X	X	FILTER
23	H127978	DUST SHIELD	1		X	X	
24	37M7089	SCREW	AR		X	X	M6 X 12
25	H150385	CHECK VALVE	1		X	X	
26	H159636	TUBE	1		X	X	
27	H146429	FITTING	1		X	X	
28	H126589	AIR DUCT	1		X	X	BLOWER

3B21

AIR CONDITIONING AND HEATING

COMPRESSOR PARTS (FOR R134A REFRIGERANT)

RXP9436 -UN-01JAN94



RXP9436

KEY	PART NO.	PART NAME	QTY	SERIAL NO.	REMARKS
				9 9	
				6 7	
				5 5	
				0 0	
1	RE52509	SEAL KIT	1	X X	

3C10

FEEDER HOUSE

REVERSER GEAR BOX (STANDARD) - CONTINUED

KEY	PART NO.	PART NAME	QTY	SERIAL NO.	9 6 5 0	9 7 5 0	REMARKS
1	R66197	THRUST WASHER	6		X	X	
2	H168994	PINION	3		X	X	
3	R33079	PIN	3		X	X	
4	H871R	BALL	3		X	X	
5	R33088	WASHER	3		X	X	
6	H89617	SPACER	3		X	X	
7	19M7938	CAP SCREW	6		X	X	M10 X 20
8	R33058	NEEDLE ROLLER	186		X	X	(6 SETS OF 31)
9	AH150686	NEEDLE BEARING	1		X	X	
10	26H104	SHAFT KEY	3		X	X	5/16" X 2-1/8"
11	H166216	GEAR	1		X	X	INPUT
12	E53699	SEAL	1		X	X	
13	AH152937	SHAFT	1		X	X	
14	H168125	COVER	1		X	X	
15	JD10010	BALL BEARING	1		X	X	
16	R39081	SNAP RING	1		X	X	
17	AH144715	SEAL	1		X	X	
18	H150662	BEARING HOUSING W/O BEARING	1		X	X	
19	AH140185	SEAL	1		X	X	
20	N71922	SNAP RING	1		X	X	
21	JD10011	BALL BEARING	1		X	X	
22	BP13620	SNAP RING	1		X	X	
23	AH105040	GEAR	1		X	X	
24	H132328	SHIFT COLLAR	1		X	X	
25	H106073	GEAR	1		X	X	OUTPUT
26	14H832	NUT	2		X	X	9/16"
27	28H2499	BUSHING	1		X	X	0.742" X 1.050" X 5/8"
28	24H1378	WASHER	1		X	X	11/16" X 1-15/32" X 0.134"
29	AN113330	SEAL	1		X	X	
30	R26906	O-RING	2		X	X	
31	AH167602	DIPSTICK	1		X	X	(SUB FOR AH140615)
32	H140195	SPACER	1		X	X	
33	R26375	O-RING	1		X	X	
34	AH159233	HOUSING	1		X	X	
35	AH93110	SHIFTER	1		X	X	
36	19M7402	CAP SCREW	6		X	X	M10 X 25
37	R27218	FITTING PLUG	1	-685709	X		
	R27218	FITTING PLUG	1	-685734	X		
	R39112	FITTING	1	685710-	X		
	R39112	FITTING	1	685735-	X		
38	12M7135	LOCK WASHER	6		X	X	10.200 MM
39	R26448	O-RING	1	-685709	X		
	R26448	O-RING	1	-685734	X		
	R26375	O-RING	1	685710-	X		
	R26375	O-RING	1	685735-	X		
40	R39112	FITTING	1		X	X	
41	JD8819	NEEDLE BEARING	1		X	X	
..	TY15130	SEALANT	1		X	X	3 OZ. SIZE
..	AH153341	GEAR CASE	1		X	X	

3C20

FEEDER HOUSE

L.H. DRIVE SHIELDS - CONTINUED

KEY	PART NO.	PART NAME	QTY	SERIAL NO.	REMARKS
				9 9	
				6 7	
				5 5	
				0 0	
1	H167451	SUPPORT	1	X X	
2	H141549	CLAMP	1	X X	
3	A44990	LATCH	1	X X	
4	14M7303	FLANGE NUT	2	X X	M6
5	AH134121	CABLE	1	X X	
6	AH161059	SHIELD	1	X X	
7	AH160798	SUPPORT	1	X X	
8	19M7788	SCREW	3	X X	M12 X 25
9	M72598	QUICK LOCK PIN	1	X X	
10	H167815	STRAP	1	X X	
11	21M7246	SCREW	1	X X	M6 X 16
12	14M7298	FLANGE NUT	6	X X	M8
13	M93425	SPACER	2	X X	
14	03M7185	BOLT	1	X X	M8 X 25
15	03M7184	BOLT	3	X X	M8 X 20
16	AH162340	SHIELD	1	X X	
17	R46414	CLAMP	1	X X	
18	H167648	SHIELD	1	X X	
19	AH160799	SUPPORT	1	X X	
20	03M7190	BOLT	2	X X	M10 X 20
21	14M7299	FLANGE NUT	4	X X	M12
22	14M7296	FLANGE NUT	3	X X	M10
23	H162401	BRACKET	1	X X	
24	19M7785	SCREW	1	X X	M10 X 25
25	19M7789	SCREW	1	X X	M12 X 30
26	03M7251	BOLT	1	X X	M6 X 12
27	21M7125	SCREW	2	X X	M8 X 25
28	37M7089	SCREW	1	X X	M6 X 12
29	57M7766	INSULATING CAPSULE	1	X X	
30	57M7765	LOCK WASHER	1	X X	
31	E73240	NUT	1	X X	
32	H119187	PAD	1	X X	

3D6

FEEDER HOUSE

FEEDER HOUSE FLOOR AND LATCH HANDLE - CONTINUED

KEY	PART NO.	PART NAME	QTY	SERIAL NO.	REMARKS
				9 9	
				6 7	
				5 5	
				0 0	
1	AH147800	FLOOR	1	X X	
2	03M7190	BOLT	10	X X	M10 X 20
3	H173904	SEAL	1	X X	(SUB FOR H170737)
4	14M7296	FLANGE NUT	10	X X	M10
5	19M8002	CAP SCREW	6	X X	M20 X 55
6	14M7300	FLANGE NUT	6	X X	M20
7	19M7789	SCREW	18	X X	M12 X 30
8	14M7299	FLANGE NUT	18	X X	M12
9	AH165618	SUPPORT	1	X X	
10	AH147475	ARM	1	X X	L.H.
11	AH147474	ARM	1	X X	R.H.
12	H97322	CAM	2	X X	
13	14M7299	FLANGE NUT	4	X X	M12
14	19M7790	SCREW	4	X X	M12 X 35
15	24M7242	WASHER	6	X X	21.400 X 42 X 5 MM
16	19M8318	SCREW	2	X X	M8 X 45
17	24M7207	WASHER	4	X X	8.400 X 24 X 2 MM
18	19M7784	SCREW	2	X X	M10 X 20
19	AH77279	CLIP	1	X X	
20	14M7296	FLANGE NUT	2	X X	M10
21	11M7028	COTTER PIN	2	X X	5 X 32 MM
22	24M7053	WASHER	2	X X	17 X 30 X 3 MM
23	19M8291	SCREW	1	X X	M8 X 35
24	H133060	SLEEVE	1	X X	
25	H132988	BUSHING	1	X X	
26	14M7396	LOCK NUT	3	X X	M8
27	H136144	ADJUSTING STRAP	2	X X	
28	H132986	HANDLE	1	X X	

3D16

FEEDER HOUSE

FEEDER HOUSE POSITION SENSOR - CONTINUED

KEY	PART NO.	PART NAME	QTY	SERIAL NO.	9 9 6 7 5 5 0 0	REMARKS
1	H156936	BRACKET	1		X X	
2	R41076	GROMMET	1		X X	
3	R111692	SHAFT	1		X X	
4	R26871	SNAP RING	1		X X	
5	R112679	SEAL	1		X X	
6	H166313	LEVER	1		X X	
7	P48347	O-RING	2		X X	
8	R86457	SUPPORT	1		X X	
9	RE56165	SENSOR	1		X X	
10	21M7261	SCREW	2		X X	M5 X 45
11	14M7297	NUT	2		X X	M5
12	AH150499	BALL JOINT	1		X X	
13	H172460	BRACKET	1		X X	

3E2

THRESHING AND SEPARATION

FEED HOUSING ASSEMBLY

KEY	PART NO.	PART NAME	QTY	SERIAL NO.	REMARKS
				9 9	
				6 7	
				5 5	
				0 0	
1	AH154691	FLOOR	1	X X	
2	14M7299	FLANGE NUT	6	X X	M12
3	H161398	ANGLE	1	X X	
4	14M7296	FLANGE NUT	18	X X	M10
5	H170866	BOLT	1	X X	
6	H160905	BOLT	11	X X	
7	H169467	FLOOR	1	X X	
8	H161399	FLOOR	1	X X	
9	H156280	VANE	1	X X	
10	H161347	HOUSING	1	X X	
11	19M7786	SCREW	1	X X	M10 X 30
12	H161397	FLOOR	1	X X	
13	H161348	HOUSING	1	X X	
14	AH146498	PLATE	1	X X	
15	H165045	ANGLE	1	X X	
16	H165068	PLATE	1	X X	
17	H169146	PLATE	1	X X	
18	H165066	ANGLE	1	X X	
19	24M7047	WASHER	4	X X	13 X 24 X 2.500 MM

3E12

THRESHING AND SEPARATION

SEPARATOR CONE REPAIR KITS - CONTINUED

KEY	PART NO.	PART NAME	QTY	SERIAL NO.	REMARKS
				9 9	
				6 7	
				5 5	
				0 0	
1	AH161699	KIT	1	X X	FLIGHT REPAIR
2	H171638	FLANGE NUT	18	X X	
3	H160905	BOLT	18	X X	
4	AH161700	KIT	1	X X	NOSE SPIDER REPAIR
5	AH167741	KIT	1	X X	CAPSCREW AND RIVNUT REPAIR
6	H156088	SCREW	12	X X	
7	AH161703	KIT	1	X X	COVER REPAIR
8	H173621	GASKET	1	X X	
9	24M7180	WASHER	9	X X	13 X 37 X 3 MM
10	AH161704	KIT	1	X X	BALANCE WEIGHT REPAIR
11	H156088	SCREW	12	X X	
12	AH167739	THRESHING ELEMENT	1	X X	THRESHING ELEMENT REPAIR (3 PER KIT, 5 KITS USED)
13	24M7296	WASHER	9	X X	
14	H173619	SCREW	9	X X	
15	AH167740	KIT	1	X X	TINE REPAIR (3 PER KIT, 8 KITS USED)

3E20

THRESHING AND SEPARATION

DISCHARGE BEATER ASSEMBLY - CONTINUED

KEY	PART NO.	PART NAME	QTY	SERIAL NO.	REMARKS
				9 9	
				6 7	
				5 5	
				0 0	
1	19M7786	SCREW	50	X X	M10 X 30
2	H161011	STRIP	5	X X	
3	H166383	SUPPORT	5	X X	
4	03M7375	BOLT	35	X X	M10 X 30
5	14M7296	FLANGE NUT	37	X X	M10
6	19M7810	SCREW	2	X X	M10 X 80
7	H163612	HUB	2	X X	
8	AH154437	HUB	3	X X	
9	123380	SHAFT KEY	2	X X	
10	H161010	SHAFT	1	X X	
11	H160801	HUB	1	X X	
12	24M7091	WASHER	1	X X	26 X 44 X 4MM
13	14M7278	NUT	1	X X	M24
14	AH144822	SHEAVE	1	X X	
15	19M7866	SCREW	6	X X	M8 X 20
16	14M7296	FLANGE NUT	6	X X	M10
17	AH133191	ECCENTRIC LOCKING COLLAR	2	X X	
18	AH142000	HOSE	1	X X	
19	H171037	PRESSED FLANGED HOUSING	1	X X	
20	AH139296	BALL BEARING	2	X X	
21	H135410	PRESSED FLANGED HOUSING	2	X X	
22	03M7192	BOLT	6	X X	M10 X 30
23	E12379	NUT	1	X X	
24	AH129420	PRESSED FLANGED HOUSING	1	X X	

3F7

CLEANING SHOE

CHAFFER FRAME - CONTINUED

KEY	PART NO.	PART NAME	QTY	SERIAL NO.	REMARKS
				9 9	
				6 7	
				5 5	
				0 0	
1	H168992	PARTITION	3	X X	(SUB FOR H161850)
2	19M7866	SCREW	AR	X X	M8 X 20
3	14M7298	FLANGE NUT	AR	X X	M8
4	AH158457	FRAME	1	X X	
5	19M7789	SCREW	2	X X	M12 X 30
6	H166637	FINGER	4	X X	(SUB H175351)
	H175351	FINGER	4	X X	
7	14M7396	LOCK NUT	8	X X	M8
8	H132161	FINGER	4	X X	
9	H159512	SUPPORT	1	X X	
10	03M7303	BOLT	8	X X	M20 X 45
11	19M7784	SCREW	AR	X X	M10 X 20
12	H161392	SEAL	1	X X	
13	H159623	STRIP	1	X X	
14	14M7296	FLANGE NUT	AR	X X	M10
15	M64720	RIVET	9	X X	4.775 MM
16	AH151164	FLOOR	1	X X	
17	H167920	BRACKET	2	X X	
18	H170206	FINGER	2	X X	
19	AH89557	CLIP	1	X X	
20	AH146483	ARM	2	X X	
21	H134118	PRESSED FLANGED HOUSING	2	X X	
22	H152151	CAM	1	X X	
	H152150	CAM	1	X X	
23	AH125975	BALL BEARING	2	X X	
24	R43383	SNAP RING	2	X X	
25	03M7198	BOLT	4	X X	M12 X 30
26	03M7202	BOLT	2	X X	M12 X 50
27	14M7299	FLANGE NUT	6	X X	M12
28	AH146570	ARM	1	X X	
	AH146569	ARM	1	X X	
29	19M7829	SCREW	2	X X	M16 X 130
30	19M8486	CAP SCREW	2	X X	M16 X 180
31	H96690	SPACER	2	X X	
32	14M7291	FLANGE NUT	6	X X	M16
33	19M7830	SCREW	2	X X	M16 X 150
34	H133598	SHAFT	1	X X	
35	AH138230	LINK	2	X X	
36	H154928	BOLT	2	X X	
37	19M7820	SCREW	2	X X	M12 X 100
38	SHAFT KEY	1	X X	6 X 50MM, (CUT FROM H150268)
39	SHAFT KEY	1	X X	6 X 100MM, (CUT FROM H150268)
40	H164714	SEAL	1	X X	
41	H164715	RETAINER	1	X X	

MEMORANDA

CLEAN GRAIN ELEVATOR - CONTINUED

KEY	PART NO.	PART NAME	QTY	SERIAL NO.	REMARKS
				9 9	
				6 7	
				5 5	
				0 0	
1	AH149062	ELEVATOR	1	X X	
2	AH94450	IDLER	3	X X	
3	19M7824	SCREW	3	X X	M16 X 60
4	AH162059	LINK CHAIN	1	X X	
5	E64256	LOCK NUT	68	X X	
6	H168578	SPACER	68	X X	
7	19M7867	SCREW	68	X X	M8 X 25
8	H144667	PADDLE	34	X X	RUBBER
	H169412	PADDLE	AR	X X	STEEL
9	AH166638	LINK	1	X X	CONNECTOR (CA550HD)
10	AH166639	LINK	1	X X	OFFSET (CA550HD)
11	AH166640	LINK	1	X X	ROLLER (CA550HD)
12	H84026	HOOK	AR	X X	
13	AH80335	WEATHERSTRIP	1	X X	
14	AH148068	ELEVATOR	1	X X	
15	H154696	SEAL	1	X X	
16	H154698	SEAL	1	X X	
17	H154697	SEAL	1	X X	
18	14M7296	FLANGE NUT	4	X X	M10
19	H167449	ANGLE	1	X X	
20	19M7784	SCREW	4	X X	M10 X 20
21	AH167031	LATCH	1	X X	
22	19M7796	SCREW	2	X X	M6 X 30
23	14M7303	FLANGE NUT	2	X X	M6
24	H156744	BRACKET	1	X X	
25	19M7803	SCREW	2	X X	M8 X 70
26	14M7298	FLANGE NUT	2	X X	M8
27	H154071	NUT	4	X X	M8

3G11

ELEVATORS

CLEAN GRAIN LOADING AUGER - CONTINUED

KEY	PART NO.	PART NAME	QTY	SERIAL NO.	9 9 6 7 5 5 0 0	REMARKS
1	19M7818	SCREW	1		X X	M12 X 80
2	24M7180	WASHER	1		X X	13 X 37 X 3 MM
3	14M7296	FLANGE NUT	10		X X	M10
4	N15764	PRESSED FLANGED HOUSING	2		X X	
5	JD9219	BALL BEARING	1		X X	
6	H137916	SHIM	2		X X	
7	03M7307	BOLT	2		X X	M10 X 25
8	AH154330	AUGER	1		X X	
9	49M4821	SHAFT KEY	1		X X	
10	H136186	AUGER	1		X X	
11	14M7291	FLANGE NUT	1		X X	M16
12	H137919	BUSHING	1		X X	
13	AH146834	SUPPORT	1		X X	
14	03M7193	BOLT	4		X X	M10 X 35

3G21

ELEVATORS

LOWER TAILINGS AUGER - CONTINUED

KEY	PART NO.	PART NAME	QTY	SERIAL NO.	REMARKS
				9 9	
				6 7	
				5 5	
				0 0	
1	22M7080	SET SCREW	2	X X	M8 X 8
2	AZ10045	ECCENTRIC LOCKING COLLAR	2	X X	
3	E10018	PRESSED FLANGED HOUSING	2	X X	
4	JD39106	BALL BEARING	1	X X	
5	H132906	PLATE	1	X X	
6	49M4111	SHAFT KEY	1	X X	8 X 7 X 40 MM
7	AH147472	AUGER	1	X X	
8	H133143	CHAIN SPROCKET	1	X X	
9	03M7190	BOLT	6	X X	M10 X 20
	14M7296	FLANGE NUT	6	X X	M10
10	H156767	SPACER	1	X X	
11	19M7866	SCREW	AR	X X	M8 X 20
	14M7298	FLANGE NUT	AR	X X	M8
12	14M7396	LOCK NUT	8	X X	M8
13	H167208	SEAL	1	X X	
14	H170391	REINFORCEMENT	1	X X	
15	19M7166	CAP SCREW	8	X X	M10 X 20
16	03M7183	BOLT	5	X X	M8 X 16
17	14M7298	FLANGE NUT	5	X X	M8
18	H156394	BRACKET	1	X X	
19	AH149399	TROUGH	1	X X	

3H9

RESIDUE DISPOSAL

STRAW CHOPPER ROTOR - CONTINUED

KEY	PART NO.	PART NAME	QTY	SERIAL NO.	9 6 5 0	9 7 5 0	REMARKS
1	ROTOR	1		X	X	
2	A51212	LOCK NUT	30		X	X	
3	H156101	WASHER	60		X	X	
4	BLADE	30		X	X	R.H.
5	BLADE	30		X	X	L.H.
6	AH160606	BLADE	15		X	X	INCLUDES (2) R.H. AND (2) L.H. BLADES
7	H167127	BUSHING	60		X	X	
8	19M8499	CAP SCREW	30		X	X	M10 X 60
9	AH163875	ROTOR	1		X	X	
10	19M7814	SCREW	4		X	X	M12 X 50
11	24M7047	WASHER	4		X	X	13 X 24 X 2.500 MM
12	14M7299	FLANGE NUT	4		X	X	M12
13	14M7401	LOCK NUT	4		X	X	M12
14	AH163595	BEARING	2		X	X	
15	JD9201	ECCENTRIC LOCKING COLLAR	2		X	X	
16	19M7791	SCREW	4		X	X	M12 X 40
17	H169879	COVER	1		X	X	
18	26H103	SHAFT KEY	1		X	X	1/4" X 2-1/8"

3H19

RESIDUE DISPOSAL

STRAW SPREADER AND DEFLECTORS - CONTINUED

KEY	PART NO.	PART NAME	QTY	SERIAL NO.	9 9 6 7 5 5 0 0	REMARKS
1	03M7183	BOLT	AR		X X	M8 X 16
2	03M7184	BOLT	11		X X	M8 X 20
3	03M7216	BOLT	16		X X	M8 X 50
4	14M7298	FLANGE NUT	AR		X X	M8
5	19M7866	SCREW	46		X X	M8 X 20
6	19M7867	SCREW	4		X X	M8 X 25
7	28H1941	BUSHING	8		X X	0.364" X 0.540" X 1-1/4"
8	AH158935	SHROUD	1		X X	R.H.
	AH158902	SHROUD	1		X X	L.H.
9	AH166869	PANEL	1		X X	R.H.
	AH166868	PANEL	1		X X	L.H.
10	H170104	BLADE	8	-685767	X	
	H170104	BLADE	8	-685802	X	
	H174273	BLADE	8	685768-	X	
	H174273	BLADE	8	685803-	X	
11	24H1341	WASHER	1		X X	17/32" X 15/16" X 0.060"
12	AH159872	HUB	2		X X	
13	AH159901	DISK	2		X X	
14	AH162235	TUBE	2		X X	
15	14M7296	FLANGE NUT	8		X X	M10
16	H164904	REINFORCEMENT	1		X X	
17	H164858	CROP DIVIDER	1		X X	
18	B28970	SPRING	1		X X	
19	H136179	PIN	1		X X	
20	11M7059	COTTER PIN	1		X X	3.200 X 20 MM
21	H172643	LIMIT CURTAIN	1		X X	
22	JD7844	LUBRICATION FITTING	1		X X	

ENGINE GEARCASE PRESSURE REGULATOR - CONTINUED

KEY	PART NO.	PART NAME	QTY	SERIAL NO.	REMARKS
				9 9	
				6 7	
				5 5	
				0 0	
1	R33138	FITTING	1	X X	
2	R26375	O-RING	4	X X	
3	H89241	SPRING	1	X X	
4	R28776	O-RING	2	X X	
5	R63980	VALVE	3	X X	
6	R56782	SPRING	1	X X	
7	H126026	FITTING	1	X X	
8	19M7979	SCREW	7	X X	M8 X 55
9	AH156144	COOLANT TEMPERATURE SENSOR	1	X X	GEARCASE TEMPERATURE SWITCH
	R78059	ELECTRICAL PLUG	1	X X	(PKG OF 40)
10	R26448	O-RING	4	X X	
11	AH125760	HYD. QUICK-CONNECT COUPLER	1	X X	
12	R77175	COVER	1	X X	
13	R27218	FITTING PLUG	1	X X	
14	R28782	O-RING	1	X X	
15	AH135744	SWITCH	1	X X	
	RE12363	CONNECTOR	1	X X	(PKG OF 40)
	R78063	TERMINAL NIPPLE	1	X X	
	R78060	SOCKET CONTACT	1	X X	
16	38H1160	ADAPTER	2	X X	
17	R26906	O-RING	2	X X	
18	38H1018	TEE FITTING	1	X X	
19	H132970	HOUSING	1	X X	
20	H129328	GASKET	1	X X	
21	19M7867	SCREW	4	X X	M8 X 25
22	H118906	COVER	1	X X	
23	H129765	GASKET	1	X X	
24	T77514	PISTON	1	X X	
25	24M7101	WASHER	1	X X	11 X 34 X 3 MM
26	R47449	SPRING	1	X X	
27	T45132	SPRING	1	X X	
28	T77857	O-RING	3	X X	
29	U12547	O-RING	3	X X	
30	38H1175	ADAPTER	1	X X	
31	38H1162	ADAPTER	1	X X	
32	T60314	SPRING	1	X X	
33	R33521	SHIM	AR	X X	
34	H126028	FITTING	1	X X	
35	T77613	O-RING	2	X X	
36	T77932	O-RING	2	X X	
37	AH128654	ELECTRICAL COIL	1	X X	
38	R42926	BACK-UP RING	1	X X	
39	M63707	LOCK NUT	1	X X	
40	R45187	BACK-UP RING	1	X X	
41	R45638	O-RING	1	X X	
42	R46701	SNAP RING	1	X X	
43	SPOOL	1	X X	
44	34H227	SPRING PIN	1	X X	3/32" X 1/2"
45	N31772	O-RING	1	X X	
46	PLUNGER	1	X X	
47	R64698	SPRING	1	X X	
48	GUIDE	1	X X	
49	AH130949	SOLENOID VALVE	1	X X	
50	AH128655	SOLENOID VALVE	2	X X	
51	AH165248	SHUT-OFF VALVE	1	X X	PRESSURE REGULATOR
52	T28256	COUPLING	1	X X	
53	51M7040	O-RING	1	X X	9.300 X 2.200 MM

MAIN GEARCASE - CONTINUED

KEY	PART NO.	PART NAME	QTY	SERIAL NO.	REMARKS
				9 9	
				6 7	
				5 5	
				0 0	
1	DE18569	GEAR	1	X X	(MATCHED SET, 37 TEETH, 56 TEETH)
2	JD9075	BEARING CONE	2	X X	
3	JD9132	BEARING CUP	2	X X	
4	H125839	O-RING	1	X X	
5	CE17450	SHIM	1	X X	0.08(MM)
	CE17451	SHIM	AR	X X	0.13(MM)
	CE17452	SHIM	AR	X X	0.25(MM)
	CE17453	SHIM	AR	X X	0.50(MM)
6	19M7835	SCREW	3	X X	M10 X 35
7	JD8206	BEARING CUP	2	X X	
8	CE17425	HOUSING	1	X X	
9	JD8162	BEARING CONE	1	X X	
10	H110800	LOCK WASHER	2	X X	
11	H122650	LOCK NUT	4	X X	
12	H110801	LOCK WASHER	2	X X	
13	CE17434	GEAR	1	X X	
14	CE18446	O-RING	2	X X	
15	JD9007	BEARING CONE	1	X X	
16	H126793	COVER	1	X X	
17	H125738	HOUSING	1	X X	
18	19M7805	SCREW	5	X X	M10 X 45
19	H132995	TUBE	1	X X	
20	AH151652	DIPSTICK	1	X X	(SUB AH168684)
	AH168684	DIPSTICK	1	X X	
21	19M7868	SCREW	4	X X	M8 X 30
22	H125837	OIL CUP	1	X X	
23	R72032	O-RING	1	X X	
24	H125734	SHIM	1	X X	0.08(MM)
	H125735	SHIM	AR	X X	0.13(MM)
	H125736	SHIM	AR	X X	0.25(MM)
	H125737	SHIM	AR	X X	0.50(MM)
25	DE18571	GEAR	1	X X	(MATCHED SET, 26 TEETH, 35 TEETH)
26	CE18104	SCREEN	1	X X	
27	H126792	GASKET	1	X X	
..	DE18550	GEAR CASE	1	X	INCLUDES 3-DISK CLUTCH, LESS DIPSTICK
..	DE18915	GEAR CASE	1	X	INCLUDES 4-DICK CLUTCH, LESS DIPSTICK
..	T43513	ADHESIVE	1		THREAD LOCK AND SEALER (HIGH STRENGTH) USE ON DIPSTICK TUBE

TWO SPEED GEARBOX HOSES AND FITTINGS - CONTINUED

KEY	PART NO.	PART NAME	QTY	SERIAL NO.	REMARKS
				9 9	
				6 7	
				5 5	
				0 0	
1	38H1147	FITTING PLUG	1	X X	
2	T77857	O-RING	1	X X	
3	AH148244	HYDRAULIC HOSE	1	X X	
4	R26375	O-RING	2	X X	
5	38H1161	ADAPTER	1	X X	
6	19M7815	SCREW	1	X X	M12 X 60
7	24M7180	WASHER	2	X X	13 X 37 X 3 MM
8	28H950	BUSHING	1	X X	0.546" X 0.840" X 1-1/2"
9	CE17532	PIN	1	X X	
10	T27716	SPRING	1	X X	
11	R26448	O-RING	1	X X	
12	R27218	FITTING PLUG	1	X X	
13	H169954	SNAP RING	1	X X	
14	AH155860	DIPSTICK	1	X X	(SUB AH168365)
	AH168365	DIPSTICK	1	X X	
15	AE38448	RELIEF VALVE	1	X X	
16	24H1106	WASHER	4	X X	11/16" X 1-3/4" X 0.134"
17	19M7794	SCREW	4	X X	M16 X 50
18	T128536	PIN	1	X X	
19	24M7091	WASHER	1	X X	
20	A15146	SPRING LOCKING PIN	1	X X	
21	H150158	EYEBOLT	1	X X	
22	14M7300	FLANGE NUT	2	X X	
23	A52086	PIN	1	X X	
24	24M7207	WASHER	2	X X	
25	11H236	COTTER PIN	1	X X	
26	H166413	LEVER	1	X X	
27	J16931	SPRING LOCKING PIN	2	X X	
28	H173661	ROD	1	X X	
29	H159511	SUPPORT	1	X X	
30	R68672	PIN	1	X X	
31	19M7806	SCREW	1	X X	
32	B15494	GRIP	1	X X	
33	H123918	SPACER	1	X X	
34	14M7296	FLANGE NUT	1	X X	

3J11

DRIVES

FEED ACCELERATOR DRIVE IDLER ASSEMBLY - CONTINUED

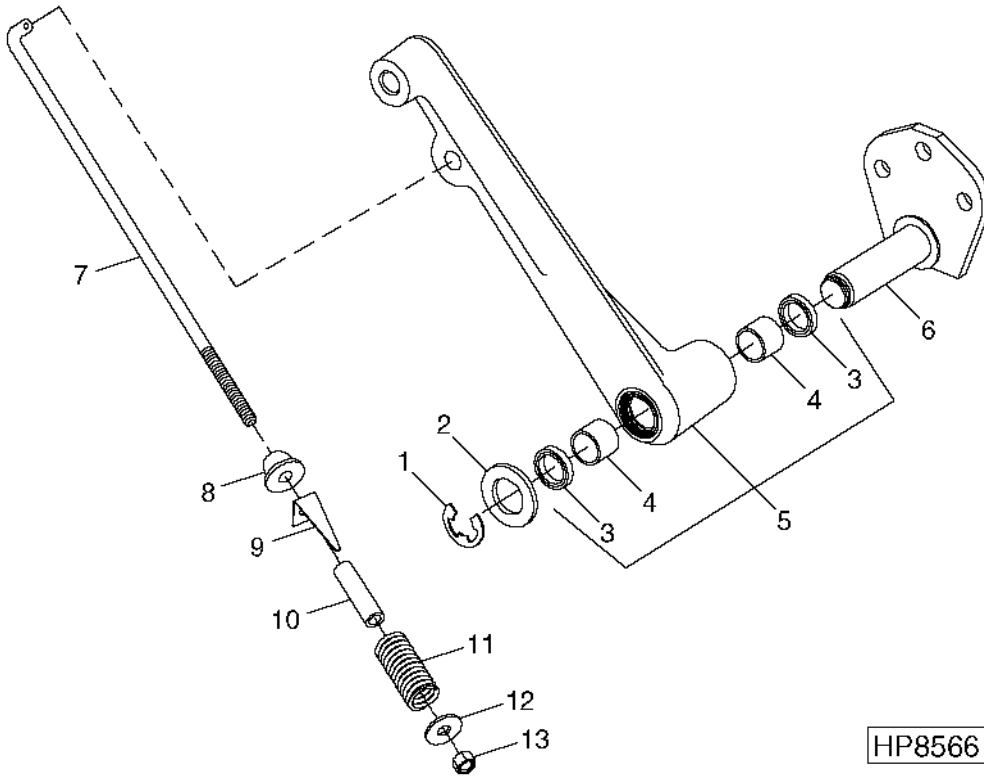
KEY	PART NO.	PART NAME	QTY	SERIAL NO.	REMARKS
				9 9	
				6 7	
				5 5	
				0 0	
1	14M7276	NUT	1	X X	M16
2	24M7103	WASHER	2	X X	17.500 X 56 X 5 MM
3	W25475	SPRING	1	X X	
4	T79938	COMPRESSION SPRING	1	X X	
5	H99147	BUSHING	2	X X	(SUB H171061)
	H171061	BEARING	2	X X	
6	H171039	GAUGE	1	X X	
7	H129208	PIVOT	1	X X	
8	H171040	BOLT	1	X X	
9	AH156051	SPRING PIN	1	X X	
10	U10457	SNAP RING	1	X X	
11	AH160595	ARM	1	X X	
12	H96996	BUSHING	1	X X	
13	11M7021	COTTER PIN	1	X X	4 X 25 MM
14	24M7047	WASHER	1	X X	13 X 24 X 2.500 MM
15	AH164925	ARM	1	X X	
16	24M7091	WASHER	1	X X	26 X 44 X 4 MM
17	P46402	SNAP RING	1	X X	
18	AH150900	PULLEY	2	X X	
19	H96690	SPACER	1	X X	
20	19M7846	SCREW	1	X X	M16 X 120
21	AA5607R	SEAL	2	X X	
22	AN104281	IDLER	1	X X	
23	H160992	SHEAVE	1	X X	
24	H165237	SPACER	1	X X	
25	19M7786	SCREW	6	X X	M10 X 30
26	H160831	BELT	1	X X	
	H172341	BELT	1	X X	SLOW SPEED AND RICE
27	AH150678	BELT	2	X X	
..	BH81691	COMPLETE GOODS/SHIP. BUNDLE	1	X X	FRONT ACCELERATOR SLOW SPEED CONVERSION

3J21

DRIVES

IDLER ASSEMBLY - SHOE AND CONVEYOR AUGER DRIVE

HP8566 -UN-26JUL99



HP8566

9 9
6 7
5 5
0 0

KEY	PART NO.	PART NAME	QTY	SERIAL NO.	REMARKS
1	P46402	SNAP RING	1	X X	
2	24M7091	WASHER	1	X X	26 X 44 X 4 MM
3	AA5607R	SEAL	2	X X	
4	H99147	BUSHING	2	X X	(SUB H171061)
	H171061	BEARING	2	X X	
5	AH163830	ARM	1	X X	
6	AH156051	SPRING PIN	1	X X	
7	H170103	HOOK BOLT	1	X X	
8	H170141	PIVOT	1	X X	
9	H170153	GAUGE	1	X X	
10	TY22326	BULK HOSE	1	X X	
11	H82418	SPRING	1	X X	
12	24M7180	WASHER	1	X X	13 X 37 X 3 MM
13	14M7275	NUT	1	X X	M12

UNLOADING AUGER COUNTERSHAFT DRIVE - CONTINUED

KEY	PART NO.	PART NAME	QTY	SERIAL NO.	REMARKS
				9 9	
				6 7	
				5 5	
				0 0	
1	14M7296	FLANGE NUT	8	X X	M10
2	H103265	PRESSED FLANGED HOUSING	4	X X	
3	H135891	LOCK NUT	4	X X	
4	19M7784	SCREW	3	X X	M10 X 20
5	19M7185	CAP SCREW	4	X X	M8 X 60
6	E64256	LOCK NUT	4	X X	
7	19M7786	SCREW	6	X X	M10 X 30
8	AH151895	SUPPORT	1	X X	
9	J16931	SPRING LOCKING PIN	2	X X	
10	R31132	PIN	1	X X	
11	AH151955	CHANNEL	1	X X	
12	45M7043	PIN	1	X X	12 X 60 MM
13	H166569	PIN	1	X X	
14	AH160080	BELT	1	X X	
15	19M8317	SCREW	6	X X	M8 X 40
16	H161415	SHEAVE	1	X X	
17	AH155812	HUB	1	X X	
18	H150846	HUB	1	X X	
19	14M7274	NUT	3	X X	M10
20	H138435	SET SCREW	3	X X	
21	14M7298	FLANGE NUT	6	X X	M8
22	AH128075	CHAIN SPROCKET	1	X X	19 TEETH
	AH128074	CHAIN SPROCKET	1	X X	17 TEETH (SLOW SPEED)
23	40M7046	SNAP RING	1	X X	
24	26M6787	SHAFT KEY	2	X X	10 X 32 MM
25	H164213	BUSHING	1	X X	
26	JD39104	BALL BEARING	2	X X	
27	AH133191	ECCENTRIC LOCKING COLLAR	2	X X	
28	AH151956	CHANNEL	1	X X	

4B13

GRAIN TANK AND UNLOADING AUGER

GRAIN TANK EXTENSIONS - CONTINUED (9750 STS)

KEY	PART NO.	PART NAME	QTY	SERIAL NO.	REMARKS
				9 9	
				6 7	
				5 5	
				0 0	
1	H167522	PANEL	2	X	L.H.
2	14M7298	FLANGE NUT	35	X	M8
3	24M7207	WASHER	8	X	8.400 X 24 X 2 MM
4	AH135290	QUICK LOCK PIN	8	X	
5	H167633	PLATE	4	X	
6	19M7866	SCREW	40	X	M8 X 20
7	AH158249	PANEL	2	X	
8	H167632	PLATE	4	X	
9	H167521	PANEL	2	X	R.H.
10	14M7396	LOCK NUT	12	X	M8
11	19M7801	SCREW	12	X	M8 X 60
12	AH158248	PANEL	2	X	
13	H168983	BRACKET	1	X	LIGHT
14	AH158252	ADAPTER	1	X	R.H.
15	AH158253	ADAPTER	1	X	L.H.
16	H168556	BRACKET	4	X	
17	H161088	BRACKET	1	X	SENSOR
18	19M7867	SCREW	1	X	M8 X 25
19	19H2351	CAP SCREW	1	X	1/2" X 1/2"
20	24M7180	WASHER	1	X	13 X 37 X 3 MM
21	AH148210	HEADLIGHT	1	X	

4B22

GRAIN TANK AND UNLOADING AUGER

HORIZONTAL UNLOADING AUGER - CONTINUED (17- AND 20- FT.)

KEY	PART NO.	PART NAME	QTY	SERIAL NO.	REMARKS
				9 9	
				6 7	
				5 5	
				0 0	
1	N72989	BUSHING	1	X X	
2	AH122717	GUDGEON	1	X X	
	H116292	SPLINED COUPLING	1	X X	
3	AH112435	AUGER	1	X X	(INCLUDES H116292)
	AH151413	AUGER	1	X X	
	AH151414	AUGER	1	X X	
4	JD9373	BALL BEARING	1	X X	
5	H114873	HOUSING	1	X X	
6	03M7193	BOLT	2	X X	M10 X 35
	14M7296	FLANGE NUT	2	X X	M10
7	AH122717	GUDGEON	1	X X	
8	24H1300	WASHER	6	X X	25/64" X 2" X 0.220"
	24H1311	WASHER	6	X X	13/32" X 1-1/4" X 0.220"
9	H119566	STRIP	2	X X	100 MM (4") LONG
	H119567	STRIP	2	X X	125 MM (5") LONG
	H119568	STRIP	4	X X	150 MM (6") LONG
10	03H1495	BOLT	2	X X	3/8" X 1-1/2"
	03H1557	BOLT	2	X X	3/8" X 1-1/4"
	K40003	LOCK NUT	4	X X	
11	AH143727	AUGER	1	X X	
	AH143731	AUGER	1	X X	
	AH151403	AUGER	1	X X	
12	22H897	SET SCREW	1	X X	1/4" X 1/4"
13	JD8554	ECCENTRIC LOCKING COLLAR	1	X X	
14	03M7184	BOLT	3	X X	M8 X 20
	14M7298	FLANGE NUT	3	X X	M8
15	H103264	PRESSED FLANGED HOUSING	2	X X	
16	JD8665	BALL BEARING	1	X X	
17	H96645	CAP	1	X X	
18	19M7866	SCREW	5	X X	M8 X 20
	14M7298	FLANGE NUT	5	X X	M8
19	Z24604	HINGE	1	X X	(USE WITH AH132230)
20	03M7183	BOLT	2	X X	M8 X 16
	14M7298	FLANGE NUT	2	X X	M8
21	19M7868	SCREW	1	X X	M8 X 30
22	14M7298	FLANGE NUT	2	X X	M8
23	J18468	SPRING	2	X X	
24	AH132230	DOOR	1	X X	(INCLUDES Z24604)
25	H158817	PLATE	1	X X	(EXPORT ONLY)

MEMORANDA

4C18

GREENSTAR YIELD MAPPING AND MONITOR SYSTEMS

**MOISTURE SENSOR COVERS
WHEN MOISTURE SENSOR IS NOT USED**

KEY	PART NO.	PART NAME	QTY	SERIAL NO.	REMARKS
				9 9	
				6 7	
				5 5	
				0 0	
1	14M7303	FLANGE NUT	8	X X	M6
2	03M7221	BOLT	8	X X	M6 X 16
3	PF80173	COVER	1	X X	UPPER
4	PF80174	COVER	1	X X	LOWER
5	M80082	NUT	8	X X	

4D6

RUBBER TRACK SYSTEM

MAIN FRAME PIVOT BUSHINGS - CONTINUED

KEY	PART NO.	PART NAME	QTY	SERIAL NO.	REMARKS
				9 9	
				6 7	
				5 5	
				0 0	
1	H152745	WASHER	4		
2	H170357	BUSHING	4		
3	JD7763	LUBRICATION FITTING	4		
4	19M7814	SCREW	8		M12 X 50
5	AH163817	CAP	1		
6	AT184336	HYDRAULIC HOSE	4		
7	E12379	NUT	4		

4D15

RUBBER TRACK SYSTEM

BOGEY WHEEL AXLES - CONTINUED

KEY	PART NO.	PART NAME	QTY	SERIAL NO.	REMARKS
				9 9	
				6 7	
				5 5	
				0 0	
1	JD7759	LUBRICATION FITTING	2	X X	(A)
2	19M8011	CAP SCREW	16	X X	(A) M12 X 30
3	H164001	BEARING CAP	4	X X	(A)
4	H157615	SHIM	AR	X X	(A) 0.50 MM
	H157616	SHIM	AR	X X	(A) 0.25 MM
	H157617	SHIM	AR	X X	(A) 0.13 MM
5	T68818	SEAL	4	X X	(A)
6	H164000	PIN	2	X X	(A)
7	AH165222	SUPPORT	1	X X	
8	T122720	BUSHING	4	X X	(A)
9	34M7254	SPRING PIN	2	X X	(A) 16 X 90 MM
10	H152743	RETAINER	6	X X	0.50 MM
11	AH164228	AXLE KNEE	1	X X	
12	AH164304	SUPPORT	1	X X	
13	H164002	SLEEVE	2	X X	(A) REQUIRES TY15969 MAXIMUM STRENGTH RETAINING COMPOUND FOR INSTALLATION
..	TY15969	ADHESIVE	1	X X	MAXIMUM STRENGTH RETAINING COMPOUND; REQUIRED FOR INSTALLATION OF SLEEVES H164002

4D24

RUBBER TRACK SYSTEM

DRIVE WHEEL AND BELT - CONTINUED

KEY	PART NO.	PART NAME	QTY	SERIAL NO.	REMARKS
				9 9	
				6 7	
				5 5	
				0 0	
1	14M7299	FLANGE NUT	15	X X	M12
2	AH150171	WHEEL	1	X X	
3	T30424	O-RING	30	X X	
4	H157716	PIN	15	X X	
5	H138607	STUD	1	X X	(USE FOR WHEEL MOUNTING ONLY)
6	H157718	BUSHING	30	X X	
7	H170072	SCREW	10	X X	
8	H134114	SPACER	10	X X	
9	19M7791	SCREW	15	X X	M12 X 40
10	AH150172	WHEEL	1	X X	
11	BELT	1	X X	NFS; 30" X 276" X 46 PITCH; CONTACT FIRESTONE FOR PART INFORMATION AT 1-800-745-1739
	BELT	1	X X	NFS; 34" X 276" X 46 PITCH; CONTACT FIRESTONE FOR PART INFORMATION AT 1-800-745-1739
12	AH160669	RING	1	X X	

4E10

DECALS

SAFETY DECALS AND LOCATIONS - CONTINUED

KEY	PART NO.	PART NAME	QTY	SERIAL NO.	9 6 5 0	9 7 5 0	REMARKS
1	H149062	DECAL	1		X	X	GRAIN TANK
2	H149088	DECAL	1		X	X	ROTARY SCREEN
3	H169516	SAFETY SIGN	1		X	X	CAUTION (COMBINE FIRES)
4	H149064	LABEL	1		X	X	LADDER
5	H149096	LABEL	1		X	X	PROJECTILE (ONLY W/ STRAIN CHOPPER OPT.)
6	JD5927	SMV EMBLEM	1		X	X	EMBLEM (SLOW MOVING VEHICLE)
7	JD5920	REFLECTOR	4		X	X	LABEL REFLECTIVE (RED)
8	JD5921	REFLECTOR	2		X	X	LABEL REFLECTIVE (YELLOW) ON FRONT OF PLATE OPPOSITE RED LABEL
9	JD5922	REFLECTOR	4		X	X	LABEL REFLECTIVE (ORANGE)

4E20

DECALS

FRONT & REAR DECALS - CONTINUED

KEY	PART NO.	PART NAME	QTY	SERIAL NO.	9 6 5 0	REMARKS
1	H134535	LABEL	1		X X	INSTRUCTION (EMERGENCY EXIT)
2	H137823	PANEL	1		X X	INSTRUCTION (FEEDERHOUSE REVERSER)
3	H86896	DECAL	1		X X	INSTRUCTIONAL (ETHER CAN)
4	H137201	DECAL	1		X X	IMPORTANT (COOLING PACKAGE CLEANOUT)
5	H170211	SIGN	2		X X	INSTRUCTION (HOSE ADJUSTMENT) (POWERED REAR WHEELS ONLY)
6	H149480	LABEL	1		X X	LEAPING DEERE
7	JD5592	DECAL	1		X X	LEAPING DEERE

4F5

DECALS

UKRAINIAN DECALS AND LABELS

KEY	PART NO.	PART NAME	QTY	SERIAL NO.	REMARKS
				9 9	
				6 7	
				5 5	
				0 0	
..	H157915	SIGN	1	X X	(CAUTION) SEAT BELT
..	H158043	LABEL	1	X X	FILTER DOOR
..	H158045	DECAL	1	X X	FILTER SERVICE
..	H158047	LABEL	2	X X	RECIRCULATING FILTER TRAY
..	H158052	LABEL	1	X X	FILTER DOOR
..	H161208	LABEL	1	X X	(CAUTION) BRAKES
..	H161209	LABEL	1	X X	EXIT
..	H137823	PANEL	1	X X	FEEDERHOUSE REVERSER
..	H151671	LABEL	4	X X	REEL LIFT
..	H152239	MEDALLION	1	X X	ELECTRIC SHOCK
..	H152240	MEDALLION	1	X X	RADIATOR
..	H152243	MEDALLION	1	X X	HYDRAULIC
..	H154128	LABEL	5	X X	LATERAL TILT
..	H157292	LABEL	1	X X	DIAGNOSTIC PORTS
..	H157312	LABEL	1	X X	(CAUTION)
..	H157320	LABEL	4	X X	TIRE PRESSURE
..	H157322	LABEL	2	X X	REAR WHEEL BOLT TORQUE
..	H157326	LABEL	1	X X	ROTARY SCREEN DRIVE
..	H157332	DECAL	1	X X	COOLING PACKAGE CLEANOUT
..	H157334	LABEL	1	X X	HARNES AND HOSE STORAGE
..	H157340	LABEL	4	X X	WHEEL BOLT TORQUE
..	H157344	LABEL	2	X X	FEEDERHOUSE DRUM HIEGHT ADJUSTMENT
..	H157348	LABEL	1	X X	HYDRAULIC RESERVIOR
..	H157984	SIGN	1	X X	(WARNING) ACCUMULATOR
..	H158010	DECAL	1	X X	(INSTRUCTION)
..	H158840	LABEL	1	X X	FEEDERHOUSE VARIABLE SPEED DRIVE
..	H160796	LABEL	1	X X	FEEDERHOUSE CHAIN ADJUSTMENT
..	H167447	INSTRUCTION PLATE	2	X X	LATERAL TILT FEEDERHOUSE LUBE
..	H167691	LABEL	1	X X	ENGINE LIGHT
..	H173335	LABEL	1	X X	TIRE LOADING
..	H174284	LABEL	1	X X	(WARNING)
..	Z60332	LABEL	7	X X	HAND ENTANGLEMENT
..	H157346	LABEL	2	X X	UNLOADING
..	H165560	LABEL	1	X X	LIGHT SWITCH
..	H169689	DECAL	1	X X	UNLOADER SYSTEM LUBE
..	H173162	LABEL	1	X X	L.H. LUBE CHART
..	H173163	LABEL	1	X X	R.H. LUBE CHART

1K25

9650 STS AND 9750 STS SELF-PROPELLED COMBINES

NUMERICAL INDEX - CONTINUED

PART NO.	GRID	KEY	PAGE	PART NO.	GRID	KEY	PAGE	PART NO.	GRID	KEY	PAGE
AH158288	2K2	21	90 - 39	AH159863	3F3	3	125 - 3	AH160796	3D10	4	110 - 33
AH158290	2K2	22	90 - 39	AH159872	3H19	12	135 - 19	AH160798	3C20	7	110 - 19
AH158291	2K2	29	90 - 39	AH159878	3F3	4	125 - 3	AH160798	3C22	8	110 - 21
AH158310	1I5	1	40 - 77	AH159901	3H19	13	135 - 19	AH160799	3C20	19	110 - 19
AH158328	3D8	31	110 - 31	AH159906	2I9	4	80 - 35	AH160832	2B17	3	50 - 9
AH158452	1H16	5	40 - 63	AH159907	2I9	6	80 - 35	AH160832	2B17	4	50 - 9
AH158454	2H14	29	80 - 13	AH159948	2D11	3	50 - 57	AH160970	2F19	3	70 - 24
AH158457	3F7	4	125 - 7	AH159948	2F2	13	70 - 7	AH161058	3C22	13	110 - 21
AH158580	3G19	12	130 - 23	AH159994	2J13	1	90 - 25	AH161059	3C20	6	110 - 19
AH158581	3G19	10	130 - 23	AH160025	1F2	7	30 - 23	AH161154	2J13	10	90 - 25
AH158595	3I12	20	140 - 9	AH160058	1H21	4	40 - 68	AH161348	2J6	5	90 - 17
AH158595	3I14	20	140 - 11	AH160070	3H17	15	135 - 17	AH161375	3H21	2	135 - 21
AH158635	3D8	32	110 - 31	AH160080	3K5	14	140 - 53	AH161391	2H16	16	80 - 15
AH158635	3G15	22	130 - 19	AH160080	4F9	3	170 - 31	AH161392	2H14	17	80 - 13
AH158688	3E18	6	120 - 24	AH160113	2K11	2	90 - 49	AH161392	2H22	19	80 - 21
AH158812	3J12	1	140 - 34	AH160114	2K11	2	90 - 49	AH161454	3D19	2	110 - 42
AH158821	3H7	12	135 - 7	AH160115	2K9	2	90 - 47	AH161460	3K7	13	140 - 55
AH158835	3E15	17	120 - 21	AH160116	1F2	14	30 - 23	AH161460	4F9	2	170 - 31
AH158887	3E8	7	120 - 13	AH160117	2I9	2	80 - 35	AH161474	1H2	7	40 - 49
AH158902	3H19	8	135 - 19	AH160152	2I2	17	80 - 27	AH161485	2E4	31	60 - 9
AH158935	3H19	8	135 - 19	AH160196	2I9	10	80 - 35	AH161526	2F7	22	70 - 12
AH159016	2H6	31	80 - 5	AH160207	2I11	15	80 - 37	AH161526	2F10	10	70 - 15
AH159037	2K2	10	90 - 39	AH160208	3H21	1	135 - 21	AH161526	2F12	10	70 - 17
AH159078	3B18	1	95 - 12	AH160209	3H21	6	135 - 21	AH161526	2F14	10	70 - 19
AH159105	1H6	3	40 - 53	AH160218	1I3	3	40 - 75	AH161527	2F6	21	70 - 11
AH159110	1H6	14	40 - 53	AH160219	1I3	3	40 - 75	AH161527	2F7	23	70 - 12
AH159142	3I22	18	140 - 19	AH160236	2K2	12	90 - 39	AH161527	2F10	9	70 - 15
AH159143	3I20	15	140 - 17	AH160268	1B14	18	20 - 9	AH161527	2F12	9	70 - 17
AH159148	3J19	1	140 - 41	AH160269	1B12	29	20 - 7	AH161527	2F14	9	70 - 19
AH159170	3C7	..	110 - 5	AH160278	1H6	11	40 - 53	AH161529	2F10	14	70 - 15
AH159170	3C8	..	110 - 6	AH160279	1C1	2	20 - 21	AH161529	2F12	14	70 - 17
AH159180	2J15	9	90 - 27	AH160284	3J25	13	140 - 47	AH161529	2F14	14	70 - 19
AH159185	2K6	1	90 - 43	AH160291	1H6	1	40 - 53	AH161530	2F7	3	70 - 12
AH159186	2K6	1	90 - 43	AH160299	2H8	6	80 - 7	AH161530	2F8	3	70 - 13
AH159187	2K6	1	90 - 43	AH160300	2H6	28	80 - 5	AH161530	2F10	18	70 - 15
AH159188	2K6	1	90 - 43	AH160321	2B19	4	50 - 11	AH161530	2F12	18	70 - 17
AH159233	3C10	34	110 - 9	AH160360	3C24	35	110 - 23	AH161530	2F14	18	70 - 19
AH159236	2I25	5	90 - 11	AH160390	3J4	8	140 - 25	AH161580	2H6	22	80 - 5
AH159238	2I25	9	90 - 11	AH160391	3J4	11	140 - 25	AH161580	3E7	6	120 - 12
AH159240	3H23	19	135 - 23	AH160404	2H25	14	80 - 25	AH161583	3J6	35	140 - 27
AH159241	2J15	12	90 - 27	AH160405	2H25	2	80 - 25	AH161601	1G10	28	40 - 33
AH159247	1B9	8	20 - 3	AH160406	2I2	..	80 - 27	AH161649	2E23	26	70 - 3
AH159248	2E2	5	60 - 7	AH160432	2I2	10	80 - 27	AH161679	2J10	6	90 - 21
AH159249	2E2	6	60 - 7	AH160469	2K6	2	90 - 43	AH161699	3E12	1	120 - 17
AH159250	2E2	2	60 - 7	AH160470	2K6	2	90 - 43	AH161700	3E12	4	120 - 17
AH159255	1B18	2	20 - 13	AH160472	2K6	3	90 - 43	AH161703	3E12	7	120 - 17
AH159266	1I5	2	40 - 77	AH160473	2K6	3	90 - 43	AH161704	3E12	10	120 - 17
AH159283	1I5	5	40 - 77	AH160474	2K6	3	90 - 43	AH161707	2I7	11	80 - 33
AH159332	1H22	3	40 - 69	AH160475	2K6	3	90 - 43	AH161751	3I20	6	140 - 17
AH159333	1H22	3	40 - 69	AH160488	3H11	1	135 - 11	AH161754	2J6	22	90 - 17
AH159366	1F2	10	30 - 23	AH160499	3E15	8	120 - 21	AH161755	2J6	15	90 - 17
AH159441	2G11	13	70 - 40	AH160572	4D16	14	160 - 16	AH161779	3E13	6	120 - 18
AH159441	2G12	13	70 - 41	AH160573	4D13	14	160 - 12	AH161786	2F18	17	70 - 23
AH159447	1E19	5	30 - 15	AH160592	2I25	16	90 - 11	AH161787	2F18	15	70 - 23
AH159448	1E19	19	30 - 15	AH160595	3J11	11	140 - 33	AH161812	3D23	2	120 - 3
AH159451	2I7	1	80 - 33	AH160596	3K3	5	140 - 50	AH161825	2G6	11	70 - 35
AH159454	2I7	6	80 - 33	AH160606	3H9	6	135 - 9	AH161838	1H20	4	40 - 67
AH159478	2I7	8	80 - 33	AH160610	2E2	18	60 - 7	AH161838	3H23	11	135 - 23
AH159487	1F2	11	30 - 23	AH160611	2E2	17	60 - 7	AH161839	1H20	3	40 - 67
AH159488	1F2	15	30 - 23	AH160613	3E8	3	120 - 13	AH161839	3H7	24	135 - 7
AH159502	3E8	19	120 - 13	AH160615	3C5	14	110 - 3	AH161861	3F13	1	125 - 13
AH159573	1E19	3	30 - 15	AH160628	1H6	12	40 - 53	AH161864	2J25	7	90 - 37
AH159715	2I23	7	90 - 9	AH160669	4D24	12	160 - 25	AH161865	2J25	8	90 - 37
AH159716	2I23	2	90 - 9	AH160676	2E7	7	60 - 12	AH161882	2D15	9	50 - 61
AH159723	2H14	30	80 - 13	AH160677	2E7	7	60 - 12	AH161884	3H4	25	135 - 3
AH159740	2K11	9	90 - 49	AH160680	2E6	..	60 - 11	AH161895	3F11	11	125 - 11
AH159762	1F2	13	30 - 23	AH160727	3H4	17	135 - 3	AH161934	2H10	5	80 - 9

1L10

9650 STS AND 9750 STS SELF-PROPELLED COMBINES

NUMERICAL INDEX - CONTINUED

PART NO.	GRID	KEY	PAGE	PART NO.	GRID	KEY	PAGE	PART NO.	GRID	KEY	PAGE
H153352	2I25	4	90 - 11	H155777	2D11	11	50 - 57	H157101	2F22	8B	70 - 27
H153352	2K4	16	90 - 41	H155859	3E10	8	120 - 15	H157103	3H7	17	135 - 7
H153358	2K2	34	90 - 39	H155968	3F24	24	130 - 3	H157104	1B9	1	20 - 3
H153394	2J2	8	90 - 13	H156088	3E12	6	120 - 17	H157104	4F10	2	170 - 32
H153438	3B9	6	95 - 3	H156088	3E12	11	120 - 17	H157105	1B10	13	20 - 4
H153443	2J15	21	90 - 27	H156090	3C7	34	110 - 5	H157105	4F10	1	170 - 32
H153453	2J15	18	90 - 27	H156091	3C7	14	110 - 5	H157112	3D2	9	110 - 25
H153457	2J15	19	90 - 27	H156095	3C7	19	110 - 5	H157152	3D14	15	110 - 37
H153479	2J21	5	90 - 33	H156095	3C8	7	110 - 6	H157192	3G13	1	130 - 17
H153480	2J21	4	90 - 33	H156096	3C8	4	110 - 6	H157193	3G7	1	130 - 11
H153521	3F24	6	130 - 3	H156101	3H9	3	135 - 9	H157247	2G16	28	70 - 45
H153674	1E23	23	30 - 19	H156127	4D4	8	160 - 3	H157284	1B12	24	20 - 7
H153721	3B14	9	95 - 8	H156127	4D20	5	160 - 21	H157292	4F5	..	170 - 27
H153722	3B14	10	95 - 8	H156221	4F4	..	170 - 26	H157293	4F3	..	170 - 25
H153728	4E24	4	170 - 21	H156222	4F4	..	170 - 26	H157312	4F5	..	170 - 27
H153761	1E23	20	30 - 19	H156223	4F4	..	170 - 26	H157313	4F3	..	170 - 25
H153888	3B14	7	95 - 8	H156224	4F4	..	170 - 26	H157320	4F5	..	170 - 27
H153889	3B14	8	95 - 8	H156225	4F4	..	170 - 26	H157321	4F3	..	170 - 25
H154009	3F15	15	125 - 15	H156226	4F4	..	170 - 26	H157322	4F5	..	170 - 27
H154016	3F15	1	125 - 15	H156227	4F4	..	170 - 26	H157323	4F3	..	170 - 25
H154056	2H6	25	80 - 5	H156228	4F4	..	170 - 26	H157326	4F5	..	170 - 27
H154071	3G2	27	130 - 5	H156229	4F4	..	170 - 26	H157327	4F3	..	170 - 25
H154071	3G7	..	130 - 11	H156230	4F4	..	170 - 26	H157332	4F5	..	170 - 27
H154113	2H4	11	80 - 3	H156231	4F4	..	170 - 26	H157333	4F3	..	170 - 25
H154114	2H6	13	80 - 5	H156232	4F4	..	170 - 26	H157334	4F5	..	170 - 27
H154128	4F1	..	170 - 23	H156234	4F4	..	170 - 26	H157335	4F3	..	170 - 25
H154128	4F2	..	170 - 24	H156272	3E15	7	120 - 21	H157340	4F5	..	170 - 27
H154128	4F3	..	170 - 25	H156272	3E15	9	120 - 21	H157341	4F3	..	170 - 25
H154128	4F5	..	170 - 27	H156280	3E2	9	120 - 7	H157344	4F5	..	170 - 27
H154154	1B18	20	20 - 13	H156321	3I20	13	140 - 17	H157345	4F3	..	170 - 25
H154331	3D8	22	110 - 31	H156347	4C4	3	150 - 23	H157346	4F5	..	170 - 27
H154370	3G7	..	130 - 11	H156363	2J15	17	90 - 27	H157347	4F3	..	170 - 25
H154485	2H4	8	80 - 3	H156390	2J19	42	90 - 31	H157348	4F5	..	170 - 27
H154486	2H6	15	80 - 5	H156390	4E12	2	170 - 9	H157398	3J22	9	140 - 44
H154608	3H23	14	135 - 23	H156394	3G21	18	130 - 25	H157415	3H13	17	135 - 13
H154636	3G17	5	130 - 21	H156513	2D24	3	60 - 5	H157458	3E22	4	120 - 29
H154696	3G2	15	130 - 5	H156514	2D24	1	60 - 5	H157459	3E22	5	120 - 29
H154697	3G2	17	130 - 5	H156541	3C18	12	110 - 17	H157480	3H7	1	135 - 7
H154698	3G2	16	130 - 5	H156541	3D12	7	110 - 35	H157481	3H7	10	135 - 7
H154720	2C7	14	50 - 25	H156541	3J7	17	140 - 28	H157482	3H7	22	135 - 7
H154723	3J25	17	140 - 47	H156541	4F9	1	170 - 31	H157487	3H7	26	135 - 7
H154723	4F7	2	170 - 29	H156576	3D4	23	110 - 27	H157488	3H7	25	135 - 7
H154731	3G15	26	130 - 19	H156578	3D4	7	110 - 27	H157491	3H5	3	135 - 4
H154731	4F7	8	170 - 29	H156579	3D4	10	110 - 27	H157499	3H4	13	135 - 3
H154755	2D15	12	50 - 61	H156580	3D4	16	110 - 27	H157502	3H4	24	135 - 3
H154756	2D15	13	50 - 61	H156592	3E17	12	120 - 23	H157505	3H4	8	135 - 3
H154757	2I7	14	80 - 33	H156593	3E17	9	120 - 23	H157506	3H4	8	135 - 3
H154792	3C14	12	110 - 13	H156653	3F18	13	125 - 19	H157507	3H4	14	135 - 3
H154792	3C16	24	110 - 15	H156654	3F18	11	125 - 19	H157514	3H13	11	135 - 13
H154800	2G11	9	70 - 40	H156670	3B16	11	95 - 10	H157514	4F9	6	170 - 31
H154800	2G12	6	70 - 41	H156673	3D23	7	120 - 3	H157523	3H13	22	135 - 13
H154928	3E22	3	120 - 29	H156711	3F24	15	130 - 3	H157523	4F9	7	170 - 31
H154928	3F7	36	125 - 7	H156744	3G2	24	130 - 5	H157528	3H4	26	135 - 3
H154928	3F15	27	125 - 15	H156764	1E23	22	30 - 19	H157539	3H13	7	135 - 13
H154937	2J13	8	90 - 25	H156767	3G21	10	130 - 25	H157615	4D8	16	160 - 7
H155040	3E7	2	120 - 12	H156796	3C18	12	110 - 17	H157615	4D12	4	160 - 11
H155047	3E7	3	120 - 12	H156796	3D12	7	110 - 35	H157615	4D15	4	160 - 15
H155048	3E7	5	120 - 12	H156796	3J7	17	140 - 28	H157616	4D8	16	160 - 7
H155049	3E7	1	120 - 12	H156796	4F9	1	170 - 31	H157616	4D12	4	160 - 11
H155062	3K7	10	140 - 55	H156850	3C14	10	110 - 13	H157616	4D15	4	160 - 15
H155307	3K2	26	140 - 49	H156936	3D16	1	110 - 39	H157617	4D8	16	160 - 7
H155427	3G15	6	130 - 19	H156938	3G15	10	130 - 19	H157617	4D12	4	160 - 11
H155459	3C5	5	110 - 3	H156975	3H13	6	135 - 13	H157617	4D15	4	160 - 15
H155510	2J19	46	90 - 31	H157042	3H7	9	135 - 7	H157681	1E23	6	30 - 19
H155510	4E12	3	170 - 9	H157043	3G4	12	130 - 7	H157696	4D8	16	160 - 7
H155577	3E4	7	120 - 9	H157044	3G4	11	130 - 7	H157696	4D12	4	160 - 11
H155578	3E4	12	120 - 9	H157046	1B16	5	20 - 11	H157698	2B17	6	50 - 9

CLICK HERE TO **DOWNLOAD** THE COMPLETE MANUAL

- Thank you very much for reading the preview of the manual.
- You can download the complete manual from: www.heydownloads.com by clicking the link below



- Please note: If there is no response to CLICKING the link, please download this PDF first and then click on it.

CLICK HERE TO **DOWNLOAD** THE COMPLETE MANUAL