

8260R Tractor



JOHN DEERE

PARTS CATALOG

8260R Tractor

PC10487 (May-12) English

John Deere Waterloo Works

Litho in U.S.A. (Revised)
COPYRIGHT © 2012
DEERE & COMPANY
Moline, Illinois
All rights reserved

CLICK HERE TO **DOWNLOAD** THE COMPLETE MANUAL

- Thank you very much for reading the preview of the manual.
- You can download the complete manual from: www.heydownloads.com by clicking the link below



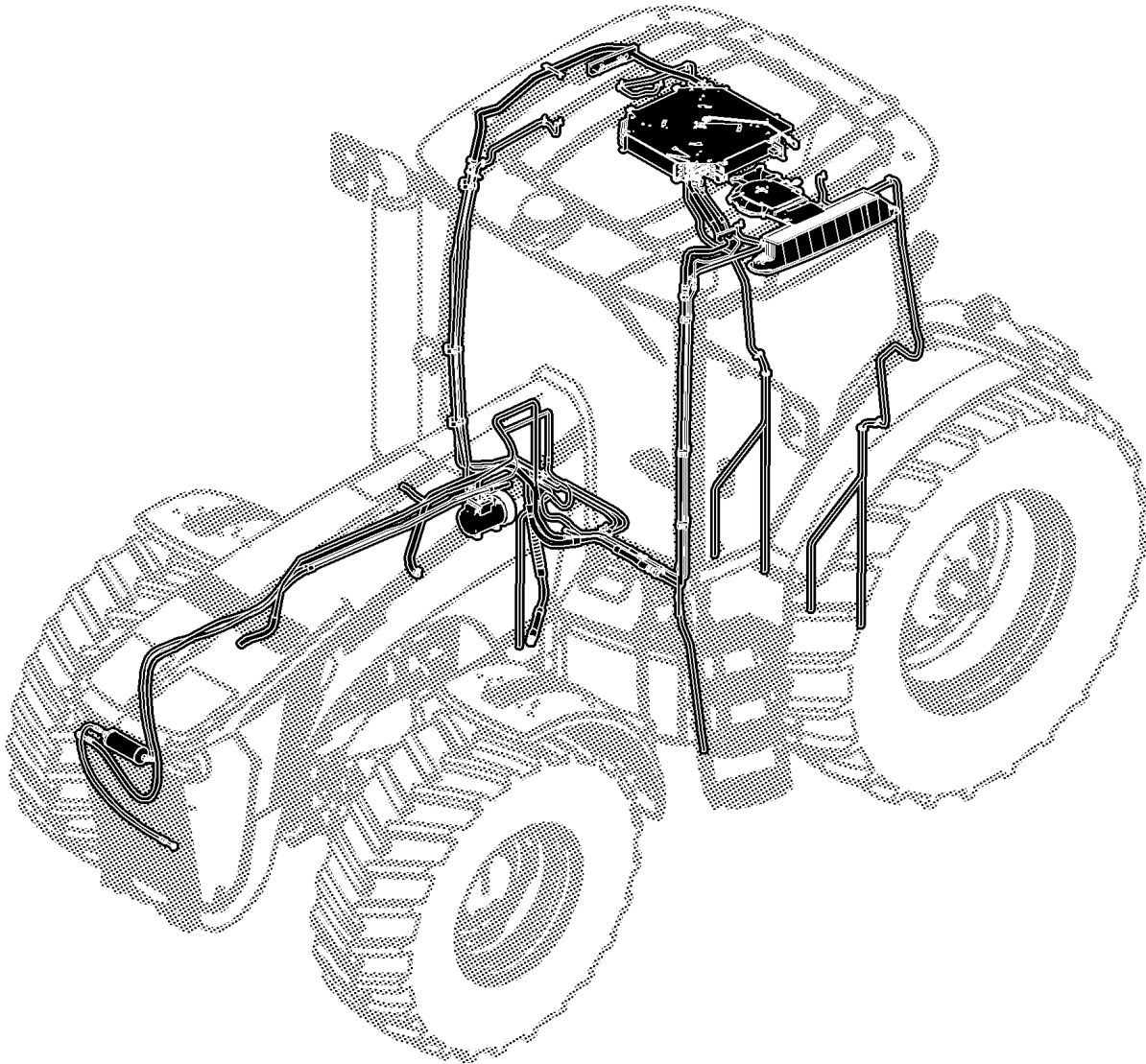
- Please note: If there is no response to CLICKING the link, please download this PDF first and then click on it.

CLICK HERE TO **DOWNLOAD** THE COMPLETE MANUAL

Primary Pictorial Index
Index d'illustrations principal
Hauptbildindex
Indice principale illustrato
◆ndice primario de ilustraciones
Huvudbildregister

RXA0103803 A.1

90



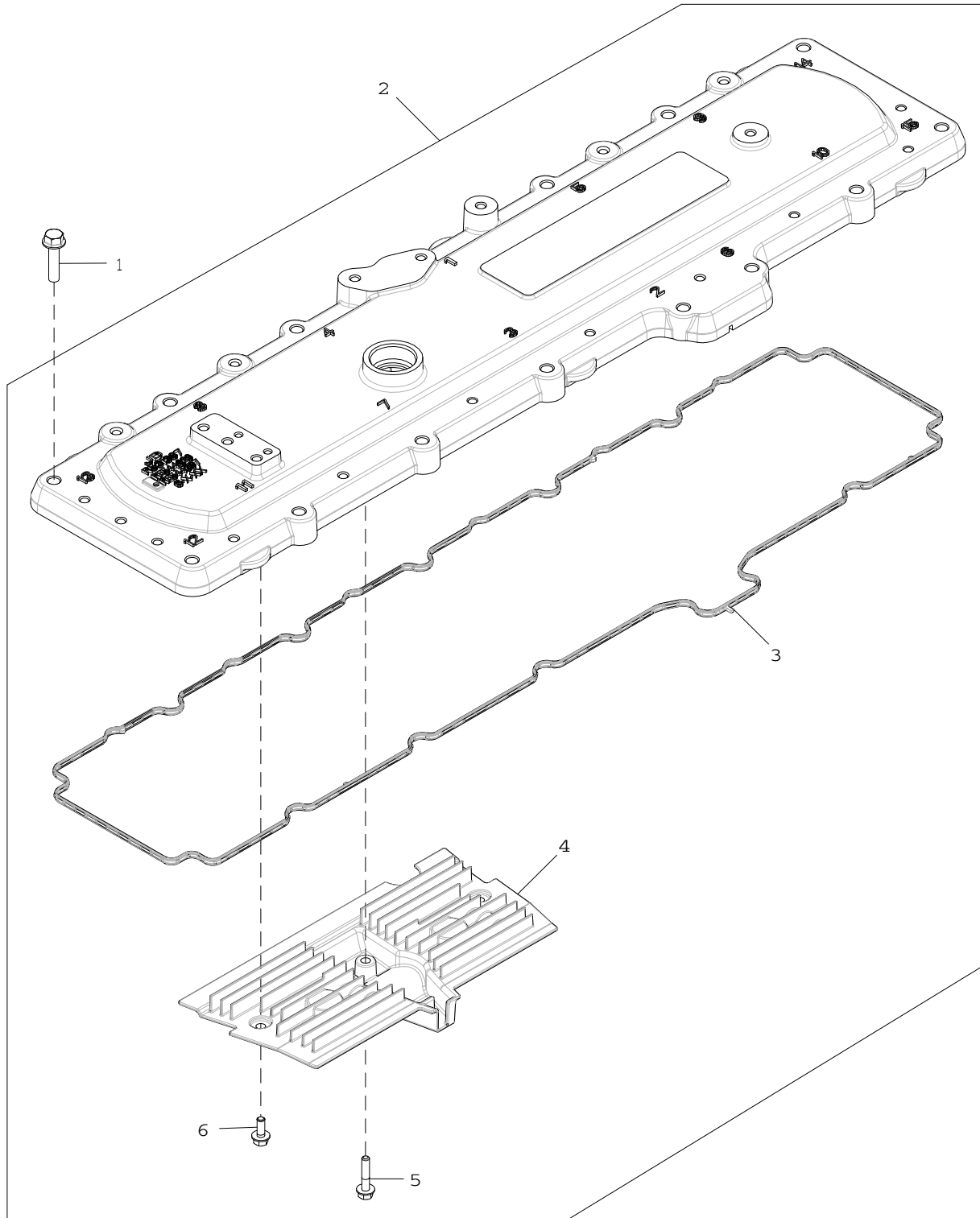
RXA0103803

Alphabetical Index - Continued

Page	D	Page
COVER, MIDFRAME LESS RADAR (IVT).....		1920
Cover, Midframe Less Radar (PST)		1919
Cover, Post Upholstery.....		2024
Cover, Rear Fender, W/ Extension.....		2034
Cover, Rocker Arm..... 64, 162, 260, 358, 456, 552, 648, 706, 764, 822		
Cover, Selective Control Levers (Armrest).....		1196
Cover, Steering.....		1590
Cover, Steering Column, Cowl Assembly (ACS).....		1984
Cover, Steering Column, Top, Standard.....		1990
Cover, Tie Rod (1300 MFWD).....		1484
Cover, Timing Gear ... 116, 214, 312, 410, 508, 604, 692, 750, 808, 866		
COVER, TRANSMISSION CASE REAR (PST).....		1342
Cover, Transmission Case Rear, PST.....		1340
Cover, Transmission Housing, Front, IVT™.....		1378
Cover, Transmission Housing, Front, IVT™ W/ Front PTO (053101 -).....		1380
Cover, Transmission Housing, Rear, IVT™.....		1368
Cover, Valve..... 64, 162, 260, 358, 456, 552, 648, 706, 764, 822		
Cover, W/O Adj. Front Floodlight.....		1303
Cover, W/O Radio.....		1202
Cover, Water Pump Inlet..... 105, 203, 301, 399, 497, 593		
Cover, Work Lamp, Upper Mid-Body.....		1302
Cowl Assembly, W/ Ether, ACS™.....		1984
Cowl Assembly, W/ Ether, Standard.....		1988
Cowl Assembly, W/O Ether, ACS™.....		1986
Cowl Assembly, W/O Ether, Standard.....		1990
Crank Oil Seal..... 692, 750, 808, 866		
Crankshaft..... 94, 192, 290, 388, 486, 582, 672, 730, 788, 846		
Crankshaft and Bearing..... 94,		
192, 290, 388, 486, 582, 672, 730, 788, 846		
Crankshaft Bearing Kit (Main)..... 124, 222, 320, 418, 516, 612		
Crankshaft Damper..... 650, 708, 766, 824		
Crankshaft Main Bearing Kit..... 124, 222, 320, 418, 516, 612		
Crankshaft Oil Seal..... 67, 165, 263, 361, 459, 555, 651, 709, 767, 825		
Crankshaft Oil Seal and Housing..... 67, 165, 263, 361, 459, 555		
Crankshaft Position Sensor..... 92,		
190, 288, 386, 484, 580, 670, 728, 786, 844		
Crankshaft Thrust Bearing..... 94,		
192, 290, 388, 486, 582, 672, 730, 788, 846		
Cross Spider Assembly (1300 MFWD).....		1480
Cross Spider Assembly (1500 MFWD).....		1502
Cushion Cover, Command Arm Base.....		1184
Cushion, Instructional Seat Backrest, Fabric..... 2070, 2072		
Cushion, Instructional Seat Backrest, Leather.....		2068
Cushion, Instructional Seat, Fabric..... 2070, 2072		
Cushion, Instructional Seat, Leather.....		2068
CUSHION, SEAT BACKREST.....		2076
Cylinder Block..... 92, 190, 288, 386, 484, 580, 670, 728, 786, 844		
Cylinder Block Fittings..... 682, 740, 798, 856		
Cylinder Bore Kit, 100 mm, Double Acting.....		1760
Cylinder Bore Kit, 115 mm, Double Acting.....		1762
Cylinder Bore Kit, 90 mm, Double Acting.....		1758
Cylinder Head..... 102, 200, 298, 396, 494, 590, 680, 738, 796, 854		
CYLINDER HEAD..... 701, 759, 817, 875		
Cylinder Head Kit..... 102, 142, 200, 240, 298, 338, 396,		
436, 494, 534, 590, 630, 680, 738, 796, 854		
Cylinder Head Removal, Gasket Kit..... 148, 246, 344, 442, 540, 636		
Cylinder Liner..... 92, 190, 288, 386, 484, 580, 670, 728, 786, 844		
Cylinder Liner Packing..... 141,		
239, 337, 435, 533, 629, 674, 732, 790, 848		
Cylinder, 100 mm, Double Acting.....		1760
Cylinder, 115 mm, Double Acting.....		1762
Cylinder, 90 mm, Double Acting.....		1758
Cylinder, Lift (100 mm) (112 mm), Single Acting.....		1747
Cylinder, Lift (100 MM) (115 MM), Double Acting.....		1755
Cylinder, Lift (2-100 mm), Double Acting.....		1754
Cylinder, Lift (2-100 mm), Single Acting.....		1746
Cylinder, Lift (2-112 mm), Single Acting.....		1748
Cylinder, Lift (2-115 mm), Double Acting.....		1756
Cylinder, Lift (2-90 mm), Single Acting.....		1744
Cylinder, Lift (90 MM) (100 MM), Double Acting.....		1753
Cylinder, Lift (90 MM) (100 MM), Single Acting.....		1745
Cylinder, Steering (1500 MFWD).....		1654
CYLINDER, STEERING (2WD).....		1649
CYLINDER, STEERING (ILS).....		1562
CYLINDER, STEERING (MFWD) (CONVERSION).....		1650
Cylinder, Steering Attaching Pins (1500 MFWD).....		1655
CYLINDER, STEERING ATTACHING PINS (2WD).....		1648
CYLINDER, STEERING ATTACHING PINS (MFWD).....		1651
CYLINDER, SUSPENSION (ILS)..... 1564, 1568		
Cylinder, Suspension (ILS), front PTO (053101 -).....		1566
CYLINDERS, PICK-UP HITCH.....		1814
Dampener, Torsional.....		907
Damper..... 112, 210, 308, 406, 504, 600		
Damper, Torsional..... 112, 210, 308, 406, 504, 600		
Deaeration Hoses, 9.0 L, IT4.....		880
Deaeration Hoses, 9.0 L, IT4 W/ Front PTO (053101 -).....		886
Deaeration Tank, 9.0 L, IT4.....		880
Deaeration Tank, 9.0 L, IT4 W/ Front PTO (053101 -).....		886
DECAL, JOHN DEERE (FRONT SCREEN).....		1934
DECAL, MODEL.....		2088
Decal, Standard Front Light Bezel.....		1322
Decals..... 2088, 2090, 2096, 2104		
DECALS..... 2092, 2094, 2102		
Decals (French).....		2100
Decals (Spanish).....		2098
Deflector, Fan Assembly.....		892
Deflector, Fan, Stage II (053101 -).....		894
Delta Pressure Sensor..... 108, 206, 304, 402, 500, 596		
Deluxe Driving Headlight.....		1300
Diesel Oxidation Catalyst..... 108, 206, 304, 402, 500, 596		
Diesel Particulate Filter..... 108, 206, 304, 402, 500, 596		
Differential (1300 MFWD).....		1482
Differential (1500 MFWD).....		1504
Differential (ILS).....		1536
Differential (Rear) Case.....		1428
Differential (Rear) Drive Shaft Input Quill.....		1426
Differential (Rear) Output Shaft Coupler.....		1426
Differential Bearing Quill, Rear PTO.....		1430
Differential Bevel Gear (1300 MFWD).....		1482
Differential Bevel Gear (1500 MFWD).....		1504
Differential Bevel Gear (ILS).....		1536
Differential Bevel Pinion (1500 MFWD).....		1504
Differential Bevel Pinion (ILS).....		1536
Differential Bevel Pinion Shaft (1300 MFWD).....		1482
Differential Bevel Pinion Shaft (1500 MFWD).....		1504
Differential Bevel Pinion Shaft (ILS).....		1536
Differential Bevel Pinion Shaft, Rear PTO.....		1430
Differential Bevel Pinion, (1300 MFWD).....		1482
Differential Case.....		1428
DIFFERENTIAL CASE (ILS).....		1528
Differential Case (L.H.) (1300 MFWD).....		1474
Differential Case Cover (1300 MFWD).....		1472
Differential Case Cover, 1500-MFWD.....		1492
DIFFERENTIAL CASE GASKET (ILS).....		1530
Differential Case Gasket And Plugs (ILS).....		1530
Differential Case Oil Evacuation.....		1532
Differential Case Shield (ILS).....		1532
Differential Case Skid Plate (ILS).....		1532
Differential Case, ILS.....		1528
Differential Cover (ILS).....		1536
Differential Cover (L.H.) (ILS).....		1544
DIFFERENTIAL COVER (L.H.) (W/ BRAKES) (50K/IVT).....		1548
Differential Cover (R.H.) (ILS).....		1542
Differential Cover (R.H.) (ILS) (W/ Brakes) (50K/IVT).....		1546
Differential Cover (R.H.) (W/ Brakes) (50K/IVT) (ILS).....		1546
Differential Disk (1300 MFWD).....		1482
Differential Disk (1500 MFWD).....		1504
Differential Disk (ILS).....		1536
DIFFERENTIAL DRIVE SHAFT OUTPUT GEAR (ILS).....		1528
Differential Housing (1300 MFWD).....		1482
Differential Housing (1500 MFWD).....		1504
Differential Housing (ILS).....		1536
Differential Housing Cover (1300 MFWD).....		1482
Differential Housing Cover (1500 MFWD).....		1504
Differential Housing Cover, Rear PTO.....		1430
Differential Housing, Rear PTO.....		1430
Differential Hub, Rear PTO.....		1430
Differential Input Shaft (1300 MFWD).....		1472
Differential Input Shaft, 1500-MFWD.....		1492
Differential Lock Oil Lines (1500 MFWD).....		1506
Differential Output Yoke (L.H.) (ILS).....		1544
Differential Output Yoke (L.H.) (ILS) (W/ Brakes) (50K/IVT).....		1548
Differential Output Yoke (R.H.) (ILS).....		1542
Differential Output Yoke (R.H.) (ILS) (W/ Brakes) (50K/IVT).....		1546
Differential Plate (ILS).....		1536
Differential Quill, Rear PTO.....		1430
Differential Separator Plate (1500 MFWD).....		1504
Differential Separator Plate, (1300 MFWD).....		1482
Differential Spiral Bevel Gear (ILS).....		1536
Differential Spiral Bevel Gear W/Shaft (1500 MFWD).....		1504
Differential Spiral Bevel Gear W/Shaft, (1300 MFWD).....		1482
Differential, Locking (1500 MFWD).....		1504

1118 Rocker Arm Cover
1118 Cache-culbuteurs
1118 Kipphebeldeckel
1118 Coperchio bilancieri
1118 Tapa de balancines
1118 Vipparmslock

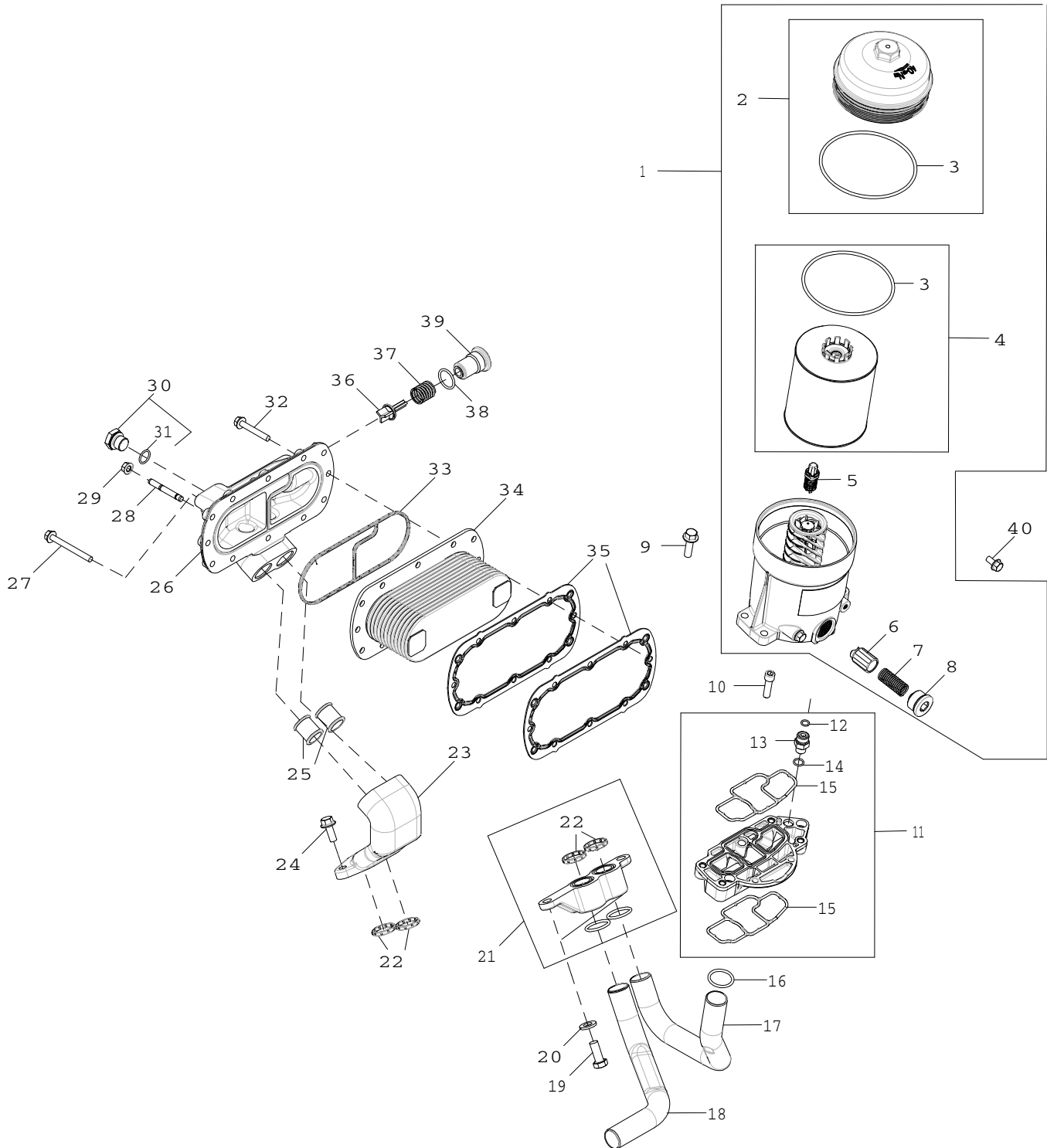
1118_RE544627_PCD A.1



1118_RE544627_PCD

5927 Engine Oil Cooler / Oil Filter
 5927 Refroidisseur d'huile moteur / filtre à huile
 5927 Motorölkühler / Ölfilter
 5927 Scambiatore di calore olio motore, filtro olio
 5927 Enfriador de aceite de motor / Filtro de aceite
 5927 Oljekylare / oljefilter

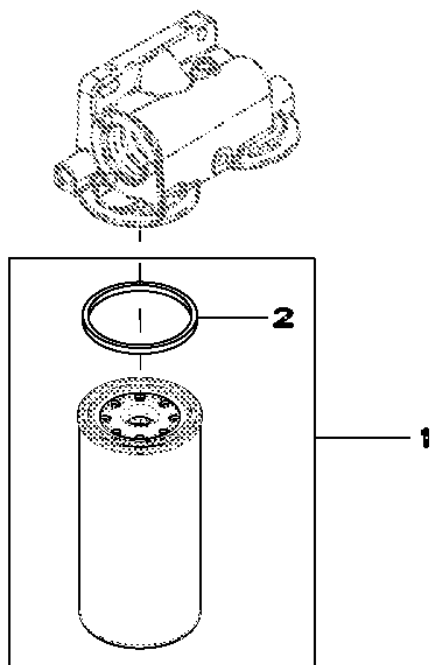
5927_RE533312_PCD A.1



5927_RE533312_PCD

9901 Fuel Filter Element Service Kit
 9901 Kit d'entretien d'élément de filtre à carburant
 9901 Kraftstofffiltereinsatz-Wartungssatz
 9901 Kit manutenzione elemento filtro di alimentazione
 9901 Juego de mantenimiento del elemento de filtro de combustible
 9901 Servicesats, bränslefilterelement

RE533910PCDB01 A.1

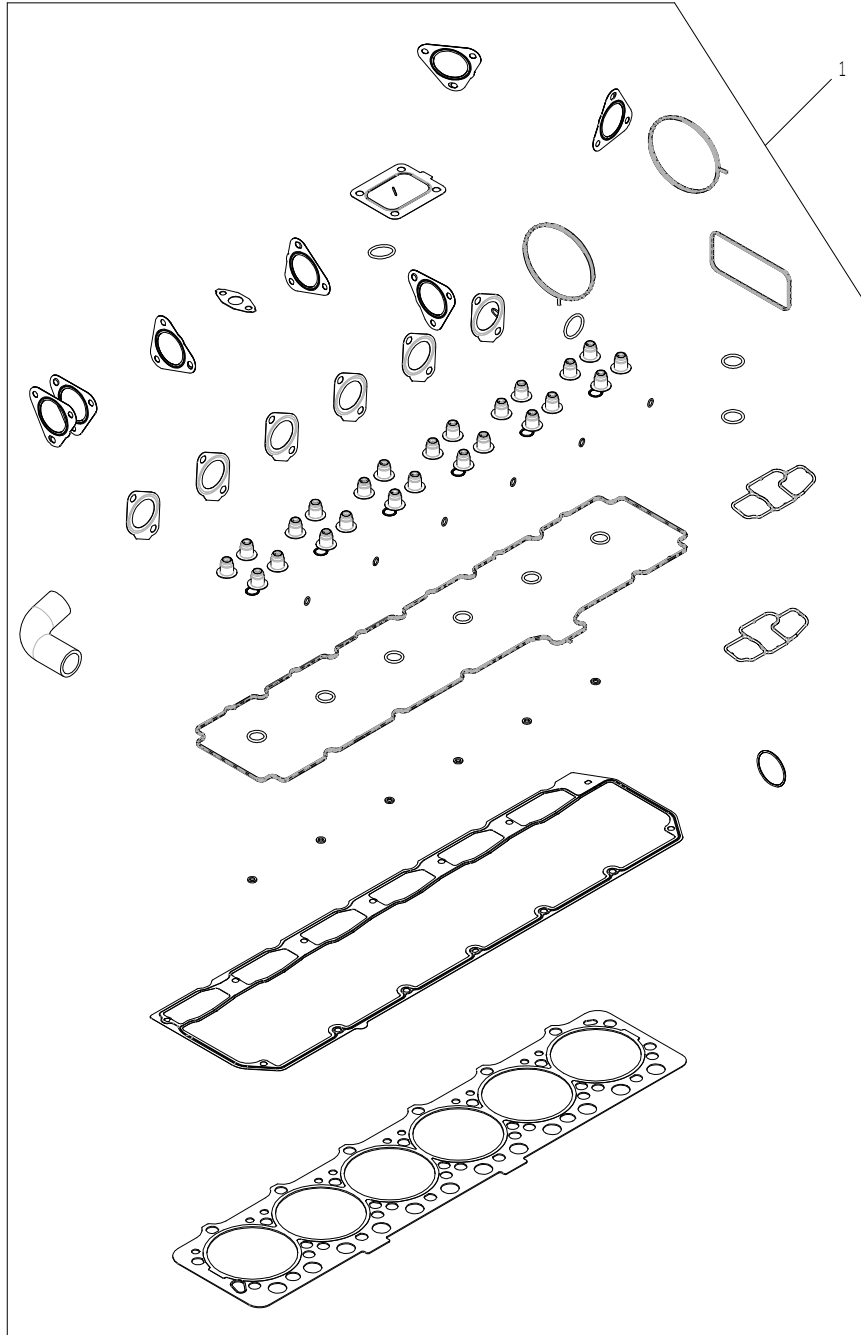


RE533910PCDB01

Key	Part No.	Part Name	Qty.	Engine Serial No.	Remarks
1	RE533910	Filter Element	1		(2 Microns)
2	R527833	Packing	1		

9901 Gasket Kit, Cylinder Head Removal
9901 Kit de joints, dépose de la culasse
9901 Dichtungssatz, Zylinderkopfausbau
9901 Kit guarnizioni di tenuta in seguito a rimozione testata
9901 Juego de juntas, separación de culata
9901 Packningssats, borttagning av topplock

9901_RE542627_PCD A.1



9901_RE542627_PCD

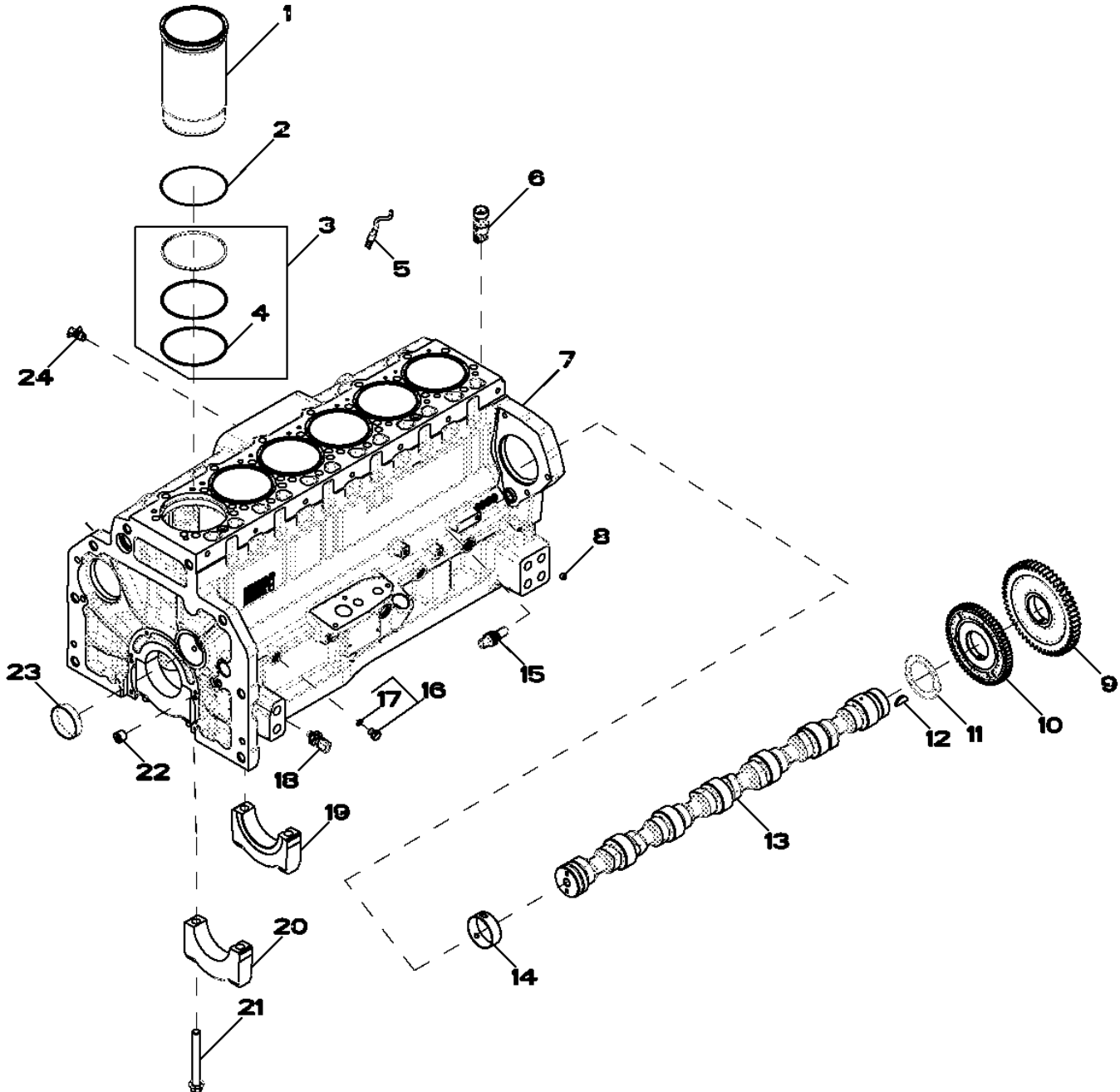
Key	Part No.	Part Name	Qty.	Engine Serial No.	Remarks
1	R91360	Nut	1		
2	R526019	Gear	1		
3	19M8483	Screw	1		M6 X 65
4	R527916	Washer	1		
5	R500318	O-Ring	1		
6	R530930	Adapter	1		
7	R530067	Stud	3		
8	14M7296	Flange Nut	3		M10
9	R521040	O-Ring	1		
10	19M7868	Screw	2		M8 X 30
11	RE536278	Control Valve	1		
12	RE543262	Fuel Pump	1		
	SE502553	Fuel Injection Pump Reman	1		(Reman For RE543262)
13	R63548	O-Ring	1		
14	51M7094	O-Ring	3		8.100 X 1.600 mm
15	RE538349	Fitting	1		
16	51M7095	O-Ring	1		11.300 X 2.200 mm
17	RE539472	Fitting	1		
18	24M7095	Washer	1		8.400 X 15 X 1.600 mm
19	19M8735	Screw	1		M8 X 30
20	RE547036	Fuel Line	1		
21	19M7815	Screw	2		M12 X 60
22	R528305	Stud	2		
23	RE536276	Adapter Fitting	6		
24	RE536274	Pressure Relief Valve	1		
25	RE536275	Sensor	1		
26	RE536273	Rail	1		
27	RE547776	Fuel Line	1		(A) (Includes RE527756)
28	RE547775	Fuel Line	1		(A) (Includes RE527756)
29	RE520032	Line	1		
30	RE547774	Fuel Line	1		(A) (Includes RE527756)
31	RE547773	Fuel Line	1		(A) (Includes RE527756)
32	RE547772	Fuel Line	1		(A) (Includes RE527756)
33	RE547771	Fuel Line	1		(A) (Includes RE527756)
34	RE524730	Cap Screw	3		
35	RE527756	Screw With Washer	1		
36	RE525519	Clamp	3		
37	RE538352	Fitting	2		
38	R518871	Tube Nut	6		
39	RE539524	Fitting	6		
40	R505452	O-Ring	6		
41	R74354	O-Ring	6		
42	R131051	Washer	6		
43	RE543606	Nozzle Kit	6		(B) (Includes RE527756)
	SE502557	Elect Unit Injector Reman	1		(Reman For RE543606)
44	R522417	Clamp	6		
45	RE528096	Screw With Washer	6		
46	R529072	Sealing Ring	1		
47	RE539105	Wiring Harness	1		
48	R528718	Clip	1		

(A) One Time Usage
 Usage unique
 Einmalige Verwendung
 Monouso
 Para usar una vez
 Engångsanvändning

(B) See Footnote "A"
 Voir note en bas de page "A"
 Siehe Anmerkung "A"
 Vedi nota a piè di pagina "A"
 Ver nota al pie "A"
 Se fotnot "A"

4607 Cylinder Block / Liners
 4607 Bloc-cylindres / chemises
 4607 Zylinderblock / Büchsen
 4607 Monoblocco e camicie
 4607 Bloque de cilindros / Camisas
 4607 Motorblock/foder

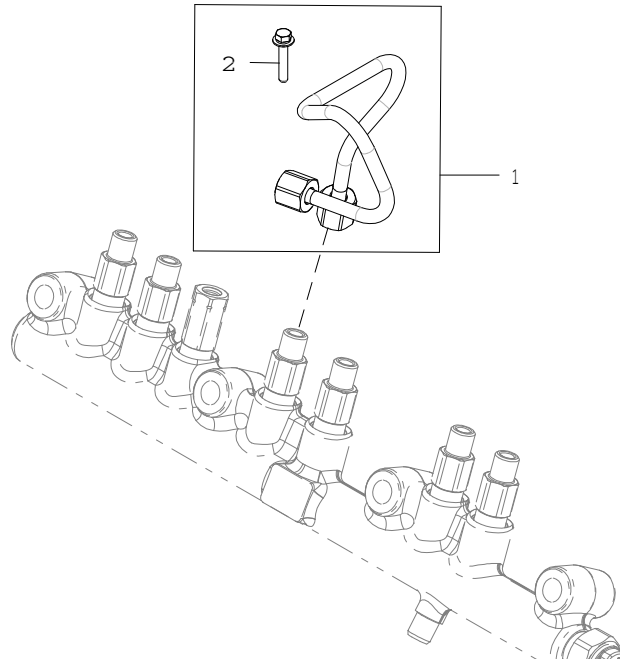
RE533302PCDD02 A.1



RE533302PCDD02

9901 Kit, High Pressure Fuel Line
9901 Kit, de conduite d'alimentation en carburant haute pression
9901 Satz, Hochdruck-Kraftstoffleitung
9901 Kit tubazione alimentazione alta pressione
9901 Juego, tuberías de combustible a alta presión
9901 Sats, högtrycksbränsleledning

9901_RE547774_PCD A.1



9901_RE547774_PCD

Key	Part No.	Part Name	Qty.	Engine Serial No.	Remarks
1	RE547774	Fuel Line	1	(A)	
2	RE527756	Screw With Washer	1		

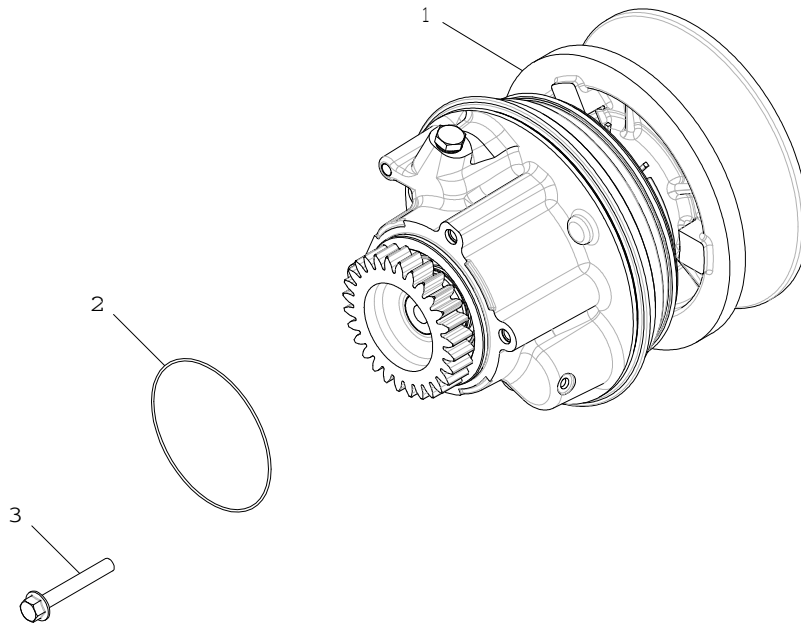
(A) One Time Usage
 Usage unique
 Einmalige Verwendung
 Monouso
 Para usar una vez
 Engångsanvändning

<i>Key</i>	<i>Part No.</i>	<i>Part Name</i>	<i>Qty.</i>	<i>Engine Serial No.</i>	<i>Remarks</i>
1	RE549228	Short Block Assembly	1		
	SE502622	Complete Block Assy Reman	1		(A) REMAN FOR RE549228
	SE502618	Complete Block Assy Reman	1		(B) REMAN FOR RE549228

- (A) Use with Option Code 1710
Utiliser avec le code d'option 1710
Mit Optionscode 1710 verwenden
Usare con codice opzione 1710
Usar con código de opción 1710
Använd med tillvalskod 1710
- (B) Use with Option Code 1708
Utiliser avec le code d'option 1708
Mit Optionscode 1708 verwenden
Usare con codice opzione 1708
Usar con código de opción 1708
Använd med tillvalskod 1708

2322 Fan Drive
 2322 Entraînement de ventilateur
 2322 Gebläseantrieb
 2322 Comando ventola
 2322 Mando de ventilador
 2322 Fläktrev

2322_RE542707_PCD B.1



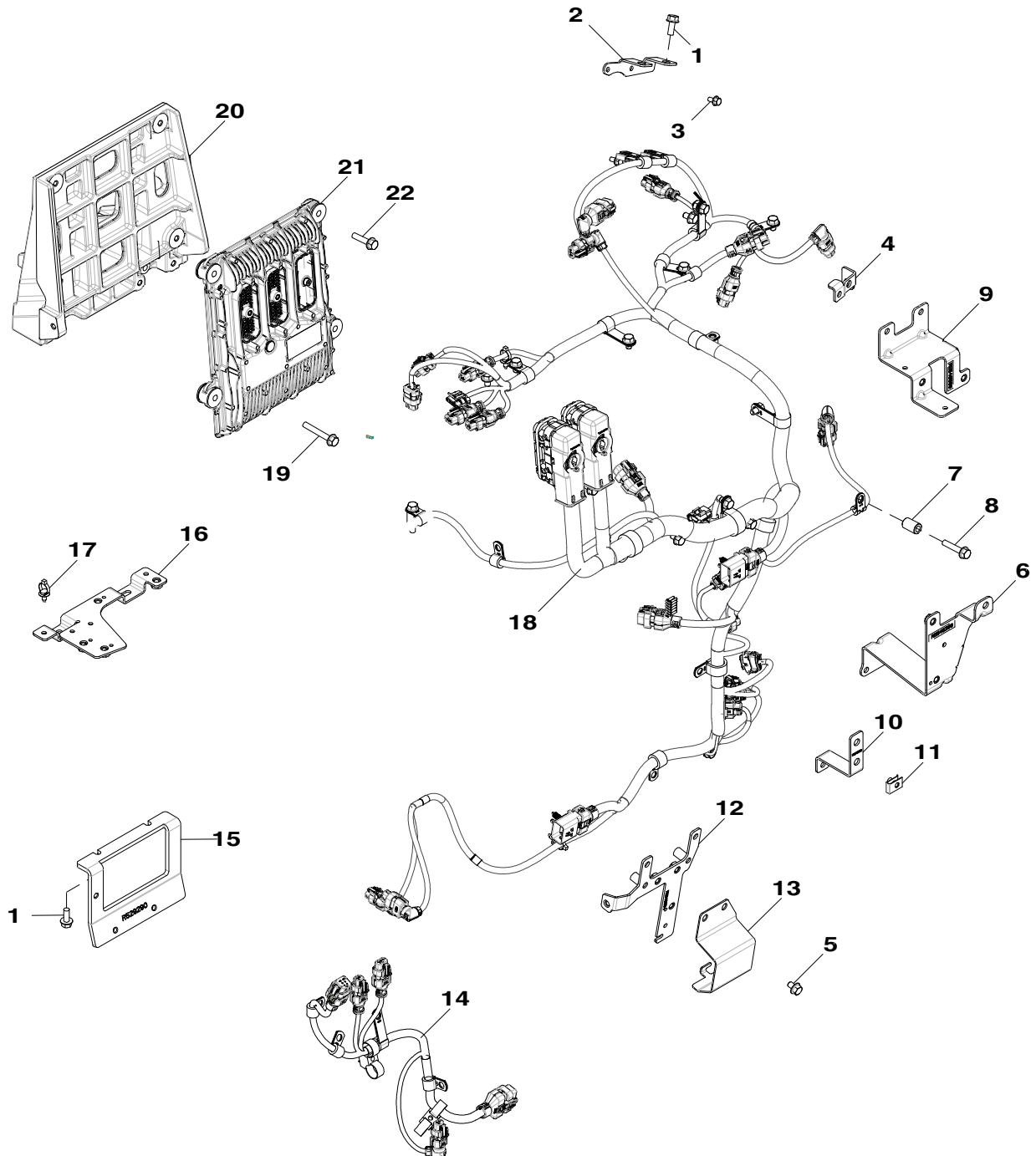
2322_RE542707_PCD

Key	Part No.	Part Name	Qty.	Engine Serial No.	Remarks
1	RE333484	Fan Drive	1	-18463	
	RE335473	Driver	1	18464-	
2	E66413	O-Ring	1		
3	19M8114	Screw	4		M10 X 70

Key	Part No.	Part Name	Qty.	Engine Serial No.	Remarks
1	RE535979	Rocker Arm	1		
2	R521261	Cap Screw	6		
3	R526935	Pedestal	6		
4	R517522	Spring	5		
5	RE535934	Rocker Arm	6		
6	RE535935	Rocker Arm	6		
7	40M7259	Snap Ring	2		
8	R35022	Washer	2		
9	R521316	Washer	4		
10	RE535977	Rocker Arm Shaft	1		
11	30M7024	Plug	2		
12	R526781	Guide	12		
13	R533611	Push Rod	12		SUB FOR R528261

8430 Engine Wiring Harness
 8430 Faisceau moteur
 8430 Motorkabelbaum
 8430 Cavo elettrico motore
 8430 Grupo de cables del motor
 8430 Motorns kabelhärva

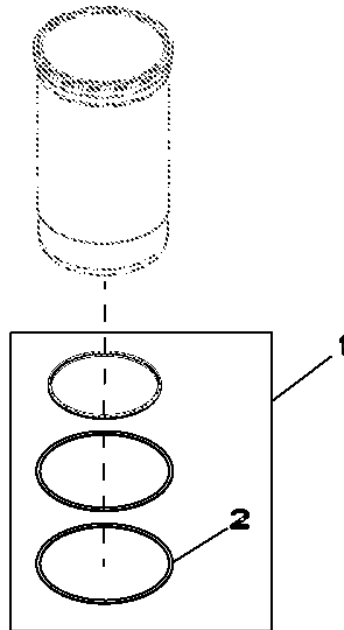
8430_RE537629_PCD C.1



8430_RE537629_PCD

9901 Cylinder Liner Packing
 9901 Garniture de chemise de cylindre
 9901 Zylinderbüchsendichtung
 9901 Guarnizione di tenuta, camicia
 9901 Retén de camisa de cilindro
 9901 Cylinderfodrets packning

RE541037PCDA01 A.1

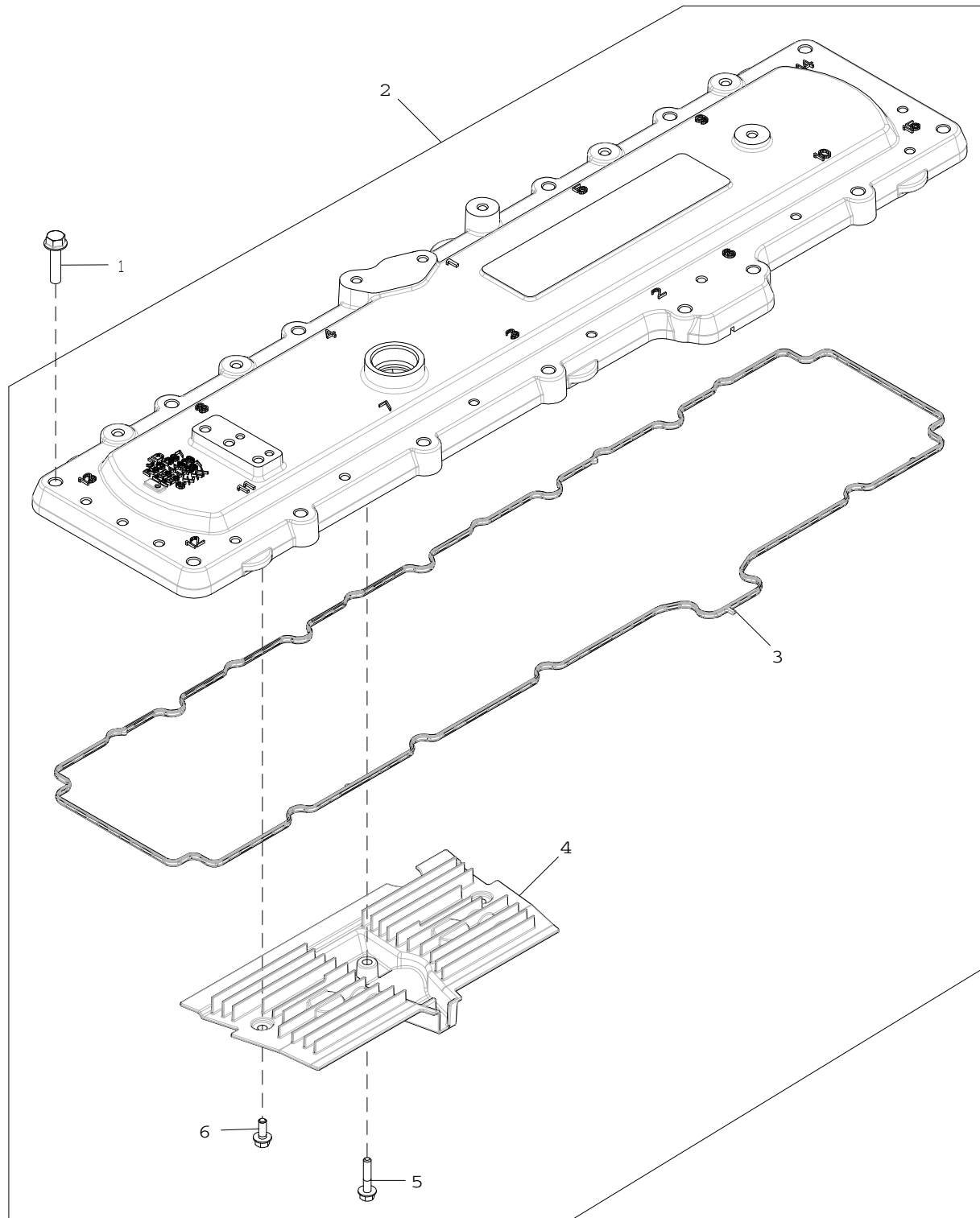


RE541037PCDA01

Key	Part No.	Part Name	Qty.	Engine Serial No.	Remarks
1	AR98850	O-Ring Kit	1		
2	R54326	O-Ring	1		

1118 Rocker Arm Cover
1118 Cache-culbuteurs
1118 Kipphebeldeckel
1118 Coperchio bilancieri
1118 Tapa de balancines
1118 Vipparmslock

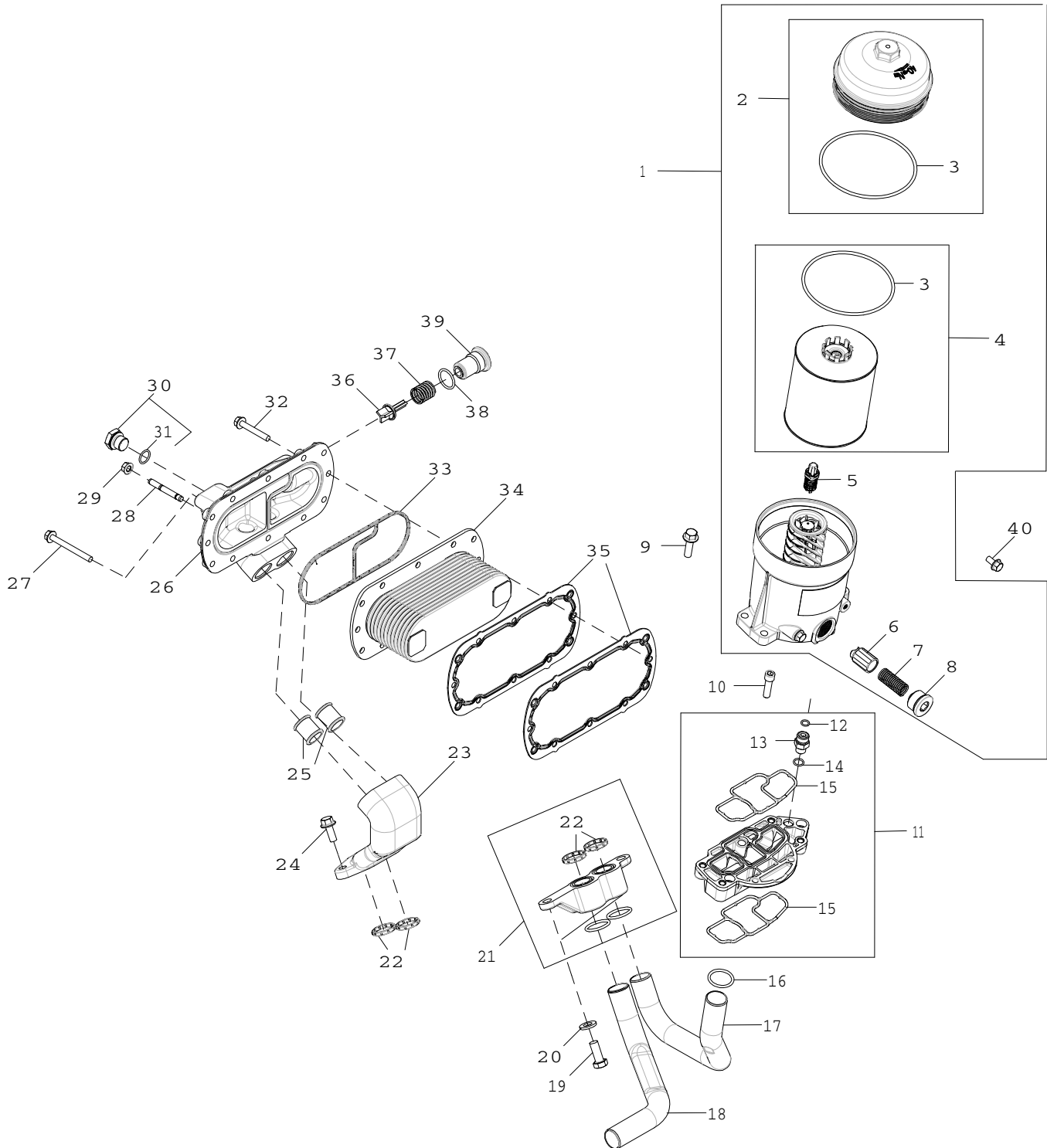
1118_RE544627_PCD A.1



1118_RE544627_PCD

5927 Engine Oil Cooler / Oil Filter
 5927 Refroidisseur d'huile moteur / filtre à huile
 5927 Motorölkühler / Ölfilter
 5927 Scambiatore di calore olio motore, filtro olio
 5927 Enfriador de aceite de motor / Filtro de aceite
 5927 Oljekylare / oljefilter

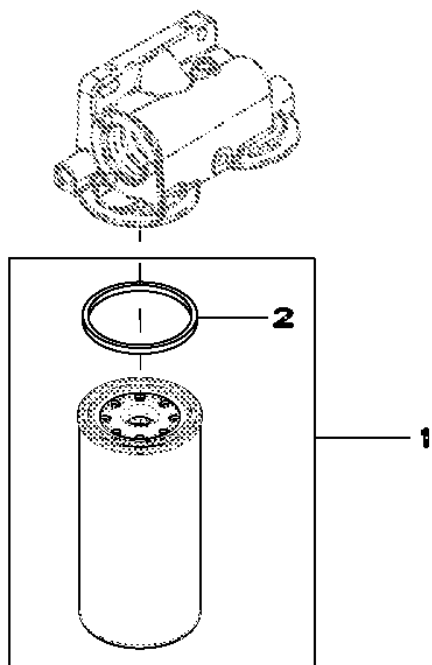
5927_RE533312_PCD A.1



5927_RE533312_PCD

9901 Fuel Filter Element Service Kit
 9901 Kit d'entretien d'élément de filtre à carburant
 9901 Kraftstofffiltereinsatz-Wartungssatz
 9901 Kit manutenzione elemento filtro di alimentazione
 9901 Juego de mantenimiento del elemento de filtro de combustible
 9901 Servicesats, bränslefilterelement

RE533910PCDB01 A.1

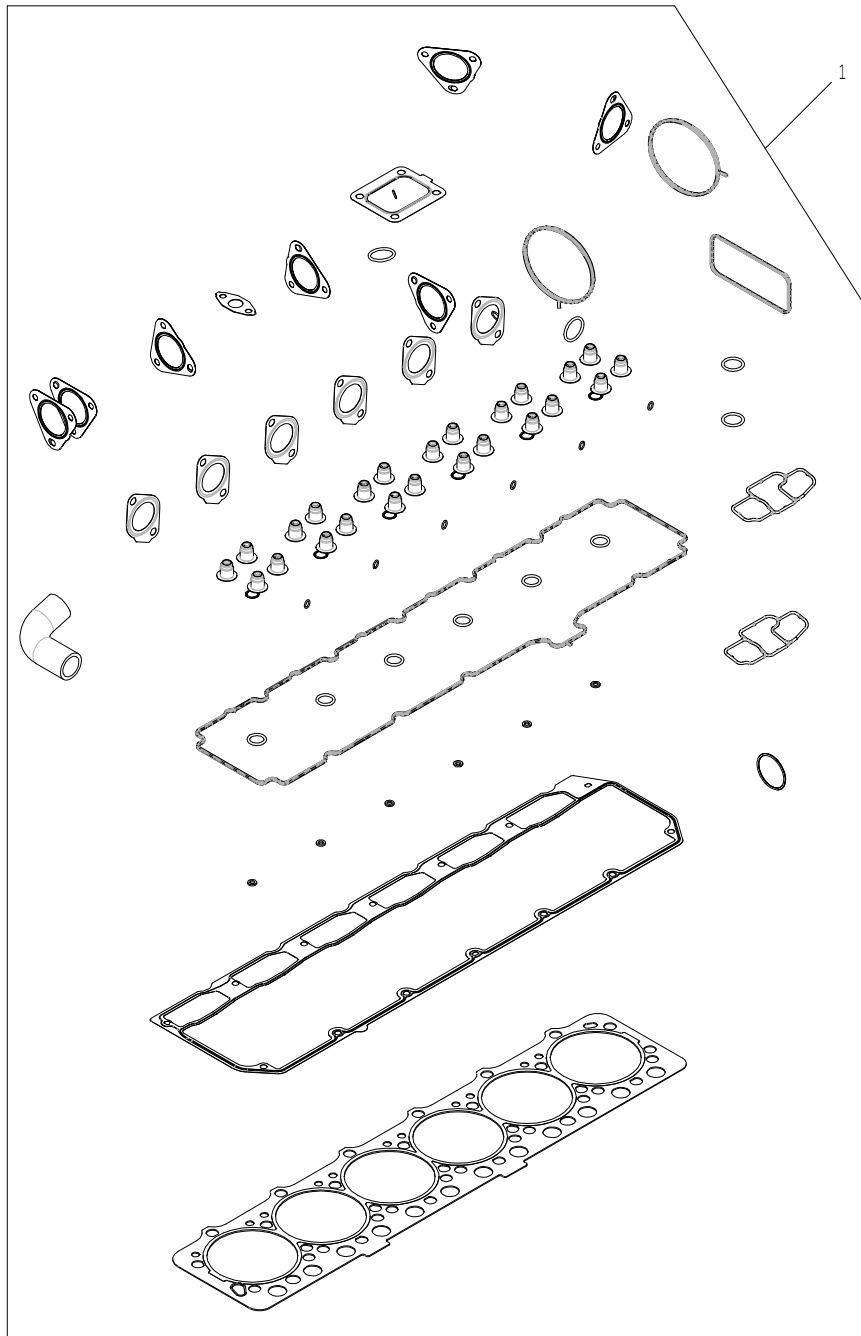


RE533910PCDB01

Key	Part No.	Part Name	Qty.	Engine Serial No.	Remarks
1	RE533910	Filter Element	1		(2 Microns)
2	R527833	Packing	1		

9901 Gasket Kit, Cylinder Head Removal
9901 Kit de joints, dépose de la culasse
9901 Dichtungssatz, Zylinderkopfausbau
9901 Kit guarnizioni di tenuta in seguito a rimozione testata
9901 Juego de juntas, separación de culata
9901 Packningssats, borttagning av topplock

9901_RE542627_PCD A.1



9901_RE542627_PCD

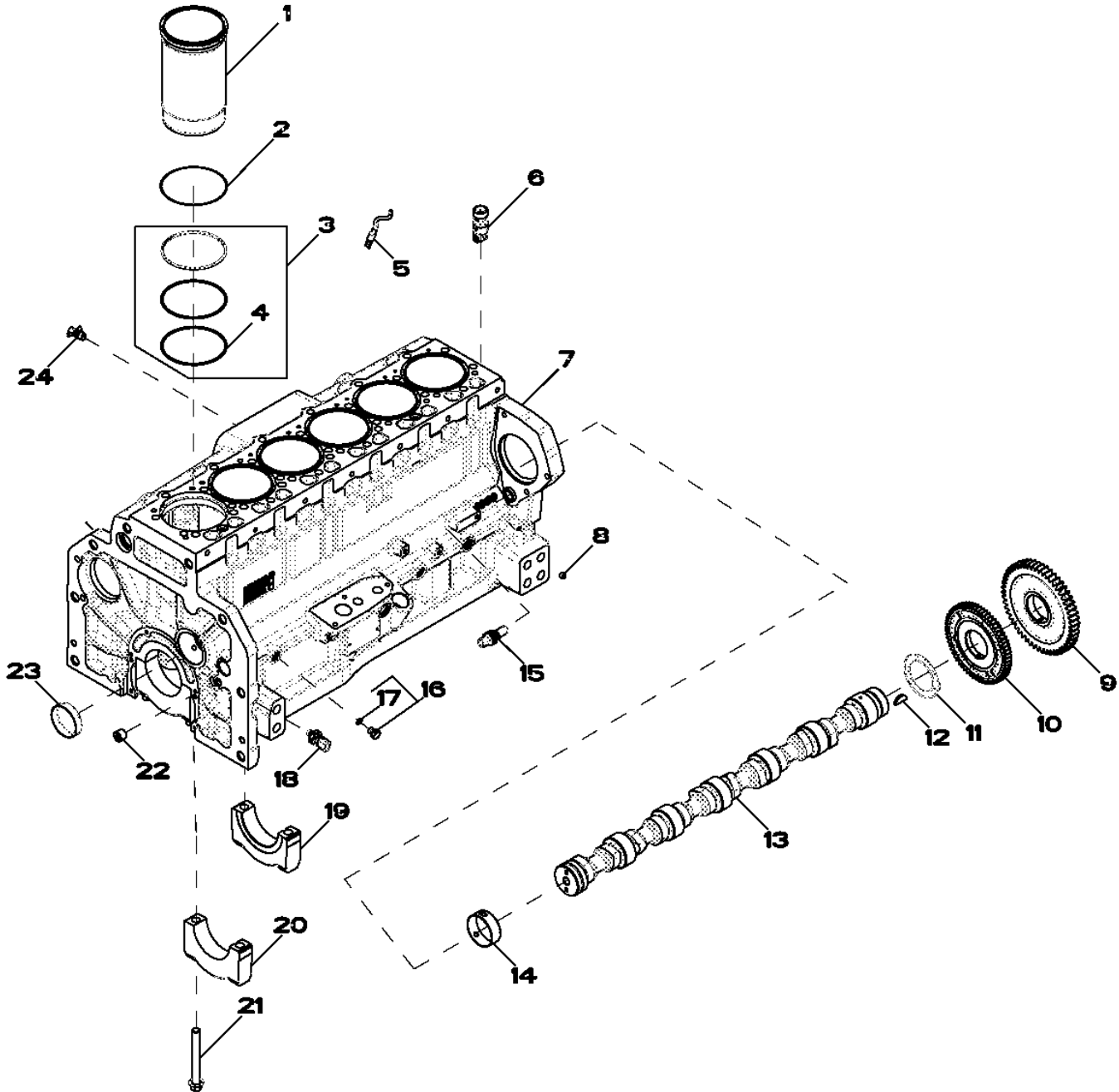
Key	Part No.	Part Name	Qty.	Engine Serial No.	Remarks
1	R91360	Nut	1		
2	R526019	Gear	1		
3	19M8483	Screw	1		M6 X 65
4	R527916	Washer	1		
5	R500318	O-Ring	1		
6	R530930	Adapter	1		
7	R530067	Stud	3		
8	14M7296	Flange Nut	3		M10
9	R521040	O-Ring	1		
10	19M7868	Screw	2		M8 X 30
11	RE536278	Control Valve	1		
12	RE543262	Fuel Pump	1		
	SE502553	Fuel Injection Pump Reman	1		(Reman For RE543262)
13	R63548	O-Ring	1		
14	51M7094	O-Ring	3		8.100 X 1.600 mm
15	RE538349	Fitting	1		
16	51M7095	O-Ring	1		11.300 X 2.200 mm
17	RE539472	Fitting	1		
18	24M7095	Washer	1		8.400 X 15 X 1.600 mm
19	19M8735	Screw	1		M8 X 30
20	RE547036	Fuel Line	1		
21	19M7815	Screw	2		M12 X 60
22	R528305	Stud	2		
23	RE536276	Adapter Fitting	6		
24	RE536274	Pressure Relief Valve	1		
25	RE536275	Sensor	1		
26	RE536273	Rail	1		
27	RE547776	Fuel Line	1		(A) (Includes RE527756)
28	RE547775	Fuel Line	1		(A) (Includes RE527756)
29	RE520032	Line	1		
30	RE547774	Fuel Line	1		(A) (Includes RE527756)
31	RE547773	Fuel Line	1		(A) (Includes RE527756)
32	RE547772	Fuel Line	1		(A) (Includes RE527756)
33	RE547771	Fuel Line	1		(A) (Includes RE527756)
34	RE524730	Cap Screw	3		
35	RE527756	Screw With Washer	1		
36	RE525519	Clamp	3		
37	RE538352	Fitting	2		
38	R518871	Tube Nut	6		
39	RE539524	Fitting	6		
40	R505452	O-Ring	6		
41	R74354	O-Ring	6		
42	R131051	Washer	6		
43	RE543606	Nozzle Kit	6		(B) (Includes RE527756)
	SE502557	Elect Unit Injector Reman	1		(Reman For RE543606)
44	R522417	Clamp	6		
45	RE528096	Screw With Washer	6		
46	R529072	Sealing Ring	1		
47	RE539105	Wiring Harness	1		
48	R528718	Clip	1		

(A) One Time Usage
 Usage unique
 Einmalige Verwendung
 Monouso
 Para usar una vez
 Engångsanvändning

(B) See Footnote "A"
 Voir note en bas de page "A"
 Siehe Anmerkung "A"
 Vedi nota a piè di pagina "A"
 Ver nota al pie "A"
 Se fotnot "A"

4607 Cylinder Block
 4607 Bloc-cylindres
 4607 Zylinderblock
 4607 Monoblocco
 4607 Bloque de cilindros
 4607 Motorblock

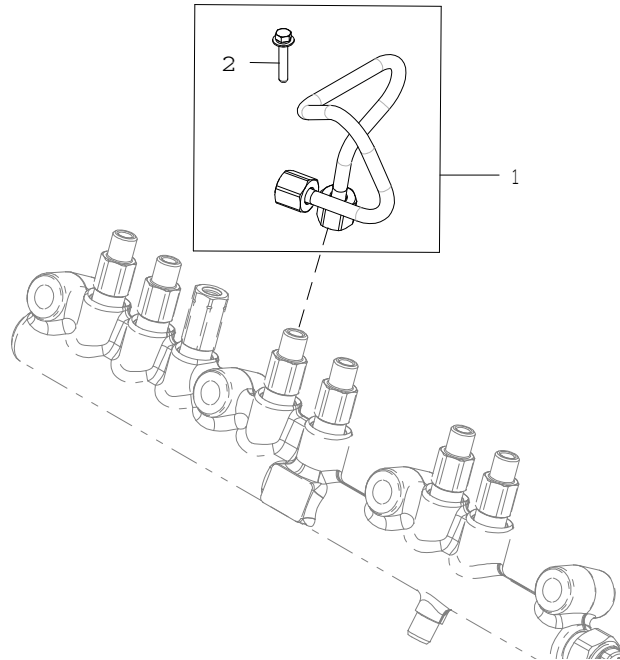
RE533302PCDD02 A.1



RE533302PCDD02

9901 Kit, High Pressure Fuel Line
9901 Kit, de conduite d'alimentation en carburant haute pression
9901 Satz, Hochdruck-Kraftstoffleitung
9901 Kit tubazione alimentazione alta pressione
9901 Juego, tuberías de combustible a alta presión
9901 Sats, högtrycksbränsleledning

9901_RE547774_PCD A.1



9901_RE547774_PCD

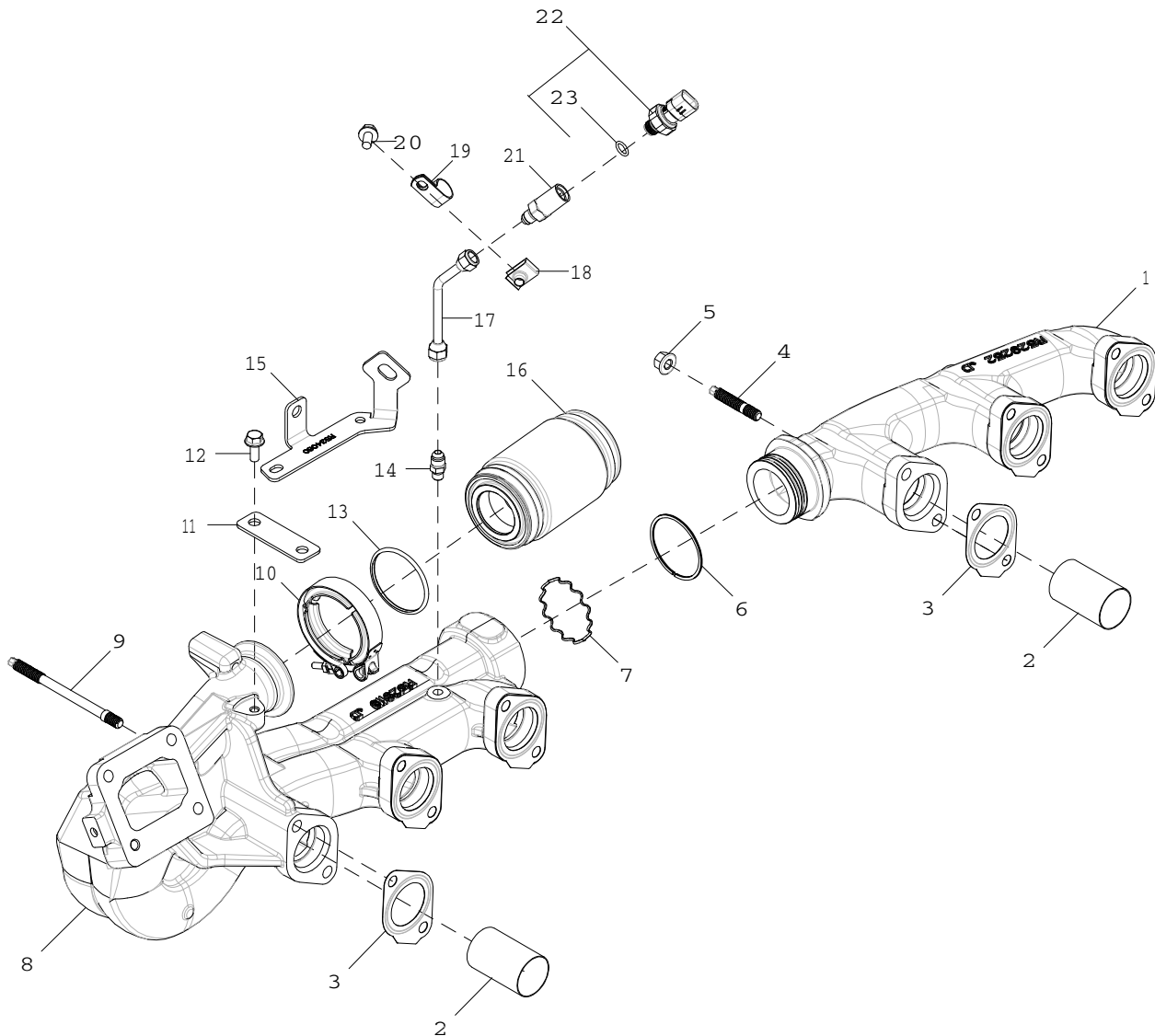
Key	Part No.	Part Name	Qty.	Engine Serial No.	Remarks
1	RE547774	Fuel Line	1	(A)	
2	RE527756	Screw With Washer	1		

(A) One Time Usage
 Usage unique
 Einmalige Verwendung
 Monouso
 Para usar una vez
 Engångsanvändning

Key	Part No.	Part Name	Qty.	Engine Serial No.	Remarks
1	RG38171	Diesel Engine	1		(A) (B) 6090RW411, RW413, RW415, RW417, RW419, RW421
	SE502651	Diesel Engine Reman	1		(A) (B) 6090RW411, RW413, RW415, RW417, RW419, RW421; REMAN FOR RG38171
(A)	May Not Be as Illustrated Peut ne pas ressembler à l'image Möglicherweise nicht wie abgebildet È possibile che non corrisponda alla figura Puede diferir de la ilustración Kanske inte som på bilden			(B)	Interim Tier 4 Interim Tier 4 Interim Tier 4 Interim Tier 4 Tier 4 interino Interim Tier 4

2816 Exhaust Manifold
2816 Collecteur d'échappement
2816 Auspuffkrümmer
2816 Collettore di scarico
2816 Colector de escape
2816 Avgasgrenrör

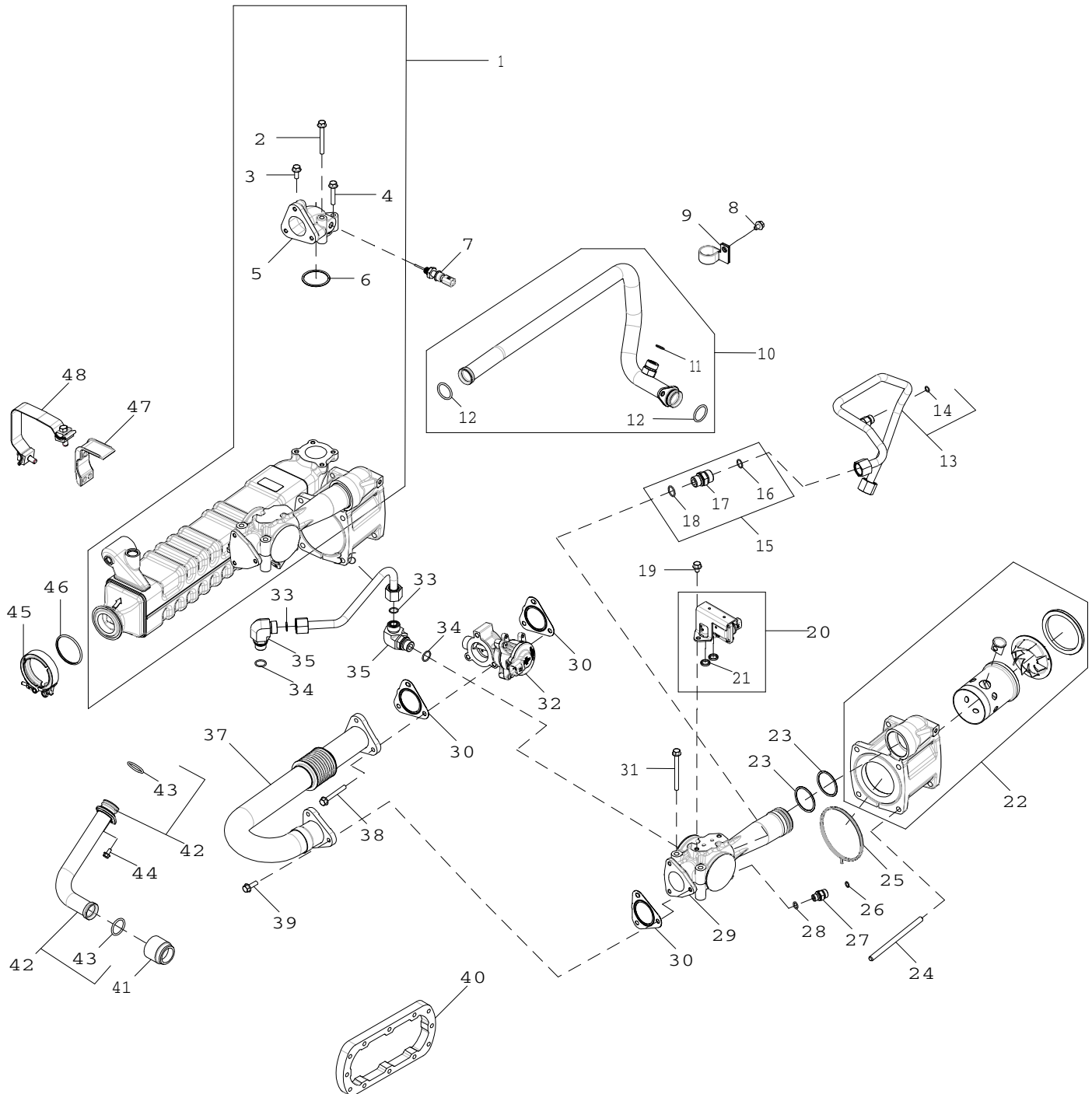
2816_RE533331_PCD B.1



2816_RE533331_PCD

8912 Exhaust Gas Recirculation, EGR
 8912 Recirculation des gaz d'échappement
 8912 Abgasrückführung, EGR
 8912 Ricircolazione dei gas di scarico, EGR
 8912 Recirculación de gases de escape, EGR
 8912 Avgasåtercirkulation (EGR)

8912_RE533343_PCD C.1

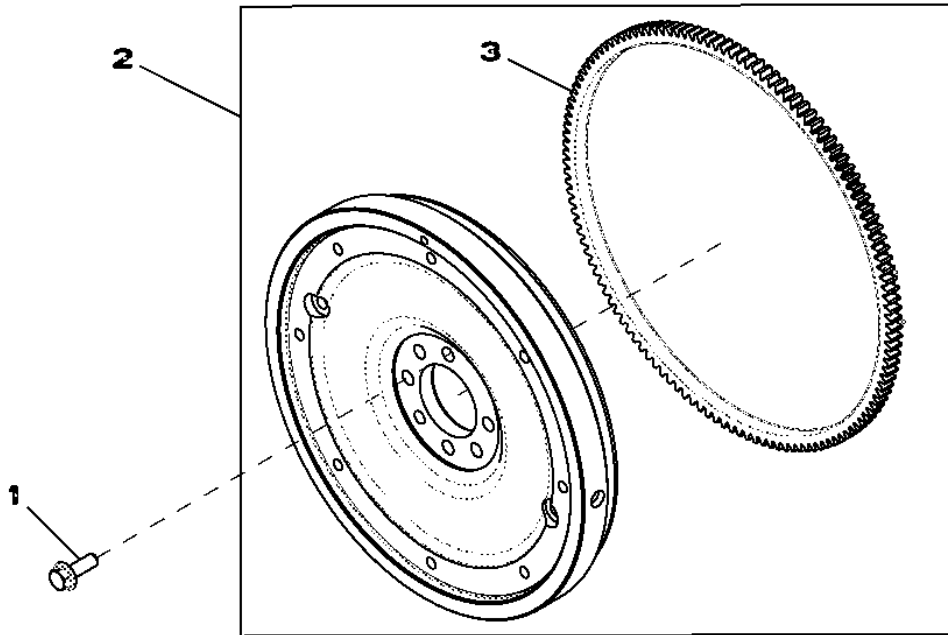


8912_RE533343_PCD

Key	Part No.	Part Name	Qty.	Engine Serial No.	Remarks
1	RE542692	Cylinder Head	1		
	SE502540	Cylinder Head Reman	1		(Reman For RE542692)
2	RE543935	Sleeve	6		
3	R527447	Valve Seat Insert	24		
4	R527286	Guide	24		
5	R520224	Exhaust Valve	12		
6	R520223	Intake Valve	12		
7	T13519	Plug	1		
8	30M7029	Plug	3		
9	RE529187	Seal	24		
10	R504235	Spring	24		
11	R530750	Rotator	24		
12	R520798	Retainer	48		

1501 Flywheel
 1501 Volant-moteur
 1501 Schwungrad
 1501 Volano
 1501 Volante de motor
 1501 Svānghjul

RE522627PCDA02 A.1

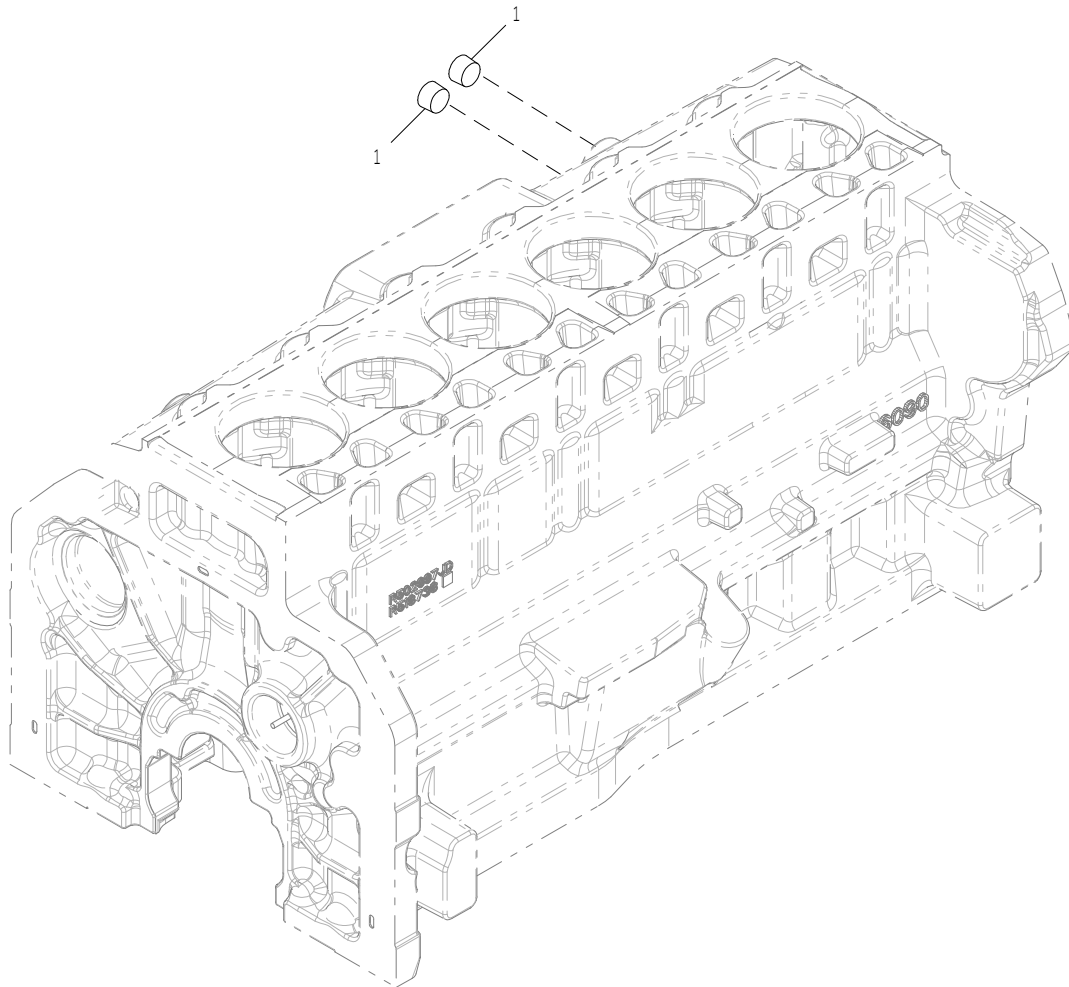


RE522627PCDA02

Key	Part No.	Part Name	Qty.	Engine Serial No.	Remarks
1	R520662	Screw	6		
2	RE522628	Flywheel	1		
3	R28811	Ring Gear	1		

7899 Air Compressor Mounting Plug
7899 Fiche du montage du compresseur d'air - fiche
7899 Luftkompressorbefestigungs-Stopfen
7899 Supporto compressore aria - Tappo
7899 Tapón de montaje del compresor de aire
7899 Luftkompressor, monteringsplugg

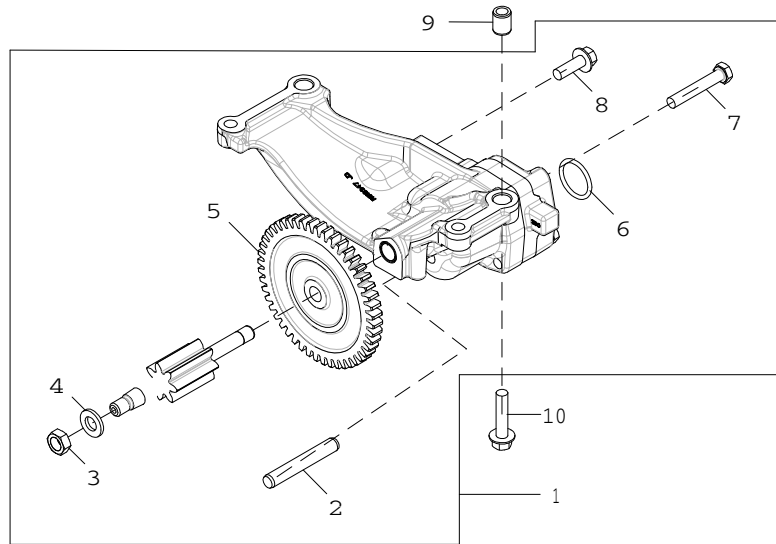
7899_RE523150_PCD A.1



7899_RE523150_PCD

5003 Engine Oil Pump
 5003 Pompe à huile moteur
 5003 Motorölpumpe
 5003 Pompa olio motore
 5003 Bomba de aceite de motor
 5003 Oljepump

5003_RE543185_PCD A.1



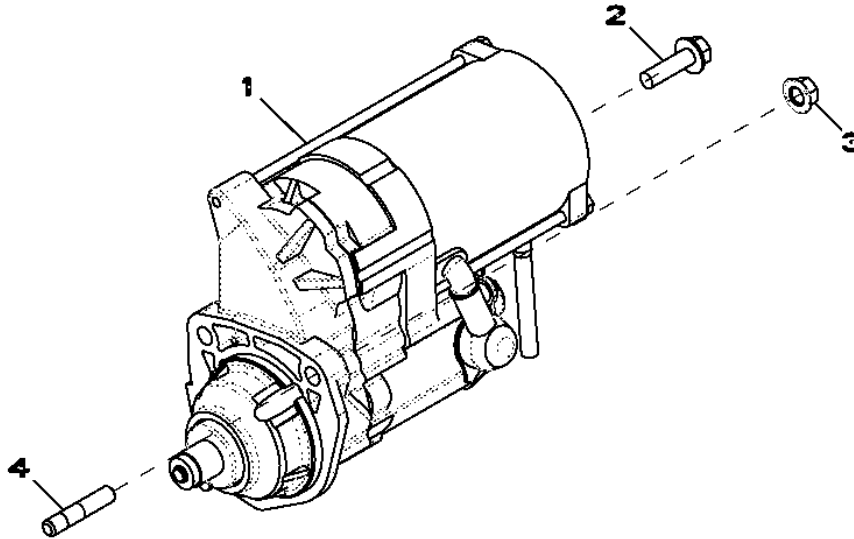
5003_RE543185_PCD

Key	Part No.	Part Name	Qty.	Engine Serial No.	Remarks
1	RE543187	Oil Pump	1		
2	R62943	Quick Lock Pin	1		
3	14H826	Nut	1		1/2"
4	T21242	Washer	1		
5	R529397	Gear	1		
6	R71732	O-Ring	1		
7	19M9399	Cap Screw	2		M10 X 60
8	19M7786	Screw	1		M10 X 30
9	R500642	Bushing	2		
10	19M9766	Screw	4		M10 X 45

<i>Key</i>	<i>Part No.</i>	<i>Part Name</i>	<i>Qty.</i>	<i>Engine Serial No.</i>	<i>Remarks</i>
1	R43409	Plug	1		

3007 Starting Motor
 3007 Démarreur
 3007 Anlasser
 3007 Motorino di avviamento
 3007 Motor de arranque
 3007 Startmotor

RE527509PCDA01 A.1



RE527509PCDA01


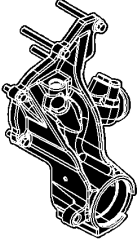
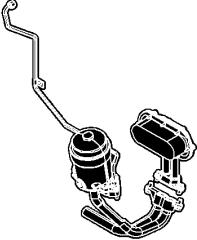
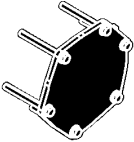
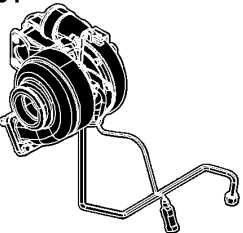
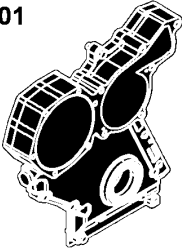
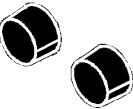
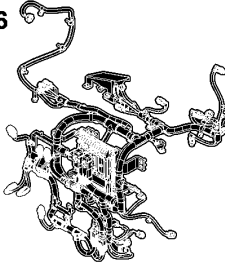
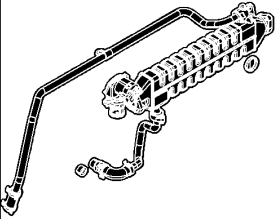
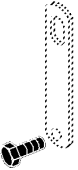
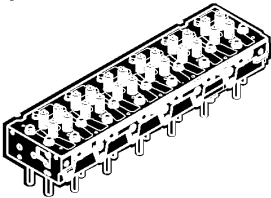
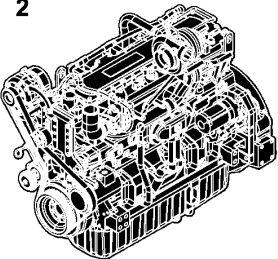
Key	Part No.	Part Name	Qty.	Engine Serial No.	Remarks
1	RE529661	Starter Motor	1		12V, DENSO (Marked RE528619 or RE520634)
	SE501867	Starter Motor Reman	1		12V, (Reman For RE529661)
2	19M7835	Screw	2		M10 X 35
3	14M7296	Flange Nut	1		M10
4	42M7036	Stud	1		

Sectional Pictorial Index
 Index d'illustrations par sections.
 Gruppenbildindex
 Indice illustrato delle sezioni
 Índice de ilustraciones por secciones
 Avsnittsbildregister

RGP15595 A.1

5299-	856
5707-	858
5923-	860
6293-	862
6531-	864
7701-	866
7899-	868
8446-	870
8997-	872
9899-	874
1-	875
2-	876

6090RW217

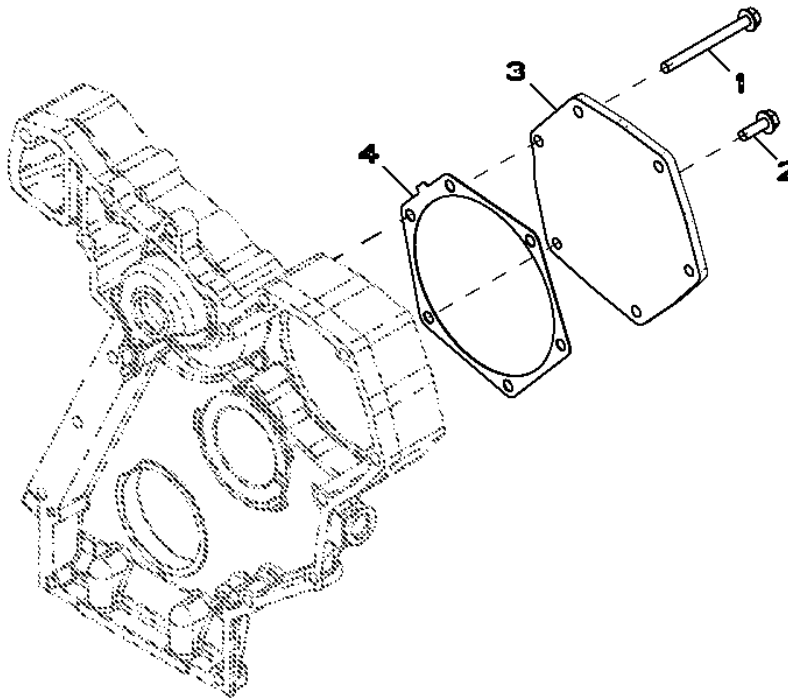
<p>5299</p> 	<p>5707</p> 	<p>5923</p> 	<p>6293</p> 
<p>6531</p> 	<p>7701</p> 	<p>7899</p> 	<p>8446</p> 
<p>8997</p> 	<p>9899</p> 	<p>1</p> 	<p>2</p> 

RGP15595

Key	Part No.	Part Name	Qty.	Engine Serial No.	Remarks
1	R527592	Gasket	1		
2	RE46686	Fitting Plug	1		
3	51M7040	O-Ring	1		9.300 X 2.200 mm
4	19M7785	Screw	4		M10 X 25
5	RE540379	Thermostat	1		
6	R529398	Seal	1		
7	RE544070	Tube	1		
8	RE538264	Tube	1		
9	R47153	O-Ring	1		
10	19M7774	Screw	1		M6 X 12
11	19M8320	Screw	1		M10 X 45
12	RE542015	Housing	1		
13	R529265	Orifice	1		
14	RE46684	Fitting Plug	1		
15	51M7041	O-Ring	1		11.300 X 2.200 mm
16	19M7810	Screw	2		M10 X 80
17	RE537637	Coolant Temperature Sensor	1		
18	R531833	Housing	1		
19	RE191783	Ball Bearing	2		

6293 Alternator Mounting - Cover
 6293 Montage d'alternateur - couvercle
 6293 Drehstromgeneratorbefestigung - Abdeckung
 6293 Supporto alternatore - Coperchio
 6293 Montaje del alternador - Cubierta
 6293 Alternator Mounting - Cover

RE524891PCDA02 A.1



RE524891PCDA02

Key	Part No.	Part Name	Qty.	Engine Serial No.	Remarks
1	19M7913	Screw	5		M8 X 90
2	19M7867	Screw	1		M8 X 25
3	R520135	Cover	1		
4	R502011	Gasket	1		

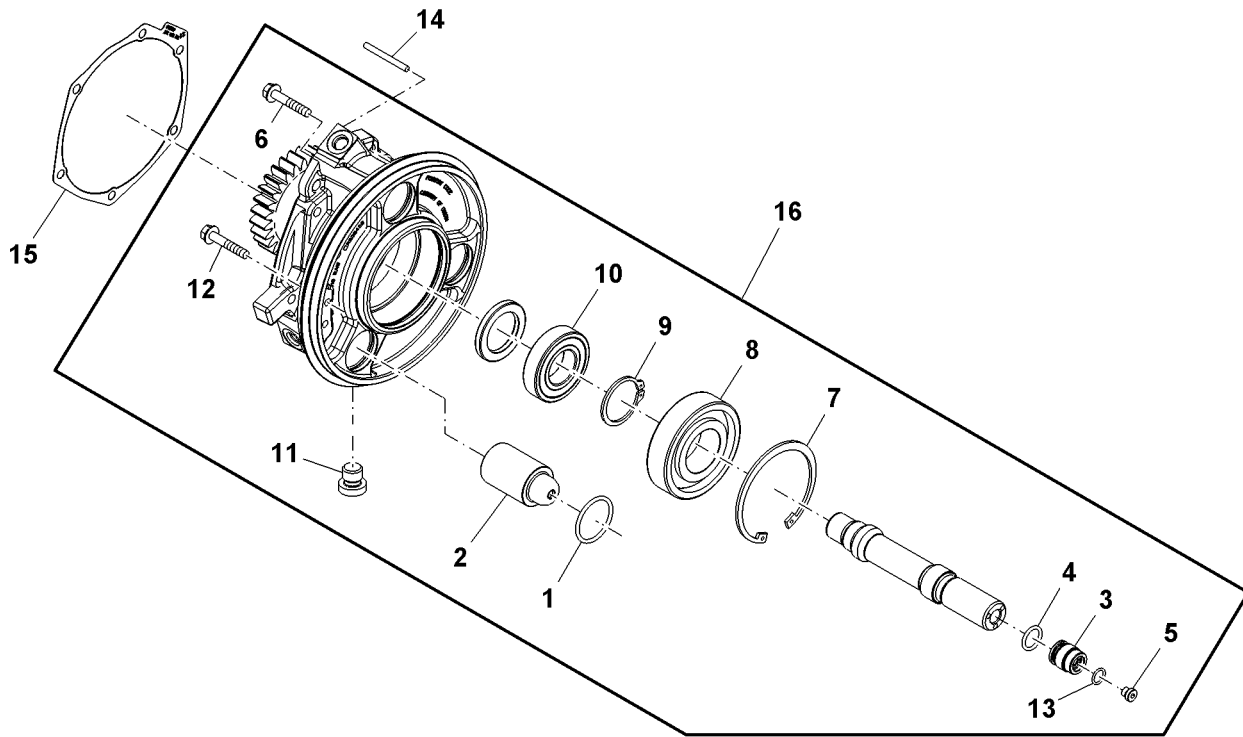
Key	Part No.	Part Name	Qty.	Tractor Serial No.	Remarks
1	RE294728	Radiator Hose	1	(A)	
2	RE337071	Radiator Hose	1	(B)	
3	AH170895	Clamp	4		
4	R320475	Hose	1		
5	H156922	Hose Clamp	2		
6	R302519	Hose	2		
7	RE223627	Hose Fitting	1		
8	R320593	Hose Clamp	5		
9	R320477	Hose	1		
10	RE534605	Fitting	1		
11	M123593	Lock Nut	1		
12	R213627	Hose Clamp	2		
13	19M7866	Screw	2		M8 X 20
14	51M7045	O-Ring	1		19.300 X 2.200 mm
15	51M7040	O-Ring	1		9.300 X 2.200 mm

(A) Upper
Supérieur
Obere
Superiore
Superior
Övre

(B) Lower
Inférieur
Unten
Inferiore
Inferior
Nedre

Fan Drive Shaft Kit, Stage II (053101 -)
 Kit d'arbre d'entraînement du ventilateur, phase II (053101 -)
 Lüfterantriebswellensatz, Stufe II (053101 -)
 Kit albero comando ventola, Fase II (053101 -)
 Juego de eje de transmisión de ventilador, Fase II (053101 -)
 Drivaxelsats för fläkt, Stage II (053101 -)

RXA0120895 A.1



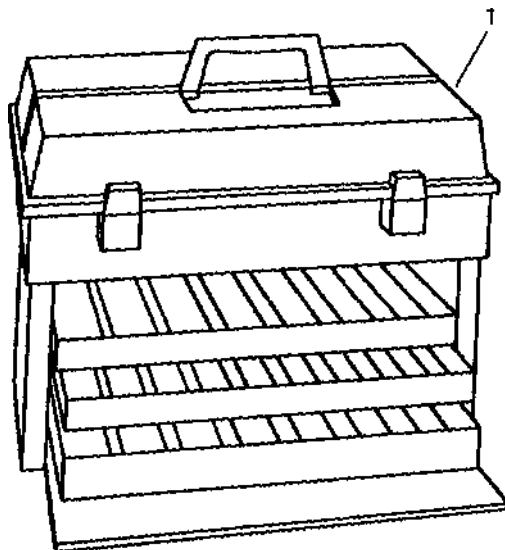
RXA0120895

Key	Part No.	Part Name	Qty.	Tractor Serial No.	Remarks
1	R268046	O-Ring	3		
2	R326617	Piston	3		
3	R325840	Fitting Plug	1		
4	R495R	O-Ring	1		
5	RE336324	Drain Plug	1		
6	19M10012	Screw	1		M8 X 45
7	40M7285	Snap Ring	1		
8	RE308210	Ball Bearing	1		
9	40M7180	Snap Ring	1		
10	RE308209	Ball Bearing	1		
11	64M5003	Drain Plug	2		
12	19M7865	Screw	2		M8 X 16
13	51M7039	O-Ring	2		8.100 X 1.600 mm
14	R238807	Stud	5		
15	R272886	Gasket	1		
16	RE339625	Shaft	1		

Key	Part No.	Part Name	Qty.	Tractor Serial No.	Remarks
1	RE332651	Heat Shield	1		SUB FOR RE331736
2	RE329968	Muffler	1		SUB FOR RE328130; ALSO INCLUDES RE311955
3	RE319588	Exhaust Pipe	1		
4	RE311862	Tube	1		
5	RE311857	Clamp	2		
6	RE330804	Pressure Sensor	1		SUB FOR RE310977; USE WITH RE329968
7	RE540348	Clamp	1		
8	RE540260	Fitting	1		
9	19M7865	Screw	2		M8 X 16
10	RE304965	Clamp	2		
11	RE294637	Exhaust Pipe	1		
12	R529510	Gasket	2		
13	R328477	Heat Shield	1		
14	RE330802	Heat Shield	1		SUB FOR R321089 APPL
15	Heat Shield	1		
16	R320693	Bracket	1		
17	R331734	Heat Shield	1		SUB FOR R327988
18	RE311955	Clamp	1		
19	R319367	Support	1		
20	R327990	Heat Shield	1		
21	19M7861	Screw	6		M6 X 10
22	R311828	Shield	1		
23	R332739	Shield	1		SUB FOR R311544
24	R332741	Shield	1		SUB FOR R311543
25	R332652	Screen	1		SUB FOR R328872
26	R328028	Shield	1		SUB FOR R294791
27	R271337	Heat Shield	1		
28	R328489	Cap Screw	6		SUB FOR R250746
29	R329007	Shield	1		SUB FOR R210827 APPL
30	L55969	Nut	AR		
31	19M7824	Screw	4		M16 X 60
32	RE524730	Cap Screw	2		
33	19M10365	Screw	23		M8 X 20
34	19M7807	Screw	1		M10 X 60
35	19M7800	Screw	2		M8 X 50
36	R529640	Gasket	1		
37	M68628	Rivet	6		USE WITH R328872

Attachment, Electrical Connectors and Terminal
 Accessoire, connecteurs et borne électriques
 Zubehör, Steckverbinder und Anschlussklemme
 Attrezzo, connettori e terminali elettrici
 Accesorio, enchufes y borne eléctricos
 Tillbehör, elektriska kontaktdon och uttag

RXP010001 A.1



RXP010001

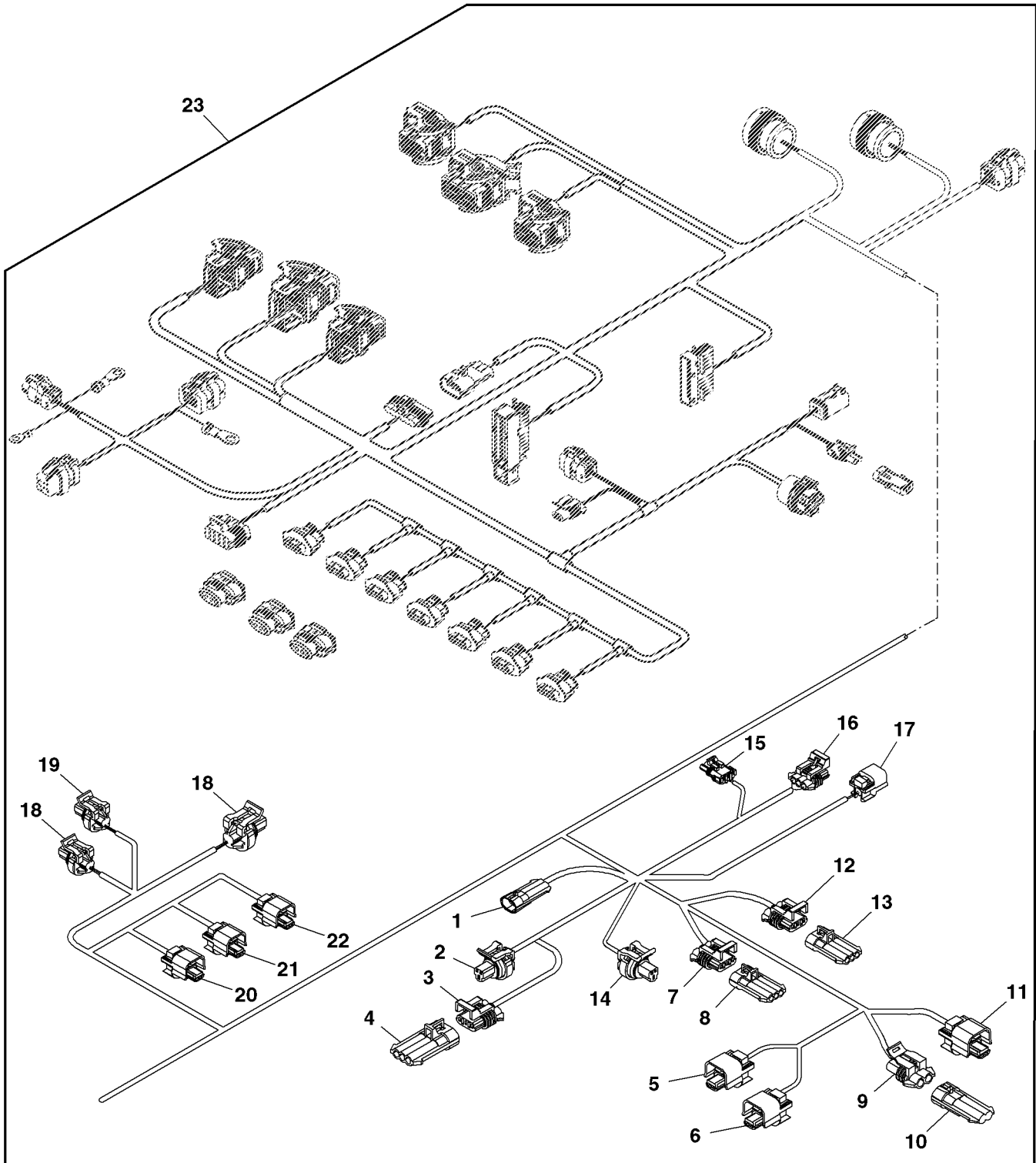
Key	Part No.	Part Name	Qty.	Tractor Serial No.	Remarks
1	TY26194	Electrical Repair Kit	1	(A) (B)	

- (A) Kit Includes Connectors, Terminal And Storage Tray
 Compris dans le kit: connecteurs, borne et vide-poches
 Satz umfasst Steckverbinder, Anschlussklemmen und Ablage
 Il kit include connettori, terminali e vassoio
 El juego incluye los enchufes, borne y bandeja de almacenamiento
 Satsen innefattar kontaktdon, uttag och förvaringslåda
- (B) Electrical Connectors / Terminals Ref Guide (PI7148)
 Guide de référence des connecteurs / bornes électriques (PI7148)
 Elektrische Steckverbinder / Anschlussklemmen, Referenzanleitung (PI7148)
 Guida di riferimento connettori / terminali elettrici (PI7148)
 Guía de referencia de enchufes / bornes eléctricos (PI7148)
 Elektriska kontaktdon / uttag Refguide (PI7148)

Key	Part No.	Part Name	Qty.	Transmission Serial No.	Remarks
1	RE267948	Chassis Wiring Harness	1		
2	57M7257	Elec. Connector Housing	3		Dust Cap
	57M7317	Elec. Connector Accessory	3		
3	57M8625	Elec. Connector Housing	1		Enable Pressure, USE WITH (3) 57M8560_Pins and (3) 57M8566_Seals
4	57M8624	Elec.Connect Locking Device	1		Chassis Harness Connector 3, USE WITH (5) 57M8942_Pins, (19) 57M8621_Pins, (19) 57M7400_Seals and (5) 57M7399_Seals
	57M8944	Elec. Connector Housing	1		
5	57M8943	Elec.Connect Locking Device	1		Chassis Harness Connector 2, USE WITH (2) 57M8733_Pins, (15) 57M8732_Pins, (15) 57M7400_Seals and (2) 57M7399_Seals
	57M8070	Elec. Connector Housing	1		
	57M8943	Elec.Connect Locking Device	1		
6	57M8076	Elec. Connector Terminal	1		Chassis Harness Connector 1, USE WITH (3) 57M7298_Pins and (3) 57M9218_Seals
	57M7280	Elec. Connector Housing	1		
	57M7274	Elec. Connector Accessory	1		
7	57M7260	Elec. Connector Housing	1		Can Terminator or Extension, USE WITH (4) 57M7494_Pins, (4) 57M9215_Seals
8	57M7291	Electrical Connector Assy	1		Back-up Alarm, USE WITH (2) 57M7495_Pins and (2) 57M9215_Seals
	57M7256	Elec. Connector Housing	1		
9	57M7289	Elec.Connect Locking Device	1		Diagnostic Pressure, USE WITH (3) 57M7494_Pins and (3) 57M9215_Seals
	57M7255	Elec. Connector Housing	1		
	57M7317	Elec. Connector Accessory	1		
10	57M7254	Elec. Connector Housing	1		Dust Cap
	57M7289	Elec.Connect Locking Device	1		
11	57M8524	Elec. Connector Housing	1		FVC Controller J1, USE WITH (19) 57M8530_Pins, (4) 57M8531_Pins, (4) 57M8566_Seals
12	57M8528	Electrical Connector Cap	1		FVC Controller J2, USE WITH (20) 57M8530_Pins, 57M8621_Pin, (5) 57M8531_Pins, (2) 57M9184_Pins, 57M7400_Seal
	57M8526	Elec. Connector Housing	1		
	57M8529	Electrical Connector Cap	1		
13	57M8525	Elec. Connector Housing	1		FVC Controller J3, USE WITH (8) 57M8530_Pins and (5) 57M8531_Pins
14	57M8528	Electrical Connector Cap	1		Secondary Wheel Speed Sensor, USE WITH (3) 57M7494_Pins and (3) 57M9215_Seals
	57M7255	Elec. Connector Housing	1		
15	57M7317	Elec. Connector Accessory	1		Hi Clutch, USE WITH (2) 57M8560_Pins and (2) 57M8566_Seals
	57M8924	Elec. Connector Housing	1		
	57M8633	Elec. Connector Accessory	1		
16	57M7255	Elec. Connector Housing	1		Primary Wheel Speed Sensor, USE WITH (3) 57M7494_Pins and (3) 57M9215_Seals
17	57M7317	Elec. Connector Accessory	1		Lo Clutch, USE WITH (2) 57M8560_Pins and (2) 57M8566_Seals
	57M8924	Elec. Connector Housing	1		
	57M8633	Elec. Connector Accessory	1		

Chassis Wiring Harness connectors (3/4) (MFWD) (TIER 4)
 Connecteurs de faisceau de châssis (3/4) (pont avant) (NIVEAU 4)
 Chassis-Kabelbaumsteckverbinder (3/4) (MFWD) (TIER 4)
 Connettori cavi telaio (3/4) (MFWD) (TIER 4)
 Enchufes de grupo de cables de chasis (3/4) (TDM) (TIER 4)
 Anslutningsdon för chassi-kabelhärva (3/4) (MFWD) (TIER 4)

RXA0114182 A.1

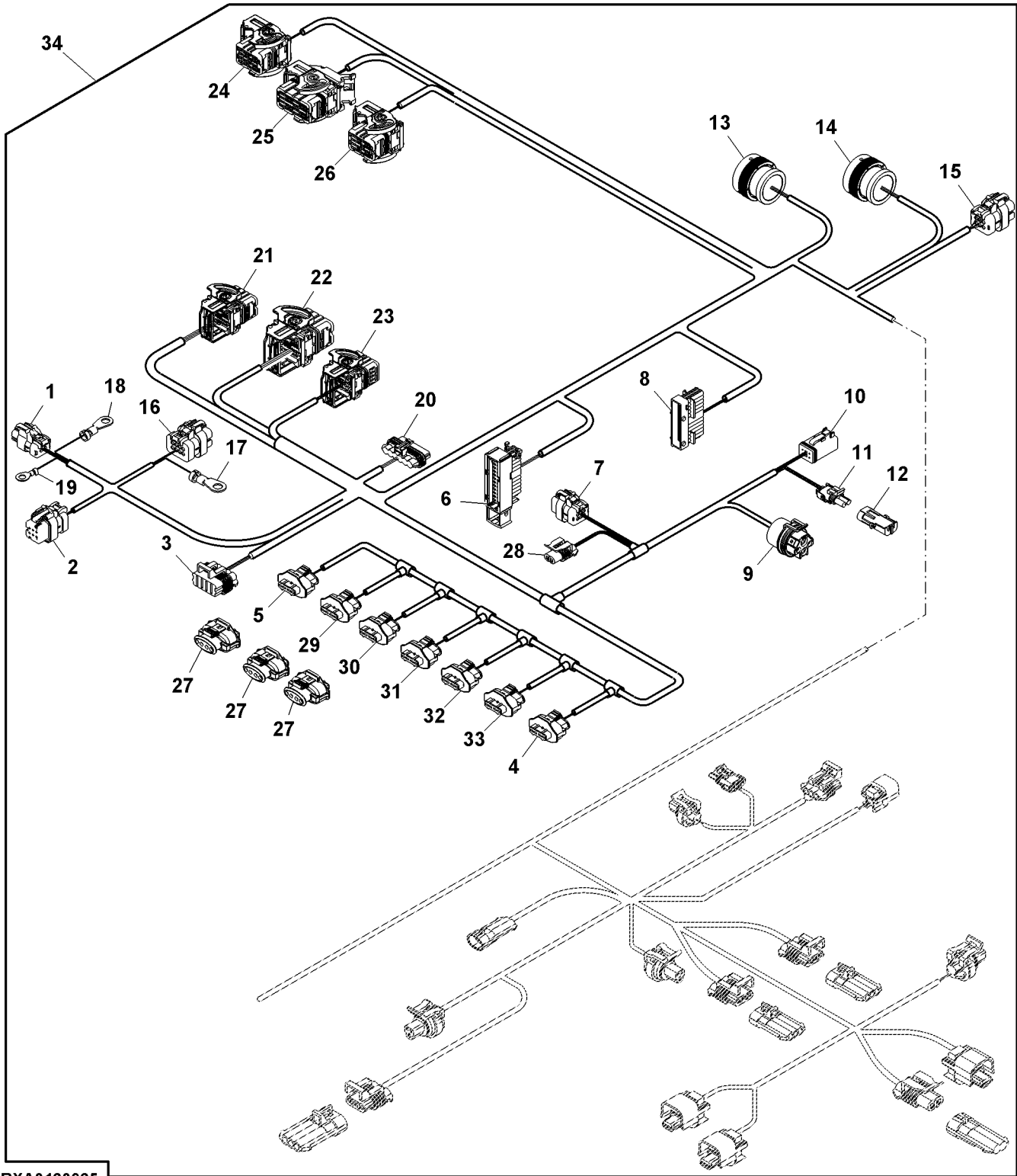


RXA0114182

Key	Part No.	Part Name	Qty.	Serial No.	Remarks
26	57M10607	Elec. Connector Housing	1		Steering Controler J3 connector, (USE WITH (4) 57M10331_Pins and (14) 57M10330_Pins)
27	57M10604 57M7305	Elec. Connector Housing Elec. Connector Housing	1 1		Transmission Harness Connector 1, (USE WITH (2) 57M7527_Pins and (2) 57M9218_Seals)
28	57M7307 57M7309	Electrical Connector Assy Elec. Connector Housing	1 1		Trailer connector 1, (USE WITH (2) 57M7299_Pins, 57M9216_Seal, 57M9217_Seal)
	57M7306	Elec.Connect Locking Device	1		
29	57M9498	Elec. Connector Housing	1		SCV 5 Valve, (USE WITH (4) 57M8621_Pins and (4) 57M8515_Seals)
	57M9499	Elec. Connector Accessory	7		
	57M7500	Elec. Connector Terminal	7		
30	57M9498	Elec. Connector Housing	1		SCV 4 Valve, (USE WITH (4) 57M8621_Pins and (4) 57M8515_Seals)
	57M9499	Elec. Connector Accessory	7		
	57M7500	Elec. Connector Terminal	7		
31	57M9498	Elec. Connector Housing	1		Hitch Valve, (USE WITH (4) 57M8621_Pins and (4) 57M8515_Seals)
	57M9499	Elec. Connector Accessory	7		
	57M7500	Elec. Connector Terminal	7		
32	57M9498	Elec. Connector Housing	1		SCV 3 Valve, (USE WITH (4) 57M8621_Pins and (4) 57M8515_Seals)
	57M9499	Elec. Connector Accessory	7		
	57M7500	Elec. Connector Terminal	7		
33	57M9498	Elec. Connector Housing	1		SCV 2 Valve, (USE WITH (4) 57M8621_Pins and (4) 57M8515_Seals)
	57M9499	Elec. Connector Accessory	7		
	57M7500	Elec. Connector Terminal	7		
34	57M9498	Elec. Connector Housing	1		SCV 1 Valve, (USE WITH (4) 57M8621_Pins and (4) 57M8515_Seals)
	57M9499	Elec. Connector Accessory	7		
	57M7500	Elec. Connector Terminal	7		
35	57M9500	Elec. Connector Accessory	3		Dust Cap
	57M7259	Elec. Connector Cavity Plug	3		
36	57M10609	Elec. Connector Housing	1		Steering Controler Box A-J1 connector, (USE WITH (5) 57M10330_Pins and (4) 57M10617_Pins)
	57M10604	Elec. Connector Housing	1		
37	57M10615	Elec. Connector Housing	1		Steering Controler Box A-J2 connector, (USE WITH (17) 57M10330_Pins and (8) 57M10617_Pins)
	57M10613	Elec. Connector Housing	1		
38	57M10607	Elec. Connector Housing	1		Steering Controler Box A-J3 connector, (USE WITH (12) 57M10330_Pins and (4) 57M10331_Pins)
	57M10604	Elec. Connector Housing	1		
39	RE304411	Chassis Wiring Harness	1		

Chassis Wiring Harness Connectors, MFWD/Autotrak™, Interim Tier - 4 (4/5) (053101 -)
 Connecteurs de faisceau de châssis, pont avant/Autotrak™, intérim niveau - 4 (4/5) (053101 -)
 Chassis-Kabelbaumsteckverbinder, MFWD/Autotrak™, Interim Tier - 4 (4/5) (053101 -)
 Connettori fascio cavi telaio, MFWD/Autotrak™, Interim Tier - 4 (4/5) (053101 -)
 Enchufes de grupo de cables de chasis, MFWD/AutoTrac™, Tier 4 interino (4/5) (053101 -)
 Anslutningsdon för chassikabelhärva, MFWD/Autotrak™, Interim Tier - 4 (4/5) (053101 -)

RXA0120925 A.1



RXA0120925

CLICK HERE TO **DOWNLOAD** THE COMPLETE MANUAL

- Thank you very much for reading the preview of the manual.
- You can download the complete manual from: www.heydownloads.com by clicking the link below



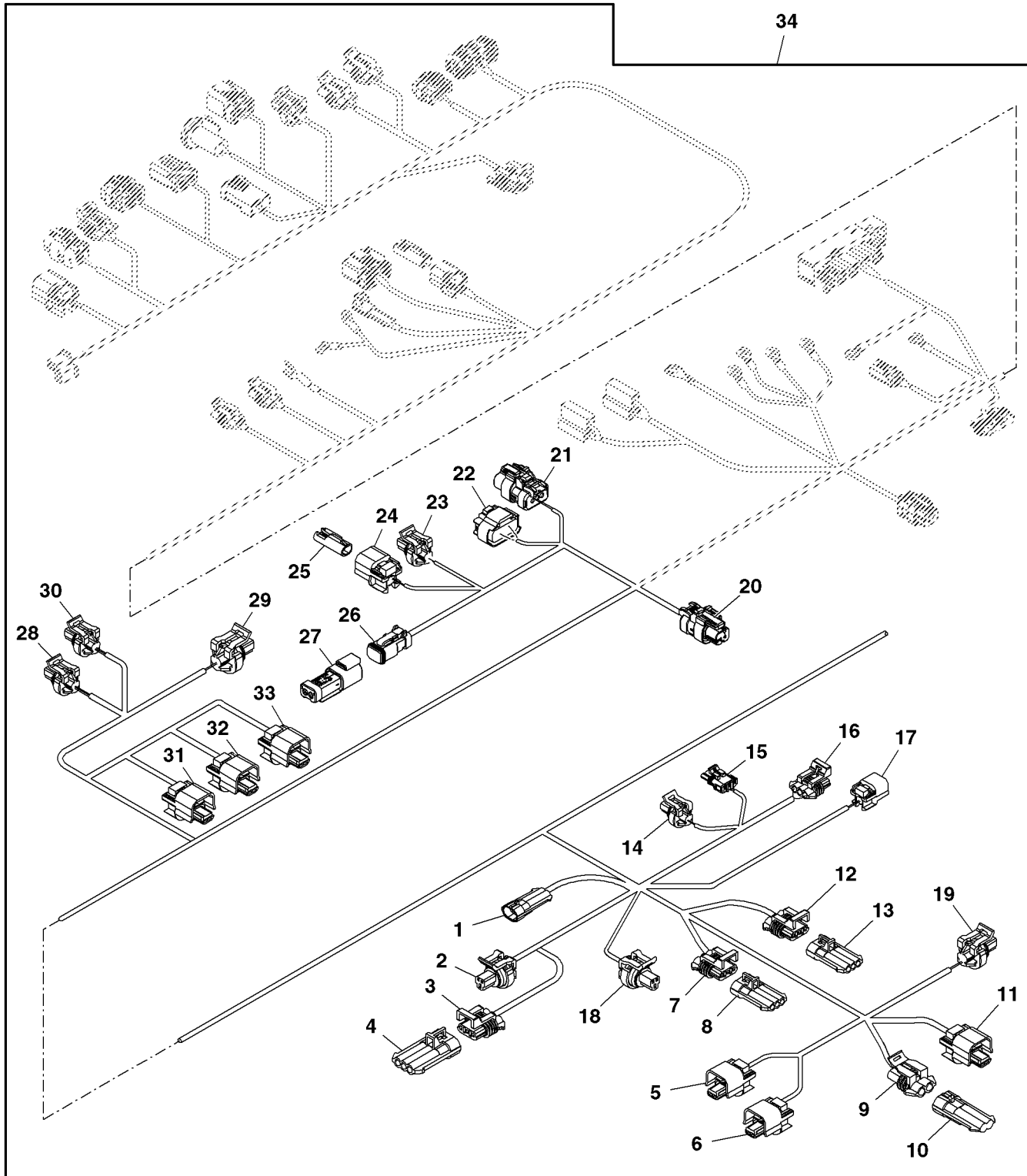
- Please note: If there is no response to CLICKING the link, please download this PDF first and then click on it.

CLICK HERE TO **DOWNLOAD** THE COMPLETE MANUAL

Key	Part No.	Part Name	Qty.	Serial No.	Remarks
1	57M9772	Elec. Connector Housing	1		Fuel Level Sender, (USE WITH (2) 57M8902_Pins)
2	57M9780	Elec. Connector Housing	1		After Treatment Delta Pressure, (USE WITH (3) 57M9808_Pins)
3	57M8917	Elec. Connector Housing	1		After Treatment Temp Assembly, (USE WITH (4) 57M9808_Pins)
4	57M8625	Elec. Connector Housing	1		Secondary Brake Pressure, (USE WITH (3) 57M8560_Pins and (3) 57M8566_Seals)
	57M8624	Elec.Connect Locking Device	1		
	57M8931	Electrical Connector Cap	1		
5	57M8924	Elec. Connector Housing	1		Sec Brake Off Solenoid, (USE WITH (3) 57M8560_Pins and (3) 57M8566_Seals)
	57M8633	Elec. Connector Accessory	1		
6	57M9222	Elec. Connector Housing	1		Dust Cap
	57M8633	Elec. Connector Accessory	1		
	57M9112	Elec. Connector Cavity Plug	1		
7	57M8639	Elec. Connector Housing	1		Secondary Brake Valve, (USE WITH (2) 57M8165_Pins)
	57M8022	Elec.Connect Locking Device	1		
8	57M8023	Elec. Connector Housing	1		Dust Cap
	57M7621	Elec.Connect Locking Device	1		
9	57M8625	Elec. Connector Housing	2		Pump Press, (USE WITH (3) 57M8560_Pins, (3) 57M8566_Seals)
	57M8624	Elec.Connect Locking Device	2		
10	57M8625	Elec. Connector Housing	1		Backup Pump Press, (USE WITH (3) 57M8560_Pins, (3) 57M8566_Seals)
	57M8624	Elec.Connect Locking Device	1		
11	57M9210	Elec. Connector Housing	1		Steer RH, (USE WITH (2) 57M8560_Pins and 57M8566_Seals)
	57M8633	Elec. Connector Accessory	1		
12	57M9210	Elec. Connector Housing	1		Steer LH, (USE WITH (2) 57M8560_Pins and 57M8566_Seals)
	57M8633	Elec. Connector Accessory	1		
13	57M8924	Elec. Connector Housing	1		Steer Off, (USE WITH (2) 57M8560_Pins and 57M8566_Seals)
	57M8633	Elec. Connector Accessory	1		
14	RE330523	Chassis Wiring Harness	1		

Chassis Wiring Harness Connectors, W/ ILS, AutoTrac™ and FPTO, IT 4 (3/5) (053101 -)
 Connecteurs de faisceau de châssis, avec ILS, AutoTrac™ et prise de force avant, IT 4 (3/5) (053101 -)
 Chassis-Kabelbaumsteckverbinder, mit ILS, AutoTrac™ und FPTO, IT 4 (3/5) (053101 -)
 Connettori fascio cavi telaio, con ILS, AutoTrac™ ed FPTO, IT 4 (3/5) (053101 -)
 Enchufes de grupo de cables de chasis, con ILS, AutoTrac™ y FPTO, IT 4 (3/5) (053101 -)
 Anslutningsdon för chassikabelhärva, med ILS, AutoTrac™ och FPTO, IT 4 (3/5) (053101 -)

RXA0114217 A.1

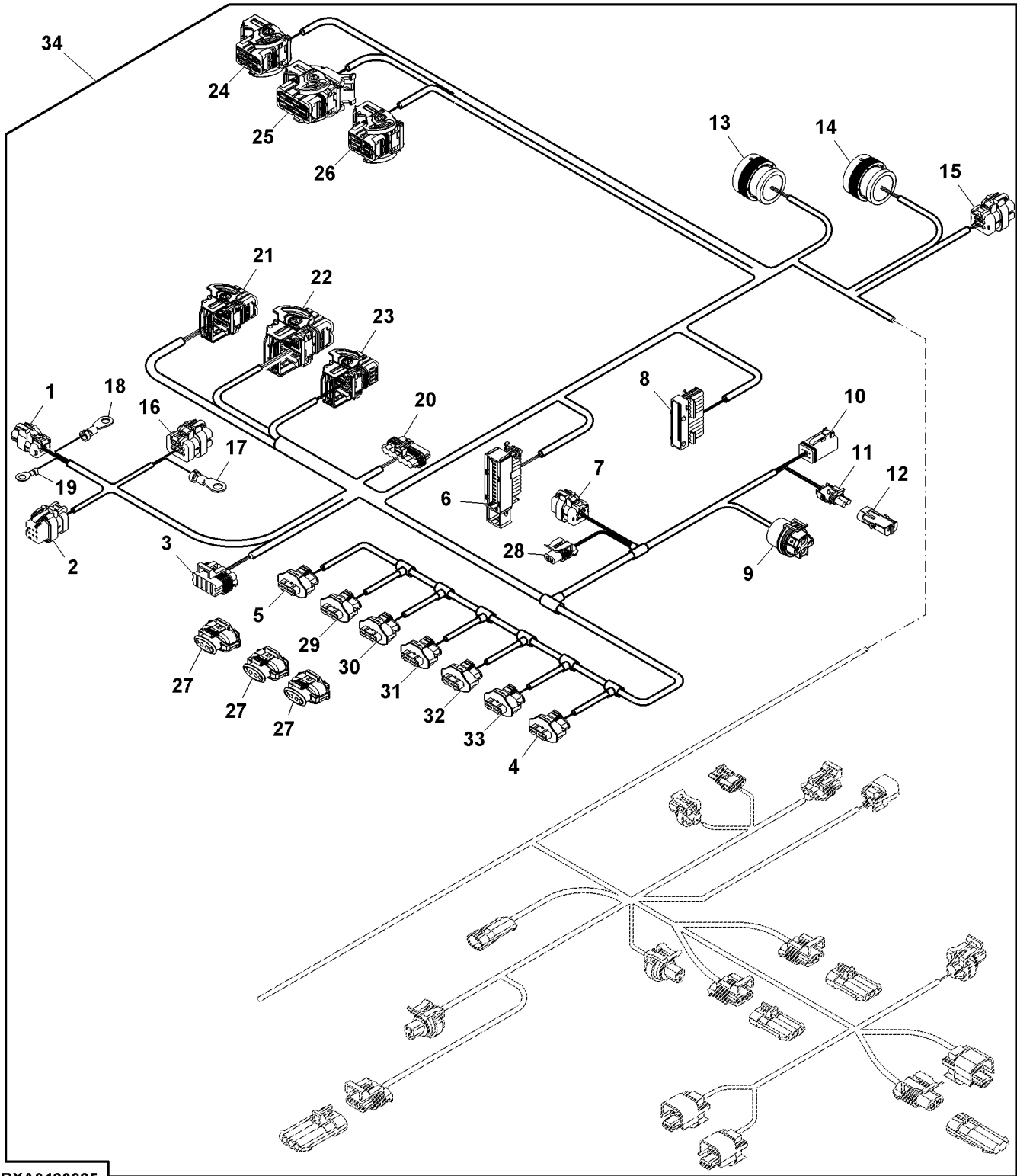


RXA0114217

Key	Part No.	Part Name	Qty.	Tractor Serial No.	Remarks
26	57M9772	Elec. Connector Housing	1		Fuel Level Sender, (USE WITH (2) 57M8902_Pins)
27	57M8924	Elec. Connector Housing	1		Steer Off, (USE WITH 57M10330_Pin, 57M8560_Pin, (3) 57M8566_Seals)
	57M8633	Elec. Connector Accessory	1		
28	57M8873	Elec. Connector Terminal	1		ALTERNATOR
29	57M8625	Elec. Connector Housing	1		Secondary Brake Pressure, (USE WITH (2) 57M8560_Pins, 57M10331_Pin, (2) 57M8566_Seals)
	57M8624	Elec.Connect Locking Device	1		
	57M8931	Electrical Connector Cap	1		
30	57M8924	Elec. Connector Housing	1		Sec Brake Off Solenoid, (USE WITH 57M8560_Pin, 57M10330_Pin, (2) 57M8566_Seals)
	57M8633	Elec. Connector Accessory	1		
31	57M9222	Elec. Connector Housing	1		Dust Cap
	57M8633	Elec. Connector Accessory	1		
	57M9112	Elec. Connector Cavity Plug	1		
32	57M8639	Elec. Connector Housing	1		Secondary Brake Valve, (USE WITH (2) 57M10330_Pins)
	57M8022	Elec.Connect Locking Device	1		
33	57M8023	Elec. Connector Housing	1		Dust Cap
	57M7621	Elec.Connect Locking Device	1		
34	57M8625	Elec. Connector Housing	2		Pump Press, (USE WITH (3) 57M8560_Pins, (3) 57M8566_Seals)
	57M8624	Elec.Connect Locking Device	2		
35	57M8625	Elec. Connector Housing	1		Backup Pump Press, (USE WITH (3) 57M8560_Pins, (3) 57M8566_Seals)
	57M8624	Elec.Connect Locking Device	1		
36	57M9210	Elec. Connector Housing	1		Steer RH, (USE WITH (2) 57M10330_Pins)
	57M8633	Elec. Connector Accessory	1		
37	57M9210	Elec. Connector Housing	1		Steer LH, (USE WITH (2) 57M10330_Pins)
	57M8633	Elec. Connector Accessory	1		
38	RE335823	Chassis Wiring Harness	1		

Chassis Wiring Harness Connectors, W/ ILS, AutoTrac™, Front PTO (Stage 2) (3/5) (053101 -)
 Connecteurs de faisceau de châssis, avec ILS, AutoTrac™, prise de force avant (phase 2) (3/5) (053101 -)
 Chassis-Kabelbaumsteckverbinder, mit ILS, AutoTrac™, FPTO (Stufe 2) (3/5) (053101 -)
 Connettori fascio cavi telaio, con ILS, AutoTrac™, PTO anteriore (Fase 2) (3/5) (053101 -)
 Enchufes de grupo de cables de chasis, con ILS, AutoTrac™, PTO frontal, (Fase 2) (3/5) (053101 -)
 Anslutningsdon för chassikabelhärva, med ILS, AutoTrac™, främre PTO (Stage 2) (3/5) (053101 -)

RXA0120925 A.1



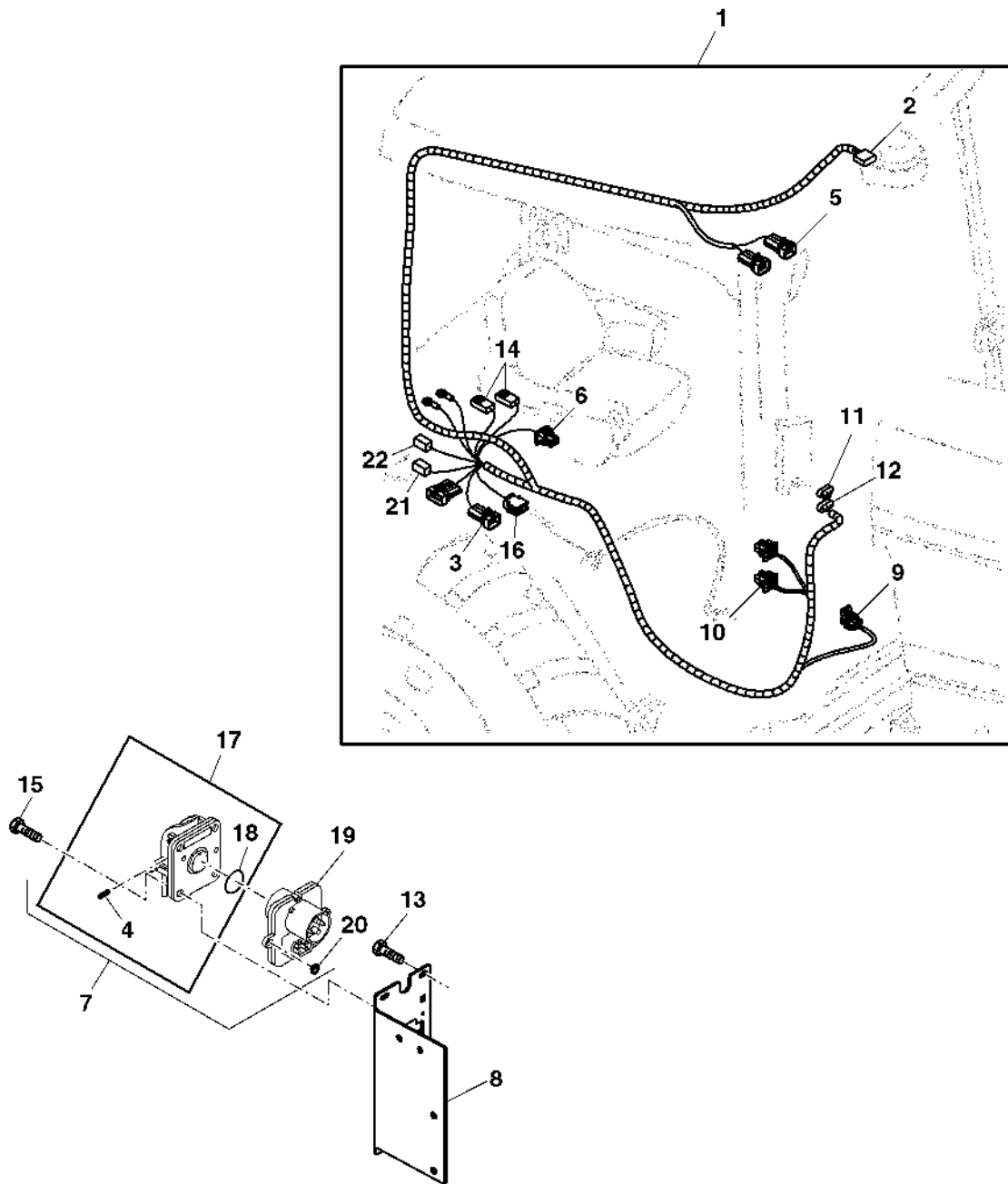
RXA0120925

041 ENGINE AND CHASSIS WIRING HARNESS 8260R

Key	Part No.	Part Name	Qty.	Tractor Serial No.	Remarks
1	57M9772	Elec. Connector Housing	1		(Power Relay module Coil Connection), (USE WITH (2) 57M9809_Pins)
2	57M9786	Elec. Connector Housing	1		Left fender ext hitch switch, (USE WITH (2) 57M10330_Pins, (4) 57M9809_Pins)
3	57M7262	Elec. Connector Housing	1		Hitch Following, (USE WITH (10) 57M7494_Pin, (10) 57M9215_Seals)
4	57M8907 L116274 57M10615	Elec. Connect Locking Device Elec. Connector Accessory Elec. Connector Housing	1 1 1		Steering Controller Box A-J2 connector, (USE WITH (9) 57M10330_Pins, (9) 57M9809_Pins, (4) 57M8560_Pins, 57M10617_Pin, (4) 57M8566_Seals)
5	57M10604 57M9498	Elec. Connector Housing Elec. Connector Housing	1 7		SCV 6 Valve, (USE WITH (4) 57M8621_Pins and (4) 57M8515_Seals)
6	57M8944	Elec. Connector Housing	1		Transmission Harness Connector 1, (USE WITH (6) 57M8565_Pins, (7) 57M8621_Pins, (3) 57M8560_Pins, 57M8942_Pin, 57M9809_Pin, (7) 57M8515_Seals, (3) 57M8566_Seals, 57M7399_Seal)
7	57M8943 57M7259 57M9786	Elec. Connect Locking Device Elec. Connector Cavity Plug Elec. Connector Housing	1 1 1		Trailer connector 2, (USE WITH (4) 57M9807_Pins, 57M9809_Pin, R78067_Pin)
8	57M8070	Elec. Connector Housing	1		Transmission Harness Connector 2, (USE WITH 57M8545_Pin, (2) 57M9200_Pins, 57M8165_Pin, (7) 57M8732_Pins, (4) 57M8560_Pins, 57M7495_Pin, (3) 57M7399_Seals, (7) 57M8515_Seals, (4) 57M8566_Seals, 57M9215_Seal)
9	57M8943 57M8076 57M7259 RE210023	Elec. Connect Locking Device Elec. Connector Terminal Elec. Connector Cavity Plug Electrical Connector Assy	1 1 1 1		Implement can data connector, (USE WITH (2) 57M7614_Pins, (2) R78067_Pins)
10	57M8015	Electrical Connector Assy	1		Implement can, (USE WITH (4) 57M8165_Pins)
11	57M8016	Elec. Connect Locking Device	1		
12	RE12363	Electrical Connector Assy	1		Implement Switch, (USE WITH 57M8165_Pin)
13	R78053	Electrical Connector Assy	1		
14	Fuse	1		Cab Connection 2, (USE WITH (6) 57M7546_Pins, 57M8569_Pin, (2) R78067_Pins, 57M9809_Pin, (5) 57M8165_Pins, 57M9806_Pin)
15	57M8795	Elec. Connector Housing	1		Cab Connection 1, (USE WITH 57M7297_Pin, (2) 57M8569_Pins, 57M9806_Pin, (4) 57M7546_Pins, 57M8165_Pin, 57M7494_Pin, (2) 57M8732_Pins, 57M10330_Pin, (3) 57M9225_Pins, 57M9218_Seal, 57M9215_Seal, (2) 57M8515_Seals)
16	57M9786	Elec. Connector Housing	1		Right Fender EXT hitch Switch, (USE WITH (6) 57M9809_Pins)
17	57M9792	Elec. Connector Housing	1		Cab Harness, (USE WITH (7) 57M9809_Pins)
18	Ring	1		Power Stud, (USE WITH (4) 57M8866_Pins)
19	Ring	1		Power Relay Module Battery Power Input, (USE WITH (4) 57M8866_Pins)
20	Ring	1		Power Relay module Switched Power output, (USE WITH (4) 57M7614_Pins)
21	57M9406	Elec. Connector Accessory	1		Single Point Ground Splice Pack, (USE WITH (2) 57M7299_Pins, 57M7297_Pin, 57M9216_Seal, 57M9217_Seal, 57M10667_Seal)
22	57M8326 57M10611	Electrical Connector Assy Elec. Connector Housing	1 1		SCC Controller J3, (USE WITH (4) 57M10330_Pins, 57M8621_Pin, (2) 57M10617_Pins, 57M9813_Pin, 57M7494_Pin, 57M10331_Pin, 57M9809_Pin, 57M8515_Seal, 57M9215_Seal)
23	57M10604 57M10614	Elec. Connector Housing Elec. Connector Housing	1 1		SCC Controller J2, (USE WITH R78058_Pin, (8) 57M10330_Pins, (8) 57M7494_Pins, (4) 57M10617_Pins, 57M8942_Pin, (4) 57M9813_Pins, (4) 57M9809_Pins, 57M9219_Seal, (8) 57M9215_Seals, 57M7399_Seal)
24	57M10613 57M10605	Elec. Connector Housing Elec. Connector Housing	1 1		SCC Controller J1, (USE WITH (2) 57M10617_Pins, (8) 57M10330_Pin, (8) 57M7494_Pins, (2) 57M9809_Pins, (8) 57M9215_Seals)
25	57M10604	Elec. Connector Housing	1		

WIRING HARNESS (CAB) GREENSTAR
 FAISCHEAU DE CABLES (CABINE) GREENSTAR
 KABELBAUM (FAHRERKABINE) GREENSTAR
 CABLAGGIO (CABINA) GREENSTAR
 GRUPO DE CABLES (CABINA) GREENSTAR
 KABELHAERVA (HYTT) GREENSTAR

RXA0105898 A.1

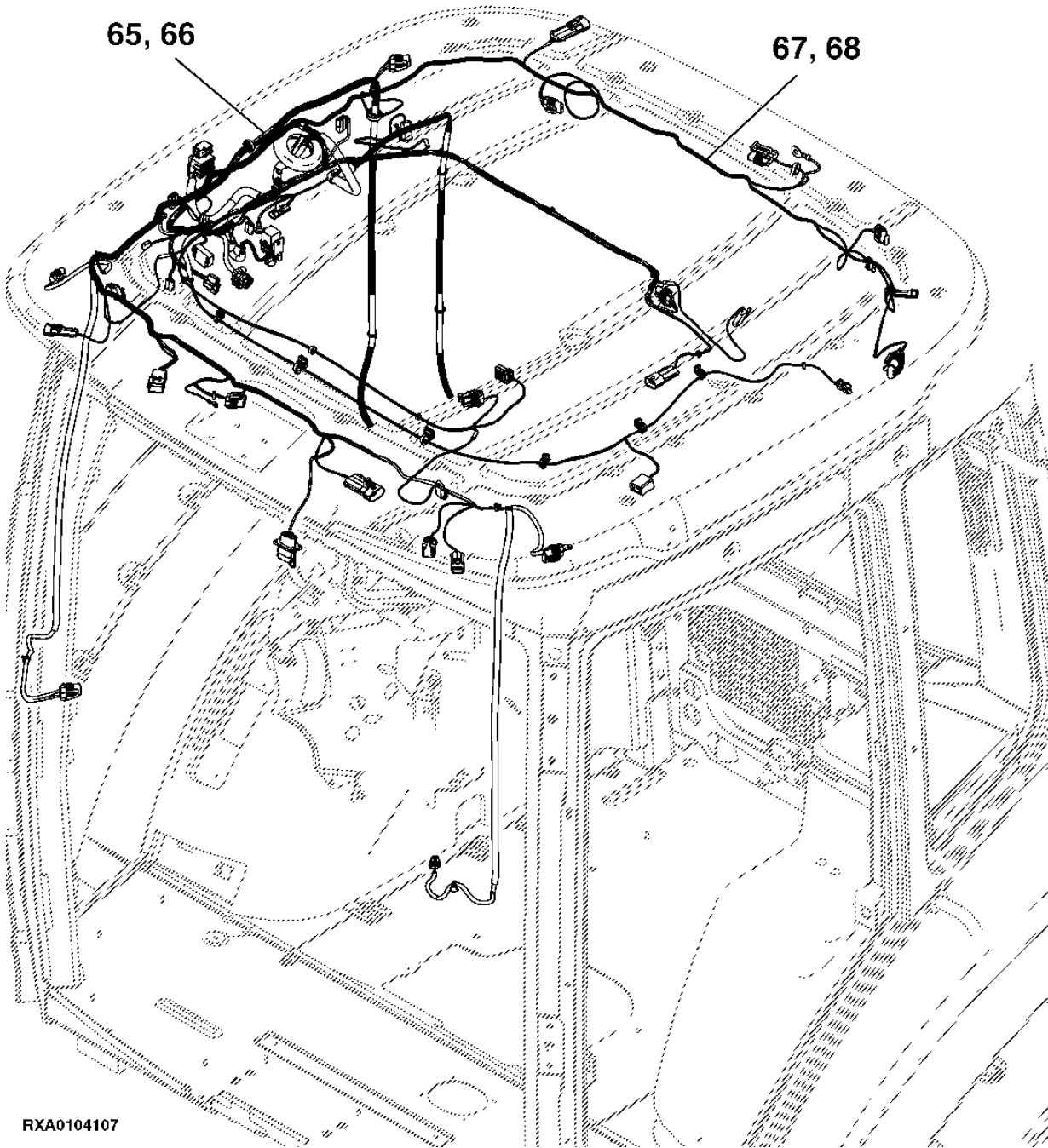


RXA0105898

Sectional Pictorial Index
Index d'illustrations par sections.
Gruppenbildindex
Indice illustrato delle sezioni
◆ndice de ilustraciones por secciones
Avsnittsbildregister

RXA0104107 A.2

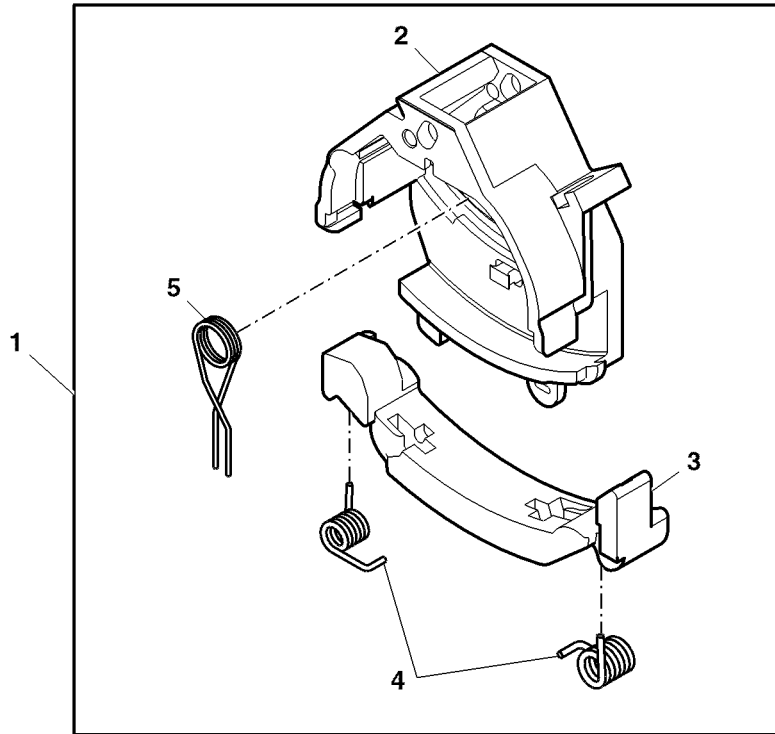
65-	1262
66-	1264
68-	1268
67-	1266



RXA0104107

Control Kit, Paddle Pot Service (053101 -)
 Kit de commande, entretien Paddle Pot (053101 -)
 Bedienelementsatz, Wippschalter Wartung (053101 -)
 Kit comando, manutenzione potenziometro con alette (053101 -)
 Juego de control, mantenimiento de potenciómetro con paleta (053101 -)
 Styrningssats, vingplattsservice (053101 -)

RE331559A A.1



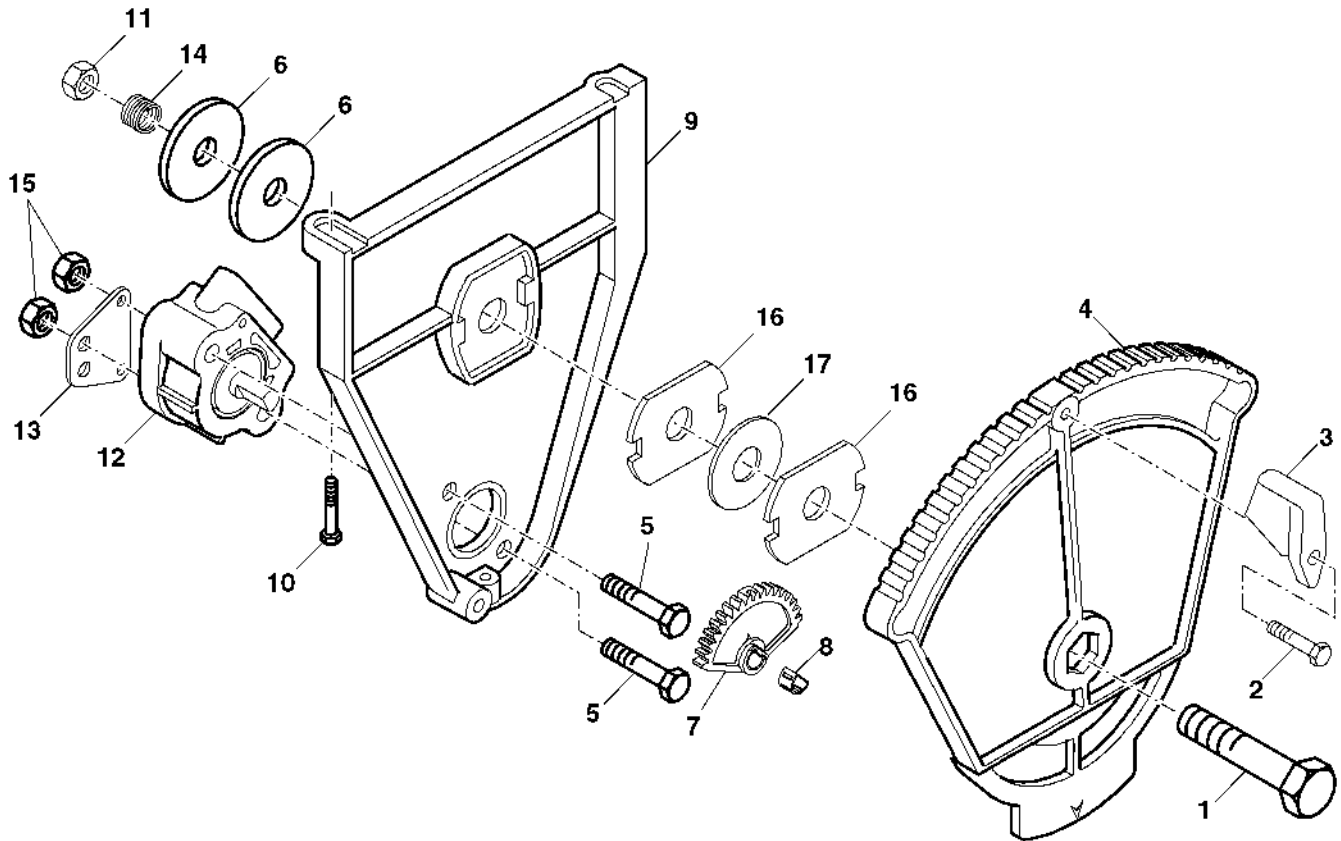
RE331559A

Key	Part No.	Part Name	Qty.	Tractor Serial No.	Remarks
1	RE331559	Control Kit	1		
2	R171535	Bracket	1		
3	R125878	Arm	1		
4	R217571	Torsion Spring	2		
5	R125879	Torsion Spring	1		

Key	Part No.	Part Name	Qty.	Tractor Serial No.	Remarks
1	57M7714	Electrical Connector Assy	1		Primary Display Unit, USE WITH (6) 57M8808_Pins ISO 11786 Connector, USE WITH (4) 57M7548_Pins Reconfigurable Display, 7 Pins Connector
2	57M7713	Electrical Connector Assy	1		
3	57M9231	Elec. Connector Housing	1		
4	RE186986	Junction Block	1		Front Control Support Harness Connector 1, USE WITH 57M10108_Pin, (2) 57M10107_Pins, (3) 57M10106_Pins, (16) 57M8885_Pins and (76) 57M8530_Pins; 17 Pin Connector
5	Electrical Connector Assy	1		
6	Electrical Connector Assy	1		Front Control Support Harness Connector 2, 27 Pins Connector
7	57M8015	Electrical Connector Assy	1		Cab Implement Can Connector, USE WITH (4) 57M8165_Pins
8	57M8021	Electrical Connector Assy	1		Cab Implement Can Power Connector, USE WITH (2) 57M8165_Pins
	57M8022	Elec.Connect Locking Device	1		
9	57M7293	Elec. Connector Housing	1		Radar for ISO 11786 Connector, USE WITH 57M7285_Pin, 57M9219_Seal
	57M7295	Elec.Connect Locking Device	1		
10	57M7559	Elec. Connector Terminal	1		Right Junction Block Ground
11	57M7559	Elec. Connector Terminal	1		Right Junction Block Battery Power
12	R65599	Elec. Connector Terminal	1		Right Junction Block Accessory Power
13	Ring	1		Cab Implement Can Connector, USE WITH (4) 57M8164_Pins
	57M7619	Elec.Connect Locking Device	1		
14	57M8023	Elec. Connector Housing	1		Cab Implement Can Power Connector, USE WITH (2) 57M8164_Pins
	57M7621	Elec.Connect Locking Device	1		
15	57M7294	Elec. Connector Housing	1		From GPS Receiver, USE WITH 57M7297_Pin, 57M9219_Seal
	57M7295	Elec.Connect Locking Device	1		
16	57M7293	Elec. Connector Housing	1		Dust Cap
	57M7295	Elec.Connect Locking Device	1		
17	57M7293	Elec. Connector Housing	1		Radar Sensor, USE WITH 57M7297_Pin, 57M9219_Seal
	57M7295	Elec.Connect Locking Device	1		
18	57M9183	Elec. Connector Housing	1		Service Advisor Connector, USE WITH (6) 57M8164_Pins
	57M9182	Nut	1		
19	57M9734	Elec. Connector Housing	1		Gyro, 3 Pins Connector
20	U46662	Elec. Connector Terminal	1		Right Side Lighter Ground
21	Elec. Connector Terminal	1		Right Side Lighter Power
22	R78054	Electrical Connector Assy	1		Convenience Outlet, USE WITH (3) R78061_Pins and (3) 57M9218_Seals
23	57M7630	Electrical Connector Assy	1		ISO Relay Box Connector, USE WITH (6) 57M8165_Pins
	57M7677	Elec. Connector Terminal	1		
24	57M9354	Elec. Connector Housing	1		ISO In Cab Connector, USE WITH 57M8165_Pin; 9 Pin Connector
25	57M7784	Electrical Connector Assy	1		Right Extremity Light, USE WITH (2) 57M7500_Pins
26	57M7261	Elec. Connector Housing	1		MOB2 Connector, USE WITH (5) 57M7252_Pins and (5) 57M7258_Seals
	57M7296	Elec. Connector Accessory	1		
27	57M7264	Elec. Connector Housing	1		MOB1 Connector, USE WITH (6) 57M7252_Pins and (6) 57M7258_Seals
	57M7283	Elec.Connect Locking Device	1		
28	37M7095	Screw	4		
29	L171800	Strap	1		
30	AL174926	Relay	1		
31	RE300719	Cab Wiring Harness	1		PST; NLA; ORDER RE336537
	RE336537	Cab Wiring Harness	1		PST
	RE300721	Cab Wiring Harness	1		IVT

Engine Speed Control, Armrest
 Commande de régime moteur, accoudoir
 Motordrehzahlsteuerung, Armlehne
 Comando regime motore, bracciolo
 Control de régimen del motor, reposabrazos
 Motorvarvtalsstyrning, armstöd

RXA0102427 A.1

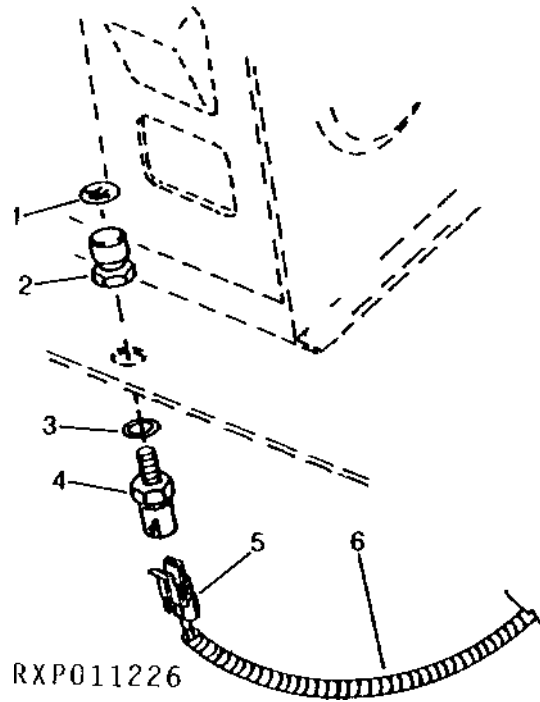


RXA0102427

Hydraulic Differential Lock Switch
Contacteur du blocage hydraulique du différentiel
Schalter der hydraulischen Differentialsperre
Interruttore dispositivo bloccaggio differenziale a comando idraulico
Interruptor de bloqueo hidráulico del diferencial
Hydraulisk differentialspärkontakt



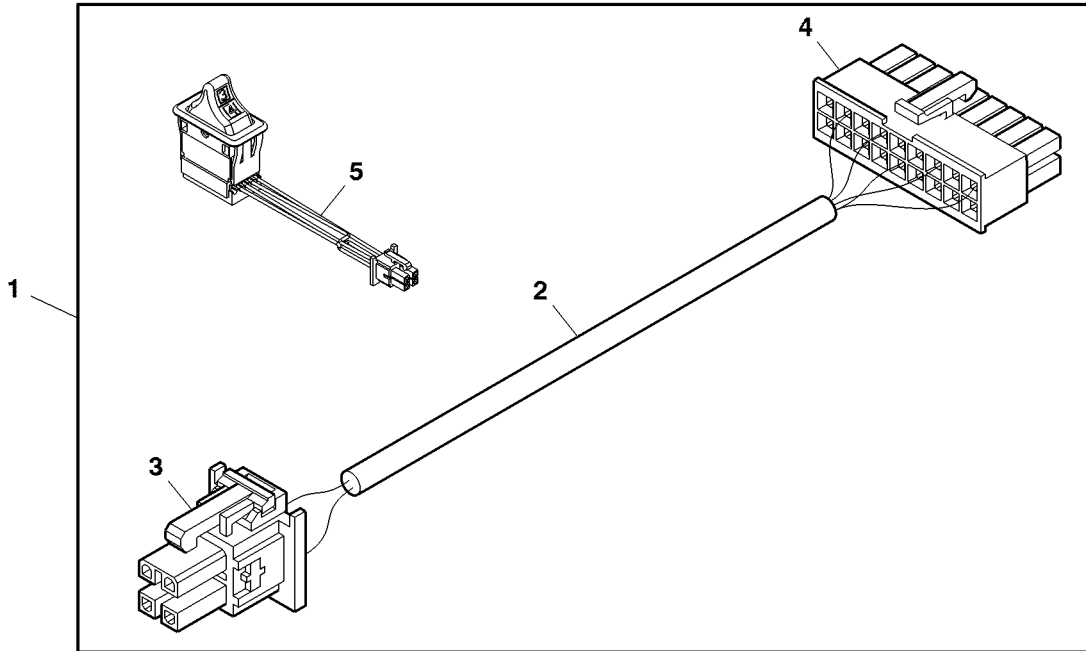
RXP011226 A.1



Key	Part No.	Part Name	Qty.	Tractor Serial No.	Remarks
1	L80302	Label	1		
2	RE43637	Actuator	1		
3	51M7042	O-Ring	1		13.300 X 2.200 mm
4	RE46534	Switch	1		
5	57M7328	Connector	1		
6	Cab Wiring Harness	1		

Switch, iTEC™, Attachment
 Switch, iTEC™, Attachment
 Switch, iTEC™, Attachment
 Switch, iTEC™, Attachment
 Switch, iTEC™, Attachment
 Switch, iTEC™, Attachment

RE325025A B.1



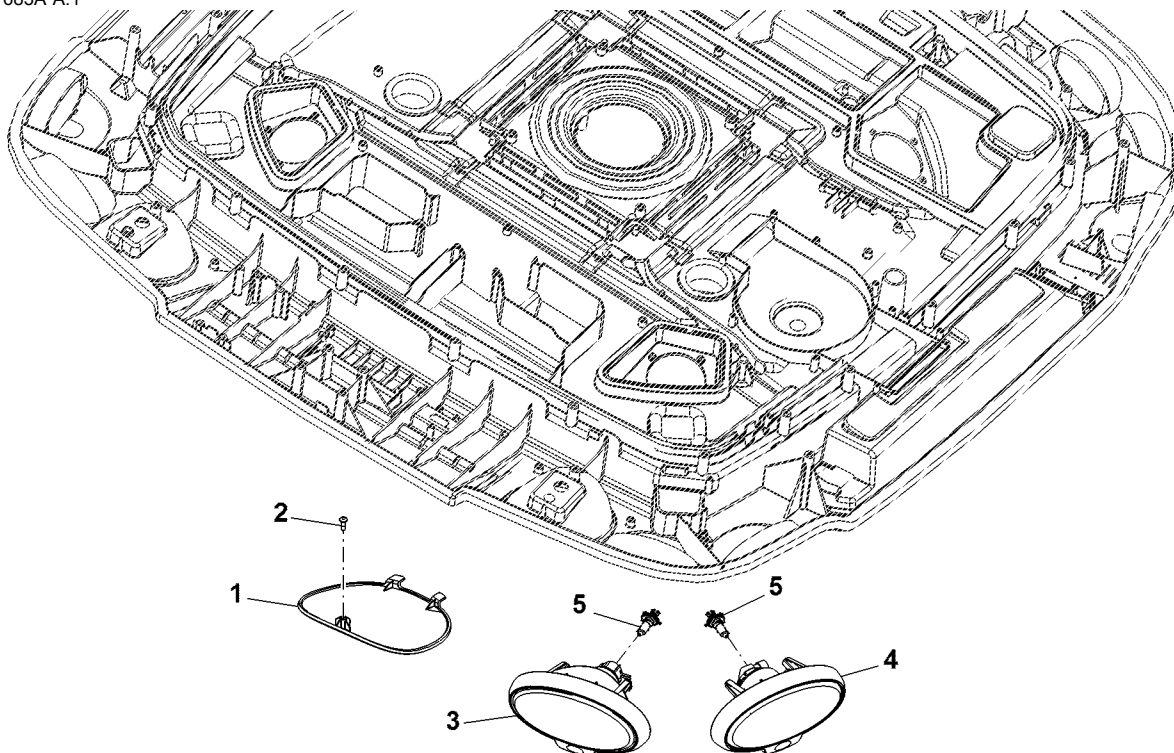
RE325025A

Key	Part No.	Part Name	Qty.	Tractor Serial No.	Remarks
1	RE325025	Switch	1		
2	RE318929	Wiring Harness	1		
3	57M7712	Electrical Connector Assy	1		
	57M7718	Electrical Connector Assy	1		
4	Electrical Connector Assy	1		
5	RE306768	Toggle/Rocker Switch	1		

Cab Work Lamps
Phares de travail de cabine
Kabinen-Arbeitscheinwerfer
Luci di lavoro cabina
Faros de trabajo de cabina
Arbetslampor för hytt



RXA0117683A A.1



RXA0117683A

Key	Part No.	Part Name	Qty.	Tractor Serial No.	Remarks
1	R269930	Bezel	1		LH
	R269931	Bezel	1		RH
2	37M7352	Screw	2		
3	RE269636	Lamp	4		(A) (B)
	RE269637	Floodlamp	4		(C)
4	RE269637	Floodlamp	6		
5	RE179326	Bulb	10		USE WITH RE269637, RE269638 AND RE269636

(A) Amber

Jaune

Gelb

Ambrá

Ambar

Gul

(B) North American version

Version Amérique du Nord

Nordamerikanische Version

Versione per il Nord America

Versión norteamericana

Nordamerikansk version

(C) European Version

European Version

European Version

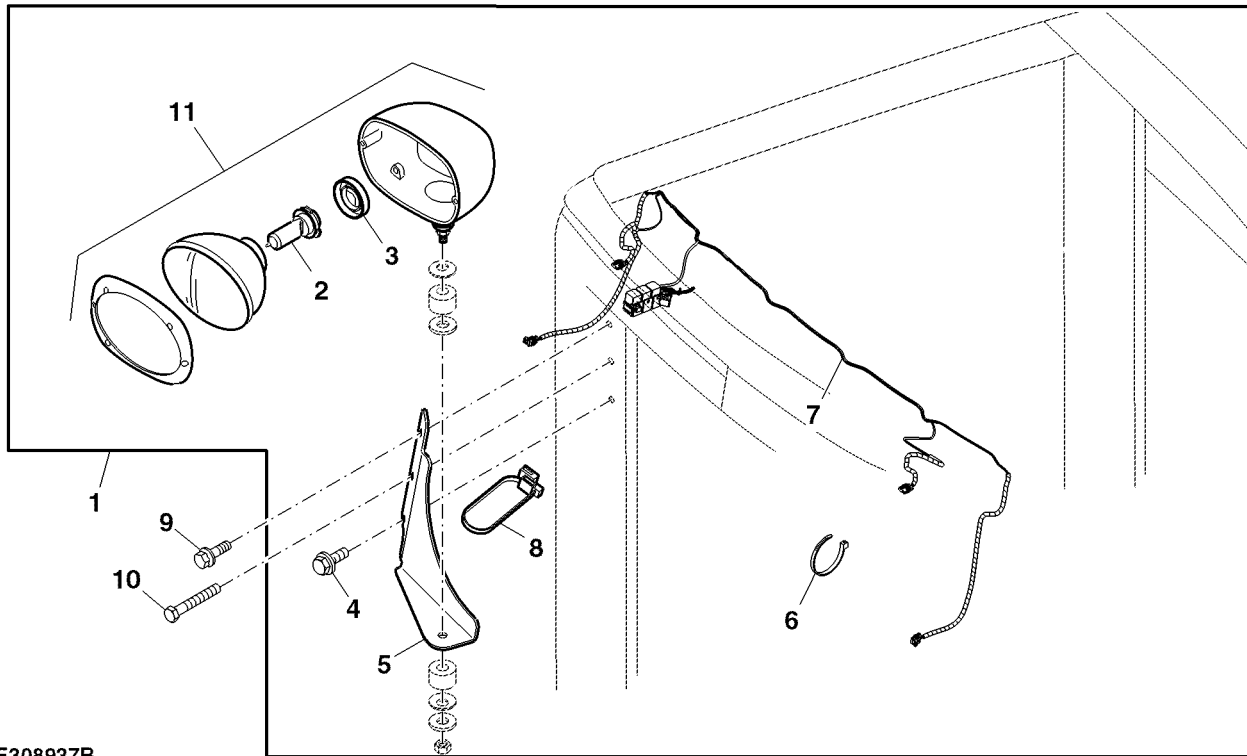
European Version

European Version

European Version

Loader Light
 Feu de chargeur
 Laderscheinwerfer
 Luce caricatore
 Luz de cargadora
 Lastarbelysning

RE308937B A.1



RE308937B

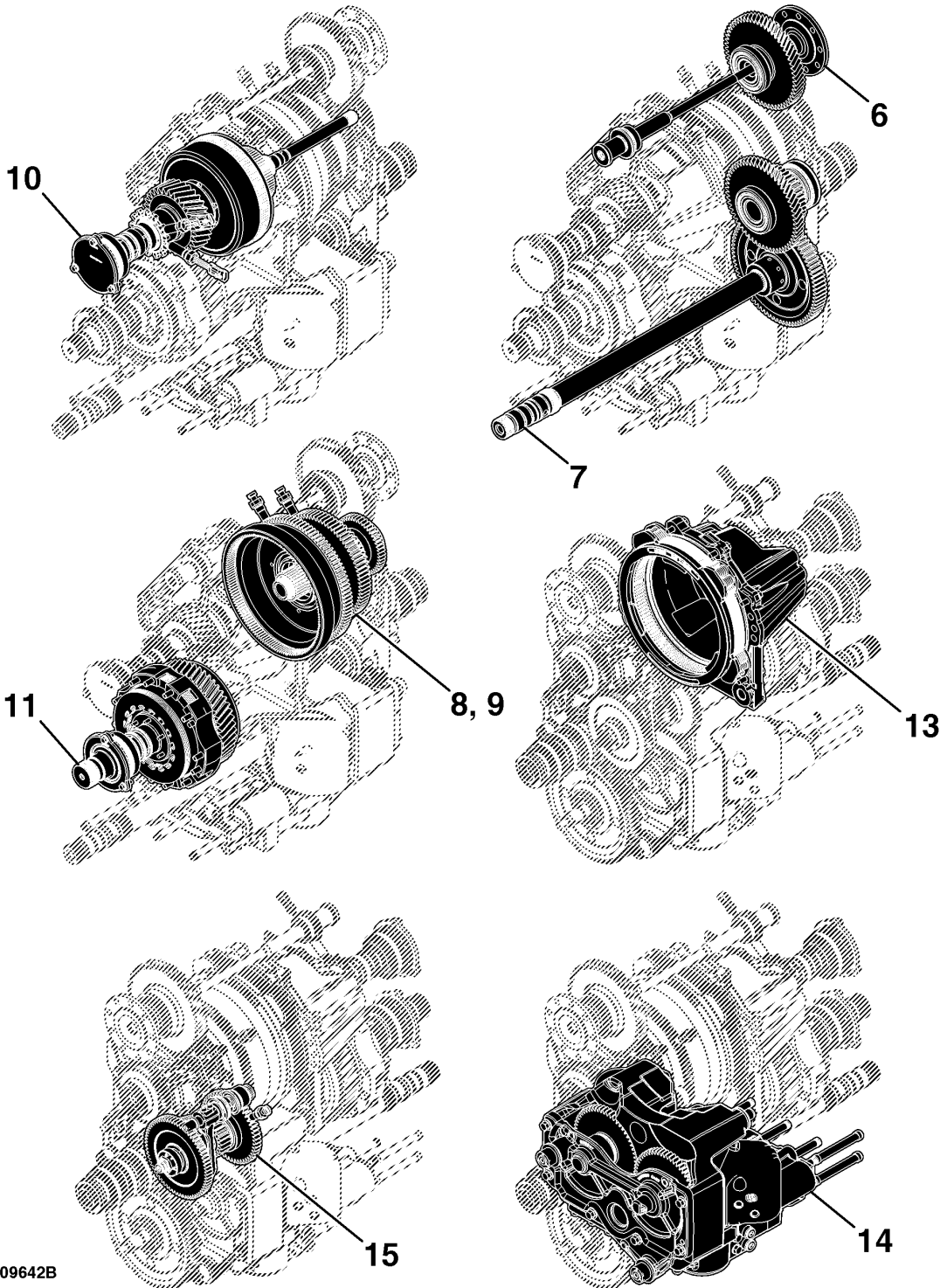
Key	Part No.	Part Name	Qty.	Tractor Serial No.	Remarks
1	RE308937	Light Kit	1		
2	57M7166	Bulb	2		
3	L79050	Dust Shield	2		
4	19M9357	Screw	2		(A) M8 X 16, RH
5	R308936	Bracket	1		RH
	R308935	Bracket	1		LH
6	R44302	Tie Band	10		
7	RE267933	Roof Wiring Harness	1		
8	57M9229	Clip	2		
9	19M9356	Screw	1		(A) M8 X 30, LH
	19M10361	Socket Head Screw	1		(A) M8 X 35, LH/RH
	19M8331	Screw	1		(A) M8 X 20, LH
10	19M8331	Screw	1		(A) M8 X 20, LH/RH
	19M10361	Socket Head Screw	1		(A) M8 X 35, RH
	19M9356	Screw	1		(A) M8 X 30, RH
11	RE229111	Headlight	2		
	RE229124	Headlamp Wiring Harness	1		

(A) A- Post Mirror
 Rétroviseur de montant avant droit
 A-Säulen-Spiegel
 Specchietto montante ad A
 Espejo retrovisor de poste delantero
 A-stolpens spegel

Sectional Pictorial Index
 Index d'illustrations par sections.
 Gruppenbildindex
 Indice illustrato delle sezioni
 Índice de ilustraciones por secciones
 Avsnittsbildregister

RXA0109642B A.1

6-	1384
7-	1386
8-	1392
9-	1394
10-	1396
11-	1398
13-	1402
14-	1404
15-	1406

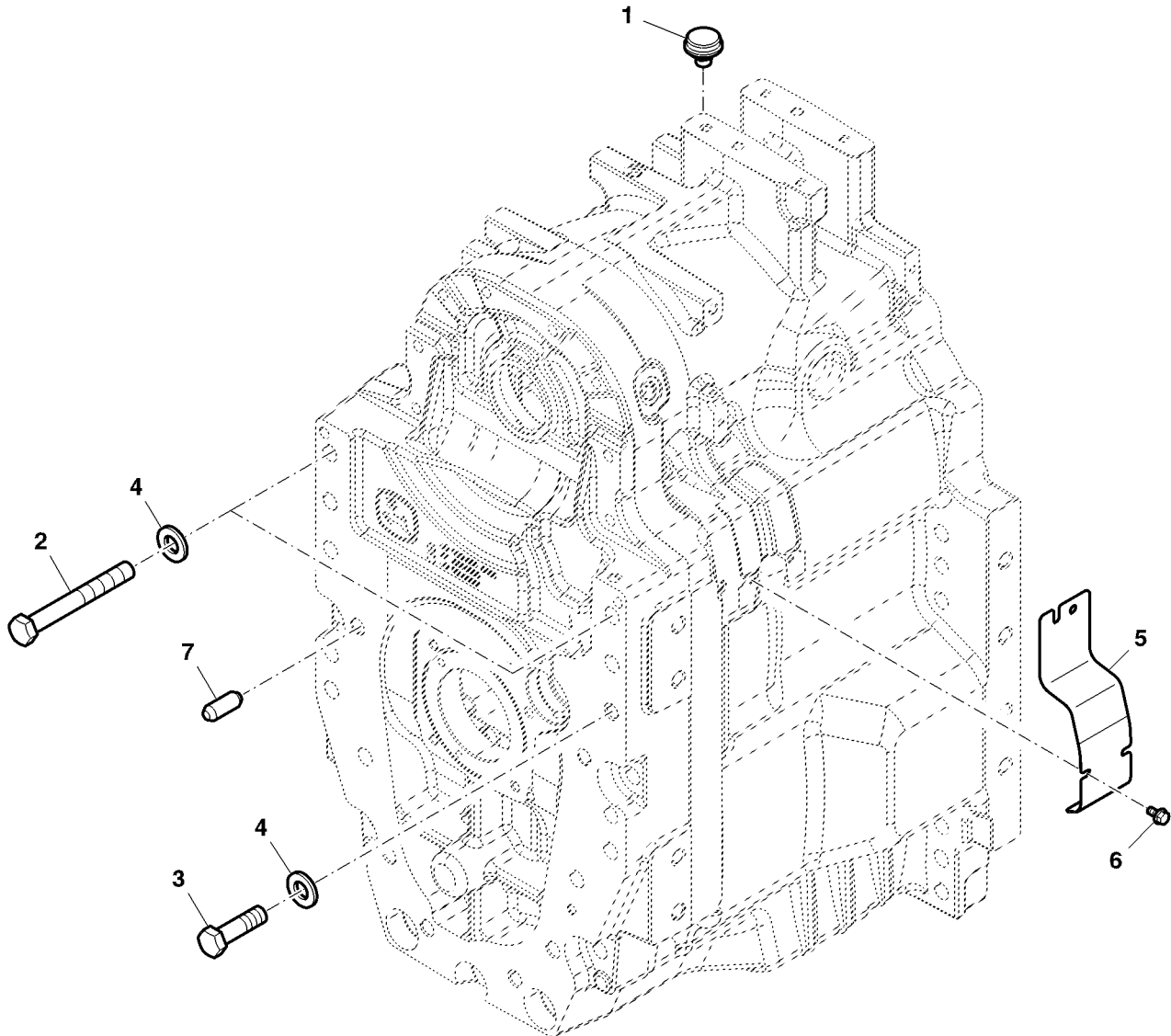


RXA0109642B

Key	Part No.	Part Name	Qty.	Transmission Serial No.	Remarks
1	R28640	Snap Ring	1		
2	R204520	Ring	2		
3	R220679	Shaft	1		
4	JD8210	Bearing Cup	2		
5	JD8159	Bearing Cone	2		
6	RE235013	Gear	1		
7	R57312	Shim	3		0.010 mm
8	R57311	Shim	1		0.005 mm
9	R250002	Shim	2		0.178 mm
10	R272328	Gear	1		
11	19M8737	Screw	1		M12 X 140, HS 10.9
12	R184802	Snap Ring	1		
13	R244620	Shaft	1		
14	RE167922	Cylindrical Roller Bearing	2		
15	R192369	Thrust Washer	1		

Mounting Parts, IVT™ W/ 1300 MFWD
Pièces de montage, IVT™ avec pont avant 1300
Befestigungsteile, IVT™ mit mechanischem Frontantrieb 1300
Componenti di montaggio, IVT™ con MFWD 1300
Piezas de montaje, IVT™ con TDM 1300
Fästdelar, IVT™ med 1300 MFWD

ETN10245E A.1



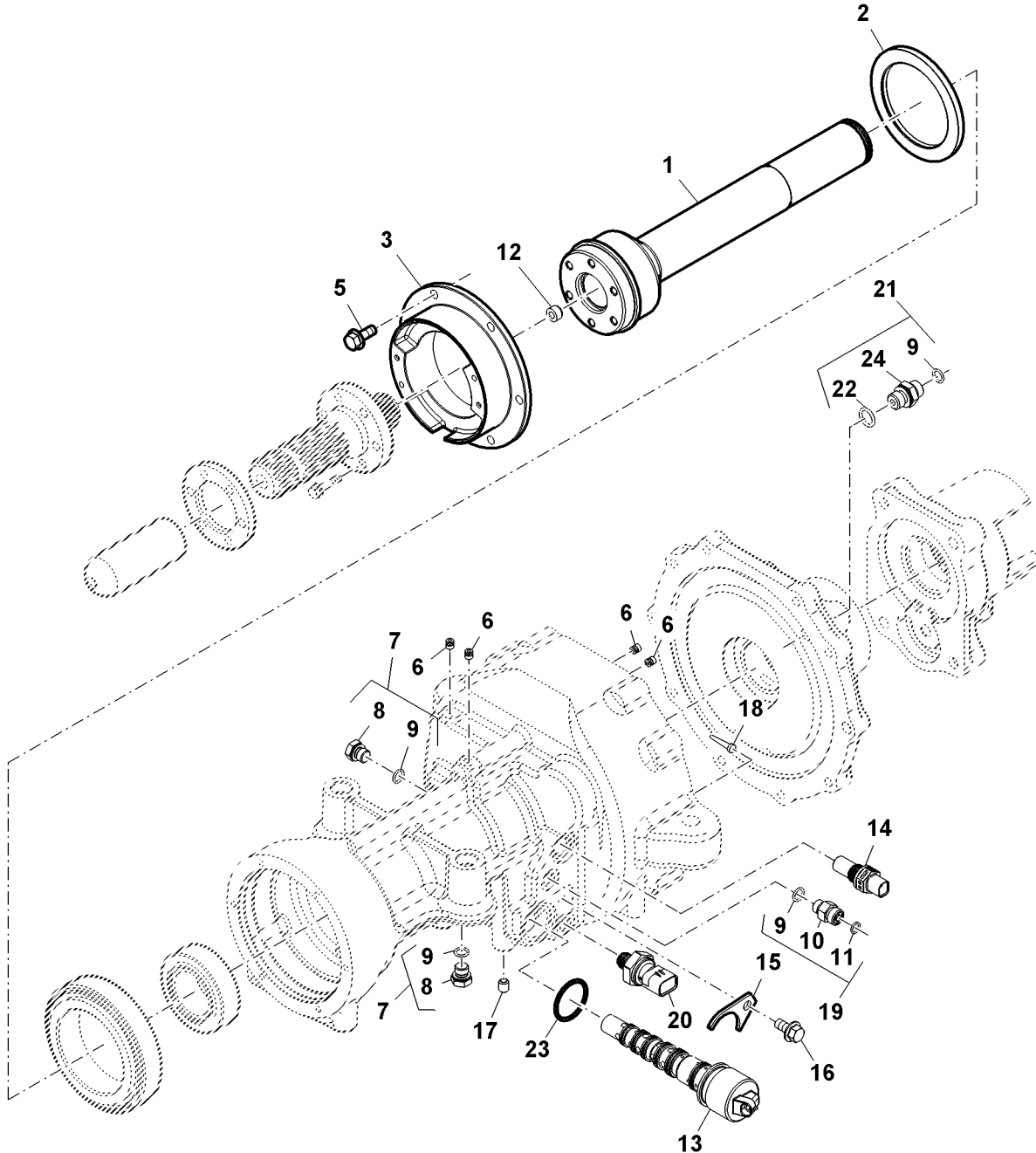
ETN10245E

Key	Part No.	Part Name	Qty.	Tractor Serial No.	Remarks
1	RE315899	Case	1		(MARKED R315732)
	RE315901	Case	1		(MARKED R315733) (IVT/ILS)(50K)
2	R54380	Dowel Pin	AR		
3	R84262	Fitting Plug	1		
4	F3171R	O-Ring	1		
5	RE241887	Fitting	1		
6	R77175	Cover	3		
7	51M7041	O-Ring	AR		11.300 X 2.200 mm
8	RE190805	Diagnostic Coupling	2		(B) (C)
9	R121580	Pipe Plug	3		
10	R211082	Clamp	1		
11	R112885	Screw	9		
12	RE47392	O-Ring Kit	1		(40K)
13	RE287415	Sensor	2		
	RE46687	Drain Plug	2		(IVT) (Include 51M7045)
14	R375R	O-Ring	1		
	51M7045	O-Ring	2		19.300 X 2.200 mm, (PST)
15	RE211157	Solenoid Valve	1		
16	19M7560	Cap Screw	2		M6 X 16
17	51M7043	O-Ring	1		15.300 X 2.200 mm
18	38H5003	Adapter Fitting	1		
19	T77613	O-Ring	AR		(IVT/ILS) (50K)
20	T77857	O-Ring	3		
21	R42849	Ball	2		
22	R82007	Plug	1		
23	RE243409	Oil Tube	1		
24	R232883	Compression Spring	4		
25	R109822	Lock Plate	2		
26	R88246	Cap Screw	2		
27	RE46684	Fitting Plug	3		(40K)
	RE46684	Fitting Plug	2		(50K)
28	RE261054	Adapter Fitting	2		
29	38H1094	Elbow Fitting	1		(IVT/ILS) (50K)
30	R220593	Deflector	1		
31	E80866	Screw	2		
32	RE60701	Diagnostic Coupling	2		(IVT/ILS) (50K)
33	RE243951	Oil Tube	1		
34	RE243948	Oil Tube	1		
35	RE163491	Solenoid Valve	1		
36	RE277647	Pressure Sensor	2		(IVT/ILS) (50K)
37	R158523	O-Ring	1		
38	R243982	Deflector	1		
39	19M7866	Screw	2		M8 X 20, HS 10.9
40	R244439	Plate	1		
41	F1870R	O-Ring	1		
42	RE249767	Deflector	1		(A) (IVT/ILS) (50K)
43	RE252690	Deflector	1		(A) (IVT/ILS) (50K)
44	38H5016	Elbow Fitting	1		(IVT/ILS) (50K)

- (A) Order By Tractor Serial Number Only
 Commander uniquement par numéro de série
 Nur nach Traktorseriennummer bestellen
 Ordinare solo per numero di matricola trattore
 Pedir solamente por número de serie de tractor
 Uppge traktorns serienummer vid beställning
- (B) No Brake Pressure Sensing
 Aucune détection de pression de frein
 Ohne Bremsdruckerfassung
 Pressione freno nulla
 Sin detección de presión de frenos
 Ingen bromstrycksavkänning
- (C) No Air Trailer Brake
 Aucun frein pneumatique de remorque
 Ohne Anhänger-Druckluftbremse
 Senza freno pneumatico rimorchio
 Sin freno neumático de remolque
 Ingen släpvagnsbroms

Front PTO Output Assembly (053101 -)
 Sortie de prise de force avant (053101 -)
 Frontzapfwellen-Ausgangsbaugruppe (053101 -)
 Gruppo uscita PTO anteriore (053101 -)
 Conjunto de salida de TDF frontal (053101 -)
 Främre kraftuttagets utgångsenhet (053101 -)

RXA0120534 A.1



RXA0120534

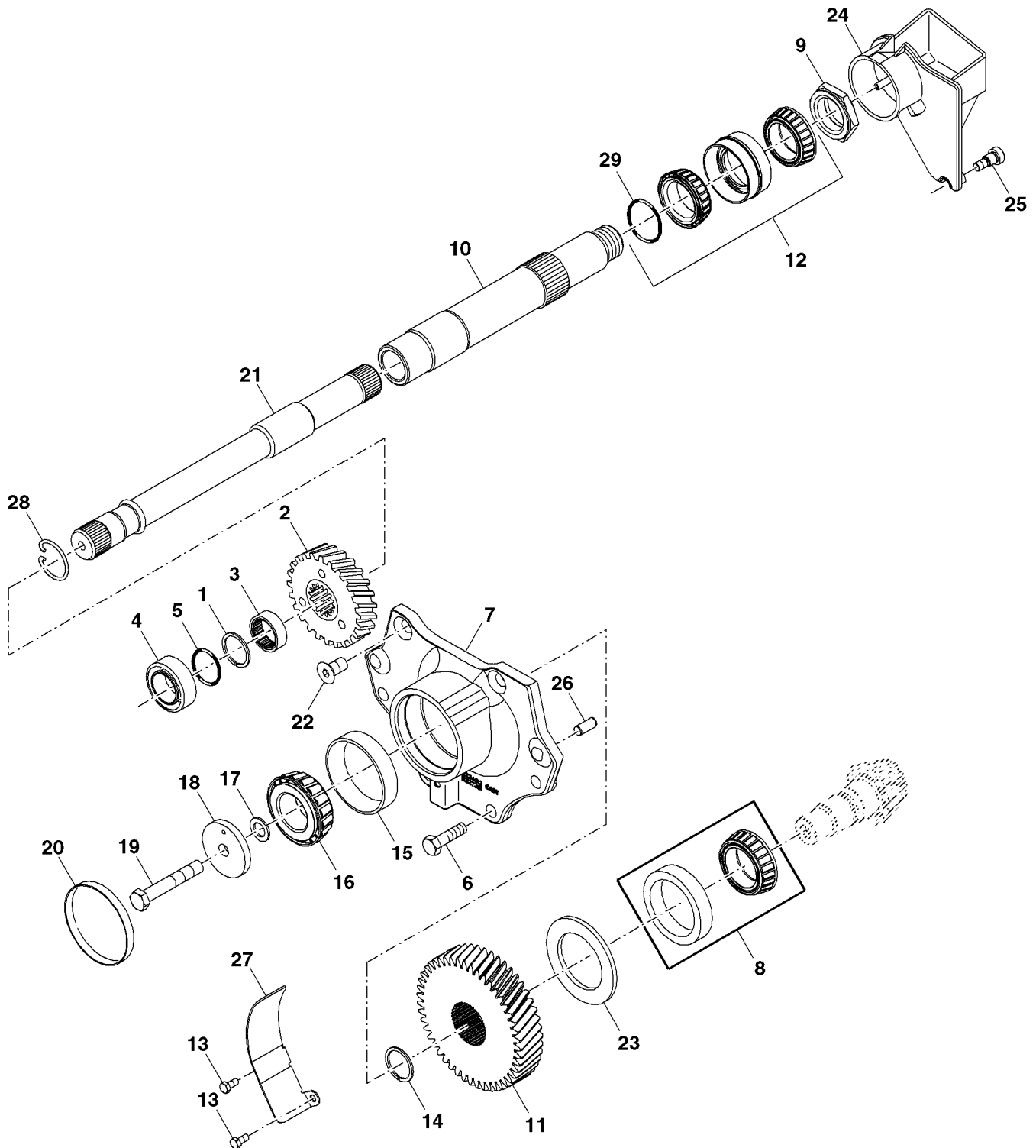
Key	Part No.	Part Name	Qty.	Serial No.	Remarks
1	RE243767	Sensor	1	(B)	
	RE260221	Sensor	2	(A)	
2	R267293	Shield	1	(B)	
	R267293	Shield	2	(A)	
3	R262199	Shield	1		
4	R331943	Shaft	2	(B)	(SUB FOR R255353)
	R255353	Shaft	2	(A)	
5	R231203	Plug	1	(B)	
6	L165796	Adapter Fitting	1	(B)	
	L165796	Adapter Fitting	2	(A)	
7	51M7097	O-Ring	2		18 X 2.500 mm
8	19M9368	Cap Screw	2	(B)	M4 X 35
	19M9999	Screw	4	(A)	M4 X 45
9	19M7964	Cap Screw	7	(B)	M8 X 12
	19M7964	Cap Screw	14	(A)	M8 X 12
10	19M7598	Cap Screw	2		M4 X 10
11	14M7298	Flange Nut	3	(B)	M8
	14M7298	Flange Nut	6	(A)	M8
12	R267294	Shield	1		
13	RE309484	Chassis Wiring Harness	1		
14	RE304421	Chassis Wiring Harness	1	(A)	
15	19M7784	Screw	AR		M10 X 20
16	19M7865	Screw	AR		(A) M8 X 16
17	57M9821	Elec. Connector Housing	1		Chassis Harness, (USE WITH (4) 57M9813 Pins)
18	57M9207	Elec. Connector Housing	1		Front Left Wheel Angle, (USE WITH (6) 57M7829 Pins)
19	57M9821	Elec. Connector Housing	1		Chassis Harness, (USE WITH (4) 57M9813 Pins)
20	57M9207	Elec. Connector Housing	1		Front Right Wheel Angle, (USE WITH (6) 57M7829 Pins)
21	T116119	Clamp	AR		
22	57M10316	Half Clamp	AR		

(A) ACS
 ACS
 ACS
 ACS
 ACS
 ACS

(B) AUTOTRAC
 AUTOTRAC
 AUTOTRAC
 AUTOTRAC
 AUTOTRAC
 AUTOTRAC

Spur Gear Drive (1500 MFWD)
 Entraînement d'engrenage à denture droite (pont avant 1500)
 Stirnradantrieb (mechanischer Frontantrieb 1500)
 Comando ingranaggio cilindrico (MFWD 1500)
 Transmisión de engranajes rectos (TDM 1500)
 Cylindriskt kugghjulsdrev (1500 MFWD)

RXA0107779 A.1

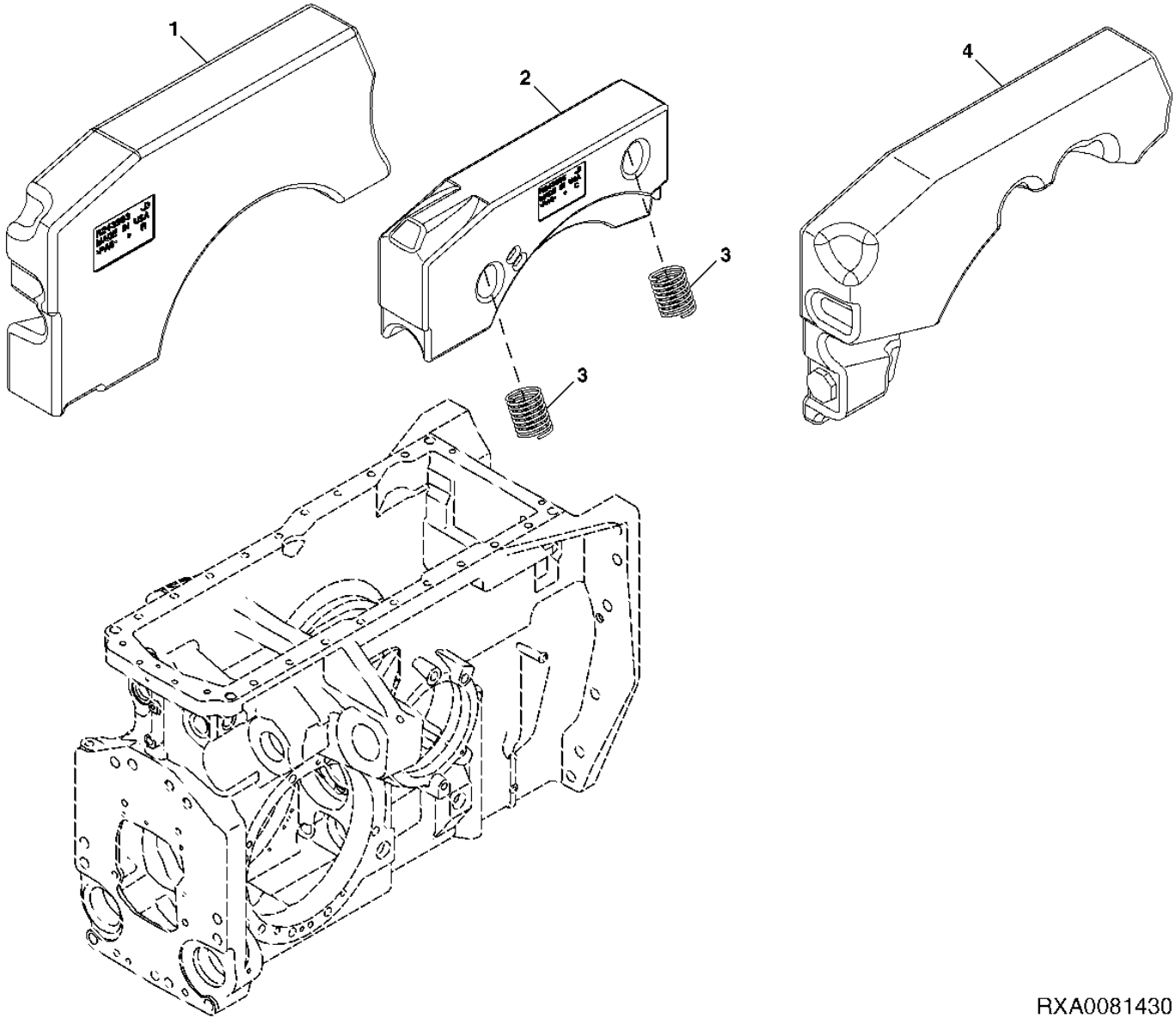


RXA0107779

<i>Key</i>	<i>Part No.</i>	<i>Part Name</i>	<i>Qty.</i>	<i>Tractor Serial No.</i>	<i>Remarks</i>
1	RE227477	Support	1		
2	R227479	Bushing	1		
3	R35153	Packing	1		
4	24M7242	Washer	6		21.400 X 42 X 5 mm
5	19M9142	Cap Screw	6		M20 X 160
6	JD7798	Lubrication Fitting	1		
7	R227480	Seal	1		

Oil Displacement Tanks (ILS)
 Réservoirs de déplacement d'huile (ILS)
 Ölverdrängungsbehälter (ILS)
 Serbatoi di portata olio (ILS)
 Depósitos de desplazamiento de aceite (ILS)
 Tank för undanträngning av olja (ILS)

RXA0081430 A.1

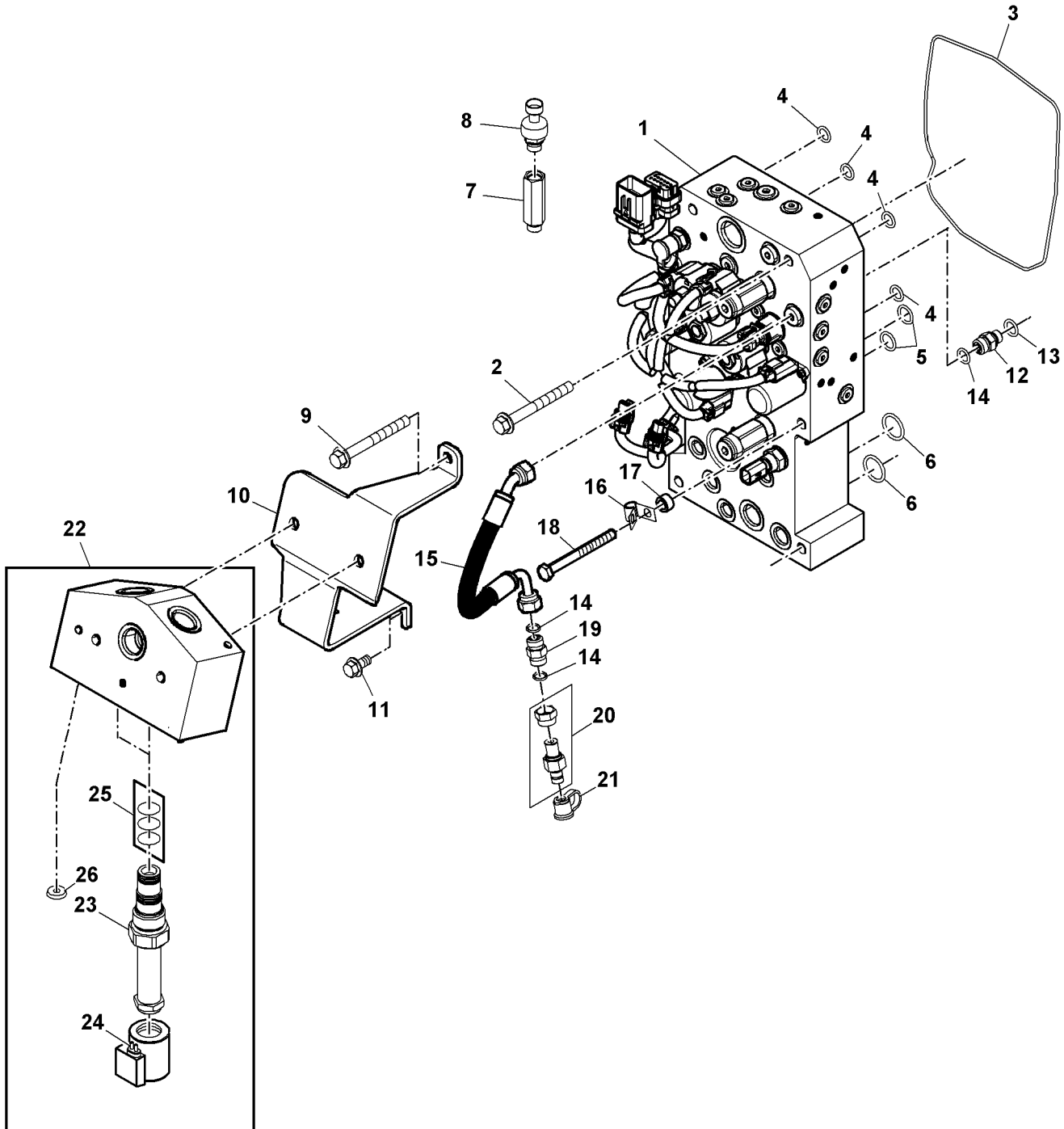


RXA0081430

Key	Part No.	Part Name	Qty.	Tractor Serial No.	Remarks
1	R290305	Knuckle	1		
2	RE175448	Ball Bearing	1		
3	40M7285	Snap Ring	1		
4	RE160203	Seal	1		
5	R157679	Oil Slinger	1		
6	RE65592	Seal	1		
7	R168089	Hub	1		
8	JD9152	Bearing Cup	2		
9	JD9083	Bearing Cone	2		
10	RE299899	Seal	1		
11	R229687	Ring Gear	1		
12	R217064	Gear	1		
13	R99673	Snap Ring	1		
14	R87047	Ring	1		
15	R171858	Retainer	1		
16	R91842	Screw	1		
17	19M8011	Cap Screw	2		M12 X 30
18	R290015	Fitting Plug	1		
19	R43750	O-Ring	1		
20	R194050	Plug	1		
21	R290691	Planet Pinion Carrier	1		
22	R121362	Bearing Race	4		
23	R168091	Thrust Washer	4		
24	R121283	Needle Roller	132		
25	R228144	Planet Pinion	4		
26	R290736	Retainer	4		
27	R171856	Cap Screw	4		
28	R310678	Pinion	1		
29	R100357	Screw	4		
30	R290002	Thrust Washer	1		
31	R290012	Cap Screw	1		

ILS Suspension Valve (W/O Brake) Front PTO (053101 -)
 Prise de force avant de soupape de suspension ILS (sans frein) (053101 -)
 ILS-Federungsventil (ohne Bremse), Frontzapfwelle (053101 -)
 Valvola sospensioni ILS (senza freno) per PTO anteriore (053101 -)
 Válvula de suspensión ILS (sin freno), TDF frontal (053101 -)
 ILS-fjädringsventil (utan broms), främre kraftuttag (053101 -)

RXA0115137A A.1

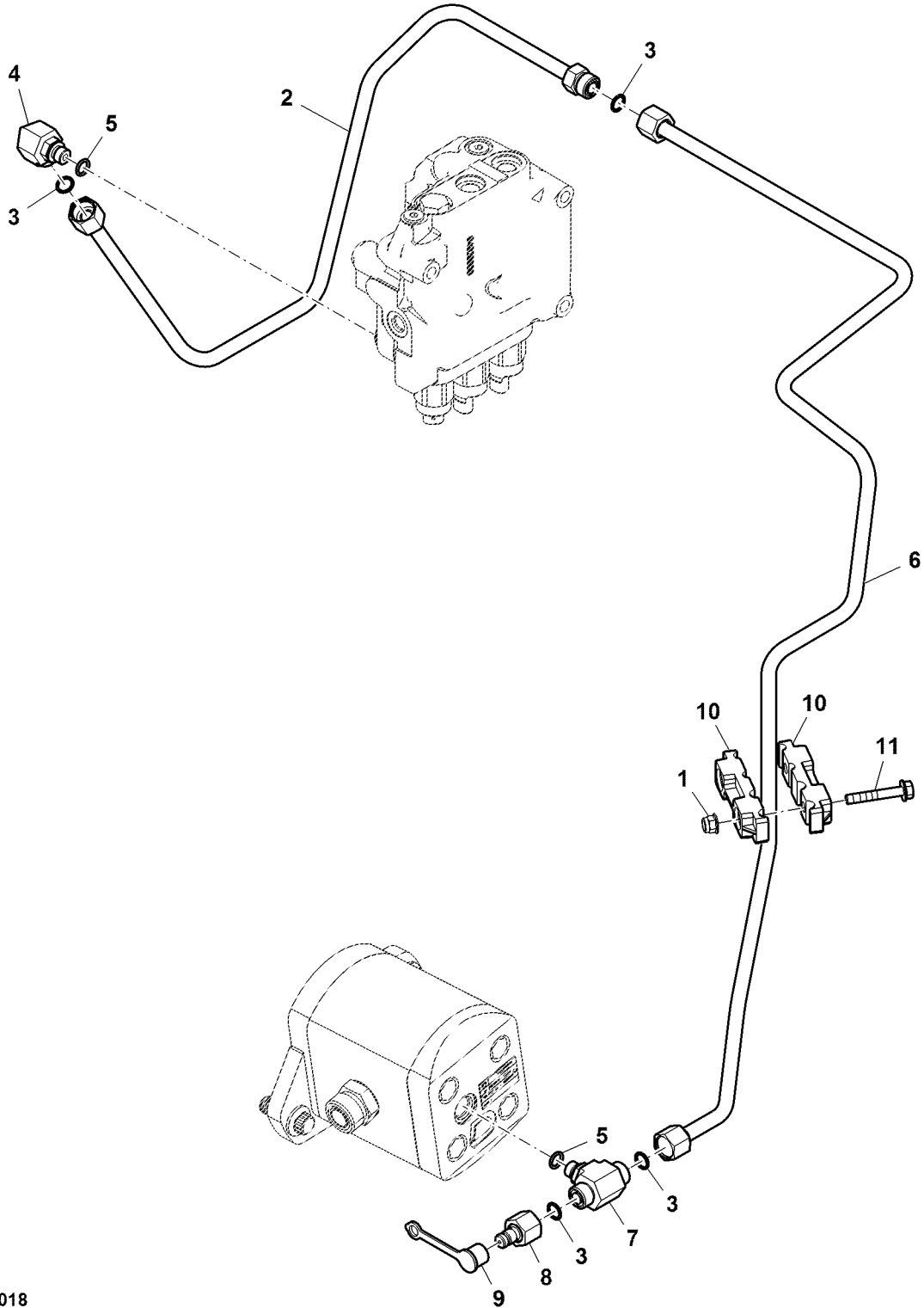


RXA0115137A

Key	Part No.	Part Name	Qty.	Tractor Serial No.	Remarks
1	19M8584	Cap Screw	1		M10 X 30
2	RE175299	Universal Driveshaft	1		
3	RE212762	Ball Bearing	1		
4	40M7256	Snap Ring	1		
5	R242501	End	1		
6	R306837	Housing	1		NO ACS
7	26H86	Shaft Key	2		5/16" X 1"
8	RE275043	Rod	1		
9	R273575	Steering Shaft	1		
10	R325123	Washer	1		
11	40M1858	Snap Ring	1		
12	R114841	Snap Ring	1		
13	R276819	Bushing	1		
14	R282100	Bushing	1		
15	A364R	Snap Ring	1		
16	R205486	Snap Ring	1		
17	24H1283	Washer	1		7/32" X 1/2" X 0.049"
18	34M7173	Spring Pin	1		3 X 10 mm

Steering Valve Lines (Autotrac to PST Pump)
 Conduites d'unité de direction (entre Autotrac et pompe PST)
 Lenkventilleitungen (Autotrac zu PST-Pumpe)
 Tubi valvola sterzo (pompa Autotrac-PST)
 Tuberías de válvula de dirección (Autotrac a bomba de PST)
 Styrventilledningar (Autotrac till PST-pump)

RXA0117018 B.1



RXA0117018

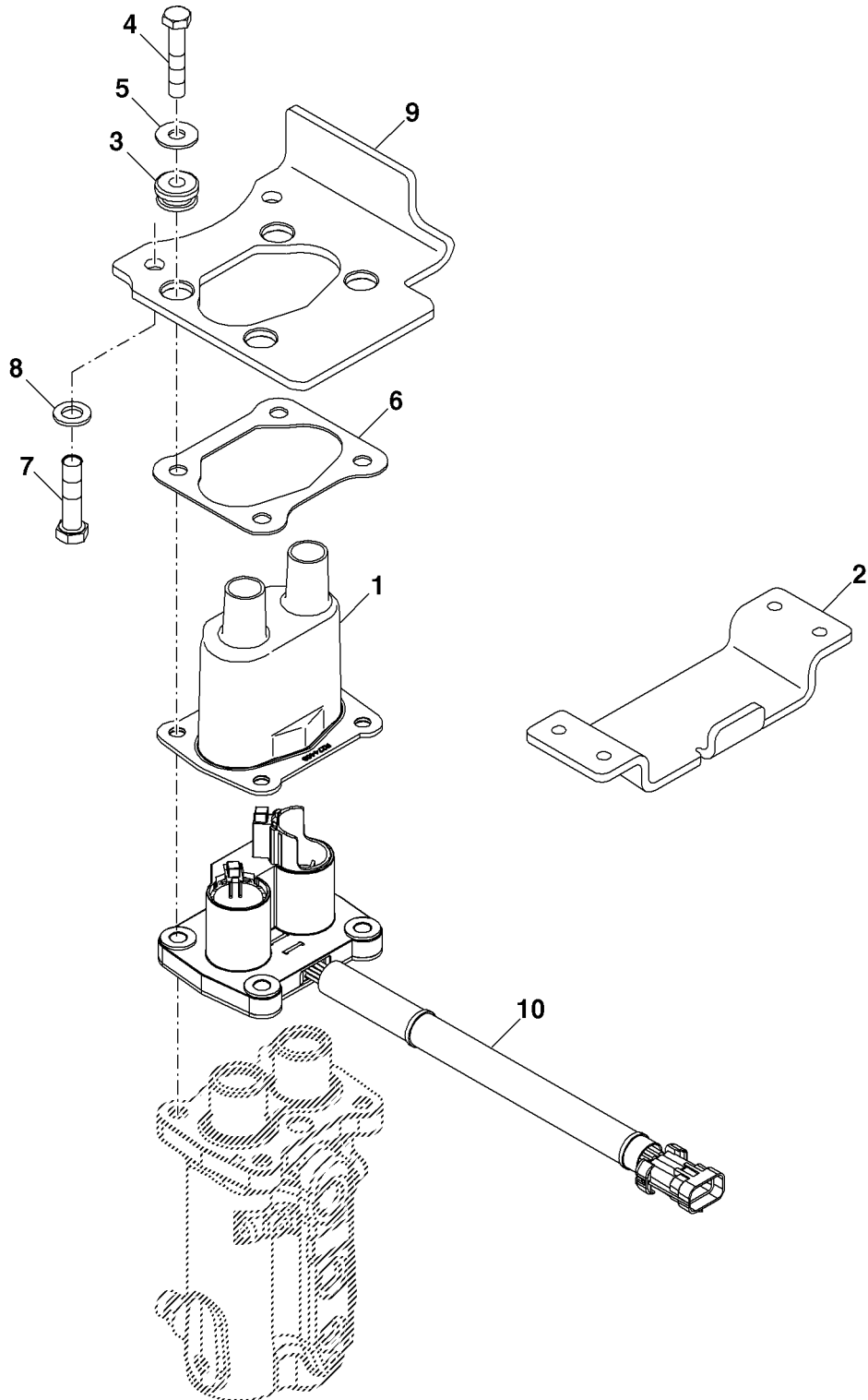
Key	Part No.	Part Name	Qty.	Serial No.	Remarks
1	RE324135	Manifold	1		(A) (SUB FOR RE323104)
	RE324136	Manifold	1		(B) (SUB FOR RE323105)
2	RE317766	Pressure Relief Valve	1		
3	RE317767	Check Valve	2		
4	RE317768	Check Valve	2		
5	RE317769	Check Valve	1		
6	RE190805	Diagnostic Coupling	1		
7	51M7041	O-Ring	1		11.300 X 2.200 mm
8	R77175	Cover	1		
9	RE272647	Trans Oil Pressure Sensor	3		
10	R313699	Spacer	1		
11	19M9915	Screw	2		M8 X 130
12	19M7868	Screw	1		M8 X 30

(A) ACS
ACS
ACS
ACS
ACS
ACS

(B) AUTOTRAC
AUTOTRAC
AUTOTRAC
AUTOTRAC
AUTOTRAC
AUTOTRAC

BRAKE VALVE BRACKET
MAITRE-CYLINDRE
BREMSVENTIL
VALVOLA FRENO
VALVULA DE MANDO DEL FRENO
BROMSVENTIL

RXA0108520 A.1



RXA0108520

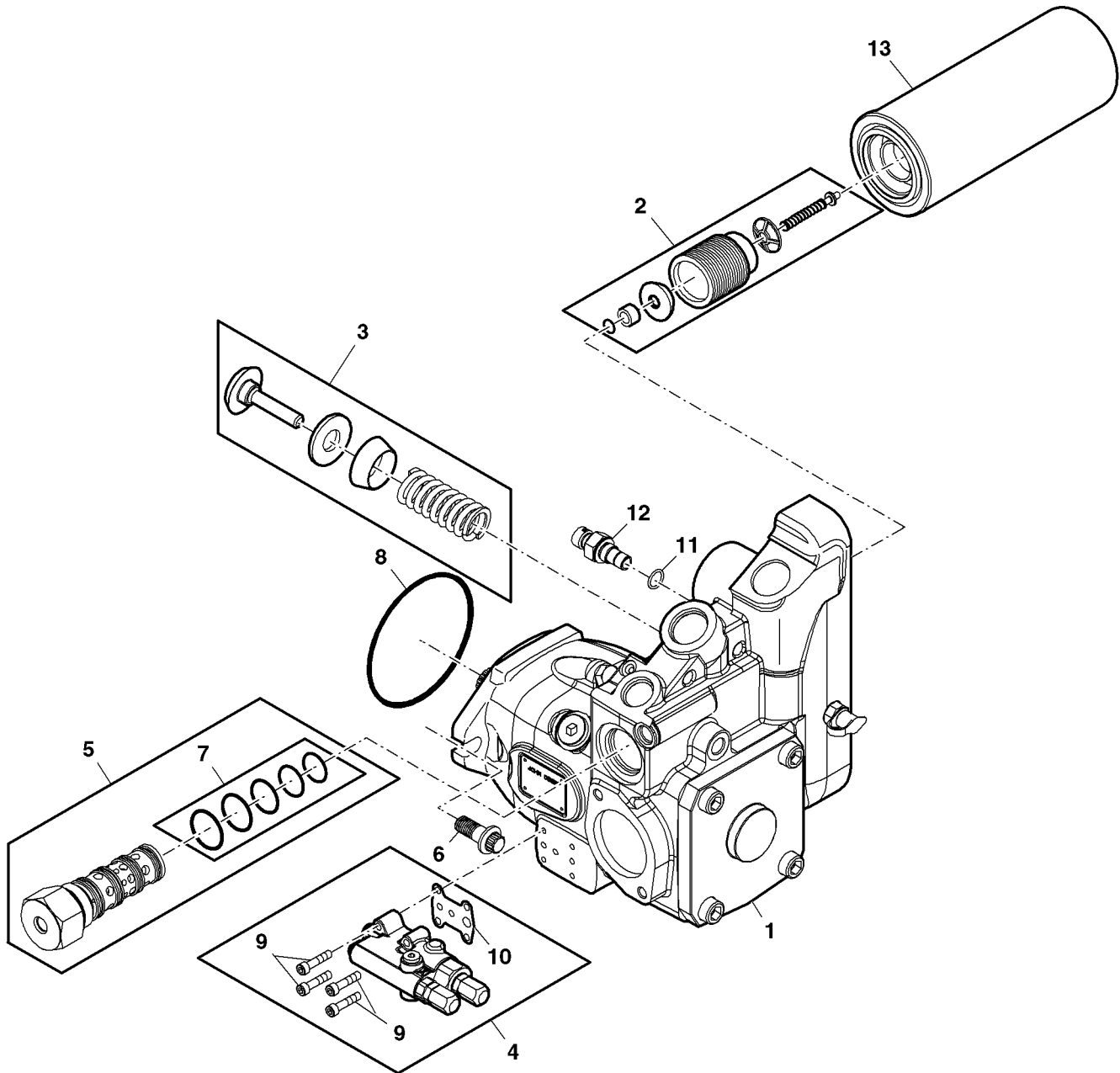
Key	Part No.	Part Name	Qty.	Tractor Serial No.	Remarks
1	RE331976	Oil Line	1		(A) (SUB FOR RE320818), (Rear Brake Manifold to Brake Inlet)
2	RE304989	Hydraulic Hose	1		(Brake Supply Line)
3	61M5076	Adapter Fitting	1		
4	T77857	O-Ring	5		
5	38H5076	Adapter Fitting	1		
6	51M7045	O-Ring	1		19.300 X 2.200 mm
7	38H5003	Adapter Fitting	1		
8	38H5005	Adapter Fitting	1		
9	RE322720	Check Valve	1		
10	38H5031	Tee Fitting	1		(A) (Front Brake Manifold to Brake)
11	RE320817	Oil Line	1		(A)
	RE331974	Oil Line	1		(B)
12	T126204	Clamp	2		
13	19M7798	Screw	2		M8 X 40
14	RE322638	Hydraulic Accumulator	1		(SUB RE325887)
	RE325887	Hydraulic Accumulator	1		(Service Part For RE322638)
15	28H3394	Bushing	2		0.493" X 0.675" X 1/2"
16	RE322688	Oil Line	1		(A) (Accumulator Check Valve to Brake Supply)
17	51M7043	O-Ring	1		15.300 X 2.200 mm
18	51M7047	O-Ring	1		23.600 X 2.900 mm
19	T77858	O-Ring	1		
20	L113583	Label	1		
21	R304873	Label	2		

(A) W/ Brake Retractor
 Avec rétracteur de frein
 Mit Bremsrückholvorrichtung
 Con estrattore freno
 Con retractor de freno
 Med bromsindragning

(B) W/O Brake Retractor
 Sans rétracteur de frein
 Ohne Bremsrückholvorrichtung
 Senza estrattore freno
 Sin retractor de freno
 Utan bromsindragning

Hydraulic Pump (85 CC)
 Pompe hydraulique (85 cc)
 Hydraulikpumpe (85 cm³)
 Pompa idraulica (85 CC)
 Bomba hidráulica (85 cm³)
 Hydraulpum (85 CC)

ETN4250C A.1

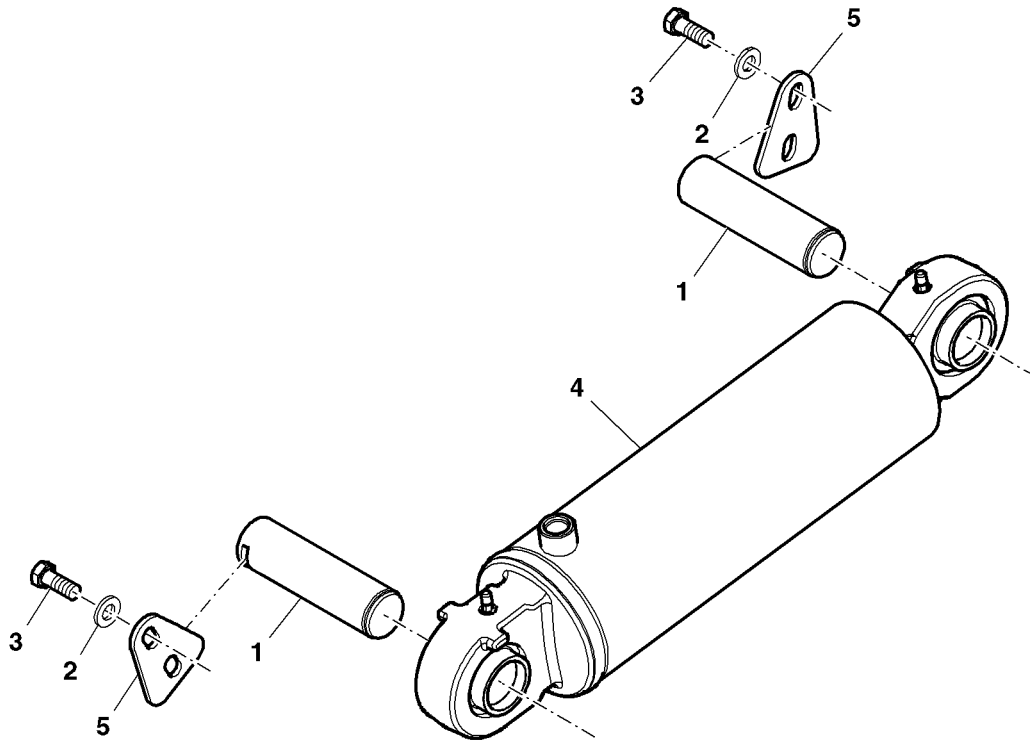


ETN4250C

<i>Key</i>	<i>Part No.</i>	<i>Part Name</i>	<i>Qty.</i>	<i>Tractor Serial No.</i>	<i>Remarks</i>
1	RE232328	Hydraulic Hose - Fabricate	1		(PTO Control Pressure Inlet Line)
2	RE232327	Oil Line	1		(Pump Supply Line)
3	R221774	Half Clamp	2		
4	R221778	Plate	1		
5	19M8528	Screw	1		M10 X 55
6	R236189	Oil Line	1		
7	R235933	Flange	1		
8	19M7788	Screw	2		M12 X 25
9	A4540R	O-Ring	2		

Lift Cylinder (2-90 MM), Single Acting
 Vérin de relevage (2-90 mm), à simple effet
 Hubzylinder (2 - 90 mm), einfachwirkend
 Cilindro di sollevamento (2-90 mm), a effetto singolo
 Cilindro de elevación (2-90 mm), efecto simple
 Lyftcylinder (2-90 mm), enkelverkande

RXA0108722 A.1



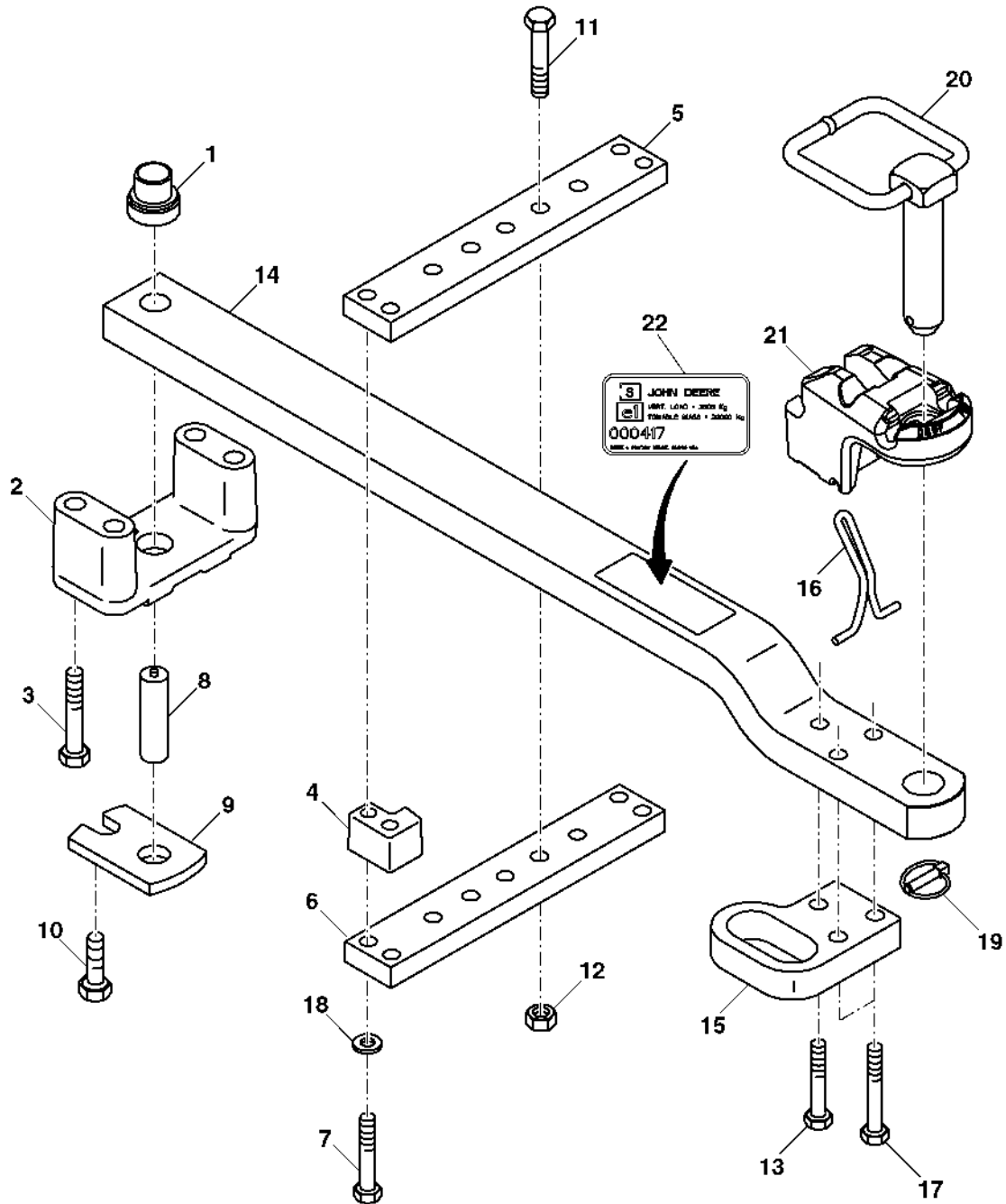
RXA0108722

Key	Part No.	Part Name	Qty.	Tractor Serial No.	Remarks
1	R270869	Pin	4		
2	24M7240	Washer	8		13 X 25 X 3 mm
3	19M8011	Cap Screw	8		M12 X 30
4	RE232428	Hydraulic Cylinder	2		
5	R294360	Plate	4		

Key	Part No.	Part Name	Qty.	Tractor Serial No.	Remarks
1	B2762R	O-Ring	1		
2	R116115	Fitting	1		
3	51M7045	O-Ring	2		19.300 X 2.200 mm
4	RE264543	Valve	1		
5	R277483	Plug	1		
6	M84497	Elbow Fitting	1		
7	RE263647	Fitting	1		
8	RE270496	Oil Tube	1		
9	38H5111	Tee Fitting	1		
10	T77857	O-Ring	AR		
11	RE339421	Oil Line	1		SUB FOR RE322504
12	RE339428	Hydraulic Hose	1		SUB FOR RE325688
13	RE330644	Hydraulic Hose	1		
14	T70659	Clamp	1		
15	14M7296	Flange Nut	1		M10
16	R202160	Clamp	4		
17	R283426	Tee Fitting	1		
18	R56101	Clip	2		
19	38H5017	Elbow Fitting	1		
20	38H5098	Elbow Fitting	1		
21	38H5092	Nut	1		13/16"
22	38H5003	Adapter Fitting	2		
23	RE330640	Hydraulic Hose	1		
24	RE330642	Hydraulic Hose	1		
25	61M5181	Adapter Fitting	1		
26	38H5181	Adapter Fitting	1		
27	51M7047	O-Ring	1		23.600 X 2.900 mm
28	38H5069	Tee Fitting	1		
29	Hose	1		
30	Hose	1		
31	Hose	1		
32	51M7043	O-Ring	AR		15.300 X 2.200 mm

Regular Drawbar, Category IV
 Barre d'attelage ordinaire, catégorie IV
 Normales Zugpendel, Kategorie IV
 Barra di traino normale, categoria IV
 Barra de tiro normal, Categoría IV
 Vanlig dragbom, kategori IV

RXA0105486 A.1



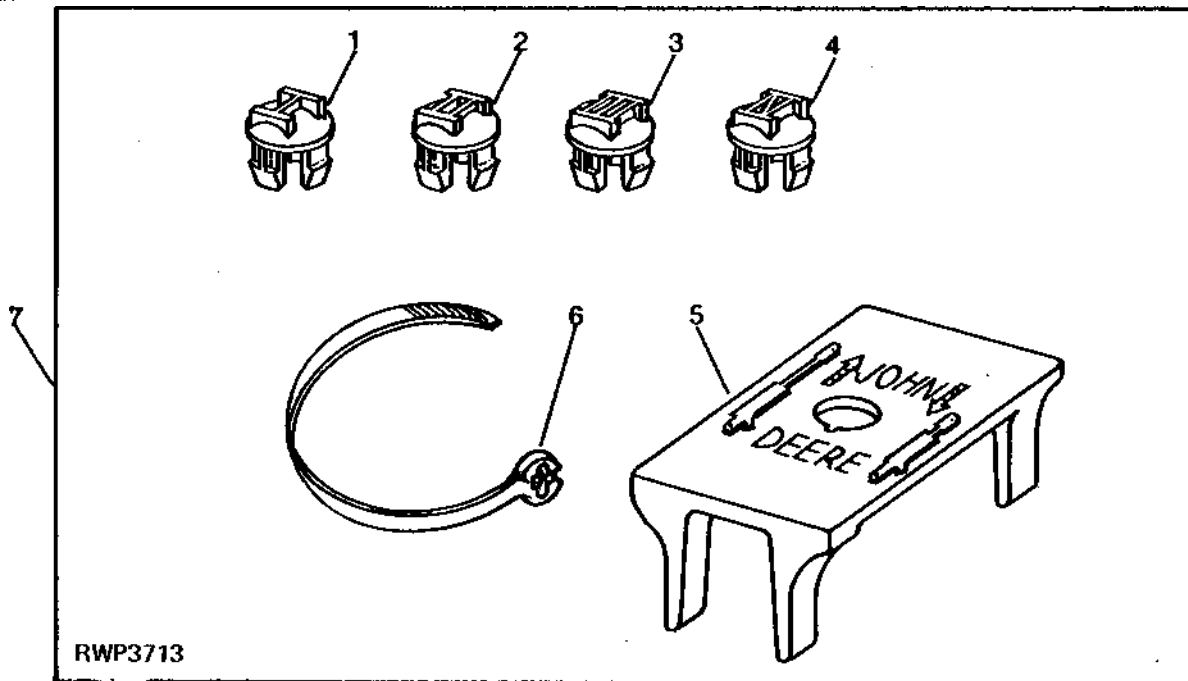
RXA0105486

Key	Part No.	Part Name	Qty.	Tractor Serial No.	Remarks
1	RE215258	Bracket	1		
2	14M7410	Lock Nut	4		M20
3	RE220449	PTO Powr-Gard TM Shield	1		
4	14M7277	Nut	4		M20
5	R222329	Pin Fastener	2		
6	24M7346	Washer	4		11 X 20 X 2 mm
7	14M7274	Nut	4		M10
8	14M7277	Nut	2		M20
9	24M7242	Washer	4		21.400 X 42 X 5 mm
10	RE210616	Shield	1		
11	19M9144	Cap Screw	2		M20 X 180, HS 10.9
12	24M7242	Washer	8		21.400 X 42 X 5 mm
13	19M9144	Cap Screw	2		M20 X 180, HS 10.9
14	R210684	Bracket	1		LH
	R210685	Bracket	1		RH
15	RE222972	Hitch	1		
16	19M9155	Cap Screw	2		M20 X 280, HS 10.9
17	19M9137	Cap Screw	4		M20 X 120, HS 10.9
18	L158449	Spring	2		
19	19M8704	Screw	2		M12 X 35, HS 10.9
20	14M7299	Flange Nut	2		M12
21	19M7968	Cap Screw	2		M20 X 130

HOSE IDENTIFICATION KIT
 KIT D'IDENTIFICATION DE FLEXIBLES
 SCHLAUCHKENNSATZ
 KIT DI IDENTIFICAZIONE TUBO FLESSIBILE
 JUEGO DE IDENTIFICACION DE MANGUERAS
 SLANGIDENTIFIERINGSSATS



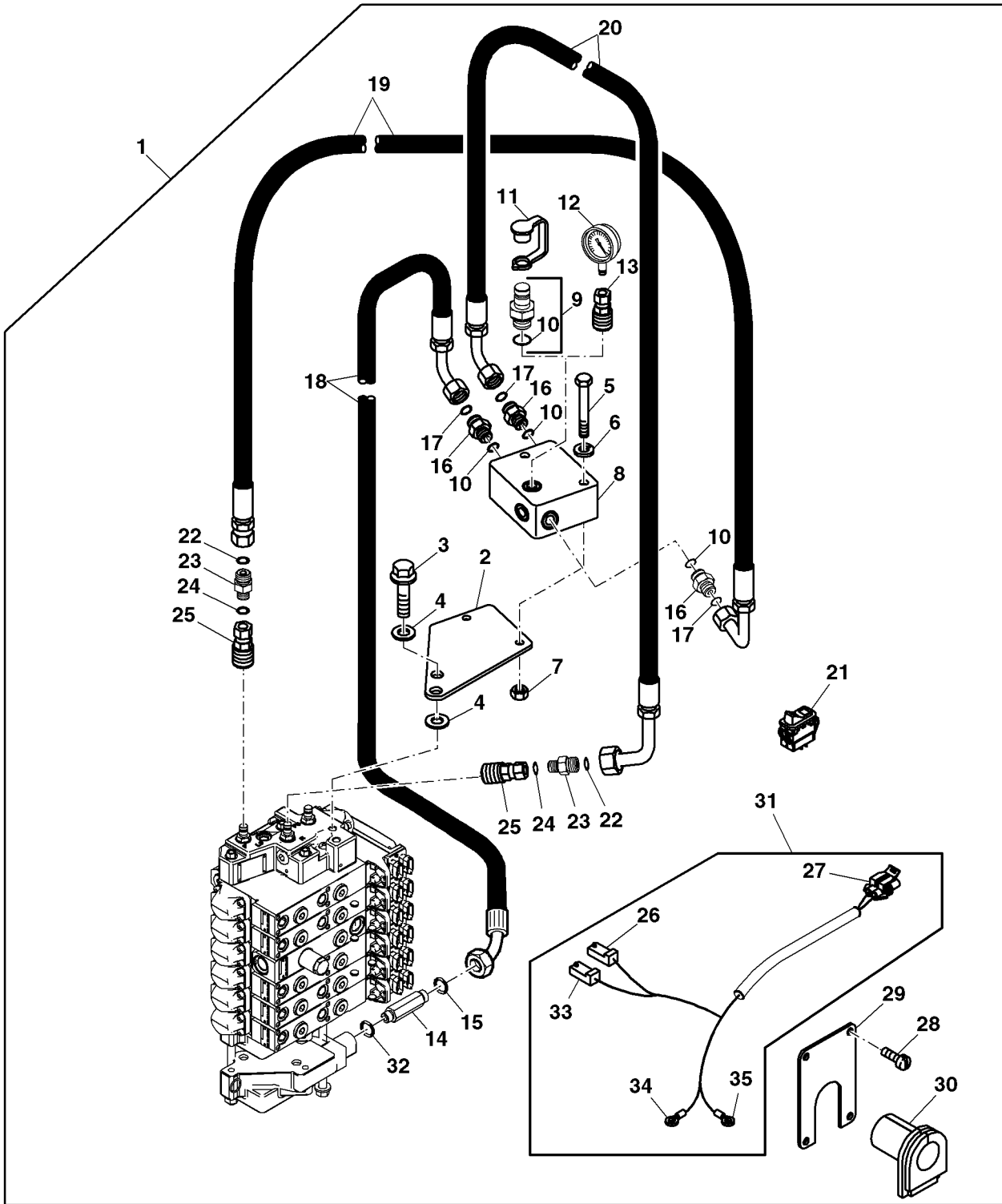
RWP3713 A.1



Key	Part No.	Part Name	Qty.	Tractor Serial No.	Remarks
1	R74242	Plug	1		
2	R74243	Plug	1		
3	R74244	Plug	1		
4	R74246	Plug	1		
5	R76459	Tag	1		
6	R76477	Tie Band	2		
7	AR103808	Hose	1		

Attachment, Low Stand-By Pressure Control
 Accessoire, commande de basse pression d'attente
 Zubehör, Steuerung für niedrigen Bereitschaftsdruck
 Attrezzo, comando pressione attesa breve
 Accesorio, control de presión de espera baja
 Tillbehör, reglering av för lågt reservtryck

RXA0113446 A.1



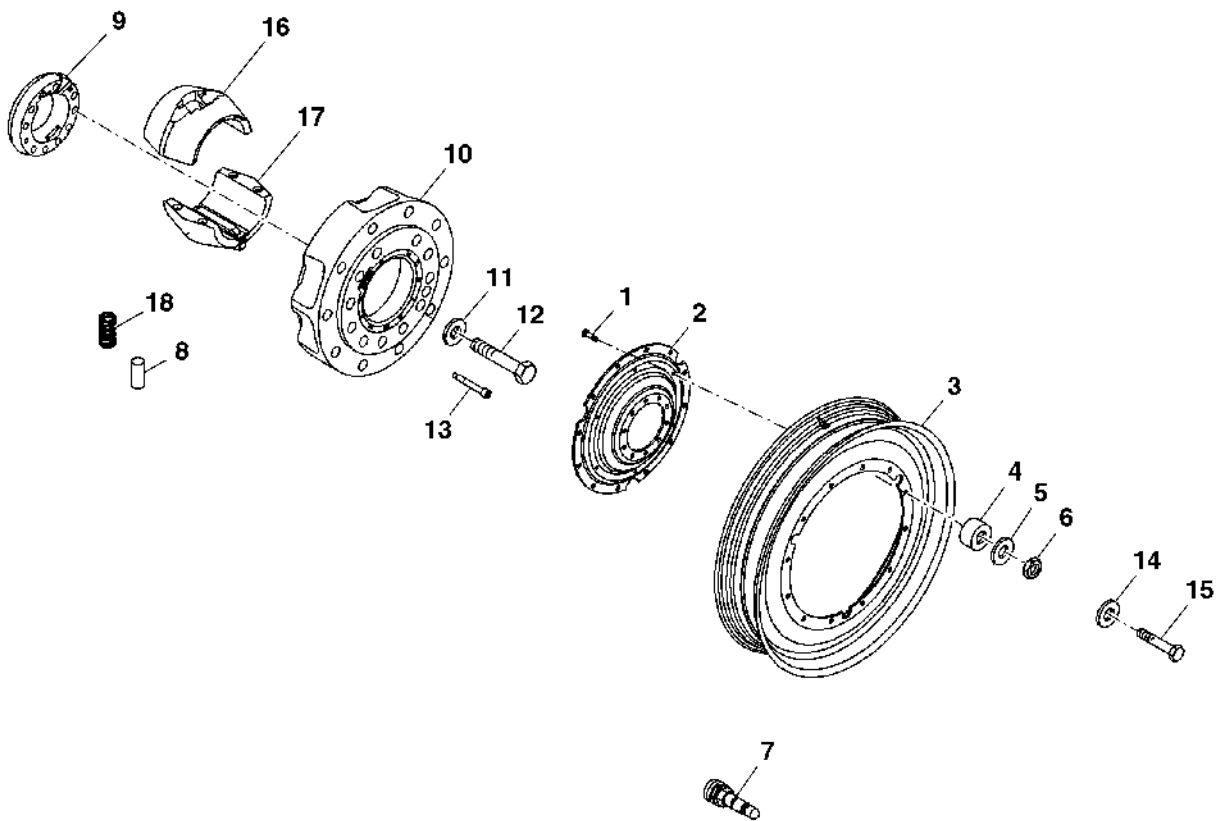
RXA0113446

Key	Part No.	Part Name	Qty.	Tractor Serial No.	Remarks
1	AR27806	Seal	1		
2	R28574	Seal	1		
3	JD8131	Bearing Cone	1		
4	JD7439	Bearing Cup	1		
5	R113716	Hub	1		
6	22H841	Set Screw	1		1/4" X 1/4"
7	JD7266	Bearing Cup	1		
8	JD10190	Bearing Cone	1		
9	RE70785	Wheel	1		(A) (16.5L-16.1)
	RE70777	Rim And Wheel Center	1		(A) (11.00-24")
10	24M7241	Washer	8		17 X 34 X 4 mm
11	19M7488	Cap Screw	8		M16 X 40, HS 10.9
12	11M7030	Cotter Pin	1		5 X 40 mm
13	DT2127W	Cap	1		
14	14M7519	Nut	1		M24
15	24M7243	Washer	1		25.400 X 50 X 6 mm
16	AT25226	Tire Valve Stem	1		(A) (14L-16.1, 16.5L-16.1, 11.00-20, OR 11.00-24)

(A) FOR TIRE SIZE
 POUR PNEUMATIQUES
 FUER BEREIFUNG
 PER PNEUMATICI
 PARA NEUMATICOS
 FOR DACKSDIMENSION

MULTI-POSITION DUALS (HEAVY DUTY)
 POSITION MULTIPLES (DOUBLES) (POUR SERVICE SEVERE)
 MULTIPOSITION (DOPPEL RAEDERS) (SCHWERE AUSFUEHRUNG)
 MULTIPOSIZIONE (DOPPIOS) (PER SERVIZIO PESANTE)
 MULTIPOSICION (DOBLES) (SERVICIO SEVERO)
 MULTIPOSITION (DUBBLAS) (EXTRA KRAFTIG)

RXA0106960 A.1



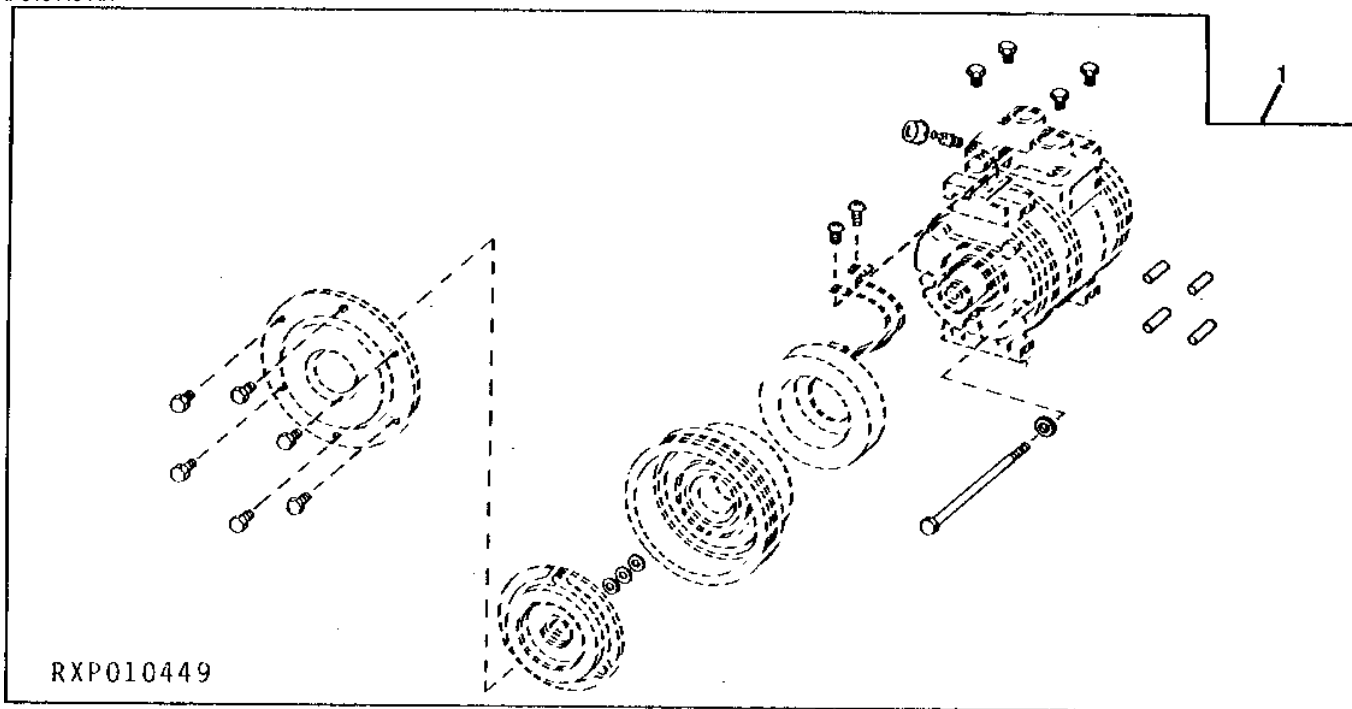
RXA0106960

Key	Part No.	Part Name	Qty.	Tractor Serial No.	Remarks
1	RE289190	Hood	1		
2	RE289212	Hood	1		LH, ORDER RE337796
	RE289213	Hood	1		RH, ORDER RE337796
3	R324920	Bracket	1		LH
	R319080	Bracket	1		RH
4	R289209	Screen	1		LH
	R289210	Screen	1		RH
5	R303128	Screen	1		LH
	R306773	Screen	1		RH
6	RE319077	Guard	1		
7	RE302455	Air Duct	1		LH
8	R294789	Heat Shield	1		
9	R332006	Isolator	1		SUB FOR R304996
10	TY22470	Clamp	1		
	AR21840	Hose Clamp	1		
11	R48568	Valve	1		
12	R297391	Screw	31		
13	R263172	Screw	AR		
14	37M7148	Screw	1		
15	R288331	Marker	1		
16	24M7139	Washer	10		6.400 X 18 X 1.600 mm
17	R310377	Push Nut	12		
18	RE337796	Wear Plate	2		
19	RE319078	Guard	1		RH, NLA, Order RE345690
	RE345690	Guard	1		

COMPRESSOR HARDWARE SET
 COLIS DE PIECES DE COMPRESSEUR
 KOMPRESSOR ANBAUSATZ
 SET APPARATO DI COMPRESSIONE
 JUEGO DE DE PIEZAS DEL COMPRESOR
 KOMPRESSOR, MONTERINGSDETALJER



RXP010449 A.1

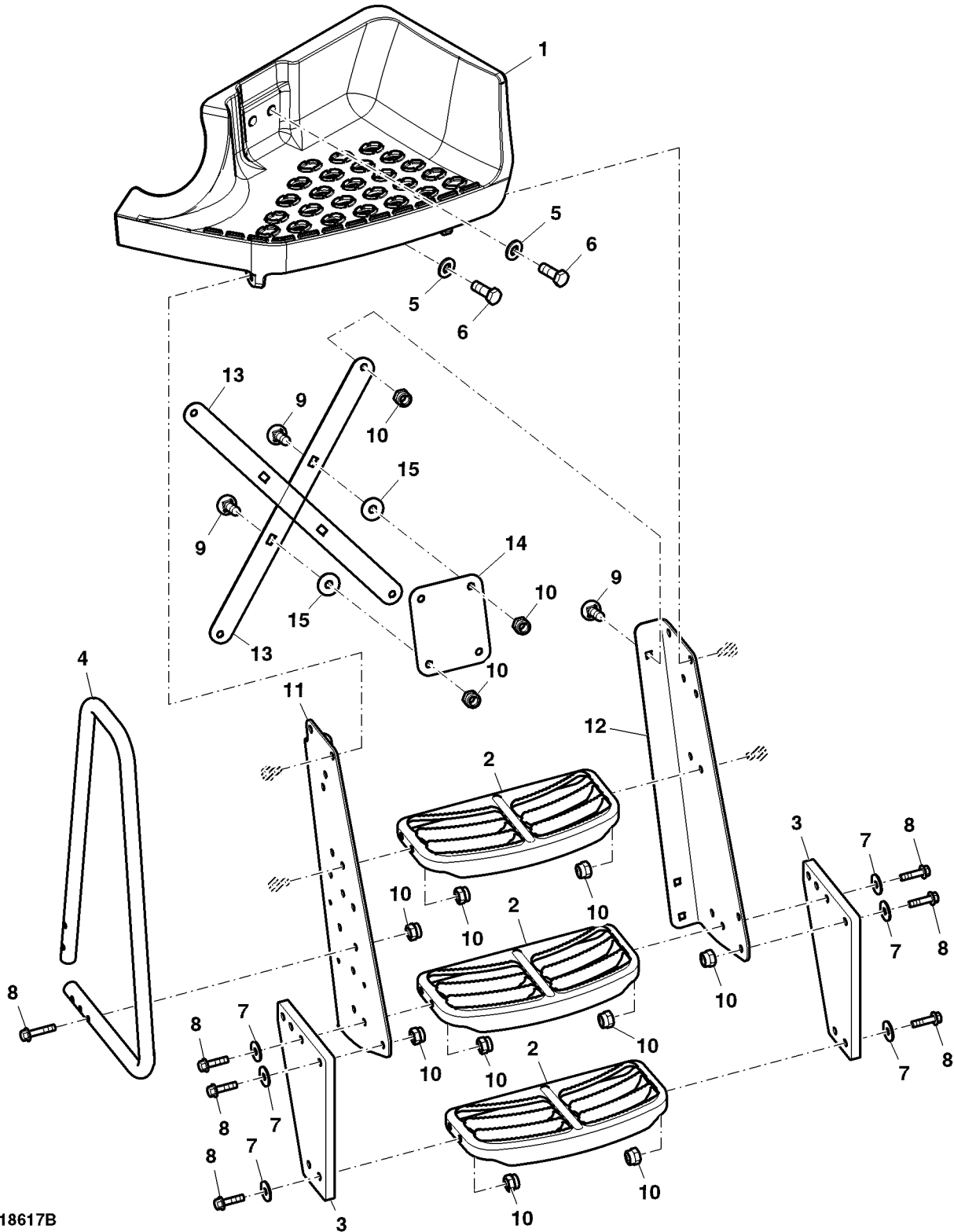


Key	Part No.	Part Name	Qty.	Tractor Serial No.	Remarks
1	RE52507	Hardware Kit	1		

Key	Part No.	Part Name	Qty.	Cab Serial No.	Remarks
1	RE286824	Line	1		Roof Hose Supply
2	RE305823	Line	1		High Pressure Line
3	AH76882	Clip	1		
4	37M7092	Screw	1		M8 X 16
5	R289547	Hose	2		Condensate Drain Line
6	R293156	Half Clamp	3		
7	RE286820	Line	1		AC Suction
8	AH78237	Clamp	1		
9	R293158	Half Clamp	3		
10	RE286825	Line	1		AC Suction
11	R183412	O-Ring	3		
12	RE283957	Valve	1		
13	R125223	Plate	1		
14	19M8666	Screw	1		M6 X 16
15	R286827	Half Clamp	1		
16	37M7352	Screw	2		
17	R291221	Grommet	2		
18	57M8902	Clip	3		
19	R289548	Clip	2		
20	R183409	O-Ring	4		
21	R314827	Seal	2		

Step, Narrow Setting, LH
 Marchepied, réglage étroit, de gauche
 Stufe, schmale Einstellung, links
 Gradino, tipo stretto, lato sinistro
 Escalón, posición estrecha, lado izquierdo
 Steg, smal inställning, VÅ

ETN18617B A.1

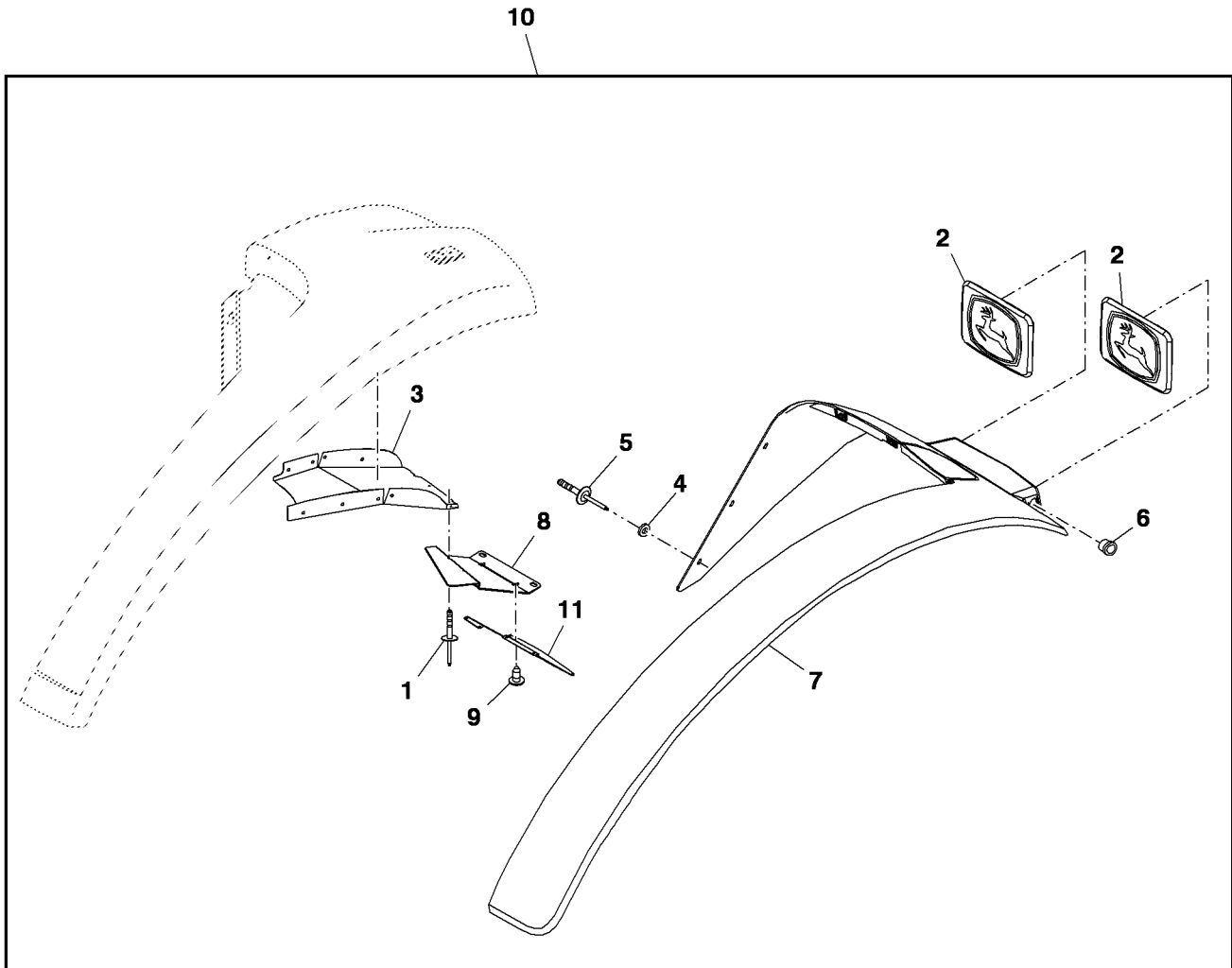


ETN18617B

<i>Key</i>	<i>Part No.</i>	<i>Part Name</i>	<i>Qty.</i>	<i>Cab Serial No.</i>	<i>Remarks</i>
1	L100644	Grommet	1		
2	R278420	Bracket	1		
3	AL161607	Lamp	2		
4	19M9056	Screw	2		M6 X 20
5	57M7256	Elec. Connector Housing	2		
6	57M7289	Elec.Connect Locking Device	2		

Attachment, Rear Fender Extension (Extra Wide)
 Accessoire, rallonge d'aile arrière (super large)
 Zubehör, Heckkotflügelverlängerung (extrabreit)
 Attrezzo, prolunga para fango posteriore (extra grande)
 Accesorio, extensión de guardabarros trasero (extra ancho)
 Tillbehör, bakre stänkskämsförlängning (extra bred)

RXA0113508 A.1

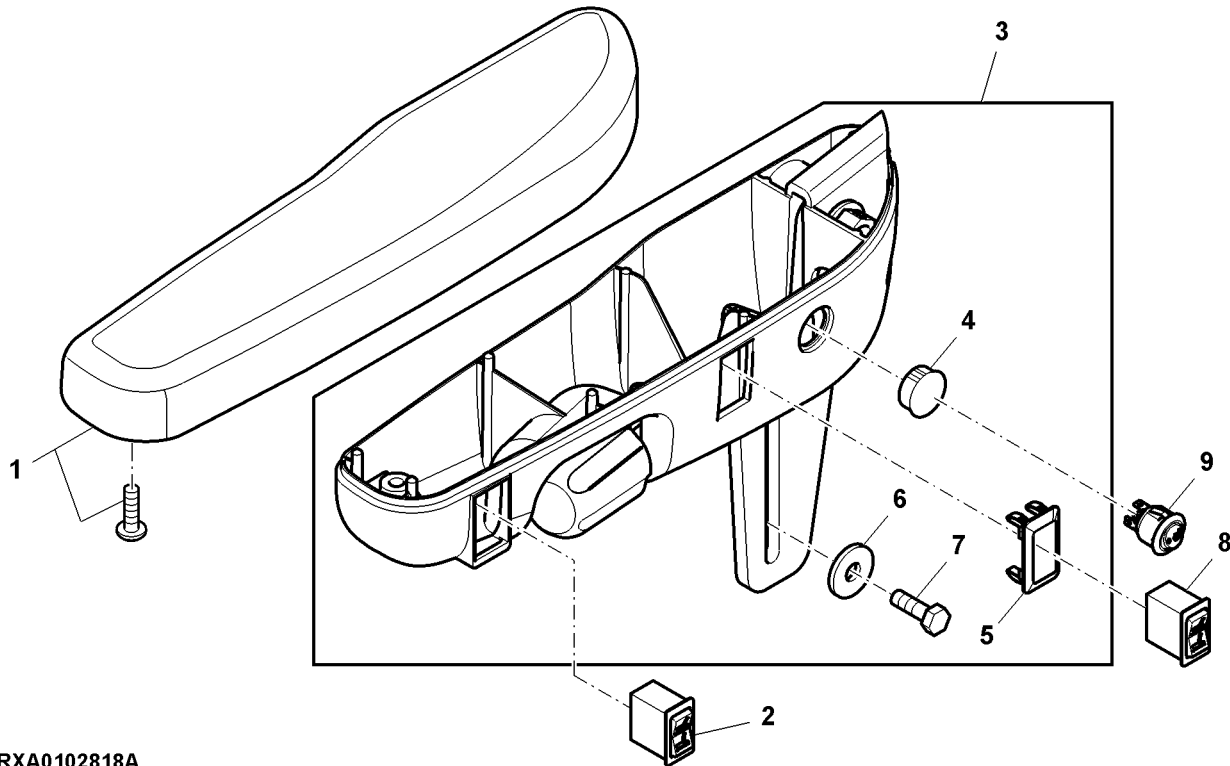


RXA0113508

Key	Part No.	Part Name	Qty.	Tractor Serial No.	Remarks
1	R270615 R322402	Shaft Shaft	1 1	-012949 012950-	(SUB R322402 AND RE265632)
2	RE191783	Ball Bearing	2		
3	M87144	Snap Ring	2		
4	40M7085	Snap Ring	1		
5	R270614	Arm	1		
6	49M7059	Shaft Key	1		4 X 10 mm
7	R185089	Adapter	1		
8	R161080	Clip	2		
9	19M9158	Screw	2		M4 X 40
10	RE165649	Chain Link	1		
11	R127830	Pedal	1		
12	JD8535	Ball Bearing	1		
13	R272807	Screw	1		
14	R215560	Extension Spring	1		
15	R127832	Bushing	2		
16	19M8903	Screw	1		M6 X 30
17	24H1287	Washer	1		9/32" X 5/8" X 0.065"
18	14M7165	Lock Nut	1		M6
19	RE243769 RE265632	Sensor Sensor	1 1	-012949 012950-	(SUB RE265632 AND R322402)
20	R131501	Bushing	1		
21	M92026	Plug	1		
22	R214535	Hose	1		

Armrests
Accoudoir
Armlehnen
Braccioli
Apoyabrazos
Armstöd

RXA0102818A A.1



RXA0102818A

Key	Part No.	Part Name	Qty.	Tractor Serial No.	Remarks
1	RE341947	Armrest Kit	1		LH, SUB FOR RE282138
2	RE225257	Switch	1		(A)
	RE228095	Toggle/Rocker Switch	1		(B)
3	RE269939	Armrest Kit	1		TILT ARMREST
4	M115279	Plug	1		
5	R234805	Plug	1		
6	24M7207	Washer	2		8.400 X 24 X 2 mm
7	19M7867	Screw	2		M8 X 25
8	RE189796	Toggle/Rocker Switch	1		(B)
9	RE321391	Switch	1		(C) SUB FOR RE289277

(A) Passive Seat
Siège passif
Passiver Sitz
Sedile passivo
Asiento pasivo
Passivt säte

(B) ActiveSeat™
ActiveSeat™
ActiveSeat™
ActiveSeat™
ActiveSeat™
ActiveSeat™

(C) Leather
Cuir
Leder
In pelle
Cuero
Läder

CLICK HERE TO **DOWNLOAD** THE COMPLETE MANUAL

- Thank you very much for reading the preview of the manual.
- You can download the complete manual from: www.heydownloads.com by clicking the link below



- Please note: If there is no response to CLICKING the link, please download this PDF first and then click on it.

CLICK HERE TO **DOWNLOAD** THE COMPLETE MANUAL