

A2

7722 COMBINE

JOHN DEERE 7722 COMBINE

(SPECIFICATIONS AND DESIGN SUBJECT TO CHANGE WITHOUT NOTICE)

IMPORTANT

THIS PARTS CATALOG CONTAINS ONLY THAT PARTS INFORMATION THAT IS UNIQUE TO THE 7722 COMBINE AND ITS PLATFORMS. VINTAGE IS DETERMINED BY SERIAL NUMBERS. IT IS IMPORTANT THAT THE CORRECT SERIAL NUMBER BE USED WHEN ORDERING PARTS.

NOTE

FOR COMBINE SEPARATOR INFORMATION, REFER TO PC-1667 FOR THE 7720 COMBINE.

FOR 6466AH-02 ENGINE AND HYDROSTATIC DRIVE INFORMATION, REFER TO PC-1668 FOR THE 8820 COMBINE.

FOR PLATFORM INFORMATION, REFER TO PC-1558 FOR THE 200 SERIES PLATFORMS.

CLICK HERE TO **DOWNLOAD** THE COMPLETE MANUAL

- Thank you very much for reading the preview of the manual.
- You can download the complete manual from: www.heydownloads.com by clicking the link below



- Please note: If there is no response to CLICKING the link, please download this PDF first and then click on it.

CLICK HERE TO **DOWNLOAD** THE COMPLETE MANUAL

A12

7722 COMBINE

RADIATOR FAN DRIVES AND IDLER - CONTINUED

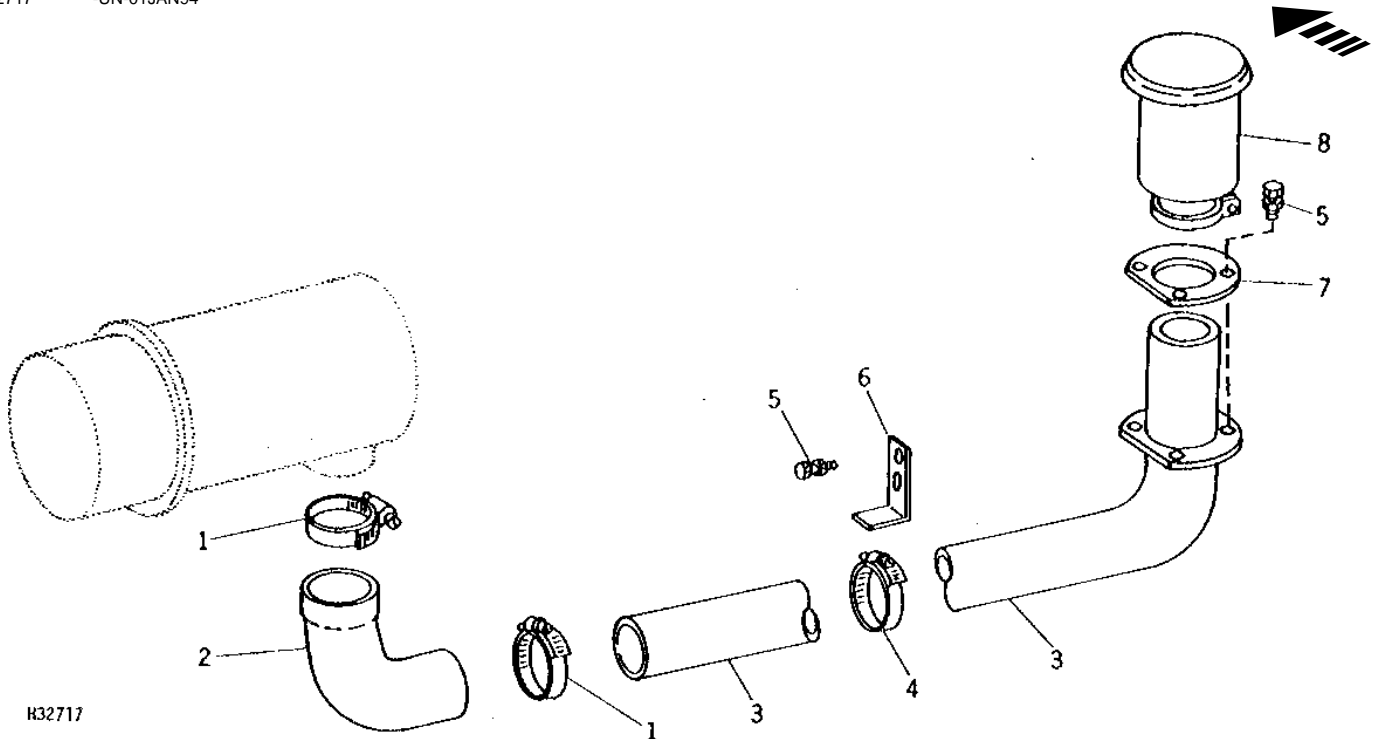
KEY	PART NO.	PART NAME	QTY	SERIAL NO.	REMARKS
1	19H1992	CAP SCREW	1	1/2" X 4"	
	14H1040	NUT	1	1/2"	
2	24H1111	WASHER	1	17/32" X 1-1/16" X 0.090"	
3	L3378N	BUSHING	1		
4	19H2471	CAP SCREW	1	3/8" X 1-1/2"	
5	H98922	CLEVIS	1		
6	AH96292	SHEAVE	1		
7	H80228	WASHER	1		
8	H98921	ARM	1		
9	N164635	SELF-LOCKING SCREW	1		
10	H97636	PIN	1		
11	SPRING	1		
12	AH97099	SPRING	1		
13	T40189	SNAP RING	1		
14	AH126667	IDLER	1		
15	H131779	SHEAVE	1		
16	19H1134	CAP SCREW	3	3/8" X 3/4"	
	12H304	LOCK WASHER	3	3/8"	
17	19H1792	CAP SCREW	1	1/2" X 1"	
18	24H1789	WASHER	1	17/32" X 1-1/4" X 0.105"	
19	H87502	BUSHING	2		
20	SUPPORT	1	(MARKED H97631)	
21	AH96294	LEVER	1		
22	H86839	SNAP RING	1		
23	24H1362	WASHER	1	41/64" X 1" X 0.075"	
24	H96455	BUSHING	2		
25	AH95011	HUB	1		
26	H96251	WASHER	1		
27	H86264	TORSION SPRING	1		
28	03H1790	BOLT	3	5/16" X 1-1/2"	
	N10213	LOCK NUT	1		
29	H86886	NUT	1		
30	03H1764	BOLT	1	1/2" X 1-3/4"	
	12H301	LOCK WASHER	1	1/2"	
	14H1040	NUT	1	1/2"	
31	AH96492	ARM	1		
32	H88355	WASHER	1		
33	AH77172	IDLER	1		
34	19H1974	CAP SCREW	2	1/2" X 2-3/4"	
35	12H301	LOCK WASHER	2	1/2"	
36	R69536	WASHER	1		
37	19H3031	CAP SCREW	1	3/8" X 2-1/2"	
38	H102177	HUB	1		
39	24H1305	WASHER	3	13/32" X 13/16" X 0.065"	
40	19H1800	CAP SCREW	3	3/8" X 1-1/2"	
41	JD10058	BEARING	1		
42	19H3162	CAP SCREW	1	3/8" X 2"	
43	24H1305	WASHER	1	13/32" X 13/16" X 0.065"	
44	R73888	CAP SCREW	4		
45	AH108059	FAN	1		
46	H102181	SHEAVE	1		
47	H102182	HUB	1		
48	AH96333	BELT SET	1	(MATCHED SET)	
49	H99532	REINFORCEMENT	1		
50	24H1682	WASHER	1	13/32" X 7/8" X 0.120"	
51	N10215	LOCK NUT	1		

A22

7722 COMBINE

H32717 -UN-01JAN94

PRECLEANER AND AIR INTAKE TUBES



H32717

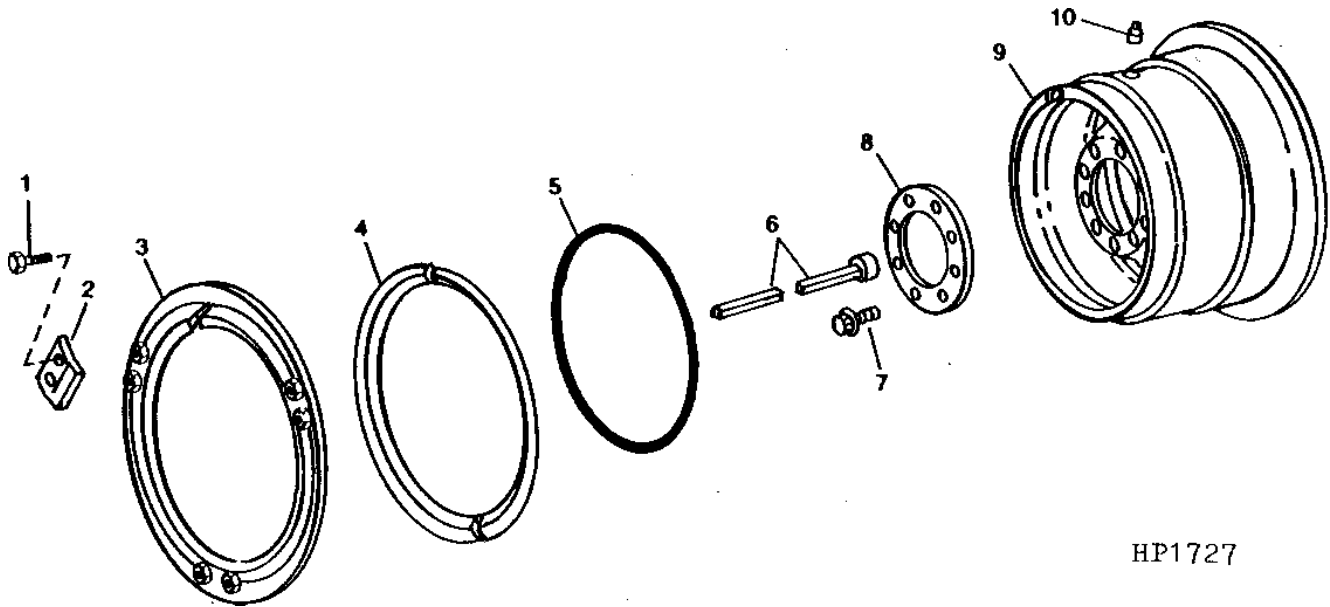
KEY	PART NO.	PART NAME	QTY	SERIAL NO.	REMARKS
1	AC15595	CLAMP	2		
2	H100708	HOSE	1		
3	AH125736	TUBE	1		
4	AC15595	CLAMP	1		
5	N10212	SELF-LOCKING SCREW	5		
	N10213	LOCK NUT	5		
6	H97248	ANGLE	1		
7	H99953	WASHER	1		
8	AH99005	PRESCREENER	1		

B5

7722 COMBINE

HP1727 -UN-01JAN94

DRIVE WHEELS



HP1727

KEY	PART NO.	PART NAME	QTY	SERIAL NO.	REMARKS
1	19H1916	CAP SCREW	6	5/8" X 1"	
2	H105824	PLATE	3		
3	AH104988	FLANGE	1		
4	H105822	RING	1		
5	H111500	O-RING	1		
6	AH112123	SOCKET	1		
7	H87687	CAP SCREW	10		
8	H89431	RING	1		
9	AH123598	BASE	1		
10	AT67275	TIRE VALVE STEM	1		

NOTE: QUANTITIES SHOWN ARE FOR ONE UNIT. TWO UNITS USED PER MACHINE.

B15

7722 COMBINE

PARKING BRAKE AND HOUSING (LEFT-HAND ILLUSTRATED) - CONTINUED

KEY	PART NO.	PART NAME	QTY	SERIAL NO.	REMARKS
1	14H934	NUT	1		7/16"
2	H33513	NUT	1		ADJUSTING
3	H100150	ARM	1		ACTUATING
4	H31444	PIN	1		
5	11H236	COTTER PIN	1		1/8" X 1"
6	H79514	BOOT	1		
7	H79512	YOKE	1		
8	J16931	SPRING LOCKING PIN	1		
9	L364T	PIN	1		
10	P48403	O-RING	1		(USE WITH L.H. HOUSING)
11	AN85022	SEAL	1		
12	H97756	HOUSING	1		R.H.
	H97755	HOUSING	1		L.H.
13	R27796	O-RING	1		(USE WITH R.H. HOUSING)
14	H84652	SHIM	AR		STEEL
	H84653	SHIM	AR		STEEL
	H84654	SHIM	AR		STEEL
	H84655	SHIM	AR		STEEL
15	19H1792	CAP SCREW	1		1/2" X 1"
	19H1732	CAP SCREW	1		3/8" X 1-1/4"
16	AH77300	BRAKE DISK	2		DRIVEN
17	H11318	DISK	2		ACTUATING
18	H33511	LINK	1	-616100	PLAIN
	H33511	LINK	2	616101-	
19	AH19841	LINK	1	-616100	YOKE TYPE
20	P47704	EXTENSION SPRING	3		
21	14H882	NUT	2		5/16"
22	M830T	BALL	5		
23	P48685	STUD	1		
24	AH19840	DISK	1		
25	AH81870	BRAKE	1		DOUBLE DISK
26	U45829	SNAP RING	1		
27	JD8517	BALL BEARING	1		
28	T21147	EYEBOLT	1		
29	19H1731	CAP SCREW	5		3/8" X 1", L.H.
	19H2228	CAP SCREW	5		3/8" X 4", R.H.
	12H304	LOCK WASHER	10		3/8"
30	H99402	COVER	1		
31	B27355	SPRING	1		
32	AH118779	CABLE	1		
33	H77337	WASHER	2		
34	14H778	NUT	2		0.190"

NOTE: QUANTITIES SHOWN ARE FOR ONE UNIT. TWO UNITS USED PER MACHINE.

B23

7722 COMBINE

HYDROSTATIC DRIVE CONTROL CABLE MOUNTING - CONTINUED

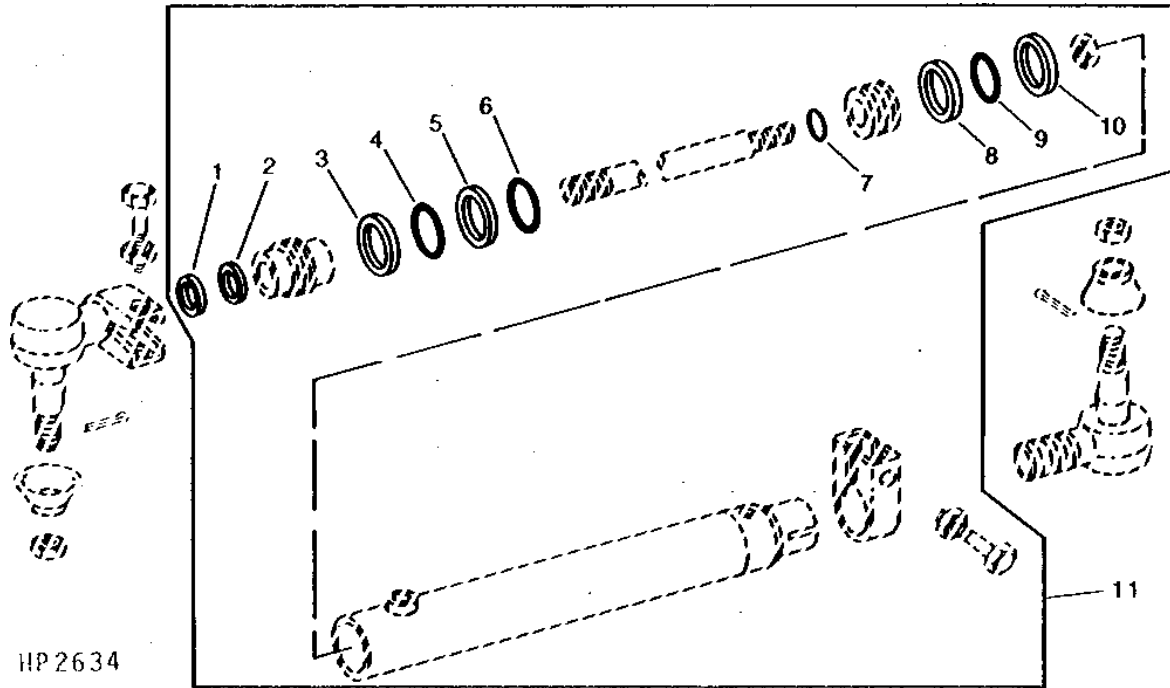
KEY	PART NO.	PART NAME	QTY	SERIAL NO.	REMARKS
1	AH77869	CLIP	1		
2	N10216	SELF-LOCKING SCREW	1		
	12H302	LOCK WASHER	1	1/4"	
	14H786	NUT	1	1/4"	
3	19H1900	CAP SCREW	1	5/16" X 3/4"	
	12H303	LOCK WASHER	1	5/16"	
	14H785	NUT	1	5/16"	
4	AH78237	CLAMP	1		
5	H100165	CLAMP	1		
6	19H2961	SCREW	2	0.190" X 3/4"	
	12H246	LOCK WASHER	2	0.190"	
	14H778	NUT	2	0.190"	
7	AH98290	BALL JOINT	1		
8	AH96775	SUPPORT	1		
9	12H303	LOCK WASHER	3	5/16"	
10	14H650	NUT	5	5/16"	
11	AH96774	SUPPORT	1		
12	N112200	SELF-LOCKING SCREW	1		
	N10213	LOCK NUT	1		
13	19H1731	CAP SCREW	2	3/8" X 1"	
	12H304	LOCK WASHER	2	3/8"	
	14H812	NUT	2	3/8"	
14	24H1304	WASHER	1	13/32" X 23/32" X 0.120"	
15	11H234	COTTER PIN	1	3/32" X 1"	
16	H93442	WASHER	2		
17	24H1338	WASHER	1	33/64" X 7/8" X 0.048"	
18	AM38782	BALL JOINT	1		
19	H99861	STUD	1		
20	AH98289	BALL JOINT	1		
21	14H809	NUT	1	1/2"	
22	24H1211	WASHER	2	9/16" X 1-3/8" X 0.105", (REMOVE HEAD)	
23	HAN1498	BUSHING	1	(BRONZE)	
24	HAN1590	LINK	1	(W/BUSHING)	
25	19H1930	CAP SCREW	1	1/2" X 2-1/2"	
26	14H850	NUT	1	1/4"	
27	12H297	LOCK WASHER	1	1/4"	
28	H81621	WASHER	1		
29	19H1731	CAP SCREW	1	3/8" X 1"	
	12H304	LOCK WASHER	1	3/8"	
	14H812	NUT	1	3/8"	
30	H105280	ANGLE	1		
31	E52149	STRAP	1		
32	H99524	BRACKET	1		
33	HAN1690	BRACKET	1		

C7

7722 COMBINE

HP2634 -UN-01JAN94

KIT, STEERING CYLINDER



HP 2634

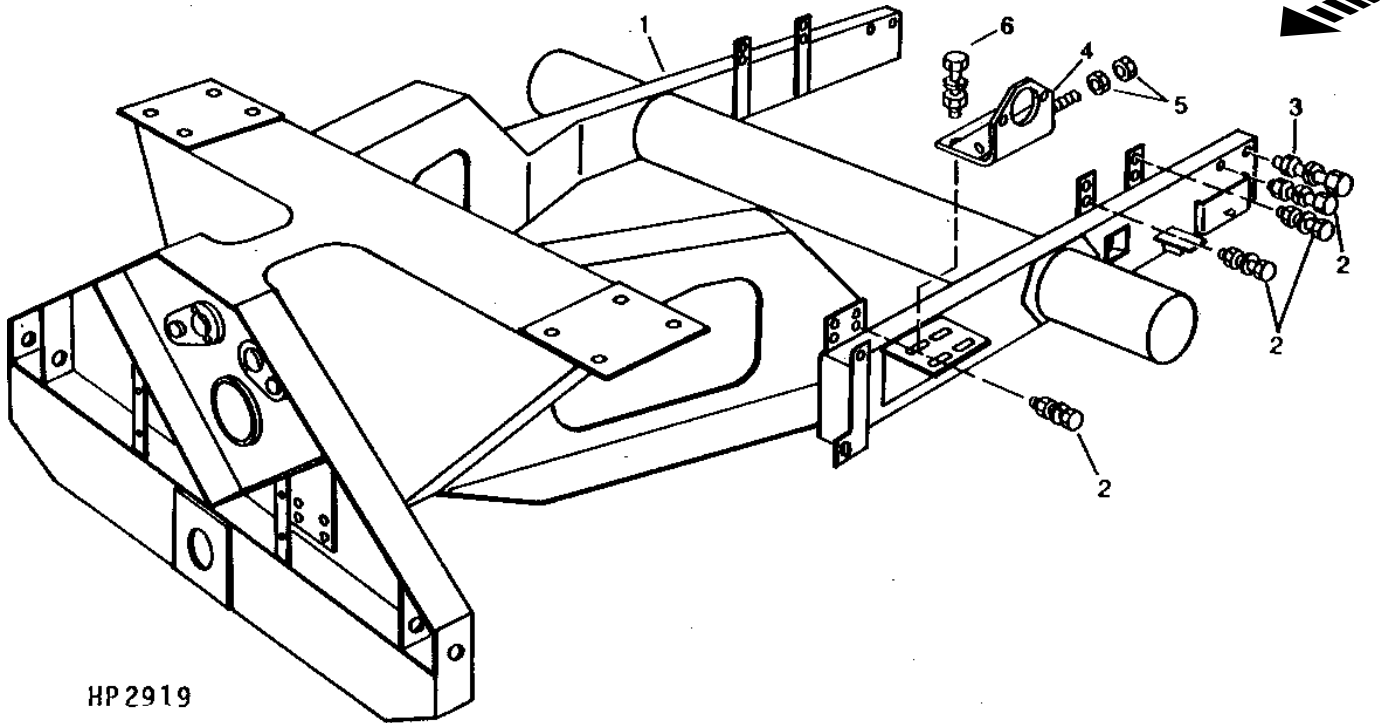
KEY	PART NO.	PART NAME	QTY	SERIAL NO.	REMARKS
1	SEAL	1		
2	SEAL	1		
3	RING	1		RETAINER
4	RING	1		LOCK
5	WASHER	1		BACKUP
6	P50635	O-RING	1		
7	T42798	O-RING	1		
8	PISTON RING	1		
9	U15973	O-RING	1		
10	RING	1		WEAR
11	AH101202	KIT	1		

C15

7722 COMBINE

HP2919 -UN-01JAN94

FRAME



HP 2919

KEY	PART NO.	PART NAME	QTY	SERIAL NO.	REMARKS
1	HAN1024	FRAME	1		
2	19H1781	CAP SCREW	18	1/2" X 3-1/2"	
	12H301	LOCK WASHER	18	1/2"	
	14H809	NUT	18	1/2"	
3	03H1836	BOLT	2	3/8" X 3-1/2"	
	12H304	LOCK WASHER	2	3/8"	
	14H255	NUT	2	3/8"	
4	HAN1165	SUPPORT	1		
5	14H794	NUT	2	3/4"	
6	19H1740	CAP SCREW	4	7/16" X 1-3/4"	
	12H293	LOCK WASHER	4	7/16"	
	14H813	NUT	4	7/16"	
	HAN1700	WASHER	4		

CLICK HERE TO **DOWNLOAD** THE COMPLETE MANUAL

- Thank you very much for reading the preview of the manual.
- You can download the complete manual from: www.heydownloads.com by clicking the link below



- Please note: If there is no response to CLICKING the link, please download this PDF first and then click on it.

CLICK HERE TO **DOWNLOAD** THE COMPLETE MANUAL

C25

7722 COMBINE

FRONT LADDER, DECK, RAILINGS, AND LEFT-HAND DOOR HANDRAIL - CONTINUED

KEY	PART NO.	PART NAME	QTY	SERIAL NO.	REMARKS
1	19H1765	CAP SCREW	5	3/8" X 1-3/4"	
	12H304	LOCK WASHER	5	3/8"	
	14H812	NUT	5	3/8"	
2	AH103853	SUPPORT	1		
3	24H1313	WASHER	4	13/32" X 1-3/4" X 0.065"	
4	19H1726	CAP SCREW	4	3/8" X 2-1/4"	
5	HAN1065	PLATFORM	1		
6	HAN1064	STEP	1		
7	28H3117	BUSHING	2	0.546" X 0.840" X 1-5/16"	
8	24H1111	WASHER	2	17/32" X 1-1/16" X 0.090"	
9	19H1974	CAP SCREW	2	1/2" X 2-3/4"	
	U12622	LOCK NUT	2		
10	24H1305	WASHER	6	13/32" X 13/16" X 0.065"	
11	19H1731	CAP SCREW	6	3/8" X 1"	
	14H812	NUT	6	3/8"	
12	HAN1595	LADDER	1		
13	HAN1521	HANDLE	1		
14	HAN1291	BALL STUD	2		
15	HAN1544	SPRING	1		
16	HAN1583	LADDER	1	(LOWER)	
17	19H1835	CAP SCREW	2	3/4" X 1-1/2"	
	12H236	LOCK WASHER	2	3/4"	
	14H794	NUT	2	3/4"	
18	HAN1596	SUPPORT	1		
19	19H1906	CAP SCREW	3	5/16" X 1-1/2"	
	14H785	NUT	3	5/16"	
20	HAN1582	CLAMP	1	(HANDRAIL)	
21	AH104759	RAIL	1		
22	N10213	LOCK NUT	1		
23	24H1136	WASHER	2	11/32" X 11/16" X 0.065"	
24	AH96415	SUPPORT	1		
25	19H1900	CAP SCREW	1		
26	HAN1493	HANDRAIL	1		
27	HAN1753	PIN	1		
28	HAN1755	BUSHING	1		
29	HAN1757	SPRING	1		
30	HAN1758	RETAINER	1		
31	21H1226	SCREW	2	5/16" X 7/8"	
	12H303	LOCK WASHER	2	5/16"	
	14H786	NUT	2	1/4"	
32	34H265	SPRING PIN	1	5/32" X 15/16"	
33	HAN1511	RETAINER	1		

D9

7722 COMBINE

CUTTING PLATFORM HYDRAULIC LINES - CONTINUED

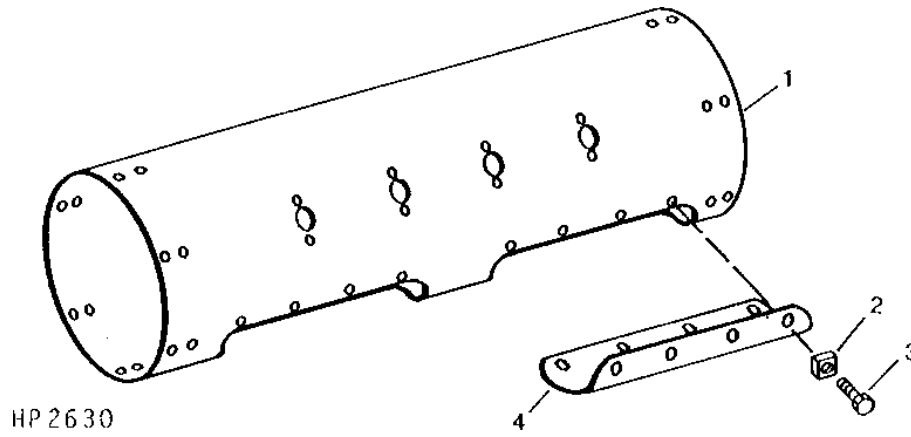
KEY	PART NO.	PART NAME	QTY	SERIAL NO. OR YEAR	REMARKS
1	H112847	BRACKET	1		
2	19H2020	CAP SCREW	4	5/16" X 1/2"	
	12H303	LOCK WASHER	4	5/16"	
	24H1777	WASHER	4	21/64" X 3/4" X 0.060"	
3	HAN1641	TUBE	1		
4	HAN1631	TUBE	1		
5	HAN1632	TUBE	1		
6	HAN1630	TUBE	1		
7	HAN1636	UNION FITTING	2		
8	HAN1644	UNION FITTING	2		
9	HAN1645	UNION FITTING	1		
10	HAN1637	UNION FITTING	3		
11	HAN1665	UNION FITTING	2		
12	HAN1635	TUBE	1		
13	HAN1638	TUBE	1		
14	HAN1633	TUBE	1		
15	HAN1634	TUBE	1		
16	HAN1639	TUBE	1		
17	HAN1662	CLAMP	1		
18	HAN1664	UNION FITTING	2		
19	03H2163	BOLT	AR	1/4" X 1-3/4"	
	12H302	LOCK WASHER	AR	1/4"	
	24H1287	WASHER	AR	9/32" X 5/8" X 0.065"	
	14H786	NUT	AR	1/4"	
20	H108245	CLAMP	AR		
21	19H1227	CAP SCREW	1	1/4" X 1/2"	
	12H302	LOCK WASHER	1	1/4"	
	14H860	NUT	1	1/4"	
22	HAN1642	TUBE	1		
23	HAN1643	TUBE	1		
24	HAN1640	TUBE	1		
25	HAN1646	HOSE	2		
26	HAN1647	HOSE	1		

D17

7722 COMBINE

HP2630 -UN-01JAN94

FEEDER BEATER DRUM



KEY	PART NO.	PART NAME	QTY	SERIAL NO.	REMARKS
1	HAN1115	HOUSING	1		
2	P41706	NUT	16	SPEED	
3	19H1919	CAP SCREW	16	1/4" X 5/8"	
4	H85771	COVER	2		

E2

7722 COMBINE

FEEDER HOUSE BOTTOM SHEETS - CONTINUED

KEY	PART NO.	PART NAME	QTY	SERIAL NO.	REMARKS
1	03H1519	BOLT	13	3/8" X 1"	
	12H304	LOCK WASHER	13	3/8"	
	14H812	NUT	13	3/8"	
2	24H1305	WASHER	13	13/32" X 13/16" X 0.065"	
3	AH88599	PLATE	1		
4	03H1765	BOLT	11	3/8" X 3/4"	
	12H304	LOCK WASHER	11	3/8"	
	14H812	NUT	11	3/8"	
5	AH83621	SHEET	1	(LONG)	
6	09H1649	BOLT	9	5/16" X 3/4"	
	12H303	LOCK WASHER	9	5/16"	
	14H785	NUT	9	5/16"	
7	24H1136	WASHER	9	11/32" X 11/16" X 0.065"	
8	AH80939	REINFORCEMENT	1		
9	H98034	COVER	1		
10	H93170	BRACKET	2		
11	19H1732	CAP SCREW	26	3/8" X 1-1/4"	
	12H304	LOCK WASHER	26	3/8"	
	14H812	NUT	26	3/8"	
12	21H1226	SCREW	4	5/16" X 7/8"	
	H76696	LOCK NUT	4		
13	H76690	HANDLE	1	R.H.	
14	19H1900	CAP SCREW	2	5/16" X 3/4"	
	14H785	NUT	2	5/16"	
15	H93166	LATCH	2		
16	03H1463	BOLT	2	3/8" X 3/4"	
	12H304	LOCK WASHER	2	3/8"	
	14H812	NUT	2	3/8"	
17	H96838	TUBE	1		
18	11H213	COTTER PIN	2	3/16" X 1-3/4"	
19	H76700	HANDLE	1	L.H.	
20	24H1305	WASHER	24	13/32" X 13/16" X 0.065"	

E11

7722 COMBINE

FEEDER HOUSE SHIELDS (LEFT-HAND) - CONTINUED

KEY	PART NO.	PART NAME	QTY	SERIAL NO.	REMARKS
1	03H1652	BOLT	2		5/8" X 1-1/2"
	E62875	LOCK NUT	2		
2	AH97997	BRACKET	1		
3	A3581R	SPRING LOCKING PIN	3		
4	AH96752	SHIELD	1		MIDDLE
5	19H1731	CAP SCREW	1		3/8" X 1"
	12H304	LOCK WASHER	1		3/8"
	14H812	NUT	1		3/8"
6	H95459	STRAP	1		
7	H97821	SCRAPER	1		
8	19H1900	CAP SCREW	2		5/16" X 3/4"
	N10213	LOCK NUT	2		
9	AH102394	SHIELD	1		REAR
10	19H1936	CAP SCREW	1		3/8" X 3/4"
	N10215	LOCK NUT	1		
11	21H1075	SCREW	2		5/16" X 1"
	N10213	LOCK NUT	2		
12	24H1224	WASHER	2		11/32" X 1" X 1/16"
13	T12898	WASHER	2		
14	H85233	RIVET	4		
15	AH96473	LATCH	1		
16	H97912	LATCH	1		LATCH
17	H97911	BRACKET	1		LATCH
18	19H1732	CAP SCREW	2		3/8" X 1-1/4"
	N10215	LOCK NUT	2		
19	AH96471	BRACKET	1		
20	19H1936	CAP SCREW	2		3/8" X 3/4"
	12H304	LOCK WASHER	2		3/8"
21	AH114779	SHIELD	1		FRONT
22	AH78124	CLIP	2		
23	21H1069	SCREW	2		3/8" X 1"
	12H304	LOCK WASHER	2		3/8"
	14H812	NUT	2		3/8"

E20

7722 COMBINE

REVERSER CONTROL CABLE AND LINKAGE - CONTINUED

KEY	PART NO.	PART NAME	QTY	SERIAL NO.	REMARKS
1	H91809	HANDLE	1		
2	AH98828	SUPPORT	1		
3	N14822	SELF-LOCKING SCREW	1		
	N10215	LOCK NUT	1		
4	N10213	LOCK NUT	2		
5	AH107416	CLIP	1		
6	19H1765	CAP SCREW	1	3/8" X 1-3/4"	
	N10215	LOCK NUT	1	3/8"	
7	24H1176	WASHER	2	13/32" X 1-1/4" X 0.100"	
8	14H827	WING NUT	1	3/8"	
9	AH101357	CABLE	1		
10	AH97280	CLIP	1		
11	03H1500	BOLT	2	3/8" X 1"	
12	H96269	BRACKET	1		
13	H100077	BRACKET	1		
14	H76139	SCREW	2	SELF-LOCKING	
15	AR52085	BALL JOINT	1		
	14H860	NUT	1	1/4"	
16	AH104826	LEVER	1		
17	11H266	COTTER PIN	1	1/16" X 1/2"	
18	U42845	PIN	1	DRILLED	
19	H91823	BUSHING	2		
20	11H211	COTTER PIN	1	1/8" X 3/4"	
21	U44016	PIN	1		
22	AE23791	CHAIN LINK	1		
23	AH98826	SUPPORT	1	BELLCRANK	
24	N10212	SELF-LOCKING SCREW	3		
25	24H1136	WASHER	1	11/32" X 11/16" X 0.065"	
26	H105055	SPRING	1		

F4

7722 COMBINE

HORIZONTAL UNLOADING AUGER SWIVEL SHROUD - CONTINUED

KEY	PART NO.	PART NAME	QTY	SERIAL NO.	REMARKS
1	AH97056	SUPPORT	1		
2	19H1936	CAP SCREW	6	3/8" X 3/4"	
	E55662	FLANGE NUT	6		
3	24H1305	WASHER	12	13/32" X 13/16" X 0.065"	
4	AH97054	PLATE	1		
5	19H1815	CAP SCREW	4	1/2" X 1-1/4"	
	12H301	LOCK WASHER	4	1/2"	
6	N167650	CAP SCREW	18		
	A22698	NUT	18		
7	19H1907	CAP SCREW	5	5/16" X 2-3/4"	
	N10213	LOCK NUT	5		
8	24H1136	WASHER	9	11/32" X 11/16" X 0.065"	
9	H103039	PLATE	1		
10	H103041	SIDE WALL	1		
11	H103040	SHEET	1	FRONT	
12	H76139	SCREW	5	SELF-TAPPING	
13	19H1815	CAP SCREW	4	1/2" X 1-1/4"	
	12H301	LOCK WASHER	4	1/2"	
	14H1040	NUT	4	1/2"	
14	19H1900	CAP SCREW	4	5/16" X 3/4"	
	12H303	LOCK WASHER	4	5/16"	
15	H100701	BRACKET	1		
16	AH120156	BRACKET	1		
17	H99904	PLATE	1		
18	AH101530	SUPPORT	1		
19	19H3411	CAP SCREW	11	3/8" X 1-1/8"	
	E55662	FLANGE NUT	11		
20	H115727	SUPPORT	1		
21	H132063	BRACKET	1		

F13

7722 COMBINE

LEVELING SYSTEM PUMP - CONTINUED

KEY	PART NO.	PART NAME	QTY	SERIAL NO.	REMARKS
1	AH15442	SEAL	1	(KIT AH101242)	
2	AT12111	HOUSING	1	FRONT	
3	T12956	SEAL	1	(KIT AH101242)	
4	T12959	GASKET	2	PROTECTOR, (KIT AH101242)	
5	T12958	GASKET	2	BACKUP, (KIT AH101242)	
6	H22694	BALL	2	(KIT AH101242)	
7	H22695	SPRING	2	(KIT AH101242)	
8	N126257	DIAPHRAGM	1	(KIT AH101242)	
9	H65662	DOWEL PIN	2		
10	19H2676	CAP SCREW	2	3/8" X 1"	
	12H304	LOCK WASHER	2	3/8"	
11	H102002	ADAPTER	1		
12	H102003	GASKET	1		
13	H80822	HOUSING	1		
14	AH84696	GEAR	1		
15	H84321	KEY	1		
16	AH84697	GEAR	1		
17	H80821	O-RING	2	(KIT AH101242)	
18	P51444	DOWEL PIN	2		
19	H101546	HOUSING	1		
20	H101545	GEAR	2		
21	N126258	DIAPHRAGM	1	(KIT AH101242)	
22	N111497	DIAPHRAGM	1	(KIT AH101242)	
23	AH108494	ADAPTER	1		
24	N111507	BOLT	4		
25	H83244	CAP SCREW	4		
26	R51031	FITTING	1		
27	R28782	O-RING	1	(KIT AH101242)	
28	AT51341	PLATE	1		
29	HAN1174	NUT	1	3/8"	
30	HAN1176	WASHER	1	.406 X 1.00 X .105	
31	HAN1175	WASHER	1		
32	HAN1239	PUMP	1	(CESSNA NO. 24385 LAW)	
33	HAN1173	SHEAVE	1		

F23

7722 COMBINE

PLATFORM LEVELING CABLES AND MOUNTING (L.H.SIDE) - CONTINUED

KEY	PART NO.	PART NAME	QTY	SERIAL NO.	REMARKS
1	HAN1112	SUPPORT	1		
2	JD7759	LUBRICATION FITTING	3		
3	H81393	BOLT	3		
4	HAN1584	BRACE	1		
5	19H1862	CAP SCREW	1	3/4" X 2-1/2"	
	12H236	LOCK WASHER	1	3/4"	
	14H794	NUT	1	3/4"	
6	H10807	SHEAVE	3		
7	HAN1358	GUARD	1		
8	14H1039	NUT	5	5/8"	
9	14H821	NUT	1	5/8"	
10	H77389	TURNBUCKLE	1		
11	H65324	BUSHING	1		
12	R32008	WIRE	1		
13	H65323	STOP	1		
14	HAN1526	BRACKET	1		
15	19H1734	CAP SCREW	1	5/8" X 2"	
	12H294	LOCK WASHER	1	5/8"	
	14H760	NUT	1	5/8"	
16	H65321	CLEVIS	1		
17	HAN1433	CABLE	1		(FRONT)
18	HAN1434	CABLE	1		(REAR)
19	H87699	CLEVIS	1		
20	HAN1702	PIN	1		
21	11H211	COTTER PIN	1	1/8" X 3/4"	
22	HAN1406	GUARD	1		
23	HAN1680	BRACE	1		

CLICK HERE TO **DOWNLOAD** THE COMPLETE MANUAL

- Thank you very much for reading the preview of the manual.
- You can download the complete manual from: www.heydownloads.com by clicking the link below



- Please note: If there is no response to CLICKING the link, please download this PDF first and then click on it.

CLICK HERE TO **DOWNLOAD** THE COMPLETE MANUAL