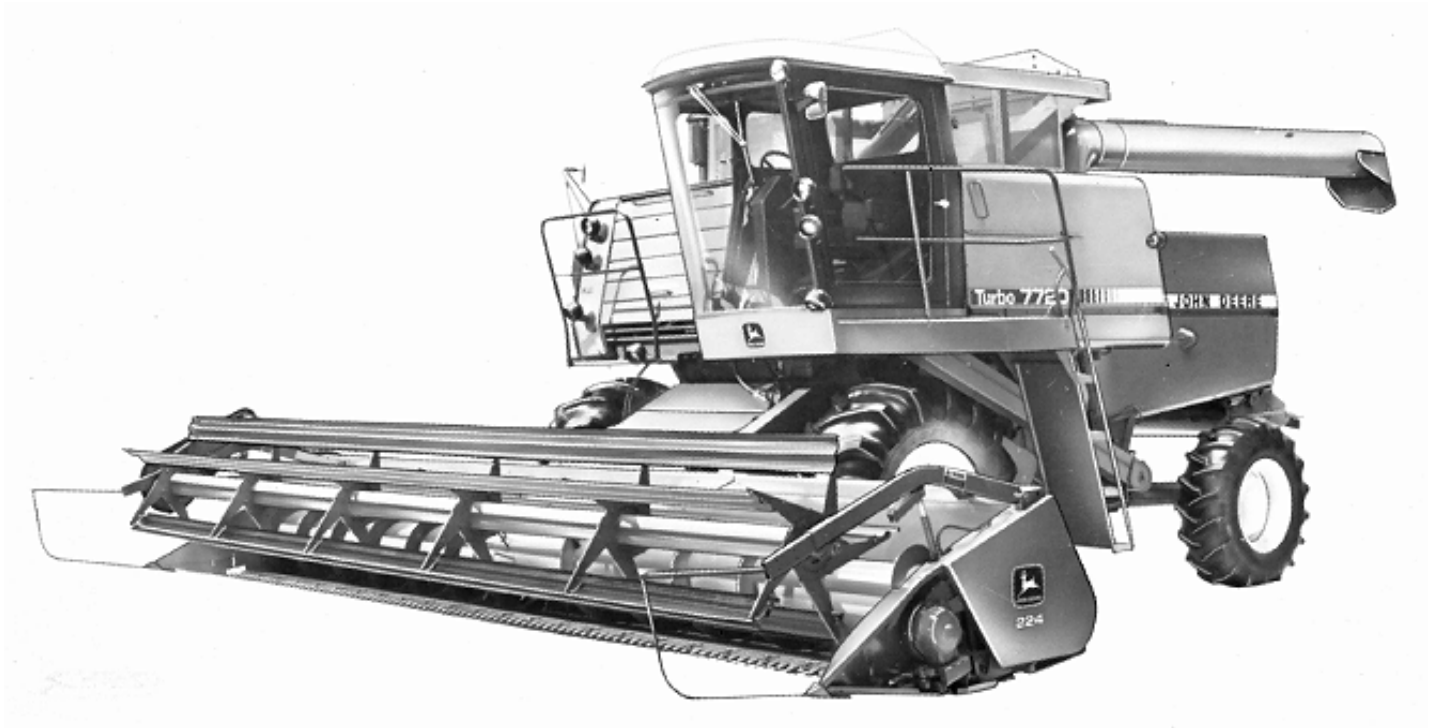


HP1497 -UN-01JAN94



*JOHN DEERE 7720 COMBINE WITH 224 RIGID PLATFORM*

*(SPECIFICATIONS AND DESIGN SUBJECT TO CHANGE WITHOUT NOTICE)*

CLICK HERE TO **DOWNLOAD** THE COMPLETE MANUAL

- Thank you very much for reading the preview of the manual.
- You can download the complete manual from: [www.heydownloads.com](http://www.heydownloads.com) by clicking the link below



- Please note: If there is no response to CLICKING the link, please download this PDF first and then click on it.

CLICK HERE TO **DOWNLOAD** THE COMPLETE MANUAL

## ALPHABETICAL INDEX - CONTINUED

<i>GRID</i>		<i>PAGE</i>	<i>GRID</i>		<i>PAGE</i>
4G25	DOOR, INSPECTION, OPERATOR'S PLATFORM.....	90-9	6D13	DUAL-RANGE CYLINDER DRIVE, BEATER DRIVE .....	120-59
4H12	DOOR, PANEL .....	90-23	6D11	DUAL-RANGE CYLINDER DRIVE, BEATER DRIVE (100 PER CENT BEATER SPEED) .....	120-57
4G15	DOOR, ROTARY SCREEN .....	80-25	6C16	DUAL-RANGE CYLINDER GEAR CASE .....	120-34
6B12	DOOR, STONE TRAP .....	120-3	6F22	DUCTS, AIR, CLEANING FAN .....	120-121
6B18	DOOR, STONE TRAP .....	120-9			
4H2	DOOR, TAILINGS ELEVATOR .....	90-11		<b>E</b>	
6H20	DOOR, TAILINGS ELEVATOR .....	120-169	3G19	ELBOW, STEERING OIL LINES .....	60-23
6H21	DOOR, TAILINGS ELEVATOR .....	120-170	2C24	ELECTRIC CLUTCH CIRCUIT BREAKER .....	40-45
4H17	DOORS, CAB .....	90-29	2C21	ELECTRIC CLUTCH SWITCH.....	40-41
4F17	DOORS, CYLINDER, SEPARATOR .....	80-1	7E5	ELECTRIC HARNESS .....	160-14
7F16	DR.,PRIMARY CTRSFT TO SECONDARY CTRSFT ....	170-29	2E16	ELECTRICAL CONNECTOR SERVICE KIT .....	40-88
4I17	DRAIN TUBES, EVAPORATOR .....	90-56	2B16	ELECTROMAGNETIC CLUTCH, HEADER.....	40-9
1E8	DRIVE BELT TIGHTENER,RADIATOR FAN.....	20-77	1F4	ELEMENT, AIR CLEANER.....	30-17
1E10	DRIVE BELT TIGHTENER,ROTARY SCREEN.....	20-79	6G7	ELEVATOR HOUSING, CLEAN GRAIN .....	120-130
7E19	DRIVE BELT, HYDRAULIC REEL LIFT .....	170-6	6G6	ELEVATOR, HOUSING, CLEAN GRAIN.....	120-129
5B25	DRIVE CHAIN GUIDES, FEEDER CONVEYOR.....	110-18	2E10	END FRAME, STARTER COMMUTATOR .....	40-81
6G12	DRIVE COUNTERSHAFT,CLEAN GRAIN ELEVATOR .....	120-135	4G10	ENGINE COMPARTMENT MIDDLE DOOR AND FRAME..	80-20
6D4	DRIVE FOR CYLINDER TACHOMETER .....	120-49	4G12	ENGINE COMPARTMENT PANEL, FRONT .....	80-22
6D5	DRIVE FOR CYLINDER TACHOMETER .....	120-50	4G7	ENGINE COMPARTMENT REAR SHEET .....	80-17
4E23	DRIVE HOSES, HYDRAULIC REEL .....	70-95	4G9	ENGINE COMPARTMENT UPPER DOOR.....	80-19
7D17	DRIVE IDLER, FEEDER HOUSE .....	140-21	4G13	ENGINE COMPARTMENT WALKWAY .....	80-23
7D13	DRIVE IDLER, SECONDARY COUNTERSHAFT .....	140-17	2C5	ENGINE COMPARTMENT WIRING HARNESS .....	40-25
6F4	DRIVE SHAFT, SHOE GRAIN SUPPLY AUGERS.....	120-101	2C6	ENGINE COMPT.FIREWALL ELEC.COVER PLATES .....	40-26
7E19	DRIVE SHEAVES,HYDRAULIC REEL LIFT .....	170-6	1D21	ENGINE COOLANT HEATER .....	20-64
6G14	DRIVE TIGHTENER, CLEAN GRAIN ELEVATOR .....	120-137	1D22	ENGINE COOLANT HEATER .....	20-65
6C11	DRIVE TIGHTENER, CYLINDER.....	120-29	1B9	ENGINE OIL .....	20-1
6F6	DRIVE TIGHTENER,SHOE GR.SUPPLY AUGERS .....	120-103	1D7	ENGINE OIL COOLER.....	20-48
7C9	DRIVE TIGHTENERS,CROSS AUGER,GRAIN TANK .....	130-29	1C13	ENGINE OIL DIPSTICK .....	20-30
2F4	DRIVE WHEEL AND SPACERS .....	50-1	1D5	ENGINE OIL FILTER .....	20-46
2F8	DRIVE WHEEL AXLE.....	50-5	1E9	ENGINE OIL PRESSURE GAUGE LINE .....	20-78
2F9	DRIVE WHEEL AXLE, PLANETARY FINAL DRIVE.....	50-6	1C23	ENGINE OIL PUMP (ENGINE SERIAL NO. 161003- ).....	20-40
2H17	DRIVE WHEEL CLUTCH .....	50-65	1C21	ENGINE OIL PUMP (TH 01, 02).....	20-38
2H15	DRIVE WHEEL CLUTCH HOUSING .....	50-63	1D1	ENGINE OIL PUMP (TH 05) .....	20-42
2H15	DRIVE WHEEL CLUTCH THROW-OUT CONTROLS .....	50-63	1C3	ENGINE OVERHAUL KIT.....	20-20
2H17	DRIVE WHEEL SHAFT .....	50-65	7C24	ENGINE POWERSHAFT .....	140-3
2F5	DRIVE WHEELS, DUAL.....	50-2	7E16	ENGINE R.H. SIDE BELT TIGHTENERS .....	170-3
2F7	DRIVE WHEELS, HIGH FLOATATION .....	50-4	7E16	ENGINE R.H. SIDE BELTS .....	170-3
6D10	DRIVE, BEATER.....	120-55	7E16	ENGINE R.H. SIDE SHEAVES .....	170-3
6D12	DRIVE, BEATER.....	120-58	1D19	ENGINE RAIL EXTENSION.....	20-62
6D13	DRIVE, BEATER, DUAL-RANGE CYLINDER DRIVE .....	120-59	1D16	ENGINE REBUILD GASKET KIT.....	20-58
6D11	DRIVE, BEATER, DUAL-RANGE CYLINDER DRIVE (100 PER CENT BEATER SPEED) .....	120-57	1B22	ENGINE SHORT BLOCK.....	20-14
7F8	DRIVE, CLEAN GRAIN ELEVATOR .....	170-21	1B18	ENGINE SHORT BLOCK (TH 01, 02).....	20-10
5C14	DRIVE, FIXED .....	110-33	1C1	ENGINE SHORT BLOCK (TH 05).....	20-18
5C14	DRIVE, FIXED (LONG RICE) .....	110-33	1B11	ENGINE SHORT BLOCK SERIAL NUMBER PLATE .....	20-3
3C8	DRIVE, HYDROSTATIC, CHARGE PUMP .....	55-23	1D19	ENGINE SUPPORTS .....	20-62
3C9	DRIVE, HYDROSTATIC, CHARGE PUMP .....	55-24	1C20	ENGINE TEMPERATURE SENDER .....	20-37
7F8	DRIVE, LOADING AUGER.....	170-21	1C20	ENGINE TEMPERATURE SWITCH .....	20-37
5C19	DRIVE, LONG FEEDER HOUSE FIXED.....	110-38	7F15	ENGINE TO PRIMARY CTRSHTA.DRIVE BELTS .....	170-28
6C13	DRIVE, SLOW SPEED CYLINDER .....	120-31	1B10	ENGINE VALVE STEM LUBRICANT.....	20-2
7F14	DRIVES, CROSS AUGER .....	170-27	2C21	ETHER START SWITCH .....	40-41
7F5	DRIVES, STRAW CHOPPER .....	170-17	1D14	ETHER STARTING AID .....	20-55
7F5	DRIVES, STRAW SPREADER .....	170-17	4I17	EVAPORATOR .....	90-56
7F12	DRIVES, TAILINGS ELEVATOR AND AUGER.....	170-25	4I17	EVAPORATOR DRAIN TUBES .....	90-56
7F14	DRIVES, UNLOADING AUGER .....	170-27	1D15	EXHAUST MANIFOLD .....	20-56
7F14	DRIVES, VERTICAL UNLOADING AUGER .....	170-27	1D15	EXHAUST MANIFOLD GASKET .....	20-56
7D24	DROP RATE VALVE,AUTO.HDR.HGT.CONTROL .....	160-7	1F6	EXHAUST PIPE .....	30-19
3G6	DRUM, BRAKE SHOES.....	60-9	1C15	EXHAUST VALVES .....	20-32
5B21	DRUM, FEEDER CONVEYOR.....	110-14	1C18	EXHAUST VALVES .....	20-35
2F5	DUAL DRIVE WHEELS .....	50-2	4I17	EXPANSION VALVE, AIR CONDITIONER .....	90-56
2F6	DUAL WHEELS, WIDE-SPACED (PLANETARY FINAL DRIVE) .....	50-3	6H8	EXTENSION, DIP AND POUR ELEVATOR .....	120-157
6C20	DUAL-RANGE CYLINDER DRIVE GEAR CASE SHIELD.....	120-39	1D19	EXTENSION, ENGINE RAIL .....	20-62
6C19	DUAL-RANGE CYLINDER DRIVE LOCKOUT ARM.....	120-37	7B19	EXTENSIONS, GRAIN TANK .....	130-13
6C18	DUAL-RANGE CYLINDER DRIVE PINION GEARS.....	120-36			
6C21	DUAL-RANGE CYLINDER DRIVE TIGHTENER.....	120-40			

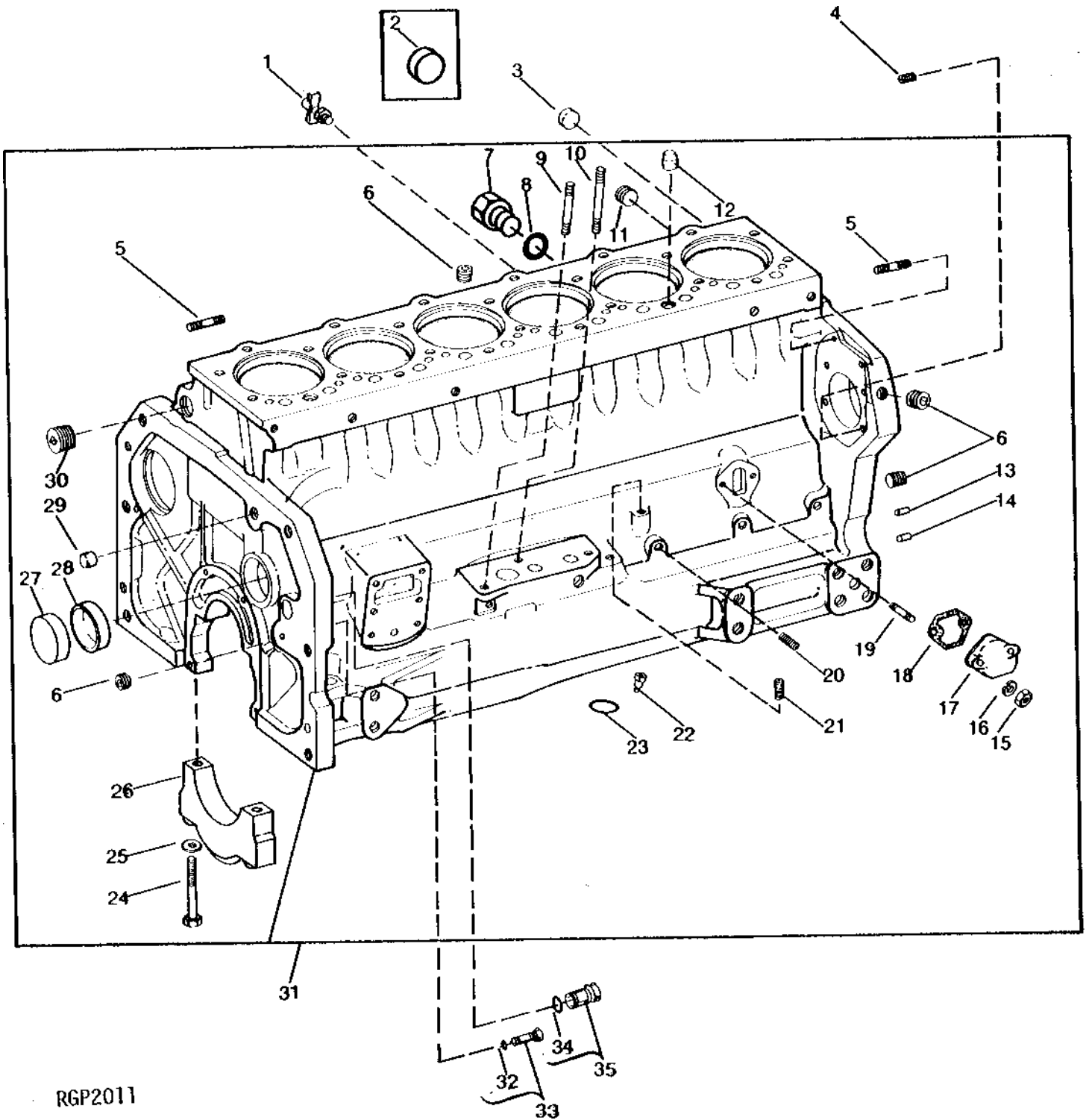


# 1B12

ENGINE

CYLINDER BLOCK  
(6466TH 01, 02)  
(ENGINE SERIAL NO. -161002)

RGP2011 -UN-01JAN94



RGP2011

# 1B23

ENGINE

ENGINE SHORT BLOCK - CONTINUED  
(6466TH 01, 02)  
(ENGINE SERIAL NO. 161003- )  
(SHORT BLOCK SERIAL NO. 530501- )

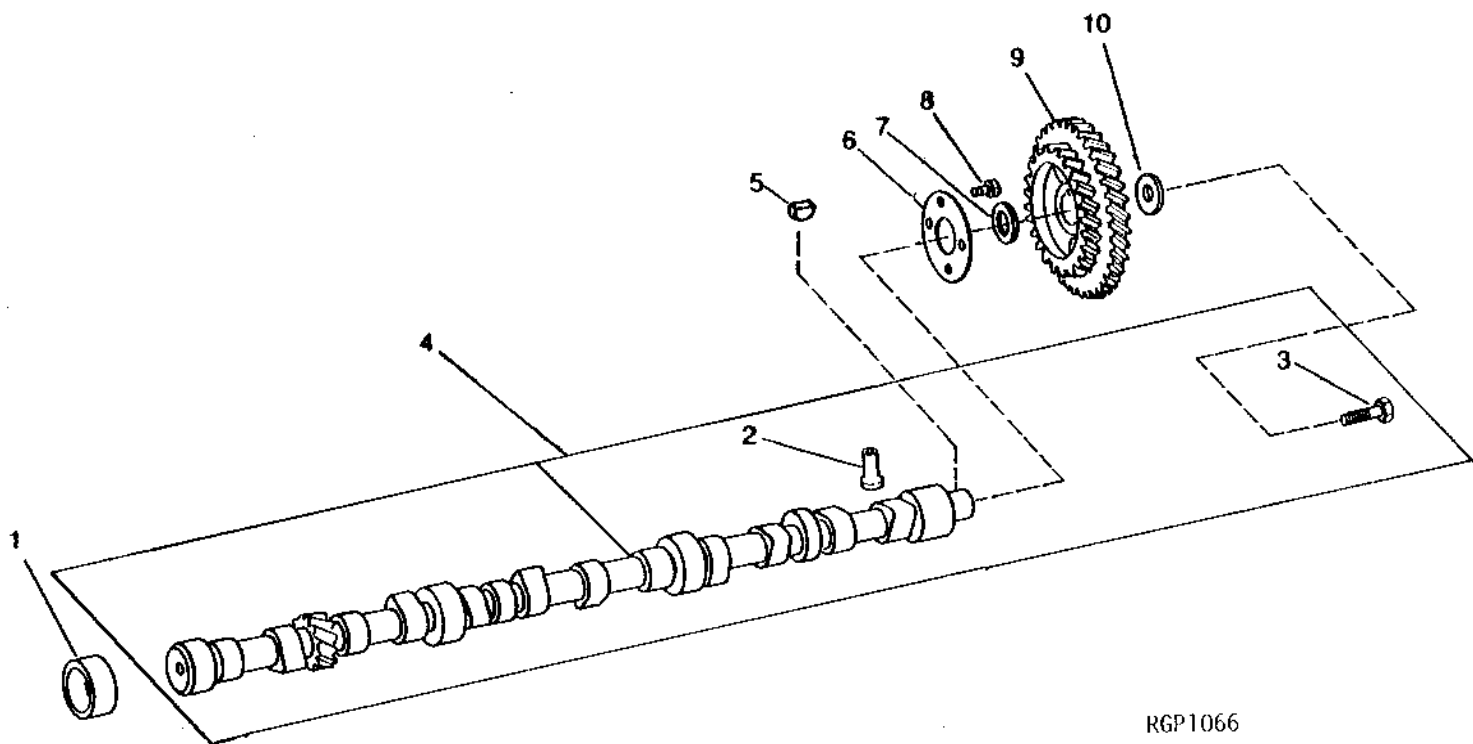
KEY	PART NO.	PART NAME	QTY	ENGINE SERIAL NO.	REMARKS
1	RE13301	SHORT BLOCK ASSEMBLY	1	-228054	(MARKED R63198 OR R78505) (SUB RE28290) (SUB FOR AR94830) (ALSO ORDER AR62429, R76368 AND (6) R88043)
	RE28290	SHORT BLOCK ASSEMBLY	1	-228054	(MARKED R87557) (ALSO ORDER AR62429)
	AR100374	SHORT BLOCK ASSEMBLY	1	228055-318403	(MARKED R71685, R71688 OR R80481) (SUB RE28288) (ALSO ORDER (6) R88043 AND AR62429)
	RE28288	SHORT BLOCK ASSEMBLY	1	318404-	(MARKED R87555 OR R87556) (ALSO ORDER AR62429)

# 1C9

ENGINE

RGP1066 -UN-01JAN94

## CAMSHAFT AND GEAR



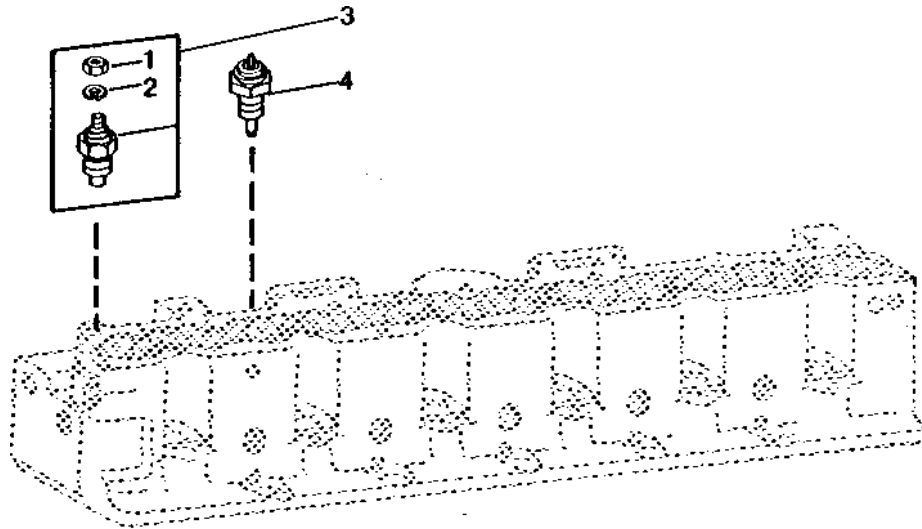
KEY	PART NO.	PART NAME	QTY	ENGINE SERIAL NO.	REMARKS
1	R46903	BUSHING	4		
2	R52773	CAM FOLLOWER	12		
3	19H1777	CAP SCREW	1		1/2" X 1-3/4", (USE WITH R64086)
	R93238	CAP SCREW	1		(USE WITH R71529 OR R78316) (SUB FOR R79850, THIS APPLICATION)
4	AR100385	CAMSHAFT	1		(MARKED R64086, R71529, R77259 OR R78316) (SUB FOR AR79610)
5	26H72	SHAFT KEY	1		1/8" X 5/8"
6	R42355	THRUST WASHER	1		
7	R42356	WASHER	1		
8	19H1813	CAP SCREW	4		5/16" X 5/8"
9	AR87700	GEAR	1		(SUB FOR AR88905, THIS APPLICATION)
10	R35256	WASHER	1		

# 1C20

ENGINE

RGP1471 -UN-01JAN94

## ENGINE TEMPERATURE SENDER AND SWITCH



RGP1471

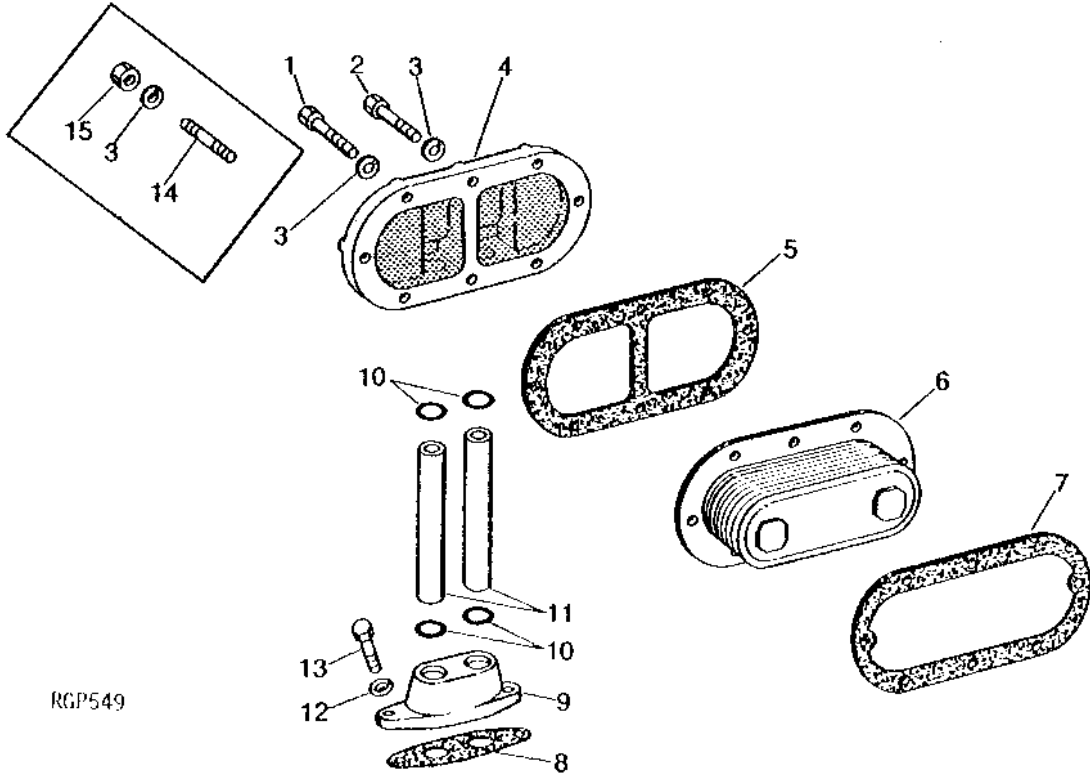
KEY	PART NO.	PART NAME	QTY	ENGINE SERIAL NO.	REMARKS
1	14H631	NUT	1	0.190"	
2	12H295	LOCK WASHER	1	0.190"	
3	AT37368	SENDER	1	(TEMPERATURE)	
4	AH85833	SWITCH	1	(TEMPERATURE WARNING)	

# 1D7

ENGINE

RGP549 -UN-01JAN94

## ENGINE OIL COOLER



KEY	PART NO.	PART NAME	QTY	ENGINE SERIAL NO.	REMARKS
1	19H1913	CAP SCREW	1		5/16" X 2-1/4"
2	19H3552	CAP SCREW	5	-127033	5/16" X 1-1/2"
	19H3552	CAP SCREW	7	127034-	5/16" X 1-1/2"
3	12H303	LOCK WASHER	8		5/16"
4	R51283	COVER	1		
5	R50419	GASKET	1		
6	AR55394	OIL COOLER	1		
7	AR58952	GASKET	1		
8	R50424	GASKET	1		
9	R50423	ADAPTER	1		
10	R47153	O-RING	4		(SUB FOR R50420, THIS APPLICATION)
11	R51053	OIL TUBE	2		
12	12H304	LOCK WASHER	2		3/8"
13	19H1732	CAP SCREW	2		3/8" X 1-1/4"
14	R51284	STUD	2	-127033	
15	14H785	NUT	2	-127033	5/16"

# 1D17

ENGINE

## ENGINE GASKET KITS - CONTINUED

KEY	PART NO.	PART NAME	QTY	ENGINE SERIAL NO.	REMARKS
1	.....	GASKET	1	(A)	
2	.....	GASKET	2	(A)	
3	.....	GASKET	2	(A)	
4	R50405	O-RING	1		
5	R50406	O-RING	1		
6	R105346	GASKET	1		(SUB FOR R43416 OR R97349)
7	R97348	GASKET	1		(SUB FOR R43413)
8	R43751	GASKET	1		
9	R72328	O-RING	1		(SUB FOR R43780)
10	R495R	O-RING	1		
11	R51603	O-RING	6		
12	R83020	GASKET	2		(SUB FOR R44373)
13	R50397	GASKET	3		
14	R102838	GASKET	1		(SUB FOR R87316)
15	R83021	GASKET	2		(SUB FOR R44374)
16	R46479	GASKET	1		
17	.....	GASKET	1	(A)	
18	R88397	GASKET	2		(SUB FOR R42693)
19	R49866	GASKET	1		(SUB FOR R32593)
20	R87082	FITTING	6		
21	R77551	O-RING	6		
22	R64840	WASHER	6		
23	RE34010	GASKET	1		(SUB FOR R55182)
24	AR98851	GASKET KIT	1		CYLINDER HEAD, (SUB FOR AR72078)
25	R43595	GASKET	1		
26	R47153	O-RING	4	-228054	(SUB FOR R50420, THIS APPLICATION)
	R47153	O-RING	6	228055-	
27	U13639	O-RING	2		
28	R42406	GASKET	1		
29	R50353	GASKET	1		
30	T20328	GASKET	1		
31	.....	GASKET	1	(A)	
32	.....	GASKET	1	(A)	
33	R50390	GASKET	1		
34	R65055	GASKET	1		
35	R71732	O-RING	4		(SUB FOR R50378)
36	.....	GASKET	1	(A)	
37	R49377	GASKET	1		
38	R52049	GASKET	1		
39	R97350	GASKET	1		(SUB FOR R27285)
40	.....	GASKET	1	(A)	
41	R43774	GASKET	1		
42	R62410	GASKET	1		
43	R26058	GASKET	1		
44	R53108	GASKET	1		
45	AR58952	GASKET	1		(CONSISTS OF (2) R50417)
46	R50424	GASKET	1		
47	R50419	GASKET	1		
48	AR98850	KIT	6		(CYLINDER LINER PACKINGS)
49	AR98845	GASKET KIT	1		ENGINE REBUILD, (SUB FOR AR72077 AND AR96201)

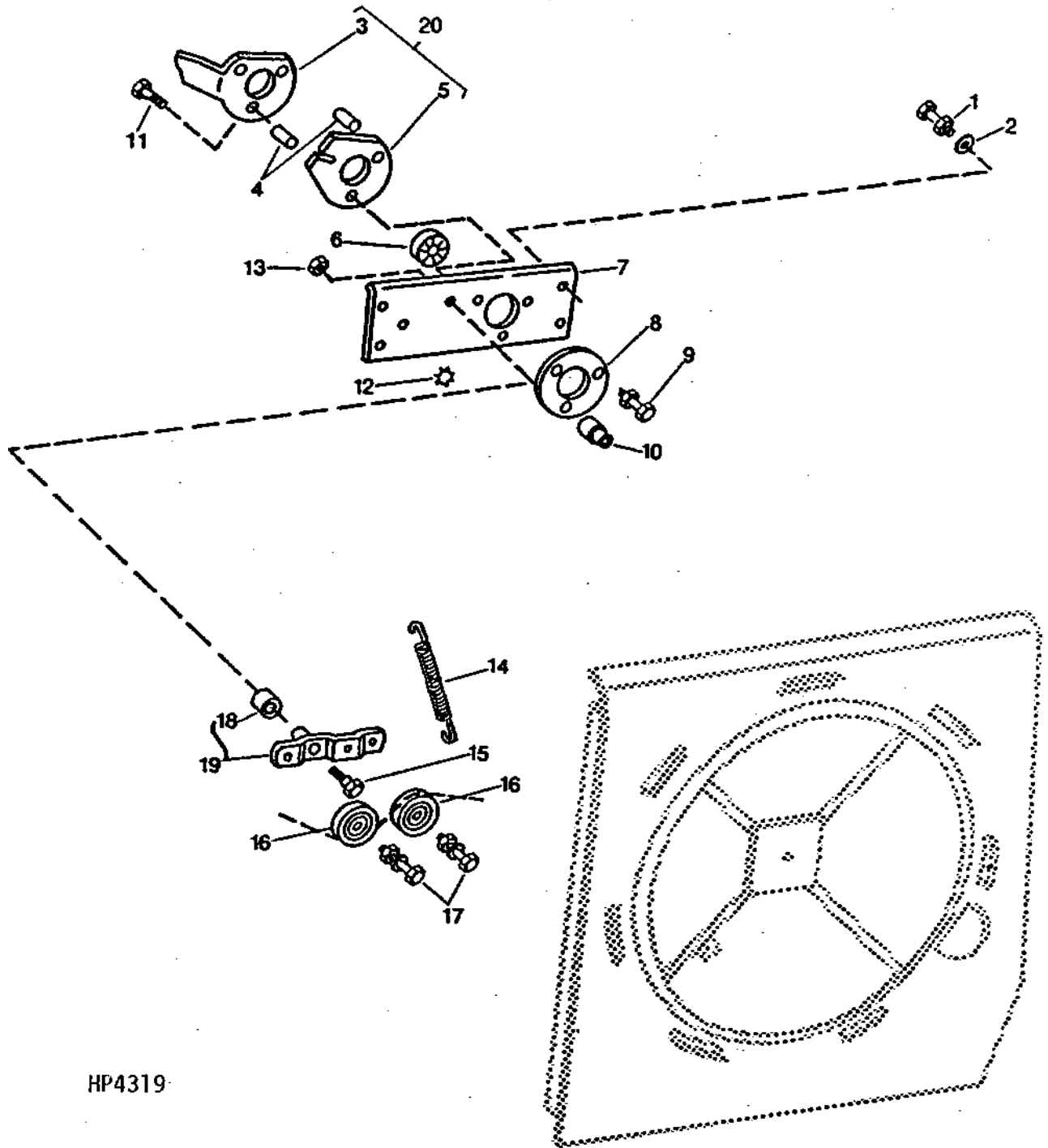
(A) NOT USED THIS APPLICATION

# 1E1

## ROTARY SCREEN DRIVE BELT TIGHTENERS AND DISPLACER

HP4319

-UN-01JAN94



HP4319

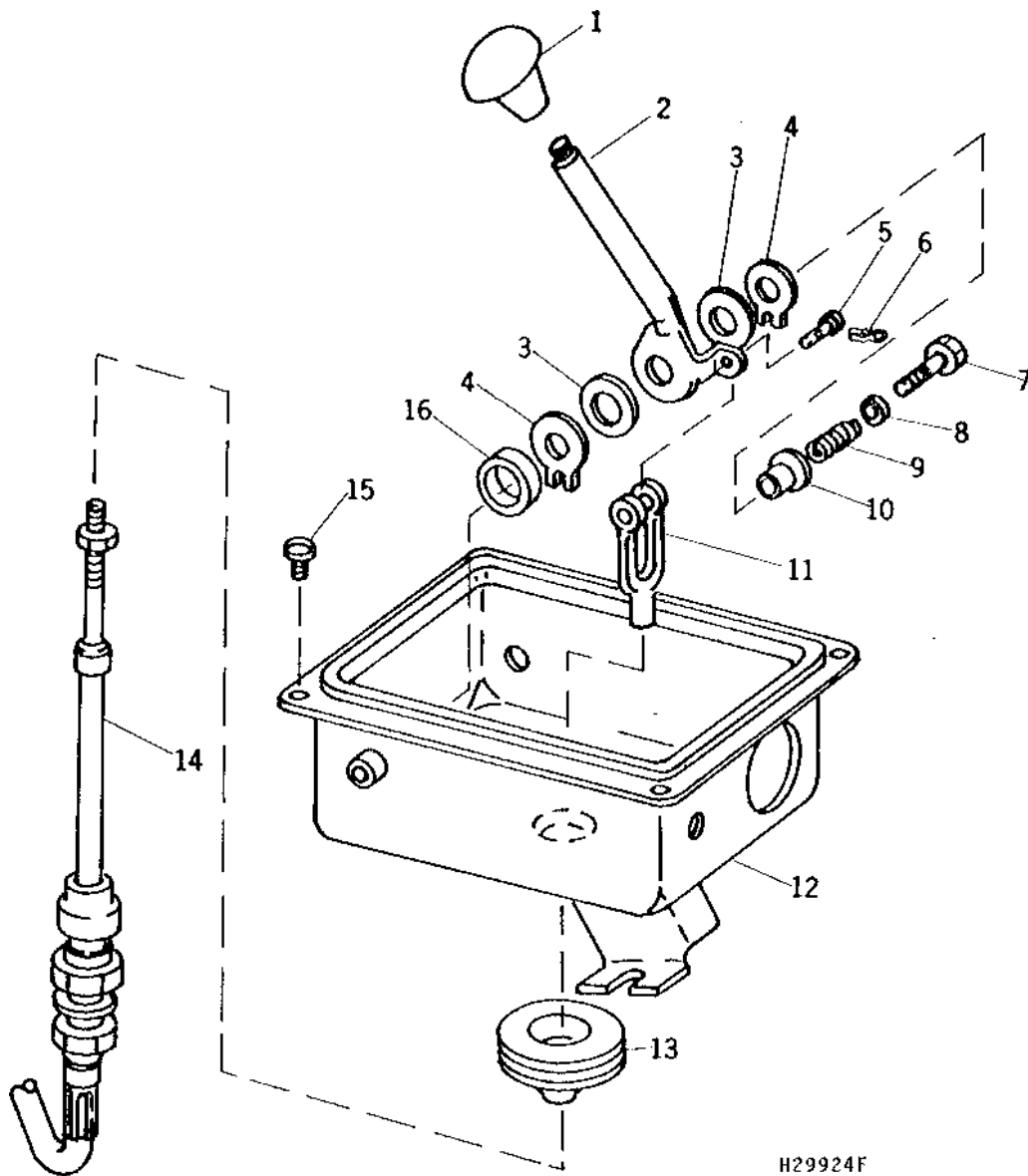
---

MEMORANDA

# 1E23

H29924F -UN-01JAN94

## THROTTLE LINKAGE CONTROL LEVER AND HOUSING



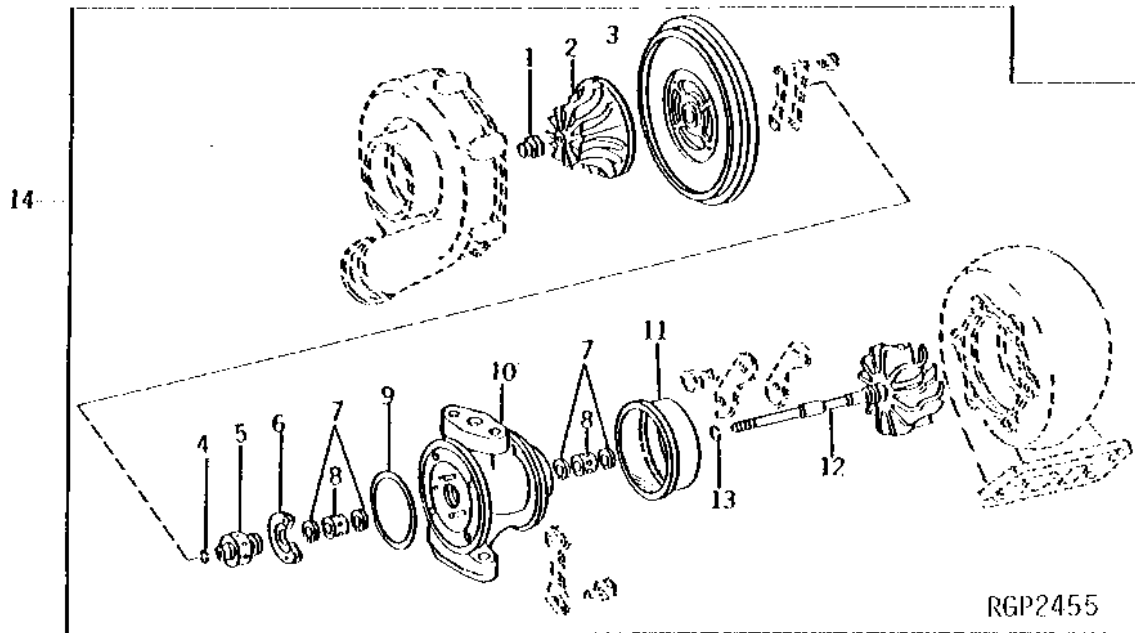
H29924F

# 1F10

FUEL AND AIR

**TURBOCHARGER CENTER HOUSING WITH ROTATING PARTS  
(AIRESEARCH)  
(ENGINE SERIAL NO. 216120-252443)**

RGP2455 -UN-01JAN94



KEY	PART NO.	PART NAME	QTY	ENGINE SERIAL NO.	REMARKS
1	R43817	LOCK NUT	1		
2	R75496	IMPELLER	1		
3	AR101787	PLATE	1		
4	R43806	PISTON RING	1		
5	R43801	THRUST BEARING	1		
6	R75493	BEARING	1		
7	R43816	SNAP RING	4		
8	R75492	BEARING	2		
9	R43805	O-RING	1		
10	AR63781	HOUSING	1		
11	R43804	SHROUD	1		
12	AR101786	WHEEL	1		
13	R55024	PISTON RING	1		
14	AR101788	HOUSING	1		

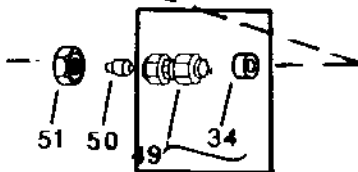
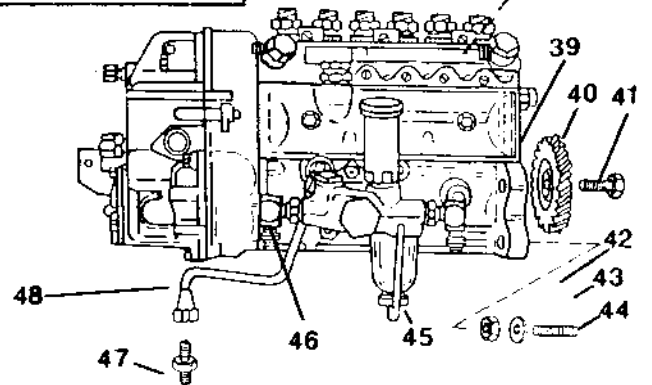
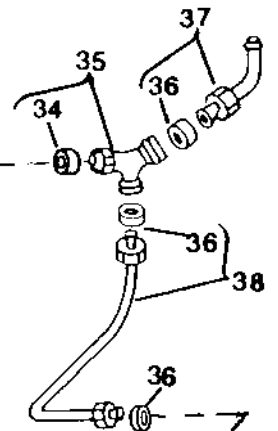
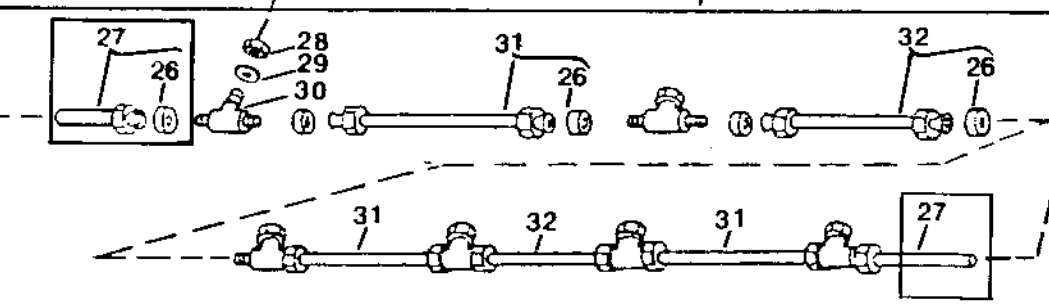
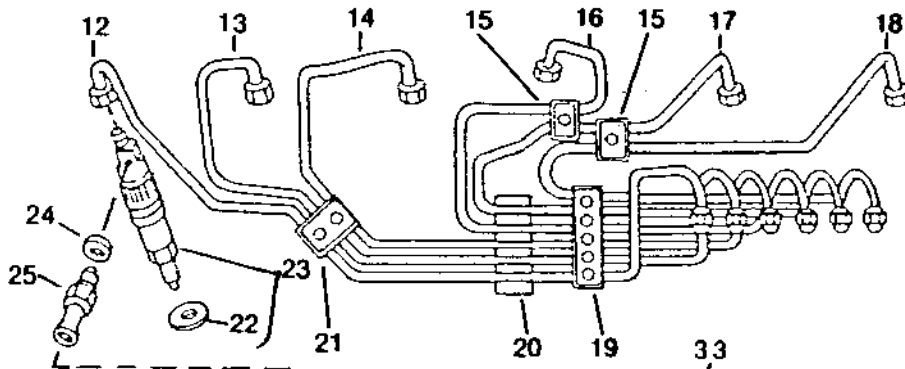
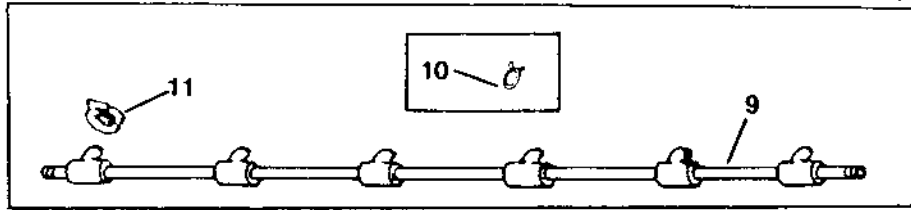
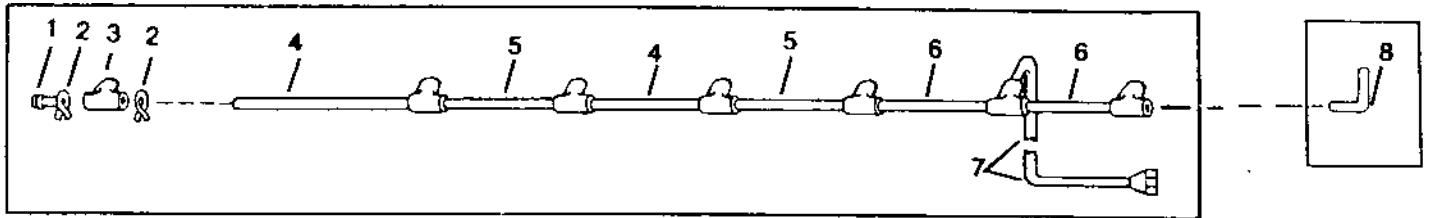
# 1F21

FUEL AND AIR

## FUEL INJECTION PUMP, NOZZLES AND FUEL PIPES (6466TH 01, 02)

RGP2962

-UN-01JAN94



RGP2962

# 1G6

FUEL AND AIR

FUEL INJECTION NOZZLE - CONTINUED  
(BOSCH) (6466TH 01, 02, 05)

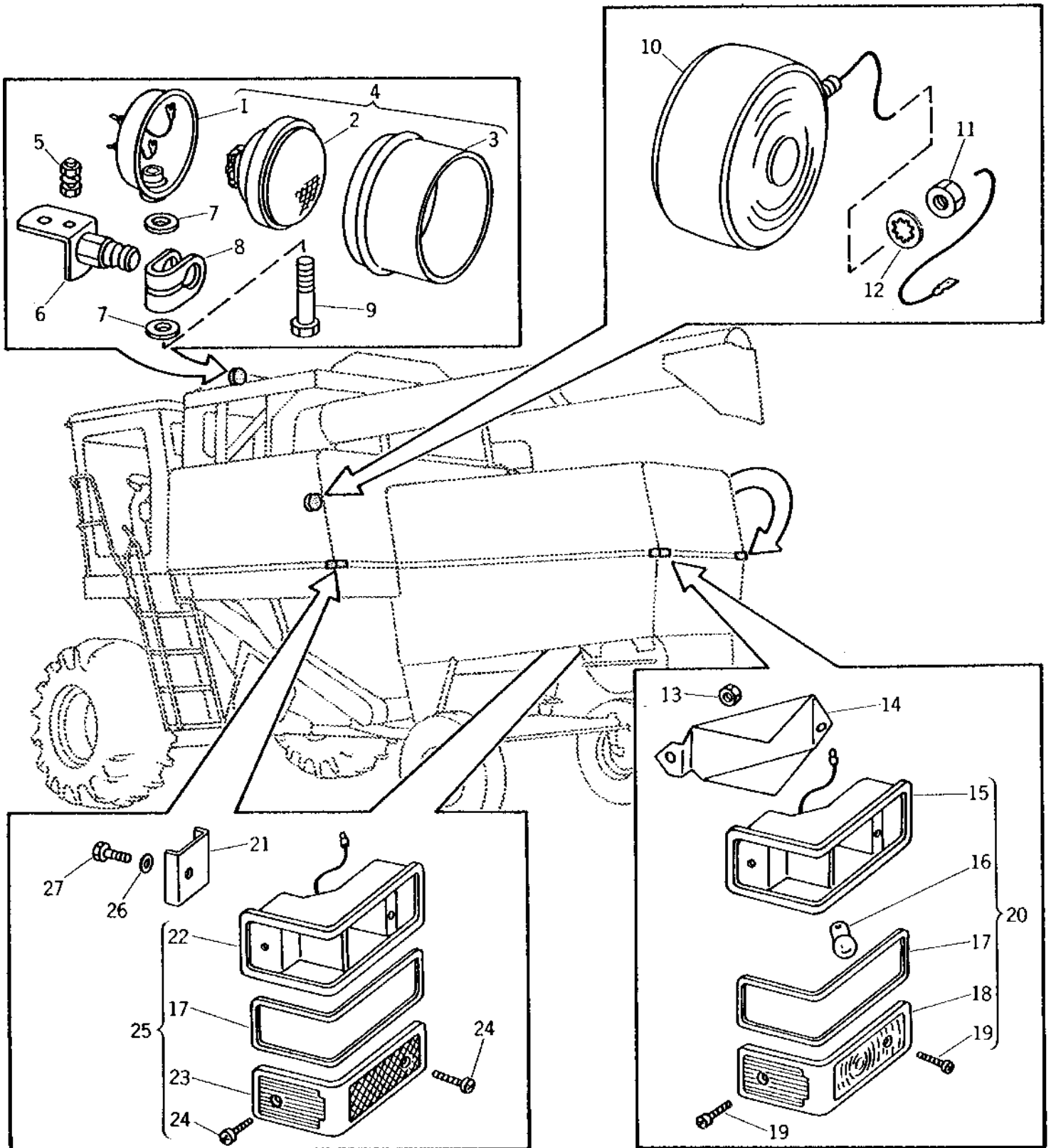
KEY	PART NO.	PART NAME	QTY	ENG. SER. NO. OR PUMP DATE	REMARKS
1	R60277	SNAP RING	1		
2	R51603	O-RING	1		
3	R60279	NUT	1		
4	R60278	SNAP RING	1		
5	R60272	NOZZLE HOLDER	1	(SUB AR74665)	
6	R83720	WASHER	1	1.02 MM	
	R83721	WASHER	1	1.08 MM	
	R83722	WASHER	1	1.12 MM	
	R83723	WASHER	1	1.18 MM	
	R83724	WASHER	1	1.22 MM	
	R83725	WASHER	1	1.28 MM	
	R83726	WASHER	1	1.30 MM	
	R83727	WASHER	1	1.38 MM	
	R83728	WASHER	1	1.42 MM	
	R83729	WASHER	1	1.48 MM	
	R83730	WASHER	1	1.50 MM	
	R83731	WASHER	1	1.58 MM	
	R83732	WASHER	1	1.60 MM	
	R83733	WASHER	1	1.68 MM	
	R83734	WASHER	1	1.70 MM	
	R83735	WASHER	1	1.78 MM	
	R83736	WASHER	1	1.82 MM	
	R83737	WASHER	1	1.88 MM	
	R83738	WASHER	1	1.90 MM	
	R83739	WASHER	1	1.98 MM	
7	R60273	SPRING	1		
8	R60274	SEAT	1		
9	R60275	PLATE	1		
10	AR74668	NOZZLE	1	(KDEL 4 X 0.33)	
11	R60276	NUT	1		
12	R64840	WASHER	1		
13	AR74665	INJECTION NOZZLE	6		
14	R60280	WASHER	1	0.99 MM (.039")	(SUB R83720)
	R60281	WASHER	1	1.04 MM (.041")	(SUB R83721)
	R60282	WASHER	1	1.09 MM (.043")	(SUB R83722)
	R60283	WASHER	1	1.14 MM (.045")	(SUB R83723)
	R60284	WASHER	1	1.19 MM (.047")	(SUB R83724)
	R60285	WASHER	1	1.24 MM (.049")	(SUB R83725)
	R60286	WASHER	1	1.29 MM (.051")	(SUB R83726)
	R60287	WASHER	1	1.34 MM (.053")	(SUB R83727)
	R60288	WASHER	1	1.39 MM (.055")	(SUB R83728)
	R60289	WASHER	1	1.44 MM (.057")	(SUB R83729)
	R60290	WASHER	1	1.49 MM (.059")	(SUB R83730)
	R60291	WASHER	1	1.54 MM (.061")	(SUB R83731)
	R60292	WASHER	1	1.60 MM (.063")	(SUB R83732)
	R60293	WASHER	1	1.65 MM (.065")	(SUB R83733)
	R60294	WASHER	1	1.70 MM (.067")	(SUB R83734)
	R60295	WASHER	1	1.75 MM (.069")	(SUB R83735)
	R60296	WASHER	1	1.80 MM (.071")	(SUB R83736)
	R60297	WASHER	1	1.85 MM (.073")	(SUB R83737)
	R60298	WASHER	1	1.90 MM (.075")	(SUB R83738)
	R60299	WASHER	1	1.95 MM (.077")	(SUB R83739)

# 2B13

ELECTRICAL

## REFLECTORS, TAIL, WARNING, AND GRAIN TANK LIGHTS

H32051F -UN-01JAN94



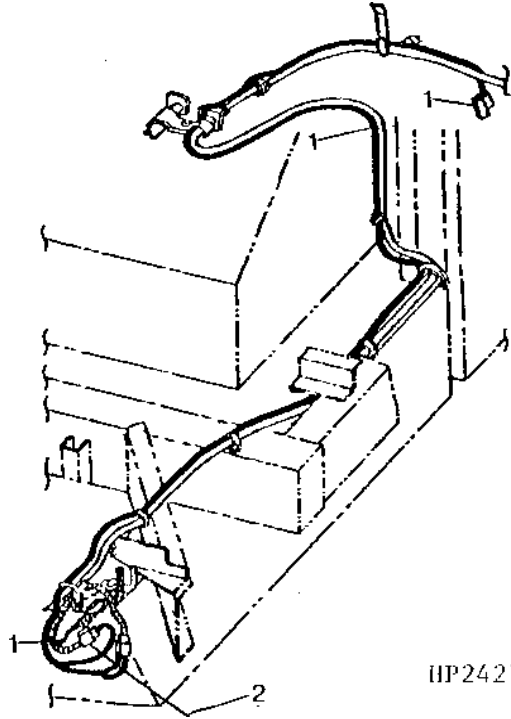
H32051F

# 2B22

ELECTRICAL

## HARVESTRAK ADAPTER HARNESS (SERIAL NO. 409101-556300)

HP2427 -UN-01JAN94



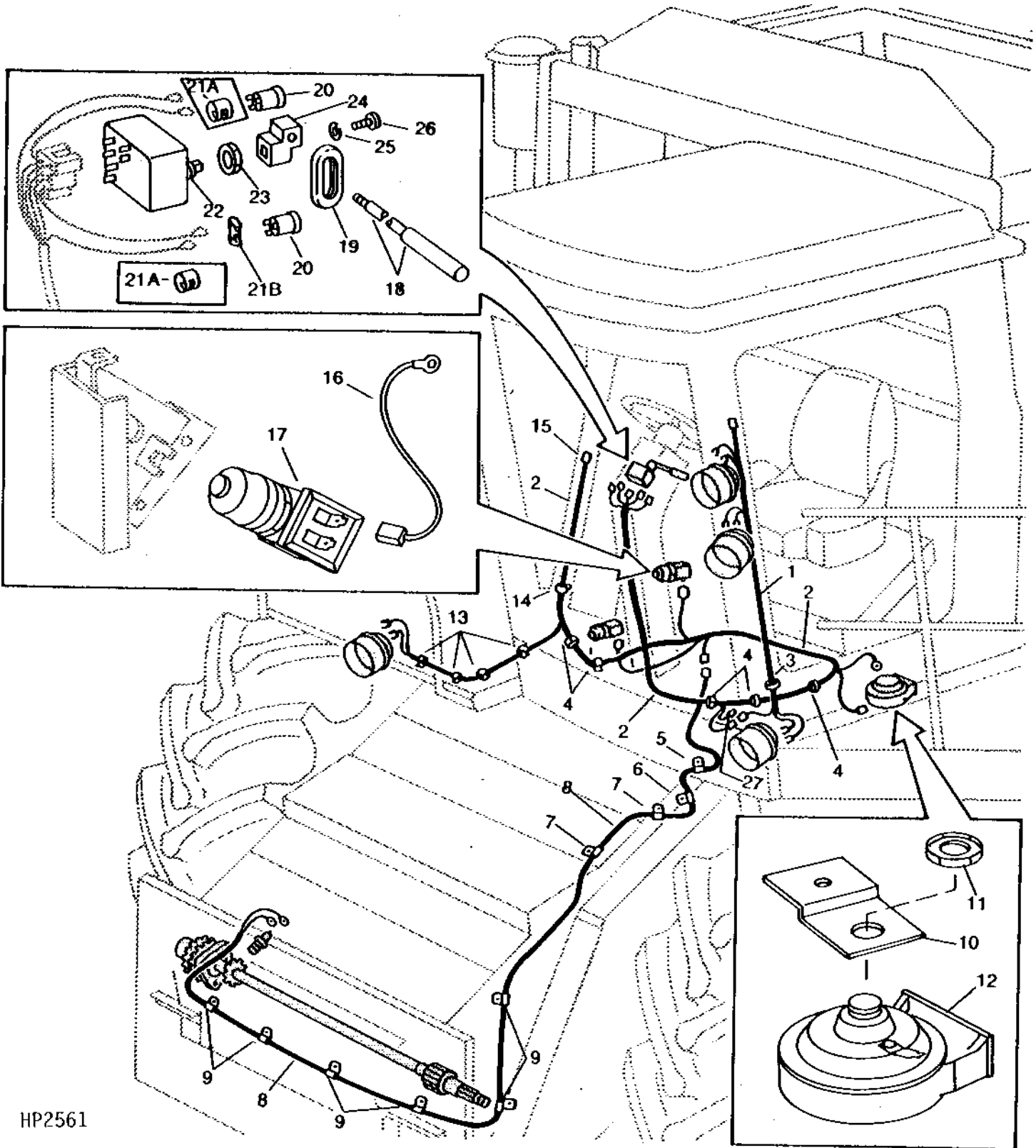
HP2427

KEY	PART NO.	PART NAME	QTY	SERIAL NO.	REMARKS
1	AH114933	WIRING HARNESS	1		
2	R70222	PIN CONTACT	1		(PKG. OF 20)
	AR91793	SOCKET CONTACT	1		(PKG. OF 20)
	R70214	RECEPTACLE	1		4 HOLES
	R70221	ELECTRICAL PLUG	1		CAVITY

## OPERATOR'S PLATFORM, L.H. LIGHTS, AND FEEDER HOUSE SPEED MONITORING HARNESSES, HORN, SIGNAL FLASHER, AND PARKING BRAKE SWITCH

HP2561

-UN-01JAN94



HP2561

**INSTRUMENT PANEL WIRING HARNESS AND LOW SHAFT SPEED MONITORING CONTROL BOX - CONTINUED**  
**(DIAL-A-MATIC HEADER HEIGHT CONTROL)**  
**(SERIAL NO. 507351- )**

KEY	PART NO.	PART NAME	QTY	SERIAL NO.	REMARKS
1	24H1281	WASHER	4		5/32" X 3/8" X 0.049"
2	21H1407	SCREW	4		0.138" X 1/2"
	12H314	LOCK WASHER	4		0.138"
	14H1026	NUT	4		0.138"
3	AH108481	WIRING HARNESS	1	-610500	(SUB AH118432)
	AH118432	WIRING HARNESS	1	-612740	(SUB AH122858)
	AH122858	WIRING HARNESS	1		
4	M66044	TIE BAND	3		
5	AH89557	CLIP	1		
	21H1403	SCREW	1	-558869	0.190" X 1/2", (SUB 21H1427, THIS APPLICATION)
	21H1427	SCREW	1		0.190" X 1/2"
	12H295	LOCK WASHER	1		0.190"
	14H631	NUT	1		0.190"
6	H118415	ELECTRICAL PLUG	1		4 HOLES
	R77469	TERMINAL	1		(PKG. OF 5)
7	H118420	SOCKET	1		8 HOLES
	R77468	TERMINAL	2		(PKG. OF 5)
8	AR83425	RECEPTACLE CONNECTOR BODY	1		LIGHT SWITCH
9	H102415	RETAINER	1		
10	H118419	SOCKET	1		6 HOLES
	R77468	TERMINAL	2		(PKG. OF 50)
11	H118418	ELECTRICAL PLUG	1		3 HOLES
	R77469	TERMINAL	1		(PKG. OF 5)
12	H118426	CONNECTOR	1		24 HOLES
	R77458	CONNECTOR	1		
	R77465	SOCKET CONTACT	1		(PKG. OF 50)
13	AH99671	CIRCUIT BOX	1	-610500	(REMANUFACTURED)
	TY6662	SENSOR	1	610501-621225	LOW SHAFT SPEED MONITOR (REMANUFACTURED)
	AH125886	SHAFT	1	621226-	LOW SHAFT SPEED MONITOR
14	24H1287	WASHER	1		9/32" X 5/8" X 0.065"
15	12H302	LOCK WASHER	1		1/4"
16	14H786	NUT	1		1/4", LIGHT SWITCH
17	AH99648	WIRING HARNESS	1		(LOW SHAFT SPEED MONITORING)
18	21H1407	SCREW	2		0.138" X 1/2"
	12H314	LOCK WASHER	2		0.138"
	14H1026	NUT	2		0.138"
19	H118432	CONNECTOR	1	-601565	(SUB H107004)
	H107004	CONNECTOR	1		16 HOLES
	R77459	CONNECTOR	1		
	R77464	PIN CONTACT	1		(PKG. OF 50)
20	AH108414	PRINTED CIRCUIT	1		
21	37H117	SCREW	2		NO. 10 X 1-1/4"
22	24H1281	WASHER	1		5/32" X 3/8" X 0.049"
23	R77456	RECEPTACLE	1		37 HOLES
	R77464	PIN CONTACT	1		(PKG. OF 50)
24	H118428	CONNECTOR	1		7 HOLES
	RE11156	TERMINAL	3		(PKG. OF 3)

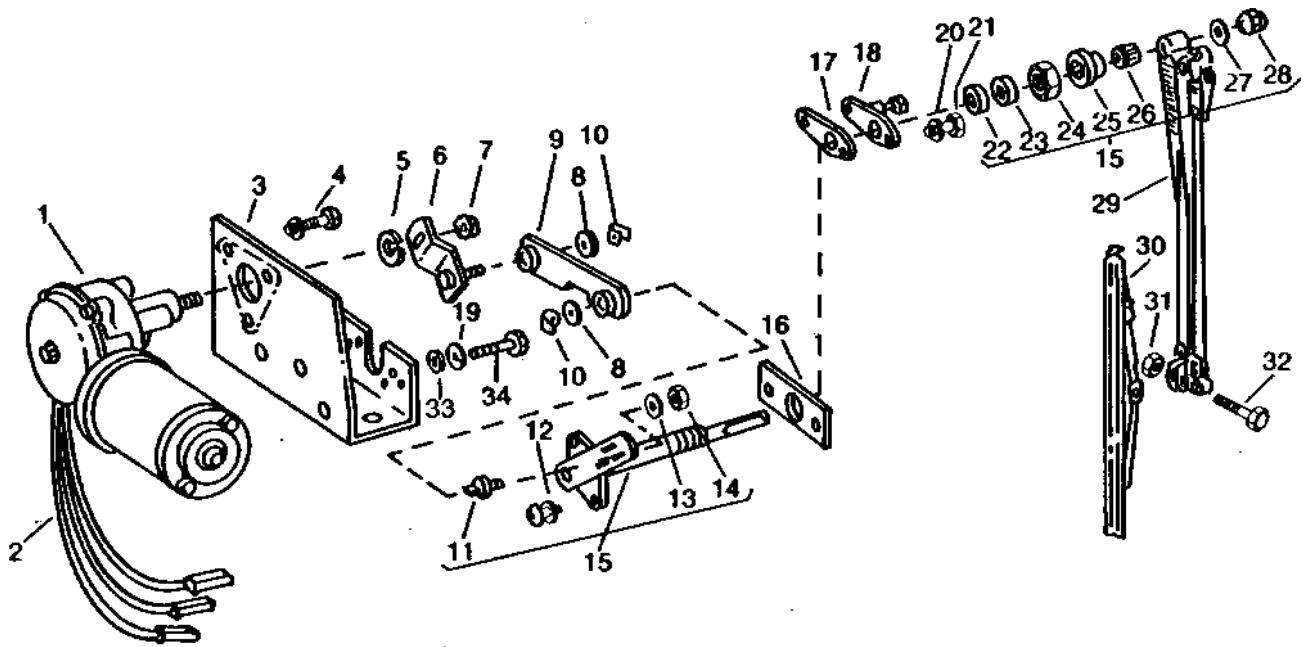
# 2D4

ELECTRICAL

HP4448

-UN-01JAN94

## WINDSHIELD WIPER AND MOTOR



HP4448

# 2D15

ELECTRICAL

**KIT, AM-FM RADIO, PUSH BUTTON, AND TAPE PLAYER-STEREOPHONIC SOUND SYSTEM - CONTINUED**  
**(USE WITH AR65636 AND AR74832)**  
**(SERIAL NO. -507350)**

KEY	PART NO.	PART NAME	QTY	SERIAL NO.	REMARKS
1	AR70590	KNOB	2		VOLUME AND TUNING (D-SHAFT)
2	R53385	KNOB	2		TONE CONTROL
3	R53386	NUT	2		
4	24H1227	WASHER	2		17/32" X 13/16" X 0.060"
5	R50499	SCREW	6		SELF-TAPPING
6	R34812	O-RING	6		
7	R53398	GRILLE	1		RADIO AND TAPE PLAYER
8	D2491R	SHIM	2		
9	AR69588	RADIO	1		
10	24H1287	WASHER	2		9/32" X 5/8" X 0.065"
11	14H786	NUT	2		1/4"
12	R53586	RETAINER	1		
13	.....	RELAY	1		TAPE PLAYER CONTROL
14	21H1176	SCREW	1		0.112" X 1/2"
15	14H1000	NUT	1		0.112"
16	19H1948	CAP SCREW	2		1/4" X 3/4"
17	24H1288	WASHER	2		9/32" X 1" X 1/16"
18	R53677	LOCK NUT	2		
19	R57892	BRACKET	1		
20	37H42	SCREW	1		NO. 10 X 3/8"
21	AR69589	WIRING HARNESS	1		
22	R52130	LOCK NUT	2		
23	AR60053	TAPE PLAYER	1		8-TRACK
<b>24</b>	<b>AR69586</b>	<b>KIT</b>	<b>1</b>	<b>-1990</b>	<b>(SUB AR85834)</b>
	AR85834	KIT	1		

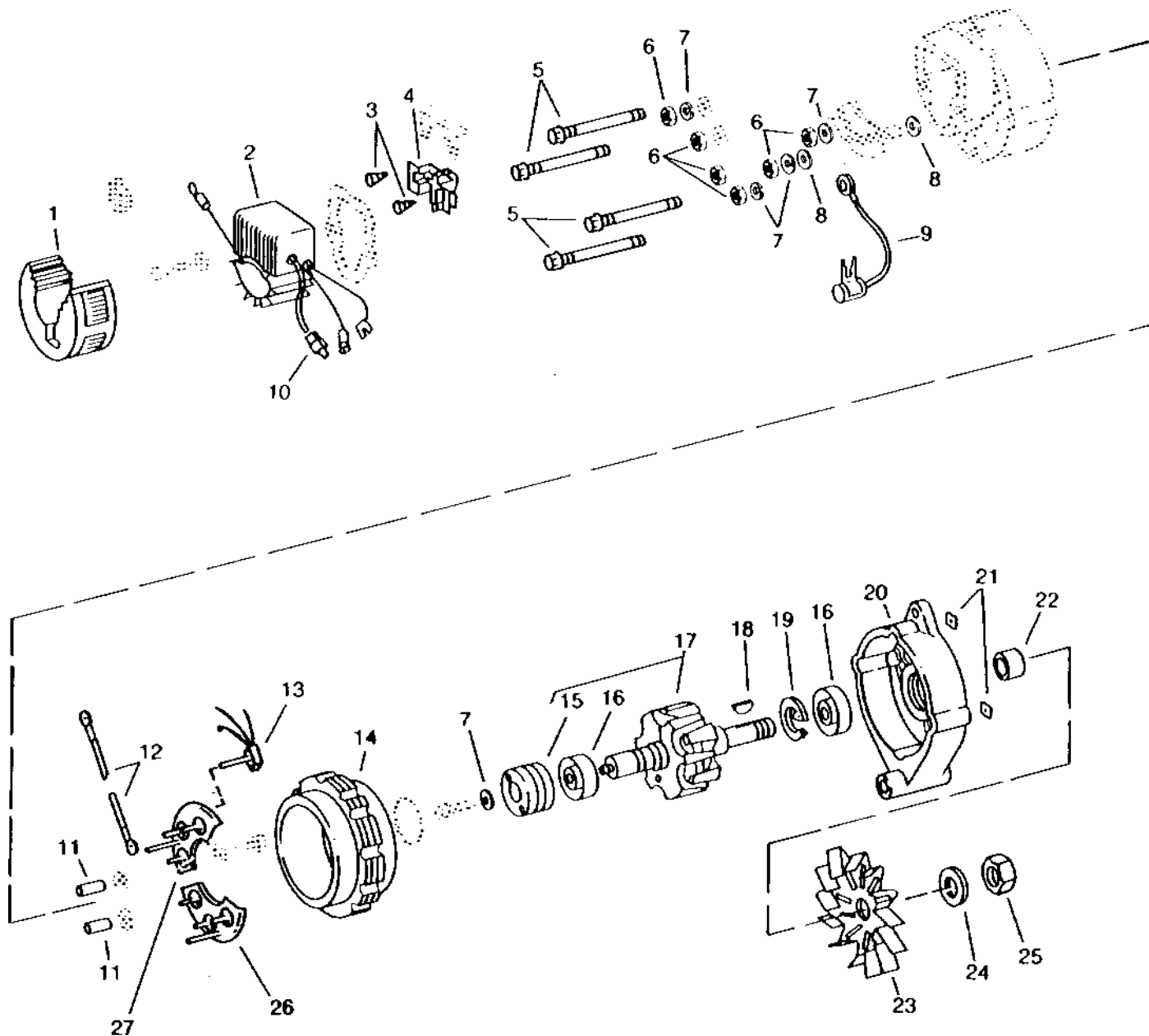
# 2E1

ELECTRICAL

## ALTERNATOR AND VOLTAGE REGULATOR (90 AMP) (SERIAL NO. 600001- )

HP3534

-UN-01JAN94



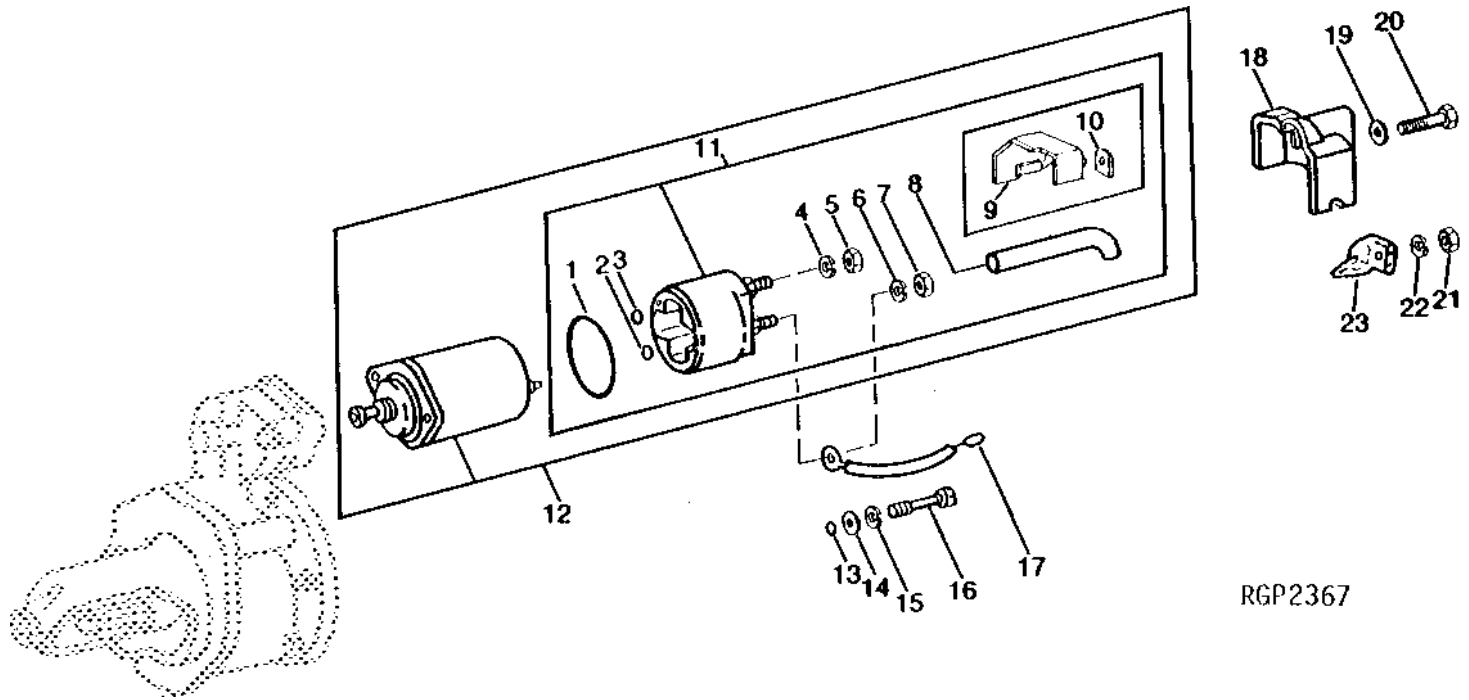
HP 3534

# 2E12

ELECTRICAL

## STARTER SOLENOID SWITCH (12 VOLT) (JOHN DEERE) (STARTING MOTOR DATE CODE 8S2761- )

RGP2367 -UN-01JAN94



KEY	PART NO.	PART NAME	QTY	ENGINE SERIAL NO.	REMARKS
1	R68224	GASKET	1		
2	R56792	WASHER	1		
3	R56793	SHIM	1		
4	12H303	LOCK WASHER	1	5/16"	
5	R51671	NUT	1		
6	12H246	LOCK WASHER	1	0.190"	
7	14H631	NUT	2	0.190"	
8	R68222	HOSE	1		
9	R68225	COVER	1		(A) (SUB RE39064)
10	R68223	PLATE	1		(A) (NO LONGER AVAILABLE)
11	AR90071	KIT	1		(A) (SUB RE13733)
	RE13733	SWITCH	1		(B) (NIPPONDENSO NO. 028099-3600)
12	AR90070	SWITCH	1		(A) (SUB RE13732)
	RE13732	SOLENOID	1		(B) (NIPPONDENSO NO. 028099-3610)
13	R50894	O-RING	2		
14	24H1305	WASHER	2	13/32" X 13/16" X 0.065"	
15	24H1283	WASHER	2	7/32" X 1/2" X 0.049"	
16	R51669	SCREW	2		
17	RE15058	WIRE	1		(SUB FOR AR55949)
18	R76139	COVER	1		(B) (SUB RE39064)
19	R51662	WASHER	1		
20	AR55946	SCREW	1		
21	14H732	NUT	2	3/8"	
22	R50899	LOCK WASHER	2		
23	R50910	CONNECTOR	1		

(A) USE WITH AR77254

(B) USE WITH RE13722 OR RE41875

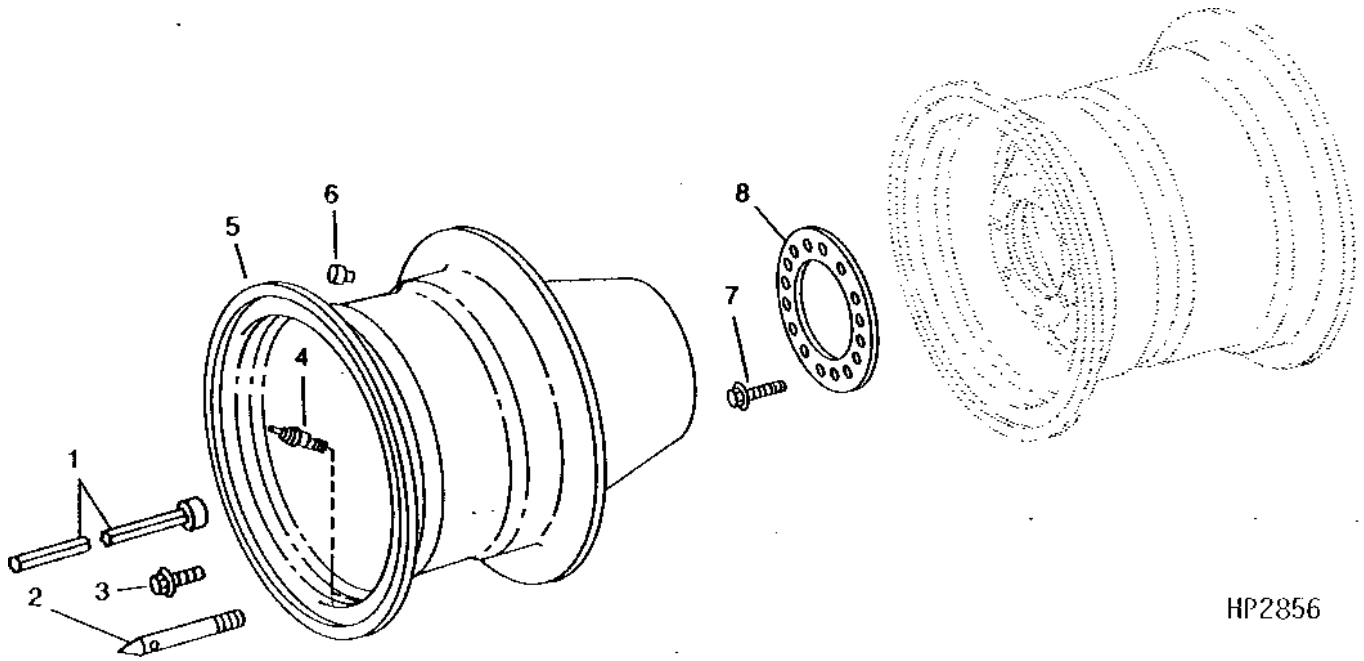
# 2F5

WHEELS, FRONT AXLE, SHIELDS, FENDERS, TRANSMISSION, FINAL DRIVES, CLUTCH, POSI-TORQ, TRACKS

DUAL DRIVE WHEELS (PLANETARY FINAL DRIVE)  
(SERIAL NO. -602385)

HP2856

-UN-01JAN94



KEY	PART NO.	PART NAME	QTY	SERIAL NO.	REMARKS
1	AH79765	SOCKET	1		
2	H118813	STUD	1	610501-	BOLT HOLE ALIGNER
3	H86160	SCREW	10		
4	AT25226	TIRE VALVE STEM	1		(USE WITH 18.4 X 38 TIRES)
5	AH94792	WHEEL	1		(USE WITH 18.4 X 38 TIRES)
6	AH86866	PLUG	1		
7	H97916	BOLT	10	-1990	(SUB H122986)
	H122986	CAP SCREW	10		
8	H95965	WHEEL RING	1		

NOTE: QUANTITIES SHOWN ARE FOR ONE UNIT. TWO UNITS USED PER MACHINE EXCEPT SOCKET AND STUD.

# 2F16

WHEELS, FRONT AXLE, SHIELDS, FENDERS, TRANSMISSION, FINAL DRIVES, CLUTCH, POSI-TORQ, TRACKS

## TRANSMISSION DRIVE MUD SHIELD - CONTINUED (EATON) (SERIAL NO. 556301- )

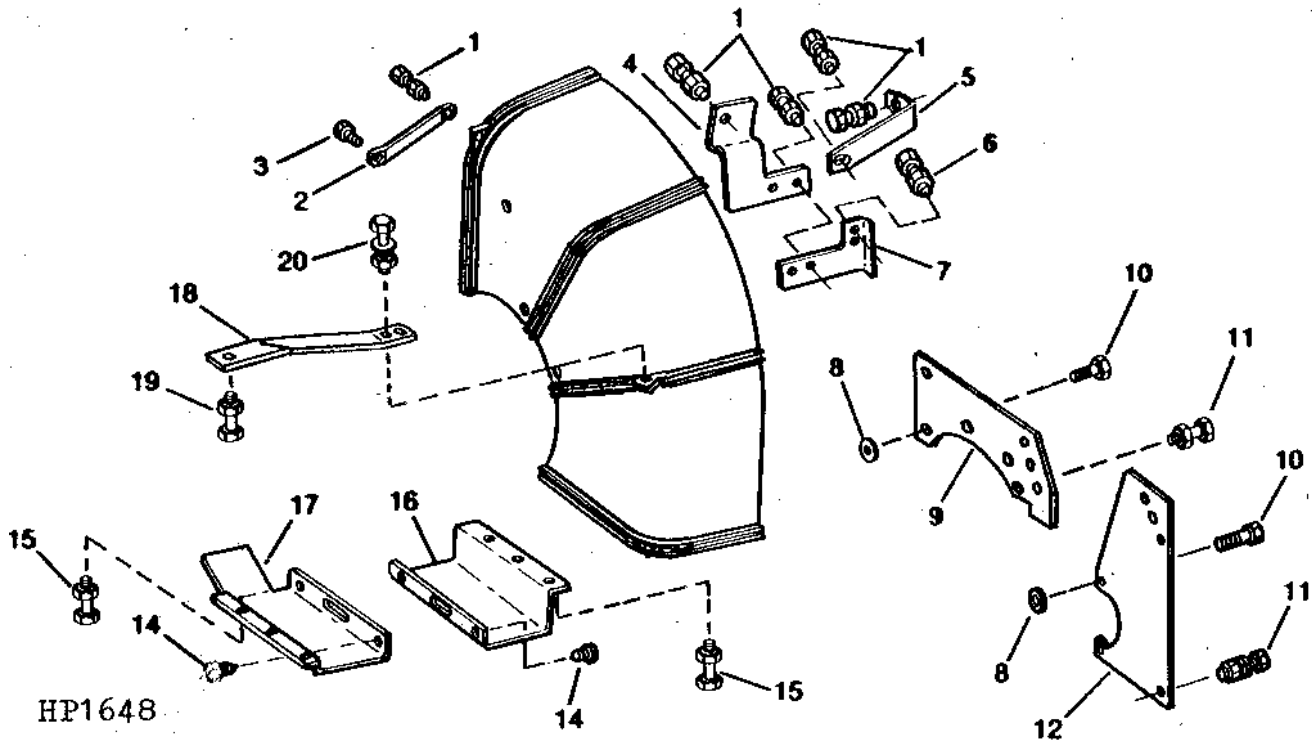
KEY	PART NO.	PART NAME	QTY	SERIAL NO.	REMARKS
1	H77932	SCREW	1		
2	H94621	BRACKET	1		
3	19H1944	CAP SCREW	2		3/8" X 2-3/4", (RASP-BAR CYLINDER)
	19H2128	CAP SCREW	2		3/8" X 3", (SPIKE-TOOTH CYLINDER)
	12H304	LOCK WASHER	2		3/8"
	14H812	NUT	2		3/8"
4	H77932	SCREW	3		SELF-LOCKING
5	AH100120	SHIELD	1		UPPER
6	19H1949	CAP SCREW	1		5/16" X 2-1/2"
	12H303	LOCK WASHER	1		5/16"
7	A3581R	SPRING LOCKING PIN	3		
8	H76989	PIN	2		
9	19H1813	CAP SCREW	1		5/16" X 5/8"
	12H303	LOCK WASHER	1		5/16"
10	H89981	BRACKET	1		
11	19H1944	CAP SCREW	2		3/8" X 2-3/4"
	12H304	LOCK WASHER	2		3/8"
	14H812	NUT	2		3/8"
12	AH100119	SHIELD	1		LOWER
13	19H2335	CAP SCREW	2		1/4" X 2-3/4"
	12H302	LOCK WASHER	2		1/4"
	14H786	NUT	2		1/4"
14	AH111371	BRACKET	1		
15	24H1287	WASHER	1		9/32" X 5/8" X 0.065"
16	24H1305	WASHER	2		13/32" X 13/16" X 0.065"
17	19H1731	CAP SCREW	1		3/8" X 1"
	12H304	LOCK WASHER	1		3/8"
	14H812	NUT	1		3/8"
18	H624DA	PIN	1		DRILLED
19	11H236	COTTER PIN	1		1/8" X 1"
20	19H1936	CAP SCREW	1		3/8" X 3/4"
	12H304	LOCK WASHER	1		3/8"
	14H812	NUT	1		3/8"
21	AH100118	SHIELD	1		FRONT
22	H89616	WING SCREW	1		

# 2G2

WHEELS, FRONT AXLE, SHIELDS, FENDERS, TRANSMISSION, FINAL DRIVES, CLUTCH, POSI-TORQ, TRACKS

## FENDERS (DUAL-RANGE CYLINDER DRIVE) (EXTRA HEAVY-DUTY FINAL DRIVE) (SERIAL NO. 556301- )

HP1648 -UN-01JAN94



KEY	PART NO.	PART NAME	QTY	SERIAL NO.	REMARKS
1	19H1731	CAP SCREW	8		3/8" X 1"
	12H304	LOCK WASHER	8		3/8"
	14H812	NUT	8		3/8"
2	H93222	BRACE	2	-1990	(NO LONGER AVAILABLE)
3	19H1815	CAP SCREW	1		1/2" X 1-1/4"
	12H301	LOCK WASHER	1		1/2"
	14H1040	NUT	1		1/2"
4	H93221	BRACE	1	-1990	(L.H.) (NO LONGER AVAILABLE)
5	H93223	BRACKET	1		(USE WITH 26" TIRES)
	H94091	BRACKET	1	-616392	(USE WITH 32" TIRES) (SUB H131869) (NO LONGER AVAILABLE)
	H131869	BRACKET	1	-1990	(USE WITH 32" TIRES) (NO LONGER AVAILABLE)
6	19H2128	CAP SCREW	2		3/8" X 3"
	12H304	LOCK WASHER	2		3/8"
	14H812	NUT	2		3/8"
7	H94621	BRACKET	1		
8	24H1788	WASHER	10		17/32" X 1-1/8" X 0.060"
9	H111067	SUPPORT	2	-1990	(UPPER) (NO LONGER AVAILABLE)
10	19H1930	CAP SCREW	10		1/2" X 2-1/2"
11	19H1815	CAP SCREW	8		1/2" X 1-1/4"
	12H301	LOCK WASHER	8		1/2"
	14H1040	NUT	8		1/2"
12	H111066	SUPPORT	2	-1990	(LOWER) (NO LONGER AVAILABLE)
13	AH109210	FENDER	1	-1990	(R.H.) (NO LONGER AVAILABLE)
	AH101630	FENDER	1	-616392	(L.H.) (SUB AH127368) (NO LONGER AVAILABLE)
	AH127368	FENDER	1	-1990	(L.H.) (NO LONGER AVAILABLE)
14	H76139	SCREW	6		
15	19H1905	CAP SCREW	6		5/16" X 1"
	12H303	LOCK WASHER	6		5/16"
	14H785	NUT	6		5/16"
16	H93220	SHIELD	1		(R.H.)
17	H93226	SHIELD	1	-1990	(L.H.) (NO LONGER AVAILABLE)
18	H111074	STRAP	1	-1990	(R.H.) (NO LONGER AVAILABLE)
19	19H1925	CAP SCREW	1		3/8" X 4-1/4"
	N10215	LOCK NUT	1		
20	19H1732	CAP SCREW	1		
	N10215	LOCK NUT	1		

# 2G13

WHEELS, FRONT AXLE, SHIELDS, FENDERS, TRANSMISSION, FINAL DRIVES, CLUTCH, POSI-TORQ, TRACKS

## DIFFERENTIAL GEARS AND SHAFTS - CONTINUED (SERIAL NO. 600001- )

KEY	PART NO.	PART NAME	QTY	SERIAL NO.	REMARKS
1	AH86848	SEAL	2	-630800	
	AH128391	SEAL	2		
2	H132117	WEAR RING	4	620301-	(USE WITH H132115 AND H132116)
3	JD9936	NEEDLE BEARING	2		
4	H85871	SHAFT	2		
5	19H2699	CAP SCREW	2		7/16" X 2-1/4"
	12H293	LOCK WASHER	2		7/16"
6	H85886	CRADLE	1	-620791	L.H. (SUB H132116 AND (2) H132117)
	H132116	CRADLE	1		L.H. (USE WITH (2) H132117)
7	P48403	O-RING	1		
8	JD8147	BEARING CONE	2		
9	JD7425	BEARING CUP	2		
10	T21242	WASHER	10		
11	19H3109	CAP SCREW	5		1/2" X 2-7/8"
12	19H2510	CAP SCREW	11		1/2" X 1-5/8"
13	H85885	CRADLE	1	-620791	R.H. (SUB H132115 AND (2) H132117)
	H132115	CRADLE	1		R.H. (USE WITH (2) H132117)
14	R27796	O-RING	1		
15	H84652	SHIM	AR		.076 MM (0.003")
	H84653	SHIM	AR		.127 MM (0.005")
	H84654	SHIM	AR		.254 MM (0.010")
	H84655	SHIM	AR		.508 MM (0.020")
16	H114341	HOUSING	1		
17	H97751	RING GEAR	1		
	H97753	RING GEAR	1		(PLANETARY FINAL DRIVE)
18	19H3299	CAP SCREW	10		1/2" X 1-1/4"
19	AH112069	GEAR	1	-626195	(SUB H114341, H97751 AND/OR 19H3299)
	AH112260	GEAR	1	-626195	(PLANETARY FINAL DRIVE) (SUB H114341, H97753 AND/OR 19H3299)
20	H114342	THRUST WASHER	2		
21	R74895	THRUST WASHER	4	-600000	(SUB (2) R70112 AND (2) R70113)
	R70112	THRUST WASHER	2		
22	R71813	PINION	2	-615200	
	R80880	PINION	2	615201-	
23	R70114	SNAP RING	2		
24	R70115	NEEDLE ROLLER	52		
25	H92184	WASHER	2		
26	H92308	GEAR	2		
27	H113134	PIN	1		
28	34H356	SPRING PIN	1		3/8" X 2-1/4"
29	R70113	THRUST WASHER	2		
30	AH115259	DIFFERENTIAL	1		

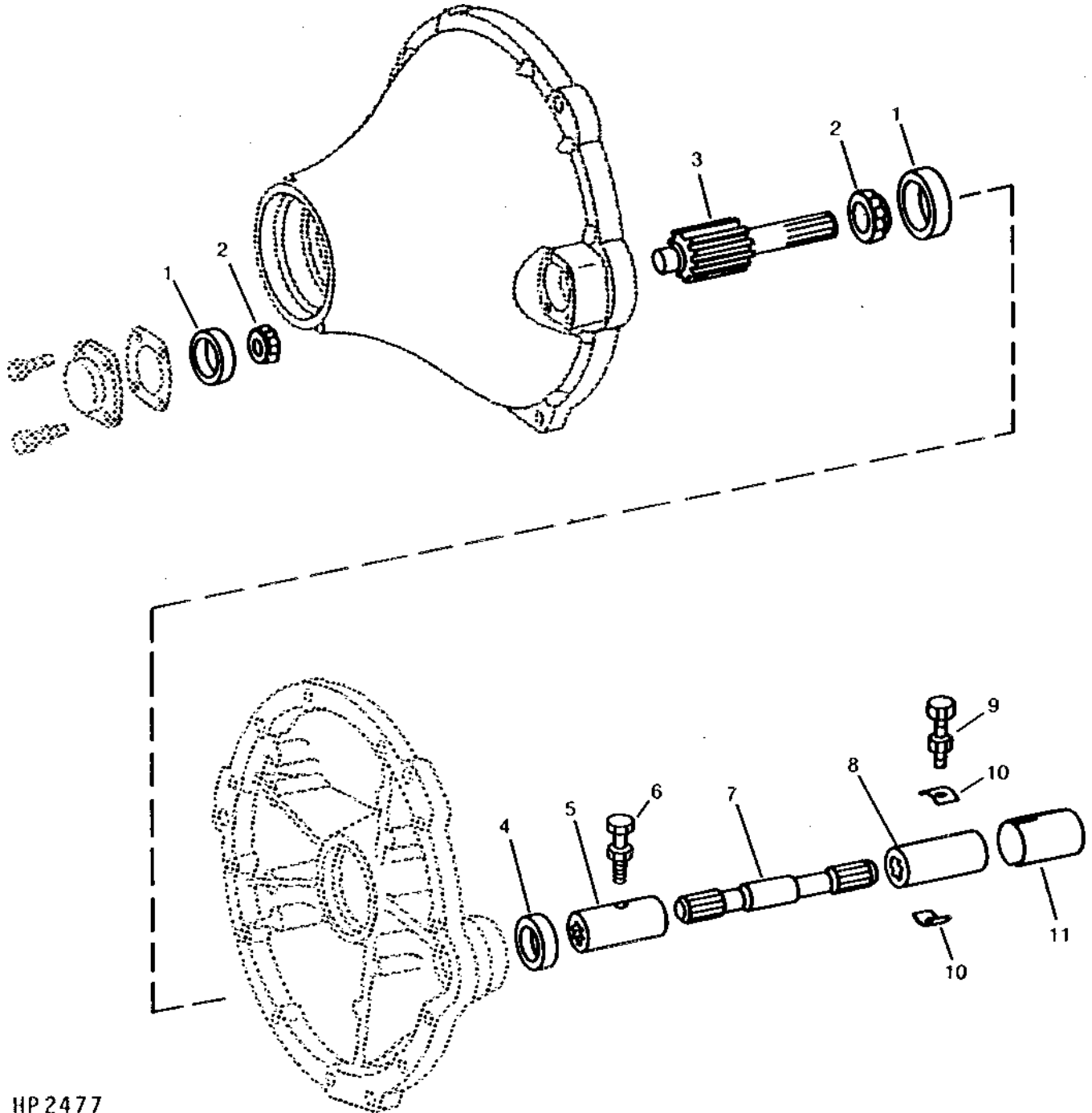
# 2G23

WHEELS, FRONT AXLE, SHIELDS, FENDERS, TRANSMISSION, FINAL DRIVES, CLUTCH, POSI-TORQ, TRACKS

## FINAL DRIVE PINION, DRIVE SHAFTS, AND BEARINGS

HP2477

-UN-01JAN94



HP 2477

# 2H9

WHEELS, FRONT AXLE, SHIELDS, FENDERS, TRANSMISSION, FINAL DRIVES, CLUTCH, POSI-TORQ, TRACKS

## CLUTCH MASTER CYLINDER - CONTINUED

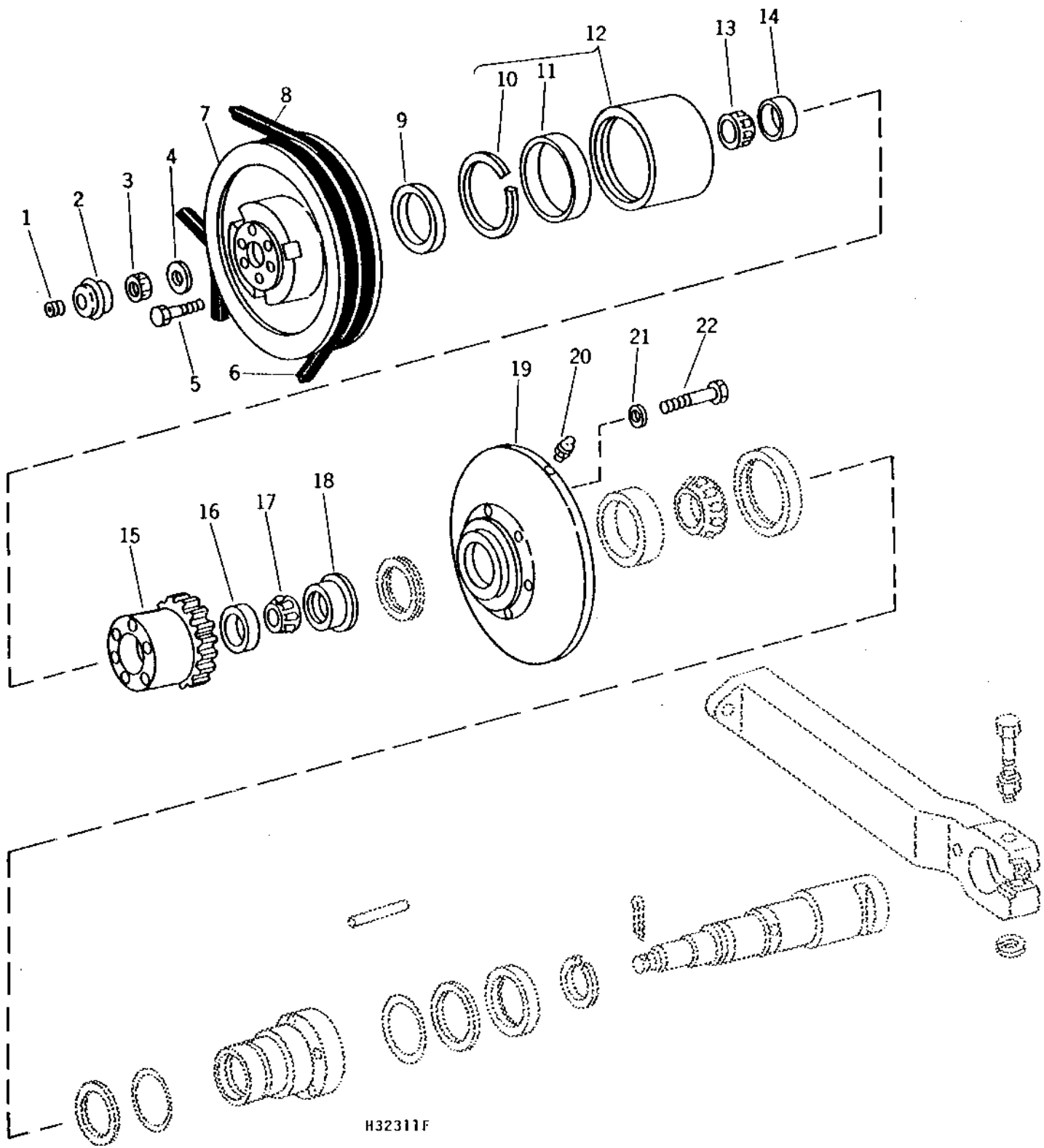
KEY	PART NO.	PART NAME	QTY	SERIAL NO.	REMARKS
1	14H774	NUT	2		
2	H97063	SWIVEL	1		
3	T40187	SNAP RING	1		
4	H80721	STUD	1		
5	H78402	BOOT	1		
6	H80722	BRACKET	1		
7	19H1731	CAP SCREW	2		3/8" X 1"
	12H304	LOCK WASHER	2		3/8"
	14H812	NUT	2		3/8"
8	H81313	SNAP RING	1		
9	.....	SEAL	1	-1990	
10	AH79748	PISTON	1	-1990	
11	AH79749	SEAL	1	-1990	
12	AH79750	SPRING	1	-1990	
13	H81316	WIRE	1	-1990	
14	H81314	COVER	1	-1990	
15	H81315	SEAL	1	-1990	
16	.....	HOUSING	1		
17	H81312	INSERT	1		
18	19H1732	CAP SCREW	2		3/8" X 1-1/4"
	12H304	LOCK WASHER	2		3/8"
	14H812	NUT	2		3/8"
19	H81317	BLEED SCREW	1		
20	AH138613	KIT	1		
21	AH138617	KIT	1		
22	AH76727	CYLINDER	1		(LESS BRACKET AND ATTACHING HARDWARE)

# 2H19

WHEELS, FRONT AXLE, SHIELDS, FENDERS, TRANSMISSION, FINAL DRIVES, CLUTCH, POSI-TORQ, TRACKS

## PROPULSION-DRIVE COUNTERSHAFT SHEAVE (POSI-TORQ DRIVE)

H32311F -UN-01JAN94



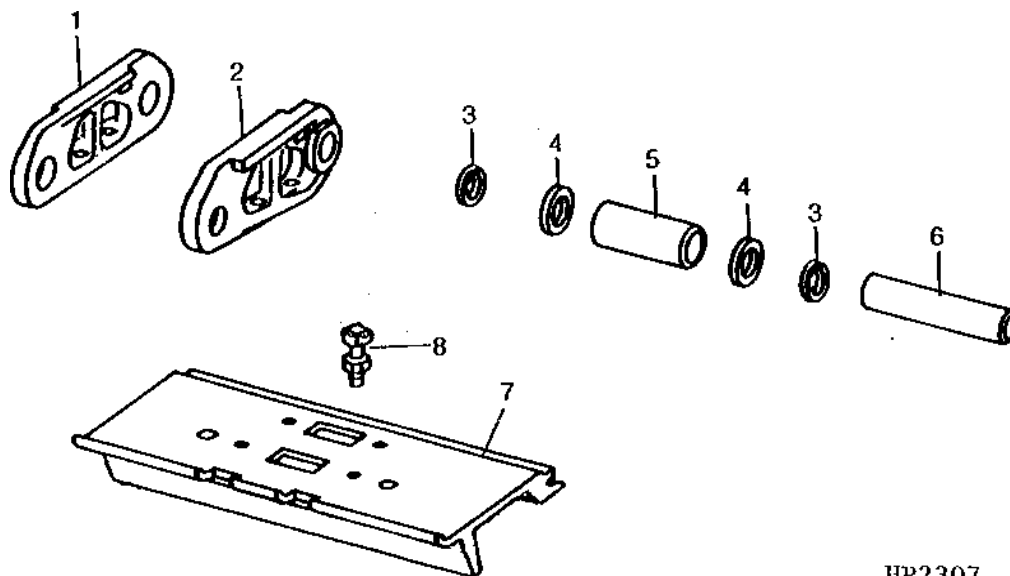
# 213

WHEELS, FRONT AXLE, SHIELDS, FENDERS, TRANSMISSION, FINAL DRIVES, CLUTCH, POSI-TORQ, TRACKS

## CRAWLER TRACKS AND SHOES (6-ROLLER) (SERIAL NO. 602076- )

HP2307

-UN-01JAN94



HP2307

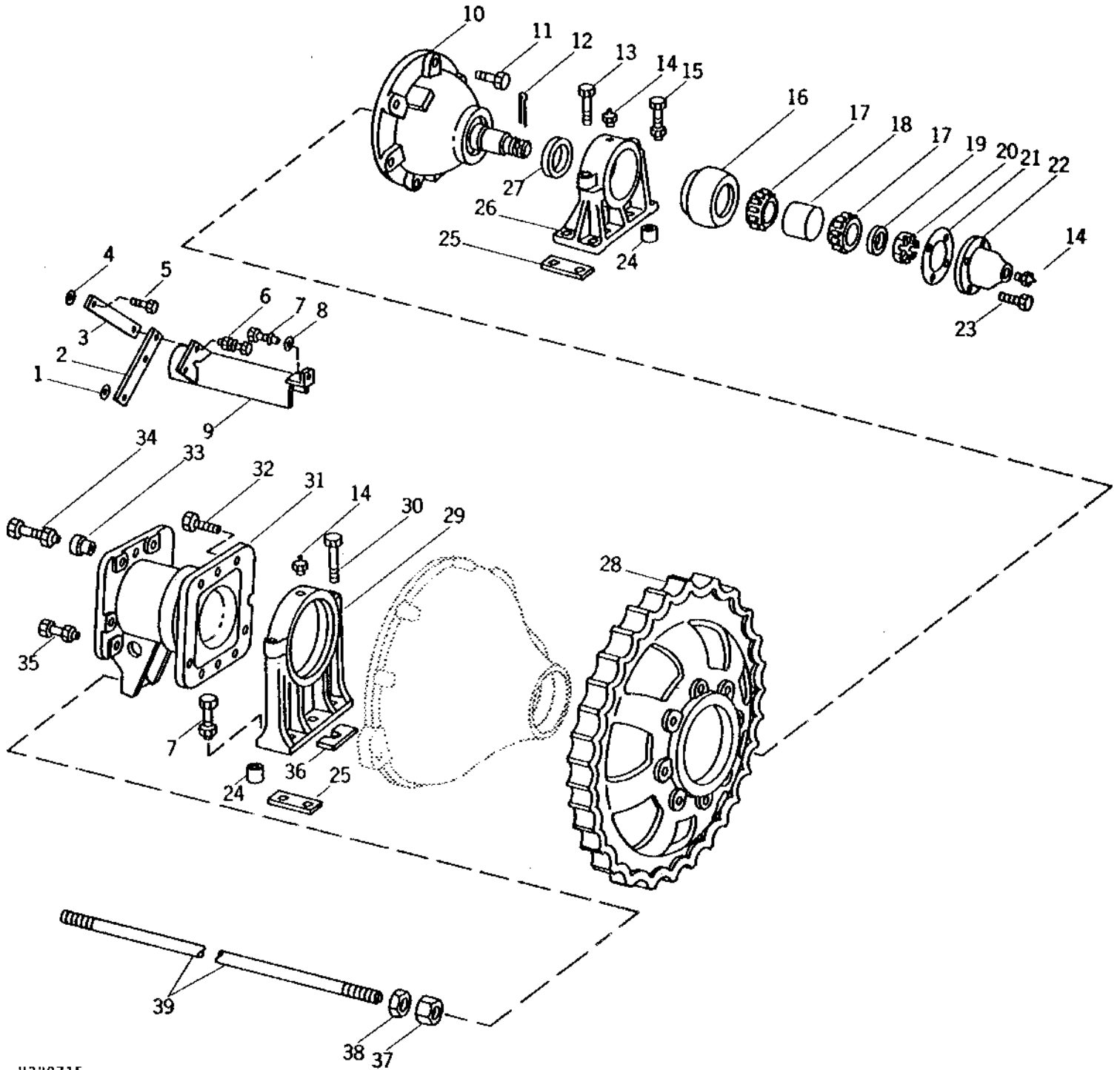
KEY	PART NO.	PART NAME	QTY	SERIAL NO.	REMARKS
1	T74181	TRACK LINK	37		R.H.
2	T74179	TRACK LINK	37		L.H.
3	T74180	WASHER	8	-615979	
	T105117	SPRING WASHER	8		
4	T74186	SPACER	2	-615979	
	T105131	WASHER	2		
5	T74177	MASTER TRACK BUSHING	1		
6	T74185	MASTER TRACK PIN	1		
7	T76929	TRIPLE BAR SHOE	38		(LOW LUG)
	H78597	SHOE	38		(HIGH LUG)
8	T74183	BOLT	AR		
	T74184	NUT	AR		SQUARE
..	AT75418	ADJUSTER	1	-630800	COMPLETE (LOW LUG) (NO LONGER AVAILABLE)

# 2112

WHEELS, FRONT AXLE, SHIELDS, FENDERS, TRANSMISSION, FINAL DRIVES, CLUTCH, POSI-TORQ, TRACKS

CRAWLER DRIVE SHIELD, SPROCKET, AND BEARINGS  
(LEFT-HAND ILLUSTRATED) (4 ROLLER AND 5 ROLLER TRACKS)  
(SERIAL NO. -602075)

H32071F -UN-01JAN94



H32071F

# 3B17

HYDROSTATIC AND 4-WHEEL DRIVE SYSTEMS

**HYDRAULIC BELT TENSIONING SYSTEM - CONTINUED**  
**(HYDROSTATIC DRIVE)**  
**(EATON) (SERIAL NO. 556301- )**  
**(SUNDSTRAND) (SERIAL NO. 610501- )**

KEY	PART NO.	PART NAME	QTY	SERIAL NO.	REMARKS
1	AH110998	HYDRAULIC HOSE	1	-1990	6MM X 838 MM (1/4" I.D. X 33") LONG, (SUB AT44768)
	AT44768	HYDRAULIC HOSE - FABRICATE	1		6 MM X 838 MM (1/4" I.D. X 33") LONG
2	AH105916	FITTING	1		90°
3	R26448	O-RING	4		
4	11H216	COTTER PIN	1		3/16" X 1"
5	T11439	PIN	1		
6	AH96133	CYLINDER	1		
7	.....	RING	1		(KIT AH96134)
8	H97357	ROD	1		PISTON
9	.....	SEAL	1		(KIT AH96134)
10	A16330	SEAL	1		(KIT AH96134)
11	AH96132	HYDRAULIC CYLINDER	1		
12	11H236	COTTER PIN	1		1/8" X 1"
13	H98765	PIN	1		
14	R28782	O-RING	3		
15	AH99398	ELBOW FITTING	2		45°
16	AH111269	HYDRAULIC HOSE	1		6 MM X 965 MM (1/4" X 38") LONG
17	AH99745	HYDRAULIC HOSE	1		6 MM X 673 MM (1/4" I.D. X 26") LONG
18	AH75160	ELBOW FITTING	2		90°
19	.....	ADAPTER	2		
20	R26906	O-RING	2		
21	R51031	FITTING	1		
22	E51019	BALL	1		
23	AH91325	CHECK VALVE	1		
24	19H1996	CAP SCREW	2		1/4" X 2"
	12H302	LOCK WASHER	2		1/4"
	14H786	NUT	2		1/4"
25	R27212	FITTING	1		
26	H113545	BRACKET	1		
..	AH96134	SEAL KIT	1		

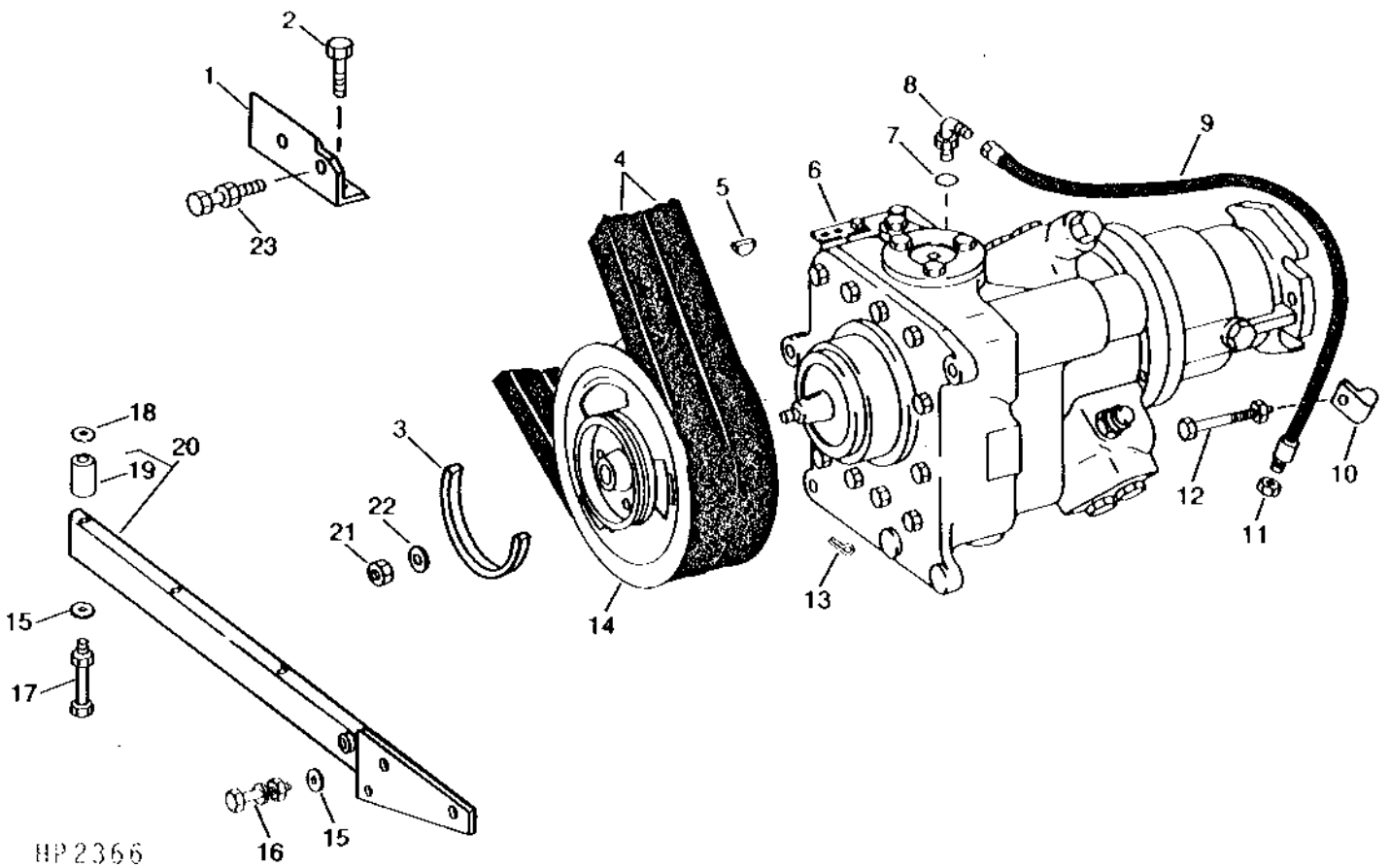
# 3C3

HYDROSTATIC AND 4-WHEEL DRIVE SYSTEMS

## HYDROSTATIC DRIVE UNIT, SUPPORTS, AND SHEAVES (EXCEPT PLANETARY FINAL DRIVE) (SUNDSTRAND AND EATON) (SERIAL NO. 610501- )

HP2366

-UN-01JAN94



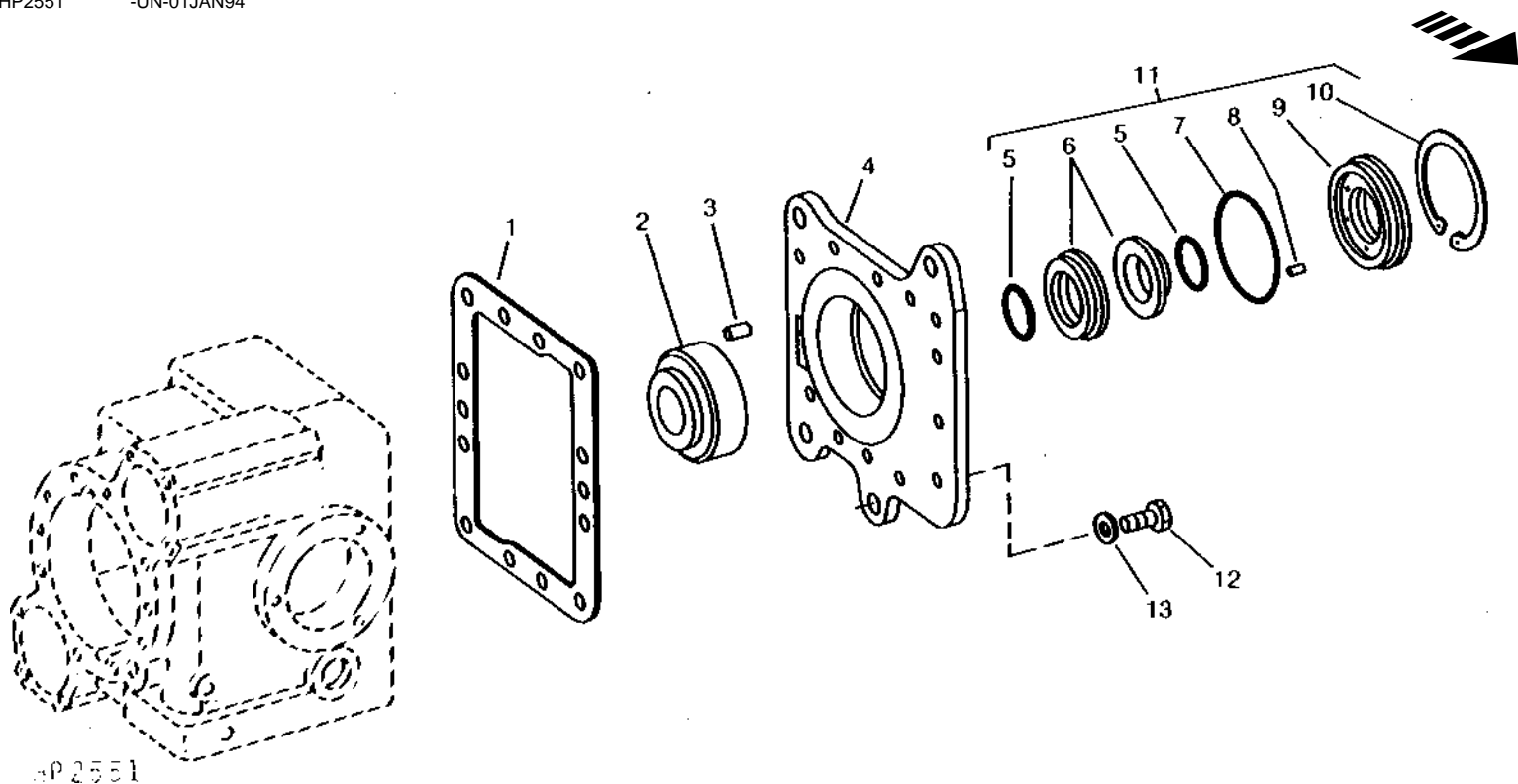
# 3C14

HYDROSTATIC AND 4-WHEEL DRIVE SYSTEMS

## HYDROSTATIC DRIVE PUMP FRONT COVER, BEARING, AND SEAL ASSEMBLIES

(SUNDSTRAND) (SERIAL NO. -556300)  
 (SUNDSTRAND) (SERIAL NO. 610501- )

HP2551 -UN-01JAN94



KEY	PART NO.	PART NAME	QTY	SERIAL NO.	REMARKS
1	H81616	GASKET	1		(KIT AH96662)
2	AH65355	BEARING KIT	1		FRONT, SPECIAL TOLERANCE
3	H63245	PIN	2		
4	H81615	COVER	1	-556300	(SUB H122389)
	H122389	COVER	1		FRONT
5	H64811	O-RING	2		
6	.....	SEAL	1		
7	H64810	O-RING	1		
8	H63243	SPRING	8		
9	AH65353	RETAINER	1	-556300	(SUB AH118956)
	AH118956	SEAL	1		
10	H64809	SNAP RING	1		
11	AH65354	SEAL KIT	1	-556300	(CONSISTS OF (8) H63243, H64810 AND (2) H64811) (SUB AH118956)
	AH118956	SEAL	1	-625835	(SUB AT60280)
	AT60280	KIT	1		SHAFT SEAL REPAIR
12	19H1821	CAP SCREW	12		7/16" X 1-1/4"
13	24H1323	WASHER	12		15/32" X 13/16" X 0.090"
..	AH96662	KIT	1		SEAL AND O-RING REPAIR

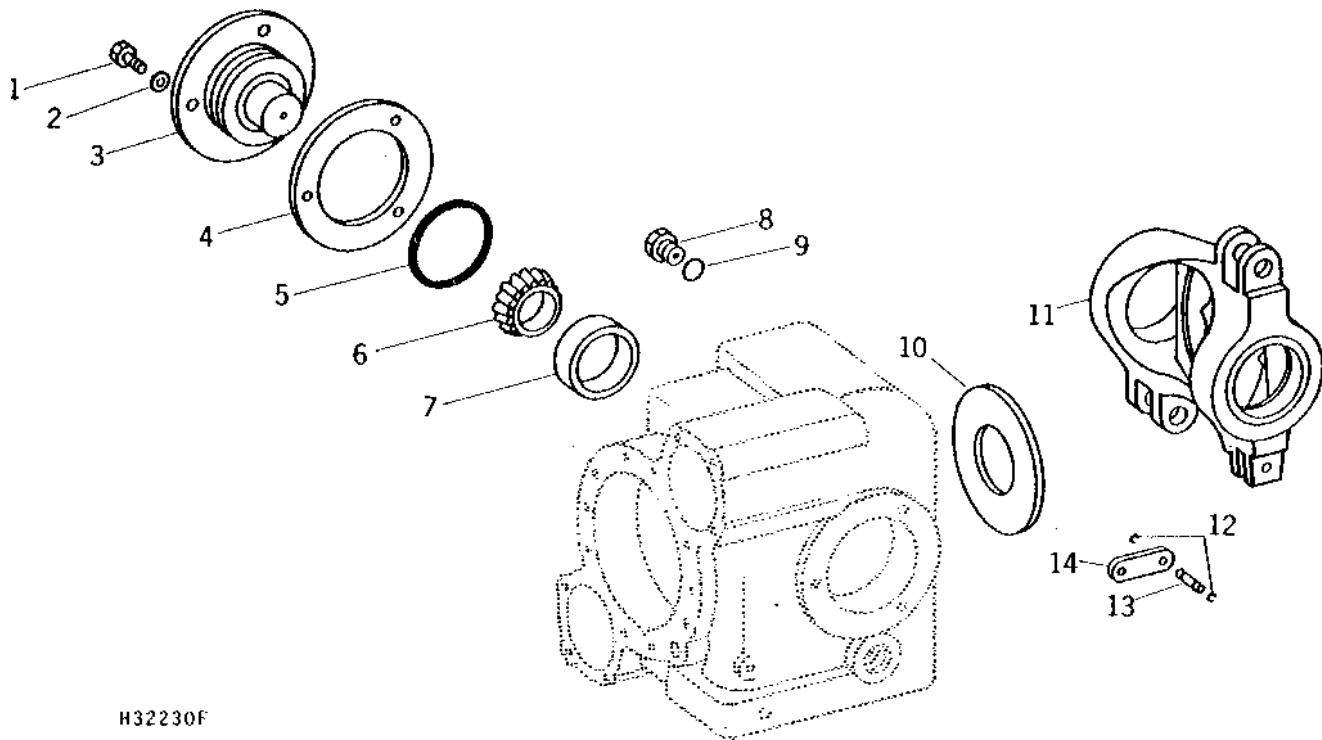
NOTE: PARTS ON THIS PAGE ARE ALSO FURNISHED AS PART OF AH107887 HYDROSTATIC DRIVE UNIT.

# 3C24

HYDROSTATIC AND 4-WHEEL DRIVE SYSTEMS

## HYDROSTATIC DRIVE PUMP SWASHPLATE, BEARINGS, AND TRUNNIONS (SUNDSTRAND) (SERIAL NO. -556300)

H32230F -UN-01JAN94



H32230F

KEY	PART NO.	PART NAME	QTY	SERIAL NO.	REMARKS
1	19H1822	CAP SCREW	6	7/16" X 1"	
2	24H1323	WASHER	6	15/32" X 13/16" X 0.090"	
3	H81617	TRUNNION	2	(SUB AH107887)	
4	AH80065	SHIM	1		
5	U12331	O-RING	2	(KIT AH96662)	
6	JD7395	BEARING CONE	2		
7	JD7445	BEARING CUP	2		
8	R27474	DRAIN PLUG	1		
9	R26906	O-RING	1		
10	H81612	WASHER	1		
11	H81613	PLATE	1		
12	R27507	SNAP RING	2	-626195	(SUB R72654)
	R72654	SNAP RING	2		
13	H63249	SPRING PIN	1		
14	H97281	LINK	1		
..	AH96662	KIT	1		SEAL AND O-RING REPAIR

NOTE: PARTS ON THIS PAGE ARE ALSO FURNISHED AS PART OF AH107887 HYDROSTATIC DRIVE UNIT.

# 3D10

HYDROSTATIC AND 4-WHEEL DRIVE SYSTEMS

HYDROSTATIC DRIVE DISPLACEMENT CONTROL VALVE - CONTINUED  
(SUNDSTRAND) (SERIAL NO. 620468- )

KEY	PART NO.	PART NAME	QTY	SERIAL NO.	REMARKS
1	34H251	SPRING PIN	1		
2	.....	ACTUATOR	1		
3	.....	SPRING	1		
4	.....	SLEEVE	1		
5	.....	SNAP RING	1		
6	.....	STOP	1		
7	.....	LINK	1		
8	.....	SNAP RING	1		
9	H137455	SHAFT	1		
10	T77613	O-RING	1		
11	H137456	SPACER	1		
12	R31674	O-RING	1		
13	H137457	SEAL	1		
14	M45379	O-RING	1		
15	AT63271	FITTING	1		
16	R28782	O-RING	2		
17	R51031	FITTING	1		(WITH O-RING) (STARTING SUNDSTRAND SERIAL NO. 11-83-48-XXXXX)
18	H63228	LOCK NUT	1		
19	U15980	O-RING	1		
20	H63227	HOUSING	1		
21	.....	SPOOL	1		
22	H63225	WASHER	1		
	H121234	RETAINER	1		
23	H63229	WASHER	1	-1990	(NO LONGER AVAILABLE)
24	H63226	SPRING	1		
25	T61554	SNAP RING	1		(STARTING SUNDSTRAND SERIAL NO. 11-83-48-XXXXX)
26	R28776	O-RING	1		
27	H63223	SCREW	1		
28	14H904	NUT	1		
29	H81629	CAP	1		
30	.....	LINK	1		
31	.....	LINK	1		
32	.....	HOUSING	1		
33	AH132127	CONTROL	1		(STARTING SUNDSTRAND SERIAL NO. 11-83-48-XXXXX)

NOTE: PARTS ON THIS PAGE ARE ALSO FURNISHED AS PART OF AH119037 HYDROSTATIC DRIVE UNIT.

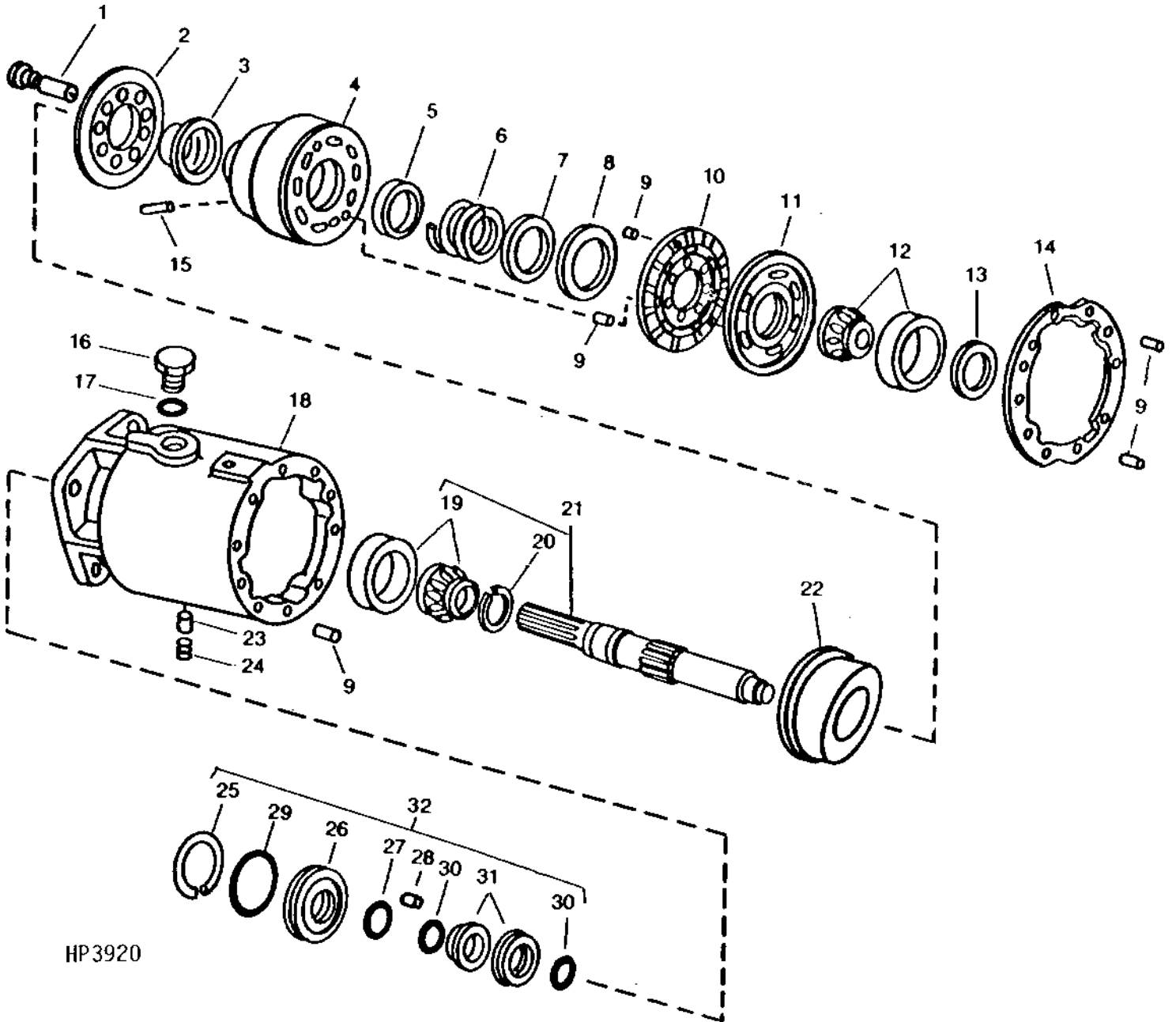
# 3D20

HYDROSTATIC AND 4-WHEEL DRIVE SYSTEMS

HYDROSTATIC DRIVE MOTOR (EATON)  
(SERIAL NO. 556301- )

HP3920

-UN-01JAN94



HP3920

# 3E5

HYDROSTATIC AND 4-WHEEL DRIVE SYSTEMS

HYDROSTATIC DRIVE LOWER OIL LINES AND HOSES (SUNDSTRAND) - CONTINUED  
(SERIAL NO. -556300)

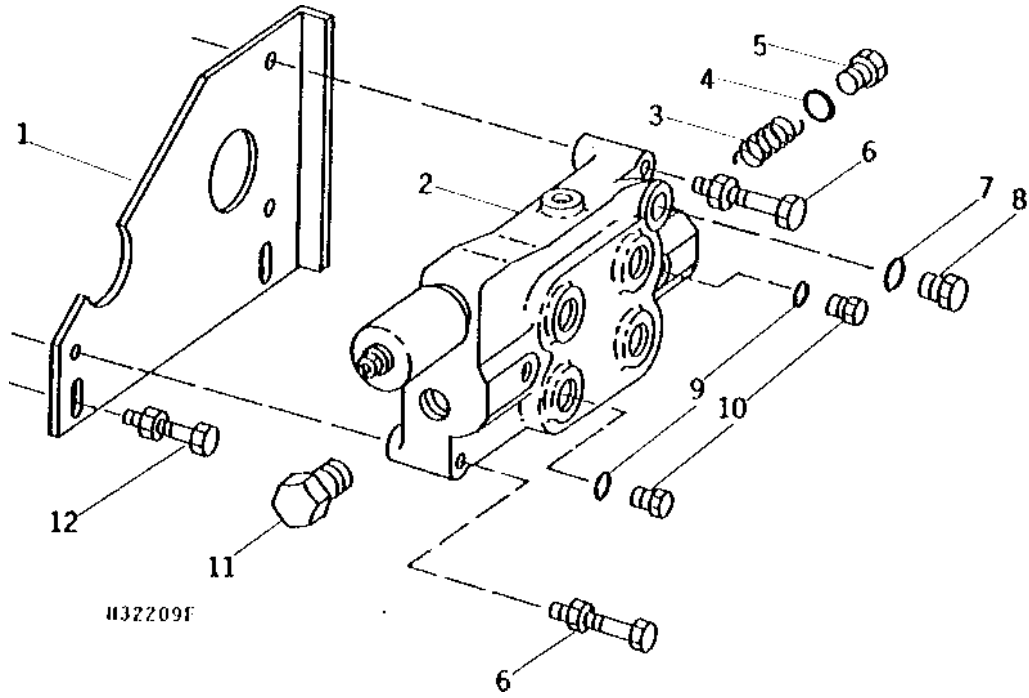
KEY	PART NO.	PART NAME	QTY	SERIAL NO.	REMARKS
1	AH96966	HYDRAULIC HOSE	1		16 MM X 711 MM (5/8" I.D. X 28") LONG
2	H84515	BRACKET	1	-1990	(NO LONGER AVAILABLE)
3	AH96952	LINE	1		RETURN, COOLER
4	AR21839	CLAMP	1	-360350	(SUB AH103497, THIS APPLICATION)
	AH103497	CLAMP	2	-409550	(SUB AH105968)
	AH105968	HOSE CLAMP	2		
5	AH95488	FITTING	1		
6	R29936	O-RING	2		
7	AR26723	ELBOW FITTING	1	-616392	90°, (SUB AT32331)
	AT32331	ELBOW FITTING	1		90°
8	U12547	O-RING	2		
9	AH96997	CHECK VALVE	1		
10	R26906	O-RING	3		
11	24H1136	WASHER	2		11/32" X 11/16" X 0.065"
12	AH77714	CLIP	1		
13	19H1900	CAP SCREW	1		5/16" X 3/4"
	12H303	LOCK WASHER	1		5/16"
	14H785	NUT	1		5/16"
14	H76139	SCREW	2		SELF-TAPPING
15	H99881	HYDRAULIC HOSE	1		SUCTION
16	24H1293	WASHER	2		11/32" X 1-1/16" X 0.120"
17	AH97654	LINE	1		RETURN PUMP
18	AH77724	CLIP	2		CUSHIONED
19	H96794	BRACKET	1	-1990	(NO LONGER AVAILABLE)
20	H80240	HOSE FITTING	1		STRAIGHT
21	AH78236	HYDRAULIC HOSE	1		13 MM X 1320 MM (1/2" I.D. X 52") LONG
22	AH77924	CLIP	1		CUSHIONED
23	R28782	O-RING	1		
24	AM30686	FITTING	1		(SUB T39220 AND R28782)
	T39220	FITTING	1	-615858	(SUB H63599)
	H63599	UNION FITTING	1		
25	R31147	FITTING	1	-360350	(SUB H102543, THIS APPLICATION) (NO LONGER AVAILABLE)
	H102543	FITTING	1	-1990	37° FLARE (NO LONGER AVAILABLE)
26	AH76990	ELBOW FITTING	1		90°
27	AR26828	ELBOW FITTING	1		45°
28	AH138689	KIT	1		

# 3E16

HYDROSTATIC AND 4-WHEEL DRIVE SYSTEMS

## CONTROL VALVE (4-WHEEL DRIVE-PLANETARY GEARING)

H32209F -UN-01JAN94



KEY	PART NO.	PART NAME	QTY	SERIAL NO.	REMARKS
1	H100201	PLATE	1		
2	AH103631	VALVE	1		CONTROL W/SOLENOID
3	R45182	SPRING	1		
4	R31674	O-RING	1		
5	AH84695	FITTING	1		
6	19H1944	CAP SCREW	3		3/8" X 2-3/4"
	12H304	LOCK WASHER	3		3/8"
	14H812	NUT	3		3/8"
7	R26448	O-RING	1		(KIT AR63929)
8	R27218	FITTING PLUG	1		
9	R28782	O-RING	2		
10	R51031	FITTING	2		
11	AU40993	FITTING	1		WITH O-RING
12	19H1731	CAP SCREW	2		3/8" X 1"
	12H304	LOCK WASHER	2		3/8"
	14H812	NUT	2		3/8"

# 3F2

HYDROSTATIC AND 4-WHEEL DRIVE SYSTEMS

**CARRIER, PISTONS, AND CAM - CONTINUED**  
**(4-WHEEL DRIVE - CAM LOBE MOTOR)**  
**(800 CM3, 1000 CM3, AND 1600 CM3)**

KEY	PART NO.	PART NAME	QTY	MOTOR SERIAL NO.	REMARKS
1	R69929	CAM	1	(A)	
	R92148	CAM	1	(B) (C)	(SUB FOR R69927)
2	R69928	GASKET	1		
3	R73196	SEAL	1		
4	RE22642	THRUST BEARING	1		(SUB FOR AR10082 AND JD10083)
5	R80289	GUIDE	1	XXXXXX-	(A) (E)
	R89012	GUIDE	1	XXXXXX-XXXXXX	(B) R.H.- XXXXXX-003504; L.H.- XXXXXX-003511, (SUB FOR R80297 OR R87274)
	R97098	GUIDE	1	XXXXXX-	(B) R.H.-003505; L.H.-003512, (SUB FOR R81458)
	R89012	GUIDE	1	XXXXXX-	(C) (E) (SUB FOR R80297 OR R87274)
6	R69608	HYD. MOTOR PISTON CARRIER	1		(A)
	R69983	HYD. MOTOR PISTON CARRIER	1	-XXXXXX	(B) R.H.-003504; L.H.-003511
	R100103	HYD. MOTOR PISTON CARRIER	1	XXXXXX-	(B) R.H.-003505; L.H.-003512, (MARKED R84985) (SUB FOR R81457)
	R69984	HYD. MOTOR PISTON CARRIER	1		(C)
7	R70243	GUIDE	12	-XXXXXX	(B) (C) (D)
8	R71931	CAP SCREW	12	-XXXXXX	(A) (D)
	R71931	CAP SCREW	24	-XXXXXX	(B) (C) (D)
9	R69648	GUIDE	6	-XXXXXX	(A) (D)
10	RE20203	PISTON	12		(A) (SUB FOR AR103553)
	AR91185	PISTON	24	-XXXXXX	(B) R.H.-003504; L.H.-003511
	RE20203	PISTON	15	XXXXXX-	(B) R.H.-003505; L.H.-003512
	RE20203	PISTON	24		(C) (SUB FOR AR103553)

(A) 800CC

(B) 1000CC

(C) 1600CC

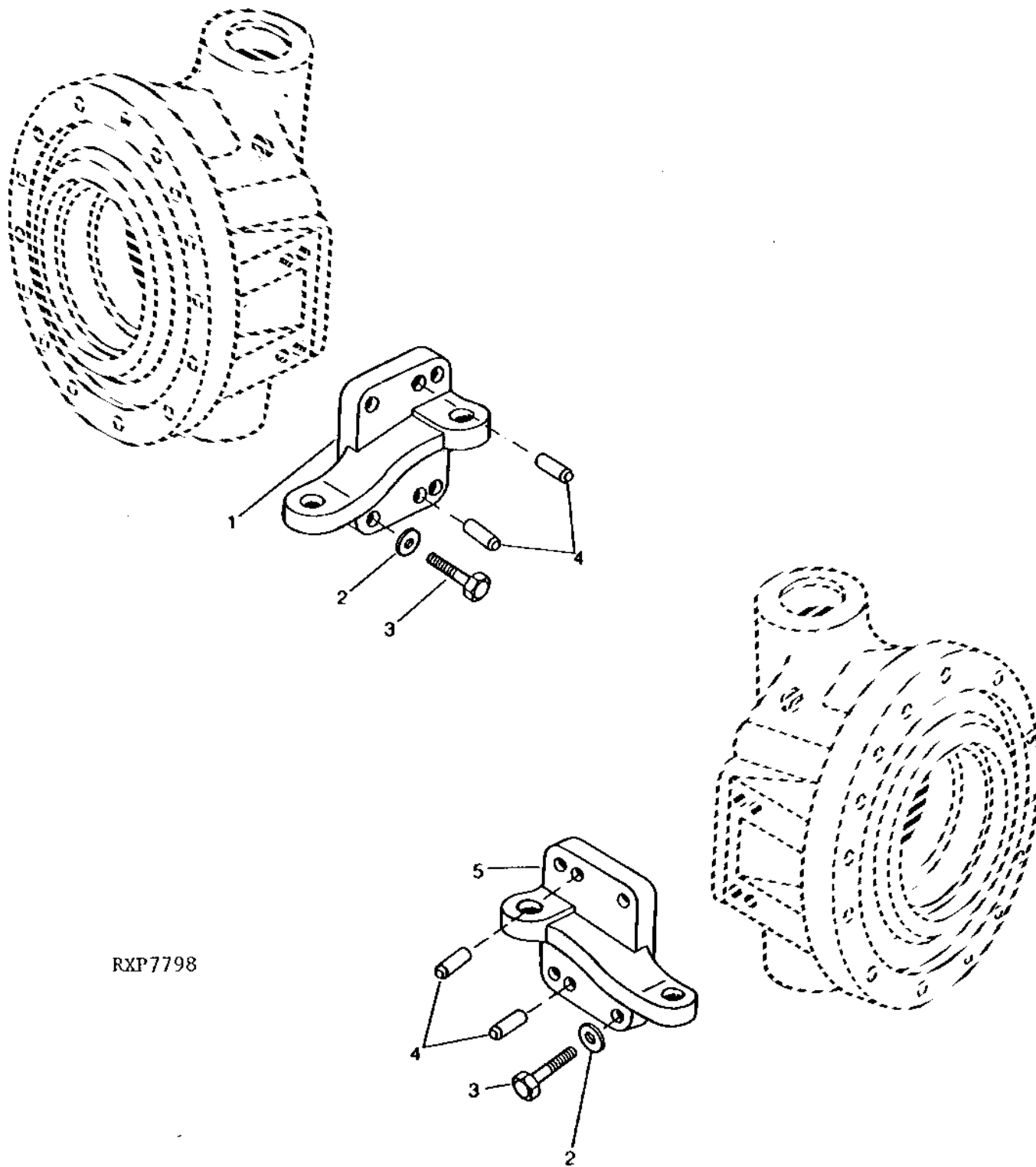
(D) ( -XXXXXX) SERIAL NO. 800 R.H.-005159; 800 L.H.-005171; 1000 R.H.-003174;  
1000 L.H.-003178; 1600 R.H.-002275; 1600 L.H.-002276

(E) (XXXXXX- ) SERIAL NO. 800 R.H.-005160; 800 L.H.-005172; 1000 R.H.-003175;  
1000 L.H.-003179; 1600 R.H.-002276; 1600 L.H.-002277

# 3F11

## STEERING ARMS (4-WHEEL DRIVE - CAM LOBE MOTOR) (800 CM3, 1000 CM3, AND 1600 CM3)

RXP7798 -UN-01JAN94



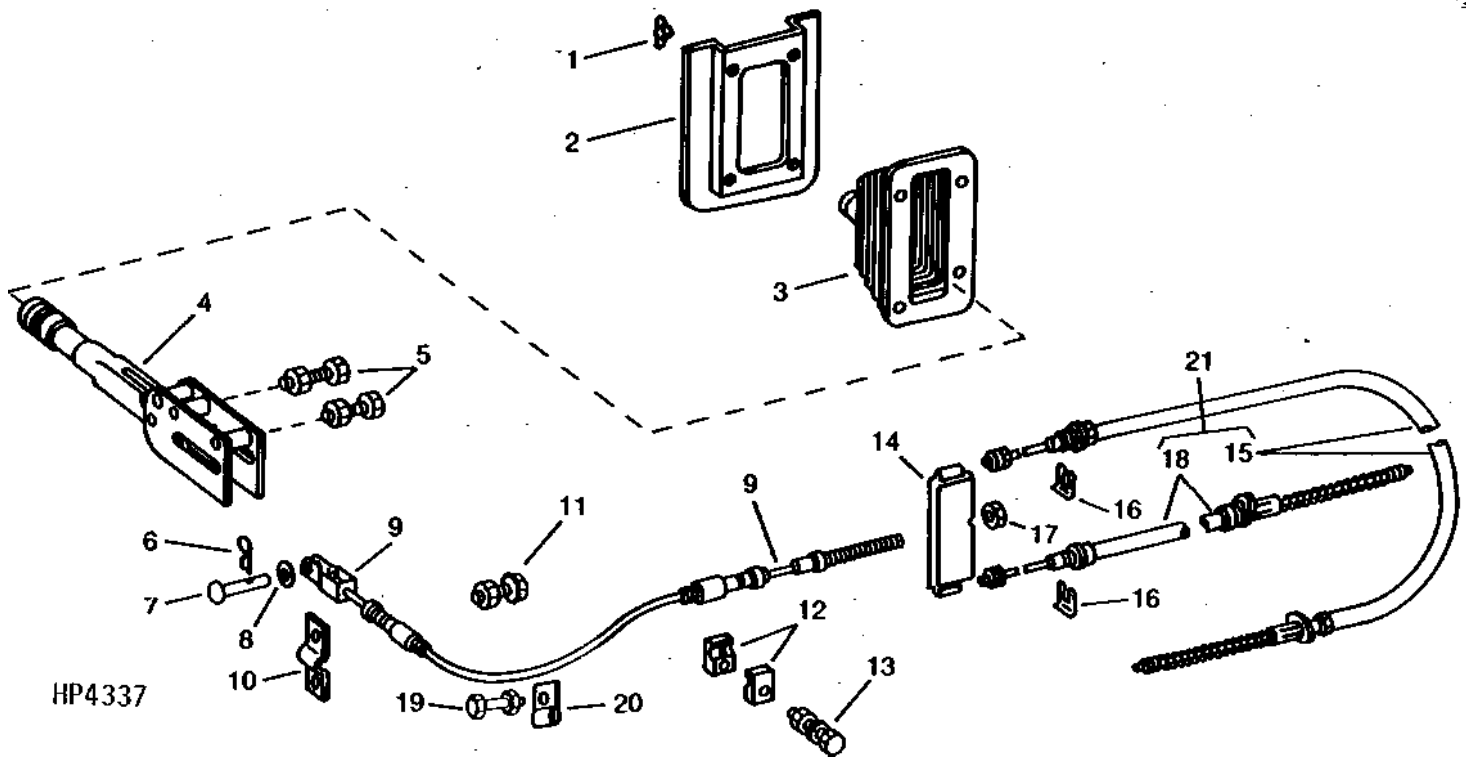
RXP7798

# 3F22

STEERING AND BRAKES

HP4337 -UN-01JAN94

## PARKING BRAKE CONTROLS

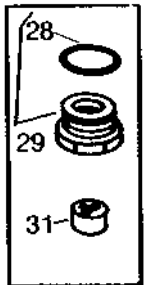
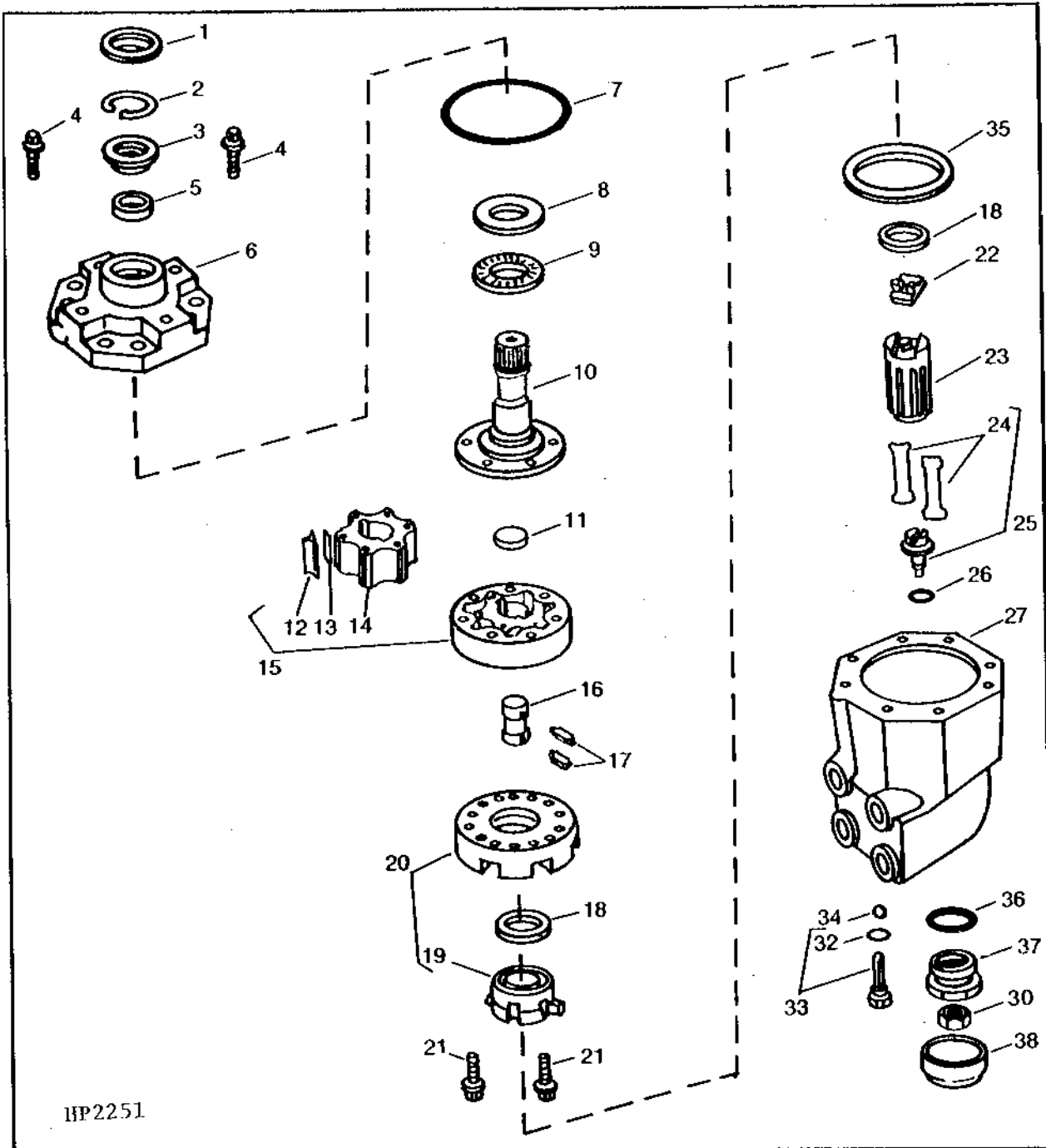


KEY	PART NO.	PART NAME	QTY	SERIAL NO.	REMARKS
1	H88910	PLUG	4		
2	H95542	RETAINER	1	-489344	
	H107791	RETAINER	1	489345-	
3	H95546	BOOT	1	-489344	
	H107789	BOOT	1	489345-	
4	AH93255	LEVER	1	-489344	
	AH106513	LEVER	1	489345-	
	19H1765	CAP SCREW	2		3/8" X 1-3/4"
	N10215	LOCK NUT	2		(SUB N14822)
6	11H211	COTTER PIN	1		1/8" X 3/4"
7	AH92920	PIN	1		
8	24H1136	WASHER	1		11/32" X 11/16" X 0.065"
9	AH94599	PUSH PULL CABLE	1	-409100	(SUB AH104119)
	AH104119	CABLE	1	-610500	(SUB AH118780)
	AH118780	CABLE	1		
10	H78420	CLAMP	1		
11	N14822	SELF-LOCKING SCREW	2		
	N10215	LOCK NUT	2		
12	T33483	CLAMP	2		
13	19H1800	CAP SCREW	1		3/8" X 1-1/2"
	12H304	LOCK WASHER	1		3/8"
	14H812	NUT	1		3/8"
14	H78303	BRACKET	1		(EQUALIZER)
15	AH76198	CABLE	1	-409100	(SUB AH101668)
	AH101668	CABLE	1	-1990	L.H. (BELT DRIVE)
	AH76199	CABLE	1	-409100	(SUB AH101666)
	AH101666	CABLE	1	-1990	L.H. (HYDROSTATIC DRIVE)
16	H78304	CLIP	2		
17	H32147	LOCK NUT	1		
18	AH76197	CABLE	1	-409100	(SUB AH101669)
	AH101669	CABLE	1	-1990	R.H. (BELT DRIVE)
	AH76200	CABLE	1	-409100	(SUB AH101667)
	AH101667	CABLE	1	-1990	R.H. (HYDROSTATIC DRIVE)
19	H100290	SCREW	1	409551-	SELF-LOCKING
	N10215	LOCK NUT	1	409551-1990	(SUB N14822)
20	H75541	CLAMP	1	409551-	
21	AH138621	KIT	1		(BELT DRIVE)
	AH138698	KIT	1		(HYDROSTATIC DRIVE)

# 3G9

HP2251 -UN-01JAN94

## STEERING PUMP



HP2251

39

# 3G19

STEERING AND BRAKES

STEERING OIL LINES AND HOSES - REAR - CONTINUED  
(ADJUSTABLE REAR AXLE)  
(SERIAL NO. 458401-507350)

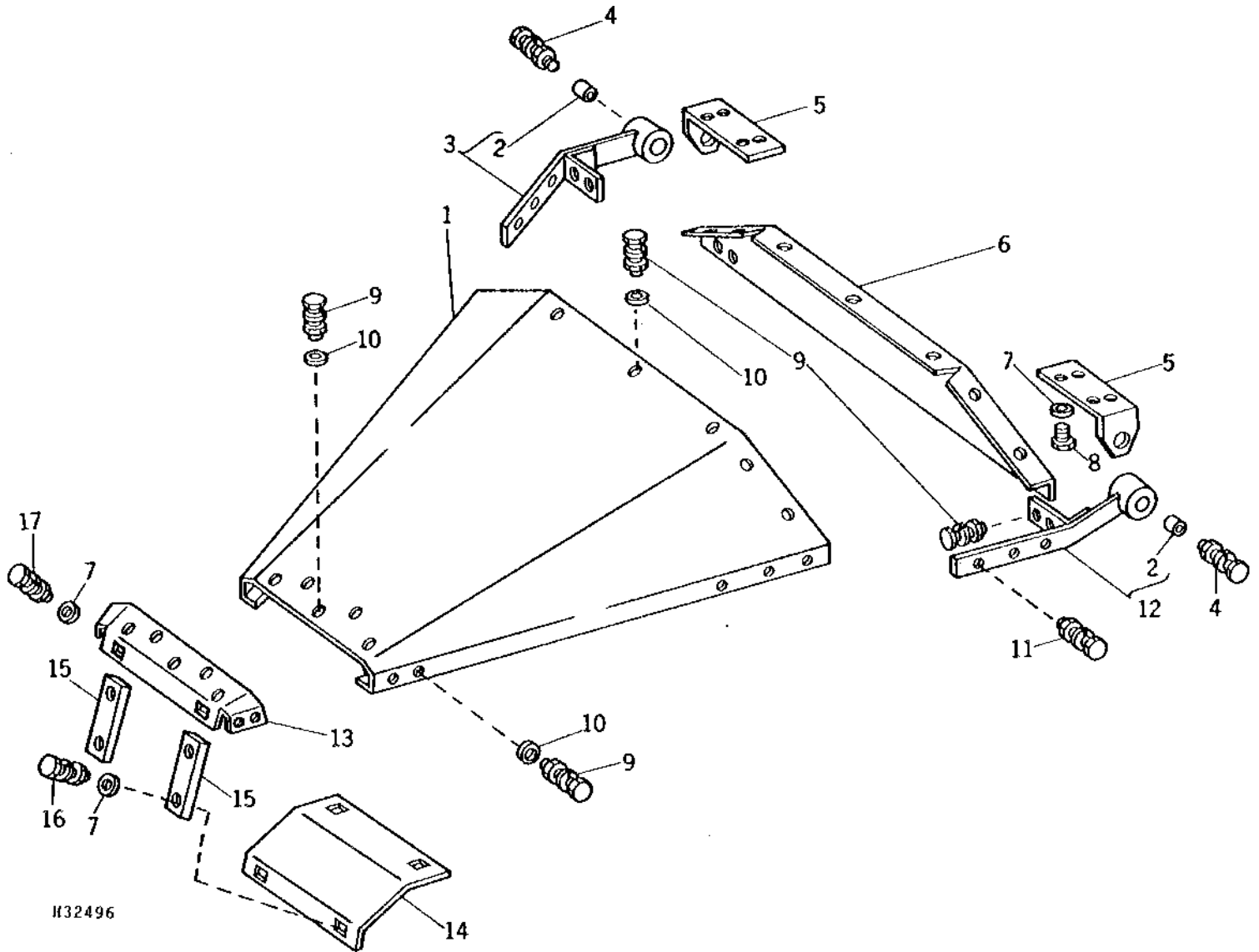
KEY	PART NO.	PART NAME	QTY	SERIAL NO.	REMARKS
1	H75413	ELBOW FITTING	2		90°
2	24H1357	WASHER	2		19/32" X 1-5/32" X 0.090"
3	14H832	NUT	2		9/16"
4	AH106509	TUBE	1		L.H.
5	AH106510	TUBE	1		R.H.
6	19H1849	CAP SCREW	1		5/16" X 1-1/4"
	12H303	LOCK WASHER	1		5/16"
	14H785	NUT	1		5/16"
7	H83208	CLAMP	1		(USE WITH 28H90)
8	H23932	ISOLATOR	2		
9	28H90	BUSHING	1		1/4" X 7/16"
10	R26448	O-RING	6		
11	AR26725	ELBOW FITTING	6	-616092	90°, (SUB AT35121)
	AT35121	ELBOW FITTING	6		90°
12	AR45234	FITTING	2		
13	19H1919	CAP SCREW	2		1/4" X 5/8"
	12H302	LOCK WASHER	2		1/4"
	14H786	NUT	2		1/4"
14	H77358	CLIP	2		
15	AH108251	HOSE	2		9 MM X 838 MM (3/8" I.D. X 33") LONG
16	AH108250	HOSE	2		9 MM X 787 MM (3/8" I.D. X 31") LONG

# 3H4

H32496

-UN-01JAN94

## TRASH SHIELD (HEAVY-DUTY AND 4-WHEEL DRIVE)



# 3H13

STEERING AND BRAKES

## REAR AXLE SPINDLES - CONTINUED

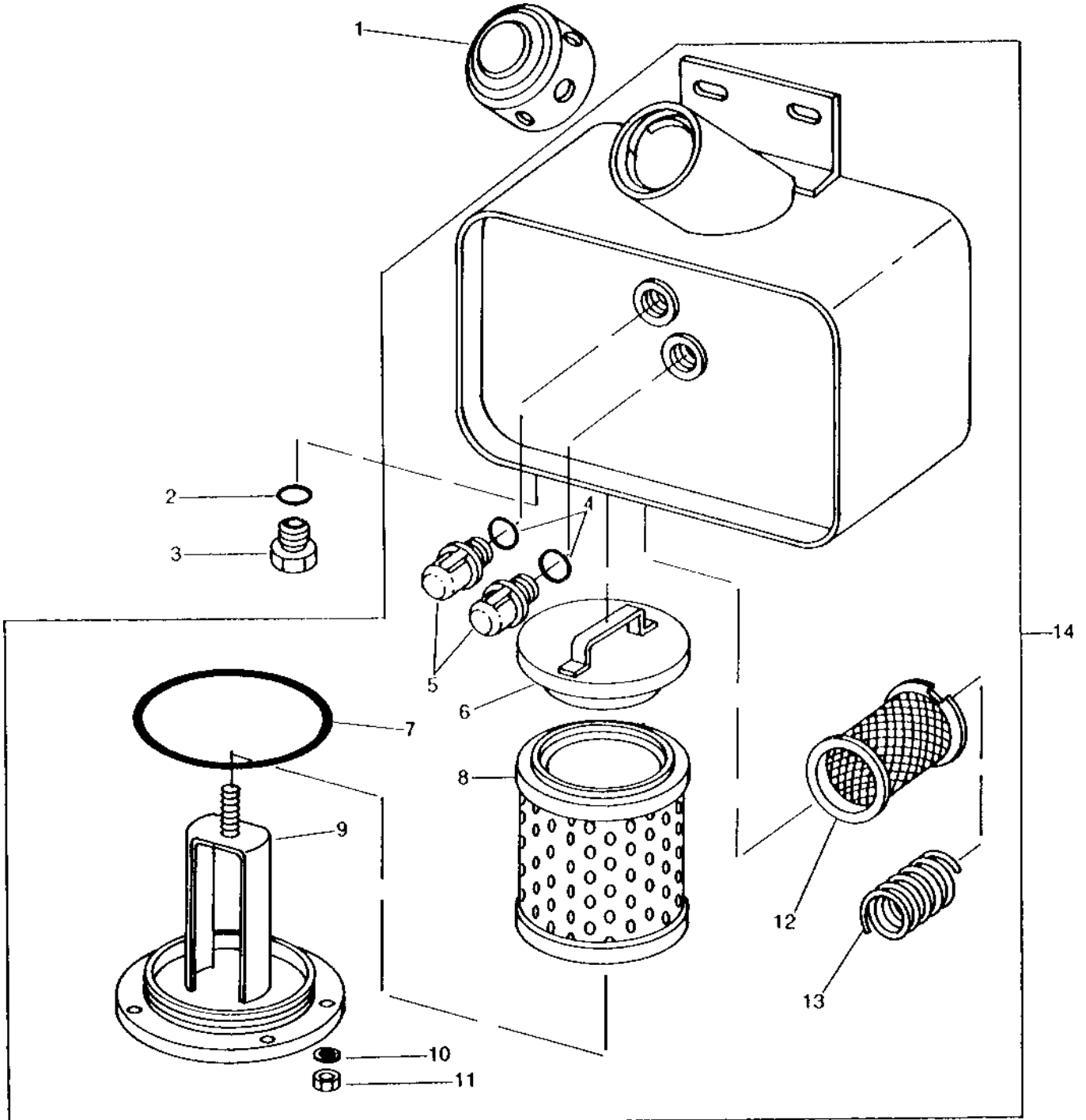
KEY	PART NO.	PART NAME	QTY	SERIAL NO.	REMARKS
1	19H1895	CAP SCREW	2		1/2" X 3/4"
2	24H1916	WASHER	2		17/32" X 3-1/2" X 0.180"
3	H96869	CAP	2	-507350	
4	H75936	THRUST BEARING	4	-507350	
	H102206	THRUST BEARING	4		(HEAVY-DUTY REAR AXLE)
5	AH87542	SPINDLE	1	-507350	L.H.
	AH94018	SPINDLE	1		L.H. (HEAVY-DUTY REAR AXLE)
6	AH87540	SPINDLE	1	-458400	R.H.
	AH105796	SPINDLE	1	458401-507350	R.H.
	AH94019	SPINDLE	1		R.H. (HEAVY-DUTY REAR AXLE)
7	11H218	COTTER PIN	2	-507350	3/16" X 1-1/2"
8	H76048	SLEEVE	2	-507350	
	H94951	SLEEVE	2		(HEAVY-DUTY REAR AXLE)
9	AH75485	SEAL	2	-507350	
	AH93892	SEAL	2		(HEAVY-DUTY REAR AXLE)
10	JD8998	BEARING CONE	2	-507350	
	JD8952	BEARING	2		(HEAVY-DUTY REAR AXLE)
11	JD7414	BEARING CUP	2	-507350	
	JD8258	BEARING CUP	2		(HEAVY-DUTY REAR AXLE)
12	H89770	HUB	2	-409100	(16" WHEEL)
	H76051	HUB	2	-507350	(24" WHEEL)
	H94814	HUB	2		(HEAVY-DUTY REAR AXLE)
13	E10911	SNAP RING	2	-507350	(REGULAR-DUTY REAR AXLE)
14	JD8271	BEARING CUP	2	-507350	
	JD8237	BEARING CUP	2		(HEAVY-DUTY REAR AXLE)
15	JD8988	BEARING CONE	2	-507350	
	JD8902	BEARING CONE	2		(HEAVY-DUTY REAR AXLE)
16	U41560	WASHER	2	-507350	
	H98316	WASHER	2	-625524	(SUB R30399) (HEAVY-DUTY REAR AXLE)
	R30399	WASHER	2		26.187 X 57.150 X 6.350 MM (1-1/32" X 2-1/4" X 1/4")
17	14H920	NUT	2		1"
18	H76047	CAP	2	-507350	
	H94950	CAP	2		(HEAVY-DUTY REAR AXLE)
19	JD7759	LUBRICATION FITTING	2	-507350	STRAIGHT, 1/8"

# 4B10

HP1499

-UN-01JAN94

## HYDRAULIC OIL RESERVOIR



HP1499

# 4B21

HYDRAULICS

## KIT, MAIN HYDRAULIC PUMP - CONTINUED

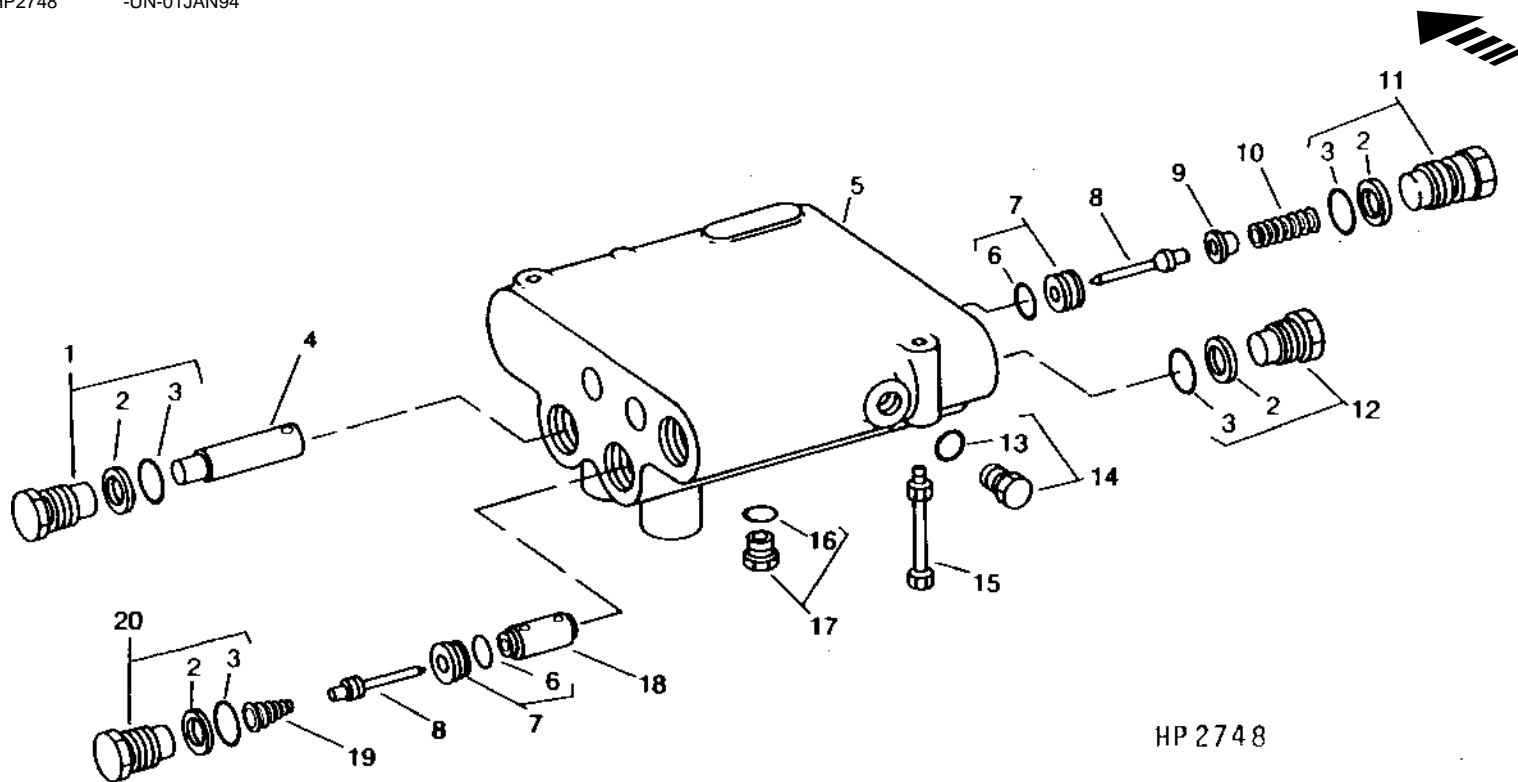
KEY	PART NO.	PART NAME	QTY	SERIAL NO.	REMARKS
1	N111499	FITTING	1	-459889	(SUB AH108495) (NO LONGER AVAILABLE)
	AH108495	DRAIN PLUG	1	-1990	(NO LONGER AVAILABLE)
2	T42786	O-RING	1	-458400	
	U40745	O-RING	1	458401-	
3	H31257	SHIM	AR		
4	H60817	SPRING	1	-458400	(NO LONGER AVAILABLE)
	M80170	COMPRESSION SPRING	1	458401-	
5	AH18137	POPPET	1	-1990	(NO LONGER AVAILABLE)
6	.....	PLATE	1		
7	R51031	FITTING	1		
8	AH91800	KIT	1	-458400	(KIT)
	AH108692	KIT	1	458401-	
..	.....	SEAT	1		(NOT ILLUSTRATED)

# 4C6

HYDRAULICS

MAIN HYDRAULIC CONTROL VALVE SPRINGS AND POPPETS  
(HYDROSTATIC DRIVE - CESSNA NO. 31522-BAT)  
(SERIAL NO. 616247- )

HP2748 -UN-01JAN94



HP 2748

KEY	PART NO.	PART NAME	QTY	SERIAL NO.	REMARKS
1	AH78791	DRAIN PLUG	1		
2	H35230	BACK-UP RING	4	(KIT AH127845)	
3	T13119	O-RING	4	(KIT AH127845)	
4	H131477	PLUNGER	1		
5	.....	HOUSING	1		
6	Z29304	O-RING	2	(KIT AH127845)	
7	AN114602	SEAT	2		
8	AH80223	POPPET	2	(KIT AH127845)	
9	N193166	EYELET	1	(KIT AH127845)	
10	E62245	SPRING	1		
11	AN191872	ADAPTER	1		
12	AH97133	PLUG	1		
13	R28782	O-RING	1	(KIT AH127845)	
14	R51031	FITTING	1		
15	19H1913	CAP SCREW	2	5/16" X 2-1/4"	
	14H785	NUT	2	5/16"	
16	E56086	O-RING	1	(KIT AH127845)	
17	AH62843	FITTING	1		
18	H131476	PLUNGER	1		
19	N111493	SPRING	1		
20	AN110775	FITTING	1		
..	AH125747	CONTROL VALVE	1	2 SPOOL, (REMANUFACTURED)	
..	AH127845	SEAL KIT	1	SEAL REPAIR	

CLICK HERE TO **DOWNLOAD** THE COMPLETE MANUAL

- Thank you very much for reading the preview of the manual.
- You can download the complete manual from: [www.heydownloads.com](http://www.heydownloads.com) by clicking the link below



- Please note: If there is no response to CLICKING the link, please download this PDF first and then click on it.

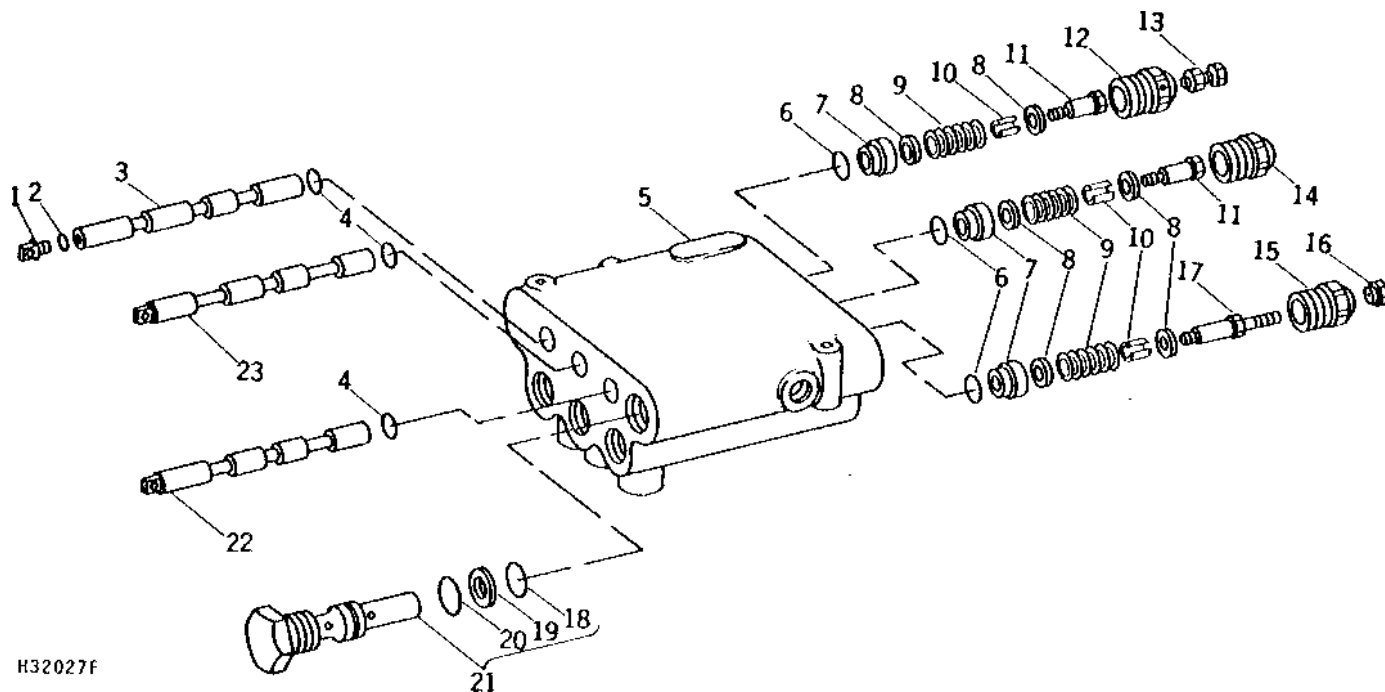
CLICK HERE TO **DOWNLOAD** THE COMPLETE MANUAL

# 4C16

HYDRAULICS

MAIN HYDRAULIC CONTROL VALVE SPOOLS AND RELIEF VALVE  
(POSI-TORQ DRIVE - CESSNA NO. 31523-AAZ)(SERIAL NO. -616246)

H32027F -UN-01JAN94



KEY	PART NO.	PART NAME	QTY	SERIAL NO.	REMARKS
1	.....	CLEVIS	1		
2	.....	O-RING	1		(KIT AH78792)
3	.....	SPOOL	1		(HEADER LIFT)
4	.....	O-RING	3		(KIT AH78792)
5	.....	HOUSING	1		
6	R459R	O-RING	3		(KIT AH78792)
7	N111488	BUSHING	3		
8	N31767	WASHER	6		
9	H60819	SPRING	3		
10	H62801	BUSHING	3		
11	H63987	CAP SCREW	2		
12	AH78797	PLUG	1		WITH FILTER
13	19H2551	CAP SCREW	1		5/16" X 3/4"
	14H882	NUT	1		5/16"
14	AH78788	PLUG	1		WITH FILTER
15	H80456	CAP	1		
16	H80459	LOCK NUT	1		
17	H80455	SCREW	1		
18	R375R	O-RING	4		
19	H63357	BACK-UP RING	1		(KIT AH78792)
20	T13119	O-RING	1		(KIT AH78792 AND AH78796)
21	AW13064	RELIEF VALVE	1		
22	.....	SPOOL	1		(HYDRAULIC REEL LIFT)
23	.....	SPOOL	1		(POSI-TORQ GROUND SPEED)
..	AH88803	VALVE	1		3-SPOOL, LESS ATTACHING HARDWARE (REMANUFACTURED)
..	AH78792	KIT	1		SEAL REPAIR

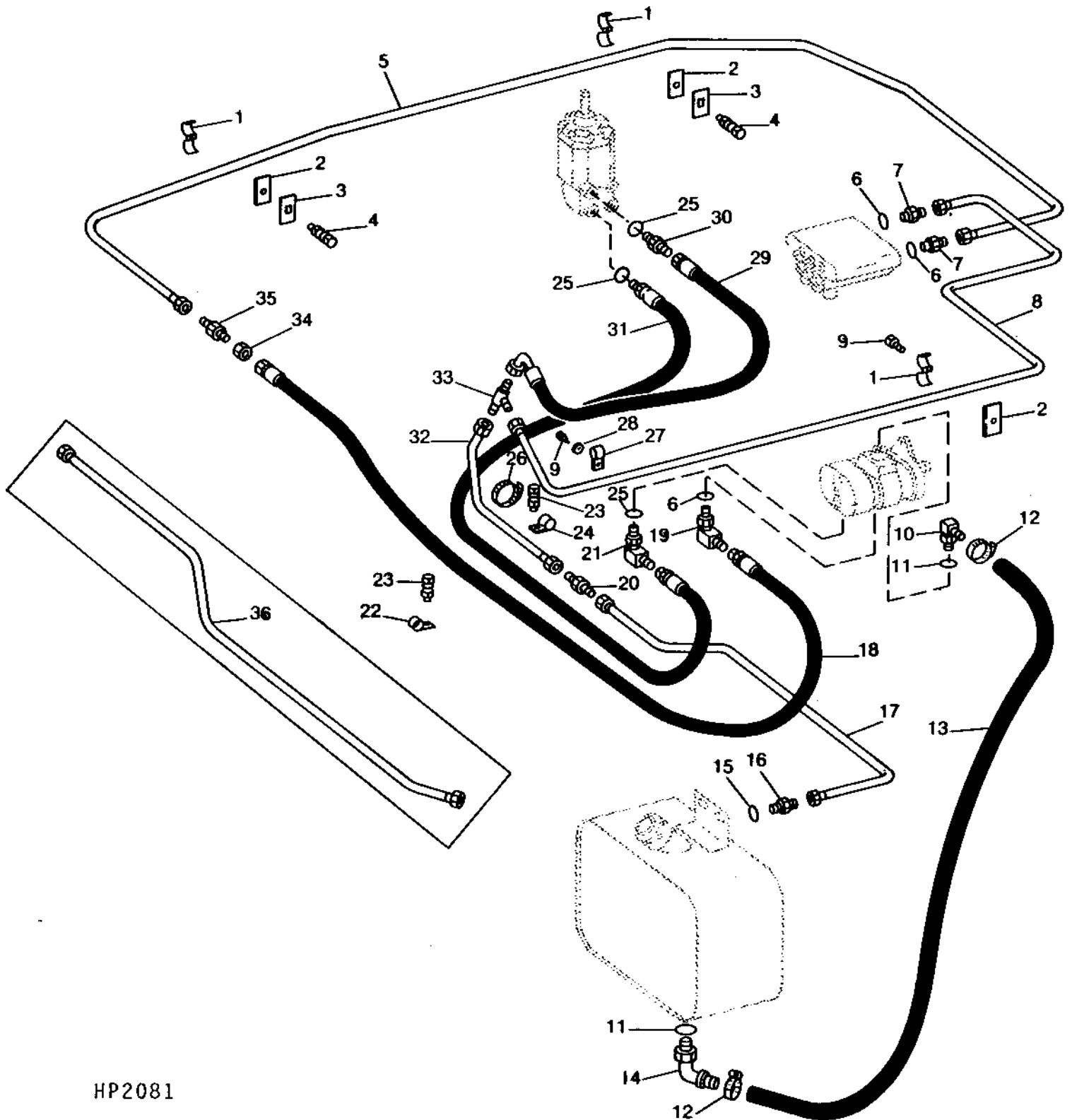
# 4D1

HYDRAULICS

## HYDRAULIC OIL LINES AND HOSES (MAIN PRESSURE, STEERING, AND SUCTION)

HP2081

-UN-01JAN94



HP2081

# 4D11

HYDRAULICS

SECONDARY CONTROL VALVE - CONTINUED  
(SERIAL NO. 611066-616392)

KEY	PART NO.	PART NAME	QTY	SERIAL NO.	REMARKS
1	M81668	SEAL	4	-1990	(KIT AH108721) (SUB H132510)
	H132510	O-RING	4		
2	.....	SPOOL	1		
3	H63357	BACK-UP RING	4		(KIT AH108721)
4	U40745	O-RING	4		(KIT AH108721)
5	AH78784	PLUG	2	-1990	(NO LONGER AVAILABLE)
6	H101996	SPRING	1	-1990	(NO LONGER AVAILABLE)
7	H101997	DOWEL PIN	1	-1990	(NO LONGER AVAILABLE)
8	H84537	GUIDE	1	-1990	(NO LONGER AVAILABLE)
9	AH80223	POPPET	1		(KIT AH108721)
10	.....	O-RING	1		
11	AH101488	SEAT	1		
12	N153974	SPRING	2	-626195	(SUB E40772)
	E40772	SPRING	2		
13	AN30940	POPPET	2		(KIT AH108721)
14	R28776	O-RING	2		(KIT AH108721)
15	AE24787	SEAL	2		
16	R26448	O-RING	1		(KIT AH108721)
17	AH87721	FITTING	1		
18	AH20831	SPOOL VALVE	1		
19	AN152239	PLUG	1		
20	N31766	PLUNGER	1		
21	.....	PLUG	1		
22	AE24788	PLUG	1		
23	N150470	BUSHING	2		
24	M87511	WASHER	2		
25	M87401	SPRING	2		
26	AM100539	SPACER	2		
27	M87403	SNAP RING	2		
28	AM100541	CAP	2		
29	H80447	SPOOL	1	-1990	(NO LONGER AVAILABLE)
30	R34802	O-RING	1		(KIT AH108721)
31	.....	SPOOL	1		
32	AH120376	CONTROL VALVE	1		(CESSNA NO. 31932-CBH) (SUB AH126599)
..	AH108721	SEAL KIT	1		

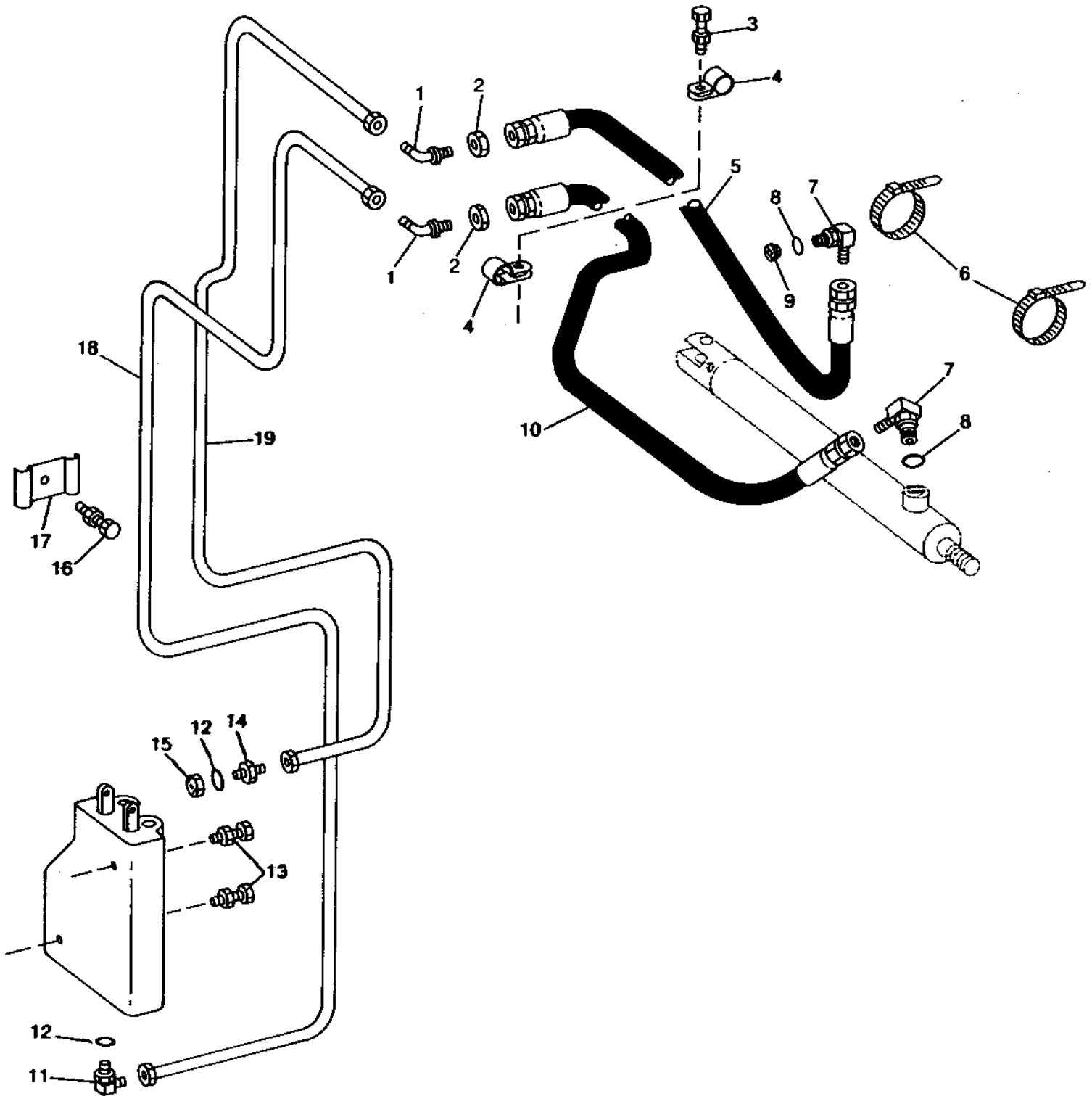
# 4D22

HYDRAULICS

## UNLOADING AUGER SWING HYDRAULIC OIL LINES AND HOSES (SERIAL NO. 600001- )

HP2134

-UN-01JAN94



HP2134

# 4E8

HYDRAULICS

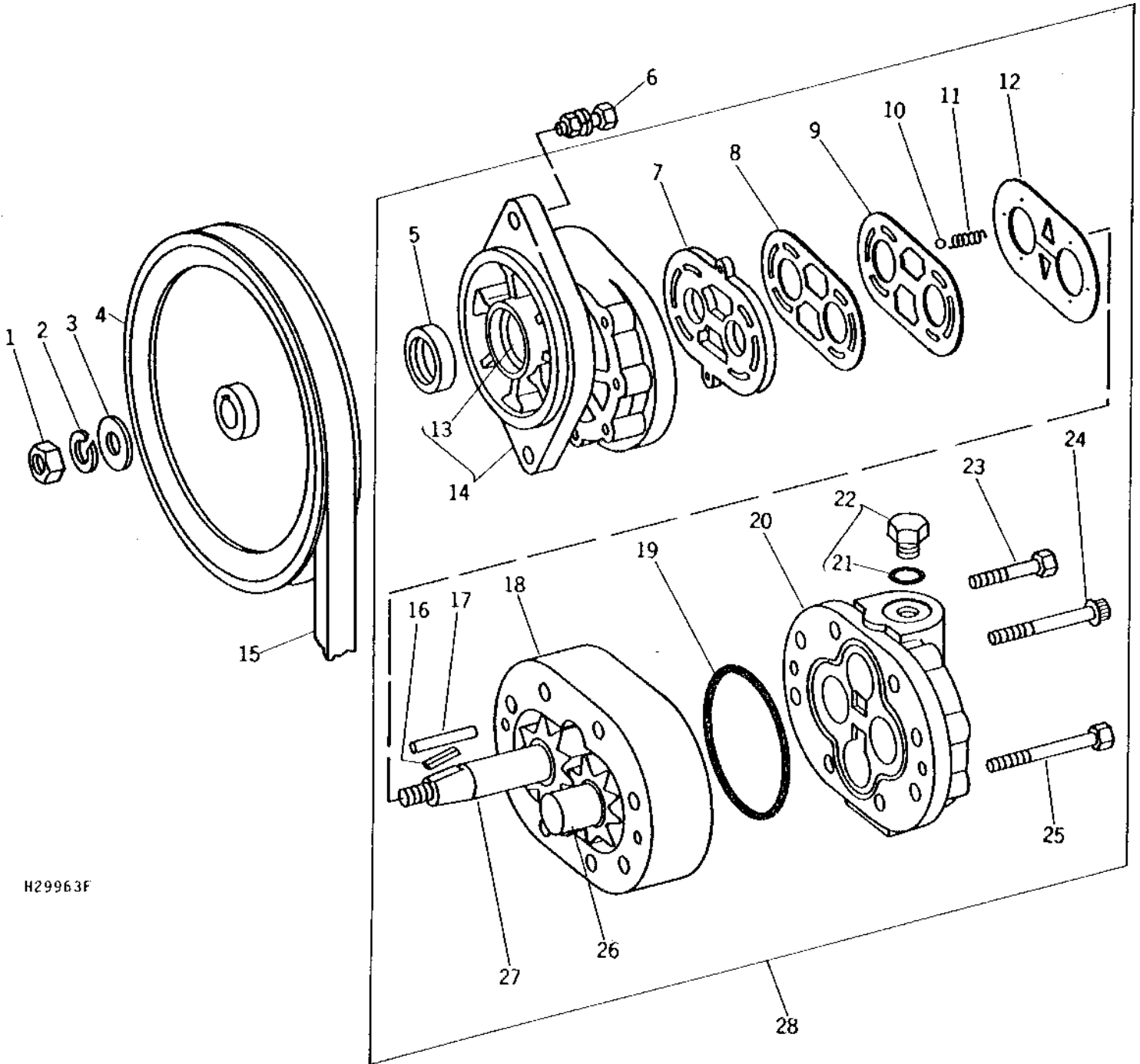
UNLOADING AUGER SWING HYDRAULIC CYLINDER AND MOUNTING - CONTINUED  
(SERIAL NO. 621226- )

KEY	PART NO.	PART NAME	QTY	SERIAL NO.	REMARKS
1	AH127482	END	1	-630800	(SUB H137225)
	H137225	END	1		
2	W13288	NUT	1		
3	.....	RING	1		(KIT AH129245)
4	.....	SNAP RING	1		(KIT AH129245)
5	.....	SEAL	1		(KIT AH129245)
6	AH87265	SEAL	1		(KIT AH129245)
7	.....	WASHER	1		(KIT AH129245)
8	P50635	O-RING	1		(KIT AH129245)
9	.....	BEARING	1		
10	H135154	ROD	1		
11	.....	O-RING	1		(KIT AH129245)
12	.....	RING	1		(KIT AH129245)
13	.....	PISTON	1		
14	N33203	LOCK NUT	1		
15	.....	HYDRAULIC CYLINDER BARREL	1		
16	AH125189	HYDRAULIC CYLINDER	1	-630800	(SUB AH132210)
	AH132210	HYDRAULIC CYLINDER	1		
17	B56930	PIN	1		
18	11H237	COTTER PIN	1		1/8" X 2"
19	AH122234	BRACKET	1		
20	24H1305	WASHER	6		13/32" X 13/16" X 0.065"
21	19H3239	CAP SCREW	10		3/8" X 1-1/4"
	12H304	LOCK WASHER	10		3/8"
	14H1076	NUT	10		3/8"
22	19H1777	CAP SCREW	1		1/2" X 1-3/4"
	14H809	NUT	1		1/2"

# 4E18

H29963F -UN-01JAN94

## HYDROSTATIC DRIVE REEL HYDRAULIC PUMP AND SHEAVE

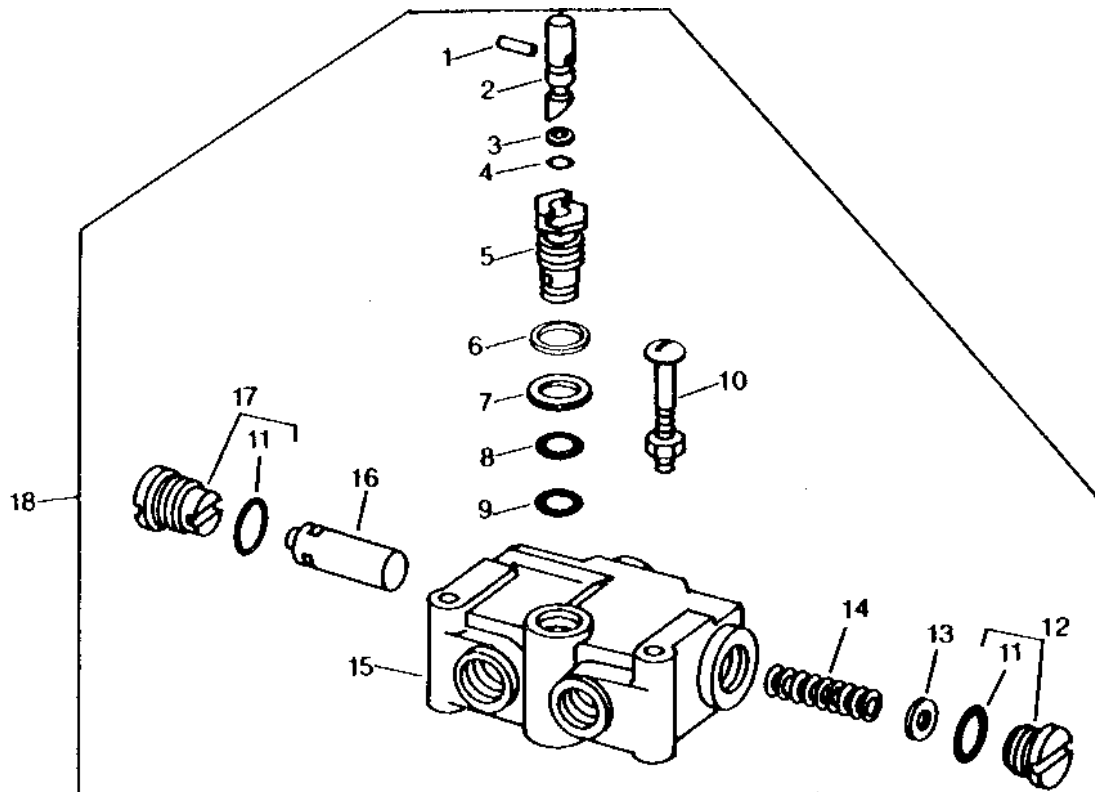


H29963F

# 4F4

HP710 -UN-01JAN94

## HYDROSTATIC DRIVE REEL FLOW CONTROL VALVE



HP710

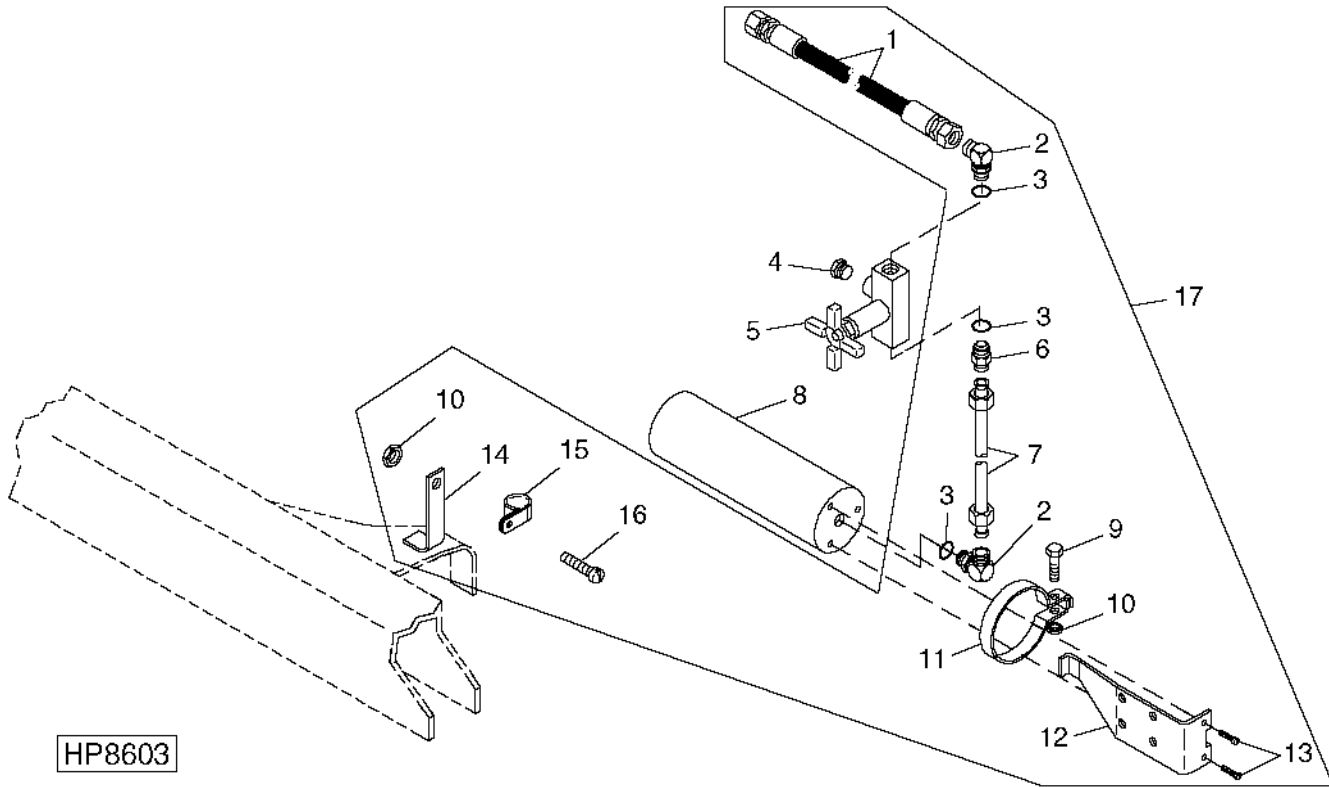
KEY	PART NO.	PART NAME	QTY	SERIAL NO.	REMARKS
1	H101370	GROOVE PIN	1	-1990	(KIT AH81166) (NO LONGER AVAILABLE)
2	.....	SPOOL	1		(KIT AH81166)
3	T27624	BACK-UP RING	1		(KIT AH81166 AND AH136248)
4	P51212	O-RING	1		(KIT AH81166 AND AH136248)
5	.....	PLUG	1		(KIT AH81166)
6	H80404	SHIM	AR		
7	H63357	BACK-UP RING	1		(KIT AH81166 AND AH136248)
8	T42786	O-RING	1		(KIT AH81166 AND AH136248)
9	R28776	O-RING	1		(KIT AH81166 AND AH136248)
10	21H1271	SCREW	2		5/16" X 2-1/4"
	14H785	NUT	2		5/16"
11	H63289	O-RING	2		
12	AH78760	DRAIN PLUG	1		WITH O-RING
13	.....	SHIM	1		
14	.....	SPRING	1		
15	.....	HOUSING	1		
16	.....	VALVE	1		
17	AH81165	PLUG	1		WITH O-RING
18	AH81164	VALVE	1	-611075	(REMANUFACTURED) (SUB AH122371)
	AH122371	CHECK VALVE	1		(REMANUFACTURED)
..	AH81166	KIT	1	-611075	(SUB AH122354)
..	AH122354	KIT	1		ADJUSTING SCREW
..	AH81167	SEAL KIT	1	-1990	(SUB AH136248)
..	AH136248	SEAL KIT	1		

# 4F15

HYDRAULICS

HP8603 -UN-12APR00

## REPLACEMENT ACCUMULATOR AND MOUNTING BRACKET



HP8603

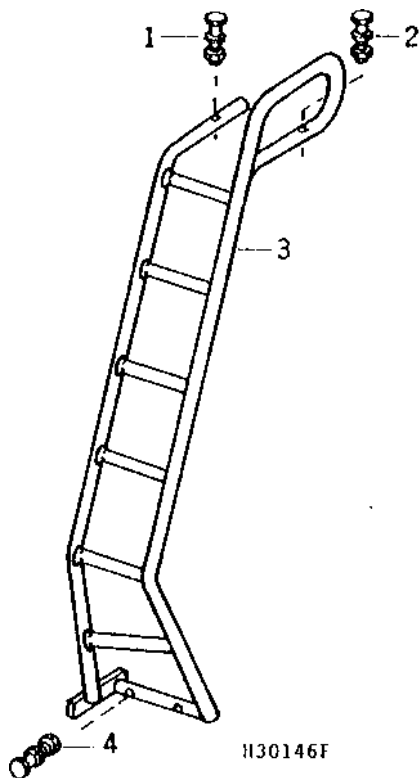
KEY	PART NO.	PART NAME	QTY	SERIAL NO.	REMARKS
1	AH165472	HOSE	1		
2	AT32332	ELBOW FITTING	2		
3	R26375	O-RING	3		
4	15H275	PIPE PLUG	1	1/4"	
5	AA14834	VALVE	1		
6	R27237	FITTING	1		
7	AH165471	TUBE	1		
8	AH133265	ACCUMULATOR	1		(1/2 GALLON) (SUB FOR AH100091)
	AH143455	ACCUMULATOR	1		(1 GALLON) (SUB FOR AH108187)
9	03M7196	BOLT	1	M10 X 50	
10	14M7296	FLANGE NUT	2	M10	
11	R77178	CLAMP	1		
12	H171289	BRACKET	1		
13	19M7864	SCREW	2	M8 X 12	
14	H171290	CLAMP	1		
15	AH79175	CLIP	1		
16	19M7784	SCREW	1	M10 X 20	
17	AH166769	KIT	1		

# 4G2

SEPARATOR SHELL

H30146F -UN-01JAN94

## REAR LADDER



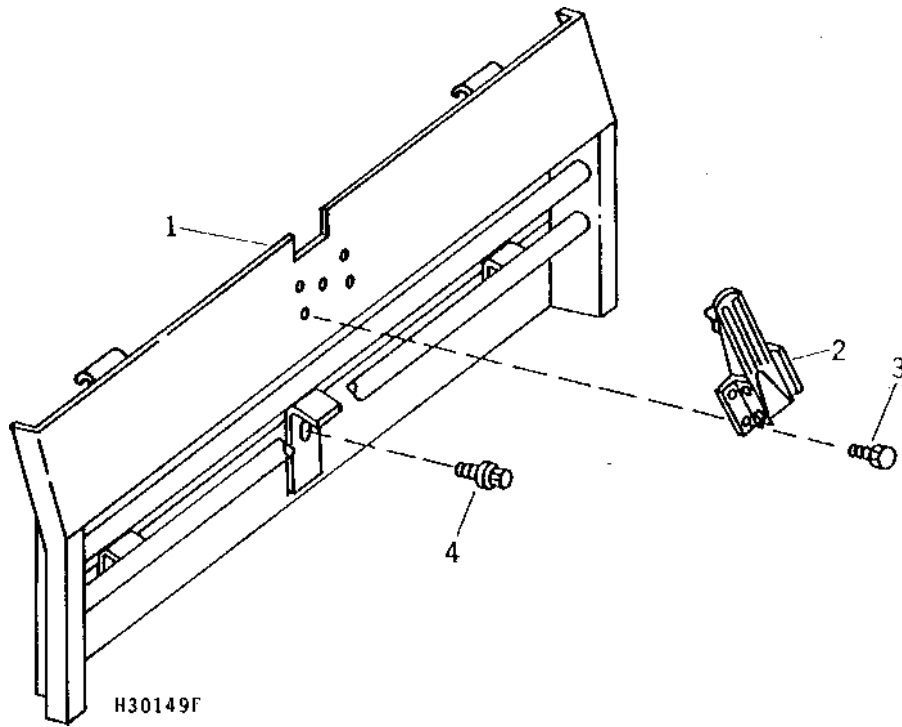
KEY	PART NO.	PART NAME	QTY	SERIAL NO.	REMARKS
1	19H1731	CAP SCREW	1	3/8" X 1"	
	12H304	LOCK WASHER	1	3/8"	
	14H812	NUT	1	3/8"	
2	19H1801	CAP SCREW	1	3/8" X 2"	
	12H304	LOCK WASHER	1	3/8"	
	14H812	NUT	1	3/8"	
3	AH99645	LADDER	1		
4	19H1708	CAP SCREW	4	5/8" X 1-3/4"	
	12H294	LOCK WASHER	4	5/8"	
	14H1039	NUT	4	5/8"	

# 4G12

SEPARATOR SHELL

H30149F -UN-01JAN94

## FRONT ENGINE COMPARTMENT PANEL



KEY	PART NO.	PART NAME	QTY	SERIAL NO.	REMARKS
1	AH91709	PANEL	1		
2	AH87272	LATCH	1		
3	H85092	SCREW	4		SELF-TAPPING
4	H65108	SCREW	3		SELF-TAPPING

# 4G23

OPERATOR'S STATION

## OPERATOR'S PLATFORM, LANDING, AND CHANNEL SUPPORTS - CONTINUED

KEY	PART NO.	PART NAME	QTY	SERIAL NO.	REMARKS
1A	AH98856	SUPPORT	1	-459426	STEERING COLUMN ANGLE, L.H. (POSI-TORQ)
	AH98857	SUPPORT	1	-459426	STEERING COLUMN ANGLE, L.H. (HYDROSTATIC)
1B	AH109835	SUPPORT	1	459427-511662	L.H. (POSI-TORQ) (SUB AH112025)
	AH108898	SUPPORT	1	459427-600180	L.H. (HYDROSTATIC) (SUB AH112025)
	AH112025	SUPPORT	1		STEERING COLUMN ANGLE, L.H.
2A	AH98855	SUPPORT	1	-459426	STEERING COLUMN ANGLE, R.H. (HYDROSTATIC)
2B	AH108898	SUPPORT	1	459427-511662	STEERING COLUMN ANGLE, R.H. (HYDROSTATIC)
	AH112024	SUPPORT	1		STEERING COLUMN ANGLE. R.H. (POSI-TORQ)
3	H100862	SHEET	1		R.H. DECK
4	H117776	DECAL	1		
5	AH95973	SUPPORT	1	-556300	(SUB AH109655)
	AH109655	SUPPORT	1	-610500	OPERATOR'S PLATFORM
	AH118840	SUPPORT	1	610501-	OPERATOR'S PLATFORM
6	H89616	WING SCREW	1	556301-	
7	AH110796	SHIELD	1	556301-	
8	AH94596	SUPPORT	1		CHANNEL
9	N112200	SELF-LOCKING SCREW	3		
	N10213	LOCK NUT	3		
10	N10212	SELF-LOCKING SCREW	2		
	N10213	LOCK NUT	2		
11	19H1731	CAP SCREW	4		3/8" X 1"
	12H304	LOCK WASHER	4		3/8"
	14H812	NUT	4		3/8"
12	24H1663	WASHER	2		49/64" X 1-1/2" X 0.134"
13	AH94597	SUPPORT	1		LANDING
14	19H1768	CAP SCREW	1		3/4" X 2"
	12H236	LOCK WASHER	1		3/4"
	14H794	NUT	1		3/4"
15	24H1305	WASHER	2		13/32" X 13/16" X 0.065"
16	19H1731	CAP SCREW	2		3/8" X 1"
	14H732	NUT	2		3/8"

MEMORANDA

# 4H17

OPERATOR'S STATION

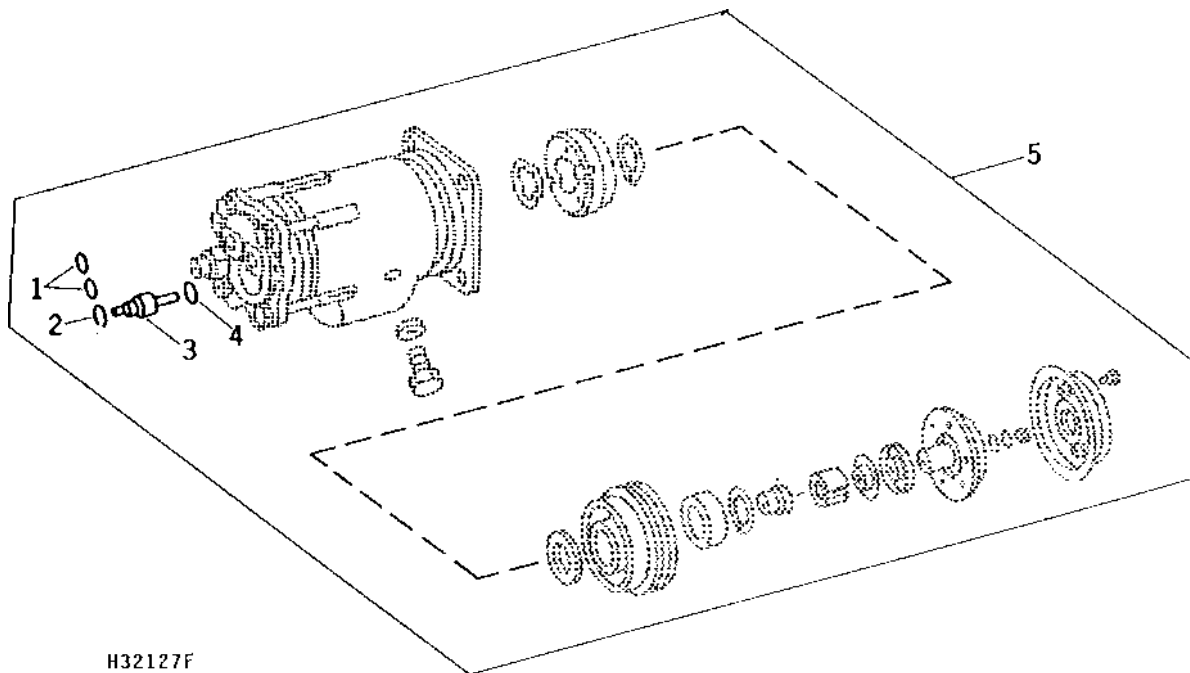
## CAB DOORS - CONTINUED

KEY	PART NO.	PART NAME	QTY	SERIAL NO.	REMARKS
1	H97623	COVER	1	-507350	(SUB H109905)
	H109905	PANEL	1		R.H.
2	.....	SEAL	1		(MAKE FROM AH80335)
3	R52708	SCREW	27		
4	AH99378	DOOR	1		R.H.
5	H100672	SCREW	26	-601927	SELF-LOCKING, (SUB M83244)
	M83244	SCREW, WITH WASHER	26		
6	AH105090	BUMPER	1	458401-	
7	R52708	SCREW	2	458401-	PAN HEAD
8	AH96672	HANDLE	1		OUTER, (WITHOUT KEY LOCK)
9	R63760	SPACER	2		
10	21H1026	SCREW	4		1/4" X 3/4"
	12H322	LOCK WASHER	4		1/4"
11	H100286	LATCH	2		
	H102268	STRAP	1		
12	AH99387	LOCK	1		R.H.
13	12H296	WASHER	4		0.216"
14	14H608	NUT	4		0.216"
15	34H264	SPRING PIN	2		5/32" X 7/8"
16	19H3072	CAP SCREW	8		0.190" X 1/2"
	12H340	LOCK WASHER	8		0.190"
17	H99837	COVER	1		
18	H98298	HANDLE	2		INNER
19	H98375	SHIELD	1		
20	H100504	SHIELD	1	-1990	
21	H96314	SHIELD	1	-1990	
22	AH99374	STRAP	1	-1990	
23	H99842	SPRING	1	-1990	
24	H99923	LOCK NUT	1		
25	AH99373	GUIDE	1	-1990	
26	11H206	COTTER PIN	1		3/32" X 3/4"
27	KK5090B	PIN	1		
28	H100485	BRACKET	1		
29	R50639	SCREW	1	-611006	
	21H1287	SCREW	1	611007-	
	14H786	NUT	1		1/4"
30	H80335	WASHER	2		
31	H100486	ROD	1		
32	AH99366	DOOR	1		L.H.
33	H97624	COVER	1		L.H.
34	AH80335	WEATHERSTRIP	3		
35	R52708	SCREW	3		PAN HEAD
36	H118741	RAIL	1		
37	H100337	COVER	1		
38	AH99386	LOCK	1		L.H.
39	AH96673	HANDLE	1		OUTER, (WITH KEY LOCK)
	AR51481	KEY	1		
40	H100487	STRAP	1	-411002	(SUB H103747 AND H103748)
	H103747	STRAP	1		
	H103748	STRAP	1		
41	H93461	SCREW	4		
42	H99833	WEDGE	2		
43	H100477	SILL	1		DOOR, L.H.
44	AH138728	KIT	1		
45	AH138729	KIT	1		

# 413

H32127F -UN-01JAN94

KIT, SUPER HEAT  
(SERIAL NO. -600000)



H32127F

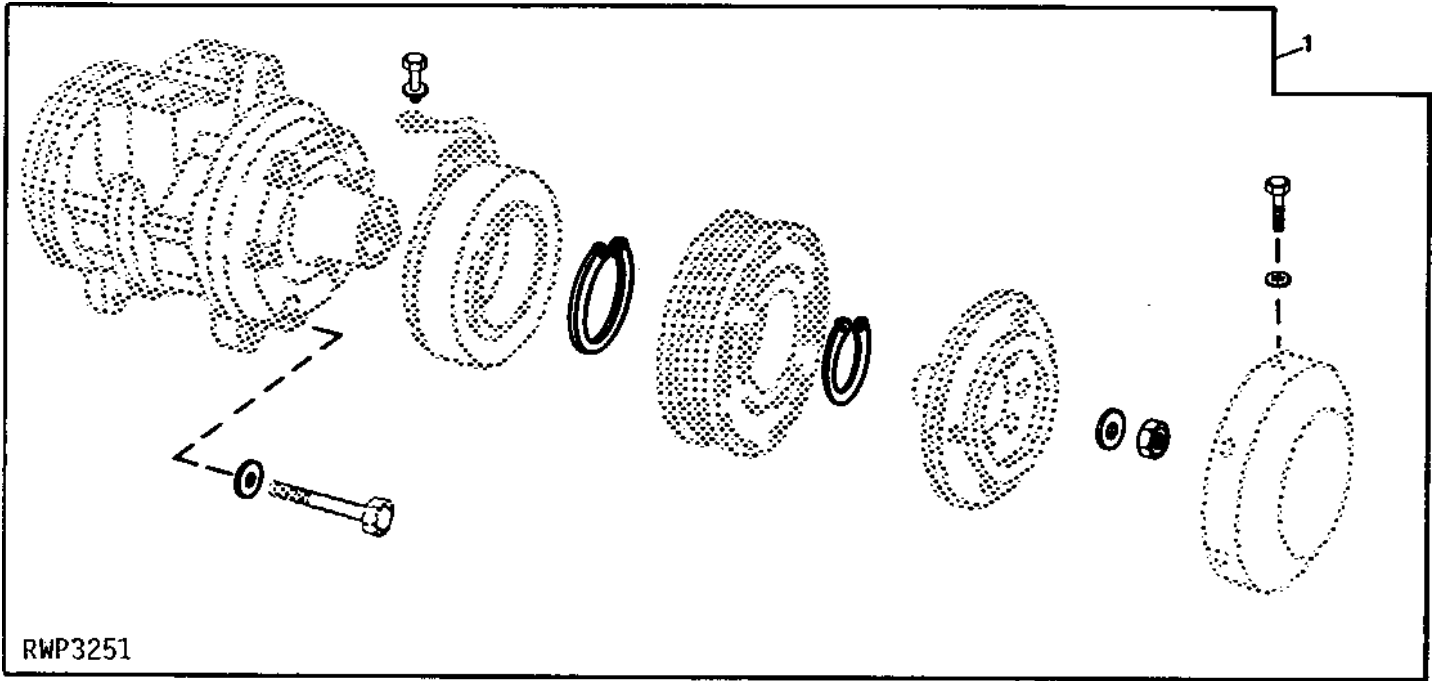
KEY	PART NO.	PART NAME	QTY	SERIAL NO.	REMARKS
1	R47235	O-RING	1	-630800	(SUB R74210)
	R74210	O-RING	1		
2	R63571	SNAP RING	1		
3	.....	SWITCH	1		
4	32240	O-RING	1		
5	AR78501	KIT	1		

# 4112

OPERATOR'S STATION

RWP3251 -UN-01JAN94

COMPRESSOR HARDWARE KIT  
(SERIAL NO. 600001- )



KEY	PART NO.	PART NAME	QTY	SERIAL NO.	REMARKS
1	RE10976	KIT	1		

---

MEMORANDA

# 5B18

FEEDER HOUSE

## REGULAR FEEDER HOUSE SIDE SHEETS AND FRAME - CONTINUED

KEY	PART NO.	PART NAME	QTY	SERIAL NO.	REMARKS
1	H83824	SHIELD	1	-556300	INNER, L.H.
2	21H1029	SCREW	4		5/16" X 3/4"
	12H303	LOCK WASHER	4		5/16"
	14H785	NUT	4		5/16"
3	H83823	SHIELD	1	-556300	INNER, R.H.
4	03H1522	BOLT	2		1/2" X 1-1/4"
	12H301	LOCK WASHER	2		1/2"
5	24H1312	WASHER	2		13/32" X 1-3/8" X 0.105"
6	03H1268	BOLT	8		5/16" X 3/4"
	14H785	NUT	8		5/16"
7	03H1463	BOLT	4		3/8" X 3/4"
	14H812	NUT	4		3/8"
8	16H658	RIVET	16		1/4" X 5/8"
	16H697	RIVET	2		1/4" X 1"
9	H98042	ANGLE	1		R.H.
10	AH95280	SHEET	1	-409100	R.H. WITH ANGLE
	AH111700	SHEET	1	409101-610500	R.H. WITH ANGLE, (SUB FOR AH101608 AND AH105292) (SUB AH117525)
	AH117525	SHEET	1		R.H.
11	H88767	SPACER	1	-409100	
	H102691	SPACER	1	409101-	
12	H102678	BRACE	1		R.H. (SUB FOR H77563)
13	14H1040	NUT	1	-409100	1/2"
	14H1039	NUT	1	409101-	5/8"
14	H25438	EYEBOLT	1	-409100	
	H102690	EYEBOLT	1	409101-	
15	03H1709	BOLT	2		5/16" X 1"
	14H785	NUT	2		5/16"
16	H101717	REINFORCEMENT	1		R.H.
17	24H1111	WASHER	3	-409100	17/32" X 1-1/16" X 0.090"
	24H1371	WASHER	1	409101-	21/32" X 1-3/8" X 0.194"
18	03H1522	BOLT	3	-409100	1/2" X 1-1/4"
	12H301	LOCK WASHER	3	-409100	1/2"
	14H1040	NUT	3	-409100	1/2"
	03H1603	BOLT	1	409101-	5/8" X 2"
	12H294	LOCK WASHER	1	409101-	5/8"
	14H1039	NUT	1	409101-	5/8"
19	03H1439	BOLT	1	-409100	1/2" X 1-3/4"
	12H301	LOCK WASHER	1	-409100	1/2"
	14H1040	NUT	1	-409100	1/2"
	03H1801	BOLT	1	409101-	5/8" X 1-3/4"
	12H294	LOCK WASHER	1	409101-	5/8"
	14H1039	NUT	1	409101-	5/8"
20	03H1522	BOLT	4	-409100	1/2" X 1-1/4"
	12H301	LOCK WASHER	4	-409100	1/2"
	14H1040	NUT	4	-409100	1/2"
	03H1801	BOLT	2	409101-	5/8" X 1-3/4"
	12H294	LOCK WASHER	2	409101-	5/8"
	14H1039	NUT	2	409101-	5/8"
21	21H1304	SCREW	8		5/16" X 3/4"
	14H785	NUT	8		5/16"
22	21H1137	SCREW	1	-412685	5/16" X 1-1/4"
	21H1235	SCREW	1	412686-	5/16" X 1-3/4"
23	AH101152	FRAME	1	-556300	(SUB FOR AH96467 OR AH124959)
	AH124959	FRAME	1		(SUB FOR AH111146)
24	H98043	ANGLE	1		
25	AH111701	SHEET	1	-610500	L.H. WITH ANGLE, (SUB FOR AH91750, AH102726, AH105293)
	AH117526	SHEET	1	610501-	L.H.
26	H102713	BRACE	1		L.H. (SUB FOR H77538)
27	H101718	REINFORCEMENT	1	-507350	L.H. (FIXED DRIVE LESS REVERSER)
	H101718	REINFORCEMENT	1	615201-	(FIXED DRIVE LESS REVERSER)
	AH96138	SUPPORT	1	507351-	L.H. (FIXED DRIVE)
28	AH96138	SUPPORT	1		L.H. (VARIABLE DRIVE)
29	AH94033	SHEET	1	-556300	BOTTOM, FALSE
	AH124954	BOTTOM	1		BOTTOM, FALSE, (SUB FOR AH111180)
30	H65108	SCREW	6		SELF-TAPPING
31	19H1792	CAP SCREW	4		1/2" X 1"
32	12H304	LOCK WASHER	6	556301-	3/8"
	14H812	NUT	6	556301-	3/8"
	19H2205	CAP SCREW	6	556301-	3/8" X 6"
	24H1305	WASHER	4	556301-	13/32" X 13/16" X 0.065"
33	AH123769	BOTTOM	1	556301-	(BOTTOM SHEET) (DEALER INSTALLED)

---

MEMORANDA

# 5C14

FEEDER HOUSE

FEEDER HOUSE LOWER SHAFT, SHEAVE, AND MOUNTINGS - CONTINUED  
 REGULAR FIXED DRIVE (SERIAL NO. 507351- )  
 LONG FIXED DRIVE (SERIAL NO. 409101- )

KEY	PART NO.	PART NAME	QTY	SERIAL NO.	REMARKS
1	22H775	SET SCREW	2	-459840	5/16" X 1/4"
	22H775	SET SCREW	2	459841-	5/16" X 1/4"
2	22H975	SET SCREW	2	-459840	5/16" X 5/16"
	22H775	SET SCREW	2	459841-	5/16" X 1/4"
3	H871R	BALL	2	-459840	
	H110922	BALL	1	459841-	
4	H97929	BELT	1		(LONG)
	H111519	BELT	1	507351-	(REGULAR)
5	H97970	SHEAVE	1	-459840	(SUB H108889)
	H108889	SHEAVE	1		292 MM (11-3/32") DIA.
6	AH97642	SHAFT	1		
7	AH96406	SUPPORT	1		GEAR CASE (LONG)
	AH96138	SUPPORT	1		GEAR CASE (REGULAR)
8	P50456H	WASHER	2		
9	H78856	RETAINER	2		STEEL
10	H80197	BUSHING	1		RUBBER
11	H85482	BUSHING	1		
12	19H1950	CAP SCREW	1		5/8" X 3-3/4"
13	R20136	WASHER	1		
14	T55761	SUPPORT	1		RUBBER
15	19H1863	CAP SCREW	1		5/8" X 3"
16	R62502	SUPPORT	1		
17	H97410	WASHER	1		
18	H95417	SPACER	1		
19	.....	KEY	1		(3/8" X 3/8" X 1-7/8") (CUT FROM H64378 IN KIT AH64587)
20	JD9202	BALL BEARING	1		
21	22H979	SET SCREW	1		3/8" X 3/8"
22	JD9201	ECCENTRIC LOCKING COLLAR	1		
23	H93927	HOUSING	1		
24	24H1305	WASHER	1		13/32" X 13/16" X 0.065"
25	03H1557	BOLT	3		3/8" X 1-1/4"
	12H304	LOCK WASHER	3		3/8"
	14H812	NUT	3		3/8"
26	AH92645	CHAIN SPROCKET	1		15 AND 20 TEETH
27	14H732	NUT	1		3/8"
28	H82306	SCREW	1		
29	34H305	SPRING PIN	1	459841-	7/32" X 2"
PARTS LISTED BELOW ARE NOT ILLUSTRATED:					
..	TY9371	ADHESIVE	1		
..	TY6281	LUBRICANT	1	-602385	(SUB TY6333)
..	TY6333	GREASE	1		(14 OZ. TUBE)

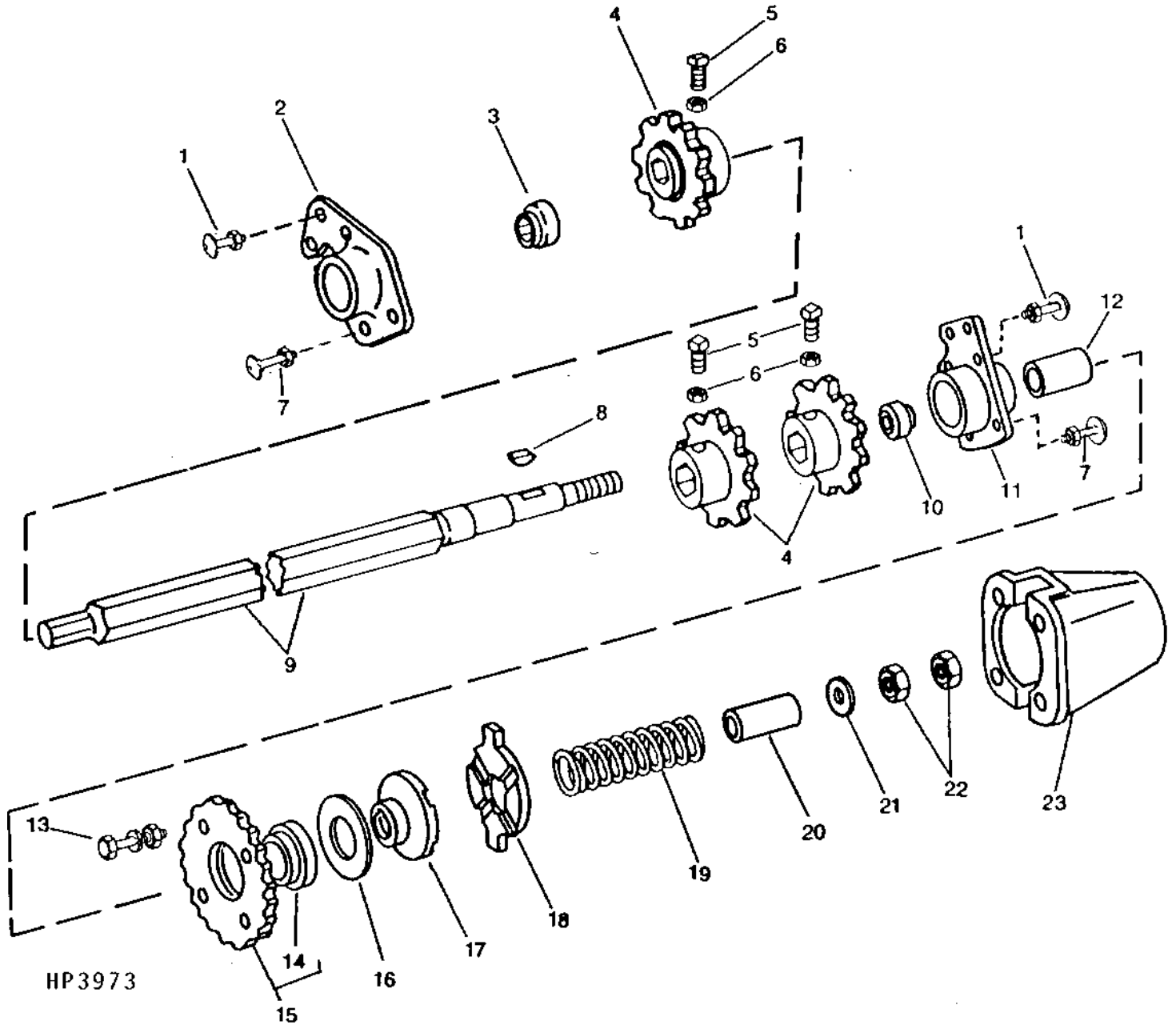
# 5C24

FEEDER HOUSE

## FEEDER HOUSE UPPER SHAFT AND SPROCKETS (REGULAR VARIABLE DRIVE) (SERIAL NO. 556301- )

HP3973

-UN-01JAN94

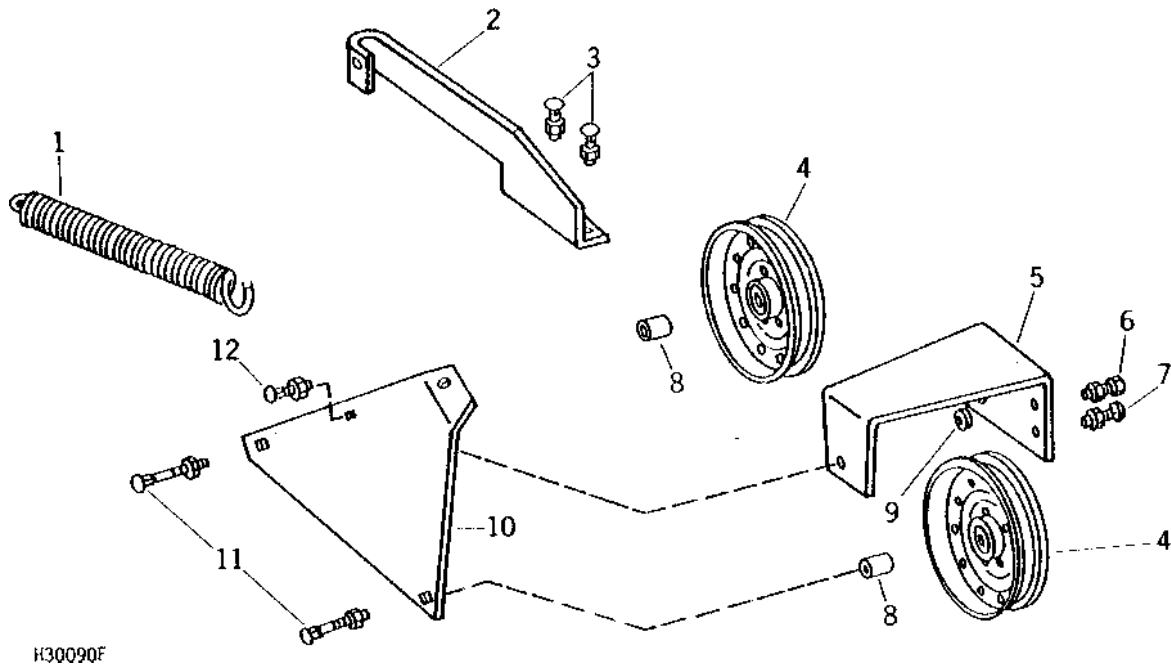


# 5D9

FEEDER HOUSE

FEEDER HOUSE DRIVE TIGHTENER (FIXED DRIVE)  
 LONG (SERIAL NO. -409100)  
 REGULAR (SERIAL NO. 502551- )

H30090F -UN-01JAN94



H30090F

KEY	PART NO.	PART NAME	QTY	SERIAL NO.	REMARKS
1	H79074	SPRING	1		
2	H83775	ARM	1		
3	03H1544	BOLT	1	5/16" X 1-1/4"	
	14H785	NUT	1	5/16"	
4	AH66202	SHEAVE	2	197 MM (7-3/4") DIA.	
5	H83779	BRACKET	1		
6	19H1731	CAP SCREW	2	3/8" X 1"	
	14H812	NUT	2	3/8"	
7	03H1557	BOLT	2	3/8" X 1-1/4"	
	14H812	NUT	2	3/8"	
8	28H2553	BUSHING	2	3/4" X 1-1/8"	
9	24H1305	WASHER	2	13/32" X 13/16" X 0.065"	
10	H83778	ARM	1		
11	03H2075	BOLT	2	5/8" X 3"	
	14H1039	NUT	2	5/8"	
12	03H1500	BOLT	1	3/8" X 1"	
	H99923	LOCK NUT	1		

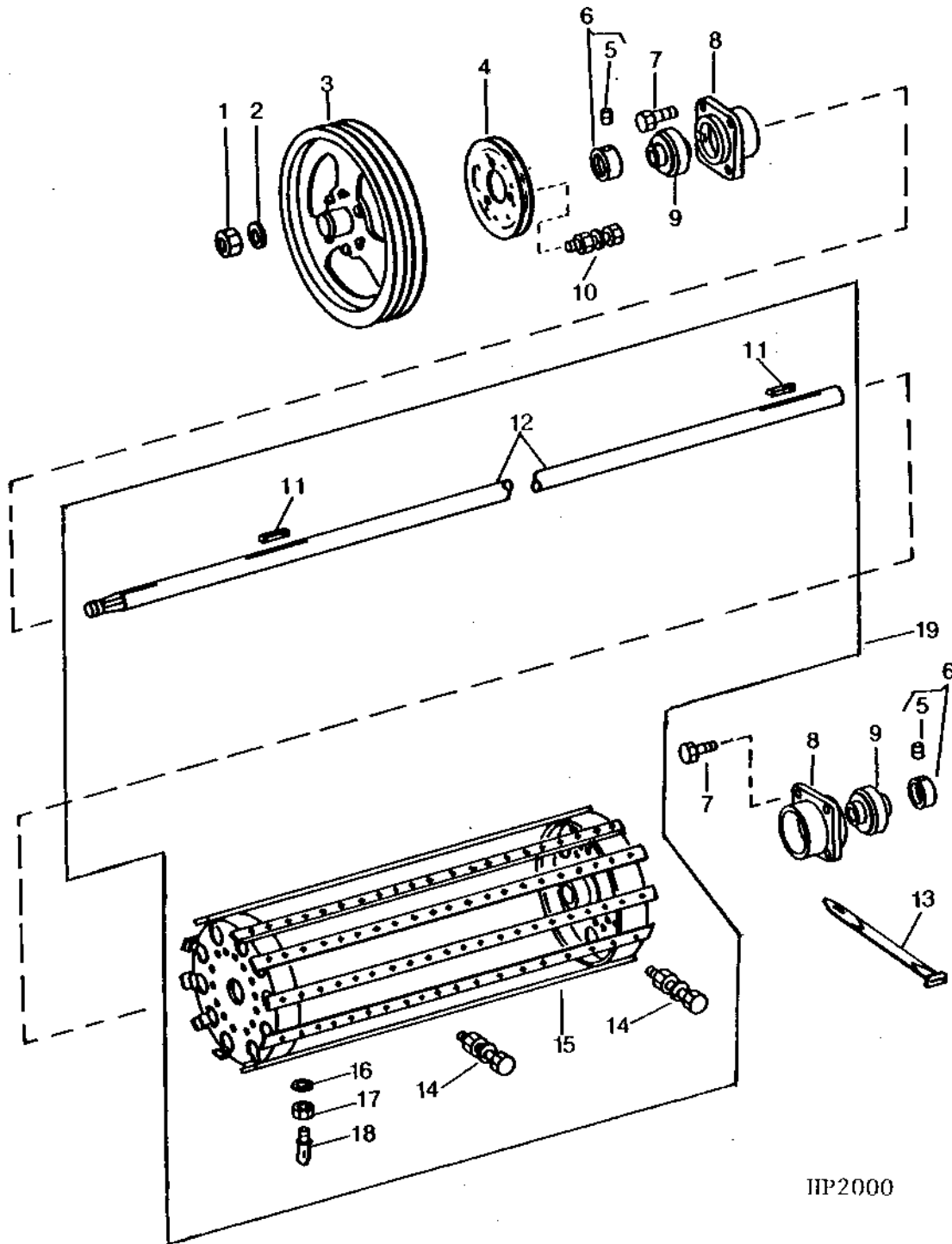
# 6B19

SEPARATOR

HP2000

-UN-01JAN94

SPIKE-TOOTH CYLINDER  
(SERIAL NO. -556300)



# 6C3

SEPARATOR

## CONCAVE ADJUSTING CONTROLS - CONTINUED

KEY	PART NO.	PART NAME	QTY	SERIAL NO.	REMARKS
1	AH95018	KNOB	1		
2	19H2948	SCREW	1		1/4" X 0.380"
3	24H1286	WASHER	1		9/32" X 1/2" X 1/16"
4	H76517	KNOB	1		
5	H82448	WASHER	1		
6	AH95020	CRANK	1		
7	19H1905	CAP SCREW	2		5/16" X 1"
	12H303	LOCK WASHER	2		5/16"
	14H785	NUT	2		5/16"
8	H96455	BUSHING	2	600001-	
9	H76502	BEARING	1	-600000	
	AH112198	BEARING	1	600001-	
10	H100016	SHAFT	1		
11	.....	LINK CHAIN	1		100 LINKS, 13MM (1/2") PITCH ROLLER CHAIN (ASSEMBLE FROM 99 LINKS OF AB18594 AND (1) AB14025)
12	H94274	CHAIN SPROCKET	1		22 TEETH
13	AH97781	BEARING	1		
14	19H1936	CAP SCREW	2		3/8" X 3/4"
	12H304	LOCK WASHER	2		3/8"
	14H812	NUT	2		3/8"
15	H76139	SCREW	2		SELF-TAPPING
16	H96499	ANGLE	1		
17	34H78	SPRING PIN	2		3/16" X 1-1/8"
18	AH90566	SHAFT	1		L.H. CONCAVE
19	28H2547	SPACER	2		3/8" X 1"
20	24H1305	WASHER	4		13/32" X 13/16" X 0.065"
21	H89230	DISK	1		
22	E50102	LOCK NUT	4		
23	19H1731	CAP SCREW	2		3/8" X 1"
24	AH90562	SHAFT	1		R.H. CONCAVE
25	34H77	SPRING PIN	2		3/16" X 1"
26	H80686	STRAP	3		
27	H76505	BRACKET	1		
28	H76503	SUN GEAR	1		BEVEL, 13 TEETH
29	19H1731	CAP SCREW	2		3/8" X 1"
	12H304	LOCK WASHER	2		3/8"
	14H812	NUT	2		3/8"
30	H76504	GEAR	1		BEVEL, 26 TEETH
31	H76516	PIN	1		LOWER
32	H100400	GEAR	1		WORM

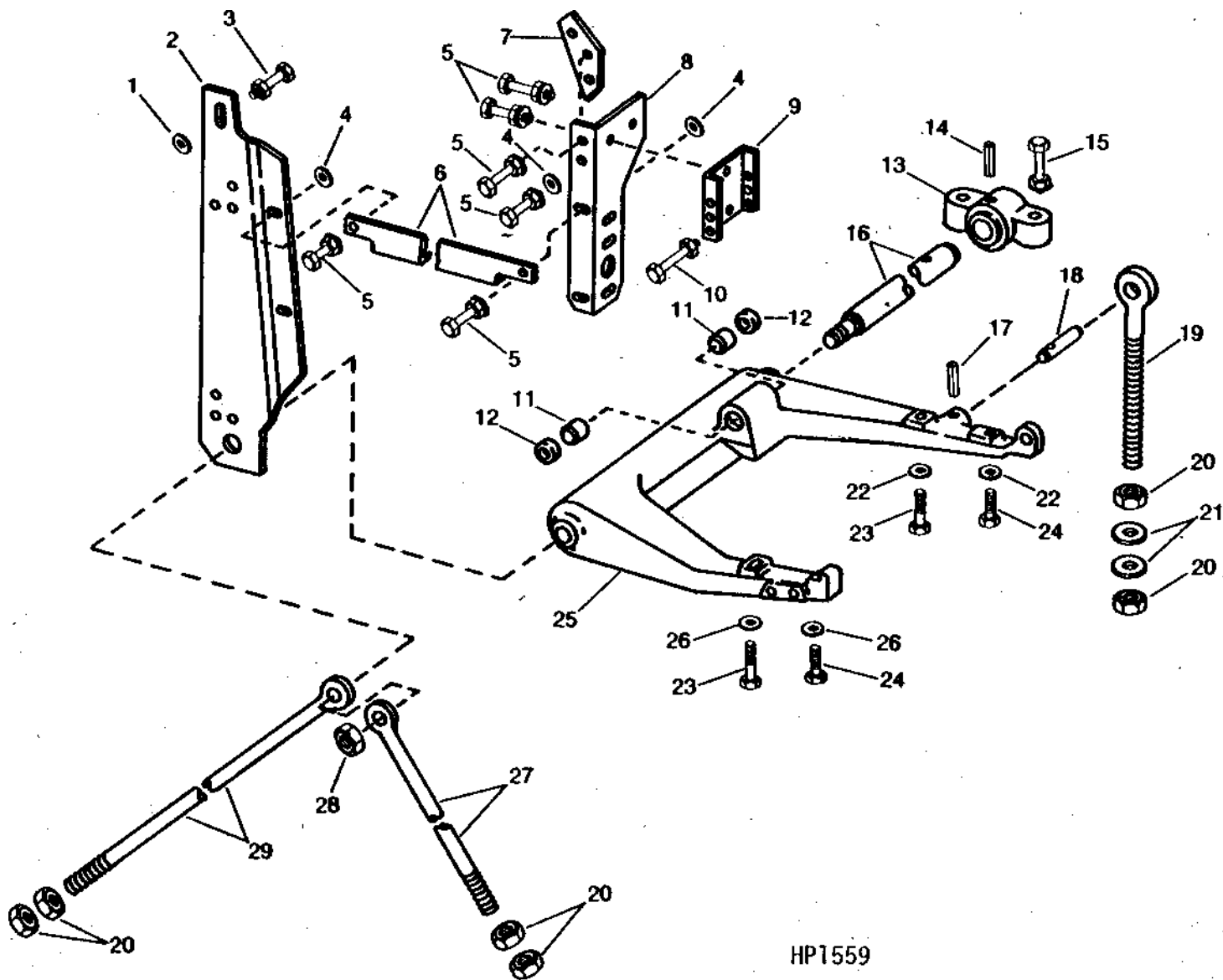
# 6C14

SEPARATOR

## DUAL-RANGE CYLINDER INTERMEDIATE DRIVE SUPPORT BRACES (SERIAL NO. 556301- )

HP1559

-UN-01JAN94



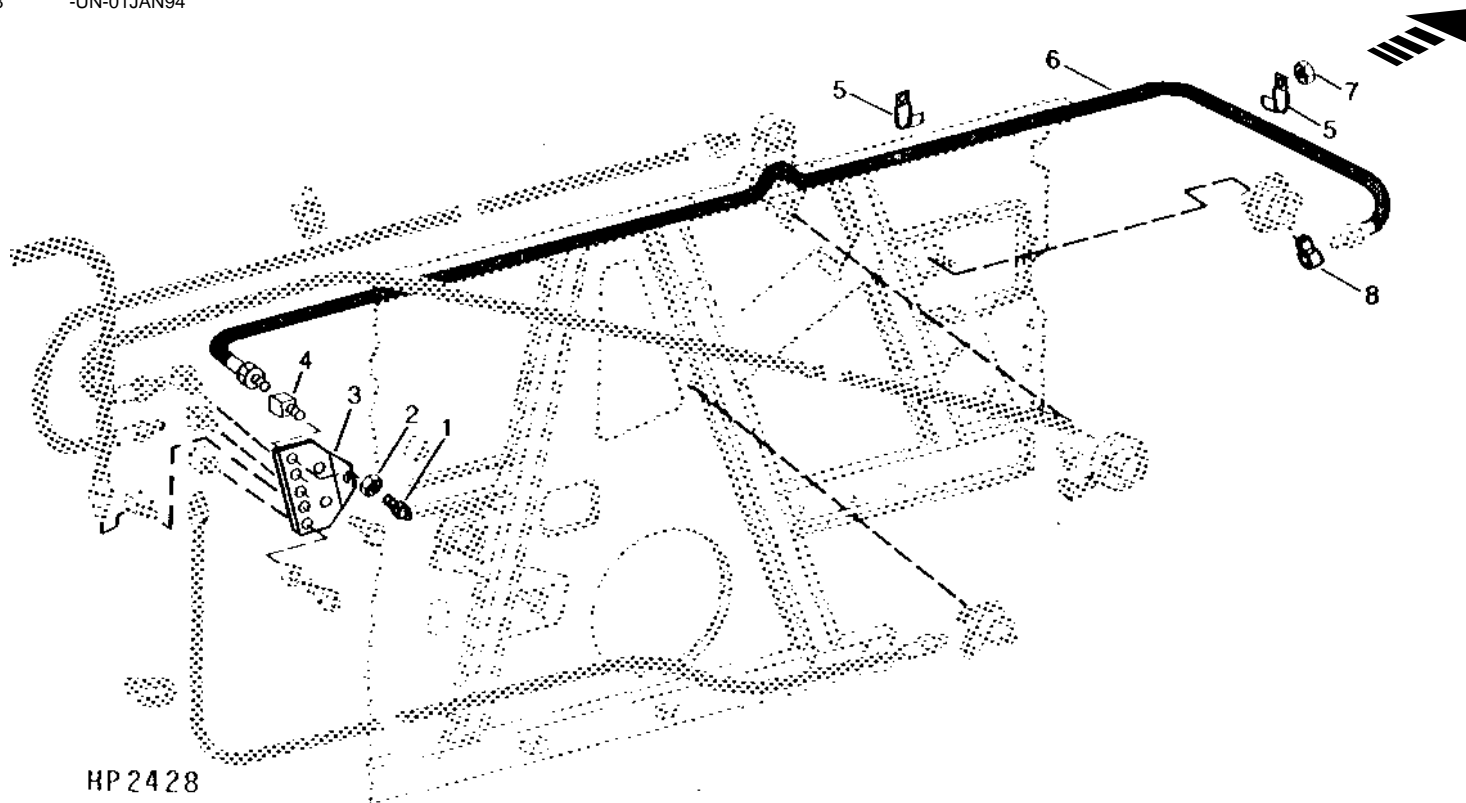
HP1559

# 6C24

SEPARATOR

CYLINDER SHAFT BEARING HOUSING LUBE BANK SYSTEM  
(RIGHT-HAND SIDE)  
(SERIAL NO. 507351- )

HP2428 -UN-01JAN94



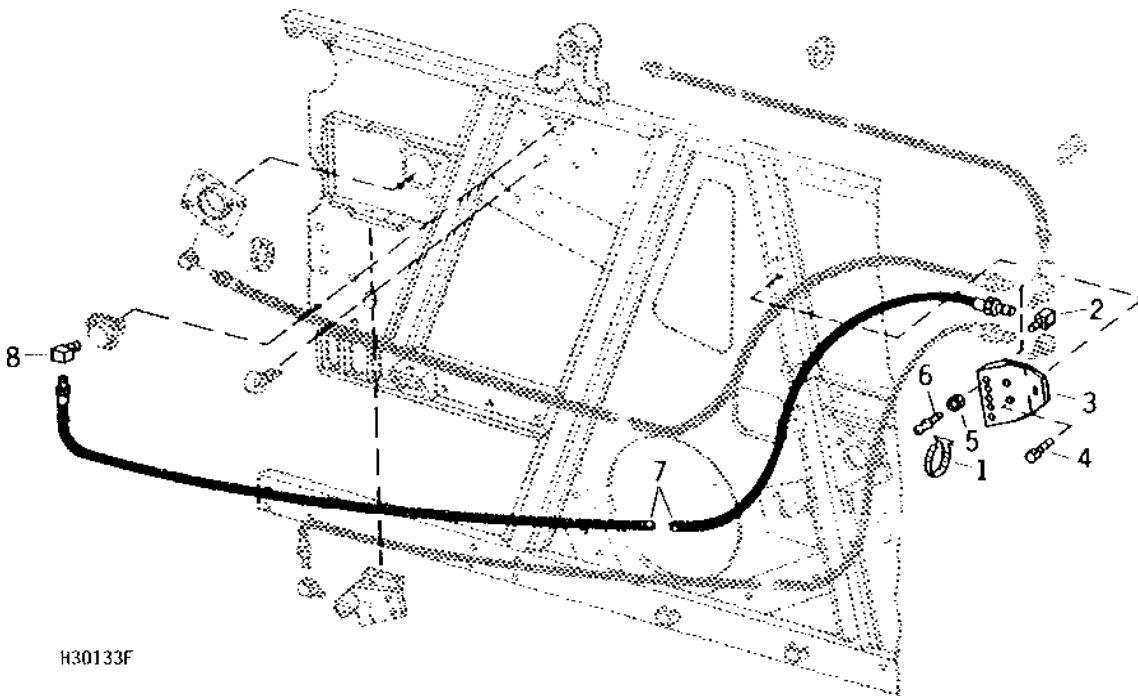
KEY	PART NO.	PART NAME	QTY	SERIAL NO.	REMARKS
1	JD7797	LUBRICATION FITTING	1		STRAIGHT, 1/4"
2	E12379	NUT	1		
3	H109523	SUPPORT	1	-610500	(SUB H101262)
	H101262	SUPPORT	1		
4	E12378	ELBOW FITTING	1		
5	AH89557	CLIP	2		
6	H111472	HOSE	1		1600 MM (63") LONG
7	14H732	NUT	1		3/8"
8	JD7845	ELBOW FITTING	1		REDUCING, 90°

# 6D9

SEPARATOR

H30133F -UN-01JAN94

## BEATER BEARING LUBE BANK SYSTEM (LEFT-HAND SIDE) (POSI-TORQ DRIVE)



KEY	PART NO.	PART NAME	QTY	SERIAL NO.	REMARKS
1	M66044	TIE BAND	1		
2	E12378	ELBOW FITTING	1	90°	
3	H101262	SUPPORT	1		
4	H76139	SCREW	2	SELF-TAPPING	
5	E12379	NUT	1		
6	JD7797	LUBRICATION FITTING	1	STRAIGHT, 1/4"	
7	H94729	HYDRAULIC HOSE	1	850 MM (34") LONG	
8	JD7845	ELBOW FITTING	1	REDUCING, 90°	

# 6D19

SEPARATOR

## STRAW WALKER - CONTINUED

KEY	PART NO.	PART NAME	QTY	SERIAL NO.	REMARKS
1	21H1016	SCREW	AR		1/4" X 1/2", (3 USED PER RISER)
	21H1016	SCREW	8		1/4" X 1/2"
	21H1016	SCREW	16		1/4" X 1/2", (RICE CRAWLER)
	12H302	LOCK WASHER	AR		1/4"
	14H786	NUT	AR		1/4"
	24H1287	WASHER	24		9/32" X 5/8" X 0.065"
3	AH84698	SEAL	4		SIDE (PER MACHINE) (RICE CRAWLER)
	AH95963	SEAL	2		REAR (PER MACHINE)
4	21H1311	SCREW	2		5/16" X 1/2"
	12H303	LOCK WASHER	2		5/16"
	14H785	NUT	2		5/16"
5	H97115	PAN	1		
6	H94669	RISER	1		(BETWEEN EACH WALKER)
7	AH99755	RISER	1		
8	H100869	CLIP	1		
9	03H1774	BOLT	2		5/16" X 5/8"
	12H303	LOCK WASHER	2		5/16"
	14H785	NUT	2		5/16"
10	N10212	SELF-LOCKING SCREW	1		
	12H303	LOCK WASHER	1		5/16"
	14H785	NUT	1		5/16"
11	03H1565	BOLT	8		3/8" X 3"
	H99923	LOCK NUT	8		
12	AH92589	BEARING	1	-600000	(MATCHED HALVES) (SUB H119614)
	H119614	BEARING	2		(SINGLE HALF)
13	H93554	PLATE	1		
14	AH94468	STRAW WALKER	1		(RECTANGULAR HOLE)
	AH94469	STRAW WALKER	1		(LIP TYPE)
15	H99509	SHIELD	1		(USE WITH STRAW CHOPPER)
16	24H1136	WASHER	4	-459906	11/32" X 11/16" X 0.065"
17	21H1347	SCREW	4		5/16" X 5/8"
	12H303	LOCK WASHER	4	-459906	5/16"
	14H785	NUT	4	-459906	5/16", (SUB N10213, THIS APPLICATION)
	N10213	LOCK NUT	4		
18	H108875	DEFLECTOR	1	461889-	
19	24H1294	WASHER	4	559073-	11/32" X 1-1/8" X 1/16", (CORN, GRAIN STRAW CHOPPER)
					(HARVESTRAK MONITOR)
20	H118816	REINFORCEMENT	2	559073-	(RUBBER) (HARVESTRAK MONITOR)
21	H118702	FLAP	1	559073-	(RUBBER) (HARVESTRAK MONITOR)
22	N112200	SELF-LOCKING SCREW	2	559073-	(HARVESTRAK MONITOR)
23	H118702	FLAP	1	559073-	(RUBBER) (CORN, GRAIN STRAW CHOPPER)
24	21H1075	SCREW	2	559073-	5/16" X 1", (CORN, GRAIN STRAW CHOPPER)
	12H303	LOCK WASHER	2	559073-	5/16", (CORN, GRAIN STRAW CHOPPER)
	14H785	NUT	2	559073-	5/16", (CORN, GRAIN STRAW CHOPPER)

NOTE: QUANTITIES SHOWN ARE FOR ONE UNIT. FIVE UNITS USED PER MACHINE.

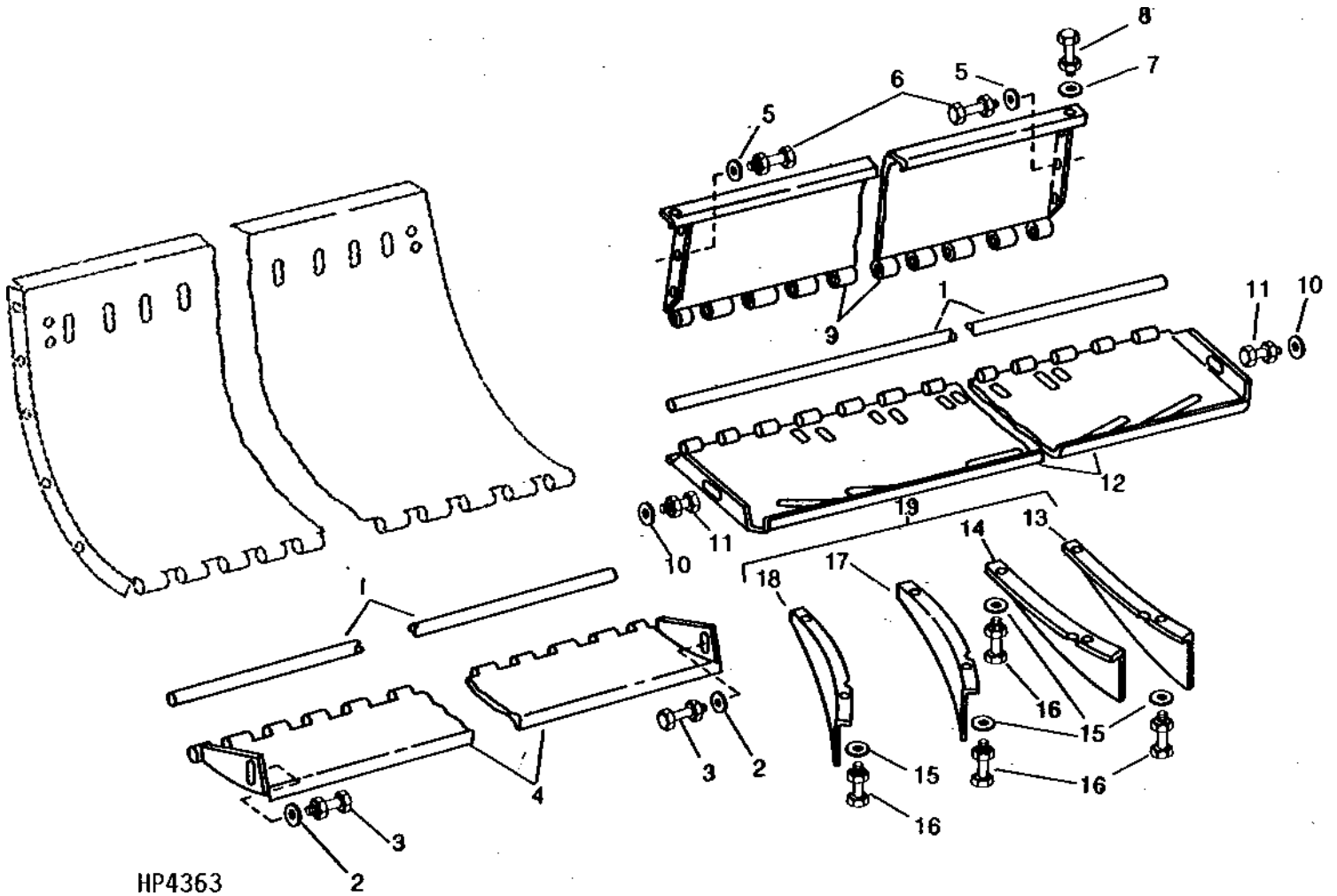
# 6E5

SEPARATOR

HP4363

-UN-01JAN94

## STRAW CHOPPER PLATE AND FINS (SERIAL NO. -559612)



HP4363

# 6E16

SEPARATOR

## STRAW CHOPPER DRIVE IDLER AND TIGHTENER - CONTINUED

KEY	PART NO.	PART NAME	QTY	SERIAL NO.	REMARKS
1	AH97031	IDLER	1		222 MM (8-3/4") DIA.
2	AH95969	ARM	1		
3	03H1604	BOLT	1		5/8" X 2"
	12H294	LOCK WASHER	1		5/8"
	14H1039	NUT	1		5/8"
4	H98654	BUSHING	1		
5	AH95967	SUPPORT	1		
6	R26223	SNAP RING	1		
7	03H1709	BOLT	3		5/16" X 1"
	12H303	LOCK WASHER	3		5/16"
	14H785	NUT	3		5/16"
8	03H1628	BOLT	1		5/8" X 2-1/2"
	12H294	LOCK WASHER	1		5/8"
	14H1039	NUT	1		5/8"
9	28H2515	BUSHING	1		3/4" X 3/4"
10	AN15237	IDLER	1		202 MM (7-15/16") DIA.
11	JD8662	BALL BEARING	2		
12	J13683	SNAP RING	2		
13	H91834	SHEAVE	1		242 MM (9-1/2") AND 306 MM (12") DIAS.
14	H101436	BELT	1		DRIVE
15	H4211H	PIN	1		DRILLED
16	11H211	COTTER PIN	1		1/8" X 3/4"
17	AH96321	PIVOT	1		
18	03H1500	BOLT	4		3/8" X 1"
	12H304	LOCK WASHER	4		3/8"
	14H812	NUT	4		3/8"
19	24H1305	WASHER	4		13/32" X 13/16" X 0.065"
20	H86646	SPRING	1		
21	AH96176	SUPPORT	1		
22	14H1040	NUT	2		1/2"
23	N13359	EYEBOLT	1		
24	H97420	STRAP	1		
25	19H1907	CAP SCREW	2		5/16" X 2-3/4"
	12H303	LOCK WASHER	2		5/16"
	14H785	NUT	2		5/16"
26	19H1731	CAP SCREW	1		3/8" X 1"
	H99923	LOCK NUT	1		
27	H98655	BUSHING	2		
28	AH91676	ARM	1		
29	P46614	SNAP RING	1		
30	19H2279	CAP SCREW	1		7/8" X 4-1/2"
	U14554	LOCK NUT	1		
31	24H1429	WASHER	1		29/32" X 1-3/4" X 0.194"
32	H92080	BELT	1	-409100	(SUB H103344)
	H103344	BELT	1		DRIVE, REAR

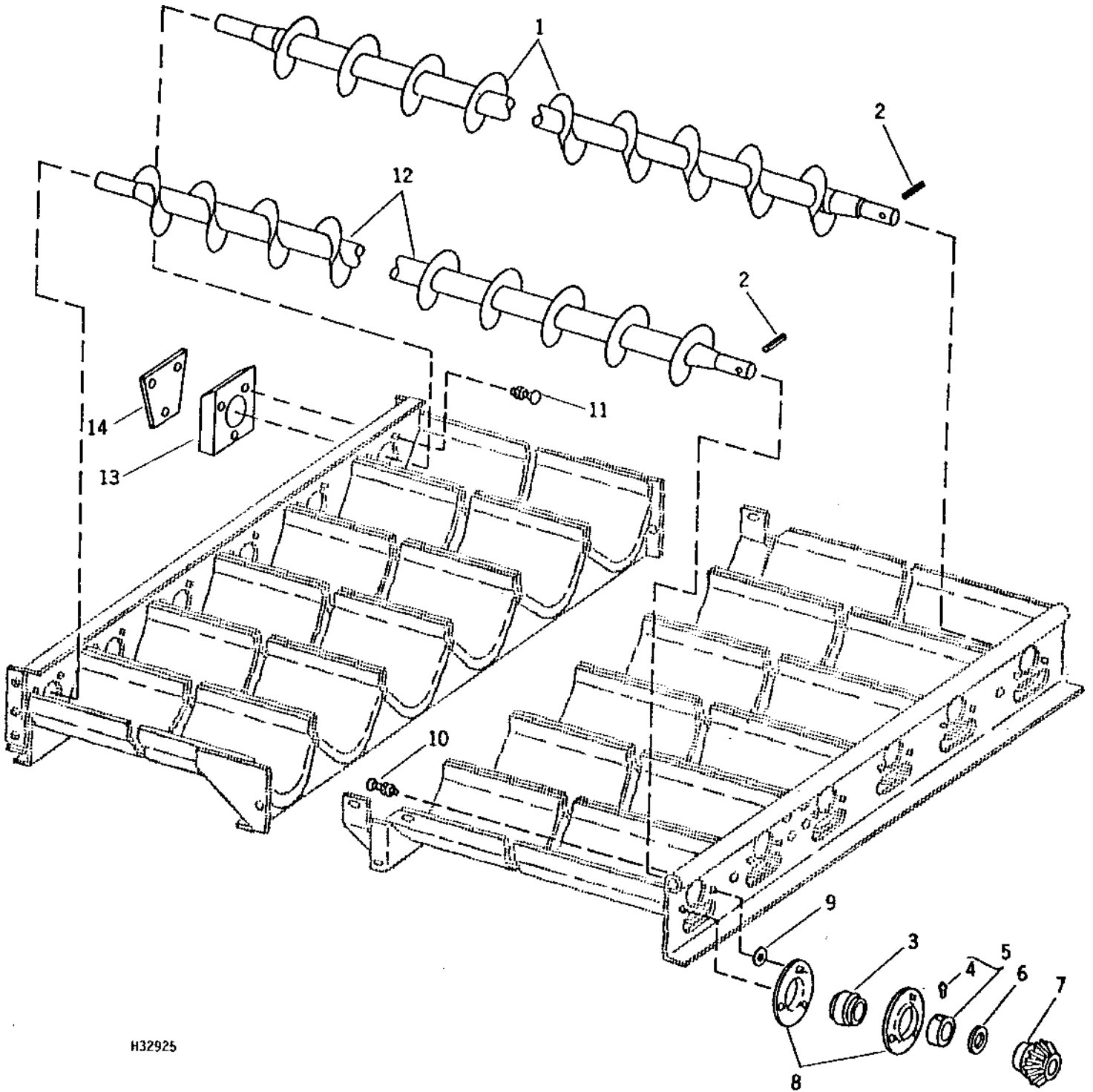
# 6F1

SEPARATOR

H32925

-UN-01JAN94

## SHOE GRAIN SUPPLY AUGERS



H32925

# 6F12

SEPARATOR

## CHAFFER FRAME AND COVER - CONTINUED

KEY	PART NO.	PART NAME	QTY	SERIAL NO.	REMARKS
1	19H2127	CAP SCREW	6		5/16" X 7/8"
	12H247	LOCK WASHER	6	-459906	5/8"
	14H785	NUT	6	-459906	5/16"
2	N10213	LOCK NUT	6	459907-	
	AH81270	COVER	1	-610500	
	AH126341	COVER	1	610501-	(USE WITH AH126338)
3	21H1347	SCREW	12		5/16" X 5/8"
	21H1347	SCREW	10	610501-	
	N10213	LOCK NUT	12		
4	N10213	LOCK NUT	10	610501-	
	24H1224	WASHER	12	-610500	11/32" X 1" X 1/16"
	24H1224	WASHER	4	610501-	11/32" X 1" X 1/16"
5	24H1297	WASHER	6	610501-	11/32" X 2" X 0.065"
	AH80491	FINGER	2	-615854	(SUB AH126338)
	AH126338	FINGER	2		
6	H121837	STRIP	1	610501-	
7	H76534	SEAL	2	-1990	(SUB H117605)
	H117605	PAD	2		
8	H99076	STRIP	1	-610500	(SUB H122251)
	H122251	STRIP	1		
9	H99074	SEAL	1	-610500	(SUB H122253)
	H122253	SEAL	1		
10	19H1919	CAP SCREW	11	-459906	1/4" X 5/8"
	12H302	LOCK WASHER	11	-459906	1/4"
11	37H51	SCREW	11	459907-	1/4" X 1/2"
	24H1287	WASHER	11		9/32" X 5/8" X 0.065"
12	19H1875	CAP SCREW	1	-610500	5/16" X 1-3/4"
	19H1913	CAP SCREW	6	610501-	5/16" X 2-1/4", (WITH HARVESTRAK-ADJ)
	19H1901	CAP SCREW	6	610501-	5/16" X 2", (LESS HARVESTRAK-ADJ; WITH HARVESTRAK-NON ADJ )
	19H1875	CAP SCREW	4	620468-	(LESS HARVESTRAK, NON-ADJ)
	12H303	LOCK WASHER	6		
	14H785	NUT	6		
	24H1136	WASHER	6	610501-	11/32" X 11/16" X 0.065", (LESS HARVESTRAK-ADJ)
	24H1136	WASHER	2	610501-	11/32" X 11/16" X 0.065", (WITH HARVESTRAK-ADJ)
13	24H1292	WASHER	2		11/32" X 3/4" X 0.120", (USE WITH H130177)
	H86868	LATCH	2		
15	19H2036	CAP SCREW	12		1/4" X 7/8"
	12H302	LOCK WASHER	12	-459906	1/4"
	14H786	NUT	12	-459906	1/4"
	N10217	LOCK NUT	12	459907-	
16	P39723	BRACKET	2		
17	24H1305	WASHER	2		13/32" X 13/16" X 0.065"
18	HZ5621H	SPRING	2		
19	11H211	COTTER PIN	2		1/8" X 3/4"
20	P39705	PIN	2		
21	AH97760	DOOR	1	-610500	(SUB AH118734)
	AH118734	HINGE	1		
22	19H1731	CAP SCREW	6	-611006	3/8" X 1"
	12H304	LOCK WASHER	6	-611006	3/8"
	14H812	NUT	6	-611006	3/8"
	19H2676	CAP SCREW	6	611007-	3/8" X 1"
	12H304	LOCK WASHER	6	611007-620200	3/8"
	14H1076	NUT	6	611007-620383	3/8"
	H95174	LOCK NUT	6	620384-	9.525 MM (3/8")
23	H99004	ANGLE	2	-610500	
	H122291	CHANNEL	1	610501-621225	R.H. (SUB H135950)
	H135950	CHANNEL	1	621226-	R.H.
	H122292	CHANNEL	1	610501-621225	L.H. (SUB H135951)
24	H135951	CHANNEL	1	621226-	L.H.
	AH97751	FRAME	1	-610500	
	AH115199	FRAME	1	610501-	

MEMORANDA

# 6G8

SEPARATOR

CLEAN GRAIN ELEVATOR HOUSING - CONTINUED  
(SERIAL NO. 556301- )

KEY	PART NO.	PART NAME	QTY	SERIAL NO.	REMARKS
1	N10214	SELF-LOCKING SCREW	2		
	N10215	LOCK NUT	2		
2	11H237	COTTER PIN	1	1/8" X 2"	
3	24H1454	WASHER	1	1-1/32" X 2" X 0.060"	
4	H106315	LEVER	1		
5	AH108935	LEVER	1	(INCLUDES H106315)	
6	AH110652	ELEVATOR	1		
7	AH105503	YOKE	1		
8	AH112164	ELEVATOR	1		
9	N10215	LOCK NUT	2		
10	H98091	BRACKET	1		
11	24H1305	WASHER	10	13/32" X 13/16" X 0.065"	
12	19H2284	CAP SCREW	4	3/8" X 7/8"	
	12H304	LOCK WASHER	4	3/8"	
	14H812	NUT	4	3/8"	
13	03H1765	BOLT	4	3/8" X 3/4"	
	12H304	LOCK WASHER	4	3/8"	
	14H812	NUT	4	3/8"	
14	H79676	PIN	1		
15	11H216	COTTER PIN	1	3/16" X 1"	
16	H114130	REINFORCEMENT	1		

---

MEMORANDA

# 6H4

SEPARATOR

## DIP AND POUR ELEVATOR CONVEYOR CHAIN AND UPPER SPROCKETS - CONTINUED

KEY	PART NO.	PART NAME	QTY	SERIAL NO.	REMARKS
1	03H1544	BOLT	2		5/16" X 1-1/4"
	12H303	LOCK WASHER	2		5/16"
	14H785	NUT	2		5/16"
2	H85684	STRAP	1		
3	24H1305	WASHER	4		13/32" X 13/16" X 0.065"
4	H85735	BOLT	2		
5	14H812	NUT	1		3/8"
6	AH86768	CHAIN SPROCKET	4		60 TEETH
7	03H1540	BOLT	12		5/16" X 3/4"
	12H303	LOCK WASHER	12		5/16"
	14H785	NUT	12		5/16"
8	AH80508	BRACKET	2		
9	22H897	SET SCREW	4		1/4" X 1/4"
10	JD8554	ECCENTRIC LOCKING COLLAR	4		WITH SET SCREW
11	H87472	PRESSED FLANGED HOUSING	8	-602385	
	H103264	PRESSED FLANGED HOUSING	8	602386-	
12	JD8665	BALL BEARING	4		
13	P49158	SHAFT KEY	5	-412421	
	.....	KEY	5	412422-	(1/4" X 1/4" X 1-1/2") (CUT FROM H64374 IN AH64587 KEY STOCK KIT)
14	H85718	SHAFT	1		
15	34H94	SPRING PIN	4		7/32" X 1-3/4"
16	AH86763	LINK CHAIN	1		WITH BUCKETS
	AH86762	CONVEYOR	40		BUCKET
	AH86766	LINK CHAIN	80		
	16H249	RIVET	160		3/16" X 3/8"
	BP10238	TRACK CHAIN W/O SHOES	1		OFFSET, WITH PIN AND COTTER
	11H230	COTTER PIN	1		1/16" X 3/8"
	P29361	PIN	1		
	AE23791	CHAIN LINK	1		COUPLER, WITH SPRING LOCK
	M16591	CLAMP	1		SPRING (5 PER PACKAGE)
	BP10236	TRACK CHAIN W/O SHOES	1		ROLLER
17	H10334	HUB	1		
18	.....	LINK CHAIN	1		ROLLER, TYPE 50, 16 MM (5/8") PITCH, 119 LINKS, (ASSEMBLE FROM (2) AP6093H, AP6095H, (4) P20350, (4) P20351 AND P20352)
19	H23218	CHAIN SPROCKET	1		70 TEETH
20	19H1732	CAP SCREW	4		3/8" X 1-1/4"
	12H304	LOCK WASHER	4		3/8"
	14H812	NUT	4		3/8"
21	H85726	SHAFT	1		DRIVE
22	22H907	SET SCREW	2		5/16" X 7/8"
	14H611	NUT	2		5/16"

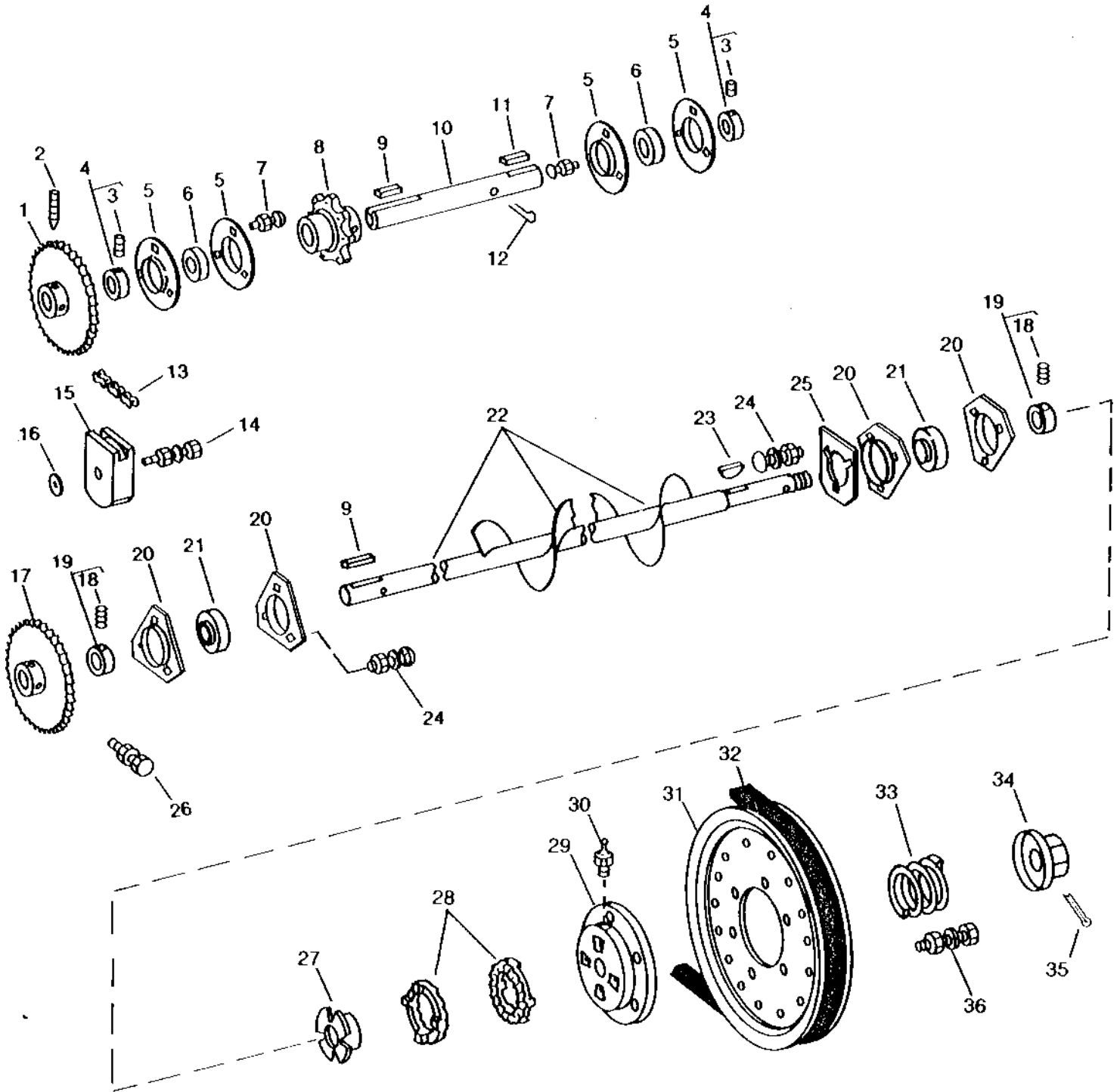
# 6H15

SEPARATOR

## LOWER TAILINGS AUGER, SHAFT, AND TIGHTENER (SERIAL NO. 610501- )

HP2417

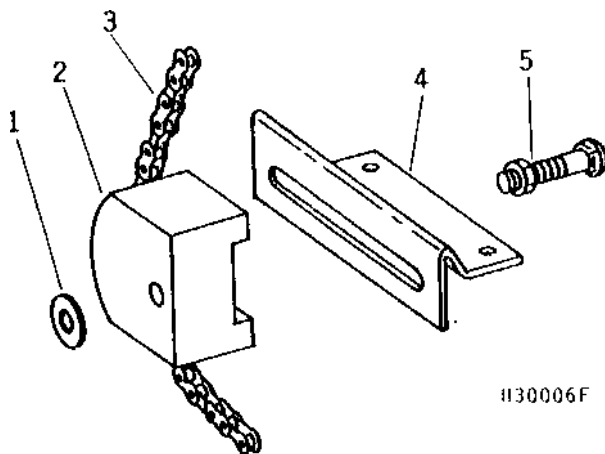
-UN-01JAN94



HP2417

H30006F -UN-01JAN94

## UPPER TAILINGS AUGER DRIVE TIGHTENER



KEY	PART NO.	PART NAME	QTY	SERIAL NO.	REMARKS
1	24H1305	WASHER	1		13/32" X 13/16" X 0.065"
2	H98970	TIGHTENER	1	-508914	(SUB H109736)
	H109736	TIGHTENER	1		
3	.....	LINK CHAIN	1	-610500	ROLLER, TYPE 50, 16 MM (5/8") PITCH. 51 LINKS, (ASSEMBLE FROM AP6093H AND P20352)
	.....	LINK CHAIN	1	610501-	ROLLER, TYPE 50, 16 MM (5/8") PITCH, 50 LINKS, (ASSEMBLE FROM AP6093H)
4	H94277	BRACKET	1		
5	03H1563	BOLT	1		3/8" X 2-1/2"
	12H304	LOCK WASHER	1		3/8"
	14H812	NUT	1		3/8"

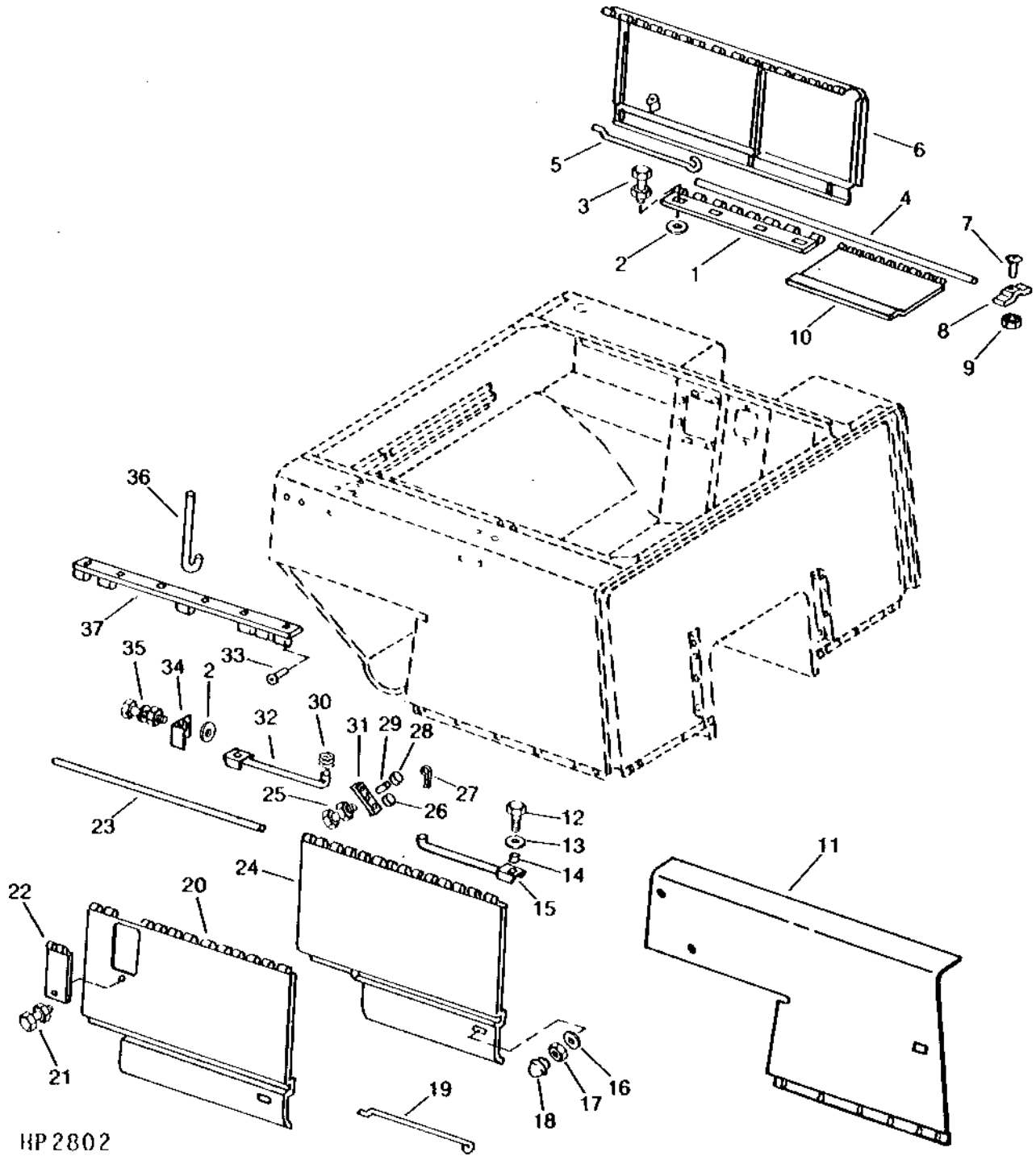
# 7B12

GRAIN TANK AND UNLOADING AUGER

HP2802

-UN-01JAN94

## GRAIN TANK SKIRTS



HP 2802

# 7B23

GRAIN TANK AND UNLOADING AUGER

## UNLOADING AUGER COUNTERSHAFT - CONTINUED

KEY	PART NO.	PART NAME	QTY	SERIAL NO.	REMARKS
1	H34753	LOCK NUT	1		
2	24H1663	WASHER	1		49/64" X 1-1/2" X 0.134"
3	AH96300	BELT SET	2		
4	AH93060	GUIDE	1		
5	H85783	SPRING	1		
6	24H1682	WASHER	8		13/32" X 7/8" X 0.120"
7	19H1936	CAP SCREW	1		3/8" X 3/4"
	12H304	LOCK WASHER	1		3/8"
8	03H1500	BOLT	6		3/8" X 1"
	12H304	LOCK WASHER	6		3/8"
	14H812	NUT	6		3/8"
9	C3056E	PRESSED FLANGED HOUSING	4	-616261	(SUB E10018, THIS APPLICATION)
	E10018	PRESSED FLANGED HOUSING	4		
10	H87784	SHIM	2	-616261	
11	JD9274	BALL BEARING	2		
12	22H897	SET SCREW	2		1/4" X 1/4"
13	JD8544	ECCENTRIC LOCKING COLLAR	2		
14	AH96560	SHAFT	1	-621276	(SUB AH130468)
	AH130468	SHAFT	1		
15	.....	KEY	1		8 MM X 8 MM X 38 MM (5/16" X 5/16" X 1-1/2") (CUT FROM H64375 IN AH64587 KEY STOCK KIT)
16	26H40	SHAFT KEY	1		1/4" X 2-1/8"
17	19H1731	CAP SCREW	1		3/8" X 1"
	12H304	LOCK WASHER	1		3/8"
18	19H1800	CAP SCREW	2		3/8" X 1-1/2"
	12H304	LOCK WASHER	2		3/8"
	14H812	NUT	2		3/8"
19	AH93344	PIVOT	1		
20	H98655	BUSHING	2		
21	AH97339	ARM	1		
22	24H1413	WASHER	1		57/64" X 1-3/8" X 0.048"
23	P46614	SNAP RING	1		
24	H93970	SHEAVE	1		DOUBLE, 279 MM (11-3/16") DIA.
25	H89679	SUPPORT	1		
26	03H1833	BOLT	3		3/8" X 1-3/4"
	12H304	LOCK WASHER	3		3/8"
	14H812	NUT	3		3/8"
27	19H1732	CAP SCREW	4		3/8" X 1-1/4"
	12H304	LOCK WASHER	4		3/8"
	14H812	NUT	4		3/8"
28	AH96703	CHAIN SPROCKET	1		15 TEETH
29	14H732	NUT	2		3/8"
30	22H817	SET SCREW	2		3/8" X 3/4"
31	H75588	SNAP RING	1		
32	H88070	SHAFT	1		
33	.....	LINK CHAIN	1		ROLLER, TYPE 60, 19 MM (3/4") PITCH, 108 LINKS, (ASSEMBLE FROM (2) AB1288H, (4) B5234H AND (4) B5235H AND AN151830)
34	24H1341	WASHER	1		17/32" X 15/16" X 0.060"
35	H88071	NUT	1		
36	AH89429	CHAIN SPROCKET	1		
37	AH96475	BRACE	1		

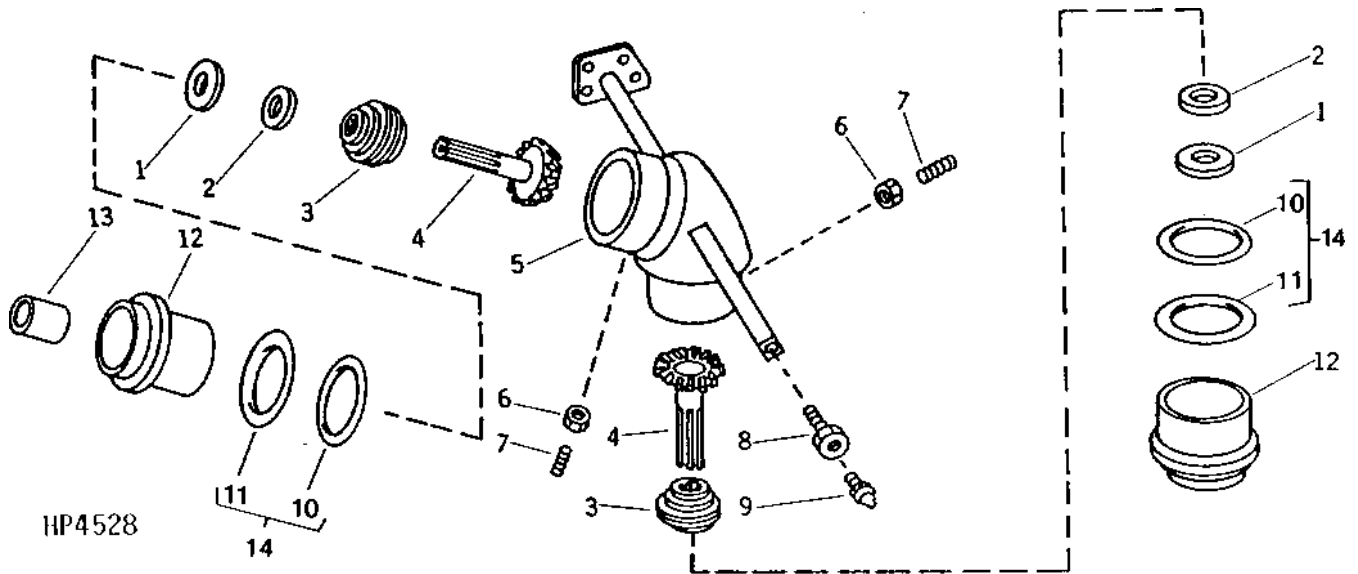
MEMORANDA

# 7C19

GRAIN TANK AND UNLOADING AUGER

HP4528 -UN-01JAN94

## HORIZONTAL UNLOADING AUGER DRIVE GEAR CASE



KEY	PART NO.	PART NAME	QTY	SERIAL NO.	REMARKS
1	AH98118	SEAL	2		
2	H99613	WASHER	2		
3	AH94661	BEARING	2		(USE WITH H99613)
4	H96148	GEAR	2		18 TEETH, BEVEL
5	H96346	GEAR CASE	1		
6	14H732	NUT	4		3/8"
7	22H845	SET SCREW	4		3/8" X 3/4"
8	H96228	SCREW	1		
	12H294	LOCK WASHER	1		5/8"
9	JD7797	LUBRICATION FITTING	1		STRAIGHT
10	H96361	SHIM	2	-1990	12 MM (.005")
11	H96362	SHIM	2	-1990	25 MM (.010")
12	H96345	BEARING HOUSING W/O BEARING	2		
13	N72989	BUSHING	1		
14	AH139072	KIT	2		

---

MEMORANDA

# 7D15

MAJOR DRIVES

## DECLUTCHING IDLER - CONTINUED

KEY	PART NO.	PART NAME	QTY	SERIAL NO.	REMARKS
1	AH98786	PIVOT	1	-459906	(MARKED H83644) (SUB AH108445)
	AH108445	PIVOT	1		(MARKED H109886)
2	H99964	PIN	1		
3	11H236	COTTER PIN	2		1/8" X 1"
4	L3914N	PIN	1		
5	H83655	BEARING	2		
6	H99968	ARM	1		
7	11H216	COTTER PIN	1		3/16" X 1"
8	P32778	PIN	1		
9	M42565	BUSHING	2		
10	H85976	ARM	1		
11	24H1413	WASHER	1		57/64" X 1-3/8" X 0.048"
12	P46614	SNAP RING	1		
13	19H1781	CAP SCREW	1		1/2" X 3-1/2"
	H79449	LOCK NUT	1	-615200	
	K40014	LOCK NUT	1	615201-	
14	H94353	BUSHING	1		
15	11H237	COTTER PIN	2		1/8" X 2"
16	H83650	EYEBOLT	1		
17	24H1340	WASHER	1		33/64" X 7/8" X 0.075"
18	H94387	BRACKET	2		
19	AH93318	IDLER	1		203 MM (8") DIA.
20	H83668	ANGLE	1	-1990	
21	H83974	HOSE	1	-1990	RUBBER
22	23096	SPRING	1		
23	24H1351	WASHER	1		9/16" X 1-1/2" X 0.164"
24	14H909	NUT	1		1/2"
25	JD7788	LUBRICATION FITTING	1		
26	E12379	NUT	1		
27A	E12378	ELBOW FITTING	1	-600000	
27B	E12381	FITTING	1	600001-	
28A	H99212	HYDRAULIC HOSE	1	-600000	482 MM (19") LONG
28B	H94729	HYDRAULIC HOSE	1	600001-	864 MM (34") LONG
29	AH89557	CLIP	1	600001-	
30	19H1731	CAP SCREW	1	600001-	3/8" X 1"
	12H304	LOCK WASHER	1	600001-	3/8"
	14H812	NUT	1	600001-	3/8"
31	19H1800	CAP SCREW	1		3/8" X 1-1/2"
	12H304	LOCK WASHER	1		3/8"
	14H812	NUT	1		3/8"
32	19H3162	CAP SCREW	1		3/8" X 2"
	14H812	NUT	1		3/8"
33	AH138960	KIT	1		

---

MEMORANDA

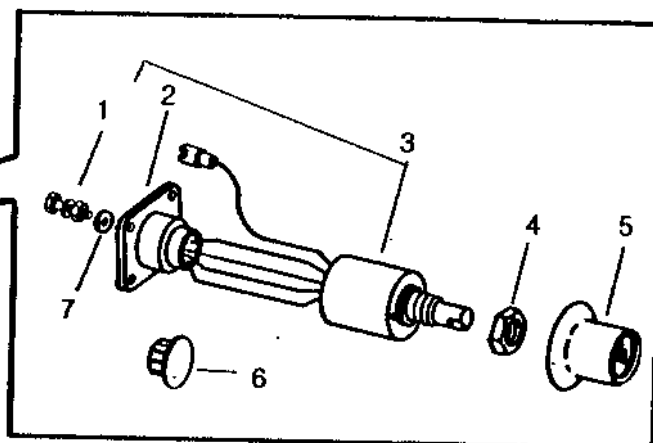
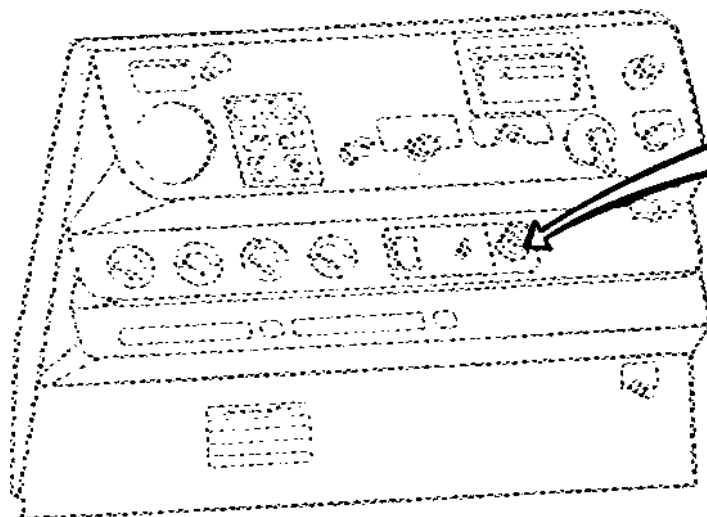
# 7E9

HEADER HEIGHT CONTROL

## DIAL-A-MATIC HEADER HEIGHT CONTROL SWITCH (SERIAL NO. 507351- )

HP2058

-UN-01JAN94



HP 2058

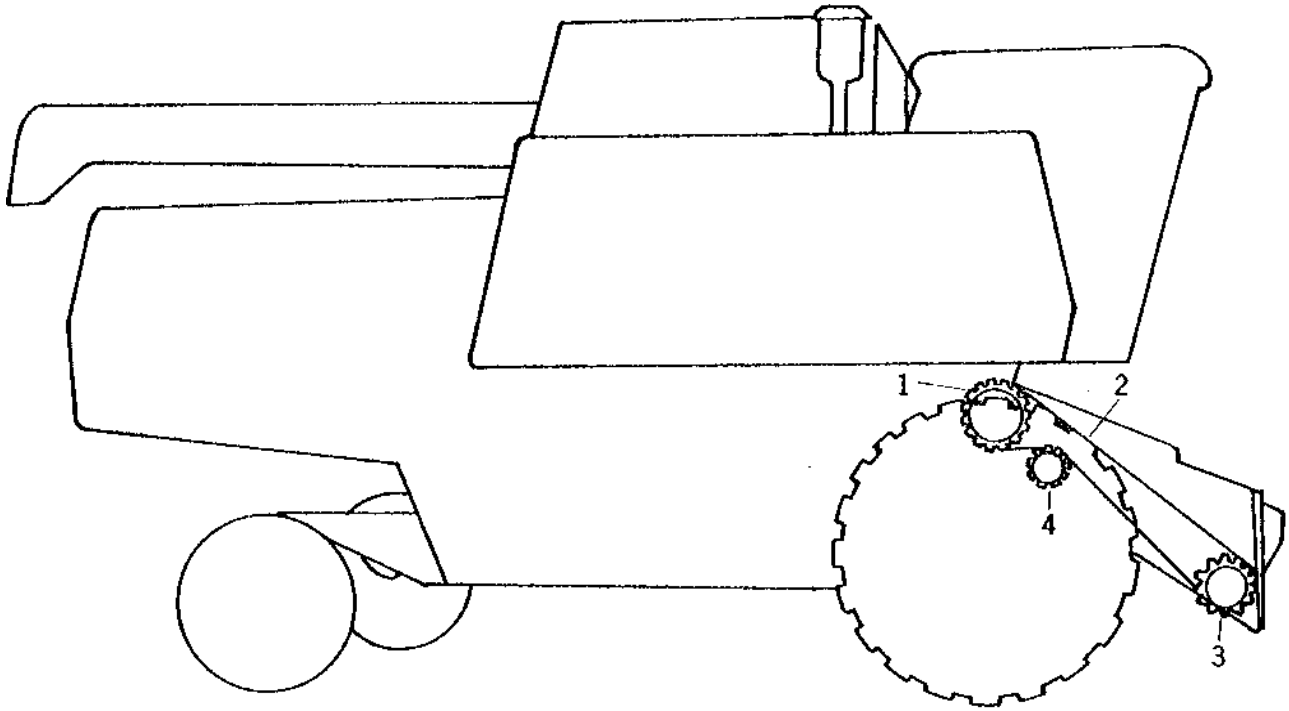
KEY	PART NO.	PART NAME	QTY	SERIAL NO.	REMARKS
1	21H1339	SCREW	2	0.138" X 7/8"	
	12H314	LOCK WASHER	2	0.138"	
	14H1026	NUT	2	0.138"	
2	R76873	RECEPTACLE	1	9 HOLES	
	R77464	PIN CONTACT	1	(PKG. OF 50)	
3	AH108480	SWITCH	1		
4	H106246	LOCK NUT	1		
5	AH104380	KNOB	1		
6	H113924	PLUG	1	(WITHOUT DIAL-A-MATIC HEADER HEIGHT CONTROL)	
7	24H1281	WASHER	2	5/32" X 3/8" X 0.049"	

# 7E21

DECALS, BELTS AND CHAINS

FEEDER HOUSE SPROCKETS AND CHAINS  
 LONG (SERIAL NO. - )  
 REGULAR (SERIAL NO. 507351- )

H32423F -UN-01JAN94



II32423F

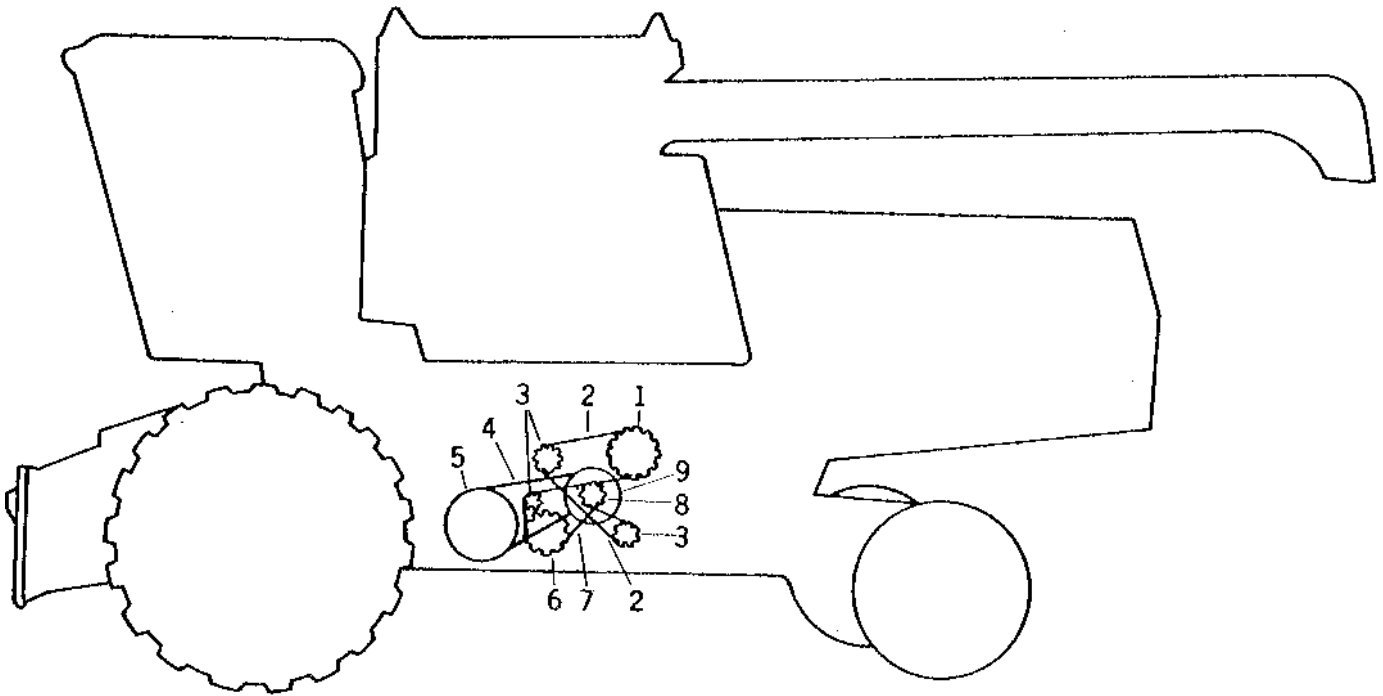
KEY	PART NO.	PART NAME	QTY	SERIAL NO.	REMARKS
1	H93394	CHAIN SPROCKET	1	-556300	30 TEETH (UPPER SHAFT)
	AH104438	CHAIN SPROCKET	1	556301-	30 TEETH
2	.....	LINK CHAIN	1		ROLLER, TYPE 60, 19 MM (3/4") PITCH, 225
					LINKS (LONG) (ASSEMBLE FROM (4) AB1288H (1) AB1289H)
	.....	LINK CHAIN	1		ROLLER, TYPE 60, 19 MM (3/4") PITCH, 189
					LINKS (REGULAR) (ASSEMBLE FROM (3) AB1288H, AB1289H, AB1290H, (2) B5234H, (2) B5235H AND AN151830)
3	AH92645	CHAIN SPROCKET	1		15 AND 20 TEETH (LOWER SHAFT)
4	AN31211	CHAIN SPROCKET	1		15 TEETH

# 7F7

DECALS, BELTS AND CHAINS

## CLEANING FAN, CLEANING SHOE, AND STRAW WALKER DRIVES

H32416F -UN-01JAN94



H32416F

KEY	PART NO.	PART NAME	QTY	SERIAL NO.	REMARKS
1	H93463	CHAIN SPROCKET	1		CRANK, STRAW WALKER, 49 TEETH
2	.....	LINK CHAIN	1		ROLLER, TYPE 60, 19 MM (3/4") PITCH, 99 LINKS, (ASSEMBLE FROM (2) AB1290H, AB1289H, AB1288H, (2) B5234H AND (2) AN151830)
3	AH89429	CHAIN SPROCKET	1		TIGHTENER, STRAW WALKER, 15 TEETH
4	H96248	BELT	1	-409550	(SUB H108669)
	H108669	BELT	1		DRIVE, CLEANING FAN DRIVE
	H97600	SHEAVE	1		OUTER HALF, 213 MM (8-3/8") DIA. CLEANING FAN
	AH100009	SHEAVE	1		INNER HALF, 213 MM (8-3/8") DIA.
6	H93477	CHAIN SPROCKET	1		SHOE, 28 TEETH
7	.....	LINK CHAIN	1		ROLLER, TYPE 60, 19 MM (3/4") PITCH, 57 LINKS, (ASSEMBLE FROM (3) AB1290H, AB1289H, B5234H, AN151830 AND B5321H)
8	AH92689	CHAIN SPROCKET	1	-610500	DOUBLE WALKER AND SHOE DRIVE, 15 AND 15 TEETH
	AH115268	CHAIN SPROCKET	1	610501-	DOUBLE WALKER AND SHOE DRIVE, 18 AND 15 TEETH
9	H93503	SHEAVE	1		INNER HALF, CLEANING FAN DRIVE
	AH100010	SHEAVE	1		OUTER SLIDING HALF, 254 MM (10") DIA. CLEANING FAN DRIVE

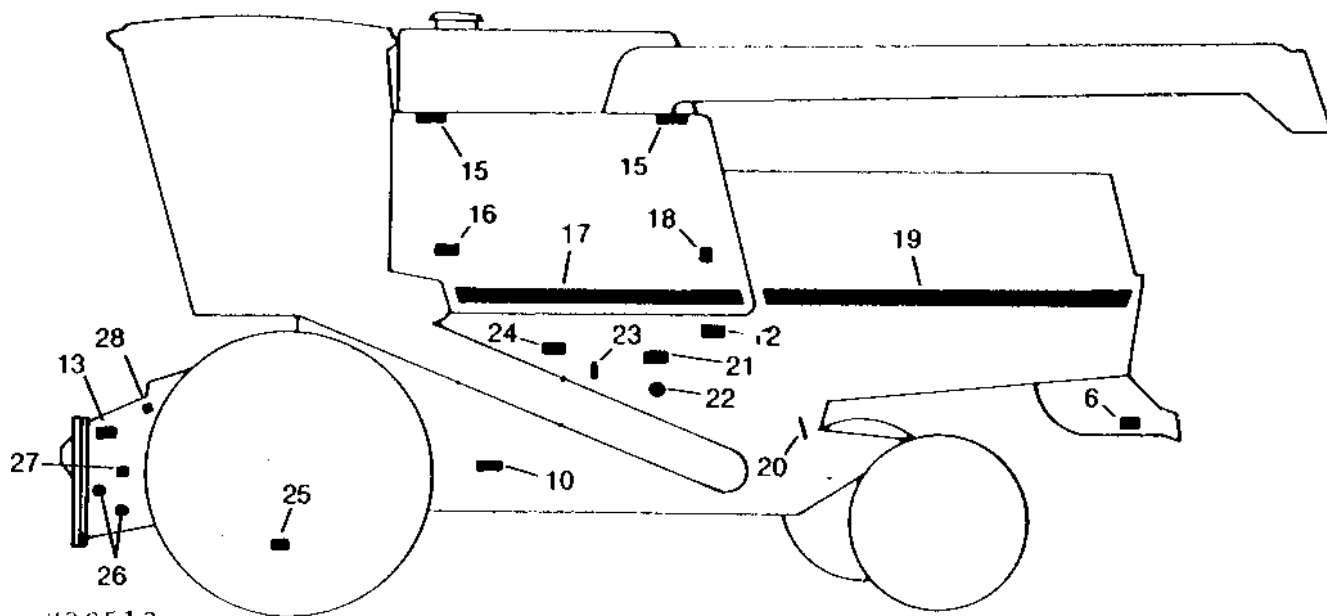
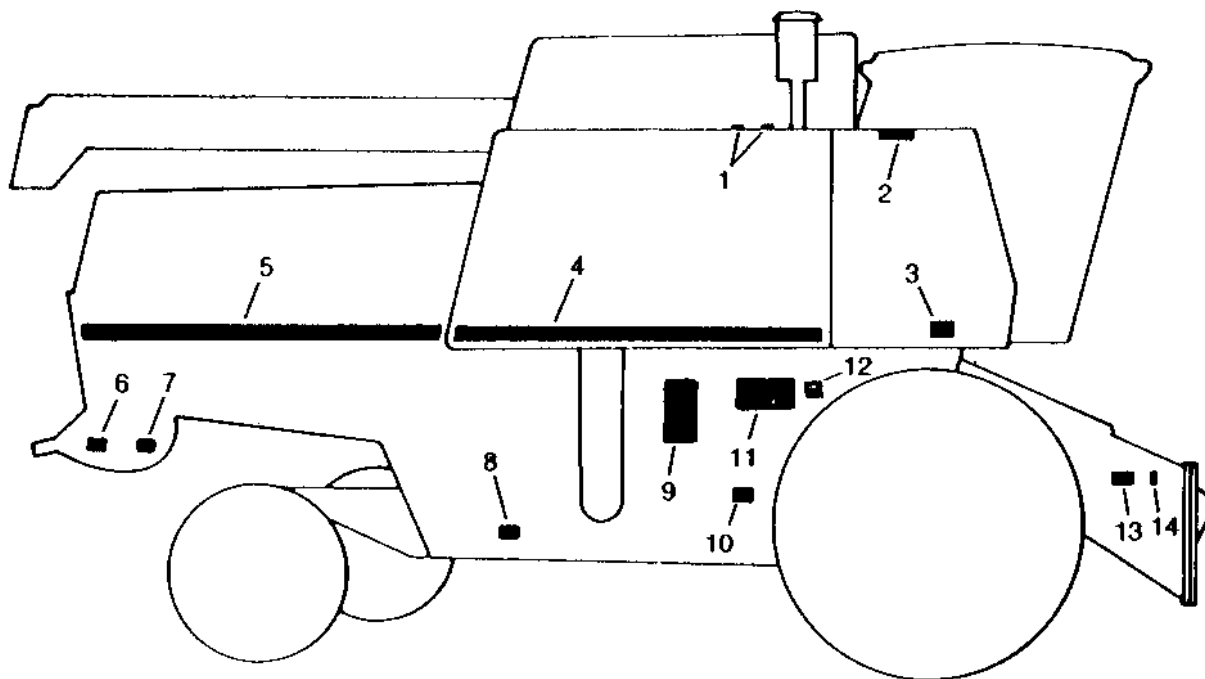
# 7F17

DECALS, BELTS AND CHAINS

HP2513

-UN-01JAN94

## RIGHT-HAND AND LEFT-HAND DECALS



HP2513

**NUMERICAL INDEX - CONTINUED**

PART NO.	GRID	KEY	PAGE	PART NO.	GRID	KEY	PAGE	PART NO.	GRID	KEY	PAGE
AH105916	3B17	2	55-7	AH107568	2G4	1	50-26	AH108430	7E6	19	160-15
AH105953	4I18	2	90-57	AH107570	2G4	1	50-26	AH108430	7E11	10	160-21
AH105968	3E5	4	55-73	AH107594	2G4	1	50-26	AH108445	7D15	1	140-19
AH105968	3E7	4	55-75	AH107609	2H1	1	50-49	AH108467	2B12	3	40-5
AH105968	4D2	12	70-47	AH107809	6D10	3	120-55	AH108480	7E9	3	160-19
AH105968	4E23	18	70-95	AH107809	6D10	7	120-55	AH108480	7E11	6	160-21
AH106026	2F8	5	50-5	AH107826	4E4	16	70-75	AH108481	2C19	3	40-39
AH106028	2F8	5	50-5	AH107827	4E4	3	70-75	AH108494	4B13	22	70-5
AH106040	2C5	2	40-25	AH107827	4E4	4	70-75	AH108495	4B13	24	70-5
AH106041	2C9	2	40-29	AH107827	4E4	5	70-75	AH108495	4B21	1	70-13
AH106042	7D13	24	140-17	AH107827	4E4	6	70-75	AH108495	4B23	1	70-15
AH106144	2B11	12	40-3	AH107827	4E4	7	70-75	AH108498	4H4	8	90-13
AH106144	2B11	18	40-3	AH107827	4E4	8	70-75	AH108502	2F4	4	50-1
AH106153	3H11	2	60-43	AH107827	4E4	9	70-75	AH108530	6D4	3	120-49
AH106154	3H11	3	60-43	AH107827	4E4	12	70-75	AH108530	6D4	4	120-49
AH106173	3G23	11	60-27	AH107827	4E4	13	70-75	AH108530	6D4	14	120-49
AH106249	2C17	3	40-37	AH107827	4E4	..	70-75	AH108565	1E14	11	30-3
AH106280	6B18	5	120-9	AH107827	4E10	10	70-81	AH108570	3G10	39	60-13
AH106296	6C5	16	120-23	AH107887	3C1	8	55-16	AH108572	3G10	39	60-13
AH106296	6C5	20	120-23	AH107887	3C5	9	55-20	AH108692	4B13	24	70-5
AH106296	6C7	13	120-25	AH107887	3C24	3	55-40	AH108692	4B13	25	70-5
AH106431	6C5	20	120-23	AH107887	3D14	9	55-55	AH108692	4B13	26	70-5
AH106484	1E16	29	30-5	AH107887	3D14	19	55-55	AH108692	4B13	27	70-5
AH106509	3G19	4	60-23	AH107889	3D14	8	55-55	AH108692	4B13	29	70-5
AH106510	3G19	5	60-23	AH107894	4D25	1	70-71	AH108692	4B13	30	70-5
AH106513	3F22	4	60-1	AH107894	4E4	1	70-75	AH108692	4B13	34	70-5
AH106514	4H4	25	90-13	AH107895	4D25	18	70-71	AH108692	4B21	8	70-13
AH106515	4H4	17	90-13	AH107895	4E4	18	70-75	AH108708	4D9	38	70-55
AH106547	7D19	16	160-1	AH107941	6G16	25	120-139	AH108712	2D5	1	40-51
AH106618	5C8	2	110-27	AH108011	3H21	1	60-53	AH108712	2D5	2	40-51
AH106625	7D21	5	160-3	AH108011	3H21	2	60-53	AH108721	4D9	1	70-55
AH106626	7D21	26	160-3	AH108026	2B25	7	40-20	AH108721	4D9	3	70-55
AH106630	1D20	15	20-63	AH108049	4G21	23	90-5	AH108721	4D9	4	70-55
AH106631	1D20	15	20-63	AH108070	4G19	7	90-3	AH108721	4D9	9	70-55
AH106723	6B18	3	120-9	AH108072	4G19	7	90-3	AH108721	4D9	13	70-55
AH106770	6F8	1	120-105	AH108080	2B25	4	40-20	AH108721	4D9	14	70-55
AH106771	6F8	1	120-105	AH108098	3H9	2	60-39	AH108721	4D9	16	70-55
AH106772	6F8	1	120-105	AH108161	5C12	9	110-31	AH108721	4D9	32	70-55
AH106818	6B18	29	120-9	AH108164	4B13	36	70-5	AH108721	4D9	..	70-55
AH106900	7C15	3	130-35	AH108187	4F14	20	70-111	AH108721	4D11	1	70-57
AH106900	7C17	3	130-37	AH108187	4F15	8	70-112	AH108721	4D11	3	70-57
AH106900	7C21	3	130-41	AH108223	2C7	13	40-27	AH108721	4D11	4	70-57
AH106900	7C21	4	130-41	AH108223	2C7	18	40-27	AH108721	4D11	9	70-57
AH106900	7C21	5	130-41	AH108226	4G19	14	90-3	AH108721	4D11	13	70-57
AH106900	7C21	6	130-41	AH108246	4F21	3	80-5	AH108721	4D11	14	70-57
AH106958	6G11	18	120-134	AH108250	3G19	16	60-23	AH108721	4D11	16	70-57
AH106982	1E16	12B	30-5	AH108251	3G19	15	60-23	AH108721	4D11	30	70-57
AH106982	1E16	29	30-5	AH108261	2C5	2	40-25	AH108721	4D11	..	70-57
AH107021	4D7	4	70-53	AH108348	1E16	5	30-5	AH108721	4D17	9	70-63
AH107036	2B16	17B	40-9	AH108350	4F23	12	80-7	AH108735	6B18	5	120-9
AH107064	6B18	25	120-9	AH108350	6E10	3	120-81	AH108739	2D5	1	40-51
AH107084	7D11	26A	140-15	AH108366	3B23	27B	55-13	AH108742	7E7	1	160-16
AH107084	7F8	7	170-21	AH108367	3B23	12B	55-13	AH108756	4H18	21	90-30
AH107084	7F10	14	170-23	AH108368	1D24	20	20-67	AH108757	4H18	21	90-30
AH107084	7F16	4	170-29	AH108376	6E10	3	120-81	AH108767	6B16	8	120-7
AH107176	2G20	1	50-42	AH108379	3B13	24	55-3	AH108768	6B16	11	120-7
AH107340	1E20	7	30-9	AH108380	2B25	3	40-20	AH108768	6B21	5	120-13
AH107362	1E16	31A	30-5	AH108399	3G16	2	60-19	AH108769	5C17	7	110-36
AH107379	7D11	26A	140-15	AH108402	3H7	1	60-37	AH108801	6C17	7	120-35
AH107379	7D11	27	140-15	AH108414	2C19	20	40-39	AH108813	6C7	6	120-25
AH107379	7F8	7	170-21	AH108414	7E11	3	160-21	AH108818	7D13	23	140-17
AH107379	7F10	14	170-23	AH108418	3G23	12	60-27	AH108840	3C8	6	55-23
AH107379	7F16	4	170-29	AH108418	4F2	5	70-99	AH108840	3C9	6	55-24
AH107416	4F10	1	70-107	AH108418	4F9	4	70-106	AH108842	3C9	23	55-24
AH107416	5C10	5	110-29	AH108422	5C2	17	110-20	AH108844	2F4	4	50-1
AH107422	4H2	4	90-11	AH108422	5C6	21	110-25	AH108865	6B18	8	120-9
AH107442	6G2	6	120-125	AH108426	3H10	2	60-41	AH108867	7D9	34	140-13

## NUMERICAL INDEX - CONTINUED

PART NO.	GRID	KEY	PAGE	PART NO.	GRID	KEY	PAGE	PART NO.	GRID	KEY	PAGE
AH92645	5C14	26	110 - 33	AH93547	2F14	14	50 - 11	AH94578	2C9	20	40 - 29
AH92645	5C16	13	110 - 35	AH93565	4G11	9	80 - 21	AH94596	4G23	8	90 - 7
AH92645	7E21	3	170 - 8	AH93663	6H14	7	120 - 163	AH94597	4G23	13	90 - 7
AH92645	7E22	3	170 - 9	AH93708	6I2	1	120 - 176	AH94598	6E2	20	120 - 73
AH92661	1E2	6	20 - 71	AH93708	7F12	8	170 - 25	AH94598	6E4	20	120 - 75
AH92662	1D24	15	20 - 67	AH93808	6F10	9	120 - 107	AH94599	3F22	9	60 - 1
AH92689	7D11	9	140 - 15	AH93809	6F10	9	120 - 107	AH94661	7C19	3	130 - 39
AH92689	7F7	8	170 - 19	AH93825	2F10	6	50 - 7	AH94699	5C4	1	110 - 23
AH92695	1E24	14	30 - 13	AH93826	2F10	6	50 - 7	AH94706	5D3	13	110 - 49
AH92875	4D7	4	70 - 53	AH93827	2F10	6	50 - 7	AH94719	7C24	9	140 - 3
AH92888	4H6	12	90 - 15	AH93828	2F10	6	50 - 7	AH94732	2G14	2	50 - 36
AH92891	4H6	1	90 - 15	AH93852	2G22	3	50 - 45	AH94737	7C24	15	140 - 3
AH92891	4H7	1	90 - 16	AH93868	6D21	14	120 - 67	AH94738	7C24	22	140 - 3
AH92908	7F2	1	170 - 14	AH93892	3H13	9	60 - 45	AH94751	4D4	33	70 - 49
AH92920	3F22	7	60 - 1	AH93911	2I10	24	50 - 87	AH94759	4H12	4	90 - 23
AH92926	2H5	7	50 - 53	AH93925	4G15	1	80 - 25	AH94792	2F5	5	50 - 2
AH92928	2H3	33	50 - 51	AH93978	2B17	7	40 - 11	AH94793	2F4	4	50 - 1
AH92941	4I17	3	90 - 56	AH93988	3H14	2	60 - 46	AH94850	6C5	18	120 - 23
AH92942	4I17	5	90 - 56	AH93993	6G4	18	120 - 127	AH94850	6C7	15	120 - 25
AH92943	4I14	1	90 - 53	AH94018	3H13	5	60 - 45	AH94853	7D7	18	140 - 11
AH92952	4G21	17	90 - 5	AH94019	3H13	6	60 - 45	AH94853	7D9	18	140 - 13
AH92953	4G21	3	90 - 5	AH94033	5B18	29	110 - 11	AH94854	5C21	8	110 - 41
AH92954	4G21	9	90 - 5	AH94034	5B20	23	110 - 13	AH94854	6C5	25	120 - 23
AH92961	4G19	7	90 - 3	AH94056	3H1	3	60 - 30	AH94854	6C7	22	120 - 25
AH93038	2H11	3	50 - 59	AH94057	3H1	20	60 - 30	AH94856	3G21	18	60 - 25
AH93042	3F24	11	60 - 3	AH94071	3E20	11	55 - 88	AH94862	3G16	2	60 - 19
AH93044	4G19	12	90 - 3	AH94079	6F6	18	120 - 103	AH94909	7B21	25	130 - 15
AH93057	6E21	9	120 - 93	AH94082	2C24	11	40 - 45	AH94910	7B21	13	130 - 15
AH93057	7F5	3	170 - 17	AH94083	2C24	11	40 - 45	AH94911	7B21	20	130 - 15
AH93058	6D23	2	120 - 69	AH94087	2I5	1	50 - 81	AH94928	1E8	3	20 - 77
AH93058	7F5	1	170 - 17	AH94088	2I5	1	50 - 81	AH94957	6C9	2	120 - 27
AH93060	7B23	4	130 - 17	AH94113	2I5	1	50 - 81	AH94958	6C9	14	120 - 27
AH93063	4G19	3	90 - 3	AH94113	2I7	19	50 - 83	AH94959	6B14	4	120 - 5
AH93083	4G19	13	90 - 3	AH94114	2I5	1	50 - 81	AH94959	6B16	5	120 - 7
AH93084	4G19	11	90 - 3	AH94114	2I7	19	50 - 83	AH94959	6B20	4	120 - 11
AH93089	6I5	4	120 - 179	AH94121	3G8	19	60 - 11	AH94959	6D4	28	120 - 49
AH93110	5C8	36	110 - 27	AH94171	5C1	1	110 - 19	AH94959	6D6	28	120 - 51
AH93121	1E14	21	30 - 3	AH94440	4F10	4	70 - 107	AH94959	6D10	20	120 - 55
AH93150	2C9	16	40 - 29	AH94450	5C17	3	110 - 36	AH94959	6D11	1	120 - 57
AH93153	2C21	13	40 - 41	AH94450	5C18	2	110 - 37	AH94959	7F3	1	170 - 15
AH93154	6D10	3	120 - 55	AH94450	5C19	14	110 - 38	AH94966	7D13	22	140 - 17
AH93161	4E15	14	70 - 87	AH94450	6G14	5	120 - 137	AH94966	7D13	23	140 - 17
AH93162	2H18	11	50 - 67	AH94450	7D17	3	140 - 21	AH94967	7D13	24	140 - 17
AH93163	4E15	15	70 - 87	AH94450	7E20	2	170 - 7	AH94968	7D13	9	140 - 17
AH93169	3B13	10	55 - 3	AH94450	7E20	4	170 - 7	AH95011	1E8	7	20 - 77
AH93170	2D25	1	40 - 71	AH94450	7E23	2	170 - 10	AH95011	1E10	7	20 - 79
AH93171	6D10	22	120 - 55	AH94450	7E23	7	170 - 10	AH95018	6C3	1	120 - 21
AH93171	6D11	20	120 - 57	AH94450	7E24	2	170 - 11	AH95020	6C3	6	120 - 21
AH93171	6D12	2	120 - 58	AH94450	7E25	2	170 - 12	AH95028	6B23	5	120 - 15
AH93171	6D13	20	120 - 59	AH94450	7F1	2	170 - 13	AH95028	6B23	42	120 - 15
AH93171	7F3	5	170 - 15	AH94450	7F8	10	170 - 21	AH95031	2H1	1	50 - 49
AH93181	6D10	7	120 - 55	AH94460	5C3	1	110 - 21	AH95262	6B23	12	120 - 15
AH93183	1E14	16	30 - 3	AH94468	6D19	14	120 - 65	AH95264	2C7	8	40 - 27
AH93192	1E14	1	30 - 3	AH94469	6D19	14	120 - 65	AH95265	2C7	13	40 - 27
AH93226	1E16	19	30 - 5	AH94473	4H4	25	90 - 13	AH95266	2C7	18	40 - 27
AH93242	6G6	19	120 - 129	AH94475	4H18	12	90 - 30	AH95274	3F23	17	60 - 2
AH93242	6G10	15	120 - 133	AH94475	4H18	14	90 - 30	AH95275	3F23	10	60 - 2
AH93255	3F22	4	60 - 1	AH94493	2G19	9	50 - 41	AH95280	5B18	10	110 - 11
AH93316	6C11	13	120 - 29	AH94494	2G19	8	50 - 41	AH95282	1E2	18	20 - 71
AH93316	7F2	6	170 - 14	AH94495	2G19	9	50 - 41	AH95282	1E2	19	20 - 71
AH93318	7D15	19	140 - 19	AH94496	2G19	8	50 - 41	AH95318	4H2	8	90 - 11
AH93318	7F15	3	170 - 28	AH94518	1E9	2	20 - 78	AH95369	6E12	9	120 - 83
AH93325	1E2	7	20 - 71	AH94519	2G5	14	50 - 27	AH95373	1D24	13	20 - 67
AH93333	7D17	11	140 - 21	AH94520	4H4	17	90 - 13	AH95373	7E14	1	170 - 1
AH93334	7D17	9	140 - 21	AH94554	4D2	36	70 - 47	AH95390	7C21	6	130 - 41
AH93344	7B23	19	130 - 17	AH94562	5B22	10	110 - 15	AH95391	7C21	6	130 - 41
AH93467	2G20	1	50 - 42	AH94566	5B22	10	110 - 15	AH95405	2G15	4	50 - 37

CLICK HERE TO **DOWNLOAD** THE COMPLETE MANUAL

- Thank you very much for reading the preview of the manual.
- You can download the complete manual from: [www.heydownloads.com](http://www.heydownloads.com) by clicking the link below



- Please note: If there is no response to CLICKING the link, please download this PDF first and then click on it.

CLICK HERE TO **DOWNLOAD** THE COMPLETE MANUAL