

**7610, 7710 and
7810 Tractors
(-89999)**



JOHN DEERE

PARTS CATALOG

**7610, 7710 and
7810 Tractors**

PC2540 (FEB-06) English

**John Deere Waterloo Works
AR181724**

North American Edition
Litho in U.S.A. (Revised)
COPYRIGHT © 2006
DEERE & COMPANY
Moline, Illinois
All rights reserved

CLICK HERE TO **DOWNLOAD** THE COMPLETE MANUAL

- Thank you very much for reading the preview of the manual.
- You can download the complete manual from: www.heydownloads.com by clicking the link below



- Please note: If there is no response to CLICKING the link, please download this PDF first and then click on it.

CLICK HERE TO **DOWNLOAD** THE COMPLETE MANUAL

10-A1F

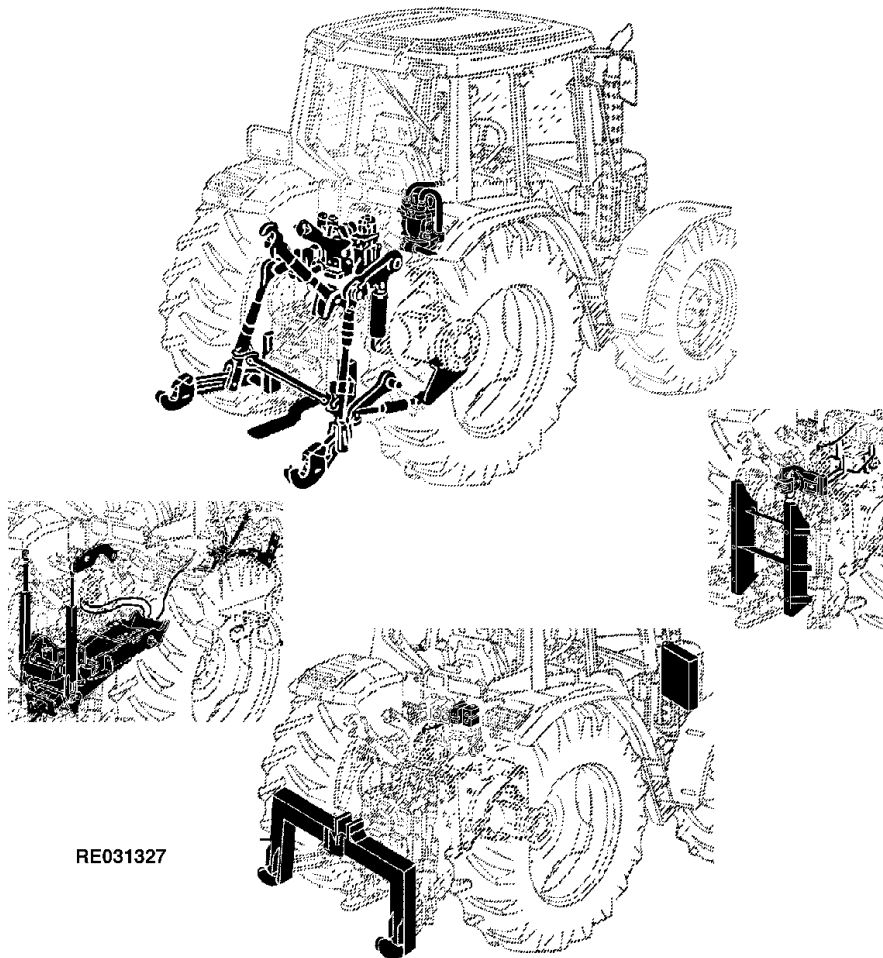
7610, 7710 AND 7810 TRACTORS (-089,999)

PRIMARY INDEX
INDEX PRINCIPAL
HAUPTINDEX
INDICE PRINCIPALE
INDICE DE MATERIAS
HUVUDFORTECKNING

RE031327 -UN-

70- A01
70- A02
70- A03
70- A04

70



TRANSMISSION SERIAL NUMBER

RE031505 -UN-15FEB00

RE031505 1 2 3 4
 RO TM SRC 001001

- | | |
|--|-------------------------------|
| 1. DESIGNATES TRANSMISSION MANUFACTURER | RO- JOHN DEERE WATERLOO WORKS |
| 2. DESIGNATES TRANSMISSION TYPE | TM - TRANSMISSION |
| 3. DESIGNATES TRACTOR TYPE | SRC -TRACTOR MODEL |
| 4. DESIGNATES TRANSMISSION SERIAL NUMBER | |

RE031506 -UN-18FEB00



RE031506

THE TRANSMISSION SERIAL NUMBER PLATE IS LOCATED ON THE LEFT-HAND SIDE OF THE TRANSMISSION NEAR THE FRONT PLATE.

ALPHABETICAL INDEX - CONTINUED

	PAGE	PAGE	
BULB, EXTREMITY WARNING LAMP (CAB) (EARLY DESIGN) (022982-)	42-18	CAB PRESSURE INDICATOR LABEL.....	80-71
BULB, EXTREMITY WARNING LAMP (CAB) (LATE DESIGN).....	42-19A	CAB REAR UPHOLSTERY.....	91-24
BULB, EXTREMITY WARNING LAMP (W/O CAB)	42-20	CAB REAR WINDOW	91-74
BULB, FENDER WORKING LAMP (W/O CAB).....	42-5	CAB REPLACEMENT	91-7
BULB, FRONT CAB ROOF WARNING/TURNING LIGHT (NAV)	42-14	CAB RIGHT-HAND DOOR	91-92
BULB, HEADLIGHT	42-1	CAB RIGHT-HAND DOOR HANDLE	91-94
BULB, INSTRUMENT PANEL MONITOR (NAV).....	40-100	CAB RIGHT-HAND GLASS.....	91-90
BULB, LICENSE PLATE	80-56	CAB SIDE PANELS.....	91-36
BULB, MONITOR, INSTRUMENT PANEL (EV).....	40-101	CAB SIDE PANELS AND MOLDING	91-36
BULB, PERFORMANCE MONITOR.....	40-142	CAB WINDSHIELD	91-66
BULB, REAR CAB ROOF WARNING LIGHT (NAV).....	42-11	CAB WIRING HARNESS (AQT)	40-88
BULB, REAR CAB ROOF WORKING LAMP	42-4	CAB WIRING HARNESS BRACKET	90-32
BULB, REAR FENDER WORK LIGHT	42-3	CABLE, ANTENNA	40-136
BULB, REAR POST WORKING LAMP (W/O CAB).....	42-6	CABLE, ANTENNA (MOBILE RADIO).....	40-138
BULB, ROTARY BEACON LIGHT	40-114	CABLE, CENTER LINK RELEASE (EUROPEAN VERSION)	70-54
BULB, ROW-TRAK MONITOR.....	40-116	CABLE, CREEPER CONTROL (W/ NON-SHIFT REAR PTO)	90-76
BULB, SIDE LIGHT	42-1	CABLE, CREEPER CONTROL (W/ SHIFTABLE REAR PTO)	90-78
BULB, TACHOMETER (EV)	40-101	CABLE, CREEPER CONTROL (W/ SHIFTABLE REAR PTO)	90-80
BULB, TAIL LIGHT (CAB) (EV) (-XXXXXX)	42-9	CABLE, CREEPER CONTROL PUSH-PULL (POWRQUAD).....	52-18
BULB, TAIL LIGHT (CAB) (EV) (XXXXXX-)	42-10	CABLE, DRAFT LINK RELEASE (EUROPEAN VERSION)	70-55
BULB, TAIL LIGHT (CAB) (NAV).....	42-8	CABLE, GROUND	40-62
BULB, TAIL LIGHT (W/O CAB) (-022981)	42-7	CABLE, MODULE	90-28
BULB, TAIL LIGHT (W/O CAB) (022892-)	42-7A	CABLE, MODULE	90-30
BULB, UPPER MID-BODY CAB WORK LIGHT.....	42-2	CABLE, PICK-UP HITCH.....	70-86
BULB, WARNING LIGHT (W/O CAB)	42-15	CABLE, POSITIVE (7610)	40-64
BUMPER PLATE, DRAFT LINK (EUROPEAN VERSION)	70-40	CABLE, POSITIVE (7710/7810)	40-66
BUMPER, DRAFT LINK.....	70-33	CABLE, POSITIVE (7710/7810)	40-68
BUSHING, CAMSHAFT(7710,7810)	20-43	CABLE, POWRQUAD W/CREEPER OR PST	90-36
BUSHING, CAMSHAFT(7710,7810)	20-44	CABLE, POWRQUAD W/CREEPER OR PST	90-37A
BUSHING, TURBOCHARGER DRAIN LINE (7710,7810).....	30-20	CABLE, POWRQUAD W/CREEPER OR PST (W/O CAB).....	90-36
BYPASS SAFETY LABEL (7610) (709446-).....	41-12	CABLE, POWRQUAD W/CREEPER OR PST (W/O CAB).....	90-37A
BYPASS START SAFETY LABEL	80-74	CABLE, POWRQUAD W/O CREEPER.....	90-36
BYPASS TUBES, OIL COOLER(7710,7810)	20-58	CABLE, PPST W/CREEPER OR PST	90-37C
BYPASS VALVE, OIL FILTER (7710, 7810).....	20-64	CABLE, PPST W/CREEPER OR PST (W/O CAB).....	90-37C
B1, B2, B3 BRAKE PISTON HOUSING (POWER SHIFT)	51-20	CABLE, PPST W/O CREEPER	90-37A
B1, B2, B3 CLUTCH ASSEMBLY (POWER SHIFT)	51-16	CABLE, PPST W/O CREEPER	90-37C
B4, B5 BRAKE PISTON HOUSING (POWER SHIFT).....	51-26	CABLE, SELECTIVE CONTROL VALVE (TSN 033919-).....	71-31B
C		CABLE, TEMPERATURE.....	90-28
CAB.....	91-7	CABLE, TEMPERATURE.....	90-30
CAB AIR CIRCULATION HOUSING COVERS	90-12	CABLE, WAGON HITCH.....	70-78
CAB CONTROL SUPPORT	91-38	CABLE, POSITIVE (CAB) (IVT/AUTOPOWR)	40-30
CAB COWL	91-42	CAM GUIDE, FEEDBACK (IVT).....	56-7A
CAB FENDER UPHOLSTERY	91-26	CAM, FORWARD/REVERSE (POWRQUAD)	90-52
CAB FLOOR	91-1	CAM, GEARSHIFT (POWRQUAD).....	90-52
CAB FLOOR MAT	91-4	CAM, POWER SHIFT	90-66
CAB HEADLINER	91-29	CAM, POWER SHIFT	90-67A
CAB L.H. STEPS	91-32	CAMSHAFT BUSHING(7710,7810).....	20-43
CAB L.H. STEPS (EUROPEAN VERSION).....	91-34	CAMSHAFT BUSHING(7710,7810).....	20-44
CAB LEFT-HAND DOOR	91-82	CAMSHAFT FOLLOWER (7710, 7810)	20-42
CAB LEFT-HAND DOOR	91-84	CAMSHAFT FOLLOWER(7710,7810)	20-43
CAB MOUNTS	91-12	CAMSHAFT GEAR(7610).....	20-8
CAB MOUNTS AND BRACKETS	91-12	CAMSHAFT GEAR(7710,7810)	20-43
CAB OPENING RIGHT-HAND DOOR KIT.....	91-96	CAMSHAFT(7610).....	20-8
CAB POST UPHOLSTERY.....	91-28	CAMSHAFT(7710/7810)	20-43
CAB PRESSURE INDICATOR.....	91-112	CANOPY	91-10
		CAP PLUG KIT, SELECTIVE CONTROL VALVE.....	71-6
		CAP, FUEL TANK (CIS).....	30-54
		CAP, MAIN BEARING(7610).....	20-10

ALPHABETICAL INDEX - CONTINUED

	PAGE		PAGE
M			
MAGNETIC PICK-UP (PQT AND AQT)	52-62A	MFWD STEERING ARM AND KNUCKLE, (ASN 000001-000747; 800001-)	54-44
MAGNETIC PICK-UP (PTO)	53-39	MFWD STEERING LINES (ASN XXXXXX-)	60-23C
MAGNETIC PICK-UP(7710,7810)	20-57	MFWD STEERING LINES (ASN 000001- 000747; 800001-XXXXXX)	60-23A
MAGNETIC PICK-UP, PST	51-40	MFWD SWITCH (AQT)	40-88
MAGNETIC PICKUP SENSOR (POWRQUAD)	52-62	MFWD SWITCH (PQT)	40-22
MAGNETIC SENSOR (POWRQUAD)	52-62	MFWD SWITCH (PST)	40-54
MAGNETIC SENSOR (PQT AND AQT)	52-62A	MIRROR KIT, (OUTER)	91-56
MAGNETIC SENSOR (PST)	51-40	MIRROR, INSIDE REAR VIEW	91-60
MAIN BEARING CAP(7610)	20-10	MOBILE RADIO WIRING HARNESS	40-138
MAIN BEARING CAPS(7710,7810)	20-44	MODEL DESIGNATION DECALS	80-62
MAIN BEARINGS (7710, 7810)	20-54	MODULATING VALVE, PTO	53-36
MAIN BEARINGS(7610)	20-17	MODULE, CREEPER	52-66
MAIN FRAME	80-26	MODULE, HEATER CONTROL (EUROPEAN VERSION) (ECONOMY CAB)	90-30
MAIN FRAME (TRIPLE LINK SUSPENSION)	55-38	MODULE, HEATER/A/C CONTROLS (DELUXE CAB)	90-28
MAKE-UP CHECK VALVE KIT, BRAKE (TSN -052953)	60-32	MODULE, MULTIFUNCTION UNIT	40-90
MAKE-UP CHECK VALVE KIT, BRAKE (TSN 052954-)	60-32A	MODULE, MULTIFUNCTION UNIT	40-92
MANIFOLD AIR PRESSURE SWITCH (PST) (7710/7810)	40-66	MODULE, MULTIFUNCTION UNIT (IVT)	40-94
MANIFOLD, A/C COMPRESSOR	90-4	MODULE, POWER SHIFT	90-64
MANIFOLD, AIR DISTRIBUTION	90-18	MODULE, POWER SHIFT	90-65A
MANIFOLD, AIR INTAKE	90-32	MODULE, PTO	50-23
MANIFOLD, CLUTCH	52-52	MOLDING, SIDE (CAB)	91-36
MANIFOLD, EXHAUST(7610)	30-4	MONITOR, INSTRUMENT PANEL (EV)	40-101
MANIFOLD, EXHAUST(7710,7810)	30-23	MONITOR, INSTRUMENT PANEL (NAV)	40-100
MANIFOLD, INTAKE(7710,7810)	30-22	MONITOR, PERFORMANCE	40-142
MANIFOLD, WATER, FRONT (7710, 7810)	20-68	MONITOR, PERFORMANCE (CAB) (IVT/AUTOPOWER) (EUROPEAN VERSION)	40-34
MAT, FLOOR (CAB)	91-4	MONITOR, PERFORMANCE (CAB) (PQT) (NAV)	40-22
MAT, FLOOR (2-POST FOLDING ROPS)	91-5	MONITOR, PERFORMANCE (CAB)(AQT)(EV)	40-48
MECHANICAL SEAT ROLLERS	92-6	MONITOR, PERFORMANCE (CAB)(AQT)(NAV)	40-42
MECHANICAL SEAT SPRING KIT	92-2	MONITOR, ROW-TRAK	40-116
MECHANICAL SEAT SUSPENSION	92-4	MONITOR, ROW-TRAK	40-72
MEDALLION (ENGINE) (7710,7810) (ESN 018792-)	20-40A	MOTOR RETURN KIT, HYDRAULIC	71-34
METRI-PACK CONNECTORS	43-4	MOTOR, BLOWER	90-14
METRI-PACK TERMINALS	43-4	MOTOR, STARTING (7610) (-709445)	41-8
MFWD AXLE HOUSING, LH, (ASN 000001-000747; 800001-)	54-38	MOTOR, STARTING (7610) (-709445)	41-10
MFWD AXLE HOUSING, R.H. (ASN 000001-000999; 800001-)	54-40	MOTOR, STARTING (7610) (709446-)	41-12
MFWD AXLE PIVOT PIN (ASN 000001-000747; 800001-)	54-35	MOTOR, STARTING (7710,7810)	41-18
MFWD CLUTCH HOUSING	54-26	MOTOR, STARTING (7710,7810) (-019636)	41-14
MFWD CLUTCH HOUSING (NORTH AMERICAN VERSION)	54-28	MOTOR, STARTING (7710,7810) (019637-)	41-16
MFWD CLUTCH WITH SECONDARY BRAKE (EUROPEAN VERSION)	54-30	MOTOR, STARTING (7710,7810) (019637-)	41-17A
MFWD DIFFERENTIAL, HIGH CAPACITY, (ASN 000001-000747; 800001-)	54-48	MOTOR, STEPPER (AUTOQUAD)	52-23
MFWD DIFFERENTIAL, STANDARD, (ASN 000001-000747; 800001-)	54-46	MOTORPAL	30-40A
MFWD DRIVE GEAR (30KPH) (POWRQUAD)	52-70	MOUNTING PARTS, HYDRAULIC PUMP	70-11
MFWD DRIVE GEAR (40KPH) (POWRQUAD)	52-74	MOUNTINGS, ENGINE (7710, 7810)	20-90
MFWD FINAL DRIVE (TLS)	55-6	MOUNTINGS, ENGINE(7610)	20-88
MFWD FINAL DRIVE, HI-CROP (ASN 000001-000747; 800001-)	54-43A	MOUNTS (CAB)	91-12
MFWD FINAL DRIVE, STANDARD, (ASN 000001-000747; 800001-)	54-42	MOUNTS (2-POST FOLDING ROPS)	91-14
MFWD INPUT YOKE (ASN 000001-000747; 800001-)	54-36	MOUNTS AND BRACKETS (2-POST FOLDING ROPS)	91-14
MFWD RETROFIT SEAL KIT, (ASN 001001-075235)	54-16	MUFFLER	30-24
		MUFFLER	30-25
		MULTI POSITION DUAL WHEEL	80-22
		MULTI POSITION DUAL WHEEL DISK	80-22
		MULTIFUNCTION UNIT W/ REVERSER	40-92
		MULTIFUNCTION UNIT W/ REVERSER (IVT)	40-94
		MULTIFUNCTION UNIT W/ REVERSER HOUSING	40-92
		MULTIFUNCTION UNIT W/ REVERSER HOUSING	40-94
		MULTIFUNCTION UNIT W/O REVERSER	40-90
		MULTIPOSITION WHEELS (10 BOLT HUB)(DUALS)	80-14

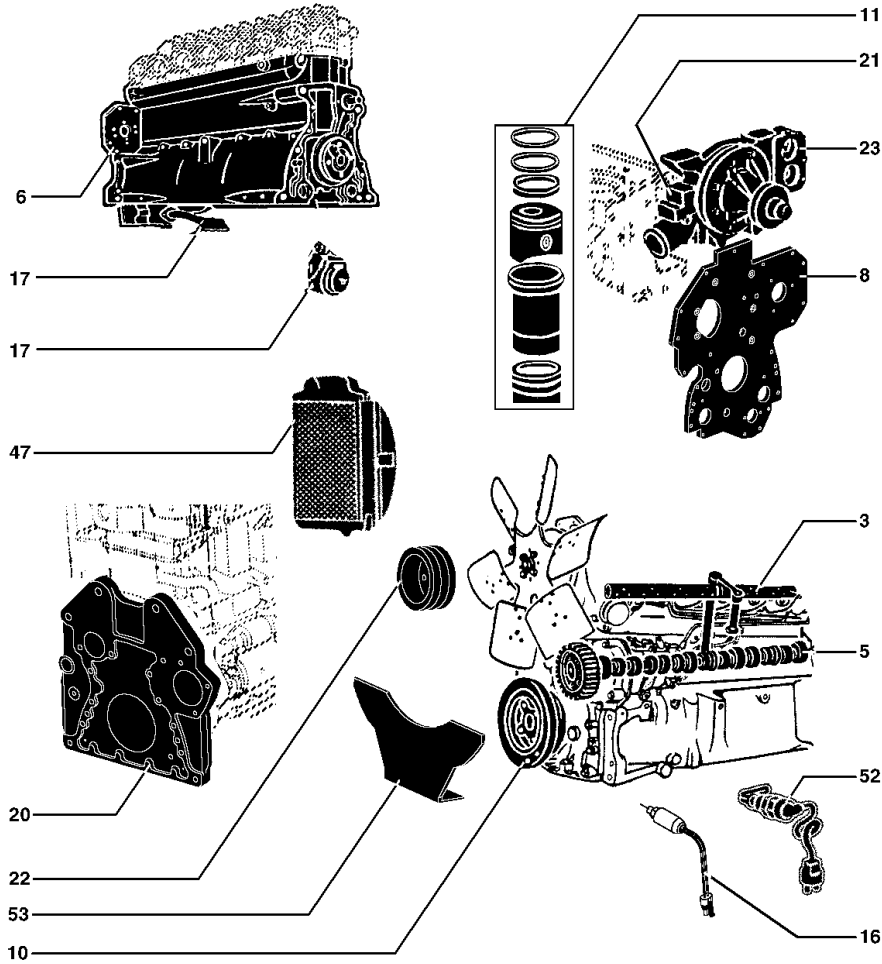
20-A01

ENGINE

SECTIONAL INDEX (7610)
 INDEX DE SECTION (7610)
 GRUPPENINDEX (7610)
 INDICE DELLA SEZIONE (7610)
 INDICE DE SECCION (7610)
 GRUPPSFORTECKNING (7610)

RE032169 -UN-

3-	5
5-	8
6-	10
11-	11A
6-	12
8-	16
10-	18
11-	19
16-	24B
17-	25
20-	29
21-	30
22-	31
23-	32
47-	74
52-	83C



RE032169

20-11B

ENGINE

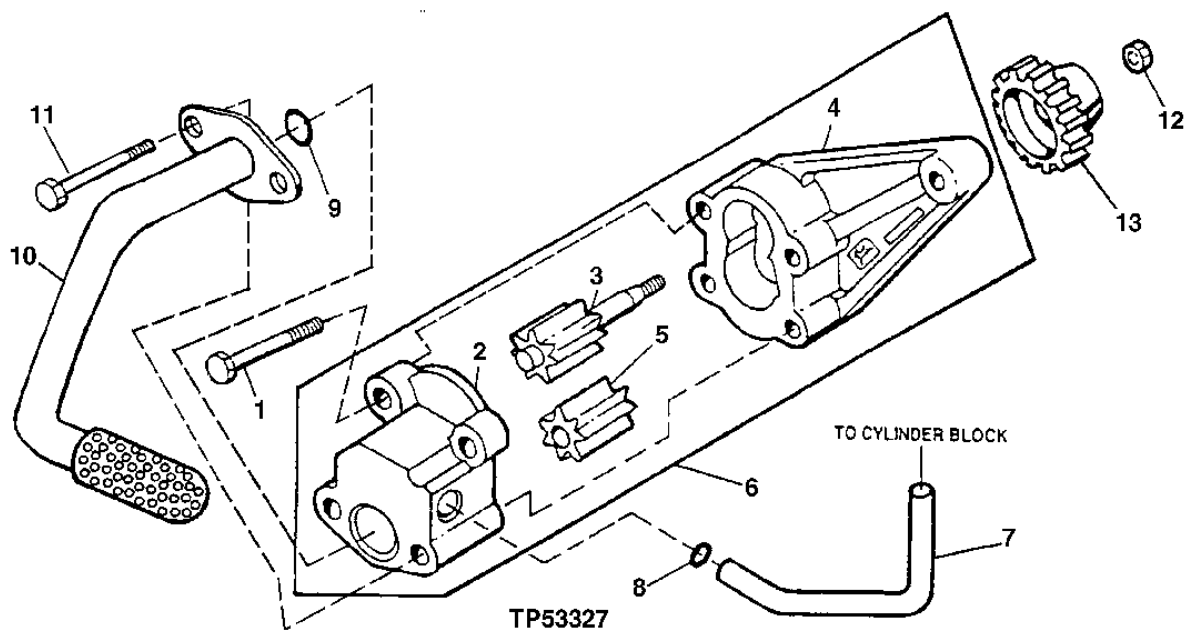
KEY	PART NO.	PART NAME	QTY.	ENGINE			
				SERIAL NO.	7 7 7	6 7 8	
1	RE527324	ENGINE OVERHAUL KIT	1	X	1 1 1	0 0 0	REMARKS
							(SUB FOR RE66097)

20-25

ENGINE

ENGINE OIL PUMP (7610)
 POMPE A HUILE MOTEUR (7610)
 MOTOROELPUMPE (7610)
 POMPA OLIO MOTORE (7610)
 BOMBA DE ACEITE DEL MOTOR (7610)
 MOTOROLJEPUMP (7610)

TP53327 -UN-11SEP96



TP53327

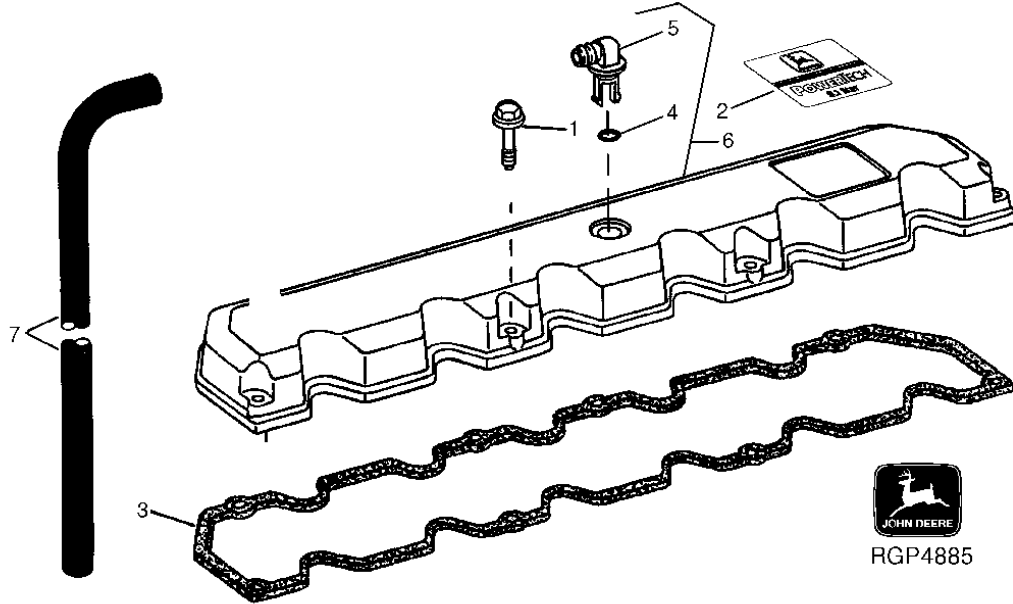
KEY	PART NO.	PART NAME	QTY.	ENGINE SERIAL NO.	REMARKS
				7 7 7	
				6 7 8	
				1 1 1	
				0 0 0	
1	19M8987	SCREW	2	X	M8 X 65
2	COVER	1	X	(ORDER RE504914)
3	GEAR	1	X	(ORDER RE504914)
4	HOUSING	1	X	(ORDER RE504914)
5	GEAR	1	X	(ORDER RE504914)
6	RE502269	OIL PUMP	1	X	(MARKED R123179) (SUB FOR RE70153 AND RE59582) (SUB RE504914)
	RE504914	OIL PUMP	1	X	(MARKED R502687)
7	R121376	STRUCTURAL TUBING	1	X	
8	R97185	O-RING	1	X	
9	R61871	O-RING	1	X	
10	RE71143	OIL PUMP INTAKE	1	X	(SUB FOR RE58862)
11	19M8986	SCREW	2	X	M8 X 100
12	14M7066	NUT	1	X	M12
13	R120638	GEAR	1	X	Z=30

20-40A

ENGINE

ENGINE ROCKER ARM COVER (7710,7810)(ESN 018792-)
 CULBUTEURS (7710,7810)(ESN 018792-)
 ZYLINDERKOPFHAUBE (7710,7810)(ESN 018792-)
 COPERCHIO BILANCIERI (7710,7810)(ESN 018792-)
 TAPA DE BALANCINES (7710,7810)(ESN 018792-)
 VENTILKAPA (7710,7810)(ESN 018792-)

RGP4885 -UN-13MAY97

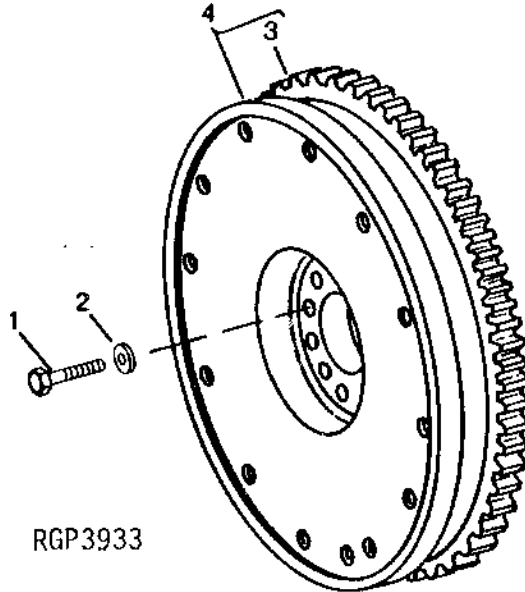


KEY	PART NO.	PART NAME	QTY.	ENGINE SERIAL NO.	REMARKS
				7 7 7	
				6 7 8	
				1 1 1	
				0 0 0	
1	RE57632	SCREW WITH WASHER	8		X X
2	R116932	MEDALLION	1		X X
3	RE54368	GASKET	1		X X
4	R72328	O-RING	1		X X
5	R120467	ELBOW FITTING	1		X X
6	RE70023	COVER	1		X X
7	R126432	TUBE	1		X X (MAKE FROM TY22450)
	TY22450	BULK HOSE	AR		X X
..	R72659	CLAMP	1		X X

20-53

ENGINE

FLYWHEEL (7710, 7810)
 VOLANT (7710, 7810)
 SCHWUNGRAD (7710, 7810)
 VOLANO (7710, 7810)
 VOLANTE (7710, 7810)
 SVANGHJUL (7710, 7810)
 RGP3933 -UN-01JAN94



KEY	PART NO.	PART NAME	QTY.	ENGINE SERIAL NO.	REMARKS
				7 7 7	
				6 7 8	
				1 1 1	
				0 0 0	
1	19H3579	CAP SCREW	6		X X (SUB FOR R52634, THIS APPLICATION)
2	T23891	WASHER	6		X X 13.487 X 20.625 X 1.524 MM (17/32" X 13/16" X 0.060")
3	R28811	RING GEAR	1		X X
4	RE38950	FLYWHEEL	1	-009767	X (MARKED R100213) 6081TRW01 (7710)
	RE38950	FLYWHEEL	1	-009776	X (MARKED R100213) 6081TRW02 (7810)
	RE69639	FLYWHEEL	1	009768-	X (MARKED R134615)
	RE69639	FLYWHEEL	1	009777-	X (MARKED R134615)

20-65

ENGINE

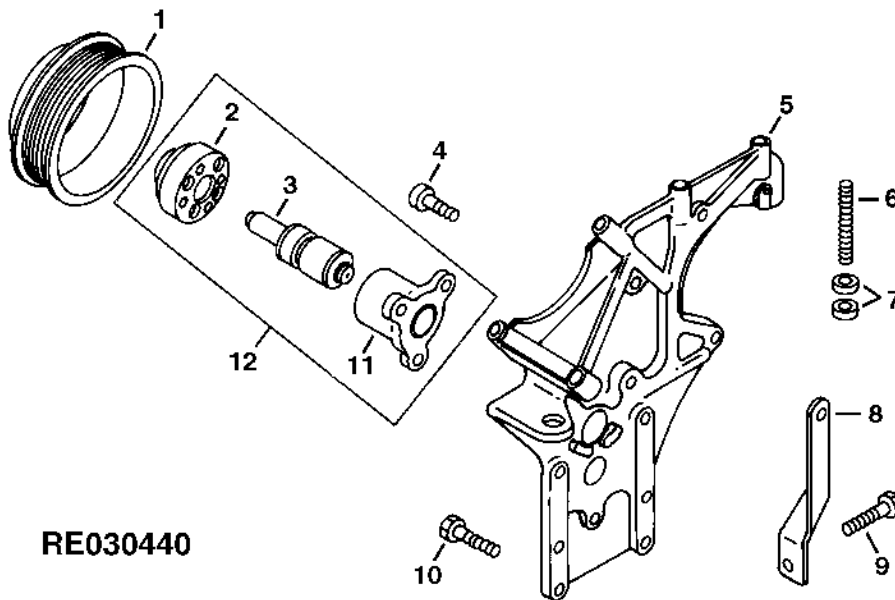
KEY	PART NO.	PART NAME	QTY.	ENGINE SERIAL NO.	REMARKS
				7 7 7 6 7 8 1 1 1 0 0 0	
1	RE57561	ADAPTER FITTING	1		X X
2	R128694	BASE	1		X X
3	R500055	VALVE	1		X X (SUB FOR R108867)
4	R98064	SPRING	1		X X
5	U17409	O-RING	1		X X
6	R117073	FITTING PLUG	1		X X
7	R47153	O-RING	4		X X
8	R86063	TUBE	2	-XXXXXX	X X
	R86063	TUBE	1	XXXXXX-	X X
9	R43660	PACKING	1		X X
	RE57394	OIL FILTER	1		X X (MARKED RE57394)
10	R129820	HOUSING	1		X X
11	19H3239	CAP SCREW	1		X X 3/8" X 1-1/4"
12	R119847	GASKET	1		X X
13	R124186	PRESSURE RELIEF VALVE	1		X X
14	R102844	SPRING	1	-024534	X X (SUB R500330)
	R500330	SPRING	1	024535-	X X
15	U17409	O-RING	1		X X
16	R129821	FITTING PLUG	1		X X (USE WITH R129820)
17	19H3445	CAP SCREW	2		X X 3/8" X 3-3/4"
18	R104621	ADAPTER FITTING	1		X X
19	19H3104	CAP SCREW	2		X X 7/16" X 1-1/4"
20	RE71255	PIPE PLUG	2		X X (SUB FOR R104592)
21	R135726	TUBE	1	XXXXXX-	X X
22	R135727	CLAMP	1	XXXXXX-	X X
23	19H3695	SCREW	1	XXXXXX-	X X

20-79

ENGINE

FAN DRIVE (7610)
 VISCO-COUPLEUR DE VENTILATEUR (7610)
 LUEFTERANTRIEB (7610)
 COMANDO VISCOSO VENTOLA (7610)
 EMBRAGUE VISCOSO D. VENTILADOR (7610)
 FLAEKTRIVNING (7610)

RE030440 -UN-31MAR99



RE030440

KEY	PART NO.	PART NAME	QTY.	TRACTOR SERIAL NO.	REMARKS
				7 7 7	
				6 7 8	
				1 1 1	
				0 0 0	
1	R128661	PULLEY	1	X	
2	RE500824	ADAPTER FITTING	1	X	(SUB FOR R123284) (ALSO ORDER (1) 38H5022, (1) 51M7040, AND (1) T77613).
3	JD10058	BALL BEARING	1	X	
4	R153676	SCREW	3	X	
5	R123604	SUPPORT	1	X	
6	R131009	STUD	1	X	
7	14M7299	FLANGE NUT	2	X	M12
8	R123491	STRAP	1	X	
9	19M7784	SCREW	1	X	M10 X 20
10	19M8162	SCREW	6	X	M10 X 40
11	R123597	BEARING WITH HOUSING	1	X	
12	RE60023	BEARING WITH HOUSING	1	X	

20-91

ENGINE

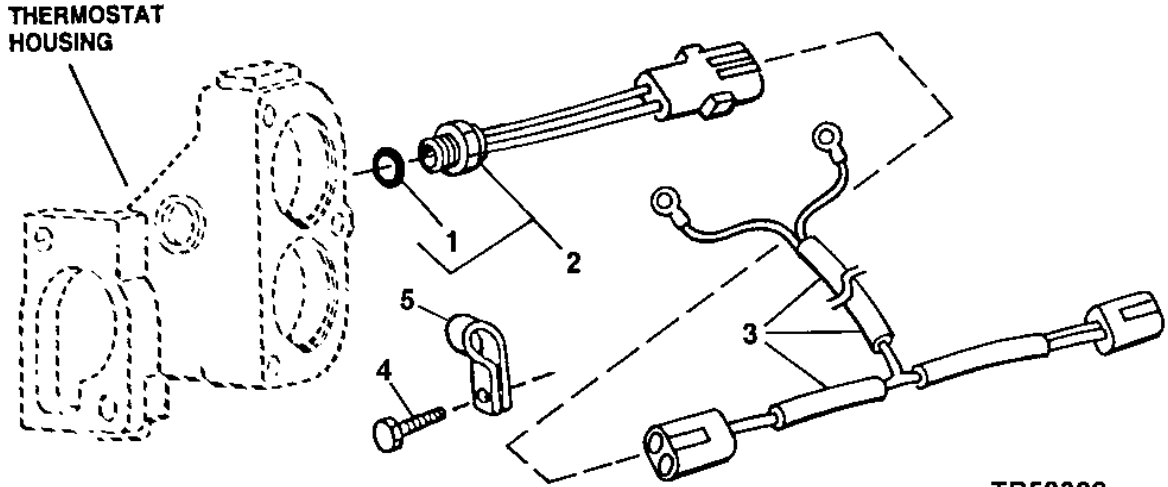
KEY	PART NO.	PART NAME	QTY.	TRACTOR SERIAL NO.			REMARKS
				7 7 7	6 7 8	1 1 1	
				0 0 0			
1	R95414	SUPPORT	1		X X	R.H.	
2	R128955	SUPPORT	1		X X	L.H.	
3	19H2898	CAP SCREW	4		X X	1/2" X 1-1/4"	
4	R107820	ROUND RETAINER	2		X X		
5	RE60720	ISOLATOR	2		X X		
6	19M7949	CAP SCREW	2		X X	M12 X 100	
7	24M7180	WASHER	2		X X		
8	14M7275	NUT	2		X X	M12	
9	R95409	BRACKET	1		X X		
10	19H1768	CAP SCREW	4		X X	3/4" X 2"	
11	RE60721	ISOLATOR	2		X X		
12	19M8485	CAP SCREW	2		X X	M16 X 90	
13	R111207	WASHER	2		X X		
14	R78019	WASHER	4		X X		

30-10A

FUEL AND AIR

FUEL INJECTION PUMP SOLENOID WIRE HARNESS (STANADYNE) (7610 ESN 760648-XXXXXX)
 FAISCEAU DE FILS DE SOLENOIDE DE POMPE D'INJECTION DE CARBURANT (STANADYNE) (7610 ESN 760648-XXXX)
 KRAFTSTOFFEINSPRITZPUMPEN-MAGNETSCHALTERKABELBAUM (STANADYNE) (7610 ESN 760648-XXXXXX)
 CAVI DEL SOLENOIDE DELLA POMPA DI INIEZIONE DEL COMBUSTIBILE (STANADYNE) (7610 ESN 760648-XXXXXX)
 ARNES DE ALAMBRADO DE SOLENOIDE DE BOMBA DE INYECCION DE COMBUSTIBLE (STANADYNE) (ESN 760648-XXXXXX)
 KABELHAEVA FOER BRAENSLEINSPRUTNINGSPUMPENS SOLENOID (STANADYNE) (7610 ESN 760648-XXXXXX)

TP58309 -UN-11JUN98



TP58309

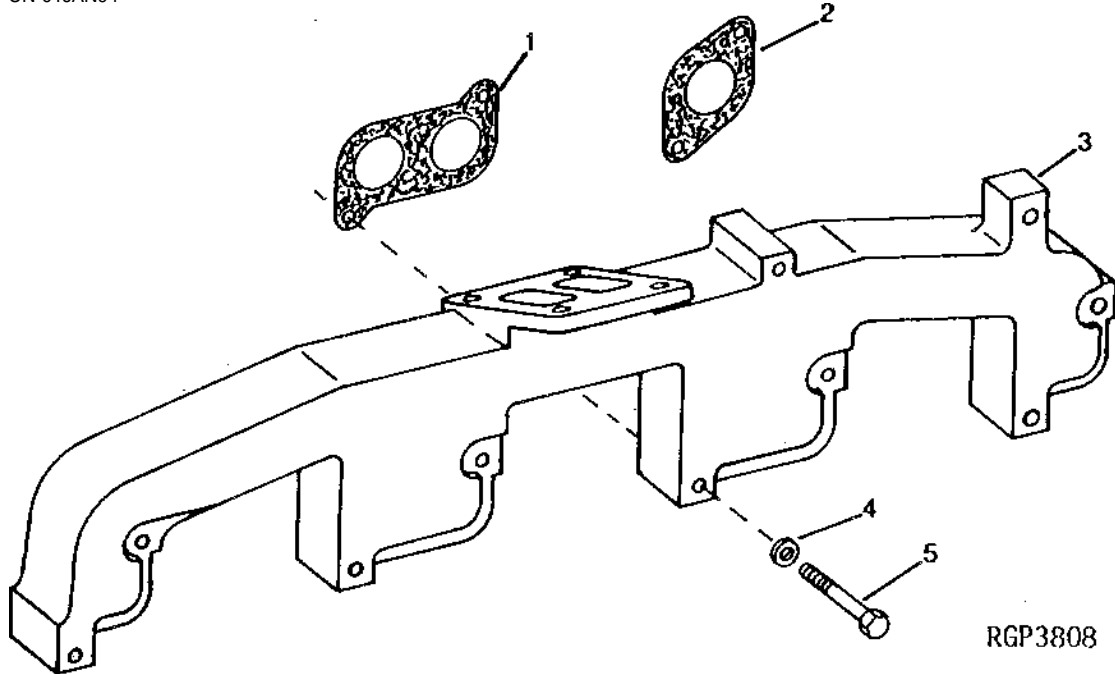
KEY	PART NO.	PART NAME	QTY.	ENGINE SERIAL NO.	REMARKS
				7 7 7	
				6 7 8	
				1 1 1	
				0 0 0	
1	51M7041	O-RING	1	X	11.300 X 2.200 MM
2	RE503242	SENSOR WIRING HARNESS	1	X	(SUB FOR RE66214)
3	RE66560	WIRING HARNESS	1	X	
4	19M7783	SCREW	1	X	M10 X 16
5	T74410	CLAMP	1	X	

30-23

FUEL AND AIR

EXHAUST MANIFOLD (7710,7810)
 COLLECTEUR D'ÉCHAPPEMENT (7710,7810)
 AUSPUFFKRUEMMER (7710,7810)
 COLLETTORE DI SCARICO (7710,7810)
 COLECTOR DE ESACAPE (7710,7810)
 AVGASGRENFOR (7710,7810)

RGP3808 -UN-01JAN94



KEY	PART NO.	PART NAME	QTY.	ENGINE SERIAL NO.	REMARKS
				7 7 7	
				6 7 8	
				1 1 1	
				0 0 0	
1	RE62776	GASKET	2		X X
2	RE62777	GASKET	2		X X
3	R131187	EXHAUST MANIFOLD	1		X X
4	R63845	WASHER	8		X X 10.500 X 17.500 X 3 MM (0.413" X 0.689" X 0.118")
5	19H1944	CAP SCREW	8		X X 3/8" X 2-3/4"

30-35D

FUEL AND AIR

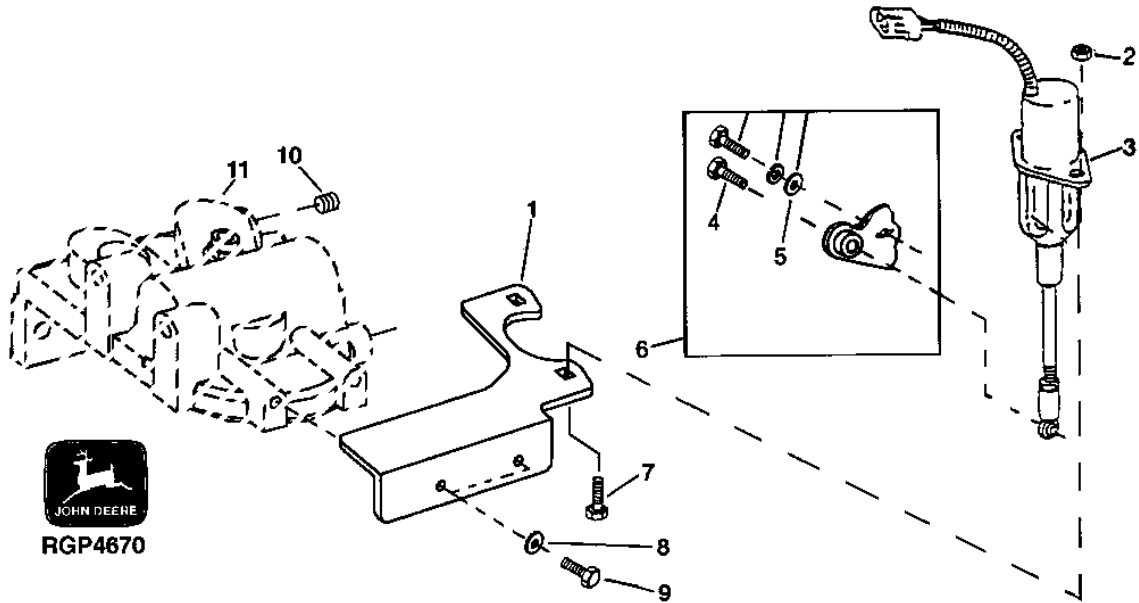
MEMORANDA
MEMORANDA
MEMORANDA
MEMORANDA
MEMORANDA
MEMORANDA

30-43

FUEL AND AIR

FUEL SHUT-OFF BRACKET AND ELECTRIC SHUT-OFF SOLENOID (DENSO) (7710,7810 TSN -029999)
 SUPPORT DE COUPE-CIRCUIT D'ESSENCE (DENSO) (7710,7810 TSN -029999)
 ABSTELLZUGHALTER (DENSO) (7710,7810 TSN -029999)
 STAFFA DI CHIUSURA FLUSSO BENZINA (DENSO) (7710,7810 TSN -029999)
 SOPORTE DEL CABLE DE CORTE DE LA GASOLINA (DENSO) (7710,7810 TSN -029999)
 KONSOL FOER BRAENSLEKRAN (DENSO) (7710,7810 TSN -029999)

RGP4670 -UN-21JAN97



KEY	PART NO.	PART NAME	QTY.	ENGINE SERIAL NO.	REMARKS
				7 7 7	
				6 7 8	
				1 1 1	
				0 0 0	
1	R112999	BRACKET	1		X X
2	14M7165	LOCK NUT	2		X X M6
3	RE55415	SOLENOID	1		X X (12-VOLT)
4	19H1914	CAP SCREW	1		X X 1/4" X 1"
5	24H1287	WASHER	1		X X 9/32" X 5/8" X 0.065"
6	RE54741	LEVER	1		X X
7	03M7068	BOLT	2		X X M6 X 20
8	24H1136	WASHER	2		X X 11/32" X 11/16" X 0.065"
9	19H1900	CAP SCREW	2		X X 5/16" X 3/4"
10	R104592	PIPE PLUG	1		X X
11	R128694	BASE	1		X X

30-47J

FUEL AND AIR

FUEL INJECTION PUMP/FUEL LINE (7710,7810)(AQT,IVT)

(6081TRW12: ESN 138021-)

KEY	PART NO.	PART NAME	QTY.	ENGINE SERIAL NO.	REMARKS
					7 7 7
					6 7 8
					1 1 1
					0 0 0
1	RE508272	ENGINE CONTROLLER	1		X (MARKED RE507966) (SUB RE507966) (IVT) (6081TRW07)
	RE508270	ENGINE CONTROLLER	1		X (B) (MARKED RE507966) (SUB RE507966) (AQT) (6081TRW05)
	RE508273	ENGINE CONTROLLER	1		X (MARKED RE507966) (SUB RE507966) (IVT) (6081TRW08)
	RE508271	ENGINE CONTROLLER	1		X (B) (MARKED RE507966) (SUB RE507966) (AQT) (6081TRW06)
	RE507966	ENGINE CONTROLLER	1		X X (D)
2	R53899	WASHER	1		X X
3	RE28217	FUEL TEMPERATURE SENSOR	1		X X (SUB RE506424, 57M7278, (2) 57M7829 AND 51M4238)
4	R98500	O-RING	1		X X
5	R99047	O-RING	1		X X
6	R89014	SOLENOID	2		X X (A)
7	RE507685	FUEL INJECTION PUMP	1		X X (C) (ROBERT BOSCH P3000)
8	12H296	WASHER	1		X X
9	14M7297	NUT	1		X X
10	R51936	SEALING WASHER	3		X X
11	RE504635	FUEL LINE	1		X X
	R51937	TUBE NUT	3		X X
	R504032	SHIELD	1		X X
	R504033	CONDUIT	1		X X
12	RE502650	FITTING	1		X X
13	RE67934	ADAPTER FITTING	1		X X
	RING	1		X X
14	R121195	CAP SCREW	4		X X (T45)
15	R121164	GEAR	1		X X
16	R76358	O-RING	1		X X 100 X 3 MM (3.937" X 0.118")
17	R504303	STUD	3		X X
18	12M7006	LOCK WASHER	3		X X
19	14M7272	NUT	3		X X (3/8")
20	R79060	O-RING	1		X X
21	AR88903	ELBOW FITTING	1		X X (3/8")
22	R67264	PACKING	1		X X
23	R67264	PACKING	1		X X
24	RE60577	OIL LINE	1		X X (SUB RE509065)
25	T18012	ELBOW FITTING	1		X X
26	RE46252	FUEL PUMP	1		X X

(A) FUEL SHUT-OFF
 ROBINET D'ARRET
 ABSCHALTUNG
 RUBINETTO D'RUBINETTO
 GRIFO DE CIERRE
 AVSTAENGNING

(B) EUROPEAN VERSION
 VERSION EUROPEENNE
 EUROPÄEISCHE AUSFUEHRUNG
 VERSIONE EUROPEA
 VERSION EUROPEA
 EUROPEISK VERSION

(C) SEE YOUR AUTHORIZED PUMP REPAIR STATION FOR PARTS NOT LISTED
 CONSULTEZ VOTRE REPARATEUR DE POMPE AGREE POUR LES PIECES NON CATALOGUEES
 NICHT GEZEIGTE TEILE VON PUMPENWERKSTATT BEZIEHEN
 OER LE PARTTI NON ELENATE, RIVOLGETEVI AL CENTRO AUTORIZZATO DI RIPARAZIONE POMPA
 CONSULTE CON SU ESTACION AUTORIZADA RE PEPARACIONES DE BOMBA
 RAADGOER MED EN AUTORISERAD PUMPSERICVERKATAD BETRAEFFANDE EJ UPPTAGNA

(D) ORDER WITH ENGINE SERIAL NUMBER
 INSCRIRE NUMERO DE SERIE DU MOTEUR SUR LA COMMANDE
 BEI BESTELLUNG MOTORSERIENNUMMER ANGEBEN
 ORDINARE CON NUMERO DI MATRICOLA MOTORE
 PEDIR USANDO EL NUMERO DE SERIE DEL MOTOR
 ANGE MOTORNS SERIENNUMMER VID BESTAELLNINGEN

MEMORANDA
MEMORANDA
MEMORANDA
MEMORANDA
MEMORANDA
MEMORANDA

30-67B

FUEL AND AIR

MEMORANDA
MEMORANDA
MEMORANDA
MEMORANDA
MEMORANDA
MEMORANDA

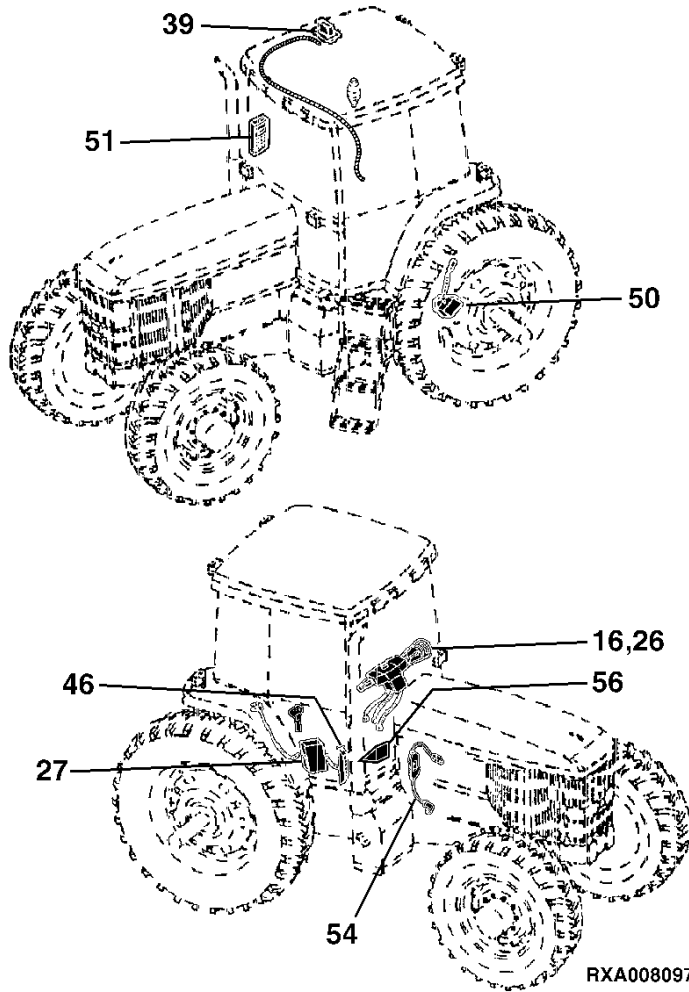
40-A07

ELECTRICAL

SECTIONAL INDEX
INDEX DE SECTION
GRUPPENINDEX
INDICE DELLA SEZIONE
INDICE DE SECCION
GRUPPSFORTECKNING

RXA0080978 -UN-

16-	74
26-	90
26-	92
26-	94
27-	96
27-	97
27-	98
39-	113
39-	114
46-	125
50-	140
51-	142
54-	146
56-	151



RXA0080978

40-15

ELECTRICAL

KEY	PART NO.	PART NAME	QTY.	TRACTOR SERIAL NO.	REMARKS
				7 7 7 6 7 8 1 1 1 0 0 0	
1	AL32891	FLASHER	1		X X X
2	RE69405	BATTERY CABLE	1		X X X (+)
	R70350	GROMMET	1		X X X
	14M7274	NUT	1		X X X M10
	R107995	CLAMP	3		X X X
	R117041	SCREW	2		X X X
3	R112650	BOX	1		X X X (ALSO ORDER R112651, R112652, R125955 AND 37M7073)
4	R114721	SHIELD	1		X X X
5	RE158760	CAB WIRING HARNESS	1	-XXXXXX	X X X (A) (ALSO ORDER (10) R115853, (2) R114825 AND T63817) (SUB FOR RE69577)
	RE165905	CAB WIRING HARNESS	1	XXXXXX-	X X X (B) (ALSO ORDER (10) R115853, (2) R114825 AND T63817) (SUB FOR RE158396)

(A)(-XXXXXX) 7610 -020187;7710 -020273;7810 -020272

(B)(XXXXXX-) 7610 020188- ;7710 020274- ;7810 020273-

40-31

ELECTRICAL

KEY	PART NO.	PART NAME	QTY.	CAB SERIAL NO.	REMARKS
				7 7 7	
				6 7 8	
				1 1 1	
				0 0 0	
1	SOCKET OUTLET	1		X X 40 AMP. (USE WITH AH93625)
2	RE204495	CAB WIRING HARNESS	1		X X (A) (SUB FOR RE174168)
	RE179328	CAB WIRING HARNESS	1		X X (B) (SUB RE204496)
	RE204496	CAB WIRING HARNESS	1		X X (B)
3	SOLENOID	2		X X
4	RE68327	RELAY	1		X X 40 AMP. (SUB FOR RE48876)
5	JUNCTION BLOCK	1		X X
6	HITCH SWITCH	1		X X
7	RE154908	FLOODLAMP	2		X X
8	RE48954	LENS	1		X X
9	AL61306	PUMP	2		X X
10	DEVICE	2		X X
11	57M7689	FUSE	6		X X 10 AMP
	57M7691	FUSE	3		X X 20 AMP
	57M8163	FUSE	15		X X 30 AMP
12	RE48875	JUNCTION BLOCK	1		X X
13	ENGINE CONTROLLER	1		X
	ENGINE CONTROLLER	1		X
14	RE153894	DIODE	1		X X
15	CONDUIT	1		X X
16	BOX	1		X X
17	CONTROL	1		X X
18	HITCH CONTROLLER	1		X X (HCU)
19	MODULE	1		X X (CCU)
20	RE51091	WIRING HARNESS	1		X X
	RE241869	WIRING HARNESS	1		X X (B)
21	RE56165	POTENTIOMETER	1		X X
22	COVER	1		X X
23	R47474	CLIP	25		X X
24	AL32891	FLASHER	1		X X (B)

(A) NORTH AMERICAN VERSION
 VERSION NORD AMERICAINE
 NORDAMERIKANISCHE AUSFUEHRUNG
 VERSIONE NORDAMERICANA
 VERSION NORTEAMERICANA
 NORDAMERIKANSK VERSION

(B) EUROPEAN VERSION
 VERSION EUROPEENNE
 EUROPAEISCHE AUSFUEHRUNG
 VERSIONE EUROPEA
 VERSION EUROPEA
 EUROPEISK VERSION

40-47

ELECTRICAL

KEY	PART NO.	PART NAME	QTY.	CAB SERIAL NO.	REMARKS
				7 7 7	
				6 7 8	
				1 1 1	
				0 0 0	
1	RE49763	TOGGLE/ROCKER SWITCH	1		X X
2	AR60937	ELECTRICAL LIGHTER	1		X X
3	AR56766	HOUSING	1		X X
4	RE46743	CONTROL	1		X X (A)
5	RE46742	TEMPERATURE SWITCH	1		X X
6	RE43497	ROTARY SWITCH	1		X X
7	RE64282	POTENTIOMETER	1		X X (D) (SUB RE210782)
8	RE160961	TOGGLE/ROCKER SWITCH	1		X X (B)
9	AL110027	TOGGLE/ROCKER SWITCH	1		X X (HMS)
10	RE64281	WIRING HARNESS	1		X X
11	POTENTIOMETER	1		X X
12	RE165210	TOGGLE/ROCKER SWITCH	1		X X
13	POTENTIOMETER	2		X X (C)
14	RE57992	TOGGLE/ROCKER SWITCH	1		X X (D)
15	RE68327	RELAY	4		X X
16	RE43464	TOGGLE/ROCKER SWITCH	1		X X (MFWD)
17	RE168103	TOGGLE/ROCKER SWITCH	1		X X
18	RE62163	SWITCH	1		X X (E)
19	RE156985	LEVER	1		X X
20	RE159046	DIGITAL DISPLAY	1	-035550	X X (D) (ALSO ORDER R115350) (SUB RE174412)
	RE174412	MONITOR	1	035551-	X (D) (AQT)
21	RE56411	ROTARY SWITCH	1		X X

(A)MODE
MODE
BETRIEBSART
MODALITA'
MODO
TILLSTAAND

(B)REAR PTO
PDF ARRIERE
HINTERE ZAPWELLE
PTO POSTERIORE
TDF TRASERA
BAKRE KRAFTUTT

(C)HITCH RAISE LIMIT AND RATE OF DROP
UNITE DE RELEVAGE ET VITESSE DE DESCENTE
ANHAENGEVORRICHTUNG HEBEENEHEIT
VELOCITA' DI DISCESA E UNITA' DI SOLLEVAMENTO
UNIDAD EDE ELEVACION DEL ENGANCHE Y
HOEJNINGSENHET OCH SAENKHASTIGHET FOER LYFT

(D)HITCH LOAD/DEPTH CONTROL
COMMANDE DE CHARGE/PROFONDEUR DE
ANHAENGEVORRICHTUNG
COMANDO CARICO /PROFUNDITA'DELLATTACCO
CONTROL DE CARGA/PROFUNDIDAD DEL ENGANCHE
BELASTNINGS/DEJUPREGLAGE FOER LYFT

(E)FIELD CRUISE
REGULATEUR DE VITESSE DE TRAVAIL
ARBEITSTEMPOREGLER
VELOCITA' DI CROCIERA DI LAVORO
CONTROL DE CRUCERO
ARBETSFARTHAALLARE

40-63

ELECTRICAL

KEY	PART NO.	PART NAME	QTY.	TRACTOR SERIAL NO.	7 7 7 6 7 8 1 1 1 0 0 0	REMARKS
1	RE155938	PRESSURE SWITCH	1	-XXXXXX	X X X	(C) (SUB FOR RE60887) (SUB RE157329 AND AN206192)
2	RE60888 RE157329	PRESSURE SWITCH SWITCH	1 1	-XXXXXX XXXXXX-	X X X X X	(C) (SUB RE157329 AND AN206192) (D) (E)
3	RE246949	FUEL SENDER	1		X X X	(A) (SUB FOR RE221700 AND RE34185) (ALSO ORDER RE231108)
4	RE54007	FUEL SENDER WIRING HARNESS	1 1		X X X X	(B) (SUB RE158761 AND RE71392)
5	RE52641	GROUND CABLE	1		X X X	(ALSO ORDER 12H242) (-)

(A) W/ CAB
W/CABINE
W/FAHRERKABINE
W/CABINA
W/CABINA
W/HYTT

(B) W/O CAB
W/O CABINE
W/O FAHRERKABINE
W/O CABINA
W/O CABINA
W/O HYTT

(C) (-XXXXXX) TSN -070635
(D) (XXXXXX-) TSN 070636-

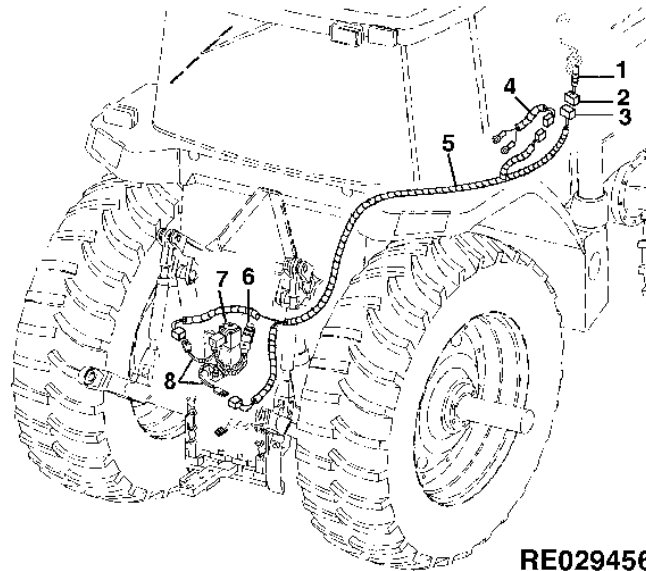
(E) DUAL PRESSURE SWITCH
MANOSTAT DOUBLE
DOPPELDRUCKSCHALTER
DOPPIO PRESSOSTATO
INTERRUPTOR DOBLE DE PRESION
DUBBELTRYCKVAKT

40-79

ELECTRICAL

FRONT LOADER WIRING HARNESS
 FAISCEAU DE FILS DU CHARGEUR FRONTAL
 FRONTLADER-KABELBAUM
 CAVO CARICATORE FRONTALE
 ARNES DE ALAMBRADO DE CARGADORA DELANTREA
 KABELHAERVA FOER FRAMLASTARE

RE029456 -UN-22APR98



RE029456

KEY	PART NO.	PART NAME	QTY.	TRACTOR SERIAL NO.	REMARKS
				7 7 7 6 7 8 1 1 1 0 0 0	
1	AW28214	SWITCH	1		X X X
2	57M7255	ELEC. CONNECTOR TERMINAL	1		X X X (ALSO ORDER (3) R104846 AND (3) 57M7258)
3	57M7257	ELEC. CONNECTOR HOUSING	1		X X X (ALSO ORDER (3) R104919, (3) 57M7258 AND 57M7290)
4	AW27221	WIRING HARNESS	1		X X X
	RE157173	WIRING HARNESS	1		X X X (A)
5	AW27221	WIRING HARNESS	1		X X X
6	AW29792	SOLENOID	1		X X X
7	AW29795	SOLENOID	1		X X X
8	AW29793	WIRING HARNESS	1		X X X

(A)W/O CAB
 W/O CABINE
 W/O FAHRERKABINE
 W/O CABINA
 W/O CABINA
 W/O HYTT

40-95

ELECTRICAL

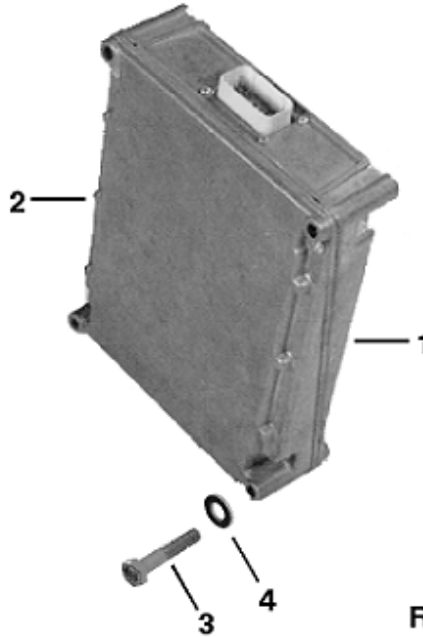
KEY	PART NO.	PART NAME	QTY.	CAB SERIAL NO.	REMARKS
				7 7 7	
				6 7 8	
				1 1 1	
				0 0 0	
1	RE182617	CONTROL LEVER	1		X X (INCLUDES RE164404, (2) 21M7284 AND (6) 21M7357)
	RE188819	CONTROL LEVER	1		X X (INCLUDES RE164404, (2) 21M7369 AND (4) 21M7357)
	RE164404	CONTROL LEVER	1		X X (INCLUDES R164405 AND 34M7159)
2	R164403	KNOB	1		X X
3	19M9166	SET SCREW	1		X X
4	RE183624	MODULE	1		X X
	RE198706	MODULE	1		X X
5	19M9115	SCREW	3		X X M4 X 16
6	HOUSING	1		X X (ORDER RE66237)
7	RE70839	SWITCH	1		X X
8	19M7702	SCREW	4		X X M4 X 10
9	RE158826	CORE	1		X X
10	CORE	1		X X (ORDER RE66237)
11	RE46735	ELECTRICAL CONNECTOR ASSY	1		X X
12	RE46717	WIPER/WASHER SWITCH	1		X X
13	RE46710	HANDLE	1		X X
14	37M7235	SCREW	8		X X
15	HOUSING	1		X X (ORDER RE66237)
16	24M7117	WASHER	2		X X 4.300 X 9 X 0.800 MM, (ALSO ORDER (6) R104846, 57M7258 AND 57M7291)
17	19M7702	SCREW	7		X X M4 X 10
18	RE43582	WIRING HARNESS	1		X X
19	57M7260	CONNECTOR	1		X X
20	57M7265	CONNECTOR	1		X X
21	57M7256	CONNECTOR	1		X X
22	57M7264	CONNECTOR	1		X X

40-111

ELECTRICAL

CONTROLLERS(CCU,HCU)
 CONTROLEURS(CCU,HCU)
 STEUER-EINHEITEN(CCU,HCU)
 REGULATOR(CCU,HCU)
 CONTROLADORES(CCU,HCU)
 STYRENHETER(CCU,HCU)

RXP011034 -UN-01JAN94



RXP011034

KEY	PART NO.	PART NAME	QTY.	CAB SERIAL NO.	REMARKS
				7 7 7	
				6 7 8	
				1 1 1	
				0 0 0	
1	RE170904	HITCH CONTROLLER	1		X X X (SUB FOR RE69206, RE70918, RE150600 OR RE162932) (HCU)
2	RE170416	MODULE	1		X X X (SUB FOR RE69204, RE70916, RE150596 OR RE168574) (CCU)
	RE170421	MODULE	1		X X X (A) (C) (SUB FOR RE156291 OR RE168580) (CCU)
	RE170418	MODULE	1		X X X (B) (C) (SUB FOR RE168578) (CCU)
3	19M7763	CAP SCREW	2		X X X M6 X 75
4	24M7088	WASHER	2		X X X 6.600 X 12 X 1.600 MM

(A) NORTH AMERICAN VERSION
 VERSION NORD AMERICAINE
 NORDAMERIKANISCHE
 VERSIONE NORDAMERICANA
 VERSION NORTEAMERICANA
 NORDAMERIKANSK

(B) EUROPEAN VERSION
 VERSION EUROPEENNE
 EUROPÄISCHE AUSFUEHRUNG
 VERSIONE EUROPEA
 VERSION EUROPEA
 EUROPEISK VERSION

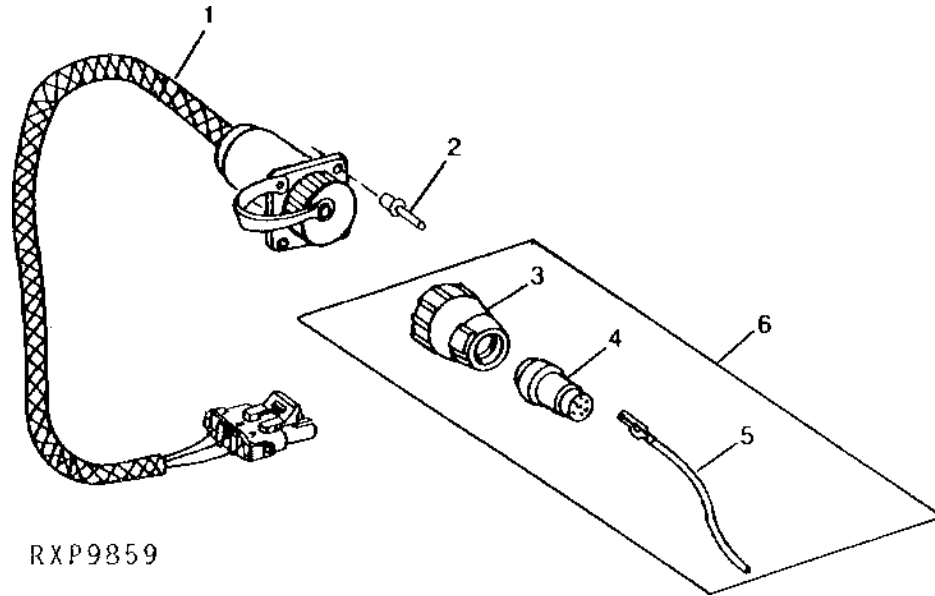
(C) USE WITH HEADLAND MANAGEMENT SYSTEM ONLY
 USE WITH HEADLAND MANAGEMENT SYSTEM ONLY
 USE WITH HEADLAND MANAGEMENT SYSTEM ONLY
 USE WITH HEADLAND MANAGEMENT SYSTEM ONLY
 USE WITH HEADLAND MANAGEMENT SYSTEM ONLY

40-127

ELECTRICAL

CONVENIENCE OUTLET SOCKET (W/O CAB)
 PRISE FEMELLE ELECTRIQUE PATIQUE(W/O CABINE)
 ZUSATZSTECKDOSE(W/O FAHRERKABINE)
 PRESA DI CORRENTE STTERNA DI EMERGENZA(W/O CABINA)
 CASQUILLO DE TOMA ELECTRICA DE SERVICIO(W/O CABINA)
 UTTAG FORE EXTRA ELUTRUSTNING (W/O HYTT)

RXP9859 -UN-01JAN94



RXP9859

KEY	PART NO.	PART NAME	QTY.	TRACTOR OR SG BODY NO.	REMARKS
				7 7 7	
				6 7 8	
				1 1 1	
				0 0 0	
1	RE37640	SOCKET OUTLET	1		X X X
	RE241868	WIRING HARNESS	1		X X X (A)
2	R108166	RIVET	2		X X X
3	RE48029	CLAMP	1		X X X
4	AE44929	ELECTRICAL CONNECTOR ASSY	1		X X X (SUB FOR RE48031)
5	RE48028	WIRING LEAD	1		X X X
6	RE37651	PLUG	1		X X X

(A) EUROPEAN VERSION
 VERSION EUROPEENNE
 EUROPÄISCHE AUSFUEHRUNG
 VERSIONE EUROPEA
 VERSION EUROPEA
 EUROPEISK VERSION

40-141

ELECTRICAL

KEY	PART NO.	PART NAME	QTY.	TRACTOR SERIAL NO.	REMARKS
					7 7 7 6 7 8 1 1 1 0 0 0
1	19M7363	CAP SCREW	2		X X X M12 X 60
2	RE52645	WIRING HARNESS	1	-XXXXXX	X X X (USE WITH RE152877, RE152880, RE52719 OR RE54017)
	RE234374	WIRING HARNESS	1	XXXXXX-	X X X
3	R44302	TIE BAND	1		X X X
4	R134297	BRACKET	1		X X X (USE WITH RE152877, RE152880, RE52719 OR RE54017)
	R195485	BRACKET	1		X X X (USE WITH RE184684, RE184694, RE206770, RE206771, RE235734 OR RE235739)
5	RE237254	FIELD INSTALLATION KIT	1		X X X (B) (SUB FOR RE70911, RE204862 OR RE218445)
	RE237255	FIELD INSTALLATION KIT	1		X X X (A) (SUB FOR RE152048, RE204863 OR RE218452)
6	19M7784	SCREW	3		X X X M10 X 20, (USE WITH RE152877, RE152880, RE52719 OR RE54017)
	19M7865	SCREW	3		X X X M8 X 16, (USE WITH RE184684, RE184694, RE206770, RE206771, RE235734 OR RE235739)
7	L65000	LABEL	1		X X X
8	RE152877	RADAR SENSOR	1		X X X (B) (SUB FOR RE52719) (SUB RE235734, R195484 AND (3) 19M7865) OR ORD RE237254
	RE235734	RADAR SENSOR	1		X X X (B)
	RE152880	RADAR SENSOR	1		X X X (A) (SUB FOR RE54017) (SUB RE235739, R195484 AND (3) 19M7865) OR ORD RE237255
	RE235739	RADAR SENSOR	1		X X X (A)
9	24M7180	WASHER	2		X X X 13 X 37 X 3 MM
10	AT139776	ISOLATOR	2		X X X
11	24M7102	WASHER	2		X X X 13.500 X 44 X 4 MM

(A) UNITED KINGDOM
ROYAUME-UNI
ENGLAND
REGNO UNITO
REINO UNIDO
ENGLAND

(B) NORTH AMERICAN VERSION
VERSION EUROPEENNE
EUROPAEISCHE AUSFUEHRUNG
VERSIONE EUROPEA
VERSION EUROPEA
EUROPEISK VERSION

41-3

ALTERNATOR, STARTER, BATTERY AND BATTERY CABLES

KEY	PART NO.	PART NAME	QTY.	TRACTOR SERIAL NO.			REMARKS
				7 7 7	6 7 8	1 1 1	
				0 0 0			
1	RE52026	PACKAGE OF PARTS	1	X X X			
2	R115610	COVER	1	X X X			
3	RE52028	CARBON BRUSH HOLDER	1	X X X			
4	RE52024	REGULATOR	1	X X X			
5	RE52356	RECTIFIER	1	X X X			
6	R115609	FRAME	1	X X X			(REAR)
7	RE52354	ROTOR	1	X X X			
8	RE38680	BEARING	1	X X X			
9	RE52353	FRAME	1	X X X			(FRONT)
10	R114844	PULLEY	1	X X X			
11	RE34888	ALTERNATOR	1	X X X			(90 AMP)(NIPPONDENSO NO.101211-5030)
	TY6763	ALTERNATOR	1	X X X			(A) (90 AMP)

(A)REMANUFACTURED
 ECHANGE STANDARD
 GRNERAUEBERHOLT
 RIGATTO
 REFABRICADO POR
 RENOVERAD

41-17B

ALTERNATOR, STARTER, BATTERY AND BATTERY CABLES

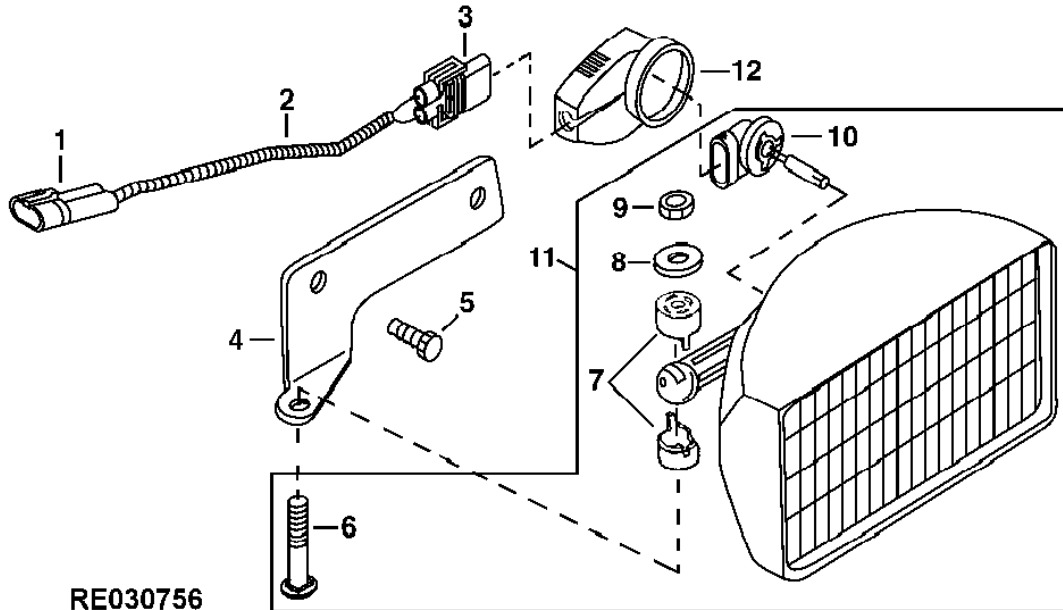
KEY	PART NO.	PART NAME	QTY.	ENGINE SERIAL NO.	7 7 7 6 7 8 1 1 1 0 0 0	REMARKS
1	RE505400	BATTERY CABLE	1		X X	
2	RE70486	SWITCH	1		X X	
3	RE70487	CLUTCH	1		X X	
4	RE71256	SCREW WITH WASHER	1		X X	
5	R135509	SEAL	1		X X	
6	R135510	O-RING	1		X X	
..	RE508826	STARTER MOTOR KIT	1		X X	(MARKED RE507998) (NIPPONDENSO NO. 428000-0210)

42-5

LIGHTS

WORKING LAMP(FENDER)(W/O CAB)
 PROJECTEURS DE TRAVAIL(W/O CABINE)
 ARBEITSLEUCHTEN(KOTSCHUETZER)(W/O FAHRERKABINE)
 FANALI DI LAVORO(PARAFANGO)(W/O CABINA)
 LUCES DE TRABJO(GUARDABARRO)(W/O CABINA)
 ARBETSLYKTOR(SKAERM)(W/O HYTT)

RE030756 -UN-13JUL99



RE030756

KEY	PART NO.	PART NAME	QTY.	ROLL-GARD SERIAL NO.	REMARKS
				7 7 7 6 7 8 1 1 1 0 0 0	
1	57M7256	ELECTRICAL CONNECTOR ASSY	1		X X X (ALSO ORDER (2) R104919, (2) 57M7258 AND 57M7289)
2	RE64623	WIRING HARNESS	1		X X X
3	57M7344	ELEC. CONNECTOR ACCESSORY	1		X X X (ALSO ORDER (2) 57M7298 AND (2) R78059)
4	R129534	BRACKET	1		X X X R.H.
	R129535	BRACKET	1		X X X L.H.
5	19M7286	CAP SCREW	2		X X X M6 X 25
6	03M7280	BOLT	1		X X X
7	R122487	BASE	1		X X X
8	L37975	LOCK WASHER	1		X X X 6.500 X 35 X 3 MM
9	14M7165	LOCK NUT	1		X X X
10	R136239	BULB	1		X X X (SUB FOR 57M7358) (55W)(GE886X)
11	RE154901	FLOODLAMP	1		X X X (LH) (SUB FOR RE51239, RE71420 OR RE150425)
	RE154902	FLOODLAMP	1		X X X (RH) (SUB FOR RE51239, RE71420 OR RE150425)
12	R122488	BOOT	1		X X X

42-17

LIGHTS

KEY	PART NO.	PART NAME	QTY.	TRACTOR SERIAL NO.	REMARKS
				7 7 7	
				6 7 8	
				1 1 1	
				0 0 0	
1	57M7468	ELECTRICAL CONNECTOR ASSY	1		X X X
2	57M7467	ELECTRICAL CONNECTOR ASSY	1		X X X
3	RE70360	TOGGLE/ROCKER SWITCH	1		X X X
4	57M7260	CONNECTOR	1		X X X (ALSO ORDER (6) R104846, (6) 57M7258 AND 57M7291)
5	57M7263	CONNECTOR	1		X X X (ALSO ORDER (6) R104919, (6) 57M7258 AND 57M7291)
6	L76801	GROMMET	1		X X X
7	RE71640	WIRING HARNESS	1		X X X
8	R135390	COVER	1		X X X R.H.
9	37M7162	SCREW	12		X X X
10	R133760	BRACKET	1		X X X R.H.
11	57M7255	CONNECTOR	2		X X X (ALSO ORDER (3) R104846, (3) 57M7258 AND 57M7317)
12	57M7257	CONNECTOR	2		X X X (ALSO ORDER (3) R104919, (3) 57M7258 AND 57M7317)
13	RE69389	DUAL BEAM HEADLAMP	2		X X X 35/65 WATTS
14	R133761	BRACKET	1		X X X L.H.
15	R135391	COVER	1		X X X L.H.
16	RE71643	KIT	1		X X X (SUB RE167430) (FI)

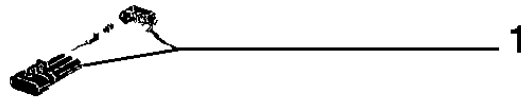
43-A01

ELECTRICAL CONNECTORS

SECTIONAL INDEX
INDEX DE SECTION
GRUPPENINDEX
INDICE DELLA SEZIONE
INDICE DE SECCION
GRUPPSFORTECKNING

RE029646 -UN-

1-	1
1-	2
1-	4
1-	6
1-	8
1-	9
1-	10
1-	11



RE029646

MEMORANDA
MEMORANDA
MEMORANDA
MEMORANDA
MEMORANDA
MEMORANDA

50-13

FRONT PTO

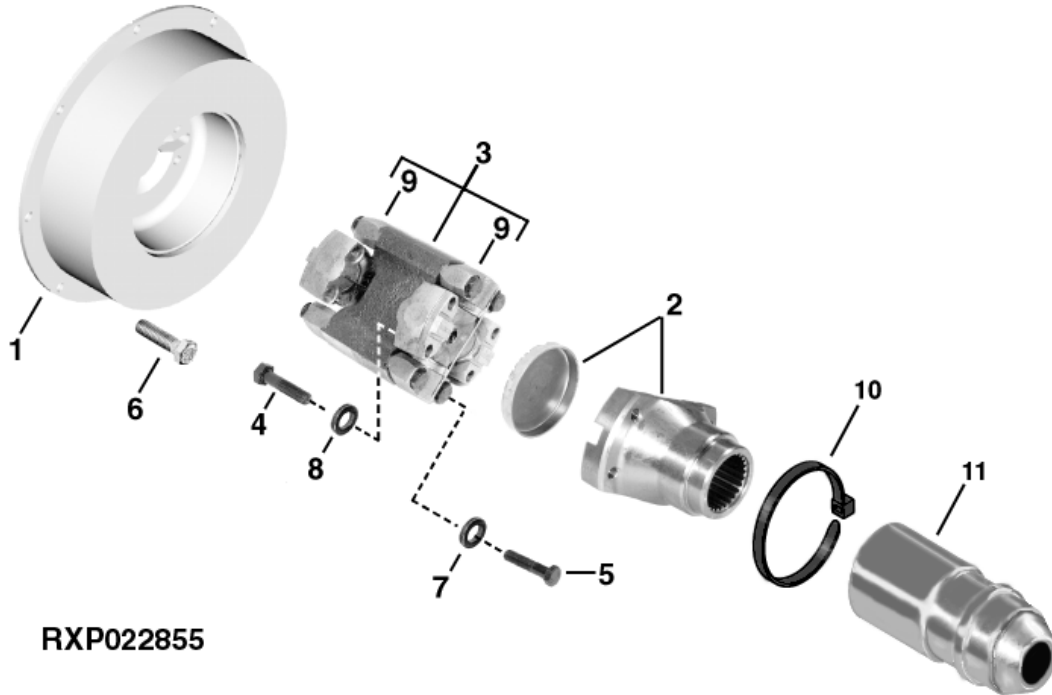
MEMORANDA
MEMORANDA
MEMORANDA
MEMORANDA
MEMORANDA
MEMORANDA

51-1

POWER SHIFT TRANSMISSION

DRIVESHAFT (TRANSMISSION)
 ARBRE D'ENTRAINEMENT (BOITE DE VITESSES)
 ANTRIEBSWELLE (GETRIEBE)
 ALBERO MOTORE (TRASMISSIONE)
 EJE IMPULSOR (TRANSMISION)
 DRIVAXEL (KRAFTOEVERFOERING)

RXP022855 -UN-24NOV98



RXP022855

KEY	PART NO.	PART NAME	QTY.	TRACTOR SERIAL NO.	7 7 7 6 7 8 1 1 1 0 0 0	REMARKS
1	RE58358	TORSIONAL DAMPER	1	-XXXXXX	X	(C) (SUB RE70470 AND (8) 19M9002)
	RE58358	TORSIONAL DAMPER	1	-XXXXXX	X X	(A) (SUB RE70470 AND (8) 19M9002)
	RE69808	TORSIONAL DAMPER	1	XXXXXX-XXXXXX	X X	(B) (C) (SUB RE70472 AND (8) R151507, THIS APPLICATION)
	RE70470	TORSIONAL DAMPER	1	XXXXXX-	X	(D)
	RE70472	TORSIONAL DAMPER	1	XXXXXX-	X X	(D)
2	RE61882	YOKE	1		X X X	(ALSO ORDER R151814 AND R105388)
3	RE53223	UNIVERSAL JOINT	1	-XXXXXX	X X X	(E) (SUB RE71609)
	RE71609	UNIVERSAL JOINT	1	XXXXXX-	X X X	(F)
4	19M7572	CAP SCREW	8	-XXXXXX	X X X	(C) M10 X 45
	R151507	CAP SCREW	8	XXXXXX-	X X X	(D)
	19M7572	CAP SCREW	8	-XXXXXX	X X X	(C) M10 X 45
	19M9002	CAP SCREW	8	XXXXXX-	X X X	(D)
6	19M7169	CAP SCREW	8		X X X	M10 X 35
7	24M7431	WASHER	8		X X X	
8	24M7431	WASHER	8		X X X	
9	RE52347	CROSS AND BEARING ASSEMBLY	2		X X X	
10	R105388	BAND	1		X X X	
11	R151814	BOOT	1		X X X	

- (A) (-XXXXXX) 7710-001155; 7810-001430
- (B) (XXXXXX-) 7710-001156; 7810-001431
- (C) (-XXXXXX) 7610-002161; 7710-003468; 7810-006414
- (D) (XXXXXX-) 7610-002162; 7710-003469; 7810-006415
- (E) (-XXXXXX) 7610-001987; 7710-003069; 7810-005474
- (F) (XXXXXX-) 7610-001988; 7710-003070; 7810-005475

51-17

POWER SHIFT TRANSMISSION

KEY	PART NO.	PART NAME	QTY.	TRANSMISSION	REMARKS
				SERIAL NO.	
				7 7 7	
				6 7 8	
				1 1 1	
				0 0 0	
1	RE67678	HOUSING	1	X X X	
2	JD10269	CYLINDRICAL ROLLER BEARING	1	X X X	
3	R84086	BEARING RACE	1	X X X	
4	R105391	PISTON	1	X X X	
5	RE42396	DRUM	1	X X X	(MARKED R129801)
6	R84061	BEARING RACE	1	X X X	
7	R30587	DOWEL PIN	2	X X X	
8	R120837	PACKING	1	X X X	
9	R96790	PISTON	1	X X X	
10	R120838	PACKING	1	X X X	
11	T50415	DISK SPRING	2	X X X	
12	R109015	SNAP RING	1	X X X	
13	R107264	CLUTCH PLATE	1	X X X	
14	RE203900	DISK WITH INNER SPLINE	1	X X X	(SUB FOR RE65324, THIS APPLICATION)
15	RE33706	DISK	1	X X X	
16	RE51640	PLATE	1	X X X	
17	R107334	CAP SCREW	6	X X X	
18	R87210	THRUST WASHER	2	X X X	
19	R33167	RING	2	X X X	
20	R119850	RETAINER	1	X X X	
21	R84071	SPRING WASHER	1	X X X	
22	R96791	CLUTCH PLATE	1	X X X	
23	R107334	CAP SCREW	8	X X X	
24	19M8528	SCREW	7	X X X	M10 X 55, .HS 10.9
25	R153689	SCREW	2	X X X	.HS 10.9
26	RE34532	SHAFT	1	X X X	
27	R96813	DRIVE SHAFT	1	X X X	
28	44M7070	DOWEL PIN	2	X X X	
29	34M7038	SPRING PIN	1	X X X	
30	R95278	BUSHING	2	X X X	
31	R117371	DEFLECTOR	1	X X X	
..	PM38656	SEALANT	1	X X X	(SUB FOR T43514)
..	R53608	RIVET	2	X X X	(SUB FOR R40215)
..	RE214485	KIT	1	X X X	(A)

(A) SEE UPTIME KIT PAGE
 VOIR PAGE DE KIT DE REPARATION
 SIEHE REPARATURSATZ-SEITE
 VEDI PAGINA KIT PER RIPARAZIONI
 VER LA PAGINA DE JUEGOS DE REPARACION
 SE SIDAN MED REPARATIONSSATSEN

51-31

POWER SHIFT TRANSMISSION

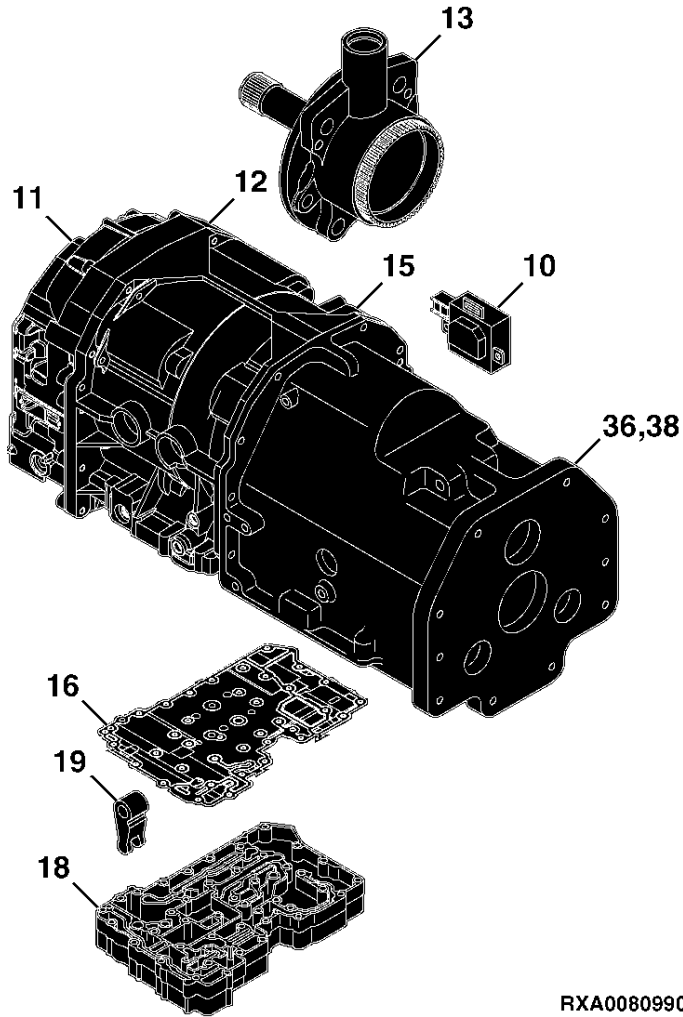
KEY	PART NO.	PART NAME	QTY.	TRANSMISSION SERIAL NO.	7 7 7	REMARKS
					6 7 8	
					1 1 1	
					0 0 0	
1	38H5003	ADAPTER FITTING	1		X X X	
2	51M7043	O-RING	1		X X X	
3	T77857	O-RING	2		X X X	
4	RE33231	OIL LINE	1		X X X	
5	38H5017	ELBOW FITTING	1		X X X	
6	T77857	O-RING	1		X X X	
7	38H5069	TEE FITTING	1		X X X	
8	T77857	O-RING	3		X X X	
9	RE66928	OIL LINE	1		X X X	
10	RE58954	OIL LINE	1		X X X	
11	R153676	SCREW	1		X X X	
12	H75541	CLAMP	1		X X X	
13	28H3381	SPACER	1		X X X	
14A	38H5070	TEE FITTING	1		X X X	W/MFWD
14B	38H5023	ELBOW FITTING	1		X X X	W/O MFWD
15	RE58955	OIL LINE	1		X X X	W/MFWD
16	T77857	O-RING	1		X X X	12.421 X 1.778 MM, W/MFWD
17	T77613	O-RING	1		X X X	W/ MFWD
18	38H5002	ADAPTER FITTING	1		X X X	W/ MFWD
19	38H5010	ADAPTER FITTING	1		X X X	
20	A4540R	O-RING	1	-XXXXXX	X X X	
	A4540R	O-RING	2	XXXXXX-	X X X	
21	RE34518	OIL LINE	1		X X X	
	RE191958	OIL LINE	1	XXXXXX-	X X X	
22	R112296	SCREW	3		X X X	
23	R120901	GASKET	1	-XXXXXX	X X X	
24	M87733	ADAPTER FITTING	2		X X X	
25	T77613	O-RING	2		X X X	
26	RE66931	OIL LINE	1		X X X	
27	37M7092	SCREW	2		X X X	M8 X 16
28	RE66923	ACCUMULATOR	1		X X X	
29	R132900	ADAPTER FITTING	1		X X X	
30	T77932	O-RING	2		X X X	

52-A01

POWRQUAD TRANSMISSION

SECTIONAL INDEX
INDEX DE SECTION
GRUPPENINDEX
INDICE DELLA SEZIONE
INDICE DE SECCION
GRUPPSFORTECKNING

RXA0080990 -UN-



10-	23
11-	24
11-	26
12-	28
13-	30
15-	34
16-	36
19-	38
18-	40
18-	42
36-	67B
36-	68
38-	72

RXA0080990

52-11

POWRQUAD TRANSMISSION

KEY	PART NO.	PART NAME	QTY.	TRACTOR SERIAL NO.	REMARKS
				7 7 7	
				6 7 8	
				1 1 1	
				0 0 0	
1	RE56175	SUPPORT	1		X X X
2	RE58007	TUBE	1		X X X
3	JD9954	CYLINDRICAL ROLLER BEARING	4		X X X
4	T74425	O-RING	8		X X X
5	R27036	PLUG	2		X X X (A)
6	R117826	PIVOT	2		X X X (A)
7	RE56218	TUBE	1		X X X
8	R108252	STUD	1		X X X
9	JD9962	NEEDLE BEARING	6		X X X
10	A3190R	O-RING	4		X X X
11	24H1338	WASHER	1		X X X 33/64" X 7/8" X 0.048"
12	24H1395	WASHER	2		X X X 25/32" X 1-7/16" X 0.060"
13	RE56182	ARM	1		X X X
14	RE56185	TUBE	1		X X X
15	R117790	PIN FASTENER	1		X X X
16	19M7402	CAP SCREW	4		X X X M10 X 25
17	14M7274	NUT	4		X X X M10

(A) NO E RANGE
 NO E GAMMA
 NO GRUPPE E
 NO GAMMA E
 NO GAMA E
 NO E GRUPPE

52-27

POWRQUAD TRANSMISSION

KEY	PART NO.	PART NAME	QTY.	TRANSMISSION	REMARKS
				SERIAL NO.	
				7 7 7	
				6 7 8	
				1 1 1	
				0 0 0	
1	R129797	HOUSING	1	X X X	
2	R127580	GASKET	2	X X X	
3	R127579	PLATE	1	X X X	
4	R108616	BRACKET	1	X X X	
5	R109066	SCREW	4	X X X	
6	R109067	SCREW	30	X X X	
7	RE46684	PLUG	3	X X X	
8	51M7041	O-RING	3	X X X	
9	RE46684	PLUG	1	X X X	
10	51M7041	O-RING	1	X X X	
11	51M7040	O-RING	1	X X X	
12	RE52722	SENSOR	1	X X X (A)	
13	38H5003	ADAPTER FITTING	1	X X X	
14	51M7043	O-RING	1	X X X	
15	38H5005	ADAPTER FITTING	2	X X X	
16	51M7047	O-RING	2	X X X	
17	38H5017	ELBOW FITTING	1	X X X	
18	51M7043	O-RING	1	X X X	
19	R113419	ADAPTER FITTING	1	X X X	
20	51M7043	O-RING	1	X X X	
21	R112945	ELBOW FITTING	1	X X X	
22	51M7040	O-RING	1	X X X	
23	RE69671	TRANS OIL PRESSURE SENSOR	1	X X X	(SUB FOR RE46573)
24	R111085	FITTING	1	X X X	
25	R95398	HOSE	1	X X X	
26	R44302	TIE BAND	1	X X X	
27	RE46685	PLUG	2	X X X	
28	15H560	PIPE PLUG	2	X X X	
29	51M7043	O-RING	2	X X X	15.300 X 2.200 MM

(A) OIL TEMPERATURE
 TEMPERATURRE D'HUILE
 OEL TEMPERATUR
 TEMPERATURA OLIO
 TEMPERATURA DEL ACEITE
 OLJETEMPERATUR

52-43

POWRQUAD TRANSMISSION

KEY	PART NO.	PART NAME	QTY.	TRANSMISSION SERIAL NO.	7 7 7 6 7 8 1 1 1 0 0 0	REMARKS
1	R120452	WASHER	1		X X X	
2	R124022	VALVE	1	-095091	X X X	
	R135174	VALVE	1	095092-	X X X	
3	RE65321	PLUG	1		X X X	(SUB FOR R124023)
4	51M7047	O-RING	1		X X X	23.600 X 2.900 MM
5	RE54982	SPRING	1		X X X	(FNR) (3 LEVER) (SUB RE168661)
	RE54982	SPRING	1		X X X	(FNR) (2 LEVER) (SUB RE166480 AND (2) R166475)
6	R115415	COMPRESSION SPRING	2		X X X	
7	R95506	VALVE	1		X X X	
8	RE58656	FITTING	1		X X X	(SUB FOR R115389)
9	R27166	O-RING	1		X X X	
10	R115388	CLIP	1		X X X	
11	R54174	SPRING	1		X X X	
12	RE54443	KIT	1		X X X	(A)
	R119131	VALVE	1		X X X	
13	R110457	CLIP	1		X X X	
14	R78436	O-RING	1		X X X	
15	RE58657	FITTING	1		X X X	(SUB FOR R120354)
16	R110256	VALVE	1		X X X	
17	R95216	COMPRESSION SPRING	1		X X X	
18	R112974	SPRING	1		X X X	
19	R110257	PIN	1		X X X	
20	RE62621	PISTON	1		X X X	(A)
	P48347	O-RING	1		X X X	
	R110258	PISTON	1		X X X	
	R112976	SEAL	1		X X X	
21	P48347	O-RING	1		X X X	
22	R112976	SEAL	1		X X X	
23	RE58658	FITTING	1		X X X	(SUB FOR R110260)
24	51M7047	O-RING	1		X X X	
25	51M7041	O-RING	3		X X X	
26	RE46684	PLUG	6		X X X	
	RE46684	PLUG	3		X X	
27	R121580	PIPE PLUG	3		X X X	
28	51M7045	O-RING	1		X X X	
29	RE58661	FITTING	1		X X X	(SUB FOR R95065) (SUB RE221609)
30	R119203	SCREW	1		X X X	
31	RE190805	DIAGNOSTIC COUPLING	1		X X	
32	R77175	COVER	1		X X	

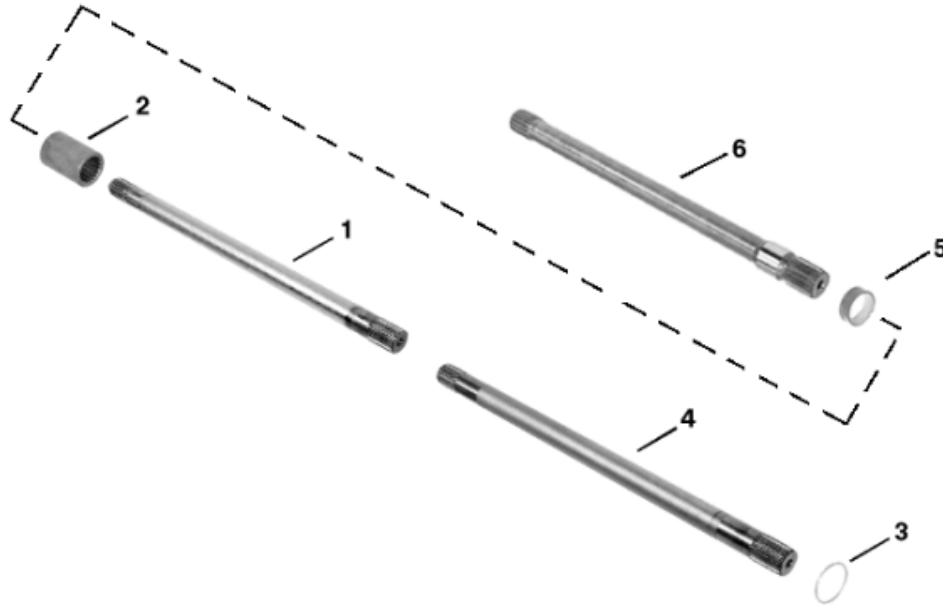
(A) FURNISH COMPONENTS
 COMPOSANTS UNIQUEMENT
 NUR KOMPONENTEN
 SOLO COMPONENTI
 SOLO COMPONENTES
 ENDAST DELAR

52-59

POWRQUAD TRANSMISSION

ACCESSORY DRIVE SHAFT (POWRQUAD)
 ARBRE D'ENTRAINEMENT D'ACCESSOIRE (POWRQUAD)
 ZUBEHOER-ANTRIEBSWELLE (POWRQUAD)
 ALBERO CONDUTTORE DELL'ATTREZZO (POWRQUAD)
 EJE IMPULSOR DE ACCESORIOS (POWRQUAD)
 TILLBEHORSKARDANAXEL (POWRQUAD)

RE027368 -UN-25OCT96



RE027368

KEY	PART NO.	PART NAME	QTY.	TRANSMISSION SERIAL NO.	REMARKS
				7 7 7	
				6 7 8	
				1 1 1	
				0 0 0	
1	R94777	DRIVE SHAFT	1	X X X (A)	
	R97250	SHAFT	1	X X X (B)	
2	RE47326	KIT	1	X X X	
3	R69721	SNAP RING	1	X X X	
4	R93502	SHAFT	1	X X X (53 CM)	
5	R95424	SEAL	1	X X X	
6	R104741	SHAFT	1	X X X	

(A) W/ CREEPER
 W/ VITESSE TRES LENTE
 W/ KRIECHGANG
 W/ CREEPER
 W/ REDUCCION CREEPER
 W/ KRYPVAEXEL

(B) W/O CREEPER
 W/O VITESSE TRES LENTE
 W/O KRIECHGANG
 W/O CREEPER
 W/O REDUCCION CREEPER
 W/O KRYPVAEXEL

52-71

POWRQUAD TRANSMISSION

KEY	PART NO.	PART NAME	QTY.	TRANSMISSION SERIAL NO.	REMARKS
				7 7 7 6 7 8 1 1 1 0 0 0	
1	RE205824	RING GEAR AND PINION	1		X X X (MARKED R130787 AND R130789) (SUB FOR RE66072) (SUB RE199238)
	RE199238	BEVEL GEAR	1		X X X (MARKED R199237 AND R199236)
2	JD8280	BEARING CUP	1		X X X
3	R35365	SHIM	3		X X X
4	R35366	SHIM	3		X X X
5	R35367	SHIM	4		X X X
6	JD10150	BEARING CUP	1		X X X
7	JD10377	BEARING CONE	1		X X X
8	R94235	GEAR	1		X X X
9	RE54776	SYNCHRONIZER	1		X X X (C)
10	R113616	RING	1		X X X
11	R113617	PIN	1		X X X
12	R110485	POPPET	3		X X X
13	R110487	COMPRESSION SPRING	3		X X X
14	R110484	HUB	1		X X X
15	R110494	SHIFT COLLAR	1		X X X
16	R113616	RING	1		X X X
17	R94236	GEAR	1		X X X (SUB R158542)
	R158542	GEAR	1		X X X
18	R153139	SLEEVE	1		X X X (SUB FOR R94760)
19	R95407	SPACER	1		X X X (SUB R202389)
20	R93255	HELICAL GEAR	1		X X X
21	R122521	GEAR	1		X X X (E)
22	R119982	GEAR	1		X X X (D)
23	R95248	SPACER	1		X X X (SUB R202394)
24	R115998	SHIM	3		X X X
25	R115999	SHIM	4		X X X
26	R116000	SHIM	6		X X X
27	R154778	BEARING CUP	1		X X X
28	R51200	LOCK NUT	1		X X X
29	R106797	SLEEVE	1	-079403	X X X
30	RE39262	SEAL	1		X X X (B)
	RE39342	SEAL	1		X X X (A)

(A) W/ CREEPER
W/ VITESSE TRES
W/ KRIECHGANG
W/ CREEPER
W/ REDUCCION
W/ KRYPVAEXEL

(B) W/O CREEPER
W/O VITESSE TRES
W/O KRIECHGANG
W/O CREEPER
W/O REDUCCION
W/O KRYPVAEXEL

(C) A/B RANGE
A/B GAMMA
GRUPPE A/B
GAMMA A/B
GAMA A/B
A/B GRUPPE

(D) C RANGE
C GAMMA
GRUPPE C
GAMMA C
GAMA C
C GRUPPE

(E) D RANGE
D GAMMA
GRUPPE D
GAMMA D
GAMA D
D GRUPPE

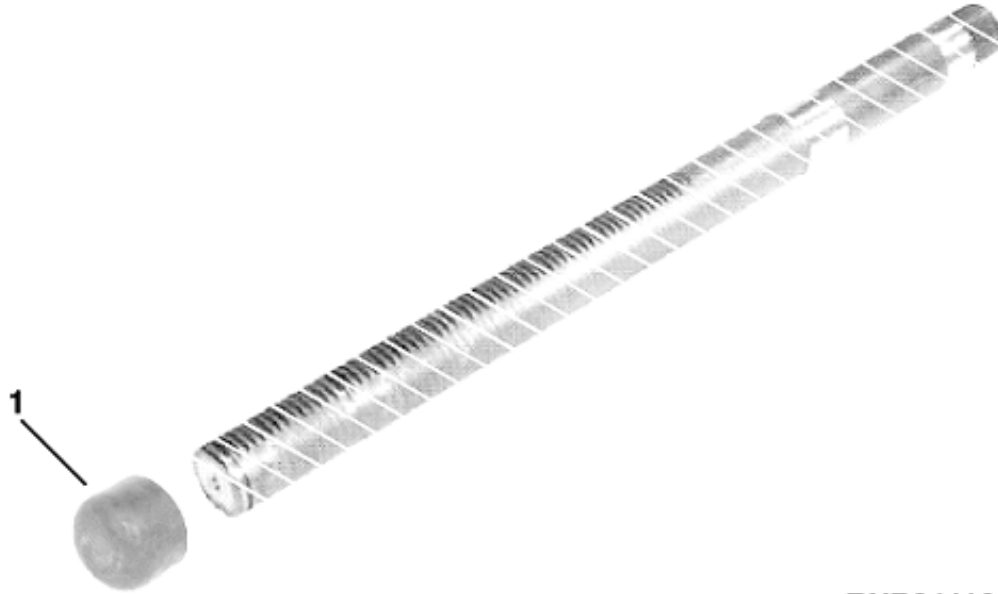
MEMORANDA
MEMORANDA
MEMORANDA
MEMORANDA
MEMORANDA
MEMORANDA

53-17

DIFFERENTIAL AND PTO

AXLE BOOT (NOT SOLD IN U.S. OR CANADA)
MANCHON D'ESSIEU
ACHSEN-STAUWKAPPE
GUAINA DELL'ASSALE
FUNDA DEL EJE
AXELBAELG

RXP011132 -UN-01JAN94



RXP011132

KEY	PART NO.	PART NAME	QTY.	DIFF. CASE SERIAL NO.	REMARKS
1	R115921	BOOT	1	7 7 7 6 7 8 0 0 0 0 0 0	X X X

53-31

DIFFERENTIAL AND PTO

KEY	PART NO.	PART NAME	QTY.	DIFF. CASE SERIAL NO.	REMARKS
				7 7 7	
				6 7 8	
				1 1 1	
				0 0 0	
1	R95160	COUNTERSHAFT	1		X X X (A) (SUB R228745) (2 SPEED)
	R105711	COUNTERSHAFT	1		X X X (B) (SUB R228744) (2 SPEED)
	R129761	COUNTERSHAFT	1		X X X (B) (SUB R228746) (3 SPEED)
2	JD7222	BEARING CONE	1		X X X
3	JD7228	BEARING CONE	1		X X X
4	R95142	BEARING HOUSING W/O BEARING	1		X X X
5	JD7278	BEARING CUP	1		X X X
6	RE47322	KIT	3		X X X
7	R87789	SELF-LOCKING SCREW	4		X X X
8	R226569	HELICAL GEAR	1		X X X (SUB FOR R95143)
9	R49434	SNAP RING	1		X X X
10	JD7266	TAPERED ROLLER BEARING	1		X X X
11	R130015	GEAR	1		X X X (B) (3 SPEED)

(A) NORTH AMERICAN VERSION
 VERSION NORD AMERICAINE
 NORDAMERIKANISCHE AUSFUEHRUNG
 VERSIONE NORDAMERICANA
 VERSION NORTEAMERICANA
 NORDAMERIKANSK VERSION

(B) EUROPEAN VERSION
 VERSION EUROPEENNE
 EUROPAEISCHE AUSFUEHRUNG
 VERSIONE EUROPEA
 VERSION EUROPEA
 EUROPEISK VERSION

54-5

MFWD

KEY	PART NO.	PART NAME	QTY.	AXLE SERIAL NO.	REMARKS
				7 7 7	
				6 7 8	
				1 1 1	
				0 0 0	
1	R83120	BEARING HOUSING W/O BEARING	2		X X
2	JD8147	BEARING CONE	1		X X
3	JD7425	BEARING CUP	1		X X
4	19M7695	SCREW	2		X X M10 X 20
5	R97549	LOCK PLATE	2		X X
6	19M7403	CAP SCREW	12		X X M12 X 35
7	R102839	BOLT	8		X X
8	R32214	WASHER	20		X X
9	RE61239	HOUSING	1		X X (MARKED R114123 AND R83148)
10	R83559	SHIM	AR		X X
11	R83560	SHIM	AR		X X
12	RE43059	DISK	6		X X
	RE58267	DISK	10		X X (A)
13	R82908	PLATE	8		X X
	R82908	PLATE	12		X X (A)
14	RE43058	DISK	2		X X
15	R83035	BEVEL GEAR	2		X X
16	R83121	THRUST WASHER	4		X X
17	R83036	PINION	4		X X
18	R83119	SHAFT	2		X X
19	JD7292	BEARING CUP	1		X X
20	JD7386	BEARING CONE	1		X X

(A) HEAVY DUTY
 POUR SERVICE SEVERE
 SCHWERE AUSFUEHRUNG
 PER SERVIZIO PESANTE
 SERVICIO SEVERO
 EXTRA KRAFTIG

CLICK HERE TO **DOWNLOAD** THE COMPLETE MANUAL

- Thank you very much for reading the preview of the manual.
- You can download the complete manual from: www.heydownloads.com by clicking the link below



- Please note: If there is no response to CLICKING the link, please download this PDF first and then click on it.

CLICK HERE TO **DOWNLOAD** THE COMPLETE MANUAL

54-21

MFWD

KEY	PART NO.	PART NAME	QTY.	AXLE SERIAL NO.	7 7 7 6 7 8 1 1 1 0 0 0	REMARKS
1	14M7425	NUT	1		X X X	M27
2	R82984	LOCK PLATE	1		X X X	
3	R105412	SPACER	1		X X X	
4	U12037	O-RING	1		X X X	
5	RE32442	SEAL	1		X X X	
6	JD9043	BEARING CONE	1		X X X	
7	JD9109	BEARING CUP	1		X X X	
8	R83474	RING	1		X X X	
9	19M7744	CAP SCREW	7		X X X	M12 X 35
10	R97543	BEARING HOUSING W/O BEARING	1		X X X	
11	AR35992	O-RING	1		X X X	
12	R83059	SHIM	3		X X X	
	R83060	SHIM	4		X X X	
	R83061	SHIM	2		X X X	
13	JD10354	BEARING CUP	1		X X X	
14	JD10353	BEARING CONE	1		X X X	

54-37

MFWD

KEY	PART NO.	PART NAME	QTY.	AXLE			REMARKS
				SERIAL NO.	7 7 7	6 7 8	
					1 1 1		
					0 0 0		
1	14M7425	NUT	1		X X X	M27	
2	R82984	LOCK PLATE	1		X X X		
3	R105412	SPACER	1		X X X		
4	U12037	O-RING	1		X X X		
5	R100461	UNIVERSAL JOINT YOKE	1		X X X		
6	RE32442	SEAL	1		X X X		
7	JD9043	BEARING CONE	1		X X X		
8	JD9109	BEARING CUP	1		X X X		
9	R83474	RING	1		X X X		
10	JD10354	BEARING CUP	1		X X X		
11	JD10353	BEARING CONE	1		X X X		
12	R134487	SHIM	AR		X X X	(SUB R222251)	
	R134488	SHIM	AR		X X X	(SUB R222252)	
	R134489	SHIM	AR		X X X	(SUB R222253)	

54-51

MFWD

MEMORANDA
MEMORANDA
MEMORANDA
MEMORANDA
MEMORANDA
MEMORANDA

55-9

TRIPLE LINK SUSPENSION

KEY	PART NO.	PART NAME	QTY.	AXLE SERIAL NO.	7 7 7	REMARKS
					6 7 8	
					1 1 1	
					0 0 0	
1	19M7489	CAP SCREW	8		X X X	M16 X 45
2	JD7759	LUBRICATION FITTING	2		X X X	
3	RE71096	KINGPIN	1		X X X	(MARKED R136036)
4	AR94761	BEARING CONE	1		X X X	
5	R155627	KNUCKLE	1		X X X	RH
	R155628	KNUCKLE	1		X X X	LH
6	RE154869	SEAL	1		X X X	(SUB FOR RE46365)
7	R131673	SHIM	AR		X X X	
	R131675	SHIM	AR		X X X	
	R131676	SHIM	AR		X X X	
	R131985	SHIM	AR		X X X	
8	AR94761	BEARING CONE	AR		X X X	
9	RE67161	KINGPIN	1		X X X	(MARKED R131810)
10	14M7277	NUT	1		X X X	M20
11	R133288	BOLT	1		X X X	
12	40M7166	SNAP RING	1		X X X	
13	JD9346	BALL BEARING	1		X X X	
14	40M1873	SNAP RING	1	-XXXXXX	X X X	
	40M7302	SNAP RING	1	XXXXXX-	X X X	(USE WITH RE206427, R206430, RE250836 OR R250839)
15	RE65591	SEAL	1		X X X	
16	RE65592	SEAL	1		X X X	
17	RE157738	UNIVERSAL JOINT	1	-XXXXXX	X X X	(SUB FOR RE65593) (SUB RE206424) (ALSO ORDER R206614 AND 40M7302)
	RE206424	UNIVERSAL JOINT	1	XXXXXX-	X X X	(SUB RE250834, R250848 AND 40M7302)
	RE157739	UNIVERSAL JOINT	1	-XXXXXX	X X X	(HI-CROP) (SUB RE206425) (ALSO ORDER R206614 AND 40M7302)
	RE206425	UNIVERSAL JOINT	1	XXXXXX-	X X X	(HI-CROP) (SUB RE250838, R250848 AND 40M7302)
18	RE65620	UNIVERSAL JOINT	2		X X X	
	RE65621	UNIVERSAL JOINT	2		X X X	(HI-CROP)
19	58M5578	LUBRICATION FITTING	4		X X X	
20	15M7033	PIPE PLUG	4		X X X	
21	30M7020	PLUG	1		X X X	
22	RE157896	YOKE	1	-XXXXXX	X X X	(SUB RE206427, R206614 AND 40M7302) (SUB FOR RE153304) (OUTBOARD)
	RE206427	UNIVERSAL JOINT YOKE	1	XXXXXX-	X X X	(SUB RE250836, R250848 AND 40M7302) (OUTBOARD)
	R157897	YOKE	1	-XXXXXX	X X X	(SUB FOR R153306) (SUB R206430, R206614 AND 40M7302) (OUTBOARD) (HI-CROP)
	R206430	UNIVERSAL JOINT YOKE	1	XXXXXX-	X X X	(SUB R250839, R250848 AND 40M7302) (OUTBOARD) (HI-CROP)
23	R153305	UNIVERSAL JOINT WITH SHAFT	1		X X X	INBOARD
24	R157679	OIL SLINGER	1		X X X	
25	R206614	WASHER	1	XXXXXX-	X X X	(USE WITH RE206427 OR R206430) (SUB R250848, THIS APPLICATION)
	R250848	SPACER	1		X X X	(USE WITH RE250836 OR R250839)

55-23

TRIPLE LINK SUSPENSION

KEY	PART NO.	PART NAME	QTY.	TRACTOR		REMARKS
				SERIAL NO.		
					7 7 7	
					6 7 8	
					1 1 1	
					0 0 0	
1	RE159950	GUARD	1		X X X	(SUB FOR RE154520)
2	R111455	SELF-LOCKING SCREW	3	-XXXXXX	X X X	
	R188901	SELF-LOCKING SCREW	3	XXXXXX-	X X X	
3	R153049	POWERSHAFT SHIELD	1		X X X	

55-31

TRIPLE LINK SUSPENSION

KEY	PART NO.	PART NAME	QTY.	TRACTOR SERIAL NO.			REMARKS
				7 7 7	6 7 8	1 1 1	
1	AL116957	VALVE STACK	1	X	X	X	
2	AL113353	SOLENOID VALVE	2	X	X	X	(SUB AL118477)
	AL118477	SEAL KIT	2	X	X	X	
	AL115367	SEAL KIT	2	X	X	X	
3	AL115377	HYD ACTUATED CONTROL VALVE	2	X	X	X	
	AL115378	SEAL KIT	2	X	X	X	
4	AL115373	PRESSURE RELIEF VALVE	1	X	X	X	
	AL115374	SEAL KIT	1	X	X	X	
5	AL116965	VALVE	1	X	X	X	
	AL115372	SEAL KIT	1	X	X	X	
6	AL118138	DRAIN VALVE	2	X	X	X	
7	AL116964	VALVE	1	X	X	X	
8	RE50782	SOLENOID VALVE COIL	2	X	X	X	
9	R109691	NUT	2	X	X	X	
10	RE150129	BRACKET	1	X	X	X	
11	19M7785	SCREW	3	X	X	X	M10 X 25 HS 10.9
12	19M7789	SCREW	3	X	X	X	M12 X 30 HS 10.9
13	38H5002	ADAPTER FITTING	1	X	X	X	
14	51M7041	O-RING	1	X	X	X	11.300 X 2.200 MM
15	38H5024	ELBOW FITTING	1	X	X	X	
16	51M7043	O-RING	1	X	X	X	15.300 X 2.200 MM
17	T77932	O-RING	1	X	X	X	
18	T77814	O-RING	1	X	X	X	

56-5

INFINITELY VARIABLE TRANSMISSION/AUTOPOWER

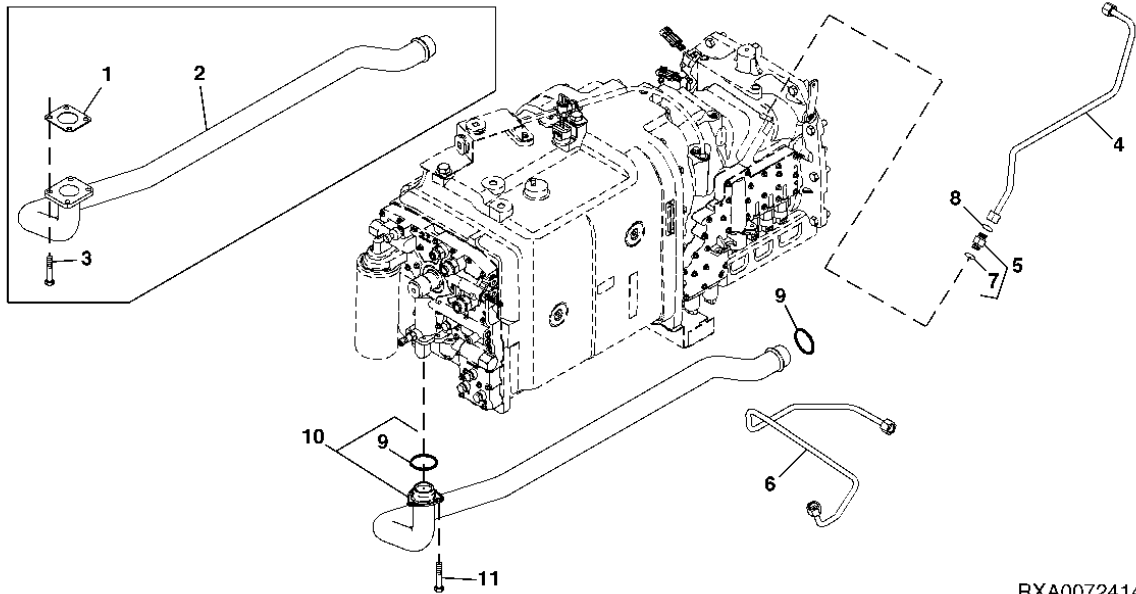
KEY	PART NO.	PART NAME	QTY.	TRANSMISSION			REMARKS
				SERIAL NO.	7 7 7	6 7 8	
1	R163534	PIN	2		X X		
2	T41328	SNAP RING	2		X X		
3	RE191181	BALL BEARING	1		X X		
4	SNAP RING	1		X X		
5	R168781	COVER	1		X X		
6	R176151	BEVEL GEAR	1		X X		
7	24H1513	WASHER	2		X X	1-13/32" X 2" X 0.060"	
8	R163535	PIN	2		X X	L.H.	
9	R26773	O-RING	4		X X		
10	44M7070	DOWEL PIN	2		X X		
11	R163891	ELBOW FITTING	1		X X		
12	T27432	SNAP RING	1		X X		
13	R189054	SHAFT	1		X X		
14	R69185	CAP	1		X X		
15	RE12179	GROUND SPEED SENSOR	1		X X		
16	19M7774	SCREW	9		X X	M6 X 12, HS 10.9	
17	R375R	O-RING	1		X X		
18	R162024	SHAFT	1		X X		
19	R38295	NEEDLE ROLLER	3		X X		
20	R194714	HOSE	1		X X		
21	AT107509	PLUG	1		X X		
22	R79029	SEAT	1		X X	(USE WITH RE175013)	
23	400R	BALL	1		X X	(USE WITH RE175013)	
24	R176036	COMPRESSION SPRING	1		X X	(USE WITH RE175013)	
25	RE203723	HOUSING	1		X X	(SUB FOR RE175013) (ALSO ORDER R203721)	
26	19M7394	CAP SCREW	1		X X	M16 X 25, HS 10.9	
27	R176150	BRACKET	1		X X		
28	R169397	CLAMP	1		X X		
29	R173280	PACKING	3		X X		
30	F3171R	O-RING	1		X X		
31	R84262	FITTING PLUG	1		X X		
32	R170846	SUCTION HOSE	1		X X		
33	19M8468	SCREW	1		X X	M16 X 25	
34	RE176238	BRACKET	1		X X		
35	19M7774	SCREW	2		X X	M6 X 12, HS 10.9	
..	TY16021	SEALANT	AR		X X	(SUB FOR UN7189)	

56-19

INFINITELY VARIABLE TRANSMISSION/AUTOPOWER

HYDRAULIC LINES
 CONDUITES HYDRAULIQUES
 HYDRAULIKLEITUNGEN
 TUBAZIONI IDRAULICHE
 LINEAS HIDRAULICAS
 HYDRAULLEDNINGAR

RXA0072414 -UN-04DEC03



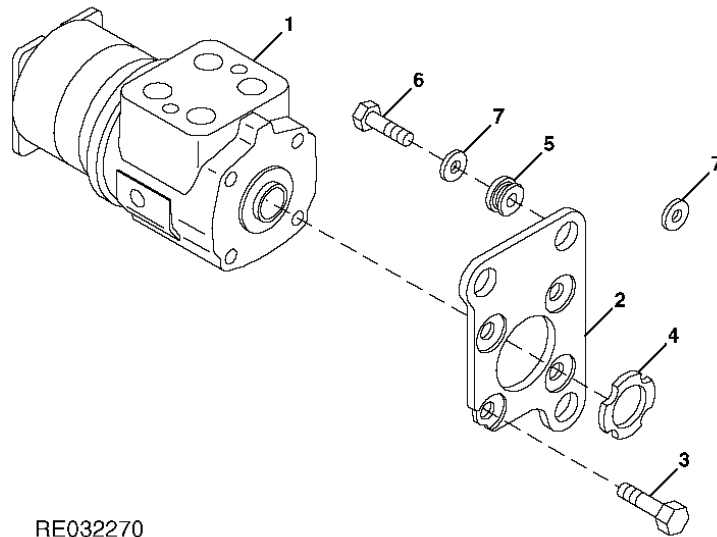
RXA0072414

KEY	PART NO.	PART NAME	QTY.	TRACTOR SERIAL NO.	7 7 7 6 7 8 1 1 1 0 0 0	REMARKS
1	R163099	GASKET	1	-078466	X X	
2	RE162493	LINE	1	-078466	X X	
3	19M7932	CAP SCREW	4		X X	M8 X 16
4	RE186901	OIL LINE	1		X X	
5	38H5003	ADAPTER FITTING	1		X X	
6	RE186008	OIL LINE	1		X X	
7	51M7043	O-RING	1		X X	15.300 X 2.200 MM
8	T77857	O-RING	1		X X	12.421 X 1.778 MM
9	A4540R	O-RING	1	-078466	X X	
	A4540R	O-RING	2	078467-	X X	
10	RE190380	OIL LINE	1	078467-	X X	
11	R112296	SCREW	3		X X	M8 X 25

60-7

STEERING AND BRAKES

STEERING VALVE (TSN 052954-)
 SOUPAPE DE DIRECTION (TSN 052954-)
 LENKVENTIL (TSN 052954-)
 VALVOLA DELLO STERZO (TSN 052954-)
 VALVULA DE LA DIRECCION (TSN 052954-)
 STYRVENTIL (TSN 052954-)
 RE032270 -UN-16NOV00



RE032270

KEY	PART NO.	PART NAME	QTY.	TRACTOR SERIAL NO.	REMARKS
				7 7 7	
				6 7 8	
				1 1 1	
				0 0 0	
1	RE186397	HYD ACTUATED CONTROL VALVE	1		X X X (W/O MFWD) (SUB FOR RE175619)
	RE186399	CONTROL VALVE	1		X X X (SUB FOR RE175622) (W/ MFWD) (600 MM)
	RE186401	CONTROL VALVE	1		X X X (W/ MFWD)
2	R108206	PLATE	1		X X X
3	19M7938	CAP SCREW	4		X X X M10 X 20, HS 10.9
4	R111729	ISOLATOR	2		X X X
5	AT116162	ISOLATOR	3		X X X
6	19M7183	CAP SCREW	3		X X X M10 X 40
7	24M7178	WASHER	6		X X X 10.500 X 30 X 2.500 MM
..	AL112819	SEAL KIT	1		X X X (USE WITH RE175619, RE175622, RE186397 OR RE186399)

(A) FOR TIRE SIZE
 POUE PNEUMATIQUES
 FUER BEREIFUNG
 PER PNEUMATICI
 PARA NEUMATICOS
 FOR DACKSDIMENSION

60-19B

STEERING AND BRAKES

KEY	PART NO.	PART NAME	QTY.	AXLE		REMARKS
				SERIAL NO.		
					7 7 7	
					6 7 8	
					1 1 1	
					0 0 0	
1	AH157509	HYDRAULIC CYLINDER KIT	1			X X X
2	AH157508	HYDRAULIC CYLINDER ROD	1			X X X
3	R83469	O-RING	2			X X X
4	R132002	SHIM	AR	-808747		X X X L.H.
	R132003	SHIM	AR	-808747		X X X L.H.
	R132004	SHIM	AR	-808747		X X X L.H.
	R132005	SHIM	AR	-808747		X X X L.H.
	R132804	SHIM	AR	-808747		X X X L.H.
	R132805	SHIM	AR	-808747		X X X L.H.
	R132002	SHIM	AR	808748-		X X X R.H.
	R132003	SHIM	AR	808748-		X X X R.H.
	R132004	SHIM	AR	808748-		X X X R.H.
	R132005	SHIM	AR	808748-		X X X R.H.
	R132804	SHIM	AR	808748-		X X X R.H.
	R132805	SHIM	AR	808748-		X X X R.H.
5	A5598R	O-RING	2	-808747		X X X
	A5598R	O-RING	1	808748-		X X X R.H.
6	H164151	HYDRAULIC CYLINDER BARREL	1			X X X
7	H155655	SEAL	2			X X X
8	H157947	WEAR RING	2			X X X
9	H156587	SEAL	2			X X X
10	19M8485	CAP SCREW	6	-808747		X X X M16 X 90, HS 10.9
	19M8485	CAP SCREW	3	808748-		X X X M16 X 90, HS 10.9, R.H.
11	R150949	CAP	2	-808747		X X X
	R150949	CAP	1	808748-820561		X X X R.H.
	R177495	CAP	1	820562-		X X X
12	A5598R	O-RING	2			X X X
13	R79122	BACK-UP RING	2			X X X
14	R81195	BACK-UP RING	2			X X X
15	H164150	HYDR. CYLINDER ROD GUIDE	2			X X X
16	AH148539	SEAL	1			X X X

60-29B

STEERING AND BRAKES

KEY	PART NO.	PART NAME	QTY.	TRACTOR	7 7 7	REMARKS
				SERIAL NO.	6 7 8	
					1 1 1	
					0 0 0	
1	RE175645	VALVE	1		X X X	(SUB RE179701)
	RE179701	VALVE	1		X X X	
2	R26552	BALL	3		X X X	
3	R52876	SNAP RING	2		X X X	
4	T42571	BACK-UP RING	1		X X X	
5	R108037	DRAIN PLUG	1		X X X	
6	N191770	ORIFICE	1		X X X	
7	R108038	DRAIN PLUG	1		X X X	
8	R108038	DRAIN PLUG	1		X X X	
9	19M8493	SCREW	1		X X X	
10	R108045	VALVE SEAT INSERT	1		X X X	
11	R108052	PLUNGER	2		X X X	
12	38H5002	ADAPTER FITTING	2		X X X	
13	51M7041	O-RING	2		X X X	11.300 X 2.200 MM
14	38H5002	ADAPTER FITTING	1		X X X	
15	51M7041	O-RING	1		X X X	11.300 X 2.200 MM
16	25M7038	GROOVE PIN	2		X X X	5 X 16 MM
17	R60755	NEEDLE ROLLER	2		X X X	
18	R108062	PLUG	2		X X X	
19	38H5003	ADAPTER FITTING	1		X X X	
20	51M7043	O-RING	1		X X X	15.300 X 2.200 MM
21	R132840	PLUG	1		X X X	
22	R132841	VALVE SEAT INSERT	1		X X X	
23	R108051	PISTON	1		X X X	
24	R30903	O-RING	1		X X X	
25	R30903	O-RING	1		X X X	
26	R26287	O-RING	1		X X X	
27	R26448	O-RING	1		X X X	
28	U17409	O-RING	2		X X X	
29	19M8551	SCREW	2		X X X	M10 X 25, HS 10.9
30	19M7167	CAP SCREW	2		X X X	M10 X 25
31	T13119	O-RING	2		X X X	
32	R28776	O-RING	1		X X X	
33	RE46598	KIT	1		X X X	
34	T77932	O-RING	1		X X X	
35	R118205	PACKING	2		X X X	
36	RE175240	KIT	2		X X X	
37	B2762R	O-RING	1		X X X	47/64" X 0.139"
38	R108066	O-RING	1		X X X	
39	R132845	SEAL	2		X X X	
40	R113061	BALL	1		X X X	
41	R113057	PACKING	1		X X X	
42	R132843	SPRING	1		X X X	

60-43

STEERING AND BRAKES

KEY	PART NO.	PART NAME	QTY.	TRACTOR SERIAL NO.	REMARKS
				7 7 7	
				6 7 8	
				1 1 1	
				0 0 0	
1	38H5023	ELBOW FITTING	1		X X X
2	51M7041	O-RING	1		X X X 11.300 X 2.200 MM
3	RE43774	DIAGNOSTIC COUPLING	1		X X X
4	T77857	O-RING	1		X X X
5	R77175	COVER	2		X X X
6	RE207346	HYDRAULIC HOSE	1		X X X (SUB FOR RE50415)
7	T77857	O-RING	1		X X X
8	T77857	O-RING	1		X X X
9	RE49780	STRAP	1		X X X
10	24H1822	WASHER	1		X X X
11	E53830	CLAMP	1		X X X
12	19M7162	CAP SCREW	1		X X X M8 X 16
13	RE207144	HYDRAULIC HOSE	1		X X X (SUB FOR RE34467)
14	T77613	O-RING	1		X X X
15	T77613	O-RING	1		X X X
16	RE39336	HYDRAULIC HOSE	2	-XXXXXX	X X X (A) (SUB RE207347)
	RE39336	HYDRAULIC HOSE	2	-XXXXXX	X X X (B) (SUB FOR RE51086) (SUB RE207347)
17	38H5060	UNION FITTING	2		X X X
18	T77613	O-RING	4		X X X
19	RE46500	OIL LINE	1		X X X
20	T77613	O-RING	1		X X X
21	RE70017	OIL LINE	1		X X X (SUB FOR RE46501)
22	T77613	O-RING	1		X X X
23	RE52476	HYDRAULIC HOSE	1	-XXXXXX	X X X (A) (C) (E)
	RE51189	HYDRAULIC HOSE	1	XXXXXX-XXXXXX	X X X (A) (C) (F) (G)
	RE154279	HYDRAULIC HOSE	1	XXXXXX-052953	X X X (A) (C) (H)
	RE51189	HYDRAULIC HOSE	1	-052953	X X X (B)
24	T77857	O-RING	1	-052953	X X X
25	TY22465	HOSE CLAMP	1	-052953	X X X
26	38H5002	ADAPTER FITTING	2		X X X
27	51M7041	O-RING	2		X X X 11.300 X 2.200 MM
28	RE52578	CHECK VALVE	1		X X X
29	T77613	O-RING	1	052954-	X X X (D)
30	38H5065	TEE FITTING	1	052954-	X X X (D)
31	RE160445	HYDRAULIC HOSE	1	-052953	X X X (D)
	RE179337	HYDRAULIC HOSE	1	052954-	X X X (D) (SUB RE207354)
32	57M7041	ELEC. CONNECTOR TERMINAL	1	052954-	X X X (D)

(A) W/CAB
W/CABINE
W/FAHRERKABINE
W/CABINA
W/CABINA
W/HYTT

(B) W/O CAB
W/O CABINE
W/O FAHRERKABINE
W/O CABINA
W/O CABINA
W/O HYTT

(C) RETURN
RETOUR
RUECKLAUF
RETORNO
RITORNO
RETUR

(D) TRIPLE LINK SUSPENSION
SUSPENSION A TRIPLE BIELLE
TLS
SOSPENSIONE TRIPLE LINK
SUSPENSION DE TRES BRAZOS
TRIPPEL LAENK SYSTEM

(E) (-XXXXXX) 7610-002042; 7710-003207; 7810-005764
(F) (XXXXXX-) 7610-002043; 7710-003208; 7810-005765
(G) (-XXXXXX) 7610-002108; 7710-003349; 7810-006102
(H) (XXXXXX-) 7610-002109; 7710-003350; 7810-006103

60-57

STEERING AND BRAKES

KEY	PART NO.	PART NAME	QTY.	TRACTOR			REMARKS
				SERIAL NO.	7 7 7	6 7 8	
					1 1 1		
					0 0 0		
1	L113583	LABEL	1			X X X	(SUB FOR L65043)
2	14M7275	NUT	2			X X X	M12
3	28H2531	BUSHING	2			X X X	0.546" X 0.840" X 7/8"
4	24M7240	WASHER	2			X X X	13 X 25 X 3 MM
5	19M7361	CAP SCREW	2			X X X	M12 X 50, HS 10.9
6	R150664	TUBE	1			X X X	
7	R44302	TIE BAND	1			X X X	
8	AL111719	ABSORBER	1			X X X	
9	AL112538	REGULATOR	1		-XXXXXX	X X X	
	RE159802	CONTROL VALVE	1	XXXXXX-		X X X	
10	RE54604	ELECTRICAL CONNECTOR ASSY	1			X X X	
11	RE54582	ELECTRICAL CONNECTOR ASSY	1			X X X	
12	RE54581	ELBOW FITTING	1			X X X	
13	RE54579	ELBOW FITTING	1			X X X	
14	RE54580	REDUCER	1			X X X	
15	RE150839	ELECTRICAL CONNECTOR ASSY	1			X X X	
16	RE54602	ELECTRICAL CONNECTOR ASSY	1			X X X	
17	RE150778	BRACKET	1			X X X	
18	24M7051	WASHER	2			X X X	21 X 37 X 3 MM
19	19M7597	CAP SCREW	2			X X X	M20 X 50, HS 10.9
20	RE236296	RESERVOIR	1			X X X	(SUB FOR AL111802)
21	R117315	PLUG	1			X X X	
22	RE54577	TEE FITTING	1			X X X	
23	14M7277	NUT	2			X X X	M20
24	L62893	O-RING	1			X X X	
25	L63816	WASHER	1			X X X	
26	AL68589	DRAIN VALVE	1			X X X	
27	TY22467	CLAMP	1			X X X	
28	R150662	TUBE	1			X X X	
29	RE54583	ELECTRICAL CONNECTOR ASSY	1			X X X	
30	RE54043	LINE	1			X X X	
31	RE159805	PLUG	1			X X X	

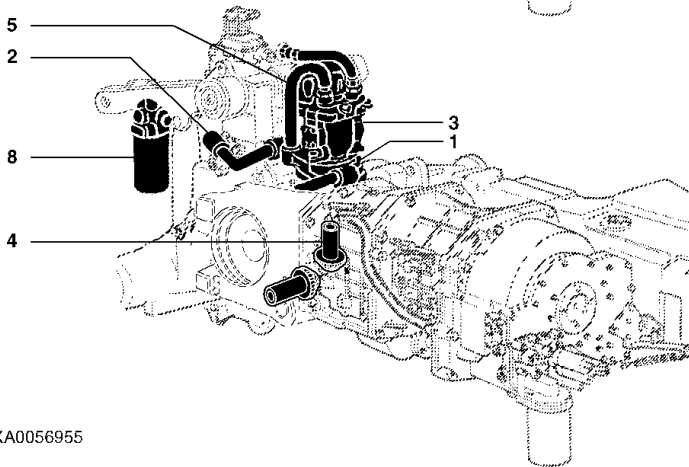
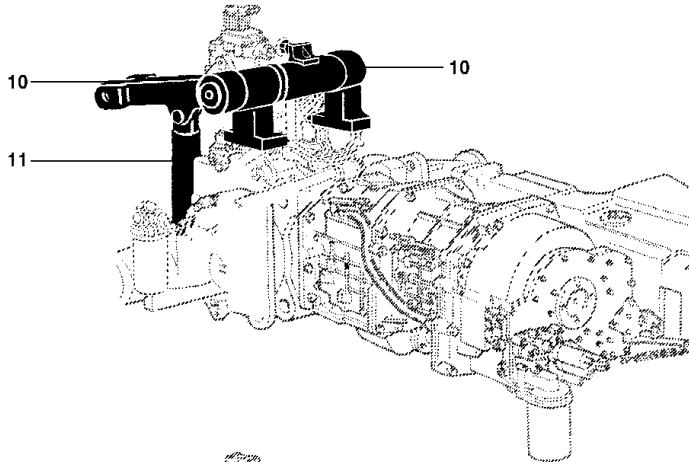
70-A01

HYDRAULICS

SECTIONAL INDEX
 INDEX DE SECTION
 GRUPPENINDEX
 SECTIONAL INDEX
 INDICE DE SECCION
 GRUPPSFORTECKNING

RXA0056955 -UN-

1-	2
2-	4
3-	7
5-	7A
3-	8
3-	10
4-	12
4-	13
5-	14
8-	20
10-	22
10-	25
10-	26
11-	28
11-	30
11-	32



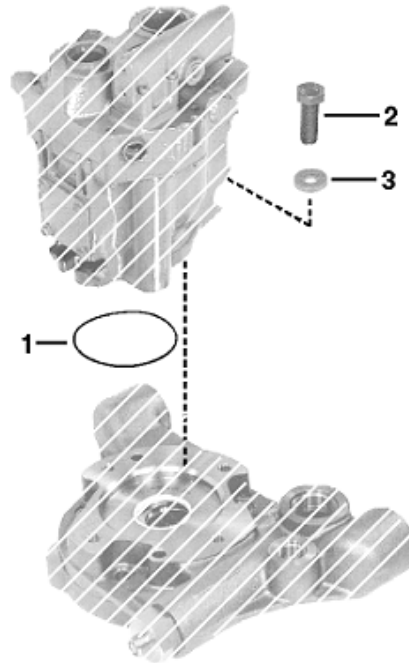
RXA0056955

70-11

HYDRAULICS

HYDRAULIC PUMP MOUNTING PARTS
 PIECES DE MONTAGE DE LA POMPE HYDRAULIQUE
 HYDRAULIKPUMPEN-ANBAUTEILE
 COMPONENTI DI MONTAGGIO DELLA POMPA IDRAULICA
 PIEZAS DE MONTAJE DE LA BOMBA HIDRAULICA
 MONTERINGSDELAR FOER HYDRAULPUMP

RXP020612 -UN-01JAN94



RXP020612

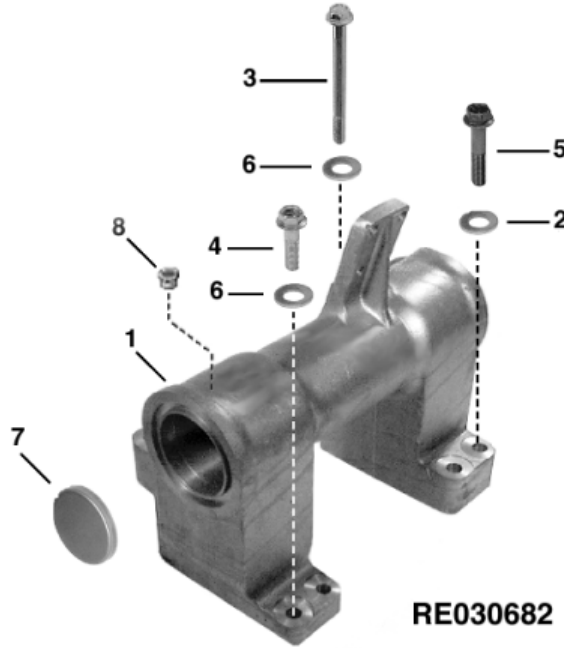
KEY	PART NO.	PART NAME	QTY.	TRACTOR SERIAL NO.	REMARKS
				7 7 7 6 7 8 1 1 1 0 0 0	
1	U42703	O-RING	1	X X X	
2	19M7789	SCREW	2	X X X	M12 X 30, HS 10.9
3	24M7240	WASHER	2	X X X	13 X 25 X 3 MM. (ALSO ORDER 19M7789)

70-25

HYDRAULICS

INLET PRIORITY VALVE SUPPORT (W/O ROCKSHAFT)
 SUPPORT DE SOUPAPE PRIORITAIRE D'ADMISSION (W/O ARBRE DE RELEVAGE)
 EINLASS-VORRANGVENTILSTUETZE (W/O HUBWELLE)
 SOSTEGNO PER VALVOLE CONTROLLO PRIORITA' DI IMMISSIONE (W/O ALBERO OSCILLANTE)
 SOPORTE DE LA VALVULA PRIORITARIA DE ENTRADA (W/O EJE OSCILANTE)
 STOED FOER INGAAENDE PRIORITETSVENTIL (W/O LYFTARMSAXEL)

RE030682 -UN-23JUL99



RE030682

KEY	PART NO.	PART NAME	QTY.	TRACTOR SERIAL NO.	REMARKS
				7 7 7	
				6 7 8	
				1 1 1	
				0 0 0	
1	R117813	SUPPORT	1	X X X	
2	24M7242	WASHER	2	X X X	21.400 X 42 X 5 MM
3	19M8021	CAP SCREW	4	X X X	M16 X 200, HS 10.9
4	19M7417	CAP SCREW	2	X X X	M16 X 65, HS 10.9
5	19M7969	CAP SCREW	2	X X X	M20 X 110, HS 10.9
6	24M7338	WASHER	6	X X X	17 X 30 X 3 MM
7	T12529	PLUG	2	X X X	
8	N158796	PLUG	2	X X X	

70-39B

HYDRAULICS

KEY	PART NO.	PART NAME	QTY.	TRACTOR SERIAL NO.	REMARKS
				7 7 7	
				6 7 8	
				1 1 1	
				0 0 0	
1	RE221428	LINK BODY	1	X	(A) RH, (SUB FOR RE43839)
	RE221424	LINK BODY	1	X	(A) LH, (SUB FOR RE43689)
	RE221428	LINK BODY	1	X X X	(B) (C) RH, (SUB FOR RE43839)
	RE221424	LINK BODY	1	X X X	(B) (C) LH, (SUB FOR RE43689)
2	RE11578	LOCK	2	X X X	
3	R26908	SPRING	2	X X X	
4	RE43609	DRAFT LINK END	2	X	(A) RH
	RE43608	DRAFT LINK END	2	X	(A) LH
	RE55265	DRAFT LINK END	2	X X X	(B) (C) R.H.
	R106409	BALL STUD	2	X X X	(B) (C) (USE WITH RE55265)
	RE55264	DRAFT LINK END	2	X X X	(B) (C) L.H.
	R106409	BALL STUD	2	X X X	(B) (C) (USE WITH RE55264)
5	19M6614	CAP SCREW	2	X X X	M6 X 12
6	34M7199	SPRING PIN	2	X X X	12 X 60 MM
7	R106297	PIN FASTENER	2	X X X	
8	11M7028	COTTER PIN	2	X X X	5 X 32 MM
9	R108112	BUSHING	2	X X X	
10	R65239	PIN FASTENER	2	X X X	
11	AR68071	TIE-DOWN STRAP	1	X X X	
12	R65240	WASHER	2	X X X	
13	A602R	SNAP RING	2	X X X	

(A) CATEGORY II
 CATEGORIE II
 KATEGORIE II
 CATEGORIA II
 CATEGORIA II
 KATEGORI II

(B) CATEGORY III
 CATEGORIE III
 KATEGORIE III
 CATEGORIA III
 CATEGORIA III
 KATEGORI III

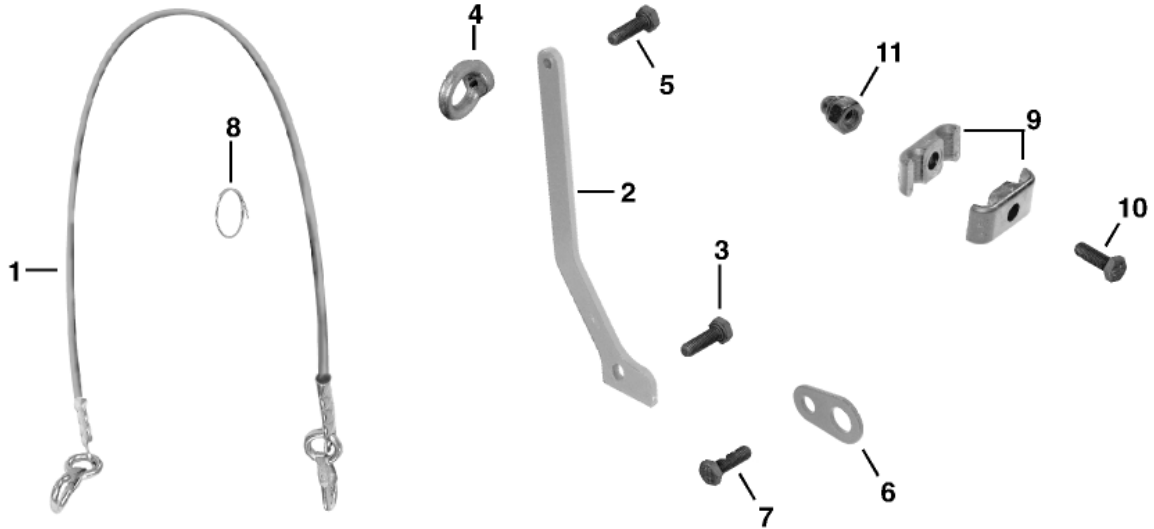
(C) CATEGORY IIIN/II
 CATEGORIE IIIN/II
 KATEGORIE IIIN/II
 CATEGORIA IIIN/II
 CATEGORIA IIIN/II
 KATEGORI IIIN/II

70-55

HYDRAULICS

DRAFT LINK RELEASE CABLE (EUROPEAN VERSION)
CABLE DE RELACHEMENT DE BARRE DE TRACTION (VERSION EUROPEENNE)
UNTERLENKER-AUSRUECKKABEL (EUROPÄISCHE AUSFUEHRUNG)
CAVO DI SGANCIO DEL TIRANTE DI TRAZIONE (VERSIONE EUROPEA)
CABLE SOLTADOR DEL BRAZO DE TIRO (VERSION EUROPEA)
UTLOESNINGSKABEL FOER DRAGARM (EUROPEISK VERSION)

RXP021331 -UN-12SEP95



RXP021331

KEY	PART NO.	PART NAME	QTY.	TRACTOR SERIAL NO.	REMARKS
				7 7 7	
				6 7 8	
				1 1 1	
				0 0 0	
1	AL75785	CABLE	1		X X X
2	R115669	BRACKET	1		X X X
3	19M7788	SCREW	1		X X X M12 X 25, HS 10.9
4	14M7284	NUT	1		X X X M8
5	19M7139	CAP SCREW	1		X X X M8 X 20
6	R72557	RETAINER	2		X X X
7	19M8029	CAP SCREW	2		X X X M16 X 30
8	R80436	RING	4		X X X
9	L39978	CLAMP	2		X X X
10	21M7296	SCREW	1		X X X M6 X 20
11	14M7376	LOCK NUT	1		X X X M6

70-69

HYDRAULICS

MEMORANDA
MEMORANDA
MEMORANDA
MEMORANDA
MEMORANDA
MEMORANDA

70-81

HYDRAULICS

KEY	PART NO.	PART NAME	QTY.	TRACTOR	7 7 7	REMARKS
				SERIAL NO.	6 7 8	
					1 1 1	
					0 0 0	
1	AL80062	CLEVIS	1		X X X	
2	L100300	DRAWBAR	1		X X X	
3	L63825	PIN FASTENER	1		X X X	
4	L63826	LATCH	1		X X X	
5	R52107	PIN FASTENER	1		X X X	
6	24M7055	WASHER	1		X X X	8.400 X 16 X 1.600 MM
7	11M7008	COTTER PIN	1		X X X	2 X 14 MM
8	AL80063	RETAINER	1		X X X	
9	19H1756	CAP SCREW	2		X X X	5/8" X 1-1/2"
10	24M7241	WASHER	2		X X X	17 X 34 X 4 MM
11	19M7884	CAP SCREW	2		X X X	M16 X 110, HS 10.9
12	24M7097	WASHER	2		X X X	17 X 28 X 2.500 MM
13	14M7276	NUT	2		X X X	M16
14	AL80061	DRAWBAR	1		X X X	
15	L100309	PIN FASTENER	2		X X X	
16	Z27858	COTTER PIN	2		X X X	
17	A52556	SPACER	2		X X X	
18	14M7328	LOCK NUT	2		X X X	M16

70-97

HYDRAULICS

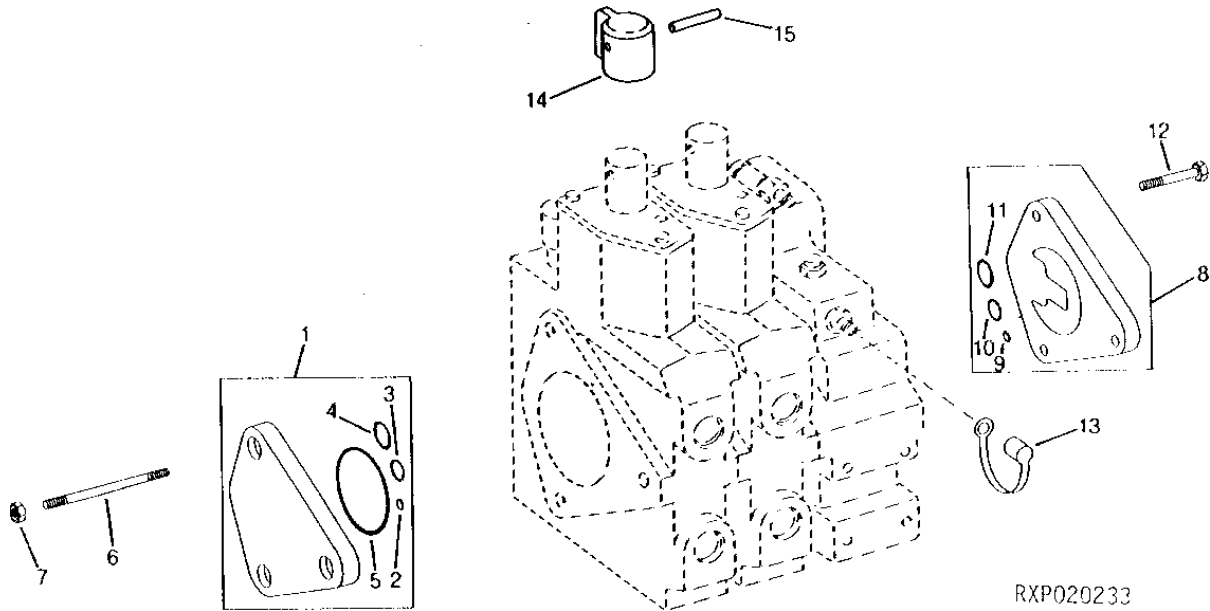
KEY	PART NO.	PART NAME	QTY.	TRACTOR SERIAL NO.	7 7 7	REMARKS
					6 7 8	
					1 1 1	
					0 0 0	
1	RE179029	VALVE	1	-052953	X X X	
	RE179028	VALVE	1	052954-	X X X	
2	R111298	SPRING	1		X X X	
3	R95493	DISK	1		X X X	
4	RE39397	PRESSURE RELIEF VALVE	1		X X X	
5	RE180293	VALVE SPOOL	1	-052953	X X X	
	RE207825	VALVE SPOOL	1	052954-	X X X	
6	51M7041	O-RING	3		X X X	11.300 X 2.200 MM
7	RE46684	PLUG	1		X X X	
8	51M7041	O-RING	1		X X X	11.300 X 2.200 MM
9	R95494	O-RING	1		X X X	
10	38H5003	ADAPTER FITTING	1		X X X	
11	51M7043	O-RING	1		X X X	15.300 X 2.200 MM
12	RE12187	RECEPTACLE	3		X X X	(SUB RE190805)
	RE190805	DIAGNOSTIC COUPLING	3		X X X	
13	R111292	DISK	1		X X X	
14	R79060	O-RING	1		X X X	
15	RE154027	ADAPTER FITTING	1		X X X	
16	51M7041	O-RING	1		X X X	11.300 X 2.200 MM
17	38H5023	ELBOW FITTING	1		X X X	
18	51M7041	O-RING	1		X X X	11.300 X 2.200 MM
19	R77175	COVER	3		X X X	
20	R58832	FILTER	1		X X X	
21	RE49624	PLUG	1		X X X	
22	R26375	O-RING	1		X X X	
23	R132899	WASHER	1		X X X	
24	RE62446	KIT	1		X X X	
25	19M7387	CAP SCREW	2		X X X	M12 X 40
26	19M7744	CAP SCREW	2		X X X	M12 X 35
27	38H5005	ADAPTER FITTING	1		X X X	
28	51M7047	O-RING	1		X X X	23.600 X 2.900 MM
29	R111297	COMPRESSION SPRING	1		X X X	
30	R111296	POPPET	1		X X X	
31	38H5107	ELBOW FITTING	1		X X X	
32	T77857	O-RING	1		X X X	
33	RE207826	KIT	1		X X X	

71-3

SELECTIVE CONTROL VALVE

END COVERS (DUAL SELECTIVE CONTROL VALVE) (W/O HITCH)
 EMBOUTS (DISTRIBUTEUR SELECTIF DOUBLE) (W/O ATTELAGE)
 ENDABDECKUNGEN (DOPPEL-ZUSATZSTEUERGERAET) (W/O ANHAENGEVORRICHTUNG)
 COPERCHI TERMINALI (VALVOLA DI CONTROLLO SELETTIVO DOPPIA) (W/O ATTACCO)
 TAPAS TERMINALES (VALVULA DE CONTROL SELETTIVO DOBLE) (W/O ENGANCHE)
 AENDSKYDD (DUBBEL SELEKTIV MANOEVERVENTIL) (W/O DRAG)

RXP020233 -UN-01JAN94



KEY	PART NO.	PART NAME	QTY.	TRACTOR SERIAL NO.	REMARKS
				7 7 7	
				6 7 8	
				1 1 1	
				0 0 0	
1	AL77028	COVER	1		X X X
2	O-RING	1		X X X (ORDER RE50341)
3	T77932	O-RING	1		X X X
4	O-RING	1		X X X (ORDER RE50341)
5	R95494	O-RING	1		X X X
6	R95616	STUD	3		X X X 141 MM (5.55") (2ND SCV)
	R95614	STUD	3		X X X 193 MM (7.60") (3RD SCV)
	R95615	STUD	3		X X X 245 MM (9.65") (4TH SCV)
	R111216	STUD	3		X X X 297 MM (11.70") (5TH SCV)
	R129153	STUD	3		X X X (5TH SCV AND ROW-TRAK)
	R111216	STUD	1		X X X (B) (3RD SCV)
7	14M7491	NUT	3		X X X M10
8	AL77680	COVER	1		X X X
9	O-RING	1		X X X (ORDER RE50341)
10	R135333	O-RING	1		X X X (SUB FOR H63283)
11	O-RING	1		X X X (ORDER RE50341)
12	19M8775	CAP SCREW	3		X X X M10 X 25, HS 10.9
13	R77175	COVER	2		X X X
14	R95491	KNOB	AR		X X X (A)
15	25H723	GROOVE PIN	AR		X X X 1/8" X 1-1/2"

(A) 3 DETENT
 3 DISPOSITIF DE VERROUILLAGE
 3 SPERRE
 3 TRATTENITORE
 3 DETENEDOR
 3 SPAERR

(B) W/LOADER
 W/CHARGEUR
 W/LADER
 W/CARICATORE
 W/CARGADORA
 W/LASTARE

71-17

SELECTIVE CONTROL VALVE

KEY	PART NO.	PART NAME	QTY.	TRACTOR SERIAL NO.	REMARKS
1	RE49632	KIT	1	7 7 7 6 7 8 1 1 1 0 0 0	X X X

71-27

SELECTIVE CONTROL VALVE

KEY	PART NO.	PART NAME	QTY.	TRACTOR		REMARKS
				SERIAL NO.		
					7 7 7	
					6 7 8	
					1 1 1	
					0 0 0	
1	RE39731	KIT	1	-033918	X X X	(3RD SCV) (FI)
	RE174947	KIT	1	033919-	X X X	(3RD SCV) (FI)
	RE39732	FIELD INSTALLATION KIT	1	-033918	X X X	(4TH SCV)
	RE175276	KIT	1	033919-	X X X	(4TH SCV) (FI)
	RE174944	KIT	1	033919-	X X X	(A) (3RD SCV) (FI)

(A) W/LOADER
 W/CHARGEUR
 W/LADER
 W/CARICATORE
 W/CARGADORA
 W/LASTARE

71-37

SELECTIVE CONTROL VALVE

KEY	PART NO.	PART NAME	QTY.	TRACTOR	7 7 7	REMARKS
				SERIAL NO.	6 7 8	
					1 1 1	
					0 0 0	
1	14M7151	NUT	4		X X X	M8
2	24M7055	WASHER	4		X X X	8.400 X 16 X 1.600 MM
3	RE57452	VALVE	1		X X X	
4	R26906	O-RING	3		X X X	
5	38H1162	ADAPTER FITTING	1		X X X	
6	38H1174	ADAPTER FITTING	2		X X X	
7	T77857	O-RING	7		X X X	
8	T77932	O-RING	2		X X X	
9	38H1031	TEE FITTING	1		X X X	
10	RE58354	OIL LINE	1		X X X	
11	RE58352	OIL LINE	1		X X X	
12	RE51137	OIL LINE	1		X X X	
13	R26375	O-RING	2		X X X	
14	38H1005	ELBOW FITTING	1		X X X	
15	RE58353	OIL LINE	1		X X X	
16	R122178	LABEL	1		X X X	
17	A15899	PLUG	2		X X X	
18	RE58243	HYD. QUICK-CONNECT COUPLER	2		X X X	
19	R113148	BRACKET	2		X X X	
20	R111680	BRACKET	1		X X X	
21	19M7185	CAP SCREW	4		X X X	M8 X 60
22	38H1161	ADAPTER FITTING	1		X X X	
23	RE58355	OIL LINE	1		X X X	
24	38H5018	ELBOW FITTING	1		X X X	
25	38H5076	ADAPTER FITTING	1		X X X	
26	R121684	BRACKET	1		X X X	
27	19M7387	CAP SCREW	2		X X X	M12 X 40
28	R65785	FITTING	1		X X X	
29	R56101	CLIP	4		X X X	
30	R122281	HOSE	1		X X X	
31	M87795	TEE FITTING	1		X X X	
32	21H1176	SCREW	4		X X X	0.112" X 1/2"
33	R122348	BRACKET	1		X X X	
34	12H378	LOCK WASHER	4		X X X	0.112"
35	14H1000	NUT	4		X X X	0.112"
36	RE56169	WIRING HARNESS	1		X X X	
37	R122666	LABEL	1		X X X	
38	R44302	TIE BAND	AR		X X X	
39	51M7045	O-RING	1		X X X	19.300 X 2.200 MM
40	19M7077	CAP SCREW	2		X X X	M6 X 20
41	14M7272	NUT	2		X X X	M6
42	RE57477	KIT	1		X X X	(FI) (NLA)

72-7

ROW-TRAK

KEY	PART NO.	PART NAME	QTY.	TRACTOR SERIAL NO.	REMARKS
				7 7 7	
				6 7 8	
				1 1 1	
				0 0 0	
1	AR114622	KIT	1		X X X (NLA)
2	RE62952	MOUNTING PARTS	1		X X X
3	RE62954	GRIP	1		X X X
4	14M7274	NUT	2		X X X M10
5	RE62956	BALL	2		X X X
6	RE62957	ROD	1		X X X
7	22H818	SET SCREW	4		X X X 5/16" X 3/4"
8	24H1338	WASHER	2		X X X 33/64" X 7/8" X 0.048"
9	34H282	SPRING PIN	2		X X X 3/16" X 1"
10	14H611	NUT	4		X X X 5/16"
11	RE62959	ROD	1		X X X
12	14M7517	LOCK NUT	1		X X X M10
13	19M8637	CAP SCREW	3		X X X M10 X 40, HS 10.9
14	12M7033	LOCK WASHER	2		X X X 10.500 MM

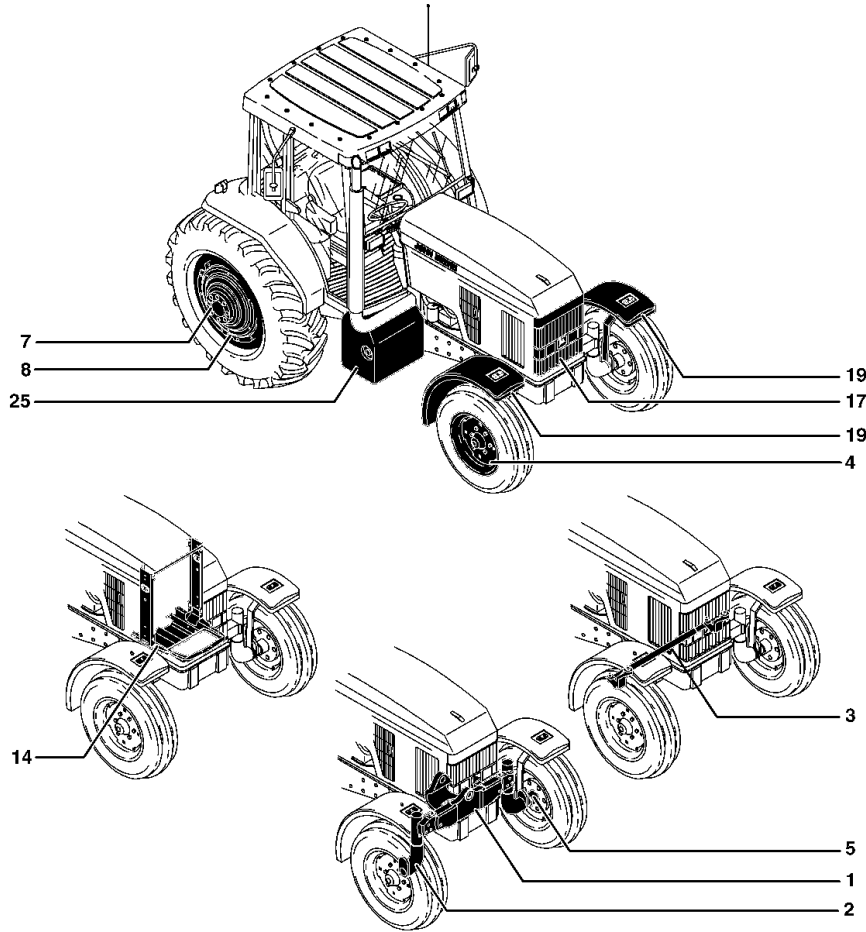
80-A01

WHEELS, FRONT AXLES, SHEET METAL

SECTIONAL INDEX
 INDEX DE SECTION
 GRUPPENINDEX
 INDICE DELLA SEZIONE
 INDICE DE SECCION
 GRUPPSFORTECKNING

RXA0050105 -UN-

2-	2
3-	4
3-	6
4-	8
5-	11
7-	14
8-	16
7-	23
1-	24
14-	36
17-	44
17-	46
19-	50
25-	57
25-	58



RXA0050105

80-13

WHEELS, FRONT AXLES, SHEET METAL

KEY	PART NO.	PART NAME	QTY.	TRACTOR SERIAL NO.	REMARKS
				7 7 7 6 7 8 1 1 1 0 0 0	
1	R112424	BOLT	12		X X X M16 X 50
	R175576	BOLT	12		X X X 50 KPH
2	AT25226	TIRE VALVE STEM	1		X X X
3	RE49472	RIM	1		X X X (A) (16.9-26) (18.4 X 26)
	RE156604	RIM	1		X X X (A) (13.6-28, 14.9-28) (SUB FOR RE49473)
	RE156605	RIM	1		X X X (A) (16.9-28, 420/85R28, 480/70R28) (SUB FOR RE49474)
	RE156606	RIM	1		X X X (A) (600/65R28) (SUB FOR RE67191)
	RE156607	RIM	1		X X X (A) (14.9-30) (SUB FOR RE49475)
	RE156608	WHEEL	1		X X X (A) (16.9-30), (B) (480/70R30) (SUB FOR RE67190)
	RE156609	RIM	1		X X X (A) (320/85R34, 290/95R34) (SUB FOR RE51656)
	RE156610	RIM	1		X X X (A) (14.9R34)
	RE53439	RIM	1		X X X (A) (16.9-24)
	RE173095	WHEEL	1		X X X (A) (18.4-42) CIS, (SUB RE211629)
	RE174639	RIM AND WHEEL CENTER	1		X X X (A) (320/85R38)
	RE175579	WHEEL	1		X X X (A) (420/90R30) 50 KPH
	RE176460	WHEEL	1		X X X (A) (650/65R42)
	RE176457	WHEEL	1		X X X (A) (18-28)
	RE211629	WHEEL	1		X X X (A) (18.4-42) CIS
4	19M8224	CAP SCREW	10		X X X M20 X 60
5	24M7242	WASHER	10		X X X 21.400 X 42 X 5 MM
6A	R112387	WHEEL CENTER	1		X X X (C) 26"
	R120429	WHEEL CENTER	1		X X X 24"
6B	R179970	WHEEL CENTER	1		X X X (C) 28" & 30", (SUB FOR R112388 OR R156494)
	R156495	WHEEL CENTER	1		X X X (A) (600/65R28), (B) 28" & 30", (D) (SUB FOR R112390)
	R156496	WHEEL CENTER	1		X X X (C) 34", (SUB FOR R115056)
	RE166973	WHEEL	1		X X X (A) (420/85R28) (NLA)
	RE166955	WHEEL	1		X X X (A) (520/85R38) (NLA)
	R165797	WHEEL CENTER	1		X X X (A) (320/85R38) 50 KPH
7	24M7241	WASHER	8		X X X 17 X 34 X 4 MM
8	14M7276	NUT	8		X X X M16
9	R115277	SPACER	16		X X X
10	R115278	BOLT	16		X X X
11	RE52128	KIT	1		X X X (E) (FI) (NLA)

(A) FOR TIRE SIZE
POUR PNEUMATIQUES
FUER BEREIFUNG
PER PNEUMATICI
PARA NEUMATICOS
FOR DACKSDIMENSION

(B) EUROPEAN VERSION
VERSION EUROPEENNE
EUROPAEISCHE AUSFUEHRUNG
VERSIONE EUROPEA
VERSION EUROPEA
EUROPEISK VERSION

(C) 101.6 MM WHEEL CENTER OFFSET
ROUE,CENTRE DECALE DE 101,6 MM
RAD,MITTE UM 101,6 MM GEKROEPFT
RUOTA,CENTRO DISASSATO DI 101,6 MM
RUEDA,CENTRO DESCENTRADO,101,6 MM
HJUL,FOERSKJUTEN MITT,101,6 MM

(D) 75 MM WHEEL CENTER OFFSET
ROUE,CENTRE DECALE DE 75 MM
RAD,MITTE UM 75 MM GEKROEPFT
RUOTA,CENTRO DISASSATO DI 75 MM
RUEDA,CENTRO DESCENTRADO,75 MM
HJUL,FOERSKJUTEN MITT,75 MM

(E) 66" TREAD SETTING
VOIE DE ROUE DE 1,68 M (66 IN.)
1,68 M (66 IN.) SPUREINSTELLUNG
CAREGGIATA DA 1,68 M (66 IN.)
AJUSTE DE ANCHO DE VIA DE 1,68 M (66
1,68 M (66 IN.) SPAARVIDD

80-29

WHEELS, FRONT AXLES, SHEET METAL

KEY	PART NO.	PART NAME	QTY.	TRACTOR SERIAL NO.	REMARKS
				7 7 7	
				6 7 8	
				1 1 1	
				0 0 0	
1	L77732	SUPPORT	1		X X X (B)
	R129660	SUPPORT	1		X X X (F)
2	12H236	LOCK WASHER	4		X X X 3/4"
	24M7396	WASHER	4		X X X 21 X 34 X 3 MM, (USE WITH R129660)
3	19H3600	CAP SCREW	2		X X X 3/4" X 7"
	19M7645	SCREW	4		X X X M20 X 200, (USE WITH R129660)
4	19H3210	CAP SCREW	2		X X X 3/4" X 5-1/4"
5	AL31229	PIN FASTENER	1		X X X
6	RE55568	KIT	1		X X X (FI)
7	L12491	SPRING LOCKING PIN	1		X X X
8	T32146	PIN FASTENER	1		X X X
9	L12491	SPRING LOCKING PIN	1		X X X
10	L38450	WEIGHT	AR		X X X
11	L38451	WEIGHT	2		X X X
12	L38449	WEIGHT	AR		X X X (NLA)
13	08H4738	BOLT	1		X X X (C) 5/8" X 9"
	08H4482	CAP SCREW	1		X X X (A) 5/8" X 12"
14	12M7044	LOCK WASHER	AR		X X X 18.500 MM
15	14H821	NUT	2		X X X (A) (C) 5/8"
16	08H4738	BOLT	2		X X X (D) 5/8" X 9"
17	AR68801	RETAINER	2		X X X

(A) 8 WEIGHTS
 8 MASSE ADDITIONNELLE
 8 GEWICHT
 8 ZAVORRA
 8 LASTRE
 8 VIKT

(B) 14 WEIGHTS
 14 MASSE ADDITIONNELLE
 14 GEWICHT
 14 ZAVORRA
 14 LASTRE
 14 VIKT

(C) 6 WEIGHTS
 6 MASSE ADDITIONNELLE
 6 GEWICHT
 6 ZAVORRA
 6 LASTRE
 6 VIKT

(D) 10 WEIGHTS
 10 MASSE ADDITIONNELLE
 10 GEWICHT
 10 ZAVORRA
 10 LASTRE
 10 VIKT

(E) 12 WEIGHTS
 12 MASSE ADDITIONNELLE
 12 GEWICHT
 12 ZAVORRA
 12 LASTRE
 12 VIKT

(F) 18 WEIGHTS
 18 MASSE ADDITIONNELLE
 18 GEWICHT
 18 ZAVORRA
 18 LASTRE
 18 VIKT

80-45

WHEELS, FRONT AXLES, SHEET METAL

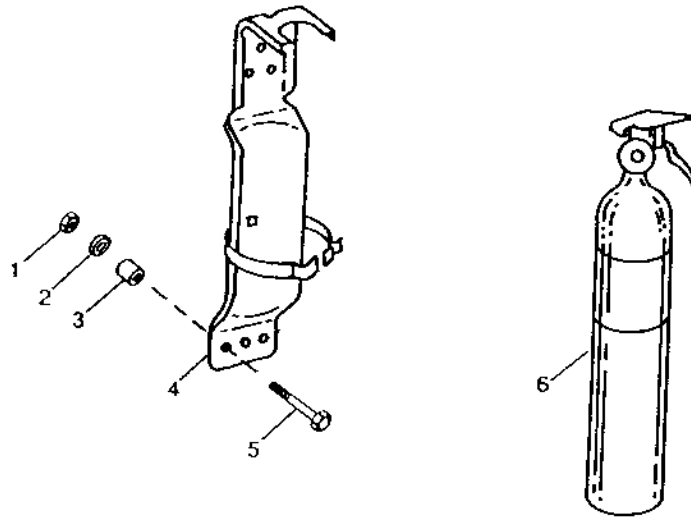
KEY	PART NO.	PART NAME	QTY.	TRACTOR SERIAL NO.	REMARKS
				7 7 7	
				6 7 8	
				1 1 1	
				0 0 0	
1	R130056	FRAME	1		X X X
2	RE65579	LABEL	1		X X X (SUB FOR RE67664)
3	R113390	PUSH NUT	2		X X X
4	R130343	ROD	2		X X X
5	R126903	STUD	2		X X X
6	24M7207	WASHER	4		X X X 8.400 X 24 X 2 MM
7	14M7416	FLANGE NUT	2		X X X M8
8	37M7033	SCREW	12		X X X (ALSO ORDER (4) R132429)
9	R125955	RIVET	8		X X X
10	37M7092	SCREW	1		X X X M8 X 16
11	R130057	SCREEN	1		X X X

80-61

WHEELS, FRONT AXLES, SHEET METAL

FIRE EXTINGUISHER
 EXTINCTEUR
 FEUERLOESCHER
 ESTINTORE
 EXTINTOR
 ELDSLAECKARE

RWP2787 -UN-01JAN94



RWP2787

KEY	PART NO.	PART NAME	QTY.	TRACTOR SERIAL NO.	REMARKS
				7 7 7	
				6 7 8	
				1 1 1	
				0 0 0	
1	14H786	NUT	2		X X X 1/4"
2	24H1287	WASHER	2		X X X 9/32" X 5/8" X 0.065"
3	28H1914	BUSHING	2		X X X 0.364" X 0.540" X 7/8"
4	AT75387	BRACKET	1		X X X
5	21H1035	SCREW	2		X X X 1/4" X 1-1/2"
6	AT168165	FIRE EXTINGUISHER	1		X X X 5 LB
	TY15630	BRACKET	1		X X X 10 LB

80-77

WHEELS, FRONT AXLES, SHEET METAL

KEY	PART NO.	PART NAME	QTY.	TRACTOR SERIAL NO.	REMARKS
				7 7 7 6 7 8 1 1 1 0 0 0	
1	R157488	LABEL	1	X X X	(A) (ALSO ORDER M115279) (SUB FOR R112689) POWRQUAD
	R157487	LABEL	1	X X X	(B) (ALSO ORDER M115279) (SUB FOR R112688) POWRQUAD
2	R115985	LABEL	1	X X X	POWER SHIFT, W/MFWD, (ALSO ORDER M115279)
	R115985	LABEL	1	X X X	POWER SHIFT, W/O MFWD, (ALSO ORDER M115279)
3	R117828	LABEL	1	X X X	(C) (D) (E)
	R117830	LABEL	1	X X X	(D) (E) (G)
4	R130379	LABEL	1	X X X	(E) (G) (H)
	R117322	LABEL	1	X X X	(C) (F) (H)
	R117323	LABEL	1	X X X	(F) (G) (H)
5	R117112	LABEL	1	X X X	(I)
6	R114679	LABEL	1	X X X	FRONT PTO
	R115919	LABEL	1	X X X	W/O FRONT PTO
7	R77715	LABEL	1	X X X	
8	R164005	SAFETY SIGN	1	X X X	(J)
	R164006	SAFETY SIGN	1	X X X	(J)
	R164466	SAFETY SIGN	1	X X X	(J) (FRANCAIS)
	R164467	SAFETY SIGN	1	X X X	(J) (ESPANOL)
9	R175646	LABEL	1	X X	(K)
	R175647	LABEL	1	X X	(K)
10	R191097	LABEL	1	X X	(IVT)

(A)16-SPEED
16 RAPPORTS
17 GAENGE
16 VELOCITA'
16 MARCHAS
16 VAEXLAR

(C)W/CREEPER
W/VITESSE TRES LENTE
W/KRIECHGANG
W/CREEPER
W/REDUCCION CREEPER
W/KRYPVAEXEL

(E)W/CAB
W/CABINE
W/FAHRERKABINE
W/CABINA
W/CABINA
W/HYTT

(G)W/O CREEPER
W/O VITESSE TRES LENTE
W/O KRIECHGANG
W/O CREEPER
W/O REDUCCION CREEPER
W/O KRYPVAEXEL

(I)SAFETY
SECURITE
SICHERHEIT
SICUREZZA
SEGURIDAD
SAEKERHET

(J)EXPORT LABELS
ETIQUETTES D'EXPORTATION
EXPORT AUFKLEBER
ETICHETTE PER L'ESPORTAZIONE
ETIQUETAS PARA EXPORTACION
EXPORTETIKETTER

(K)FRONT PTO
PDF AVANT
VORDERE ZAPFWELLE
PTO ANTERIORE
TDF DELANTERA
FRAMRE KRAFTUTTAG

(B)20-SPEED
W/PDF ARRIERE AVEC
SCHALTBARE HINTERE
PTO POSTERIORE CON CAMBIO
TDF TRASERS CAMBIABLE
20 VAEXLAR

(D)W/SHIFTABLE REAR PTO
W/BALADEURS DE PDF
W/ZAPFWELLEN-SCHALTEINRICHTUNGEN
W/PTO POSTERIORE CON CAMBIO
W/TDF TRASERS CAMBIABLE
W/VAEXLINGSBART BAKRE

(F)W/O CAB
W/O CABINE
W/O FAHRERKABINE
W/O CABINA
W/O CABINA
W/O HYTT

(H)NON-SHIFT REAR PTO
PDF ARRIERE SANS CHANGEMENT
NICHT SCHALTBARE HINTERE
PTO POSTERIORE SENZA CAMBIO
TDF TRASERA NO CAMBIABLE
EJ VAEXLINGSBART BAKRE

90-11

OPERATOR'S STATION ACCESSORIES

KEY	PART NO.	PART NAME	QTY.	CAB SERIAL NO.	REMARKS
				7 7 7	
				6 7 8	
				1 1 1	
				0 0 0	
1	R111630	BRACKET	1		X X X
2	24M7139	WASHER	2		X X X
3	14M7272	NUT	2		X X X M6
4	R108167	COVER	1		X X X UP
5	R111694	PLATE	1		X X X
6	21M7309	SCREW	2		X X X M5 X 16
7	R106529	NUT	2		X X X
8	R115913	NUT	2		X X X
9	R108170	COVER	1		X X X LOW
	R113100	COVER	1		X X X (A) LOW
10	R113123	BRACKET	1		X X X
11	R52937	CAP SCREW	2		X X X
12	R158394	LOCK NUT	2		X X X
13	21M7309	SCREW	1		X X X M5 X 16
14	R106529	NUT	1		X X X
15	R117440	TRAY	1		X X X
16	R111693	LATCH	1		X X X
17	21M7309	SCREW	2		X X X M5 X 16
18	R106529	NUT	2		X X X
19	RE52511	COVER	1		X X X
20	R111693	LATCH	2		X X X

(A)W/ HANDBRAKE
W/ FREIN A MAIN
W/ HANDBREMSE
W/ FRENO A MANO
W/ FRENO DE MANO
W/ PARKERINGSBROMS

90-25

OPERATOR'S STATION ACCESSORIES

MEMORANDA
MEMORANDA
MEMORANDA
MEMORANDA
MEMORANDA
MEMORANDA

90-37D

OPERATOR'S STATION ACCESSORIES

KEY	PART NO.	PART NAME	QTY.	TRACTOR SERIAL NO.	REMARKS
				7 7 7	
				6 7 8	
				1 1 1	
				0 0 0	
1	R166321	PIN	1		X X X
2	RE166453	ISOLATOR	1		X X X
3	11M7092	COTTER PIN	1		X X X 3.200 X 40 MM
4	RE165303	PEDAL	1		X X X
5	RE165064	CABLE	1	-XXXXXX	X X X (A) (SUB RE190889)
	RE190889	CABLE	1	XXXXXX-	X X X (A)
	RE165065	CABLE	1	-XXXXXX	X X X (B) (SUB RE190890)
	RE190890	CABLE	1	XXXXXX-	X X X (B)
6	R163514	BUSHING	1		X X X
7	RE166453	ISOLATOR	1		X X X
8	R163940	CLIP	1		X X X (ALSO ORDER R163514)
9	RE163794	ARM	1		X X X
10	RE165954	KIT	1	-XXXXXX	X X X (A) (SUB RE192276)
	RE192276	KIT	1	XXXXXX-	X X X (A) (SUB RE192277)
	RE165955	KIT	1	-XXXXXX	X X X (B)
	RE192277	KIT	1	XXXXXX-	X X X (B)

(A)W/O CREEPER
W/O VITESSE TRES LENTE
W/O KRIECHGANG
W/O CREEPER
W/O REDUCCION
W/O KRYPVAEXEL

(B)W/ CREEPER
W/ VITESSE TRES LENTE
W/ KRIECHGANG
W/ CREEPER
W/ REDUCCION
W/ KRYPVAEXEL

90-51

OPERATOR'S STATION ACCESSORIES

KEY	PART NO.	PART NAME	QTY.	CAB SERIAL NO.	REMARKS
				7 7 7	
				6 7 8	
				1 1 1	
				0 0 0	
1	R153874	KNOB	1	X X X	(A) (SUB FOR R76502)
	R161383	KNOB	1	X X X	(D) (SUB FOR R137740)
2	RE165000	GEARSHIFT LEVER	1	X X X	(ALSO ORDER R111749) (SUB FOR RE48980)
	RE66154	LEVER	1	X X X	(D)
3	19M8140	CAP SCREW	1	X X X	M8 X 260
4	24H1313	WASHER	1	X X X	
5	R113243	PIN	1	X X X	(H)
6	JD9954	CYLINDRICAL ROLLER BEARING	2	X X X	(H)
7	14M7400	LOCK NUT	1	X X X	(H) M10
8	R112614	WASHER	2	X X X	(H)
9	RE55282	PIVOT	1	X X X	(H)
10	R114877	SPRING	1	X X X	(H)
11	RE13035	BALL JOINT	1	X X X	(A) (C) (E)
	L80052	YOKE	1	X X X	(A) (B) (D)
12	14H882	NUT	1	X X X	(A) (C) (E) 5/16"
	14M7272	NUT	1	X X X	(A) (B) (D) M6
13	R129603	ROD	1	X X X	(A) (B) (D) (SUB FOR R118127)
	R126339	ROD	1	X X X	(A) (C)
	R130495	ROD	1	X X X	(A) (B) (E)
14	40M7145	SNAP RING	1	X X X	
15	14M7457	TURNBUCKLE	1	X X X	
16	14M7273	NUT	1	X X X	M8, UP
17	45M3663	PIN FASTENER	1	X X X	
18	R118083	YOKE	1	X X X	(B) (D)
	RE64968	STRAP	1	X X X	(F) (G)
19	11M7009	COTTER PIN	1	X X X	
20	RE49697	NEEDLE BEARING	2	X X X	(H) UP
21	R165005	ARM	1	X X X	(SUB FOR R110865) UP
22	T25530	SPRING	1	X X X	UP
23	19M7161	CAP SCREW	1	X X X	(H) M6 X 45
24	14H650	NUT	1	X X X	5/16"
25	14M7272	NUT	1	X X X	(H) M6
..	RE167269	SHIFTER	1	X X X	INCL KEYS MARKED (H)

(A)PARK LOCK
 VERROU DE STATIONNEMENT
 PARKSPERRE
 BLOCCO DI STAZIONAMENTO
 FRENO DE ESTACIONAMIENTO
 PARKERINGSSPAERR

(B)W/ CAB
 W/ CABINE
 W/ FAHRERKABINE
 W/ CABINA
 W/ CABINA
 W/ HYTT

(C)W/O CAB
 W/O CABINE
 W/O FAHRERKABINE
 W/O CABINA
 W/O CABINA
 W/O HYTT

(D)W/ L.H. REVERSER
 W/ INVERSEUR GAUCHE
 W/ LINKES UMKEHREGETRIEBE
 W/ INVERSORE SINISTRO
 W/ INVERSOR IZQ.
 W/ VAENSTER FRAM-BACKKOPPLARE

(E)W/O L.H. REVERSER
 W/O INVERSEUR GAUCHE
 W/O LINKES UMKEHRGETRIEBE
 W/O INVERSORE SINISTRO
 W/O INVERSOR IZQ.
 W/O VAENSTER FRAM-BACKKOPPLARE

(F)EUROPEAN VERSION
 VERSION EUROPEENNE
 EUROPAEISCHE AUSFUEHRUNG
 VERSIONE EUROPEA
 VERSION EUROPEA
 EUROPEISK VERSION

(G)30 K TRANSMISSION
 30 K TRANSMISSION
 30 K GETRIEBE
 30 K TRASMISSIONE
 30 K TRANSMISION
 30 K VAEXELLAADA

90-65B

OPERATOR'S STATION ACCESSORIES

KEY	PART NO.	PART NAME	QTY.	TRACTOR SERIAL NO.	REMARKS
				7 7 7	
				6 7 8	
				1 1 1	
				0 0 0	
1	RE70496	SENSOR	1		X X X (SUB FOR RE63699)
2	F2863R	SNAP RING	1		X X X
3	RE46725	MODULE	1		X X X
4	F2863R	SNAP RING	1		X X X
5	R39090	NEEDLE ROLLER	1		X X X
6	RE63170	DETENT	1		X X X
7	24M7138	WASHER	1		X X X 5.300 X 15 X 1.200 MM
8	19M7373	CAP SCREW	1		X X X M5 X 20
9	RE163065	SUPPORT	1		X X X
10	R117751	BEARING	2		X X X
11	22M7152	SET SCREW	2		X X X
12	26M4221	SHAFT KEY	1		X X X
13	RE150809	DRUM	1		X X X (SUB FOR RE48220)
14	R157597	SLEEVE	1		X X X
15	R157717	QUADRANT	1		X X X
16	R115980	FRAME	1		X X X
17	24M7036	WASHER	4		X X X
18	14M7273	NUT	4		X X X M8
19	19M7560	CAP SCREW	2		X X X M6 X 16
20	19M7274	CAP SCREW	1		X X X M8 X 70
21	14M7273	NUT	1		X X X M8
22	T25530	SPRING	1		X X X
23	R114820	SCREW	3		X X X

90-71D

OPERATOR'S STATION ACCESSORIES

KEY	PART NO.	PART NAME	QTY.	TRACTOR SERIAL NO.			REMARKS
				7 7 7	6 7 8	1 1 1	
				0 0 0			
1	M113899	INSERT	1	X	X	X	
2	M111717	PUSH NUT	1	X	X	X	
3	L77747	KNOB	1	X	X	X	
4	RE46677	LEVER	1	X	X	X	
5	34H385	SPRING PIN	3	X	X	X	1/4" X 1-3/4"
6	21M7350	SCREW	1	X	X	X	M3 X 4
7	RE51036	DETENT	1	X	X	X	
8	RE161640	PUSH PULL CABLE	1	X	X	X	
9	L79076	SNAP RING	1	X	X	X	
10	45M7080	SPRING LOCKING PIN	1	X	X	X	
11	JD9954	CYLINDRICAL ROLLER BEARING	2	X	X	X	
12	R160977	PIVOT	1	X	X	X	(3RD SCV)
13	RE171435	KIT	1	X	X	X	(FI)

(A)W/ CAB
W/ CABINE
W/ FAHRERKABINE
W/ CABINA
W/ CABINA
W/ HYTT

(B)W/O CAB
W/O CABINE
W/O FAHRERKABINE
W/O CABINA
W/O CABINA
W/O HYTT

(C)W/ ROCKSHAFT CONTROL
W/ COMMANDE DE L'ARBRE DE RELAVAGE
W/ REGELHYDRAULIK-BEDIENUNGSELEMENT
W/ COMANDO DEL SOLLEVATORE
W/ CONTROL DEL EJE OSCILANTE
W/ REGLAGE FOER LYFTARMSAXEL

(D)W/O ROCKSHAFT
W/O COMMANDE DE L'ARBRE DE RELAVAGE
W/O REGELHYDRAULIK-BEDIENUNGSELEMENT
W/O COMANDO DEL SOLLEVATORE
W/O CONTROL DEL EJE OSCILANTE
W/O REGLAGE FOER LYFTARMSAXEL

90-85

OPERATOR'S STATION ACCESSORIES

KEY	PART NO.	PART NAME	QTY.	TRACTOR SERIAL NO.	REMARKS
				7 7 7	
				6 7 8	
				1 1 1	
				0 0 0	
1	RE56190	KIT	1		X X X (A)
2	40M7277	SNAP RING	2		X X X
3	R125799	ROD	1		X X X (B)
	R125800	ROD	1		X X X (C)
4	RE56864	SUPPORT	1		X X X
5	24M7136	WASHER	2		X X X 10.500 X 27 X 2 MM
6	14M7274	NUT	2		X X X M10
7	JD9962	NEEDLE BEARING	1		X X X
8	RE56827	ARM	1		X X X
9	24H1287	WASHER	2		X X X 9/32" X 5/8" X 0.065"
10	11M7008	COTTER PIN	1		X X X 2 X 14 MM
11	T39363	THRUST BEARING RACE	1		X X X
12	40M7030	SNAP RING	1		X X X
13	R118201	ROD	1		X X X (B)
	R118202	ROD	1		X X X (C)
	R134253	HOOK BOLT	1		X X X (SUB R150786 AND (2) 11M7105)
	R117909	HOOK BOLT	1		X X X
14	14M7272	NUT	1		X X X
15	L80052	YOKE	1		X X X
16	45M7080	SPRING LOCKING PIN	1		X X X
17	R117920	BUSHING	2		X X X
18	RE57977	ARM	1		X X X
19	40M7030	SNAP RING	1		X X X
20	R58512	SPRING	1		X X X
21	RE169180	ARM	1		X X X (SUB FOR RE66508 OR RE70469)
22	24H1287	WASHER	1		X X X 9/32" X 5/8" X 0.065"
23	11M7008	COTTER PIN	1		X X X
24	R117041	SCREW	2		X X X
25	RE188440	SUPPORT	1		X X X (B) (SUB FOR RE67436)
	RE188440	SUPPORT	1	-XXXXXX	X X X (C) (D) (SUB FOR RE67436)
	RE177439	SUPPORT	1	XXXXXX-	X X X (E)
26	R134253	BRACKET	1		X X X (B) (SUB R150786 AND (2) 11M7105)
27	14H860	NUT	1		X X X 1/4"
28	AU43285	BALL JOINT	1		X X X
29	R131637	RETAINER	1		X X X
30	R131559	PAD	1		X X X
31	R112613	BEARING	1		X X X
32	37M7091	SCREW	2		X X X (B)
	37M7096	SCREW	2		X X X (C)
33	RE70443	PIVOT	1		X X X (SUB FOR RE56850)
	R132263	STOP	1		X X X
34	14M7273	NUT	1		X X X
35	19M7301	CAP SCREW	1		X X X (B)
	19M7164	CAP SCREW	1		X X X (C)
36	28H2531	BUSHING	1		X X X 0.546" X 0.840" X 7/8"
37	40M7042	SNAP RING	2		X X X
38	R153916	REFLECTOR	2		X X X (SUB FOR R117911)
39	R117890	PEDAL	1		X X X
	RE165294	PEDAL	1	XXXXXX-	X X (F) (AUTOQUAD) (SUB RE240387)
	R165161	COVER	1		X X (USE WITH RE165294)
40	R131661	LEVER	1		X X X
41	14H860	NUT	1		X X X 1/4"
42	R161383	KNOB	1		X X X (SUB FOR R137740) (SUB FOR R50506, THIS APPLICATION)
43	AR116478	KIT	1		X X X (SUB RE150012) (FI)

(A) HAND
LEVIER
HAND
MANUALE
MANO
HAND

(B) W/CAB
W/ CABINE
W/ FAHRERKABINE
W/ CABINA
W/ CABINA
W/ HYTT

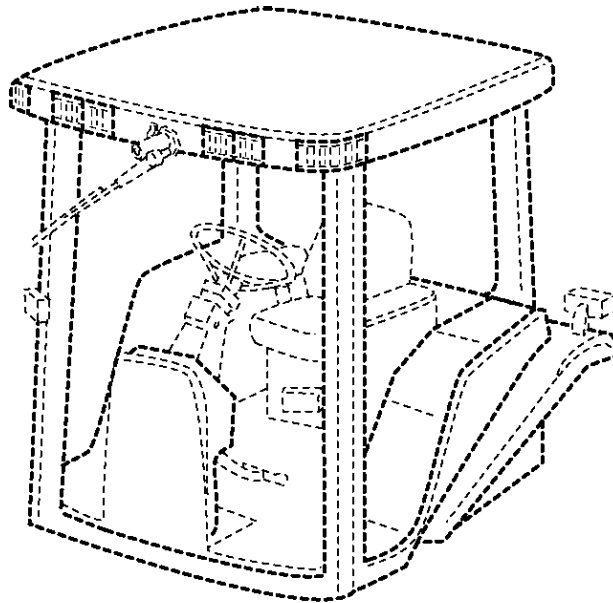
(C) W/O CAB
W/O CABINE
W/O FAHRERKABINE
W/O CABINA
W/O CABINA
W/O HYTT

(D) (-XXXXXX) 7710-039748
(E) (XXXXXX-) 7710-039749

(F) (XXXXXX-) 7710-038513; 7810-038519

CAB (BASIC UNIT OR FULLY TRIMMED)
CABINE (UNITE DE BASE OU COMPLETEMENT EQUIPEE)
FAHRERKABINE (STANDARD ODER VOLL AUSGESTATET)
CABINA (UNITA DI BASE OPPURE CON ACCESSORI)
CABINA (UNIDAD BASICA O COMPLETAMENTE EQUIPADO)
HYTT (UTAN LOESA DETALJER ELLER KOMPLETT)

RE028503 -UN-09DEC97



RE028503

KEY	PART NO.	PART NAME	QTY.	CAB SERIAL NO.	REMARKS
				7 7 7 6 7 8 1 1 1 0 0 0	
1	CAB	1	X	(A) (B)

(A) NORTH AMERICAN DEALERS ORDER THROUGH NAAMC
 LES CONCESSIONNAIRES NORD-AMERICAINS DOIVENT PASSER LES COMMANDES PAR L'INTERMEDIAIRE DU NAAMC
 NORDAMERIKANISCHE HAENDLER SOLLTEN UEBER DIE NAAMC BESTELLEN
 I CONCESSIONARI NORD-AMERICANI DEVONO INVIARE GLI ORDINATIVI TRAMITE I L NAAMC
 LOS CONCESIONARIOS DE NORTEAMERICA DEBEN HACER SUS PEDIDOS A TRAVES DE NAAMC
 AATERFOERSALJARE I NORDAMERIKA MAASTE HAENVAENDA SIG TILL NAAMC

(B) REPLACEMENT CAB SERVICE PARTS CAN BE FOUND IN THE CATALOG FOR CURRENTLY BUILT TRACTOR.
 LES PIECES DE RECHANGE DE CABINE SE TROUVENT DANS LE CATALOGUE DU TRACTEUR FABRIQUE
 KABINEN-ERSATZTEILE WERDEN IM KATALOG FUER AKTUELL IN PRODUKTION BEFINDLICHE TRAKTOREN
 LE PARTI DI RICAMBIO PER LA CABINA SONO REPERIBILI NEL CATALOGO DEL TRATTORE DI FABBRICAZIONE
 LOS REPUESTOS PARA LA CABINA PUEDEN HALLARSE EN EL CATALOGO CORRESPONDIENTE AL TRACTOR EN
 UTBYTESDELAR FOER HYTTEN FINNS I KATALOGEN FOER AKTUELLT PRODUCERADE TRAKTORER.

91-23

OPERATOR'S STATION

KEY	PART NO.	PART NAME	QTY.	CAB SERIAL NO.	REMARKS
				7 7 7	
				6 7 8	
				1 1 1	
				0 0 0	
1	R117134	SHIELD	1		X X X L.H.
	R156962	SHIELD	1		X X X (A) L.H.
2	R117133	SHIELD	1		X X X R.H.
	R156961	SHIELD	1		X X X (A) R.H.
3	37M7083	SCREW	4		X X X M8 X 12
4	21M7296	SCREW	4		X X X M6 X 20
	19M7775	SCREW	4		X X X (A) M6 X 16
5	24M7139	WASHER	4		X X X 6.400 X 18 X 1.600 MM
6	M84972	NUT	4		X X X

(A) W/LOADER
 W/CHARGEUR
 W/LADER
 W/CARICATORE
 W/CARGADORA
 W/LASTARE

91-37

OPERATOR'S STATION

KEY	PART NO.	PART NAME	QTY.	CAB SERIAL NO.	7 7 7	REMARKS
					6 7 8	
					1 1 1	
					0 0 0	
1	RE43445	MOLDING	1		X X X	LOW, R.H.
	RE43444	MOLDING	1		X X X	LOW, L.H.
2	R111683	SEAL	2		X X X	
3	37M7031	SCREW	6		X X X	M6 X 16
4	24H1287	WASHER	6		X X X	
5	RE64197	PANEL	1		X X X	R.H.
	RE64196	PANEL	1		X X X	L.H.
6	R96322	SEAL	4		X X X	
7	R96320	SEAL	10		X X X	
8	R106344	SEAL	2		X X X	
9	37H87	SCREW	6		X X X	
10	R50198	NUT	6		X X X	
11	37M7165	SCREW	16		X X X	
12	24M7027	WASHER	16		X X X	5.300 X 10 X 1 MM
13	R115945	NUT	16		X X X	

91-53

OPERATOR'S STATION

KEY	PART NO.	PART NAME	QTY.	TRACTOR	REMARKS
				SERIAL NO.	
				7 7 7	
				6 7 8	
				1 1 1	
				0 0 0	
1	L112621	FENDER	1	X X X	(SUB FOR R113303) R.H. REAR, UP
	L112620	FENDER	1	X X X	(SUB FOR R113304) L.H. REAR, UP
	R118422	STRIP	1	X X X	
	M96130	RIVET	5	X X X	
	24M7138	WASHER	5	X X X	5.300 X 15 X 1.200 MM
2	R114772	BRACKET	1	X X X	R.H. FRONT, UP
	R117488	BRACKET	1	X X X	L.H. FRONT, UP
3	R117490	BRACKET	1	X X X	REAR, UP
4	03M7094	BOLT	12	X X X	M8 X 30
5	R115823	WASHER	5	X X X	
6	14M7166	LOCK NUT	10	X X X	M8
7	24M7178	WASHER	2	X X X	10.500 X 30 X 2.500 MM
	24M7178	WASHER	4	X X X	0.413" X 1.181" X 0.098"
8	19M7139	CAP SCREW	3	X X X	M8 X 20
9	24M7207	WASHER	4	X X X	8.400 X 24 X 2 MM
10	AR113513	FENDER	1	X X X	R.H. REAR, LOW, (ALSO ORDER R117651)
	L112619	FENDER	1	X X X	L.H. REAR, LOW, (SUB FOR R114635)
11	R114770	BRACKET	1	X X X	R.H. LOW
	R114771	BRACKET	1	X X X	L.H. LOW
12	37M7058	SCREW	1	X X X	M8 X 20
13	19M7286	CAP SCREW	4	X X X	M6 X 25, L.H.
14	24M7139	WASHER	8	X X X	6.400 X 18 X 1.600 MM
15	14M7165	LOCK NUT	4	X X X	M6
16	R117489	BRACKET	1	X X X	L.H.
17	M84971	NUT	3	X X X	
18	R114629	BRACKET	1	X X X	
19	19M7139	CAP SCREW	3	X X X	M8 X 20
20	24H1288	WASHER	4	X X X	9/32" X 1" X 1/16", L.H.
	24H1288	WASHER	8	X X X	9/32" X 1" X 1/16", R.H.
21	R117149	SHIELD	1	X X X	R.H.
	R117147	SHIELD	1	X X X	L.H.
22	R117150	SHIELD	2	X X X	
23	19M7288	CAP SCREW	2	X X X	M8 X 30
24	RE51425	SHIELD	1	X X X	
25	RE57635	KIT	1	X X X	(FI)
26	R118361	EXTENSION	1	X X X	R.H.
	R118360	EXTENSION	1	X X X	L.H.
27	24M7251	WASHER	32	X X X	6.400 X 18 X 1.600 MM
	24M7038	WASHER	4	X X X	13.500 X 24 X 2.500 MM
28	14M7165	LOCK NUT	16	X X X	M6
29	19M7375	CAP SCREW	16	X X X	M6 X 18
	19M8122	CAP SCREW	2	X X X	M12 X 85
30	R118393	REINFORCEMENT	2	X X X	
31	37M7092	SCREW	2	X X X	M8 X 16
	24M7180	WASHER	2	X X X	13 X 37 X 3 MM
32	19M7302	CAP SCREW	3	X X X	M6 X 8
33	24H1292	WASHER	3	X X X	11/32" X 3/4" X 0.120"
	24H1291	WASHER	3	X X X	21/64" X 1-15/32" X 7/64", R.H.

91-69

OPERATOR'S STATION

KEY	PART NO.	PART NAME	QTY.	CAB SERIAL NO.	REMARKS
				7 7 7	
				6 7 8	
				1 1 1	
				0 0 0	
1	RE151494	WIPER MOTOR	1		X X X (SUB FOR AL76686)
2	19M7923	CAP SCREW	3		X X X M6 X 12
3	12M7006	LOCK WASHER	1		X X X 6 MM
4	14M7272	NUT	1		X X X M6
5	19M6614	CAP SCREW	3		X X X M6 X 12
6	R161356	SHIELD	1		X X X (SUB FOR R120705)
7	37M7089	SCREW	2		X X X M6 X 12
8	24M7139	WASHER	2		X X X 6.400 X 18 X 1.600 MM
9	37M7059	SCREW	1		X X X M5 X 12
10	RE245399	WIPER ARM	1		X X X (SUB FOR AL75527 OR RE151496)
11	24M7055	WASHER	1		X X X (USE WITH 14M7273)
12	14M7273	NUT	1		X X X M8
	14M7298	FLANGE NUT	1		X X X M8, (SUB FOR 14M7273)
13	TY16306	WIPER BLADE	1		X X X

91-83

OPERATOR'S STATION

KEY	PART NO.	PART NAME	QTY.	CAB SERIAL NO.	REMARKS
				7 7 7	
				6 7 8	
				1 1 1	
				0 0 0	
1	R131163	DOOR	1		X X X
2	RE51363	SEAL	1		X X X
3A	RE46587	HINGE	1	-073938	X X X
3B	AL157496	HINGE	1	072939-	X X X
4	L77652	SEALING WASHER	6		X X X
5	12M7032	LOCK WASHER	3	-073938	X X X 8.400 MM
6A	19M7866	SCREW	1	-073938	X X X M8 X 20
6B	21M7371	SCREW	1	072939-	X X X M8 X 20
7	RE46588	HINGE	1	-073938	X X X UP
8	19M7660	SCREW	4	-073938	X X X M8 X 20
9	24M7298	WASHER	4	-073938	X X X 8.400 X 25 X 2 MM
10	R110963	COVER	1		X X X
11	24M7027	WASHER	1		X X X 5.300 X 10 X 1 MM
12	37H80	SCREW	1		X X X 0.190" X 1/2"
13	RE234996	GAS OPERATED CYLINDER	1		X X X (SUB FOR RE46646 OR RE70191)
14	R84529	RETAINER	2		X X X (SUB 56M7007)
15	R237474	BALL STUD	2		X X X (SUB FOR R97588)
	L78979	BALL STUD	1		X X X (A)
	R237474	BALL STUD	1		X X X (A) (SUB FOR R237474)
16	14M7166	LOCK NUT	1		X X X M8
17	L39134	RIVET	1		X X X
18	R110964	COVER	1		X X X UP
19	19M7881	SCREW	2	-073938	X X X M8 X 20
20	L77651	WASHER	3		X X X 9 X 60 X 4 MM
21	Z22491	WASHER	3	-073938	X X X
22	L78703	CAP	1		X X X
23A	RE46589	HINGE	1	-073938	X X X
23B	AL157503	HINGE	1	073939-	X X X
24	L58890	WASHER	2		X X X
25	R131261	WASHER	1		X X X
26	L78851	BUSHING	1		X X X
27	RE48253	HANDLE	1		X X X (INCLUDES L78000)
28	19M7868	SCREW	1		X X X M8 X 30
29	AL117519	WELD NUT	4	073939-	X X X
30	24M7362	WASHER	2	073939-	X X X 8.400 X 16 X 1.600 MM
31	L155657	BOOT	1		X X X (A) (SUB FOR R135172 OR L112270)
32	L155657	BOOT	1		X X X (A) (SUB FOR L80171 OR L112270)
33	R44302	TIE BAND	1		X X X (A)

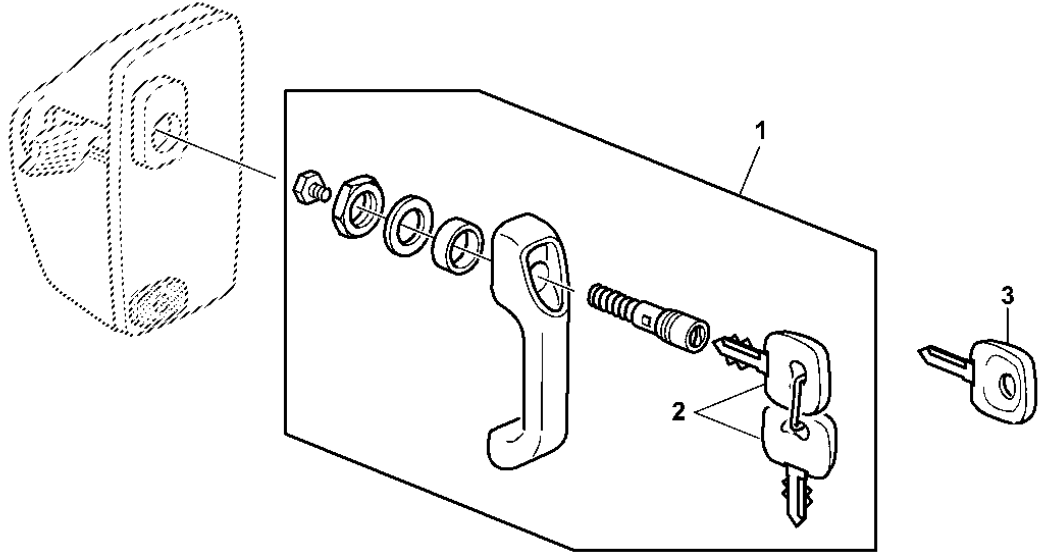
(A) EUROPEAN VERSION
 VERSION EUROPEENNE
 EUROPÄISCHE AUSFUEHRUNG
 VERSIONE EUROPEA
 VERSION EUROPEA
 EUROPEISK VERSION

91-99

OPERATOR'S STATION

PARTS KIT - DOOR HANDLE WITH SECURITY LOCK
JEU DE PIÈCES - POIGNEE DE PORTE AVEC VERROU DE SECURITE
TEILESATZ - TUEGRIF MIT SICHERHEITSSCHLOSS
KIT DI PARTI - MANIGLIA PORTA CON BLOCCAGGIO DI SICUREZZA
CONJUNTO DE PIEZAS - MANILLA DE PUERTA CON CERRADURA DE SEGURIDAD
RESERVELSSATS - DOERHANDTAG MED LAAS

LX023938 -UN-08MAR00



LX023938

KEY	PART NO.	PART NAME	QTY.	SERIAL NO.	REMARKS
1	AL71345	KIT	1	7 7 7	
	HANDLE	2	6 7 8	
	L78690	BUSHING	2	1 1 1	
	L79432	NUT	2	0 0 0	
	L79433	WASHER	2		
2	KEY	2		X X X NSEP (ORDER AL71350)
3	AL71350	KEY	1		X X X (A)

(A) BLANK KEY
 CLE BRUTE
 SCHLUESSELROHLING
 CHIAVE GREZZA
 LLAVE BRUTO
 BLANK NYCKEL

MEMORANDA
MEMORANDA
MEMORANDA
MEMORANDA
MEMORANDA
MEMORANDA

92-17

SEAT



KEY	PART NO.	PART NAME	QTY.	CAB SERIAL NO.	REMARKS
				7 7 7	
				6 7 8	
				1 1 1	
				0 0 0	
1	AR71109	PLATE	1	X X X	L.H.
2	RE13541	KIT	1	X X X	(A)
3	R52690	GRIP	1	X X X	
4	RE163029	CUSHION	1	X X X	(SUB FOR RE12049)
5	AR71108	PLATE	1	X X X	R.H.
6	RE43446	CUSHION	1	X X X	(SUB RE163027)
7	R53668	THRUST WASHER	4	X X X	
8	14H1087	NUT	4	X X X	3/8"
9	RE19989	SEAT BELT	1	X X X	
	AR41761	SEAT BELT	1	X X X	
10	R59030	CAP SCREW	2	X X X	
11	R59897	LOCK WASHER	2	X X X	
12	24M7044	WASHER	1	X X X	13 X 20 X 2 MM
13	R81560	CAP	1	X X X	
14	24H1305	WASHER	2	X X X	13/32" X 13/16" X 0.065"

(A)OPERATOR'S MANUAL HOLDER
 SUPPORT DE LIVRET D'ENTRETIEN
 BETRIEBSANLEITUNGSHALTER
 SUPPORTO PER MANUALE OPFRATIVO
 PORTADOR DEL MANUAL DEL OPERADOR
 HAALLARE FOER INSTRUKTIONSBOK

NUMERICAL INDEX - CONTINUED

PART NO.	KEY	PAGE	PART NO.	KEY	PAGE	PART NO.	KEY	PAGE
AL80062	1	70-81	AR103220	24	30-49	AR190669	5	80-23
AL80063	8	70-81	AR103220	24	30-49B	AR190669	7	80-23
AL80064	2	60-67	AR103220	25	30-53	AR190669	8	80-23
AL80126	..	91-59	AR103220	22	30-53B	AR194744	4	80-23
AL80127	..	91-59	AR103808	7	70-104	AR194744	5	80-23
AL80200	1	70-85	AR103873	12	51-11	AR194744	6	80-23
AL80262	10	70-85	AR103873	19	52-29	AR194744	7	80-23
AL80269	1	70-83	AR103873	2	52-35	AR194744	8	80-23
AL80270	2	70-83	AR104516	25	40-35	AR201256	1	91-11
AL80296	11	60-67	AR104516	9	40-131	AR21839	21	20-75
AL80403	6	60-67	AR104516	1	40-136	AR21839	20	20-77
AL80602	1	70-89	AR104650	..	30-37	AR21839	14	30-21
AL80700	1	90-21B	AR109313	4	80-23	AR21839	6	70-99
AL80747	1	70-75	AR109313	5	80-23	AR21841	1	30-13
AL81236	15	70-37	AR109313	7	80-23	AR21969	..	20-2
AL81300	22	70-85	AR109313	8	80-23	AR26480	1	80-9
AL81324	21	70-85	AR111536	14	40-131	AR26480	1	80-11
AL81426	16	70-85	AR111636	12	40-135	AR26670	9	60-59
AL81686	10	70-85	AR113513	10	91-53	AR26746	22	30-39
AL81687	18	70-85	AR114621	1	72-9	AR26746	13	53-3
AL81691	9	40-115	AR114622	1	72-7	AR28755	3	70-105
AL81719	7	40-65	AR114623	1	72-5	AR31790	..	20-40
AL81719	1	40-124	AR115342	13	42-3	AR35992	11	54-21
AL81736	1	70-77	AR116043	5	54-2	AR41761	6	92-14
AL81937	9	60-53	AR116387	1	80-23	AR41761	9	92-17
AL82092	10	70-77	AR116387	2	80-23	AR41785	..	20-2
AL82092	10	70-77B	AR116387	4	80-23	AR44402	1	20-2
AL82095	3	70-77	AR116387	5	80-23	AR48015	7	40-112
AL82095	3	70-77B	AR116387	6	80-23	AR48015	7	91-65
AL82096	12	70-77	AR116387	8	80-23	AR48041	1	42-7A
AL82098	22	70-77	AR116388	2	80-23	AR48236	30	20-75
AL82100	13	70-77	AR116388	4	80-23	AR48236	37	20-77
AL82101	4	70-77	AR116388	5	80-23	AR48236	38	90-21
AL82101	4	70-77B	AR116388	7	80-23	AR48236	38	90-21B
AL82102	6	70-77	AR116388	8	80-23	AR48675	14	20-33
AL82102	6	70-77B	AR116389	2	80-23	AR48675	9	20-69
AL82103	14	70-77	AR116389	4	80-23	AR49025	1	20-56
AL82103	14	70-77B	AR116389	5	80-23	AR50374	19	70-61
AL82106	18	70-77	AR116389	7	80-23	AR50377	24	70-61
AL82107	2	70-77	AR116389	8	80-23	AR50411	1	20-83C
AL82107	2	70-77B	AR116390	2	80-23	AR50411	1	20-84
AL82197	3	71-23F	AR116390	4	80-23	AR52361	29	60-47
AL82221	15	60-55	AR116390	5	80-23	AR54749	4	20-2
AL82877	..	70-85	AR116390	7	80-23	AR55394	18	20-59
AL82985	24	70-51	AR116390	8	80-23	AR56692	11	91-75B
AL83058	6	40-53	AR116478	43	90-85	AR56692	11	91-76
AL83058	6	40-57	AR116481	1	72-3	AR56694	14	91-75B
AL83058	8	42-7	AR116484	1	72-3	AR56694	14	91-76
AM102062	23	90-67	AR116497	14	40-131	AR56694	7	91-77
AM102062	23	90-67B	AR116950	1	91-97	AR56766	15	40-21
AM30347	16	80-9	AR117012	1	91-76	AR56766	16	40-27
AM38104	13	30-54	AR151668	1	91-75B	AR56766	2	40-33
AM38104	13	30-58	AR151668	1	91-76	AR56766	2	40-41
AN203601	1	80-35	AR151668	1	91-77	AR56766	3	40-47
AN204395	3	40-128	AR151691	16	80-49	AR56766	16	40-55
AN206192	1	40-63	AR166573	1	91-19	AR56766	14	40-59
AN206192	2	40-63	AR184787	26	80-17	AR56766	1	40-78
AN206192	2	40-71	AR184788	19	80-15	AR56766	3	91-19
AN206192	3	40-71	AR190666	4	80-23	AR56766	3	91-64
AN206192	17	90-7	AR190666	5	80-23	AR60250	19	40-55
AN206192	18	90-7	AR190666	7	80-23	AR60250	17	40-59
AN206233	1	91-112	AR190666	8	80-23	AR60250	13	42-15
AN212996	6	70-73	AR190668	4	80-23	AR60250	23	91-11
AR100124	1	20-40	AR190668	5	80-23	AR60372	4	70-83
AR101212	4	30-53	AR190668	7	80-23	AR60937	15	40-21
AR101212	15	30-53B	AR190668	8	80-23	AR60937	16	40-27
AR103060	4	80-49	AR190669	4	80-23	AR60937	2	40-41

NUMERICAL INDEX - CONTINUED

PART NO.	KEY	PAGE	PART NO.	KEY	PAGE	PART NO.	KEY	PAGE
RE207349	9	60-23D	RE213935	1	91-61	RE219198	11	80-43
RE207350	9	55-17B	RE214053	13	80-7	RE219742	1	55-33
RE207350	9	60-23D	RE214054	9	80-7	RE219742	2	55-33
RE207351	16	55-27	RE214055	12	80-7	RE219769	6	42-19B
RE207352	11	55-27	RE214056	1	80-7	RE219769	7	42-19B
RE207353	1	71-43	RE214057	11	80-7	RE219769	8	42-19B
RE207354	5	55-29	RE214058	8	80-7	RE219769	10	42-19B
RE207354	1	55-29B	RE214059	2	80-7	RE219769	1	42-25
RE207354	31	60-41	RE214148	2B	30-27	RE219769	2	42-25
RE207354	31	60-43	RE214149	2B	30-29	RE220029	24	52-55
RE207354	1	70-93	RE214439	1	90-35	RE220959	12	40-23
RE207355	14B	70-5	RE214485	..	51-15	RE220959	14	40-29
RE207356	3	55-28A	RE214485	..	51-17	RE220959	15	40-35
RE207356	3	55-29	RE214485	..	51-25	RE220959	15	40-43
RE207386	1	60-16	RE214485	1	51-41	RE220959	14	40-49
RE207386	3	60-21	RE214485	..	52-49	RE220959	1	90-14
RE207387	1	60-16	RE214533	..	51-27	RE221424	1	70-39
RE207387	11	60-21	RE214533	2	51-42	RE221424	1	70-39B
RE207589	21	91-88	RE214614	1	71-35B	RE221428	1	70-39
RE207590	21	91-88	RE214647	10	80-19	RE221428	1	70-39B
RE207671	..	90-37F	RE21519	13	40-123	RE221609	28	52-29
RE207825	5	55-29F	RE215399	2	71-35B	RE221609	27	52-41
RE207825	5	70-97	RE215400	3	71-35B	RE221609	29	52-43
RE207826	33	55-29F	RE215491	1	70-101	RE221700	2	30-54
RE207826	33	70-97	RE215491	1	70-101B	RE221700	3	40-63
RE208256	17	54-15	RE215491	1	70-103	RE223402	1B	40-151
RE208256	5	54-17	RE215492	27	70-101B	RE223608	8	91-88
RE208399	26	80-39	RE215492	27	70-103	RE223608	17	91-95
RE208399	22	80-41	RE215719	9	91-28A	RE223608	37	91-95
RE208399	24	80-43	RE215931	1	30-24	RE223609	17	91-85
RE208556	10	80-19	RE215932	1	30-24	RE223609	36	91-85
RE210782	5	40-23	RE216120	1	54-33	RE223609	8	91-88
RE210782	5	40-29	RE216120	2	54-33	RE223696	22	42-25
RE210782	7	40-33	RE216207	17	71-35B	RE223697	22	42-25
RE210782	7	40-41	RE216422	34	30-27	RE225857	21	91-88
RE210782	7	40-47	RE216422	31	30-29	RE225858	21	91-88
RE210782	12	40-55	RE216598	31	30-27	RE226393	1	52-51
RE210782	11	40-59	RE216598	27	30-29	RE226582	1	56-7
RE21099	12	40-123	RE216642	1	40-110	RE226582	27	56-7B
RE211157	3	40-9	RE216644	1	40-110	RE226728	5	71-23B
RE211157	8	40-9	RE216796	8	91-28	RE22764	5	20-55
RE211157	8	56-9	RE216796	6	91-28A	RE227949	7	20-84
RE211158	8	40-5	RE216982	35	30-27	RE227953	1	40-131
RE211158	6	53-3	RE216982	32	30-29	RE227953	13B	40-133
RE211158	13	54-27	RE217077	9	40-9	RE228541	3	40-151
RE211158	2	54-34	RE217077	40	56-3	RE228737	5	40-3
RE211158	5	54-34	RE217077	11	56-13	RE228737	5	40-5
RE211263	1	56-3	RE217662	10	90-21	RE228737	5	40-7
RE211626	10	80-19	RE217662	10	90-21B	RE228737	5	40-9
RE211627	10	80-19	RE217824	47	90-21	RE228737	11	70-43
RE211628	10	80-19	RE217824	43	90-21B	RE230292	7	56-23
RE211629	3	80-13	RE217832	2A	30-29	RE230965	1	90-90
RE211630	10	80-19	RE217832	2B	30-29	RE231108	2	30-54
RE211634	10	80-19	RE217833	2A	30-27	RE231108	3	40-63
RE211640	7	80-22	RE217833	2B	30-27	RE231391	6	53-34
RE212870	15	40-3	RE21790	2	30-31	RE232619	18	42-3
RE212870	15	40-5	RE21790	8	30-32	RE234151	15	40-131
RE212870	19	40-7	RE21790	10	30-32	RE234152	14	40-131
RE212878	14	40-3	RE21790	9	30-33	RE234374	2	40-141
RE212878	14	40-5	RE21790	10	30-33	RE234995	13	91-75
RE212878	18	40-7	RE218445	5	40-141	RE234996	13	91-83
RE212878	27	51-9	RE218452	5	40-141	RE234996	16	91-87
RE212880	11	40-5	RE219197	26	80-39	RE234996	13	91-93
RE212880	12	40-7	RE219197	22	80-41	RE234996	7	91-97
RE212880	7	52-45	RE219197	24	80-43	RE235000	13	91-75
RE213667	1	51-42	RE219198	11	80-39	RE235446	22	40-115
RE213667	14	53-21B	RE219198	11	80-41	RE235448	7	40-113

CLICK HERE TO **DOWNLOAD** THE COMPLETE MANUAL

- Thank you very much for reading the preview of the manual.
- You can download the complete manual from: www.heydownloads.com by clicking the link below



- Please note: If there is no response to CLICKING the link, please download this PDF first and then click on it.

CLICK HERE TO **DOWNLOAD** THE COMPLETE MANUAL