

# A2

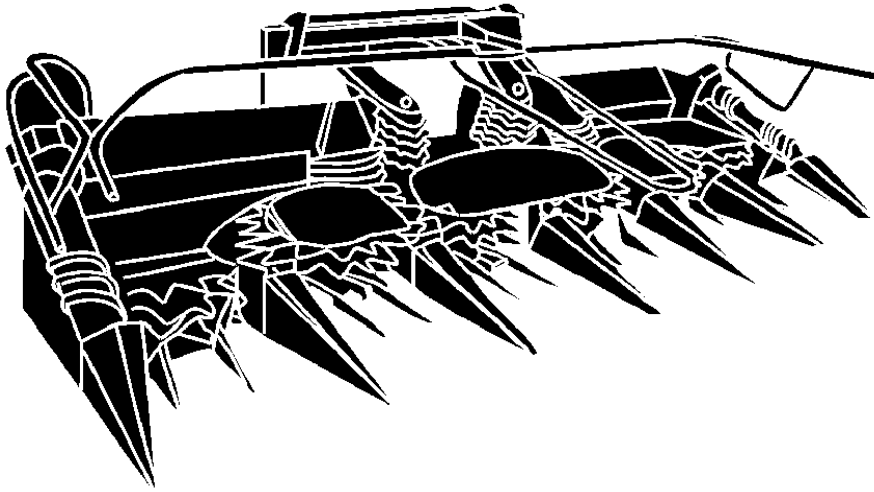
686 ROTARY HARVESTING UNIT (103954- ) NORTH AMERICAN EDITION

## PRIMARY PICTORIAL INDEX

ZX036494 -UN-06APR05

100 - A10
100 - A11
100 - A12
100 - A13

100



ZX036494

CLICK HERE TO **DOWNLOAD** THE COMPLETE MANUAL

- Thank you very much for reading the preview of the manual.
- You can download the complete manual from: [www.heydownloads.com](http://www.heydownloads.com) by clicking the link below



- Please note: If there is no response to CLICKING the link, please download this PDF first and then click on it.

CLICK HERE TO **DOWNLOAD** THE COMPLETE MANUAL



# A23

FC: 7145

## ROTARY HARVESTING UNIT

KEY	PART NO.	PART NAME	QTY	SERIAL NO. OR YEAR	6 6 8 8 6 6		REMARKS
					A	B	
1	LCA69888	UNIVERSAL DRIVESHAFT	1		X	Z = 21/21	
	LCA72281	UNIVERSAL DRIVESHAFT	1	-105199	X	Z = 21/23	
	LCA86279	UNIVERSAL DRIVESHAFT	1	105200-	X	Z = 21/23	
2	19M7139	CAP SCREW	4		X	M8 X 20	
3	24M7179	WASHER	8		X	8.400 X 24 X 2 MM	
4	LCA65354	GUARD	1		X		
5	14M7140	NUT	4		X	M10	
6	LCA69426	TRANSMISSION	1		X		
7	AZ47247	REFLECTOR	AR		X		
8	LCA69998	GUARD	1	-105199	X		
	LCA86040	GUARD	1	105200-	X	(FOR LCA86279)	
9	12M7061	LOCK WASHER	16		X	10.500 MM	
10	19M8533	SCREW	16		X	M10 X 25	
11	LCA84085	UNIVERSAL DRIVESHAFT	1		X	(A) (C) Z = 20/23, 1,526"-23, 1-3/4"-20	
	LCA84086	UNIVERSAL DRIVESHAFT	1		X	(A) (B) Z = 20/23, 1,526"-23, 1-3/4"-20	
12	19M7139	CAP SCREW	4		X	M8 X 20	
	LCA84698	SCREW	4		X	(A)	
13	LCA81853	TRANSMISSION	1		X	(A)	
14	LCA84088	CROSSBAR	1		X	(A)	

(A) FOR MECH. TRANSMISSION

(B) FOR SPFH 6000 SERIES AND SPFH 7200 TO 7500

(C) FOR SPFH 7700 AND 7800

# B7

FC: 7142

## ROTARY HARVESTING UNIT

KEY	PART NO.	PART NAME	QTY	SERIAL NO.	6 6 8 8 6 6		REMARKS
					A	B	
1	LCA85830	DRUM	3		X	X	RH
2	LCA85831	DRUM	3		X	X	LH
3	19M7938	CAP SCREW	AR		X	X	M10 X 20
4	LCA71878	LOCK WASHER	AR		X	X	
5	LCA77286	FLANGE	6		X	X	
6	19M8731	SCREW	16		X	X	M6 X 16
7	LCA83254	ROTATING SCRAPER	6		X	X	
8	LCA70937	ROTATING SCRAPER	6		X	X	
9	LCA69560	ROTATING SCRAPER	6		X	X	
10	LCA79788	ROTOR	3		X	X	(A) RH
	LCA76763	ROTOR	3		X	X	(B) RH
11	LCA79787	ROTOR	3		X	X	(A) LH
	LCA76762	ROTOR	3		X	X	(B) LH
12	LCA87926	ROTATING SCRAPER	AR	103954-104487	X	X	(C)
	LCA87284	ROTATING SCRAPER	AR	104488-	X	X	(D)
13	19M7573	SCREW	AR		X	X	M8 X 20
14	24M7055	WASHER	AR		X	X	8.400 X 16 X 1.600 MM
15	M148268	LOCK NUT	AR		X	X	
16	03M7190	BOLT	12		X	X	M10 X 20
17	03M7191	BOLT	12		X	X	M10 X 25
18	LCA69947	SCREW	84		X	X	
19	03M7185	BOLT	12		X	X	M8 X 25
20	LCA78231	KNIFE	12		X	X	(A) LH
	LCA67746	KNIFE	12		X	X	(B) LH
21	LCA72851	ROTATING SCRAPER	6		X	X	LH
22	LCA69805	ROTATING SCRAPER	6		X	X	LH
23	14M7166	LOCK NUT	96		X	X	M8
24	LCA72050	LOCK NUT	12		X	X	
25	14M7167	LOCK NUT	12		X	X	M10
26	24M7028	WASHER	12		X	X	10.500 X 20 X 2 MM
27	LCA76374	STRAP	24		X	X	
28	LCA69806	ROTATING SCRAPER	6		X	X	RH
29	LCA72852	ROTATING SCRAPER	6		X	X	RH
30	LCA78230	KNIFE	12		X	X	(A) RH
	LCA67746	KNIFE	12		X	X	(B) RH
31	LCA90654	TOOTH	AR		X	X	(E)
	LCA90655	TOOTH	AR		X	X	(F)

(A) COATED

(B) NOT COATED

(C) WELDED ON ONE SIDE

(D) BOLTED

(E) CLOCKWISE ROTATING

(F) ANTI-CLOCKWISE ROTATING

# B17

FC: 7145

ROTARY HARVESTING UNIT

KEY	PART NO.	PART NAME	QTY	SERIAL NO.	6 6 8 8 6 6		REMARKS
					A	B	
1	24M7028	WASHER	AR		X	X	
2	12M7013	LOCK WASHER	AR		X	X	
3	19M7875	CAP SCREW	4		X	X	M10 X 70
4	LCA66175	MOLDING	1		X	X	
5	LCA85568	SHIELD	1		X	X	
6	LCA85561	AUGER	2		X	X	
7	14M7166	LOCK NUT	AR		X	X	M8
8	LCA85467	AUGER	1		X	X	LH
9	LCA86734	RETAINER	8		X	X	
10	LCA85570	SHIELD	1		X	X	
11	19M7139	CAP SCREW	6		X	X	M8 X 20
12	12M7008	LOCK WASHER	AR		X	X	
13	24M7055	WASHER	AR		X	X	
14	19M7402	CAP SCREW	AR		X	X	M10 X 25
15	24M7178	WASHER	AR		X	X	
16	21M7442	SCREW	AR		X	X	M10 X 20
17	LCA85468	AUGER	1		X	X	RH
18	LCA76680	SUPPORT	1		X	X	
19	14M7168	LOCK NUT	AR		X	X	M12
20	24M7047	WASHER	AR		X	X	
21	LCA76678	STRAP	5		X	X	
22	19M7303	CAP SCREW	10		X	X	M12 X 45
23	24M7051	WASHER	AR		X	X	
24	LCA76665	EYELET	1		X	X	
25	11M7028	COTTER PIN	2		X	X	
26	LCA76679	PIN FASTENER	1		X	X	
27	19M7283	CAP SCREW	2		X	X	M16 X 35
28	12M7017	LOCK WASHER	AR		X	X	
29	19M8011	CAP SCREW	2		X	X	M12 X 30
30	12M7014	LOCK WASHER	AR		X	X	

# C2

FC: 7144

## ROTARY HARVESTING UNIT

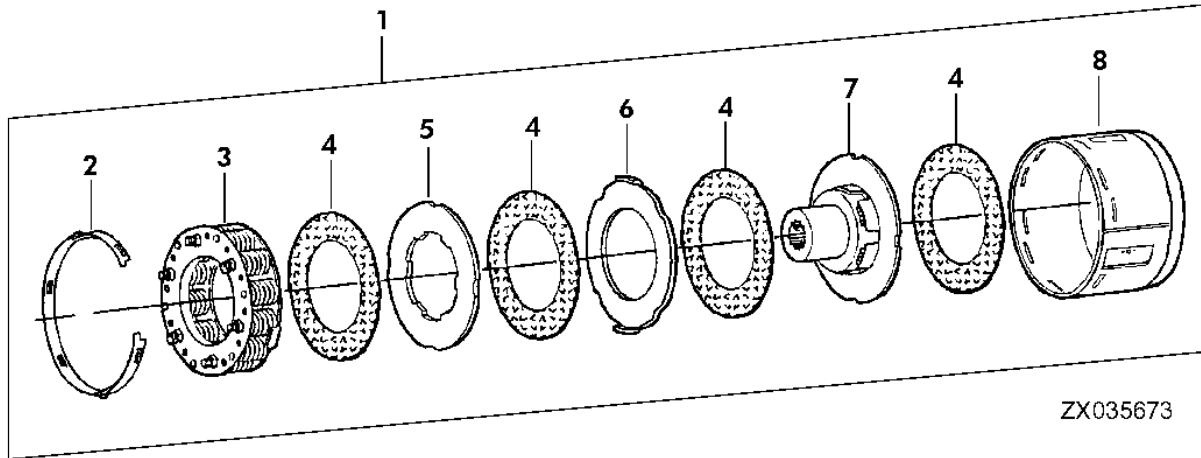
KEY	PART NO.	PART NAME	QTY	SERIAL NO.	6 6 8 8 6 6		REMARKS
					A	B	
1	LCA76400	BAIL	1		X	X	
2	LCA87121	BAIL	1		X	X	LH
	LCA87122	BAIL	1		X	X	RH
3	LCA74265	BAIL	1		X	X	
4	LCA74253	GUARD	2		X	X	
5	19M7742	CAP SCREW	4		X	X	M10 X 65
6	24M7028	WASHER	4		X	X	10.500 X 20 X 2 MM
7	14M7167	LOCK NUT	16		X	X	M10
8	19M7181	CAP SCREW	4		X	X	M10 X 55
9	19M8412	SCREW	4		X	X	M10 X 55
10	LCA66151	PLUG	6		X	X	
11	LCA16300	CLAMP	2		X	X	
12	19M8617	SCREW	2		X	X	M12 X 50
13	LCA74250	STRUCTURAL TUBING	2		X	X	
14	19M7403	CAP SCREW	2		X	X	M12 X 35
15	14M7031	NUT	2		X	X	M12
16	12M7014	LOCK WASHER	2		X	X	12 MM
17	24M7047	WASHER	4		X	X	13 X 24 X 2.500 MM

# C12

FC: 7145

ROTARY HARVESTING UNIT

FRICION CLUTCH, M = 700 NM AND M = 800 NM  
ZX035673 -UN-02JUL04



ZX035673

KEY	PART NO.	PART NAME	QTY	SERIAL NO.	6	6	REMARKS
					A	B	
1	LCA77700	SLIP CLUTCH	1		X		(A) 700 NM
	LCA70300	SLIP CLUTCH	1			X	(B) 800 NM
2	CC25987	BUSHING	1		X	X	
3	LCA70073	CLUTCH	1		X	X	
4	DC38275	KIT	1		X	X	KIT, PACKG (4)
5	CC25990	DRIVE DISK	1		X	X	
6	CC25991	DRIVE DISK	1		X	X	
7	LCA70074	HUB	1		X	X	Z = 21
8	LCA70075	CASE	1		X	X	

(A) FOR JD 5000 SERIES SPFH

(B) FOR JD 6000 / 7000 SERIES SPFH

# C22

FC: 100

ROTARY HARVESTING UNIT

KEY	PART NO.	PART NAME	QTY	SERIAL NO.	6 6		REMARKS
					A	B	
1	LCA76860	SLIP CLUTCH	2			X	
2	LCA70165	BUSHING	2			X	
3	40M7109	SNAP RING	2			X	
4	LCA75178	SHAFT	1			X	
5	LCA78074	GUARD	2			X	
6	19M7139	CAP SCREW	8			X	M8 X 20
7	14M7166	LOCK NUT	8			X	M8
8	24M7055	WASHER	16			X	8.400 X 16 X 1.600 MM
9	LCA77689	SLIP CLUTCH	1			X	KIT

# D8

FC: 7147

## ROTARY HARVESTING UNIT

KEY	PART NO.	PART NAME	QTY	SERIAL NO.	6 6 8 8 6 6		REMARKS
					A	B	
1	LCA71904	NUT	1		X	X	
2	LCA70140	FLANGE	1		X	X	
3	LCA71898	SEAL	1		X	X	
4	40M7115	SNAP RING	3		X	X	
5	LCA38672	DISK	3		X	X	TK = 1,0 MM
6	LCA28028	SHIM	AR		X	X	TK = 0,1 MM
	LCA28030	SHIM	AR		X	X	TK = 0,3 MM
	LCA55473	SHIM	AR		X	X	TK = 0,5 MM
7	AZ18667	BALL BEARING	1		X	X	
8	LCA70199	SHAFT	1		X	X	
9	LCA72286	DISK	2		X	X	
10	LCA75171	BEVEL GEAR	1		X	X	(INCL LCA69613)
11	LCA73175	GEAR	1		X	X	Z = 37, NSEP, (ORD LCA75171)
12	LCA70200	CLUTCH DISK	1		X	X	
13	LCA71897	SNAP RING	1		X	X	
14	JD7689	BALL BEARING	1		X	X	
15	24M7163	SHIM	AR		X	X	TK = 0,1 MM
	24M7157	SHIM	AR		X	X	TK = 0,3 MM
	LCA11658	SHIM	AR		X	X	TK = 0,5 MM
16	40M7098	SNAP RING	1		X	X	
17	M86292	COMPRESSION SPRING	12		X	X	
18	M86291	COMPRESSION SPRING	12		X	X	
19	M86290	CAM	12		X	X	
20	.....	HOUSING	1		X	X	(A) NSEP (ORD LCA87996)
21	.....	HOUSING	1		X	X	(B) NSEP (ORD LCA87996)
22	LCA87996	HOUSING	1		X	X	(C)

(A) HOUSING, UPPER PART

(B) HOUSING, LOWER PART

(C) HOUSING PARTS ONLY (BOLTED COMPLETELY)

# D18

FC:

## ROTARY HARVESTING UNIT

KEY	PART NO.	PART NAME	QTY	SERIAL NO.	6 6		REMARKS
					A	B	
1	LCA75166	TRANSMISSION	2		X	X	
2	LCA67451	TRANSMISSION CASE	1		X	X	
3	LCA67452	TRANSMISSION CASE	1		X	X	
4	LCA69628	SHAFT	1		X	X	
5	LCA69624	SHAFT	1		X	X	
6	34M7124	SPRING PIN	2		X	X	
7	19M8274	SCREW	AR		X	X	M8 X 35
8	LCA69627	BUSHING	1		X	X	
9	LCA75165	NUT	2		X	X	
10	RE29115	BALL BEARING	1		X	X	
11	JD8518	BALL BEARING	2		X	X	
12	AZ18667	BALL BEARING	1		X	X	
13	LCA35800	SEAL	1		X	X	
14	LCA50094	SEAL	1		X	X	
15	40M7115	SNAP RING	1		X	X	
16	40M7109	SNAP RING	1		X	X	
17	LCA61391	CAP	1		X	X	
18	LCA27800	SHIM	AR		X	X	TK = 0,1 MM
	LCA54594	SHIM	AR		X	X	TK = 0,3 MM
	24M7199	SHIM	AR		X	X	0.500 MM
19	CH14626	WASHER	AR		X	X	
20	24M7375	WASHER	1		X	X	25 X 36 X 2 MM
21	M86291	COMPRESSION SPRING	24		X	X	
22	M86292	COMPRESSION SPRING	24		X	X	
23	M86290	CAM	24		X	X	
24	19M8405	SCREW	5		X	X	M8 X 70
25	19M7657	SCREW	7		X	X	M8 X 25
26	24M7303	WASHER	1		X	X	30 X 42 X 1 MM
27	LCA29076	NUT	1		X	X	
28	12M7072	LOCK WASHER	7		X	X	8.400 MM
29	LCA75168	PARALLEL SHAFT GEAR DRIVE	1		X	X	

CLICK HERE TO **DOWNLOAD** THE COMPLETE MANUAL

- Thank you very much for reading the preview of the manual.
- You can download the complete manual from: [www.heydownloads.com](http://www.heydownloads.com) by clicking the link below



- Please note: If there is no response to CLICKING the link, please download this PDF first and then click on it.

CLICK HERE TO **DOWNLOAD** THE COMPLETE MANUAL