

644K Loader
PIN:1DW644K__ _C658065-
PIN:1DW644K__ _D658065-



JOHN DEERE

PARTS CATALOG

644K Loader

PIN:1DW644K__ _C658065-
PIN:1DW644K__ _D658065-
PC11253 (Aug-19) English

Worldwide Construction and Forestry Division

Worldwide Edition
Printed in U.S.A. (Revised)
COPYRIGHT © 2019
DEERE & COMPANY
Moline, Illinois
All rights reserved

CLICK HERE TO **DOWNLOAD** THE COMPLETE MANUAL

- Thank you very much for reading the preview of the manual.
- You can download the complete manual from: www.heydownloads.com by clicking the link below



- Please note: If there is no response to CLICKING the link, please download this PDF first and then click on it.

CLICK HERE TO **DOWNLOAD** THE COMPLETE MANUAL

Chargeur 644K

TX1069242A A.1



Chargeur 644K

Moteur 6068HDW80

Moteur 6068HDW83

(Fabriqué à partir de 2014–)

(Les caractéristiques et la conception sont sujettes à modification sans préavis.)

Расположение серийного номера

Número de identificación de producto de 17 dígitos

TX1080846 A.1



TX1080846

Primer renglón	Designa
1DW	Fabricante — John Deere Davenport Works
644K	Modelo
X	Configuración de varillaje Z: Barra en Z H: Elevación alta P: Powerlifel™
A	Código de seguridad (sólo para uso de fábrica)
A	Código de año de fabricación
0	Nivel de emisiones C: Fase II D: Tier 3 / Fase III A
123456	Número de serie (ejemplo)
Segundo renglón	Designa
PALA CARGADORA 644K	Tipo de unidad

Identificación de nivel de emisiones de motor

Número de modelo de motor	PIN de 17 dígitos (11° dígito)	Nivel de emisiones
6068HDW80	xxxxxxxxxDxxxxxx	Tier 3 / Fase III A
6068HDW83	xxxxxxxxxCxxxxxx	Fase II

Alphabetical Index - Continued

Page	Page		
Auxiliary Drive Cover-5204-6068HDW83-RE541322.....	342	Battery Decal, Portuguese.....	722
Auxiliary Heavy Duty Cutting Edge.....	1190	Battery Disconnect.....	760
Auxiliary Heavy Duty Cutting Edge Conversion Kit.....	1192	Battery Disconnect Label.....	760
Auxiliary Hydraulics Kit, Hi-Vis Coupler Cable Reinforced.....	1408	Battery Hold Down.....	760
Auxiliary Hydraulics, Coupler (Z-Bar).....	1346	Battery Label, Portuguese.....	722
Auxiliary Hydraulics, Hi-Vis Coupler Cable Reinforced (Powerllel™).....	1406	Battery Terminal Covers.....	760
Auxiliary Single Lever Controller.....	1310	Battery, Battery Box, Battery Box.....	758
Auxiliary Spillguard (4.25 yd ³ Bucket).....	1200	Battery, Battery Cable, Batteries.....	760
Auxiliary Valve Section (569075 -).....	1286	Battery, Dry Charged Battery, Batteries.....	760
Auxiliary Wiring Harness, AM/FM/WB Radio with AUX Port and Headliner (670315 -).....	1076	Beacon Bracket.....	802
Auxiliary Wiring Harness, Premium Radio and Headliner (670315 -).....	1082	Beacon Bracket Kit.....	804
Axle Cooling and Filtration System (- XXXXXX).....	560	Beacon Brackets, Dual.....	806
Axle Cooling and Filtration System (XXXXXX -).....	564	Beacon Harness Kit, Dual Beacons.....	836
Axle Cooling Filter to Axle Circulation Pump Line.....	140	Beacon Light.....	800
Axle Cooling Filter, Differential Lock (- XXXXXX).....	142	Beacon Switch, Dual Beacons.....	836
Axle Differential Lock, Auto.....	134	Bearing Cap, Cylinder Block-4633-6068HDW80-RE536782.....	460
Axle Differential Lock, Auto - Conversion Kit.....	136	Bearing Cap, Cylinder Block-4657-6068HDW83-RE541322.....	330
Axle Dipstick-YZ121797-YZ19839-YZ19839.....	154	Bearing Cone, Differential-RE44166-YZ19840-YZ19840.....	170
Axle Drive Shafts.....	208	Bearing Cone-YZ122722-YZ19839-YZ19839.....	158
Axle Drive Shafts for 4-Speed Transmission.....	210	Bearing Cone-YZ122722-YZ19841-YZ19841.....	196
Axle Drive Shafts for 5-Speed Transmission with Lockup Torque Converter.....	214	Bearing Connecting Rod-9901-6068HDW83-RE541322.....	372
Axle Drive Shafts with Lockup Torque Converter.....	212	Bearing Cup, Differential-RE44166-YZ19840-YZ19840.....	170
Axle Filter, Rear.....	140	Bearing Cup-YZ122722-YZ19839-YZ19839.....	158
Axle Gauge Wiring Harness, Axle Temperature Sensor Gauge Kit.....	150	Bearing Cup-YZ122722-YZ19841-YZ19841.....	196
AXLE HOUSING AND SHAFT-YZ121796-YZ19840-YZ19840.....	178	Bearing Housing W/O Bearing-YZ122722-YZ19839-YZ19839.....	158
AXLE HOUSING AND SHAFT-YZ121796-YZ19841-YZ19841.....	194	Bearing Housing W/O Bearing-YZ122722-YZ19841-YZ19841.....	196
AXLE HOUSING AND SHAFT-YZ121797-YZ19839-YZ19839.....	154	Bearing Housing-RE44166-YZ19840-YZ19840.....	170
Axle Mounting.....	122	Bearing Kit, Crankshaft-4712-6068HDW80-RE536782.....	462
Axle Oil Circulation Pump, Axle Cooling and Filtration System (- XXXXXX).....	560	Bearing Kit, Crankshaft-4712-6068HDW83-RE541322.....	332
Axle Oil Cooler, Axle Cooling and Filtration System (- XXXXXX).....	560	Bearing Kit, Main-9901-6068HDW80-RE536782.....	524
Axle Oil Dipstick-YZ121797-YZ19839-YZ19839.....	154	Bearing Kit-9901-6068HDW80-RE536782.....	526, 528
Axle Oscillating Supports.....	122	Bearing Kit-9901-6068HDW83-RE541322.....	370, 376
Axle Oscillation Stops, Rear - 9-Degree.....	124	Bearing, Driveline.....	702
Axle Seal Grease Lines.....	742	Bearing, Main Thrust-9901-6068HDW80-RE536782.....	532
Axle Sensor Wiring Harness, Axle Temperature Sensor Gauge Kit.....	150	Bearing, Tapered Roller - Transmission Input Shaft.....	228
Axle Temperature Sensor.....	148	Bearing, Thrust-9901-6068HDW80-RE536782.....	534
Axle Temperature Sensor Gauge Kit.....	150	Bearing, Thrust-9901-6068HDW83-RE541322.....	380
Axle, Front (- 677548).....	108	Bearing, Transmission Input Shaft (w/ Lock-up Torque Converter).....	230
Axle, Front Axle Reman, Front Axle (- 677548).....	108	Bearing-9901-6068HDW80-RE536782.....	530
Axle, Front Axle Reman, Front Axle (677549 -).....	110	Bearings, Connecting Rod-4834-6068HDW80-RE536782.....	464
Axle, Front Axle, Front Axle (- 677548).....	108	Bearings, Connecting Rod-4834-6068HDW83-RE541322.....	334
Axle, Front Axle, Front Axle (677549 -).....	110	Bearings, Crankshaft-4712-6068HDW80-RE536782.....	462
Axle, Half Axle, YZ121796 Axle Housing and Shaft;TMIV,1400 Series.....	178, 194	Bearings, Crankshaft-4712-6068HDW83-RE541322.....	332
Axle, Half Axle, YZ121797 Axle Housing and Shaft.....	154	Bellcrank, Cab Door.....	936
Axle, Rear (- XXXXXX).....	112	Bellcrank, Loader Boom Linkage (High Lift Z-Bar).....	1256
Axle, Rear - Differential Lock (- 677548).....	116	Bellcrank, Loader Boom Linkage (High Lift Z-Bar) (NeverGrease™).....	1258
Axle, Rear Axle Reman, Rear Axle (- XXXXXX).....	112	Bellcrank, Loader Boom Linkage (Powerllel™).....	1260
Axle, Rear Axle Reman, Rear Axle (677549 -).....	114	Bellcrank, Loader Boom Linkage (Z-Bar).....	1252
Axle, Rear Axle Reman, Rear Axle with Differential Lock (- 677548).....	116	Bellcrank, Loader Boom Linkage (Z-Bar) (NeverGrease™).....	1254
Axle, Rear Axle Reman, Rear Axle with Differential Lock (677549 -).....	118	Belt Tensioner-8718-6068HDW80-RE536782.....	498
Axle, Rear Axle Support, Axle Oscillating Supports.....	122	Belt Tensioner-8718-6068HDW83-RE541322.....	364
Axle, Rear Axle, Rear Axle (- XXXXXX).....	112	Belt, 100 A Alternator (w/ A/C).....	770
Axle, Rear Axle, Rear Axle (677549 -).....	114	Belt, 100 A Alternator (w/o A/C).....	768
Axle, Rear Axle, Rear Axle with Differential Lock (- 677548).....	116	Belt, 80 A Alternator (w/ A/C).....	766
Axle, Rear Axle, Rear Axle with Differential Lock (677549 -).....	118	Belt, 80 A Alternator (w/o A/C).....	764
		Belt, Belt Tensioner, 8718 Belt Tensioner.....	364, 498
B		Belt, Harsh Environment Alternator.....	866
Back-Up Alarm.....	1102	Belt, Seat - Cloth Seat.....	968
Backrest, Cloth Seat.....	968	Belt, Seat - Premium Seat.....	976
Backrest, Premium Seat.....	976	Belt, Seat - Premium Seat for Joystick Steering.....	978
Backrest, Premium Seat for Joystick Steering.....	978	Belt, Seat - Vinyl Seat.....	970
Backrest, Vinyl Seat.....	970	Belt, Seat Belt, Cloth Seat.....	968
Backup Light.....	812	Belt, Seat Belt, Premium Seat.....	976
Bar, Frame Lock.....	1050	Belt, Seat Belt, Premium Seat for Joystick Steering.....	978
Bar, Frame Locking Bar.....	1050	Belt, Seat Belt, Vinyl Seat.....	970
Barrier, Cab Interior Paneling and Covers.....	958	Bevel Gear Drive-YZ122774-YZ19839-YZ19839.....	162
Base, Cloth Seat.....	968	Bevel Gear, Differential-RE44166-YZ19840-YZ19840.....	170
Base, Premium Seat.....	976	Bevel Gear-YZ122722-YZ19839-YZ19839.....	158
Base, Seat - Premium Seat for Joystick Steering.....	978	Bevel Gear-YZ122722-YZ19841-YZ19841.....	196
Base, Seat - Vinyl Seat.....	970	Bezel, Premium Radio and Headliner (670315 -).....	1082
Batteries.....	760	Blade, Wiper.....	952
Battery Box.....	758	Blade, Wiper Blade, Front and Rear Windshield Wiper.....	952
Battery Cables.....	760	Blanks, Hi-Vis Coupler Bucket.....	1228
		Bleed Valve, Cylinder Block-4633-6068HDW80-RE536782.....	460
		Bleed Valve-4657-6068HDW83-RE541322.....	330
		Bleeder Valve, Front Axle (- 677548).....	108
		Bleeder Valve, Rear Axle (- XXXXXX).....	112
		Bleeder Valve, Rear Axle with Differential Lock (- 677548).....	116
		BLOCK ASSEMBLY, SHORT (9901).....	406
		Block Differential, Case-YZ122729-YZ19840-YZ19840.....	182
		Block Differential, Case-YZ122729-YZ19841-YZ19841.....	200
		Block Heater, Engine - 220 V (Russia Only).....	548

Alphabetical Index - Continued

<i>Page</i>	<i>Page</i>		
Hose, Air Cooler (Engine 6068HDW83).....	558	Hose, Hose Clamp, Quick Fluid Service Conversion Kit.....	738
Hose, Air Intake System (Engine 6068HDW80).....	588	Hose, Hose Clamp, Severe Duty Fuel Filter Kit.....	624
Hose, Air Intake System (Engine 6068HDW83).....	592	Hose, Hose Clamp, Third Function Boom To Coupler Hydraulic Lines (High Lift Z-Bar).....	1396
Hose, Air Intake System with Air Pre-Cleaner (Engine 6068HDW80).....	590	Hose, Hose Clamp, Third Function Boom To Coupler Hydraulic Lines (Powerllet™).....	1398
Hose, Air Intake System with Air Pre-Cleaner (Engine 6068HDW83).....	594	Hose, Hose Clamp, Third Function Boom To Coupler Hydraulic Lines (Z-Bar).....	1394
Hose, Brake Accumulator.....	694	Hose, Hose Clamp, Third Function Boom to Coupler Hydraulic Lines Conversion Kit (Powerllet™).....	1400
Hose, Brake Valve to Axles (- XXXXXX).....	688	Hose, Hose Clamp, Third Function Coupler Hydraulics (Z-Bar).....	1346
Hose, Breather - Front Axle (- 677548).....	108	Hose, Hose Clamp, Tire Pressure Monitoring System (29 in. Rim) ..	872
Hose, Breather - Rear Axle (- XXXXXX).....	112	Hose, Hose Clamp, Tire Pressure Monitoring System Kit (25 in. Rim).....	870
Hose, Breather - Rear Axle with Differential Lock (- 677548).....	116	Hose, Hose Fitting, 65TD Turbocharger.....	486
Hose, Bucket Cylinder (Z-Bar).....	1422	Hose, Hose Fitting, 65YU Turbocharger.....	354
Hose, Bulk Hose, Engine Mounts (Engine 6068HDW80).....	610	Hose, Hose Fitting, Fast Fill Fuel System Conversion Kit.....	626
Hose, Bulk Hose, Engine Mounts (Engine 6068HDW83).....	612	Hose, Hose Fitting, Fuel-Fired Coolant Heater Kit.....	550
Hose, Bulk Hose, Fast Fill Fuel System Conversion Kit.....	626	Hose, Hose Fitting, Transmission Oil Lines.....	276
Hose, Bulk Hose, Fast Fill Fuel Tank.....	630	Hose, Hose Guard, Cable Reinforced Hi-Vis Coupler Hydraulic Lines (High Lift Z-Bar).....	1404
Hose, Bulk Hose, Front and Rear Windshield Wiper.....	952	Hose, Hose Guard, Cable Reinforced Hi-Vis Coupler Hydraulic Lines (Powerllet™).....	1406
Hose, Bulk Hose, Fuel Tank Components.....	620	Hose, Hose Guard, Cable Reinforced Hi-Vis Coupler Hydraulic Lines (Z-Bar).....	1402
Hose, Bulk Hose, Fuel-Fired Coolant Heater Kit.....	550	Hose, Hose Guard, Cable Reinforced Hi-Vis Coupler Hydraulic Lines Kit.....	1408
Hose, Bulk Hose, Heater Hoses.....	1006	Hose, Hose Guard, Fuel-Fired Coolant Heater Kit.....	550
Hose, Bulk Hose, Quick Fluid Service (Engine 6068HDW80).....	734	Hose, Hose Kit, 3-Lever to 4-Lever Pilot Controller Conversion Kit (Powerllet™).....	1330
Hose, Bulk Hose, Quick Fluid Service (Engine 6068HDW83).....	736	Hose, Hose Kit, 3-Lever to 4-Lever Pilot Controller Conversion Kit (Z-Bar).....	1328
Hose, Bulk Hose, Quick Fluid Service Conversion Kit.....	738	Hose, Hose Kit, Cable Reinforced Hi-Vis Coupler Hydraulic Lines Kit.....	1408
Hose, Bulk Hose, Severe Duty Fuel Filter Kit.....	624	Hose, Hose Kit, Joystick to Joystick and Auxiliary Control Lever Pilot Controller Conversion Kit (Powerllet™).....	1340
Hose, Bulk Hose, Transmission Oil Lines.....	276	Hose, Hose Kit, Joystick to Joystick and Auxiliary Control Lever Pilot Controller Conversion Kit (Z-Bar).....	1342
Hose, Bulk Hose, Window Washer Reservoir.....	954	Hose, Hose Kit, Seat Suspension for Premium Seat.....	982
Hose, Charge Air Cooler (Engine 6068HDW83).....	558	Hose, Hose Kit, Seat Suspension for Standard Seat.....	974
Hose, Cooling System (Engine 6068HDW80).....	556	Hose, Hose Kit, Third Function Boom to Coupler Hydraulic Lines Conversion Kit (Powerllet™).....	1400
Hose, Cooling System (Engine 6068HDW83).....	558	Hose, HVAC Module (- 681149).....	1016
Hose, Fast Fill Fuel System Conversion Kit.....	626	Hose, HVAC Module (681150 -).....	1018
Hose, Fast Fill Fuel Tank.....	628, 630	Hose, HVAC Module Lines and Control Cable (Heater Only) (- 681149).....	1020
Hose, Front Differential Lock.....	128	Hose, HVAC Module Lines and Control Cable (Heater Only) (681150 -).....	1022
Hose, Fuel System.....	616	Hose, Hydraulic Hose, 2-Lever Pilot Controller.....	1314
Hose, Fuel System, Severe Duty.....	618	Hose, Hydraulic Hose, 2-Lever Pilot Controller to Joystick Pilot Controller Conversion Kit.....	1322
Hose, Fuel Tank.....	620	Hose, Hydraulic Hose, 2-Lever to 3-Lever Pilot Controller Conversion Kit (Powerllet™).....	1326
Hose, Fuel-Fired Coolant Heater Kit.....	550	Hose, Hydraulic Hose, 2-Lever to 3-Lever Pilot Controller Conversion Kit (Z-Bar).....	1324
Hose, Grease Hose, Boom and Bucket Cylinder Pins and Bushings, Z-Bar.....	1422	Hose, Hydraulic Hose, 3-Lever Controller to Joystick with Auxiliary Control Lever Conversion Kit.....	1332
Hose, Heater.....	1006	Hose, Hydraulic Hose, 3-Lever Pilot Controller.....	1318
Hose, Hose Clamp, 2-Lever to 3-Lever Pilot Controller Conversion Kit (Powerllet™).....	1326	Hose, Hydraulic Hose, 3-Lever to 4-Lever Pilot Controller Conversion Kit (Powerllet™).....	1330
Hose, Hose Clamp, 3-Lever to 4-Lever Pilot Controller Conversion Kit (Powerllet™).....	1330	Hose, Hydraulic Hose, 3-Lever to 4-Lever Pilot Controller Conversion Kit (Z-Bar).....	1328
Hose, Hose Clamp, 4-Speed Transmission.....	218	Hose, Hydraulic Hose, 4-Lever Pilot Controller.....	1320
Hose, Hose Clamp, 5-Speed Transmission with Lockup Torque Converter.....	220	Hose, Hydraulic Hose, Axle Cooling and Filtration System (- XXXXXX).....	560
Hose, Hose Clamp, 8910 Exhaust Gas Recirculation.....	502	Hose, Hydraulic Hose, Axle Cooling and Filtration System (XXXXXX -).....	564
Hose, Hose Clamp, Air Intake System (Engine 6068HDW80).....	588	Hose, Hydraulic Hose, Axle Seal Grease Lines.....	742
Hose, Hose Clamp, Air Intake System (Engine 6068HDW83).....	592	Hose, Hydraulic Hose, Boom and Bucket Cylinder Hydraulics (Powerllet™) (2-Spool Control Valve).....	1386
Hose, Hose Clamp, Air Intake System with Air Pre-Cleaner (Engine 6068HDW80).....	590	Hose, Hydraulic Hose, Boom and Bucket Cylinder Hydraulics (Powerllet™) (3-Spool Control Valve).....	1388
Hose, Hose Clamp, Air Intake System with Air Pre-Cleaner (Engine 6068HDW83).....	594	Hose, Hydraulic Hose, Boom and Bucket Cylinder Hydraulics (Powerllet™) (4-Spool Control Valve).....	1390
Hose, Hose Clamp, Boom and Bucket Cylinder Hydraulics (Powerllet™) (2-Spool Control Valve).....	1386	Hose, Hydraulic Hose, Boom and Bucket Cylinder Hydraulics (Z-Bar) (2-Spool Control Valve).....	1380
Hose, Hose Clamp, Boom and Bucket Cylinder Hydraulics (Powerllet™) (3-Spool Control Valve).....	1388	Hose, Hydraulic Hose, Boom and Bucket Cylinder Hydraulics (Z-Bar) (3-Spool Control Valve).....	1382
Hose, Hose Clamp, Boom and Bucket Cylinder Hydraulics (Powerllet™) (4-Spool Control Valve).....	1390	Hose, Hydraulic Hose, Boom and Bucket Cylinder Hydraulics (Z-Bar) (4-Spool Control Valve).....	1384
Hose, Hose Clamp, Boom and Bucket Cylinder Hydraulics (Z-Bar) (2-Spool Control Valve).....	1380	Hose, Hydraulic Hose, Boom and Bucket Cylinder Pins and Bushings (Powerllet™).....	1416
Hose, Hose Clamp, Boom and Bucket Cylinder Hydraulics (Z-Bar) (3-Spool Control Valve).....	1382	Hose, Hydraulic Hose, Brake Accumulator.....	694
Hose, Hose Clamp, Boom and Bucket Cylinder Hydraulics (Z-Bar) (4-Spool Control Valve).....	1384		
Hose, Hose Clamp, Cooling System (Engine 6068HDW80).....	556		
Hose, Hose Clamp, Cooling System (Engine 6068HDW83).....	558		
Hose, Hose Clamp, Engine Mounts (Engine 6068HDW80).....	610		
Hose, Hose Clamp, Engine Mounts (Engine 6068HDW83).....	612		
Hose, Hose Clamp, Fuel System.....	616		
Hose, Hose Clamp, Fuel System, Severe Duty.....	618		
Hose, Hose Clamp, Fuel-Fired Coolant Heater Kit.....	550		
Hose, Hose Clamp, Heater Hoses.....	1006		
Hose, Hose Clamp, HVAC Module (- 681149).....	1016		
Hose, Hose Clamp, HVAC Module (681150 -).....	1018		
Hose, Hose Clamp, HVAC Module Lines and Control Cable (Heater Only) (- 681149).....	1020		
Hose, Hose Clamp, Hydraulic Oil Reservoir and Fittings.....	1162		
Hose, Hose Clamp, Joystick to Joystick and Auxiliary Control Lever Pilot Controller Conversion Kit (Powerllet™).....	1340		
Hose, Hose Clamp, Quick Fluid Service (Engine 6068HDW80).....	734		
Hose, Hose Clamp, Quick Fluid Service (Engine 6068HDW83).....	736		

Alphabetical Index - Continued

<i>Page</i>	<i>Page</i>		
Seat Base, Vinyl Seat.....	970	Sender, Radar Sensor, Automatic Axle Differential Lock Conversion Kit.....	136
Seat Belt, Cloth Seat.....	968	Sender, Radar Sensor, Rear Object Detection System.....	1104
Seat Belt, Premium Seat.....	976	Sender, Radar Sensor, Rear Object Detection System Kit.....	1106
Seat Belt, Premium Seat for Joystick Steering.....	978	Sender, Sensor, 169Z Fuel Injection System.....	426
Seat Belt, Vinyl Seat.....	970	Sender, Sensor, 16S4 Fuel Injection Pump.....	294
Seat Suspension for Premium Seat.....	982	Sender, Sensor, 65TD Turbocharger.....	486
Seat Suspension for Standard Seat.....	974	Sender, Sensor, 6721 Engine Sensors.....	490
Seat Suspension, Premium Seat.....	976	Sender, Sensor, 6744 Engine Sensors.....	358
Seat Suspension, Premium Seat for Joystick Steering.....	978	Sender, Sensor, 8169 Primary Fuel Filter.....	494
Seat, Air Spring Seat Kit, Seat Suspension for Premium Seat.....	982	Sender, Sensor, 81B5 Primary Fuel Filter.....	360
Seat, Air Spring Seat Kit, Seat Suspension for Standard Seat.....	974	Sender, Sensor, Air Intake System (Engine 6068HDW80).....	588
Seat, Cloth.....	968	Sender, Sensor, Air Intake System (Engine 6068HDW83).....	592
Seat, Cloth Seat.....	968	Sender, Sensor, Air Intake System with Air Pre-Cleaner (Engine 6068HDW80).....	590
Seat, Premium.....	976	Sender, Sensor, Air Intake System with Air Pre-Cleaner (Engine 6068HDW83).....	594
Seat, Premium for Joystick Steering.....	978	Sender, Sensor, Boom-Height Kick-Out / Return-to-Carry (Powerllel™).....	1438
Seat, Premium Seat.....	976	Sender, Sensor, Boom-Height Kick-Out / Return-to-Carry (Z-Bar).....	1436
Seat, Premium Seat for Joystick Steering.....	978	Sender, Sensor, Hydraulic Oil Reservoir and Fittings.....	1162
Seat, Seat Back, Premium Seat.....	976	Sender, Sensor, Primary Fuel Filter and Water Separator with Low Pressure Fuel Pump.....	622
Seat, Seat Back, Premium Seat for Joystick Steering.....	978	Sender, Sensor, Return-to-Dig (Powerllel™).....	1434
Seat, Seat Belt, Cloth Seat.....	968	Sender, Sensor, Return-to-Dig, Z-Bar.....	1432
Seat, Seat Belt, Premium Seat.....	976	Sender, Sensor, Severe Duty Fuel Filter Kit.....	624
Seat, Seat Belt, Premium Seat for Joystick Steering.....	978	Sender, Sensor, Transmission Speed Sensor.....	236
Seat, Seat Belt, Vinyl Seat.....	970	Sender, Temperature Sensor, 6721 Engine Sensors.....	490
Seat, Seat Kit, Deluxe Seat Service Kits.....	980	Sender, Temperature Sensor, 6744 Engine Sensors.....	358
Seat, Seat Kit, Premium Seat.....	976	Sensor Sender, Pressure Switch, Axle Cooling and Filtration System (- XXXXXX).....	560
Seat, Seat Kit, Premium Seat for Joystick Steering.....	978	Sensor Sender, Pressure Switch, Axle Cooling and Filtration System (XXXXXX -).....	564
Seat, Seat Kit, Standard Seat Service Kits.....	972	Sensor Sender, Pressure Switch, Differential Lock Filter and Lines (- XXXXXX).....	142
Seat, Seat Knob Kit, Deluxe Seat Service Kits.....	980	Sensor Sender, Pressure Switch, Differential Lock Filter and Lines (XXXXXX -).....	144
Seat, Seat Knob Kit, Standard Seat Service Kits.....	972	Sensor Sender, Pressure Switch, Hydraulic Oil Reservoir and Fittings.....	1162
Seat, Seat Shock Absorber Kit, Seat Suspension for Premium Seat.....	982	Sensor Sender, Pressure Switch, Main Hydraulic Pump Manifold.....	1150
Seat, Seat Shock Absorber Kit, Seat Suspension for Standard Seat.....	974	Sensor Sender, Pressure Switch, Rear Axle Filter and Lines.....	140
Seat, Seat Suspension Boot Kit, Seat Suspension for Premium Seat.....	982	Sensor Sender, Pressure Switch, Ride Control (Powerllel™).....	1350
Seat, Seat Suspension Boot Kit, Seat Suspension for Standard Seat.....	974	Sensor Sender, Pressure Switch, Ride Control Conversion Kit.....	1356
Seat, Seat Suspension, Cloth Seat.....	968	Sensor Sender, Pressure Switch, Ride Control, Z-Bar.....	1348
Seat, Seat Suspension, Premium Seat.....	976	Sensor Sender, Pressure Switch, Transmission Control Valve Manifold.....	244
Seat, Seat Suspension, Premium Seat for Joystick Steering.....	978	Sensor Sender, Push Switch, Cab Wiring Harness (- 669901).....	826
Seat, Seat Suspension, Seat Suspension for Premium Seat.....	982	Sensor Sender, Push Switch, Cab Wiring Harness (669902 -).....	828
Seat, Seat Suspension, Seat Suspension for Standard Seat.....	974	Sensor Sender, Push Switch, Dome Light Switch.....	798
Seat, Seat Suspension, Vinyl Seat.....	970	Sensor Sender, Push Switch, Engine Compartment Light.....	796
Seat, Valve Seat Insert, 5120 Cylinder Head with Valves.....	470	Sensor Sender, Push Switch, Joystick Handle without FNR Switch.....	1306
Seat, Valve Seat Insert, 5128 Cylinder Head with Valves.....	340	Sensor Sender, Push Switch, Joystick Steering Controller (JSC).....	656
Seat, Vinyl.....	970	Sensor Sender, Push Switch, Left Armrest for Joystick Steering.....	658
Seat, Vinyl Seat.....	970	Sensor Sender, Push Switch, Left Armrest Kit.....	660
Second Gear Clutch Assembly.....	264	Sensor Sender, Push Switch, Right-hand Joystick Handle with FNR Switch.....	1308
Secondary Steering System (654411 -).....	636	Sensor Sender, Switch, 2-Lever Fingertip Pilot Controller Components.....	1316
Secondary Steering System Caution Label.....	640	Sensor Sender, Switch, 2-Lever Pilot Controller to Joystick Pilot Controller Conversion Kit.....	1322
Secondary Steering Valve.....	638	Sensor Sender, Switch, 3041 Starter Motor.....	314, 444
Section, Control Valve Auxiliary (569075 -).....	1286	Sensor Sender, Switch, Auxiliary Single Lever Controller.....	1310
Section, Control Valve Boom.....	1290	Sensor Sender, Switch, Batteries.....	760
Section, Control Valve Bucket.....	1288	Sensor Sender, Switch, Differential Lock Switch.....	132
Section, Control Valve Outlet.....	1292	Sensor Sender, Switch, Electric Fifth Function.....	1294
SECTION, VALVE, INLET, WITH RELIEF VALVE.....	1284	Sensor Sender, Switch, HVAC Module (- 681149).....	1016
Sediment Bowl, Fuel Filter-8169-6068HDW80-RE536782.....	494	Sensor Sender, Switch, HVAC Module (681150 -).....	1018
Segments, Bucket.....	1186	Sensor Sender, Switch, HVAC Module Lines and Control Cable (Heater Only) (- 681149).....	1020
Segments, Bucket, Conversion Kit.....	1188	Sensor Sender, Switch, HVAC Module Lines and Control Cable (Heater Only) (681150 -).....	1022
Sender, Chemical Sensor, Fuel System, Severe Duty.....	618	Sensor Sender, Switch, Joystick Steering Controller (JSC).....	656
Sender, Chemical Sensor, Severe Duty Fuel Filter Kit.....	624	Sensor Sender, Switch, Joystick Steering System Pilot Controller.....	678
Sender, Coolant Temperature Sensor, Axle Cooling and Filtration System (- XXXXXX).....	560	Sensor Sender, Switch, Joystick to 2-Lever Controller Conversion Kit.....	1336
Sender, Coolant Temperature Sensor, Axle Cooling and Filtration System (XXXXXX -).....	564	Sensor Sender, Switch, Joystick with Auxiliary Lever to 3-Lever Controller Conversion Kit.....	1338
Sender, Coolant Temperature Sensor, Axle Temperature Sensor.....	148	Sensor Sender, Switch, Premium Seat.....	976
Sender, Coolant Temperature Sensor, Axle Temperature Sensor Gauge Kit.....	150	Sensor Sender, Switch, Premium Seat for Joystick Steering.....	978
Sender, Coolant Temperature Sensor, Differential Lock Filter and Lines (- XXXXXX).....	142	Sensor Sender, Switch, Right-hand Joystick Handle with FNR Switch.....	1308
Sender, Coolant Temperature Sensor, Differential Lock Filter and Lines (XXXXXX -).....	144	Sensor Sender, Switch, Steering Column.....	646
Sender, Coolant Temperature Sensor, Rear Axle Filter and Lines.....	140		
Sender, Fuel.....	616		
Sender, Fuel - Severe Duty Fuel System.....	618		
Sender, Fuel Temperature Sensor, 169Z Fuel Injection System.....	426		
Sender, Fuel Temperature Sensor, 16S4 Fuel Injection Pump.....	294		
Sender, Manifold Air Press. Sensor, 6721 Engine Sensors.....	490		
Sender, Pressure Sensor, Brake Accumulator.....	694		
Sender, Pressure Sensor, Main Hydraulic Pump Manifold.....	1150		
Sender, Pressure Sensor, Secondary Steering System (654411 -).....	636		
Sender, Radar Sensor, Automatic Axle Differential Lock.....	134		

01 Wheels, Tires and Tracks
0110 Powered Wheels, Tires & Fastenings

Key	Part No.	Part Name	Qty.	Serial No.	Remarks
1	AT377553	Wheel	1		25" x 19.5"
2	R29480	O-Ring	1		569.925 X 9.779 mm (22-7/16" X 0.385")
3	T55258	Wheel Ring	1		
4	T224564	Wheel Ring	1		
5	T168523	Key	1		
6	AT335172	Tire Valve Stem	1		
7	T387275	Ring	1		SUB FOR T213146
8	24M7242	Washer	14		21.400 X 42 X 5 mm, SUB FOR T151797
9	19M8224	Cap Screw	14		M20 X 60

02 Axles, Differentials & Suspension Systems
0201 Drive Axle Hsg & Support (Inc. Final Drives)

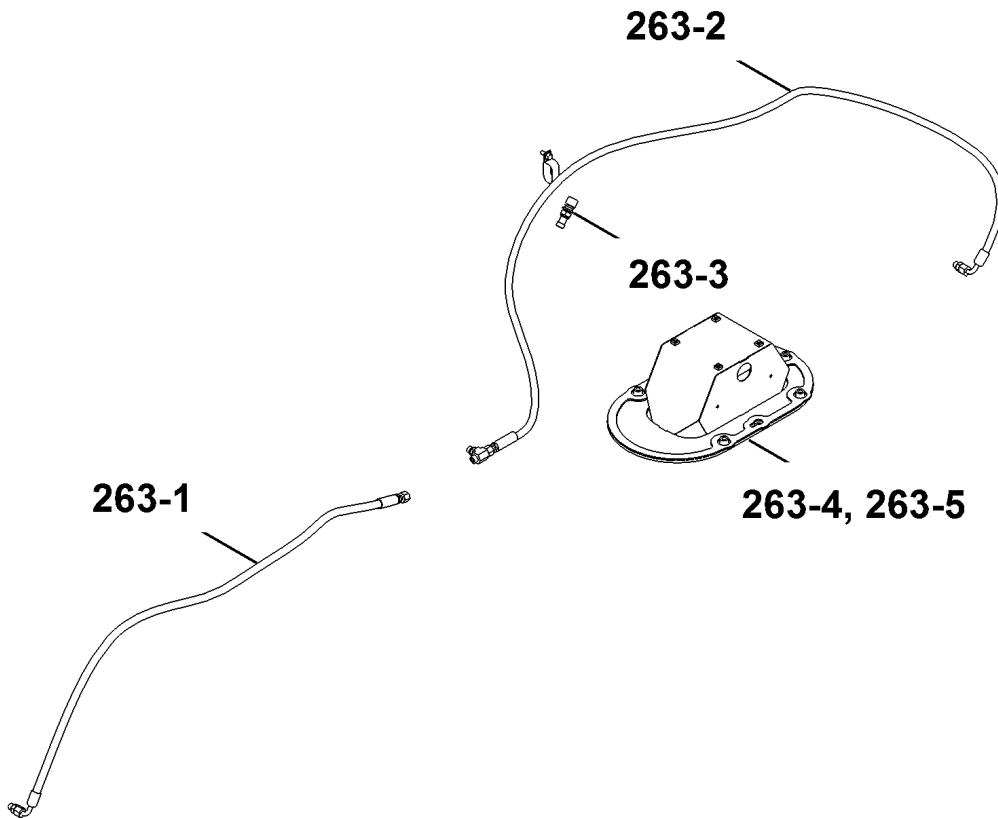
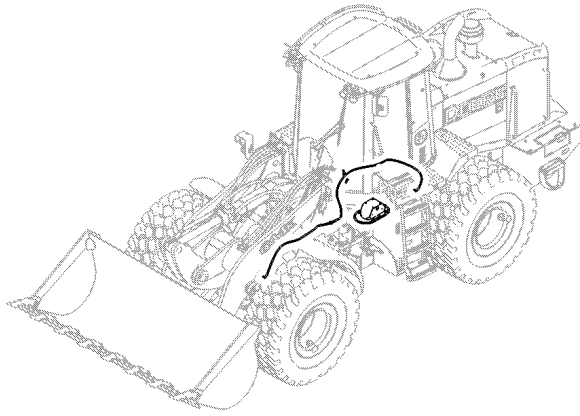
Key	Part No.	Part Name	Qty.	Serial No.	Remarks
1	AT412238	Rear Axle	1		MARKED YZ19840
	RM100102	Rear Axle Reman	1		REMAN FOR AT412238
2	15H511	Pipe Bushing	1		1/8"
3	N199909	Adapter Fitting	1		Bleeder Valve
4	R375R	O-Ring	1		15.545 X 2.616 mm (0.612" X 0.103")
5	R21612	Bleed Valve	1		
6	R100122	Cap	1		
7	T75276	Clamp	1		
8	T56112	Elbow Fitting	1		
9	AT207023	Hydraulic Hose	1		
10	15H84	Coupling	1		1/8"
11	AT208411	Pressure Relief Valve	1		
12	19M7865	Screw	1		M8 X 16

Functional Group Pictorial Index
 Index d'illustrations par groupes de fonctions
 Иллюстрированный указатель функциональной группы
 Índice de ilustraciones por grupos

TX1154613 A.1

1-	128
2-	130
3-	132
4-	134
5-	136

263



TX1154613

02 Axles, Differentials & Suspension Systems
0264 Final Drive Filter, Cooler and Aux. Reservoir

Key	Part No.	Part Name	Qty.	Serial No.	Remarks
1	AT441691	Support	1		
2	34M7250	Spring Pin	1		10 X 20 mm
3	AT441901	Filter	1		Axle Cooling
4	AT417999	Filter Head	1		
	AT349964	Pressure Switch	1		
	12M7060	Washer	1		5.300 mm
	14H778	Nut	1		0.190"
	T70177	O-Ring	1		
5	AH128449	Hydraulic Filter	1		
6	T278328	Tee Fitting	1		
7	T77857	O-Ring	1		12.421 X 1.778 mm (0.489" X 0.070")
8	U12547	O-Ring	1		23.470 X 2.946 mm (0.924" X 0.116")
9	RE537637	Coolant Temperature Sensor	1		
10	AT428356	Hydraulic Hose	1		Rear Cooler to Filter, Fabricate
11	AT428362	Hydraulic Hose	1		Axle Cooling Filter to Axle Circulation Pump, Fabricate
12	19M7785	Screw	4		M10 X 25
13	19M7835	Screw	4		M10 X 35
14	38H1413	Elbow Fitting	1		
15	T77613	O-Ring	1		9.250 X 1.780 mm (0.364" X 0.070")
16	U12547	O-Ring	1		23.470 X 2.946 mm (0.924" X 0.116")

02B Front Axle with Differential Lock - 1400 Series TeamMate™ V YZ19839-YZ19839
0200B Front Axle with Differential Lock - 1400 Series TeamMate™ V YZ19839

Key	Part No.	Part Name	Qty.	Serial No.	Remarks
1	YZ123359	Housing	1		MARKED YZ122521; SUB FOR YZ121516
2	YZ121530	Bearing Cup	1		
3	YZ122235	Bearing Cup	1		
4	YZ121529	Bearing Cone	1		
5	YZ120453	Seal	1		
6	YZ121495	Half Axle	1		MARKED YZ120324
7	R52389	Washer	1		
8	YZ121220	Dipstick	1		
9	R59439	Shim	6		0.127 mm
10	R59440	Shim	2		0.51 mm
11	R61461	Shim	2		0.076 mm
12	R79989	Shim	2		0.178 mm
13	F2380R	Washer	1		
14	RE58664	Fitting	1		INCLUDES R84262 AND F3171R; ORDER R27175 AND F3171R
	R84262	Fitting Plug	1		
	F3171R	O-Ring	1		
	R27175	Drain Plug	1		
15	15H558	Pipe Plug	1		1/8"
16	YZ122255	Bearing Cone	1		

02C Rear Axle with Standard Differential - 1400 Series TeamMate™ V YZ19840-YZ19840
0200C Rear Axle with Standard Differential - 1400 Series TeamMate™ V YZ19840

Key	Part No.	Part Name	Qty.	Serial No.	Remarks
1	YZ120642	Bevel Gear	1		MARKED R165472 AND YZ120641; ALSO ORDER YZ120167
	YZ120167	Washer	1		

02C Rear Axle with Standard Differential - 1400 Series TeamMate™ V YZ19840-YZ19840
0200C Rear Axle with Standard Differential - 1400 Series TeamMate™ V YZ19840

<i>Key</i>	<i>Part No.</i>	<i>Part Name</i>	<i>Qty.</i>	<i>Serial No.</i>	<i>Remarks</i>
1	DZ101246	Case	1		SUB FOR YZ122912
2	R375R	O-Ring	4		
3	R84262	Fitting Plug	2		
4	R54380	Dowel Pin	6		
5	R26448	O-Ring	2		
6	R27218	Fitting Plug	2		
7	U17409	O-Ring	2		
8	T78662	Drain Plug	1		
9	R33138	Fitting	1		
10	R26375	O-Ring	1		
11	R112210	Adapter Fitting	1		
12	F3171R	O-Ring	2		
13	15H563	Pipe Plug	1		3/8", SUB FOR R116373
14	R132574	Structural Tube	1		

02D Rear Axle with Differential Lock - 1400 Series TeamMate™ V YZ19841-YZ19841
0200D Rear Axle with Differential Lock - 1400 Series TeamMate™ V YZ19841

Key	Part No.	Part Name	Qty.	Serial No.	Remarks
1	YZ120913	Housing	1		SUB FOR YZ120859 5/16" X 1-1/8"
2	34H328	Spring Pin	3		
3	YZ120398	Compression Spring	3		
4	400R	Ball	2		
5	R34858	Clutch Plate	5		
6	YZ121809	Clutch Disk	5		
7	R34857	Clutch Plate	1		
8	R60038	Packing	2		
9	R95116	Piston	1		
10	34M7224	Spring Pin	1		8 X 26 mm
11	R116214	Screw	12		
12	R93623	Thrust Washer	2		
13	YZ121134	Bevel Gear	1		
14	R70111	Pinion Shaft	2		
15	YZ120471	Ring	4		
16	R70113	Thrust Washer	4		ALSO ORDER R70115
17	R134726	Pinion	1		
18	R70115	Needle Roller	26		
19	R70112	Thrust Washer	4		
20	R59460	Thrust Washer	4		
21	34H348	Spring Pin	1		3/8" X 1", SUB FOR 34H171
22	YZ120503	Housing	1		ORDER YZ120690; ALSO ORDER 34H348
	YZ120690	Housing	1		
23	H871R	Ball	2		
24	24H1111	Washer	8		17/32" X 1-1/16" X 0.090" 1/2" X 3-1/2"
25	19H2668	Cap Screw	8		
26	YZ121133	Bevel Gear	1		
27	R34513	Ring	2		
28	YZ122227	Bearing Cone	1		
29	YZ122371	Bearing Cone	1		
30	YZ120389	Bearing Housing W/O Bearing	1		
31	YZ122370	Bearing Cup	1		
32	YZ120507	Bearing Housing W/O Bearing	1		
33	YZ122231	Bearing Cup	1		
34	T77814	O-Ring	1		
35	R120194	Cap Screw	12		
36	R46323	Shim	2		0.0008 mm
37	R46324	Shim	4		0.13 mm
38	R46325	Shim	4		0.25 mm
39	14M7275	Nut	2		M12, SUB FOR 14M7295
40	R85226	Washer	18		
41	19H3718	Cap Screw	18		5/8" X 1-3/8"
42	R115176	Adapter Fitting	1		
43	YZ122723	Oil Line	1		
44	R112210	Adapter Fitting	1		
45	U17409	O-Ring	1		
46	R132574	Structural Tube	1		
47	R116373	Pipe Plug	1		
48	R26287	O-Ring	2		

Key	Part No.	Part Name	Qty.	Serial No.	Remarks
1	AT220954	Universal Driveshaft	1		Engine
2	AT207330	Universal Joint	2		
3	JD7759	Lubrication Fitting	1		
4	AT338374	Universal Driveshaft	1		Rear Axle
5	AT225137	Universal Joint	2		
6	JD7759	Lubrication Fitting	1		
7	AT225254	Universal Driveshaft	1		Articulation
8	AT225137	Universal Joint	2		
9	JD7759	Lubrication Fitting	1		
10	AT225252	Universal Driveshaft	1		Front Axle
11	AT225137	Universal Joint	2		
12	19M7788	Screw	4		M12 X 25
13	T203475	Clamp	2		
14	T203486	Clamp	12		
15	R85169	Screw	28		9.525 X 19.050 mm (3/8" X 3/4")

Key	Part No.	Part Name	Qty.	Transmission Serial No.	Remarks
1	14M7274	Nut	12		M10
2	19M7179	Cap Screw	12		M10 X 50
3	19M7742	Cap Screw	18		M10 X 65
4	19M8397	Cap Screw	2		M8 X 50
5	T116516	Spacer	1		
6	T174386	Diaphragm	1		
7	T174407	Cap Screw	16		
8	T179276	Housing	1		
9	T195240	Housing	1		
10	T195242	Ball Bearing	1		ORDER T407907
	T407907	Ball Bearing	1		
11	T195243	Snap Ring	1		
12	T242406	Shaft	1		
13	AT357957	Converter	1		
	PG200412	Torque Converter Reman	1		REMAN FOR AT357957
14	T171730	Universal Joint Yoke	1		
15	T196792	Screen	1		

Key	Part No.	Part Name	Qty.	Transmission Serial No.	Remarks
1	19M7329	Cap Screw	10		M10 X 75
2	T225898	Oil Pump	1		SUB FOR AT354192
3	T173399	Seal	1		
4	T174239	O-Ring	10		
5	T174240	O-Ring	1		SUB FOR T242466

<i>Key</i>	<i>Part No.</i>	<i>Part Name</i>	<i>Qty.</i>	<i>Serial No.</i>	<i>Remarks</i>
1	T173145	Plate	1		
2	T173146	Washer	1		
3	T176526	Flow Control Hyd. Valve	1		Transmission Minimum Pressure Valve
4	T176527	Piston	1		Torque Converter Relief Valve
5	T176528	Compression Spring	1		

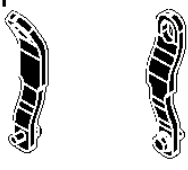





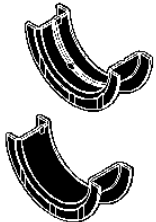
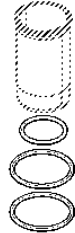



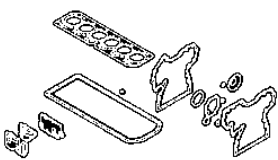

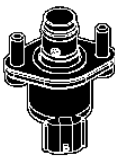
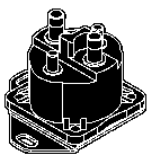
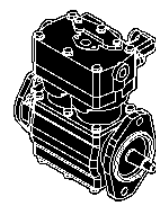
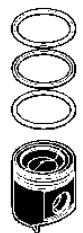
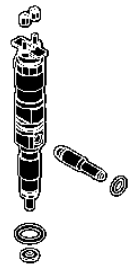
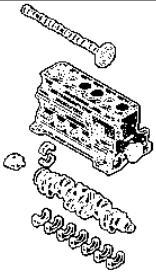
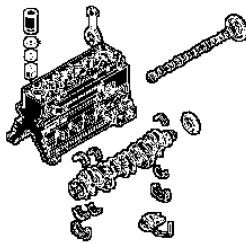
Key	Part No.	Part Name	Qty.	Transmission Serial No.	Remarks
1	T171153	Stud	1		
2	T172104	Disk	2		
3	T172115	Piston Ring	2		
4	T172129	Thrust Bearing	2		
5	T172130	Thrust Washer	2		
6	T181873	Snap Ring	AR		2.4 mm
	T181874	Snap Ring	AR		2.7 mm
	T181875	Snap Ring	AR		3.0 mm
	T181876	Snap Ring	AR		3.3 mm
	T172247	Snap Ring	AR		3.6 mm
	T172251	Snap Ring	AR		4.2 mm
8	T173636	Disk With Outer Spline	1		
9	T173637	Disk With Outer Spline	7		
10	T173638	Disk With Inner Spline	7		
11	T294876	Solid Shim	1		SUB FOR T173639
12	T173806	Idler	1		
13	T173839	Disk Spring	7		
14	T310105	Bearing	1		SUB FOR T173847, Important - High Tolerance Bearing Required in this Location. Use ONLY John Deere Parts Sourced Bearings.
15	T310104	Bearing	1		SUB FOR T173849, Important - High Tolerance Bearing Required in this Location. Use ONLY John Deere Parts Sourced Bearings.
16	T173853	Piston	1		
17	T294887	Shaft	1		SUB FOR T173858
18	T173958	O-Ring	1		
19	T173960	O-Ring	1		
20	T179594	Needle Bearing	1		
25	T242449	Snap Ring	1		
26	T242453	Clutch	1		
30	AT357960	Clutch Kit	1		

Sectional Pictorial Index
 Index d'illustrations par sections.
 Иллюстрированный указатель секции
 Índice de ilustraciones por secciones

RGP13529 A.2

6068HDW83

9801-	504
9901A-	528
9901B-	372
9901C-	374
9901D-	376
9901E-	378
9901F-	534
9901G-	506
9901H-	384
9901I-	386
9901J-	388
9901K-	390
9901L-	392
9901M-	394
9901N-	395
9901O-	508
9901Q-	398
9901R-	400
9901S-	402
9901U-	404

<p>9801</p> 	<p>9901A</p> 	<p>9901B</p> 	<p>9901C</p> 
<p>9901D</p> 	<p>9901E</p> 	<p>9901F</p> 	<p>9901G</p> 
<p>9901H</p> 	<p>9901I</p> 	<p>9901J</p> 	<p>9901K, 9901L</p> 
<p>9901M</p> 	<p>9901N</p> 	<p>9901O, 9901R</p> 	<p>9901P</p> 
<p>9901Q</p> 	<p>9901S</p> 	<p>9901T</p> 	<p>9901U</p> 

RGP13529

Key	Part No.	Part Name	Qty.	Engine Serial No.	Remarks
1	RE509093	Wiring Harness	1		
2	19M7775	Screw	2		M6 X 16
3	RE572088	Control Valve	1		ORDER DZ111138
	DZ111138	Control Valve	1		USE WITH RE572040
4	RE67238	Screw	1		
5	DZ105731	Fuel Line	2		Cylinder 1 and 2, ORDER DZ113894; SUB FOR RE534166
	DZ113894	Fuel Line	2		Cylinder 1 and 2
6	R515044	Fitting	6		
7	DZ105732	Fuel Line	2		Cylinder 3 and 4, ORDER DZ113896; SUB FOR RE534167
	DZ113896	Fuel Line	2		Cylinder 3 and 4
8	DZ105733	Fuel Line	2		Cylinder 5 and 6, ORDER DZ113897; SUB FOR RE534168
	DZ113897	Fuel Line	2		Cylinder 5 and 6
9	DZ100220	Nozzle Kit	6		SUB FOR RE534111
	SE501933	Injection Nozzle Reman	1		REMAN FOR RE534111 OR DZ100220
10	R134920	Nut	12		
11	RE522594	Tube	6		Side Feed
12	R65397	O-Ring	6		
13	R505452	O-Ring	6		
14	DZ104942	Fuel Line	1		ORDER DZ113898; SUB FOR RE534188
	DZ113898	Fuel Line	1		
15	RE520928	Rail	1		ORDER RE522596
	RE522596	Rail	1		Common
16	RE516335	Pressure Relief Valve	1		
17	R515454	Shim	7		Pressure Limiter
18	RE515636	Restrictor	6		Flow Limiter
19	RE520930	Sensor	1		Fuel Rail Pressure
20	R525997	Bracket	1		
21	19M7785	Screw	2		M10 X 25
22	DZ104941	Fuel Line	1		SUB FOR RE534189
23	R522417	Clamp	6		SUB FOR R518345
24	RE546120	Fuel Injection Pump	1		SUB FOR RE533508; ORDER RE572040
	RE572040	Fuel Injection Pump	1		
	SE501917	Fuel Injection Pump Reman	1		REMAN FOR RE546120
25	RE528096	Screw With Washer	6		SUB FOR APPL R504781
26	RE524528	Filter Kit	1		Inlet
27	RE516336	Fuel Temperature Sensor	1		
28	R524234	O-Ring	1		
29	19M8024	Screw	1		M8 X 30
30	19M7868	Screw	2		M8 X 30
31	14M7298	Flange Nut	2		M8
32	R516125	O-Ring	1		
33	RE517370	Fitting	1		
34	51M7044	O-Ring	1		17.300 X 2.200 mm
35	R131051	Washer	6		SUB FOR APPL R515535
36	R525970	Adapter	1		
37	R116031	O-Ring	1		
38	R55453	O-Ring	1		
39	R526013	Helical Gear	1		Z = 30
40	R91360	Nut	1		
41	R529168	Stud	3		SUB FOR R521159
42	DZ105071	Suction Control Valve	1		ORDER DZ111141; SUB FOR RE534733
	DZ111141	Suction Control Valve	1		USE WITH RE546120

<i>Key</i>	<i>Part No.</i>	<i>Part Name</i>	<i>Qty.</i>	<i>Engine Serial No.</i>	<i>Remarks</i>
1	RE565310	Plug	1		
2	R123616	Plug	1		
3	U13639	O-Ring	1		
4	RE46685	Fitting Plug	1		
5	51M7043	O-Ring	1		15.300 X 2.200 mm

Key	Part No.	Part Name	Qty.	Engine Serial No.	Remarks
1	AT323961	Adapter Fitting	1		
2	51M7040	O-Ring	1		9.300 X 2.200 mm
3	RE46684	Fitting Plug	3		
4	51M7041	O-Ring	3		11.300 X 2.200 mm
5	19M7786	Screw	1		M10 X 30
6	19M7810	Screw	2		M10 X 80
7	R524482	Housing	1		MARKED R522776
8	R123226	Seal	2		
9	R128415	Clamp	2		USE WITH AT323961
	R123324	Clamp	1		USE WITH RE46716
10	R519517	Tube	1		Water Pump Bypass
11	R519025	Tube	1		Water Pump Bypass
12	R505479	Gasket	1		
13	R505480	Gasket	2		
14	19M7785	Screw	3		M10 X 25
15	R504754	Manifold	1		Coolant Outlet
16	RE523250	Tube	1		
17	R63185	O-Ring	4		
18	19M8528	Screw	1		M10 X 55
19	R519737	Manifold	1		Coolant Outlet
20	RE516026	Tube	1		
21	RE52242	Drain Plug	1		
22	51M7042	O-Ring	1		13.300 X 2.200 mm
23	RE46716	Fitting	1		ORDER RE52242

Key	Part No.	Part Name	Qty.	Engine Serial No.	Remarks
1	RE528950	Camshaft	1		MARKED R518861
	SE501812	Camshaft Reman	1		REMAN FOR RE528950
2	R133303	Shaft Key	1		
3	R132518	Plate	1		Thrust
4	19M8999	Screw	2		M8 X 25
5	DZ101670	Cam Follower	12		SUB FOR APPL R123565
6	DZ111102	Push Rod	12		SUB FOR RE556544 OR RE547909 OR RE566623 OR R504209
7	R541677	Valve Bridge	12		SUB FOR R502341
8	R524496	Gasket	1		SUB FOR R504882
9	DZ107828	Housing	1		Carrier, MARKED DZ107829
10	R520867	O-Ring	1		
11	30M7004	Plug	2		
12	RE523032	Cap	1		MARKED R518810
13	R69281	Ball	1		
14	19M8966	Screw	1		M10 X 50
15	RE516491	Rocker Arm Shaft	1		INCLUDES (2) 30M7004
16	R516140	Strap	5		SUB FOR APPL R518811
17	R521458	Screw	7		
18	RE539912	Screw	1		M8 X 50, SUB FOR 19M9170
19	R504631	Clamp	1		
20	24M7096	Washer	2		10.500 X 18 X 1.600 mm
21	DZ102746	Rocker Arm	6		Exhaust, MARKED DZ102821; SUB FOR RE504210
22	14M7148	Nut	12		M10
23	R505543	Spring	6		
24	DZ102744	Rocker Arm	6		Intake, MARKED DZ102820; SUB FOR RE523023
25	RE533148	Rocker Arm Shaft	1		ORDER INDIVIDUAL PARTS, Not Illustrated, Kit, SUB FOR RE521605

Key	Part No.	Part Name	Qty.	Engine Serial No.	Remarks
1	CD14689	Spacer	1		SUB FOR APPL 28H860 M8 X 60 M10 X 90
2	19M7801	Screw	1		
3	19M8183	Cap Screw	1		
4	24M7106	Washer	1		10 X 18 X 2.500 mm
5	RE548027	Belt Tensioner	1		
6	R518210	Spacer	1		
7	19M8131	Screw	1		M10 X 70, USE WITH RE70536 ORDER RE548027 ORDER RE548027
8	RE518097	Belt Tensioner	1		
9	RE70536	Belt Tensioner	1		

<i>Key</i>	<i>Part No.</i>	<i>Part Name</i>	<i>Qty.</i>	<i>Engine Serial No.</i>	<i>Remarks</i>
1	RE65911	Bearing Kit	1		0.254 mm; US, Main, Kit, R130576 AND R130577

<i>Key</i>	<i>Part No.</i>	<i>Part Name</i>	<i>Qty.</i>	<i>Engine Serial No.</i>	<i>Remarks</i>
1	RE527832	Gasket Kit	1		

<i>Key</i>	<i>Part No.</i>	<i>Part Name</i>	<i>Qty.</i>	<i>Engine Serial No.</i>	<i>Remarks</i>
1	RE535505	Short Block Assembly	1		

<i>Key</i>	<i>Part No.</i>	<i>Part Name</i>	<i>Qty.</i>	<i>Engine Serial No.</i>	<i>Remarks</i>
1	RE508578	Pulley	1		
2	R517237	Bushing	1		
3	R516648	Cap Screw	1		

<i>Key</i>	<i>Part No.</i>	<i>Part Name</i>	<i>Qty.</i>	<i>Engine Serial No.</i>	<i>Remarks</i>
1	R519491	Cover	1		
2	19M7786	Screw	3		M10 X 30

Key	Part No.	Part Name	Qty.	Engine Serial No.	Remarks
1	Plate	1		
2	R520139	Stud	7		SUB FOR R504282 OR R537772
3	R134518	Stud	2		SUB FOR APPL R123584
4	R534219	Thrust Washer	2		
5	R534218	Shaft	1		Upper Idler Gear
6	RE508489	Gear	1		Z = 60, Upper Idler
7	19M10876	Screw	2		M10 X 55, SUB FOR APPL 19M8844 OR 19M7807
8	R515408	Dowel Pin	1		
9	R136475	Screw	5		
10	19M8966	Screw	1		M10 X 50
11	R131283	Thrust Washer	1		
12	RE56369	Gear	1		Z = 43, Lower Idler
13	R114193	Bushing	1		
14	R114194	Shaft	1		Lower Idler Gear
15	R101225	Thrust Washer	1		
16	R504843	Shaft	1		ORDER R534218
17	R515494	Thrust Washer	2		ORDER R534219

Key	Part No.	Part Name	Qty.	Engine Serial No.	Remarks
1	RE505921	Crankshaft	1		MARKED R503470; ALSO ORDER RE537070 AND RE537071
2	SE501655 R505609	Crankshaft Reman Shaft Key	1 1		With Bearings, REMAN FOR RE505921 LGTH = 18.5 mm
3	R120631	Gear	1		Z = 30
4	R48685	Dowel Pin	1		SUB FOR A120R
5	R135918	Bolt	6		
6	RE65165 RE65911	Bearing Kit Bearing	6 AR		STD, Kit, R123561 AND R123562 US = 0.254 mm, Kit, R130576 AND R130577
7	RE65168	Bearing Kit	1		STD, Kit, R123564 AND R123563
	RE65912	Thrust Bearing	AR		US = 0.254 mm, Kit, R130574 AND R130575

<i>Key</i>	<i>Part No.</i>	<i>Part Name</i>	<i>Qty.</i>	<i>Engine Serial No.</i>	<i>Remarks</i>
1	R89944	O-Ring	1		
2	R522686	Elbow Fitting	1		MARKED R522686
3	19M7867	Screw	1		M8 X 25
4	19M7802	Screw	1		M8 X 65
5	U17409	O-Ring	1		
6	R82718	Drain Plug	1		

Key	Part No.	Part Name	Qty.	Engine Serial No.	Remarks
1	51M7041	O-Ring	1		11.300 X 2.200 mm
2	RE52722	Temperature Sensor	1		Coolant Temperature Sensor
3	RE519144	Sensor	1		Crankshaft Speed Sensor
4	51M7044	O-Ring	2		17.300 X 2.200 mm
5	R517471	Wheel	1		
6	RE167207	Sensor	1		Engine Oil Pressure Sensor
7	RE522824	Temperature Sensor	1		Exhaust Gas Recirculation
8	RE522823	Temperature Sensor	2		Air Temperature Sensor
9	RE522723	Manifold Air Press. Sensor	1		Manifold Air Pressure Sensor
10	RE522794	Sensor	1		Fuel Pressure Sensor
11	RE523854	Adapter Fitting	1		
12	51M7040	O-Ring	1		9.300 X 2.200 mm
13	RE519144	Sensor	1		Camshaft Position Sensor

<i>Key</i>	<i>Part No.</i>	<i>Part Name</i>	<i>Qty.</i>	<i>Engine Serial No.</i>	<i>Remarks</i>
1	19M7788	Screw	2		M12 X 25
2	R502329	Strap	1		Rear
3	R502175	Strap	1		Front

<i>Key</i>	<i>Part No.</i>	<i>Part Name</i>	<i>Qty.</i>	<i>Engine Serial No.</i>	<i>Remarks</i>
1	RE527833	Gasket Kit	1		Major Overhaul, 4V, 6CY, T3

<i>Key</i>	<i>Part No.</i>	<i>Part Name</i>	<i>Qty.</i>	<i>Engine Serial No.</i>	<i>Remarks</i>
1	RE65911	Bearing Kit	1		0.254 mm; US, Main, Kit, R130576 AND R130577

<i>Key</i>	<i>Part No.</i>	<i>Part Name</i>	<i>Qty.</i>	<i>Serial No.</i>	<i>Remarks</i>
1	R54123	Adapter Fitting	1		
2	U13639	O-Ring	1		
3	RE524676	Heating Element	1		110 V
4	R206883	Washer	1		
5	AR50411	Power Cord	1		

Key	Part No.	Part Name	Qty.	Serial No.	Remarks
1	AT330592	Oil Cooler	1		
2	AT330678	Bracket	1		
3	24M7296	Washer	8		10.500 X 30 X 2.500 mm
4	19M7786	Screw	6		M10 X 30
5	AT330606	Bracket	1		
6	19M7835	Screw	4		M10 X 35
7	AT220925	Oil Filter	2		
8	U12547	O-Ring	2		23.470 X 2.946 mm (0.924" X 0.116")
9	38H1005	Elbow Fitting	4		
10	R26375	O-Ring	4		16.358 X 2.210 mm (0.644" X 0.087")
11	T77857	O-Ring	4		12.421 X 1.778 mm (0.489" X 0.070")
12	38H1031	Tee Fitting	2		
13	T77857	O-Ring	4		12.421 X 1.778 mm (0.489" X 0.070")
14	AT312932	Fitting	2		
15	AT371083	Hydraulic Hose	1		Fabricate
16	T218003	Label	2		Axle Oil
17	T77857	O-Ring	4		12.421 X 1.778 mm (0.489" X 0.070")
18	Oil Pump	1		NLA, FURNISH AT318789, AT324290 AND AT346051
	AT318789	Seal Kit	1		
	AT324290	Oil Pump	1		Fan Drive
	AT346051	Oil Pump	1		Axle Circulation Pump
19	62H1012	Adapter Fitting	1		
20	R26375	O-Ring	1		16.358 X 2.210 mm (0.644" X 0.087")
21	T238029	Adjusting Strap	1		
22	AT441689	Support	1		
23	34M7250	Spring Pin	1		10 X 20 mm
24	AT441901	Filter	1		
25	AT417999	Filter Head	1		INCLUDES AT349964
	AT349964	Pressure Switch	1		INCLUDES 12M7060, (2) 14H778 AND T70177
	12M7060	Washer	1		5.300 mm
	14H778	Nut	2		0.190"
	T70177	O-Ring	1		
26	AH128449	Hydraulic Filter	1		
27	T257177	Bushing	2		
28	38H1004	Elbow Fitting	1		
29	R26448	O-Ring	1		11.887 X 1.981 mm (0.468" X 5/64")
30	T77613	O-Ring	1		9.250 X 1.780 mm (0.364" X 0.070")
31	AT428346	Hydraulic Hose	1		Fabricate
32	38H1174	Adapter Fitting	2		
33	T77857	O-Ring	2		12.421 X 1.778 mm (0.489" X 0.070")
34	R26906	O-Ring	2		19.177 X 2.464 mm (0.755" X 0.097")
35	62H1011	Adapter Fitting	1		
36	R26448	O-Ring	1		11.887 X 1.981 mm (0.468" X 5/64")
37	AT417241	Valve	1		Differential Lock, INCLUDES AT351888 AND AT417484
	AT351888	Solenoid Valve	1		INLCUDES AT324909, AT423342 AND T225291
	AT324909	Seal Kit	1		
	AT423342	Solenoid Valve Coil	1		
	T225291	Nut	1		
	AT417484	Pressure Relief Valve	1		INLCUDES AT316676
	AT316676	Seal Kit	1		
38	AT428033	Hydraulic Hose	1		SUB FOR AT428341, Fabricate
39	AT428345	Hydraulic Hose	1		Fabricate
40	AT428342	Hydraulic Hose	1		Fabricate
41	AT428343	Hydraulic Hose	1		Front Cooler to Filter, Fabricate
42	38H1175	Adapter Fitting	1		
43	T77857	O-Ring	1		12.421 X 1.778 mm (0.489" X 0.070")
44	U12547	O-Ring	1		23.470 X 2.946 mm (0.924" X 0.116")
45	38H1171	Adapter Fitting	1		
46	T77613	O-Ring	1		9.250 X 1.780 mm (0.364" X 0.070")
47	R26375	O-Ring	1		16.358 X 2.210 mm (0.644" X 0.087")
48	61H1068	Adapter Fitting	1		
49	38H1068	Adapter Fitting	1		
50	R26375	O-Ring	1		16.358 X 2.210 mm (0.644" X 0.087")
51	38H1010	Elbow Fitting	1		
52	T77613	O-Ring	1		9.250 X 1.780 mm (0.364" X 0.070")
53	R26375	O-Ring	1		16.358 X 2.210 mm (0.644" X 0.087")
54	38H1046	Elbow Fitting	1		
55	T77857	O-Ring	1		12.421 X 1.778 mm (0.489" X 0.070")
56	R26375	O-Ring	1		16.358 X 2.210 mm (0.644" X 0.087")
57	38H1095	Elbow Fitting	1		
58	T77857	O-Ring	1		12.421 X 1.778 mm (0.489" X 0.070")
59	T278328	Tee Fitting	1		
60	T77857	O-Ring	1		12.421 X 1.778 mm (0.489" X 0.070")
61	U12547	O-Ring	1		23.470 X 2.946 mm (0.924" X 0.116")
62	AT428340	Hydraulic Hose	1		Fabricate
63	AT433636	Hydraulic Hose	1		Fabricate
64	AT439839	Hydraulic Hose	1		SUB FOR AT415987, Fabricate
65	AT415562	Hydraulic Hose	1		
66	38H1173	Adapter Fitting	1		
67	T77857	O-Ring	1		12.421 X 1.778 mm (0.489" X 0.070")
68	R26448	O-Ring	1		11.887 X 1.981 mm (0.468" X 5/64")
69	AT435938	Hydraulic Hose	1		Fabricate
70	T225866	Dipstick Tube	1		
71	AT329269	Dipstick	1		
72	AH125760	Hyd. Quick-Connect Coupler	1		

Key	Part No.	Part Name	Qty.	Serial No.	Remarks
1	AT225505	Hydraulic Motor	1		(INCLUDES AT211381 AND AT227509)
	AT211381	Seal Kit	1		Hydraulic Motor
	AT211379	Seal Kit	1		Relief Valve
	AT432517	Pressure Relief Valve	1		SUB FOR AT227509, (INCLUDES AT224864, AT423340 AND T225294)
	AT224864	Seal Kit	1		Relief Valve
	AT423340	Solenoid Valve Coil	1		SUB FOR AT333810
	T225294	Nut	1		14.275 mm (9/16")
2	38H1049	Elbow Fitting	1		
3	T76938	O-Ring	1		23.520 X 1.780 mm (0.926" X 0.070")
4	R29936	O-Ring	1		29.743 X 2.946 mm (1.171" X 0.116")
5	T350654	Gasket	1		SUB FOR R522690
6	38H1005	Elbow Fitting	2		
7	R26375	O-Ring	2		16.358 X 2.210 mm (0.644" X 0.087")
8	T77857	O-Ring	2		12.421 X 1.778 mm (0.489" X 0.070")
9	38H1052	Elbow Fitting	1		
10	T77858	O-Ring	1		18.771 X 1.778 mm (0.739" X 0.070")
11	R29936	O-Ring	1		29.743 X 2.946 mm (1.171" X 0.116")
12	38H1309	Adapter Fitting	1		
13	T77613	O-Ring	1		9.250 X 1.780 mm (0.364" X 0.070")
14	R28782	O-Ring	1		8.915 X 1.829 mm (0.351" X 0.072")
15	38H1094	Elbow Fitting	1		
16	T77613	O-Ring	1		9.250 X 1.780 mm (0.364" X 0.070")
17	19M7835	Screw	2		M10 X 35
18	14M7517	Lock Nut	2		M10
19	19M7791	Bolt	2		M12 X 40
20	AT316250	Oil Pump	1		
	AT318742	Seal Kit	1		

Key	Part No.	Part Name	Qty.	Serial No.	Remarks
1	AT329958	Housing	1		
2	AT314583	Filter Element	1		Secondary
3	AT300487	Filter Element	1		Primary
4	T223372	Cover	1		
5	M89679	Ejector	1		Dust Unloader Valve
6	T211510	Hose	1		
7	AT300489	Clamp	2		
8	14M7400	Lock Nut	4		M10
9	24M7296	Washer	4		10.500 X 30 X 2.500 mm
10	AT53439	Hose Clamp	1		
11	T219672	Elbow Fitting	1		
12	RE68255	Sensor	1		Air Filter Restriction Indicator
13	R44302	Tie Band	1		
14	RE52703	Hose Clamp	1		
15	T212301	Hose	1		
16	AR85327	Clamp	1		
17	19M7786	Screw	4		M10 X 30
18	T198109	Reinforcement	1		
19	19M7785	Screw	4		M10 X 25
20	14M7296	Flange Nut	4		M10

Key	Part No.	Part Name	Qty.	Serial No.	Remarks
1	AT307928	Muffler	1		
2	AT320674	Exhaust Pipe	1		Chrome
3	19M7786	Screw	8		M10 X 30
4	24M7296	Washer	4		10.500 X 30 X 2.500 mm
5	14M7400	Lock Nut	4		M10
6	AT222597	Clamp	1		
7	T201869	U-Bolt	1		
8	AT359032	Bracket	1		
9	14M7296	Flange Nut	2		M10
10	AT314125	Bracket	1		
11	E80242	Lock Nut	2		
12	19M7788	Screw	1		M12 X 25
13	19M7785	Screw	2		M10 X 25
14	19M7804	Screw	2		M10 X 40
15	19M7835	Screw	2		M10 X 35

Key	Part No.	Part Name	Qty.	Serial No.	Remarks
1	T75276	Clamp	1		
2	AT414826	Fuel Tank	1		Components On Separate Page
3	AT227937	Fuel Sender	1		
4	T196733	Gasket	1		
5	24M7027	Washer	5		5.300 X 10 X 1 mm M5 X 30
6	19M7317	Screw	5		
7	RE52504	Breather	1		
8	19M7866	Screw	1		M8 X 20
9	AT228627	Hydraulic Hose	1		
10	AT323720	Hydraulic Hose	1		
11	38H5008	Adapter Fitting	1		
12	T77613	O-Ring	1		
13	51M7040	O-Ring	1		9.300 X 2.200 mm
14	T242677	Hose Clamp	1		
15	R44302	Tie Band	2		
16	AT223493	Fuel Filter	1		
17	R184863	Hose Clamp	2		
18	Hose	1		MF TY22551, CTL 74 cm (29.13 in)
19	Hose	1		MF TY22551, CTL 38.7 cm (15.24 in)
20	Hose	1		MF TY22551, CTL 64 cm (25.2 in)
21	T242677	Hose Clamp	2		
22	T75197	Clamp	1		
23	19M7785	Screw	5		M10 X 25
24	T316418	Cover	1		
25	24M7102	Washer	4		13.500 X 44 X 4 mm
26	T316425	Cover	1		

Key	Part No.	Part Name	Qty.	Serial No.	Remarks
1	AT443683	Fuel Tank	1		
2	R193666	Fitting	1		
3	RE194040	Fitting	1		
4	Bulk Hose	1		MAKE FROM AT379530, CTL 43.99 cm (17.32 in.)
5	Bulk Hose	1		MAKE FROM AT379530, CTL 42.29 cm (16.65 in.)
6	R194311	Compression Spring	1		
7	AH165079	Adapter Fitting	1		
8	H172014	Gasket	1		
9	AH162914	Strainer	1		
10	AT346094	Cap	1		
11	H174831	Anchor	1		
12	T164203	Screw	1		
13	AH159448	Link Chain	1		
14	AR21839	Clamp	1		
15	AR21839	Clamp	1		
16	T307574	Gasket	2		
17	AT433348	Plate	1		
18	AT439213	Plate	1		
19	19M7784	Screw	24		M10 X 20
20	AT439200	Valve	1		
21	AT439177	Adapter Fitting	1		
22	T166274	O-Ring	1		
23	R77673	O-Ring	1		
24	AT439289	Elbow Fitting	1		
25	R77673	O-Ring	1		
26	T166274	O-Ring	1		
27	AT433347	Hose	1		
28	AT439201	Valve	1		

Key	Part No.	Part Name	Qty.	Serial No.	Remarks
1	AT337355	Flow Control Hyd. Valve	1		
	AT330806	Seal Kit	1		
2	38H1178	Adapter Fitting	1		
3	T77858	O-Ring	1		18.771 X 1.778 mm (0.739" X 0.070")
4	R26375	O-Ring	1		16.358 X 2.210 mm (0.644" X 0.087")
5	38H1317	Fitting	2		
6	T77932	O-Ring	2		15.596 X 1.778 mm (0.614" X 0.070")
7	R26375	O-Ring	2		16.358 X 2.210 mm (0.644" X 0.087")
8	38H1161	Adapter Fitting	1		
9	T77857	O-Ring	1		12.421 X 1.778 mm (0.489" X 0.070")
10	R26375	O-Ring	1		16.358 X 2.210 mm (0.644" X 0.087")
11	AT335773	Tee Fitting	1	-672259	INCLUDES R28782 AND (2) T77613
	T365362	Tee Fitting	1	672260-	
12	T77613	O-Ring	1		
13	R28782	O-Ring	1		
14	T77613	O-Ring	1	-672259	
	T77857	O-Ring	1	672260-	12.421 X 1.778 mm (0.489" X 0.070")

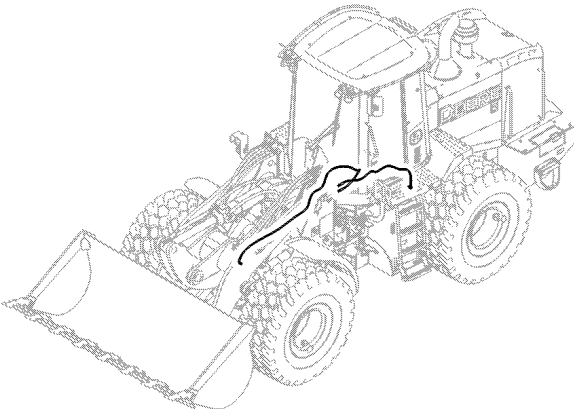
Key	Part No.	Part Name	Qty.	Serial No.	Remarks
1	24M7036	Washer	2		9 X 16 X 1.600 mm
2	37M7340	Bolt	4		
3	AT330669	Bracket	1		
4	AT433947	Push Switch	1		Arm Up / Arm Down, SUB FOR AT321224 AND AT365134
5	AT325662	Handle	1		
6	AT325663	Lever	1		
7	AT325664	Knob	1	-677638	NLA, ORDER AT474274
	AT474274	Knob	1	677639-	
8	AT325665	Spacer	1	-677638	NLA, ORDER AT474273
	AT474273	Spacer	1	677639-	
9	AT325666	Bracket	2		
10	AT325667	Knob	1		
11	AT325668	Pin	1		
12	AT325669	Cover	1		
13	AT325670	Cover	1	-677638	NLA, ORDER AT474271
	AT474271	Cover	1	677639-	
14	AT325671	Cover	1	-677638	NLA, ORDER AT474272
	AT474272	Cover	1	677639-	
15	AT325677	Package Of Parts	1		
16	AT330808	Bracket	1		
17	AT341684	Armrest Kit	1		
18	AT351061	Pivot	1	-677638	NLA, ORDER AT474270
	AT474270	Pivot	1	677639-	
19	T215154	Screw	3		M6 X 12

Key	Part No.	Part Name	Qty.	Serial No.	Remarks
1	AHC10913	Hydraulic Cylinder	2		Components On Separate Page
2	38H1174	Adapter Fitting	2		
3	T77857	O-Ring	2		12.421 X 1.778 mm (0.489" X 0.070")
4	R26906	O-Ring	2		19.177 X 2.464 mm (0.755" X 0.097")
5	38H1025	Tee Fitting	2		
6	R26906	O-Ring	2		19.177 X 2.464 mm (0.755" X 0.097")
7	T77932	O-Ring	4		15.596 X 1.778 mm (0.614" X 0.070")
8	T225727	Bushing	4		
9	T225621	Seal	8		
10	T277591	V-Ring Seal	4		

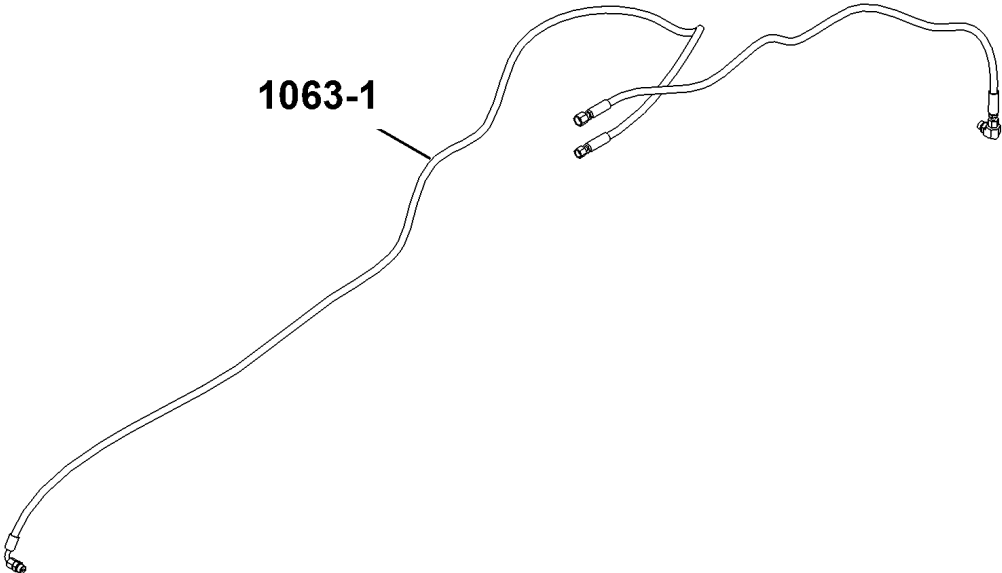
Functional Group Pictorial Index
Index d'illustrations par groupes de fonctions
Иллюстрированный указатель функциональной группы
Índice de ilustraciones por grupos

TX1153593 A.1

1063



1063-1



TX1153593

CLICK HERE TO **DOWNLOAD** THE COMPLETE MANUAL

- Thank you very much for reading the preview of the manual.
- You can download the complete manual from: www.heydownloads.com by clicking the link below



- Please note: If there is no response to CLICKING the link, please download this PDF first and then click on it.

CLICK HERE TO **DOWNLOAD** THE COMPLETE MANUAL

Key	Part No.	Part Name	Qty.	Serial No.	Remarks
1	AT335461	Brake	1		Components On Separate Page
2	T414325	Universal Joint Yoke	2		SUB FOR T175448
3	24M7338	Washer	4		17 X 30 X 3 mm
4	38H1413	Elbow Fitting	1		
5	T77613	O-Ring	1		
6	U12547	O-Ring	1		
7	M45937	Elbow Fitting	1		
8	AT207022	Hydraulic Hose	1		
9	15H84	Coupling	1		1/8"
10	AT208411	Pressure Relief Valve	1		Breather
11	T78974	Clamp	1		
12	19M7865	Screw	1		M8 X 16
13	11M7025	Cotter Pin	1		4 X 63 mm
14	T207097	Plate	4		ORDER T364323
	T364323	Plate	4		
15	19M7941	Cap Screw	1		M16 X 120

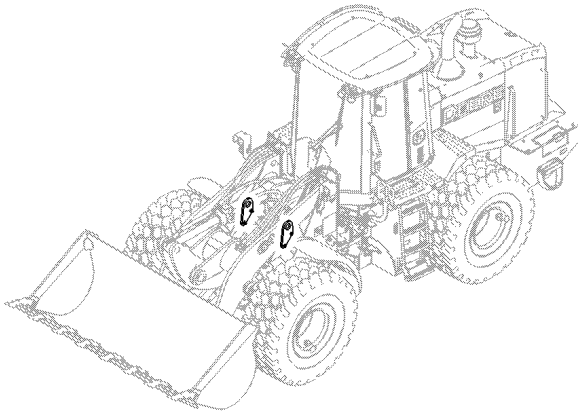
**13 Miscellaneous Vehicle
1322 Labels & Trademarks**

Key	Part No.	Part Name	Qty.	Serial No.	Remarks
1	T146099	Label	1		Warning - Seat Belt
2	T146178	Safety Sign	1		Danger - Crushing Boom
3	T195857	Label	2		Boom Lock
4	T146496	Safety Sign	2		Warning - Articulation Joint
5	T283071	Label	1		ROPS
6	T234115	Label	1		Transmission Oil Check
7	T294118	Safety Sign	1		Linkage
8	T217168	Label	1		Fan Hub
9	T240637	Label	2		Door Open
10	T280101	Safety Sign	1		Engine Start/Stop
11	T246893	Label	1		Quick Service
12	T197323	Label	1		Hydraulic Reservoir Sight Gauge
13	T225386	Safety Sign	3		Warning - Accumulator
14	T146607	Label	1		Air Cleaner
15	T245149	Label	1		Axle Oil
16	T305157	Label	1		Hydraulic Oil
17	T233026	Label	1		Counter Switch
18	T256018	Label	8		Tire Pressure Sensor
19	T207750	Label	1		Park Brake Overfill
20	T277678	Label	1		Sealed Switch Module
21	T160762	Label	2		Warning - Park Brake
22	T200065	Label	1		Transmission Sight Gauge
23	T245151	Label	1		Cooling Fan Door
24	T346142	Label	1		Vehicle Electrical Center
25	T374794	Label	1		Periodic Maintenance, SUB FOR T346492 AND T361793

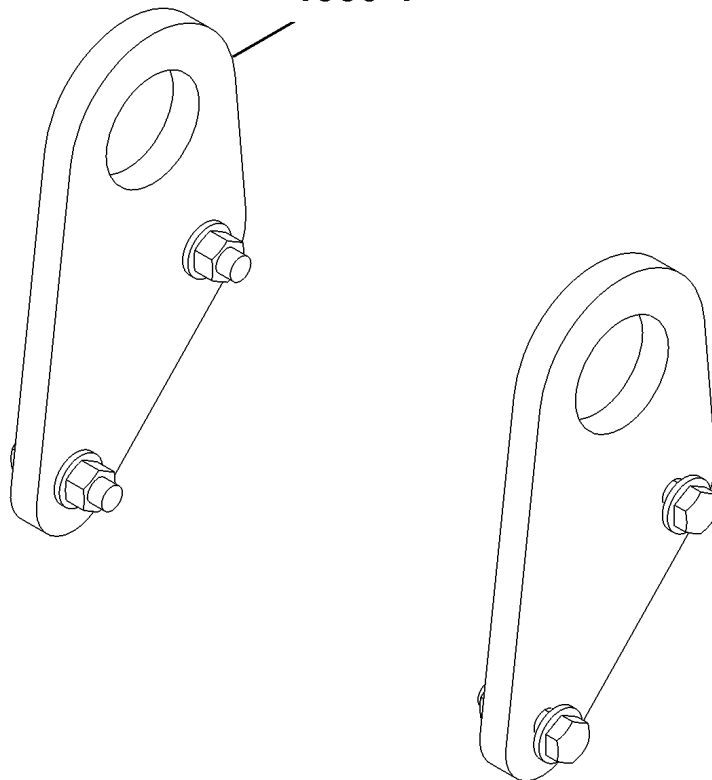
Functional Group Pictorial Index
Index d'illustrations par groupes de fonctions
Иллюстрированный указатель функциональной группы
Índice de ilustraciones por grupos

TX1153497 A.1

1330



1330-1



TX1153497

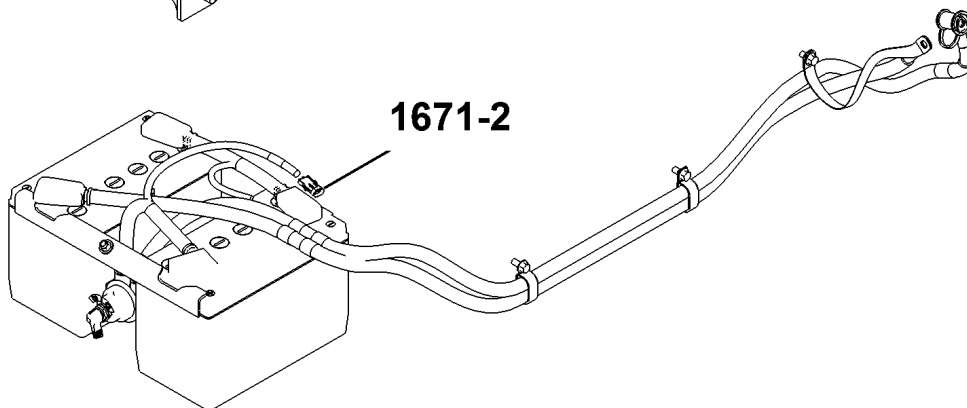
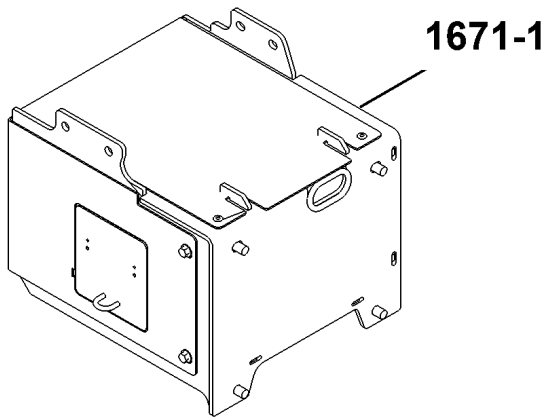
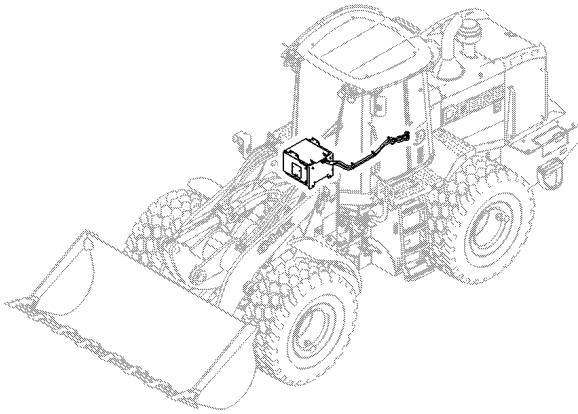
Key	Part No.	Part Name	Qty.	Serial No.	Remarks
1	R36311	Fitting	2		
2	JD7797	Lubrication Fitting	2		
3	T147891	Bushing	1		
4	T78974	Clamp	1		
5	T56112	Elbow Fitting	3		
6	T13976	Bushing	1		
7	E12379	Nut	2		
8	AT207023	Hydraulic Hose	1		
9	19M7800	Screw	1		M8 X 50
10	14M7396	Lock Nut	1		M8
11	M45937	Elbow Fitting	1		
12	AT64886	Hydraulic Hose	1		

Functional Group Pictorial Index
Index d'illustrations par groupes de fonctions
Иллюстрированный указатель функциональной группы
Índice de ilustraciones por grupos

1-	758
2-	760

TX1154593 A.1

1671



TX1154593

16 Vehicle Electrical Systems
1672 Alternator, Regulator & Charging System Wiring

Key	Part No.	Part Name	Qty.	Serial No.	Remarks
1	14M7298	Flange Nut	2		M8
2	14M7299	Flange Nut	1		M12
3	14M7303	Flange Nut	1		M6
4	14M7400	Lock Nut	4		M10
5	19M7785	Screw	2		M10 X 25
6	19M7786	Screw	2		M10 X 30
7	19M7804	Screw	1		M10 X 40
8	19M7808	Screw	2		M10 X 65
9	19M7811	Screw	1		M10 X 90
10	19M7822	Screw	1		M12 X 160
11	19M7835	Screw	3		M10 X 35
12	24M7238	Washer	1		8.700 X 17 X 2 mm
13	24M7239	Washer	2		10.700 X 21 X 2.500 mm
14	AT387574	Alternator	1		100 A, (SUB FOR AT300167)
	SE501838	Alternator Reman	1		100 A, REMAN FOR AT300167
15	T201538	Pulley	1		
16	AT368751	Bracket	1		
17	R529378	Spacer	1		ALSO ORDER R529790; SUB FOR R133643
18	R529790	Sleeve	1		SUB FOR R502079
19	RE505264	Pulley	1		
20	R135606	V-Belt	1		1965 X 27.860 mm (77.362" X 1.097")
21	T213873	Strap	1		
22	T254126	Bracket	1		
31	14M7401	Lock Nut	2		M12
32	19M7786	Screw	3		M10 X 30
33	19M7813	Screw	1		M12 X 45
34	19M8122	Cap Screw	1		M12 X 85
35	T179468	Bracket	1		

Key	Part No.	Part Name	Qty.	Serial No.	Remarks
1	AT210246	Support	2		
2	24M7240	Washer	2		13 X 25 X 3 mm
3	14M7299	Flange Nut	2		M12
4	24M7298	Washer	2		8.400 X 25 X 2 mm
5	19M7798	Screw	2		M8 X 40
6	24M7296	Washer	4		10.500 X 30 X 2.500 mm
7	19M7806	Screw	4		M10 X 50
8	14M7400	Lock Nut	4		M10
9	AT362406	Lamp	2		Front Turn Light and Turn Marker, LED, SUB FOR AT307090
10	AT324484	Floodlamp	2	-669901	Drive Lights
	AT446759	Floodlamp	2	669902-	Drive Lights
11	AT135758	Bulb	1		24 V, Halogen
12	57M10310	Elec. Connector Accessory	4		
13	14M7396	Lock Nut	2		M8

<i>Key</i>	<i>Part No.</i>	<i>Part Name</i>	<i>Qty.</i>	<i>Serial No.</i>	<i>Remarks</i>
1	RE51234	Push Switch	1		Dome Light
2	R44097	Nut	1		11.913 mm (15/32")
3	T182914	Cap	1		

Key	Part No.	Part Name	Qty.	Serial No.	Remarks
1	AT366984	Bracket	1		
2	AT202789	Lamp	1		
	AT173354	Bulb	1		
3	T255964	Lamp	1		Backup
4	T246238	Grommet	1		
5	AT367494	Bracket	1		
6	AT367300	Wiring Harness	1		License Plate Light and Backup Light Harness
7	24M7298	Washer	2		8.400 X 25 X 2 mm
8	14M7396	Lock Nut	2		M8
9	14M7303	Flange Nut	3		M6
10	19M7775	Screw	5		M6 X 16
11	R62356	Grommet	1		
12	14H778	Nut	2		0.190"
13	R44302	Tie Band	8		
14	R44302	Tie Band	3		
15	T251375	Grommet	1		

16 Vehicle Electrical Systems
1674 Wiring Harness & Switches (If Not Included Elsewhere)

Key	Part No.	Part Name	Qty.	Serial No.	Remarks
1	AT422435	Wiring Harness	1		Load Center Harness
2	AT341731	Wiring Harness	1		Cab Roof Harness
3	Isolator	1		CTL 30.48 cm, MF T59938
4	Isolator	1		CTL 67.06 cm, MF T59938
5	T209627	Clamp	1		
6	AT405057	Vehicle Controller	1		Vehicle Control Unit
7	AT145341	Relay	1		24 V, 100 AMP, Starter Relay
8	AT369908	Bracket	1		
9	AT412661	Relay	1		24 V, 100 AMP
10	AT352897	Bracket	1		
11	AT405059	Fuse Box	1		Vehicle Electrical Center
12	AP22660	Ground Cable	1		
13	AT354455	Bracket	1		
14	14M7303	Flange Nut	6		M6
15	T181604	Plate	2		
16	19M7774	Screw	6		M6 X 12
17	57M8035	Nut	3		
18	21M7252	Screw	4		M4 X 16
19	19M7866	Screw	7		M8 X 20
20	24M7027	Washer	4		5.300 X 10 X 1 mm
21	21M7250	Screw	4		M4 X 12
22	T75276	Clamp	1		
23	T74416	Clamp	5		
24	57M8736	Elec. Connector Accessory	8		
25	19M7865	Screw	18		M8 X 16
26	T102934	Clamp	3		
27	T152230	Plug	1		
28	19M7796	Screw	6		M6 X 30
29	19M7868	Screw	3		M8 X 30
30	T196079	Nut	11		
31	AT445361	Push Switch	1		Sealed Switch Module, SUB FOR AT347382
32	14M7298	Flange Nut	4		M8
33	57M10650	Clip Kit	2		
34	03M7185	Bolt	2		M8 X 25
35	H131531	Push Nut	2		
36	T224069	Plug	1		
37	24M7298	Washer	2		8.400 X 25 X 2 mm
38	14M7396	Lock Nut	1		M8
39	AT354304	Plate	1		
40	21M7310	Screw	1		M6 X 25
41	T134530	Washer	1		
42	AT160480	Alarm System	1		Monitor Alarm
43	T78974	Clamp	1		
44	RE525016	Thermocouple	1		Ambient Air Temperature Sensor
45	57M9717	Elec.Connect Locking Device	1		
46	AT335429	Push Switch	1		Counter Switch
47	T76252	Clamp	2		
48	R44302	Tie Band	1		
49	R44302	Tie Band	7		
50	R44302	Tie Band	11		
51	H224073	Tie Band	2		
52	H77698	Tie Band	1		
53	R80979	Screw	4		
54	24M7054	Washer	4		6.400 X 12 X 1.600 mm
55	19M7867	Screw	2		M8 X 25
56	14M7568	Lock Nut	4		M5

16 Vehicle Electrical Systems
1674 Wiring Harness & Switches (If Not Included Elsewhere)

Key	Part No.	Part Name	Qty.	Serial No.	Remarks
1	AT353427	Switch	1		Turn
2	AT502682	Wiring Harness	1		SUB FOR AT447028, Front Console, Components on Seperate Page
3	T75276	Clamp	2		
4	M84972	Nut	3		
5	57M8736	Elec. Connector Accessory	1		
6	57M10310	Elec. Connector Accessory	1		
7	T134530	Washer	4		
8	21M7292	Screw	4		M6 X 16
9	R44302	Tie Band	2		
10	AT442731	Cover	1		Steering Cover Assembly
11	T350325	Cover	1		
12	T350324	Cover	1		
13	AT378210	Switch	1		FNR Switch
	AT395263	Wiring Harness	1		FNR Jumper Wiring Harness
14	24M7027	Washer	2		5.300 X 10 X 1 mm
15	19M9384	Screw	2		M5 X 45

16 Vehicle Electrical Systems
1674 Wiring Harness & Switches (If Not Included Elsewhere)

<i>Key</i>	<i>Part No.</i>	<i>Part Name</i>	<i>Qty.</i>	<i>Serial No.</i>	<i>Remarks</i>
1	AT373575	Housing	1		
2	19M7865	Screw	2		M8 X 16
3	24M7298	Washer	2		8.400 X 25 X 2 mm
4	14M7298	Flange Nut	2		M8
5	RE531808	Electronic Control Unit	1		
6	19M7800	Screw	2		M8 X 50

16 Vehicle Electrical Systems
1674 Wiring Harness & Switches (If Not Included Elsewhere)

Key	Part No.	Part Name	Qty.	Serial No.	Remarks
1	T254240	Clamp	4		24 in.
2	AT344615	Wiring Harness	1		Adapter Cable
3	AT337869	Transmitter	1		Ambient Pressure Sensor
4	AT485604	Receiver	1		SUB FOR AT337878
5	19M7862	Screw	2		M6 X 20
6	24M7027	Washer	2		5.300 X 10 X 1 mm
7	21M7250	Screw	2		M4 X 12
8	AT336580	Antenna	1		
9	14M7100	Nut	2		M4
10	R44302	Tie Band	1		
11	AT337867	Transmitter	4		Tire Pressure Sensor
12	T255933	Label	8		Tire Pressure Sensor in Rim
13	AT336585	Cable	1		Antenna Extension Cable
14	AT336584	Base	1		Antenna

16 Vehicle Electrical Systems
1674 Wiring Harness & Switches (If Not Included Elsewhere)

<i>Key</i>	<i>Part No.</i>	<i>Part Name</i>	<i>Qty.</i>	<i>Serial No.</i>	<i>Remarks</i>
1	AT418533	Converter Kit	1		WHOLE GOODS
2	AT434539	Converter	1		12 to 24 V, Converter
3	19H1914	Cap Screw	4		1/4" X 1"
4	GY20126	Socket Outlet	1		12 V, Power Outlet

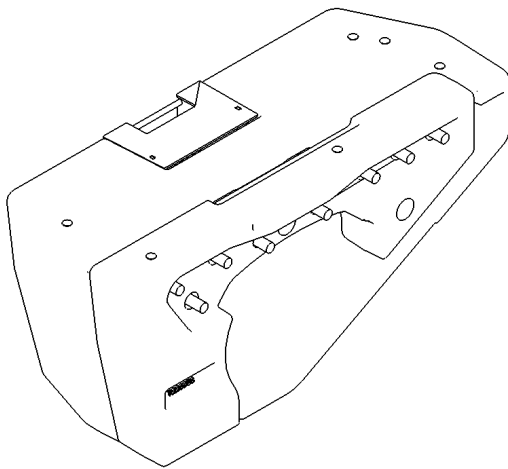
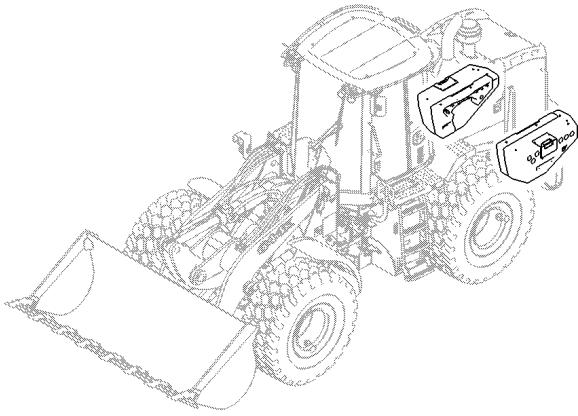
**17 Frame Chassis Or Supporting Structure
1741 Engine Or Main Frame**

Key	Part No.	Part Name	Qty.	Serial No.	Remarks
1	AT415764	Frame	1		Whole Goods
2	T125546	Bushing	15		
3	T72414	Bushing	20		
4	T133290	Strap	1		
5	T195605	Boss	2		
6	T182265	Bushing	1		
7	AT345966	Pin	2		
8	T176064	Bushing	2		
9	AT206751	Pin	1		
10	T239722	Sleeve	1		
11	T333576	Cover	1		
12	19M7363	Cap Screw	6		M12 X 60
13	19M10523	Cap Screw	1		M30 X 260, SUB FOR 19M9188
14	14M7779	Nut	1		M30, SUB FOR 14M7290
15	19M7488	Cap Screw	2		M16 X 40
16	T223740	Shim	5		
17	T119912	Washer	1		
18	19M8295	Cap Screw	1		M16 X 55

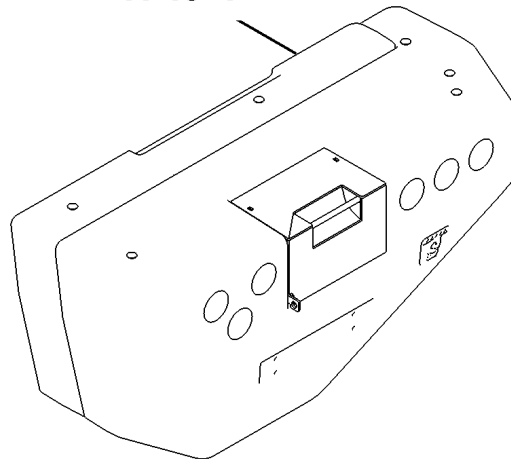
Functional Group Pictorial Index
Index d'illustrations par groupes de fonctions
Иллюстрированный указатель функциональной группы
Índice de ilustraciones por grupos

TX1154631 A.1

1749



1749-1



TX1154631

Key	Part No.	Part Name	Qty.	Serial No.	Remarks
1	T228020	Headliner	1		
2	AT337492	Lamp	1		
	TT207136	Bulb	1		
3	T184892	Retainer	6		
4	T180418	Strap	1		
5	19H1948	Cap Screw	2		1/4" X 3/4"
6	T181050	Angle	2		
7	19M7862	Screw	2		M6 X 20
8	14M7303	Flange Nut	2		M6
9	T182870	Isolator	1		
10	T152230	Plug	1		

Key	Part No.	Part Name	Qty.	Serial No.	Remarks
1	T167519	Window	1		
2	TCU14336	Screw	12		
3	M114063	Screw	6		
4	Isolator	1		MAKE FROM AT305126, CTL 304.8 cm (10 ft)
5	AT356911	Latch	1		
6	19M7785	Screw	2		M10 X 25
7	T230096	Windshield	1		
8	T230094	Windowpane	1		
9	T230095	Windowpane	1		
10	T312695	Weatherstrip	2		
11	T249265	Window	1		
12	T182902	Bushing	2		
13	T167683	Washer	3		
14	24M7251	Washer	2		6.400 X 18 X 1.600 mm
15	T182899	Washer	2		
16	T167594	Angle	2		
17	19M8648	Screw	2		M6 X 16
18	14M7376	Lock Nut	2		M6
19	AT226000	Latch	1		
20	T184135	Bumper	1		
21	19M7768	Screw	1		M6 X 16
22	T230640	Bracket	1		
23	34H275	Spring Pin	1		3/16" X 1/2"
24	T167659	Washer	1		
25	T249266	Window	1		
26	T182902	Bushing	2		
27	T182899	Washer	2		
28	T167594	Angle	2		
29	T167683	Washer	3		
30	24M7251	Washer	2		6.400 X 18 X 1.600 mm
31	19M8648	Screw	2		M6 X 16
32	14M7376	Lock Nut	2		M6
33	AT226000	Latch	1		
34	T184135	Bumper	1		
35	19M7768	Screw	1		M6 X 16
36	T230639	Bracket	1		
37	34H275	Spring Pin	1		3/16" X 1/2"
38	T167659	Washer	1		
39	AT361809	Door	1		Right Hand, Standard Window
	AT441264	Door	1		Right Hand, Window Providing Outside Access, INCLUDES AT449246, AT449282, AT449245, AT449228, T357588 AND T400540X19, British Columbia Standard Window
40	AT361804	Frame	1		Window Providing Outside Access, AT449282 NSEP, ORDER AT441264, British Columbia
	Frame	1		
41	T244711	Window	1		Standard Window
	T357588	Window	1		Window Providing Outside Access, British Columbia
42	AT364072	Latch	1		Standard Window
	Latch	1		Window Providing Outside Access, AT449228 NSEP, ORDER AT441264, British Columbia
43	M84972	Nut	2		
44	T244713	Cover	1		Standard Window
	Cover	1		Window Providing Outside Access, AT449246 NSEP, ORDER AT441264, British Columbia
45	TCU14336	Screw	2		
46	AT356906	Striker	1		Standard Window, AT356906 NSEP, ORDER AT441264
	Striker	1		Window Providing Outside Access, AT449245 NSEP, ORDER AT441264, British Columbia
47	T244717	Grommet	2		
48	T244724	Spacer	2		
49	T244720	Isolator	1		
50	14M7375	Flange Nut	2		M5
51	19M9349	Screw	2		M8 X 40
52	14M7396	Lock Nut	2		M8
53	14M7296	Flange Nut	2		M10
54	T251759	Grommet	1		
55	T400540X19	Label	1		Window Providing Outside Access, Important, Not Illustrated

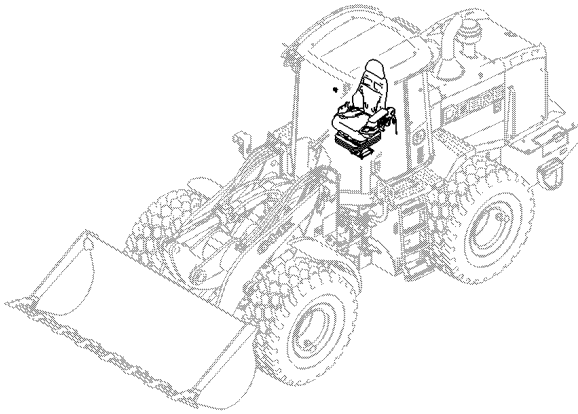
Key	Part No.	Part Name	Qty.	Serial No.	Remarks
1	AT395348	Elbow Fitting	1		
2	AT116970	Elbow Fitting	1		
3	T181412	Tray	1		
4	T181413	Plate	1		ORDER T410299
	T410299	Plate	1		
5	T167754	Seal	1		
6	24M7463	Washer	3		6.400 X 18 X 1.600 mm
7	24M7616	Washer	9		9 X 16 X 1.600 mm
8	19M9830	Screw	3		M6 X 12
9	19M9405	Screw	10		M8 X 16
10	T182874	Grommet	1		
11	AT434005	Wiper Motor	1		ALSO ORDER AT323022
	AT323022	Jumper	1		Wiper Motor Wiring Harness, Components on Seperate Page
12	AT488665	Wiper Arm	1		Front, SUB FOR AT324683 OR AT470619, INCLUDES T398631
	T398631	Cap	2		Front
13	AT470620	Wiper Blade	1		Front, SUB FOR AT324681
14	AT324849	Wiper Motor	1		ORDER AT363790, Rear
	T363790	Wiper Motor	1		ORDER AT450278, Rear
	AT450278	Wiper Motor	1		INCLUDES T359036, Rear
	T359036	Linkage	1		Rear
15	AT469527	Wiper Arm	1		Rear, SUB FOR AT304633
16	AT478409	Wiper Blade	1		Rear, SUB FOR AL153660
17	T182860	Isolator	1		
18	Bulk Hose	1		MAKE FROM TY25139, CTL 2.37 m (7.76 ft)
19	T182919	Fitting	1		
20	T182909	Clip	1		
21	57M8736	Elec. Connector Accessory	1		
22	19M7865	Screw	1		M8 X 16
23	14M7298	Flange Nut	1		M8

Functional Group Pictorial Index
Index d'illustrations par groupes de fonctions
Иллюстрированный указатель функциональной группы
Índice de ilustraciones por grupos

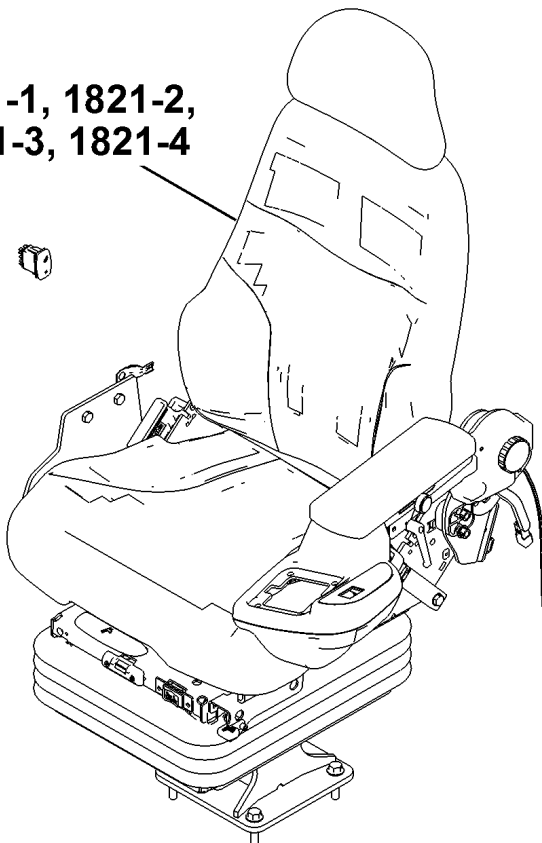
TX1153563 A.1

1-	968
2-	970
3-	976
4-	978

1821



1821-1, 1821-2,
1821-3, 1821-4



TX1153563

Key	Part No.	Part Name	Qty.	Serial No.	Remarks
1	AT209020	Seat Kit	1		Slide Puck
2	AT209021	Spring Kit	1		Slide
3	R72655	Snap Ring	4		
4	T163334	Spring	1		Right-hand Side
5	T163335	Spring	1		Left-hand Side
6	T163336	Torsion Spring	1		
7	AT209022	Seat Kit	1		Slide Control
8	AT209025	Seat Knob Kit	1		Recliner Knob
9	37H121	Screw	2		
10	AT209225	Seat Kit	1		Recliner
11	M453T	Lock Nut	3		6.350 mm (1/4")
12	AT361356	Spring Kit	1		
13	AT415346	Seat Kit	1		Lumbar Support
14	T55198	Screw	2		
15	AT392802	Bracket Kit	1		

Key	Part No.	Part Name	Qty.	Serial No.	Remarks
1	19M7785	Screw	4		M10 X 25
2	14M7400	Lock Nut	8		M10
3	19M7804	Screw	4		M10 X 40
4	24M7239	Washer	4		10.700 X 21 X 2.500 mm
5	24M7296	Washer	4		10.500 X 30 X 2.500 mm
6	T263491	Step	1		(SUB FOR AT228809)
7	T217427	Strap	1		Rubber
8	W29909	U-Bolt	2		

<i>Key</i>	<i>Part No.</i>	<i>Part Name</i>	<i>Qty.</i>	<i>Serial No.</i>	<i>Remarks</i>
1	T226101	Air Duct	1		
2	RE40281	Clamp	2		

Key	Part No.	Part Name	Qty.	Serial No.	Remarks
1	T202742	Seal	1		Recirculation
2	T204124	Pad	1		
3	T140924	Clamp	1		
4	19M7865	Screw	1		M8 X 16
5	T245141	Hose	1		Heater, Inlet
6	RE263090	Valve	1		Heater Valve
7	T261665	Hose	1		Heater, Outlet
8	T261666	Hose	1		Heater, Outlet
9	AT330787	Clamp	6		SUB FOR T184924
10	T166297	Grommet	1		
11	24M7100	Washer	3		6.600 X 22 X 2 mm
12	37M7104	Screw	3		M6 X 30
13	28H3388	Bushing	2		0.493" X 0.675" X 2-3/8"
14	T315459	Bracket	1		
15	19M7803	Screw	2		M8 X 70
16	T160492	Fitting	2		
17	T82792	Nut	4		
18	T228574	Instrument Panel	1		Climate Controls
19	RE46742	Control	1		Temperature Control
20	12H292	Lock Washer	1		1/2"
21	14H934	Nut	1		7/16"
22	AL76568	Knob	2		
23	T82791	Screw	4		
24	T206106	Label	1		Gray Circle
25	T186793	Label	3		Gray Circle
26	AT347919	Push Pull Cable	1		
27	AT471493	Switch	1		Blower Speed Switch, SUB FOR RE43497
28	E46066	Nut	2		
29	AT347919	Push Pull Cable	1		Temperature Control

<i>Key</i>	<i>Part No.</i>	<i>Part Name</i>	<i>Qty.</i>	<i>Serial No.</i>	<i>Remarks</i>
1	T224883	Seal	1		
2	T224881	Air Duct	1		
3	T186793	Label	3		Gray Circle

<i>Key</i>	<i>Part No.</i>	<i>Part Name</i>	<i>Qty.</i>	<i>Serial No.</i>	<i>Remarks</i>
1	T312372	Bar	1		
2	R125450	Pin	2		
3	AA21292	Quick Lock Pin	2		

Key	Part No.	Part Name	Qty.	Serial No.	Remarks
1	AT436072	Platform	1		LH
2	AT368812	Platform	1		RH
3	24M7296	Washer	8		10.500 X 30 X 2.500 mm
4	19M7835	Screw	2		M10 X 35
5	24M7226	Washer	4		13 X 35 X 5 mm
6	19M7790	Screw	4		M12 X 35
7	19M7786	Screw	2		M10 X 30
8	14M7400	Lock Nut	4		M10
9	AT416465	Platform	1		
10	24M7240	Washer	4		13 X 25 X 3 mm
11	19M7791	Bolt	4		M12 X 40

Key	Part No.	Part Name	Qty.	Serial No.	Remarks
1	AT337114	Radio Kit	1		WHOLE GOODS
2	T180420	Bracket	1		
3	T180338	Bracket	2		
4	TT101176	Nut	8		SUB FOR R53528
5	AT342588	Speaker	2		
6	T204635	Bracket	1		
7	19H1948	Cap Screw	4		1/4" X 3/4"
8	14M7303	Flange Nut	4		M6
9	T182871	Isolator	1		
10	T182888	Screw	8		
11	19M7865	Screw	2		M8 X 16
12	T182870	Isolator	1		
13	T182909	Clip	6		
14	R44302	Tie Band	1		
15	RE575067	Radio	1		AM/FM/WB, SUB FOR RE321101, RE265545 OR RE190139
16	AT358008	Radio Speaker WRG Harness	1		
17	AT224894	Converter	1		10 A, ORDER AT404819
	AT404819	Converter	1		15 A, ALSO ORDER T180494
	T180494	Tape	1		
18	14M7100	Nut	4		M4
19	MT2485	Plug	2		SUB FOR T121467
20	AT379617	Antenna	1		
21	24H1296	Washer	1		11/32" X 1-3/8" X 0.134"
22	19M7833	Screw	1		M6 X 35

Key	Part No.	Part Name	Qty.	Serial No.	Remarks
1	T174203	Half Clamp	4		
2	T174106	Rib	1		Right
3	T174054	Rib	1		Left
4	19H3065	Cap Screw	2		3/8" X 2"
5	T11234	Lock Nut	2		9.525 mm (3/8")
6	T174201	Cap	2		
7	AT356100	Rear View Mirror	2		Heated
8	R44302	Tie Band	8		

**20 Safety, Convenience & Miscellaneous
2004 Warning Devices Including Horn & Reverse Alarm**

Key	Part No.	Part Name	Qty.	Serial No.	Remarks
1	AT439861	Harness Kit	1		Whole Goods, REQUIRES AT410941
	AT410941	Monitor	1		Monitor with Video Backup, Not Included In Kit
2	AT432856	Bracket	1		
3	AT497746	Wiring Harness	1		SUB FOR AT427631, Rear Object Detection (ROD), Components On Seperate Page
4	AT338273	Radar Sensor	1		
5	AT466877	Television Camera	1		SUB FOR AT441664, AT437274
	14M7297	Nut	2		M5
	19M8576	Screw	2		M5 X 30
	24M7105	Washer	2		6 X 12 X 1.600 mm
6	AT446371	Wiring Harness	1		SUB FOR AT344617, Radar Sensor
7	19M7805	Screw	2		M10 X 45
8	R44302	Tie Band	6		
9	R44302	Tie Band	1		
10	R44302	Tie Band	18		
11	R45210	Grommet	1		

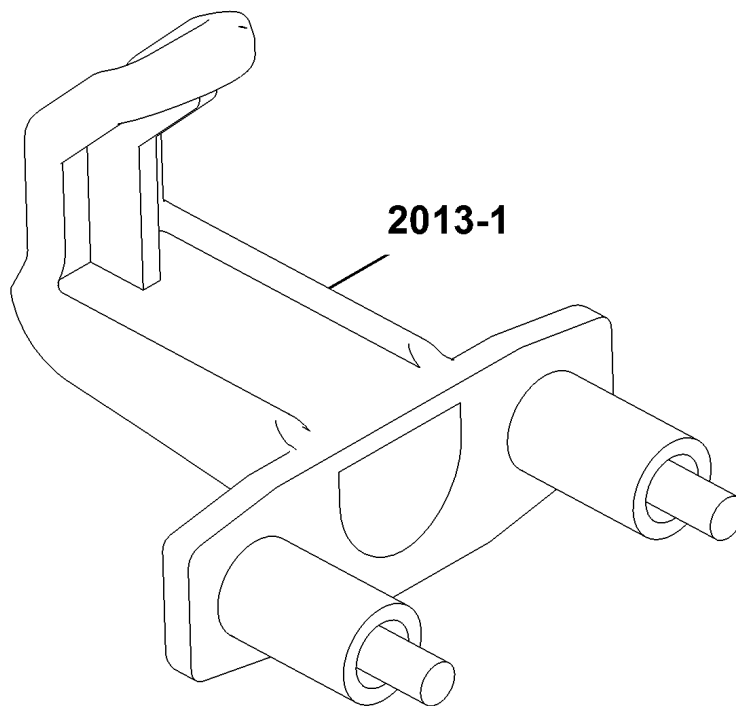
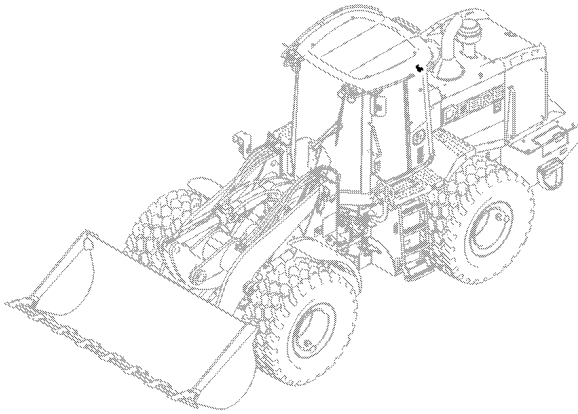
Key	Part No.	Part Name	Qty.	Serial No.	Remarks
1	T181797	Bracket	2		
2	19M7862	Screw	2		M6 X 20
3	14M7303	Flange Nut	2		M6
4	AT336621	Visor	1		
5	N218377	Washer	4		6.350 X 12.700 X 1.575 mm (1/4" X 1/2" X 1/16")
6	24H1285	Washer	4		17/64" X 7/16" X 0.065"
7	M47887	Wing Nut	2		6.350 mm (1/4")

Functional Group Pictorial Index
Index d'illustrations par groupes de fonctions
Иллюстрированный указатель функциональной группы
Índice de ilustraciones por grupos

TX1154529 A.1

1- 1136

2013



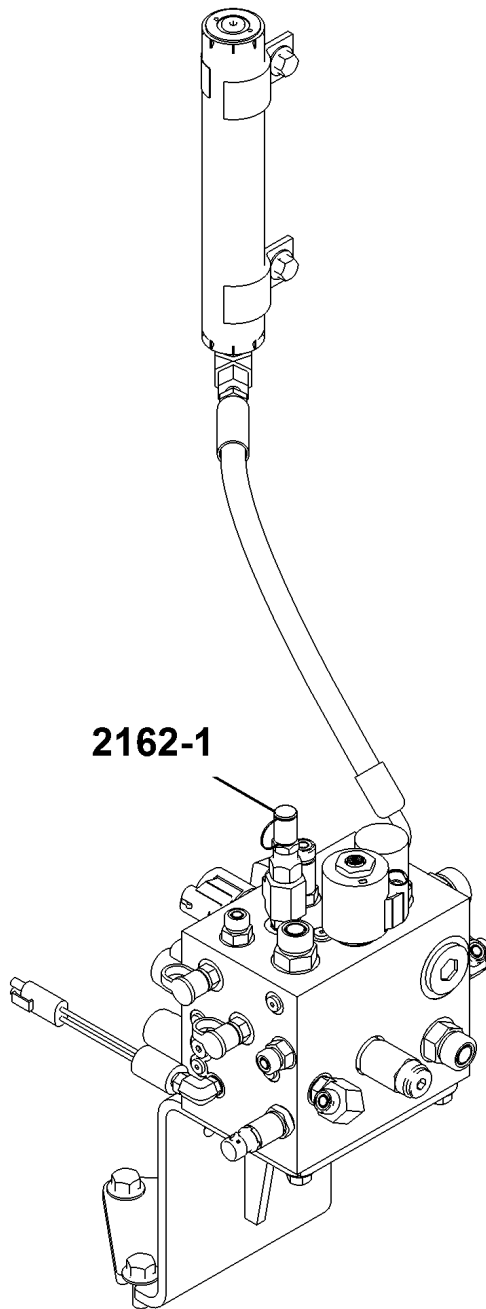
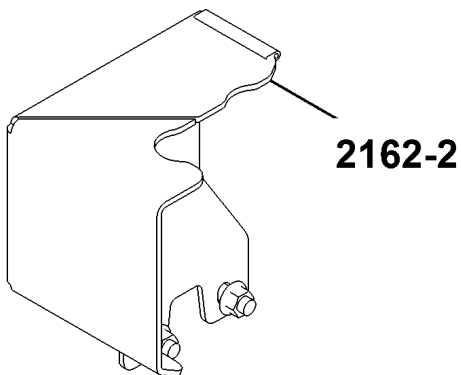
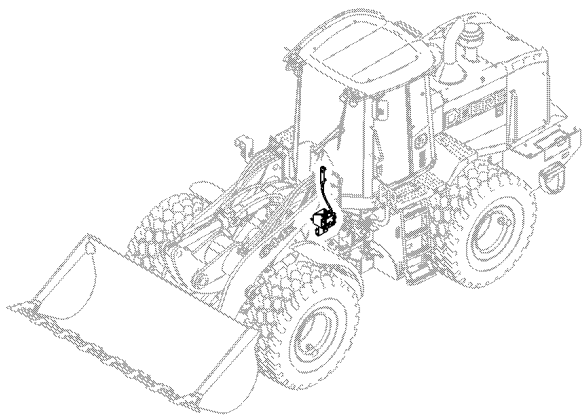
TX1154529

Functional Group Pictorial Index
Index d'illustrations par groupes de fonctions
Иллюстрированный указатель функциональной группы
Índice de ilustraciones por grupos

1-	1150
2-	1154

TX1161474 A.1

2162



TX1161474

**21 Vehicle Main Hydraulic System
2164 Hydraulic Reservoir, Filter & Cooler**

Key	Part No.	Part Name	Qty.	Serial No.	Remarks
1	AT438732	Hydraulic Reservoir	1		Hydraulic Oil Reservoir, Components On Seperate Page
2	AM39653	Oil Filter	1		
3	AT219727	Strainer	1		
4	R29936	O-Ring	1		29.743 X 2.946 mm (1.171" X 0.116")
5	T76938	O-Ring	1		23.520 X 1.780 mm (0.926" X 0.070")
6	38H1447	Adapter Fitting	1		
7	T77932	O-Ring	1		15.596 X 1.778 mm (0.614" X 0.070")
8	R29936	O-Ring	1		29.743 X 2.946 mm (1.171" X 0.116")
9	38H1161	Adapter Fitting	2		
10	T77857	O-Ring	2		12.421 X 1.778 mm (0.489" X 0.070")
11	R26375	O-Ring	2		16.358 X 2.210 mm (0.644" X 0.087")
12	38H1174	Adapter Fitting	1		
13	T77857	O-Ring	1		12.421 X 1.778 mm (0.489" X 0.070")
14	R26906	O-Ring	1		19.177 X 2.464 mm (0.755" X 0.097")
15	38H1162	Adapter Fitting	1		
16	T77932	O-Ring	1		15.596 X 1.778 mm (0.614" X 0.070")
17	R26906	O-Ring	1		19.177 X 2.464 mm (0.755" X 0.097")
18	38H1637	Elbow Fitting	1		
19	R26773	O-Ring	1		43.688 X 2.997 mm (1.720" X 0.118")
20	T78612	O-Ring	1		29.870 X 1.780 mm (1.176" X 0.070")
21	38H1194	Adapter Fitting	1		
22	T77858	O-Ring	1		18.771 X 1.778 mm (0.739" X 0.070")
23	R29936	O-Ring	1		29.743 X 2.946 mm (1.171" X 0.116")
24	38H1097	Elbow Fitting	1		
25	T77858	O-Ring	1		18.771 X 1.778 mm (0.739" X 0.070")
26	AT352636	Pressure Switch	1		Hydraulic Oil Filter Restriction Switch
27	RE48419	Sensor	1		Hydraulic Oil Temperature Sensor
28	51M7041	O-Ring	1		11.300 X 2.200 mm
29	T128096	Washer	4		
30	24M7242	Washer	2		21.400 X 42 X 5 mm
31	19M8639	Cap Screw	4		M20 X 70
32	R68904	Clamp	1		
33	19M7865	Screw	3		M8 X 16
34	T230473	Bracket	1		
35	T210470	Fitting	1		Hydraulic Reservoir Drain
36	T77932	O-Ring	1		15.596 X 1.778 mm (0.614" X 0.070")
37	T78715	Nut	1		
38	RE68323	Valve	1		
39	R56751	O-Ring	1		23.470 X 2.946 mm (0.924" X 0.116")
40	AT341959	Hydraulic Hose	1		Hydraulic Reservoir Drain
41	T64688	Hose	1		
42	AR21837	Hose Clamp	1		
43	N189220	Tie Band	1		
44	24H1391	Washer	4		25/32" X 1-5/16" X 0.060"
45	38H1045	Elbow Fitting	1		
46	T77613	O-Ring	1		9.250 X 1.780 mm (0.364" X 0.070")
47	R26448	O-Ring	1		11.887 X 1.981 mm (0.468" X 5/64")

<i>Key</i>	<i>Part No.</i>	<i>Part Name</i>	<i>Qty.</i>	<i>Serial No.</i>	<i>Remarks</i>
1	AT399832	Antenna	1		15 ft, See DTAC Solution 88359
2	R44302	Tie Band	2		
3	R44302	Tie Band	1		

Key	Part No.	Part Name	Qty.	Serial No.	Remarks
1	T209348	Dura-Max Cutting Edge	2		
2	T167829	Dura-Max Cutting Edge	2		
3	T146933	Bolt	12		25.400 X 76.200 mm (1" X 3")
4	14H1048	Nut	12		1"

Key	Part No.	Part Name	Qty.	Serial No.	Remarks
1	AT336717	Pin	2		
2	AT336492	Pin	1		
3	T176064	Bushing	3		16.300 X 28.600 X 21.900 mm (0.642" X 1.126" X 0.862")
4	19M7489	Cap Screw	3		M16 X 45
5	T230543	Shim	6		
6	T226525	Shim	6		
7	T226524	Shim	6		
8	T223721	Shim	6		
9	T224915	Shim	2		
10	AT330664	Ring	2		
11	24M7027	Washer	2		5.300 X 10 X 1 mm
12	19M9304	Cap Screw	1		M5 X 90
13	14M7572	Lock Nut	1		M5
14	AT341091	Seal	4		

Key	Part No.	Part Name	Qty.	Serial No.	Remarks
1	T239801	Quick Coupler	1		
2	24M7241	Washer	13		17 X 34 X 4 mm
3	T176064	Bushing	5		16.300 X 28.600 X 21.900 mm (0.642" X 1.126" X 0.862")
4	AT318925	Pin	2		
5	AT333673	Pin	2		
6	AT336947	Cover	1		
7	AH225437	Hydraulic Cylinder	1		NLA, ORDER AHC14386
8	AHC14386	Hydraulic Cylinder	1		
8	T352745	Pin Fastener	2		SUB FOR T214207
9	H89151	Dowel Pin	2		12.700 X 45.720 mm (1/2" X 1.800")
10	T61226	Snap Ring	2		
11	AT372699	Bracket	1		
12	T261391	Plate	1		
13	T226524	Shim	6		
14	T226525	Shim	6		
15	T230543	Shim	6		
16	19M7489	Cap Screw	5		M16 X 45
17	19M8029	Cap Screw	8		M16 X 30
18	AT301520	Pin Fastener	1		
19	T223721	Shim	6		
20	T224915	Shim	2		
21	T240189	Washer	1		13 X 62 X 6 mm (0.512" X 2.441" X 0.236")
22	19M7788	Screw	1		M12 X 25
23	AT351500	Cover	1		
24	14M7443	Flange Nut	1		M12
25	19M7409	Cap Screw	2		M16 X 50
26	T105495	Washer	2		16.154 X 88.900 X 5.512 mm (0.636" X 3-1/2" X 0.217")
27	T233360	Plate	2		
28	24H1627	Washer	2		21/32" X 2-1/2" X 0.120"
29	14M7551	Lock Nut	2		M16
30	JD7759	Lubrication Fitting	2		
31	AT341091	Seal	4		

Key	Part No.	Part Name	Qty.	Serial No.	Remarks
1	AT414399	Frame	1		Convenience Assembly
2	T72414	Bushing	4		
3	T133290	Strap	2		
4	T125546	Bushing	1		
5	T157030	Spacer	1		
6	T157029	Seal	2		
7	AT203483	Bearing	1		
8	T200888	Cover	1		
9	T130057	Shim	4		
10	T130058	Shim	1		
11	T130059	Shim	1		
12	24M7240	Washer	12		13 X 25 X 3 mm
13	19M7496	Cap Screw	12		M12 X 45
14	T176064	Bushing	7		
15	19M7489	Cap Screw	4		M16 X 45
16	JD7759	Lubrication Fitting	6		
17	T157234	Cover	1		
18	24M7296	Washer	4		10.500 X 30 X 2.500 mm
19	T157027	Spacer	1		
20	T60752	Seal	2		
21	AT208123	Bearing	1		
22	T182444	Pin Fastener	1		
23	T182265	Bushing	1		
24	T140379	Shim	3		
25	T200889	Cover	1		
26	AT345966	Pin	2		
27	19M7786	Screw	4		M10 X 30
28	T140380	Shim	1		
29	T140381	Shim	1		
30	19M7488	Cap Screw	3		M16 X 40
31	AT219746	Pin	1		
32	AT318925	Pin	4		
33	T226526	Shim	4		
34	T223740	Shim	10		
35	AT444962	Bracket	1		SUB FOR AT432087
36	T133290	Strap	1		
37	24M7239	Washer	3		10.700 X 21 X 2.500 mm
38	19M8320	Screw	2		M10 X 45
39	T266406	Spacer	1		
40	14M7296	Flange Nut	2		M10

Key	Part No.	Part Name	Qty.	Serial No.	Remarks
1	19M7488	Cap Screw	1		M16 X 40
2	AT208622	Pin	1		
3	T72414	Bushing	6		
4	AT350475	Bushing	2		
5	AT350476	Bushing	2		
6	AT350477	Bushing	2		
7	T176064	Bushing	1		16.300 X 28.600 X 21.900 mm (0.642" X 1.126" X 0.862") High Lift
8	T210796	Label	2		
9	T223726	Shim	4		
10	T352774	Seal	4		SUB FOR T225571 (CA)
15	AT338619	Loader Boom	1		

Key	Part No.	Part Name	Qty.	Serial No.	Remarks
1	AT330938	Link	1		
2	T224012	Bushing	1		119.780 X 140.130 X 126 mm (4.716" X 5.517" X 4.961")
3	T224013	Bushing	2		109.780 X 130.130 X 112 mm (4.322" X 5.123" X 4.409")
4	T352837	Seal	2		SUB FOR T224657
5	T352831	Seal	6		SUB FOR T224658
6	AT330932	Link	1		
7	T224008	Bushing	2		99.760 X 120.090 X 130 mm (3.928" X 4.728" X 5.118")
8	T225131	Bushing	1		109.780 X 130.130 X 133 mm (4.322" X 5.123" X 5.236")
9	T352834	Seal	4		SUB FOR T224659
10	T224050	Plate	2		
11	AT336709	Bellcrank	1		ALSO ORDER (2) T211390
12	AT331868	Pin Fastener	2		
13	AT359467	Pin Fastener	1		
14	T242249	Retainer	1		
15	JD7759	Lubrication Fitting	1		
16	24M7097	Washer	3		17 X 28 X 2.500 mm
17	19M8295	Cap Screw	3		M16 X 55
18	AT340069	Pin Fastener	2		
19	T176064	Bushing	5		16.300 X 28.600 X 21.900 mm (0.642" X 1.126" X 0.862")
20	19M7488	Cap Screw	5		M16 X 40
21	T223726	Shim	10		
22	T223722	Shim	10		
23	T242303	Shim	4		
24	T223192	Retainer	2		
25	19M7789	Screw	6		M12 X 30
26	T211390	Safety Sign	2		Caution - Bellcrank
27	JD7759	Lubrication Fitting	3		
28	E53801	Elbow Fitting	1		
29	AT354010	Hydraulic Hose	1		
30	E12379	Nut	1		3.175 mm (1/8")
31	JD7846	Lubrication Fitting	1		

Key	Part No.	Part Name	Qty.	Serial No.	Remarks
1	AT225793	Hyd Actuated Control Valve	1		3-Spool
2	AT225799	Flow Control Hyd. Valve	1		Outlet Valve Section, Components on Separate Page
3	AT210694	Manifold	1		Inlet Valve Section, Components on Separate Page
4	AT224770	Hyd Actuated Control Valve	1		Boom Valve Section, Components on Separate Page
5	AT220174	Solenoid Hydraulic Valve	1		Auxiliary Valve Section, Components on Separate Page
6	AT222390	Spool Valve	1		Bucket Valve Section, Components on Separate Page
7	38H1164	Adapter Fitting	4		
8	T76938	O-Ring	4		23.520 X 1.780 mm (0.926" X 0.070")
9	R29936	O-Ring	4		29.743 X 2.946 mm (1.171" X 0.116")
10	38H1197	Adapter Fitting	1		
11	T78784	O-Ring	1		37.821 X 1.778 mm (1.489" X 0.070")
12	U13639	O-Ring	1		37.465 X 2.997 mm (1.475" X 0.118")
13	38H1160	Adapter Fitting	4		
14	T77613	O-Ring	4		9.250 X 1.780 mm (0.364" X 0.070")
15	R26448	O-Ring	4		11.887 X 1.981 mm (0.468" X 5/64")
16	19M7807	Screw	1		M10 X 60
17	19M8896	Screw	2		M10 X 140
18	14M7400	Lock Nut	3		M10
19	T178487	Orifice	1		
20	AT353746	Check Valve	2		
21	T77613	O-Ring	1		9.250 X 1.780 mm (0.364" X 0.070")
22	R26448	O-Ring	1		11.887 X 1.981 mm (0.468" X 5/64")
23	38H1165	Adapter Fitting	1		
24	T78612	O-Ring	1		29.870 X 1.780 mm (1.176" X 0.070")
25	U13639	O-Ring	1		37.465 X 2.997 mm (1.475" X 0.118")
26	38H1023	Tee Fitting	1		
27	R26448	O-Ring	1		11.887 X 1.981 mm (0.468" X 5/64")
28	T77613	O-Ring	2		9.250 X 1.780 mm (0.364" X 0.070")

Key	Part No.	Part Name	Qty.	Serial No.	Remarks
1	AT222390	Spool Valve	1		
	AT210685	Seal Kit	1		Work Section Seal Kit
	AT210969	Seal Kit	1		Interface Seal Kit For 4 Sections
2	AT209748	Seal Kit	1		Relief Valve
3	AT210686	Check Valve	1		
4	T169955	Orifice	2		
5	AT209750	Pressure Relief Valve	1		
6	AT220831	Plug Kit	1		
	R29936	O-Ring	1		
7	T174025	Cap Screw	4		
8	T172562	Check Valve	1		
9	AT220829	Compensator	1		
10	A4742R	Ball	1		
11	AT209750	Pressure Relief Valve	1		
12	AT209748	Seal Kit	1		Relief Valve

Key	Part No.	Part Name	Qty.	Serial No.	Remarks
1	AT228250	Hydr./Pilot Control Valve	1		Auxiliary Control Lever, Components On Separate Page ORDER AT488662, Joystick Controller with FNR Switch, Components On Separate Page
2	AT362746	Hydr./Pilot Control Valve	1		
	AT488662	Hydr./Pilot Control Valve	1		
3	19M9831	Screw	4		M6 X 16
4	38H1023	Tee Fitting	1		
5	R26448	O-Ring	1		11.887 X 1.981 mm (0.468" X 5/64")
6	T77613	O-Ring	2		9.250 X 1.780 mm (0.364" X 0.070")
7	38H1642	Adapter Fitting	1		
8	T77857	O-Ring	1		12.421 X 1.778 mm (0.489" X 0.070")
9	T77613	O-Ring	1		9.250 X 1.780 mm (0.364" X 0.070")
10	R26448	O-Ring	1		11.887 X 1.981 mm (0.468" X 5/64")
11	38H1160	Adapter Fitting	2		
12	T77613	O-Ring	2		9.250 X 1.780 mm (0.364" X 0.070")
13	R26448	O-Ring	2		11.887 X 1.981 mm (0.468" X 5/64")
14	62H1001	Adapter Fitting	6		SUB FOR 63H1001
15	R26448	O-Ring	1		11.887 X 1.981 mm (0.468" X 5/64")
16	AT344124	Hydraulic Hose	1		Fabricate
17	T77613	O-Ring	1		9.250 X 1.780 mm (0.364" X 0.070")
18	AT363800	Hydraulic Hose	1		Fabricate
19	T77857	O-Ring	1		12.421 X 1.778 mm (0.489" X 0.070")
20	AT336507	Hydraulic Hose	1		Fabricate
21	T77613	O-Ring	1		9.250 X 1.780 mm (0.364" X 0.070")
22	AT336507	Hydraulic Hose	1		Fabricate
23	T77613	O-Ring	1		9.250 X 1.780 mm (0.364" X 0.070")
24	AT336507	Hydraulic Hose	1		Fabricate
25	T77613	O-Ring	1		9.250 X 1.780 mm (0.364" X 0.070")
26	AT336507	Hydraulic Hose	1		Fabricate
27	T77613	O-Ring	1		9.250 X 1.780 mm (0.364" X 0.070")
28	AT336507	Hydraulic Hose	1		Fabricate
29	T77613	O-Ring	1		9.250 X 1.780 mm (0.364" X 0.070")
30	AT336507	Hydraulic Hose	1		Fabricate
31	T77613	O-Ring	1		9.250 X 1.780 mm (0.364" X 0.070")
32	AT342616	Oil Line	1		
33	AT342617	Oil Line	1		
34	T81029	Nut	7		17.475 mm (11/16")
35	T78716	Nut	1		20.625 mm (13/16")
36	T197182	Label	1		Joystick Controls with FNR Switch
37	AT352891	Plate	1		
38	19M7868	Screw	2		M8 X 30
39	T125994	Plug	2		
40	T196079	Nut	2		M8
41	T230554	Conduit	1		
42	AT341527	Plate	1		
43	14M7397	Lock Nut	4		M6, SUB FOR 14M7592
44	Isolator	1		MAKE FROM T66419, CTL 670.56 mm (2.2 ft)
45	12H328	Lock Washer	1		7/8"
46	12H327	Lock Washer	7		3/4"
47	R44302	Tie Band	1		
48	T212304	Tool	1		STC Release Tool

Key	Part No.	Part Name	Qty.	Serial No.	Remarks
1	AT227925	Lever	1		
2	AT227926	Lever	1		Lever w/ Kickdown Switch
3	AT227928	Armature	2		
4	AT227927	Solenoid	2		Detent Coil
5	AT227929	Hydr./Pilot Control Valve	4		Position Plunger
6	AT227930	Plate	2		
7	AT318123	Boot	1		
9	AT227933	Plate	2		
10	AT226119	Switch	1		Kickdown
11	AT303619	Boot Kit	2		
13	AT225425	Hydr./Pilot Control Valve	1		2-Lever
14	19M9760	Screw	6		M4 X 8

Key	Part No.	Part Name	Qty.	Serial No.	Remarks
1	AT364977	Hose Kit	1		Whole Goods
2	AT225432	Hydr./Pilot Control Valve	1		4-Lever Fingertip Controller
3	AT228194	Hydraulic Hose	1		
4	AT228194	Hydraulic Hose	1		
5	AT332244	Oil Line	1		
6	AT332245	Oil Line	1		
7	AT336507	Hydraulic Hose	1		
8	T77613	O-Ring	1		9.250 X 1.780 mm (0.364" X 0.070")
9	AT336507	Hydraulic Hose	1		
10	T77613	O-Ring	1		9.250 X 1.780 mm (0.364" X 0.070")
11	AT340251	Hydraulic Hose	1		
12	AT340251	Hydraulic Hose	1		
13	AT341524	Plate	1		
14	AT366733	Hydraulic Hose	1		
15	12H327	Lock Washer	2		3/4"
16	38H1160	Adapter Fitting	2		
17	T77613	O-Ring	2		9.250 X 1.780 mm (0.364" X 0.070")
18	R26448	O-Ring	2		11.887 X 1.981 mm (0.468" X 5/64")
19	38H1194	Adapter Fitting	2		
20	T77858	O-Ring	2		18.771 X 1.778 mm (0.739" X 0.070")
21	R29936	O-Ring	2		29.743 X 2.946 mm (1.171" X 0.116")
22	63H1001	Fitting	2		
23	R26448	O-Ring	1		11.887 X 1.981 mm (0.468" X 5/64")
24	T77858	O-Ring	2		18.771 X 1.778 mm (0.739" X 0.070")
25	T81029	Nut	2		17.475 mm (11/16")
26	T215434	Clamp	2		
27	19M7786	Screw	2		M10 X 30
28	T174275	Lock Washer	2		30.950 mm (1-7/32")
29	T238029	Adjusting Strap	3		
30	T228348	Cover	1		
31	U46753	Hose Clamp	2		
32	19M7805	Screw	1		M10 X 45
33	28H3383	Bushing	1		0.493" X 0.675" X 3/4"
34	14M7400	Lock Nut	1		M10
35	38H1276	Adapter Fitting	2		
36	T77858	O-Ring	4		18.771 X 1.778 mm (0.739" X 0.070")
37	38H1418	Fitting	2		
38	T78707	Nut	2		30.175 mm (1-3/16")
39	AT220174	Solenoid Hydraulic Valve	1		Auxiliary Valve Section, Components On Separate Page
	AT210683	Stud	4		Stud Assembly for 4-Spool Control Valve

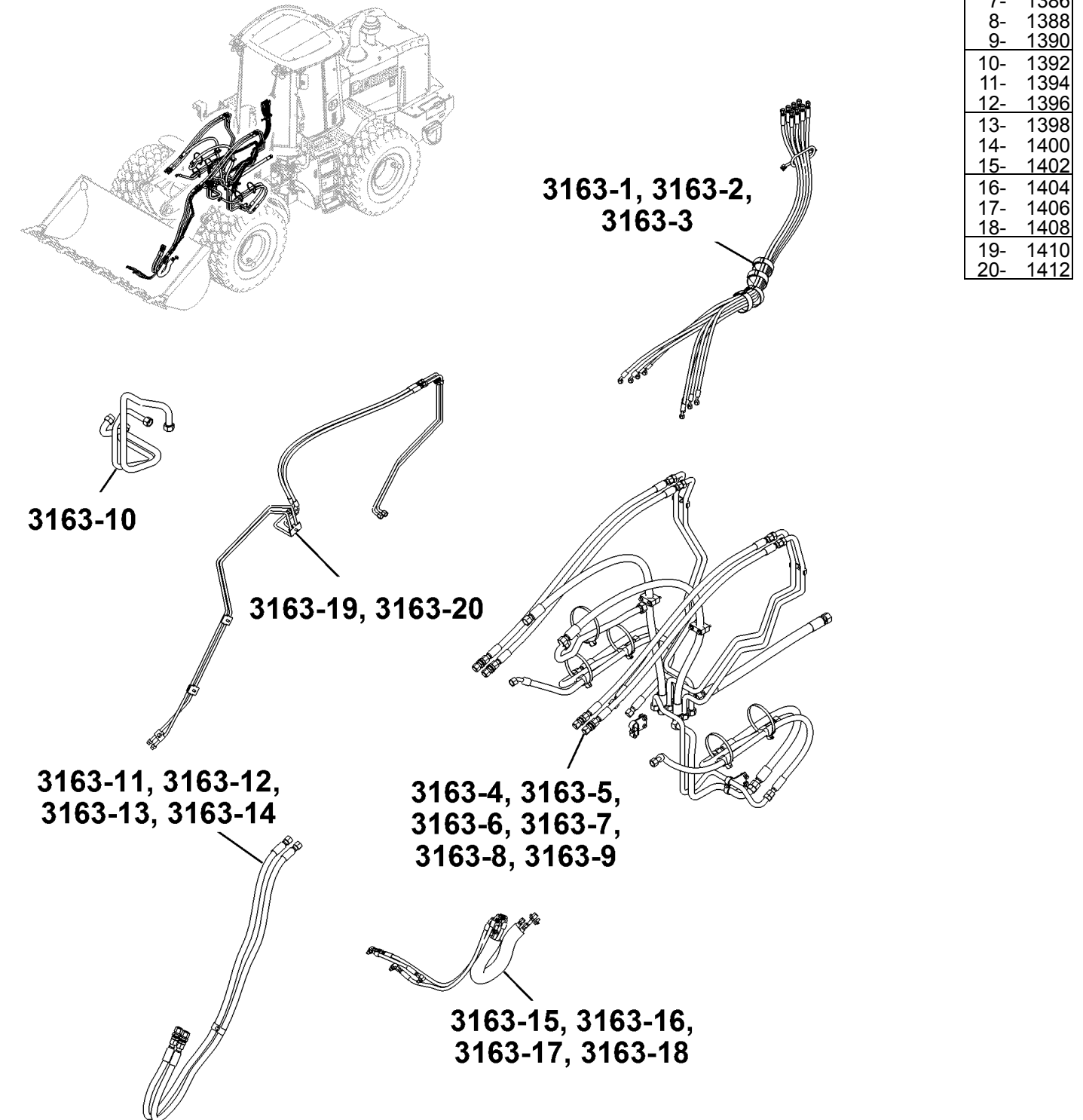
Key	Part No.	Part Name	Qty.	Serial No.	Remarks
1	AT337704	Cab Kit	1		Whole Goods
2	LW9285555	Switch	1		FNR (Forward - Neutral - Reverse)
3	AT300921	Clamp	1		
4	21M7258	Screw	1		M4 X 8
5	T197182	Label	1		Joystick Controls with Joystick FNR
6	AT442732	Cover	1		SUB FOR AT342497

Key	Part No.	Part Name	Qty.	Serial No.	Remarks
1	AT337420	Control Kit	1		Coupler Locking Pins, Whole Goods
2	AT334494	Control Valve	1		Components On Separate Page
3	24M7296	Washer	2		10.500 X 30 X 2.500 mm
4	19M7836	Screw	2		M10 X 110
5	14M7400	Lock Nut	2		M10
6	38H1004	Elbow Fitting	1		
7	R26448	O-Ring	1		11.887 X 1.981 mm (0.468" X 5/64")
8	T77613	O-Ring	1		9.250 X 1.780 mm (0.364" X 0.070")
9	38H1030	Tee Fitting	1		
10	T77613	O-Ring	2		9.250 X 1.780 mm (0.364" X 0.070")
11	38H1160	Adapter Fitting	1		
12	T77613	O-Ring	1		9.250 X 1.780 mm (0.364" X 0.070")
13	R26448	O-Ring	1		11.887 X 1.981 mm (0.468" X 5/64")
14	38H1173	Adapter Fitting	2		
15	T77857	O-Ring	2		12.421 X 1.778 mm (0.489" X 0.070")
16	R26448	O-Ring	2		11.887 X 1.981 mm (0.468" X 5/64")
17	38H1309	Adapter Fitting	1		
18	T77613	O-Ring	1		9.250 X 1.780 mm (0.364" X 0.070")
19	R28782	O-Ring	1		8.915 X 1.829 mm (0.351" X 0.072")
20	AT167553	Hydraulic Hose	1		
21	AT357215	Hydraulic Hose	1		
22	AT372274	Oil Line	1		
23	AT372275	Oil Line	1		
24	AT324153	Hydraulic Hose	2		Fabricate
25	AT372276	Oil Line	1		
26	AT372277	Oil Line	1		
27	T77613	O-Ring	6		9.250 X 1.780 mm (0.364" X 0.070")
28	38H1415	Fitting	2		
29	T159956	Clamp	3		
30	T159950	Clamp	4		
31	19M7786	Screw	5		M10 X 30
32	T72414	Bushing	4		
33	H75541	Clamp	2		
34	24M7239	Washer	6		10.700 X 21 X 2.500 mm

Functional Group Pictorial Index
Index d'illustrations par groupes de fonctions
Иллюстрированный указатель функциональной группы
Índice de ilustraciones por grupos

TX1161502 A.1

3163



TX1161502

Key	Part No.	Part Name	Qty.	Serial No.	Remarks
1	14M7296	Flange Nut	4		M10
2	19M7783	Screw	2		M10 X 16
3	19M7805	Screw	6		M10 X 45
4	24M7296	Washer	4		10.500 X 30 X 2.500 mm
5	28H3383	Bushing	2		0.493" X 0.675" X 3/4"
6	AT208691	Hydraulic Hose	2		
7	AT210216	Oil Line	1		
8	AT210217	Oil Line	1		
9	AT210218	Oil Line	1		
10	AT210219	Oil Line	1		
11	AT210400	Oil Line	2		
12	AT224318	Bracket	2		
13	AT315051	Hydraulic Hose	2		(SUB FOR AT320658)
14	AT332338	Oil Line	1		
15	AT347679	Hydraulic Hose	2		
16	AT366774	Hydraulic Hose	1		(SUB FOR AT350941), Fabricate
17	T102005	Guide	4		
18	T170365	Clamp	2		
19	T224878	Clamp	2		
20	T76938	O-Ring	5		
21	T77858	O-Ring	2		
22	TY22495	Hose Clamp	6		
23	TY22496	Hose Clamp	1		

CLICK HERE TO **DOWNLOAD** THE COMPLETE MANUAL

- Thank you very much for reading the preview of the manual.
- You can download the complete manual from: www.heydownloads.com by clicking the link below



- Please note: If there is no response to CLICKING the link, please download this PDF first and then click on it.

CLICK HERE TO **DOWNLOAD** THE COMPLETE MANUAL