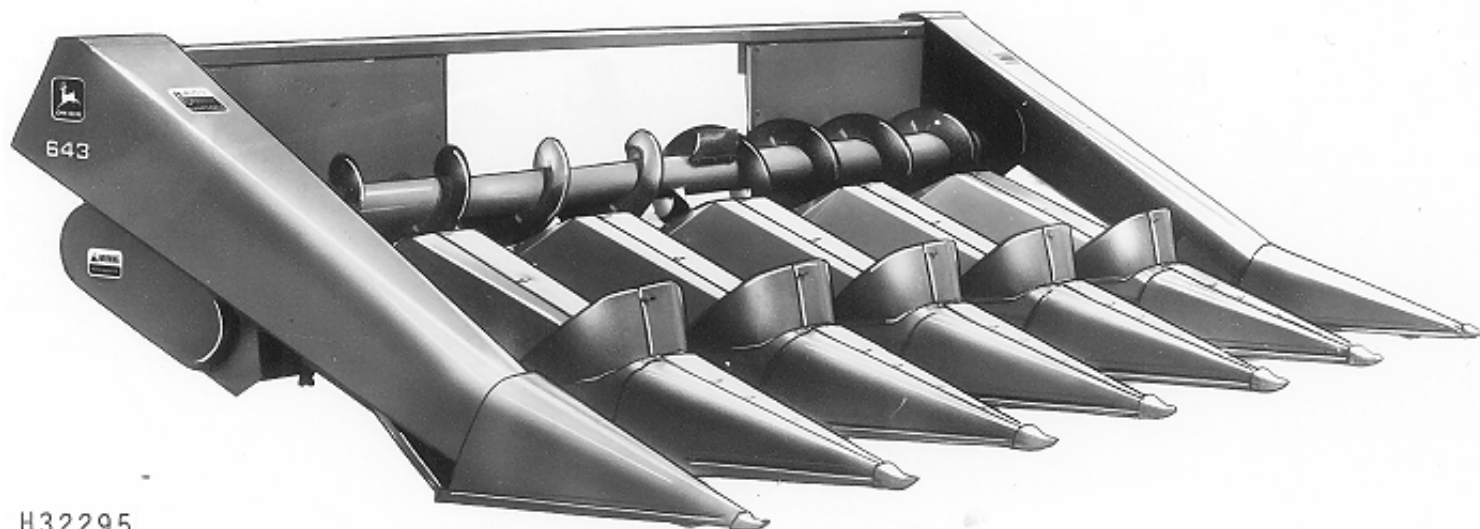


H32295 -UN-01JAN94



H32295

JOHN DEERE 643 CORN HEAD

(SPECIFICATIONS AND DESIGN SUBJECT TO CHANGE WITHOUT NOTICE)

DATE OF MANUFACTURE

MODEL NO.	DATE
243	(1969-1987)
244	(1969-1987)
343	(1969-1987)
344	(1969-1979)
443	(1969-1993)
444	(1969-1993)
543	(1973-1978)(1988-1989)
546	(1970-1993)
642	(1969-1977)
643	(1969-1993)
644	(1969-1993)
645	(1970-1993)
842	(1969-1977)
843	(1969-1993)
844	(1979-1993)
1243	(1980-1993)

CLICK HERE TO **DOWNLOAD** THE COMPLETE MANUAL

- Thank you very much for reading the preview of the manual.
- You can download the complete manual from: www.heydownloads.com by clicking the link below



- Please note: If there is no response to CLICKING the link, please download this PDF first and then click on it.

CLICK HERE TO **DOWNLOAD** THE COMPLETE MANUAL

OUTER GATHERER SHEETS - CONTINUED
(380601-)

KEY	PART NO.	PART NAME	QTY	SERIAL NO.	REMARKS
1	AH118342	GATHERER	1		R.H. (SUB FOR AH97796)
	AH118343	GATHERER	1		L.H. (SUB FOR AH97797)
2	19H1732	CAP SCREW	2	-600000	3/8" X 1-1/4"
	E55662	FLANGE NUT	2	-600000	9.525 MM (3/8")
3	H97266	BUSHING	2	-600000	9.779 X 16.256 X 16.256 MM (0.385" X 0.640" X 0.640")
4	24H1308	WASHER	AR	-600000	13/32" X 1" X 0.134"
5	H100529	EYEBOLT	2	-600000	
	14H827	WING NUT	2	-466450	3/8"
	E50102	LOCK NUT	2	466451-600000	9.525 MM (3/8")
6	03H1709	BOLT	8	-600000	5/16" X 1"
	A22698	NUT	8		7.925 MM (5/16")
7	H92710	PAD	4	-600000	
	H113751	PAD	4	600001-	
8	H93010	BRACE	1		R.H.
	H93011	BRACE	1		L.H.
9	N10214	SELF-LOCKING SCREW	2		9.525 X 25.400 MM (3/8" X 1")
	E55662	FLANGE NUT	2		9.525 MM (3/8")
10	H100530	SUPPORT	1		R.H., OUTER
	H100531	SUPPORT	1		L.H., OUTER
11	03H1500	BOLT	AR		3/8" X 1"
	E55662	FLANGE NUT	AR		9.525 MM (3/8")
12	H101251	STRAP	2	-383768	(SUB H102750 AND H102751)
	H102750	STRAP	1		INNER
13	H101253	ANGLE	4		INNER
14	03H1500	BOLT	AR		3/8" X 1"
	E50102	LOCK NUT	AR		9.525 MM (3/8")
15	H101252	STRAP	2	-383768	(SUB H102750 AND H102751)
	H102751	STRAP	1		OUTER
16	N10212	SELF-LOCKING SCREW	2		7.925 X 19.050 MM (5/16" X 3/4")
	T16464	LOCK NUT	2		7.925 MM (5/16") (SUB FOR N10213, THIS APPLICATION)
	12H336	LOCK WASHER	2		7/16", (243, -610100) (244, -610150) (343, -610200) (344, -600000) (443, -610250) (444, -610300) (543, -416850) (546, -610400) (643, -610450) (644, -610550) (645, -610600) (843, -610650) (844, -610700) (1243, 610750)
17	24M7207	WASHER	2		8.400 X 24 X 2 MM
18	N101988	GATE	1	-660100	
	H152597	GATE	1	660101-	
19	03H1557	BOLT	AR		3/8" X 1-1/4"
	E50102	LOCK NUT	AR		9.525 MM (3/8")
20	H113237	HOOK	4		(SUB FOR H91576)
21	H109940	HINGE	1		R.H. (SUB FOR H91574)
	H109941	HINGE	1		L.H. (SUB FOR H91575)
22	03H1557	BOLT	AR		3/8" X 1-1/4"
	03H1468	BOLT	2	469631-	3/8" X 1-3/4"
	E55662	FLANGE NUT	AR		9.525 MM (3/8")
23	E60315	SELF-LOCKING SCREW	2	466451-	9.525 X 31.750 MM (3/8" X 1-1/4")
24	E55662	FLANGE NUT	4	466451-	9.525 MM (3/8")
25	E50102	LOCK NUT	4	466451-	9.525 MM (3/8")
26	AH110774	EXTENSION	2		
27	03H1540	BOLT	4	-517928	5/16" X 3/4"
	12H303	LOCK WASHER	4	-517928	5/16"
	14H785	NUT	4	-517928	5/16"
	03H1709	BOLT	4	517929-	5/16" X 1"
	A22698	NUT	4	517929-	7.925 MM (5/16")
28	24M7207	WASHER	4		8.400 X 24 X 2 MM
29	A22698	NUT	4		7.925 MM (5/16")
30	H126728	LABEL	2		"DANGER", (SUB H149059)
	H149059	SIGN	2		(SUB H151336) "DANGER"
..	JD5580	REFLECTOR	2		"RED", (SUB JD5902)
..	JD5599	DECAL	2		"LEAPING DEER"

PERMA-GLIDE-OUTER POINTS-CONTINUED

KEY	PART NO.	PART NAME	QTY	SERIAL NO.	REMARKS
1	A3581R	SPRING LOCKING PIN	1		
2	H164229	CLIP	1		
3	N218164	U-BOLT	1		
4	N101346	LOCK NUT	2	11.125 MM	
5	H141850	BUSHING	2	13 X 18 X 29 MM	
6	H141991	BOLT	2	M12 X 93	
7	24H1226	WASHER	4	12.700 X 31.750 X 2.108 MM	
8	E80242	LOCK NUT	2	M12	
9	H169694	SPACER	2		
10	H148121	SHOE	1		
11	H148436	STRAP	2		
12	03M7246	BOLT	2	M10 X 60	
13	14M7296	FLANGE NUT	2	M10	
14	AH158426	POINT	1		
15	H166889	PLATE	1		
16	H76441	CAP	1		
17	AJ9486N	LINK CHAIN	1		
18	AH159912	KIT	1		
19	H155652	CROP DIVIDER	1		
20	H155653	LIMIT CURTAIN	1		
21	19M7802	SCREW	5	M8 X 65	
22	14M7396	LOCK NUT	5	M8	
23	H155702	STRIP	1		
24	19M7301	CAP SCREW	7	M8 X 40	
25	24H1136	WASHER	7	8.738 X 17.475 X 1.651 MM	
26	H156680	NUT	7	M8	
27	BH81180	COMPLETE GOODS/SHIP. BUNDLE	1	BUNDLE HAS QTY FOR TWO	

MEMORANDA

B14

40 SERIES CORN HEADS

ROW-UNIT GEAR CASE - CONTINUED

KEY	PART NO.	PART NAME	QTY	SERIAL NO.	REMARKS
1	AN102004	GEAR	1		STALK ROLL DRIVE
2	N102030	BUSHING	2		
3	N102020	PINION	2		17 TEETH, BEVEL
4	N102019	SNAP RING	2		
5	N102024	COUNTERSHAFT	1		
6	N102025	CAP	2		GREASE
7	N102033	BUSHING	2		(243, -800) (244, -4000) (343, -3000) (344, -1500) (443, -3000) (444, -7000) (546, -1000) (642, -400) (643, -2500) (644, -1000) (645, -1000) (842, -1000) (843, -1000)
	H83875	BUSHING	2		(243,801-) (244,4001-) (343,3001-) (344,1501-) (443,3001-) (444,7001-) (543,501-) (546,1001-) (642,401-) (643,2501-) (644,1001-) (645,1001-) (842,1001-) (843,1001-) (844,380601-) AND (1243,470497-)
8	AR39052	SEAL	2		(243, -800) (244, -4000) (343, -3000) (344, -1500) (443, -3000) (444, -7000) (546, -1000) (642, -400) (643, -2500) (644, -1000) (645, -1000) (842, -1000) (843, -1000)
	AN71326	SEAL	2		(243,801-) (244,4001-) (343,3001-) (344,1501-) (443,3001-) (444,7001-) (543,501-) (546,1001-) (642,401-) (643,2501-) (644,1001-) (645,1001-) (842,1001-) (843,1001-) (844,380601-) AND (1243,470497-)
9	N102755	PIPE PLUG	1		(243, -300) (244, -2551) (343, -1781) (344, -926) (443, -1336) (444, -2766) (546, -500) (642, -400) (643, -1051) (644, -531) (645, -400) (842, -421) (843, -600) (SUB 15H278)
	15H665	PIPE PLUG	1		3/4"
10	AN102006	SEAL	2		
11	JD8896	NEEDLE BEARING	1		
12	AN102511	BEARING	1		
13	19H2552	CAP SCREW	4		3/8" X 1-1/8"
14	12H304	LOCK WASHER	12		3/8"
15	N102008	SHIM	AR	-416850	0.254 MM (0.010")
	H105623	SHIM	AR	416851-	0.381 MM (0.015")
	N102008	SHIM	AR	470497-	0.254 MM (0.010") (1243)
16	N102032	WASHER	2		51.308 X 79.248 X 3.556 MM (2.020" X 3.120" X 0.140") THRUST
17	H107779	GEAR	1		17 TEETH, INPUT, (SUB FOR N102015)
18	JD7759	LUBRICATION FITTING	1		
	JD7781	LUBRICATION FITTING	1		90 DEGREE (FROM L.H. SIDE, USE ON NO. 6 GEAR CASE)
19	JD8896	NEEDLE BEARING	1		
20	N102039	CAP	1		
21	N102026	RING	1		

NOTE: QUANTITIES SHOWN ARE FOR ONE ROW UNIT.

THIS PARTS LISTING IS CONTINUED

ROW-UNIT AND CROSS AUGER DRIVES - CONTINUED
 (444, 543, 546, 643, 644, 645 AND 843) (332701-)
 (844, 380601-) (1243, 471048-)

KEY	PART NO.	PART NAME	QTY	SERIAL NO.	REMARKS
1	H108726	STRAP	AR		(444-1 USED;543 - 1243 - 2 USED) (SUB H145166) (SUB FOR H94480)
2	24H1111	WASHER	4	-517928	17/32" X 1-1/16" X 0.090"
3	H87121	SPACER	2		
	H110115	SPACER	2		
4	AE27909	CHAIN SPROCKET	2		15 TEETH, IDLER (1243, -630750)
	AN70860	CHAIN SPROCKET	2		(1243) (14 TEETH)
5	03H2114	BOLT	2		1/2" X 2-3/4"
	14H1069	NUT	2		1/2", (SUB FOR A11455)
6	AN102026	CHAIN SPROCKET	AR		24 TEETH, (1 USED-444,-620305)(2 USED-543,-576761; 546,-620400; 643,-620536; 644,-620574; 645,-620600; 843,-620715; 844,-620709)
	AH124999	CHAIN SPROCKET	AR		28 TEETH (1 USED-444,543,620306-)(2 USED-546,620400-; 643,620537-; 644,620575-; 645,620601-; 843,620716-; 844,620710-)
	AN102026	CHAIN SPROCKET	2	-630750	24 TEETH, DRIVE (1243) (SUB FOR AH108176)
	AH114829	CHAIN SPROCKET	2		(1243)
7	AN102498	LINK CHAIN	AR		(1 USED-444,-620305)(2 USED - 543,-576761; 546,-620400; 643,-620536; 644,-620574; 645,-620600; 843,-620715; 844,-620709)
					(ASSEMBLE FROM AB1288H, AB1289H AND AB1290H)
	AH124998	ROLLER CHAIN	AR		ROLLER (1 USED-444, 620306-)(2 USED-543,546, 620400-; 643,620547-; 644,620575-; 645,620601-; 843,620716-; 844,620710-)
	AH110992	LINK CHAIN	2	-630750	(1243) DRIVE, ROLLER-TYPE 60, 3/4" PITCH, 87 LINKS (FROM AB1290H, AN151830, AB1289H, AB1288H, B5234H, AND B5235H)
	AH114886	ROLLER CHAIN	2		ROLLER (1243)
8	03H2203	BOLT	2		1/2" X 2-1/4"
	14H1069	NUT	2		1/2", (SUB FOR A11455)
	24H1341	WASHER	2		17/32" X 15/16" X 0.060" (1243)
9	03H1659	BOLT	2		1/2" X 1", (1243-4 USED)
	A11455	NUT	2		12.700 MM (1/2") (1243-4 USED)
10	03H2203	BOLT	1		1/2" X 2-1/4", (1243-2 USED)
	A11455	NUT	1		12.700 MM (1/2") (SUB 14H1069) (1243-2 USED)
	14H1069	NUT	1		1/2"
	H94807	PLATE	1		(1243-2 USED)
12	AN102342	CHAIN SPROCKET	1		54 TEETH, CROSS AUGER, (1243-2 USED)
	AH113341	CHAIN SPROCKET	1		48 TEETH (1243 - 2 USED)(HIGH SPEED AUGER DR)
13	LINK CHAIN	1		DRIVE, AUGER, ROLLER, TYPE 50, 5/8" PITCH, 76 LINKS, (ASSEMBLE FROM AP6093H, AP6094H AND P20352) (1243-2 USED)
14	AH83654	IDLER	1		87MM (3-7/16"), CROSS AUGER DRIVE, (1243-2 USED)
15	H94808	BRACKET	1		(1243 - 2 USED)
16	N102075	WASHER	1		13.487 X 22.352 X 7.112 MM (17/32" X 0.880" X 0.280") (1243 - 2 USED)
17	N102053	BUSHING	1		(1243-2 USED)
18	AN102535	DRIVE SPROCKET	1		17T, AUGER SLIP CLUTCH (1243-2 USED) (SUB FOR AN102535)
19	N102042	WASHER	1		(1243-2 USED)
20	H135198	HUB	1		(SUB FOR N102054) (1243-2 USED)
21	N102023	JAW	1		(1243-2 USED)
22	N102042	WASHER	AR		(643, 644, 645, 843, 844-1 USED; 1243-2 USED)
23	H20621	SPRING	1		(1243-2 USED)
24	H112654	HOUSING	1		SLIP CLUTCH, (SUB FOR N102047 OR H100363)
25	AH95418	SHAFT	1	-466450	R.H. (444 SIDEHILL) (SUB AH143130) (SUB FOR AN102130) (NO LONGER AVAILABLE)
	AH109136	SHAFT	1	466451-569161	R.H. (444 SIDEHILL) (SUB AH143138) (SUB FOR AH104669)
	AH95418	SHAFT	1	569162-	(SUB AH143130) R.H. (444) (SIDEHILL) (NO LONGER AVAILABLE)
	AH143130	SHAFT	1		(INCLUDES H149361) (SUB AH145779) METRIC, R.H. (444)
	AH143145	SHAFT	1		(SUB FOR AH104685 OR AH109137) METRIC, R.H. (543)
	AN102220	DRIVE SHAFT	1	-466450	R.H. (543) (NO LONGER AVAILABLE)
	AH109140	SHAFT	1	-630400	R.H. (546 AND 644) (SUB FOR AN102420) (SUB AH133022)

THIS PARTS LISTING IS CONTINUED

CLICK HERE TO **DOWNLOAD** THE COMPLETE MANUAL

- Thank you very much for reading the preview of the manual.
- You can download the complete manual from: www.heydownloads.com by clicking the link below



- Please note: If there is no response to CLICKING the link, please download this PDF first and then click on it.

CLICK HERE TO **DOWNLOAD** THE COMPLETE MANUAL

AUGER - CONTINUED

(344, 443, 444, 543, 546, 642, 643, 644, 645, 842, 843 AND 844)

KEY	PART NO.	PART NAME	QTY	SERIAL NO.	REMARKS
1	24H1399	WASHER	1		25/32" X 1-5/8" X 0.180", (NOT REQUIRED WITH METRIC SHAFTS)
2	N103830	PRESSED FLANGED HOUSING	4		
3	AN102010	BEARING	2		
4	AN102342	CHAIN SPROCKET	1		54 TEETH
	AH113341	CHAIN SPROCKET	1		48 TEETH (HIGH SPEED AUGER DRIVE)
5	14H794	NUT	1		3/4", (NOT REQUIRED WITH METRIC SHAFTS)
	H149361	LOCK NUT	1		M20
6	12H236	LOCK WASHER	1		3/4", (NOT REQUIRED WITH METRIC SHAFTS)
7	H84584	STRAP	AR		(2 USED-344, 443, 444, 543, 642 AND 842; 4 USED-546 AND 643; 6 USED-644, 645, 843, 844; 3 USED-1243) (WELD PART TO AUGER)
8	N104166	PADDLE	1		R.H. (344, -2000)(443, -4500)(444, -11000) (642, -500)(643, -4000)(546/644/645/842/843, -1500)
	N104167	PADDLE	1		L.H.(344, -2000)(443, -4500)(444, -11000) (642, -500)(643, -4000)(546,644,645,842,843, -1500)
	H84583	PADDLE	2		(344,2001-)(443,4501-)(444,11001-) (543/642, 501-)(643, 4001-) (546/644/645/842/843,1501-)(844,380601-)
9	N103746	STRIP	2		(344, -2000)(443, -4500)(444, -11001) (642, -500) (643, -4000) (546/644/645/842/843 -1500)
	H84585	STRIP	2		(344,2001-) (443,4501-) (444,11001-) (543/642, 501-)(546/644/645/842/843,1501-) (643,4001-) (844, 380601)
10	03H1557	BOLT	6		3/8" X 1-1/4", (344,-2000)(443,-4500)(444,-11000)(546/644/645/842/843, -1500)(642,-500) (643,-4000)
	E55662	FLANGE NUT	6		9.525 MM (3/8")
	N10219	SELF-LOCKING SCREW	6		7.925 X 31.750 MM (5/16" X 1-1/4") (344,2001-)(443,4501-)(444,11001-) (543/642, 501-)(546/644/645/842/843, 1501-)(643,4001-) 7.925 MM (5/16")
	A22698	NUT	6		
11	AH143114	PLUG	1		(SUB FOR AH85050 OR AH115010)
	AH143115	PLUG	1		(844) (SUB FOR AH100004 OR AH115011) (USE WITH H149361)
12	AH81726	AUGER	1	-2000	(SUB AH85052 AND AH85850) (SUB FOR AN102150)
	AH122818	AUGER	1		(344) (SUB FOR AH85052)
	AH143115	PLUG	1		(344) (INCLUDES H149361 NUT) (METRIC)
	AN102194	AUGER	1	-1200	(SUB AH81727)
	AH81727	AUGER	1	-4500	(SUB AH85053, AH85850, AH122819, AH143200, H84583, H84585 AND N10213)
	AH143200	AUGER	1		(443) (SUB FOR AH85053 OR AH122819)
	AH81728	AUGER	1	-11000	(SUB AH85054 AND AH85850) (SUB FOR AH81728)
	AH122820	AUGER	1		(444, 543) (SUB FOR AH85054)
	AH143468	AUGER	1		METRIC (444, 543)
	AN102191	AUGER	1	-500	(SUB AH85056 AND AH85850)
	AH143467	AUGER	1		(SUB FOR AH85056, AH112165 OR AH122823) (546) (METRIC)
	AH81729	AUGER	1	-500	(SUB AH85055 AND AH85850) (SUB FOR AN102083)
	AH122821	AUGER	1		(642) (SUB AH143201) (SUB FOR AH85055)
	AH143201	AUGER	1		METRIC (642)
	AN102191	AUGER	1	-4000	(SUB AH85056 AND AH85850)
	AH143467	AUGER	1		(SUB FOR AH112165, AH122823 OR AH85056) METRIC (643)
	AN102451	AUGER	1	-1500	(SUB AH85057 AND AH85850)
	AH143202	AUGER	1		(SUB FOR AH85057, AH112166 OR AH122824) METRIC (644)
	AN102034	AUGER	1	-1500	(842) (SUB AH85058 AND AH85850)
	AH122822	AUGER	1		(842) (SUB FOR AH85058) (NO LONGER AVAILABLE)
	AN102145	AUGER	1	-1500	(SUB AH85059 AND AH85850)
	AH143203	AUGER	1		(SUB FOR AH85059, AH112167 OR AH122825) METRIC (645 AND 843)
	AH97145	AUGER	1	380601-600000	(SUB AH112168)
	AH122826	AUGER	1		(844) (SUB AH143117) (SUB FOR AH112168)
	AH143117	FLIGHT	1		(844) (INCLUDES H149361 NUT) (METRIC)
13	03H1765	BOLT	AR		3/8" X 3/4"
	E55662	FLANGE NUT	AR		9.525 MM (3/8")
..	AH85850	KIT	1		

AUGER SHIELD - CONTINUED
(243, 244, 343, 344, 443, 444, 543, 546, 643, 644, 645, 843 AND 1243)

KEY	PART NO.	PART NAME	QTY	SERIAL NO.	REMARKS
1	AH104420	SUPPORT	1	-518413	(1243) (SUB AH110983)
	AH110983	SHIELD	1		(1243) (SUB AH144726)
	AH124834	SUPPORT	1		(243, 244, 343, 344, 443, 444, 543, 546, 643, 644, 645, AND 843) (SUB AH144006)
	AH144006	SUPPORT	1		(243, 244, 343, 344, 443, 444, 543, 546, 643, 644, 645 AND 843)
	AH124835	SUPPORT	1		(844) (SUB AH144006)
	AH144006	SUPPORT	1		(844)
2	H89266	SCREW	3	-518413	
	12H303	LOCK WASHER	3	-518413	5/16"
	H89266	SCREW	2	518414-	
	12H303	LOCK WASHER	2	518414-	5/16"
3	37M7058	SCREW	2		
	24M7207	WASHER	7	-567200	8.400 X 24 X 2 MM
	24M7207	WASHER	2	567201-	8.400 X 24 X 2 MM
4	N10219	SELF-LOCKING SCREW	2	-518413	
	A22698	NUT	2	-518413	7.925 MM (5/16")
	N10219	SELF-LOCKING SCREW	5	518414-	(1243)
	A22698	NUT	5	518414-	7.925 MM (5/16") (1243)
	03H1709	BOLT	4		(243, 244, 343, 344, 443, 444, 543, 546, 643, 644, 645, 843, 844)
	A22698	NUT	4		7.925 MM (5/16") (243, 244, 343, 344, 443, 444, 543, 546, 643, 644, 645, 843, 844)
	03M7185	BOLT	4		M8 X 25
5	14M7298	FLANGE NUT	4		M8
	14H785	NUT	2		5/16"
	12H303	LOCK WASHER	2		5/16"
6	14M7298	FLANGE NUT	2		M8
	19H1905	CAP SCREW	2		5/16" X 1"
	12H303	LOCK WASHER	2	-567200	5/16"
	14H785	NUT	2		5/16"
	19M7867	SCREW	2		M8 X 25
	14M7298	FLANGE NUT	2		M8
7	28H1511	WASHER	2		0.364" X 0.540" X 1/4"
8	AH104419	SHIELD	1		(SUB AH137701) (NO LONGER AVAILABLE)
9	H105559	SHEET	1		L.H. (NO LONGER AVAILABLE)
	SHEET	1		(SUB AH137701) R.H. (NO LONGER AVAILABLE)
10	24H1136	WASHER	25		11/32" X 11/16" X 0.065"
11	03H1540	BOLT	14		5/16" X 3/4"
	12H303	LOCK WASHER	14		5/16"
	14H785	NUT	14		5/16"
	03M7184	BOLT	14		M8 X 20
	14M7298	FLANGE NUT	14		M8
12	H105562	REINFORCEMENT	1		(NO LONGER AVAILABLE)
13	03H1709	BOLT	11		5/16" X 1"
	12H303	LOCK WASHER	11		5/16"
	14H785	NUT	11		5/16"
	03M7185	BOLT	11		M8 X 25
	14M7298	FLANGE NUT	11		M8
	14	H105561	DEFLECTOR	1	
15	24H1293	WASHER	5	567201-	11/32" X 1-1/16" X 0.120"
16	AH137701	KIT	1		

BH79944 (COMPLETE GOODS) CENTER AUGER COVER

MAIN FRAME SHIELDS - CONTINUED
(844) (1243, 471048-)

KEY	PART NO.	PART NAME	QTY	SERIAL NO.	REMARKS
1	N10212	SELF-LOCKING SCREW	8	-630700	5/16" X 3/4"
	E55662	FLANGE NUT	8		9.525 MM (3/8")
2	H89569	DOOR	AR		INSPECTION (844-1 USED; 1243-2 USED)
3	H97483	GASKET	AR		(844-1 USED; 1243-2 USED) (SUB H149353)
4	AH109101	SHIELD	2	-630700	(SUB FOR AH96216) (SUB AH132630)
	AH132630	SHIELD	2		(SUB AH143225)
5	H100184	SHIELD	1	-635000	(SUB H130084) R.H.
	H130084	SHIELD	1		R.H. (ROW UNIT DRIVE, INNER)
	H100185	SHIELD	1	-635000	(SUB H130085) L.H.
	H130085	SHIELD	1		L.H. (ROW UNIT DRIVE, INNER)
	H100186	SHIELD	2	-635000	(SUB H130086) CENTER
	H130086	SHIELD	2		CENTER
6	H77931	SCREW	12		9.525 X 15.748 MM (3/8" X 0.620")
					SELF-TAPPING
7A	09H1587	BOLT	2		5/8" X 2" (844,-615745; 1243,-620776)
	14H1039	NUT	2		5/8" (844,-615745; 1243,-620776)
7B	03H1629	BOLT	6	-625900	5/8" X 2-1/4" (844,615746-; 1243,620777-)
	12H294	LOCK WASHER	6	-625900	5/8" (844,615746-; 1243,620777-)
	14H760	NUT	6	-625900	5/8" (844,615746-; 1243,620777-)
7C	19M7784	SCREW	2		M10 X 20
8A	H91615	PLATE	2		(844,-615745; 1243,-620776)
8B	H133619	BRACKET	1	-625900	R.H. (844,615746-; 1243,620777-)
	H133620	BRACKET	1	-625900	L.H. (844,615746-; 1243,620777-)
8C	H137143	PLATE	1		(USE WITH QUIK-TACH OR NEW SERVICE FRAME)
9	REINFORCEMENT	1		(USE WITH QUIK-TACH OR NEW SERVICE FRAME)
10A	24H1825	WASHER	2		11/16" X 1-1/2" X 0.194" (844,-615745; 1243,-620776)
10B	H124261	SPACER	6	-625900	16.280 X 31.750 X 16.500 MM (0.641" X 1-1/4" X 0.650") (844,615746-; 1243,620777-)
11	PLATE	1		(USE WITH QUIK-TACH OR NEW SERVICE FRAME)
	PLATE	1		(USE WITH QUIK-TACH OR NEW SERVICE FRAME)
12	H136751	DECAL	1		(INSTALLED ON L.H. SIDE OF BACKSHEET ONLY)
13	AH134683	PIN	2		1 EACH - R.H. AND L.H. (LATCH PIN ASSY)
14	H100042	PIN	2	-466450	(SUB (2) N10219, (4) 14H785, (2) H108023 AND (2) 12H303, THIS APPLICATION)
15	N10212	SELF-LOCKING SCREW	2	-466450	7.925 X 19.050 MM (5/16" X 3/4") (SUB (2) N10219, (4) 14H785, (2) H108023 AND (2) 12H303, THIS APPLICATION)
16	H98845	SHIELD	2	-635000	ROW UNIT DRIVE, OUTER (844) (SUB H130087)
	H130087	SHIELD	2		ROW UNIT DRIVE, OUTER (844)
	H101497	SHIELD	2	-635000	(SUB H130088) (1243 - OUTER)
	H130088	SHIELD	2		(1243 - OUTER)
17	H108285	CLIP	2		(1243)
18	24H1850	WASHER	2	600001-	17/32" X 1-1/4" X 0.180"
19	H112895	BRACE	2	600001-	
20	19H1815	CAP SCREW	2	600001-	1/2" X 1-1/4"
	A11455	NUT	2	600001-	12.700 MM (1/2") (SUB 14H1069)
	14H1069	NUT	2		1/2"
21	19H1792	CAP SCREW	2	600001-	1/2" X 1"
	A11455	NUT	2	600001-	12.700 MM (1/2")
	14H1069	NUT	2		1/2"
22	N10219	SELF-LOCKING SCREW	2		7.925 X 31.750 MM (5/16" X 1-1/4")
23	14H785	NUT	4		5/16"
24	H108023	STRAP	2		
25	12H303	LOCK WASHER	2		5/16"
26	15H566	PIPE PLUG	4		1/8"
27	H78354	SCREW	30		7.938 X 14.224 MM (5/16" X 0.560")
					SELF-TAPPING
..	TY15130	SEALANT	AR	466451-	(FORM IN PLACE - 3 OZ.)
..	TY15443	SEALANT	AR	466451-	(FORM IN PLACE - 10 OZ.)

D16

40 SERIES CORN HEADS

MAIN DRIVE SHAFT SHIELD L. H. & R. H. - CONTINUED
 (443, 444, 543, 546, 642, 643, 644, 645, 842, 843 AND 844)
 (1243), (471048-635100)

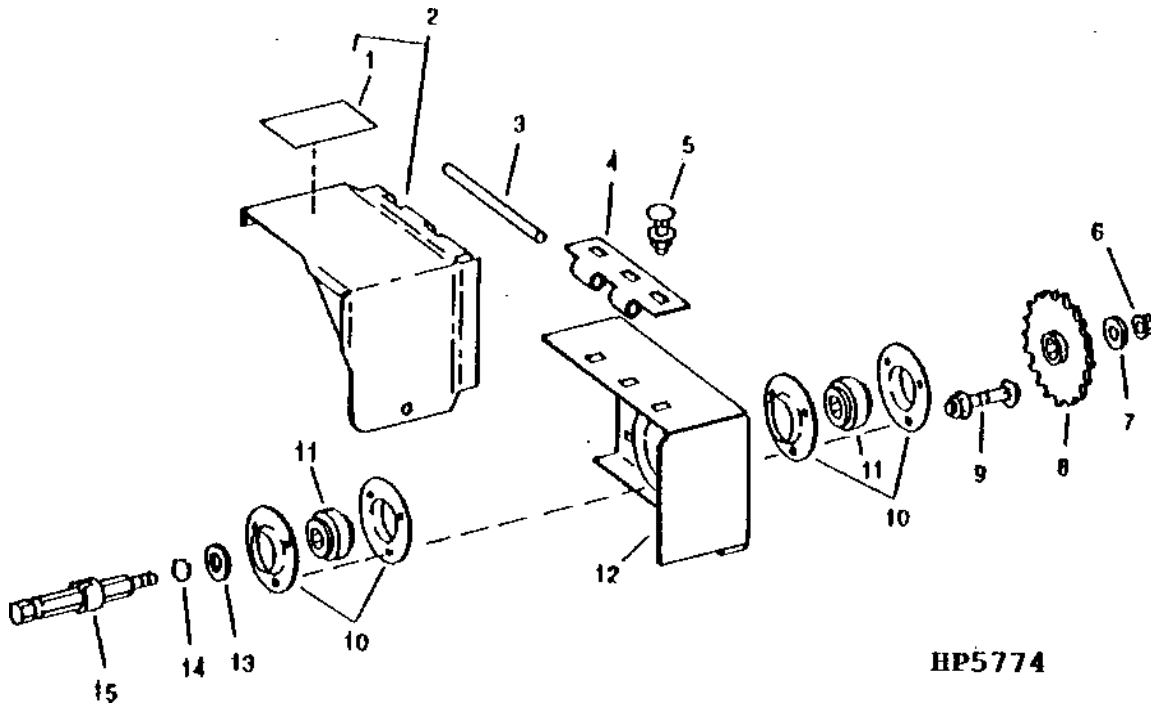
KEY	PART NO.	PART NAME	QTY	SERIAL NO.	REMARKS
1	H98882	SHIELD	2	380601-	OUTER, (844)
	AH106979	SHIELD	2	470497-	OUTER, (1243)
2	H76139	SCREW	AR	380601-421710	7.938 X 19.050 MM (5/16" X 3/4") SELF-TAPPING
	N10212	SELF-LOCKING SCREW	AR		5/16" X 3/4"
	A22698	NUT	AR		7.925 MM (5/16") (643-4 USED; 844-12 USED)
3	AH96351	BRACKET	1	380601-421710	(844) (SUB AH105036)
	AH105036	BRACKET	AR		(844-1 USED AND 1243-2 USED)
4	AN102010	BEARING	1		
5	N103830	PRESSED FLANGED HOUSING	4		(1243)
6	03H1500	BOLT	8	380601-	3/8" X 1"
	E55662	FLANGE NUT	8	380601-	9.525 MM (3/8")
7	AH87995	SHIELD	1		R.H. (443) (SUB FOR AN102196)
	AH87997	SHIELD	1	-332700	(SUB FOR AN102148) R.H. (444 AND 543)
	AH95288	SHIELD	1	332701-	R.H. (444 AND 543)
	AN102478	SHIELD	1		R.H. (642) (NO LONGER AVAILABLE)
	AH87999	SHIELD	1	-332700	(SUB FOR AN102198) R.H. (546 AND 643)
	AH95290	SHIELD	1	332701-	R.H. (546 AND 643)
	AN102480	SHIELD	1	-332700	R.H. (644) (NO LONGER AVAILABLE)
	AN102482	SHIELD	1		R.H. (842) (NO LONGER AVAILABLE)
	AN102202	SHIELD	1	-332700	R.H. (843) (NO LONGER AVAILABLE)
	AH95292	SHIELD	1	332701-	R.H. (645 AND 843)
	AH95420	SHIELD	1	332701-383768	(SUB AH101680)
	AH101680	SHIELD	1	-621213	R.H. (643 SIDEHILL) (SUB AH130134 AND H134060)
	AH130134	SHIELD	1	621214-	(643 SIDEHILL) (SUB FOR AH95420 OR AH101680) (ALSO ORDER H134060)
	AH96976	SHIELD	1	332701-	R.H. (644)
	AH87996	SHIELD	1	-466450	L.H. (443) (SUB FOR AN102197) (NO LONGER AVAILABLE)
	AN102149	SHIELD	1	-183900	(SUB AH87998) (NO LONGER AVAILABLE)
	AH87998	SHIELD	1	-332700	L.H. (444 AND 543) (NO LONGER AVAILABLE)
	AH95289	SHIELD	1	332701-466450	L.H. (444 AND 543)
	AN102479	SHIELD	1		L.H. (642) (NO LONGER AVAILABLE)
	AH88000	GUARD	1	-332700	(SUB FOR AN102199) L.H. (546 AND 643)
	AH95291	SHIELD	1	332701-	L.H. (546 AND 643)
	AN102481	SHIELD	1	-332700	L.H. (644) (NO LONGER AVAILABLE)
	AN102483	SHIELD	1	-332700	L.H. (842) (NO LONGER AVAILABLE)
	AN102203	SHIELD	1	-332700	L.H. (843) (NO LONGER AVAILABLE)
	AH95293	SHIELD	1	332701-	L.H. (645 AND 843)
	AH130135	SHIELD	1	621214-	(643 SIDEHILL) (USE WITH H134061) (SUB FOR AH95421 OR AH101681)
	AH96977	SHIELD	1	332701-	L.H. (644)
	AH96352	SHIELD	1	380601-	R.H. (844)
	AH96353	SHIELD	1	380601-	L.H. (844)
	AH101228	SHIELD	1		R.H. (1243)
	AH101229	SHIELD	1		L.H. (1243)
8	N102372	DOOR	1		R.H. (443, 642, AND 842)
	N102372	DOOR	1	-332700	R.H. (444, 543, 546, 643, 644, 645, AND 843)
	N102373	DOOR	1		L.H. (443, 642, AND 842)
	N102373	DOOR	1	-332700	L.H. (444, 543, 546, 643, 644, 645, AND 843)
	H96536	DOOR	1	332701-380600	R.H. (444, 543, 546, 643, 644, 645, AND 843) (SUB H100670)
	H95593	DOOR	1		L.H.
	H100670	DOOR	1		R.H. (844 SN 380601-)(1243 SN 470497 -)
	H134060	SHIELD	1	621214-	R.H. (643 SIDEHILL) (USE WITH AH130134)
	H134061	SHIELD	1	621214-	L.H. (643 SIDEHILL) (USE WITH AH130135)
9	H81721	NUT	1	-380600	7.925 MM (5/16") (SUB M40699, THIS APPLICATION)
	T16464	LOCK NUT	AR		7.925 MM (5/16") PUSH
10A	H23559	PIN	4		7.925 X 12.700 MM (5/16" X 1/2") DRILLED, (443, -1636)(444, -4736) (546, -526)(642, -400)(643, -1546) (644, -500) (645, -400)(842, -400)(843, -726)
10B	16H1071	RIVET	4	-380600	5/16" X 1/2"
	19H1813	CAP SCREW	4	380601-	5/16" X 5/8"
	11M7081	COTTER PIN	4		2.500 X 20 MM
12	24H1136	WASHER	4		11/32" X 11/16" X 0.065"
13	H76139	SCREW	6		7.938 X 19.050 MM (5/16" X 3/4") SELF-TAPPING

D25

40 SERIES CORN HEADS

MAIN DRIVE SHAFT, COUPLER AND SHIELD - SIDEHILL - CONTINUED (R.H. SIDE ONLY) (6452510-) 9500

SIDEHILL COMBINE
HP5774 -UN-01JAN94



HP5774

KEY	PART NO.	PART NAME	QTY	SERIAL NO.	REMARKS
1	E74026	DECAL	1	(SUB E74026)	
2	AH141293	SHIELD	1		
3	H142308	PIN	1	(SUB H99025)	
4	H147245	HINGE	1		
5	03H1500	BOLT	3	9.525 X 25.400 MM (3/8" X 1")	
	E55662	FLANGE NUT	3	9.525 MM (3/8")	
6	W29648	LOCK NUT	1	19.050 MM (3/4")	
	H149361	LOCK NUT	1	M20, (USE WITH METRIC SHAFTS ONLY)	
7	24H1400	WASHER	1	19.837 X 41.275 X 6.350 MM (25/32" X 1-5/8" X 1/4")	
8	AH124999	CHAIN SPROCKET	1		
9	03H2109	BOLT	3	9.525 X 82.550 MM (3/8" X 3-1/4")	
10	C3994E	PRESSED FLANGED HOUSING	4		
11	AN102010	BEARING	2		
12	AH141293	SHIELD	1		
13	H135175	RETAINER	1		
14	H135176	SEAL	1		
15	AH141154	SHAFT	1	(SUB AH143040)	
	AH143040	SHAFT	1	(INCLUDES H149361) (SUB AH145795) METRIC	

BH79727 (COMPLETE GOODS) CONVERSION - 444 SIDEHILL
 BH79729 (COMPLETE GOODS) SHAFT & SHIELD ASSEMBLY - 643
 BH79730 (COMPLETE GOODS) SHAFT & SHIELD ASSEMBLY - 644 SIDEHILL
 BH79731 (COMPLETE GOODS) SHAFT ASSEMBLY - 843 SIDEHILL
 BH79735 (COMPLETE GOODS) SHAFT ASSEMBLY - 844

E10

40 SERIES CORN HEADS

HEADER DRIVE SHAFT - SIDEHILL - CONTINUED
WEASLER (643, 644, 843, 844)
(645251-)

KEY	PART NO.	PART NAME	QTY	SERIAL NO.	REMARKS
1	AH141236	UNIVERSAL JOINT YOKE	1		
2	JD7760	LUBRICATION FITTING	1		
3	BP12946	SNAP RING	1		
4	AE23516	CROSS AND BEARING ASSEMBLY	4		
5	AH141237	UNIVERSAL JOINT YOKE	2		
6	JD7842	LUBRICATION FITTING	3		
7	AH141238	YOKE, WITH SHAFT	2		
8	E54212	SNAP RING	2		
9	H147467	PTO SHIELD RETAINER	1		
10	DECAL	1		
11	AH141239	POWERSHAFT SHIELD	1		
12	AH141241	POWERSHAFT SHIELD	1		
13	E77106	BEARING	1		(SUB AE50073)
14	AH141240	YOKE, WITH TUBE	1		
15	AH141242	UNIVERSAL JOINT YOKE	1		
16	19M7817	SCREW	4		M12 X 70
	14M7401	LOCK NUT	4		M12
..	AH141138	UNIVERSAL DRIVESHAFT	1		COMPLETE DRIVESHAFT

NUMERICAL INDEX

PART NO.	GRID	KEY	PAGE	PART NO.	GRID	KEY	PAGE	PART NO.	GRID	KEY	PAGE
AB1288H	B20	13	47	AH106538	D6	1	79	AH111685	B4	10	29
AB1288H	C2	7	51	AH106580	B16	..	43	AH112118	A16	8	15
AB1288H	C8	7	57	AH106612	D11	..	84	AH112118	A16	9B	15
AB1289H	B20	13	47	AH106979	D16	1	91	AH112119	A16	8	15
AB1289H	C2	7	51	AH108176	C2	6	51	AH112165	C12	12	61
AB1289H	C8	7	57	AH108176	D18	4	93	AH112166	C12	12	61
AB1290H	B20	13	47	AH108835	A16	8	15	AH112167	C12	12	61
AB1290H	C2	7	51	AH108835	A16	9B	15	AH112168	C12	12	61
AB1290H	C8	7	57	AH108848	B2	14	27	AH113020	A16	18	15
AD2062R	D11	2	84	AH108849	B2	6	27	AH113021	A16	18	15
AD2062R	D13	3	87	AH109098	C4	25	53	AH113024	A16	18	15
AE22753	E5	3	106	AH109099	C4	26	53	AH113025	A16	18	15
AE23516	E8	8	109	AH109100	D18	11	93	AH113100	E5	12	106
AE23516	E10	4	111	AH109100	D22	8	97	AH113101	E5	10	106
AE27909	B20	3	47	AH109101	D4	4	77	AH113341	B20	15	47
AE27909	C2	4	51	AH109101	D8	4	81	AH113341	C2	12	51
AE27909	C6	5	55	AH109125	D18	11	93	AH113341	C8	13	57
AE27909	C8	3	57	AH109126	D18	11	93	AH113341	C10	2	59
AE50073	E8	3	109	AH109128	D18	11	93	AH113341	C12	4	61
AE50073	E10	13	111	AH109128	D22	8	97	AH113341	C18	4	67
AH100004	C12	11	61	AH109129	D18	11	93	AH114105	C18	19	67
AH101176	C24	1	73	AH109129	D22	8	97	AH114105	C18	20	67
AH101219	B7	6	33	AH109131	D18	11	93	AH114109	D9	8	82
AH101219	B18	1	45	AH109131	D22	8	97	AH114829	C2	6	51
AH101225	D18	11	93	AH109132	D18	11	93	AH114829	C6	9	55
AH101226	C4	25	53	AH109132	D22	8	97	AH114829	D18	4	93
AH101228	D16	7	91	AH109133	D24	14	100	AH114829	D22	2	97
AH101229	D16	7	91	AH109134	E2	6	103	AH114830	C4	32	53
AH101425	B4	3B	29	AH109135	B22	30	49	AH114886	C2	7	51
AH101426	B4	1B	29	AH109136	C2	25	51	AH114998	C18	19	67
AH101680	D16	7	91	AH109137	C2	25	51	AH114998	C18	20	67
AH101680	E2	1	103	AH109138	C4	25	53	AH115010	C10	9	59
AH101681	D16	7	91	AH109139	B22	29	49	AH115010	C12	11	61
AH101681	E2	1	103	AH109139	C4	26	53	AH115010	C20	35	69
AH102388	B4	1B	29	AH109140	B22	30	49	AH115011	C12	11	61
AH102389	B4	3B	29	AH109140	C2	25	51	AH115022	C24	1	73
AH103030	A14	8	13	AH109141	B22	29	49	AH115402	A16	8	15
AH103030	A16	8	15	AH109141	C4	26	53	AH115403	A16	8	15
AH103031	A14	8	13	AH109142	B22	30	49	AH115426	E6	9	107
AH103031	A16	8	15	AH109142	C4	25	53	AH11668	E5	12	106
AH103095	C18	19	67	AH109143	B22	29	49	AH118338	B2	14	27
AH103097	C18	20	67	AH109143	C4	26	53	AH118339	B2	6	27
AH103138	C4	26	53	AH109144	C4	25	53	AH118340	B2	14	27
AH103271	C18	7	67	AH109145	C4	26	53	AH118341	B2	6	27
AH103272	C18	23	67	AH109235	B22	29	49	AH118342	A12	1	11
AH103599	C18	13	67	AH109235	C4	26	53	AH118343	A12	1	11
AH103826	C24	1	73	AH109535	B22	30	49	AH119746	E6	3	107
AH103827	C24	1	73	AH109536	D23	13	98	AH119746	E6	6	107
AH104419	C22	8	71	AH109666	A14	8	13	AH119746	E6	10	107
AH104420	C22	1	71	AH109667	A14	8	13	AH119746	E6	17	107
AH104669	C2	25	51	AH109764	B22	30	49	AH119746	E6	21	107
AH104669	C24	1	73	AH110774	A12	26	11	AH119897	B2	25	27
AH104685	C2	25	51	AH110983	C22	1	71	AH119942	C24	1	73
AH104685	C24	1	73	AH110992	C2	7	51	AH119943	C24	1	73
AH104701	C24	1	73	AH111501	B20	6	47	AH119944	C24	1	73
AH104701	D2	1	75	AH111501	C4	32	53	AH119945	C24	1	73
AH104722	D2	1	75	AH111501	C6	9	55	AH119945	D2	1	75
AH104729	D2	1	75	AH111501	D18	4	93	AH119946	D2	1	75
AH104820	C24	1	73	AH111682	B4	1B	29	AH119947	D2	1	75
AH104821	C24	1	73	AH111682	B4	10	29	AH119948	D6	1	79
AH104836	B22	30	49	AH111683	B4	3B	29	AH119949	D6	1	79
AH104836	C24	1	73	AH111683	B4	10	29	AH121181	C24	1	73
AH104976	A16	18	15	AH111684	B4	1B	29	AH121182	C24	1	73
AH104979	A16	18	15	AH111684	B4	3B	29	AH121183	C24	1	73
AH105036	D16	3	91	AH111684	B4	10	29	AH121183	D2	1	75
AH105377	A25	22	25	AH111685	B4	1B	29	AH121184	D2	1	75
AH105379	A25	22	25	AH111685	B4	3B	29	AH121185	D2	1	75

CLICK HERE TO **DOWNLOAD** THE COMPLETE MANUAL

- Thank you very much for reading the preview of the manual.
- You can download the complete manual from: www.heydownloads.com by clicking the link below



- Please note: If there is no response to CLICKING the link, please download this PDF first and then click on it.

CLICK HERE TO **DOWNLOAD** THE COMPLETE MANUAL