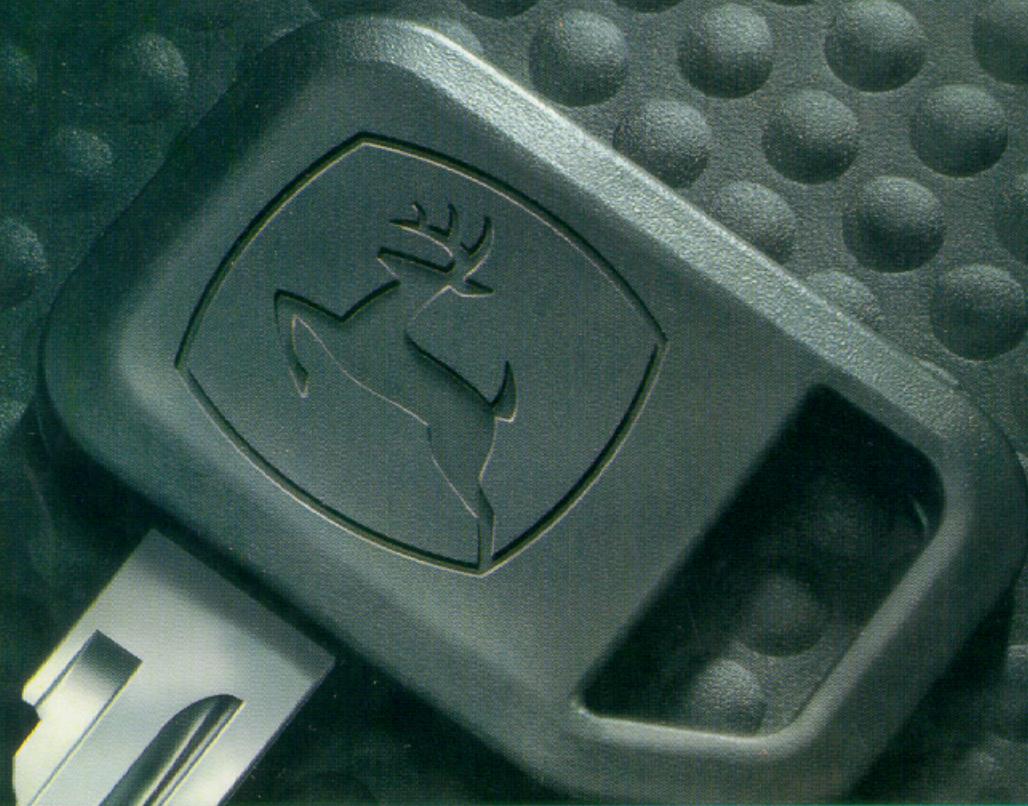


JOHN DEERE

**CATÁLOGO DE PEÇAS
PLANTADEIRAS
600**

CPCQ30168-Edição Nov98 (Portuguese)



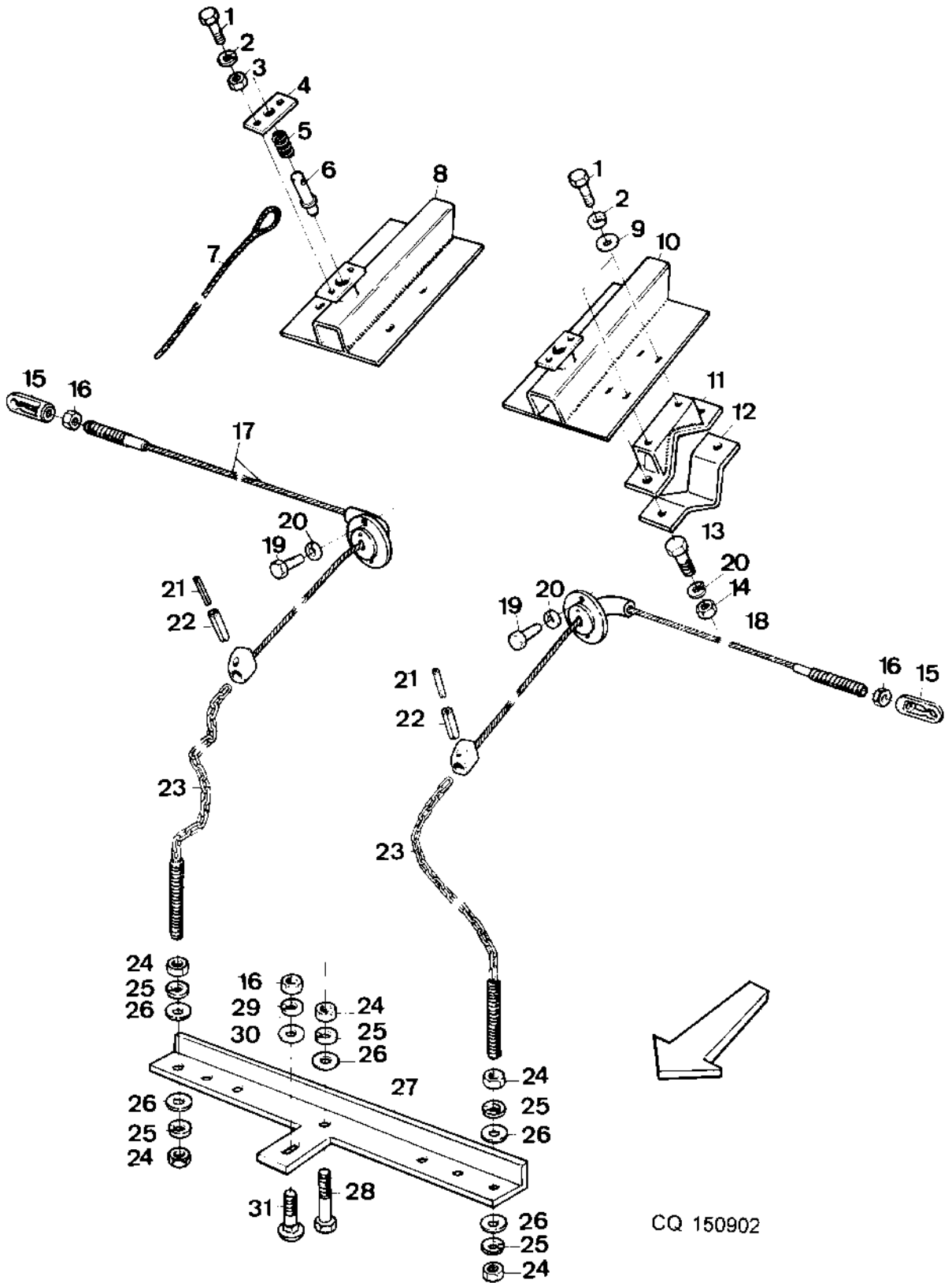
CLICK HERE TO **DOWNLOAD** THE COMPLETE MANUAL

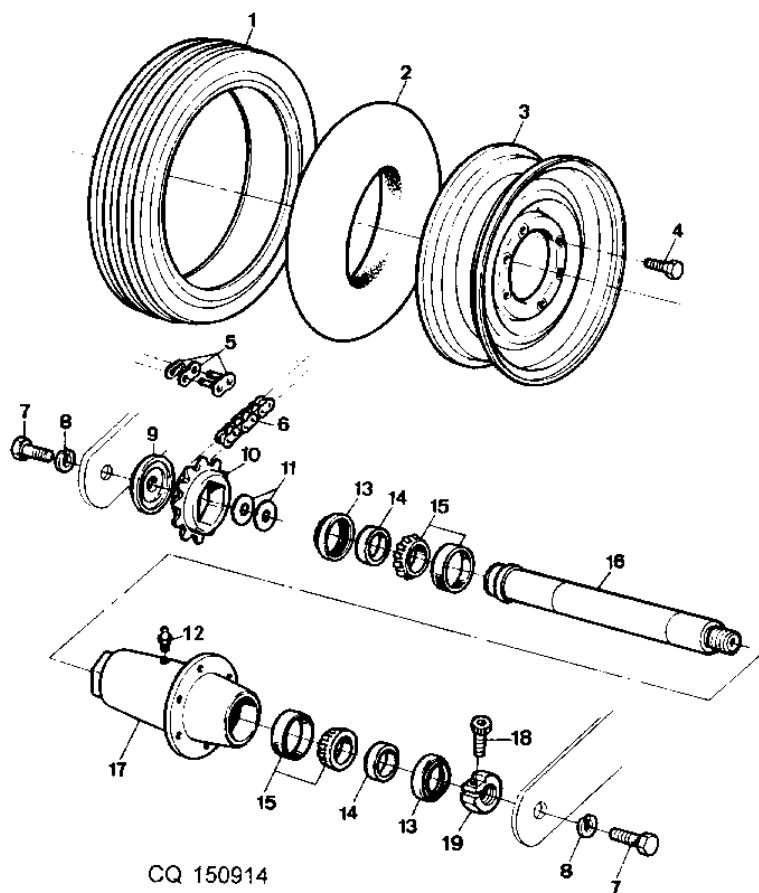
- Thank you very much for reading the preview of the manual.
- You can download the complete manual from: www.heydownloads.com by clicking the link below



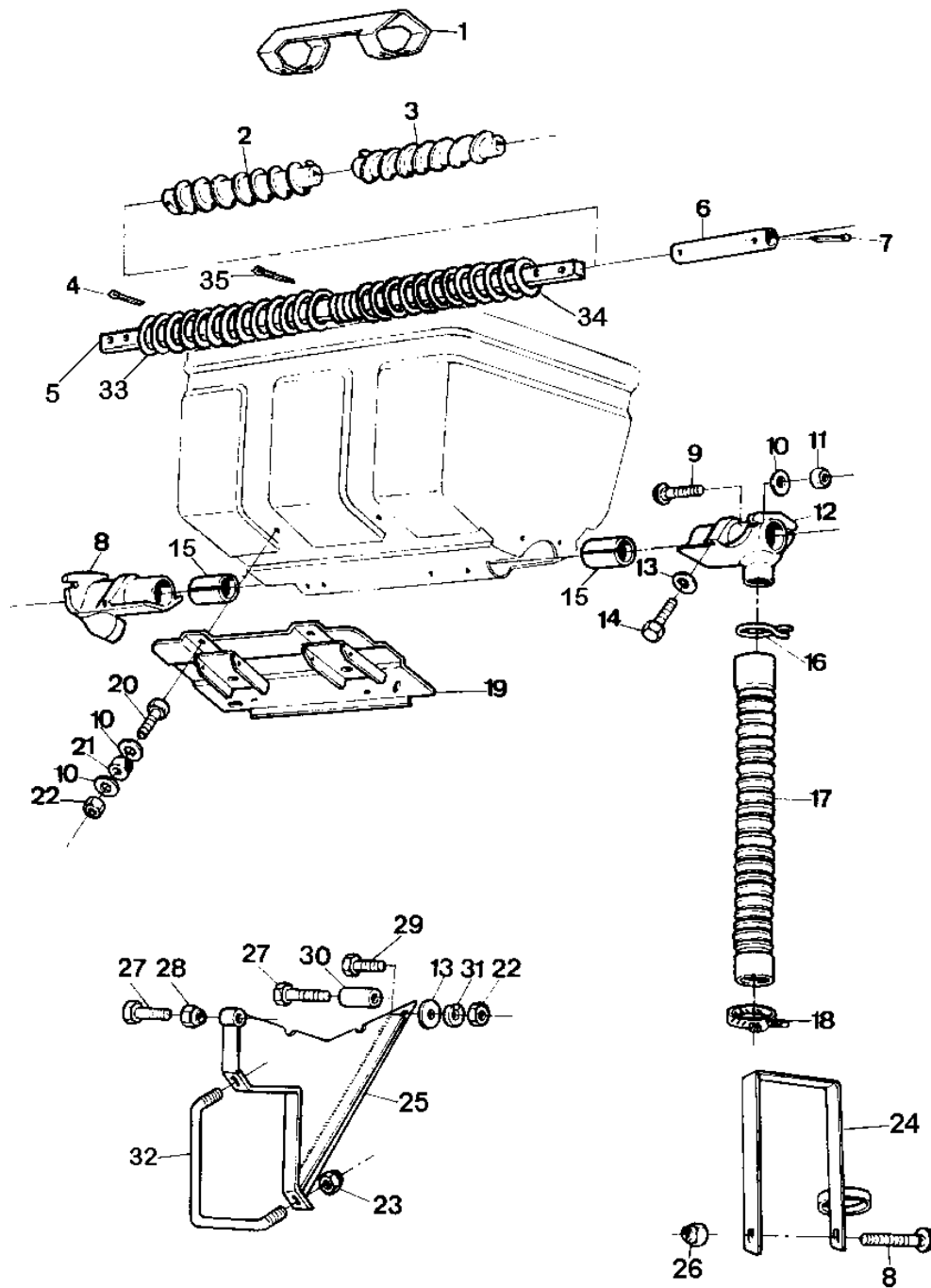
- Please note: If there is no response to CLICKING the link, please download this PDF first and then click on it.

CLICK HERE TO **DOWNLOAD** THE COMPLETE MANUAL

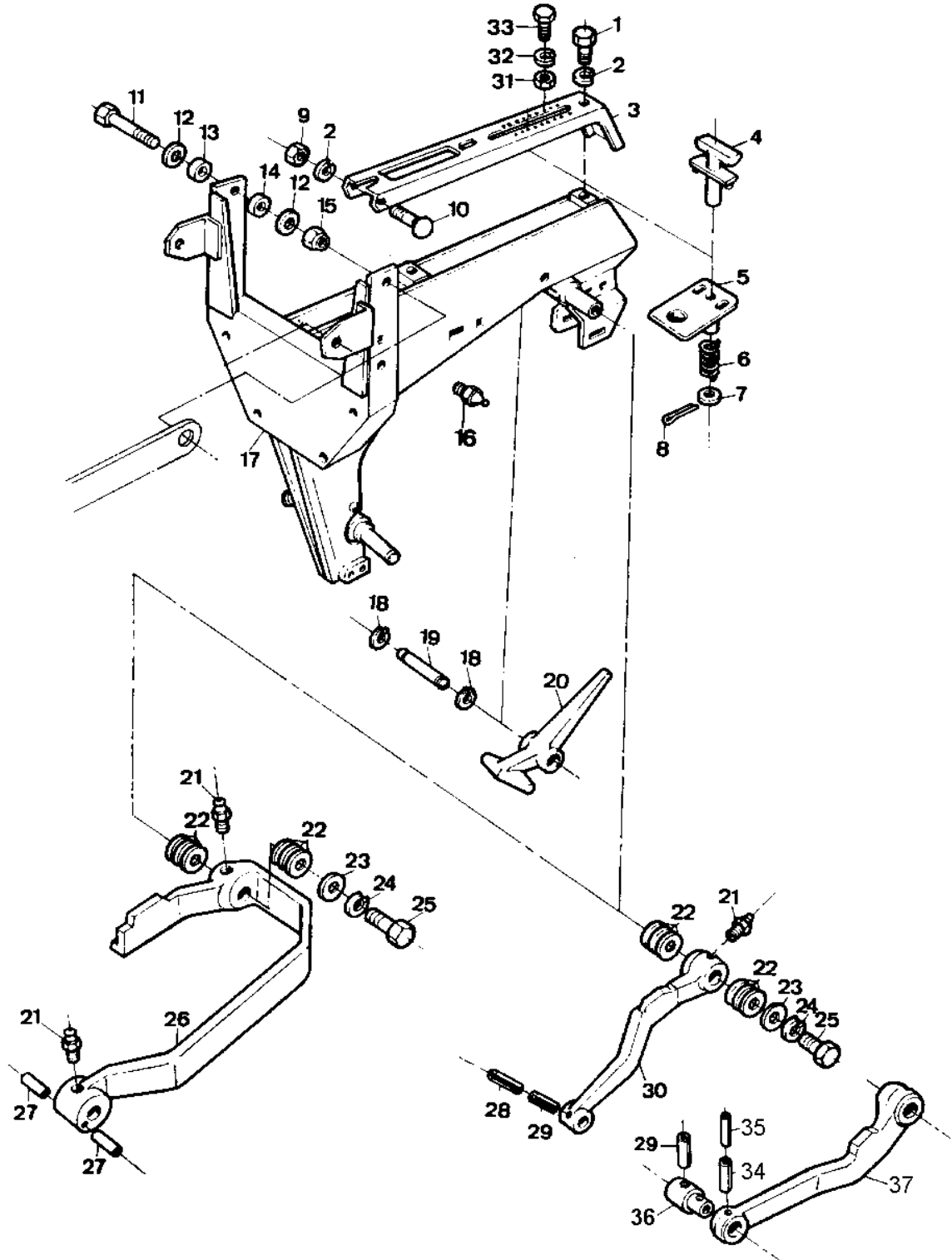


6
0
0

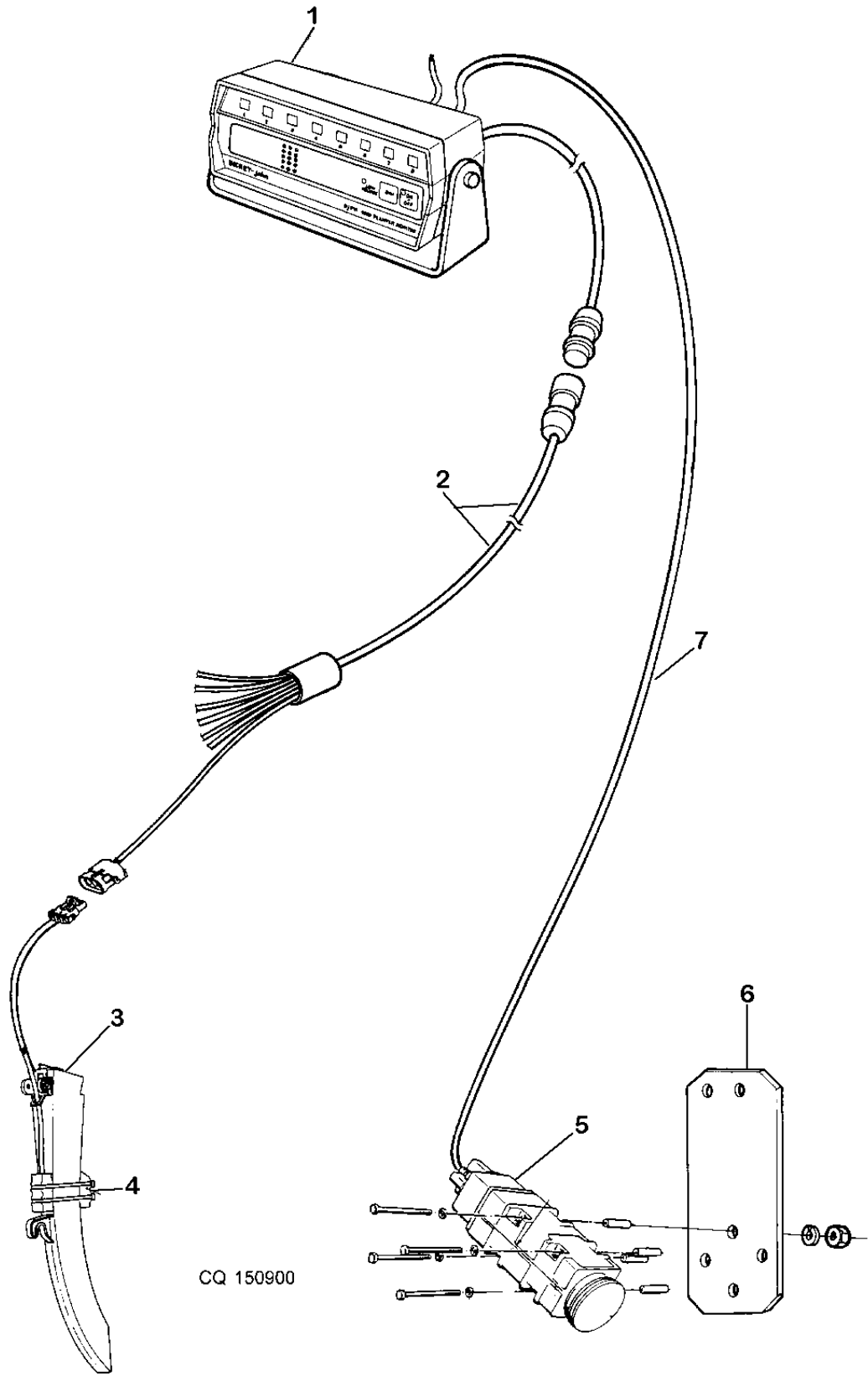
ITEM NÚMERO	DESCRIÇÃO	QTDE	NO. SÉRIE	OBSERVAÇÕES
1	CQ06753		-	X 6.00-16
2	CQ06752		-	X GT-16
3	DQ06751		-	X 4,50EX16-B
4	CQ06754	5	-	X
5	AL15981		-	X
6	DQ06750		-	X L 48 INCL KEYS 5
7	19M7611	AR	-	X M20X45
8	12M7070	AR	-	X 20MM
9	A25731		-	X
10	A24998		-	X Z 12
11	L18947L		-	X 20,5X32MM
12	58M5575	AR	-	X M10
13	32167	2	-	X
14	CQ06746	2	-	X
15	DQ06749	2	-	X
16	CQ20558		2946	X
17	CQ06744		-	X
18	19M6811	AR	-	X M6X25
19	CQ20072	2	-	X M30



CQ 150929



CQ 150944



CLICK HERE TO **DOWNLOAD** THE COMPLETE MANUAL

- Thank you very much for reading the preview of the manual.
- You can download the complete manual from: www.heydownloads.com by clicking the link below



- Please note: If there is no response to CLICKING the link, please download this PDF first and then click on it.

CLICK HERE TO **DOWNLOAD** THE COMPLETE MANUAL