

**4730 SELF-PROPELLED
SPRAYER**



JOHN DEERE

PARTS CATALOG

**4730 SELF-PROPELLED
SPRAYER**

PC9820 (SEP-10) English

John Deere Des Moines Works

North American Edition
Litho in U.S.A. (Revised)
COPYRIGHT © 2010
DEERE & COMPANY
Moline, Illinois
All rights reserved

CLICK HERE TO **DOWNLOAD** THE COMPLETE MANUAL

- Thank you very much for reading the preview of the manual.
- You can download the complete manual from: www.heydownloads.com by clicking the link below



- Please note: If there is no response to CLICKING the link, please download this PDF first and then click on it.

CLICK HERE TO **DOWNLOAD** THE COMPLETE MANUAL

10-A09

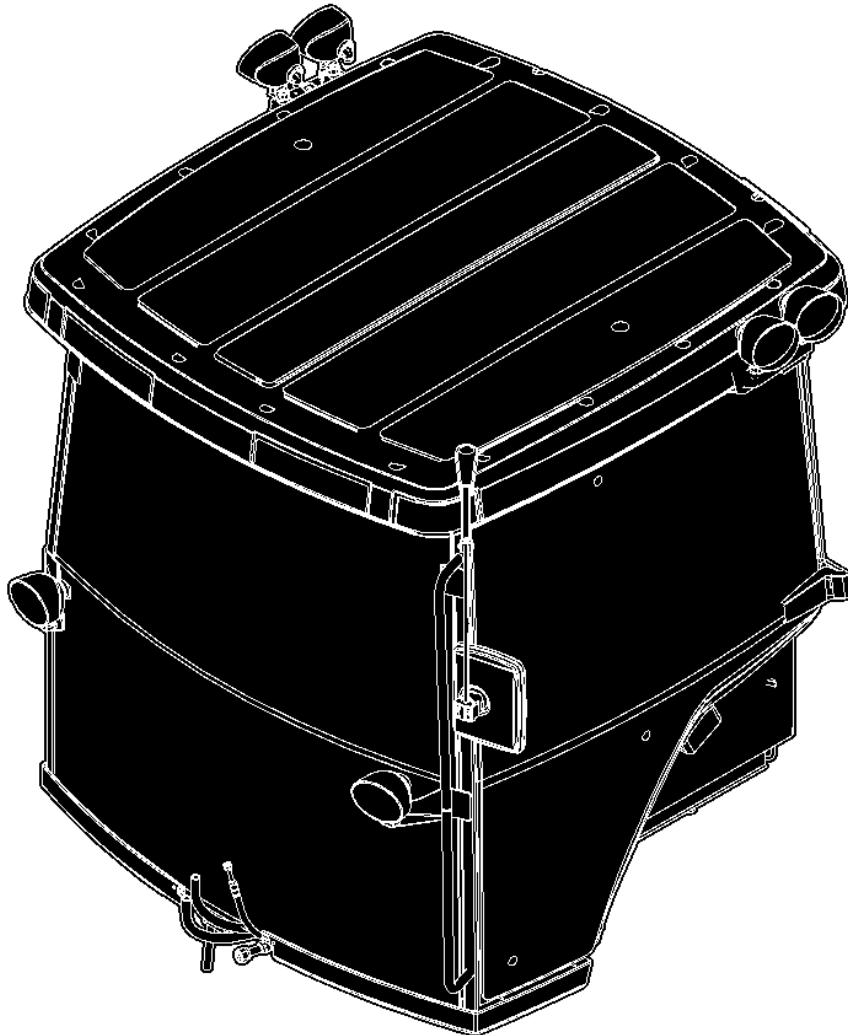
4730 SELF-PROPELLED SPRAYER

PRIMARY INDEX
INDEX PRINCIPAL DES ILLUSTRATIONS
INDICE PICTORICO PRINCIPAL

NP17990 -UN-25JUL08

090- A01
090- A02
090- A03
090- A04
090- A05
090- A06

90



NP17990

ENGINE SERIAL NUMBER PLATE

RGP3513 -UN-01JAN94



RGP3513

FIRST LINE

PE - JOHN DEERE TORREON ENGINE WORKS

6

068 (6.8 LITERS)

H (AIR-TO-AIR)

N - JOHN DEERE DES MOINES WORKS

XXXXXX

SECOND LINE

6068HN053

6068HN056

DEFINES

DESIGNATES ENGINE MANUFACTURER

DESIGNATES NUMBER OF CYLINDERS

DESIGNATES LITER DISPLACEMENT

DESIGNATES TYPE OF AIR INTAKE SYSTEM

DESIGNATES USER FACTORY

DESIGNATES ENGINE SERIAL NUMBER

APPLICATION

4730 SPRAYER (TIER 3 ENGINE)

4730 SPRAYER FOR EXPORT (NON-CERTIFIED)

ALPHABETICAL INDEX - CONTINUED

	PAGE		PAGE
HUBS, WHEEL	50-36		
HYDRAULIC CYLINDER - INNER BOOM FOLD	75-5		
HYDRAULIC CYLINDER, LADDER	70-28		
HYDRAULIC CYLINDER, LADDER, RETROFIT FOR HIGH CLEARANCE UP TO S.N. 8000	103-14		
HYDRAULIC CYLINDERS, CENTERFRAME	75-38		
HYDRAULIC OIL COOLER BY-PASS AND HOSES	70-2		
HYDRAULIC OIL COOLER LINES, (CAB FORWARD)	70-30		
HYDRAULIC PUMP, AUXILIARY	70-14		
HYDRAULIC/HYDROSTATIC OIL RESERVOIR	70-16		
HYDRO PUMP LOWER HOSES AND FITTINGS	50-4		
HYDRO PUMP,UPPER HOSES AND FITTINGS	50-2		
HYDROSTATIC CONTROL CABLE	90-60		
HYDROSTATIC CONTROL HANDLE	90-56		
HYDROSTATIC PUMP DISPLACEMENT CONTROL	50-28		
HYDROSTATIC PUMP FITTINGS, FILTER AND GASKET	50-20		
HYDROSTATIC PUMP HOUSING, SWASH PLATE AND CYLINDER BLOCK	50-26		
HYDROSTATIC PUMP MOUNTING	50-22		
HYDROSTATIC PUMP SHAFT, SERVO ASSEMBLY	50-24		
HYDROSTATIC PUMP VALVES, PLUGS AND SEALS	50-18		
I			
IMPELLER, HEATER AND AIR CONDITIONING BLOWER MOTOR	90-12		
IMPELLER, SOLUTION PUMP	80-34		
INDICATOR, CAB PRESSURE	90-10		
INJECTION FOAMER UNIT, OBA (13001-)	80-66		
INJECTION FOAMER UNIT, OBA (13001-)	80-64		
INLET, WATER PUMP (OPTION 5701) (HN056)	21-45		
INLET, WATER PUMP (OPTION 5701) (HN053)	20-53		
INNER DOOR HANDLE (LH)	90-54		
INNER PIPE (1ST)(80/90/100')(15" SS) (LH/RH)	75-58		
INNER PIPE (1ST)(80/90/100')(20"SS) (LH/RH)	75-54		
INNER PIPE (2ND)(80/90/100')(15" SS) (LH/RH)	75-60		
INNER PIPE, 2ND (80/90/100')(20" SS)	75-76		
INNER ROOF	90-43		
INNER WING	75-22		
INNER WING REINFORCEMENT KIT(2001- 7999)	75-114		
INNER WING SECTION VALVE	80-4		
INNERTUBE, TIRES	50-36		
INSTRUCTIONAL SEAT	90-24		
INTAKE VALVE (OPTION 5128) (HN056)	21-42		
INTAKE VAVLE (OPTION 5120) (HN053)	20-50		
INTAKE, AIR (OPTION 17BT) (HN053)	20-14		
INTAKE, AIR (OPTION 17CP) (HN056)	21-12		
INTAKE, OIL PUMP (OPTION 1988) (HN053)	20-16		
INTAKE, OIL PUMP (OPTION 1988) (HN056)	21-14		
INTERIOR CAB COURTESY LIGHT	40-29		
ISOLATOR, STEERING VALVE	60-7		
J			
JACK,BRACKET	100-74		
JUMPER, CAB ELECTRICAL CABLES	40-44		
JUMPER, RELAY AND HARNESS	40-46		
		K	
		KEY SWITCH	40-49
		KEY, IGNITION SWITCH	40-49
		KIT, ANTENNA	40-21
		KIT, BEARING (STANDARD) (OPTION 9901) (HN053)	20-83
		KIT, BEARING (STANDARD) (OPTION 9901) (HN056)	21-67
		KIT, BEARING (STANDARD)(OPTION 9901) (HN053)	20-84
		KIT, BEARING (STANDARD)(OPTION 9901) (HN056)	21-65
		KIT, BEARING (STANDARD)(OPTION 9901) (HN056)	21-68
		KIT, BEARING, (STANDARD), CONNECTING ROD (OPTION 9901) (HN053)	20-81
		KIT, CYLINDER LINER (OPTION 9901)(HN053)	20-92
		KIT, CYLINDER LINER (OPTION 9901)(HN056)	21-78
		KIT, ELECTRICAL CONNECTOR SERVICE	40-84
		KIT, ELECTRICAL CONNECTOR SERVICE	40-86
		KIT, ENGINE GASKET (OPTION 9901) (HN053)	20-38
		KIT, ENGINE GASKET (OPTION 9901) (HN053)	20-40
		KIT, ENGINE GASKET (OPTION 9901) (HN056)	21-86
		KIT, ENGINE GASKET (OPTION 9901) (HN056)	21-88
		KIT, FUEL INJECTION NOZZLE SERVICE KIT (OPTION 9901) (HN053)	20-95
		KIT, FUEL INJECTION NOZZLE SERVICE KIT (OPTION 9901)(HN056)	21-90
		KIT, GPS READY (UNIVERSAL)	40-52
		KIT, HYDROSTATIC PUMP	50-20
		KIT, JACK BRACKET	100-74
		KIT, NEUTRAL START SAFETY SWITCH	50-28
		KIT, O-RING (OPTION 9901) (HN053)	20-89
		KIT, O-RING (OPTION 9901) (HN056)	21-74
		KIT, OPERATOR'S SEAT AIR SUSPENSION WEAR PARTS	90-34
		KIT, PISTON LINER (OPTION 4834)(HN056)	21-36
		KIT, PISTON RING (OPTION 9901) (HN053)	20-94
		KIT, PISTON RING (OPTION 9901) (HN056)	21-81
		KIT, SCREEN FILTER (OPTION 9901) (HN056)	21-84
		KIT, SCREEN FILTER (OPTION 9901)(HN053)	20-80
		KIT, SEAL, NOZZLE ASSEMBLY, 1" PIPE	80-102
		KIT, SEALS, SPRAY VALVE REPAIR	80-109
		KIT, TERMINAL AND WIRING	40-88
		KIT, TOE CONTROL VALVE	70-22
		KIT, WATER PUMP (OPTION 9901) (HN053)	20-88
		KIT, WATER PUMP (OPTION 9901) (HN056)	21-73
		KIT,INNER WING REINFORCEMENT(2001- 7999)	75-114
		KNOBS, RADIO	40-18
		L	
		LABEL, STARTER (OPTION 3042) (HN053)	20-73
		LABEL, STARTER (OPTION 3042)(HN056)	21-21
		LABELS	110-36
		LABELS	110-38
		LABELS, CAUTION AND SAFETY	110-6
		LABELS, CAUTION AND SAFETY	110-24
		LABELS, MISCELLANEOUS	110-12
		LABELS, MISCELLANEOUS	110-14
		LABELS, MISCELLANEOUS	110-20
		LADDER AND HANDRAILS (- 8000)	100-12
		LADDER AND HANDRAILS (8001-)	100-14
		LADDER EXTENSION , RETROFIT FOR HIGH CLEARANCE AFTER S.N. 8001	103-16

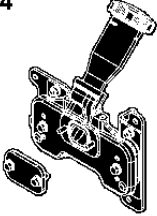
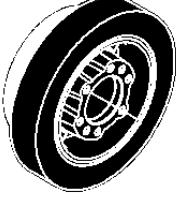
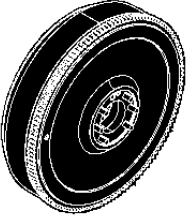
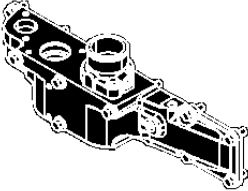
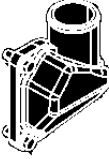

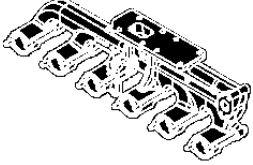
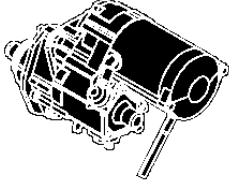
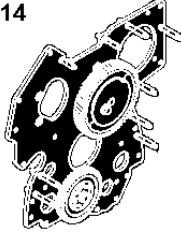

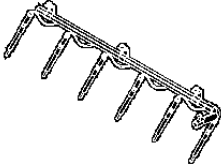
20-A01

ENGINE - 6068HN053 (TIER 3) 4730 SPRAYER

SECTIONAL INDEX
INDEX DE SECTION

RGP13024 -UN-13JAN10

6068HN053

1144 	1234 	1330 	1409 
15AB 	16E8 	17BT 	1988 
2001 	2154 	2255 	2879 
2917, 2998 	3035, 3042 	35EJ 	3614 
3799 	3917 	4019, 4048 	4336 

1144-	4
1234-	6
1330-	8
1409-	9
15AB-	10
4336-	11
16E8-	12
17BT-	14
1988-	16
2001-	18
2154-	19
2255-	20
2879-	21
2917-	22
2998-	23
35EJ-	24
3614-	26
3799-	28
3917-	30
4019-	32
4048-	33
3042-	73

RGP13024

20-7

ENGINE - 6068HN053 (TIER 3) 4730 SPRAYER

KEY	PART NO.	PART NAME	QTY.	ENGINE SERIAL NO.	REMARKS
1	RE535517	FILLER CAP	1		(SUB FOR RE500250)
2	R120864	TUBE	1		
3	19M7573	SCREW	4		M8 X 20
4	RE529619	BRACKET	1		
5	19M7798	SCREW	2		M8 X 40
6	RE527581	ISOLATOR	2		
7	14M7298	FLANGE NUT	4		M8
8	RE528649	HOUSING	1		
9	19M7867	SCREW	2		M8 X 25
10	R151097	O-RING	1		
11	R136495	GASKET	1		
12	R116296	COVER	1		
13	RE67238	SCREW	2		THREADS WITH PRE-APPLIED SEALANT

20-17

ENGINE - 6068HN053 (TIER 3) 4730 SPRAYER

KEY	PART NO.	PART NAME	QTY.	ENGINE SERIAL NO.	REMARKS
1	19M8986	SCREW	2		M8 X 100
2	RE515881	OIL PUMP INTAKE	1		
3	R01871	O-RING	1		
4	R521498	GASKET	1		(SUB FOR R500349)
5	19M8062	SCREW	6		
6	19M8163	BOLT	26		
7	RE526901	OIL PAN	1		
8	OIL PAN	1		(MARKED RE515643) (ORDER RE526901)
9	RE523251	FITTING PLUG	1		
10	RE523251	FITTING PLUG	1		
11	R519742	SEAL	1		

20-27

ENGINE - 6068HN053 (TIER 3) 4730 SPRAYER

KEY	PART NO.	PART NAME	QTY.	ENGINE SERIAL NO.	REMARKS
1	R504282	PLATE	1		
2	R123584	STUD	7		
3	R134518	STUD	2		
4	R136475	SCREW	5		
5	R515494	LOCK WASHER	2		
6	R504843	SHAFT	1		
7	RE508489	GEAR	1		
8	RE508489	GEAR	1		
9	R515408	DOWEL PIN	1		
10	19M8844	SCREW	1		M10 X 60
11	19M8966	SCREW	1		M10 X 50
12	R131283	THRUST WASHER	1		
13	RE56369	GEAR	1		
14	R114193	BUSHING	1		
15	R114194	SHAFT	1		
16	R101225	THRUST WASHER	1		

20-37

ENGINE - 6068HN053 (TIER 3) 4730 SPRAYER

KEY	PART NO.	PART NAME	QTY.	ENGINE SERIAL NO.	REMARKS
1	CYLINDER BLOCK	1		(MARKED R504850) (ORDER RE528638)
2	RE508185	FITTING	2		1-5/8"-12UN
3	U13639	O-RING	1		37.465 X 2.997 MM
4	RE528950	CAMSHAFT	1		(MARKED R518861)
	SE501812	CAMSHAFT REMAN	AR		(A)
5	R132518	PLATE	1		
6	19M8999	SCREW	2		M8 X 25
7	R48685	DOWEL PIN	4		
8	R116466	PLUG	1		
9	T18891	PLUG	2		OD= 16MM
10	R26650	DOWEL PIN	2		9.525 X 25.400 MM
11	R119874	BUSHING	1		(ALSO ORDER TY6333)
12	RE505501	BLEED VALVE	1		
13	RE63674	VALVE	1		KIT
14	T20168	WASHER	14		13.106 X 21.996 X 2.286 MM
15	T23474	CAP SCREW	14		12.700 X 95.250 MM
16	R97185	O-RING	1		15.469 X 3.531 MM
17	R131182	ORIFICE	6		
18	15H695	PIPE PLUG	1		3/8"-18NPT
19	15H584	PIPE PLUG	1		1/2"-14NPT
20	RE71255	PIPE PLUG	7		(B) 1/8"-27NPT
21	RE507807	PIPE PLUG	1		(B) 1/4"-18NPT
22	RE537834	ELBOW FITTING	1		(B)

(A) REMANUFACTURED
RECONDITIONNE

(B) THREADS WITH PRE-APPLIED SEALANT
FILETS ENDUITS DE PRODUIT D'ETANCHEITE

20-47

ENGINE - 6068HN053 (TIER 3) 4730 SPRAYER

KEY	PART NO.	PART NAME	QTY.	ENGINE SERIAL NO.	REMARKS
1	R521458	SCREW	7		
2	24M7096	WASHER	2		
3	R516140	STRAP	5		
4	R502341	VALVE BRIDGE	12		
5	R123565	CAM FOLLOWER	12		
6	R504209	PUSH ROD	12		
7	R504882	GASKET	1		
8	RE521605	ROCKER ARM SHAFT	1		
9	R518809	ROCKER ARM SHAFT	1		
10	RE516491	ROCKER ARM SHAFT	1		
11	30M7004	PLUG	2		
12	R504631	CLAMP	1		
13	19M9170	SCREW	1		M8 X 50
14	RE504210	ROCKER ARM	6		
15	RE508317	ROCKER ARM	1		
16	R504728	SCREW	1		
17	14M7148	NUT	1		
18	R505543	SPRING	6		
19	RE523023	ROCKER ARM	6		
20	RE508317	ROCKER ARM	1		
21	SCREW	1		
22	14M7148	NUT	1		
23	R520867	O-RING	1		
24	RE523032	CAP	1		
25	RE523032	CAP	1		
26	R69281	BALL	1		
27	19M8966	SCREW	1		M10 X 50

20-57

ENGINE - 6068HN053 (TIER 3) 4730 SPRAYER

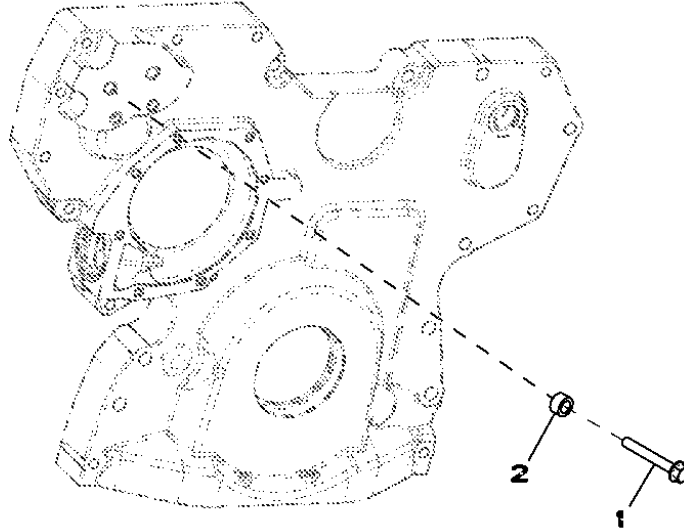
KEY	PART NO.	PART NAME	QTY.	ENGINE SERIAL NO.	REMARKS
1	RE523464	FUEL LINE	1		
2	RE60028	FITTING	2		
3	51M7039	O-RING	1		
4	RE523462	FUEL LINE	1		
5	RE502173	FITTING	1		
6	51M7039	O-RING	1		
7	RE60071	FITTING	1		
8	51M7039	O-RING	1		
9	R97061	TEE FITTING	1		
10	RE523629	FUEL LINE	1		
11	RE524220	FITTING	1		
12	51M7039	O-RING	1		
13	RE502174	ELBOW FITTING	1		
14	51M7041	O-RING	1		
15	RE46686	FITTING PLUG	5		
16	51M7040	O-RING	1		
17	RE60029	ADAPTER FITTING	2		
18	51M7040	O-RING	1		
19	RE525382	FUEL LINE	1		
20	RE60030	FITTING	1		
21	51M7040	O-RING	1		
22	38M7009	HOLLOW SCREW	1		
23	R62107	WASHER	2		
24	R503658	FITTING	1		
25	RE527294	FUEL LINE	1		
26	19M7786	SCREW	1		M10 X 30
27	T13814	CLAMP	1		
28	24M7213	WASHER	1		
29	19M7785	SCREW	1		M10 X 25
30	19M7775	SCREW	1		M6 X 16
31	AH87142	CLIP	1		
32	R522094	BRACKET	1		
33	RE525961	FUEL LINE	1		

20-67

ENGINE - 6068HN053 (TIER 3) 4730 SPRAYER

BELT TENSIONER HARDWARE (OPTION 8797) TENDEUR DE COURROIE (OPTION 8797)

RE523645PCDA02 -UN-08JAN10



RE523645PCDA02

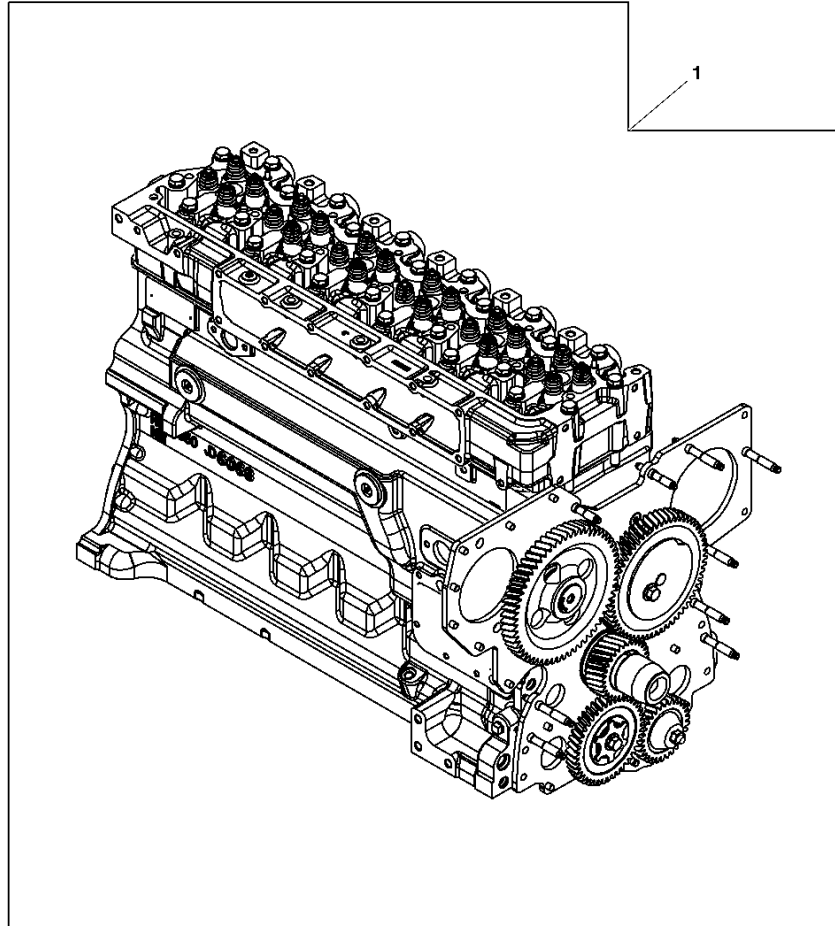
KEY	PART NO.	PART NAME	QTY.	ENGINE SERIAL NO.	REMARKS
1	19M7801	SCREW	2		
2	28H860	WASHER	1	M8 X 60	

20-77

ENGINE - 6068HN053 (TIER 3) 4730 SPRAYER

COMPLETE BLOCK ASSEMBLY (OPTION 9901)
ENSEMBLE BLOC-CYL.COMPOSITE (OPTION 9901)

CDP48590 -UN-21JUL09



CDP48590

KEY	PART NO.	PART NAME	QTY.	ENGINE SERIAL NO.	REMARKS
1	SE501226	COMPLETE BLOCK ASSY REMAN	1	(A)	

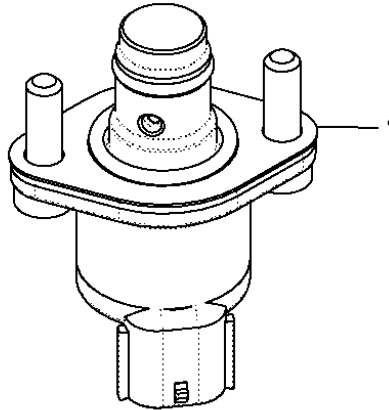
(A) WITH AUXILLARY DRIVE
(A) AVEC ENTRAINMENT AUXILIARE
(A) COM RODADA DE AUXILLARY

20-87

ENGINE - 6068HN053 (TIER 3) 4730 SPRAYER

SERVICE KIT-CONTROL VALVE (OPTION 9901)
9901

RE532250PCDA01 -UN-13FEB08



RE532250PCDA01

KEY	PART NO.	PART NAME	QTY.	ENGINE SERIAL NO.	REMARKS
1	RE532250	SUCTION CONTROL VALVE	1		






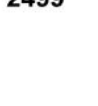




21-A01

ENGINE - 6068HN056 4730 SPRAYER FOR EXPORT (NON-CERTIFIED)

SECTIONAL INDEX

RGP12672A -UN-22APR08

6068HN056

1117 	1234 	1322 	1409 	15AB 
169Z 	17CP 	1988 	2001 	2154 
2255 	2399 	2499 	2699 	28AC 
2998 	3042 	3199 	35EJ 	3614 
3799 	3926 	4001 	4342 	4440 
4633 	4712 	4834 	4905 	5024 

1117-	2
1234-	4
1322-	7
1409-	8
15AB-	9
169Z-	10
17CP-	12
1988-	14
2001-	16
2154-	17
2255-	18
28AC-	19
2998-	20
3402-	21
35EJ-	22
3614-	24
3926-	26
4001-	28
4342-	29
4440-	30
4633-	32
4712-	34
4834-	36
4905-	38
5024-	40

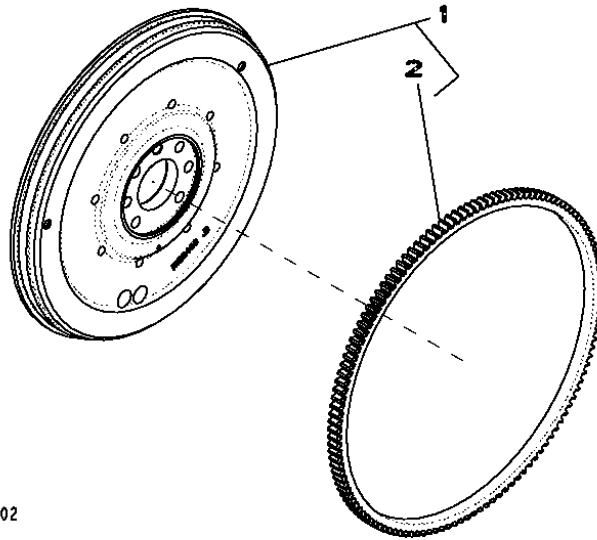
RGP12672A

21-9

ENGINE - 6068HN056 4730 SPRAYER FOR EXPORT (NON-CERTIFIED)

FLYWHEEL (OPTION 15AB)
VOLANT (OPTION 15AB)
VOLANTE (OPCAO 15AB)

RE533806PCDA02 -UN-22APR08



RE533806PCDA02

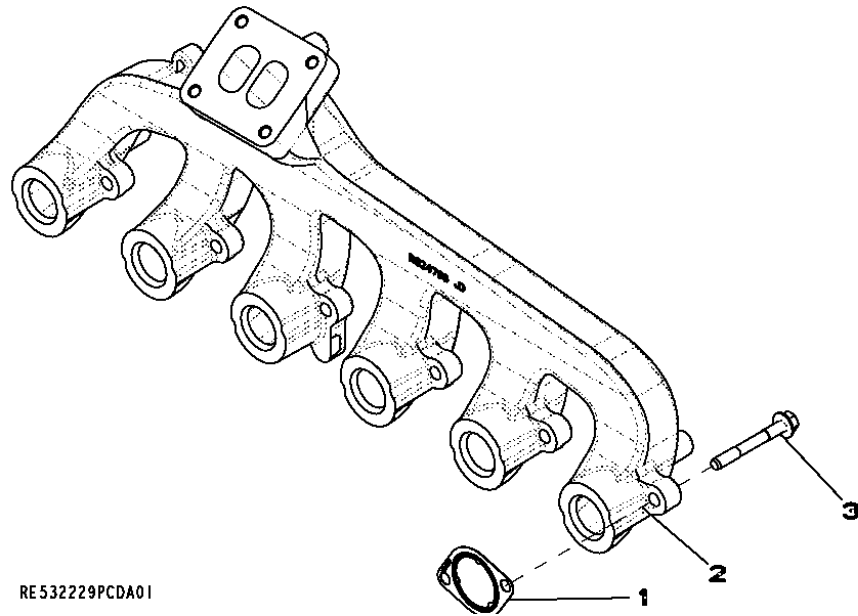
KEY	PART NO.	PART NAME	QTY.	ENGINE SERIAL NO.	REMARKS
1	RE533774	FLYWHEEL	1		
2	R28811	RING GEAR	1		

21-19

ENGINE - 6068HN056 4730 SPRAYER FOR EXPORT (NON-CERTIFIED)

EXHAUST MANIFOLD (OPTION 28AC)
COLLECTEUR D ECHAPPEMENT (OPTION 28AC)
COLETOR DO ESCAPE (OPCAO 28AC)

RE532229PCDA01 -UN-30AUG06

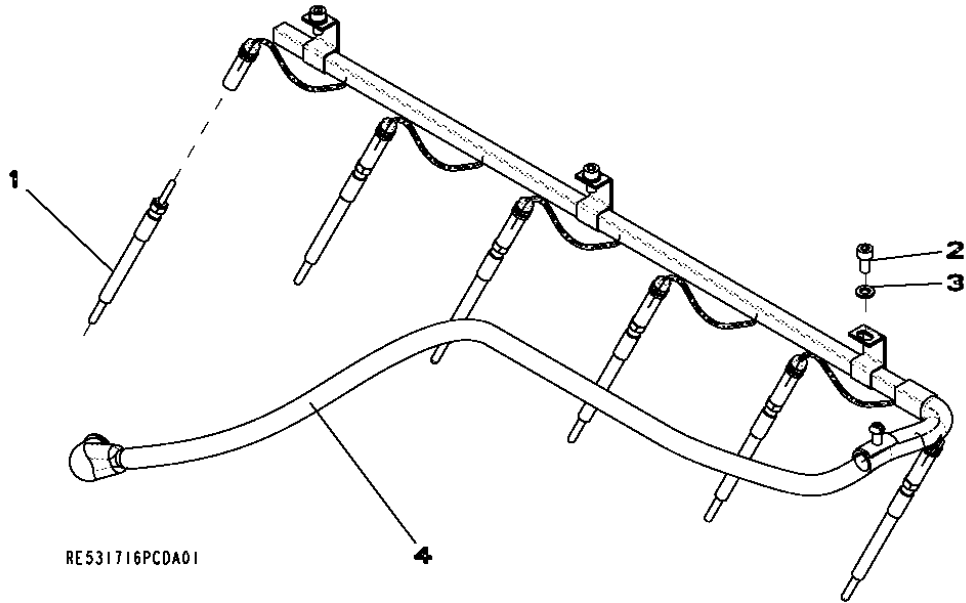


KEY	PART NO.	PART NAME	QTY.	ENGINE SERIAL NO.	REMARKS
1	R519488	GASKET	6		
2	R524796	EXHAUST MANIFOLD	1		
3	R522554	CAP SCREW	12		

21-29

ENGINE - 6068HN056 4730 SPRAYER FOR EXPORT (NON-CERTIFIED)

STARTING AID (OPTION 4342)
 AIDE AU DEMARRAGE (OPTION 4342)
 AUXILIO PARA PARTIDA (OPCAO 4342)
 RE531716PCDA01 -UN-22APR08



KEY	PART NO.	PART NAME	QTY.	ENGINE SERIAL NO.	REMARKS
1	RE504580	GLOW PLUG	6		
2	19M8618	SCREW	3	M6 X 12	
3	24M7088	WASHER	3		
4	RE523892	WIRING HARNESS	1		

21-39

ENGINE - 6068HN056 4730 SPRAYER FOR EXPORT (NON-CERTIFIED)

KEY	PART NO.	PART NAME	QTY.	ENGINE SERIAL NO.	REMARKS
1	R521458	SCREW	7		
2	24M7096	WASHER	2		
3	R516140	STRAP	5		
4	R502341	VALVE BRIDGE	12		
5	R123565	CAM FOLLOWER	12		
6	R504209	PUSH ROD	12		
7	R504882	GASKET	1		
8	RE521605	ROCKER ARM SHAFT	1		
9	R518809	ROCKER ARM SHAFT	1		
10	RE516491	ROCKER ARM SHAFT	1		
11	30M7004	PLUG	2		
12	R504631	CLAMP	1		
13	19M9170	SCREW	1		M8 X 50
14	RE504210	ROCKER ARM	6		
15	RE68695	ROCKER ARM	1		
16	R504728	SCREW	1		
17	14M7148	NUT	1		
18	R505543	SPRING	6		
19	RE523023	ROCKER ARM	6		
20	RE68695	ROCKER ARM	1		
21	R504728	SCREW	1		
22	14M7148	NUT	1		
23	R520867	O-RING	1		6.020 X 2.620 MM
24	RE523032	CAP	1		
25	RE523032	CAP	1		
26	R69281	BALL	1		
27	19M8966	SCREW	1		M10 X 50

21-49

ENGINE - 6068HN056 4730 SPRAYER FOR EXPORT (NON-CERTIFIED)

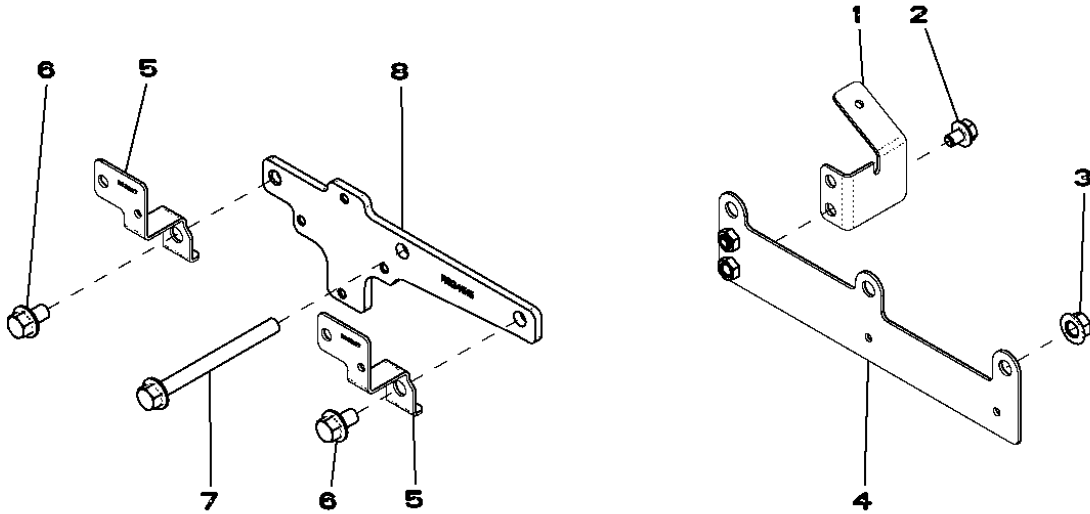
KEY	PART NO.	PART NAME	QTY.	ENGINE SERIAL NO.	REMARKS
1	RE523464	FUEL LINE	1		
2	RE60028	FITTING	1		
3	51M7039	O-RING	1		
4	RE60071	FITTING	2		
5	51M7039	O-RING	1		
6	RE523462	FUEL LINE	1		
7	R97061	TEE FITTING	1		
8	RE523629	FUEL LINE	1		
9	RE524220	FITTING	1		
10	51M7039	O-RING	1		
11	RE502173	FITTING	1		
12	51M7039	O-RING	1		
13	RE502174	ELBOW FITTING	1		
14	51M7041	O-RING	1		
15	RE525961	FUEL LINE	1		
16	RE46686	FITTING PLUG	5		
17	51M7040	O-RING	1		
18	RE60029	ADAPTER FITTING	2		
19	51M7040	O-RING	1		
20	RE515837	FUEL LINE	1		
21	R62107	WASHER	1		
22	RE508981	FUEL LINE	1		
23	RE60030	FITTING	1		
24	51M7040	O-RING	1		
25	24M7213	WASHER	1		
26	T13814	CLAMP	1		
27	19M7786	SCREW	1		M10 X 30
28	19M7785	SCREW	1		M10 X 25
29	R522094	BRACKET	1		

21-59

ENGINE - 6068HN056 4730 SPRAYER FOR EXPORT (NON-CERTIFIED)

ENGINE WIRING HARNESS BRACKETS (6068HN056)(OPTION 8487)
 SUPPORTS DU FAISCEAU DE FILS DU MOTEUR (6068HN056)(OPTION 8487)
 SUPORTES DO CHICOTE ELETRICO DO MOTOR (6068HN056)(OPCAO 8487)

RE531548PCDA01 -UN-05SEP06



RE531548PCDA01

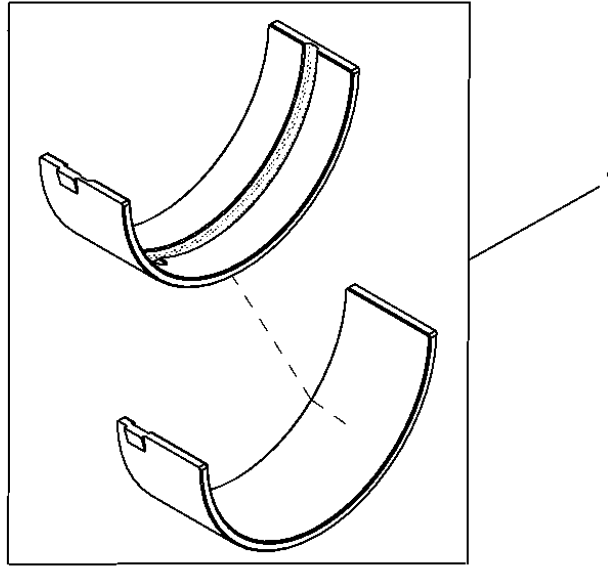
KEY	PART NO.	PART NAME	QTY.	ENGINE SERIAL NO.	REMARKS
1	R521540	BRACKET	1		
2	RE524730	CAP SCREW	2		
3	14M7296	FLANGE NUT	3		
4	RE526917	BRACKET	1		
5	R521207	BRACKET	2		
6	19M7783	SCREW	2		M10 X 16
7	19M7836	SCREW	2		M10 X 110
8	R524515	BRACKET	3		

21-69

ENGINE - 6068HN056 4730 SPRAYER FOR EXPORT (NON-CERTIFIED)

THRUST BEARING (OPTION 9901)
OUSSINETS DE BUTTE (OPTION 9901)

RE65911PCDB03 -UN-21APR08



KEY	PART NO.	PART NAME	QTY.	ENGINE SERIAL NO.	REMARKS
1	RE65911	BEARING	1		US -0.254MM

21-79

ENGINE - 6068HN056 4730 SPRAYER FOR EXPORT (NON-CERTIFIED)

KEY	PART NO.	PART NAME	QTY.	ENGINE SERIAL NO.	REMARKS
1	RE524450	PISTON-LINER KIT	1		
2	AR65507	O-RING KIT	1		
3	RE524453	PISTON RING KIT	1		

21-89

ENGINE - 6068HN056 4730 SPRAYER FOR EXPORT (NON-CERTIFIED)

<i>KEY</i>	<i>PART NO.</i>	<i>PART NAME</i>	<i>QTY.</i>	<i>ENGINE SERIAL NO.</i>	<i>REMARKS</i>
1	RE527832	GASKET KIT	1		

30-7

FUEL AND AIR SYSTEMS

KEY	PART NO.	PART NAME	QTY.	SERIAL NO.	REMARKS
1	14M7273	NUT	1		M8
2	24M7055	WASHER	1		8.400 X 16 X 1.600 MM
3	19M7805	SCREW	1		M10 X 45
4	19M7811	SCREW	4		M10 X 90
5	19M7866	SCREW	2		M8 X 20
6	AN209945	BATTERY CABLE	1		
7	19M7970	SCREW	3		M8 X 100
8	19M8006	SCREW	1		M8 X 120
9	19M8197	CAP SCREW	1		M10 X 85
10	19M9128	SCREW	2		M10 X 75
11	28H3423	BUSHING	1		0.364" X 0.540" X 7/8"
12	34M7189	SPRING PIN	4		
13	M3649T	SNAP RING	1		
14	R116466	PLUG	1		
15	R518210	SPACER	1		
16	R226346	BRACKET	1		
17	R242392	DUST SHIELD	1		
18	R244287	SHAFT	1		
19	R244291	BRACKET	1		
20	R246756	GUARD	1		
21	R259720	ADAPTER	1		
22	RE210793	ALTERNATOR	1		
23	RE285712	NUT	1		(SUB FOR RE231948)
24	RE232483	PULLEY	1		
25	RE239458	BALL BEARING	1		
26	RE245935	FAN	1		
27	RE46609	COMPRESSOR	1		
28	RE508764	BALL BEARING	1		
29	T15509	SNAP RING	1		
30	R245222	V-BELT	1		
	R265241	V-BELT	1		NON- CERTIFIED ENGINE
31	RE232242	BELT TENSIONER	1		
32	R264324	PULLEY	1		
33	19M7866	SCREW	6		M8 X 20

30-17

FUEL AND AIR SYSTEMS

KEY	PART NO.	PART NAME	QTY.	SERIAL NO.	REMARKS
1	R226331	PIN FASTENER	5		
2	R235093	HANDLE	1		
3	R235094	BOLT	2		
4	R235095	BOLT	2		
5	R235096	DOWEL PIN	1		
6	R235098	RIVET	2		
7	H85233	RIVET	4		
8	AT13740	DRAIN VALVE	1		
9	RE226355	CHANNEL	1		RH
	RE226354	CHANNEL	1		LH
10	RE226357	CHANNEL	1		RH
	RE226361	CHANNEL	1		LH
11	R230791	BUMPER	2		
12	R245829	BRACKET	1		
13	RE226363	CHANNEL	1		RH
	RE226362	CHANNEL	1		LH
14	RE226365	FUEL COOLER	1		
15	RE226366	RADIATOR	1		
16	RE226367	AIR COOLER	1		
17	RE226493	OIL COOLER	1		
18	AT44188	RIVET	4		
19	RE235089	BRACKET	1		RH
	RE235088	BRACKET	1		LH
20	RE250367	ROD	1		
21	R209721	BUMPER	2		
22	RE252364	LATCH	2		
23	R258919	SEAL	1		
24	R122267	CLAMP	2		
25	AT139776	ISOLATOR	2		
26	24M7180	WASHER	2		13 X 37 X 3 MM
27	14M7275	NUT	2		M12
28	R226682	SEAL	1		
29	RE252363	PLUNGER	1		
30	R130951	FITTING	1		
31	R258918	SEAL	1		
32	R250832	SCREW	2		

30-27

FUEL AND AIR SYSTEMS

KEY	PART NO.	PART NAME	QTY.	SERIAL NO.	REMARKS
1	51M7040	O-RING	1		9.300 X 2.200 MM
2	RE239083	ADAPTER FITTING	1		
3	51M7041	O-RING	2		11.300 X 2.200 MM
4	RE46684	FITTING PLUG	1		
5	R207138	BAND	1		
6	RE181915	AIR FILTER	1		(B)
7	RE196945	AIR FILTER	1		(A)
8	R250723	GASKET	1		
9	RE183175	COVER	1		
10	RE245265	AIR CLEANER	1		
11	R77673	O-RING	1		
12	RE12176	AIR RESTRICTION SENSOR	1		
13	RE52703	HOSE CLAMP	1		
14	R250490	HOSE	1		(C)
	RE226474	HOSE	1		(D)
15	RE525016	THERMOCOUPLE	1		
16	R226514	SUPPORT	1		
17	19M7783	SCREW	6		M10 X 16
18	RE52702	CLAMP	1		

(A) PRIMARY

(B) SECONDARY

(C) WITHOUT AIR COMPRESSOR

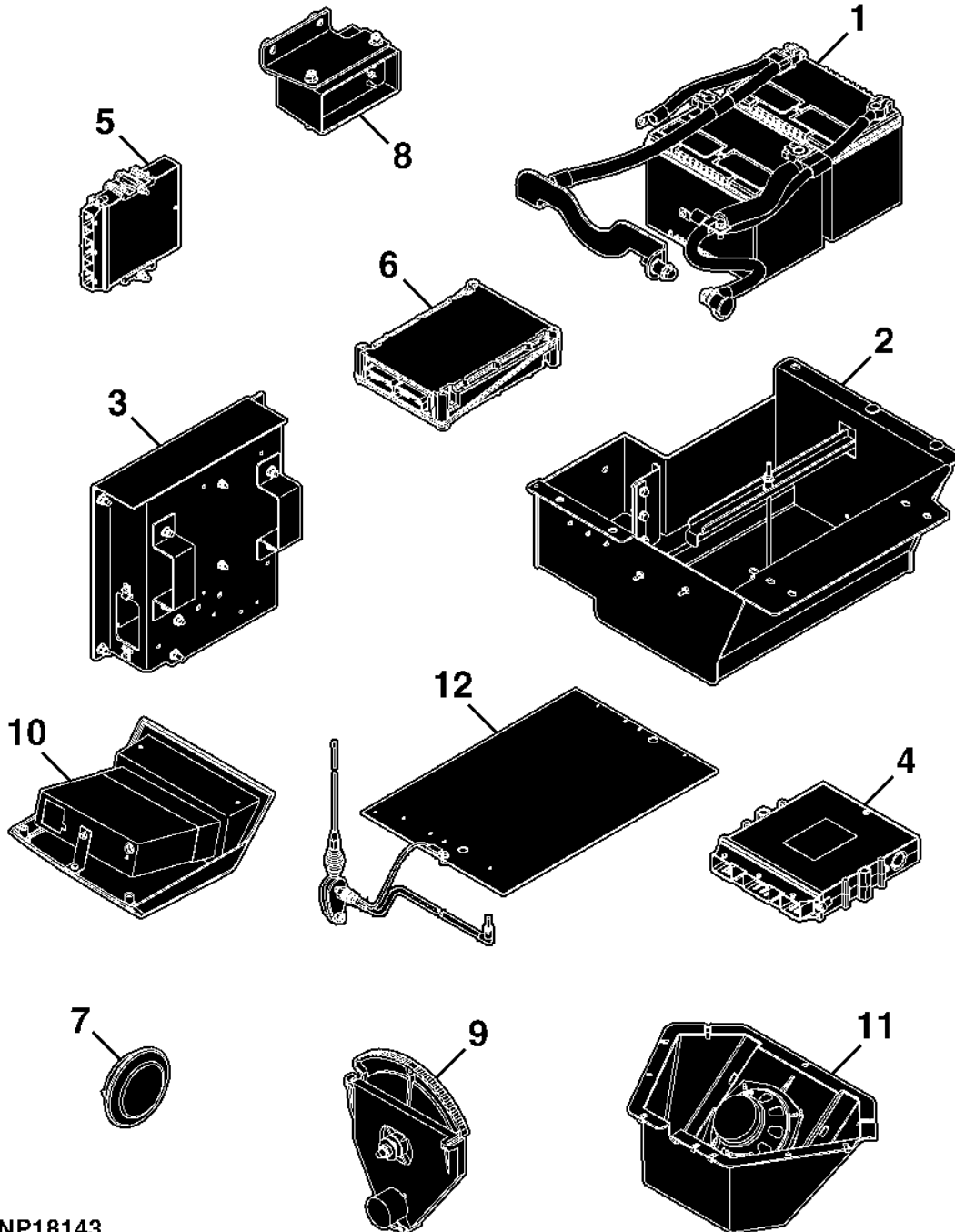
(D) WITH AIR COMPRESSOR

40-A01

SECTIONAL INDEX
INDEX DE SECTION
INDICE DE SECCION

NP18143 -UN-26JUN08

1-	2
2-	4
2-	6
3-	8
4-	10
5-	11
6-	12
7-	13
9-	14
9-	16
10-	18
11-	20
12-	21
6-	39



NP18143

40-5

ELECTRICAL SYSTEM

KEY	PART NO.	PART NAME	QTY.	SERIAL NO.	REMARKS
1	R65514	STRIP	2		
2	19M7867	SCREW	4		M8 X 25
3	24M7260	WASHER	4		8.400 X 24 X 2 MM
4	14M7426	LOCK NUT	2		M8
5	AN303338	DOOR	1		
6	N308743	PAD	1		
7	N313350	BRACKET	1		
8	14M7396	LOCK NUT	1		M8
9	28H3376	SPACER	1		0.364" X 0.540" X 9/16"
10	N207996	WASHER	1		
11	N302555	HOOK BOLT	1		
12	03M7191	BOLT	2		M10 X 25
13	E63526	NUT	2		
14	AN303270	BATTERY BOX	1		
15	19M7865	SCREW	2		M8 X 16
16	N313416	BRACKET	1		

40-15

ELECTRICAL SYSTEM

KEY	PART NO.	PART NAME	QTY.	SERIAL NO.	REMARKS
1	N306749	SCREW	2		
2	AT78534	TRAVEL WARNING ALARM	1		
3	N312197	SUPPORT	1		
4	14M7593	LOCK NUT	2		M10
5	E63527	NUT	4		M12
6	AH76883	CLIP	1		
7	N305536	U-BOLT	2		
8	AN400188	TRAVEL WARNING ALARM	1		
9	57M7254	ELECTRICAL CONNECTOR ASSY	1		
10	19M9836	SCREW	2		M8 X 20
11	14M7649	FLANGE NUT	2		M8

40-25

ELECTRICAL SYSTEM

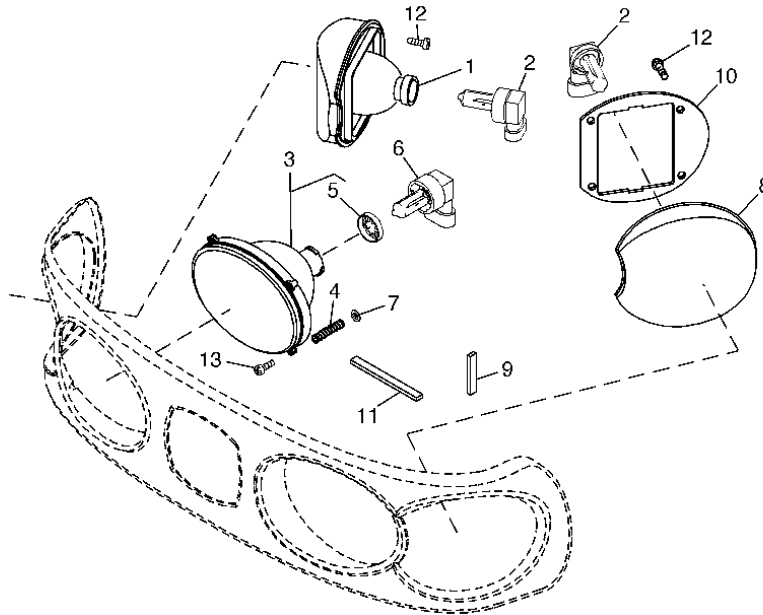
KEY	PART NO.	PART NAME	QTY.	SERIAL NO.	REMARKS
1	N208178	LOCK	1		
2	AN153662	TOGGLE/ROCKER SWITCH	1		EMERGENCY BRAKE
	AN202622	TOGGLE/ROCKER SWITCH	1		FOAM RATE
3	RE163290	WIRING HARNESS	1		DIAGNOSTIC OUTLET
4	AN153760	INDICATOR LAMP	1		CAUTION
5	AN207008	INDICATOR LAMP	1		STOP
6	R64822	NUT	1		
7	AN202797	TOGGLE/ROCKER SWITCH	7		
8	M115279	PLUG	AR		
9	RE152147	KNOB	1		
10	R44165	LOCK NUT	4		
11	AN202878	POTENTIOMETER	1		RATE CONTROL
12	AL76568	KNOB	3		
13	RE46742	CONTROL	1		
14	RE58614	PUSH PULL CABLE	1		TEMPERATURE CONTROL
15	RE248943	SWITCH	1		
16	RE43497	SWITCH	1		
17	RE61418	KNOB	1		
18	RE46634	SWITCH	1		WIPER/WASHER SWITCH
19	AL36529	SWITCH	1		LIGHTS
20	RE248938	SWITCH	1		
21	AT26407	ELECTRICAL LIGHTER	1		ELEMENT
	R131671	PLUG	1		
22	AR56766	HOUSING	1		CIGAR LIGHTER
23	RE51091	WIRING HARNESS	1		CONVENIENCE OUTLET
24	R108166	RIVET	4		
25	R121810	CLAMP	1		
26	37H215	SCREW	1		
27	N202894	PLUG	AR		
28	L155075	PLATE	1		
29	37M7095	SCREW	4		
30	AN207899	TOGGLE/ROCKER SWITCH	1		TRACTION CONTROL
31	RE264981	AIR HEATER CONTROLLER	1		(ATC)

40-35

ELECTRICAL SYSTEM

**STANDARD HOOD LIGHTING
ECLAIRAGE DE CAPOT STANDARD
LUZ DE CAPO PADRAO**

NP16252 -UN-08DEC06



NP16252

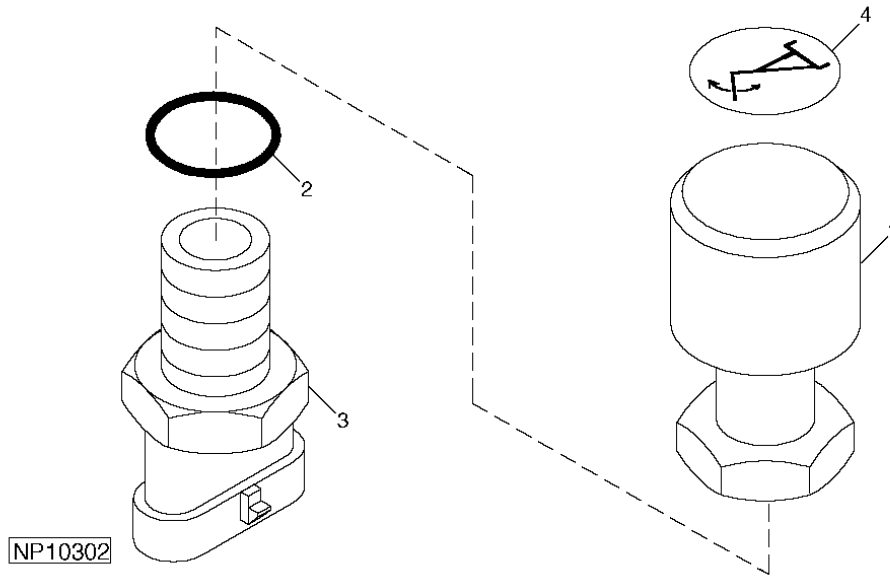
KEY	PART NO.	PART NAME	QTY.	TRACTOR SERIAL NO.	REMARKS
1	RE181913	HEADLIGHT	1		
2	RE185880	BULB	2		
3	RE181963	HEADLIGHT	2		
4	R195278	COMPRESSION SPRING	6		
5	L79050	DUST SHIELD	1		
6	57M7166	BULB	2		
7	M73135	PUSH NUT	6		3.175 MM
8	RE181916	HEADLIGHT	1		
9	R207529	ISOLATOR	4		
10	R207528	SEAL	2		
11	R207530	ISOLATOR	4		
12	37M7348	SCREW	2		
13	37M7373	SCREW	6		

40-45

ELECTRICAL SYSTEM

BOOM FOLD SWITCH
INTERRUPTEUR DE REPLIAGE DE RAMPE
INTERRUPTOR DE DOBRA DA BARRA DE PULV.

NP10302 -UN-15MAR99



NP10302

KEY	PART NO.	PART NAME	QTY.	SERIAL NO.	REMARKS
1	RE43637	ACTUATOR	1		
2	51M7042	O-RING	1		
3	RE46534	SWITCH	1		
4	N204598	LABEL	1		

40-55

ELECTRICAL SYSTEM

KEY	PART NO.	PART NAME	QTY.	SERIAL NO.	REMARKS
1	CONNECTOR	1		AIR FILTER RESTRICTION
2	57M7293	ELECTRICAL CONNECTOR ASSY	1		A/C CLUTCH
	57M7295	ELEC.CONNECT LOCKING DEVICE	1		
3	GROUND CABLE	1		A/C CLUTCH
4	GROUND CABLE	1		ALTERNATOR D+
5	57M8039	ELECTRICAL CONNECTOR ASSY	1		FUEL INJECTION CONNECTOR
	57M8009	ELEC.CONNECT LOCKING DEVICE	1		
6	57M8552	ELEC. CONNECTOR HOUSING	1		DELPHI TORQUE MOTOR
7	GROUND CABLE	1		GLOW PLUG RELAY VOLTAGE SENSE GROUND
8	57M8601	ELEC. CONNECTOR HOUSING	1		EGR FRESH AIR
	57M8633	ELEC. CONNECTOR ACCESSORY	1		
9	57M8625	ELEC. CONNECTOR HOUSING	1		MAP SENSOR
	57M8624	ELEC.CONNECT LOCKING DEVICE	1		
10	CONNECTOR	1		EGR MIXED AIR
11	CONNECTOR	1		GLOW PLUG RELAY
12	CONNECTOR	1		START RELAY POWER
13	CONNECTOR	1		STARTER GROUND
14	CONNECTOR	1		STARTER SOLENOID
15	CONNECTOR	1		ENGINE CRANK SENSOR
16	57M8407	ELEC. CONNECTOR HOUSING	1		RAIL PRESSURE
	57M8417	ELEC.CONNECT LOCKING DEVICE	1		
17	57M8523	ELEC. CONNECTOR HOUSING	1		ECU J3 CONNECTOR
	57M8528	ELECTRICAL CONNECTOR CAP	1		
18	57M8601	ELEC. CONNECTOR HOUSING	1		ENGINE CRANK SENSOR
	57M8633	ELEC. CONNECTOR ACCESSORY	1		
19	57M8601	ELEC. CONNECTOR HOUSING	1		COOLANT TEMPERATURE
	57M8633	ELEC. CONNECTOR ACCESSORY	1		
20	57M8601	ELEC. CONNECTOR HOUSING	1		ENGINE CAM SENSOR
	57M8633	ELEC. CONNECTOR ACCESSORY	1		
21	57M8625	ELEC. CONNECTOR HOUSING	1		OIL PRESSURE
	57M8624	ELEC.CONNECT LOCKING DEVICE	1		
22	57M8403	ELEC. CONNECTOR HOUSING	1		PCV
23	57M8400	ELECTRICAL CONNECTOR ASSY	1		FUEL TEMPERATURE
24	57M8518	ELEC. CONNECTOR HOUSING	1		ECU J1 CONNECTOR
	57M8528	ELECTRICAL CONNECTOR CAP	1		
25	57M7699	ELEC. CONNECTOR TERMINAL	1		AUX. POWER CONNECTION
26	57M8161	ELEC. CONNECTOR HOUSING	1		FUEL LIFT PUMP
	57M8162	ELECTRICAL CONNECTOR ASSY	1		
27	57M7254	ELECTRICAL CONNECTOR ASSY	2		WATER IN FUEL
	57M7289	ELEC.CONNECT LOCKING DEVICE	2		
28	57M8162	ELECTRICAL CONNECTOR ASSY	1		EGR EXHAUST
	57M8633	ELEC. CONNECTOR ACCESSORY	1		
29	57M7966	ELECTRICAL CONNECTOR ASSY	1		FUEL PUMP RELAY
	57M8878	ELEC.CONNECT LOCKING DEVICE	1		
	RE505187	RELAY	1		
30	57M8635	ELEC. CONNECTOR HOUSING	1		BORG WARNER VGT ACTUATOR
	57M8016	ELEC.CONNECT LOCKING DEVICE	1		
31	57M8542	ELEC. CONNECTOR HOUSING	1		BORG WARNER VGT SPEED SENSOR
32	57M8601	ELEC. CONNECTOR HOUSING	1		COMPRESSOR INLET TEMPERATURE
	57M8633	ELEC. CONNECTOR ACCESSORY	1		
33	AN304394	WIRING HARNESS	1		(SUB FOR AN209727 AND AN303191)
34	RE167207	SENSOR	1		(A)
35	AN206290	WIRING HARNESS	1		ALTERNATOR D+ HARNESS

(A) ENGINE OIL PRESSURE

(A) PRESSION D'HUILE MOTEUR

(A) PRESSAO DO OLEO DO MOTOR

40-65

ELECTRICAL SYSTEM

KEY	PART NO.	PART NAME	QTY.	SERIAL NO.	REMARKS
1	AN306076	WIRING HARNESS	1		
2	CONNECTOR	1		REMOTE PUMP SWITCH
3	T209627	CLAMP	AR		L.H. BOOM LOWER/UNFOLD
	RE258807	TIE BAND	AR		
4	CONNECTOR	1		NEGATIVE AUX. POWER POST
5	CONNECTOR	1		POSITIVE AUX. POWER POST
6	CONNECTOR	1		FUEL LEVEL SENDER
7	CONNECTOR	1		HYD. OIL TEMP
8	CONNECTOR	3		LADDER VALVE
9	CONNECTOR	1		TO CAB HARNESS
10	CONNECTOR	1		REV BOOST VALVE
11	CONNECTOR	1		FOAMER
12	CONNECTOR	1		LEFT REAR SHIFT
13	CONNECTOR	1		FRONT TREAD - LH ADJUST IN, RH ADJUST OUT
14	CONNECTOR	1		REAR TREAD - RH ADJUST IN, LH ADJUST OUT
15	CONNECTOR	1		PROPORTIONAL VALVE
16	CONNECTOR	1		LOAD SENSE JAM VALVE
17	CONNECTOR	2		REAR TREAD - RH ADJUST OUT, LH ADJUST IN
18	CONNECTOR	1		FRONT TREAD - LH ADJUST IN, RH ADJUST OUT
19	CONNECTOR	1		RH TAIL LIGHTS
20	CONNECTOR	1		BOOM HEIGHT POSITION SENSOR
21	GROUND CABLE	1		
22	CONNECTOR	1		TO BOOM HARNESS
23	CONNECTOR	1		BHC J2
24	CONNECTOR	1		BACKUP ALARM
25	CONNECTOR	1		CAN TERMINATOR
26	CONNECTOR	1		LH TAIL LIGHT
27	CONNECTOR	1		RIGHT REAR SHIFT
28	CONNECTOR	1		PARK BRAKE
29	CONNECTOR	1		FILL STATION LIGHT
30	CONNECTOR	1		AGITATION VALVE
31	RE207311	ELECTRONIC CONTROL UNIT	1		
32	AN203173	SWITCH	1		REMOTE SOLUTION PUMP SWITCH

40-75

ELECTRICAL SYSTEM

KEY	PART NO.	PART NAME	QTY.	SERIAL NO.	REMARKS
1	57M7254	ELECTRICAL CONNECTOR ASSY	1		LEFT ENTRY LIGHT
	57M7289	ELEC.CONNECT LOCKING DEVICE	1		
2	57M8033	ELEC. CONNECTOR TERMINAL	1		LEFT ENTRY LIGHT SWITCH
3	ELEC. CONNECTOR ACCESSORY	1		LH DOOR SWITCH
4	57M7642	ELEC. CONNECTOR TERMINAL	1		DIAGNOSTICS (SERVICE ADVISOR)
5	ELEC. CONNECTOR ACCESSORY	1		E-BRAKE
6	57M7294	ELECTRICAL CONNECTOR ASSY	1		DUAL DROP FOAMER GROUND
	57M7295	ELEC.CONNECT LOCKING DEVICE	1		
7	ELEC. CONNECTOR ACCESSORY	1		CIGAR LIGHTER
8	T28583	ELEC. CONNECTOR HOUSING	1		WARNING SWITCH
9	57M7624	ELECTRICAL CONNECTOR ASSY	1		ROAD LIGHTS
10	RE46735	ELECTRICAL CONNECTOR ASSY	1		FRONT WIPER SWITCH
11	ELEC. CONNECTOR ACCESSORY	1		DIFF LOCK
12	57M7985	ELECTRICAL CONNECTOR ASSY	1		ATC HARNESS
	57M7289	ELEC.CONNECT LOCKING DEVICE	1		
13	ELEC. CONNECTOR ACCESSORY	1		RECONFIGURABLE DISPLAY
14	GROUND CABLE	1		RADIO
15	57M8398	ELECTRICAL CONNECTOR ASSY	1		RADIO (GRAY)
	57M8399	ELECTRICAL CONNECTOR ASSY	1		
16	57M8397	ELECTRICAL CONNECTOR ASSY	1		RADIO (TAN)
	57M8399	ELECTRICAL CONNECTOR ASSY	1		
17	GROUND CABLE	1		ROOF GROUND STUD
18	57M8944	ELECTRICAL CONNECTOR ASSY	1		OUTER ROOF HARNESS
	57M8943	ELEC.CONNECT LOCKING DEVICE	1		
19	57M7260	ELEC. CONNECTOR HOUSING	1		OUTER ROOF CAN HARNESS
	57M7291	ELECTRICAL CONNECTOR ASSY	1		
20	RE37845	CONSOLE LAMP WIRING HARNESS	1		RHC ROOF LAMP
21	AN303065	WIRING HARNESS	1	-8000	
	AN305840	WIRING HARNESS	1	8001-	
..	57M7124	FUSE	1		3A
..	57M7125	FUSE	1		5A
..	57M7121	FUSE	1		10A
..	99M7065	FUSE	1		15A
..	57M7120	FUSE	1		20A
..	99M7069	FUSE	1		25A
..	57M7146	FUSE	1		30A

40-85

ELECTRICAL SYSTEM

KEY	PART NO.	PART NAME	QTY.	SERIAL NO.	REMARKS
1	T28583	ELEC. CONNECTOR HOUSING	AR		
2	M43835	ELECTRICAL CONNECTOR ASSY	AR		
3	R77476	ELECTRICAL CONNECTOR ASSY	AR		
4	R77477	ELEC. CONNECTOR HOUSING	AR		
5	R77479	ELECTRICAL CONNECTOR ASSY	AR		
6	R77480	ELECTRICAL CONNECTOR ASSY	AR		
7	R77481	ELECTRICAL CONNECTOR ASSY	AR		
8	R77482	ELECTRICAL CONNECTOR ASSY	AR		
9	H104855	ELECTRICAL CONNECTOR ASSY	AR		
10	U46662	ELEC. CONNECTOR TERMINAL	AR		(D) (E)
11	R65595	ELEC. CONNECTOR TERMINAL	AR		(B)
12	T28585	ELECTRICAL CONNECTOR ASSY	AR		
13	R77475	ELECTRICAL CONNECTOR ASSY	AR		
14	T28586	ELECTRICAL CONNECTOR ASSY	AR		
15	R77478	ELECTRICAL CONNECTOR ASSY	AR		
16	R77483	ELECTRICAL CONNECTOR ASSY	AR		
17	R48887	ELECTRICAL CONNECTOR ASSY	AR		
18	T34067	ELEC. CONNECTOR TERMINAL	AR		(D) (E)
19	R77484	ELEC. CONNECTOR TERMINAL	AR		(B) (C)
20	U46370	ELECTRICAL CONNECTOR ASSY	AR		
21	R77485	ELEC. CONNECTOR TERMINAL	AR		(D) (E) (F)
22	R77486	ELEC. CONNECTOR TERMINAL	AR		(D) (E)
23	R77487	ELECTRICAL CONNECTOR ASSY	AR		
24	TY16063	WIRE	AR		(B) 15M (50 FT.)
	TY16069	WIRE	AR		(C) 30.5M (100 FT.)
	TY16076	WIRE	AR		(D) 30.5M (100 FT.)
	TY16078	WIRE	AR		(E) 30.5M (100 FT.)
	TY16080	WIRE	AR		(E) 30.5M (100 FT.)
	TY16086	WIRE	AR		(F) 30.5M (100 FT.)
	TY16089	WIRE	AR		(G) 30.5M (100 FT.)
25	R77462	ELEC. CONNECTOR TERMINAL	AR		(A) (G) (H)
26	R77464	ELEC. CONNECTOR TERMINAL	AR		(D) (E) (F)
27	R77456	ELEC. CONNECTOR TERMINAL	AR		(37 WAY)
28	R77458	ELEC.CONNECT LOCKING DEVICE	AR		SIZE 23
	R77459	ELEC.CONNECT LOCKING DEVICE	AR		SIZE 17
	R77460	ELEC.CONNECT LOCKING DEVICE	AR		SIZE 13
	R77461	ELEC.CONNECT LOCKING DEVICE	AR		SIZE 11
29	R77457	ELEC. CONNECTOR TERMINAL	AR		37 WAY
30	R77463	ELEC. CONNECTOR TERMINAL	AR		(A) (G) (H)
31	R77465	ELEC. CONNECTOR TERMINAL	AR		(D) (E) (F)
32	R77468	ELEC. CONNECTOR TERMINAL	AR		(B) (C) (D)
33	R77466	ELECTRICAL CONNECTOR ASSY	AR		
34	R77467	ELECTRICAL CONNECTOR ASSY	AR		

- | | | |
|-----------------------|-----------------------|-----------------------|
| (A) 24 GA. WIRE | (B) 10 GA. WIRE | (C) 12 GA. WIRE |
| (A) FIL DE CALIBRE 24 | (B) FIL DE CALIBRE 10 | (C) FIL DE CALIBRE 12 |
| (A) FIO CALIBRE 24 | (B) FIO CALIBRE 10 | (C) FIO CALIBRE 12 |
| (D) 14 GA. WIRE | (E) 16 GA. WIRE | (F) 18 GA. WIRE |
| (D) FIL CALIBRE 10 | (E) FIL CALIBRE 12 | (F) FIL CALIBRE 14 |
| (D) FIO CALIBRE 14 | (E) FIO CALIBRE 16 | (F) FIO CALIBRE 18 |
| (G) 20 GA. WIRE | (H) 22 GA. WIRE | |
| (G) FIL DE CALIBRE 20 | (H) FIL DE CALIBRE 22 | |
| (G) FIO CALIBRE 20 | (H) FIO CALIBRE 22 | |

REFER TO ELECTRICAL CONNECTORS AND TERMINALS REFERENCE GUIDE P17148 FOR QUANTITIES
 VOIR GUIDE DE REFERENCE CONNECTEURS ET BORNES ELECTRIQUES P17148 POUR LES QUANTITES
 CONSULTE CONECTORES E TERMINAIS ELETRICOS

THIS PARTS LISTING IS CONTINUED

40-95

ELECTRICAL SYSTEM

KEY	PART NO.	PART NAME	QTY.	SERIAL NO.	REMARKS
1	N311748	BRACKET	1		
2	57M8902	CLIP	2		
3	N311123	BRACKET	1		
4	T209627	CLAMP	3		
5	19M7938	CAP SCREW	1		M10 X 20
6	24M7028	WASHER	2		10.500 X 20 X 2 MM
7	N310615	ANGLE	1		
8	57M8903	CLIP	2		
9	14M7298	FLANGE NUT	5		M8
10	19M7163	CAP SCREW	4		M8 X 25
11	N310978	BRACKET	1		
12	N312846	BRACKET	1		
13	19M7867	SCREW	1		M8 X 25
14	N310977	BRACKET	1		
15	24M7047	WASHER	1		13 X 24 X 2.500 MM
16	19M8011	CAP SCREW	1		M12 X 30
17	N311747	BRACKET	1		
18	19M8962	CAP SCREW	1		M14 X 20
19	24M7406	WASHER	1		16 X 24 X 3 MM
20	N312030	BRACKET	1		
21	24M7055	WASHER	3		8.400 X 16 X 1.600 MM
22	T27550	CLIP	3		
23	19M7162	CAP SCREW	1		M8 X 16
24	N310847	BRACKET	1		
25	N312851	ANGLE	1		
26	21M7442	SCREW	1		M10 X 20
27	N191985	CLIP	1		
28	37M7137	SCREW	1		M8 X 30
29	14M7273	NUT	1		M8
30	19M7774	SCREW	2		M6 X 12
31	R252719	BRACKET	1		

KEY	PART NO.	PART NAME	QTY.	SERIAL NO.	REMARKS
1	N370676	STRAP	1		
2	T78313	O-RING	4		
3	XPD361	DIAGNOSTIC COUPLING	4		
4	R77175	COVER	4		
5	AN206899	HYDRAULIC HOSE - FABRICATE	1	(J)	
6	H114901	PLATE	AR		
7	H114898	CLAMP	AR		
8	H140180	CLAMP	22		
9	T76938	O-RING	5		
10	AN302154	REDUCER	1		
11	AN206897	HYDRAULIC HOSE	1	(A)	
	AN206898	HYDRAULIC HOSE	1	(B)	
	AN206900	HYDRAULIC HOSE	1	(C)	
	AN206901	HYDRAULIC HOSE	1	(D)	
12	AN206896	HYDRAULIC HOSE - FABRICATE	1	(E)	
13	AN302132	HYDRAULIC HOSE	1	(F)	
	AN302133	HYDRAULIC HOSE	1	(G)	
14	19H1740	CAP SCREW	24	7/16" X 1-3/4"	
15	H122182	FLANGE FITTING	12		
16	AN302121	TUBE	1	(H)	
	AN302112	TUBE	1	(I)	
17	R26448	O-RING	4		
18	38H1004	ELBOW FITTING	4		
19	T77613	O-RING	6		
20	AN302333	HYDRAULIC HOSE	2		
21	N206224	ORIFICE	2		
22	19M8039	SCREW	44	M8 X 80	
23	24H1452	WASHER	44	1-1/32" X 1-3/4" X 0.105"	
24	E63525	NUT	44		
25	38H5095	NUT	1		
26	38H1098	ELBOW FITTING	1		

- (A) FRONT LEFT REVERSE
- (A) MARCHE ARRIERE AVANT GAUCHE
- (A) MARCHA A RE DIANTEIRA ESQUERDA
- (B) FRONT RIGHT REVERSE
- (B) MARCHE ARRIERE AVANT DROITE
- (B) MARCHA A RE DIANTEIRA DIREITA
- (C) RIGHT REAR REVERSE
- (C) MARCHE ARRIERE DROITE ARRIERE
- (C) MARCHA A RE TRASEIRA DIREITA
- (D) REAR LEFT REVERSE
- (D) MARCHE ARRIERE GAUCHE ARRIERE
- (D) MARCHA A RE TRASEIRA ESQUERDA
- (E) FORWARD
- (E) MARCHE AVANT
- (E) AVANCO
- (F) FRONT HYD. PUMP
- (F) POMPE HYDRAULIQUE AVANT
- (F) BOMBA HIDR. TRASEIRA
- (G) REAR HYD. PUMP
- (G) POMPE HYDRAULIQUE ARRIERE
- (G) BOMBA HIDR. TRASEIRA
- (H) OIL LINE FRONT PUMP
- (H) POMPE AVANT DE CONDUITE D'HUILE
- (H) LINHA DE OLEO, BOMBA DIANTEIRA
- (I) OIL LINE REAR PUMP
- (I) POMPE ARRIERE DE CONDUITE D'HUILE
- (I) LINHA DE OLEO, BOMBA TRASEIRA
- (J) REAR, FORWARD
- (J) ARRIERE, MARCHE AVANT
- (J) TRASEIRO, AVANCO

50-17

POWER TRAIN

KEY	PART NO.	PART NAME	QTY.	SERIAL NO.	REMARKS
1	N306880	VALVE	1		
2	HOUSING	1		
3	H63245	PIN	2		
4	T64769	DRAIN PLUG	2		
5	T59014	O-RING	2		
6	T155729	O-RING	1		
7	AN208021	CYLINDER BLOCK	1		
8	N306881	PLATE	1		
9	T162854	RING	1		
10	T155757	O-RING	1		
11	AN208022	PISTON	1		
12	HOUSING	1		
13	T54967	FITTING PLUG	2		
14	T158240	O-RING	3		
15	AT180814	PLUG	2		
16	19M8440	SCREW	8		M10 X 25
17	T204291	GASKET	1		
18	N306882	GASKET	1		
19	M74877	PLUG	2		
20	R26906	O-RING	2	-8721	
	SNAP RING	1	8722-	
21	AN208225	FITTING PLUG	1		
22	AT196462	SEAT ASSEMBLY	2		
23	T176405	SPOOL	1		
24	AN208023	SHAFT	1	-8721	
25	BEARING HOUSING W/O BEARING	1		
26	AT334513	SEAL	1		
27	T187896	O-RING	1		
28	N306884	SCREW	8		
29	N306885	SNAP RING	2	-8721	
30	N306886	SNAP RING	1	-8721	
31	N306887	GASKET	1		
32	N306888	SPACER	1	-8721	
33	AT195723	SEAL	1	-8721	
	AT334513	SEAL	1	8722-	
34	HOUSING	1		
35	AT301767	SOLENOID VALVE COIL	1		
	AN207893	CONTROL VALVE	1		SHIFT VALVE
36	AT184869	PLUG	4		
37	T165535	O-RING	4		
38	19M8341	SCREW	4		M12 X 45
39	AN208024	SHAFT	1		
40	N306889	PIN FASTENER	2		
41	PISTON RING KIT	1		
42	T204283	CAP	1		
43	AT214510	ORIFICE	2		
44	N306890	SCREW	1		
45	T155723	NUT	2		
46	AN208025	WHEEL SPEED SENSOR	1		USED ON LEFT FRONT WHEEL MOTOR ONLY
47	19M8618	SCREW	1		
48	AN206571	HYDRAULIC MOTOR	1		(A)
	AN208051	HYDRAULIC MOTOR	1		(A) (D)
	AN206572	HYDRAULIC MOTOR	1		(B)
	AN208052	HYDRAULIC MOTOR	1		(B) (D)
	AN206573	HYDRAULIC MOTOR	1		(C) (D)
	AN208053	HYDRAULIC MOTOR	2		(C)
49	SCREW	1		
50	SPACER	1		
51	0051332774	O-RING	1		
52	SCREW	1	8722-	

- (A) 60CC, FRONT WITH SENSOR
- (A) 60CC, AVANT AVEC CAPTEUR
- (A) 60 CC, DIANTEIRO COM SENSOR
- (B) 60CC, FRONT WITHOUT SENSOR
- (B) 60CC, AVANT SANS CAPTEUR
- (B) 60 CC, DIANTEIRO SEM SENSOR
- (C) 60CC, REAR
- (C) 60CC, ARRIERE
- (C) 60 CC, TRASEIRO
- (D) REMANUFACTURED
- (D) REUSINE
- (D) REMANUFATURADO

50-27

POWER TRAIN

KEY	PART NO.	PART NAME	QTY.	SERIAL NO.	REMARKS
1	N317878	HOUSING	1		
2	H63245	PIN	2		
3	R151063	PLATE	2		(A)
4	T222118	BEARING	1		
5	T210562	PIN	1		
6	R151065	LINK	1		
7	AN305547	CYLINDER KIT	1		
8	SWASH PLATE	1		
9	T24199	WASHER	1		
10	AT214874	PIN FASTENER	1		
11	ARM	1		
12	LINK	1		
13	T176244	SCREW	1		
14	T222123	CAP SCREW	1		
15	RE151064	YOKE	1		
16	AT328865	CYLINDER	1		
17	R151075	CLAMP	1		
18	AN220419	PISTON	9		
19	N220940	GUIDE	1		
20	T177594	SPACER	4		
21	RING	1		
22	T157503	SCREW	4		
23	R151099	BEARING	2		
24	SEAT	1		
25	SPRING	1		
26	RETAINER	1		
..	AN220311	SEAL KIT	1		(B)

(A) FRONT PUMP ONLY
 (A) POMPE AVANT UNIQUEMENT
 (A) APENAS BOMBA DIANTEIRA

(B) PUMP OVERHAUL SEAL KIT
 (B) KIT DE JOINTS DE REMISE EN ETAT DE POMPE
 (B) KIT DE VEDACAO DE REVISAO DA BOMBA

50-37

POWER TRAIN

KEY	PART NO.	PART NAME	QTY.	SERIAL NO.	REMARKS
1	19M7409	CAP SCREW	28		M16 X 50
2	24M7338	WASHER	36		17 X 30 X 3 MM
3	AN303162	HUB	1		(SUB FOR AN302756) REAR
4	AN303160	HUB	1		(SUB FOR AN302755) FRONT
5	N209756	SCREW	8		
6	N310828	BRAKE DISK	1		
7	N209473	SPACER	1		
8	AN205610	WHEEL	1		320/90R46
	AN205611	WHEEL	1		380/90R46 OR 420/80R46
	AN302464	RIM	1		320/90R50
	AN205176	RIM	1		520/85R38
9	AT25226	TIRE VALVE STEM	1		
10	N312295	SPACER	AR		
11	14M7656	NUT	AR		M22
12	N302241	LABEL	1		(A)
	N302242	LABEL	1		(B)
	N302243	LABEL	1		(C)
	N315806	LABEL	1		(D)
	N315807	LABEL	1		(E)
	N315808	LABEL	1		(F)
	N308340	LABEL	1		(G)
	N308376	LABEL	1		(H)
	N306638	LABEL	1		(I) (SUB FOR N302244)
	N307950	LABEL	1		(J)
	N310214	LABEL	1		(K)
13	N305532	TIRE	1		320/90R50 (TITAN)
	N209533	TIRE	1		380/90R46
	N310750	TIRE	1		320/90R50 (GOODYEAR)
..	N311126	INNERTUBE	1		320/90R50
..	N317346	INNERTUBE	1	-8000	380/90R46

(A) ENGLISH (ILLUSTRATED)
 (A) ANGLAIS (ILLUSTRE)
 (A) INGLES (ILUSTRADO)

(B) SPANISH
 (B) ESPAGNOL
 (B) ESPANHOL

(C) FRENCH
 (C) FRANCAIS
 (C) FRANCES

(D) CZECH
 (D) TCHEQUE
 (D) TCHECO

(E) SLOVAKIAN
 (E) SLOVAQUE
 (E) ESLOVACO

(F) ROMANIAN
 (F) ROUMAIN
 (F) ROMENO

(G) RUSSIAN
 (G) RUSSE
 (G) RUSSO

(H) CHINESE
 (H) CHINOIS
 (H) CHINES

(I) PORTUGUESE
 (I) PORTUGAIS
 (I) PORTUGUES

(J) HUNGARIAN
 (J) HONGROIS
 (J) HUNGARO

(K) TURKISH
 (K) TURC
 (K) TURCO

60-3

STEERING AND BRAKES

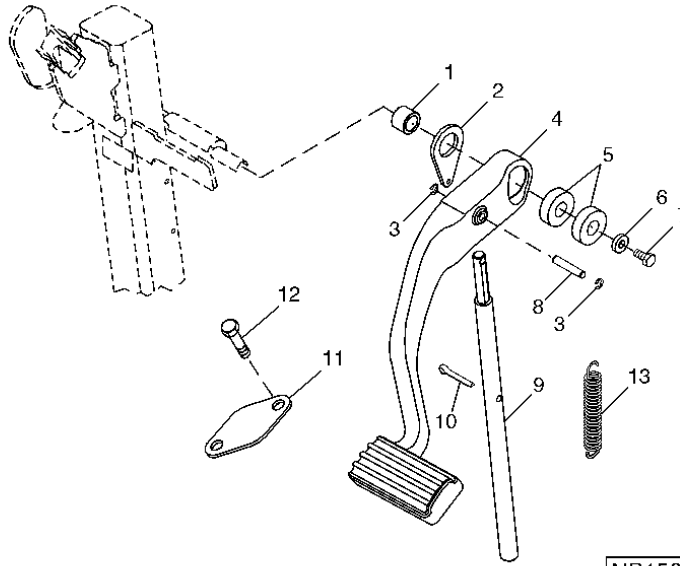
KEY	PART NO.	PART NAME	QTY.	SERIAL NO.	REMARKS
1	19M8584	CAP SCREW	1		M10 X 30
2	RE173363	UNIVERSAL JOINT WITH SHAFT	1		
3	R126039	PIVOT	1		
4	R107598	BRACKET	1		
5	19M7775	SCREW	3		M6 X 16
6	R126024	GUIDE	1		
7	40M7256	SNAP RING	1		
8	R222800	SHAFT	1		
9	RE212762	BALL BEARING	1		
10	R209502	HOUSING	1		
11	26H86	SHAFT KEY	2		5/16" X 1"
12	RE57594	ROD	1		
	24H1283	WASHER	1		7/32" X 1/2" X 0.049"
13	R107567	SHAFT	1		
14	24H1439	WASHER	1		1" X 1-3/8" X 0.060"
15	40M7119	SNAP RING	1		
16	R194112	GROMMET	1		
17	R126911	STRAP	1		
18	37M7090	SCREW	1		M6 X 16
19	A364R	SNAP RING	1		
20	R205486	SNAP RING	1		

60-13

STEERING AND BRAKES

**BRAKE PEDAL
PEDALE DE FREIN
PEDAL DE FREIO**

NP15081 -UN-29AUG05



NP15081

KEY	PART NO.	PART NAME	QTY.	SERIAL NO.	REMARKS
1	R131803	SPACER	1		
2	N303779	ANCHOR	1		
3	R72653	SNAP RING	2		
4	R124313	PEDAL	1		
5	JD8535	BALL BEARING	2		
6	R56397	WASHER	1		
7	19M7932	CAP SCREW	1	M8 X 16	
8	R53226	PIN	1		
9	N303491	ROD	1		
10	11M7054	COTTER PIN	1		6.300 X 32 MM
11	R129676	COVER	1		(A)
12	37M7089	SCREW	2		M6 X 12
13	N281711	EXTENSION SPRING	1		

(A) TO COVER UNUSED BRAKE PEDAL HOLE
 (A) POUR COUVRIR LE TROU DE PEDALE DE FREIN INUTILISEE
 (A) PARA COBRIR FURO NAO USADO DO PEDAL DE FREIO

70-3

HYDRAULIC SYSTEM

KEY	PART NO.	PART NAME	QTY.	SERIAL NO.	REMARKS
1	AN207236	HYDRAULIC HOSE	2		INCLUDES (1) T76938 O-RING
2	R46667	CLAMP	1		
3	T149597	CLAMP	1		
4	AN205159	HOSE CLAMP	4		
5	AN220299	PRESSURE RELIEF FITTING	1		INCLUDES U17409 INTERNAL O-RING
6	R29936	O-RING	1		
7	HOSE	1		(A) 57", (MAKE FROM TY22563)
8	HOSE	1		(B) 31.5", (MAKE FROM TY22563)
9	N221912	FITTING	2		(C)
10	N310987	HOSE CLAMP	2		

- (A) RIGHT REAR MOTOR
- (A) MOTEUR ARRIERE DROIT
- (A) MOTOR TRASEIRO DIREITO
- (B) RIGHT FRONT MOTOR
- (B) MOTEUR AVANT DROIT
- (B) MOTOR DIANTEIRO DIREITO
- (C) TO WHEEL MOTOR CASE DRAIN
- (C) VERS LE DRAIN DE CARTER DE MOTEUR DE ROUE
- (C) PARA O DRENO DA CAIXA DO MOTOR DAS RODAS

70-13

HYDRAULIC SYSTEM

KEY	PART NO.	PART NAME	QTY.	SERIAL NO.	REMARKS
1	19H3070	SCREW	16		0.190" X 1-1/4"
2	T138822	ELECTRICAL CONNECTOR ASSY	2		
3	R78055	ELECTRICAL CONNECTOR ASSY	1		
4	AN205022	ELEC. CONNECTOR HOUSING	1		
5	AN205030	VALVE	4		
6	AN205031	PISTON	4		
7	AN202067	CHECK VALVE	8		
	AT124681	SEAL KIT	1		
8	AN205036	FITTING	8		
9	U46166	O-RING	8		
10	R62070	RING	8		
11	N203255	NUT	8		
12	AN204456	ELECTRICAL COIL	8		
13	T77613	O-RING	16		
14	N304551	STOP	1		
15	AN204814	VALVE STACK	1		
16	N209120	BRACKET	1		
17	19M7347	CAP SCREW	4		M10 X 120
18	14M7400	LOCK NUT	4		M10

70-23

HYDRAULIC SYSTEM

KEY	PART NO.	PART NAME	QTY.	SERIAL NO.	REMARKS
1	AN208682	VALVE	2		(B)
2	19M8318	SCREW	4		M8 X 45
3	E63525	NUT	5		
4	38H1004	ELBOW FITTING	4		
5	T77613	O-RING	14		
6	R26448	O-RING	8		
7	38H1160	ADAPTER FITTING	4		
8	N306068	ANGLE	1		
9	AN207597	HYDRAULIC HOSE	2		(C)
10	AN207598	HYDRAULIC HOSE	2		(D)
11	38H1564	ELBOW FITTING	4		
12	R28782	O-RING	4		
13	H77698	TIE BAND	AR		
14	R26375	O-RING	4		
15	AN208049	HYDRAULIC HOSE	2		(E)
16	N191985	CLIP	2		
17	AN207600	HYDRAULIC HOSE	1		(F)
18	38H1171	ADAPTER FITTING	2		
19	R49921	CLAMP	1		
20	H120847	CLAMP	2		
21	19M8317	SCREW	1		M8 X 40
22	AN208815	HYDR./PILOT CONTROL VALVE	2		
	AN207815	SEAL KIT	1		(A)
23	AN208569	FITTING PLUG	2		

- (A) TOE CONTROL VALVE SEAL KIT
- (A) KIT DE JOINTS DE DISTRIBUTEUR DE PINCEMENT
- (A) KIT DE VEDACAO DA VALVULA DE CONTROLE DE PONTA DE PE
- (B) TOE CONTROL CARTRIDGE
- (B) CARTOUCHE DE COMMANDE DE PINCEMENT
- (B) CARTUCHO DE CONTROLE DE PONTA DE PE
- (C) STEERING CYLINDER ROD
- (C) TIGE DE VERIN DE DIRECTION
- (C) HASTE DO CILINDRO DE DIRECAO
- (D) STEERING CYLINDER HEAD
- (D) TETE DE VERIN DE DIRECTION
- (D) CABECOTE DO CILINDRO DE DIRECAO
- (E) STEERING VALVE
- (E) DISTRIBUTEUR DE DIRECTION
- (E) VALVULA DE DIRECAO
- (F) TOE CONTROL JUMPER
- (F) FIL DE PONTAGE DE COMMANDE DE PINCEMENT
- (F) CHICOTE DO CONTROLE DE PONTA DE PE

70-33

HYDRAULIC SYSTEM

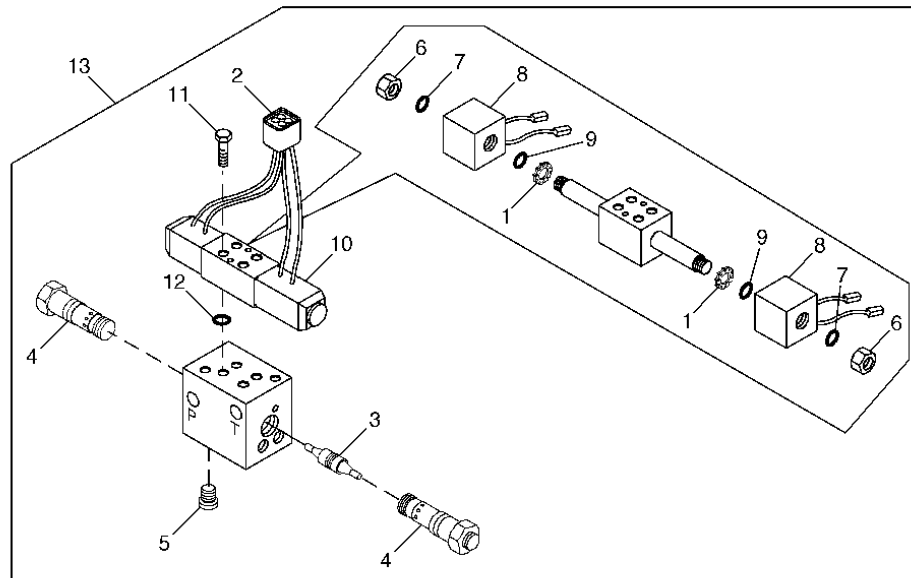
KEY	PART NO.	PART NAME	QTY.	SERIAL NO.	REMARKS
1	N312122	NUT	1		
2	AT139432	HYD ACTUATED CONTROL VALVE	1		
3	AN302557	ELECTRICAL COIL	1		
4	AN302545	VALVE	1		
5	24M7100	WASHER	2		6.600 X 22 X 2 MM
6	19M7685	CAP SCREW	2		M6 X 70
7	14M7397	LOCK NUT	2		M6
8	N304621	STRAP	1		
9	T77613	O-RING	5		
10	38H1004	ELBOW FITTING	1		
11	R26448	O-RING	3		
12	AN231661	HYDRAULIC HOSE - FABRICATE	1		11/16" X 1 118 MM (44") X 11/16"
13	AN302663	HYDRAULIC HOSE	1		11/16" X 1 990 MM (78-1/4") X 11/16"
14	38H1159	ADAPTER FITTING	2		
15	R28782	O-RING	2		
16	T77814	O-RING	2		
17	38H1093	ELBOW FITTING	2		
18	AN207234	HYDRAULIC HOSE	1		
19	AN207944	HYDRAULIC HOSE	1		
20	38H1016	TEE FITTING	1		
21	38H1023	TEE FITTING	1		

75-1

80/90/100' BOOM

ROLL BIAS VALVE
SOUPAPE ANTI-ROULIS
VALVULA DE INCLINACAO LATERAL

NP14117 -UN-07JUN04



NP14117

KEY	PART NO.	PART NAME	QTY.	SERIAL NO.	REMARKS
1	N304551	STOP	1		
2	T138822	ELECTRICAL CONNECTOR ASSY	1		
3	AN205031	PISTON	1		
4	AN202067	CHECK VALVE	2		
	AT 124681	SEAL KIT	2		
5	AN205036	FITTING	2		
6	N203255	NUT	2		
7	R62070	RING	2		
8	AN204456	ELECTRICAL COIL	2		
9	U46166	O-RING	2		
10	AN205030	VALVE	1		
11	19H3070	SCREW	4		
12	T77613	O-RING	4		
13	AN204816	HYDR./PILOT CONTROL VALVE	1		

75-11

80/90/100' BOOM

KEY	PART NO.	PART NAME	QTY.	SERIAL NO.	REMARKS
1	N401429	LINK	2		(SUB FOR N308769)
2	N401430	LINK	2		(SUB FOR N308770)
3	N317982	PIN	1		
4	19M9845	SCREW	1		M10 X 25
5	N208003	SNAP RING	4		
6	AN203802	SELF-ALIGNING BUSHING	2		
7	24M7560	WASHER	2		11 X 34 X 3 MM
8	AN305402	PIN FASTENER	1		(SUB FOR AN207374)
9	19M9162	CAP SCREW	3		M20 X 90
10	14M7594	LOCK NUT	3		M20
11	JD7797	LUBRICATION FITTING	4		
12	N206430	SPACER	4		
13	N207951	LOCK NUT	1		
14	N207992	SCREW	1		

CLICK HERE TO **DOWNLOAD** THE COMPLETE MANUAL

- Thank you very much for reading the preview of the manual.
- You can download the complete manual from: www.heydownloads.com by clicking the link below



- Please note: If there is no response to CLICKING the link, please download this PDF first and then click on it.

CLICK HERE TO **DOWNLOAD** THE COMPLETE MANUAL

75-21

80/90/100' BOOM

KEY	PART NO.	PART NAME	QTY.	SERIAL NO.	REMARKS
1	AN209617	HYDRAULIC CYLINDER	2		(A)
2	R28782	O-RING	4		
3	38H1004	ELBOW FITTING	4		
4	T77613	O-RING	4		
5	AN205016	HYDRAULIC HOSE - FABRICATE	4		
6	T77814	O-RING	4		
7	38H1159	ADAPTER FITTING	4		
8	R26448	O-RING	4		
9	H118400	ORIFICE	2		
10	N317520	ORIFICE	2		

(A) INNER BOOM FOLD

(A) REPLIAGE DE RAMPE INTERIEURE

(A) DOBRA INTERNA DA BARRA DE PULV.

75-31

80/90/100' BOOM

KEY	PART NO.	PART NAME	QTY.	SERIAL NO.	REMARKS
1	24M7547	WASHER	1		21 X 34 X 3 MM
2	19M9934	CAP SCREW	2		M20 X 220
3	19M10093	CAP SCREW	2		M16 X 180
4	14M7594	LOCK NUT	2		M20
5	14M7698	LOCK NUT	4		M16
6	N310665	BUMPER	4		
7	24H1951	WASHER	3		25/64" X 1-1/4" X 0.065"
8	14M7722	LOCK NUT	4		M8
9	N317758	SPACER	2		
10	AN304080	CHAIN LINK	AR		
11	N302144	PIVOT	1		LH
	N302143	PIVOT	1		RH
12	AN305582	LINK CHAIN	2		
13	N206648	EXTENSION SPRING	1		(A) (B)
	N313276	EXTENSION SPRING	1		(C)
14	N317636	EYEBOLT	2		
15	14M7645	NUT	4		M10
16	AN305599	SPRAYER BOOM	1		(A) (B) (D) (SUB FOR AN303060) LH
	AN305600	SPRAYER BOOM	1		(A) (B) (D) (SUB FOR AN303061) RH
	AN305157	FRAME	1		(C) (D) (SUB FOR AN303058) LH
	AN305156	FRAME	1		(C) (D) (SUB FOR AN303059) RH
17	AN400767	SPRAYER BOOM	1		(A) LH, (SUB FOR AN303897 OR AN303056, (2) N315119, (2) N315120, (2) 19M9162 AND (2) 14M7594)
	AN400768	SPRAYER BOOM	1		(A) RH, (SUB FOR AN303898 OR AN303057, (2) N315119, (2) N315120, (2) 19M9162 AND (2) 14M7594)
	AN400765	SPRAYER BOOM	1		(B) LH, (SUB FOR AN303895 OR AN303054, (4) N315119, (4) N315120, (2) 19M9162 AND (2) 14M7594)
	AN400766	SPRAYER BOOM	1		(B) RH, (SUB FOR AN303896 OR AN303055, (4) N315119, (4) N315120, (2) 19M9162 AND (2) 14M7594)
	AN400723	SPRAYER BOOM	1		(C) LH, (SUB FOR AN303893 OR AN303052, (5) N315119, (5) N315120, (2) 19M9162 AND (2) 14M7594)
	AN400724	SPRAYER BOOM	1		(C) RH, (SUB FOR AN303894 OR AN303053, (5) N315119, (5) N315120, (2) 19M9162 AND (2) 14M7594)
18	N315114	SHIM	1		
19	AN306489	ROLLER CHAIN	2		(SUB FOR AN304079) 25 PITCHES (60 ROLLER CHAIN W/ 2 DOUBLE PITCH CONNECTING LINKS)

- (A) 80' ONLY
- (A) 80' UNIQUEMENT
- (A) APENAS 80'
- (B) 90' ONLY
- (B) 90' UNIQUEMENT
- (B) APENAS 90'
- (C) 100' ONLY
- (C) 100' UNIQUEMENT
- (C) APENAS 100'
- (D) BREAKAWAY SECTION
- (D) BRAS DE SECURITE
- (D) SECOES DE ESCAPE

75-41

80/90/100' BOOM

KEY	PART NO.	PART NAME	QTY.	SERIAL NO.	REMARKS
1	PM37033-13	FITTING	5		24"
2	N208185	NOZZLE	5		
3	AN205178	CLAMP	1		
4	HOSE	1		(MAKE FROM N155875)
5	N208184	HOSE FITTING	5		
6	PM50992-2	FILLER CAP	5		
7	PM50739-1	SEAL	5		
8	21M7246	SCREW	1		
9	AN204436	CLAMP	1		(A) 3/4"
	AN204437	CLAMP	1		(B) 1"
10	PM404172N	NOZZLE	5		
11	PM00073-1238	NOZZLE	10		
12	AN205920	CAP	10		
13	N208181	CLAMP	1		(C)
14	RE52702	CLAMP	2		

(A) BREAKAWAY SECTIONS

(A) BRAS DE SECURITE

(A) SECOES DE ESCAPE

(B) OUTER SECTIONS

(B) BRAS EXTERIEURS

(B) SECOES EXTERNAS

(C) USE BEHIND BOOM BUMPER PAD, TWO LOCATIONS ON CENTERFRAME.

(C) UTILISER DERRIERE LE BOSSAGE-BUTOIR DE LA RAMPE, DEUX ENDROITS DU CHASSIS CENTRAL

(C) USE ATRAS DO AMORTECEDOR DA BARRA DE PULV., DOIS LOCAIS NA ESTRUTURA CENTRAL

75-51

80/90/100' BOOM

KEY	PART NO.	PART NAME	QTY.	SERIAL NO.	REMARKS
1	AN209299	HOSE CLAMP	2		
2	AN204104	HALF CLAMP	AR		
3	AN205155	HOSE CLAMP	6		
4	HOSE	1		120", (MAKE FROM TY25755)
5	MOLDING	1		7.5", (MAKE FROM N155090)
6	N308643	COVER	1		
7	HOSE	1		40", (MAKE FROM TY25754)
8	H77698	TIE BAND	AR		
9	N202731	TEE FITTING	1		
10	N202992	HOSE FITTING	3		
11	N203009	HOSE FITTING	1		
12	N203010	COUPLING	5		
13	N203094	HOSE FITTING	1		
14	N207284	PIPE	1		(A) 34"
15	N207285	PIPE	2		(A) 82"
16	N207286	PIPE	1		(A) 94"
17	N309492	BRACKET	1		
18	HOSE	1		78". (MAKE FROM TY24415)
19	14M7729	WING NUT	AR		M5
20	14M7723	LOCK NUT	4		M10
21	19M9832	SCREW	2		M6 X 25
22	N318928	WASHER	AR		
23	19M9845	SCREW	4		M10 X 25
24	N306266	BRACKET	1		
25	HOSE	1		129", (MAKE FROM TY25754)
26	HOSE	1		14.5", (MAKE FROM TY25754)

(A) POLY
 (A) POLY
 (A) POLIPROPILENO

75-61

80/90/100' BOOM

KEY	PART NO.	PART NAME	QTY.	SERIAL NO.	REMARKS
1	A52618	FITTING	2		
2	N308518	BRACKET	3		
3	AN207247	SPRAYER BOOM	1		
4	AN207395	SPRAYER BOOM	1		
5	PMTEE100	TEE FITTING	1		
6	PMHB100-90	FITTING	1		
7	N207263	HALF CLAMP	8		
8	N207956	LOCK NUT	8		
9	N207997	WASHER	16		
10	N208013	CAP SCREW	8		

75-71

80/90/100' BOOM

KEY	PART NO.	PART NAME	QTY.	SERIAL NO.	REMARKS
1	A52618	FITTING	2		
2	N209046	BRACKET	2		
3	AN208462	SPRAYER BOOM	1		
4	AN208463	SPRAYER BOOM	1		
5	PMTEE100	TEE FITTING	1		
6	PMPLUG075	PIPE PLUG	1		
7	PMHB100-90	FITTING	1		
8	N207263	HALF CLAMP	6		
9	N207956	LOCK NUT	6		
10	N207997	WASHER	12		
11	N208013	CAP SCREW	6		
12	N315120	BRACKET	3		
13	03M7465	BOLT	3		
14	14M7722	LOCK NUT	3	M8	

75-81

80/90/100' BOOM

KEY	PART NO.	PART NAME	QTY.	SERIAL NO.	REMARKS
1	A52618	FITTING	2		
2A	N209044	BRACKET	4	-4000	
2B	N315119	BRACKET	4	4001-	
3	AN206665	SPRAYER BOOM	2		53"
4	PMNIP100-SH	THREADED NIPPLE	1		
5	PMTEE100	TEE FITTING	1		
6	PMHB-100	HOSE FITTING	1		
7	PMHB100-125	FITTING	1		
8	N207263	HALF CLAMP	8		
9	N207956	LOCK NUT	8		
10	N207997	WASHER	16		
11	N208013	CAP SCREW	8		
12	N315120	BRACKET	4		
13	03M7465	BOLT	4		
14	14M7722	LOCK NUT	4		M8

(A) 3 HOLE
(A) 3 TROUS
(A) 3 FUIROS

75-91

80/90/100' BOOM

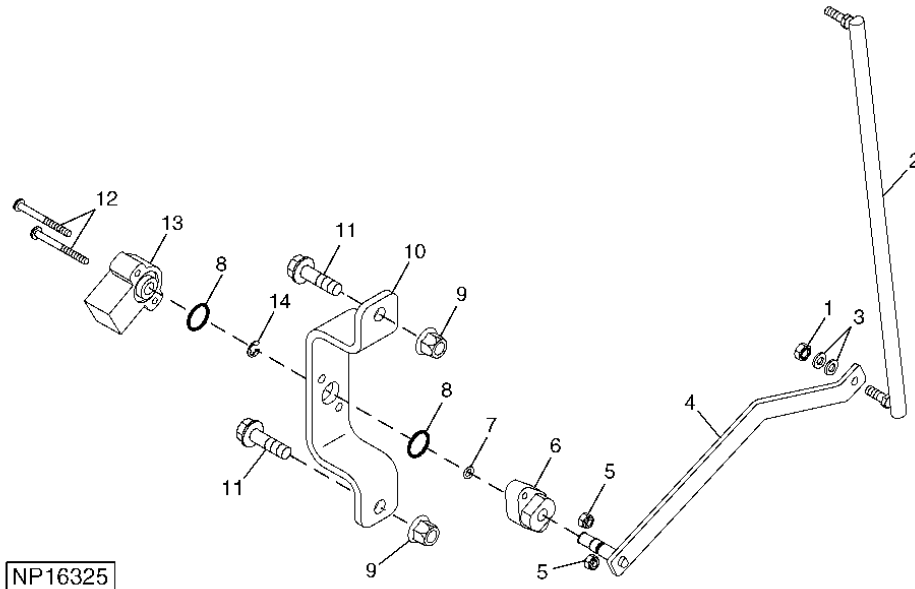
KEY	PART NO.	PART NAME	QTY.	SERIAL NO.	REMARKS
1	A52618	FITTING	2		
2A	N209044	BRACKET	5	-4000	
2B	N315119	BRACKET	5	4001-	
3	PMNIP100-SH	THREADED NIPPLE	1		
4	PMTEE100	TEE FITTING	2		
5	PMHB-100	HOSE FITTING	1		
6	PMHB100-125	FITTING	1		
7	N207260	SPACER	8		
8	N207263	HALF CLAMP	10		
9	N207280	PIPE	2		
10	N207956	LOCK NUT	10		
11	N207997	WASHER	20		
12	N208013	CAP SCREW	10		
13	N315120	BRACKET	5		
14	03M7465	BOLT	5		
15	14M7722	LOCK NUT	5	M8	

75-101

80/90/100' BOOM

RETURN TO HEIGHT LINKAGE
TRINGLERIE DE RAPPEL DE HAUTEUR
ARTICULACAO DE RETORNO PARA ALTURA

NP16325 -UN-09JAN07



NP16325

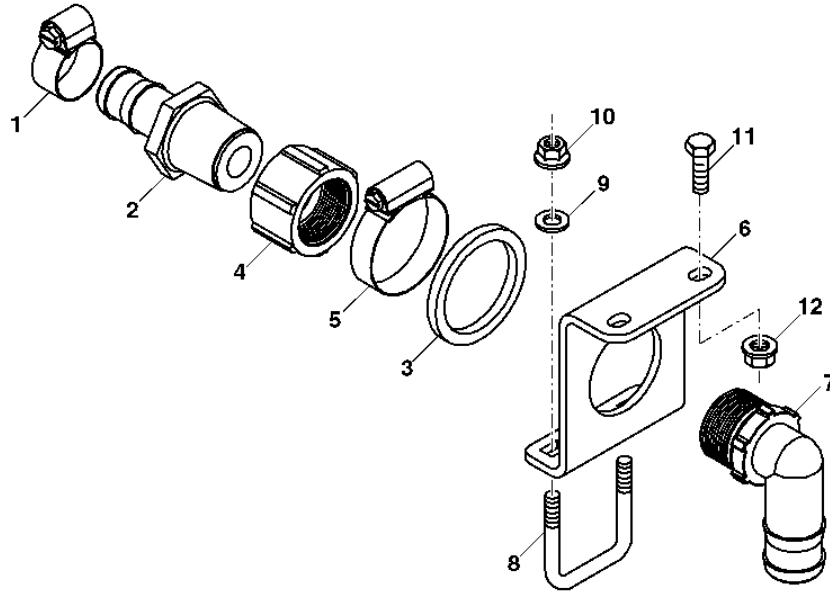
KEY	PART NO.	PART NAME	QTY.	SERIAL NO.	REMARKS
1	T10581	LOCK NUT	2		
2	AN233139	TIE ROD ASSEMBLY	1		
3	24M7054	WASHER	2		6.400 X 12 X 1.600 MM
4	AN206198	ARM	1		
5	N203905	LOCK NUT	2		
6	R100686	SUPPORT	1		
7	A4365R	O-RING	1		
8	P48347	O-RING	2		
9	N207957	LOCK NUT	2		
10	N308053	BRACKET	1		
11	N208052	SCREW	2		M10 X 40
12	21H1383	SCREW	2		0.190" X 2"
13	AN372268	SENSOR	1		
14	R72653	SNAP RING	1		
..	N307775	SOFTWARE	1		

75-111

80/90/100' BOOM

80/90' FOAM DROP
SORTIE DE MOUSSE 80/90'
DESCARGA DE ESPUMA DE 80/90'

NP21602 -UN-15OCT09



NP21602

KEY	PART NO.	PART NAME	QTY.	SERIAL NO.	REMARKS
1	AN205159	HOSE CLAMP	1		
2	PMHB150-100	FITTING	1		
3	N306260	WASHER	1		
4	N304978	COUPLING	1		
	PMCPLG150	COUPLING	1		
5	AN206114	CLAMP	1		
6	N304972	BRACKET	1		
7	PMHB-150-90	HOSE FITTING	1		
8	N317638	U-BOLT	1		
9	24H1957	WASHER	2		
10	N318358	LOCK NUT	2		
11	19M9836	SCREW	1		M8 X 20
12	14M7722	LOCK NUT	1		M8

MEMORANDA
NOTES
MEMORANDOS

80-11

SOLUTION CONTROLS

KEY	PART NO.	PART NAME	QTY.	SERIAL NO.	REMARKS
1	AN303394	SUPPORT	1		
2	N240083	HOSE GUARD	1		
3	AN205511	SUPPORT	1		LH
	AN205510	SUPPORT	1		RH
4	N206376	SUPPORT	1		
5	E63526	NUT	AR		
6	N204374	SUPPORT	2		
7	19M7786	SCREW	AR		M10 X 30
8	AN205509	SUPPORT	1		FRONT
	AN205487	SUPPORT	1		REAR
9	19M7793	SCREW	4		M16 X 40
10	24H1966	WASHER	4		17/32" X 1-5/8" X 1/4"
11	N205277	BUSHING	2		
12	14M7291	FLANGE NUT	4		M16
13	E63525	NUT	1		
14	14M7400	LOCK NUT	AR		M10
15	N305442	BRACKET	1		(A) RH
16	19M7835	SCREW	3		M10 X 35
17	19M9845	SCREW	1		M10 X 25
18	N302180	CLAMP	1		
19	19M7944	SCREW	1		M10 X 120
20	T27550	CLIP	1		
21	N310716	SPACER	1		
22	24M7178	WASHER	1		10.500 X 30 X 2.500 MM
23	03M7193	BOLT	1		M10 X 35
24	T149597	CLAMP	1		
25	H75541	CLAMP	1		
26	SCREW	1		
27	24M7606	WASHER	1		10.500 X 20 X 2 MM

(A) TREAD ADJUST DECAL HOLDER
 (A) PORTE-AUTOCOLLANT DE REGLEUR DE VOIE
 (A) PORTA-ADESIVO DO AJUSTE DE BITOLA

80-21

SOLUTION CONTROLS

KEY	PART NO.	PART NAME	QTY.	SERIAL NO.	REMARKS
1	AN209543	HOSE CLAMP	2		
2	AN304847	CLAMP	3		(SUB FOR PMFC220, THIS APPLICATION)
3	PMM220150BRB	FITTING	1		
4	PM200-G	GASKET	3		(A)
	PM200GV	GASKET	3		(B)
5	PMM220CPG90	ELBOW FITTING	1		
6	N208099	SCREW	2		
7	AN302466	VALVE	1		
8	PMM220125BRB	FITTING	1		
9	AN305055	METER	1		
10	HOSE	1		17.6", (MAKE FROM TY25756)
11	19M9848	SCREW	2		M10 X 55
12	N311600	BUSHING	2		
13	N198631	CLAMP	2		
14	N317095	HOUSING	1		
15	N309534	U-BOLT	2		
16	N208008	NUT	3		
17	N315289	BRACKET	1		(SUB FOR N313531)
18	14M7723	LOCK NUT	4		M10
19	N319299	BRACKET	1		
20	AN209544	HOSE CLAMP	6		
21	PMM200BRB	FITTING	1		
22	PM150G	GASKET	1		(A)
	PM150GV	GASKET	1		(B)
23	AN304846	CLAMP	3		(SUB FOR AA46330, THIS APPLICATION)
24	A61538	FITTING	1		
25	PMMV200CF	VALVE	1		
26	PMM200125BRB	FITTING	1		
27	PM200CPG90SH	ELBOW FITTING	1		
28	AN305054	SENSOR	1		
29	AN305056	METER	1		
30	PMM200150BRB	FITTING	1		

- (A) EPDM
- (A) EPDM
- (A) EPDM
- (B) VITON
- (B) VITON
- (B) VITON

80-31

SOLUTION CONTROLS

KEY	PART NO.	PART NAME	QTY.	SERIAL NO.	REMARKS
1	HOSE	1		40", (MAKE FROM TY27526)
2	PMM220BRB	HOSE FITTING	2		
3	AN209544	HOSE CLAMP	2		
4	PM200-G	GASKET	4		(A)
	PM200GV	GASKET	4		(B)
5	AN304847	CLAMP	4		(SUB FOR PMFC220, THIS APPLICATION)
6	PMMV220CF	HAND OPERATED VALVE	1		
7	N311231	BRACKET	1		
8	N305708	SCREW	2		
9	T53268	SCREW	4		
10	N208008	NUT	2		
11	FILTER HEAD	2		
12	PMLST204SS	STRAINER	2		4 MESH
	PMLST206SS	STRAINER	2		6 MESH
	PMLST208SS	STRAINER	2		8 MESH
	PMLST210SS	STRAINER	2		10 MESH
	PMLST216SS	STRAINER	2		16 MESH
	PMLST230SS	STRAINER	2		30 MESH
	N303557	STRAINER	2		50 MESH
	N311241	STRAINER	2		80 MESH
	PMLST2100SS	STRAINER	2		100 MESH
13	PMMLS220R1	NUT	2		
14	PMMLS220G1V	GASKET	2		
15	PMMLS220C1	BOWL	2		
16	PMLSQ200RV	O-RING	2		
17	PMLSQ200-PL	FITTING PLUG	2		
18	AN302178	STRAINER	1		OPTIONAL
19	AN209118	STRAINER	1		STANDARD

(A) EPDM
 (A) EPDM
 (A) EPDM

(B) VITON
 (B) VITON
 (B) VITON

80-41

SOLUTION CONTROLS

KEY	PART NO.	PART NAME	QTY.	SERIAL NO.	REMARKS
1	AN207001	COVER	1		
2	N305013	PIPE PLUG	1		
3	AN305857	TANK	1		
4	AN209543	HOSE CLAMP	1		
5	HOSE	1		75", (MAKE FROM TY27528)
6	PMM220150BRB	FITTING	2		
7	PM200-G	GASKET	4	(A)	
	PM200GV	GASKET	4	(B)	
8	AN304847	CLAMP	4		
9	AN206114	CLAMP	1		
10	HOSE	1		37.37", (MAKE FROM TY27526)
11	N205452	CLAMP	1		
12	19M9845	SCREW	1		M10 X 25
13	AN205159	HOSE CLAMP	4		
14	R72659	CLAMP	4		
15	19M9370	SCREW	2		M10 X 30
16	14M7648	FLANGE NUT	5		M10
17	N306785	SCREW	4		
18	N309159	SCREW	1		
19	N198631	CLAMP	1		
20	HOSE	1		2250 MM, (MAKE FROM TY24414)
21	PMM220MPT	ADAPTER FITTING	1		
22	PMTF200	FITTING	1		
23	PMM220BRB90	ELBOW FITTING	1		

- (A) EPDM
- (A) EPDM
- (A) EPDM
- (B) VITON
- (B) VITON
- (B) VITON

80-51

SOLUTION CONTROLS

KEY	PART NO.	PART NAME	QTY.	SERIAL NO.	REMARKS
1	N304905	PIN FASTENER	1		
2	11H312	COTTER PIN	4		
3	24H1950	WASHER	4		11/32" X 11/16" X 0.065"
4	N304926	COMPRESSION SPRING	1		
5	N304892	ANGLE	1		
6	N304890	PLATE	1		
7	19M7820	SCREW	2		M12 X 100
8	N317333	SPACER	1		(SUB FOR N310266, THIS APPLICATION)
9	14M7299	FLANGE NUT	10		M12
10	N304891	TUBE	1		
11	24H1254	WASHER	3		17/32" X 1-1/8" X 0.105"
12	N317334	WASHER	1		0.781" X 1-1/2" X 0.315", (SUB FOR 24H1396, THIS APPLICATION)
13	N305721	PLATE	2		
14	N311600	BUSHING	1		(SUB FOR H141836, THIS APPLICATION)
15	28H3485	BUSHING	2		0.493" X 0.675" X 2-1/4"
16	19M7837	SCREW	1		M12 X 110
17	N307385	SCREW	4		
18	28H2675	BUSHING	1		
19	N207958	LOCK NUT	2		
20	N307384	SCREW	2		
21	N189220	TIE BAND	1		
22	19M10063	SCREW	2		

80-61

SOLUTION CONTROLS

KEY	PART NO.	PART NAME	QTY.	SERIAL NO.	REMARKS
1	AN209543	HOSE CLAMP	2		
2	AN304846	CLAMP	5		(SUB FOR AA46330, THIS APPLICATION)
3	PMM200PLG075	FLANGE FITTING	1		
4	PM150G	GASKET	4		(C)
	PM150GV	GASKET	4		(D)
5	PMM200TEE	TEE FITTING	1		
6	AN206441	VENTURI	1		
7	PMM200MPT	FITTING	1		
8	PM200100BRB9	ELBOW FITTING	1		
9	N207710	HOSE FITTING	3		
10	AN205160	HOSE CLAMP	1		
11	PMM200150BRA	ELBOW FITTING	1		
12	AN205155	HOSE CLAMP	5	-8000	
	AN205155	HOSE CLAMP	6	8001-	
13	HOSE	1		(A) 128.5", (MAKE FROM TY27528)
	HOSE	1		(B) (MAKE FROM TY27528) 139.5"
14	HOSE	1		14.5", (MAKE FROM TY24411)
15	19M9820	CAP SCREW	4		M8 X 16
16	HOSE	1		38", (MAKE FROM TY24415)
17	N317279	SUPPORT	1		(SUB FOR N304469)
18	N304470	BRACKET	2		
19	PMTEE100	TEE FITTING	1		
20	N310297	NUT	4		
21	AN206587	ADAPTER FITTING	1		
22	HOSE	1		56", (MAKE FROM TY25743)
23	HOSE	1		60", (MAKE FROM TY27526)
24	AN209544	HOSE CLAMP	1		
25	N203094	HOSE FITTING	1		
26	PMV100FP	VALVE	1		
27	PMHB-200	HOSE FITTING	1		
28	PMNIP100-SH	THREADED NIPPLE	1		
29	N153027	COUPLING	1		
30	PMHB-100	HOSE FITTING	1		
31	PM200CPG90SH	ELBOW FITTING	1		
32	N318398	BUMPER	1		
33	14M7592	LOCK NUT	2		
34	19M9404	SCREW	2		

- (A) 800 GALLON TANK
- (A) RESERVOIR 800 GALLONS
- (A) TANQUE DE 800 GALOES
- (B) 1000 GALLON TANK
- (B) RESERVOIR 1000 GALLONS
- (B) TANQUE DE 1000 GALOES
- (C) EPDM
- (C) EPDM
- (C) EPDM
- (D) VITON
- (D) VITON
- (D) VITON

80-71

SOLUTION CONTROLS

KEY	PART NO.	PART NAME	QTY.	SERIAL NO.	REMARKS
1	AN205159	CLAMP	2		
2	N208606	HOSE	1		
3	AN204607	FITTING	1	(A)	
4	N208609	SCREW	6		
5	N208589	HOUSING	1		
6	N208588	GASKET	1		
7	AN204608	STRAINER	1		
8	N208590	HOUSING	1		
9	N308697	BRACKET	1		
10	N208608	LOCK NUT	11		
11	14H785	NUT	2	(B) 5/16"	
	N208021	LOCK NUT	2	(C)	
12	12H303	LOCK WASHER	2	(B) 5/16"	
13	24H1136	WASHER	2	(B) 11/32" X 11/16" X 0.065"	
	N207996	WASHER	2	(C)	
14	N208592	U-BOLT	1	(B)	
	R183M	U-BOLT	1	(C)	
15	N208593	THREADED NIPPLE	1		
16	N208595	HOUSING	1		
17	N303185	DIAPHRAGM	1		
18	N208594	HOUSING	1		
19	N208607	SCREW	1		
20	N208609	SCREW	5		
21	AN204609	HOSE FITTING	1	3/8" HOSE	
	AN209139	HOSE FITTING	1	5/16" HOSE	
22	AN204610	HOSE FITTING	1	1/4" X 1/4"	
23	AN204611	HOSE FITTING	1	1/4" X 3/8"	
24	HOSE	1	(MAKE FROM TY25742) 3/8"	
	N309274	TUBE	1	5/16"	
25	HOSE	1	(MAKE FROM TY25742)	
26	AN208494	CHECK VALVE	1		
27	HOSE	1	(MAKE FROM TY25741)	
28	AN208495	CHECK VALVE	1		
29	N308045	CHECK VALVE	2		

- (A) INCLUDES SCREENS
- (A) INCLUT LES TAMIS
- (A) INCLUI TELAS
- (B) 60' BOOM
- (B) RAMPE 60'
- (B) BARRA DE PULV. DE 60'
- (C) 80/90' BOOM
- (C) RAMPE 80/90'
- (C) BARRA DE PULV. DE 80/90'

80-81

SOLUTION CONTROLS

KEY	PART NO.	PART NAME	QTY.	SERIAL NO.	REMARKS
1	AN205630	HOSE FITTING	2		
2	TUBE	1		4", (MAKE FROM TY25742)
3	PMRN075-050	THREADED NIPPLE	1		
4	AN161286	LINK CHAIN	1		
5	N308045	CHECK VALVE	1		
6	AN207939	VALVE	1		
7	AN204605	FILTER	1		
8	PMHB075-90	FITTING	1		
9	HOSE	1		9.257", (MAKE FROM TY24414)
10	PMM200PLG075	FLANGE FITTING	1		
11	AN304846	CLAMP	1		(SUB FOR AA46330, THIS APPLICATION)
12	PM150G	GASKET	1		EPDM
	PM150GV	GASKET	1		VITON
13	AN208495	CHECK VALVE	1		
14	N313318	ANGLE	1		
15	PMV100FP	VALVE	1		
16	AA44813	BALL COCK VALVE	1		
17	TUBE	1		148", (MAKE FROM TY25742)
18	19M7786	SCREW	1		M10 X 30
19	T38377	CLAMP	1		
20	14M7396	LOCK NUT	4		M8
21	PMHB12510090	HOSE FITTING	1		
22	AN205155	HOSE CLAMP	3		
23	HOSE	1		73", (MAKE FROM TY25754)
24	19M7867	SCREW	2		
25	N308534	PLATE	1		
26	PMHB100-90	FITTING	1		
27	MT1215	GROMMET	1		
28	MT1073	GROMMET	1		
29	PMHB-100	HOSE FITTING	1		
30	19M9845	SCREW	3		M10 X 25
31	E63526	NUT	4		
32	AA46890	FITTING	1		
33	AH77714	CLIP	1		
34	AN205159	HOSE CLAMP	2		
35	PMHB075	FITTING	1		
36	HOSE	1		22.6", (MAKE FROM TY25754)
37	PMSL050-90	ELBOW FITTING	1		
38	AN205149	HOSE FITTING	1		
39	HOSE	1		113", (MAKE FROM TY25742)
40	HOUSING	1		
41	N208581	STRAINER	1		
42	N208583	GASKET	1		
43	N208582	BOWL	1		

80-91

SOLUTION CONTROLS

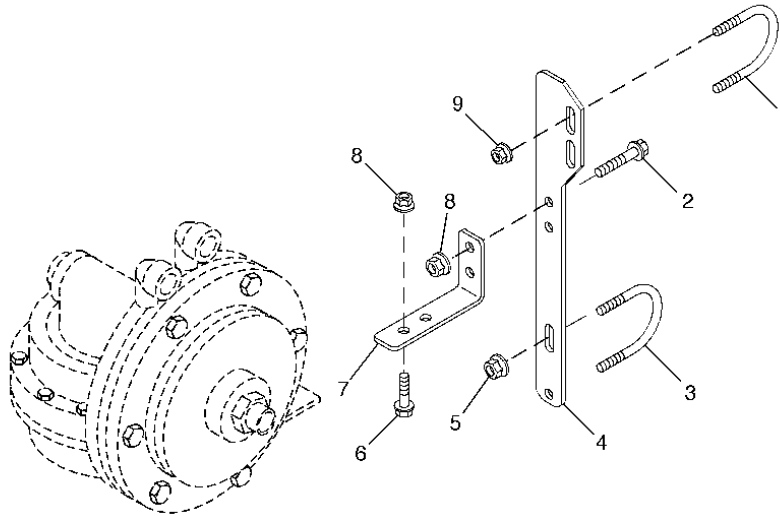
KEY	PART NO.	PART NAME	QTY.	SERIAL NO.	REMARKS
1	CONNECTOR	1		
2	CONNECTOR	1		AIR L/R
3	CONNECTOR	1		AIR ON/OFF
4	CONNECTOR	1		LIQUID L/R
5	CONNECTOR	1		FOAMER LEFT AIR POSITION
6	CONNECTOR	1		FOAMER LEFT LIQUID POSITION
7	CONNECTOR	1		FOAMER RIGHT AIR POSITION
8	CONNECTOR	1		FOAMER RIGHT LIQUID POSITION
9	CONNECTOR	1		PUMP
10	CONNECTOR	1		FOAMER LEFT
11	CONNECTOR	1		FOAMER RIGHT
12	CONNECTOR	1		POWER PUMP/AIR
13	CONNECTOR	1		DIODE PACK
14	CONNECTOR	1		FOAMER RIGHT POSITION
15	CONNECTOR	1		FOAMER LEFT POSITION
16	AN305845	WIRING HARNESS	1		

80-101

SOLUTION CONTROLS

FOAM DROP MOUNTING BRACKETS
SUPPORTS DE MONTAGE DE SORTIE DE MOUSSE
SUPORTES DE MONTAGEM DA DESCARGA DE ESPUMA

NP14798 -UN-04MAY05



NP14798

KEY	PART NO.	PART NAME	QTY.	SERIAL NO.	REMARKS
1	N307148	U-BOLT	1		
2	N208099	SCREW	2		
3	N304609	U-BOLT	1		
4	N307147	STRAP	1		
5	N207957	LOCK NUT	2		
6	N207981	SCREW	2		M8 X 35
7	N305857	ANGLE	1		
8	N207955	LOCK NUT	4		
9	N306772	LOCK NUT	2		

80-111

SOLUTION CONTROLS

KEY	PART NO.	PART NAME	QTY.	SERIAL NO.	REMARKS
1	AN304846	CLAMP	5		(SUB FOR AA46330, THIS APPLICATION)
2	AN302514	ACTUATOR	5		
3	N308997	PIN	1		
4	N208245	O-RING	11		(A)
5	N208345	CAP SCREW	24		
6	N208346	NUT	24		
7	N209952	VALVE	5		
8	N302012	O-RING	10		(A)
9	N308249	CAP	1		
10	N308253	CAP	1		
11	N308283	BRACKET	2		
12	N308996	PIN	5		
13	N305273	HOUSING	5		
14	57M7258	ELEC. CONNECTOR SEAL	20		
15	SNAP RING	10		(A)
16	N305276	RETAINER	5		
17	LOCK PLATE	5		(A)
18	N305274	STEM	5		
19	O-RING	10		(A)
20	N305275	BALL	5		
21	O-RING	5		(A)
22	N305277	RETAINER	5		
23	R104846	ELEC. CONNECTOR TERMINAL	20		
24	57M7296	ELEC. CONNECTOR ACCESSORY	2		
25	57M7261	ELEC. CONNECTOR HOUSING	2		
26	57M7840	ELEC. CONNECTOR TERMINAL	1		
27	57M7469	ELECTRICAL CONNECTOR ASSY	1		
28	PMSL038-90	ELBOW FITTING	1		
29	AN202690	TRANSDUCER	1		
30	19M9404	SCREW	4		M6 X 20
31	N310296	NUT	4		
..	AN205488	SEAL KIT	1		INCLUDES PARTS MARKED (A)

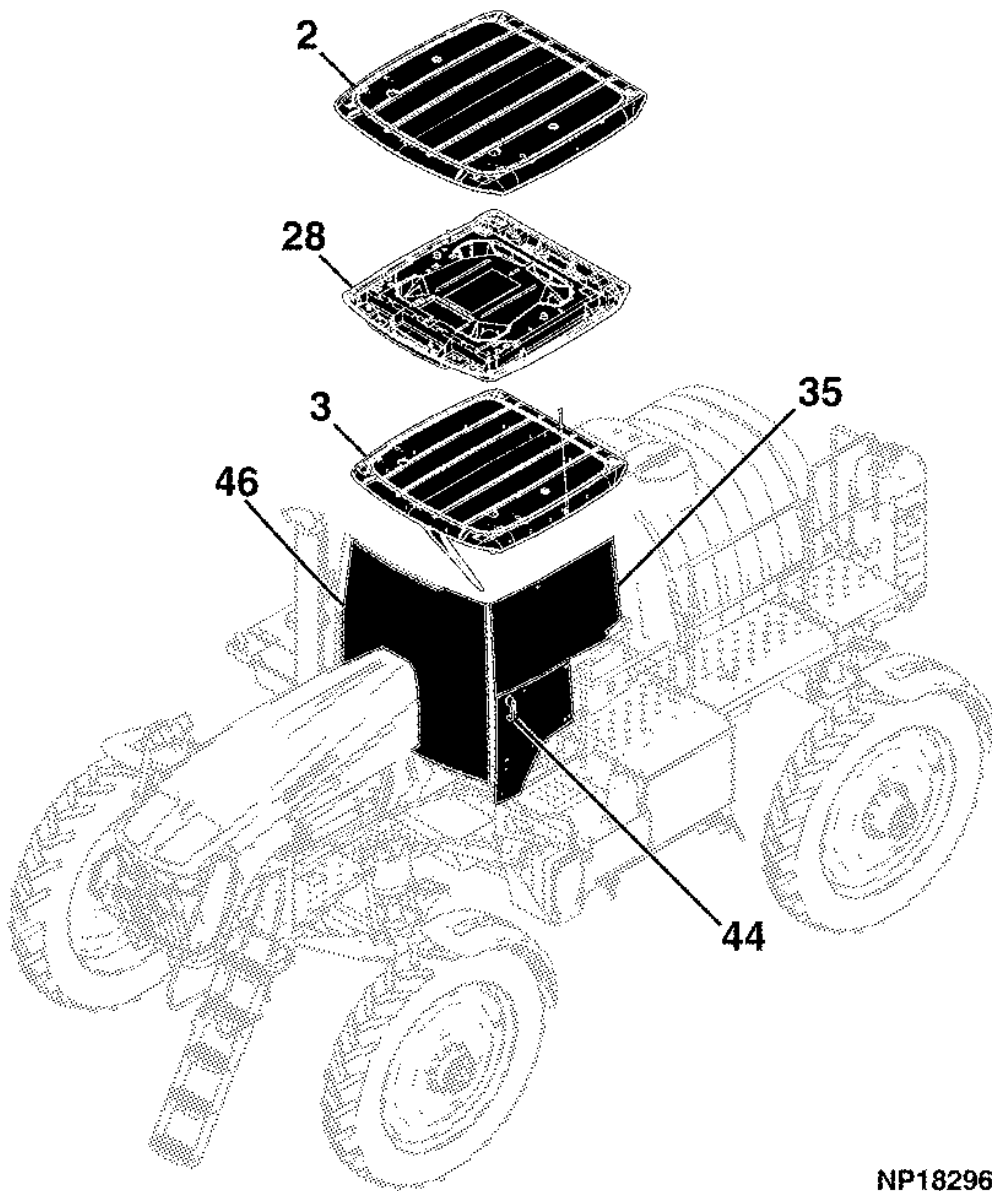
90-A05

OPERATOR'S PLATFORM AND CAB

SECTIONAL INDEX
INDEX DE SECCION
INDICE DE SECCION

NP18296 -UN-29JUL08

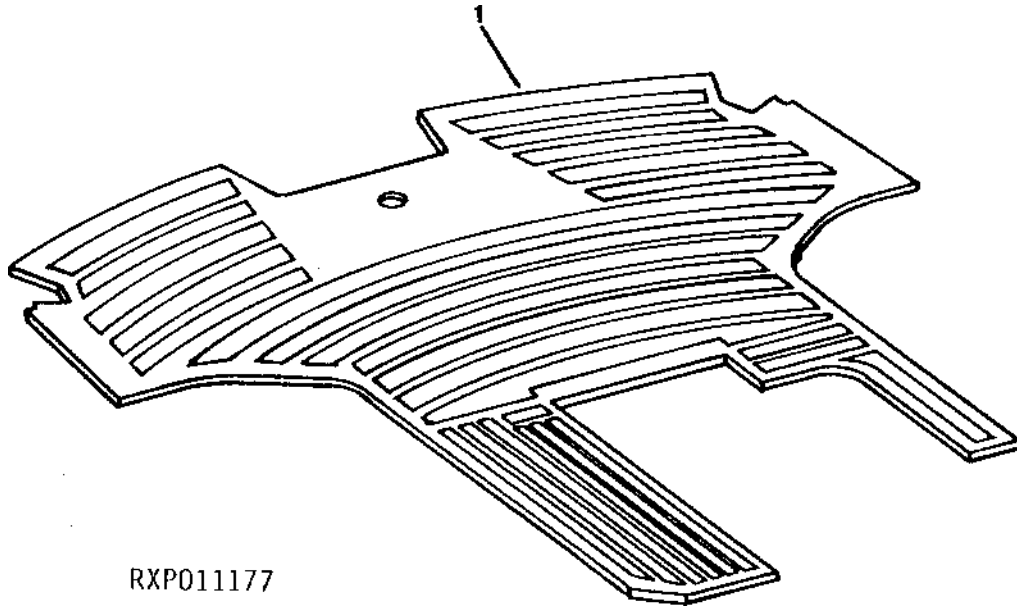
2-	2
3-	3
28-	43
35-	54
44-	70
46-	74



NP18296

FLOOR MAT
TAPIS DE PLANCHER
TAPETE DE PISO

RXP011177 -UN-01JAN94



RXP011177

KEY	PART NO.	PART NAME	QTY.	SERIAL NO.	REMARKS
1	R155817	MAT	1	-8000	
	N400993	MAT	1	8001-	

90-19

OPERATOR'S PLATFORM AND CAB

KEY	PART NO.	PART NAME	QTY.	SERIAL NO.	REMARKS
1	RE208432	LOUVER	1		
2	RE208508	AIR DUCT	1		(INCLUDES RE208432)
3	RE191541	KNOB	1		
4	RE190897	AIR DUCT	1		
5	R124495	SEAL	1		
6	R170127	AIR DUCT	1		
7	RE157244	LOUVER	1		
8	37M7143	SCREW	1		
9	37M7089	SCREW	1		M6 X 12
10	R50499	SCREW	1		
11	R124238	AIR DUCT	1		
12	M84972	NUT	2		
13	R234030	PUSH NUT	2		
14	24M7139	WASHER	2		6.400 X 18 X 1.600 MM
15	37M7089	SCREW	2		M6 X 12
16	RE179743	ACTUATOR	1		
17	37M7235	SCREW	3		

90-29

OPERATOR'S PLATFORM AND CAB

KEY	PART NO.	PART NAME	QTY.	SERIAL NO.	REMARKS
1	H203741	PLUG	2		
2	H203739	SUPPORT	2		
3	H203737	BRACKET	1		
4	Z74481	SHIELD	1		
5	AL151392	SUPPORT	1		
6	Z74494	BEARING	1		
7	Z74486	SPRING	1		
8	Z74488	DETENT	1		
9	Z74489	BEARING	1		
10	L79500	WASHER	AR		
11	H203730	BUSHING	1		
12	H203742	SPRING	1		
13	H203732	SCREW	2		
14	AL117354	ARMREST	1		
15	AL117355	SPINDLE	1		
16	AL117358	LEVER	1		
17	L151023	SHIELD	1		
18	AL151001	ARMREST KIT	1		(A)
19	14M7426	LOCK NUT	AR		M8
20	16M7114	RIVET	AR		6 MM
21	R168723	LOCK NUT	3		
22	AZ58888	CUSHION	1		
23	L64712	SCREW	1		
24	14M7426	LOCK NUT	5		M8
25	AZ58965	RAIL	1		
26	L114914	GRIP	1		
27	AH202990	SEAT BELT	1		
28	R168723	LOCK NUT	AR		
29	H203732	SCREW	AR		
30	AZ58967	SEAT	1		
31	AH203002	CUSHION	1		
32	Z74490	BUSHING	1		
33	H203783	BUSHING	1		
34	H203740	SCREW	1		
35	H203743	SCREW	1		
36	19M7761	SCREW	1		
	L62485	SCREW	1		
37	AZ58968	SEAT BACK	1		
38	Z74492	ANGLE	1		
39	H80440	LOCK NUT	1		
40	24M7095	WASHER	1		8.400 X 15 X 1.600 MM

- (A) ARMREST ADJUST
- (A) REGLAGE D'ACCOUDOIR
- (A) AJUSTE DO APOIO DE BRACO

90-39

OPERATOR'S PLATFORM AND CAB

KEY	PART NO.	PART NAME	QTY.	SERIAL NO.	REMARKS
1	RE69150	TRAY	1		
2	RE64874	COVER	1		
3	03M7251	BOLT	8		M6 X 12
4	R134152	PARTITION	1		
5	R132143	SCREW	3		
6	RE67459	TRAY	1		
7	RE69149	BASE	1		
8	14M7303	FLANGE NUT	6		M6
9	R131671	PLUG	2		
10	AR56766	HOUSING	2		
11	R131499	BALL STUD	2		
12	24M7088	WASHER	2		6.600 X 12 X 1.600 MM
13	14H786	NUT	1		1/4"
14	R131498	CYLINDER	1		
15	R133192	RIVET	8		
..	RE37640	SOCKET OUTLET	1		
..	AR116863	COMPLETE GOODS/SHIP. BUNDLE	1		(A)

(A) STORAGE TRAY

(A) PLATEAU DE RANGEMENT

(A) BANDEJA DE ARMAZENAMENTO

90-49

OPERATOR'S PLATFORM AND CAB

KEY	PART NO.	PART NAME	QTY.	SERIAL NO.	REMARKS
1	AR112621	WINDSHIELD WIPER	1		
2	RE151494	WIPER MOTOR	1		(ALSO ORDER (3) 14M7272 AND (3) 19M6614)
3	57M7255	ELEC. CONNECTOR TERMINAL	1		
	R104846	ELEC. CONNECTOR TERMINAL	3		
	57M7258	ELEC. CONNECTOR SEAL	3		
	57M7290	ELECTRICAL CONNECTOR ASSY	1		
4	RE55476	TOGGLE/ROCKER SWITCH	1		
5	R161356	SHIELD	2		
6	37M7089	SCREW	2		M6 X 12
7	RE24201	WIPER BLADE	1		
8	RE151496	WIPER ARM	1		
9	14M7273	NUT	1		M8
10	24M7055	WASHER	1		8.400 X 16 X 1.600 MM
11	12M7006	LOCK WASHER	1		6 MM
12	14M7272	NUT	1		M6
13	19M7923	CAP SCREW	3		M6 X 12
14	H123995	SCREW	3		
15	57M7244	ELEC. CONNECTOR TERMINAL	1		
	R104919	ELEC. CONNECTOR TERMINAL	4		
	57M7258	ELEC. CONNECTOR SEAL	4		
	57M7318	ELEC. CONNECTOR ACCESSORY	1		

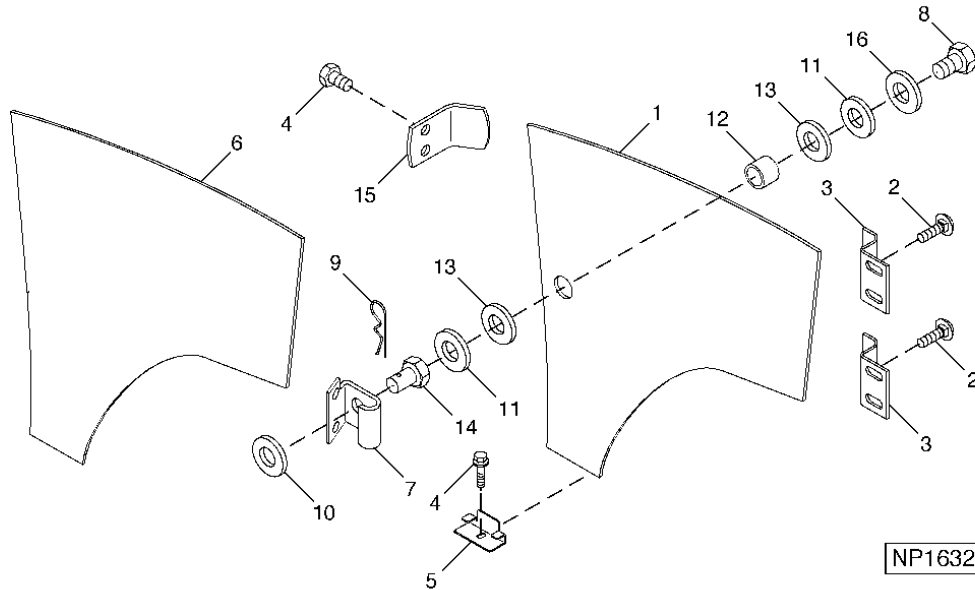
90-59

OPERATOR'S PLATFORM AND CAB

MEMORANDA
NOTES
MEMORANDOS

**RIGHT-HAND WINDOW
GLACE DE DROITE
JANELA DIREITA**

NP16329 -UN-29JAN07



KEY	PART NO.	PART NAME	QTY.	CAB SERIAL NO.	REMARKS
1	R187562	WINDOW	1		
2	19M8813	SCREW	4		M8 X 30
3	R208468	CLAMP	2		
4	37M7160	SCREW	2		M6 X 16
5	R240058	CLAMP	1		
6	RE249465	SEAL	1		
7	R236488	PLATE	1		
8	21M7392	SCREW	1		M8 X 30
9	R121787	SPRING LOCKING PIN	1		
10	24H1375	WASHER	AR		
11	L58890	WASHER	3		
12	H25220	BUSHING	1		
13	R108077	SEALING WASHER	2		
14	R124733	PIN	1		
15	R241927	ANGLE	1		
16	24M7265	WASHER	1		9 X 16 X 1.600 MM

90-79

OPERATOR'S PLATFORM AND CAB

KEY	PART NO.	PART NAME	QTY.	SERIAL NO.	REMARKS
1	R248210	COVER	1		
2	N204681	LABEL	1		
3	R120160	CLIP	4		
4	AN203042	COVER	1		
5	R115350	GROMMET	1		
6	R110408	KNOB	2		
7	37M7089	SCREW	2		M6 X 12
8	R127858	ACOUSTICAL UPHOLSTERY	1		RH REAR
9	R127857	ACOUSTICAL UPHOLSTERY	1		LH REAR
10	R124330	COVER	1		LH FRONT
11	L57250	HANDLE	1		
12	19M8666	SCREW	2		M6 X 16
13	N204628	LABEL	1		(A)
	N208400	LABEL	1		(B)
	N206089	LABEL	1		(C)
	N308919	LABEL	1		(D)
	N308917	LABEL	1		(E)
	N208884	LABEL	1		(F)
	N308918	LABEL	1		(G)
	N310194	LABEL	1		(H)
	N315676	LABEL	1		(I)
	N315688	LABEL	1		(J)
	N315689	LABEL	1		(K)
14	N308883	COVER	1		

(A) ENGLISH
(A) ANGLAIS
(A) INGLES

(B) FRENCH
(B) FRANCAIS
(B) FRANCES

(C) SPANISH
(C) ESPAGNOL
(C) ESPANHOL

(D) HUNGARIAN
(D) HONGROIS
(D) HUNGARO

(E) RUSSIAN
(E) RUSSE
(E) RUSSO

(F) PORTUGUESE
(F) PORTUGAIS
(F) PORTUGUES

(G) CHINESE
(G) CHINOIS
(G) CHINES

(H) TURKISH
(H) TURC
(H) TURCO

(I) CZECH
(I) TCHEQUE
(I) TCHECO

(J) SLOVAKIAN
(J) SLOVAQUE
(J) ESLOVACO

(K) ROMANIAN
(K) ROUMAIN
(K) ROMENO

93-3

AUTOTRAC

KEY	PART NO.	PART NAME	QTY.	SERIAL NO.	REMARKS
1	N304197	FITTING PLUG	1		
2	O-RING	2		
3	SPOOL	1		
4	HOUSING	1		
5	N308976	COMPRESSION SPRING	1		
6	N304198	FITTING PLUG	1		
7	IDENTIFICATION PLATE	1		
8	SCREW	1		
9	PLUG	1		
10	AN205911	VALVE	1	(A)	
	AN206336	SEAL KIT	1		
11	38H1171	ADAPTER FITTING	1		
12	T77613	O-RING	1		
13	R26375	O-RING	1		
14	38H1015	TEE FITTING	1		
15	T77814	O-RING	2		
16	R28782	O-RING	1		
17	38H1163	ADAPTER FITTING	1		
18	U12547	O-RING	2		
19	T77858	O-RING	3		
20	38H1215	ADAPTER FITTING	1		

(A) AUTOTRAC
(A) AUTOTRAC
(A) AUTOTRAC

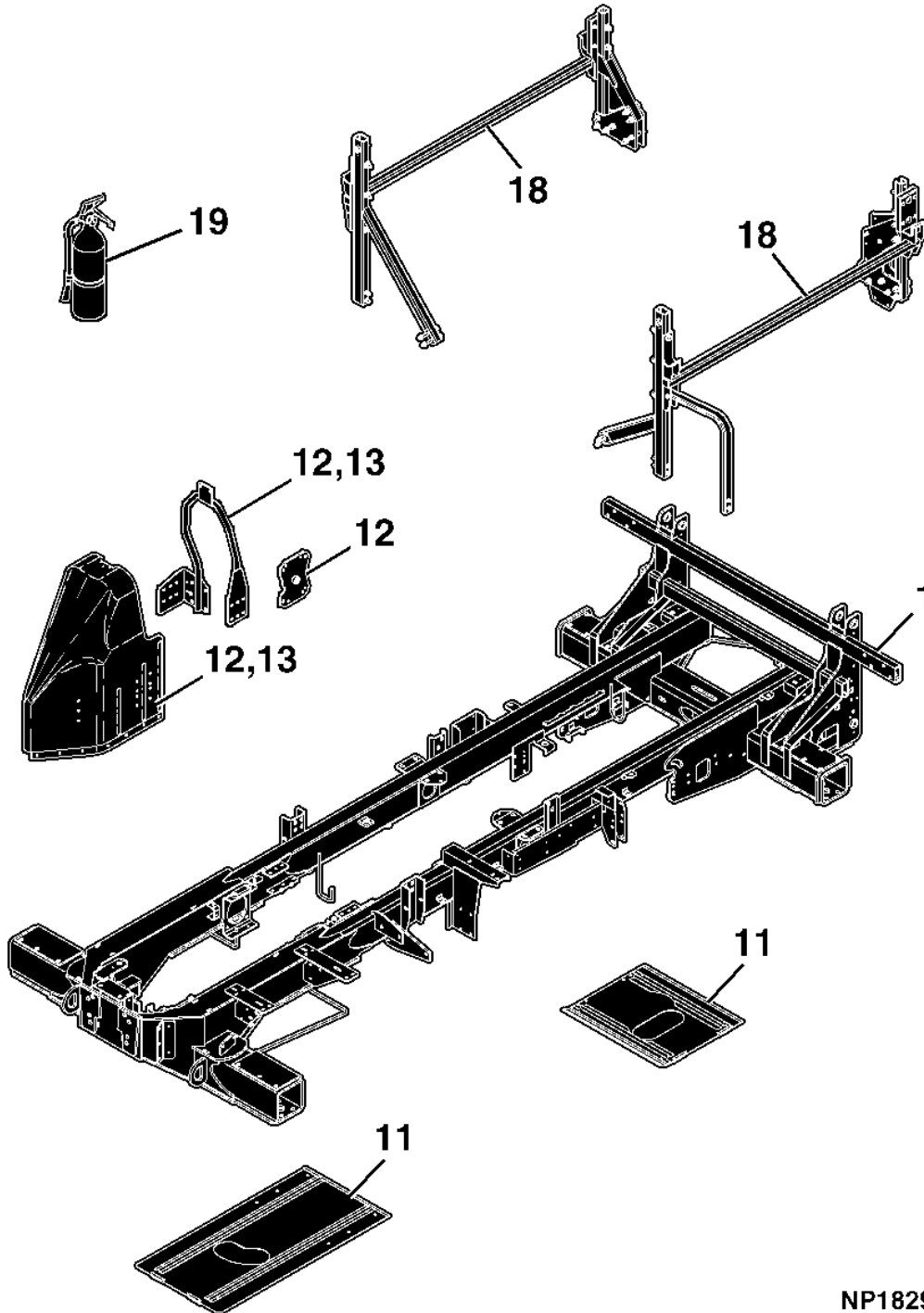
100-A03

MAIN FRAME AND CHASSIS

SECTIONAL INDEX
INDEX DE SECTION
INDICE DE SECCION

NP18291 -UN-29JUL08

1-	2
1-	4
11-	34
11-	36
12-	38
13-	40
18-	48
19-	75



NP18291

100-9

MAIN FRAME AND CHASSIS

KEY	PART NO.	PART NAME	QTY.	SERIAL NO.	REMARKS
1	AN304770	LADDER	1		
2	AN304771	TRAY	1		
3	AN305249	HANDRAIL	1		
4	AT195952	QUICK LOCK PIN	1		
5	N310298	NUT	6		
6	N316453	CHANNEL	1		SOLUTION MAINFOLD VALVE
7	N317340	BRACKET	1		FUEL NOZZLE HANGER
8	N317543	HANDLE	1		SOLUTION VALVE
9	T188783	SLEEVE	1		
10	14M7649	FLANGE NUT	2		
11	19M9845	SCREW	8		
12	19M9977	SCREW	2		
13	19M9986	SCREW	2		
14	24M7096	WASHER	1		

100-19

MAIN FRAME AND CHASSIS

KEY	PART NO.	PART NAME	QTY.	SERIAL NO.	REMARKS
1	03M7183	BOLT	3		M8 X 16
2	03M7191	BOLT	24		M10 X 25
3	14M7298	FLANGE NUT	3		M8
4	14M7400	LOCK NUT	17		M10
5	N314733	PLATFORM	1		(SUB FOR N313780)
6	19M7784	SCREW	4		M10 X 20
7	19M7785	SCREW	24		M10 X 25
8	19M7786	SCREW	4		M10 X 30
9	19M7790	SCREW	17		M12 X 35
10	19M7867	SCREW	2		M8 X 25
11	N313294	PLATFORM	1		
12	N313483	ANGLE	1		
13	37M7092	SCREW	5		M8 X 16
14	N313477	CHANNEL	1		
15	AN305616	SUPPORT	1		
16	AN303186	PLATFORM	1		
17	AN303187	PLATFORM	1		
18	AN303252	BRACKET	1		
19	N317559	PLATFORM	1		
20	AN305381	SUPPORT	1		
21	AN305615	PLATFORM	1		
22	E63526	NUT	32		M10
23	E63527	NUT	17		M12
24	H143834	NUT	1		
25	37M7087	SCREW	10		M10 X 25
26	N316926	SUPPORT	1		(SUB FOR N311843 AND N311889)
27	N311844	SUPPORT	1		
28	N316933	SUPPORT	1		
29	N311848	PLATFORM	1		
30	N311890	BRACKET	1		
31	N317612	COVER	1		
32	N311892	COVER	1		
33	N312538	ANGLE	1		
34	N312544	ANGLE	1		
35	N313154	PLATE	2		
36	N318037	PANEL	1		
37	N313158	PANEL	1		
38	N313159	PANEL	1		
39	N313161	BRACKET	1		
40	03M7192	BOLT	6		M10 X 30
41	AN305621	SUPPORT	1		
42	N317610	COVER	1		

100-29

MAIN FRAME AND CHASSIS

KEY	PART NO.	PART NAME	QTY.	SERIAL NO.	REMARKS
1	RE218282	REINFORCEMENT	1		
2	19M7865	SCREW	4		M8 X 16
3	R181974	PIN	1		
4	R201080	WASHER	6		
5	RE212735	HINGE	1		
6	R208851	BOLT	4		
7	24M7047	WASHER	4		13 X 24 X 2.500 MM
8	14M7327	LOCK NUT	2		M8
9	RE206295	LINKAGE	1		
10	L110067	DOWEL PIN	2		

100-39

MAIN FRAME AND CHASSIS

KEY	PART NO.	PART NAME	QTY.	SERIAL NO.	REMARKS
1	N209709	SHIELD	1		
2	N209743	BELTING	1		
3	N209744	BELTING	2		
4	AN303361	BAIL	1		(SUB FOR AN205101)
5	AN205697	BAIL	1		LH
	AN205698	BAIL	1		RH
6	N209722	ANGLE	1		
7	AN304409	PLATE	1		(SUB FOR AN207099)
8	C12865	PRESSED FLANGED HOUSING	2		
9	JD8562	BALL BEARING	1		
10	03M7185	BOLT	3		M8 X 25
11	14M7396	LOCK NUT	5		M8
12	19M7786	SCREW	5		M10 X 30
13	19H3359	CAP SCREW	1		7/8" X 2"
14	19M7835	SCREW	12		M10 X 35
15	14M7400	LOCK NUT	21		M10
16	19M7863	SCREW	12		M6 X 25
17	14M7397	LOCK NUT	6		M6
18	19M7796	SCREW	4		M6 X 30
19	19M7827	SCREW	4		M16 X 80
20	14M7291	FLANGE NUT	5		M16
21	24M7100	WASHER	16		6.600 X 22 X 2 MM
22	03M7186	BOLT	2		M8 X 30
23	14M7298	FLANGE NUT	2		M8
24	03M7193	BOLT	4		M10 X 35
25	19M7804	SCREW	4		(A) M10 X 40
	19M8737	SCREW	4		(B) M12 X 140
26	24H1425	WASHER	1		29/32" X 1-1/2" X 0.134"
27	12H245	LOCK WASHER	1		7/8"
28	N305446	SPACER	4		(A)
	28H3381	SPACER	4		(B) 0.493" X 0.675" X 5/8"
29	N317564	COVER	2	8001-	

- (A) USE WITH 12 HOLE HUB COVER
 (A) A UTILISER AVEC COUVERCLE DE MOYEU 12 TROUS
 (A) USE COM TAMPA DE CUBO DE 12 FUROS
 (B) USE WITH 16 HOLE HUB COVER
 (B) A UTILISER AVEC COUVERCLE DE MOYEU 16 TROUS
 (B) USE COM TAMPA DE CUBO DE 16 FUROS

100-49

MAIN FRAME AND CHASSIS

KEY	PART NO.	PART NAME	QTY.	SERIAL NO.	REMARKS
1	19M7846	SCREW	6		M16 X 120
2	AN303169	SUPPORT	1		RH
3	N207957	LOCK NUT	8	-8000	
4	N313119	PAD	2	-8000	
5	N208052	SCREW	8	-8000	
6	AN303182	BRACKET	1		RH REAR
7	N313220	PLATE	2		
8	19M7828	SCREW	16		M16 X 100
9	24H1368	WASHER	16		21/32" X 1-5/16" X 0.090"
10	14M7328	LOCK NUT	28		M16
11	19M7837	SCREW	4		M12 X 110
12	AN303183	BRACKET	1		RH FRONT
13	19M7811	SCREW	3		M10 X 90
14	N313223	PLATE	1		
15	AN303181	BRACKET	1		LH REAR
16	N313224	PLATE	1		
17	19M7845	SCREW	12		M16 X 90
18	19M8292	SCREW	2		M10 X 50
19	N313093	STRUCTURAL TUBING	1		
20	AN303168	SUPPORT	1		LH
21	14M7296	FLANGE NUT	3		M10
22	14M7401	LOCK NUT	8		M12
23	14M7400	LOCK NUT	1		M10
24	AN303184	BRACKET	1		LH FRONT
25	19M7838	SCREW	4		M12 X 130
26	AN303210	SUPPORT	1		

100-59

MAIN FRAME AND CHASSIS

KEY	PART NO.	PART NAME	QTY.	SERIAL NO.	REMARKS
1	N205628	SEAL	2	(A)	
2	N205629	SEAL	2	(B)	
3	N205630	BUSHING	3		
4	JD7813	LUBRICATION FITTING	1		
5	N205639	RETAINER	1	(C)	
6	N205682	O-RING	1		
7	N205638	SNAP RING	1		
8	N206080	DOWEL PIN	1		

(A) WIPER SEAL
(A) SEGMENT RACLEUR
(A) VEDACAO DO LIMPADOR
(B) INTERNAL SEAL
(B) JOINT INTERNE
(B) VEDACAO INTERNA
(C) COLLAR
(C) COLLIER
(C) COLAR

100-69

MAIN FRAME AND CHASSIS

KEY	PART NO.	PART NAME	QTY.	SERIAL NO.	REMARKS
1	N307016	SHEET	1		(A) RH (ILLUSTRATED)
	N307017	SHEET	1		(A) LH
2	N317903	SCREW	6		(SUB FOR N206366)
3	N302160	PLATE	2		(B)
	N205631	PLATE	2		(C)
4	14M7677	NUT	6		M20
5	AN205471	HYDRAULIC CYLINDER	1	-2281	(D) (ONLY USE WITH AN205472 REAR CYLINDER)
	AN303345	HYDRAULIC CYLINDER	1	2282-	(D) (ONLY USE WITH AN303346 REAR CYLINDER)
6	N186178	PIN FASTENER	2		
7	AA21292	QUICK LOCK PIN	4		
8	N209188	SUPPORT	2		(B)
	N305164	SUPPORT	2		(C)
9	N302428	ADJUSTING STRAP	1		(B)
10	AN207167	AXLE KNEE	1		INCLUDES (2) N205630 BUSHING
11	14M7426	LOCK NUT	1		M8
12	19M9370	SCREW	2		M10 X 30
13	14M7593	LOCK NUT	2		M10
14	N310330	LOCK NUT	1		RH
15	24H1955	WASHER	1		13/32" X 13/16" X 0.065"
16	N205220	STEERING ARM	1		RH (ILLUSTRATED)
	N304043	STEERING ARM	1		LH
17	19M7831	SCREW	1		M20 X 80
	19M7795	SCREW	3		M20 X 55
18	JD5801	PRESSURE RELIEF FITTING	1		
19	JD7844	LUBRICATION FITTING	1		
20	ET17123	LUBRICATION FITTING	1		
21	34H188	SPRING PIN	4		5/16" X 1-3/4"
22	AT157226	REAR VIEW MIRROR	1		
23	AN205457	SUPPORT	1		RH
	AN203589	SUPPORT	1		LH
24	N319647	BRACKET	1		
25	R198608	PLUG	2		(SUB FOR 21M7466, THIS APPLICATION)
26	N205534	ANGLE	1		RH
	N205535	ANGLE	1		LH
27	19M7867	SCREW	1		M8 X 25
28	N305163	PAD	2		

- (A) WHEEL SPACING
- (A) ECARTEMENT DES ROUES
- (A) ESPACAMENTO DAS RODAS
- (B) MANUAL TREAD SETTING ONLY
- (B) REGLAGE DE VOIE MANUEL UNIQUEMENT
- (B) APENAS AJUSTE DE BITOLA MANUAL
- (C) HYDRAULIC TREAD ADJUST ONLY
- (C) REGLEUR DE VOIE HYDRAULIQUE UNIQUEMENT
- (C) APENAS AJUSTE DE BITOLA HIDRAULICO
- (D) TREAD ADJUSTING (BLACK)
- (D) REGLAGE DE VOIE (NOIR)
- (D) AJUSTE DE BITOLA (PRETO)

103-1

HIGH CLEARANCE RETROFIT

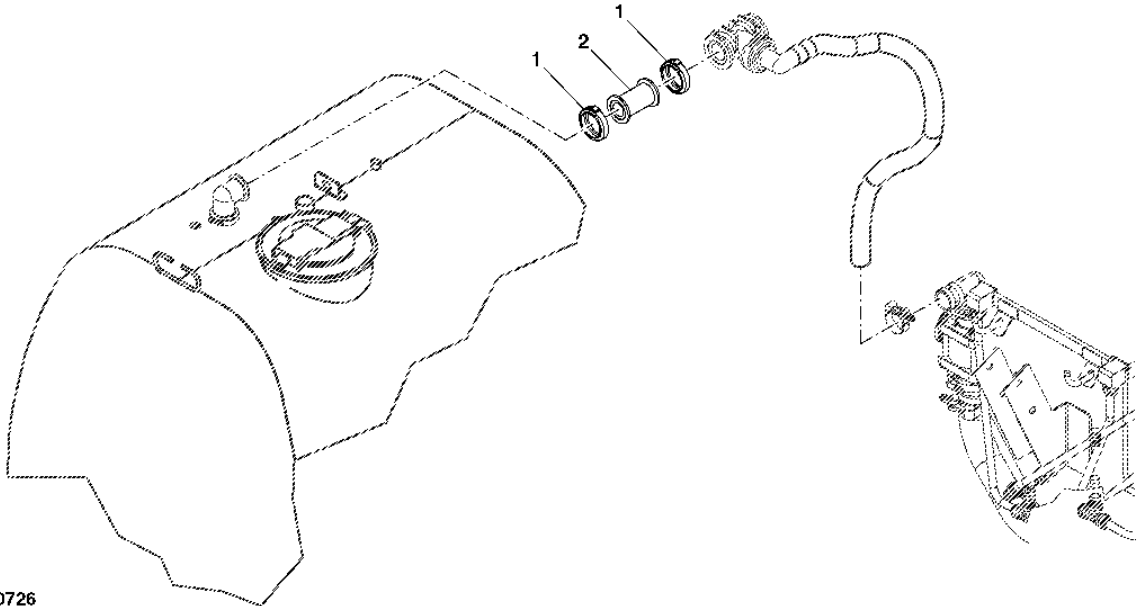
MEMORANDA

103-11

HIGH CLEARANCE RETROFIT

UPPER EDUCTOR HOSE EXTENSION

NP20726 -UN-02JUN09



NP20726

KEY	PART NO.	PART NAME	QTY.	SERIAL NO.	REMARKS
1	AA46330	CLAMP	2		
2	A63958	EXTENSION	1		

103-21

HIGH CLEARANCE RETROFIT

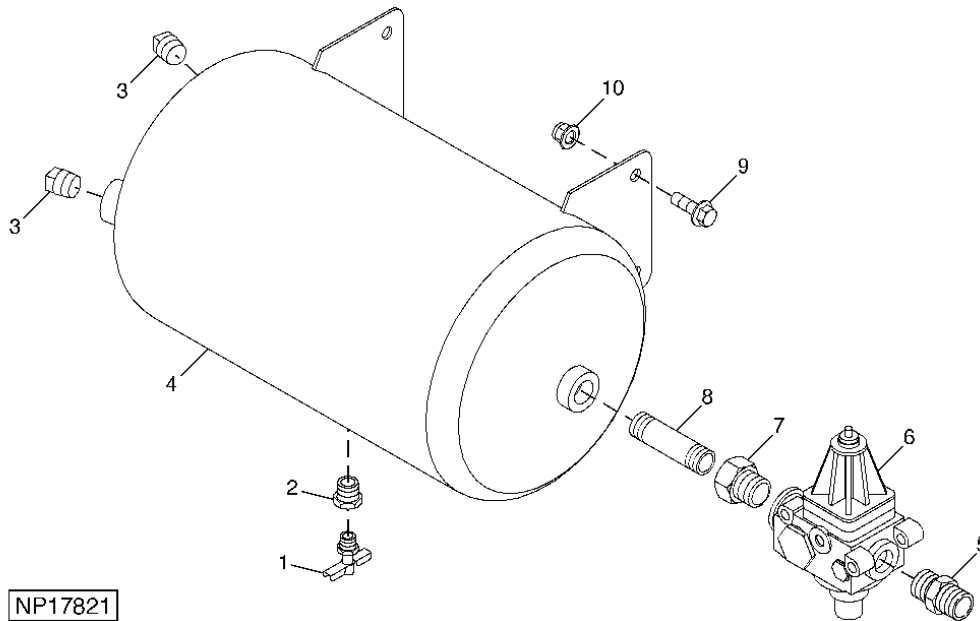
KEY	PART NO.	PART NAME	QTY.	SERIAL NO.	REMARKS
1	AT322617	HYDRAULIC HOSE - FABRICATE	1		
2	AN305513	HOSE	2		
3	AN305518	HOSE	1		
4	AN305516	HOSE	1		
5	AN205159	HOSE CLAMP	3		
6	X38282-12-12	HOSE FITTING	1		
7	HOSE	1		12", (MAKE FROM TY22563)
8	SLEEVE	1		36", (MAKE FROM N305985)

105-1

COMPRESSED AIR

ON BOARD AIR RESERVOIR AND REGULATOR (AIR TANK AND DRYER)
RESERVOIR ET REGULATEUR D'AIR EMBARQUE (RESERVOIR D'AIR ET FLACON SECHEUR)
RESERVATORIO E REGULADOR DE AR INTEGRADOS (TANQUE DE AR E SECADOR)

NP17821 -UN-09APR08



NP17821

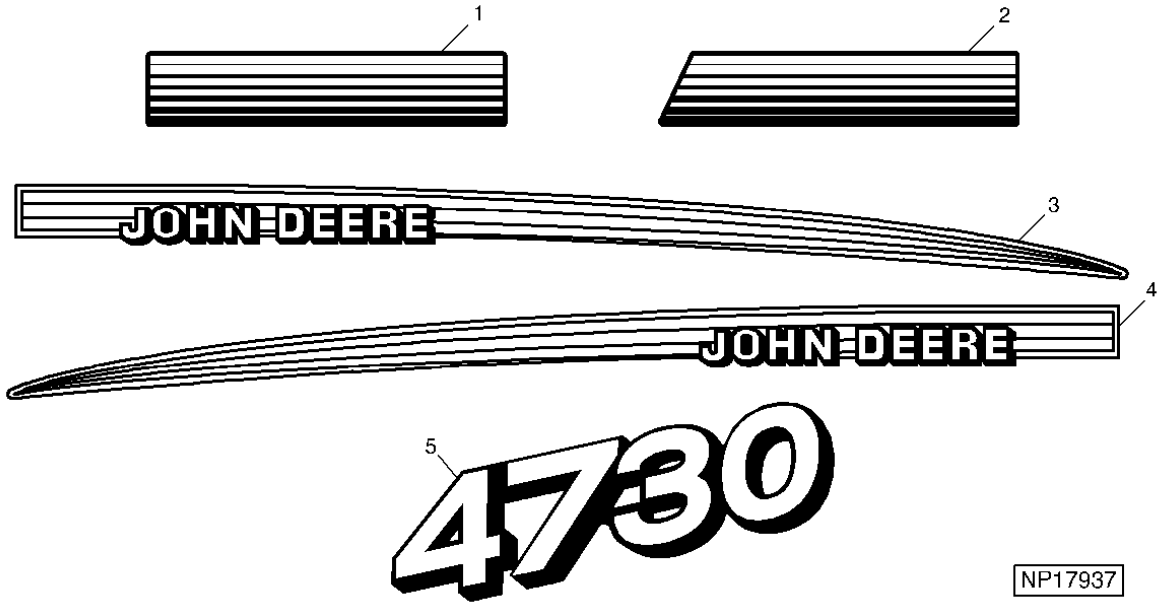
KEY	PART NO.	PART NAME	QTY.	SERIAL NO.	REMARKS
1	AT13740	DRAIN VALVE	1		
2	15H715	PIPE BUSHING	1	1/4"	
3	15H584	PIPE PLUG	2	1/2"	
4	AN205085	RESERVOIR	1		
5	AN206502	ADAPTER FITTING	1		
6	AN206501	REGULATOR	1		ALSO ORDER R107767 PLUG AND 51M7040 GASKET
7	AN206503	FITTING	1		
8	29H593	THREADED NIPPLE	1	1/2"	
9	19M9370	SCREW	4	M10 X 30	
10	14M7593	LOCK NUT	4	M10	

110-1

DECALS

DECALS - STYLING
 AUTOCOLLANTS - ENJOLIVEMENT EXTERIEUR
 ADESIVOS - ESTILIZACAO

NP17937 -UN-19MAY08



NP17937

KEY	PART NO.	PART NAME	QTY.	SERIAL NO.	REMARKS
1	N304351	LABEL	1		CAB (LH) REAR
2	N304352	LABEL	1		CAB (LH) FRONT
3	R232196	LABEL	1		R.H.
4	R232197	LABEL	1		L.H.
5	N311885	LABEL	1		LH (ILLUSTRATED)
	N311886	LABEL	1		RH

110-11

DECALS

KEY	PART NO.	PART NAME	QTY.	SERIAL NO.	REMARKS
1	N319230	LABEL	1		(SUB FOR N310850)
2	N304141	LABEL	1		(A)
	N304142	LABEL	1		(B)
3	N313553	LABEL	2		
4	N313554	LABEL	2		
5	N204598	LABEL	1		
6	N191690	LABEL	1		

- (A) PLASTIC
- (I) PLASTIQUE
- (I) PLASTICO
- (B) STAINLESS STEEL
- (J) ACIER INOXYDABLE
- (J) ACO INOXIDAVEL

110-21

DECALS

KEY	PART NO.	PART NAME	QTY.	SERIAL NO.	REMARKS
1	N302432	LABEL	1		
2	N302111	SAFETY SIGN	1		
3	R126009	LABEL	1		
4	N304803	LABEL	1		
5	N306638	LABEL	1		(SUB FOR N302244)

110-31

DECALS

KEY	PART NO.	PART NAME	QTY.	SERIAL NO.	REMARKS
1	L113583	LABEL	1		ACCUMULATORS
2	N317027	LABEL	1		(SUB FOR N313595) TACH OPENING
3	N313600	LABEL	1		CLEAN WATER RINSE TANK
4	N313958	LABEL	1		SOLUTION FLOW
5	N313965	LABEL	1		WASH COMPONENTS
6	N313593	LABEL	1		AG CHEMICALS
7	N313597	LABEL	1		TANK VENT VALVE
8	N317498	LABEL	1		CAUTION CRUSHING

120-1

4730 SELF-PROPELLED SPRAYER

NUMERICAL INDEX

PART NO.	KEY	PAGE	PART NO.	KEY	PAGE	PART NO.	KEY	PAGE
AA21292	5	100-31	AH203005	17	90-27	AL117477	4	90-31
AA21292	7	100-67	AH203007	1	90-33	AL150169	3	90-8
AA21292	7	100-69	AH209117	7	70-5	AL151001	18	90-29
AA33322	31	40-89	AH209121	4	70-5	AL151392	5	90-29
AA37475	6	75-15	AH227716	12	70-27	AL151392	10	90-37
AA44813	18	80-39	AH227716	1	103-15	AL155227	9	60-17
AA44813	16	80-43	AH229801	..	70-29	AL156124	18	90-35
AA44813	16	80-81	AH229802	..	70-29	AL156125	1	90-25
AA46330	5	80-4	AH229909	..	75-3	AL157644	2	90-63
AA46330	5	80-17	AH61472	7	50-5	AL163210	28	90-53
AA46330	23	80-19	AH75162	1	50-5	AL163211	28	90-53
AA46330	23	80-21	AH76882	20	30-9	AL166455	26	90-31
AA46330	1	80-23	AH76882	10	80-69	AL2976T	12	40-89
AA46330	1	80-25	AH76883	6	40-15	AL35642	4	90-50
AA46330	6	80-33	AH76883	30	40-57	AL36529	19	40-25
AA46330	11	80-39	AH77714	20	50-31	AL70602	3	90-33
AA46330	3	80-53	AH77714	20	50-33	AL70620	27	90-31
AA46330	21	80-55	AH77714	12	75-23	AL71322	17	90-55
AA46330	3	80-59	AH77714	6	75-28	AL76568	12	40-25
AA46330	2	80-61	AH77714	18	80-13	AL77711	2	90-50
AA46330	11	80-81	AH77714	18	80-17	AL77794	25	90-53
AA46330	24	80-87	AH77714	33	80-81	AL78021	21	100-23
AA46330	15	80-95	AH77884	19	90-77	AL78021	15	100-25
AA46330	1	80-111	AH78125	13	60-9	AL79013	3	90-50
AA46330	1	103-11	AH78125	23	70-25	AM118013	2	40-30
AA46890	28	80-29	AH78125	23	70-27	AN122518	18	50-39
AA46890	16	80-39	AH78237	25	30-3	AN130399	3	80-85
AA46890	14	80-43	AH79175	14	90-7	AN153662	2	40-25
AA46890	32	80-81	AH80328	24	70-17	AN153663	13	70-21
AA58907	1	40-28	AH80916	9	40-22	AN153760	4	40-25
AA58907	1	40-40	AH80916	30	40-59	AN153760	3	90-63
AA68696	17	75-17	AH80916	35	40-59	AN161286	29	80-29
AD2062R	1	40-31	AH80916	30	40-63	AN161286	17	80-39
AD2062R	6	40-41	AH80916	35	40-63	AN161286	15	80-43
AE37687	17	70-15	AH80916	30	40-67	AN161286	4	80-81
AE38359	7	70-15	AH80916	35	40-67	AN192376	15	70-21
AE44389	58	40-87	AH80916	5	93-5	AN194518	1	70-11
AE44392	58	40-87	AH87142	31	20-57	AN202067	7	70-13
AE44932	57	40-87	AH97280	13	60-9	AN202067	4	75-1
AE51068	7	75-15	AL112819	1	60-6	AN202067	10	75-15
AHC10443	6B	75-7	AL112819	3	93-7	AN202067	10	75-17
AHC10460	6B	75-7	AL113086	3	30-3	AN202212	11	50-19
AH123403	19	50-19	AL113174	9	90-71	AN202221	24	90-67
AH132774	24	75-17	AL114134	4	90-37	AN202546	17	100-27
AH159448	2	30-3	AL114275	11	90-50	AN202546	27	100-33
AH160278	3	40-46	AL114614	2	40-13	AN202547	2	100-27
AH162431	..	75-6	AL116423	14	90-5	AN202547	4	100-33
AH164497	1	40-31	AL117352	1	90-27	AN202563	6	90-17
AH164497	6	40-41	AL117354	14	90-29	AN202622	2	40-25
AH167560	14	75-6	AL117354	5	90-37	AN202623	20	90-73
AH167560	4	75-25	AL117355	15	90-29	AN202624	19	90-73
AH167560	1	75-29	AL117355	3	90-37	AN202656	20	80-7
AH168431	12	70-25	AL117358	16	90-29	AN202690	29	80-111
AH168431	..	70-28	AL117358	14	90-37	AN202797	7	40-25
AH169876	12	70-25	AL117362	7	90-37	AN202797	7	90-63
AH169876	9	70-28	AL117443	14	90-27	AN202878	11	40-25
AH170895	7	30-13	AL117444	11	90-27	AN202916	34	70-15
AH170895	7	30-15	AL117445	12	90-27	AN202976	10	75-27
AH170895	15	30-33	AL117446	6	90-27	AN203010	6	50-21
AH202980	9	90-31	AL117447	9	90-27	AN203010	6	70-9
AH202982	10	90-31	AL117448	24	90-27	AN203042	4	90-79
AH202983	32	90-31	AL117452	14	90-33	AN203156	14	70-11
AH202987	1	90-31	AL117456	3	90-25	AN203173	32	40-61
AH202988	16	90-31	AL117457	8	90-33	AN203173	32	40-65
AH202990	27	90-29	AL117460	4	90-25	AN203173	32	40-69
AH203002	31	90-29	AL117475	6	90-33	AN203221	12	70-11
AH203004	5	90-27	AL117476	7	90-33	AN203222	13	70-11

120-11

4730 SELF-PROPELLED SPRAYER

NUMERICAL INDEX - CONTINUED

PART NO.	KEY	PAGE	PART NO.	KEY	PAGE	PART NO.	KEY	PAGE
N191985	12	70-17	N204606	..	80-108	N205682	42	100-27
N191985	16	70-23	N204628	13	90-79	N205682	43	100-33
N194838	16	80-53	N204636	2	110-3	N205682	6	100-59
N194838	3	80-55	N204648	2	110-35	N205682	5	100-61
N198300	19	70-11	N204662	1	110-35	N205703	..	80-114
N198631	10	75-45	N204681	2	90-79	N205757	24	100-27
N198631	23	80-7	N204681	3	110-35	N205902	20	70-19
N198631	10	80-9	N204784	3	80-47	N206004	5	110-5
N198631	13	80-21	N204896	14	75-25	N206020	12	100-35
N198631	19	80-41	N205134	1	80-37	N206020	12	100-37
N199733	19	105-5	N205190	5	80-23	N206031	13A	100-35
N199733	19	105-7	N205202	1	70-9	N206031	13	100-37
N202143	12	80-104	N205202	12	70-9	N206050	6	75-27
N202731	9	75-51	N205212	3	50-5	N206059	14	100-35
N202734	8	80-7	N205212	5	70-17	N206059	14	100-37
N202734	6	80-9	N205220	16	100-67	N206072	33	100-33
N202894	27	40-25	N205220	16	100-69	N206073	2	110-5
N202992	10	75-51	N205239	10	100-25	N206080	8	100-59
N202992	6	75-53	N205277	11	80-11	N206080	2	100-61
N202992	7	75-67	N205277	11	80-13	N206089	13	90-79
N202995	14	75-97	N205359	31	100-33	N206091	3	110-35
N203009	11	75-51	N205415	28	70-17	N206097	5	110-5
N203010	12	75-51	N205415	13	80-19	N206135	27	100-27
N203094	13	75-51	N205415	7	80-23	N206224	21	50-7
N203094	25	80-61	N205415	7	80-25	N206267	11	80-7
N203255	11	70-13	N205415	4	80-59	N206366	1	100-31
N203255	6	75-1	N205415	5	80-73	N206366	2	100-67
N203255	12	75-15	N205415	5	80-74	N206366	2	100-69
N203255	1	75-17	N205452	23	75-15	N206376	4	80-11
N203265	2	110-3	N205452	38	75-17	N206393	15	100-35
N203310	9	100-25	N205452	12	80-37	N206393	15	100-37
N203310	16	100-25	N205452	11	80-41	N206430	12	75-11
N203310	2	110-35	N205452	13	80-57	N206575	9	90-61
N203486	3	50-21	N205452	4	80-79	N206610	26	75-35
N203486	6	50-23	N205470	20	80-87	N206648	13	75-31
N203490	14	50-19	N205534	26	100-67	N206701	1	80-35
N203491	9	50-19	N205534	26	100-69	N206810	8	50-25
N203497	10	50-19	N205535	26	100-67	N206903	1	60-10
N203504	11	50-28	N205535	26	100-69	N207206	1	80-7
N203760	16	80-79	N205628	43	100-27	N207207	19	80-7
N203905	16	40-93	N205628	44	100-33	N207258	7	75-110
N203905	5	75-101	N205628	1	100-59	N207260	7	75-91
N203905	9	80-7	N205628	3	100-61	N207260	7	75-93
N203905	9	93-5	N205629	41	100-27	N207260	16	75-97
N203952	12	50-3	N205629	42	100-33	N207260	8	75-109
N203952	32	50-3	N205629	2	100-59	N207263	6	75-47
N203952	8	50-23	N205629	4	100-61	N207263	7	75-53
N203952	12	50-23	N205630	3	100-59	N207263	7	75-55
N204086	27	100-27	N205630	7	100-61	N207263	6	75-57
N204088	19	100-27	N205630	10	100-67	N207263	8	75-59
N204094	33	100-27	N205630	10	100-69	N207263	7	75-61
N204114	2	110-3	N205631	6	100-31	N207263	6	75-62
N204123	1	100-27	N205631	3	100-67	N207263	8	75-65
N204148	6	100-27	N205631	3	100-69	N207263	10	75-67
N204148	14	100-33	N205638	44	100-27	N207263	6	75-69
N204148	3	103-3	N205638	45	100-33	N207263	8	75-71
N204149	29	100-27	N205638	7	100-59	N207263	9	75-73
N204149	36	100-33	N205638	1	100-61	N207263	7	75-75
N204149	4	103-3	N205639	40	100-27	N207263	6	75-77
N204374	6	80-11	N205639	41	100-33	N207263	9	75-79
N204374	6	80-13	N205639	5	100-59	N207263	8	75-81
N204409	10	80-7	N205639	6	100-61	N207263	6	75-83
N204509	11	90-61	N205661	54	80-65	N207263	9	75-85
N204565	1	80-108	N205661	55	80-67	N207263	8	75-87
N204586	2	110-35	N205662	10	80-4	N207263	8	75-91
N204598	4	40-45	N205662	17	80-53	N207263	8	75-93
N204598	5	110-11	N205662	16	80-55	N207263	10	75-97

CLICK HERE TO **DOWNLOAD** THE COMPLETE MANUAL

- Thank you very much for reading the preview of the manual.
- You can download the complete manual from: www.heydownloads.com by clicking the link below



- Please note: If there is no response to CLICKING the link, please download this PDF first and then click on it.

CLICK HERE TO **DOWNLOAD** THE COMPLETE MANUAL