

4630 SPRAYER



JOHN DEERE

PARTS CATALOG

4630 SPRAYER

PC9649 (SEP-10) English

John Deere Des Moines Works

North American Edition
Litho in U.S.A. (REVISED)
COPYRIGHT © 2010
DEERE & COMPANY
Moline, Illinois
All rights reserved

CLICK HERE TO **DOWNLOAD** THE COMPLETE MANUAL

- Thank you very much for reading the preview of the manual.
- You can download the complete manual from: www.heydownloads.com by clicking the link below



- Please note: If there is no response to CLICKING the link, please download this PDF first and then click on it.

CLICK HERE TO **DOWNLOAD** THE COMPLETE MANUAL

10-A09

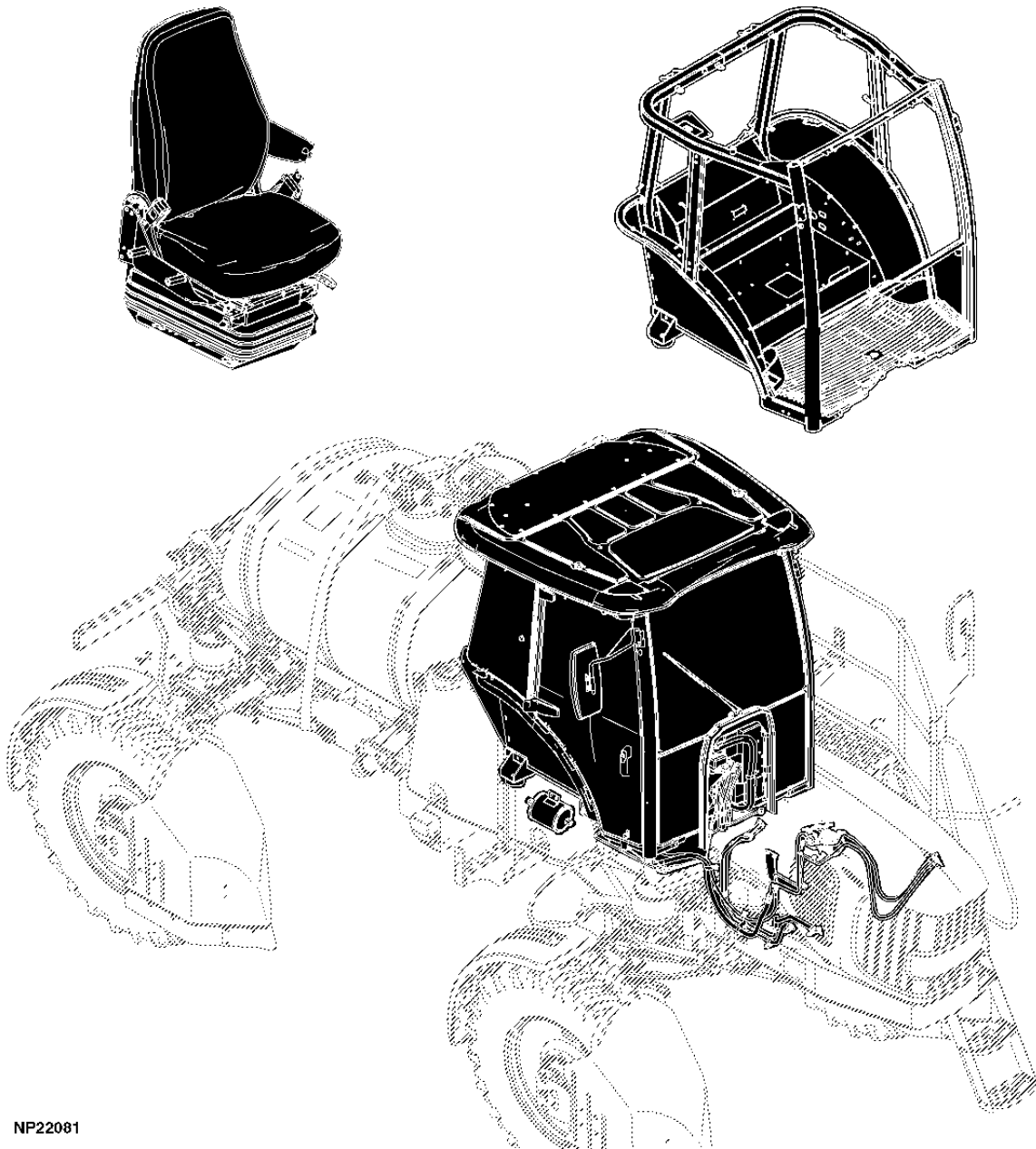
4630 SPRAYER

PRIMARY INDEX
INDICE PICTORICO PRINCIPAL
INDICE PRINCIPAL

NP22081 -UN-20NOV09

090- A01
090- A02
090- A03
090- A04
090- A05

90



NP22081

ALPHABETICAL INDEX

	PAGE		PAGE
A			
ACCUMULATOR, HOSES AND FITTINGS TO		BEZEL BRACKET, RADIO	90-6
PRIORITY VALVE	70-22	BEZEL, RADIO	90-6
ACTUATOR, FENCE ROW NOZZLES	80-48	BLOCK, CYLINDER (OPTION 4644)(HN054)	20-30
ACTUATOR, SPRAY VALVE	80-50	BLOWER, HEATER AND AIR CONDITIONING UNIT	90-50
ADAPTER, HYDROSTATIC PUMP MOUNTING	50-12	BOOM CENTERFRAME	75-60
ADJUSTING STRAP, MANUAL TREAD SETTING	100-50	BOOM CRADLE	75-46
AFTERCOOLER AND HOSES	25-2	BOOM HOSES AND FITTINGS TO INNER FOLD	
AGITATION SYSTEM, TANK	80-10	CYLINDERS	75-8
AGITATION VALVE	80-8	BOOM HYDRAULIC CONTROLLER(BHC),MOUNTING	
AIR CLEANER, AIR INTAKE SYSTEM	30-8	BRACKET	40-28
AIR COMPRESSOR ASSEMBLY	25-14	BOOM LIFT ARMS	75-56
AIR CONDITIONER CONDENSER	25-5	BOOM LIFT CYLINDER	75-4
AIR CONDITIONING AND HEATER UNIT	90-50	BOOM RETURN TO HEIGHT LINKAGE	75-22
AIR CONDITIONING AND HEATER CONTROL	90-48	BOOM VALVE FITTINGS TO LIFT CYLINDERS	75-10
AIR CONDITIONING COMPRESSOR	90-2	BOOM VALVE HOSES	75-14
AIR CONDITIONING LINES	90-54	BOOM VALVE HOSES TO LIFT CYLINDERS	75-10
AIR CONDITIONING RECEIVER DRYER AND		BOOM VALVE,BASIC	75-2
MOUNTING PARTS	90-1	BOOM, INNER WING (13001-)	75-54
AIR CONDITIONING RETURN AND SUPPLY HOSE	90-54	BOOM, INNER WING(-13000)	75-52
AIR DRYER	105-2	BOOM, OUTER WING	75-48
AIR FILTER, HYDRAULIC / HYDROSTATIC		BRACKET, BOOM HYDRAULIC CONTROLLER (BHC)	40-28
RESERVOIR	70-2	BRACKET, BRAKE PEDAL	60-9
AIR FILTER,AIR INTAKE SYSTEM	30-8	BRACKET, FIRE EXTINGUISHER	100-14
AIR FILTERS, FRESH (CAB)	90-64	BRACKET, FIRE EXTINGUISHER (EXPORT)	100-15
AIR HEATER (12V) (OPTION 4335)(HN054)	20-27	BRACKET, FRONT WHEEL MOTOR (NARROW)	50-24
AIR INTAKE SYSTEM	30-8	BRACKET, FRONT WHEEL MOTOR (WIDE)	50-26
AIR TANK	105-1	BRACKET, FRONT WHEEL MOTOR HOSES	
ALARM, BACKUP	40-10	(NARROW)	50-28
ALTERNATOR	25-13	BRACKET, PLATFORMS	100-8
ANCHOR, REAR SUSPENSION (NARROW)	100-42	BRACKET, RADAR SENSOR	40-39
ANCHOR, REAR SUSPENSION (WIDE)	100-40	BRACKET, REAR WHEEL MOTOR (NARROW)	50-20
ANGLE, HYDRAULIC TREAD ADJUST	100-50	BRACKET, REAR WHEEL MOTOR (WIDE)	50-22
ARM, ROCKER (OPTION 4902)(HN054)	20-36	BRACKET, SMV EMBLEM (EXPORT)	100-47
ARM,EDUCTOR BRACKET	80-32	BRACKET, SPEED DECALS	110-20
ARMREST ADJUSTMENT FRAME	90-25	BRACKET, TAIL LAMP	40-4
ARMREST ASSEMBLY	90-12	BRACKET, TAIL LAMP	40-6
ARMS, BOOM LIFT	75-56	BRACKET, 80" FOAM DROP	75-16
ASSEMBLY FLOWMETER	80-6	BRACKET,AGITATION VALVE	80-8
AUTO AIR SPRING HOSES AND FITTINGS	100-22	BRACKET,CHASSIS CONTROL UNIT	40-29
AUTO AIR SPRING LEVELING SYSTEM - FRONT		BRACKET,GPS WIRING HARNESS	90-8
(LH ILLUSTRATED)	100-24	BRACKET,RINSE TANK	80-28
AUTO AIR SPRING LEVELING SYSTEM - REAR		BRACKETS, ENGINE WIRING HARNESS	40-34
(LH ILLUSTRATED)	100-26	BRACKETS,CLAMPS FOR HYDRO LINES	50-38
AUTOTRAC WIRING HARNESS	93-6	BRAKE DISC	60-5
AUXILIARY HYDRAULIC PUMP	70-20	BRAKE OIL LINES	60-12
AUXILIARY HYDRAULIC PUMP HOSES AND		BRAKE PAD	60-5
FITTINGS TO HYDRAULIC RESERVOIR	70-6	BRAKE PEDAL W/ SWITCH	60-9
AXLE KNEE, FRONT SUSPENSION (NARROW)	100-38	BRAKE, DISK AND CALIPER	60-5
AXLE KNEE, FRONT SUSPENSION (WIDE)	100-36	BREAKAWAY PIPE (LH/RH) 15" POLY	
AXLE KNEE, REAR SUSPENSION (NARROW)	100-42	(CUSTOM PLUMBING)	75-30
AXLE KNEE, REAR SUSPENSION (WIDE)	100-40	BREAKAWAY PIPE (LH/RH)(80') 20" POLY	
AXLE, FRONT (NARROW)	100-52	(CUSTOM PLUMBING)	75-28
AXLE, REAR (NARROW)	100-52	BREAKAWAY WING	75-58
B			
BACKUP ALARM	40-10	BRUSH, NOZZLE TIP	80-57
BATTERIES AND CABLES	40-8	BULBS, HEADLIGHTS AND WORKLIGHTS	40-14
BATTERY CABLE	40-8	BUMPER, HOOD GUARD	100-12
BEACON, ROTARY (EXPORT ONLY)	40-36	BY PASS TUBE / THERMOSTAT HOUSING	
BEARINGS / CRANKSHAFT (OPTION 4712)		(OPTION 3925)(HN054)	20-24
(HN054)	20-32	C	
BEARINGS, CONNECTING ROD (OPTION 4839)		CAB DETAILED HARDWARE	90-16
(HN054)	20-34	CAB FENDER	90-58
C			
		CAB FENDER WELL COVER	100-35
		CAB FRAME	90-5
		CAB HEATER LINES	90-46

NP21783

-UN-10OCT09

SECTION 20

6.8L ENGINE

FOR ENGINE INFORMATION
REFER TO
PARTS CATALOG 9434

**THE FOLLOWING ENGINE DESIGNATION IS INDICATED
FOR SPRAYER APPLICATIONS.**

6068HN054 - 4630 SPRAYER

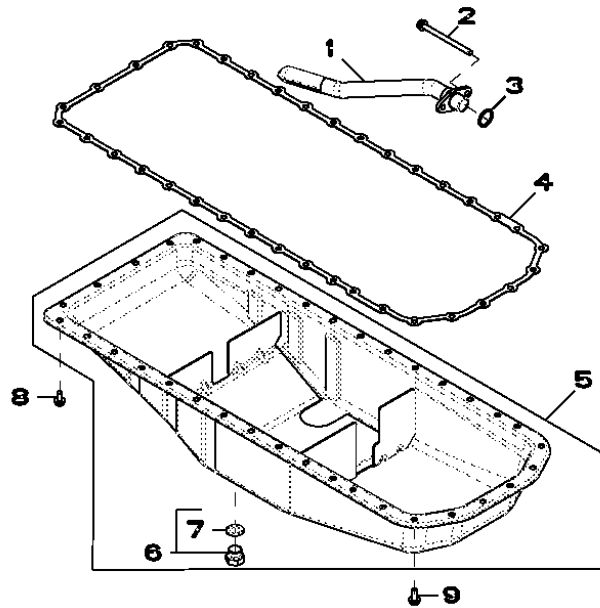
NP21783

THIS PARTS LISTING IS CONTINUED

20-11

ENGINE

OIL PAN (OPTION 1944)
 CARTER DE OLEO (OPCAO 1944)
 CARTER DE ACEITE (OPCION 1944)
 RE502472PCDG02 -UN-05JUN09



RE502472PCDG02

KEY	PART NO.	PART NAME	QTY.	ENGINE SERIAL NO.	REMARKS
1	RE71143	OIL PUMP INTAKE	1		
2	19M10075	SCREW	2		M8 X 110
3	R61871	O-RING	1		
4	R521498	GASKET	1		
5	RE528734	KIT	1		
6	RE523251	FITTING PLUG	1		
7	R519742	SEAL	1		
8	19M8163	BOLT	30		M8 X 16
9	19M8062	SCREW	6		M8 X 20

20-21

ENGINE

KEY	PART NO.	PART NAME	QTY.	ENGINE SERIAL NO.	REMARKS
1	R504576	PLATE	1		
2	R520139	STUD	7		LGTH= 84MM
3	R134518	STUD	2		LGTH= 68MM
4	R136475	SCREW	5		
5	R515408	DOWEL PIN	1		LGTH= 38.5MM
6	R515494	LOCK WASHER	2		
7	R504843	SHAFT	1		OD= 93MM
8	RE508489	GEAR	1		Z= 60 (MARKED R504614)
9	19M8844	SCREW	1		M10 X 60
10	R101225	THRUST WASHER	1		
11	R114194	SHAFT	1		OD= 44,5MM, TK= 16MM
12	RE56369	GEAR	1		Z= 43 (MARKED R120636)
13	R114193	BUSHING	1		
14	R131283	THRUST WASHER	1		
15	19M8966	SCREW	1		M10 X 50

20-31

ENGINE

KEY	PART NO.	PART NAME	QTY.	ENGINE SERIAL NO.	REMARKS
1	CYLINDER BLOCK	1		(A) (MARKED R504850)
2	RE507807	PIPE PLUG	1		
3	R48685	DOWEL PIN	4		
4	RE532239	CAMSHAFT	1		
5	R133303	SHAFT KEY	1		
6	R132518	PLATE	1		
7	19M8999	SCREW	2		M8 X 25
8	R116466	PLUG	1		
9	T18891	PLUG	2		
10	R26650	DOWEL PIN	2		
11	R119874	BUSHING	1		
12	RE505501	BLEED VALVE	1		
13	R131425	COMPRESSION SPRING	1		
14	RE63674	VALVE	1		
15	R121043	VALVE	1		
16	R111137	SPRING	1		
17	T20168	WASHER	14		
18	T23474	CAP SCREW	14		
19	D2361R	BALL	1		
20	R97185	O-RING	1		
21	15H623	PIPE PLUG	1		
22	R131182	ORIFICE	6		
23	RE71255	PIPE PLUG	7		
24	15H584	PIPE PLUG	1		
25	RE508185	FITTING	2		
26	U13639	O-RING	1		
27	R132186	BEARING CAP	1		
28	R114241	BEARING CAP	6		

(A) NOT AVAILABLE SEPARATELY
NAO DISPONIVEL POR SEPARADO
NO DISPONIBLE POR SEPARADO

20-41

ENGINE

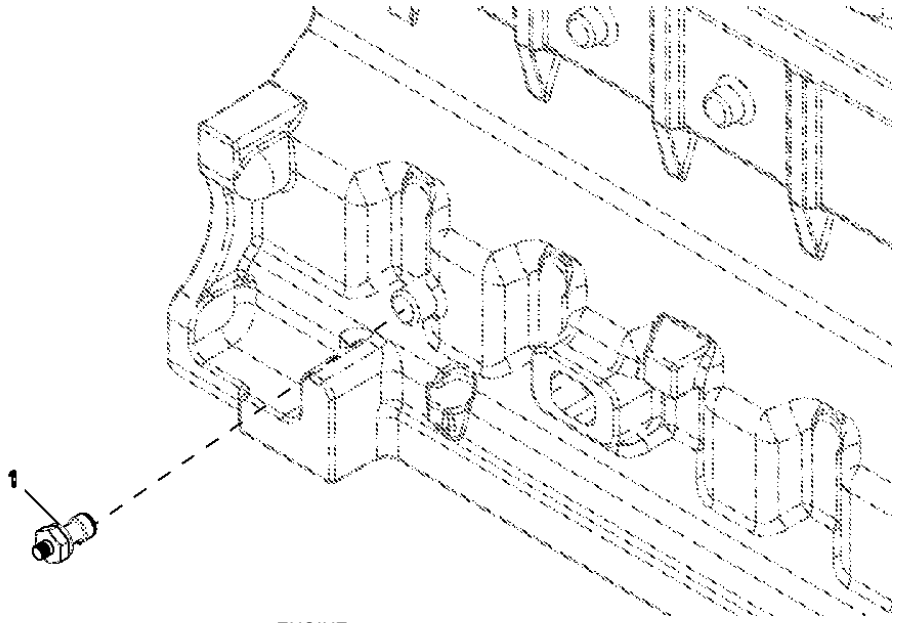
KEY	PART NO.	PART NAME	QTY.	SERIAL NO.	REMARKS
1	RE525456	CYLINDER HEAD	1		
2	R91889	RETAINER	24		OD= 11.7MM
3	RE60005	ROTATOR	12		
4	R26125	SPRING	12		
5	RE31617	SEAL	12		
6	CD16284	PLUG	6		OD= 32.6MM, REAR
7	CYLINDER HEAD	1		(MARKED R520301) (ORDER RE525456) NSEP
8	R98063	VALVE SEAT INSERT	6		
9	R98062	INTAKE VALVE	6		OD STD
	R97490	INTAKE VALVE	AR		OS +0.381MM
	R97491	INTAKE VALVE	AR		OS +0.762MM
10	R90692	EXHAUST VALVE	6		OD STD
	R97492	EXHAUST VALVE	AR		OD +0.381MM
	R97493	EXHAUST VALVE	AR		OD +0.762MM
11	R85687	VALVE SEAT INSERT	6		
12	T58477	FITTING	1		7/8"-14UNF (ALSO ORDER R26906)
13	R26906	O-RING	1		
14	R43409	PLUG	3		
15	RE71255	PIPE PLUG	AR		(A) 1/8"-27NPT
16	RE527456	SLEEVE	6		
17	R85363	CAP SCREW	24		12.700 X 112 MM
18	R502511	CAP SCREW	2		
19	R116516	ENGINE CYLINDER HEAD GASKET	1		

(A) THREADS WITH PRE-APPLIED SEALANT
 ROSCAS REVESTIDA DE PRODUTO D'ETANCHEIDADE
 CON SELLADOR

20-51

ENGINE

OIL PRESSURE SWITCH (OPTION 7626)
PRESSOSTATO DE OLEO (OPCAO 7626)
INTERRUPTOR DE PRESION DE ACEITE (OPCION 7626)
RE532682PCDA02 -UN-13JUL09



RE532682PCDA02

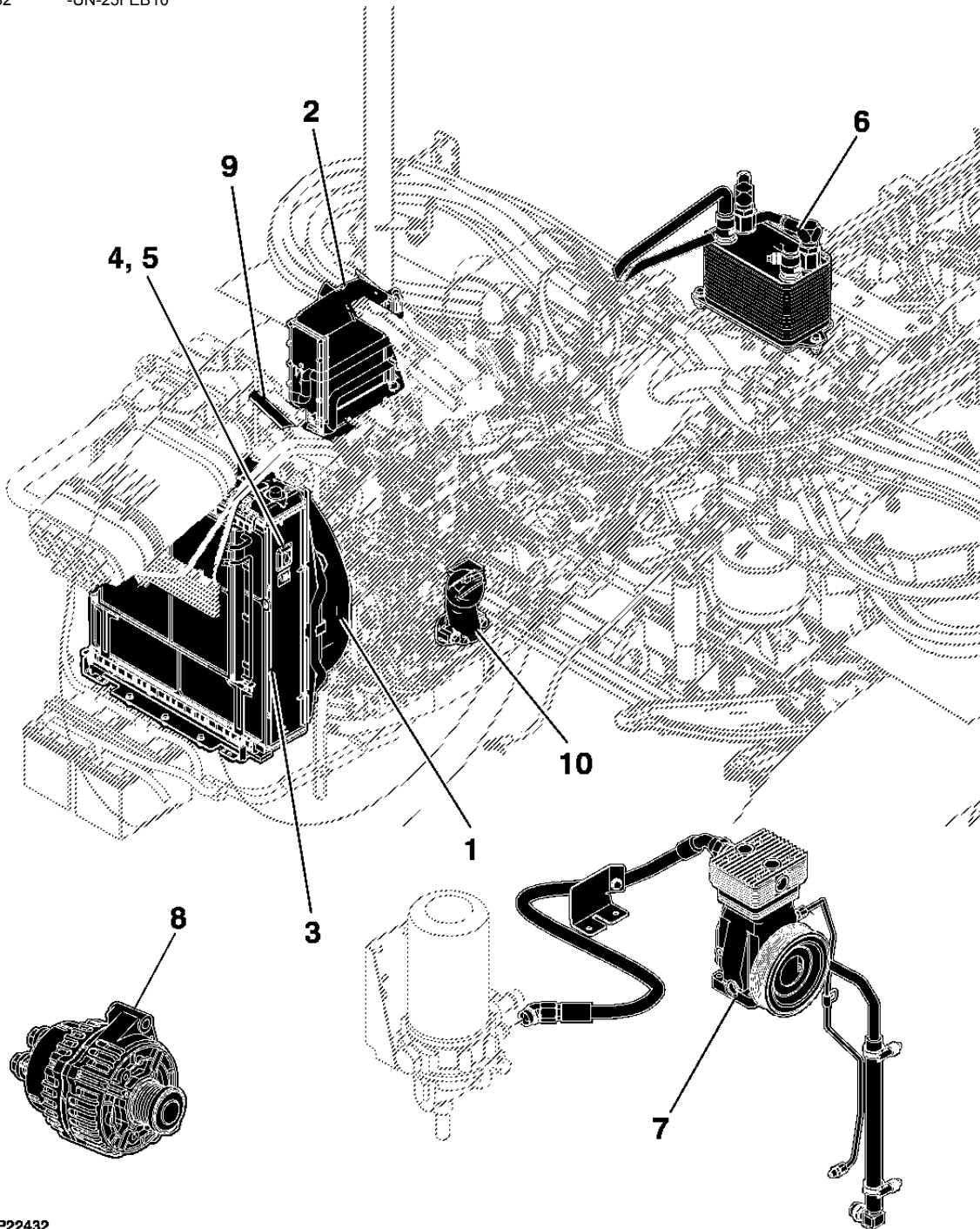
KEY	PART NO.	PART NAME	QTY.	ENGINE SERIAL NO.	REMARKS
1	RE167207	SENSOR	1		

25-A01

SECTIONAL INDEX
INDICE DE GRUPO
INDICE DE GRUPOS

NP22432 -UN-25FEB10

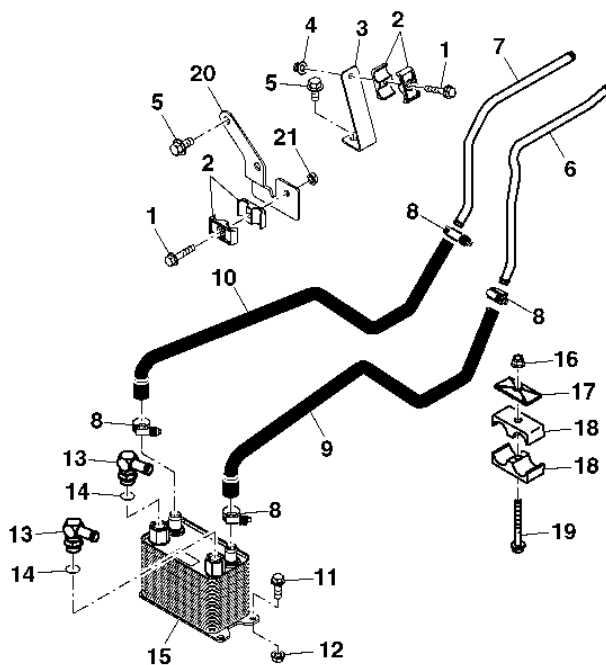
1-	1
2-	2
3-	5
4-	6
5-	8
6-	9
9-	10
10-	12
8-	13
7-	14



NP22432

OIL COOLER HOSES
MANGUEIRAS DO RESFRIADOR DE OLEO
MANGUERAS DE ENFRIADOR DE ACEITE

NP21913 -UN-11NOV09



NP21913

KEY	PART NO.	PART NAME	QTY.	SERIAL NO.	REMARKS
1	19M9833	SCREW	1	M6 X 30	
2	L110815	CLAMP	1		
3	N317318	BRACKET	1		
4	14M7592	LOCK NUT	1	M6	
5	19M9844	SCREW	3	M10 X 20	
6	L168672	TUBE	1		
7	L168365	TUBE	1		
8	R524513	HOSE CLAMP	4		
9	N319122	RADIATOR HOSE	1		SUPPLY
10	N319124	RADIATOR HOSE	1		RETURN
11	19M9837	SCREW	1	M8 X 25	
12	14M7649	FLANGE NUT	1	M8	
13	AH61472	HOSE FITTING	1		
14	U12547	O-RING	1		
15	AT349069	OIL COOLER	1		
16	14M7591	LOCK NUT	1	M8	
17	H112567	PLATE	1		
18	H115379	CLAMP	2		
19	19M10057	SCREW	1	M8 X 70	
20	AL172524	BRACKET	1		
21	14M7255	NUT	1	M6	

MEMORANDA
MEMORANDA
MEMORANDA

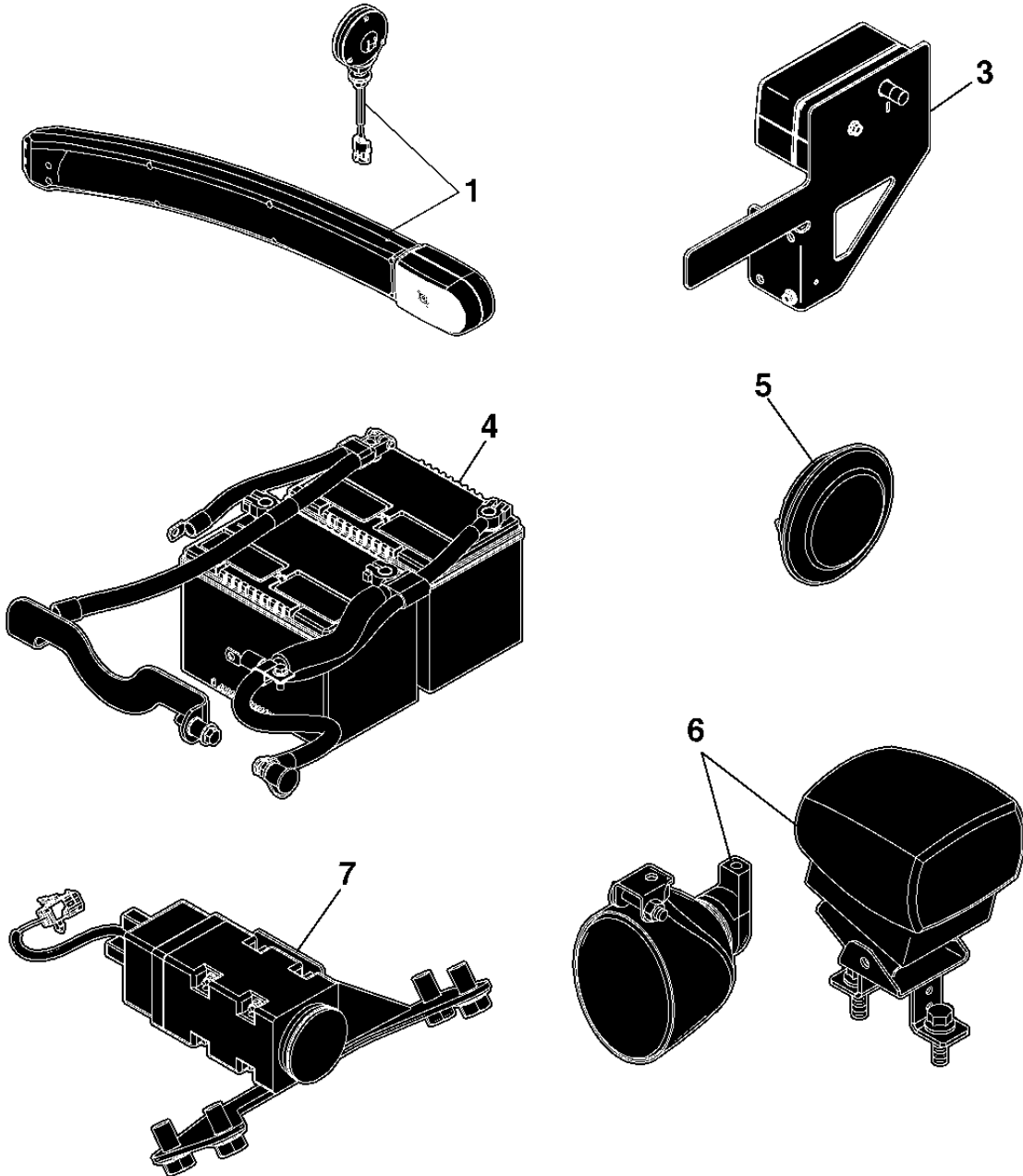
40-A01

ELECTRICAL SYSTEM

SECTIONAL INDEX
INDICE DE GRUPO
INDICE DE GRUPOS

NP22263 -UN-28DEC09

1-	2
3-	4
3-	6
4-	8
5-	11
6-	12
6-	13
7-	39



NP22263

40-5

ELECTRICAL SYSTEM

KEY	PART NO.	PART NAME	QTY.	SERIAL NO.	REMARKS
1	37M7177	SCREW	2		
2	AL112474	LENS	1		
3	L79690	GASKET	1		
4	R133301	BULB	1	1057	
5	M136357	BULB	1	7528	
6	AL112964	TAIL LAMP	1		
7	JD5922	REFLECTOR	1		ORANGE
8	JD5920	REFLECTOR	1		RED
9	N319742	PLATE	1		LH
	N319743	PLATE	1		RH
10	14M7375	FLANGE NUT	2		M5
11	14M7688	FLANGE NUT	1		M12
12	19M9873	SCREW	8		M12 X 25
13	RE193252	TURN SIGNAL WIRING HARNESS	1		
14	14M7265	LOCK NUT	2		M5
15	24M7027	WASHER	2		5.300 X 10 X 1 MM
16	21M7271	SCREW	1		M5 X 16
17	N317909	PLATE	1		
18	AL161607	LAMP	1		
19	L58614	PLATE	1		
20	AZ47247	REFLECTOR	6		
21	ELEC. CONNECTOR TERMINAL	1		TAIL LAMP
22	ELEC. CONNECTOR TERMINAL	1		CAB HARNESS
23	ELEC. CONNECTOR TERMINAL	1		EXTREMITY WARNING LIGHT

40-15

ELECTRICAL SYSTEM

KEY	PART NO.	PART NAME	QTY.	SERIAL NO.	REMARKS
1	57M9328	BULB	1		H11
2	AL173620	LAMP	2		
3	L172009	SCREW	16		
4	AL181665	FILTER KIT	4		
5	AL181666	FRAME	1		(A)
6	L170785	FRAME	1		
7	37M7240	SCREW	16		
8	AL178138	REFLECTOR	2		
9	AT130104	BULB	1		H3
10	Z75588	BULB	1		H7
11	L171804	CAP	20		
12	AL181532	HEADLIGHT	1		

(A) WITH GLASS PANEL IN IT
CON PANEL DE VIDRIO

40-25

ELECTRICAL SYSTEM

KEY	PART NO.	PART NAME	QTY.	SERIAL NO.	REMARKS
1	L168703	COVER	1		
2	N317134	LABEL	1		
3	L172416	COVER	1		
4	14H785	NUT	2		5/16"
5	12M7122	LOCK WASHER	2		8.400 MM
6	14H631	NUT	2		0.190"
7	12H295	LOCK WASHER	2		0.190"
8	57M7348	ELEC. CONNECTOR TERMINAL	2		
9	57M7053	ELEC. CONNECTOR TERMINAL	2		
10	RE164448	STARTER RELAY	1		
11	L171977	RETAINER	1		
12	19M6614	CAP SCREW	2		M6 X 12
13	24M7054	WASHER	2		6.400 X 12 X 1.600 MM
14	14M7272	NUT	2		M6
15	37M7286	SCREW	8		
16	57M7560	ELEC. CONNECTOR TERMINAL	1		
17	57M7847	ELEC. CONNECTOR TERMINAL	1		
18	L172739	PLUG	1		
19	L172738	PLUG	1		
20	AL81718	RELAY	1		
21	AL77324	RELAY	1		
22	57M7691	FUSE	1		20AMP
23	57M7688	FUSE	1		5AMP
24	57M9049	RELAY MODULE	1		
25	57M9048	RELAY MODULE	1		
26	57M9047	FUSE BOX	1		
27	57M8190	FUSE	4		80AMP
28	57M8799	FUSE	1		40AMP
29	57M7993	FUSE	1		70AMP
30	57M7207	ELECTRICAL CONNECTOR ASSY	1		
31	14M7273	NUT	1		M8
32	57M8068	ELEC. CONNECTOR TERMINAL	1		
33	57M7309	ELEC. CONNECTOR HOUSING	1		
34	57M8169	ELEC. CONNECTOR TERMINAL	2		
35	L168702	SHIELD	1		
36	AN304382	POWER SUPPLY	1		

40-35

ELECTRICAL SYSTEM

KEY	PART NO.	PART NAME	QTY.	SERIAL NO.	REMARKS
1	14M7648	FLANGE NUT	2		M10
2	T38377	CLAMP	5		
3	T70659	CLAMP	2		
4	03M7396	BOLT	2		M10 X 35
5	19M9838	SCREW	2		M8 X 30
6	AH78237	CLAMP	4		
7	14M7649	FLANGE NUT	5		M8
8	19M9836	SCREW	5		M8 X 20
9	R50454	CLAMP	4		
10	N317542	PLATE	1		
11	N315531	BRACKET	1		
12	19M8672	SCREW	1		M14 X 25
13	N315549	ANGLE	1		
14	19M9844	SCREW	1		M10 X 20
15	19M9873	SCREW	1		M12 X 25
16	N315548	BRACKET	1		
17	N316339	HOLDER	2		
18	19M9405	SCREW	1		M8 X 16
19	R49921	CLAMP	2		
20	37M7089	SCREW	2		M6 X 12
21	57M8785	ELEC. CONNECTOR ACCESSORY	2		

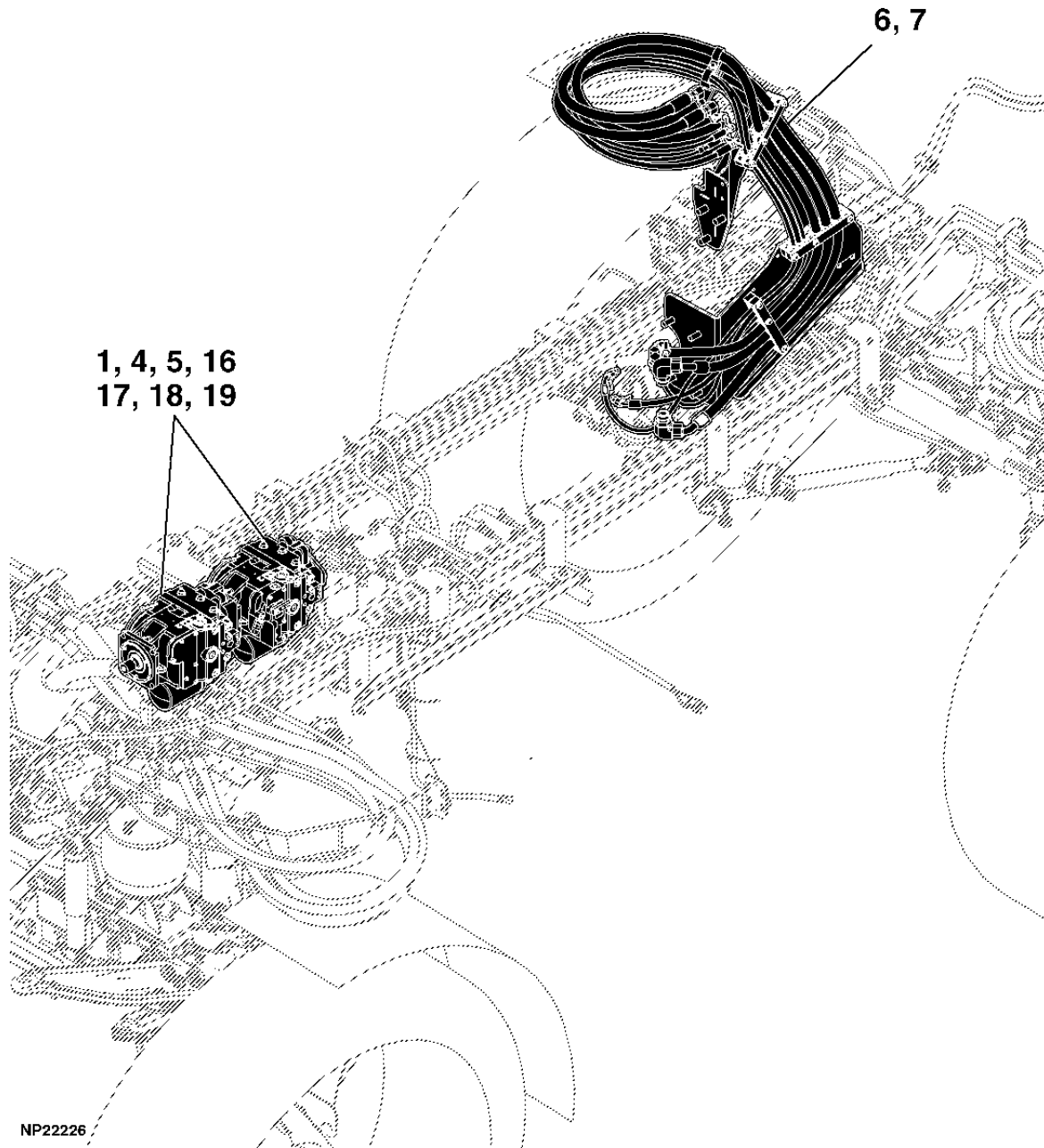
50-A01

POWER TRAIN

SECTIONAL INDEX
INDICE DE GRUPO
INDICE DE GRUPOS

NP22226 -UN-28DEC09

1-	2
4-	8
5-	10
16-	12
17-	14
18-	16
19-	18
6-	20
7-	22



NP22226

50-9

POWER TRAIN

KEY	PART NO.	PART NAME	QTY.	SERIAL NO.	REMARKS
1	19M8627	SCREW	3		M6 X 20
2	T175376	RETAINER	1		
3	T223612	SEAL	1		
4	SUPPORT	1		SEAL CARRIER
5	R151088	O-RING	1		
6	R27218	FITTING PLUG	3		
7	T54904	UNION FITTING	1		
8	T54967	FITTING PLUG	3		
9	N203491	O-RING	2		
10	N203497	O-RING	2		
11	AN306669	VALVE	1		FORWARD
12	T155744	LOCK NUT	1		
13	PLUG	1		
14	M45387	O-RING	1		
15	AT214826	SPRING	1		
16	T155743	POPPET	1		
17	AT214824	PRESSURE RELIEF VALVE	1		
18	R28782	O-RING	1		
19	AH123403	SCREEN	3		
20	AN306670	VALVE	1		REVERSE
21	AT330297	SEAL KIT	1		SHAFT SEAL
..	AN306471	HYDRAULIC PUMP	1		(FRONT,75CC)
..	PG200708	HYDRAULIC PUMP REMAN	1		
..	AN306472	HYDRAULIC PUMP	1		(REAR, 75CC)
..	PG200709	HYDRAULIC PUMP REMAN	1		

50-19

POWER TRAIN

MEMORANDA
MEMORANDA
MEMORANDA

50-29

POWER TRAIN

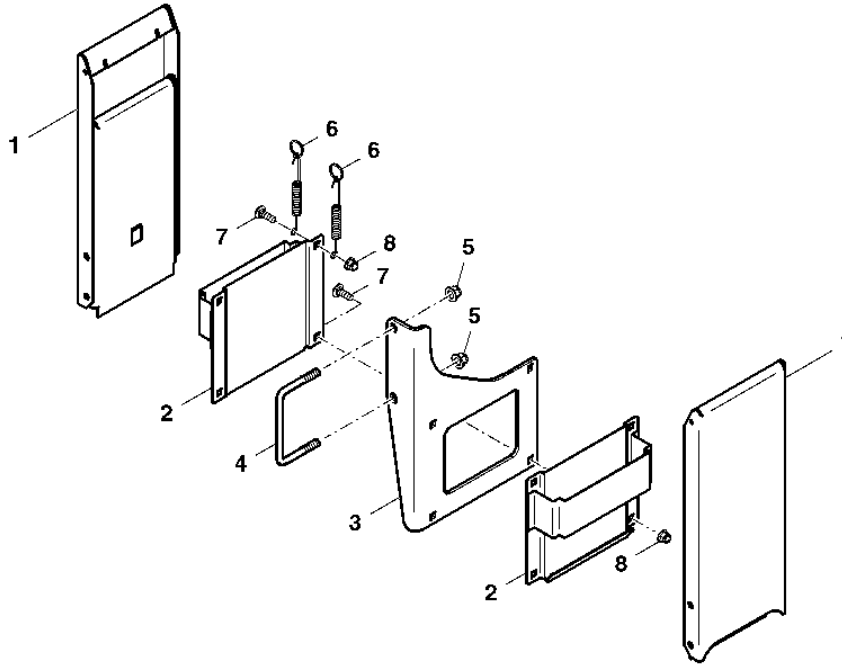
KEY	PART NO.	PART NAME	QTY.	SERIAL NO.	REMARKS
1	19M9845	SCREW	1		M10 X 25
2	14M7648	FLANGE NUT	4		M10
3	AN304488	BRACKET	1		RH
	AN304331	BRACKET	1		LH
4	N315842	CLAMP	1		
5	AN304487	TUBE	2		RH
	AN304329	TUBE	2		LH
6	T77858	O-RING	4		
7	AN305334	HOSE	1		
8	AN305336	HOSE	1		
9	AN306072	PIN FASTENER	1		RH
	AN306071	PIN FASTENER	1		LH
10	N315568	BUSHING	1		
11	N315569	BUSHING	2		
12	N315570	CLAMP	1		
13	03M7413	BOLT	3		M8 X 25
14	14M7591	LOCK NUT	3		M8
15	N400407	BRACKET	1		
16	19M9405	SCREW	1		M8 X 16
17	AH80916	CLIP	1		
18	14M7649	FLANGE NUT	1		M8

50-39

POWER TRAIN

WHEEL CHOCK (EXPORT)
CALCO DA RODA (EXPORTACAO)
CALZO PARA RUEDA (EXPORTAR)

NP22659 -UN-29JUN10



NP22659

KEY	PART NO.	PART NAME	QTY.	SERIAL NO.	REMARKS
1	AL26777	CHOCK BLOCK	2		
2	AL26778	SUPPORT	2		
3	N400361	ANGLE	1		
4	N318853	U-BOLT	1		
5	14M7644	LOCK NUT	2	M12	
6	AL41725	EXTENSION SPRING	2		
7	03M7427	BOLT	4	M10 X 30	
8	14M7593	LOCK NUT	4	M10	

60-7

STEERING AND BRAKES

KEY	PART NO.	PART NAME	QTY.	SERIAL NO.	REMARKS
1	T77613	O-RING	4		
2	AN305377	TIE ROD ASSEMBLY	2		72,76
	AN305181	TIE ROD ASSEMBLY	2		80, 84, 88
3	38H1094	ELBOW FITTING	2		
4	AN304727	HYDRAULIC CYLINDER	1		
	AHC10125	HYDRAULIC CYLINDER KIT	1		
5	H152089	WIRE	1		
6	AN305180	BALL JOINT	2		
7	AN305179	TIE ROD ASSEMBLY	2		
8	R26448	O-RING	2		
9	38H1160	ADAPTER FITTING	2		

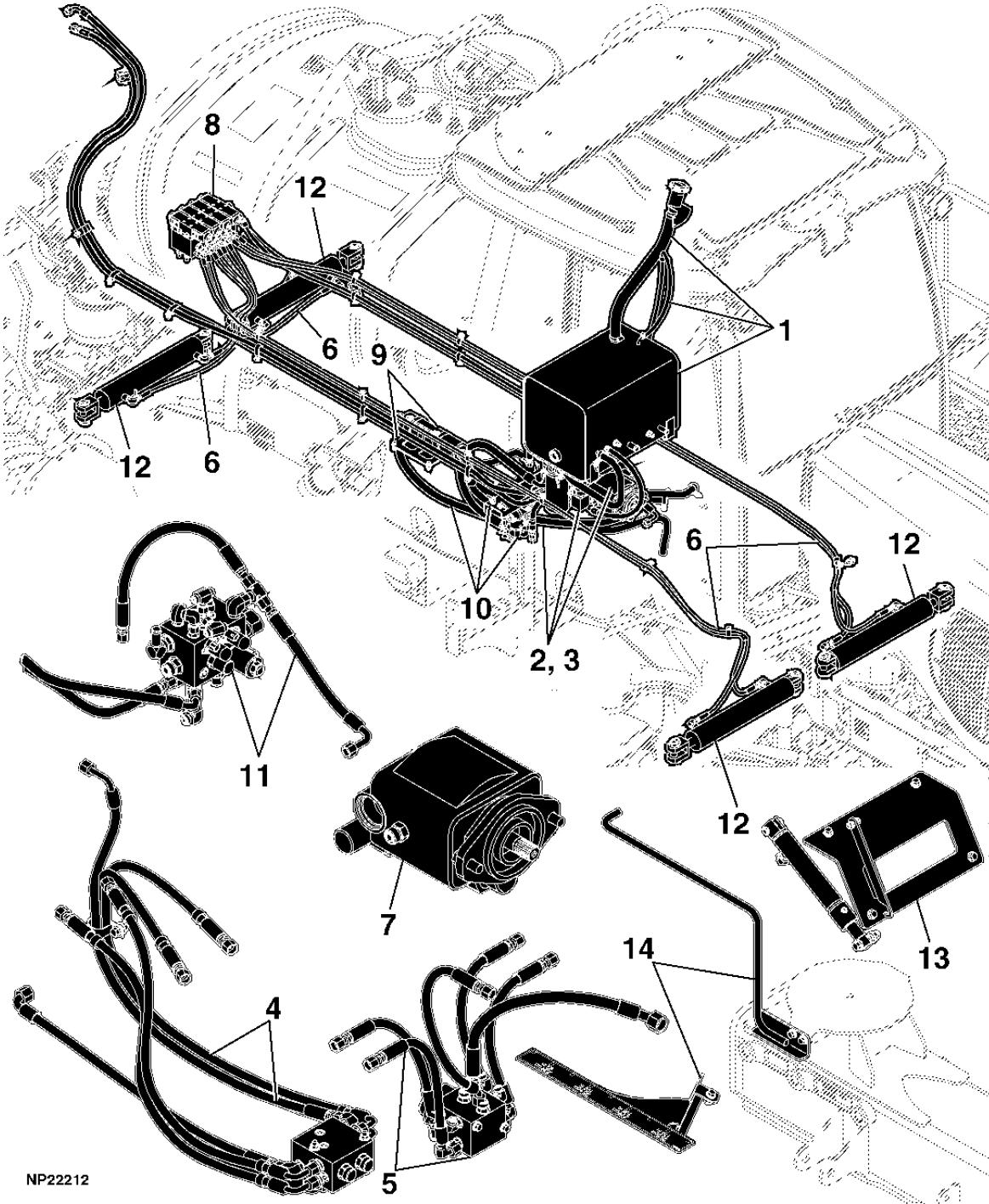
70-A01

HYDRAULIC SYSTEM

SECTIONAL INDEX
INDICE DE GRUPO
INDICE DE GRUPOS

NP22212 -UN-28DEC09

1-	2
2-	4
3-	6
4-	8
5-	10
6-	12
8-	14
12-	16
14-	17
14-	18
7-	20
9-	22
10-	24
11-	26
13-	28



NP22212

70-11

HYDRAULIC SYSTEM

KEY	PART NO.	PART NAME	QTY.	SERIAL NO.	REMARKS
1	AN306447	CONTROL VALVE	1		
2	AN207185	SOLENOID VALVE COIL	1		
3	AN306479	SOLENOID VALVE COIL	1		
4	AT195922	HYD ACTUATED CONTROL VALVE	2		
	AT301766	SEAL KIT	2		
5	N304196	PLUG	1		
6	38H1003	ELBOW FITTING	2		
7	T77814	O-RING	6		
8	R28782	O-RING	4		
9	38H1004	ELBOW FITTING	2		
10	T77613	O-RING	6		
11	R26448	O-RING	6		
12	38H1159	ADAPTER FITTING	2		
13	AN306599	HYDRAULIC HOSE - FABRICATE	1		REAR SHIFT RIGHT
14	38H1160	ADAPTER FITTING	4		
15	38H1093	ELBOW FITTING	2		
16	19M9405	SCREW	2		M8 X 16
17	AN306597	HYDRAULIC HOSE - FABRICATE	1		REAR SHIFT LEFT
18	AN306455	HYDRAULIC HOSE	2		REAR INSIDE
19	AN306598	HYDRAULIC HOSE - FABRICATE	2		FRONT SHIFT
20	AN306454	HYDRAULIC HOSE	2		FRONT INSIDE
21	AN304755	HYDRAULIC HOSE - FABRICATE	1		RESERVOIR
22	N223292	NUT	2		
23	AN306641	HYDRAULIC HOSE - FABRICATE	1		SHIFT VALVE CHARGE

70-21

HYDRAULIC SYSTEM

KEY	PART NO.	PART NAME	QTY.	SERIAL NO.	REMARKS
1	N51168	SNAP RING	1	(A)	
2	E55716	SEAL	1	(A)	
3	E55717	WASHER	1		
4	M42702	SNAP RING	2	(A)	
5	E57805	THRUST BEARING RACE	2		
6	JD9961	THRUST BEARING	1		
7	AE38359	BEARING	1		
8	JD8813	NEEDLE BEARING	2		
9	E65261	BEARING RACE	2		
10	Z47990	O-RING	2	(A)	
11	R54114	SNAP RING	2	(A)	
12	N221133	SPRING	1		
13	N221138	BUSHING	1		
14	N221134	PIVOT	1		
15	34H275	SPRING PIN	1		3/16" X 1/2"
16	N221131	PLATE	1		
17	AE37687	ACCUMULATOR KIT	1	(B)	
18	E65248	GASKET	1	(A)	
19	N221132	PISTON	1		
20	AN203867	PLATE	1		
21	U40962	O-RING	1	(A)	
22	AN304036	COMPENSATOR	1		
	AN208088	SEAL KIT	1	(C)	
23	19H1732	CAP SCREW	4		3/8" X 1-1/4"
24	SHAFT	1		
25	N316649	CAP SCREW	4		
26	GASKET	1	(A)	
27	COVER	2		
28	R459R	O-RING	1		
29	U11343	O-RING	1		
30	AN306427	HYDRAULIC PUMP	1		
31	19H2898	CAP SCREW	2		1/2" X 1-1/4"
32	12H301	LOCK WASHER	2		1/2"
33	E66413	O-RING	1		
..	AN304929	SEAL KIT	1		INCL KEYS MARKED (A)

(B) ROTATING PISTON AND CYLINDER BLOCK
 PISTAO ROTATIVO E BLOCO DE CILINDROS
 EMBOLO GIRATORIO Y BLOQUE DE CILINDROS

(C) LOW PRESSURE STANDBY COMPENSATOR (INCLUDES SPRING FOLLOWER, BACKUP RING AND O-RING)
 COMPENSADOR DE ESPERA BAIXA PRESSAO (PECA ACIONADA POR MOLA, ANEL SEGURANCA E ANEL O)
 COMPENSADOR DE ESPERA DE PRESION BAJA(INCLUYE SEGUIDOR DE RESORTE,ANILLO DERESPALDO ANILLO TORICO)

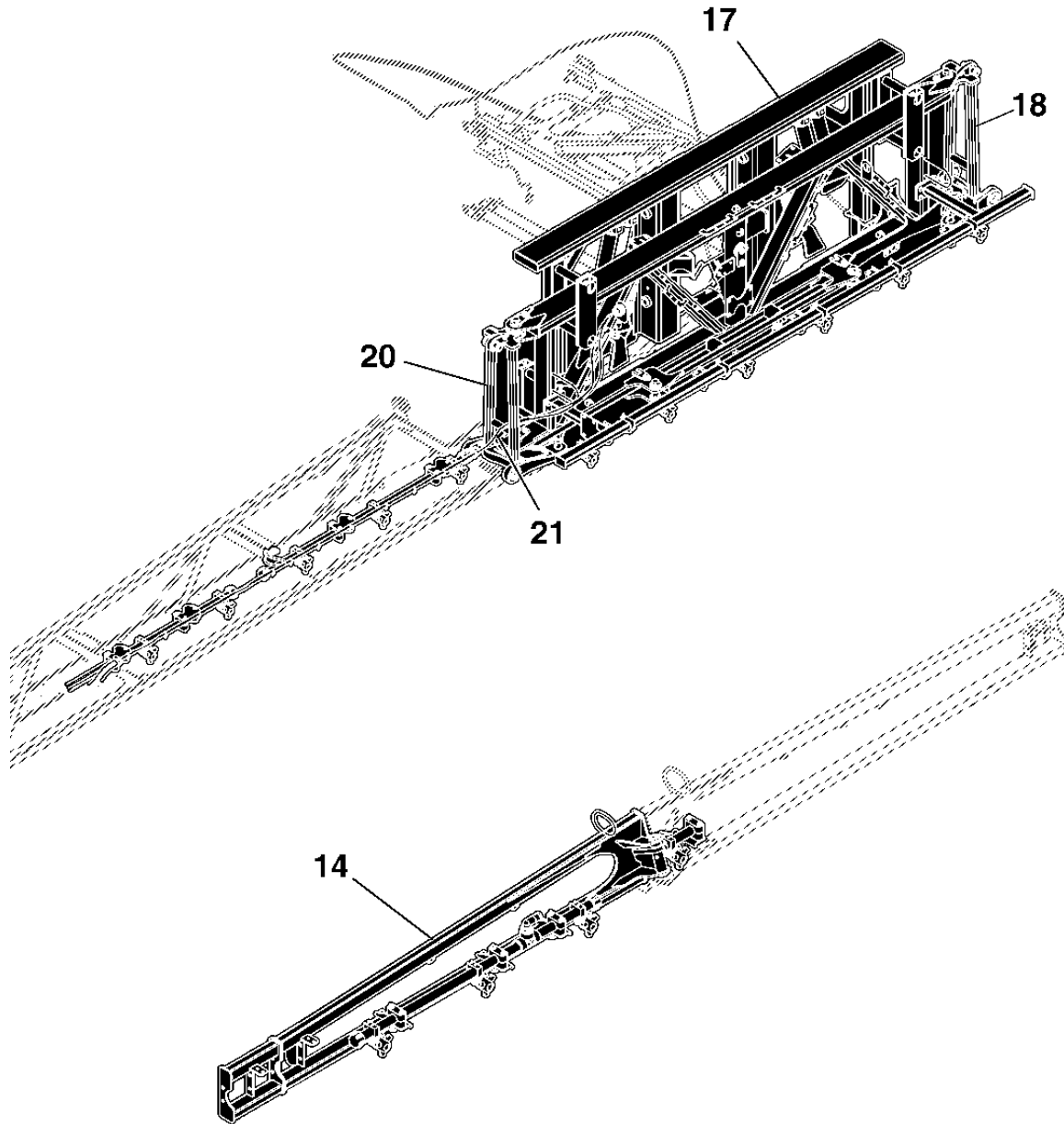
75-A03

80' BOOM

SECTIONAL INDEX
INDICE DE GRUPO
INDICE DE GRUPOS

NP22230 -UN-28DEC09

21-	20
14-	58
17-	60
18-	62
20-	64



NP22230

75-9

80' BOOM

KEY	PART NO.	PART NAME	QTY.	SERIAL NO.	REMARKS
1	AN305362	HYDRAULIC HOSE - FABRICATE	4		
2	14M7591	LOCK NUT	1	M8	
3	H135156	CLAMP	2		
4	T77814	O-RING	4		
5	38H1159	ADAPTER FITTING	4		
6	R26448	O-RING	4		
7	19M9841	SCREW	1	M8 X 50	

75-19

80' BOOM

KEY	PART NO.	PART NAME	QTY.	SERIAL NO.	REMARKS
1	PMM200150BRA	ELBOW FITTING	1		
2	AN304847	CLAMP	6		
3	PMM200125BRD	ELBOW FITTING	2		
4	PM150G	GASKET	6	(A)	
	PM150GV	GASKET	6	(B)	
5	AN304845	CLAMP	4		
6	PMM100G	GASKET	4	(A)	
	PMM100GV	GASKET	4	(B)	
7	PMM100075BRB	FITTING	1		
8	AN304357	BRACKET	1		
9	N316355	FITTING	1		
10	PMM100075BRC	ELBOW FITTING	2		
11	N303176	U-BOLT	3		
12	N306774	LOCK NUT	6		
13	N207997	WASHER	6		
14	19M9844	SCREW	4		M10 X 20
15	14M7648	FLANGE NUT	5		M10
16	PMM200TEE	TEE FITTING	1		
17	PMM200PLG038	FITTING	1		
18	AN304846	CLAMP	1		
19	PMM220150BRB	FITTING	1		
20	AN205155	HOSE CLAMP	AR		
21	HOSE	1		2760 MM, (MAKE FROM TY27528)
22	AN205159	HOSE CLAMP	AR		
23	HOSE	1		441 MM, (MAKE FROM TY24414)
24	HOSE	1		2348 MM, (MAKE FROM TY25755)
25	HOSE	1		2259 MM, (MAKE FROM TY24414)
26	R46667	CLAMP	2		
27	03M7395	BOLT	2		M10 X 25
28	PMM200100CPG	FITTING	1		
29	AN205415	SUPPORT	1		
30	03M7396	BOLT	1		M10 X 35
31	HOSE	1		2522 MM, (MAKE FROM TY25755)
32	HOSE	1		1755 MM, (MAKE FROM TY24414)
33	PMM200CR	FITTING	1		

(A) EPDM
EPDM
EPDM

(A) VITON
VITON
VITON

CLICK HERE TO **DOWNLOAD** THE COMPLETE MANUAL

- Thank you very much for reading the preview of the manual.
- You can download the complete manual from: www.heydownloads.com by clicking the link below



- Please note: If there is no response to CLICKING the link, please download this PDF first and then click on it.

CLICK HERE TO **DOWNLOAD** THE COMPLETE MANUAL

75-29

80' BOOM

KEY	PART NO.	PART NAME	QTY.	SERIAL NO.	REMARKS
1	N315542	BRACKET	3		LH BOOM BRACKET
2	N207279	PIPE	1		
3	PMTEE100	TEE FITTING	1		
4	A52618	FITTING	2		
5	PMHB100-90	FITTING	1		
6	N207263	HALF CLAMP	6		
7	N207956	LOCK NUT	6		
8	N207997	WASHER	12		
9	N208013	CAP SCREW	6		
10	14M7722	LOCK NUT	3		M8
11	N207260	SPACER	2		
12	03M7465	BOLT	3		M8 X 55
13	N207448	PIPE	1		
14	N315123	ANGLE	3		

75-39

80' BOOM

KEY	PART NO.	PART NAME	QTY.	SERIAL NO.	REMARKS
1	A52618	FITTING	1		
2	N315871	BRACKET	2		RH BOOM BRACKET
	N315852	BRACKET	2		LH BOOM BRACKET
3	PMHB100-075	FITTING	1		
4	PMCPLG100	COUPLING	1		
5	N207260	SPACER	2		
6	N207263	HALF CLAMP	4		
7	N207956	LOCK NUT	4		
8	N207997	WASHER	8		
9	N208013	CAP SCREW	4		
10	N207280	PIPE	1		

75-49

80' BOOM

KEY	PART NO.	PART NAME	QTY.	SERIAL NO.	REMARKS
1	N207977	SCREW	4		
2	N207956	LOCK NUT	4		
3	19M9370	SCREW	8		M10 X 30
4	AN306239	FRAME	2		
5	JD7759	LUBRICATION FITTING	2		
6	14M7684	NUT	2		M16
7	19M10019	CAP SCREW	2		M16 X 40
8	N316541	HINGE	2		
9	N316539	BRACKET	2		
10	N317702	BUMPER	2		
11	AN305751	CRADLE	2		
12	19M9846	SCREW	6		M10 X 40
13	14M7648	FLANGE NUT	AR		M10
14	AN307127	CRADLE	1		LH
	AN307128	CRADLE	1		RH
15	19M9854	SCREW	1		M12 X 90
16	14M7644	LOCK NUT	1		M12
17	N239610	BRACKET	AR		

75-59

80' BOOM

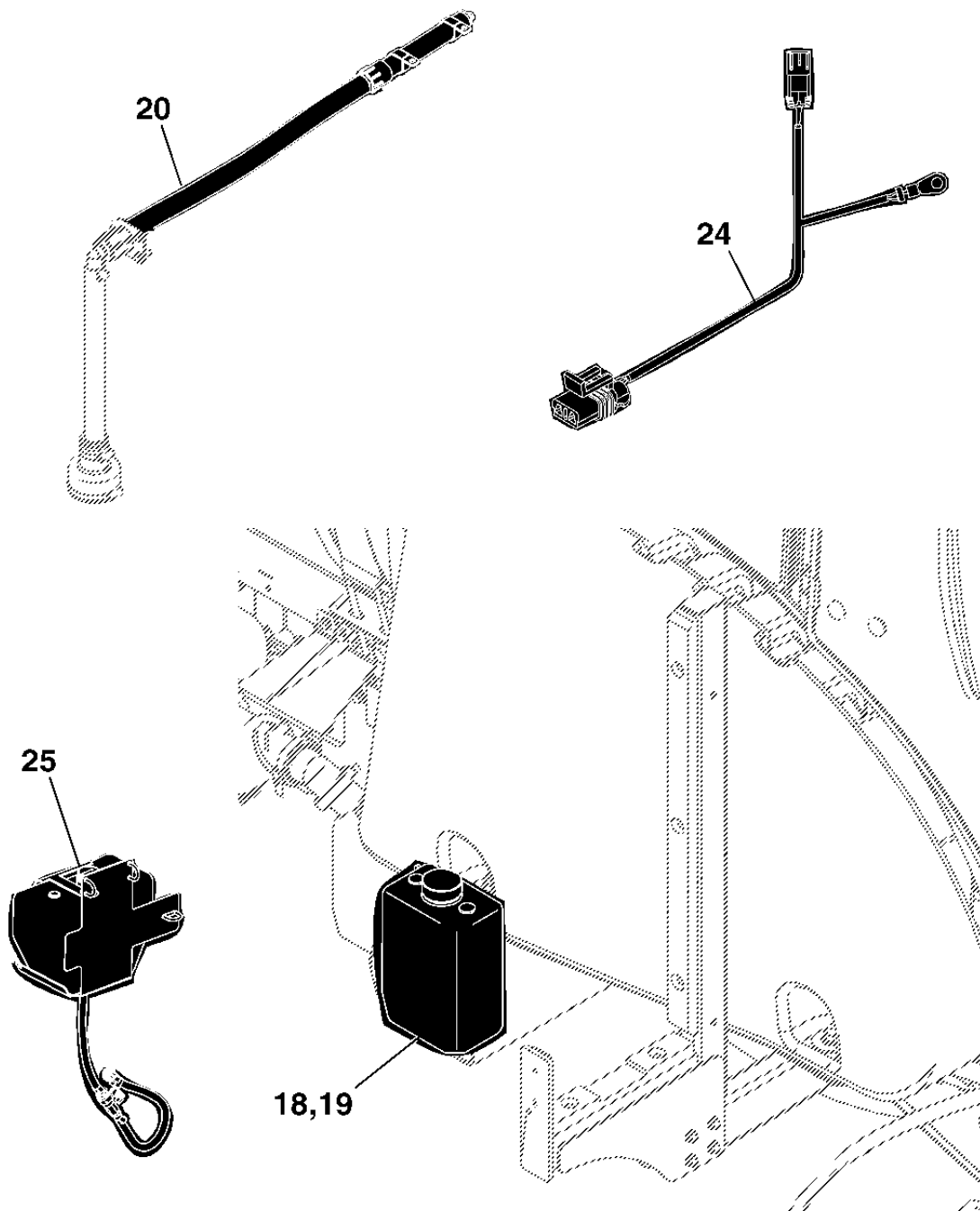
KEY	PART NO.	PART NAME	QTY.	SERIAL NO.	REMARKS
1	AN306968	FRAME	1		LH ILLUSTRATED
	AN306969	FRAME	1		RH
2	19M9934	CAP SCREW	2		M20 X 220
3	N315372	PIN	2		
4	19M9849	SCREW	2		M10 X 60
5	N208381	EXTENSION SPRING	2		
6	N207180	EYEBOLT	2		
7	14M7645	NUT	4		M10
8	AN305832	LINK CHAIN	2		
9	BELLCRANK	2		
10	14M7593	LOCK NUT	2		M10
11	JD7844	LUBRICATION FITTING	2		
12	40M7355	SNAP RING	4		
13	AN303633	ROLLER CHAIN	2		
	AN304080	CHAIN LINK	AR		
14	24M7547	WASHER	2		21 X 34 X 3 MM
15	N208004	LOCK NUT	2		
16	JD7759	LUBRICATION FITTING	2		
17	14M7644	LOCK NUT	1		M12
18	N304731	RING	2		
19	AN305989	EXTENSION	1		
20	PLATE	1		
21	19M9370	SCREW	4		M10 X 30
22	14M7648	FLANGE NUT	4		M10
23	19M9981	SCREW	2		M6 X 50
24	H115533	CLAMP	2		
25	24H1948	WASHER	2		9/32" X 5/8" X 0.065"
26	14M7592	LOCK NUT	2		M6
27	AN203830	SHOCK ABSORBER	1		
28	N316708	BUSHING	1		
29	19M10063	SCREW	1		M12 X 110

80-A03

SECTIONAL INDEX
INDICE DE GRUPO
INDICE DE GRUPOS

NP22243 -UN-28DEC09

19-	42
20-	44
24-	46
25-	52



NP22243

80-9

SOLUTION CONTROLS

KEY	PART NO.	PART NAME	QTY.	SERIAL NO.	REMARKS
1	PMM100075BRB	FITTING	1		
2	PMM100G	GASKET	4		(A)
	PMM100GV	GASKET	4		(B)
3	AN304845	CLAMP	4		
4	PMM100075BRC	ELBOW FITTING	2		
5	N316355	FITTING	1		
6	N303176	U-BOLT	4		
7	PMM200100CPG	FITTING	1		
8	AN304847	CLAMP	7		
9	N208245	O-RING	1		
10	N302012	O-RING	1		
11	PMM200TEE	TEE FITTING	1		
12	PMM200PLG038	FITTING	1		
13	PM150G	GASKET	6		(A)
	PM150GV	GASKET	6		(B)
14	PMM200125BRD	ELBOW FITTING	2		
15	N308799	FITTING	1		
16	PMM200150BRA	ELBOW FITTING	1		
17	AN304357	BRACKET	1		
18	N207997	WASHER	8		
19	14M7648	FLANGE NUT	4		M10
20	N306774	LOCK NUT	8		
21	19M9844	SCREW	4		M10 X 20
22	N306463	SPACER	2		

(A) EPDM
EPDM
EPDM

(B) VITON
VITON
VITON

80-19

SOLUTION CONTROLS

KEY	PART NO.	PART NAME	QTY.	SERIAL NO.	REMARKS
1	PMMVSF220FP	HAND OPERATED VALVE	1		
2	PM200-G	GASKET	13	(A)	
	PM200GV	GASKET	13	(B)	
3	AN304847	CLAMP	13		
4	PMM220CPG45	ELBOW FITTING	2		
5	AN304848	CLAMP	1		
6	PMM300220CPG	FITTING	1		
7	PMM220TEE	TEE FITTING	1		
8	PMM220CPG90	ELBOW FITTING	1		
9	PMMV220CF	HAND OPERATED VALVE	2		
10	PMM220BRB	HOSE FITTING	4		
11	AN209544	HOSE CLAMP	4		
12	HOSE	1		23.5", (MAKE FROM TY27526)
13	PMM220MPT	ADAPTER FITTING	1		
14	N309921	BRACKET	1		
15	N304949	TEE FITTING	1		
16	HOSE	1		39", (MAKE FROM TY27526)
17	PMM220CPG	COUPLING	2		
18	PMMV220BL	HAND OPERATED VALVE	1		
19	PM220150BRB9	HOSE FITTING	1		
20	AN209543	HOSE CLAMP	2		
21	HOSE	1		37.25", (MAKE FROM TY25756)
22	PMM200150BRA	ELBOW FITTING	1		
23	AN206760	HAND OPERATED VALVE	1		
24	N312038	BRACKET	1		
25	24H1950	WASHER	4		11/32" X 11/16" X 0.065"
26	N310332	LOCK NUT	4		
27	PMM220BRB45	HOSE FITTING	1		
28	AA46890	FITTING	1		
29	AN161286	LINK CHAIN	1		
30	19M7867	SCREW	1	M8 X 25	
31	14M7396	LOCK NUT	1	M8	
32	PMVS25153	HANDLE	1		
33	19M9845	SCREW	2	M10 X 25	
34	14M7648	FLANGE NUT	2	M10	
35	N310455	U-BOLT	2		
36	PMV20163	O-RING	1		
37	PSHFQ4020	NOZZLE	1		
38	PMLSQ200-RV	O-RING	1	(B)	
	PMLSQ200R	O-RING	1	(A)	
39	PMMLS220C1	BOWL	1		
40	PMMLS220G	GASKET	1	(A)	
	PMMLS220G1V	GASKET	1	(B)	
41	PMMLS220R1	NUT	1		
42	PMLST204SS	STRAINER	1		4 MESH
	PMLST206SS	STRAINER	1		6 MESH
	PMLST208SS	STRAINER	1		8 MESH
	PMLST210SS	STRAINER	1		10 MESH
	PMLST216SS	STRAINER	1		16 MESH
	PMLST230SS	STRAINER	1		30 MESH
	N303557	STRAINER	1		50 MESH
	N311241	STRAINER	1		80 MESH
	PMLST2100SS	STRAINER	1		100 MESH
43	AN302178	STRAINER	1		

(A) EPDM
EPDM
EPDM

(B) VITON
VITON
VITON

80-29

SOLUTION CONTROLS

KEY	PART NO.	PART NAME	QTY.	SERIAL NO.	REMARKS
1	14M7590	FLANGE NUT	4		M16
2	24H1954	WASHER	8		21/32" X 2-3/4" X 0.180"
3	N316150	SPACER	4		
4	N316117	BRACKET	1		
5	19M9403	SCREW	4		M16 X 90
6	19M9370	SCREW	1		M10 X 30
7	N205452	CLAMP	1		
8	14M7593	LOCK NUT	1		M10
9	AN304597	SUPPORT	1		
10	19M9982	SCREW	3		M16 X 40
11	14M7679	LOCK NUT	3		M16

80-39

SOLUTION CONTROLS

KEY	PART NO.	PART NAME	QTY.	SERIAL NO.	REMARKS
1	AN205149	HOSE FITTING	1		
2	AN204609	HOSE FITTING	5		
3	AN305514	FILTER	2		
	N317857	FILTER ELEMENT	1		
4	N317063	LABEL	1		FOAMER OUTPUT
5	N317840	GROMMET	4		
6	N318019	SCREW	4		
7	N318021	BOLT	4		
8	N318022	WASHER	4		
9	AN305010	HOUSING	1		
10	N318027	BOLT	7		
11	N317827	SPACER	1		
12	AN305520	CHECK VALVE	1		
13	TY22462	CLAMP	AR		
14	HOSE	1		16.1", (MAKE FROM PMK5080-04)
15	N317837	TEE FITTING	1		
16	HOSE	1		9.8", (MAKE FROM PMK5080-04)
17	N317846	FITTING	1		
18	AN305505	VALVE	1		
19	N317842	ADAPTER FITTING	1		
20	AN305498	PUMP	1		
21	N318023	NUT	4		
22	N317848	ELBOW FITTING	1		
23	N317880	ELBOW FITTING	1		
24	AN305491	SOLENOID VALVE COIL	2		
25	HOSE	1		5.9", (MAKE FROM PMK5080-06)
26	AN305525	FILTER	1		
27	N317879	ELBOW FITTING	1		
28	AN305548	CHECK VALVE	1		
29	HOSE	1		3.9", (MAKE FROM PMK5080-04)
30	N318276	TEE FITTING	1		
31	N317865	ELBOW FITTING	1		
32	AN306732	VALVE	2		
33	HOSE	1		2.5", (MAKE FROM PMK5080-04)
34	HOSE	1		5.5", (MAKE FROM PMK5080-04)
35	AN305519	CHECK VALVE	2		
36	N319961	FITTING	2		
37	AN304806	BASIC CONTROL UNIT	1		INCLUDES AN305671 HARNESS
38	AN305522	COMPRESSOR	1		
39	N317029	LABEL	1		
40	N319976	LABEL	1		
41	N317295	HOUSING	1		
42	N317843	WING SCREW	2		
43	N319262	FILTER ELEMENT	1		
44	N317866	FILTER ELEMENT	1		
45	57M7306	ELEC.CONNECT LOCKING DEVICE	1		
	57M9216	ELEC. CONNECTOR SEAL	1		
	57M7285	ELEC. CONNECTOR TERMINAL	1		
	57M7304	ELECTRICAL CONNECTOR ASSY	1		
46	H80305	GROMMET	1		

80-49

SOLUTION CONTROLS

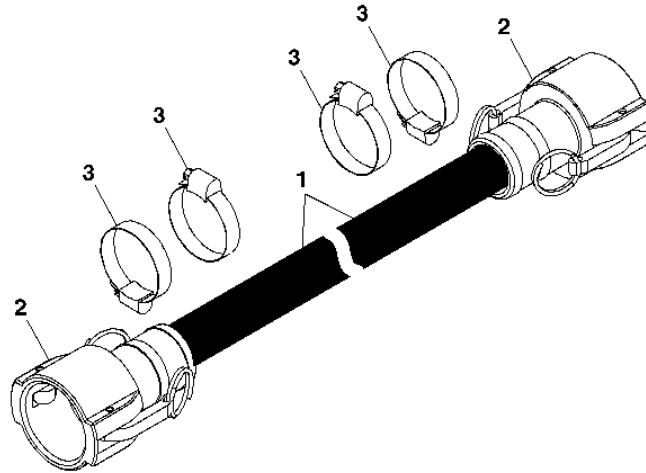
KEY	PART NO.	PART NAME	QTY.	SERIAL NO.	REMARKS
1	57M7840	ELEC. CONNECTOR TERMINAL	1		
	57M7469	ELECTRICAL CONNECTOR ASSY	1		
	R104846	ELEC. CONNECTOR TERMINAL	1		
	57M7258	ELEC. CONNECTOR SEAL	1		
2	AN304097	ACTUATOR	1		
3	AN205155	HOSE CLAMP	2		
4	N207709	HOSE FITTING	1		
5	AN205159	HOSE CLAMP	2		
6	HOSE	2		8.3", (MAKE FROM TY24414)
7	PMHB075-90	FITTING	1		
8	N208343	O-RING	4		
9	AN205419	HOSE FITTING	2		
10	N308996	PIN	1		
11	N209804	FITTING	1		
12	N302012	O-RING	1		
13	N208245	O-RING	1		
14	AA46330	CLAMP	1		
15	AN208603	VALVE	1		
16	N207966	SCREW	1		
17	N309660	LOCK NUT	4		
18	AN206200	TOGGLE/ROCKER SWITCH	1		
19	14M7649	FLANGE NUT	1	M8	
20	N207710	HOSE FITTING	1		
21	AN205158	HOSE CLAMP	1		
22	14M7593	LOCK NUT	2	M10	
23	N191985	CLIP	2		
24	03M7396	BOLT	2	M10 X 35	
25	HOSE	1		178.6", (MAKE FROM TY24411)
26	14M7592	LOCK NUT	2	M6	
27	H115533	CLAMP	2		
28	24H1948	WASHER	2	9/32" X 5/8" X 0.065"	
29	19M9981	SCREW	2	M6 X 50	
30	PMHB-025/038	FITTING	1		
31	N205470	HOSE FITTING	1		
32	N198516	TIE BAND	1		
33	N309660	LOCK NUT	2		
34	N316052	BRACKET	1		

80-59

SOLUTION CONTROLS

FILL HOSE AND ATTACHMENTS (FOR RUSSIA)
MANGUEIRA DE ENCHIMENTO E ACESSORIOS (PARA RUSSIA)
MANGUERA DE LLENADO Y ACCESORIOS (PARA RUSIA)

NP22825 -UN-28JUL10



NP22825

KEY	PART NO.	PART NAME	QTY.	SERIAL NO.	REMARKS
1	HOSE	1		355"(MAKE FROM PM390SD200)
2	PM200C	CAM	2		
3	TY22485	HOSE CLAMP	4		

90-3

OPERATOR'S PLATFORM AND CAB

KEY	PART NO.	PART NAME	QTY.	SERIAL NO.	REMARKS
1	19M9843	SCREW	4		M8 X 90
2	L115093	SPRING PIN	2		
3	AL176858	COMPRESSOR	1		
4	AL180760	REFRIGERANT HOSE	1		
5	AN306516	LINE	1		
6	R10093	O-RING	1		
7	R113050	O-RING	2		
8	R33259	O-RING	1		
9	19M9821	CAP SCREW	3		M8 X 20
10	AH76882	CLIP	2		
11	24M7522	WASHER	3		8.400 X 16 X 1.600 MM
12	AN304346	LINE	1		
13	AL173762	RETAINER	1		
14	19M9405	SCREW	2		M8 X 16
15	AH78125	CLIP	1		
16	19M7833	SCREW	3		M6 X 35
17	L110815	CLAMP	6		
18	N318508	LINE	1		RETURN
19	L173723	RADIATOR HOSE	1		
20	N318509	LINE	1		SUPPLY
21	L155789	HOSE	1		
22	AL116423	FITTING	1		
23	L155376	FITTING	1		
24	51M7043	O-RING	2		15.300 X 2.200 MM
25	AN205158	HOSE CLAMP	6		
26	19M9840	SCREW	1		M8 X 40
27	AN304349	SUPPORT	1		
28	28H3423	BUSHING	1		0.364" X 0.540" X 7/8"
29	T143169	O-RING	1		
30	14M7592	LOCK NUT	1		M6
31	14M7649	FLANGE NUT	1		M8
32	19M9837	SCREW	3		M8 X 25
33	N319365	BRACKET	1		
34	AH77724	CLIP	1		
35	T27550	CLIP	1		
36	R50454	CLAMP	1		
37	M84971	NUT	1		

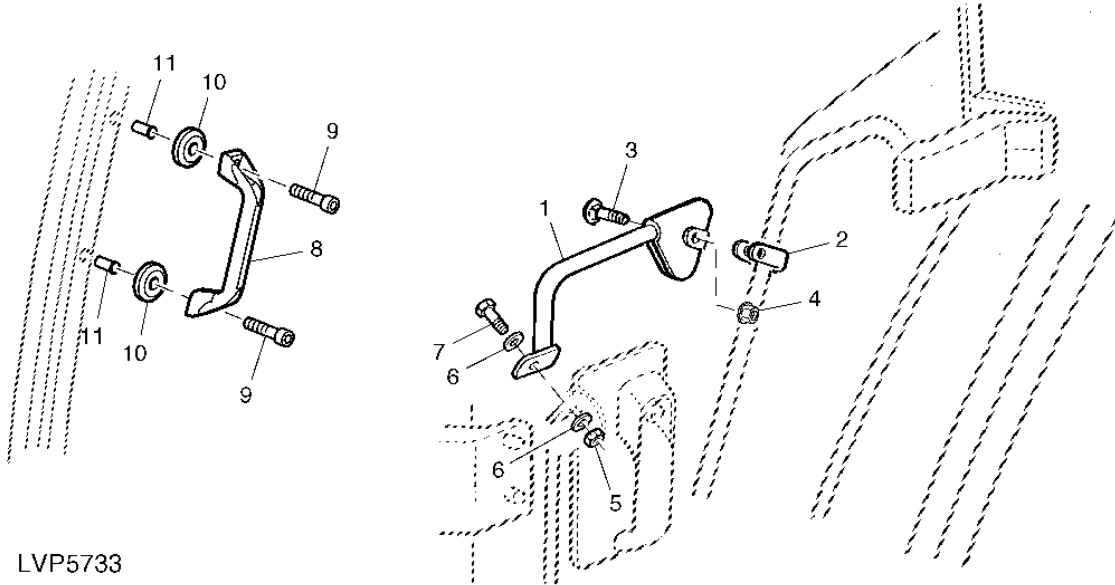
90-13

OPERATOR'S PLATFORM AND CAB

KEY	PART NO.	PART NAME	QTY.	SERIAL NO.	REMARKS
1	M115279	PLUG	4		
2	AN206471	LABEL KIT	1		
3	RE151332	CUSHION	1		
4	N308293	LABEL	1		
5	AN206894	TOGGLE/ROCKER SWITCH	1		
6	R126355	SCREW	2		
7	N303546	COVER	1		
8	AR27940	LINK CHAIN	1		
9	37M7181	SCREW	2		
10	R177553	HOUSING	1		
11	H123995	SCREW	3		
12	R124859	SCREW	1		
13	R117569	SCREW	1		
14	37M7061	SCREW	1		M5 X 20
15	AN202221	TOGGLE/ROCKER SWITCH	1		
16	37M7349	SCREW	2		
17	R115850	SCREW	3		
18	RE178960	LABEL KIT	1		ARMREST BACKLIGHTING
19	AN206200	TOGGLE/ROCKER SWITCH	1		
20	R166261	COVER	3		
21	AN206202	TOGGLE/ROCKER SWITCH	1		
22	R162125	COVER	1		

INSTRUCTIONAL SEAT HANDLES
ALAVANCAS DO ASSENTO DE TREINAMENTO
ASAS DE ASIENTO DE APRENDIZ

LVP5733 -UN-25AUG04



LVP5733

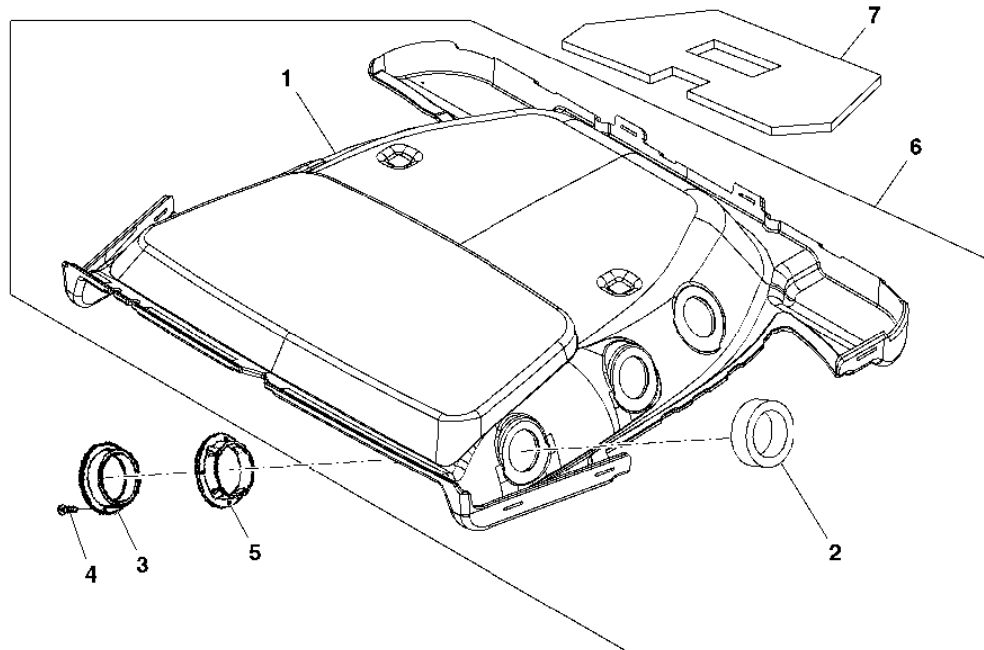
KEY	PART NO.	PART NAME	QTY.	TRACTOR SERIAL NO.	REMARKS
1	AL166235	HANDLE	1		
2	L79430	CLAMP	1		
3	19M9113	SCREW	2	M6 X 35	
4	14M7439	FLANGE NUT	1	M6	
5	14M7165	LOCK NUT	1	M6	
6	24M7251	WASHER	2	6.400 X 18 X 1.600 MM	
7	19M7560	CAP SCREW	1	M6 X 16	
8	L57250	HANDLE	1		
9	19M8505	SCREW	2	M6 X 25	
10	L57824	WASHER	2		
11	R182137	NUT	2		
..	LVB25717	FIELD INSTALLATION KIT	1	(A)	

(A) COMPLETE GOODS (INCLUDES SAFETY LABELS, SAFETY BELT, HANDLE)

90-33

OPERATOR'S PLATFORM AND CAB

HEADLINER
ANTEPARO
GUARNICION DE TECHO
 NP22018 -UN-12NOV09



NP22018

KEY	PART NO.	PART NAME	QTY.	SERIAL NO.	REMARKS
1	HEADLINER	1		
2	R191725	ISOLATOR	4		
3	RE209204	LOUVER	4		
4	R221188	SCREW	AR		
5	R235196	LOUVER	4		
6	RE213271	HEADLINER	1		
7	R190831	PAD	1		

90-43

OPERATOR'S PLATFORM AND CAB

KEY	PART NO.	PART NAME	QTY.	CAB SERIAL NO.	REMARKS
1	L113440	ANGLE	1		
2	AL113176	LOCK	1		
3	L113436	PLATE	1		
4	L113438	HOOD	1		
5	R74402	STOP	1		
6	L113717	BAIL	1		
7	L113718	LOCK PLATE	1		
8	03M7192	BOLT	1		M10 X 30
9	L102588	SCREW	3		
10	24M7178	WASHER	AR		10.500 X 30 X 2.500 MM
11	21M7310	SCREW	1		M6 X 25
12	24M7054	WASHER	1		6.400 X 12 X 1.600 MM
13	14M7166	LOCK NUT	2		M8
14	24M7055	WASHER	2		8.400 X 16 X 1.600 MM
15	L78691	BUSHING	1		
16	L78690	BUSHING	1		
17	L113908	SEALING WASHER	2		
18	L113907	SEALING WASHER	1		
19	AL113174	HANDLE	1		
20	L79432	NUT	1		
21	L79433	WASHER	1		
22	19M7574	SCREW	2		M8 X 40

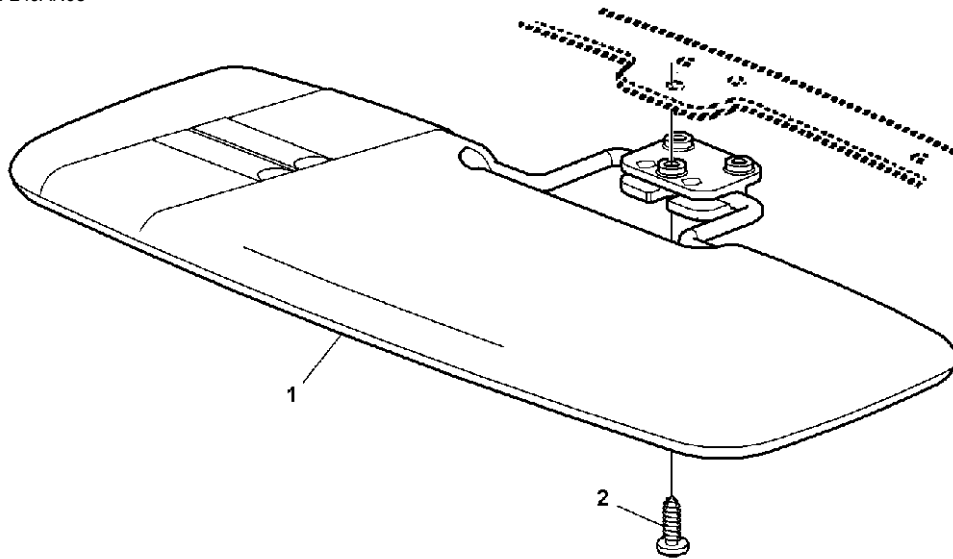
90-53

OPERATOR'S PLATFORM AND CAB

SUN VISOR
QUEBRA-SOL
PARASOL

PUWZ000066

-UN-24JAN08



PUWZ000066

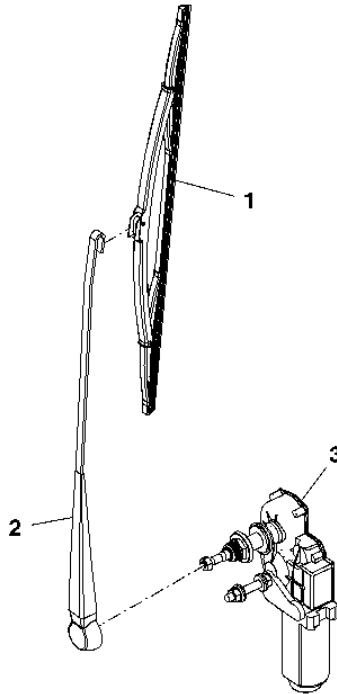
KEY	PART NO.	PART NAME	QTY.	CAB SERIAL NO.	REMARKS
1	AL157620	VISOR	1		
2	37M7258	SCREW	3	M6 X 25	

90-63

OPERATOR'S PLATFORM AND CAB

FRONT WINDSHIELD WIPER (CAB)
LIMPADOR DE PARABRISAS (CABINE)
LIMPIAPARABRISAS FRONTAL (CABINA)

NP21982 -UN-09NOV09



NP21982

KEY	PART NO.	PART NAME	QTY.	SERIAL NO.	REMARKS
1	AL153660	WIPER BLADE	1		
2	RE72767	WIPER ARM	1		
3	RE287333	WIPER MOTOR	1		

93-7

AUTOTRAC

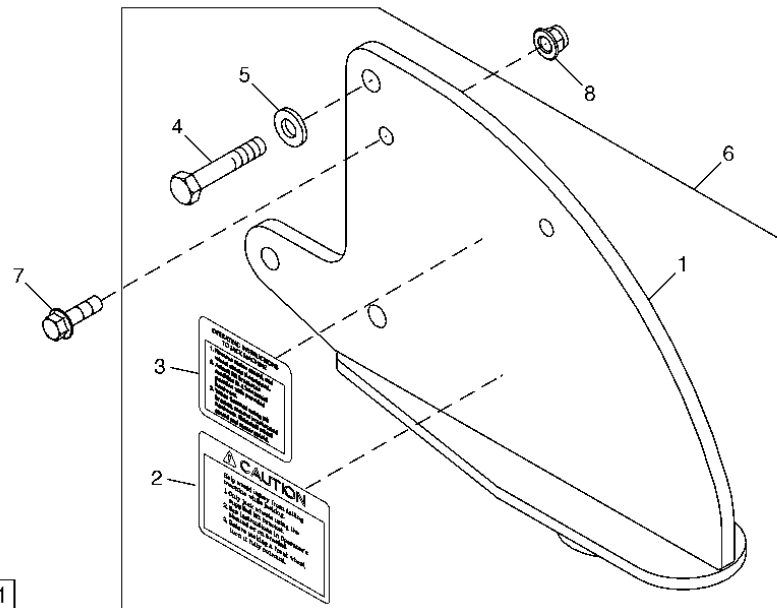
KEY	PART NO.	PART NAME	QTY.	SERIAL NO.	REMARKS
1	SJ292980	WIRING HARNESS	1		
2	ELECTRICAL CONNECTOR ASSY	1		CAB HARNESS
3	ELECTRICAL CONNECTOR ASSY	1		CAB HARNESS
4	ELEC. CONNECTOR HOUSING	1		SSU J1
5	ELEC. CONNECTOR HOUSING	1		SSU J2
6	ELEC. CONNECTOR HOUSING	1		SSU J3

100-5

MAIN FRAME AND CHASSIS

JACKSTAND LIFT BRACKET
SUPORE DE ELEVACAO DO MACACO
ESCUADRA DE ELEVACION DE PEDESTAL REGULABLE

NP18771 -UN-05MAY09



NP18771

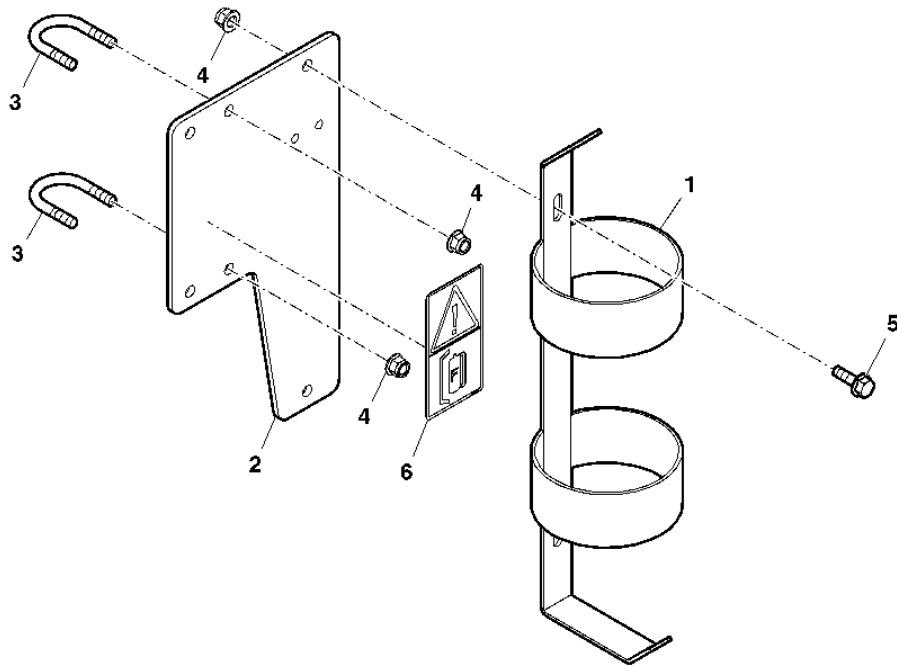
KEY	PART NO.	PART NAME	QTY.	SERIAL NO.	REMARKS
1	BRACKET	1		
2	N209455	LABEL	1		
3	N209859	LABEL	1		
4	19M9996	CAP SCREW	3		M16 X 50
5	24M7521	WASHER	3		17 X 30 X 3 MM
6	AN304128	BRACKET	1		
7	19M9985	SCREW	2		M12 X 40
8	14M7644	LOCK NUT	2		M12

100-15

MAIN FRAME AND CHASSIS

FIRE EXTINGUISHER BRACKET (EXPORT)
BRACADEIRA DO EXTINTOR DE INCENDIO (EXPORTACAO)
EXTINTOR DE INCENDIO SOPORTE (EXPORTACION)

NP22597 -UN-25MAY10



NP22597

KEY	PART NO.	PART NAME	QTY.	SERIAL NO.	REMARKS
1	AZ100238	SUPPORT	1		
2	N400298	PLATE	1		
3	N312883	U-BOLT	2		
4	14M7591	LOCK NUT	3		M8
5	19M9837	SCREW	1		M8 X 25
6	Z63298	LABEL	1		

100-25

MAIN FRAME AND CHASSIS

KEY	PART NO.	PART NAME	QTY.	SERIAL NO.	REMARKS
1	14M7592	LOCK NUT	AR		
2	24M7251	WASHER	2		M6
3	N319883	ANGLE	1		6.400 X 18 X 1.600 MM
4	19M9404	SCREW	2		M6 X 20
5	14M7272	NUT	2		M6
6	M116256	BALL JOINT	2		
7	ROD	1		
8	AN306731	ROD	1		(B)
	AN306680	ROD	1		(A)
9	AN303331	CHECK VALVE	1		
10	N303869	MUFFLER	1		
11	NUT	1		
12	WASHER	1		
13	N319884	BRACKET	1		
14	AN302201	CONTROL VALVE	1		
	AN400944	BRACKET KIT	1		
15	AN306678	CONTROL VALVE	1		(A)
	AN306679	CONTROL VALVE	1		(B)
16	AH80916	CLIP	1		
17	19M9404	SCREW	1		
18	AN303780	HOSE FITTING	1		
19	CONDUIT	1		300MM, (MAKE FROM TY26184 OR TY26185)
20	AN305204	HOSE FITTING	1		
21	N319236	BRACKET	1		(A)
	N319237	BRACKET	1		(B)
22	AN303729	HOSE FITTING	1		
23	TUBE	1		400MM, (MAKE FROM TY25741)

(A) LH
ESQUERDO
IZQUIERDO

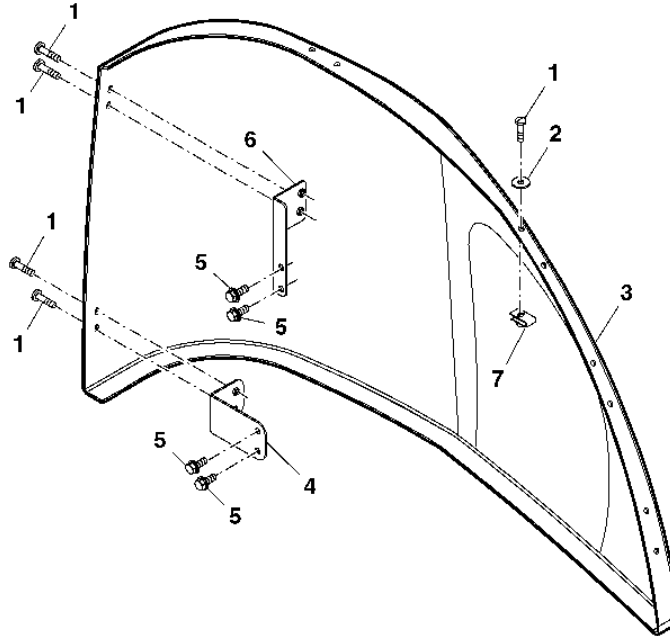
(B) RH
DIREITO
DERECHO

100-35

MAIN FRAME AND CHASSIS

CAB FENDER WELL COVER
TAMPA DO PARA-LAMA DA CABINE
CUBIERTA DE CAVIDAD DE GUARDABARROS EN CABINA

NP22102 -UN-30NOV09



NP22102

KEY	PART NO.	PART NAME	QTY.	SERIAL NO.	REMARKS
1	21M7310	SCREW	12		M6 X 25
2	24M7463	WASHER	12		6.400 X 18 X 1.600 MM
3	N315092	PANEL	1		
4	AN304004	BRACKET	1		
5	19M9836	SCREW	4		M8 X 20
6	AN304003	BRACKET	1		
7	R135870	NUT	8		

100-45

MAIN FRAME AND CHASSIS

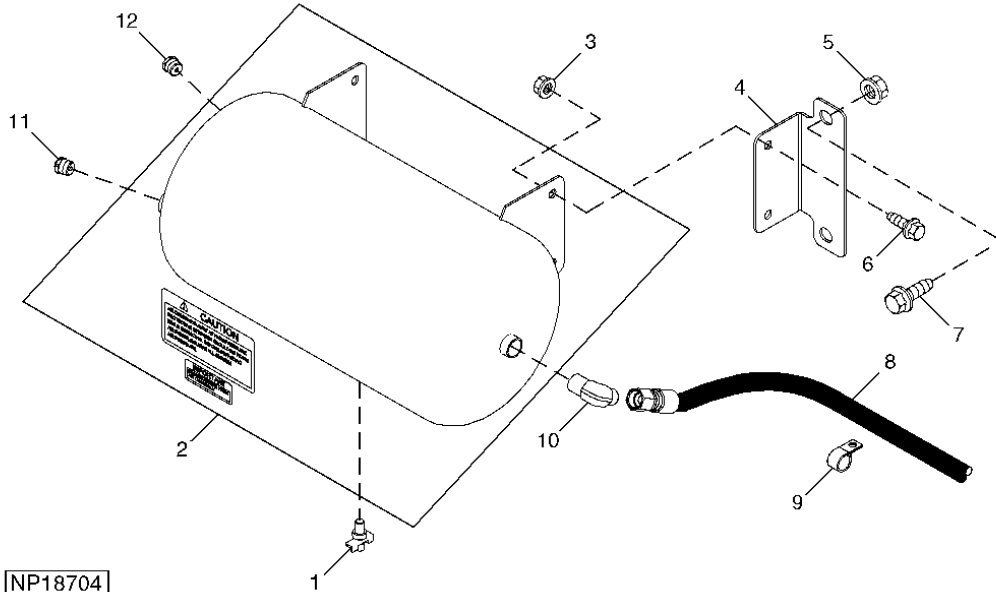
KEY	PART NO.	PART NAME	QTY.	SERIAL NO.	REMARKS
1	AN305085	SHIELD	1		FRONT
2	24M7463	WASHER	6		6.400 X 18 X 1.600 MM
3	19M9845	SCREW	20		M10 X 25
4	19M9839	SCREW	4		M8 X 35
5	AN305087	SHIELD	1		MIDDLE
6	19M9819	CAP SCREW	1		M6 X 40
7	14M7721	LOCK NUT	4		M6
8	14M7648	FLANGE NUT	20		M10
9	B13403	HOOK	6		
10	N221252	STRAP	6		
11	N304259	BRACKET	4		
12	N310717	PIN FASTENER	8		
13	N310718	SPRING LOCKING PIN	8		
14	N317066	BRACKET	1		LH
	N317067	BRACKET	1		RH
15	14M7592	LOCK NUT	6		M6
16	N317073	BRACKET	4		
17	N317074	BRACKET	2		
18A	N317491	BRACKET	2		(SUB N400082)
18B	N400082	BRACKET	2		
19	N317492	BRACKET	2		
20	N317494	BRACKET	2		
21	N317539	SHIELD	2		FLEXIBLE RUBBER
22	N317554	ISOLATOR	4		
23	N318472	ISOLATOR	4		
24	N318473	BRACKET	2		
25	N319776	SHIELD	3		
26	N319777	SHIELD	1		
27	03M7413	BOLT	28		M8 X 25
28	03M7467	BOLT	4		M6 X 16
29	14M7591	LOCK NUT	32		M8
30	N317401	RIVET	AR		

105-1

COMPRESSED AIR

AIR TANK
TANQUE DE AR
DEPOSITO DE AIRE

NP18704 -UN-04MAY09



NP18704

KEY	PART NO.	PART NAME	QTY.	SERIAL NO.	REMARKS
1	AT13740	DRAIN VALVE	1		
2	AN305155	RESERVOIR	1		
3	14M7648	FLANGE NUT	4	M10	
4	N314245	ANGLE	2		
5	14M7590	FLANGE NUT	4	M16	
6	19M9845	SCREW	4	M10 X 25	
7	19M9790	SCREW	4	M16 X 35	
8	AN303678	HYDRAULIC HOSE - FABRICATE	1		
9	AH78237	CLAMP	2		
10	H33925	ELBOW FITTING	1		
11	AN305151	HOSE FITTING	1		
12	AN303710	HOSE FITTING	1		

110-5

DECALS

KEY	PART NO.	PART NAME	QTY.	SERIAL NO.	REMARKS
1	N206004	LABEL	1	(A)	
	N206097	LABEL	1	(B)	
	N208408	LABEL	1	(C)	
2	N317231	LABEL	1	(A)	
	N317656	LABEL	1	(B)	
	N317657	LABEL	1	(C)	
3	N304228	LABEL	1	(A)	
	N304239	LABEL	1	(B)	
	N304240	LABEL	1	(C)	
4	N305574	LABEL	1	(A)	
	N305575	LABEL	1	(B)	
	N305576	LABEL	1	(C)	
5	N318251	LABEL	1	(A)	
	N318264	LABEL	1	(B)	
	N318265	LABEL	1	(C)	
6	N316384	LABEL	1	(A)	
7	N316385	LABEL	1	(A)	
8	N319709	LABEL	1	(A)	
	N319711	LABEL	1	(B)	
	N319710	LABEL	1	(C)	
9	N317029	LABEL	1	(A)	
10	N319355	LABEL	1	(A)	
	N319357	LABEL	1	(B)	
	N319356	LABEL	1	(C)	
11	N319588	LABEL	1		SIGHT GAGE

(A) ENGLISH
INGLES
INGLES

(B) SPANISH
ESPANHOL
ESPANOL

(C) FRENCH
FRANCES
FRANCES

110-15

DECALS

KEY	PART NO.	PART NAME	QTY.	SERIAL NO.	REMARKS
1	N313600	LABEL	1		CLEAN WATER WASTE TANK
2	N313958	LABEL	1		SOLUTION FLOW
3	N313959	LABEL	1		SUSPENSION LUBRICATION
4	N313594	LABEL	1		EXHAUST HEAT WARNING
5	N315860	LABEL	1		HORIZONTAL CRUSHING
6	N313599	LABEL	1		JACKING CAUTION
7	L64995	LABEL	1		TIP WARNING
8	N313602	LABEL	1		EXPOSURE CAUTION
9	M150678	LABEL	1		HOT SURFACE (EXPORT)
10	N317498	LABEL	1		CAUTION CRUSHING

120-5

4630 SPRAYER

NUMERICAL INDEX - CONTINUED

PART NO.	KEY	PAGE	PART NO.	KEY	PAGE	PART NO.	KEY	PAGE
AN372268	8	75-22	AZ43330	12	75-3	H118400	2	75-6
AN372383	20	70-7	AZ46922	1	40-37	H118400	15	100-4
AN373155	4	50-18	AZ46924	3	40-37	H120847	16	50-38
AN400112	7	75-57	AZ47247	20	40-5	H120847	2	60-3
AN400113	4	50-5	AZ47247	20	40-7	H121168	18	50-38
AN400114	3	50-5	AZ51566	17	40-23	H121168	1	60-3
AN400163	32	70-27	AZ61795	11	90-49	H121168	22	70-13
AN400164	47	70-27	A21710	7	90-11	H122182	5	50-5
AN400188	4	40-10	A21710	6	90-52	H123995	11	90-13
AN400194	5	80-5	A21710	4	90-62	H127589	22	60-15
AN400203	13B	50-25	A364R	11	20-29	H131424	2	90-61
AN400204	13B	50-25	A4365R	10	75-22	H135155	46	70-27
AN400609	1	75-55	A4365R	8	93-5	H135156	21	70-13
AN400672	21	75-55	A52618	1	75-25	H135156	3	75-9
AN400673	21	75-55	A52618	1	75-27	H135156	3	75-11
AN400748	11	100-19	A52618	4	75-29	H135156	10	75-15
AN400837	42	75-3	A52618	4	75-31	H137328	4	90-19
AN400944	14	100-25	A52618	2	75-33	H138955	28	90-31
AN401065	5	75-55	A52618	2	75-35	H140462	43	100-13
AN401448	9B	40-3	A52618	1	75-37	H141706	16	75-13
AN401450	19B	40-3	A52618	1	75-39	H149095	8	110-3
AR21837	4	30-7	A52618	1	75-41	H150982	19	50-5
AR21837	6	80-31	A52618	1	75-43	H150982	33	50-21
AR27940	8	90-13	A73181	17	70-9	H150983	15	40-9
AR48015	23	90-11	A83602	4	110-19	H151673	10	110-17
AR65507	3	20-35	B13403	9	100-45	H152089	5	60-7
AT101565	21	70-3	B177R	7	60-9	H152203	6	75-4
AT116162	14	60-11	B3690R	5	60-11	H154937	12	90-61
AT124681	7	70-15	CB11484342	21	50-15	H170527	48	50-25
AT124681	10	75-3	CD16284	2	20-25	H170527	46	50-27
AT130104	9	40-15	CD16284	6	20-41	H174307	4	90-27
AT135964	6	70-7	C12865	17	100-49	H174307	3	90-28
AT13740	1	105-1	D2361R	19	20-31	H179753	1	75-5
AT170854	9	80-5	EPMRTFLX	4	40-37	H179754	4	70-16
AT173182	4	50-15	E55662	40	75-3	H179754	1	75-6
AT189390	4	100-14	E55716	2	70-21	H207250	1	110-13
AT189487	5	100-14	E55717	3	70-21	H207515	3	110-20
AT193500	4	90-51	E57805	5	70-21	H209379	8	90-47
AT195922	4	70-11	E62934	24	50-25	H230831	6	110-13
AT196760	1	75-11	E62934	51	50-27	H23125	3	20-3
AT209965	9	90-7	E62934	16	60-5	H25220	17	90-45
AT214565	23	75-3	E63526	25	80-27	H33925	10	105-1
AT214807	16	50-17	E63527	7	50-3	H62994	10	25-15
AT214824	17	50-9	E65248	18	70-21	H63245	2	50-17
AT214826	15	50-9	E65261	9	70-21	H75541	14	60-13
AT214853	10	50-11	E66413	13	50-13	H75541	19	75-13
AT214859	..	50-11	E66413	33	70-21	H77698	6	40-9
AT214860	8	50-11	E69117	2	70-3	H77698	24	40-23
AT214861	7	50-11	E73240	23	40-23	H77698	6	40-38
AT214874	10	50-17	E73240	6	40-28	H77698	7	80-6
AT216349	15	75-3	E82508	1	110-3	H77698	15	93-3
AT224873	18	70-9	E82510	1	110-3	H77698	16	93-5
AT25226	5	50-37	E82514	12	110-3	H77698	9	100-23
AT300859	4	70-23	E82865	12	110-3	H80305	46	80-39
AT301766	4	70-11	F437363	3	50-31	H84374	2	100-41
AT313586	7	50-17	F437363	15	50-33	H84374	3	100-43
AT314164	29	70-7	GDA10065	15	70-27	JD5920	8	40-5
AT330297	21	50-9	H112567	17	25-9	JD5922	7	40-5
AT338326	18	70-9	H112567	16	40-9	JD7759	5	75-49
AT338326	5	70-27	H112567	45	70-27	JD7759	1	75-51
AT349055	1	50-17	H114898	18	75-21	JD7759	15	75-53
AT349069	15	25-9	H114901	20	50-5	JD7759	15	75-55
AT40976	1	75-65	H114901	32	50-21	JD7759	6	75-57
AT78534	1	40-10	H115379	18	25-9	JD7759	16	75-59
AT81765	6	100-14	H115533	24	75-59	JD7759	14	75-63
AZ100238	1	100-15	H115533	27	80-49	JD7759	2	75-65
AZ34621	6	40-37	H118400	15	70-28	JD7760	6	50-35

120-15

4630 SPRAYER

NUMERICAL INDEX - CONTINUED

PART NO.	KEY	PAGE	PART NO.	KEY	PAGE	PART NO.	KEY	PAGE
R151099	23	50-17	R212941	14	90-21	R26448	12	60-3
R151103	9	50-15	R213298	4	90-39	R26448	8	60-7
R151799	10	100-7	R213298	14	90-49	R26448	2	60-13
R160971	16	90-61	R213301	1	90-55	R26448	23	60-13
R161080	19	90-61	R213302	6	90-47	R26448	30	60-15
R162125	22	90-13	R213358	8	40-3	R26448	24	70-7
R163510	12	30-7	R213936	24	60-11	R26448	4	70-9
R166261	20	90-13	R214102	5	90-11	R26448	11	70-11
R168723	2	90-22	R214103	6	90-11	R26448	16	70-13
R169906	2	100-17	R214494	4	90-25	R26448	12	70-27
R176175	12	40-3	R214676	9	90-55	R26448	16	70-28
R177553	10	90-13	R214827	8	90-27	R26448	4	75-5
R179273	9A	40-3	R214827	5	90-59	R26448	5	75-6
R179994	7	90-55	R214835	6	90-38	R26448	8	75-7
R180492	9	60-11	R216014	22	90-41	R26448	6	75-9
R180671	3	40-3	R216086	5	90-39	R26448	7	75-11
R182137	4	90-17	R216087	32	90-51	R26448	4	75-13
R182137	11	90-23	R216838	24	90-11	R26448	6	75-15
R183412	2	90-55	R216838	7	90-51	R26448	16	100-4
R184863	16	70-7	R216838	24	90-51	R264610	1	90-32
R185678	3	40-13	R216839	25	90-11	R26650	10	20-31
R186627	4	90-64	R218578	5	90-24	R267251	12	100-27
R190646	3	90-27	R221188	4	90-33	R267334	1	90-52
R190831	7	90-33	R224137	21	90-49	R267335	2	90-52
R191725	2	90-33	R224137	34	90-51	R267934	35	40-43
R193590	2	90-39	R224751	23	90-51	R26871	4	93-5
R193641	4	90-47	R225225	10	90-57	R268945	7	90-31
R193641	3	90-51	R228791	7	90-64	R26906	13	20-41
R193790	2	90-38	R231112	16	40-28	R26906	19	70-7
R195062	4	90-45	R232182	8	90-55	R269748	2	40-12
R196528	9	90-11	R233430	2	90-35	R271072	11	90-41
R196531	11	90-11	R233430	4	90-38	R27218	6	50-9
R196533	10	90-11	R233430	..	90-38	R27218	5	50-11
R198280	3	90-32	R234874	26	90-19	R273596	3	90-9
R198289	34	60-11	R235196	5	90-33	R274529	28	60-11
R198292	32	60-11	R235196	7	90-49	R274743	12	90-49
R198329	7	60-11	R239109	5	90-38	R275950	2	90-66
R198608	9	100-51	R241455	1	90-57	R280046	1	90-47
R198624	8	90-41	R242392	27	25-11	R282468	7	90-37
R198625	1	90-45	R242997	2	90-5	R285618	14	40-3
R199280	1	90-35	R243289	2	90-24	R28782	30	50-3
R199282	3	90-35	R244476	3	90-47	R28782	18	50-9
R199462	5	90-47	R248076	8	90-49	R28782	23	50-21
R201072	3	90-66	R252612	30	90-11	R28782	23	50-23
R201470	1	90-19	R252615	31	90-11	R28782	38	50-25
R201574	16	90-37	R260093	4	90-59	R28782	38	50-27
R201575	16	90-37	R260452	1	110-20	R28782	23	50-31
R201796	5	90-64	R260456	2	110-20	R28782	12	60-15
R202160	38	70-27	R26125	4	20-41	R28782	8	70-11
R202247	3	90-45	R262346	9	90-64	R28782	4	70-13
R203287	6	90-64	R26287	22	50-31	R28782	20	70-25
R203288	6	90-64	R263116	3	90-49	R28782	24	70-27
R203472	..	90-62	R263632	15	90-37	R28782	34	75-3
R204171	17	40-3	R263632	9	90-41	R28782	1	75-13
R204172	18	40-3	R263632	5	90-45	R28811	2	20-7
R205341	2	90-32	R263738	8	90-51	R29936	32	50-3
R206825	4	90-35	R26375	6	60-15	R29936	22	50-5
R206835	14	90-19	R26375	24	60-15	R29936	25	50-5
R207173	7	90-47	R26375	1	70-7	R29936	30	50-21
R208108	13	90-21	R26375	13	70-25	R29936	30	50-23
R208218	4	90-21	R26375	29	70-27	R29936	41	50-25
R208219	5	90-21	R26375	12	75-11	R29936	41	50-27
R208220	6	90-21	R26448	16	50-3	R29936	5	70-5
R208221	21	90-21	R26448	21	50-21	R29936	7	70-7
R208250	34	90-21	R26448	21	50-23	R30437	9	100-17
R209721	6	90-62	R26448	32	50-25	R30903	15	70-9
R212254	36	90-21	R26448	32	50-27	R33259	8	90-3

CLICK HERE TO **DOWNLOAD** THE COMPLETE MANUAL

- Thank you very much for reading the preview of the manual.
- You can download the complete manual from: www.heydownloads.com by clicking the link below



- Please note: If there is no response to CLICKING the link, please download this PDF first and then click on it.

CLICK HERE TO **DOWNLOAD** THE COMPLETE MANUAL