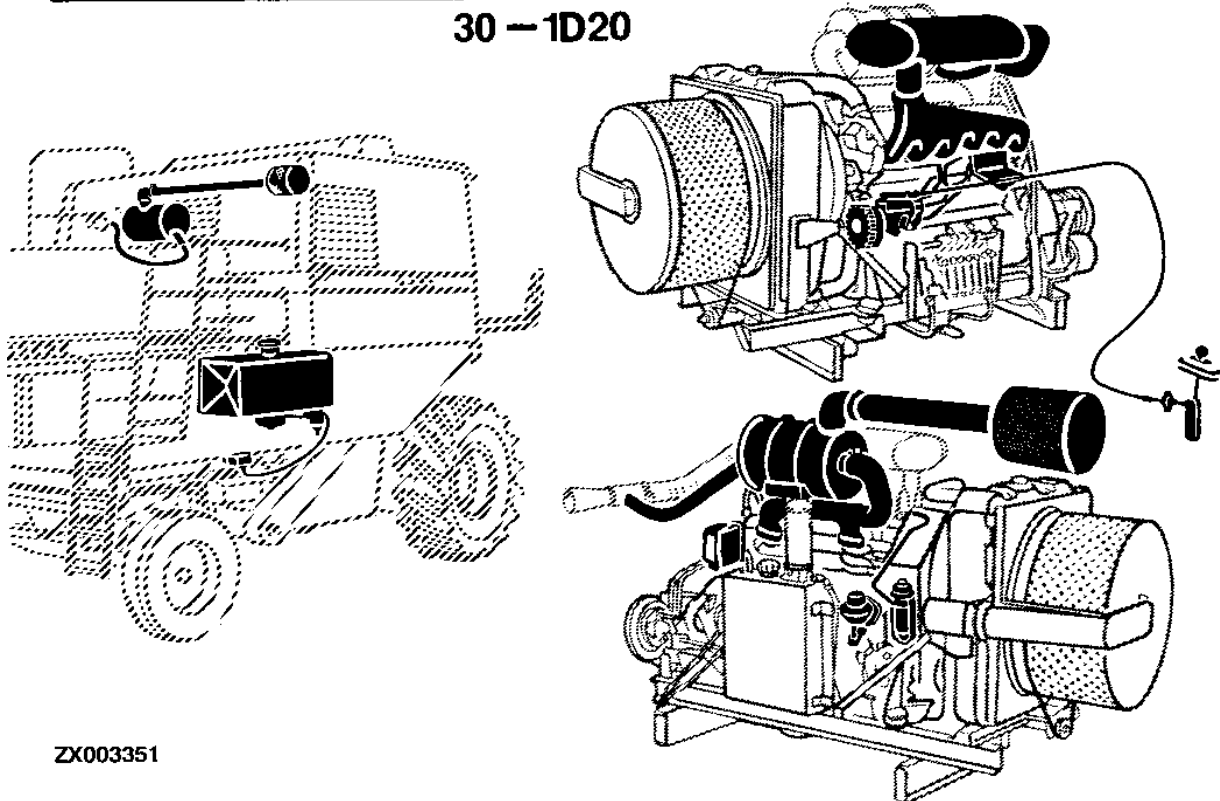
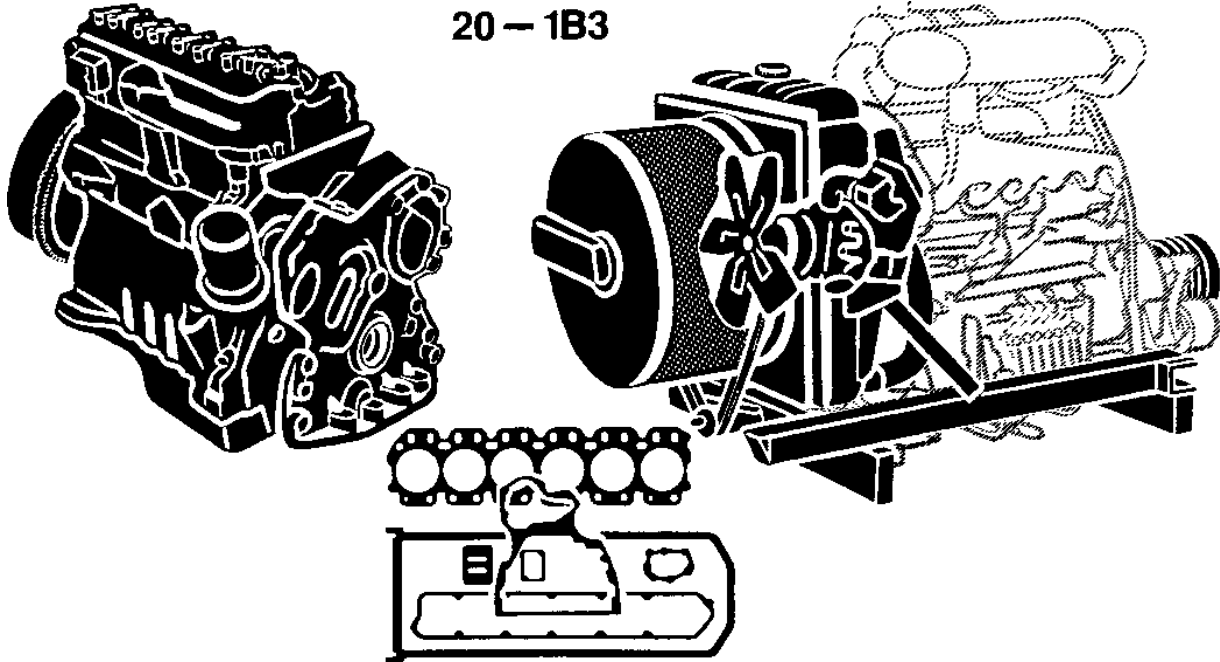


# 1A2

4435 AND 4435 HYDRO COMBINES

## PRIMARY PICTORIAL INDEX

ZX003351 -UN-01JAN94



ZX003351

CLICK HERE TO **DOWNLOAD** THE COMPLETE MANUAL

- Thank you very much for reading the preview of the manual.
- You can download the complete manual from: [www.heydownloads.com](http://www.heydownloads.com) by clicking the link below



- Please note: If there is no response to CLICKING the link, please download this PDF first and then click on it.

CLICK HERE TO **DOWNLOAD** THE COMPLETE MANUAL

# 1A12

4435 AND 4435 HYDRO COMBINES

## DIRECTION ARROW

ARROWS ARE USED WITH ILLUSTRATIONS TO INDICATE THE FRONT OF THE UNIT. "RIGHT-HAND" AND "LEFT-HAND" SIDES ARE DETERMINED BY FACING IN THE DIRECTION OF MACHINE FORWARD TRAVEL.

## BOX-ENCLOSED ILLUSTRATIONS

A KEY NUMBER, SHOWN IN THE PARTS LIST, IS ASSIGNED TO A BOX ENCLOSING ALL PARTS SOLD AS A SERVICE ASSEMBLY. A BOX NOT KEYED INCLUDES NON-CURRENT PARTS.

## KITS

KIT INFORMATION WILL BE FOUND IMMEDIATELY FOLLOWING THE STORY IN WHICH IT IS USED. THE ILLUSTRATION IS REPEATED WITH ONLY THE KIT PARTS CALLED OUT AND WITH ALL OTHER PARTS SHOWN IN PHANTOM FOR RELATIONSHIP.

## JDM REMANUFACTURED COMPONENTS

THE SERVICE PARTS LISTED IN THIS CATALOG ARE INTENDED FOR THE REPAIR OF ORIGINAL EQUIPMENT COMPONENTS. ALTHOUGH MOST SERVICE PARTS MAY BE USED TO REPAIR REMANUFACTURED COMPONENTS, THE REMANUFACTURED DESIGN MAY CHANGE PARTS SUFFICIENTLY SO THAT SERVICE PARTS ARE INADEQUATE OR NOT USABLE.

## BOLT AND CAP SCREW STRENGTH IDENTIFICATION

BOLTS AND CAP SCREWS REQUIRED TO HAVE HIGH-STRENGTH QUALITIES EQUIVALENT TO SAE GRADE 8 ARE IDENTIFIED THROUGHOUT THIS CATALOG BY THE DESCRIPTION HS SAE 8. ALL STANDARD BOLTS AND CAP SCREWS ARE SAE GRADE 5 OR LOWER.

## SI UNITS OF MEASURE

METRIC DIMENSIONS ARE GIVEN, WHERE APPLICABLE, THROUGHOUT THIS PARTS CATALOG.

## TRADEMARKS

THROUGHOUT THIS PARTS CATALOG, YOU WILL FIND THE FOLLOWING DEERE & COMPANY TRADEMARKS:

DIAL-A-MATIC™  
HARVESTRAK™  
POSI-TORQ™

TORQ-GARD SUPREME®  
QUIK-TATCH™

## CHANGE INDICATOR LINE (MICROFICHE CATALOGS ONLY)

CHANGES AFFECTING THE ORDERING OF PARTS ARE IDENTIFIED BY VERTICAL LINES MARKED IN THE LEFT-HAND MARGIN OF REVISED PARTS LISTING IMAGES. A LINE IS ALSO AT THE LEFT-HAND EDGE OF THE SAME PART NUMBER IN THE NUMERICAL INDEX TO SHOW THE LOCATION OF REVISED INFORMATION.

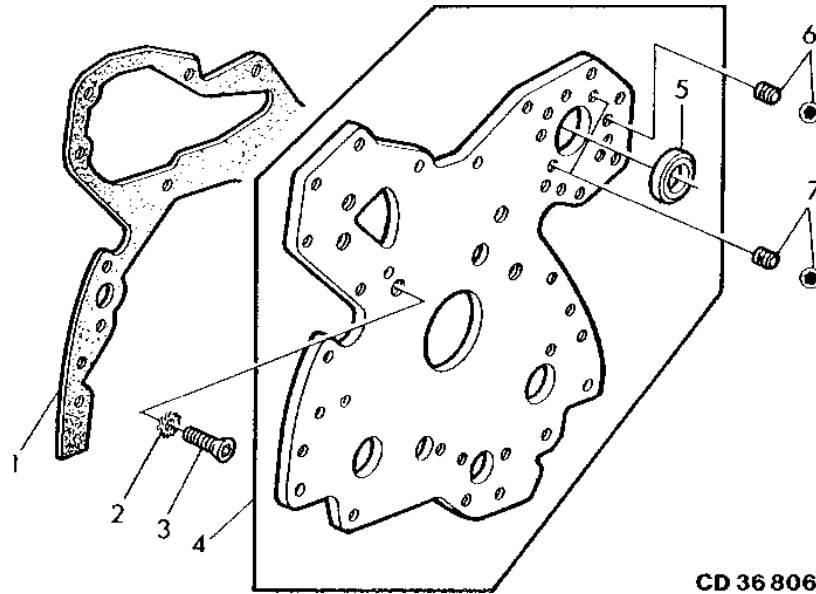


# 1B13

ENGINE

CD36806 -UN-01JAN94

## FRONT PLATE



CD 36 806

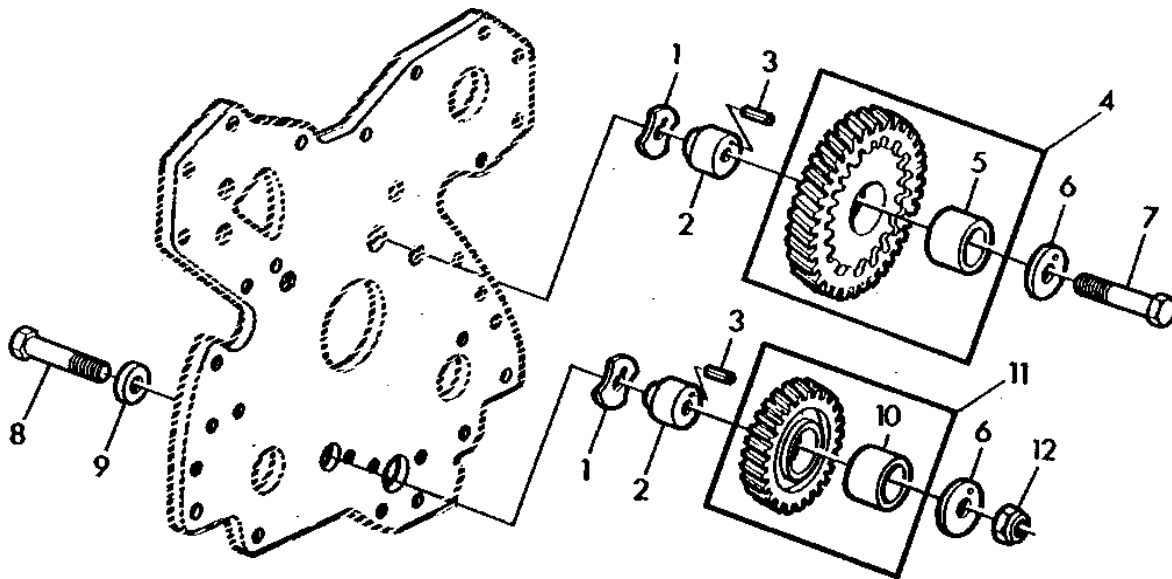
KEY	PART NO.	PART NAME	QTY	ENGINE SERIAL NO.	REMARKS
				4	
				4	
				4 3	
				4 5	
				3 H	
				5 Y	
1	R90648	GASKET	1	X	
2	12H324	WASHER	5	X	3/8"
3	T20166	SCREW	5	X	
4	RE16149	PLATE	1	X	(ALSO ORDER (8) AT21191 AND (2) AT22919)
5	R79854	WASHER	AR	X	
6	AT21191	SET SCREW	8	X	5/16" X 0.380"
7	AT22919	SET SCREW	2	X	3/8" X 0.380"

# 1B22

ENGINE

CD35672 -UN-01JAN94

IDLE GEARS ( -868856)



CD 35672

KEY	PART NO.	PART NAME	QTY	ENGINE SERIAL NO.	REMARKS
					4
					4
					4 3
					4 5
					3 H
					5 Y
1	T26324	THRUST WASHER	2		X X (ORDER R101224, R101225 AND R101227)
2	R89824	SHAFT	2		X X (ORDER R101224, R101225 AND R101227)
3	34H283	SPRING PIN	1		X X 3/16" X 1-1/8", UP
	34H286	SPRING PIN	1	-789198	X X 3/16" X 1-1/2", LOW
	34H283	SPRING PIN	1	789199-	X X 3/16" X 1-1/8", LOW
4	AR91660	GEAR	1		X X Z=55, UP
5	T20034	BUSHING	1		X X
6	T26326	THRUST WASHER	2		X X (ORDER R101224, R101225 AND R101227)
7	T26327	SCREW	1		X X 1/2" X 2-1/4", UP
8	19H3011	CAP SCREW	1		X X 1/2" X 2-1/8", LOW
9	R76126	WASHER	1	-789198	X X LOW, (ORDER R100105 AND 34H283)
	R100105	WASHER	1	789199-	X X
10	T26321	BUSHING	1		X X LOW
11	AT24252	GEAR	1		X X Z=45, LOW
12	14H865	NUT	1		X X 1/2", LOW

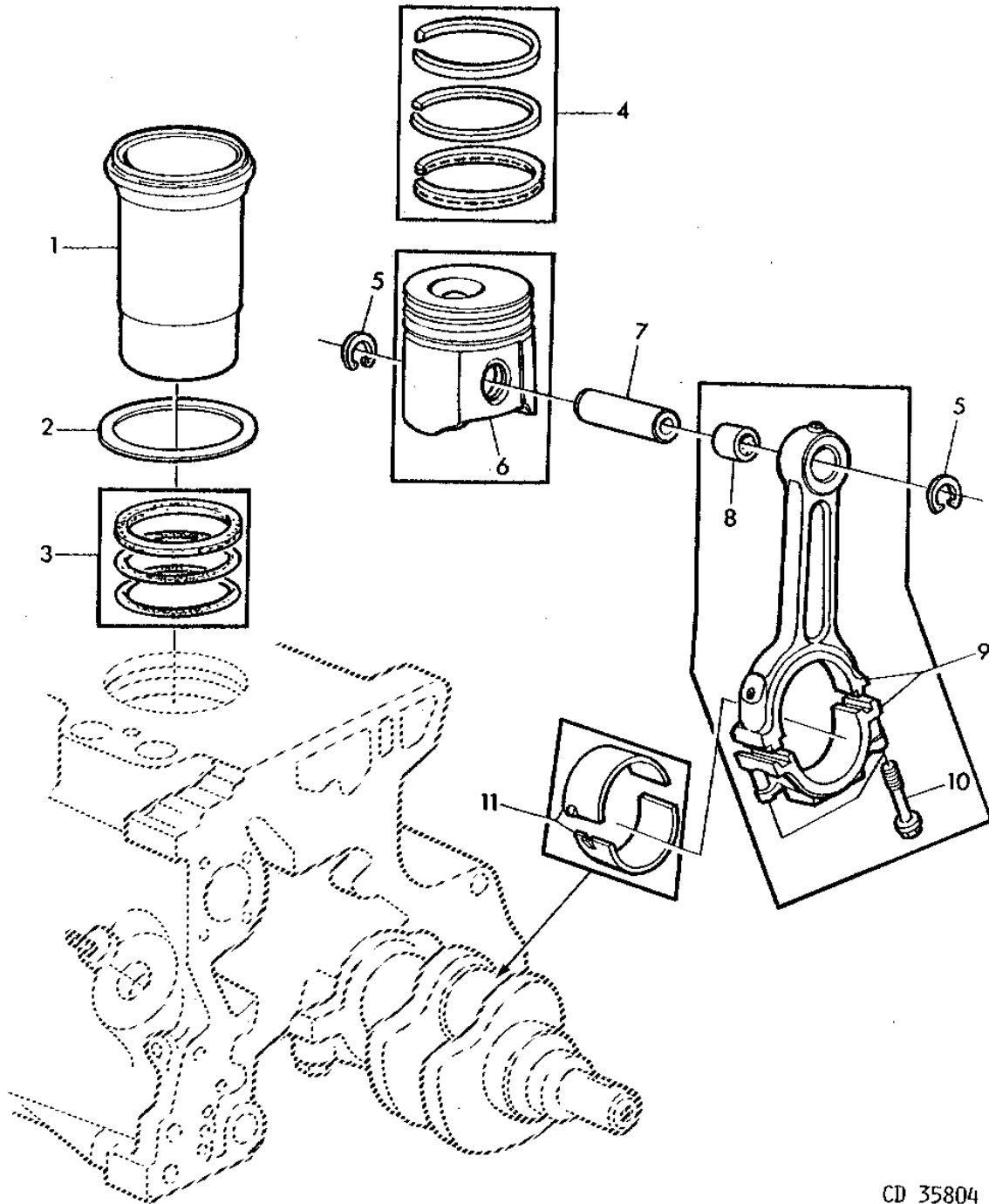
# 1C7

ENGINE

CD35804

-UN-01JAN94

PISTON/CONNECTING ROD/LINER



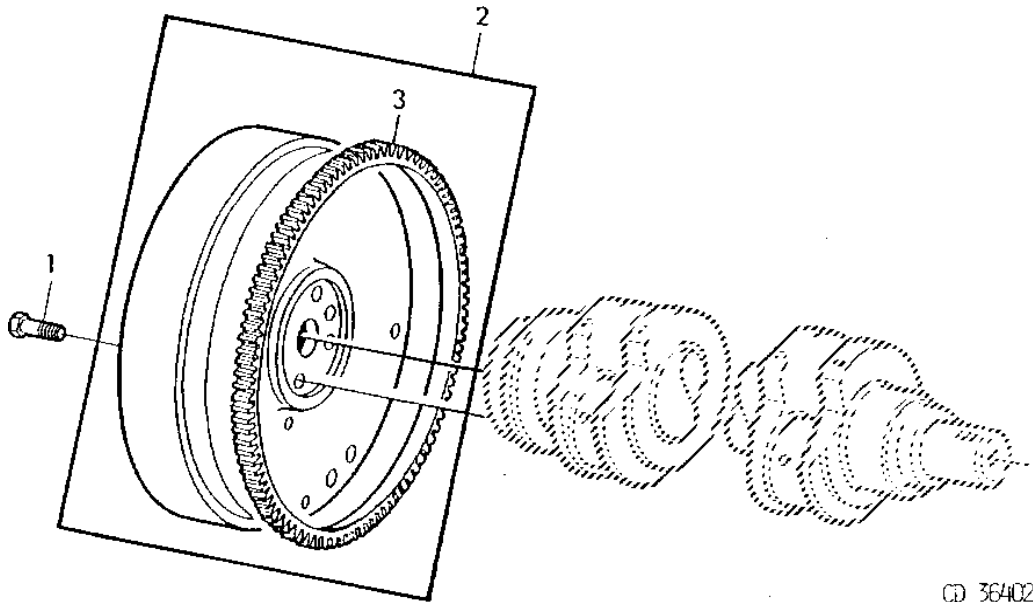
CD 35804

# 1C17

ENGINE

CD36402 -UN-01JAN94

FLYWHEEL



CD 36402

KEY	PART NO.	PART NAME	QTY	ENGINE SERIAL NO.	REMARKS
				4	
				4	
				4 3	
				4 5	
				3 H	
				5 Y	
1	19H2993	CAP SCREW	4	X X	1/2" X 1-1/2"
2	RE31667	FLYWHEEL	1	X X	(MARKED T20319)
3	T20088	GEAR	1	X X	(142 TEETH)

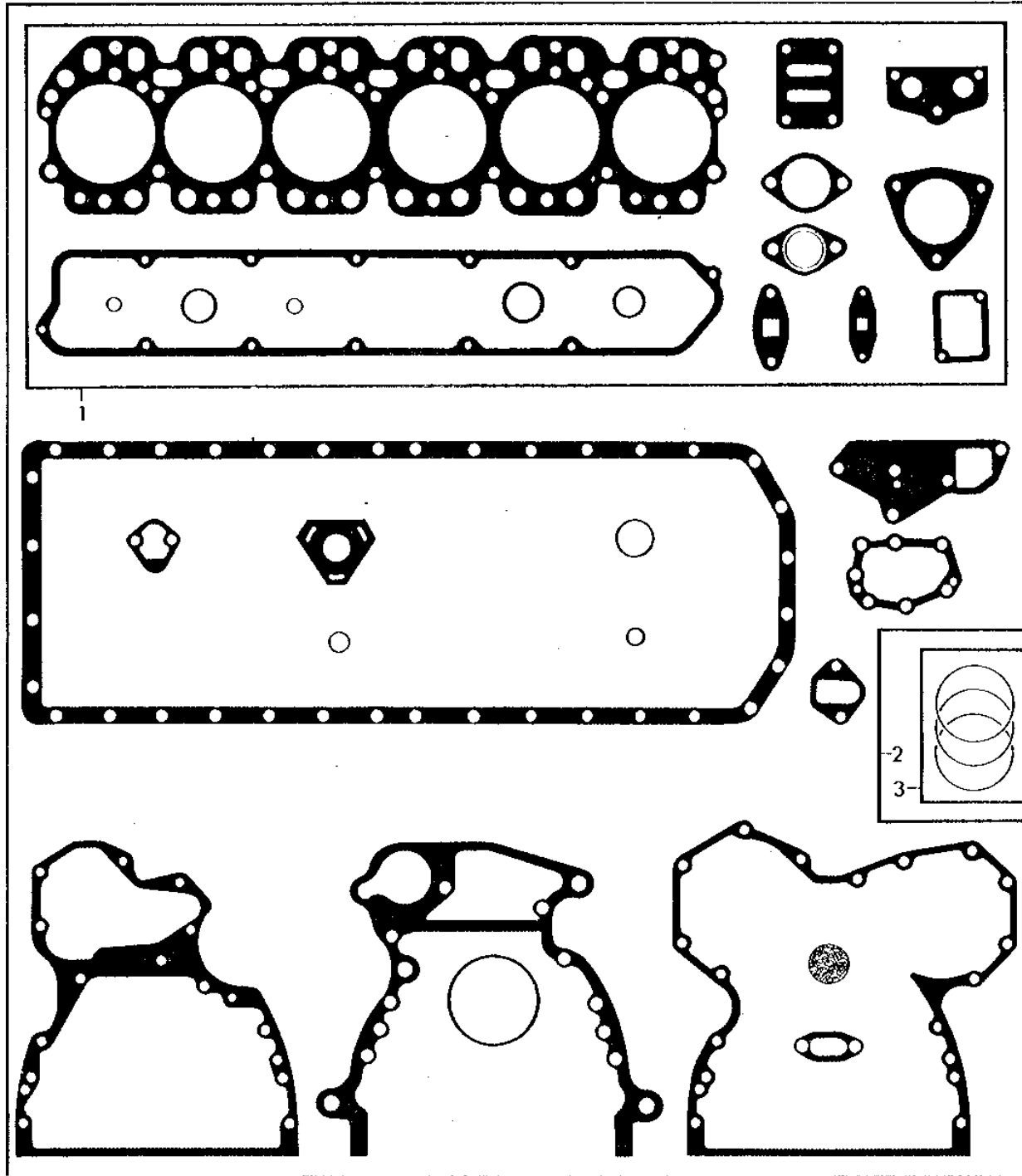
# 1D1

ENGINE

CD20516

-UN-01JAN94

## ENGINE GASKET SET



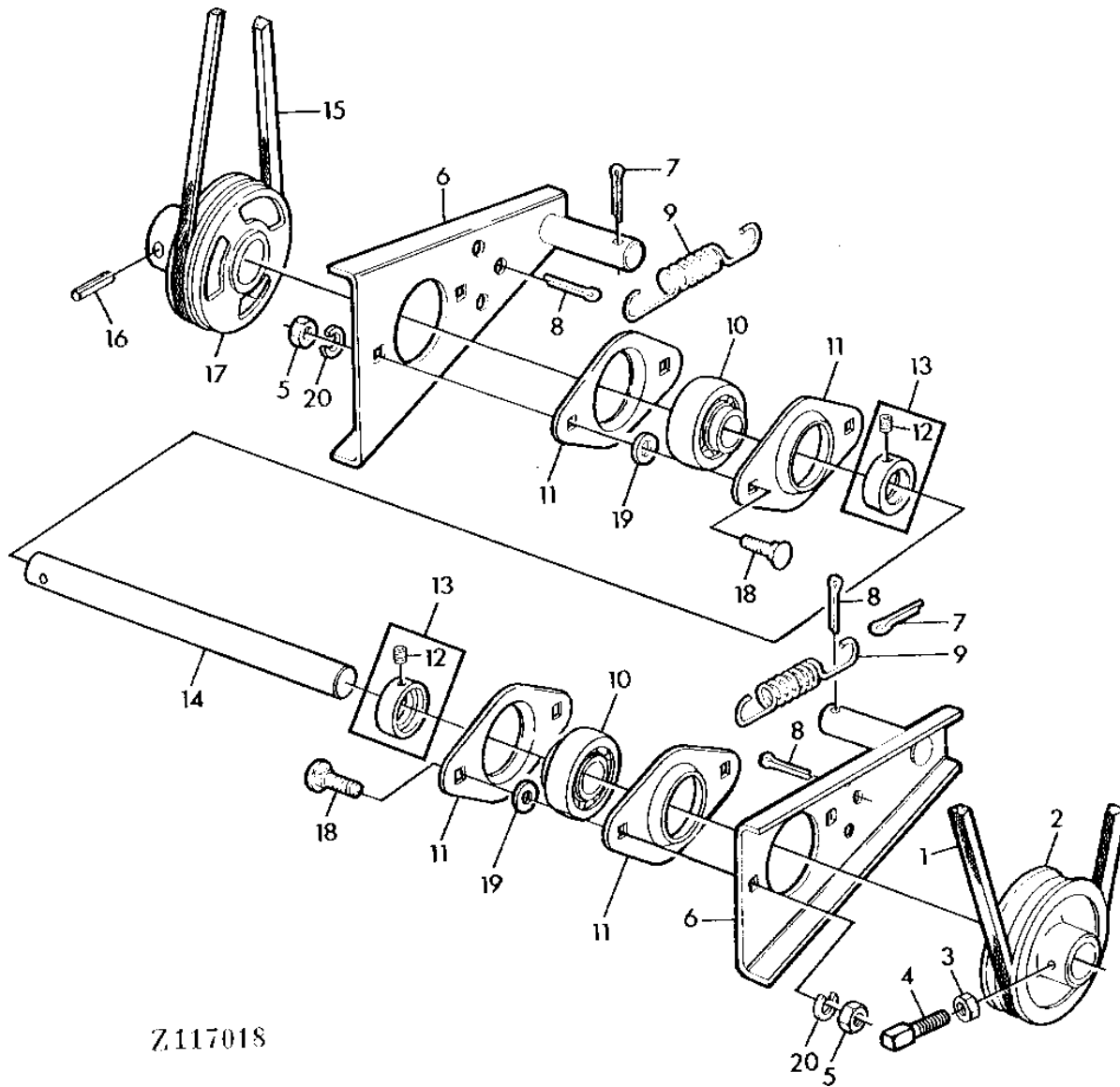
CD 20516

# 1D11

ENGINE

Z117018 -UN-01JAN94

## COUNTERSHAFT FOR ROTARY RADIATOR SCREEN

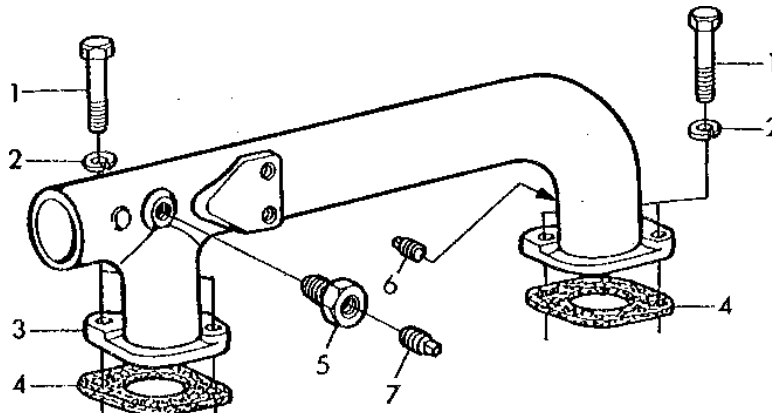


# 1D22

FUEL AND AIR INTAKE SYSTEM

CD38401 -UN-01JAN94

## AIR INTAKE MANIFOLD



CD 38401

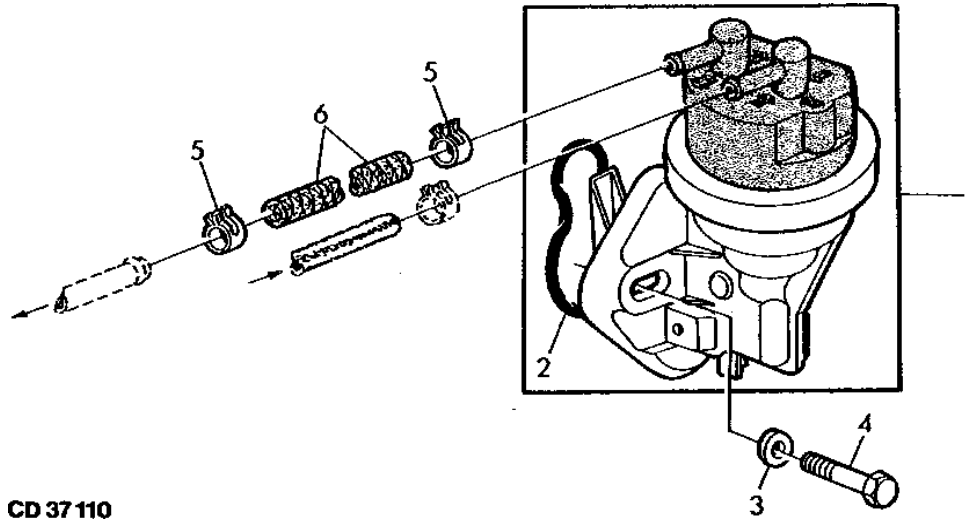
KEY	PART NO.	PART NAME	QTY	ENGINE SERIAL NO.	REMARKS
				4	
				4	
				4 3	
				4 5	
				3 H	
				5 Y	
1	19H1732	CAP SCREW	4	X	3/8" X 1-1/4"
2	12H304	LOCK WASHER	4	X	3/8"
3	T29676	INTAKE MANIFOLD	1	X	
4	R81275	GASKET	2	X	
5	T27986	FITTING	1	X	7/8" X 3/8"
6	15H558	PIPE PLUG	1	X	1/8"
7	15H255	PIPE PLUG	1	X	3/8"

# 1E7

FUEL AND AIR INTAKE SYSTEM

CD37110 -UN-01JAN94

## FUEL TRANSFER PUMP "SOFABEX" (COMPOSITE MATERIAL COVER)



CD 37110

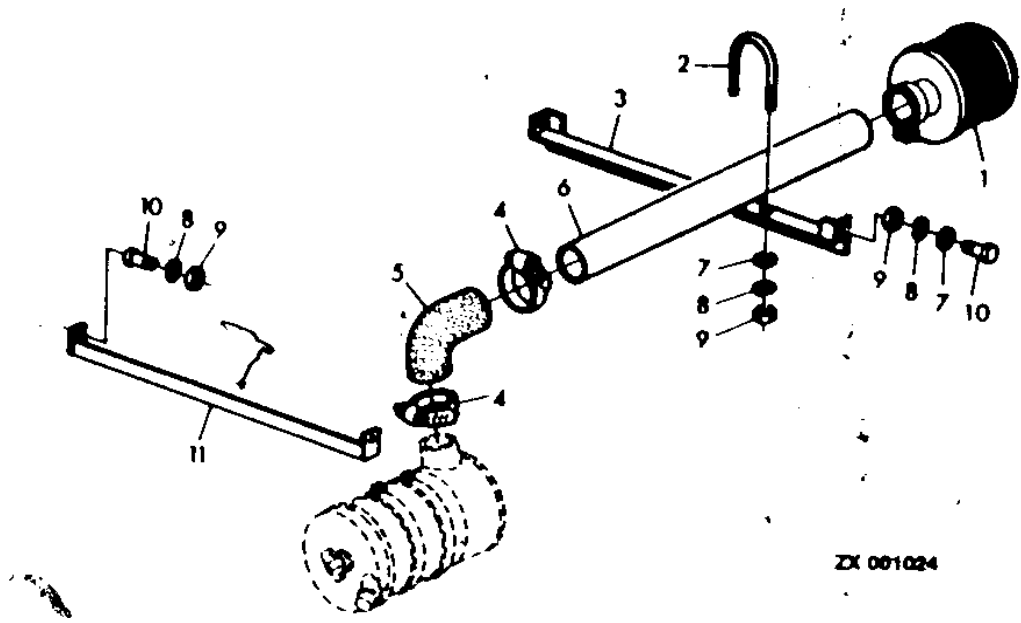
KEY	PART NO.	PART NAME	QTY	ENGINE SERIAL NO.	REMARKS
				4	
				4	
				4 3	
				4 5	
				3 H	
				5 Y	
1	RE38009	FUEL PUMP	1	X X	
2	T16318	O-RING	1	X X	
3	24H1243	WASHER	2	X X	11/32" X 5/8" X 1/16"
4	19H2127	CAP SCREW	2	X X	5/16" X 7/8"
5	R34766	CLAMP	2	X X	
6	.....	HOSE	1	X X	(MAKE FROM L60913)
..	L60913	HOSE	AR	X X	LGTH=5050MM (198.81")

# 1E15

FUEL AND AIR INTAKE SYSTEM

ZX001024 -UN-02JAN94

## PRECLEANER AND AIR INTAKE TUBES



ZX 001024

4  
4  
4 3  
4 5  
3 H  
5 Y

KEY	PART NO.	PART NAME	QTY	SERIAL NO.	REMARKS
1	AZ26332	PRESCREENER	1	X X	
2	Z44805	BAIL	1	X X	
3	AZ36749	RETAINER	1	X X	
4	Z29925	CLAMP	2	X X	
5	Z41056	HOSE	1	X X	
6	Z44801	PIPE	1	X	(SUB Z46138)
	Z46138	TUBE	1	X X	
7	24M7055	WASHER	6	X X	8.400 X 16 X 1.600 MM
8	12M7008	LOCK WASHER	6	X X	8.100 MM
9	14M7029	NUT	6	X X	M8
10	19M7139	CAP SCREW	4	X X	M8 X 20
11	Z46131	RETAINER	1	X X	

# 1E24

FUEL AND AIR INTAKE SYSTEM

FUEL PRE-FILTER - CONTINUED

KEY	PART NO.	PART NAME	QTY	SERIAL NO.	4 4 4 3 4 5 3 H 5 Y	REMARKS
1	AZ34513	FUEL FILTER	1		X X	(INCLUDE AZ34556 AND AZ35443)
2	.....	BOLT	1		X X	NOT SUPPLIED SEPARATELY
3	.....	WASHER	1		X X	KIT AZ34556
4	.....	GASKET	1		X X	KIT AZ34556
5	.....	COVER	1		X X	KIT AZ35443
6	.....	GASKET	1		X X	KIT AZ34556
7	AZ34554	FILTER ELEMENT	1		X X	
8	AZ35442	CLAMP	1		X X	KIT
9	.....	HOUSING	1		X X	KIT AZ35443
10	AZ34512	SHUT-OFF VALVE	1		X X	
11	H65169	O-RING	2		X X	
12	Z44275	HOSE FITTING	1		X X	
13	.....	GASKET	1		X X	KIT AZ35443
14	.....	BALL	1		X X	KIT AZ35443
15	.....	GASKET	1		X X	KIT AZ34556
16	.....	INSERT	1		X X	KIT AZ35443
17	.....	INSERT	1		X X	KIT AZ35443
18	Z44888	BOWL	1		X X	
19	.....	RETAINER	1		X X	KIT AZ35443
20	.....	BOLT	1		X X	NOT SUPPLIED SEPARATELY
21	.....	GASKET	1		X X	KIT AZ34556
22	Z44889	SCREW	1		X X	
23	AZ34555	DRAIN VALVE	1		X X	

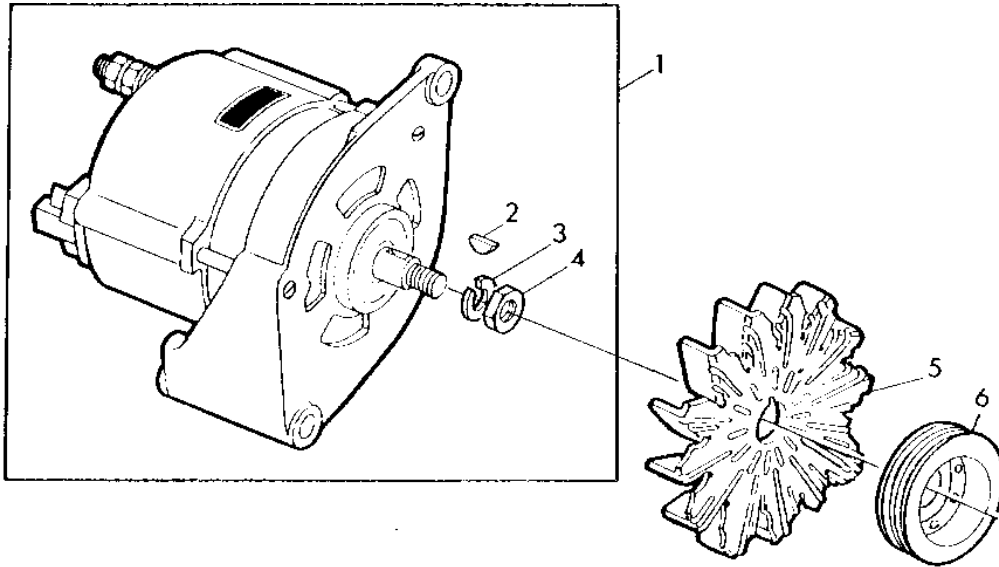


# 1F20

ELECTRICAL SYSTEM

Z115789 -UN-01JAN94

ALTERNATOR - (95AMP)



Z115789

4  
4  
4 3  
4 5  
3 H  
5 Y

KEY	PART NO.	PART NAME	QTY	SERIAL NO.	REMARKS
1	AZ38462	ALTERNATOR	1	X X	R.BOSCH 14V 95A, A 120 402 566
2	26M4223	SHAFT KEY	1	X X	4 X 5 X 13MM
3	12M7009	LOCK WASHER	1	X X	14MM
4	14M7156	NUT	1	X X	M14
5	L33993	FAN	1	X X	
6	Z10966	PULLEY	1	X X	

# 1G4

ELECTRICAL SYSTEM

## COMPRESSOR CABLES - CONTINUED

KEY	PART NO.	PART NAME	QTY	SERIAL NO.		REMARKS
					4	
					4	
					4 3	
					4 5	
					3 H	
					5 Y	
1	AT63265	SWITCH	1		X	
2	R44302	TIE BAND	AR		X	
3	AZ37820	POWER CORD	1		X	2260MM (88.98")LONG

# 1G13

ELECTRICAL SYSTEM

ELECTRIC CONNECTIONS, TRANSMISSION WIRING HARNESS - CONTINUED

KEY	PART NO.	PART NAME	QTY	SERIAL NO.	4 4 4 3 4 5 3 H 5 Y	REMARKS
1	AZ34972	SWITCH	1		X X	
2	AZ36335	SENDER	1		X X	
3	AZ39148	SWITCH	1		X	
4	AZ39118	WIRING HARNESS	1		X	
5	AZ39058	WIRING HARNESS	1		X X	
6	Z44598	RETAINER	AR		X X	
7	R44302	TIE BAND	AR		X X	
8	Z45145	PIN	1		X X	
9	T12892	NUT	1		X X	3/4"
10	24M7158	SHIM	1		X X	0.500 MM
11	AZ43275	WIRING HARNESS	1		X	

# 1G23

ELECTRICAL SYSTEM

## BASIC WIRING HARNESS - CONTINUED

KEY	PART NO.	PART NAME	QTY	SERIAL NO.	4 4 4 3 4 5 3 H 5 Y	REMARKS
1	AZ41212	WIRING HARNESS	1		X	
	AZ42854	WIRING HARNESS	1		X	(SUB AZ44321)
	AZ44321	WIRING HARNESS	1		X	
2	AZ40021	WIRING HARNESS	1		X X	

# 1H8

ELECTRICAL SYSTEM

WIRING HARNESS, LOW SHAFT SPEED CONTROL SENDING UNIT - CONTINUED

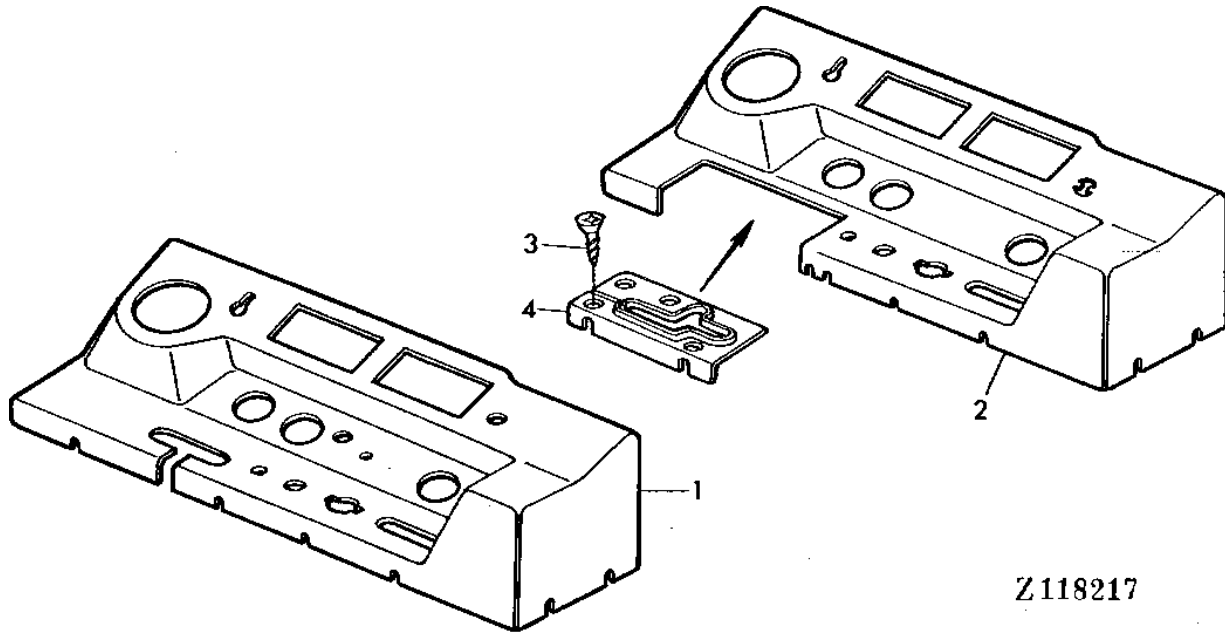
KEY	PART NO.	PART NAME	QTY	SERIAL NO.	4 4 4 3 4 5 3 H 5 Y	REMARKS
1	AZ41213	WIRING HARNESS	1		X X	
2	AZ40803	SENDER	2		X X	MARKED YELLOW
3	AH109793	PRINTED CIRCUIT	1		X X	
4	37M7119	SCREW	4		X X	4,8 X 13MM
5	19M6614	CAP SCREW	AR		X X	M6 X 12
6	Z46349	RETAINER	2		X X	
7	14M7456	NUT	AR		X X	M18 X 1
8	24M7318	WASHER	AR		X X	19 X 34 X 3 MM
9	14M7027	NUT	AR		X X	M6
10	12M3999	LOCK WASHER	AR		X X	6.400 MM
11	Z26250	WASHER	AR		X X	
12	H75541	CLAMP	AR		X X	

# 1H18

ELECTRICAL SYSTEM

Z118217 -UN-01JAN94

## INSTRUMENT PANEL



Z118217

4  
4  
4 3  
4 5  
3 H  
5 Y

KEY	PART NO.	PART NAME	QTY	SERIAL NO.	REMARKS
1	Z52373	INSTRUMENT PANEL	1	X	
2	Z54371	INSTRUMENT PANEL	1	X	
3	37M7192	SCREW	AR	X	4,8 X 13 MM
4	Z51201	STOP	1	X	

# 114

ELECTRICAL SYSTEM

HARVESTRAK SENSORS - CONTINUED

KEY	PART NO.	PART NAME	QTY	SERIAL NO.	4 4 4 3 4 5 3 H 5 Y	REMARKS
1	Z42764	RETAINER	2		X X	
2	AZ37749	RETAINER	2		X X	
3	AH109794	SENSOR	4		X X	
4	Z47467	GUARD	2		X X	
5	AZ37622	NUT	4		X X	
6	Z45368	DEFLECTOR	2		X X	
7	Z47969	SHIELD	2		X X	(SUB Z55661)
	Z55661	RETAINER	2		X X	
8	19M8362	CAP SCREW	AR		X X	M6 X 16
9	19M7302	CAP SCREW	AR		X X	M6 X 8
10	Z38459	CAP SCREW	4		X X	
11	Z41039	NUT	AR		X X	
12	21H1403	SCREW	AR		X X	0.190" X 1/2"
13	12M7011	LOCK WASHER	AR		X X	5.100 MM
14	19M7159	CAP SCREW	AR		X X	M6 X 15
15	21M7031	SCREW	AR		X X	M6 X 15
16	21M7087	SCREW	AR		X X	M6 X 12
17	12M7012	LOCK WASHER	AR		X X	6.100 MM
18	Z26250	WASHER	AR		X X	
19	14M7027	NUT	AR		X X	M6

# 1114

ELECTRICAL SYSTEM

GRAIN TANK WIRING HARNESS - CONTINUED

KEY	PART NO.	PART NAME	QTY	SERIAL NO.	4 4 4 3 4 5 3 H 5 Y	REMARKS
1	AZ43052	WIRING HARNESS	1		X	
2	R44302	TIE BAND	AR		X	
3	AZ43050	WIRING HARNESS	1		X	
4	37M7119	SCREW	4		X	4,8 X 13 MM
5	R72659	CLAMP	AR		X	

# 1124

ELECTRICAL SYSTEM

CAB ROOF WIRING - CONTINUED

KEY	PART NO.	PART NAME	QTY	CAB SERIAL NO.	4	REMARKS	
					4		3
1	AZ41211	WIRING HARNESS	1		X	X	
2	AR59779	AC/HEAT TEMPERATURE SWITCH	1		X	X	
3	14H778	NUT	2		X	X	0.190"
4	12H340	LOCK WASHER	2		X	X	0.190"
5	L55034	SEALING WASHER	AR		X	X	
6	AZ38213	RESISTOR	1		X	X	
7	21H1194	SCREW	2		X	X	0.190" X 3/4"
8	R44165	LOCK NUT	AR		X	X	
9	AL58295	KNOB	3		X	X	
10	AL36528	SWITCH	1		X	X	
11	AL36529	SWITCH	1		X	X	
12	R30378	SPRING	1		X	X	
13	AZ37753	INDICATOR LIGHT	1		X	X	
14	57M6277	BULB	1		X	X	
15	24M7040	WASHER	AR		X	X	11 X 20 X 2 MM
16	AR103750	RADIO SPEAKER WRG HARNESS	1		X	X	FOR U.S.-RADIO, (ALSO ORDER T28583)
17	AL58366	RELAY	2		X	X	(SUB AL77324)
	AL77324	RELAY	2		X	X	
18	AZ23107	DIODE	1		X	X	
19	Z41390	DIODE	1		X	X	
20	RE24308	AC LOW PRESSURE SWITCH	1		X	X	
21	T28583	RECEPTACLE	1		X	X	(FOR AR103750)
22	R51892	CLAMP	AR		X	X	
23	AZ45169	POWER CORD	2		X	X	
24	Z57792	HOLDER	1		X	X	
25	AZ37086	SENDER	1		X	X	
26	AZ34358	WIRING HARNESS	1		X	X	
27	57M7342	CONNECTOR	2		X	X	

# 1J10

ELECTRICAL SYSTEM

## CABLE CLIPS, CONNECTORS AND PLUGS - CONTINUED

KEY	PART NO.	PART NAME	QTY	SERIAL NO.	4 4 4 3 4 5 3 H 5 Y	REMARKS
1	57M7045	RECEPTACLE	AR		X X	
2	57M7070	RECEPTACLE	AR		X X	
3	L36681	SOCKET CONTACT	AR		X X	
4	L35423	PIN CONTACT	AR		X X	
5	Z40695	SOCKET	AR		X X	
6	L36685	SOCKET CONTACT	AR		X X	
7	57M7041	RECEPTACLE	AR		X X	
8	57M7069	RECEPTACLE	AR		X X	
9	L36670	PIN CONTACT	AR		X X	
10	Z40755	ELECTRICAL PLUG	AR		X X	
11	57M7039	TAB	AR		X X	
12	57M7038	RECEPTACLE	AR		X X	
13	57M7071	RECEPTACLE	AR		X X	
14	57M7040	TAB	AR		X X	
15	57M7046	RECEPTACLE	AR		X X	
16	57M7106	TERMINAL	AR		X X	2,5 - 4,0MM2
17	57M7089	RECEPTACLE	AR		X X	0,7 - 2,0MM2
18	57M7095	CONNECTOR	AR		X X	
19	57M7044	RECEPTACLE	AR		X X	
20	57M7093	TERMINAL	AR		X X	
21	57M7103	RECEPTACLE	AR		X X	
22	57M7082	CONNECTOR	AR		X X	
23	Z43648	TAB	AR		X X	
24	57M7032	TERMINAL	AR		X X	
25	Z43327	RECEPTACLE	AR		X X	
26	L36676	TERMINAL	AR		X X	
27	L36669	PIN CONTACT	AR		X X	
28	57M7104	RECEPTACLE	AR		X X	
29	57M7098	RECEPTACLE	AR		X X	
30	57M7077	RECEPTACLE	AR		X X	

# 2B9

POWER TRAIN

HYDROSTATIC DRIVE PUMP, HOUSING AND SERVO - CONTINUED

KEY	PART NO.	PART NAME	QTY	SERIAL NO.	4 4 4 3 4 5 3 H 5 Y	REMARKS
1	19H2666	CAP SCREW	6		X	7/16" X 7/8"
2	AZ42089	TRUNNION	2		X	
3	JD9133	BEARING CUP	2		X	
4	M4237T	O-RING	4		X	
5	AH112680	SHIM	2		X	
6	Z53130	HOUSING	1		X	
7	AZ42084	SCREW	1		X	
8	19H3176	SCREW	6		X	0.164" X 0.380"
9	H115052	RETAINER	2		X	
10	Z53131	PIN	1		X	
11	H63271	PIN	2		X	
12	AN122518	FITTING	1		X	
13	N126609	SNAP RING	4		X	
14	N126599	PIN	2		X	
15	AH112675	PISTON	2		X	
16	P48403	O-RING	2		X	
17	AZ42198	SLEEVE	1		X	

# 2B19

POWER TRAIN

## HYDROSTATIC DRIVE CHARGE PUMP - CONTINUED

KEY	PART NO.	PART NAME	QTY	SERIAL NO.	4 4 4 3 4 5 3 H 5 Y	REMARKS
1	AZ42090	PUMP	1		X	
2	N126637	GASKET	1		X	
3	H63271	PIN	2		X	
4	Z53148	PIN	1		X	
5	Z53149	PIN	1		X	
6	AN122498	RELIEF VALVE	1		X	
7	AZ42092	GANG	1		X	
8	N126622	HOUSING	1		X	
9	H135570	O-RING	2		X	
10	Z53150	SPACER	1		X	
11	AZ42093	ROTOR	1		X	
12	Z53152	BUSHING	2		X	
13	N126621	COVER	1		X	
14	19H1897	CAP SCREW	4		X	5/16" X 3-3/4"
15	19H1875	CAP SCREW	2		X	5/16" X 1-3/4"

# 2C4

POWER TRAIN

HYDROSTATIC DRIVE CONTROL CABLE MOUNTING - CONTINUED

KEY	PART NO.	PART NAME	QTY	SERIAL NO.	4 4 4 3 4 5 3 H 5 Y	REMARKS
1	AZ28521	PUSH PULL CABLE	1		X	
2	Z41811	BOOT	2		X	
3	Z22064	CLAMP	AR		X	
4	14M7027	NUT	AR		X	M6
5	12M7012	LOCK WASHER	AR		X	6.100 MM
6	19M7580	CAP SCREW	AR		X	M6 X 28
7	56M7007	BALL JOINT RETAINER	1		X	
8	14H958	NUT	1		X	5/16"
9	Z53197	LOCK PLATE	1		X	
10	AZ42212	VALVE	1		X	
11	AZ42042	RETAINER	1		X	
12	12M7014	LOCK WASHER	2		X	12.200 MM
13	19M7171	CAP SCREW	2		X	M12 X 35

# 2C14

POWER TRAIN

## HYDROSTATIC DRIVE OIL COOLER AND FITTINGS - CONTINUED

KEY	PART NO.	PART NAME	QTY	SERIAL NO.	4 4 4 3 4 5 3 H 5 Y	REMARKS
1	AZ34454	OIL COOLER	1		X	
2	11M7013	COTTER PIN	2		X	3.200 X 18 MM
3	289SEL	SPRING	2		X	
4	24M7036	WASHER	2		X	9 X 16 X 1.600 MM
5	F3171R	O-RING	2		X	
6	AZ28518	ELBOW FITTING	2		X	
7	Z37547	PIN	2		X	
8	Z26822	CLAMP	2		X	
9	19M7139	CAP SCREW	AR		X	M8 X 20
10	Z37194	FAN BLADE	1		X	
11	Z33854	PRESSED FLANGED HOUSING	1		X	
12	JD29980	BALL BEARING	1		X	
13	AZ27955	RETAINER	1		X	
14	19M7286	CAP SCREW	AR		X	M6 X 25
15	Z41039	LOCK NUT	AR		X	
16	Z38459	CAP SCREW	AR		X	
17	24M7024	WASHER	AR		X	9 X 28 X 3 MM
18	12M7008	LOCK WASHER	AR		X	8.100 MM
19	AZ28527	FRAME	1		X	
20	Z37171	WEATHERSTRIP	AR		X	
21	Z33073	SUPPORT	1		X	

# 2C24

POWER TRAIN

## POSI-TORQ SHEAVES (UPPER UNIT) - CONTINUED

KEY	PART NO.	PART NAME	QTY	SERIAL NO.	4 4 4 3 4 5 3 H 5 Y	REMARKS
1	AH87132	SLEEVE	1		X	
2	H85990	HUB	1		X	
3	H86011	SPACER	1		X	
4	P48691	SNAP RING	1		X	
5	AH87141	SEAL	1		X	
6	Z11591	SHEAVE	1		X	
7	19H2552	CAP SCREW	6		X	3/8" X 1-1/8"
8	12H304	LOCK WASHER	12		X	3/8"
9	AH87140	SEAL	1		X	
10	JD9079	BEARING CONE	1		X	
11	JD9137	BEARING CUP	1		X	
12	19H2023	CAP SCREW	6		X	3/8" X 3-1/4"
13	JD8930	BEARING CUP	1		X	
14	JD7759	LUBRICATION FITTING	1		X	1/8"
15	H84667	HALF SHEAVE	1		X	
16	H85987	SNAP RING	1		X	
17	H86012	BUSHING	1		X	
18	JD8968	BEARING CONE	1		X	
19	JD7424	BEARING CUP	1		X	
20	H85991	HUB	1		X	
21	JD8252	BEARING CUP	1		X	

# 2D10

POWER TRAIN

## CLUTCH HOUSING DRIVE SHEAVE - CONTINUED

KEY	PART NO.	PART NAME	QTY	SERIAL NO.	4 4 4 3 4 5 3 H 5 Y	REMARKS
1	Z10971	FLANGE	1		X	
2	19H2060	CAP SCREW	2		X	1/2" X 3"
3	12H301	LOCK WASHER	2		X	1/2"
4	Z27661	WASHER	AR		X	
5	Z32610	SPACER	2		X	
6	P46413	ABSORBER	4		X	
7	Z11586	HOUSING	1		X	
8	JD7806	LUBRICATION FITTING	1		X	
9	24M7102	WASHER	2		X	13.500 X 44 X 4 MM
10	H20551	LOCK WASHER	5		X	
11	AN33278	HOSE	1		X	
12	19H1905	CAP SCREW	6		X	5/16" X 1"
13	12M7008	LOCK WASHER	AR		X	8.100 MM
14	19H2461	CAP SCREW	6		X	
15	12H304	LOCK WASHER	6		X	3/8"
16	14H785	NUT	2		X	5/16"
17	Z34710	CAP SCREW	2		X	
18	Z11671	HOUSING	1		X	
19	19H1821	CAP SCREW	2		X	7/16" X 1-1/4"
20	19H1740	CAP SCREW	3		X	7/16" X 1-3/4"
21	AZ35589	SEAL	1		X	
22	AN71222	ADAPTER	1		X	
23	E12379	NUT	1		X	
24	19M7387	CAP SCREW	1		X	M12 X 40
25	24M7047	WASHER	AR		X	13 X 24 X 2.500 MM
26	Z53174	STRAP	1		X	
27	12M7014	LOCK WASHER	1		X	12.200 MM
28	14M7031	NUT	1		X	M12

# 2D20

POWER TRAIN

DIFFERENTIAL - CONTINUED

KEY	PART NO.	PART NAME	QTY	SERIAL NO.	4 4 4 3 4 5 3 H 5 Y	REMARKS
1	Z45037	SHAFT	2		X X	
2	Z11539	HOUSING	1		X X	R.H.
3	Z45149	SHIM	AR		X X	0.002",(0,05MM)
	Z45150	SHIM	AR		X X	0.005",(0,13MM)
	Z45151	SHIM	AR		X X	0.010",(0,25MM)
	Z45152	SHIM	AR		X X	0.020",(0,50MM)
4	AZ16786	SEAL	2		X X	
5	JD8171	BEARING CONE	1		X X	
6	JD8217	BEARING CUP	1		X X	
7	Z10964	HOUSING	1		X X	
8	Z34489	WASHER	2		X	(SUB Z53354)
	Z53354	WASHER	2		X X	
9	T29394	BEVEL GEAR	2		X X	
10	L29226	SHAFT	2		X X	
11	L29227	BEVEL GEAR	4		X X	
12	AZ35139	HOUSING	1		X X	
13	JD7425	BEARING CUP	1		X X	
14	JD8161	BEARING CONE	1		X X	
15	Z11538	HOUSING	1		X X	L.H.
16	T21430	CAP SCREW	8		X X	
17	12M7073	LOCK WASHER	6		X X	13.700 MM
18	19H2936	SCREW	6		X X	1/2" X 1-1/2"



# 2E16

BRAKES, REAR AXLE

## AXLE SUPPORT AND V-SUPPORT FOR REAR AXLE - CONTINUED

KEY	PART NO.	PART NAME	QTY	SERIAL NO.	4 4 4 3 4 5 3 H 5 Y	REMARKS
1	AZ35844	CROSSBAR	1		X X	
2	AZ35845	BRACE	1		X X	R.H.
3	AZ35846	BRACE	1		X X	L.H.
4	Z45287	BRACE	2		X X	
5	CC19673	CAP SCREW	8		X X	
6	34M7178	SPRING PIN	4		X X	13 X 10 MM
7	CC19674	LOCK NUT	8		X X	
8	14M7168	LOCK NUT	4		X X	M12
9	03M7089	BOLT	4		X X	M12 X 30
10	19M7168	CAP SCREW	6		X X	M10 X 30
11	19M7167	CAP SCREW	4		X X	M10 X 25
12	12M7013	LOCK WASHER	8		X X	10.200 MM
13	14M7140	NUT	8		X X	M10
14	03M7084	BOLT	4		X X	M10 X 25
15	19M7382	CAP SCREW	3		X X	M10 X 40
16	14M7167	LOCK NUT	10		X X	M10
17	19M7724	CAP SCREW	1		X X	M10 X 45

# 2E25

BRAKES, REAR AXLE

## BRAKE LINES (UPPER) - CONTINUED

KEY	PART NO.	PART NAME	QTY	SERIAL NO.	4 4 4 3 4 5 3 H 5 Y	REMARKS
1	AZ22695	OIL CUP	1		X X	
2	14M7027	NUT	2		X X	M6
3	12M7012	LOCK WASHER	2		X X	6.100 MM
4	24M7100	WASHER	4		X X	6.600 X 22 X 2 MM
5	21M7127	SCREW	2		X X	M6 X 18
6	Z28856	CLAMP	2		X X	(SUB Z23482, THIS APPLICATION ONLY)
	Z23482	CLAMP	1		X X	
7	Z40871	HOSE	1		X X	1850MM(72.83") LONG
8	14M7365	LOCK NUT	1		X X	M8
9	14M7364	NUT	1		X X	M8
10	Z33654	FITTING	1		X X	
11	12M7098	LOCK WASHER	1		X X	8.100 MM
12	Z41639	RETAINER	1		X X	
13	.....	HOSE	1		X X	SEE SECTION 050
14	.....	HOSE	1		X X	SEE SECTION 050
15	Z40671	CLAMP	4		X X	
16	14M7028	NUT	AR		X X	M5
17	12M7011	LOCK WASHER	AR		X X	5.100 MM
18	24M7027	WASHER	AR		X X	5.300 X 10 X 1 MM
19	Z30603	CLAMP	AR		X X	
20	19M7317	SCREW	AR		X X	M5 X 30

# 2F9

BRAKES, REAR AXLE

STEERING COLUMN - CONTINUED

KEY	PART NO.	PART NAME	QTY	SERIAL NO.	4 4 4 3 4 5 3 H 5 Y	REMARKS
1	R50875	BUSHING	1		X X	(SUB L64214)
	L64214	BUSHING	1		X X	
2	R62280	SHAFT	1		X X	
3	AR54808	ROD	1		X X	
4	JD9931	THRUST BEARING	4		X X	
5	JD8875	NEEDLE BEARING	2		X X	
6	R50869	SPLINED COUPLING	1		X X	
7	Z45764	STEERING WHEEL SHAFT	1		X X	
8	R42629	WASHER	1		X X	
9	P46402	SNAP RING	5		X X	
10	R55498	BUSHING	1		X X	
11	L39033	HOLLOW SCREW	1		X X	
12	AZ36170	SUPPORT	1		X X	
13	R32730	SEAL	1		X X	
14	R51153	SLEEVE	1		X X	
15	AL28457	STEERING WHEEL	1		X X	
16	R71650	WASHER	1		X X	
17	14H904	NUT	1		X X	3/4"
18	R50871	KNOB	1		X	(SUB R91298)
	R91298	KNOB	1		X X	
19	12H303	LOCK WASHER	1		X X	5/16"
20	14H650	NUT	1		X X	5/16"
21	B3690R	O-RING	1		X X	
22	AL36533	COVER	1		X X	
23	12M7013	LOCK WASHER	5		X X	10.200 MM
24	19H3483	CAP SCREW	4		X X	3/8" X 1-1/8"
25	L61603	WASHER	1		X X	

# 2F19

BRAKES, REAR AXLE

## STEERING LINES AND HOSES (REAR) - CONTINUED

KEY	PART NO.	PART NAME	QTY	SERIAL NO.	4 4 4 3 4 5 3 H 5 Y	REMARKS
1	AZ37036	HYDRAULIC HOSE	1		X X	
2	AZ39039	HYDRAULIC HOSE	1		X X	
3	Z32960	COUPLING	6		X X	
4	Z32995	SLEEVE FITTING	10		X X	
5	Z32974	TUBE NUT	10		X X	
6	AZ37163	OIL LINE	1		X X	UPPER
7	AZ37164	OIL LINE	1		X X	LOWER
8	Z32683	ANGLE	2		X X	
9	Z34955	CLAMP	4		X X	
10	19M7286	CAP SCREW	AR		X X	M6 X 25
11	14M7027	NUT	AR		X X	M6
12	12M7012	LOCK WASHER	AR		X X	6.100 MM
13	Z27437	ANGLE	4		X X	
14	19M7077	CAP SCREW	AR		X X	M6 X 20
15	AZ23967	OIL LINE	2		X X	
16	24M7088	WASHER	AR		X X	6.600 X 12 X 1.600 MM
17	Z44181	ANGLE	AR		X X	
18	R44302	TIE BAND	AR		X X	
19	Z51585	GUARD	1		X X	

# 2G9

HYDRAULIC SYSTEM

HYDRAULIC LINES - HYDRAULIC PUMP TO MAIN HYDRAULIC RESERVOIR - CONTINUED

KEY	PART NO.	PART NAME	QTY	SERIAL NO.	4 4 4 3 4 5 3 H 5 Y	REMARKS
1	AZ38468	HYDRAULIC HOSE	1		X X	
2	R26906	O-RING	2		X X	
3	AT32338	FITTING	1		X X	
4	Z36049	HOSE	1		X X	
5	Z46049	HOSE	1		X X	340MM (13.39") LONG
6	Z26822	CLAMP	2		X X	
7	Z34829	CLAMP	3		X X	
8	R39171	HOSE FITTING	1		X X	
9	R44852	FITTING	1		X X	
10	F3171R	O-RING	1		X X	
11	AZ36553	HYDRAULIC HOSE	1		X X	

# 2G19

HYDRAULIC SYSTEM

## MAIN CONTROL VALVE FITTINGS - CONTINUED

KEY	PART NO.	PART NAME	QTY	SERIAL NO.	4 4 4 3 4 5 3 H 5 Y	REMARKS
1	14M7209	NUT	2		X X	M18
2	Z35415	SHAFT	1		X X	
3	11M7024	COTTER PIN	1		X X	4 X 36 MM
4	AZ22870	ROCKER ARM	4		X X	
5	AZ23842	LINK	4		X X	
6	19M7270	CAP SCREW	2		X X	M8 X 65
7	12M7008	LOCK WASHER	2		X X	8.100 MM
8	Z32969	FITTING	2		X X	
9	R26448	O-RING	11		X X	
10	Z32963	FITTING	3		X X	
11	R26375	O-RING	2		X X	
12	Z32965	HYD. QUICK-CONNECT COUPLER	2		X X	
13	Z42193	FITTING	1		X X	
14	24M7055	WASHER	AR		X X	8.400 X 16 X 1.600 MM
15	14M7029	NUT	AR		X X	M8
16	R27218	FITTING PLUG	2		X X	

# 2H4

HYDRAULIC SYSTEM

## HYDRAULIC LINES AND ACCUMULATOR - CONTINUED

KEY	PART NO.	PART NAME	QTY	SERIAL NO.	4 4 4 3 4 5 3 H 5 Y	REMARKS
1	L60190	SLEEVE FITTING	AR		X X	
2	Z32971	TUBE NUT	AR		X X	
3	AZ41840	LINE	1		X X	INCL. KEYS 1,2
4	Z32965	HYD. QUICK-CONNECT COUPLER	1		X X	
5	R26375	O-RING	1		X X	
6	14M7027	NUT	AR		X X	M6
7	12M7012	LOCK WASHER	AR		X X	6.100 MM
8	Z30668	CLAMP	2		X X	
9	19M7374	CAP SCREW	AR		X X	M6 X 40
10	AZ41844	HYDRAULIC HOSE	1		X X	INCL. KEYS 1,2
11	Z54001	HYDRAULIC RESTRICTOR	1		X X	
12	CC19416	NUT	1		X X	
13	AZ41843	HYDROSTATIC RESERVOIR	1		X X	
14	AZ42010	OIL LINE	1		X X	INCL. KEYS 1,2
15	AZ38386	OIL LINE	2		X X	INCL. KEYS 1,2
16	AZ25484	TEE FITTING	1		X X	
17	Z32985	TEE FITTING	2		X X	
18	Z42782	PLUG	1		X X	
19	Z30667	PLATE	2		X X	
20	24M7100	WASHER	2		X X	6.600 X 22 X 2 MM
21	Z34952	CLAMP	2		X X	
22	Z44220	CLAMP	1		X X	
23	E10079	WASHER	1		X X	
24	19M7547	CAP SCREW	AR		X X	M6 X 55
25	Z34957	HOLDER	1		X X	
26	19M7160	CAP SCREW	1		X X	M6 X 30
27	AZ22524	ELBOW FITTING	1		X X	

# 2H14

HYDRAULIC SYSTEM

## HYDRAULIC LINES, REEL ADJUSTMENT - CONTINUED

KEY	PART NO.	PART NAME	QTY	SERIAL NO.	4 4 4 3 4 5 3 H 5 Y	REMARKS
1	AZ28053	OIL LINE	1		X X	INCL. KEY 4,5
2	AZ28054	OIL LINE	1		X X	INCL. KEY 4,5
3	AZ28055	OIL LINE	1		X X	INCL. KEY 4,5
4	Z32976	TUBE NUT	12		X X	
5	L60189	SLEEVE FITTING	12		X X	
6	Z32962	FITTING	3		X X	
7	AZ23970	OIL LINE	3		X X	INCL. KEY 4,5
8	Z32977	UNION FITTING	3		X X	
9	24M7038	WASHER	2		X X	13.500 X 24 X 2.500 MM
10	Z32998	SLEEVE FITTING	2		X X	
11	19M7177	CAP SCREW	AR		X X	M6 X 35
12	12M7012	LOCK WASHER	AR		X X	6.100 MM
13	Z30667	PLATE	4		X X	
14	Z34951	CLAMP	2		X X	
15	Z34954	CLAMP	2		X X	
16	AZ21973	ELBOW FITTING	1		X X	

# 2H24

HYDRAULIC SYSTEM

## REEL DRIVE FITTINGS AND HYDRAULIC RESERVOIR - CONTINUED

KEY	PART NO.	PART NAME	QTY	SERIAL NO.	4 4 4 3 4 5 3 H 5 Y	REMARKS
1	AZ32229	HYDRAULIC RESERVOIR	1		X X	
2	AL17552	BREATHER	1		X X	
3	51M4247	RING	1		X X	30,300 X 35,900 X 2MM
4	AZ25027	FILTER	1		X X	
5	Z26828	GASKET	1		X X	
6	AZ30096	SUPPORT	1		X X	
7	Z26827	WASHER	1		X X	
8	19M7077	CAP SCREW	AR		X X	M6 X 20
9	AR21836	CLAMP	2		X X	
10	22H906	SET SCREW	1		X X	1/4" X 1/2"
11	H97941	ADAPTER	1		X X	
12	H97942	HOSE	1		X X	
13	19M7286	CAP SCREW	AR		X X	M6 X 25
14	24M7088	WASHER	AR		X X	6.600 X 12 X 1.600 MM
15	12M7012	LOCK WASHER	AR		X X	6.100 MM
16	14M7027	NUT	AR		X X	M6
17	Z41710	GUARD	1		X X	
18	21M7031	SCREW	AR		X X	M6 X 15
19	19M7270	CAP SCREW	2		X X	M8 X 65
20	14M7029	NUT	AR		X X	M8
21	12M7008	LOCK WASHER	AR		X X	8.100 MM
22	19M7139	CAP SCREW	AR		X X	M8 X 20
23	19M7163	CAP SCREW	AR		X X	M8 X 25
24	U12547	O-RING	1		X X	
25	AR68999	ELBOW FITTING	1		X X	
26	Z26822	CLAMP	2		X X	
27	Z36049	HOSE	1		X X	
28	19M7168	CAP SCREW	2		X X	M10 X 30
29	Z26792	NUT	2		X X	

---

MEMORANDA

# 2117

SEPARATOR SHELL

SIDE SHEETS, RIGHT HAND - CONTINUED

KEY	PART NO.	PART NAME	QTY	SERIAL NO.	4 4 4 3 4 5 3 H 5 Y	REMARKS
1	AZ33557	SIDE WALL	1		X X	
2	Z33832	SIDE WALL	1		X X	
3	Z33839	SIDE WALL	1		X X	
4	Z32673	REINFORCEMENT	1		X X	
5	Z46143	BEAM	1		X X	
6	Z33829	ANGLE	1		X X	
7	AZ23101	FRAME	1		X X	
8	Z37786	ANGLE	1		X X	
9	Z43527	BRACE	1		X X	
10	Z33841	ANGLE	1		X X	
11	AZ40775	FRAME	1		X X	
12	Z20912	DEFLECTOR	1		X X	
13	Z20917	COVER	2		X X	
14	Z11505	HANGER	1	-057684	X X	(ORDER AZ44804)
15	Z11503	RETAINER	1	-057684	X X	
16	Z43955	LATCH	1	-057684	X X	
17	Z20915	BRACKET	1		X X	
18	Z20367	CLAMP	7		X X	
19	AZ32299	PACKAGE OF RIVETS	AR		X X	PKG. OF (100)
20	16M1528	RIVET	AR		X X	10 X 28 MM
21	16M2523	RIVET	AR		X X	6 X 15 MM
22	16M2528	RIVET	AR		X X	6 X 30 MM
23	16M6724	RIVET	AR		X X	6 X 18 MM
24	16M7076	RIVET	AR		X X	10 X 32 MM
25	16M1527	RIVET	AR		X X	10 X 26 MM
26	19M7639	CAP SCREW	3		X X	M16 X 180
27	19M7368	CAP SCREW	3		X X	M16 X 50
28	19M7169	CAP SCREW	AR		X X	M10 X 35
29	19M7167	CAP SCREW	AR		X X	
30	19M7168	CAP SCREW	AR		X X	M10 X 30
31	L18889	WASHER	AR		X X	
32	12M7013	LOCK WASHER	AR		X X	10,185MM
33	14M7170	LOCK NUT	AR		X X	M16
34	14M7140	NUT	AR		X X	M10
35	14M7031	NUT	AR		X X	M12
36	03M7054	BOLT	AR		X X	M8 X 20
37	14M7020	WING NUT	AR		X X	M8 M8
38	14M7027	NUT	AR		X X	M6
39	12M7012	LOCK WASHER	AR		X X	6.100 MM
40	19M7159	CAP SCREW	AR		X X	M6 X 15
41	Z20913	STRIPPER	1		X X	
42	Z43956	NUT	2		X X	
43	Z22027	STRAP	3		X X	
44	16M4701	RIVET	AR		X X	6 X 15 MM
45	16M1526	RIVET	AR		X X	10 X 24 MM
46	16M4702	RIVET	AR		X X	6 X 25 MM
47	16M1529	RIVET	AR		X X	10 X 30 MM

CLICK HERE TO **DOWNLOAD** THE COMPLETE MANUAL

- Thank you very much for reading the preview of the manual.
- You can download the complete manual from: [www.heydownloads.com](http://www.heydownloads.com) by clicking the link below



- Please note: If there is no response to CLICKING the link, please download this PDF first and then click on it.

CLICK HERE TO **DOWNLOAD** THE COMPLETE MANUAL

# 2J2

SEPARATOR SHELL

## REAR HOOD RAILING - CONTINUED

KEY	PART NO.	PART NAME	QTY	SERIAL NO.		REMARKS
					4	
					4	
					4 3	
					4 5	
					3 H	
					5 Y	
1	AZ41094	HANDRAIL	1		X X	
2	21M7160	SCREW	8		X X	M8 X 18
3	24M7036	WASHER	8		X X	9 X 16 X 1.600 MM
4	12M7008	LOCK WASHER	8		X X	8.100 MM
5	14M7029	NUT	8		X X	M8

# 2J12

SEPARATOR SHELL

## BATTERY MOUNTINGS - CONTINUED

KEY	PART NO.	PART NAME	QTY	SERIAL NO.	4 4 4 3 4 5 3 H 5 Y	REMARKS
1	Z32841	RETAINER	2		X X	
2	AZ36829	RETAINER	1		X X	
3	Z46167	BRACE	1		X X	
4	14M7029	NUT	AR		X X	M8
5	12M7008	LOCK WASHER	AR		X X	8.100 MM
6	24M7036	WASHER	AR		X X	9 X 16 X 1.600 MM
7	19M7139	CAP SCREW	AR		X X	M8 X 20
8	14M6662	WING NUT	2		X X	M6
9	24M7100	WASHER	2		X X	6.600 X 22 X 2 MM
10	Z45733	HOOK BOLT	2		X X	
11	Z45731	ANGLE	1		X X	

# 2J22

SEPARATOR SHELL

## CLEANING FAN GUARDS FOR CORN EQUIPMENT - CONTINUED

KEY	PART NO.	PART NAME	QTY	SERIAL NO.	4 4 4 3 4 5 3 H 5 Y	REMARKS
1	Z51544	BRACE	1		X X	
2	Z51545	GUARD	1		X X	R.H.
3	12M7013	LOCK WASHER	AR		X X	10.200 MM
4	Z46385	ANGLE	1		X X	
5	24M7040	WASHER	AR		X X	11 X 20 X 2 MM
6	AZ37199	GUARD	1		X X	
7	19M7139	CAP SCREW	AR		X X	M8 X 20
8	24M7036	WASHER	AR		X X	9 X 16 X 1.600 MM
9	12M7008	LOCK WASHER	AR		X X	8.100 MM
10	14M7029	NUT	AR		X X	M8
11	14M7140	NUT	AR		X X	M10
12	Z26250	WASHER	AR		X X	
13	12M7012	LOCK WASHER	AR		X X	6.100 MM
14	14M7027	NUT	AR		X X	M6
15	19M7159	CAP SCREW	AR		X X	M6 X 15
16	19M7166	CAP SCREW	AR		X X	M10 X 20
17	Z53073	SIDE WALL	1		X	L.H., (SUB Z55607)
	Z55607	GUARD	1		X X	L.H.
18	19M8308	CAP SCREW	4		X X	M8 X 20
19	Z36391	ANGLE	2		X X	
20	24M7024	WASHER	4		X X	9 X 28 X 3 MM
21	14M7416	FLANGE NUT	4		X X	M8

# 2K8

SEPARATOR SHELL

## SEPARATOR MIDDLE SHIELD, RIGHT-HAND - CONTINUED

KEY	PART NO.	PART NAME	QTY	SERIAL NO.	4 4 4 3 4 5 3 H 5 Y	REMARKS
1	AZ29942	PANEL	1		X X	
2	14M7027	NUT	AR		X X	M6
3	12M7012	LOCK WASHER	AR		X X	6.100 MM
4	AZ29936	EXTENSION	1		X X	
5	14M7029	NUT	AR		X X	M8
6	12M7008	LOCK WASHER	AR		X X	8.100 MM
7	21M7081	SCREW	AR		X X	M8 X 15
8	AZ37862	SIDE WALL	1		X X	
9	21M7031	SCREW	AR		X X	M6 X 15
10	24M7088	WASHER	AR		X X	6.600 X 12 X 1.600 MM
11	19M7284	CAP SCREW	AR		X X	M8 X 18
12	19M7159	CAP SCREW	AR		X X	M6 X 15
13	24M7036	WASHER	AR		X X	9 X 16 X 1.600 MM
14	AZ34493	BAIL	2		X X	
15	19M3129	CAP SCREW	AR		X X	M8 X 20
16	19M7327	CAP SCREW	AR		X X	M10 X 65
17	24M7040	WASHER	AR		X X	11 X 20 X 2 MM
18	Z45278	CLEVIS	1		X X	
19	14M7167	LOCK NUT	AR		X X	M10
20	19M7329	CAP SCREW	1		X X	M10 X 75
21	21M7087	SCREW	AR		X X	M6 X 12
22	Z45564	EXTENSION SPRING	1		X X	
23	AZ30430	SHEET	1		X X	
24	AZ33861	FLAP	1		X X	
25	Z40640	SPRING	2		X X	
26	14M7166	LOCK NUT	AR		X X	M8
27	19M7139	CAP SCREW	AR		X X	M8 X 20
28	Z40641	HOLDER	2		X X	(SUB Z55669)
	Z55669	SHEET	2		X X	
29	Z45277	CLEVIS	1		X	(SUB Z53293)
	Z53293	CHANNEL	1		X X	



# 3B13

OPERATOR'S STATION

OPERATOR'S PLATFORM HANDRAILS - CONTINUED

KEY	PART NO.	PART NAME	QTY	SERIAL NO.	REMARKS
					4
					4
					4 3
					4 5
					3 H
					5 Y
1	AZ30166	HANDRAIL	AR		X X
2	34M7033	SPRING PIN	AR		X X 5 X 30MM
3	AZ30086	HANDRAIL	1		X X
4	AZ30454	HANDRAIL	1		X X
5	21M7312	SCREW	AR		X X M6 X 12
6	12M7012	LOCK WASHER	AR		X X 6.100 MM
7	14M7027	NUT	AR		X X M6
8	14M7029	NUT	AR		X X M8
9	12M7008	LOCK WASHER	AR		X X 8.100 MM
10	24M7036	WASHER	AR		X X 9 X 16 X 1.600 MM
11	21M7089	SCREW	AR		X X M8 X 20
12	AZ35064	HANDRAIL	1		X X
13	19M7269	CAP SCREW	AR		X X M8 X 50
14	Z41542	SPACER	AR		X X
15	Z41938	BAIL	1		X X AR
16	21M7031	SCREW	AR		X X M6 X 15
17	AZ31543	HANDRAIL	1		X X AR
18	24M7088	WASHER	AR		X X 6.600 X 12 X 1.600 MM
19	Z42223	GUARD	1		X X AR
20	Z40651	BRACE	1		X X
21	Z40650	HOLDER	1		X X
22	19M7139	CAP SCREW	AR		X X M8 X 20
23	Z40538	HOLDER	1		X X

# 3B22

OPERATOR'S STATION

## SEAT ADJUSTMENT - CONTINUED

KEY	PART NO.	PART NAME	QTY	SERIAL NO.	4 4 4 3 4 5 3 H 5 Y	REMARKS
1	AZ31014	LEVER	1		X X	
2	L38856	BEARING	4		X X	
3	AL36644	PIN	1		X X	
4	AL36647	ARM	1		X X	
5	AL36645	PIN	1		X X	
6	L38867	WASHER	2		X X	
7	L38868	WASHER	2		X X	
8	24M7044	WASHER	AR		X X	13 X 20 X 2 MM
9	40M7030	SNAP RING	2		X X	9MM
10	L38855	ROLLER	4		X X	
11	L38862	BAR	1		X X	
12	L38852	PLATE	2		X X	
13	L38854	SPRING	2		X X	
14	L38853	PLATE	1		X X	
15	AZ31280	DASHPOT	1		X X	
16	L38889	BOLT	2		X X	
17	40M7041	SNAP RING	2		X X	5MM
18	AZ31017	PLATE	1		X X	
19	L25678	BUMPER	2		X X	
20	L38891	RAIL	1		X X	
21	L38890	PLATE	1		X X	
22	L39011	RIVET	2		X X	
23	Z41622	TOGGLE	1		X X	
24	L38850	WASHER	1		X X	
25	24H1657	WASHER	1		X X	21/64" X 1-1/4" X 7/64"
26	JD10212	BALL BEARING	1		X X	
27	L38861	NUT	1		X X	
28	L38865	SPRING	2		X X	
29	AL36643	RETAINER	1		X X	
30	AL36648	STRIP	1		X X	
31	L38866	SPRING	1		X X	
32	L38857	PLUG	1		X X	
33	AZ31019	ADJUSTER	1		X X	
34	Z41613	WASHER	1		X X	
35	34M7130	SPRING PIN	1		X X	4 X 20 MM
36	AZ31021	BUSHING	1		X X	
37	40M7051	SNAP RING	1		X X	15MM
38	Z41614	BUSHING	1		X X	
39	AZ31020	TOGGLE	1		X X	
40	Z41611	GRIP	1		X X	
41	25M7019	GROOVE PIN	1		X X	4 X 24 MM
42	34M7129	SPRING PIN	1		X X	3 X 16 MM
43	L38847	GUIDE	1		X X	
44	L38851	ROLLER	1		X X	

# 3C8

OPERATOR'S STATION

CONTROL LEVER - CUTTING PLATFORM/HYDRAULIC REVERSER - CONTINUED

KEY	PART NO.	PART NAME	QTY	SERIAL NO.	4 4 4 3 4 5 3 H 5 Y	REMARKS
1	11M7014	COTTER PIN	2		X X	3.200 X 22 MM
2	24M7096	WASHER	AR		X X	10.500 X 18 X 1.600 MM
3	Z27186	WASHER	AR		X X	
4	24M7101	WASHER	AR		X X	11 X 34 X 3 MM
5	AZ34287	LEVER	1		X X	
6	Z11519	SECTOR	1		X X	
7	Z44159	SPACER	1		X X	
8	14M7297	NUT	AR		X X	M5
9	12M7011	LOCK WASHER	AR		X X	5.100 MM
10	Z21834	LATCH	1		X X	
11	55M7003	BALL STUD	AR		X X	8MM
12	56M5258	BALL JOINT RETAINER	AR		X X	
13	56M5259	BALL JOINT SOCKET	AR		X X	
14	AZ34327	PUSH PULL CABLE	1		X X	
15	AZ23854	ROD	1		X X	
16	Z44150	RETAINER	1		X X	
17	19M7077	CAP SCREW	AR		X X	M6 X 20
18	12M7012	LOCK WASHER	AR		X X	6.100 MM
19	14M7027	NUT	AR		X X	M6
20	Z34446	KNOB	1		X X	
21	Z43884	RETAINER	1		X X	
22	12M7013	LOCK WASHER	AR		X X	10.200 MM
23	14M7140	NUT	AR		X X	M10
24	Z21613	EXTENSION SPRING	1		X X	
25	03M7088	BOLT	AR		X X	M10 X 20
26	24M7040	WASHER	AR		X X	11 X 20 X 2 MM
27	Z51770	RETAINER	1		X X	
28	.....	SWITCH	1		X X	SEE SECTION 040
29	Z26250	WASHER	4		X X	

# 3C17

OPERATOR'S STATION

OPERATING CABLES ON OPERATOR'S PLATFORM - CONTINUED

KEY	PART NO.	PART NAME	QTY	SERIAL NO.	4 4 4 3 4 5 3 H 5 Y	REMARKS
1	56M5258	BALL JOINT RETAINER	4		X X	
2	AZ24935	PUSH PULL CABLE	2		X X	2480MM(97.64") LONG
3	14M7297	NUT	4		X X	M5
4	56M5259	BALL JOINT SOCKET	4		X X	
5	AZ36996	RETAINER	1		X X	
6	19M7139	CAP SCREW	4		X X	M8 X 20
7	14M7029	NUT	4		X X	M8
8	12M7008	LOCK WASHER	4		X X	8.100 MM
9	Z41952	BAIL	1		X X	
10	19M7159	CAP SCREW	2		X X	M6 X 15
11	14M7027	NUT	2		X X	M6
12	12M7012	LOCK WASHER	2		X X	6.100 MM
13	Z34588	BOOT	4		X X	

# 3D2

OPERATOR'S STATION

## CAB WINDOWS AND MOLDINGS - CONTINUED

KEY	PART NO.	PART NAME	QTY	SERIAL NO.	4 4 4 3 4 5 3 H 5 Y	REMARKS
1	Z44227	WINDOW	1		X X	
2	Z41354	MOLDING	1		X X	
3	Z41328	FOAM PAD	1		X X	
4	Z44229	WINDOW	1		X X	
5	Z41371	GASKET	1		X X	
6	AZ30928	FRAME	1		X X	
7	Z44228	WINDOW	1		X X	
8	AZ30929	FRAME	1		X X	
9	Z41388	SHAFT KEY	1		X X	
10	Z41300	MOLDING	1		X X	
11	Z41360	PIN	2		X X	
12	40M7126	SNAP RING	2		X X	9 X 1MM
13	Z41363	SHIELD	1		X X	
14	21M7305	SCREW	AR		X X	M6 X 12
15	AZ33166	GUSSET	1		X X	
16	Z48131	WINDOW	1		X X	
17	Z48128	FRAME	1		X X	
18	AZ38428	RETAINER	1		X X	
19	Z41325	HOLDER	1		X X	
20	Z41652	GUARD	1		X X	
21	Z41362	GUARD	1		X X	
22	Z48138	ANGLE	2		X X	
23	L37975	LOCK WASHER	2		X X	
24	14M7376	LOCK NUT	1		X X	M6
25	L55163	WASHER	2		X X	
26	L38083	STRAP	AR		X X	
27	AZ37727	RETAINER	1		X X	
28	21M7310	SCREW	AR		X X	M6 X 25
29	T27260	WASHER	1		X X	
30	24M7252	WASHER	1		X X	13 X 20 X 2 MM
31	34M7126	SPRING PIN	1		X X	5 X 12 MM
32	Z41358	HANDLE	1		X X	
33	14M7027	NUT	AR		X X	M6
34	99M7070	PLUG	1		X X	
35	Z41659	WASHER	AR		X X	TK = 1MM
36	Z41660	WASHER	AR		X X	TK = 2MM

# 3D12

OPERATOR'S STATION

## FLOOR MATS - CONTINUED

KEY	PART NO.	PART NAME	QTY	SERIAL NO.	4 4 4 3 4 5 3 H 5 Y	REMARKS
1	Z48078	BARRIER	1		X X	
2	Z46157	BOOT	1		X X	
3	37M7029	SCREW	AR		X X	5,5 X 13MM
4	AZ36810	MAT	1		X	
	AZ36808	MAT	1		X	
5	AZ38320	SHIELD	1		X X	(SUB Z48036)
	Z48036	SHIELD	1		X X	
6	Z46158	MAT	1		X X	
7	Z41631	SCREW	2		X X	
8	Z44797	BOOT	3		X	
	Z44797	BOOT	2		X	
9	R44302	TIE BAND	3		X X	
10	Z45400	WEATHERSTRIP	1		X X	ORDER WITH (4)Z45460
11	Z45460	TAPE	4		X X	1000 X 30MM(39.37" X 1.18)

# 3D21

OPERATOR'S STATION

## CAB ROOF AIR FILTER - CONTINUED

KEY	PART NO.	PART NAME	QTY	SERIAL NO.	4 4 4 3 4 5 3 H 5 Y	REMARKS
1	Z47512	STRAP	1		X X	
2	AZ37822	CASE	1		X X	
3	L38598	FILTER ELEMENT	1		X X	
4	L38599	FRAME	1		X X	
5	AZ37539	FRAME	1		X X	
6	H97643	LATCH	2		X X	
7	R66087	RIVET	8		X X	
8	Z47515	RIVET	AR		X X	
9	Z45760	SUPPORT	1		X X	

# 3E6

OPERATOR'S STATION

## COMPRESSOR PARTS - CONTINUED

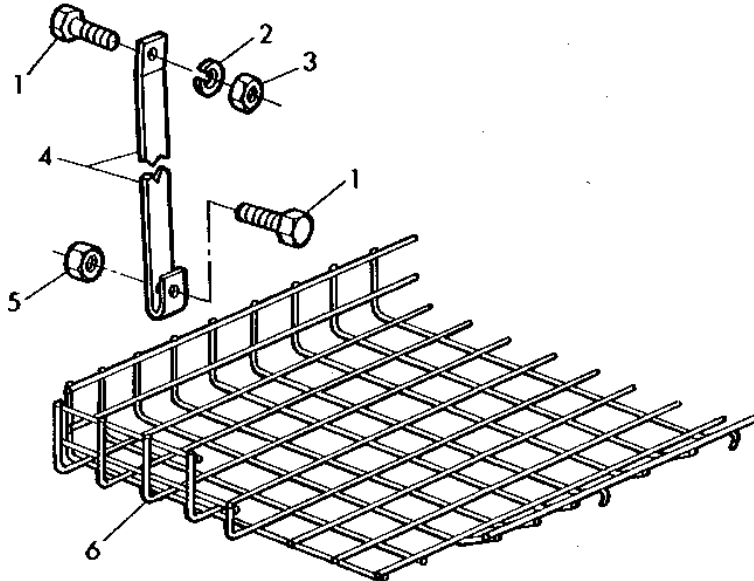
KEY	PART NO.	PART NAME	QTY	SERIAL NO.	4 4 4 3 4 5 3 H 5 Y	REMARKS
1	RE10979	PLATE	1		X X	
2	R77397	VALVE	2		X X	
3	RE10978	PLATE	1		X X	
4	R77399	PACKING	1		X X	
5	RE10973	KIT	1		X X	
6	RE10977	CYLINDER HEAD	1		X X	
7	R77396	BOLT	6		X X	

# 3E16

OPERATOR'S STATION

Z115258 -UN-01JAN94

## WIRE TRAY FOR HEATER AND AIR CONDITIONING HOSES



Z115258

4  
4  
4 3  
4 5  
3 H  
5 Y

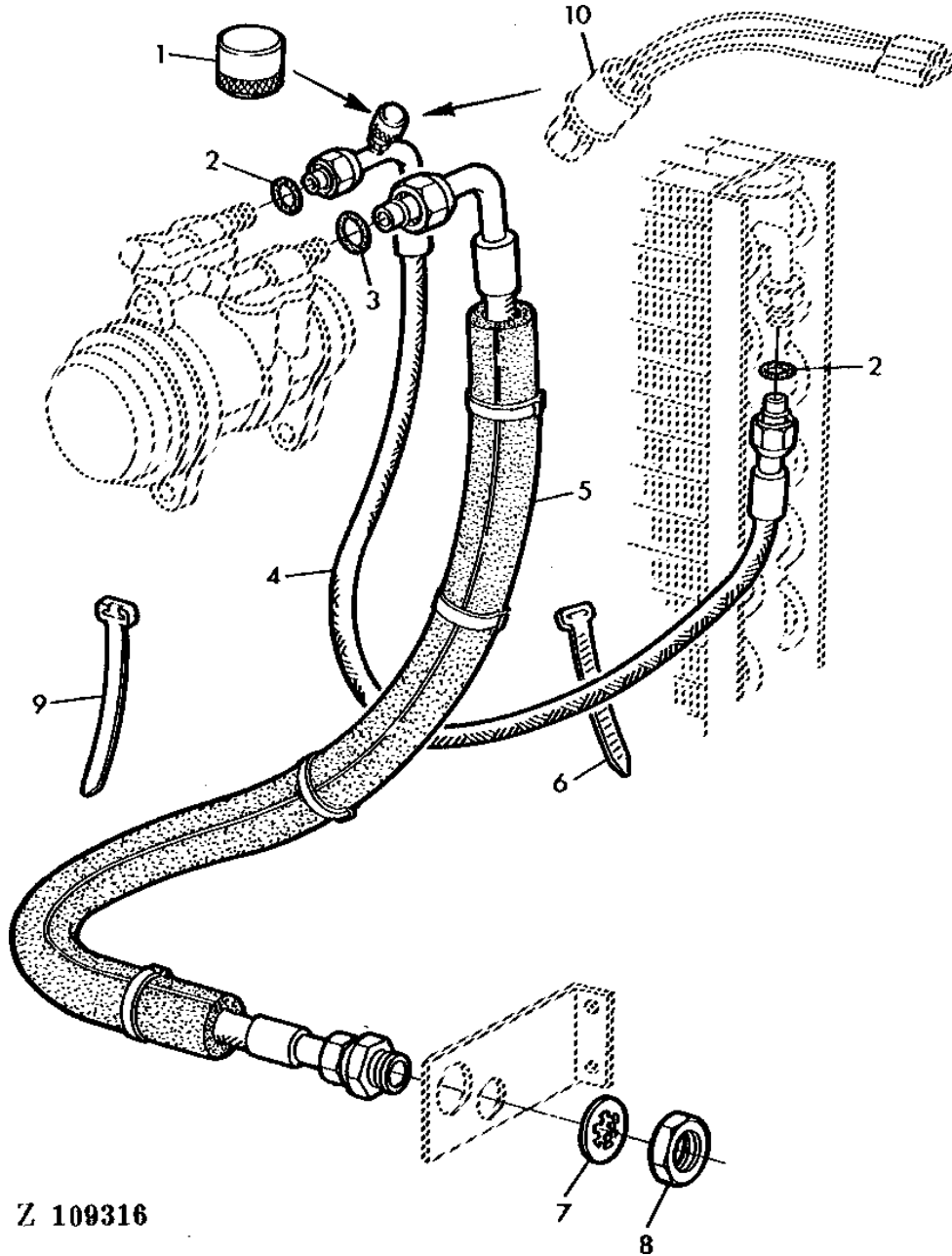
KEY	PART NO.	PART NAME	QTY	SERIAL NO.	REMARKS
1	19M7159	CAP SCREW	AR	X X	M6 X 15
2	12M7012	LOCK WASHER	AR	X X	6.100 MM
3	14M7027	NUT	AR	X X	M6
4	Z46755	STRAP	1	X X	
5	14M7165	LOCK NUT	AR	X X	M6
6	AZ37357	BASKET	1	X X	7,5A

# 3F1

OPERATOR'S STATION

Z109316 -UN-01JAN94

COMPRESSOR HOSES



Z 109316

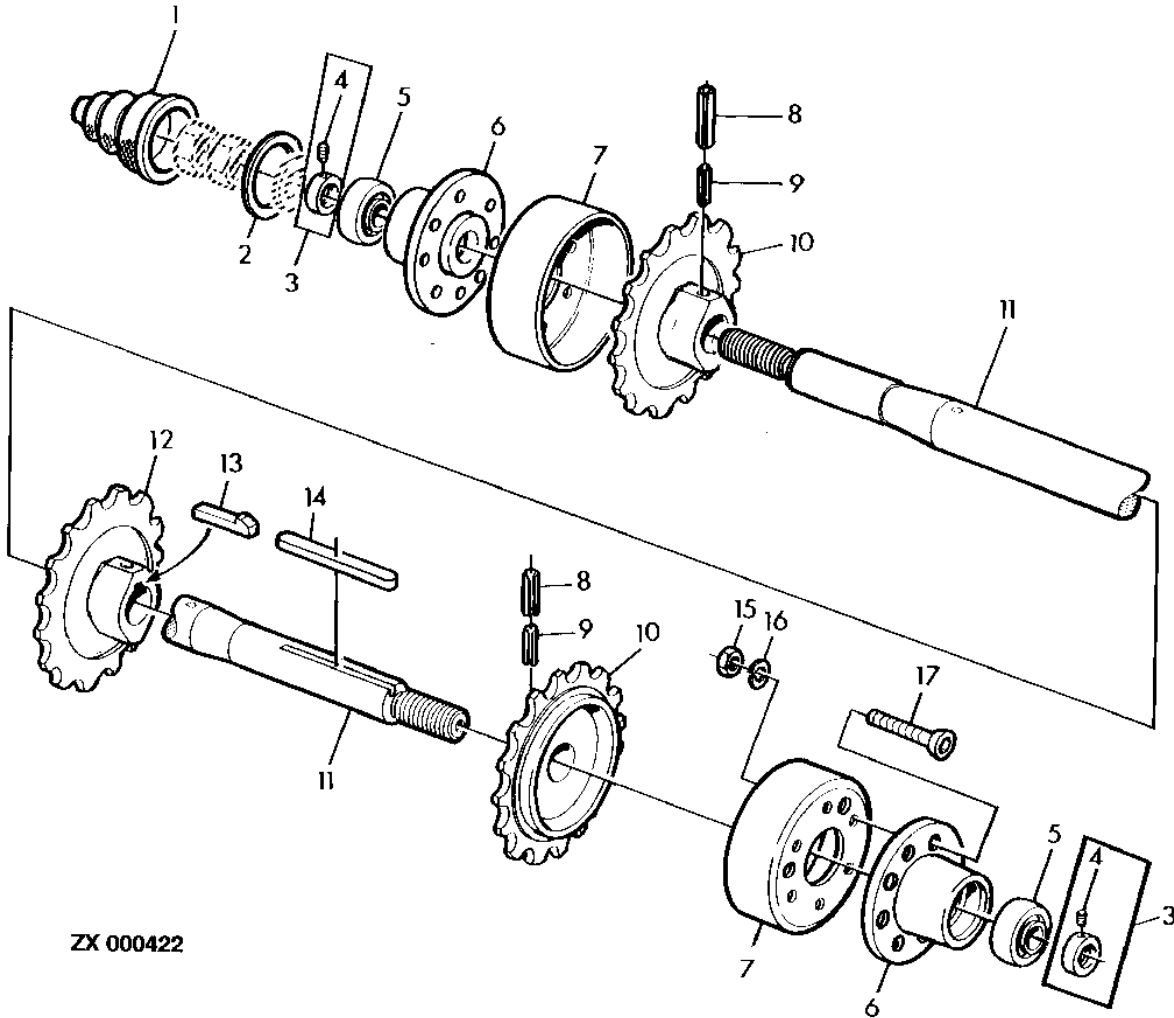


# 3F22

FEEDER HOUSE

ZX000422 -UN-11JUL96

FEEDER HOUSE UPPER SHAFT AND SPROCKETS



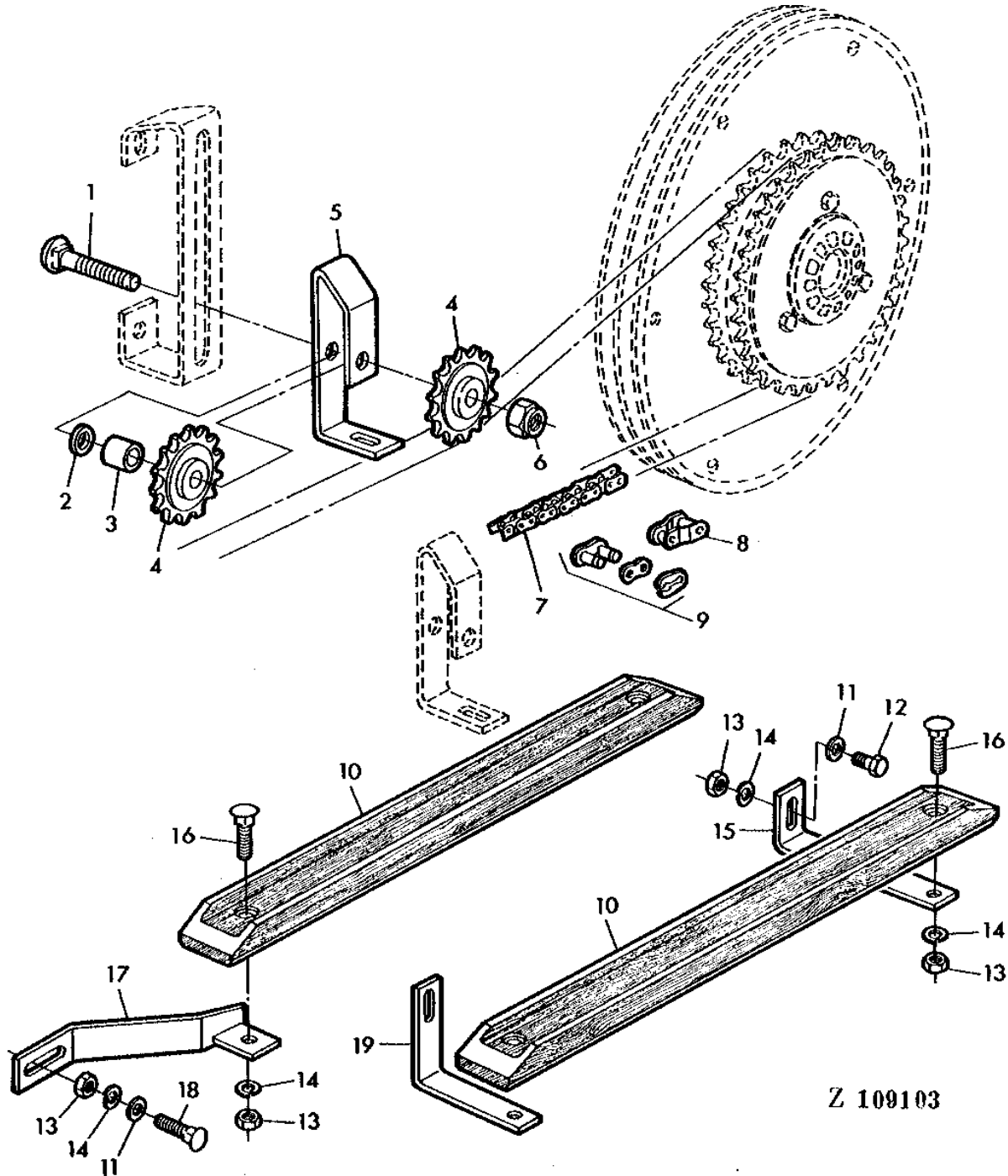
# 3G7

FEEDER HOUSE

Z109103

-UN-01JAN94

## HEADER DRIVE CHAIN

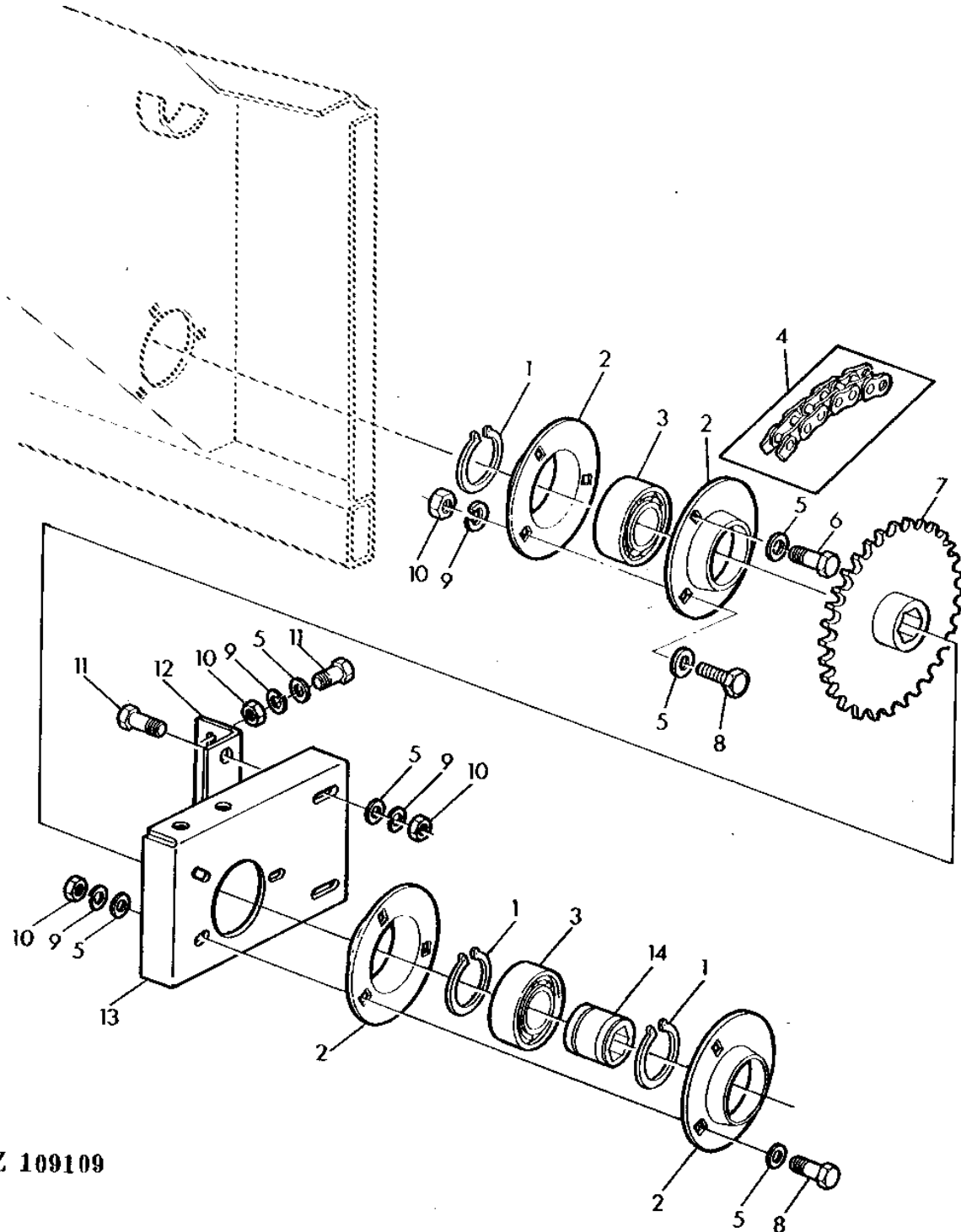


# 3G17

FEEDER HOUSE

Z109109 -UN-01JAN94

LOWER REEL DRIVE



Z 109109



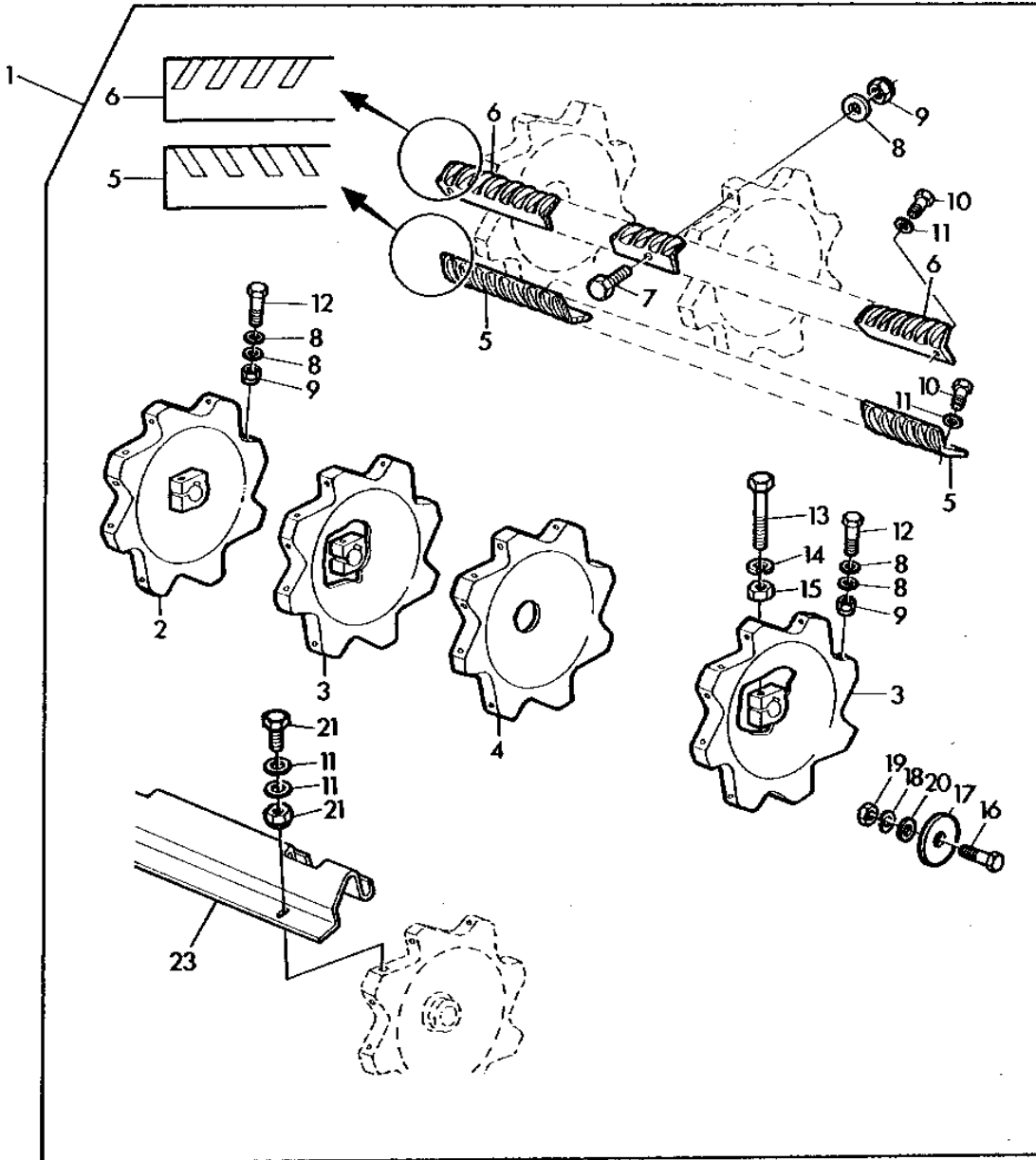
# 4B13

SEPARATOR

Z114844

-UN-01JAN94

RASP BAR CYLINDER



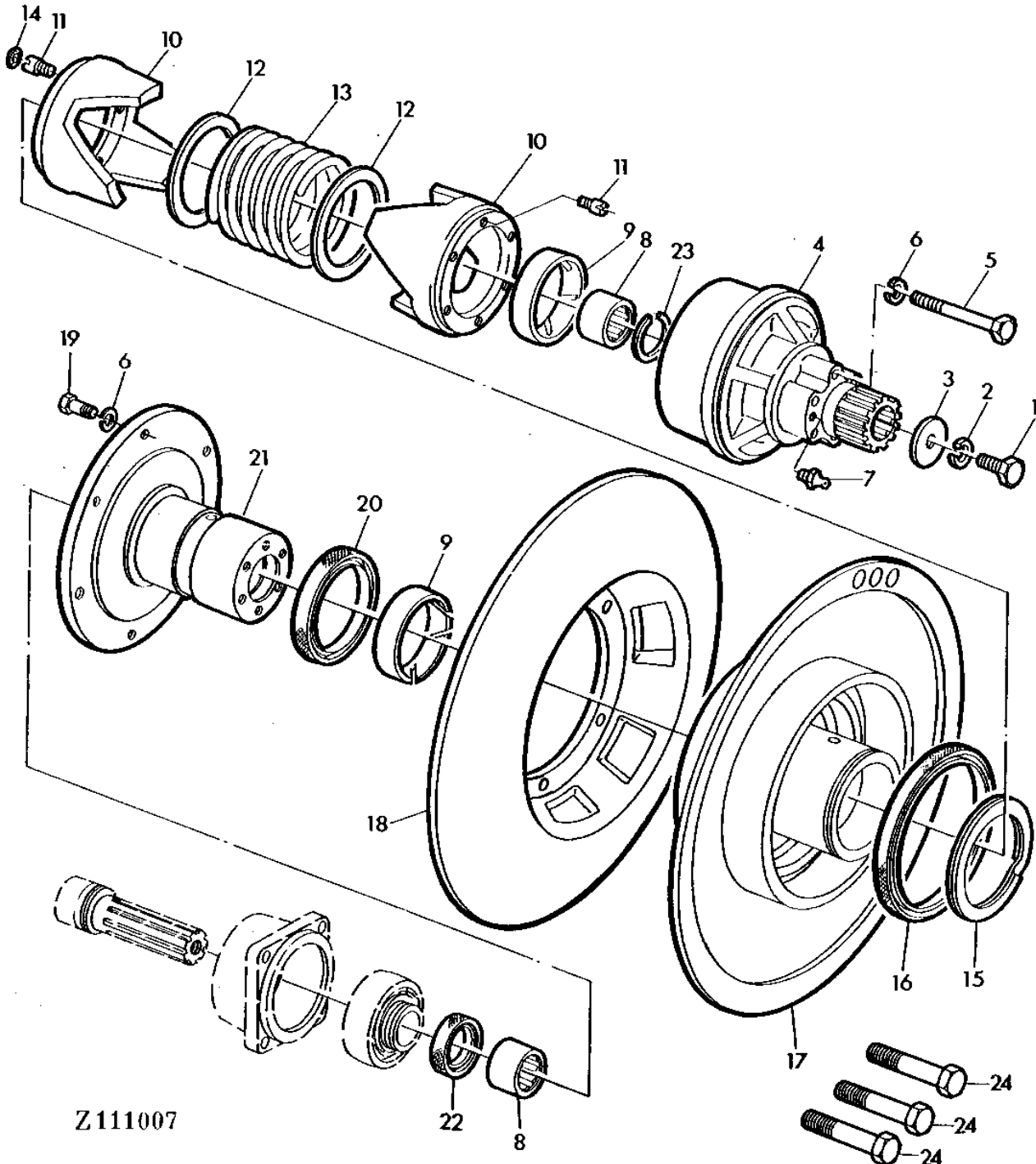
Z114844

# 4B22

SEPARATOR

Z111007 -UN-01JAN94

POSI TORQ VARIABLE CYLINDER SHEAVES



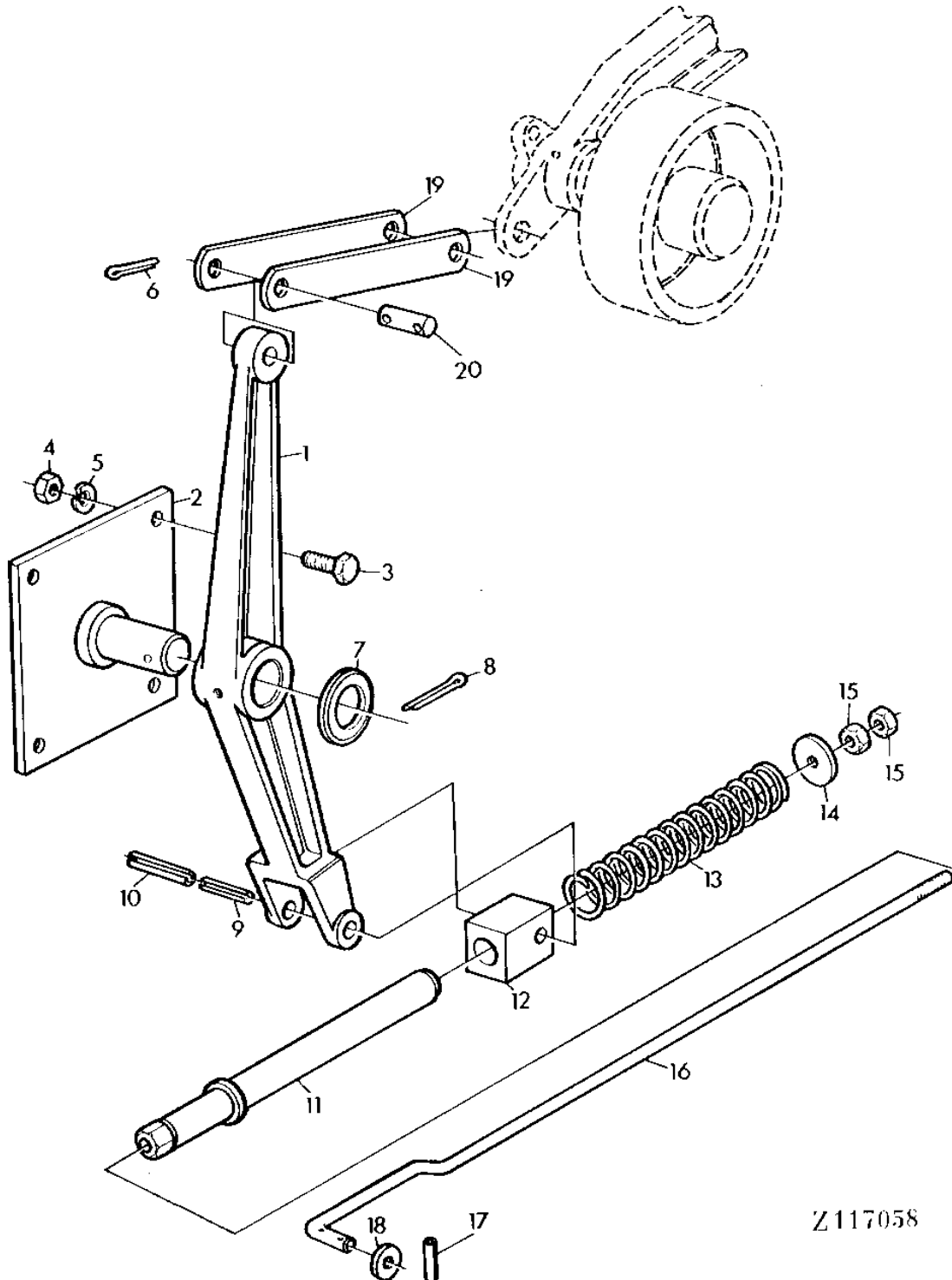
Z111007

# 4C6

SEPARATOR

Z117058 -UN-01JAN94

SEPARATOR DRIVE IDLER ARM



Z117058

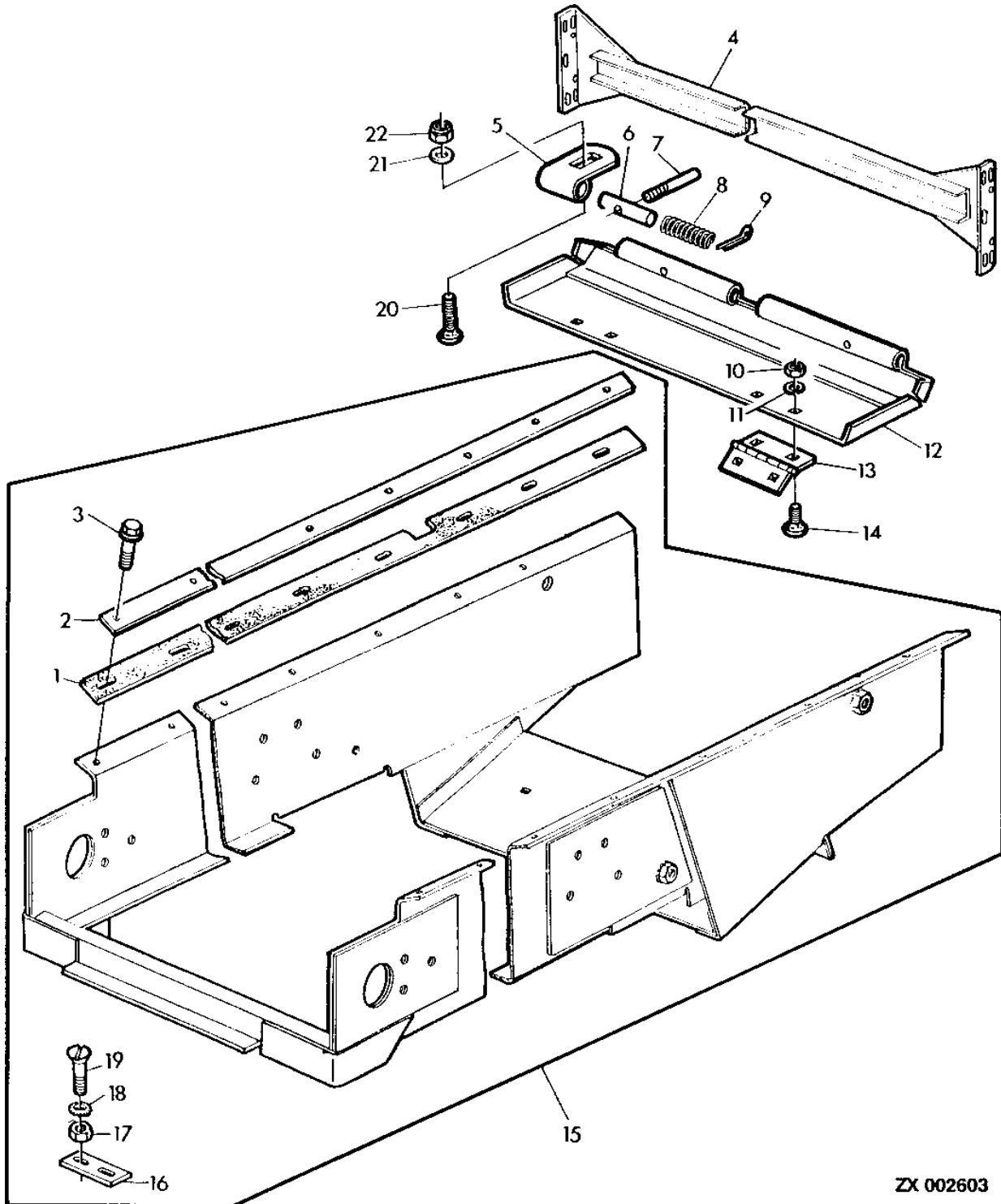
# 4C16

SEPARATOR

ZX002603

-UN-01JAN94

CHAFFER FRAME



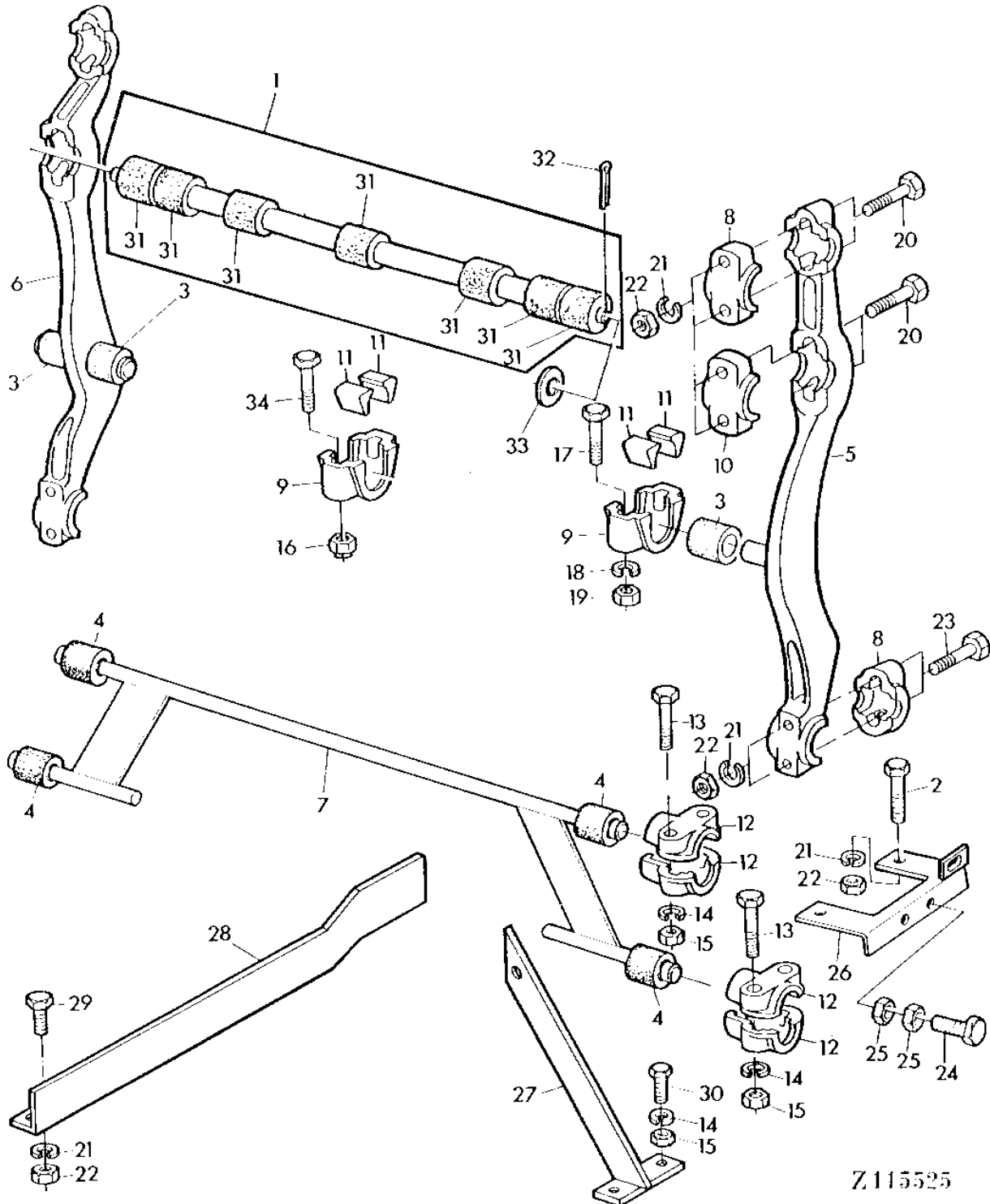
ZX 002603

# 4D1

SEPARATOR

Z115525 -UN-01JAN94

## GRAIN PAN SHAFT AND SUSPENSION



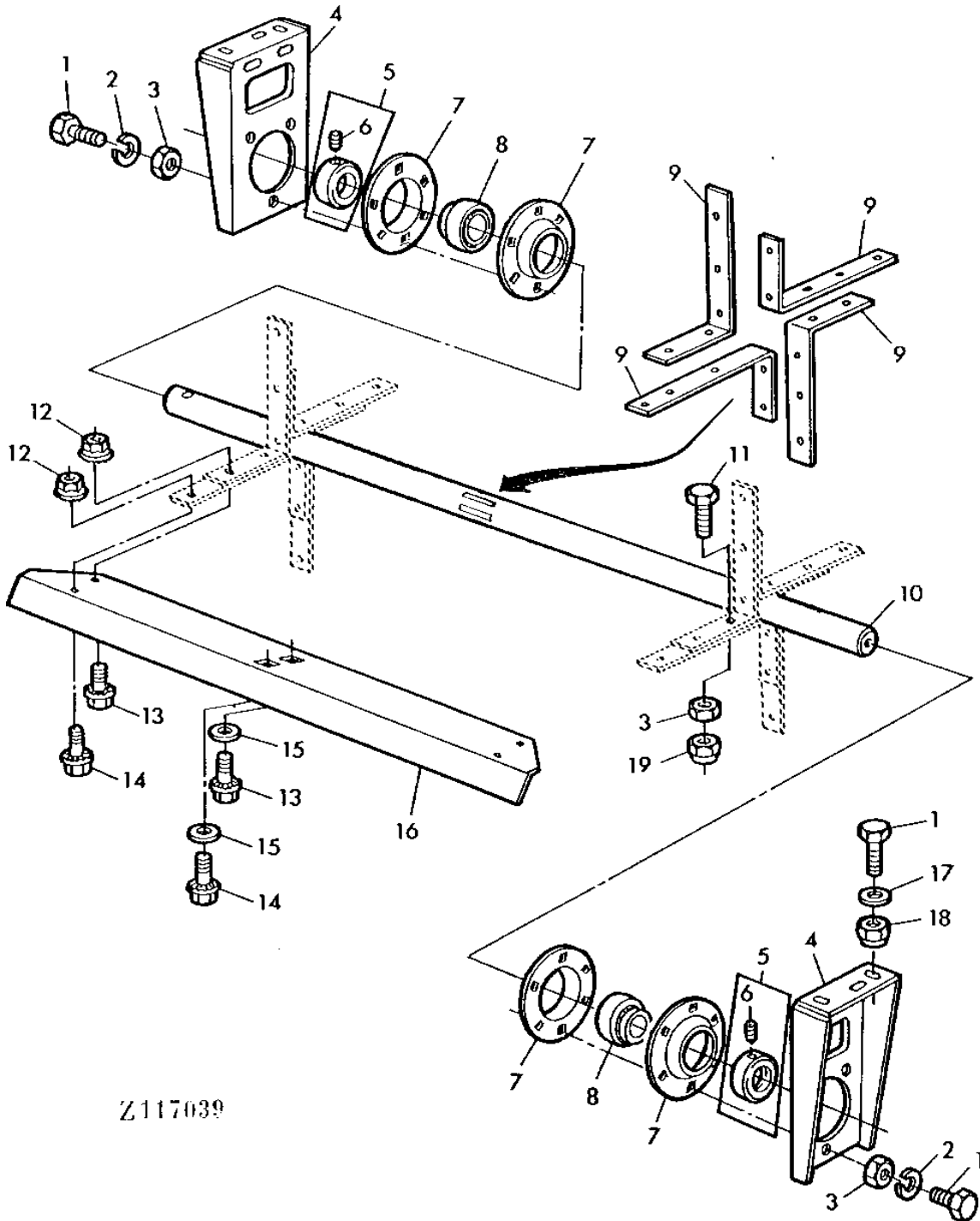
Z115525

# 4D11

SEPARATOR

Z117039 -UN-01JAN94

FAN SHAFT AND BLADES



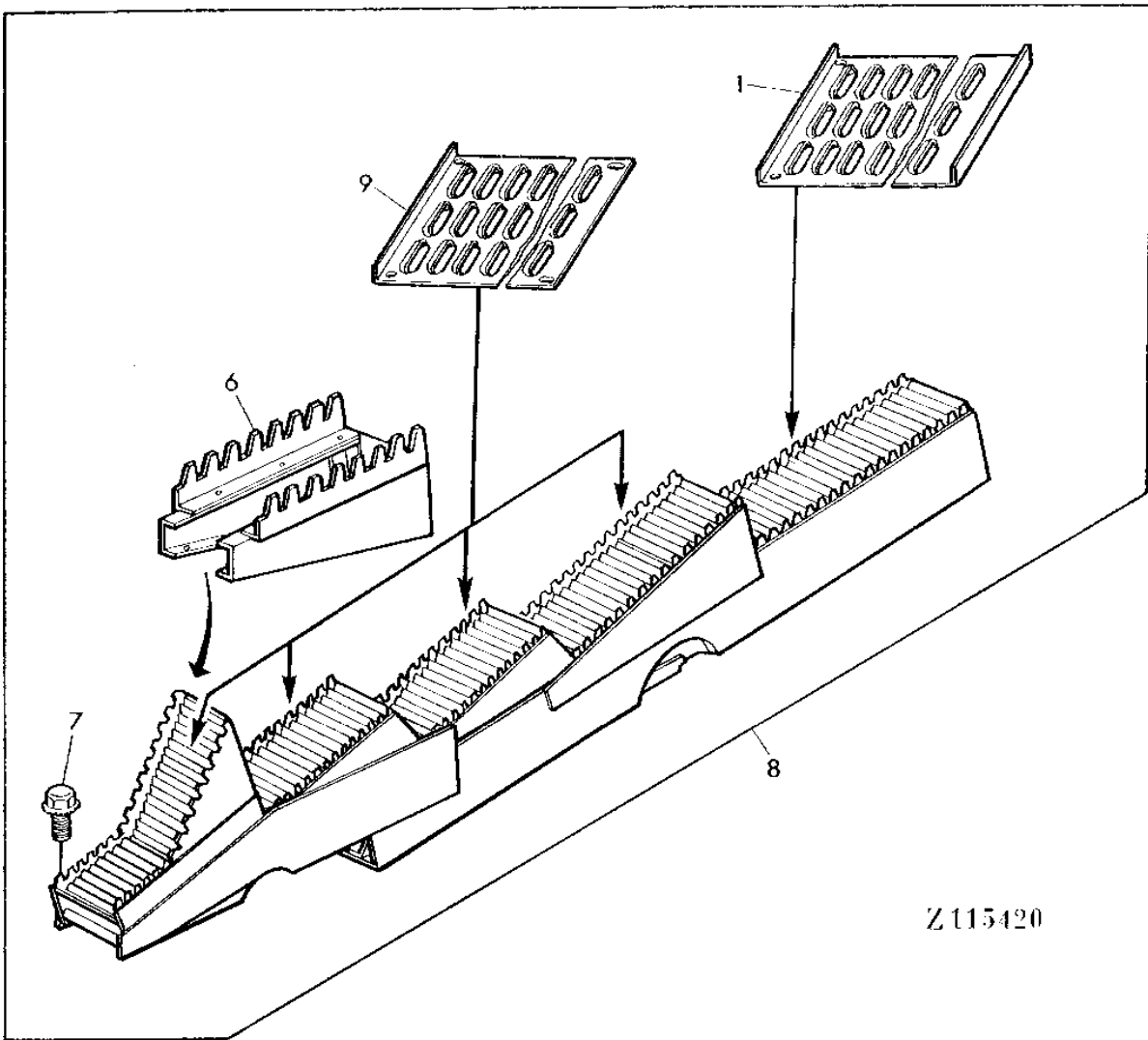
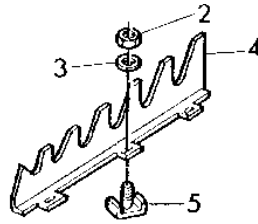
Z117039

# 4D20

SEPARATOR

Z115420 -UN-01JAN94

STRAW WALKER



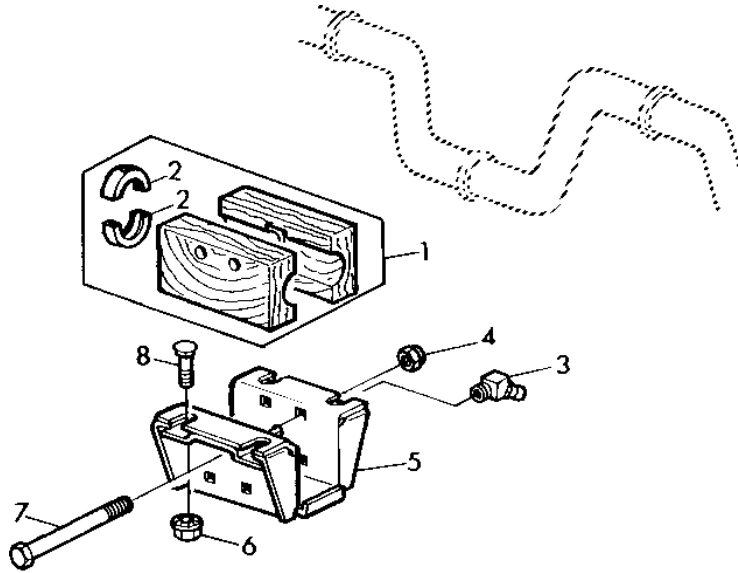
Z115420

# 4E5

SEPARATOR

ZX001997 -UN-01JAN94

## STRAW WALKER BEARING



ZX001997

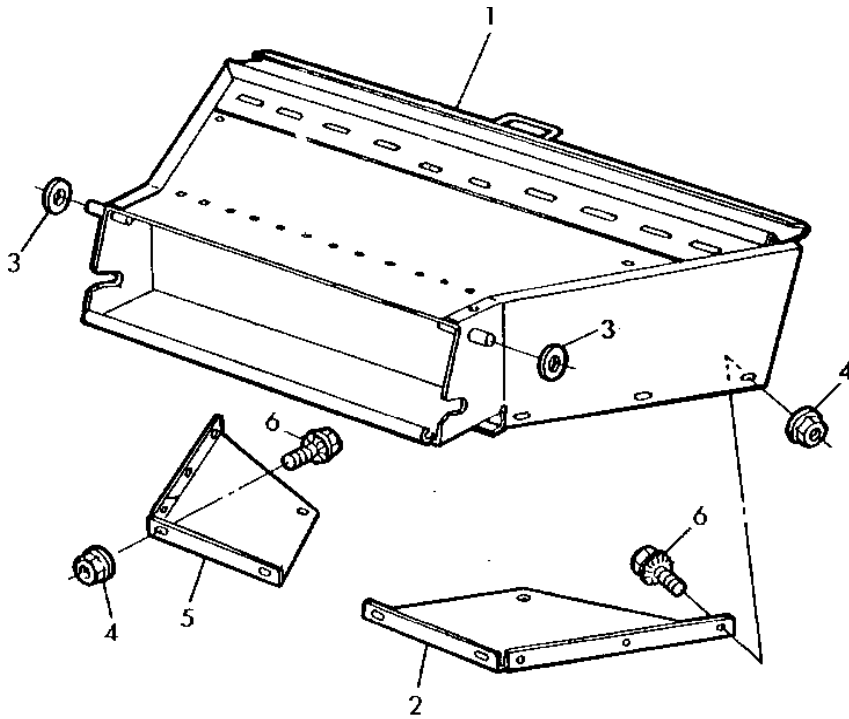
KEY	PART NO.	PART NAME	QTY	SERIAL NO.		REMARKS
					4	
					4	
					4 3	
					4 5	
					3 H	
					5 Y	
1	AZ45586	BEARING	8	058553-	X X	(KIT)
2	Z39428	GUIDE	2	058553-	X X	
3	58M7007	LUBRICATION FITTING	8	058553-	X X	
4	14M7166	LOCK NUT	AR	058553-	X X	M8
5	Z56208	SUPPORT	8	058553-	X X	
6	14M7400	LOCK NUT	AR	058553-	X X	
7	19M7325	CAP SCREW	AR	058553-	X X	M8 X 80
8	03M7017	BOLT	AR	058553-	X X	M10 X 25

# 4E15

SEPARATOR

Z117064 -UN-01JAN94

STRAW CHOPPER DISTRIBUTOR HOUSING



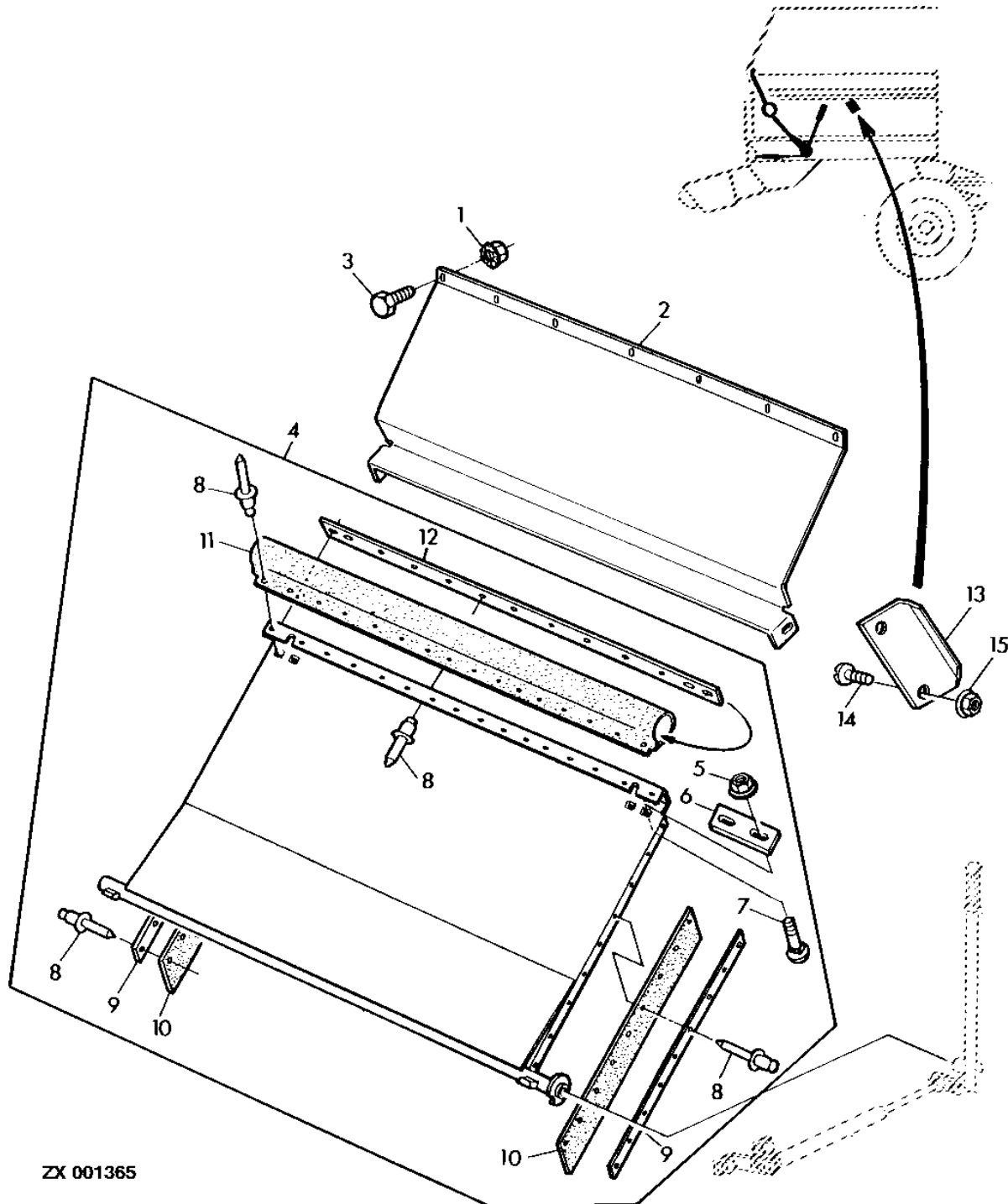
Z117064

# 4F1

SEPARATOR

ZX001365 -UN-01JAN94

STRAW CHOPPER DEFLECTOR WITH LEVER ADJUSTMENT



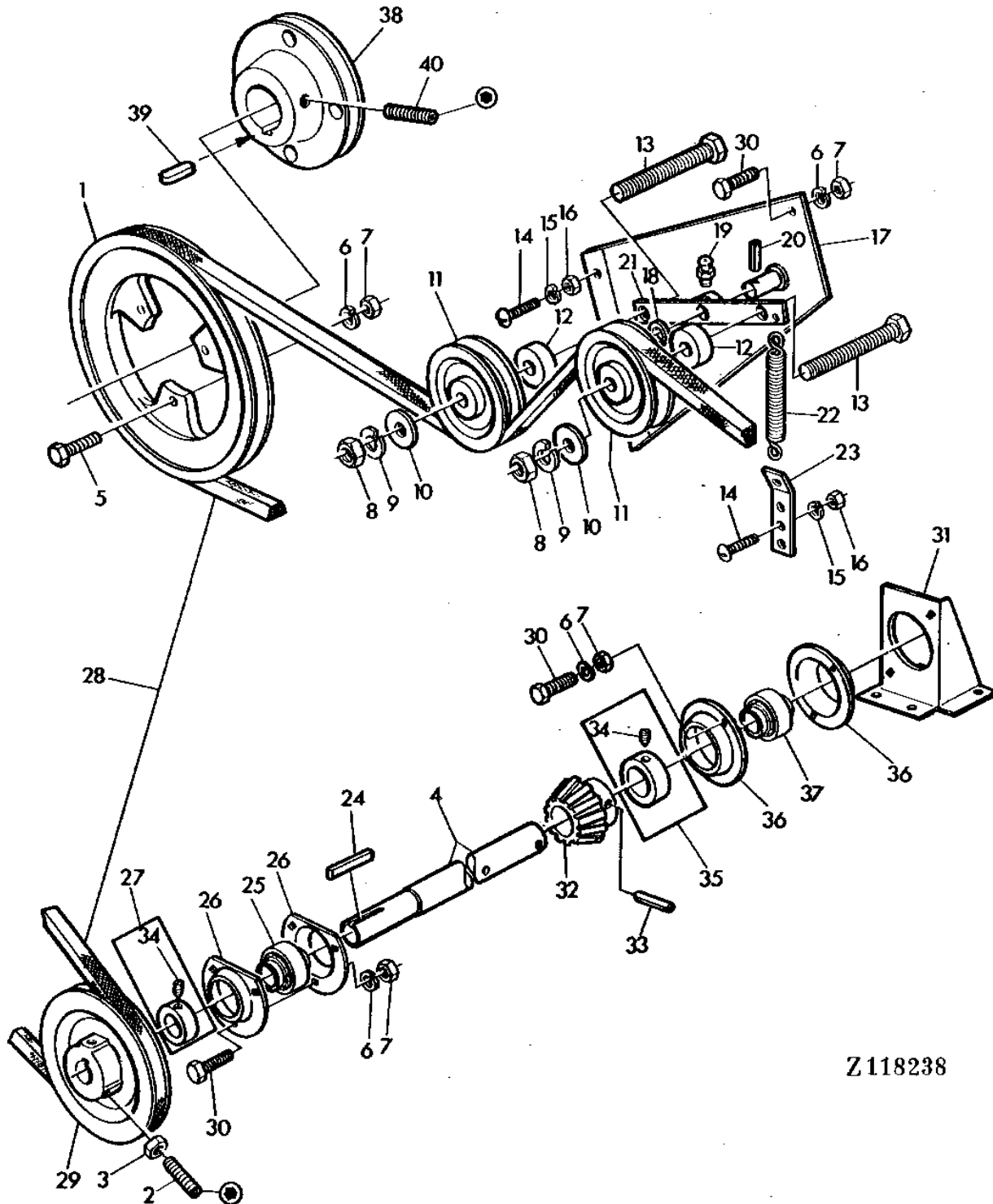
ZX 001365

# 4F11

SEPARATOR

Z118238 -UN-01JAN94

STRAW SPREADER DRIVE



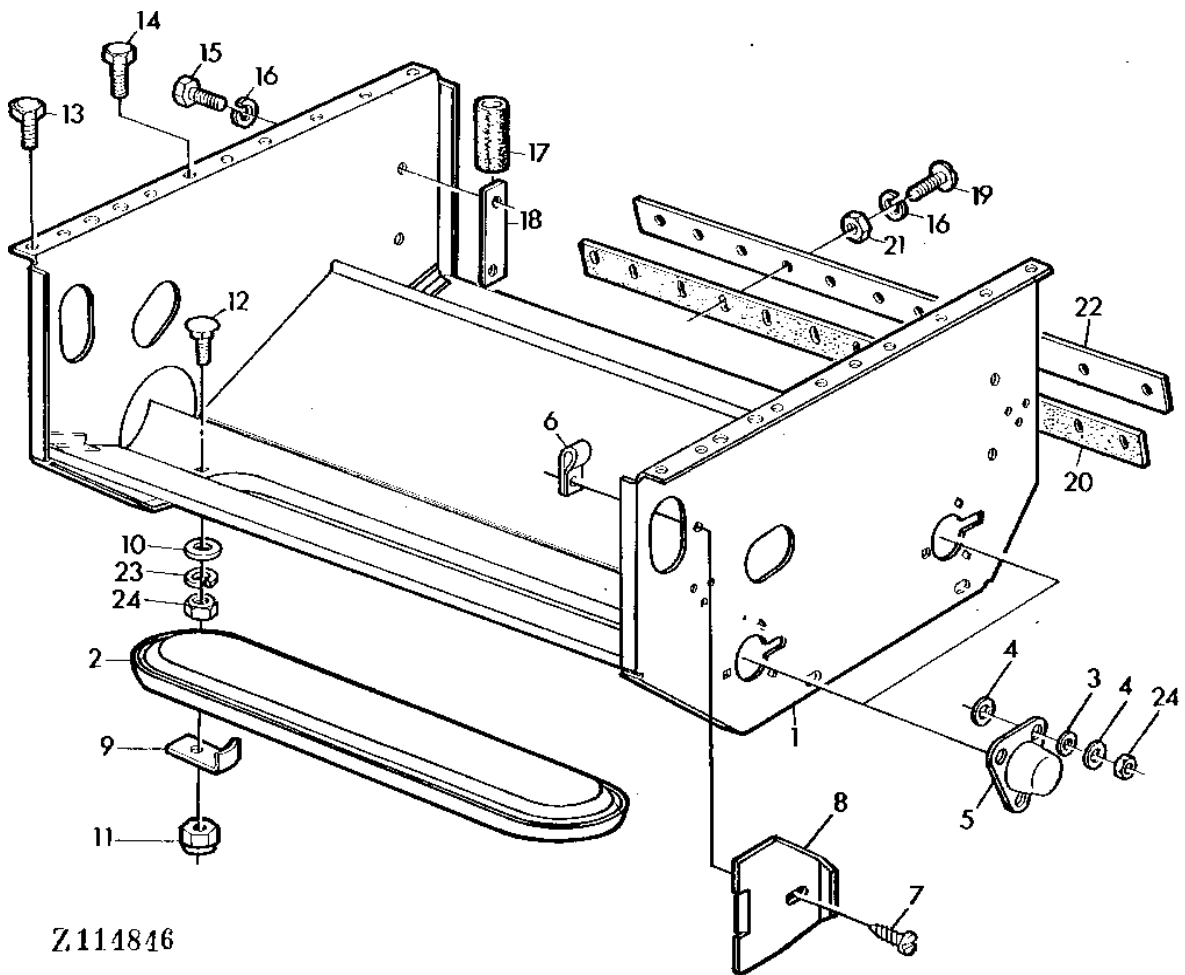
Z118238

# 4F23

ELEVATORS, GRAIN TANK & UNLOADING AUGER

Z114846 -UN-01JAN94

## LOWER TAILINGS AND CLEAN GRAIN AUGERS HOUSING



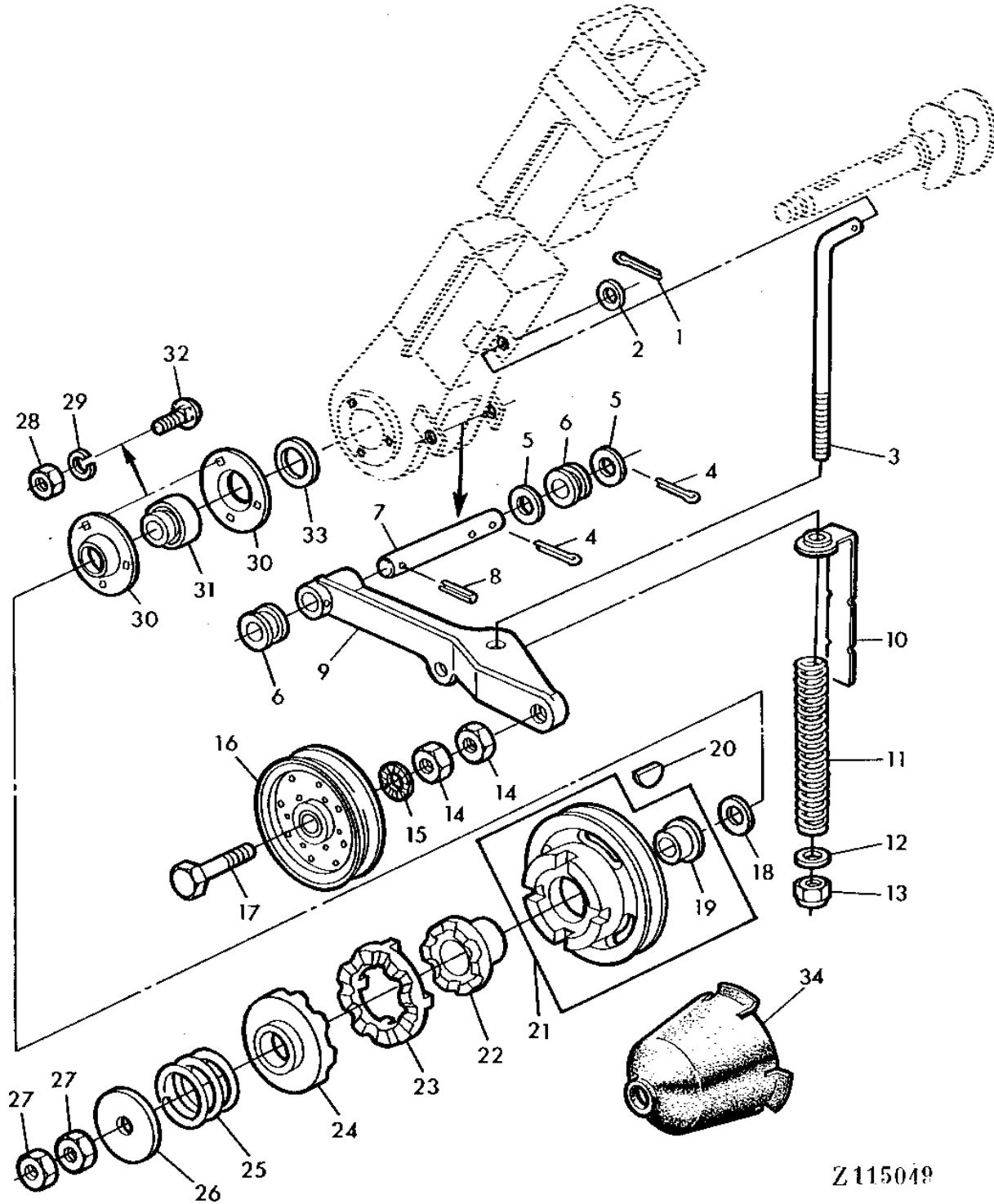
Z114846

# 4G9

ELEVATORS, GRAIN TANK & UNLOADING AUGER

Z115049 -UN-01JAN94

## CLEAN GRAIN ELEVATOR DRIVE



Z115049

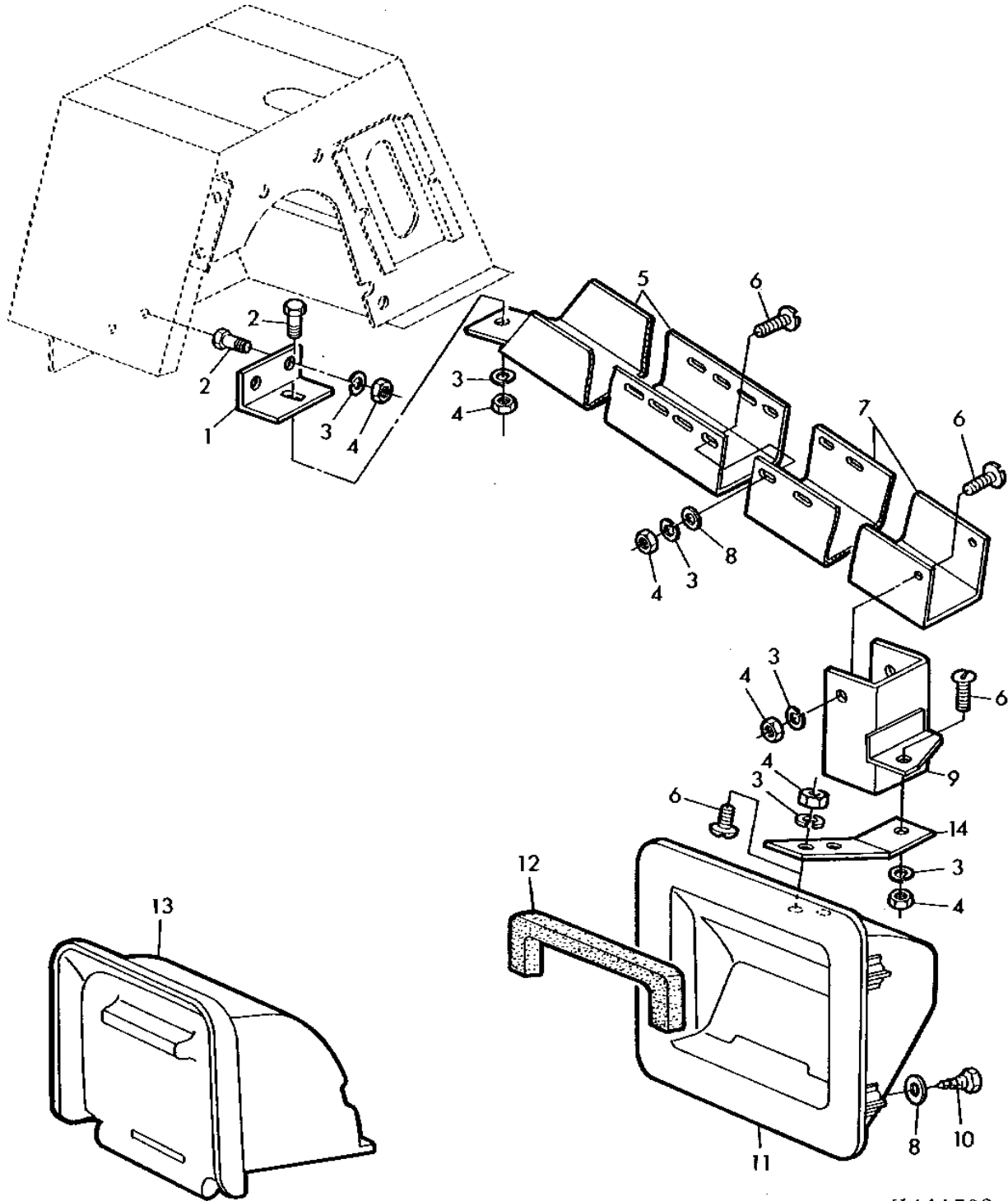


# 4H5

ELEVATORS, GRAIN TANK & UNLOADING AUGER

Z111592 -UN-01JAN94

GRAIN TANK SAMPLE



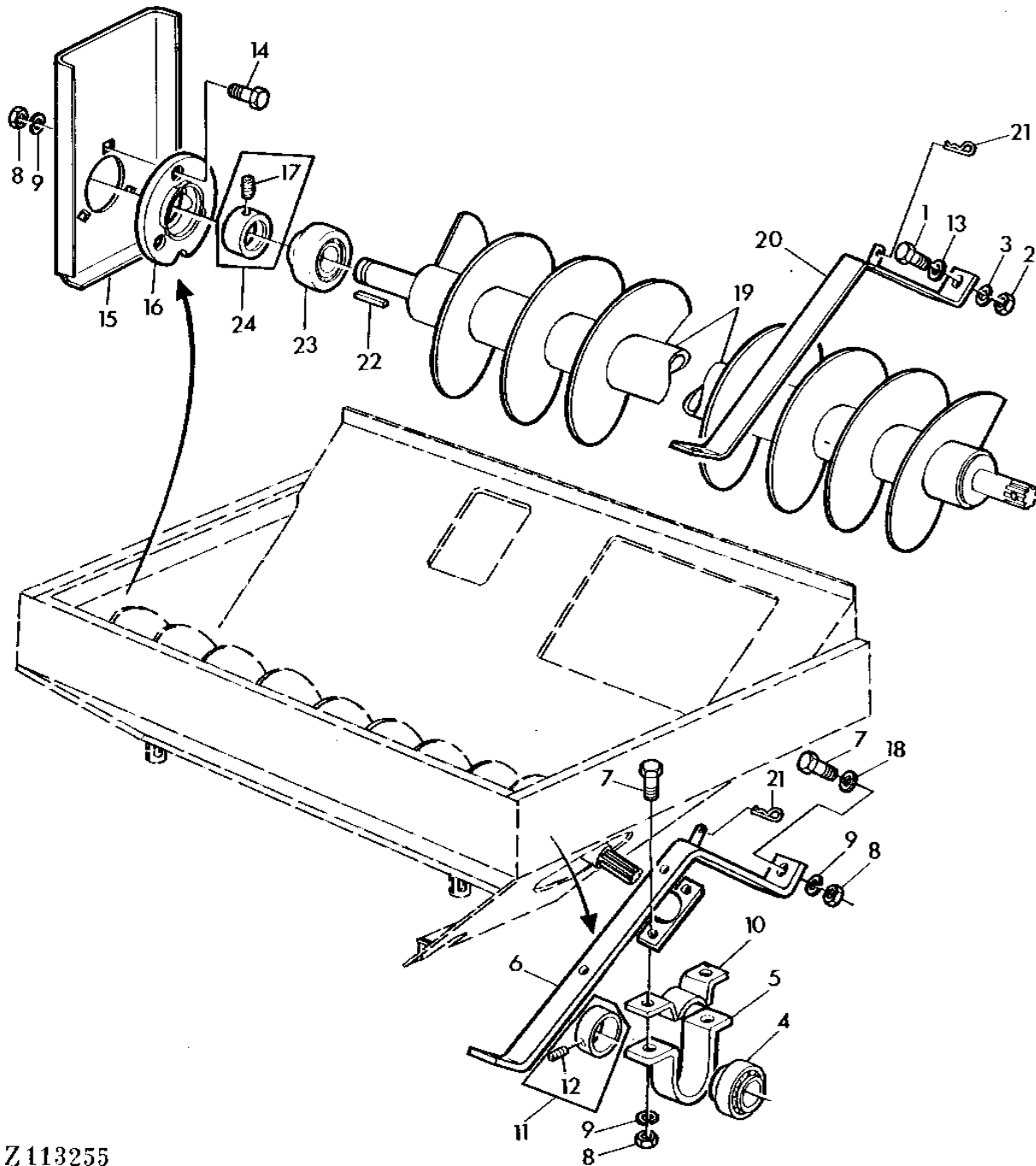
Z111592

# 4H14

ELEVATORS, GRAIN TANK & UNLOADING AUGER

Z113255 -UN-01JAN94

## GRAIN TANK INNER UNLOADING AUGER



Z113255

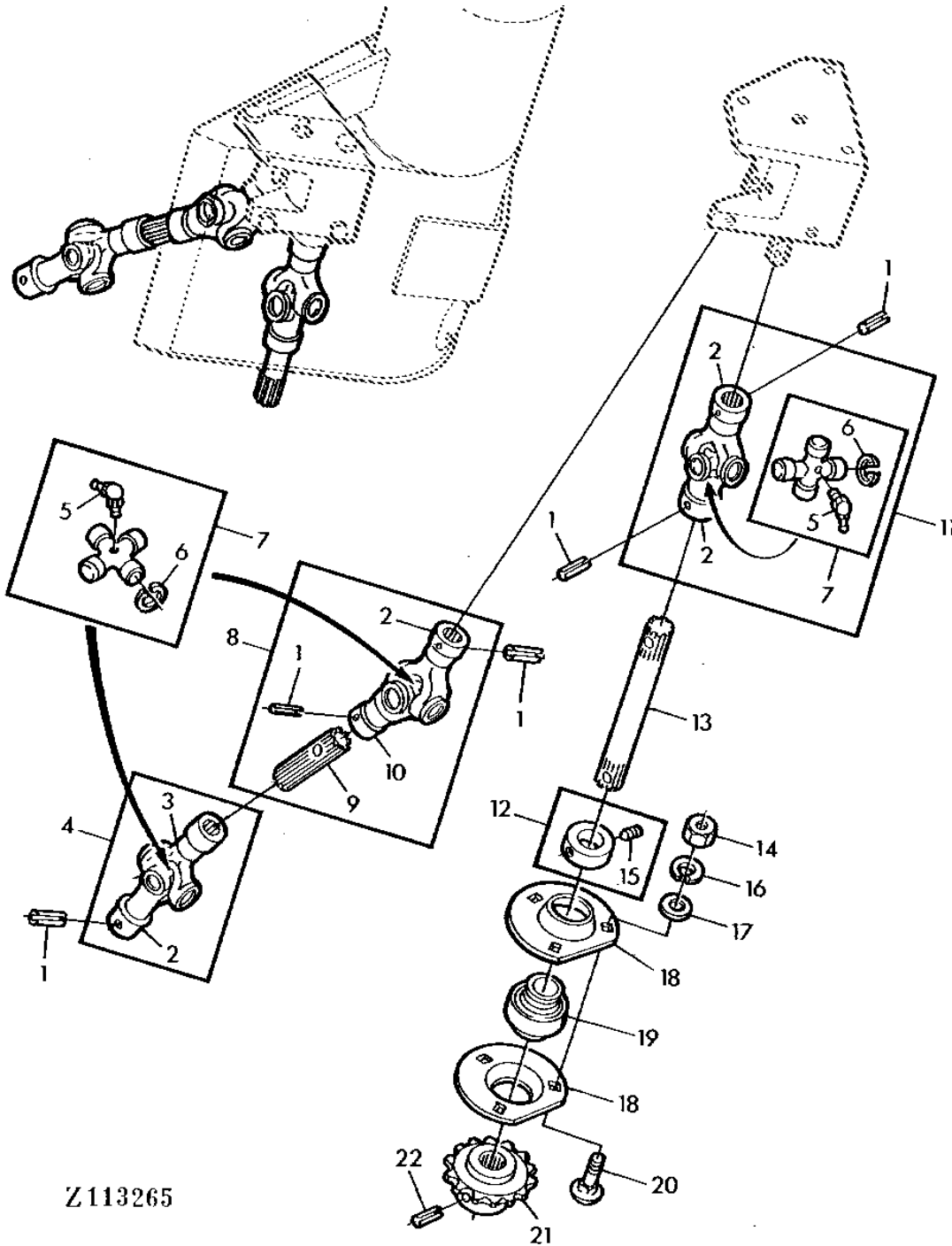


# 419

ELEVATORS, GRAIN TANK & UNLOADING AUGER

Z113265 -UN-01JAN94

## OUTER UNLOADING AUGER DRIVE

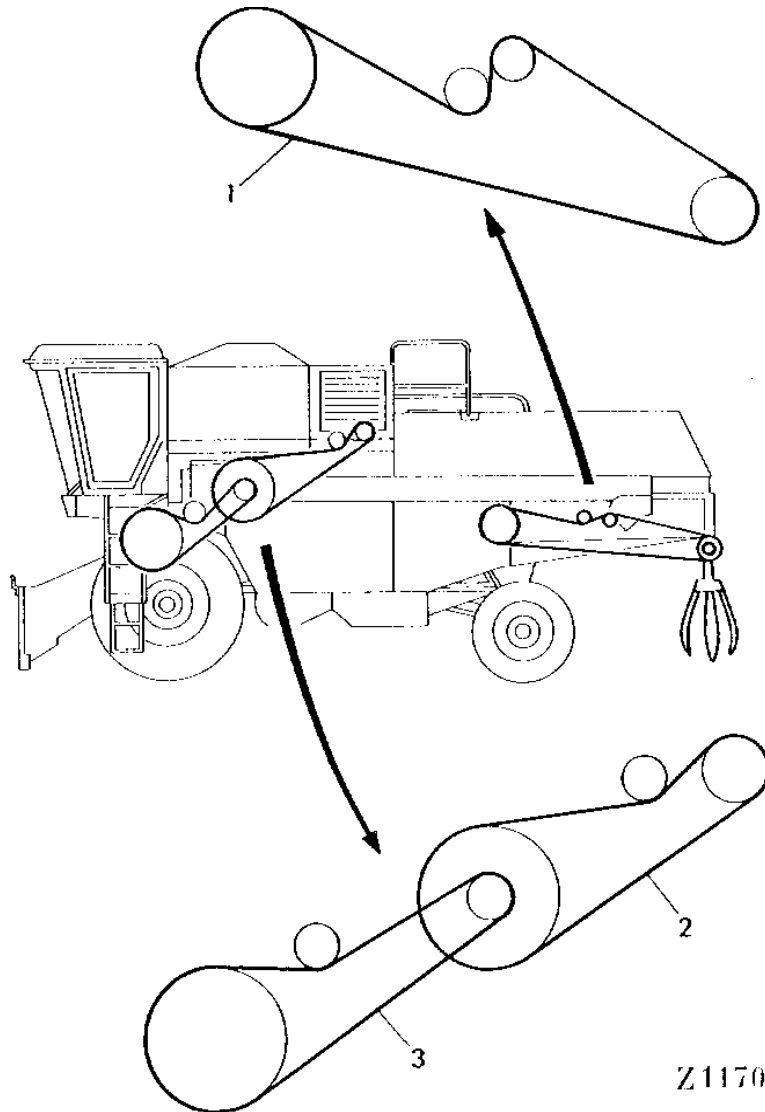


# 4120

DECALS, BELTS AND CHAINS

Z117080 -UN-01JAN94

## DRIVE BELTS, LEFT-HAND SIDE



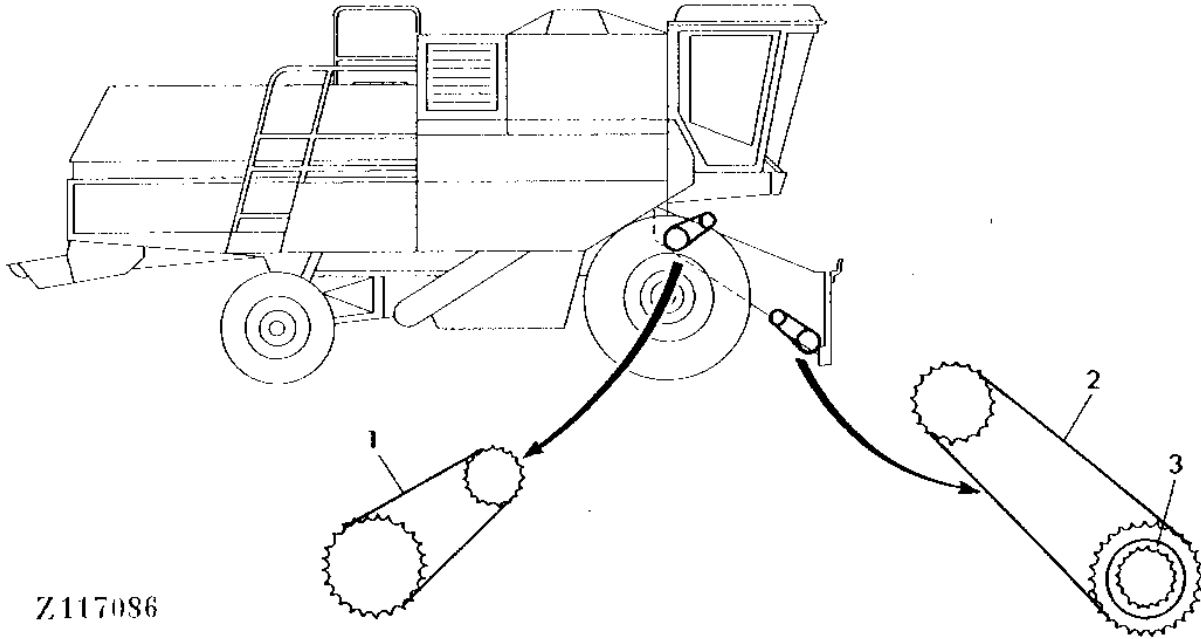
Z117080

# 4J5

DECALS, BELTS AND CHAINS

Z117086 -UN-01JAN94

## CHAINS, RIGHT-HAND SIDE



Z117086

4  
4  
4 3  
4 5  
3 H  
5 Y

KEY	PART NO.	PART NAME	QTY	SERIAL NO.	REMARKS
1	AL15483	LINK CHAIN	1	X X	REVERSER, TYPE 60, 19,05 MM (3/4") PITCH, 70 LINKS
2	AZ36218	ROLLER CHAIN	1	X X	REEL DRIVE, 15,875MM (5/8") PITCH, 78 LINKS
3	AN102383	LINK CHAIN	1	X X	AUGER DRIVE, 19,05 MM (3/4") PITCH, 13 LINKS

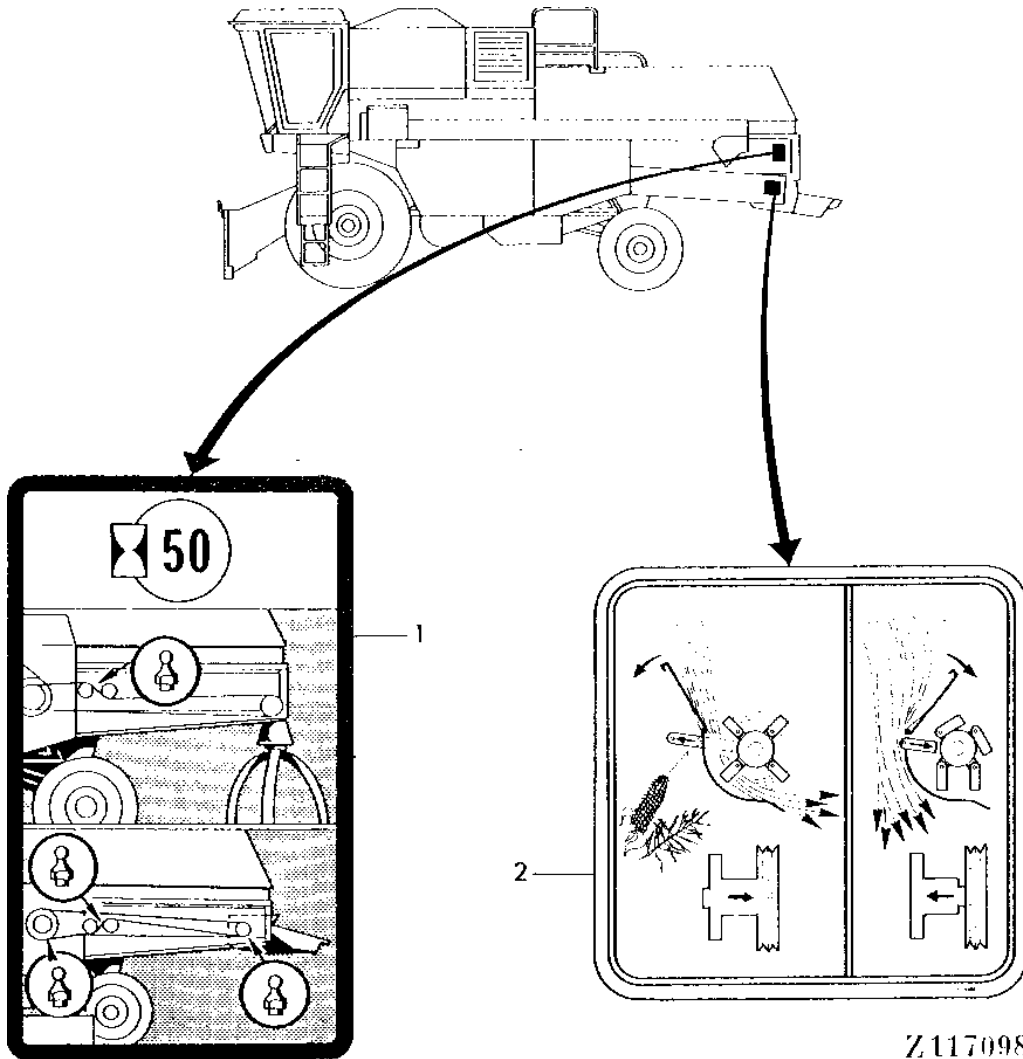
# 4J15

DECALS, BELTS AND CHAINS

Z117098

-UN-01JAN94

## LEFT-HAND DECALS



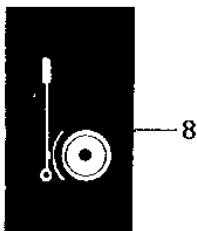
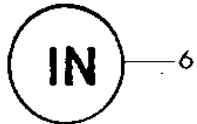
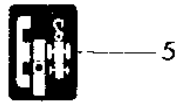
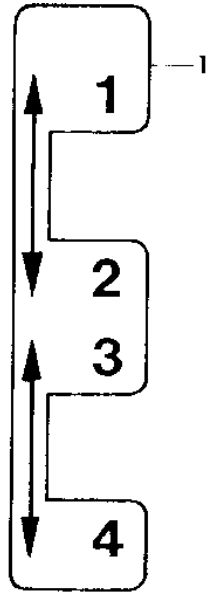
# 4K1

DECALS, BELTS AND CHAINS

Z117099

-UN-01JAN94

## OPERATOR'S PLATFORM DECALS



Z117099

# 1L8

4435 AND 4435 HYDRO COMBINES

## NUMERICAL INDEX - CONTINUED

PART NO.	GRID	KEY	PAGE	PART NO.	GRID	KEY	PAGE	PART NO.	GRID	KEY	PAGE
AZ38064	2F3	2	60 - 25	AZ39106	2G25	2	70 - 21	AZ40479	2F3	19	60 - 25
AZ38064	2F3	10	60 - 25	AZ39107	2G21	9	70 - 17	AZ40481	2F5	4	60 - 27
AZ38064	2F3	11	60 - 25	AZ39108	2G25	4	70 - 21	AZ40553	2I4	3	70 - 51
AZ38064	2F3	12	60 - 25	AZ39109	2G21	14	70 - 17	AZ40554	2I4	8	70 - 51
AZ38064	2F3	13	60 - 25	AZ39109	2G25	5	70 - 21	AZ40556	2H12	1	70 - 33
AZ38065	1I22	5	40 - 81	AZ39112	2G21	3	70 - 17	AZ40610	2H2	1	70 - 23
AZ38076	3G4	7	110 - 15	AZ39113	2G21	7	70 - 17	AZ40612	2H2	2	70 - 23
AZ38085	3F19	1	110 - 7	AZ39114	2G21	4	70 - 17	AZ40635	1J8	21	40 - 91
AZ38097	2I19	14	80 - 9	AZ39115	2G21	5	70 - 17	AZ40636	1J8	23	40 - 91
AZ38097	2I21	6	80 - 9B	AZ39117	2D8	6	50 - 51	AZ40637	1J8	17	40 - 91
AZ38097	4H13	6	130 - 39	AZ39118	1G11	6	40 - 22	AZ40639	1J8	22	40 - 91
AZ38099	1H12	1	40 - 49	AZ39118	1G13	4	40 - 25	AZ40640	4C15	24	120 - 35
AZ38128	4C17	15	120 - 37	AZ39140	1G10	11	40 - 21	AZ40680	2K2	13	80 - 39
AZ38133	4C19	2	120 - 39	AZ39147	1G11	2	40 - 22	AZ40681	2K2	8	80 - 39
AZ38134	4C19	3	120 - 39	AZ39148	1G13	3	40 - 25	AZ40688	1J8	6	40 - 91
AZ38153	4G2	2	130 - 5	AZ39154	1I8	8	40 - 69	AZ40691	1J8	24	40 - 91
AZ38157	4G2	1	130 - 5	AZ39155	4B14	2	120 - 7	AZ40703	2K6	9	80 - 43
AZ38187	4G4	1	130 - 7	AZ39156	4B14	3	120 - 7	AZ40721	4C15	12	120 - 35
AZ38197	3F16	6	110 - 3	AZ39169	4G22	18	130 - 23	AZ40775	2I17	11	80 - 7
AZ38213	1I24	6	40 - 83	AZ39172	2I13	1	80 - 3	AZ40782	2I23	18	80 - 11
AZ38213	3D22	4	90 - 66	AZ39183	3F16	5	110 - 3	AZ40783	2H12	2	70 - 33
AZ38253	4H15	20	130 - 41	AZ39183	4B10	22	120 - 3	AZ40790	4G6	13	130 - 7B
AZ38256	4H11	8	130 - 37	AZ39195	2D14	27	50 - 57	AZ40790	4G14	32	130 - 15
AZ38257	4H15	6	130 - 41	AZ39199	4C1	6	120 - 20	AZ40802	1H12	2	40 - 49
AZ38262	4C21	16	120 - 41	AZ40007	2F21	8	60 - 43	AZ40803	1H8	2	40 - 45
AZ38285	4C19	1	120 - 39	AZ40008	2F21	9	60 - 43	AZ40803	1H10	12	40 - 47
AZ38288	4C21	19	120 - 41	AZ40009	2F11	25	60 - 33	AZ40804	1H10	2	40 - 47
AZ38292	2H16	9	70 - 37	AZ40009	2F11	26	60 - 33	AZ40853	2J4	30	80 - 17
AZ38293	2H7	1	70 - 28	AZ40009	2F11	27	60 - 33	AZ40854	2J4	29	80 - 17
AZ38304	4G18	10	130 - 19	AZ40009	2F11	28	60 - 33	AZ40855	2J4	22	80 - 17
AZ38305	4G18	7	130 - 19	AZ40009	2F15	4	60 - 37	AZ40856	2J4	15	80 - 17
AZ38320	3D12	5	90 - 55	AZ40021	1G23	2	40 - 35	AZ40857	2J4	15	80 - 17
AZ38323	1G17	4	40 - 29	AZ40069	2K2	2	80 - 39	AZ40858	2J4	16	80 - 17
AZ38330	4C21	11	120 - 41	AZ40070	2J24	1	80 - 37	AZ40859	2J4	16	80 - 17
AZ38354	2G25	1	70 - 21	AZ40080	4D21	6	120 - 67	AZ40974	4C19	1	120 - 39
AZ38355	2G21	1	70 - 17	AZ40082	2F1	..	60 - 22	AZ40976	4C21	18	120 - 41
AZ38356	2G21	2	70 - 17	AZ40084	3C15	16	90 - 33B	AZ41040	4C15	14	120 - 35
AZ38363	3C24	5	90 - 43	AZ40086	1G18	7	40 - 30	AZ41050	4E24	2	120 - 93
AZ38364	2F7	1	60 - 29	AZ40086	1H16	10	40 - 53	AZ41079	4G8	1	130 - 9
AZ38376	4D21	8	120 - 67	AZ40087	1H2	11	40 - 39	AZ41079	4J2	1	150 - 11
AZ38376	4D23	8	120 - 67B	AZ40087	1H6	2	40 - 43	AZ41083	4G16	1	130 - 17
AZ38382	2H2	17	70 - 23	AZ40087	1H16	7	40 - 53	AZ41083	4J2	3	150 - 11
AZ38386	2H4	15	70 - 25	AZ40089	4H19	24	130 - 45	AZ41089	4G8	10	130 - 9
AZ38389	2H2	3	70 - 23	AZ40090	4H19	13	130 - 45	AZ41089	4G16	7	130 - 17
AZ38390	2H10	5	70 - 31	AZ40106	4G24	1	130 - 25	AZ41093	2J8	1	80 - 21
AZ38427	1J4	4	40 - 87	AZ40133	2G21	6	70 - 17	AZ41094	2J2	1	80 - 15
AZ38428	3D2	18	90 - 45	AZ40152	1I16	18	40 - 75	AZ41095	4H11	27	130 - 37
AZ38430	3D6	1	90 - 49	AZ40236	4E12	4	120 - 81	AZ41194	2G21	15	70 - 17
AZ38445	3D19	1	90 - 62	AZ40250	3C19	17	90 - 37	AZ41200	4C21	17	120 - 41
AZ38462	1F20	1	40 - 7	AZ40253	3C19	2	90 - 37	AZ41201	4C23	5	120 - 43
AZ38468	2G9	1	70 - 5	AZ40306	4D16	26	120 - 61	AZ41205	1H20	13	40 - 57
AZ38485	4C21	9	120 - 41	AZ40307	4G10	21	130 - 11	AZ41206	1G10	12	40 - 21
AZ38491	2G15	1	70 - 11	AZ40308	4F16	7	120 - 105	AZ41208	1H14	7	40 - 51
AZ39022	1G17	7	40 - 29	AZ40317	2J6	10	80 - 19	AZ41209	1G15	1	40 - 27
AZ39037	2F21	1	60 - 43	AZ40321	2J6	6	80 - 19	AZ41210	1G19	9	40 - 31
AZ39039	2F19	2	60 - 41	AZ40322	4C25	4	120 - 45	AZ41210	1H17	1	40 - 54
AZ39040	2I23	21	80 - 11	AZ40323	2G7	12	70 - 3	AZ41211	1I24	1	40 - 83
AZ39043	1G25	12	40 - 37	AZ40324	2J6	22	80 - 19	AZ41212	1F24	10	40 - 11
AZ39058	1G13	5	40 - 25	AZ40325	1F24	11	40 - 11	AZ41212	1G21	1	40 - 33
AZ39069	1I20	2	40 - 79	AZ40333	3C13	13	90 - 33	AZ41212	1G23	1	40 - 35
AZ39070	1I20	10	40 - 79	AZ40345	2J8	4	80 - 21	AZ41212	1G25	1	40 - 37
AZ39071	1I20	1	40 - 79	AZ40347	2H18	12	70 - 39	AZ41212	1H4	1	40 - 41
AZ39102	2G21	..	70 - 17	AZ40348	2B20	3	50 - 14	AZ41212	1H14	8	40 - 51
AZ39102	2G25	..	70 - 21	AZ40349	2B20	4	50 - 14	AZ41213	1H8	1	40 - 45
AZ39103	2G21	11	70 - 17	AZ40355	4B25	2	120 - 19	AZ41214	2G13	17	70 - 9
AZ39104	2G21	10	70 - 17	AZ40411	2I23	26	80 - 11	AZ41214	3E8	21	90 - 75
AZ39105	2G25	3	70 - 21	AZ40412	2I23	22	80 - 11	AZ41329	1F22	1	40 - 9

CLICK HERE TO **DOWNLOAD** THE COMPLETE MANUAL

- Thank you very much for reading the preview of the manual.
- You can download the complete manual from: [www.heydownloads.com](http://www.heydownloads.com) by clicking the link below



- Please note: If there is no response to CLICKING the link, please download this PDF first and then click on it.

CLICK HERE TO **DOWNLOAD** THE COMPLETE MANUAL