

410G BACKHOE LOADER



JOHN DEERE

PARTS CATALOG

410G BACKHOE LOADER

PC2756 (Jan-07) English

Worldwide Construction and Forestry Division

Worldwide Edition
Litho In U.S.A. (Revised)
COPYRIGHT © 2007
DEERE & COMPANY
Moline, Illinois
All rights reserved

CLICK HERE TO **DOWNLOAD** THE COMPLETE MANUAL

- Thank you very much for reading the preview of the manual.
- You can download the complete manual from: www.heydownloads.com by clicking the link below



- Please note: If there is no response to CLICKING the link, please download this PDF first and then click on it.

CLICK HERE TO **DOWNLOAD** THE COMPLETE MANUAL

ALPHABETICAL INDEX - CONTINUED

	PAGE		PAGE
AUXILIARY SECTION RELIEF VALVE	3162-16	BACKHOE LINKAGE, FIFTH FN LEVER FOR	
AUXILIARY SECTION RELIEF VALVE	3162-20	THREE LEVER CONTROLS.....	3315-14
AUXILIARY SECTION RELIEF VALVE	3362-20	BACKHOE STABILIZER CYLINDER HYDRAULICS	3363-2
AUXILIARY SECTION, BACKHOE VALVE	3362-20	BACKHOE STABILIZER CYLINDER HYDRAULICS	3363-3A
AUXILIARY SECTION, BACKHOE VALVE	3362-22	BACKHOE THREE LEVER CONTROL VALVE	
AUXILIARY SECTION, LOADER VALVE	3162-16	CONVERSION KIT.....	3315-6
AUXILIARY SECTION, LOADER VALVE	3162-20	BACKHOE VALVE AUXILIARY SECTION	3362-20
AUXILIARY VALVE KIT, LOADER.....	3162-18	BACKHOE VALVE AUXILIARY SECTION	3362-22
AUXILIARY, LOW PRESSURE RETURN KIT		BACKHOE VALVE BOOM SECTION.....	3362-10
(SERIAL NO. -905457).....	3363-28	BACKHOE VALVE BOOM,PILOT SECTION.....	3362-40
AUXILIARY, LOW PRESSURE RETURN KIT		BACKHOE VALVE BUCKET SECTION	3362-12
(SERIAL NO. 905458-).....	3363-30	BACKHOE VALVE BUCKET, PILOT SECTION	3362-42
AXLE ASSEMBLY,REAR	0201-2	BACKHOE VALVE CROWD SECTION	3362-14
AXLE HOUSING ASSEMBLY (MFWD).....	0250-4	BACKHOE VALVE CROWD, PILOT SECTION	3362-44
AXLE HOUSING, FRONT (WITHOUT MFWD)		BACKHOE VALVE EXTENDIBLE SECTION	3362-18
(SERIAL NO. 911132-).....	0230-6	BACKHOE VALVE INLET SECTION.....	3362-8
AXLE PIVOT PIN (WITHOUT MFWD)		BACKHOE VALVE MOUNTING PLATE	3315-2
(SERIAL NO. -911131).....	0230-2	BACKHOE VALVE MOUNTING PLATE	
AXLE SWIVEL HOUSING, FRONT		(PILOT CONTROL)	3315-3A
(WITHOUT MFWD)(SERIAL NO. 911132-)	0230-7	BACKHOE VALVE OUTLET SECTION.....	3362-24
AXLE, FRONT (MFWD).....	0250-2	BACKHOE VALVE SWING SECTION.....	3362-16
AXLE, FRONT (WITHOUT MFWD)		BACKHOE VALVE SWING, PILOT SECTION	3362-46
(SERIAL NO. -911131).....	0230-2	BACKHOE VALVE TWO LEVER CONVERSION KIT	3315-4
AXLE, FRONT (WITHOUT MFWD)		BACKHOE, FOUR-LEVER CONTROLS, STANDARD	3315-8
(SERIAL NO. 911132-).....	0230-5	BACKHOE, THREE LEVER CONTROL VALVE	
		LINKAGE.....	3315-6
B		BACKREST ADJUSTMENT ANGLE.....	1821-2
BACK-UP ALARM.....	2004-2	BALANCER SHAFT, ENGINE.....	0415-2
BACKHOE BOOM.....	3344-2	BANK, FRONT AXLE GREASE.....	1370-2
BACKHOE BOOM CYLINDER	3365-2	BAR, CYLINDER SERVICE LOCK	1313-2
BACKHOE BOOM CYLINDER	3365-3	BARRIER, HEAT AND NOISE	1834-2
BACKHOE BOOM CYLINDER REPAIR KIT	3365-2	BASE, NON-SUSPENDED SEAT	1821-12
BACKHOE BOOM CYLINDER REPAIR KIT	3365-3	BASE, SEAT FOR NON-SUSPENDED SEAT.....	1821-14
BACKHOE BOOM LOCK.....	3315-18	BATTERIES,DUAL	1671-4
BACKHOE BOOM LOCK CONTROL LEVER	3315-16	BATTERY BOX	1913-2
BACKHOE BOOM PIN.....	3344-2	BATTERY CABLE, SINGLE	1671-2
BACKHOE BOOM PROTECTION KIT.....	3344-3	BATTERY COVER.....	1913-2
BACKHOE BOOM STOP/CLAMP.....	3344-2	BATTERY DISCONNECT SWITCH,MASTER	1671-6
BACKHOE BUCKET	3302-8	BATTERY INSTALLATION, SINGLE	1671-2
BACKHOE BUCKET CUTTING EDGE.....	3302-8	BEACON, ROTATING.....	1673-2
BACKHOE BUCKET CYLINDER		BEACON, STROBE	1673-2
(SERIAL NO. -926799).....	3365-4	BEARING,FRONT AXLE HOUSING	
BACKHOE BUCKET CYLINDER		(WITHOUT MFWD)(SERIAL NO. 911132-).....	0230-6
(SERIAL NO. 926800-).....	3365-5	BEARINGS, MAIN.....	0401-2
BACKHOE BUCKET CYLINDER HYDRAULICS	3363-6	BEARINGS,CONNECTING ROD	0403-2
BACKHOE BUCKET CYLINDER REPAIR KIT		BEARINGS,FRONT WHEEL(WITHOUT MFWD)	
(SERIAL NO. -926799).....	3365-4	(SERIAL NO. -911131).....	0230-4
BACKHOE BUCKET CYLINDER REPAIR KIT		BELL HOUSING.....	0341-2
(SERIAL NO. 926800-).....	3365-5	BELLVILLEWASHER, FIRST GEAR, POWER SHIFT	0350-4
BACKHOE BUCKET PINS.....	3302-8	BELLVILLEWASHER, FORWARD, POWER SHIFT	0350-12
BACKHOE CONSOLE, BOOM LOCK LEVER		BELLVILLEWASHER, REVERSE, POWER SHIFT	0350-14
(PILOT CONTROL)	1816-5A	BELLVILLEWASHER, 2ND GEAR, POWER SHIFT	0350-6
BACKHOE CONTROL LEVER CONVERSION LINKAGE		BELLVILLEWASHER, 3RD GEAR, POWER SHIFT	0350-8
(SAE PATTERN).....	3315-22	BELLVILLEWASHER, 4TH GEAR, POWER SHIFT.....	0350-10
BACKHOE CONTROL VALVE	3362-6	BELT, DRIVE	0429-2
BACKHOE CONTROL VALVE	3362-7A	BELT, TETHER.....	1821-16
BACKHOE CONTROL VALVE LINKAGE, TWO LEVER.....	3315-4	BELT,AIR CONDITIONING COMPRESSOR DRIVE	1830-12
BACKHOE CONTROLS COVER	1816-2	BELT,AIR CONDITIONING COMPRESSOR DRIVE	1830-14
BACKHOE CONTROLS, PILOT CONTROLLER ARM		BELT,FAN DRIVE	0510-2
(LEFT SIDE).....	1816-14	BELTS, SEAT	1821-2
BACKHOE CONTROLS, PILOT CONTROLLER ARM		BELTS, TETHER WITH NON-SUSPENDED SEAT	1821-12
(RIGHT SIDE)	1816-16	BEVEL DRIVE GEAR (MFWD).....	0250-10
BACKHOE LEVER COVER	1816-4	BLOCK, CYLINDER.....	0404-2
BACKHOE LEVERS COVER.....	1816-2	BLOCK,TRUNNION SWING CYLINDER.....	1740-2
		BLOWER MOTOR PRESSURIZER	1830-6
		BLOWER MOTOR PRESSURIZER	1830-7A
		BOLT, STRIKER, HOOD	1910-2

ALPHABETICAL INDEX - CONTINUED

	PAGE		PAGE
INPUT FLANGE, (MFWD)	0250-12	KIT, FUEL FILTER SERVICE (TO4045TT082 PE	
INPUT PINION, SPIRAL BEVEL	0210-4	4045TT082)	0420-2
INPUT SHAFT	0350-2	KIT, HAND HELD HYDRAULIC TOOL KIT	
INPUT SHAFT SEAL		(SERIAL NO. -913416)	3363-32
(AXLE SERIAL NO. -217496)	1111-2	KIT, HAND HELD HYDRAULIC TOOL KIT	
INPUT SHAFT SEAL		(SERIAL NO. 913417-)	3363-34
(AXLE SERIAL NO. 217497-)	1111-4	KIT, HARNESS CONNECTOR	1674-8
INSIDE MIRROR	2002-2	KIT, HYDRAULIC REMOTE	3362-28
INSTRUMENT PANEL VANDAL GUARD	1816-10	KIT, LOADER BUCKET CYLINDER REPAIR	
INSTRUMENT PANEL, SIDE	1816-10	(SERIAL NO. -941225)	3165-6
INSTRUMENT PANEL, SIDE	1816-12	KIT, LOADER BUCKET CYLINDER REPAIR	
INTAKE MANIFOLD		(SERIAL NO. 941226-)	3165-8
(PE4045TT082 XXXXXX-)	0414-2	KIT, LOADER BUCKET CYLINDER REPAIR	
INTAKE SYSTEM, AIR (TO4045TT082)		(SN 941226-) REPLACEMENT	3165-10
(PE4045TT082 ESN -XXXXXX)	0414-1	KIT, LOCTITE SERVICE	1330-2
INTAKE SYSTEM, AIR (W/TURBO) (PE4045TT093		KIT, LOW PRESSURE AUXILIARY	
)	0414-3	(SERIAL NO. -905457)	3363-28
INTAKE VALVE	0409-2	KIT, LOW PRESSURE AUXILIARY	
INTAKE, ENGINE OIL PUMP	0407-10	(SERIAL NO. 905458-)	3363-30
INTERIOR REAR VIEW MIRROR	2002-2	KIT, MAIN HYDRAULIC PUMP	
INTERMEDIATE PLATE GASKETS, POWER SHIFT	0360-6	(SN. 962206-)	2160-3C
INTERMEDIATE PLATE, POWER SHIFT	0360-6	KIT, O-RING	1369-4
ISOLATOR EDGING	0510-2	KIT, PATTERN SELECTOR VALVE	3362-32
ISOLATOR SEAL	0510-2	KIT, POWER STEERING VALVE SEAL REPAIR	0960-13A
ISOLATOR, ENGINE MOUNT	0540-2	KIT, REAR WINDOW LATCH	
ISOLATORS, CAB MOUNTING	1811-4	(SER. NO. -920856)	1814-8
ISOLATORS, ROPS FRAME	1811-2	KIT, REAR WINDOW LATCH	
		(SER. NO. 920857-)	1814-9A
J		KIT, REPAIR, SWING CYLINDER	
JOINT, UNIVERSAL (REVERSER)	0325-1	(SN 957115-)	3365-8
JOY STICK, CONTROL VALVE, BUTTON		KIT, SIXTH FUNCTION MANUAL VALVE	3362-27
FUNCION KIT	3362-38	KIT, STABILIZER GUARD	1746-2
JOY STICK, CONTROL VALVE, LEFT	3362-34	KIT, STARTER MOTOR ADAPTER	
JOY STICK, CONTROL VALVE, RIGHT	3362-36	(TO4045TT082 ESN 894288-)	0422-4
JUMP START PROTECTION COVER	1674-8	KIT, STEERING VALVE REPAIR	0960-6
		KIT, SUSPENDED SEAT POSITION SENSOR	1821-8
K		KIT, UNIVERSAL DRIVE SHAFT (MFWD)	0250-3
KEY, IGNITION SWITCH	1674-6	KIT, WINDOW SEAL	
KING PIN (WITHOUT MFWD)		(SER. NO. -920856)	1814-8
(SERIAL NO. -911131)	0230-2	KIT, WINDOW SEAL	
KING PIN, FRONT AXLE	0250-6	(SER. NO. 920857-)	1814-9A
KINGPIN, FRONT AXLE (WITHOUT MFWD)		KIT, BACKHOE THREE LEVER CONTROL VALVE	
(SERIAL NO. 911132-)	0230-7	CONVERSION KIT	3315-6
KIT, ACCU-SWING VALVE	3362-29A	KIT, BACKHOE VALVE TWO LEVER CONVERSION	3315-4
KIT, ATTACHMENT PLUMBING KIT	3363-42	KIT, BOOM CYLINDER REPAIR	
KIT, AUXILIARY VALVE, LOADER	3162-18	(SERIAL NO. 910495-926300)	3165-3
KIT, BACKHOE BOOM CYLINDER REPAIR	3365-2	KIT, CROWD CYLINDER REPAIR	3365-6
KIT, BACKHOE BOOM CYLINDER REPAIR	3365-3	KIT, ENGINE REBUILD	0452-2
KIT, BACKHOE BUCKET CYLINDER REPAIR		KIT, HYDRAULIC RIDE CONTROL	2160-26
(SERIAL NO. -926799)	3365-4	KIT, HYDRAULIC RIDE CONTROL	2160-28
KIT, BACKHOE BUCKET CYLINDER REPAIR		KIT, MAIN HYDRAULIC PUMP REPAIR	2160-4
(SERIAL NO. 926800-)	3365-5	KIT, MAIN HYDRAULIC PUMP REPAIR	2160-5A
KIT, BOOM PROTECTION PLATE, BACKHOE	3344-3	KIT, MAIN HYDRAULIC PUMP REPAIR	2160-6
KIT, BRAKE VALVE	1060-4	KIT, MULTI-PURPOSE BUCKET	
KIT, CATALYTIC MUFFLER	0530-4	CYLINDER REPAIR (SERIAL NO. -925076)	3102-12
KIT, CYLINDER LINER O-RING	0403-2	KIT, MULTI-PURPOSE BUCKET	
KIT, DP SWITCH	2160-20	CYLINDER REPAIR (SERIAL NO. 925077-)	3102-13
KIT, ENGINE OVERHAUL	0452-2	KIT, PILOT CONTROL HANDLE, BUTTON FUNCTION	3362-38
KIT, EXT. KIPPER ARM GRIP REPAIR	3346-6	KIT, POWER STEERING CYLINDER REPAIR	
KIT, EXTENDED GRILLE HOUSING	1921-4	(WITHOUT MFWD)	0960-18
KIT, FIFTH FUNCTION MANUAL VALVE	3362-26	KIT, PROTECTION, BACKHOE BOOM	3344-3
KIT, FRONT COUPLER CYLINDER REPAIR	3104-4	KIT, PROTECTION, EXT. DIPPERSTICK	3346-6
		KIT, REAR DRIVE WHEEL SPACER	0110-2
		KIT, SAE BACKHOE CONTROL VALVE LINKAGE	
		PATTERN KIT	3315-22
		KIT, SEAT SLIDE LATCH	1821-4
		KIT, SLIDE PUCK SERVICE	1821-6

ALPHABETICAL INDEX - CONTINUED

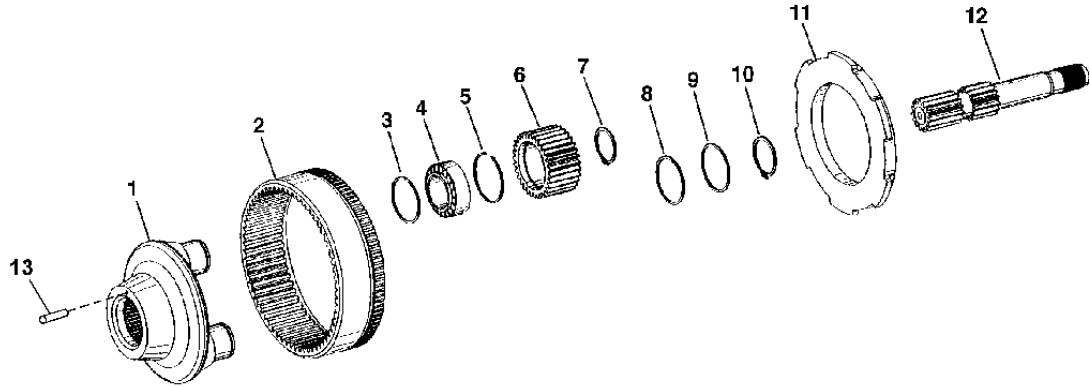
	PAGE		PAGE
T			
TANK, FUEL.....	0560-2	TORQUE CONVERTER TEMPERATURE.....	1674-8
TANK, FUEL.....	0560-4	TORQUE CONVERTOR FLEXPLATE.....	0350-1
TANK, COOLANT RECOVERY.....	0510-2	TRADEMARKS.....	1320-2
TEETH, BACKHOE BUCKET.....	3302-8	TRADEMARKS.....	1320-4
TEMPERATURE CONTROL SWITCH.....	1674-6	TRADEMARKS.....	1320-6
TEMPERATURE CONTROL, HEATER.....	1830-8	TRADEMARKS.....	1320-8
TEMPERATURE SENSOR, FUEL (FRONT WIRE HARNESS) (SN XXXXXX-).....	1674-9A	TRANSFER PUMP TAP SCREW, STANADYNE DE10 (PE4045TT093).....	0413-8
TEMPERATURE SENSOR, FUEL, STANADYNE DE10 (PE4045TT093).....	0413-8	TRANSMISSION.....	0341-4
TEMPERATURE, TORQUE CONVERTER.....	1674-8	TRANSMISSION BREATHER.....	0341-2
TENSIONER, FAN DRIVE BELT.....	0429-2	TRANSMISSION CHARGE PUMP.....	0360-1
TERMINALS, DEUTSCH.....	1674-23	TRANSMISSION CONTROL LEVER.....	0315-4
TERMINALS, SUPPLEMENTARY.....	1674-22	TRANSMISSION CONTROL LEVER SWITCH.....	0315-4
TERMINALS, WEATHERPACK.....	1674-20	TRANSMISSION CONTROL VALVE SOLENOID, PST.....	0360-6
TERMINATION RESISTORS, CAN.....	1674-4	TRANSMISSION CONTROL VALVE, POWER SHIFT.....	0360-2
TERMINATION RESISTOR CAN.....	1674-8	TRANSMISSION DIPSTICK GUARD.....	1746-4
TETHER BELT.....	1821-16	TRANSMISSION HOUSING, POWER SHIFT.....	0341-2
TETHER BELT, SUSPENDED SEAT.....	1821-8	TRANSMISSION INTERMEDIATE PLATE, PST.....	0360-6
TETHER BELTS WITH NON-SUSPENDED SEAT.....	1821-12	TRANSMISSION LIFT BRACKET.....	0341-2
TETHER KIT, OPERATOR MANUAL.....	1811-2	TRANSMISSION OIL DIPSTICK.....	0341-4
TETHER, DOOR.....	1814-4	TRANSMISSION OIL DIPSTICK TUBE.....	0341-4
THERMAL RELIEF VALVE, STABILIZER (SER.NO.913480-).....	3162-30	TRANSMISSION OIL FILTER.....	0360-1
THERMOSTAT COVER.....	0418-2	TRANSMISSION OUTPUT SHAFT (MFWD).....	0350-16
THERMOSTAT COVER TUBE.....	0418-2	TRANSMISSION OUTPUT SHAFT YOKE.....	0350-8
THERMOSTAT, ENGINE.....	0418-2	TRANSMISSION SHIELD.....	1746-4
THIRD FUNCTION HYDRAULIC OIL LINES.....	3163-4	TRANSMISSION SOLENOID VALVE, POWER SHIFT.....	0360-2
THIRD FUNCTION HYDRAULIC OIL LINES.....	3163-6	TRANSMISSION SUCTION PIPE.....	0341-2
THIRD FUNCTION LOADER CONTROL VALVE LINKAGE.....	3115-10	TRANSMISSION, OIL COOLER.....	2160-22
THIRD FUNCTION LOADER CONTROL VALVE LINKAGE.....	3115-12	TRANSPORT PIN, SWING FRAME.....	1811-2
THIRD GEAR CLUTCH ASSEMBLY, POWER SHIFT.....	0350-8	TRAVEL WARNING ALARM.....	2004-2
THIRD GEAR CLUTCH CARRIER, POWER SHIFT.....	0350-8	TRUNNION BLOCK, SWING CYLINDER.....	1740-2
THIRD GEAR, BELLVILLE WASHER, POWERSHIFT.....	0350-8	TUBE, AIR INTAKE (PE4045TT082 XXXXXX-).....	0414-2
THREE LEVER BACKHOE CONTROL VALVE LINKAGE.....	3315-6	TUBE, TRANSMISSION OIL DIPSTICK.....	0341-4
THROTTLE LEVER.....	0515-2	TUBE, THERMOSTAT COVER.....	0418-2
TIE BAND MOUNT ANCHOR, HARNESS SERIAL NO. -XXXXXX.....	1673-4	TURBINE SHAFT.....	0350-2
TIE BAND MOUNT ANCHOR, HARNESS SERIAL NO. XXXXXX.....	1673-6	TURBOCHARGER (PE4045TT093).....	0416-6
TIE ROD ASSEMBLY (MFWD).....	0250-4	TURBOCHARGER (TO4045TT082 AND PE4045TT08 2).....	0416-2
TIE ROD ASSEMBLY (WITHOUT MFWD).....	0230-1	TURBOCHARGER CENTER HOUSING (TO4045TT082 AND PE4045TT082).....	0416-2
TILT STEERING COLUMN.....	0960-4	TURBOCHARGER GASKET (TO4045TT082 AND PE4 045TT082).....	0416-2
TIMER RELAY.....	1674-4	TURBOCHARGER OIL LINES (TO4045TT082 AND PE4045TT082).....	0416-4
TIMING GEAR COVER (TO4045TT082 ESN -900932).....	0402-6	TURN SIGNAL SWITCH.....	1674-2
TIMING GEAR COVER (TO4045TT082 ESN 90933 - ,PE4045TT082 & PE4045TT093).....	0402-8	TWO LEVER BACKHOE CONTROL COVER.....	1816-2
TIMING GEAR COVER GASKET (TO4045TT082 ESN -900932).....	0402-6	TWO LEVER BACKHOE CONTROL VALVE LINKAGE.....	3315-4
TIMING GEAR COVER GASKET (TO4045TT082 ES N 90933- ,PE4045TT082 & PE4045TT093).....	0402-8		
TIMING PIN HOLE PLUG, STANADYNE DE10 (PE4045TT093).....	0413-8	U	
TIMING, CRANKSHAFT WHEEL.....	0401-2	UNIVERSAL DRIVE SHAFT (MFWD).....	0250-3
TOOL BOX.....	1913-2	UNIVERSAL DRIVE SHAFT KIT (MFWD).....	0250-3
TOOL KIT, HAND HELD HYDRAULIC (SERIAL NO. -913416).....	3363-32	UNIVERSAL DRIVE SHAFT, FRONT AXLE (MFWD).....	0250-6
TOOL KIT, HAND HELD HYDRAULIC (SERIAL NO. 913417-).....	3363-34	UNIVERSAL JOINT (REVERSER).....	0325-1
TOOTH, BACKHOE BUCKET.....	3302-8	UNIVERSAL JOINT YOKE.....	
TORQUE CONVERTER.....	0350-1	(AXLE SERIAL NO. -217496).....	1111-2
		UNIVERSAL JOINT YOKE (AXLE SERIAL NO. 217497-).....	1111-4
		V	
		VALVE KIT, FIFTH FUNCTION MANUAL.....	3362-26
		VALVE LINKAGE, STABILIZER.....	3315-20
		VALVE MOUNTING PLATE, BACKHOE.....	3315-2

0210-1

AXLES AND SUSPENSION SYSTEMS 2
DIFFERENTIAL OR BEVEL DRIVE 0210

**PLANETARY PINION CARRIER
PORTE-SATELLITES
PORTAPINONES PLANETARIOS**

T199252 -UN-22APR04



T199252					
KEY	PART NO.	PART NAME	QTY.	SERIAL NO.	REMARKS
1	T166084	PLANET PINION CARRIER	1		
2	HOUSING	1		AXLE, RING GEAR, (ORDER AT179499)
3	T183922	WASHER	6		
4	AT179538	TAPERED ROLLER BEARING	3		
5	T183923	SNAP RING	6		
6	T183921	PLANET PINION	3		
7	L110729	SNAP RING	3		
8	T159518	THRUST WASHER	1		
9	T159525	SHIM	1		0.2 MM
	T159523	SHIM	1		0.3 MM
	T159522	SHIM	1		0.5 MM
	T161249	SHIM	1		1.5 MM
	T161248	SHIM	1		2.0 MM
10	T159519	SNAP RING	1		
11	T166085	PLATE	1		
12	T154952	SHAFT	1		
13	T164844	GROOVE PIN	2		(SUB FOR AT186927) (ALSO ORDER INSTR. T184401)

0230-3

AXLES AND SUSPENSION SYSTEMS 2

NON-POWERED WHEEL AXLES 0230
 FRONT AXLE, SPINDLE AND KUNCKLE ASSEMBLY (W/O MFWD) (SN. -911131)
 ESSIEU AVANT ET ARTICULATION-FUSEE (W/O MFWD) (SN. -911131)
 CONJUNTO DE EJE DELANTERO, MANGUETA Y ARTICULACION (W/O MFWD) (SN. -911131)

KEY	PART NO.	PART NAME	QTY.	SERIAL NO.	REMARKS
1	19M7488	CAP SCREW	1		M16 X 40
2	T119912	WASHER	1		
3	T18145	BUSHING	1		
4	AT164442	PIN	2		
5	R46973	THRUST WASHER	4		
6	T140211	BUSHING	2		
7	FRONT AXLE	1		(AT169654 NLA) (MARKED T154594) (SUB AT303094)
8	19M6575	CAP SCREW	1		M12 X 110
9	24H1162	WASHER	2		17/32" X 1-1/4" X 0.060"
10	T100813	BUSHING	1		
11	T140207	BUSHING	4		
12	T162396	LUBRICATION FITTING	2		
13	T69027	SEAL	2		
14	19H3445	CAP SCREW	2		3/8" X 3-3/4"
15	T184816	KINGPIN	2		
16	T11234	LOCK NUT	2		
17	T69355	PIN	1		
18	T69364	THRUST WASHER	2		
19	T69363	THRUST WASHER	2		
20	34M7117	SPRING PIN	2		5 X 10 MM
21	T69354	PIN	1		
22	AT182387	KNUCKLE	1		(MARKED T82851)
23	11M7030	COTTER PIN	2		5 X 40 MM
24	T162396	LUBRICATION FITTING	2		
25	JD7838	ADAPTER FITTING	2		
26	11M7086	COTTER PIN	1		2.500 X 50 MM
27	14M7184	NUT	1		M12
28	24H1162	WASHER	2		17/32" X 1-1/4" X 0.060"
29	AT182388	KNUCKLE	1		(MARKED T82852)

0250-5

AXLES AND SUSPENSION SYSTEMS 2

AXLE SHAFT, BEARINGS AND REDUCTION GEARS 0250
FRONT AXLE HOUSING AND TIE RODS (W/ MFWD)
CARTER D'ESSIEU AVANT ET BARRES D'ACCOUPLMENT (W/ MFWD)
CAJA DE EJE DELANTERO Y BARRAS DE ACOPLAMIENTO (W/ MFWD)

KEY	PART NO.	PART NAME	QTY.	SERIAL NO.	REMARKS
1	AT309304 AT309303	TIE ROD ASSEMBLY TIE ROD ASSEMBLY	1 1		L.H. (ALSO ORDER L55605) (SUB FOR AT170205) R.H. (NOT ILLUSTRATED) (ALSO ORDER L55605) (SUB FOR AT170204)
2	AL80542	TIE ROD ASSEMBLY	1		END
3	AL113451	BOOT	1		
4	AT309307 L55605	CLAMP NUT	1 1		(SUB FOR AT170209) M24
5	AL113460	BOOT	1		
6	AT309305 AT309306	TIE ROD ASSEMBLY TIE ROD ASSEMBLY	1 1		L.H. (ALSO ORDER L55605) (SUB FOR AT170206) R.H. (NOT ILLUSTRATED) (ALSO ORDER L55605) (SUB FOR AT170208)
7	14M7513	LOCK NUT	1		M22
8	SERIAL NUMBER PLATE	1		
9	T206432	HOUSING	1		R.H. (SUB FOR T151262)
10	L40306	O-RING	1		
11	L100141 L100145	WASHER WASHER	AR AR		1.15MM (0.0453") 1.35MM (0.0531")
	L61263	WASHER	AR		1.50MM (0.0591")
	L61267	WASHER	AR		1.70MM (0.0669)
	L61271	WASHER	AR		1.90MM (0.0748")
	L61275	WASHER	AR		2.10MM (0.0827")
	T183518	SOLID SHIM	AR		2.65MM
	T183519	SOLID SHIM	AR		2.70MM
	T183520	SOLID SHIM	AR		2.75MM
	T183521	SOLID SHIM	AR		2.80MM
	T183522	SOLID SHIM	AR		2.85MM
	T183523	SOLID SHIM	AR		2.90MM
	T183524	SOLID SHIM	AR		2.95MM
	T183525	SOLID SHIM	AR		3.00MM
	T183526	SOLID SHIM	AR		3.10MM
	T183527	SOLID SHIM	AR		3.35MM
	T183528	SOLID SHIM	AR		3.40MM
12	AL79808	BEARING	2		
13	T151089	HOUSING	1		L.H.
14	L114558	BUSHING	2		
15	T151261	CAP SCREW	15		
16	L40014	WASHER	15		
17	L56822	PIPE PLUG	1		
18	L110233	SEAL	2		
19	L55580	O-RING	2		
20	15M7030	PIPE PLUG	1		

0315-5

TRANSMISSION 3

CONTROLS 0315

**TRANSMISSION CONTROL LEVER
LEVIER DE VITESSES
PALANCA DE CONTROL DE TRANSMISION**

KEY	PART NO.	PART NAME	QTY.	SERIAL NO.	REMARKS
1	AT182520	SWITCH	1		
2	19M8581	SCREW	2		M5 X 20
3	24H1283	WASHER	2		
4	14M7297	NUT	2		M5

0350-5

TRANSMISSION 3

GEARS, SHAFTS, BEARINGS AND POWER SHIFT CLUTCH 0350
FIRST GEAR CLUTCH ASSEMBLY (POWER SHIFT)
EMBAYAGE DE PREMIERE VITESSE (POWER SHIFT)
CONJUNTO DE EMBRAGUE DE PRIMERA MARCHA (POWER SHIFT)

KEY	PART NO.	PART NAME	QTY.	SERIAL NO.	REMARKS
1	AT179472	TAPERED ROLLER BEARING	1		
2	T158742	RING	2		
3	AT184048	DRUM	1		DISK CARRIER
4	RING	1		(T158739 NLA) (SUB AT193704)
5	RING	1		(T158743 NLA) (SUB AT193704)
6	AT193704	PISTON	1		(SUB FOR T158789)
7	T158775	DISK SPRING	5		
8	T164712	SHIM	1		2 MM
9	40M7058	SNAP RING	1		
10	T158801	CLUTCH PLATE	10		
11	T164626	DISK	10		
12	T161147	PLATE	1		
13	T161183	SNAP RING	1		4 MM
	T158778	SNAP RING	1		3.5 MM
	T159568	SNAP RING	1		3 MM
	T159569	SNAP RING	1		2.5 MM
	T159570	SNAP RING	1		2 MM
14	40M7058	SNAP RING	1		
15	AT185793	ROLLER	2		
16	T164640	GEAR	1		
17	AT184052	ROLLER	1		
18	T166062	THRUST WASHER	2		

0350-15

TRANSMISSION 3

GEARS, SHAFTS, BEARINGS AND POWER SHIFT CLUTCH 0350
REVERSE CLUTCH ASSEMBLY (POWER SHIFT)
INTERRUPTEUR DE RETOUR EN POSITION DE CREUSEMENT (POWER SHIFT)
INTERRUPTOR DE RETORNO A EXCAVACION (POWER SHIFT)

KEY	PART NO.	PART NAME	QTY.	SERIAL NO.	REMARKS
1	AT179472	TAPERED ROLLER BEARING	1		
2	T158742	RING	2		
3	AT184045	DRUM	1		DISK CARRIER
4	RING	1		(T158739 NLA) (SUB AT193704)
5	RING	1		(T158743 NLA) (SUB AT193704)
6	AT193704	PISTON	1		(SUB FOR T158789)
7	T158775	DISK SPRING	7		
8	T158801	CLUTCH PLATE	9		
9	AT179473	DISK WITH INNER SPLINE	9		
10	T161147	PLATE	1		
11	T161183	SNAP RING	1		4 MM
	T158778	SNAP RING	1		3.5 MM
	T159568	SNAP RING	1		3 MM
	T159569	SNAP RING	1		2.5 MM
	T159570	SNAP RING	1		2 MM
12	T158756	WASHER	1		
13	AT179469	TAPERED ROLLER BEARING	1		
14	T164711	DISK	1		
15	AT179470	TAPERED ROLLER BEARING	1		
16	T161186	SNAP RING	1		3.2 MM
	T161187	SNAP RING	1		3.1 MM
	T161188	SNAP RING	1		3 MM
	T161189	SNAP RING	1		2.9 MM
	T161190	SNAP RING	1		2.8 MM
	T161191	SNAP RING	1		2.7 MM
	T161192	SNAP RING	1		2.6 MM
	T161193	SNAP RING	1		2.5 MM
	T164628	SNAP RING	1		2.3 MM
	T164629	SNAP RING	1		2.2 MM
	T164630	SNAP RING	1		2.1 MM
17	AT179471	TAPERED ROLLER BEARING	1		

0360-7

TRANSMISSION 3

TRANSMISSION HYDRAULICS 0360

**TRANSMISSION INTERMEDIATE PLATE AND GASKETS (POWER SHIFT)
PLAQUE INTERMEDIAIRE ET JOINTS DE TRANSMISSION (POWER SHIFT)
PLACA INTERMEDIA Y EMPAQUETADURAS DE TRANSMISION (POWER SHIFT)**

KEY	PART NO.	PART NAME	QTY.	SERIAL NO.	REMARKS
1	T164592	GASKET	1		
2	T186560	HOUSING	1		(SUB FOR T164591)
3	GASKET	1		(SUB AT192552) (ALSO ORDER (19) T159607) (SUB FOR T159612)
4	T224750	GASKET	1		(SUB FOR AT192552) (ALSO ORDER (19) T164682)
	PLATE	1		(SUB AT192552) (ALSO ORDER (19) T159607) (SUB FOR T164595)
5	T164595	PLATE	1		(SUB FOR AT192552) (ALSO ORDER (19) T164682)
	GASKET	1		(SUB AT192552) (ALSO ORDER (19) T159607) (SUB FOR T164596)
6	T224751	GASKET	1		(SUB FOR AT192552) (ALSO ORDER (19) T164682)
	PLATE	1		(AT192552 NLA) (SUB FOR T159612, T164595 AND T164596) (ALSO ORDER (19) T159607)
7	T159613	CAP SCREW	4		
8	T161204	WASHER	19		
9	T159607	CAP SCREW	19		
10	AT177703	SOLENOID VALVE	3		PARK BRAKE, DIFF LOCK, MFWD
	SOLENOID	3		(AT179318 NLA) (SERVICED IN AT177703)
	AT179319	ELECTRICAL COIL	3		
	AT179320	O-RING KIT	3		
	T161144	NUT	3		
11	T159684	PLUG	1		MFWD SOLENOID HOLE PLUG
12	T161208	CAP SCREW	43		
13	GASKET	1		(SUB AT192553) (ALSO ORDER (19) T159607) (SUB FOR T164597)
	T224776	GASKET	1		(SUB FOR AT192553) (ALSO ORDER (19) T164682)
14	PLATE	1		(SUB AT192553) (ALSO ORDER (19) T159607) (SUB FOR T164598)
	T164598	PLATE	1		(SUB FOR AT192553) (ALSO ORDER (19) T164682)
15	GASKET	1		(SUB AT192553) (ALSO ORDER (19) T159607) (SUB FOR T164599)
	T224777	GASKET	1		(SUB FOR AT192553) (ALSO ORDER (19) T164682)
16	PLATE	1		(AT192553 NLA) (SUB FOR T164597, T164598, T164599) (ALSO ORDER (19) T159607)
17	T164686	CAP SCREW	15		
18	T144494	COMPRESSION SPRING	1		
19	T144493	BALL	1		
20	T164577	ORIFICE	1		
21	R26286	O-RING	1		
22	R27094	DRAIN PLUG	1		
23	L11698	O-RING	1		
24	T161194	PLUG	1		
25	T161204	WASHER	4		
26	T161204	WASHER	15		

0402-9

ENGINE 4

CAMSHAFT AND VALVE ACTUATING MEANS 0402
 TIMING GEAR COVER (TO4045TT082 ESN 90933- ,PE4045TT082 & PE4045TT093)
 CARTER DE DISTRIBUCION (TO4045TT082 ESN 90933- ,PE4045TT082 & PE4045TT093)
 CUBIERTA DE ENGRANAJES DE DISTRIBUCION (TO4045TT082 ESN 90933- ,PE4045TT082 & PE4045TT093)

KEY	PART NO.	PART NAME	QTY.	ENGINE SERIAL NO.	REMARKS
1	R520132	GASKET	1		(SUB FOR R136516, THIS APPLICATION)
2	R520130	COVER	1		(ALSO ORDER R520132 AND RE515978) (SUB FOR R504725)
	RE523468	COVER	1		(INCL. WATER PUMP) (SUB FOR RE506381)
3	RE517370	FITTING	1		(WITHOUT TACHOMETER SENSOR)
4	51M7044	O-RING	1		17.300 X 2.200 MM
5	19M8317	SCREW	6		M8 X 40
	19M7867	SCREW	1		M8 X 25
	RE67239	SCREW	1		
6	19M8291	SCREW	1		M8 X 35
7	R121424	O-RING	1		
8	R121411	COVER	1		
9	19M7775	SCREW	3		M6 X 16
10	19M7801	SCREW	1		M8 X 60
11	RE516340	SEAL	1		
12	51M7044	O-RING	1		17.300 X 2.200 MM
13	RE517370	FITTING	1		
14	RE505501	BLEED VALVE	1		
15	RE515978	KIT	1		
16	14M7296	FLANGE NUT	6		M10
17	19M7979	SCREW	2		M8 X 55
18	R123584	STUD	4		
19	R134518	STUD	2		(MARKED RE52346 OR RE505515) (SUB FOR RE59810)
20	RE508566	KIT	1		(WATER PUMP INSERT REPAIR)

0407-3B

ENGINE 4

OILING SYSTEM 0407

ENGINE OIL DIPSTICK AND DIPSTICK TUBE
JAUGE ET TUBE D'HUILE MOTEUR
VARILLA DE MEDICION DE ACEITE DE MOTOR Y TUBO

KEY	PART NO.	PART NAME	QTY.	ENGINE SERIAL NO.	REMARKS
1	RE69243	DIPSTICK	1		
2	R502604	DIPSTICK TUBE	1		
3	R502725	PLUG	1		

0408-3

ENGINE 4

VENTILATING SYSTEM 0408

**ENGINE VENTILATING SYSTEM
SYSTEME DE VENTILATION DU MOTEUR
SISTEMA DE VENTILACION DEL MOTOR**

KEY	PART NO.	PART NAME	QTY.	ENGINE SERIAL NO.	REMARKS
1	R120467	ELBOW FITTING	1		
2	R72328	O-RING	1		18.720 X 2.616 MM (0.737" X 0.103")
3	R72659	CLAMP	1		
4	19M7866	SCREW	1		M8 X 20
5	H36031	HOSE	1		

0413-5

ENGINE 4

FUEL INJECTION SYSTEM 0413

FUEL INJECTION SYSTEM (TO4045TT082 AND PE4045TT082) (STANADYNE)
CIRCUIT D'INJECTION DE CARBURANT (TO4045TT082 ET PE4045TT082) (STANADYNE)
SISTEMA DE INYECCION DE COMBUSTIBLE (TO4045TT082 Y PE4045TT082) (STANADYNE)

KEY	PART NO.	PART NAME	QTY.	ENGINE SERIAL NO.	REMARKS
1	AR85519	PLUG	2		
2	R123593	TUBE NUT	2		
3	RE68748	TUBE	2		
4	R51936	SEALING WASHER	2		(NOT ILLUSTRATED)
	RE70848	FUEL LINE	1		LEAK-OFF
	R51936	SEALING WASHER	3		(NOT ILLUSTRATED)
5	RE19797	CLAMP	2		
6	19M7923	CAP SCREW	2		M6 X 12, (SUB FOR 19M7300)
7	RE59447	FUEL LINE	1		NO. 1
8	RE59448	FUEL LINE	1		NO. 2
9	RE59449	FUEL LINE	1		NO. 3
10	RE59450	FUEL LINE	1		NO. 4
11	19M7865	SCREW	1		M8 X 16, NO. 2
12	R116116	BRACKET	1		
13	T14050	CLAMP	1		
14	14M7298	FLANGE NUT	1		M8
15	RE19799	CLAMP	1		
16	19M7923	CAP SCREW	1		M6 X 12, (SUB FOR 19M7300)
17	51M7040	O-RING	1		9.300 X 2.200 MM, (METRIC)
	R26286	O-RING	1		(SAE)
18	RE60029	ADAPTER FITTING	1		(M12X1.5)
	RE59487	FITTING	1		(SAE)
19	14M7273	NUT	3		M8
20	R116386	STUD	3		
21	26H10	SHAFT KEY	1		5/32" X 5/8"
22	RE502376	FUEL INJECTION PUMP	1		(A)
	SE500586	FUEL INJECTION PUMP	1		(REMANUFACTURED FOR RE502376)
23	R132267	GEAR	1		(60 TEETH)
24	R132874	WASHER	1		
25	R91360	NUT	1		M14
26	R67364	ELBOW FITTING	1		
27	12M7065	LOCK WASHER	3		8 MM
28	T27860	WASHER	3		
29	T16318	O-RING	1		
	R502076	O-RING	1		

(A) SEE YOUR AUTHORIZED PUMP REPAIR STATION FOR INTERNAL PARTS
(A) CONSULTER LA STATION DE REPARATION DE POMPE AGREEE POUR LES PIECES INTERNES
(A) CONSULTAR A UN TALLER AUTORIZADO DE REPARACION DE BOMBAS PARA LAS PIEZAS INTERNAS

0415-3

ENGINE 4

ENGINE BALANCER 0415

**ENGINE BALANCER SHAFT
ARBRE DE BALANCIER DE MOTEUR
EJE DEL EQUILIBRADOR DEL MOTOR**

KEY	PART NO.	PART NAME	QTY.	SERIAL NO.	REMARKS
1	R115299	BUSHING	6		
2	R500265	WEIGHT	4		
3	GEAR	1		L.H. (15 TEETH)
4	PLATE	2		
5	34M7089	DOWEL PIN	2		4 X 12 MM
6	BALANCER SHAFT	1		L.H.
7	19M8998	SCREW	4		M8 X 12
8	GEAR	1		R.H. (15 TEETH)
9	BALANCER SHAFT	1		R.H.
10	19M8882	SCREW	8		M8 X 40
11	RE500448	BALANCER SHAFT	1		R.H.
12	RE500449	BALANCER SHAFT	1		L.H.
13	RE504741	BALANCER SHAFT	1		KIT
14	R133303	SHAFT KEY	2		

0418-3

ENGINE 4

THERMOSTATS, HOUSING AND WATER PIPING 0418
THERMOSTAT AND THERMOSTAT COVER
THERMOSTAT ET COUVERCLE DE THERMOSTAT
THERMOSTATO Y CUBIERTA DEL THERMOSTATO

KEY	PART NO.	PART NAME	QTY.	ENGINE SERIAL NO.	REMARKS
1	R123323	CLAMP	1		
2	19M7788	SCREW	1		M12 X 25
3	RE522076	THERMOSTAT	1		82° C (180° F) (SUB FOR RE506300)
4	R502814	GASKET	1		(SUB FOR R135896)
5	R131016	COVER	1		
6	19M8292	SCREW	1		M10 X 50
7	RE46684	FITTING PLUG	2		
8	19M7786	SCREW	1		M10 X 30
9	R123226	GASKET	1		
10	R501144	TUBE	1		
11	R123324	CLAMP	1		
12	19M7801	SCREW	1		M8 X 60

0422-3

ENGINE 4

STARTING MOTOR AND FASTENINGS 0422
 STARTING MOTOR (DENSO) (TO4045TT082 ESN 894288-) PE4045TT082 & PE4045TT093
 MOTEUR DEMARRAGE (DENSO) (TO4045TT082 ESN 894288-) PE4045TT082 & PE4045TT093
 ARRANCADOR (DENSO) (TO4045TT082 ESN 894288-) PE4045TT082 & PE4045TT093

KEY	PART NO.	PART NAME	QTY.	ENGINE SERIAL NO.	REMARKS
1	R53108	GASKET	1		NOT USED IN THIS APPLICATION
2	R136052	STUD	1		
3	RE70487	CLUTCH	1		
4	R135510	O-RING	1		
5	RE70486	SWITCH	1		
6	R135509	SEAL	1		
7	RE505400	WIRING HARNESS	1		
8	RE71256	SCREW WITH WASHER	1		
9	COVER	1		(ORDER RE70756)
10	R96703	TIE BAND	1		NOT USED IN THIS APPLICATION
11	T146102	LABEL	1		DANGER (BYPASS START)
12	RE70756	KIT	1		
13	RE506105	STARTER MOTOR KIT	1		(A) DENSO 12V WET SEALED, (MARKED RE504244)
	RE501298	STARTER MOTOR KIT	1		(B)
14	19M7786	SCREW	2		M10 X 30
15	12M7033	LOCK WASHER	1		10.500 MM
16	R503419	STUD	1		

(A) TO4045TT082
 (A) TO4045TT082
 (A) TO4045TT082

(B) PE4045TT082 PE4045TT093
 (B) PE4045TT082 PE4045TT093
 (B) PE4045TT082 PE4045TT093

0450-3

ENGINE 4

SERVICE CYLINDER BLOCK ASSEMBLIES 0450

**OVERHAUL KIT
JEU DE REMISE EN ETAT
JUEGO DE RECONSTRUCCION**

<i>KEY</i>	<i>PART NO.</i>	<i>PART NAME</i>	<i>QTY.</i>	<i>ENGINE SERIAL NO.</i>	<i>REMARKS</i>
1	RE527299	ENGINE OVERHAUL KIT	1		PISTON, (MARKED RE515372)

0505-7

ENGINE AUXILIARY SYSTEM 5

COLD WEATHER STARTING AIDS 0505

COLD WEATHER STARTING AID
DISPOSITIF D'AIDE AU DEMARRAGE PAR TEMPS FROID
DISPOSITIVO PARA EL ARRANQUE EN TIEMPO FRIO

KEY	PART NO.	PART NAME	QTY.	SERIAL NO.	REMARKS
1	AR21999	HOSE CLAMP	1		
2	AT171162	STARTING FLUID	1		
3	T185933	BRACKET	1		
4	19M8425	CAP SCREW	3		M6 X 16
5	AT171539	CAP (HAT)	1		
6	AT181582	ELBOW FITTING	1		
7	AT173385	STARTING AID SOLENOID	1		
8	14M7272	NUT	3		M6
9	AT182257	WIRING HARNESS	1	-910055	(USE WITH AT196262)
	AT199714	WIRING HARNESS	1	-910055	(USE WITH AT199060)
10	TUBE	1		(MAKE FROM T78593 BULK MATERIAL CUT TO 1.5 FT. (457MM) LENGTH)
11	AT183222	NOZZLE	1		
12	R39554	SWITCH	1		
13	T55585	CAP	1		
14	24M7293	WASHER	3		6.500 X 13 X 1.600 MM
15	AT192153	KIT	1		

0520-7

PRE CLEANER (SN. -926658)
PREFILTRE (SN. -926658)
PREFILTRO (SN. -926658)

KEY	PART NO.	PART NAME	QTY.	SERIAL NO.	REMARKS
1	AT220930	PRECLEANER	1		
2	AH140044	ISOLATOR	1		
3	AT192522	TUBE	1		
4	21M7351	SCREW	2		M6 X 20, (SUB FOR (2) 19M7077 AND (2) 24M7139, THIS APPLICATION)
5	AR40418	HOSE CLAMP	1		
6	T176553	PLUG	1		
7	TY24344	LIQUID GASKET	1		
8	KIT	1		PRE CLEANER (WHOLE GOODS) (AT192517 NLA)
9	BRACKET	1	-903502	(AT192456 NLA) (ORDER AT189400)
10	AT191153	SPRING	1	-903502	
11	24M7239	WASHER	1	-903502	
12	R72655	SNAP RING	1	-903502	
13	19M7077	CAP SCREW	4	-903502	M6 X 20
14	24M7139	WASHER	4	-903502	
15	14M7272	NUT	2	-903502	M6

0560-3

ENGINE AUXILIARY SYSTEM 5

FUEL TANK, FUEL SENDER AND FUEL LINES
RESERVOIR DE CARBURANT, TRANSMETTEUR DU NIVEAU DE CARBURANT ET CONDUITES DE CARBURANT
TANQUE DE COMBUSTIBLE, EMISOR DE COMBUSTIBLE Y LINEAS DE COMBUSTIBLE

KEY	PART NO.	PART NAME	QTY.	SERIAL NO.	REMARKS
1	T66701	LINE	1		
2	TY22462	CLAMP	2		(SUB FOR AR48236)
3	HOSE	1		(CTL 1.3 M (4.25')) (MAKE FROM TY22559)
4	AT183881	HOSE	1		
	E87197	PACKING	1		
5	14M7274	NUT	1		M10
6	24M7239	WASHER	1		
7	AH89557	CLIP	1		(SUB FOR T76252, THIS APPLICATION)
8	AH96317	CLIP	1		
9	19M7662	CAP SCREW	1		M10 X 30
10	37H129	SCREW	6		
11	AT156445	FILLER CAP	1		
	T103461	SEALING WASHER	1		
12	T39155	SNAP RING	1		(SERVICE ONLY)
13	AT161638	STRAINER	1		(SERVICE ONLY)
14	T165292	GASKET	1		
15	FUEL SENDER	1	-927124	(AT183874 NLA) (SUB AT300958) (ALSO ORDER AT304837 AND AT65241, 57M7254, (2) R104846 AND 57M7289)
	AT300958	FUEL SENDER	1	927125-	(ALSO ORDER AT65241)
16	AT65241	STRAINER	1		
	PM37485	ADHESIVE	1		(SUB FOR TY15969)
17	T165295	ANTI-SKID PAD	1		
18	24M7296	WASHER	6		
19	19M8637	CAP SCREW	6		M10 X 40
20	R463R	WASHER	1		
21	19H2020	CAP SCREW	1		5/16" X 1/2"
22	FUEL TANK	1		AT317805 NLA, (ORDER AT322232)
23	H77698	TIE BAND	1		
24	R44302	TIE BAND	2		
25	AR77962	HOSE CLAMP	1		
26	JD5933	REFLECTOR	1		

0960-9

STEERING SYSTEM 9

POWER/STEERING/HYDRAULIC/SYSTEM 0960
 STEERING HYDRAULICS (W/ MFWD) (SN. -911131)
 CIRCUIT HYDRAULIQUE DE DIRECTION (W/ MFWD) (SN. -911131)
 SISTEMA HIDRAULICO DE DIRECCION (W/ MFWD) (SN. -911131)

KEY	PART NO.	PART NAME	QTY.	SERIAL NO.	REMARKS
1	AT184900	HYDRAULIC HOSE - FABRICATE	1		(ALSO ORDER 62H1043 AND T77857)
	62H1043	ADAPTER FITTING	1		STC
2	AR21836	CLAMP	1		
3	28H3383	BUSHING	1		
4	R27491	CLAMP	2		
5	24M7106	WASHER	2		
6	19M8412	SCREW	2	-906604	(SUB FOR T184328)
	19M7742	CAP SCREW	2	906605-	
7	AT188382	HYDRAULIC HOSE - FABRICATE	1		(ALSO ORDER 62H1042 AND T77613)
	62H1042	ADAPTER FITTING	1		STC
8	AT188383	HYDRAULIC HOSE - FABRICATE	1		(ALSO ORDER 62H1042 AND T77613)
	62H1042	ADAPTER FITTING	1		STC
9	28H3394	BUSHING	1		
10	19M7881	SCREW	1		M8 X 20
11	14M7273	NUT	1		M8
12	38H1004	ELBOW FITTING	1		
13	R26448	O-RING	2		
14	T77613	O-RING	4		
15	38H1160	ADAPTER FITTING	1		
16	R44302	TIE BAND	2		
17	SLEEVE	1		MAKE FROM T78606,BULK MATERIAL, (CUT TO 254MM)
18	T185019	LABEL	1		HOSE
19	AT194701	ELBOW FITTING	2		(-06) (SUB FOR AT188009)
20	T185394	LABEL	1		HOSE
21	38H1171	ADAPTER FITTING	1		
22	R26375	O-RING	5		
23	AT187668	ELBOW FITTING	1		(-08)
24	AT187668	ELBOW FITTING	1		(-08)
25	AT172609	MANUAL HYDRAULIC VALVE	1		
26	AT195202	ELBOW FITTING	1		(-06) (SUB FOR AT188009)
27	R27491	CLAMP	4	-906604	
	R46919	HALF CLAMP	4	906605-	
28	24M7106	WASHER	2	-906604	
	28H3394	BUSHING	2	906605-	
29	AT193365	KIT	1		STC REPAIR (-06)
	AT193366	PUMP REPAIR KIT	1		STC REPAIR (-08)

0960-17

STEERING SYSTEM 9

POWER:STEERING:HYDRAULIC:SYSTEM 0960
STEERING CYLINDER (MECHANICAL FRONT WHEEL DRIVE)
CIRCUIT HYDRAULIQUE DE DIRECTION (TRACTION AVANT MECANIQUE)
CILINDRO DE LA DIRECCION (TRACCION DELANTERA MECANICA)

KEY	PART NO.	PART NAME	QTY.	SERIAL NO.	REMARKS
1	19M8632	CAP SCREW	8		M16 X 75
2	T153723	HYDRAULIC CYLINDER CAP	2	-911131	
	HYDRAULIC CYLINDER CAP	2	911132-	(T201269 NLA) (ORDER AT280334)
3	T153742	HYDRAULIC CYLINDER BARREL	1	-911131	
	HYDRAULIC CYLINDER BARREL	1	911132-	(T201270 NLA) (ORDER AT280334)
4	AT195573	ROD	1	-911131	(SUB FOR T153743)
	ROD	1	911132-	(AT301769 NLA) (ORDER AT280334)
5	SEAL	2		(A)
6	SEAL	2		(A)
7	GUIDE	2		(A)
8	O-RING	2		(A)
9	RING	2		(A)
10	SEAL	1		(A)
11	GUIDE	1		(A)
12	O-RING	1		(A)
13	AT195570	CYLINDER	1	-911131	(SUB FOR AT167332)
	AT280334	CYLINDER	1	911132-	
14	T153744	HYDRAULIC CYLINDER KIT	1	-911131	(STEERING CYLINDER SEAL KIT) INCLUDES ALL (A) PARTS
	AT301906	HYDRAULIC CYLINDER KIT	1	911132-	

1060-5

SERVICE BRAKES 10

SERVICE BRAKES:HYDRAULICS 1060

**BRAKE VALVE ASSEMBLY
CLAPET DE FREIN
CONJUNTO DE VALVULA DE FRENOS**

KEY	PART NO.	PART NAME	QTY.	SERIAL NO.	REMARKS
1	T183268	FITTING	1	-922272	
	T203385	REDUCER	1	922273-	
2	T183268	FITTING	1	-922272	
	T203374	FITTING PLUG	1	922273-	
3	AT188343	CHECK VALVE	2		
4	R26906	O-RING	4		
5	T185926	PLUG	2		
6	T183274	SPRING	2		
7	T183273	WASHER	2		
8	RING	2		
9	T183272	PISTON	1		
10	HOUSING	1		(ORDER AT304761)
11	T183271	RETAINER	2		
12	O-RING	2		
13	T183270	SPRING	2		
14	SEAL	2		
15	RING	2		
16	T183276	PISTON	2		
17	R26552	BALL	2		
18	T185078	LOCK WASHER	2		
19	R48523	SNAP RING	2		
20	T183362	PISTON RING	2		
21	T183269	SPRING	2		
22	AT192151	PUSH ROD	2		
23	SEAL	2		
24	T183357	RETAINER	2		
25	SEAL	2		
26	M41029	SNAP RING	2		
27	19H1849	CAP SCREW	4		5/16" X 1-1/4"
28	T183310	WASHER	4		
29	U13639	O-RING	2		
30	AT304761	MANUAL HYDRAULIC VALVE	1		(SUB FOR AT184578)
31	AT192419	KIT	1		(BRAKE VALVE OVERHAUL) (REQUIRES 1 KIT PER VALVE)

1111-5

PARKING BRAKES 11

PARKING BRAKE (AXLE SN. 217497-)
FREIN DE STATIONNEMENT (ESSIEU SN. 217497-)
FRENO DE ESTACIONAMIENTO (EJE SN. 217497-)

KEY	PART NO.	PART NAME	QTY.	SERIAL NO.	REMARKS
1	T164917	COMPRESSION SPRING	14		
2	T164916	COMPRESSION SPRING	14		
3	T164915	PLATE	2		
4	T159477	SEAL	1		
5	T164911	PIN	1		
6	T159359	SPRING PIN	2		
7	T164914	PISTON	1		
8	T159478	SEAL	1		
9	T159475	CLUTCH DISK	3		
10	T159474	PLATE	3		
11	T164909	O-RING	1		
12	T188234	HOUSING	1		
13	19M7179	CAP SCREW	4		M10 X 50
14	T164912	STUD	2		
15	T164913	NUT	2		
16	T164918	PIN	2		
17	T159487	O-RING	2		
18	T159502	LOCK NUT	2		
19	T164922	SCREW	2		
20	AT179537	SEAL	1		
21	T188240	UNIVERSAL JOINT YOKE	1		
22	R26906	O-RING	1		
23	38H1162	ADAPTER FITTING	1		
24	T77932	O-RING	2		
25	AT179899	HYDRAULIC HOSE - FABRICATE	1		
26	38H1317	FITTING	1		
27	R26375	O-RING	1		

1320-7

MISCELLANEOUS VEHICLE 13

VEHICLE FINISH AND TRIM 1320

**TRADEMARKS AND LABELS (FRENCH AND SPANISH)
MARQUES DEPOSEES ET ETIQUETTES (FRANCAIS ET ESPAGNOLE)
MARCAS REGISTRADAS Y ETIQUETAS (FRANCES Y ESPANOL)**

KEY	PART NO.	PART NAME	QTY.	SERIAL NO.	REMARKS
1	T139165	LABEL	1		ENGINE START AND STOP (FRENCH)
	T139167	LABEL	1		ENGINE START AND STOP (SPANISH)
2	T141093	LABEL	1		HYDRAULIC OIL (FRENCH)
	T141075	LABEL	1		HYDRAULIC OIL (SPANISH)
3	T141096	LABEL	1		DIRECTION CONTROL SWITCH (FRENCH)
	T141078	LABEL	1		DIRECTION CONTROL SWITCH (SPANISH)
4	T146095	SAFETY SIGN	1		CAUTION SAFETY (FRENCH)
	T146089	SAFETY SIGN	1		CAUTION SAFETY (SPANISH)
5	T146099	SAFETY SIGN	1		WARNING SEAT BELT (FRENCH)
	T146098	SAFETY SIGN	1		WARNING SEAT BELT (SPANISH)
6	T146104	LABEL	1		BY-PASS (FRENCH)
	T146106	LABEL	1		BY-PASS (SPANISH)
8	T152997	LABEL	1		BOOM LOCK (FRENCH)
	T152996	LABEL	1		BOOM LOCK (SPANISH)
9	T160761	LABEL	1		TRANSMISSION OIL (FRENCH)
	T160763	LABEL	1		TRANSMISSION OIL (SPANISH)
10	T160762	LABEL	1		PARK BRAKE WARNING (FRENCH)
	T160769	LABEL	1		PARK BRAKE WARNING (SPANISH)
11	T225375	LABEL	1		(SUB FOR T164128, THIS APPLICATION)
	T225376	LABEL	1		ACCUMULATOR (FRENCH) (SUB FOR T164129, THIS APPLICATION) ACCUMULATOR (SPANISH)
12	LABEL	1		AXLE OIL CAPACITY
13	T184506	LABEL	1	-951254	PERIODIC GREASING (FRENCH)
	T214323	LABEL	1	951255-955713	PERIODIC GREASING (FRENCH)
	T224285	LABEL	1	955714-	PERIODIC GREASING (FRENCH)
	T184502	LABEL	1	-951254	PERIODIC GREASING (SPANISH)
	T214322	LABEL	1	951255-955713	PERIODIC GREASING (SPANISH)
	T224284	LABEL	1	955714-	PERIODIC GREASING (SPANISH)
14	T185567	LABEL	1		LOADER CONTROL (FRENCH)
	T185545	LABEL	1		LOADER CONTROL (SPANISH)
15	T185568	LABEL	1		LOADER 4 IN 1 (FRENCH)
	T185546	LABEL	1		LOADER 4 IN 1 (SPANISH)
16	T185569	LABEL	1		FUEL ECONOMY (FRENCH)
	T185547	LABEL	1		FUEL ECONOMY (SPANISH)
17	T185570	LABEL	1		(FRENCH)
	T185548	LABEL	1		(SPANISH)
18	T185571	LABEL	1		WARNING (FRENCH)
	T185549	LABEL	1		WARNING (SPANISH)
19	T185573	LABEL	1		ROPS (FRENCH)
	T185552	LABEL	1		ROPS (SPANISH)
20	T185577	LABEL	1		BACKHOE CONTROL (FRENCH)
	T185553	LABEL	1		BACKHOE CONTROL (SPANISH)
	T188018	LABEL	1		(FRENCH) SAE
	T188019	LABEL	1		(SPANISH) SAE

1370-3

MISCELLANEOUS VEHICLE 13

LUBRICATION SYSTEM 1370

MEMORANDA
MEMORANDA
MEMORANDA

1672-3

VEHICLE ELECTRICAL SYSTEM 16

ALTERNATOR 1672

ALTERNATOR (SN. -958703)
ALTERNATEUR (SN. -958703)
ALTERNADOR (SN. -958703)

KEY	PART NO.	PART NAME	QTY.	SERIAL NO.	REMARKS
1	19M7513	CAP SCREW	1		M8 X 30
2	R48808	WASHER	1		
3	AH137883	ALTERNATOR	1		12 VOLT 95 AMPERE. (SUB FOR AT220394)
	TY24485	ALTERNATOR	1		12 VOLT 95 AMPERE (REMAN) (SUB FOR TY6750)
	AT173624	ALTERNATOR	1		12 VOLT 65 AMPERE, (SUB FOR AT220393) (SUB TY6799)
	H144094	VOLTAGE REGULATOR	1		
	H144095	CAPACITOR	1		
	L33993	FAN	1		
	TY6799	ALTERNATOR	1		12 VOLT 65 AMPERE (REMAN)
	SE501342	ALTERNATOR	1		(REMANUFACTURED FOR TY24485)
	SE501387	ALTERNATOR	1		(REMANUFACTURED FOR TY6799)
4	T10745	WASHER	1		
5	14M7158	NUT	1		M16
6	T158584	FAN	1		
7	R501486	PULLEY	1		
8	14M7273	NUT	1		M8
9	24M7036	WASHER	2		
10	14M7297	NUT	2		M5
11	24H1283	WASHER	1		
12	12M7060	WASHER	3		
13	R64525	THRUST WASHER	1		
14	14M7274	NUT	1		M10
15	24M7028	WASHER	1		
16	19M8093	CAP SCREW	1		M10 X 100

1674-3

VEHICLE ELECTRICAL SYSTEM 16

WIRING HARNESS AND SWITCHES 1674

**FRONT CONSOLE WIRING HARNESSES
FAISCEAUX DE FILS DE CONSOLE AVANT
ARNESES DE ALAMBRADO DE CONSOLA DELANTERA**

KEY	PART NO.	PART NAME	QTY.	SERIAL NO.	REMARKS
1	AT175300	SWITCH	1		TURN SIGNAL
	T162380	BULB	1		
2	AT175071	SWITCH	1		FRONT WIPER
	AT175072	SWITCH	1		FRONT WASHER
3	PLUG	1		(T163309 NLA) (SUB T207060)
	M115279	PLUG	1		SMALL BLANK
4	AT175070	SWITCH	1		WARNING
5	AT175069	SWITCH	1		LIGHTS
6	AT191701	WIRING HARNESS	1		QUARTER CAB WIPER HARNESS
7	M85517	GROMMET	1		
8	T166244	GROMMET	1		
9	AR73144	RELAY	1		
10	14M7375	FLANGE NUT	2		
11	19M7775	SCREW	2		M6 X 16, (SUB FOR 19M8425, THIS APPLICATION)
12	WASHER	2		(24M7210 NLA)
13	WASHER	2		(24M7054 NLA)
14	T206491	PLATE	1		(SUB FOR T183600) (ALSO ORDER T186793)
15	19M7372	CAP SCREW	2		M5 X 16
16	AT199372	WIRING HARNESS	1	-951254	CAB, (SUB FOR AT186625)
	AT308176	WIRING HARNESS	1	951255-	CAB
	AT303575	WIRING HARNESS	1	-951254	CANOPY OR QUARTER CAB, (SUB FOR AT186626)
	AT308158	WIRING HARNESS	1	951255-	CANOPY
17	AT196390	WIRING HARNESS	1		(SUB FOR AT192769)
18	AT310980	RELAY	3		(SUB FOR AT189041)
	AT308380	RELAY	3	941864-	USE WITH AT199372 AND AT303575 ABOVE SER. NO. BREAK
19	FLASHER	1	-951254	(AT163088 NLA) (SUB T215293)
	T215293	FLASHER	1	951255-	4-WAY FLASHER, (SUB FOR AT163088)
20	57M7121	FUSE	5		10 AMP
21	57M7120	FUSE	2		20 AMP
22	99M7065	FUSE	3		15 AMP
23	T103834	CIRCUIT BREAKER	1		
24	T108357	CIRCUIT BREAKER	1		
25	99M7064	FUSE	1		7-1/2 AMP
26	57M7125	FUSE	1		5 AMP
27	T102780	CIRCUIT BREAKER	1		
28	57M7146	FUSE	1		30 AMP
29	T190197	MODULE	1		
30	T190198	RELAY MODULE	1		
31	T190199	WEDGE	AR		

1674-9

**ENGINE WIRING HARNESS
FAISCEAU DE FILS DE MOTEUR
ARNES DE ALAMBRADO DEL MOTOR**

KEY	PART NO.	PART NAME	QTY.	SERIAL NO.	REMARKS
1	WIRING HARNESS	1	-901683	(AT199060 NLA) (SUB FOR AT185678 AND AT196262) (ALSO ORDER AT196246) (SUB AT304826) (ALSO ORDER AT304837, 57M7254, (2) R104846, (2) 57M7289)
	AT304826	WIRING HARNESS	1	-901683	
	WIRING HARNESS	1	901684-927124	(AT199060 NLA) (SUB FOR AT196262) (SUB AT304826) (ALSO ORDER AT304837, 57M7254, (2) R104846, (2) 57M7289)
	AT304826	WIRING HARNESS	1	927125-951254	
	AT312417	WIRING HARNESS	1	951255-	
2	T184676	STRAP	1		
3	AR94101	DIODE	9		DIFF LOCK, MFWD, PARK BRAKE, REVERSE, AND FORWARD SOLENOIDS
4	37H116	SCREW	2		
5	14M7272	NUT	2		M6
	24M7088	WASHER	2		
6	28H3381	SPACER	1		
7	19M7572	CAP SCREW	1		M10 X 45
8	AT141011	RELAY	1		
9	H77698	TIE BAND	AR		
10	19M7662	CAP SCREW	1		M10 X 30
11	T19935	CLAMP	5		
12	AH89557	CLIP	5		
13	19M7938	CAP SCREW	3		M10 X 20
14	24M7239	WASHER	5		
15	T76252	CLAMP	1		
16	14M7274	NUT	4		M10, STARTER
17	19M7557	CAP SCREW	5		M10 X 16
18	R135431	COVER	1	-866615	
19	51M7041	O-RING	1		
20	RE52722	SENSOR	1		ENGINE COOLANT TEMPERATURE
	51M7041	O-RING	1		
21	RE57836	PIPE PLUG	1		(SUB FOR 15H624)
22	T75197	CLAMP	1		
23	AT183823	SENDER	1		TORQUE CONVERTER TEMPERATURE
24	AT85174	SWITCH	1		ENGINE OIL PRESSURE
	51M7041	O-RING	1		
25	T74416	CLAMP	1		
26	R26375	O-RING	1		
27	AT167399	GROUND CABLE	1		GROUND
28	MT2485	PLUG	2		FASTENER, (SUB FOR T161380)
29	AT159811	SWITCH	1		PARK BRAKE OIL PRESSURE
30	19M7008	CAP SCREW	1		M8 X 10
31	AT180705	GROUND CABLE	1		GROUND
32	24M7238	WASHER	1		
33	51M7039	O-RING	1		
34	AT103399	DIODE	2		ALTERNATOR, STARTER, A/C COMPRESSOR AND PARK BRAKE RELAY
35	24M7047	WASHER	1		
36	14M7415	NUT	1		M12
37	R135432	NUT	1	-866615	STARTER COVER
38	AT180706	KIT	1		HARNESS CONNECTOR (16 PIN FEMALE END)
	CONNECTOR	6		(ORDER AT180706)
	SEAL	6		(ORDER AT180706)
	PLUG	14		(ORDER AT180706)
	CONNECTOR	1		(ORDER AT180706)
39	57M8131	RESISTOR NETWORK	1		CAN RISISTOR

1674-15

VEHICLE ELECTRICAL SYSTEM 16
WIRING HARNESS AND SWITCHES 1674

MEMORANDA
MEMORANDA
MEMORANDA

1675-3

VEHICLE ELECTRICAL SYSTEM 16

SYSTEM CONTROLS 1675

PUMP CONTROL (SN. 951255-)
COMMANDE DE POMPE (SN. 951255-)
CONTROLE DE LA BOMBA (SN. 951255-)

KEY	PART NO.	PART NAME	QTY.	SERIAL NO.	REMARKS
1	19M7529	CAP SCREW	2		M6 X 55, (SUB FOR 19M8538)
2	24M7054	WASHER	2		
3	AT308396	VEHICLE CONTROLLER	1		

1747-5

FRAME, CHASSIS OR SUPPORTING STRUCTURE 17

BUMPER (SN. 901552-)
PARE-CHOCS (SN. 901552-)
PARAGOLPES (SN. 901552-)

KEY	PART NO.	PART NAME	QTY.	SERIAL NO.	REMARKS
1A	BUMPER	1	-950460	(T188360 NLA) (SUB T214677)
1B	T214677	BUMPER	1	950461-	
2	24H1368	WASHER	2		
3	19M8029	CAP SCREW	2		M16 X 30
4	24M7296	WASHER	2		10.500 X 30 X 2.500 MM
5	19M7550	CAP SCREW	2		M10 X 35

1811-7

OPERATOR'S STATION 18

ROPS 1811

ROOF (CAB, QUARTER CAB OR ROPS)
TOIT (CABINE, QUART DE CABINE OU ARCEAU DE SECURITE)
TECHO (CABINA, CUARTO DE CABINA O ROPS)

KEY	PART NO.	PART NAME	QTY.	SERIAL NO.	REMARKS
1	T185328	ROOF	1	-953497	(WITH DELUXE LIGHTING)(YELLOW)
	T185329	ROOF	1	-953498	(WITH STANDARD LIGHTING)(YELLOW)
	T215487	ROOF	1	953498-	(WITH STANDARD AND DELUXE LIGHTING) (YELLOW)
2	14M7517	LOCK NUT	8		M10
3	T185664	SEALING WASHER	8		
4	24M7101	WASHER	8		
5	19M8600	CAP SCREW	3		M10 X 50, (SUB FOR 19M7550, THIS APPLICATION)
6	19M8600	CAP SCREW	5		M10 X 50

1814-9

OPERATOR'S STATION 18

WINDSHIELD AND WIPER 1814
 SLIDING REAR WINDOWS AND CORNER WINDOWPANES (SER.NO. -920856)
 GLACES ARRIERE COULISSANTES ET GLACES DE COIN (SER.NO. -920856)
 VENTANAS TRASERAS DESLIZANTES Y CRISTALES DE ESQUINA (SER.NO. -920856)

KEY	PART NO.	PART NAME	QTY.	SERIAL NO.	REMARKS
1	WINDOW	1		(CA) (AT184089 NLA) (SUB AT302812)
2	T164698	SCREW	8		
3	AT190194	GUIDE	1		(BOTTOM LEFT WINDOW)
4	AT190193	GUIDE	1		(TOP LEFT WINDOW)
5	T166368	SCREW	2		
6	AT309347	LATCH	1		(LEFT AND RIGHT) (DOES NOT INCLUDE HARDWARE) (SUB FOR AT196391)
7	T165561	SPACER	1		
8	T166371	GROMMET	2		
9	T187765	INSERT	2		(SUB FOR T166370)
10	AT190191	GUIDE	1		(TOP RIGHT WINDOW)
11	SEAL	1		(A) (ORDER AT190490)
12	WEATHERSTRIP	1		(A) (ORDER AT190490)
13	SEAL	1		(A) (ORDER AT190490)
14	AT190490	KIT	1		(A) ONE KIT WILL SERVICE THE MIDDLE WINDOW, TWO KITS WILL SERVICE ALL THREE WINDOWS (UPPER WINDOW)
15	AT189176	WINDOW	1		
16	T166369	SCREW	2		
17	AT190192	GUIDE	1		(BOTTOM RIGHT WINDOW)
18	AT189175	WINDOW	1		(MIDDLE WINDOW)
19	JD5694	LABEL	1	-902607	LEAPING DEER
	JD5750	LABEL	1	902608-	LEAPING DEER
20	T183768	LABEL	2		WARNING
21	AT187036	WINDOW	1		(LOWER WINDOW)
22	T166881	WEATHERSTRIP	1		
23	T187780	ISOLATOR	1		(SUB FOR T166881, THIS APPLICATION)
24	T185378	NUT	2		
25	T185377	SCREW	2		
26	T135675	STAND-OFF	22		
27	T164705	WINDOWPANE	1		(RIGHT REAR CORNER)
28	T164708	WINDOWPANE	1		(LEFT REAR CORNER)
29	19M7775	SCREW	6		M6 X 16
30	24M7139	WASHER	6		

1816-3

OPERATOR'S STATION 18

INSTRUMENT;&CONTROL;MOUNTING;STRUCTURE 1816
BACKHOE CONTROL CONSOLE
CONSOLE DE COMMANDE DE RETROPELLE
CONSOLA DE CONTROL DE RETROEXCAVADORA

KEY	PART NO.	PART NAME	QTY.	SERIAL NO.	REMARKS
1	19M7866	SCREW	4		M8 X 20
2	T165584	LABEL	1		
3	AT189269	COVER	1		
	AT189270	COVER	1		W/ RIGHT PEDAL
	AT189271	COVER	1		W/ LEFT AND RIGHT PEDAL

1816-11

OPERATOR'S STATION 18

INSTRUMENT;&CONTROL;MOUNTING;STRUCTURE 1816
SIDE INSTRUMENT PANEL HOUSING AND STABILIZER LEVER COVER (CANOPY)
LOGEMENT DE TABLEAU DE BORD LATERAL ET PROTECTION DE LEVIER DE STABILISATEUR (TOIT DE PROTECTION)
CAJA DE TABLERO LATERAL DE INSTRUMENTOS Y CUBIERTA DE PALANCA DE ESTABILIZADOR (TECHO)

KEY	PART NO.	PART NAME	QTY.	SERIAL NO.	REMARKS
1	T134874	SELF-LOCKING SCREW	3		M6 X 40, (SUB FOR 21M7403, THIS APPLICATION)
2	24H1821	WASHER	9		
3	T185619	COVER	1		STABILIZER CONTROL
	AT304324	COVER	1		PILOT CONTROL
4	AT304593	COVER	1		CENTER, (SUB FOR T166875)
5	T133674	SELF-LOCKING SCREW	5		M6 X 16
6	AM118928	HANDLE	1		
7	AT192122	COVER	1		VANDAL PROTECTION
8	T184345	RIVET	13		
9	14M7303	FLANGE NUT	2		M6
10	T185654	PANEL	2		
11	T185905	ANGLE	1		
12	T134896	BUMPER	1		VANDAL PROTECTION
13	M72598	QUICK LOCK PIN	1		
14	T183151	STRAP	1		
15	T134874	SELF-LOCKING SCREW	2		M6 X 40
16	T185653	HOUSING	1		INSTRUMENT PANEL
17	T134895	SELF-LOCKING SCREW	2		M6 X 25
18	T186552	LABEL	1		TEMPERATURE AND FAN SPEED CONTROL
19	24M7207	WASHER	3		

CLICK HERE TO **DOWNLOAD** THE COMPLETE MANUAL

- Thank you very much for reading the preview of the manual.
- You can download the complete manual from: www.heydownloads.com by clicking the link below



- Please note: If there is no response to CLICKING the link, please download this PDF first and then click on it.

CLICK HERE TO **DOWNLOAD** THE COMPLETE MANUAL

1821-5

OPERATOR'S STATION 18

SEAT AND SEAT BELT 1821

**SEAT SLIDE AND ADJUSTER CONTROL LEVERS
GLISSIERE DE SIEGE ET LEVIERS DE COMMANDE DE REGLAGE
PALANCAS DE CONTROL DE DESLIZAMIENTO Y DE AJUSTE DEL ASIENTO**

KEY	PART NO.	PART NAME	QTY.	SERIAL NO.	REMARKS
1	PADDLE	1		
2	TORSION SPRING	1		
3	NAIL	2		
4	34H387	SPRING PIN	1		3/16" X 3/4"
5	CAM	1		
6	AT209026	KIT	1		(LUMBAR ADJUSTER)
7	KNOB	1		WITH SHAFT (LUMBAR ADJUSTER)
8	AT209024	KIT	1		(LUMBAR ADJUSTER KNOB)
9	34H262	SPRING PIN	1		5/32" X 3/4"
10	AT280583	SEAT BACK	1		
11	SHAFT	1		
12	SPRING	1		(DOUBLE TORSION)
13	R72655	SNAP RING	2		
14	AT179688	KIT	1		(SLIDE LATCH SPRING)
15	LATCH	1		
16	34H262	SPRING PIN	1		5/32" X 3/4"
17	BRACKET	1		
18	19H1227	CAP SCREW	4		1/4" X 1/2"
19	SPRING	1		
20	24H1305	WASHER	2		
21	R72655	SNAP RING	1		
22	AT179691	KIT	1		(SLIDE CONTROL)
23	BOLT	3		
24	CAP SCREW	2		
25	PLATE	1		
26	CONTROL LEVER	1		(SWIVEL) (ORDER AT179692)
27	CONTROL LEVER	1		(FORE-AFT) (ORDER AT179691)
28	WASHER	2		
29	NUT	2		
30	AT191620	PAN	1		
31	AT179686	KIT	1		INCLUDES SWIVEL SERVICE KIT, SWIVEL LATCH KIT AND SLIDE PUCK

1821-15

OPERATOR'S STATION 18

SEAT AND SEAT BELT 1821

**SEAT BASE AND HEIGHT ADJUSTER (WITH NON-SUSPENDED SEAT)
BASE DE SIEGE ET REGLAGE DE HAUTEUR (SIEGE SANS SUSPENSION)
BASE DEL ASIENTO Y AJUSTADOR DE ALTURA (ASIENTO SIN SUSPENSION)**

KEY	PART NO.	PART NAME	QTY.	SERIAL NO.	REMARKS
1	AT186204	ADJUSTER	1		
2	AT184609	BASE	1		
3	19M7402	CAP SCREW	4		M10 X 25
4	24M7239	WASHER	4		

1830-7

OPERATOR'S STATION 18

HEATING AND AIR CONDITIONING 1830

**HEATER, AIR CONDITIONING WITH PRESSURIZER
CHAUFFAGE ET CLIMATISATION AVEC PRESSURISATEUR
CALEFACTOR Y ACONDICIONADOR DE AIRE CON PRESURIZADOR**

KEY	PART NO.	PART NAME	QTY.	SERIAL NO.	REMARKS
1	T165169	HOSE	1	-926427	
2	T184620	SCREW	1	-926427	
3	T184620	SCREW	9		
4	T164619	HOUSING	1	-926427	(TOP)
	T205969	HOUSING	1	926428-	
5A	RE155938	PRESSURE SWITCH	1	-843495	
5B	RE157329	SWITCH	1	843496-	
6	RE60888	PRESSURE SWITCH	1	-843495	
7	AT210515	RESISTOR	1		
8	R50279	NUT	2		
9	AT191993	CORE	1		(HEATER)
10	T184369	SEAL	2		
11	H85092	SCREW	4		
12	AT191994	EVAPORATOR	1		
13	T181522	PLATE	1		(SUB FOR T186760)
14	R33259	O-RING	1		
15	R113050	O-RING	1		
16	RE174764	VALVE	1		(EXPANSION) (SUB FOR AT189639, THIS APPLICATION)
17	PT11778	BOLT	2		
18	R125223	PLATE	1		
19	19M8553	SCREW	1		M6 X 16
20	T143169	O-RING	1		
21	R10093	O-RING	3		
22	T185789	RADIATOR HOSE	1		
23	T184924	HOSE CLAMP	4		
24	AT193500	HAND OPERATED VALVE	1		(WATER)
25	AT192033	LINE	1	-843495	(LIQUID REFRIGERANT)
	AT303214	LINE	1	843496-	(LIQUID REFRIGERANT)
26	RE36133	TUBE	1	-926427	(AIR OUTLET)
27	37M7073	SCREW	2		
28	AT191990	REFRIGERANT HOSE	1		
29	T166297	GROMMET	1		
30	BULK HOSE	1		(CUT TO LENGTH) 38 INCHES (965.2 MM) (MAKE FROM T60811)
31	BULK HOSE	1		(CUT TO LENGTH) 33 INCHES (838.2 MM) (MAKE FROM T60811)
32	19M7407	CAP SCREW	1		M8 X 25
33	19M7922	CAP SCREW	2		M8 X 40
34	24H1296	WASHER	2		
35	AT192509	BRACKET	1		
36	T13814	CLAMP	1		
37	T70659	CLAMP	2		
38	19M7881	SCREW	4		
39	24M7207	WASHER	4		
40	BLOWER MOTOR	1	-926427	(AT195731 NLA) (PRESSURIZER) (SUB AT307691)
	AT307691	BLOWER MOTOR	1	926428-	(SUB FOR AT184530)

THIS PARTS LISTING IS CONTINUED

1830-15

OPERATOR'S STATION 18

HEATING AND AIR CONDITIONING 1830

**AIR CONDITIONING, HARDWARE AND HOSES
CLIMATISATION, BOULONNERIE ET FLEXIBLES
ACONDICIONADOR DE AIRE, TORNILLERIA Y MANGUERAS**

KEY	PART NO.	PART NAME	QTY.	SERIAL NO.	REMARKS
40	RE505264	PULLEY	1		
41	R500320	SPACER	1		
42	AT193499	REFRIGERANT HOSE	1		
43	R115350	GROMMET	1		
44	AT162848	RECEIVER-DRYER	1		
45A	T190438	CLAMP	2	-951252	
45B	AR21842	CLAMP	2	951253-	
46A	19M7384	CAP SCREW	2	-951252	M10 X 60
46B	19M7806	SCREW	2	951253-	M10 X 50. (SUB FOR 19M7804)
47	24H1781	WASHER	2	-951252	
48	24M7239	WASHER	1		
49	19M8049	CAP SCREW	2		M10 X 80
50	T185949	BRACKET	1		
51	19M7407	CAP SCREW	1	901697-	M8 X 25
52	14M7273	NUT	1	-901696	M8
53	24M7238	WASHER	1	-901696	
54	19M8456	CAP SCREW	2	-901696	M8 X 100
	19M8539	CAP SCREW	2	901697-	M8 X 90
55	AT187442	KIT	1		(WHOLE GOODS) WITH BASE COOLING, INCLUDES INSULATED DUCT WORK, (INCLUDES AT192656)
	AT187440	KIT	1		(WHOLE GOODS) WITH HIGH AMBIENT COOLING, INCLUDES INSULATED DUCT WORK
56	T212352	BRACKET	1	951253-	(ORDER (2) T190438 AND (2) 19M7875)

1913-5

SHEET METAL AND STYLING 19

MISCELLANEOUS SHIELDS 1913

LOADER PLUMBING SHIELD
PROTECTION DE CONDUITES HYDRAULIQUES DE CHARGEUR
ESCUDO DE TUBERIA DE CARGADORA

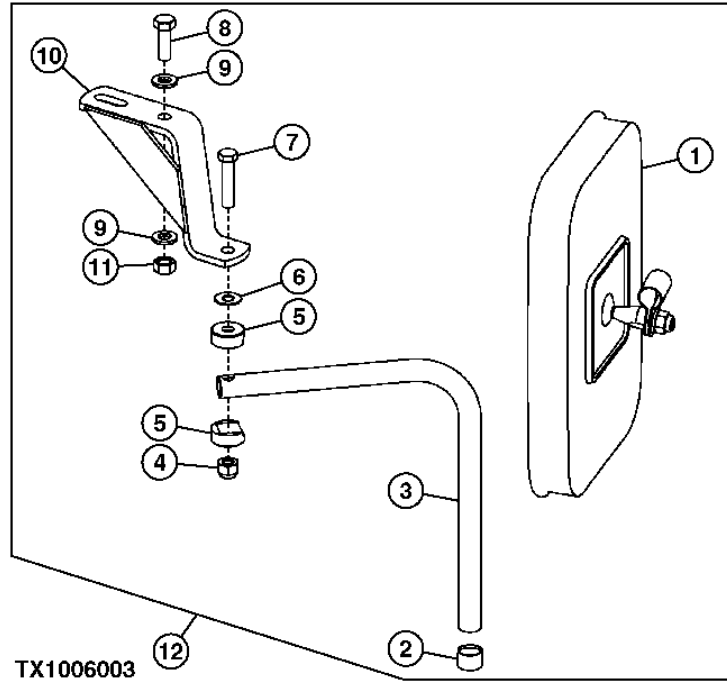
KEY	PART NO.	PART NAME	QTY.	SERIAL NO.	REMARKS
1	T206525	SHIELD	1	-944620	(SUB FOR T166531)
	T206908	SHIELD	1	944621-	
2	24M7296	WASHER	1		
3	19M7662	CAP SCREW	1		M10 X 30

2002-3

EXTERNAL MIRROR RETROVISEUR EXTERIEUR ESPEJO EXTERNO

TX1006003

-UN-17APR06



TX1006003

KEY	PART NO.	PART NAME	QTY.	SERIAL NO.	REMARKS
1	AT103919	REAR VIEW MIRROR	2		
2	T128437	CAP	2		
3	T148817	TUBE	2		
4	T11234	LOCK NUT	2		3/8"
5	T115030	HALF CLAMP	4		
6	T60920	WASHER	2		
7	19H3217	CAP SCREW	2		3/8" X 1-3/4"
8	19M7662	CAP SCREW	2		M10 X 30
9	24M7239	WASHER	4		
10	AT195814	BRACKET	1		LH, (SUB FOR T166898)
11	AT195815	BRACKET	1		RH, (SUB FOR T166898)
11	14M7274	NUT	2		M10
12	AT186155	REAR VIEW MIRROR	1		

2100-1

VEHICLE MAIN HYDRAULIC SYSTEM 21
VEHICLE MAIN HYDRAULIC SYSTEM 2100

MEMORANDA
MEMORANDA
MEMORANDA

2160-5B

VEHICLE MAIN HYDRAULIC SYSTEM 21

HYDRAULIC SYSTEM 2160

MAIN HYDRAULIC PUMP REPAIR KITS (SN. 907936-)
 KITS DE REPARATION DE POMPE HYDRAULIQUE PRINCIPALE (SN. 907936-)
 JUEGOS DE REPARACION DE BOMBA HIDRAULICA PRINCIPAL (SN. 907936-)

KEY	PART NO.	PART NAME	QTY.	SERIAL NO.	REMARKS
1	NUT	1		
2	PLUG	1		
3	O-RING	1		
4	SCREW	1		
5	O-RING	1		
6	O-RING	1		
7	BACK-UP RING	1		
8	O-RING	1		
9	GUIDE	1		
10	SPRING	1		
11	PISTON	1		
12	SEAT	1		
13	O-RING	1		
14	BACK-UP RING	1		
15	O-RING	1		
16	PLUG	9		
17	O-RING	9		
18	PLUG	1		
19	O-RING	1		
20	SPRING	1		
21	PLUG	1		
22	O-RING	1		
23	ORIFICE	1		
24	PISTON	1		
25	PLUG	1		
26	HOUSING	1		
27	SCREW	3		
28	WASHER	3		
29	PLUG	1		
30	O-RING	1		
31	SPRING	1		
32	PISTON	1		
33	O-RING	1		
34	CAP	1		
35	SCREW	1		BIAS CARTRIDGE
36	O-RING	1		
37	O-RING	1		
38	BACK-UP RING	1		
39	O-RING	1		
40	O-RING	4		
41	O-RING	2		
42	SPOOL	1		
43	O-RING	1		
44	PLUG	1		
45	PIN	1		
46	SEAT	1		
47	SPOOL	1		
48	SPRING	1		
49	SCREW	1		
50	O-RING	1		
51	CAP	1		
52	NUT	1		
53	T166279	GASKET	1		(KIT)
54	O-RING	1		
55	AT197405	KIT	1		COMPLETE CONTROL KIT
56	AT197406	SEAL KIT	1		(INCLUDES AT208643)

2160-11B

VEHICLE MAIN HYDRAULIC SYSTEM 21

HYDRAULIC SYSTEM 2160

CANOPY PUMP HYDRAULICS (SN. 951255-)
CIRCUIT HYDRAULIQUE DE POMPE D'AUVANT (SN. 951255-)
SISTEMA HIDRAULICO DE BOMBA DE DOSEL (SN. 951255-)

KEY	PART NO.	PART NAME	QTY.	SERIAL NO.	REMARKS
1	R29936	O-RING	1		
2	38H1027	TEE FITTING	1		
3	T76938	O-RING	3		
4	AT305751	HYDRAULIC HOSE - FABRICATE	1		1-7/16" X 1 194 MM (47") X 1-7/16"
5	38H1098	ELBOW FITTING	1		
6	38H1180	ADAPTER FITTING	1		
7	U13639	O-RING	1		

2160-17

VEHICLE MAIN HYDRAULIC SYSTEM 21

HYDRAULIC SYSTEM 2160

LOAD SENSE HYDRAULICS (SN. -913479)
CIRCUIT HYDRAULIQUE DE DETECTION DE CHARGE
SISTEMA HIDRAULICO DE DETECCION DE CARGA (SN. -913479)

KEY	PART NO.	PART NAME	QTY.	SERIAL NO.	REMARKS
1	T185089	SLEEVE	1		
2	R44302	TIE BAND	2		
3	AT190909	HYDRAULIC HOSE - FABRICATE	1		
4	AT186422	HYDRAULIC HOSE - FABRICATE	1		(ALSO ORDER 62H1042 AND T77613)
5	TY22462	CLAMP	1		(SUB FOR AR48236)
6	R26448	O-RING	1		
7	38H1314	ELBOW FITTING	1		
8	R77175	COVER	1		
9	AH125760	HYD. QUICK-CONNECT COUPLER	1		DIAGNOSTIC RECEPTACLE
10	T77857	O-RING	3		
11	AT188552	HYDRAULIC HOSE - FABRICATE	1		13/16" X 1 630 MM (64-1/4") X 13/16"
12	38H1160	ADAPTER FITTING	3		
13	T77613	O-RING	8		
14	38H1067	ADAPTER FITTING	1		
15	AT194937	CHECK VALVE	1		(SUB FOR AT180887)
16	38H1095	ELBOW FITTING	1		
17	AT186455	HYDRAULIC HOSE - FABRICATE	1		
18	AT186455	HYDRAULIC HOSE - FABRICATE	1		
19	38H1094	ELBOW FITTING	1		
20	AT194935	TEE FITTING	1		WITH ORIFICE, (INCLUDES (2) T77613) (SUB FOR AT173046, THIS APPLICATION)

2160-23

VEHICLE MAIN HYDRAULIC SYSTEM 21

HYDRAULIC SYSTEM 2160

HYDRAULIC OIL COOLER AND HOSES
REFROIDISSEUR D'HUILE HYDRAULIQUE ET FLEXIBLES
ENFRIADOR DE ACEITE HIDRAULICO Y MANGUERAS

KEY	PART NO.	PART NAME	QTY.	SERIAL NO.	REMARKS
1	T158424	WASHER	16		RUBBER
2	AT178693	OIL COOLER	1		TRANSMISSION
3	N117290	SPACER	8		
4	24M7101	WASHER	8		
5	19M8093	CAP SCREW	8		M10 X 100
6	AT177204	OIL COOLER	1		TRANSMISSION
7	R26906	O-RING	4		
8	AH64349	HOSE FITTING	4		
9	AT301917	HOSE CLAMP	6		(SUB FOR RE65978)
10	HYDRAULIC HOSE	1		(CUT TO LENGTH) 762 MM (2.5 FT.) (MAKE FROM T78497)
11	HYDRAULIC HOSE	4		(CUT TO LENGTH) 914.4 MM (3 FT.) (MAKE FROM T78497)
12	T161463	SLEEVE	2		
13	N198516	TIE BAND	3		
14	HYDRAULIC HOSE	1		(CUT TO LENGTH) 3.566 M (11.7 FT.) (MAKE FROM T78497)
15	R44302	TIE BAND	2		
16	T185090	SLEEVE	1		CODURA
17	T185089	SLEEVE	1		CODURA
18	HOSE	1		(CUT TO LENGTH) 3.535 M (11.6 FT.) (MAKE FROM T78497)
19	HOSE SLEEVE - FABRICATE	2		(CUT TO LENGTH) 254 MM (10 INCHES) (SUB FOR T161464) (MAKE FROM T78606)
20	AT301917	HOSE CLAMP	4		(SUB FOR AT196496)

3102-5

LOADER 31

BUCKET 3102

LOADER BUCKET (1.00 CUBIC METER)(1.30 CUBIC YARD)(1.15 CUBIC METER)(1.50 CUBIC YARD)
 BENNE DU CHARGEUR (1.00 METRE CUBE)(1.30 CUBIC YARD)(1.15 METRE CUBE)(1.50 CUBIC YARD)
 CUCHARON DE LA CARGADORA (1.00 METROS CUBICOS)(1.30 YD3)(1.15 METROS CUBICOS)(1.50 YD3)

KEY	PART NO.	PART NAME	QTY.	SERIAL NO.	REMARKS
1	T118768	CUTTING EDGE	1		(1.30 CUBIC YARD)(1.00 CUBIC METER) 3/4" (19.05 MM) SBF
	T164728	CUTTING EDGE	1		(1.50 CUBIC YARD)(1.15 CUBIC METER) 3/4" (19.05 MM) SBF
2	LOADER BUCKET	1		
3	T147296	SHOE	2		
4	14H1039	NUT	8		5/8"
5	24M7241	WASHER	8		17 X 34 X 4 MM
6	T84194	CUTTING EDGE	1		(AUXILIARY) 3/4 THICK X 8 INCH DBF X 92-3/8 INCH LONG 19.05 MM TK X 203.2 MM DBF X 2.346M) (1.30 CUBIC YARD)(1.00 CUBIC METER)
	T143804	CUTTING EDGE	1		(AUXILIARY) 3/4" THICK X 8 INCH DBF X 94-1/4 INCH LONG (19.05 MM TK X 203.2 MM DBF X 2.394 M) (1.50 CUBIC YARD)(1.15 CUBIC METER)
7	09H1759	BOLT	8		5/8" X 2-1/4"
	09H1764	BOLT	8		5/8" X 2-1/2"
8	AT308080	LOADER BUCKET	1		1.00 CUBIC METER (1.30 CUBIC YARD) (WHOLE GOODS) (MARKED AT308080) (USE WITH (2) T204908, (2) 14M7319 AND (2) 19M7949) (SUB FOR AT185519) (MARKED AT185519)
	AT308082	LOADER BUCKET	1		1.15 CUBIC METER (1.50 CUBIC YARD) HD LONG LIP (WHOLE GOODS) (MARKED AT308082) (USE WITH (2) T204908, (2) 14M7319 AND (2) 19M7949) (SUB FOR AT185516) (MARKED AT185516)
	LOADER BUCKET	1	-944081	FRONT COUPLER BUCKET (AT180839 NLA)

3102-15

LOADER 31

BUCKET 3102

**COUPLER LOADER BUCKET AND CUTTING EDGE (.96 CUBIC METER)(1.25 CUBIC YARD)
BENNE DE CHARGEUR A ACCOUPLEMENT ET TRANCHANT (.96 METRE CUBE)(1.25 X CUBIC YARD)
ACOPLADOR DE CUCHARON DE CARGADORA Y BORDE CORTANTE (.96 METROS CUBICOS)(1.25 YD3)**

KEY	PART NO.	PART NAME	QTY.	SERIAL NO.	REMARKS
1	AT308968	LOADER BUCKET	1		.96 CUBIC METER (1.25 CUBIC YARD), FRONT COUPLER BUCKET, (WHOLE GOODS) (MARKED AT308968)
2	T150487	CUTTING EDGE	1		(WELDED ON) SBF

3104-5

LOADER 31

ATTACHMENT COUPLER 3104

FRONT COUPLER CYLINDER
VERIN D'ACCOUPLMENT AVANT
CILINDRO DE ACOPLADOR DELANTERO

KEY	PART NO.	PART NAME	QTY.	SERIAL NO.	REMARKS
1	SEAL	1		
2	O-RING	1		
3	AH176230	SEAL	1		
4	H173205	HYDR. CYLINDER ROD GUIDE	1		
5	M4125T	O-RING	1		
6	H162312	BACK-UP RING	1		
7	H158676	SEAL	1		
8	H173206	RING	1		
9	H173207	SNAP RING	1		
10	H164925	SEAL	1		
11	P45750	O-RING	1		
12	ROD	1		
13	14H1083	NUT	1		5/8"
14	H173199	PISTON	1		
15	HYDRAULIC CYLINDER BARREL	1		
16	AH217348	HYDRAULIC CYLINDER	1		
17	AH176272	HYDRAULIC CYLINDER KIT	1		

3115-11

LOADER 31

CONTROLS LINKAGE 3115

THIRD FUNCTION LOADER CONTROL VALVE LINKAGE (SN. -913479)
 TRINGLERIE DE DISTRIBUTEURS DE CHARGEUR A TROISIEME FONCTION (SN. -913479)
 VARILLAJE DE VALVULA DE CONTROL DE CARGADORA DE TERCERA FUNCION (SN. -913479)

KEY	PART NO.	PART NAME	QTY.	SERIAL NO.	REMARKS
1	T166900	COVER	1		
2	T133291	KNOB	1		
3	AT192261	LEVER	1		
4	L4694T	BUSHING	1		
5A	BALL JOINT	1	-906331	(AT192684 NLA) (SUB AE37072, 19H2987, 19H2960 AND (5) 24H1301)
5B	AE37072	LINK END	1	906332-	
6	14H774	NUT	3		3/8"
7	M68954	LOCK NUT	2		3/8"
8	T165431	STUD	1		
9	AT169087	BALL JOINT	1		
10	F2863R	SNAP RING	2		
11	AT184744	BELLCRANK	1		
12	U12857	BUSHING	1		
13	24H1301	WASHER	4	-906331	
	24H1301	WASHER	9	906332-	
14	AE37072	LINK END	1		
15	19H2544	CAP SCREW	1	-906331	3/8" X 1-1/2"
	19H2960	CAP SCREW	1	906332-	3/8" X 1-3/4"
16	14M7400	LOCK NUT	2		M10
17	T185338	SUPPORT	1		
18	24M7239	WASHER	2		
19	19M7550	CAP SCREW	2		M10 X 35
20	T185710	BOOT	1		
21	T164259	ROD	1		
22	14H913	NUT	1		3/8"
23	T140328	YOKE	1		
24	T183617	PIN FASTENER	1		
25	21H1406	SCREW	2		0.190" X 3/4"
26	T83061	WASHER	2		
27	T187072	SPACER	1		
28	T167192	INSERT	1		
29	19H2987	CAP SCREW	1	906332-	
30	AT194372	KIT	1		(WHOLE GOODS) INCLUDES HYDRAULIC OIL LINES, ADAPTERS AND ATTACHING HARDWARE, (ALSO ORDER AT192173)

3162-5

LOADER 31

CONTROL& LOAD:HOLDING:VALVES 3162
LOADER CONTROL VALVE (SN. 913480-)
DISTRIBUTEUR DE CHARGEUR (SN. 913480-)
VALVULA DE CONTROL DE CARGADORA (SN. 913480-)

KEY	PART NO.	PART NAME	QTY.	SERIAL NO.	REMARKS
1	AT196630	SPOOL VALVE	1		(TWO FUNCTION) (CONVENIENCE ASSEMBLY) (VERIFY LS RELIEF IS TO SPEC IN TM)
	AT196632	SPOOL VALVE	1		(THREE FUNCTION, WITH AUXILIARY) (CONVENIENCE ASSEMBLY) (VERIFY LS RELIEF IS TO SPEC IN TM)
2	R46528	SPRING LOCKING PIN	2		
3	T190300	STUD	1		
4	24M7239	WASHER	3		
5	14M7274	NUT	1		M10
6	19M8166	CAP SCREW	2		M10 X 110
7	T190296	SPACER	3		

3162-15

LOADER 31

CONTROL & LOAD HOLDING VALVES 3162

BUCKET SECTION (LOADER VALVE) (SN. 913480-)
SECTION DE GODET (SOUPAPE DE CHARGEUR) (SN. 913480-)
SECCION DE CUCHARON (VALVULA DE CARGADORA) (SN. 913480-)

KEY	PART NO.	PART NAME	QTY.	SERIAL NO.	REMARKS
1	AT301526	PRESSURE RELIEF VALVE	1		(NOT ANTI-CAVITATION) (4600 PSI)
2	AT301527	PRESSURE RELIEF VALVE	1		(ANTI-CAVITATION) (4600 PSI)
3	AT192457	PRESSURE RELIEF VALVE	1		(4600 PSI)
4	21H1352	SCREW	2		1/4" X 3/8"
5	T81524	PLATE	1		
6	19H3317	SCREW	1		3/8" X 2-3/4"
7	T190795	TUBE	1		
8	14H1076	NUT	1		
9	SEAL	1		
10	SEAL	2		
11	T134881	SPRING	1		
12	AT196246	MAGNET	1		
13	AT196245	DETENT	1		
14	O-RING	1		
15	SPRING	1		
16	R63548	O-RING	2		
17	T118681	O-RING	4		
18	BACK-UP RING	2		
19	T107887	O-RING	3		
20	T150958	BACK-UP RING	1		
21	BACK-UP RING	2		
22	O-RING	1		
23	AT280406	SEAL KIT	1		
24	AT300801	SEAL KIT	2		
25	AT314538	SEAL KIT	1		7/8" RELIEF VALVE SEAL KIT, (SUB FOR AT189413)
	AT314539	SEAL KIT	1		1 1/16" RELIEF VALVE SEAL KIT, (SUB FOR AT189413)

3162-25

LOADER 31

CONTROL& LOAD:HOLDING:VALVES 3162
STABILIZER VALVE (EATON) (SN. -913479)
SOUPAPE DE STABILISATEUR (EATON) (SN. -913479)
VALVULA ESTABILIZADORA (EATON) (SN. -913479)

KEY	PART NO.	PART NAME	QTY.	SERIAL NO.	REMARKS
1	AT190331	SPOOL VALVE	1		
2	19M8539	CAP SCREW	2		M8 X 90
3	24M7298	WASHER	2		
4	14M7273	NUT	2		M8
5	R26871	SNAP RING	2		(SUB FOR R106466)

3163-3

LOADER 31

LINES,HOSES & FITTINGS 3163

LOADER BOOM LIFT CYLINDER HYDRAULICS
CIRCUIT HYDRAULIQUE DE VERIN DE RELEVAGE DE FLECHE DU CHARGEUR
SISTEMA HIDRAULICO DE CILINDRO ELEVADOR DE AGUILON DE CARGADORA

KEY	PART NO.	PART NAME	QTY.	SERIAL NO.	REMARKS
1	AT189423	HYDRAULIC HOSE - FABRICATE	1		
2	AT185799	HYDRAULIC HOSE - FABRICATE	1		
3	T77932	O-RING	13		
4	38H1006	ELBOW FITTING	2		
5	R26906	O-RING	6		
6	38H1162	ADAPTER FITTING	4		
7	T105773	GUIDE	2		
8	C16054	CLAMP	2		
9	19M7550	CAP SCREW	4		M10 X 35
10	R46919	HALF CLAMP	4		
11	28H3381	SPACER	2		
12	14M7274	NUT	6		M10
13	24M7239	WASHER	7		
14	T165864	ANGLE	2		
15	KV22609	CLAMP	2		(SUB FOR T160550)
16	19M8637	CAP SCREW	2		M10 X 40
17	AT183721	OIL LINE	1		
18	AT183722	OIL LINE	1		
19	19M8600	CAP SCREW	1		M10 X 50
20	T159954	CLAMP	1		
21	38H1207	TEE FITTING	2		
22	AT183717	OIL LINE	1		
23	AT183718	OIL LINE	1		
24	AT185797	HYDRAULIC HOSE - FABRICATE	1		
25	AT185798	HYDRAULIC HOSE - FABRICATE	1		
26	SLEEVE	1		CTL, 254MM (10") (MAKE FROM T78606)
27	24M7296	WASHER	2		

3163-13

LOADER 31

LINES,HOSES & FITTINGS 3163

**HYDRAULIC FRONT COUPLER
ACCOUPLLEMENT AVANT HYDRAULIQUE
ACOPLADOR HIDRAULICO DELANTERO**

KEY	PART NO.	PART NAME	QTY.	SERIAL NO.	REMARKS
1	28H3383	BUSHING	1		
2	ISOLATOR	4		
3	AT309663	OIL LINE	1		
4	AT309662	OIL LINE	1		
5	U10516	HOSE CLAMP	3		
6	24M7239	WASHER	6		
7	19M8324	CAP SCREW	3		M10 X 16
8	AT311651	HYDRAULIC HOSE - FABRICATE	1		11/16" X 2 045 MM (80-1/2") X 13/16"
9	AT308506	HYDRAULIC HOSE - FABRICATE	1		11/16" X 1 994 MM (78-1/2") X 13/16"
10	T185089	SLEEVE	1		
11	R44302	TIE BAND	6		
12	T78606	HOSE GUARD	2		CTL, 254MM (10")
13	AT310457	HYDRAULIC HOSE - FABRICATE	1		
14	19M7742	CAP SCREW	2		M10 X 65
15	T190979	HALF CLAMP	1		
16	28H1522	SPACER	2		
17	AT309743	HYDRAULIC HOSE - FABRICATE	1	-951254	
18	AT309402	HYDRAULIC HOSE - FABRICATE	1		9/16" X 350 MM (13-3/4") X 11/16"
19	AT309742	HYDRAULIC HOSE - FABRICATE	1		
20	T77613	O-RING	3		
21	38H1160	ADAPTER FITTING	1		
	AT187666	ADAPTER FITTING	1		STC, (SERVICED IN AT193365)
22	R26448	O-RING	3		
23	38H1212	ADAPTER FITTING	1		
24	R46919	HALF CLAMP	3		
25	AT318341	ELBOW FITTING	2		
26	T77814	O-RING	4		
27	RE60700	DIAGNOSTIC COUPLING	1		
28	38H1029	TEE FITTING	1		
29	38H1159	ADAPTER FITTING	1		
30	R28782	O-RING	1		
31	AT309741	HYDRAULIC HOSE - FABRICATE	1	951255-	
32	AT195201	ELBOW FITTING	1		
33	AT309679	HYDRAULIC HOSE - FABRICATE	1		
34	T77857	O-RING	3		
35	38H1031	TEE FITTING	1		
36	38H1046	ELBOW FITTING	1		
37	R26375	O-RING	1		
38	38H1416	FITTING	1		

3165-11

LOADER 31

HYDRAULIC CYLINDERS 3165

LOADER BUCKET CYLINDER AND REPAIR KIT (SN. 941226-)
VERIN DE BENNE DE CHARGEUR ET KIT DE REPARATION (SN. 941226-)
CILINDRO DE CUCHARON DE CARGADORA Y JUEGO DE REPARACION (SN. 941226-)
(REPLACEMENT CYLINDER)
CYLINDRE RECHANGE
CILINDRO REPUESTO

KEY	PART NO.	PART NAME	QTY.	SERIAL NO.	REMARKS
1	AH220551	HYDRAULIC CYLINDER BARREL	1		
2	AH205060	PISTON	1		
3	H170539	NUT	1		
4	AH146561	SEAL	1		
5	H152203	SEAL	1		
6	H208987	WEAR RING	1		
7	F1430R	O-RING	1		
8	R79101	BACK-UP RING	1		
9	H208631	HYDR. CYLINDER ROD GUIDE	1		
10	H180103	SNAP RING	1		
11	H181114	O-RING	1		
12	H206859	SNAP RING	1		
13	AH146557	SEAL	1		
14	AH162040	END	1		
15	H151594	BUSHING	1		
16	AH220550	HYDRAULIC CYLINDER	1		
17	AH210484	HYDRAULIC CYLINDER KIT	1		ROD SEAL
18	AH212097	HYDRAULIC CYLINDER KIT	1		BORE SEAL

3315-3

BACKHOE 33

CONTROLS LINKAGE 3315

**BACKHOE VALVE MOUNTING PLATE
PLAQUE DE MONTAGE DE SOUPAPE DE RETROPELLE
PLACA DE MONTAJE DE VALVULA DE RETROEXCAVADORA**

KEY	PART NO.	PART NAME	QTY.	SERIAL NO.	REMARKS
1	19M7662	CAP SCREW	2		M10 X 30
2	24M7239	WASHER	2		
3	T166223	GUIDE	2		
4	19M8348	CAP SCREW	4		M12 X 65, (SUB FOR 19M7753, THIS APPLICATION)
5	T187044	WASHER	4		
6	24M7345	WASHER	4		
7	14M7275	NUT	4		M12
8	AT192363	SUPPORT	1	-913479	
	AT197136	SUPPORT	1	913480-	

3315-11

BACKHOE 33

CONTROLS LINKAGE 3315

FIFTH FUNCTION PEDAL
PEDALE DE CINQUIEME FONCTION
PEDAL DE QUINTA FUNCION

KEY	PART NO.	PART NAME	QTY.	SERIAL NO.	REMARKS
1	AT191446	PEDAL	1		
2	T58109	BUSHING	2		
3	19H3450	CAP SCREW	1		5/8" X 6-3/4"
4	R64059	WASHER	1		
5	T166224	GROMMET	1		
6	T165584	LABEL	1		
7	M87534	SPRING WASHER	2		
8	14H1039	NUT	2		
9	T183548	ANGLE	1		
10	14M7274	NUT	2		M10
11	19M7550	CAP SCREW	2		M10 X 35
12	R65563	PIN FASTENER	1		
13	T202956	RETAINER	1		(SUB FOR R46528, THIS APPLICATION)
14	M68954	LOCK NUT	1		3/8"
15	T140328	YOKE	1		
16	14H913	NUT	1		3/8"
17	T184129	STUD	1		
18	14H774	NUT	1		3/8"
19	AT169087	BALL JOINT	1		
20	AT189270	COVER	1		
21	T185691	LABEL	1		(FOR USE WITH EXTENDABLE DIPPERSTICK)
22	T185692	LABEL	1		(FOR USE WITHOUT EXTENDABLE DIPPERSTICK)
23	AT185625	KIT	1		WHOLE GOODS

3315-17

BACKHOE 33

CONTROLS LINKAGE 3315

BACKHOE BOOM LOCK CONTROL LEVER AND LINKAGE
TRINGLERIE ET LEVIER DE COMMANDE DE VERROUILLAGE DE FLECHE DE RETROPELLE
PALANCA DE CONTROL DE BLOQUEO DE AGUILON DE RETROEXCAVADORA Y VARILLAJE

KEY	PART NO.	PART NAME	QTY.	SERIAL NO.	REMARKS
1	T185309	KNOB	1		(MANUAL CONTROL)
	T133291	KNOB	1		(PILOT CONTROL)
2	19M7603	SCREW	4	-911194	M6 X 20, (SUB FOR 19M8627, THIS APPLICATION)
	19M8713	SCREW	4	911195-	M6 X 45
3	24M7054	WASHER	4		
4	AT195620	BEARING WITH HOUSING	2		(SUB FOR AT185317)
5	AT195623	LEVER	1		(STANDARD CONTROLS) (SUB FOR AT185311)
	AT196387	LEVER	1		
6	T177623	GROMMET	1		
7	T166237	SPRING WASHER	1		
8	F2863R	SNAP RING	2		
9	24H1658	WASHER	1		21/32" X 1" X 0.060", (STANDARD CONTROLS)
	24H1658	WASHER	3		(PILOT CONTROLS)
10	M40569	PIN FASTENER	1		(SUB FOR R65563, THIS APPLICATION)
11	11M7081	COTTER PIN	2		(SUB FOR R46528 AND 11M7078, THIS APPLICATION)
12	AT185847	BUMPER	1		
13	AT185773	ROD	1		
14	LINK	1	-903254	(AT191528 NLA) (SUB (2) T188356) (ALSO ORDER (2) M40569 AND (2) 11M7078)
	T188356	STRAP	2	903255-	
15	T24509	SPRING	1		
16	T157785	CLAMP	2		
17	24M7040	WASHER	2		11 X 20 X 2 MM
18	19M7938	CAP SCREW	2		M10 X 20
19	M40569	PIN FASTENER	1		(SUB FOR R65563, THIS APPLICATION)
20	24H1658	WASHER	1	-903254	
21	28H1921	BUSHING	4	911195-	

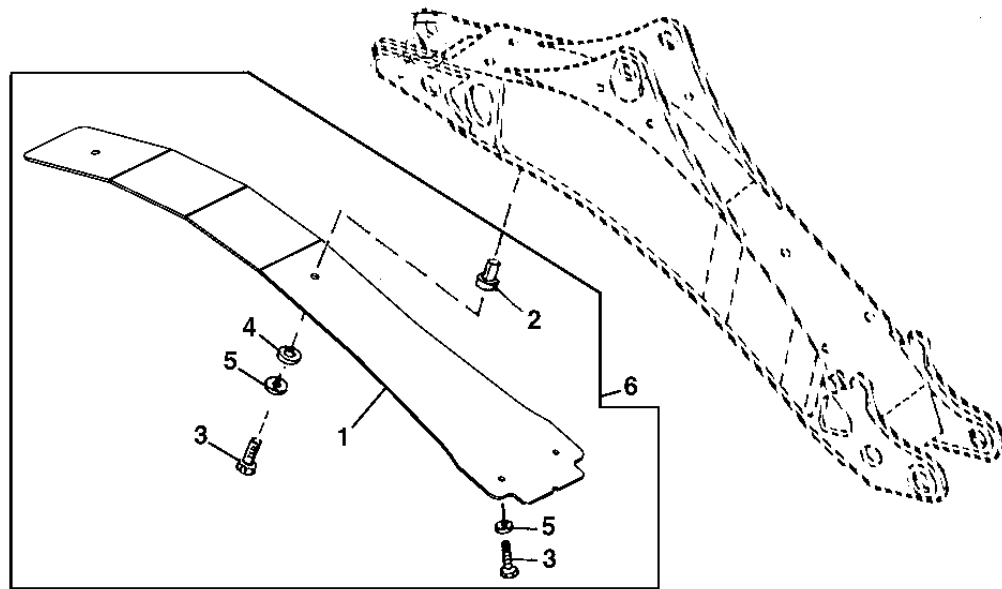
3344-3

BACKHOE 33

BOOM 3344

BACKHOE BOOM PROTECTION KIT
KIT DE PROTECTION DE FLECHE DE RETROPELLE
JUEGO DE PROTECCION DE AGUILON DE RETROEXCAVADORA

T145191 -UN-07SEP01



KEY	T145191 PART NO.	PART NAME	QTY.	SERIAL NO.	REMARKS
1	PLATE	1		(AT196353 NLA) (SUB FOR AT179475) (SUB AT300922)
2	T148409	NUT	4		M10, (GOLD NO.6 FOR 6 MM PLATE)
3	19M8637	CAP SCREW	4		M10 X 40
4	28H1519	WASHER	2		0.493" X 0.675" X 3/8"
5	24M7296	WASHER	4		10.500 X 30 X 2.500 MM
6	AT300922	KIT	1		(WHOLE GOODS) (SUB FOR AT179474 AND AT196352)

3348-3

BACKHOE 33
STABILIZERS 3348

**STABILIZER ARMS AND FEET
BRAS ET PIEDS DE STABILISATEUR
BRAZOS Y PATAS ESTABILIZADORES**

KEY	PART NO.	PART NAME	QTY.	SERIAL NO.	REMARKS
1	AT196204	STABILIZER	2		(SUB FOR AT185062)
2A	T201909	PIN FASTENER	2		(SUB FOR T163109, THIS APPLICATION)
2B	T204869	PIN	2		(SEE DTAC SOLUTION 61248)
3	19M7949	CAP SCREW	2		M12 X 100, (SEE DTAC SOLUTION 61248)
4	T205897	SPACER	2		(SEE DTAC SOLUTION 61248)
5	14M7313	LOCK NUT	2		M12, (SEE DTAC SOLUTION 61248)
6	T161036	WASHER	4		
7	40M7066	SNAP RING	4		
8	T162396	LUBRICATION FITTING	2		
9	T69472	PIN FASTENER	2		
10	11H270	COTTER PIN	4		12.700 X 76.200 MM
11	T126867	STABILIZER FOOT	2		
12	T206569	STABILIZER FOOT	2		(SUB FOR T166258)
13	T29342	WASHER	12		
14	14H1040	NUT	12		1/2", (SUB FOR 14H826, THIS APPLICATION)
15	AT195669	STREET PAD	4		(SUB FOR AT192120)
16	T184988	PIN FASTENER	2		
17	A3581R	SPRING LOCKING PIN	4		
18	24H1595	WASHER	2		
19	AT157327	KIT	1		(WHOLE GOODS) REVERSIBLE STREET PAD

3362-11

BACKHOE 33

CONTROL& LOAD:HOLDING:VALVES 3362

**BOOM SECTION (BACKHOE VALVE)
SECTION DE FLECHE (SOUPAPE DE RETROPELLE)
SECCION DE AGUILON (VALVULA DE RETROEXCAVADORA)**

KEY	PART NO.	PART NAME	QTY.	SERIAL NO.	REMARKS
1	HYD ACTUATED CONTROL VALVE	1	-913479	(AT173894 NLA) (SUB AT301572) (ALSO ORDER AT301447 OR AT301487)
	AT301572	HYD ACTUATED CONTROL VALVE	1	913480-	
2	AT171403	PRESSURE RELIEF VALVE	1		(2150 PSI)
3	AT182248	PRESSURE RELIEF VALVE	1	-913479	(7/8" PORT) (5500 PSI) NOT ANTI-CAVITATION
4	AT301447	PRESSURE RELIEF VALVE	1	913480-	(1 1/16" PORT) (5500 PSI) NOT ANTI-CAVITATION
5	AT301487	PRESSURE RELIEF VALVE	1	913480-	(1 1/16" PORT) (5500 PSI) ANTI-CAVITATION
6	T118866	HOUSING	1		
7	T118867	SPRING	1		
8	AT178363	KIT	1		(RELIEF VALVE CARTRIDGE)
9	O-RING	1		
10	BACK-UP RING	1		
11	T118681	O-RING	1		
12	21H1352	SCREW	2		1/4" X 3/8"
13	T81524	PLATE	2		
14	SEAL	2		
15	SEAL	2		
16	T161835	COMPRESSION SPRING	1		
17	R95493	DISK	1		
18	T118685	O-RING	1		
19	T201424	PLUG	1		
20	R26906	O-RING	1		
21	T81540	RETAINER	2		
22	T177849	EXTENSION SPRING	1		(SUB FOR T153105, THIS APPLICATION)
23	T81541	SCREW	1		
24	T118808	CAP	1		
25	19H3554	SCREW	2		
26	T118799	FILTER	1	-906011	
27	R111238	SPRING	1		
28	AT178371	SEAL KIT	1		(DRIFT CHECK)
29	T183756	SEAL	1		
30	T150961	O-RING	2		
31	T67424	NUT	1		
32	T67425	NUT	1		
33	T107887	O-RING	2		
34	BACK-UP RING	2		
35	T118681	O-RING	2		
36	R63548	O-RING	1		
37	SPRING	1		
38	O-RING	1		
39	AT280406	SEAL KIT	1		(SPOOL SEAL) (SUB FOR AT178372)
40	AT300801	SEAL KIT	1		(RELIEF VALVE SEAL AND SPRING)
41	AT314539	SEAL KIT	1		1 1/16 INCH RELIEF VALVE SEAL KIT, (SUB FOR AT189413)

3362-21

BACKHOE 33

CONTROL & LOAD HOLDING VALVES 3362

AUXILIARY SECTION (SELECTIVE FLOW SOLENOID) (BACKHOE VALVE)
SECTION AUXILIAIRE (SOLENOIDE A DEBIT SELECTIF) (SOUPAPE DE RETROPELLE)
SECCION AUXILIAR (SOLENOIDE DE CAUDAL SELECTIVO) (VALVULA DE RETROEXCAVADORA)

KEY	PART NO.	PART NAME	QTY.	SERIAL NO.	REMARKS
1	FLOW CONTROL HYD. VALVE	1	-951254	(AT191721 NLA) (SUB AT323341)
	AT323341	FLOW CONTROL HYD. VALVE	1	951255-	
2	AT178467	KIT	1	-951254	EHP SOLENOID W/CONNECTOR
	AT323340	KIT	1	951255-	EHP SOLENOID W/CONNECTOR
3	19H2935	SCREW	2		1/4" X 1-1/2"
4	AT192235	KIT	1	-951254	EHP BLOCK W/SOLENOID
5	R111532	O-RING	1		
6	SCREW	1		
7	WASHER	1		
8	SPRING	1		
9	HOUSING	1		
10	POPPET	1		
11	T161835	COMPRESSION SPRING	1		
12	POPPET	1		
13	R95493	DISK	1		
14	T118685	O-RING	1		
15	R27175	DRAIN PLUG	1		
16	U12547	O-RING	1		
17	CAP SCREW	1		
18	T186013	O-RING	1		
19	R26906	O-RING	1		
20	HOUSING	1		
21	NUT	1		
22	ADJUSTER	1		
23	SLEEVE	1		
24	T160663	PLUNGER	1		
25	NUT	1		
26	SPACER	1		
27	NUT	1		
28	AT192080	KIT	1	-951254	SPOOL STOP
	T185999	COMPRESSION SPRING	1	-951254	
	AT323342	KIT	1	951255-	
29	AT184547	PRESSURE RELIEF VALVE	1		(2900 PSI)
30	O-RING	1		
31	O-RING	1		
32	BACK-UP RING	1		
33	O-RING	1		
34	O-RING	1		
35	O-RING	1		
36	BACK-UP RING	1		
37	AT314538	SEAL KIT	1		(7/8 INCH RELIEF VALVE SEAL) (SUB FOR AT189413)
38	O-RING	1		
39	O-RING	2		
40	AT178468	SEAL KIT	1		EHP SEAL KIT

3362-29B

BACKHOE 33

CONTROL& LOAD:HOLDING:VALVES 3362

**ACCU-SWING VALVE
SOUPAPE ACCU-SWING
VALVULA ACCU-SWING**

KEY	PART NO.	PART NAME	QTY.	SERIAL NO.	REMARKS
1	T77857	O-RING	4		
2	38H1031	TEE FITTING	2		
3	AT312919	HYDRAULIC HOSE	1		9/16" X 552 MM (21-3/4") X 9/16"
4	AT312918	HYDRAULIC HOSE	1		9/16" X 386 MM (15-1/4") X 9/16"
5	T77613	O-RING	2		
6	38H1004	ELBOW FITTING	2		
7	R26448	O-RING	2		
8	AT314127	SEAL KIT	1		
9	AT312944	VALVE	1		
10	19M7663	CAP SCREW	2		M8 X 70
11	24M7238	WASHER	4		8.700 X 17 X 2 MM
12	14M7273	NUT	2		M8
13	AT312949	KIT	1		WHOLE GOODS, (INCLUDES AT312918 AND AT312919)

3362-39

BACKHOE 33

CONTROL& LOAD:HOLDING:VALVES 3362

PILOT CONTROL HANDLE BUTTON FUNCTION KIT
KIT DE FONCTION DE BOUTON DE POIGNEE DE COMMANDE PILOTE
JUEGO DE FUNCION DE BOTON DE PALANCA DE CONTROL PILOTO

KEY	PART NO.	PART NAME	QTY.	SERIAL NO.	REMARKS
1	SWITCH	4		
2	O-RING	4		
3	PLUG	1		
4	TIE BAND	1		
5	SPACER	1		
6	WIRING HARNESS	1		
7	PUSH BUTTON	4		
8	AT314668	KIT	1		(BUTTON HANDLE)

3363-1B

BACKHOE 33

LINES, HOSES AND FITTINGS 3363

PILOT CONTROL HYDRAULICS
CIRCUIT HYDRAULIQUE DE COMMANDE PILOTE
SISTEMA HIDRAULICO DE CONTROL PILOTO

KEY	PART NO.	PART NAME	QTY.	SERIAL NO.	REMARKS
1	AT187666	ADAPTER FITTING	4		
2	24M7239	WASHER	4		
3	19M7550	CAP SCREW	2		M10 X 35
4	AT199496	TEE FITTING	2		
5	T77613	O-RING	11		
6	AT199495	FITTING	4		
7	14M7274	NUT	2		M10
8	38H1161	ADAPTER FITTING	1		
9	R26448	O-RING	8		
10	38H1160	ADAPTER FITTING	4		
11	T81029	NUT	6		
12	AT197209	HYDRAULIC HOSE - FABRICATE	2		11/16" X 362 MM (14-1/4") X 11/16"
13	T190311	BRACKET	1		
14	AT197208	HYDRAULIC HOSE - FABRICATE	2		11/16" X 400 MM (15-3/4") X 11/16"
15	AT199649	HYDRAULIC HOSE - FABRICATE	1		(ALSO ORDER 62H1042 AND T77613)
16	AT197211	HYDRAULIC HOSE - FABRICATE	1		(ALSO ORDER 62H1042 AND T77613)
17	38H1171	ADAPTER FITTING	1		
18	R26375	O-RING	3		
19	AT197612	HYDRAULIC HOSE - FABRICATE	1	-943092	11/16" X 310 MM (12-1/4") X 11/16"
	AT317348	HYDRAULIC HOSE - FABRICATE	1	943093-	11/16" X 368 MM (14-1/2") X 11/16"
20	AT183869	FILTER ELEMENT	1	-943092	
21	T77857	O-RING	3		
22	AT187669	ADAPTER FITTING	2		
23	38H1005	ELBOW FITTING	1	-943092	
	AT187669	ADAPTER FITTING	1	943093-	
24	AH125760	HYD. QUICK-CONNECT COUPLER	1		
25	R77175	COVER	1		
26	38H1173	ADAPTER FITTING	1		
27	AT197213	HYDRAULIC HOSE - FABRICATE	1		13/16" X 1 540 MM (60-3/4") X 13/16"
29	FLOW CONTROL HYD. VALVE	1	-943092	(AT197769 NLA) (SUB AT306550) (ALSO ORDER AT187669, AT317348, 62H1042 AND T77613)
	AT306550	FLOW CONTROL HYD. VALVE	1	943093-	

3363-5

BACKHOE 33

LINES, HOSES AND FITTINGS 3363

**BOOM CYLINDER HYDRAULICS
HYDRAULIQUES DE LA FLECHE
HIDRAULICAS DEL AGUILON**

KEY	PART NO.	PART NAME	QTY.	SERIAL NO.	REMARKS
1	38H1006	ELBOW FITTING	1		
2	R26906	O-RING	2		
3	T77932	O-RING	3		
4	AT173923	HYDRAULIC HOSE - FABRICATE	1		1-3/16" X 893 MM (35-1/4") X 1-7/16"
5	AT174454	OIL LINE	1		
6	AT174355	HYDRAULIC HOSE - FABRICATE	1		1" X 825 MM (32-1/2") X 1"
7	AT174450	OIL LINE	1		
8	AT177613	HYDRAULIC HOSE - FABRICATE	1	-911128	1" X 1 170 MM (46") X 1"
	AT280340	HYDRAULIC HOSE - FABRICATE	1	911129-	1" X 1 170 MM (46") X 1"
9	38H1162	ADAPTER FITTING	1		
10	14M7274	NUT	1		
11	T159848	CLAMP	1		
12	U12547	O-RING	2		
13	19M7662	CAP SCREW	1		M10 X 30
14	AT177615	HYDRAULIC HOSE - FABRICATE	1	-911128	1-3/16" X 1 170 MM (46") X 1-7/16"
	AT280342	HYDRAULIC HOSE - FABRICATE	1	911129-	1-3/16" X 1 170 MM (46") X 1-7/16"
15	T76938	O-RING	2		
16	38H1163	ADAPTER FITTING	1		
17	38H1007	ELBOW FITTING	1		
18	T159956	CLAMP	1		
19	T77858	O-RING	2		
20	24M7239	WASHER	1		10.700 X 21 X 2.500 MM
21	T165740	ISOLATOR	2		
22	T165742	ISOLATOR	2		

3363-15

BACKHOE 33

LINES, HOSES AND FITTINGS 3363

**EXTENSION CYLINDER HYDRAULICS (EXTENDABLE DIPPERSTICK)
CIRCUIT HYDRAULIQUE DE VERIN D'EXTENSION (BRAS TELESCOPIQUE)
SISTEMA HIDRAULICO DE CILINDRO DE EXTENSION (BRAZO EXTENSIBLE)**

KEY	PART NO.	PART NAME	QTY.	SERIAL NO.	REMARKS
1A	R26448	O-RING	1	-911725	
1B	R26375	O-RING	1	911726-	
2	AT172330	HYDRAULIC HOSE - FABRICATE	1	-911725	13/16" X 2 052 MM (80-3/4") X 13/16"
	AT280514	HYDRAULIC HOSE - FABRICATE	1	911726-	
3	T105774	GUIDE	4		
4	AR21841	CLAMP	1		
5A	19M7513	CAP SCREW	1	-906309	M8 X 30
5B	M86877	BOLT	1	906310-	M8 X 20
6A	24M7238	WASHER	2	-906309	
6B	24M7238	WASHER	1	906310-	
7	T70659	CLAMP	1		(SUB FOR T74416, THIS APPLICATION)
8	R54701	SPACER	1	-906309	
9	R26375	O-RING	1		
10	38H1005	ELBOW FITTING	1		
11	T77857	O-RING	4		12.421 X 1.778 MM (0.489" X 0.070")
12	AT172156	HYDRAULIC HOSE - FABRICATE	1		13/16" X 705 MM (27-3/4") X 13/16"
13	R46919	HALF CLAMP	6		
14	T190403	BUSHING	1		(SUB FOR 28H3383, THIS APPLICATION)
15	24M7396	WASHER	4		21 X 34 X 3 MM
16	19M7742	CAP SCREW	1		M10 X 65
17	AT179238	HYDRAULIC HOSE - FABRICATE	2		13/16" X 460 MM (18") X 13/16"
18	T29342	WASHER	1		13.487 X 31.750 X 4.572 MM (17/32" X 1-1/4" X 0.180")
19	38H1323	ELBOW FITTING	2		
20	T78716	NUT	2		13/16"
21	AT178413	HYDRAULIC HOSE - FABRICATE	2		13/16" X 1 200 MM (47-1/4") X 1"
22	T77932	O-RING	8		
23	AT174475	OIL LINE	1	-900824	UPPER TUBE
	AT195810	OIL LINE	1	900825-	
24	AT174476	OIL LINE	1	-900824	LOWER TUBE
	AT195811	OIL LINE	1	900825-	
25	AT177613	HYDRAULIC HOSE - FABRICATE	2		1" X 1 170 MM (46") X 1"
26	38H1162	ADAPTER FITTING	2		
27	R26906	O-RING	2		
28	38H1173	ADAPTER FITTING	1	-911725	
29	19M7550	CAP SCREW	4		M10 X 35
30	24M7239	WASHER	6		10.700 X 21 X 2.500 MM
31	28H3381	SPACER	2		
33	T202050	ANGLE	2	-900824	(SUB FOR T159829)
	T188183	BRACKET	2	900825-	
34	14M7274	NUT	4		M10
35	ISOLATOR	4		.812 MAX X .500 ID HOSE
36	19M8637	CAP SCREW	2		M10 X 40
37	T160548	CLAMP	2		
38	AT178798	KIT	1		(WHOLE GOODS) (ALSO INCLUDES ADDITIONAL HYDRAULIC HOSES, OIL LINES, FITTINGS, O-RINGS, SUPPORT, CLAMPS AND HARDWARE)
39	T77857	O-RING	1	-911725	

3363-23

BACKHOE 33

LINES, HOSES AND FITTINGS 3363

**CONTROLLED LOAD LOWERING DEVICE KIT (CROWD CYLINDER)
KIT DE DISPOSITIF D'ABAISSEMENT DE CHARGE CONTROLÉ (VERIN DE CAVAGE)
JUEGO DE DISPOSITIVO DE BAJADA CONTROLADA DE CARGAS (CILINDRO DE EMPUJE)**

KEY	PART NO.	PART NAME	QTY.	SERIAL NO.	REMARKS
1	AT181510	HYDRAULIC HOSE - FABRICATE	1		13/16" X 762 MM (30") X 1", (PORT "M")
2	T77932	O-RING	AR		
3	38H1482	REDUCER	1		(RETURN LINE)
4	T77858	O-RING	1		
5	T77857	O-RING	2		(PORT "M" HOSE ENDS)
6	38H1095	ELBOW FITTING	1		(PORT "M")
7	R26375	O-RING	1		(PORT "M")
8	38H1161	ADAPTER FITTING	1		(PORT "M")
9	T77858	O-RING	1		(PORT "A" (1))
10	38H1404	ELBOW FITTING	1		(PORT "A")
11	AT181110	HYDRAULIC HOSE - FABRICATE	1		(PORT "A")
12	38H1329	ADAPTER FITTING	1		(PORT "FB")
13	AT181108	HYDRAULIC HOSE - FABRICATE	1		1" X 456 MM (18") X 1", (PORT "FB")
14	38H1006	ELBOW FITTING	1		(PORT "B")
15	R26906	O-RING	2		(PORT "B" (1) - PORT "ANN" (1))
16	R44302	TIE BAND	1		(PORT "A" AND PORT "B" HOSES)
17	AT181111	HYDRAULIC HOSE - FABRICATE	1		(PORT "B")
18	T161769	PLATE	1		(TO CROWD CYLINDER)
19	TY22493	HOSE CLAMP	2		(MOUNTING PLATE)
20	AT180206	OIL LINE	1		(PORT "ANN")
21	38H1162	ADAPTER FITTING	1		(PORT "ANN")
22	AT175177	HYD ACTUATED CONTROL VALVE	1		(CONTROLLED LOAD LOWERING DEVICE - CROWD)
23	SCREW	1		ADJUSTABLE (CONTROLLED LOAD LOWERING DEVICE)
	SEAL	1		LOCK NUT, CONTROLLED LOAD LOWERING DEVICE VALVE
24	AT180409	HYD ACTUATED CONTROL VALVE	1		LOAD CONTROL (470 PSI)
	AT180083	SEAL KIT	1		
25	AT180079	CHECK VALVE	1		
	AT180086	SEAL KIT	1		
26	AT180076	PRESSURE RELIEF VALVE	1		RELIEF (5000 PSI)
	AT180081	SEAL KIT	1		
27	AT180408	HYD ACTUATED CONTROL VALVE	1		SEQUENCE (470 PSI)
	AT180082	SEAL KIT	1		
28	T161665	LABEL	1		(SERVICE VALVE)
29	24M7239	WASHER	2		(MOUNTING BRACKET SCREWS)
30	19H1648	CAP SCREW	2		(MOUNTING BRACKET)
31	AT181146	HYDRAULIC HOSE - FABRICATE	1		9/16" X 1 823 MM (71-3/4") X 9/16", (PORT "D")
32	T77814	O-RING	1		(PORT "D" FITTING TO HOSE)
33	38H1003	ELBOW FITTING	1		(PORT "D")
34	R28782	O-RING	1		(PORT "D")
35	U12547	O-RING	2		(PORT "FB" (1) - PORT "A" (1))
36	AT178797	KIT	1		(WHOLE GOODS) (ALSO INCLUDES ADDITIONAL HYDRAULIC HOSES, FITTINGS AND MISCELLANEOUS PARTS)

3363-33

BACKHOE 33

LINES, HOSES AND FITTINGS 3363

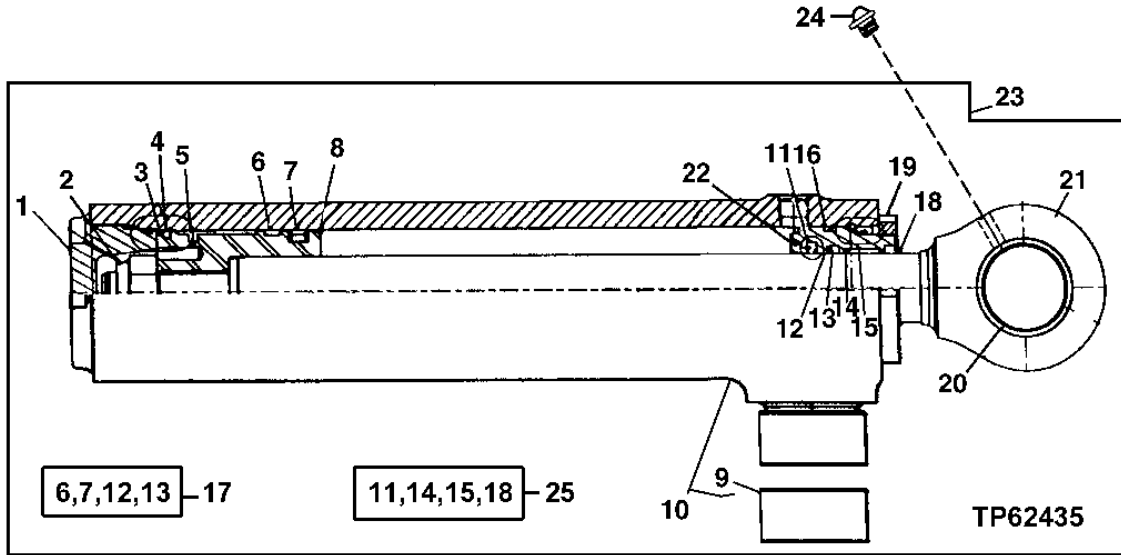
HAND HELD HYDRAULIC TOOL KIT (SERIAL NO. -913479)
 KIT D'OUTILS A MAIN HYDRAULIQUES (SERIAL NO. -913479)
 JUEGO DE HERRAMIENTAS HIDRAULICAS DE MANO (SERIAL NO. -913479)

KEY	PART NO.	PART NAME	QTY.	SERIAL NO.	REMARKS
1	AT192154	HYDRAULIC HOSE - FABRICATE	1		13/16" X 3 560 MM (140-1/4") X 13/16"
2	T77857	O-RING	7		
3	38H1417	FITTING	1		
4	T77932	O-RING	2		
5	38H1390	TEE FITTING	1		
6	U12547	O-RING	1		
7	38H1032	TEE FITTING	1		
8	38H1471	REDUCER	1		
9	AT192155	HYDRAULIC HOSE - FABRICATE	1		13/16" X 2 890 MM (113-3/4") X 13/16"
10	COVER	1		(PARKER HANNIFIN NR-37)
11	COVER	1		(PARKER HANNIFIN NR-50)
12	HYD. QUICK-CONNECT COUPLER	1		(PARKER HANNIFIN FF-372-870)
13	HYD. QUICK-CONNECT COUPLER	1		(PARKER HANNIFIN FF-371-870)
14	24M7090	WASHER	4		
15	R26375	O-RING	2		
16	ADAPTER FITTING	2		(ORDER M135646, R26375 AND T77857)
17	T78716	NUT	2		13/16"
18	T162404	LABEL	1		(HAND HELD HYDRAULICS)
19	T186282	BRACKET	1		
20	14M7274	NUT	3		M10
21	24M7239	WASHER	6		10.700 X 21 X 2.500 MM
22	T186474	GUARD	1		
23	19M7662	CAP SCREW	3		M10 X 30
24	KIT	1		(AT190118 NLA)

3365-7

SWING CYLINDER AND REPAIR KIT (SN -957114)
 VERIN DE PIVOTEMENT ET KIT DE REPARATION (SN -XXXXXX)
 CILINDRO DE GIRO Y JUEGO DE REPARACION (SN -XXXXXX)

TP62435 -UN-27JUN00



KEY	PART NO.	PART NAME	QTY.	SERIAL NO.	REMARKS
1	H156486	HYDRAULIC CYLINDER CAP	1		
2	H170539	NUT	1		
3	H154373	BACK-UP RING	1		
4	P48403	O-RING	1		
5	H150947	PISTON RING	1		
6	R81776	WEAR RING	1		
7	RE20344	SEAL	1		
8	H154372	PISTON	1		
9	H151328	BUSHING	2		
10	AH147889	HYDRAULIC CYLINDER BARREL	1		
11	AH146561	SEAL	1		
12	F1430R	O-RING	1		
13	R79101	BACK-UP RING	1		
14	H152203	SEAL	1		
15	H152794	WEAR RING	1		
16	R81788	RING	1		
17	AH212096	HYDRAULIC CYLINDER KIT	1		(CYLINDER BORE REPAIR) (SUB FOR AH149843)
18	AH146557	SEAL	1		
19	R81794	NUT	1		
20	H142209	BUSHING	1		
21	AH147893	HYDRAULIC CYLINDER ROD	1		
22	H154352	HYDR. CYLINDER ROD GUIDE	1		
23	HYDRAULIC CYLINDER	1		(AH173163 NLA) (SUB AH220108)
24	T162396	LUBRICATION FITTING	3		
25	AH210484	HYDRAULIC CYLINDER KIT	1		(CYLINDER ROD REPAIR) (SUB FOR AH148164)

9995-1

410G BACKHOE LOADER

NUMERICAL INDEX

PART NO.	KEY	PAGE	PART NO.	KEY	PAGE	PART NO.	KEY	PAGE
AA34134	18	3115-3	AH146875	15	3165-3	AH165826	10	3165-4
AA34134	34	3115-3	AH146875	16	3165-4	AH165962	7	3365-14
AB2599R	1	1314-3	AH146876	1	3165-2	AH173163	23	3365-7
AD2062R	2	1673-5	AH146876	1	3165-3	AH173567	18	3165-7
AE37072	5A	3115-11	AH147367	21	3365-2	AH173568	17	3165-7
AE37072	5B	3115-11	AH147889	10	3365-7	AH175183	14	3346-5
AE37072	14	3115-11	AH147893	21	3365-7	AH175183	18	3365-13
AE37072	1	3315-7	AH147893	20	3365-9	AH175366	23	3365-2
AE37072	14	3315-9	AH147902	18	3365-10	AH175366	22	3365-3
AE44436	8	1674-5D	AH147902	16	3365-11	AH175514	23	3365-2
AH103182	11	0520-3	AH147902	16	3365-12	AH175516	21	3365-2
AH104837	10	0520-3	AH148164	27	3165-2	AH175520	17	3365-13
AH104837	21	0520-5	AH148164	20	3165-3	AH175520	6	3365-14
AH125760	18	2160-9	AH148164	20	3165-7	AH176230	3	3104-5
AH125760	6	2160-11	AH148164	25	3365-7	AH176272	17	3104-5
AH125760	9	2160-17	AH148164	21	3365-10	AH176417	1	3365-3
AH125760	14	2160-17B	AH148608	11	3365-15	AH176418	20	3365-3
AH125760	8B	3362-9	AH148674	19	3365-10	AH202070	16	3365-14
AH125760	24	3363-1B	AH148675	19	3365-10	AH202080	21	3165-3
AH125760	21	3363-1F	AH148676	1	3365-10	AH205051	19	0960-18
AH134479	3	0960-18	AH148677	1	3365-10	AH205051	20	0960-21
AH135785	7	0960-18	AH149001	23	3365-2	AH205053	3	0960-18
AH135785	1	0960-21	AH149007	1	3365-2	AH205053	3	0960-21
AH137883	3	1672-3	AH149194	17	3365-13	AH205060	2	3165-11
AH140044	2	0520-7	AH149194	6	3365-14	AH205062	9	3365-11
AH140044	2	0520-9	AH149194	18	3365-15	AH205062	9	3365-12
AH144020	60	1830-7B	AH149791	17	3365-4	AH206600	14	3346-5
AH146264	17	3365-13	AH149810	21	0960-18	AH206600	14	3365-14
AH146318	16	3365-4	AH149810	21	0960-21	AH206725	1	3365-5
AH146556	16	3365-13	AH149813	19	3365-13	AH206726	23	3365-5
AH146556	13	3365-14	AH149813	15	3365-14	AH207401	18	3165-3
AH146557	15	3165-2	AH149815	26	3365-2	AH207704	1	3365-14
AH146557	13	3165-3	AH149815	23	3365-3	AH209022	19	3102-13
AH146557	15	3165-4	AH149815	20	3365-4	AH209083	10	3365-5
AH146557	6	3165-7	AH149815	24	3365-5	AH209133	17	3365-11
AH146557	20	3165-9	AH149815	20	3365-6	AH209134	1	3365-11
AH146557	13	3165-11	AH149842	12	3165-2	AH209138	17	3365-11
AH146557	18	3365-7	AH149842	12	3165-4	AH209140	1	3365-11
AH146557	10	3365-9	AH149843	19	3165-7	AH209719	14	3346-5
AH146557	15	3365-10	AH149843	17	3365-7	AH209719	18	3365-13
AH146557	14	3365-11	AH149844	19	3365-4	AH209719	14	3365-14
AH146557	14	3365-12	AH149844	22	3365-10	AH209719	17	3365-15
AH146559	19	3365-2	AH149846	19	3365-6	AH209720	1	3365-15
AH146559	13	3365-3	AH149846	25	3365-2	AH209721	17	3365-13
AH146559	14	3365-4	AH149848	24	3365-3	AH209721	6	3365-14
AH146559	17	3365-5	AH150211	1	3365-4	AH209721	16	3365-15
AH146559	14	3365-6	AH150453	14	3365-15	AH210484	27	3165-2
AH146560	7	3365-13	AH151380	14	0960-18	AH210484	20	3165-3
AH146560	10	3365-14	AH151380	4	0960-21	AH210484	19	3165-4
AH146561	7	3165-2	AH151381	11	0960-18	AH210484	20	3165-7
AH146561	5	3165-3	AH151381	7	0960-21	AH210484	24	3165-9
AH146561	12	3165-4	AH152474	14	3346-5	AH210484	17	3165-11
AH146561	11	3165-7	AH152474	18	3365-13	AH210484	25	3365-7
AH146561	17	3165-9	AH152477	1	3365-13	AH210484	24	3365-9
AH146561	4	3165-11	AH154774	19	0960-18	AH210484	21	3365-10
AH146561	11	3365-7	AH156144	4	1674-9B	AH210484	18	3365-11
AH146561	11	3365-9	AH158579	1	3365-6	AH210484	18	3365-12
AH146561	10	3365-10	AH158623	17	3365-13	AH210719	3	3365-3
AH146561	11	3365-11	AH158623	6	3365-14	AH210737	3	3102-11
AH146561	11	3365-12	AH158623	5	3365-15	AH210737	14	3102-12
AH146563	15	3365-2	AH162040	2	3165-7	AH210737	18	3102-13
AH146563	10	3365-3	AH162040	22	3165-9	AH210737	20	3102-19
AH146563	11	3365-4	AH162040	14	3165-11	AH211204	1	3165-4
AH146563	12	3365-5	AH162914	38	0560-5	AH211206	19	3165-2
AH146563	10	3365-6	AH164138	17	3365-6	AH211206	18	3165-3
AH146874	19	3165-2	AH164139	16	3365-6	AH211206	18	3165-4
AH146875	18	3165-2	AH165826	4	3165-3	AH212089	20	3365-13

9995-11

410G BACKHOE LOADER

NUMERICAL INDEX - CONTINUED

PART NO.	KEY	PAGE	PART NO.	KEY	PAGE	PART NO.	KEY	PAGE
AT307604	1	3362-13	AT309112	1	0110-2	AT312470	49	3102-19
AT307691	40	1830-7	AT309184	39	3315-7	AT312547	1	3162-33
AT307740	8	0250-2	AT309184	40	3315-7	AT312728	6	1821-3
AT307742	2	0230-5	AT309185	38	3315-7	AT312730	5	1821-3
AT307742	7	0230-6	AT309186	15	3315-7	AT312876	1	3162-33
AT307742	18	0230-7	AT309303	1	0250-5	AT312876	47	3163-7
AT307742	10	0230-8	AT309304	1	0250-5	AT312918	4	3362-29B
AT307770	10	1814-9B	AT309305	6	0250-5	AT312918	13	3362-29B
AT307919	1	3104-3	AT309306	6	0250-5	AT312919	3	3362-29B
AT307919	27	3104-3	AT309307	4	0250-5	AT312919	13	3362-29B
AT308067	1	3103-3	AT309347	6	1814-9	AT312944	9	3362-29B
AT308076	1	3102-3	AT309385	27	2160-27	AT312949	13	3362-29B
AT308076	6B	3102-7	AT309385	28	2160-29	AT313708	3	3362-30
AT308080	8	3102-5	AT309402	18	3163-13	AT314127	8	3362-29B
AT308080	6B	3102-7	AT309413	41	3315-7	AT314538	43	3162-9
AT308082	8	3102-5	AT309544	3	2160-3B	AT314538	30	3162-11
AT308082	6B	3102-7	AT309662	4	3163-13	AT314538	37	3162-13
AT308099	6B	3102-7	AT309663	3	3163-13	AT314538	25	3162-15
AT308099	1	3102-9	AT309679	33	3163-13	AT314538	35	3162-17
AT308099	1	3102-11	AT309683	1	0210-6	AT314538	19	3162-21
AT308138	3	3103-3	AT309739	54	3315-7	AT314538	17	3162-23
AT308139	3	3103-3	AT309740	14	3315-15	AT314538	22	3362-9
AT308158	16	1674-3	AT309741	31	3163-13	AT314538	37	3362-21
AT308158	4	1674-5	AT309742	19	3163-13	AT314538	21	3362-23
AT308176	16	1674-3	AT309743	17	3163-13	AT314538	20	3362-25
AT308176	4	1674-5	AT309746	4	3104-3	AT314538	34	3362-41
AT308195	1	3102-9	AT309747	5	3104-3	AT314538	35	3362-43
AT308195	2	3102-9	AT309768	6	2160-3B	AT314538	35	3362-45
AT308195	19	3102-9	AT309882	2	0230-5	AT314538	22	3362-47
AT308195	1	3102-11	AT309882	10	0960-11	AT314539	43	3162-9
AT308199	21	1821-3	AT309882	8	0960-15	AT314539	30	3162-11
AT308237	9	1674-5D	AT309934	48	3102-19	AT314539	37	3162-13
AT308274	1	2160-21	AT309934	41	3163-7	AT314539	25	3162-15
AT308274	22	3363-31	AT309936	48	3102-19	AT314539	35	3162-17
AT308300	9	0341-4	AT309971	1	1674-5B	AT314539	19	3162-21
AT308301	9	0341-4	AT309986	48	3102-19	AT314539	17	3162-23
AT308304	9	0360-1	AT309986	40	3163-7	AT314539	22	3362-9
AT308380	18	1674-3	AT309994	4	1674-7	AT314539	41	3362-11
AT308396	3	1675-3	AT310058	14	1674-11	AT314539	35	3362-13
AT308440	13	1674-5D	AT310058	12	1674-11B	AT314539	39	3362-15
AT308473	2	1674-5D	AT310284	40	3363-17	AT314539	36	3362-17
AT308475	10	1674-5D	AT310286	40	3363-19	AT314539	21	3362-23
AT308506	9	3163-13	AT310291	1	0120-1	AT314539	20	3362-25
AT308511	12	3362-7B	AT310292	11	3363-17	AT314539	34	3362-41
AT308512	12	3362-7B	AT310321	14	3363-19	AT314539	35	3362-43
AT308513	12	3362-7B	AT310457	13	3163-13	AT314539	35	3362-45
AT308520	12	3362-7B	AT310630	4	1674-7	AT314539	22	3362-47
AT308521	12	3362-7B	AT310650	1	1673-3	AT314668	8	3362-39
AT308522	12	3362-7B	AT310817	12	3162-33	AT314739	8	3140-3
AT308555	12	0510-3	AT310818	15	2160-27	AT314909	7	0530-5
AT308690	27B	2160-15	AT310818	14	2160-29	AT315227	6	1814-15
AT308795	2	1821-3	AT310889	3	2160-3B	AT315228	2	1814-11
AT308796	1	1821-3	AT310889	6	2160-3D	AT315263	16	1740-3
AT308797	1	1821-3	AT310980	18	1674-3	AT316227	1	1921-5
AT308910	2	3103-3	AT311143	41	3102-19	AT316249	10	0960-11
AT308925	1	3103-3	AT311334	40	1910-5	AT316249	8	0960-15
AT308926	1	3103-3	AT311598	3	1674-5D	AT317091	20	3315-7
AT308965	8	3102-17	AT311651	8	3163-13	AT317121	1	1060-11
AT308966	8	3102-17	AT311785	42	1910-5	AT317348	4	3362-30
AT308968	1	3102-15	AT311786	33	1910-5	AT317348	19	3363-1B
AT308974	7	3102-19	AT311787	24	1910-3	AT317348	29	3363-1B
AT308974	24	3102-19	AT311929	7	1816-5	AT317348	20	3363-1F
AT308974	53	3102-19	AT311929	1	3315-15	AT317348	25B	3363-1F
AT309104	1	0110-3	AT312121	6	1816-5	AT317386	1	3362-47
AT309106	1	0120-1	AT312121	49	3315-7	AT317387	1	3362-17
AT309106	3	0120-1	AT312417	1	1674-9	AT317805	22	0560-3
AT309110	1	0110-2	AT312437	9	0510-3	AT317805	1	0560-5

9995-21

410G BACKHOE LOADER

NUMERICAL INDEX - CONTINUED

PART NO.	KEY	PAGE	PART NO.	KEY	PAGE	PART NO.	KEY	PAGE
R79101	8	3165-7	R90658	2	0452-1	TY15969	1	1330-2
R79101	3	3165-9	R90692	10	0409-3	TY16285	1	1330-2
R79101	8	3165-11	R91360	25	0413-5	TY21766	13	1671-3
R79101	13	3365-7	R91360	13	0413-7	TY22388	6	1369-7
R79101	18	3365-9	R91692	15	0402-7	TY22388	11	1369-7
R79132	3	0201-3	R91728	14	3365-13	TY22462	2	0560-3
R79604	4	0413-2	R91731	13	3365-10	TY22462	29	0560-5
R79605	3	0413-2	R91889	2	0409-3	TY22462	14	1060-9
R80632	1	1369-5	R92097	6	0416-3	TY22462	8	1060-11
R81195	10	3365-13	R92097	9	0416-6	TY22462	8	2160-15
R81195	3	3365-14	R92097	11	0452-1	TY22462	5	2160-17
R81195	7	3365-15	R92097	11	0452-3	TY22462	32	3363-29
R81275	6	0414-1	R92208	6	0960-18	TY22472	10	2160-13
R81275	3	0414-2	R92208	18	0960-21	TY22476	6	3363-9
R81275	5	0414-2	R92352	7	0413-2	TY22487	8	2160-13
R81275	6	0414-3	R92352	3	0413-3	TY22487	7	2160-13B
R81275	7	0414-3	R93219	6	1674-22	TY22487	26	2160-15
R81275	10	0452-1	R93220	6	1674-22	TY22489	19	0520-5
R81275	10	0452-3	R93221	6	1674-22	TY22490	18	1830-3
R81774	3	3365-13	R93222	6	1674-22	TY22493	19	3363-23
R81775	3	3365-4	R93910	8	0409-3	TY22559	3	0560-3
R81775	18	3365-5	R95493	11	3162-9	TY22559	5	0560-5
R81775	4	3365-10	R95493	11	3162-13	TY22559	33	0560-5
R81776	15	3165-7	R95493	11	3162-17	TY22566	18	0510-3
R81776	8	3165-9	R95493	17	3362-11	TY22566	19	0510-3
R81776	6	3365-7	R95493	17	3362-13	TY24344	7	0520-7
R81776	4	3365-9	R95493	25	3362-15	TY24485	3	1672-3
R81777	4	3165-2	R95493	9	3362-17	TY24867	4	0520-9
R81786	13	3365-13	R95493	8	3362-19	TY26194	57	1674-19
R81786	4	3365-14	R95493	13	3362-21	TY6128	13	1671-3
R81787	12	3365-10	R95493	11	3362-23	TY6128	13	1671-5
R81788	5	3165-7	R95493	23	3362-41	TY6304	24	0404-3
R81788	16	3365-7	R95493	21	3362-43	TY6750	3	1672-3
R81789	11	3165-2	R95493	25	3362-45	TY6764	25	1830-13
R81789	6	3165-3	R95493	18	3362-47	TY6799	3	1672-3
R81792	15	3365-13	R96703	10	0422-3	T100813	10	0230-3
R81792	5	3365-14	R97185	8	0407-11	T101807	16	1811-3
R81793	16	3365-10	R97185	15	0452-1	T101807	5	1811-5
R81794	4	3165-7	R97185	15	0452-3	T101807	3	3344-2
R81794	19	3365-7	R98062	11	0409-3	T101975	20	1830-9
R81795	16	3165-2	R98063	8	0409-3	T102780	27	1674-3
R81795	7	3165-3	R98322	16	3165-3	T102934	5	0341-4
R81854	2	0960-18	R98322	9	3165-4	T102934	7	1674-5
R81854	2	0960-21	R98323	17	3165-3	T102934	23	2160-15
R81862	6	3365-5	R98323	8	3165-4	T102934	39	3363-19
R81862	9	3365-10	R98324	4	3365-15	T103461	11	0560-3
R81862	5	3365-11	R98325	3	3365-15	T103834	23	1674-3
R81862	5	3365-12	R98335	8	0409-3	T105368	4	3362-30
R81864	10	3165-2	SE500586	22	0413-5	T105368	15	3362-30
R81864	10	3165-3	SE500716	1	0404-5	T105720	30	3163-5
R81864	5	3165-4	SE500826	10	0413-2	T105720	26	3163-7
R81866	2	3365-13	SE500830	1	0413-3	T105740	22	0520-3
R82095	3	3365-6	SE500830	25	0413-7	T105740	5	0520-5
R83169	12	0402-7	SE501101	10	0413-2	T105740	16	1814-3
R83469	9	3365-13	SE501103	1	0413-3	T105740	21	1821-3
R83469	6	3365-15	SE501103	25	0413-7	T105740	22	1821-3
R83577	8	3365-10	SE501155	7	0416-6	T105740	20	1910-3
R85363	1	0409-3	SE501155	11	0416-6	T105773	7	3163-3
R85687	8	0409-3	SE501155	12	0416-6	T105773	23	3163-5
R86085	5	3365-13	SE501155	13	0416-6	T105773	15	3163-7
R87732	4	0410-2	SE501235	10	0413-7	T105773	19	3163-9
R88114	10	0960-18	SE501282	..	0404-5	T105773	18	3363-7
R89944	5	0417-3	SE501342	3	1672-3	T105773	5	3363-9
R89944	28	0452-3	SE501387	3	1672-3	T105774	5	3363-3
R90653	6	3365-2	TF23D	11	3302-9	T105774	5	3363-3B
R90653	14	3365-3	TF23P	8	3302-9	T105774	3	3363-15
R90658	2	0410-1	TY15969	16	0560-3	T105774	16	3363-43

CLICK HERE TO **DOWNLOAD** THE COMPLETE MANUAL

- Thank you very much for reading the preview of the manual.
- You can download the complete manual from: www.heydownloads.com by clicking the link below



- Please note: If there is no response to CLICKING the link, please download this PDF first and then click on it.

CLICK HERE TO **DOWNLOAD** THE COMPLETE MANUAL