

**3520 SUGAR CANE
HARVESTER
(SN 090501-)**



JOHN DEERE

PARTS CATALOG

**3520 SUGAR CANE
HARVESTER
PC9719 (JAN-10) English**

John Deere Thibodaux
WORLDWIDE EDITION
LITHO IN U.S.A. (REVISED)
COPYRIGHT © 2010
DEERE & COMPANY
Moline, Illinois
All rights reserved



CLICK HERE TO **DOWNLOAD** THE COMPLETE MANUAL

- Thank you very much for reading the preview of the manual.
- You can download the complete manual from: www.heydownloads.com by clicking the link below



- Please note: If there is no response to CLICKING the link, please download this PDF first and then click on it.

CLICK HERE TO **DOWNLOAD** THE COMPLETE MANUAL

SECTION INDEX AND OPTION CODES (CONT.)

BASE MACHINE WHEEL

- 0571 3520W WHEEL MOUNTED BILLET HARVESTER (MY09)
- 0572 3520W WHEEL MOUNTED BILLET HARVESTER (FROM MY10)

MAIN FRAME

- 0901 STANDARD FRAME
- 0911 STANDARD FRAME - HALF TRACK MOUNT

ENGINE

- 1000 JOHN DEERE 9.0 L POWERTECH 337 H.P. @ 2100 RPM - TIER 2
- 1010 JOHN DEERE 9.0 L POWERTECH 375 H.P. @ 2100 RPM - TIER 2 AND HIGH EFFICIENCY HYDRAULICS
- 1020 JOHN DEERE 9.0 L POWERTECH 337 H.P. @ 2100 RPM - TIER 3
- 1030 JOHN DEERE 9.0 L POWERTECH 375 H.P. @ 2100 RPM - TIER 3 AND HIGH EFFICIENCY HYDRAULICS

WHEELS AND TIRES

- 2000 GALAXY REAR AND FRONT TIRES (MY09)
- 2000 FIRESTONE FRONT TIRES AND GPX REAR TIRES;(FROM MY10)
- 2010 MICHELIN REAR AND FIRESTONE FRONT TIRES (MY09)
- 2010 FIRESTONE FRONT TIRES AND MICHELIN REAR TIRES;(FROM MY10)

CE CERTIFICATION

- 3000 STANDARD HOMOLOGATION
- 3010 CE CERTIFICATION (REQUIRES OPTION 1020)

BASECUTTER HEIGHT ASSISTANCE

- 3200 STANDARD - NO ABC
- 3210 ABC SYSTEM

CANE TOPPER

- 5000 WHOLE TOPPER
- 5010 SHREDDER TOPPER
- 5020 SHREDDER TOPPER WITH PISTON MOTOR
(REQUIRES OPTION 1010 OR 1030)

CROP DIVIDER TILT & KNOCKDOWN ROLLER TILT

- 5200 MANUAL CROP DIVIDER & KNOCKDOWN ROLLER TILT
- 5210 HYDRAULIC CROP DIVIDER & KNOCKDOWN ROLLER TILT

OUTER SCROLLS & KNIVES

- 5300 LESS OUTER SCROLLS & LESS SIDE KNIVES
- 5310 RIGHT HAND SCROLLS & RIGHT HAND SIDE KNIFE
- 5320 RIGHT HAND & LEFT HAND OUTER SCROLLS & RIGHT HAND SIDE KNIFE
- 5330 RIGHT HAND & LEFT HAND OUTER SCROLLS & RIGHT HAND & LEFT HAND SIDE KNIFE
- 5340 RIGHT HAND & LEFT HAND OUTER SCROLLS & LESS SIDE KNIVES

ALPHABETICAL INDEX - CONTINUED

	PAGE		PAGE
GROUND DRIVE, LINES GP (OPTION 0911) {TRACK}(100601-)	50-8	HOUSING, FLYWHEEL (OPTION 1000,1010)	20-5
GROUND DRIVE, LINES GP, TANK-PUMP-MOTOR (OPTION 95BI) {TRACK}(-090755)	50-10	HOUSING, FLYWHEEL (OPTION 1020,1030)	22-5
GROUND DRIVE, LINES GP, TANK-PUMP-MOTOR (OPTION 95BI) {TRACK}(100601-)	50-12	HOUSING, OIL PUMP (OPTION 1000,1010)	20-43
GROUND DRIVE, MOTOR {TRACK}	50-24	HOUSING, OIL PUMP (5001) (HT803)	22-41
GROUND DRIVE, MOTOR {TRACK}(100601 -)	50-26	HOUSING, THERMOSTAT (OPTION 1000,1010)	20-28
GROUND DRIVE, MOTOR {TRACK}(100601 -)	50-28	HOUSING, THERMOSTAT (OPTION 1020,1030)	22-26
GROUND DRIVE, MOTOR{TRACK}	50-25	HUB-GAGE WHEEL(OPTION 7800) (100601 -)	105-25E
GROUND DRIVE, MOTOR{TRACK}	50-27	HYDRAULIC FILTER	70-8
GROUND DRIVE, MOTOR{TRACK}	50-29	HYDRAULIC OIL COOLER LINES GP(OPT 0901)	70-50
GROUND DRIVE, PUMP GP {TRACK}	50-14	HYDRAULIC OIL COOLER LINES GP(OPT 0911)	70-52
GROUND DRIVE, PUMP GP {WHEEL}	52-10	HYDRAULIC OIL HAND PUMP (OPTION 9400,9410)	170-12
GROUND DRIVE, TANK TO PUMP TO MOTOR, LINES GP (OPT 0911)(TRK)(FR SN 070404)	50-7	HYDRAULIC OIL LEVEL SWITCH (-090755)	70-2
GROUND DRIVE, TANK TO PUMP TO MOTOR, LINES GP (OPT 0911)(TRK)(FR SN 070404)	50-9	HYDRAULIC OIL LEVEL SWITCH(100601 -) OPTION 1000,1020	70-4
GROUND DRV, LINES GP, TANK-PUMP-MOTOR (OPTION 0901,0921) {TRACK}(-090755)	50-2	HYDRAULIC OIL LEVEL SWITCH(100601 -) (OPTION 1010,1030)	70-6
GROUND DRV, LINES GP, TANK-PUMP-MOTOR (OPTION 0901,0921) {TRACK}(100601-)	50-4	HYDRAULIC TANK GP (-090755)	70-2
GUARD TRACK (OPTION 0901) {TRACK}	55-10	HYDRAULIC TANK GP (100601 -) (OPTION 1000,1020)	70-4
GUARD TRACK (OPTION 0911) {TRACK}	55-12	HYDRAULIC TANK GP(100601 -) (OPTION 1010,1030)	70-6
GUARD TRACK (OPTION 0921) {TRACK}	55-14	HYRAULIC PRESSURE SWITCH (-090755)	70-2
H			
HAND PUMP ROTARY HYDRAILIC OIL (OPTION 9420)	170-14	HYRAULIC PRESSURE SWITCH(100601 -) (OPTION 1000,1020)	70-4
HAND PUMP ROTARY HYDRAULIC OIL (OPTION 9400,9410)	170-12	HYRAULIC PRESSURE SWITCH(100601 -) (OPTION 1010,1030)	70-6
HAND ROTARY HYDRAULIC OIL PUMP (OPTION 9400,9410)	170-12	I	
HAND ROTARY HYDRAULIC OIL PUMP (OPTION 9420)	170-14	IDLER / TENSIONER GP {TRACK}	55-16
HARNESS WIRING (OPTION 1020,1030)	22-62	IDLER PULLEY (OPTION 1020,1030)	22-16
HARNESS, ALTERNATOR WIRING (OPTION 1020,1030)	22-23	IDLER PULLEY AND SUPPORT (OPT 1000,1010)	20-16
HARNESS, ALTERNATOR WIRING (OPTION 1000, 1010)	20-25	IDLER PULLEY AND SUPPORT(OPT 1020,1030)	22-16
HARNESS, WIRING ENGINE (OPTION 1000,1010)	20-64	IGNITION SWITCH (-090755)	90-80
HEAT EXCHANGE CORE GP	30-16	IGNITION SWITCH (100601-)	90-82
HEAT EXCHANGER (OPTION 1020,1030)	22-64	INFORMATION CENTER-RIGHT CORNER GAUGE GP (-090755)	90-80
HEATER HOSE GP, ENGINE	90-76	INFORMATION CENTER-RIGHT CORNER GAUGE GP (100601-)	90-82
HEATER, ENGINE COOLANT (PLUG) (OPTION 1000,1010)	20-19	INJECTION (OPTION 1000,1010)	20-8
HEATER, ENGINE COOLANT (PLUG) (OPTION 1020,1030)	22-18	INJECTION (OPTION 1020,1030)	22-8
HEATING A/C AND PRESSURIZER	90-74	INJECTION NOZZLE & FUEL INJECTION PUMP (OPTION 1020,1030)	22-8
HEATING DUCT GP, INTERIOR AND EXTERIOR	90-68	INLET, WATER PUMP (OPTION 1000,1010)	20-47
HEIGHT INDICATOR CYLINDER, BASECUTTER	90-90	INLET, WATER PUMP (OPTION 1020,1030)	22-46
HEIGHT INDICATOR, LH POST, CAB	90-84	INNER CROP DIVIDER MOTOR (OPTION 5310,5320,5330)	105-118
HID CAB LIGHT GP (OPTION 7240)	40-80	INNER SCROLL LINES GP, PUMP TO VALVE (OPTION 0511) {TRACK}	105-56
HID LIGHT GP, AUX (FIELD KIT)	175-6	INNER SCROLL LINES GP, PUMP TO VALVE (0501) {WHEEL}	105-58
HID LIGHT GP, FORWARD WORK, FIELD KIT	175-4	INTAKE VALVE (OPTION 1000,1010)	20-44
HIGH PRESSURE FUEL PUMP (OPT 1000,1010)	20-8	INTAKE VALVE (OPTION 1020,1030)	22-42
HIGH PRESSURE FUEL PUMP (OPTION 1020, 1030)	22-8	INTAKE, AIR MANIFOLD (OPTION 1000,1010)	20-10
HIGH/LOW GROUND DRIVE CONTROL GP (OPTION 95BI)(-090755)	50-30	INTAKE, AIR MANIFOLD (OPTION 1020,1030)	22-10
HITCH GP, REAR PULL (CENTER) (OPTION 7200,9200)	80-10	INTAKE, OIL PUMP (OPTION 1000,1010)	20-12
HITCH GP, REAR PULL, (CENTER) FIELD KIT	175-14	INTAKE, OIL PUMP (OPTION 1020,1030)	22-12
HORN AND LIGHT GP(-090755)	40-76	INTERIOR DUCTS, A/C	90-68
HORN AND LIGHT GP(100601-)	40-78		

ALPHABETICAL INDEX - CONTINUED

	PAGE		PAGE
PUMP GP, TOP/COOL FAN/SCR-OUTER/CYL/ROT SCR (OPTION 1000,1020) (FR SN 090545)	70-64	REAR, VALVE GP, FEED ROLLER	115-38
PUMP GP, TOPPER/COOL FAN/SCR-OUTER/CYL/ROT SCR (OPTION 1010,1030)	70-72	RECIRULATION (OPTION 1000,1010)	20-66
PUMP INLET, WATER (OPTION 1020,1030)	22-46	RELAYS AND FUSES ELECTRICAL GP (-090755)	40-10
PUMP, CHOPPER/BASECUTTER (OPTION 1000,1020) (CONT.)(090755-)	120-58	RELAYS AND FUSES ELECTRICAL GP (100601-)	40-12
PUMP, CHOPPER/BASECUTTER (OPTION 1000,1020)(090755-)	120-56	REMOTE FLUSHING VALVE, CHOPPER/BASE-CUTTER	120-78
PUMP, CHOPPER/BASECUTTER (OPTION 1010,1030)(090755-)	120-70	REMOTE JUMPER (OPTION 7210,9210)	40-4
PUMP, CHOPPER/BASECUTTER (OPTION 1010,1030)(090755-)	120-72	REMOTE JUMPER, FIELD KIT	175-16
PUMP, ELEVATOR DRIVE/FEED ROLLER/CROP DIVIDER (INNER)	70-78	REPLACEMENT ENGINE (OPTION 1000,1010)	20-70
PUMP, FUEL INJECTION (OPTION 1000,1010)	20-8	REPLACEMENT ENGINE (HT803)	22-68
PUMP, GROUND DRIVE, LEFT {TRACK}	50-16	REPLACEMENT ENGINE (OPTION 1020,1030)	22-32
PUMP, GROUND DRIVE, LEFT {TRACK}	50-20	REVERSIBLE COOLING FAN, VALVE (FR SN 090588)	70-84
PUMP, GROUND DRIVE, LEFT {TRACK}	50-22	REVERSIBLE FAN, VALVE GP (FR SN 090588)	70-82
PUMP, GROUND DRIVE, LEFT {TRACK}(CONT.)	50-18	RIGHT SIDE KNIFE GP(OPT 5310,5320,5330) (-090755)	105-42
PUMP, GROUND DRIVE, LEFT {WHEEL}	52-16	RIGHT SIDE KNIFE GP(OPT 5310,5320,5330) (100601-)	105-44
PUMP, GROUND DRIVE, LEFT {WHEEL} (CONT.)	52-18	RIGHT SIDE KNIFE GP(OPT 5310,5320,5330) (100601-)	105-48
PUMP, GROUND DRIVE, RIGHT {WHEEL}	52-12	RIGHT, CYLINDER, BASECUTTER LIFT {WHEEL}	70-41
PUMP, GROUND DRIVE, RIGHT {WHEEL}	52-14	RIGID MOUNT CHOPPER CURTAIN GP (OPTION 9170){TRACK}	120-12
PUMP, INTAKE OIL (OPTION 1000,1010)	20-12	RING GEAR, FLYWHEEL (OPTION 1000,1010)	20-7
PUMP, INTAKE OIL (OPTION 1020,1030)	22-12	RING GEAR, FLYWHEEL (OPTION 1020,1030)	22-7
PUMP, OIL (5001)		RING KIT, PISTON (OPTION 1000,1010)	20-38
(HT803)	22-41	RING KIT, PISTON (OPTION 1020,1030)	22-36
PUMP, OIL ENGINE (OPTION 1000,1010)	20-43	ROCKER ARM ASSY (OPTION 1000,1010)	20-40
PUMP, PRIMARY EXTRACTOR	125-20	ROCKER ARM ASSY (OPTION 1020,1030)	22-38
PUMP, PRIMARY EXTRACTOR	125-22	ROCKER ARM SHAFT SUPPORT (OPTION 1020,1030)	22-38
PUMP, TOPPER/COOL FAN/SCR OUT/CYL/ROT SCR(OPT 1000,1020) (TO SN 090544)	70-70	ROCKER ARM SHAFT SUPPORT(OPT 1000,1010)	20-40
PUMP, WATER (OPTION 1000,1010)	20-49	ROCKER ARM/SHAFT/TAPPET PUSH ROD (OPTION 1000,1010)	20-40
PUMP, WATER (OPTION 1020,1030)	22-47	ROLLER GP {TRACK}	55-18
PUMP, WINDSHIELD WASHER	90-44	ROLLER GP, BUTTLIFTER, CLOSED (OPTION 5700)	115-6
PUMP, TOPPER/COOL FAN/SCR OUT/CYL/ROT SCR (OPTION 1000,1020) (FR SN 090545)	70-68	ROLLER GP, BUTTLIFTER, OPEN(OPTION 5700)	115-8
PUMP, TOPPER/COOL FAN/SCR OUT/CYL/ROT SCR (OPTION 1010,1030) (FR SN 090545)	70-74	ROLLER GP, FEED (B2,B3,B4,B5) (DEEP PADDLE)	115-10
PUSH ROD (OPTION 1000,1010)	20-40	ROLLER GP, FEED(B2,B3,B4,B5) (OPTION 95BF)	115-12
PUSH ROD (OPTION 1020,1030)	22-38	ROLLER GP, FEED, UPPER (T1,T2,T3,T4,T5)	115-14
R			
RADIATOR AND CHARGE AIR COOLER LINES GP (OPTION 1000,1010)	30-12	ROLLER GP, KNOCKDOWN (ADJUSTABLE)	115-2
RADIATOR AND CHARGE AIR COOLER LINES GP (OPTION 1020,1030)	30-14	ROLLER GP, KNOCKDOWN (OPTION 5200)	115-4
RADIATOR CAP	30-16	ROLLER, SILL GP (OPTION 6010)	120-4
RADIATOR GP	30-16	ROLLER, UNDERCARRIAGE {TRACK}	55-18
RADIATOR MOTOR	70-60	ROOF GP, CAB	90-52
RADIO GP, AM/FM (OPTION 7090,9090)	90-28	ROTARY SCREEN DRIVE LINES GP (TO SN 090587)	70-58
RAIL AND LADDER GP (-090721)	80-74	ROTARY SCREEN DRIVE, MOTOR (TO SN 090587)	70-58
RAIL AND LADDER GP (090722-)	80-76	ROTARY SCREEN GP (FR SN 090588)	80-66
RAIL, BRUSH GP {TRACK}	80-78	ROTARY SCREEN GP (TO SN 090587)	80-68
RAIL, BRUSH GP {WHEEL}	80-80	ROTARY SCREEN PUMP (OPTION 1000,1020) (FR SN 090545)	70-68
RAIL, COMMON (OPTION 1000,1010)	20-8	ROTARY SCREEN PUMP (OPTION 1000,1020) (TO SN 090544)	70-70
REAR COOLING SCREEN GP (FR SN 090588)	80-66	ROTARY SCREEN PUMP (OPTION 1010,1030) (FR SN 090545)	70-74
REAR FEED ROLLER, VALVE	115-40	ROTARY SCREEN SHEAVE GP (FR SN 090588)	80-66
REAR MAIN SEAL (OPTION 1000,1010)	20-4	ROTARY SCREEN SHEAVE GP (TO SN 090587)	80-68
REAR PULL HITCH GP (CENTER)(OPTION 7200,9200)	80-10	ROTARY SCREEN VACUUM GP (TO SN 090587)	80-70
REAR TIRE (OPTION 2010)	57-8		
REAR WHEEL GP, GALAXY (OPT 2000) {WHEEL}	57-4		
REAR, ENGINE SEAL (OPTION 1000,1010)	20-5		

20-9

ENGINE (TIER 2 / HT804) - GROUP 20

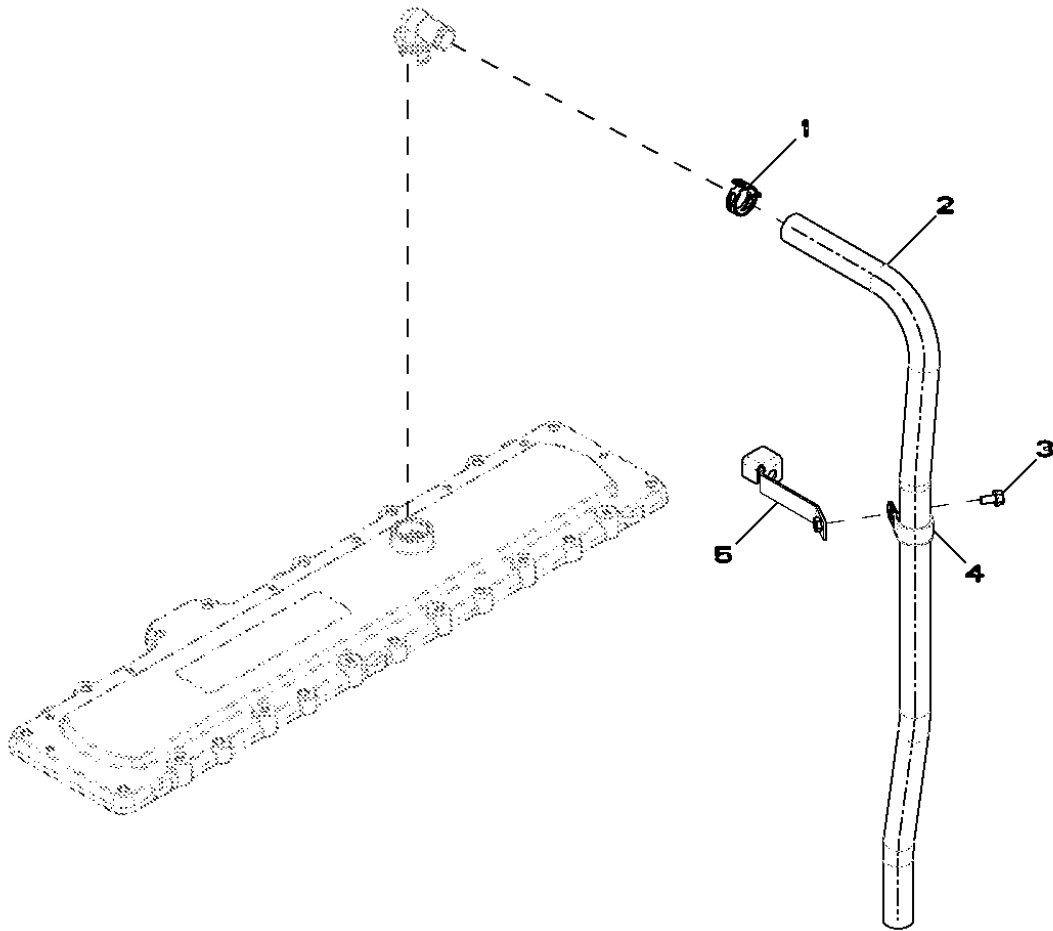
KEY	PART NO.	PART NAME	QTY.	SERIAL NO.	HT804	REMARKS
1	R91360	NUT	1		X	
2	R518254	GEAR	1		X	
3	R521040	O-RING	1		X	
4	RE524399	ADAPTER FITTING	1		X	
5	51M7039	O-RING	1		X	
6	T77613	O-RING	1		X	
7	RE534156	FUEL INJECTION PUMP	1		X	
	SE501922	FUEL INJECTION PUMP REMAN	1		X	
8	RE516336	FUEL TEMPERATURE SENSOR	1		X	
9	R524234	O-RING	1		X	
10	RE534733	CONTROL VALVE	1		X	(SUB FOR RE532171)
11	RE524528	FILTER	1		X	
12	RE520030	FUEL LINE	1		X	
13	24M7095	WASHER	1		X	
14	R504781	CAP SCREW	1		X	
15	19M7868	SCREW	2		X	M8 X 30
16	RE522616	FITTING	1		X	
17	51M7095	O-RING	1		X	
18	38H5002	ADAPTER FITTING	1		X	
19	R63548	O-RING	1		X	
20	19M7815	SCREW	4		X	M12 X 60
21	RE521599	RAIL	1		X	
22	RE515636	RESTRICTOR	6		X	
23	RE524529	PRESSURE RELIEF VALVE	1		X	
24	RE523811	SENSOR	1		X	
25	RE506624	ADAPTER FITTING	2		X	
26	RE520032	LINE	1		X	
27	RE525518	FUEL LINE	1		X	LINE 6
28	RE525517	FUEL LINE	1		X	LINE 5
29	RE525516	FUEL LINE	1		X	LINE 4
30	RE525519	CLAMP	3		X	
31	RE527756	SCREW WITH WASHER	1		X	
32	RE524730	CAP SCREW	3		X	
33	RE525515	FUEL LINE	1		X	LINE 3
34	RE525513	FUEL LINE	1		X	LINE 1
35	RE525514	FUEL LINE	1		X	LINE 2
36	R520441	ELEC. CONNECTOR ACCESSORY	1		X	
37	RE522672	WIRING HARNESS	1		X	(ORDER RE535070)
	RE535070	WIRING HARNESS	1		X	
38	R526154	SEALING RING	1		X	
39	RE528096	SCREW WITH WASHER	6		X	
40	R522417	CLAMP	6		X	(SUB FOR R518345)
41	R63548	O-RING	6		X	
42	RE521635	FITTING	6		X	(ORDER RE531195)
	RE531195	FITTING	6		X	
43	R505452	O-RING	6		X	
44	R131051	WASHER	6		X	
45	R518871	TUBE NUT	6		X	
46	RE528407	INJECTION NOZZLE	1		X	
	SE501947	INJECTION NOZZLE REMAN	1		X	

20-22

ENGINE (TIER 2 / HT804) - GROUP 20

CRANKCASE VENTILATING SYSTEM (OPTION 1000,1010)

RE524935PCDC02 -UN-18DEC08



RE524935PCDC02

20-35

ENGINE (TIER 2 / HT804) - GROUP 20

KEY	PART NO.	PART NAME	QTY.	ENGINE SERIAL NO.	H T 8 0 4	REMARKS
1	CYLINDER BLOCK	1		X	(ORDER RE531095) (MARKED R518738 OR R502997) NSEP
2	R120953	BEARING CAP	6		X	
3	R519287	CAP SCREW	14		X	
4	R120954	BEARING CAP	1		X	
5	R527877	BUSHING	6		X	
6	R82007	PLUG	1		X	
7	AT13740	DRAIN VALVE	1		X	
8	R43409	PLUG	1		X	
9	RE535576	CAM FOLLOWER	12		X	
10	RE522991	ORIFICE	6		X	
11	AR98850	O-RING KIT	6		X	PACKG (3)
12	R527468	SHIM	6		X	0.102MM
13	CYLINDER LINER	6		X	(ORDER RE531072)
14	R518212	GEAR	1		X	
15	R518255	GEAR	1		X	
16	R504811	WASHER	1		X	
17	26H91	SHAFT KEY	1		X	
18	R522884	CAMSHAFT	1		X	
19	RE519144	SENSOR	2		X	
20	51M7044	O-RING	2		X	
21	RE57836	PIPE PLUG	3		X	
22	RE71255	PIPE PLUG	5		X	
23	RE167207	PRESSURE SENSOR	1		X	
..	RE531095	SHORT BLOCK ASSEMBLY	1		X	

MEMORANDA

20-61

ENGINE (TIER 2 / HT804) - GROUP 20

KEY	PART NO.	PART NAME	QTY.	ENGINE SERIAL NO.	H T 8 0 4	REMARKS
1	19M7786	SCREW	1		X	M10 X 30
2	21M7473	SCREW	3		X	
3	19M8291	SCREW	3		X	M8 X 35
4	RE517370	FITTING	1		X	
5	51M7044	O-RING	1		X	
6	R518319	COVER	1		X	
7	R98527	FILTER	1		X	
8	R504811	WASHER	1		X	
9	R119384	GASKET	1		X	
10	F1743R	DOWEL PIN	2		X	
11	RE542195	SEAL	1		X	

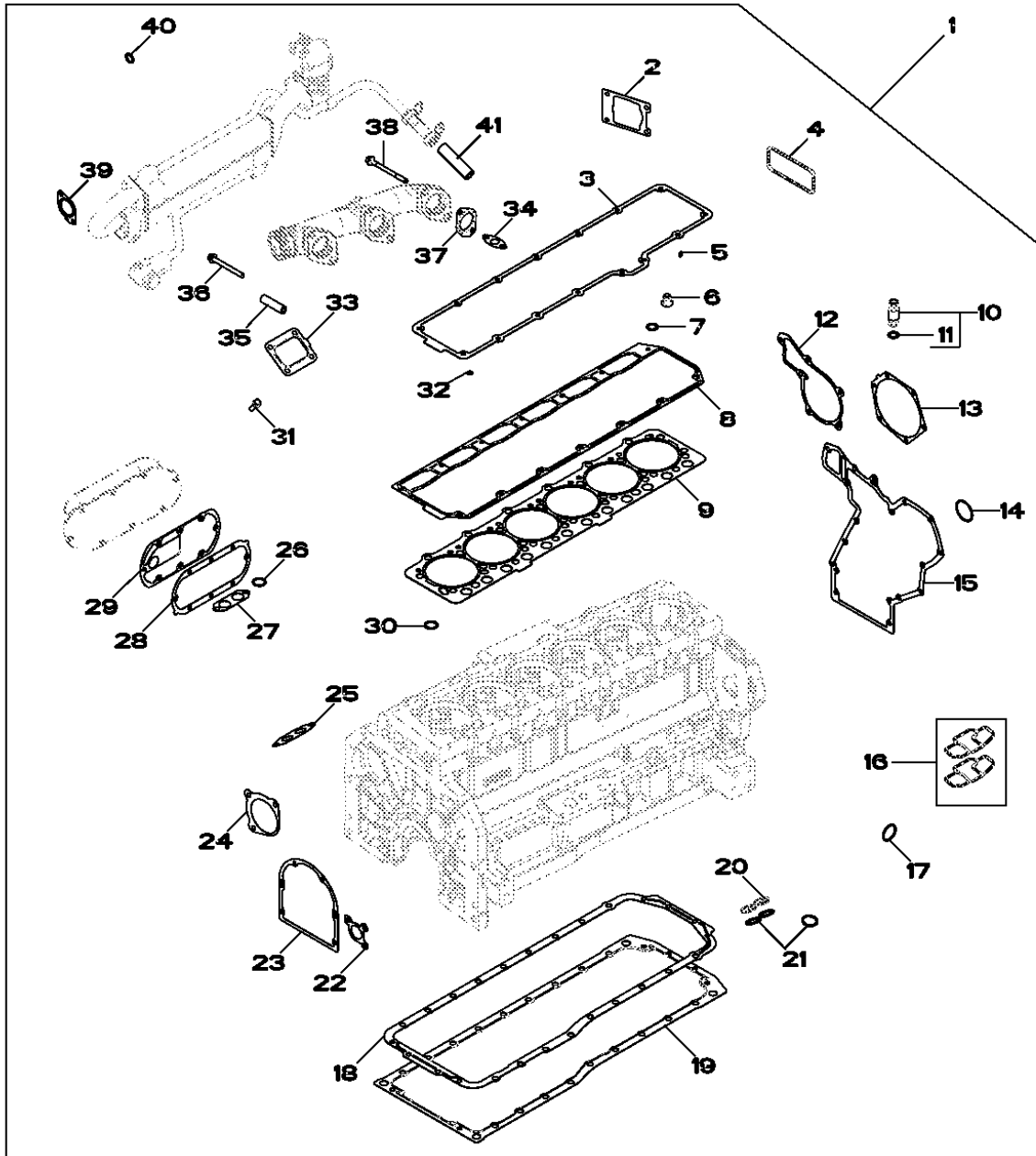
20-74

ENGINE (TIER 2 / HT804) - GROUP 20

GASKET KIT, ENGINE OVERHAUL (OPTION 1020,1030)

RE528400PCDJ02

-UN-03APR09



RE528400PCDJ02

22-13

ENGINE (TIER 3 / HT803) - GROUP 22

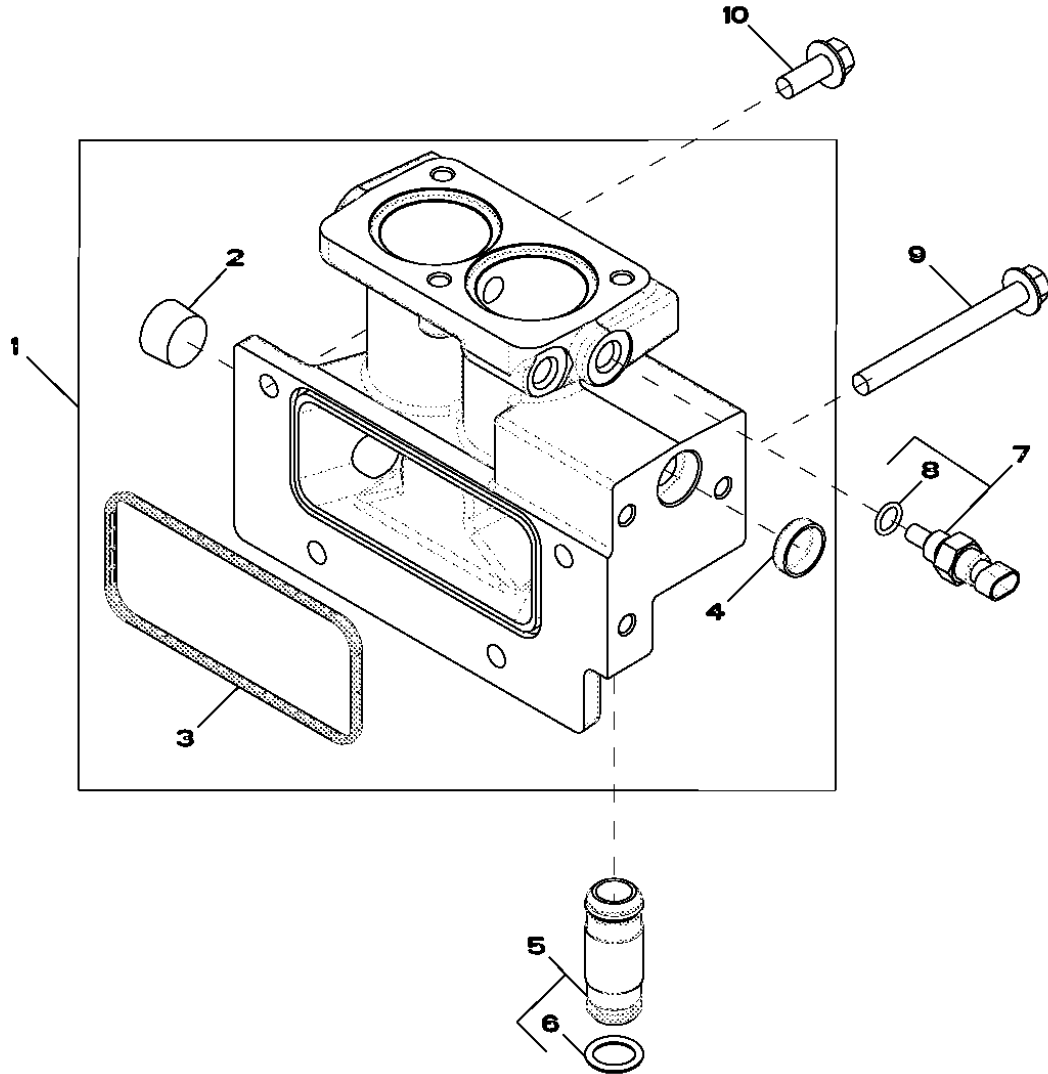
KEY	PART NO.	PART NAME	QTY.	ENGINE SERIAL NO.	H T 8 0 3	REMARKS
1	RE523829	OIL PAN	1		X	
2	R27474	DRAIN PLUG	2		X	
3	R47151	O-RING	2		X	19.177 X 2.464 MM
4	15H690	PIPE PLUG	1		X	19.050 MM
5	RE509097	DRAIN VALVE	1		X	
6	19M8306	SCREW	18		X	M12 X 50
7	19M7805	SCREW	8		X	M10 X 45
8	RE520777	GASKET	1		X	
9	R100569	GASKET	1		X	
10	19M9399	CAP SCREW	3		X	M10 X 60
11	RE520585	OIL PUMP INTAKE	1		X	

22-26

ENGINE (TIER 3 / HT803) - GROUP 22

THERMOSTAT HOUSING/BYPASS TUBE TO WATER PUMP(OPTION 1020,1030)

RE523126PCDD03 -UN-15DEC08



RE523126PCDD03

THIS PARTS LISTING IS CONTINUED

22-39

ENGINE (TIER 3 / HT803) - GROUP 22

KEY	PART NO.	PART NAME	QTY.	SERIAL NO.	HT803	REMARKS
1	40M7259	SNAP RING	2		X	
2	R521316	WASHER	4		X	25.500 X 40 X 1.520 MM
3	R35022	WASHER	2		X	26.187 X 38.100 X 0.508 MM
4	R521261	CAP SCREW	6		X	
5	R517522	SPRING	5		X	
6	RE519802	ROCKER ARM	6		X	
7	R526781	GUIDE	12		X	
8	R518087	PEDESTAL	6		X	
9	RE519803	ROCKER ARM	6		X	
10	RE519810	ROCKER ARM SHAFT	1		X	
11	30M7024	PLUG	2		X	
12	R85027	PUSH ROD	12		X	

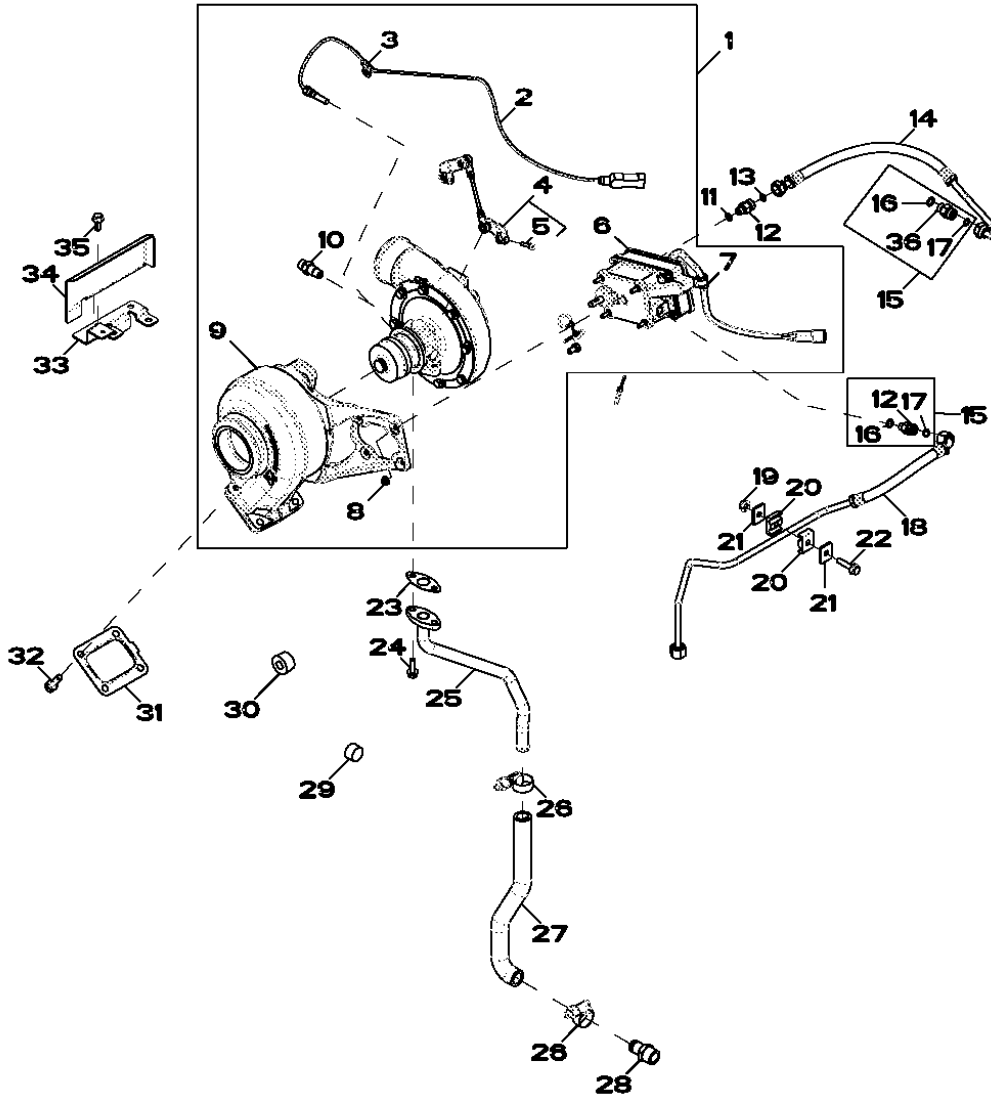
22-52

ENGINE (TIER 3 / HT803) - GROUP 22

TURBOCHARGER (OPTION 1020,1030)

RE534643PCDC03

-UN-06APR09



RE534643PCDC03

THIS PARTS LISTING IS CONTINUED

22-65

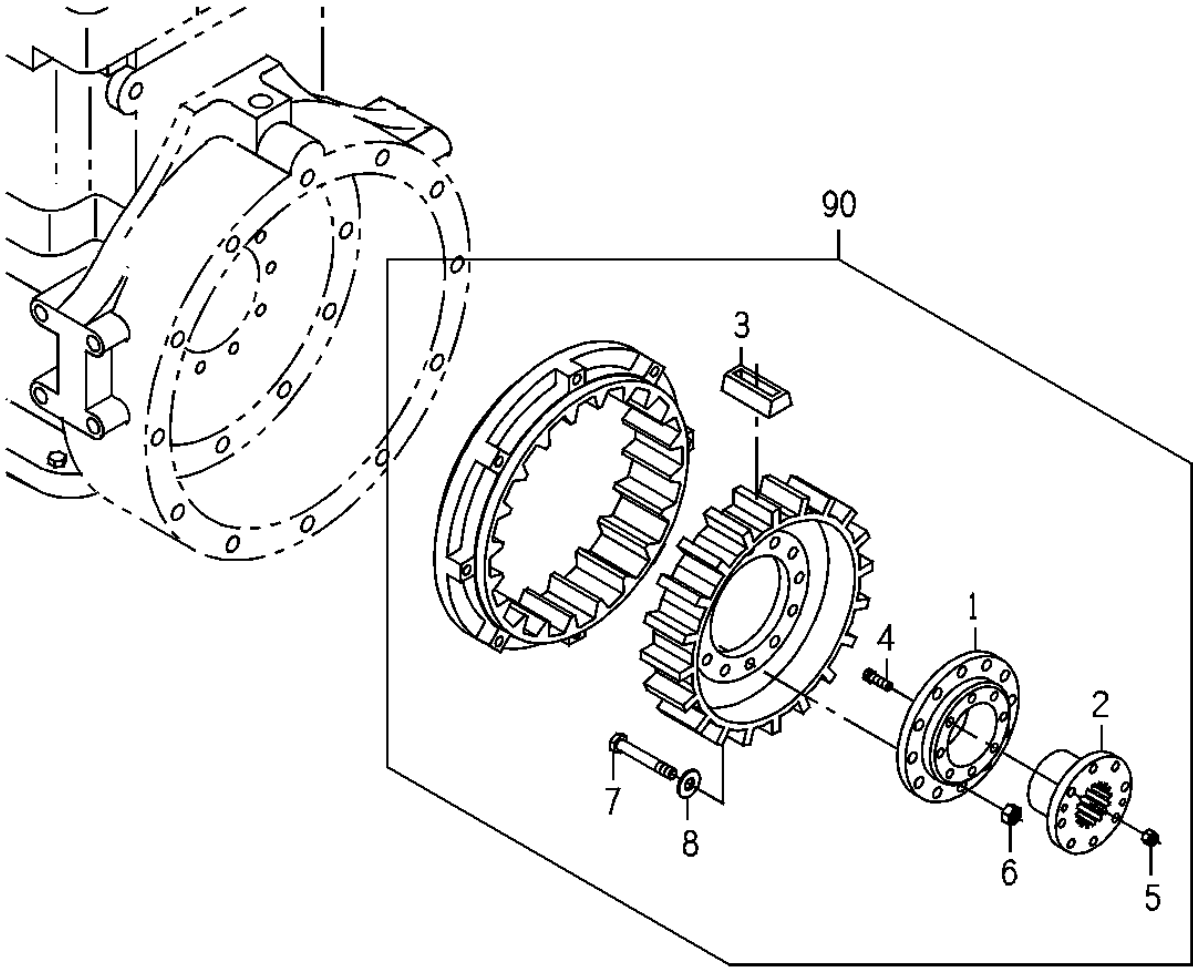
ENGINE (TIER 3 / HT803) - GROUP 22

KEY	PART NO.	PART NAME	QTY.	ENGINE SERIAL NO.	H T 8 0 3	REMARKS
1	RE526285	COOLANT MANIFOLD	1		X	
2	RE63751	PIPE PLUG	2		X	
3	61M5002	ADAPTER FITTING	1		X	
4	T77613	O-RING	1		X	9.250 X 1.780 MM
5	38H5002	ADAPTER FITTING	1		X	
6	51M7041	O-RING	1		X	11.300 X 2.200 MM
7	RE526287	LINE	1		X	
8	R504810	O-RING	2		X	18.644 X 3.531 MM
9	19M7774	SCREW	2		X	M6 X 12
10	RE522210	HEAT EXCHANGER	1		X	
11	RE60071	FITTING	1		X	M10 X 1
12	51M7039	O-RING	1		X	8.100 X 1.600 MM
13	RE537144	EXHAUST GAS RECYCLING VALVE	1		X	(SUB FOR RE535294)
	SE502281	EGR VALVE REMANUFACTURED	1		X	
14	19M8627	SCREW	2		X	M6 X 20
15	R524513	HOSE CLAMP	2		X	
16	R519344	RADIATOR HOSE	1		X	
17	R518619	GASKET	3		X	
18	RE528232	FITTING PLUG	1		X	M12 X 1.5
19	R520852	WASHER	1		X	12.220 MM
20	RE522824	TEMPERATURE SENSOR	1		X	
21	R42045	CLIP	1		X	
22	RE524730	CAP SCREW	1		X	M8 X 12
23	RE522368	TUBE	1		X	
24	R504810	O-RING	1		X	18.644 X 3.531 MM
25	R519426	SCREW	2		X	M10 X 30.500
26	12M1646	WASHER	2		X	13 X 24 X 1.200 MM
27	R519439	CAP SCREW	6		X	M8 X 28
28	RE528269	TUBE	1		X	

25-6

DRIVE, COUPLING

CM51326578B1 -UN-06MAR08



THIS PARTS LISTING IS CONTINUED

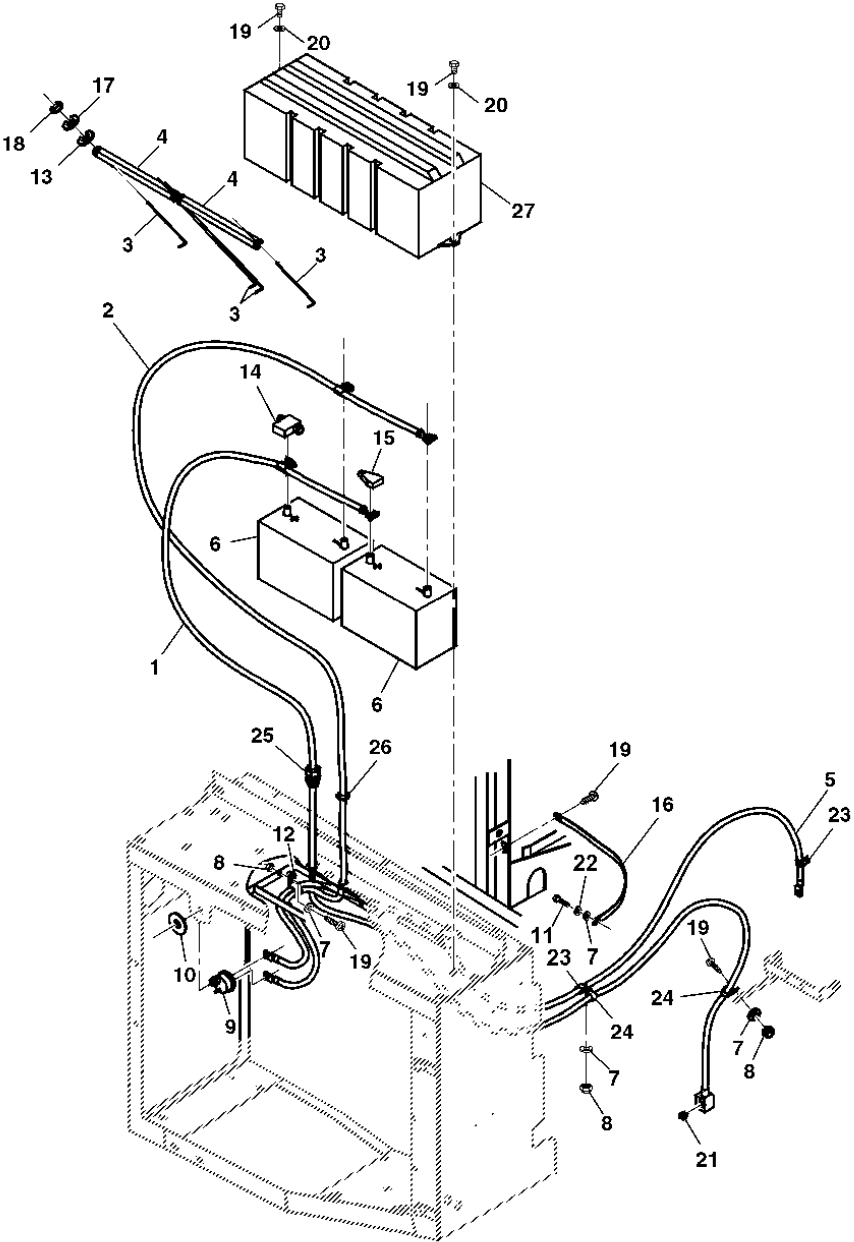
30-7

FUEL / AIR - GROUP 30

KEY	PART NO.	PART NAME	QTY.	SERIAL NO.	REMARKS
1	0071329341	FITTING	1		
2	51M7042	O-RING	1		0.524" X 0.087"
3	51M7045	O-RING	2		0.760" X 0.087"
4	AR21836	CLAMP	2		
5	AR48236	CLAMP	1		
6	AT32332	ELBOW FITTING	1		
7	CB01480104	HOSE	1		
8	CB01501014	SLEEVE	1		
9	CB11499602	MOUNTING PARTS	1		
10	CB11499606	HYDRAULIC HOSE - FABRICATE	2		
11	N10214	SELF-LOCKING SCREW	4		3/8" X 1"
12	N10215	LOCK NUT	4		3/8"
13	R115350	GROMMET	1		
14	R26375	O-RING	1		0.644" X 0.087"
15	RE169512	WATER TRAP	1		
16	RE171321	FUEL FILTER	1		
17	RE173390	COVER	1		
18	RE173393	KIT	1		
19	RE173561	KIT	1		
20	RE250659	ELBOW FITTING	2		
22	T16464	LOCK NUT	4		5/16"
23	T78787	CLAMP	4		

ELECTRICAL GP, BATTERY

T8ETN68839A1 -UN-



T8ETN68839A1

THIS PARTS LISTING IS CONTINUED

40-15

ELECTRICAL - GROUP 40

KEY	PART NO.	PART NAME	QTY.	SERIAL NO.	REMARKS
1	AT50820	TOGGLE/ROCKER SWITCH	1		
2	CB11470481	WIRING HARNESS	2		
3	CB11470485	WIRING HARNESS	2		
4	CB11492321	WIRING HARNESS	1		
5	CB11470489	WIRING HARNESS	1		
6	T75276	CLAMP	2		
7	CB11486300	CHASSIS WIRING HARNESS	1		
8	57M8163	FUSE	1		
9	LVA13711	RELAY	1		
10	R41440	GROMMET	2		
11	AT124918	GROMMET	4		

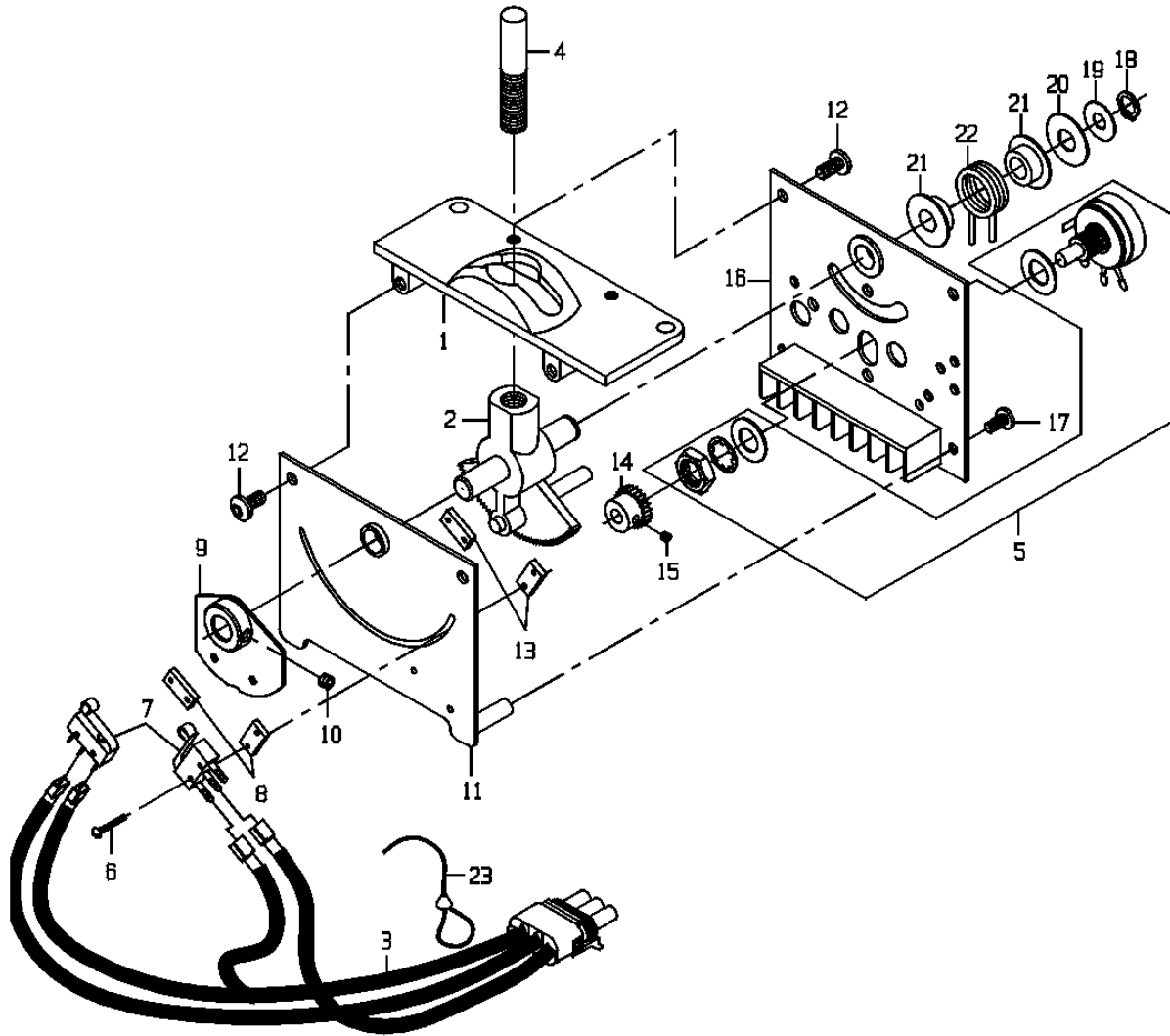
40-28

ELECTRICAL - GROUP 40

CONTROL GP, BASECUTTER LIFT

CM11442206A2

-UN-06MAR08



THIS PARTS LISTING IS CONTINUED

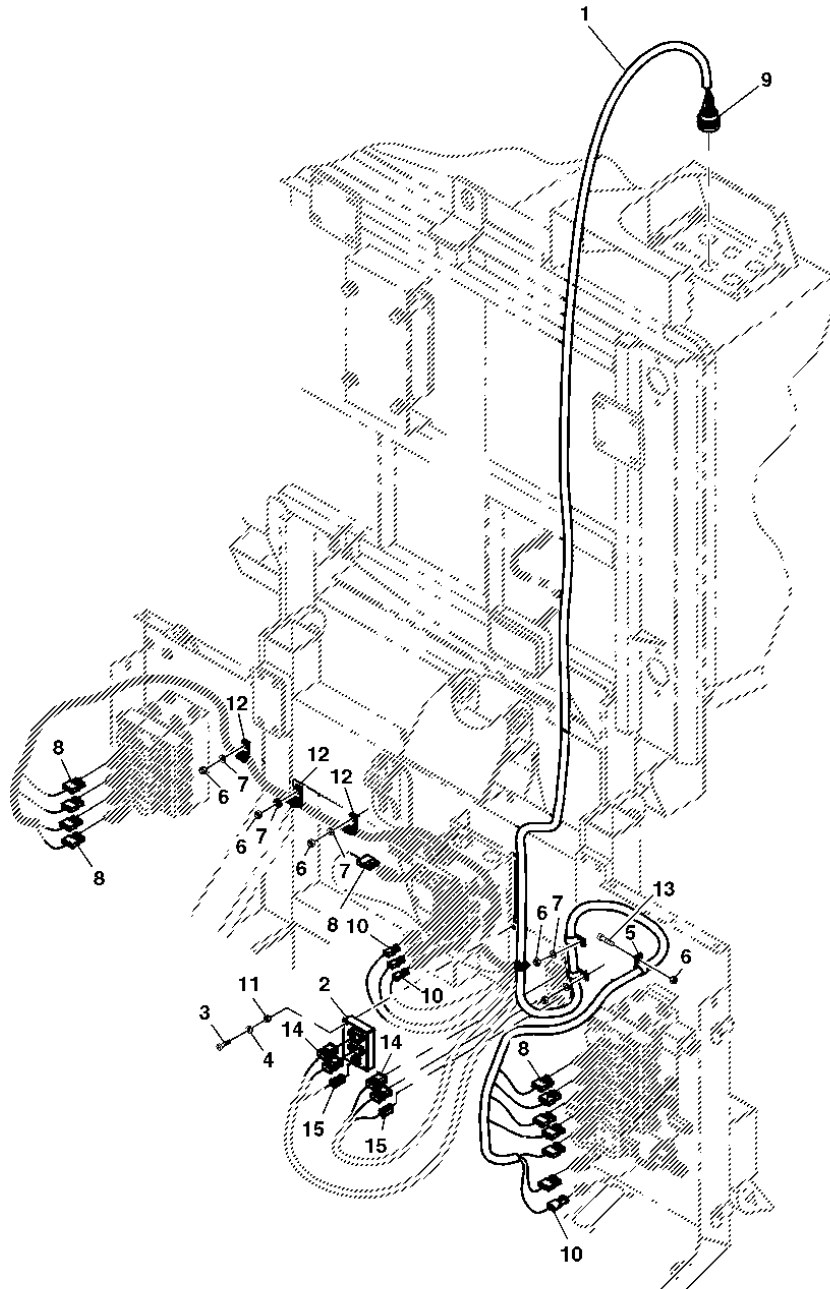
40-41

ELECTRICAL - GROUP 40

KEY	PART NO.	PART NAME	QTY.	SERIAL NO.	REMARKS
1	CB11497689	CAB WIRING HARNESS	1		
2	CB11444621	WIRING HARNESS	2		
3	T74416	CLAMP	1		
4	0361350751	TOGGLE/ROCKER SWITCH	1		
5	CB11441774	STORAGE COMPARTMENT	1		
6	M40333	LOCK NUT	2		1/4"
7	19H1948	CAP SCREW	2		1/4" X 3/4"
8	CB01449475	COVER	1		
9	CB11498769	CONTROL	1		
10	AN153662	TOGGLE/ROCKER SWITCH	1		
11	H165691	SCREW	1		
12	H140627	SCREW	2		
13	CB11459229	COVER	1		
14	CB01459226	LABEL	1		
15	0363000066	POTENTIOMETER	2		
16	0281349274	KNOB	2		
17	CB11436656	BULB	1		
18	CB11450027	BULB	1		
19	RE12363	ELECTRICAL CONNECTOR ASSY	2		
20	CB01474027	SEALING TRIM	2		

ELECTRICAL GP, FRONT SOLENOID

T8ETN68551A1 -UN-



T8ETN68551A1

THIS PARTS LISTING IS CONTINUED

40-67

ELECTRICAL - GROUP 40

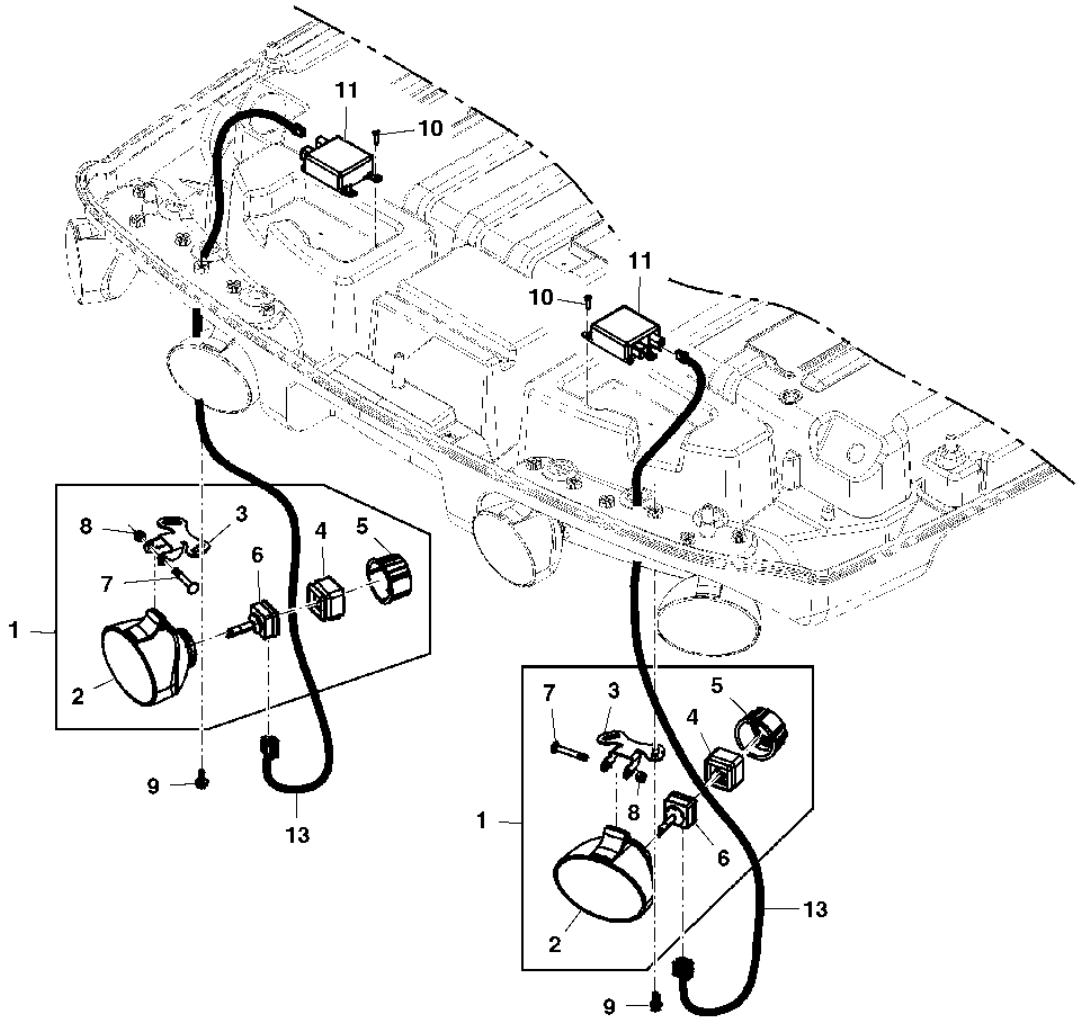
KEY	PART NO.	PART NAME	QTY.	SERIAL NO.	REMARKS
1	CB11490136	WIRING HARNESS	1		
2	CB01438131	GUARD	1		
3	N10214	SELF-LOCKING SCREW	1		3/8" X 1"
4	T11234	LOCK NUT	5		3/8"
5	24H1219	WASHER	8		7/16" X 1" X 0.083"
6	0510012270	CLAMP	5		
7	24H1776	WASHER	1		5/16" X 47/64" X 0.065"
8	N189220	TIE BAND	4		
9	H145247	HALF CLAMP	1		
10	19H3132	CAP SCREW	2		5/16" X 2-1/4"
11	T16464	LOCK NUT	2		5/16"

40-80

ELECTRICAL - GROUP 40

LIGHT GP, HID CAB (OPTION 7240)

T8ETN68587A1 -UN-



T8ETN68587A1

THIS PARTS LISTING IS CONTINUED

40-91

ELECTRICAL - GROUP 40

KEY	PART NO.	PART NAME	QTY.	SERIAL NO.	REMARKS
45	CB11492016	MOUNTING PARTS	1		CE LIGHT MOUNT (RH)
46	N207951	LOCK NUT	4		M5
47	AL24547	TURN SIGNAL LAMP	1		
48	24H1287	WASHER	4		9/32" X 5/8" X 0.065"
49	19H2676	CAP SCREW	8		3/8" X 1"
50	12H304	LOCK WASHER	8		3/8"
51	24H1305	WASHER	8		13/32" X 13/16" X 0.065"
52	AL112964	TAIL LAMP	2		
53	R133301	BULB	2		
54	M136357	BULB	2		
55	CB11488209	GUARD	1		
56	CB11488266	GUARD	1		
57	CB01492047	PLATE	2		
58	19H3065	CAP SCREW	4		3/8" X 2"

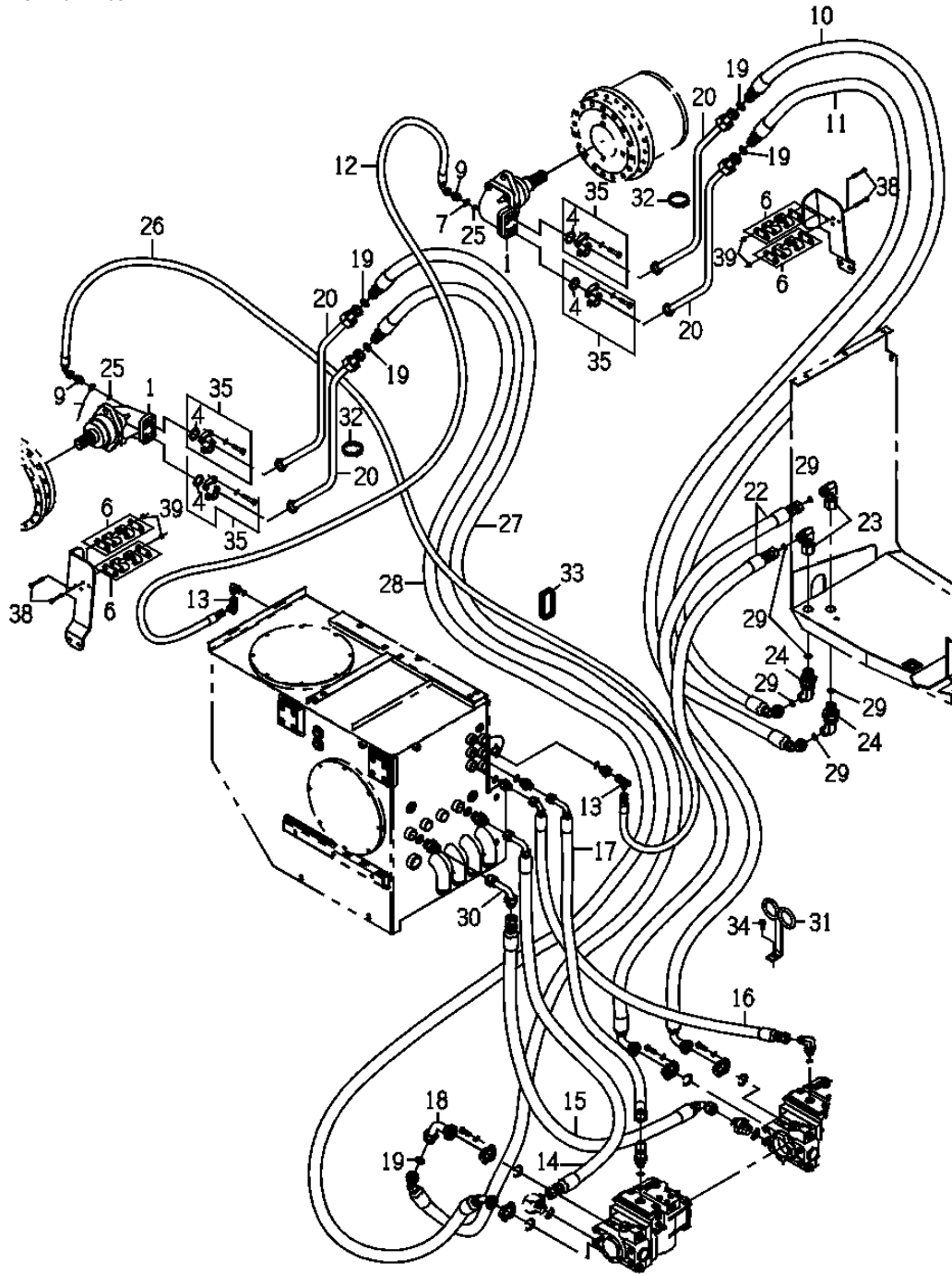
50-6

POWER TRAIN (HYDROSTATIC){TRACK} - GROUP 50

LINES GP, GROUND DRIVE-TANK-PUMP-MOTOR(OPTION 0911){TRACK} (-090756)

CM11480294C1

-UN-16APR08



THIS PARTS LISTING IS CONTINUED

50-19

POWER TRAIN (HYDROSTATIC){TRACK} - GROUP 50

KEY	PART NO.	PART NAME	QTY.	SERIAL NO.	REMARKS
38	AT173181	CAP	1		
39	0631308858	ORIFICE	1		
40	T155601	BEARING	1		
41	N203486	BUSHING	1		
42	T155604	GASKET	1		(E)
43	R27218	FITTING PLUG	3		
44	19M8541	SCREW	6		(B) M6 X 50
45	AT214860	SPACER	1		
46	AT214861	LUG	1		
47	24H1136	WASHER	2		11/32" X 11/16" X 0.065"
48	19M8123	SCREW	2		M8 X 45
49	AT214865	PUMP	1		
50	T155676	PIN	1		
51	T155678	DRIVE SHAFT	1		
52	T155677	KEY	1		
53	0631305844	PLATE	1		
54	T155680	SCREW	6		
55	N203486	BUSHING	1		(I)
56	AT216565	COVER	1		(C)
57	0071339071	FITTING	1		
58	T165493	O-RING	1		(J)
59	R151095	PLUG	2		
60	AT214853	CHECK VALVE	2		
61	N203491	O-RING	2		(F)
62	AT214846	DRIVE SHAFT	1		
63	R164596	CYLINDRICAL ROLLER BEARING	1		
64	T155994	SNAP RING	1		
65	AT173173	SEAL	1		
66	AT173174	SEAL	1		(K)
67	T155995	O-RING	1		
68	R164696	PLATE	1		
69	19M8627	SCREW	4		M6 X 20
70	T210527	SCREW	4		(D)
90	CB11487656	HYDRAULIC PUMP	1		PUMP, GROUND DRIVE-LEFT {TRACK}
..A	AT351639	SEAL KIT	1		

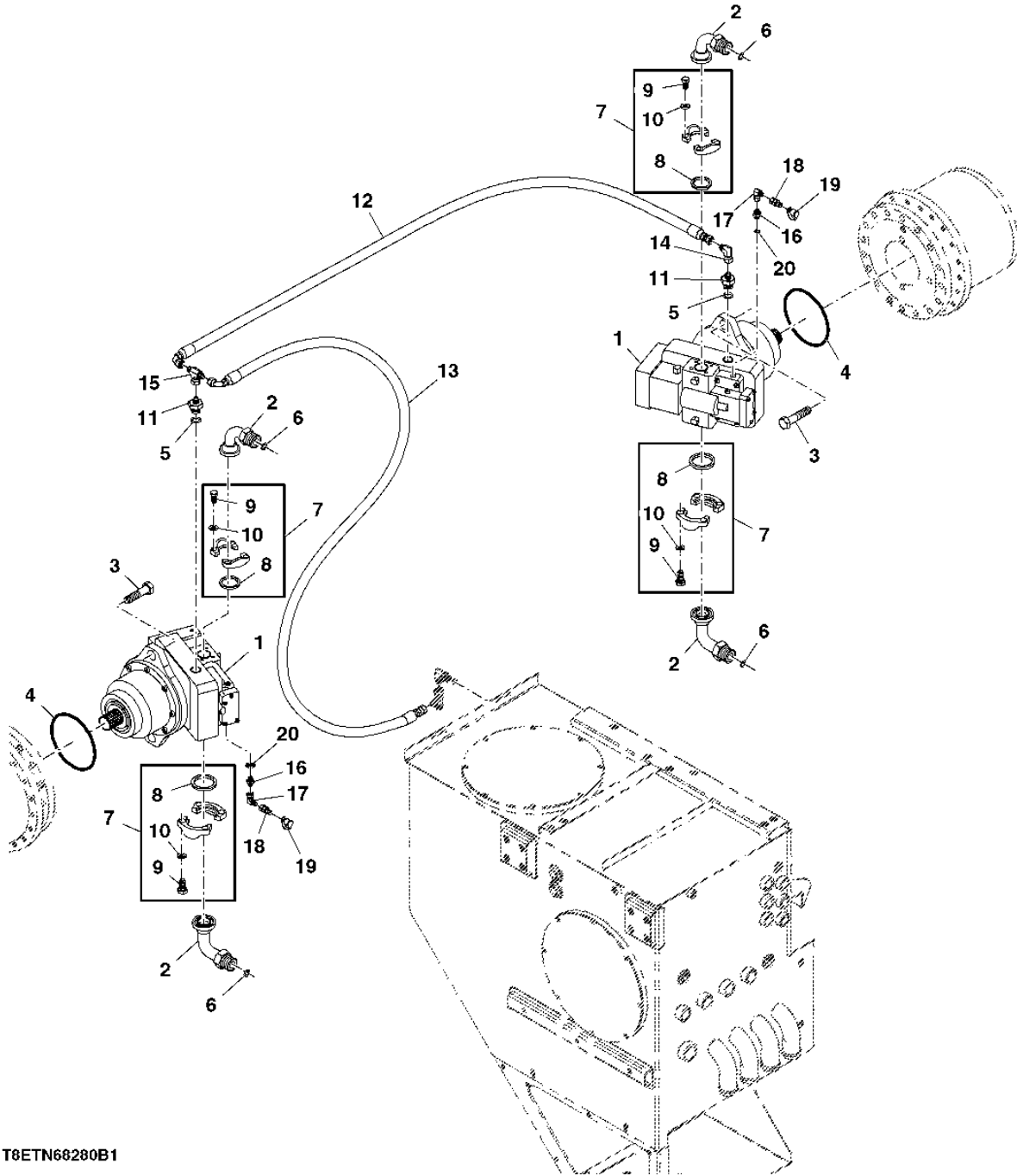
- (A) INCLD IN 0361384266 CONTROL & 0633005160 CONTROL
- (B) INCLD IN 0633005160 CONTROL
- (C) INCLD IN 0631322168 FLANGE FITTING & AT351639 SEAL KIT
- (D) INCLD IN 0631322168 FLANGE FITTING
- (E) INCLD IN AT351639 SEAL KIT
- (F) INCLD IN AN202212 VALVE & AT351639 SEAL KIT
- (G) INCLD IN AT173182 KIT & AT351639 SEAL KIT
- (H) INCLD IN AT313404 KIT & AT351639 SEAL KIT
- (I) INCLD IN 0631322168 FLANGE FITTING & AT216565 CHARGE PUMP COVER
- (J) INCLD IN AT214824 PRESSURE RELIEF VALVE & AT351639 SEAL KIT
- (K) INCLD IN AT173173 CARRIER SEAL

50-32

POWER TRAIN (HYDROSTATIC){TRACK} - GROUP 50

MOTOR GP-GROUND DRIVE {WHEEL}(100601-)

T8ETN68280B1 -UN-



T8ETN68280B1

THIS PARTS LISTING IS CONTINUED

52-3

POWER TRAIN (HYDROSTATIC){WHEEL} - GROUP 52

KEY	PART NO.	PART NAME	QTY.	SERIAL NO.	REMARKS
1	CB11416147	MOTOR	2		
2	CB11494760	ELBOW FITTING	6		
3	19M7597	CAP SCREW	4		M20 X 50
4	PMH180	ELBOW FITTING	2		
5	0051332774	O-RING	2		(A)
6	CB11443359	HYDRAULIC HOSE - FABRICATE	1		
7	CB11436832	HYDRAULIC HOSE - FABRICATE	1		
8	0881342678	HYDRAULIC HOSE - FABRICATE	1		
9	CB11436838	HYDRAULIC HOSE - FABRICATE	1		
10	CB11437354	HYDRAULIC HOSE - FABRICATE	2		
11	61H1098	ELBOW FITTING	3		
12	U12547	O-RING	2		(B) 0.924" X 0.116"
13	T76938	O-RING	13		(C) 0.926" X 0.070"
14	0071341057	FITTING	1		
15	AN33434	TEE FITTING	1		
16	CB11468282	FLANGE FITTING	4		
17	T78313	O-RING	6		(D) 1.296" X 0.139"
20	0071341813	FITTING	2		
21	0881382787	HYDRAULIC HOSE - FABRICATE	1		
22	0883002173	HYDRAULIC HOSE - FABRICATE	1		
23	AH75164	ELBOW FITTING	1		
24	AT54268	TEE FITTING	1		
25	CB11448868	HYDRAULIC HOSE - FABRICATE	1		
26	CB11442236	HYDRAULIC HOSE - FABRICATE	1		
27	CB11442237	HYDRAULIC HOSE - FABRICATE	1		
28	CB11442238	HYDRAULIC HOSE - FABRICATE	1		
29	CB01441958	COVER	1		
30	19H1948	CAP SCREW	6		1/4" X 3/4"
31	12H302	LOCK WASHER	6		1/4"
32	24H1287	WASHER	6		9/32" X 5/8" X 0.065"
33	R27212	FITTING	2		
34	AE24616	ELBOW FITTING	2		
35	CB01510120	FITTING	2		
36	AT205083	CAP	2		
37	R26448	O-RING	2		(E) 0.468" X 5/64"
38	CB11476135	MOUNTING PARTS	1		HOSE MOUNT
39	N10214	SELF-LOCKING SCREW	1		3/8" X 1"

(A) INCLD IN CB11416147 MOTOR

(B) INCLD IN 0071341813 FITTING

(C) INCLD IN CB11494760 FITTING, PMH180 & 61H1098 ELBOW FITTINGS

(D) INCLD IN CB11494760 FITTING & CB11468282 FLANGE FITTING

(E) INCLD IN R27212 FITTING

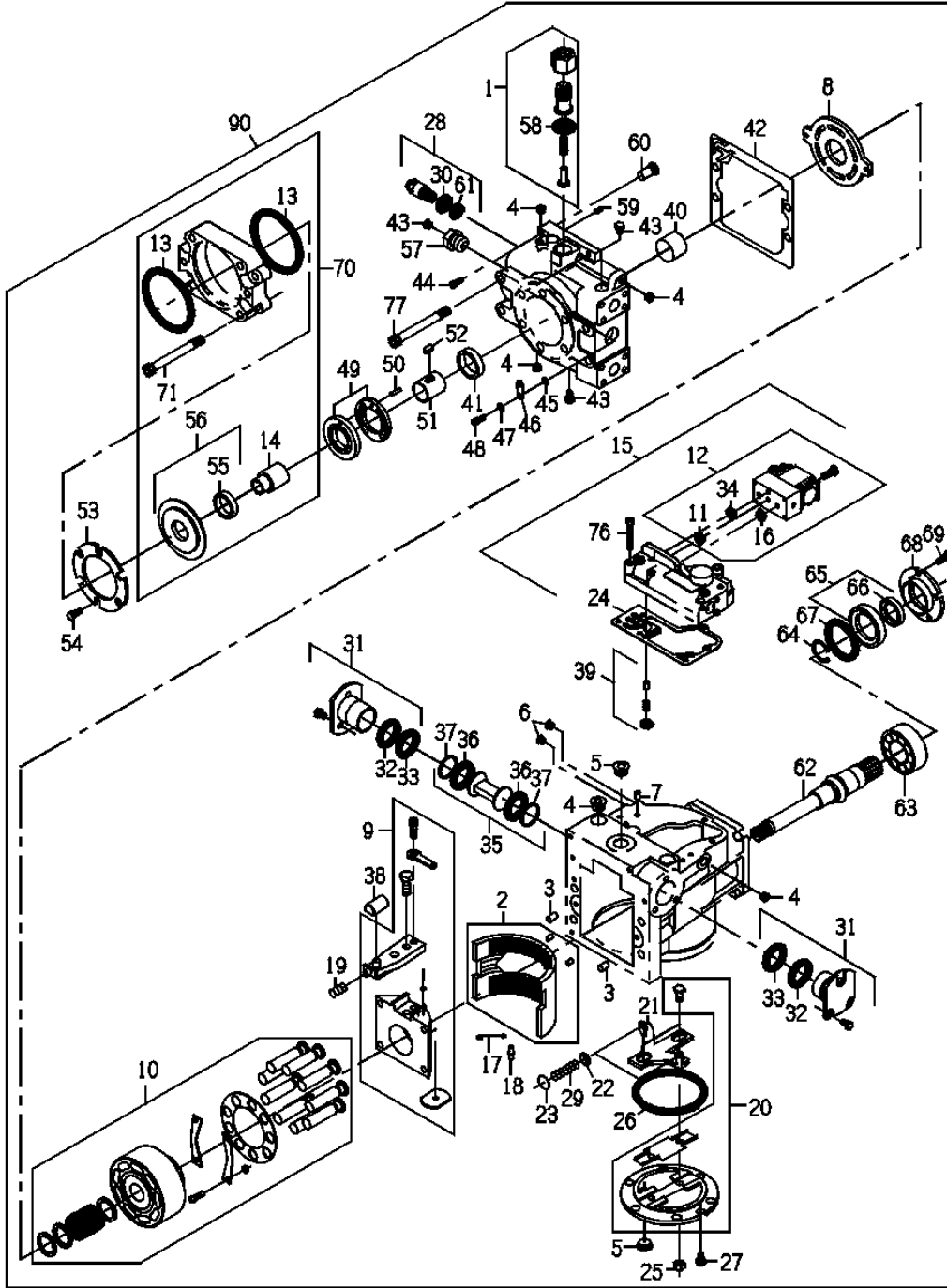
52-16

POWER TRAIN (HYDROSTATIC)(WHEEL) - GROUP 52

PUMP, GROUND DRIVE, LEFT (WHEEL)

CM11487661A3

-UN-21APR08



THIS PARTS LISTING IS CONTINUED

52-29

POWER TRAIN (HYDROSTATIC){WHEEL} - GROUP 52

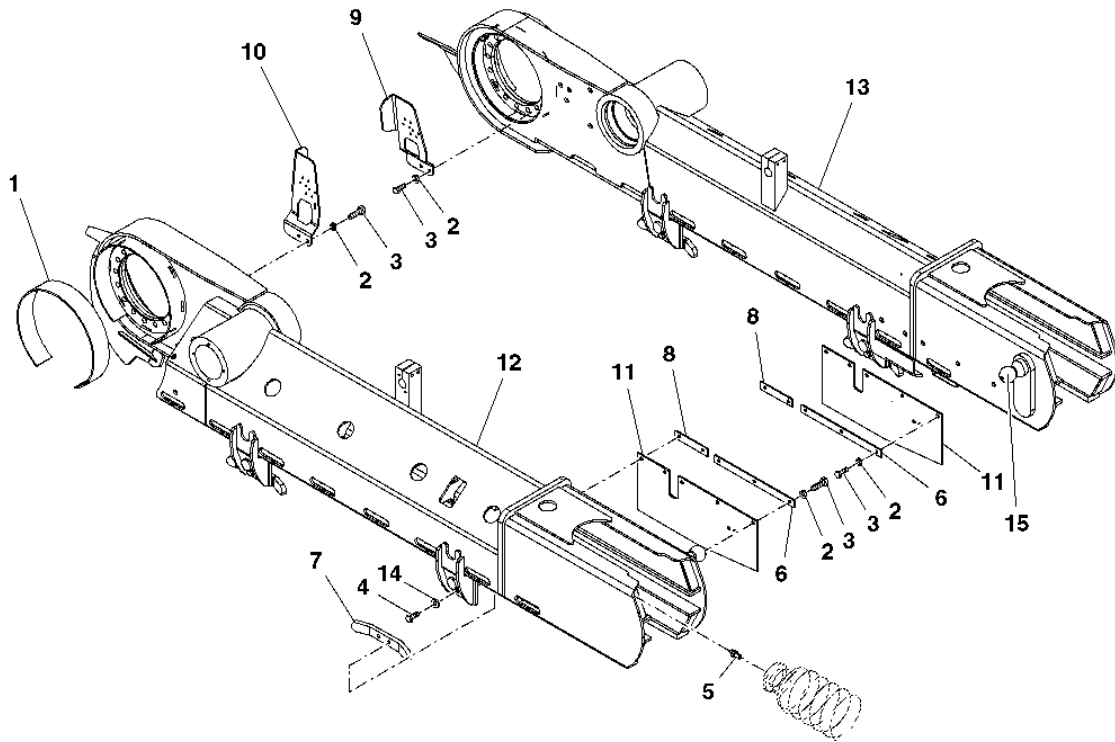
KEY	PART NO.	PART NAME	QTY.	SERIAL NO.	REMARKS
1	0241338054	RING	1		
2	0331327938	PISTON RING KIT	1	(A)	
3	0161327937	SHAFT	1		
4	0051332778	O-RING	1	(B)	
5	T155766	O-RING	1	(B)	
6	0501338050	GASKET	1	(B)	
7	N306885	SNAP RING	2		
8	T187896	O-RING	1	(C)	
9	AT334513	SEAL	1	(C)	
10	AT195723	SEAL	1		
11	N306884	SCREW	8		
12	0051332774	O-RING	1	(C)	
13	0331327888	HOUSING	1		
14	AT305950	KIT	1		
17	PIN	2	(D)	
18	BEARING	1	(D)	
19	AT305948	CYLINDER BLOCK	1		
20	T204290	PLATE	1		
21	0021327887	SWASH PLATE	1		
22	T204282	GASKET	1	(E)	
23	R726R	DOWEL PIN	2		
24	HOUSING	1		
25	0241336356	RING	1	(F)	
26	0281327898	LEVER	1		
27	T155736	SET SCREW	1		
28	T155737	SET SCREW	1		
29	0491336357	O-RING	1	(F)	
30	LOCK NUT	1	(G)	
31	NUT	1	(G)	
32	T165492	O-RING	1	(H)	
33	0331377542	ROD	1		
34	T155744	LOCK NUT	1		
35	R26906	O-RING	1	(E) 0.755" X 0.097"	
36	0331361671	PISTON	1		
37	0051327909	BOLT	4		
38	0051327910	BOLT	4		
39	R51031	FITTING	2		
40	T77613	O-RING	2	0.364" X 0.070"	
41	19M7695	SCREW	1	M10 X 20	
42	AT143766	O-RING	2	(E)	
43	0561327906	COVER	1		
44	AT214507	BOLT	4		
45	AT184869	PLUG	5		
46	T166535	PISTON	8	(I)	
47	T155987	O-RING	4	(J)	
48	AT180814	PLUG	2		
49	M74600	O-RING	9	(K) 0.468" X 0.078"	
50	T155739	SPRING	2		
51	AT190063	SPRING	2		
52	0331327936	PISTON	1		
53	0321327965	GUIDE	1		
54	0321327964	SPRING	1		
55	0331377542	ROD	1		

55-12

TRACK - GROUP 55

TRACK GP, FRAME AND GUARD (OPTION 0911){TRACK}

T8ETN68580B0 -UN-



T8ETN68580B0

THIS PARTS LISTING IS CONTINUED

55-25

TRACK - GROUP 55

KEY	PART NO.	PART NAME	QTY.	SERIAL NO.	REMARKS
1	19M8446	SCREW	10		M8 X 20
2	N308005	SEALING WASHER	1		(A)
3	N308004	DRAIN PLUG	1		
4	T142802	DRAIN PLUG	2		
5	T141713	WASHER	2		(A)
6	0151399441	COVER	1		
7	0151399442	O-RING	1		(A)
8	T141712	BUSHING	1		
9	0151399443	GEAR	1		
10	0151399445	REDUCER	1		
11	N306342	SNAP RING	4		
12	CB11464560	GEAR	1		
13	N306343	SPACER	4		
14	N306344	NUT	1		
16	0151399452	SEAL	1		(B)
17	N306346	O-RING	1		(A)
18	0151399466	HUB	1		
19	CB01467305	SHAFT	1		
20	0151399467	BUSHING	1		
21	T141715	RING	5		
22	0151399461	DISK	6		
23	T141717	SPACER	1		
24	CB01467308	BACK-UP RING	1		(A)
25	R11120	O-RING	1		4-7/64" X 0.139"
26	CB01467309	BACK-UP RING	2		(A)
27	H85996	O-RING	2		(A) 5-47/64" X 0.139"
28	T141721	PISTON	1		
29	T141722	SPRING	21		
30	T141723	DISK	1		
31	N302133	SNAP RING	1		
32	CB01401728	O-RING	1		(A)
33	19M7487	CAP SCREW	2		M20 X 50
90	CB01472815	DRIVE	1		DRIVE, FINAL GEARBOX
..A	0411408604	SEAL KIT	1		
..B	0171399493	SEAL KIT	1		

(A) INCLD IN 0411408604 & 0171399493 SEAL KITS

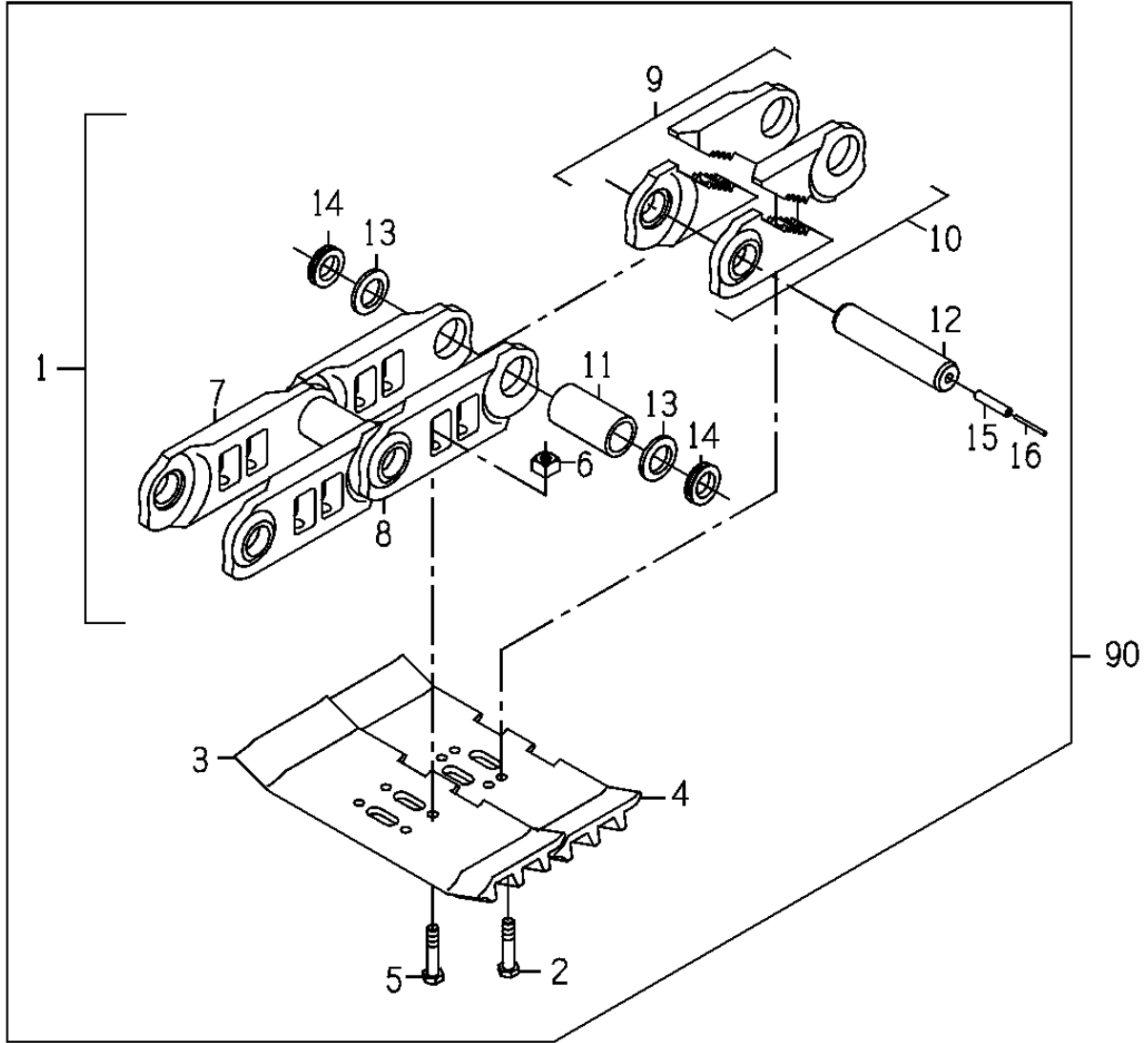
(B) INCLD IN 0171399493 SEAL KIT

55-38

TRACK - GROUP 55

TRACK GP, CHAIN SNL AND SHOE 18 INCHES BENT(OPTION 2050){TRACK}

CM11429751B2 -UN-06MAR08



57-9

WHEEL - GROUP 57

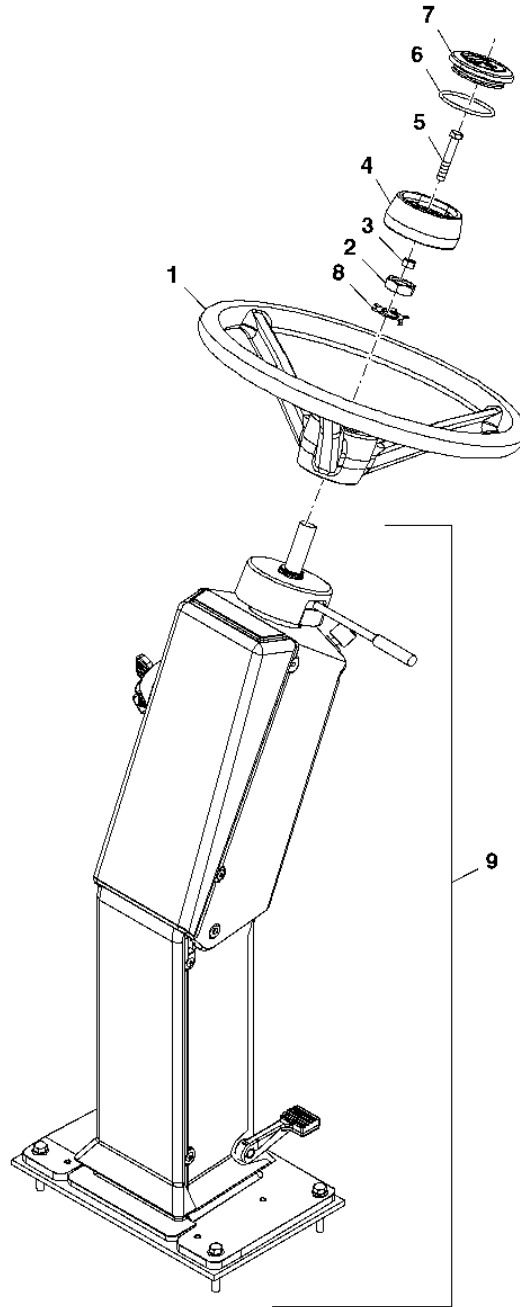
KEY	PART NO.	PART NAME	QTY.	SERIAL NO.	REMARKS
1	0841333986	ADAPTER FITTING	2		
2	15H709	FITTING	2		(A) 2"
3	19M8224	CAP SCREW	32		M20 X 60
4	24M7242	WASHER	32		21.400 X 42 X 5 MM
5	CB01410581	TIRE VALVE STEM	2		
6	CB11491015	WHEEL	2		
7	TIRE	2		TIRE-23.5X25
8	T210133	WHEEL RING	2		(A)

(A) INCLD IN CB11491015 WHEEL

60-6

COLUMN GP, STEERING (WHEEL)(100601-)

T8ETN69064C2 -UN-



T8ETN69064C2

THIS PARTS LISTING IS CONTINUED

60-19

STEERING AND BRAKES - GROUP 60

KEY	PART NO.	PART NAME	QTY.	SERIAL NO.	REMARKS
1	TUBE	1		
2	HYDRAULIC CYLINDER ROD	1		
3	PISTON	1		
4	WEAR RING	1	(A)	
5	SEAL	1	(A)	
6	SEAL	1	(A)	
7	O-RING	1	(A)	
8	HYDR. CYLINDER ROD GUIDE	1		
9	RETAINER	1		
10	SEAL	1	(A)	
11	SEAL	1	(A)	
12	O-RING	1	(A)	
13	SEAL	1	(A)	
14	0051376662	NUT	1		
90	CB11483927	CYLINDER	1		CYLINDER, STEERING {WHEEL}
..	CB01488210	SEAL KIT	1		

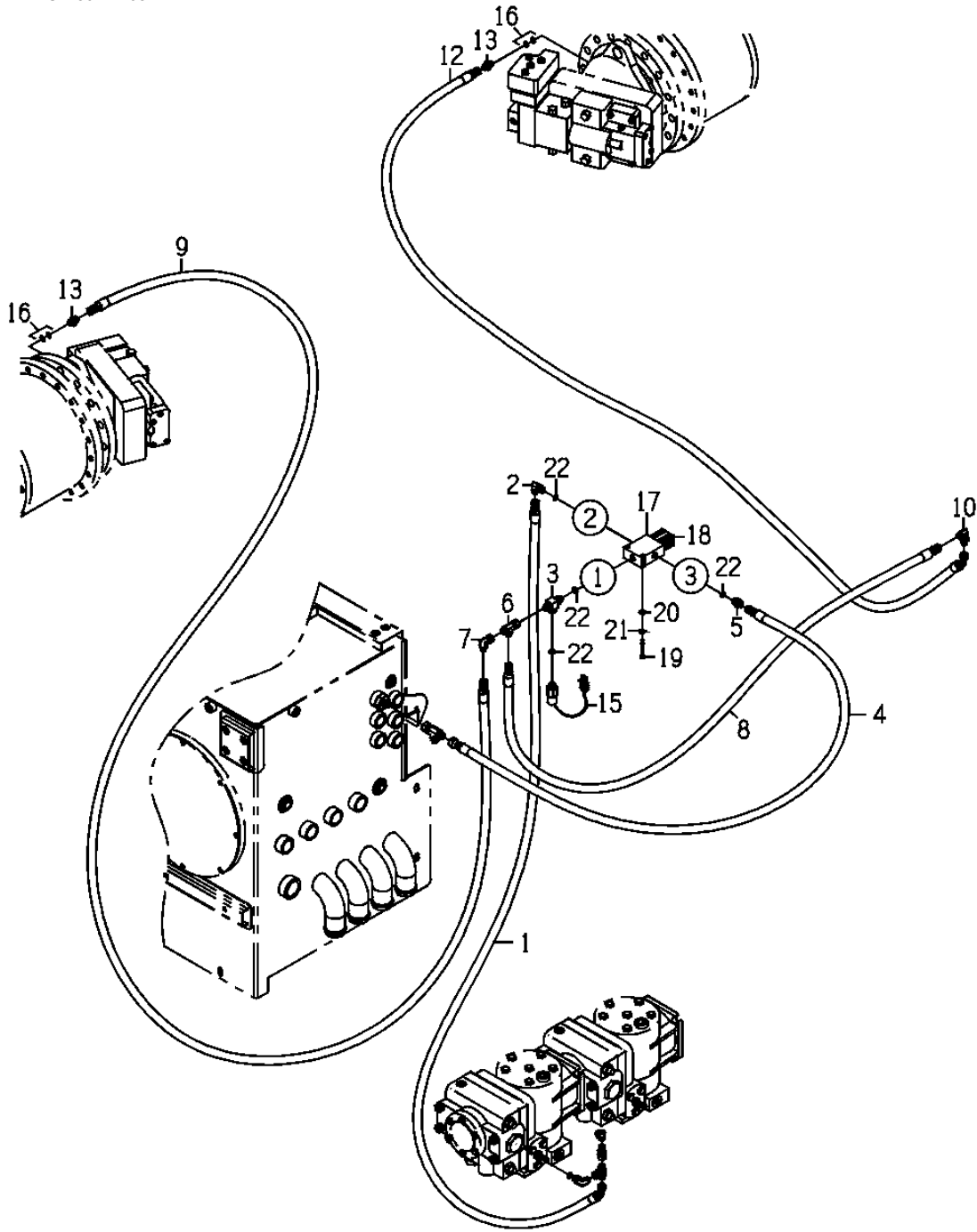
(A) INCLD IN CB01488210 SEAL KIT

60-32

LINES GP, PARK BRAKE (WHEEL)

CM11432822D1

-UN-30APR08



THIS PARTS LISTING IS CONTINUED

70-9

HYDRAULICS - GROUP 70

KEY	PART NO.	PART NAME	QTY.	SERIAL NO.	REMARKS
1	F004289	SPRING	1		
2	2221343030	INSERT	1		
3	0491343037	O-RING	1		
4	0501343031	GASKET	1		
5	0061324849	FILTER ELEMENT	1		
6	P46051	O-RING	1		0.424" X 0.103"
7	2221343033	PLUG	1		
90	0061324848	HYDRAULIC FILTER	1		

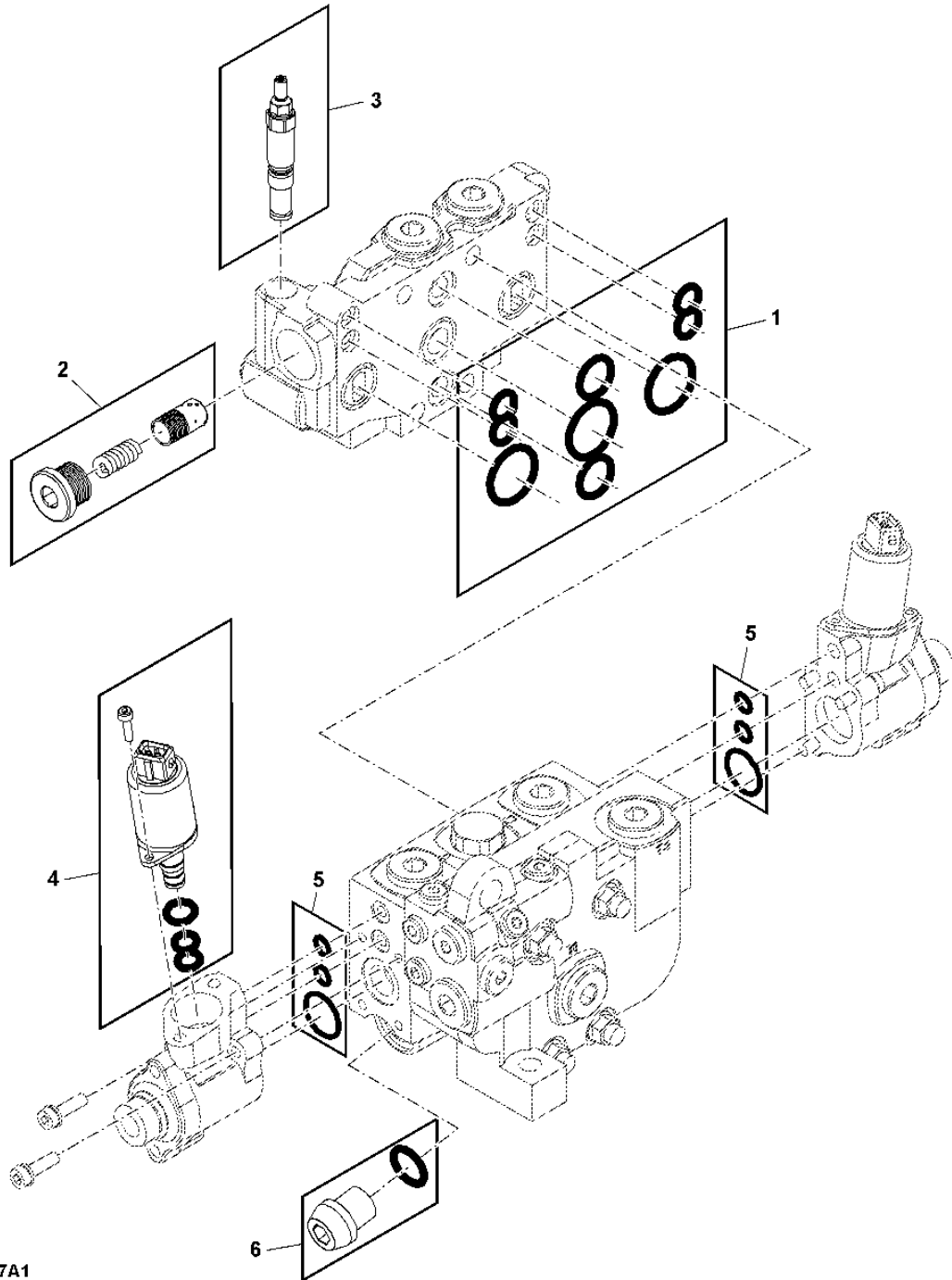
70-22

HYDRAULICS - GROUP 70

VALVE-ABC(CODE 3210)(100601 -)

CM11495597A1

-UN-



CM11495597A1

THIS PARTS LISTING IS CONTINUED

70-35

HYDRAULICS - GROUP 70

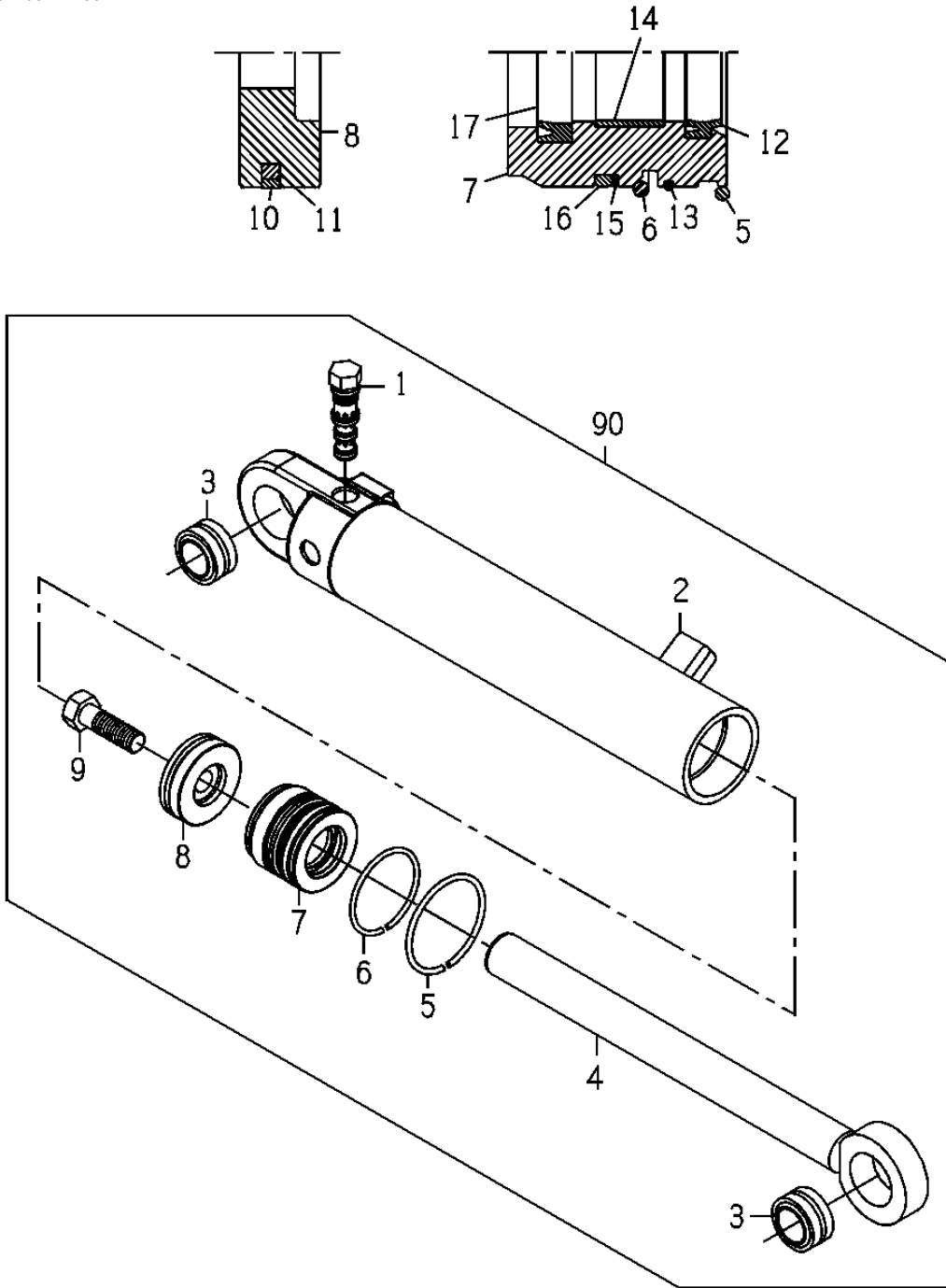
KEY	PART NO.	PART NAME	QTY.	SERIAL NO.	REMARKS
1	0880174425	HYDRAULIC HOSE - FABRICATE	1		
2	CB11466641	HYDRAULIC HOSE - FABRICATE	1		
3	CB11466642	HYDRAULIC HOSE - FABRICATE	1		
4	CB11468382	HYDRAULIC HOSE - FABRICATE	1		
5	CB11468386	HYDRAULIC HOSE - FABRICATE	1		
6	CB11468388	HYDRAULIC HOSE - FABRICATE	1		
7	0071341071	FITTING	2		(INCL A)
8	0070005755	FITTING	1		(INCL A)
9	0071341056	FITTING	1		
10	0070006655	FITTING	3		(INCL A)
11	0881341260	HYDRAULIC HOSE - FABRICATE	1		
12	0070020916	TEE FITTING	1		
13	CB01510014	TEE FITTING	1		
14	R39783	FITTING	1		
15	R31736	FITTING	1		
16	CB11495597	VALVE	1		
17	R26906	O-RING	7		(A) 0.755" X 0.097"
18	CB01510120	FITTING	1		
19	19H3217	CAP SCREW	3		3/8" X 1-3/4"
20	T11234	LOCK NUT	3		3/8"
21	24H1219	WASHER	3		7/16" X 1" X 0.083"
22	AT205083	CAP	1		
23	AT36921	TEE FITTING	1		
24	PMH2355	ADAPTER FITTING	1		(INCL A)
25	CB11469114	HYDRAULIC HOSE - FABRICATE	1		
26	0071341058	FITTING	1		
27	RE24616	LOUVER	1		
28	R27212	FITTING	1		(INCL B)
29	R26448	O-RING	1		(B) 0.468" X 5/64"

70-48

HYDRAULICS - GROUP 70

CYLINDER, CAB TILT

CM216340A2 -UN-06MAR08



THIS PARTS LISTING IS CONTINUED

70-61

HYDRAULICS - GROUP 70

KEY	PART NO.	PART NAME	QTY.	SERIAL NO.	REMARKS
1	HOUSING	1		
2	COVER	1		
3	HOUSING	1		
4	SHAFT	1		COMES AS A SET
5	0631302949	BOLT	4		
6	CB01450988	KEY	1		
7	0330045274	DOWEL PIN	4		
8	0330045277	PLATE	2		
9	0330045283	SNAP RING	1		
10	SEAL	2		(A)
11	SEAL	4		(A)
12	SEAL	4		(A)
13	SEAL	1		(A)
14	SEAL	2		(A)
15	SPACER	1		
16	SPACER	1		
17	0330045284	CHECK VALVE	2		
18	0630029380	WASHER	4		
19	WASHER	1		
20	NUT	1		
90	CB11481206	HYDRAULIC MOTOR	1		MOTOR, COOLING PACKAGE/OIL COOLER
..A	CB11481860	N24 INDIRECT MATERIALS	1		

(A) INCLD IN CB11481860 SEAL KIT

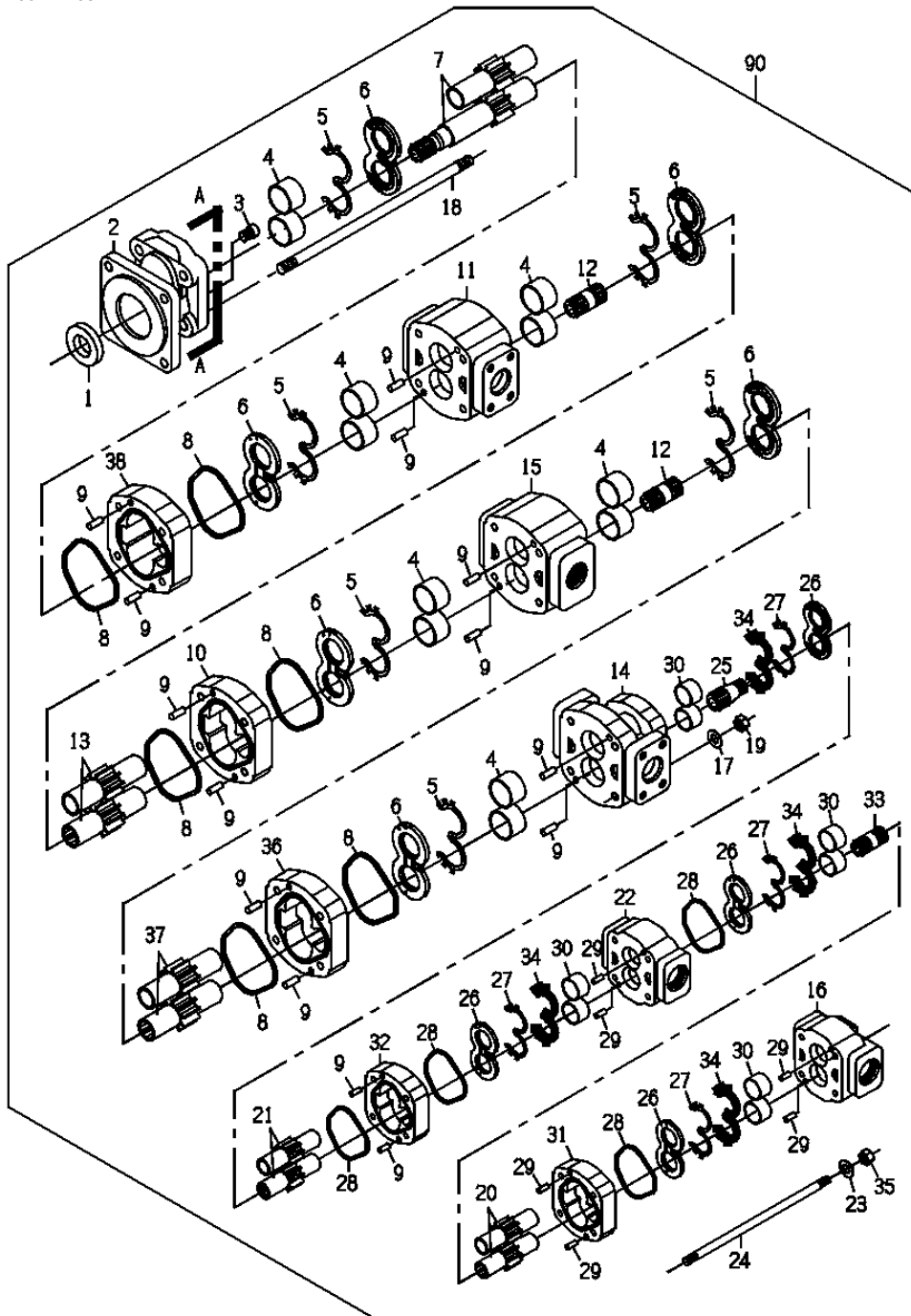
70-74

HYDRAULICS - GROUP 70

PUMP-TOP/COL FAN/SCR OUTER/CYL/ROT SCR(OPT 1010,1030)(FR SN 090545)

CM11462593C1

-UN-06MAR08



THIS PARTS LISTING IS CONTINUED

80-3

BODY AND SHIELDS - GROUP 80

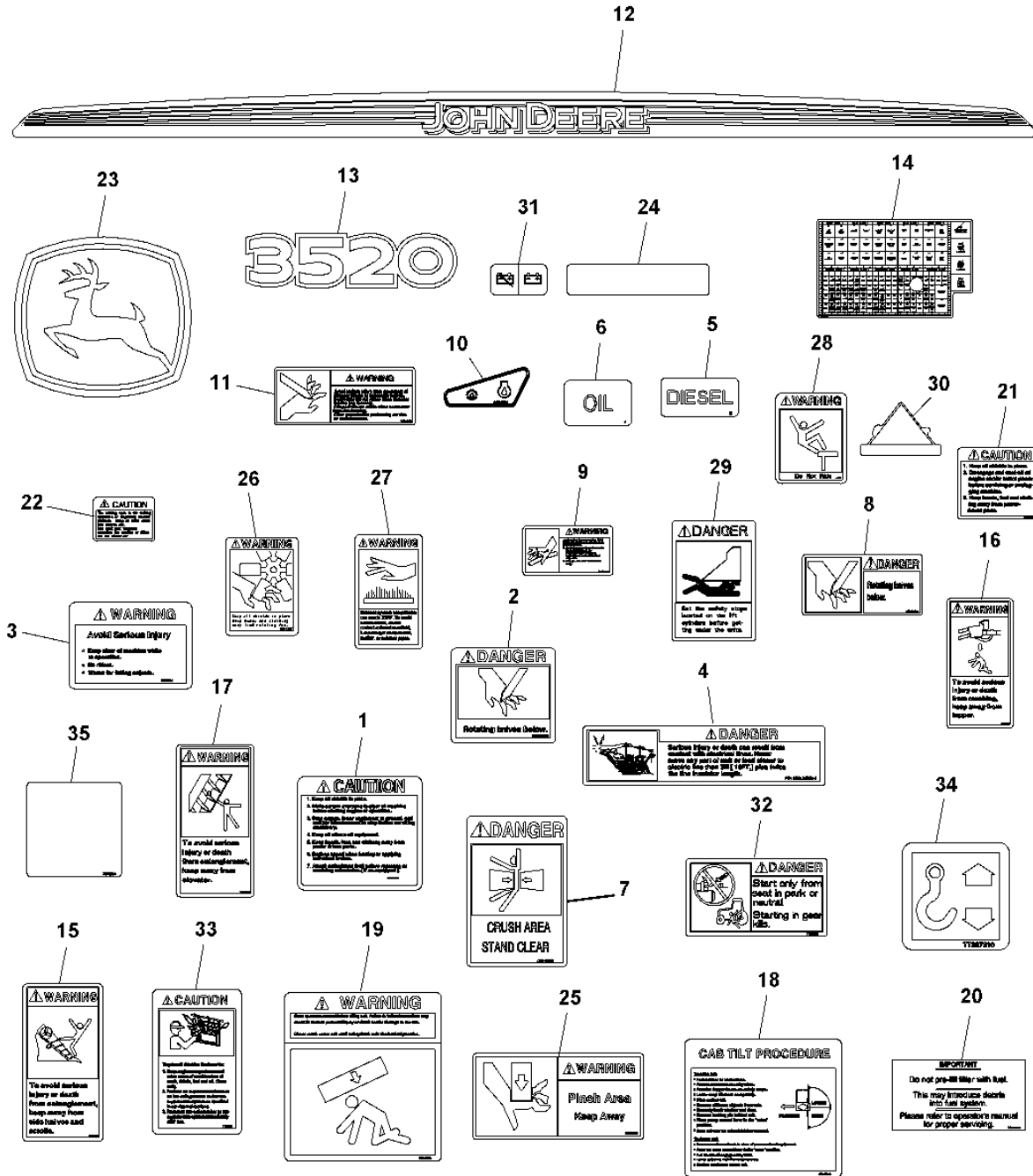
KEY	PART NO.	PART NAME	QTY.	SERIAL NO.	REMARKS
1	CB01441756	MOUNTING PARTS	2		BASECUTTER GUARD
2	CB01441758	MOUNTING PARTS	1		BASECUTTER GUARD (L.H.)
3	CB01441759	GUARD	2		
4	CB11441760	GUARD	2		
5	19H2993	CAP SCREW	8		1/2" X 1-1/2"
6	24H1211	WASHER	12		9/16" X 1-3/8" X 0.105"
7	BP12214	LOCK NUT	8		1/2"
8	19H1914	CAP SCREW	12		1/4" X 1"
9	M40333	LOCK NUT	12		1/4"
10	CB01441960	MOUNTING PARTS	1		BASECUTTER GUARD (RH)
11	CB01474108	SEALING TRIM	1		

80-16

BODY AND SHIELDS - GROUP 80

DECAL GP-FRAME-ENGLISH(OPTION 6700) {TRACK} (100601-)

T8ETN70061A0 -UN-



T8ETN70061A0

THIS PARTS LISTING IS CONTINUED

80-29

BODY AND SHIELDS - GROUP 80

KEY	PART NO.	PART NAME	QTY.	SERIAL NO.	REMARKS
18	N272950	LABEL	2		DANGER STOPS (ENG OPT 6700)
	N272951	LABEL	2		DANGER STOPS (SPAN OPT 6710)
	CB01425226	LABEL	2		DANGER STOPS (FRCH OPT 6720)
19	N272952	LABEL	2		DANGER STOPS (PORT OPT 6730)
	0651352814	SAFETY SIGN	1		DANGER POWER LINES (ENG OPT 6700)
	CB01425370	SAFETY SIGN	1		DANGER POWER LINES (SPAN OPT 6710)
20	CB01425371	SAFETY SIGN	1		DANGER POWER LINES (FRCH OPT 6720)
	CB01425372	LABEL	1		DANGER POWER LINES (PORT OPT 6730)
	CB01426550	SAFETY SIGN	2		DANGER PINCH POINTS (ENG OPT 6700)
21	CB01436045	SAFETY SIGN	2		DANGER PINCH POINTS (SPAN OPT 6710)
	CB01436046	SAFETY SIGN	2		DANGER PINCH POINTS (FRCH OPT 6720)
	CB01436047	SAFETY SIGN	2		DANGER PINCH POINTS (PORT OPT 6730)
22	T146102	LABEL	1		BYPASS START (ENG OPT 6700)
	T146106	SAFETY SIGN	1		BYPASS START (SPAN OPT 6710)
	T146104	SAFETY SIGN	1		BYPASS START (FRCH OPT 6720)
23	T146586	SAFETY SIGN	1		BYPASS START (PORT OPT 6730)
	0651342829	LABEL	1		TIRE DATA (ENG OPT 6700)
	CB01443938	LABEL	1		TIRE DATA (SPAN OPT 6710)
24	CB01443939	LABEL	1		TIRE DATA (FRCH OPT 6720)
	CB01443940	LABEL	1		TIRE DATA (PORT OPT 6730)
	CB01483787	INSTRUCTION PLATE	1		CAB TILT PROCEDURE/WARNING(ENG OPT 6700)
25	CB01443387	LABEL	1	-090633	CAB TILT PROCEDURE/WARNING(SPAN OPT 6710)
	CB01485010	INSTRUCTION PLATE	1	090634-	CAB TILT PROCEDURE/WARNING(SPAN OPT 6710)
	CB01443388	LABEL	1	-090633	CAB TILT PROCEDURE/WARNING(FRCH OPT 6720)
26	CB01485008	INSTRUCTION PLATE	1	090634-	CAB TILT PROCEDURE/WARNING(FRCH OPT 6720)
	CB01485009	LABEL	1		CAB TILT PROCEDURE/WARNING(PORT OPT 6730)
	H149088	SAFETY SIGN	1	-090598	WARNING, FAN & ROTATING SCR (ENG OPT 6700)
27	N277838	SIGN	1	-090598	WARNING, FAN & ROTATING SCR (SPAN OPT 6710)
	H149089	SIGN	1	-090598	WARNING, FAN & ROTATING SCR (FRCH OPT 6720)
	N278111	SIGN	1	-090598	WARNING, FAN & ROTATING SCR (PORT OPT 6730)
28	CB01471909	LABEL	3		WARNING CHOP/BC KNIVES (ENG OPT 6700)
	CB01471910	LABEL	3		WARNING CHOP/BC KNIVES (SPAN OPT 6710)
	CB01471911	LABEL	3		WARNING CHOP/BC KNIVES (FRCH OPT 6720)
29	CB01473671	LABEL	3		WARNING CHOP/BC KNIVES (PORT OPT 6730)
	CB01485756	LABEL	1	-090587	LOAD CENTER 3510(ENG OPT 6700)(SPAN OPT 6710)
	CB01481909	LABEL	1	-090587	(FRCH OPT 6720)
30	CB01488933	LABEL	1	090588-090641	LOAD CENTER 3510 (PORT OPT 6730)
	CB01489125	LABEL	1	090588-090641	LOAD CENTER 3520(ENG OPT 6700)(SPAN OPT 6710)
	CB01492960	LABEL	1	090642-	(FRCH OPT 6720)
31	CB01492961	LABEL	1	090642-	LOAD CENTER 3520 (PORT OPT 6730)
	N302284	LABEL	2		LOAD CENTER 3520(ENG OPT 6700)(SPAN OPT 6710)
	TT207310	LABEL	2		(FRCH OPT 6720)(PORT OPT 6730)
32					LIFTING EYE (ENG OPT 6700)(SPAN OPT 6710)
					(FRCH OPT 6720)(PORT OPT 6730)

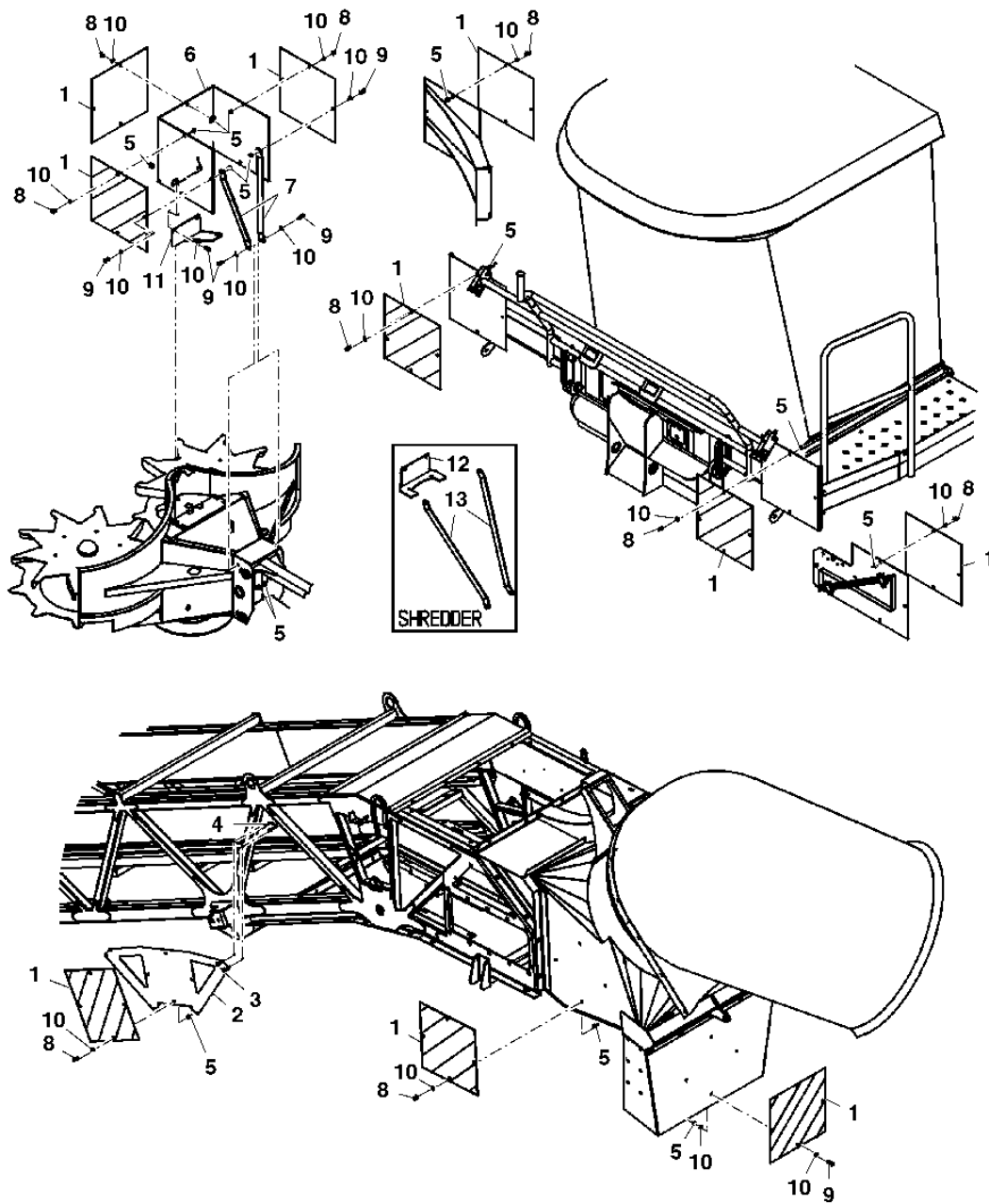
80-42

BODY AND SHIELDS - GROUP 80

DECAL GP, SAFETY PLATE (OPTION 3010){WHEEL}

T8ETN68991A1

-UN-



T8ETN68991A1

THIS PARTS LISTING IS CONTINUED

80-55

BODY AND SHIELDS - GROUP 80

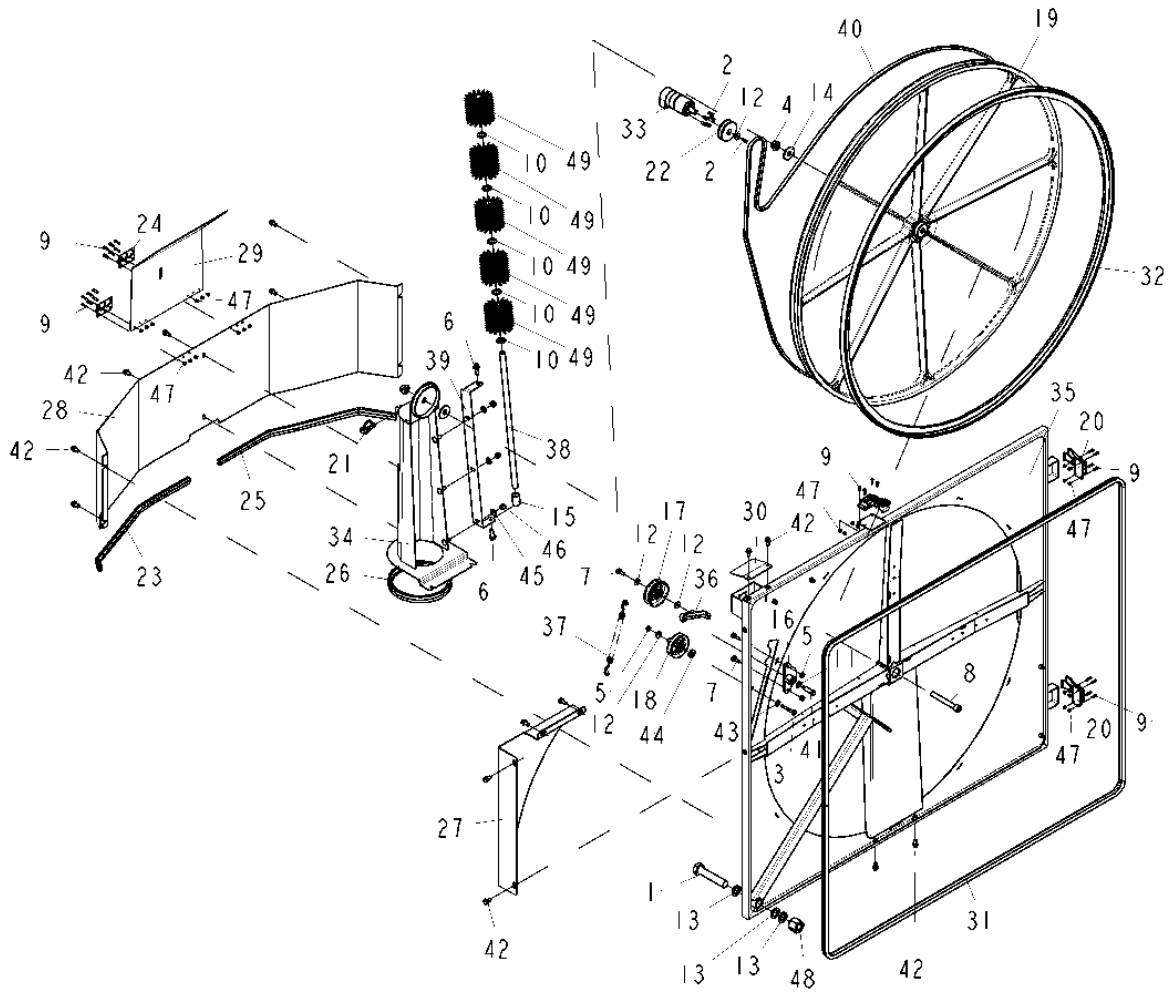
KEY	PART NO.	PART NAME	QTY.	SERIAL NO.	REMARKS
1	14M7313	LOCK NUT	1		M12
2	19M7949	CAP SCREW	1		M12 X 100
3	AR62150	QUICK LOCK PIN	1		
4	AT178745	PIN	1		
5	CB01500426	ROPE	1		
6	CB11435040	PIN	1		
7	CB11500300	LATCH	1		
8	CB11501015	BEAM	1		
9	R122618	SCREW	2		3/8" X 3/4"
10	R63489	WASHER	1		0.472" X 0.925" X 0.120"

80-68

BODY AND SHIELDS - GROUP 80

ROTARY SCREEN GP (TO SN 090587)

CM11480031E0 -UN-29SEP08



THIS PARTS LISTING IS CONTINUED

CLICK HERE TO **DOWNLOAD** THE COMPLETE MANUAL

- Thank you very much for reading the preview of the manual.
- You can download the complete manual from: www.heydownloads.com by clicking the link below



- Please note: If there is no response to CLICKING the link, please download this PDF first and then click on it.

CLICK HERE TO **DOWNLOAD** THE COMPLETE MANUAL

80-81

BODY AND SHIELDS - GROUP 80

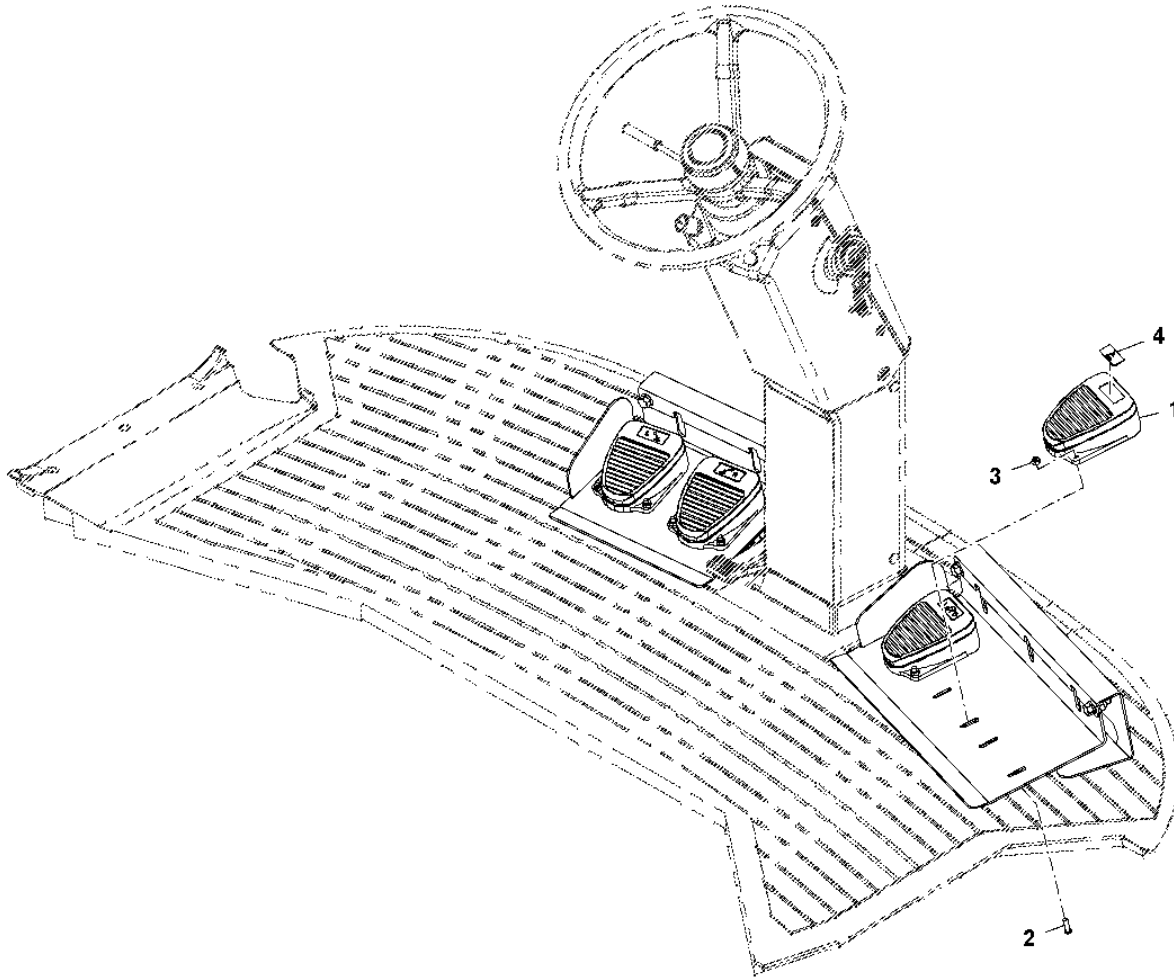
KEY	PART NO.	PART NAME	QTY.	SERIAL NO.	REMARKS
1	0050025776	U-BOLT	6		
2	19H2411	CAP SCREW	2		3/4" X 2-1/2"
3	19H2633	CAP SCREW	6		3/8" X 1-1/2"
4	19H3217	CAP SCREW	8		3/8" X 1-3/4"
5	19H3219	CAP SCREW	4		3/8" X 1-3/8"
6	24H1219	WASHER	48		7/16" X 1" X 0.083"
7	CB01481019	PLATE	4		
8	CB01481020	PLATE	2		
9	CB01481023	STEP	2		
10	CB11476689	GUARD	1		
11	CB11476690	GUARD	1		
12	CB11476691	GUARD	1		
13	CB11476692	GUARD	1		
14	CB11481084	RAIL	1		
15	CB11481085	RAIL	1		
16	T11234	LOCK NUT	30		3/8"
17	T151797	WASHER	4		0.812" X 1-7/8" X 0.245"
18	T25879	NUT	2		3/4"

90-14

OPERATOR STATION - GROUP 90

MOUNT GP-AUTOTRAC PEDAL(OPTION 7310,7320)(TRACK)(100601-)

T8ETN69060A1 -UN-



T8ETN69060A1

90-27

OPERATOR STATION - GROUP 90

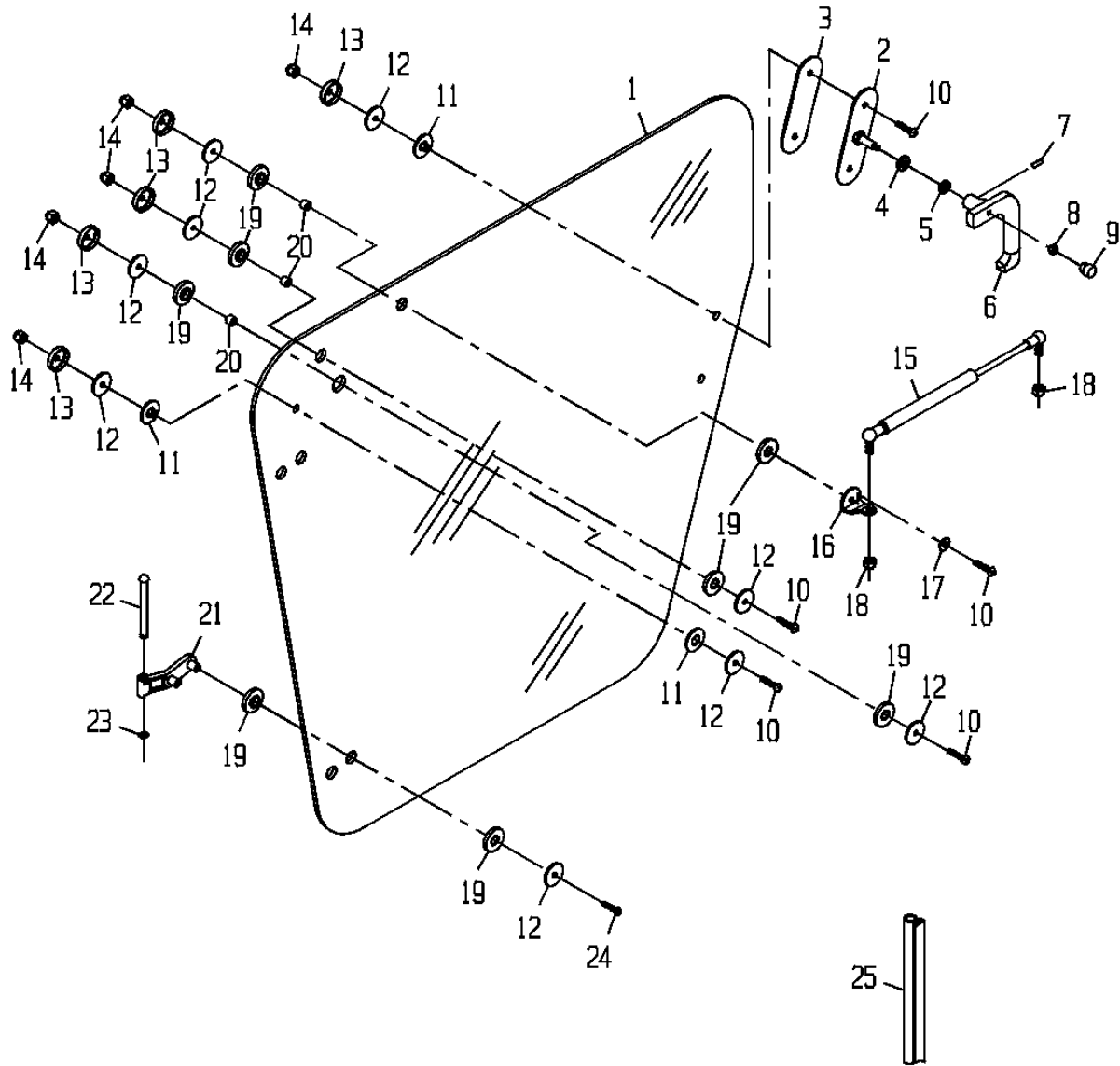
KEY	PART NO.	PART NAME	QTY.	SERIAL NO.	REMARKS
1	CB11483791	ANTENNA KIT	1		
2	CB01486687	TAPE	1		

90-40

OPERATOR STATION - GROUP 90

CAB GP, WINDOW, RIGHT

CM11434402B1 -UN-



THIS PARTS LISTING IS CONTINUED

90-53

OPERATOR STATION - GROUP 90

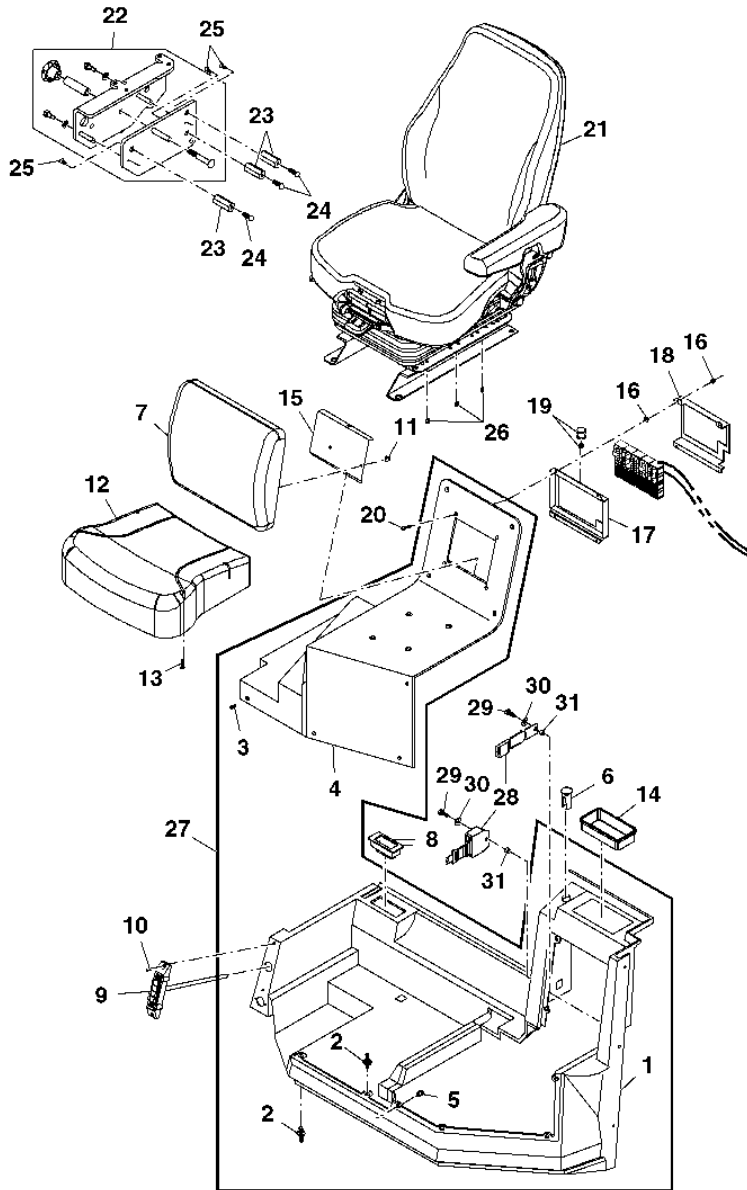
KEY	PART NO.	PART NAME	QTY.	SERIAL NO.	REMARKS
1	AH211110	ROOF	1		
2	R232224	NUT	12		M8
3	CB11496795	EYEBOLT	2	090692-	
4	AH212522	FLOODLAMP	4		
5	RE179326	BULB	6		
6	AH212523	FLOODLAMP	2		
7	CB01454321	COVER	1		
8	AH215331	ROOF	1		
9	AH217270	BRACKET	1		
10	H131982	LENS	1		
11	H220965	ISOLATOR	1		
12	R222607	BEZEL	2		
13	H114038	SCREW	17		
14	H217540	ISOLATOR	1		
15	AH153910	SWITCH	1		
16	H218000	COVER	1		
17	RE235441	SEAL	1		
18	R235304	COVER	2		
19	H207815	BASE	1		
20	R65476	GROMMET	6		
21	M134531	PLUG	1		
22	AH213321	HEADLINER	1		
23	AH208067	HEADLINER	1		
24	L113023	HOOK	2		
25	R126355	SCREW	6		
26	RE254829	SPEAKER	2		
27	37M7218	SCREW	14		
28	H123991	BUSHING	2		
29	24M7051	WASHER	2		21 X 37 X 3 MM
30	19M7866	SCREW	12		M8 X 20
31	19M8649	SCREW	4		M6 X 20
32	R117569	SCREW	11		
33	24M7100	WASHER	13		6.600 X 22 X 2 MM
34	H169512	ISOLATOR	1		
35	57M7173	BULB	2		
36	AH154218	COVER	1		
37	R65477	PLUG	1		
38	AH220982	ISOLATOR	1		
39	H131300	GROMMET	2		
40	37M7160	SCREW	2		M6 X 16
41	37M7089	SCREW	3		M6 X 12

90-66

OPERATOR STATION - GROUP 90

CAB GP, OPERATOR AND TRAINER SEAT

T8ETN68340A1 -UN-



T8ETN68340A1

THIS PARTS LISTING IS CONTINUED

90-79

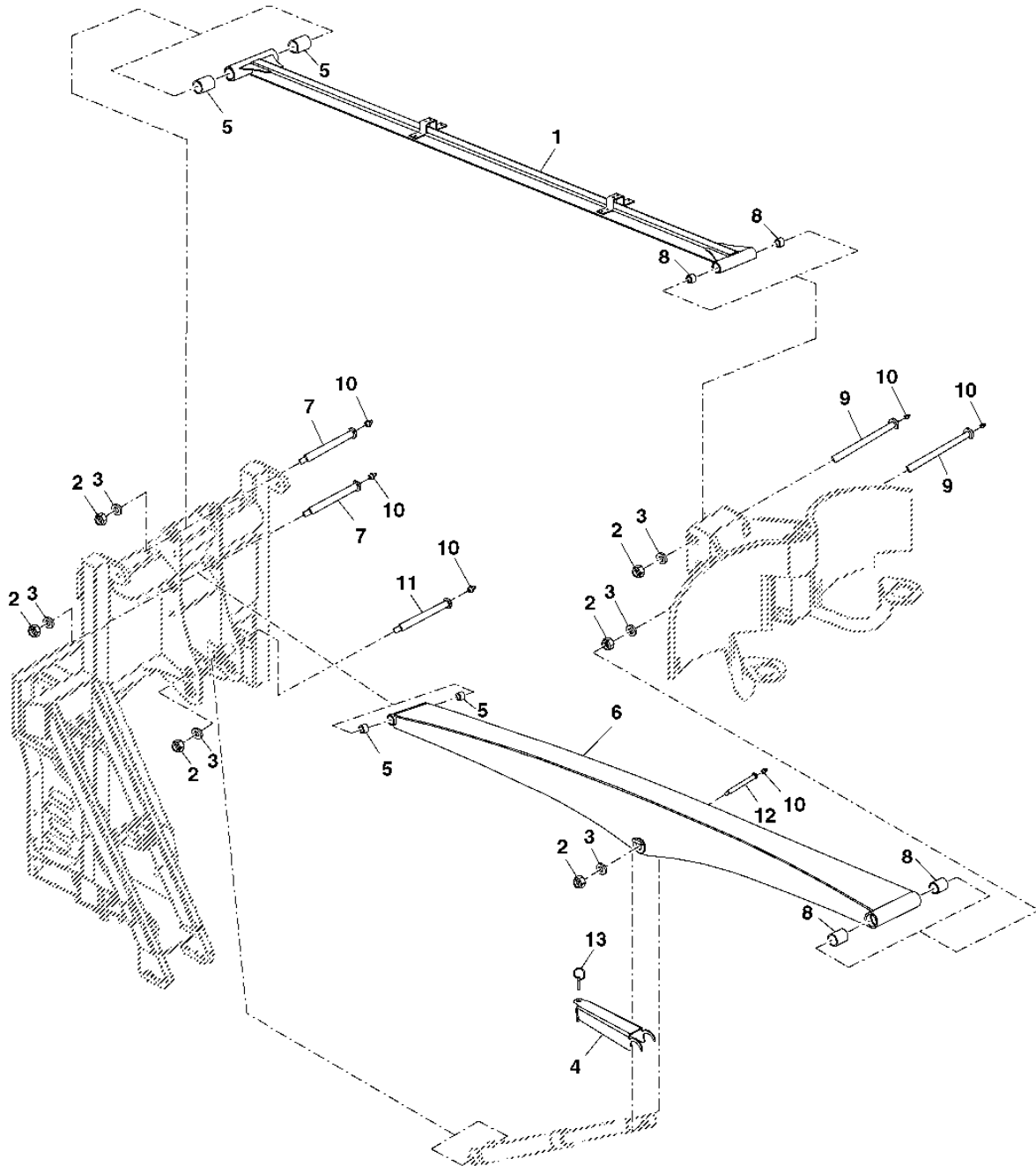
OPERATOR STATION - GROUP 90

KEY	PART NO.	PART NAME	QTY.	SERIAL NO.	REMARKS
1	AH163522	HEAT EXCHANGER	1		
2	R113050	O-RING	2		0.426" X 0.070"
3	R10093	O-RING	4		0.301" X 0.070"
4	CB01490578	SEALING TRIM	1		
5	CB11484621	REFRIGERANT HOSE	1		
6	19H3217	CAP SCREW	2		
7	AT162848	RECEIVER-DRYER	1		
8	CB01494289	CLAMP	2		
9	CB11482991	REFRIGERANT HOSE	1		
10	CB11477639	REFRIGERANT HOSE	1		
11	CB11477638	REFRIGERANT HOSE	1		
12	AT63265	SWITCH	1		
13	R33259	O-RING	2		0.551" X 0.070"
14	AN221429	COMPRESSOR	1		
15	T153064	CLAMP	1		
16	N10214	SELF-LOCKING SCREW	1		3/8" X 1"
17	R57696	WASHER	2	090566-	

100-2

TOPPER - GROUP 100

TOPPER GP, BOOM
T8ETN68621A1 -UN-



T8ETN68621A1

THIS PARTS LISTING IS CONTINUED

100-15

TOPPER - GROUP 100

KEY	PART NO.	PART NAME	QTY.	SERIAL NO.	REMARKS
1	CB11438046	TUBE	1		
2	CB11495218	HYDRAULIC HOSE	1		
3	0081347338	TUBE	2		
4	CB11478435	CLAMP KIT	4		
5	0511346321	CLAMP	2		(INCL A)
6	CB11437817	HYDRAULIC HOSE - FABRICATE	1		
7	CB11437480	HYDRAULIC HOSE - FABRICATE	1		
8	CB11437141	HYDRAULIC HOSE - FABRICATE	1		
9	CB11437142	HYDRAULIC HOSE - FABRICATE	1		
10	0071341057	FITTING	1		
11	0071342104	FITTING	2		
12	19H3434	CAP SCREW	4		(A) 1/4" X 2"
13	M40333	LOCK NUT	4		1/4"
14	0070034210	FITTING	1		
15	CB01510014	TEE FITTING	1		

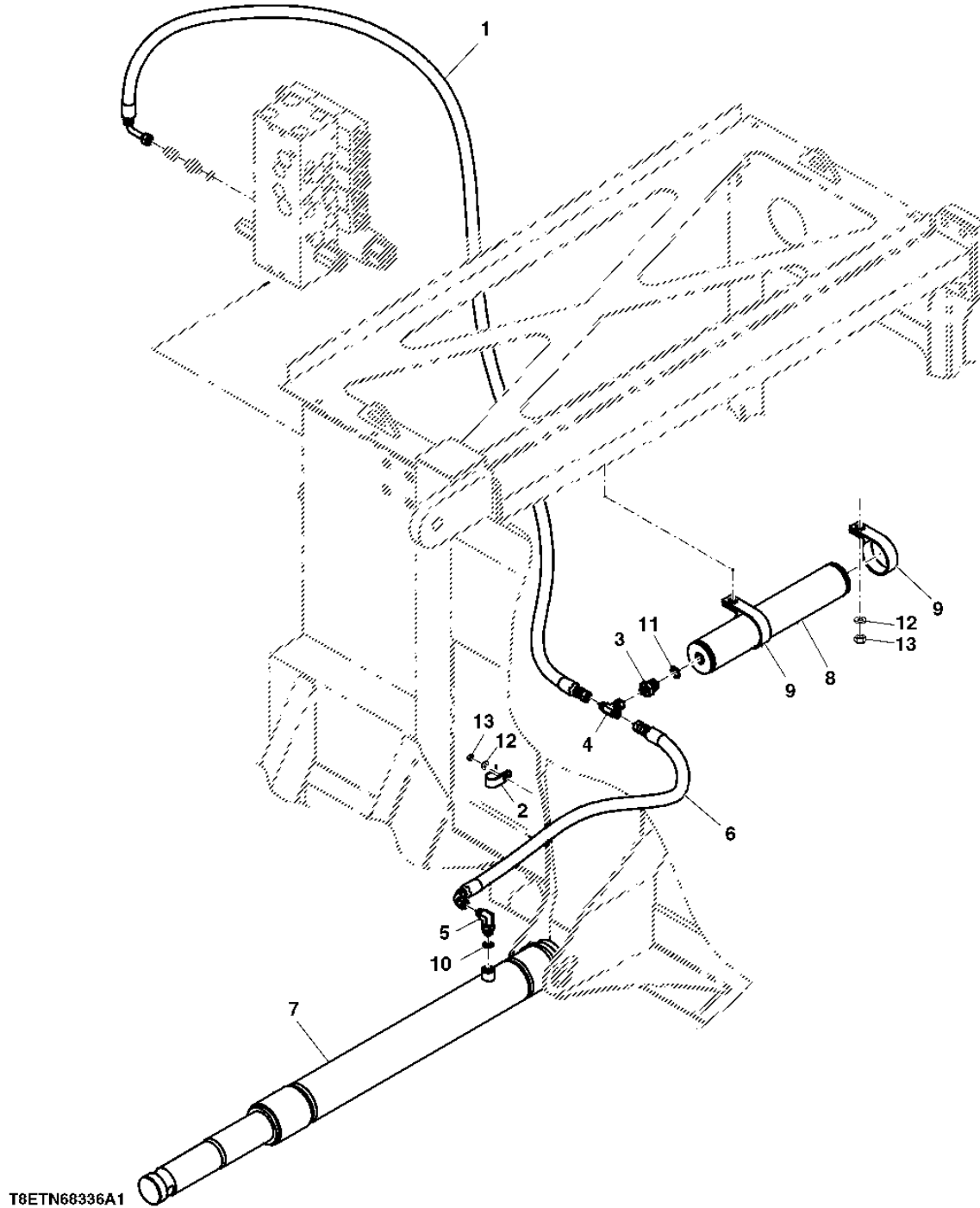
(A) INCLD IN 0511346321 CLAMP

100-28

TOPPER - GROUP 100

LINES GP, TOPPER LIFT (OPTION 5000,5010,5020)

T8ETN68336A1 -UN-



T8ETN68336A1

100-41

TOPPER - GROUP 100

KEY	PART NO.	PART NAME	QTY.	SERIAL NO.	REMARKS
1	H77201	NUT	1		1"
2	SEAL	1		(A)
3	HOUSING	1		
4	SEAL	4		(A)
5	SEAL	1		(A)
6	SEAL	1		(A)
7	MT1332	SHAFT KEY	1		
8	SHAFT	1		
9	SEAL	1		(A)
10	T190616	WEAR PLATE	1		
11	0330047810	DRIVE SHAFT	1		
12	MOTOR	1		
13	T60060	DRIVE	1		
14	T190639	PLATE	1		
15	T82025	VALVE	1		
16	T82026	PLATE	1		
17	SEAL	1		(A)
18	SEAL	1		(A)
19	T60056	PIN	2		
20	T60055	SPRING	2		
21	0330040011	HOUSING	1		
22	0330047812	BOLT	4		
23	AN122518	FITTING PLUG	1		
90	CB11480557	MOTOR	1		MOTOR, TOPPER COLLECTOR (OPT 5000,5010,5020)
..A	CB11483723	SEAL KIT	1		

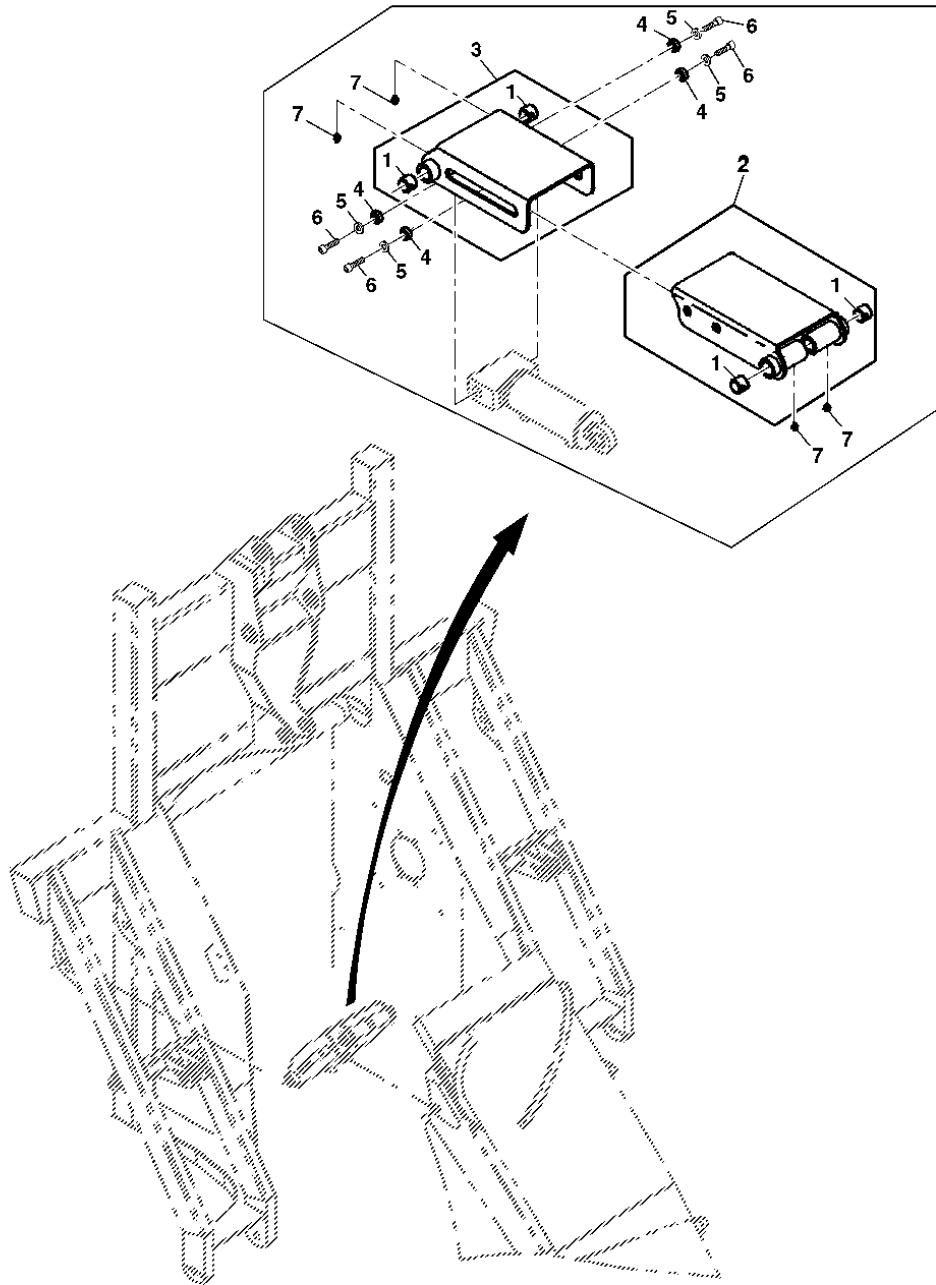
(A) INCLD IN CB11483723 SEAL KIT

105-12

CROP DIVIDER - GROUP 105

CROP DIVIDER LIFT GP (OPTION 5210) (-090755)

T8ETN68362A1 -UN-



T8ETN68362A1

105-25

CROP DIVIDER - GROUP 105

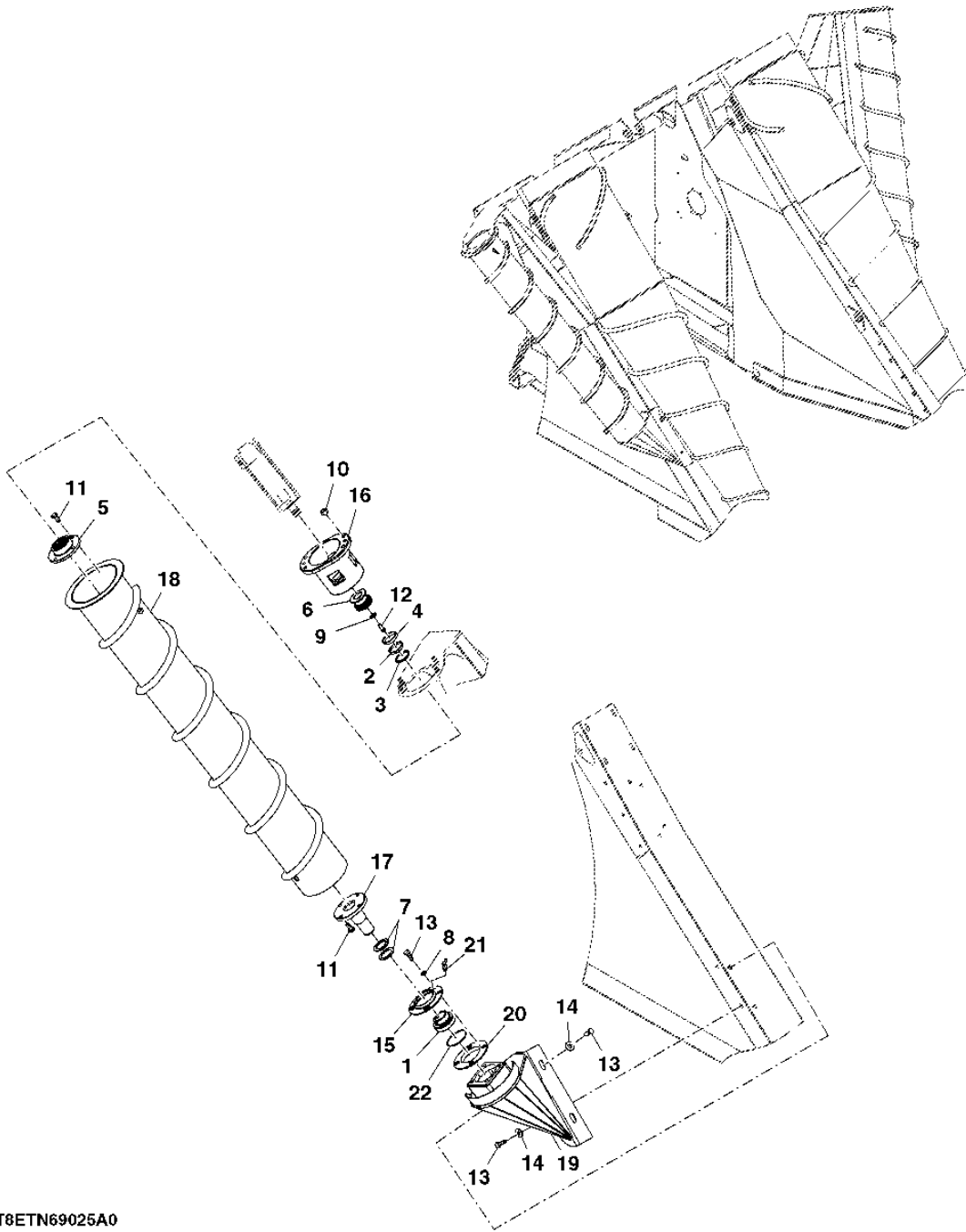
KEY	PART NO.	PART NAME	QTY.	SERIAL NO.	REMARKS
1	0291380534	SPACER	4		
2	0300048144	HUB	2		
3	0300048145	HUB	2		
4	0390034937	WASHER	AR		
5	03H1499	BOLT	8		1/2" X 1-1/2", (INCL A)
6	03H1522	BOLT	4		1/2" X 1-1/4"
7	12H301	LOCK WASHER	4		1/2"
8	14H1040	NUT	8		1/2"
9	19H2333	CAP SCREW	2		1/4" X 2-1/4"
10	19H2473	CAP SCREW	16		1/2" X 1-3/4"
11	19H2599	CAP SCREW	8		5/8" X 2-1/2"
12	19H2644	CAP SCREW	2		1/2" X 2-1/2"
13	19H2676	CAP SCREW	2		3/8" X 1"
14	19H2993	CAP SCREW	4		1/2" X 1-1/2"
15	19H3840	CAP SCREW	4		1" X 1/2"
16	24H1211	WASHER	16		9/16" X 1-3/8" X 0.105"
17	24M7243	WASHER	4		1" X 1.969" X 0.236"
18	AT216076	BUSHING	8		(A)
19	BP12214	LOCK NUT	14		1/2"
20	CB01426115	HOUSING	2		
21	CB01437484	BEARING	2		
22	CB01443097	PLATE	2		
23	CB01449374	BOLT	2		
24	CB01480304	BEARING	2		
25	CB01487613	PIN	4		
26	CB01487614	PIN	4		
27	CB01487619	SHAFT	2		
28	CB01500454	END	2		
29	CB11473138	SHOE	1		
30	CB11473139	SHOE	1		
31	CB11473142	SHIELD	1		
32	CB11473143	SHIELD	1		
33	CB11479899	LINKAGE	2		
34	CB11480563	CROP DIVIDER	1		
35	CB11480564	CROP DIVIDER	1		
36	CB11494611	CROP DIVIDER	1		
37	CB11494612	CROP DIVIDER	1		
38	CB11494621	MOUNTING PARTS	2		
39	F1900316	PIPE PLUG	2		
40	JD7759	LUBRICATION FITTING	4		(A)
41	JD7844	LUBRICATION FITTING	2		
42	M40333	LOCK NUT	2		1/4"
43	N10214	SELF-LOCKING SCREW	8		3/8" X 1"
44	T34950	NUT	4		1"
45	U44915	LOCK NUT	10		5/8"

105-32

CROP DIVIDER - GROUP 105

MOUNT GP-OUTER SCROLL-RIGHT(5310,5320,5330,5340)(100601-)

T8ETN69025A0 -UN-



T8ETN69025A0

105-45

CROP DIVIDER - GROUP 105

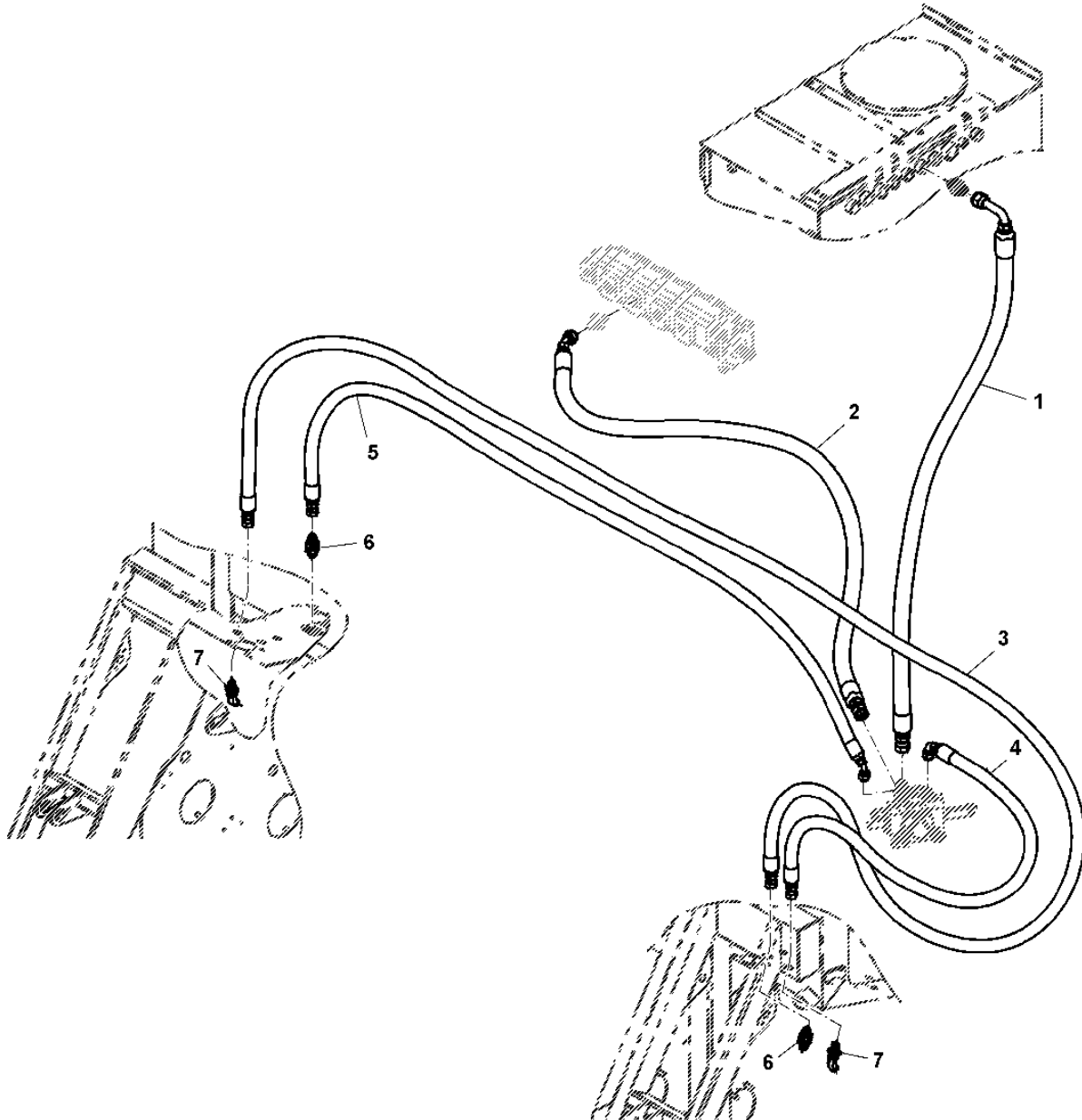
KEY	PART NO.	PART NAME	QTY.	SERIAL NO.	REMARKS
1	0050025488	NUT	6		
2	0050035223	BOLT	6		
3	0240059956	BLADE	3		
4	0650040585	SAFETY SIGN	1		DECAL-DANGER ROT KNIVES (ENGL)
	CB01424426	SAFETY SIGN	1		DECAL-DANGER ROT KNIVES (SPAN)
	CB01425224	SAFETY SIGN	1		DECAL-DANGER ROT KNIVES (FREN)
	CB01425225	SAFETY SIGN	1		DECAL-DANGER ROT KNIVES (PORT)
5	0730050579	SEALING TRIM	1		
6	11M7092	COTTER PIN	1		3.200 X 40 MM
7	12H301	LOCK WASHER	9		
8	19H2473	CAP SCREW	4		
9	19H2898	CAP SCREW	9		
10	19H2993	CAP SCREW	2		
11	24H1211	WASHER	7		
12	24H1446	WASHER	1		
13	BP12214	LOCK NUT	6		
14	CB01473056	HOLDER	1		
15	CB01488934	HUB	1		
16	CB11491399	BRACKET	1		

105-58

CROP DIVIDER - GROUP 105

LINES GP, SCROLL INNER, PUMP TO VALVE (OPTION 0501){WHEEL}

T8ETN68538A1 -UN-



T8ETN68538A1

THIS PARTS LISTING IS CONTINUED

105-71

CROP DIVIDER - GROUP 105

KEY	PART NO.	PART NAME	QTY.	SERIAL NO.	REMARKS
1	CB11480558	MOTOR	1		
2	CB11480559	MOTOR	1		
	CB11480577	MOTOR	1		
3	CB11437913	HYDRAULIC HOSE - FABRICATE	1		
4	0881341971	HYDRAULIC HOSE - FABRICATE	1		
5	14H1040	NUT	4		1/2"
6	0070006655	FITTING	4		
7	CB11434092	OIL LINE	1		
8	R26906	O-RING	4		(A) 0.755" X 0.097"
9	CB11450448	HYDRAULIC HOSE - FABRICATE	1		
10	0290226082	CLAMP	2		
11	T11234	LOCK NUT	2		3/8"
12	19H3033	SCREW	4		1/2" X 2"
13	12H301	LOCK WASHER	4		1/2"

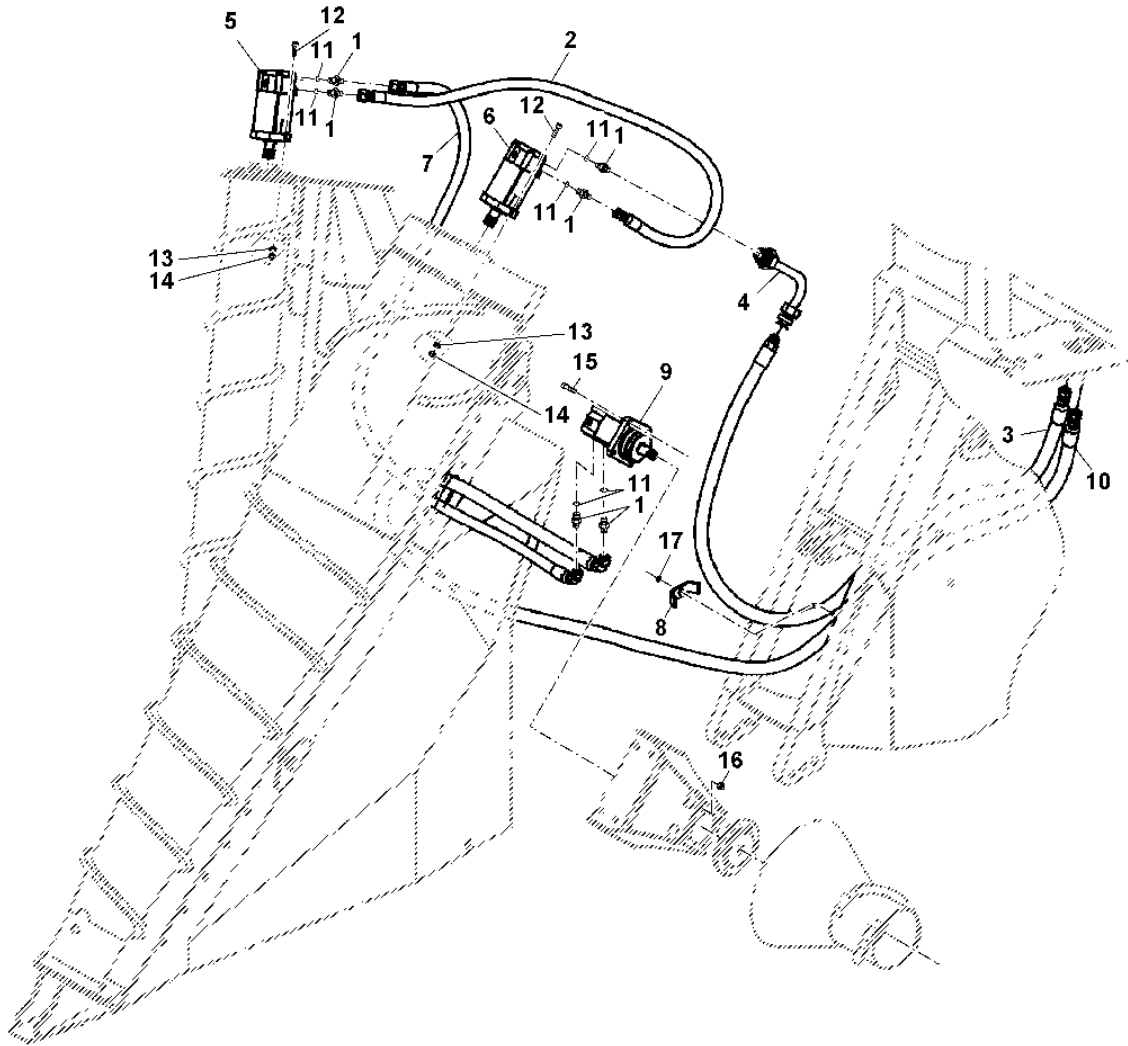
(A) INCLD IN 0070006655 FITTING

105-84

CROP DIVIDER - GROUP 105

LINES GP, SCROLL, RIGHT/SIDE KNIFE/CD KCKDN(OPT 5520,5530){TRK}

T8ETN68368A1 -UN-



T8ETN68368A1

105-97

CROP DIVIDER - GROUP 105

KEY	PART NO.	PART NAME	QTY.	SERIAL NO.	REMARKS
1	CB11480555	HYDRAULIC MOTOR	1		
2	0361350751	TOGGLE/ROCKER SWITCH	1		
3	CB01424944	SOLENOID VALVE	1		
4	CB11440135	ELECTRICAL COIL	1		
5	0070006655	FITTING	3		
6	0881345343	HYDRAULIC HOSE - FABRICATE	1		
7	CB11441394	HYDRAULIC HOSE - FABRICATE	2		
8	PMH1260	ELBOW FITTING	2		
9	R26906	O-RING	4		(A) 0.755" X 0.097"
10	0881343276	HYDRAULIC HOSE - FABRICATE	1		
11	AT28379	FITTING	1		
12	0071341056	FITTING	1		
13	PMH2355	ADAPTER FITTING	1		
14	CB01472172	VALVE SEAT	1		
15	AT252685	HOSE GUARD	1	090539-	

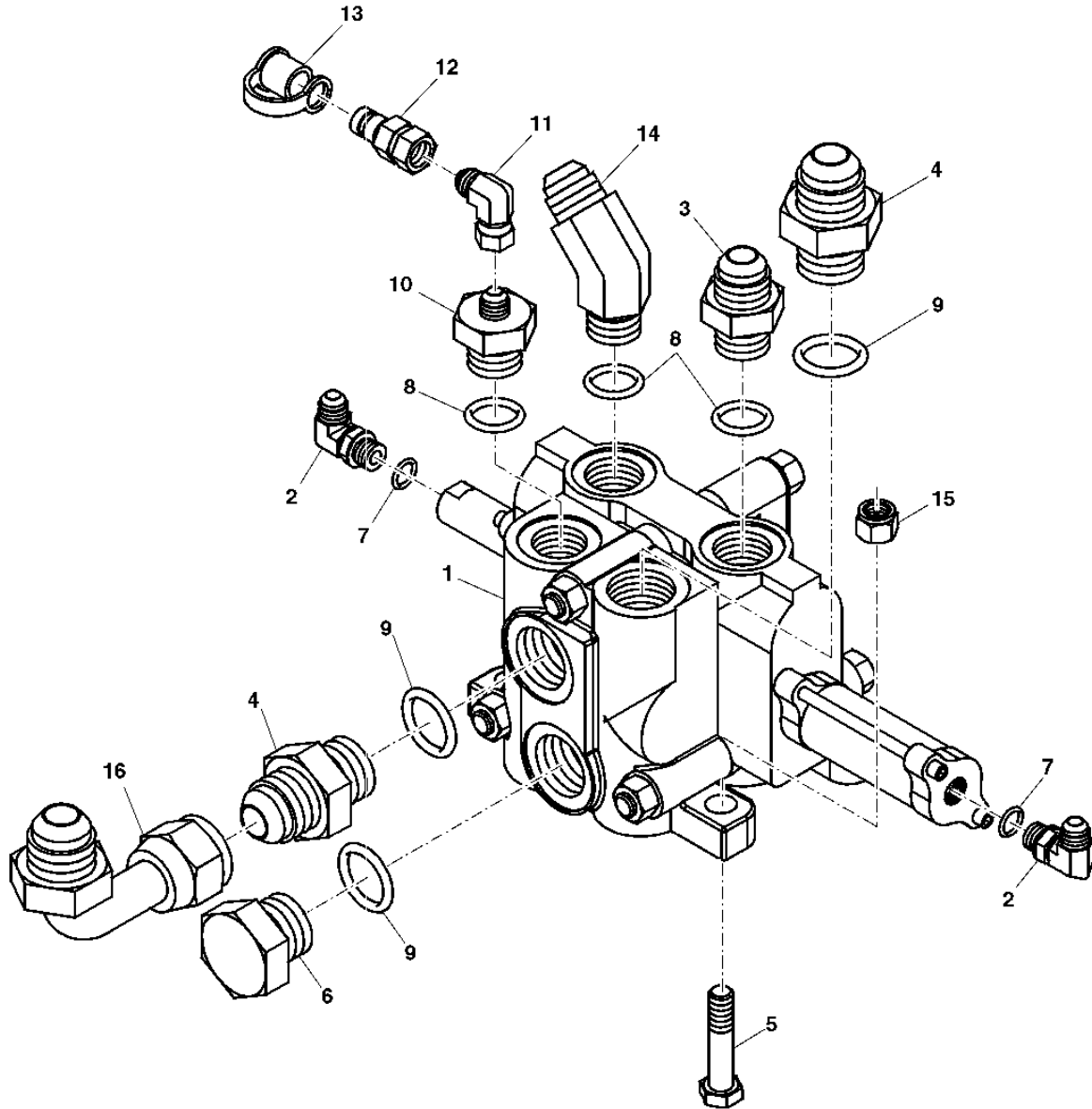
(A) INCLD IN 0070006655 FITTING & PMH2355 ADAPTER FITTING

105-110

CROP DIVIDER - GROUP 105

VALVE GP, SCROLL, OUTER (OPTION 0501,0511)

T8ETN68358A1 -UN-



T8ETN68358A1

105-121

CROP DIVIDER - GROUP 105

KEY	PART NO.	PART NAME	QTY.	SERIAL NO.	REMARKS
1	SEAL	1	(A)	
2	HOUSING	1		
3	SEAL	4	(A)	
4	SEAL	1	(A)	
5	SEAL	1	(A)	
6	SHAFT	1		
7	SEAL	1	(A)	
8	T190616	WEAR PLATE	1		
9	T79144	DRIVE	1		
10	MOTOR	1		
11	T60060	DRIVE	1		
12	T190639	PLATE	1		
13	T82025	VALVE	1		
14	T82026	PLATE	1		
15	SEAL	1	(A)	
16	SEAL	1	(A)	
17	T60056	PIN	2		
18	T60055	SPRING	2		
19	0330040011	HOUSING	1		
20	0330042759	BOLT	4		
21	AN122518	FITTING PLUG	1		
90	CB11480558	MOTOR	1		MOTOR-CROP DIVIDER, OUTER(OPT 5310,5320,5330)
..A	CB11483723	SEAL KIT	1		

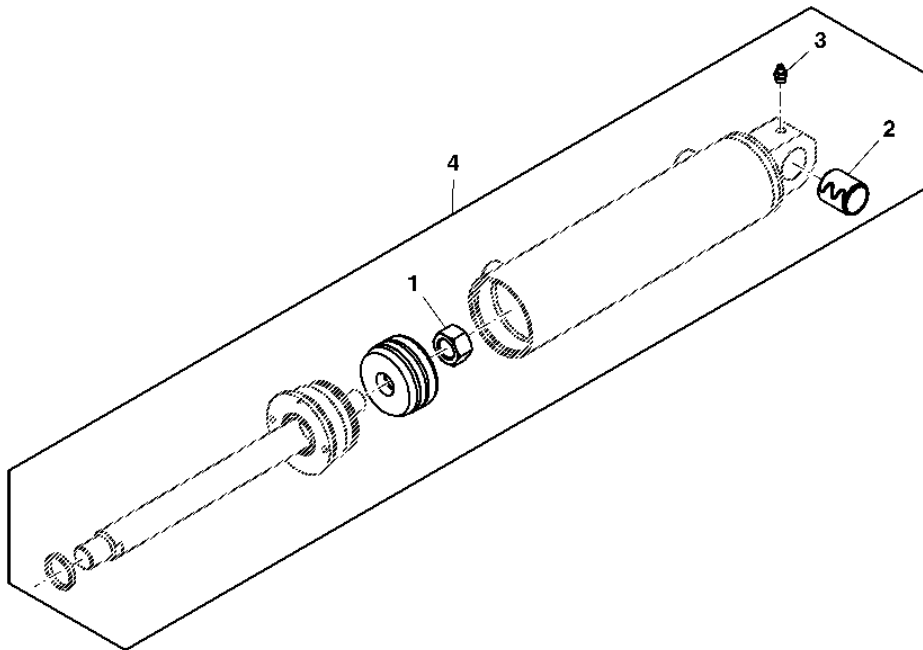
(A) INCLD IN CB11483723 SEAL KIT

105-134

CROP DIVIDER - GROUP 105

CROP DIVIDER TILT CYLINDER (OPTION 5210)

CM11500451A0 -UN-



CM11500451A0

110-9

BASECUTTER - GROUP 110

KEY	PART NO.	PART NAME	QTY.	SERIAL NO.	REMARKS
1	1190330590	DISK	2		
2	19H2994	CAP SCREW	10		5/8" X 1-1/2"
3	12H294	LOCK WASHER	10		5/8"
4	0241302010	BLADE	10		6MM
5	19H2472	CAP SCREW	20		1/2" X 1"
6	14H1069	NUT	20		1/2"

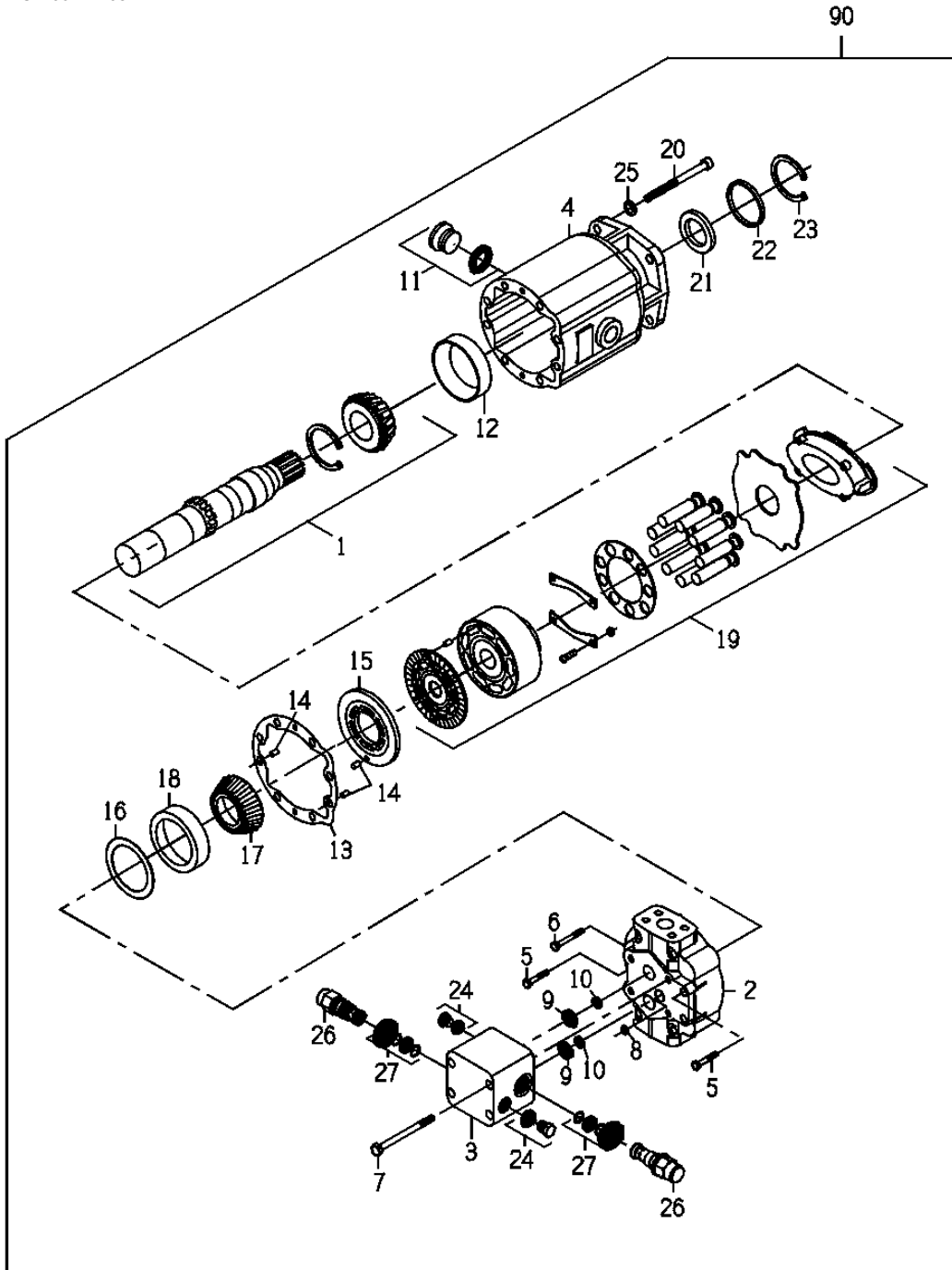
110-22

BASECUTTER - GROUP 110

MOTOR, BASECUTTER (OPTION 1010,1030)(-090755)

CM11481345A1

-UN-06MAR08



115-11

FEED ROLLER - GROUP 115

KEY	PART NO.	PART NAME	QTY.	SERIAL NO.	REMARKS
1	CB11431272	ROLLER	3		
2	CB01419165	BAR	16		
3	CB11455282	ROLLER	1		

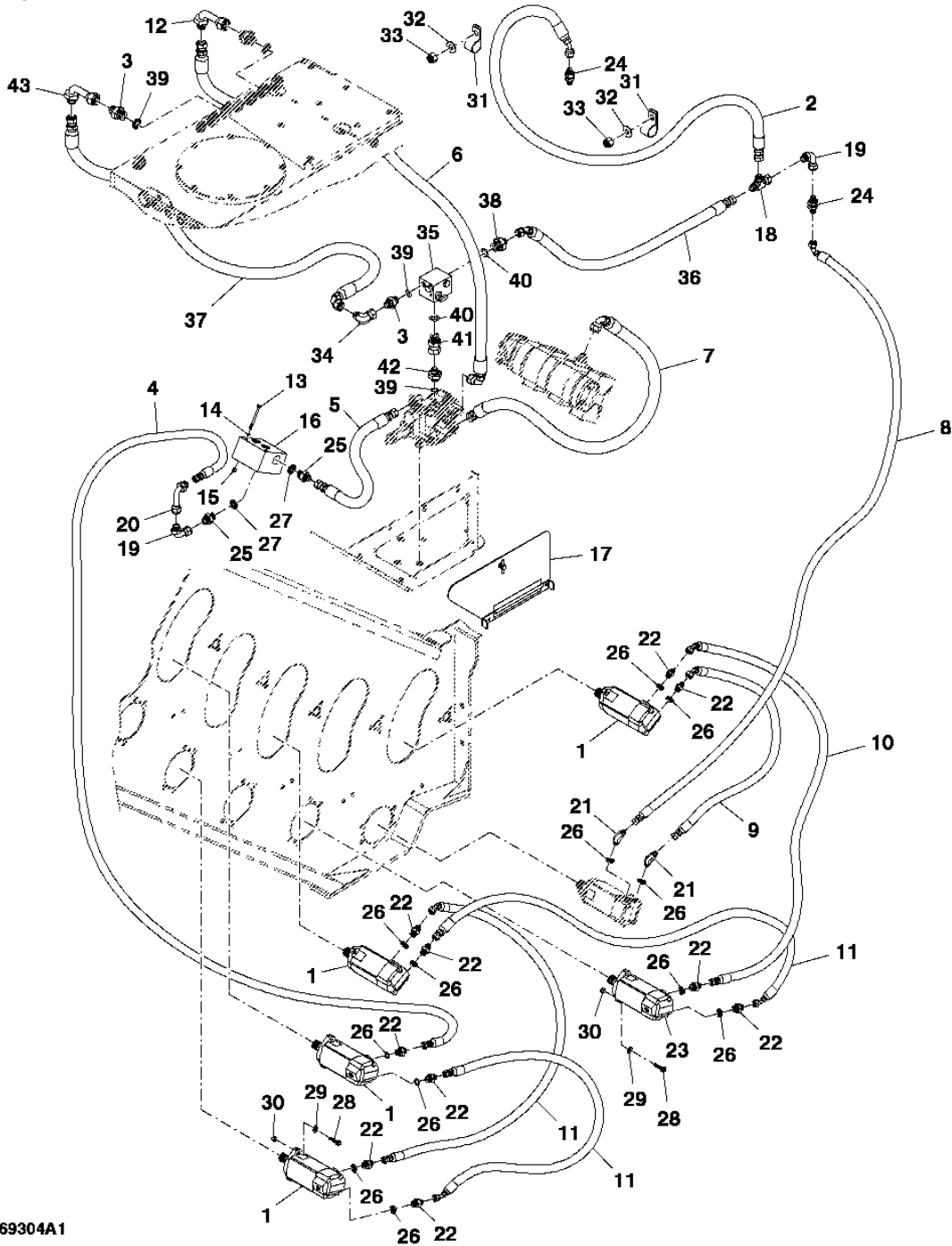
115-24

FEED ROLLER - GROUP 115

LINES GP-FEED ROLLER-RH(OPTION 7250 WITH 1000,1020)(100601-)

T8ETN69304A1

-UN-



T8ETN69304A1

THIS PARTS LISTING IS CONTINUED

115-37

FEED ROLLER - GROUP 115

KEY	PART NO.	PART NAME	QTY.	SERIAL NO.	REMARKS
1	CB11445268	HYD ACTUATED CONTROL VALVE	1		
2	BOLT	2	(A)	
3	FLANGE	2	(A)	
4	TUBE	1	(A)	
5	BOLT	1	(A)	
6	WASHER	2	(A)	
7	SPRING	1	(A)	
8	F432157	O-RING	1	(B)	
9	T140706	O-RING	2	(B)	22.225 X 1.588 MM
10	CAP	1	(A)	
11	BOLT	2	(A)	
12	SPOOL	1		
13	CB01445270	HOUSING	1		
14	HOUSING	1		
15	AT123905	HYD ACTUATED CONTROL VALVE	1		
16	T118685	O-RING	2	(C)	88.494 X 3.531 MM
17	790071500	TIE ROD ASSEMBLY	1		
18	14H1040	NUT	2		1/2"
19	790071400	TIE ROD ASSEMBLY	2		
20	14H1047	NUT	4		7/16"
21	CB11458977	PRESSURE RELIEF VALVE	1		
22	RETAINER	1	(A)	
23	T118681	O-RING	1	(D)	23.470 X 2.946 MM
24	U12547	O-RING	1	(C)	23.470 X 2.946 MM
25	CB01412616	PLUG	1		
26	F432158	PLUG	1		
27	F432157	O-RING	1	(C)	
90	CB11420169	HYDR./PILOT CONTROL VALVE	1		VALVE-FRONT FEED(KNCKDWN ROLLER/CROP DIVIDER)
..A	CB11445281	SEAL KIT	1		

(A) INCLD IN CB11445268 VALVE

(B) INCLD IN CB11445268 VALVE & CB11445281 SEAL KIT

(C) INCLD IN CB11445281 SEAL KIT

(D) INCLD IN CB11458977 PRESSURE RELIEF VALVE & CB11445281 SEAL KIT

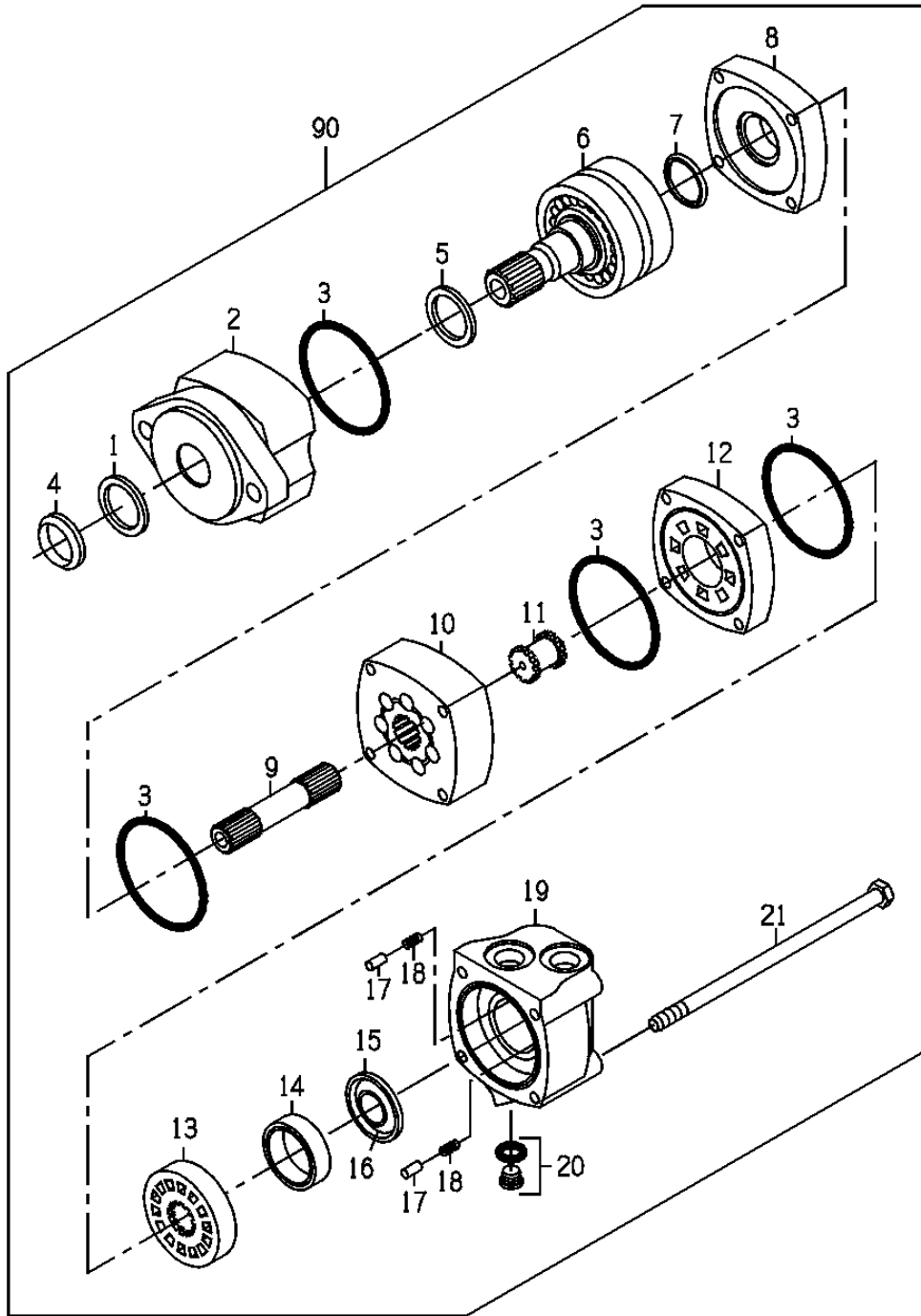
115-50

FEED ROLLER - GROUP 115

MOTOR, FEED ROLLER B1 (OPTION 5700)(070461-)

CM11480560A1

-UN-06MAR08



THIS PARTS LISTING IS CONTINUED

120-7

CHOPPER AND SILL - GROUP 120

KEY	PART NO.	PART NAME	QTY.	SERIAL NO.	REMARKS
1	CB11480558	MOTOR	5		
2	CB11427525	HYDRAULIC HOSE - FABRICATE	1		
3	CB11437139	HYDRAULIC HOSE - FABRICATE	1		
4	0071349607	FITTING	12		
5	0071341065	FITTING	1		
6	CB11461183	HYDRAULIC HOSE - FABRICATE	1		
7	R27267	FITTING	1		
8	0071341056	FITTING	1		
9	R26906	O-RING	12		(A) 19.177 X 2.464 MM
10	CB11427470	HYDRAULIC HOSE - FABRICATE	3		
11	19H3033	SCREW	10		1/2" X 2"
12	12H301	LOCK WASHER	12		1/2"
13	14H1040	NUT	10		1/2"
14	U12547	O-RING	1		(B) 23.470 X 2.946 MM
15	0881350161	HYDRAULIC HOSE - FABRICATE	1		
16	19H2936	SCREW	2		1/2" X 1-1/2"

(A) INCLD IN 0071349607 FITTING

(B) INCLD IN R27267 FITTING

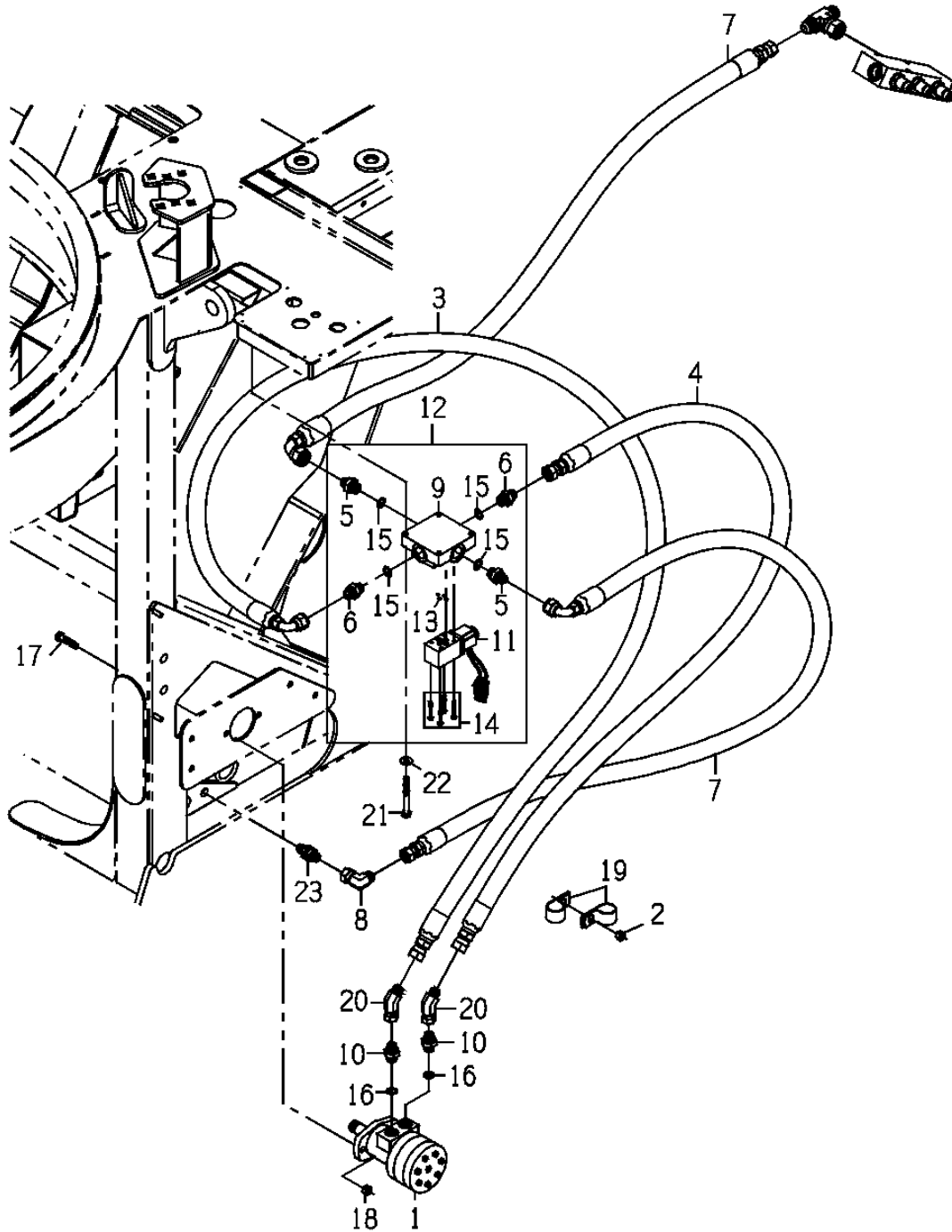
120-20

CHOPPER AND SILL - GROUP 120

LINES GP, CHOPPER CURTAIN AGITATOR (OPTION 7170){TRACK}(090588-090755)

CM11489096A1

-UN-08OCT08



THIS PARTS LISTING IS CONTINUED

120-33

CHOPPER AND SILL - GROUP 120

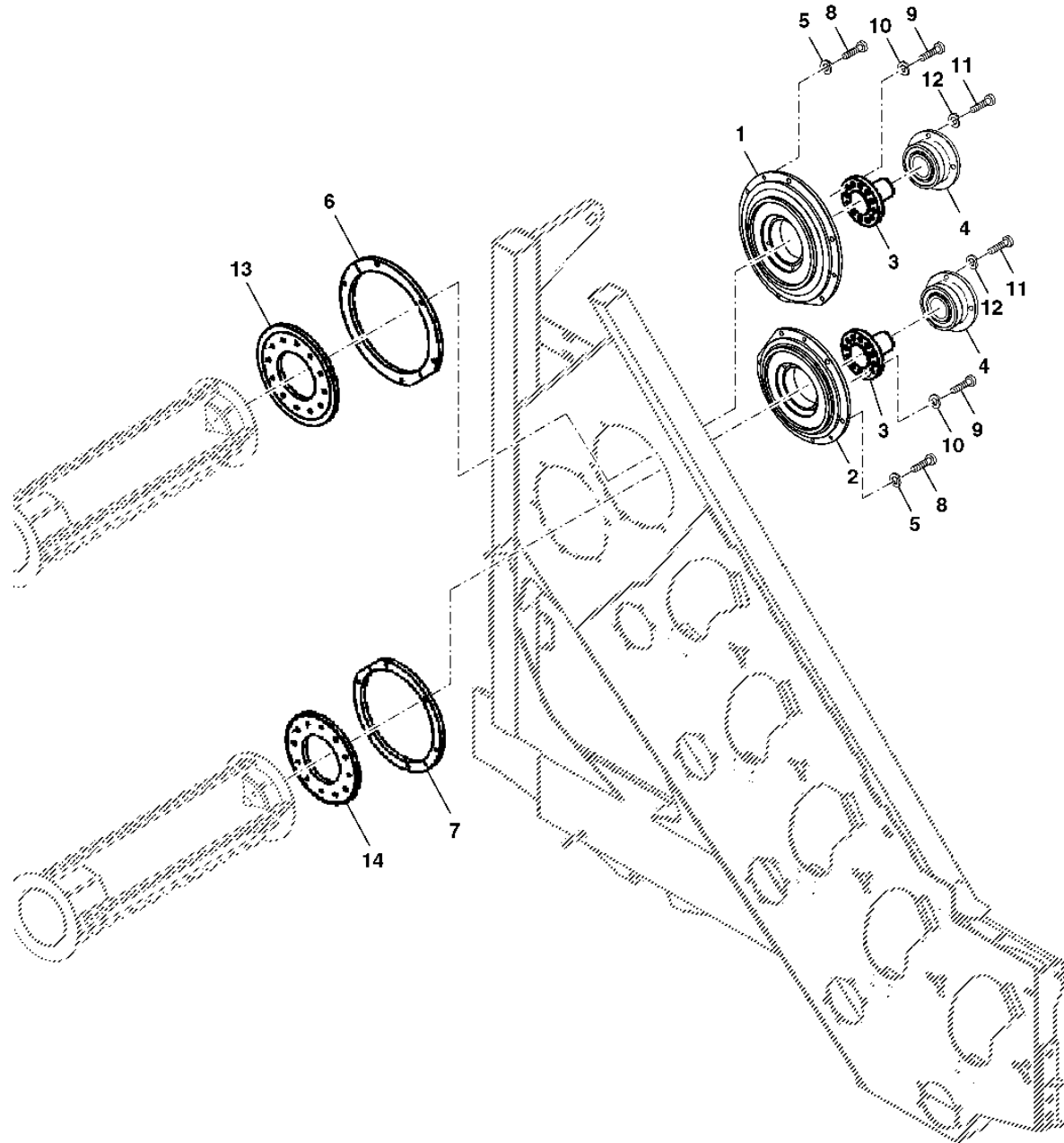
MEMORANDA

120-46

CHOPPER AND SILL - GROUP 120

CHOPPER GP, BEARING HUB

T8ETN68526A1 -UN-



T8ETN68526A1

THIS PARTS LISTING IS CONTINUED

120-59

CHOPPER AND SILL - GROUP 120

KEY	PART NO.	PART NAME	QTY.	SERIAL NO.	REMARKS
40	R151072	SPRING	2		
41	0631332280	DISTRIBUTOR PLATE	1		
42	AT224344	CYLINDER BLOCK	1		
43	CB11474089	SWASH PLATE	1		
44	T222118	BEARING	1		
45	T210562	PIN	1		
46	R151065	LINK	1		
47	R726R	DOWEL PIN	2		
48	T155638	SHIM	2		
49	0631305844	PLATE	1		
50	N206810	SHAFT	1		
51	T177597	BEARING	1		
52	T15509	SNAP RING	1		
53	R151066	SPRING	1		
54	R151088	O-RING	1		(C) 88.570 X 2.616 MM
55	AT330297	SEAL KIT	1		
56	R150997	SEAL	1		(C)
57	T175376	RETAINER	1		
58	19M8627	SCREW	3		M6 X 20
60	CB01487655	FLANGE	1		(C)
61	N203952	O-RING	2		
62	T176262	O-RING	3		(D)
63	T167226	COUPLING	1		
64	T155964	WASHER	4		
65	R151075	CLAMP	1		
66	R151097	O-RING	2		(H) 47.346 X 1.778 MM
67	T35580	O-RING	2		(H) 48.895 X 2.616 MM
68	19M7932	CAP SCREW	6		(I) M8 X 16
69	AT132220	SET SCREW	2		(I)
70	0631392679	SLEEVE	2		
71	T155640	NUT	2		(C)
72	RE151101	PISTON REPLACEMENT KIT	1		
73	AH123403	SCREEN	3		
74	T64769	DRAIN PLUG	2		
75	E80224	O-RING	1		(C) 133.020 X 2.616 MM
90	CB11487658	HYDRAULIC PUMP	1		PUMP, CHOPPER/BASECUTTER (OPTION 1000,1020)
..A	AN220311	SEAL KIT	1		

- (A) INCLD IN AT216565 COVER
- (B) INCLD IN AN202212 VALVE ASSY-MULTI FUNCTION & AN220311 SEAL KIT
- (C) INCLD IN AN220311 SEAL KIT
- (D) INCLD IN RE151101 PISTON REPLACEMENT KIT & AN220311 SEAL KIT
- (E) INCLD IN CB11440250 CONTROL & AN220311 SEAL KIT
- (F) INCLD IN CB11440250 CONTROL
- (G) INCLD IN AT214824 PRESSURE RELIEF VALVE & AN220311 SEAL KIT
- (I) INCLD IN 0631392679 SLEEVE ASSY & AN220311 SEAL KIT
- (J) INCLD IN 0631392679 SLEEVE ASSY

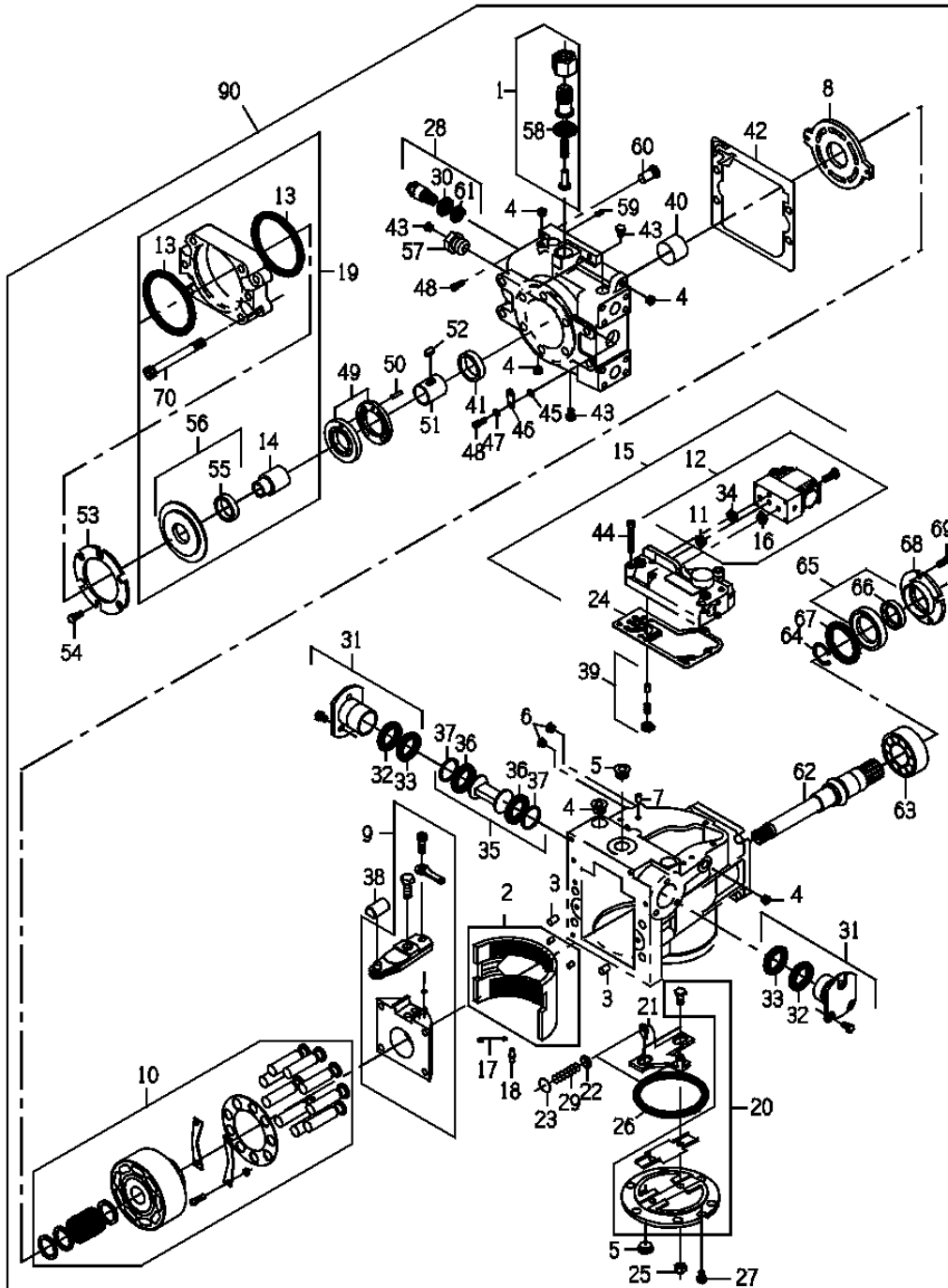
120-72

CHOPPER AND SILL - GROUP 120

PUMP, CHOPPER/BASECUTTER (OPTION 1010,1030) (CONT.) (090755-)

CM11487656A1

-UN-11APR08



THIS PARTS LISTING IS CONTINUED

125-7

PRIMARY EXTRACTOR - GROUP 125

KEY	PART NO.	PART NAME	QTY.	SERIAL NO.	REMARKS
1	CB11473147	HOUSING	1		
2	0291363721	WEAR PLATE	1	(A)	
3	CB01420562	RING	1	(A)	
4	CB01452528	RETAINER	6		
5	CB01422414	VANE	6	(A)	
6	CB01432582	WEAR PLATE	2	(A)	
7	0050033007	BOLT	6		
8	T11234	LOCK NUT	6	3/8"	
9	0050047771	WASHER	2		
10	CB01474000	CHAIN KIT	1		
11	SW80COUS	CHAIN LINK	1	(B)	
	SW80COUS	CHAIN LINK	1		
12	14H826	NUT	1	1/2"	
13	0221349755	CHAIN SPROCKET	1		
14	24H1928	WASHER	1	11/32" X 1-3/8" X 1/4"	
15	24H1776	WASHER	1	5/16" X 47/64" X 0.065"	
16	12H302	LOCK WASHER	1	1/4"	
17	19H1914	CAP SCREW	1	1/4" X 1"	
18	14H1040	NUT	3	1/2"	
19	CB01435088	PLATE	1		
20	M120005	ROD	1		
21	CB01444693	ADAPTER	1		
22	24H1219	WASHER	4	7/16" X 1" X 0.083"	
23	12H304	LOCK WASHER	4	3/8"	
24	19H2676	CAP SCREW	4	3/8" X 1"	

(A) INCLD IN CB11473147 HOUSING

(B) INCLD IN CB01474000 CHAIN NET

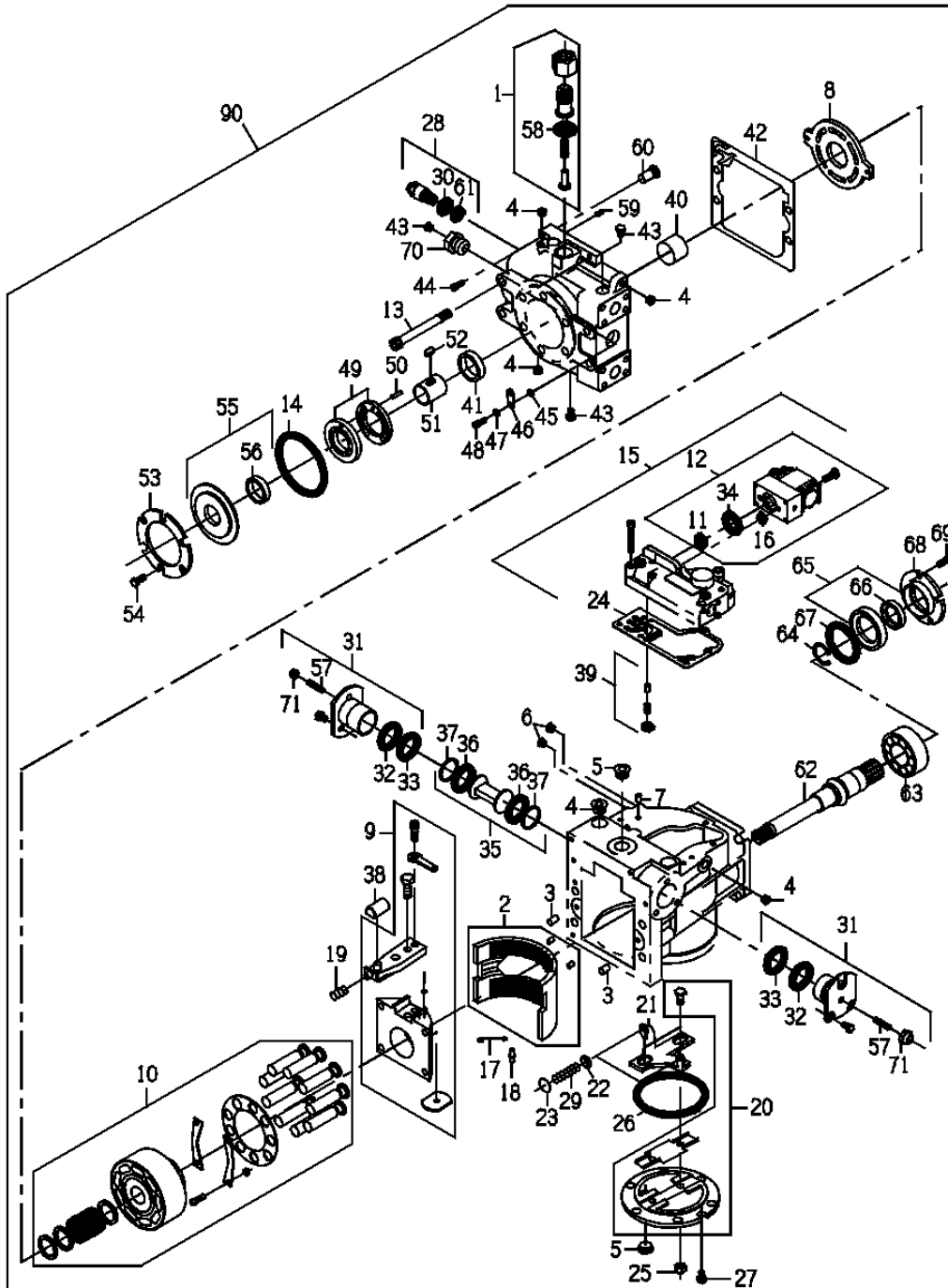
125-20

PRIMARY EXTRACTOR - GROUP 125

PUMP, PRIMARY EXTRACTOR

CM33005191B2

-UN-21APR08



THIS PARTS LISTING IS CONTINUED

130-5

ELEVATOR AND SECONDARY EXTRACTOR - GROUP 130

KEY	PART NO.	PART NAME	QTY.	SERIAL NO.	REMARKS
1	0050047771	WASHER	1		
2	0110005999	WASHER	2		
3	0290228243	SPACER	2		
4	0290250588	WASHER	1		
5	0290251912	WASHER	2		
6	12H304	LOCK WASHER	2		9.525 MM
7	14M7517	LOCK NUT	2		M10
8	19H2641	CAP SCREW	4		15.875 X 82.550 MM
9	19H2676	CAP SCREW	2		9.525 X 25.400 MM
10	19H2716	CAP SCREW	20		19.050 X 38.100 MM
11	19H2969	CAP SCREW	4		15.875 X 88.900 MM
12	19H3520	CAP SCREW	1		12.700 X 82.550 MM
13	19H3550	CAP SCREW	2		12.700 X 101.600 MM
14	24H1106	WASHER	4		17.475 X 44.450 X 3.404 MM
15	24H1197	WASHER	2		26.975 X 63.500 X 4.166 MM
16	24M7178	WASHER	2		10.500 X 30 X 2.500 MM
17	24M7294	WASHER	4		26 X 39 X 4 MM
18	AT133366	SELF-ALIGNING BUSHING	2		
19	AT250986	CAP SCREW	2		
20	CB01424545	RETAINER	2		
21	CB01432007	WASHER	4		
22	CB01432051	SPACER	2		
23	CB01432234	BUSHING	2		
24	CB01437522	CENTER SHEAVE	2		
25	CB01458942	PIN	2		
26	CB01464045	SHEET	1		
27	CB01467761	CABLE	1		
28	CB01471119	GUIDE	1		
29	CB01471989	CABLE	1		
30	CB01487608	PIN	2		
31	CB01487615	PIN	4		
32	CB01487621	PIN	2		
33	CB01487623	PIN	2		
34	CB01487625	PIN	2		
35	CB01488966	BUSHING	2		
36	CB01496273	PIN	1		
37	CB01496274	PIN	1		
38	CB11451849	BOLT	1		
39	CB11473161	SHEAVE ASSEMBLY	1		
40	JD7759	LUBRICATION FITTING	4		
41	JD7781	LUBRICATION FITTING	1		90° X 21.336 MM LONG
42	T151797	WASHER	20		20.625 X 47.625 X 6.220 MM
43	T16464	LOCK NUT	2		7.925 MM
44	T34950	NUT	2		25.400 MM
45	U10750	LOCK NUT	2		38.100 MM
46	U44915	LOCK NUT	4		15.875 MM

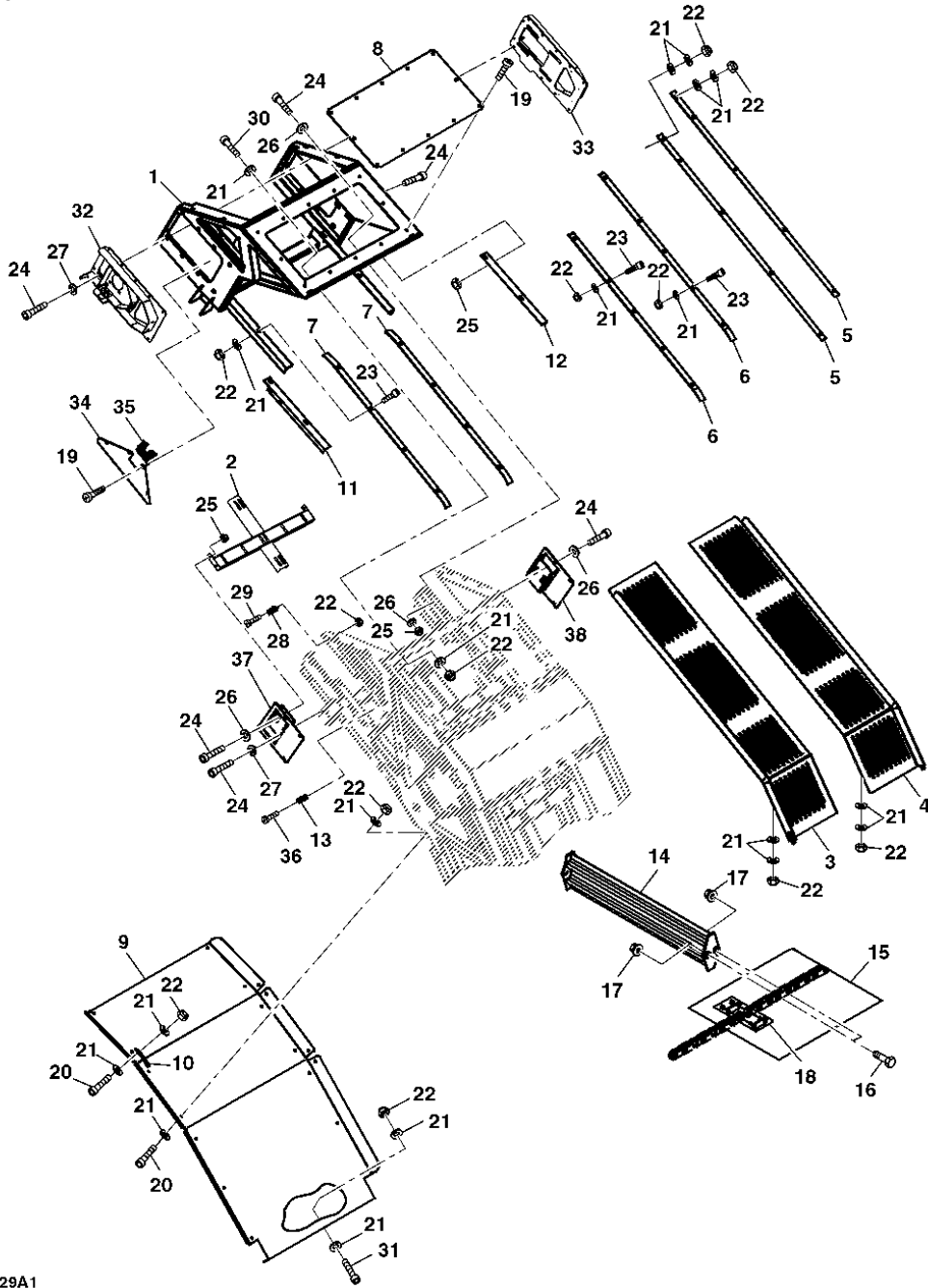
130-18

ELEVATOR AND SECONDARY EXTRACTOR - GROUP 130

ELEVATOR GP, EXTENSION 24 INCHES (OPTION 6520){TRACK}

T8ETN68629A1

-UN-



T8ETN68629A1

THIS PARTS LISTING IS CONTINUED

130-31

ELEVATOR AND SECONDARY EXTRACTOR - GROUP 130

KEY	PART NO.	PART NAME	QTY.	SERIAL NO.	REMARKS
1	CB11456057	HYDRAULIC HOSE - FABRICATE	1		
2	AT205083	CAP	2		
3	0070028756	FITTING	2		
4	0881342678	HYDRAULIC HOSE - FABRICATE	1		
5	0071342104	FITTING	1		
6	0071342068	TEE FITTING	1		
7	0070033020	FITTING	1		
8	CB11437898	PRESSURE RELIEF VALVE	1		
9	CB11437600	HYDRAULIC HOSE - FABRICATE	1		
10	R26448	O-RING	2		(A) 0.468" X 5/64"
11	0071341066	FITTING	4		
12	CB11438015	HYDRAULIC HOSE - FABRICATE	1		
13	CB11438016	HYDRAULIC HOSE - FABRICATE	1		
14	U12547	O-RING	4		(B) 23.470 X 2.946 MM
15	AT32331	ELBOW FITTING	1		
16	R27175	DRAIN PLUG	1		
17	CB01462657	HYD ACTUATED CONTROL VALVE	1		INCLD IN 8
18	CB01510120	FITTING	2		
19	CB11438017	HYDRAULIC HOSE - FABRICATE	1		
20	N111995	ELBOW FITTING	2		
21	19H2732	CAP SCREW	2		3/8" X 2-3/4"
22	24H1219	WASHER	3		7/16" X 1" X 0.083"
23	T11234	LOCK NUT	3		3/8"
24	T153064	CLAMP	1		
25	CB11437981	HYDRAULIC HOSE - FABRICATE	1		
26	0071341813	FITTING	1		
27	AT54268	TEE FITTING	1		
28	CB01462662	HYD ACTUATED CONTROL VALVE	1		(C)
29	AT209899	SEAL KIT	2		(D)
30	CB11482411	HYDRAULIC HOSE	1		
31	0071341064	FITTING	1		

(A) INCLD IN 0070028756 FITTING

(B) INCLD IN 0070033020 & 0071341813 FTGS, AT32331 ELBOW FTG, R27175 DRAIN PLUG

(C) INCLD IN CB11437898 PRESSURE RELIEF VALVE

(D) INCLD IN CB01462657 & CB01462662 VALVES

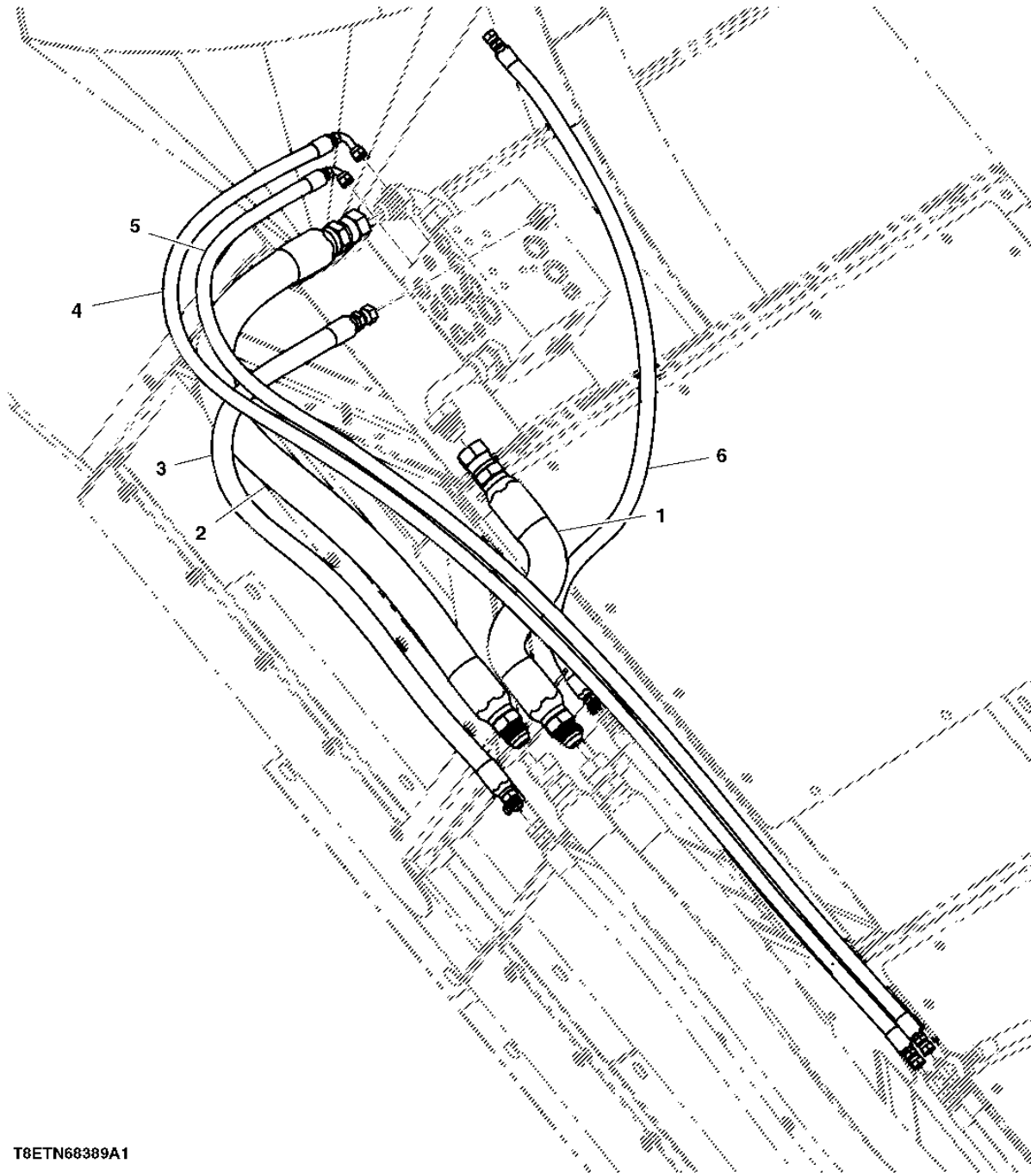
130-44

ELEVATOR AND SECONDARY EXTRACTOR - GROUP 130

LINES GP, ELEVATOR, EXTENSION, FRAME TO VALVE (OPTION 6510)

T8ETN68389A1

-UN-



T8ETN68389A1

THIS PARTS LISTING IS CONTINUED

130-57

ELEVATOR AND SECONDARY EXTRACTOR - GROUP 130

KEY	PART NO.	PART NAME	QTY.	SERIAL NO.	REMARKS
1	CB11480557	MOTOR	2		
2	0881343063	HYDRAULIC HOSE - FABRICATE	1		
3	0883004018	HYDRAULIC HOSE - FABRICATE	1		
4	CB11438789	HYDRAULIC HOSE - FABRICATE	1		
5	0881342465	HYDRAULIC HOSE - FABRICATE	1		
6	0070006655	FITTING	4		
7	R26906	O-RING	4		(A) 19.177 X 2.464 MM
8	R27175	DRAIN PLUG	1		
9	BP12214	LOCK NUT	8		1/2"
10	0881347265	HYDRAULIC HOSE - FABRICATE	1		
11	CB11421477	FLOW CONTROL HYD. VALVE	1		
12	0883001430	HYDRAULIC HOSE - FABRICATE	1		
13	0070005735	FITTING	2		
14	R29936	O-RING	2		(B) 29.743 X 2.946 MM
15	0071341056	FITTING	2		
16	CB01510014	TEE FITTING	1		
17	R27267	FITTING	1		
18	U12547	O-RING	2		(C) 23.470 X 2.946 MM
19	0071341097	TEE FITTING	1		
20	PMH2360	ADAPTER FITTING	1		
21	CB01463275	SHEET	1		
22	CB01463281	REINFORCEMENT	1		
23	12H303	LOCK WASHER	4		5/16"
24	19H2664	CAP SCREW	4		5/16" X 3/4"
25	19H1648	CAP SCREW	4		3/8" X 3/4"
26	12H304	LOCK WASHER	4		3/8"
27	24H1652	WASHER	4		13/32" X 11/16" X 7/64"
28	CB11472761	COVER	1		
29	19H1914	CAP SCREW	4		1/4" X 1"
30	12H302	LOCK WASHER	4		1/4"
31	24H1776	WASHER	4		5/16" X 47/64" X 0.065"
32	19H2473	CAP SCREW	8		1/2" X 1-3/4"

(A) INCLD IN 0070006655 FITTING

(B) INCLD IN 0070005735 FITTING

(C) INCLD IN R27175 DRAIN PLUG & R27267 FITTING

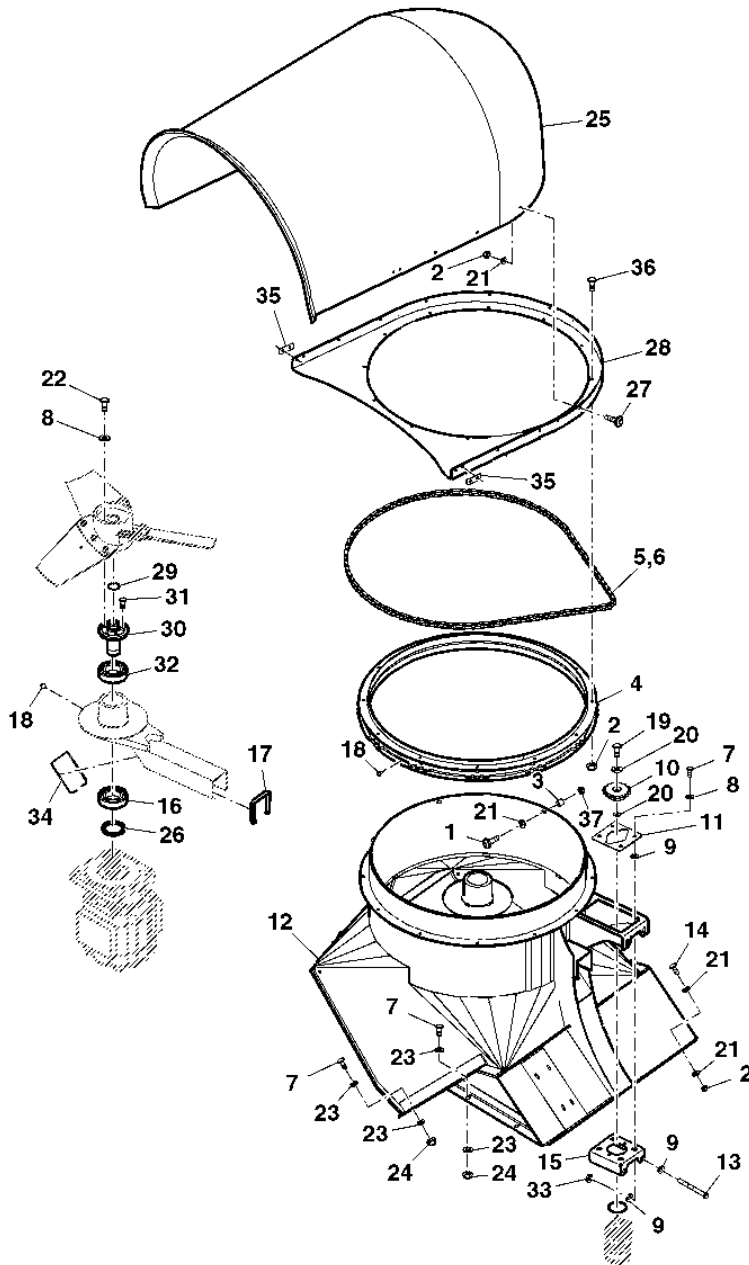
130-70

ELEVATOR AND SECONDARY EXTRACTOR - GROUP 130

SECONDARY EXTRACTOR GP, HOUSING (OPTION 6410,6420)

T8ETN68610A1

-UN-



T8ETN68610A1

THIS PARTS LISTING IS CONTINUED

130-83

ELEVATOR AND SECONDARY EXTRACTOR - GROUP 130

KEY	PART NO.	PART NAME	QTY.	SERIAL NO.	REMARKS
1	842966200	RETAINER	1		
2	0331340470	SHAFT	1		
3	AT116665	BALL BEARING	1		
4	0631326139	SPACER	1		
5	0631326136	SNAP RING	1		
6	842967500	RETAINER	1		
7	0331340471	SEAL	1	(A)	
8	0561340500	COVER	1		
9	0070042108	PIPE PLUG	2		
10	0330045284	CHECK VALVE	2		
11	AT180481	BUSHING KIT	1		COMES AS A SET (4 PER SET)
12	SEAL	2	(A)	
13	SEAL	4	(A)	
14	SEAL	4	(A)	
15	0331340525	PLATE	1		COMES AS A SET (2 PER SET)
16	SEAL	2	(A)	
17	0330045274	DOWEL PIN	4		
18	0631303686	GEAR KIT	1		
19	0041340501	HOUSING	1		
20	0331340498	COVER	1		
21	0630029380	WASHER	4		
22	08H4679	CAP SCREW	4		5/8" X 6-1/2"
90	0331339693	HYDRAULIC MOTOR	1		MOTOR, SECONDARY EXTRACTOR (OPTION 6410)
..A	0171340475	SEAL KIT	1		

(A) INCLD IN 0171340475 SEAL KIT

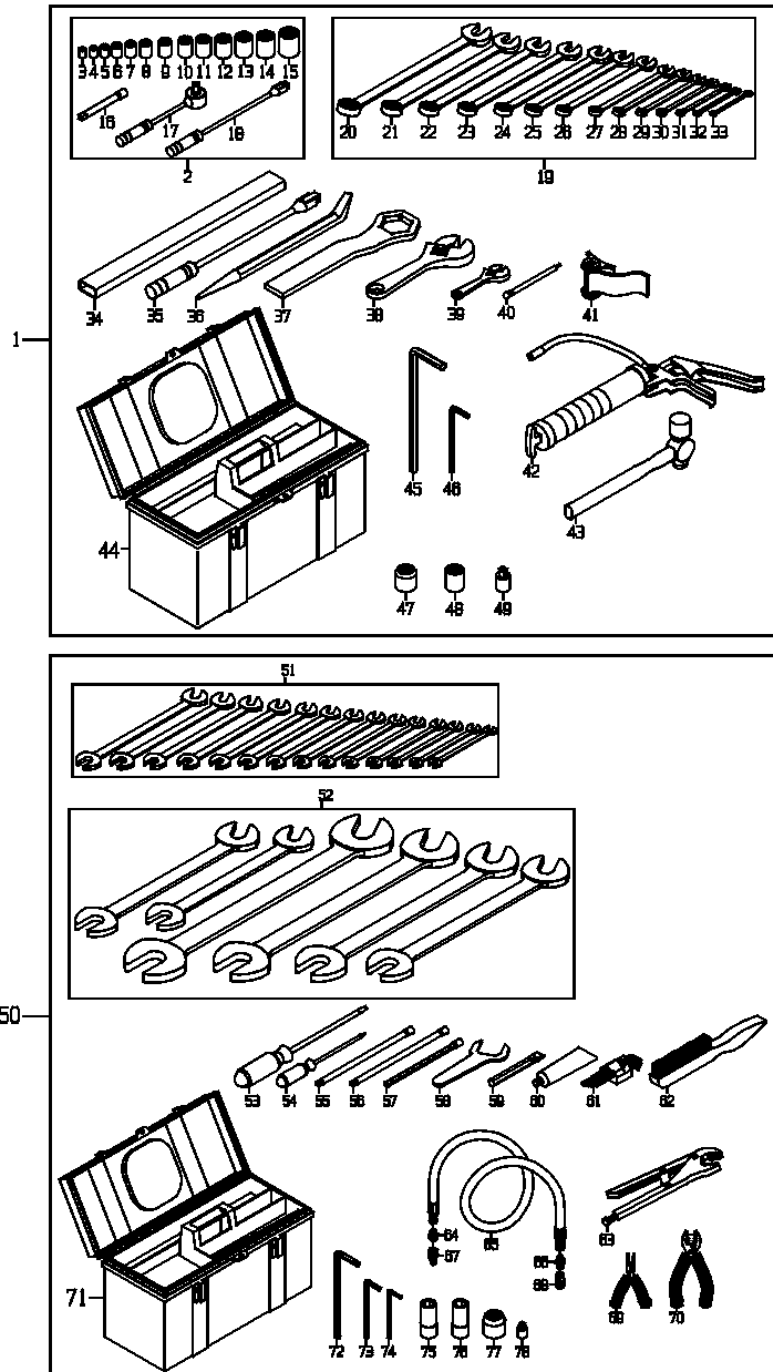
170-8

TOOLS AND SUPPLIES - GROUP 170

TOOL GP, DELUXE SERVICE (OPTION 9410)(CONT.)

CM91378845A0

-UN-06MAR08



THIS PARTS LISTING IS CONTINUED

175-5

KITS AND COMPLETE GOODS BUNDLES - GROUP 175

KEY	PART NO.	PART NAME	QTY.	SERIAL NO.	REMARKS
1	AH231048	LAMP	2		
2	AH218901	HOUSING	2		(A)
3	H215083	BRACKET	2		(A)
4	H219462	BOOT	2		(A)
5	H219463	HOLD-DOWN CLIP	2		(A)
6	RE179974	LAMP	2		(A)
7	19M7979	SCREW	2		(A) M8 X 55
8	14M7426	LOCK NUT	2		(A) M8
9	19M7866	SCREW	4		M8 X 20
10	37M7218	SCREW	6		
11	RE179975	ELECTRIC BALLAST	2	-090507	
	RE271579	ELECTRIC BALLAST	2	090508-	
12	H208124	SAFETY SIGN	1	-090677	WARNING LABEL, HID LIGHTS, ENGLISH
	H208161	SAFETY SIGN	1	-090677	WARNING LABEL, HID LIGHTS, SPANISH
	H208160	SAFETY SIGN	1	-090677	WARNING LABEL, HID LIGHTS, FRENCH
13	RE185742	HEADLAMP WIRING HARNESS	2	-090507	
	RE271578	WIRING HARNESS	2	090508-	

(A) INCLD IN AH231048 LAMP

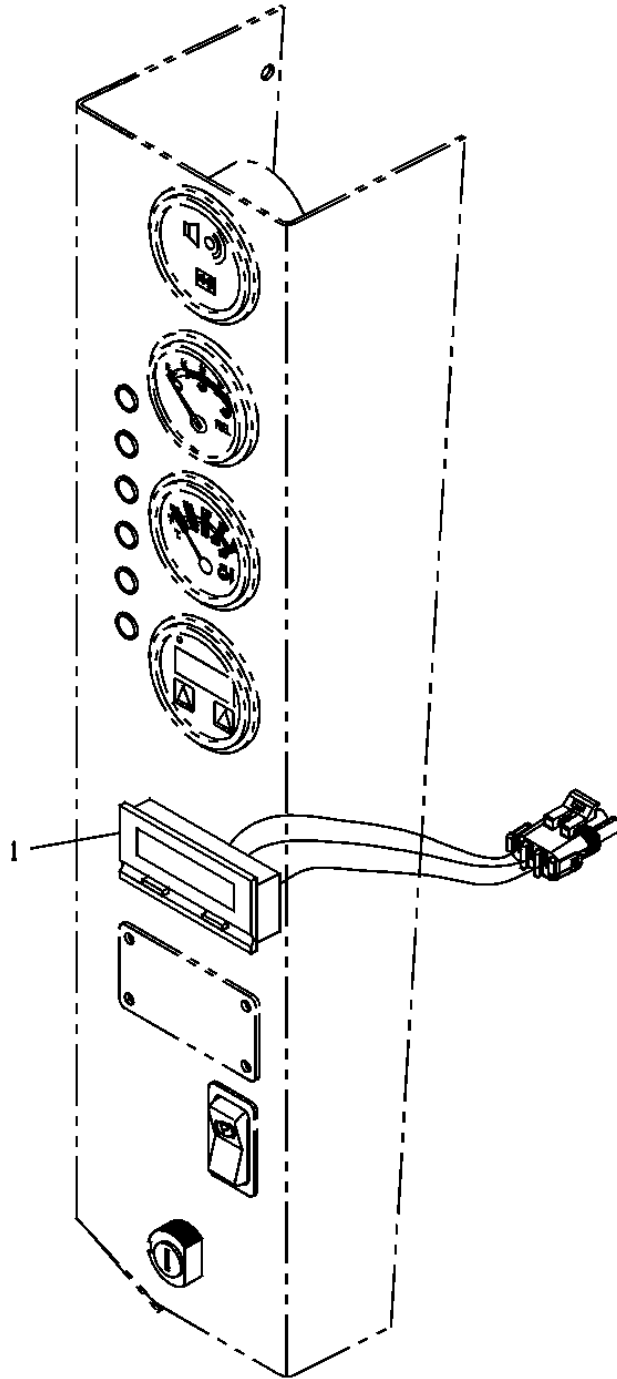
175-18

KITS AND COMPLETE GOODS BUNDLES - GROUP 175

FIELD KIT, PRIMARY EXTRACTOR TACHOMETER

CM11473225A1

-UN-06MAR08



THIS PARTS LISTING IS CONTINUED

175-31

KITS AND COMPLETE GOODS BUNDLES - GROUP 175

KEY	PART NO.	PART NAME	QTY.	SERIAL NO.	REMARKS
1	CB11421477	FLOW CONTROL HYD. VALVE	1		
2	CB11436872	HYDRAULIC HOSE - FABRICATE	1		
3	0881341429	HYDRAULIC HOSE - FABRICATE	1		
4	0070005735	FITTING	1		
5	U12547	O-RING	3		(A) 0.924" X 0.116"
6	R29936	O-RING	2		(B) 1.171" X 0.116"
7	0070036606	FITTING	1		
8	0070033020	FITTING	1		
9	0071341059	FITTING	1		
10	R27267	FITTING	2		
11	CB11448713	DOOR	1		
12	CB01510022	ELBOW FITTING	1		

(A) INCLD IN 0070033020 & R27267 FITTINGS

(B) INCLD IN 0070005735 & 0070036606 FITTINGS

180-6

3520 SUGAR CANE HARVESTER

NUMERICAL INDEX - CONTINUED

PART NO.	KEY	PAGE	PART NO.	KEY	PAGE	PART NO.	KEY	PAGE
AZ56818	1	110-21	BP12214	9	125-13	CB01418673	34	52-17
AZ56818	1	110-23	BP12214	12	130-11	CB01418673	34	120-71
AZ56818	1	110-25	BP12214	26	130-17	CB01418926	32	120-31
A52959	16	40-7	BP12214	25	130-19	CB01418926	32	120-35
A52959	16	40-9	BP12214	40	130-23	CB01418927	33	120-31
BP12214	13	30-3	BP12214	8	130-55	CB01418927	33	120-35
BP12214	18	30-9	BP12214	9	130-57	CB01419085	34	120-31
BP12214	14	30-11	BP12214	4	130-67	CB01419085	34	120-35
BP12214	18	40-89	BP12214	4	130-69	CB01419160	19	100-5
BP12214	32	40-93	BP12214	24	130-71	CB01419165	2	115-11
BP12214	6	55-3	BP12214	5	130-73	CB01419165	2	115-13
BP12214	25	70-3	BP12214	14	130-75	CB01419173	35	120-31
BP12214	18	70-5	BP12214	14	130-77	CB01419173	35	120-35
BP12214	18	70-7	BP12214	14	130-79	CB01419201	36	120-31
BP12214	7	80-3	BP12214	14	130-85	CB01419201	36	120-35
BP12214	12	80-47	BP12214	3	175-29	CB01419240	37	120-31
BP12214	12	80-49	BP12214	3	175-35	CB01419240	37	120-35
BP12214	12	80-51	BP12214	5	175-37	CB01419254	38	120-31
BP12214	9	80-57	B3690R	6	60-7	CB01419254	38	120-35
BP12214	11	80-59	CB01383699	27	125-9	CB01419299	39	120-31
BP12214	12	80-61	CB01390882	24	125-9	CB01419299	39	120-35
BP12214	12	80-63	CB01397933	45	130-23	CB01419684	44	40-21
BP12214	12	80-71	CB01397935	2	55-3	CB01419684	44	40-25
BP12214	3	100-17	CB01397935	14	125-13	CB01419685	45	40-21
BP12214	25	105-7	CB01401728	11	50-27	CB01419685	45	40-25
BP12214	10	105-19	CB01401728	11	50-29	CB01419687	46	40-21
BP12214	28	105-19	CB01401728	32	55-25	CB01419687	46	40-25
BP12214	12	105-21	CB01401728	32	55-27	CB01419687	28	90-5
BP12214	23	105-23	CB01401728	32	57-15	CB01420399	26	40-89
BP12214	19	105-25	CB01401728	32	57-17	CB01420399	39	40-93
BP12214	5	105-25B	CB01407371	14	55-17	CB01420399	3	80-45
BP12214	5	105-25D	CB01407372	16	55-17	CB01420399	4	80-75
BP12214	4	105-27	CB01409089	26	90-63	CB01420399	9	80-77
BP12214	5	105-29	CB01409089	26	90-65	CB01420562	3	125-5
BP12214	4	105-35	CB01410581	5	57-5	CB01420562	3	125-7
BP12214	5	105-37	CB01410581	5	57-9	CB01421392	7	90-85
BP12214	8	105-43	CB01410590	1	57-3	CB01421692	4	105-51
BP12214	13	105-45	CB01410590	1	57-7	CB01421692	9	115-3
BP12214	8	105-47	CB01411883	5	120-39	CB01421974	5	125-9
BP12214	13	105-49	CB01412137	13	100-33	CB01422284	4	115-43
BP12214	7	105-51	CB01412207	3	52-24	CB01422284	5	130-61
BP12214	14	105-77	CB01412238	25	130-71	CB01422284	5	175-33
BP12214	13	105-79	CB01412609	...C	125-25	CB01422287	5	115-43
BP12214	13	105-81	CB01412616	25	105-113	CB01422287	7	130-61
BP12214	13	105-83	CB01412616	25	115-37	CB01422287	7	175-33
BP12214	16	105-85	CB01412616	25	115-41	CB01422288	14	100-33
BP12214	16	105-87	CB01413088	4	175-3	CB01422288	8	115-43
BP12214	16	105-89	CB01413541	13	90-3	CB01422288	10	130-61
BP12214	16	105-91	CB01415513	3	80-5	CB01422288	10	175-33
BP12214	15	105-111	CB01415781	13	115-15	CB01422414	5	125-5
BP12214	12	115-3	CB01416716	44	170-3	CB01422414	5	125-7
BP12214	30	115-3	CB01416716	45	170-9	CB01423018	40	120-31
BP12214	4	115-21	CB01417877	30	120-31	CB01423018	40	120-35
BP12214	14	115-35	CB01417877	30	120-35	CB01423065	45	120-53
BP12214	8	120-3	CB01418193	8	52-27	CB01423065	45	120-55
BP12214	18	120-5	CB01418263	31	120-31	CB01423065	45	120-67
BP12214	21	120-5	CB01418263	31	120-35	CB01423065	45	120-69
BP12214	5	120-13	CB01418406	10	110-5	CB01423811	4	125-25
BP12214	11	120-15	CB01418406	10	110-7	CB01423812	5	125-25
BP12214	18	120-21	CB01418408	17	110-5	CB01423824	30	125-25
BP12214	18	120-23	CB01418408	17	110-7	CB01423843	22	80-69
BP12214	18	120-25	CB01418422	11	110-5	CB01423866	41	120-31
BP12214	29	120-31	CB01418422	11	110-7	CB01423866	41	120-35
BP12214	29	120-35	CB01418527	22	125-9	CB01423920	5	130-13
BP12214	11	120-41	CB01418673	34	50-17	CB01423925	6	130-13
BP12214	11	120-43	CB01418673	34	50-21	CB01423961	2	130-15
BP12214	10	125-9	CB01418673	34	52-13	CB01424053	15	130-23

180-19

3520 SUGAR CANE HARVESTER

NUMERICAL INDEX - CONTINUED

PART NO.	KEY	PAGE	PART NO.	KEY	PAGE	PART NO.	KEY	PAGE
CB11465389	38	70-13	CB11468282	21	125-15	CB11471834	..A	120-77
CB11465389	38	70-17	CB11468282	21	125-17	CB11471835	..B	120-63
CB11465451	4	80-39	CB11468282	5	125-19	CB11471835	..B	120-77
CB11465451	4	80-41	CB11468381	1	70-13	CB11471843	..C	120-77
CB11465461	18	25-13	CB11468381	1	70-17	CB11471846	..C	120-63
CB11465482	4	40-95	CB11468381	1	70-21	CB11472297	22	120-15
CB11465484	11	40-95	CB11468382	4	70-13	CB11472489	1	40-87
CB11465529	1	105-115	CB11468382	4	70-17	CB11472501	21	100-9
CB11465529	90	105-117	CB11468382	4	70-21	CB11472501	21	100-11
CB11465531	3	40-95	CB11468382	4	70-33	CB11472523	46	40-93
CB11465649	2	40-89	CB11468382	4	70-35	CB11472524	45	40-93
CB11465649	1	40-93	CB11468382	7	120-21	CB11472724	1	130-63
CB11465869	24	70-81	CB11468382	7	120-23	CB11472724	90	130-65
CB11466112	9	100-17	CB11468382	7	120-25	CB11472726	1	130-53
CB11466113	14	100-25	CB11468386	5	70-13	CB11472726	9	130-67
CB11466633	44	70-11	CB11468386	5	70-17	CB11472726	9	130-69
CB11466633	59	70-15	CB11468386	5	70-21	CB11472727	1	105-105
CB11466634	19	70-11	CB11468386	5	70-33	CB11472727	1	105-109
CB11466634	37	70-13	CB11468386	5	70-35	CB11472727	90	105-129
CB11466634	4	70-37	CB11468388	6	70-13	CB11472727	90	105-133
CB11466641	2	70-13	CB11468388	6	70-17	CB11472727	4	115-19
CB11466641	2	70-17	CB11468388	6	70-21	CB11472761	10	130-55
CB11466641	2	70-21	CB11468388	6	70-33	CB11472761	28	130-57
CB11466641	2	70-33	CB11468388	6	70-35	CB11472806	90	70-81
CB11466641	2	70-35	CB11468908	54	120-31	CB11472855	4	130-71
CB11466642	3	70-13	CB11468908	54	120-35	CB11472858	12	130-71
CB11466642	3	70-17	CB11469073	14	40-51	CB11472869	8	130-13
CB11466642	3	70-21	CB11469073	14	40-53	CB11472870	9	130-13
CB11466642	3	70-33	CB11469073	30	120-65	CB11472871	10	130-13
CB11466642	3	70-35	CB11469073	16	120-75	CB11472888	4	130-15
CB11466769	27	125-15	CB11469114	25	70-33	CB11472890	5	130-15
CB11466769	27	125-17	CB11469114	25	70-35	CB11472897	1	130-17
CB11466770	18	125-15	CB11469332	1	120-45	CB11472899	2	130-17
CB11466770	18	125-17	CB11469333	2	120-45	CB11472900	3	130-17
CB11467064	41	40-93	CB11469335	2	120-43	CB11472903	4	130-17
CB11467065	23	40-93	CB11469336	2	120-41	CB11472906	6	130-17
CB11467066	24	40-93	CB11469337	1	120-43	CB11472908	7	130-17
CB11467093	12	50-11	CB11469338	1	120-41	CB11472920	5	130-17
CB11467093	10	50-43	CB11469658	1	130-49	CB11472921	5	130-17
CB11467163	5	70-31	CB11469658	90	130-51	CB11472923	1	125-9
CB11467163	5	70-37	CB11469871	17	120-63	CB11472924	2	125-9
CB11467166	1	70-37	CB11469871	17	120-77	CB11472927	16	55-15
CB11467277	3	105-59	CB11469878	1	40-49	CB11472928	17	55-15
CB11467346	1	40-55	CB11469977	23	115-15	CB11472929	15	55-11
CB11467352	1	40-21	CB11470294	3	70-81	CB11472930	16	55-11
CB11467353	1	40-25	CB11470458	12	40-95	CB11472931	12	55-13
CB11467567	14	55-11	CB11470468	9	40-95	CB11472932	13	55-13
CB11467567	11	55-13	CB11470470	1	40-95	CB11472944	14	120-39
CB11467567	15	55-15	CB11470481	2	40-15	CB11472945	13	80-57
CB11468282	2	50-11	CB11470485	3	40-15	CB11472946	14	80-57
CB11468282	15	50-15	CB11470489	5	40-15	CB11472947	1	120-5
CB11468282	7	50-33	CB11470575	14	40-51	CB11472951	3	120-5
CB11468282	3	50-43	CB11470575	14	40-53	CB11472955	1	120-3
CB11468282	16	52-3	CB11470575	31	120-49	CB11472960	1	105-39
CB11468282	16	52-5	CB11470575	16	120-61	CB11472960	18	105-41
CB11468282	16	52-7	CB11470901	14	120-51	CB11472966	1	105-101
CB11468282	16	52-9	CB11470901	14	120-55	CB11472966	90	105-127
CB11468282	15	52-11	CB11470901	14	120-67	CB11472983	18	105-39
CB11468282	10	100-21	CB11470901	14	120-69	CB11472983	19	105-41
CB11468282	5	120-49	CB11471532	10	80-41	CB11472984	1	105-27
CB11468282	39	120-51	CB11471776	23	120-51	CB11472985	1	105-35
CB11468282	39	120-55	CB11471776	23	120-55	CB11472987	1	105-31
CB11468282	15	120-61	CB11471776	90	120-63	CB11472987	18	105-33
CB11468282	5	120-65	CB11471777	23	120-67	CB11472987	1	105-53
CB11468282	39	120-67	CB11471777	23	120-69	CB11472988	18	105-31
CB11468282	39	120-69	CB11471777	90	120-77	CB11472988	19	105-33
CB11468282	15	120-75	CB11471834	..A	120-63	CB11472988	18	105-53

180-32

3520 SUGAR CANE HARVESTER

NUMERICAL INDEX - CONTINUED

PART NO.	KEY	PAGE	PART NO.	KEY	PAGE	PART NO.	KEY	PAGE
R26906	20	115-21	R27212	16	100-31	R27267	17	130-57
R26906	26	115-23	R27212	8	105-115	R27267	10	175-31
R26906	26	115-25	R27212	7	115-17	R27474	2	20-13
R26906	26	115-27	R27212	19	120-49	R27474	2	22-13
R26906	26	115-29	R27212	20	120-61	R27474	2	70-39
R26906	9	115-31	R27212	19	120-65	R27474	15	100-33
R26906	9	120-7	R27212	20	120-75	R27474	6	105-115
R26906	16	120-21	R27212	13	125-19	R27976	5	55-17
R26906	16	120-23	R27212	6	130-27	R28193	8	90-47
R26906	16	120-25	R27212	4	130-49	R28782	39	60-13
R26906	37	120-51	R27212	12	130-67	R28782	4	70-45
R26906	37	120-55	R27212	12	130-69	R28782	4	70-47
R26906	31	120-57	R27218	29	30-3	R28782	13	90-89
R26906	37	120-67	R27218	43	50-19	R28782	7	100-17
R26906	37	120-69	R27218	43	50-23	R28782	10	100-19
R26906	11	120-79	R27218	15	50-35	R28782	12	100-31
R26906	5	125-15	R27218	15	50-39	R28782	11	130-49
R26906	5	125-17	R27218	43	52-15	R28782	7	130-75
R26906	7	125-27	R27218	43	52-19	R28782	7	130-77
R26906	7	130-55	R27218	71	52-31	R28782	7	130-79
R26906	7	130-57	R27218	4	70-11	R28782	7	130-85
R26906	17	130-63	R27218	30	70-13	R28811	3	20-7
R26906	10	130-75	R27218	30	70-17	R28811	3	22-7
R26906	10	130-77	R27218	8	70-83	R29354	1	90-91
R26906	10	130-79	R27218	16	100-31	R29936	8	52-11
R26906	10	130-85	R27218	4	115-33	R29936	30	60-13
R27175	41	70-3	R27218	25	120-57	R29936	42	70-3
R27175	38	70-5	R27218	43	120-73	R29936	42	70-5
R27175	38	70-7	R27218	3	120-79	R29936	42	70-7
R27175	11	110-19	R27218	43	125-23	R29936	11	70-51
R27175	11	110-21	R27218	15	130-49	R29936	12	70-53
R27175	11	110-23	R27237	7	52-27	R29936	20	70-57
R27175	11	110-25	R27237	2	70-3	R29936	17	70-65
R27175	9	125-25	R27237	40	70-5	R29936	17	70-67
R27175	16	130-31	R27237	40	70-7	R29936	17	70-73
R27175	12	130-33	R27237	12	70-11	R29936	12	70-77
R27175	16	130-37	R27237	33	70-13	R29936	9	70-83
R27175	8	130-57	R27237	33	70-17	R29936	6	100-17
R27212	8	30-5	R27237	12	70-31	R29936	9	100-19
R27212	9	50-15	R27237	12	70-37	R29936	27	100-33
R27212	16	50-33	R27237	33	70-57	R29936	9	105-111
R27212	33	52-3	R27237	19	70-65	R29936	32	110-5
R27212	33	52-5	R27237	19	70-67	R29936	28	110-7
R27212	33	52-7	R27237	19	70-73	R29936	40	115-25
R27212	33	52-9	R27237	2	105-107	R29936	40	115-29
R27212	5	60-21	R27237	5	120-21	R29936	9	115-35
R27212	5	60-23	R27237	5	120-23	R29936	7	115-39
R27212	5	60-25	R27237	5	120-25	R29936	10	120-49
R27212	5	60-27	R27267	5	70-3	R29936	21	120-61
R27212	5	60-29	R27267	41	70-5	R29936	10	120-65
R27212	5	60-31	R27267	41	70-7	R29936	21	120-75
R27212	5	60-33	R27267	14	70-65	R29936	22	125-19
R27212	8	70-3	R27267	14	70-67	R29936	8	130-49
R27212	39	70-5	R27267	14	70-73	R29936	14	130-57
R27212	39	70-7	R27267	36	70-81	R29936	21	130-67
R27212	13	70-11	R27267	7	100-31	R29936	21	130-69
R27212	11	70-13	R27267	3	105-111	R29936	6	130-75
R27212	11	70-17	R27267	25	115-23	R29936	6	130-77
R27212	25	70-21	R27267	3	115-25	R29936	6	130-79
R27212	9	70-31	R27267	25	115-25	R29936	6	130-85
R27212	28	70-33	R27267	25	115-27	R29936	5	170-13
R27212	28	70-35	R27267	3	115-29	R29936	5	170-15
R27212	9	70-37	R27267	25	115-29	R29936	6	175-31
R27212	18	70-41	R27267	7	115-31	R31736	15	70-13
R27212	18	70-43	R27267	9	115-39	R31736	15	70-17
R27212	15	70-45	R27267	7	120-7	R31736	15	70-21
R27212	15	70-47	R27267	2	130-49	R31736	15	70-33

CLICK HERE TO **DOWNLOAD** THE COMPLETE MANUAL

- Thank you very much for reading the preview of the manual.
- You can download the complete manual from: www.heydownloads.com by clicking the link below



- Please note: If there is no response to CLICKING the link, please download this PDF first and then click on it.

CLICK HERE TO **DOWNLOAD** THE COMPLETE MANUAL