

# Parts Book

## 416

### WHEELED LOADERS

### S.N. 00530350-00530599



CLICK HERE TO **DOWNLOAD** THE COMPLETE MANUAL

- Thank you very much for reading the preview of the manual.
- You can download the complete manual from: [www.heydownloads.com](http://www.heydownloads.com) by clicking the link below



- Please note: If there is no response to CLICKING the link, please download this PDF first and then click on it.

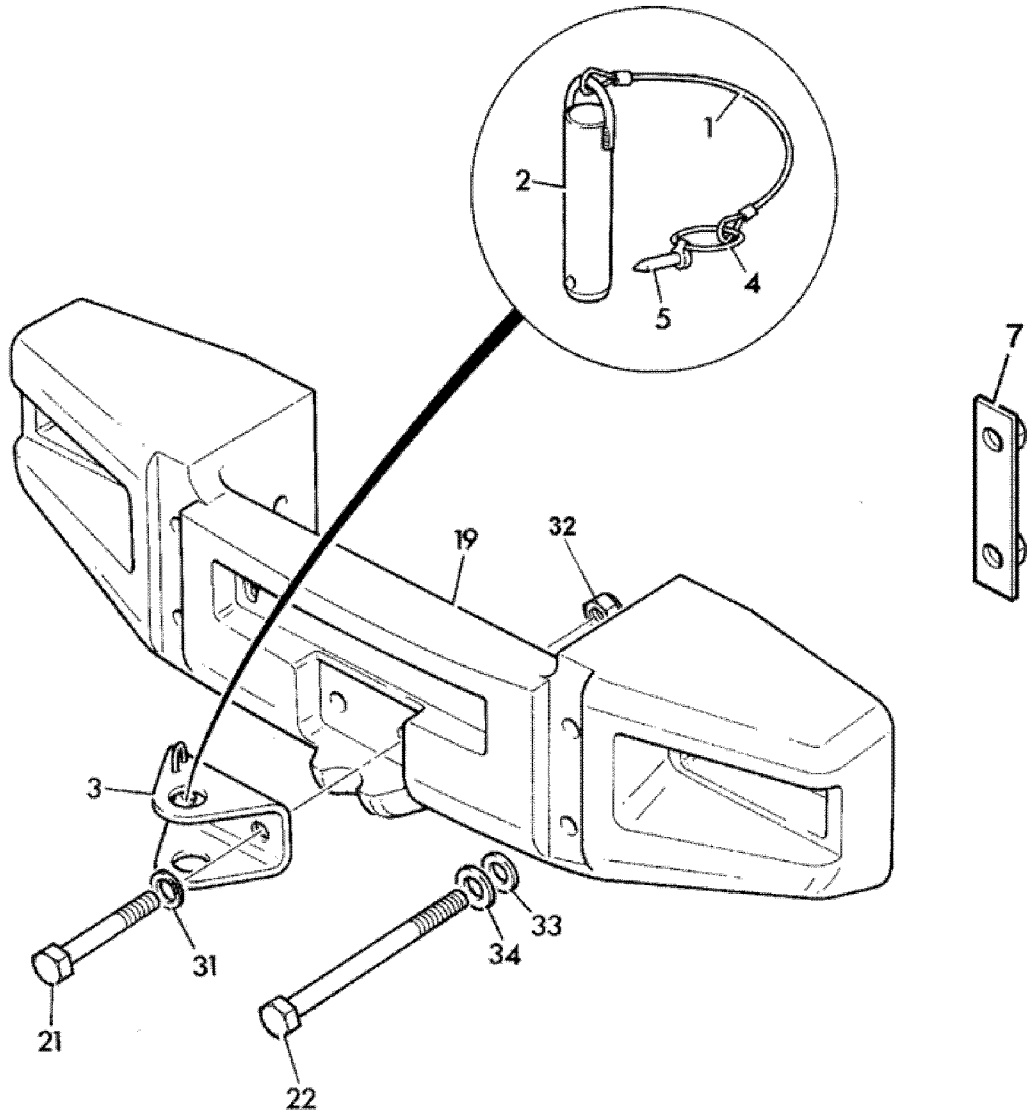
CLICK HERE TO **DOWNLOAD** THE COMPLETE MANUAL

1	:331/19544		Shovel 1.6cu.m. hy tip	1
2	:983/10878		Cradle assembly	1
3	:983/10534		Toeplate weld-in	1
3A	.		'See Remark' <i>See A3-10-1 for bolt-on toeplate</i>	1
4	:983/10545	Superseded	Ram assembly	2
4	332/G4552		Ram assembly <i>See page E4-9-2 for components</i>	2
4A	::903/20647		Cylinder	1
4B	::903/20648		Rod piston	1
4C	::903/20649		Cap end	1
4D	::903/20650		Bush piston rod <i>Piston rod</i>	2
4E	::903/20651		Bush cylinder barrel	1
4F	::903/20653		Nipple grease	1
4G	::903/20654		Kit seal <i>Seal kit for item 4 983/10545</i>	1
4H	:903/20655		Nut piston rod <i>Nut for item 4 983/10545</i>	1
4J	903/20652		Nipple grease	1
5	:983/10536		Pin pivot	2
6	:1315/3421Z		Bolt M10 x 110	4
7	1370/0303Z		Nut Lock	4
8	983/10537		Pin pivot	2
9	511/34409		Plate retaining	2
9A	1315/0307Z		Setscrew	4
9B	1425/0007Z		Spring Washer	4
11	983/10538		Pin main pivot	2
12	983/10539		Bush pivot	4
13	983/10870		Spacer	2
14	510/90112		Buffer rubber	2
15	1315/0311Z		Setscrew	4
16	1370/0203Z		Nut Lock	4
17	1420/0007Z		Washer Plain	8
18	983/10872		Nipple grease M10	2
19	983/10541		Pin lynch	1
20	983/10542		Label lynch pin instructio	1
21	903/20646		Hose assembly	1
22	903/20644		Hose assembly	1
23	903/20645		Hose assembly	1
24	903/20646		Hose assembly	1
25	903/20632		Adapter tee	2
26	903/20944		Adapter 1/2" BSP	2
27	903/20940		Nut 1/2 BSP	2
28	903/20633		Adapter restrictor 1/2" BSP x 3/8"	2
29	903/20945		Washer sealing 3/8" BSP	4
30	903/20946		Adapter 1/2" BSP x 3/8"	2

Item	Part #	Change No	Description	Usage Code	QTY
1	511/58000		Attachment quickhitch industrial		1
2	:511/60300		Attachment		1
3	:811/50343		Pin locking		2
4	:551/60007		Ram assembly quickhitch <i>See page E4-6-1</i>		1
5	:611/20800		Hose 1/4BSPx400		1
6	611/21000		Hose 1/4"BSP x 470mm		2
7	:1604/0002		Adapter		2
8	:25/961900		Valve ball		1
8	::25/961901		Handle		1
9	:1315/0408Z		Setscrew		8
10	:1420/0008Z		Washer Plain		8
11	:511/55401		Indicator Peg		2
12	:511/54702		Pin indicator nylon, red		2
13	:511/58200		Cover access L.H.		1
13A	::816/50088		Adapter tee		2
14	:511/54703		Washer limit, red 2" dia x 10mm sq.		1
15	:826/00115		Screw		8
16	:817/00669		Plate rating		1
17	:817/03502		Plate instruction		1
18	:1450/0001		Nipple Grease, Straight 1/8 BSP		2
19	:1406/0011		Washer Bonded 1/4"BSP		2
20	:613/51004		Hose 1/2"BSP x 1220mm		2
21	:926/04700		Seal Strip		2
22	:816/00190		Cap		2
23	:511/58300	Superseded	Cover access R.H.		1
23	:511/55200		Cover access R.H		1
24	:1315/0710Z		Bolt		4
25	:830/00599		Spacer		4

	911/26300	Pin pivot		2
6	332/G3981	Pin pivot expander <i>Expander pin service replacement for o/s bore</i>		2
7	911/26400	Pin pivot steer ram rear		2
7	333/C5917	Pin pivot expander <i>Expander pin service replacement for o/s bore</i>		2
8	819/00040	Shim 1.00/1.05mm		14
10	1315/0712Z	Bolt M16 x 50mm		2
11	1370/0603Z	Nut M16		2
12	1315/0708Z	Screw		2
13	1412/0007Z	Washer		4
14	830/00599	Spacer		4
16	821/00285	Clamp 21.3mm/21.3mm holes 37mm high		4
17	265/00435	Bracket mounting clamp		2
18	1315/3320Z	Bolt		2
19	1370/0203Z	Nut Lock		2
20	1420/0008Z	Washer Plain		2
23	331/21957	Stop articulation, Rubber 104mm hole centres,		2
24	1315/3412Z	Bolt <i>Was 1315/0408Z</i>		4
25	1370/0303Z	Nut Lock		4
26	1420/0008Z	Washer Plain		4
27	1315/0405Z	Setscrew M10 x 20mm		2
28	268/00132	Bracket hose support		1
31	265/01947	Mat apron		1
32	1420/0011Z	Washer Plain M16		2
33	1315/0409Z	Setscrew		2
34	1412/0004Z	Washer		4
35	826/01526	Screw thumb		2
36	826/01249	Nut Rivet M10 Open End For 6 To 8.5mm Plate		4
37	823/00480	Retainer		2
39	331/21955	Plate striker, Articulation		2
40	821/00350	Clamp (Pair)		4

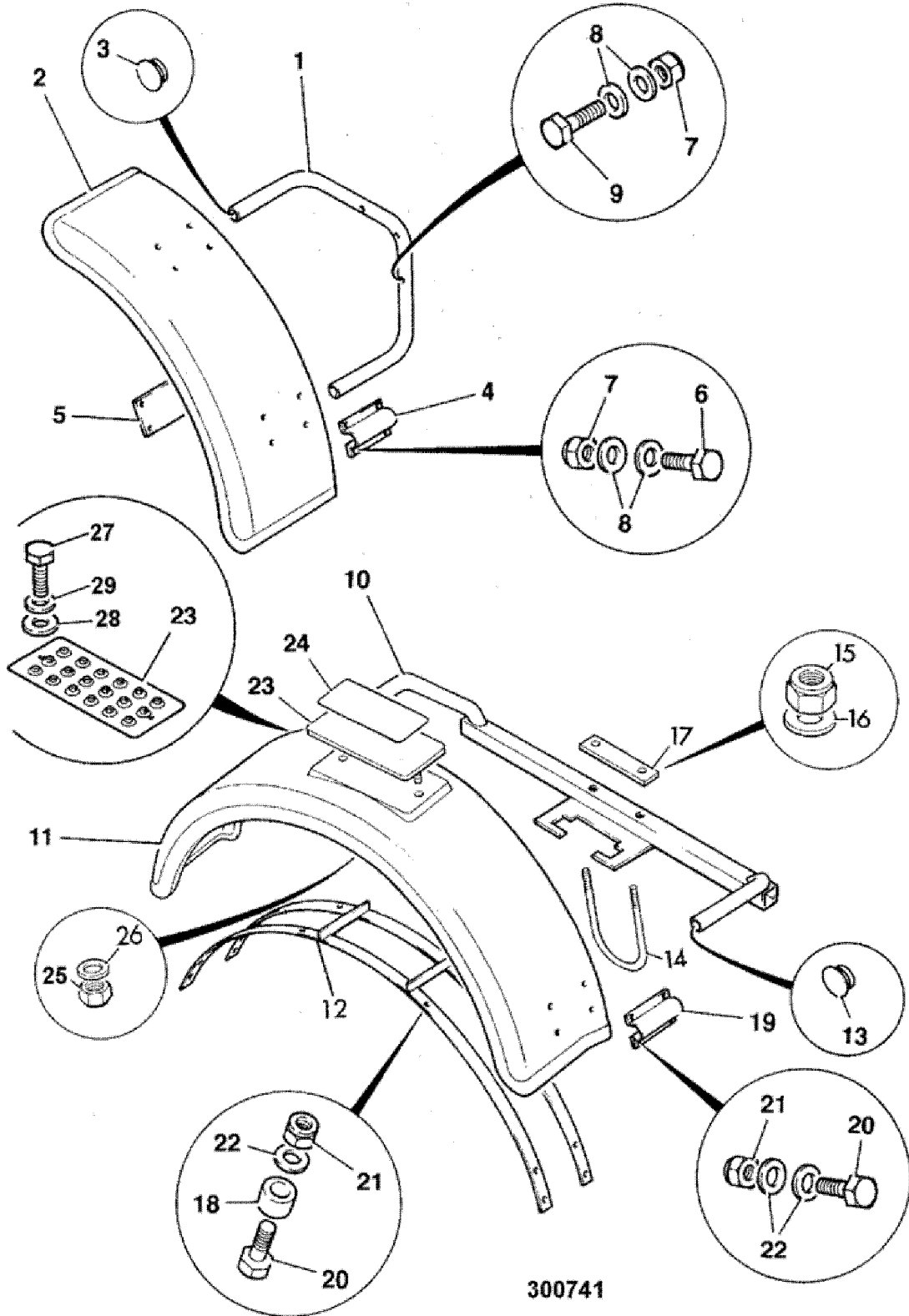
**JCB** 9802/2615 B1-8-1 COUNTERWEIGHT, WITH TOW HITCH



376381

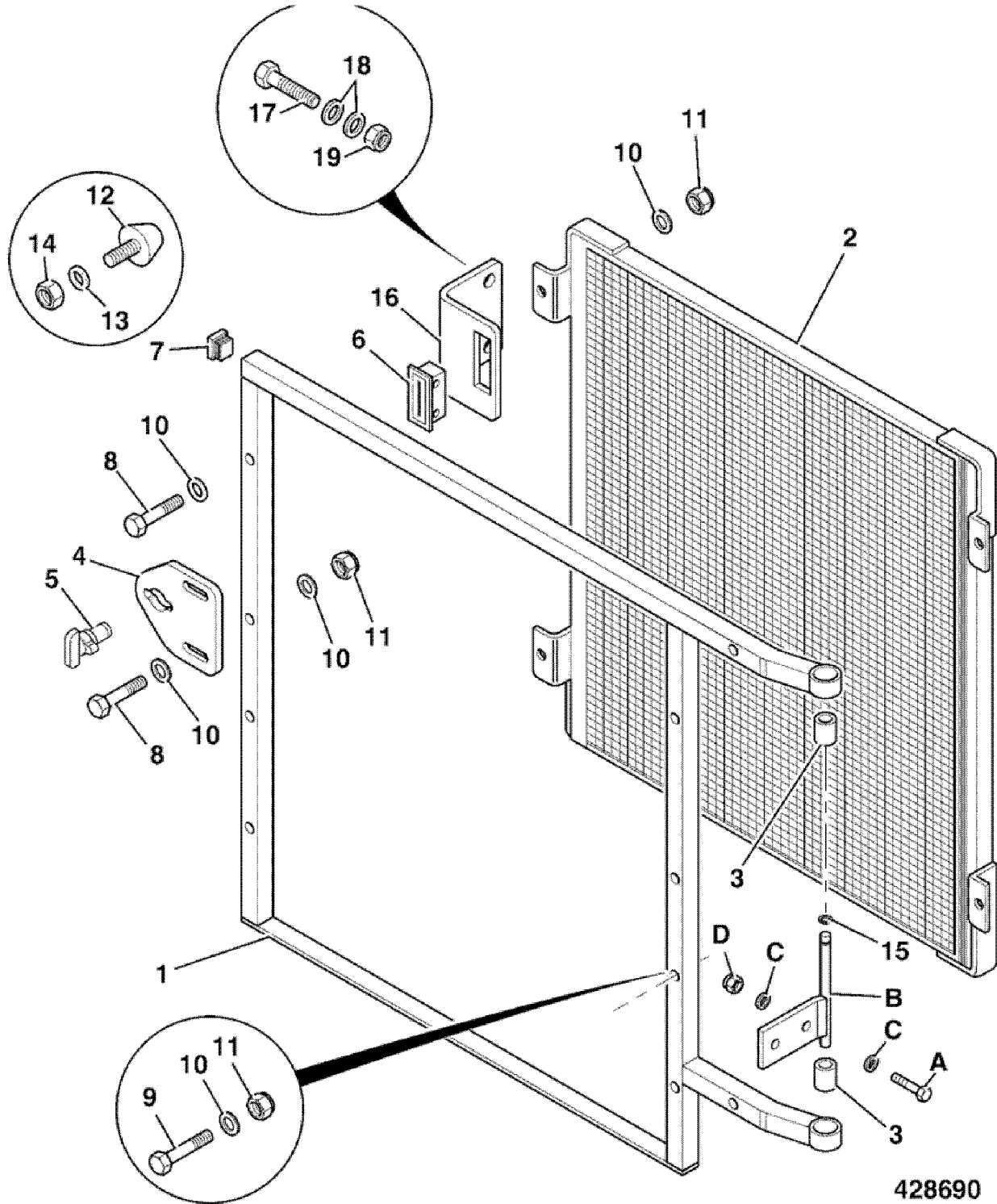
Item	Part #	Change No	Description	Usage Code	QTY
1	265/00739		Wire retaining		1
2	268/00172		Pin towing		1
3	259/65900		Bracket recovery		1

**JCB** 9802/2615 B1-12-3 FENDERS, FRONT & REAR



300741

**JCB** 9802/2615 B1-17-1 CONDENSER, INSTALLATION

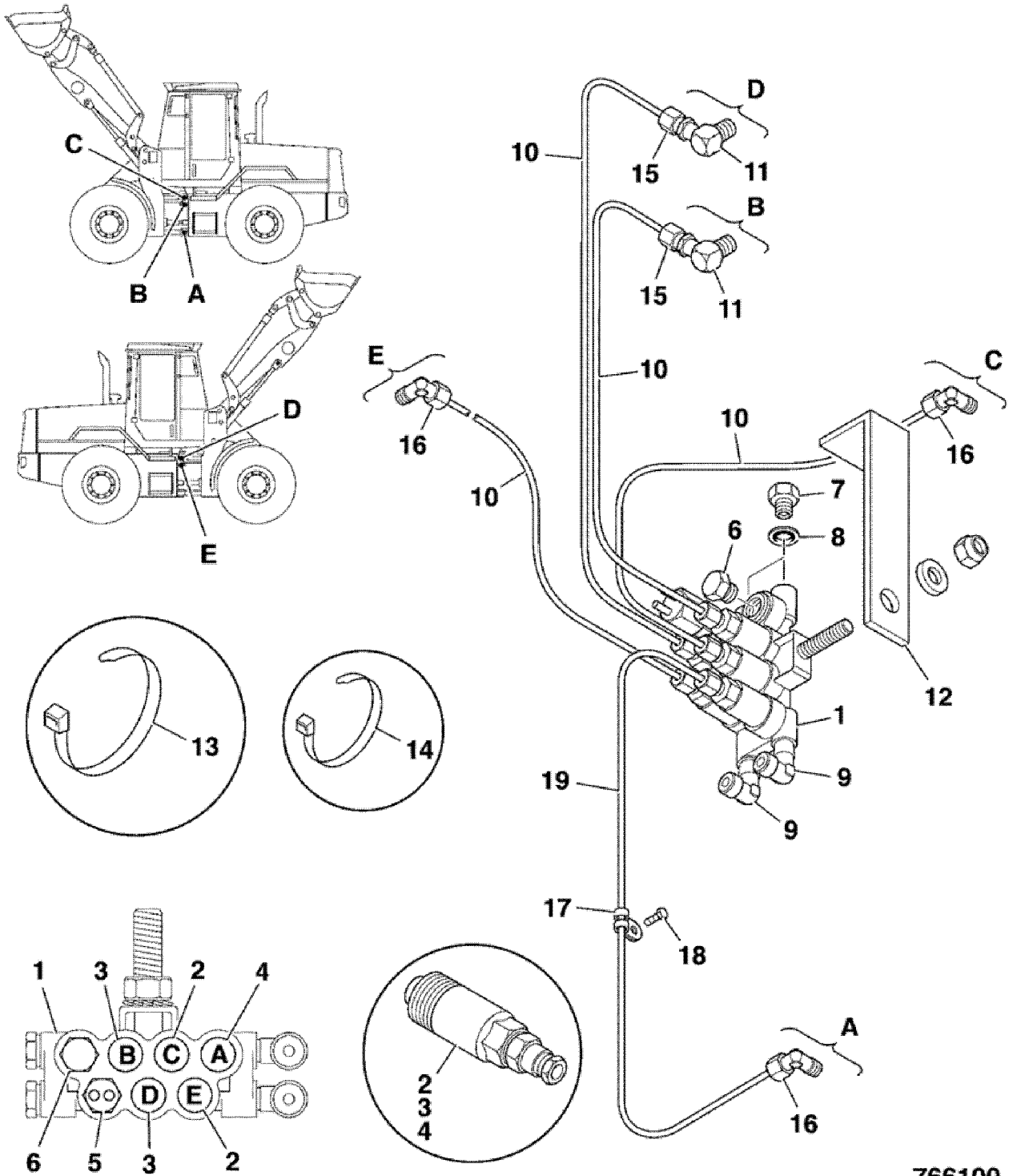


Item	Part #	Change No	Description	Usage Code	QTY
A	1315/0407D		Setscrew M10 x 25mm		4
B	335/03575		Hinge		2
C	1420/0008D		Washer Plain		8



# 9802/2615 B1-31-1 AUTO GREASING, PIVOT STEERING

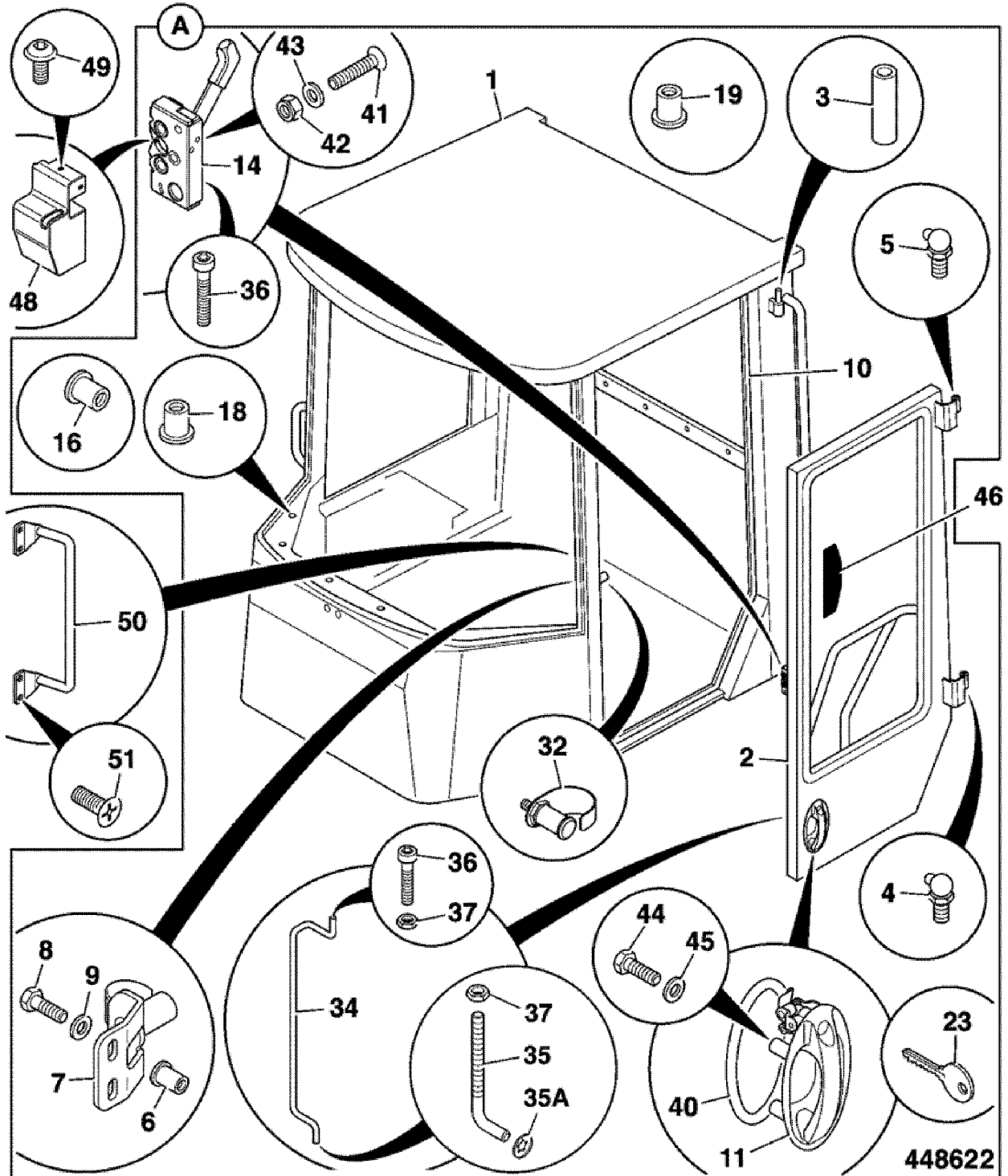
HT



766100

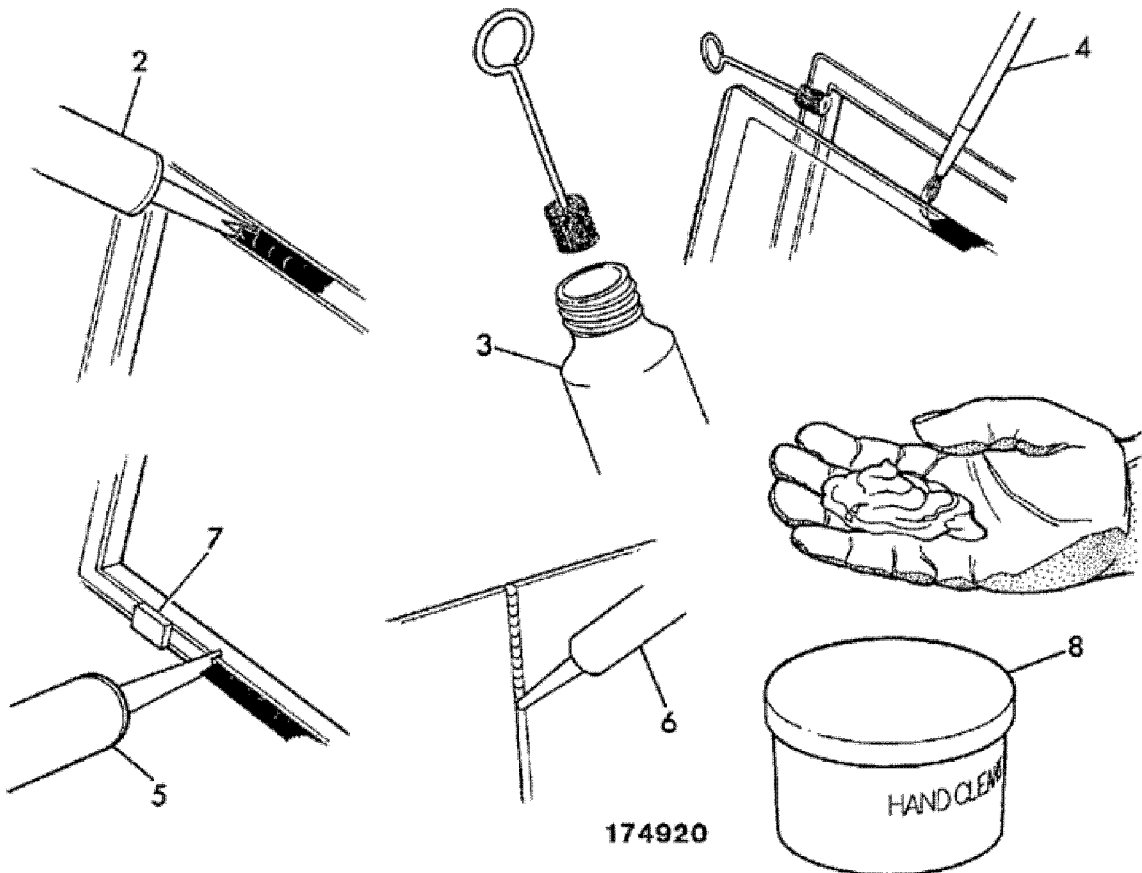
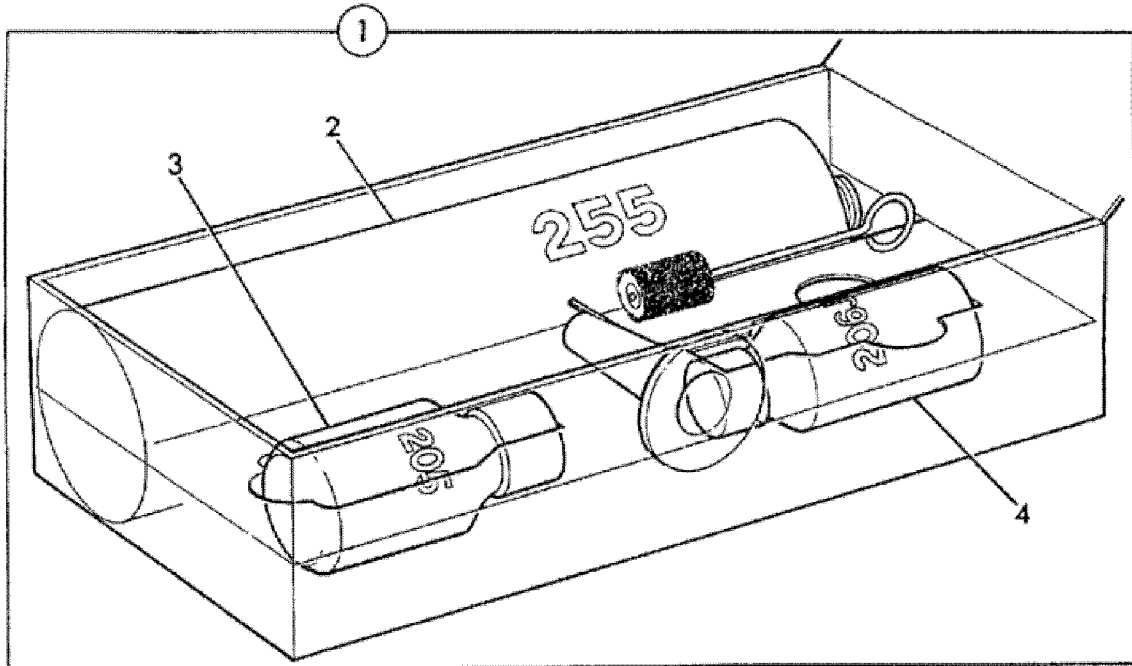
Item	Part #	Change No	Description	Usage Code	QTY
A			'See Remark' Grease Point		1

**JCB** 9802/2615 B2-1-7 CAB



Item	Part #	Change No	Description	Usage Code	QTY
A	269/20257		Cab assembly Includes glazing for cab frame only		1
B	:827/30468		Windscreen front tinted green See also gab glazing		1

# JCB 9802/2615 B2-6-1 DIRECT GLAZING, REPLACEMENT MATERIAL



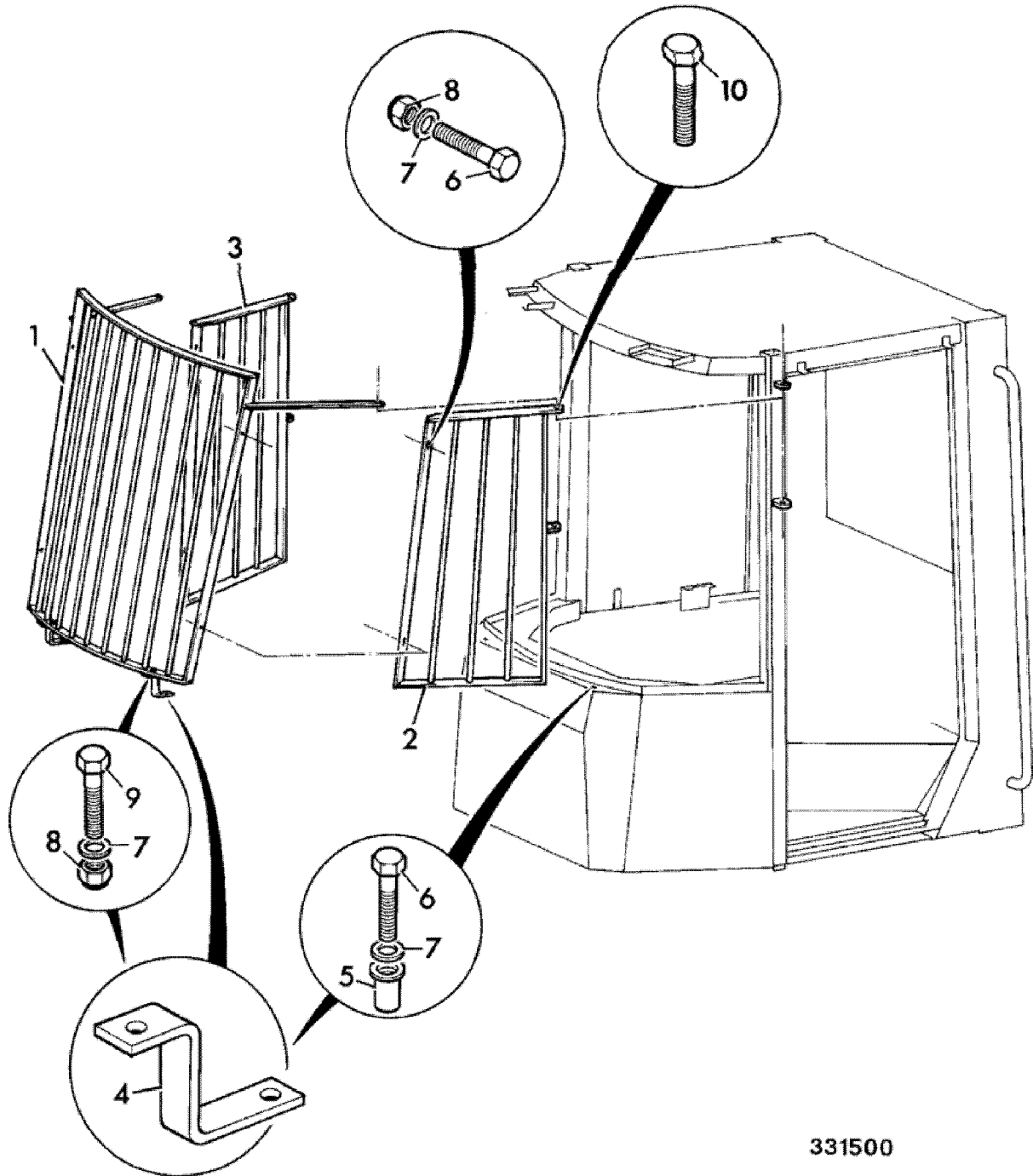
174920

2	:40/210401		Frame L.H. assembly		1
3	:40/210501		Cover seat back <i>Fabric</i>		1
3	:40/911131		Cover back PVC		1
4	:40/207703		Kit backrest foam		1
5	:40/210502		Cover seat <i>Fabric</i>		1
5	:40/215903		Cover seat		1
6	:40/207705		Kit seat squab foam		1
7	:40/210402		Kit height adjuster		1
8	:40/210403		Handle kit L.H.		1
9	:40/207713		Kit spring height adj.		1
10	:40/205611		Kit-latch height riser		1
11	:40/207809		Kit damper assembly		1
12	:40/205621		Pad switch		1
13	:40/207810		Kit stop		1
14	:40/910097		Kit seat belt		1
15	:40/210405		Adjuster kit weight		1
16	:40/210503		Kit bearing		1
18	:40/210406		Cover kit suspension		1
19	:40/210504		Kit fore and aft adjustment		1
20	:40/210408		Kit suspension single spring		1
21	:40/210505		Kit lever/centre pivot		1
22	40/210000		Kit headrest <i>Fabric</i>		1

1	:1420/0007D		Washer Plain M8	A	2
1	:1315/0305D		Setscrew M8 x 20mm	A	2
2	335/01024		Bracket armrest		1
3	331/14691		Clamp bolt arm Servo seat		1
4	123/05553		Spacer steel		2
5	1420/0008Z		Washer Plain		4
6	823/10237		Washer conical M10 servo seat		1
7	823/10262		Washer fibre		4
8	162/02997		Clamp Lever M10		2

2	826/10811		Screw Countersunk Socket Head M8 x 30	2
3	331/34215		Pin striker	2
4	1371/0103Z		Nut	2
5	1412/0001D		Washer	5
6	331/27126		Latch Bonnet	1
8	1315/0303D		Setscrew M8 x 16mm	2

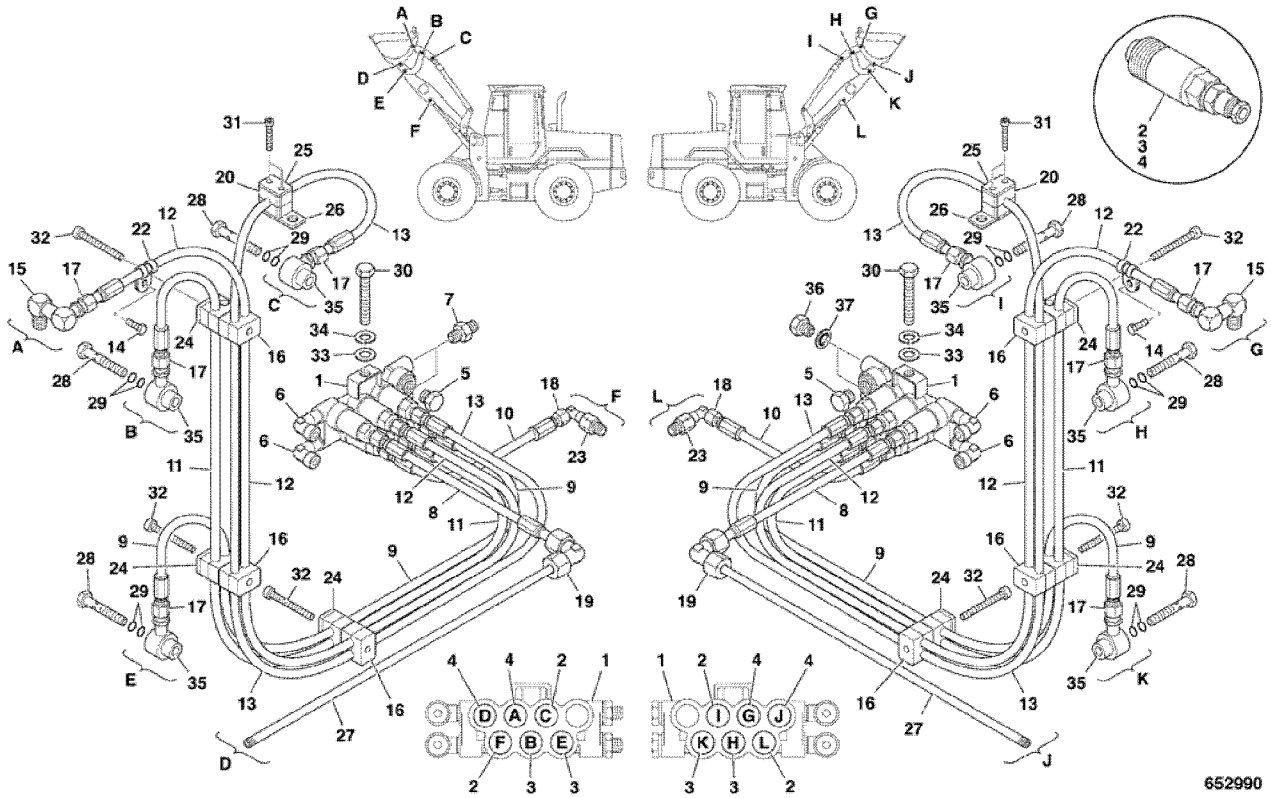
**JCB** 9802/2615 B2-17-1 GUARD WINDSCREEN



331500

Item	Part #	Change No	Description	Usage Code	QTY
1	335/01422		Guard front screen		1
2	335/01448		Guard L.H. side		1
3	335/01449		Guard R.H. side		1

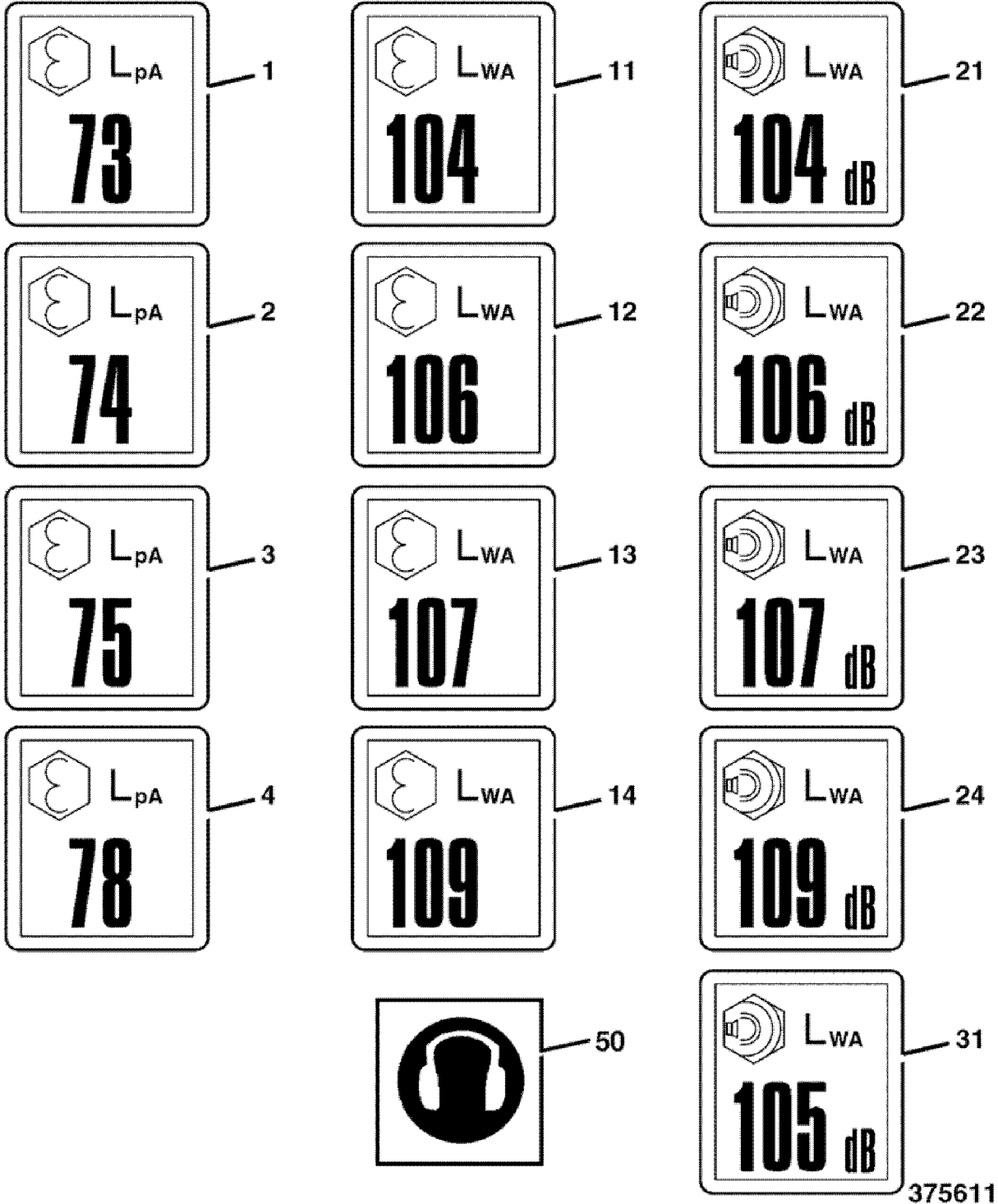
**JCB** 9802/2615 B3-4-1 AUTO GREASING, UPPER LOADER HT



652990

Item	Part #	Change No	Description	Usage Code	QTY
A	.		'See Remark' Grease Point		1
B	.		'See Remark' Grease Point		1
C	.		'See Remark' Grease Point		1
D	.		'See Remark' Grease Point		1
E	.		'See Remark' Grease Point		1
F	.		'See Remark' Grease point		1
G	.		'See Remark' Grease point		1
H	.		'See Remark' Grease point		1
I	.		'See Remark' Grease point		1
J	.		'See Remark' Grease point		1
K	.		'See Remark' Grease point		1
L	.		'See Remark' Grease point		1
1	983/10934		Block 7 port		2
2	983/10586		Unit metering 0.200cc		4
3	983/10587		Unit metering 0.400cc		4

**JCB** 9802/2615 B5-3-1 LABELS, NOISE LEVEL



Item	Part #	Change No	Description	Usage Code	QTY
1	817/02751		Decal noise, 73 LPA		1
2	817/01661		Decal sound pressure level external 74 LPA		1
3	****		Decal internal noise 75 LpA		1

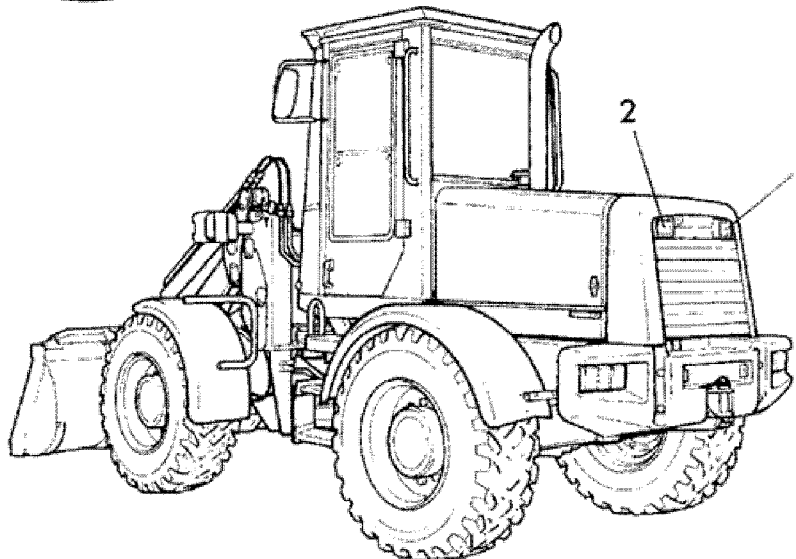
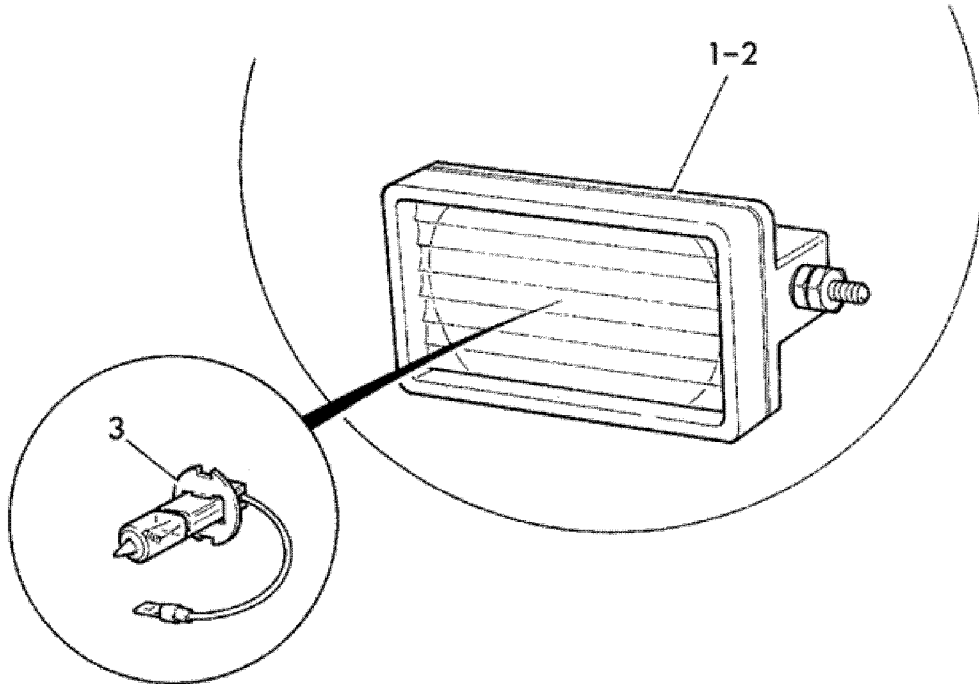
1	721/11269		Harness side console		1
2	721/11212		Harness rear chassis		1
3	721/00097		Harness rear grille		1
4	721/00720		Harness rear cab		1
5	721/10732		Harness front chassis		1
5	721/00721		Harness front chassis <i>HT Machines</i>		1
6	721/11119		Harness engine		1
7	1430/1102		Screw		4
9	721/10644		Harness transmission		1
10	826/00023		Screw spire		8
11	826/01277		Nut vibration proof		12
12	826/01453		Tie Cable Double Head		6
14	721/11034		Harness cab front, exterior		1
15	721/11035		Harness cab rear, exterior		1
17	721/10500		Harness internal cab roof		1
22	821/00367		Clip <i>If fitted</i>		1
23	926/44500		Sleeve split <i>For 721/00097</i>		0
32	821/10087		Clip P 13mm <i>13 dia for item 5</i>		6
33	826/00864		Clip P 16mm <i>16 dia for item 5</i>		2
35	2410/0215		Grommet STD. 22.2 DIA x 6.5 THK <i>to suit 44.4 dia hole</i>		2
37	121/77603		Tie Cable 300mm <i>to tie up unused branches</i>		4
38	2410/0214		Grommet <i>to suit 38.1 dia hole</i>		1
39	717/13900		Plug Male Junior Timer		1
50	721/12262		Harness water temp. sender service salvage		1

4	826/01789		Screw	4
5	821/00223		Clip retention	2
6	142/00670		Spacer	2
7	331/18469		Plate mounting	1
8	1420/0005Z		Washer Plain	6
9	817/16911		Label fuse box	1
18	331/16018		Plate connector mounting	1
19	1315/0203Z		Setscrew	4
32	331/17311		Gasket connector plate	1
33	826/01758		Screw Thumb 30mm long	1

Item	Part #	Change No	Description	Usage Code	QTY
1	700/50063		Light working, 24v		1
1A	:720/20032		Bulb H3 24V 70W		1
1B	700/10103		Spring		1
2	1420/0007Z		Washer Plain		2
3	1315/0303Z		Setscrew M8 x 16		1
4	1370/0203Z		Nut Lock		1
5	123/06305		Mounting Worklamp		1
6	****		None serviced part		1
7	****		None serviced part		1
8	****		None serviced part		1
9	****		None serviced part		1



## 9802/2615 C1-13-1 WORK LIGHTS, REAR



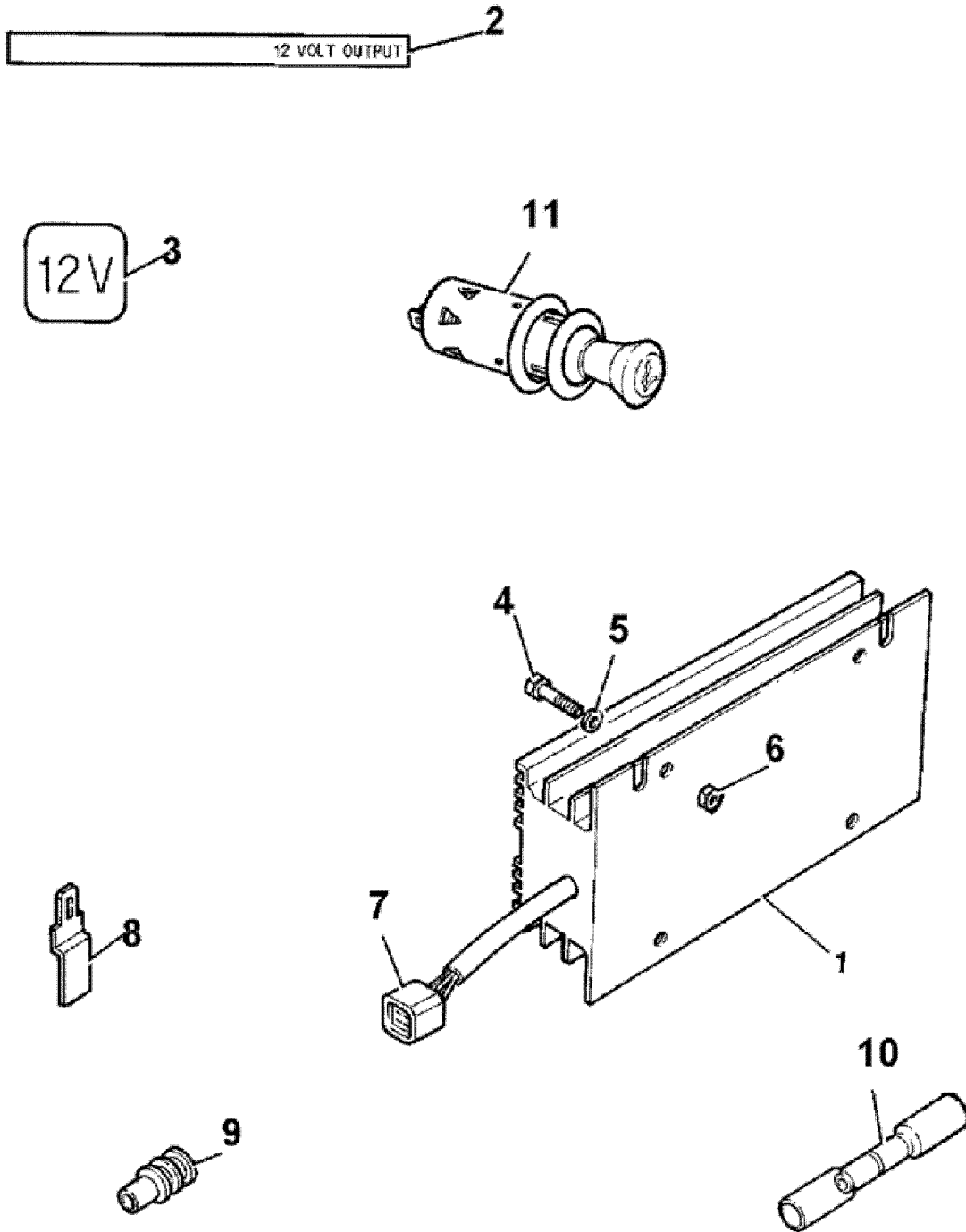
208700

	1315/0207Z		Screw		6
4	1420/0006Z		Washer Plain		6

*Note 1: Introduced as a Sales Special.*



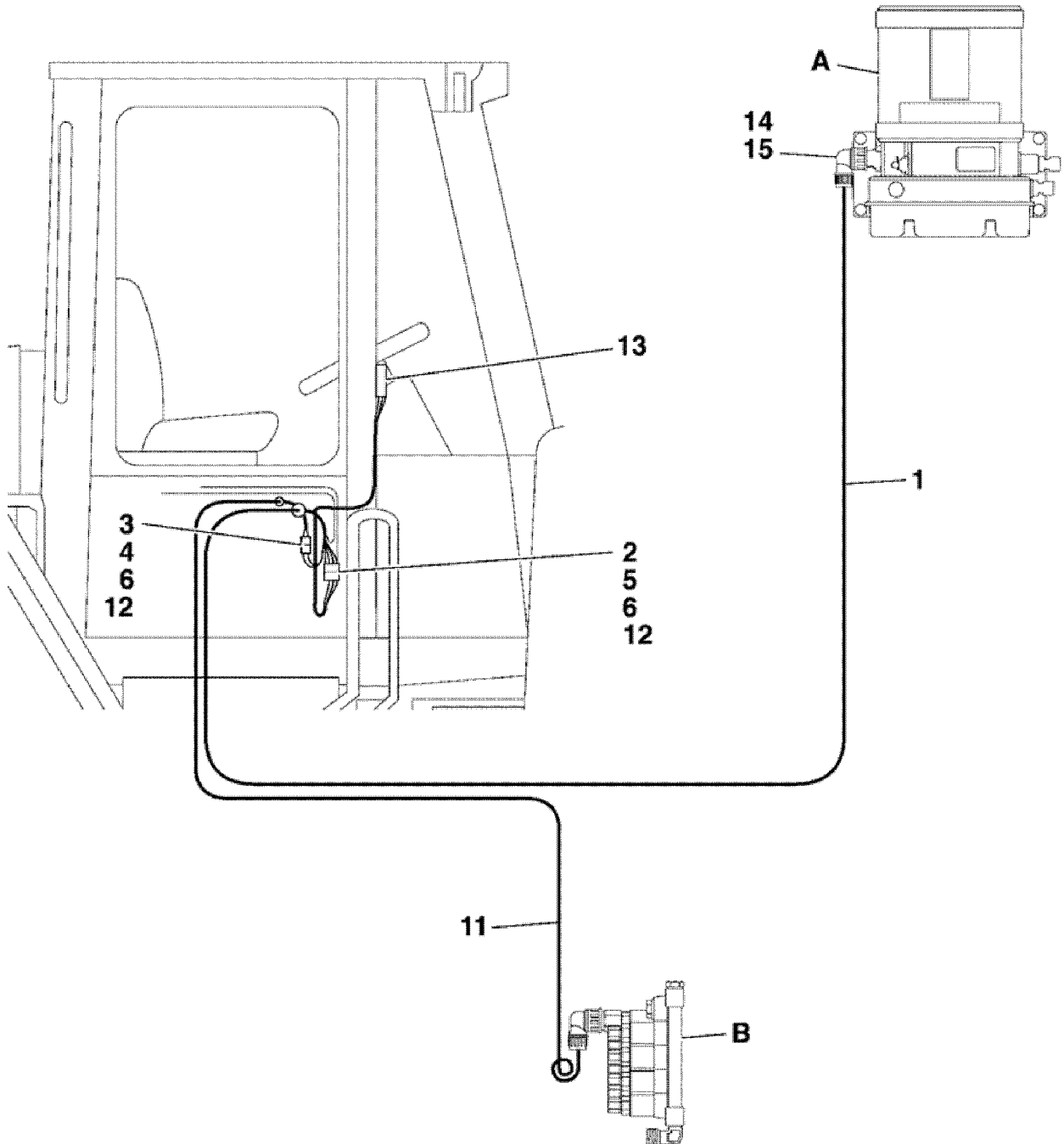
# 9802/2615 C1-27-1 IN CAB CONVERTER



315441



# 9802/2615 C1-31-1 ELECTRICS, AUTO GREASING HT

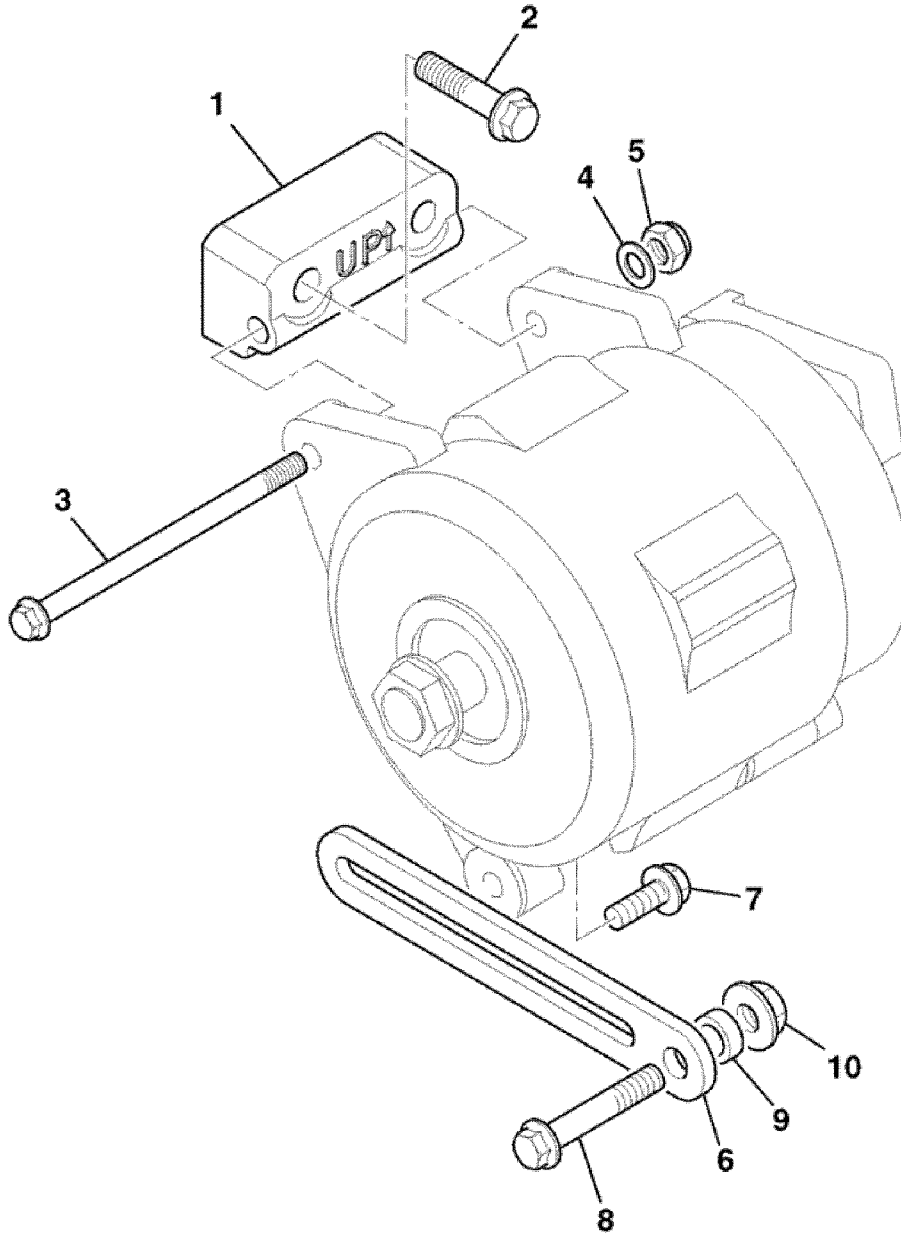


**766060**

Item	Part #	Change No	Description	Usage Code	QTY
A			'See Remark' For pump see section C1-30-1		1
B			'See Remark' For port block see section B1-31-1		1



## 9802/2615 C2-5-1 ALTERNATOR MOUNTINGS



425610

Item	Part #	Change No	Description	Usage Code	QTY
1	02/203042		Bracket alternator mounting		1
2	02/291127		Screw		2
3	02/291228		Screw		1

6	714/24600		Arm wiper <i>Rear</i>		1
7	714/14900		Blade wiper <i>Rear</i>		1
9	714/31400		Motor wiper 24 volt <i>Front</i>		1
10	714/32700		Arm wiper <i>front(c/w wash nozzle)</i>		1
10A	:714/40380		Jet windscreen washer		1
11	714/20300		Blade wiper 800mm long <i>front</i>		1
12	715/04300		Socket Beacon		1
13	331/32147		Bracket mounting		1
14	717/08700		Reservoir screen wash twin pump 24 volt		1
14	:717/08701		Pump twin motor 24 volt		1
14	:717/06031		Cap washer bottle		1
14	:332/C8147		Grommet washer bottle & pump		2
15	826/01274		Cradle cable tie mount		16
16	826/01144		Tie Cable		16
17	647/02000		Tube		0
18	255/27003		Jet Screen washer		1
19	534/09703		Valve non-return		2
23	1315/0205D		Setscrew M6 x 20mm		2
24	1370/0103D		Nut M6 Lock		2
25	1420/0006D		Washer Plain M6		2
26	1315/0305D		Setscrew M8 x 20mm		2
27	926/20600		Tube split <i>300 mm</i>		1
28	2410/0003		Grommet		1
39	826/01768		Screw <i>Screws into rivet nut 826/01101</i>		6
39A	823/00516		Washer Nylon M6		6
40	335/03238		Bracket mounting		1
41	813/10188		Gasket		1

C	716/11100	Relay 24V 20A <i>Reverse fan option</i>	1
1	716/11100	Relay 24V 20A	10
2	716/27200	Relay power 70A/12V	1
3	716/05300	Relay hazard	1
4	716/05710	Fuse 1 Amp	1
5	716/05701	Fuse 3 amp	8
6	716/05703	Fuse 5 Amp	4
7	716/05704	Fuse 7.5 Amp	6
8	716/05705	Fuse 10 amp	7
9	716/05706	Fuse 15 Amp	4
10	716/05707	Fuse 20 amp	1
11	716/05709	Fuse 30 amp	1
13	719/10103	Plug Harness Blanking 6-way, Sealed	1
14	331/32277	Plate mounting, relays	1
15	331/32278	Plate fuse mounting	1
20	1391/3107	Screw cap	8
21	1420/0005Z	Washer Plain	24
22	1370/0003Z	Lock Nut M5	13
23	1315/0101Z	Screw	5
30	2410/0113	Grommet 15.9mm dia	1

4	834/00834		Hose return heater		2
5	2201/0008		Clip jubilee		6
6	826/01453		Tie Cable Double Head		3

3	580/12146		Filter air assembly <i>See engine section for components</i>	1
4	32/925398		Bracket air filter mounting	1
5	32/925399		Cap rain	1
6	834/10699		Hose	1
7	1315/0307D		Setscrew M8x25	2
8	1420/0007D		Washer Plain M8	2
9	1370/0203D		Nut Lock M8	2
10	2201/0017		Clip worm drive 110-140mm	1
11	2201/0016		Clip worm drive 91-114mm	1
12	2201/0015		Clip Worm Drive 78-102mm	1
13	1315/0303D		Setscrew M8 x 16mm	2
14	335/05373		Plate air intake	1
15	813/10230		Gasket	1

2	123/02755		Knob base		1
3	123/03461		Knob top		1
4	265/02720		Adapter control knob		1
5	701/42600		Switch push button black with microswitch		2
6	122/67459		Ring tolerance		1
7	265/00202		Gaiter loader control		1
8	826/00959		Fastener drive yellow		4
9	1370/0402Z		Nut M12		1

2	1315/0207D		Setscrew M6 x 25mm	3
3	1420/0006D		Washer Plain M6	3
4	826/01101		Rivet nut M6	3
5	910/60180		Cable throttle control assembly	1
6	:262/20400		Elbow pivot	2
7	:1370/0102Z		Nut	4
8	2000/0030		Gaiter	2
9	:256/71500		Clamp Assembly	1
10	:1358/0203Z		Nut	2
11	:1416/0003Z		Washer spring	2
12	814/10179		Spring Overload	1
13	335/06872		Bracket throttle reaction	1
14	1315/0203D		Setscrew M6 x 16mm	3
15	1370/0103D		Nut M6 Lock	1
16	265/00630		Lever Extension, Throttle Pedal	1
17	1315/0205D		Setscrew M6 x 20mm	2
18	1370/0103D		Nut M6 Lock	2
19	1315/0305D		Setscrew M8 x 20mm	1
20	1370/0203D		Nut Lock M8	2
21	1315/3314D		Bolt M8 x 60mm	1
22	1315/3111Z		Bolt	2
23	821/10087		Clip P 13mm	1
24	4101/0202		Sealant Locking	0

Note 1: For serial number 530520 see page D2-1-1.

Item	Part #	Change No	Description	Usage Code	QTY
1	268/00147		Pipe lift ram		1
2	268/00148		Pipe ram shovel		1
3	615/01200		Hose 3/4"BSP x 1020mm		4
3	970/60388		Hose 3/4" x 1020mm wire wrapped <i>Fitted to M530371 and 530372</i>		4
4	615/80031		Hose 3/4"BSP x 620mm		2
5	209/71200		Hose 3/4"BSP x 750mm		2
6	826/01249		Nut Rivet M10 Open End For 6 To 8.5mm Plate		4
7	1315/0410Z		Setscrew		6
8	1420/0008Z		Washer Plain		8
9	1370/0303Z		Nut Lock		2
10	209/71200		Hose 3/4"BSP x 750mm		4
10	970/60503		Hose 3/4"BSP x 750mm wire guarded <i>Fitted to M530371 and 530372</i>		4

14	613/22800		Hose 1/2"BSP x 715mm	1
15	613/22800		Hose 1/2"BSP x 715mm	1
16	1315/3320D		Bolt M8 x100mm	2
17	1420/0007D		Washer Plain M8	4
18	1370/0203D		Nut Lock M8	2

3	816/90049		Adapter 1/4 BSP X 9/16 SAE	1
4	1406/0011		Washer Bonded 1/4"BSP	1
5	1606/0001		Adapter	1
6	1406/0008		Seal washer	1
7	816/60290		Adapter pressure test	1
8	331/23685		Bracket in-line filter	1
9	1315/0410D		Setscrew M10 x 40mm	2
10	1370/0303D		Nut Self Lock	2
11	1420/0008D		Washer Plain	4
12	611/20800		Hose 1/4BSPx400	1
99	269/00769		G.A.	1

CLICK HERE TO **DOWNLOAD** THE COMPLETE MANUAL

- Thank you very much for reading the preview of the manual.
- You can download the complete manual from: [www.heydownloads.com](http://www.heydownloads.com) by clicking the link below



- Please note: If there is no response to CLICKING the link, please download this PDF first and then click on it.

CLICK HERE TO **DOWNLOAD** THE COMPLETE MANUAL

9	633/30900		Hose		1
10	616/80067		Hose 1" x 2200mm		1
18	269/30438		Hose 1/4"BSP x 2300mm "SLS"		1
20	816/00464		Adapter elbow - male/female		1
23	264/01001		Clamp		2
24	828/00417		O Ring 1"SAE		2
25	1391/3414D		Capscrew		4
26	1425/0008Z		Spring Washer M10		4
34	816/40016		Adapter 90		1
35	933/17900		Flange adapter		1
36	1620/0001		Adapter		1
37	631/30600		Hose 1/4" x 570mm long		1

4	1420/0008D		Washer Plain		4
5	1370/0303D		Nut Self Lock		2

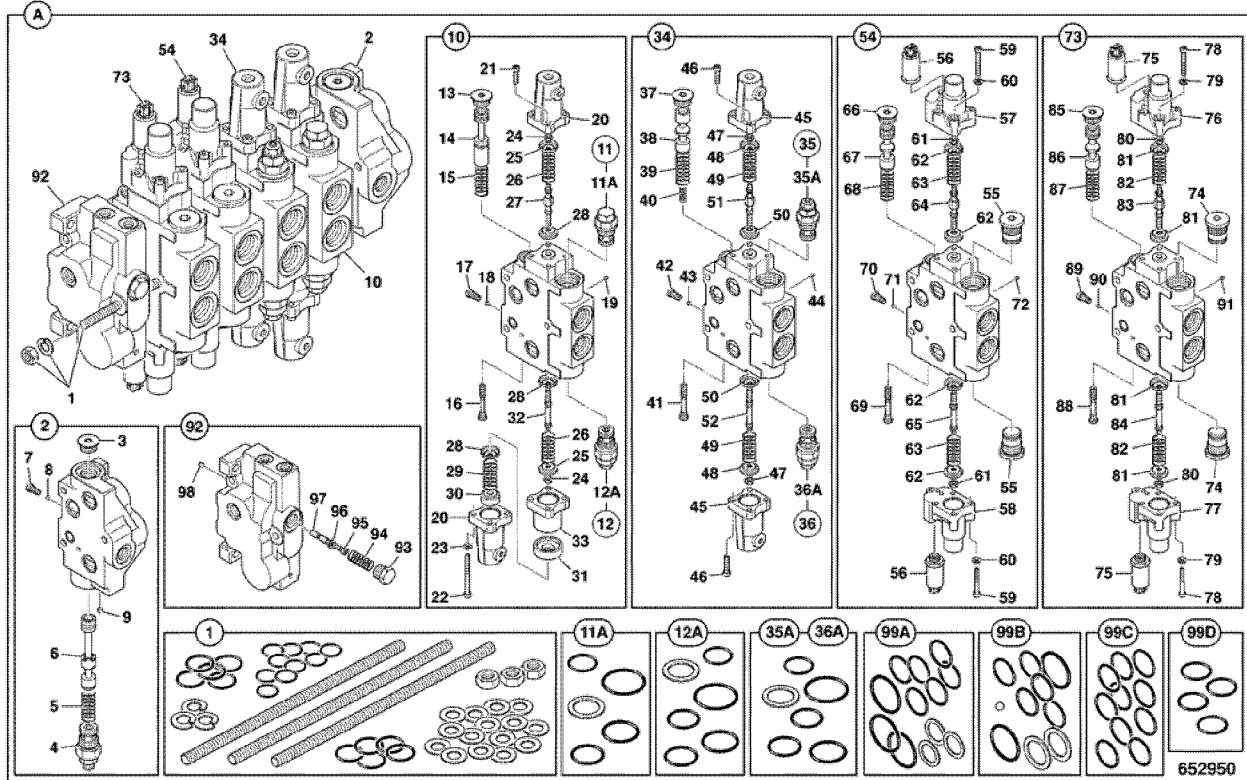
1	25/971222		Body priority section		1
2	25/977703		Cover end		1
3	25/977701		Valve section lift		1
4	25/977702		Valve section bucket		1
5	25/971211		Valve auxiliary section		1
6	25/971219		Washer lock		3
7	25/971220		Nut		3
8	25/971227		Stud		3
9	25/976602		Kit seal between sections		1
10	25/976603		Kit seal section		1

Item	Part #	Change No	Description	Usage Code	QTY
1	35/902800		Valve steer 390cc		1
2	:35/900821		Housing assembly		1
3	::35/902801		Kit spring		1
4	::35/900803		Pin		1
5	::35/900804		Ball check		2
6	::35/900805		Plug anti-cavitation		2
7	::35/900806		Spring		2
8	:35/902802		Kit bearing		1
9	:35/902803	Superseded	Kit seal		1
9	:35/900808		Kit-seal		1
10	:35/900809		Bush gland seal <i>NLA</i>		1
11	:35/900810		Ring retaining <i>NLA</i>		1
12	:35/900811		Screw set		1
13	:35/900812		Seat check ball		1
14	:35/900813		Ball check		1
15	:35/900814		Retainer check ball		1
16	:35/900815		Plate wear		1
17	:35/900816		Shaft drive		1
18	:35/900823		Rotor		1
19	:35/900824		Spacer		1
20	:35/900819		Cap end		1
21	:35/900825		Capscrew		7

1	25/977702		Valve section bucket	1
2	:25/971250		Body float	1
3	:25/971251		Spool float	1
4	:25/976603		Kit seal section	1
5	:25/971237		Plug c/w O Ring	1
6	:25/971252		Spool compensator	1
7	:25/971208		Spring compensator	1
8	:25/971203		Valve primary shuttle	1
9	:25/971214		Bearing ball	1
10	:25/971204		Valve secondary shuttle	1
11	:25/971233		Plug expansion	1
12	:25/971247		Washer	4
13	:25/971243		Coupling solenoid	1
14	:25/971253		Housing actuator	2
15	:25/971242		Retainer spring	4
16	:25/971216		Coupling	1
17	:25/971244		Nut	2
18	:25/971206		Spring centring standard	2
19	:25/971245		Screw	2
20	:25/971246		Screw	2
21	:25/971254		Plug	2
22	:25/976602		Kit seal between sections	1

78	::25/971231		Screw cap		1
79	::25/971212		Washer		1
80	::25/971232		Spool regulator		1
81	::25/971233		Plug expansion		3
82	:25/976602		Kit seal between sections		4
83	:25/222229		Kit seal, inlet		1
84	:25/987606		Kit seal, end cover		1

**JCB** 9802/2615 E3-24-1 VALVE, COMPONENTS, 4 SPOOL, 25/220955

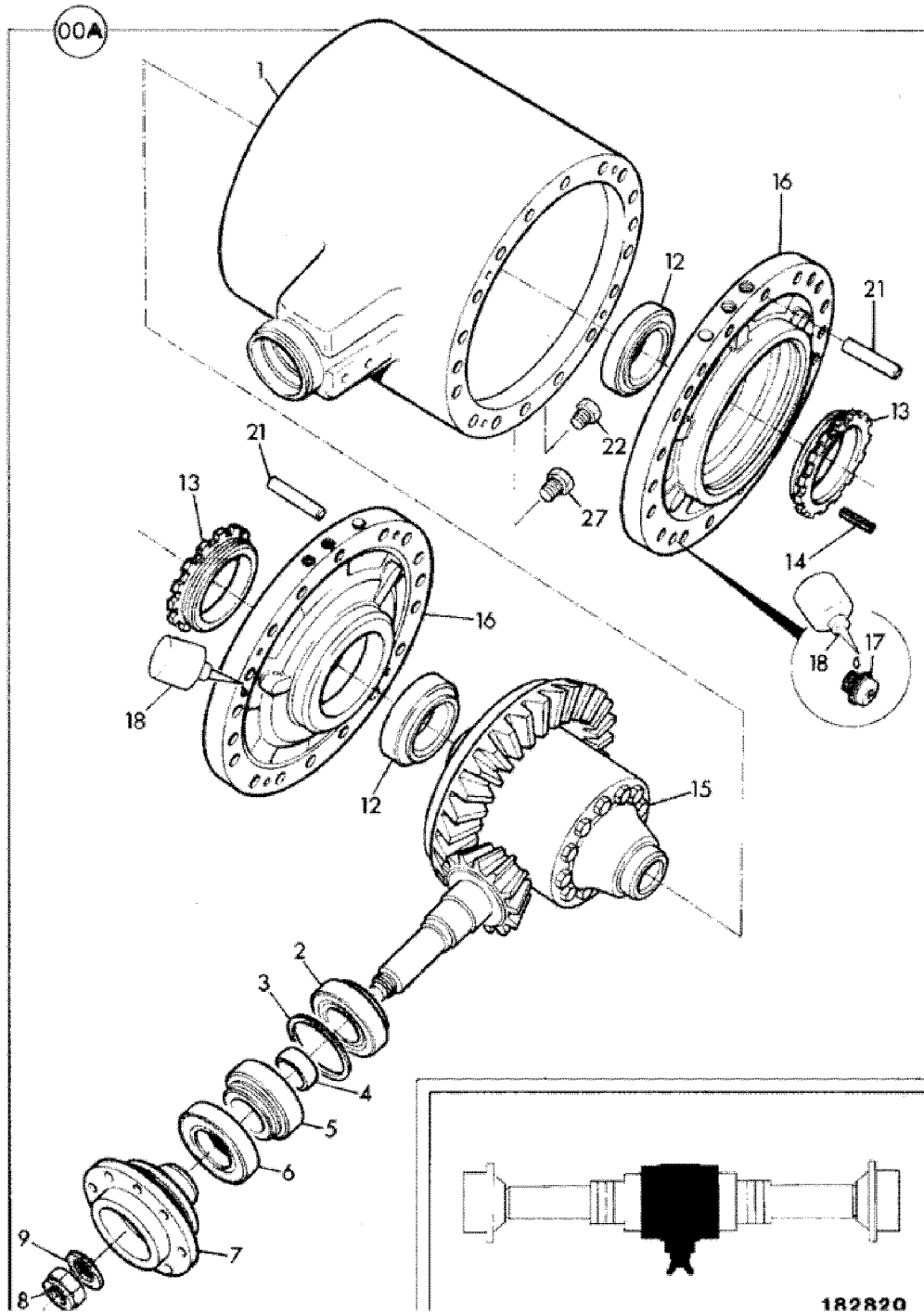


Item	Part #	Change No	Description	Usage Code	QTY
A	25/220955		Valve assembly, 4 spool		1
1	::25/976630		Kit tie rods		1
2	::25/221834		Valve inlet with steer priority		1
3	::25/222225		Plug c/w seals		1
4	::25/971258		Housing relief valve		1
5	::25/971257		Spring		1
6	::25/971256		Spool compensator		1
7	::25/997204		Plug assembly		1
8	::25/971201		Ball secondary shuttle		1
9	::25/971233		Plug expansion		1
10	::25/221835		Valve section, lift		1
11	::25/976704		Valve anti cav		1
11A	::25/222116		Kit seal ant-cav		1
12	::25/977706		Valve relief 5050 PSI-349 BAR		1
12A	::25/976601		Kit-seal		1
13	::25/971237		Plug c/w O Ring		1
14	::25/222226		Spool non-compensator		1
15	::25/222227		Spring compensator		1
16	::25/971240		Housing primary		1
17	::25/997204		Plug assembly		1
18	::25/971201		Ball secondary shuttle		1
19	::25/971233		Plug expansion		1

Item	Part #	Change No	Description	Usage Code	QTY
1	559/60223		Ram lift, yellow 100 x 60 <i>See E4-3-3 for components</i>		2
2	:559/70223		Cylinder assembly		2
3	****		Pipe		2
4	::559/90004		Pipe		2
5	:809/00115		Bearing liner 65mm x 62mm Lg.		2
6	:813/00414		Seal 65mm Internal Dia.		8
9	:594/14290		Kit-end cap		2
10	:2411/0508		Seal 60 x 75 x 11.4		2
11	:2411/8608		Seal wiper 60 x 70 x 6.8		2
12	:2302/0312		O Ring 90 x 5.0		2
13	:590/40099		Rod piston		2
14	:595/27701		Piston head		2
15	:826/01179		Dowel		2
16	:2411/7919		Ring wear		4
17	:2411/1145		Seal piston 100 X 7.8		2
18	:991/00107		Kit-seal 100mm cyl x 60mm rod Metric rams		2

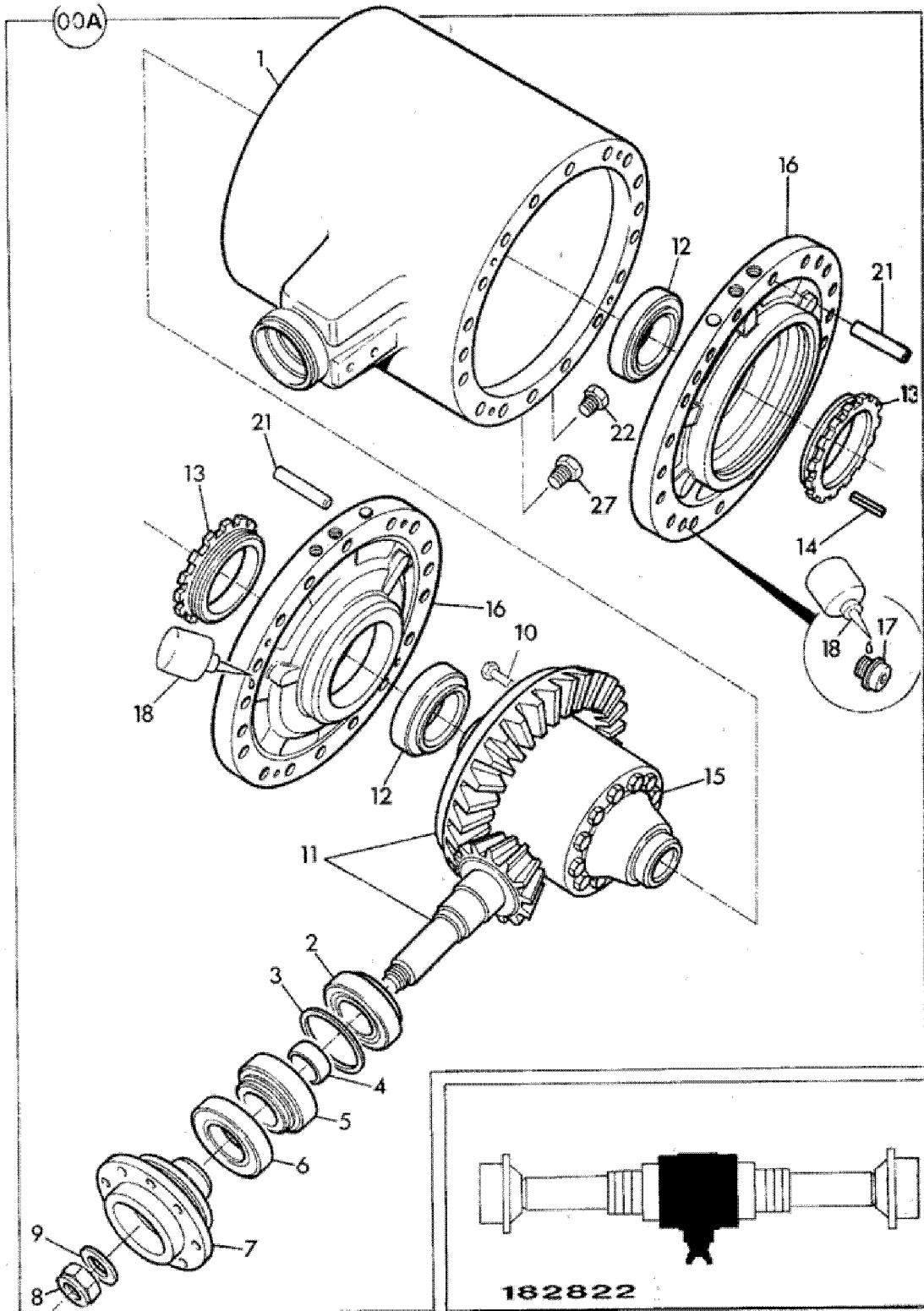
6	:813/00413	Seal 50mm internal dia.	2
9	:594/14031	Kit-end cap 60mm rod x 100mm cyl	1
10	:2411/0506	Seal 50mm rod	1
11	:2411/8608	Seal wiper 60 x 70 x 6.8	1
12	:2302/0312	O Ring 90 x 5.0	1
13	:590/40185	Rod piston	1
14	:595/27701	Piston head	1
15	:826/01179	Dowel	1
16	:2411/7919	Ring wear	2
17	:2411/1145	Seal piston 100 X 7.8	1
18	:561/90012	Spacer	1
19	:2302/0306	O Ring 60 x 5.0	2

**JCB** 9802/2615 F1-2-2 DRIVEHEAD, ASSEMBLY, 458/11096

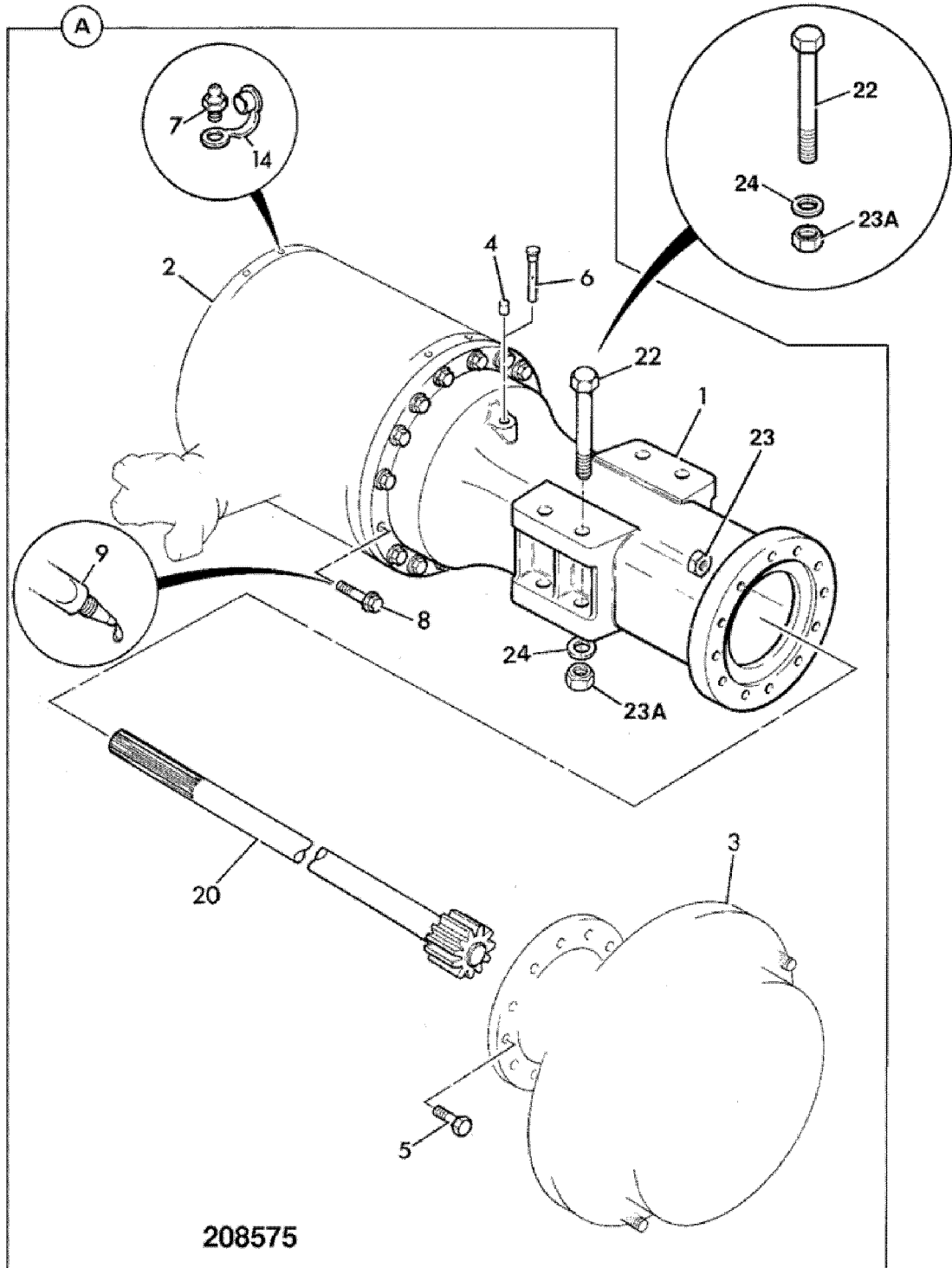


Item	Part #	Change No	Description	Usage Code	QTY
A	458/11096		Differential assembly		1
1	:453/30601		Casing differential		1
2	:907/09000		Bearing Roller		1

**JCB** 9802/2615 F1-12-5 DRIVEHEAD ASSEMBLY, 458/11097

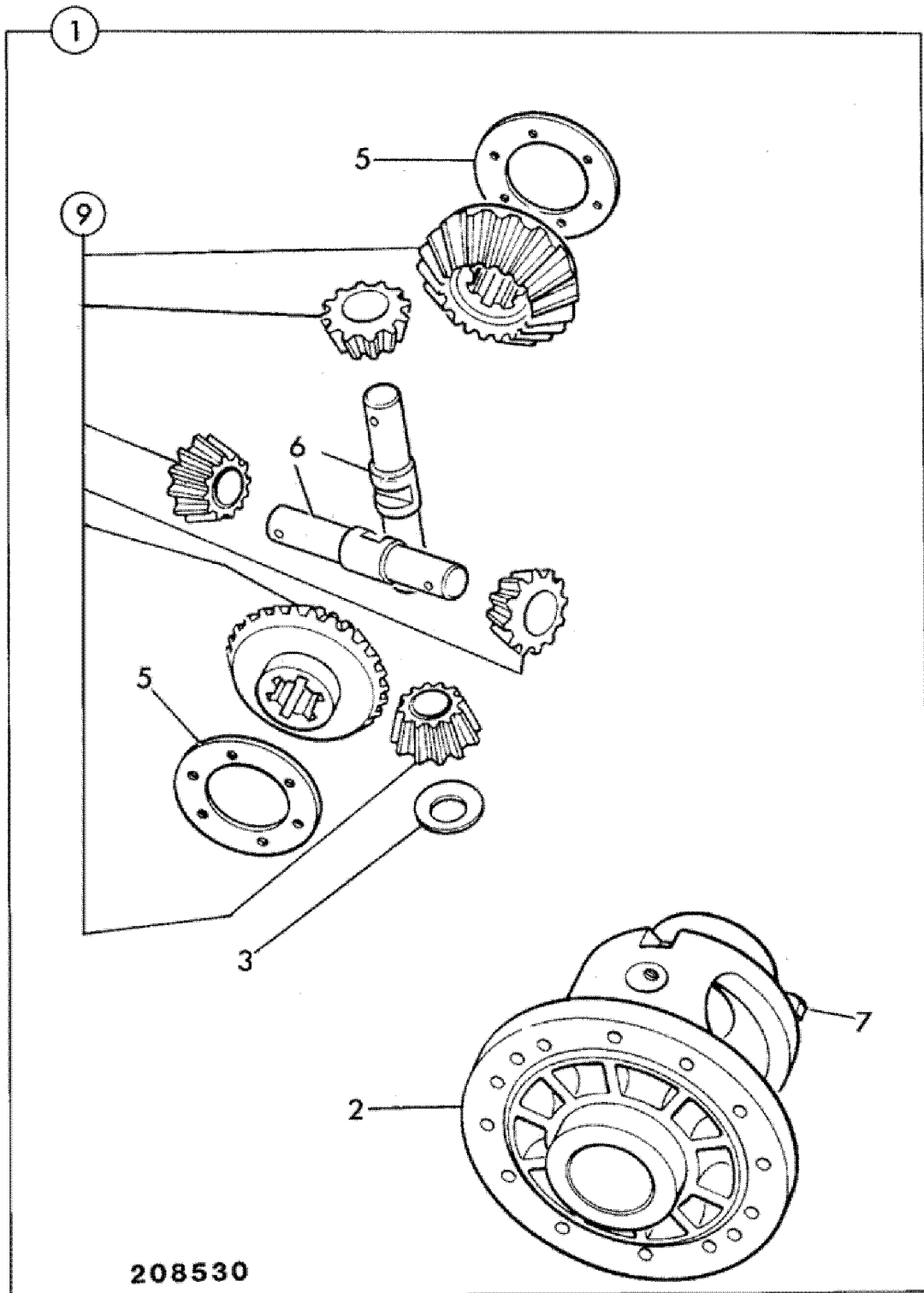


**JCB** 9802/2615 F1-52-2 DRIVEHEAD ASSEMBLY, 458/11064

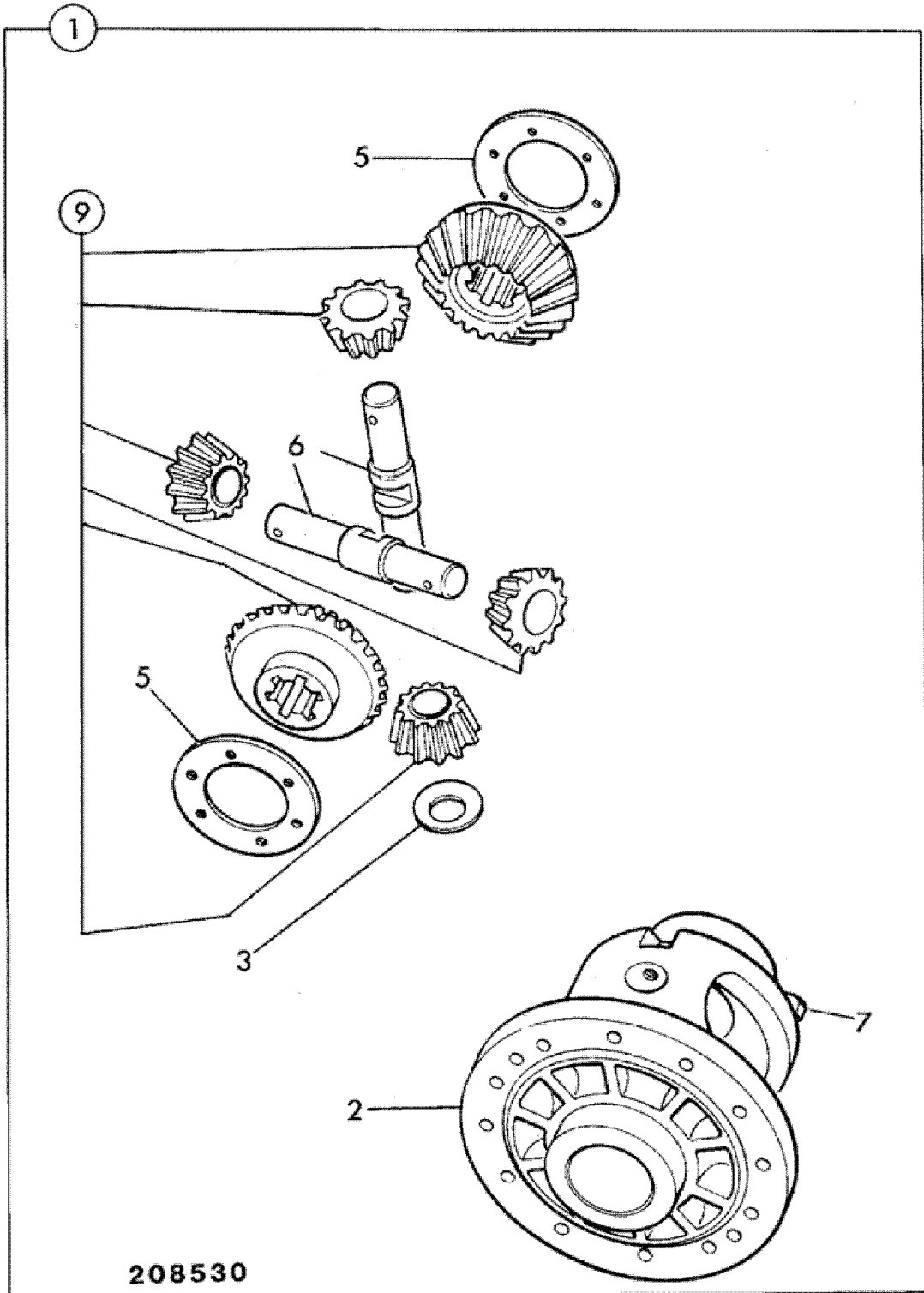


Item	Part #	Change No	Description	Usage Code	QTY
A	458/11064		Drivehead assembly,pad mount 2.538:1, LSD		1
1	:453/30601		Casing differential		1
2	:907/09000		Bearing Roller		1

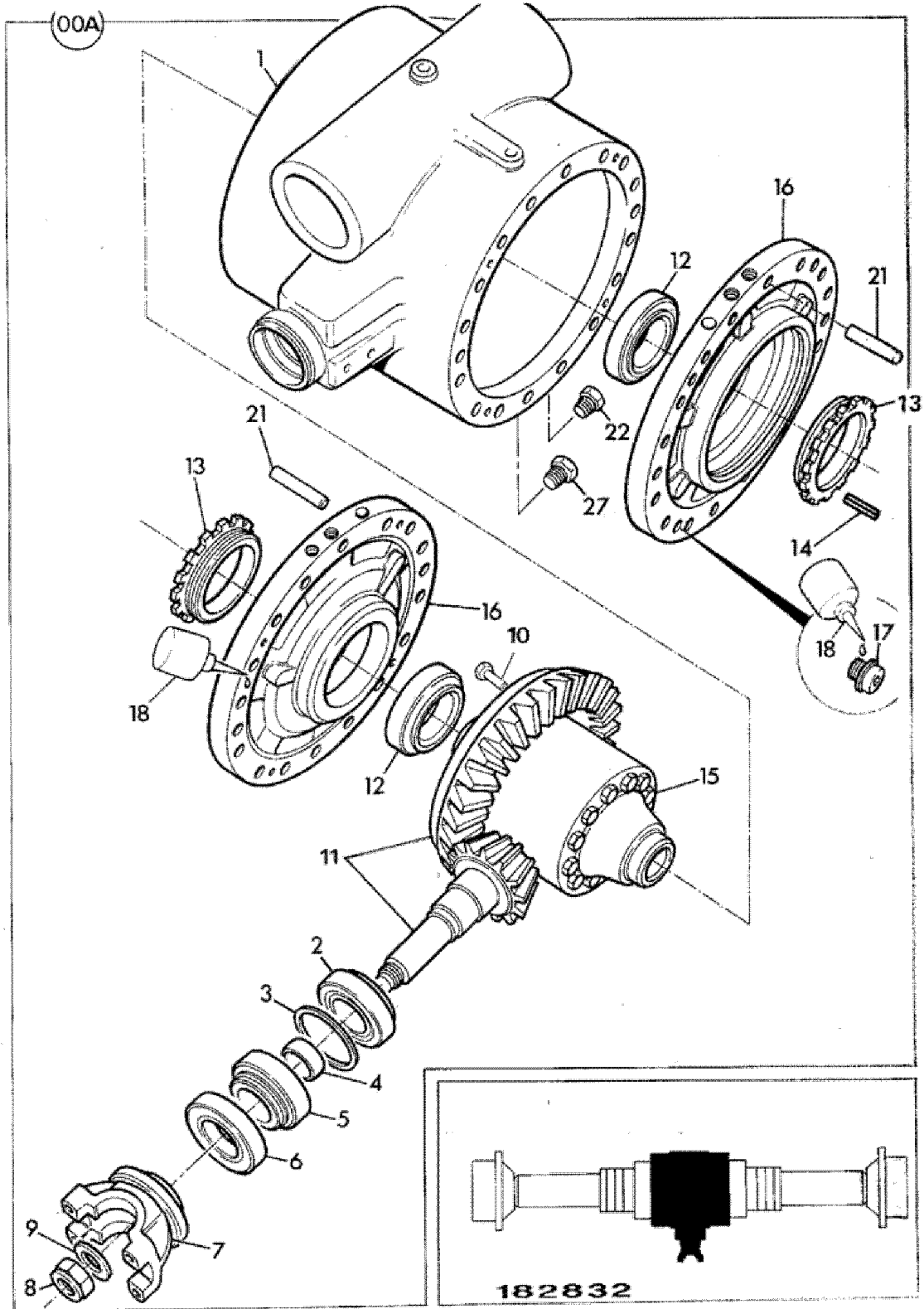
**JCB** 9802/2615 F2-3-1 DIFFERENTIAL, ASSEMBLY, 450/28500



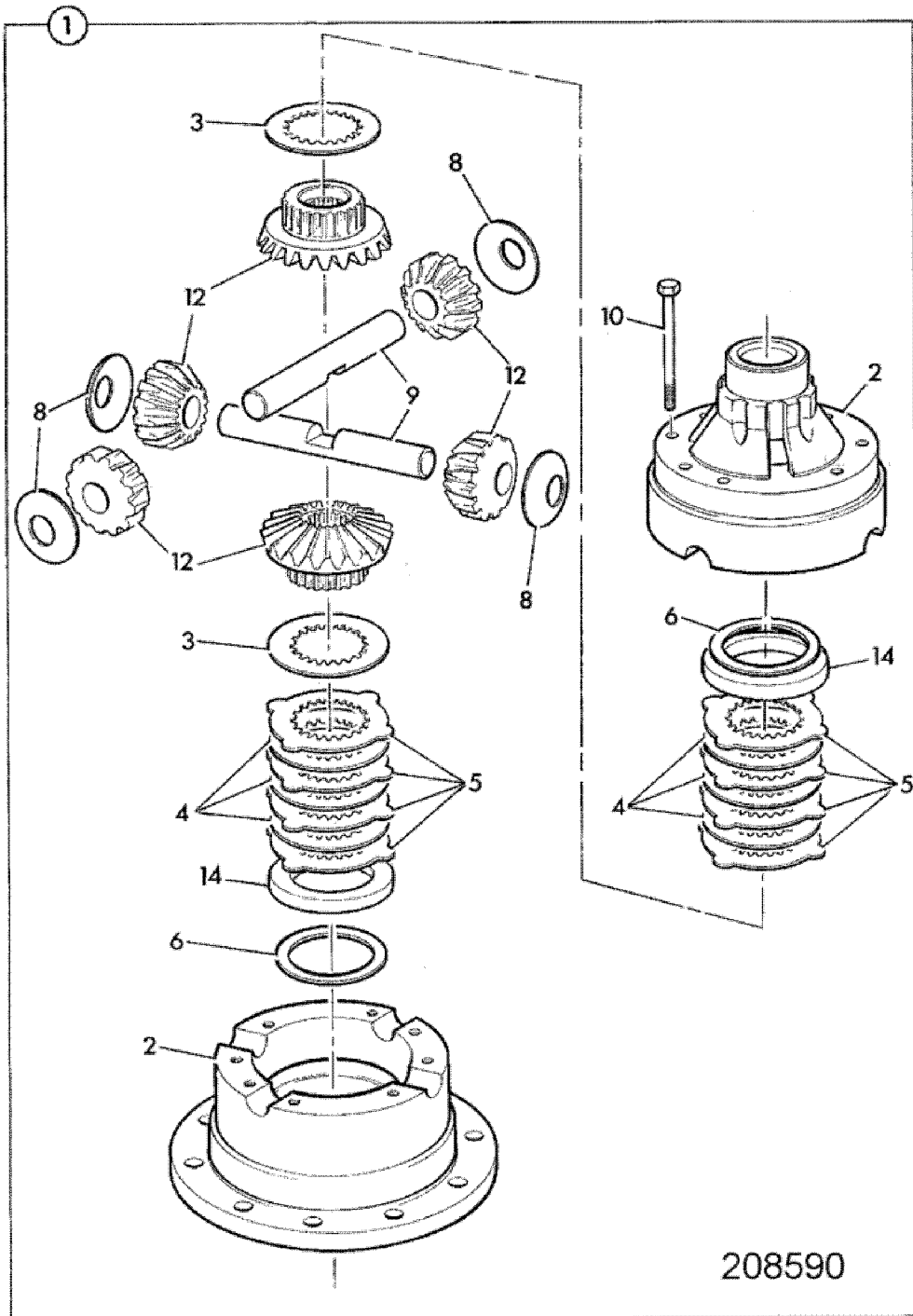
**JCB** 9802/2615 F2-13-1 DIFFERENTIAL, ASSEMBLY,  
450/24800



**JCB** 9802/2615 F2-22-3 DRIVEHEAD, ASSEMBLY, 458/11203

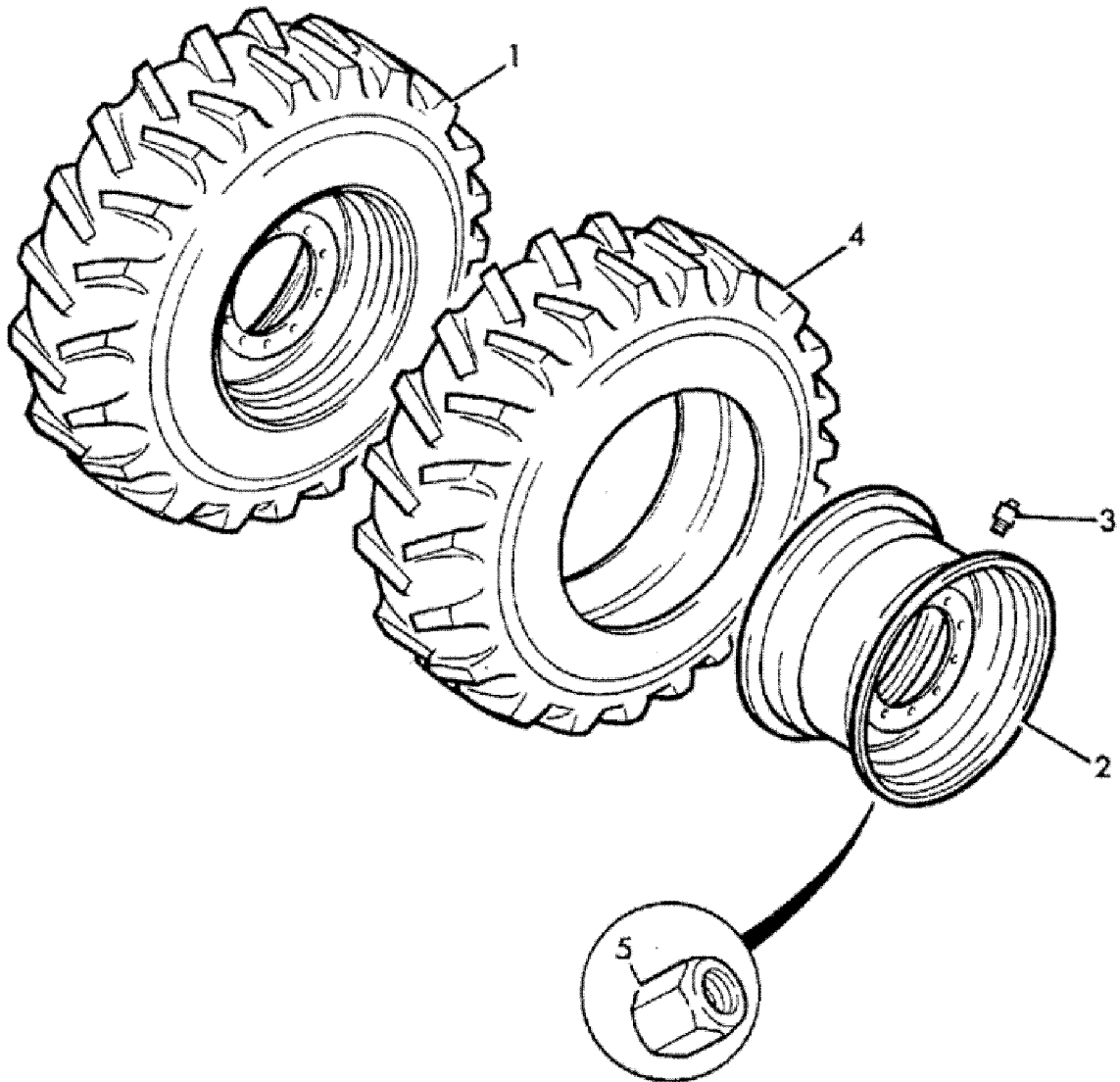


**JCB** 9802/2615 F2-33-1 DIFFERENTIAL, ASSEMBLY,  
 450/25100

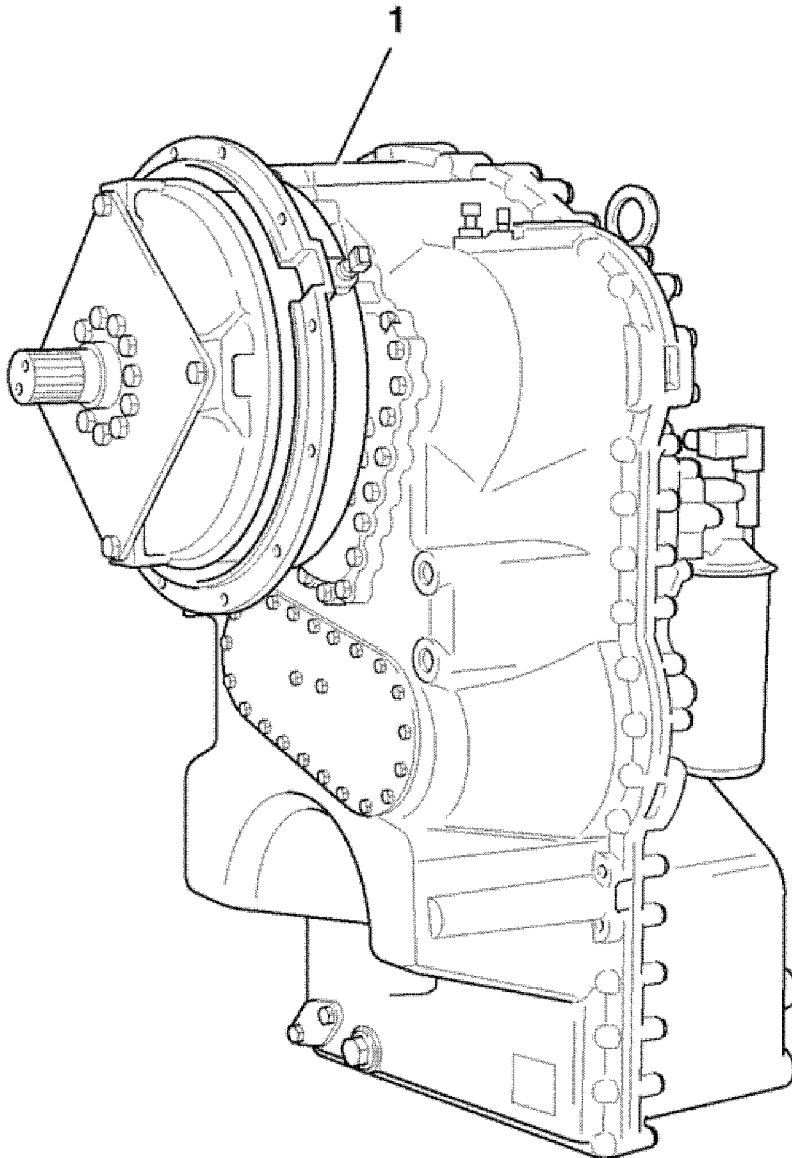


Item	Part #	Change No	Description	Usage Code	QTY
1	450/25100		Differential assembly		1
2	****		Casing NLA see bulletin GEN252		1

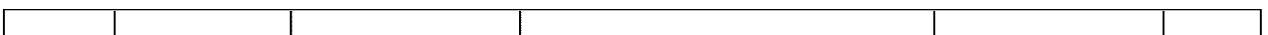
**JCB** 9802/2615 F3-1-1 WHEELS & TYRES, 416



 9802/2615 F5-1-1 TRANSMISSION, ASSEMBLY



337220



4	1315/0408D		Setscrew M10 x 30	8
5	120/16902		Plate compression	4
6	1370/0603D		Nut M16	2
7	1315/3722D		Bolt	2
8	1420/0011D		Washer M16	4
9	1316/3817D		Bolt	4
10	1422/0012D		Washer hard	4
11	265/02197		Washer locking	2

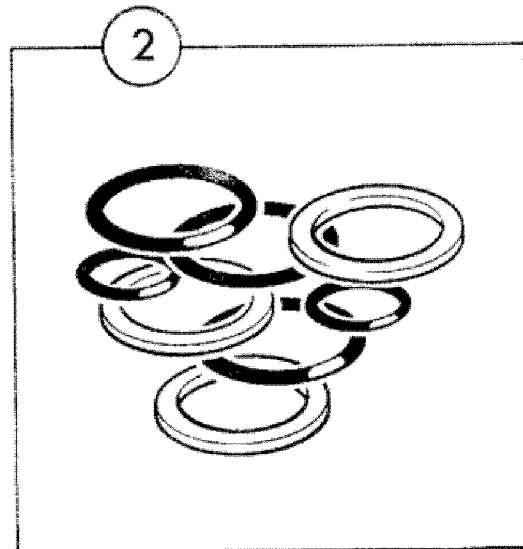
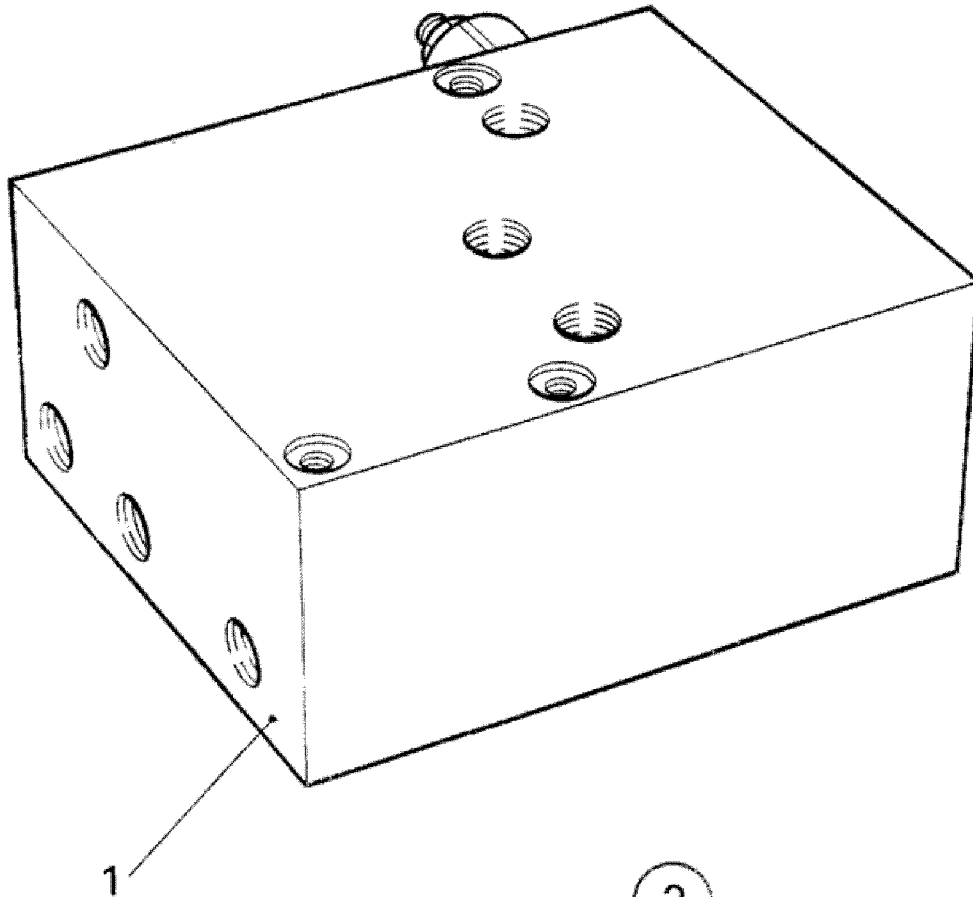
8	04/800711		Shim 2.35		0
8	04/800712		Shim 2.4		0
8	04/800713		Shim 2.45		0
8	04/800714		Shim 2.5		0
8	04/800715		Shim 2.55		0
8	04/800716		Shim 2.6		0
8	04/800717		Shim 2.65		0
8	04/800718		Shim 2.7		0
8	04/800719		Shim 2.75		0
8	04/800720		Shim 2.8		0
9	04/800721		Bush		1
10	04/600463		Gear spur		1
11	04/800723		Bearing ball		1
12	04/800724		Spring cup		10
13	04/800432		Ring snap 2.25 mm		0
13	04/800433		Circlip 2.30 mm		0
13	04/800434		Circlip 2.35 mm		0
13	04/800435		Ring snap 2.40 mm		0
13	04/800436		Circlip 2.45 mm		0
13	04/800276		Ring spring		0
13	04/800437		Circlip 2.2 mm		0
13	04/801578		Circlip 2.15 mm		0
13	04/801579		Ring snap 2.10 mm		0
14	04/800457		Shim 0.3 mm		2
15	04/800726		O Ring		2
16	04/800727		O Ring		2
17	04/600464		Piston		2
18	04/600465		Disc carrier		1
19	04/800730		Ring snap		1
20	04/800731		Bearing ball		1
21	04/800732		Shim 0.8		0
21	04/800733		Shim 0.9		0
21	04/600521		Washer		0
21	04/800734		Shim 1.0		0
21	04/800735		Shim 1.1		0
21	04/800736		Shim 1.2		0
21	04/800737		Shim 1.3		0
22	04/801216		Ring retaining		1
23	04/800739		Cage needle		1
24	04/800740		Bush		2
25	04/600522		Gear spur		1
26	04/800742		Ring internal		1
27	04/800743		Ring retaining		1
28	04/800744		Bearing ball		1
29	04/600466		Clutch disk, 2.00		6
30	04/600466		Clutch disk, 2.00		2
30	:04/600662		Disc clutch, 2.5mm		2
32	04/600469		Disc		7
33	04/600471		Disc		2
34	04/600466		Clutch disk, 2.00		4
35	04/600466		Clutch disk, 2.00		2
35	04/600662		Disc clutch, 2.5mm		2
36	04/800280		Disc balancing 2.0mm		0
36	04/800279		Disc balancing 1.5mm		0

4	04/801251		Flange output	1
5	04/801270		Flange output	1
6	04/800248		Washer	2
7	04/800247		Plate lock	2
8	04/800246		Bolt	4
9	04/801252		Bearing ball	1
10	04/800252		Circlip	2
11	04/801253		Shim 1.0	0
11	04/801254		Shim 1.05	0
11	04/801255		Shim 1.1	0
11	04/801256		Shim 1.15	0
11	04/801257		Shim 1.2	0
11	04/801258		Shim 1.25	0
11	04/801260		Shim 1.35	0
11	04/801261		Shim 1.4	0
11	04/801262		Shim 1.45	0
11	04/801263		Shim 1.5	0
11	04/801264		Shim 1.55	0
11	04/801265		Shim 1.6	0
11	04/801266		Shim 1.65	0
11	04/801267		Shim 1.7	0
12	04/800251		Seal	2
13	04/800384		Screw	8
14	10/906823		O Ring	2
16	04/801271		Cap sealing	1
17	04/801272		Cap sealing	1

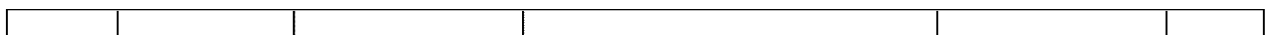
4	04/600495		Filter insert	1
5	04/800578		Screw cap	2
6	04/800226		Bolt	4



# 9802/2615 G1-1-2 VALVE, BRAKE, COMPONENTS

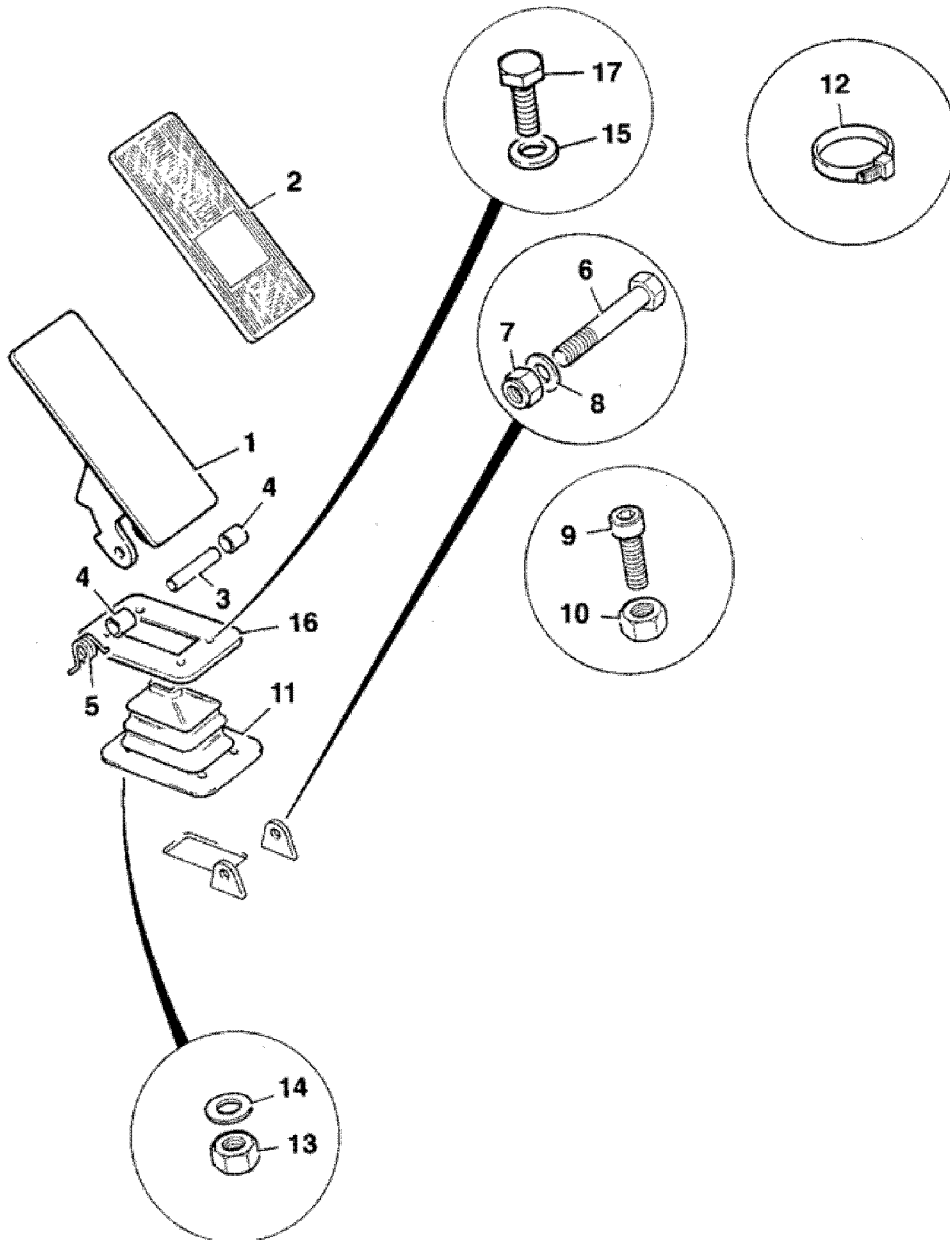


**201510**





# 9802/2615 G1-6-1 BRAKE PEDAL

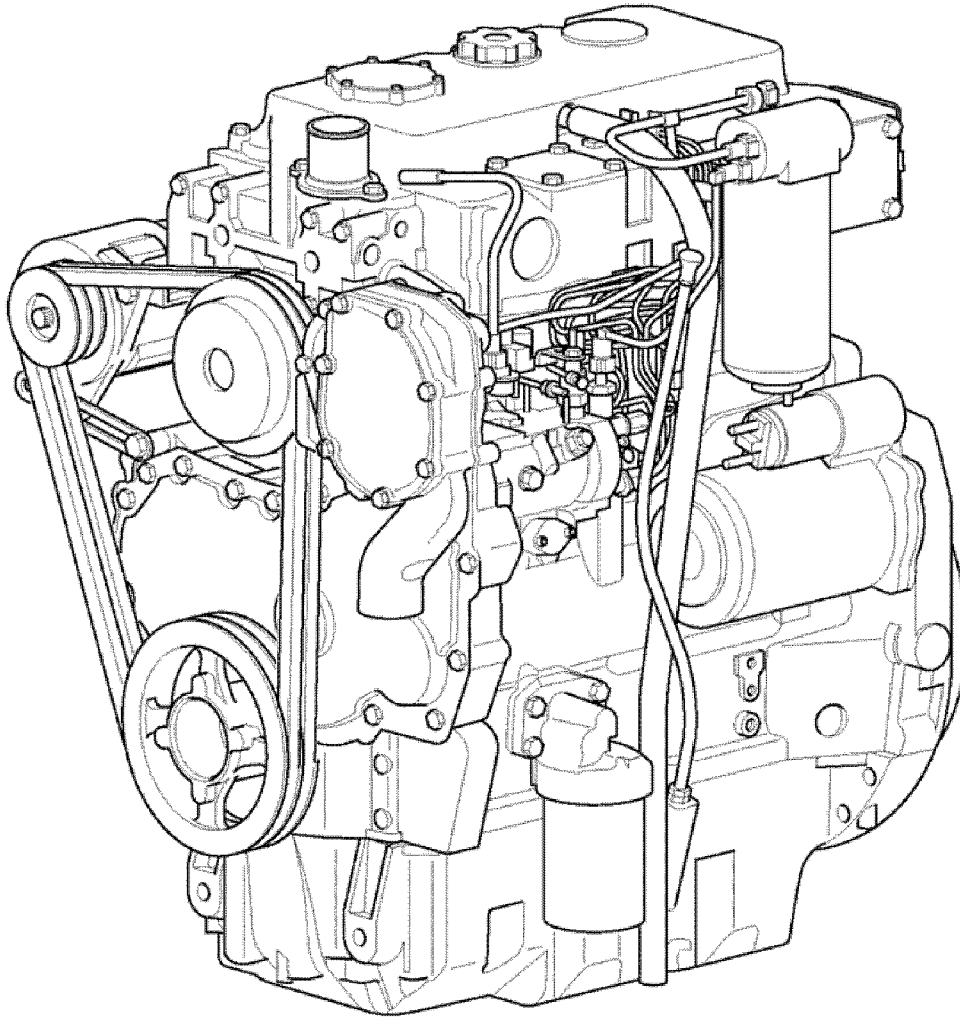


270030

Item	Part #	Change No	Description	Usage Code	QTY
1	268/40142		Pedal brake		1
2	265/00172		Pad brake pedal		1
3	830/00330		Tube pivot		1



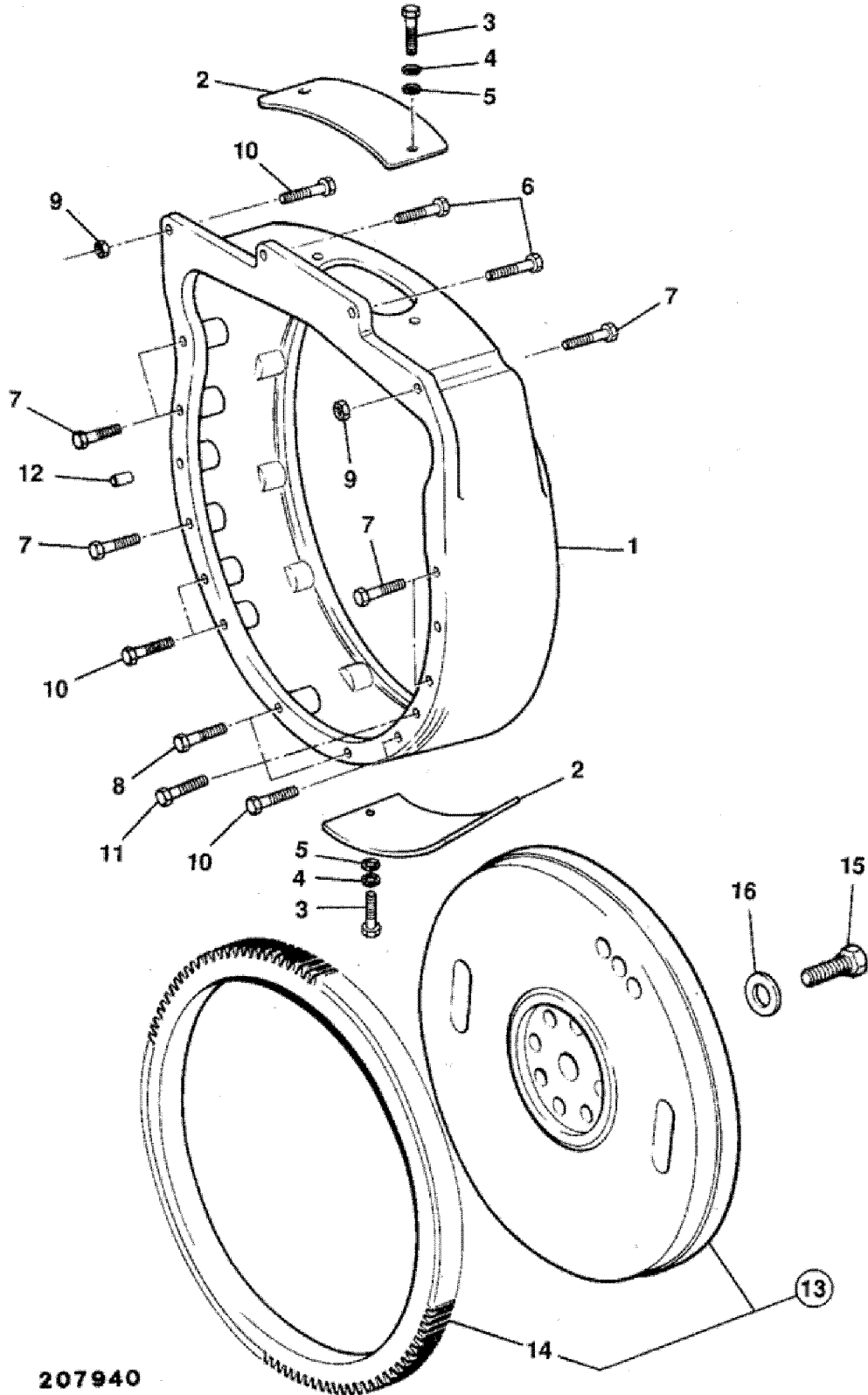
## 9802/2615 P1-1-1 ENGINE, COMPLETE, RJ BUILD



426350

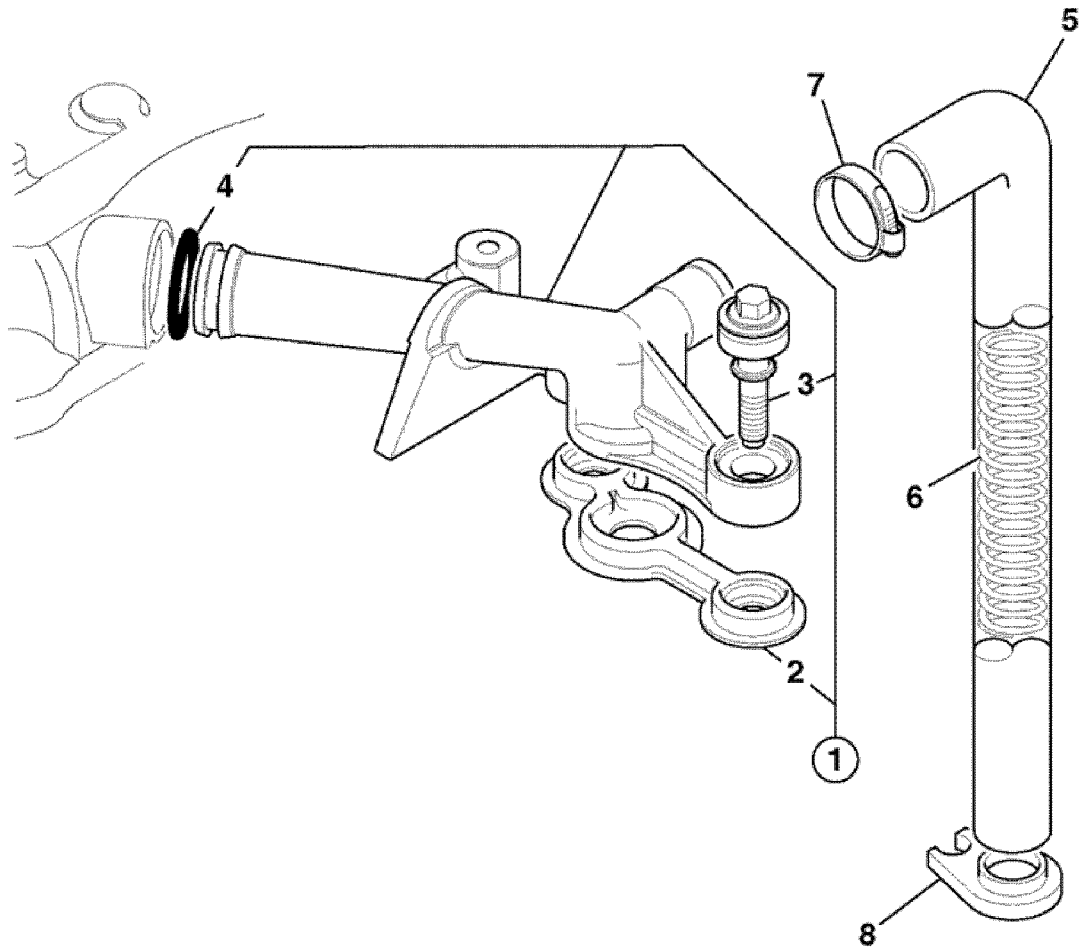
Item	Part #	Change No	Description	Usage Code	QTY
1	01/145199	<M530517	Engine complete 1104 turbocharged 120bhp		1
1	01/145258		Engine complete 1104c-44 turbocharged		1

**JCB** 9802/2615 P1-7-1 FLYWHEEL & HOUSING, RJ BUILD



207940

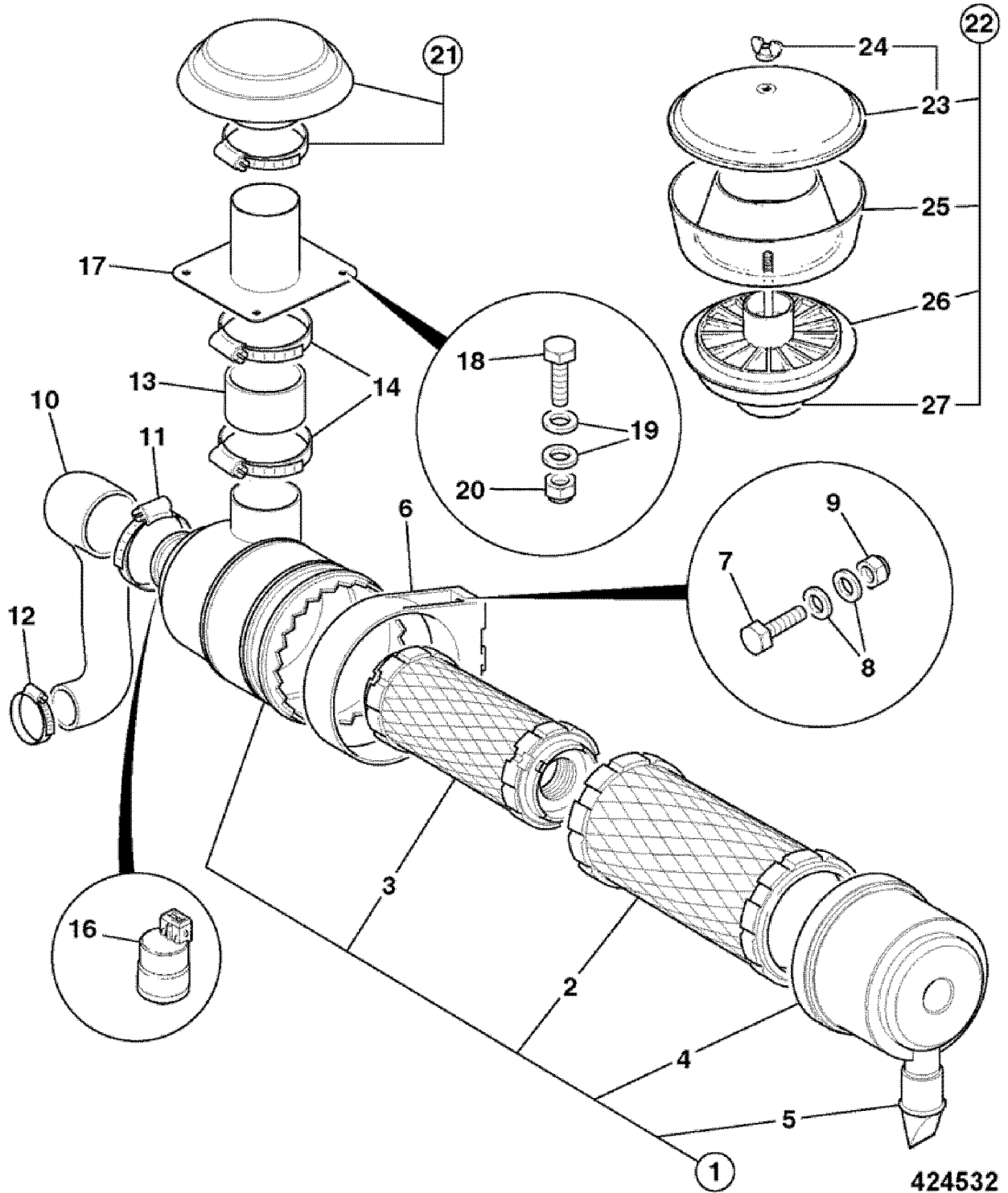
**JCB** 9802/2615 P2-4-1 BREATHER, ENGINE OIL, RJ BUILD



**425700**

Item	Part #	Change No	Description	Usage Code	QTY
1	02/202975		Breather assembly		1
2	:02/202974		Seal		1
3	:02/202964		Screw		2

**JCB** 9802/2615 P3-3-1 FILTER, AIR



424532

Item	Part #	Change No	Description	Usage Code	QTY
1	580/12146		Filter air assembly		1
2	:32/925401		Element air filter main		1
3	:32/925402		Element air filter safety		1

4	1420/0008D		Washer Plain	8
5	1370/0303D		Nut Self Lock	8
6	1315/3721D		Bolt M16 x 110	2
7	1420/0011D		Washer M16	4
8	1370/0603D		Nut M16	4
9	257/16801		Mounting rubber	2
10	1315/3516D		Bolt M12x70	2
11	1412/0005D		Washer large	10
12	1420/0009D		Washer M12	2
13	1370/0403D		Nut Lock M12	2
14	335/04280		Cowling fan	1
15	1315/0305D		Setscrew M8 x 20mm	6
16	1420/0007D		Washer Plain M8	12
17	1370/0203D		Nut Lock M8	6
18	331/32022		Plate cover	2
19	1315/0405D		Setscrew M10 x 20	4
20	1411/0004Z		Washer	4
21	331/19345		Plate anti recirculation	1
22	1315/0408Z		Setscrew	7
23	1412/0005Z		Washer plain 1/2" X 41mm OD	7
24	826/01104		Nut Rivet	7

3	834/10644		Hose silicone	1
4	834/10591		Hose flexible coupling	1
5	834/10589		Hose flexible coupling	2
6	2205/0002		Clamp 'T' bolt spring loaded	2
7	821/10183		Clamp spring loaded T bolt	6
8	331/32915		Bracket lower	1
9	1315/0405D		Setscrew M10 x 20	1
10	1420/0008D		Washer Plain	1
11	821/00264		Clamp exhaust D=79	1
12	331/30025		Clamp	1
13	331/32953		Bracket upper	1
14	826/10899		Strap support	2
15	1315/0307D		Setscrew M8x25	2
16	1420/0007D		Washer Plain M8	4
17	1370/0203D		Nut Lock M8	2
18	2201/0014		Clip Worm Drive	2
19	817/18678		Decal Warning Hot Surface	1

2	02/203027		Gear fuel injection		1
3	02/291160		Nut		1
4	02/291159		Washer		1
5	02/291017		Screw		1
6	02/203076		Washer		1
7	02/202068		Bracket support		1
8	826/00869		Screw flange head		1
9	02/291058		Nut		1
10	826/00901		Screw		1

3	:17/919304		Bowl fuel filter		1
3A	17/919305		Tap fuel drain assembly		1
4	:32/925423		Element fuel filter		1
5	:17/919301		Kit-mounting		1
6	****		None serviced part		1
7	****		None serviced part		1
8	::02/291180		Screw M6x40mm		3
9	::02/202932		Washer		3
10	17/919302		Connector fuel		1

3	02/203007		Bolt banjo	2
4	02/203012		Washer seal	4
5	02/203008		Pipe turbo oil drain	1
6	02/203009		Gasket	1
7	02/203010		Gasket	1
8	02/203011		Screw	2
9	826/00869		Screw flange head	2
10	02/203013		Elbow exhaust	1
11	02/203014		Bracket turbo support	1
12	02/203015		Adapter turbo	1
13	826/00900		Screw	1
14	02/291037		Bolt	1
15	02/291193		Stud	3
16	02/291061		Nut	3

CLICK HERE TO **DOWNLOAD** THE COMPLETE MANUAL

- Thank you very much for reading the preview of the manual.
- You can download the complete manual from: [www.heydownloads.com](http://www.heydownloads.com) by clicking the link below



- Please note: If there is no response to CLICKING the link, please download this PDF first and then click on it.

CLICK HERE TO **DOWNLOAD** THE COMPLETE MANUAL