



# **TDH LS00 TR**

Cod. Cat. : 08 - Ed. : 0104

MATRICOLA

ANNO DI COSTRUZIONE

**2004**

***CATALOGO RICAMBI***

CLICK HERE TO **DOWNLOAD** THE COMPLETE MANUAL

- Thank you very much for reading the preview of the manual.
- You can download the complete manual from: [www.heydownloads.com](http://www.heydownloads.com) by clicking the link below

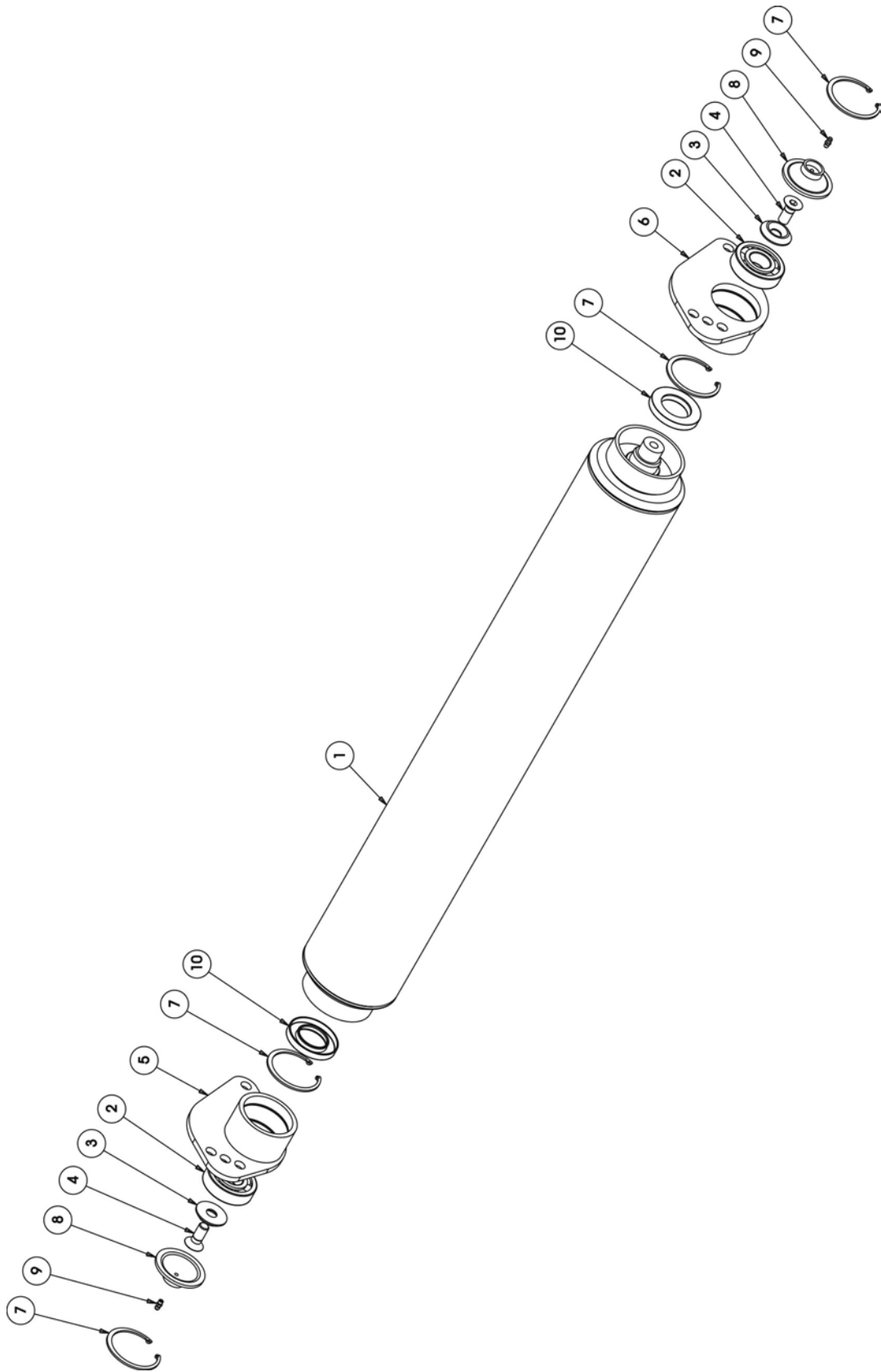


- Please note: If there is no response to CLICKING the link, please download this PDF first and then click on it.

CLICK HERE TO **DOWNLOAD** THE COMPLETE MANUAL

N°	Descrizione	Codice	Qtà.	Rif. Tav.
1	CERNIERA	TDH500LG/25	1	
2	SPINA PER PIEDI	SPM 100.19 M00	1	
3	PIEDE PER MACCHINA	PD 715.50.50 M00	1	
4	SPINA	SPDF 179.30 M00	1	
5	SPINA	SPE 140.22 M00	1	
6	SPINA	SPDF 130.25 M00	1	
7	RONDELLA PIANA D 27	BULROZPIA000000027	1	
8	RONDELLA PIANA D 22	BULROZPIA000000022	3	
9	DADO AUTOBLOCCANTE	BULDAZAUTB027000PF	1	
10	DADO AUTOBLOCCANTE	BULDAZAUTN022000PF	1	
11	DADO AUTOBLOCCANTE	BULDAZAUTN022000PG	1	
12	COPPIGLIA A MOLLA D 4	COPIGLAML0D040L082	1	

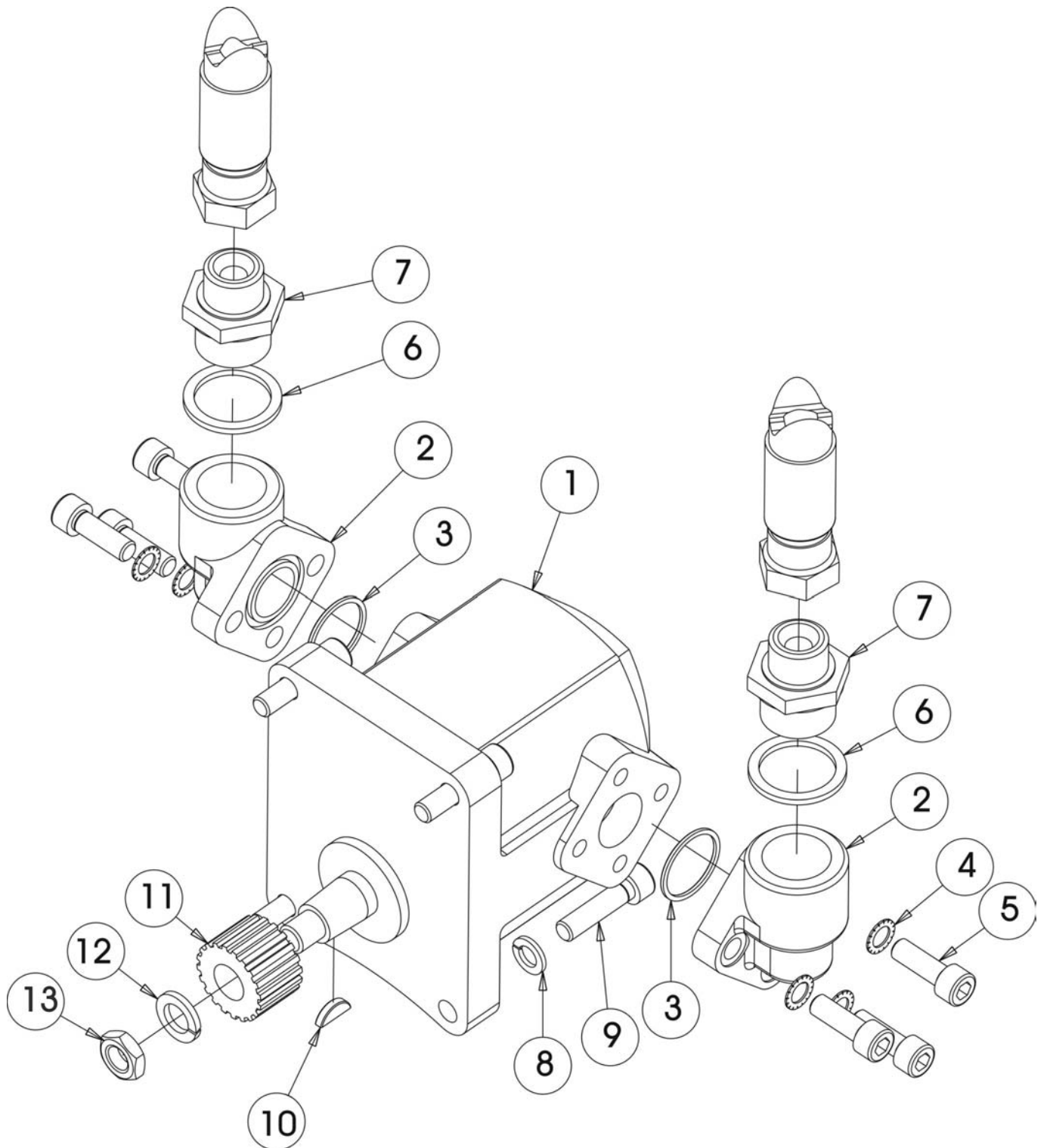
# RUL 100TRL



## Tavola n° : 13      SCCAL202000P10VM12    RADIATORE

N°	Descrizione	Codice	Qtà.	Rif. Tav.
1	KIT ELETTROVENTOLA 2020K-12V	KITEV202000P10VM12	1	
2	MASSA RADIANTE 2020K	MARAD202000P10VM00	1	
3	RONDELLA PIANA D 8	BULROZPIA000000008	4	
4	DADO AUTOBLOCCANTE	BULDAZAUTN008000PG	4	
5	TASSELLO PARASTRAPPI PER RADIATORI	TSP00GMAF1D13E2200	4	
6	VITE ZINCATA 8X30	BULVIZTE00008030GT	4	
7	RONDELLA GREMBIALINA D 8	BULROZGRE000000008	4	
8	GUARNIZIONE IN RAME 1"	RACCGUARNRA0000100	2	
9	RIDUZIONE M1" F3/4"	RACCRIDC00M100F034	1	
10	RIDUZIONE M1" M3/4"	RACCRIDZ00M100M034	1	
11	CURVA GIREVOLE STAMPATA 90°	RACCCUGRSTM034F034	1	
12	VITE FORATA 3/4"	RACCVIFORS00000340	1	
13	GUARNIZIONE IN RAME 3/4"	RACCGUARNRA0000034	2	

IDRMGIB3000E3027DI



CLICK HERE TO **DOWNLOAD** THE COMPLETE MANUAL

- Thank you very much for reading the preview of the manual.
- You can download the complete manual from: [www.heydownloads.com](http://www.heydownloads.com) by clicking the link below



- Please note: If there is no response to CLICKING the link, please download this PDF first and then click on it.

CLICK HERE TO **DOWNLOAD** THE COMPLETE MANUAL