



TDH L450 TR

Cod. Cat. : 04 - Ed. : 0104

MATRICOLA

ANNO DI COSTRUZIONE

2004

CATALOGO RICAMBI

CLICK HERE TO **DOWNLOAD** THE COMPLETE MANUAL

- Thank you very much for reading the preview of the manual.
- You can download the complete manual from: www.heydownloads.com by clicking the link below



- Please note: If there is no response to CLICKING the link, please download this PDF first and then click on it.

CLICK HERE TO **DOWNLOAD** THE COMPLETE MANUAL

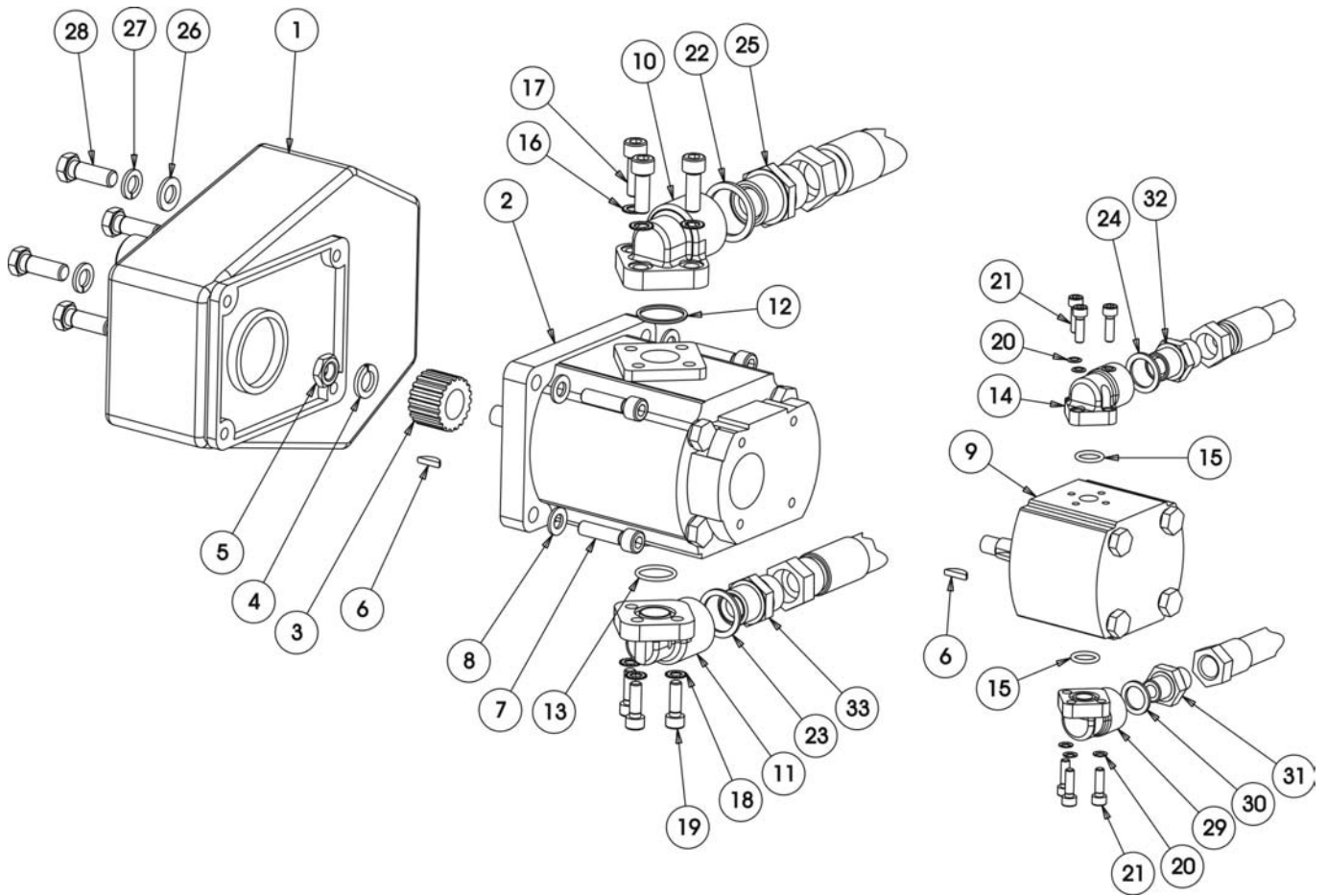
Tavola n° : 02 TDH400/2 PRIMO BRACCIO

N°	Descrizione	Codice	Qtà.	Rif. Tav.
1	PRIMO BRACCIO	TDH400/2	1	
2	MARTINETTO	MDH 515/35 M01	1	18
3	MARTINETTO	MDH 592/35 M00	1	19
4	VALVOLA REGOLATRICE DI FLUSSO	V21	2	15
5	BOCCOLA	BC 30.40.35 M00	4	
6	DISTANZIALE	DS 36.40.52 M00	2	
7	INGRASSATORE A 90° 6X1	INGRAS90000M060P01	1	
8	INGRASSATORE DRITTO 6X1	INGRASDR000M060P01	5	
9	SPINA	SPE 103.22 M00	2	
10	RONDELLA PIANA D 22	BULROZPIA000000022	4	
11	DADO AUTOBLOCCANTE	BULDAZAUTN022000PG	2	
12	BANDINA PRIMO BRACCIO	TDH400/2/6	1	
13	RONDELLA PIANA D 10	BULROZPIA000000010	2	
14	DADO AUTOBLOCCANTE	BULDAZAUTN010000PG	2	
15	GUARNIZIONE BONDED 1/4"	RACCGUARNBO0000014	4	
16	VITE FORATA 1/4"	RACCVIFORS00000140	2	

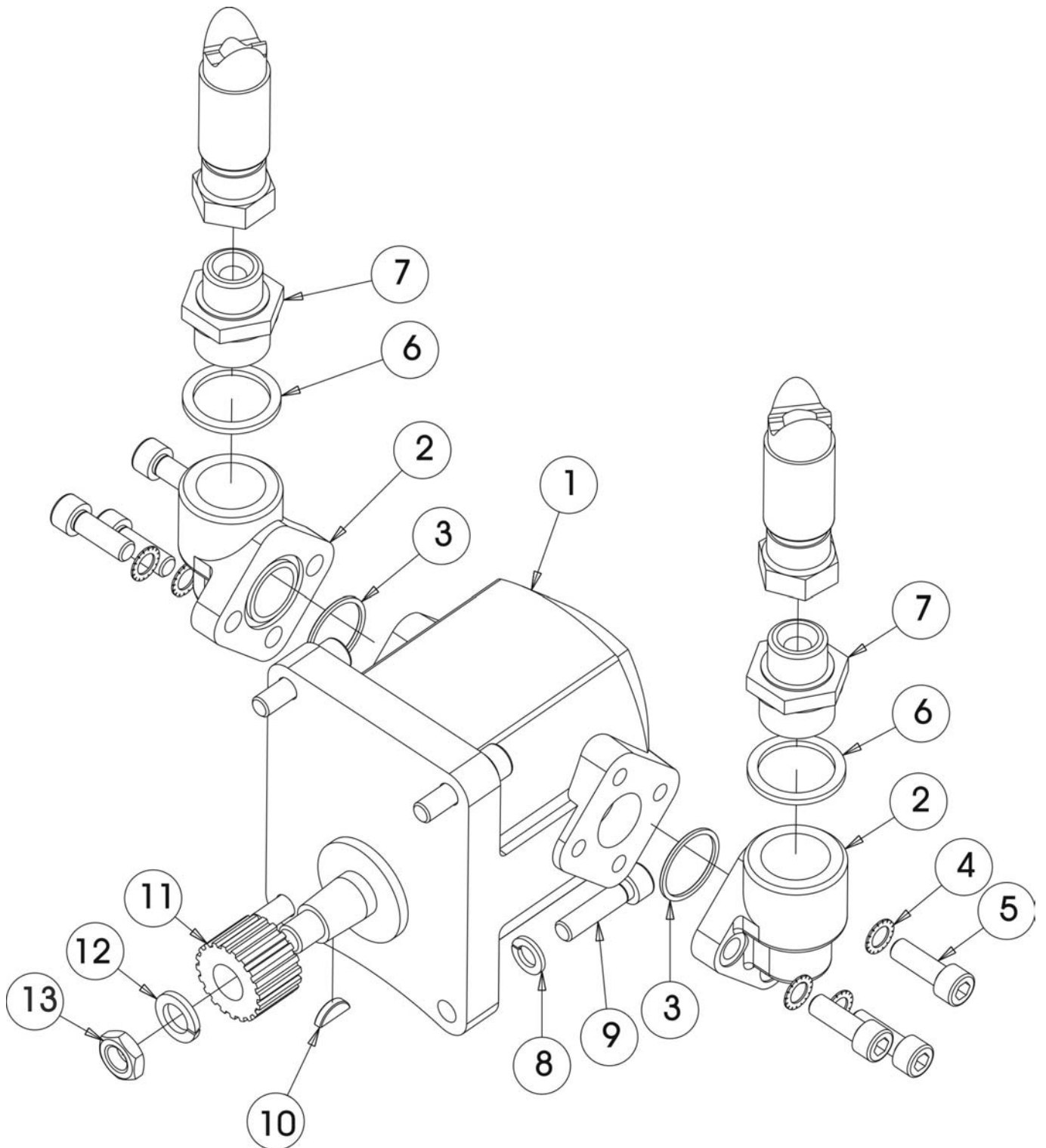
Tavola n° : 07 024-G COLTELLO

N°	Descrizione	Codice	Qtà.	Rif. Tav.
1	COLTELLO	024-G	40	
2	DADO AUTOBLOCCANTE	BULDAZAUTN018000PF - F01230096R	20	
3	RONDELLA PIANA D 18	BULROZPIA000000018	20	
4	PERNO PER COLTELLO	PC24G 01 M00	20	
5	DISTANZIALE PER COLTELLO	DR 28 002 M00	40	

M=1:3,4; P=38+8



IDRMGIB3000E3027DI



CLICK HERE TO **DOWNLOAD** THE COMPLETE MANUAL

- Thank you very much for reading the preview of the manual.
- You can download the complete manual from: www.heydownloads.com by clicking the link below



- Please note: If there is no response to CLICKING the link, please download this PDF first and then click on it.

CLICK HERE TO **DOWNLOAD** THE COMPLETE MANUAL