

Manitowoc Cranes MACHINE COMPONENT INDEX

Date: Feb 21, 2014

Rev:

<u>Model Number</u> RT880E (80 U.S.)		<u>Serial Number</u> 234567	
Item	Part	Description	Page
1	80051035	BOOM BOOM ASSEMBLY	7
	80051027	HYDRAULIC CYLINDER 7.00" BORE TROMBONE	15
	80051026	HYDRAULIC CYLINDER 7.00" BORE TELE	19
	7718100015	SHEAVE ASSEMBLY - NYLATRON	23
	2188910132	GUIDE ASSEMBLY - BOOM CABLE (COMPLETE ASSEMBLY)	25
2	80009132	BOOM EXTENSION INSTALLATION- FOLDING OFFSET	27
	80009131	BOOM EXTENSION ASSEMBLY- FOLDING OFFSET	29
	80009130	BOOM EXTENSION FLY ASSEMBLY	33
	7718100017	SHEAVE ASSEMBLY (COMPLETE ASSEMBLY)	35
	7718100017	SHEAVE ASSEMBLY (COMPLETE ASSEMBLY)	35
	2174910207	MAST ASSEMBLY (COMPLETE ASSEMBLY)	39
2	7718100017	SHEAVE ASSEMBLY (COMPLETE ASSEMBLY)	35
	3486000212	WEIGHT AND CHAIN ASSEMBLY (COMPLETE ASSEMBLY)	43
3	3486000212	WEIGHT AND CHAIN ASSEMBLY (COMPLETE ASSEMBLY)	43
4	80001799	HOOK BLOCK ASSY-75MT/80T (GJC)	47
5	7053100010	BALL ASSEMBLY - OVERHAUL 10 TON SWIVEL (COMPLETE ASSEMBLY)	51
6	2165910022	NOSE INSTALLATION - AUXILIARY BOOM	53
	7718100017	SHEAVE ASSEMBLY (COMPLETE ASSEMBLY)	35
8	7598100092	KIT - LMI S/S IFLEX 5	57
8	80030650	BOOM LIGHTS INSTALLATION	59
	6581100024	LIGHT ASSEMBLY - MODIFIED BOOM (COMPLETE ASSEMBLY)	61
	6246100216	CABLE ASSEMBLY - BOOM LIGHTS (COMPLETE ASSEMBLY)	63
8	80023694	BOOM LIGHT SWITCH INSTALLATION-12V	65

CLICK HERE TO **DOWNLOAD** THE COMPLETE MANUAL

- Thank you very much for reading the preview of the manual.
- You can download the complete manual from: www.heydownloads.com by clicking the link below



- Please note: If there is no response to CLICKING the link, please download this PDF first and then click on it.

CLICK HERE TO **DOWNLOAD** THE COMPLETE MANUAL

Manitowoc Cranes

Notes

Manitowoc Cranes

Description
BOOM ASSEMBLY

Assembly No.
80051035
Revision: **B**

Item	FN	Part	Qty	Description
120		7949000360	2	WASHER, 1" I.D.
121		7300000270	1	CLAMP, PIPE 1 1/4" I.D.
122		7300000271	1	CLAMP, PIPE 1 1/2" I.D.
124		7447201601	1	ADAPTER, STRAIGHT MALE INCLUDES THE FOLLOWING PARTS
		7755025002	1	O-RING
		7755916002	1	O-RING
125	*	7671100141	1	PAD, CABLE WEAR
126	*	7671100142	4	PAD, LOWER WEAR
127	*	7671100143	2	PAD, LOWER WEAR
128		7910101262	1	TUBE ASSY, TELE BOOM 1.00
129		7910101263	1	TUBE ASSY, TELE BOOM 1.25
130		4188910077	1	PLATE, COVER
131		7324000076	4	INSERT, BOLT
132		7099000411	4	CAP SCREW,
133		80021501	2	FENDER WASHER
134		7127341853	16	HHCS M30x55 -10.9 ISO 4017
135		80029199	2	SWIVEL JOINT
136		7447161633	1	ELBOW, 90 DEGREE INCLUDES THE FOLLOWING PARTS
		7755021002	1	O-RING
137		80029706	1	TUBE ASSEMBLY
300	**	7718100015	6	SHEAVE ASSEMBLY - NYLATRON
301		6810100053	2	SHAFT, BOOM NOSE
302		80018294	3	SPACER
303		80018293	1	SPACER
304		80018296	1	SPACER
305		4174910012	6	SHIM,
306		4174910013	2	COLLAR, LOCK
307		7126213350	2	CAP SCREW M12X170 -8.8
308		7661210003	2	NUT, HEX 12MM N.C.
309		80022879	2	KEYED WASHER
310		80022878	2	LOCKWASHER
311		80022877	2	LOCKNUT

* REPAIR KIT AND/OR PART OF KIT

Manitowoc Cranes

Notes

Manitowoc Cranes

Description

BOOM EXTENSION ASSEMBLY- FOLDING OFFSET

Assembly No.

80009131

Revision: **G**

Item	FN	Part	Qty	Description
52		7949000235	2	WASHER, 1/2" I.D. FLAT
53		7951210210	2	LOCK WASHER, 12MM I.D.
55		6671000265	1	PAD, WEAR
56		7111180607	2	SCREW, MACHINE 1/2" - 13 N.C. X 3/4" GRADE 1
57		7111140407	2	SCREW, MACHINE 1/4" - 20 N.C. X 1/2" GRADE 1
58		4159900304	2	SHIM (.0544")

Manitowoc Cranes

Description

SHEAVE ASSEMBLY (COMPLETE ASSEMBLY)

Assembly No.

7718100017

Revision: #

Item	FN	Part	Qty	Description
1		7718100016	1	SHEAVE 3/4 ROPE
2		7794000272	2	CUP, BEARING
3		7069000183	2	CONE, BEARING
4		7069000175	2	CLOSURE, BEARING
5		7440000000	1	FITTING, 1/8 STRAIGHT GREASE

Manitowoc Cranes

Description

**BALL ASSEMBLY - OVERHAUL 10 TON SWIVEL
(COMPLETE ASSEMBLY)**

Assembly No.

7053100010

Revision:

Item	FN	Part	Qty	Description
1		NSS	1	BALL
2		9053100045	1	TOP, WITH EYE
3		9053100049	1	BEARING, THRUST
4		9053100052	1	HOUSING
5		9053100094	1	EYE AND NUT
6		9053100048	1	BUSHING, BRONZE
7		9053100095	2	PLATE, BAR
8		9053100096	1	RING, CENTERING
9		9053100097	1	PIN, LATCH
10		9086100294	4	PIN, COTTER
11		9086100300	4	NUT
12		9053100043	1	PIN
13		9053100047	1	SPACER
14		9053100042	1	HOOK
15		9086100822	1	KIT, LATCH
16		9053100051	1	PLATE, NAME I.D.
17		9053100098	8	SCREW, DRIVE
18		9053100099	1	NAME PLATE
19		9086100305	1	PLATE, CAUTION
20		9053100100	1	FITTING
21		9053100101	1	FITTING, 90 DEGREE

Manitowoc Cranes

Description

LIGHT ASSEMBLY - MODIFIED BOOM (COMPLETE ASSEMBLY)

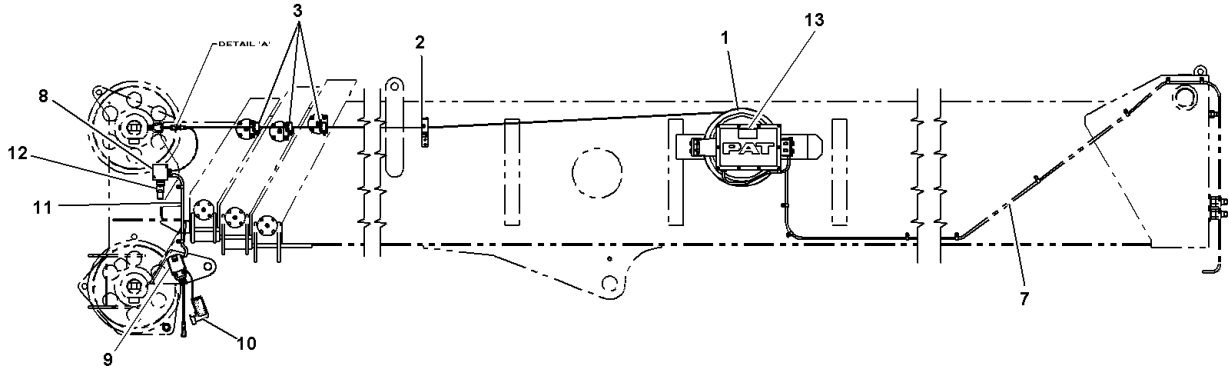
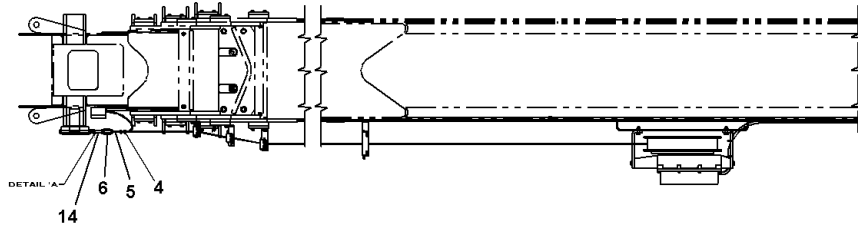
Assembly No.

6581100024

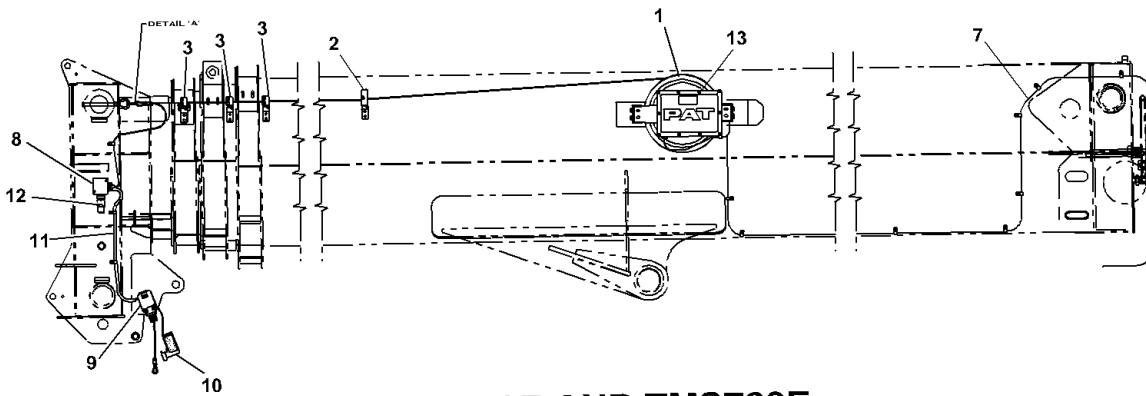
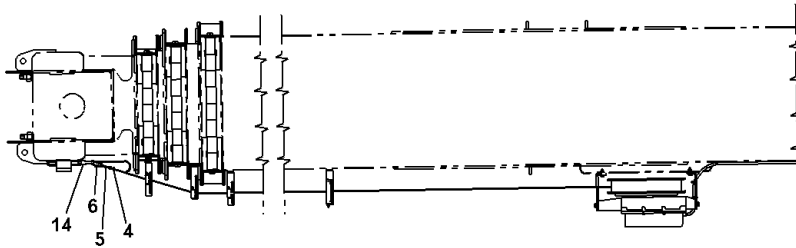
Revision: #

Item	FN	Part	Qty	Description
1		7581100001	1	LIGHT, WORK
		9581100391	1	INCLUDES THE FOLLOWING PARTS
2		7364001683	1	BEAM, SEALED 12 VOLT
		7892000252	2	CONNECTOR, 2 CONDUCTOR
3		7892000255	2	SHROUD
4		7892000255	2	TERMINAL, MALE PIN
				TERMINAL, GRAY CABLE SEAL

Manitowoc Cranes



RT600E



RT700E AND TMS700E

Manitowoc Cranes

Description

**FLAG ASSEMBLY - A2B RETAINER
(COMPLETE ASSEMBLY)**

Assembly No.

9333102633

Revision:

Item	FN	Part	Qty	Description
1		9333102373	1	FLAG, RETAINER
2		9333102618	1	DECAL, A2B
3		9333102232	1	LANYARD

Manitowoc Cranes

Description

KIT INSTALLATION - AUXILIARY BOOM NOSE

Assembly No.

6978100258

Revision: **D**

Item	FN	Part	Qty	Description
11		7099100024	2	CAP SCREW - HEX SOCKET HEAD .3125" - 18 UNC-2A X 2" ZINC COATED
12		7115140650	1	CAP SCREW, 1/4" - 20 N.C. X 3/4" GRADE 5
13		7950140141	1	WASHER, FLAT 1/4" PLAIN NARROW
14		7950140050	1	WASHER, LOCK 1/4"
15		7660140000	1	NUT, HEX 1/4" - 20 N.C.
16		7950150141	2	WASHER, FLAT 5/16"
17		7950150050	2	WASHER, LOCK 5/16" I.D.
18		7660150000	2	NUT, HEX 5/16" - 18 N.C.
19		7951170210	2	WASHER, LOCK 8MM

Manitowoc Cranes

Description

CONNECTOR ASSEMBLY DUMMY PLUG, 2-PIN

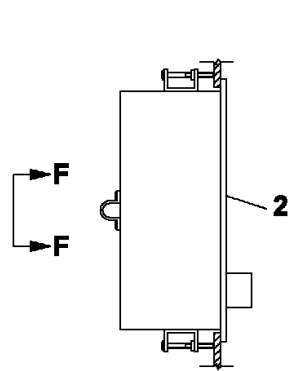
Assembly No.

9333102765

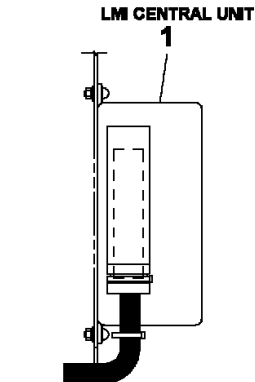
Revision:

Item	FN	Part	Qty	Description
1		9333103040	1	CANNON CONNECTOR, 2-PIN PLUG
2		9333102770	1	HOUSING, CANNON CONNECTOR END #16
3		9333102615	1	COVER, DUST PLUG END
4		9333102047	1	PLUG, HOLE
5		9333102790	1	SCREW, SLOTTED MACHINE
6		9333101465	1	RESISTOR, 4700 OHMS

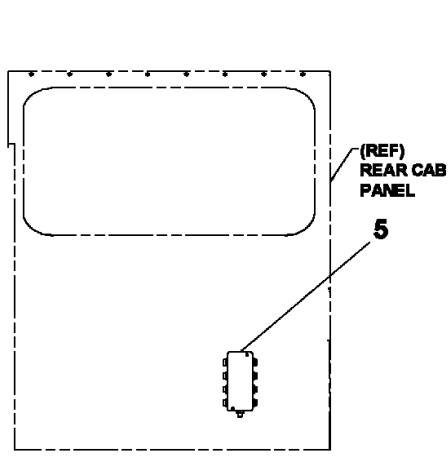
Manitowoc Cranes



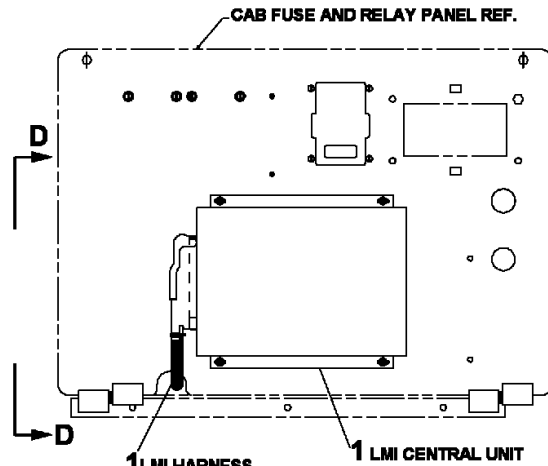
DETAIL-E
LMI DISPLAY



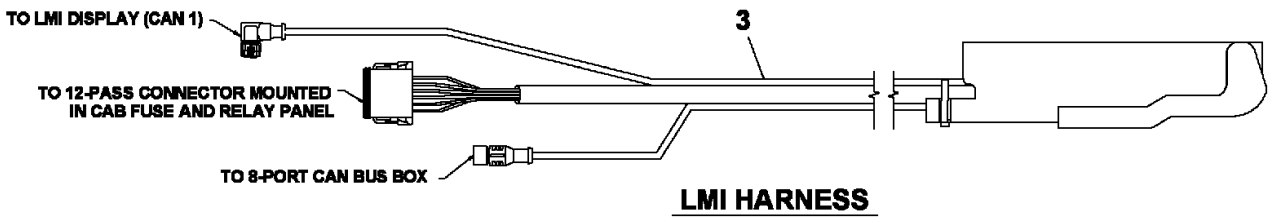
VIEW D-D
LMI CENTRAL UNIT



SECTION B-B
8-PORT CAN BUS BOX



VIEW C-C
LMI CENTRAL UNIT



LMI HARNESS

Manitowoc Cranes

Description

HARNES ASSEMBLY - JIB STOWAGE CONTROL (COMPLETE ASSEMBLY)

Assembly No.

80004355

Revision: **A**

Item	FN	Part	Qty	Description
1	+	7872800045	1	CONTROL ASSEMBLY
2		7679100402	1	DECAL - IN
3		7679100403	1	DECAL - OUT
4	#	7364800003	1	GRIP, CORD
5		80004354	1	CABLE, RETRACTABLE
6		7364100038	1	STRAIN RELIEF DEUTCH 6-PASS
7		7709100868	1	THREADED PLUG (6S)
8		7258100116	1	DUST COVER - 6-PASS
9		7246100429	1	CABLE ASSY, LANYARD
10		7826000087	3	SOCKET, 16-14 GA
11		7689000503	3	PLUG, SEALING 16 - 12 AWG

+ SEE FURTHER BREAKDOWN THIS GROUP

SERVICED AS AN ASSEMBLY ONLY

Manitowoc Cranes

Description

BOX ASSEMBLY - SWING (COMPLETE ASSEMBLY)

Assembly No.

7576134157

Revision:

Item	FN	Part	Qty	Description
1		9576101209	1	PINION
2		9576101107	1	PLATE,RETAINER
3		9576101108	3	CAPSCREW
4		9576101210	1	SHAFT, OUTPUT
5	-	NSS	1	SEAL
6		9576101211	1	BEARING
8		9576101212	1	KIT, SHIM
9		9576101213	1	BEARING
10		NSS	1	HOUSING, OUTPUT
11		9576101214	1	NUT, RING
12		9576101223	1	GEAR, SUN
13		9576101224	3	SHAFT
14		9576101117	1	RING,RETAINER
15		NSS	1	HOUSING, CARRIER
16		9576101225	6	WASHER
17		9576101119	150	BEARING,NEEDLE
18		NSS	3	GEAR
19		9576101215	1	GEAR, RING
20		9576101226	3	RING, RETAINER
21		9576101123	3	SHAFT
22		NSS	1	HOUSING, CARRIER
23		NSS	1	HOUSING, FLANGE
24		9576101124	3	WASHER
25		9576101216	21	CAPSCREW
26		9576101126	1	GEAR,RING
27		9576101127	108	BEARING,NEEDLE
28		NSS	3	GEAR
29		NSS	1	HOUSING, BRAKE

- THIRD REPAIR KIT AND/OR PART OF 3RD KIT

Manitowoc Cranes

Description

**SWIVEL ASSEMBLY - 14 PORT HYDRAULIC, WATER AND AIR CONDITIONING
(COMPLETE ASSEMBLY)**

Assembly No.

7364100165

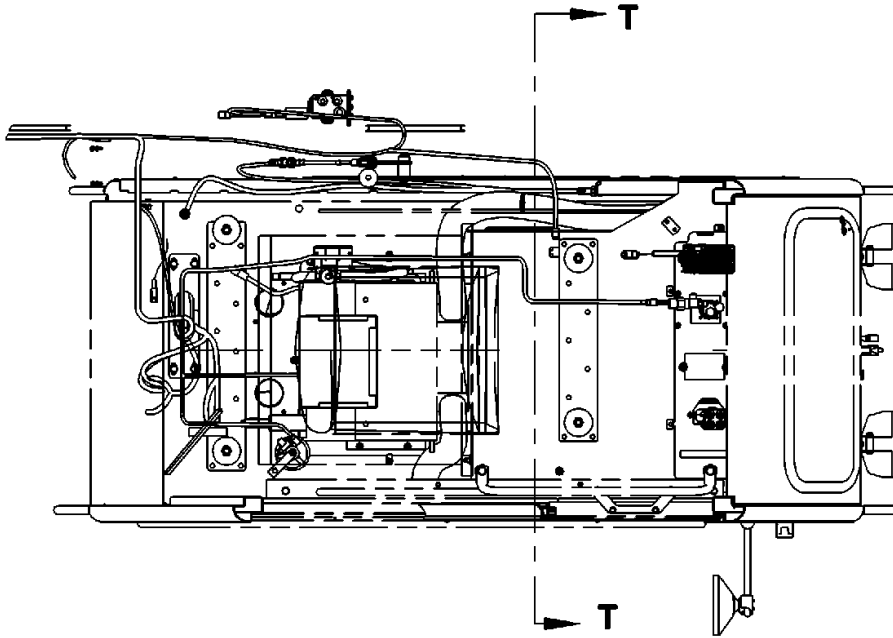
Revision:

Item	FN	Part	Qty	Description
1		9364101826	1	HOUSING, WATER
2		9364101827	1	BRACKET
3		9364101818	1	PLATE, COVER FLANGE
4		9364101828	1	HOUSING, CASE
5		9364101820	1	SPOOL ASSY. HYD./ WATER
6	*	NSS	2	RING, ANTI-SEIZURE
7	*	NSS	2	V-SEAL
8	*	NSS	13	RING, SEAL
9	*	NSS	3	O-RING
10	*@	NSS	3	RING, GLYD
11	*@	NSS	6	O-RING
12	*@	NSS	1	O-RING
13		9364101821	4	SCREW, GRUB
14		9364101822	4	CAPSCREW
15		9364101823	2	CAPSCREW, M8
16	*	9364101829	1	KIT, SEAL
17	@	9364101830	1	KIT, SEAL SEAL KIT FOR WATER HOUSING INCLUDES ITEMS 10 QTY. 3, ITEM 11 QTY. 3, AND ITEM 12 QTY.2

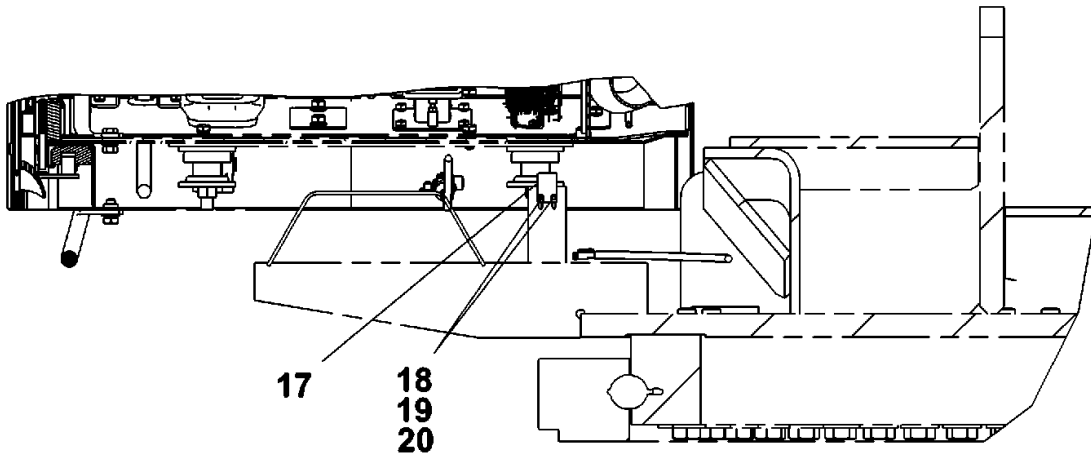
* REPAIR KIT AND/OR PART OF KIT

@ SECOND REPAIR KIT AND/OR PART OF 2ND KIT

Manitowoc Cranes



SECTION A-A
BOTTOM VIEW OF CAB



SECTION T-T
CAB TILT PROXY SWITCH

Manitowoc Cranes

Description

HARNESS ASSEMBLY-SS

Assembly No.

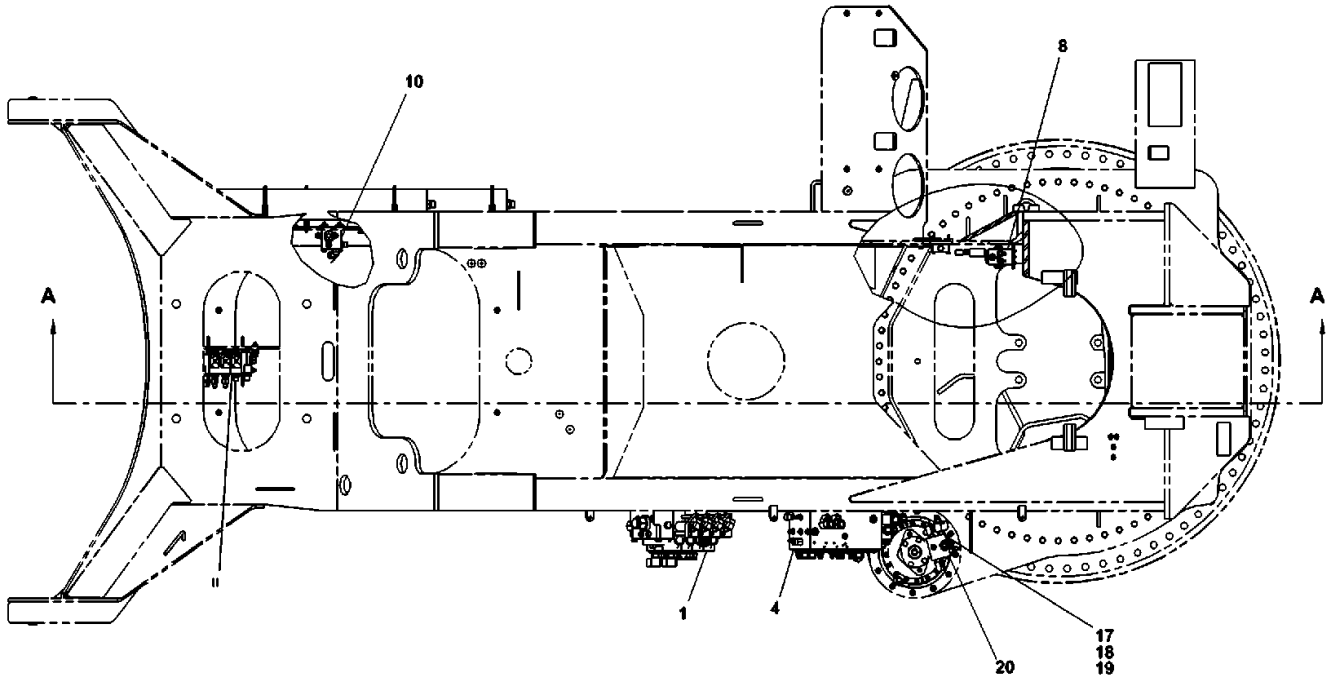
80029018

Revision: **D**

Item	FN	Part	Qty	Description
7		80021593	36	CABLE, 20 AWG CAN-BUS SHEILDED
8		7709100882	1	PLUG, DRC18-40SA
9		7709100946	1	PLUG, DRC18-40SB
10		7172000554	2	BOOT
11		7709000846	2	PLUG, 12 SOCKET
12		7892001036	2	RECEPTACLE, SPLICE BLOCK
13		7709100910	1	PLUG DTM06-12SD W/WM-12S WEDGE
14		7172000552	2	BOOT
15		7709100909	1	PLUG DTM06-12SC W/WM-12S WEDGE
16		80023485	1	DT PLUG 8SB BLK
17		7709000883	1	PLUG 6 SOCKET
18		80008783	1	180DEG BSHELL
19		7892000949	5	RECEPTACLE, 2 PIN
20		7689001782	4	PIN, 18 - 16 GAGE
21		7709000936	1	PLUG, 4 SOCKET
22		80008769	1	180DEG BSHELL
23		7892001051	1	RECEPTACLE, 4 PIN
24		7892100036	2	RECEPTACLE, 3 WAY
25		7709100902	2	PLUG, 3 PIN
26		7709100911	2	PLUG,DT06-3S-CEO6 W/BLUE WEDGE
27		80008765	6	180DEG BSHELL
28		7709000874	4	PLUG 3 SOCKET
29		7892000978	2	RECEPTACLE, 3 PIN
30		7709100877	3	PLUG
31		7172100002	3	BOOT, PLUG
32		7892100010	1	RECEPTACLE, DTM-3P
33	+	80001293	2	DIODE (MODIFIED)
34		7709000844	24	PLUG, 2 SOCKET
35		80008755	17	180DEG BSHELL
36		80008759	8	90DEG BSHELL
37		7709100870	1	PLUG, 4 PASS

+ SEE FURTHER BREAKDOWN THIS GROUP

Manitowoc Cranes



SUPERSTRUCTURE TOP VIEW

Manitowoc Cranes

<u>Description</u> VALVE ASSEMBLY - 4 SECTION MAIN (COMPLETE ASSEMBLY)				<u>Assembly No.</u> 7926100829 Revision:
Item	FN	Part	Qty	Description
402		NSS	1	SPOOL
403		7755912002	1	O-RING
404		9926105235	1	CAP
405		9926105234	1	SPRING
406		9926112719	1	POPPET, CHECK
407		NSS	1	PLUG, EXPANDER
408		9926112705	1	RING, BACKUP
409		9926112706	1	VALVE ASSY. CARTRIDGE 12V. W/ORIFICE 3mm USE ORIGINAL ORIFICE WASHER ON NEW CART. INCLUDES THE FOLLOWING PARTS
		9926112726	1	KIT, SEAL
410		9926112707	2	CAPSCREW
411		9926112708	1	O-RING
412		9926106998	1	STOP
413		9926112709	1	TUBE
414		9926112710	4	O-RING
415		9926106999	2	CAP SCREW,
416		9926112943	2	GUIDE, SPRING
417		9926106672	2	WASHER,
418		9926112711	1	TUBE
419		9926106675	1	SPRING
420		9926106674	1	SPRING
421		9926106044	2	TUBE
422		9926112944	1	CAP, END
423		9926106898	1	CAP, VALVE
424		9926106899	4	SCREW,
425	*	9926100721	4	O-RING
426	*	9926100723	1	O-RING
427		9926102076	2	O-RING
428		9926106678	1	O-RING
429		9926104848	1	RING, BACK-UP
430		9926112722	1	VALVE ASSY. RELIEF @ 4300 PSI FOR PORT "A" INCLUDES THE FOLLOWING PARTS
		9926112725	1	KIT, SEAL

* REPAIR KIT AND/OR PART OF KIT

Manitowoc Cranes

Description

DUAL ACCUM CHARGE VALVE

Assembly No.

80020964

Revision:

Item	FN	Part	Qty	Description
1		NSS	1	MANIFOLD BLOCK
2		NSS	2	CARTRIDGE VALVE
3		90020174	1	SWITCH ASSY. W/PLUG INCLUDES ITEMS 5 AND 6 INCLUDES THE FOLLOWING PARTS
		90020175	1	WASHER SEAL
4		90020175	1	WASHER SEAL
5		7892000836	1	RECEPTACLE, 2 PIN
6		7689000704	2	PIN, 16 - 14 GA

Manitowoc Cranes

Description

VALVE ASSEMBLY - 2 SPEED SWING (COMPLETE ASSEMBLY)

Assembly No.

7926100820

Revision:

Item	FN	Part	Qty	Description
1		NSS	1	BODY
2		NSS	2	PLUG
3		9926111845	1	VALVE, NEEDLE
				INCLUDES THE FOLLOWING PARTS
		9752100994	1	KIT, REPAIR
4		9926112847	2	VALVE, CARTRIDGE
				INCLUDES THE FOLLOWING PARTS
		9752100996	1	KIT, REPAIR
5		9926112672	2	COIL, 12V.
6		7755214002	2	O-RING
7		7447101003	2	ELBOW, 90 DEGREE
				INCLUDES THE FOLLOWING PARTS
		7755016002	1	O-RING
		7755910002	1	O-RING

Manitowoc Cranes

Description

HP30-18G HOIST W/ ACC

Assembly No.

80026024

Revision:

Item	FN	Part	Qty	Description
1		9974103010	1	CLUTCH ASSY. OVERRUN INCLUDES ITEMS 342 THRU 350
2		9974103011	1	BRAKE CYLINDER ASSY. INCLUDES ITEMS 201 THRU 216
3		9974103012	1	PLANET CARRIER ASSY. PRIMARY INCLUDERS ITEMS 426 THRU 457
4		9974103013	1	PLANET CARRIER ASSY. OUTPUT INCLUDES ITEMS 501 THRU 539
6		NPN	1	NO PART NUMBER HYD. MOTOR SUB GROUP, SEE ITEMS 677 THRU 699 FOR SERVICE
7		NPN	1	NO PART NUMBER ROLLER ASSY. GROUP, SEE ITEMS 709 THRU 738 FOR SERVICE
40		9974103046	1	PLATE, SIDE MOTOR
41		9974102733	1	HOUSING, BEARING
42		9974103015	8	CAPSCREW
44		9974101194	1	BUSHING
45		9974102858	1	PLUG, VENT
46		9974102701	1	GAUGE, SIGHT INCLUDES THE FOLLOWING PARTS
		9974102227	1	O-RING
48		9974103047	1	PLATE, SIDE
51		9974102954	8	CAPSCREW
52		9974100476	18	WASHER, LOCK 1/2" I.D.
55		9974103017	1	GEAR, SUN/PRIMARY
56		9974103018	1	CLOSURE, DRUM
59		9974103020	1	DRUM, CABLE
60		9974103048	20	CAPSCREW
61		9974103049	1	BASE
62		9974103050	22	LOCKWASHER
64		9974102728	1	BEARING
65		9974102702	1	BEARING
66		9974103023	1	WASHER, THRUST
68	*	9974102730	1	O-RING
69	*	9974102703	1	SEAL
70	*	9974102963	1	SEAL

* REPAIR KIT AND/OR PART OF KIT

Manitowoc Cranes

Description

3/4" DIA WIRE ROPE 6X37 600 FT

Assembly No.

7781050602

Revision:

Item	FN	Part	Qty	Description
1		NSS	1	HOIST CABLE - PART NUMBER IS 7781050602

Manitowoc Cranes

Description

**CYLINDER ASSEMBLY - 3" HOIST PIN REMOVAL
(COMPLETE ASSEMBLY)**

Assembly No.

7372100287

Revision:

Item	FN	Part	Qty	Description
1		9372103689	1	BARREL ASSY.
2		9372103690	1	ROD ASSY.
3		9372103691	1	ROD END
4		9372103531	1	PISTON
5		9372103692	2	SPACER
6		9372103693	2	GLAND, ROD
7		9372103520	2	NUT
8	*	NSS	2	O-RING
9	*	NSS	2	SEAL, PISTON
10	*	NSS	2	RING, WEAR
11	*	NSS	2	O-RING
12	*	NSS	2	RING, BACK-UP
13	*	NSS	2	SEAL, ROD
14	*	NSS	2	RING, WIPER
16		9372103679	2	O-RING
20	*	9372103694	1	KIT, SEAL

* REPAIR KIT AND/OR PART OF KIT

Manitowoc Cranes

Description

BINDER INSTALLATION

Assembly No.

6258100005

Revision: **A**

Item	FN	Part	Qty	Description
1		7258100138	1	BINDER
2		6246001174	1	LANYARD
				INCLUDES THE FOLLOWING PARTS
		7345211901	1	TERMINAL
				12 - 10 AWG
		7345221901	1	TERMINAL
				12 - 10 AWG
		7892000196	2	PARALLEL, NON - INSULATED
				8 AWG
		7364001547	1	SWIVEL
3		7760000008	1	RIVET, POP
4		7950080141	1	FLATWASHER, 5/32" I.D.

Manitowoc Cranes

Description

TURNTABLE LOCK PIN INSTALLATION

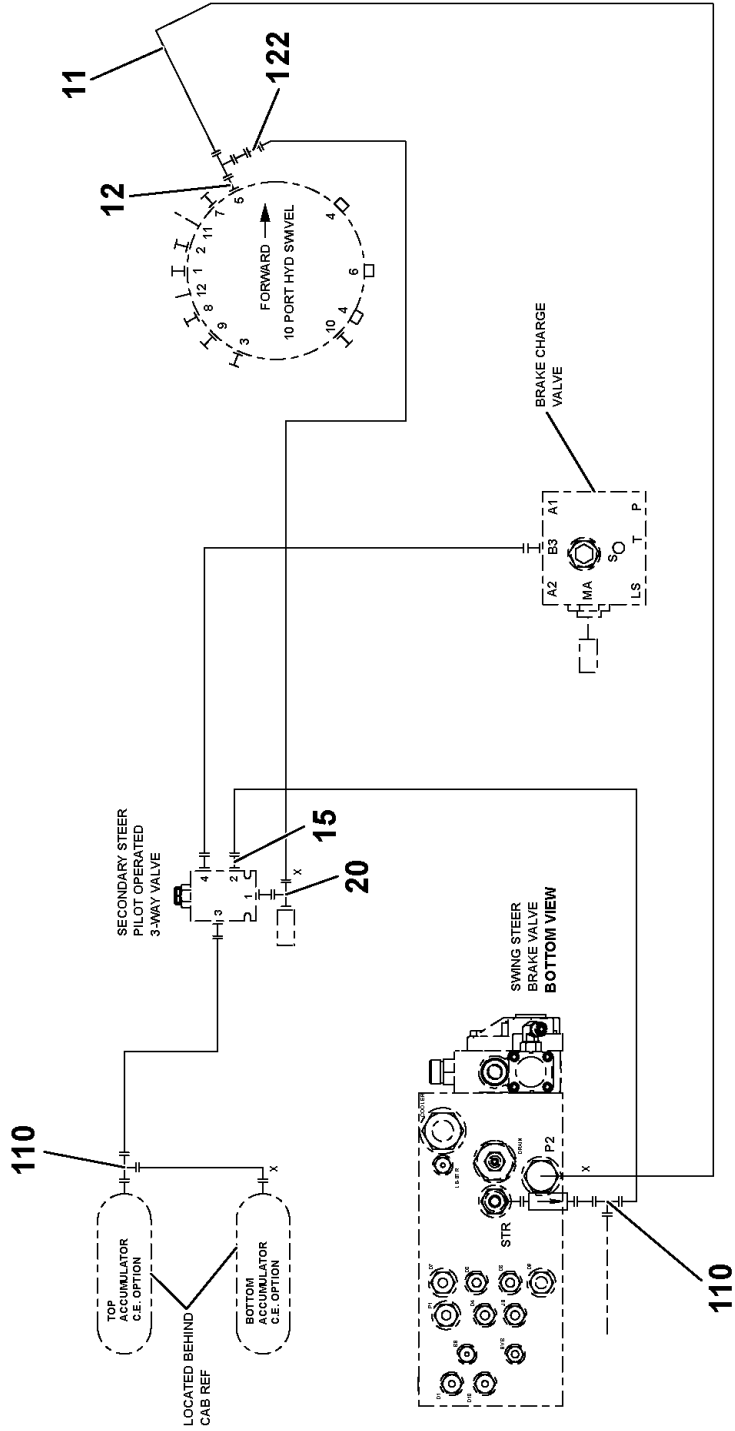
Assembly No.

80025025

Revision: **A**

Item	FN	Part	Qty	Description
1		2189210091	1	PIN
2		7308000118	3	CLEVIS ASSY INCLUDES THE FOLLOWING PARTS
		7690021210	1	PIN, 3/32" X 3/4" LONG COTTER
		7690161600	1	PIN, CLEVIS 3/8" X 1"
3		80024985	1	CONTROL ROD
4		7660140230	2	NUT, HEX JAM 1/4" - 28 N.F.
5		80024929	1	CRANK ASSY
6		7069001082	2	BEARING
7		7690205600	1	CLEVIS PIN 0.63X3.50" MS
8		7690052410	1	PIN, COTTER 1/8" X 1 1/2"

Manitowoc Cranes



Manitowoc Cranes

Description

**HYDRAULIC LINES INSTALLATION MAIN AND AUXILIARY HOIST
(SUPERSTRUCTURE)**

Assembly No.

80021445

Revision: **F**

Item	FN	Part	Qty	Description
126		7814100078	5	GUARD, 4 INCH HOSE
127		7300000401	9	CLAMP, TUBING 5/8" I.D.
130		7555109621	1	HOSE ASSY, USE AS REQUIRED 1/4" X 96"
131		7443100141	1	FITTING, MALE TO FEMALE INCLUDES THE FOLLOWING PARTS
		9447100041	1	CAP, DUST - DIAGNOSTIC
132		7447121601	1	ADAPTER, STRAIGHT INCLUDES THE FOLLOWING PARTS
		7755018002	1	O-RING
		7755916002	1	O-RING
133		7364002614	1	JOINT, 90 DEGREE LIVE SWIVEL
134		7364001615	1	JOINT, SWIVEL INCLUDES THE FOLLOWING PARTS
		7755018002	1	O-RING
135		7447060601	1	ADAPTER, STRAIGHT MALE INCLUDES THE FOLLOWING PARTS
		7755012002	1	O-RING
		7755906002	1	O-RING
136		7443100140	1	COUPLING, 3/8" TEST PORT INCLUDES THE FOLLOWING PARTS
		9447100041	1	CAP, DUST - DIAGNOSTIC
137		7709000038	1	O-RING PLUG #8 INCLUDES THE FOLLOWING PARTS
		7755908002	1	O-RING
138		7447060803	1	ELBOW, 90 DEGREE MALE INCLUDES THE FOLLOWING PARTS
		7755012002	1	O-RING
		7755908002	1	O-RING
142		7447040603	1	FITTING, 90 DEGREE INCLUDES THE FOLLOWING PARTS
		7755011002	1	O-RING
		7755906002	1	O-RING
143		7447061201	1	ADAPTER, STRAIGHT INCLUDES THE FOLLOWING PARTS
		7755012002	1	O-RING
		7755912002	1	O-RING

Manitowoc Cranes

Description

COUNTERWEIGHT INSTALLATION-18000# WITH AUXILIARY HOIST

Assembly No.

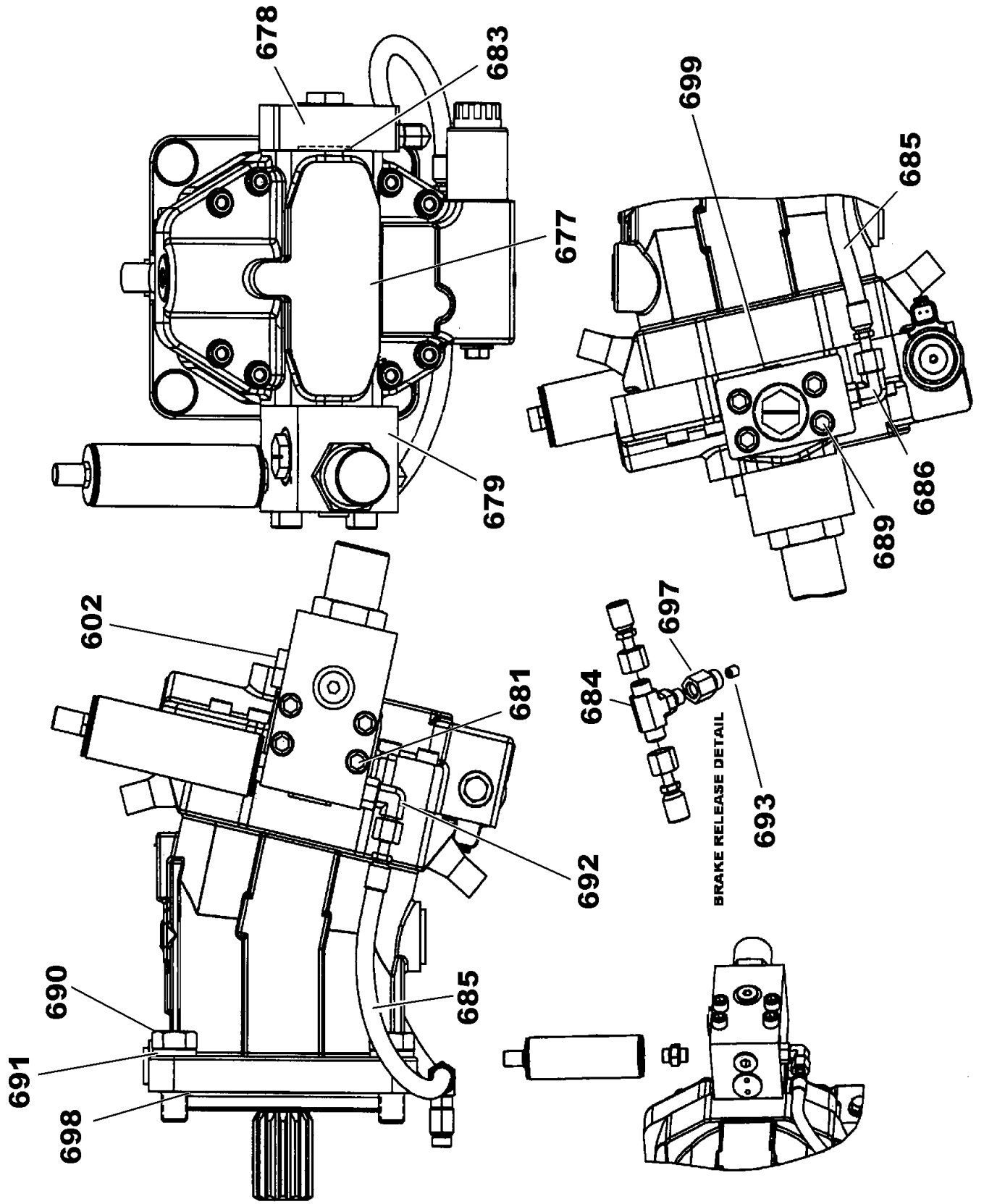
80044878

Revision: **A**

Item	FN	Part	Qty	Description
1	+	80044879	1	COUNTERWEIGHT ASSEMBLY-18000# WITH AUXILIARY HOIST
2		2189210044	2	PIN, COUNTERWEIGHT CYLINDER
3		7689001697	2	PIN, W/CHAIN
4		7126171153	2	CAP SCREW, M8 X 20MM HEX HEAD
5		7951170014	2	WASHER, FLAT #8

+ SEE FURTHER BREAKDOWN THIS GROUP

Manitowoc Cranes



Manitowoc Cranes

Description
HP30-18G HOIST W/ ACC

Assembly No.
80026024
Revision:

Item	FN	Part	Qty	Description
737		9974102997	2	CAPSCREW
738		9974103027	2	CAPSCREW
750	*	90019786	1	KIT, SEAL

* REPAIR KIT AND/OR PART OF KIT

Manitowoc Cranes

Description

LIGHT ASSEMBLY - MODIFIED STROBE (COMPLETE ASSEMBLY)

Assembly No.

6581100074

Revision: **A**

Item	FN	Part	Qty	Description
1		7581100000	1	LIGHT, STROBE INCLUDES THE FOLLOWING PARTS
		9581100389	1	TUBE,STROBE
		9581100390	1	LENS, AMBER
2		7892000836	1	RECEPTACLE, 2 PIN
3		7172000546	1	BOOT
4		7689000704	2	PIN, 16 - 14 GA
5		8594000019	1	FLEXGUARD, 1/4" I.D. (QUANTITY IN FEET)

Manitowoc Cranes

Description

MIRROR INSTALLATION-AUX HOIST

Assembly No.

80043503

Revision: **A**

Item	FN	Part	Qty	Description
1		7628000025	1	MIRROR, 8" CONVEX INCLUDES MOUNTING HARDWARE
2	#	7184001014	1	BRACKET, MIRROR ARM INCLUDES MOUNTING HARDWARE
3		7115150850	2	CAP SCREW, 5/16" - 18 N.C. X 1" GRADE 5
4		7950150051	2	WASHER, LOCK 5/16" I.D.
5		7950150141	4	WASHER, FLAT 5/16"
6		7660150001	2	NUT, HEX 5/16" - 18 N.C. GRADE 5

SERVICED AS AN ASSEMBLY ONLY

Manitowoc Cranes

Description

SUB-ASSEMBLY - CAB STANARD 12V

Assembly No.

80058291

Revision: **A**

Item	FN	Part	Qty	Description
1		80058290	1	CAB
2	+	80024013	1	GLASS DOOR ASSEMBLY
3		80004968	1	FLOOR MAT
4	+	80003325	1	SKYLIGHT ASSEMBLY - SLIDING (COMPLETE ASSEMBLY)
5		80016417	1	EXTRUSION, FRONT DOOR SEAL
6		80016553	1	WINDOW ASSY, FRONT BOTTOM
7		80016415	1	WINDOW ASSY, FIXED RIGHT HAND
8		7498100012	1	GLASS, WINDSHIELD
9	+	80023695	1	WINDOW ASSEMBLY - SIDE RH
10	+	80004174	1	WINDOW ASSEMBLY - REAR (COMPLETE ASSEMBLY)
11		6829015131	2	SEALANT, ADHESIVE
12		8496900043	19	MOULDING (QUANTITY IN FEET)
13		8496907196	3	WEATHERSTRIP
14		8496980002	12	MOULDING (QUANTITY IN FEET)
15		80004992	1	SEAL, MODIFIED
16		80038105	1	SEAL-BRUSH TOP
17		7101100411	8	SCREW, MACHINE GRADE 1
18		7101100415	3	SCREW, MACHINE GRADE 1
19		7660101630	3	LOCKNUT, HEX GRADE 1
20		7950100141	3	WASHER, FLAT, #10
21		7581100001	2	LIGHT, WORK
		9581100391	1	INCLUDES THE FOLLOWING PARTS BEAM, SEALED 12 VOLT
22		7581000186	1	LIGHT, DOME
		9581100048	1	INCLUDES THE FOLLOWING PARTS BULB
		9581100058	1	LENS, MOONSTONE
23		80016416	1	TRACK, DOOR BOTTOM PLASTIC
24		7126151650	1	CAP SCREW, M6 X 45MM HEX HEAD
25	#	7661150003	5	NUT, HEX

+ SEE FURTHER BREAKDOWN THIS GROUP

SERVICED AS AN ASSEMBLY ONLY

Manitowoc Cranes

Description

WINDOW ASSEMBLY - SIDE RH

Assembly No.

80023695

Revision:

Item	FN	Part	Qty	Description
1		NSS	1	FRAME, MAIN
2	*	NSS	1	CATCH
3	*	90014324	2	SCREW
4		90020194	1	CHANNEL, RUBBER 189" LG
5		90020195	1	POST, CENTER
6		90014321	1	SEAL, BLACK FINISH 19"
8		9498100349	2	SCREW,
9		90020088	1	GLASS ASSY. STATIONARY
10		90014319	1	GLASS, SLIDING
11	*	NSS	1	LOCK, TOP
12	*	NSS	1	LOCK, BOTTOM
13	*	NSS	1	SPRING
14	*	90014315	2	SCREW
15	*	9498100354	1	SPACER
16	*	9498100355	1	NUT, LOCK
17		90020196	1	CHANNEL, VINYL 67 1/2" LG
18		90014313	1	GUARD, WINDOW
19		9498100371	2	SCREW
22	*	90014326	1	KIT, SERVICE, LOCK ASSY.

* REPAIR KIT AND/OR PART OF KIT

Manitowoc Cranes

Description

CAB HVAC INSTALLATION - 12V

Assembly No.

80040160

Revision: **C**

Item	FN	Part	Qty	Description
1	+	80040152	1	12V CAB HVAC KIT
2		7300000035	8	CLAMP, HOSE 1 13/16" TO 2 3/4"
5		7659190020	6	NUT, RETAINING 8 X 1.25
6		7126171350	6	CAP SCREW, M8 X 30MM HEX HEAD
7		7951170210	6	WASHER, LOCK 8MM
8		7951170014	6	WASHER, FLAT #8
11		80016475	1	COVER, AIR CONDITIONER SIDE
12		7790100853	3	SCREW, SELF-TAPPING 3/16" - 24 N.C. X 1/2"
13		7790060673	2	SCREW, SELF-TAPPING
14		7300000040	4	CLAMP, HOSE 29/32" I.D.

+ SEE FURTHER BREAKDOWN THIS GROUP

Manitowoc Cranes

Description

CAB BRACKETS INSTALLATION

Assembly No.

80058293

Revision: **E**

Item	FN	Part	Qty	Description
1		80024114	1	CONSOLE MOUNTING PLATE
2		80024117	1	MOUNTING STRAP
3		80016487	1	PLATE, MOUNTING 24
4		80016489	1	PLATE, MOUNTING 17
5		80008246	1	COVER, HYDRAULIC
6		80016495	1	BRACKET, SEAT
7	#	7798100005	1	TRACK, CONTROL
8	#	7798100006	1	TRACK, FREE
9		80016496	1	ARM, LEVER
10		7822000598	1	SLEEVE, VINYL
11		80016497	2	PLATE, ACCESS
12		80016498	1	BRACKET, CUP HOLDER
13		80016499	1	BRACKET, OPERATORS MANUAL
14		80029745	1	A/C COVER BRACKET
15		80016501	1	BRACKET, MOUNTING CAB COVER
16		80016502	1	BRACKET, CAB OUTRIGGER
19		80005520	1	HANDRAIL, GRAB
20		7126191253	6	CAP SCREW, M10 X 25 HEX HEAD
21		7951190014	9	FLAT WASHER, 10MM I.D.
22		7951190220	9	WASHER, LOCK
23		7661190003	5	NUT, HEX 10MM
24		7126171153	9	CAP SCREW, M8 X 20MM HEX HEAD
25		7126171253	5	CAP SCREW, M8X25 HEX HEAD
26		7951170014	5	WASHER, FLAT #8
27		7951170210	21	WASHER, LOCK 8MM
28		7661170003	5	NUT
29		7659190020	8	NUT, RETAINING 8 X 1.25
30		7126130853	2	HHCS M5x12 -8.8 ISO 4017
31		7951130014	2	WASHER, FLAT M5 I.D.
33		7661131103	2	NUT, M5 -8 ISO 7042 HEX LOCK
34		7790161253	8	SCREW, 3/8" - 16 N.C. X 3/4"
35		7126151153	3	CAP SCREW, M6X20 HEX HEAD
36		7951150014	3	WASHER, 6MM I.D.

SERVICED AS AN ASSEMBLY ONLY

Manitowoc Cranes

Description

VALVE-BRAKE PEDAL

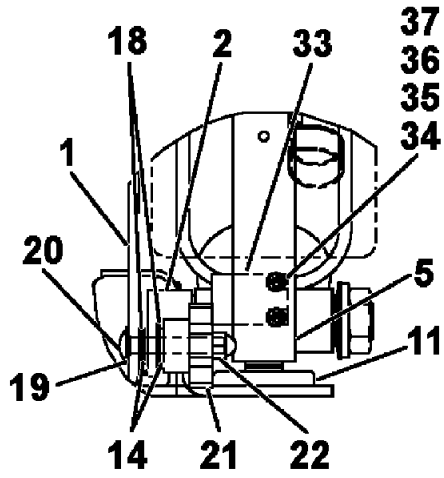
Assembly No.

80047050

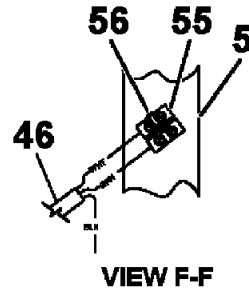
Revision:

Item	FN	Part	Qty	Description
1		90024837	1	VALVE ASSY. BRAKE HYD.
2		NSS	1	VALVE, CARTRIDGE
3		9926113272	1	PEDAL ASSY. INCLUDES ITEMS 4 AND 5
4		9926113273	1	COVER, RUBBER
5		NSS	1	BASE, PEDAL
6		9926113274	4	SCREW
7		9926113275	1	BOOT, RUBBER
8		9926113276	1	SWITCH ASSY. PRESSURE
9		7447060605	1	TEE, RUN INCLUDES THE FOLLOWING PARTS
		7755012002	1	O-RING
		7755906002	1	O-RING

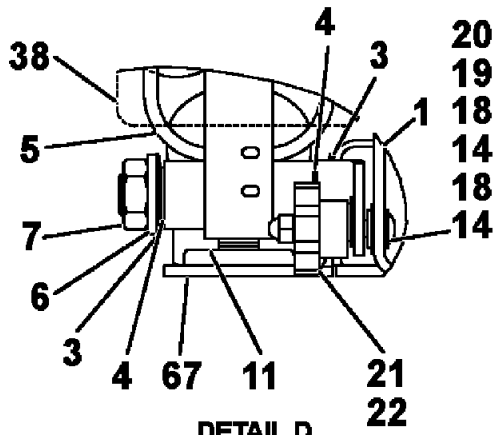
Manitowoc Cranes



DETAIL A



VIEW F-F



DETAIL D

ITEMS NOT SHOWN NBR,76

Manitowoc Cranes

Description

HANDLE ASSEMBLY (W/SOLENOID)

Assembly No.

7511100028

Revision:

Item	FN	Part	Qty	Description
1		9511100030	1	CAP
2		9511100032	1	RING, RETAINER CLIP
3		9511100033	1	SPACER
4		9511100031	1	SOLENOID
5		9511100034	1	WASHER, GASKET
6		NSS	1	HANDLE
7		7785140400	1	SET SCREW 1/4" -20 N.C. X 1/4"

Manitowoc Cranes

Description

HEATER & A/C CTRL PANEL (12V)

Assembly No.

80025713

Revision:

Item	FN	Part	Qty	Description
1		90020642	1	FACEPLATE, LIGHTED 12V.
2		90020643	1	PLATE, BACKING
3		90020644	1	POTENTIOMETER, CONTROL, TEMP.
4		90020645	1	PLATE, MOUNTING
5		90020646	1	SWITCH ASSY. BLOWER
6		90020647	1	SWITCH ASSY. ON/OFF
7		90020648	2	KNOB ASSY.
8		90020649	1	HARNESS ASSY.
9		90020650	2	NUT
10		90020651	2	LOCKNUT
11		90020652	1	KNOB W/SET SCREW
12		7709000811	1	PLUG 8 SOCKET
13		7364100014	1	WEDGE, 8 SOCKET
14		7826000087	8	SOCKET, 16-14 GA

Manitowoc Cranes

Description

DRIVE CONTROLS INSTALLATION

Assembly No.

80022676

Revision: **A**

Item	FN	Part	Qty	Description
1	+	80017219	1	STEERING COLUMN W/ CLUSTER
2	+	7926101004	1	VALVE ASSEMBLY - STEERING CONTROL (COMPLETE ASSEMBLY)
3		7115160850	4	CAP SCREW, 3/8" - 16 N.C. X 1" GRADE 5
4		7950160050	4	WASHER, LOCK 3/8" I.D.
5		7950160141	4	WASHER, 3/8" PLAIN NARROW
6		7950160350	4	WASHER, LOCK 3/8" I.D.

+ SEE FURTHER BREAKDOWN THIS GROUP

Manitowoc Cranes

Description

LMI INTERNAL LIGHT BAR INSTALLATION

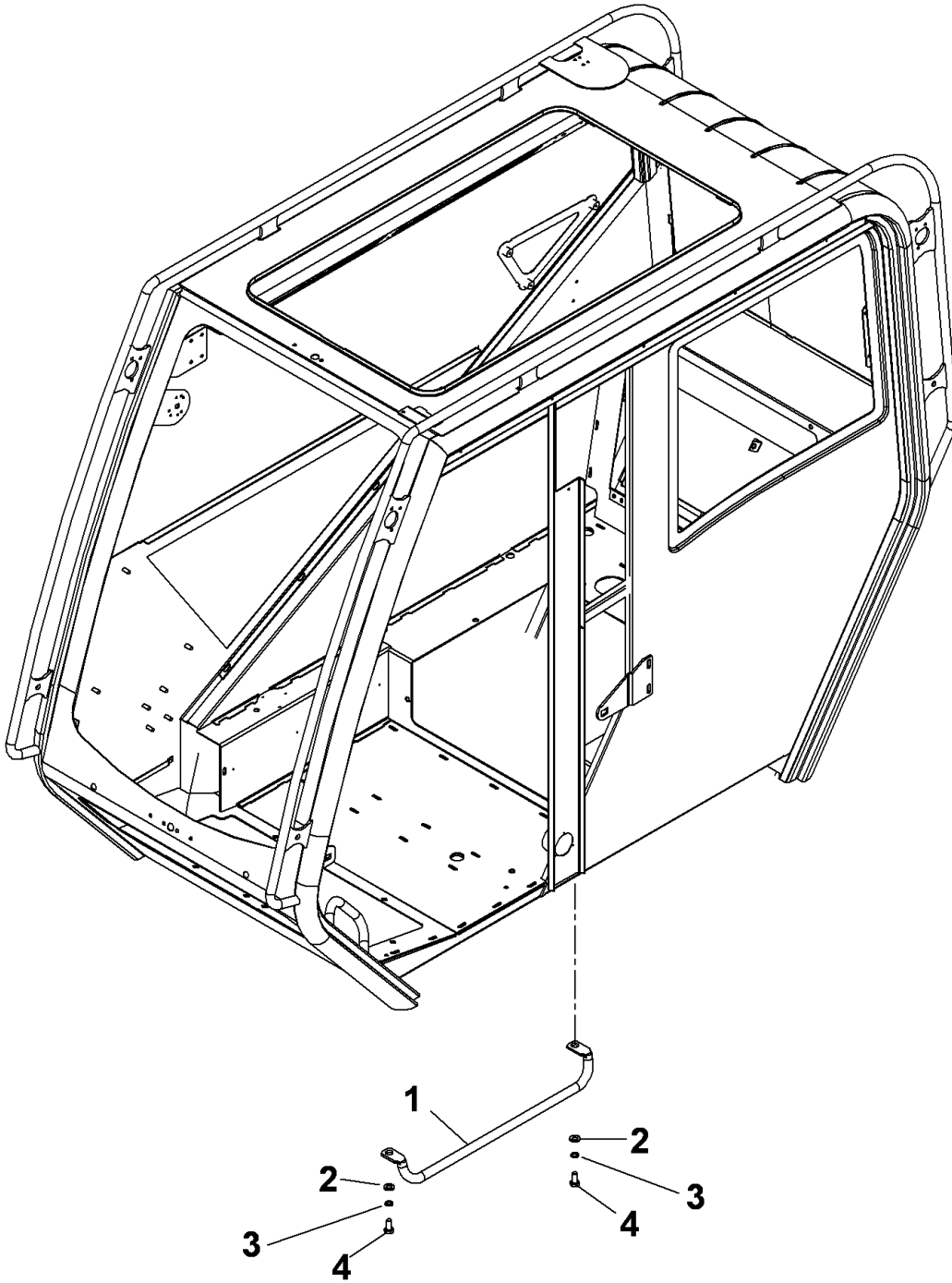
Assembly No.

80008131

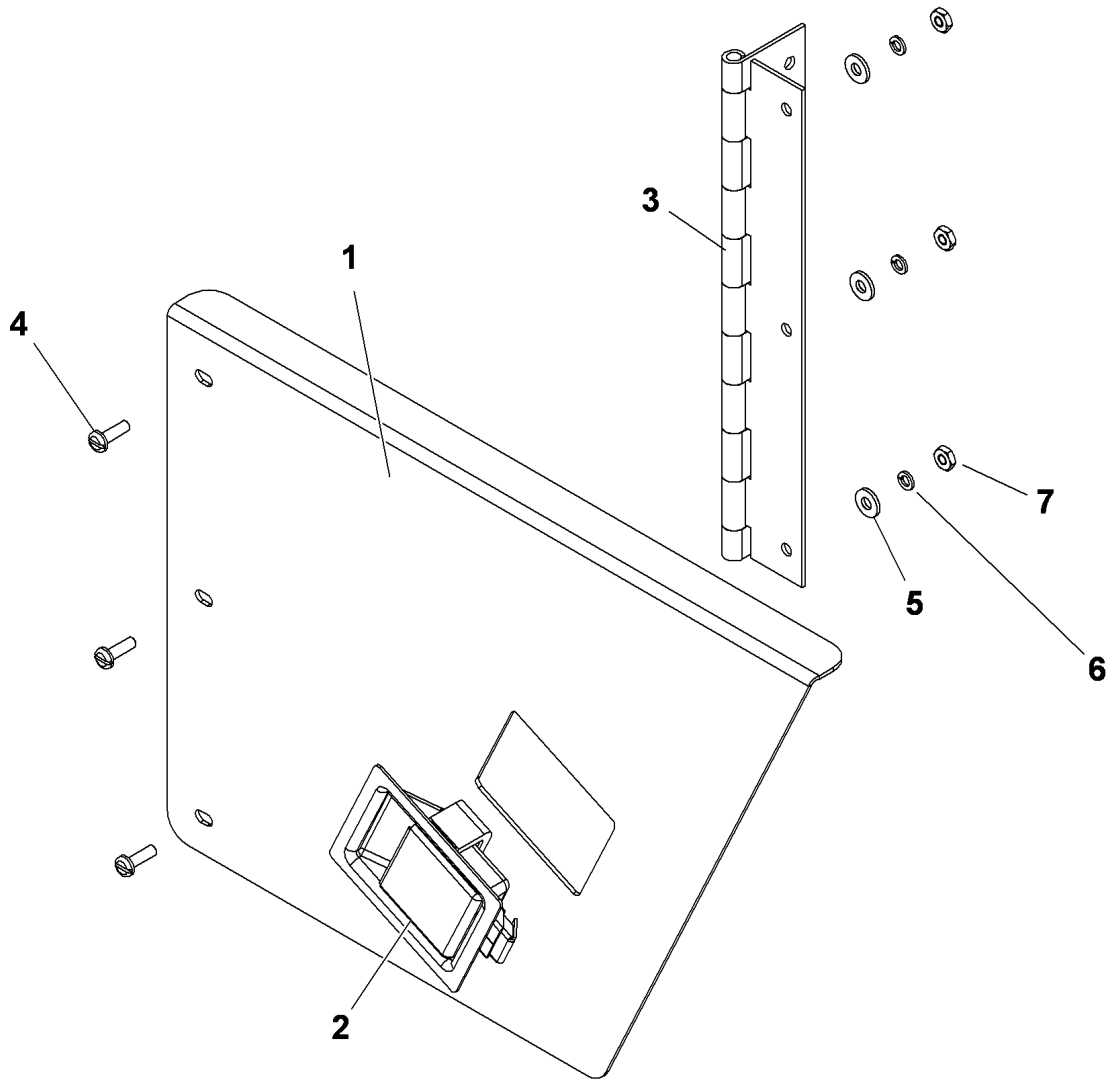
Revision: **C**

Item	FN	Part	Qty	Description
1		80008129	1	LMI INTERNAL LIGHT BAR
2		7429000542	2	FASTENER, NUT 1/4" - 20 N.C.
3		7111140811	2	SCREW, MACHINE 1/4" - 20 N.C. X 1" GRADE 1
4		7949001186	2	WASHER, BLACK NYLON
5		7258001451	2	CAP, 1/4"
6		7638000750	2	MOUNT, WIRE TIE
7		7850000208	2	CABLE TIE 5.63", BLACK

Manitowoc Cranes



Manitowoc Cranes



Manitowoc Cranes

Description

BOOM EXTENSION INSTALLATION-CARRIER

Assembly No.

80061258

Revision: **A**

Item	FN	Part	Qty	Description
32		7660161603	1	LOCKNUT, HEX 3/8" - 16 N.C. GRADE C
33		7689000059	1	PIN, HITCH INCLUDES THE FOLLOWING PARTS
		7689000701	1	CLIP, HITCH PIN
35		4188910257	1	PLATE, STOP
36		80003387	4	SHIM
37		80009908	1	PLATE
38		7115151050	2	CAP SCREW, 5/16" - 18 N.C. X 1 1/4" GRADE 5
39		7950150141	2	WASHER, FLAT 5/16"
40		7950150050	2	WASHER, LOCK 5/16" I.D.
41		7660150008	2	NUT, HEX 5/16" - 18 N.C. GRADE 8
42		7099001194	2	CAP SCREW, 3/4" - 10 N.C. X 6 1/2"
43		7660220200	2	NUT, HEX JAM 3/4" - 10 N.C.
44		80061137	1	PLATE, TAPPED
45		80061139	1	PLATE, TAPPED

CLICK HERE TO **DOWNLOAD** THE COMPLETE MANUAL

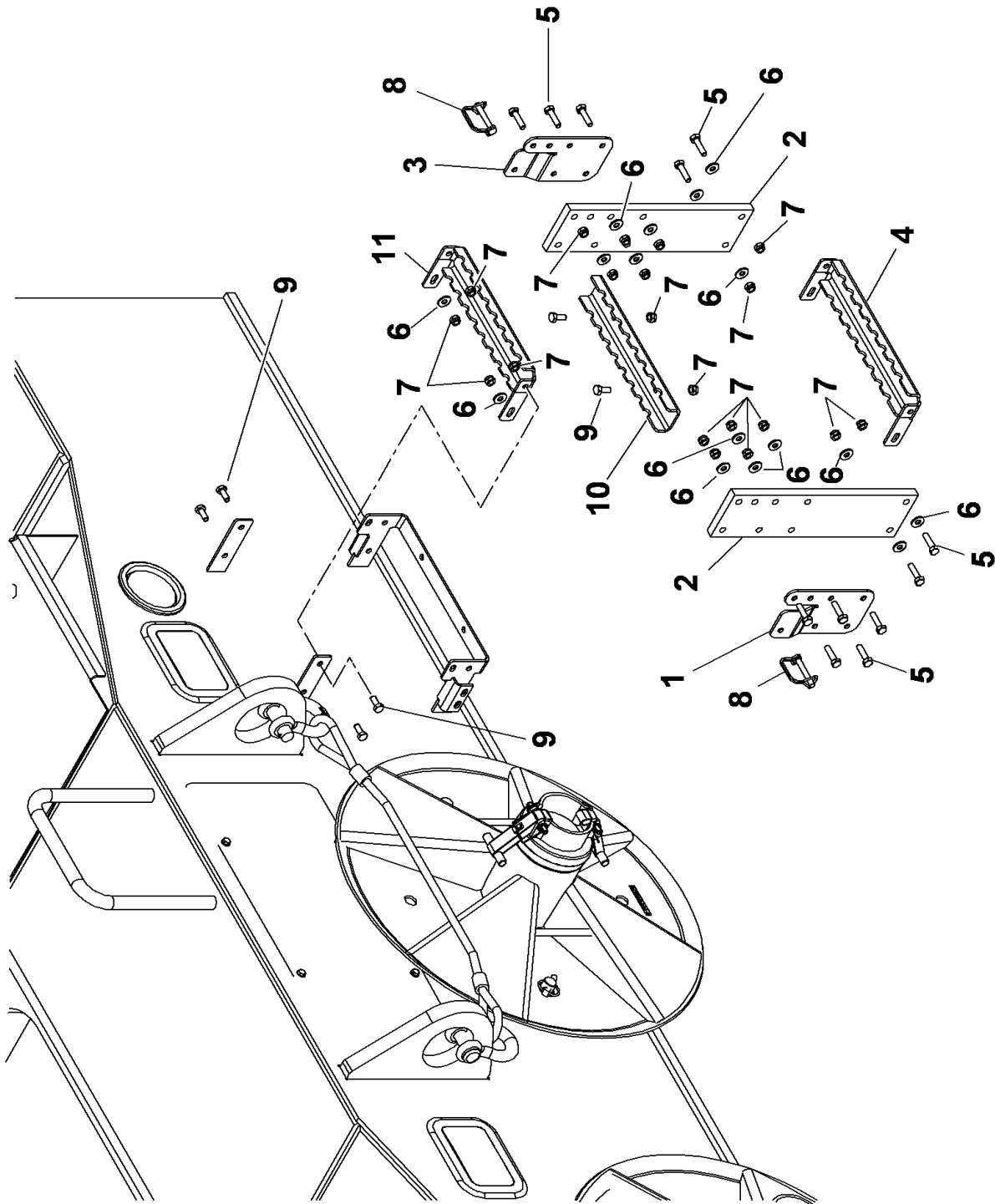
- Thank you very much for reading the preview of the manual.
- You can download the complete manual from: www.heydownloads.com by clicking the link below



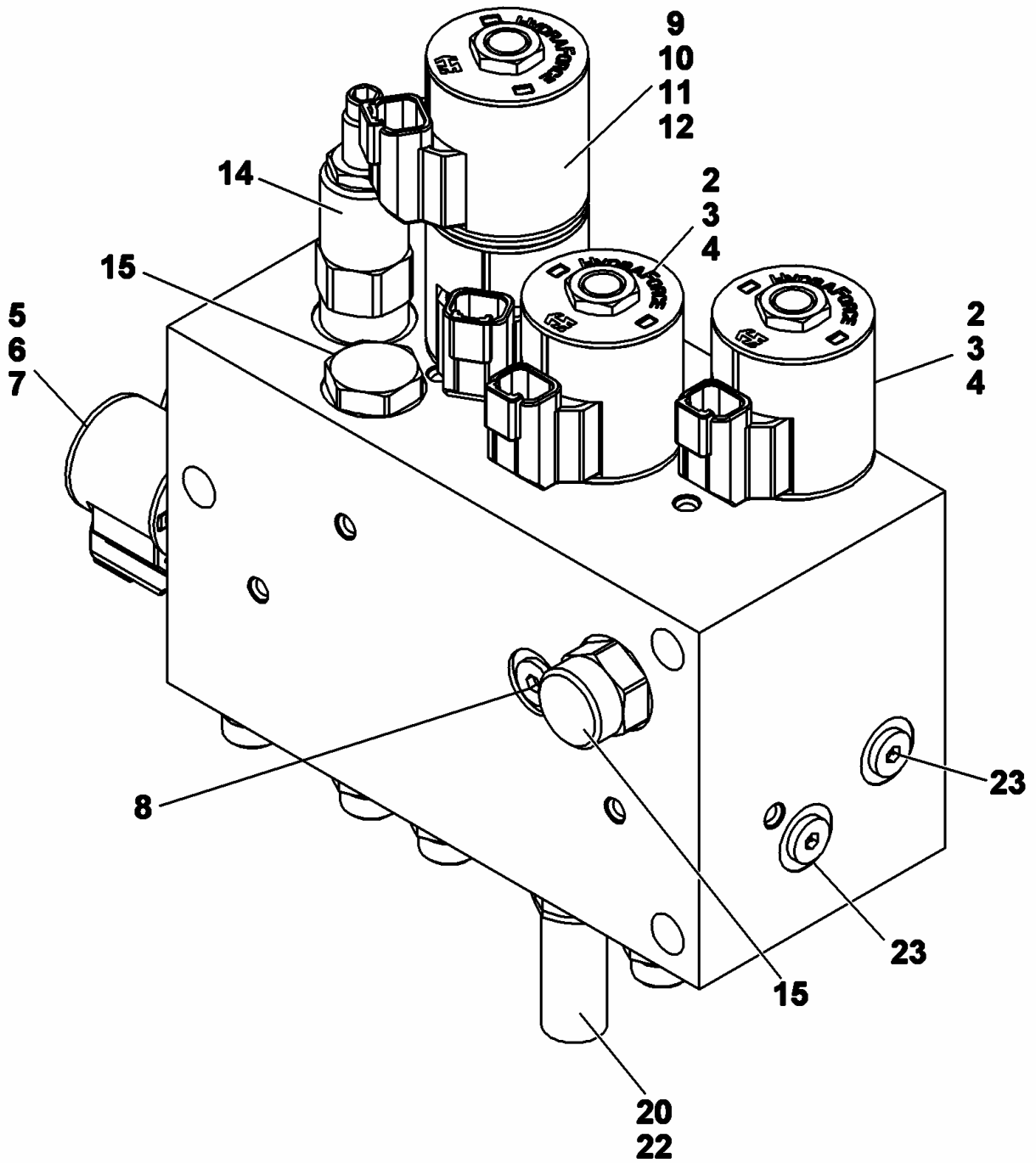
- Please note: If there is no response to CLICKING the link, please download this PDF first and then click on it.

CLICK HERE TO **DOWNLOAD** THE COMPLETE MANUAL

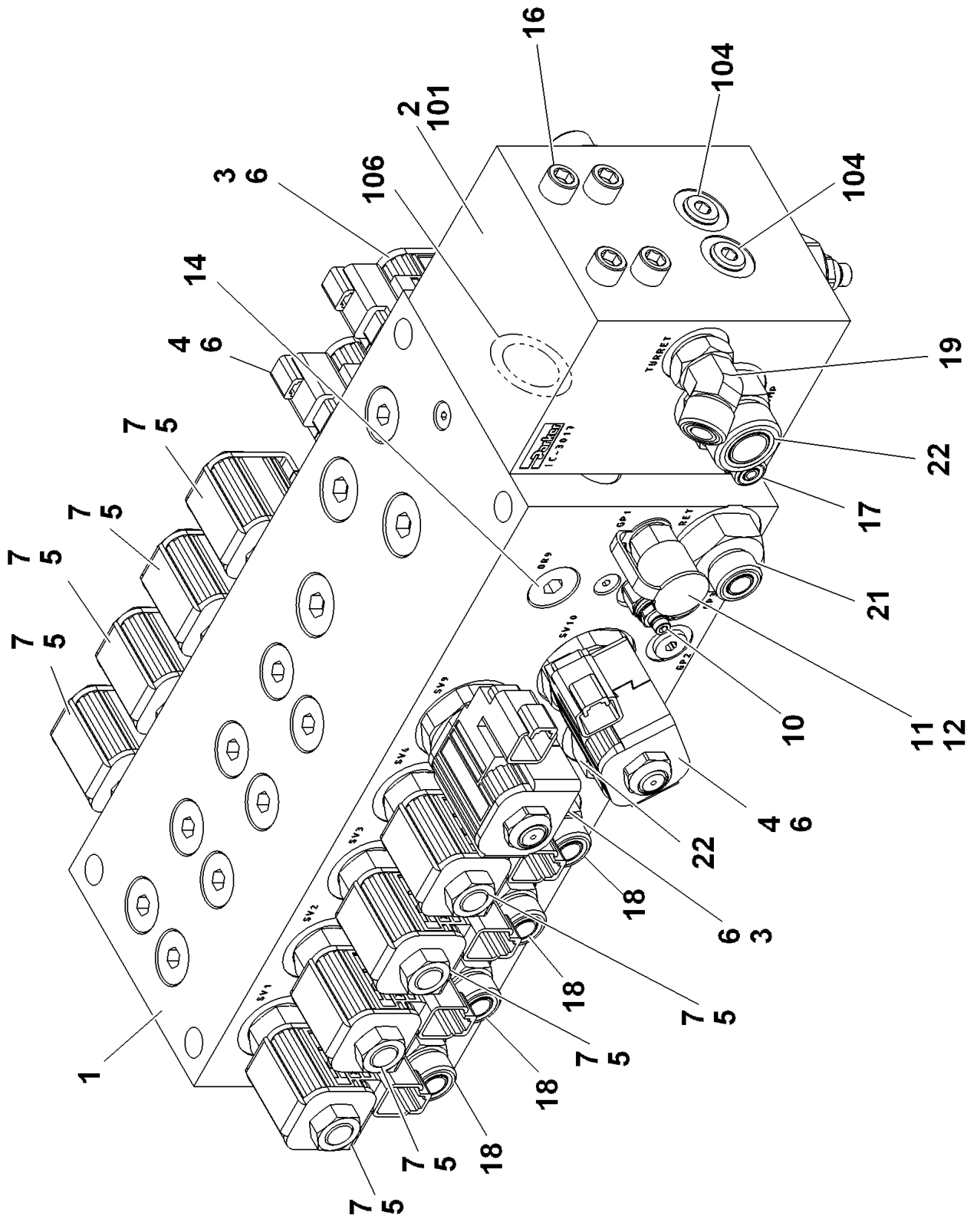
Manitowoc Cranes



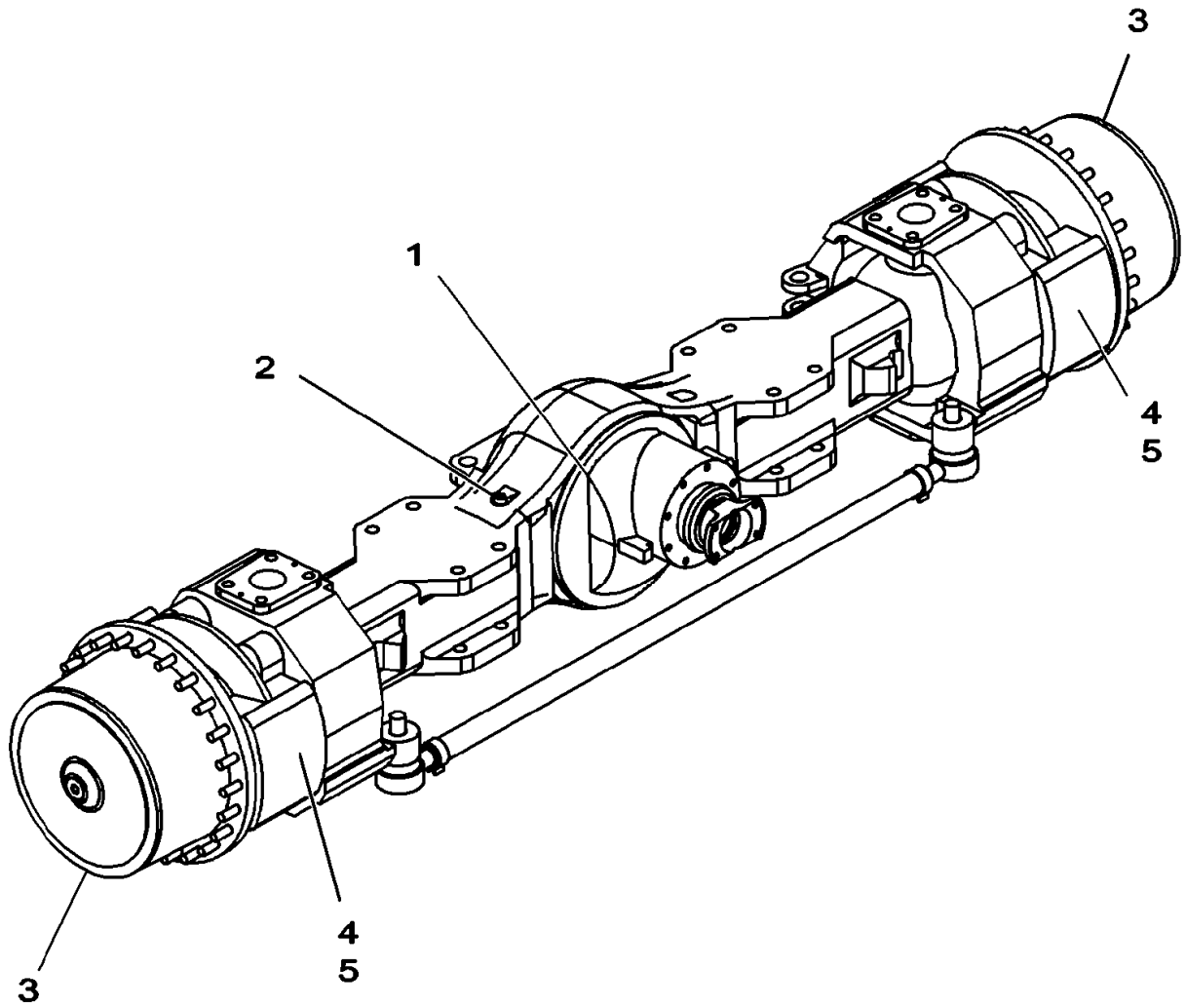
Manitowoc Cranes



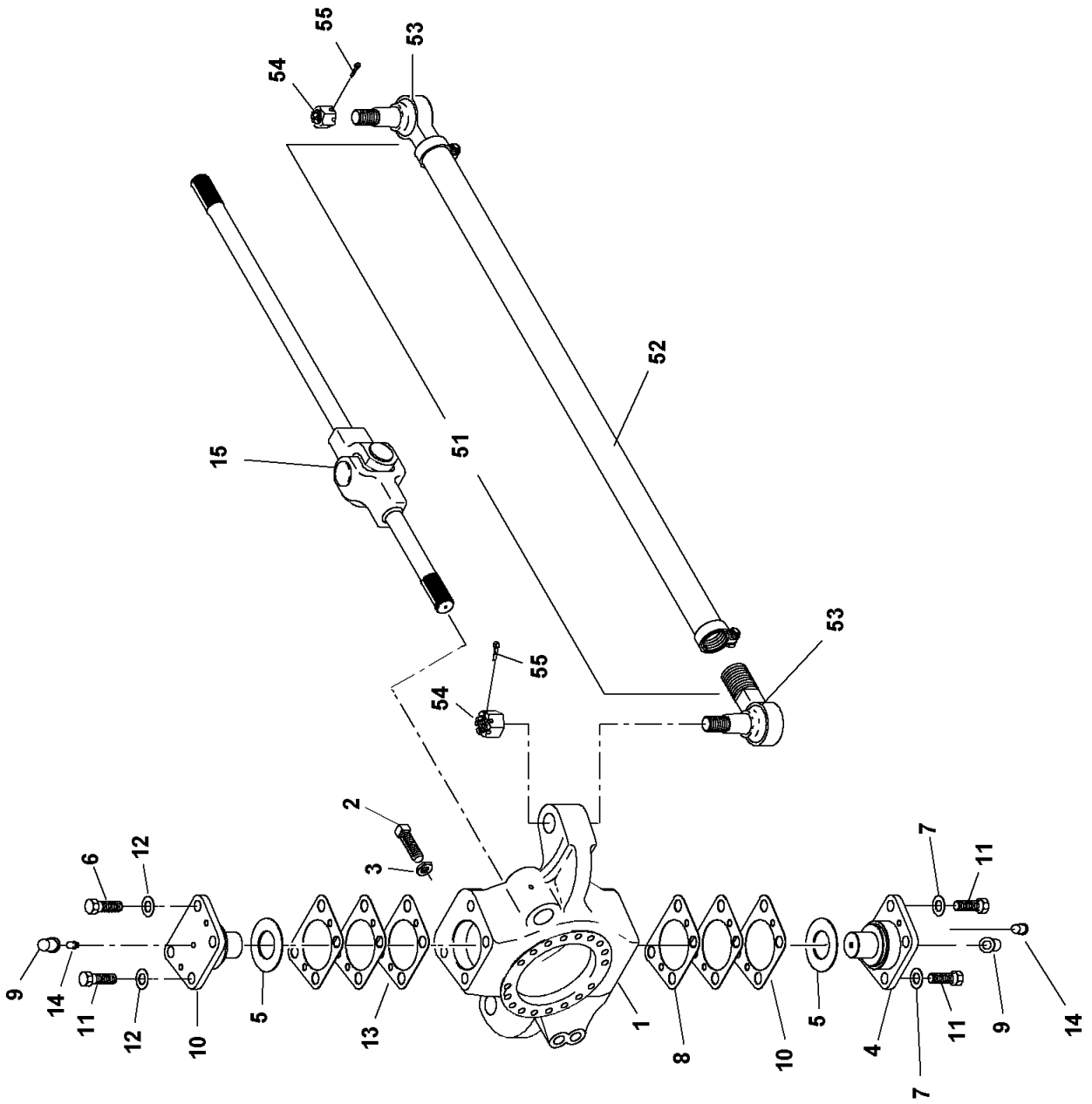
Manitowoc Cranes



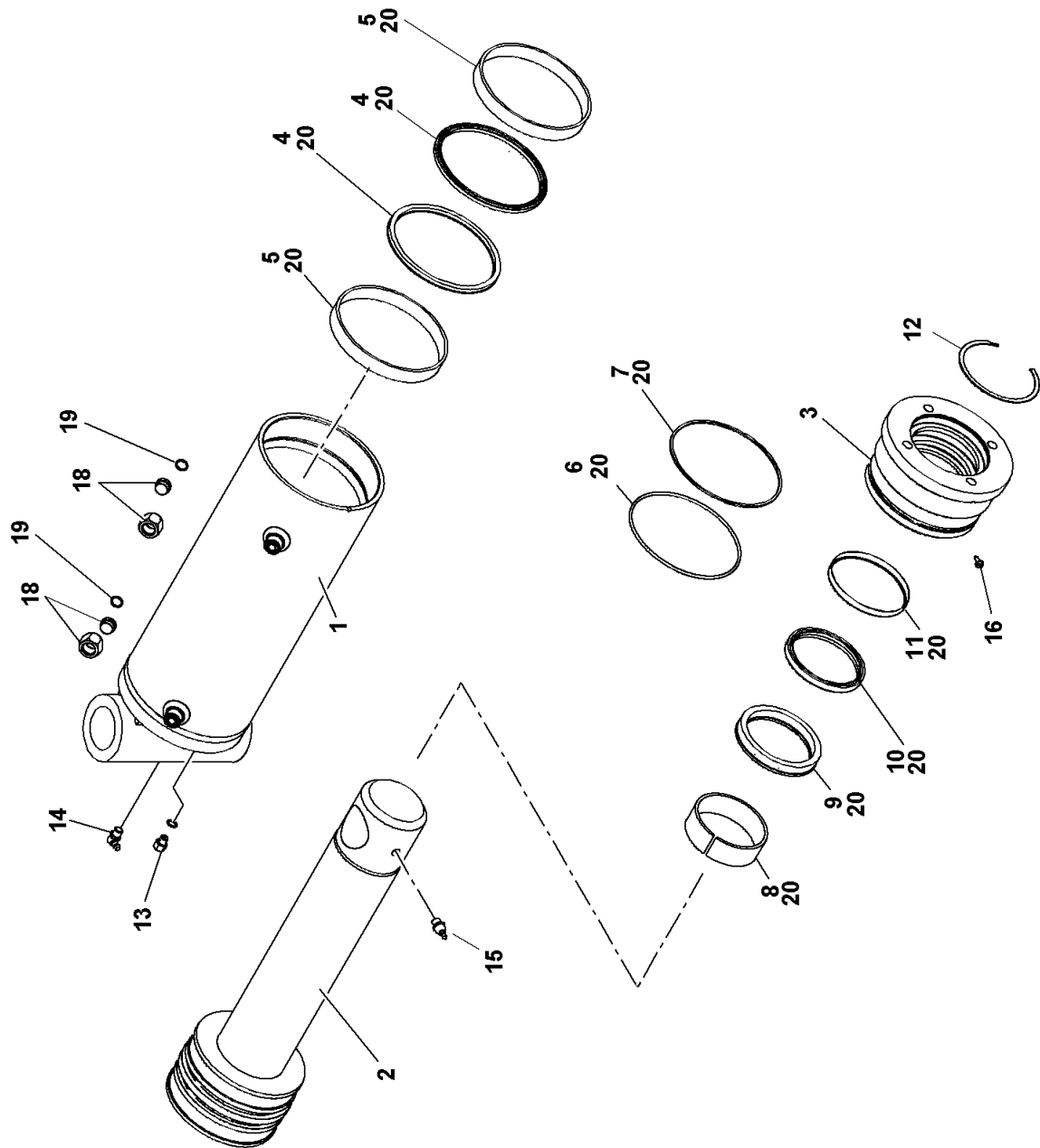
Manitowoc Cranes



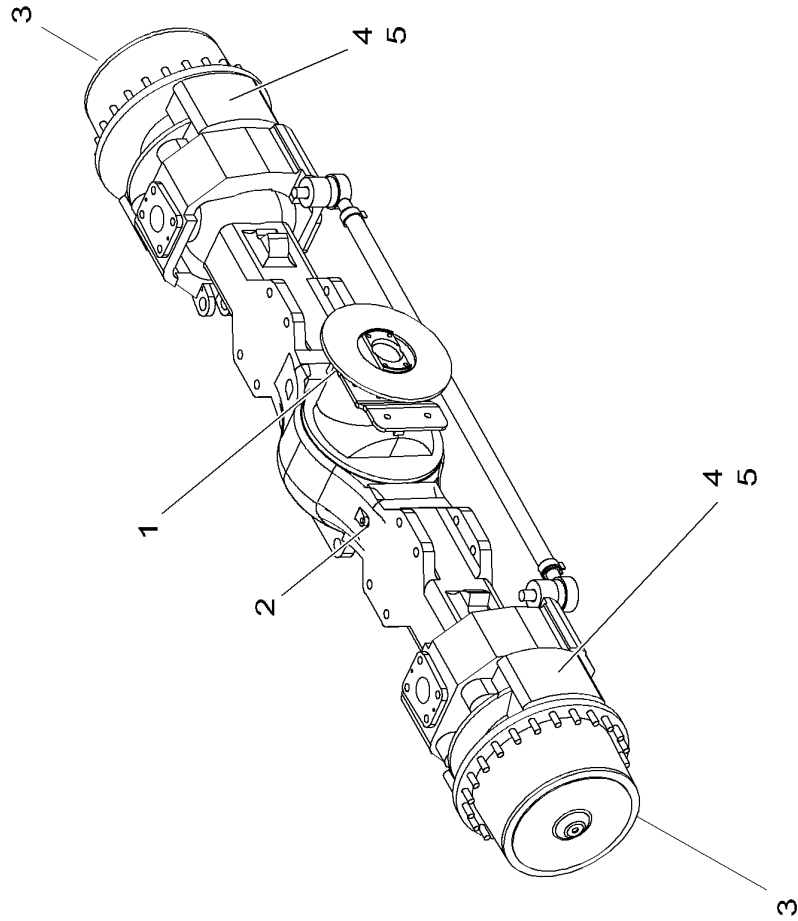
Manitowoc Cranes



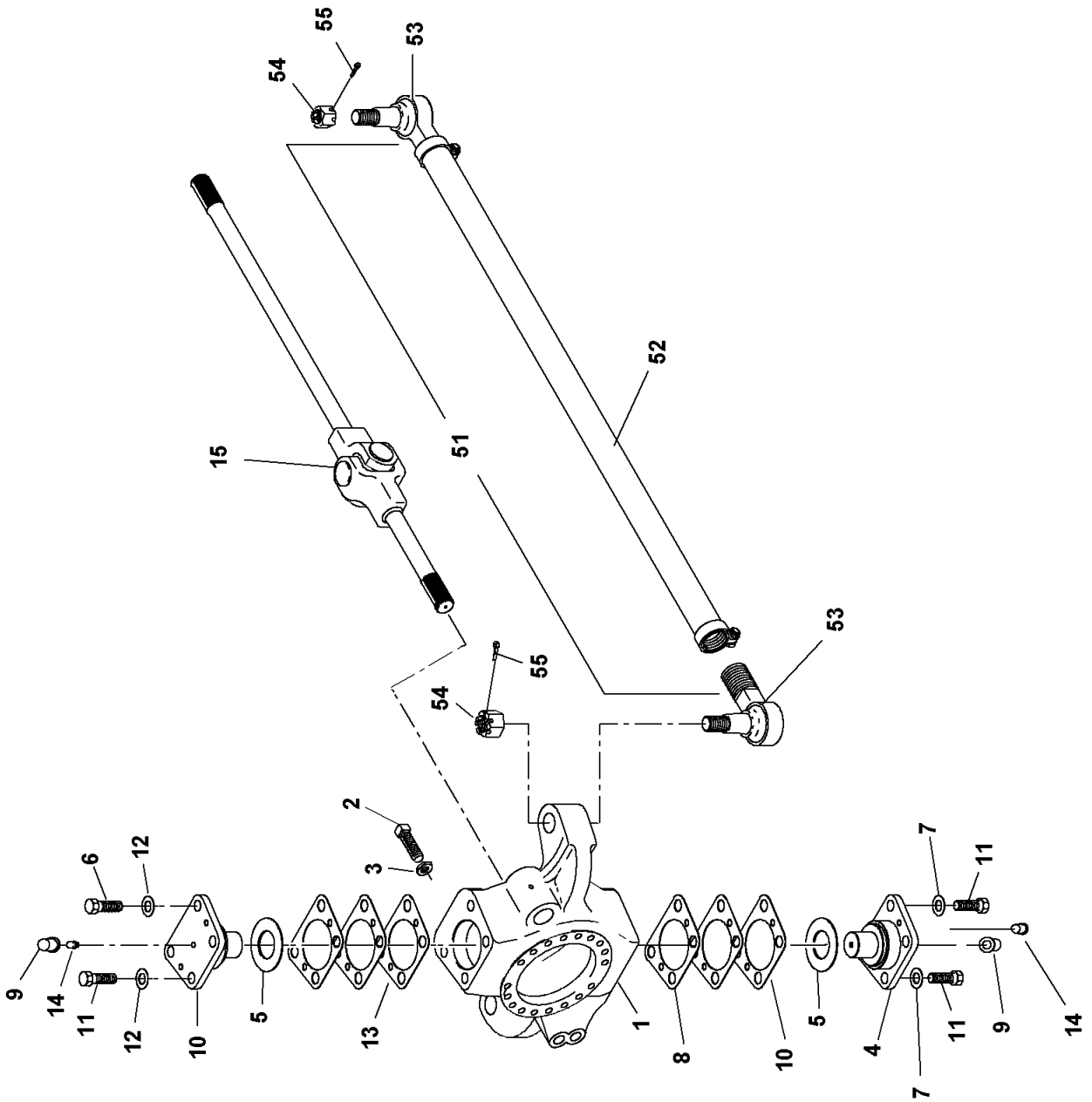
Manitowoc Cranes



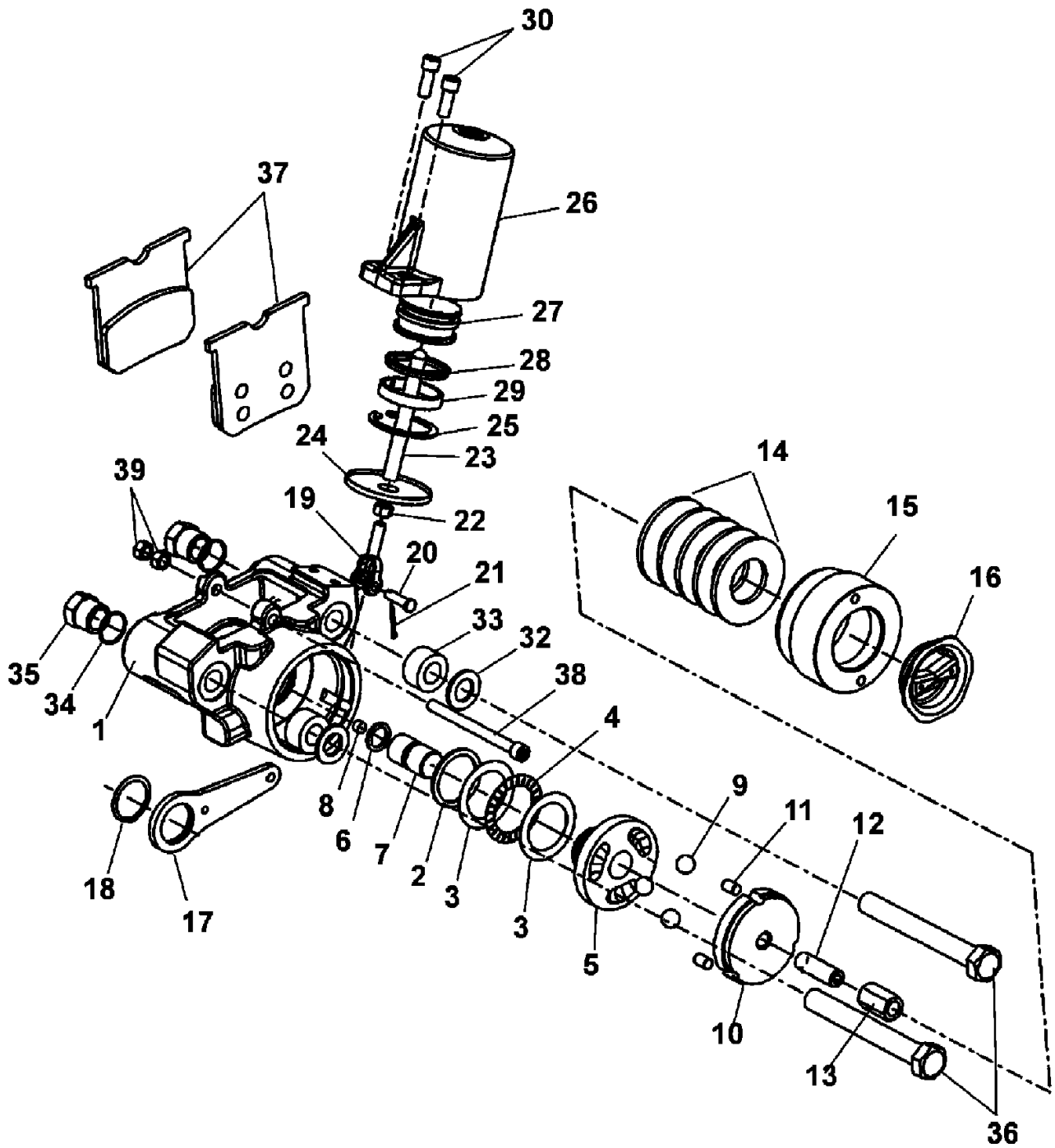
Manitowoc Cranes



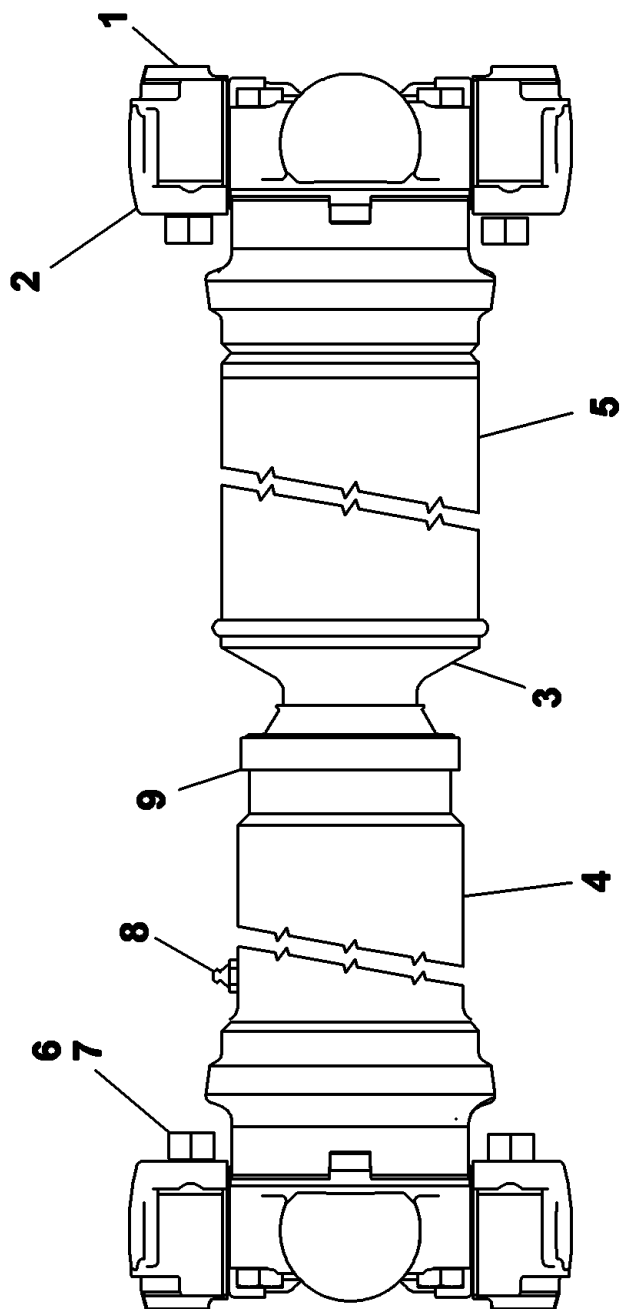
Manitowoc Cranes



Manitowoc Cranes



Manitowoc Cranes



Manitowoc Cranes

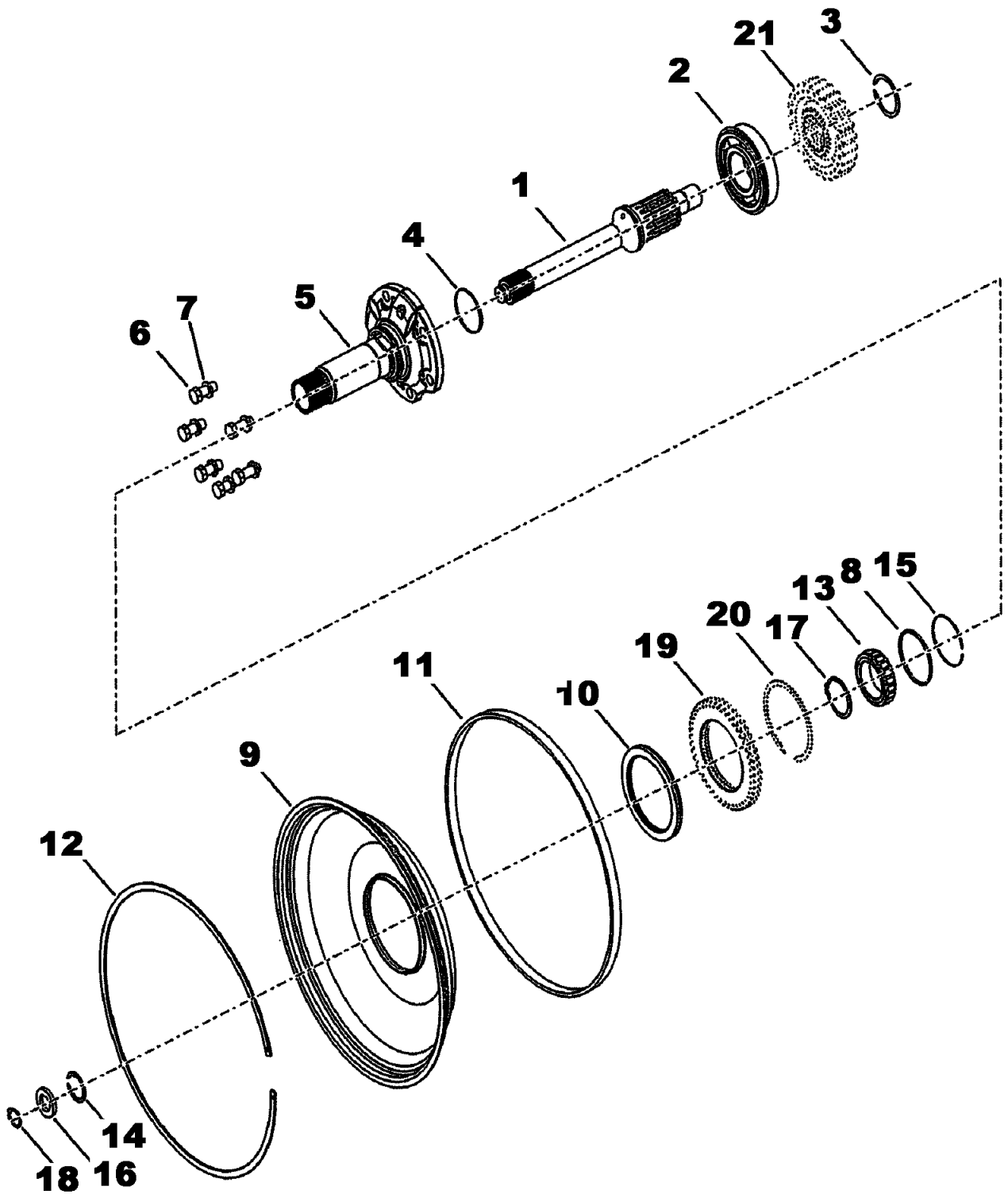
Description
ENGINE INSTALLATION-CUMMINS QSBT4

Assembly No.
80056109
 Revision: **B**

Item	FN	Part	Qty	Description
236		7127242550	1	CAP SCREW, HEX HEAD M16 X 90
237		7949000259	1	WASHER, 5/8" I.D.
238		80008929	1	TUBE ASSY PUMP TO HOSE
239		7556704172	1	1 1/4" I.D. HYDR HOSE ASSY
240	#	7450000188	2	SPLIT FLANGE HALF, 1 1/4"
241		7115171250	4	CAP SCREW, 7/16" - 14 N.C. X 1 1/2" GRADE 5
242		7115182250	4	CAP SCREW, 1/2" - 13 N.C. X 2 3/4" GRADE 5
243		80023973	1	DOCK WASHER
244		80023892	1	CAC HOT TUBE
245		80023891	1	CAC COLD TUBE
246		7406000537	3	BELLOWS
247		7406001053	1	BELLOWS
248		7300000198	1	MUFFLER CLAMP
249		7300001000	2	CLAMP
250		7300001102	6	CLAMP, T-BOLT
251		7126171253	1	CAP SCREW, M8X25 HEX HEAD
252		7126171953	2	CAP SCREW, M8 X 60MM HEX HEAD
254	#	80026898	1	SWITCH, COOLANT LEVEL

SERVICED AS AN ASSEMBLY ONLY

Manitowoc Cranes



Manitowoc Cranes

Description

REVERSE & HIGH SHAFT GROUP

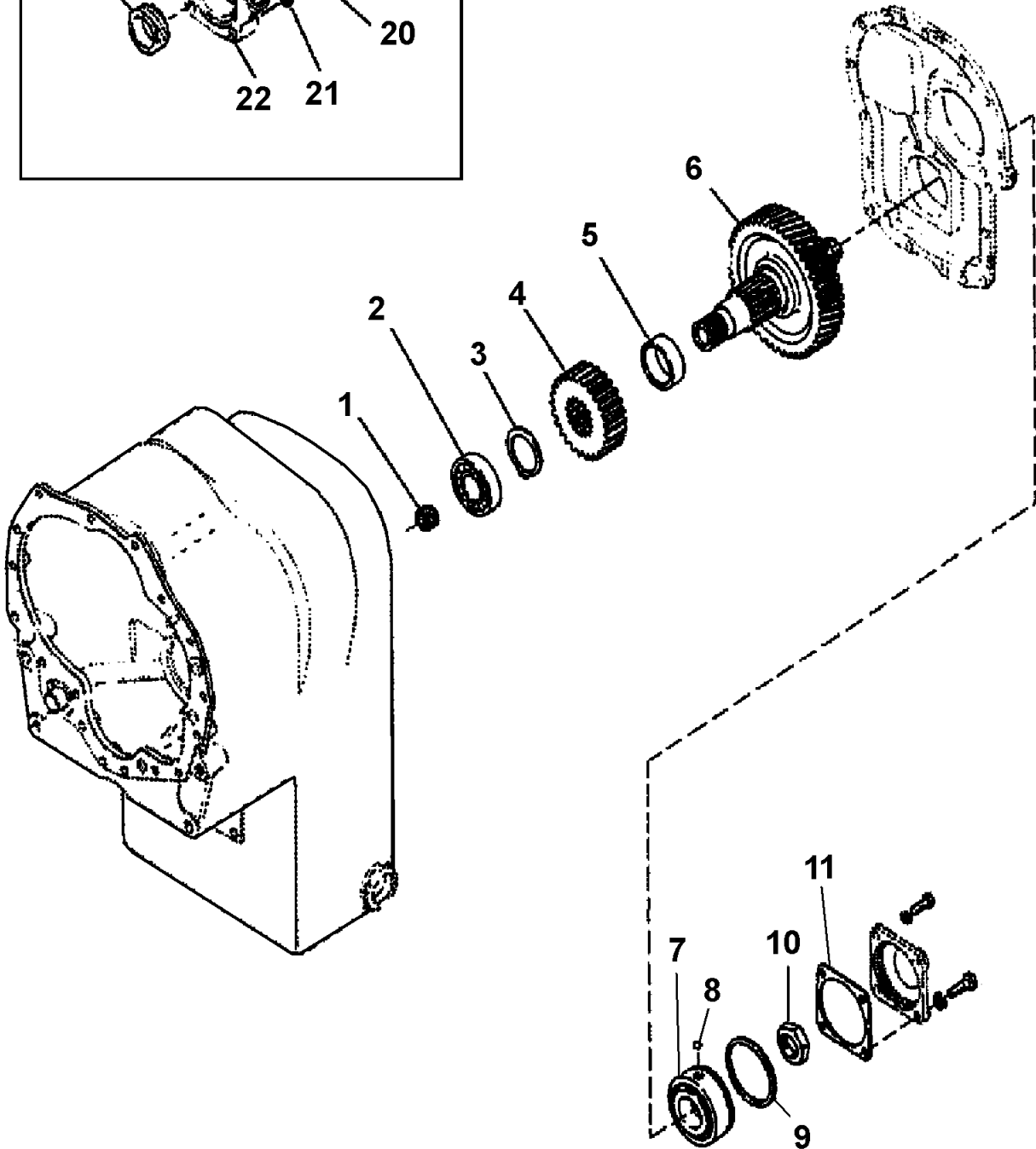
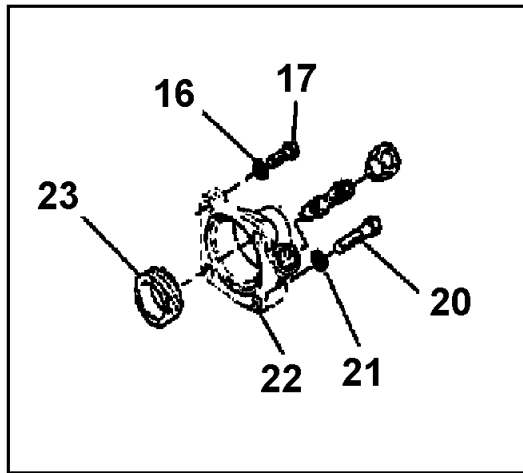
Assembly No.

90022110

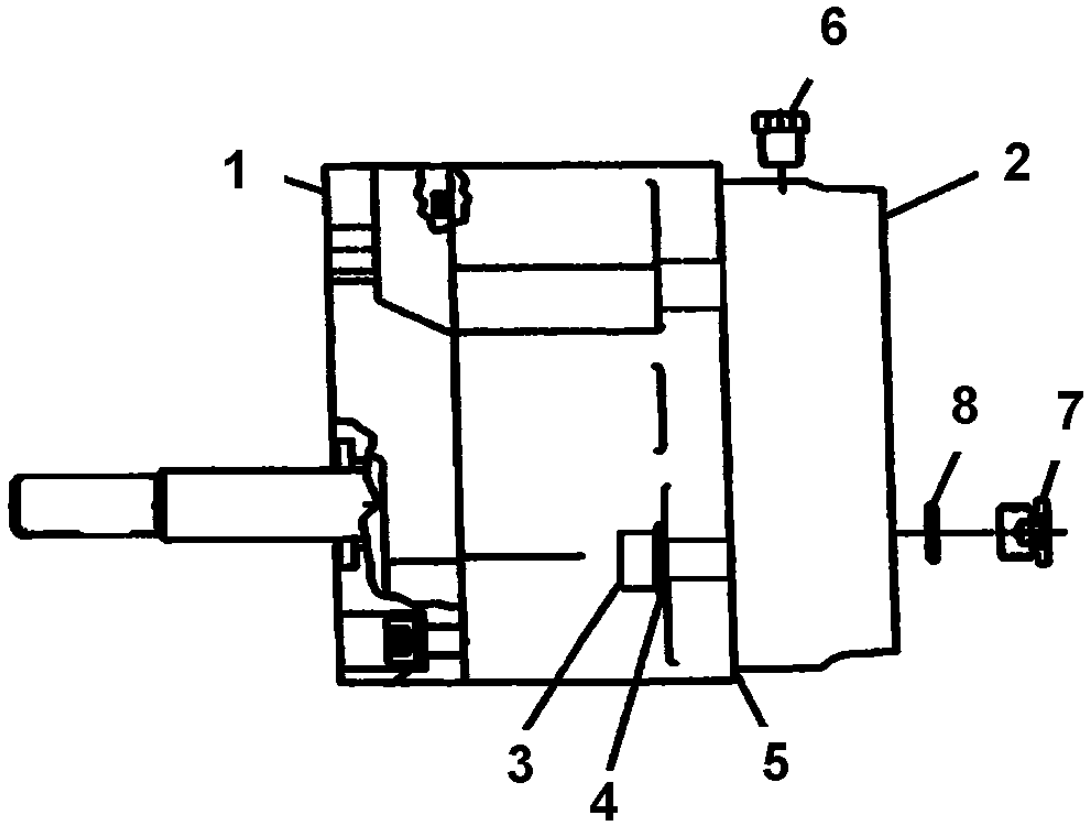
Revision:

Item	FN	Part	Qty	Description
33		9904101334	1	RING, SNAP
35		9904101356	1	RETAINER, SPRING
36		9904101339	1	SPRING
37		9904101338	1	RETAINER, SPRING
38		9904104301	1	RETAINER, SNAP RING
39		9904103567	1	RING, SNAP
40		9904101341	1	BEARING, GEAR
41		9904101342	1	RING, SNAP
43		9904101344	1	SPACER
44		9904101342	1	RING, SNAP
45		9904102283	1	BEARING
46		9904107879	1	BEARING, REAR
47		9904101359	1	RING, SNAP
48		9904110131	1	GEAR, 26T
49		9904101343	1	GEAR, 60T
50		9904107868	1	GEAR, 25T

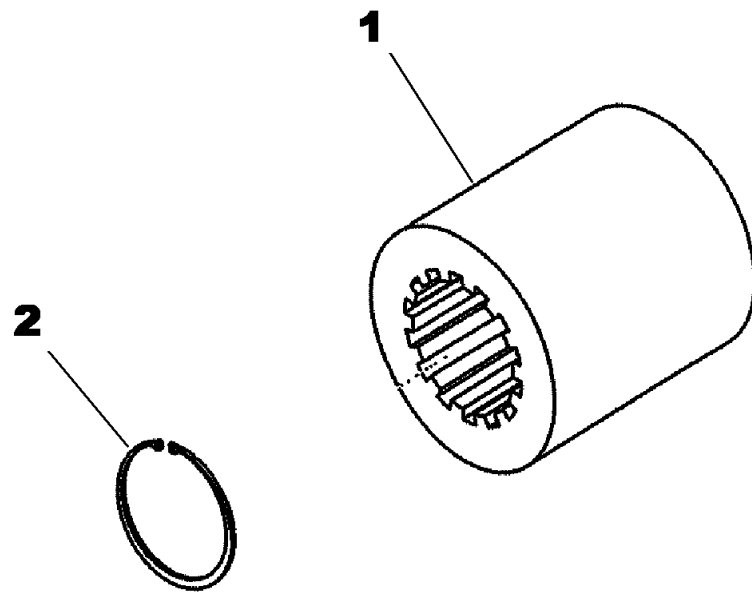
Manitowoc Cranes



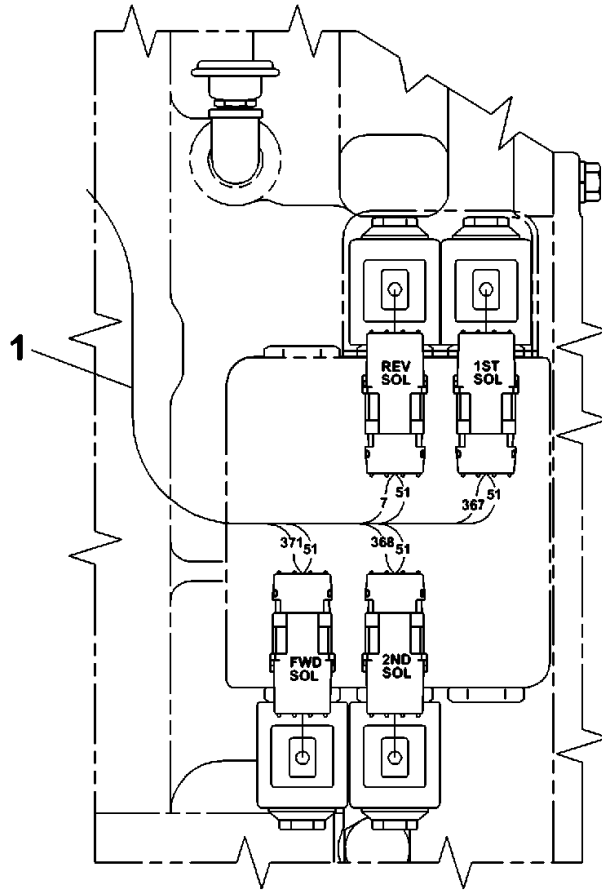
Manitowoc Cranes



Manitowoc Cranes



Manitowoc Cranes

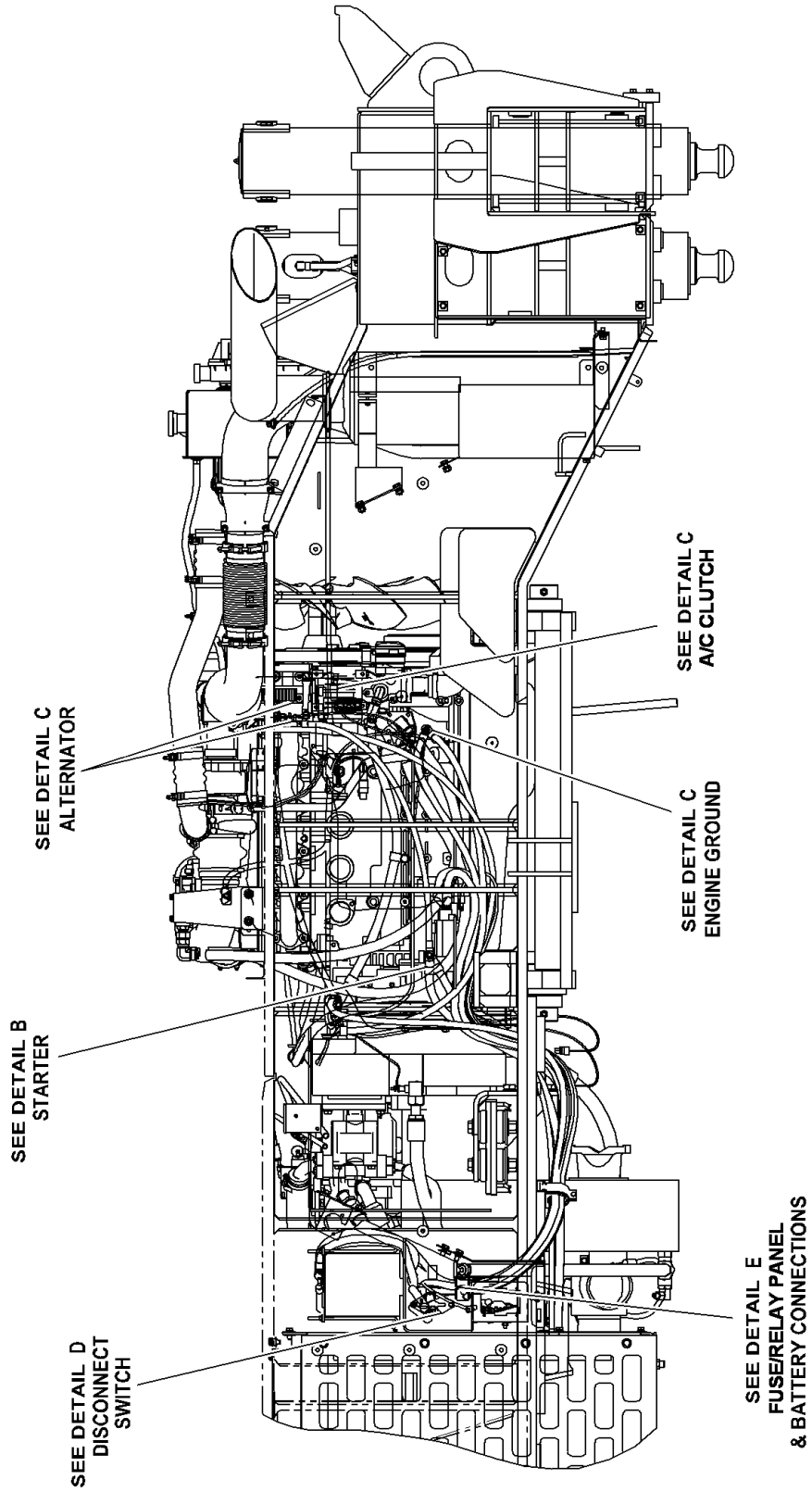


DETAIL H
TRANSMISSION SHIFT SOLENOIDS

Manitowoc Cranes

Notes

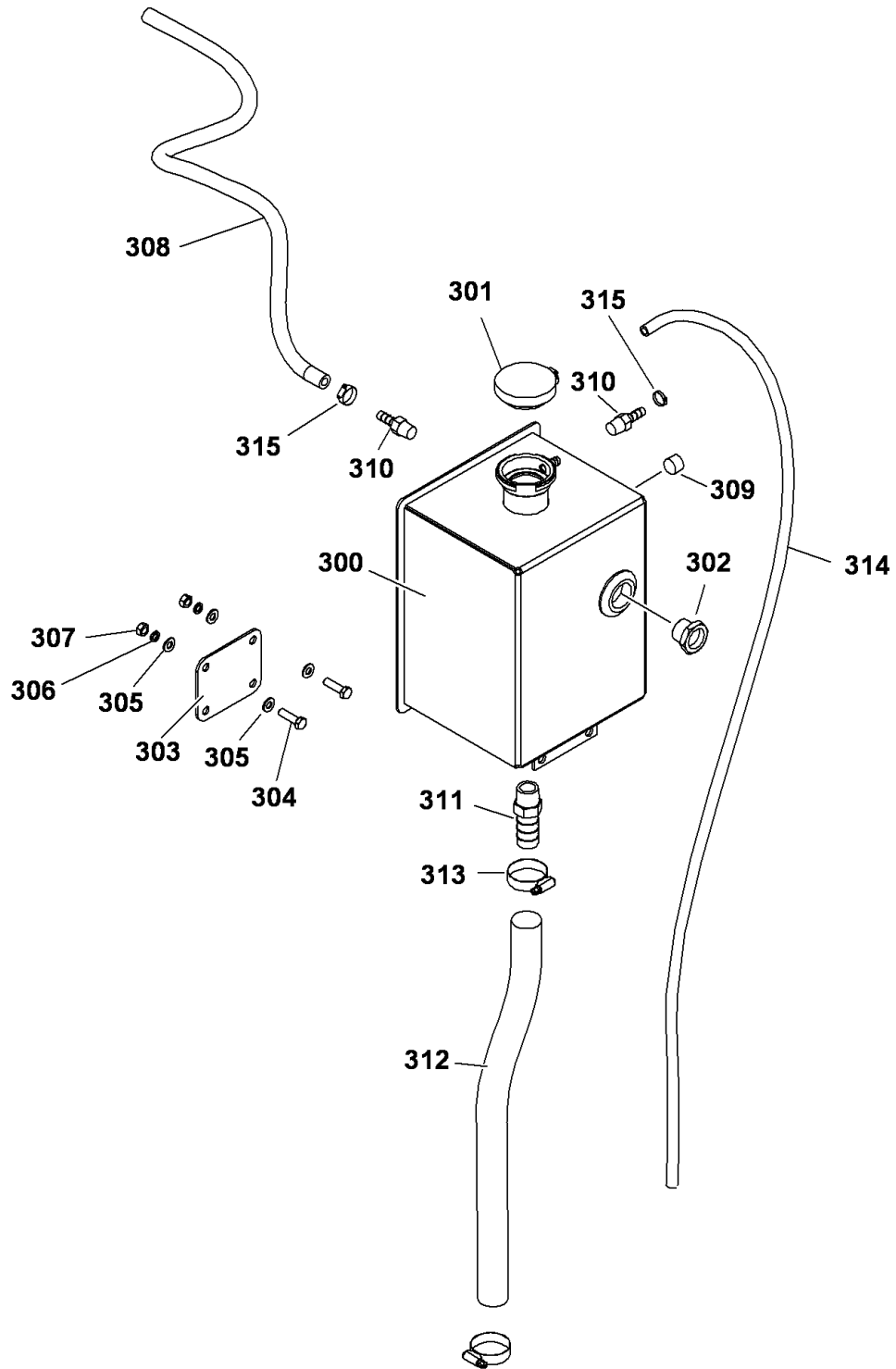
Manitowoc Cranes



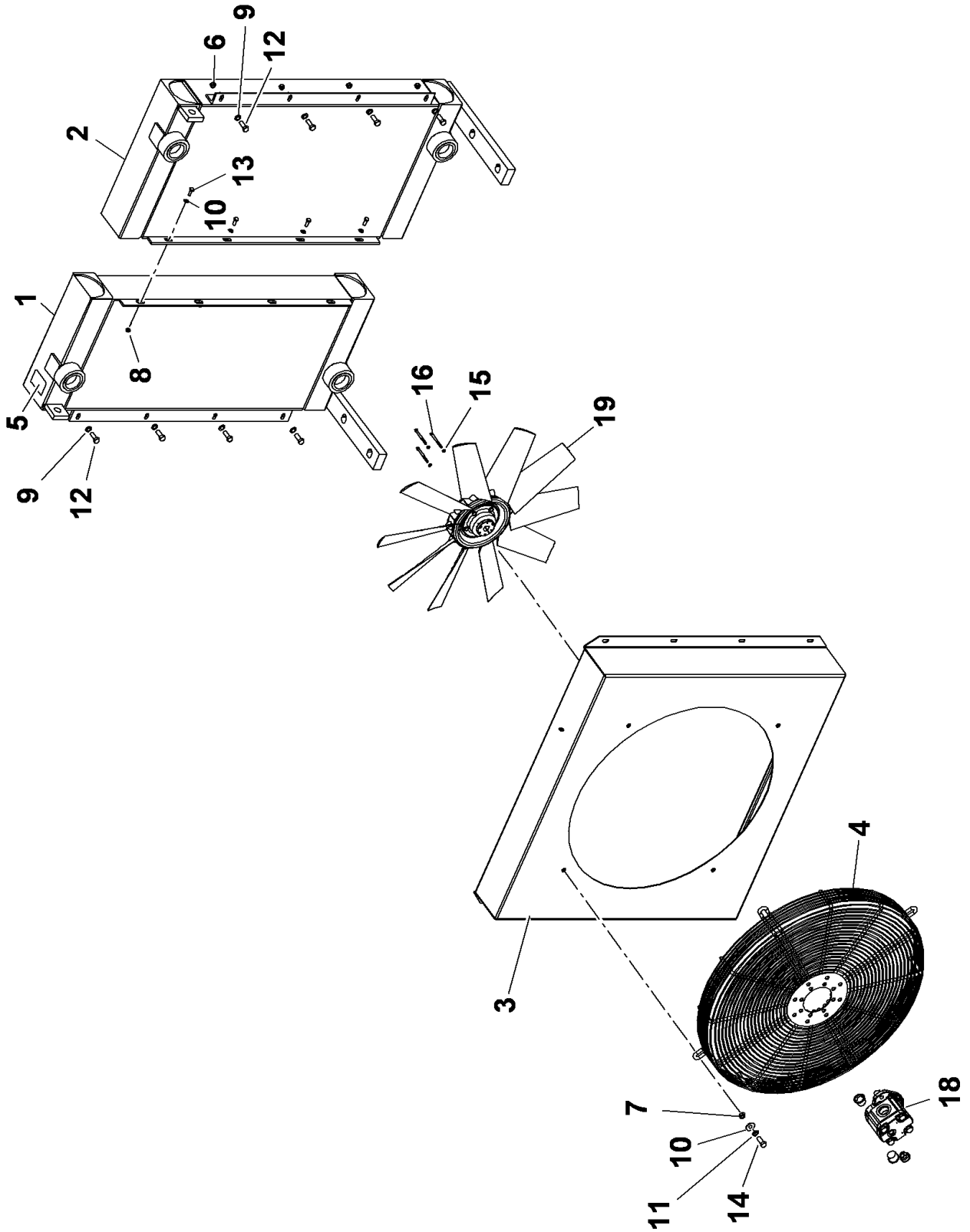
LEFT SIDE VIEW OF ENGINE COMPARTMENT
(LEFT FRAME RAIL NOT SHOWN FOR CLARITY)



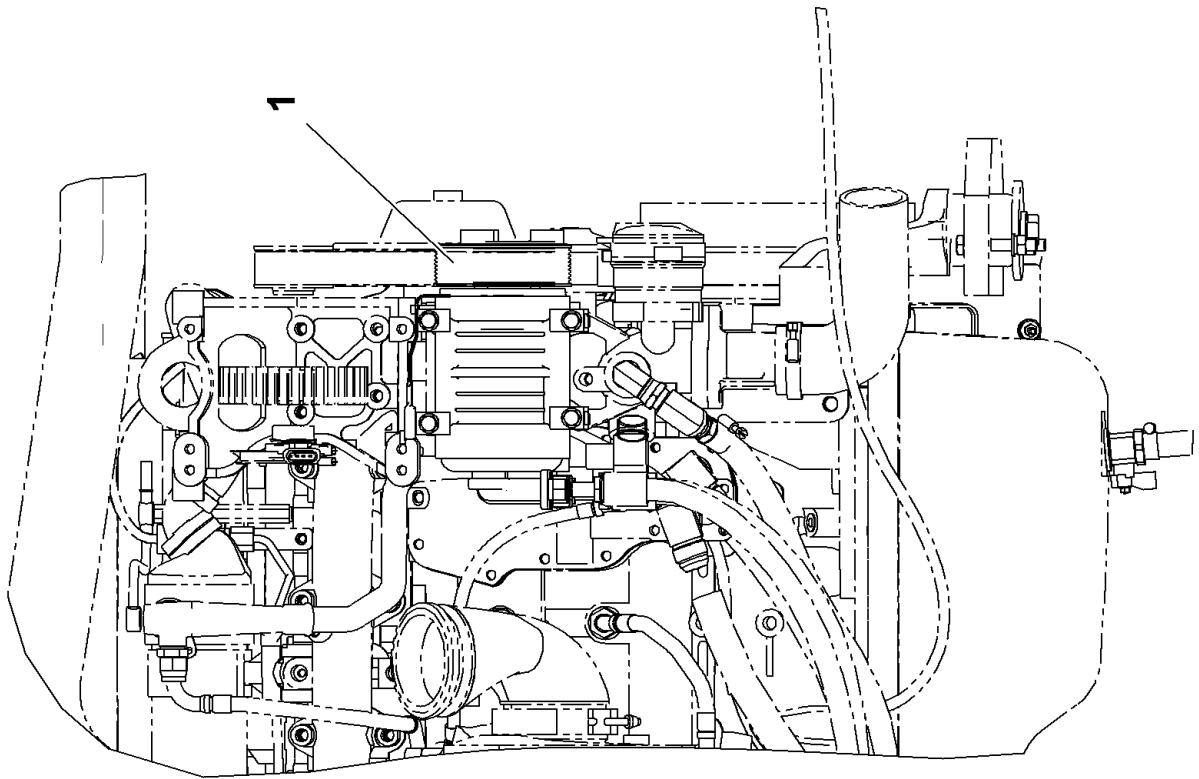
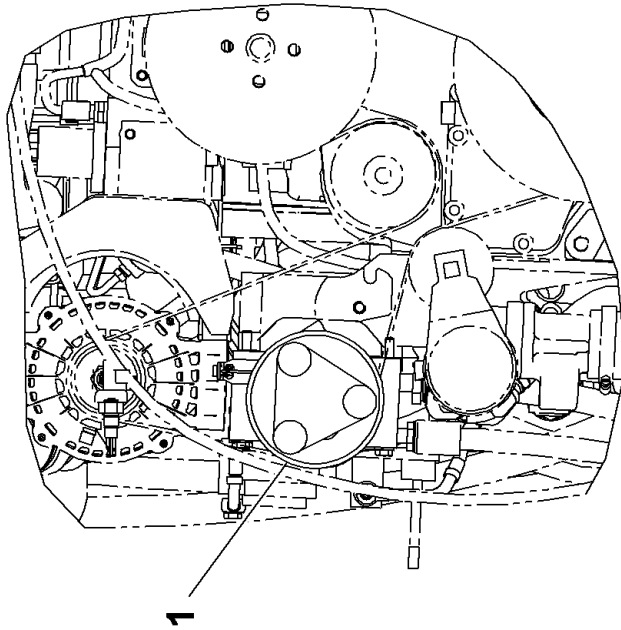
Manitowoc Cranes



Manitowoc Cranes



Manitowoc Cranes



Manitowoc Cranes

Description

HYDRAULIC LINES INSTALLATION-CARRIER

Assembly No.

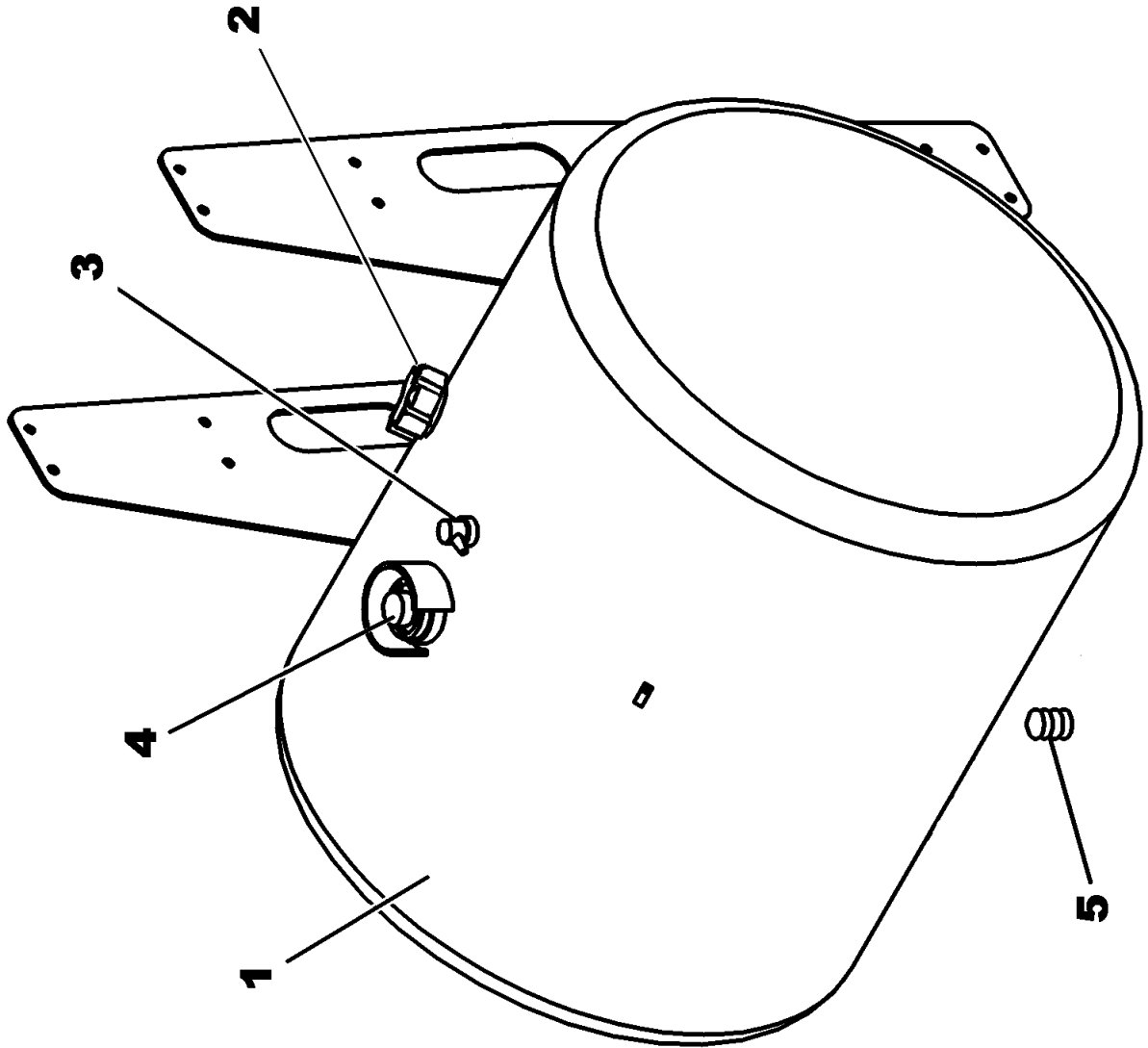
80045216

Revision: **D**

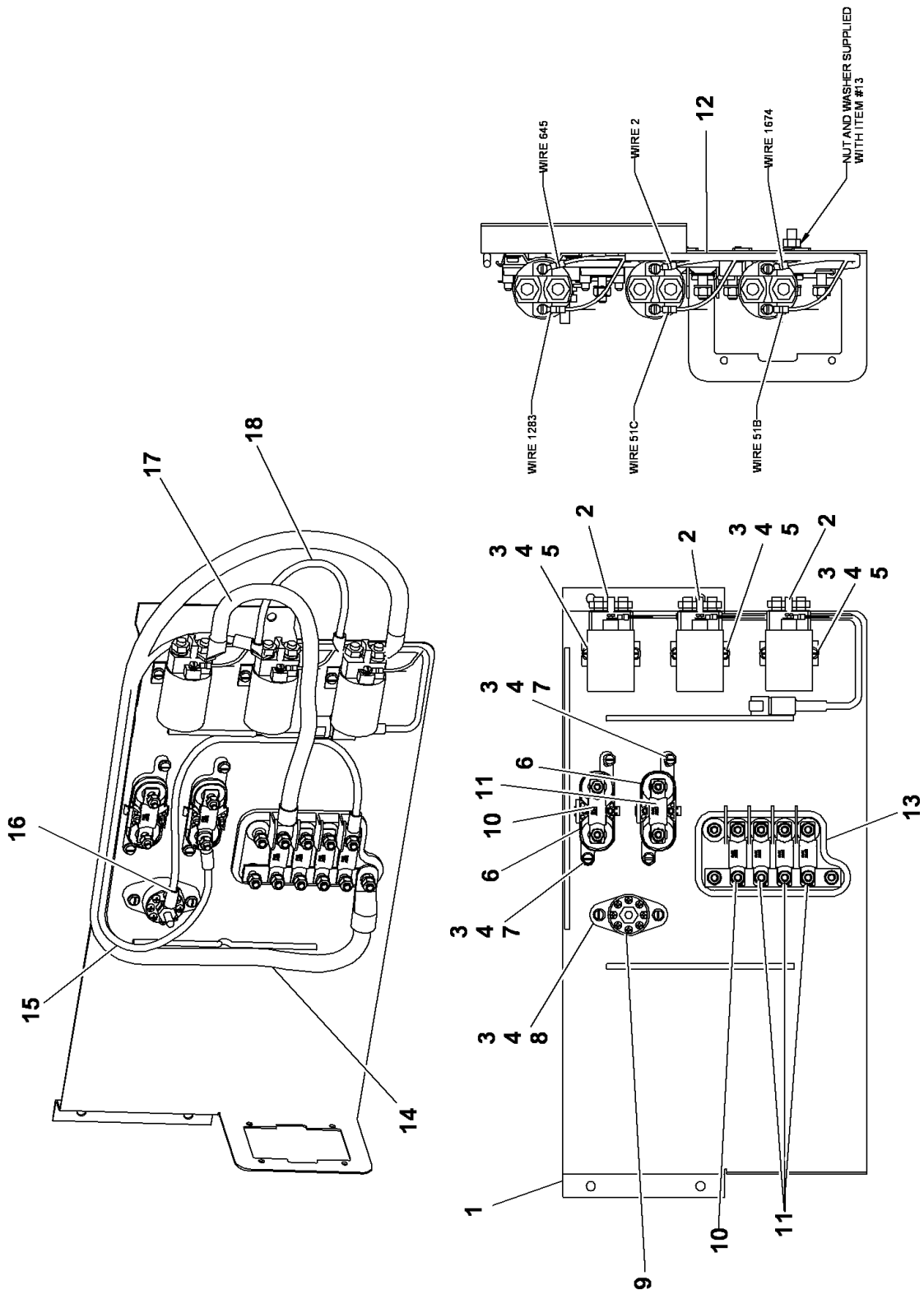
Item	FN	Part	Qty	Description
26		7555809612	1	HOSE ASSY
27		7556806212	1	HOSE ASSY
28		7556803712	1	HOSE ASSY
29		7555326600	2	HOSE ASSY
31		7555324200	2	HOSE ASSY
32		7447080801	1	ADAPTER, STRAIGHT INCLUDES THE FOLLOWING PARTS
		7755014002	1	O-RING
		7755908002	1	O-RING
33		7555320401	1	HOSE ASSY, 1/2" I.D. X 204" LONG
34		7555307200	4	1/2" I.D. X 72" LONG
35		7447060801	2	ADAPTER, STRAIGHT MALE INCLUDES THE FOLLOWING PARTS
		7755012002	1	O-RING
		7755908002	1	O-RING
36		7555318600	4	HOSE ASSY, 1/2" I.D. X 186" LONG
37		7447242401	1	ADAPTER, STRAIGHT INCLUDES THE FOLLOWING PARTS
		7755029002	1	O-RING
		7755924002	1	O-RING
38	#	7450000102	4	FLANGE, SPLIT
39		7755225002	2	O-RING
40		7555312001	1	HOSE ASSY, 1/2" I.D. X 120" LONG
41		7447040411	1	TEE, UNION INCLUDES THE FOLLOWING PARTS
		7755011002	1	O-RING
42		7447121601	1	ADAPTER, STRAIGHT INCLUDES THE FOLLOWING PARTS
		7755018002	1	O-RING
		7755916002	1	O-RING
43		7555215700	1	HOSE ASSY
44		7555216501	1	HOSE ASSY
45		7555203201	2	HOSE ASSY, 3/8" I.D. X 32" LONG
47		7555112603	1	HOSE ASSY
48		7555105500	1	HOSE ASSY, 1/4" I.D. X 55" LONG
49		7555102500	1	HOSE ASSY, 1/4" I.D. X 25" LONG
50		80009986	1	TUBE ASSY RT BRAKE REAR
51		7555107601	1	HOSE ASSY, 1/4" I.D. X 76" LONG

SERVICED AS AN ASSEMBLY ONLY

Manitowoc Cranes



Manitowoc Cranes



Manitowoc Cranes

Notes

Manitowoc Cranes

Description

MISCELLANEOUS DECALS

Assembly No.

RT880E4 DECAL

Revision: #

Item	FN	Part	Qty	Description
3		6884000005	8	REFLECTOR STRIPING
5		7679100089	1	PANEL - NAME PLEATE - CRANE
6		80028169	1	DECAL-PATENT-CRANE
7		7376011353	1	DECAL-R.H. CONTROLS
8		7376011354	1	DECAL-L.H. CONTROLS W/AUX HOIS
9		7376100079	1	DECAL-DANGER CABLE WEDGE
11		7376102632	1	DECAL - TRANS & LIFT RT880E
13		7376226070	2	DECAL - GROVE - 7" WHITE
14		7376101873	6	DECAL-DANGER BOOM EXT HAZARD
19		7376102202	1	DECAL-FOLDING BOOM EXTENSION D
20		7376102204	1	DECAL-BOOM EXTEND FLY SECTION
29		80017201	1	DECAL - CRANESTAR MONITORING
32		80030034	1	DECAL-CTN-HOT SURFACE & GASES
33		7376102946	2	DECAL-WARNING ULTRA LOW SULFUR
34		80034479	1	PANEL-LOW SULFUR DIESEL FUEL
35		80045493	1	DECAL-DANGER LMI OVERRIDE SW
36		7376101923	1	DECAL - CAUTION 360 SWING LOCK
37		80000511	1	DECAL-DNGER-HOIST ENTANGLEMENT

Manitowoc Cranes

<u>Description</u>				<u>Assembly No.</u>
DECAL INSTALLATION-STANDARD CAB				80031109
				Revision: G
Item	FN	Part	Qty	Description
100		7376100175	1	DECAL - DANGER TIPPING/2 BLOCKING HAZARD (ENGLISH)
101		7376011000	1	DECAL - DANGER QUALIFIED OPERATOR (ENGLISH)
102		7376007441	1	DECAL - DANGER OUTRIGGER MID EXTENSION (ENGLISH)
103		7376100080	1	DECAL - DANGER SUPERSTRUCTURE SWING (ENGLISH)
104		7376009507	1	DECAL - CAUTION ARMREST ROTATED BACK
105		7376101865	1	DECAL - DANGER ELECTROCUTION HAZARD (ENGLISH)
106		7376102417	1	DECAL - CAUTION TRANSMISSION DAMAGE (ENGLISH)
107		7376101923	1	DECAL - CAUTION 360 SWING LOCK
108		7376102092	1	DECAL - CAUTION TRANSMISSION DAMAGE
109		80026772	1	DECAL-PIN SWING LOCK
110		7376007370	1	DECAL - NO STEP
111		7376011386	1	DECAL - CAUTION PIN SWING LOCK
112		7376009502	1	DECAL - EMERGENCY EXIT (ENGLISH)
113		80025951	1	DECAL-FUSE PANEL-CAB
114		7376101788	1	DECAL-MAIN HOIST SPEED SWITCH
115		7376101789	1	DECAL - AUXILIARY HOIST & REAR STEER SWITCHES (ENGLISH)
116		80019489	1	DECAL-TELE PEDAL
117		80025967	1	DECAL-DIODE BLOCK
118		80017200	1	DECAL - CRANESTAR LOGO
119		81007557	1	DECAL - WARNING CALIFORNIA PROP 65
120		80000339	1	DECAL - GROVE FINAL ASSEMBLY AUDIT (ENGLISH)
121		7376102925	1	DECAL - SYMBOLIC ID (ENGLISH)

Manitowoc Cranes

Description

DECAL INSTALLATION-STANDARD SS

Assembly No.

80031111

Revision: **B**

Item	FN	Part	Qty	Description
160		7376008180	2	DECAL- DANGER COUNTERWEIGHT CRUSH HAZARD (ENGLISH)
161		7376100089	2	DECAL - DANGER COUNTERWEIGHT LIFT (ENGLISH)
162		7376100079	1	DECAL-DANGER CABLE WEDGE
163		7376102206	2	DECAL - DANGER CWT REMOVAL INSTRUCTIONS (ENGLISH)
164		7376991722	2	DECAL - WEAR BODY HARNESS
165		7376101843	1	DECAL - COUNTERWEIGHT REMOVAL LEVERS (LEFT HAND) (ENGLISH)
166		7376101845	1	DECAL - COUNTERWEIGHT REMOVAL LEVERS (RIGHT HAND) (ENGLISH)
167		7376102419	2	PANEL - COUNTERWEIGHT #18000
168		7376102552	1	DECAL - DANGER PRESSURIZED OIL LEAK (ENGLISH)
169		7376102910	2	DECAL - LIFT POINT PROHIBITION

Manitowoc Cranes

Alphabetical Index	Appendix A	
Description	Part	Page
ADAPTER, ORIFICE	7013000580	693
ADAPTER, RUBBER	7013000071	663
ADAPTER, TEE	90018884	356
ADAPTER, Y-2.5"	90018878	356
ADAPTOR	9904110154	619
AIR CLEANER ASSEMBLY	80018496	663
AIR COND LINES KIT-SS	80027162	255
ALARM, BACK-UP	7025000836	719
ALTERNATOR (145AMP)	80021330	563
ANCHOR, CABLE	2188910044	10
ANGLE	6030004459	223
	80029122	438
	80035346	438
ANGLE, DECKING	4189110127	438
ANGLE, MOUNTING	4159910033	8
	4189810012	443
ANTENNA , GPS/GSM	80021858	375
ARM, LEVER	7768003904	385
	80016496	361
ARM, WIPER/DRY 24"	90000994	345
ARM, WIPER/WET 26"	90011815	347
ARM,PIVOT L.H.	9974102992	214, 300
ARM,PIVOT R.H.	9974102991	214, 300
ARMREST	80019647	383
AXLE ASSEMBLY - FRONT DRIVE STEER	7049101497	519
AXLE ASSEMBLY - REAR DRIVE STEER	7049101498	487
BACK-UP RING	7755451609	275
BAFFLE	4189810083	654
	80029635	654
BAFFLE AND SEAL	9904105958	581
BAFFLE RADIATOR BOTTOM	80024223	654
BAFFLE RADIATOR LEFT	80024222	654
BAFFLE RADIATOR RIGHT	80024221	654
BAFFLE, OIL	9904101331	575
	9904107924	575
	9904107925	575
BALL	9904101049	617

From - ADAPTER, ORIFICE

To - BALL

Manitowoc Cranes

Alphabetical Index	Appendix A	
Description	Part	Page
CAP SCREW, M10 X 170 HEX HEAD	7126193350	173
CAP SCREW, M10 X 20 HEX HEAD	7126191153	362, 433, 443, 445, 449, 663
CAP SCREW, M10 X 25 HEX HEAD	7126191253	361, 365, 437, 465, 663, 669, 695, 699
CAP SCREW, M10 X 25MM HEX HEAD	7126191250	461, 559
CAP SCREW, M10 X 30MM HEX HEAD	7126191353	423, 437, 443, 465, 699
CAP SCREW, M10 X 40MM HEX HEAD	7126191550	12, 437, 461, 465, 699
CAP SCREW, M10 X 45MM HEX HEAD	7126191653	332
CAP SCREW, M10 X 50MM HEX HEAD	7126191750	173
CAP SCREW, M10 X 65MM HEX HEAD	7126192050	270, 559
CAP SCREW, M10X110 HEX HEAD	7126192750	173
CAP SCREW, M10X130MM HEX HEAD	7126192950	725
CAP SCREW, M10X30 HEX HEAD	7126191350	365, 559, 691
CAP SCREW, M12 X 120MM HEX HEAD	7126212850	173, 469
CAP SCREW, M12 X 25 HEX HEAD	7126211250	30
CAP SCREW, M12 X 25MM HEX HEAD	7126211253	8, 431
CAP SCREW, M12 X 30 HEX HEAD	7126211353	8, 229, 437, 653, 669, 695
CAP SCREW, M12 X 35MM HEX HEAD	7126211450	423, 692
CAP SCREW, M12 X 40	7126211550	423, 465, 545
CAP SCREW, M12 X 70MM HEX HEAD	7126212150	270, 653
CAP SCREW, M16 X 110MM HEX HEAD	00118576 00438926	125 449
CAP SCREW, M16 X 150MM HEX HEAD	01684395	449
CAP SCREW, M16 X 35MM HEX HEAD	7127241453	9
CAP SCREW, M16 X 40MM HEX HEAD	7127241550	139, 449
CAP SCREW, M20 X 100MM HEX HEAD	7126272653	30
CAP SCREW, M20 X 120MM HEX HEAD	7126272853	9
CAP SCREW, M20 X 45MM HEX HEAD	7127271650	9, 12
CAP SCREW, M20 X 80MM HEX HEAD	7126272353	7
CAP SCREW, M20X140 HEX HEAD	7127273050	559
CAP SCREW, M30 X 60MM HEX HEAD	7127341953	9
CAP SCREW, M30X100 HEX HEAD	7126342650	203, 283
CAP SCREW, M5 X 25MM HEX HEAD	7126131250	309
CAP SCREW, M6 X 16MM HEX HEAD	7126151053	332
CAP SCREW, M6 X 25MM	7126151253	153, 173, 313, 332, 365, 437
CAP SCREW, M6 X 45MM HEX HEAD	7126151650	249, 331

From - CAP SCREW, M10 X 170 HEX HEAD

To - CAP SCREW, M6 X 45MM HEX HEAD

Manitowoc Cranes

Alphabetical Index	Appendix A	
Description	Part	Page
DECAL - FAN DANGER	7376011364	745
DECAL - GROVE - 10.1" GRAY	7376247101	753
DECAL - GROVE - 7" WHITE	7376226070	729, 753
DECAL - GROVE FINAL ASSEMBLY AUDI	80000339	739
DECAL - HAND SIGNALS	7376101492	745
DECAL - HYDRAULIC OIL	7376011335	745
DECAL - IN	7679100402	121, 727
DECAL - LIFT POINT PROHIBITION	7376102910	749
DECAL - LOCKING PIN OPERATION	7376006596	745
DECAL - MANITOWOC CRANE GROUP LOG	7376202030	753
DECAL - MID-EXTEND OUTRIGGERS <	7376009373	745
DECAL - MID-EXTEND OUTRIGGERS >	7376009372	745
DECAL - NO STEP	7376007370	739
	7376010998	745
DECAL - OUT	7679100403	121, 727
DECAL - RT880E	7376102631	753
DECAL - SYMBOLIC ID (ENGLISH)	7376102925	739
DECAL - TRANS & LIFT RT880E	7376102632	729
DECAL - WARNING CALIFORNIA PROP 6	81007557	739
DECAL - WEAR BODY HARNESS	7376991722	749
DECAL- DANGER COUNTERWEIGHT CRUSH	7376008180	749
DECAL INSTALLATION-STANDARD BOOM	80031112	731
DECAL INSTALLATION-STANDARD CAB	80031109	731
DECAL INSTALLATION-STANDARD CARRI	80031110	731
DECAL INSTALLATION-STANDARD SS	80031111	731
DECAL, A2B	9333102618	81, 97
DECAL, LABEL F-N-R	90016073	415
DECAL-BOOM EXTEND FLY SECTION	7376102204	729
DECAL-CTN-BATTERY CONNECTION	80030779	745
DECAL-CTN-HOT SURFACE & GASES	80030034	729
DECAL-DANGER BOOM EXT HAZARD	7376101873	729
DECAL-DANGER CABLE WEDGE	7376100079	729, 749
DECAL-DANGER LMI OVERRIDE SW	80045493	729
DECAL-DANGER PRESSURIZED FLUID	7376102517	745
DECAL-DIODE BLOCK	80025967	739

From - DECAL - FAN DANGER

To - DECAL-DIODE BLOCK

Manitowoc Cranes

Alphabetical Index	Appendix A	
Description	Part	Page
HOSE ASSY	7556803712	690
	7556806212	690
	7556806293	267
	7561607860	563
	7566605100	566
HOSE ASSY 2.50 ID	7566406700	566
HOSE ASSY CODED	7555310502	567
HOSE ASSY, 1" I.D. X 108" LONG	7555610861	268
HOSE ASSY, 1" I.D.STR-STR HYD.	7555604960	269
HOSE ASSY, 1" I.D. X 47" LONG	7555604791	267
HOSE ASSY, 1/2" I.D. X 100" LONG	7555310001	269
HOSE ASSY, 1/2" I.D. X 120" LONG	7555312001	690
HOSE ASSY, 1/2" I.D. X 186" LONG	7555318600	690
HOSE ASSY, 1/2" I.D. X 204" LONG	7555320401	690
HOSE ASSY, 1/2" I.D. X 46" LONG	7555304601	689
HOSE ASSY, 1/2" I.D. X 52" LONG	7555305201	689
HOSE ASSY, 1/2" I.D. X 84" LONG	7555308401	269
HOSE ASSY, 1/2" I.D. X 85" LONG	7555308561	692
HOSE ASSY, 1/2" I.D. X 102" LONG	7555310202	237
HOSE ASSY, 1/4 I.D. X 164"	7555116401	237
HOSE ASSY, 1/4"	7550103021	268
HOSE ASSY, 1/4" I.D. X 15"	7555101520	693
HOSE ASSY, 1/4" I.D. X 40" LONG	7543109290	269
HOSE ASSY, 1/4" I.D. X 108" LONG	7555110801	268
HOSE ASSY, 1/4" I.D. X 126" LONG	7555112601	270
HOSE ASSY, 1/4" I.D. X 129" LONG	7555112920	269
HOSE ASSY, 1/4" I.D. X 20" LONG	7555102000	269
HOSE ASSY, 1/4" I.D. X 24" LONG	7550102430	125
HOSE ASSY, 1/4" I.D. X 25'	8596902512	699
HOSE ASSY, 1/4" I.D. X 25" LONG	7555102500	566, 690
HOSE ASSY, 1/4" I.D. X 35" LONG	7555103520	567
HOSE ASSY, 1/4" I.D. X 36" LONG	7555103600	270
HOSE ASSY, 1/4" I.D. X 39" LONG	7555103923	689
HOSE ASSY, 1/4" I.D. X 42" LONG	7555104201	269
HOSE ASSY, 1/4" I.D. X 48" LONG	7550104830	125
HOSE ASSY, 1/4" I.D. X 52" LONG	7555105201	691

From - HOSE ASSY

To - HOSE ASSY, 1/4" I.D. X 52" LONG

Manitowoc Cranes

Alphabetical Index	Appendix A	
Description	Part	Page
NUT, HEX JAM	9364101429	145
NUT, JAM	9049105136	501, 531
	9049109022	493, 523
NUT, LOCK	9498100355	341
NUT, LOCK 1/2"	9364101845	146
NUT, LOCK 3/4"	9364101397	146
NUT, LOCK 3/8" NYLON	90014965	659, 671
NUT, RETAINING	7659000256	153, 377
	7659000862	427
	7659190033	437, 443, 669
NUT, RETAINING 8 X 1.25	7659190020	317, 351, 361, 437, 443, 653
NUT, RETAINING M6	7659190019	332, 403
NUT, RING	9576101214	131
NUT, S.S.	90014305	343
NUT, SELF-LOCK	90019831	415
NUT, SELF-LOCKING	846531	77
NUT, STEERING WHEEL	90016403	416
NUT,JAM	9188101097	542
NYLON SPACER	80016241	437
O/R PAD BUMPER .81"	80046829	453
OFFSET LINK CENTER	4193910014	29
OFFSET LINK OUTSIDE	4193910013	29
OIL COOLER ASSEMBLY	80047733	669
OIL COOLER, HYDRAULIC	9726100254	671
OIL COOLER, TRANSMISSION	9726100255	671
O-RING	7754000085	557
	7754000200	575
	7754100010	255, 677
	7755011002	178, 186, 187, 237, 267, 269, 270, 271, 276, 367, 473, 481, 485, 563, 566, 567, 689, 690, 691, 692, 693
	7755012002	178, 186, 193, 238, 267, 268, 270, 271, 283, 367, 371, 473, 474, 511, 689, 690, 691, 693
	7755014002	178, 186, 193, 197, 237, 267, 269, 270, 474, 481, 482, 485, 564, 566, 690, 693, 695, 699
	7755016002	186, 197, 201

From - NUT, HEX JAM

To - O-RING

Manitowoc Cranes

Alphabetical Index	Appendix A	
Description	Part	Page
PLUG, 4 SOCKET	7709000936	161, 395
	7709100895	163
PLUG, BLEEDER	9372103584	511
	9722105555	625
PLUG, CAVITY	7892001058	643
PLUG, DOT	7709000021	362
PLUG, DRAIN	9049101920	503, 533
PLUG, DRAIN 1/2	90017897	701
PLUG, DRC18-40SA	7709100882	161
PLUG, DRC18-40SB	7709100946	161
PLUG, FILLER	9049100054	571
PLUG, FLUSH	9974102201	212, 298
PLUG, HOLE	9333102047	83, 101
	9333102808	79
PLUG, L SERIES LH1 PANEL	7242100005	384
PLUG, MAGNETIC	7709000157	465
	9904101317	575
PLUG, ORIFICE .030	9926112666	193
PLUG, ORIFICE .035	9926112795	197
PLUG, ORIFICE .030	90018552	474
PLUG, ORIFICE .046	9926112946	179, 180, 182
PLUG, ORIFICE .047	90011400	214, 300
	9926112942	178
PLUG, ORIFICE .063	90018551	474
PLUG, ORIFICE .078	9926112939	193
PLUG, ORIFICE .156	9926112770	185
PLUG, ORIFICE .177	90025678	481
PLUG, ORIFICE .290	9926112681	481
PLUG, ORIFICE .312	9926112680	481
PLUG, PIPE	7709000026	16, 19, 276
PLUG, PORT	9926111747	474, 485
PLUG, SAE #4	7709000028	19, 185, 275
	7709800001	133, 139, 289
PLUG, SAE #6	7709800005	179, 182
	9926109508	187, 188
PLUG, SEALING	7689000503	119, 121, 162, 163, 345, 347, 644, 683, 713, 727

From - PLUG, 4 SOCKET

To - PLUG, SEALING

Manitowoc Cranes

Alphabetical Index	Appendix A	
Description	Part	Page
SHIM	4188910119	10
	4188910120	10
	4188910123	8
	4188910124	8
	4197910265	273
	80003387	450
SHIM (.0359")	6705004265	203, 283
SHIM (.0544")	4159900304	31, 33, 39, 53
SHIM (.0598")	6705004264	203, 283
SHIM (.1250")	6705004263	203, 283
SHIM .004	9904110099	598
SHIM .007	9904110100	598
SHIM .010	9904110101	598
SHIM .020	9904110102	598
SHIM,	4174910012	11
	4174910132	8
	4174910133	7
	6705017532	87
	9049105479	501, 531
	9049105480	501, 531
	9904107731	572, 575
SHIM, .004	9904101395	603
SHIM, .007	9904101396	603
SHIM, .010	9904101397	603
SHIM, .020	9904101398	603
SHIM, STOP BLOCK	4189910272	7
SHOCK, MOUNTING	7638000044	653
S-HOOK	9086100813	48
S-HOOK, STANDARD	7601000955	12, 27, 29, 33, 39, 53
SHOULDER BOLT	80018314	405
SHROUD ASSY. FAN MTG.	90018837	259
SHROUD, FAN	9726100256	671
SIDE PANEL	80023927	515
	80024947	445
	80025296	445
SILL, DOOR	80016419	332
SINGLE AXIS CONTROLLER	80005805	384
SKYLIGHT ASSEMBLY - SLIDING	80003325	331
SLEEVE	7822000080	335

From - SHIM

To - SLEEVE

Manitowoc Cranes

Alphabetical Index	Appendix A	
Description	Part	Page
VALVE ASSY. CART	90025674	481
VALVE ASSY. CART NC	90025675	481
VALVE ASSY. CART. CHECK	90018549	473
VALVE ASSY. CART. FLOW REG.	90018548	473
VALVE ASSY. CARTRIDGE	90016417	485
VALVE ASSY. CARTRIDGE 12V. W/ORIF	9926112706	178, 180, 181
VALVE ASSY. CHECK	9926112674	193
VALVE ASSY. DUST EJECTION	90019458	667
VALVE ASSY. INLET SECTION	90019490	197
VALVE ASSY. OUTLET SECTION	90019496	199
VALVE ASSY. RELIEF	90011718	419
VALVE ASSY. RELIEF @ 1160 PSI	9926112980	197, 198
VALVE ASSY. RELIEF @ 1800 PSI	9926112979	198
VALVE ASSY. RELIEF @ 2500 PSI.	9926112787	187
VALVE ASSY. RELIEF @ 4300 PSI	9926112722	181
VALVE ASSY. VENT	90017896	701
VALVE ASSY. W/RELIEF	9926112772	185
VALVE ASSY. WATER SHUT OFF	90018874	355
VALVE ASSY. WORK SECTION	90019494	197, 198
	90019495	198
	9926112782	187
VALVE ASSY.CART. C-BALANCE	90022819	279
VALVE ASSY.CART.PRESS.SEQUENCE	90019867	279
VALVE ASSY.OUTRIGGER	80029392	469
VALVE, AIR	7926000196	555
VALVE, CART RELIEF @ 3000 PSI	90026511	185
VALVE, CART RELIEF @ 500 PSI	90018313	473
VALVE, CART. & COIL ASSY. 12V.	9926113140	477
	9926113174	477
VALVE, CART. COUNTERBALANCE	9926113546	289
VALVE, CART. RELIEF	90025677	481
VALVE, CARTRIDGE	9926112676	193
	9926112677	185
	9926112847	201
VALVE, CARTRIDGE SHUTTLE	9926113184	473
VALVE, CHECK	7926100807	691

From - VALVE ASSY. CART

To - VALVE, CHECK

Manitowoc Cranes

Numerical Index		Appendix B
Part	Description	Page
6200060505	BUSHING	305
6200060506	BUSHING	305
6200060704	BUSHING	657
6245100077	BRACKET	383
6246001174	LANYARD	241
6246003053	CABLE ASSEMBLY	515
6246100216	CABLE ASSEMBLY - BOOM LIGHTS	59
6246100245	CABLE ASSEMBLY- AUXILIARY HOIST	283
6286000011	CHAIN, #3	27
6286000014	CHAIN	30
6286000037	CHAIN - USE 9286100001	12
6286000127	CHAIN - USE 9286100001	29
6372100328	BARREL, CYLINDER	19
6372100329	BARREL, 7" CYLINDER	15
6458000573	FLOAT ASSEMBLY - OUTRIGGER	453
6458000574	FLOAT	455
6486100040	DIPSTICK	563
6511000430	HANDLE	29
6511001107	HANDLE, PIN	29
6511001112	HANDLE, PIN	27
6512100469	SOLENOID HARNESS	473, 485
6512100973	HARNESS ASSEMBLY - BOOM/JIB STOW	115
6543003101	HOSE - USE 8596910076	377
6557100002	WRAP, EXHAUST	663
6581100024	LIGHT ASSEMBLY - MODIFIED BOOM	59
6581100074	LIGHT ASSEMBLY - MODIFIED STROBE	309
6593000137	LEVER	455
6637007010	MOULDING - USE 9637100001	437
6659000226	NUT	10
6671000177	PAD, WEAR	25
6671000246	PAD, WEAR	30
6671000263	PAD, WEAR	423
6671000265	PAD, WEAR	31
6671001148	PAD, WEAR	30
6689100091	PIN	12
6701000389	PISTON, 7" CYLINDER	15, 19

From - 6200060505

To - 6701000389

Manitowoc Cranes

Numerical Index		Appendix B
Part	Description	Page
7300001083	CLAMP, MUFFLER	653
7300001102	CLAMP, T-BOLT	560
7300001112	CLAMP, T-BOLT	567
7300100010	CLAMP, PIPE	238
7300100012	CLAMP, 2.50"	463
7300100018	TUBING CLAMP - 1/2"	691
7300100019	TUBING CLAMP - 3/8"	692
7308000118	CLEVIS ASSY	251, 405
7312000678	CLIP	445
7324000076	INSERT, BOLT	11
7345001443	TERMINAL, FEMALE	517
7345001444	TERMINAL, FEMALE	162, 395
7345001743	TERMINAL, FEMALE	517
7345001746	TERMINAL, MALE	333
7345001944	TERMINAL, FEMALE	115, 119
7345001946	TERMINAL, MALE	115, 119
7345211401	TERMINAL	644
7345211701	TONGUE, INSULATED RING	713
7345211901	TERMINAL	241
7345221901	TERMINAL	241, 644
7345232101	TERMINAL	146, 644
7345241901	TONGUE, INSULATED RING	163
7345242001	TERMINAL	162
7345242101	TERMINAL	146
7346100003	CONNECTOR, POWER DISTRIBUTION PO	711
7348000667	EXTINGUISHER, FIRE	359
7348000669	BRACKET	359
7352000884	SENDER, FUEL LEVEL	701
7352100109	MODULE ASSY, CONTROL	153
7356000099	DIODE, SILICON RECTIFIER	165
7364000686	COUPLING, ANCHOR	125, 663
7364001547	SWIVEL	241
7364001601	COUPLER, FEMALE AND DUST	268, 283, 284
7364001602	COUPLER, MALE AND DUST CAP	268, 283
7364001615	JOINT, SWIVEL	271
7364001682	CONNECTOR, 2 CONDUCTOR	63, 163, 643

From - 7300001083

To - 7364001682

Manitowoc Cranes

Numerical Index		Appendix B
Part	Description	Page
7555601761	1" ID HYDR HOSE ASSY	9
7555602061	1" X 20"	9
7555604791	HOSE ASSY, 1".I.D. X 47" LONG	267
7555604960	HOSE ASSY, 1" I.D.STR-STR HYD.	269
7555606303	HOSE ASSY	268
7555606560	HOSE ASSY	268
7555607560	HOSE ASSEMBLY	268
7555609661	HOSE ASSEMBLY 1" ORFS	267
7555610861	HOSE ASSY, 1" I.D. X 108" LONG	268
7555706670	HOSE ASSY	267
7555809612	HOSE ASSY	690
7556505602	HOSE ASSY	566
7556704172	1 1/4" I.D. HYDR HOSE ASSY	560
7556803712	HOSE ASSY	690
7556806212	HOSE ASSY	690
7556806293	HOSE ASSY	267
7561203015	3/8" HYD HOSE-HOT, STR-STR	695
7561213215	HOSE HOT 3/8ID STR-STR ORFS	565
7561416541	5/8 ID HOSE ASSY (STR-45)	565
7561607562	HOSE, HOT OIL #16 STR-90	563
7561607860	HOSE ASSY	563
7561608461	1" I.D. X 84"	563
7566406700	HOSE ASSY 2.50 ID	566
7566605100	HOSE ASSY	566
7567602084	HOSE - 5/8" ID FUEL STR-45	695
7576000310	INDICATOR, RESTRICTION	663
7576000311	KIT, SEAT BELT	384
7576000320	PUMP ASSY, CANISTER	313
7576001743	MOUNTING KIT - OIL COOLER	695
7576134157	BOX ASSEMBLY - SWING	125
7581000186	LIGHT, DOME	331
7581001361	LIGHT ASSY, WORK	719
7581100000	LIGHT, STROBE	311
7581100001	LIGHT, WORK	61, 331
7581100048	LIGHT, STOP/TURN/TAIL LED RED	719
7581100050	LIGHT, YELLOW REAR TURN (WITH GR	719

From - 7555601761

To - 7581100050

Manitowoc Cranes

Numerical Index		Appendix B
Part	Description	Page
7850000208	CABLE TIE 5.63", BLACK	59, 115, 153, 162, 303, 317, 375, 384, 395, 421, 517, 639, 644, 654, 711, 713
7850000237	TIE, CABLE (BLACK)	109, 695
7850000805	TIE, CABLE (BLACK)	87, 105, 153, 565
7866142140	STUD	29
7872000720	SWITCH, TEMPERATURE	563
7872000723	SENDER, TRANSMISSION TEMPERATURE	563
7872100062	PROXY SENSOR-PNP 10mm RANGE	167, 387
7872100111	SWITCH, L-SERIES BOOM LIGHTS	65
7872100118	SWITCH, L-SERIES MAIN HOIST	384
7872100119	SWITCH, L-SERIES AUX HOIST	384
7872100124	SWITCH, L-SERIES SWING SPEED	385
7872100125	SWITCH, L-SERIES CAB TILT	384
7872100139	SWITCH, L-SERIES REAR STEER	384
7872100142	DISCONNECT SWITCH	707
7872100146	SWITCH, L-SERIES SWING BRAKE	384
7872100171	SWITCH, 190 TEMPERATURE (N.C.)	463
7872800045	CONTROL ASSEMBLY	121
7888000045	TEE	563
7888100000	TEE, SPLIT FLANGE BRANCH	689
7892000194	PARALLEL, NON - INSULATED	162, 165, 395, 644
7892000195	PARALLEL, NON - INSULATED	162, 395, 644, 713
7892000196	PARALLEL, NON - INSULATED	162, 241, 644
7892000197	PARALLEL, NON - INSULATED	119
7892000198	PARALLEL - NON-INSULATED 4 AWG	645
7892000252	TERMINAL, MALE PIN	61
7892000253	TERMINAL, FEMALE SLEEVE	643
7892000255	TERMINAL, GRAY CABLE SEAL	61
7892000256	TERMINAL, BLUE CABLE SEAL	63, 163
7892000257	TERMINAL, GREEN CAVITY	163
7892000809	TERMINAL, RELAY WATERPROOF	119
7892000824	RECEPTACLE,	345, 347, 356
7892000836	RECEPTACLE, 2 PIN	191, 257, 303, 311, 683
7892000840	TERMINAL, FEMALE	643
7892000841	TERMINAL	643

From - 7850000208

To - 7892000841

Manitowoc Cranes

Numerical Index		Appendix B
Part	Description	Page
80019808	SWINGLOCK BRACKET-CAST	245
80019809	SWING LOCK CAST ASSEMBLY	243
80020153	BUSHING	245
80020562	FUEL TANK ASSEMBLY	695
80020964	DUAL ACCUM CHARGE VALVE	173
80021113	PLATE SENSOR	487
80021116	BRACKET REAR STEER SENSOR	487
80021330	ALTERNATOR (145AMP)	563
80021345	HHCS M24x160 10.9 ISO 4014	125, 217
80021436	PIN CYLINDER MOUNT	10
80021501	FENDER WASHER	11
80021593	CABLE, 20 AWG CAN-BUS SHEILDED	161, 643
80021858	ANTENNA , GPS/GSM	375
80022000	BRAKE ASSEMBLY-PARKING	519
80022413	LATCH MTG PLATE	335
80022424	PLATE	335
80022442	HANDLE	335
80022466	12V BATTERY	707
80022642	TAPE CUTOUT, 3M VHB	109, 375
80022874	LOCKNUT	53
80022875	LOCKWASHER	53
80022876	KEYED WASHER	53
80022877	LOCKNUT	11
80022878	LOCKWASHER	11
80022879	KEYED WASHER	11
80022930	BRACKET- AIR INTAKE MOUNT	663
80022931	BRACKET- SUPPORT INTAKE	663
80022932	BRACKET- SUPPORT INTAKE	663
80022933	TUBE, INTAKE	663
80022948	STEP	461
80022969	FUSEHOLDER	711
80022971	FUSEHOLDER	711
80022993	STEP	461, 465, 699
80023048	REAR COVER-RH	443
80023064	STEP-FENDER	438
80023103	STEP	461

From - 80019808

To - 80023103

Manitowoc Cranes

Numerical Index		Appendix B
Part	Description	Page
90014311	SEAL, 90" BULB	343
90014312	KIT, SEAL	343
90014313	GUARD, WINDOW	341
90014315	SCREW	341
90014319	GLASS, SLIDING	341
90014321	SEAL, BLACK FINISH 19"	341
90014324	SCREW	341
90014326	KIT, SERVICE, LOCK ASSY.	341
90014376	COIL ASSY. 12V	481
90014856	CAP ASSY	467
90014965	NUT, LOCK 3/8" NYLON	659, 671
90014966	CAP SCREW, FLANGE HEAD	671
90015100	PEDAL	409
90015101	CONTROL UNIT	409
90015102	KIT, SEAL	409
90015103	PLUNGER ASSY	409
90015104	SPRING	409
90015249	U-JOINT ASSY.	551
90015250	SLIP YOKE ASSY.	551
90015251	LOCKWASHER, 1/2"	551
90015252	CAPSCREW, 1/2"	551
90015253	CAP, DUST	551
90015254	FITTING, GREASE	551
90015402	FLANGE GROUP - OUTPUT	569
90015592	CAP SCREW, 3/8-16 X 1.5 HEX	671
90015593	BOLT, 5/16"-18 X 1" FLANGE HEAD	671
90015595	WASHER, 5/16 FLAT	671
90015596	NUT, 5/16" FLANGE HEAD	671
90015598	WASHER, 3/8" FLAT	659, 671
90015937	BEARING	625
90015938	RING, RETAINER	625
90015940	REGULATOR ASSY.	626
90015941	KIT, SEAL - PUMP	626
90015949	O-RING	626
90015978	RING, EYE LIFTING	626
90016073	DECAL, LABEL F-N-R	415

From - 90014311

To - 90016073

Manitowoc Cranes

Numerical Index		Appendix B
Part	Description	Page
9049112064	YOKE, FLANGE	524
9049112065	SCREW,	524
9049112088	YOKE & DEFLECTOR	494
9049112096	DEFLECTOR	494
9049112116	NUT	503, 533
9049112117	COTTER	503, 533
9049112118	ROD ASSEMBLY	503, 533
9049112119	ROD ASSEMBLY	503, 533
9049112120	END ASSY-TIE ROD L.H. THD	503, 533
9049112121	END ASSY-TIE ROD R.H. THD	503, 533
9049112263	CUP, BEARING	493, 523
9049112264	CONE, BEARING	493, 523
9049112265	RETAINER	497, 527
9049112382	CAP	505, 535
9049112518	FITTING,GREASE	501, 531
9049112540	BRAKE ASSY, DISC	505, 507, 535, 537
9049112541	BRAKE ASSEMBLY GROUP	491, 521
9049112554	BRAKE GROUP 4,SET	521
9049112557	RING & PINION SET @4.88:1RATIO	493, 523
9049112558	KNUCKLE ASSY. STEERING	501, 531
9049112559	KNUCKLE ASSY. STEERING	501, 531
9049112560	SHAFT ASSY. 60.56" LG.	501, 531
9049112561	SHAFT ASSY. 61.41" LG.	501, 531
9049112563	SCREW	502, 532
9049112564	DISC, BRAKE	502, 532
9049112565	HUB ASSY. W/CUP	502, 532
9049112566	CAPSCREW	505, 535
9049112570	BRAKE GROUP	491
9049112639	CAGE ASSY. PINION	493
9049112682	BUSHING	497, 502, 527, 531
9049112683	SEAL	527, 532
9049112686	BREATHER	497, 527
9049112712	SEAL	502, 532
9049112762	HOUSING, DIFF. W/CAP ASSY.	493, 523
9049112763	KIT, SHIM	493, 523
9049112764	SCREW	493, 523

From - 9049112064

To - 9049112764

Manitowoc Cranes

Numerical Index		Appendix B
Part	Description	Page
9576101141	PLUG	133
9576101142	PLATE,END	133
9576101148	CAPSCREW	133
9576101149	PIPE	133
9576101151	DIPSTICK	133
9576101152	ELBOW	133
9576101153	KIT,SEAL	132
9576101157	KIT,BRAKE ASSY.	134
9576101176	GEAR,SUN	132
9576101189	BREATHER	133
9576101209	PINION	131
9576101210	SHAFT, OUTPUT	131
9576101211	BEARING	131
9576101212	KIT, SHIM	131
9576101213	BEARING	131
9576101214	NUT, RING	131
9576101215	GEAR, RING	131
9576101216	CAPSCREW	131
9576101217	PIN	133
9576101218	RING, RETAINER	133
9576101219	COVER, OUTPUT	133
9576101220	PLUG	133
9576101221	CARRIER ASSY. 1ST. STAGE	133
9576101222	CARRIER ASSY. 2ND. STAGE	133
9576101223	GEAR, SUN	131
9576101224	SHAFT	131
9576101225	WASHER	131
9576101226	RING, RETAINER	131
9576101227	PLATE, END	133
9576101228	KIT, SEAL PLANETARY	134
9576101347	BLADE, WIPER 34"	345, 347
9581100048	BULB	331
9581100058	LENS, MOONSTONE	331
9581100389	TUBE,STROBE	311
9581100390	LENS, AMBER	311
9581100391	BEAM, SEALED 12 VOLT	61, 331

From - 9576101141

To - 9581100391

Manitowoc Cranes

Numerical Index		Appendix B
Part	Description	Page
9926106695	KIT, SEAL	185
9926106806	KIT, SEAL	185, 193
9926106898	CAP, VALVE	180, 181
9926106899	SCREW,	181
9926106923	WASHER, LOCK	187, 188
9926106945	CAPSCREW	180
9926106998	STOP	180, 181
9926106999	CAP SCREW,	179, 180, 181
9926107001	SCREW,	179
9926107296	O-RING	615
9926107745	NUT	473, 485
9926107803	KIT, SEAL	15, 19
9926108124	KIT, REPAIR	473
9926108910	VALVE, RELIEF (2800 PSI)	180
9926109507	SCREW,	187, 188
9926109508	PLUG, SAE #6	187, 188
9926109517	PLATE	187, 188
9926109518	SEAL	187, 188
9926109671	KIT, SEAL	187
9926110708	CARTRIDGE	473
9926110809	VALVE, SHUTTLE	185
9926111101	PLUG	367
9926111102	O-RING	368
9926111239	CAP, DIAGNOSTIC	186
9926111379	KIT, SEAL	481
9926111598	PLUG	187
9926111638	VALVE, CHECK	481
9926111656	KIT, SEAL	473
9926111719	KIT, SEAL	473
9926111720	VALVE ASSEMBLY - SOLENOID 12 VOL	473
9926111747	PLUG, PORT	474, 485
9926111748	O-RING	474, 485
9926111845	VALVE, NEEDLE	201
9926112030	NUT, HANDLE	695
9926112207	VALVE, PRESSURE REDUCER	193
9926112666	PLUG, ORIFICE .030	193

From - 9926106695

To - 9926112666

Manitowoc Cranes

Recommended Spare Parts List

Appendix C

Part No.	1 Yr	2 Yr	3 Yr	Qty	Description	Page
7445060653	0	0	1	2	ELBOW, 90 DEGREE	657
7445080417	0	0	1	2	ADAPTER, REDUCING	695
7445080803	0	0	1	4	ADAPTER, STRAIGHT	139
7445080804	0	0	1	3	ELBOW, 90 DEGREE	139, 565
7445080852	0	0	1	1	ELBOW, 45 DEGREE	567
7445080853	0	0	1	1	ELBOW, 90 DEGREE	699
7445120809	0	0	1	1	ADAPTER, 45 DEGREE SWIVEL	564
7445121272	0	0	1	1	ELBOW, 90 DEGREE	567
7445160850	0	0	1	1	BUSHING, REDUCER	564
7445161217	0	0	1	1	REDUCING CONNECTOR	565
7446040235	0	0	1	1	CONNECTOR, MALE	663
7446040236	0	0	1	1	ELBOW, 90 DEGREE MALE	663
7447040230	0	0	1	1	ELBOW, 90 DEGREE	563
7447040401	0	0	1	11	ADAPTER, STRAIGHT	269, 276, 473, 481, 485, 689
7447040403	0	0	1	13	ELBOW, 90 DEGREE	178, 237, 267, 567, 691
7447040405	0	0	1	2	TEE	267
7447040411	0	0	1	1	TEE, UNION	690
7447040416	0	0	1	6	CAP ASSY, FEMALE ORS THREAD	267, 276
7447040428	0	0	1	2	ADAPTER, STRAIGHT	563
7447040433	0	0	1	1	ELBOW, 90 DEGREE	270
7447040434	0	0	1	3	TEE, MALE RUN	692
7447040435	0	0	1	1	TEE, BRANCH	566
7447040501	0	0	1	2	ADAPTER, STRAIGHT	691
7447040601	0	0	1	30	ADAPTER, STRAIGHT	186, 237, 269, 367, 692, 693
7447040603	0	0	1	9	FITTING, 90 DEGREE	178, 186, 271, 276, 691
7447040801	0	0	1	1	ADAPTER, STRAIGHT MALE	186
7447060401	0	0	1	7	ADAPTER, STRAIGHT MALE	186
7447060413	0	0	1	4	REDUCER	238, 566, 692
7447060468	0	0	1	1	FITTING, 90 ORFS	564
7447060601	0	0	1	22	ADAPTER, STRAIGHT MALE	178, 186, 193, 238, 268, 271, 367, 474
7447060603	0	0	1	4	ELBOW, 90 DEGREE	689
7447060605	0	0	1	5	TEE, RUN	371, 689
7447060608	0	0	1	1	ELBOW, 45 DEGREE MALE	691
7447060611	0	0	1	2	TEE, UNION	689
7447060614	0	0	1	2	UNION CROSS	237
7447060624	0	0	1	2	FITTING, BULKHEAD TEE ORS	689
7447060633	0	0	1	2	ELBOW, 90 DEGREE MALE	270
7447060634	0	0	1	1	TEE, FEMALE RUN	267
7447060635	0	0	1	2	TEE, BRANCH	268
7447060638	0	0	1	1	ELBOW, 90 DEGREE LONG	270
7447060640	0	0	1	1	ADAPTER, STRAIGHT	283

From - 7445060653

To - 7447060640

CLICK HERE TO **DOWNLOAD** THE COMPLETE MANUAL

- Thank you very much for reading the preview of the manual.
- You can download the complete manual from: www.heydownloads.com by clicking the link below



- Please note: If there is no response to CLICKING the link, please download this PDF first and then click on it.

CLICK HERE TO **DOWNLOAD** THE COMPLETE MANUAL