

Manitowoc Cranes MACHINE COMPONENT INDEX

Date: Aug 06, 2013

Rev: 003

<u>Model Number</u> RT650E - 50 US T		<u>Serial Number</u> 234215	
Item	Part	Description	Page
		BOOM	
1	2165910117	BOOM ASSEMBLY - 4 SECTION (COMPLETE ASSEMBLY)	9
	6372100173	CYLINDER ASSEMBLY - 8 1/4" TELESCOPE	15
1	7826000641	SOCKET, 3/4" OPEN WEDGE	19
2	2165210016	SHAFT INSTALLATION - BOOM PIVOT	21
3	2165910090	SHEAVE INSTL- 2 OVER 3	23
	7718100017	SHEAVE ASSEMBLY (COMPLETE ASSEMBLY)	25
4	6581100023	LIGHT INSTALLATION - BOOM	27
	6581100024	LIGHT ASSEMBLY - MODIFIED BOOM (COMPLETE ASSEMBLY)	29
	6872100058	SWITCH INSTALLATION - BOOM LIGHTS (NOT AVAILABLE AS ASSEMBLY)	31
	6246100155	CABLE ASSEMBLY - BOOM LIGHTS	33
5	7053100022	BALL ASSEMBLY - OVERHAUL (COMPLETE ASSEMBLY)	35
6	2165910046	BOOM EXTENSION INSTALLATION-CARRIER	37
6	3486000212	WEIGHT AND CHAIN ASSEMBLY (COMPLETE ASSEMBLY)	41
7	2165910022	NOSE INSTALLATION - AUXILIARY BOOM	43
	7718100017	SHEAVE ASSEMBLY (COMPLETE ASSEMBLY)	25
7	3486000212	WEIGHT AND CHAIN ASSEMBLY (COMPLETE ASSEMBLY)	41
8	7598100094	KIT INSTALLATION - iFLEX 5 LMI BOOM	51
	9333103873	CABLE REEL LWG508 - IFLEX 5	53
	9333101437	ROLLER GUIDE ASSEMBLY	55
	9333103565	BOX ASSEMBLY - JUNCTION	57
	9333102633	FLAG ASSEMBLY - A2B RETAINER (COMPLETE ASSEMBLY)	59
	9333102765	CONNECTOR ASSEMBLY DUMMY PLUG, 2-PIN	61
8	80023694	BOOM LIGHT SWITCH INSTALLATION-12V	63
8	7086100092	HOOK BLOCK ASSEMBLY - 50 TON (COMPLETE ASSEMBLY)	65

CLICK HERE TO **DOWNLOAD** THE COMPLETE MANUAL

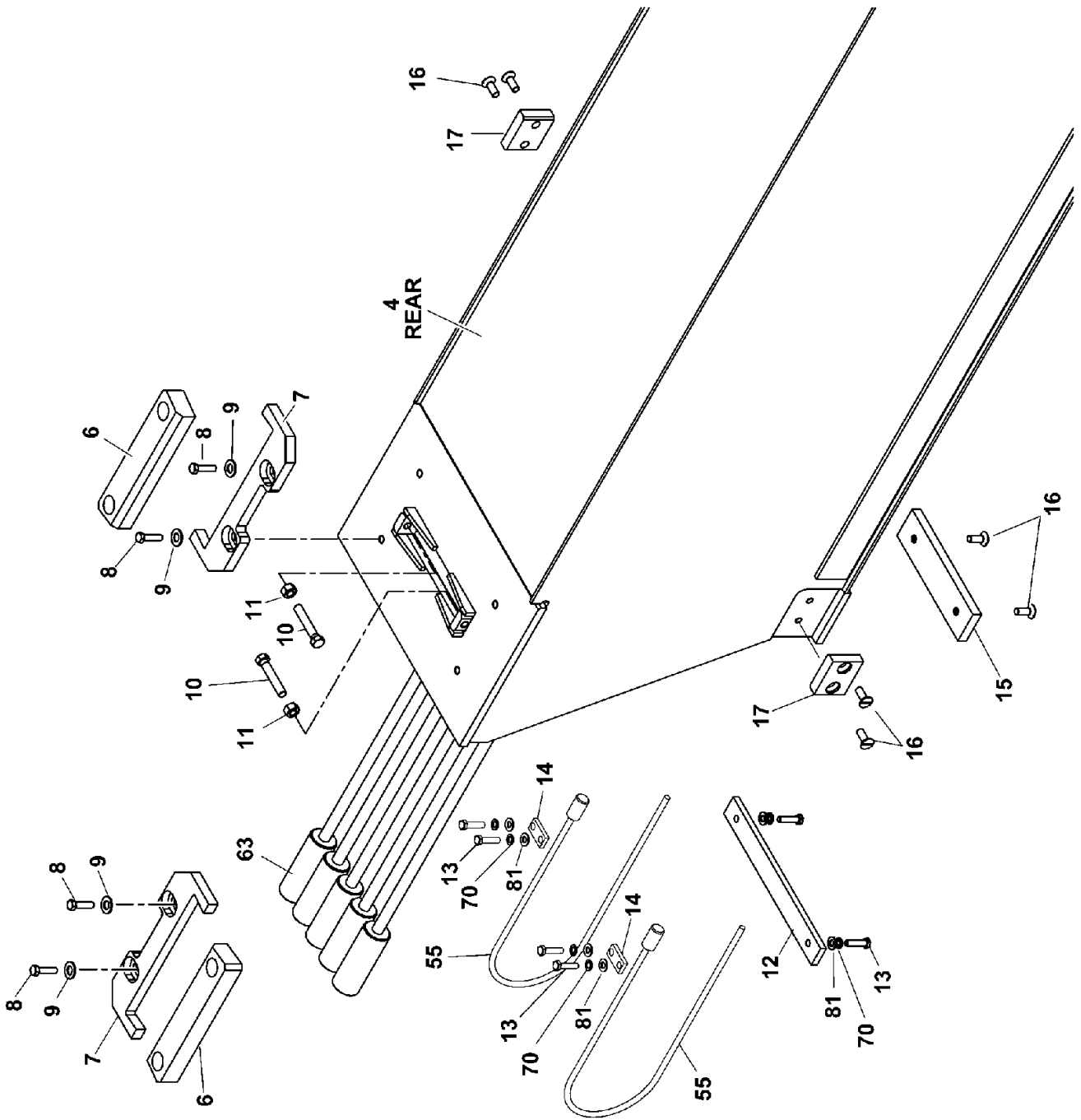
- Thank you very much for reading the preview of the manual.
- You can download the complete manual from: www.heydownloads.com by clicking the link below



- Please note: If there is no response to CLICKING the link, please download this PDF first and then click on it.

CLICK HERE TO **DOWNLOAD** THE COMPLETE MANUAL

Manitowoc Cranes



Manitowoc Cranes

Description

BOOM ASSEMBLY - 4 SECTION (COMPLETE ASSEMBLY)

Assembly No.

2165910117

Revision: **G**

Item	FN	Part	Qty	Description
51		7115154050	4	CAP SCREW, 5/16" - 18 N.C. X 5" GRADE 5
52		7660152701	4	LOCKNUT 5/16" - 18 N.C.
53		2165910029	2	ANCHOR
54		4165910093	1	PLATE, KICKBACK
55		7246100037	2	CABLE, RETRACTION
56		7660190008	12	NUT, HEX 9/16" - 12 N.C.
57		7246100038	4	CABLE, RETRACTION
58		7246100039	2	CABLE, SYNCHRO
59		7660220008	4	NUT, HEX 3/4" - 10 N.C. GRADE 8
60		7447161602	2	CONNECTOR INCLUDES THE FOLLOWING PARTS
		7755021002	1	O-RING
		7755916002	1	O-RING
61		4159910033	1	ANGLE, MOUNTING
62		4165910198	1	ANGLE, MOUNTING
63		4165910182	1	ANGLE, MOUNTING
64		4165910165	1	ANGLE, MOUNTING
65		7246100040	5	CABLE, EXTENSION
66		7949000230	5	WASHER, 1 1/8" I.D.
67		7660280008	10	NUT, HEX 1 1/8" - 7 N.C. GRADE 8
68		7671100021	6	PAD, SIDE WEAR
69		6199100030	2	BUSHING
70		7950150050	44	WASHER, LOCK 5/16" I.D.
71		4165910217	1	COVER
72		7689000036	2	PIN, CLIP
73		7118221650	20	CAP SCREW, 3/4" - 10 N.C. X 2" GRADE 8
74		6671000263	2	PAD, WEAR
75		7111160607	4	SCREW, MACHINE 3/8" - 16 N.C. X 3/4"

Manitowoc Cranes

Description

SHAFT INSTALLATION - BOOM PIVOT

Assembly No.

2165210016

Revision: **F**

Item	FN	Part	Qty	Description
1		6810100067	1	SHAFT, PIVOT
2		7440000000	2	FITTING, 1/8 STRAIGHT GREASE
3		6689001976	1	PIN
4		7689000036	1	PIN, CLIP
5		6810100074	1	SHAFT, UPPER
6		7115221250	1	CAP SCREW, 3/4" - 10 N.C. X 1 1/2" GRADE 5
7		7950220161	1	WASHER, FLAT 3/4"
8		7949000385	3	WASHER, THRUST

Manitowoc Cranes

Description

SWITCH INSTALLATION - BOOM LIGHTS (NOT AVAILABLE AS ASSEMBLY)

Assembly No.

6872100058

Revision: #

Item	FN	Part	Qty	Description
400		7872100002	1	SWITCH, ROCKER

Manitowoc Cranes

Description

WEIGHT AND CHAIN ASSEMBLY (COMPLETE ASSEMBLY)

Assembly No.

3486000212

Revision:

Item	FN	Part	Qty	Description
1		9333101840	1	CLEVIS
2		9333101921	1	CHAIN ASSEMBLY
3		9333101922	3	CLAMP, CHAIN
4		9333101923	2	EYEBOLT
5		9333101916	2	PIN, COTTER
6		9333101924	1	WEIGHT, FEMALE
7		9333101925	1	WEIGHT, MALE

Manitowoc Cranes

Description

KIT INSTALLATION - iFLEX 5 LMI BOOM

Assembly No.

7598100094

Revision: J

Item	FN	Part	Qty	Description
1	+	9333103873	1	CABLE REEL LWG508 - IFLEX 5
2	+	9333101437	1	ROLLER GUIDE ASSEMBLY
3		9333101435	3	GUIDE, CABLE
4		9333103094	1	CLAMP, CABLE
5		9333103697	1	THIMBLE ASSY. 1/8" CABLE
6		9333102620	1	CONNECTOR, CHAIN 2 7/16"
7		9333103872	1	CABLE, CANBUS 11M W/MOLDED M12
8	+	9333103565	1	BOX ASSEMBLY - JUNCTION
9		9333102230	1	A2B SWITCH - WITH RETAINER CRIMP
10	+	9333102633	1	FLAG ASSEMBLY - A2B RETAINER (COMPLETE ASSEMBLY)
11		9333102235	2	CONDUIT (CUT TO LENGTH REQUIRED)
12	+	9333102765	1	CONNECTOR ASSEMBLY DUMMY PLUG, 2-PIN
13	#	7296000004	1	INHIBITOR, CORROSION VAPOR CONTROL
14		9333103768	1	NUT, EYE

+ SEE FURTHER BREAKDOWN THIS GROUP

SERVICED AS AN ASSEMBLY ONLY

Manitowoc Cranes

Description

CONNECTOR ASSEMBLY DUMMY PLUG, 2-PIN

Assembly No.

9333102765

Revision:

Item	FN	Part	Qty	Description
1		9333103040	1	CANNON CONNECTOR, 2-PIN PLUG
2		9333102770	1	HOUSING, CANNON CONNECTOR END #16
3		9333102615	1	COVER, DUST PLUG END
4		9333102047	1	PLUG, HOLE
5		9333102790	1	SCREW, SLOTTED MACHINE
6		9333101465	1	RESISTOR, 4700 OHMS

Manitowoc Cranes

Description

SOCKET, 3/4" OPEN WEDGE

Assembly No.

7826000641

Revision:

Item	FN	Part	Qty	Description
1		NSS	1	SOCKET
2		9826100013	1	WEDGE
3		9826100014	1	PIN
4		9914100044	1	CLIP
5		9086100869	1	PIN, COTTER

Manitowoc Cranes

Description

LMI CAB KIT INSTALLATION-IFLEX2

Assembly No.

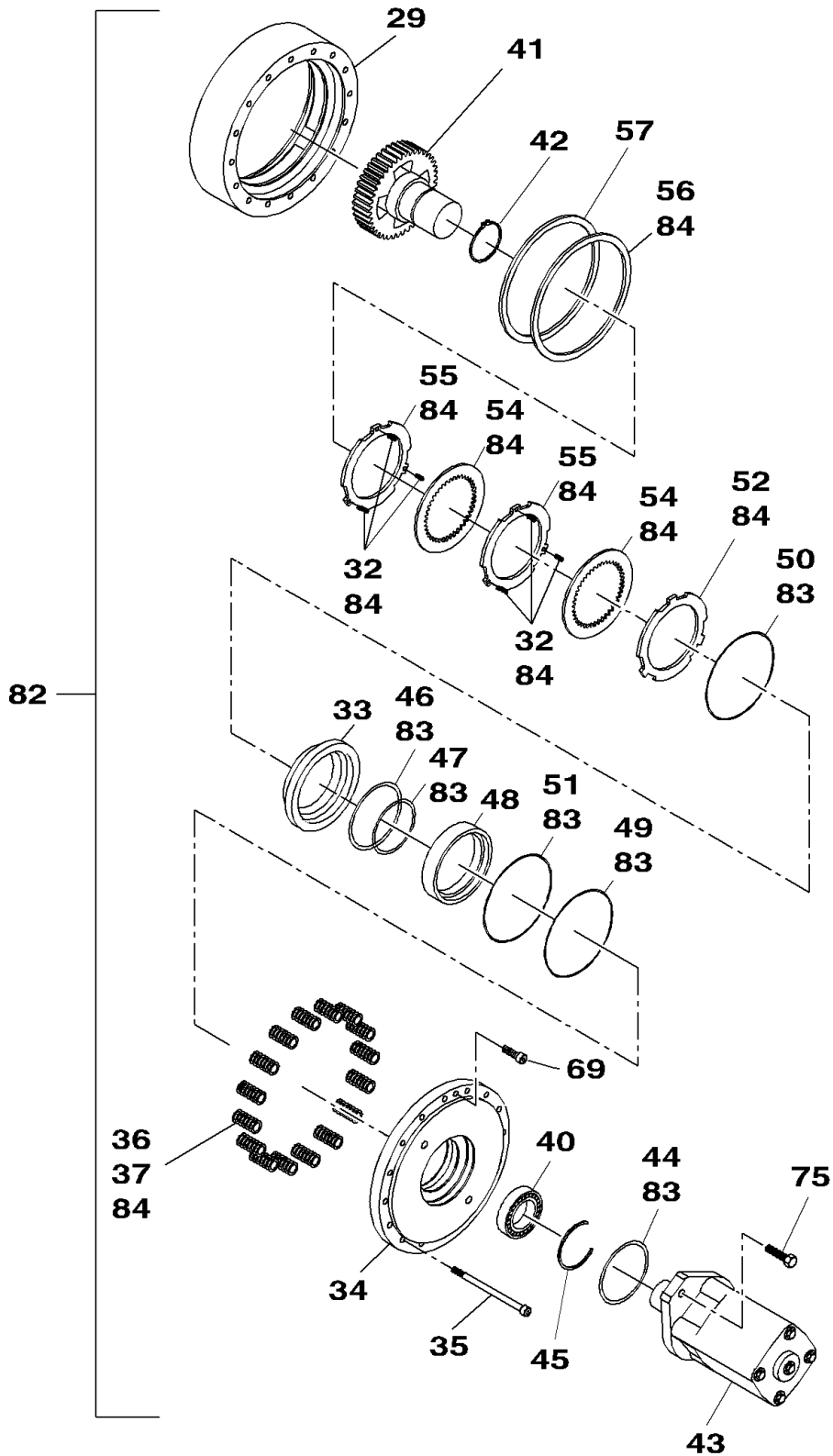
80023915

Revision: #

Item	FN	Part	Qty	Description
1	+	80023913	1	LMI CAB KIT, IFLEX2, EXPERT
10		7111080810	4	SCREW, MACHINE 5/32" - 32 N.C. X 1" GRADE 1
11		7950080141	8	FLATWASHER, 5/32" I.D.
12		7950080050	4	LOCKWASHER, 5/32" I.D.
13		7660081100	4	NUT, HEX 5/32" - 24 N.F. GRADE 1
14		80022642	1	TAPE CUTOUT, 3M VHB
15		7850000237	10	TIE, CABLE (BLACK) 7 5/16" LONG

+ SEE FURTHER BREAKDOWN THIS GROUP

Manitowoc Cranes



Manitowoc Cranes

Description

19MM ROPE (HOISTING)35X7X138M

Assembly No.

7782191382

Revision:

Item	FN	Part	Qty	Description
1		NSS	1	HOIST CABLE - PART NUMBER IS 7782191382

Manitowoc Cranes

Description

CYLINDER ASSEMBLY - 10" LIFT (COMPLETE ASSEMBLY)

Assembly No.

6372100447

Revision: **B**

Item	FN	Part	Qty	Description
1		6372100125	1	BARREL, 10" CYLINDER INCLUDES THE FOLLOWING PARTS
		7199001699	2	BUSHING
2		7701100418	1	PISTON, CYLINDER
3		7099000378	1	SCREW, 3/8" - 16NC X 3/8" SET
4	*	7794000566	2	SEAL
5	*	7753000746	1	RING
6	*	7753100067	1	SEAL-ROD LOCKING T SEAL
8		7440000400	2	FITTING, 90 DEGREE GREASE
9		6768100300	1	ROD, LIFT CYLINDER INCLUDES THE FOLLOWING PARTS
		7199001037	2	BUSHING
10		7372100269	1	HEAD, CYLINDER
11	*	7753000282	1	RING, WEAR
12	*	7754000151	1	O-RING, LOW TEMPERATURE
13	*	7755448609	1	RING, BACK-UP
14	*	7794000565	1	SEAL, BUFFER
15	*	7794000709	1	SEAL, DEEP Z ROD
16	*	7753000484	1	RING, WIPER
17		7926100606	1	VALVE, 3/8" HOLDING INCLUDES THE FOLLOWING PARTS
		9752101223	1	KIT, SEAL
20		7440000000	2	FITTING, 1/8 STRAIGHT GREASE
23		6705171137	1	PLATE, RETAINING
300	*	7373100116	1	SEAL KIT - LIFT CYLINDER

* REPAIR KIT AND/OR PART OF KIT

Manitowoc Cranes

Description

SLIP RING ASSEMBLY

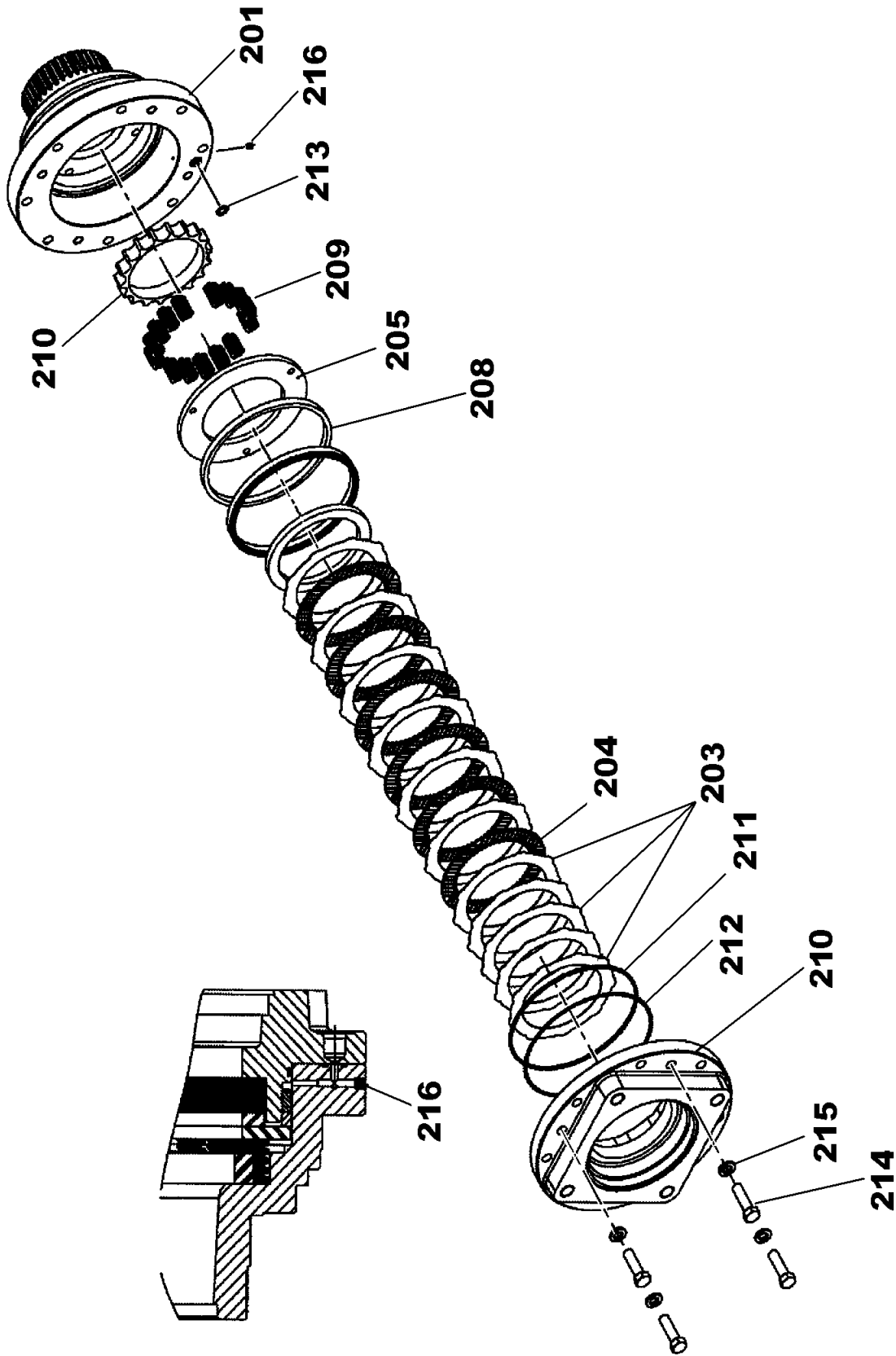
Assembly No.

80044801

Revision:

Item	FN	Part	Qty	Description
2		90022866	1	BRACKET, ALUMINUM BASE
3		9364100968	1	CONNECTOR ASSY. 3/4"
3		9364101688	1	CONNECTOR ASSY. 1"
3		9364101208	1	CONNECTOR ASSY. 1/2"
4		9364101634	2	BEARING, NYLON
5		90022864	1	CORE ASSY. INCLUDES ALL BRASS RINGS WITH CENTER LEADS, NYLON SPACERS, SET SCREW CONNECTORS FOR CENTER HARNESS
6		90000036	8	BRUSH & ARM ASSY. 45 AMP
6		90016115	2	BRUSH & ARM ASSY (2 AMP)
6		9364101875	6	BRUSH & ARM ASSY.SILVER 7.5AMP
6		9364100340	8	BRUSH & ARM ASSY. 7.5 AMP
7		90022867	3	STUD, LEVELING 8.69" LG
8		9364100180	1	BEARING, NYLON
9		9364100087	16	DISCONNECT, LARGE KNIFE
9		9364100088	32	DISCONNECT, SMALL KNIFE
10		9364100333	8	SPRING, BRUSH 5.5 LBS
10		9364100341	16	SPRING, BRUSH 1.6 LBS
11		9364100178	8	CONNECTOR, CRIMPED (FOR 10 GAUGE WIRE)
11		9364101224	16	CONNECTOR, SETSCREW (FOR 16 GAUGE WIRE)
12		9364100334	8	SLEEVE, 5/16" I.D. X 3"
12		9364100092	16	SLEEVE, 3/16" I.D. X 3"
13		90022868	1	COVER ASSY. W/ LATCHES INCLUDES ITEMS 38 AND 39
14		90022869	1	TUBE ASSY. WITH FLANGE
15		9364101429	9	NUT, HEX JAM 5/16" - 18 N.C.
16		7950150141	9	WASHER, FLAT 5/16"
17		9364100685	2	COLLAR, SET 5/16"
18		90022870	1	HARNESS ASSY. CENTER
19		90022871	1	HARNESS ASSY. FRONT
19		90022872	1	HARNESS ASSY. REAR

Manitowoc Cranes



Manitowoc Cranes

Description

MIRROR INSTALLATION - HOIST

Assembly No.

2197210021

Revision: **D**

Item	FN	Part	Qty	Description
1		7628000025	1	MIRROR, 8" CONVEX INCLUDES MOUNTING HARDWARE
2	#	7184001014	1	BRACKET, MIRROR ARM INCLUDES MOUNTING HARDWARE :NOTE: REMOVE AND DISCARD BRACKET IF NOT REQUIRED FOR YOUR APPLICATION
3		7115160650	1	CAP SCREW, 3/8" - 16 N.C. X 3/4" GRADE 5
4		7950160141	1	WASHER, 3/8" PLAIN NARROW
5		7115150850	1	CAP SCREW, 5/16" - 18 N.C. X 1" GRADE 5
6		7950150051	1	WASHER, LOCK 5/16" I.D.
7		7950150141	2	WASHER, FLAT 5/16"
8		7660150001	1	NUT, HEX 5/16" - 18 N.C. GRADE 5
9		6030004459	1	ANGLE

SERVICED AS AN ASSEMBLY ONLY

Manitowoc Cranes

Description

DIRECTIONAL CONTROL VALVE

Assembly No.

80038541

Revision:

Item	FN	Part	Qty	Description
610		1902210	1	PLUG
611		9926112012	2	SCREW, SET
612		90022973	1	VALVE, CHECK
613	*	NSS	1	O-RING
614		9926113026	1	PLUG ASSY.
700	*	9926112197	1	KIT, SEAL

* REPAIR KIT AND/OR PART OF KIT

Manitowoc Cranes

Description

VALVE ASSEMBLY - DIRECTIONAL CONTROL (COMPLETE ASSEMBLY)

Assembly No.

7926100740

Revision:

Item	FN	Part	Qty	Description
1		9926112017	1	VALVE ASSY. INLET SECTION INCLUDES NBRS 101 AND 102
2		9926112454	1	VALVE ASSY. WORK SECTION STEER INCLUDES NBRS 201 - 210
3		9926112455	1	VALVE ASSY. WORK SECTION SWING INCLUDES NBRS 301 - 316
4		9926112020	1	VALVE ASSY. OUTLET SECTION INCLUDES NBR 401
5		9926111411	4	NUT
6		9926112001	2	ROD, TIE LOWER
7		9926111410	2	NUT
8		9926111995	1	ROD, TIE UPPER
9		9926112024	1	VALVE, RELIEF 2500 PSI INCLUDES NBRS 501 AND 502 INCLUDES THE FOLLOWING PARTS
		9926111470	1	SEAL-SPECIAL
		9926111469	2	O-RING
10		9926112025	2	VALVE, RELIEF 1750 PSI INCLUDES NBRS 601 AND 602
101		NSS	1	HOUSING
102	*	NSS	1	O-RING
201		NSS	1	HOUSING
202		NSS	1	SPOOL
203	*	7755016000	2	O-RING
204		9926112535	2	RING, BACK-UP
205		9926111416	2	CAP, RETAINER
206		9926111964	1	SPRING
207		9926111415	4	CAP SCREW,
208	*	NSS	1	O-RING

* REPAIR KIT AND/OR PART OF KIT

Manitowoc Cranes

<u>Description</u>				<u>Assembly No.</u>
SUPPLY, PRESSURE AND RETURN HYDRAULIC LINES INSTALLATION (SUPERSTRUCTURE)				80041275 Revision: E
Item	FN	Part	Qty	Description
551		7546805190	1	HOSE, 1 1/2 STR S/F X STR S/F
552		80037834	1	TUBE ASSY (PORT #4 SWIVEL)
553		80037835	1	TUBE ASSY (SWIVEL PORT #6)
554	#	7450000188	4	SPLIT FLANGE HALF, 1 1/4"
555		7755222002	4	O-RING
556		7115171250	8	CAP SCREW, 7/16" - 14 N.C. X 1 1/2" GRADE 5
557	#	7450000102	2	FLANGE, SPLIT
558		7755225002	4	O-RING
559		7555604811	1	HOSE ASSY, 1" I.D. X 48"
560		7447060601	2	ADAPTER, STRAIGHT MALE INCLUDES THE FOLLOWING PARTS
		7755012002	1	O-RING
		7755906002	1	O-RING
561		7447040601	3	ADAPTER, STRAIGHT INCLUDES THE FOLLOWING PARTS
		7755011002	1	O-RING
		7755906002	1	O-RING
563		7561203017	1	3/8" I.D. X 30"
565		7555304001	1	HOSE ASSY, 1/2" I.D. X 40" LONG
566		7555303901	1	HOSE ASY, 11/16-16X3/8 I.D.X23
567		7561104803	1	1/4" I.D. X 48" LONG
569		7115181250	8	CAP SCREW, 1/2" - 13 N.C. X 1 1/2" GRADE 5
570		7561205415	1	3/8" HYD HOSE ASS'Y STR-STR
571		7910100780	1	TUBE
572		7447120413	1	REDUCER
573		7910101687	1	TUBE ASSY,A2 CHK TO SWING OUT
575		7447060803	1	ELBOW, 90 DEGREE MALE INCLUDES THE FOLLOWING PARTS
		7755012002	1	O-RING
		7755908002	1	O-RING
576		7447060634	3	TEE, FEMALE RUN INCLUDES THE FOLLOWING PARTS
		7755012002	1	O-RING
		7755906002	1	O-RING
578		7555507001	1	HOSE ASSY, 3/4" I.D. X 70" LONG

SERVICED AS AN ASSEMBLY ONLY

Manitowoc Cranes

Description

LIFT HYDRAULIC LINES INSTALLATION (SUPERSTRUCTURE)

Assembly No.

80041269

Revision: **A**

Item	FN	Part	Qty	Description
101		7364100000	2	ADAPTER, SWIVEL
102		7555605080	1	1" I.D. X 50"
103		7555605080	1	1" I.D. X 50"
104		7910100824	1	TUBE
105		7910100825	1	TUBE
106		7447161601	2	ADAPTER, STRAIGHT INCLUDES THE FOLLOWING PARTS
		7755021002	1	O-RING
		7755916002	1	O-RING
107		7561103001	1	1/4" I.D. X 30"
108		7447040603	3	FITTING, 90 DEGREE INCLUDES THE FOLLOWING PARTS
		7755011002	1	O-RING
		7755906002	1	O-RING
109		7447040601	1	ADAPTER, STRAIGHT INCLUDES THE FOLLOWING PARTS
		7755011002	1	O-RING
		7755906002	1	O-RING
110		7755021002	2	O-RING
111		7300000404	4	CLAMP, 1" TUBING

Manitowoc Cranes

Description

SWING HYDRAULIC LINES INSTALLATION (SUPERSTRUCTURE)

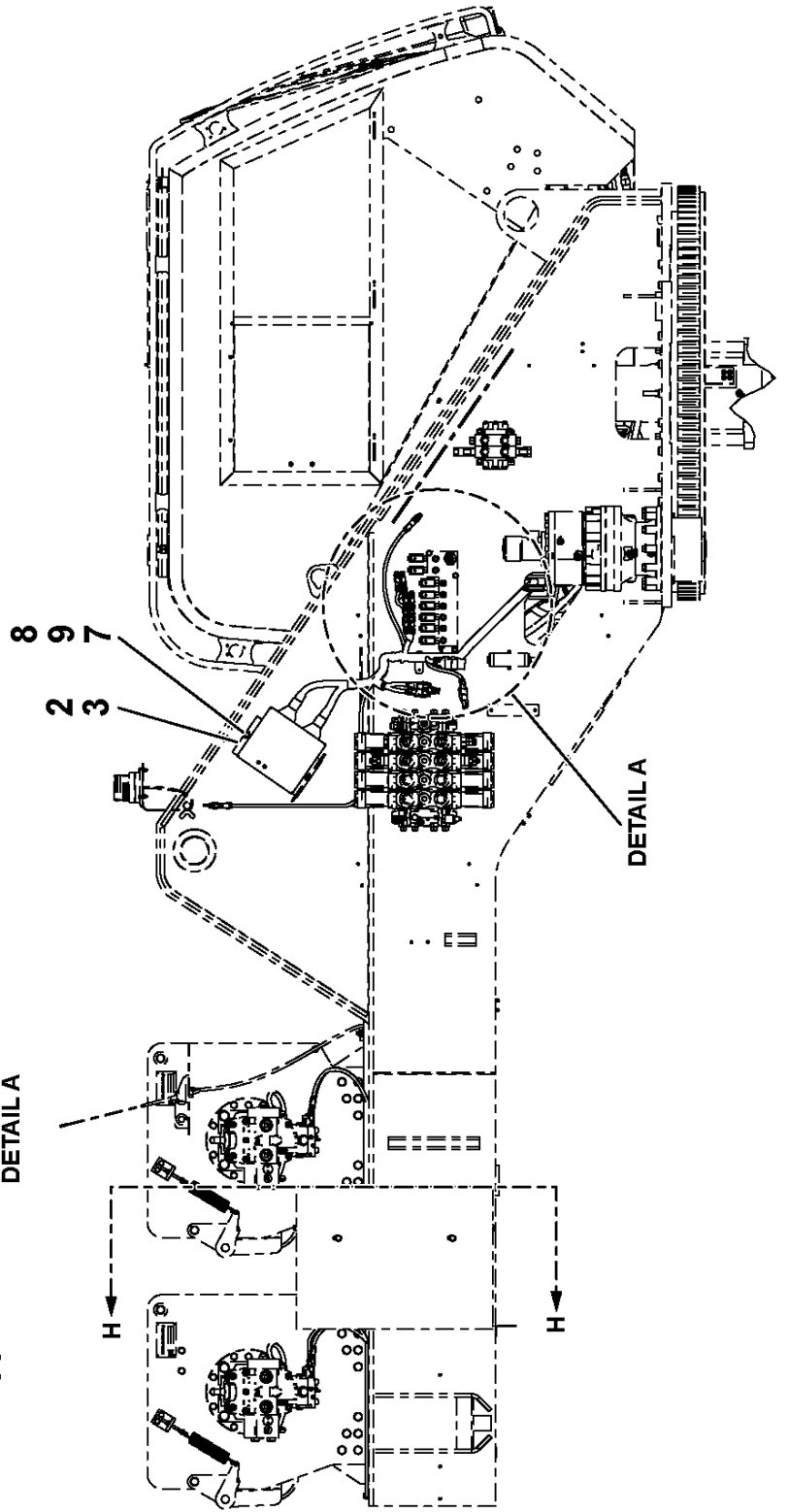
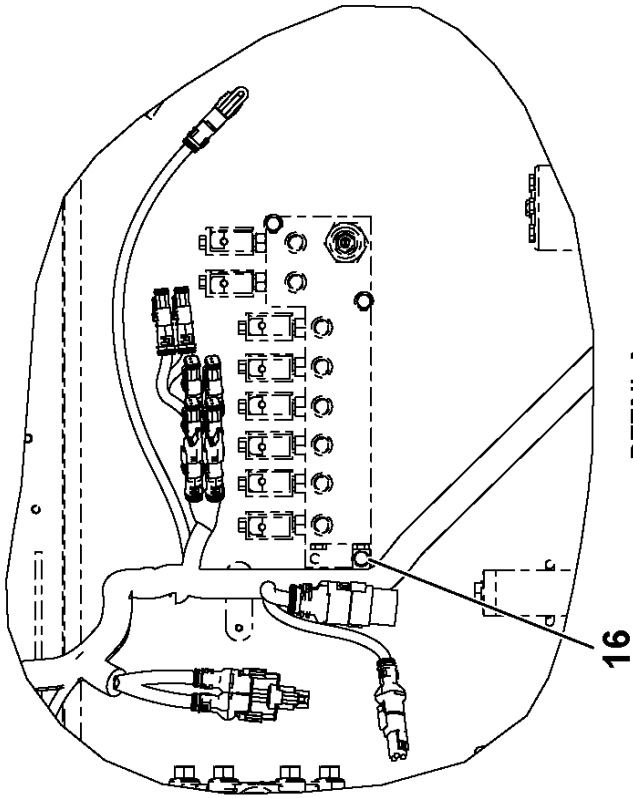
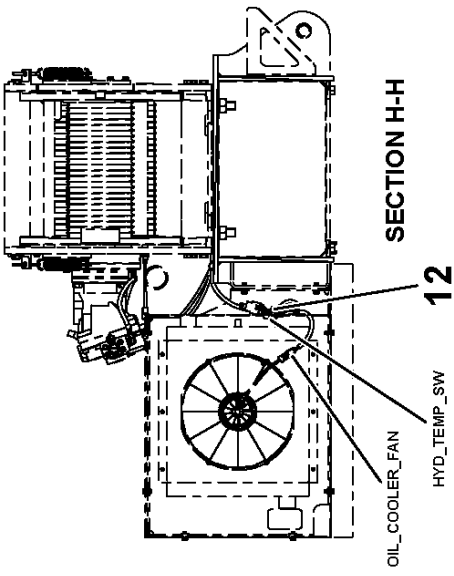
Assembly No.

80041268

Revision: **A**

Item	FN	Part	Qty	Description
51		7447040603	1	FITTING, 90 DEGREE INCLUDES THE FOLLOWING PARTS
		7755011002	1	O-RING
		7755906002	1	O-RING
52		7447101003	1	ELBOW, 90 DEGREE INCLUDES THE FOLLOWING PARTS
		7755016002	1	O-RING
		7755910002	1	O-RING
53		7555402001	1	HOSE ASSY, 5/8" I.D. X 20" LONG
54		7555402001	1	HOSE ASSY, 5/8" I.D. X 20" LONG
55		7447040603	2	FITTING, 90 DEGREE INCLUDES THE FOLLOWING PARTS
		7755011002	1	O-RING
		7755906002	1	O-RING
56		7447040401	1	ADAPTER, STRAIGHT INCLUDES THE FOLLOWING PARTS
		7755011002	1	O-RING
		7755904002	1	O-RING
57		7555102801	1	HOSE ASSY, 1/4" I.D. X 28" LONG
58		7447040403	1	ELBOW, 90 DEGREE INCLUDES THE FOLLOWING PARTS
		7755011002	1	O-RING
		7755904002	1	O-RING
59		7447060633	1	ELBOW, 90 DEGREE MALE INCLUDES THE FOLLOWING PARTS
		7755012002	1	O-RING
60		7447101001	2	ADAPTER, STRAIGHT INCLUDES THE FOLLOWING PARTS
		7755016002	1	O-RING
		7755910002	1	O-RING
61		7447060801	2	ADAPTER, STRAIGHT MALE INCLUDES THE FOLLOWING PARTS
		7755012002	1	O-RING
		7755908002	1	O-RING
62		7447060634	1	TEE, FEMALE RUN INCLUDES THE FOLLOWING PARTS
		7755012002	1	O-RING
		7755906002	1	O-RING
65		7447100413	1	REDUCER
66		7447101025	2	NUT
67		7447101034	2	TEE

Manitowoc Cranes



Manitowoc Cranes

Description
HARNESS ASSEMBLY

Assembly No.
80041077
Revision: **F**

Item	FN	Part	Qty	Description
1	+	80001293	2	DIODE (MODIFIED)
2		80008755	20	180DEG BSHELL
3		80008765	7	180DEG BSHELL
4		80008769	1	180DEG BSHELL
5		7172100006	1	BOOT, DTP4S - BT
6		80008783	1	180DEG BSHELL
7		80008788	1	180 DEG BSHELL
8		80008792	1	180DEG BSHELL
9		80023485	1	DT PLUG 8SB BLK
10		80029364	7	RECEPT 2P CAP
11		80034811	2	BOOT, DTM4S-BT
12		7172000552	2	BOOT
13		7172000554	2	BOOT
14		7172100002	2	BOOT, PLUG
15		7364001682	2	CONNECTOR, 2 CONDUCTOR TOWER WITH SEAL
16		7364001683	3	CONNECTOR, 2 CONDUCTOR SHROUD
17		7709000844	20	PLUG, 2 SOCKET
18		7709000846	1	PLUG, 12 SOCKET
19		7709000874	5	PLUG 3 SOCKET
20		7709000883	1	PLUG 6 SOCKET
21		7709100870	1	PLUG, 4 PASS
22		7709100877	2	PLUG
23		7709100882	1	PLUG, DRC18-40SA
24		7709100895	2	PLUG, 4 SOCKET
25		7709100902	2	PLUG, 3 PIN
26		7709100909	1	PLUG DTM06-12SC W/WM-12S WEDGE
27		7709100910	1	PLUG DTM06-12SD W/WM-12S WEDGE
28		7709100911	2	PLUG,DT06-3S-CEO6 W/BLUE WEDGE
29		7709100946	1	PLUG, DRC18-40SB
30		7826000617	1	SOCKET, RELAY WATERPROOF
31		7892000978	2	RECEPTACLE, 3 PIN

+ SEE FURTHER BREAKDOWN THIS GROUP

Manitowoc Cranes

Notes

Manitowoc Cranes

Description

LOCK PIN INSTALLATION

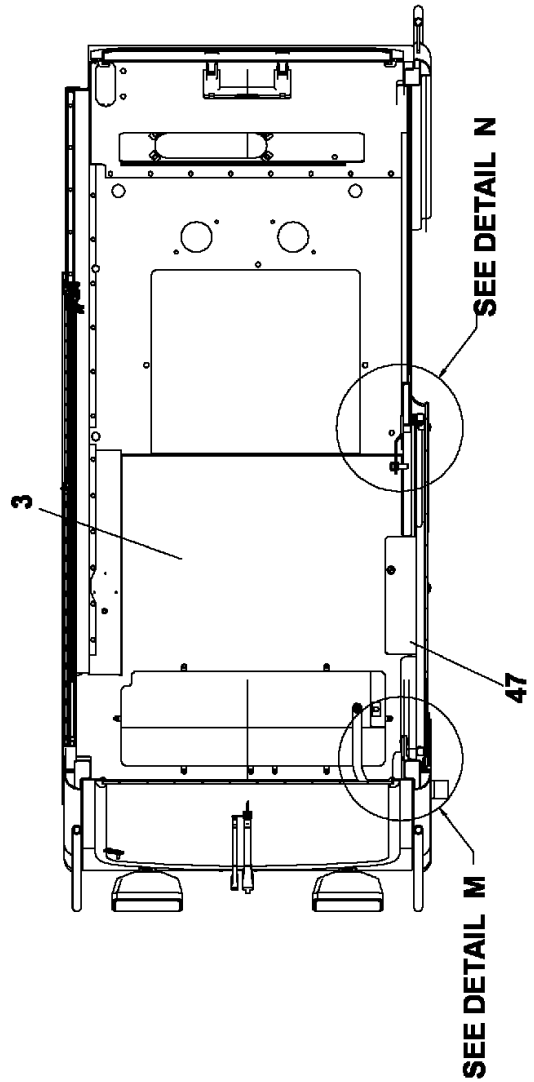
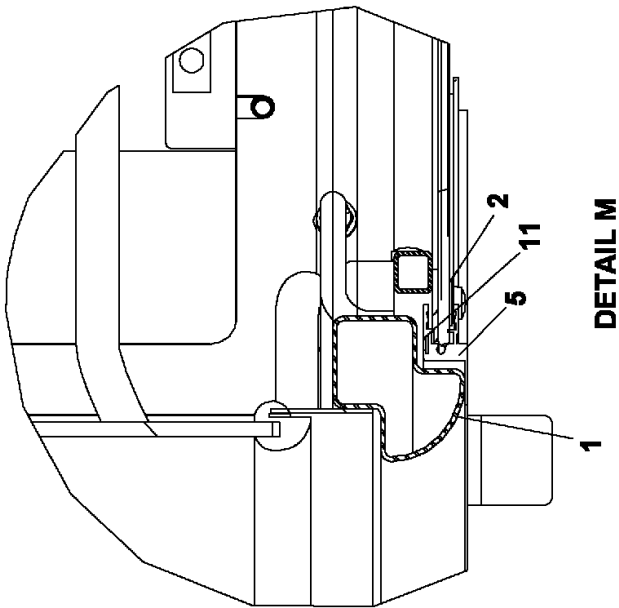
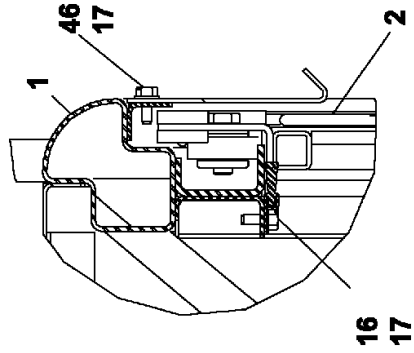
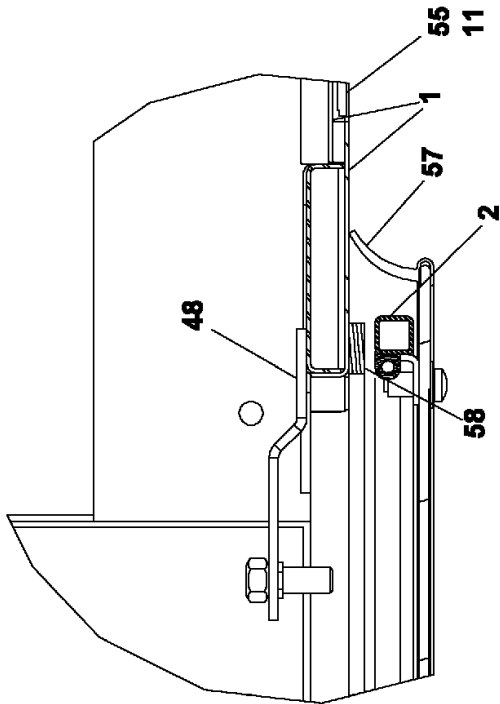
Assembly No.

80042048

Revision: **A**

Item	FN	Part	Qty	Description
1		2189210091	1	PIN
2		7308000118	1	CLEVIS ASSY
		7690021210	1	INCLUDES THE FOLLOWING PARTS
		7690161600	1	PIN, 3/32" X 3/4" LONG COTTER
		7660140230	1	PIN, CLEVIS 3/8" X 1"
3			1	NUT, HEX JAM 1/4" - 28 N.F.

Manitowoc Cranes



Manitowoc Cranes

Notes

Manitowoc Cranes

Description

WIPER KIT - FRONT 12 VOLT

Assembly No.

80007089

Revision:

Item	FN	Part	Qty	Description
1		90012810	1	MOTOR ASSY. 12V.
2		90011813	1	LINK, DRIVE ARM
3		90000996	1	SHAFT, PIVOT
4		90011815	1	ARM, WIPER/WET 26"
5		9576101347	1	BLADE, WIPER 34"
6		90000908	1	ADAPTER
7		90011814	1	LINK, 13.5" LG
8		90000992	1	KIT, HARDWARE
9		7892000824	1	RECEPTACLE, 6 PIN
10		7689000704	5	PIN, 16 - 14 GA
11		7689000503	1	PLUG, SEALING 16 - 12 AWG

Manitowoc Cranes

Notes

Manitowoc Cranes

Description

PEDAL GROUP INSTALLATION

Assembly No.

80047051

Revision: **B**

Item	FN	Part	Qty	Description
1		80019101	1	FOOT PEDAL PLATE
2		80016505	1	PEDAL BRACKET
4		80024252	1	PEDAL BRACKET-OPP
5	+	7926100786	1	VALVE ASSEMBLY - TREADLE (SWING BRAKE) (COMPLETE ASSEMBLY)
6		80023741	1	PEDAL-THROTTLE
11		7951190210	10	LOCK WASHER, 10MM
12		7126191253	8	CAP SCREW, M10 X 25 HEX HEAD
14		7661170003	6	NUT
17		7951150210	5	LOCKWASHER, 6MM I.D.
18		7126151253	5	CAP SCREW, M6 X 25MM
19		7951170210	6	WASHER, LOCK 8MM
20		7126171253	6	CAP SCREW, M8X25 HEX HEAD
21	#	7661150003	5	NUT, HEX
22		7951190014	8	FLAT WASHER, 10MM I.D.
23	+	80047050	1	VALVE-BRAKE PEDAL
24		80015928	1	PLATE, COVER
25		7661190003	2	NUT, HEX 10MM
26		7126191350	2	CAP SCREW, M10X30 HEX HEAD

+ SEE FURTHER BREAKDOWN THIS GROUP

SERVICED AS AN ASSEMBLY ONLY

Manitowoc Cranes

Description

CAB CRANESTAR INSTALLATION

Assembly No.

80023681

Revision: #

Item	FN	Part	Qty	Description
1		80021858	1	ANTENNA , GPS/GSM
2		80022642	1	TAPE CUTOUT, 3M VHB
3		80015532	1	180 DEG CABLE CORDGRIP
4		7850000208	2	CABLE TIE 5.63", BLACK
5		8594100257	1	TUBING, HEAT SHRINK 1/2" I.D. LINER, MELTABLE (QUANTITY IN FEET)
6		7111040410	1	SCREW, MACHINE 7/64" - 40 N.C. X 1/2" GRADE 1
7		7950040141	2	WASHER, 7/64" I.D.
8		7950040050	1	LOCKWASHER, 7/64" I.D.
9		7660041100	1	NUT, HEX 7/64" - 40 N.C. GRADE 1

Manitowoc Cranes

Description

**SWITCH ASSEMBLY - PROXIMITY (NORMALLY OPEN)
(COMPLETE ASSEMBLY)**

Assembly No.

6872100045

Revision: **A**

Item	FN	Part	Qty	Description
1		7872100062	1	PROXY SENSOR-PNP 10mm RANGE
2		7892100010	1	RECEPTACLE, DTM-3P
3		7172100003	3	BOOT-DTM3P-RECP
4		7689100033	3	PIN
5		8594100256	1	TUBING, HEAT SHRINK 1/4" I.D. LINER, MELTABLE (QUANTITY IN FEET)

Manitowoc Cranes

Description

HEATER & AIR CONDITION CONTROL PANEL INSTALLATION

Assembly No.

80041320

Revision: **A**

Item	FN	Part	Qty	Description
1	+	80025713	1	HEATER & A/C CTRL PANEL (12V)
2		80040417	1	BEZEL
3		7111100810	2	SCREW, MACHINE 3/16" - 32 N.F. X 1" GRADE 1
4		7660102701	2	LOCKNUT, FLANGE
5		7258001452	2	CAP #8

+ SEE FURTHER BREAKDOWN THIS GROUP

Manitowoc Cranes

Description

Assembly No.

TREDAL VALVE ASSEMBLY - BI DIRECTIONAL HYDRAULIC PROPORTIONAL REMOVED

BB005806

CONTROL

Revision:

Item	FN	Part	Qty	Description
1		90015100	1	PEDAL
2		90015101	1	CONTROL UNIT
3		90015103	2	PLUNGER ASSY
				INCLUDES THE FOLLOWING PARTS
	*	90015102	2	KIT, SEAL
4		90015104	2	SPRING
10	*	90015102	1	KIT, SEAL

* REPAIR KIT AND/OR PART OF KIT

Manitowoc Cranes

Description

SWING & SWING BRAKE HYDRAULIC LINES INSTALLATION

Assembly No.

80041806

Revision: **E**

Item	FN	Part	Qty	Description
101		7447040601	3	ADAPTER, STRAIGHT INCLUDES THE FOLLOWING PARTS
		7755011002	1	O-RING
		7755906002	1	O-RING
102		7561111802	1	1/4" I.D. X 118"
103		7561111802	1	1/4" I.D. X 118"
106		7555113201	1	1/4" I.D. X 132" LONG
107		7555112001	1	HOSE ASSY, USE AS REQUIRED
				1/4" I.D. X 120" LONG
108		7555111401	1	HOSE ASSY, USE AS REQUIRED
				1/4" I.D. X 114"

Manitowoc Cranes

Description

BRAKE HYDRAULIC LINES INSTALLATION-CAB

Assembly No.

80041812

Revision: **B**

Item	FN	Part	Qty	Description
601		7447060601	2	ADAPTER, STRAIGHT MALE INCLUDES THE FOLLOWING PARTS
		7755012002	1	O-RING
		7755906002	1	O-RING
608		7555104801	1	HOSE ASSY, 1/4" I.D. X 48" LONG
609		7555105600	1	HOSE ASSY, 1/4" I.D. X 56" LONG
610		7555106000	1	HOSE ASSY, 1" I.D. X 60" LONG
611		7447060413	1	REDUCER
612		7447040433	1	ELBOW, 90 DEGREE INCLUDES THE FOLLOWING PARTS
		7755011002	1	O-RING
613		7447060601	2	ADAPTER, STRAIGHT MALE INCLUDES THE FOLLOWING PARTS
		7755012002	1	O-RING
		7755906002	1	O-RING
614		7555206801	2	HOSE ASSY, 3/8" I.D. X 68" LONG

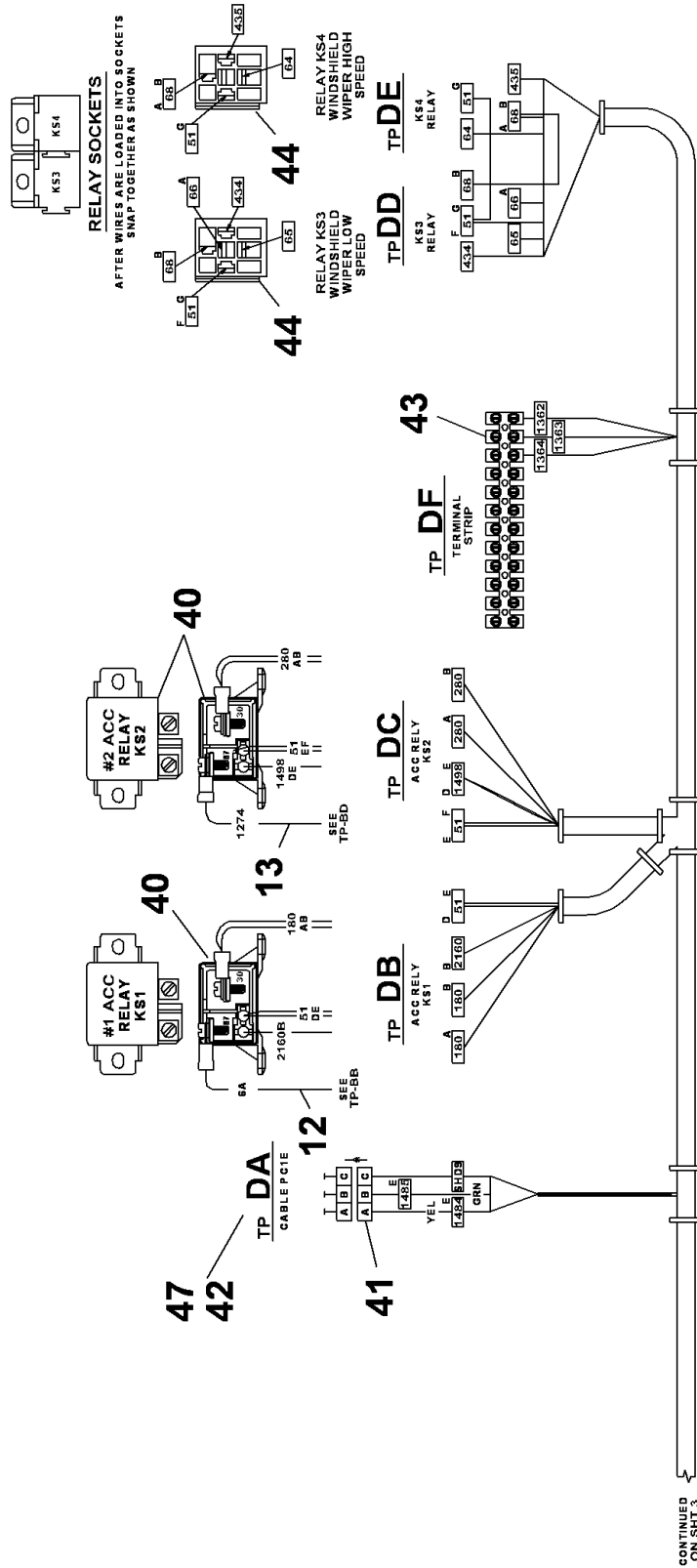
Manitowoc Cranes

<u>Description</u> ESI-CAB				<u>Assembly No.</u> 80044360 Revision: C
Item	FN	Part	Qty	Description
1	+	80043254	1	PANEL ASSEMBLY-FUSE & RELAY
2	+	80041020	1	CONTROL PANEL O/H CONSOLE
3	+	80023583	1	PANEL ASSEMBLY-FRONT CONSOLE
4		7950160141	1	WASHER, 3/8" PLAIN NARROW
5		7660160001	1	NUT, HEX 3/8" - 16 N.C. GRADE 5
6		7245100058	1	COVER, FUSE
7	#	80022523	1	CONTROL MOD GB235-150ES I/O
8		80017005	1	RECEPTACLE, 12V
9		7429100008	6	NUT, #8-32NF WELL
10		7111080610	6	SCREW, MACHINE 5/32" - 32 N.C. X 3/4" GRADE 1
11		7258001452	6	CAP #8
12		7660141600	2	LOCKNUT, HEX 1/4" - 20 N.C.
13		7345001746	6	TERMINAL, MALE 16 - 14 AWG
14		7345001744	1	TERMINAL, FEMALE 16 - 14 AWG
15	+	80044357	1	WIRE HARNESS-CAB INTERIOR
16		7950140050	12	WASHER, LOCK 1/4"
17		7519000198	2	HINGE, LEFT HAND NYLON LIFT OFF
18		7115140550	8	CAP SCREW, 1/4" - 20 N.C. X 5/8" GRADE 5
19		7099001159	4	SCREW, THUMB
20		7659000287	4	NUT, RETAINING 5/16" - 18 N.C.
21		80016541	1	CONSOLE, OVERHEAD PANEL W/HOLE
22		7242000015	1	PLUG
23		7101100610	16	SCREW, MACHINE 3/16" - 32 N.F. X 3/4" GRADE 1
24		7258001451	12	CAP, 1/4"
25		7850000208	20	CABLE TIE 5.63", BLACK

+ SEE FURTHER BREAKDOWN THIS GROUP

SERVICED AS AN ASSEMBLY ONLY

Manitowoc Cranes



Manitowoc Cranes

WIRE NO	COLOR	TYPE	SAE SIZE	LENGTH	TP	B/M ITEM NO	REMARKS	TP	B/M ITEM NO	REMARKS
				TOTAL IN						
43A	WHITE	GXL	18	111	A	16	_____	S1	STRIP	SEE DETAIL
43B	↑	↑	18	8	D	STRIP	CRIMP W/43C	S1	STRIP	SEE DETAIL
43C			18	4	D	17	CRIMP W/43B	D	18	_____
43D			18	9	E	STRIP	CRIMP W/43E	S1	STRIP	SEE DETAIL
43E			18	4	E	17	CRIMP W/43D	E	18	_____
43F			18	10	F	STRIP	CRIMP W/43G	S1	STRIP	SEE DETAIL
43G			18	4	F	17	CRIMP W/43F	F	18	_____
43H			18	11	H	STRIP	CRIMP W/43J	S1	STRIP	SEE DETAIL
43J			18	4	H	17	CRIMP W/43H	H	18	_____
43K			18	15	L	STRIP	CRIMP W/43L	S1	STRIP	SEE DETAIL
43L			18	4	L	17	CRIMP W/43K	L	18	_____
43M			18	12	J	18	_____	S1	STRIP	SEE DETAIL
45A			16	89	A	16	_____	S2	STRIP	SEE DETAIL
45B			16	11	S2	STRIP	SEE DETAIL	C	19	_____
45C			16	33	S2	STRIP	SEE DETAIL	H	17	_____
51A			14	122	A	14	_____	G	14	_____
51B			18	34	G	16	_____	N	22	_____
51D			18	10	G	16	_____	L	18	_____
51E			18	10	G	16	_____	E	18	_____
51F			18	7	G	16	_____	J	18	_____
51G			18	8	G	16	_____	H	18	_____
51H			18	9	G	16	_____	F	18	_____
51J			18	16	K	15	_____	G	16	_____
51K			18	16	K	15	_____	G	16	_____
51L			16	42	C	21	_____	G	16	_____
51M			16	20	P	16	_____	G	16	_____
51N			18	11	D	18	_____	G	16	_____
54A			16	113	A	16	_____	S1	STRIP	SEE DETAIL
54B			18	10	J	18	_____	S1	STRIP	SEE DETAIL
54C			18	19	K	15	_____	S1	STRIP	SEE DETAIL
56			16	122	A	16	_____	H	17	_____
91A			18	132	A	16	_____	K	15	_____
101			18	121	A	16	_____	F	18	_____
113			18	152	A	16	_____	N	19	_____
212			16	18	L	17	_____	P	16	_____
213			16	18	L	17	_____	P	16	_____
214			16	18	L	17	_____	P	16	_____
268			16	126	A	16	_____	L	17	_____
799			18	120	A	16	_____	E	18	_____
1384A			18	112	A	16	_____	S1	STRIP	SEE DETAIL
1384B			18	7	D	18	_____	S1	STRIP	SEE DETAIL
1384C			18	8	E	18	_____	S1	STRIP	SEE DETAIL
1384D			18	9	F	18	_____	S1	STRIP	SEE DETAIL
1384E			18	20	K	18	_____	S1	STRIP	SEE DETAIL
1450			18	132	A	16	_____	K	15	_____
1451			18	132	A	16	_____	K	15	_____
1469			18	132	A	16	_____	K	15	_____
1470			18	132	A	16	_____	K	15	_____
1471			18	132	A	16	_____	K	15	_____
2135	↓	↓	18	119	A	16	_____	D	18	_____
2136	WHITE	GXL	18	119	A	16	_____	D	18	_____

Manitowoc Cranes

Description

HARNESS ASSEMBLY-FRONT PANEL CAB

Assembly No.

80023710

Revision: **A**

Item	FN	Part	Qty	Description
7		7892100086	1	RECEPT, DTO4-12PB-C015 W/WEDGE
8		7892001051	1	RECEPTACLE, 4 PIN
9		7709000874	1	PLUG 3 SOCKET
10		7892000978	1	RECEPTACLE, 3 PIN
11		7364100184	3	CONNECTOR, L-SERIES SWITCHES
12		7689000704	2	PIN, 16 - 14 GA
13		7689001782	13	PIN, 18 - 16 GAGE
14		7826000626	3	SOCKET, 16 - 18 AWG
15		7689000503	4	PLUG, SEALING 16 - 12 AWG
16		7892100059	8	TERMINAL, FM MP 630 SERIES
18		7892001003	2	FERRULE, SINGLE WIRE (BLUE)
19		7892001001	2	FERRULE, SINGLE WIRE (RED)
20		7345001444	4	TERMINAL, FEMALE
21		7892000196	1	PARALLEL, NON - INSULATED 8 AWG
22		8594100257	1	TUBING, HEAT SHRINK 1/2" I.D. LINER, MELTABLE (QUANTITY IN FEET)
23		8594000003	1	FLEXGUARD - .625" I.D. (QUANTITY IN FEET)
24		7850000208	12	CABLE TIE 5.63", BLACK

Manitowoc Cranes

Description

GRAB HANDLE INSTALLATION

Assembly No.

80042302

Revision: **A**

Item	FN	Part	Qty	Description
1		7511001058	1	HANDRAIL, GRAB
2		7951210014	2	WASHER, FLAT #12
3		7951210210	2	LOCK WASHER, 12MM I.D.
4		7126211253	2	CAP SCREW, M12 X 25MM HEX HEAD

Manitowoc Cranes

Description

FRAME ASSEMBLY

Assembly No.

80040917

Revision: **G**

Item	FN	Part	Qty	Description
26		80046524	1	FRAME 5TH WHEEL
49		6810003003	2	SHAFT
50		6949000572	4	WASHER (SHIM)
51		7115183050	2	CAP SCREW, 1/2" - 13 N.C. X 3 3/4" GRADE 5
52		7660181600	2	LOCKNUT, HEX 1/2" - 13 N.C.
53		7440000400	2	FITTING, 90 DEGREE GREASE

Manitowoc Cranes

Description

CYLINDER ASSEMBLY - 2 1/2" O/R EXTENSION (COMPLETE ASSEMBLY)

Assembly No.

7372100236

Revision:

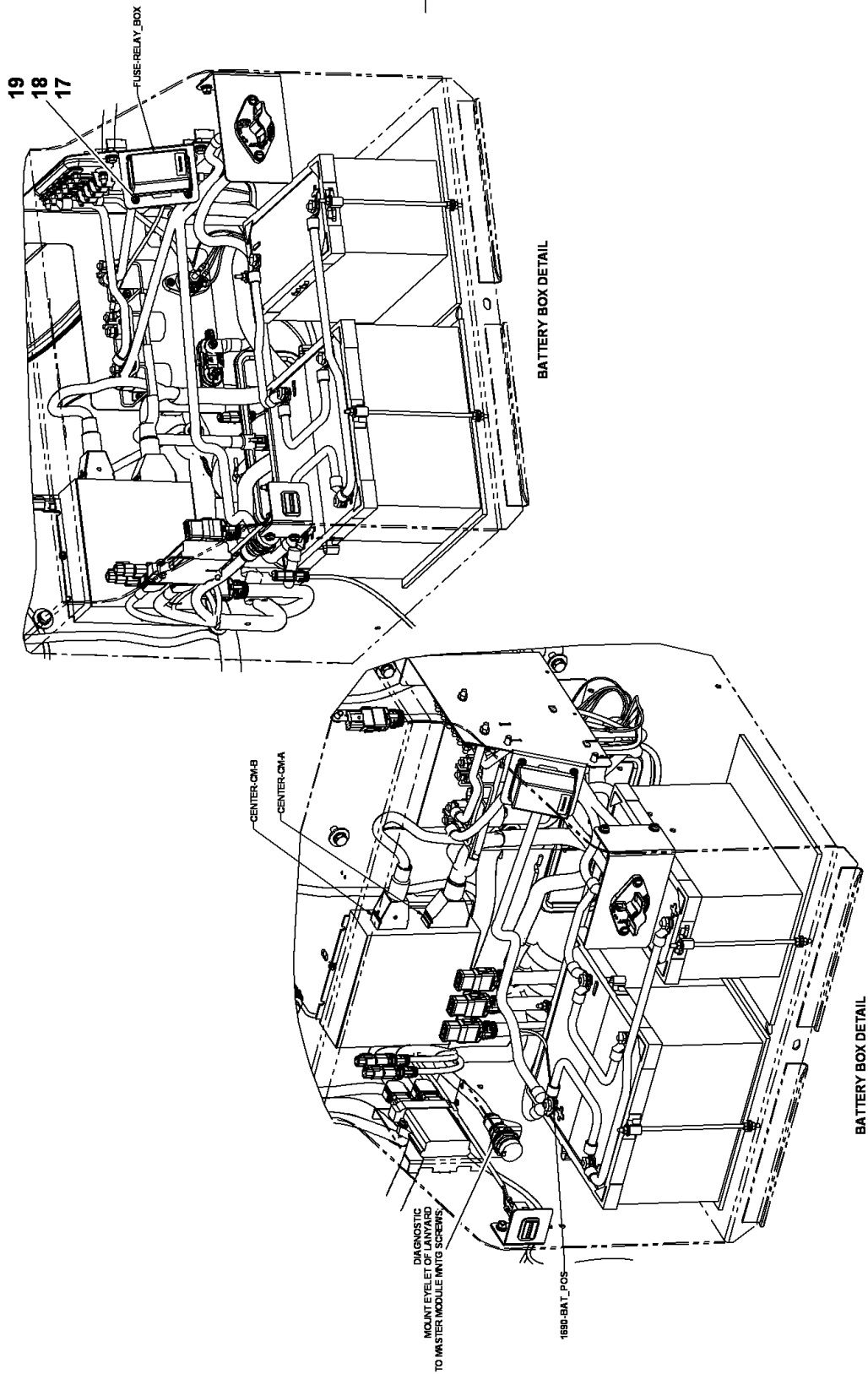
Item	FN	Part	Qty	Description
1		9372103552	1	BARREL ASSY.
2		9372103553	1	ROD ASSY.
3		9372103546	1	PISTON
4		9372103547	1	GLAND, ROD
5		9372103554	1	SPACER
6		9372103549	1	NUT
7	*	NSS	1	RING, SEAL PISTON
8	*	NSS	2	RING, WEAR
9	*	NSS	1	O-RING
10	*	NSS	1	O-RING
11	*	NSS	1	RING, BACK-UP
12	*	NSS	1	RING, SEAL ROD
13	*	NSS	1	RING, WIPER
14	*	NSS	2	RING, WEAR
16		9372103550	1	CAP
				INCLUDES THE FOLLOWING PARTS
		7755910002	1	O-RING
20	*	9372103551	1	KIT, SEAL

* REPAIR KIT AND/OR PART OF KIT

Manitowoc Cranes

<u>Description</u>				<u>Assembly No.</u>
ENGINE HOOD INSTALLATION				80041952
				Revision: F
Item	FN	Part	Qty	Description
1		80041953	1	COVER-REAR HOOD
2		80041955	1	COVER - DOOR ASSEMBLY
3		80041957	1	COVER - ENGINE HOOD
4		80041958	1	COVER - FRAME
5		80041960	1	COVER - ENGINE HOOD
6		80046325	1	COVER - ENGINE HOOD
7		80046548	1	COVER - ACCESS HOLE
8		80042040	0	COVER-BAFFLE
9		80042042	1	COVER - BAFFLE
10		80051277	1	COVER - GRILL
11		7585000812	2	DRAW LATCH
				INCLUDES THE FOLLOWING PARTS
		9585100055	1	KEEPER
12		6290100024	1	CHANNEL
13		8496980002	15	MOULDING (QUANTITY IN FEET)
14		8246964300	4	MOULDING (QUANTITY IN FEET)
15		8496900015	1	MOULDING (QUANTITY IN FEET)
15		8496900015	4	MOULDING (QUANTITY IN FEET)
16		8496900046	11	MOULDING
17		7115160550	1	CAP SCREW, 3/8" - 16 N.C. X 5/8" GRADE 5
18		7115160850	36	CAP SCREW, 3/8" - 16 N.C. X 1" GRADE 5
19		7950160141	36	WASHER, 3/8" PLAIN NARROW
20		7950160050	36	WASHER, LOCK 3/8" I.D.
21		7659000811	30	NUT, RETAINING 3/8" - 16 N.C.
22		7115140650	8	CAP SCREW, 1/4" - 20 N.C. X 3/4" GRADE 5
23		7950140141	12	WASHER, FLAT 1/4" PLAIN NARROW
24		7950140050	8	WASHER, LOCK 1/4"

Manitowoc Cranes



Manitowoc Cranes

WIRE CUT LIST

CABLE	WIRE	COLOR	SIZE	LENGTH (REF)	FROM				TO			
					TP	PIN	TERMINATOR	SEAL	TP	PIN	TERMINATOR	SEAL
	2	WHT	18	1685	CENTER-CMB	13	7826000626		RELAY	1	7826000626	
	6	WHT	6	2625	SWVL-6	1	7826000095		6-FUSE	1	7345232101	
	9	WHT	18	2276	CENTER-CMB	12	7826000626		HRMTR-POS	1	7345001744	
	14	WHT	16	3328	RF-TURN_LT	3	7826100013	7364100052	FRONT-CM-B	10	7826000626	
	15	WHT	16	3239	LF-TURN_LT	3	7826100013	7364100052	FRONT-CM-B	9	7826000626	
	16	WHT	18	6894	CENTER-CMB	5	7826000626		RR-TURN_LT	3	7826100013	7364100052
	17	WHT	18	6997	CENTER-CMB	4	7826000626		LR-TURN_LT	3	7826100013	7364100052
	25	WHT	18	3664	ENGINE	C	7826000626		CENTER-CM-A	34	7826000626	
	31	WHT	18	2152	PARK_BRAKE_SW	2	7826000626		CENTER-CM-A	23	7826000626	
	32	WHT	18	4576	FUEL-SNDR1	1	7345211401		FRONT-CM-A	34	7826000626	
	75	WHT	18	1872	RF-BEAM	1	7826000626		FRONT-CM-A	4	7826000626	
	76	WHT	18	2065	LF-BEAM	1	7826000626		FRONT-CM-A	2	7826000626	
	79	WHT	18	5099	O-R_EXT	1	7826000626		FRONT-CM-B	1	7826000626	
	80	WHT	18	5104	O-R_RET	1	7826000626		FRONT-CM-B	2	7826000626	
	81	WHT	18	1936	FRONT-CM-A	5	7826000626		RF-STAB	1	7826000626	
	82	WHT	18	2008	FRONT-CM-A	3	7826000626		LF-STAB	1	7826000626	
	84	WHT	18	5225	CENTER-CM-A	5	7826000626		LR-STAB	1	7826000626	
	343	WHT	14	5085	ENGINE	H	7826000087		FUSE-RELAY_BOX	C4	7892100063	7892000255
	367	WHT	18	3687	CENTER-CM-A	8	7689000503		ENGINE	J	7826000626	
	368	WHT	18	3684	CENTER-CM-A	9	7689000503		ENGINE	K	7826000626	
	371	WHT	18	3695	CENTER-CM-A	7	7826000626		ENGINE	L	7826000626	
	445	WHT	18	2163	HI_HYD_TEMP	2	7826000626		CENTER-CM-A	28	7826000626	
	504	WHT	18	2160	CENTER-CMB	9	7826000626		2WD-HI	1	7826000626	
	531	WHT	18	6605	XMSN_COOLER	1	7826000626		FRONT-CM-B	12	7826000626	
	549	WHT	18	4202	XMSN_TEMP_SIG	1	7345191401		CENTER-CM-A	25	7826000626	
	596	WHT	18	3955	CENTER-CMB	11	7826000626		ENGINE	M	7826000626	
	631	WHT	18	3526	CENTER-CMB	10	7826000626		DIFF-LOCK	1	7826000626	
	645	WHT	18	4260	ENGINE	N	7826000626		RELAY	3	7826000626	
	753	WHT	18	4889	ENABLE	1	7826000626		FRONT-CM-A	6	7826000626	
	787	WHT	18	2140	CENTER-CMB	7	7826000626		PARK-BRAKE	1	7826000626	
	789	WHT	18	3685	CENTER-CM-A	6	7826000626		ENGINE	W	7826000626	
	792	WHT	18	5136	REAR_STR-RT	1	7826000626		FRONT-CM-B	5	7826000626	
	793	WHT	18	5182	REAR_STR-LT	1	7826000626		FRONT-CM-B	6	7826000626	
	842	WHT	18	4058	REAR-STR_IND	2	7826100016		CENTER-CM-A	39	7826000626	
	1160	WHT	14	2723	SWIVEL-B	2	7689000704		FUSE-RELAY_BOX	B3	7892100063	7892000255
	1199	WHT	18	3631	HYD-BOOST	1	7826000626		FRONT-CM-B	4	7826000626	
	1253	WHT	16	1980	DIAGNOSTIC	B	7689001782		FUSE-RELAY_BOX	A6	7892100065	7892000254
	1274	WHT	6	2627	SWVL-1274	1	7826000095		1274-FUSE	1	7345232101	
	1280	WHT	18	5901	ENGINE	R	7826000626		WIF	2	7826000626	
	1299	WHT	18	3813	ENGINE	U	7826000626		WIF	1	7826000626	
	1358	WHT	12	862	FUSE-RELAY_BOX	AA1	7892100063	7892000256	1358	1	7345231901	
	1669	WHT	16	2722	SWIVEL-B	3	7689000704		FUSE-RELAY_BOX	A2	7892100065	7892000254
	1690	WHT	16	1821	1690-BAT_POS	1	7345241701		FUSE-RELAY_BOX	AA2	7892100065	7892000254
	1845	WHT	18	1984	FUSE-RELAY_BOX	D1	7892100065	7892000254	MASTER-BLACK	2	7826100016	
	1846	WHT	14	163	FUSE-RELAY_BOX	B1	7892100063	7892000255	FUSE-RELAY_BOX	A7	7892100063	7892000255
	105A	WHT	12	702	105A	1	7345191901		FUSE-RELAY_BOX	AA3	7892100063	7892000256
	105B	WHT	12	677	105B	1	7345191901		FUSE-RELAY_BOX	AA4	7892100063	7892000256
	105C	WHT	12	682	105C	1	7345191901		FUSE-RELAY_BOX	AA5	7892100063	7892000256
	105D	WHT	16	718	105D	1	7345191701		FUSE-RELAY_BOX	AA6	7892100065	7892000254
	126A	WHT	18	3897	FRONT-CM-A	7	7826000626		S15-126	2		SPLICE
	126B	WHT	18	4033	FRT_DIFF_LCK	A	7892000252	7892100003	S15-126	2		SPLICE
	126C	WHT	18	3369	S15-126	2	SPLICE		XMSN_TEMP_PWR	1	7345191401	
	126D	WHT	18	860	PARK_BRAKE_SW	1	7826000626		S15-126	1		SPLICE
	126E	WHT	18	2476	S15-126	1	SPLICE		REAR-STR_IND	1	7826100016	
	126F	WHT	18	2805	S15-126	1	SPLICE		REAR_DIFF_LOCK	1	7892000252	7892100003
	126G	WHT	18	2880	S15-126	1	SPLICE		REMOTE-START	1	7826000626	
	126H	WHT	18	2846	S15-126	2	SPLICE		HI_HYD_TEMP	1	7826000626	
	1283A	WHT	16	2505	S10-1283	2	SPLICE		ENGINE	T	7826000626	
	1283B	WHT	16	1308	S10-1283	1	SPLICE		RELAY	4	7826000626	
	1283C	WHT	16	1398	S10-1283	1	SPLICE		FUSE-RELAY_BOX	AA10	7892100065	7892000254
	12A	WHT	14	1444	FRONT-CM-A	40	7826000087		S1-12	1		SPLICE
	12B	WHT	16	1155	S1-12	2	SPLICE		RF-HDLT	A	7892000843	7892000254
	12C	WHT	16	1179	LF-HDLT	A	7892000843	7892000254	S1-12	2		SPLICE
	13A	WHT	16	1524	S22-13	2	SPLICE		CENTER-CM-B	6	7826000626	
	13B	WHT	16	4470	S4-13	1	SPLICE		S22-13	2		SPLICE
	13C	WHT	18	2033	RF-SIDE-MRKR	1	7826000626		S4-13	2		SPLICE
	13D	WHT	18	2368	LF-SIDE-MRKR	1	7826000626		S4-13	2		SPLICE

80041563

(SHEET 6 OF 11)

CLICK HERE TO **DOWNLOAD** THE COMPLETE MANUAL

- Thank you very much for reading the preview of the manual.
- You can download the complete manual from: www.heydownloads.com by clicking the link below



- Please note: If there is no response to CLICKING the link, please download this PDF first and then click on it.

CLICK HERE TO **DOWNLOAD** THE COMPLETE MANUAL

Manitowoc Cranes

Notes

Manitowoc Cranes

Description

HYDRAULIC VALVE INSTALLATION - CARRIER (WITHOUT DIFFERENTIAL LOCK)

Assembly No.

80004901

Revision: #

Item	FN	Part	Qty	Description
1	+	7926100859	2	VALVE ASSEMBLY - OUTRIGGER CONTROL 4 SECTION (COMPLETE ASSEMBLY)
2	+	7926100874	1	VALVE ASSEMBLY - OUTRIGGER SELECTOR (COMPLETE ASSEMBLY)
3	+	7926003922	1	VALVE ASSEMBLY - DOUBLE SOLENOID (COMPLETE ASSEMBLY)
6		7115160678	4	SCREW, FLANGE 3/8" - 16 N.C. X 3/4" GRADE 5
8		7115150678	4	SCREW, FLANGE 5/16" - 18 N.C. X 3/4" GRADE 5
9		7660162801	4	LOCKNUT, FLANGE 3/8" - 16 N.C.
10		7115141650	2	CAP SCREW, 1/4" - 20 N.C. X 2" GRADE 5
11		7660142701	2	LOCKNUT, HEX 1/4" - 20 N.C.
12		7660152701	4	LOCKNUT 5/16" - 18 N.C.

+ SEE FURTHER BREAKDOWN THIS GROUP

Manitowoc Cranes

Description

HYDRAULIC LINES INSTALLATION-OUTRIGGER

Assembly No.

80041278

Revision: **B**

Item	FN	Part	Qty	Description
1		7447080801	10	ADAPTER, STRAIGHT INCLUDES THE FOLLOWING PARTS
		7755014002	1	O-RING
		7755908002	1	O-RING
3		7555316001	1	HOSE ASSY, 1/2" I.D. X 160"
4		7554307303	4	HOSE ASSY, USE AS REQUIRED
5		7554307303	2	HOSE ASSY, USE AS REQUIRED
6		7555316003	1	HOSE ASSY, 1/2" I.D. X 160"
7		7555313203	1	HOSE ASSY, 1/2" I.D. 132"
8		7447080811	2	TEE, UNION INCLUDES THE FOLLOWING PARTS
		7755014002	1	O-RING
9		7447081001	2	ADAPTER, STRAIGHT MALE INCLUDES THE FOLLOWING PARTS
		7755014002	1	O-RING
		7755910002	1	O-RING
10		7554305403	2	HOSE ASSY, USE AS REQUIRED 1/2" I.D. X 54" LONG
11		7447080834	2	TEE, MALE RUN INCLUDES THE FOLLOWING PARTS
		7755014002	1	O-RING
		7755908002	1	O-RING
12		7554308003	4	HOSE ASSY, USE AS REQUIRED
13		7555313403	1	HOSE ASSY
14		7300000242	1	CLAMP, TUBING 3/4"
15		7115140878	2	CAP SCREW, 1/4" - 20 N.C. X 1" GRADE 5
16		7300000244	1	CLAMP, TUBING 1" I.D.
17		7659000865	2	NUT 1/4" - 20 N.C.
18		7300000402	18	CLAMP, TUBING
19		7447080833	2	ELBOW, 90 DEGREE MALE INCLUDES THE FOLLOWING PARTS
		7755014002	1	O-RING
		7755908002	1	O-RING

Manitowoc Cranes

Description

HYDRAULIC LINES INSTALLATION REAR AXLE

Assembly No.

80041285

Revision: **A**

Item	FN	Part	Qty	Description
151		7555208501	1	HOSE ASSY, 3/8" I.D. X 85" LONG
152		7555209001	1	3/8" I.D. X 90"
153		7555207801	1	HOSE ASSY, 3/8" I.D. X 78" LONG
154		7555207201	1	HOSE ASSY, 3/8" I.D. X 72" LONG
155		7447060601	1	ADAPTER, STRAIGHT MALE INCLUDES THE FOLLOWING PARTS
		7755012002	1	O-RING
		7755906002	1	O-RING
156		7447060634	2	TEE, FEMALE RUN INCLUDES THE FOLLOWING PARTS
		7755012002	1	O-RING
		7755906002	1	O-RING
157		7447060603	2	ELBOW, 90 DEGREE INCLUDES THE FOLLOWING PARTS
		7755012002	1	O-RING
		7755906002	1	O-RING
158		7447060633	2	ELBOW, 90 DEGREE MALE INCLUDES THE FOLLOWING PARTS
		7755012002	1	O-RING
159		7555201801	1	HOSE ASSY, 3/8" I.D. X 18" LONG
160		7447060408	1	ELBOW, 45 DEGREE INCLUDES THE FOLLOWING PARTS
		7755012002	1	O-RING
		7755904002	1	O-RING
161		7300000401	14	CLAMP, TUBING 5/8" I.D.

Manitowoc Cranes

Description
CABLE ASSEMBLY

Assembly No.
6246003053
 Revision: **B**

Item	FN	Part	Qty	Description
2		7364001840	2	CONNECTOR, STRAIN RELIEF
3		7659000042	1	LOCKNUT 3/4" - 10 N.C.
4		7345001443	12	TERMINAL, FEMALE 22 - 18 AWG
5		7892000951	1	RECEPTACLE, 12 PIN
6		7172000551	1	BOOT
7		7850000208	3	CABLE TIE 5.63", BLACK
9		7345001743	5	TERMINAL, FEMALE 16 - 14 AWG
10		7689000704	12	PIN, 16 - 14 GA

Manitowoc Cranes

Description

DIFF.CARRIER GROUP @6.83 RATIO

Assembly No.

9049112772

Revision:

Item	FN	Part	Qty	Description
1		9049112762	1	HOUSING, DIFF. W/CAP ASSY.
2		9049112763	1	KIT, SHIM
3		9049112264	1	CONE, BEARING
4		9049112264	1	CONE, BEARING
5		9049112263	1	CUP, BEARING
6		9049108971	1	RING, ADJUSTING
7		9049112263	1	CUP, BEARING
8		9049108971	1	RING, ADJUSTING
9		9049112764	2	SCREW
10		9049109021	1	SCREW, THRUST
11		9049109022	1	NUT, JAM
12		9049101600	1	RING, RETAINING
13		9049112639	1	CAGE ASSY. PINION INCLUDES THE FOLLOWING PARTS
		9049100895	1	OUTER
		9049100535	1	CUP, BEARING
		9049112786	1	SEAL, OIL
14		9049112786	1	SEAL, OIL
15		9049111037	8	WASHER,
16		9049108332	8	CAP SCREW,
17		9049109690	1	CONE, BEARING
18		9049108952	1	KIT, SPACER
19		9049108948	1	CONE, BEARING
20		9049108966	1	KIT, HARDWARE INCLUDES 21 THRU 23
21		9049108967	12	CAP SCREW,
22		9049101705	12	WASHER, LOCK
23		9049111517	12	NUT
24		9049104578	1	BEARING
25		9049112765	1	RING & PINION SET @ 683 RATIO
26		9049104393	1	FLATWASHER
27		9049111513	1	LOCKNUT
28		9049112766	1	CASE ASSY. DIFF. INCLUDES BOTH CASE HALFS AND ITEMS 29 AND 30
29		9049111037	16	WASHER,

Manitowoc Cranes

Description

HUB & SHAFT GROUP

Assembly No.

9049112774

Revision:

Item	FN	Part	Qty	Description
56		9049112656	1	ROD ASSY. TIE INCLUDES ITEMS 57 THRU 59
57		9049112657	1	ROD ASSY.
58		9049109727	1	END, TIE ROD LEFT HAND THREAD
59		9049109726	1	END, TIE ROD RIGHT HAND THREAD
60		9049103033	1	NUT
61		9049109511	2	PIN, COTTER-END YOKE NUT

Manitowoc Cranes

Description

AXLE INSTALLATION - FRONT WITHOUT DIFFERENTIAL LOCK

Assembly No.

2165510011

Revision: **D**

Item	FN	Part	Qty	Description
1	+	6049100078	1	AXLE ASSEMBLY - DRIVE/STEER WITHOUT DIFFERENTIAL LOCK (COMPLETE ASSEMBLY)
2		7118268650	8	HHCS 1-8UNCx10.75 G8
3		7660260008	8	NUT, HEX 1" - 8 N.C. GRADE 8
4		7949000360	16	WASHER, 1" I.D.

+ SEE FURTHER BREAKDOWN THIS GROUP

Manitowoc Cranes

Notes

Manitowoc Cranes

Description
BRAKE GROUP

Assembly No.
9049112539
Revision:

Item	FN	Part	Qty	Description
1		9049112540	2	BRAKE ASSY, DISC
2		9049112566	8	CAPSCREW
3		9049102985	8	WASHER,
4		9049112382	4	CAP

Manitowoc Cranes

Description

DRIVE LINE ASSEMBLY (COMPLETE ASSEMBLY)

Assembly No.

80000556

Revision:

Item	FN	Part	Qty	Description
1		9364101535	2	U-JOINT BEARING WITH HARDWARE
2		90012594	1	YOKE ASSY. W/ DUST CAP
3		9364101577	1	FITTING, GREASE
4		NSS	1	TUBE WELDMENT

Manitowoc Cranes

Description
ENGINE ASSEMBLY

Assembly No.
80056210
Revision: **B**

Item	FN	Part	Qty	Description
66		7447121201	2	ADAPTER, STRAIGHT MALE INCLUDES THE FOLLOWING PARTS
		7755018002	1	O-RING
		7755912002	1	O-RING
67		7660150030	1	NUT, HEX 5/16" - 24 N.F.
68		7950150141	3	WASHER, FLAT 5/16"
69		7949000551	2	WASHER,
70		7105151250	1	CAP SCREW, 5/16" - 24 N.F. X 1 1/2" GRADE 5
71		6865186005	4	STUD 1/2" - 13 N.C. X 7 1/2"
72		80051532	6	1/2 WASHER-HARD "D"
73		7660180000	4	NUT, 1/2" - 13 N.C. HEX HEAD
74		7126191550	11	CAP SCREW, M10 X 40MM HEX HEAD
75		7949000263	19	WASHER, HARDENED
76		7661190003	2	NUT, HEX 10MM
77		6794000670	1	GASKET
78		7949000235	4	WASHER, 1/2" I.D. FLAT
79		7110182005	2	CAP SCREW, 1/2" - 13 N.C. X 2 1/2" GRADE 1
80		7110181205	2	CAP SCREW, 1/2" - 13 N.C. X 1 1/2" GRADE 1
81		7108161450	8	CAP SCREW, 3/8" - 24 N.F. X 1 3/4" GRADE 8
82		7950180050	2	WASHER, LOCK 1/2" I.D.
83		7115180850	2	CAP SCREW, 1/2"-13 UNC X 1"
84		7709000031	1	O-RING PLUG #6 INCLUDES THE FOLLOWING PARTS
		7755906002	1	O-RING
85		7447040603	2	FITTING, 90 DEGREE INCLUDES THE FOLLOWING PARTS
		7755011002	1	O-RING
		7755906002	1	O-RING
86		7951170014	4	WASHER, FLAT #8

Manitowoc Cranes

Description

TRANS. CASE & COVER GROUP

Assembly No.

90022615

Revision:

Item	FN	Part	Qty	Description
1		9904109673	1	CASE ASSEMBLY INCLUDES ITEMS 2 THRU 14
2		9904105948	1	TUBE
3		9904109506	1	O-RING
4		9049101125	2	BOLT, CAP SCREW
5		7950150050	2	WASHER, LOCK 5/16" I.D.
6		9904105952	1	TUBE
7		9904100993	4	SLEEVE, TUBE
8		9904106183	1	TUBE
9		9904105950	1	TUBE
10		9904105951	1	TUBE
11		9904105947	1	CLIP, TUBE
12		9904100263	1	PLUG,ORIFICE
13		7950160050	1	WASHER, LOCK 3/8" I.D.
14		9904103979	1	SLEEVE
15		9904103552	1	PLUG, PIPE
16		9904101309	1	PLUG
17		9904108400	1	BAFFLE
18		9904109544	1	PLUG
19		9904104055	2	PLUG
20		9904101326	2	PIN
21		9904105945	20	SCREW,
22		7950170050	20	WASHER, LOCK 7/16" I.D.
23		NUS	0	NOT USED ON THIS MODEL
24		9904103779	7	O'RING POLYACUL
25		9904103500	1	O-RING
26		9904103554	1	GASKET
27		9904101317	2	PLUG, MAGNETIC
28		9904105851	1	DIPSTICK
29		9904103561	1	TUBE, DIPSTICK
30		9904108964	1	PLUG, DRAIN
31		9904107730	1	BUSHING
31		9904107731	1	SHIM,
32		9904106155	1	PLUG

Manitowoc Cranes

Description

AUXILIARY PUMP DRIVE GROUP

Assembly No.

9904110352

Revision:

Item	FN	Part	Qty	Description
1		9904103894	1	SUPPORT, BEARING
2		7115161050	2	CAP SCREW, 3/8" - 16 N.C. X 1 1/4" GRADE 5
3		7950160050	2	WASHER, LOCK 3/8" I.D.
4		9904104432	1	BEARING
5		9904103893	1	RING, LOCATING
6		9904103899	1	RING, RETAINING
7		9904105978	1	GEAR
8		9904106344	1	COVER
9		9904109587	1	GASKET
10		9904107990	2	SCREW,
11		7950180050	2	WASHER, LOCK 1/2" I.D.

Manitowoc Cranes

Notes

Manitowoc Cranes

Notes

Manitowoc Cranes

Description

DRIVE PLATE GROUP

Assembly No.

90022671

Revision:

Item	FN	Part	Qty	Description
1		9904109526	6	CAP SCREW,
2		7950160050	6	WASHER, LOCK 3/8" I.D.
3		9904107801	1	RING, BACKING
4		NSS	4	PLATE, DRIVE
5		90022672	1	KIT, DRIVE PLATE INCLUDES ITEMS 1 THRU 4

Manitowoc Cranes

Description

PUMP ASSEMBLY-COUNTER CLOCKWISE ROTATION (COMPLETE ASSEMBLY)

Assembly No.

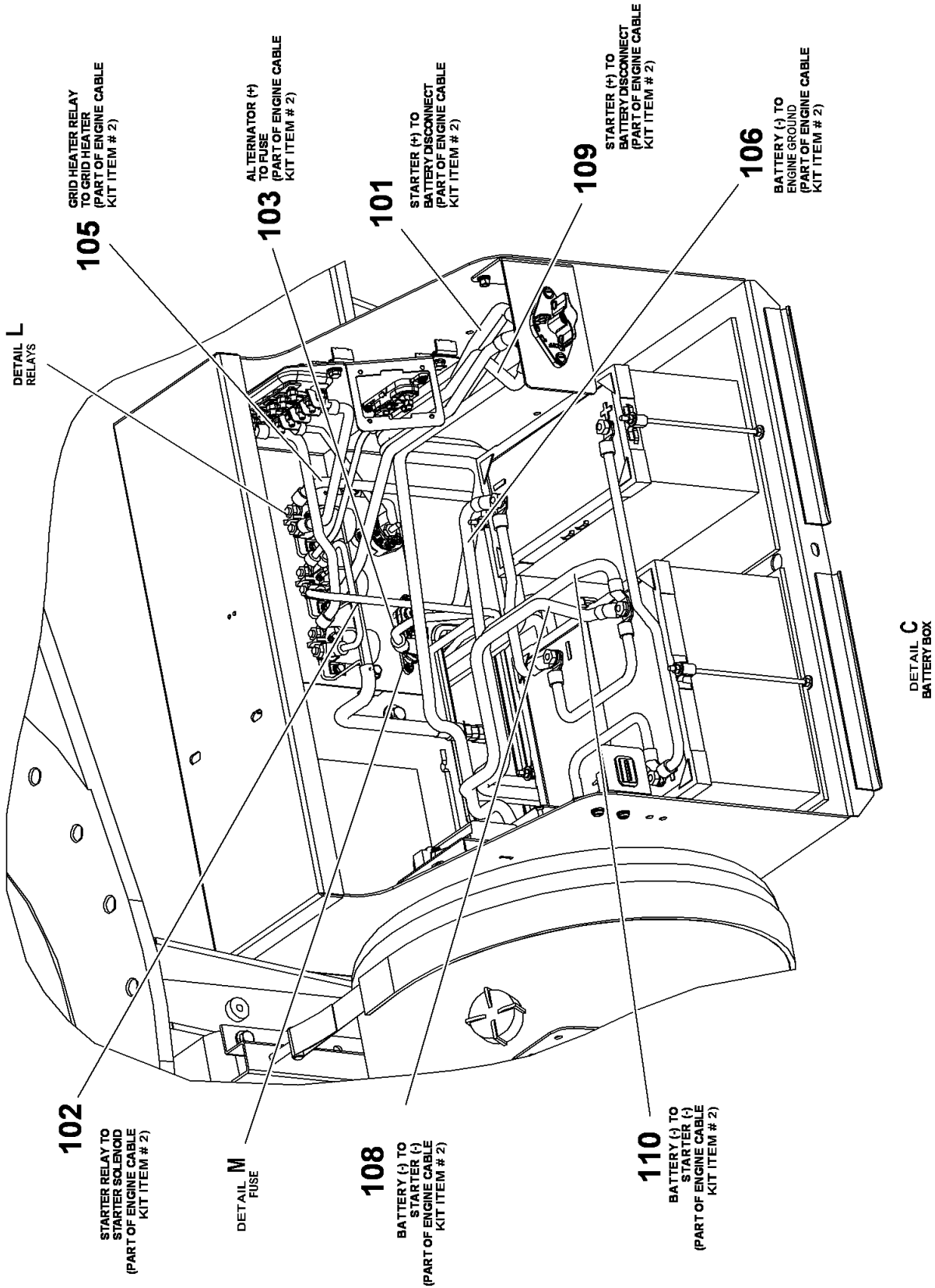
7722100110

Revision:

Item	FN	Part	Qty	Description
1		NSS	1	HOUSING, GEAR
2		9722105433	1	COVER, FRONT
3		9722105434	2	PLATE, THRUST
4		9722105544	1	GEAR, DRIVE SHAFT
5		9722105448	1	GEAR, DRIVEN
6		9722105545	4	CAPSCREW
7		9722105436	1	SCREW, GRUB
8		9722105437	4	WASHER
9	*	NSS	2	SEAL
10	*	NSS	1	SEAL, SECTION
11	*	NSS	2	SEAL, SHAFT
12		9722105441	1	RING, RETAINER
13	*	NSS	2	SEAL
14		9722105443	4	BEARING
15		9722105444	4	BUSHING
16		9722105464	2	PLUG
20	*	9722105445	1	KIT, SEAL

* REPAIR KIT AND/OR PART OF KIT

Manitowoc Cranes



Manitowoc Cranes

Description

WIRE HARNESS T4 ENGINE

Assembly No.

80041507

Revision: **D**

Item	FN	Part	Qty	Description
1		80008750	1	180DEG BSHELL
2		80008755	6	180DEG BSHELL
3		80008765	3	180DEG BSHELL
4		80012750	1	RECEPT (3P BLU WEDGE)
5		80016988	1	PLUG-DRC26-60S07
6		7172000554	1	BOOT
7		7300000429	1	CLAMP, STRAIN RELIEF
10		7364003075	1	PLUG, 4 PASS
11		7364003076	1	CONNECTOR, 4 PASS
12		7364100228	1	PLUG, 150 SERIES, 3 PASS
13		7364100229	1	CONNECTOR, 150 SERIES BLACK
14		7709000239	1	PLUG 21 PIN
15		7709000815	6	PLUG, 2 SOCKET
16		7709000874	1	PLUG 3 SOCKET
17		7709100902	1	PLUG, 3 PIN
18		7709100911	1	PLUG,DT06-3S-CEO6 W/BLUE WEDGE
19		7892000836	1	RECEPTACLE, 2 PIN
20		7892100036	1	RECEPTACLE, 3 WAY
201		7345211401	1	TERMINAL 22 - 18 AWG
202		7345231901	1	TERMINAL 12 - 10 AWG
203		7689000503	5	PLUG, SEALING 16 - 12 AWG
204		7689000797	2	PIN 12 AWG
205		7689001782	17	PIN, 18 - 16 GAGE
206		7689002053	3	PIN 16 - 18 AWG
207		7826000626	11	SOCKET, 16 - 18 AWG
208		7826000650	43	PLUG, SEALING
209		7826100004	6	SOCKET, (16 - 18) 30 SERIES
210		7826100018	17	SOCKET, 20 GAUGE GOLD

Manitowoc Cranes

Notes

Manitowoc Cranes

Description

RADIATOR ASSEMBLY

Assembly No.

80040785

Revision: **C**

Item	FN	Part	Qty	Description
1	+	80040786	1	COOLER ASSEMBLY
2		8637062018	4	MOULDING (QUANTITY IN FEET)
3		8246964300	8	MOULDING (QUANTITY IN FEET)
4		80045527	0	SHROUD TOP
5		7445060653	1	ELBOW, 90 DEGREE
8		7951150014	12	WASHER, 6MM I.D.
9		7950140161	6	WASHER, 1/4" I.D. FLAT WIDE
10		7951150220	6	WASHER, LOCK M6
11		7126151253	6	CAP SCREW, M6 X 25MM

+ SEE FURTHER BREAKDOWN THIS GROUP

Manitowoc Cranes

Description

MOUNTING KIT - OIL COOLER

Assembly No.

7576001743

Revision:

Item	FN	Part	Qty	Description
1		9576101028	2	STRAP
2		9576101029	2	BUSHING
3		7115152050	2	CAP SCREW, 5/16" - 18 N.C. X 2 1/2" GRADE 5
4		7660150008	2	NUT, HEX 5/16" - 18 N.C. GRADE 8
5		7950150050	2	WASHER, LOCK 5/16" I.D.
6		7950150141	2	WASHER, FLAT 5/16"
7		7115140650	2	CAP SCREW, 1/4" - 20 N.C. X 3/4" GRADE 5
8		7660140008	2	NUT, HEX 1/4" - 20 N.C.
9		7950140050	2	WASHER, LOCK 1/4"
10		7950140141	2	WASHER, FLAT 1/4" PLAIN NARROW

Manitowoc Cranes

Description

HARNESS ASSEMBLY-ENGINE RELAY PANEL

Assembly No.

80023449

Revision: #

Item	FN	Part	Qty	Description
2		80008779	1	180DEG BSHELL 241-0605
3		7892000986	1	RECEPTACLE, 6 PIN
4		7689000704	5	PIN, 16 - 14 GA
5		7345211701	6	TONGUE, INSULATED RING
6		7850000208	8	CABLE TIE 5.63", BLACK
7		8594000006	2	FLEXGUARD - .350" I.D. (QUANTITY IN FEET)
8		7689000503	1	PLUG, SEALING 16 - 12 AWG
9		8594100257	1	TUBING, HEAT SHRINK 1/2" I.D. LINER, MELTABLE (QUANTITY IN FEET)
10		7892000195	1	PARALLEL, NON - INSULATED 12 - 10 AWG

Manitowoc Cranes

Description

OUTRIGGER FLOAT STOWAGE INSTALLATION

Assembly No.

80055966

Revision: **B**

Item	FN	Part	Qty	Description
1		80046829	8	O/R PAD BUMPER .81"
2	+	6458000048	4	FLOAT ASSEMBLY - OUTRIGGER
3		7689100034	8	PIN, QUICK WITH (LANYARD)
4		7115140850	8	CAP SCREW, 1/4" - 20 N.C. X 1" GRADE 5
5		7660141600	8	LOCKNUT, HEX 1/4" - 20 N.C.
6		7950140150	16	WASHER, FLAT 1/4" I.D.

+ SEE FURTHER BREAKDOWN THIS GROUP

Manitowoc Cranes

Description

TIRE & WHEEL INSTALLATION

Assembly No.

80030160

Revision: #

Item	FN	Part	Qty	Description
1	+	6970100149	2	TIRE & WHEEL ASSY GEN 23.5X25
2		80030173	48	WHEEL NUT 3/4-16UNF Flg
3	+	6970100149	2	TIRE & WHEEL ASSY GEN 23.5X25

+ SEE FURTHER BREAKDOWN THIS GROUP

Manitowoc Cranes

Description

WASHER BOTTLE INSTALLATION

Assembly No.

80020418

Revision: **D**

Item	FN	Part	Qty	Description
1	#	7576000320	1	PUMP ASSY, CANISTER
2		7126151253	4	CAP SCREW, M6 X 25MM
3		7950140161	4	WASHER, 1/4" I.D. FLAT WIDE
4		7951150210	4	LOCKWASHER, 6MM I.D.
5	#	7661150003	4	NUT, HEX

SERVICED AS AN ASSEMBLY ONLY

Manitowoc Cranes

Description

FREON COMPRESSOR - 12V,PAD MNT

Assembly No.

80042713

Revision:

Item	FN	Part	Qty	Description
1		90024678	1	COMPRESSOR ASSY. 12V.
2		90024679	1	KIT, HARDWARE
3		90024645	1	PLATE, MANIFOLD
4		90019917	1	O-RING, 2-PKT
5		90024680	1	CLUTCH & COIL ASSY.
6		7892000836	1	RECEPTACLE, 2 PIN
7		7689000704	1	PIN, 16 - 14 GA
8		7172000546	1	BOOT
9		7689000503	1	PLUG, SEALING 16 - 12 AWG

Manitowoc Cranes

Description

DECAL INSTALLATION-STANDARD CAB

Assembly No.

80043058

Revision: **D**

Item	FN	Part	Qty	Description
100		80034750	1	DECAL-CAUTION-TRANS DAMAGE
101		7376007441	1	DECAL - DANGER OUTRIGGER MID EXTENSION (ENGLISH)
102		7376100080	1	DECAL - DANGER SUPERSTRUCTURE SWING (ENGLISH)
103		7376011340	1	DECAL - CAUTION PIN SWING LOCK (ENGLISH)
104		7376009502	1	DECAL - EMERGENCY EXIT (ENGLISH)
105		80041097	1	DECAL-DANGER ELECTROCUTION HAZARD CHART
106		80026772	1	DECAL-PIN SWING LOCK
107		80043887	1	DECAL-CAUTION-TRANS DAMAGE
108		7376100175	1	DECAL - DANGER TIPPING/2 BLOCKING HAZARD (ENGLISH)
109		7376007255	1	DECAL - DANGER UNTRAINED OPERATOR (ENGLISH)
110		80046156	1	DECAL-FUSE PANEL-CAB
111		81007557	1	DECAL - WARNING CALIFORNIA PROP 65
112		80017200	1	DECAL - CRANESTAR LOGO
114		80036656	1	DECAL-SYMBOL ID
115		80025967	1	DECAL-DIODE BLOCK
116		7376009507	1	DECAL - CAUTION ARMREST ROTATED BACK

Manitowoc Cranes

Description

DECAL INSTALLATION-RT600E3

Assembly No.

80028128

Revision: **A**

Item	FN	Part	Qty	Description
200		7376102084	2	DECAL-RT600E
201		7376247045	1	DECAL-GROVE-4.5" GRAY
202		7376246070	2	DECAL-GROVE-7" GRAY
203		7376226070	2	DECAL - GROVE - 7" WHITE
204		7376101141	4	DECAL - CHEVRON OUTRIGGER JACK
205		7376202030	1	DECAL - MANITOWOC CRANE GROUP LOGO 3" GRAY/RED
206		7376247101	1	DECAL - GROVE - 10.1" GRAY

Manitowoc Cranes

Alphabetical Index	Appendix A	
Description	Part	Page
BOOT	7172000552	211, 385, 447
	7172000553	447
	7172000554	211, 447, 639
	7172000564	270
	9926112766	283
BOOT, DTM4S-BT	80034811	211
BOOT, DTP4S - BT	7172100006	211
BOOT, PLUG	7172100002	211, 309
BOOT, RUBBER	90013416	303
	9926113275	287
BOOT, SWIVEL (RED)	9246100159	674
BOOT, TERMINAL	7172000558	366
BOOT-DTM3P-RECP	7172100003	301, 491
BOTTOM LUG	80016696	220
BOTTOM, BOX	7176002679	487
BOX ASSEMBLY - JUNCTION	9333103565	51
BOX, JUNCTION	9333103735	57
BRACE	90024806	723
BRACE, LOUVER	90018862	269
BRACE-RADIATOR	80041983	655
BRACKET	6245100077	297
	7348000669	273
	80018894	317
	80023723	298
	80041495	415
	80042232	415
	80046120	655
	80057086	235
	80057196	235
	80058507	235
	90022806	269
	9364101827	117
	9974102831	136
	9974102987	136
BRACKET L	80041372	683
BRACKET REAR STEER SENSOR	80045962	491
BRACKET SET, FOOTLESS BLIND	7942000512	246
BRACKET, AC COVER	80016500	277
BRACKET, ALUMINUM BASE	90022866	121
BRACKET, ANGLE	6184100046	197

From - BOOT

To - BRACKET, ANGLE

Manitowoc Cranes

Alphabetical Index	Appendix A	
Description	Part	Page
CLAMP, TUBING	7300000243	27, 405
	7300000244	115, 469, 633
	7300000245	562
	7300000249	298, 471
	7300000251	558
	7300000399	481
	7300000400	481
	7300000401	479, 483
	7300000402	469
	7300000405	174, 471, 472
	7300000406	183, 473
	7300000407	174
	7300000408	453
	CLAMP, TUBING 1-1/4" I.D.	7300000246
CLAMP-MUFFLER	7300000118	683
CLEVIS	7308000102	558
	9333101840	41, 47
CLEVIS ASSY	7308000118	231, 317
CLIP	9914100044	19, 71
CLIP, BLACK	90019811	326
CLIP, GRIPPER	9333103703	73
CLIP, HITCH PIN	7689000701	23, 37, 38, 43
CLIP, PIN	7312000095	558
CLIP, SCREW M4	90019808	326
CLIP, TUBE	9904105947	569
CLOSURE, BEARING	7069000175	25, 45
CLOSURE, DRUM	9974103018	133
CLUTCH & COIL ASSY.	90024680	719
CLUTCH ASSY. OVERRUN	9974103010	133
CLUTCH PISTON ASSEMBLY	9904108931	583, 587, 593
COIL ASSY. 12V. W/CONNECTOR	9926111875	467
COIL ASSY. HEAT & A/C	90022799	269
COIL, 12 VOLT	9926111943	155
COIL, 12V.	9926112936	465, 653
	9926112987	463
	9926112995	465
COIL, CONDENSER	90018841	107
COIL,12V.	9926112464	477
COLLAR	6324000065	23

From - CLAMP, TUBING

To - COLLAR

Manitowoc Cranes

Alphabetical Index	Appendix A	
Description	Part	Page
FLEXGUARD - 1.00" I.D.	8594000001	212, 386, 450, 640
FLEXGUARD - 1.250" I.D.	8594000022	386, 450, 640
FLEXGUARD - 1.625" I.D.	8594000023	367, 386, 450
FLEXGUARD, 1/4" I.D.	8594000019	213, 223, 229, 237, 309, 367, 373, 386, 450, 491, 640
FLOAT ASSEMBLY - OUTRIGGER	6458000048	689
FOAM, ACOUSTIC RH FRONT	80024116	289
FOAM, LEFT HAND FRONT ACOUSTIC	80004581	289
FOAM, LEFT HAND REAR ACOUSTIC	80004580	289
FOAM, RIGHT HAND REAR ACOUSTIC	80004577	289
FOOT	2165910025	10
FOOT PEDAL PLATE	80019101	281
FORK, SHIFT	9904101045	613
	9904105290	598
FORWARD HIGH & 3RD SHAFT GROUP	90022669	565
FORWARD SHAFT GROUP	90022624	565
FRAME 5TH WHEEL	80046524	401
FRAME ASSEMBLY	80040917	399
FREON COMPRESSOR - 12V,PAD MNT	80042713	717
FREON COMPRESSOR KIT	80053880	717
FRONT DASH BOTTOM COVER	80006552	315
FRONT DASH COVER	80024177	315
FRONT RAILING	80018249	219
FUEL TANK - 58 GAL	80051039	663
FUSE PANEL	80042469	677
FUSE PANEL ASSEMBLY	80057169	673
FUSE TO BATT. DISC	80032083	674
FUSE, 10 AMP	7482000033	355
FUSE, 15 AMP	7482000032	355
FUSE, 25 AMP	7482000030	355
FUSE, 30 AMP	7482000029	355
FUSE, 4 AMP	90024260	85
FUSE, 5 AMP	7482000035	355, 365
FUSE, 7.5 AMP	7482000034	355
FUSE, BUSS BAR	7892000220	365
FUSE, MINI 25AMP	7482100018	447

From - FLEXGUARD - 1.00" I.D.

To - FUSE, MINI 25AMP

Manitowoc Cranes

Alphabetical Index	Appendix A	
Description	Part	Page
KIT, SHAFT SEAL	90025050	622
KIT, SHIM	9049112763	499, 527
KIT, SPACER	9049108952	499, 527
KIT, SPRING	9188101043	645
KIT, STRAINER	9258100174	455
KIT,BRAKE ASSY.	9576101159	96
KIT,DISC BRAKE	9576101097	96
KIT,SEAL BRAKE	9576101096	96
KIT,SEAL HYD.MOTOR	9576101160	94
KIT,SEAL PLANETARY	9576101098	96
KIT,SHIM	9576101112	93
KNOB	90016149	85
	9798100584	293
KNOB ASSY.	90020648	313
KNOB W/SET SCREW	90020652	313
KNOB, FLUTED	7511000093	297
KNUCKLE, STEER	9049112654	507, 535
	9049112655	507, 535
LABEL, 12V	90022807	269
LADDER ASSEMBLY	80042230	415
LANYARD	9333102232	59
LATCH	9364101847	122
LATCH MTG PLATE	80022413	249
LATCH, RIGHT HAND ROTARY	80004406	249
LENGTH POTENTIOMETER	80025060	715
LENS, AMBER	9581100390	229
LENS, MOONSTONE	9581100058	245
LEVEL, CIRCULAR	7486000225	273
LEVER	2140800127	557
	6593000137	691
	9974102990	136
LH CONDENSER MOUNT	80020024	103
LIGHT ASSEMBLY - MODIFIED BOOM	6581100024	27
LIGHT ASSEMBLY - MODIFIED STROBE	6581100074	227
LIGHT ASSY, WORK	7581001361	697
LIGHT TOWER	80058034	393

From - KIT, SHAFT SEAL

To - LIGHT TOWER

Manitowoc Cranes

Alphabetical Index	Appendix A	
Description	Part	Page
PISTON	6701100005	15
	90022968	150
	9049107148	513, 541
	9372103531	515, 543
	9372103546	411
	9904108406	598
	9926110244	155
PISTON ASSY, CLUTCH	9904108934	591
PISTON ASSY, CLUTCH REVERSE	9904108932	587
PISTON, CYLINDER	7701100418	111
PISTON, PILOT	9926112851	465
PLANET CARRIER ASSY. OUTPUT	9974103013	133
PLANET CARRIER ASSY. PRIMARY	9974103012	133
PLASTIC, CAB WINDOW RH	80024123	315
PLATE	4159110071	663
	6705006974	12
	6705016148	115
	6705017939	409
	6705018338	297
	6705170914	297
	80022424	249
	80058399	235
	9049110945	513, 541
	9364101595	122
	PLATE - MODULE	80023834
PLATE ASSY. REAR	90018858	269
PLATE ASSY. SEAT BASE	90018861	269
PLATE CONNECTOR BULKHEAD	80023469	355
PLATE GROUP	9086101169	65
PLATE MODULE	80023076	355
PLATE REAR STEER SENSOR	80018968	491
PLATE STRAP	80041369	683
PLATE, ACCESS	80016497	277
PLATE, ADAPTER	9053100086	35
PLATE, ANTI 2 BLOCK	4197910236	69
PLATE, BACKING	90020643	313
	9904105982	583, 587, 591, 593
PLATE, BOOT	9926112761	283
PLATE, BRAKE	4165810017	557

From - PISTON

To - PLATE, BRAKE

Manitowoc Cranes

Alphabetical Index	Appendix A	
Description	Part	Page
SCREW	9049112764	499, 527
	9372103585	517
	9498100371	255, 257
	9904109711	567
	9926112740	283
	9926112764	283
	9926113274	287
SCREW #4	9333102669	57
SCREW,	7099001153	487
	9049111473	503, 531
	9049111509	500, 528
	9086100805	65
	9498100349	255
	9904105945	569
	9904105956	573
	9904106009	591
	9904107990	579
	SCREW, #10-32 X 5/8" FLATHEAD	9364101596
SCREW, 3/8" - 16NC X 3/8" SET	7099000378	15, 111
SCREW, 5X50	90019826	326
SCREW, ADJUSTMENT	9926103963	155
SCREW, CATCH	7786000539	253
SCREW, CENTER POST	7786000537	253
SCREW, COVER	90018947	325, 326
	9333101566	53
SCREW, DISCONNECT	90014926	611
SCREW, FLANGE	7115150678	461
	7115160678	461
	7115160878	43
SCREW, GRUB	9364101821	117
	9722105436	619
SCREW, HEX SOCKET	9926113142	625
SCREW, LOCK	9904101044	598, 613
SCREW, M10X20 DIN 316 WING	7099100054	227
SCREW, M4 X 12	90019809	326
SCREW, M4 X 16	90019810	326
SCREW, M4X30 LONG SLOTTED PAN	7121111301	298
SCREW, MACHINE M6X10 - 4.8	7121150701	298
SCREW, PROTECTOR	9005100211	167
SCREW, SET	9372103595	407

From - SCREW

To - SCREW, SET

Manitowoc Cranes

Alphabetical Index	Appendix A	
Description	Part	Page
TERMINAL, TANGLESS FEMALE 280S	7892100065	366, 449
TERMINAL, TANGLESS FEMALE 280 S	7892100063	449
TEST COUPLING	80026350	195
THERMOSTAT, NON-ADJ.	90018863	269
THIMBLE ASSY. 1/8" CABLE	9333103697	51
THRU DRIVE CHARGE PUMP GROUP	9904110648	565
THRUSTWASHER	9049105580	508, 536
TIE, CABLE (BLACK)	7850000237	69, 81
	7850000805	69, 203, 471
TIRE & WHEEL ASSY GEN 23.5X25	6970100149	699
TIRE, GENERAL 23.5 X 25	7900100006	701, 705
TO BE DETERMINED	TDB	457
TONGUE, INSULATED RING	7345211701	367, 373, 679
	7345241701	237, 367, 448
	7345241901	367, 448
TOP PANEL	80023877	487
TOP, BOX	7176002678	487
TORQUE CONVERTER	90022619	575
TORQUE CONVERTER ASSY. GROUP	90022620	565
TRACK, CONTROL	7798100005	277, 299
TRACK, DOOR BOTTOM PLASTIC	80016416	245
TRACK, FREE	7798100006	277, 299
TRANS. CASE & COVER GROUP	90022615	565
TRANSMISSION (CLARK 24000 FPS)	80018961	557
TRAY, FRONT	2165110029	419
TRAY, REAR	2165110030	419
TREDAL VALVE ASSEMBLY - BI DIRECT	80005806	319
TUBE	203582	55
	7910100773	409
	7910100776	409
	7910100780	171
	7910100782	187
	7910100783	187
	7910100788	481
	7910100824	181
	7910100825	181
	9904105948	569
	9904105950	569
	9904105951	569

From - TERMINAL, TANGLESS FEMALE 280S

To - TUBE

Manitowoc Cranes

Numerical Index		Appendix B
Part	Description	Page
6069100000	BEARING	10
6069100001	BEARING	10
6099001190	BOLT, MODIFIED	481
6099001230	CAP SCREW, MODIFIED	37
6184001406	BRACKET, FUSE	365
6184003000	BRACKET, CAP	405
6184100046	BRACKET, ANGLE	197
6184100047	BRACKET, FRONT	197
6184100048	BRACKET, MID	197
6184100049	BRACKET, REAR	197
6199100030	BUSHING	11
6199100033	BUSHING	38
6200100812	BUSHING	143
6245100077	BRACKET	297
6246003053	CABLE ASSEMBLY	487
6246100155	CABLE ASSEMBLY - BOOM LIGHTS	27
6286000012	CHAIN - USE 9286100001	38
6290100024	CHANNEL	421
6324000065	COLLAR	23
6372002928	HEAD, CYLINDER	407
6372003256	BARREL	407
6372100091	HEAD, 8.25" CYLINDER	15
6372100097	HEAD, CYLINDER	15
6372100125	BARREL, 10" CYLINDER	111
6372100172	BARREL, 8 1/4" CYLINDER	15
6372100173	CYLINDER ASSEMBLY - 8 1/4"	9
6372100446	CYLINDER ASSEMBLY - OUTRIGGER EX	405
6372100447	CYLINDER ASSEMBLY - 10" LIFT	109
6458000048	FLOAT ASSEMBLY - OUTRIGGER	689
6486100046	DIPSTICK	557
6543003559	HOSE ASSY, USE AS REQUIRED	558
6543003605	HOSE - USE 8596902528	558
6581100024	LIGHT ASSEMBLY - MODIFIED BOOM	27
6581100074	LIGHT ASSEMBLY - MODIFIED STROBE	227
6593000137	LEVER	691
6608100013	LUG	409

From - 6069100000

To - 6608100013

Manitowoc Cranes

Numerical Index		Appendix B
Part	Description	Page
7300000251	CLAMP, TUBING	558
7300000393	BATTERY, HOLD-DOWN	673
7300000399	CLAMP, TUBING	481
7300000400	CLAMP, TUBING	481
7300000401	CLAMP, TUBING	479, 483
7300000402	CLAMP, TUBING	469
7300000404	CLAMP, 1" TUBING	172, 181, 187, 717
7300000405	CLAMP, TUBING	174, 471, 472
7300000406	CLAMP, TUBING	183, 473
7300000407	CLAMP, TUBING	174
7300000408	CLAMP, TUBING	453
7300000429	CLAMP, STRAIN RELIEF	447, 639
7300000461	CLAMP, T-BOLT	553
7300001000	CLAMP	553
7300001002	HOLD DOWN, BATTERY	673
7300001018	ZINC MUFFLER CLAMP	681
7300001079	CLAMP, HOSE	681
7300001082	CLAMP, DOUBLE SADDLE	409
7300001083	CLAMP, MUFFLER	553
7300001103	CLAMP, T-BOLT	472, 562
7300001112	CLAMP, T-BOLT	656
7300100015	CLAMP, 7/8" TUBING	553
7300100020	CLAMP, T-BOLT	472, 554
7300100021	TUBING CLAMP - 3/16	69
7308000102	CLEVIS	558
7308000118	CLEVIS ASSY	231, 317
7312000095	CLIP, PIN	558
7345001443	TERMINAL, FEMALE	489
7345001444	TERMINAL, FEMALE	212, 309, 367, 373, 381, 386
7345001446	TERMINAL, MALE	373
7345001743	TERMINAL, FEMALE	489
7345001744	TERMINAL, FEMALE	237, 351, 367, 385, 449
7345001746	TERMINAL, MALE	235, 247, 351
7345001752	TERMINAL	367
7345191401	TERMINAL	449
7345191701	TERMINAL	448

From - 7300000251

To - 7345191701

Manitowoc Cranes

Numerical Index		Appendix B
Part	Description	Page
7561104201	HOSE ASSY	183, 187
7561104803	1/4" I.D. X 48" LONG	171
7561110602	HOSE ASSY, 1/4" HYDR STR-45	189
7561111802	1/4" I.D. X 118"	189, 331, 333
7561113702	1/4" I.D. X 137"	333
7561201817	3/8" I.D. X 18"	557
7561203015	3/8" HYD HOSE-HOT, STR-STR	663
7561203017	3/8" I.D. X 30"	171
7561203215	3/8" I.D. X 32"	339
7561203617	3/8" I.D. X 36" LONG	557
7561204216	3/8" I.D. X 45"	339
7561204616	3/8" HYD HOSE ASS'Y STR-45	339
7561205016	3/8" I.D. X 45"	339
7561205415	3/8" HYD HOSE ASS'Y STR-STR	171
7561206615	3/8" I.D. X 45"	339
7561212615	HOSE ASSY	558
7561305230	1/2" ID HOSE ASS'Y STR-STR	663
7561315930	HOSE ASSY	557
7561504552	HOSE ASSY, 3/4" ORFS STR X 90	557
7561505452	HOSE ASSY, 3/4" ORFS STR X 90	557
7561606061	HOSE ASSY	557
7561607861	HOSE ASSY	557
7566309800	HOSE 1.50 I.D. 100R4	558
7566505900	HOSE, 2.50 I.D. X 59	558
7576000311	KIT, SEAT BELT	298
7576000320	PUMP ASSY, CANISTER	709
7576001743	MOUNTING KIT - OIL COOLER	663
7576134190	DRIVE ASSEMBLY - SWING	87
7581000186	LIGHT, DOME	245
7581001361	LIGHT ASSY, WORK	697
7581100000	LIGHT, STROBE	229
7581100001	LIGHT, WORK	29, 245
7581100048	LIGHT, STOP/TURN/TAIL LED RED	697
7581100050	LIGHT, YELLOW REAR TURN (WITH GR	697
7581100052	RED LED MARKER LT W/GROMMET	697
7581100053	YELLOW LED MARKER LT W/GROMMET	697

From - 7561104201

To - 7581100053

Manitowoc Cranes

Numerical Index		Appendix B
Part	Description	Page
7872100062	PROXY SENSOR-PNP 10mm RANGE	301
7872100071	SWITCH, EMERGENCY STOP	377
7872100099	SWITCH, L-SERIES DIMMER	369
7872100107	SWITCH,L-SERIES CRANE FUNC PWR	369
7872100110	SWITCH, L-SERIES WORK LIGHTS	369
7872100111	SWITCH, L-SERIES BOOM LIGHTS	63
7872100118	SWITCH, L-SERIES MAIN HOIST	298
7872100119	SWITCH, L-SERIES AUX HOIST	298
7872100139	SWITCH, L-SERIES REAR STEER	298
7872100142	DISCONNECT SWITCH	673
7872100146	SWITCH, L-SERIES SWING BRAKE	298
7880000092	KIT, JAY BRACKET	663
7892000194	PARALLEL, NON - INSULATED	215, 309, 367, 386
7892000195	PARALLEL, NON - INSULATED	309, 367, 373, 386, 679
7892000196	PARALLEL, NON - INSULATED	367, 373, 381
7892000218	FUSE, TERMINAL	366
7892000219	FUSE, TERMINAL	366
7892000220	FUSE, BUSS BAR	365
7892000241	RECEPTACLE,	448
7892000252	TERMINAL, MALE PIN	29, 449
7892000254	TERMINAL, GREEN CABLE SEAL	449
7892000255	TERMINAL, GRAY CABLE SEAL	29, 450
7892000256	TERMINAL, BLUE CABLE SEAL	33, 213, 450
7892000257	TERMINAL, GREEN CAVITY	212
7892000809	TERMINAL, RELAY WATERPROOF	212
7892000824	RECEPTACLE,	259, 261, 270
7892000836	RECEPTACLE, 2 PIN	105, 229, 477, 639, 719
7892000840	TERMINAL, FEMALE	640
7892000841	TERMINAL	640
7892000843	TERMINAL, FEMALE	366, 449
7892000939	RECEPTACLE,	122, 448
7892000947	RECEPTACLE,	270
7892000949	RECEPTACLE,	155, 373, 385, 467, 697
7892000950	RECEPTACLE,	122, 373, 448
7892000951	RECEPTACLE,	489
7892000978	RECEPTACLE,	211, 366, 381, 385

From - 7872100062

To - 7892000978

Manitowoc Cranes

Numerical Index		Appendix B
Part	Description	Page
80022874	LOCKNUT	43
80022875	LOCKWASHER	43
80022876	KEYED WASHER	43
80022947	STEP EXTENSION	427
80022969	FUSEHOLDER	677
80022971	FUSEHOLDER	677
80022993	STEP	663
80023037	PANEL FUSE & RELAY	355
80023039	PANEL FUSE & RELAY	355
80023076	PLATE MODULE	355
80023106	DT RECP 8PB FLG DT04-08PB BLK	365
80023110	DT RECP 12PD FLG DT04-12PD BRN	365
80023111	DT RECP 12PC FLG DT04-12PC GRN	365
80023114	PLUG/DTV06-18SA W/WEDGE WV-18P	373
80023115	PLUG/DTV06-18SB W/WEDGE WV-18P	309
80023116	PLUG/DTV06-18SC W/WEDGE WV-18P	385
80023117	PLUG/DTV06-18SD W/WEDGE WV-18P	385
80023118	RECEPT(DTV02-18PA)FLG W/WEDGE	365
80023119	RECEPT(DTV02-18PB)FLG W/WEDGE	365
80023120	RECEPT(DTV02-18PC)FLG W/WEDGE	365
80023121	RECEPT(DTV02-18PD)FLG W/WEDGE	365
80023122	DTP RECP 4P FLG DTP04-4P-L GRY	365
80023169	MOUNT BRACKET - AIR CLEANER	683
80023175	GASKET 3.50 NOM MARMON	681
80023180	REAR SIDE POST	220
80023219	FUSE-AMG-100A	677
80023220	FUSE-AMG-250A	677
80023344	HARNESS ASSEMBLY-SEAT	299
80023372	STEP	663
80023422	HARNESS ASSEMBLY-OVERHEAD CAB PA	369
80023432	RECEPT DT4P DT04-4P FLG GRY	365
80023439	DIODE 6AMP KEY	366
80023449	HARNESS ASSEMBLY-ENGINE RELAY PA	677
80023469	PLATE CONNECTOR BULKHEAD	355
80023485	DT PLUG 8SB BLK	211
80023502	BATTERY CABLE RED 6GA 108"	633

From - 80022874

To - 80023502

Manitowoc Cranes

Numerical Index		Appendix B
Part	Description	Page
90000036	BRUSH & ARM ASSY. 45 AMP	121
90000908	ADAPTER	259, 261
90000992	KIT, HARDWARE	259, 261
90000994	ARM, WIPER/DRY 24"	259
90000996	SHAFT, PIVOT	259, 261
90001135	KIT, SEAL	651
90011561	FUSE,2A	85
90011562	FUSE,15A	85
90011563	FUSE,7.5A	85
90011650	PIN, GROOVED	65
90011652	SPRING, LATCH	65
90011653	PIN, LOCK	65
90011813	LINK, DRIVE ARM	259, 261
90011814	LINK, 13.5" LG	259, 261
90011815	ARM, WIPER/WET 26"	261
90011882	KIT, DICS SPRING	644
90011883	KIT, OVERHAUL	644
90012521	CAPSCREW	723
90012531	BRACKET, MOUNTING	465
90012592	YOKE ASSY.	547
90012594	YOKE ASSY. W/ DUST CAP	549
90012810	MOTOR ASSY. 12V.	259, 261
90012854	SEAL	597, 598
90013406	KIT, SEAL PLANETARY	96
90013415	KIT, LEVER	303
90013416	BOOT, RUBBER	303
90013417	KIT, METERING SPOOL	303
90013418	SPRING, RETURN	303
90013419	KIT, SEAL	303
90014287	PLUG, SAE#4 (44-20)SOCKET HEAD	407
90014301	RIVET	257
90014302	BRACKET, MOUNTING H.O.D.	257
90014303	SCREW	257
90014304	DEVICE, HOLD OPEN	257
90014305	NUT, S.S.	257
90014306	WASHER, NEOPRENE	257

From - 90000036

To - 90014306

Manitowoc Cranes

Numerical Index		Appendix B
Part	Description	Page
9049107138	CAP	507, 535
9049107148	PISTON	513, 541
9049107152	HEAD CYL	513, 541
9049107154	BLEEDER	513, 541
9049107157	PLUG	513, 541
9049107402	PLUG	513, 541
9049108332	CAP SCREW,	499, 527
9049108948	CONE, BEARING	499, 527
9049108952	KIT, SPACER	499, 527
9049108965	PINION	500, 528
9049108966	KIT, HARDWARE	499, 527
9049108967	CAP SCREW,	499, 527
9049108971	RING, ADJUSTING	499, 527
9049109021	SCREW, THRUST	499, 527
9049109022	NUT, JAM	499, 527
9049109243	KIT, LINING	513, 541
9049109511	PIN, COTTER-END YOKE NUT	509, 537
9049109690	CONE, BEARING	499, 527
9049109699	GEAR, SIDE	500, 528
9049109726	END, TIE ROD	509, 537
9049109727	END, TIE ROD	509, 537
9049109733	BEARING ASSEMBLY, U JOINT	507, 535
9049109751	SPIDER	500, 528
9049109758	KIT, SEAL	513, 541
9049110945	PLATE	513, 541
9049111037	WASHER,	499, 527
9049111473	SCREW,	503, 531
9049111509	SCREW,	500, 528
9049111513	LOCKNUT	499, 527
9049111517	NUT	499, 527
9049111753	CAP SCREW,	508, 536
9049111763	CAP SCREW,	513, 541
9049112030	GEAR	508, 536
9049112035	SHAFT ASSY. COMP. 54.04"LG.	507, 535
9049112037	SHAFT ASSY. COMP. 54.89"LG.	507, 535
9049112096	DEFLECTOR	500, 528

From - 9049107138

To - 9049112096

Manitowoc Cranes

Numerical Index		Appendix B
Part	Description	Page
9576101160	KIT,SEAL HYD.MOTOR	94
9576101167	PINION	93
9576101189	BREATHER	95
9576101307	PLATE, RETAINER	93
9576101308	CAPSCREW	93
9576101322	SHAFT, OUTPUT	93
9576101323	FLANGE, OUTPUT LOCKING	95
9576101324	RING, RETAINER	95
9576101325	O-RING	95
9576101326	SPACER	95
9576101327	PLUG	95
9576101347	BLADE, WIPER 34"	259, 261
9581100048	BULB	245
9581100058	LENS, MOONSTONE	245
9581100389	TUBE,STROBE	229
9581100390	LENS, AMBER	229
9581100391	BEAM, SEALED 12 VOLT	29, 245
9581100395	SOCKET,	377
9581100396	BULB, HALOGEN	697
9581100430	BULB,12V.	377
9581100461	GROMMET, RUBBER	697
9585100055	KEEPER	421, 425
9632100404	PIN, DOWEL	615
9632101962	BEARING	616
9632102071	SEAL	616
9632102851	WASHER,	329
9632103304	SOLENOID VALVE ASSY	135
9632103305	CONNECTOR	135
9637100001	MOULDING	245, 663
9637100004	MOULDING	245
9722100046	WASHER,	615
9722100229	NUT, HEX	615
9722101365	PLATE, PRESSURE	621
9722101366	RING, BACK-UP	621
9722101367	O-RING	621
9722102205	O-RING	477

From - 9576101160

To - 9722102205

Manitowoc Cranes

Numerical Index		Appendix B
Part	Description	Page
9926111436	NUT	147
9926111438	DISK, SHUTTLE	148
9926111439	PLUG ASSEMBLY, SHUT-OFF	147
9926111463	SPRING	150
9926111468	SEAL-SPECIAL	147
9926111469	O-RING	147, 161, 162
9926111470	SEAL-SPECIAL	147, 161, 162
9926111533	ROD, TIE	147
9926111622	STUD	155
9926111719	KIT, SEAL	465
9926111720	VALVE ASSEMBLY - SOLENOID 12 VOL	465
9926111875	COIL ASSY. 12V. W/CONNECTOR	467
9926111878	VALVE, CHECK	465
9926111914	KIT, SEAL	147
9926111915	KIT, SEAL	162
9926111931	O-RING, VITON	162
9926111932	O-RING, VITON	162
9926111939	VALVE ASSEMBLY	155
9926111940	VALVE ASSEMBLY, 3 WAY	155
9926111941	SCREEN, FILTER	155
9926111942	SPACER	155
9926111943	COIL, 12 VOLT	155
9926111944	CARTRIDGE AND COIL ASSEMBLY	155
9926111945	CARTRIDGE AND COIL ASSEMBLY	155
9926111957	PLUG	147
9926111963	SCREW, SET	162
9926111964	SPRING	161
9926111995	ROD, TIE	161
9926111999	PLUG ASSY	148
9926112001	ROD, TIE	161
9926112003	SPRING	148
9926112004	FILTER	148
9926112006	PLUG	148, 149
9926112012	SCREW, SET	151
9926112017	VALVE ASSY. INLET SECTION	161
9926112020	VALVE ASSY. OUTLET SECTION	161

From - 9926111436

To - 9926112020

Manitowoc Cranes

Recommended Spare Parts List

Appendix C

Part No.	1 Yr	2 Yr	3 Yr	Qty	Description	Page
7447161640	0	0	1	1	ADAPTER, STRAIGHT	174
7447162001	0	0	1	2	ADAPTER, STRAIGHT	471, 648
7447201601	0	0	1	1	ADAPTER, STRAIGHT MALE	174
7447201613	0	0	1	1	REDUCER	647
7447202001	0	0	1	1	ADAPTER, STRAIGHT MALE	647
7447202003	0	0	1	2	ELBOW, 90 DEGREE	174
7447202033	0	0	1	1	ELBOW, 90 DEGREE	174
7447242003	0	0	1	1	ELBOW, 90 DEGREE	561
7482000029	1	1	1	1	FUSE, 30 AMP	355
7482000030	1	1	1	3	FUSE, 25 AMP	355
7482000032	1	1	1	2	FUSE, 15 AMP	355
7482000033	1	1	1	3	FUSE, 10 AMP	355
7482000034	1	1	1	4	FUSE, 7.5 AMP	355
7482000035	1	1	1	8	FUSE, 5 AMP	355, 365
7482100013	1	1	1	3	FUSE, MINI 5 AMP	447
7486000225	0	0	1	1	LEVEL, CIRCULAR	273
7486000629	0	0	1	1	INDICATOR, SERVICE	683
7486002666	0	0	1	1	GAUGE, WINDOW	656
7486002936	0	0	1	1	GUAGE, OIL LEVEL	455
7486002973	0	0	1	1	HOURMETER	673
7486100045	0	0	1	1	GAUGE, OIL TEMPERATURE	377
7557000680	0	0	1	1	RESISTOR, 121 OHMS	447
7581100000	1	1	1	1	LIGHT, STROBE	229
7671100007	1	1	2	1	PAD, WEAR	37
7671100020	1	1	2	4	PAD, WEAR	37
7671100021	1	1	2	6	PAD, SIDE WEAR	11
7671100022	1	1	2	6	PAD, WEAR LOWER	9
7671100079	1	1	2	1	WEAR PAD	9
7671100081	1	1	2	2	TEFLON PLUG	9
7671100082	1	1	2	6	PAD ASSY, WEAR	9
7689000503	1	1	3	138	PLUG, SEALING	212, 259, 261, 366, 373, 381, 385, 448, 639, 679, 719
7689000813	1	1	3	3	PIN	123, 449
7709000031	0	0	1	7	O-RING PLUG #6	173, 283, 559
7709000157	0	0	1	1	PLUG, MAGNETIC	457
7709000811	1	1	3	1	PLUG	313
7709000812	1	1	3	2	PLUG	447
7709000814	1	1	3	1	PLUG	212
7709000815	1	1	3	6	PLUG, 2 SOCKET	639
7709000838	1	1	3	2	PLUG	447
7709000844	1	1	3	49	PLUG, 2 SOCKET	211, 385, 447
7709000845	1	1	3	2	PLUG	122, 448
7709000846	1	1	3	6	PLUG, 12 SOCKET	211, 373, 385, 448

From - 7447161640

To - 7709000846

CLICK HERE TO **DOWNLOAD** THE COMPLETE MANUAL

- Thank you very much for reading the preview of the manual.
- You can download the complete manual from: www.heydownloads.com by clicking the link below



- Please note: If there is no response to CLICKING the link, please download this PDF first and then click on it.

CLICK HERE TO **DOWNLOAD** THE COMPLETE MANUAL