

**tracteurs**

**715<sup>5L</sup>**  
**715**

**et**

**CATALOGUE  
PIECES DE RECHANGE**

**TRACTEURS  
ET MATERIELS  
AGRICOLS**

**SOMECA**

**SOMECA SOMECA SOMECA SOMECA SOMECA**



CLICK HERE TO **DOWNLOAD** THE COMPLETE MANUAL

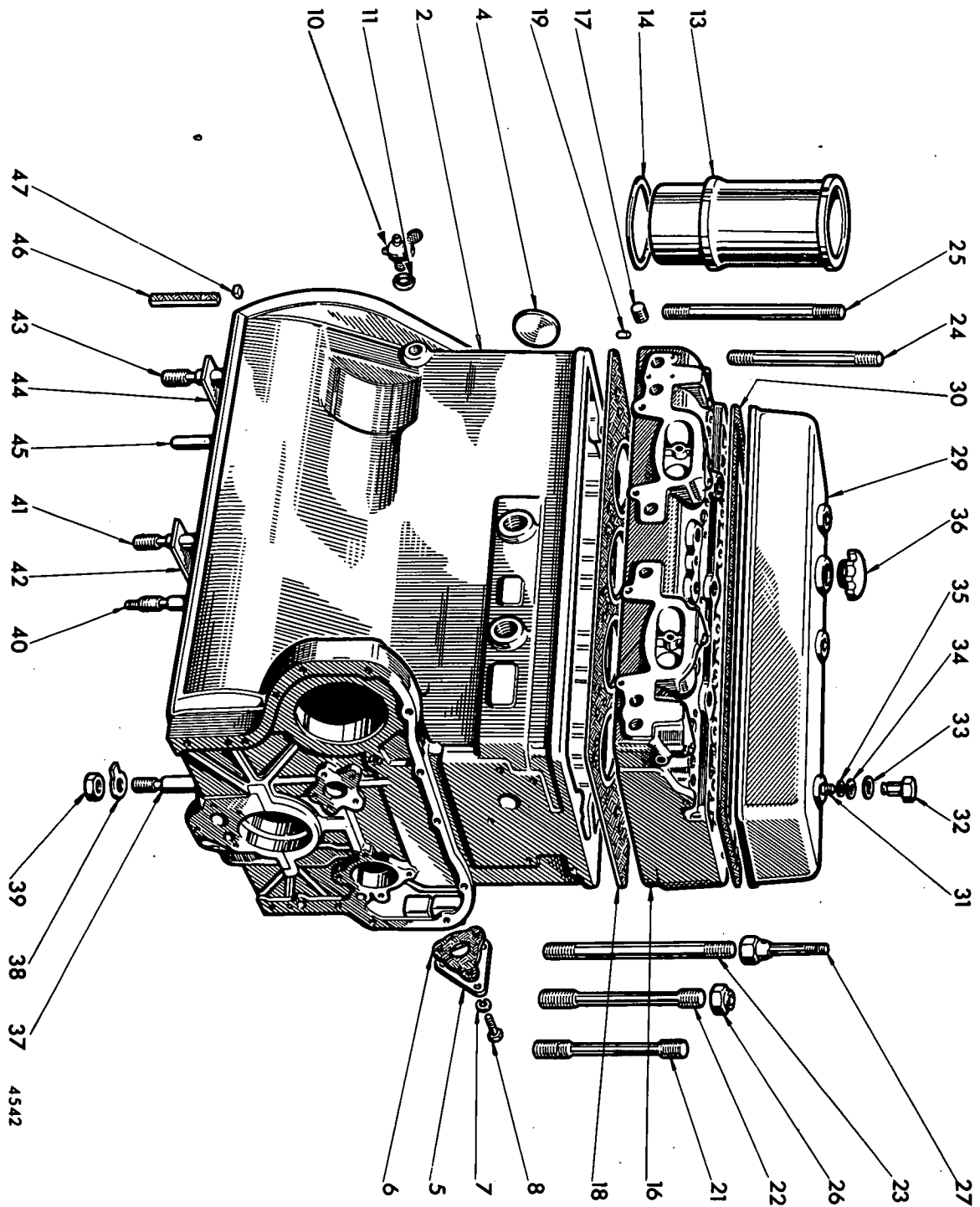
- Thank you very much for reading the preview of the manual.
- You can download the complete manual from: [www.heydownloads.com](http://www.heydownloads.com) by clicking the link below



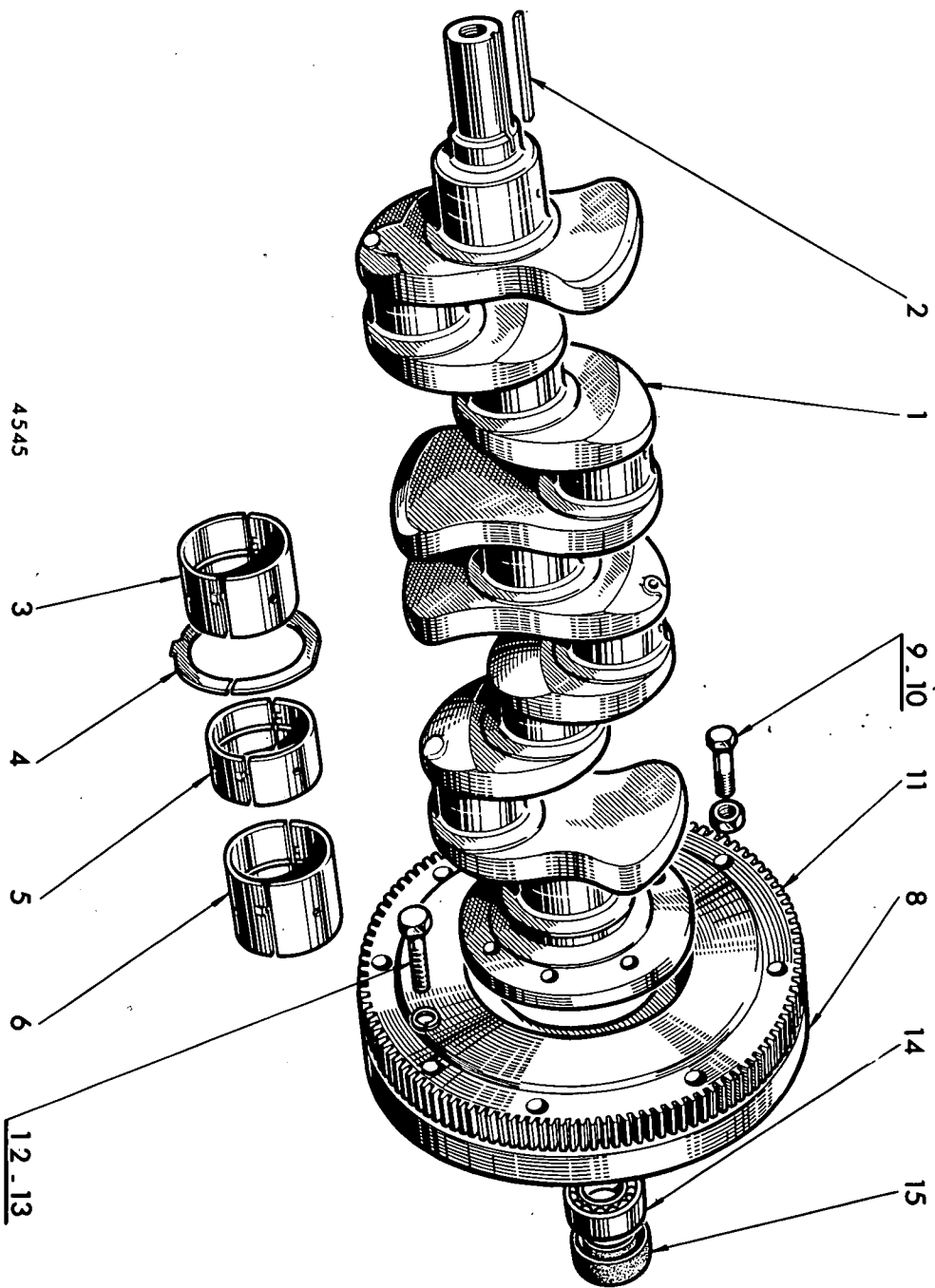
- Please note: If there is no response to CLICKING the link, please download this PDF first and then click on it.

CLICK HERE TO **DOWNLOAD** THE COMPLETE MANUAL

TRACTEUR - SOMEGA 715  
 PLANCHE 2



DATE	9-67
MISE A JOUR	1- 2- 3-



4545

3

4

5

6

12-13

2

1

9-10

11

8

14

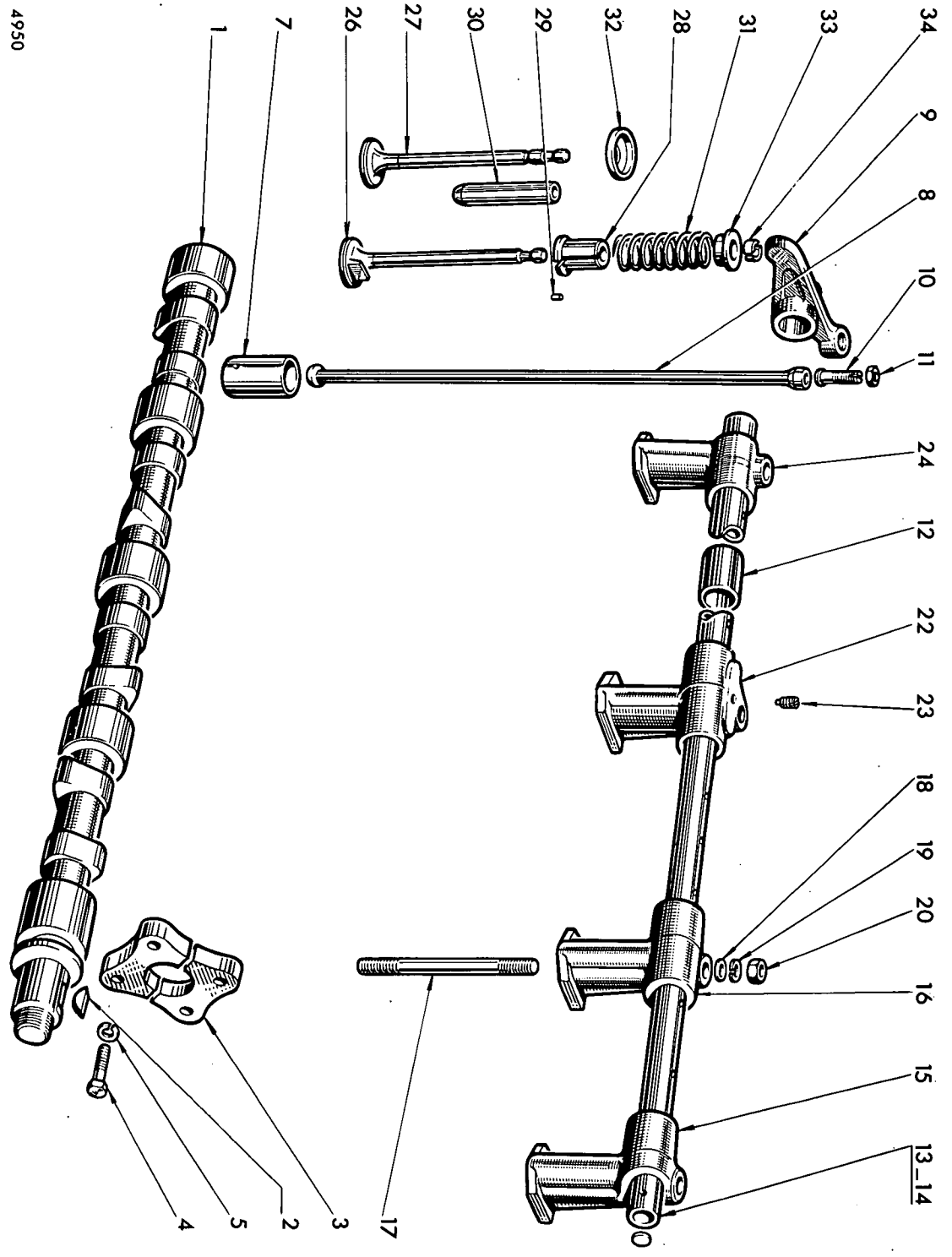
15

PLANCHE 6

TRACTEURS SOMECA 715.5L - 715

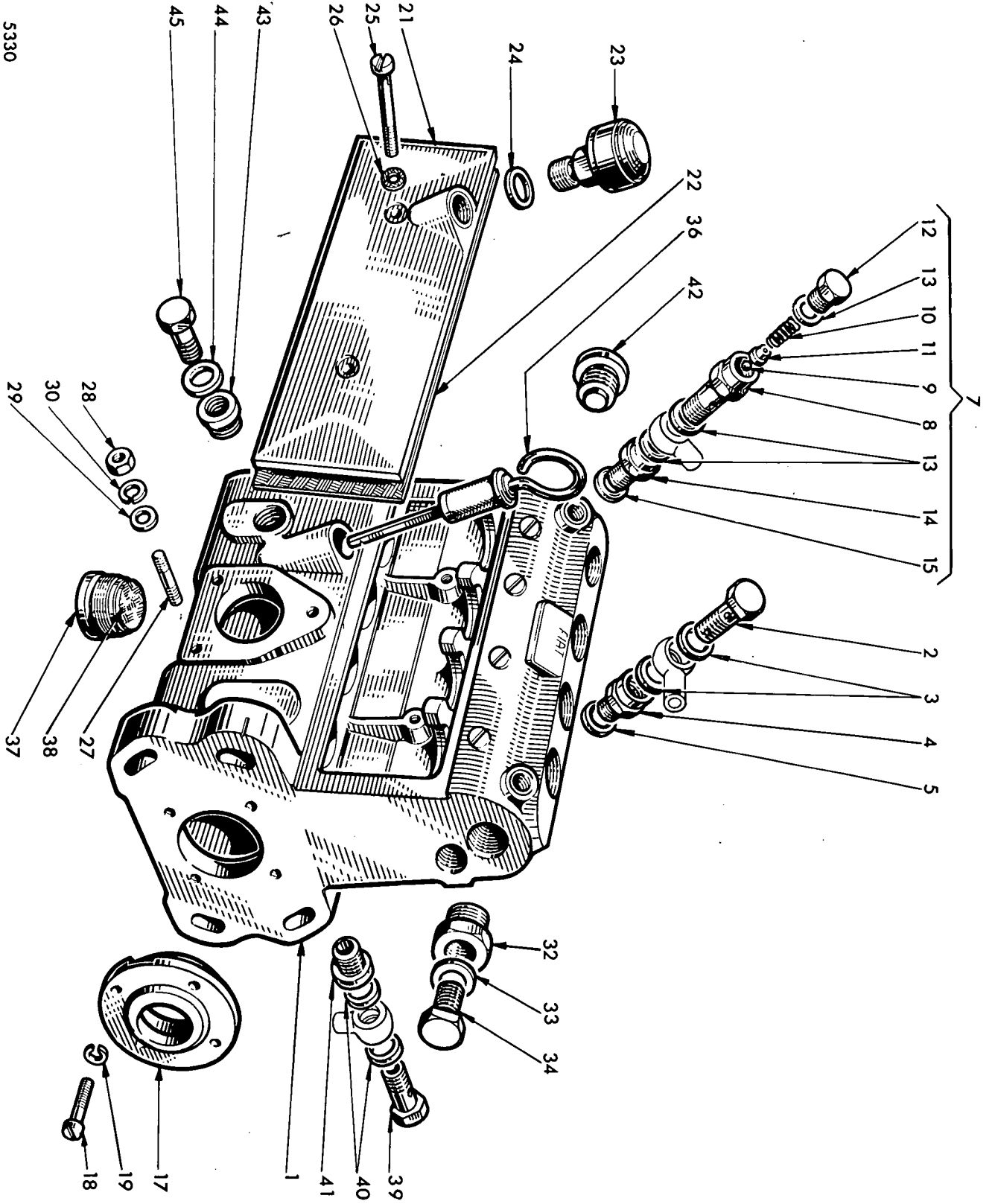
MISE A JOUR	1 <sup>re</sup>	2 <sup>e</sup>	3 <sup>e</sup>
DATE	9-87		

TRACTEURS SOMECA 715.5L - 715  
 PLANCHE 10



4950

MISE A JOUR	1 <sup>re</sup>	2 <sup>e</sup>	3 <sup>e</sup>
DATE	9-67		

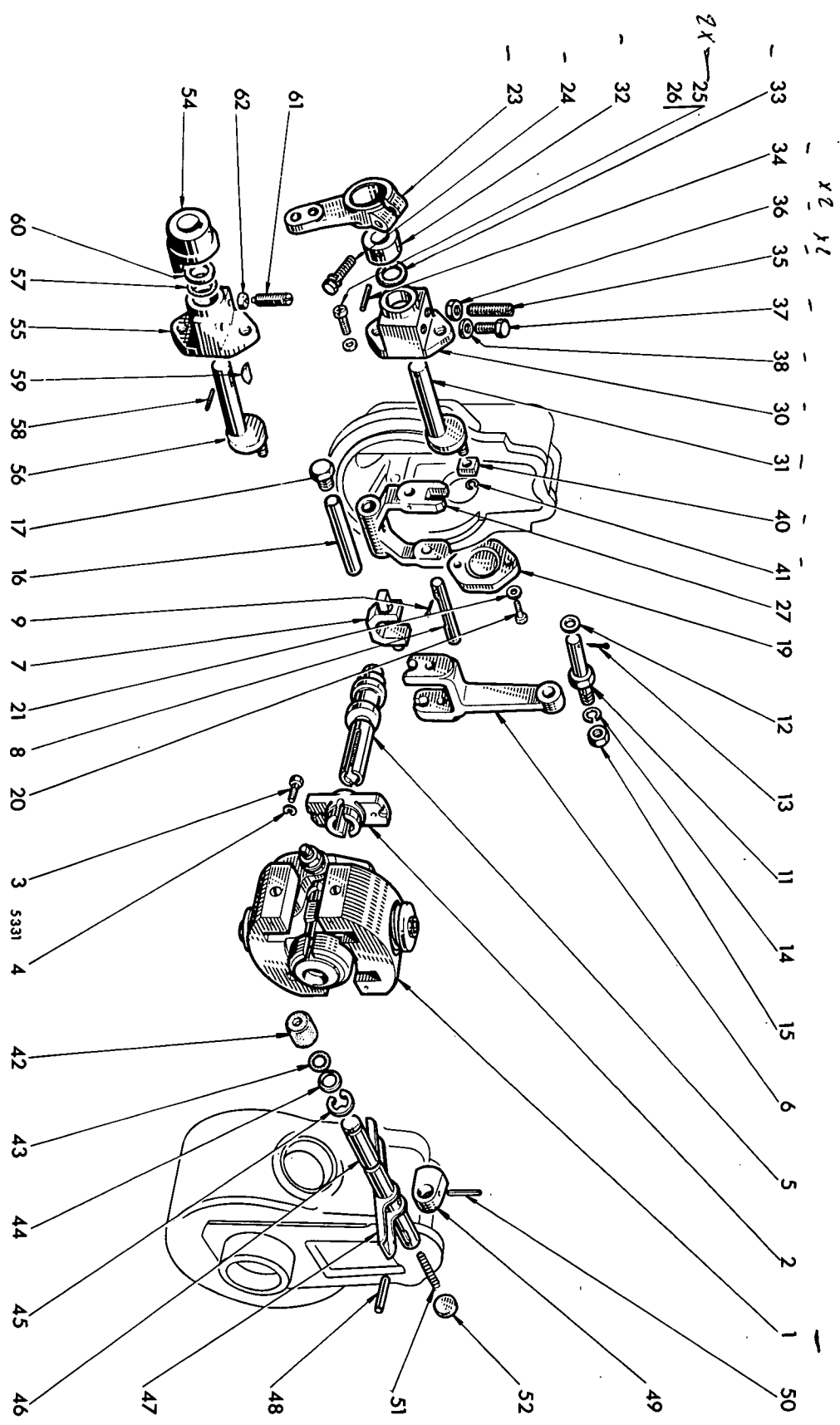


5330

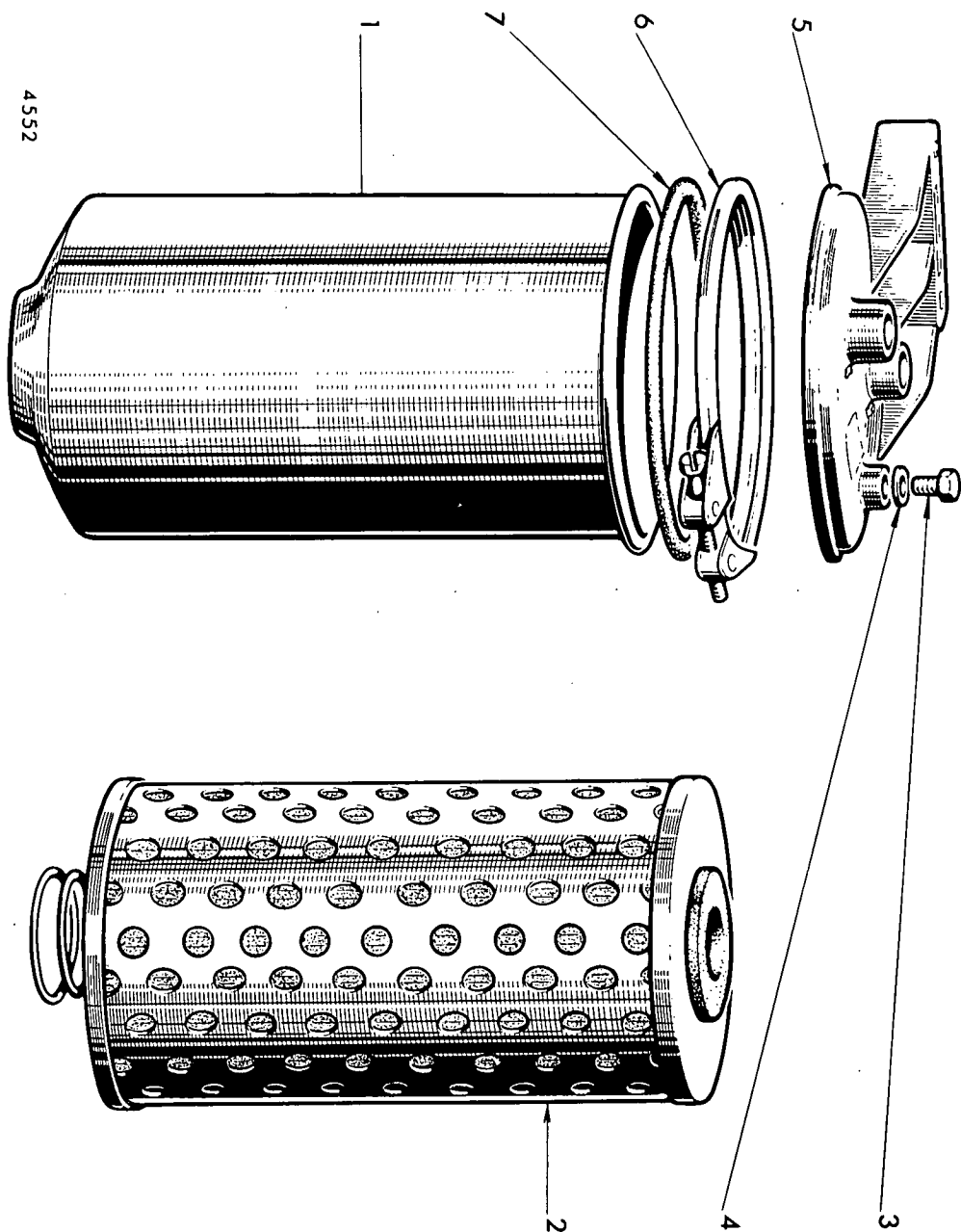
MISE A JOUR	1-	2-	3-
DATE	9-67		

**TRACTEURS SOMECA 715.5L - 715**

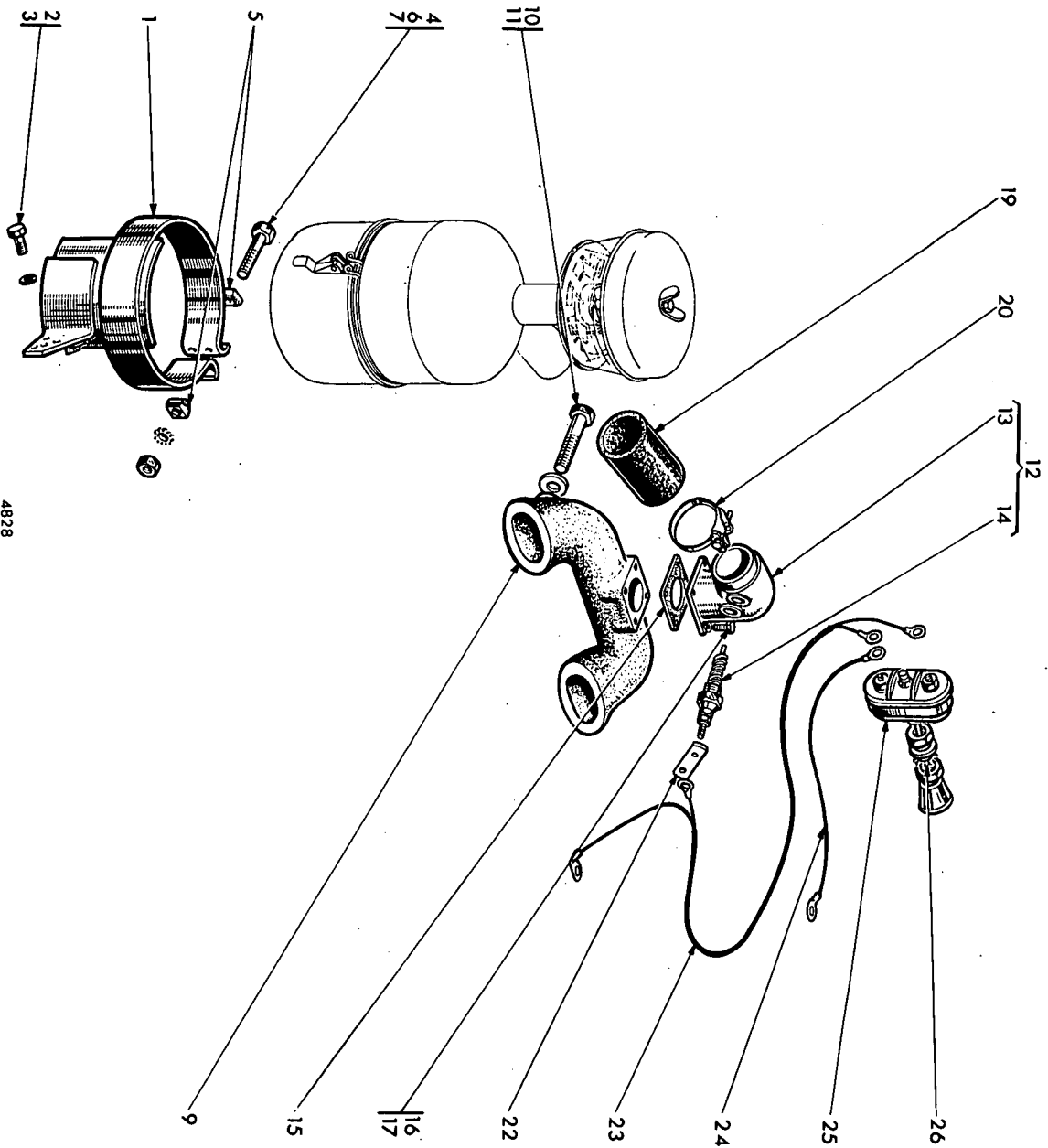
**PLANCHE 18**



MISE A JOUR		DATE
1-	2-	3-
		9-87



MISE A JOUR			
DATE	9-87		
	1°	2°	3°



4828

PLANCHE 27

TRACTEURS SOMEGA 715.5L - 715

MISE A JOUR		DATE
1 <sup>er</sup>	2	9-67
2 <sup>e</sup>		
3 <sup>e</sup>		

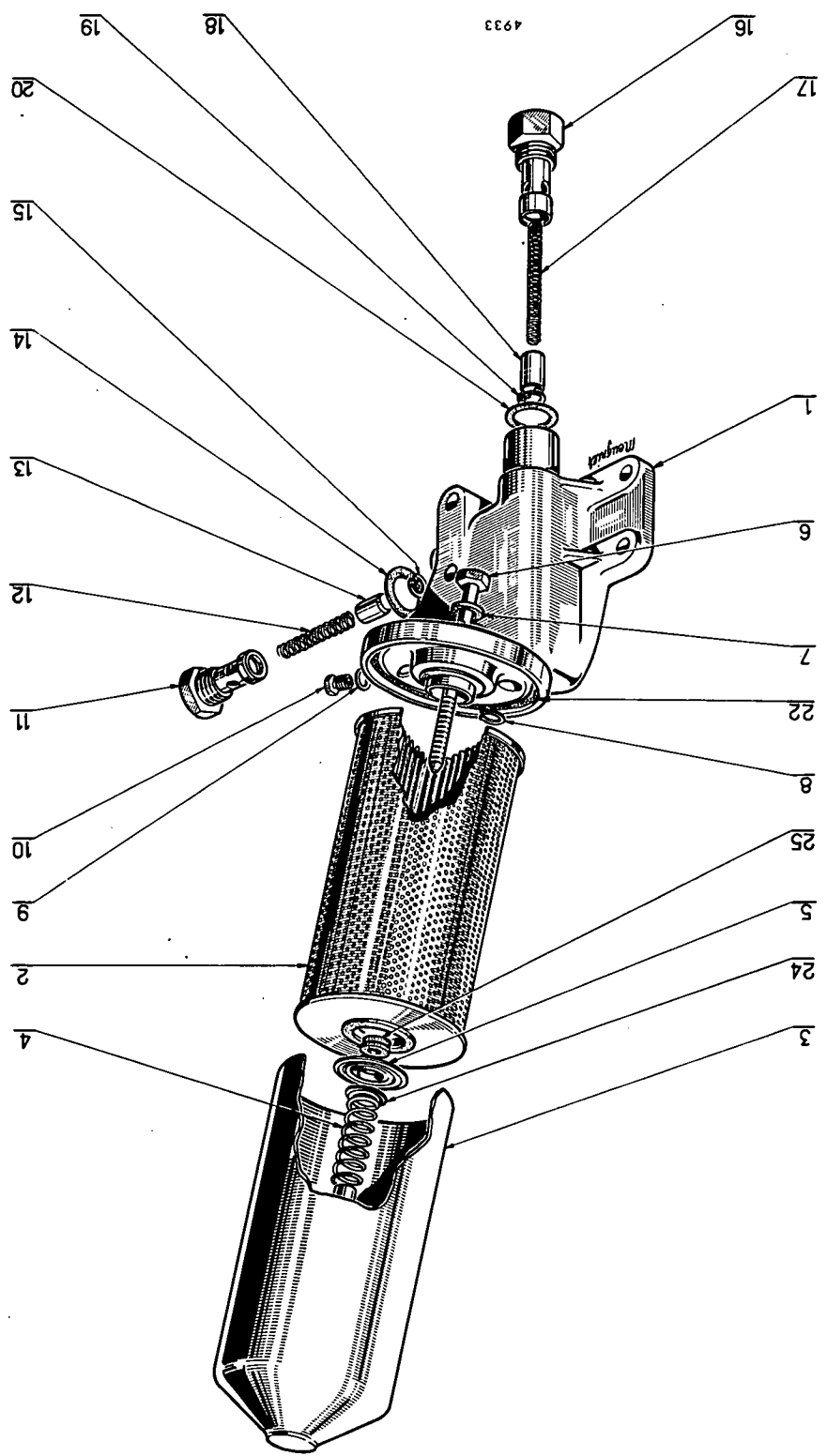


PLANCHE 31

TRACTEURS SOMECA 715.5L - 715

DATE	9-87			
MISE A JOUR	1 <sup>er</sup>	2 <sup>e</sup>	3 <sup>e</sup>	

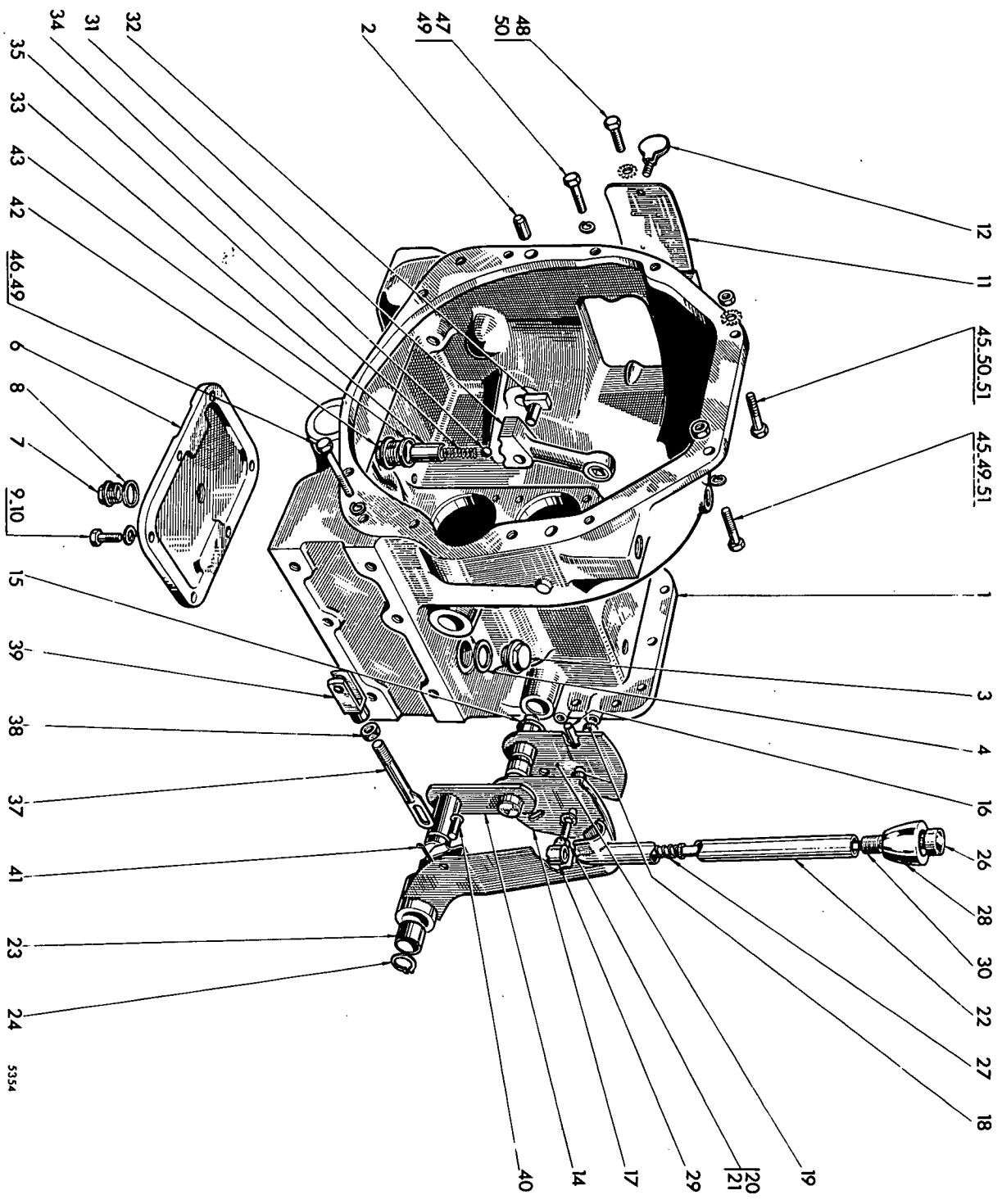


PLANCHE 35

TRACTEURS SOMECA 715.5L - 715

MISE A JOUR	1*	2*	3*
DATE	9-87		

5354

CLICK HERE TO **DOWNLOAD** THE COMPLETE MANUAL

- Thank you very much for reading the preview of the manual.
- You can download the complete manual from: [www.heydownloads.com](http://www.heydownloads.com) by clicking the link below



- Please note: If there is no response to CLICKING the link, please download this PDF first and then click on it.

CLICK HERE TO **DOWNLOAD** THE COMPLETE MANUAL

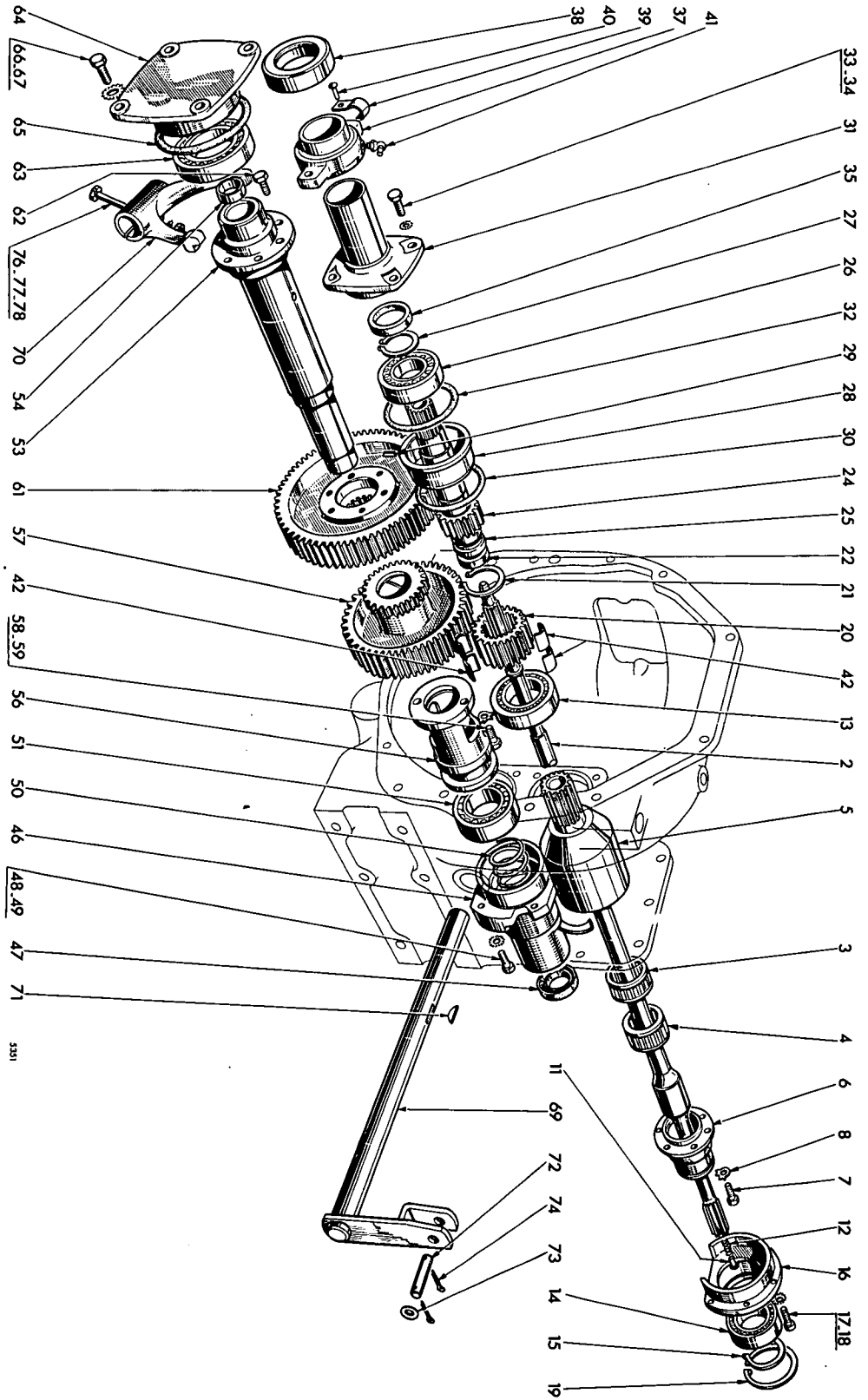


PLANCHE 36

TRACTEURS SOMECA 715,5L - 715

MISE A JOUR	1 <sup>er</sup>	2 <sup>e</sup>	3 <sup>e</sup>
DATE	9-67		

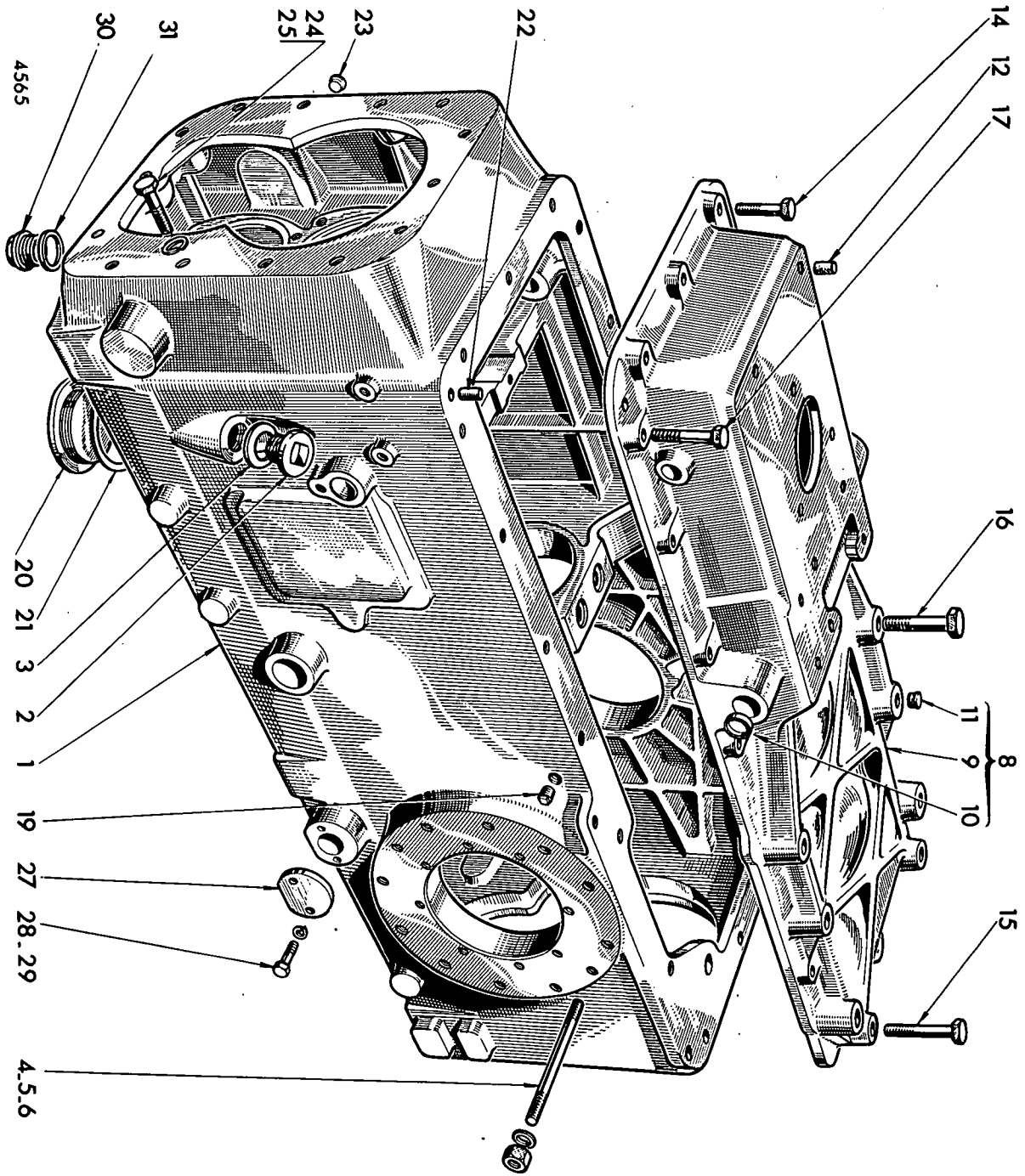
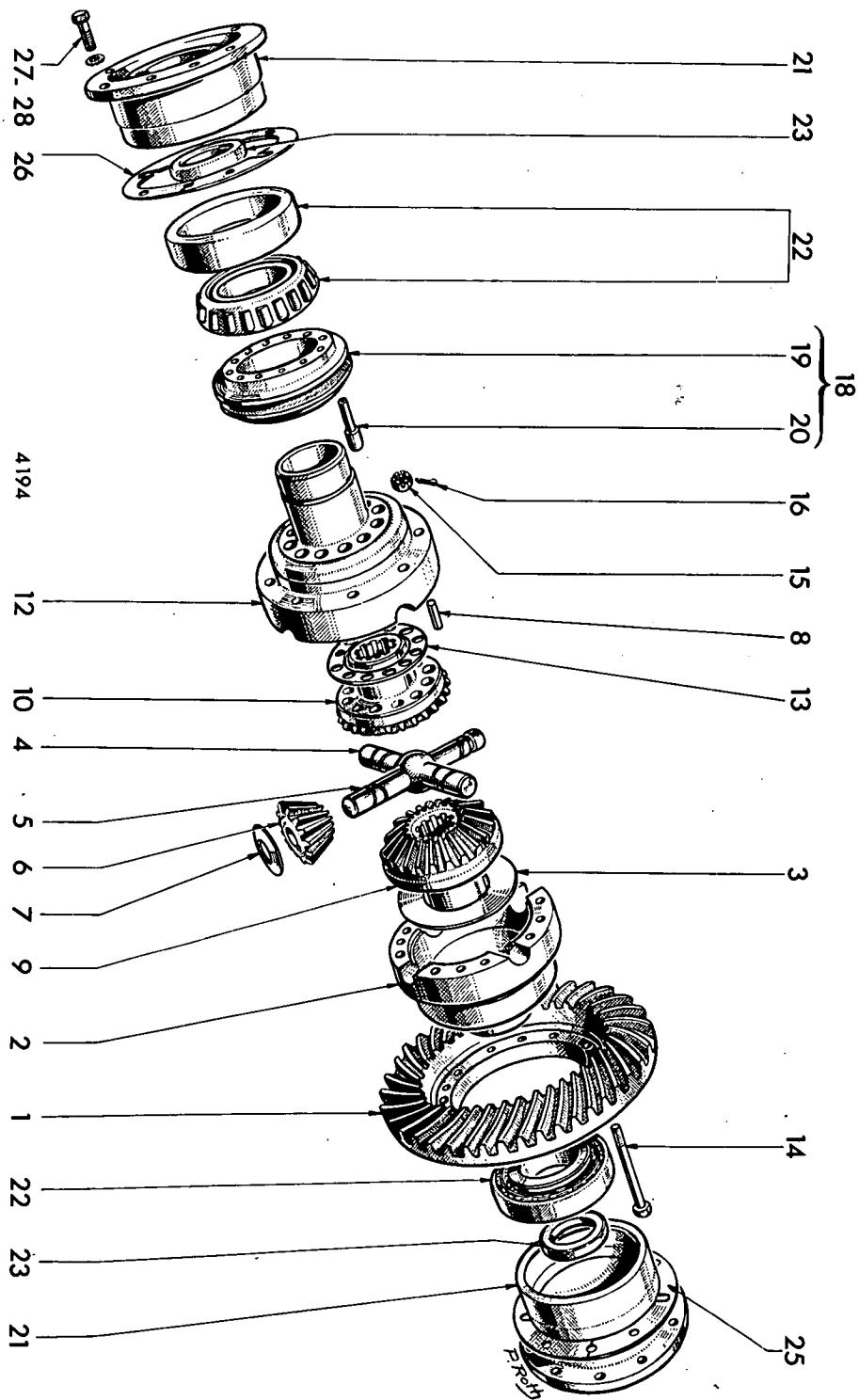


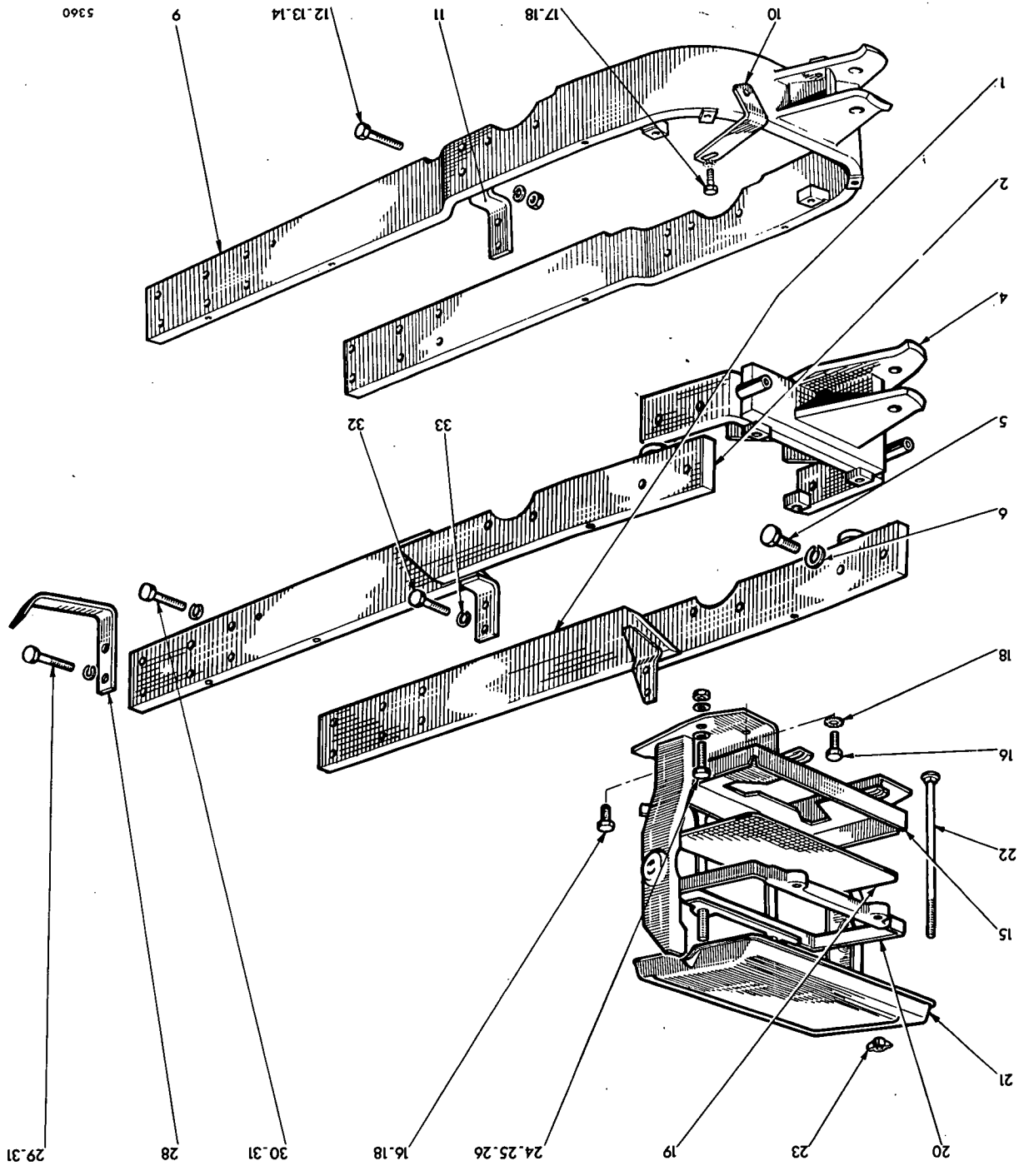
PLANCHE 39

TRACTEURS SOMECA 715.5L - 715

MISE A JOUR	1°	2°	3°
DATE	9-67		



MISE A JOUR		DATE
1 <sup>re</sup>	2 <sup>e</sup>	9.67
3 <sup>e</sup>		

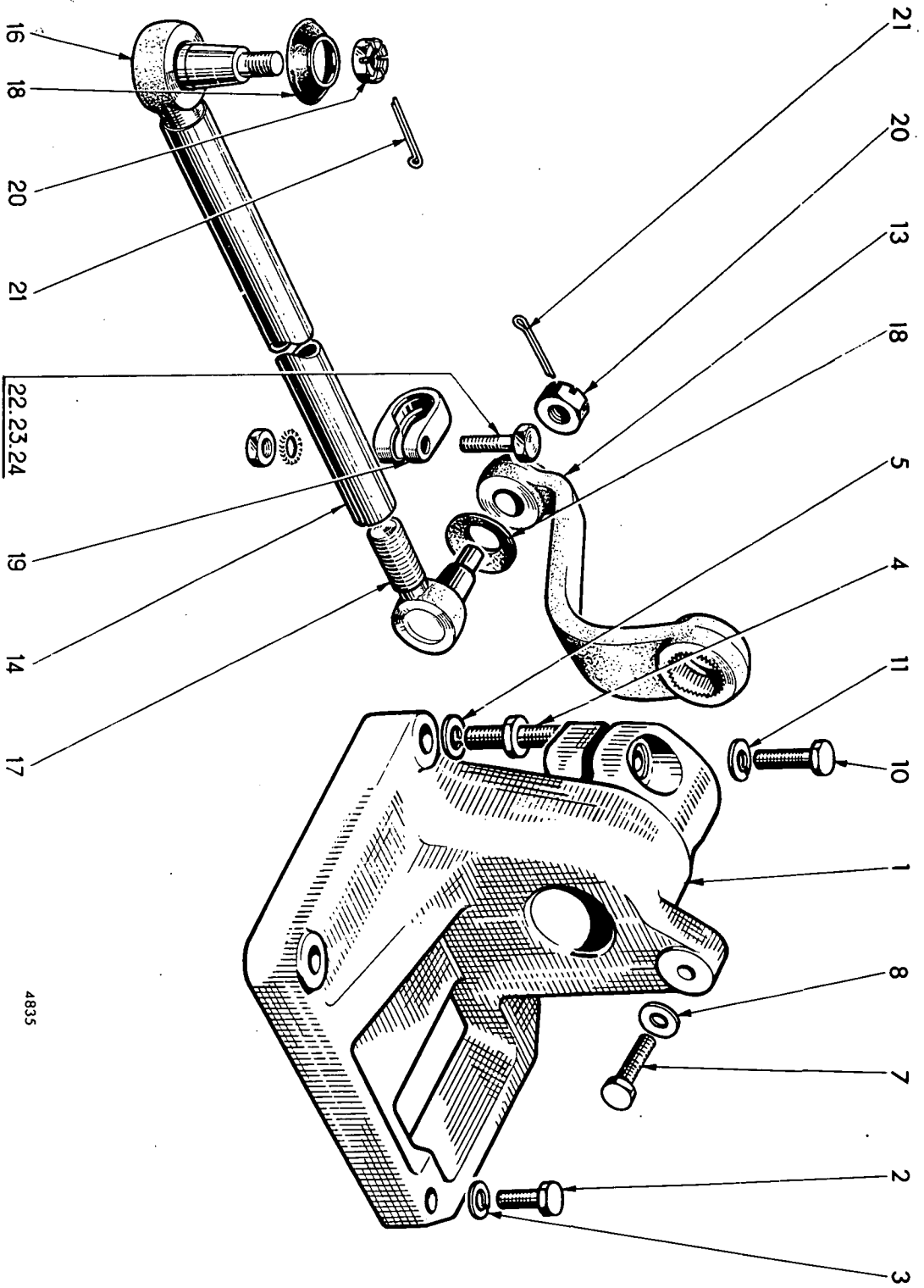


5360

**TRACTEURS SOMECA 715.5L - 715**  
**PLANCHE 47**

DATE	9-87
MISE A JOUR	1- 2- 3-

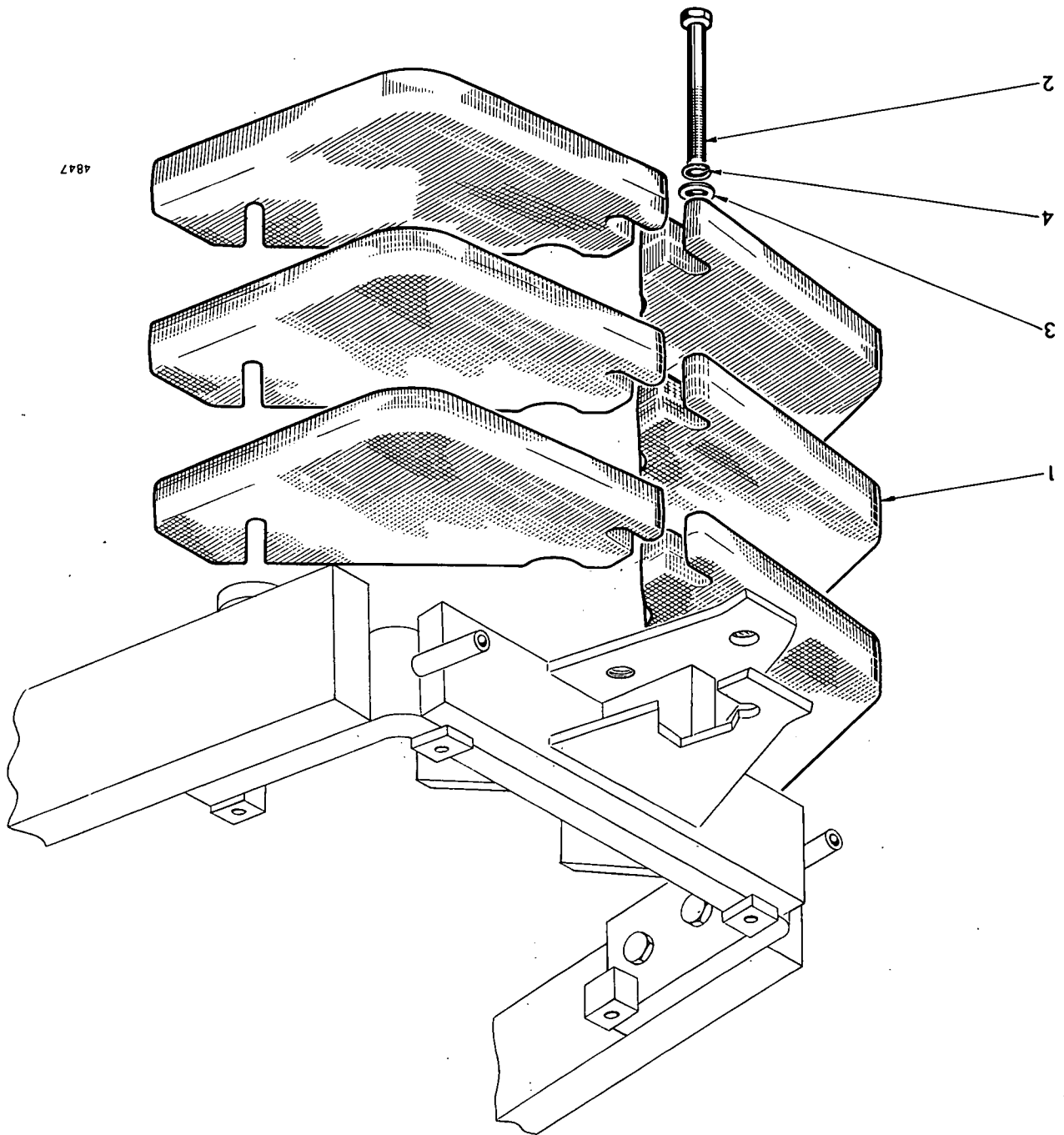
**TRACTEURS SOMECA 715.5L - 715**  
**PLANCHE 52**



22.23.24

4835

DATE	9-67
MISE A JOUR	1° 2° 3°



4847

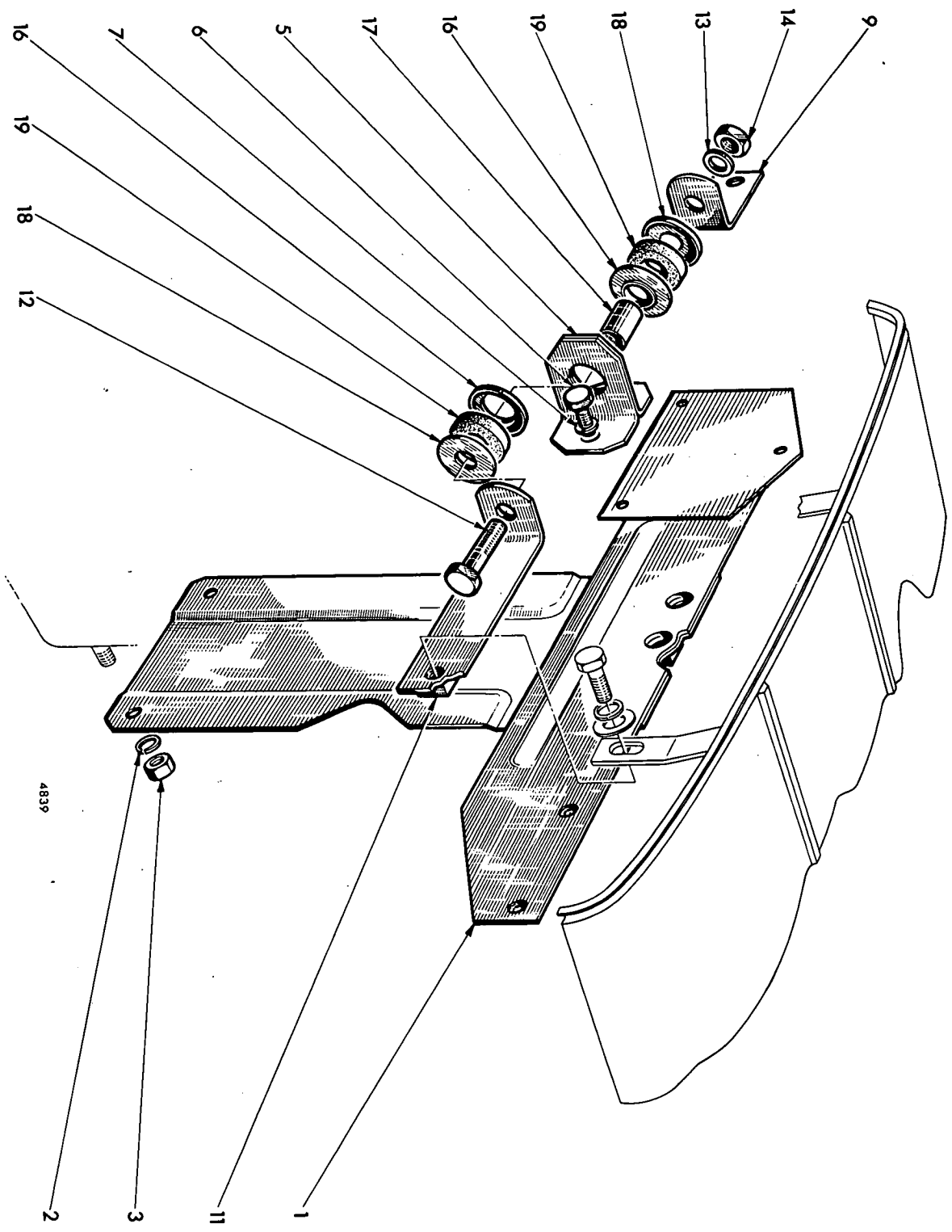
PLANCHE 55

TRACTEURS SOMECA 715.5L - 715

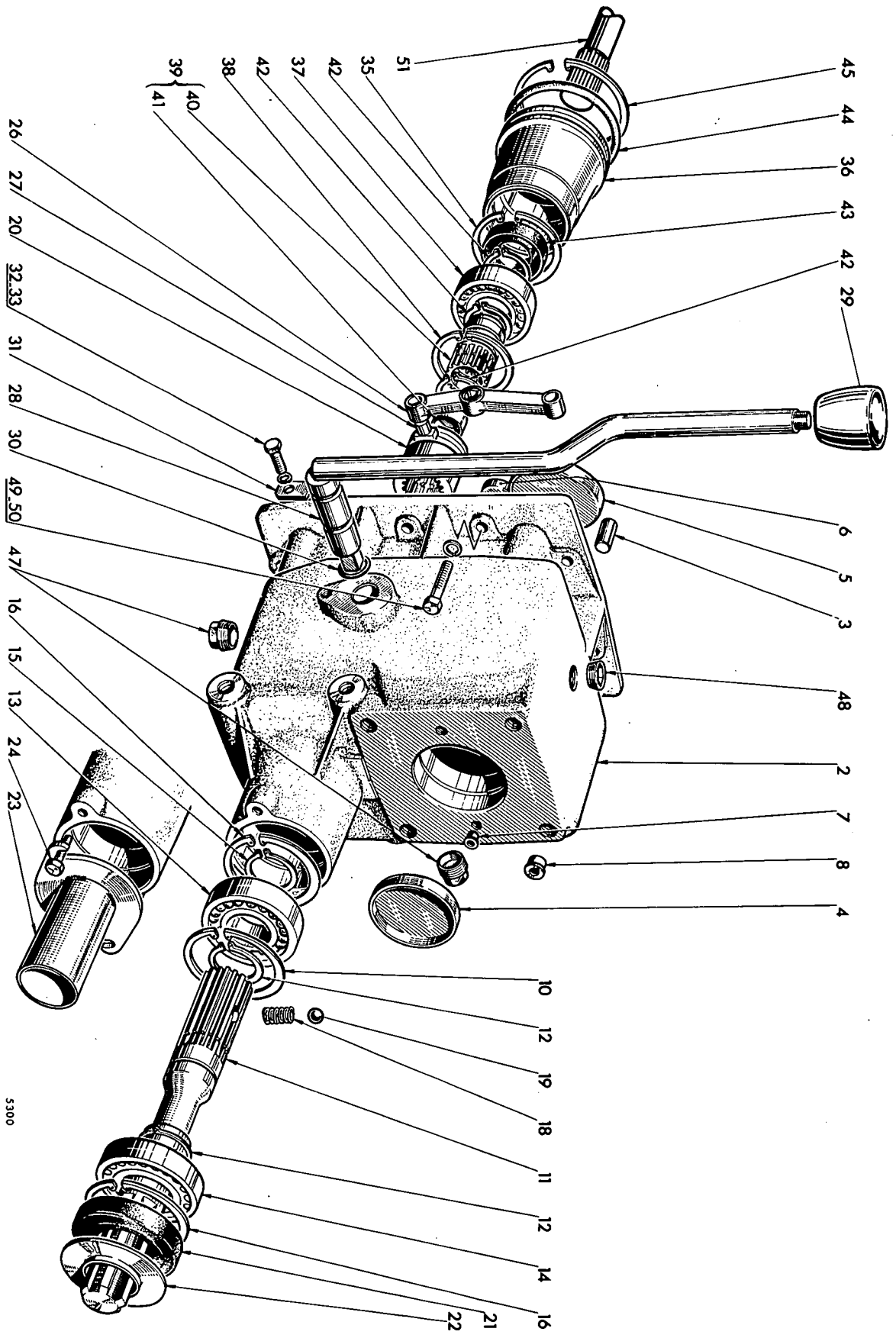
MISE A JOUR	1 <sup>re</sup>	2 <sup>e</sup>	3 <sup>e</sup>
DATE	9-87		

**TRACTEURS SOMECA 715.5L - 715**  
**PLANCHE 60**

MISE A JOUR	1 -	2 -	3 -
DATE	9-67		



4839

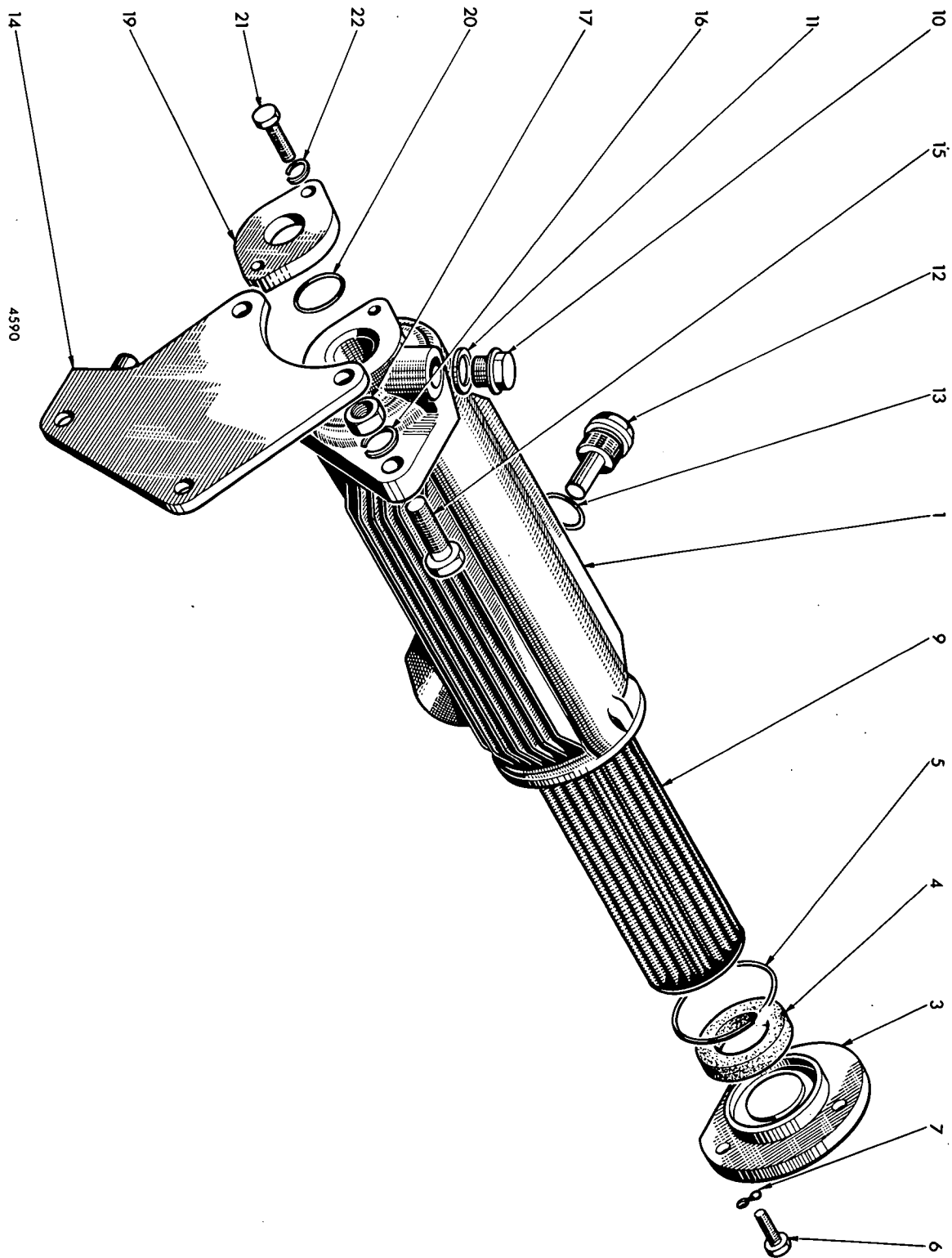


5300

PLANCHE 64

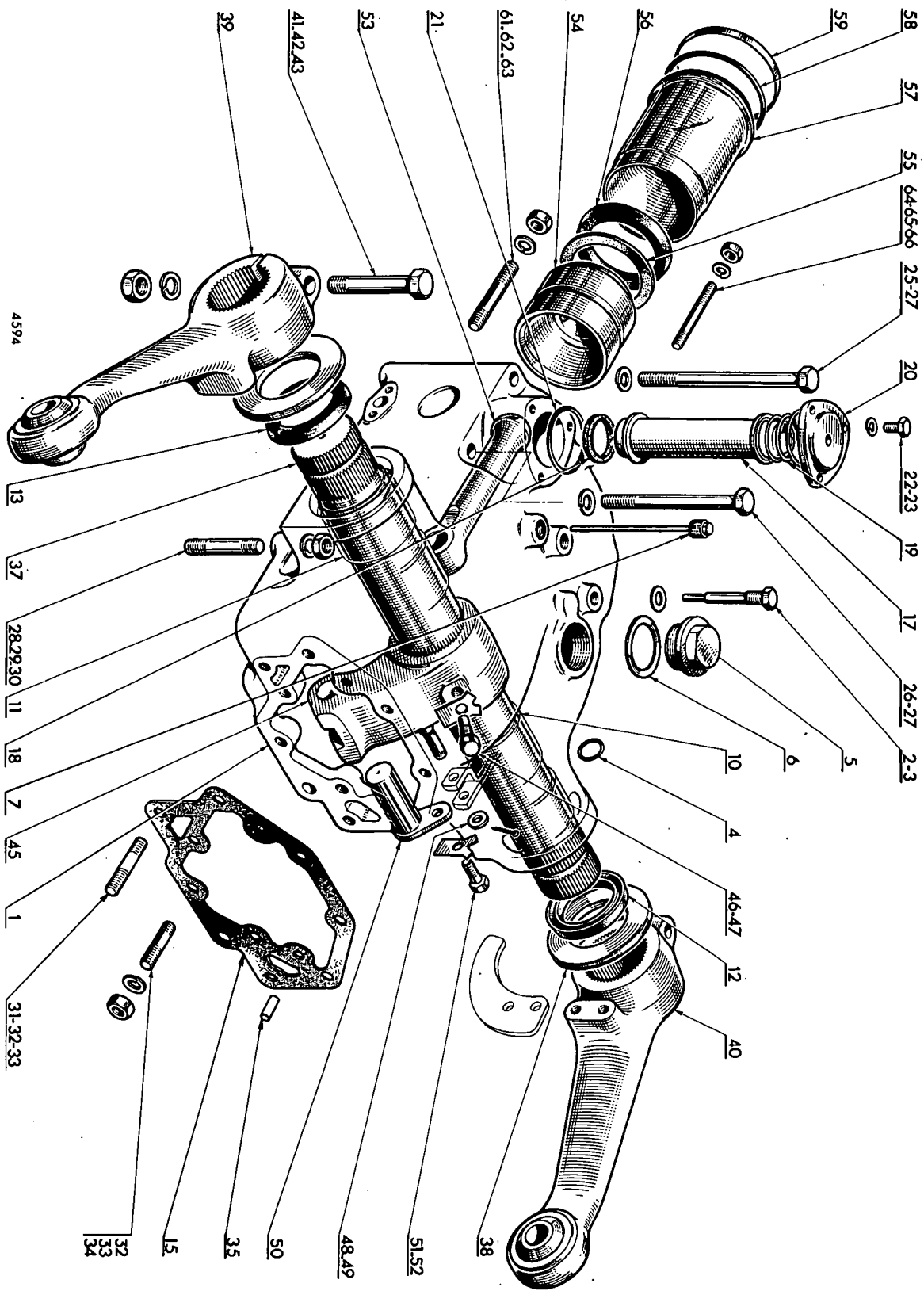
TRACTEURS SOMECA 715,5L - 715

DATE	9-67
MISE A JOUR	1- 2- 3-



TRACTEURS SOMEGA 715,5L - 715  
 PLANCHE 68

MISE A JOUR	1 <sup>re</sup>	2 <sup>e</sup>	3 <sup>e</sup>
DATE	9-87		



4594

- 58
- 57
- 55 64-65-66
- 25-27
- 20
- 22-23
- 19
- 17
- 26-27
- 2-3
- 5
- 6
- 10
- 4
- 46-47
- 12
- 40
- 38
- 51-52
- 48-49
- 50
- 35
- 15
- 32
- 33
- 34
- 31-32-33
- 1
- 45
- 7
- 18
- 11
- 28-29-30
- 37
- 13
- 39
- 41-42-43
- 53
- 21
- 61-62-63
- 54
- 56
- 59

**TRACTEURS SOMECA 715.5L - 715**  
**PLANCHE 71**

MISE A JOUR	1°	2°	3°
DATE	9-67		

CLICK HERE TO **DOWNLOAD** THE COMPLETE MANUAL

- Thank you very much for reading the preview of the manual.
- You can download the complete manual from: [www.heydownloads.com](http://www.heydownloads.com) by clicking the link below



- Please note: If there is no response to CLICKING the link, please download this PDF first and then click on it.

CLICK HERE TO **DOWNLOAD** THE COMPLETE MANUAL