

DXbis 85

BRAKE

Control assy./servise brake, Parking brake

| | |
|--------------------------------------|---------|
| OPERATION - P.T.O. SHAFT - REAR..... | 13.29.2 |
| HAND BRAKE..... | 13.29.4 |
| OPERATION - PARKING BRAKE..... | 13.29.9 |

Service brake, Contral assy./service brake

| | |
|--|----------|
| CYLINDER PARTS..... | 13.30.4 |
| SERVICE BRAKE - DISC BRAKE..... | 13.30.5 |
| OPERATION - SERVICE BRAKE - LINES..... | 13.30.13 |
| OPERATION - SERVICE BRAKE - LINES..... | 13.30.14 |
| OPERATION - SERVICE BRAKE - LINES..... | 13.30.22 |
| OPERATION - SERVICE BRAKE - LINES..... | 13.30.23 |
| VALVE PARTS..... | 13.30.27 |

Pneumatic system

| | |
|--------------------------|----------|
| COMPRESSED-AIR UNIT..... | 13.55.6 |
| COMPRESSED-AIR UNIT..... | 13.55.8 |
| COMPRESSED-AIR UNIT..... | 13.55.12 |
| COMPRESSED-AIR UNIT..... | 13.55.23 |
| COMPRESSED-AIR UNIT..... | 13.55.24 |
| COMPRESSED-AIR UNIT..... | 13.55.25 |

Hydr. brake for trailer

| | |
|------------------|---------|
| HYDR. BRAKE..... | 13.56.1 |
|------------------|---------|

CLICK HERE TO **DOWNLOAD** THE COMPLETE MANUAL

- Thank you very much for reading the preview of the manual.
- You can download the complete manual from: www.heydownloads.com by clicking the link below



- Please note: If there is no response to CLICKING the link, please download this PDF first and then click on it.

CLICK HERE TO **DOWNLOAD** THE COMPLETE MANUAL

Section: BRAKE

OPERATION - SERVICE BRAKE - LINES

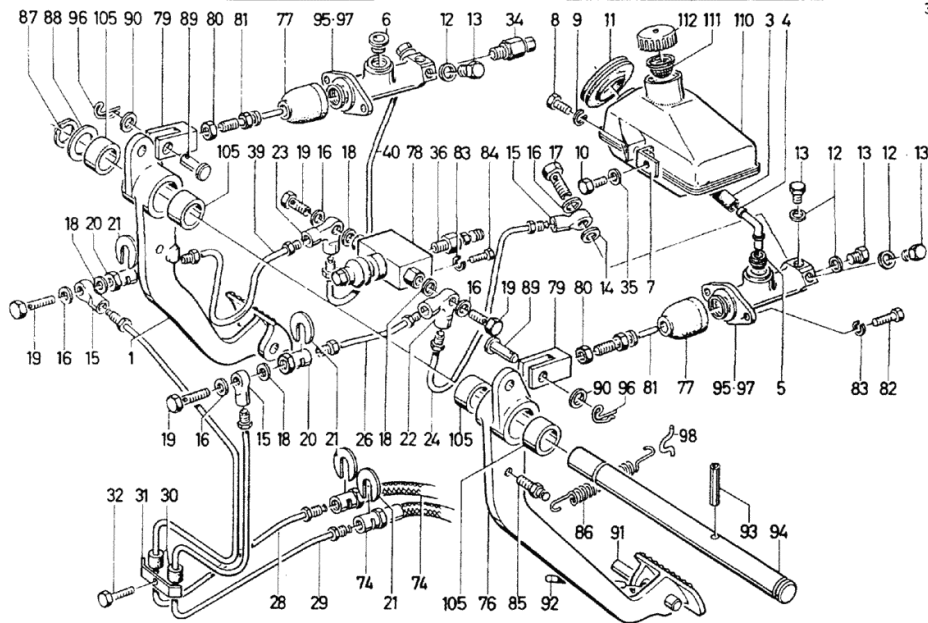


BREMSBETÄTIGUNG
BRAKE CONTROL
COMMANDE DE FREIN
ACCMTO. FRENO

1024-30 503 0332

| Fig. | Code | QTY | Name |
|------|----------|-----|------------|
| 98 | 04323349 | 2 | spring |
| 105 | 04302955 | 2 | bushing |
| 110 | 04314055 | 1 | container |
| 111 | 02962960 | 1 | small mesh |
| 112 | 04311138 | 1 | screw |

PART NUMBERS LISTING SHEET
1024-30 503 0334
B355,WAHLWEISE POS.95



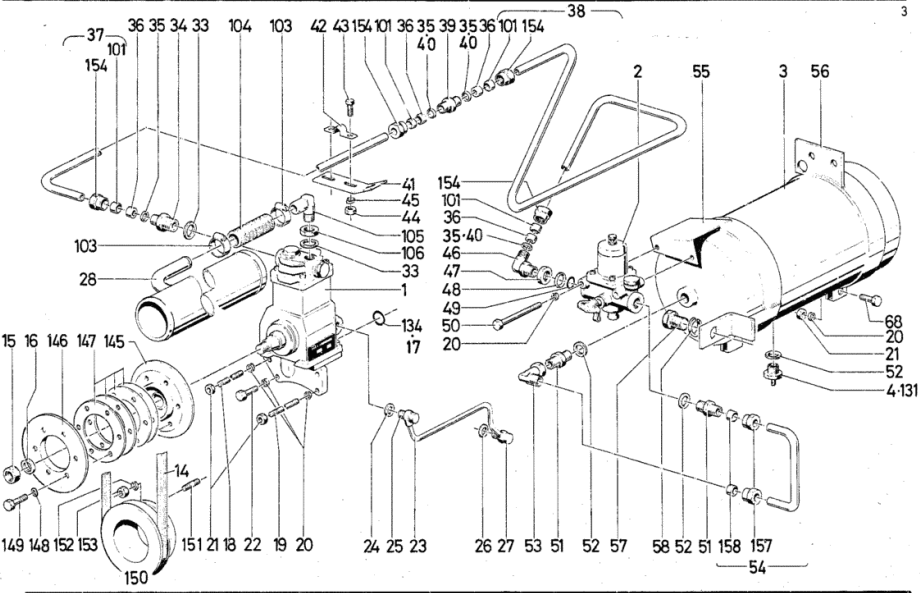
Section: BRAKE
COMPRESSED-AIR UNIT



DRUCKLUFTANLAGE
PNEUMATIC SYSTEM
SYST. D'AIR COMPR.
SISTEMA AIRE COMPR.

KOMB 1-2 - LEITUNG
COMB OF 1-2 - LINE
COMBINE A1-2-CONDUITS
COMB DE CONDUCTO 1-2 - CONDUCTOS

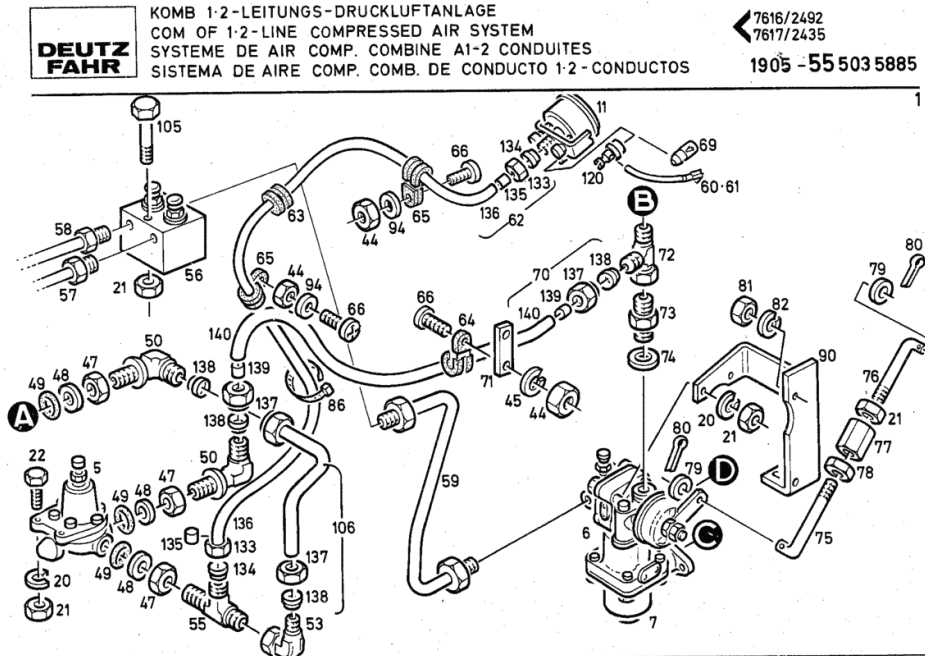
7616/2491, 7617/2434
7618/1934, 7619/2429
7620/1355, 7621/3459
1905-55502 7769



| Fig. | Code | QTY | Name |
|------|----------|-----|---|
| 131 | 01263151 | 1 | DIN 074305-M26X1,5-A4C valve |
| 134 | 01166007 | 1 | AUTOMAT. 'o' ring 16x4 |
| 145 | 04304121 | 1 | H 002927- 16 X 4 -NBR-1-60 pulley |
| 146 | 04335486 | 1 | pulley |
| 147 | 03363622 | 6 | snoulder |
| 148 | 01107283 | 6 | washer 8.2 |
| 149 | 01112333 | 6 | DIN 000137-B 8-FST-A4C screw m 8 x 25, d933 |
| 150 | 02165606 | 1 | ISO 004017-M 8 X 25 - 8.8-A4C pulley |
| 151 | 01113386 | 4 | screw |
| 152 | 01107101 | 4 | DIN 000939-M 8 X 22 - 8.8-A4C washer 8.4 |
| 153 | 01112824 | 4 | DIN 000125-A 8,4-140HV-A4C nut m 8, d934 |
| 154 | 01121705 | 4 | ISO 004032-M 8 - 8-A4C nut |
| 157 | 01179539 | 4 | DIN 074297-AM22X1,5-A4C nut CL 12 H310 |
| 158 | 01116637 | 4 | H 003105- CL12 -STF55 -A3C GE WACHST ring |
| | | | H 003107-F S12-ST |

Section: BRAKE
COMPRESSED-AIR UNIT

| Fig. | Code | QTY | Name |
|------|----------|-----|---|
| 70 | 04317943 | 1 | tube |
| 71 | 04333328 | 1 | rotor blade |
| 72 | 01173028 | 1 | pipe fitting AL 12 H 003127-AL12-ST-A4C |
| 73 | 01122822 | 2 | pipe fitting I 12 a d3901 DIN 003901-L 12A-M-ST-A4C |
| 74 | 01118700 | 4 | 'o' ring Ø 16 x 20 DIN 007603-A 16 X 20 -CU |
| 75 | 04303472 | 1 | rod |
| 76 | 04303473 | 1 | rod |
| 77 | 01115360 | 1 | nut DIN 001479-SP M 8- 6-A4C |
| 78 | 01112831 | 1 | nut m 8 ISO 004032-M 8 LH - 8-A4C |
| 79 | 01107548 | 2 | washer 8.4 DIN 000433- 8,4-140HV-A4C |
| 80 | 01106407 | 2 | split pin DIN 000094- 2 X 14-ST-A4C |
| 81 | 01102659 | 2 | nut m 10, d934 DIN 000934-M10 - 8-A4C |
| 82 | 01102800 | 2 | washer 10.2 DIN 000128-A 10 -FST -A4C |
| 86 | 01172065 | 10 | clamp 4.6 x 146 H 007672-G 146X 4,6 |
| 90 | 04333466 | 1 | filter casing |
| 94 | 01119810 | 1 | washer 6.4 DIN 009021- 6,4-100HV-A4C |
| 105 | 01111174 | 2 | screw m 8x65 d931 ISO 004014- M 8 X 65 - 8.8-A4 C |
| 106 | 04333817 | 1 | tube |
| 120 | 01214679 | 1 | socket |
| 133 | 01179283 | 2 | nut H 003105- CL 6-STF55 -A3C GEW ACHST |
| 134 | 01123532 | 2 | ring DIN 074297-B 6 |
| 135 | 01173768 | 2 | stop H 003111-B 5X 3 -MS |
| 136 | 01393582 | 0 | tube DIN 073378- 6 X 1,5 -PA11PL-S W 1800,MM |
| 137 | 01179539 | 2 | nut CL 12 H310 |



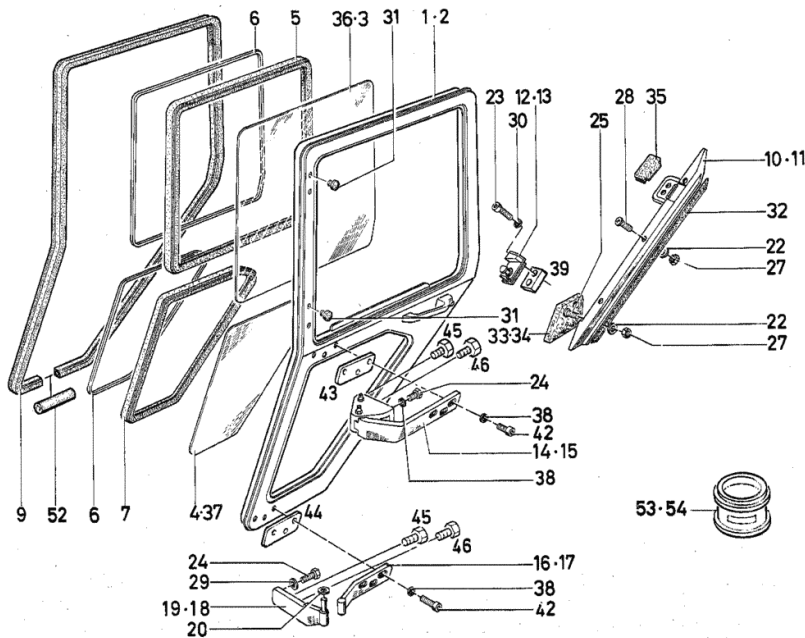
CAB DOOR

| Fig. | Code | QTY | Name |
|------|----------|-----|--|
| 1 | 04309519 | 0 | chassis frame LEFT 1905-37 502 4223 |
| 2 | 04309520 | 1 | chassis frame RIGHTS 1905-37 502 4223 |
| 3 | 04309526 | 1 | glass |
| 4 | 04309514 | 1 | glass |
| 5 | 04312066 | 1 | chassis frame |
| 6 | 01393150 | 0 | lance filler H 007560- D 7,5 X 9,5 1940 MM |
| 7 | 04312065 | 1 | chassis frame |
| 9 | 01395475 | 0 | gasket H 846471-21-PN 1 -EPDM 3925 MM |
| 10 | 04309523 | 1 | contact surface LEFT |
| 11 | 04309522 | 1 | contact surface RIGHTS |
| 12 | 04303591 | 1 | heelpiece 195,LINKS |
| 13 | 04303592 | 1 | heelpiece RIGHTS |
| 14 | 04327422 | 0 | hinge LEFT B313,TEILENUMMERN-LISTENBLATT 1905-37 502 7782 |
| 15 | 04327423 | 0 | hinge RIGHTS B313,TEILENUMMERN-LISTENBLATT 1905-37 502 7782 |
| 16 | 04308737 | 1 | hinge 195,LINKS |
| 17 | 04308739 | 1 | hinge RIGHTS |
| 18 | 04308758 | 1 | hinge LEFT |
| 19 | 04308757 | 1 | hinge RIGHTS |
| 20 | 01107105 | 2 | washer 10.5 DIN 000125-A10,5-140HV-A4C |
| 22 | 01119810 | 4 | washer 6.4 DIN 009021- 6,4-100HV-A4C |



FAHRERHAUSTÜR
CAB DOOR
PORTIERE DE CABINE
PUERTA CABINA

1905-37 502 4178



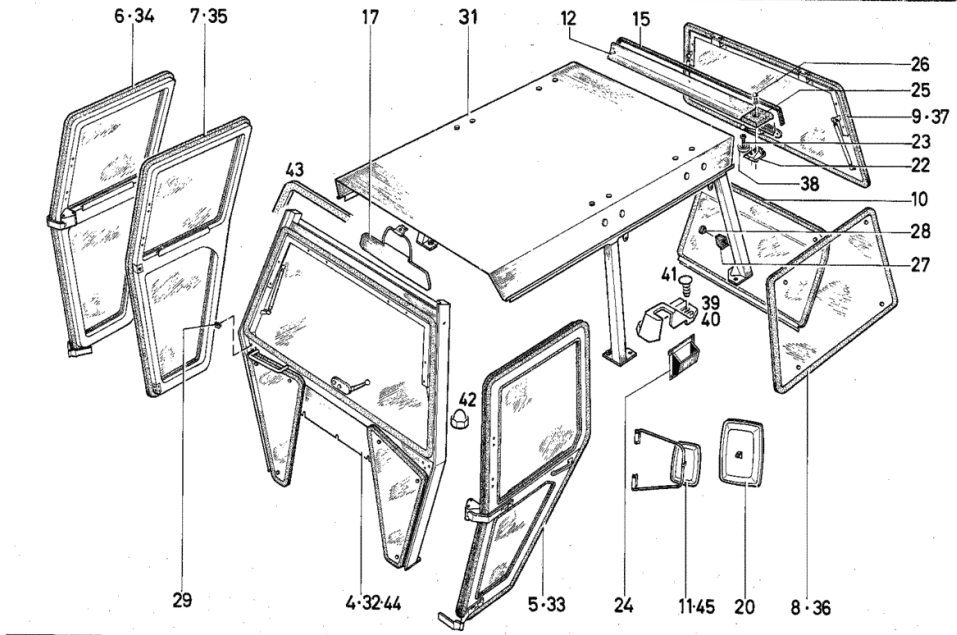
Section: BUILT-ON ACCESSORIES
CAB

| Fig. | Code | QTY | Name |
|------|----------|-----|---|
| 4 | 00000000 | 0 | not serviceable PART NUMBERS LISTING SHEET 1905-37 502 4177 |
| 5 | 00000000 | 0 | not serviceable PART NUMBERS LISTING SHEET 1905-37 502 4178 |
| 6 | 00000000 | 0 | not serviceable PART NUMBERS LISTING SHEET 1905-37 502 4178 |
| 7 | 00000000 | 0 | not serviceable PART NUMBERS LISTING SHEET 1905-37 502 4179 |
| 8 | 04312655 | 0 | glass PART NUMBERS LISTING SHEET 1905-37 502 4180 |
| 9 | 00000000 | 0 | not serviceable PART NUMBERS LISTING SHEET 1905-37 502 4181 |
| 10 | 00000000 | 0 | not serviceable PART NUMBERS LISTING SHEET 1905-37 502 4182 |
| 11 | 00000000 | 0 | not serviceable PART NUMBERS LISTING SHEET 1024-67 502 4034 |
| 12 | 04308787 | 1 | spring |
| 15 | 04312726 | 1 | profile |
| 17 | 00000000 | 0 | not serviceable PART NUMBERS LISTING SHEET 1905-37 502 4184 |
| 20 | 00000000 | 0 | not serviceable PART NUMBERS LISTING SHEET 1024-67 502 4035 |
| 21 | 01119817 | 6 | washer DIN 009021- 6,4-140HV-A4C |
| 22 | 04307794 | 1 | stop |
| 23 | 01137494 | 2 | screw DIN 000912- M 6 X 25SB- 8.8-A 4C |
| 24 | 04314165 | 1 | ash-try |
| 25 | 04312096 | 1 | cap |
| 26 | 04304484 | 1 | rivet |
| 27 | 04312025 | 2 | cap |
| 28 | 01167323 | 2 | bottom H 002873-A 19 X 16,3X 9,5-PE |



FAHRERKABINE
 DRIVER'S CAB
 CABINE DE CONDUCT
 CAB. D. CONDUCTOR

1905 - 37 502 4216



Section: BUILT-ON ACCESSORIES
HOOD

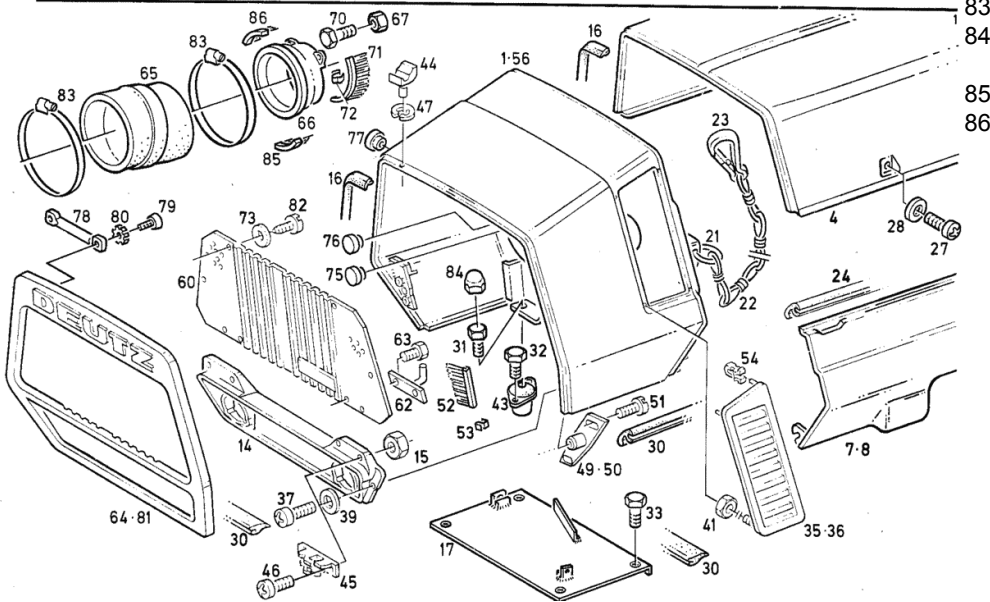
Ref.: 16.41.1

| Fig. | Code | QTY | Name |
|------|----------|-----|---|
| 78 | 04325558 | 2 | bracket |
| 79 | 01119634 | 4 | screw 6x10 d7985 ISO 007045-M 6X 10 - 4.8-H -A 4C |
| 80 | 01117888 | 4 | lock washer DIN 006797-J 6,4-A4C |
| 81 | 04326845 | 1 | grille USA |
| 82 | 01137533 | 6 | screw ISO 007049-ST5,5X13 -C-H-A4C |
| 83 | 04326773 | 4 | clamp |
| 84 | 01174043 | 2 | tube H 002870-K 17 -PE SOFT-SW |
| 85 | 04336913 | 1 | brush |
| 86 | 04337311 | 1 | brush |



MOTORHAUBE
ENGINE HOOD
CAPOT MOTEUR
CAPOT MOTOR

1024-41 502 2702



Section: BUILT-ON ACCESSORIES
WING FRONT

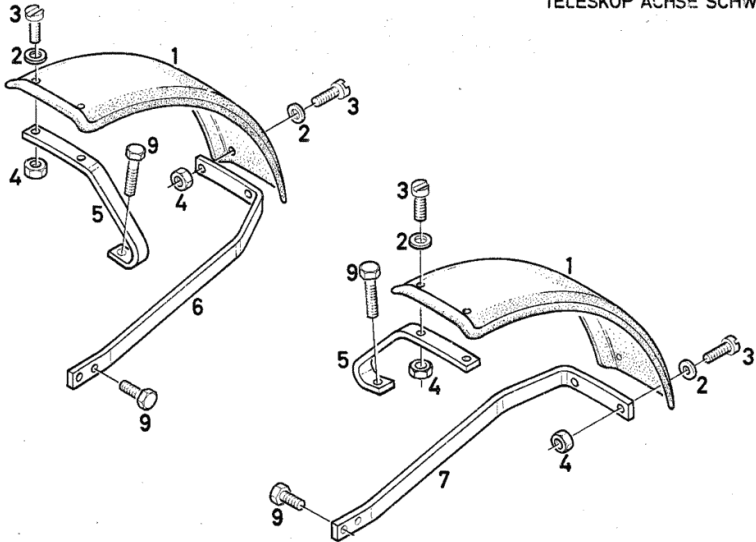
| Fig. | Code | QTY | Name |
|------|----------|-----|---|
| 1 | 04305598 | 1 | fender |
| 2 | 01171741 | 4 | washer H 002398- 9021-A 8,4-ST |
| 3 | 01172758 | 4 | screw H 002093- 7985-M 8X 25 -4.8 - H |
| 4 | 01136452 | 4 | nut vm 8 d980 DIN 000980-VM 8 - 8-A4C GEWAC HST |
| 5 | 04321500 | 1 | support |
| 6 | 04321502 | 1 | support |
| 7 | 04321503 | 1 | support |
| 9 | 01112508 | 3 | screw DIN 000933-M12 X 22 - 8.8-A4C |



KOTFLÜGEL VORN - GUMMI
FRONT MUDGUARDS - RUBBER
AILES AV - CAOUT
GUARDABARROS DELANTEROS - GOMA

FÜR BEREIFUNG 7.50-18
FOR TYRES 7.50-20
POUR PNEUMATIQUES
PARA NEUMATICOS 1026-52 502 4011

TELESKOP ACHSE SCHWER¹

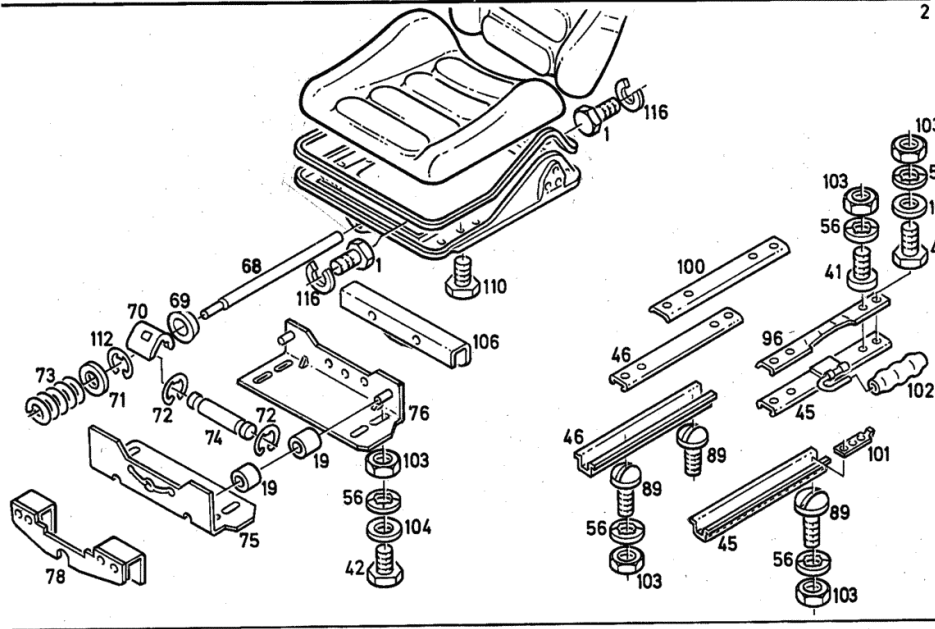


Section: BUILT-ON ACCESSORIES
DRIVER'S SEAT

| Fig. | Code | QTY | Name |
|------|----------|-----|---|
| 1 | 01112232 | 4 | screw m 6 p.1 x 10 ISO 004017-M 6 X 10 - 8.8-A4C |
| 19 | 04311716 | 8 | roller |
| 41 | 04316769 | 4 | screw |
| 42 | 01137150 | 4 | screw DIN 000920-M8X20 - 5.8-A4C |
| 45 | 04311733 | 1 | guide |
| 46 | 04311734 | 1 | guide |
| 56 | 01127471 | 14 | washer DIN 006798-A 8,2-A4C |
| 68 | 04311671 | 1 | pin |
| 69 | 04311672 | 1 | bushing |
| 70 | 04311673 | 1 | lever |
| 71 | 01151184 | 2 | washer DIN 000433-10,5-200HV |
| 72 | 01131021 | 2 | washer 5 d6799 DIN 006799- 5 |
| 73 | 04311675 | 1 | spring |
| 74 | 04311676 | 1 | pin |
| 75 | 04311677 | 1 | square |
| 76 | 04311677 | 1 | square |
| 78 | 04311679 | 1 | cover |
| 89 | 01133502 | 4 | screw ISO 007045-M 8X 20 - 4.8-H -A 4C |
| 96 | 04311731 | 1 | disc |
| 100 | 04311732 | 1 | disc |
| 101 | 04311735 | 2 | square |
| 102 | 04311736 | 1 | knob |
| 103 | 01131132 | 14 | nut ISO 004035- M 8 -06-A4C |
| 104 | 01107548 | 8 | washer 8.4 DIN 000433- 8,4-140HV-A4C |
| 106 | 04320437 | 1 | cover |
| 110 | 01137312 | 2 | screw DIN 000558-M 8X 16-4.6 |
| 112 | 01125680 | 2 | washer DIN 006799- 8-A4C |
| 116 | 01102797 | 6 | washer 6, d128 DIN 000128-A 6 -FST -A4C |

**DEUTZ
FAHR** KOMFORTSITZ - SUPER - VERSTELLVORRICHTG
COMFORT SEAT - SUPER - ADJUSTING DEVICE
SIEGE - SUPER CONFORT - REGLAGE
ASIENTO - SUPER CONFORT - DISPOS. GRADUAC.

1024- 54 503 5734

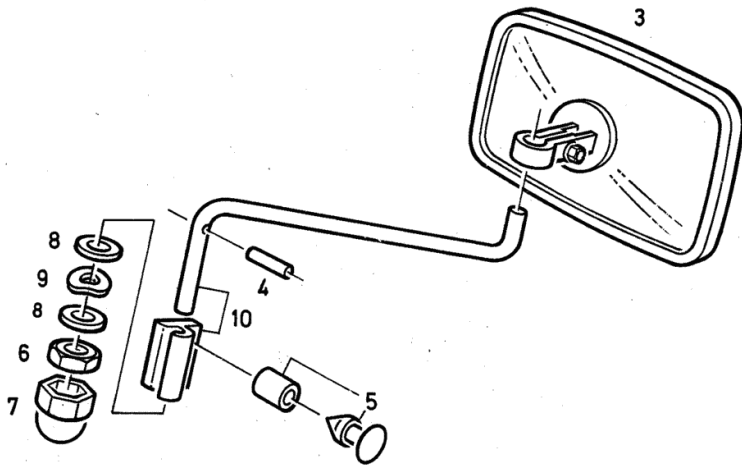


INTERIOR MIRROR

| Fig. | Code | QTY | Name |
|------|----------|-----|--|
| 3 | 04325557 | 1 | mirror |
| 4 | 01115420 | 1 | pin ISO 008752- 4 X 20 |
| 5 | 01173662 | 2 | rivet H 002416-A6,4X12,7-ST |
| 6 | 01136453 | 1 | nut m 10 DIN 000980-VM10 - 8-A4C GEWAC HST |
| 7 | 01174043 | 1 | tube H 002870-K 17 -PE SOFT-SW |
| 8 | 01107105 | 2 | washer 10.5 DIN 000125-A10,5-140HV-A4C |
| 9 | 01107286 | 1 | washer b10 d137 DIN 000137-B10-FST-A4C |
| 10 | 04343749 | 1 | support |

**DEUTZ
FAHR** INNENSPIEGEL
INSIDE MIRROR
MIROIR INTERIEUR
ESPEJO INTERIOR

1024-67503 5752



STEP - FUEL TANK

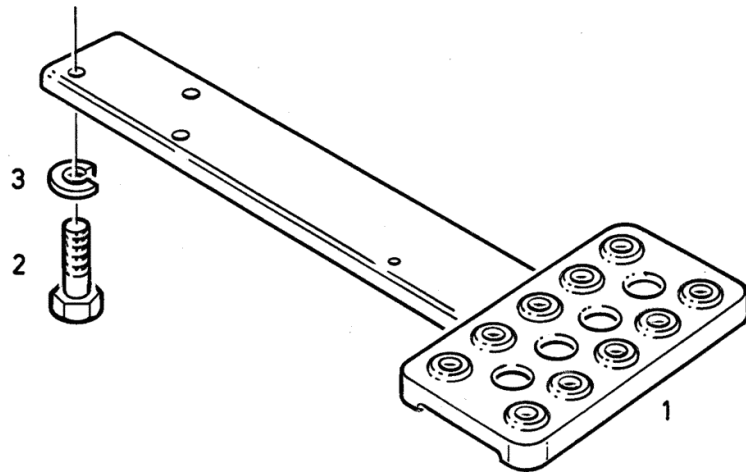
| Fig. | Code | QTY | Name |
|------|----------|-----|---|
| 1 | 04336758 | 1 | foot board |
| 2 | 01112663 | 3 | screw m 16 x 25 ISO 004017-M16 X 25 - 8.8-A4C |
| 3 | 01177982 | 3 | washer 16 HM 060216.01-VSK16-VERZINKT G ELB |



AUFTRITT
FOOT PLATE
MARCHE-PIED
ESTRIBO

KRAFTSTOFFBEHÄLTER
FUEL TANK
RESERV A COMBUST
TANQUE COMBUSTIBLE

1024-77 503 5776

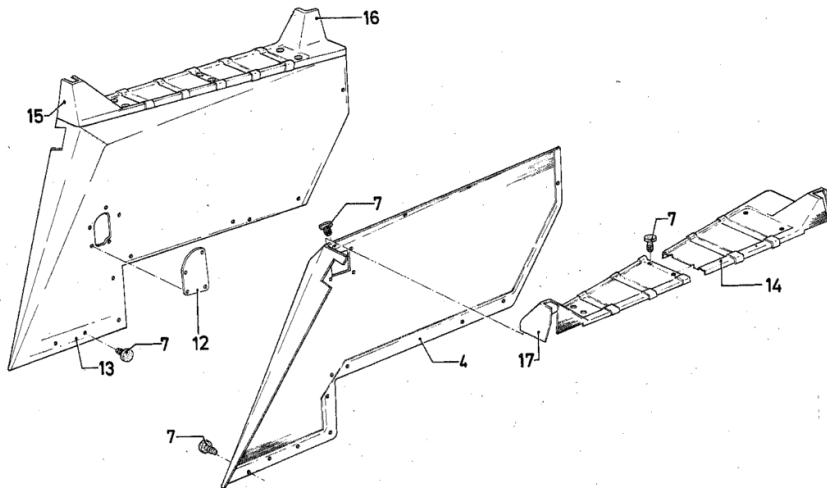


SIDE PANNELLING

| Fig. | Code | QTY | Name |
|------|----------|-----|-------|
| 4 | 04306516 | 1 | cover |
| 7 | 04307610 | 43 | plug |
| 12 | 04313061 | 1 | cover |
| 13 | 04331009 | 1 | cover |
| 14 | 04333113 | 1 | cover |
| 15 | 04333109 | 1 | cover |
| 16 | 04363534 | 1 | cover |
| 17 | 04333110 | 1 | cover |

**DEUTZ
FAHR**

SEITENVERKLEIDUNG-KOMFORT KABINE LASTSCHALTGETRIEBE
 SIDE PANNELLING -COMFORT CAB POWERSHIFT TRANSMISSION
 REVET LATERAL -CONFORT CABINE REDUCTEUR OPERABLE EN CHARGE
 REVEST. LATERAL -CONFORT CABINA CAMBIO OPERABLE CARGA 1024 -86 5035783

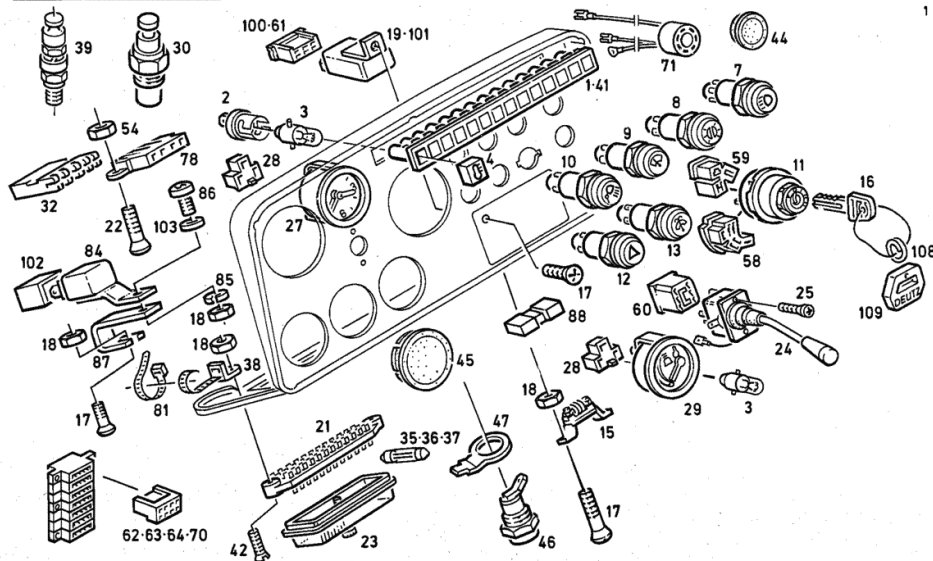


Section: ELECTRIC AL SYSTEM
CONSOLE

| Fig. | Code | QTY | Name |
|------|----------|-----|--|
| 1 | 04346893 | 0 | warning light PART NUMBERS LISTING SHEET 1024-49 502 4191 |
| 2 | 04308195 | 1 | socket |
| 3 | 01121432 | 1 | lamp j/2w d72601 DIN 072601-J 12V 2 W |
| 4 | 04308328 | 1 | warning light |
| 7 | 01174695 | 1 | switch |
| 8 | 01174693 | 1 | switch |
| 9 | 01177149 | 1 | switch |
| 10 | 01174692 | 1 | switch |
| 11 | 01176269 | 1 | switch H 823070- G2 |
| 12 | 01177148 | 1 | switch |
| 13 | 01177150 | 1 | switch |
| 15 | 01163551 | 1 | resistance H 007633- D 2,5X22 |
| 16 | 01164422 | 2 | ignition key H 007661-C 2 |
| 17 | 01171737 | 5 | screw H 002093- 966- M 5X 12 -4.8 - H |
| 18 | 01112803 | 7 | nut m 5, d934 ISO 004032-M 5 - 8-A4C |
| 19 | 01171697 | 1 | warning light H 007660-B 6 UP TO CHASSIS-NO. FROM CHASSIS- FRAME NO.....ITEM ... 101 |
| 21 | 01174149 | 1 | socket H 007644-K12 |
| 22 | 01171736 | 2 | screw H 002093- 966- M 4X 16 -4.8 - H |
| 23 | 04308376 | 1 | cover |
| 24 | 04308177 | 1 | controller |
| 25 | 01171735 | 2 | screw m4x10 h2093 H 002093- 966- M 4X 10 -4.8 - H |
| 27 | 01171490 | 1 | digital chronometers H 004237-AQ60X12VS |
| 28 | 01163659 | 1 | box H 007642- H15 |
| 29 | 01262545 | 1 | tempe guage |

**DEUTZ
FAHR**SCHALTKASTEN
MAIN SWITCH
COFFRET COMMANDE
CAJA CONEXIONESARMATUREN
INSTRUMENT
INSTRUMENT
INSTRUMENTO

1024-49 502 4188



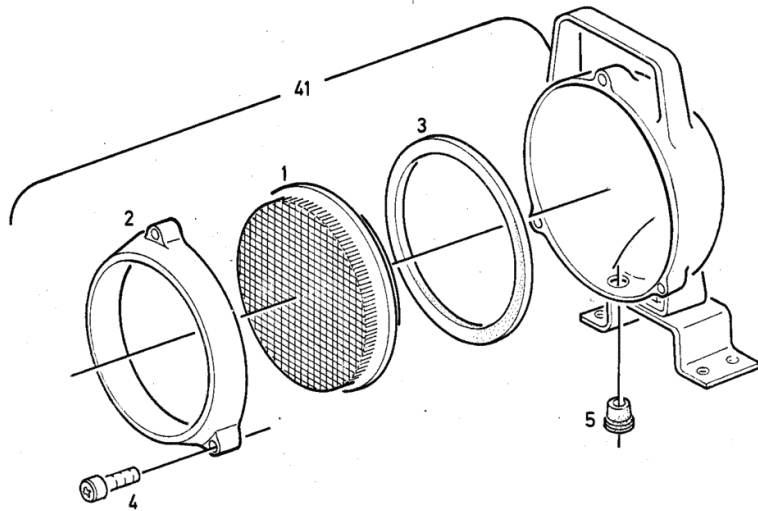
WORKING SPOTLIGHT

| Fig. | Code | QTY | Name |
|------|----------|-----|--|
| 1 | 04311815 | 1 | reflector |
| 2 | 04311816 | 1 | ring |
| 3 | 04311817 | 1 | 'o' ring |
| 4 | 01175672 | 3 | screw H 002093- 7981-ST3,9X19 -C -H |
| 5 | 04311819 | 1 | rubber ring |
| 41 | 04308197 | 1 | headlight |

**DEUTZ
FAHR**

ARBEITSSCHEINWERFER HALOGEN
 WORKLAMP HALOGEN
 PHARE DE TRAVAIL A IODE
 FARO DE TRABAJO HALOGENO

1024 -49 503 5728



Section: ENGINE

FASTENINGS

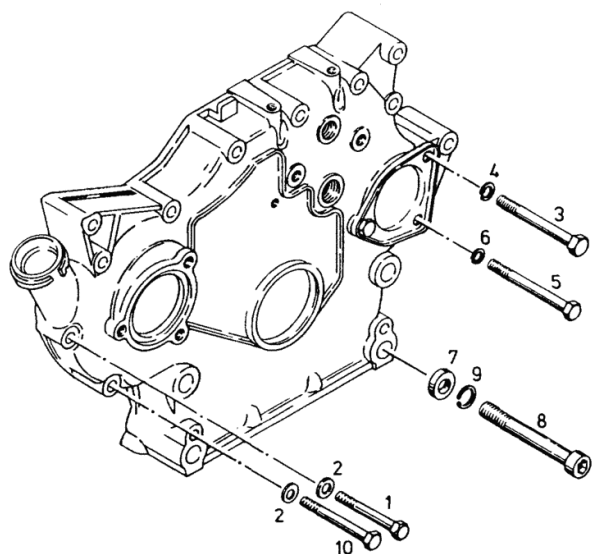
| Fig. | Code | QTY | Name |
|------|----------|-----|--|
| 1 | 01127046 | 1 | screw m 8 x 60 ISO 004017-M 8 X 60 - 8.8-A4C |
| 2 | 01107101 | 3 | washer 8.4 DIN 000125-A 8,4-140HV-A4C |
| 3 | 01111336 | 1 | screw m 10 x 75 DIN 000931- M10 X 75 - 8.8-A4 C |
| 4 | 01102800 | 1 | washer 10.2 DIN 000128-A 10 -FST -A4C |
| 5 | 01122399 | 1 | screw ISO 004014- M 8 X 85 - 8.8-A4 C |
| 6 | 01102799 | 1 | washer 8, d128 DIN 000128-A 8 -FST -A4C |
| 7 | 01107556 | 16 | washer DIN 000433-15 -140HV-A4C |
| 8 | 01102281 | 4 | screw m14x100 d912 DIN 000912- M14 X100 - 8.8-A4 C |
| 9 | 01127679 | 4 | spring washer DIN 007980-14-FST-A4C |
| 10 | 01111179 | 1 | screw m 8 x 70, d931 ISO 004014- M 8 X 70 - 8.8-A4 C |



Befestigungsteile zum vorderen Deckel
Fastening parts for front cover
Pièces de fixation pour couvercle avant
Partes de fijación para tapa delantera



0150—01—500 3339



Section: ENGINE
TUNNEL COVER

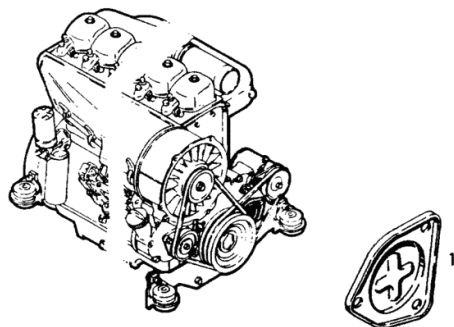
| Fig. | Code | QTY | Name |
|------|----------|-----|-------|
| 1 | 02235014 | 1 | cover |



Anbauteile
Attachments
Accessoires
Partes de adosamiento



0150—01—503 2468



Section: ENGINE
PISTON

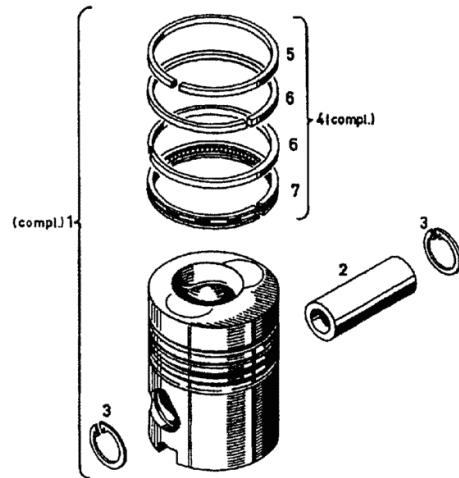
| Fig. | Code | QTY | Name |
|------|----------|-----|--|
| 956 | 02233119 | 0 | (3,9764 IN.) piston ring set 2. OVERSIZE 101.00 MM |
| 957 | 01171759 | 1 | (3,9764 IN.) piston ring H 002962-DS 101 X 92,4X3 -K-C R 2. OVERSIZE 101.00 MM |
| 958 | 01171758 | 2 | (3,9764 IN.) ring H 002957- 101 X 92,4X2,5 2. OVERSIZE 101.00 MM |
| 959 | 01172313 | 1 | (3,9764 IN.) ring H 002984-SF 101 X 91,9X 5 -CR 2. OVERSIZE 101.00 MM |



Kolben
Piston
Piston
Piston

Referenznr.:
0150 -07- 0500 3387

000



Section: ENGINE

RADIATOR

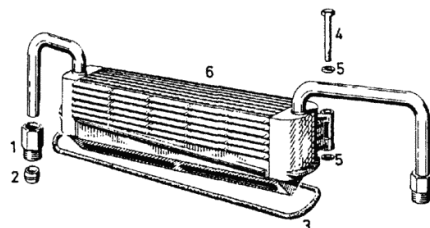
| Fig. | Code | QTY | Name |
|------|----------|-----|---|
| 1 | 04157445 | 1 | nut |
| 2 | 01216511 | 1 | ring |
| 3 | 02100132 | 1 | 'o' ring |
| 4 | 01111193 | 2 | screw m 8 p.1.25 x 80 ISO 004014- M 8 X 80 - 8.8-A4 C |
| 5 | 01216127 | 4 | washer |
| 6 | 02230415 | 1 | oil cooler |



Schmierkühler
Lube oil cooler
Radiateur d'huile de graissage
Refrigerador de aceite lubricante



0150-15-500 4338



Section: ENGINE

INJECTION PUMP COMPONENT PARTS

| Fig. | Code | QTY | Name |
|------|----------|-----|---|
| 34 | 01118326 | 1 | key DIN 006888- 4 X 6,5 |
| 35 | 01288210 | 3 | screw |
| 36 | 01288088 | 5 | tube |
| 37 | 01298642 | 3 | small block |
| 38 | 01298643 | 3 | small block |
| 39 | 01104381 | 3 | screw ISO 001207- M 6 X 28- 4.8- A4 C |
| 40 | 01318803 | 1 | plate |
| 41 | 01308464 | 1 | cover |
| 42 | 01308465 | 1 | gasket |
| 43 | 01288170 | 2 | screw |
| 44 | 01118641 | 2 | ring a 6x10 d7603 DIN 007603-A 6 X 10 -CU |
| 45 | 01321528 | 1 | ring |
| 46 | 01304679 | 5 | filler |
| 47 | 01308045 | 2 | tube |
| 48 | 01308185 | 5 | tube |
| 49 | 01289829 | 1 | tube |
| 51 | 01109953 | 1 | roller bearing DIN 000720-302 03 crown wheel mm 22.70 TIP CIRCLE D. 22.70 MM |
| 950 | 01288319 | 0 | S. POS. 16 |
| 951 | 01287998 | 0 | washer mm 0.12 0,12 MM S. POS. 25 |
| 952 | 01287999 | 0 | washer mm 0.14 0,14 MM S. POS. 25 |
| 953 | 01288000 | 0 | washer mm 0.16 0,16 MM S. POS. 25 |
| 954 | 01288001 | 0 | shim mm 0.18 0,18 MM S. POS. 25 |
| 955 | 01288002 | 0 | washer mm 0.50 0,50 MM S. POS. 25 |
| 956 | 01288002 | 0 | washer mm 0.50 1,00 MM S. POS. 25 |
| 957 | 01287999 | 0 | washer mm 0.14 |

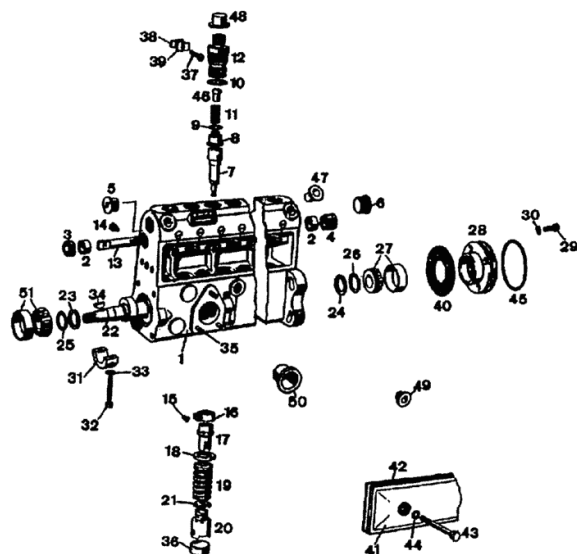


Teile zur Einspritzpumpe
Parts of fuel injection pump
Pieces detachées de pompe d'injection de comb.
Componentes para bombas de inyección

Referenznr.:

0150 -17- 0502 7045

000



Section: ENGINE

FUEL LINE

| Fig. | Code | QTY | Name |
|------|----------|-----|---|
| 1 | 01173630 | 1 | tube H 003467-AA 45GRD- 8 - 300 |
| 2 | 01173638 | 1 | tube H 003467-AA120GRD- 8 - 125 |
| 3 | 01119246 | 4 | pipe union H 3102 -D10 M H 003102-D10 M-ST-A4C |
| 4 | 01118693 | 8 | gasket 14x20 DIN 007603-A 14 X 20 -CU |

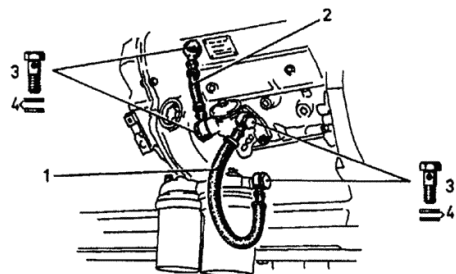


Kraftstoffleitung
Fuel line
Conduite à combustible
Tuberia de combustible

Referenznr.:


0150 -21- 0502 2255

000



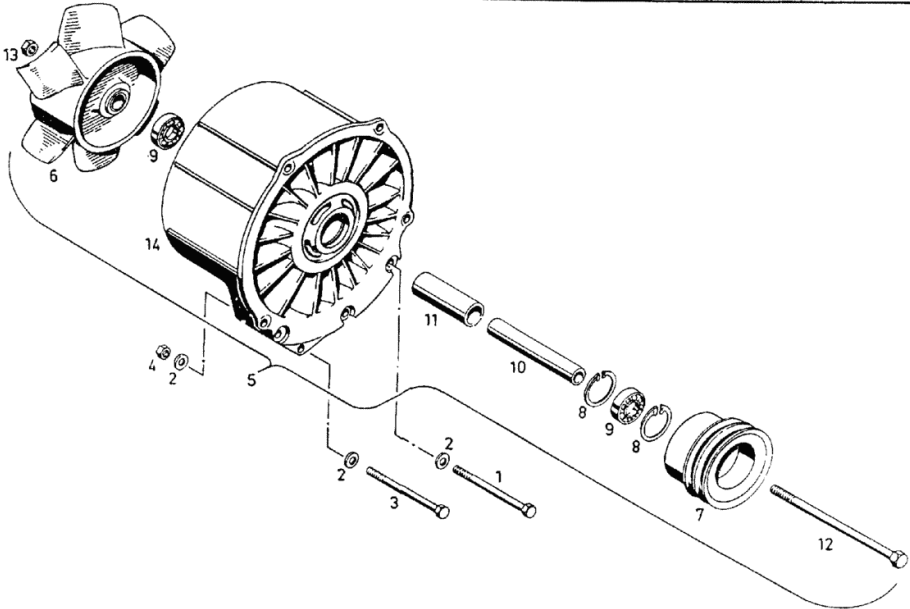
Section: ENGINE
HYDR. COOLING BLOWER

| Fig. | Code | QTY | Name |
|------|----------|-----|---|
| 1 | 01111218 | 3 | screw m 8 x 120 ISO 004014- M 8 X120 - 8.8-A4 C |
| 2 | 01107101 | 5 | washer 8.4 DIN 000125-A 8,4-140HV-A4C |
| 3 | 01103735 | 1 | screw m 8 x 115 ISO 004014- M 8 X115 - 8.8-A4 C |
| 4 | 01112824 | 1 | nut m 8, d934 ISO 004032-M 8 - 8-A4C |
| 5 | 02232728 | 1 | rotor blade |
| 6 | 02135914 | 1 | wheel |
| 7 | 02134691 | 1 | pulley 2-RILLIG |
| 8 | 01107838 | 2 | circlip DIN 000472- 52X2 |
| 9 | 01109048 | 2 | ball bearing DIN 000625- 6205-Z C3 |
| 10 | 04230382 | 1 | shaft |
| 11 | 03363687 | 1 | bushing |
| 12 | 01111602 | 1 | screw DIN 000931- M12 X180 - 8.8-A- A4C |
| 13 | 01112858 | 1 | nut m 12, d934 DIN 000934-M12 - 8-A4C |
| 14 | 02232730 | 1 | rotor blade |


 Kühlgebläse
 Cooling air blower
 Turbine de refroidissement
 Ventilador de refrigeración



0150-39-502 2848



Section: ENGINE
COLD AIR DUCTING

| Fig. | Code | QTY | Name |
|------|----------|-----|---|
| 1 | 02236509 | 1 | air duct |
| 2 | 01112299 | 2 | screw m 8 x 12, d933 ISO 004017-M 8 X 12 - 8.8-A4C |
| 3 | 01107101 | 3 | washer 8.4 DIN 000125-A 8,4-140HV-A4C |
| 4 | 02101802 | 1 | rubber |
| 5 | 01110548 | 1 | screw m 8x12 d912 DIN 000912- M 8 X 12 - 8.8-A4 C |

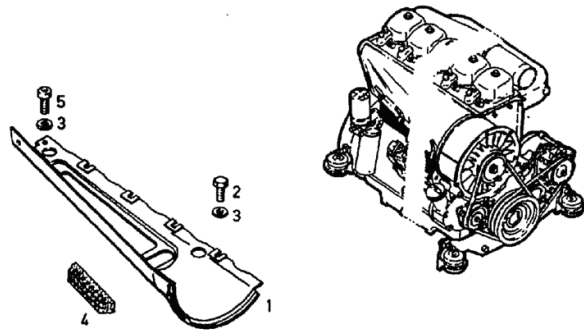


Kühlluftführung
 Cooling air cowling
 Canalisation d'air de refroidissement
 Conducción de aire refrigerante

Referenznr.:

0150 -40- 0503 2504

001



Section: ENGINE
PARTS FOR STARTER

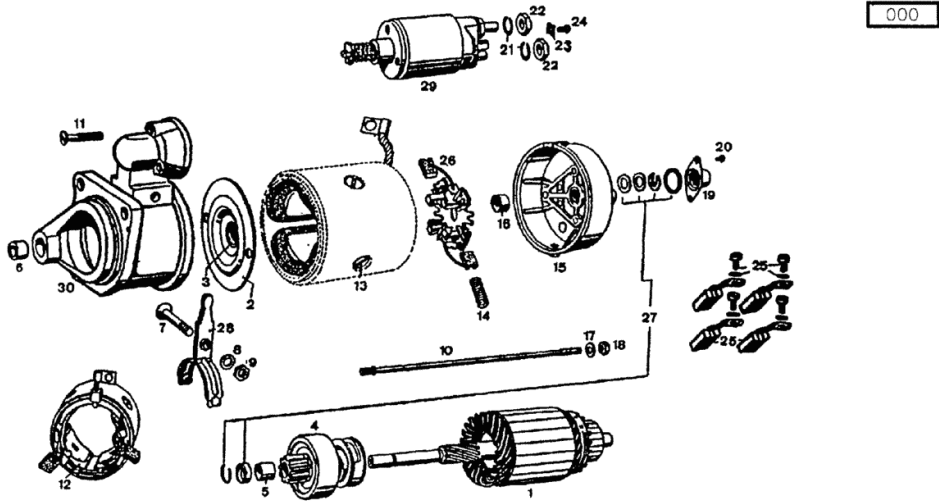
| Fig. | Code | QTY | Name |
|------|----------|-----|---|
| 1 | 01308809 | 1 | armature |
| 2 | 01308810 | 1 | bearing |
| 3 | 01307038 | 1 | bushing |
| 4 | 01308752 | 1 | gear box |
| 5 | 01308811 | 2 | bushing |
| 6 | 01289961 | 1 | bushing |
| 7 | 01308812 | 1 | screw |
| 8 | 01107283 | 1 | washer 8.2 DIN 000137-B 8-FST-A4C |
| 9 | 01126748 | 1 | nut bm8 d439 ISO 004035- M 8 -04-A4C |
| 10 | 01308813 | 2 | screw |
| 11 | 02985048 | 3 | screw |
| 12 | 01308814 | 1 | exciter winding |
| 13 | 01303936 | 4 | screw |
| 14 | 01308848 | 4 | spring |
| 15 | 01308146 | 1 | bearing |
| 16 | 01308147 | 1 | bushing |
| 17 | 20167102 | 2 | flat washer |
| 18 | 01112813 | 2 | nut m 6 DIN 000934-M 6 - 8-A4C |
| 19 | 01308151 | 1 | tube |
| 20 | 01105526 | 2 | screw am 5x16 d84 ISO 001207- M 5 X 16- 4.8- A4 C |
| 21 | 01102800 | 2 | washer 10.2 DIN 000128-A 10 -FST -A4C |
| 22 | 01107602 | 2 | nut DIN 000439-BM10 -05 |
| 23 | 02985062 | 1 | bracket |
| 24 | 01105501 | 1 | screw m 4 x 6 ISO 001207- M 4 X 6- 4.8- A4C |
| 25 | 01308816 | 1 | brush set |
| 26 | 01308817 | 1 | brush holder |
| 27 | 01290205 | 1 | accessories ANCHOR |
| 28 | 01307218 | 1 | gear lever |
| 29 | 01307762 | 1 | switch |
| 30 | 01308818 | 1 | bearing |



Teile zum Starter
Parts of starter motor
Pieces detacheés de demarreur
Componentes para motor arranque

Referenznr.:

0150 -44- 0502 8900



| | |
|------------------------|----------|
| CONTROL PUMP - ZF..... | 15.89.6 |
| CYLINDER PARTS..... | 15.89.8 |
| CONTROL PUMP - ZF..... | 15.89.12 |
| CONTROL PUMP - ZF..... | 15.89.13 |

CLICK HERE TO **DOWNLOAD** THE COMPLETE MANUAL

- Thank you very much for reading the preview of the manual.
- You can download the complete manual from: www.heydownloads.com by clicking the link below



- Please note: If there is no response to CLICKING the link, please download this PDF first and then click on it.

CLICK HERE TO **DOWNLOAD** THE COMPLETE MANUAL

SERVICE BRAKE

| Fig. | Code | QTY | Name |
|------|----------|-----|------|
| 245 | 04312514 | 1 | shim |
| 246 | 04312513 | 1 | hub |

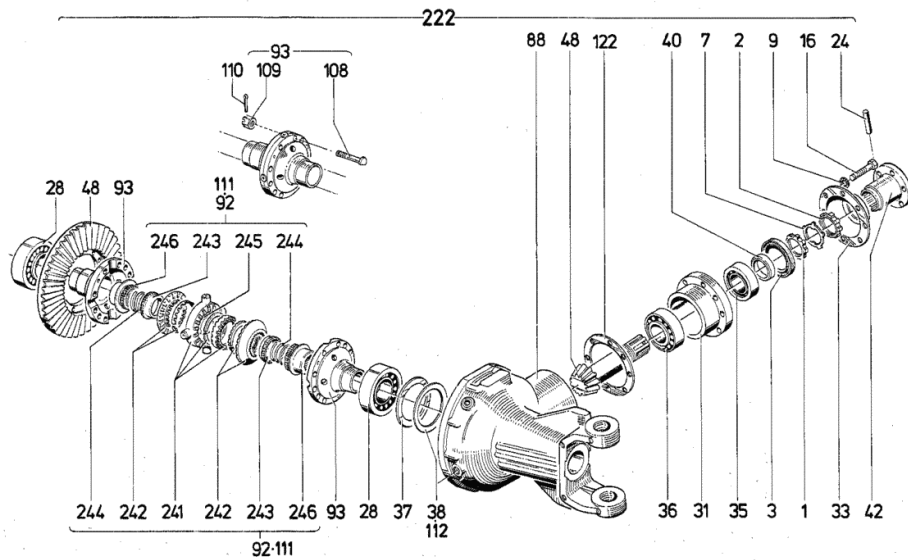


GETR. LENKACHSE
DRIVEN AXLE
ESSIEU DIRECTEUR
EJE MOTRIZ

KEGELRADSATZ
BEVEL DRIVE
COUPLE CONIQUE
JGO. RDAS. CONICAS

OPTITRAC PORTAL 2000

1024-28 502 4279



SERVICE BRAKE

| Fig. | Code | QTY | Name |
|------|----------|-----|--|
| 3 | 01118754 | 1 | gasket DIN 007603-A 24 X 32 -CU |
| 6 | 02339175 | 1 | 'o' ring H 002927- 18,64X 3,53 -NBR 70 |
| 7 | 02339192 | 2 | 'o' ring H 002927- 72,39X 5,34 -NBR 70 |
| 14 | 01117872 | 14 | lock washer DIN 006797-A13 -A4C |
| 15 | 01117877 | 4 | lock washer DIN 006797-A17 -A4C |
| 18 | 01111870 | 4 | screw m 6 x 60, d931 DIN 000931- M16 X 60 - 8.8-A4 C |
| 19 | 01112538 | 30 | screw m 12 x 35, d933 DIN 000933-M12 X 35 - 8.8-A4C |
| 27 | 01136462 | 10 | nut m 14 x 1,5 DIN 000980-VM14X1,5 - 8-A4C G EWACHST |
| 29 | 04343461 | 1 | valve |
| 30 | 01168226 | 2 | lubricator H 003360-SA10 |
| 31 | 01168228 | 2 | pipe fitting H 003360-SB10 |
| 34 | 01152640 | 4 | screw m20x1,5 d906 DIN 000906-M20X1,5-ST-A4C |
| 36 | 02370718 | 2 | roller bearing |
| 37 | 02370717 | 4 | bearing |
| 38 | 02339184 | 2 | ring |
| 56 | 02339331 | 2 | pin |
| 57 | 02339183 | 2 | pin |
| 63 | 02339185 | 2 | washer |
| 64 | 04304644 | 4 | glass |
| 71 | 04311563 | 1 | box WITH ITEM |
| 72 | 04311564 | 1 | box |
| 73 | 04311548 | 2 | support |
| 74 | 04311549 | 1 | steering lever |
| 75 | 04311550 | 1 | lever |
| 76 | 04311551 | 1 | rod |
| 77 | 04311552 | 2 | ball joint WITH ITEM |
| 91 | 01113212 | 2 | nut DIN 000936-M30X1,5 -22H-A-A4C |
| 92 | 01111514 | 8 | screw |

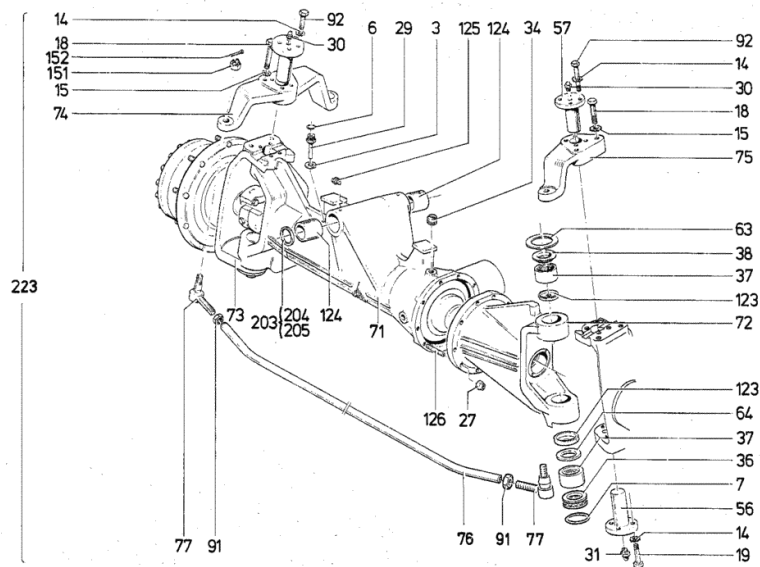


GETR. LENKACHSE
DRIVEN AXLE
ESSIEU DIRECKEUR
EJE MOTRIZ

ACHSBRÜCKE
AXLE BRACKET
PONT ESSIEU
PUENTE EJE

OPTITRAC SIGE 5300

1024-28 502 4284



223

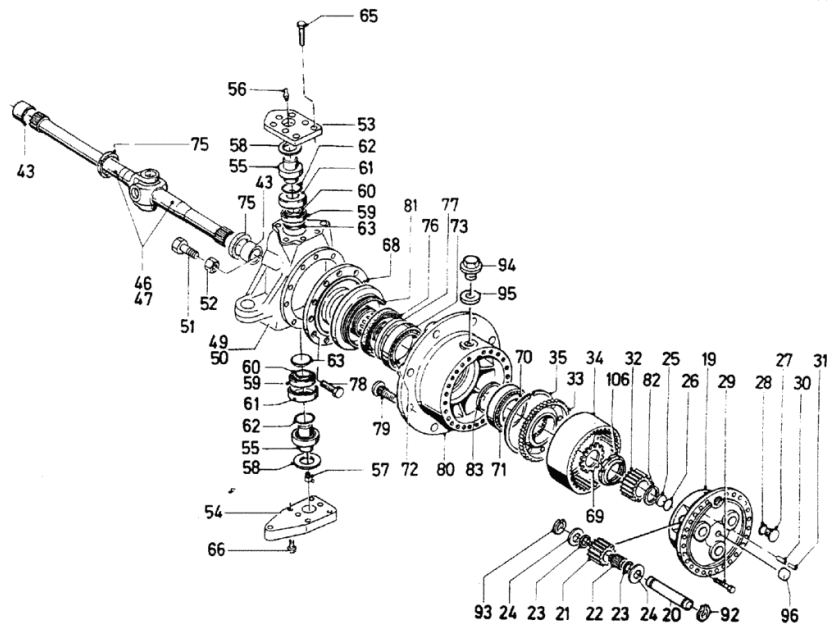
SERVICE BRAKE

| Fig. | Code | QTY | Name |
|------|----------|-----|---|
| 58 | 04317559 | 0 | washer OPTION ITEM... A=3,2 MM |
| 59 | 04349966 | 4 | ring |
| 60 | 04349967 | 4 | ring |
| 61 | 04317540 | 4 | tube |
| 62 | 01161339 | 4 | 'o' ring H 002927- 40 X 4 -NBR-1-70 |
| 63 | 04317542 | 4 | cover |
| 65 | 01112636 | 4 | screw m 14 x 50 DIN 000933-M14 X 50 - 8.8-A4C |
| 66 | 01110807 | 8 | screw DIN 000912- M14 X 35 -10.9-A4 C |
| 68 | 04317544 | 2 | support |
| 69 | 04317546 | 2 | lamination |
| 70 | 01178258 | 2 | roller bearing H 004465-KR 60,000X 95,000X24 ,000 |
| 71 | 01178258 | 2 | roller bearing H 004465-KR 60,000X 95,000X24 ,000 |
| 72 | 01178618 | 2 | roller bearing H 004465-KR 68,262X110,000X22 ,000 |
| 73 | 04348245 | 2 | ring |
| 75 | 04342920 | 4 | sealing |
| 76 | 04317552 | 2 | gasket |
| 77 | 04317553 | 2 | washer |
| 78 | 01112606 | 24 | screw DIN 000933-M14 X 30 - 10.9-OE LGESCHW. |
| 79 | 04316085 | 16 | pin |
| 80 | 04317554 | 2 | hub |
| 81 | 04317555 | 2 | lamination |
| 82 | 01107748 | 2 | ring 35 x 1.5, d471 DIN 000471- 35X1,5 |
| 83 | 04319373 | 0 | ring OPTION ITEM... A=5,4 MM |
| 92 | 01107735 | 6 | circlip DIN 000471- 24X1,2 |
| 93 | 01119828 | 6 | ring DIN 009045- 22 |

**DEUTZ
FAHR**

GETR. LENKACHSE PLANETENGETRIEBE
DRIVEN AXLE PLANETARY DRIVE
ESSIEU DIRECTEUR ENGRENAGE PLANET APL1551
EJE MOTRIZ ENGRAN. PLANETARIO

1024 - 28 503 0417



DRIVEN FRONT AXLE

| Fig. | Code | QTY | Name |
|------|----------|-----|----------------------|
| 93 | 04311561 | 1 | half-shaft |
| 94 | 04311562 | 1 | half-shaft |
| 96 | 04312521 | 1 | differential carrier |
| 247 | 04337525 | 1 | workshop tool |
| 248 | 04337526 | 2 | coupling |
| 249 | 04337527 | 2 | spring |
| 250 | 04337528 | 2 | support |
| 251 | 04337529 | 2 | hub |



GETRIEBENE LENKACHSE
DRIVEN AXLE
ESSIEU DIRECTEUR
EJE MOTRIZ

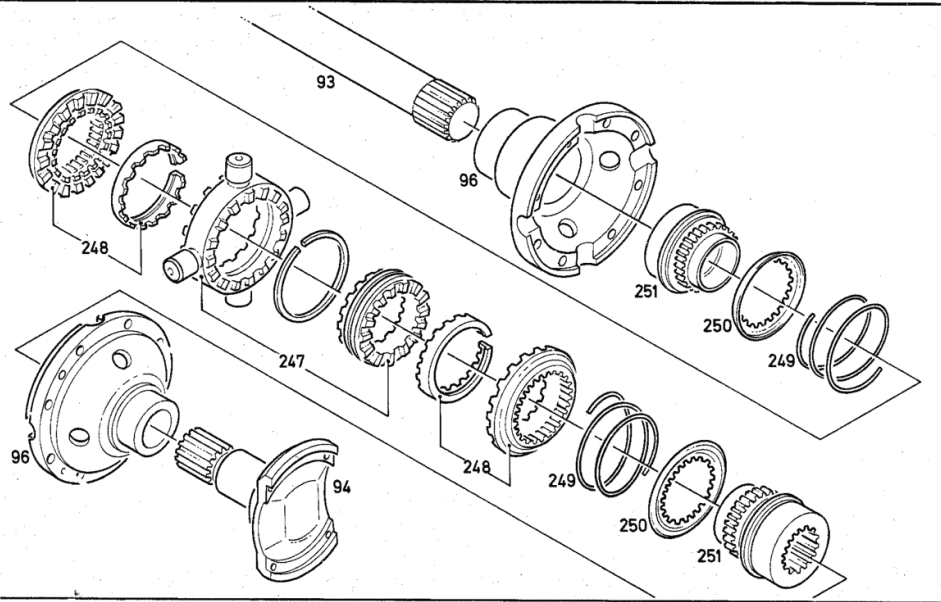
SELBSTSPERRDIFFERENTIAL
LOCKING DIFFERENTIAL
DIFFERENTIEL AUTOBLOQUAND
DIFERENCIAL DES AUTOBLOQUEO

OPTITRAC

5300



1024-28 503 5908



STEERING CONTROL

| Fig. | Code | QTY | Name |
|------|----------|-----|----------------|
| 4 | 04347999 | 1 | steering wheel |
| 5 | 04372644 | 1 | cap |

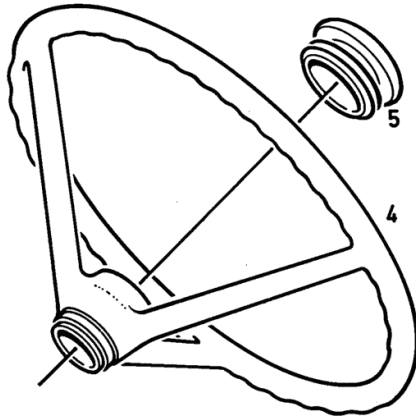


LENKRAD
STEERING WHEEL
VOLANT DIRECTION
VOLANTE DIRECCION



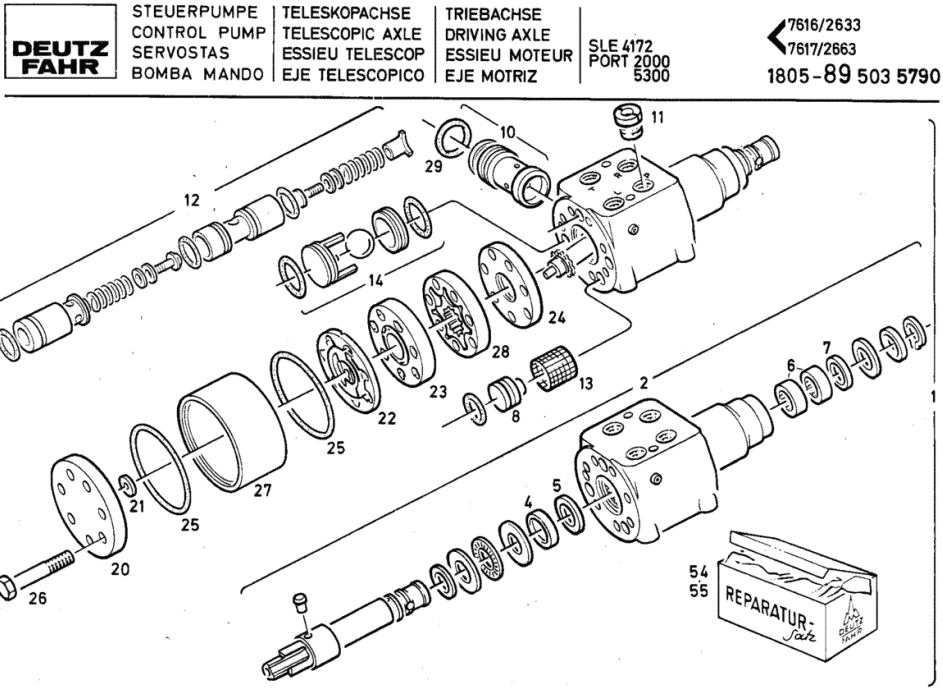
1003-37 502 4171

4



CONTROL PUMP - ZF

| Fig. | Code | QTY | Name |
|------|----------|-----|------------|
| 1 | 04333764 | 1 | pump |
| 2 | 04336143 | 1 | body |
| 4 | 04343569 | 1 | gasket set |
| 5 | 04303004 | 1 | spacer |
| 6 | 04303005 | 2 | bushing |
| 7 | 04303006 | 1 | 'o' ring |
| 8 | 04336145 | 1 | plug |
| 10 | 04322899 | 1 | valve |
| 11 | 04336146 | 1 | valve |
| 12 | 04336148 | 1 | valve |
| 13 | 04336147 | 1 | filter |
| 14 | 04336149 | 1 | valve |
| 20 | 04302085 | 1 | cover |
| 21 | 04302086 | 1 | shim |
| 22 | 04302088 | 1 | disc |
| 23 | 04302089 | 1 | plate |
| 24 | 04302100 | 1 | washer |
| 25 | 04342929 | 2 | ring |
| 26 | 04318724 | 7 | screw |
| 27 | 04318725 | 1 | tube |
| 28 | 04318726 | 1 | rotor |
| 29 | 04345986 | 1 | 'o' ring |
| 54 | 04345640 | 0 | gasket set |
| 55 | 04336151 | 1 | parts set |

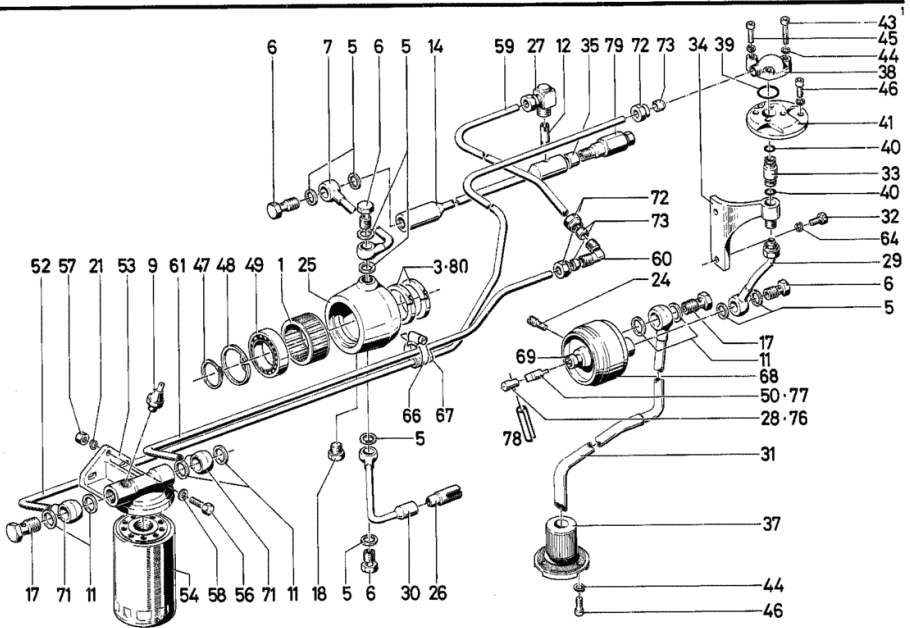


Section: GEARBOX, CLUTCH
LUBRICATING OIL SUPPLY

| Fig. | Code | QTY | Name |
|------|----------|-----|--|
| 41 | 04308932 | 1 | H 002927- 12 X 3 -NBR-1-60 flange |
| 43 | 01110523 | 2 | screw m6x30 d912-10 DIN 000912- M 6 X 30 -10.9-A4 C |
| 44 | 01119609 | 10 | spring washer DIN 007980- 6-FST-A4C |
| 45 | 01110515 | 2 | screw m 6 x 20 DIN 000912- M 6 X 20 - 8.8-A4 C |
| 46 | 01110496 | 6 | screw m6x12 d912-10 DIN 000912- M 6 X 12 -10.9-A4 C |
| 47 | 01167241 | 1 | circlip H 002271- 55X2 |
| 48 | 01163131 | 1 | circlip H 002259- 72X2 |
| 49 | 01171767 | 1 | ball bearing H 004450-RK 55 X 72 X 9 |
| 50 | 04301137 | 1 | none UP TO CHASSIS-NO. FROM CHASSIS- FRAME NO....ITEM ... B004, FROM CHASSIS NO. ITEM. 77 |
| 52 | 04308924 | 1 | tube |
| 53 | 04308812 | 1 | support |
| 54 | 04305722 | 1 | filter |
| 56 | 01112333 | 3 | screw m 8 x 25, d933 ISO 004017-M 8 X 25 - 8.8-A4C |
| 57 | 01112824 | 3 | nut m 8, d934 ISO 004032-M 8 - 8-A4C |
| 58 | 01107101 | 3 | washer 8.4 DIN 000125-A 8,4-140HV-A4C |
| 59 | 04308955 | 1 | tube |
| 60 | 01116734 | 1 | tongue DIN 003905-L 15 |
| 61 | 04308952 | 1 | tube |
| 64 | 01107283 | 2 | washer 8.2 DIN 000137-B 8-FST-A4C |
| 66 | 01173962 | 1 | clamp Ø 20/32 H 003461-B13 C 20- 32-W1 |
| 67 | 04308848 | 1 | stop |
| 68 | 04329742 | 1 | oil pump |
| 71 | 01140357 | 2 | ring H 003101-B15-ST |

**DEUTZ
FAHR**
SCHMIERÖLVERSORGUNG
OIL SUPPLY
SYSTEME LUBRIFICAT
ABAST. ACEITE LUBR.

1405-07 502 4146



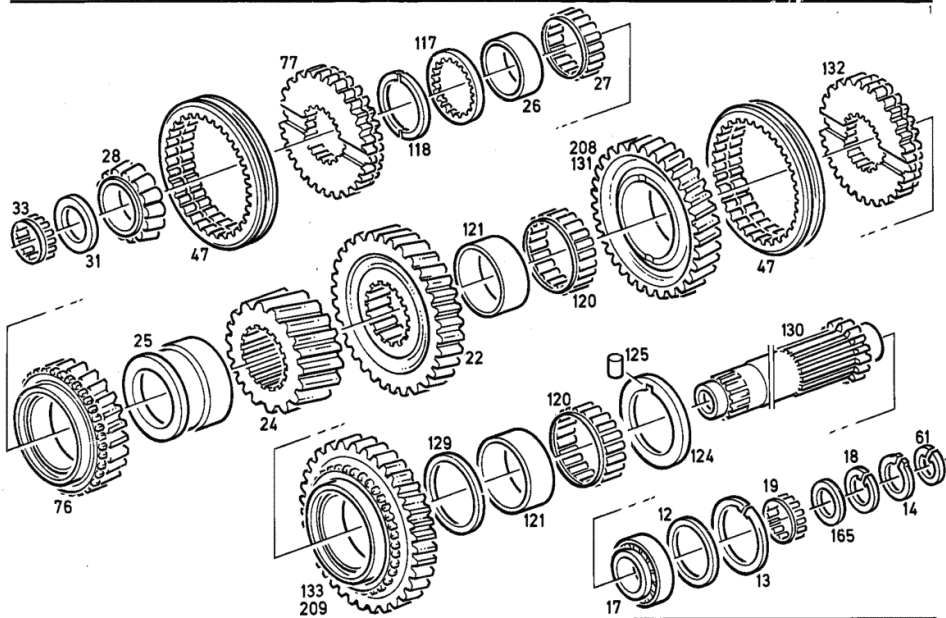
Section: GEARBOX, CLUTCH
TRANSMISSION SHAFT

| Fig. | Code | QTY | Name |
|------|----------|-----|--|
| 131 | 04303987 | 1 | gear Z=32 B027, UP TO CHASSIS NO. DX85: 7616/2420, 7617/2881 DX90: 7618/1765, 7619/2189 DX110: 7620/1 |
| 132 | 02383889 | 1 | support |
| 133 | 04303988 | 1 | gear Z=38 B027, UP TO CHASSIS NO. DX85: 7616/2420, 7617/2881 DX90: 7618/1765, 7619/2189 DX110: 7620/1 |
| 165 | 04308463 | 1 | shim |
| 208 | 04331771 | 1 | gear |
| 209 | 04331772 | 1 | gear |
| 950 | 02387546 | 0 | shim A=0,6MM |
| 951 | 02387547 | 0 | shim A=0,7MM |
| 952 | 02387548 | 0 | shim A=0,8MM |
| 953 | 02387549 | 0 | disc A=0,9MM |
| 954 | 02387650 | 0 | shim A=1,0MM |
| 955 | 02387651 | 0 | shim A=1,1MM |
| 956 | 02387652 | 0 | shim A=1,2MM |
| 957 | 02387653 | 0 | shim A=1,3MM |
| 958 | 02387654 | 0 | shim A=1,4MM |
| 959 | 02387655 | 0 | shim A=1,5MM |
| 960 | 02387656 | 0 | shim A=1,6MM |
| 961 | 02387657 | 0 | shim A=1,7MM |
| 962 | 02387658 | 0 | shim A=1,8MM |
| 963 | 02387659 | 0 | shim A=1,9MM |

**DEUTZ
FAHR**

VORGELEGWELLE KLAUE
LAYSHAFT DOG
ARBRE DE RENVOI GRIFFE
EJE TRANSMISION GARRA

1405-11 502 7757

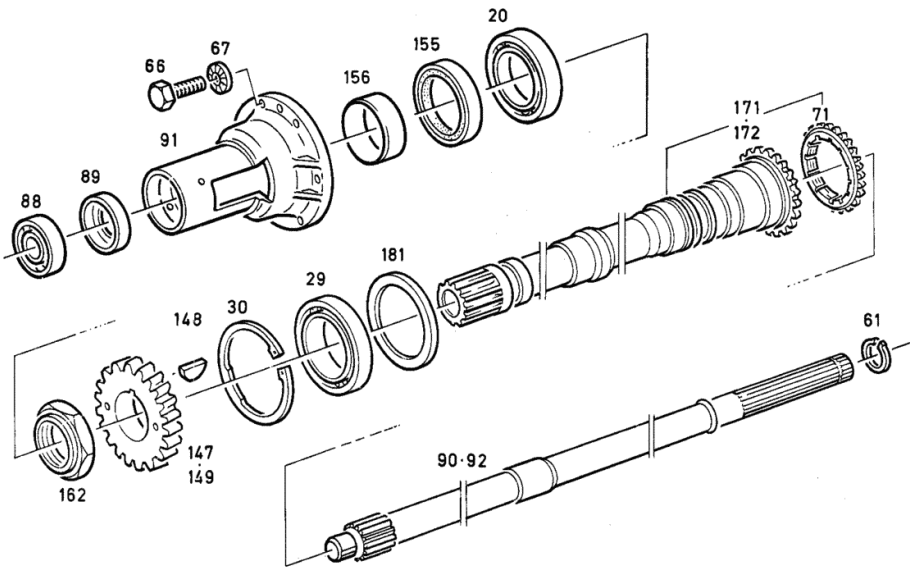


Section: GEARBOX, CLUTCH
HOLLOW DRIVE SHAFT

| Fig. | Code | QTY | Name |
|------|----------|-----|--|
| 20 | 01104339 | 1 | ball bearing DIN 000625- 6209-2RS |
| 29 | 01221928 | 1 | roller bearing |
| 30 | 04300678 | 1 | ring |
| 61 | 01107740 | 1 | circlip DIN 000471- 28X1,5 |
| 66 | 01112322 | 6 | screw m 8 p.1.25 x 20 ISO 004017-M 8 X 20 - 8.8-A4C |
| 67 | 01107283 | 6 | washer 8.2 DIN 000137-B 8-FST-A4C |
| 71 | 04359887 | 1 | ring |
| 88 | 01136432 | 1 | ball bearing DIN 000625- 6304-2RS 1 |
| 89 | 02385450 | 1 | ring |
| 90 | 04300655 | 1 | transmission shaft UP TO CHASSIS-NO. FROM CHASSIS- FRAME NO....ITEM ... B004, FROM CHASSIS NO. ITEM. 92 |
| 91 | 04300606 | 1 | flange |
| 92 | 04336648 | 1 | transmission shaft |
| 147 | 04305703 | 1 | gear Z=24 B027, UP TO CHASSIS NO. B004, FROM CHASSIS NO. ITEM. 149 |
| 148 | 04306676 | 2 | spring washer |
| 149 | 04401822 | 1 | gear |
| 155 | 01172374 | 1 | 'o' ring H 002940-A 50X 80 X 8 -NI |
| 156 | 04342198 | 1 | ring |
| 162 | 04336712 | 1 | nut |
| 171 | 04322774 | 1 | shaft UP TO CHASSIS-NO. FROM CHASSIS- FRAME NO....ITEM ... B004, FROM CHASSIS NO. ITEM. 172 |
| 172 | 04333727 | 1 | shaft |
| 181 | 04322754 | 1 | washer |

DEUTZ FAHR
 ANTRIEBSHOHLWELLE - SYNCHRON
 DRIVE QUILL - SYNCHRON
 ARBRE CREUX - SYNCHRON
 EJE MOTRIZ HUECO - SYNCHRON

1405-11 502 7761



Section: GEARBOX, CLUTCH

MAIN SHAFT

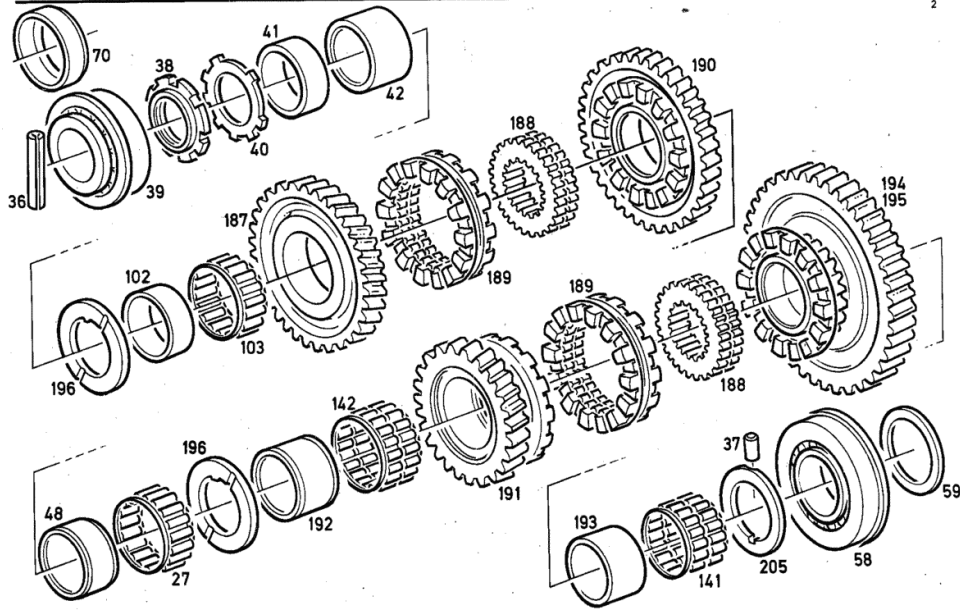
| Fig. | Code | QTY | Name |
|------|----------|-----|------------------------------|
| 953 | 04300631 | 0 | A=1,3 MM shim |
| 954 | 04300632 | 0 | A=1,4 MM shim |
| 955 | 04300633 | 0 | A=1,5 MM shim |
| 956 | 04300634 | 0 | A=1,6 MM shim |
| 957 | 04300635 | 0 | A=1,7 MM shim |
| 958 | 04300636 | 0 | A=1,8 MM pin |
| 959 | 04300637 | 0 | A=1,9 MM shim |
| 960 | 04300638 | 0 | A=2,0 MM shim |
| 961 | 04300639 | 0 | A=2,1 MM shim |
| 962 | 04300640 | 0 | A=2,2 MM shim |
| 963 | 04300641 | 0 | A=2,3 MM shim |
| 964 | 04300642 | 0 | A=2,4 MM shim |
| 965 | 04300643 | 0 | A=2,5 MM shim |
| 966 | 04300644 | 0 | A=2,6 MM shim |
| 967 | 04300645 | 0 | A=2,7 MM shim |
| 968 | 04300646 | 0 | A=2,8 MM shim |
| 969 | 04306984 | 0 | A=2,9 MM shim A=3,0 MM |

HAUPTWELLE
MAIN SHAFT
ARBRE PRINCIPAL
EJE PRINCIPAL

KLAUE
DOG
GRIFFE
GARRA

7616/2166
7617/2041

1405 - 11 503 5652



Section: GEARBOX, CLUTCH
GEAR SHIFTING

| Fig. | Code | QTY | Name |
|------|----------|-----|---|
| 112 | 04339136 | 1 | A4C-MK-1,5D-BL fork GEAR |
| 119 | 04372981 | 1 | rod K B042,BEI ERSTMALIGEM ERSATZ UP TO CHASSIS NO. TN 432 4148 MITLIEFERN. |
| 122 | 04330109 | 1 | rod S-L |
| 124 | 04330118 | 1 | rod K |
| 126 | 04330938 | 1 | console |

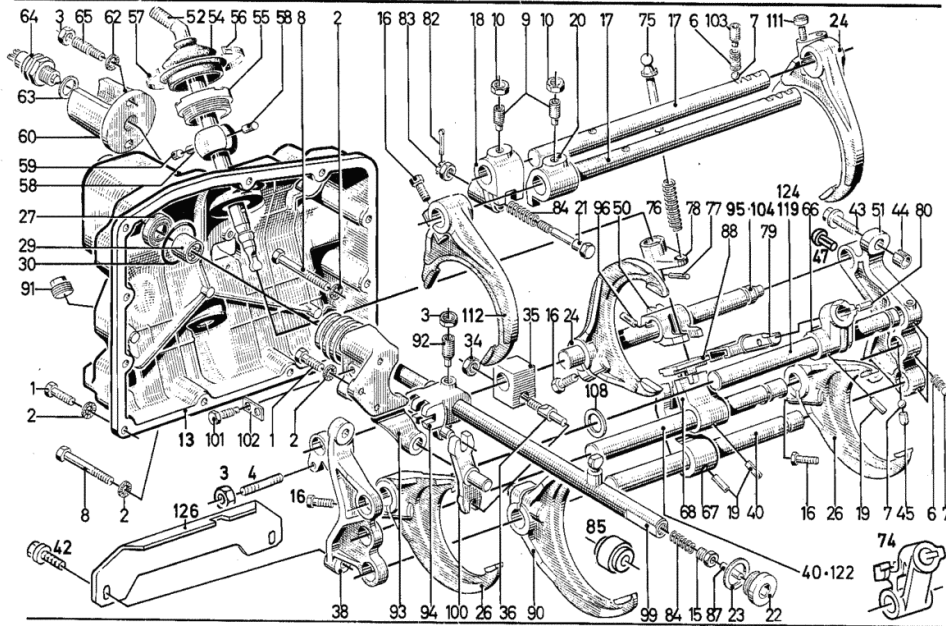


GETRIEBESCHALTUNG
 GEARSHIFT ASSY.
 CHANGEM BOITE VIT.
 MANDO TRANSMISION

SYNCHRON
 SYNCHRON
 SYNCHRON
 SINCHRON

7616/2443
 7617/2409

1405-12 503 5929



Section: GEARBOX, CLUTCH
GEAR SHIFTING

| Fig. | Code | QTY | Name |
|------|----------|-----|---|
| 145 | 04332679 | 1 | DIN 000126- 22 -100HV controle panel GEAR |
| 165 | 01100235 | 1 | screw m10x25 10.9 DIN 000933-M10 X 25 - 10.9-A4 C |
| 166 | 01111348 | 1 | screw DIN 000931- M10 X 95 - 10.9-A 4C |

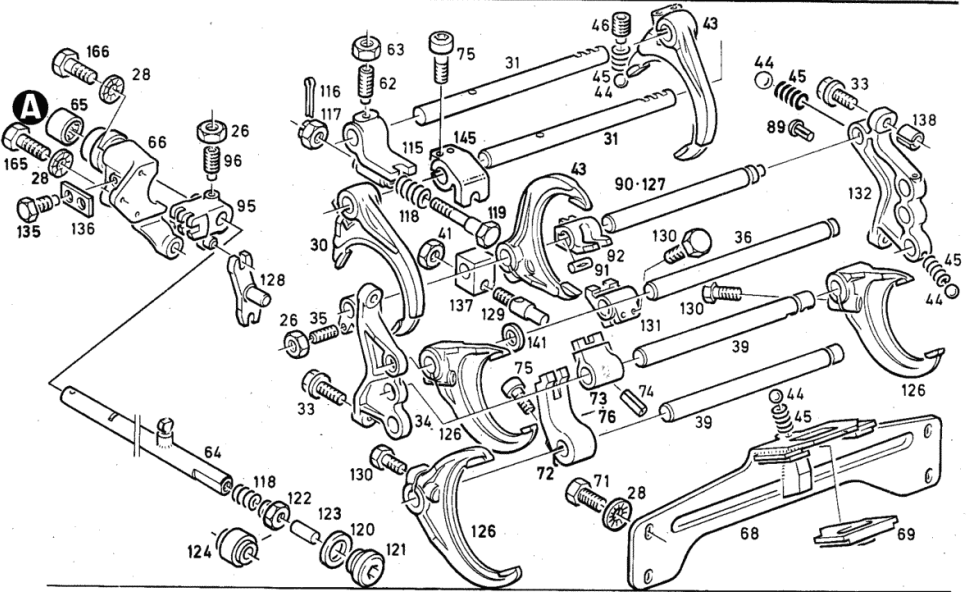


GETRIEBESCHALTUNG
GEARSHIFT ASSY.
CHANGEM BOITE VIT
MANDO TRANSMISION

KLAUE
DOG
GRIFFE
GARRA

7616/2444
7617/2410

1426-12 503 5932



DIFFERENTIAL

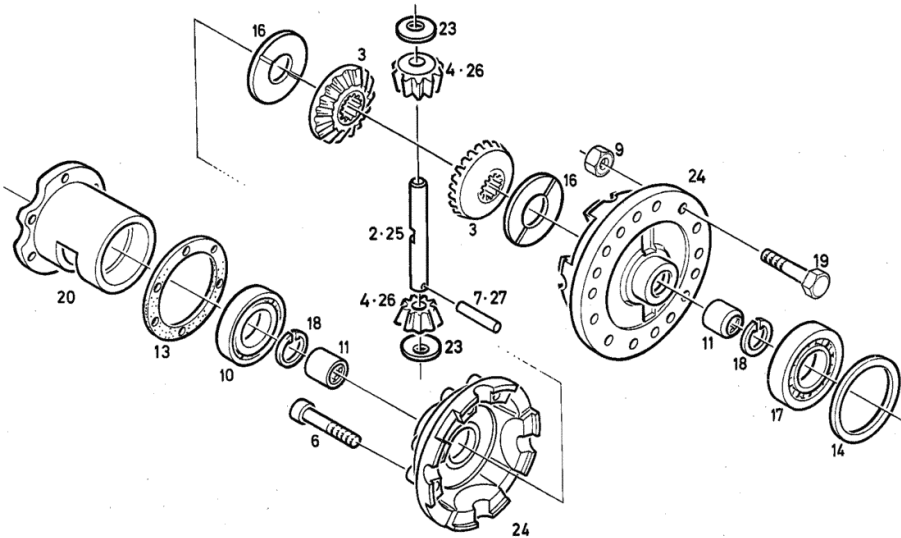
| Fig. | Code | QTY | Name |
|------|----------|-----|-------------------|
| 970 | 04301603 | 0 | shim A=1,0MM |
| 971 | 04301604 | 0 | shim A=1,1MM |
| 972 | 04301605 | 0 | shim A=1,2MM |
| 973 | 04301606 | 0 | shim A=1,3MM |
| 974 | 04301607 | 0 | shim A=1,4MM |
| 975 | 04301608 | 0 | shim A=1,5MM |
| 976 | 04301609 | 0 | washer A=1,6MM |
| 977 | 04301610 | 0 | washer A=1,7MM |
| 978 | 04301611 | 0 | shim A=1,8MM |
| 979 | 04301612 | 0 | shim A=1,9MM |
| 980 | 04301613 | 0 | shim A=2,0MM |
| 981 | 04301614 | 0 | shim A=2,1MM |
| 982 | 04301615 | 0 | shim A=2,2MM |
| 983 | 04301616 | 0 | shim A=2,3MM |
| 984 | 04301617 | 0 | shim A=2,4MM |
| 985 | 04301618 | 1 | shim A=2,5MM |
| 986 | 04339044 | 0 | shim A=2,0 MM. |
| 987 | 04339045 | 0 | shim A=2,1 MM. |

**DEUTZ
FAHR**

AUSGLEICHGETRIEBE
DIFF GEAR
DIFFERENTIEL
DIFERENCIAL

1405-24 502 4163

2



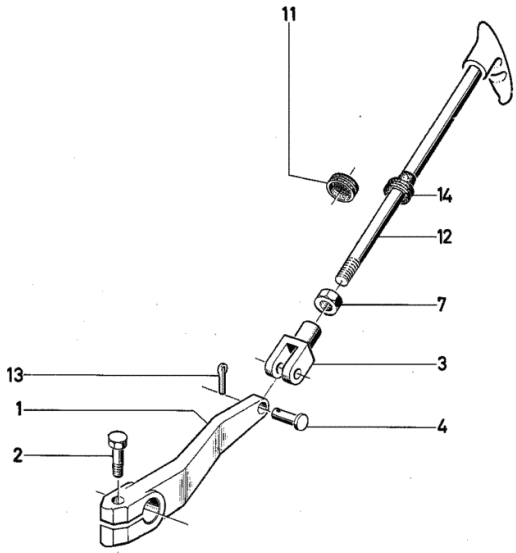
Section: GEARBOX, CLUTCH
GEAR SHIFTING

| Fig. | Code | QTY | Name |
|------|----------|-----|---|
| 1 | 04304374 | 1 | lever |
| 2 | 01112350 | 1 | screw m 8 x 35 ISO 004017-M 8 X 35 - 8.8-A4C |
| 3 | 01120923 | 1 | fork head DIN 071752- G12X48 -A4C |
| 4 | 01122614 | 1 | pin DIN 001434-12F 8X 35X 28 -ST5 0-2-A4C |
| 7 | 01112858 | 1 | nut m 12, d934 DIN 000934-M12 - 8-A4C |
| 11 | 04304665 | 1 | plug |
| 12 | 04324344 | 1 | lever |
| 13 | 03387776 | 1 | pin |
| 14 | 04314132 | 1 | guide |



SCHALTUNG FÜR VORDERRADANTRIEB
FRONT WHEEL DRIVE CONTROL ASSEMBLY
COMMANDE DU PONT-MOTEUR AV
CONEXION PARA TRACCION DELANTERA

1026 - 27 502 4169

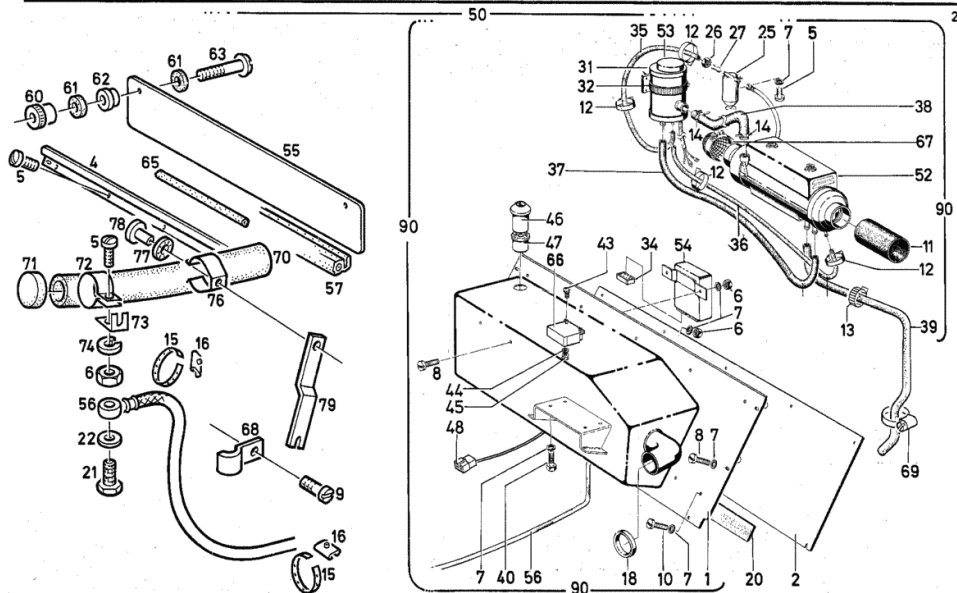


HEATING

| Fig. | Code | QTY | Name |
|------|----------|-----|--|
| 1 | 04312073 | 1 | duct |
| 2 | 04312794 | 1 | lamination |
| 4 | 04312088 | 1 | consolle |
| 5 | 01119635 | 5 | screw ISO 007045-M 6X 16 - 4.8-H -A 4C |
| 6 | 01112813 | 13 | nut m 6 DIN 000934-M 6 - 8-A4C |
| 7 | 01124654 | 16 | washer 6,4 d433 DIN 000433- 6,4-140HV-A4C |
| 8 | 01100596 | 10 | screw ISO 007045-M 6X 12 - 4.8-H -A 4C |
| 9 | 01103389 | 3 | screw m 6 x 20 ISO 007045-M 6X 20 - 4.8-H -A 4C |
| 10 | 01119634 | 3 | screw 6x10 d7985 ISO 007045-M 6X 10 - 4.8-H -A 4C |
| 11 | 04312802 | 1 | flexible hose |
| 12 | 01174156 | 4 | hose clip H 003461-B 9 C 8- 12-W1 |
| 13 | 01173962 | 3 | clamp Ø 20/32 H 003461-B13 C 20- 32-W1 |
| 14 | 01173969 | 2 | clamp 32-50 H 003461-B13 C 32- 50-W1 |
| 15 | 01164377 | 0 | band H 007672-EB 4 -SW 90 MM;300 MM. |
| 16 | 01164378 | 3 | band H 007672-EV 4 -SW |
| 18 | 01393059 | 0 | gasket H 846471-02-PN 1 216 MM. |
| 20 | 01393156 | 0 | gasket H 842081-A 5X 15 -PUR-1-GR-GI T 1050 MM. |
| 21 | 01178631 | 1 | pipe union H 003103-A 8M DX85-110 |
| 22 | 01118673 | 1 | 'o' ring DIN 007603-A 12 X 15,5-CU |
| 25 | 04312817 | 1 | filter |

WEBASTO - HEIZUNG
WEBASTO - HEATING
CHAUFFAGE WEBASTO
CALEFACC. WEBASTO

1024-85 502 4042



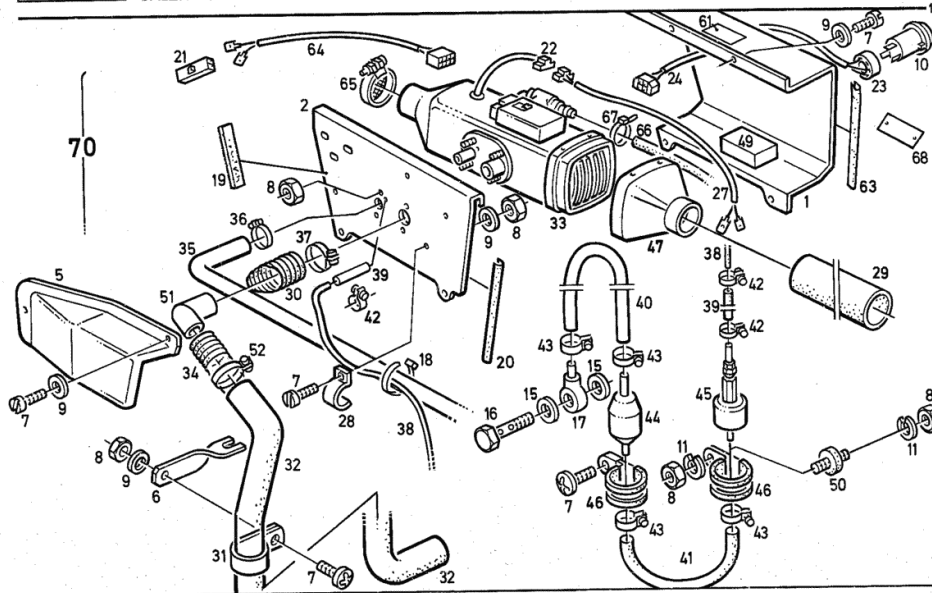
AUXILIARY HEATING

| Fig. | Code | QTY | Name |
|------|----------|-----|--|
| 1 | 04332565 | 1 | cover |
| 2 | 04332567 | 1 | shim |
| 5 | 04333161 | 1 | cover |
| 6 | 04333169 | 1 | console |
| 7 | 01119635 | 6 | screw ISO 007045-M 6X 16 - 4.8-H -A 4C |
| 8 | 01112813 | 8 | nut m 6 DIN 000934-M 6 - 8-A4C |
| 9 | 01107095 | 6 | washer 6.4 DIN 000125-A 6,4-140HV-A4C |
| 10 | 01177151 | 1 | switch |
| 11 | 01102797 | 2 | washer 6, d128 DIN 000128-A 6 -FST -A4C |
| 15 | 01118673 | 3 | 'o' ring DIN 007603-A 12 X 15,5-CU |
| 16 | 01178631 | 1 | pipe union H 003103-A 8M |
| 17 | 04358460 | 1 | ring |
| 18 | 01172065 | 5 | clamp 4.6 x 146 H 007672-G 146X 4,6 |
| 19 | 01393351 | 0 | gasket H 843180-01- 5X 10 -EP 100 MM. |
| 20 | 01395029 | 0 | gasket H 846471-06-PN 1 160 MM |
| 21 | 01169436 | 2 | connection H 007677-F 6,3-1X48 |
| 22 | 01163204 | 1 | box H 007642- H 4-BLACK |
| 23 | 01238024 | 1 | socket H 007642-NH6,3-4 |
| 24 | 04332583 | 1 | cable |
| 27 | 04332617 | 1 | cable |
| 28 | 01121266 | 1 | clamp DIN 072571- 1X20-ST FE/ZN12CC |
| 29 | 04332569 | 1 | flexible hose |
| 30 | 04333168 | 1 | tube |
| 31 | 04333170 | 1 | hose clip |
| 32 | 04333171 | 1 | tube |
| 33 | 04327601 | 1 | none |
| 34 | 04332570 | 1 | exhaust 1000 MM |

**DEUTZ
FAHR**

ZUSATZHEIZUNG VORN
AUX. HEATING FRONT
CHAUFFAGE SUPPL. AVANT
CALEFACC. ADICIONAL DELANTE

1024-85 503 5809



CLIMATE CONTROL SYSTEM

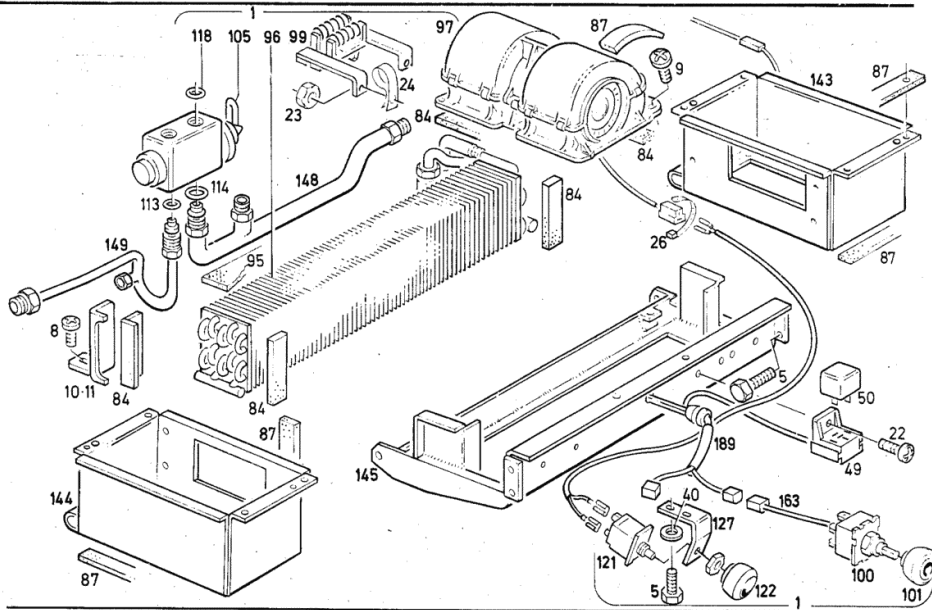
| Fig. | Code | QTY | Name |
|------|----------|-----|--------------------|
| 97 | 04322159 | 2 | rotor blade |
| 99 | 04322171 | 2 | resistance |
| 100 | 04322169 | 1 | switch |
| 101 | 04322170 | 1 | button |
| 105 | 04322165 | 1 | valve |
| 113 | 04322184 | 1 | rubber plug 5/8" |
| 114 | 04322183 | 1 | rubber plug 7/8 " |
| 118 | 04323666 | 2 | ring |
| 121 | 04367398 | 1 | switch |
| 122 | 04323744 | 1 | button |
| 127 | 04323739 | 1 | console |
| 143 | 04325888 | 1 | packaging material |
| 144 | 04325889 | 1 | packaging material |
| 145 | 04325878 | 1 | sump |
| 148 | 04325883 | 1 | pipng |
| 149 | 04325882 | 1 | pipng |
| 163 | 04329557 | 1 | cabl |
| 189 | 04335874 | 1 | cabl |



LUFTLEITKASTEN
AIR BOX
CAISSE GUIDE-AIR
CAJA GUIDA AIRE

VERDAMPFER
VAPORIZER
SECHEUR
VAPORIZADOR

1024-85 503 5879

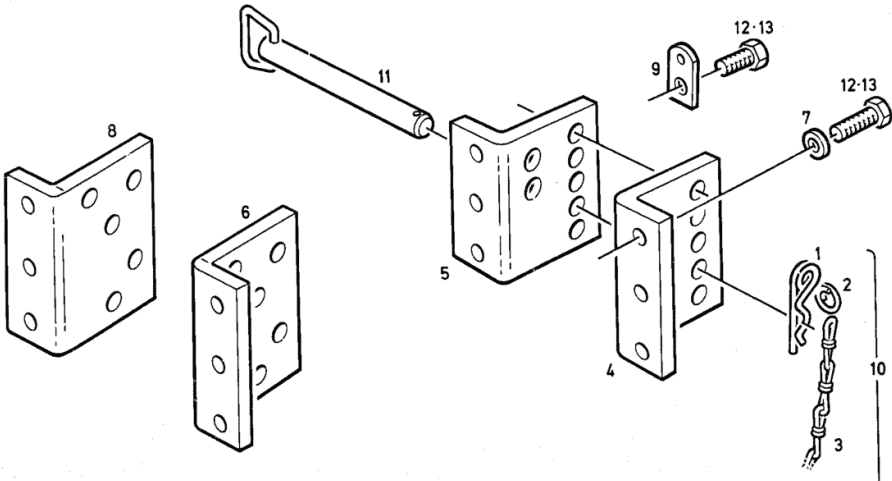


Section: HITCH
DRAWBAR COUPLING AUTOM.

| Fig. | Code | QTY | Name |
|------|----------|-----|---|
| 1 | 01100906 | 1 | roll pin DIN 011024- 5 -FE/ZN12CC 5 DIN 11024 A4C |
| 2 | 04305741 | 2 | ring |
| 3 | 03391061 | 1 | chain |
| 4 | 04329503 | 1 | guide LEFT B190,LANG |
| 5 | 04329502 | 1 | guide RIGHTS B190,LANG |
| 6 | 04305487 | 1 | guide LEFT B182,KURZ |
| 7 | 01167052 | 6 | washer H 000995-16,5X31X 7- 8.8 |
| 8 | 04305488 | 1 | guide RIGHTS B182,KURZ |
| 9 | 04308283 | 1 | support |
| 10 | 04308273 | 2 | key-pin |
| 11 | 04307331 | 2 | pin |
| 12 | 01112655 | 1 | screw ISO 004017-M16 X 20 - 8.8-GES CHW. |
| 13 | 01137092 | 6 | screw ISO 004017-M16 X 45 - 12.9-GE SCHW. |

DEUTZ FAHR
 ANHÄNGEBOCK
 TRAILER BRACKET
 CHEVALET REMORQUE
 CABALLETE REMOLQUE

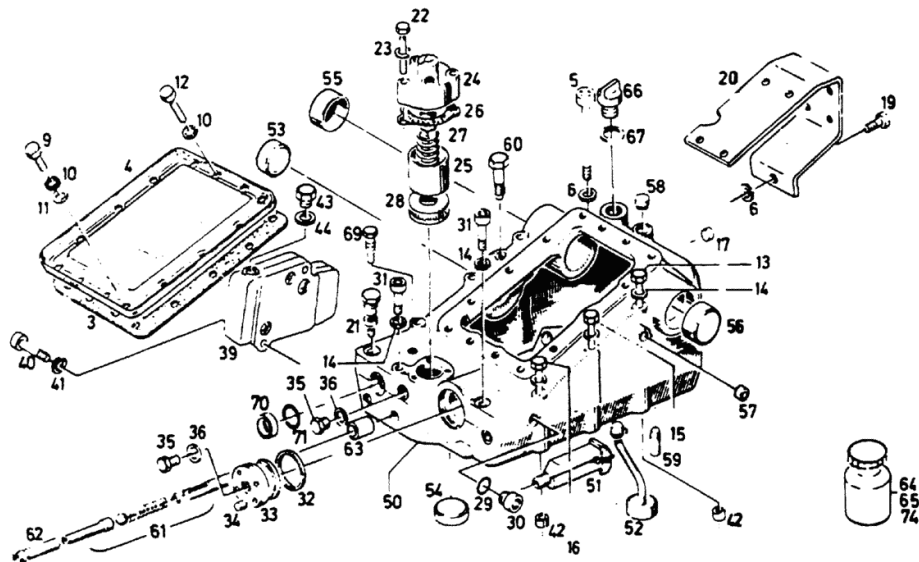
1026-63 503 5747



OIL TANK**DEUTZ
FAHR**OELBEHAELTER
OIL RESERVOIR
RESERVOIR D' HUILE
TANQUE ACEITEBOSCH-STEUERGERÄT
BOSCH-CONTROL UNIT
BOSCH-DISTRIBUTEUR
BOSCH-APARATO MANDO

1905-04 503 0389

| Fig. | Code | QTY | Name |
|------|----------|-----|---|
| 3 | 03401287 | 1 | gasket |
| 4 | 03401288 | 1 | cover |
| 5 | 01144752 | 2 | screw DIN 000912- M16 X120 -10.9-OE LGESCHW |
| 6 | 01167052 | 2 | washer H 000995-16,5X31X 7- 8.8 |
| 9 | 01112299 | 12 | screw m 8 x 12, d933 ISO 004017-M 8 X 12 - 8.8-A4C |
| 10 | 01169689 | 14 | washer H 002203- 8 |
| 11 | 01107548 | 12 | washer 8.4 DIN 000433- 8,4-140HV-A4C |
| 12 | 01112333 | 2 | screw m 8 x 25, d933 ISO 004017-M 8 X 25 - 8.8-A4C |
| 13 | 01136692 | 2 | screw DIN 000912- M14 X235 -10.9-A4 C |
| 14 | 01169672 | 8 | washer H 000995-14,5X28X 6- 8.8 |
| 15 | 01136931 | 2 | screw DIN 000931- M14 X185 - 10.9-A -A4C |
| 16 | 01122412 | 2 | screw DIN 000931- M14 X150 - 10.9-A -A4C |
| 17 | 01163730 | 2 | bottom H 002873-A 12,8X 11,3X 9,5-PE WEICH-SW |
| 19 | 01112670 | 1 | screw m16x30 d933 ISO 004017-M16 X 30 - 8.8-A4C |
| 20 | 04341347 | 1 | console |
| 21 | 04333876 | 1 | valve |
| 22 | 01112287 | 3 | screw m 6 x 60, d933 ISO 004017-M 6 X 60 - 8.8-A4C |
| 23 | 01126726 | 3 | spring disc b6 d137 DIN 000137-B 6-FST-A4C |
| 24 | 04303144 | 1 | cover |
| 25 | 04301373 | 1 | cup |
| 26 | 04347447 | 1 | gasket |
| 27 | 04303237 | 1 | spring |
| 28 | 04303198 | 1 | filter |
| 29 | 01118760 | 1 | gasket 26x31 DIN 007603-A 26 X 31 -CU |

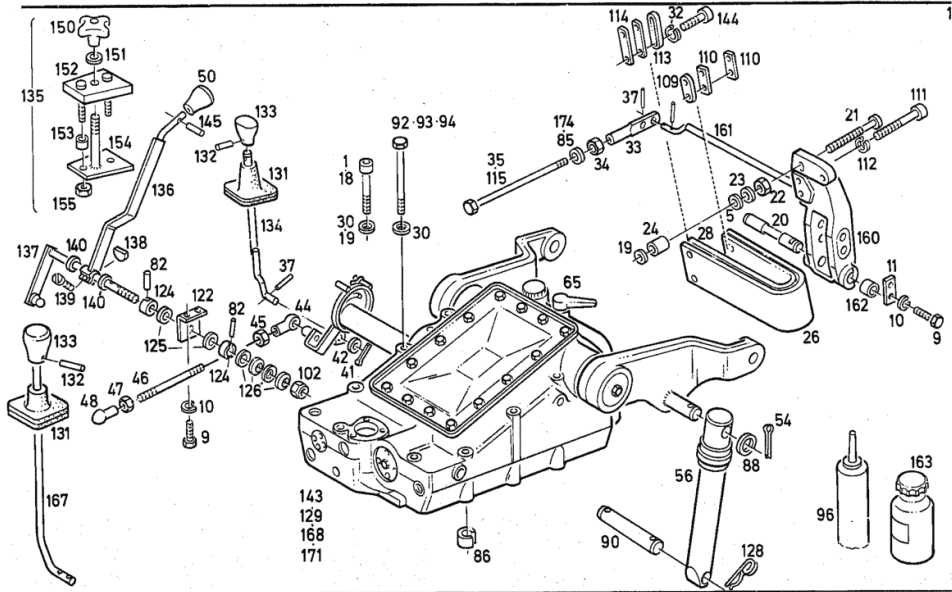


Section: HYDRAULIC SYSTEM
CONTROL HYDRAULICS

| Fig. | Code | QTY | Name |
|------|----------|-----|---|
| 46 | 04301377 | 1 | rod |
| 47 | 01112831 | 1 | nut m 8 ISO 004032-M 8 LH - 8-A4C |
| 48 | 01136648 | 1 | fixing locator DIN 071805-B13LH-A4C |
| 50 | 04308620 | 1 | knob |
| 54 | 01132649 | 1 | split pin 6.3 DIN 000094- 6,3X 45-ST-A4C |
| 56 | 00000000 | 0 | not serviceable PART NUMBERS LISTING SHEET 1805-30 502 7753 |
| 65 | 00000000 | 0 | not serviceable PART NUMBERS LISTING SHEET 1905-30 503 6075 |
| 82 | 01115435 | 2 | pin ISO 008752- 5 X 24 |
| 85 | 01160594 | 1 | washer H 000995-10,5X24X 6- 8.8 |
| 86 | 01167273 | 4 | sleeve H 002341-B18X18 |
| 88 | 01136694 | 1 | washer ISO 008738-33-ST50-A4C |
| 90 | 04300320 | 1 | pin |
| 92 | 01122412 | 2 | screw DIN 000931- M14 X150 - 10.9-A -A4C |
| 93 | 01136931 | 2 | screw DIN 000931- M14 X185 - 10.9-A -A4C |
| 94 | 01136692 | 2 | screw DIN 000912- M14 X235 -10.9-A4 C |
| 96 | 01008383 | 0 | gasket H 000699-DEUTZ DW 47- 75 ML |
| 102 | 01136457 | 1 | nut vm12 d980 DIN 000980-VM12 - 8-A4C GEWAC HST |
| 109 | 04308540 | 1 | link |
| 110 | 04308543 | 2 | shim |
| 111 | 01110828 | 2 | screw DIN 000912- M14 X 70 -10.9-A4 C |
| 112 | 01127679 | 2 | spring washer DIN 007980-14-FST-A4C |

DEUTZ FAHR
 REGELHYDRAULIK
 HYDRAULIC LIFT
 RELEVAGE HYDR. DTS
 ELEV. H IDR. REGULADO

1905-08 502 4064



Section: HYDRAULIC SYSTEM
THREE-POINT COUPLING

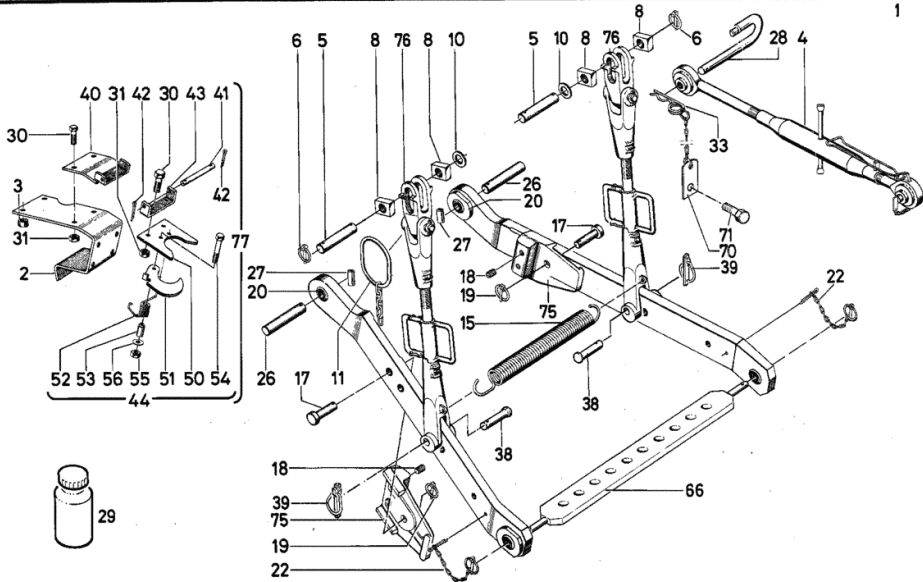
| Fig. | Code | QTY | Name |
|------|----------|-----|--|
| 2 | 04341347 | 1 | consolle |
| 3 | 04305926 | 2 | spacer |
| 4 | 00000000 | 0 | not serviceable |
| | | | PART NUMBERS LISTING SHEET 1905-11 502 4100 |
| 5 | 04315932 | 2 | pin |
| 6 | 04315540 | 2 | pin |
| 8 | 02376336 | 4 | disc |
| 10 | 01107130 | 2 | washer DIN 000125-B25 -140HV-A4C |
| 11 | 02385151 | 1 | chain |
| 15 | 04363341 | 1 | spring |
| 17 | 02387780 | 2 | pin |
| 18 | 01110971 | 4 | pin DIN 000915-M20 X 30-45H |
| 19 | 01101084 | 2 | pin DIN 011023- 8 X42-FE/ZN12CC |
| 20 | 04369795 | 2 | arm LEFT |
| 22 | 04344186 | 2 | pin |
| 26 | 02386100 | 2 | pin |
| 27 | 01115495 | 2 | pin ISO 008752-10 X 80 |
| 28 | 04379885 | 1 | pin |
| 29 | 01001254 | 1 | guard H 000699-DEUTZ DW 60- 50 ML |
| 30 | 01112307 | 2 | screw m 8 p.1.25 x 15, d933 ISO 004017-M 8 X 16 - 8.8-A4C |
| 31 | 01136452 | 2 | nut vm 8 d980 DIN 000980-VM 8 - 8-A4C GEWAC HST |
| 33 | 04308273 | 1 | key-pin |
| 38 | 04339635 | 2 | pin |
| 39 | 04311054 | 2 | pin |
| 40 | 04308547 | 1 | bracket |
| 41 | 01136924 | 1 | pin DIN 001443-B 8H11X100 -ST-A4C |
| 42 | 01106407 | 2 | split pin DIN 000094- 2 X 14-ST-A4C |
| 43 | 04308538 | 1 | bracket |
| 44 | 04308581 | 1 | consolle |
| 50 | 04308862 | 1 | lamination |
| 51 | 04308863 | 1 | clevis |
| 52 | 04308864 | 1 | spring |



DREIPUNKTKUPPLUNG
3-POINT LINKAGE
ATTELAGE TROIS PTS
ACOPLAM. 3PUNTOS

KAT. II

1905-11 502 4083



UPPER LINK

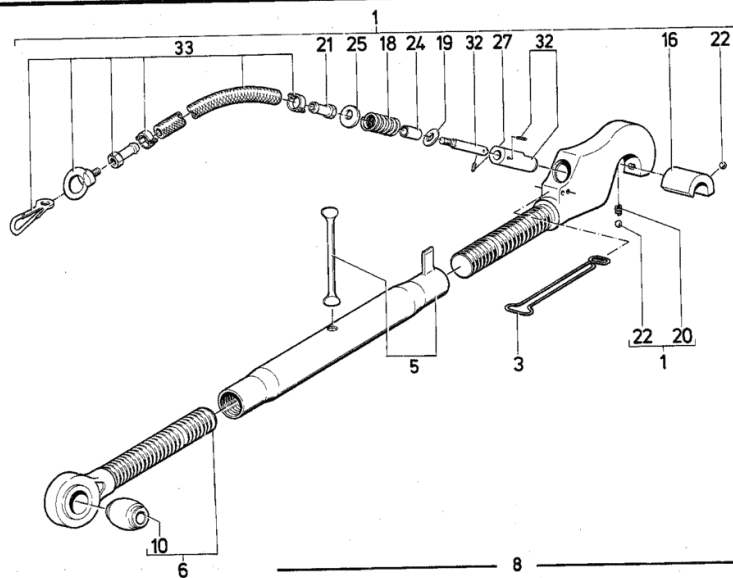
| Fig. | Code | QTY | Name |
|------|----------|-----|-------------------------|
| 1 | 04309641 | 1 | clevis |
| 3 | 04323968 | 1 | spring |
| 5 | 04328682 | 1 | nut |
| 6 | 04301514 | 1 | ferrule |
| | | | COMPLETE |
| 8 | 04309358 | 1 | top link |
| 10 | 00000000 | 0 | not serviceable |
| 16 | 04305955 | 1 | joint |
| 18 | 04305958 | 1 | spring |
| 19 | 04305959 | 1 | washer |
| 20 | 04305960 | 1 | spring |
| 21 | 04305961 | 2 | nut |
| 22 | 01116948 | 2 | ball |
| | | | DIN 005401- 9,525MM-III |
| 24 | 04309646 | 1 | sleeve |
| 25 | 04305954 | 1 | spacer |
| 27 | 01115433 | 1 | stop |
| | | | ISO 008752- 5 X 16 |
| 32 | 04330702 | 1 | pin |
| 33 | 04330705 | 1 | flexible hose |



OBERER - LENKER
TOP LINK
BRAS. SUPERIEUR
GUIA SUPERIOR

KAT. II

1906-11 502 4303



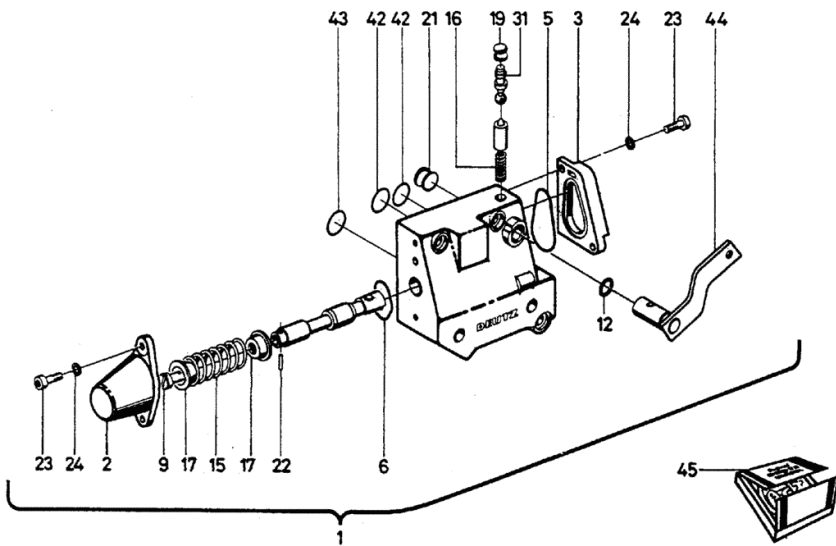
Section: HYDRAULIC SYSTEM
FINAL CONTROL DEVICE

| Fig. | Code | QTY | Name |
|------|----------|-----|--|
| 1 | 04304156 | 1 | distributor |
| 2 | 03401334 | 1 | cover |
| 3 | 03401335 | 1 | cover |
| 5 | 03401337 | 1 | gasket |
| 6 | 03401338 | 1 | gasket |
| 9 | 03401340 | 1 | pin |
| 12 | 01169761 | 1 | 'o' ring H 002927- 10 X 2 -NBR-1-70 |
| 15 | 03401343 | 1 | spring |
| 16 | 03401344 | 1 | spring |
| 17 | 03401345 | 2 | cup |
| 19 | 01102507 | 2 | washer DIN 000470- 10-ST-A4C |
| 21 | 01102347 | 2 | washer DIN 000470- 14-ST-A4C |
| 22 | 01115405 | 1 | pin ISO 008752- 3 X 12 |
| 23 | 01152810 | 4 | screw DIN 000912- M 5 X 16 -10.9 |
| 24 | 01167193 | 4 | ring H 002203- 5 |
| 31 | 02311920 | 1 | pin |
| 42 | 04305924 | 2 | 'o' ring |
| 43 | 04303433 | 1 | 'o' ring |
| 44 | 04301339 | 1 | shaft |
| 45 | 04306987 | 0 | sub-assy parts |



DEUTZ-ENDSTEUERGERÄT
 TERMINAL CONTROL UNIT, DEUTZ
 DISTRIBUTEUR COMPLEMENTAIRE FINAL DEUTZ
 APARATO DE MANDO FINAL, TIPO DEUTZ

1804-40 503 0316



Section: HYDRAULIC SYSTEM
ADJUSTER INSTRUMENT

| Fig. | Code | QTY | Name |
|------|----------|-----|--|
| 43 | 04318307 | 1 | plate |
| 44 | 01112308 | 4 | screw ISO 004017-M 8 X 18 - 8.8-GES CHW. |
| 45 | 01107101 | 4 | washer 8.4 DIN 000125-A 8,4-140HV-A4C |
| 46 | 01112824 | 4 | nut m 8, d934 ISO 004032-M 8 - 8-A4C |
| 51 | 04331321 | 6 | tongue |
| 52 | 04318998 | 1 | connection |
| 53 | 01173058 | 2 | tongue H 003130-BL15-ST -A4C |
| 55 | 04318999 | 1 | connection |
| 58 | 04319010 | 1 | connection |
| 59 | 04319011 | 1 | connection |
| 62 | 04319437 | 1 | pipe fitting |
| 63 | 04318958 | 1 | connection |
| 65 | 04308835 | 1 | plate |
| 66 | 04308836 | 1 | plate |
| 67 | 04308837 | 1 | plate |
| 72 | 01179134 | 6 | stop 15-L H 003107-V1L 15 |
| 95 | 01116653 | 6 | nut H 003105- CL15 -ST-A4C |
| 96 | 01116626 | 8 | ring H 003107-F L15-ST |
| 97 | 04318953 | 1 | piping |
| 98 | 04318954 | 1 | piping |
| 99 | 04318955 | 1 | piping |
| 100 | 04318956 | 1 | piping |

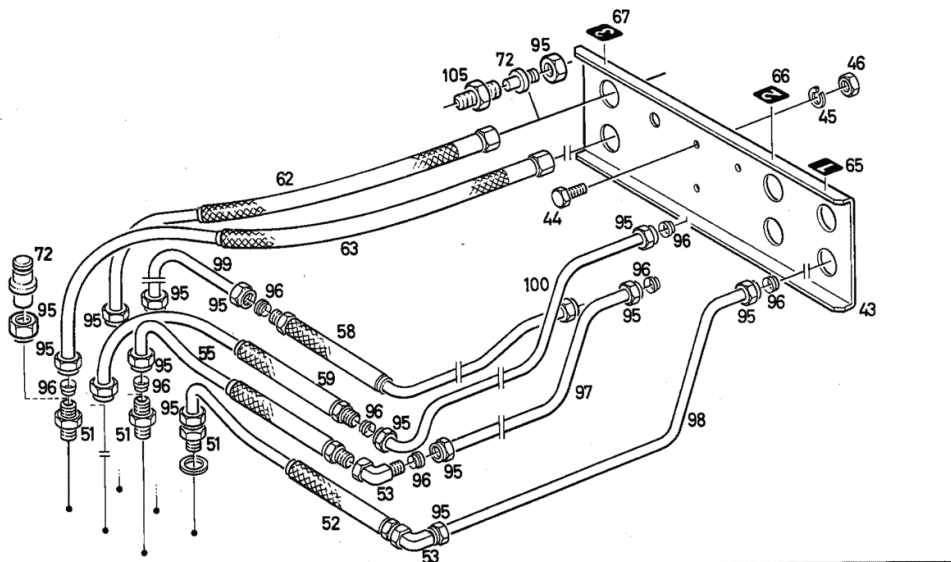
**DEUTZ
FAHR**

 STEUEREINRICHTUNG - HYDR.
 CONTROL SYST.-HYDR.
 DISTRIBUTEUR - HYDR.
 EQUIPO DISTRIB.-HIDR

BOSCH

 STEUERGERÄT
 CONTROL UNIT
 DISTRIBUTEUR
 APARATO MANDO

1805-88 502 7441



Section: MOTOR SUPPLY

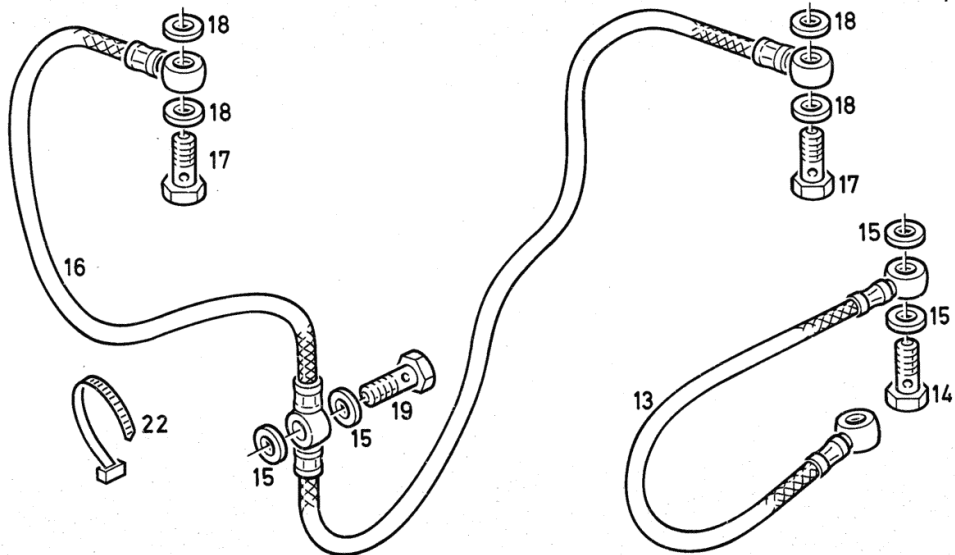
FUEL LINE

| Fig. | Code | QTY | Name |
|------|----------|-----|---|
| 13 | 02315998 | 1 | tube |
| 14 | 01119246 | 1 | pipe union H 3102 -D10 M H 003102-D10 M-ST-A4C |
| 15 | 01118688 | 4 | ring 14x17 DIN 007603-A 14 X 18 -CU |
| 16 | 04302544 | 1 | pipng |
| 17 | 01119241 | 2 | pipe union m 12 p.1.5 H 003102-D 8 M-ST-A4C |
| 18 | 01118673 | 4 | 'o' ring DIN 007603-A 12 X 15,5-CU |
| 22 | 01172065 | 8 | clamp 4.6 x 146 H 007672-G 146X 4,6 |
| 59 | 01119246 | 1 | pipe union H 3102 -D10 M H 003102-D10 M-ST-A4C |

**DEUTZ
FAHR** KRAFTSTOFFLEITUNG
FUEL LINE
CONDUITE COMBUSTIBLE
TUBERIA COMBUSTIBLE

1024-42 503 5964

1



CLICK HERE TO **DOWNLOAD** THE COMPLETE MANUAL

- Thank you very much for reading the preview of the manual.
- You can download the complete manual from: www.heydownloads.com by clicking the link below



- Please note: If there is no response to CLICKING the link, please download this PDF first and then click on it.

CLICK HERE TO **DOWNLOAD** THE COMPLETE MANUAL