

# DXbis 160

## BRAKE

### Control assy./servise brake, Parking brake

OPERATION - P.T.O. SHAFT - REAR.....	13.29.1
OPERATION - P.T.O. SHAFT - REAR.....	13.29.3

### Service brake, Contral assy./service brake

SLAVE CYLINDER.....	13.30.1
CYLINDER PARTS.....	13.30.2
OPERATION - SERVICE BRAKE - LINES.....	13.30.3
OPERATION - SERVICE BRAKE - LINES.....	13.30.6
CYLINDER PARTS.....	13.30.18
SERVICE BRAKE.....	13.30.19
SERVICE BRAKE.....	13.30.20
VALVE PARTS.....	13.30.27
OPERATION - SERVICE BRAKE - LINES.....	13.30.31
OPERATION - SERVICE BRAKE - LINES.....	13.30.32

### Pneumatic system

COMPRESSED-AIR UNIT.....	13.55.1
COMPRESSED-AIR UNIT.....	13.55.2
COMPRESSED-AIR UNIT.....	13.55.3
COMPRESSED-AIR UNIT.....	13.55.13
COMPRESSED-AIR UNIT.....	13.55.14
COMPRESSED-AIR UNIT.....	13.55.15

### Hydr. brake for trailer

HYDR. BRAKE.....	13.56.2
------------------	---------

CLICK HERE TO **DOWNLOAD** THE COMPLETE MANUAL

- Thank you very much for reading the preview of the manual.
- You can download the complete manual from: [www.heydownloads.com](http://www.heydownloads.com) by clicking the link below



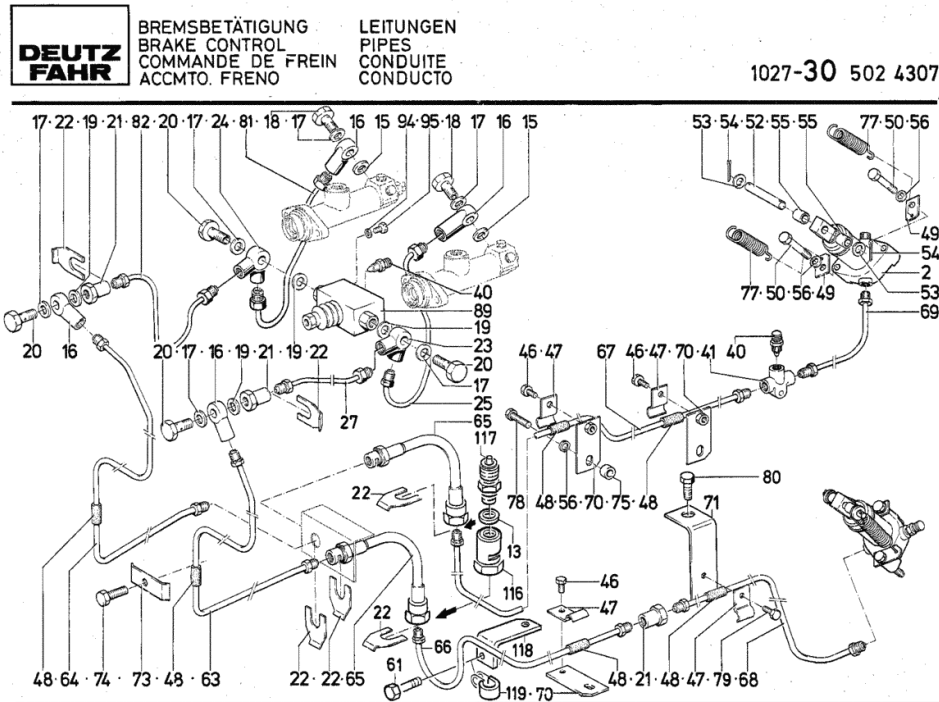
- Please note: If there is no response to CLICKING the link, please download this PDF first and then click on it.

CLICK HERE TO **DOWNLOAD** THE COMPLETE MANUAL

## Section: BRAKE

## OPERATION - SERVICE BRAKE - LINES

Fig.	Code	QTY	Name
64	04312484	1	tube
65	04344462	2	flexible hose FROM FIRST REPLACEMENT UNTIL CHASSIS-AXLE-GEARBOX- SUPPLY WITH NO.ITEM.. FROM CHASSIS NO. DX 140
66	04329604	1	tube
67	04325233	1	tube
68	04314106	1	tube
69	04314102	1	tube
70	04314110	3	consolle
71	04314112	1	consolle
73	02383008	1	clamp
74	01112333	1	screw m 8 x 25, d933
75	01401338	1	ISO 004017-M 8 X 25 - 8.8-A4C tube DIN 002391- 18 X 4 X 6-ST35NB K
77	04314120	4	spring
78	01112322	1	screw m 8 p.1.25 x 20 ISO 004017-M 8 X 20 - 8.8-A4C
79	01112232	1	screw m 6 p.1 x 10 ISO 004017-M 6 X 10 - 8.8-A4C
80	01111780	1	screw DIN 000931- M14 X110 - 8.8-A4 C
81	04311518	1	tube
82	04311509	1	tube
89	04332531	0	valve PART NUMBERS LISTING SHEET 1024-30 502 3961
94	01107101	6	washer 8.4 DIN 000125-A 8,4-140HV-A4C
95	01112299	2	screw m 8 x 12, d933 ISO 004017-M 8 X 12 - 8.8-A4C
116	04325215	2	shim
117	04332125	2	socket FROM FIRST REPLACEMENT UNTIL CHASSIS-AXLE-GEARBOX- SUPPLY WITH NO.ITEM.. FROM CHASSIS NO. DX140,
118	04325222	1	consolle



## Section: BRAKE

## OPERATION - SERVICE BRAKE - LINES

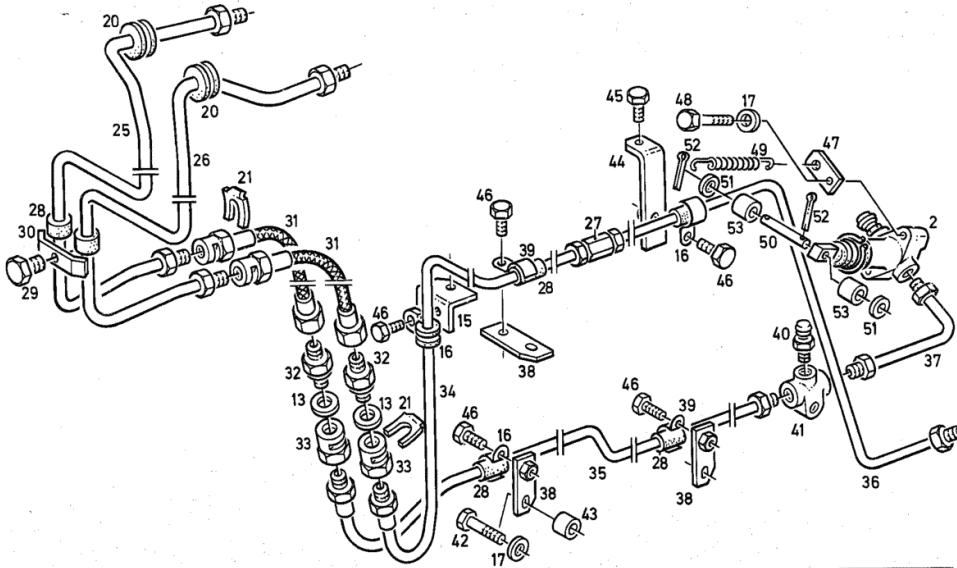
Fig.	Code	QTY	Name
46	01112232	1	screw m 6 p.1 x 10 ISO 004017-M 6 X 10 - 8.8-A4C
47	04306332	4	support
48	01111145	4	screw m 8 x 40 DIN 000931- M 8 X 40 - 8.8-A4 C
49	04314120	4	spring
50	01136680	2	pin DIN 001443-B 10H11X 90 -ST50- 2K
51	01107105	4	washer 10.5 DIN 000125-A10,5-140HV-A4C
52	01132623	4	split pin DIN 000094- 3,2X 18-ST-A4C
53	04306334	4	ring

**DEUTZ**  
**FAHR**

BREMSBETÄTIGUNG    HYDR.  
 BRAKE CONTROL        HYDR.  
 COMMANDE DE FREIN    HYDR.  
 ACCMTO. FRENO        HYDR.

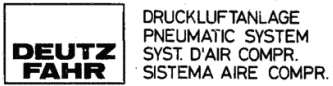


1028-30 503 6011



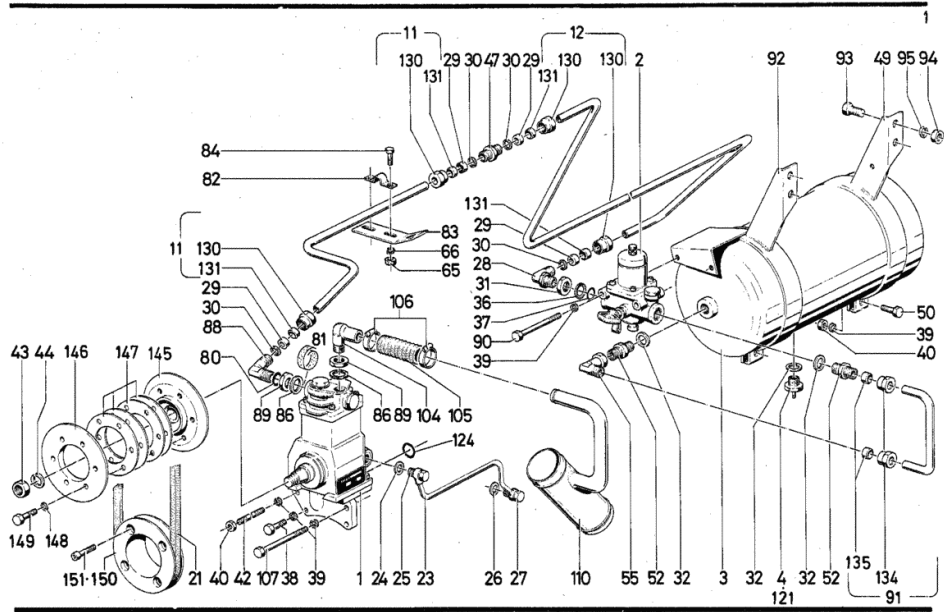
Section: BRAKE  
**COMPRESSED-AIR UNIT**

Fig.	Code	QTY	Name
124	01166007	1	AUTOMAT. 'o' ring 16x4
130	01121705	2	H 002927- 16 X 4 -NBR-1-60
131	01116626	2	nut DIN 074297-AM22X1,5-A4C
134	01179539	2	ring H 003107-F L15-ST
135	01116637	2	nut CL 12 H310 H 003105- CL12 -STF55 -A3C GE WACHST
145	04304120	1	ring
146	04335486	1	pulley
147	03363622	6	snoulder
148	01107283	6	washer 8.2 DIN 000137-B 8-FST-A4C
149	01112333	6	screw m 8 x 25, d933 ISO 004017-M 8 X 25 - 8.8-A4C
150	02240585	1	pulley
151	01132435	4	screw DIN 006912-M 8 X 45- 8.8 -A4C



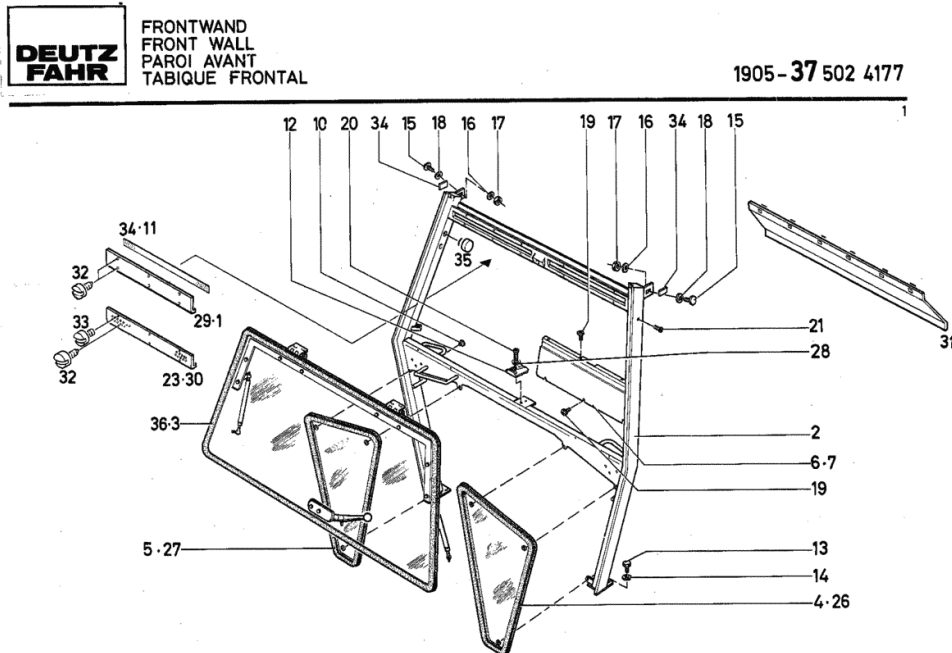
DRUCKLUFTANLAGE  
 PNEUMATIC SYSTEM  
 SYST. D'AIR COMPR.  
 SISTEMA AIRE COMPR.

1906-55502 7773



**FRONT WALL**

Fig.	Code	QTY	Name
			-H
23	04312712	1	diaphragm
26	00000000	0	not serviceable PART NUMBERS LISTING SHEET 1905-37 502 4189
27	00000000	0	not serviceable PART NUMBERS LISTING SHEET 1905-37 502 4189
28	01124654	2	washer 6,4 d433 DIN 000433- 6,4-140HV-A4C
29	04321517	2	lamination
30	04321549	2	lamination
31	04321513	2	lamination
32	01137298	12	screw ISO 007049-ST6,3X13 -C-H-A4C
33	01119632	60	screw m 5 p.1x10 ISO 007045-M 5X 10 - 4.8-H -A 4C
34	01393351	0	gasket H 843180-01- 5X 10 -EP 1100 MM.
35	01167308	2	plug 7.2x5.2x9 H 002873-A 7,2X 5,2X 9 -PE WE ICH-SW
36	04314263	0	glass PART NUMBERS LISTING SHEET 1905-37 502 4181



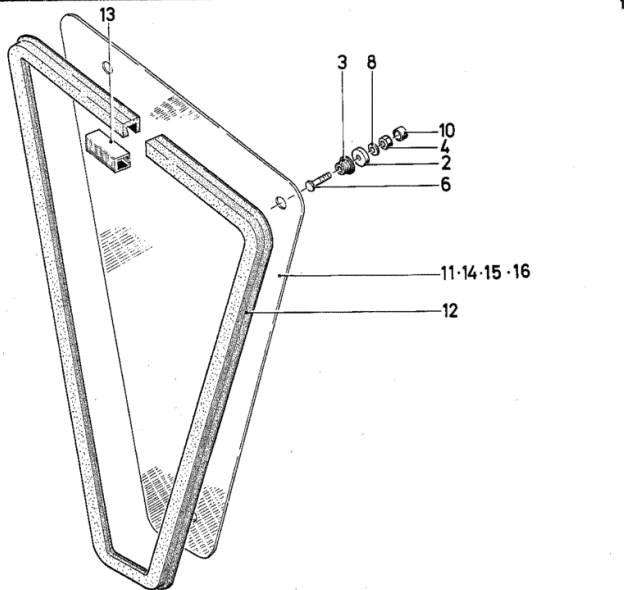
**WINDSCREEN**

Fig.	Code	QTY	Name
2	04312658	1	shim
3	04312657	1	rubber bushing
4	01112813	1	nut m 6 DIN 000934-M 6 - 8-A4C
6	01171754	1	screw H 002093- 603-M 6 X 30
8	01171739	1	washer H 002398- 125-A 6,4-ST
10	04314758	1	tube
11	04312039	1	glass LINKS UND RECHTS
12	01395474	0	profile H 846471-22-PN 1 1900MM
13	01388794	0	parting 9x4,5 H 846482-02-PN 1
14	04314324	1	glass TINTED B198,LINKS+RECHTS
15	04332556	1	glass WITH ADDITIONAL HEATING
16	04332557	1	glass WITH ADDITIONAL HEATING B148,GETOENT

**DEUTZ  
FAHR**

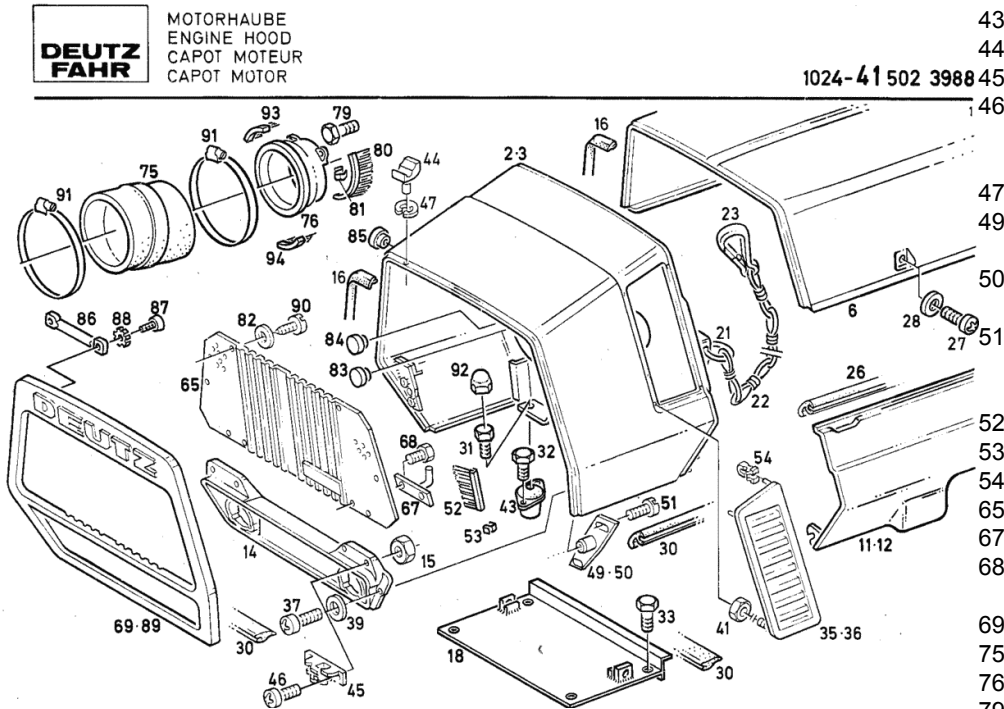
FRONTSCHIEBE  
WINDSCREEN  
PARE-BRISE  
PARABRISAS

1905-37 502 4189



## HOOD

Fig.	Code	QTY	Name
			DIN 007985-M10X 30SB- 8.8-H - A4C
39	01107105	2	washer 10.5
			DIN 000125-A10,5-140HV-A4C
41	01133500	4	nut vm 6 d980
			DIN 000980-VM 6 - 8-A4C GEWAC
			HST
43	04303611	2	support
44	04306259	2	console
1024-41 502 3988 45	04340474	2	plug
46	01100596	4	screw
			ISO 007045-M 6X 12 - 4.8-H - A 4C
47	03401328	2	fuse
49	04308671	1	flange
			RIGHTS
50	04308675	1	flange
			LEFT
51	01110496	4	screw m6x12 d912-10
			DIN 000912- M 6 X 12 -10.9-A4 C
52	04309528	2	brush
53	02304486	4	cab.terminals
54	04309544	4	spring housing
65	04349793	1	grille
67	04306253	2	lamination
68	01112232	4	screw m 6 p.1 x 10
			ISO 004017-M 6 X 10 - 8.8-A4C
69	04307846	1	grille
75	04304405	1	pipe fitting
76	04337355	1	ring
79	01112322	4	screw m 8 p.1.25 x 20
			ISO 004017-M 8 X 20 - 8.8-A4C
80	04336916	1	brush
81	04309501	3	terminal
82	01107089	6	washer 5.3
			DIN 000125-A 5,3-140HV-A4C
83	01173343	1	bottom
			H 002873-G19 X 8,7-PA 66-SCHW
			ARZ
			BLACK
84	01173342	1	bottom
			H 002873-G16 X 8,7-PA 66-SCHW
			ARZ



**DEUTZ  
FAHR**

MOTORHAUBE  
ENGINE HOOD  
CAPOT MOTEUR  
CAPOT MOTOR

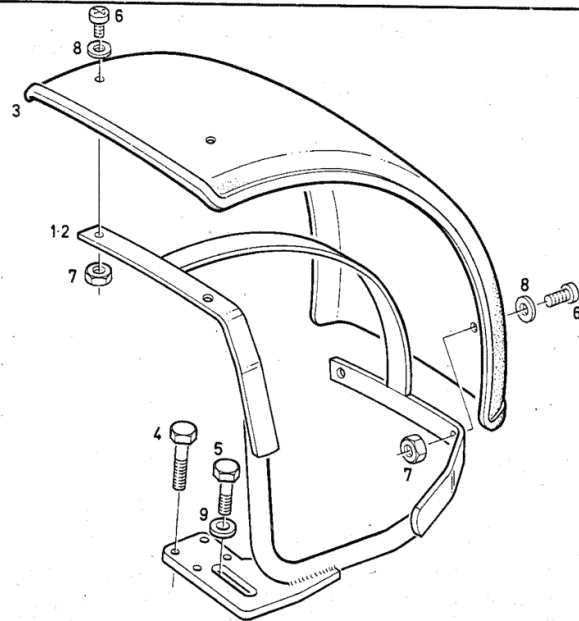
**WING FRONT**

Fig.	Code	QTY	Name
1	04328368	1	support RIGHTS
2	04328369	1	support LEFT
3	04314713	1	fender
4	01111535	2	screw m 12 x 80 DIN 000931- M12 X 80 - 8.8-A4 C
5	01111504	1	screw DIN 000931- M12 X 60 - 8.8-A4 C
6	01136452	4	nut vm 8 d980 DIN 000980-VM 8 - 8-A4C GEWAC HST
7	01136452	4	nut vm 8 d980 DIN 000980-VM 8 - 8-A4C GEWAC HST
8	02312618	4	washer
9	01167050	1	washer H 000995-12,5X26X 6- 8.8

**DEUTZ  
FAHR**KOTFLÜGEL, VORN  
FRONT MUDGUARD  
GARDE-BOUE AV  
GUARDABARROS DELANFÜR BEREIFUNG  
FOR TYRES  
POUR PNEUMATIQUES  
PARA NEUMATICOS16,9-26  
16,9-28

1027-52 5027822

APL 3052/4053



## Section: BUILT-ON ACCESSORIES

## COMFORT SEAT

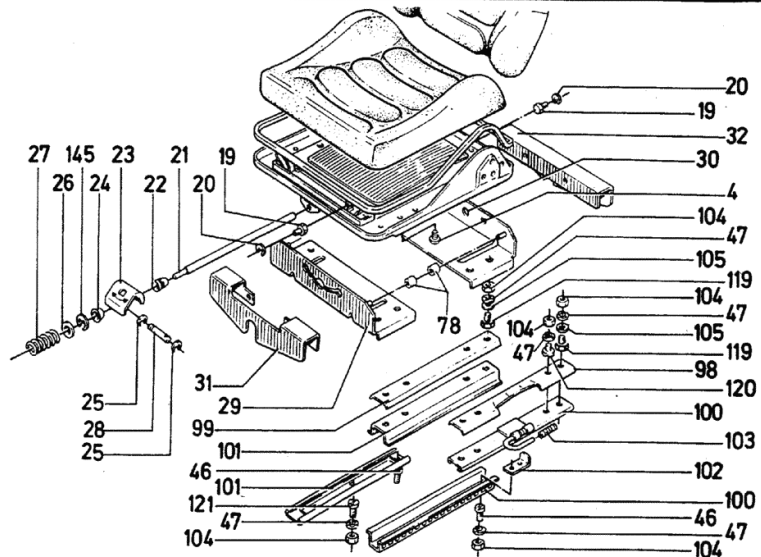
Fig.	Code	QTY	Name
4	01126466	21	screw DIN 000085-AM 5X20- 4.8-A4C
19	01112240	4	screw m 6 x 12 ISO 004017-M 6 X 12 - 8.8-A4C
20	01102797	6	washer 6, d128 DIN 000128-A 6 -FST -A4C
21	04311671	1	pin
22	04311672	1	bushing
23	04311673	1	lever
24	01151184	2	washer DIN 000433-10,5-200HV
25	01131021	2	washer 5 d6799 DIN 006799- 5
26	01107101	6	washer 8.4 DIN 000125-A 8,4-140HV-A4C
27	04311675	1	spring
28	04311676	1	pin
29	04311677	1	square
30	04311678	1	square
31	04311679	1	cover
32	04320437	1	cover
46	04320445	4	screw
47	01127471	14	washer DIN 006798-A 8,2-A4C
78	04311716	8	roller
98	04311731	1	disc LEFT
99	04311732	1	disc RIGHTS
100	04311733	1	guide COMPLETE
101	04311734	1	guide
102	04311735	2	square
103	04311736	1	knob
104	01126748	12	nut bm8 d439 ISO 004035- M 8 -04-A4C
105	01107548	12	washer 8.4 DIN 000433- 8,4-140HV-A4C
119	01137312	6	screw DIN 000558-M 8X 16-4.6
120	04316769	4	screw
121	01137150	4	screw DIN 000920-M8X20 - 5.8-A4C
145	01125680	2	washer



KOMFORTSITZ-SUPER  
COMFORT SEAT-SUPER  
SIEGE-SUPER CONFORT  
ASIENTO-SUPER CONFORT

VERSTELLVORRICHTUNG  
ADJUSTING DEVICE  
REGLAGE  
DISPOS. GRADUAC

1024 - 54 503 0328



## Section: BUILT-ON ACCESSORIES

**DRIVER'S SEAT**

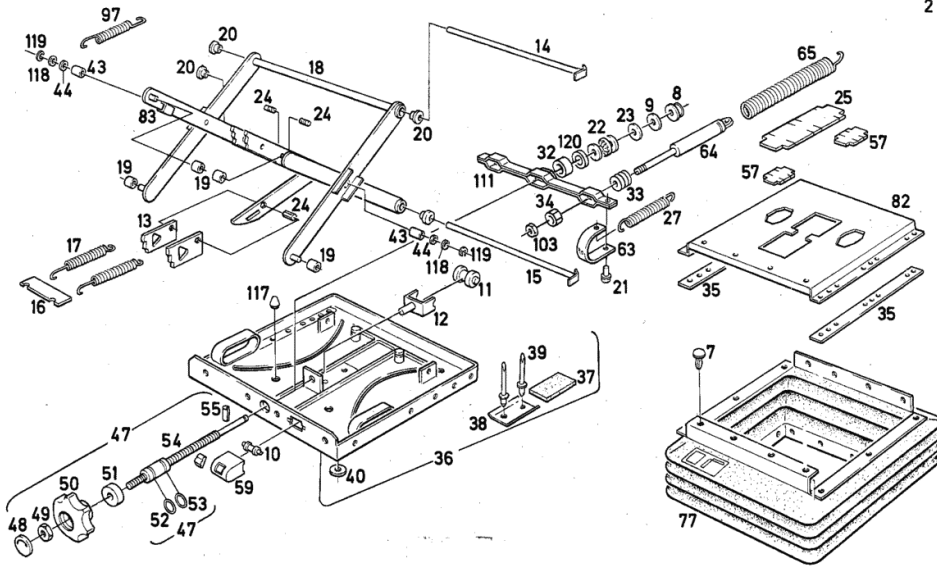
Fig.	Code	QTY	Name
54	04311744	1	pin
55	01115269	1	pin ISO 008742- 3 X 16-ST
57	04311706	2	plate
59	04311696	1	warning light
63	04311745	1	number plate
64	04311747	2	shoch.absorber
65	04311746	2	spring
77	04311705	1	guard
82	04311709	1	cover
83	04367203	1	arm
97	04311710	1	spring
103	01131132	14	nut ISO 004035- M 8 -06-A4C
111	04320438	1	support
117	02310080	2	shoch.absorber
118	01151185	3	washer DIN 000433-13 -200HV
119	01117930	2	washer DIN 006799- 9
120	01136363	1	washer 8.4 DIN 009021- 8,4-140HV-A4C



KOMFORTSITZ - SUPER-FEDERUNG  
COMFORT SEAT - SUPER -SPRING ASSY  
SIEGE - SUPER CONFORT -SUSPENSION  
ASIENTO -SUPER CONFORT -SUSPENS. ELASTICA

1024-54 503 5735

2



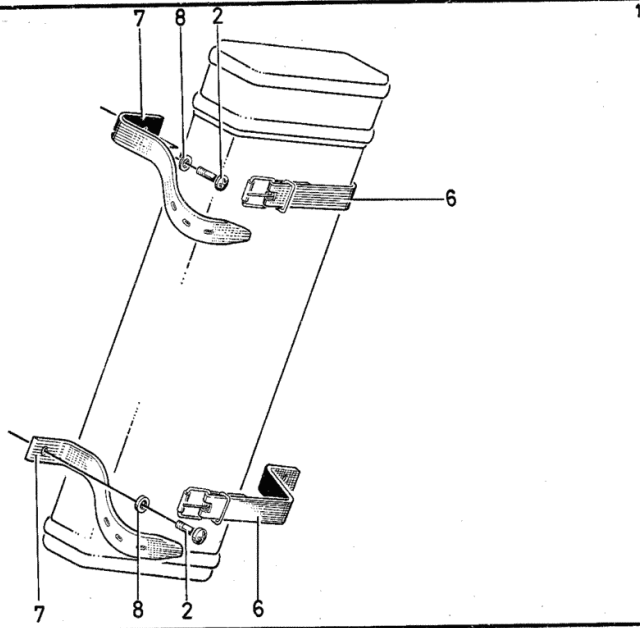
Section: BUILT-ON ACCESSORIES  
**SUPPORT**

Ref.: 16.70.1

Fig.	Code	QTY	Name
2	01171734	4	screw H 002093- 7985-M 6X 16 -4.8 - H
6	04314754	2	belt
7	04314755	2	belt
8	01136363	4	washer 8.4 DIN 009021- 8,4-140HV-A4C

**DEUTZ  
FAHR** HALTER FUER WARNDREIECK  
RETAINER FOR WARNING TRIANGLE  
SUPPORT POUR TRIANGLE DE PANNE  
SOPORTE PARA TRIANGULO AVISO

1024 -70 502 4030



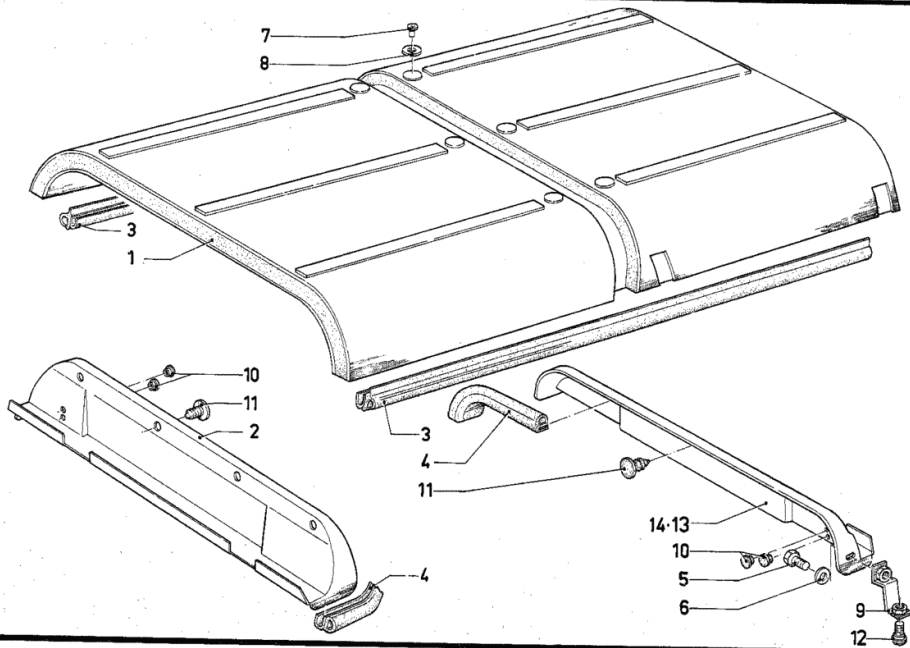
**ROOF COVERING**

Fig.	Code	QTY	Name
1	04307635	1	lining
2	04307636	1	diaphragm
3	01395029	0	gasket H 846471-06-PN 1 1350 MM.
4	01395475	0	gasket H 846471-21-PN 1 -EPDM 1280,0 MM.
5	01171732	4	screw H 002093- 933-M 8 X 16- 8.8
6	01171740	4	washer 8,4x17x1,6 d125 H 002398- 125-A 8,4-ST
7	01172572	6	rivet A4 - h2416 H 002416-A4 X 9,5-AL
8	04307637	6	stop
9	04309757	4	consolle
10	04312803	4	plug
11	04307610	8	plug
12	01172644	4	screw H 002093- 923-M 8 X 4
13	04319379	1	cover
14	04317189	1	diaphragm BEI BEIFAHRERSITZ



DACHVERKLEIDUNG - ECONOMIC KABINE  
 ROOF PANELLING - ECONOMIC CAB  
 REVETEMT DE TOIT - ECONOMIC CABINE  
 CUBIERTA TECHO - ECONOMIC CABINA

1024-86 502 4048



Section: BUILT-ON ACCESSORIES  
**ROOF COVERING**

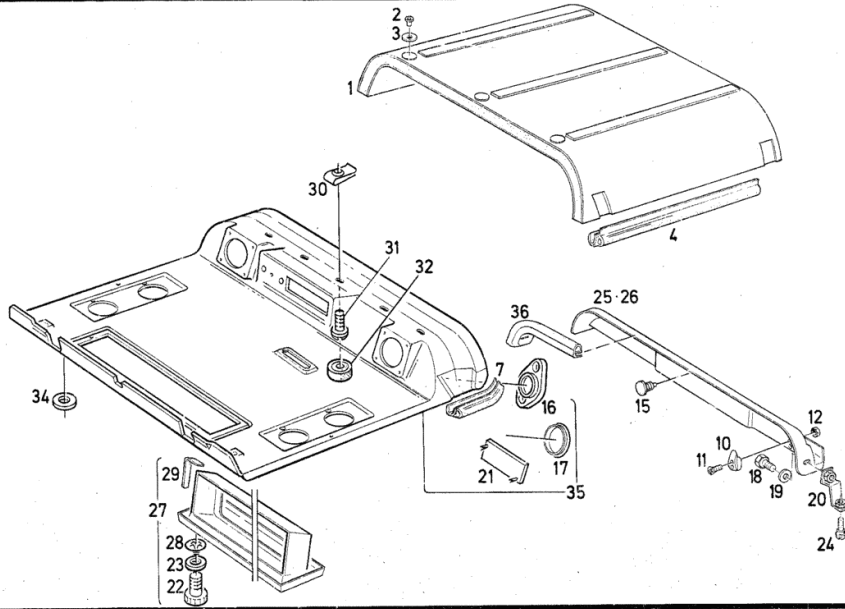
Fig.	Code	QTY	Name
------	------	-----	------

2670,1280 MM



DACHVERKLEIDUNG - KOMFORT KABINE MIT KLIMAANLAGE  
 ROOF PANELLING - COMFORT CAB WITH AIR CONDITIONING  
 REVETEMT DE TOIT - CONFORT CABINE ET CLIMATISATEUR  
 CUBIERTA TECHO - CABINA CONFORT SIST. AIRE ACONDIC.

1024-86 503 5989



Section: ELECTRIC AL SYSTEM  
**ELECTRICAL EQUIPMENT FRONT**

Fig.	Code	QTY	Name
131	04322672	1	cable TO ITEM...
152	01119627	1	screw ISO 007045-M 4X 8 - 4.8-H -A4 C
153	01125679	1	washer 4.2 DIN 006797-A 4,3-A4C



ELEKTRISCHE AUSRÜSTUNG  
 ELECTRICAL EQUIPMENT  
 EQUIPEMENT ELECTRIQUE  
 EQUIPO ELECTRICO

KLEINTEILE  
 SUNDRIES  
 MENU MATÉRIEL  
 MATERIAL MENUDO

1027 - 49 503 0471

 35 16-19 23-97	 102 13-152 37-86	 18-22-38 125-36	 153 24-39 96	 25-115 50 113
 53	 85-26-27 30-62	 3 103	 21	 99
 90	 29	 71 28	 117 131 118	 112 57 108 60-61-92 91 78-51-74 20
 66-67	 63-64	 48 49	 47-95 42	 73

# DXbis 160

## ENGINE

### Crankcase

CRANKCASE.....	11.01.1
LOCK.....	11.01.4
TUNNEL COVER.....	11.01.5
FASTENINGS.....	11.01.8
BREATHER.....	11.01.9
INTERMEDIATE GEAR BEARING.....	11.01.16
NOZZLE.....	11.01.17
DIPSTICK.....	11.01.28
BLANKING PARTS.....	11.01.29
TENSION ROLLER.....	11.01.31
CRANKCASE.....	11.01.32
FRONT COVER.....	11.01.33

### Oil pan

OIL PAN.....	11.02.3
--------------	---------

### Crankshaft

CRANKSHAFT.....	11.05.4
DRIVING PARTS.....	11.05.6
FLYWHEEL.....	11.05.10

### Connecting rod

CONNECTING ROD PIECE/CYL.-UNIT.....	11.06.3
-------------------------------------	---------

### Piston

PRESSURE OIL LINE.....	11.07.2
PISTON.....	11.07.4

### Cylinder head

VALVE MECHAN.COVER.....	11.08.1
CYLINDER HEAD.....	11.08.3

### Camshaft

CAMSHAFT.....	11.10.1
CAMSHAFT P.T.O.....	11.10.4

### Timing gears

CONTROL PARTS PIECE/CYL.-UNIT.....	11.11.2
CONDUIT.....	11.11.3

### Lube oil pump

LUBRICAT. OIL PUMP.....	11.14.4
-------------------------	---------

### Oil cooler, Lube oil filter

RADIATOR.....	11.15.5
RADIATOR.....	11.15.6
FILTER CARRIER.....	11.15.11
OIL COOLER.....	11.15.12
CHANGEOVER SWITCH.....	11.15.18

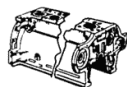
## Section: ENGINE

**INTERMEDIATE GEAR BEARING**

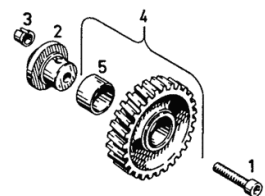
Fig.	Code	QTY	Name
1	01110688	1	screw DIN 000912- M10 X 60 -10.9-A4 C
2	02234172	1	pin
3	02101007	1	bushing
4	03362541	1	gear
5	03362538	1	bushing



Zwischenradlager  
Idler gear bearing  
Tourillon de pignon intermédiaire  
Soporte para rueda intermedia



0150-01-500 6503



Section: ENGINE  
DRIVING PARTS

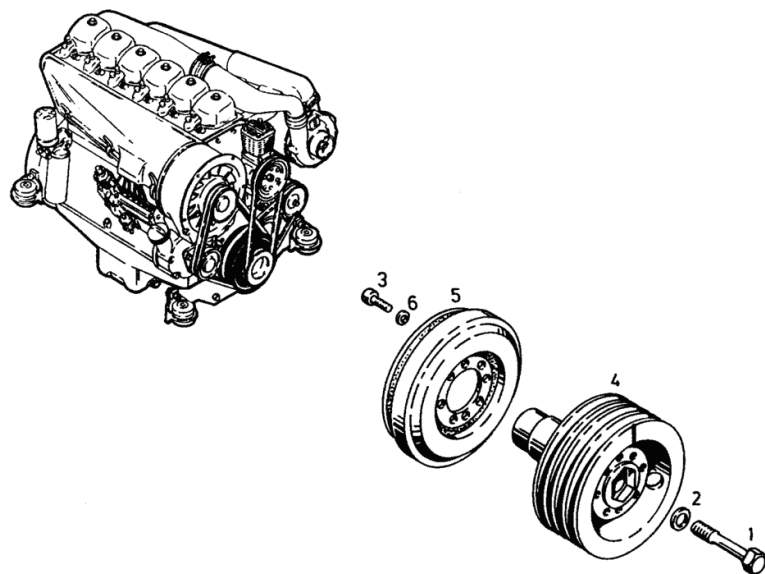
Fig.	Code	QTY	Name
1	01166951	1	screw H 000803-M24X2 LHX110 -10.9
2	01216128	1	washer
3	01110561	8	screw m8x20 d912-10 DIN 000912- M 8 X 20 -10.9-A4 C
4	02231455	1	pulley
5	02233098	1	shoch.absorber
6	01172303	8	washer H 002308- 8,4X15X3



Antriebsteile  
Driving parts  
Pièces d'entraînement  
Piezas de accionamiento



0150—05—502 2191



## Section: ENGINE

**CAMSHAFT**

Fig.	Code	QTY	Name
1	02101224	1	camshaft
2	03367789	1	washer
3	02137015	1	pin

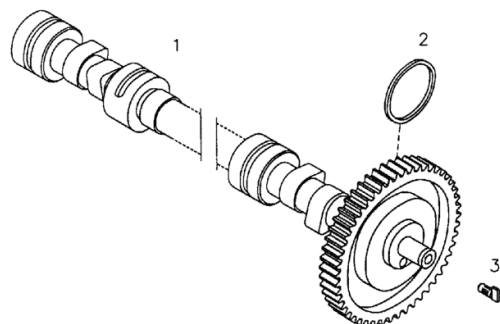


Nockenwelle  
Camshaft  
Arbre à cames  
Arbol de levas

Referenznr.:

0150 -10- 0500 3399

002



Section: ENGINE  
**CHANGEOVER SWITCH**

Fig.	Code	QTY	Name
------	------	-----	------

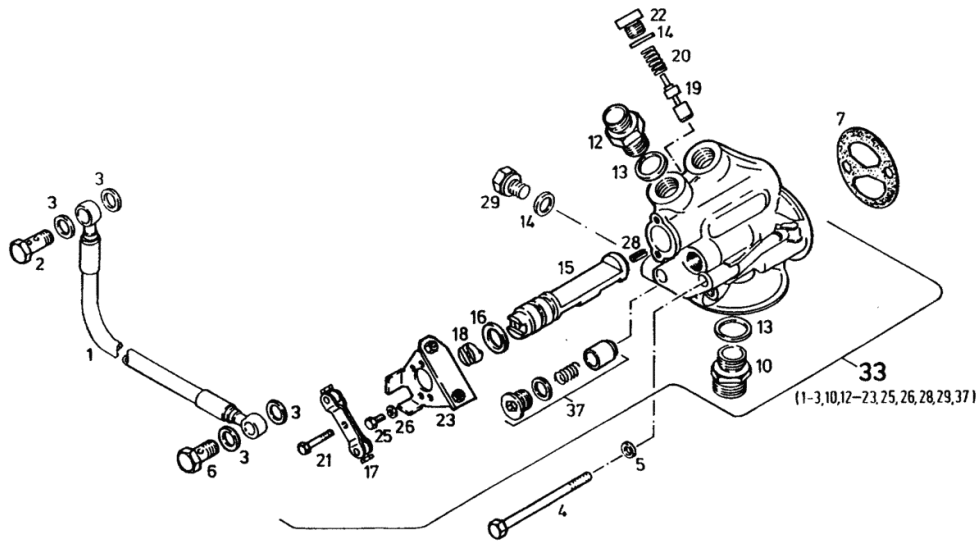
UP TO MOTOR NO. (A)  
 AB MOTOR NR. SIEHE POS. (B)  
 037



Umschalter  
 Change-over cock  
 Sélecteur  
 Conmutador de cambio

0150-15-503 2480

3



## Section: ENGINE

## INJECTION PUMP COMPONENT PARTS

Fig.	Code	QTY	Name
34	01118326	1	key DIN 006888- 4 X 6,5
35	01288210	3	screw
36	01102797	3	washer 6, d128 DIN 000128-A 6 -FST -A4C
37	01112813	3	nut m 6 DIN 000934-M 6 - 8-A4C
38	01288111	1	plate
39	01288088	6	tube
40	01298642	3	small block
41	01298643	3	small block
42	01104381	3	screw ISO 001207- M 6 X 28- 4.8- A4 C
43	01318803	1	plate
44	01288267	1	cover
45	01288098	1	plate
46	01288170	2	screw
47	01118641	2	ring a 6x10 d7603 DIN 007603-A 6 X 10 -CU
48	01290760	1	screw
49	01118713	1	washer 18.5 DIN 007603-A 18 X 22 -CU
50	01321528	1	ring
51	01304679	6	filler
52	01308045	2	tube
53	01308185	6	tube
54	01289829	1	tube
55	01109953	1	roller bearing DIN 000720-302 03
950	01288319	0	crown wheel mm 22.70 TIP CIRCLE D. 22.70 MM S.POS. 16
951	01287998	0	washer mm 0.12 0,12 MM S. POS. 25
952	01287999	0	washer mm 0.14 0,14 MM S. POS. 25
953	01288000	0	washer mm 0.16 0,16 MM S. POS. 25
954	01288001	0	shim mm 0.18 0,18 MM

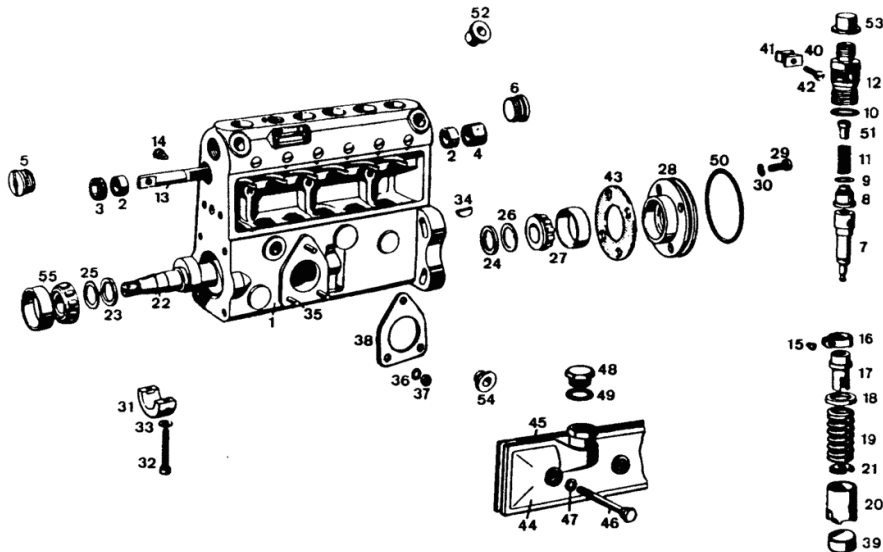
48



Einzelteile zur Einspritzpumpe  
Single parts for injection pump  
Pièces détachées de pompe d'injection  
Partes para bomba de inyección



0150-17 502 7083

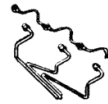


Section: ENGINE  
**HIGH PRESSURE PIPE**

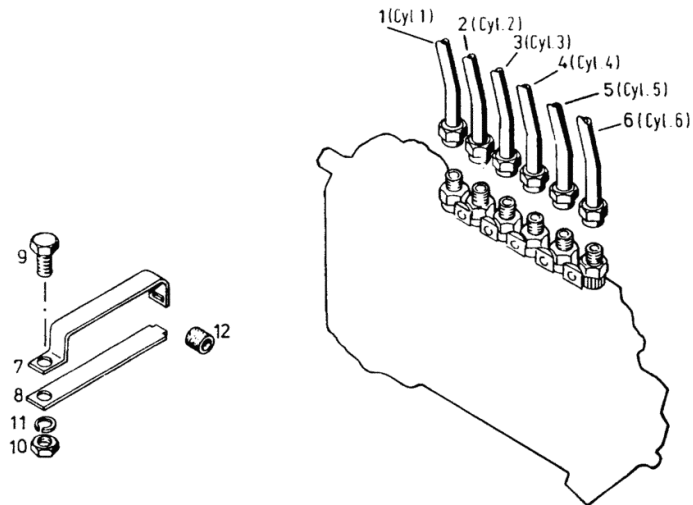
Fig.	Code	QTY	Name
1	04154354	1	tube
2	04154355	1	tube
3	04154356	1	tube
4	04154357	1	tube
5	04154358	1	tube
6	04154359	1	tube
7	01170290	1	hose clip
8	01170294	1	plate H 003220-B 6X 6
9	01112240	1	screw m 6 x 12 ISO 004017-M 6 X 12 - 8.8-A4C
10	01112813	1	nut m 6 DIN 000934-M 6 - 8-A4C
11	01102797	1	washer 6, d128 DIN 000128-A 6 -FST -A4C
12	03372269	6	rubber sleeve



Einspritzleitungen  
 Injection pipes  
 Tuyauteries de injection  
 Tuberias de inyección



0150-21-500 3470



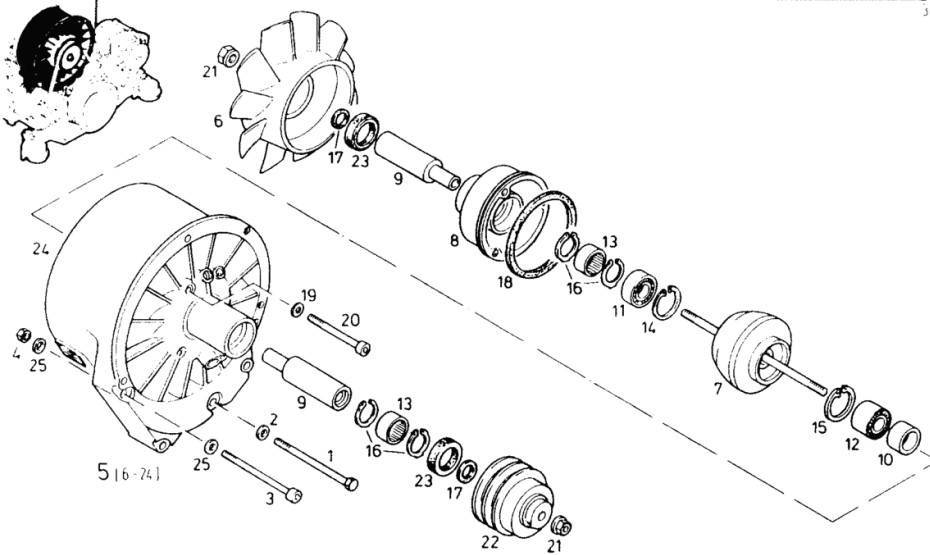
Section: ENGINE  
**HYDR. COOLING BLOWER**

Fig.	Code	QTY	Name
25	01107548	2	washer 8.4 DIN 000433- 8,4-140HV-A4C



Hydr. Kühngebläse  
 Hydr. cooling air blower  
 Soufflant pour refroidissement hydraulique  
 Soplane de refrigeracion hidraulico

0150-39-503 1839



Section: ENGINE  
**ACCESSORIES**

Fig.	Code	QTY	Name
1	02231127	1	gasket CONTAINS ASBESTOS ASBESTOS-FREE, SEE ITEM 950
2	01107549	4	washer DIN 000433-10,5-140HV
3	01117869	4	lock washer DIN 006797-A10,5-A4C
950	04157260	1	gasket ASBESTOS-FREE CONTAINS ASBESTOS SEE ITEM 001



Anbauteile  
Attachments  
Accessoires  
Partes de adosamiento



0150-41-500 6680



Section: ENGINE

**STARTER**

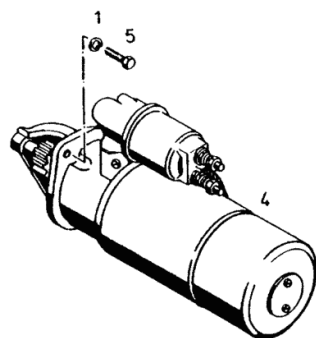
Fig.	Code	QTY	Name
1	01107105	3	washer 10.5 DIN 000125-A10,5-140HV-A4C
4	01163758	1	starter H 821970-B 24R12X 3,7KW EINZ.TEILE S.TAFEL 502 7011
5	01112418	3	screw m 10 x 25, d933 DIN 000933-M10 X 25 - 8.8-A4C



Starter  
Starter motor  
Moteur de demarr  
Arrancador




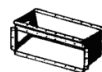
0150-44-500 6546



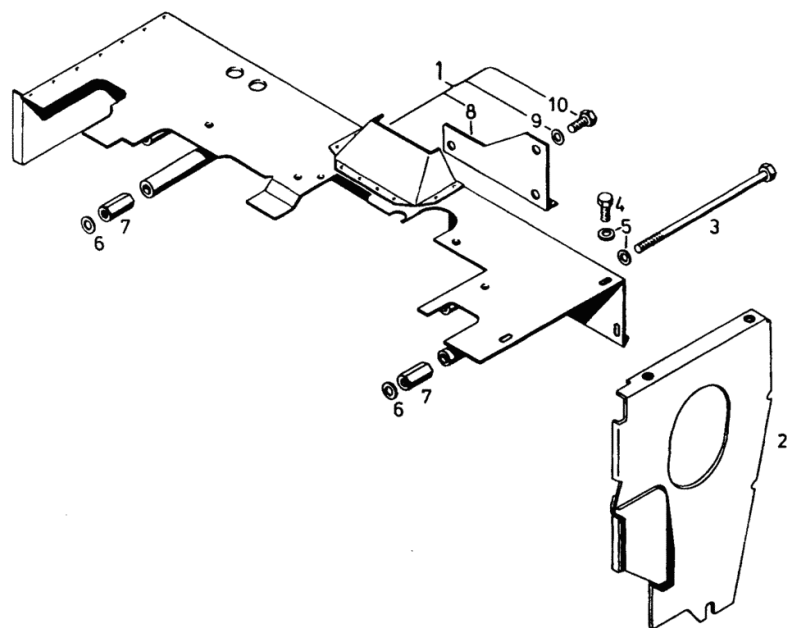
Section: ENGINE  
EXHAUST AIR BOX

Fig.	Code	QTY	Name
1	04154167	1	silencer
2	02238447	1	division
3	01111247	4	screw ISO 004014- M 8 X220 - 8.8-A4 C
4	01112299	10	screw m 8 x 12, d933 ISO 004017-M 8 X 12 - 8.8-A4C
5	01107101	14	washer 8.4 DIN 000125-A 8,4-140HV-A4C
6	01216108	4	washer
7	02233142	4	tongue
8	02233129	1	cover
9	01107101	3	washer 8.4 DIN 000125-A 8,4-140HV-A4C
10	01112299	3	screw m 8 x 12, d933 ISO 004017-M 8 X 12 - 8.8-A4C


 Abluftkasten  
 Air discharge frame  
 Hotte de départ d'air vicié  
 Caja de evacuación de aire



0150-61-501 6368



CLICK HERE TO **DOWNLOAD** THE COMPLETE MANUAL

- Thank you very much for reading the preview of the manual.
- You can download the complete manual from: [www.heydownloads.com](http://www.heydownloads.com) by clicking the link below



- Please note: If there is no response to CLICKING the link, please download this PDF first and then click on it.

CLICK HERE TO **DOWNLOAD** THE COMPLETE MANUAL

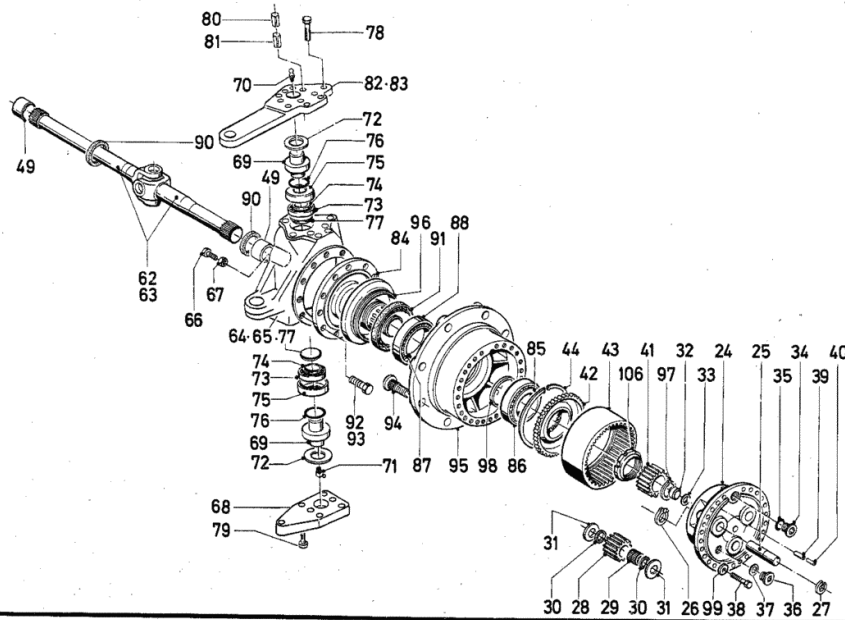
**SERVICE BRAKE**

Fig.	Code	QTY	Name
			RIGHTS
66	01296075	4	screw
67	01112870	4	nut DIN 000934-M12 X1,5 -10
68	02376433	2	cover
69	01301048	4	bushing
70	01168225	2	lubricator m 8 x 1 H 003360-SA 8
71	01120697	2	lubricator bm 8 x 1 DIN 071412-BM 8X1
72	01301045	0	ring OPTION ITEM... S=3,2 MM
73	01300892	4	ring
74	01300893	4	none
75	01297212	4	tube
76	02371809	4	rubber plug
77	01100481	4	washer DIN 000470- 52-ST-ZNPHRF
78	01163194	12	screw H 002009-AM14X 50-12.9
79	01110807	8	screw DIN 000912- M14 X 35 -10.9-A4 C
80	01102527	4	pin ISO 008752-10 X 50
81	01115517	4	pin ISO 008752-16 X 50
82	04316078	1	steering lever LEFT
83	04316079	1	steering lever
84	04316080	2	support
85	01178618	1	roller bearing H 004465-KR 68,262X110,000X22 ,000
86	04348245	2	ring
87	01178171	2	roller bearing H 004465-KR 75,000X115,000X25 ,000
88	01178171	2	roller bearing H 004465-KR 75,000X115,000X25 ,000
90	04322730	4	'o' ring
91	02374322	2	'o' ring



GETR. LENKACHSE  
DRIVEN AXLE  
ESSIEU DIRECTEUR  
EJE MOTRIZ

1028 - 28 502 7522



**SERVICE BRAKE****DEUTZ  
FAHR**GETR. LENKACHSE  
DRIVEN AXLE  
ESSIEU DIRECTEUR  
EJE MOTRIZKEGELRADSATZ  
BEVEL DRIVE  
COUPLE CONIQUE  
JGO. ROAS. CONICAS

APL. 3052

1027 - 28 503 0424

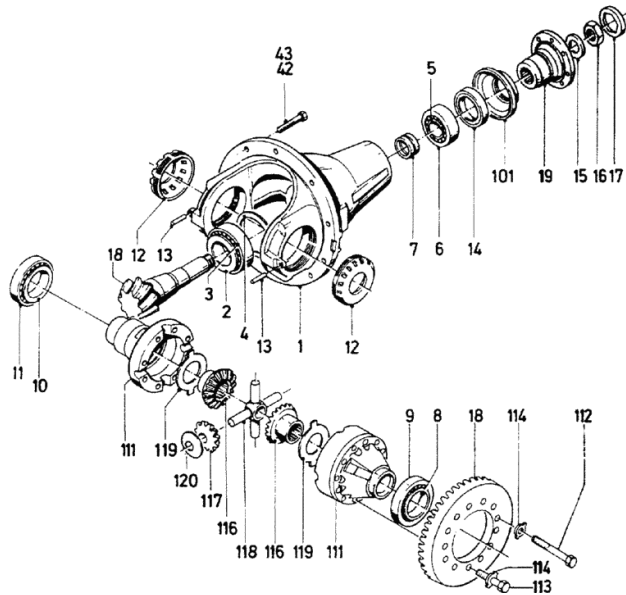


Fig.	Code	QTY	Name
1	02374344	1	body
2	04362927	1	roller bearing H 004465-KR 53,975X104,775X36 ,512
3	04362927	1	roller bearing H 004465-KR 53,975X104,775X36 ,512
4	01300948	0	washer mm 0.50 OPTION ITEM... S=0,5 MM
5	06208209	1	roller bearing H 004465-KR 38,100X 82,550X29 ,370
6	06208209	1	roller bearing H 004465-KR 38,100X 82,550X29 ,370
7	02389195	1	bushing
8	01300936	1	none
9	01295782	1	guide
10	01295775	1	ring
11	01178302	1	roller bearing H 004465-KR 57,150X 98,425X21 ,000
12	04335512	2	nut
13	01100334	2	pin 6 x 30 ISO 008752- 6 X 30
14	01299491	1	'o' ring
15	02374231	1	washer
16	01137204	1	nut DIN 000936-M26X1,5 -M-22H-ZNP HRF
17	02374232	1	lamination
18	04348578	0	planet gear
19	04366551	1	flange
42	01162602	7	screw H 002009-AM10X 30-12.9
43	01171278	5	screw H 002009-AM10X 40-12.9
101	02374312	1	dust guard
111	02373031	1	differential carrier
112	01153780	8	screw DIN 000931- M12 X 75 - 10.9-O ELGESCHW
113	01102701	8	screw m12x30 10 d933

**SERVICE BRAKE**

Fig.	Code	QTY	Name
67	01112870	4	nut DIN 000934-M12 X1,5 -10
68	02376433	2	cover
69	01301048	4	bushing
70	01168225	2	lubricator m 8 x 1 H 003360-SA 8
71	01120697	2	lubricator bm 8 x 1 DIN 071412-BM 8X1
72	01301045	0	ring OPTION ITEM... S=3,2 MM
73	01300892	4	ring
74	01300893	4	none
75	01297212	4	tube
76	02371809	4	rubber plug
77	01100481	4	washer DIN 000470- 52-ST-ZNPHRF
78	01163194	12	screw H 002009-AM14X 50-12.9
79	01110807	8	screw DIN 000912- M14 X 35 -10.9-A4 C
80	01102527	4	pin ISO 008752-10 X 50
81	01115517	4	pin ISO 008752-16 X 50
82	04316078	1	steering lever LEFT
83	04316079	1	steering lever RIGHTS
84	04316080	2	support
85	01178618	2	roller bearing H 004465-KR 68,262X110,000X22 ,000
86	04348245	2	ring
87	01178171	2	roller bearing H 004465-KR 75,000X115,000X25 ,000
88	01178171	2	roller bearing H 004465-KR 75,000X115,000X25 ,000
90	04322730	4	'o' ring
91	02374322	2	'o' ring
92	01112678	20	screw

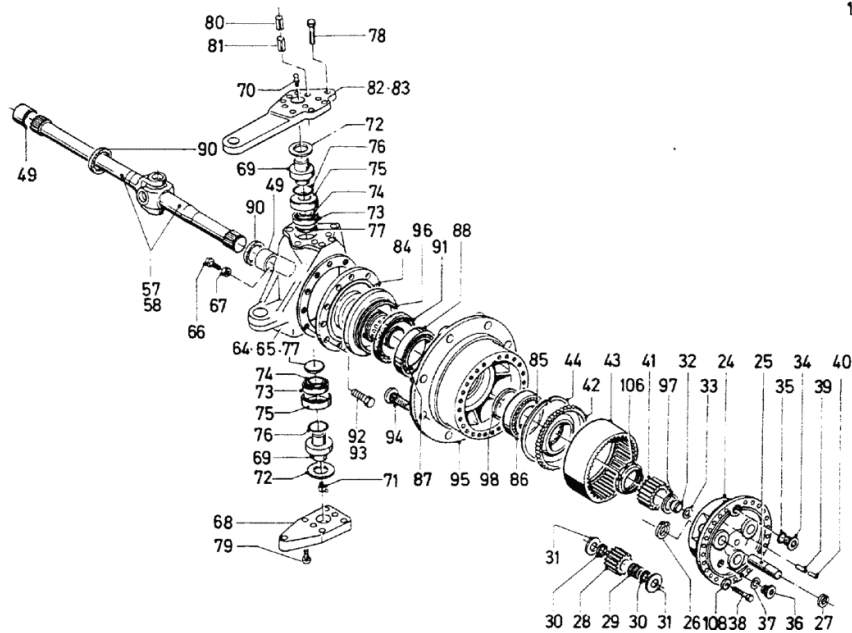
**DEUTZ  
FAHR**

GETR. LENKACHSE  
DRIVEN AXLE  
ESSIEU DIRECTEUR  
EJE MOTRIZ

PLANETENGETRIEBE  
PLANETARY DRIVE  
ENGRENAGE PLANET  
ENGRAN. PLANETARIO

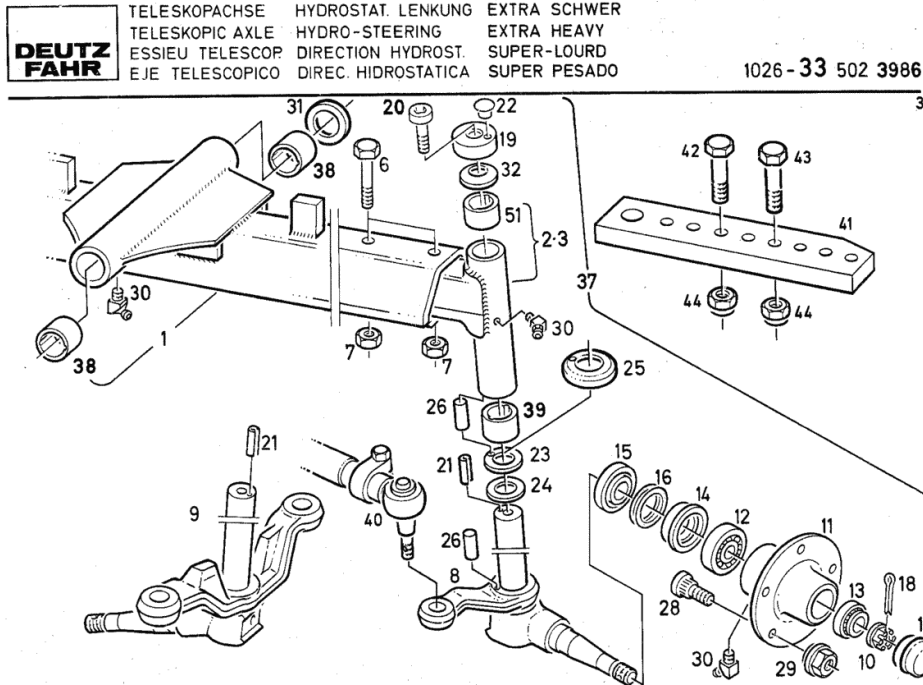
APL. 4053

1028-28 503 0428



**SERVICE BRAKE**

Fig.	Code	QTY	Name
			950-951
			spring
32	04313986	2	front axle
37	02388864	1	BEI HYDROSTATISCHER LENKUNG
			bushing
38	04312528	2	bushing
39	04312529	4	bushing
40	00000000	0	not serviceable
			PART NUMBERS LISTING SHEET
			1026-37 503 5684
41	02388907	1	rod
42	01136542	1	nut
			DIN 000917-M10 -A4
43	01123740	1	screw m 16 x 80 d931
			ISO 004014- M16 X 80 - 8.8-A4
			C
44	01136464	2	nut m 16
			DIN 000980-VM16 - 8-A4C GEWAC
			HST
950	02330367	1	washer
			A=1,0 MM
951	02330368	1	washer
			A=2,0 MM

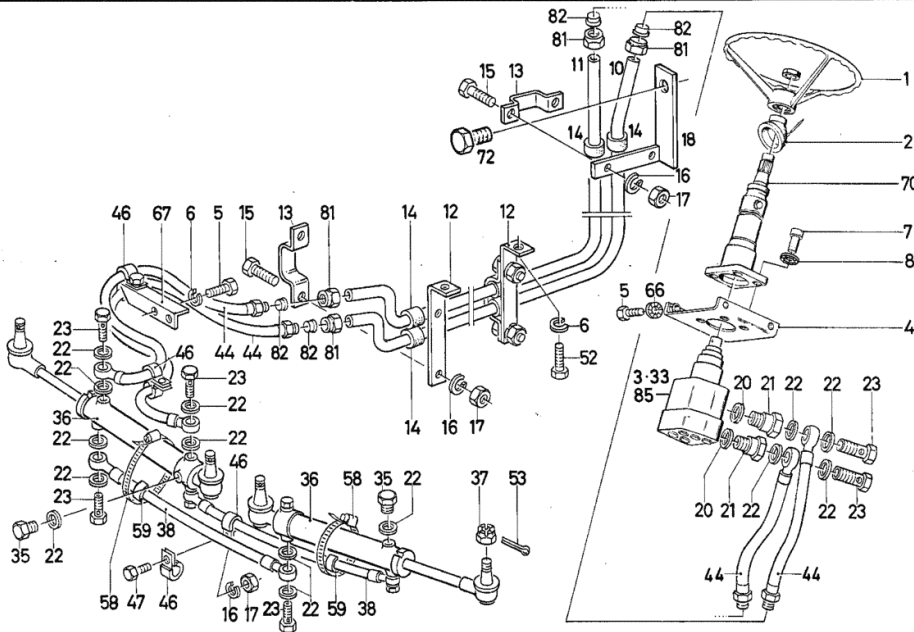


**Section: FRONT AXLE, STEERING ASSEMBLY  
HYDRAULIC STEERING GEAR**

Fig.	Code	QTY	Name
1	02321955	1	flywheel
2	02388319	1	tube
3	00000000	0	not serviceable PART NUMBERS LISTING SHEET 1805-89 503 5955
4	02387418	1	saddle
5	01112308	5	screw ISO 004017-M 8 X 18 - 8.8-GES CHW.
6	01107101	4	washer 8.4 DIN 000125-A 8,4-140HV-A4C
7	01110653	3	screw DIN 000912- M10 X 25 -10.9-A4 C
8	01169694	3	washer 10 H 002203- 10
10	04321845	1	pipng
11	04321847	1	pipng
12	04311027	2	consolle
13	01171643	3	hose clip H 003210-B 2X15-FE/ZN12CC
14	02067484	6	sleeve
15	01103316	6	screw m 6 p.1.0 x 16 ISO 004017-M 6 X 16 - 8.8-A4C
16	01102797	9	washer 6, d128 DIN 000128-A 6 -FST -A4C
17	01112813	9	nut m 6 DIN 000934-M 6 - 8-A4C
18	04321802	1	consolle
20	01118718	2	ring 18 x 24 DIN 007603-A 18 X 24 -CU
21	04301781	2	tongue
22	01171517	20	'o' ring 14.7x22x1.5 H 002905-U 14,7X22 X1,5 -W1
23	01119246	8	pipe union H 3102 -D10 M H 003102-D10 M-ST-A4C
33	00000000	0	not serviceable PART NUMBERS LISTING SHEET 1805-89 503 5792
35	01118960	4	plug am14x1,5 DIN 007604-AM14X1,5 -ST-ZNPHR F
36	04310246	0	cylinder PART NUMBERS LISTING SHEET

**DEUTZ  
FAHR**  
HYDROSTATISCHE LENKUNG - TRIEBACHSE  
HYDRO - STEERING - DRIVING AXLE  
DIRECTION HYDROST. - ESSIEU MOTOR  
DIREC. HIDROSTATICA - EJE MOTRIZ

1805-89 503 5974

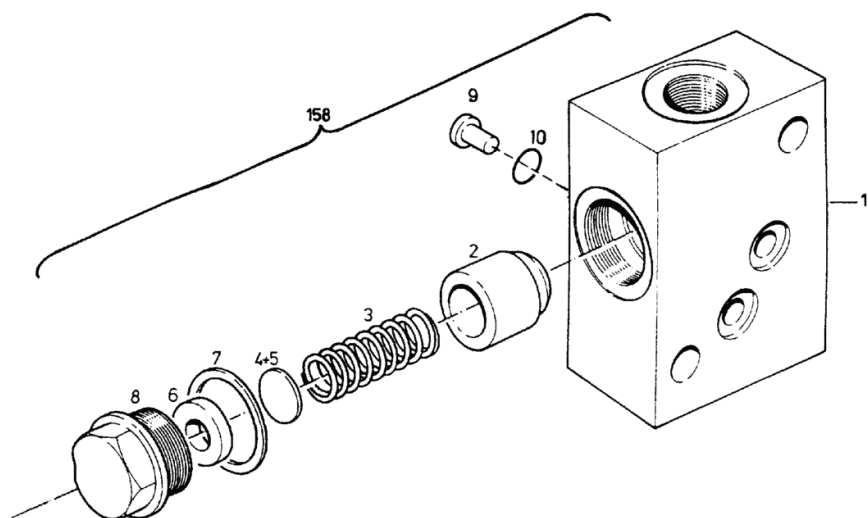


**CONNECTING PLATE**

Fig.	Code	QTY	Name
1	04310853	0	plate
2	04310921	1	piston
3	04318733	1	spring
4	04310978	1	washer
5	04310979	1	ring
6	04310980	1	disc
7	01118760	1	gasket 26x31 DIN 007603-A 26 X 31 -CU
8	04310981	1	screw
9	04310982	1	pin
10	01175686	1	'o' ring H 002927- 5,3 X 2,4 -DEUTZ NB R 1-80
158	04342079	1	plate

**DEUTZ  
FAHR** ANSCHLUSSPLATTE  
CONNECTING PLATE  
PLAQUE  
PLACA

1409-07 503 0474

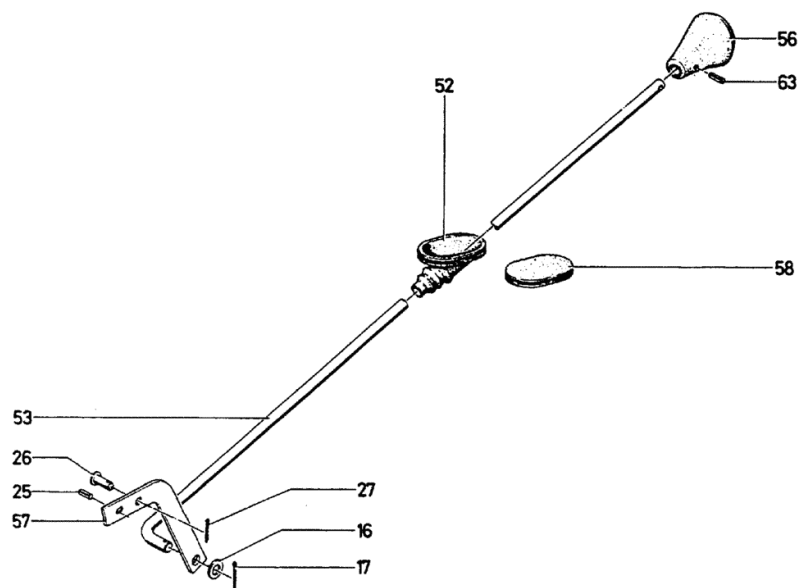


Section: GEARBOX, CLUTCH  
**OPERATION - P.T.O. SHAFT - REAR**


BETÄTIGUNG FÜR VORDERRADANTRIEB  
 CONTROL ASSEMBLY FOR FRONT WHEEL DRIVE  
 COMMANDE DU CDE ROUES AV  
 ACCIONAMIENTO PARA ACCIONAM. RUED. DEL.

1027-11 503 0441

Fig.	Code	QTY	Name
16	01107548	1	washer 8.4 DIN 000433- 8,4-140HV-A4C
17	01106404	1	split pin DIN 000094- 2 X 12-ST-A4C
25	01115433	1	stop ISO 008752- 5 X 16
26	01114537	1	pin DIN 001434- 5K 6X 20X 16,5 -S T50-2
27	01132605	1	split pin DIN 000094- 1,6X 10-ST
52	04304386	1	guard
53	04325217	1	rod
56	04307447	1	knob
57	02389268	1	lever
58	04304665	0	plug
63	01115269	1	pin ISO 008742- 3 X 16-ST

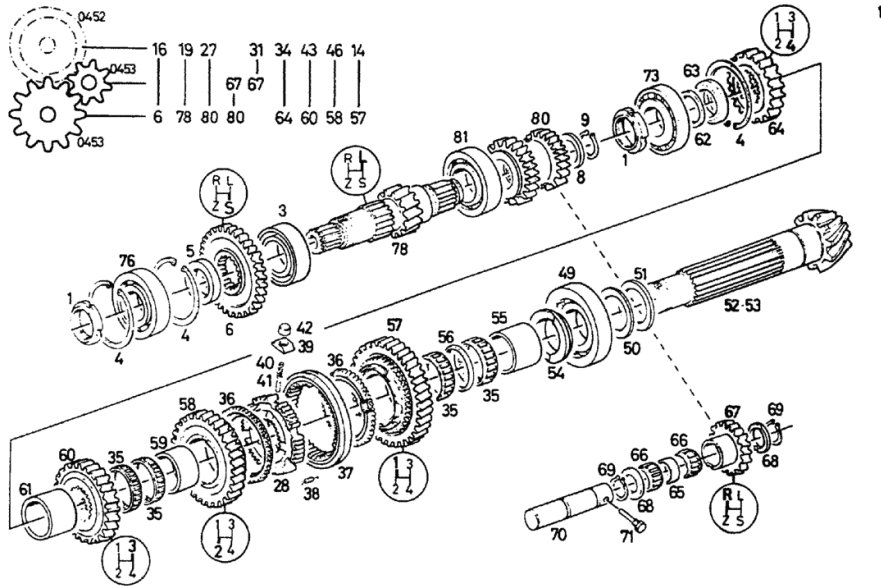


Section: GEARBOX, CLUTCH  
**GEAR CHANGE BOX**

Fig.	Code	QTY	Name
963	04328960	0	S=3,55 MM washer
964	04328961	0	S=3,75 MM washer
965	04328962	0	S=3,95 MM washer
966	04328963	0	S=4,15 MM washer
967	04328964	0	S=4,5 MM washer
968	04328965	0	S=3,65 MM washer
969	04328966	0	S=3,85 MM washer
970	04328967	0	S=4,05 MM washer S=4,25 MM

**DEUTZ  
FAHR**  
 WECHSELGETRIEBE  
 CHANGE - SPEED  
 BOITE DE VITESSES  
 CAMBIO DE MARCHAS

1409-11 503 0453



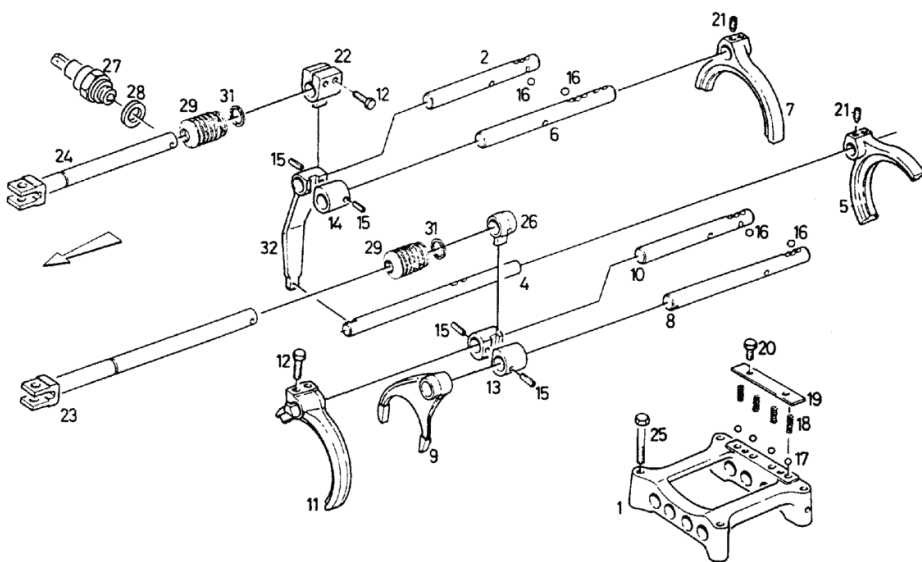
**GEAR SHIFTING**

Fig.	Code	QTY	Name
952	04311631	0	washer A=0,9 MM

**DEUTZ  
FAHR**

GETRIEBESCHALTUNG  
GEAR CHANGING  
CHANGEMENT DES VITESSES  
CAMBIO DE VELOCIDAD

1409-12 503 0454



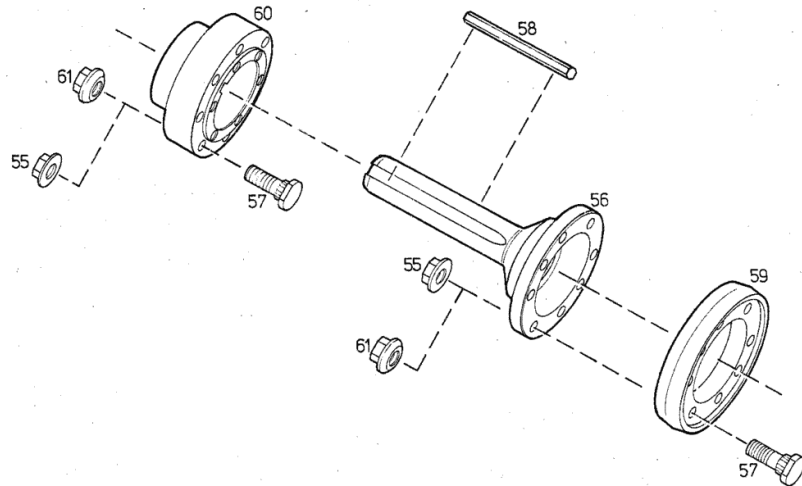
**REAR AXLE**

Fig.	Code	QTY	Name
55	01137244	16	nut DIN 074361-B22 -10-A4C
56	04310690	2	flange
57	04311868	16	pin m 22 x 1.5
58	04314864	4	spring washer
59	04318165	2	ring
60	04318178	2	lock-nut
61	01231544	16	nut

**DEUTZ  
FAHR** HINTERACHSE - ZUSATZTEILE  
REAR AXLE - AUXILIARIES/ACC.  
ESSIEU ARIERE - COMPLEMENTS  
EJE TRASERO - PZAS. ADICIONALES

1409-27 502 7328

1

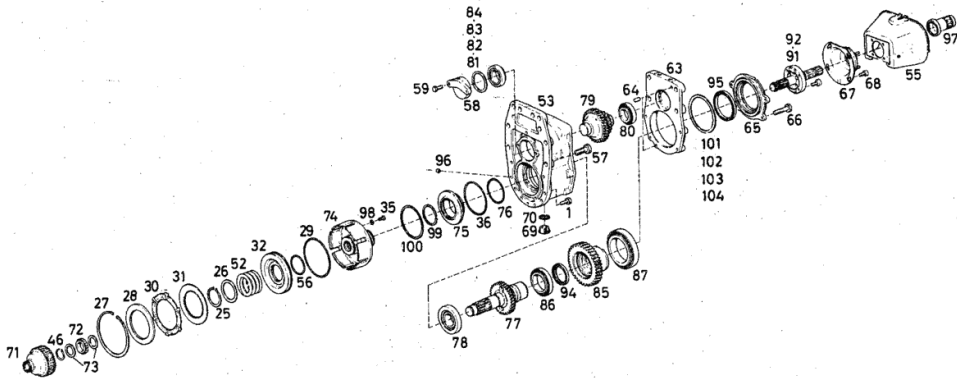


Section: GEARBOX, CLUTCH  
P.T.O. SHAFT DRIVE

Fig.	Code	QTY	Name
71	04334011	1	plate carrier
72	01137713	1	roller bearing DIN 005412-RN 208
73	04335564	2	stop
74	04334530	1	clutch housing
75	04339761	2	piston
76	01175693	1	'o' ring H 002927-102 X 3 -NBR-1-70
77	04339764	1	shaft
78	01109995	1	bearing DIN 000720-313 11
79	04335566	1	gear wheel
80	01110008	2	roller bearing 32215 d720 DIN 000720-322 15 32215 DIN 720
81	04335570	0	washer OPTION ITEM... A=0,15 MM.
82	04335567	0	disc A=0,1 MM.
83	04335568	0	washer A=0,2 MM.
84	04335569	0	washer A=0,4 MM.
85	04339763	1	gear wheel
86	01101901	1	roller bearing DIN 000720-320 15
87	01101856	1	roller bearing DIN 000720-320 22-X 32022XDIN 720
91	04335574	1	p.t.o.shaft KW/KW
92	04335573	1	p.t.o.shaft KW/EV
94	04334036	1	'o' ring
95	01167514	1	ring H 002940-A 110X130 X13 -NI A110X130X13 H2940 NI
96	04336553	1	sleeve
97	04309150	1	tube
98	01139414	4	washer DIN 000440-R 6,6-100HV
99	01137104	1	ring DIN 070910- 86 X2 -ZKI

**DEUTZ  
FAHR**  
DUO-ZAPFWELLE  
TWO-SP. PTO-SHAFT  
P.D.F. 2 REGIMES  
TOMAFUERZA DUA

1409-77 503 6019

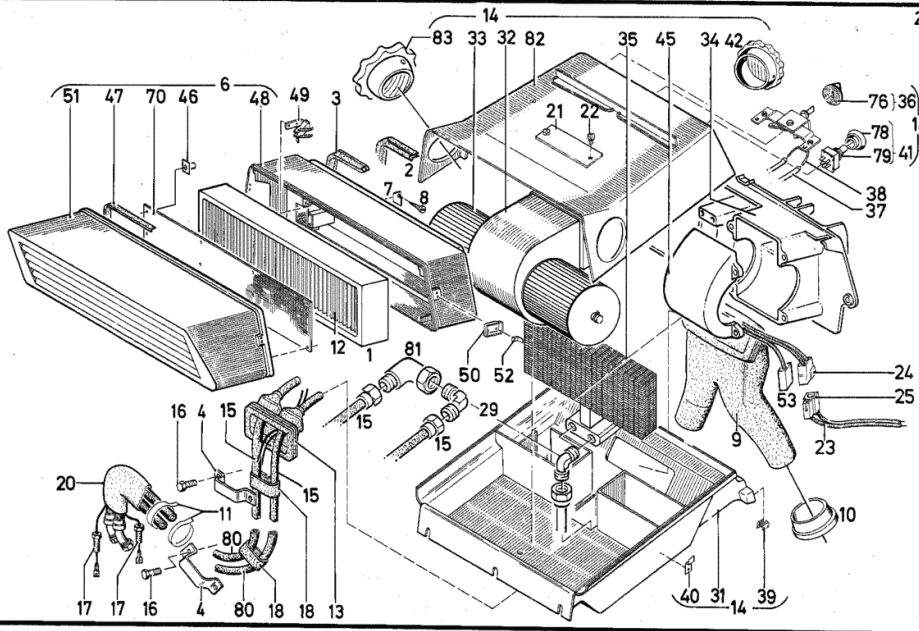


## HEATING

Fig.	Code	QTY	Name
1	04336384	1	chassis frame
2	01388766	0	gasket (mt. ...) H 846471-13-PN 1 736 MM
3	01390699	1	gasket H 846471-03-PN 1 1094 MM
4	01168159	1	hose clip H 003210-B 2X22-FE/ZN12CC
6	04309708	1	filter casing
7	04309727	2	clevis
8	01137382	4	screw ISO 007049-ST2,9X 9,5-F-H-A4C
9	04304299	1	none
10	04306461	2	blower
11	01173143	2	clamp 4,6x280 H 007672-G 280X 4,6
12	04336385	1	air filter element
13	04307668	1	bushing
14	04330427	1	heater
15	04328527	2	tube
16	01112299	2	screw m 8 x 12, d933 ISO 004017-M 8 X 12 - 8.8-A4C
17	04321014	2	screw
18	01401410	2	rubber plate
20	04322215	1	flexible hose
21	04313073	1	number plate
22	01133124	2	screw ISO 001481-ST 2,9X 6,5-C-A4C
23	04310638	1	cable
24	01163204	1	box H 007642- H 4-BLACK
25	01162367	1	socket H 007642- H 2-BLACK
29	01123937	1	tongue I 15 d3905 DIN 003905-L 15-A4C
31	04309726	1	box
32	04313061	2	cover
33	04309728	0	controller PART NUMBERS LISTING SHEET 1024-85 503 0344
34	04313069	1	division
35	04330424	1	heat exchanger
36	04306475	1	controle panel

**DEUTZ  
FAHR**  
OEL HEIZUNG  
OIL HEATING  
CHAUFF. PAR LUBRIF  
CALEFAC. A FUEL

1024-85 503 5780



**CLIMATE CONTROL SYSTEM**

Fig.	Code	QTY	Name
61	01112429	2	screw m 10 x 30, d933 DIN 000933-M10 X 30 - 8.8-A4C
62	01112322	6	screw m 8 p.1.25 x 20 ISO 004017-M 8 X 20 - 8.8-A4C
63	04325382	1	small belt AV 13x900 mm H 003710-AVX 13X 900LA
64	01110630	8	screw DIN 000912- M 8 X100 - 8.8-A4 C
65	01136453	3	nut m 10 DIN 000980-VM10 - 8-A4C GEWAC HST
69	04314001	1	pulley
73	04321448	1	pipng
123	04323736	2	gasket
124	04323735	6	gasket
125	04323734	4	gasket
133	01110657	1	screw DIN 000912- M10 X 25 - 8.8
140	04325874	1	square
156	04327608	1	tube
157	04327609	1	tube
158	04327610	1	tube
160	04327612	1	tube
166	04330274	0	gear compressor

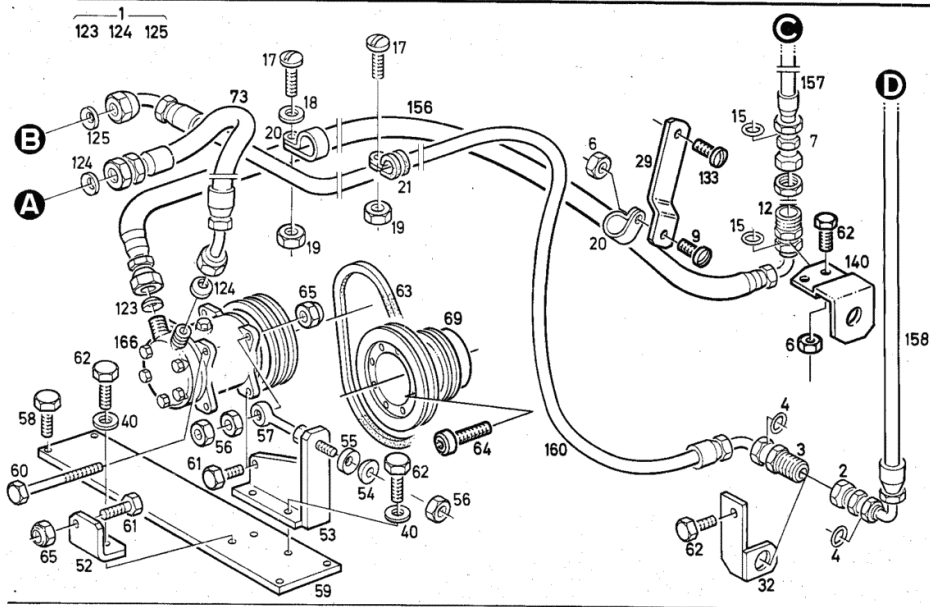


KLIMAANLAGE  
AIR CONDITIONING  
CONDITION D'AIR  
ACONDIC. DE AIRE

KOMPRESSOR  
COMPRESSOR  
COMPRESSEUR  
COMPRESOR

VOLLSTÄNDIG  
COMPLETE  
COMPL.  
COMPLETO

1024-85 503 6013



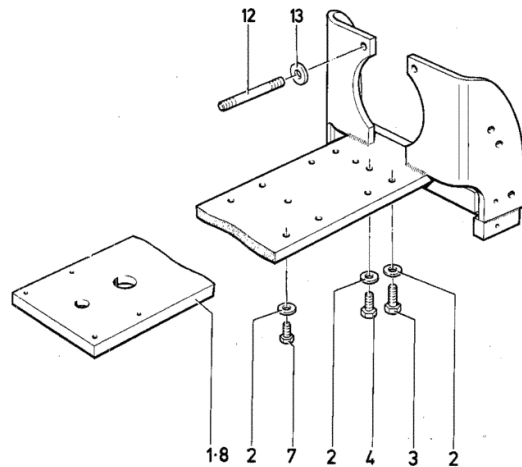
Section: HITCH  
**BRACKET**

Fig.	Code	QTY	Name
1	04362192	1	bracket
2	01167053	11	washer H 000995-18,5X36X 5- 8.8
3	01173452	7	stop H 002091- 933-M18 X 55- 10.9- MK-1,5D-BL
4	01173451	2	screw H 002091- 933-M18 X 50- 10.9- MK-1,5D-BL
7	01173450	2	stop H 002091- 933-M18 X 40- 10.9- MK-1,5D-BL
8	04363921	1	bracket
12	01137340	2	screw DIN 000912- M20 X 90 -10.9
13	04325719	2	washer



TRAGBUEGEL  
BRACKET  
SUPPORT  
ESTRIBO SOPORTE

1906- 14 502 4314

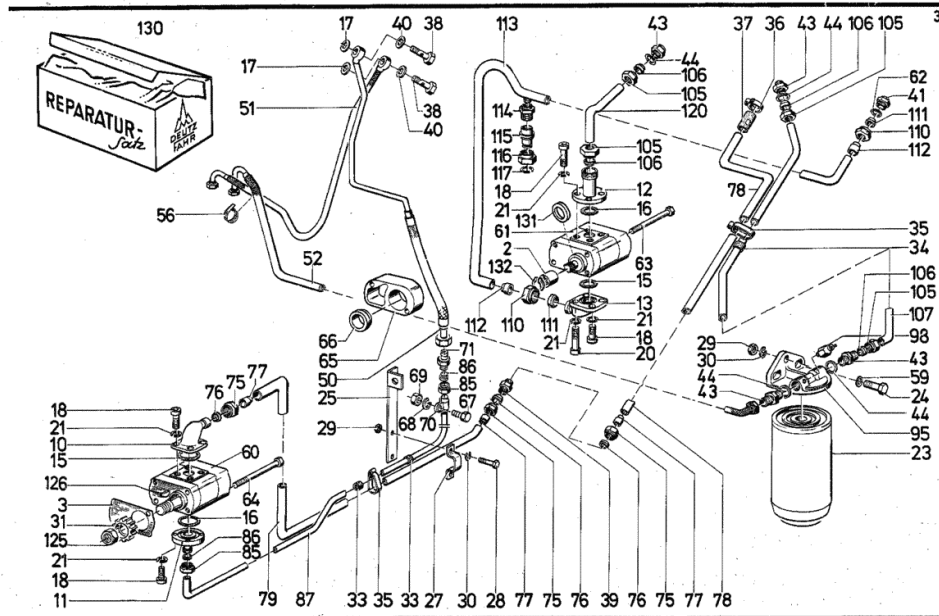


Section: HYDRAULIC SYSTEM  
**HYDRAULIC PUMP**

Fig.	Code	QTY	Name
79	04303508	1	lamination
85	01116653	2	nut H 003105- CL15 -ST-A4C
86	01116626	2	ring H 003107-F L15-ST
87	04343984	1	tube
95	04331843	1	filter
98	01171613	1	switch H 004207-K 4 SSD
105	01127347	4	nut CL 18 H 003105- CL18 -ST-A3C WAXED ST
106	01116628	4	ring H 003107-F L18-ST
107	04301943	1	tube
110	01102372	2	pipe fitting H 003105- CL28 -ST-A3C GEWACH ST
111	01116632	2	ring H 003107-F L28-ST
112	01171244	2	pin H 003111-C25-ST
113	04301945	1	lamination
114	01101343	1	tongue DIN 003909-L12
115	01179141	1	plug H 003107-V1S 12
116	01122817	1	nut H 003105- CL12 -ST-A4C
117	01136952	1	circlip DIN 007993-A 12
120	04301947	1	tube
125	01262635	1	nut
126	01118324	1	key DIN 006888- 3 X 6,5
130	01263180	0	gasket set TO ITEM...
131	01300154	1	'o' ring 17x30x7/8
132	01107803	1	circlip DIN 000472- 14X1

**DEUTZ FAHR**  
 ÖLVERSORGUNG  
 OIL SUPPLY  
 ALIMENTATION HUILE  
 ABASTECIM ACETTE

1906-01502 4056

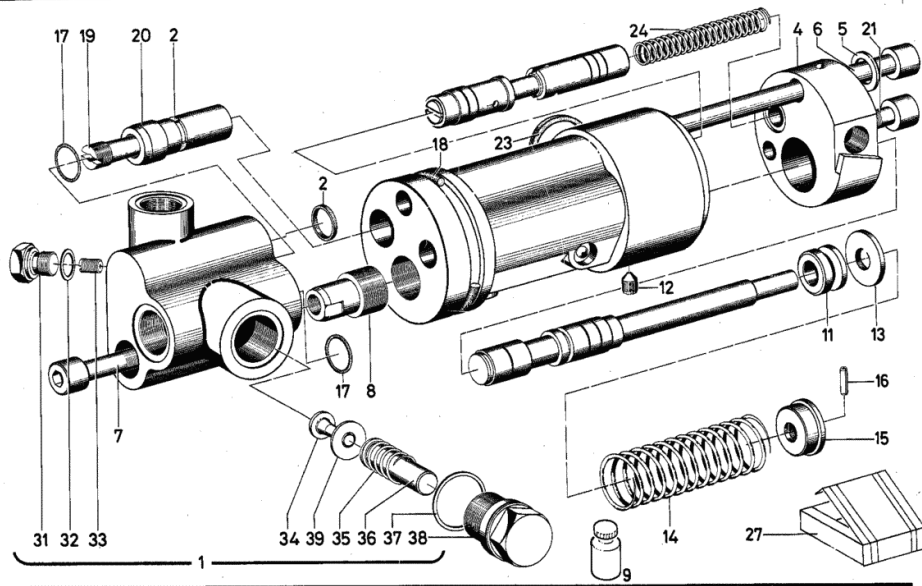


Section: HYDRAULIC SYSTEM  
CONTROL DEVICE

Fig.	Code	QTY	Name
1	04343372	1	body
2	01161494	2	ring H 002927- 11 X 2 -NBR-1-60
4	04338160	1	plate
5	03401325	1	'o' ring
6	01136644	1	screw DIN 000912- M 8 X160 -12.9
7	01123701	1	screw m8x40 d912 DIN 000912- M 8 X 40 - 8.8-A4 C
8	04308175	1	plug
9	01016112	1	adhesive H 699 - DEUTZ DW 59 H 000699-DEUTZ DW 59- 50 ML
11	02300903	1	ring
12	01108012	1	pin ISO 007434-M 6X 8-14H
13	01151185	1	washer DIN 000433-13 -200HV
14	03401306	1	spring
15	03401280	1	cup
16	01115400	1	pin ISO 008752- 2,5X 12
17	01173434	2	ring 17x2 H 002927- 17 X 2 -NBR-1-70
18	01166080	1	'o' ring H 002927- 50 X 4 -NBR-1-60
19	04328780	1	filter
20	04338017	1	bushing
21	01137218	1	screw DIN 006912-M 8 X 30- 8.8 -A4C
23	04308375	1	'o' ring
24	02389793	1	spring
25	04343369	1	control grp.
27	04315666	0	sub-assy parts BESTEHEND AUS POS..... 17,18+23
31	01118997	1	screw cm10x1 DIN 007604-CM10X1 -ST-ZNPHRF
32	01118659	1	'o' ring DIN 007603-A 10 X 13,5-CU
33	04303456	1	diaphragm
34	04310515	1	valve
35	04304527	1	spring
36	04310512	1	guide

 REGELSTEUERGERÄT  
 MAIN CONTROL UNIT  
 DISTRIBUTEUR PRINC  
 APTO. MANDO REGULAD

1905-06 502 4061

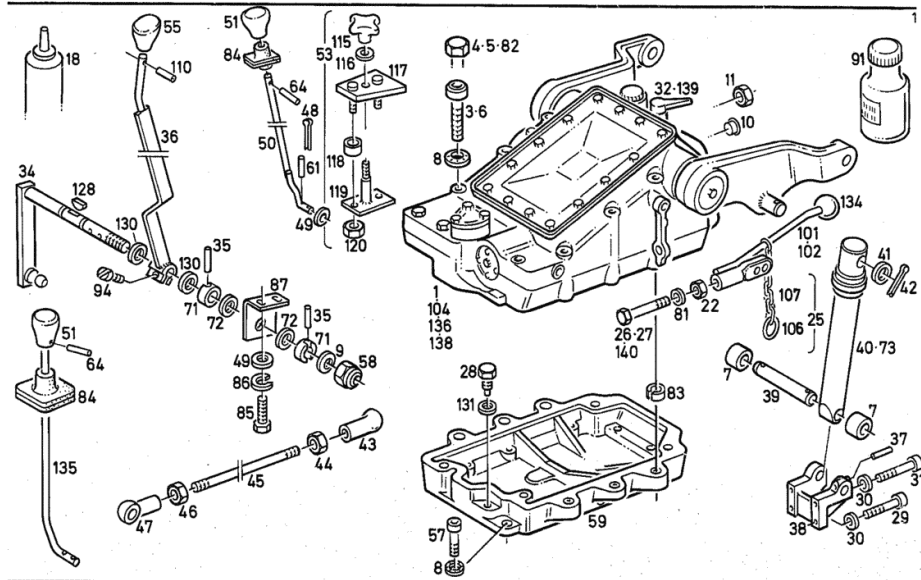


Section: HYDRAULIC SYSTEM  
FLYWHEEL

Fig.	Code	QTY	Name
108	01101846	1	DIN 005685-G3 X16 X 160 screw m 10 x 70, d933
109	01111339	2	DIN 000933-M10 X 70 - 8.8-A4C screw m 10 x 80 DIN 000931- M10 X 80 - 8.8-A4 C
110	01136928	1	pin ISO 008742- 4 X 16-ST
111	04328839	1	guide
115	01137111	1	knob DIN 006335-K 40
116	01107101	1	washer 8.4 DIN 000125-A 8,4-140HV-A4C
117	04310468	1	contact surface
118	04310471	2	sleeve
119	04310465	1	lock
120	01133500	2	nut vm 6 d980 DIN 000980-VM 6 - 8-A4C GEWAC HST
128	01118325	1	key DIN 006888- 4 X 5
130	04314531	2	ring
131	01118688	1	ring 14x17 DIN 007603-A 14 X 18 -CU
134	01107401	1	push-button DIN 000319-E40 FS/ST
135	04333887	1	rod
136	04334355	0	MISCHREGELUNG hydraulics housing AUSFUEHRUNG MIT..STEUERGERAET B368,MISCHREGELUNG B313,TEILENUMMERN-LISTENBLATT 1906-08 502 7873 + 7875 + 503 5842
138	04333890	0	power lift AUSFUEHRUNG MIT..STEUERGERAET B368,MISCHREGELUNG B313,TEILENUMMERN-LISTENBLATT 1906-08 502 7873+7875 + 503 5842
139	00000000	0	not serviceable PART NUMBERS LISTING SHEET 1905-08 503 6075
140	01100104	2	screw m 10 x 60

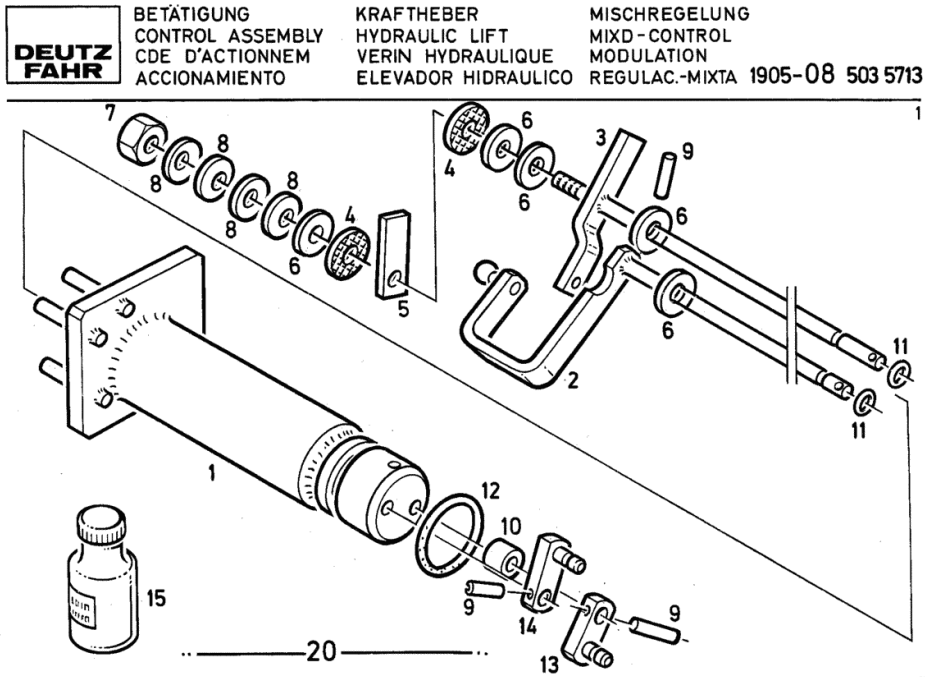
**DEUTZ  
FAHR**  
KRAFTHEBER  
HYDRAULIC LIFT  
VERIN HYDRAULIQUE  
ELEVADOR HIDRAUL

1906-08 502 7871



Section: HYDRAULIC SYSTEM  
 OPERATION - P.T.O. SHAFT - REAR

Fig.	Code	QTY	Name
1	04328653	1	support
2	04328651	1	lever
3	04328649	1	lever
4	04328644	2	brake disc
5	04328645	1	link
6	01151184	5	washer DIN 000433-10,5-200HV
7	01136453	1	nut m 10 DIN 000980-VM10 - 8-A4C GEWAC HST
8	01116038	4	spring DIN 002093-B 20 GR1
9	01115407	3	pin ISO 008752- 3 X 16
10	02386139	1	ring
11	03401398	2	rubber ring
12	01166059	1	'o' ring 40x3 H 002927- 40 X 3 -NBR-1-60 40X3 H 721
13	02314868	1	disc
14	02386135	1	disc
15	01016112	1	adhesive H 699 - DEUTZ DW 59 H 000699-DEUTZ DW 59- 50 ML DEUTZ DW 59
20	04328663	1	operation



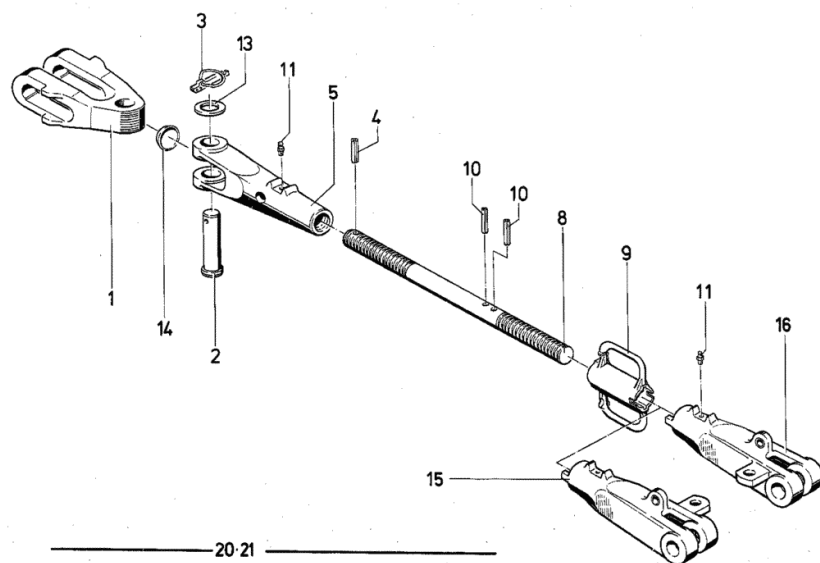
**CONNECTING ROD**

Fig.	Code	QTY	Name
1	02331826	1	fork
2	04339635	1	pin
3	01124059	1	pin DIN 011023- 12 X45-FE/ZN12CC
4	01115456	1	pin ISO 008752- 6 X 36
5	04336740	1	ball joint
8	04308247	1	rod
9	04311073	1	crank
10	01115458	2	pin 6 x 40, d1481 ISO 008752- 6 X 40
11	01168224	2	lubricator m 6 H 003360-SA 6
13	01115024	1	washer DIN 001440-26-ST50-A4C
14	01123632	1	washer DIN 000470- 40-ST-ZNPHRF
15	04309887	1	ball joint
16	04309883	1	ball joint
20	04330611	1	rod
21	04330612	1	rod



VERBINDUNGSSTANGE-SCHNELLKUPPLER  
CONNECTING ROD - QUICK COUPLER  
TRINGLE - RACCORD - CHAPE D ATTELAGE RAPIDE  
BARRA UNION-ACOPLE RAPIDO

1905-11 502 4300



Section: HYDRAULIC SYSTEM  
**THREE-POINT COUPLING**

Fig.	Code	QTY	Name
80	04309924	1	guide
81	04309584	1	spring
82	04306453	1	guide
100	04400392	2	ball 28.4
102	04329445	1	tow hook
103	04327854	1	pin
110	04003558	1	bracket
111	01105524	1	screw am 5x12 d84 ISO 001207- M 5 X 12- 4.8- A4 C
112	01112803	1	nut m 5, d934 ISO 004032-M 5 - 8-A4C
119	04305759	1	support
120	04324047	1	pin
121	04324048	1	u bolt
122	04308273	1	key-pin
123	04305744	2	screw
124	01127094	6	nut m 20 ISO 004032-M20 -10
125	04329519	4	screw
126	04334741	1	consolle LEFT
127	01112426	2	screw m10x30 d933-10 DIN 000933-M10 X 30 - 10.9-OE LGESCHW.
128	04334742	1	consolle RIGHTS
129	01101524	1	pin DIN 001481- 6 X 32-A4C
136	00000000	0	not serviceable

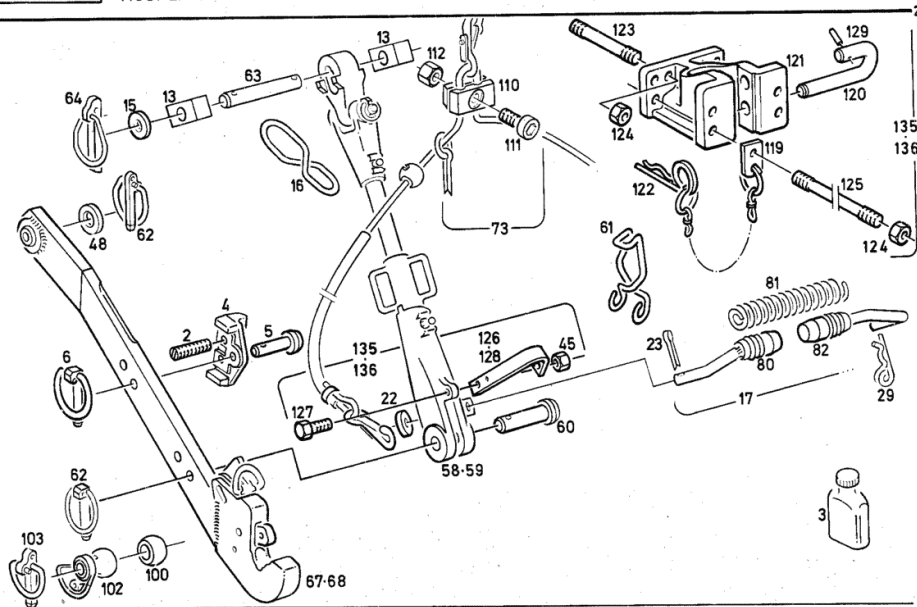
**DEUTZ  
FAHR**

 DREIPUNKTKUPPLUNG  
 3 POINT LINKAGE  
 ATTELAGE TROIS PTS  
 ACOPLAM. 3 PUNTOS

 SCHNELLKUPPLER  
 QUICK COUPLER  
 CHAPE D ATTELAGE RAPIDE  
 ACOPLER RAPIDO

KAT. II

1906-11502 7913



Section: HYDRAULIC SYSTEM  
**THREE-POINT COUPLING**

Fig.	Code	QTY	Name
			ISO 004032-M20 -10
85	04308547	1	bracket
86	01136924	1	pin
87	01106407	2	DIN 001443-B 8H11X100 -ST-A4C split pin
88	04308538	1	DIN 000094- 2 X 14-ST-A4C bracket
89	04308581	1	consolle
90	04309997	1	consolle
91	04309624	1	consolle
92	04308862	1	lamination
93	04308863	1	clevis
94	04308864	1	spring
95	04308865	1	bushing
96	01124457	1	screw m 8 x 45
97	01112824	1	ISO 004017-M 8 X 45 - 8.8-A4C nut m 8, d934
98	01136363	1	ISO 004032-M 8 - 8-A4C washer 8.4 DIN 009021- 8,4-140HV-A4C

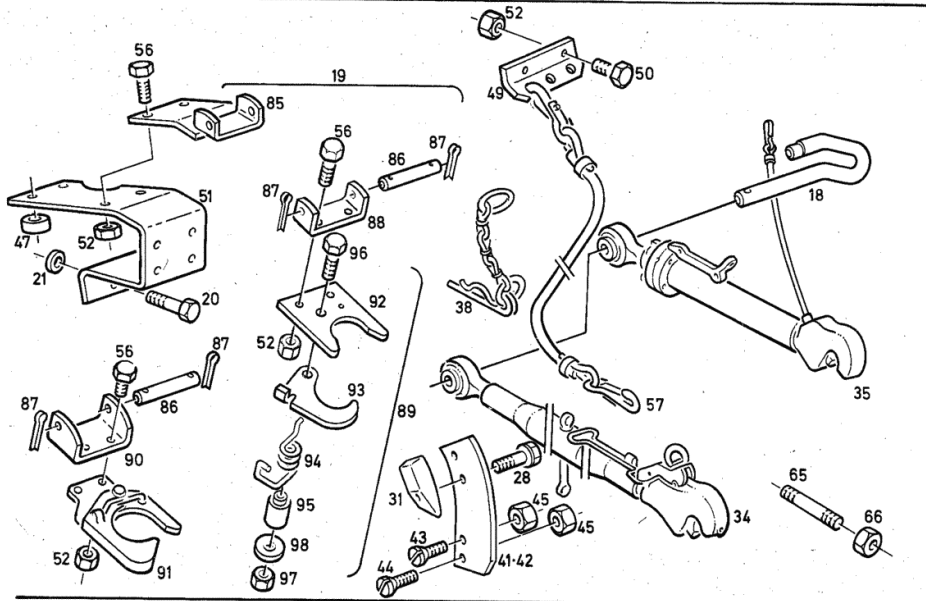
**DEUTZ  
FAHR**

DREIPUNKTKUPPLUNG  
3 POINT LINKAGE  
ATTELAGE TROIS PTS  
ACOPLAM. 3 PUNTOS

SCHNELLKUPPLER  
QUICK COUPLER  
CHAPE DE ATTELAGE RAPIDE  
ACOPLE RAPIDO

KAT. II

1906-11 503 5914



Section: HYDRAULIC SYSTEM  
**THREE-POINT COUPLING**

Fig.	Code	QTY	Name
85	01124457	1	screw m 8 x 45 ISO 004017-M 8 X 45 - 8.8-A4C
86	01112824	1	nut m 8, d934 ISO 004032-M 8 - 8-A4C
87	01136363	1	washer 8.4 DIN 009021- 8,4-140HV-A4C
90	00000000	0	not serviceable DUO-ZAPFWELLE

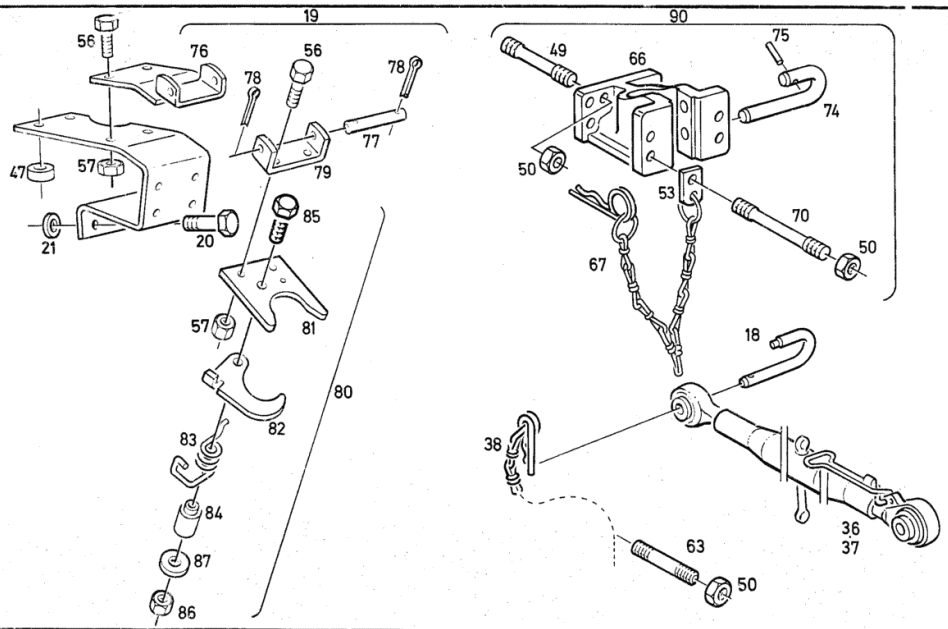
**DEUTZ  
FAHR**

 DREIPUNKTKUPPLUNG  
 THREE POINT LINKAGE  
 ATTELAGE TROIS PTS.  
 ACCOPLAM. 3-PUNTOS

KAT. II, III

1906-11 503 5984

3



## Section: HYDRAULIC SYSTEM

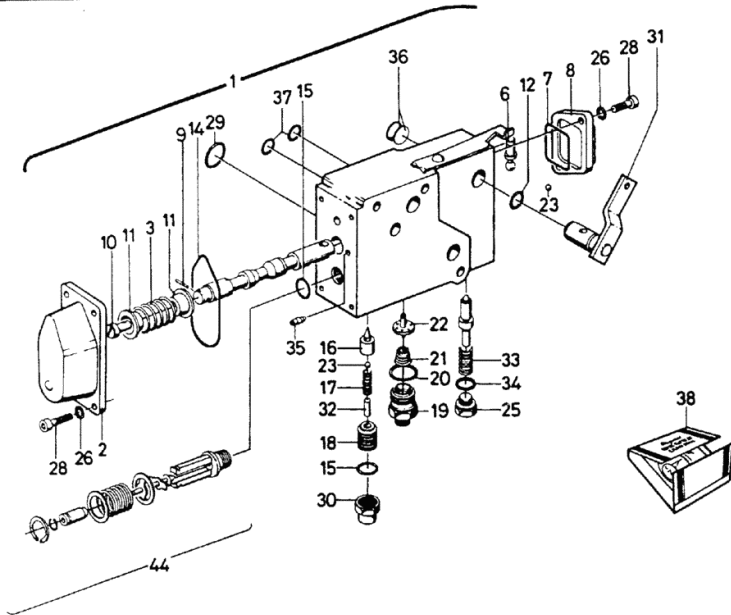
**INTERMEDIATE DEVICE I - VALVE SEALED**

Fig.	Code	QTY	Name
38	04306985	0	sub-assy parts
44	04309913	1	valve



DEUTZ-ZWISCHENGERAET, EINFACHWIRKEND  
 INTERMEDIATE UNIT, DEUTZ, SINGLE-ACTING  
 DISTRIBUTEUR INT., DEUTZ A SIMPLE EFFET  
 APTO. MANDO INTERM. TIPO DEUTZ DE SIMPLE EFECTO

1805-40 503 0317

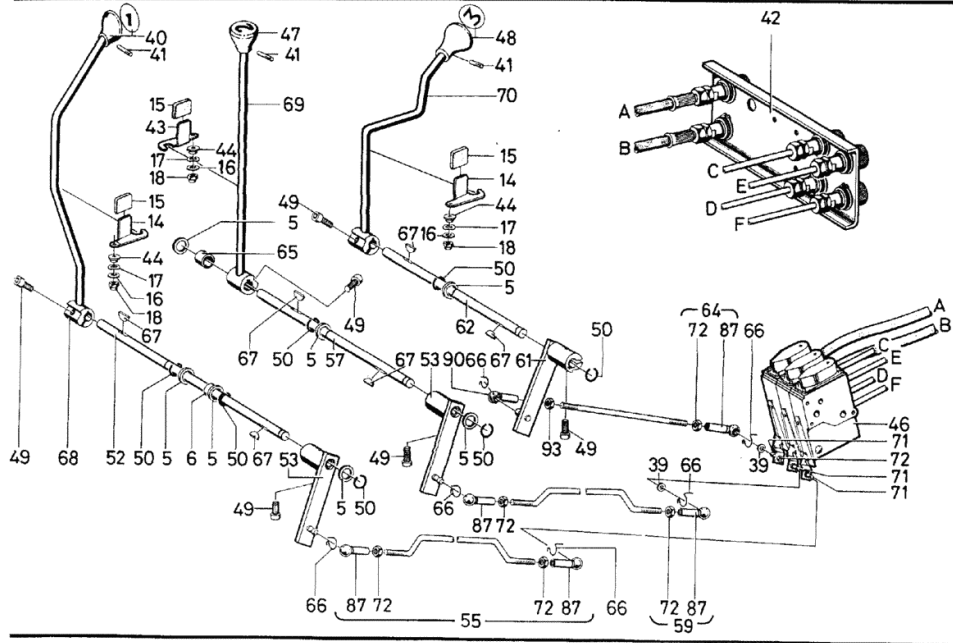


Section: HYDRAULIC SYSTEM  
**ADJUSTER INSTRUMENT**

Fig.	Code	QTY	Name
70	04311427	1	lever
71	01125410	1	cap DIN 071803-A10-ST -A4C
72	01112813	6	nut m 6 DIN 000934-M 6 - 8-A4C
87	01173814	5	fixing locator H 003604-B 10/1
90	04310279	1	fixing locator
	01112819	1	nut m 6 ISO 004032-M 6 LH - 8-A4C

**DEUTZ  
FAHR**  
 STEUEREINRICHTUNG.-HYDR.  
 CONTROL SYSTEM-HYDR.  
 DISTRIBUTEUR-HYDR.  
 EQUIPO DISTRIB. -HIDR.

1805-88 503 031293



## Section: MOTOR SUPPLY

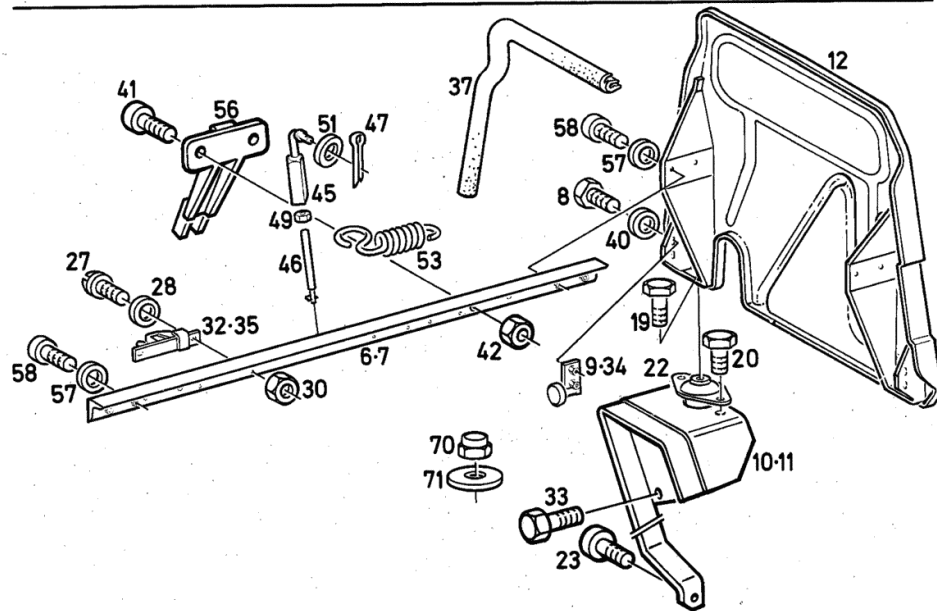
**FUEL TANK**

Fig.	Code	QTY	Name
42	01102659	8	nut m 10, d934 DIN 000934-M10 - 8-A4C
45	04309704	1	rod
46	04374021	1	rod
47	01106449	1	split pin DIN 000094- 4 X 22-ST-A4C
49	01112858	1	nut m 12, d934 DIN 000934-M12 - 8-A4C
51	01151185	1	washer DIN 000433-13 -200HV
53	04309715	1	spring
56	04309680	2	end bracket
57	01160594	8	washer H 000995-10,5X24X 6- 8.8
58	01110657	8	screw DIN 000912- M10 X 25 - 8.8
70	01103418	1	nut H 002159- M16X1,5-8-A4C
71	02319561	1	disc

**DEUTZ  
FAHR**

KRAFTSTOFFBEHÄLTER-BEFESTIGUNGSTEILE  
FUEL TANK - FASTENINGS  
RESERVOIR A COMBUSTIBLE-PIECES DE FIXAT.  
TANQUE DE COMBUSTIBLE - PZAS. FIJACION

1027-42503 5967



CLICK HERE TO **DOWNLOAD** THE COMPLETE MANUAL

- Thank you very much for reading the preview of the manual.
- You can download the complete manual from: [www.heydownloads.com](http://www.heydownloads.com) by clicking the link below



- Please note: If there is no response to CLICKING the link, please download this PDF first and then click on it.

CLICK HERE TO **DOWNLOAD** THE COMPLETE MANUAL