

Agrotron 200 MK3 -> 8099

ACCESSORIES

GENERAL

8-WAY HYDRAULIC CONTROL VALVE LOAD SENSING.....	0E.00.1
8-WAY HYDRAULIC CONTROL VALVE LOAD SENSING.....	0E.00.2
8-WAY HYDRAULIC CONTROL VALVE LOAD SENSING.....	0E.00.3
8-WAY LOAD SENSING AUXILIARY CONTROL VALVE WITH AIR BRAKING.....	0E.00.4
8-WAY LOAD SENSING AUXILIARY CONTROL VALVE WITH AIR BRAKING.....	0E.00.5
8-WAY LOAD SENSING AUXILIARY CONTROL VALVE WITH AIR BRAKING.....	0E.00.6
8-WAY HYDRAULIC CONTROL VALVE WITH SUSPENDED AXLE.....	0E.00.7
8-WAY HYDRAULIC CONTROL VALVE WITH SUSPENDED AXLE.....	0E.00.8
8-WAY HYDRAULIC CONTROL VALVE WITH SUSPENDED AXLE.....	0E.00.9
8-WAY AUXILIARY SERVICE CONTROL VALVE FOR MODELS WITH SUSPENDED FRONT AXLE AND A.....	0E.00.10
8-WAY AUXILIARY SERVICE CONTROL VALVE FOR MODELS WITH SUSPENDED FRONT AXLE AND A.....	0E.00.11
8-WAY AUXILIARY SERVICE CONTROL VALVE FOR MODELS WITH SUSPENDED FRONT AXLE AND A.....	0E.00.12
8-WAY CONTROL VALVES - OIL RECOVERY.....	0E.00.13
8-WAY HYDRAULIC CONTROL VALVE.....	0E.00.14
8-WAY HYDRAULIC CONTROL VALVE.....	0E.00.15
THREE-POINT COUPLING.....	0E.00.16
THREE-POINT COUPLING.....	0E.00.17
3 POINT HITCH - LIFTING ARMS.....	0E.00.18
THREE-POINT COUPLING.....	0E.00.19
PICK-UP-HITCH.....	0E.00.20
TOWING BAR.....	0E.00.21
REAR TOWING HITCH (GRASSI).....	0E.00.22
REAR TOWING HITCH BRACKET.....	0E.00.23
REAR TOWING HITCH BRACKET.....	0E.00.24
REMOTE CONTROL FOR AUTOMATIC REAR TOWING HITCH.....	0E.00.25
FRONT TOWING HITCH.....	0E.00.26
CATCHING MOUTH.....	0E.00.27
AUTOMATIC DRAWBAR COUPLING mm 32.....	0E.00.28
AUTOMATIC DRAWBAR COUPLING mm 38.....	0E.00.29
REAR TOWING HITCH CAT: "D2" GRASSI.....	0E.00.30
REAR TOWING HITCH CAT: "D3" GRASSI.....	0E.00.31
REAR OSCILLATING HITCH.....	0E.00.32
REAR OSCILLATING HITCH.....	0E.00.33
WHEEL BALLAST.....	0E.00.34
BALLAST.....	0E.00.35
BALLAST.....	0E.00.36
FRONT BALLAST Kg 80.....	0E.00.37
FRONT BALLAST Kg 160.....	0E.00.38
FRONT BALLAST 240 Kg.....	0E.00.39
FRONT BALLAST 320 Kg.....	0E.00.40

CLICK HERE TO **DOWNLOAD** THE COMPLETE MANUAL

- Thank you very much for reading the preview of the manual.
- You can download the complete manual from: www.heydownloads.com by clicking the link below

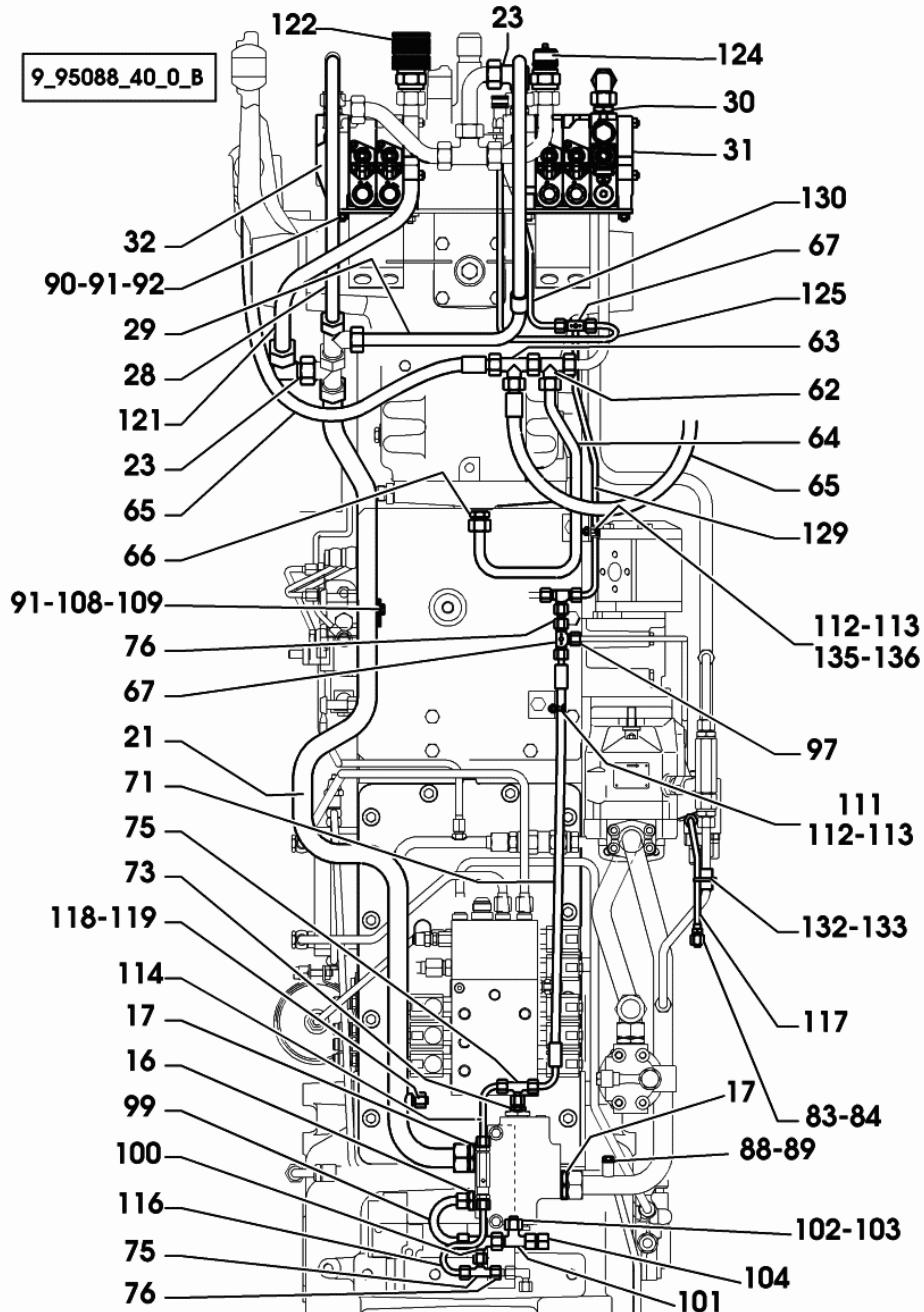


- Please note: If there is no response to CLICKING the link, please download this PDF first and then click on it.

CLICK HERE TO **DOWNLOAD** THE COMPLETE MANUAL

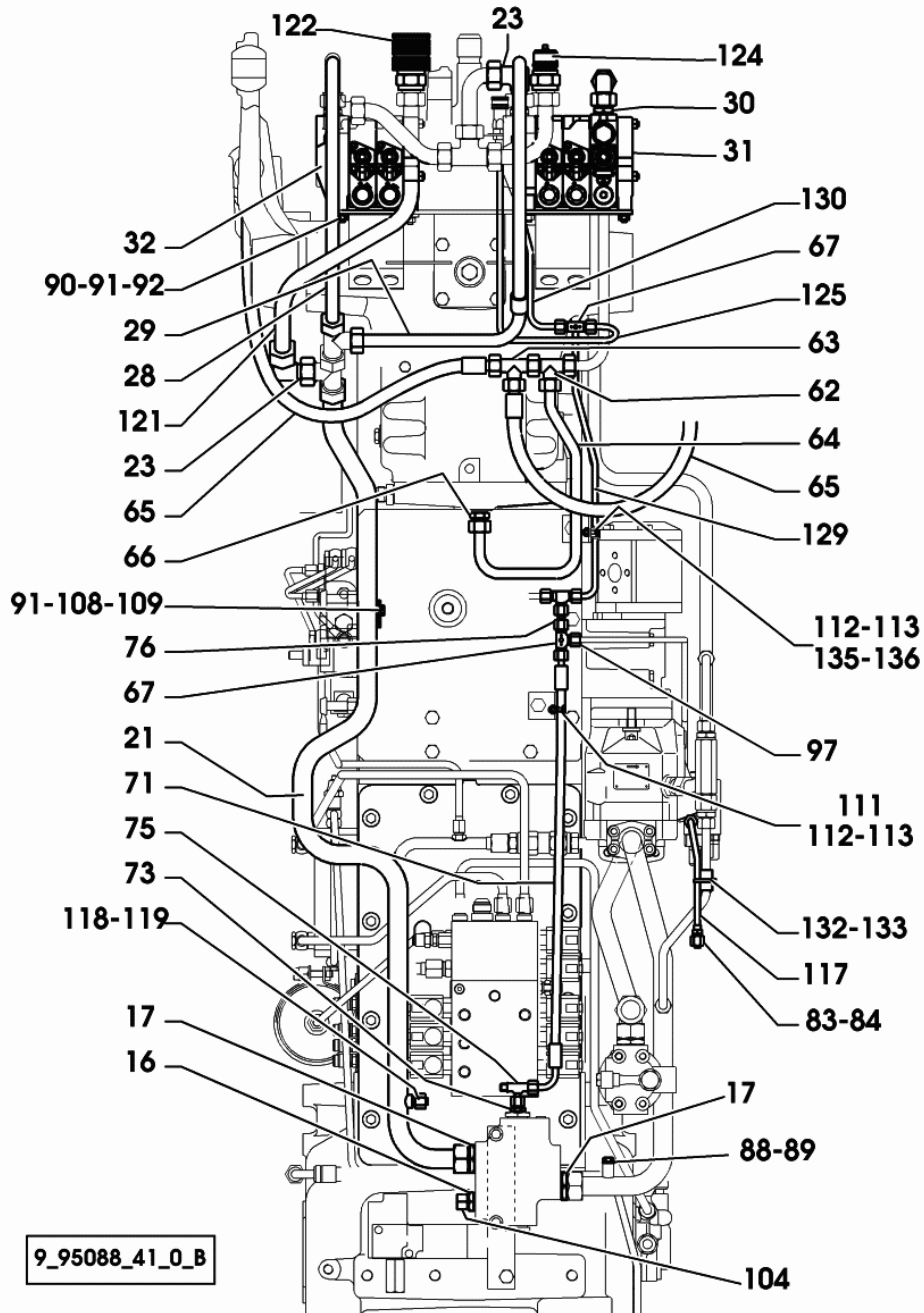
8-WAY LOAD SENSING AUXILIARY CONTROL VALVE WITH AIR BRAKING

Fig.	Code	QTY	Name
109	01112333	1	screw m 8 x 25, d933
111	01172129	1	terminal B8X15
112	01112264	2	screw m 6 x 20, d933
113	01127079	2	nut m 6
114	04428377	1	tube
116	04428378	1	tube
117	04428404	1	tube
118	01179255	2	nut
119	04431440	2	nut
121	04431453	1	pipng
122	04431444	1	socket
124	04427233	1	pin
125	04431455	1	pipng
129	04431457	1	pipng
130	04431459.4	1	pipng
132	02382224	1	sleeve 12
133	01172065	2	clamp 4.6 x 146
135	01172129	1	terminal B8X15
136	01173182	1	clamp



8-WAY AUXILIARY SERVICE CONTROL VALVE FOR MODELS WITH SUSPENDED FRONT AXLE AND A

Fig.	Code	QTY	Name
113	01127079	2	nut m 6
117	04428404	1	tube
118	01179255	2	nut
119	04431440	2	nut
121	04431453	1	pipng
122	04431444	1	socket
124	04427233	1	pin
125	04431455	1	pipng
129	04431457	1	pipng
130	04431459.4	1	pipng
132	02382224	1	sleeve 12
133	01172065	2	clamp 4.6 x 146
135	01172129	1	terminal B8X15
136	01173182	1	clamp

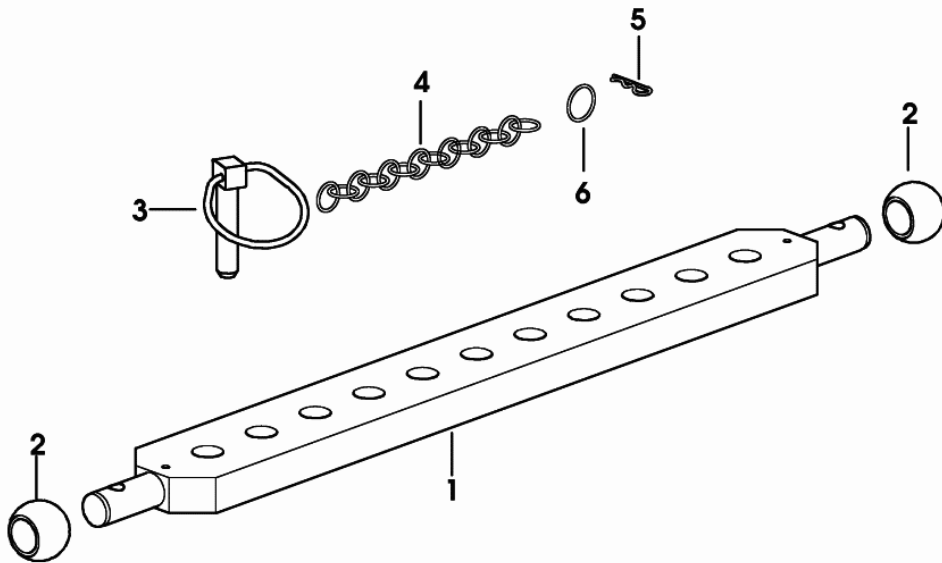


9_95088_41_0_B

Section: ACCESSORIES

TOWING BAR

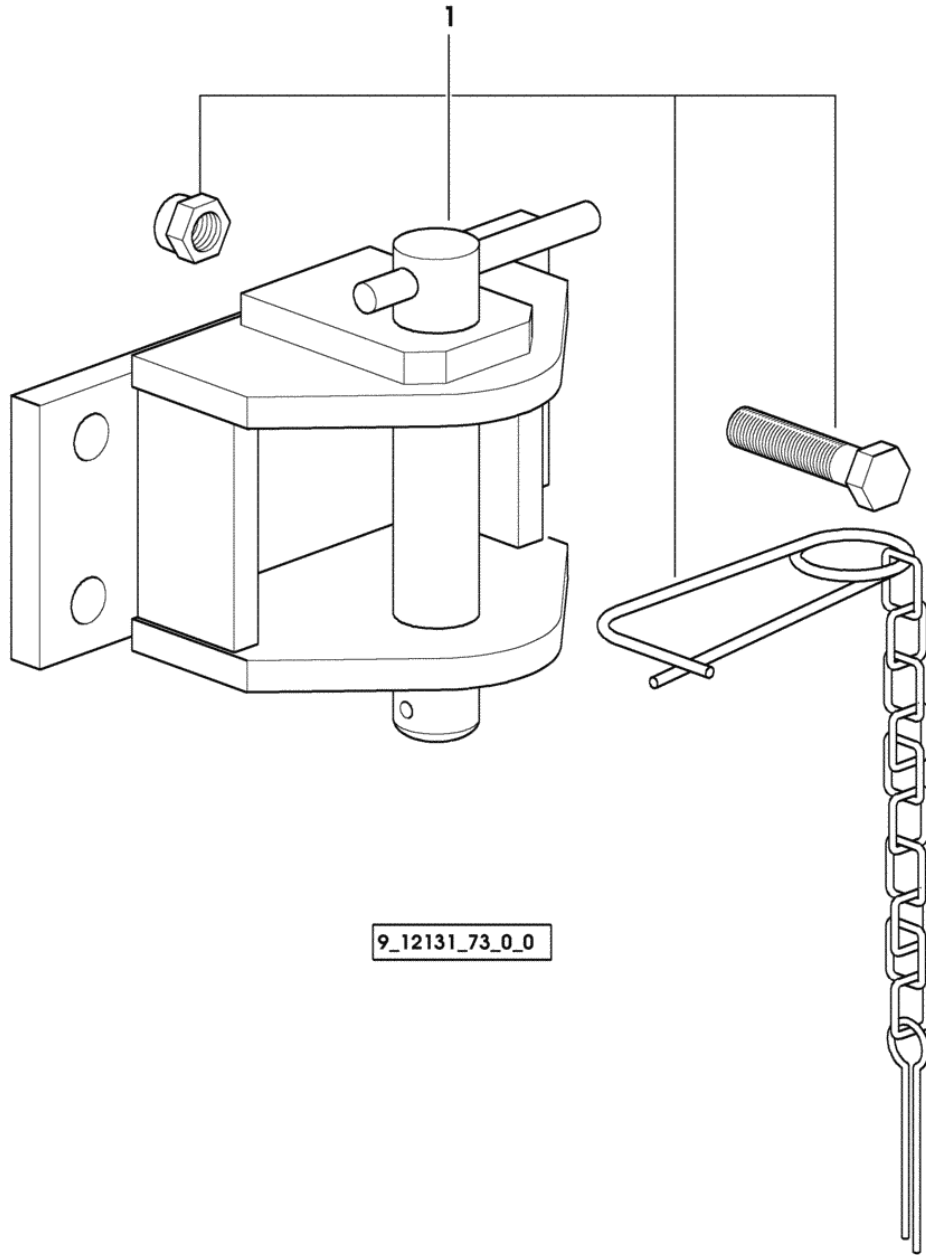
Fig.	Code	QTY	Name
1	04309365/10	1	draw bar
2	04400550	2	ball
3	04315865	2	pin
4	01402736	2	chain mm 175
5	01132654	2	split pin
6	04305741	2	ring



9_95058_20_0_0

REAR TOWING HITCH CAT: "D3" GRASSI

Fig.	Code	QTY	Name
1	0.011.1999.4/10	1	clevis GRASSI CAT. " D3 " COMPONENT PARTS SEE COMPONENTS LIST ☞ 0.011.1999.4/10 ☞ 0E.00.63



Section: ACCESSORIES
FRONT BALLAST 400 Kg

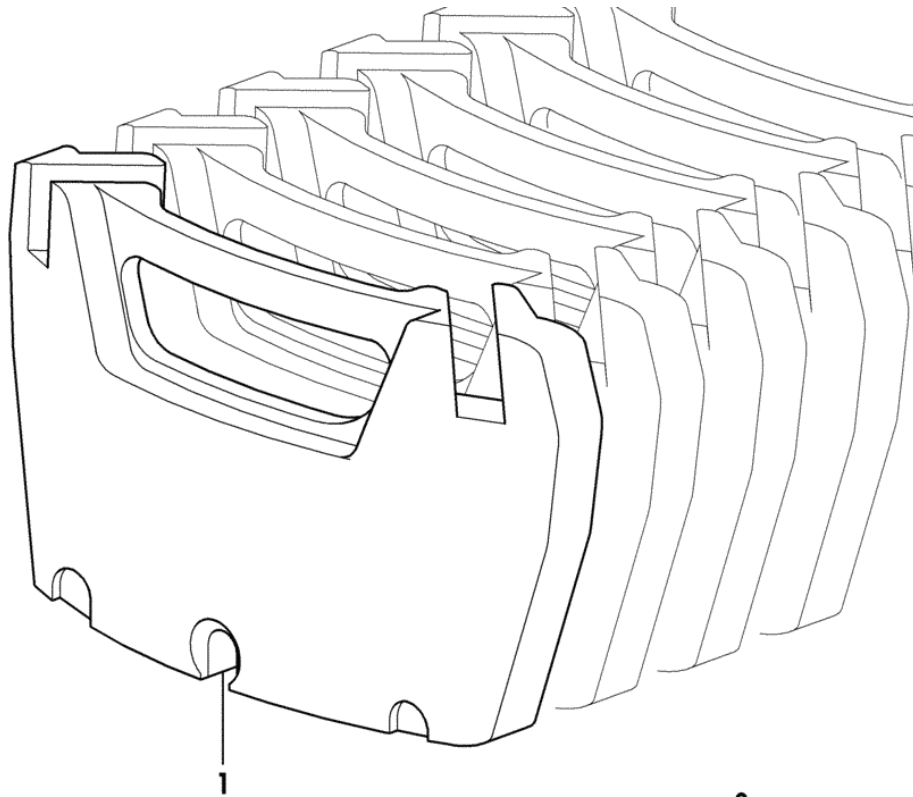
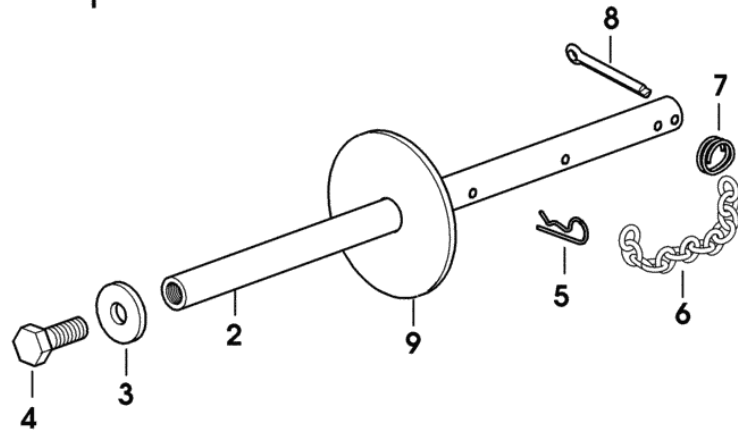


Fig.	Code	QTY	Name
1	04413831/20	10	ballast Kg 40
2	04411027	1	bracket
3	04411029	1	washer
4	01124845	1	screw m16x50 d933-10
5	01102874	1	roll pin
6	01401340	1	chain
7	04322508	2	ring
8	01132645	1	split pin 6.3x3.6
9	01143779	4	washer



9_95052_44_0_0

Section: ACCESSORIES
AIR BRAKING - ITALY -

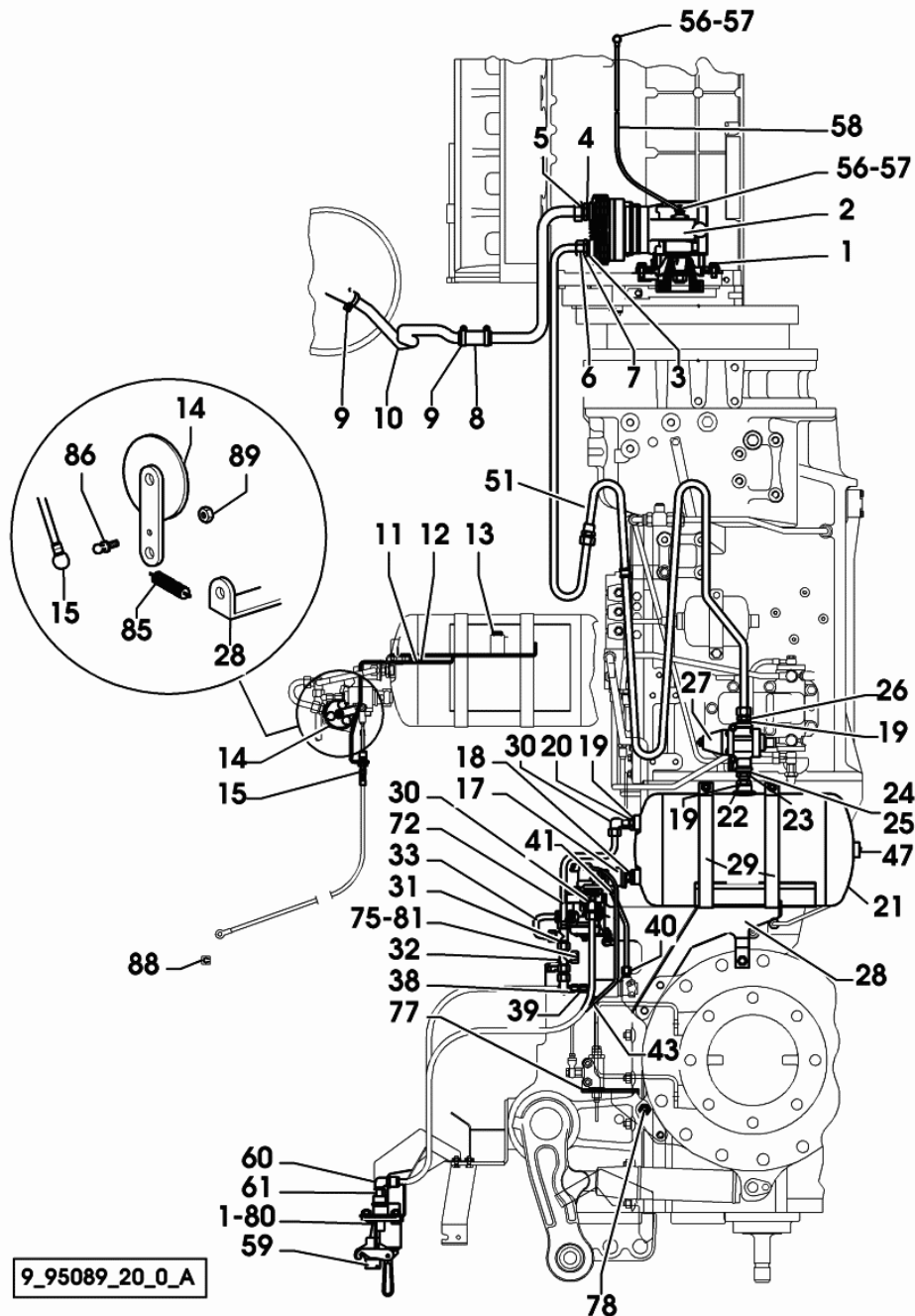
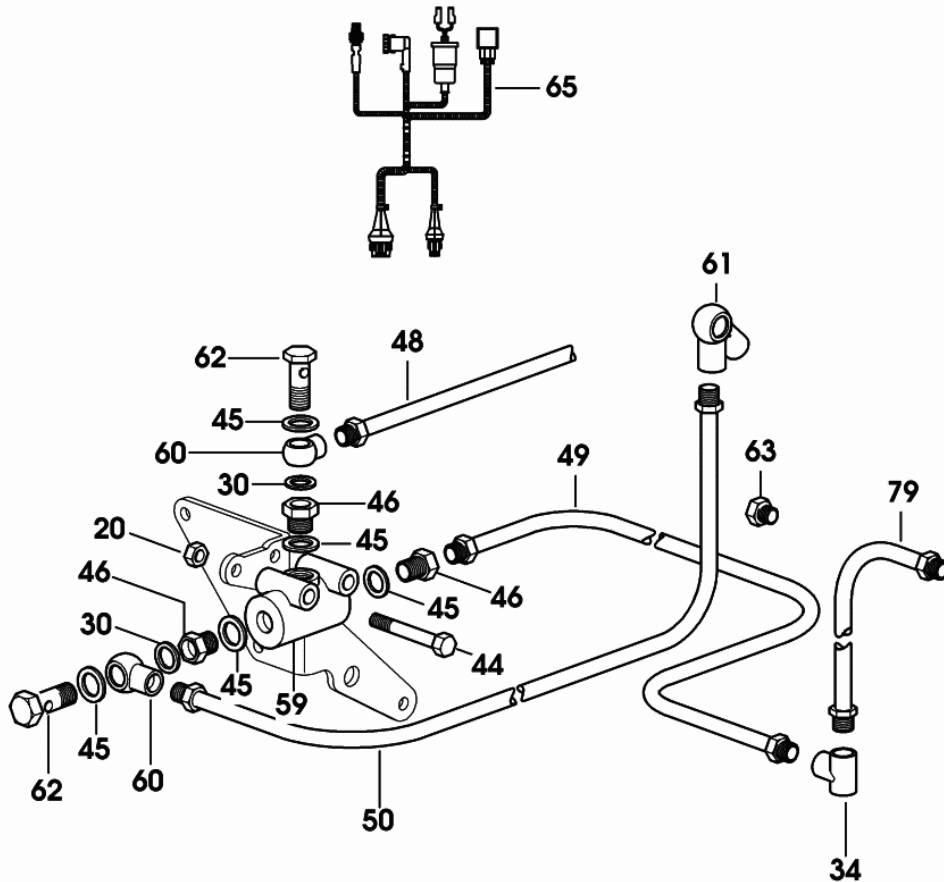


Fig.	Code	QTY	Name
1	01112418	6	screw m 10 x 25, d933
2	04426744.4	1	gear compressor kpl. COMPONENT PARTS SEE COMPONENTS LIST ☞ 04426744.4 ☞ 04428408.4 ☞ 0E.00.66
3	01118764	1	ring 26.5
4	01177225	1	tongue m 26x1,5/22
5	04438704.4	1	pipng
6	04434284	1	pipng
7	01179535	1	pipe fitting m 26x1,5/15
8	01175630	1	sleeve 22x29x71
9	01134042	3	hose clip mm 40
10	04438703.4	1	pipng (...) <- X Agrotron 160 MK3 1009 <- X Agrotron 175 MK3 1014 <- X Agrotron 200 MK3
10	04438703	1	pipng -> (...) X Agrotron 160 MK3 -> 1010 X Agrotron 175 MK3 -> 1015 X Agrotron 200 MK3
11	01113602	2	screw
12	01112874	2	stop m14 d934
13	01112515	1	screw m 12 x 25
14	04399950/10	1	valve
15	0.011.9782.3/20	1	rod
17	0.011.9428.0	1	pressure switch
18	04422201	1	pipe fitting
19	01118737	4	'o' ring 22 x 27
20	01174132	2	tongue m 22x1.5x12
21	04398798	1	container
22	01133922	1	tongue
23	01137633	1	nut m 22 x 1.5
24	02523701	1	ring
25	02523700	1	ring
26	01179536	1	pipe fitting H 3132
27	04398756	1	valve COMPONENT PARTS SEE COMPONENTS LIST ☞ 04398756 ☞ 0E.00.67
28	0.012.0089.3/20	1	support
29	04361646	2	ring

HYDRAULIC BREAKING FOR TRAILER - ITALY - - FOR TYPES WITHOUT PNEUMATIC BRAKE

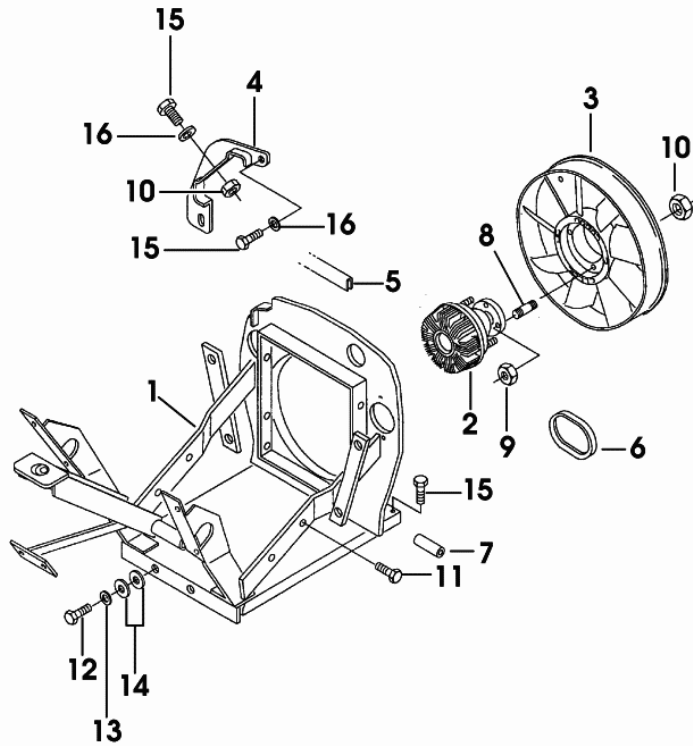


9_95089_10_0_C

Fig.	Code	QTY	Name
20	01112824	4	nut m 8, d934
30	01118681	6	'o' ring a 12x18 d7603
34	03499196	1	pipe fitting T
44	01122441	2	screw m 8 p.1.25 x 50
45	01118693	3	gasket 14x20
46	03420517	1	pipe union m 12 p.1/ m 14 p.1.5
48	04427730	1	tube
49	0.012.1479.3	1	sheath
50	0.012.1478.3	1	sheath
59	04419583	1	valve
60	03410829	3	pipe fitting
61	03417825	1	tongue
62	03497999	2	pipe union m 12 p.1/ m 14 p.1.5
63	03420509	2	screw
			-> (...) X Agrotron 160 MK3
			-> 1026 X Agrotron 175 MK3
			-> 1086 X Agrotron 200 MK3
65	04437872	1	cable
			(...) <- X Agrotron 160 MK3
			1005 <- X Agrotron 175 MK3
			1027 <- X Agrotron 200 MK3
65	0.012.3655.4	1	cable harness
			-> (...) X Agrotron 160 MK3
			-> 1006 X Agrotron 175 MK3
			-> 1028 X Agrotron 200 MK3
79	04422366	1	tube

Section: BODY WORK
AIR DUCTING HOOD

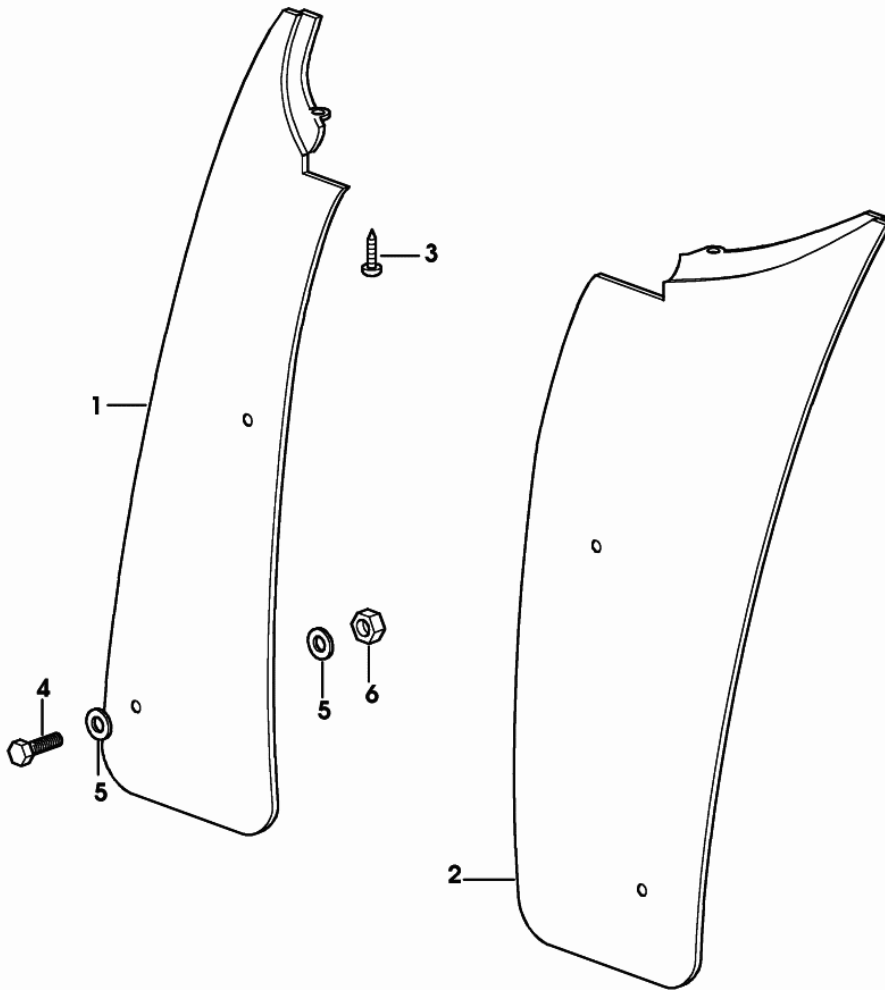
Fig.	Code	QTY	Name
1	04432587.4/10	1	plate
2	04424558	1	coupling
3	04424557	1	rotor blade
4	04431394.4	1	bracket
5	04424576	3	profile
6	01154311	1	belt AV 13x1600 mm
7	04427299	1	spacer
8	01113480	4	small column m 10 x 40
9	01102659	4	nut m 10, d934
10	01112824	5	nut m 8, d934
11	01138465	4	screw
12	01112538	2	screw m 12 x 35, d933
13	06214389	2	washer
14	01151002	4	washer 13x24x3
15	01112322	5	screw m 8 p.1.25 x 20
16	01151019	3	washer 8.4



9_95072_10_0_0

Section: BODY WORK
EXTENSION FOR WING

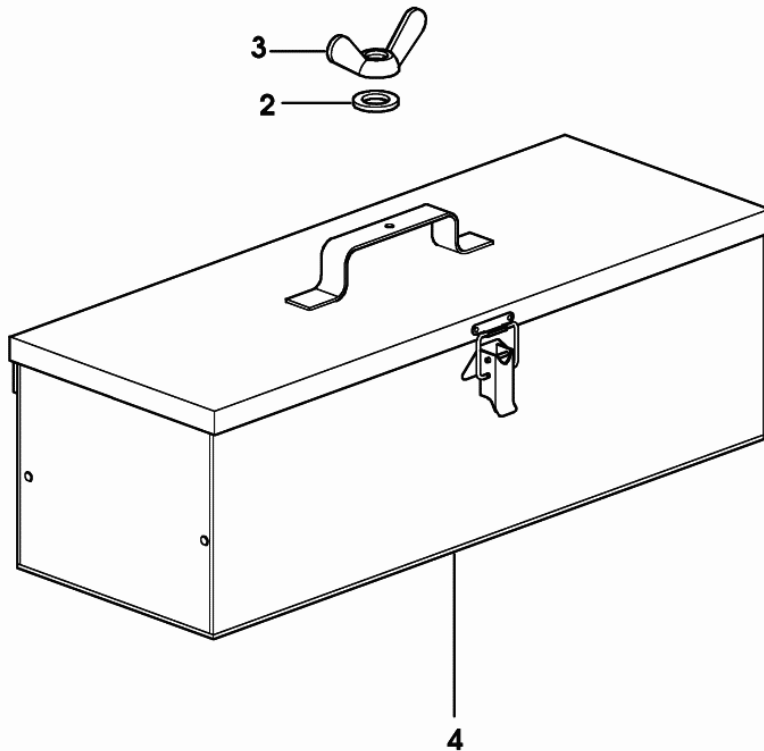
Fig.	Code	QTY	Name
1	04412704	1	extension dx/rh/re
2	04412705	1	extension sx/lh/li
3	04414188	6	screw
4	01112333	4	screw m 8 x 25, d933
5	01136363	4	washer 8.4
6	01136452	2	nut vm 8 d980



9_95076_26_0_0

Section: BODY WORK
METAL TOOLBOX

Fig.	Code	QTY	Name
2	01127717	1	washer 10.5
3	01138390	1	wing nut m 10
4	04436067.4	1	metal toolbox



9_95073_06_0_0

Section: BODY WORK

SPEED LABEL - 40 KM/H

Fig.	Code	QTY	Name
1	04382527	1	plate 40 KM/H



9_95074_32_0_0

Section: BODY WORK

PASSENGER SEAT WITH PROTECTIONS

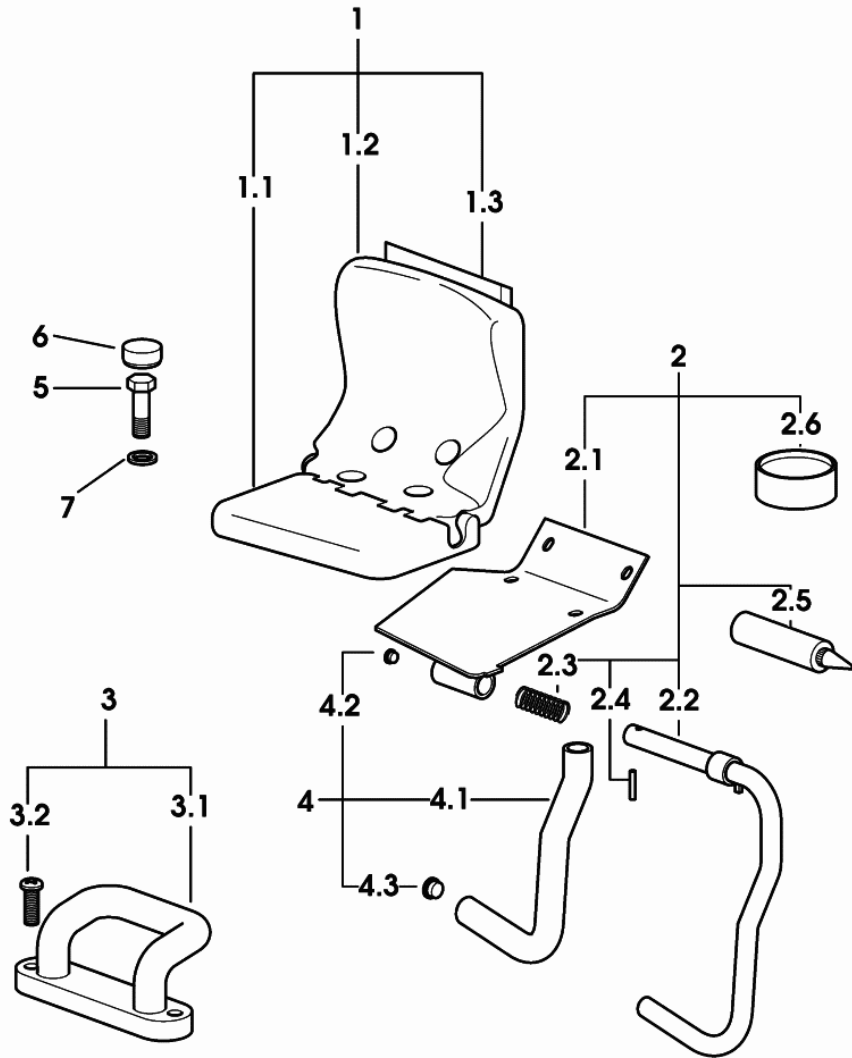


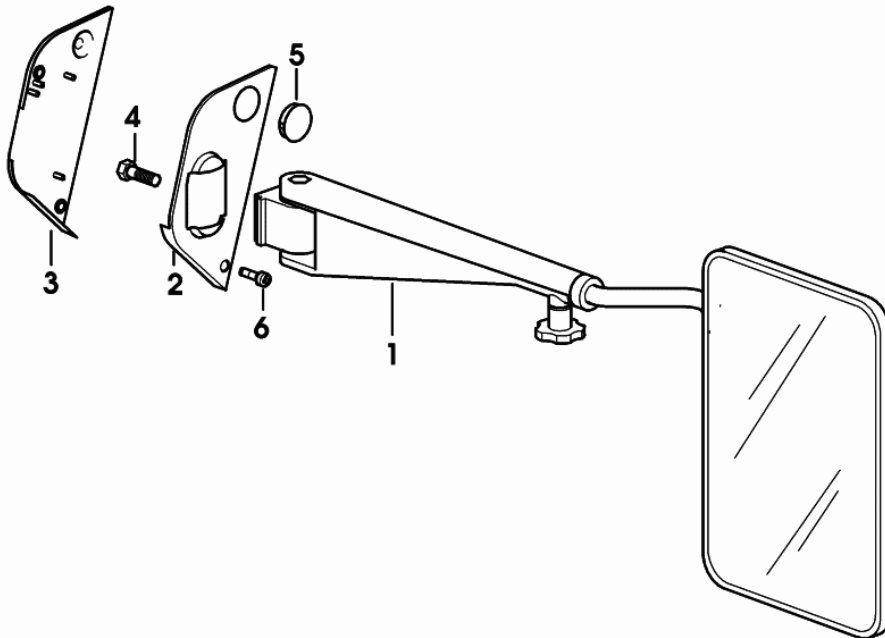
Fig.	Code	QTY	Name
1	04429765.4	1	passenger seat
1.1	04418147	1	seat
1.2	04418148	1	backrest
1.3	04429768	1	glove pocket
2	04429764.4	1	support
2.1	04429763.4	1	support
2.2	04425627.4	1	bracket
2.3	04425750	1	spring
2.4	01115455	1	pin
2.5	04426344	1	fuel
2.6	01007930	0	oil
3	04422400.4	1	handle
3.1	04419922	1	handle
3.2	04415861	2	screw
4	04423676.4	1	guard
4.1	04425747	1	flexible hose
4.2	04425748	1	cap
4.3	01167316	1	plug A 14.7
5	01110591	4	screw m 8 x 40
6	04418895	4	plug
7	01107101	4	washer 8.4

9_95078_07_0_0

Section: CAB

REARVIEW MIRROR dx/rh/re

Fig.	Code	QTY	Name
1	0.012.4392.4	1	rear view mirror dx/rh/re COMPONENT PARTS SEE COMPONENTS LIST ☞ 0.012.4392.4 ☞ 0B.00.35
2	04414194	1	cover dx/rh/re
3	04412584	1	cover dx/rh/re
4	01112333	3	screw m 8 x 25, d933
5	01180575	1	plug
6	04413736	2	screw



9_95071_07_0_0

Section: CAB
CAB DOOR sx/lh/li

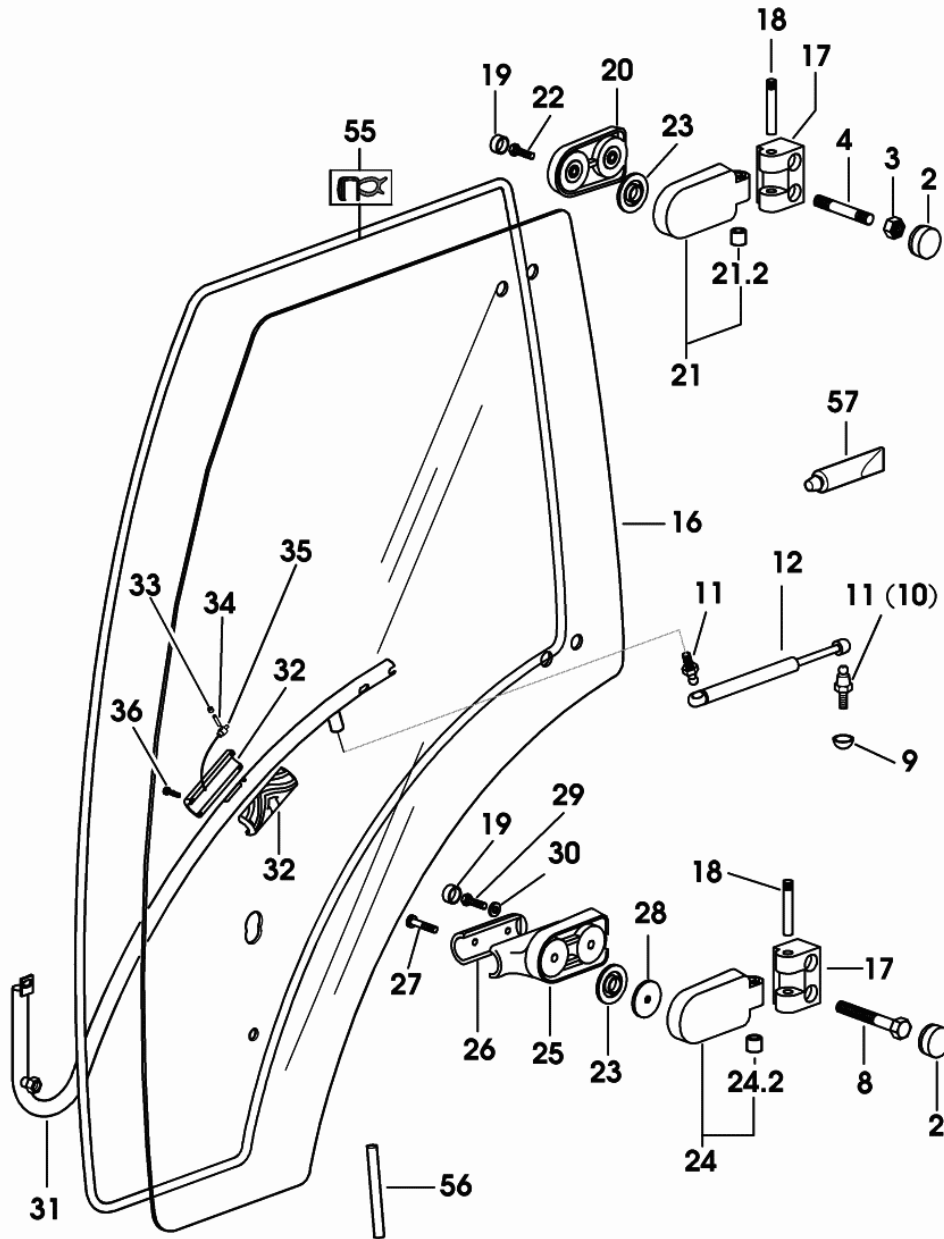
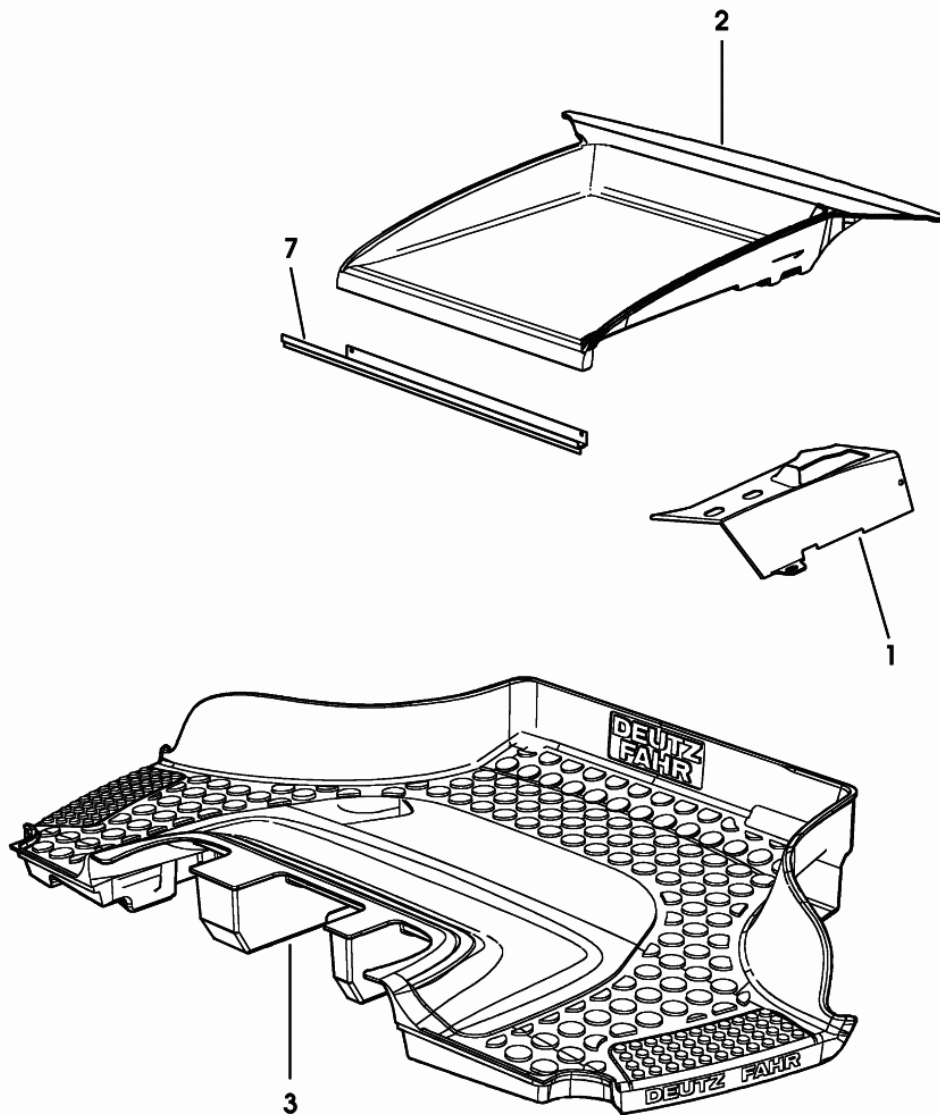


Fig.	Code	QTY	Name
2	04426916	4	cap
3	01112824	2	nut m 8, d934
4	01125606	2	stud bolt m 8 p.1.25
8	01144893	2	screw
9	01174042	1	cap
11	04399070	2	ball joint
12	04429617	1	shoch.absorber
16	04418951	1	glass sx/lh/li
17	04416522	2	hinge
18	04412819	2	pin
19	04426916	4	cap
20	04415415	1	cap-washer
21	04416228.4/10	1	hinge sx/lh/li
21.2	04414624	2	bushing
22	01112333	2	screw m 8 x 25, d933
23	04415424	8	disc
24	04424753.4/10	1	hinge sx/lh/li
24.2	04414624	2	bushing
25	04416244	1	plate sx/lh/li
26	04416232	1	stop
27	04419372	2	screw m 8 x 40
28	04416225	2	washer
29	01112341	2	screw m 8 x 30, d933
30	04314757	2	washer
31	0.013.0764.4/10	1	handle sx/lh/li
32	04416216	2	grip
33	04416218	2	spacer
34	01144894	1	pin 5 x 35
35	04429926	1	crate
36	04413570	4	screw
55	04419141	0	gasket
56	01388794	0	parting 9x4,5
57	01016121	1	sealing compound

9_95071_03_0_A

Section: CAB
CAB INTERIOR TRIM

Fig.	Code	QTY	Name
1	0.012.2457.0	1	lining
2	04429038	1	shoe
3	04429039	1	small carpet
7	04429938	1	channel



9_95071_22_0_0

Section: CAB

CONTROL CONSOLE LEFT

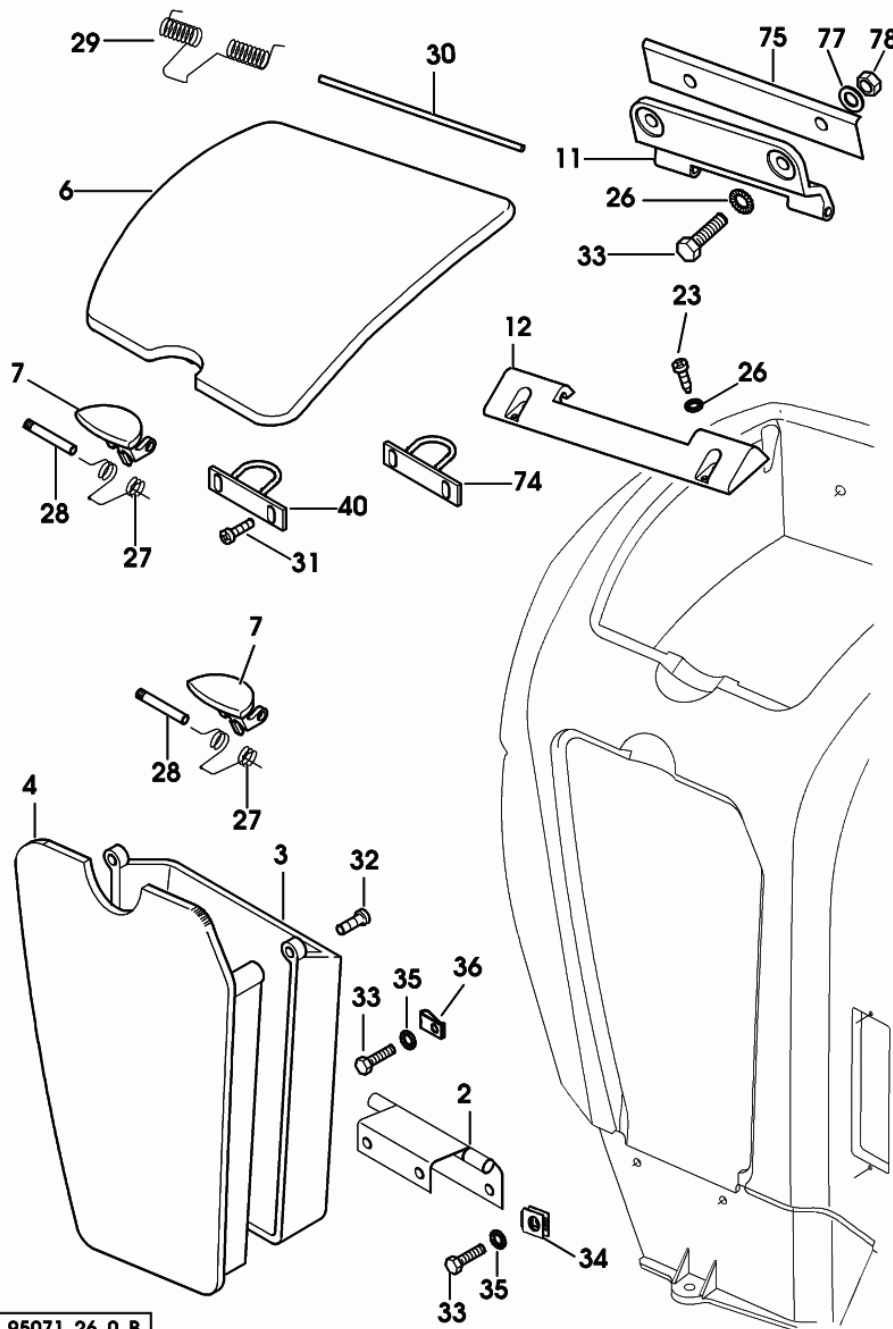


Fig.	Code	QTY	Name
2	0.010.9992.2	1	hinge
3	04429198	1	glove pocket
4	04429199	1	cover
6	04429286	1	cover
7	0.010.9955.0	2	handle
11	0.010.9987.0	1	hinge
12	0.010.9988.0/10	1	hinge
23	04419646	4	self tapping screw
26	01119806	2	washer 4,3x12x1 d9021
27	2.4099.120.3/10	2	spring
28	2.1699.510.2	2	pin
29	2.4099.135.3	1	spring
30	2.1659.520.3	1	pin
31	04412976	4	screw 4.8x19
32	2.0350.203.3	9	screw 3.5x9.5
33	01112264	8	screw m 6 x 20, d933
34	04429941	4	nut
35	01119810	9	washer 6.4
36	2.6999.064.6	2	special nut m 6
40	04429682	1	support
74	04429203	1	support
75	04451325	1	support
77	2.1310.002.2	2	washer 6.6, d125
78	2.1120.003.2	2	nut m 6

9_95071_26_0_B

Section: CAB

ROOF COVERING FOR SKYLIGHT

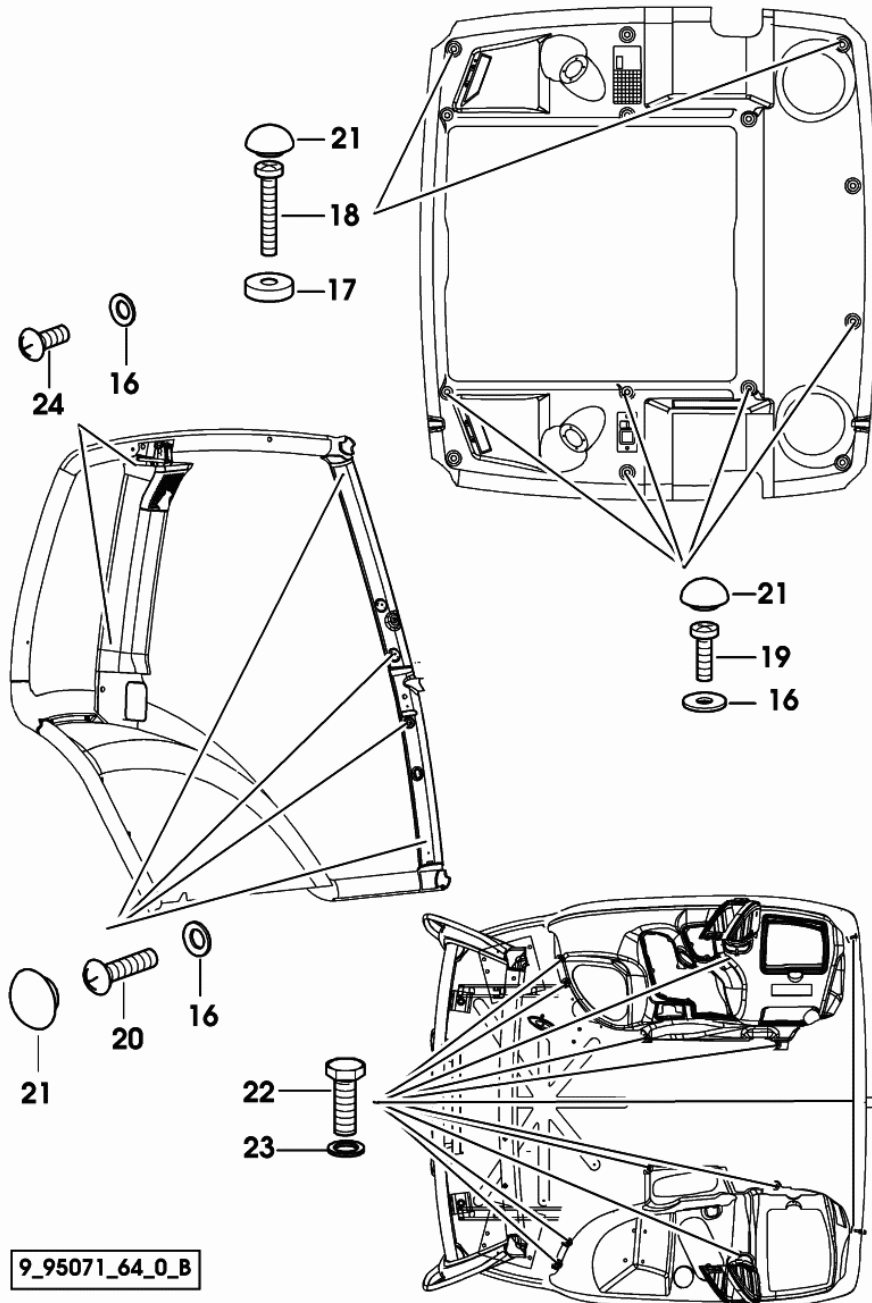
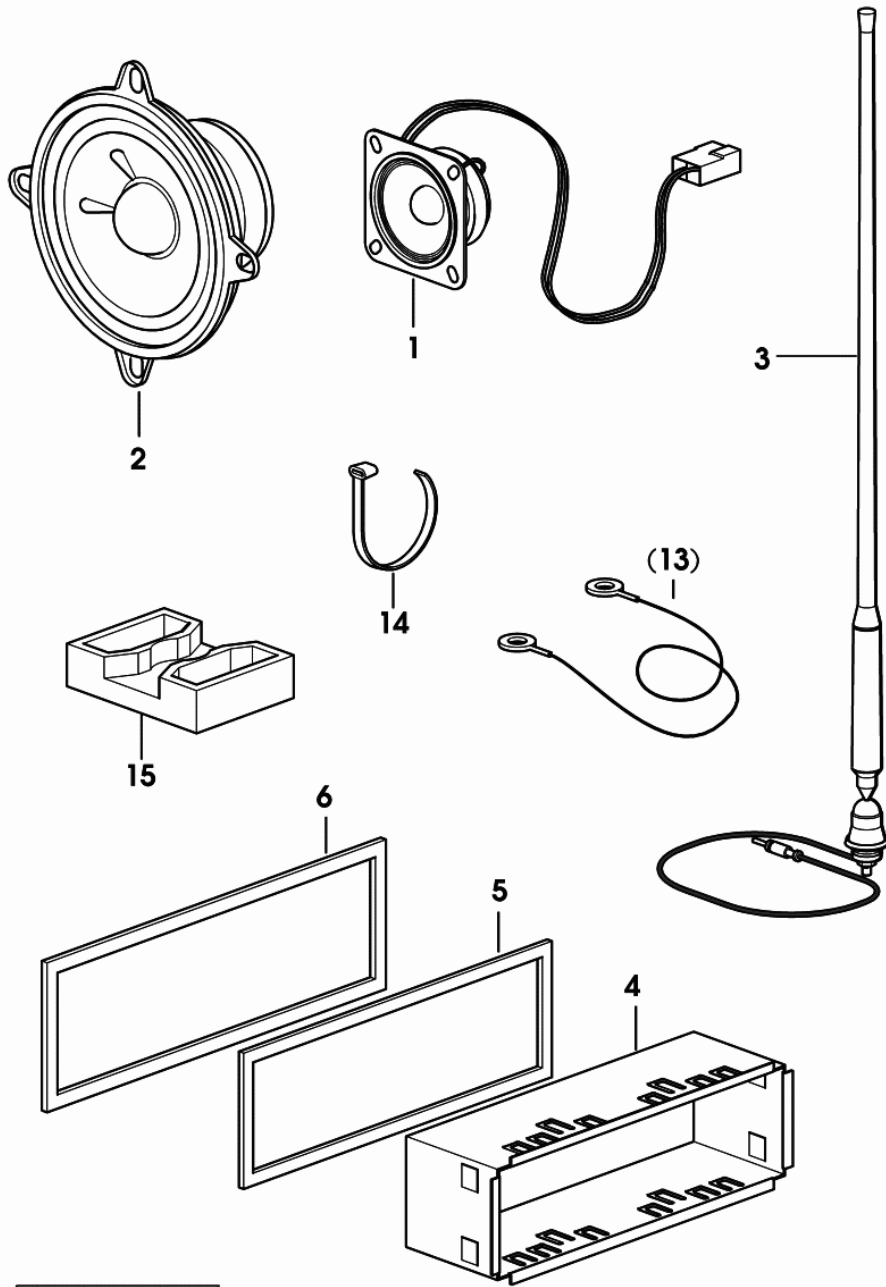


Fig.	Code	QTY	Name
16	01119810	18	washer 6.4
17	04413808	6	washer 6.5x20x5
18	04428726	6	screw
19	04428727	11	screw
20	04416919	8	screw m 4.8x32
21	04419538	24	guard
22	04426352	14	screw m 8 p.1.25 x 20
23	01136363	14	washer 8.4
24	04429406	2	screw

9_95071_64_0_B

Section: CAB
KIT RADIO

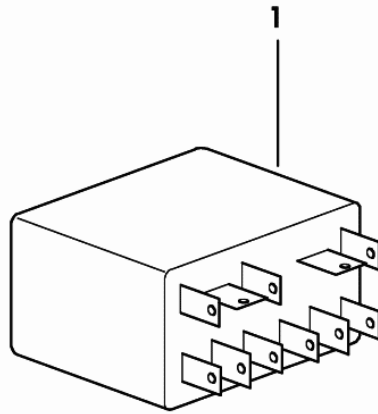
Fig.	Code	QTY	Name
1	0.012.1725.0	2	loud speaker
2	0.012.1726.0	2	loud speaker
3	0.011.7543.3/20	1	radio aereo -> (...) X Agrotron 160 MK3 -> 1010 X Agrotron 175 MK3 -> 1015 X Agrotron 200 MK3
4	0.012.2091.4	1	small frame
5	0.012.2089.4	1	frame
6	0.012.2090.4	1	frame
14	01172065	10	clamp 4.6 x 146
15	01179020	3	wire guide



9_95071_39_0_0

DIRECTION INDICATOR AUTOMATIC RETURN

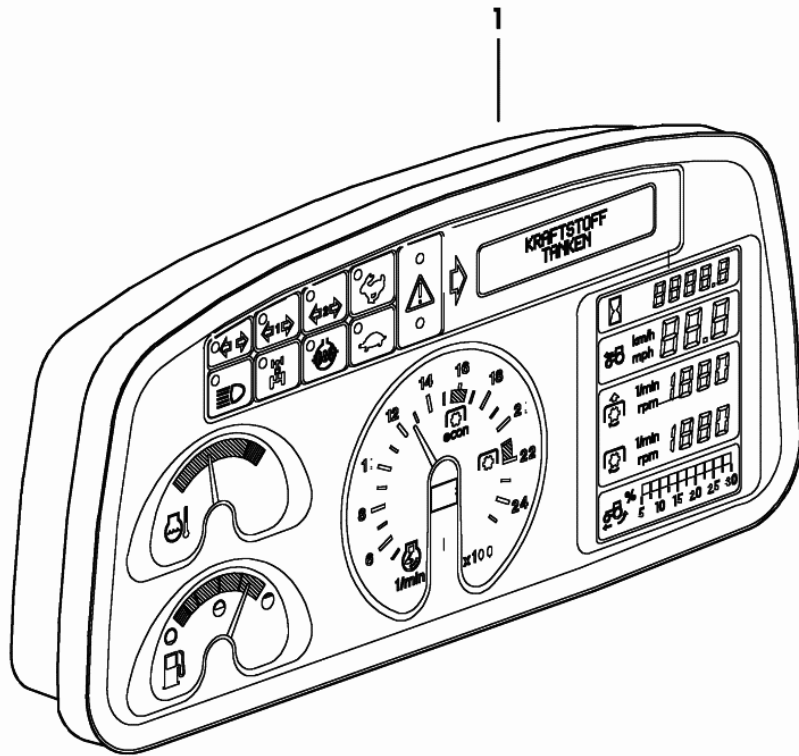
Fig.	Code	QTY	Name
1	04419531	1	intermitent switch



9_95061_01_0_0

DASHBOARD BOX

Fig.	Code	QTY	Name
1	04437488/10	1	light panel ☞ 04437488/10



9_95084_50_0_0

Section: ELECTRIC AL SYSTEM
WORKING SPOTLIGHT REAR

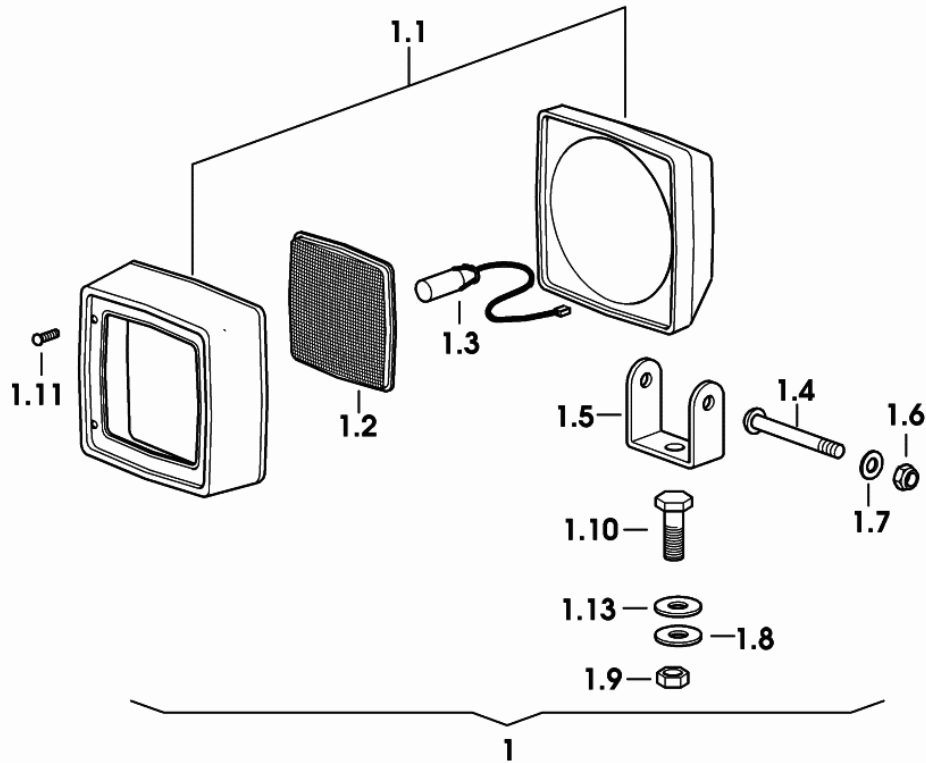
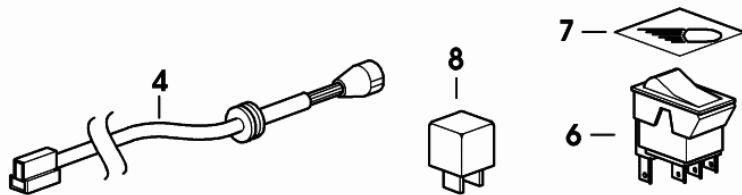
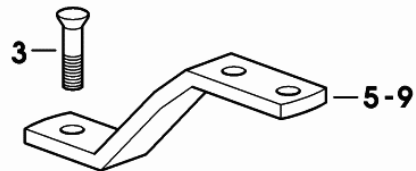


Fig.	Code	QTY	Name
1	04424195.4	2	headlight
1.1	04424197	1	body
1.2	04425581	1	glass
1.3	01102258	1	lamp H3
1.4	04426563	1	screw
1.5	04425583	2	bracket
1.6	04426569	1	nut
1.7	04426570	1	washer
1.8	04426578	1	washer
1.9	04426579	1	nut
1.10	01171772	1	screw
1.11	04426584	4	screw
1.13	04435586	1	small sump
3	04415746	4	screw m 8x1.25x14
4	04424189.4	2	cable
5	04426217	1	lamp support dx/rh/re
6	04411496.4	1	switch
7	04411505	1	plate
8	04411492	1	relay 40 A
9	04426216	1	lamp support sx/lh/li



9_95071_40_0_0

ADJUSTER INSTRUMENT.....	01.27.10
ADJUSTER INSTRUMENT.....	01.27.11
ACTUATOR.....	01.27.12
ADJUSTER INSTRUMENT.....	01.27.13
CLOSING COMPONENTS.....	01.27.14
Cooling water pump	
V-GROOVED PULLEY.....	01.37.1
COOLING WATER PUMP.....	01.37.1
DRIVING PARTS.....	01.37.1
FASTENINGS.....	01.37.2
COOLING WATER PUMP.....	01.37.3
Water pipes	
CLOSING COMPONENTS.....	01.38.1
FASTENINGS.....	01.38.1
COOLANT PIPE.....	01.38.1
VENT PLUG.....	01.38.1
CONNECTION.....	01.38.2
COOLANT PIPE.....	01.38.3
THERMOSTAT.....	01.38.4
FASTENINGS.....	01.38.5
CLOSING COMPONENTS.....	01.38.6
Cooling air blower	
NARROW V-BELT.....	01.39.1
ADAPTER.....	01.39.2
FAN SUPPORT.....	01.39.3
FAN SUPPORT.....	01.39.4
FASTENINGS.....	01.39.5
V-GROOVED PULLEY.....	01.39.6
FAN SUPPORT.....	01.39.7
Exhaust manifold	
EXHAUST PIPE.....	01.41.1
EXHAUST PIPE.....	01.41.2
Turbocharger	
FASTENINGS.....	01.43.1
ACCESSORIES.....	01.43.1
FEED LINE.....	01.43.2
RETURN LINE.....	01.43.3
FASTENINGS.....	01.43.5
TURBOCHARGER.....	01.43.6
RETURN LINE.....	01.43.7
OIL LUBRICATION PIPE.....	01.43.8
CLOSING COMPONENTS.....	01.43.9
CLOSING COMPONENTS.....	01.43.10
TURBOCHARGER.....	01.43.11

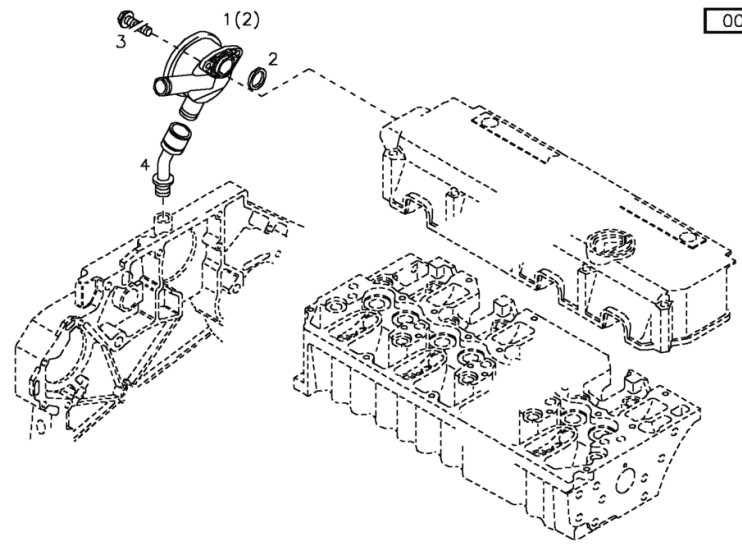
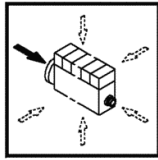
Section: ENGINE
CRANKCASE BREATHER

Fig.	Code	QTY	Name
------	------	-----	------

Engine Serial Numbers:

356922 356923 356924 356925 356926 356927 356928 356929 356930 356931 356932 356933 373534 373535
 373536 373537 373538 373539 373540 373541 373542 373543 373544 373545 373546 373547 390707 390708
 390709 390710 390711 390712 390713 390714 390715 395322 395323 395324 395325 395326 395703 400576
 400577 400578 400579 400580 405379 405380 405381 405382 405383 405384 405385 405386 405387 405388
 405389 405390 411280 411281 411282 411283 412242 412243 412244 412245 412246 412247 412248 424410
 424411 424412 424413 424414 424415 424416 428308 428309 428310 428311 428860 428861 428862 428863
 428864 428865 435918 435919 435920 435921 435922 435923 443073 443074 443621 446131 446132 446133
 446134 446135 446136 452669 452670 452671 462433 462434 462435 462436 462437 464725 464726 464727
 465995 465996 474585 484332 484333 484334 484335 484336 484337 484338 484339 484340 484341 484342
 484343 484344 484345 494932 494933 494934 494935 494936 494937 494938 505977 505978 505979 505980
 513454 513455 519545 519546 522637 522638 522639 522640 522641 529101 529102 529103 546792 546793
 546794 546795 546796 552447 552448 552449 552450 552451 552452 561166 566604 566605 566606 566607
 566608 566609 566610 566611 566612 566613 574082 574083 579355 579356 579357 579358 582091 582092
 582093 582094 587920 587921 587922 587923 587924 587925 592187 592188 592189 592190 598868 598869
 598870 598871 600323 600324 600325 600326 600327 600328 600329 606959 606960 606961 606962 606963
 614338 614339 614340 614341 614342 621752 621753 621754 621755 621756 621757 621758 621759 621760
 621761 629348 629349 629350 637591 637592 637593 637594 637595 637596 637597 637598 637599 637600
 637601 645503 645504 645505 645506 645507 645508 645509 645510 645511 645512 653050 653051 655647
 655648 655649 655650 655651 658388 658389 658390 667800 667801 667802 667803 667804 667805 667806
 667807 667808 667809 667810 675969 675970 675971 675972 675973 675974 675975 675976 691372 691373
 691374 691375 691376 691377 691378 691379 691380 698055 698056 698057 698058 698059 698060 698061
 698062 698063 698064 701834 701835 701836 701837 701838 701839 701840 701841 701842 701843 722576
 722577 722578 722579 722580 722581 722582 722583 734634 734635 734636 734637 742303 742304 742305
 742306 770657 770658 770659 770660 770661 770662 770663 770664 770665 770666 774539 774540 774541
 774542 774543 822403 822404 822405 827207 827208 827209 837220 837221 837222 851261 877248 886843
 886844 886845 886846 935500 935501 935502 935503 956843

001 ©



1	04207651	1	valve WITH ITEM (2)
2	04207649	1	ring
3	01180218	2	screw
4	04207290	1	piping

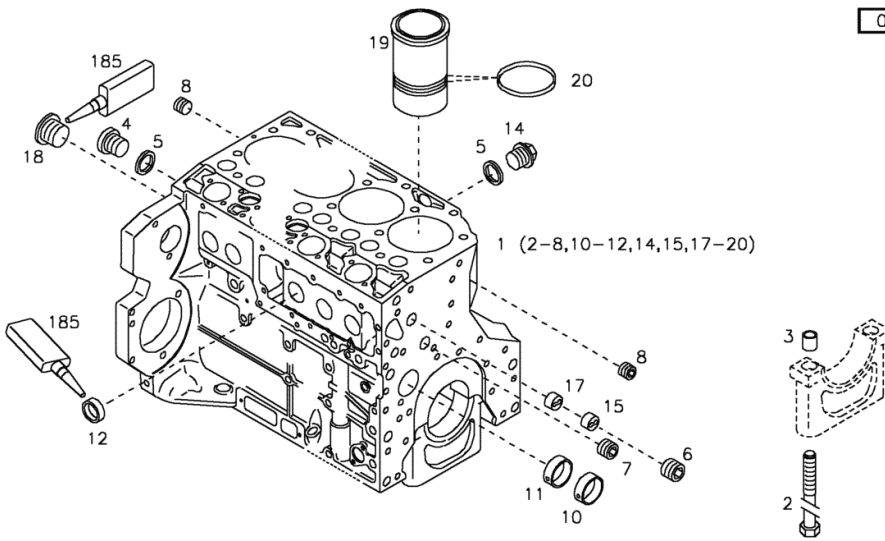
Section: ENGINE
CRANKCASE

Fig.	Code	QTY	Name
------	------	-----	------

Engine Serial Numbers:

356922 356923 356924 356925 356926 356927 356928 356929 356930 356931 356932 356933

1	04253527	1	none WITH ITEM (2-8,10-12,14,15,17-20)
2	04251254	14	screw
3	04200078	14	bushing
4	01110423	2	screw
5	01118693	5	DIN 000908-M14X1,5-ST-ZNPHRF gasket 14x20 DIN 007603-A 14 X 20 -CU
6	01180890	1	screw H 002812-906-M30X1,5-ST-A4C-PRE80
7	01180906	1	screw H 002812-906-M22X1,5-ST-A4C-PRE80
8	01180891	2	screw H 002812-906-M14X1,5-ST-A4C-PRE80
10	04200021	6	bushing
11	04200022	1	bushing
12	01179635	10	plug H 002860-A45-ST-FE/ZNPHR
14	01100940	3	screw DIN 007604-AM14X1,5 -ST-A4C
15	04202518	1	sleeve
17	04202517	1	sleeve
18	01165790	1	plug m 22 x 1,5 H 000710-M22X1,5
19	04203065	6	engine cylinder
20	01181178	12	'o' ring H 002927-112 X 3,0 -FPM-2-70
185	01016127	0	sealing compound ml. 50 H 000699-DEUTZ DW 72- 50 ML



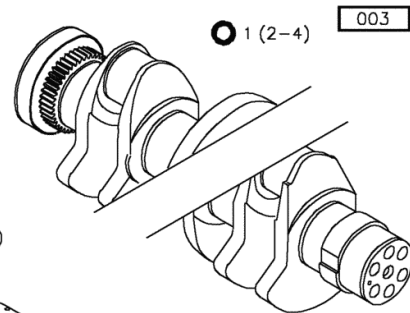
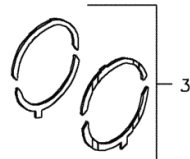
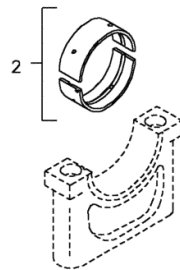
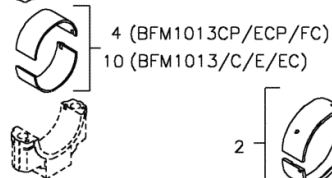
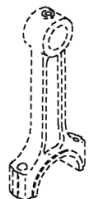
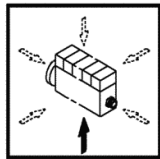
Section: ENGINE
CRANKSHAFT

Fig.	Code	QTY	Name
------	------	-----	------

Engine Serial Numbers:

356922 356923 356924 356925 356926 356927 356928 356929 356930 356931 356932 356933 373534 373535
 373536 373537 373538 373539 373540 373541 373542 373543 373544 373545 373546 373547 390707 390708
 390709 390710 390711 390712 390713 390714 390715 395322 395323 395324 395325 395326 395703 400576
 400577 400578 400579 400580 405379 405380 405381 405382 405383 405384 405385 405386 405387 405388
 405389 405390 411280 411281 411282 411283 412243 412244 412245 412246 412247 412248 424410
 424411 424412 424413 424414 424415 424416 428308 428309 428310 428311 428860 428861 428862 428863
 428864 428865 435918 435919 435920 435921 435922 435923 443073 443074 443621 446131 446132 446133
 446134 446135 446136 452669 452670 452671 462433 462434 462435 462436 462437 464725 464726 464727
 465995 465996 474585 484332 484333 484334 484335 484336 484337 484338 484339 484340 484341 484342
 484343 484344 484345 494932 494933 494934 494935 494936 494937 494938 505977 505978 505979 505980
 513454 513455 519545 519546 522637 522638 522639 522640 522641 529101 529102 529103 546792 546793
 546794 546795 546796 552447 552448 552449 552450 552451 552452 561166 566604 566605 566606 566607
 566608 566609 566610 566611 566612 566613 574082 574083 579355 579356 579357 579358 582091 582092
 582093 582094 587920 587921 587922 587923 587924 587925 592187 592188 592189 592190 598868 598869
 598870 598871 600323 600324 600325 600326 600327 600328 600329 606959 606960 606961 606962 606963
 614338 614339 614340 614341 614342 621752 621753 621754 621755 621756 621757 621758 621759 621760
 621761 629348 629349 629350 637591 637592 637593 637594 637595 637596 637597 637598 637599 637600
 637601 645503 645504 645505 645506 645507 645508 645509 645510 645511 645512 653050 653051 655647
 655648 655649 655650 655651 658388 658389 658390 667800 667801 667802 667803 667804 667805 667806
 667807 667808 667809 667810 675969 675970 675971 675972 675973 675974 675975 675976 691372 691373
 691374 691375 691376 691377 691378 691379 691380 698055 698056 698057 698058 698059 698060 698061
 698062 698063 698064 701834 701835 701836 701837 701838 701839 701840 701841 701842 701843 722576
 722577 722578 722579 722580 722581 722582 722583 734634 734635 734636 734637 742303 742304 742305
 742306 770657 770658 770659 770660 770661 770662 770663 770664 770665 770666 774539 774540 774541
 774542 774543 822403 822404 822405 827207 827208 827209 837220 837221 837222 851261 877248 886843
 886844 886845 886846 935500 935501 935502 935503 956843

1	02929960	1	crank shaft WITH ITEM (2-4)
2	02929430	7	main bearing STANDARD NORMAL (A) MM RD, UNDERSIZE STEP SEE ITEM(B) A = 85.00 MM B = POS. 952,962
3	02929438	1	snoulder STANDARD NORMAL (A)MM, OVERSIZE STEP SEE ITEM (B) POS. (B) A = 2.90 MM B 953
4	02931493	6	crank shaft NORMAL (A) MM RD, UNDERSIZE STEP SEE ITEM(B) A 68,00 MM



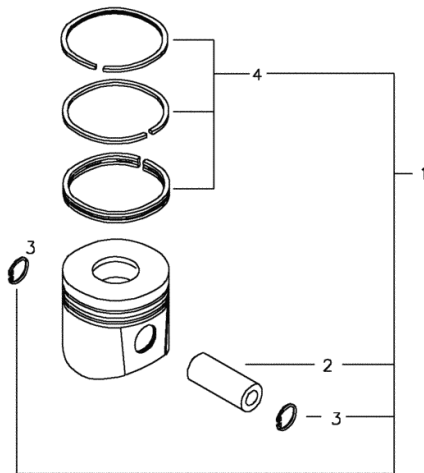
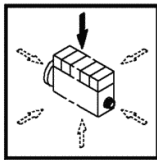
PISTON

Fig.	Code	QTY	Name
------	------	-----	------

Engine Serial Numbers:

742303 742304 742305 742306 770657 770658 770659 770660 770661 770662 770663 770664 770665 770666
 774539 774540 774541 774542 774543 822403 822404 822405 827207 827208 827209 837220 837221 837222
 851261 877248 886843 886844 886845 886846 935500 935501 935502 935503 956843

1	04259101	1	piston WITH ITEM (2-4)
2	04200139	1	piston pin
3	01107830	2	circlip
4	04253389	1	piston ring set

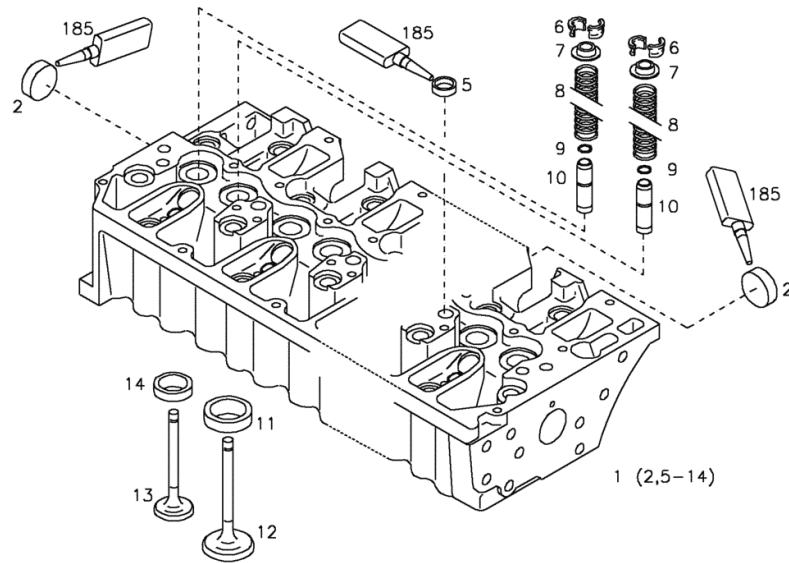


Section: ENGINE
CYLINDER HEAD

Fig.	Code	QTY	Name
------	------	-----	------

Engine Serial Numbers:

400576 400577 400578 400579 400580 405379 405380 405381 405382 405383 405384 405385 405386 405387
405388 405389 405390 411280 411281 411282 411283 412242 412243 412244 412245 412246 412247 412248
424410 424411 424412 424413 424414 424415 424416 428308 428309 428310 428311 428860 428861 428862
428863 428864 428865 435918 435919 435920 435921 435922 435923 443073 443074 443621 446131 446132
446133 446134 446135 446136 452669 452670 452671 462433 462434 462435 462436 462437 464725 464726
464727 465995 465996 474585



1	04255948	1	engine head WITH ITEM (2,5-14)
2	01179634	5	plug H 002860-A36-ST-FE/ZNPHR
5	01165828	5	stop H 000711-B20
6	12164698	24	conical valve cotter H 007020-MK 9
7	04200114	12	cap-washer
8	04200150	12	spring
9	01153857	12	ring H 002927- 9 X 1,5 -FPM-1-82
10	04201238	12	valve guide NORMAL (A) MM RD, FOR OVERSIZED PART SEE POS (B) A = 15.00 MM B = POS. 950-951
11	04252442	6	ring INTAKE VALVE, NORMAL.(A)MM RD FOR OVERSIZED PART SEE POS (B) A = 49.09 mm B = POS.952-953
12	04255883	6	inlet valve
13	04209111	6	exhaust valve
14	04252443	6	ring EXHAUST VALVE, NORMAL.(A)MM RD FOR OVERSIZED PART SEE POS (B) A = 43,60 MM B = POS.954-955
185	01016125	0	guard H 000699-DEUTZ DW 72- 250 ML
950	02934437	0	valve guide 1ST OVERSIZE 1ST OVERSIZE 1A SOBREMEDIDA

CLICK HERE TO **DOWNLOAD** THE COMPLETE MANUAL

- Thank you very much for reading the preview of the manual.
- You can download the complete manual from: www.heydownloads.com by clicking the link below



- Please note: If there is no response to CLICKING the link, please download this PDF first and then click on it.

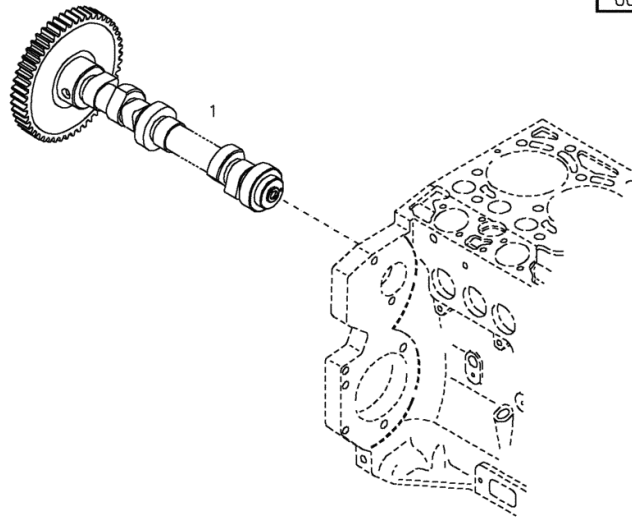
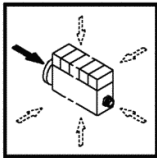
CLICK HERE TO **DOWNLOAD** THE COMPLETE MANUAL

Section: ENGINE
CAMSHAFT

Fig.	Code	QTY	Name
------	------	-----	------

Engine Serial Numbers:

435918 435919 435920 435921 435922 435923 443073 443074 443621 446131 446132 446133 446134 446135
 446136 452669 452670 452671 462433 462434 462435 462436 462437 464725 464726 464727 465995 465996
 474585 484332 484333 484334 484335 484336 484337 484338 484339 484340 484341 484342 484343 484344
 484345 494932 494933 494934 494935 494936 494937 494938 505977 505978 505979 505980 513454 513455
 519545 519546 522637 522638 522639 522640 522641 529101 529102 529103 546792 546793 546794 546795
 546796 552447 552448 552449 552450 552451 552452 561166 566604 566605 566606 566607 566608 566609
 566610 566611 566612 566613 574082 574083 579355 579356 579357 579358 582091 582092 582093 582094
 587920 587921 587922 587923 587924 587925 592187 592188 592189 592190 598868 598869 598870 598871
 600323 600324 600325 600326 600327 600328 600329 606959 606960 606961 606962 606963 614338 614339
 614340 614341 614342 621752 621753 621754 621755 621756 621757 621758 621759 621760 621761 629348
 629349 629350 637591 637592 637593 637594 637595 637596 637597 637598 637599 637600 637601 645503
 645504 645505 645506 645507 645508 645509 645510 645511 645512 653050 653051 655647 655648 655649
 655650 655651 658388 658389 658390 667800 667801 667802 667803 667804 667805 667806 667807 667808
 667809 667810 675969 675970 675971 675972 675973 675974 675975 675976 691372 691373 691374 691375
 691376 691377 691378 691379 691380 698055 698056 698057 698058 698059 698060 698061 698062 698063
 698064 701834 701835 701836 701837 701838 701839 701840 701841 701842 701843 722576 722577 722578
 722579 722580 722581 722582 722583 734634 734635 734636 734637



1	04255925	1	camshaft
---	----------	---	----------

Section: ENGINE
CLOSING COMPONENTS

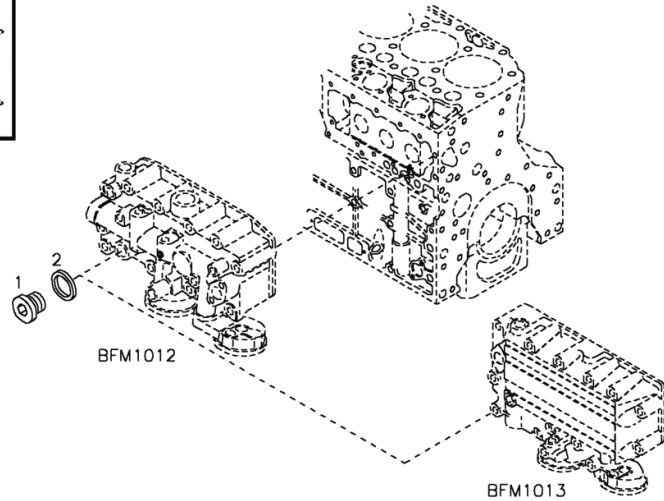
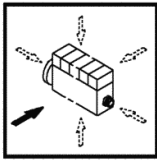
Fig.	Code	QTY	Name
------	------	-----	------

Engine Serial Numbers:

356922 356923 356924 356925 356926 356927 356928 356929 356930 356931 356932 356933 373534 373535
 373536 373537 373538 373539 373540 373541 373542 373543 373544 373545 373546 373547 390707 390708
 390709 390710 390711 390712 390713 390714 390715 395322 395323 395324 395325 395326 395703 400576
 400577 400578 400579 400580 405379 405380 405381 405382 405383 405384 405385 405386 405387 405388
 405389 405390 411280 411281 411282 411283 412242 412243 412244 412245 412246 412247 412248 424410
 424411 424412 424413 424414 424415 424416 428308 428309 428310 428311 428860 428861 428862 428863
 428864 428865 435918 435919 435920 435921 435922 435923 443073 443074 443621 446131 446132 446133
 446134 446135 446136 452669 452670 452671 462433 462434 462435 462436 462437 464725 464726 464727
 465995 465996 474585 484332 484333 484334 484335 484336 484337 484338 484339 484340 484341 484342
 484343 484344 484345 494932 494933 494934 494935 494936 494937 494938 505977 505978 505979 505980
 513454 513455 519545 519546 522637 522638 522639 522640 522641 529101 529102 529103 546792 546793
 546794 546795 546796 552447 552448 552449 552450 552451 552452 561166 566604 566605 566606 566607
 566608 566609 566610 566611 566612 566613 574082 574083 579355 579356 579357 579358 582091 582092
 582093 582094 587920 587921 587922 587923 587924 587925 592187 592188 592189 592190 598868 598869
 598870 598871 600323 600324 600325 600326 600327 600328 600329 606959 606960 606961 606962 606963
 614338 614339 614340 614341 614342 621752 621753 621754 621755 621756 621757 621758 621759 621760
 621761 629348 629349 629350 637591 637592 637593 637594 637595 637596 637597 637598 637599 637600
 637601 645503 645504 645505 645506 645507 645508 645509 645510 645511 645512 653050 653051 655647
 655648 655649 655650 655651 658388 658389 658390 667800 667801 667802 667803 667804 667805 667806
 667807 667808 667809 667810 675969 675970 675971 675972 675973 675974 675975 675976 691372 691373
 691374 691375 691376 691377 691378 691379 691380 698055 698056 698057 698058 698059 698060 698061
 698062 698063 698064 701834 701835 701836 701837 701838 701839 701840 701841 701842 701843 722576
 722577 722578 722579 722580 722581 722582 722583 734634 734635 734636 734637 742303 742304 742305
 742306 770657 770658 770659 770660 770661 770662 770663 770664 770665 770666 774539 774540 774541
 774542 774543 822403 822404 822405 827207 827208 827209 837220 837221 837222 851261 877248 886843
 886844 886845 886846 935500 935501 935502 935503 956843

002 ©

1	01182177	1	screw
2	01118713	1	washer 18.5

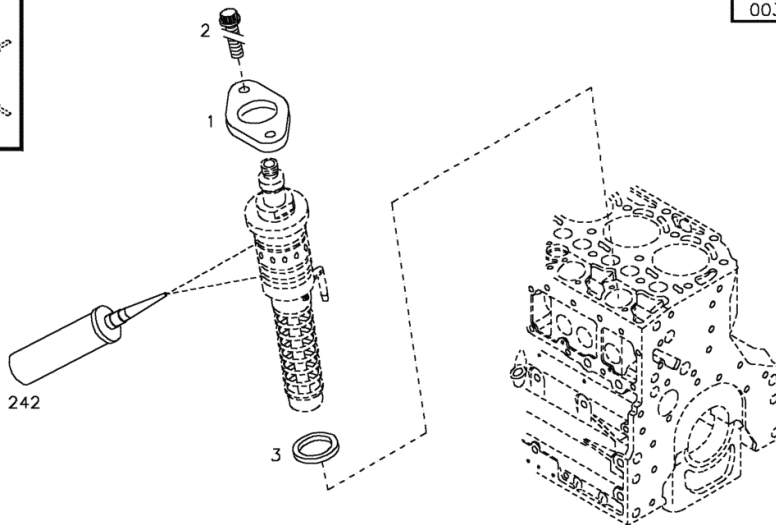
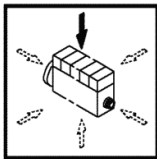


Section: ENGINE
FASTENINGS

Fig.	Code	QTY	Name
------	------	-----	------

Engine Serial Numbers:

356922 356923 356924 356925 356926 356927 356928 356929 356930 356931 356932 356933 373534 373535
 373536 373537 373538 373539 373540 373541 373542 373543 373544 373545 373546 373547 390707 390708
 390709 390710 390711 390712 390713 390714 390715 395322 395323 395324 395325 395326 395703 400576
 400577 400578 400579 400580 405379 405380 405381 405382 405383 405384 405385 405386 405387 405388
 405389 405390 411280 411281 411282 411283 412242 412243 412244 412245 412246 412247 412248 424410
 424411 424412 424413 424414 424415 424416 428308 428309 428310 428311 428860 428861 428862 428863
 428864 428865 435918 435919 435920 435921 435922 435923 443073 443074 443621 446131 446132 446133
 446134 446135 446136 452669 452670 452671 462433 462434 462435 462436 462437 464725 464726 464727
 465995 465996 474585 484332 484333 484334 484335 484336 484337 484338 484339 484340 484341 484342
 484343 484344 484345 494932 494933 494934 494935 494936 494937 494938 505977 505978 505979 505980
 513454 513455 519545 519546 522637 522638 522639 522640 522641 529101 529102 529103 546792 546793
 546794 546795 546796 552447 552448 552449 552450 552451 552452 561166 566604 566605 566606 566607
 566608 566609 566610 566611 566612 566613 574082 574083 579355 579356 579357 579358 582091 582092
 582093 582094 587920 587921 587922 587923 587924 587925 592187 592188 592189 592190 598868 598869
 598870 598871 600323 600324 600325 600326 600327 600328 600329 606959 606960 606961 606962 606963
 614338 614339 614340 614341 614342 621752 621753 621754 621755 621756 621757 621758 621759 621760
 621761 629348 629349 629350 637591 637592 637593 637594 637595 637596 637597 637598 637599 637600
 637601 645503 645504 645505 645506 645507 645508 645509 645510 645511 645512 653050 653051 655647
 655648 655649 655650 655651 658388 658389 658390 667800 667801 667802 667803 667804 667805 667806
 667807 667808 667809 667810 675969 675970 675971 675972 675973 675974 675975 675976 691372 691373
 691374 691375 691376 691377 691378 691379 691380 698055 698056 698057 698058 698059 698060 698061
 698062 698063 698064 701834 701835 701836 701837 701838 701839 701840 701841 701842 701843 722576
 722577 722578 722579 722580 722581 722582 722583 734634 734635 734636 734637



003 ©

1	02112400	1	flange
2	01181763	2	screw
3	04204140	1	shim mm 1.50
			DEPENDENT ON MEASUREMENT RESULT
			GASKET THICKNESS (A) = MM
			OTHER THICKNESSES SEE ITEM (B)
			A = 1.00
242	01016105	0	sealing compound
950	04204141	0	shim mm 1.10
		 MM THICK
			1.10 MM
951	04204142	0	shim mm 1.20
		 MM THICK
			1.20 MM
952	04204143	0	shim mm 1.30
		 MM THICK
			1.30 MM
953	04204144	0	shim mm 1.40
		 MM THICK
			1.40 MM

Section: ENGINE
FUEL INJECTOR

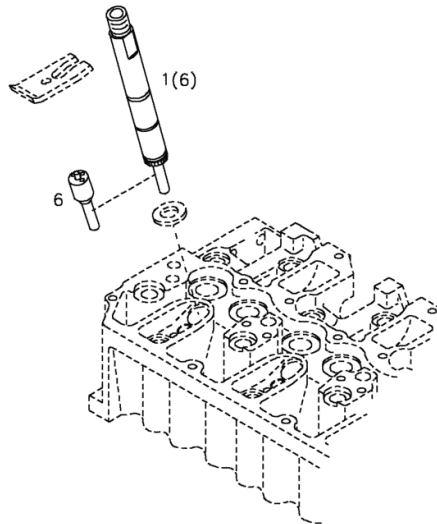
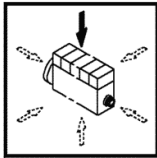
Fig.	Code	QTY	Name
------	------	-----	------

Engine Serial Numbers:

742303 742304 742305 742306 770657 770658 770659 770660 770661 770662 770663 770664 770665 770666
 774539 774540 774541 774542 774543 822403 822404 822405 827207 827208 827209 837220 837221 837222
 851261 877248 886843 886844 886845 886846 935500 935501 935502 935503 956843

1	02112957	1	injector WITH ITEM (6)
6	02112959	1	nozzle

000 ©

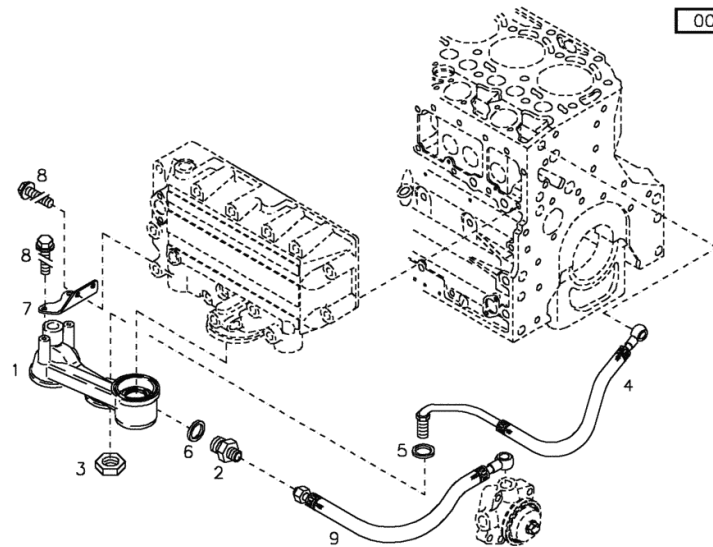
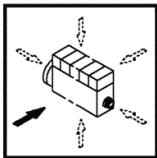


FUEL LINE

Fig.	Code	QTY	Name
------	------	-----	------

Engine Serial Numbers:

653050 653051 655647 655648 655649 655650 655651 658388 658389 658390 667800 667801 667802 667803
 667804 667805 667806 667807 667808 667809 667810 675969 675970 675971 675972 675973 675974 675975
 675976 691372 691373 691374 691375 691376 691377 691378 691379 691380 698055 698056 698057 698058
 698059 698060 698061 698062 698063 698064 701834 701835 701836 701837 701838 701839 701840 701841
 701842 701843 722576 722577 722578 722579 722580 722581 722582 722583 734634 734635 734636 734637
 742303 742304 742305 742306 770657 770658 770659 770660 770661 770662 770663 770664 770665 770666
 774539 774540 774541 774542 774543 822403 822404 822405 827207 827208 827209 837220 837221 837222
 851261 877248 886843 886844 886845 886846 935500 935501 935502 935503 956843



000	1	04209003	1	power control
	2	01119139	1	tongue
	3	01139615	1	nut
	4	04207899	1	tube
	5	01118700	1	'o' ring Ø 16 x 20
	6	01118693	1	gasket 14x20
	7	04207553	1	console
	8	01181442	2	screw
	9	01180509	1	tube

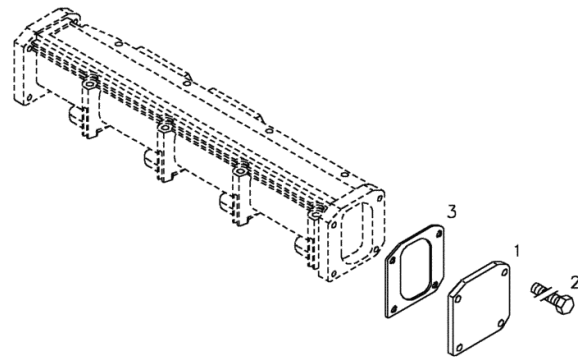
Section: ENGINE
TUNNEL COVER

Fig.	Code	QTY	Name
------	------	-----	------

Engine Serial Numbers:

474585 484332 484333 484334 484335 484336 484337 484338 484339 484340 484341 484342 484343 484344
 484345 494932 494933 494934 494935 494936 494937 494938 505977 505978 505979 505980 513454 513455
 519545 519546 522637 522638 522639 522640 522641 529101 529102 529103 546792 546793 546794 546795
 546796 552447 552448 552449 552450 552451 552452 561166 566604 566605 566606 566607 566608 566609
 566610 566611 566612 566613 574082 574083 579355 579356 579357 579358 582091 582092 582093 582094
 587920 587921 587922 587923 587924 587925 592187 592188 592189 592190 598868 598869 598870 598871
 600323 600324 600325 600326 600327 600328 600329 606959 606960 606961 606962 606963 614338 614339
 614340 614341 614342 621752 621753 621754 621755 621756 621757 621758 621759 621760 621761 629348
 629349 629350 637591 637592 637593 637594 637595 637596 637597 637598 637599 637600 637601 645503
 645504 645505 645506 645507 645508 645509 645510 645511 645512 653050 653051 655647 655648 655649
 655650 655651 658388 658389 658390 667800 667801 667802 667803 667804 667805 667806 667807 667808
 667809 667810 675969 675970 675971 675972 675973 675974 675975 675976 691372 691373 691374 691375
 691376 691377 691378 691379 691380 698055 698056 698057 698058 698059 698060 698061 698062 698063
 698064 701834 701835 701836 701837 701838 701839 701840 701841 701842 701843 722576 722577 722578
 722579 722580 722581 722582 722583 734634 734635 734636 734637

002 ©



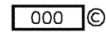
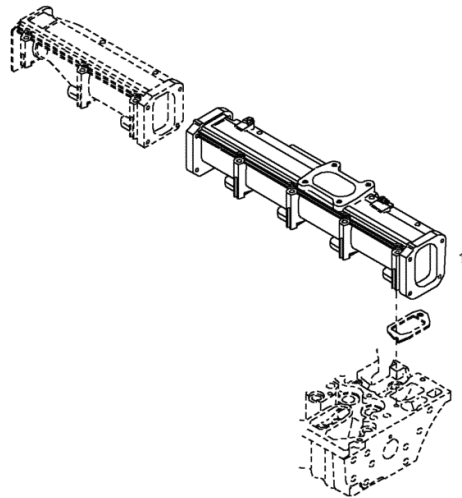
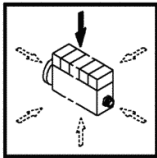
1	04202048	1	cover
2	01112326	4	screw m 8 x 22 ISO 004017-M 8 X 22 - 8.8-A4C
3	04206814	1	gasket

Section: ENGINE
CHARGE AIR PIPE

Fig.	Code	QTY	Name
------	------	-----	------

Engine Serial Numbers:
 935500 935501 935502 935503 956843

1	04284003	1	sheath
---	----------	---	--------

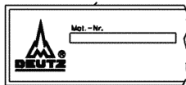
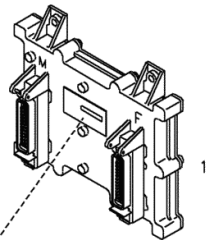
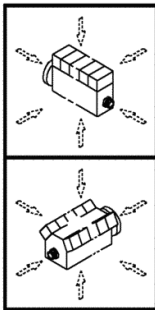


Section: ENGINE
ADJUSTER INSTRUMENT

Fig.	Code	QTY	Name
------	------	-----	------

Engine Serial Numbers:

356922 356923 356924 356925 356926 356927 356928 356929 356930 356931 356932 356933 373534 373535
 373536 373537 373538 373539 373540 373541 373542 373543 373544 373545 373546 373547 390707 390708
 390709 390710 390711 390712 390713 390714 390715 395322 395323 395324 395325 395326 395703 400576
 400577 400578 400579 400580 405379 405380 405381 405382 405383 405384 405385 405386 405387 405388
 405389 405390 411280 411281 411282 411283 412242 412243 412244 412245 412246 412247 412248 424410
 424411 424412 424413 424414 424415 424416 428308 428309 428310 428311 428860 428861 428862 428863
 428864 428865 435918 435919 435920 435921 435922 435923 443073 443074 443621 446131 446132 446133
 446134 446135 446136 452669 452670 452671 462433 462434 462435 462436 462437 464725 464726 464727
 465995 465996



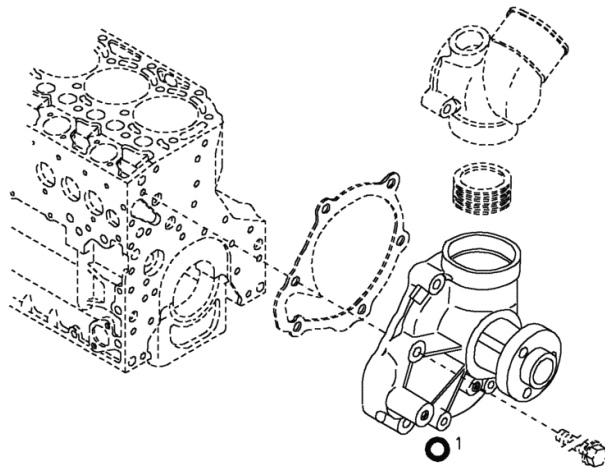
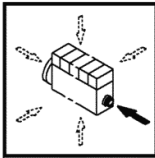
001	1	02112016	1	electronic unit SCHEDULED SCHEDULED
	950	02112017	0	central device MAIN IMPLEMENT

Section: ENGINE
COOLING WATER PUMP

Fig.	Code	QTY	Name
------	------	-----	------

Engine Serial Numbers:

356922 356923 356924 356925 356926 356927 356928 356929 356930 356931 356932 356933 373534 373535
 373536 373537 373538 373539 373540 373541 373542 373543 373544 373545 373546 373547 390707 390708
 390709 390710 390711 390712 390713 390714 390715 395322 395323 395324 395325 395326 395703 400576
 400577 400578 400579 400580 405379 405380 405381 405382 405383 405384 405385 405386 405387 405388
 405389 405390 411280 411281 411282 411283 412242 412243 412244 412245 412246 412247 412248 424410
 424411 424412 424413 424414 424415 424416 428308 428309 428310 428311 428860 428861 428862 428863
 428864 428865 435918 435919 435920 435921 435922 435923 443073 443074 443621 446131 446132 446133
 446134 446135 446136 452669 452670 452671 462433 462434 462435 462436 462437 464725 464726 464727
 465995 465996 474585 484332 484333 484334 484335 484336 484337 484338 484339 484340 484341 484342
 484343 484344 484345 494932 494933 494934 494935 494936 494937 494938 505977 505978 505979 505980
 513454 513455 519545 519546 522637 522638 522639 522640 522641 529101 529102 529103 546792 546793
 546794 546795 546796 552447 552448 552449 552450 552451 552452 561166 566604 566605 566606 566607
 566608 566609 566610 566611 566612 566613 574082 574083 579355 579356 579357 579358 582091 582092
 582093 582094



001 ©

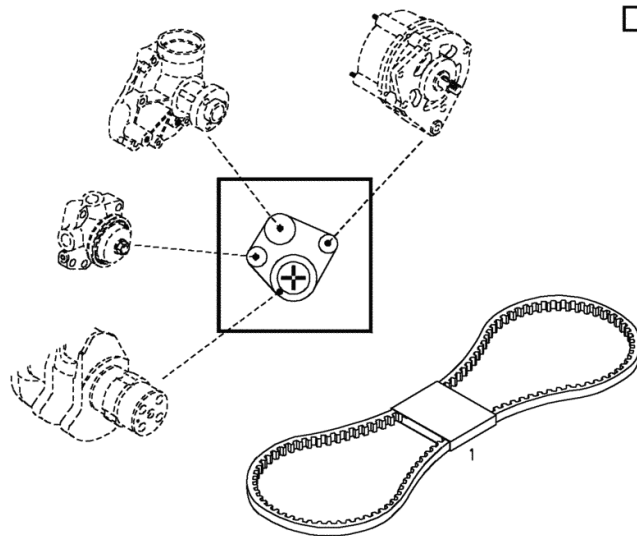
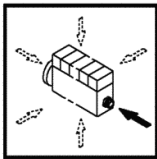
1	04205959	1	pump - NEW PART RECONDITIONED PART, SEE POS. (A) A = POS.950
950	03045253	0	water pump RECONDITIONED PART - FOR NEW PART SEE POS. (A) A = 1.00 MM

Section: ENGINE
NARROW V-BELT

Fig.	Code	QTY	Name
------	------	-----	------

Engine Serial Numbers:

356922 356923 356924 356925 356926 356927 356928 356929 356930 356931 356932 356933 373534 373535
 373536 373537 373538 373539 373540 373541 373542 373543 373544 373545 373546 373547 390707 390708
 390709 390710 390711 390712 390713 390714 390715 395322 395323 395324 395325 395326 395703 400576
 400577 400578 400579 400580 405379 405380 405381 405382 405383 405384 405385 405386 405387 405388
 405389 405390 411280 411281 411282 411283 412242 412243 412244 412245 412246 412247 412248 424410
 424411 424412 424413 424414 424415 424416 428308 428309 428310 428311 428860 428861 428862 428863
 428864 428865 435918 435919 435920 435921 435922 435923 443073 443074 443621 446131 446132 446133
 446134 446135 446136 452669 452670 452671 462433 462434 462435 462436 462437 464725 464726 464727
 465995 465996 474585 484332 484333 484334 484335 484336 484337 484338 484339 484340 484341 484342
 484343 484344 484345 494932 494933 494934 494935 494936 494937 494938 505977 505978 505979 505980
 513454 513455 519545 519546 522637 522638 522639 522640 522641 529101 529102 529103 546792 546793
 546794 546795 546796 552447 552448 552449 552450 552451 552452 561166 566604 566605 566606 566607
 566608 566609 566610 566611 566612 566613 574082 574083 579355 579356 579357 579358 582091 582092
 582093 582094 587920 587921 587922 587923 587924 587925 592187 592188 592189 592190 598868 598869
 598870 598871 600323 600324 600325 600326 600327 600328 600329 606959 606960 606961 606962 606963
 614338 614339 614340 614341 614342 621752 621753 621754 621755 621756 621757 621758 621759 621760
 621761 629348 629349 629350 637591 637592 637593 637594 637595 637596 637597 637598 637599 637600
 637601 645503 645504 645505 645506 645507 645508 645509 645510 645511 645512 653050 653051 655647
 655648 655649 655650 655651 658388 658389 658390 667800 667801 667802 667803 667804 667805 667806
 667807 667808 667809 667810 675969 675970 675971 675972 675973 675974 675975 675976 691372 691373
 691374 691375 691376 691377 691378 691379 691380 698055 698056 698057 698058 698059 698060 698061
 698062 698063 698064 701834 701835 701836 701837 701838 701839 701840 701841 701842 701843 722576
 722577 722578 722579 722580 722581 722582 722583 734634 734635 734636 734637 742303 742304 742305
 742306 770657 770658 770659 770660 770661 770662 770663 770664 770665 770666 774539 774540 774541
 774542 774543 822403 822404 822405 827207 827208 827209 837220 837221 837222 851261 877248 886843
 886844 886845 886846 935500 935501 935502 935503 956843



001 ©

1	01180350	1	belt AV 13x1275 mm
---	----------	---	--------------------

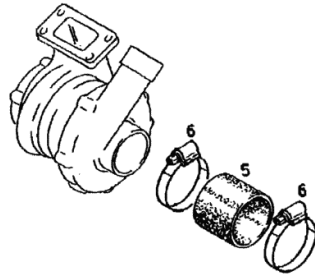
Section: ENGINE
ACCESSORIES

Fig.	Code	QTY	Name
------	------	-----	------

Engine Serial Numbers:

667800 667801 667802 667803 667804 667805 667806 667807 667808 667809 667810 675969 675970 675971
 675972 675973 675974 675975 675976 691372 691373 691374 691375 691376 691377 691378 691379 691380
 698055 698056 698057 698058 698059 698060 698061 698062 698063 698064 701834 701835 701836 701837
 701838 701839 701840 701841 701842 701843 722576 722577 722578 722579 722580 722581 722582 722583
 734634 734635 734636 734637 742303 742304 742305 742306 770657 770658 770659 770660 770661 770662
 770663 770664 770665 770666 774539 774540 774541 774542 774543 822403 822404 822405 827207 827208
 827209 837220 837221 837222 851261 877248 886843 886844 886845 886846 935500 935501 935502 935503
 956843

1000	5	01175634	1	sleeve 51x58x60
	6	01173971	2	hose clip Ø 40/60

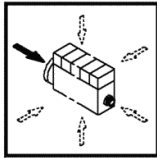


Section: ENGINE
CLOSING COMPONENTS

Fig.	Code	QTY	Name
------	------	-----	------

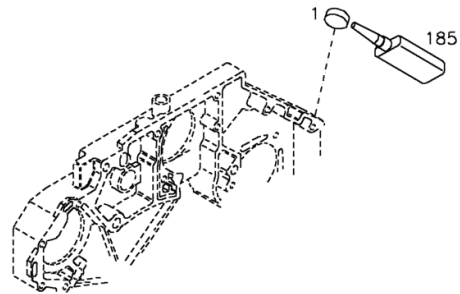
Engine Serial Numbers:

566604 566605 566606 566607 566608 566609 566610 566611 566612 566613 574082 574083 579355 579356
 579357 579358 582091 582092 582093 582094 587920 587921 587922 587923 587924 587925 592187 592188
 592189 592190 598868 598869 598870 598871 600323 600324 600325 600326 600327 600328 600329 606959
 606960 606961 606962 606963 614338 614339 614340 614341 614342 621752 621753 621754 621755 621756
 621757 621758 621759 621760 621761 629348 629349 629350 637591 637592 637593 637594 637595 637596
 637597 637598 637599 637600 637601 645503 645504 645505 645506 645507 645508 645509 645510 645511
 645512 653050 653051 655647 655648 655649 655650 655651 658388 658389 658390 667800 667801 667802
 667803 667804 667805 667806 667807 667808 667809 667810 675969 675970 675971 675972 675973 675974
 675975 675976 691372 691373 691374 691375 691376 691377 691378 691379 691380 698055 698056 698057
 698058 698059 698060 698061 698062 698063 698064 956843



000 ©

1	04255856	1	cover DIN 443 -B28-A4C*
185	01016127	1	sealing compound ml. 50 H 699 -DEUTZDW72-50ML



Section: ENGINE
ACCESSORIES

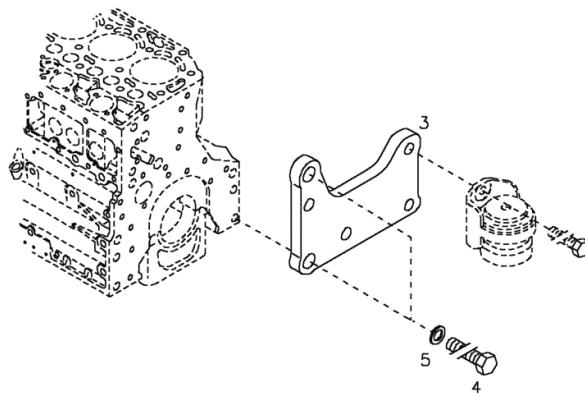
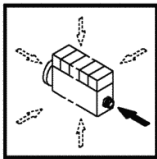
Fig.	Code	QTY	Name
------	------	-----	------

Engine Serial Numbers:

742303 742304 742305 742306 770657 770658 770659 770660 770661 770662 770663 770664 770665 770666
 774539 774540 774541 774542 774543 822403 822404 822405 827207 827208 827209 837220 837221 837222
 851261 877248 886843 886844 886845 886846 935500 935501 935502 935503 956843

3	04256349	1	bracket
4	01112683	2	screw m 16 x 40 ISO 4017 -M16X40-10.9-A4C
5	01181400	2	washer H 2308 -18X25X1,5-A4C

005 ©

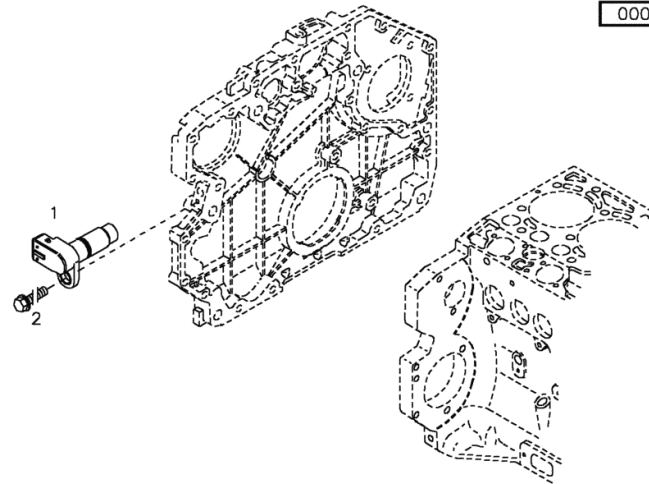
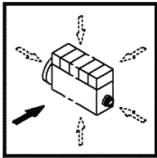


Section: ENGINE
IMPULSE TRANSMITTER

Fig.	Code	QTY	Name
------	------	-----	------

Engine Serial Numbers:

505977 505978 505979 505980 513454 513455 519545 519546 522637 522638 522639 522640 522641 529101
 529102 529103 546792 546793 546794 546795 546796 552447 552448 552449 552450 552451 552452 561166
 566604 566605 566606 566607 566608 566609 566610 566611 566612 566613 574082 574083 579355 579356
 579357 579358 582091 582092 582093 582094 587920 587921 587922 587923 587924 587925 592187 592188
 592189 592190 598868 598869 598870 598871 600323 600324 600325 600326 600327 600328 600329 606959
 606960 606961 606962 606963 614338 614339 614340 614341 614342 621752 621753 621754 621755 621756
 621757 621758 621759 621760 621761 629348 629349 629350 637591 637592 637593 637594 637595 637596
 637597 637598 637599 637600 637601 645503 645504 645505 645506 645507 645508 645509 645510 645511
 645512 653050 653051 655647 655648 655649 655650 655651 658388 658389 658390 667800 667801 667802
 667803 667804 667805 667806 667807 667808 667809 667810 675969 675970 675971 675972 675973 675974
 675975 675976 691372 691373 691374 691375 691376 691377 691378 691379 691380 698055 698056 698057
 698058 698059 698060 698061 698062 698063 698064 701834 701835 701836 701837 701838 701839 701840
 701841 701842 701843 722576 722577 722578 722579 722580 722581 722582 722583 734634 734635 734636
 734637 742303 742304 742305 742306 770657 770658 770659 770660 770661 770662 770663 770664 770665
 770666 774539 774540 774541 774542 774543 822403 822404 822405 827207 827208 827209 837220 837221
 837222 851261 877248 886843 886844 886845 886846 935500 935501 935502 935503 956843



1	04199792	1	pick-up
2	01181439	1	screw EN 1662 -F-M6X16-10.9-ZNAL-A

PLUG-IN CONNECTOR

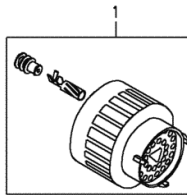
Fig.	Code	QTY	Name
------	------	-----	------

Engine Serial Numbers:

373534 373535 373536 373537 373538 373539 373540 373541 373542 373543 373544 373545 373546 373547
 390707 390708 390709 390710 390711 390712 390713 390714 390715 395322 395323 395324 395325 395326
 395703 400576 400577 400578 400579 400580 405379 405380 405381 405382 405383 405384 405385 405386
 405387 405388 405389 405390 411280 411281 411282 411283 412242 412243 412244 412245 412246 412247
 412248 424410 424411 424412 424413 424414 424415 424416 428308 428309 428310 428311

1	04199282	1	plug
---	----------	---	------

000 ©



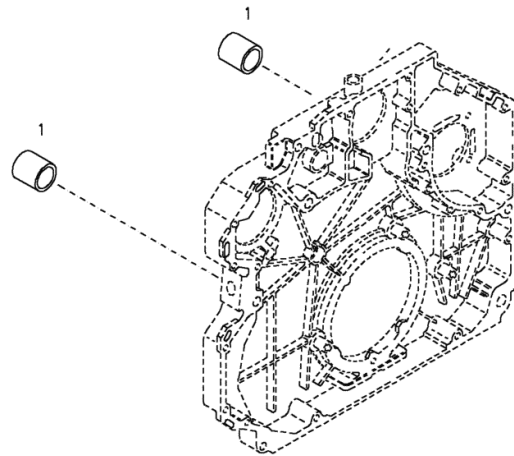
BUSH

Fig.	Code	QTY	Name
------	------	-----	------

Engine Serial Numbers:

356922 356923 356924 356925 356926 356927 356928 356929 356930 356931 356932 356933 373534 373535
 373536 373537 373538 373539 373540 373541 373542 373543 373544 373545 373546 373547 390707 390708
 390709 390710 390711 390712 390713 390714 390715 395322 395323 395324 395325 395326 395703 400576
 400577 400578 400579 400580 405379 405380 405381 405382 405383 405384 405385 405386 405387 405388
 405389 405390 411280 411281 411282 411283 412243 412244 412245 412246 412247 412248 424410
 424411 424412 424413 424414 424415 424416 428308 428309 428310 428311 428860 428861 428862 428863
 428864 428865 435918 435919 435920 435921 435922 435923 443073 443074 443621 446131 446132 446133
 446134 446135 446136 452669 452670 452671 462433 462434 462435 462436 462437 464725 464726 464727
 465995 465996 474585 484332 484333 484334 484335 484336 484337 484338 484339 484340 484341 484342
 484343 484344 484345 494932 494933 494934 494935 494936 494937 494938 505977 505978 505979 505980
 513454 513455 519545 519546 522637 522638 522639 522640 522641 529101 529102 529103 546792 546793
 546794 546795 546796 552447 552448 552449 552450 552451 552452 561166 566604 566605 566606 566607
 566608 566609 566610 566611 566612 566613 574082 574083 579355 579356 579357 579358 582091 582092
 582093 582094 587920 587921 587922 587923 587924 587925 592187 592188 592189 592190 598868 598869
 598870 598871 600323 600324 600325 600326 600327 600328 600329 606959 606960 606961 606962 606963
 614338 614339 614340 614341 614342 621752 621753 621754 621755 621756 621757 621758 621759 621760
 621761 629348 629349 629350 637591 637592 637593 637594 637595 637596 637597 637598 637599 637600
 637601 645503 645504 645505 645506 645507 645508 645509 645510 645511 645512 653050 653051 655647
 655648 655649 655650 655651 658388 658389 658390 667800 667801 667802 667803 667804 667805 667806
 667807 667808 667809 667810 675969 675970 675971 675972 675973 675974 675975 675976 691372 691373
 691374 691375 691376 691377 691378 691379 691380 698055 698056 698057 698058 698059 698060 698061
 698062 698063 698064 701834 701835 701836 701837 701838 701839 701840 701841 701842 701843 722576
 722577 722578 722579 722580 722581 722582 722583 734634 734635 734636 734637 742303 742304 742305
 742306 770657 770658 770659 770660 770661 770662 770663 770664 770665 770666 774539 774540 774541
 774542 774543 822403 822404 822405 827207 827208 827209 837220 837221 837222 851261 877248 886843
 886844 886845 886846 935500 935501 935502 935503 956843

000 ©



1	04206381	2	bushing 13x18x20
---	----------	---	------------------

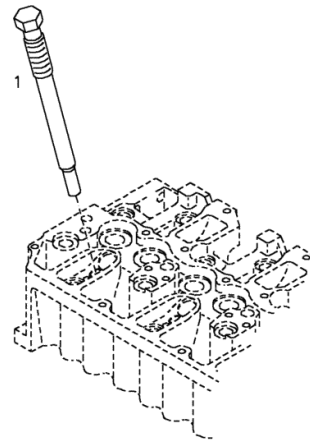
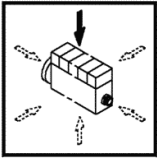
SCREW - WASHER - HEX NUT

Fig.	Code	QTY	Name
------	------	-----	------

Engine Serial Numbers:

742303 742304 742305 742306 770657 770658 770659 770660 770661 770662 770663 770664 770665 770666
 774539 774540 774541 774542 774543 822403 822404 822405 827207 827208 827209 837220 837221 837222
 851261 877248 886843 886844 886845 886846 935500 935501 935502 935503 956843

1	04200769	1	stop
---	----------	---	------



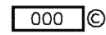
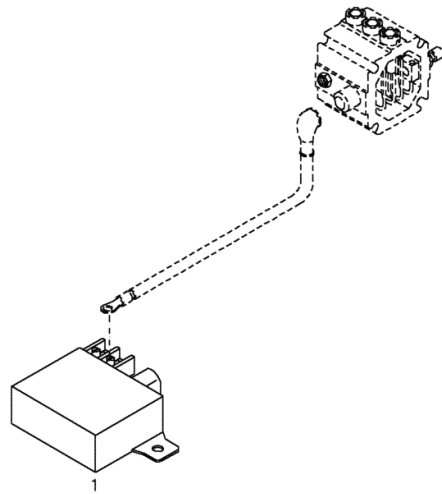
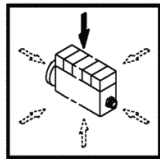
001 ©

RELAY

Fig.	Code	QTY	Name
------	------	-----	------

Engine Serial Numbers:
837220 837221 837222 851261

1	04194302	1	relay
---	----------	---	-------



P.T.O. FRONT

Fig.	Code	QTY	Name
0	0.000.0000.1	0	not serviceable

Original Ersatzteilkatalog

Original parts catalogue

Catalogue pièces d'origine

Catalogo ricambi originali

Catálogo peças originais

**FIRMA HANS SAUTER GMBH
LANDTECHNIK-STAHLBAU
AUERBACHWEG 13
D 87778 STETTEN**

TEL: 08261/759940

FAX: 08261/7599420

Section: FRONT AXEL
4WD - FRONT DRIVE AXLE

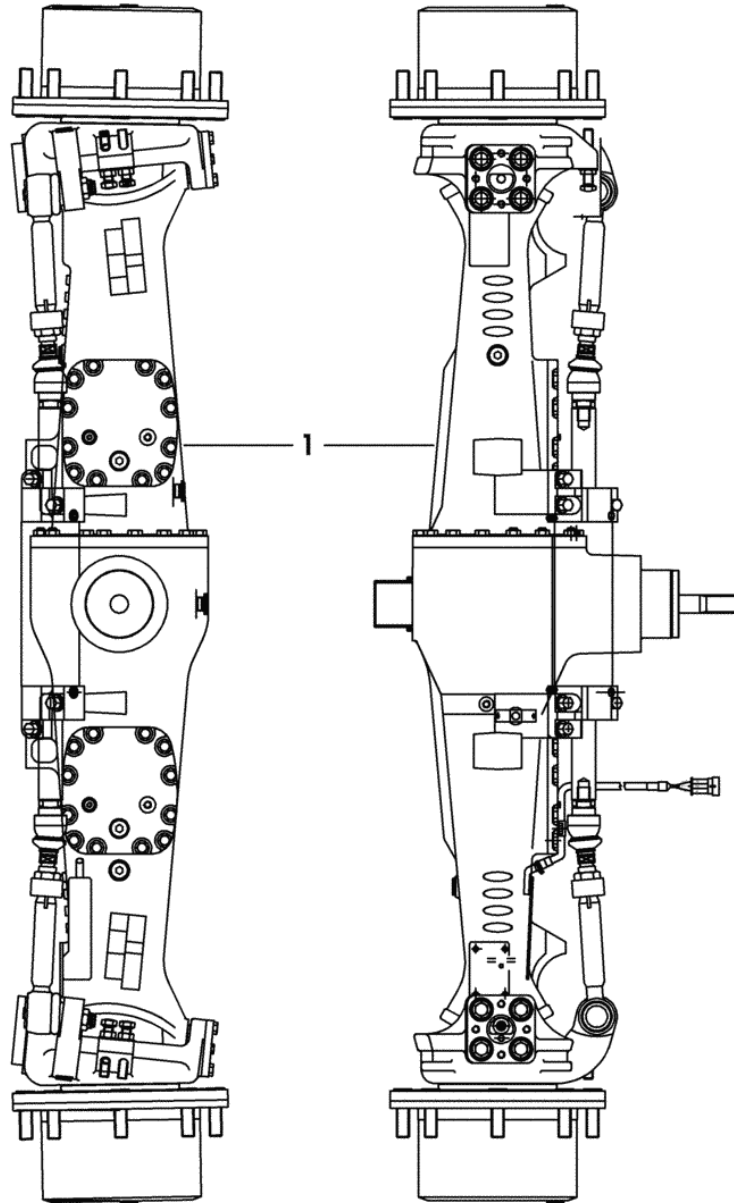


Fig.	Code	QTY	Name
1	0.012.5775.4	1	steering axle COMPONENT PARTS SEE COMPONENTS LIST ☞ 0.012.5775.4 ☞ 0.012.5775.4 ☞ 0.012.5775.4 ☞ 0.012.5775.4 ☞ 0.012.5775.4 ☞ 0.012.5775.4 ☞ 04.00.14 ☞ 04.00.13 ☞ 04.00.12 ☞ 04.00.11 ☞ 04.00.10 ☞ 04.00.9

9_9504 3_0_0_0

FRONT HYDRAULIC POWER-LIFT

Fig.	Code	QTY	Name
0	0.000.0000.1	0	not serviceable

Original Ersatzteilkatalog

Original parts catalogue

Catalogue pièces d'origine

Catalogo ricambi originali

Catálogo peças originais

**FIRMA HANS SAUTER GMBH
LANDTECHNIK-STAHLBAU
AUERBACHWEG 13
D 87778 STETTEN**

TEL: 08261/759940

FAX: 08261/7599420

Section: GEAR
POWERSHIFT

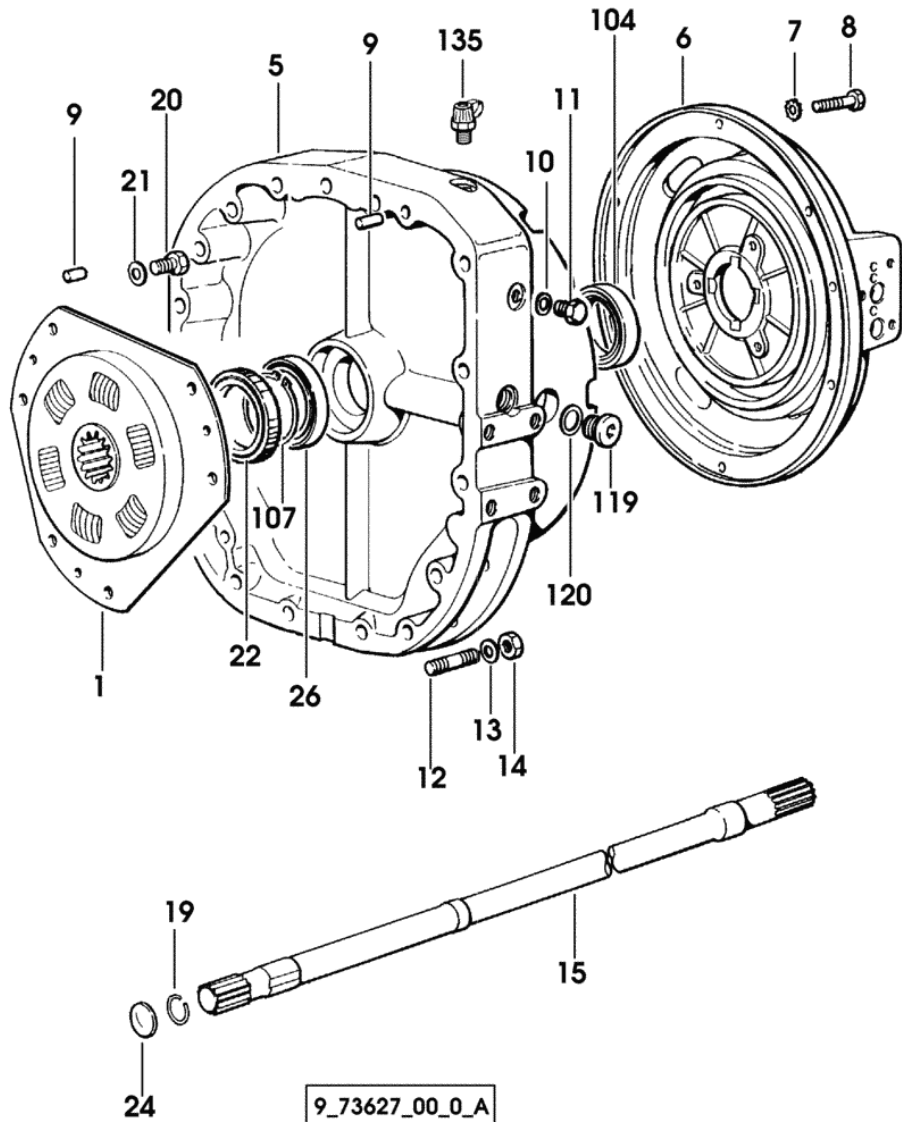
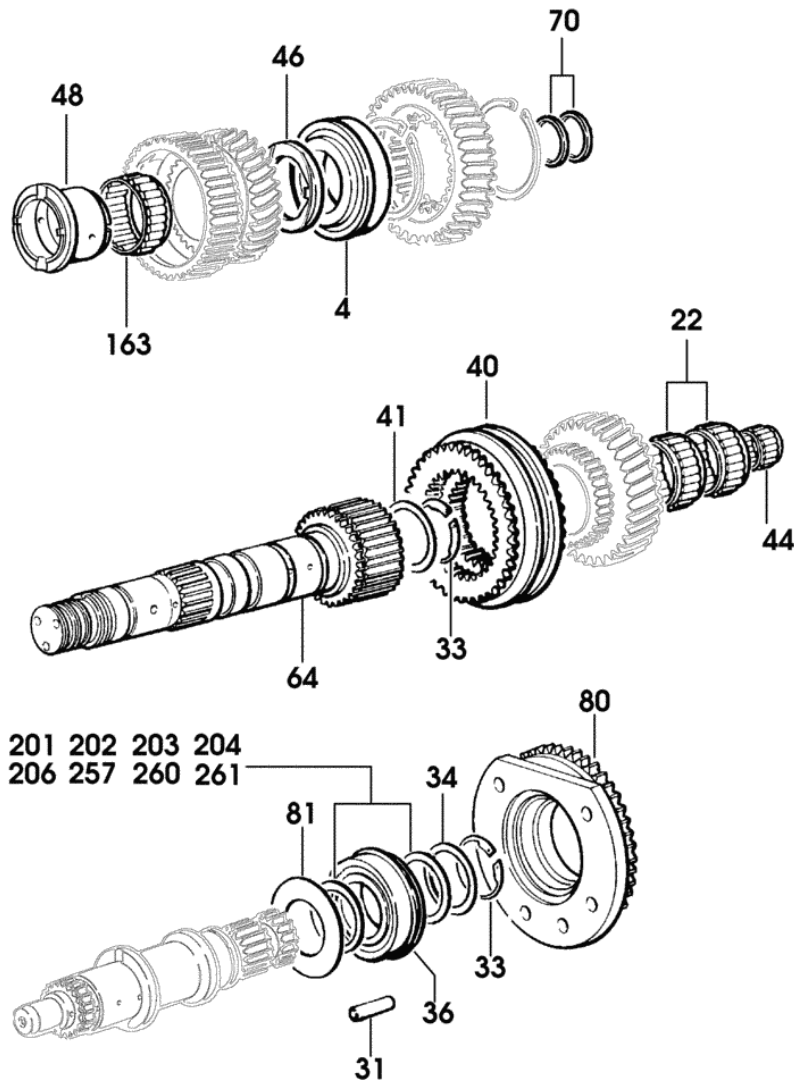


Fig.	Code	QTY	Name
1	0.008.5394.3/20	1	dumper
5	0.008.5387.0/30	1	spacer
6	0.008.4546.0/80	1	flange
7	2.1470.006.2	6	lock washer 10
8	2.0112.319.2	6	screw m 10 p.1.5 x 50
9	2.1651.911.0	2	cylindrical plug 12 x 24
10	2.1560.017.0	1	gasket 22.2 x 27
11	2.3120.002.4	1	plug m 22 x 1.5
12	2.0433.313.7	4	stud bolt m 14 p.1.5x45
13	2.1475.205.2	4	spring washer 14
14	2.1012.408.7	4	nut m 14 p.1.5
15	0.008.5261.0/30	1	shaft
19	2.1421.011.1	1	circlip b 28
20	2.0112.209.2	3	screw m 8 p 1.25 x 25
21	2.1470.004.2	3	washer 8
22	2.1519.116.0/10	1	'o' ring 85
24	2.3170.013.1	1	expansion plug 32
26	2.2999.272.0	1	bearing 60x85x13
104	2.2999.273.0	1	bearing 60x90x13
107	2.1410.024.1	1	circlip Ø 60 mm
119	2.3110.402.1	1	plug m 12 p.1.5x10
120	2.1560.008.0	1	gasket 12.2 x 18
135	0.009.2923.4	1	socket

9_73627_00_0_A

Section: GEAR
TRANSMISSION SHAFT

Fig.	Code	QTY	Name
4	2.2999.115.0/10	3	bearing
22	2.2999.224.0	4	roller cage 50x58x25
31	0.007.6064.0/10	1	tube
33	2.1410.020.1	1	circlip 50
34	2.1599.600.0/10	1	shoulder 50x62x2
36	2.2999.204.0	1	bearing 50 x 90 x 20
40	0.008.5466.4/40	1	lock synchronizer Ø 114 COMPONENT PARTS SEE COMPONENTS LIST ☞ 0.008.5466.4/40 ☞ 02.00.1
41	2.1419.055.0	2	ring 80 x 4
44	2.2999.111.0	1	roller cage 25x35x25
46	2.1599.751.0/20	1	snoulder 55.2
48	0.007.6978.0/20	1	sleeve
64	0.008.4502.3/80	1	countershaft
70	2.1499.109.0/10	3	ring 37.1x40x2.5
80	0.007.7826.0/10	1	flange
81	2.1589.221.0	1	lamination 50.5x85x1
163	2.2999.106.0	2	roller cage 65x70x20
200	2.1589.236.0	0	shim 50.5x58x1.35
201	2.1589.237.0	0	shim 50.5x58x1.40
202	2.1589.238.0	0	shim 50.5x58x1.45
203	2.1589.239.0	0	shim 50.5x58x1.50
204	2.1589.240.0	0	shim 50.5x58x1.55
205	2.1589.241.0	0	shim 50.5x58x1.60
206	2.1589.242.0	0	shim 50.5x58x1.65
257	2.1589.264.0	0	snoulder 50.5x58x1
260	2.1589.311.0	0	shim 50.5x58x0.80
261	2.1589.312.0	0	shim 50.5x58x0.90



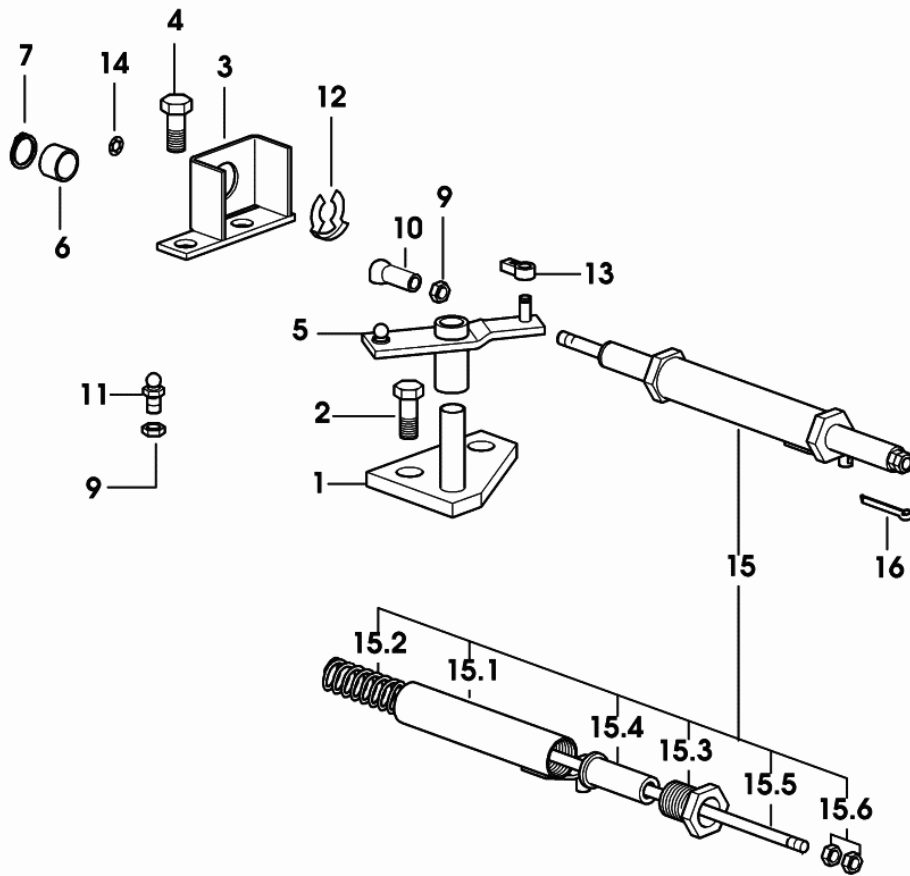
200 201 202 203 204
 205 206 257 260 261

9_48832_00_0_C

Section: GEAR

CREEPER - CONTROLS

Fig.	Code	QTY	Name
1	04424279	1	bearing
2	01112529	2	screw m 12 x 30, d933
3	04437603	1	bracket
4	01122455	2	screw m 12 x 55
5	04426758	1	lever
6	01174270	2	bushing
7	01176296	1	ring
9	01112824	2	nut m 8, d934
10	01103472	1	fixing locator
11	01120968	1	cap
12	04418159	1	circlip
13	04415468	1	stop
14	04415469	1	small spring
15	04426673.4	1	rod
15.1	04426691.4	1	tube
15.2	04426695	1	spring
15.3	04426685	2	plug
15.4	04426686	2	light body
15.5	04426688.4	1	rod
15.6	01112824	2	nut m 8, d934
16	01175876	1	split pin

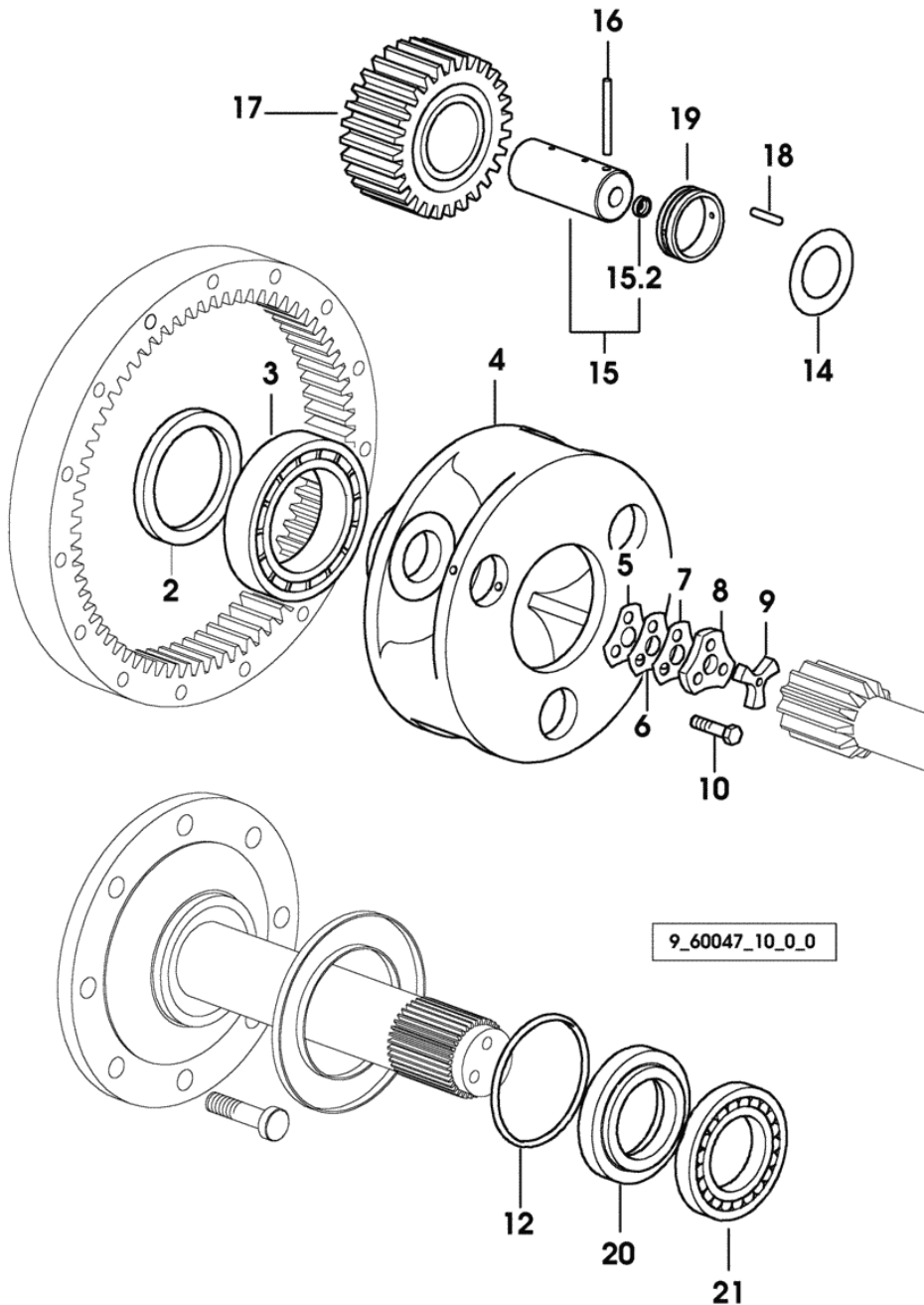


9_95064_03_0_0

Section: REAR AXLE

REAR REDUCTION GEARS AND AXLE SHAFTS

Fig.	Code	QTY	Name
2	2.1529.056.0/10	2	'o' ring Ø 110/140 x13
3	2.2510.020.0	2	roller bearing Ø 110/170 x38
4	0.008.5990.0/10	2	spider
5	0.212.4765.0	4	shim mm 1.00
6	0.212.4755.0	4	shim mm 0.20
7	0.212.4753.0	4	shim mm 0.15
8	0.212.4752.0/20	2	flange
9	0.212.4751.0	2	spacer
10	2.0139.031.7	6	screw m 12 p.1.25x60
12	2.1532.171.0	2	'o' ring 72.39x5.34
14	2.1599.675.0	12	shoulder 54.3x90x1.5
15	0.008.5992.3/10	6	pin
15.2	2.3179.010.4	2	plug 20
16	2.1630.722.0	6	roll pin 8x90
17	0.008.5991.0	6	planet gear
18	2.2999.293.0	240	roller 10 x 28
19	0.008.5993.0	6	spacer
20	0.007.7633.0/10	2	spacer
21	2.2520.018.0	2	roller bearing 85x150x30.5



Section: REAR AXLE

HAND BRAKE

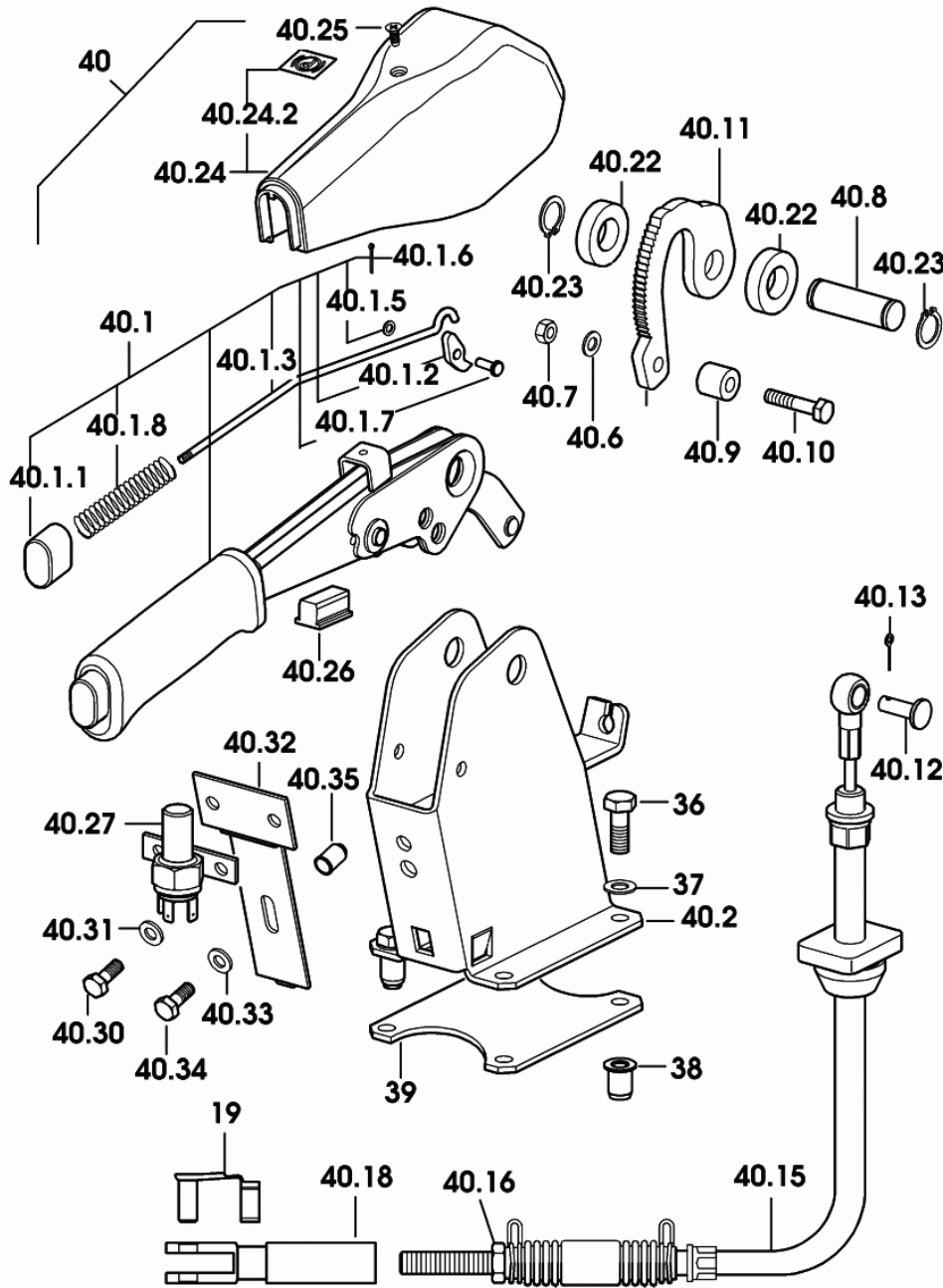


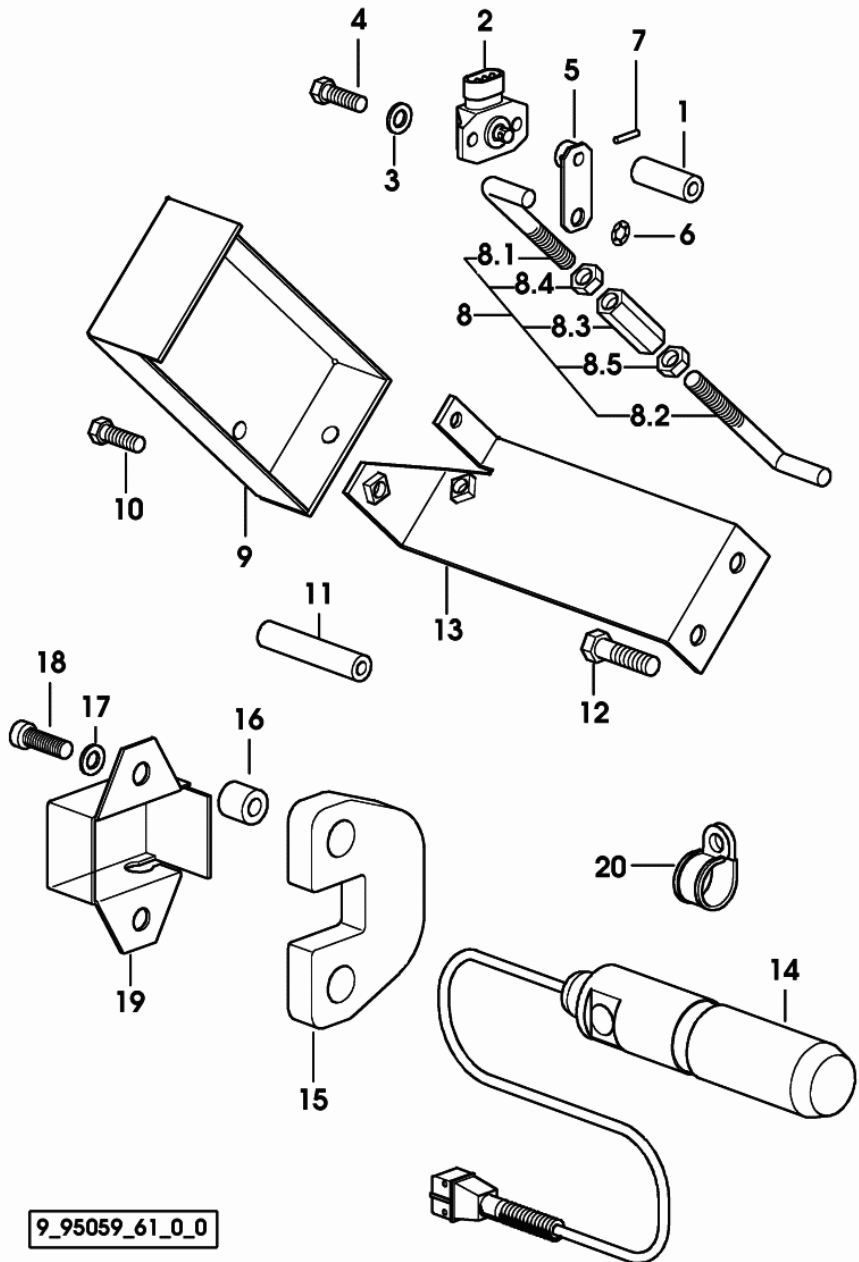
Fig.	Code	QTY	Name
19	2.1699.164.2	1	pin 10x23
36	2.0112.208.2	4	screw m 8 p.1.25 x 22
37	2.1470.004.2	4	washer 8
38	2.1142.005.2	4	insert m 8
39	04429746	1	lamination
40	0.012.3209.4/10	1	h/brake lever
40.1	0.012.0241.4	1	h/brake lever
40.1.1	0.009.0668.0	1	push-button
40.1.2	0.200.6623.0	1	ratchet
40.1.3	0.011.9898.0	1	rod
40.1.5	2.1310.004.2	1	flat washer 8.5
40.1.6	2.1690.206.2	1	split pin 2x16
40.1.7	2.1671.305.2	1	pin 8x22
40.1.8	2.4019.555.2	1	spring 14x130x1.3
40.2	0.010.9504.2/30	1	support
40.6	2.1470.002.2	1	washer 6, d128
40.7	2.1011.103.2	1	nut m 6 p.1
40.8	2.1699.265.2	1	pin
40.9	2.1579.972.2	1	spacer
40.10	2.0112.011.2	1	screw m 6 p.1x30
40.11	0.009.0141.0/10	1	toothed sector
40.12	2.1671.406.2	1	pin
40.13	2.1690.307.2	1	split pin 3.2x18
40.15	0.011.9689.4	1	rod
40.16	2.1011.207.2	1	nut m 12 p.1.5
40.18	2.3519.100.2/10	1	fork head
40.22	2.1579.973.2	2	spacer 15x30x7.5
40.23	2.1410.003.1	2	circlip 14
40.24	0.012.1931.3	1	lining
40.24.2	2.9929.614.0	1	plate
40.25	2.0357.353.6	1	screw 3.9x9.5
40.26	0.264.6655.0/10	1	small block
40.27	04391395	1	switch
40.30	2.0332.205.2	2	screw m 4x0.7x14
40.31	2.1310.028.2	2	flat washer 4
40.32	0.012.1954.0	1	support
40.33	2.1310.002.2	1	washer 6.6, d125
40.34	2.0112.005.2	1	screw m 6 p.1 x 16
40.35	2.1142.004.2	1	insert m 6

9_95066_04_0_0

Section: S.A.C.

SENSITIVE ELEMENTS

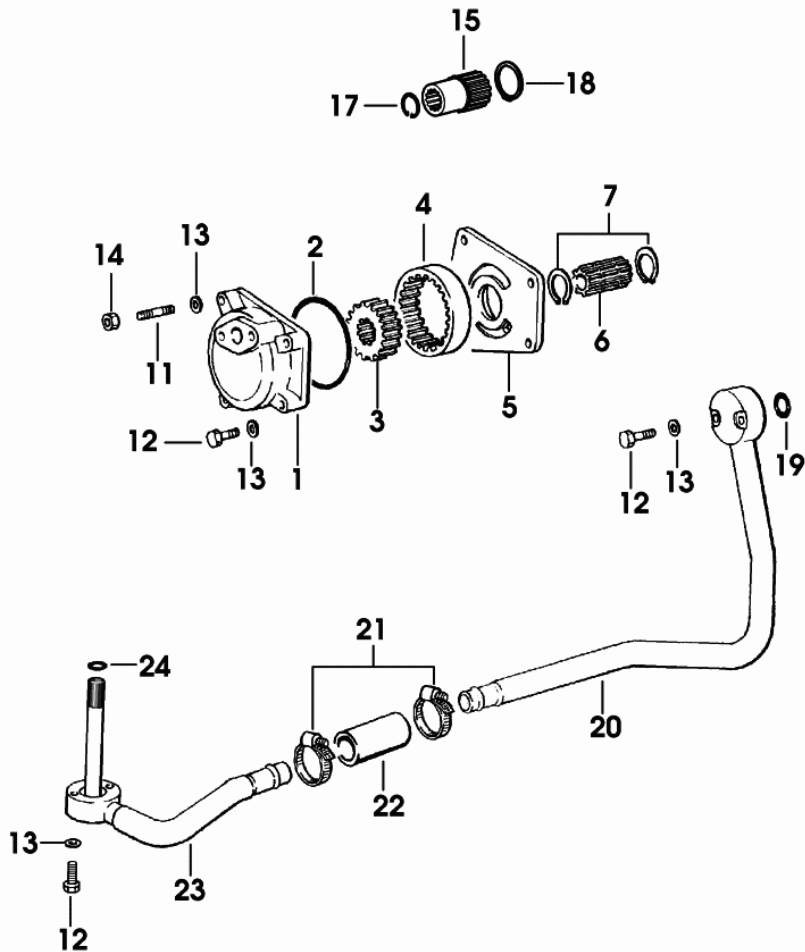
Fig.	Code	QTY	Name
1	04422436	2	ring
2	04412859	1	position sensor (...) <- X Agrotron 160 MK3 1003 <- X Agrotron 175 MK3 1005 <- X Agrotron 200 MK3
2	04438667.0	1	position sensor -> (...) X Agrotron 160 MK3 -> 1004 X Agrotron 175 MK3 -> 1006 X Agrotron 200 MK3
3	01126742	2	washer m 8
4	01153763	2	screw m 4x45
5	04419419	1	lever
6	04412894	2	interlock
7	01122671	1	pin
8	04419483.4	1	rod
8.1	04419485	1	clevis
8.2	04419486	1	stay
8.3	04419487	1	nut m 4
8.4	01112796	1	stop m4 d934
8.5	04419525	1	nut m 4
9	04422092	1	tube
10	01112240	2	screw m 6 x 12
11	04422094	2	ring
12	01111207	2	screw m 8 x 100
13	04422090.4	1	console
14	04426419	2	pin
15	0.008.2420.0/10	2	bracket
16	2.1559.223.0	4	sleeve 10.6x17x18.2
17	01119613	4	washer 10.5
18	01122361	4	screw m 10 x 35
19	0.009.2419.0/10	2	cup
20	01220008	2	hose clip B10X20



9_95059_61_0_0

PUMP FILTER SUCTION

Fig.	Code	QTY	Name
1	0.009.2227.0/20	1	pump casing
2	2.1539.103.0/10	1	'o' ring 101.32 x 1.78
3	0.009.2230.0/20	1	pinion
4	0.009.2229.0/20	1	crown wheel
5	0.009.2228.0/10	1	flange
6	0.009.2231.0	1	sleeve
7	2.1410.011.1	3	circlip 28
11	2.0432.011.7	2	stud bolt m 8 p.1.25 / p.1 x 40
12	2.0112.215.2	6	screw m 8 p.1.25 x 40
13	2.1470.004.2	8	washer 8
14	2.1011.405.2	2	nut m 8 p.1
15	0.011.0899.0	1	sleeve
17	2.1411.055.7	2	circlip 19
18	2.1410.014.1	2	circlip 35
19	2.1531.058.0	1	'o' ring 22.22x2.62
20	0.009.2273.3/10	1	tube
21	2.6850.009.0	2	clamp 32-50
22	0.009.2365.0/10	1	sleeve
23	0.010.7042.3	1	tube
24	2.1531.091.0	1	'o' ring 34.60 x 2.62

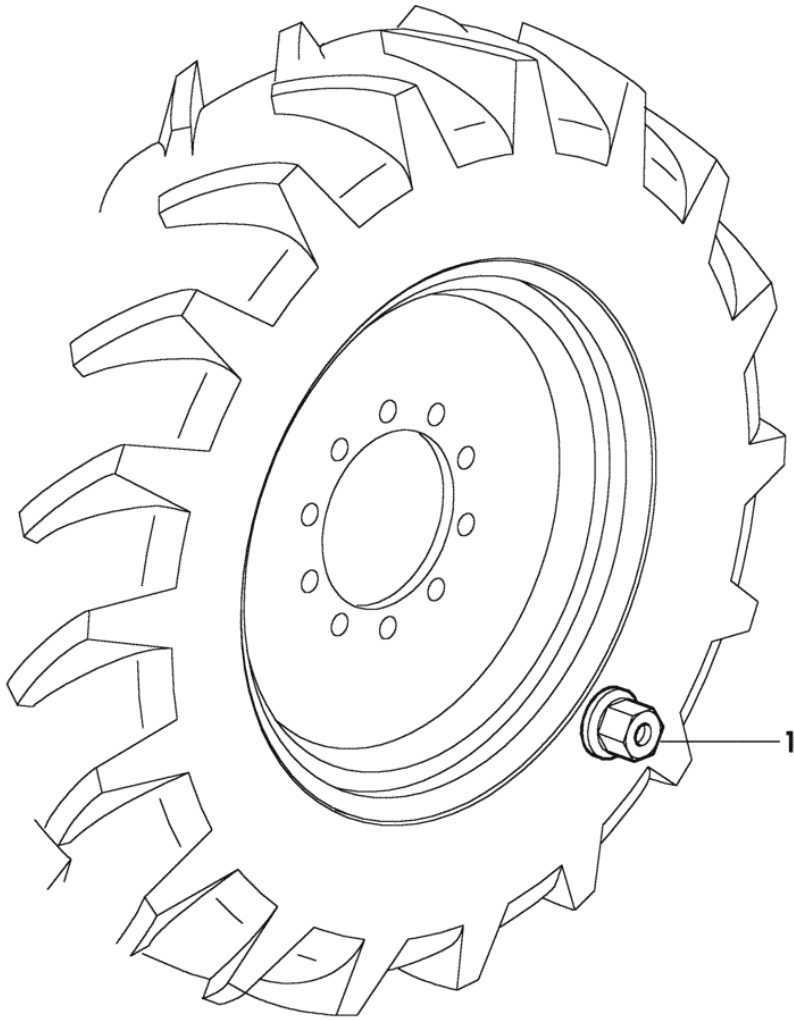


9_73682_05_0_0

Section: WHEELS

FRONT WHEEL MOUNTING

Fig.	Code	QTY	Name
1	2.1099.085.0/20	20	special nut m 22 x 1.5



9_95055_01_0_0

CLICK HERE TO **DOWNLOAD** THE COMPLETE MANUAL

- Thank you very much for reading the preview of the manual.
- You can download the complete manual from: www.heydownloads.com by clicking the link below



- Please note: If there is no response to CLICKING the link, please download this PDF first and then click on it.

CLICK HERE TO **DOWNLOAD** THE COMPLETE MANUAL