

Agrotron 150 MK3 -> 8094

ACCESSORIES

GENERAL

| | |
|---|----------|
| 4-WAY HYDRAULIC CONTROL VALVE WITHOUT AIR BRAKING..... | 0E.00.1 |
| 4-WAY HYDRAULIC CONTROL VALVE WITHOUT AIR BRAKING..... | 0E.00.2 |
| 4-WAY HYDRAULIC CONTROL VALVE WITHOUT AIR BRAKING LOAD SENSING..... | 0E.00.3 |
| 4-WAY HYDRAULIC CONTROL VALVE WITH AIR BRAKING..... | 0E.00.4 |
| 4-WAY HYDRAULIC CONTROL VALVE WITH AIR BRAKING..... | 0E.00.5 |
| 4-WAY HYDRAULIC CONTROL VALVE WITH AIR BRAKING..... | 0E.00.6 |
| 4-WAY HYDRAULIC CONTROL VALVE WITH AIR BRAKING..... | 0E.00.7 |
| 4-WAY HYDRAULIC CONTROL VALVE WITH AIR BRAKING..... | 0E.00.8 |
| 4-WAY HYDRAULIC CONTROL VALVE WITH AIR BRAKING..... | 0E.00.9 |
| 4-WAY HYDRAULIC CONTROL VALVE WITH AIR BRAKING LOAD SENSING..... | 0E.00.10 |
| 4-WAY HYDRAULIC CONTROL VALVE..... | 0E.00.11 |
| 4-WAY HYDRAULIC CONTROL VALVE..... | 0E.00.12 |
| 8-WAY HYDRAULIC CONTROL VALVE..... | 0E.00.13 |
| 8-WAY HYDRAULIC CONTROL VALVE..... | 0E.00.14 |
| 8-WAY HYDRAULIC CONTROL VALVE WITH SUSPENDED AXLE..... | 0E.00.15 |
| 8-WAY HYDRAULIC CONTROL VALVE WITH SUSPENDED AXLE..... | 0E.00.16 |
| 8-WAY HYDRAULIC CONTROL VALVE LOAD SENSING..... | 0E.00.17 |
| 8-WAY HYDRAULIC CONTROL VALVE LOAD SENSING..... | 0E.00.18 |
| 8-WAY AUXILIARY DISTRIBUTOR..... | 0E.00.19 |
| 8-WAY HYDRAULIC CONTROL VALVE..... | 0E.00.20 |
| FLOW CONTROL FOR 4/8-WAY CONTROL VALVE..... | 0E.00.21 |
| FLOW CONTROL FOR 8-WAY CONTROL VALVE..... | 0E.00.22 |
| AUXILIARY HYDRAULIC DISTRIBUTOR..... | 0E.00.23 |
| AUXILIARY HYDRAULIC DISTRIBUTOR..... | 0E.00.24 |
| OIL RETURN..... | 0E.00.25 |
| 4-WAY CONTROL VALVES - OIL RECOVERY..... | 0E.00.26 |
| 4-WAY CONTROL VALVES - OIL RECOVERY..... | 0E.00.27 |
| 4-WAY CONTROL VALVES - OIL RECOVERY..... | 0E.00.28 |
| 4-WAY CONTROL VALVES - OIL RECOVERY..... | 0E.00.29 |
| 4-WAY CONTROL VALVES - OIL RECOVERY..... | 0E.00.30 |
| 8-WAY CONTROL VALVES - OIL RECOVERY..... | 0E.00.31 |
| 8-WAY CONTROL VALVES - OIL RECOVERY..... | 0E.00.32 |
| 8-WAY CONTROL VALVES - OIL RECOVERY..... | 0E.00.33 |
| 8-WAY CONTROL VALVES - OIL RECOVERY..... | 0E.00.34 |
| 8-WAY CONTROL VALVES - OIL RECOVERY..... | 0E.00.35 |
| 4-WAY QUICK-ACTION COUPLERS..... | 0E.00.36 |
| 4-WAY QUICK-ACTION COUPLERS..... | 0E.00.37 |
| 4-WAY QUICK-ACTION COUPLERS..... | 0E.00.38 |
| 8-WAY QUICK-ACTION COUPLERS..... | 0E.00.39 |
| 8-WAY QUICK-ACTION COUPLERS..... | 0E.00.40 |

CLICK HERE TO **DOWNLOAD** THE COMPLETE MANUAL

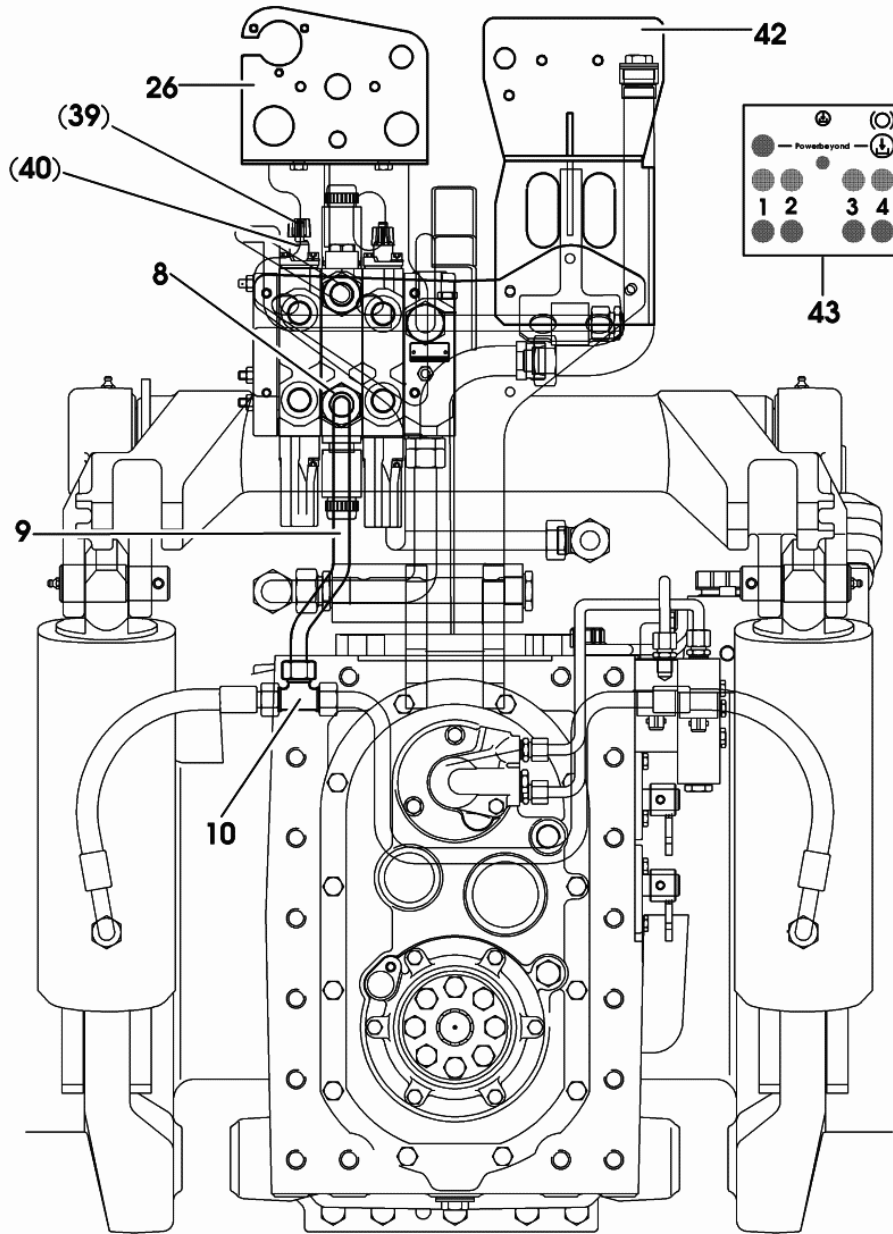
- Thank you very much for reading the preview of the manual.
- You can download the complete manual from: www.heydownloads.com by clicking the link below



- Please note: If there is no response to CLICKING the link, please download this PDF first and then click on it.

CLICK HERE TO **DOWNLOAD** THE COMPLETE MANUAL

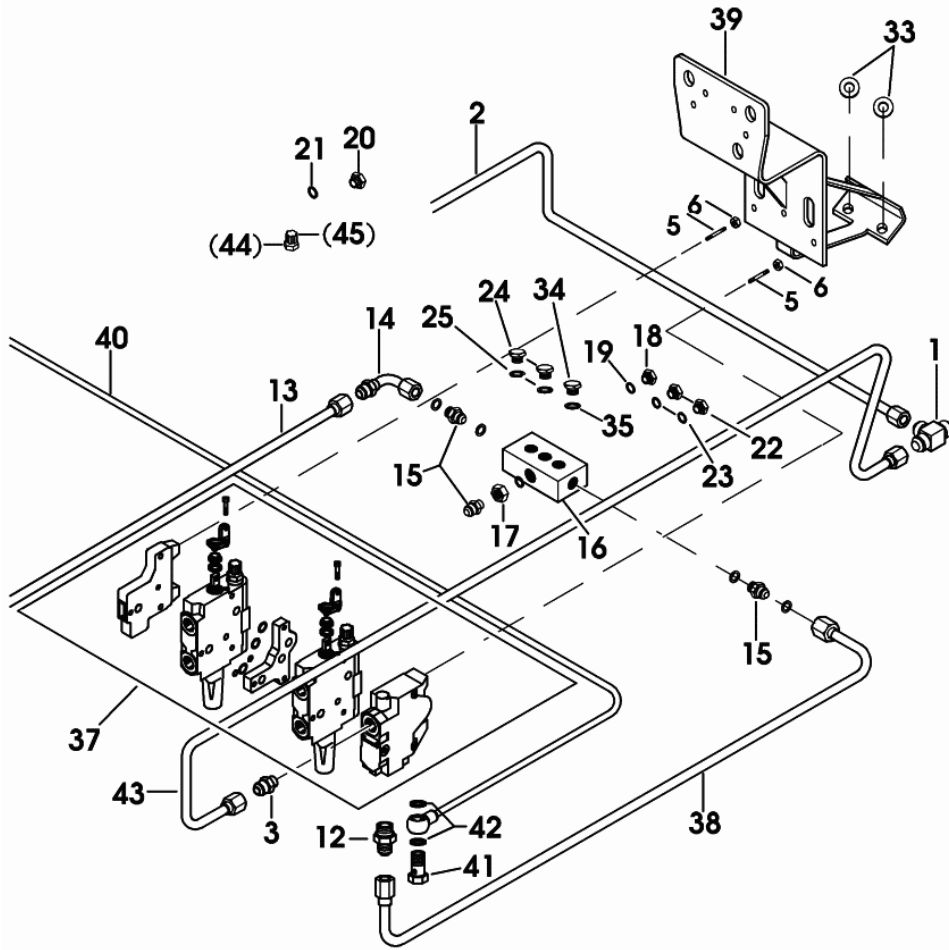
4-WAY HYDRAULIC CONTROL VALVE WITH AIR BRAKING



| Fig. | Code | QTY | Name |
|------|------------|-----|-----------------------------|
| 8 | 01144832 | 1 | pipe fitting |
| 9 | 04437455 | 1 | pipng |
| 10 | 01127372 | 1 | pipe fitting I 15 d3908 |
| 26 | 04437692.4 | 1 | support |
| 39 | 04436613 | 2 | button |
| | | | (...) <- X Agrotron 120 MK3 |
| | | | (...) <- X Agrotron 135 MK3 |
| | | | (...) <- X Agrotron 150 MK3 |
| | | | (...) <- X Agrotron 165 MK3 |
| 40 | 04436614 | 2 | cover |
| | | | (...) <- X Agrotron 120 MK3 |
| | | | (...) <- X Agrotron 135 MK3 |
| | | | (...) <- X Agrotron 150 MK3 |
| | | | (...) <- X Agrotron 165 MK3 |
| 42 | 04437694.4 | 1 | support |
| 43 | 04438001 | 1 | plate |

9_04437607_0_B

8-WAY HYDRAULIC CONTROL VALVE



9_04437471_0_B

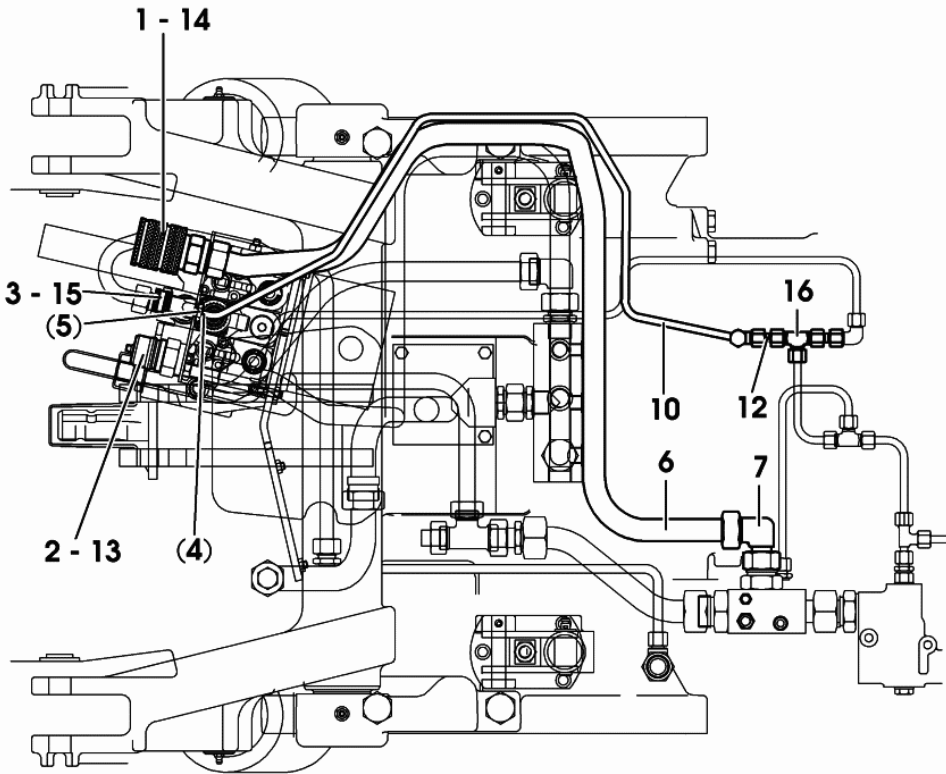
| Fig. | Code | QTY | Name |
|------|-----------------------------|-----|----------------------------|
| 1 | 04427048 | 1 | reduction |
| 2 | 04438038 | 1 | tube |
| 3 | 01177450 | 4 | pipe fitting m 22 p.1.5x18 |
| 5 | 01113391 | 6 | small column m 8 x 25 |
| 6 | 01112824 | 6 | nut m 8, d934 |
| 12 | 04422764 | 3 | pipe fitting m 22 p.1.5x22 |
| 13 | 04438039 | 1 | pipng |
| 14 | 04427232 | 1 | pipe fitting |
| 15 | 01177225 | 3 | tongue m 26x1,5/22 |
| 16 | 04435666 | 1 | casing |
| 17 | 04437831 | 1 | tongue |
| 18 | 01118960 | 1 | plug am14x1,5 |
| 19 | 01118688 | 1 | ring 14x17 |
| 20 | 01118964 | 1 | plug m 16 p.1.5 |
| 21 | 01118700 | 1 | 'o' ring Ø 16 x 20 |
| 22 | 01118970 | 2 | plug m 18 p.1.5 |
| 23 | 01118713 | 2 | washer 18.5 |
| 24 | 01118979 | 2 | plug m22x1,5 d7604 |
| 25 | 01118737 | 2 | 'o' ring 22 x 27 |
| 33 | 04418159 | 4 | circlip |
| 34 | 01122964 | 1 | plug m 26 p.1.5 |
| 35 | 01118760 | 1 | gasket 26x31 |
| 37 | 04437830 | 1 | controle panel |
| | ☞ 04437830 | | |
| | ☞ 0E.00.47 | | |
| 38 | 04437458 | 1 | pipng |
| 39 | 04437694.4 | 1 | support |
| 40 | 04437459 | 1 | pipng |
| 41 | 01119241 | 2 | pipe union m 12 p.1.5 |
| 42 | 01213282 | 4 | gasket |
| 43 | 04437454 | 1 | pipng |
| 44 | 04436613 | 4 | button |
| | (...) <- X Agrotron 120 MK3 | | |
| | (...) <- X Agrotron 135 MK3 | | |
| | (...) <- X Agrotron 150 MK3 | | |
| | (...) <- X Agrotron 165 MK3 | | |
| 45 | 04436614 | 4 | cover |
| | (...) <- X Agrotron 120 MK3 | | |
| | (...) <- X Agrotron 135 MK3 | | |
| | (...) <- X Agrotron 150 MK3 | | |
| | (...) <- X Agrotron 165 MK3 | | |

AUXILIARY HYDRAULIC DISTRIBUTOR

| Fig. | Code | QTY | Name |
|------|------|-----|------|
|------|------|-----|------|

Notes:

- LOAD SENSING - POWER BEYOND



| | | | |
|----|------------|---|----------------------------|
| 1 | 04433385 | 1 | socket |
| 2 | 04431442 | 1 | pin |
| 3 | 04431445 | 1 | socket |
| 4 | 04431446 | 1 | tongue |
| | | | 0772 <- X Agrotron 120 MK3 |
| | | | 0608 <- X Agrotron 135 MK3 |
| | | | 0427 <- X Agrotron 150 MK3 |
| | | | 1339 <- X Agrotron 165 MK3 |
| 5 | 01121824 | 1 | nut m 14 p.1.5 |
| | | | 0772 <- X Agrotron 120 MK3 |
| | | | 0608 <- X Agrotron 135 MK3 |
| | | | 0427 <- X Agrotron 150 MK3 |
| | | | 1339 <- X Agrotron 165 MK3 |
| 6 | 04438693 | 1 | tube |
| 7 | 04433363 | 1 | tongue |
| 10 | 04437704 | 1 | tube |
| 12 | 04427928.4 | 1 | pipe fitting |
| 13 | 04433386 | 1 | tube TMA |
| 14 | 04433387 | 1 | tube TFA |
| 15 | 04433388 | 1 | tube TMA |
| 16 | 04427045 | 1 | pipe fitting T |

9_04437833_0_0

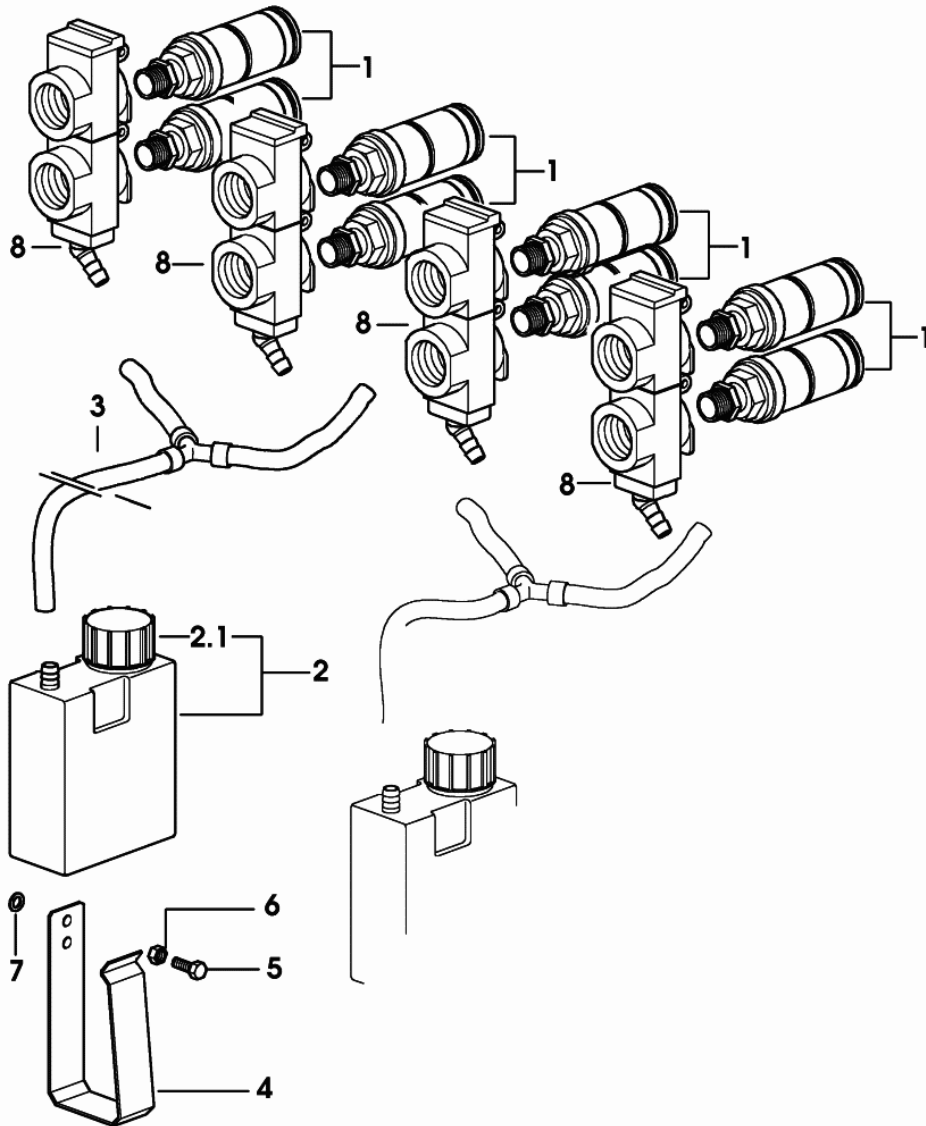
8-WAY CONTROL VALVES - OIL RECOVERY

| Fig. | Code | QTY | Name |
|------|------|-----|------|
|------|------|-----|------|

Notes:

0335 <- X Agrotron 120 MK3 0201 <- X Agrotron 135 MK3 0197 <- X Agrotron 150 MK3 1008 <- X Agrotron 165 MK3

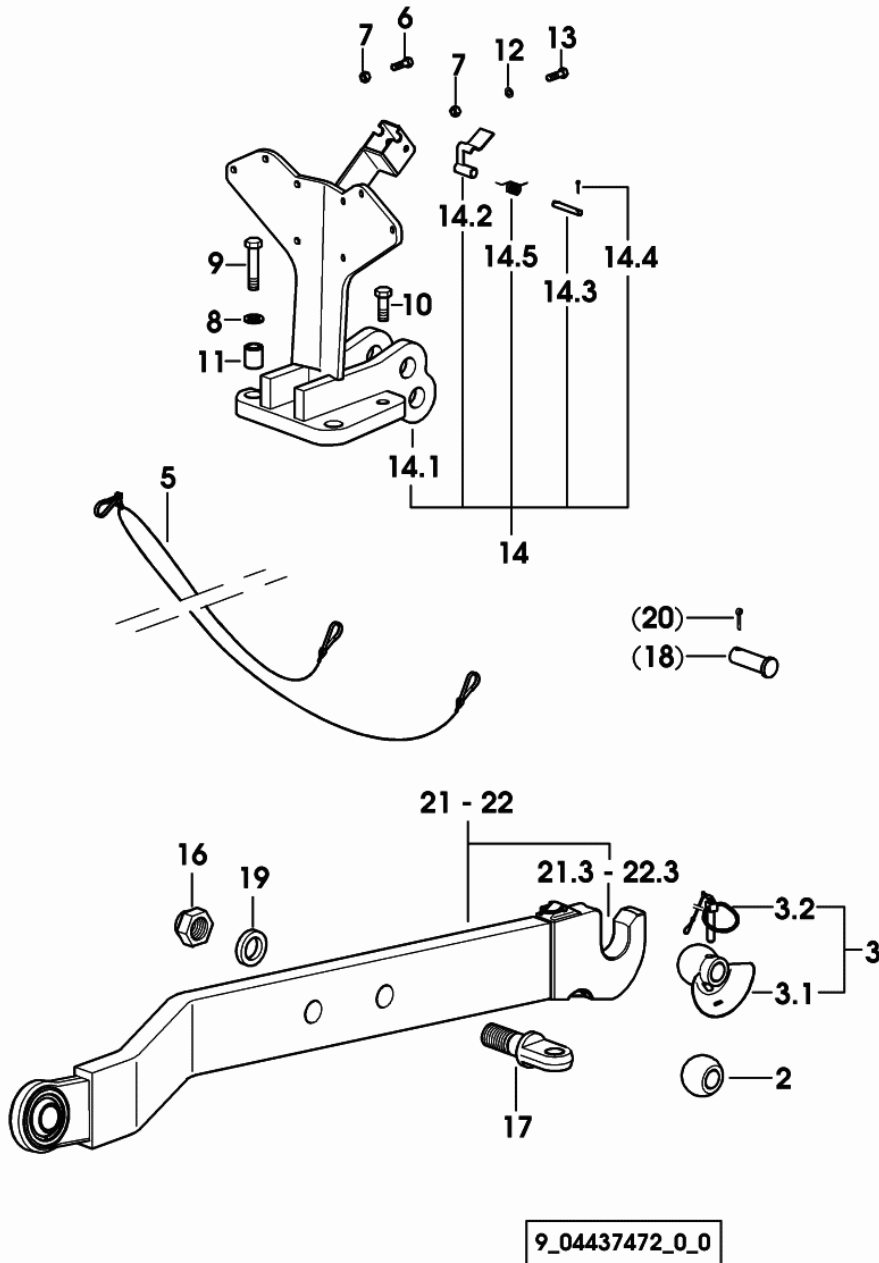
| | | | |
|-----|------------|---|--------------------------|
| 1 | 04433073 | 8 | coupling ☞ 04433073 |
| 2 | 04426824.4 | 2 | tank 600 cm ³ |
| 2.1 | 04428375 | 1 | plug |
| 3 | 04433076.4 | 2 | rubber tube |
| 4 | 04426826 | 2 | tank support |
| 5 | 01127031 | 2 | screw m 6 x 30, d933 |
| 6 | 01133500 | 2 | nut vm 6 d980 |
| 7 | 00810311 | 2 | washer 6.4 |
| 8 | 04433074 | 4 | tube |



9_04432370_0_0

Section: ACCESSORIES

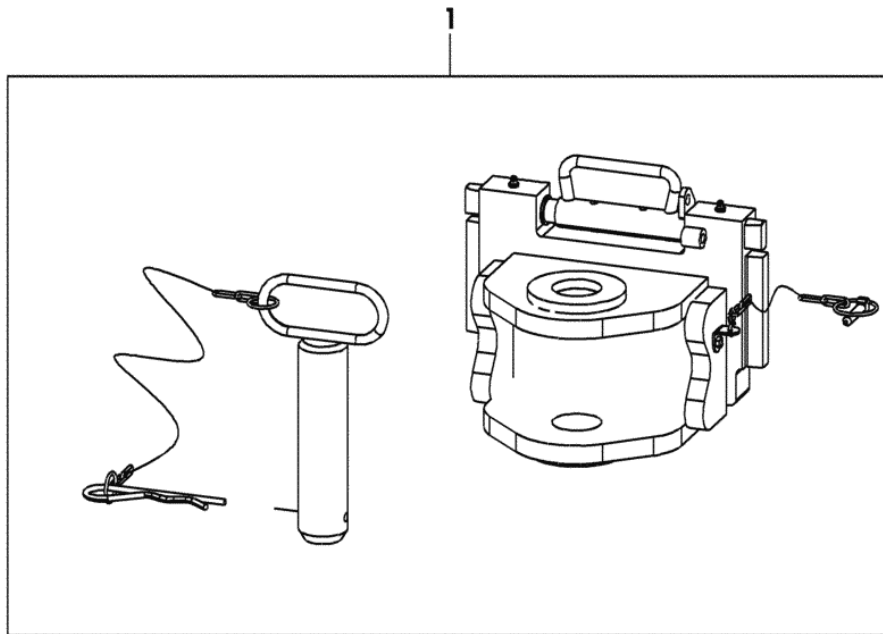
3 POINT HITCH



| Fig. | Code | QTY | Name |
|------|------------|-----|------------------------------|
| 2 | 04400392 | 2 | ball 28.4 |
| 3 | 04400388.4 | 2 | cap cat. 2/3 |
| 3.1 | 04400390 | 1 | ball |
| 3.2 | 04400384 | 1 | stop |
| 5 | 04416253 | 1 | chain block |
| 6 | 01112333 | 2 | screw m 8 x 25, d933 |
| 7 | 01112824 | 3 | nut m 8, d934 |
| 8 | 04431823 | 2 | washer |
| 9 | 04422336 | 2 | screw m 16 x 70 |
| 10 | 01143073 | 2 | screw m 16 x 40 |
| 11 | 04411073 | 2 | spacer |
| 12 | 01138374 | 1 | washer 8,4x21x4 |
| 13 | 01112341 | 1 | screw m 8 x 30, d933 |
| 14 | 04437436.4 | 1 | support |
| 14.1 | 04436642.4 | 1 | u bolt |
| 14.2 | 04426976.4 | 1 | lever |
| 14.3 | 04311459 | 1 | pin |
| 14.4 | 01106428 | 1 | split pin |
| 14.5 | 04315063 | 1 | spring |
| 16 | 04436455 | 2 | nut |
| 17 | 04435435 | 2 | screw 3-PK |
| 18 | 04435880 | 2 | pin |
| | | | (...) <- X Agrottron 120 MK3 |
| | | | (...) <- X Agrottron 135 MK3 |
| | | | (...) <- X Agrottron 150 MK3 |
| | | | (...) <- X Agrottron 165 MK3 |
| 19 | 01151007 | 2 | washer |
| 20 | 01122072 | 2 | split pin 5x32 d94 |
| | | | (...) <- X Agrottron 120 MK3 |
| | | | (...) <- X Agrottron 135 MK3 |
| | | | (...) <- X Agrottron 150 MK3 |
| | | | (...) <- X Agrottron 165 MK3 |
| 21 | 04436140.4 | 1 | left hand arm sx/lh/li |
| 21.3 | 04435246.4 | 1 | clevis |
| | | | ☞ 04435246.4 |
| | | | ☞ 0E.00.50 |
| 22 | 04436141.4 | 1 | right hand arm dx/rh/re |
| 22.3 | 04435246.4 | 1 | clevis |
| | | | ☞ 04435246.4 |
| | | | ☞ 0E.00.50 |

REAR TOWING HITCH CAT: "D3" ITALY

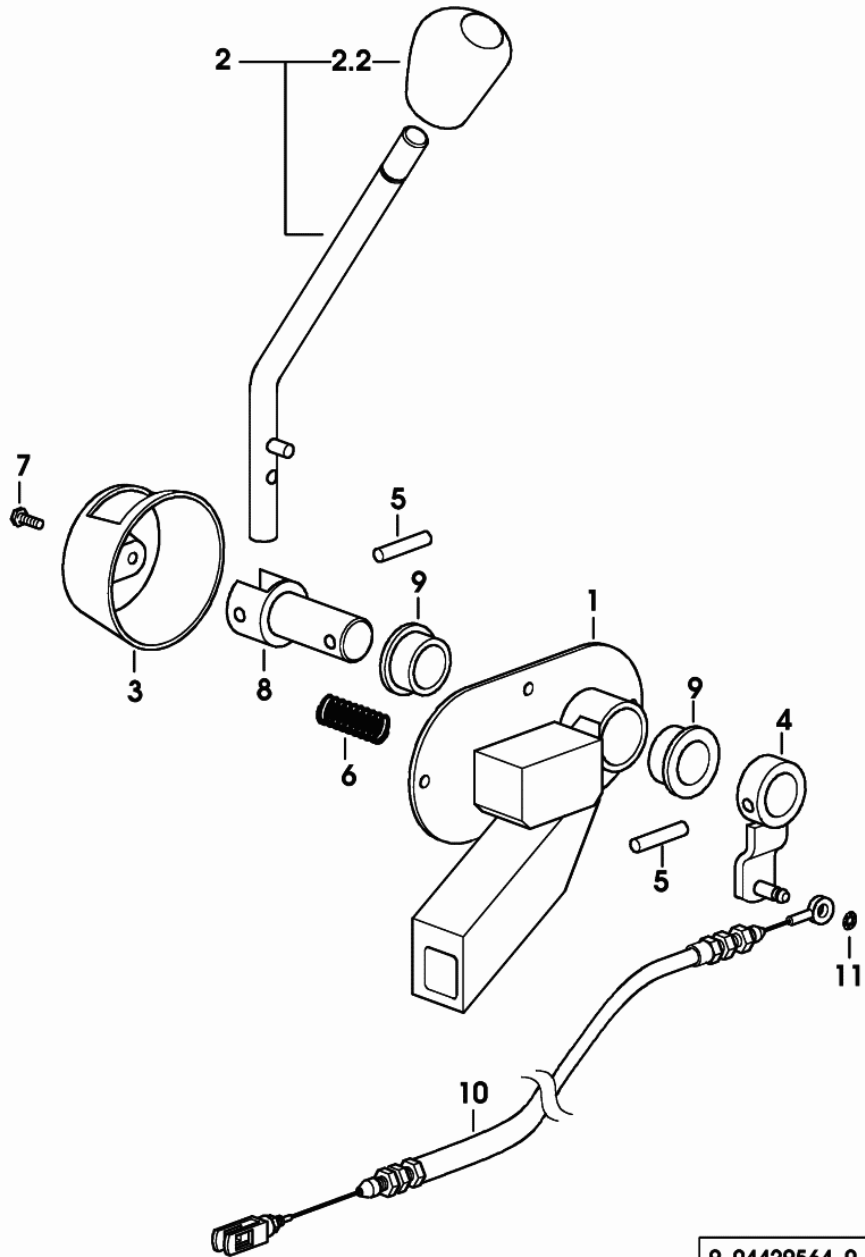
| Fig. | Code | QTY | Name |
|------|------------|-----|---|
| 1 | 04419100.4 | 1 | tow hook D3 ↳ 04419100.4 ↳ 0E.00.55 |



9_04438810_0_0



REMOTE CONTROL FOR AUTOMATIC REAR TOWING HITCH

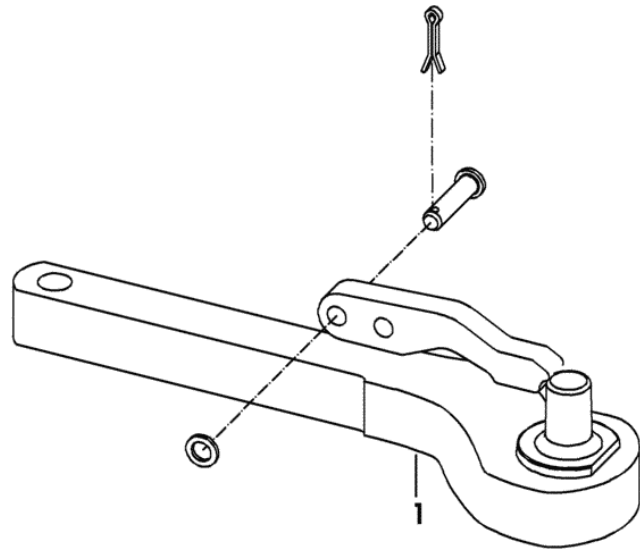
| Fig. | Code | QTY | Name |
|------|------------|-----|----------------------|
| 1 | 04424815.4 | 1 | bearing |
| 2 | 04429339.4 | 1 | lever |
| 2.2 | 04411545 | 1 | knob |
| 3 | 04411675 | 1 | cap |
| 4 | 04411668.4 | 1 | lever |
| 5 | 01100334 | 2 | pin 6 x 30 |
| 6 | 04414547 | 1 | spring |
| 7 | 04416873 | 2 | screw m4x12 |
| 8 | 04411666 | 1 | pin |
| 9 | 04413063 | 2 | bushing |
| 10 | 04426434 | 1 | rod L = 2412 mm |
| 11 | 01175725 | 1 | small spring 6, d128 |



9_04429564_0_0

PITON-FIX

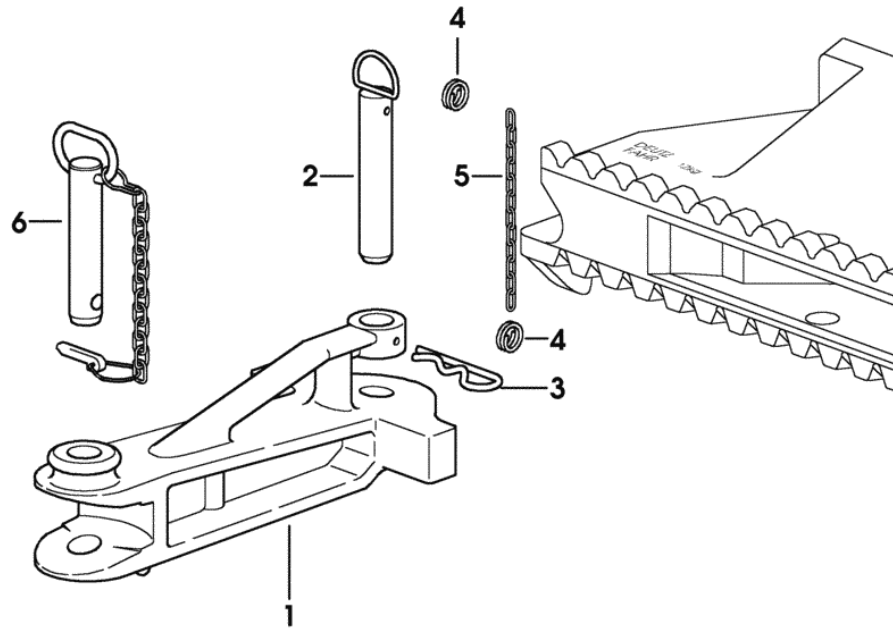
| Fig. | Code | QTY | Name |
|------|------------|-----|--|
| 1 | 04426458.4 | 1 | draw bar  04426458.4  0E.00.71 |



9_04438826_0_0

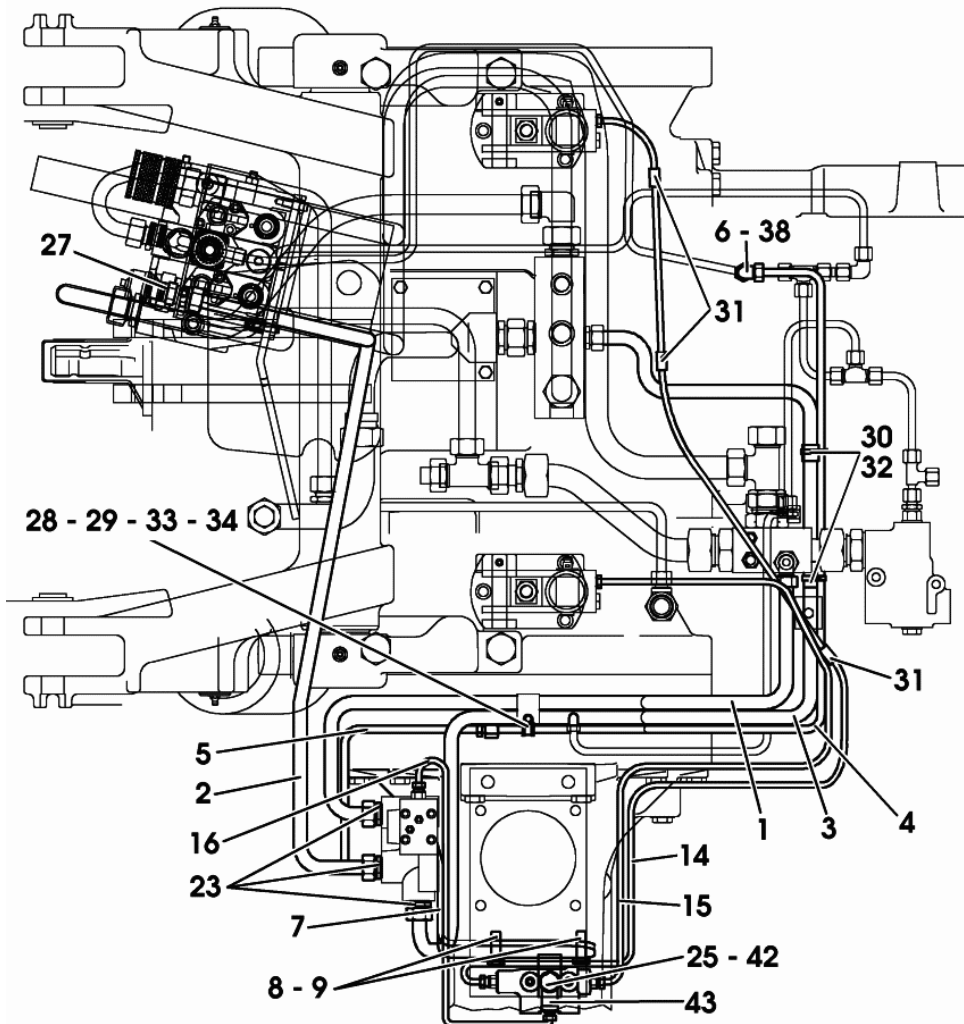
Section: ACCESSORIES
FRONT WEIGHT CARRIER

| Fig. | Code | QTY | Name |
|------|------------|-----|--------------|
| 1 | 04395895 | 1 | clevis 25 Kg |
| 2 | 02325649 | 1 | pin |
| 3 | 03401452 | 1 | split pin |
| 4 | 04322508 | 2 | ring |
| 5 | 01401340 | 1 | chain |
| 6 | 04422710.4 | 1 | pin |



9_04434805_0_0

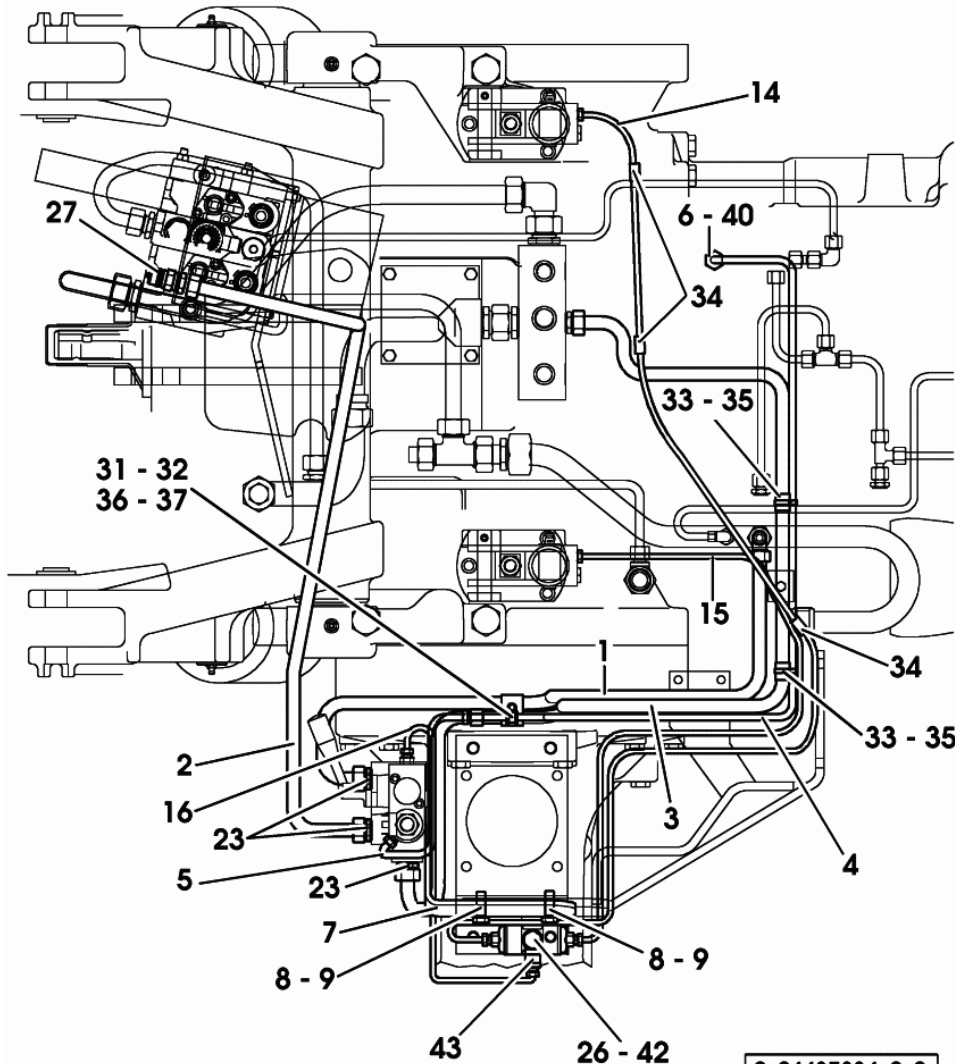
HYDRAULIC BREAKING FOR TRAILER - EXPORT F LOAD SENSING



| Fig. | Code | QTY | Name |
|------|------------|-----|---------------------------------|
| 1 | 04437806 | 1 | tube |
| 2 | 04437706 | 1 | tube |
| 3 | 04437805 | 1 | tube |
| 4 | 04437804 | 1 | tube |
| 5 | 04437809 | 1 | tube |
| 6 | 01127359 | 1 | pipe fitting L8, d3902 |
| 7 | 04432463.4 | 1 | console |
| 8 | 01112418 | 2 | screw m 10 x 25, d933 |
| 9 | 01102659 | 2 | nut m 10, d934 |
| 14 | 04436629 | 1 | tube sx/lh/li |
| 15 | 04436630 | 1 | tube dx/rh/re |
| 16 | 04437838 | 1 | tube |
| 23 | 04428400 | 3 | pipe fitting |
| 25 | 01118693 | 5 | gasket 14x20 |
| | | | (...) <- X Agrotron 120 MK3 |
| | | | (...) <- X Agrotron 135 MK3 |
| | | | (...) <- X Agrotron 150 MK3 |
| | | | (...) <- X Agrotron 165 MK3 |
| 25 | 01118693 | 3 | gasket 14x20 |
| | | | -> (...) X Agrotron 120 MK3 |
| | | | -> (...) X Agrotron 135 MK3 |
| | | | -> (...) X Agrotron 150 MK3 |
| | | | -> (...) X Agrotron 165 MK3 |
| 27 | 04307317 | 1 | coupling |
| 28 | 01174999 | 1 | hose clip |
| 29 | 01171262 | 3 | hose clip b 6x15 h3223 |
| 30 | 02382224 | 3 | sleeve 12 |
| 31 | 01216315 | 3 | rubber plug |
| 32 | 01172065 | 3 | clamp 4.6 x 146 |
| 33 | 01112264 | 2 | screw m 6 x 20, d933 |
| 34 | 01127079 | 2 | nut m 6 |
| 38 | 04427045 | 1 | pipe fitting T |
| 42 | 03497999 | 1 | pipe union m 12 p.1/ m 14 p.1.5 |
| | | | -> (...) X Agrotron 120 MK3 |
| | | | -> (...) X Agrotron 135 MK3 |
| | | | -> (...) X Agrotron 150 MK3 |
| | | | -> (...) X Agrotron 165 MK3 |
| 43 | 03417825 | 1 | tongue |
| | | | -> (...) X Agrotron 120 MK3 |
| | | | -> (...) X Agrotron 135 MK3 |
| | | | -> (...) X Agrotron 150 MK3 |
| | | | -> (...) X Agrotron 165 MK3 |

9_04437825_0_0

HYDRAULIC BREAKING FOR TRAILER - ITALY - LOAD SENSING



9_04437834_0_0

| Fig. | Code | QTY | Name |
|------|------------|-----|---------------------------------|
| 1 | 04437806 | 1 | tube |
| 2 | 04437706 | 1 | tube |
| 3 | 04437805 | 1 | tube |
| 4 | 04437804 | 1 | tube |
| 5 | 04437808 | 1 | tube |
| 6 | 01127359 | 1 | pipe fitting L8, d3902 |
| 7 | 04432463.4 | 1 | console |
| 8 | 01112418 | 2 | screw m 10 x 25, d933 |
| 9 | 01102659 | 2 | nut m 10, d934 |
| 14 | 04436629 | 1 | tube sx/lh/li |
| 15 | 04436630 | 1 | tube dx/rh/re |
| 16 | 04436623 | 1 | tube |
| 23 | 01118681 | 1 | 'o' ring a 12x18 d7603 |
| | | | (...) <- X Agrotron 120 MK3 |
| | | | (...) <- X Agrotron 135 MK3 |
| | | | (...) <- X Agrotron 150 MK3 |
| | | | (...) <- X Agrotron 165 MK3 |
| 23 | 01118681 | 2 | 'o' ring a 12x18 d7603 |
| | | | -> (...) X Agrotron 120 MK3 |
| | | | -> (...) X Agrotron 135 MK3 |
| | | | -> (...) X Agrotron 150 MK3 |
| | | | -> (...) X Agrotron 165 MK3 |
| 26 | 01118693 | 3 | gasket 14x20 |
| 27 | 04419581 | 1 | coupling |
| 31 | 01174999 | 1 | hose clip |
| 32 | 01171262 | 3 | hose clip b 6x15 h3223 |
| 33 | 02382224 | 3 | sleeve 12 |
| 34 | 01216315 | 3 | rubber plug |
| 35 | 01172065 | 3 | clamp 4.6 x 146 |
| 36 | 01112264 | 2 | screw m 6 x 20, d933 |
| 37 | 01127079 | 2 | nut m 6 |
| 40 | 04427045 | 1 | pipe fitting T |
| 42 | 03497999 | 1 | pipe union m 12 p.1/ m 14 p.1.5 |
| | | | -> (...) X Agrotron 120 MK3 |
| | | | -> (...) X Agrotron 135 MK3 |
| | | | -> (...) X Agrotron 150 MK3 |
| | | | -> (...) X Agrotron 165 MK3 |
| 43 | 03417825 | 1 | tongue |
| | | | -> (...) X Agrotron 120 MK3 |
| | | | -> (...) X Agrotron 135 MK3 |
| | | | -> (...) X Agrotron 150 MK3 |
| | | | -> (...) X Agrotron 165 MK3 |

Agrotron 150 MK3 -> 8094

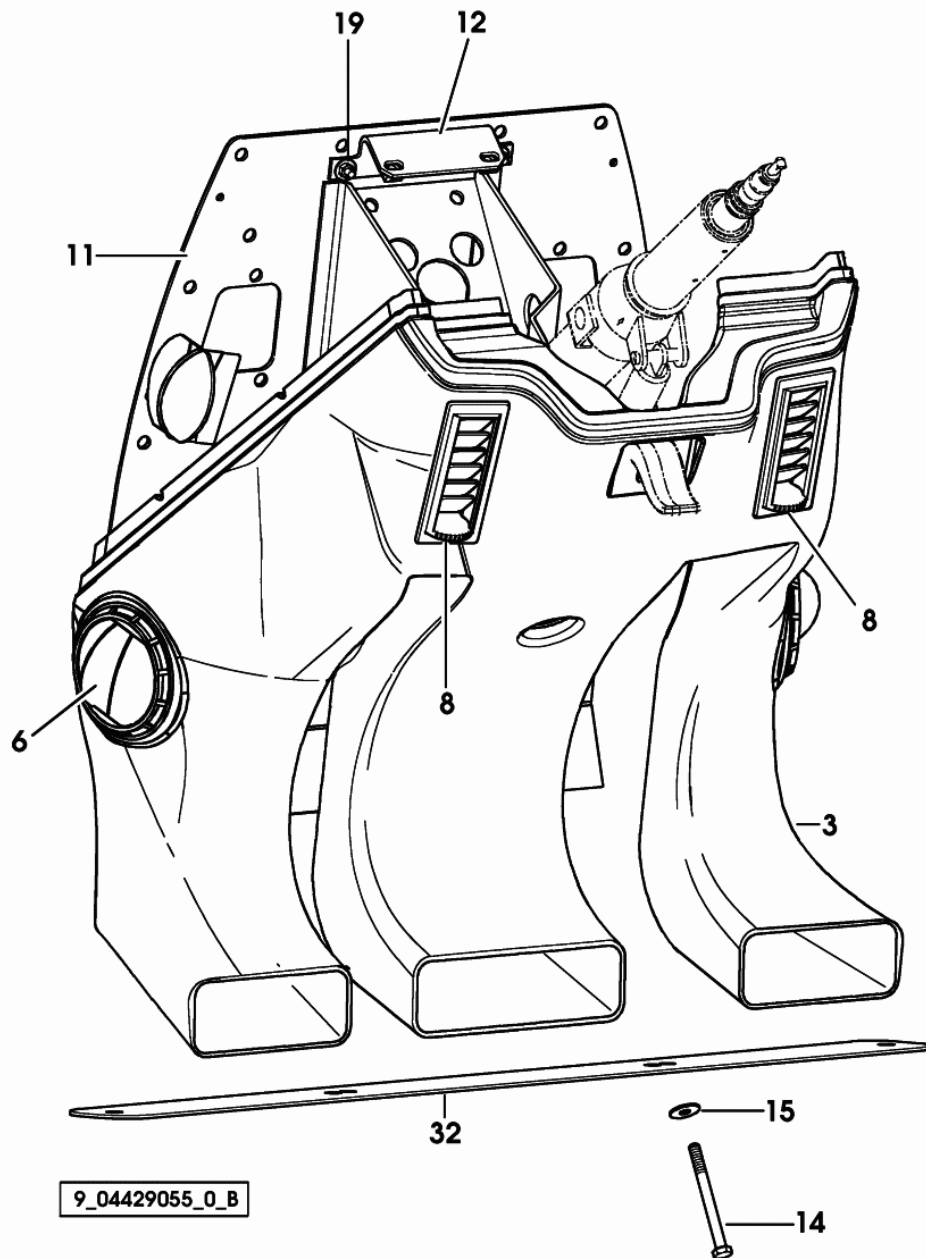
BODY WORK

GENERAL

| | |
|---|----------|
| HOOD..... | 07.00.1 |
| HOOD..... | 07.00.2 |
| FRONT GRILLE FOR DRIVING ON LEFT..... | 07.00.5 |
| FRONT GRILLE FOR DRIVING ON RIGHT..... | 07.00.6 |
| BLANKING PARTS..... | 07.00.7 |
| PRODUCT PLATE..... | 07.00.11 |
| DASHBOARD..... | 07.00.13 |
| DASHBOARD..... | 07.00.14 |
| AIR DUCTING HOOD..... | 07.00.15 |
| CAB BEARING..... | 07.00.16 |
| MECHANICAL CAB SUSPENSION dx/rh/re..... | 07.00.18 |
| MECHANICAL CAB SUSPENSION sx/lh/li..... | 07.00.19 |
| CAB BEARING PNEUMATIC SPRINGING dx/rh/re..... | 07.00.22 |
| CAB BEARING PNEUMATIC SPRINGING sx/lh/li..... | 07.00.23 |
| CAB BEARING PNEUMATIC SPRINGING..... | 07.00.24 |
| REINFORCED FENDER..... | 07.00.28 |
| WING SIDE PANEL..... | 07.00.29 |
| WING REAR..... | 07.00.30 |
| REAR MUDGUARDS..... | 07.00.31 |
| EXTENSION FOR WING sx/lh/li..... | 07.00.32 |
| EXTENSION FOR WING dx/rh/re..... | 07.00.33 |
| MUDGUARDS EXTENSIONS mm 250..... | 07.00.34 |
| MUDGUARDS EXTENSIONS mm 145..... | 07.00.35 |
| FRONT MUDGUARDS mm 265..... | 07.00.36 |
| FRONT MUDGUARDS mm 265..... | 07.00.37 |
| FRONT MUDGUARDS mm 320..... | 07.00.38 |
| FRONT MUDGUARDS mm 320..... | 07.00.39 |
| FRONT MUDGUARDS mm 320..... | 07.00.40 |
| FRONT MUDGUARDS mm 320..... | 07.00.41 |
| FRONT MUDGUARDS mm 470..... | 07.00.42 |
| FRONT MUDGUARDS mm 470..... | 07.00.43 |
| FRONT MUDGUARDS mm 540..... | 07.00.44 |
| FRONT MUDGUARDS mm 540..... | 07.00.45 |
| FRONT MUDGUARDS mm 620..... | 07.00.46 |
| FRONT MUDGUARDS mm 620..... | 07.00.47 |
| FUEL SYSTEM - TANK..... | 07.00.48 |
| FUEL SYSTEM - TANK..... | 07.00.49 |
| FUEL SUPPLY - AIR FILTER..... | 07.00.52 |
| DRY AIR FILTER..... | 07.00.53 |
| THROTTLE..... | 07.00.54 |

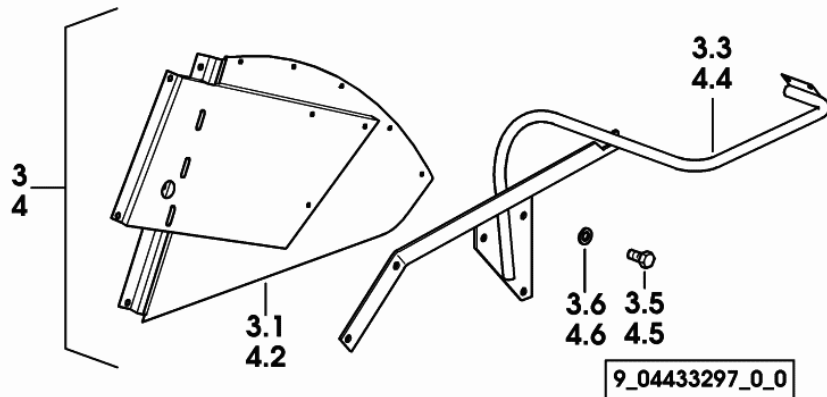
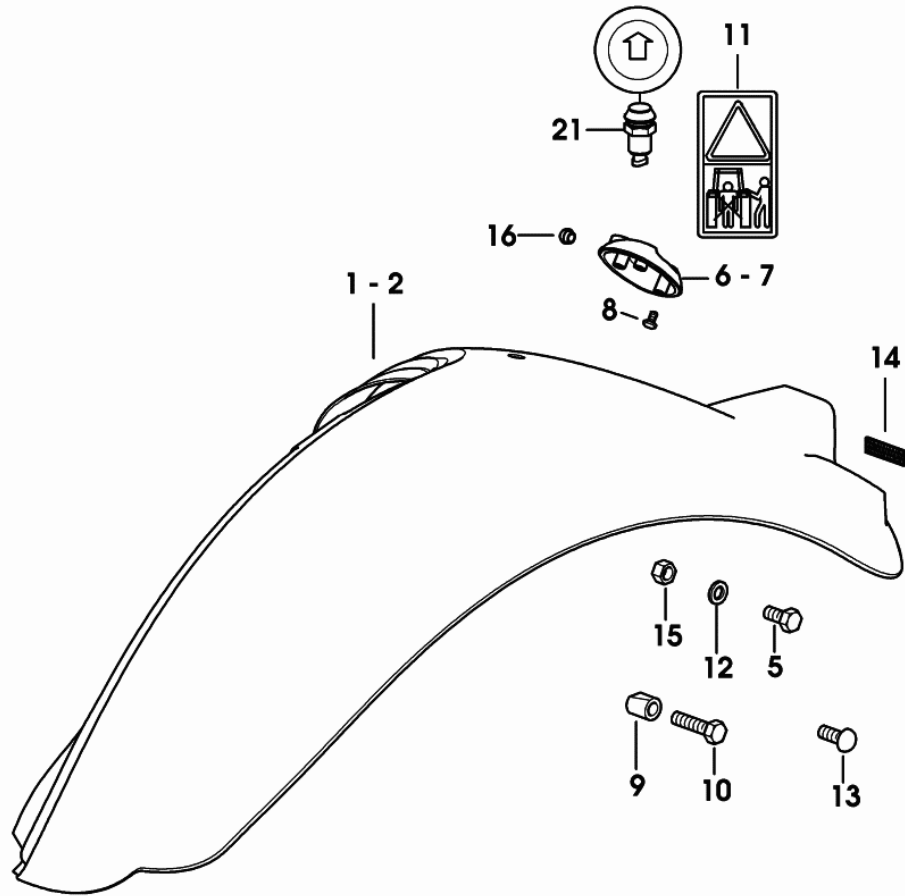
Section: BODY WORK
AIR DUCTING HOOD

| Fig. | Code | QTY | Name |
|------|---------------|-----|------------------|
| 3 | 04429054 | 1 | air duct |
| 6 | 04348879 | 4 | blower |
| 8 | 04429734 | 2 | blower |
| 11 | 04429700.4/10 | 1 | carrier |
| 12 | 04429701.4 | 1 | square |
| 14 | 01111200 | 1 | screw m8x90 d931 |
| 15 | 01136363 | 3 | washer 8.4 |
| 19 | 01148124 | 4 | washer 8,4 |
| 32 | 04429732 | 1 | plate |



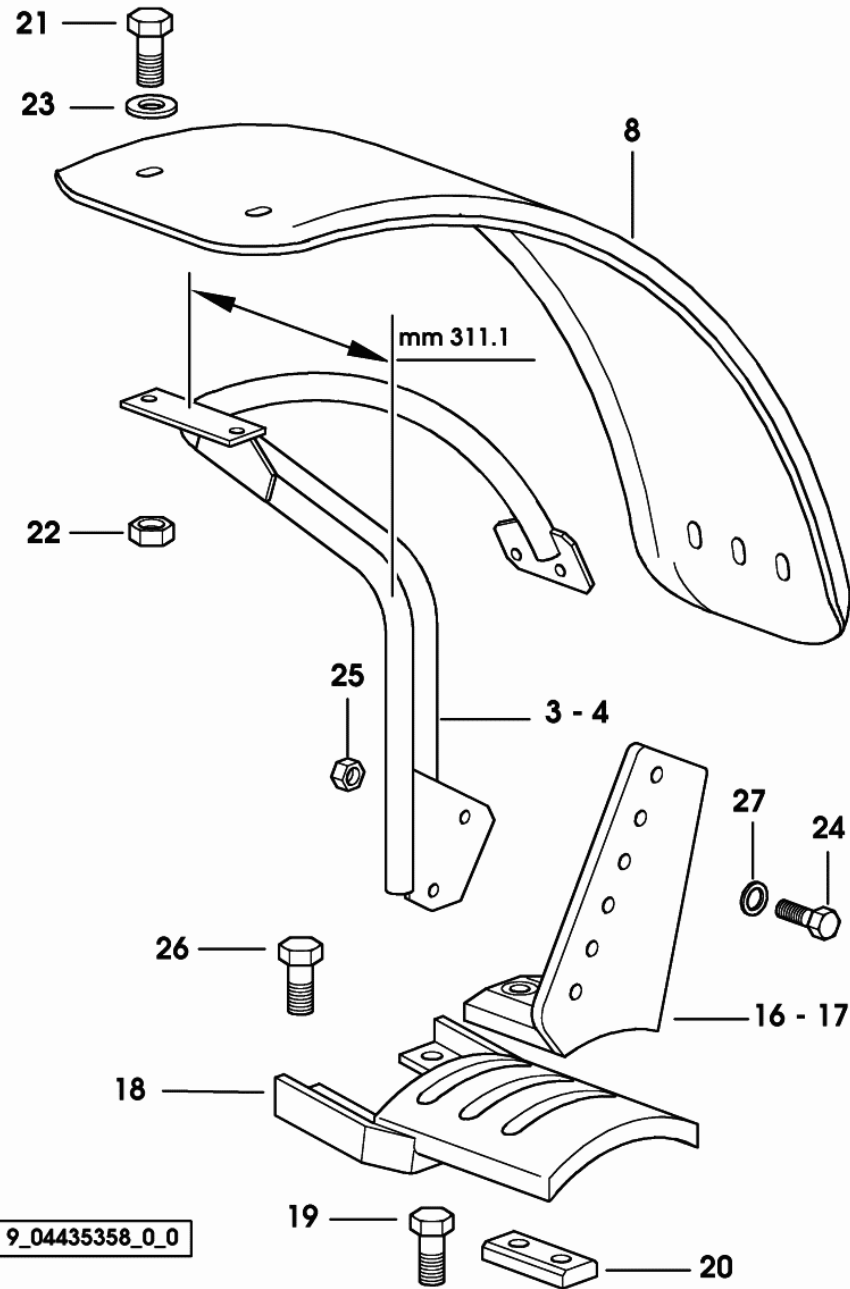
Section: BODY WORK
REAR MUDGUARDS

| Fig. | Code | QTY | Name |
|------|-------------|-----|-----------------------|
| 1 | 04433300/10 | 1 | fender sx/lh/li |
| 2 | 04433301/10 | 1 | fender dx/rh/re |
| 3 | 04433281.4 | 1 | support sx/lh/li |
| 3.1 | 04429724.4 | 1 | division sx/lh/li |
| 3.3 | 04433283.4 | 1 | chassis frame |
| 3.5 | 01144692 | 3 | screw m 8 p.1.25 x 20 |
| 3.6 | 01136363 | 3 | washer 8.4 |
| 4 | 04433280.4 | 1 | support dx/rh/re |
| 4.2 | 04429725.4 | 1 | division dx/rh/re |
| 4.4 | 04433284.4 | 1 | chassis frame |
| 4.5 | 01144692 | 3 | screw m 8 p.1.25 x 20 |
| 4.6 | 01136363 | 3 | washer 8.4 |
| 5 | 01144692 | 12 | screw m 8 p.1.25 x 20 |
| 6 | 04412686 | 1 | half box dx/rh/re |
| 7 | 04412685 | 1 | half box sx/lh/li |
| 8 | 04414188 | 6 | screw |
| 9 | 04415539 | 2 | bushing |
| 10 | 01112356 | 2 | screw m 8 x 40 |
| 11 | 04416339 | 1 | plate |
| 12 | 01136363 | 28 | washer 8.4 |
| 13 | 01137000 | 12 | screw m 8 x 30 |
| 14 | 04414079 | 2 | reflector |
| 15 | 01112824 | 12 | nut m 8, d934 |
| 16 | 04413366 | 2 | plug 20.6 |
| 21 | 04412688 | 2 | switch |



Section: BODY WORK

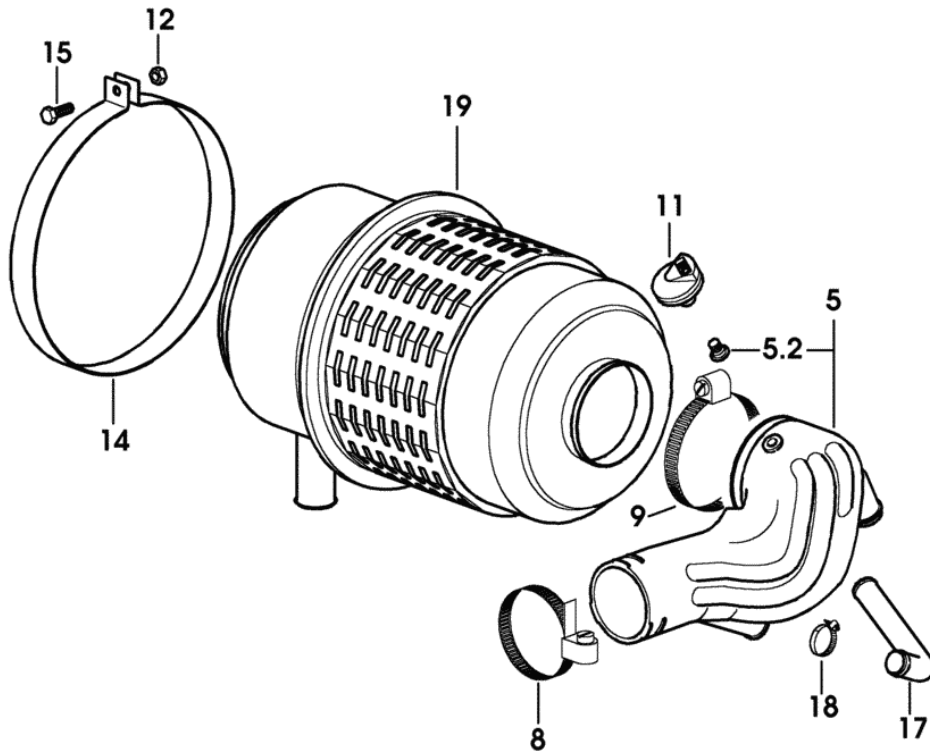
FRONT MUDGUARDS mm 320



| Fig. | Code | QTY | Name |
|------|----------|-----|-----------------------|
| 3 | 04416236 | 1 | support dx/rh/re |
| 4 | 04416237 | 1 | support sx/lh/li |
| 8 | 04414848 | 2 | fender mm 320 |
| 16 | 04414845 | 1 | lining dx/rh/re |
| 17 | 04414844 | 1 | lining sx/lh/li |
| 18 | 04414847 | 2 | bracket |
| 19 | 06209288 | 4 | screw m 16 x 55 |
| 20 | 04414866 | 2 | key mm 15 |
| 21 | 01112333 | 8 | screw m 8 x 25, d933 |
| 22 | 01136452 | 8 | nut vm 8 d980 |
| 23 | 02312618 | 8 | washer |
| 24 | 01124837 | 4 | screw m12x50 d933 |
| 25 | 01125801 | 4 | nut m12 d934-10 |
| 26 | 01112679 | 8 | screw m 16 x 35 |
| 27 | 01174738 | 8 | flat washer 12.5x26x6 |

Section: BODY WORK
DRY AIR FILTER

| Fig. | Code | QTY | Name |
|------|------------|-----|-------------------------|
| 5 | 04423637.4 | 1 | manifold |
| 5.2 | 04411606 | 1 | pipe fitting |
| 8 | 01138380 | 1 | hose clip Ø 80/100 |
| 9 | 01144700 | 1 | clamp DIN 3017- 100-120 |
| 11 | 04419015 | 1 | pressure switch |
| 12 | 01112824 | 1 | nut m 8, d934 |
| 14 | 04413721 | 1 | hose clip |
| 15 | 01112333 | 1 | screw m 8 x 25, d933 |
| 17 | 04412015 | 1 | tube |
| 18 | 01133514 | 1 | clamp Ø 20/32 |
| 19 | 04436013.4 | 1 | air filter |
| | | | ☞ 04436013.4 |
| | | | ☞ 07.00.11 |

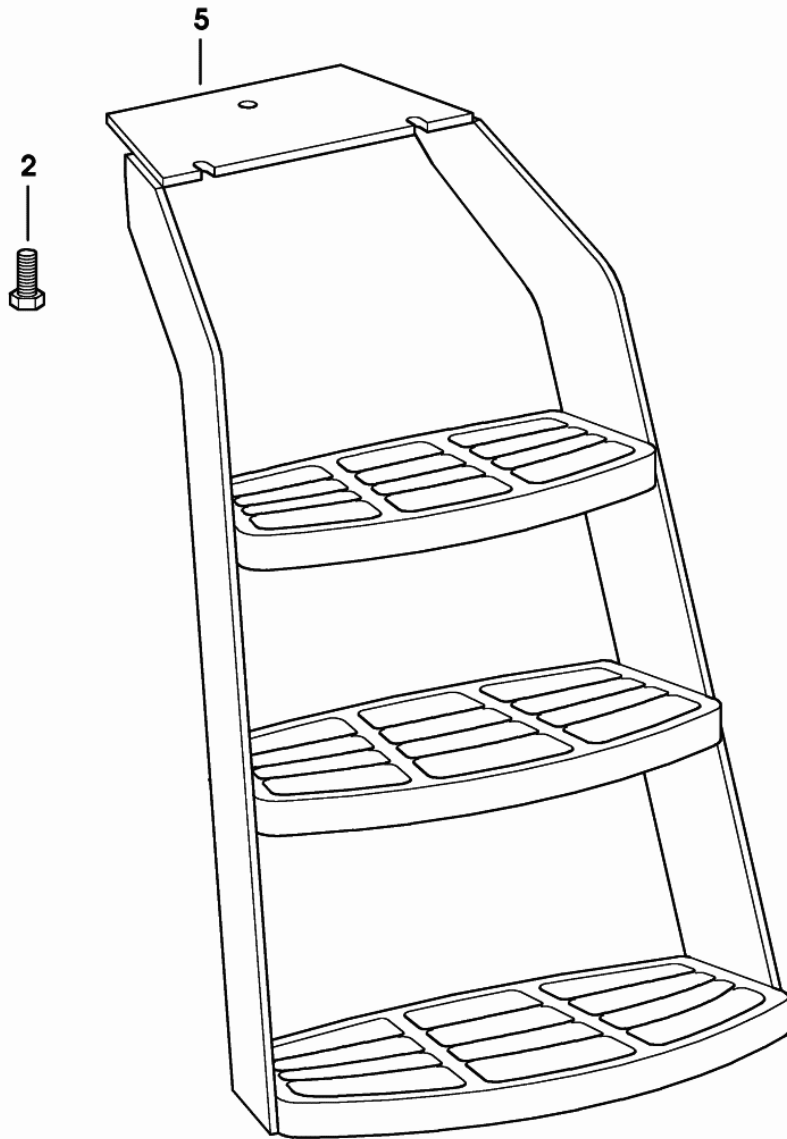


9_04436016_0_0

Section: BODY WORK

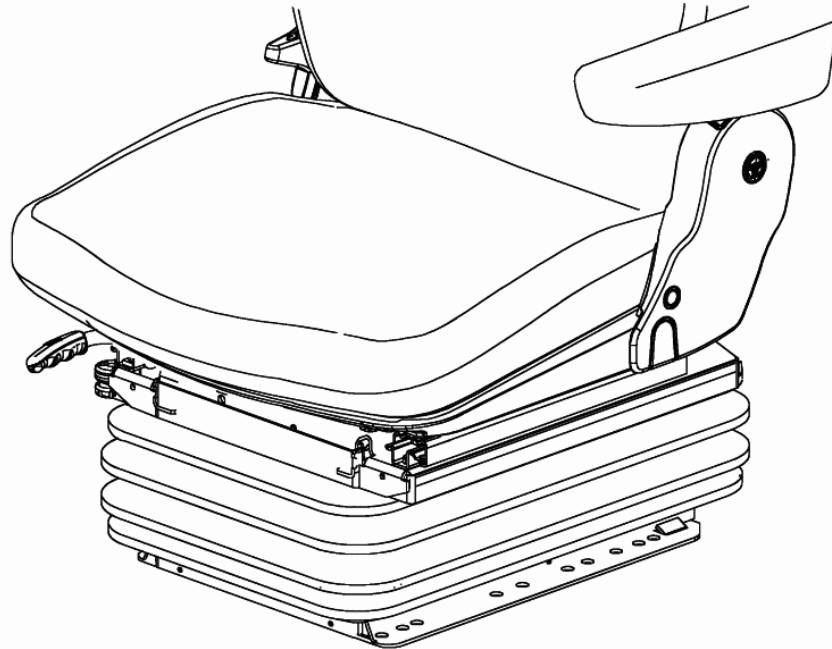
LADDER

| Fig. | Code | QTY | Name |
|------|------------|-----|-------------------|
| 2 | 01144472 | 6 | screw m10x30 d933 |
| 5 | 04428714.4 | 2 | climbing steps |

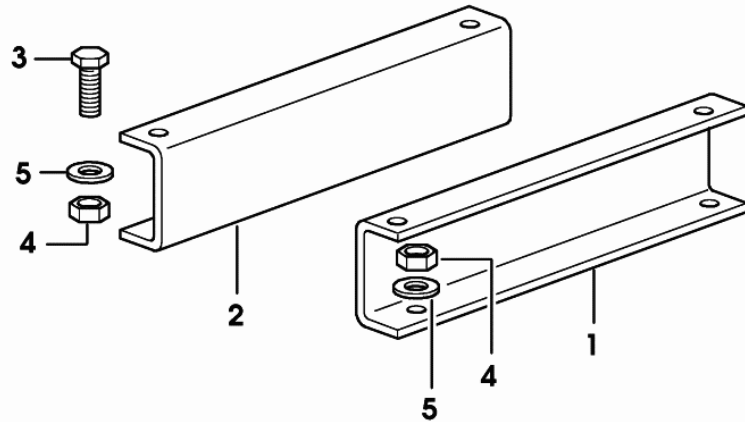


9_04428886_0_0

Section: BODY WORK
SEAT SUPPORT BRACKET



| Fig. | Code | QTY | Name |
|------|----------|-----|----------------------|
| 1 | 04429948 | 1 | support sx/lh/li |
| 2 | 04429949 | 1 | support dx/rh/re |
| 3 | 01112341 | 4 | screw m 8 x 30, d933 |
| 4 | 01112824 | 8 | nut m 8, d934 |
| 5 | 01138374 | 8 | washer 8,4x21x4 |



9_04429954_0_0

Section: BODY WORK

SPEED LABEL - 40 KM/H

| Fig. | Code | QTY | Name |
|------|----------|-----|---------------|
| 1 | 04382527 | 1 | plate 40 KM/H |



9_04450058_0_0

Section: BODY WORK
SPEED LABEL 40 Km/h

| Fig. | Code | QTY | Name |
|------|----------|-----|----------------------|
| 1 | 04437889 | 1 | number plate 40 KM/H |

1

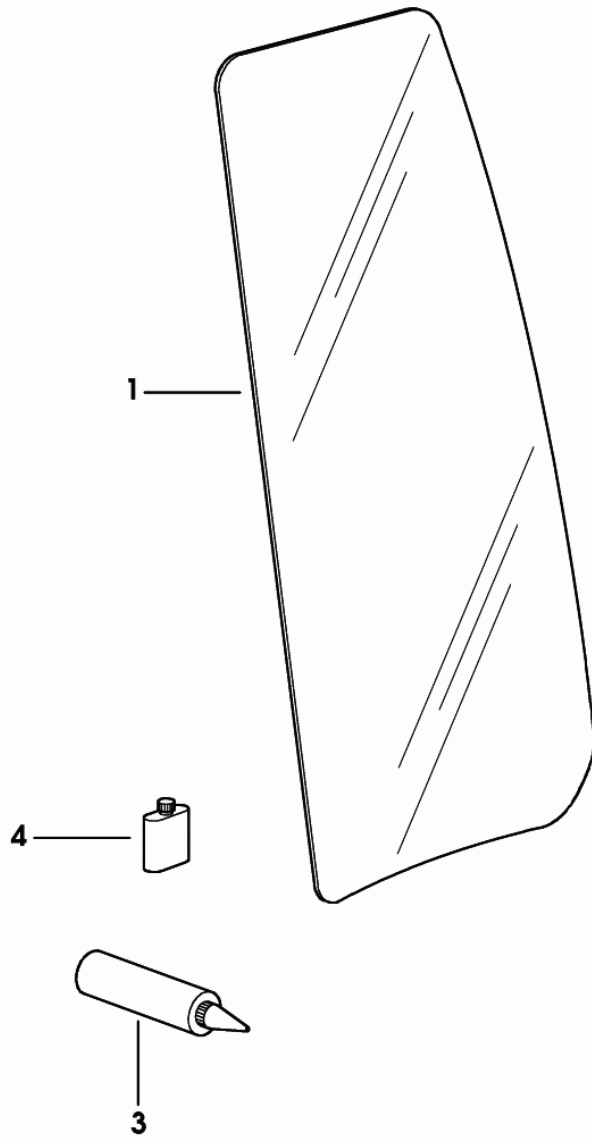
| km/h | | | | | | |
|----------------------|-----|-----|------|----|----|----|
| 580/70 R 38 | 1 | 2 | 3 | 4 | 5 | 6 |
| L | 3,1 | 5,6 | 9,0 | 14 | 19 | 28 |
| M | 3,7 | 6,7 | 10,7 | 16 | 22 | 34 |
| H | 4,5 | 8,0 | 12,9 | 19 | 27 | 40 |
| S | 5,3 | 9,6 | 15,4 | 23 | 32 | 40 |
| Vorwärts = Rückwärts | | | | | | |

9_04450076_0_0

Section: CAB

SIDE PANEL FIXED sx/lh/li

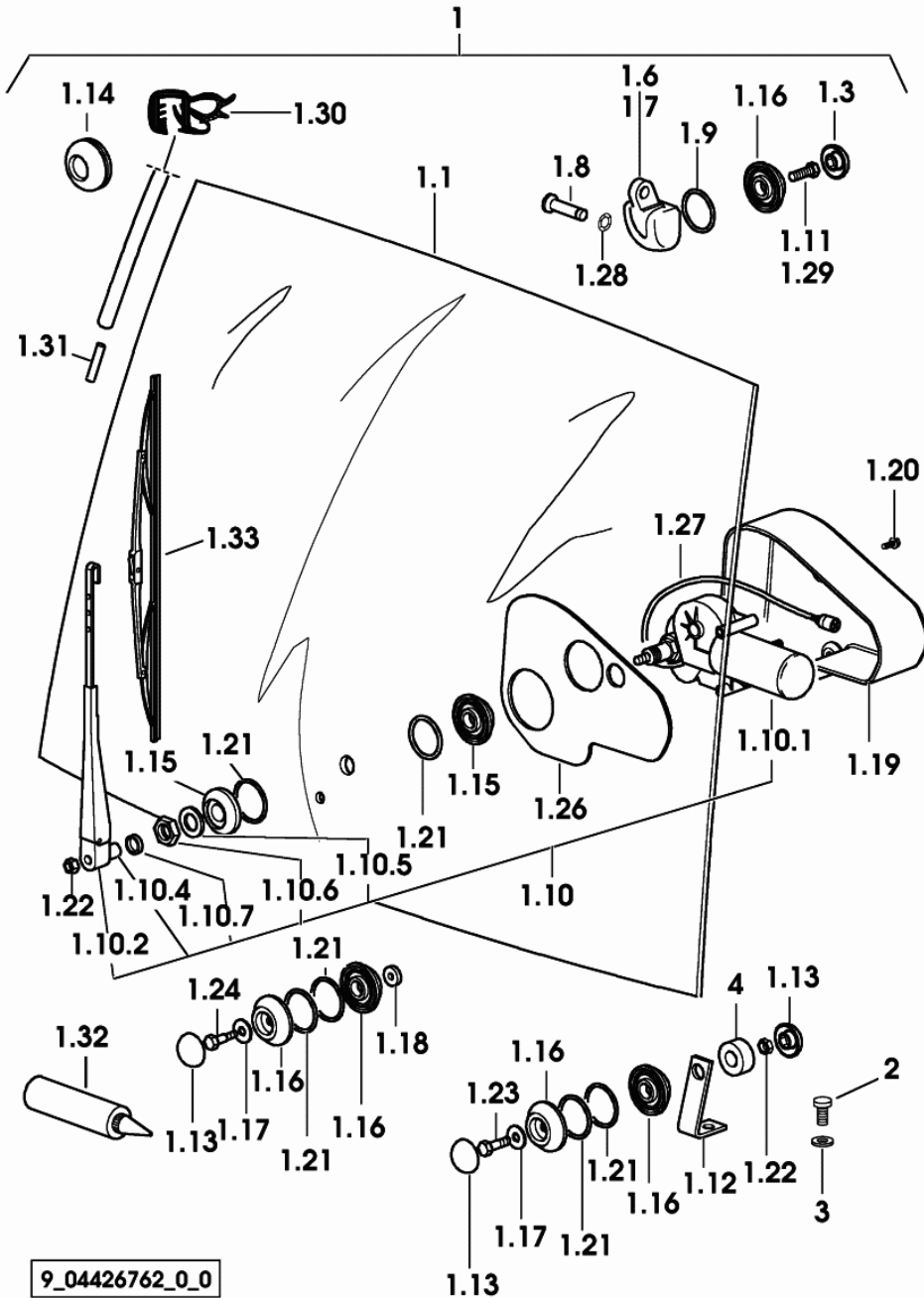
| Fig. | Code | QTY | Name |
|------|----------|-----|----------------------------------|
| 1 | 04424512 | 1 | glass sx/lh/li |
| 3 | 04414226 | 0 | sealing compound HENKEL 211-342 |
| 4 | 04414225 | 0 | genuine lubricants HENKEL 148785 |



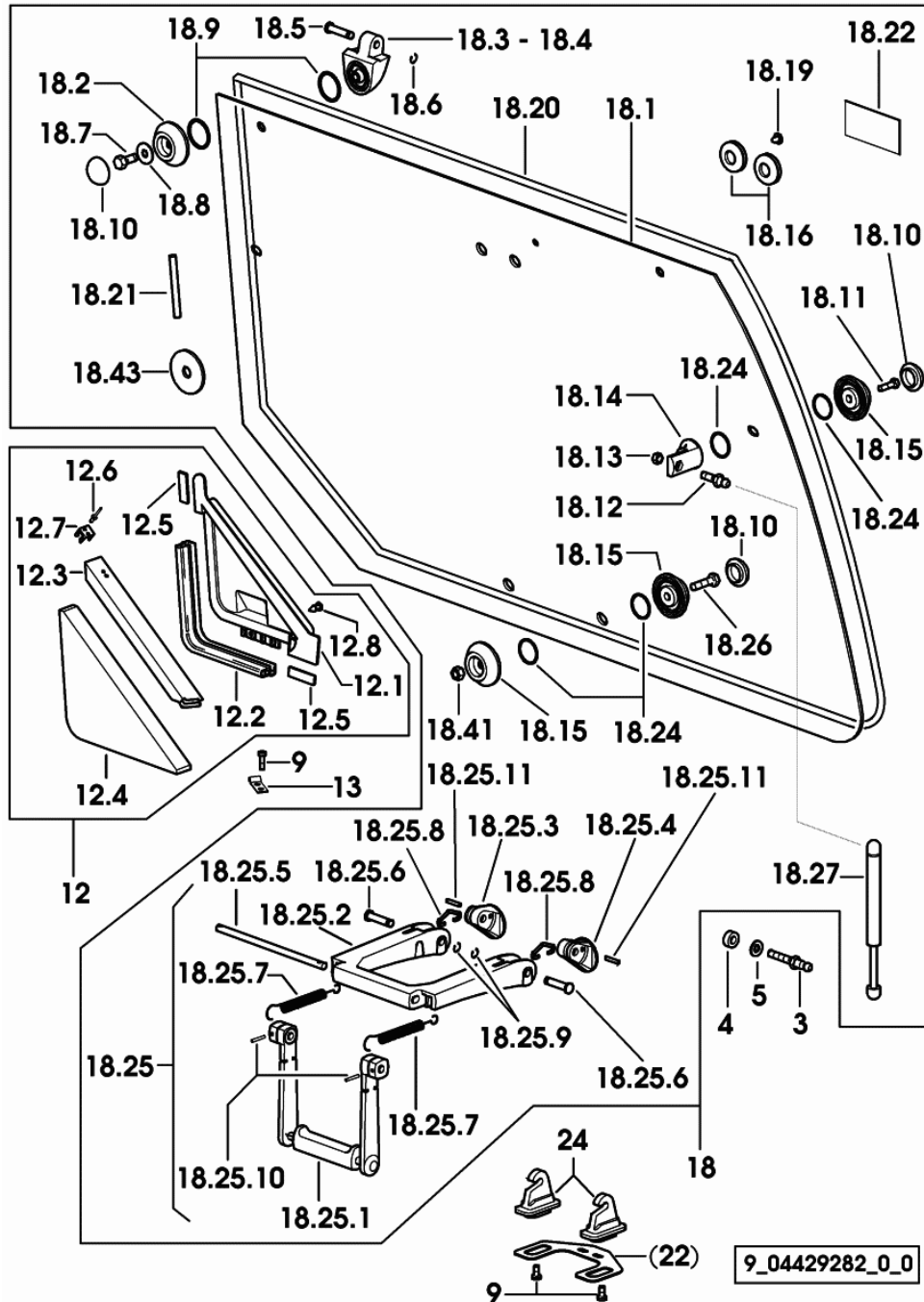
9_04424515_0_0

Section: CAB
WINDSCREEN

| Fig. | Code | QTY | Name |
|------|--------------|-----|--|
| 1.29 | 04438410 | 2 | (...) <- X Agrotron 150 MK3 (...) <- X Agrotron 165 MK3 screw m 8 x 25 -> (...) X Agrotron 120 MK3 -> (...) X Agrotron 135 MK3 -> (...) X Agrotron 150 MK3 -> (...) X Agrotron 165 MK3 |
| 1.30 | 0.010.5147.0 | 2 | gasket |
| 1.31 | 01388794 | 0 | parting 9x4,5 |
| 1.32 | 01016121 | 0 | sealing compound |
| 1.33 | 04413194 | 1 | wiper blade |
| 2 | 04413811 | 2 | screw m 6 p.1.0 x 16 |
| 3 | 01107095 | 2 | washer 6.4 |
| 4 | 04414994 | 1 | washer |



9_04426762_0_0



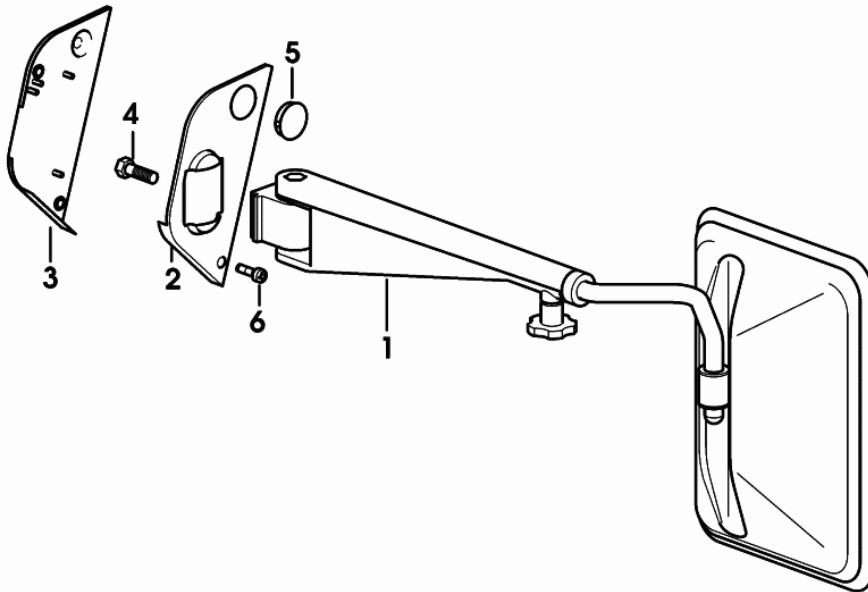
Section: CAB
REAR PANEL FLAP

| Fig. | Code | QTY | Name |
|----------|--------------|-----|--|
| 18.25.6 | 2.1699.240.2 | 2 | pin 8 x 35 |
| 18.25.7 | 2.4049.170.2 | 2 | spring |
| 18.25.8 | 0.009.0689.0 | 2 | clevis |
| 18.25.9 | 2.1430.007.7 | 2 | circlip 6, d128 |
| 18.25.10 | 2.1630.210.2 | 2 | roll pin 3 x 20 |
| 18.25.11 | 2.1650.309.0 | 2 | pin 4 x 20 |
| 18.26 | 01112341 | 2 | screw m 8 x 30, d933 1138 <- X Agrotron 120 MK3 0928 <- X Agrotron 135 MK3 0590 <- X Agrotron 150 MK3 1545 <- X Agrotron 165 MK3 |
| 18.26 | 04423526 | 2 | screw m 8 x 40 -> 1139 X Agrotron 120 MK3 -> 0929 X Agrotron 135 MK3 -> 0591 X Agrotron 150 MK3 -> 1546 X Agrotron 165 MK3 |
| 18.27 | 04415239 | 2 | shoch.absorber |
| 18.41 | 04419481 | 2 | bracket -> (...) X Agrotron 120 MK3 -> (...) X Agrotron 135 MK3 -> (...) X Agrotron 150 MK3 -> (...) X Agrotron 165 MK3 |
| 18.43 | 2.1499.197.0 | 4 | gasket 16x44x3 -> (...) X Agrotron 120 MK3 -> (...) X Agrotron 135 MK3 -> (...) X Agrotron 150 MK3 -> (...) X Agrotron 165 MK3 |
| 22 | 04423718 | 1 | stop (...) <- X Agrotron 120 MK3 (...) <- X Agrotron 135 MK3 (...) <- X Agrotron 150 MK3 (...) <- X Agrotron 165 MK3 |
| 24 | 04431844 | 1 | clevis (...) <- X Agrotron 120 MK3 (...) <- X Agrotron 135 MK3 (...) <- X Agrotron 150 MK3 (...) <- X Agrotron 165 MK3 |
| 24 | 04431844 | 2 | clevis -> (...) X Agrotron 120 MK3 -> (...) X Agrotron 135 MK3 -> (...) X Agrotron 150 MK3 -> (...) X Agrotron 165 MK3 |

Section: CAB

REARVIEW MIRROR dx/rh/re

| Fig. | Code | QTY | Name |
|------|--------------|-----|---|
| 1 | 04424772 | 1 | rear view mirror dx/rh/re 1096 <- X Agrotron 120 MK3 0895 <- X Agrotron 135 MK3 0579 <- X Agrotron 150 MK3 1510 <- X Agrotron 165 MK3 |
| 1 | 0.012.4392.4 | 1 | rear view mirror dx/rh/re -> 1097 X Agrotron 120 MK3 -> 0896 X Agrotron 135 MK3 -> 0580 X Agrotron 150 MK3 -> 1511 X Agrotron 165 MK3 ☞ 0.012.4392.4 ☞ 0B.00.32 |
| 2 | 04414194 | 1 | cover dx/rh/re |
| 3 | 04412584 | 1 | cover dx/rh/re |
| 4 | 01112333 | 3 | screw m 8 x 25, d933 |
| 5 | 01180575 | 1 | plug |
| 6 | 04413736 | 2 | screw |

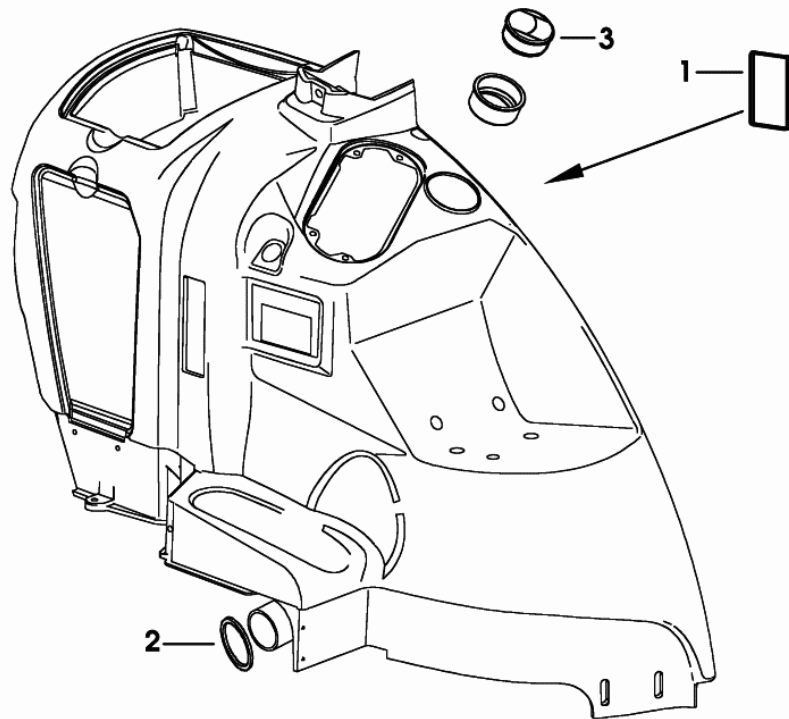


9_04412615_0_0

Section: CAB

CONTROL CONSOLE LEFT

| Fig. | Code | QTY | Name |
|------|-----------------|-----|---------------|
| 1 | 0.011.4085.0/20 | 2 | gasket mm 390 |
| 2 | 01173143 | 1 | clamp 4,6x280 |
| 3 | 04428870 | 2 | blower |

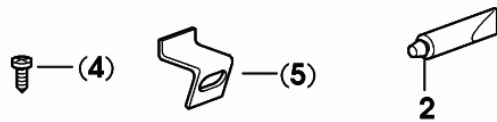
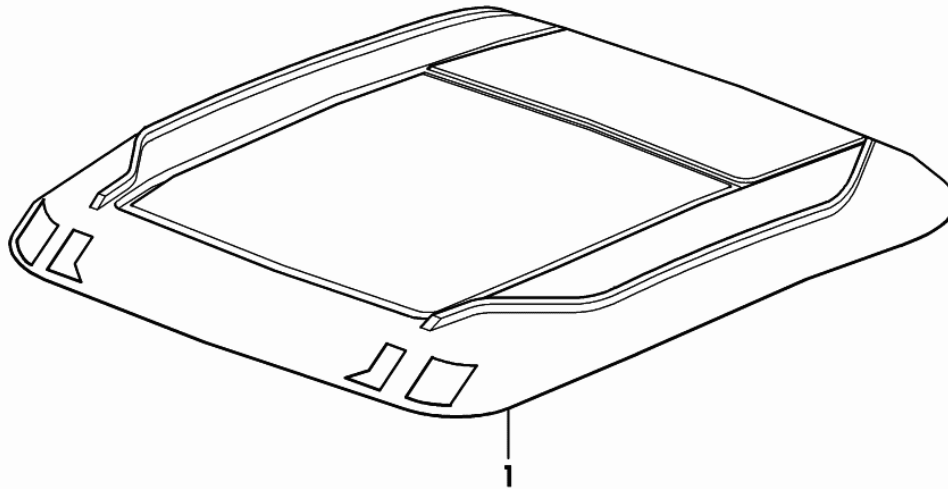


9_95071_43_0_B

Section: CAB

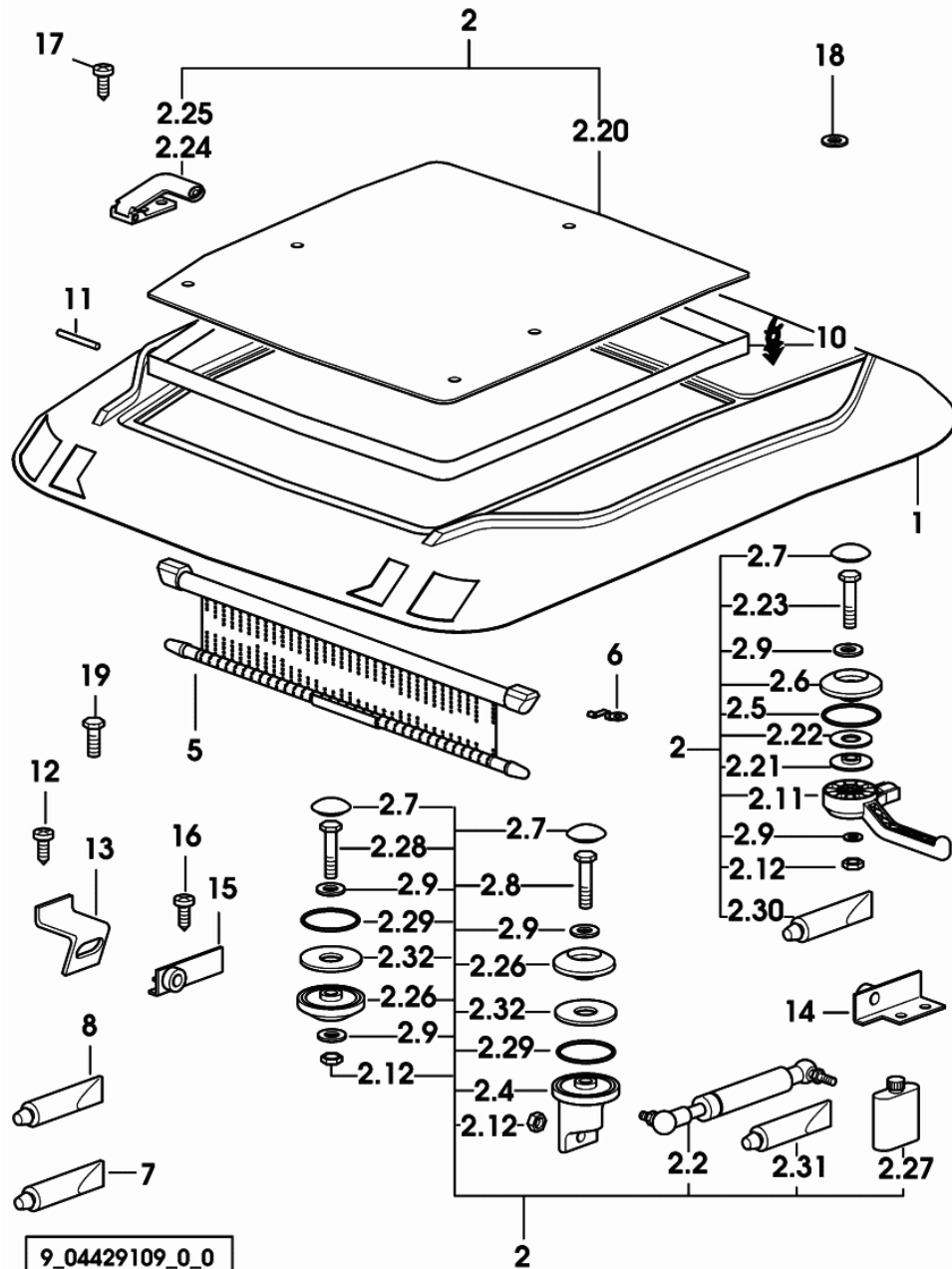
ROOF WITHOUT SKYLIGHT

| Fig. | Code | QTY | Name |
|------|----------|-----|---|
| 1 | 04424630 | 1 | roof |
| 2 | 04425415 | 0 | sealing compound 566.4 |
| 4 | 04414186 | 2 | screw (...) <- X Agrotron 120 MK3 (...) <- X Agrotron 135 MK3 (...) <- X Agrotron 150 MK3 (...) <- X Agrotron 165 MK3 |
| 5 | 04412618 | 2 | ring (...) <- X Agrotron 120 MK3 (...) <- X Agrotron 135 MK3 (...) <- X Agrotron 150 MK3 (...) <- X Agrotron 165 MK3 |



9_04422913_0_0

ROOF WITH SKYLIGHT - GLASS



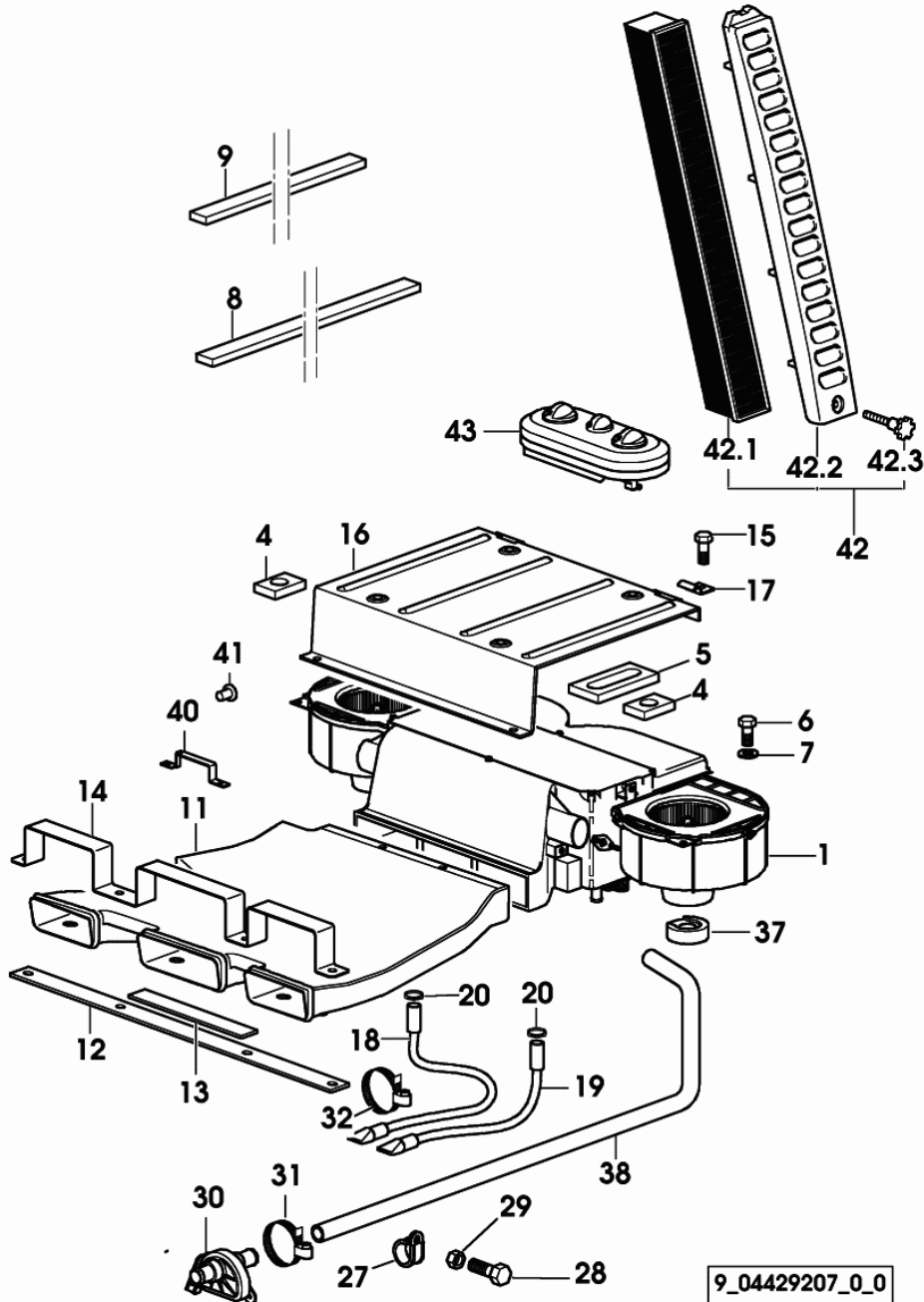
| Fig. | Code | QTY | Name |
|------|--------------|-----|----------------------------------|
| | | | -> (...) X Agrottron 135 MK3 |
| | | | -> (...) X Agrottron 150 MK3 |
| | | | -> (...) X Agrottron 165 MK3 |
| 2.20 | 04426330 | 1 | roof |
| 2.21 | 04426328 | 1 | washer |
| 2.22 | 04426329 | 1 | washer |
| 2.23 | 01122441 | 1 | screw m 8 p.1.25 x 50 |
| 2.24 | 04418943 | 1 | clevis sx/lh/li |
| 2.25 | 04418944 | 1 | clevis dx/rh/re |
| 2.26 | 04411716 | 1 | washer |
| | | | (...) <- X Agrottron 120 MK3 |
| | | | (...) <- X Agrottron 135 MK3 |
| | | | (...) <- X Agrottron 150 MK3 |
| | | | (...) <- X Agrottron 165 MK3 |
| 2.26 | 04429423 | 4 | washer |
| | | | -> (...) X Agrottron 120 MK3 |
| | | | -> (...) X Agrottron 135 MK3 |
| | | | -> (...) X Agrottron 150 MK3 |
| | | | -> (...) X Agrottron 165 MK3 |
| 2.27 | 04414225 | 0 | genuine lubricants HENKEL 148785 |
| 2.28 | 01112341 | 2 | screw m 8 x 30, d933 |
| | | | (...) <- X Agrottron 120 MK3 |
| | | | (...) <- X Agrottron 135 MK3 |
| | | | (...) <- X Agrottron 150 MK3 |
| | | | (...) <- X Agrottron 165 MK3 |
| 2.28 | 01112350 | 2 | screw m 8 x 35 |
| | | | -> (...) X Agrottron 120 MK3 |
| | | | -> (...) X Agrottron 135 MK3 |
| | | | -> (...) X Agrottron 150 MK3 |
| | | | -> (...) X Agrottron 165 MK3 |
| 2.29 | 04416556 | 4 | ring |
| | | | (...) <- X Agrottron 120 MK3 |
| | | | (...) <- X Agrottron 135 MK3 |
| | | | (...) <- X Agrottron 150 MK3 |
| | | | (...) <- X Agrottron 165 MK3 |
| 2.29 | 2.1530.078.0 | 4 | 'o' ring 29.74x3.53 |
| | | | -> (...) X Agrottron 120 MK3 |
| | | | -> (...) X Agrottron 135 MK3 |
| | | | -> (...) X Agrottron 150 MK3 |
| | | | -> (...) X Agrottron 165 MK3 |
| 2.30 | 04414226 | 0 | sealing compound HENKEL 211-342 |
| 2.31 | 04426334 | 0 | adhesive |
| 2.32 | 2.1499.197.0 | 4 | gasket 16x44x3 |
| | | | -> (...) X Agrottron 120 MK3 |

Section: CAB

CLIMATE CONTROL SYSTEM

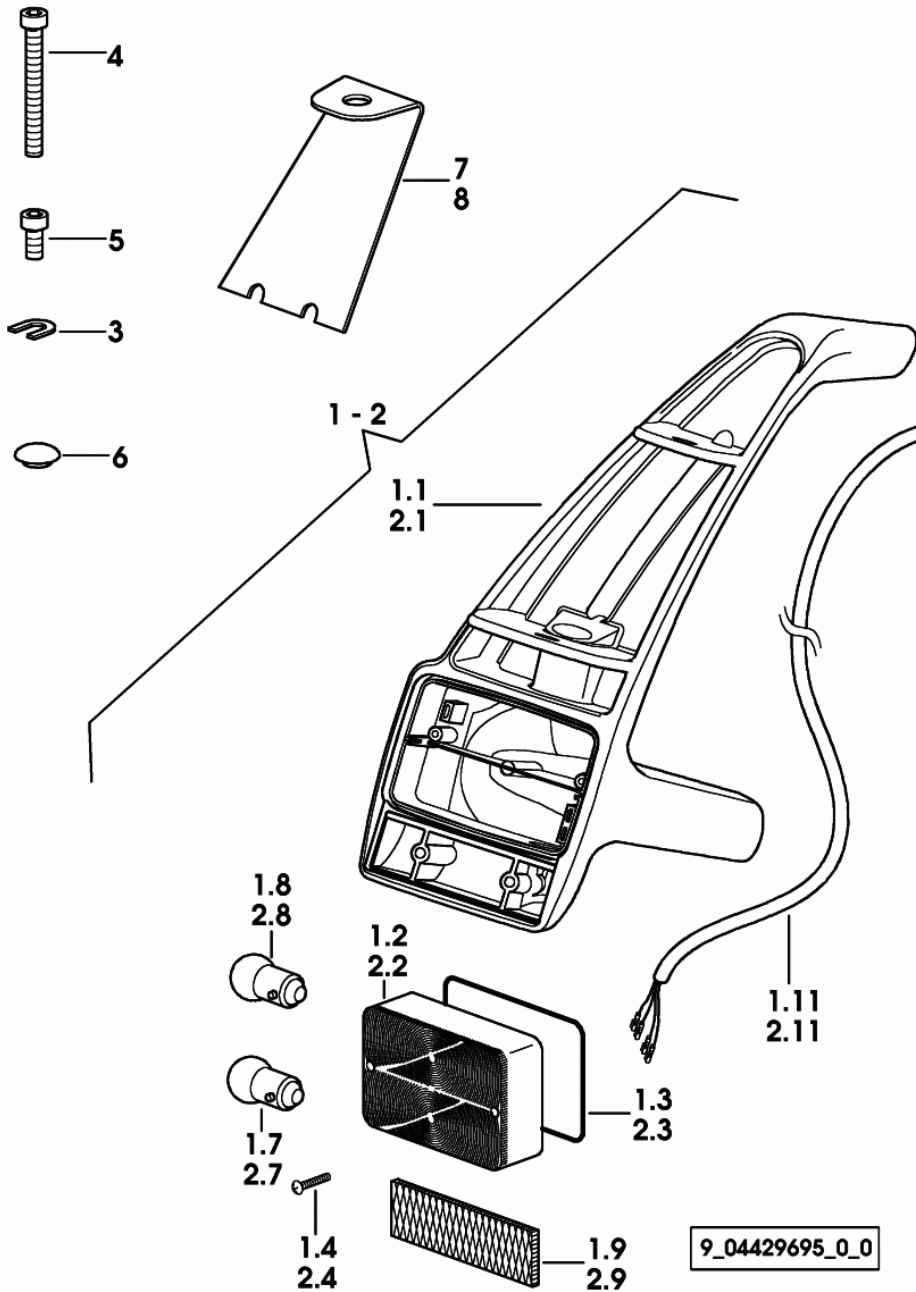
| Fig. | Code | QTY | Name |
|------|------|-----|------|
|------|------|-----|------|

| | | | |
|------|------------|---|--|
| 42 | 04425620.4 | 2 | X Agrotron 165 MK3 cover |
| 42.1 | 04411228 | 1 | air filter element |
| 42.2 | 04411230 | 1 | cover |
| 42.3 | 04411229 | 1 | screw |
| 43 | 04429205.4 | 1 | control grp. ☞ 04429205.4 ☞ 0B.00.36 |



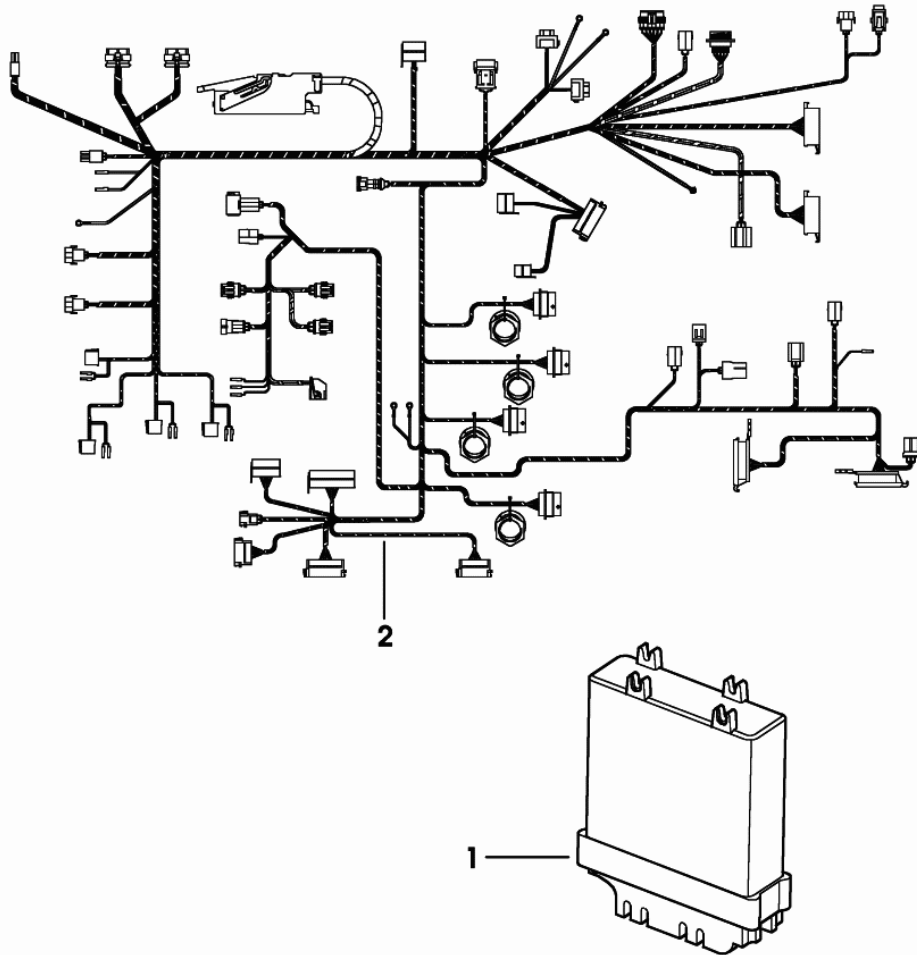
FLASHING POS. LIGHT

| Fig. | Code | QTY | Name |
|------|------------|-----|---------------------|
| 1 | 04429833.4 | 1 | side lamp sx/lh/li |
| 1.1 | 04413170 | 1 | support sx/lh/li |
| 1.2 | 04414104 | 1 | glass |
| 1.3 | 04414092 | 1 | gasket |
| 1.4 | 04414116 | 2 | screw 4.2x50 |
| 1.7 | 01135950 | 1 | lamp 12v - 21/5w |
| 1.8 | 01102550 | 1 | lamp r121w d72601 |
| 1.9 | 04414079 | 1 | reflector |
| 1.11 | 04429835 | 1 | cabl |
| 2 | 04429834.4 | 1 | side lamp dx/rh/re |
| 2.1 | 04413171 | 1 | support dx/rh/re |
| 2.2 | 04414104 | 1 | glass |
| 2.3 | 04414092 | 1 | gasket |
| 2.4 | 04414116 | 2 | screw 4.2x50 |
| 2.7 | 01135950 | 1 | lamp 12v - 21/5w |
| 2.8 | 01102550 | 1 | lamp r121w d72601 |
| 2.9 | 04414079 | 1 | reflector |
| 2.11 | 04429835 | 1 | cabl |
| 3 | 01136614 | 2 | disc |
| 4 | 01110614 | 2 | screw m8x70 d912 |
| 5 | 01102193 | 2 | screw m 8 x 16 |
| 6 | 04419538 | 2 | guard |
| 7 | 04419696 | 1 | lamination sx/lh/li |
| 8 | 04419697 | 1 | lamination dx/rh/re |



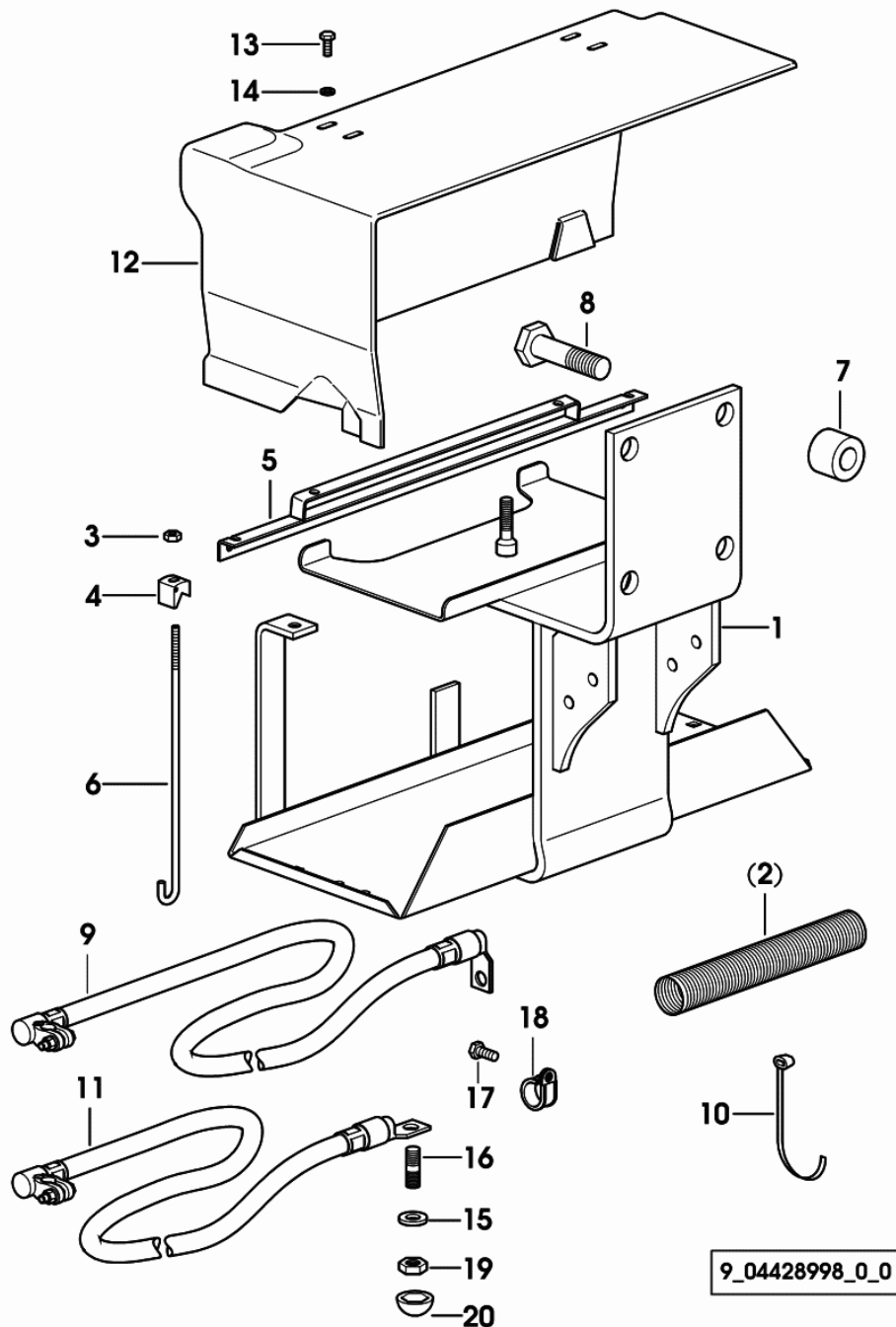
POWER SHIFT ELECTRICAL SYSTEM

| Fig. | Code | QTY | Name |
|------|------------|-----|----------------|
| 1 | 04425615.4 | 1 | central device |
| 2 | 04437357 | 1 | cable harness |



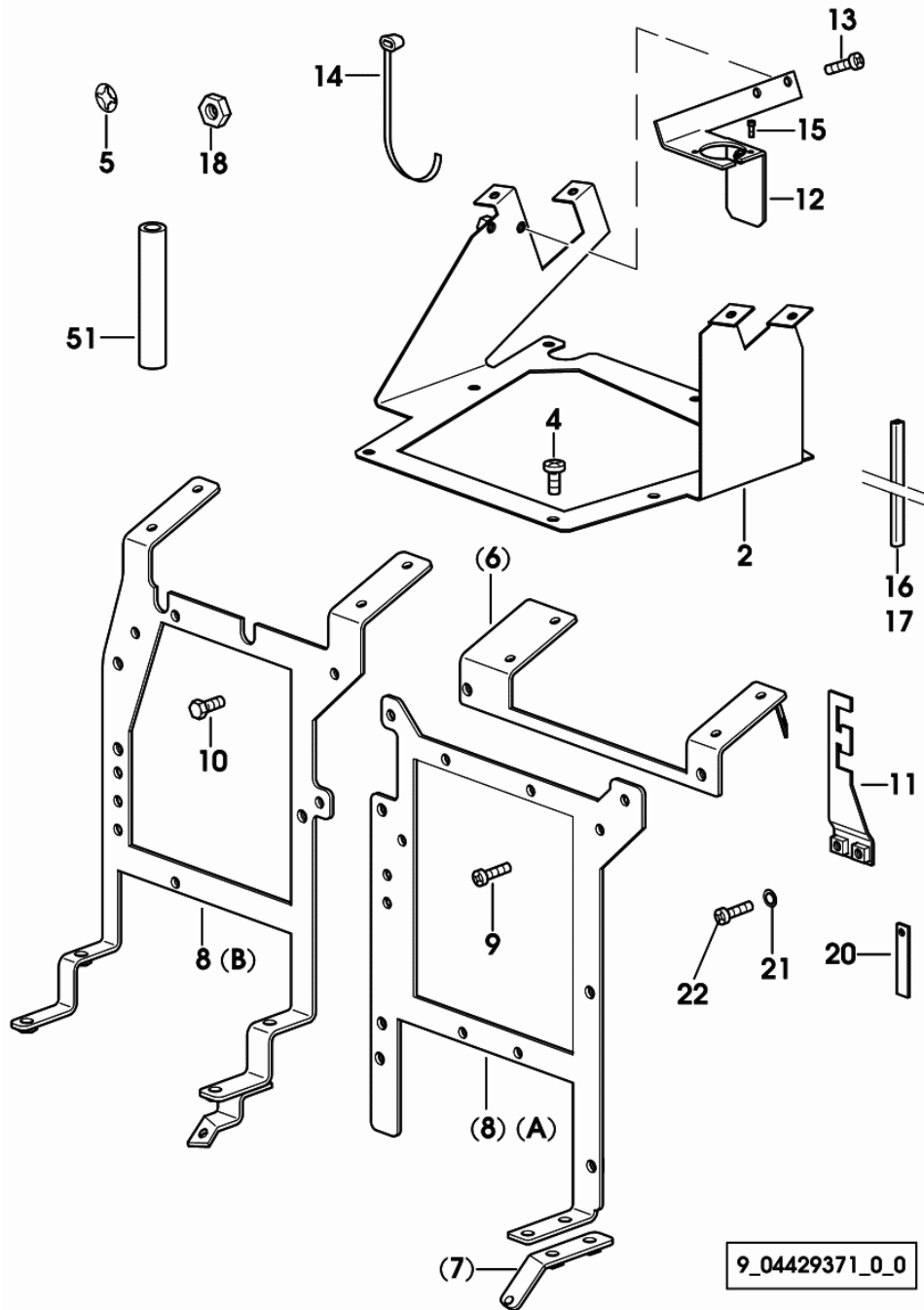
9_04438406_0_0

BATTERY SUPPORT



| Fig. | Code | QTY | Name |
|------|------------|-----|---|
| 1 | 04428852.4 | 1 | battery support |
| 2 | 04424164 | 1 | tube (...) <- X Agrotron 120 MK3 (...) <- X Agrotron 135 MK3 (...) <- X Agrotron 150 MK3 (...) <- X Agrotron 165 MK3 |
| 3 | 01112813 | 2 | nut m 6 |
| 4 | 04308811 | 2 | support |
| 5 | 04417869.4 | 1 | rail |
| 6 | 04314920 | 2 | screw |
| 7 | 04427061 | 4 | bushing 20.5x40x30 |
| 8 | 01114330 | 4 | screw M 20 p.2X80 |
| 9 | 04419043 | 1 | clamp |
| 10 | 01176435 | 1 | clamp |
| 11 | 04424162 | 1 | wire - |
| 12 | 04415880 | 1 | cover |
| 13 | 01103316 | 2 | screw m 6 p.1.0 x 16 |
| 14 | 01151664 | 2 | washer 6.4 |
| 15 | 01117872 | 1 | lock washer |
| 16 | 01113559 | 1 | stud bolt m 12 x 35 |
| 17 | 01112322 | 1 | screw m 8 p.1.25 x 20 |
| 18 | 01173182 | 1 | clamp |
| 19 | 01112858 | 1 | nut m 12, d934 |
| 20 | 01174048 | 1 | nut m 12 p.1,75 -> (...) X Agrotron 120 MK3 -> (...) X Agrotron 135 MK3 -> (...) X Agrotron 150 MK3 -> (...) X Agrotron 165 MK3 |

ELECTRICAL CONTROL UNIT - SUPPORTS



| Fig. | Code | QTY | Name |
|------|--------------|-----|--|
| 20 | 04429986 | 1 | support |
| 21 | 2.1310.001.2 | 2 | flat washer 5.3 -> 1058 X Agrotron 120 MK3 -> 0846 X Agrotron 135 MK3 -> 0523 X Agrotron 150 MK3 -> 1413 X Agrotron 165 MK3 |
| 22 | 2.0332.305.2 | 2 | screw m 5 p.0.8 x 14 -> 1058 X Agrotron 120 MK3 -> 0846 X Agrotron 135 MK3 -> 0523 X Agrotron 150 MK3 -> 1413 X Agrotron 165 MK3 |
| 51 | 04429991 | 1 | tube 60x19x2.5 |

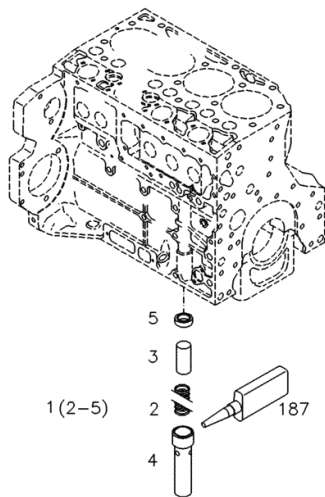
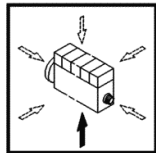
| | |
|------------------------------------|----------|
| CLOSING COMPONENTS..... | 01.08.6 |
| CYLINDER HEAD..... | 01.08.7 |
| Timing chest | |
| GEARCASE..... | 01.09.1 |
| Camshaft | |
| CAMSHAFT..... | 01.10.1 |
| CAMSHAFT..... | 01.10.2 |
| Timing gears | |
| ROCKER ARM BRACKET..... | 01.11.1 |
| ROCKER ARM BRACKET..... | 01.11.2 |
| ROCKER ARM BRACKET..... | 01.11.3 |
| FASTENINGS..... | 01.11.4 |
| VALVE DRIVE..... | 01.11.5 |
| Oil cooler, Lube oil filter | |
| FILTER CARTRIDGE..... | 01.15.1 |
| CLOSING COMPONENTS..... | 01.15.2 |
| PLASTIC PROFILE..... | 01.15.3 |
| FASTENINGS..... | 01.15.4 |
| ADAPTER..... | 01.15.5 |
| OIL COOLER BOX..... | 01.15.6 |
| FASTENINGS..... | 01.15.7 |
| OIL COOLER BOX..... | 01.15.8 |
| OIL COOLER..... | 01.15.9 |
| CLOSING COMPONENTS..... | 01.15.10 |
| Oil pipes | |
| OIL SUCTION PIPE..... | 01.16.1 |
| Injection pump | |
| ROLLER TAPPET..... | 01.17.1 |
| FASTENINGS..... | 01.17.2 |
| FUEL INJECT. PUMP..... | 01.17.3 |
| Injector | |
| FASTENINGS..... | 01.19.1 |
| FUEL INJECTOR..... | 01.19.2 |
| FUEL INJECTOR..... | 01.19.3 |
| FUEL INJECTOR..... | 01.19.4 |
| Fuel filter | |
| FASTENINGS..... | 01.20.1 |
| FUEL SUPPLY PUMP..... | 01.20.2 |
| SPIN-ON FILTER..... | 01.20.3 |
| Fuel pipes | |
| HIGH PRESSURE PIPE..... | 01.21.1 |
| FUEL LINE..... | 01.21.2 |
| OVERFLOW LINE..... | 01.21.3 |
| OVERFLOW LINE..... | 01.21.4 |

Section: ENGINE
OIL PRESSUR.SWITCH

| Fig. | Code | QTY | Name |
|------|------|-----|------|
|------|------|-----|------|

Engine Serial Numbers:

| | | | | | | | | | | | | | |
|--------|--------|--------|--------|--------|--------|--------|--------|--------|--------|--------|--------|--------|--------|
| 405014 | 405015 | 445140 | 445141 | 445142 | 445143 | 445144 | 445145 | 445146 | 445147 | 445148 | 445149 | 445150 | 445151 |
| 445152 | 445153 | 445154 | 445155 | 445156 | 445157 | 445158 | 452722 | 452723 | 452724 | 452725 | 452726 | 452727 | 454796 |
| 454797 | 454798 | 454799 | 464493 | 464494 | 464495 | 464496 | 464497 | 464498 | 464499 | 464500 | 464501 | 464693 | 464694 |
| 464695 | 464696 | 464697 | 466449 | 466450 | 466451 | 466452 | 470124 | 470125 | 470126 | 470127 | 470128 | 470129 | 470130 |
| 474548 | 474549 | 474550 | 480749 | 480750 | 483658 | 483659 | 483660 | 483661 | 483662 | 485783 | 485784 | 485785 | 485786 |
| 485787 | 485788 | 485789 | 485790 | 485791 | 485792 | 485793 | 485794 | 485795 | 485796 | 485797 | 485798 | 485799 | 485800 |
| 485801 | 485802 | 485803 | 485804 | 485805 | 489939 | 489940 | 489941 | 489942 | 489943 | 489944 | 489945 | 489946 | 489947 |
| 489948 | 489949 | 489950 | 489951 | 489952 | 489953 | 490613 | 498644 | 498645 | 498646 | 498647 | 498648 | 498649 | 498650 |
| 498651 | 498652 | 498653 | 498654 | 498655 | 498656 | 498657 | 498658 | 498659 | 498660 | 498661 | 498662 | 498663 | 507178 |
| 507179 | 507180 | 507181 | 507182 | 507183 | 507184 | 507185 | 507186 | 507187 | 507188 | 507189 | 507190 | 507191 | 507192 |
| 507193 | 507194 | 507195 | 507196 | 507197 | 507198 | 507199 | 512191 | 512192 | 512193 | 516609 | 516610 | 516611 | 516612 |
| 516613 | 516614 | 516615 | 516616 | 516617 | 516618 | 516619 | 516620 | 516621 | 516622 | 516623 | 517311 | 517312 | 517313 |
| 517314 | 517315 | 517316 | 517317 | 517318 | 517319 | 517320 | 517321 | 517322 | 517323 | 517324 | 517325 | 517326 | 517327 |
| 517328 | 517329 | 517330 | 517331 | 518291 | 518292 | 518293 | 518294 | 529942 | 529943 | 529944 | 529945 | 529946 | 529947 |
| 529948 | 529949 | 529950 | 529951 | 529952 | 529953 | 529954 | 529955 | 529956 | 529957 | 529958 | 529959 | 529960 | 529961 |
| 532163 | 532164 | 532165 | 532166 | 532167 | 532168 | 532169 | 532170 | 532171 | 532172 | 532173 | 532174 | 542870 | 542871 |
| 542872 | 542873 | 542874 | 546773 | 546774 | 546775 | 546776 | 546777 | 546778 | 546779 | 546780 | 546781 | 546782 | 546783 |
| 546784 | 546785 | 546786 | 546787 | 546788 | 546789 | 546790 | 546791 | 550283 | 550284 | 550285 | 550286 | 550287 | 550288 |
| 550289 | 550290 | 550291 | 550292 | 550293 | 550294 | 550295 | 550296 | 550297 | 550298 | 550299 | 550300 | 550301 | 550302 |
| 550303 | 550304 | 550305 | 550306 | 550307 | 550308 | 550309 | 550310 | 556802 | 556803 | 556804 | 556805 | 556806 | 556807 |
| 556808 | 556809 | 556810 | 556811 | 556812 | 556813 | 556814 | 556815 | 556816 | 556831 | 556832 | 556833 | 556834 | 556835 |
| 556836 | 556837 | 556838 | 556839 | 556840 | 559401 | 559402 | 559403 | 559404 | 559405 | 559406 | 559407 | 559408 | 559409 |
| 559410 | 559411 | 559412 | 559413 | 559414 | 559415 | 561012 | 561013 | 561014 | 561015 | 561016 | 561017 | 561018 | 561019 |
| 561020 | 561021 | 561022 | 561023 | 561024 | 561025 | 561026 | 583727 | 583728 | 583729 | 583730 | 583731 | 583732 | 583733 |
| 583734 | 583735 | 583736 | 583737 | 583738 | 583739 | 583740 | 583741 | 589929 | 589930 | 589931 | 589932 | 589933 | 589934 |
| 589935 | 589936 | 593856 | 593857 | 593858 | 593859 | 593860 | 593861 | 593862 | 593863 | 593864 | 593865 | 593866 | 593867 |
| 600335 | 600336 | 600337 | 600338 | 600339 | 600340 | 600341 | 603808 | 603809 | 603810 | 603811 | 603812 | 603813 | 603814 |
| 603815 | 607324 | 607325 | 607326 | 607327 | 607328 | 611314 | 611315 | 611316 | 611317 | 611318 | 611319 | 611320 | 611321 |
| 611322 | 611323 | 615784 | 615785 | 615786 | 615787 | 615788 | 615789 | 615790 | 615791 | 621738 | 621739 | 624688 | 624689 |
| 624690 | 624691 | 624692 | 624693 | 624694 | 624695 | 624696 | 624697 | 624698 | 624699 | 624700 | 624701 | 624702 | 624703 |
| 625028 | 625029 | 628117 | 628118 | 628119 | 628120 | 628121 | 628122 | 628123 | 628124 | 628125 | 628126 | 628127 | 630739 |
| 630740 | 630741 | 630742 | 630743 | 630744 | 630745 | 630746 | 630747 | 630748 | 630749 | 630750 | 630751 | 630752 | 630753 |
| 630754 | 630755 | 630756 | 630757 | 630758 | 630759 | 630760 | 630761 | 630762 | 645624 | 645625 | 645626 | 645627 | 645628 |
| 645629 | 645630 | 645631 | 645632 | 645633 | 645634 | 645635 | 645636 | 645637 | 645638 | 645639 | 645640 | 645641 | 657776 |
| 657777 | 657778 | 657779 | 657780 | 657781 | 657782 | 657783 | 657784 | 657785 | 657786 | 657787 | 657788 | 657789 | 657790 |
| 657791 | 657792 | 659803 | 659804 | 659805 | 659806 | 659807 | 659808 | 659809 | 659810 | 659811 | 659812 | 659813 | 659814 |
| 659815 | 659816 | 659817 | 659818 | 659819 | 659820 | 661297 | 661298 | 661299 | 661300 | 661301 | 661302 | 661303 | 661304 |
| 661305 | 661306 | 661307 | 661308 | 661309 | 661310 | 661311 | 666220 | 666221 | 666222 | 666223 | 666224 | 666225 | 666226 |
| 666227 | 666228 | 666229 | 666230 | 666231 | 666232 | 666233 | 666234 | 666235 | 666236 | 666237 | 666238 | 666239 | 675952 |
| 675953 | 675954 | 675955 | 675956 | 675957 | 675958 | 675959 | 675960 | 675961 | 675962 | 675963 | 675964 | 675965 | 675966 |
| 675967 | 678390 | 678391 | 678392 | 678393 | 678394 | 678395 | 683156 | 683157 | 683158 | 683159 | 683160 | 685174 | 685175 |
| 685176 | 685177 | 685178 | 685179 | 685180 | 685181 | 685182 | 685183 | 685184 | 685185 | 685186 | 685187 | 685188 | 685189 |
| 687822 | 687823 | 687824 | 687825 | 687826 | 687827 | 693233 | 693234 | 693235 | 693236 | 693237 | 693238 | 693239 | 693240 |
| 693241 | 693242 | 693243 | 693244 | 693245 | 693246 | 693247 | 693248 | 693249 | 693250 | 693251 | 693252 | 693253 | 693254 |
| 693255 | 698538 | 698539 | 698540 | 698541 | 698542 | 698543 | 698544 | 698545 | 698546 | 698547 | 698548 | 698549 | 698550 |
| 698551 | 704407 | 704408 | 704409 | 704410 | 704411 | 704412 | 704413 | 704414 | 704415 | 704416 | 704417 | 704418 | 704419 |
| 704420 | 712994 | 712995 | 712996 | 712997 | 712998 | 712999 | 713000 | 713001 | 720719 | 720720 | 720721 | 720722 | 720723 |
| 720724 | 720725 | 723213 | 723214 | 723215 | 723231 | 723232 | 723233 | 723234 | 723235 | 726703 | 726704 | 726705 | 726706 |



002 ©

0507 1054

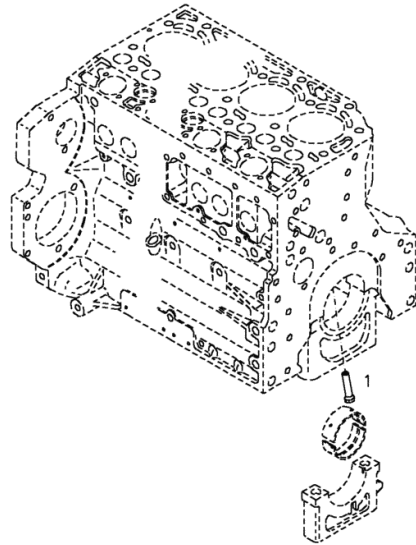
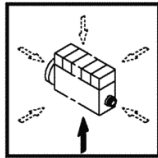
Section: ENGINE
PISTON COOL.NOZZLE

| Fig. | Code | QTY | Name |
|------|------|-----|------|
|------|------|-----|------|

Engine Serial Numbers:

405014 405015 445140 445141 445142 445143 445144 445145 445146 445147 445148 445149 445150 445151
 445152 445153 445154 445155 445156 445157 445158 452722 452723 452724 452725 452726 452727 454796
 454797 454798 454799 464493 464494 464495 464496 464497 464498 464499 464500 464501 464693 464694
 464695 464696 464697 466449 466450 466451 466452 470124 470125 470126 470127 470128 470129 470130
 474548 474549 474550 480749 480750 483658 483659 483660 483661 483662 485783 485784 485785 485786
 485787 485788 485789 485790 485791 485792 485793 485794 485795 485796 485797 485798 485799 485800
 485801 485802 485803 485804 485805 489939 489940 489941 489942 489943 489944 489945 489946 489947
 489948 489949 489950 489951 489952 489953 490613 498644 498645 498646 498647 498648 498649 498650
 498651 498652 498653 498654 498655 498656 498657 498658 498659 498660 498661 498662 498663 507178
 507179 507180 507181 507182 507183 507184 507185 507186 507187 507188 507189 507190 507191 507192
 507193 507194 507195 507196 507197 507198 507199 512191 512192 512193 516609 516610 516611 516612
 516613 516614 516615 516616 516617 516618 516619 516620 516621 516622 516623 517311 517312 517313
 517314 517315 517316 517317 517318 517319 517320 517321 517322 517323 517324 517325 517326 517327
 517328 517329 517330 517331 518291 518292 518293 518294 529942 529943 529944 529945 529946 529947
 529948 529949 529950 529951 529952 529953 529954 529955 529956 529957 529958 529959 529960 529961
 532163 532164 532165 532166 532167 532168 532169 532170 532171 532172 532173 532174 542870 542871
 542872 542873 542874 546773 546774 546775 546776 546777 546778 546779 546780 546781 546782 546783
 546784 546785 546786 546787 546788 546789 546790 546791 550283 550284 550285 550286 550287 550288
 550289 550290 550291 550292 550293 550294 550295 550296 550297 550298 550299 550300 550301 550302
 550303 550304 550305 550306 550307 550308 550309 550310 556802 556803 556804 556805 556806 556807
 556808 556809 556810 556811 556812 556813 556814 556815 556816 556831 556832 556833 556834 556835
 556836 556837 556838 556839 556840 559401 559402 559403 559404 559405 559406 559407 559408 559409
 559410 559411 559412 559413 559414 559415 561012 561013 561014 561015 561016 561017 561018 561019
 561020 561021 561022 561023 561024 561025 561026 583727 583728 583729 583730 583731 583732 583733
 583734 583735 583736 583737 583738 583739 583740 583741 589929 589930 589931 589932 589933 589934
 589935 589936 593856 593857 593858 593859 593860 593861 593862 593863 593864 593865 593866 593867
 600335 600336 600337 600338 600339 600340 600341 603808 603809 603810 603811 603812 603813 603814
 603815 607324 607325 607326 607327 607328 611314 611315 611316 611317 611318 611319 611320 611321
 611322 611323 615784 615785 615786 615787 615788 615789 615790 615791 621738 621739 624688 624689
 624690 624691 624692 624693 624694 624695 624696 624697 624698 624699 624700 624701 624702 624703
 625028 625029 628117 628118 628119 628120 628121 628122 628123 628124 628125 628126 628127 630739
 630740 630741 630742 630743 630744 630745 630746 630747 630748 630749 630750 630751 630752 630753
 630754 630755 630756 630757 630758 630759 630760 630761 630762 645624 645625 645626 645627 645628
 645629 645630 645631 645632 645633 645634 645635 645636 645637 645638 645639 645640 645641 657776
 657777 657778 657779 657780 657781 657782 657783 657784 657785 657786 657787 657788 657789 657790
 657791 657792 659803 659804 659805 659806 659807 659808 659809 659810 659811 659812 659813 659814
 659815 659816 659817 659818 659819 659820 661297 661298 661299 661300 661301 661302 661303 661304
 661305 661306 661307 661308 661309 661310 661311 666220 666221 666222 666223 666224 666225 666226
 666227 666228 666229 666230 666231 666232 666233 666234 666235 666236 666237 666238 666239 675952
 675953 675954 675955 675956 675957 675958 675959 675960 675961 675962 675963 675964 675965 675966
 675967 678390 678391 678392 678393 678394 678395 683156 683157 683158 683159 683160 685174 685175
 685176 685177 685178 685179 685180 685181 685182 685183 685184 685185 685186 685187 685188 685189
 687822 687823 687824 687825 687826 687827 693233 693234 693235 693236 693237 693238 693239 693240
 693241 693242 693243 693244 693245 693246 693247 693248 693249 693250 693251 693252 693253 693254
 693255 698538 698539 698540 698541 698542 698543 698544 698545 698546 698547 698548 698549 698550
 698551 704407 704408 704409 704410 704411 704412 704413 704414 704415 704416 704417 704418 704419
 704420 712994 712995 712996 712997 712998 712999 713000 713001 720719 720720 720721 720722 720723
 720724 720725 723213 723214 723215 723231 723232 723233 723234 723235 726703 726704 726705 726706

001

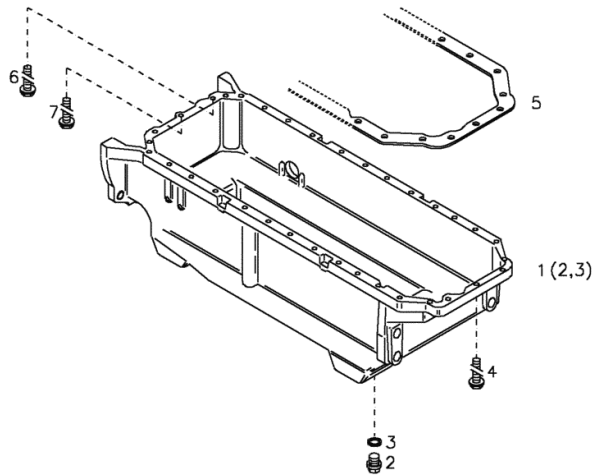


Section: ENGINE
OIL PAN

| Fig. | Code | QTY | Name |
|------|------|-----|------|
|------|------|-----|------|

Engine Serial Numbers:

405014 405015 445140 445141 445142 445143 445144 445145 445146 445147 445148 445149 445150 445151
 445152 445153 445154 445155 445156 445157 445158 452722 452723 452724 452725 452726 452727 454796
 454797 454798 454799 464493 464494 464495 464496 464497 464498 464499 464500 464501 464693 464694
 464695 464696 464697 466449 466450 466451 466452 470124 470125 470126 470127 470128 470129 470130
 474548 474549 474550 480749 480750 483658 483659 483660 483661 483662 485783 485784 485785 485786
 485787 485788 485789 485790 485791 485792 485793 485794 485795 485796 485797 485798 485799 485800
 485801 485802 485803 485804 485805 489939 489940 489941 489942 489943 489944 489945 489946 489947
 489948 489949 489950 489951 489952 489953 490613 498644 498645 498646 498647 498648 498649 498650
 498651 498652 498653 498654 498655 498656 498657 498658 498659 498660 498661 498662 498663 507178
 507179 507180 507181 507182 507183 507184 507185 507186 507187 507188 507189 507190 507191 507192
 507193 507194 507195 507196 507197 507198 507199 512191 512192 512193 516609 516610 516611 516612
 516613 516614 516615 516616 516617 516618 516619 516620 516621 516622 516623 517311 517312 517313
 517314 517315 517316 517317 517318 517319 517320 517321 517322 517323 517324 517325 517326 517327
 517328 517329 517330 517331 518291 518292 518293 518294 529942 529943 529944 529945 529946 529947
 529948 529949 529950 529951 529952 529953 529954 529955 529956 529957 529958 529959 529960 529961
 532163 532164 532165 532166 532167 532168 532169 532170 532171 532172 532173 532174 542870 542871
 542872 542873 542874 546773 546774 546775 546776 546777 546778 546779 546780 546781 546782 546783
 546784 546785 546786 546787 546788 546789 546790 546791 550283 550284 550285 550286 550287 550288
 550289 550290 550291 550292 550293 550294 550295 550296 550297 550298 550299 550300 550301 550302
 550303 550304 550305 550306 550307 550308 550309 550310 556802 556803 556804 556805 556806 556807
 556808 556809 556810 556811 556812 556813 556814 556815 556816 556831 556832 556833 556834 556835
 556836 556837 556838 556839 556840 559401 559402 559403 559404 559405 559406 559407 559408 559409
 559410 559411 559412 559413 559414 559415 561012 561013 561014 561015 561016 561017 561018 561019
 561020 561021 561022 561023 561024 561025 561026 583727 583728 583729 583730 583731 583732 583733
 583734 583735 583736 583737 583738 583739 583740 583741 589929 589930 589931 589932 589933 589934
 589935 589936 593856 593857 593858 593859 593860 593861 593862 593863 593864 593865 593866 593867
 600335 600336 600337 600338 600339 600340 600341 603808 603809 603810 603811 603812 603813 603814
 603815 607324 607325 607326 607327 607328 611314 611315 611316 611317 611318 611319 611320 611321
 611322 611323 615784 615785 615786 615787 615788 615789 615790 615791 621738 621739 624688 624689
 624690 624691 624692 624693 624694 624695 624696 624697 624698 624699 624700 624701 624702 624703
 625028 625029 628117 628118 628119 628120 628121 628122 628123 628124 628125 628126 628127 630739
 630740 630741 630742 630743 630744 630745 630746 630747 630748 630749 630750 630751 630752 630753
 630754 630755 630756 630757 630758 630759 630760 630761 630762 645624 645625 645626 645627 645628
 645629 645630 645631 645632 645633 645634 645635 645636 645637 645638 645639 645640 645641 657776
 657777 657778 657779 657780 657781 657782 657783 657784 657785 657786 657787 657788 657789 657790
 657791 657792 659803 659804 659805 659806 659807 659808 659809 659810 659811 659812 659813 659814
 659815 659816 659817 659818 659819 659820 661297 661298 661299 661300 661301 661302 661303 661304
 661305 661306 661307 661308 661309 661310 661311 666220 666221 666222 666223 666224 666225 666226
 666227 666228 666229 666230 666231 666232 666233 666234 666235 666236 666237 666238 666239 675952
 675953 675954 675955 675956 675957 675958 675959 675960 675961 675962 675963 675964 675965 675966
 675967 678390 678391 678392 678393 678394 678395 683156 683157 683158 683159 683160 685174 685175
 685176 685177 685178 685179 685180 685181 685182 685183 685184 685185 685186 685187 685188 685189
 687822 687823 687824 687825 687826 687827 693233 693234 693235 693236 693237 693238 693239 693240
 693241 693242 693243 693244 693245 693246 693247 693248 693249 693250 693251 693252 693253 693254
 693255 698538 698539 698540 698541 698542 698543 698544 698545 698546 698547 698548 698549 698550
 698551 704407 704408 704409 704410 704411 704412 704413 704414 704415 704416 704417 704418 704419
 704420 712994 712995 712996 712997 712998 712999 713000 713001 720719 720720 720721 720722 720723
 720724 720725 723213 723214 723215 723231 723232 723233 723234 723235 726703 726704 726705 726706



000 ©

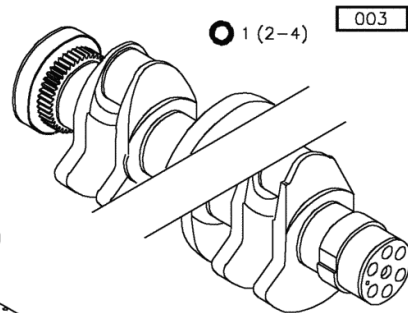
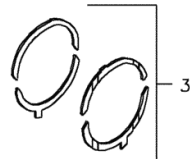
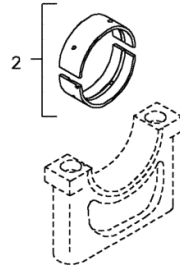
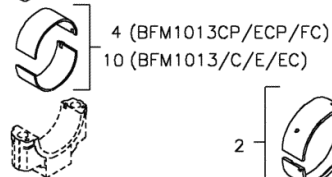
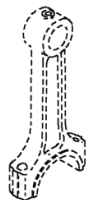
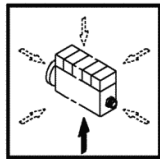


Section: ENGINE
CRANKSHAFT

| Fig. | Code | QTY | Name |
|------|------|-----|------|
|------|------|-----|------|

Engine Serial Numbers:

| | | | | | | | | | | | | | |
|--------|--------|--------|--------|--------|--------|--------|--------|--------|--------|--------|--------|--------|--------|
| 405014 | 405015 | 445140 | 445141 | 445142 | 445143 | 445144 | 445145 | 445146 | 445147 | 445148 | 445149 | 445150 | 445151 |
| 445152 | 445153 | 445154 | 445155 | 445156 | 445157 | 445158 | 452722 | 452723 | 452724 | 452725 | 452726 | 452727 | 454796 |
| 454797 | 454798 | 454799 | 464493 | 464494 | 464495 | 464496 | 464497 | 464498 | 464499 | 464500 | 464501 | 464693 | 464694 |
| 464695 | 464696 | 464697 | 466449 | 466450 | 466451 | 466452 | 470124 | 470125 | 470126 | 470127 | 470128 | 470129 | 470130 |
| 474548 | 474549 | 474550 | 480749 | 480750 | 483658 | 483659 | 483660 | 483661 | 483662 | 485783 | 485784 | 485785 | 485786 |
| 485787 | 485788 | 485789 | 485790 | 485791 | 485792 | 485793 | 485794 | 485795 | 485796 | 485797 | 485798 | 485799 | 485800 |
| 485801 | 485802 | 485803 | 485804 | 485805 | 489939 | 489940 | 489941 | 489942 | 489943 | 489944 | 489945 | 489946 | 489947 |
| 489948 | 489949 | 489950 | 489951 | 489952 | 489953 | 490613 | 498644 | 498645 | 498646 | 498647 | 498648 | 498649 | 498650 |
| 498651 | 498652 | 498653 | 498654 | 498655 | 498656 | 498657 | 498658 | 498659 | 498660 | 498661 | 498662 | 498663 | 507178 |
| 507179 | 507180 | 507181 | 507182 | 507183 | 507184 | 507185 | 507186 | 507187 | 507188 | 507189 | 507190 | 507191 | 507192 |
| 507193 | 507194 | 507195 | 507196 | 507197 | 507198 | 507199 | 512191 | 512192 | 512193 | 516609 | 516610 | 516611 | 516612 |
| 516613 | 516614 | 516615 | 516616 | 516617 | 516618 | 516619 | 516620 | 516621 | 516622 | 516623 | 517311 | 517312 | 517313 |
| 517314 | 517315 | 517316 | 517317 | 517318 | 517319 | 517320 | 517321 | 517322 | 517323 | 517324 | 517325 | 517326 | 517327 |
| 517328 | 517329 | 517330 | 517331 | 518291 | 518292 | 518293 | 518294 | 529942 | 529943 | 529944 | 529945 | 529946 | 529947 |
| 529948 | 529949 | 529950 | 529951 | 529952 | 529953 | 529954 | 529955 | 529956 | 529957 | 529958 | 529959 | 529960 | 529961 |
| 532163 | 532164 | 532165 | 532166 | 532167 | 532168 | 532169 | 532170 | 532171 | 532172 | 532173 | 532174 | 542870 | 542871 |
| 542872 | 542873 | 542874 | 546773 | 546774 | 546775 | 546776 | 546777 | 546778 | 546779 | 546780 | 546781 | 546782 | 546783 |
| 546784 | 546785 | 546786 | 546787 | 546788 | 546789 | 546790 | 546791 | 550283 | 550284 | 550285 | 550286 | 550287 | 550288 |
| 550289 | 550290 | 550291 | 550292 | 550293 | 550294 | 550295 | 550296 | 550297 | 550298 | 550299 | 550300 | 550301 | 550302 |
| 550303 | 550304 | 550305 | 550306 | 550307 | 550308 | 550309 | 550310 | 556802 | 556803 | 556804 | 556805 | 556806 | 556807 |
| 556808 | 556809 | 556810 | 556811 | 556812 | 556813 | 556814 | 556815 | 556816 | 556831 | 556832 | 556833 | 556834 | 556835 |
| 556836 | 556837 | 556838 | 556839 | 556840 | 559401 | 559402 | 559403 | 559404 | 559405 | 559406 | 559407 | 559408 | 559409 |
| 559410 | 559411 | 559412 | 559413 | 559414 | 559415 | 561012 | 561013 | 561014 | 561015 | 561016 | 561017 | 561018 | 561019 |
| 561020 | 561021 | 561022 | 561023 | 561024 | 561025 | 561026 | 583727 | 583728 | 583729 | 583730 | 583731 | 583732 | 583733 |
| 583734 | 583735 | 583736 | 583737 | 583738 | 583739 | 583740 | 583741 | 589929 | 589930 | 589931 | 589932 | 589933 | 589934 |
| 589935 | 589936 | 593856 | 593857 | 593858 | 593859 | 593860 | 593861 | 593862 | 593863 | 593864 | 593865 | 593866 | 593867 |
| 600335 | 600336 | 600337 | 600338 | 600339 | 600340 | 600341 | 603808 | 603809 | 603810 | 603811 | 603812 | 603813 | 603814 |
| 603815 | 607324 | 607325 | 607326 | 607327 | 607328 | 611314 | 611315 | 611316 | 611317 | 611318 | 611319 | 611320 | 611321 |
| 611322 | 611323 | 615784 | 615785 | 615786 | 615787 | 615788 | 615789 | 615790 | 615791 | 621738 | 621739 | 624688 | 624689 |
| 624690 | 624691 | 624692 | 624693 | 624694 | 624695 | 624696 | 624697 | 624698 | 624699 | 624700 | 624701 | 624702 | 624703 |
| 625028 | 625029 | 628117 | 628118 | 628119 | 628120 | 628121 | 628122 | 628123 | 628124 | 628125 | 628126 | 628127 | 630739 |
| 630740 | 630741 | 630742 | 630743 | 630744 | 630745 | 630746 | 630747 | 630748 | 630749 | 630750 | 630751 | 630752 | 630753 |
| 630754 | 630755 | 630756 | 630757 | 630758 | 630759 | 630760 | 630761 | 630762 | 645624 | 645625 | 645626 | 645627 | 645628 |
| 645629 | 645630 | 645631 | 645632 | 645633 | 645634 | 645635 | 645636 | 645637 | 645638 | 645639 | 645640 | 645641 | 657776 |
| 657777 | 657778 | 657779 | 657780 | 657781 | 657782 | 657783 | 657784 | 657785 | 657786 | 657787 | 657788 | 657789 | 657790 |
| 657791 | 657792 | 659803 | 659804 | 659805 | 659806 | 659807 | 659808 | 659809 | 659810 | 659811 | 659812 | 659813 | 659814 |
| 659815 | 659816 | 659817 | 659818 | 659819 | 659820 | 661297 | 661298 | 661299 | 661300 | 661301 | 661302 | 661303 | 661304 |
| 661305 | 661306 | 661307 | 661308 | 661309 | 661310 | 661311 | 666220 | 666221 | 666222 | 666223 | 666224 | 666225 | 666226 |
| 666227 | 666228 | 666229 | 666230 | 666231 | 666232 | 666233 | 666234 | 666235 | 666236 | 666237 | 666238 | 666239 | 675952 |
| 675953 | 675954 | 675955 | 675956 | 675957 | 675958 | 675959 | 675960 | 675961 | 675962 | 675963 | 675964 | 675965 | 675966 |
| 675967 | 678390 | 678391 | 678392 | 678393 | 678394 | 678395 | 683156 | 683157 | 683158 | 683159 | 683160 | 685174 | 685175 |
| 685176 | 685177 | 685178 | 685179 | 685180 | 685181 | 685182 | 685183 | 685184 | 685185 | 685186 | 685187 | 685188 | 685189 |
| 687822 | 687823 | 687824 | 687825 | 687826 | 687827 | 693233 | 693234 | 693235 | 693236 | 693237 | 693238 | 693239 | 693240 |
| 693241 | 693242 | 693243 | 693244 | 693245 | 693246 | 693247 | 693248 | 693249 | 693250 | 693251 | 693252 | 693253 | 693254 |
| 693255 | 698538 | 698539 | 698540 | 698541 | 698542 | 698543 | 698544 | 698545 | 698546 | 698547 | 698548 | 698549 | 698550 |
| 698551 | 704407 | 704408 | 704409 | 704410 | 704411 | 704412 | 704413 | 704414 | 704415 | 704416 | 704417 | 704418 | 704419 |
| 704420 | 712994 | 712995 | 712996 | 712997 | 712998 | 712999 | 713000 | 713001 | 720719 | 720720 | 720721 | 720722 | 720723 |
| 720724 | 720725 | 723213 | 723214 | 723215 | 723231 | 723232 | 723233 | 723234 | 723235 | 726703 | 726704 | 726705 | 726706 |



CLICK HERE TO **DOWNLOAD** THE COMPLETE MANUAL

- Thank you very much for reading the preview of the manual.
- You can download the complete manual from: www.heydownloads.com by clicking the link below



- Please note: If there is no response to CLICKING the link, please download this PDF first and then click on it.

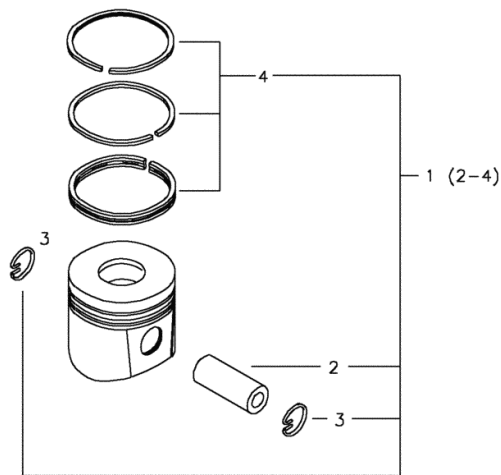
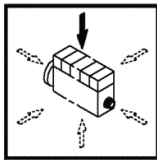
CLICK HERE TO **DOWNLOAD** THE COMPLETE MANUAL

Section: ENGINE

PISTON

| Fig. | Code | QTY | Name |
|------|------|-----|------|
|------|------|-----|------|

| | | | | | | | | | | | | | |
|--------|--------|--------|--------|--------|--------|--------|--------|--------|--------|--------|--------|--------|--------|
| 726707 | 726708 | 726709 | 726710 | 726711 | 730288 | 730289 | 733127 | 733876 | 734056 | 734057 | 734058 | 734059 | 734060 |
| 734061 | 734062 | 734063 | 734064 | 734065 | 734066 | 740746 | 740747 | 740748 | 740749 | 740750 | 740751 | 740752 | 740753 |
| 740754 | 740755 | 743622 | 743623 | 743624 | 743625 | 743626 | 743627 | 743628 | 743629 | 743630 | 743631 | 743632 | 743633 |
| 743634 | 744251 | 744252 | 744253 | 744254 | 744255 | 746696 | 746697 | 746698 | 751492 | 751493 | 751494 | 751495 | 751496 |
| 751497 | 751498 | 751499 | 751500 | 751501 | 756792 | 756793 | 756794 | 756795 | 756796 | 756797 | 756798 | 756799 | 762469 |
| 762470 | 762471 | 762472 | 762473 | 762474 | 765895 | 765896 | 765897 | 765898 | 765899 | 765900 | 770098 | 770099 | 770100 |
| 770101 | 770102 | 770635 | 770636 | 770637 | 772372 | 772373 | 772374 | 772375 | 772376 | 772377 | 773378 | 773379 | 773380 |
| 773381 | 776260 | 776261 | 776262 | 776263 | 776264 | 776265 | 776266 | 782248 | 782249 | 782250 | 782251 | 782252 | 782253 |
| 782254 | 782255 | 782256 | 782257 | 782258 | 782259 | 782260 | 782261 | 782262 | 782263 | 790150 | 790151 | 790152 | 790153 |
| 790154 | 790155 | 790156 | 790157 | 790158 | 790159 | 790160 | 790161 | 790162 | 790163 | 790164 | 790165 | 790166 | 796352 |
| 796353 | 796354 | 796355 | 796356 | 796357 | 796358 | 796359 | 796360 | 796361 | 796362 | 796363 | 796364 | 798994 | 798995 |
| 798996 | 798997 | 798998 | 798999 | 799000 | 799001 | 799002 | 799003 | 799004 | 799005 | 799006 | 799007 | 799008 | 799009 |
| 799010 | 799011 | 803842 | 803843 | 803844 | 803845 | 803846 | 803847 | 806627 | 806628 | 806629 | 806630 | 806631 | 806632 |
| 806633 | 806634 | 806635 | 806636 | 806637 | 806638 | 806639 | 806640 | 810240 | 810241 | 810242 | 810243 | 810244 | 810245 |
| 810246 | 810247 | 813672 | 813673 | 813674 | 813675 | 813676 | 819854 | 819855 | 819856 | 819857 | 819858 | 819859 | 819860 |
| 819861 | 819862 | 819863 | 819864 | 819865 | 819866 | 819867 | 819868 | 819869 | 819870 | 819871 | 827564 | 827565 | 827566 |
| 827567 | 827568 | 827569 | 827570 | 827571 | 827572 | 827573 | 827574 | 827575 | 827576 | 827577 | 827578 | 837213 | 837214 |
| 837215 | 837216 | 837217 | 837218 | 837219 | 837690 | 837691 | 837692 | 837693 | 837694 | 837695 | 843548 | 843549 | 843550 |
| 843551 | 843552 | 843553 | 843554 | 843555 | 843556 | 843557 | 843558 | 843559 | 843560 | 843561 | 843562 | 843563 | |

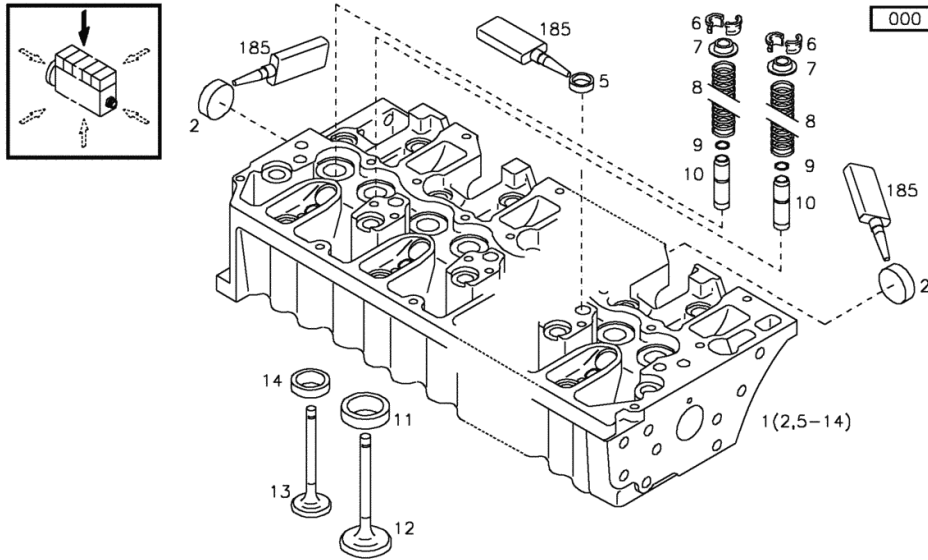


000 ©

| | | | |
|---|----------|---|-----------------------------------|
| 1 | 04253313 | 1 | piston WITH ITEM (2-4) |
| 2 | 04200139 | 1 | piston pin |
| 3 | 01107830 | 2 | circlip DIN 000472- 42X1,75 |
| 4 | 04253777 | 1 | piston ring set |

Section: ENGINE
CYLINDER HEAD

| Fig. | Code | QTY | Name |
|------|----------|-----|---------------------------------------|
| 7 | 04200114 | 12 | cap-washer |
| 8 | 04200150 | 12 | spring |
| 9 | 01153857 | 12 | ring H 002927- 9 X 1,5 -FPM-1-82 |
| 10 | 04201238 | 12 | valve guide |
| 11 | 04200170 | 6 | valve seat |
| 12 | 04255883 | 6 | inlet valve |
| 13 | 04209111 | 6 | exhaust valve |
| 14 | 04200171 | 6 | valve seat |
| 185 | 01016125 | 0 | guard H 000699-DEUTZ DW 72- 250 ML |

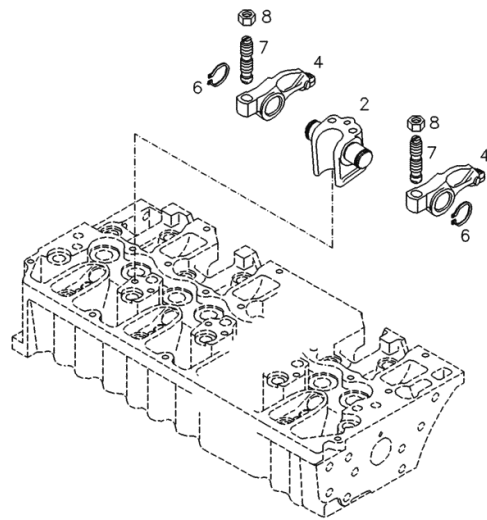


Section: ENGINE
ROCKER ARM BRACKET

| Fig. | Code | QTY | Name |
|------|------|-----|------|
|------|------|-----|------|

| | | | | | | | | | | | | | |
|--------|--------|--------|--------|--------|--------|--------|--------|--------|--------|--------|--------|--------|--------|
| 726707 | 726708 | 726709 | 726710 | 726711 | 730288 | 730289 | 733127 | 733876 | 734056 | 734057 | 734058 | 734059 | 734060 |
| 734061 | 734062 | 734063 | 734064 | 734065 | 734066 | 740746 | 740747 | 740748 | 740749 | 740750 | 740751 | 740752 | 740753 |
| 740754 | 740755 | 743622 | 743623 | 743624 | 743625 | 743626 | 743627 | 743628 | 743629 | 743630 | 743631 | 743632 | 743633 |
| 743634 | 744251 | 744252 | 744253 | 744254 | 744255 | 746696 | 746697 | 746698 | 751492 | 751493 | 751494 | 751495 | 751496 |
| 751497 | 751498 | 751499 | 751500 | 751501 | 756792 | 756793 | 756794 | 756795 | 756796 | 756797 | 756798 | 756799 | 762469 |
| 762470 | 762471 | 762472 | 762473 | 762474 | 765895 | 765896 | 765897 | 765898 | 765899 | 765900 | 770098 | 770099 | 770100 |
| 770101 | 770102 | 770635 | 770636 | 770637 | 772372 | 772373 | 772374 | 772375 | 772376 | 773376 | 773377 | 773378 | 773379 |
| 773380 | 773381 | 776260 | 776261 | 776262 | 776263 | 776264 | 776265 | 776266 | 782248 | 782249 | 782250 | 782251 | 782252 |
| 782253 | 782254 | 782255 | 782256 | 782257 | 782258 | 782259 | 782260 | 782261 | 782262 | 782263 | 790150 | 790151 | 790152 |
| 790153 | 790154 | 790155 | 790156 | 790157 | 790158 | 790159 | 790160 | 790161 | 790162 | 790163 | 790164 | 790165 | 790166 |
| 796352 | 796353 | 796354 | 796355 | 796356 | 796357 | 796358 | 796359 | 796360 | 796361 | 796362 | 796363 | 796364 | 798994 |
| 798995 | 798996 | 798997 | 798998 | 798999 | 799000 | 799001 | 799002 | 799003 | 799004 | 799005 | 799006 | 799007 | 799008 |
| 799009 | 799010 | 799011 | 803842 | 803843 | 803844 | 803845 | 803846 | 803847 | 806627 | 806628 | 806629 | 806630 | 806631 |
| 806632 | 806633 | 806634 | 806635 | 806636 | 806637 | 806638 | 806639 | 806640 | 810240 | 810241 | 810242 | 810243 | 810244 |
| 810245 | 810246 | 810247 | 813672 | 813673 | 813674 | 813675 | 813676 | 819854 | 819855 | 819856 | 819857 | 819858 | 819859 |
| 819860 | 819861 | 819862 | 819863 | 819864 | 819865 | 819866 | 819867 | 819868 | 819869 | 819870 | 819871 | 827564 | 827565 |
| 827566 | 827567 | 827568 | 827569 | 827570 | 827571 | 827572 | 827573 | 827574 | 827575 | 827576 | 827577 | 827578 | 837213 |
| 837214 | 837215 | 837216 | 837217 | 837218 | 837219 | 837690 | 837691 | 837692 | 837693 | 837694 | 837695 | 843548 | 843549 |
| 843550 | 843551 | 843552 | 843553 | 843554 | 843555 | 843556 | 843557 | 843558 | 843559 | 843560 | 843561 | 843562 | 843563 |

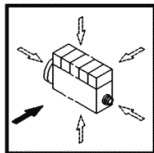
000



| | | | |
|---|----------|---|--------------------|
| 2 | 04200960 | 1 | pin |
| | | | QUANTITY BY TYPE |
| | | | 3X BF 4M1013 |
| | | | 5X BF 6M1013 |
| 4 | 04204023 | 2 | tappets |
| 6 | 01107731 | 2 | circlip |
| | | | DIN 000471- 21X1,2 |
| 7 | 03365861 | 2 | register |
| 8 | 02109637 | 2 | nut |

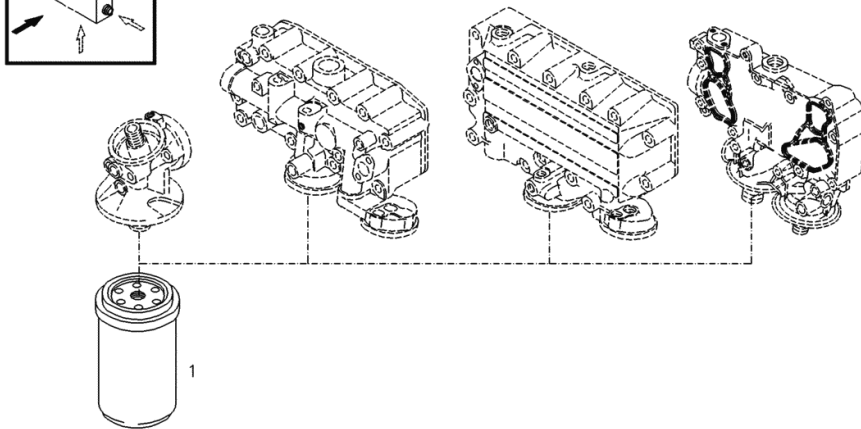
Section: ENGINE
FILTER CARTRIDGE

| Fig. | Code | QTY | Name | | | | | | | | | | |
|--------|--------|--------|--------|--------|--------|--------|--------|--------|--------|--------|--------|--------|--------|
| 726707 | 726708 | 726709 | 726710 | 726711 | 730288 | 730289 | 733127 | 733876 | 734056 | 734057 | 734058 | 734059 | 734060 |
| 734061 | 734062 | 734063 | 734064 | 734065 | 734066 | 740746 | 740747 | 740748 | 740749 | 740750 | 740751 | 740752 | 740753 |
| 740754 | 740755 | 743622 | 743623 | 743624 | 743625 | 743626 | 743627 | 743628 | 743629 | 743630 | 743631 | 743632 | 743633 |
| 743634 | 744251 | 744252 | 744253 | 744254 | 744255 | 746696 | 746697 | 746698 | 751492 | 751493 | 751494 | 751495 | 751496 |
| 751497 | 751498 | 751499 | 751500 | 751501 | 756792 | 756793 | 756794 | 756795 | 756796 | 756797 | 756798 | 756799 | 762469 |
| 762470 | 762471 | 762472 | 762473 | 762474 | 765895 | 765896 | 765897 | 765898 | 765899 | 765900 | 770098 | 770099 | 770100 |
| 770101 | 770102 | 770635 | 770636 | 770637 | 772372 | 772373 | 772374 | 772375 | 772376 | 773376 | 773377 | 773378 | 773379 |
| 773380 | 773381 | 776260 | 776261 | 776262 | 776263 | 776264 | 776265 | 776266 | 782248 | 782249 | 782250 | 782251 | 782252 |
| 782253 | 782254 | 782255 | 782256 | 782257 | 782258 | 782259 | 782260 | 782261 | 782262 | 782263 | 790150 | 790151 | 790152 |
| 790153 | 790154 | 790155 | 790156 | 790157 | 790158 | 790159 | 790160 | 790161 | 790162 | 790163 | 790164 | 790165 | 790166 |
| 796352 | 796353 | 796354 | 796355 | 796356 | 796357 | 796358 | 796359 | 796360 | 796361 | 796362 | 796363 | 796364 | 798994 |
| 798995 | 798996 | 798997 | 798998 | 798999 | 799000 | 799001 | 799002 | 799003 | 799004 | 799005 | 799006 | 799007 | 799008 |
| 799009 | 799010 | 799011 | 803842 | 803843 | 803844 | 803845 | 803846 | 803847 | 806627 | 806628 | 806629 | 806630 | 806631 |
| 806632 | 806633 | 806634 | 806635 | 806636 | 806637 | 806638 | 806639 | 806640 | 810240 | 810241 | 810242 | 810243 | 810244 |
| 810245 | 810246 | 810247 | 813672 | 813673 | 813674 | 813675 | 813676 | 819854 | 819855 | 819856 | 819857 | 819858 | 819859 |
| 819860 | 819861 | 819862 | 819863 | 819864 | 819865 | 819866 | 819867 | 819868 | 819869 | 819870 | 819871 | 827564 | 827565 |
| 827566 | 827567 | 827568 | 827569 | 827570 | 827571 | 827572 | 827573 | 827574 | 827575 | 827576 | 827577 | 827578 | 837213 |
| 837214 | 837215 | 837216 | 837217 | 837218 | 837219 | 837690 | 837691 | 837692 | 837693 | 837694 | 837695 | 843548 | 843549 |
| 843550 | 843551 | 843552 | 843553 | 843554 | 843555 | 843556 | 843557 | 843558 | 843559 | 843560 | 843561 | 843562 | 843563 |



003 ©

| | | | |
|---|----------|---|---|
| 1 | 01174421 | 2 | oil filter H 004123- AD1,5R-2-II-212-1 |
|---|----------|---|---|

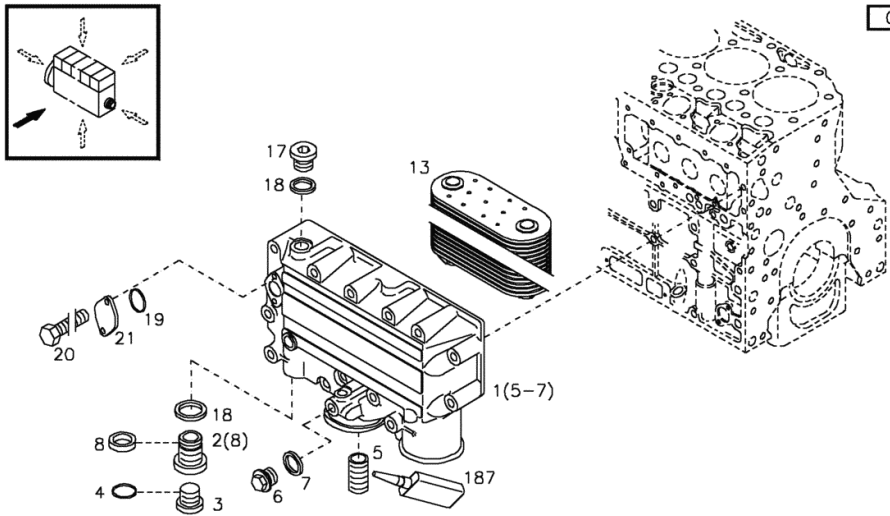


0503 7732

Section: ENGINE
OIL COOLER BOX

| Fig. | Code | QTY | Name |
|------|------|-----|------|
|------|------|-----|------|

740747 740748 740749 740750 740751 740752 740753 740754 740755 743622 743623 743624 743625 743626
 743627 743628 743629 743630 743631 743632 743633 743634 744251 744252 744253 744254 744255 746696
 746697 746698 751492 751493 751494 751495 751496 751497 751498 751499 751500 751501 756792 756793
 756794 756795 756796 756797 756798 756799 762469 762470 762471 762472 762473 762474 765895 765896
 765897 765898 765899 765900 770098 770099 770100 770101 770102 770635 770636 770637 772372 772373
 772374 772375 772376 773376 773377 773378 773379 773380 773381 776260 776261 776262 776263 776264
 776265 776266 782248 782249 782250 782251 782252 782253 782254 782255 782256 782257 782258 782259
 782260 782261 782262 782263 790150 790151 790152 790153 790154 790155 790156 790157 790158 790159
 790160 790161 790162 790163 790164 790165 790166 796352 796353 796354 796355 796356 796357 796358
 796359 796360 796361 796362 796363 796364 798994 798995 798996 798997 798998 798999 799000 799001
 799002 799003 799004 799005 799006 799007 799008 799009 799010 799011 803842 803843 803844 803845
 803846 803847 806627 806628 806629 806630 806631 806632 806633 806634 806635 806636 806637 806638
 806639 806640 810240 810241 810242 810243 810244 810245 810246 810247 813672 813673 813674 813675
 813676 819854 819855 819856 819857 819858 819859 819860 819861 819862 819863 819864 819865 819866
 819867 819868 819869 819870 819871 827564 827565 827566 827567 827568 827569 827570 827571 827572
 827573 827574 827575 827576 827577 827578 837213 837214 837215 837216 837217 837218 837219 837690
 837691 837692 837693 837694 837695 843548 843549 843550 843551 843552 843553 843554 843555 843556
 843557 843558 843559 843560 843561 843562 843563



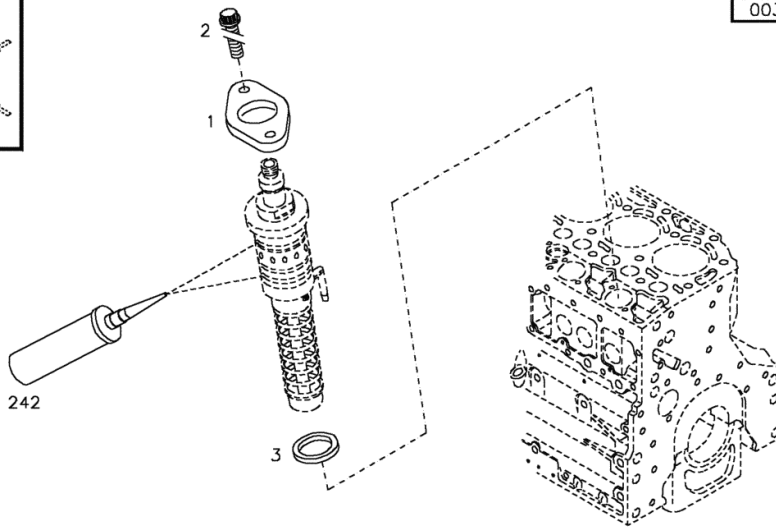
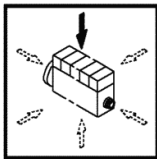
| | | | |
|----|----------|---|--|
| 1 | 04207722 | 1 | oil cooler WITH ITEM (5-7) |
| 2 | 04209118 | 2 | screw WITH ITEM (8) |
| 3 | 01151645 | 2 | plug DIN 000908-M33X2 -ST-A4C |
| 4 | 01178213 | 2 | 'o' ring Ø 32 x 2,5 H 002927- 32 X 2,5 -FPM-1-60 |
| 5 | 04197729 | 1 | pipe fitting |
| 6 | 01118997 | 1 | screw cm10x1 DIN 007604-CM10X1 -ST-ZNPHRF |
| 7 | 01118659 | 1 | 'o' ring DIN 007603-A 10 X 13,5 -CU |
| 8 | 04201286 | 2 | 'o' ring H 002914-CM26X1,5 -PTFE-SPEZIAL-BRAUN |
| 13 | 04209930 | 1 | radiator |
| 17 | 01148158 | 2 | plug DIN 000908-M26X1,5-ST-A4C |
| 18 | 01118759 | 4 | 'o' ring DIN 007603-A 26 X 31 -AL |
| 19 | 01180290 | 1 | 'o' ring H 002927- 20 X 2,5 -EPDM-6-70 |
| 20 | 01112326 | 2 | screw m 8 x 22 |

Section: ENGINE
FASTENINGS

| Fig. | Code | QTY | Name |
|------|------|-----|------|
|------|------|-----|------|

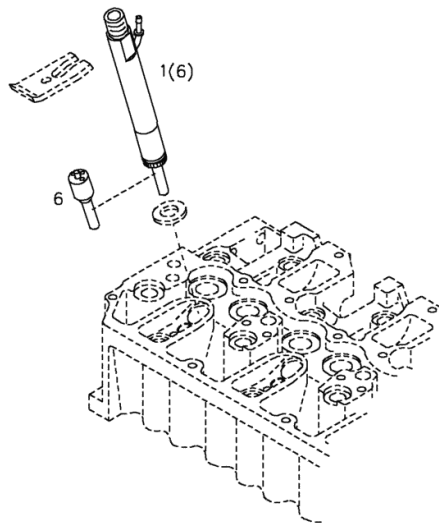
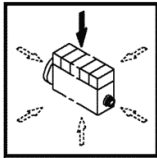
Engine Serial Numbers:

| | | | | | | | | | | | | | |
|--------|--------|--------|--------|--------|--------|--------|--------|--------|--------|--------|--------|--------|--------|
| 405014 | 405015 | 445140 | 445141 | 445142 | 445143 | 445144 | 445145 | 445146 | 445147 | 445148 | 445149 | 445150 | 445151 |
| 445152 | 445153 | 445154 | 445155 | 445156 | 445157 | 445158 | 452722 | 452723 | 452724 | 452725 | 452726 | 452727 | 454796 |
| 454797 | 454798 | 454799 | 464493 | 464494 | 464495 | 464496 | 464497 | 464498 | 464499 | 464500 | 464501 | 464693 | 464694 |
| 464695 | 464696 | 464697 | 466449 | 466450 | 466451 | 466452 | 470124 | 470125 | 470126 | 470127 | 470128 | 470129 | 470130 |
| 474548 | 474549 | 474550 | 480749 | 480750 | 483658 | 483659 | 483660 | 483661 | 483662 | 485783 | 485784 | 485785 | 485786 |
| 485787 | 485788 | 485789 | 485790 | 485791 | 485792 | 485793 | 485794 | 485795 | 485796 | 485797 | 485798 | 485799 | 485800 |
| 485801 | 485802 | 485803 | 485804 | 485805 | 489939 | 489940 | 489941 | 489942 | 489943 | 489944 | 489945 | 489946 | 489947 |
| 489948 | 489949 | 489950 | 489951 | 489952 | 489953 | 490613 | 498644 | 498645 | 498646 | 498647 | 498648 | 498649 | 498650 |
| 498651 | 498652 | 498653 | 498654 | 498655 | 498656 | 498657 | 498658 | 498659 | 498660 | 498661 | 498662 | 498663 | 507178 |
| 507179 | 507180 | 507181 | 507182 | 507183 | 507184 | 507185 | 507186 | 507187 | 507188 | 507189 | 507190 | 507191 | 507192 |
| 507193 | 507194 | 507195 | 507196 | 507197 | 507198 | 507199 | 512191 | 512192 | 512193 | 516609 | 516610 | 516611 | 516612 |
| 516613 | 516614 | 516615 | 516616 | 516617 | 516618 | 516619 | 516620 | 516621 | 516622 | 516623 | 517311 | 517312 | 517313 |
| 517314 | 517315 | 517316 | 517317 | 517318 | 517319 | 517320 | 517321 | 517322 | 517323 | 517324 | 517325 | 517326 | 517327 |
| 517328 | 517329 | 517330 | 517331 | 518291 | 518292 | 518293 | 518294 | 529942 | 529943 | 529944 | 529945 | 529946 | 529947 |
| 529948 | 529949 | 529950 | 529951 | 529952 | 529953 | 529954 | 529955 | 529956 | 529957 | 529958 | 529959 | 529960 | 529961 |
| 532163 | 532164 | 532165 | 532166 | 532167 | 532168 | 532169 | 532170 | 532171 | 532172 | 532173 | 532174 | 542870 | 542871 |
| 542872 | 542873 | 542874 | 546773 | 546774 | 546775 | 546776 | 546777 | 546778 | 546779 | 546780 | 546781 | 546782 | 546783 |
| 546784 | 546785 | 546786 | 546787 | 546788 | 546789 | 546790 | 546791 | 550283 | 550284 | 550285 | 550286 | 550287 | 550288 |
| 550289 | 550290 | 550291 | 550292 | 550293 | 550294 | 550295 | 550296 | 550297 | 550298 | 550299 | 550300 | 550301 | 550302 |
| 550303 | 550304 | 550305 | 550306 | 550307 | 550308 | 550309 | 550310 | 556802 | 556803 | 556804 | 556805 | 556806 | 556807 |
| 556808 | 556809 | 556810 | 556811 | 556812 | 556813 | 556814 | 556815 | 556816 | 556831 | 556832 | 556833 | 556834 | 556835 |
| 556836 | 556837 | 556838 | 556839 | 556840 | 559401 | 559402 | 559403 | 559404 | 559405 | 559406 | 559407 | 559408 | 559409 |
| 559410 | 559411 | 559412 | 559413 | 559414 | 559415 | 561012 | 561013 | 561014 | 561015 | 561016 | 561017 | 561018 | 561019 |
| 561020 | 561021 | 561022 | 561023 | 561024 | 561025 | 561026 | 583727 | 583728 | 583729 | 583730 | 583731 | 583732 | 583733 |
| 583734 | 583735 | 583736 | 583737 | 583738 | 583739 | 583740 | 583741 | 589929 | 589930 | 589931 | 589932 | 589933 | 589934 |
| 589935 | 589936 | 593856 | 593857 | 593858 | 593859 | 593860 | 593861 | 593862 | 593863 | 593864 | 593865 | 593866 | 593867 |
| 600335 | 600336 | 600337 | 600338 | 600339 | 600340 | 600341 | 603808 | 603809 | 603810 | 603811 | 603812 | 603813 | 603814 |
| 603815 | 607324 | 607325 | 607326 | 607327 | 607328 | 611314 | 611315 | 611316 | 611317 | 611318 | 611319 | 611320 | 611321 |
| 611322 | 611323 | 615784 | 615785 | 615786 | 615787 | 615788 | 615789 | 615790 | 615791 | 621738 | 621739 | 624688 | 624689 |
| 624690 | 624691 | 624692 | 624693 | 624694 | 624695 | 624696 | 624697 | 624698 | 624699 | 624700 | 624701 | 624702 | 624703 |
| 625028 | 625029 | 628117 | 628118 | 628119 | 628120 | 628121 | 628122 | 628123 | 628124 | 628125 | 628126 | 628127 | 630739 |
| 630740 | 630741 | 630742 | 630743 | 630744 | 630745 | 630746 | 630747 | 630748 | 630749 | 630750 | 630751 | 630752 | 630753 |
| 630754 | 630755 | 630756 | 630757 | 630758 | 630759 | 630760 | 630761 | 630762 | 645624 | 645625 | 645626 | 645627 | 645628 |
| 645629 | 645630 | 645631 | 645632 | 645633 | 645634 | 645635 | 645636 | 645637 | 645638 | 645639 | 645640 | 645641 | 657776 |
| 657777 | 657778 | 657779 | 657780 | 657781 | 657782 | 657783 | 657784 | 657785 | 657786 | 657787 | 657788 | 657789 | 657790 |
| 657791 | 657792 | 659803 | 659804 | 659805 | 659806 | 659807 | 659808 | 659809 | 659810 | 659811 | 659812 | 659813 | 659814 |
| 659815 | 659816 | 659817 | 659818 | 659819 | 659820 | 661297 | 661298 | 661299 | 661300 | 661301 | 661302 | 661303 | 661304 |
| 661305 | 661306 | 661307 | 661308 | 661309 | 661310 | 661311 | 666220 | 666221 | 666222 | 666223 | 666224 | 666225 | 666226 |
| 666227 | 666228 | 666229 | 666230 | 666231 | 666232 | 666233 | 666234 | 666235 | 666236 | 666237 | 666238 | 666239 | 675952 |
| 675953 | 675954 | 675955 | 675956 | 675957 | 675958 | 675959 | 675960 | 675961 | 675962 | 675963 | 675964 | 675965 | 675966 |
| 675967 | 678390 | 678391 | 678392 | 678393 | 678394 | 678395 | 683156 | 683157 | 683158 | 683159 | 683160 | 685174 | 685175 |
| 685176 | 685177 | 685178 | 685179 | 685180 | 685181 | 685182 | 685183 | 685184 | 685185 | 685186 | 685187 | 685188 | 685189 |
| 687822 | 687823 | 687824 | 687825 | 687826 | 687827 | 693233 | 693234 | 693235 | 693236 | 693237 | 693238 | 693239 | 693240 |
| 693241 | 693242 | 693243 | 693244 | 693245 | 693246 | 693247 | 693248 | 693249 | 693250 | 693251 | 693252 | 693253 | 693254 |
| 693255 | 698538 | 698539 | 698540 | 698541 | 698542 | 698543 | 698544 | 698545 | 698546 | 698547 | 698548 | 698549 | 698550 |
| 698551 | 704407 | 704408 | 704409 | 704410 | 704411 | 704412 | 704413 | 704414 | 704415 | 704416 | 704417 | 704418 | 704419 |
| 704420 | 712994 | 712995 | 712996 | 712997 | 712998 | 712999 | 713000 | 713001 | 720719 | 720720 | 720721 | 720722 | 720723 |
| 720724 | 720725 | 723213 | 723214 | 723215 | 723231 | 723232 | 723233 | 723234 | 723235 | 726703 | 726704 | 726705 | 726706 |



Section: ENGINE
FUEL INJECTOR

| Fig. | Code | QTY | Name |
|------|----------|-----|---------------------------------------|
| | | | OVERSIZE 1.60 MM |
| 962 | 01318895 | 0 | washer mm 1.65 OVERSIZE 1.65 MM |
| 963 | 01318896 | 0 | washer mm 1.70 OVERSIZE 1.70 MM |
| 964 | 01318897 | 0 | washer mm 1.75 OVERSIZE 1.75 MM |
| 965 | 01318898 | 0 | washer mm 1.80 OVERSIZE 1.80 MM |
| 966 | 01318899 | 0 | washer mm 1.85 OVERSIZE 1.85 MM |
| 967 | 01318900 | 0 | washer mm 1.90 OVERSIZE 1.90 MM |
| 968 | 01318901 | 0 | washer mm 1.95 OVERSIZE 1.95 MM |
| 969 | 01318902 | 0 | shim mm 2.00 OVERSIZE 2.00 MM |

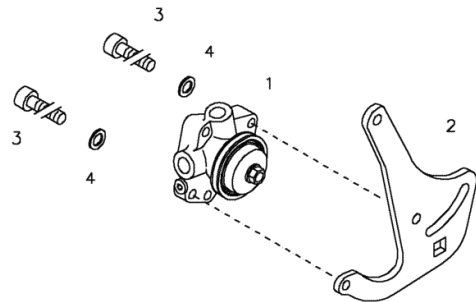


Section: ENGINE
FUEL SUPPLY PUMP

| Fig. | Code | QTY | Name |
|------|------|-----|------|
|------|------|-----|------|

726707 726708 726709 726710 726711 730288 730289 733127 733876 734056 734057 734058 734059 734060
 734061 734062 734063 734064 734065 734066 740746 740747 740748 740749 740750 740751 740752 740753
 740754 740755 743622 743623 743624 743625 743626 743627 743628 743629 743630 743631 743632 743633
 743634 744251 744252 744253 744254 744255 746696 746697 746698 751492 751493 751494 751495 751496
 751497 751498 751499 751500 751501 756792 756793 756794 756795 756796 756797 756798 756799 762469
 762470 762471 762472 762473 762474 765895 765896 765897 765898 765899 765900 770098 770099 770100
 770101 770102 770635 770636 770637 772372 772373 772374 772375 772376 773376 773377 773378 773379
 773380 773381 776260 776261 776262 776263 776264 776265 776266 782248 782249 782250 782251 782252
 782253 782254 782255 782256 782257 782258 782259 782260 782261 782262 782263 790150 790151 790152
 790153 790154 790155 790156 790157 790158 790159 790160 790161 790162 790163 790164 790165 790166
 796352 796353 796354 796355 796356 796357 796358 796359 796360 796361 796362 796363 796364 798994
 798995 798996 798997 798998 798999 799000 799001 799002 799003 799004 799005 799006 799007 799008
 799009 799010 799011 803842 803843 803844 803845 803846 803847 806627 806628 806629 806630 806631
 806632 806633 806634 806635 806636 806637 806638 806639 806640 810240 810241 810242 810243 810244
 810245 810246 810247 813672 813673 813674 813675 813676 819854 819855 819856 819857 819858 819859
 819860 819861 819862 819863 819864 819865 819866 819867 819868 819869 819870 819871 827564 827565
 827566 827567 827568 827569 827570 827571 827572 827573 827574 827575 827576 827577 827578 837213
 837214 837215 837216 837217 837218 837219 837690 837691 837692 837693 837694 837695 843548 843549
 843550 843551 843552 843553 843554 843555 843556 843557 843558 843559 843560 843561 843562 843563

000 ©



| | | | |
|---|----------|---|--------------------------------------|
| 1 | 04207013 | 1 | pump |
| 2 | 02111370 | 1 | link |
| 3 | 01110576 | 2 | screw ISO 004762- M 8 X 25 - 8.8 |
| 4 | 01107283 | 2 | washer 8.2 DIN 000137-B 8-FST-A4C |

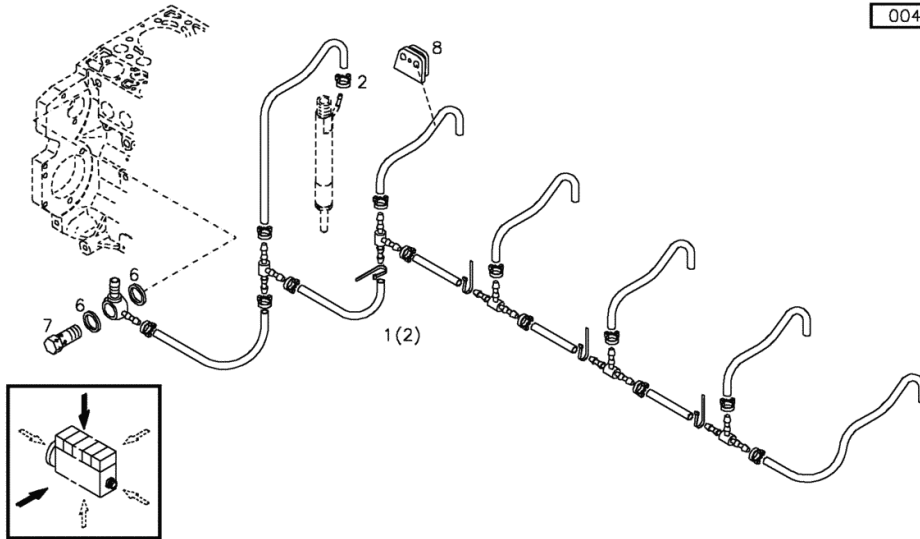
Section: ENGINE
OVERFLOW LINE

| Fig. | Code | QTY | Name |
|------|------|-----|------|
|------|------|-----|------|

726707 726708 726709 726710 726711 730288 730289 734056 734057 734058 734059 734060 734061 734062
 734063 734064 734065 734066

| | | | |
|---|----------|---|--|
| 1 | 02931227 | 1 | tube WITH ITEM (2) |
| 2 | 01181064 | 6 | bracket H 003461-FE-7,5/7 |
| 6 | 01118693 | 2 | gasket 14x20 DIN 007603-A 14 X 20 -CU |
| 7 | 02111519 | 1 | fuse |
| 8 | 04198035 | 6 | rubber plug |

004 ©

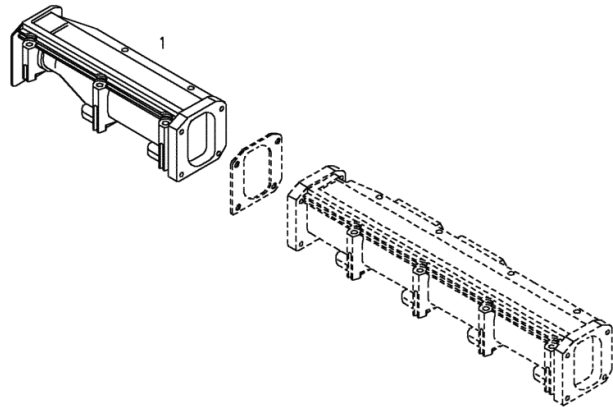


Section: ENGINE
CHARGE AIR PIPE

| Fig. | Code | QTY | Name |
|------|------|-----|------|
|------|------|-----|------|

726707 726708 726709 726710 726711 730288 730289 733127 733876 734056 734057 734058 734059 734060
 734061 734062 734063 734064 734065 734066 740746 740747 740748 740749 740750 740751 740752 740753
 740754 740755 743622 743623 743624 743625 743626 743627 743628 743629 743630 743631 743632 743633
 743634 744251 744252 744253 744254 744255 746696 746697 746698 751492 751493 751494 751495 751496
 751497 751498 751499 751500 751501 756792 756793 756794 756795 756796 756797 756798 756799 762469
 762470 762471 762472 762473 762474 765895 765896 765897 765898 765899 765900 770098 770099 770100
 770101 770102 770635 770636 770637 772372 772373 772374 772375 772376 773376 773377 773378 773379
 773380 773381 776260 776261 776262 776263 776264 776265 776266 782248 782249 782250 782251 782252
 782253 782254 782255 782256 782257 782258 782259 782260 782261 782262 782263 790150 790151 790152
 790153 790154 790155 790156 790157 790158 790159 790160 790161 790162 790163 790164 790165 790166
 796352 796353 796354 796355 796356 796357 796358 796359 796360 796361 796362 796363 796364 798994
 798995 798996 798997 798998 798999 799000 799001 799002 799003 799004 799005 799006 799007 799008
 799009 799010 799011 803842 803843 803844 803845 803846 803847 806627 806628 806629 806630 806631
 806632 806633 806634 806635 806636 806637 806638 806639 806640 810240 810241 810242 810243 810244
 810245 810246 810247 813672 813673 813674 813675 813676 819854 819855 819856 819857 819858 819859
 819860 819861 819862 819863 819864 819865 819866 819867 819868 819869 819870 819871 827564 827565
 827566 827567 827568 827569 827570 827571 827572 827573 827574 827575 827576 827577 827578 837213
 837214 837215 837216 837217 837218 837219 837690 837691 837692 837693 837694 837695 843548 843549
 843550 843551 843552 843553 843554 843555 843556 843557 843558 843559 843560 843561 843562 843563

000 ©



| | | | |
|---|----------|---|------|
| 1 | 04207513 | 1 | tube |
|---|----------|---|------|

Section: ENGINE
INLET MANIFOLD

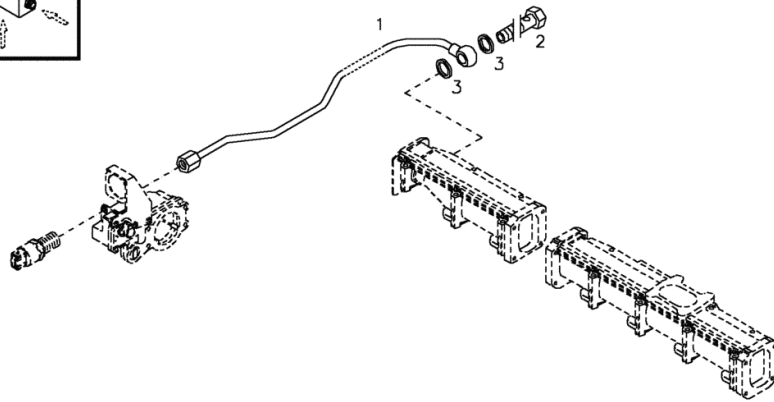
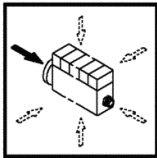
| Fig. | Code | QTY | Name |
|------|------|-----|------|
|------|------|-----|------|

Engine Serial Numbers:

733127 733876 740746 740747 740748 740749 740750 740751 740752 740753 740754 740755 743622 743623
 743624 743625 743626 743627 743628 743629 743630 743631 743632 743633 743634 744251 744252 744253
 744254 744255 746696 746697 746698 751492 751493 751494 751495 751496 751497 751498 751499 751500
 751501

| | | | |
|---|----------|---|--|
| 1 | 04256880 | 1 | sheath |
| 2 | 01119237 | 1 | pipe union DIN 007643- 6-4-A3L |
| 3 | 01118659 | 2 | 'o' ring DIN 007603-A 10 X 13,5 -CU |

001 ©



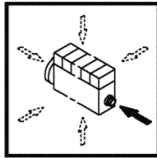
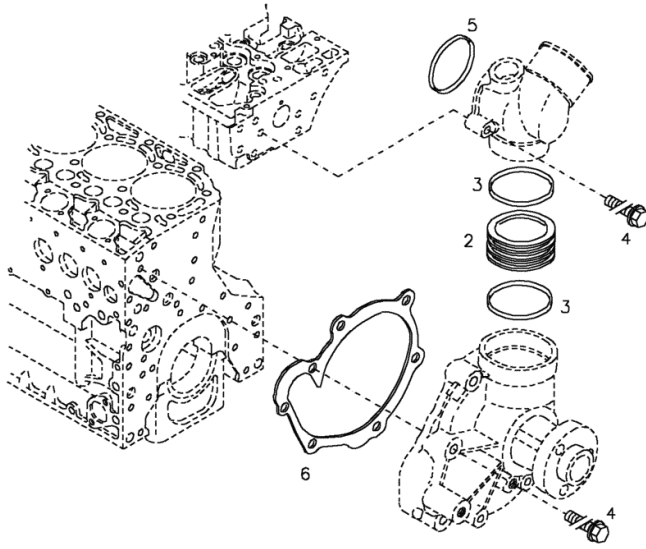
Section: ENGINE
FASTENINGS

| Fig. | Code | QTY | Name |
|------|------|-----|------|
|------|------|-----|------|

Engine Serial Numbers:

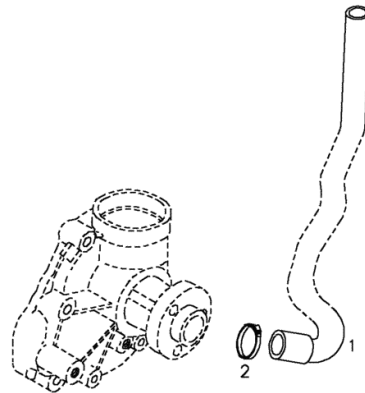
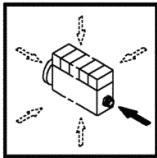
405014 405015 445140 445141 445142 445143 445144 445145 445146 445147 445148 445149 445150 445151
 445152 445153 445154 445155 445156 445157 445158 452722 452723 452724 452725 452726 452727 454796
 454797 454798 454799 464493 464494 464495 464496 464497 464498 464499 464500 464501 464693 464694
 464695 464696 464697 466449 466450 466451 466452 470124 470125 470126 470127 470128 470129 470130
 474548 474549 474550 480749 480750 483658 483659 483660 483661 483662 485783 485784 485785 485786
 485787 485788 485789 485790 485791 485792 485793 485794 485795 485796 485797 485798 485799 485800
 485801 485802 485803 485804 485805 489939 489940 489941 489942 489943 489944 489945 489946 489947
 489948 489949 489950 489951 489952 489953 490613 498644 498645 498646 498647 498648 498649 498650
 498651 498652 498653 498654 498655 498656 498657 498658 498659 498660 498661 498662 498663 507178
 507179 507180 507181 507182 507183 507184 507185 507186 507187 507188 507189 507190 507191 507192
 507193 507194 507195 507196 507197 507198 507199 512191 512192 512193 516609 516610 516611 516612
 516613 516614 516615 516616 516617 516618 516619 516620 516621 516622 516623 517311 517312 517313
 517314 517315 517316 517317 517318 517319 517320 517321 517322 517323 517324 517325 517326 517327
 517328 517329 517330 517331 518291 518292 518293 518294 529942 529943 529944 529945 529946 529947
 529948 529949 529950 529951 529952 529953 529954 529955 529956 529957 529958 529959 529960 529961
 532163 532164 532165 532166 532167 532168 532169 532170 532171 532172 532173 532174 542870 542871
 542872 542873 542874 546773 546774 546775 546776 546777 546778 546779 546780 546781 546782 546783
 546784 546785 546786 546787 546788 546789 546790 546791 550283 550284 550285 550286 550287 550288
 550289 550290 550291 550292 550293 550294 550295 550296 550297 550298 550299 550300 550301 550302
 550303 550304 550305 550306 550307 550308 550309 550310 556802 556803 556804 556805 556806 556807
 556808 556809 556810 556811 556812 556813 556814 556815 556816 556831 556832 556833 556834 556835
 556836 556837 556838 556839 556840 559401 559402 559403 559404 559405 559406 559407 559408 559409
 559410 559411 559412 559413 559414 559415 561012 561013 561014 561015 561016 561017 561018 561019
 561020 561021 561022 561023 561024 561025 561026 583727 583728 583729 583730 583731 583732 583733
 583734 583735 583736 583737 583738 583739 583740 583741 589929 589930 589931 589932 589933 589934
 589935 589936 593856 593857 593858 593859 593860 593861 593862 593863 593864 593865 593866 593867
 600335 600336 600337 600338 600339 600340 600341 603808 603809 603810 603811 603812 603813 603814
 603815 607324 607325 607326 607327 607328 611314 611315 611316 611317 611318 611319 611320 611321
 611322 611323 615784 615785 615786 615787 615788 615789 615790 615791 621738 621739 624688 624689
 624690 624691 624692 624693 624694 624695 624696 624697 624698 624699 624700 624701 624702 624703
 625028 625029 628117 628118 628119 628120 628121 628122 628123 628124 628125 628126 628127 630739
 630740 630741 630742 630743 630744 630745 630746 630747 630748 630749 630750 630751 630752 630753
 630754 630755 630756 630757 630758 630759 630760 630761 630762 645624 645625 645626 645627 645628
 645629 645630 645631 645632 645633 645634 645635 645636 645637 645638 645639 645640 645641 657776
 657777 657778 657779 657780 657781 657782 657783 657784 657785 657786 657787 657788 657789 657790
 657791 657792 659803 659804 659805 659806 659807 659808 659809 659810 659811 659812 659813 659814
 659815 659816 659817 659818 659819 659820 661297 661298 661299 661300 661301 661302 661303 661304
 661305 661306 661307 661308 661309 661310 661311 666220 666221 666222 666223 666224 666225 666226
 666227 666228 666229 666230 666231 666232 666233 666234 666235 666236 666237 666238 666239 675952
 675953 675954 675955 675956 675957 675958 675959 675960 675961 675962 675963 675964 675965 675966
 675967 678390 678391 678392 678393 678394 678395 683156 683157 683158 683159 683160 685174 685175
 685176 685177 685178 685179 685180 685181 685182 685183 685184 685185 685186 685187 685188 685189
 687822 687823 687824 687825 687826 687827 693233 693234 693235 693236 693237 693238 693239 693240
 693241 693242 693243 693244 693245 693246 693247 693248 693249 693250 693251 693252 693253 693254
 693255 698538 698539 698540 698541 698542 698543 698544 698545 698546 698547 698548 698549 698550
 698551 704407 704408 704409 704410 704411 704412 704413 704414 704415 704416 704417 704418 704419
 704420 712994 712995 712996 712997 712998 712999 713000 713001 720719 720720 720721 720722 720723
 720724 720725 723213 723214 723215 723231 723232 723233 723234 723235 726703 726704 726705 726706

002 ©



Section: ENGINE
COOLANT PIPE

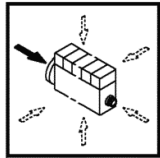
| Fig. | Code | QTY | Name |
|--|----------|-----|---|
| 726707 726708 726709 726710 726711 730288 730289 733127 733876 734056 734057 734058 734059 734060 734061 734062 734063 734064 734065 734066 740746 740747 740748 740749 740750 740751 740752 740753 740754 740755 743622 743623 743624 743625 743626 743627 743628 743629 743630 743631 743632 743633 743634 744251 744252 744253 744254 744255 746696 746697 746698 751492 751493 751494 751495 751496 751497 751498 751499 751500 751501 756792 756793 756794 756795 756796 756797 756798 756799 762469 762470 762471 762472 762473 762474 765895 765896 765897 765898 765899 765900 770098 770099 770100 770101 770102 770635 770636 770637 772372 772373 772374 772375 772376 773377 773378 773379 773380 773381 776260 776261 776262 776263 776264 776265 776266 782248 782249 782250 782251 782252 782253 782254 782255 782256 782257 782258 782259 782260 782261 782262 782263 790150 790151 790152 790153 790154 790155 790156 790157 790158 790159 790160 790161 790162 790163 790164 790165 790166 796352 796353 796354 796355 796356 796357 796358 796359 796360 796361 796362 796363 796364 798994 798995 798996 798997 798998 798999 799000 799001 799002 799003 799004 799005 799006 799007 799008 799009 799010 799011 803842 803843 803844 803845 803846 803847 806627 806628 806629 806630 806631 806632 806633 806634 806635 806636 806637 806638 806639 806640 810240 810241 810242 810243 810244 810245 810246 810247 813672 813673 813674 813675 813676 819854 819855 819856 819857 819858 819859 819860 819861 819862 819863 819864 819865 819866 819867 819868 819869 819870 819871 827564 827565 827566 827567 827568 827569 827570 827571 827572 827573 827574 827575 827576 827577 827578 837213 837214 837215 837216 837217 837218 837219 837690 837691 837692 837693 837694 837695 843548 843549 843550 843551 843552 843553 843554 843555 843556 843557 843558 843559 843560 843561 843562 843563 | | | |
| 1 | 04208131 | 1 | pipng |
| 2 | 01173962 | 1 | clamp Ø 20/32 DIN 003017-A - 20- 32X 13-W1-2 |



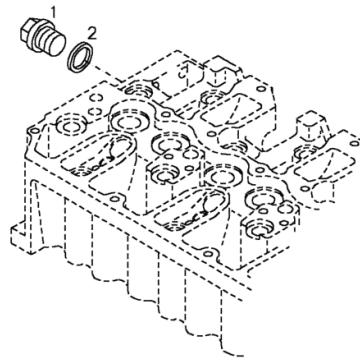
Section: ENGINE

CLOSING COMPONENTS

| Fig. | Code | QTY | Name |
|------|----------|-----|--|
| 2 | 01118659 | 1 | 'o' ring DIN 007603-A 10 X 13,5 -CU |

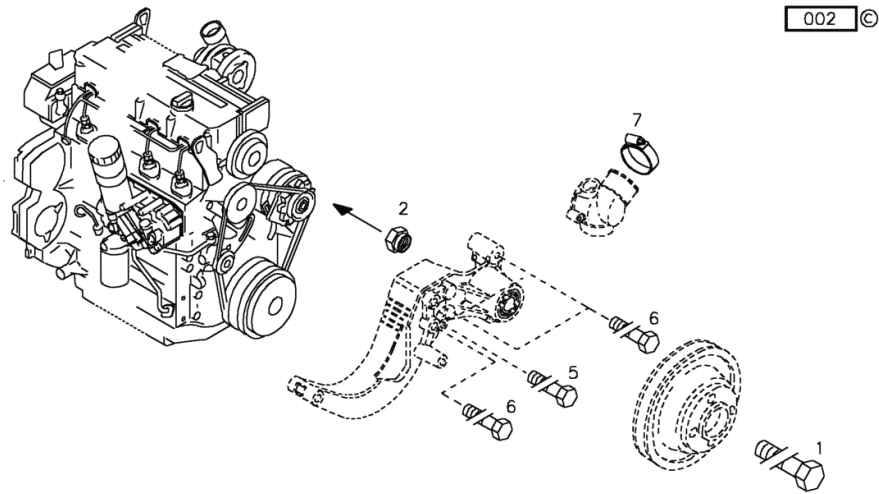


001 ©



Section: ENGINE
FASTENINGS

| Fig. | Code | QTY | Name |
|------|----------|-----|---|
| 7 | 01173971 | 1 | hose clip Ø 40/60 DIN 003017-A - 40- 60X 13-W1-2 |

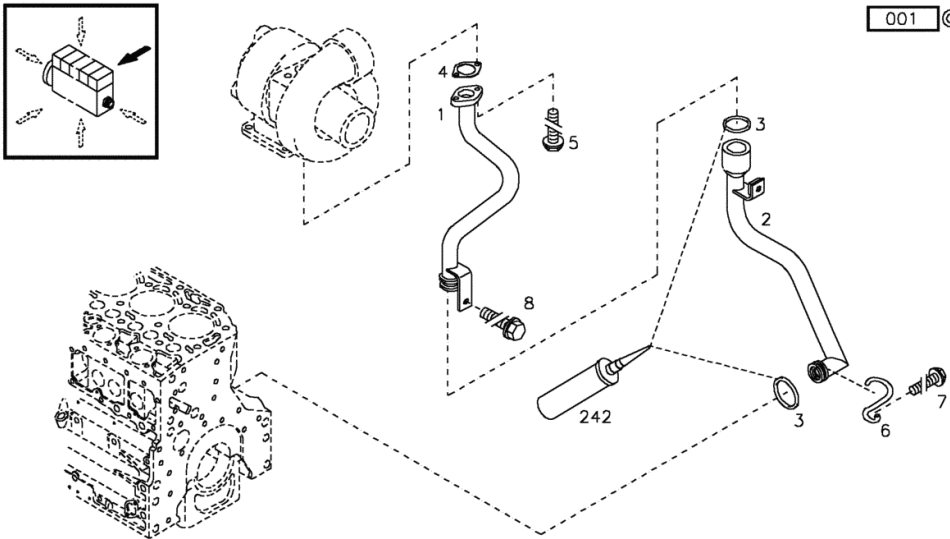


Section: ENGINE
RETURN LINE

| Fig. | Code | QTY | Name |
|------|------|-----|------|
|------|------|-----|------|

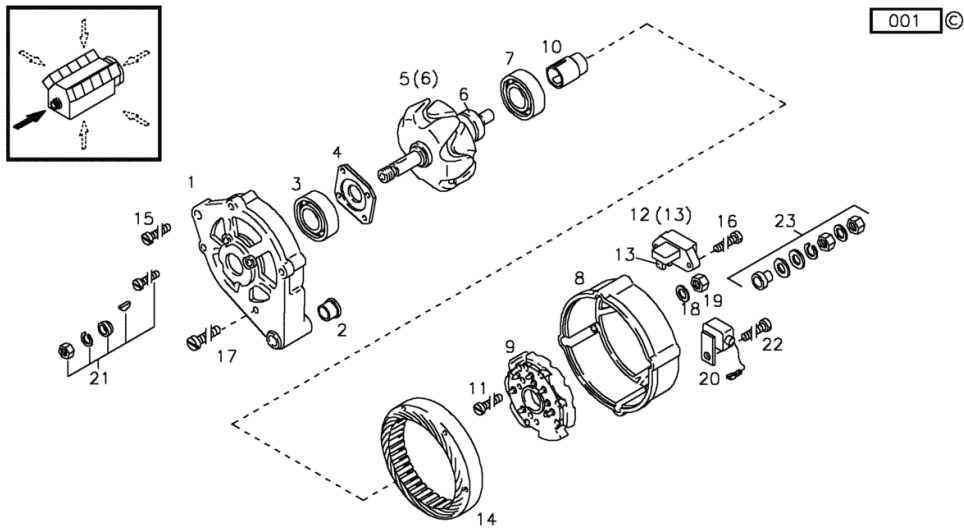
Engine Serial Numbers:

| | | | | | | | | | | | | | |
|--------|--------|--------|--------|--------|--------|--------|--------|--------|--------|--------|--------|--------|--------|
| 405014 | 405015 | 445140 | 445141 | 445142 | 445143 | 445144 | 445145 | 445146 | 445147 | 445148 | 445149 | 445150 | 445151 |
| 445152 | 445153 | 445154 | 445155 | 445156 | 445157 | 445158 | 452722 | 452723 | 452724 | 452725 | 452726 | 452727 | 454796 |
| 454797 | 454798 | 454799 | 464493 | 464494 | 464495 | 464496 | 464497 | 464498 | 464499 | 464500 | 464501 | 464693 | 464694 |
| 464695 | 464696 | 464697 | 466449 | 466450 | 466451 | 466452 | 470124 | 470125 | 470126 | 470127 | 470128 | 470129 | 470130 |
| 474548 | 474549 | 474550 | 480749 | 480750 | 483658 | 483659 | 483660 | 483661 | 483662 | 485783 | 485784 | 485785 | 485786 |
| 485787 | 485788 | 485789 | 485790 | 485791 | 485792 | 485793 | 485794 | 485795 | 485796 | 485797 | 485798 | 485799 | 485800 |
| 485801 | 485802 | 485803 | 485804 | 485805 | 489939 | 489940 | 489941 | 489942 | 489943 | 489944 | 489945 | 489946 | 489947 |
| 489948 | 489949 | 489950 | 489951 | 489952 | 489953 | 490613 | 498644 | 498645 | 498646 | 498647 | 498648 | 498649 | 498650 |
| 498651 | 498652 | 498653 | 498654 | 498655 | 498656 | 498657 | 498658 | 498659 | 498660 | 498661 | 498662 | 498663 | 507178 |
| 507179 | 507180 | 507181 | 507182 | 507183 | 507184 | 507185 | 507186 | 507187 | 507188 | 507189 | 507190 | 507191 | 507192 |
| 507193 | 507194 | 507195 | 507196 | 507197 | 507198 | 507199 | 512191 | 512192 | 512193 | 516609 | 516610 | 516611 | 516612 |
| 516613 | 516614 | 516615 | 516616 | 516617 | 516618 | 516619 | 516620 | 516621 | 516622 | 516623 | 517311 | 517312 | 517313 |
| 517314 | 517315 | 517316 | 517317 | 517318 | 517319 | 517320 | 517321 | 517322 | 517323 | 517324 | 517325 | 517326 | 517327 |
| 517328 | 517329 | 517330 | 517331 | 518291 | 518292 | 518293 | 518294 | 529942 | 529943 | 529944 | 529945 | 529946 | 529947 |
| 529948 | 529949 | 529950 | 529951 | 529952 | 529953 | 529954 | 529955 | 529956 | 529957 | 529958 | 529959 | 529960 | 529961 |
| 532163 | 532164 | 532165 | 532166 | 532167 | 532168 | 532169 | 532170 | 532171 | 532172 | 532173 | 532174 | 542870 | 542871 |
| 542872 | 542873 | 542874 | 546773 | 546774 | 546775 | 546776 | 546777 | 546778 | 546779 | 546780 | 546781 | 546782 | 546783 |
| 546784 | 546785 | 546786 | 546787 | 546788 | 546789 | 546790 | 546791 | 550283 | 550284 | 550285 | 550286 | 550287 | 550288 |
| 550289 | 550290 | 550291 | 550292 | 550293 | 550294 | 550295 | 550296 | 550297 | 550298 | 550299 | 550300 | 550301 | 550302 |
| 550303 | 550304 | 550305 | 550306 | 550307 | 550308 | 550309 | 550310 | 556802 | 556803 | 556804 | 556805 | 556806 | 556807 |
| 556808 | 556809 | 556810 | 556811 | 556812 | 556813 | 556814 | 556815 | 556816 | 556831 | 556832 | 556833 | 556834 | 556835 |
| 556836 | 556837 | 556838 | 556839 | 556840 | 559401 | 559402 | 559403 | 559404 | 559405 | 559406 | 559407 | 559408 | 559409 |
| 559410 | 559411 | 559412 | 559413 | 559414 | 559415 | 561012 | 561013 | 561014 | 561015 | 561016 | 561017 | 561018 | 561019 |
| 561020 | 561021 | 561022 | 561023 | 561024 | 561025 | 561026 | 583727 | 583728 | 583729 | 583730 | 583731 | 583732 | 583733 |
| 583734 | 583735 | 583736 | 583737 | 583738 | 583739 | 583740 | 583741 | 589929 | 589930 | 589931 | 589932 | 589933 | 589934 |
| 589935 | 589936 | 593856 | 593857 | 593858 | 593859 | 593860 | 593861 | 593862 | 593863 | 593864 | 593865 | 593866 | 593867 |
| 600335 | 600336 | 600337 | 600338 | 600339 | 600340 | 600341 | 603808 | 603809 | 603810 | 603811 | 603812 | 603813 | 603814 |
| 603815 | 607324 | 607325 | 607326 | 607327 | 607328 | 611314 | 611315 | 611316 | 611317 | 611318 | 611319 | 611320 | 611321 |
| 611322 | 611323 | 615784 | 615785 | 615786 | 615787 | 615788 | 615789 | 615790 | 615791 | 621738 | 621739 | 624688 | 624689 |
| 624690 | 624691 | 624692 | 624693 | 624694 | 624695 | 624696 | 624697 | 624698 | 624699 | 624700 | 624701 | 624702 | 624703 |
| 625028 | 625029 | 628117 | 628118 | 628119 | 628120 | 628121 | 628122 | 628123 | 628124 | 628125 | 628126 | 628127 | 630739 |
| 630740 | 630741 | 630742 | 630743 | 630744 | 630745 | 630746 | 630747 | 630748 | 630749 | 630750 | 630751 | 630752 | 630753 |
| 630754 | 630755 | 630756 | 630757 | 630758 | 630759 | 630760 | 630761 | 630762 | 645624 | 645625 | 645626 | 645627 | 645628 |
| 645629 | 645630 | 645631 | 645632 | 645633 | 645634 | 645635 | 645636 | 645637 | 645638 | 645639 | 645640 | 645641 | 657776 |
| 657777 | 657778 | 657779 | 657780 | 657781 | 657782 | 657783 | 657784 | 657785 | 657786 | 657787 | 657788 | 657789 | 657790 |
| 657791 | 657792 | 659803 | 659804 | 659805 | 659806 | 659807 | 659808 | 659809 | 659810 | 659811 | 659812 | 659813 | 659814 |
| 659815 | 659816 | 659817 | 659818 | 659819 | 659820 | 661297 | 661298 | 661299 | 661300 | 661301 | 661302 | 661303 | 661304 |
| 661305 | 661306 | 661307 | 661308 | 661309 | 661310 | 661311 | 666220 | 666221 | 666222 | 666223 | 666224 | 666225 | 666226 |
| 666227 | 666228 | 666229 | 666230 | 666231 | 666232 | 666233 | 666234 | 666235 | 666236 | 666237 | 666238 | 666239 | 675952 |
| 675953 | 675954 | 675955 | 675956 | 675957 | 675958 | 675959 | 675960 | 675961 | 675962 | 675963 | 675964 | 675965 | 675966 |
| 675967 | 678390 | 678391 | 678392 | 678393 | 678394 | 678395 | 683156 | 683157 | 683158 | 683159 | 683160 | 685174 | 685175 |
| 685176 | 685177 | 685178 | 685179 | 685180 | 685181 | 685182 | 685183 | 685184 | 685185 | 685186 | 685187 | 685188 | 685189 |
| 687822 | 687823 | 687824 | 687825 | 687826 | 687827 | 693233 | 693234 | 693235 | 693236 | 693237 | 693238 | 693239 | 693240 |
| 693241 | 693242 | 693243 | 693244 | 693245 | 693246 | 693247 | 693248 | 693249 | 693250 | 693251 | 693252 | 693253 | 693254 |
| 693255 | 698538 | 698539 | 698540 | 698541 | 698542 | 698543 | 698544 | 698545 | 698546 | 698547 | 698548 | 698549 | 698550 |
| 698551 | 704407 | 704408 | 704409 | 704410 | 704411 | 704412 | 704413 | 704414 | 704415 | 704416 | 704417 | 704418 | 704419 |
| 704420 | 712994 | 712995 | 712996 | 712997 | 712998 | 712999 | 713000 | 713001 | 720719 | 720720 | 720721 | 720722 | 720723 |
| 720724 | 720725 | 723213 | 723214 | 723215 | 723231 | 723232 | 723233 | 723234 | 723235 | 726703 | 726704 | 726705 | 726706 |



Section: ENGINE
PARTS OF ALTERNAT.

| Fig. | Code | QTY | Name |
|------|----------|-----|-----------|
| 21 | 01307188 | 1 | parts set |
| 22 | 01321484 | 1 | screw |
| 23 | 01321072 | 1 | parts set |

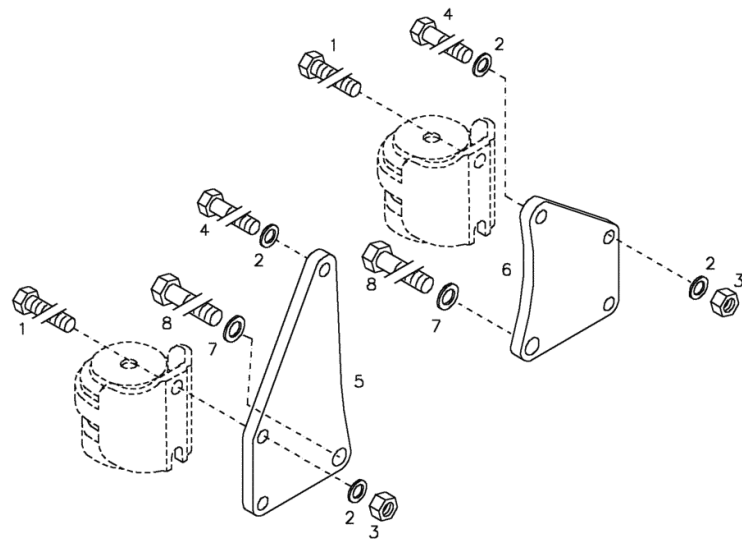


Section: ENGINE
ACCESSORIES

| Fig. | Code | QTY | Name |
|------|------|-----|------|
|------|------|-----|------|

Engine Serial Numbers:

740746 740747 740748 740749 740750 740751 740752 740753 740754 740755 743622 743623 743624 743625
 743626 743627 743628 743629 743630 743631 743632 743633 743634 744251 744252 744253 744254 744255
 746696 746697 746698 751492 751493 751494 751495 751496 751497 751498 751499 751500 751501 756792
 756793 756794 756795 756796 756797 756798 756799 762469 762470 762471 762472 762473 762474 765895
 765896 765897 765898 765899 765900 770098 770099 770100 770101 770102 770635 770636 770637 772372
 772373 772374 772375 772376 773376 773377 773378 773379 773380 773381 776260 776261 776262 776263
 776264 776265 776266 782248 782249 782250 782251 782252 782253 782254 782255 782256 782257 782258
 782259 782260 782261 782262 782263 790150 790151 790152 790153 790154 790155 790156 790157 790158
 790159 790160 790161 790162 790163 790164 790165 790166 796352 796353 796354 796355 796356 796357
 796358 796359 796360 796361 796362 796363 796364 798994 798995 798996 798997 798998 798999 799000
 799001 799002 799003 799004 799005 799006 799007 799008 799009 799010 799011 803842 803843 803844
 803845 803846 803847 806627 806628 806629 806630 806631 806632 806633 806634 806635 806636 806637
 806638 806639 806640 810240 810241 810242 810243 810244 810245 810246 810247 813672 813673 813674
 813675 813676 819854 819855 819856 819857 819858 819859 819860 819861 819862 819863 819864 819865
 819866 819867 819868 819869 819870 819871 827564 827565 827566 827567 827568 827569 827570 827571
 827572 827573 827574 827575 827576 827577 827578 837213 837214 837215 837216 837217 837218 837219
 837690 837691 837692 837693 837694 837695 843548 843549 843550 843551 843552 843553 843554 843555
 843556 843557 843558 843559 843560 843561 843562 843563



001 ©

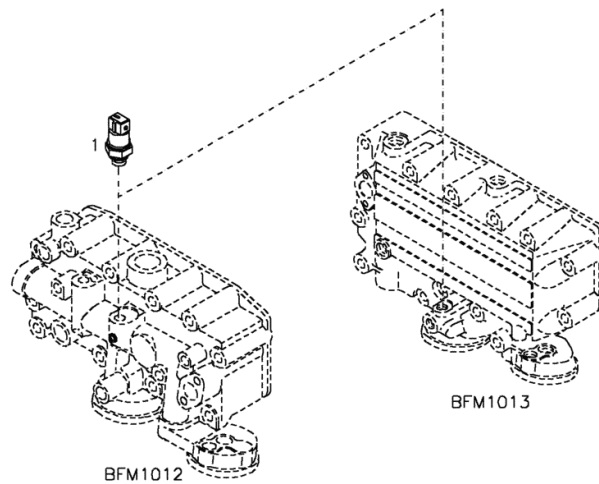
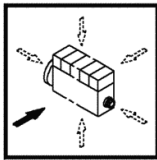
| | | | |
|---|----------|---|--|
| 1 | 01112547 | 4 | screw m 12 x 40, d933 DIN 000933-M12 X 40 - 8.8-A4C |
| 2 | 01182016 | 6 | disc H 002308-13 X24X3 -ZNAL-A |
| 3 | 01112858 | 4 | nut m 12, d934 DIN 000934-M12 - 8-A4C |
| 4 | 01139722 | 2 | screw m 12 x 85 DIN 000931- M12 X 85 - 10.9-A4C |
| 5 | 04206926 | 1 | plate dx/rh/re |
| 6 | 04206927 | 1 | plate sx/lh/li |
| 7 | 01181400 | 2 | washer H 002308-18 X25X1,5 -A4C |
| 8 | 01111909 | 2 | screw m 16x85 ISO 004014- M16 X 85 - 10.9-A4C |

Section: ENGINE
OIL PRESSUR.SWITCH

| Fig. | Code | QTY | Name |
|------|------|-----|------|
|------|------|-----|------|

Engine Serial Numbers:

| | | | | | | | | | | | | | |
|--------|--------|--------|--------|--------|--------|--------|--------|--------|--------|--------|--------|--------|--------|
| 529942 | 529943 | 529944 | 529945 | 529946 | 529947 | 529948 | 529949 | 529950 | 529951 | 529952 | 529953 | 529954 | 529955 |
| 529956 | 529957 | 529958 | 529959 | 529960 | 529961 | 532163 | 532164 | 532165 | 532166 | 532167 | 532168 | 532169 | 532170 |
| 532171 | 532172 | 532173 | 532174 | 542870 | 542871 | 542872 | 542873 | 542874 | 546773 | 546774 | 546775 | 546776 | 546777 |
| 546778 | 546779 | 546780 | 546781 | 546782 | 546783 | 546784 | 546785 | 546786 | 546787 | 546788 | 546789 | 546790 | 546791 |
| 550283 | 550284 | 550285 | 550286 | 550287 | 550288 | 550289 | 550290 | 550291 | 550292 | 550293 | 550294 | 550295 | 550296 |
| 550297 | 550298 | 550299 | 550300 | 550301 | 550302 | 550303 | 550304 | 550305 | 550306 | 550307 | 550308 | 550309 | 550310 |
| 556802 | 556803 | 556804 | 556805 | 556806 | 556807 | 556808 | 556809 | 556810 | 556811 | 556812 | 556813 | 556814 | 556815 |
| 556816 | 556831 | 556832 | 556833 | 556834 | 556835 | 556836 | 556837 | 556838 | 556839 | 556840 | 559401 | 559402 | 559403 |
| 559404 | 559405 | 559406 | 559407 | 559408 | 559409 | 559410 | 559411 | 559412 | 559413 | 559414 | 559415 | 561012 | 561013 |
| 561014 | 561015 | 561016 | 561017 | 561018 | 561019 | 561020 | 561021 | 561022 | 561023 | 561024 | 561025 | 561026 | 583727 |
| 583728 | 583729 | 583730 | 583731 | 583732 | 583733 | 583734 | 583735 | 583736 | 583737 | 583738 | 583739 | 583740 | 583741 |
| 589929 | 589930 | 589931 | 589932 | 589933 | 589934 | 589935 | 589936 | 593856 | 593857 | 593858 | 593859 | 593860 | 593861 |
| 593862 | 593863 | 593864 | 593865 | 593866 | 593867 | 600335 | 600336 | 600337 | 600338 | 600339 | 600340 | 600341 | 603808 |
| 603809 | 603810 | 603811 | 603812 | 603813 | 603814 | 603815 | 607324 | 607325 | 607326 | 607327 | 607328 | 611314 | 611315 |
| 611316 | 611317 | 611318 | 611319 | 611320 | 611321 | 611322 | 611323 | 615784 | 615785 | 615786 | 615787 | 615788 | 615789 |
| 615790 | 615791 | 621738 | 621739 | 624688 | 624689 | 624690 | 624691 | 624692 | 624693 | 624694 | 624695 | 624696 | 624697 |
| 624698 | 624699 | 624700 | 624701 | 624702 | 624703 | 625028 | 625029 | 628117 | 628118 | 628119 | 628120 | 628121 | 628122 |
| 628123 | 628124 | 628125 | 628126 | 628127 | 630739 | 630740 | 630741 | 630742 | 630743 | 630744 | 630745 | 630746 | 630747 |
| 630748 | 630749 | 630750 | 630751 | 630752 | 630753 | 630754 | 630755 | 630756 | 630757 | 630758 | 630759 | 630760 | 630761 |
| 630762 | 645624 | 645625 | 645626 | 645627 | 645628 | 645629 | 645630 | 645631 | 645632 | 645633 | 645634 | 645635 | 645636 |
| 645637 | 645638 | 645639 | 645640 | 645641 | 657776 | 657777 | 657778 | 657779 | 657780 | 657781 | 657782 | 657783 | 657784 |
| 657785 | 657786 | 657787 | 657788 | 657789 | 657790 | 657791 | 657792 | 659803 | 659804 | 659805 | 659806 | 659807 | 659808 |
| 659809 | 659810 | 659811 | 659812 | 659813 | 659814 | 659815 | 659816 | 659817 | 659818 | 659819 | 659820 | 661297 | 661298 |
| 661299 | 661300 | 661301 | 661302 | 661303 | 661304 | 661305 | 661306 | 661307 | 661308 | 661309 | 661310 | 661311 | 666220 |
| 666221 | 666222 | 666223 | 666224 | 666225 | 666226 | 666227 | 666228 | 666229 | 666230 | 666231 | 666232 | 666233 | 666234 |
| 666235 | 666236 | 666237 | 666238 | 666239 | 675952 | 675953 | 675954 | 675955 | 675956 | 675957 | 675958 | 675959 | 675960 |
| 675961 | 675962 | 675963 | 675964 | 675965 | 675966 | 675967 | 678390 | 678391 | 678392 | 678393 | 678394 | 678395 | 683156 |
| 683157 | 683158 | 683159 | 683160 | 685174 | 685175 | 685176 | 685177 | 685178 | 685179 | 685180 | 685181 | 685182 | 685183 |
| 685184 | 685185 | 685186 | 685187 | 685188 | 685189 | 687822 | 687823 | 687824 | 687825 | 687826 | 687827 | 693233 | 693234 |
| 693235 | 693236 | 693237 | 693238 | 693239 | 693240 | 693241 | 693242 | 693243 | 693244 | 693245 | 693246 | 693247 | 693248 |
| 693249 | 693250 | 693251 | 693252 | 693253 | 693254 | 693255 | 698538 | 698539 | 698540 | 698541 | 698542 | 698543 | 698544 |
| 698545 | 698546 | 698547 | 698548 | 698549 | 698550 | 698551 | 704407 | 704408 | 704409 | 704410 | 704411 | 704412 | 704413 |
| 704414 | 704415 | 704416 | 704417 | 704418 | 704419 | 704420 | 712994 | 712995 | 712996 | 712997 | 712998 | 712999 | 713000 |
| 713001 | 720719 | 720720 | 720721 | 720722 | 720723 | 720724 | 720725 | 723213 | 723214 | 723215 | 723231 | 723232 | 723233 |
| 723234 | 723235 | 726703 | 726704 | 726705 | 726706 | 726707 | 726708 | 726709 | 726710 | 726711 | 730288 | 730289 | 733127 |
| 733876 | 734056 | 734057 | 734058 | 734059 | 734060 | 734061 | 734062 | 734063 | 734064 | 734065 | 734066 | 740746 | 740747 |
| 740748 | 740749 | 740750 | 740751 | 740752 | 740753 | 740754 | 740755 | 743622 | 743623 | 743624 | 743625 | 743626 | 743627 |
| 743628 | 743629 | 743630 | 743631 | 743632 | 743633 | 743634 | 744251 | 744252 | 744253 | 744254 | 744255 | 746696 | 746697 |
| 746698 | 751492 | 751493 | 751494 | 751495 | 751496 | 751497 | 751498 | 751499 | 751500 | 751501 | 756792 | 756793 | 756794 |
| 756795 | 756796 | 756797 | 756798 | 756799 | 762469 | 762470 | 762471 | 762472 | 762473 | 762474 | 765895 | 765896 | 765897 |
| 765898 | 765899 | 765900 | 770098 | 770099 | 770100 | 770101 | 770102 | 770635 | 770636 | 770637 | 772372 | 772373 | 772374 |
| 772375 | 772376 | 773376 | 773377 | 773378 | 773379 | 773380 | 773381 | 776260 | 776261 | 776262 | 776263 | 776264 | 776265 |
| 776266 | 782248 | 782249 | 782250 | 782251 | 782252 | 782253 | 782254 | 782255 | 782256 | 782257 | 782258 | 782259 | 782260 |
| 782261 | 782262 | 782263 | 790150 | 790151 | 790152 | 790153 | 790154 | 790155 | 790156 | 790157 | 790158 | 790159 | 790160 |
| 790161 | 790162 | 790163 | 790164 | 790165 | 790166 | 796352 | 796353 | 796354 | 796355 | 796356 | 796357 | 796358 | 796359 |
| 796360 | 796361 | 796362 | 796363 | 796364 | 798994 | 798995 | 798996 | 798997 | 798998 | 798999 | 799000 | 799001 | 799002 |
| 799003 | 799004 | 799005 | 799006 | 799007 | 799008 | 799009 | 799010 | 799011 | 803842 | 803843 | 803844 | 803845 | 803846 |
| 803847 | 806627 | 806628 | 806629 | 806630 | 806631 | 806632 | 806633 | 806634 | 806635 | 806636 | 806637 | 806638 | 806639 |



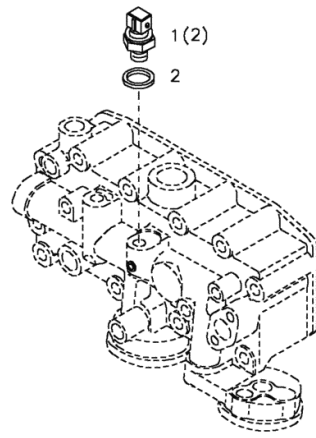
Section: ENGINE
OIL PRESSUR.SWITCH

| Fig. | Code | QTY | Name |
|------|------|-----|------|
|------|------|-----|------|

Engine Serial Numbers:

405014 405015 445140 445141 445142 445143 445144 445145 445146 445147 445148 445149 445150 445151
 445152 445153 445154 445155 445156 445157 445158 452722 452723 452724 452725 452726 452727 454796
 454797 454798 454799 464493 464494 464495 464496 464497 464498 464499 464500 464501 464693 464694
 464695 464696 464697 466449 466450 466451 466452 470124 470125 470126 470127 470128 470129 470130
 474548 474549 474550 480749 480750 483658 483659 483660 483661 483662 485783 485784 485785 485786
 485787 485788 485789 485790 485791 485792 485793 485794 485795 485796 485797 485798 485799 485800
 485801 485802 485803 485804 485805 489939 489940 489941 489942 489943 489944 489945 489946 489947
 489948 489949 489950 489951 489952 489953 490613 498644 498645 498646 498647 498648 498649 498650
 498651 498652 498653 498654 498655 498656 498657 498658 498659 498660 498661 498662 498663 507178
 507179 507180 507181 507182 507183 507184 507185 507186 507187 507188 507189 507190 507191 507192
 507193 507194 507195 507196 507197 507198 507199 512191 512192 512193 516609 516610 516611 516612
 516613 516614 516615 516616 516617 516618 516619 516620 516621 516622 516623 517311 517312 517313
 517314 517315 517316 517317 517318 517319 517320 517321 517322 517323 517324 517325 517326 517327
 517328 517329 517330 517331 518291 518292 518293 518294

001 ©



| | | | |
|---|----------|---|--|
| 1 | 04190807 | 1 | pressure switch WITH ITEM (2) |
| 2 | 01118688 | 1 | ring 14x17 DIN 007603-A 14 X 18 -CU |

Section: ENGINE

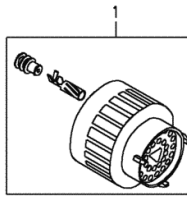
PLUG-IN CONNECTOR

| Fig. | Code | QTY | Name |
|------|------|-----|------|
|------|------|-----|------|

Engine Serial Numbers:
405014 405015

| | | | |
|---|----------|---|------|
| 1 | 04199282 | 1 | plug |
|---|----------|---|------|

000 ©

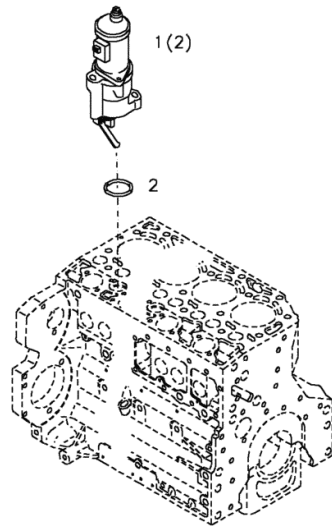
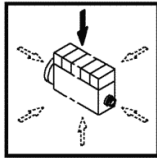


Section: ENGINE
SHUTDOWN DEVICE

| Fig. | Code | QTY | Name |
|------|------|-----|------|
|------|------|-----|------|

Engine Serial Numbers:

593856 593857 593858 593859 593860 593861 593862 593863 593864 593865 593866 593867 600335 600336
 600337 600338 600339 600340 600341 603808 603809 603810 603811 603812 603813 603814 603815 607324
 607325 607326 607327 607328 611314 611315 611316 611317 611318 611319 611320 611321 611322 611323
 615784 615785 615786 615787 615788 615789 615790 615791 621738 621739 624688 624689 624690 624691
 624692 624693 624694 624695 624696 624697 624698 624699 624700 624701 624702 624703 625028 625029
 628117 628118 628119 628120 628121 628122 628123 628124 628125 628126 628127 630739 630740 630741
 630742 630743 630744 630745 630746 630747 630748 630749 630750 630751 630752 630753 630754 630755
 630756 630757 630758 630759 630760 630761 630762 645624 645625 645626 645627 645628 645629 645630
 645631 645632 645633 645634 645635 645636 645637 645638 645639 645640 645641 657776 657777 657778
 657779 657780 657781 657782 657783 657784 657785 657786 657787 657788 657789 657790 657791 657792
 659803 659804 659805 659806 659807 659808 659809 659810 659811 659812 659813 659814 659815 659816
 659817 659818 659819 659820 661297 661298 661299 661300 661301 661302 661303 661304 661305 661306
 661307 661308 661309 661310 661311 666220 666221 666222 666223 666224 666225 666226 666227 666228
 666229 666230 666231 666232 666233 666234 666235 666236 666237 666238 666239 675952 675953 675954
 675955 675956 675957 675958 675959 675960 675961 675962 675963 675964 675965 675966 675967 678390
 678391 678392 678393 678394 678395 683156 683157 683158 683159 683160 685174 685175 685176 685177
 685178 685179 685180 685181 685182 685183 685184 685185 685186 685187 685188 685189 687822 687823
 687824 687825 687826 687827 693233 693234 693235 693236 693237 693238 693239 693240 693241 693242
 693243 693244 693245 693246 693247 693248 693249 693250 693251 693252 693253 693254 693255 698538
 698539 698540 698541 698542 698543 698544 698545 698546 698547 698548 698549 698550 698551 704407
 704408 704409 704410 704411 704412 704413 704414 704415 704416 704417 704418 704419 704420 712994
 712995 712996 712997 712998 712999 713000 713001



000 ©

| | | | |
|---|----------|---|------------------------------------|
| 1 | 04199902 | 1 | stop WITH ITEM (2) |
| 2 | 01179559 | 1 | ring H 002927- 26 X 3 -ACM-1-70 |

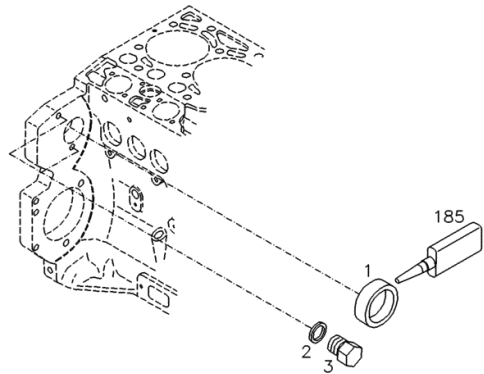
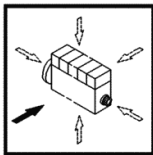
Section: ENGINE
CLOSING COMPONENTS

| Fig. | Code | QTY | Name |
|------|------|-----|------|
|------|------|-----|------|

Engine Serial Numbers:

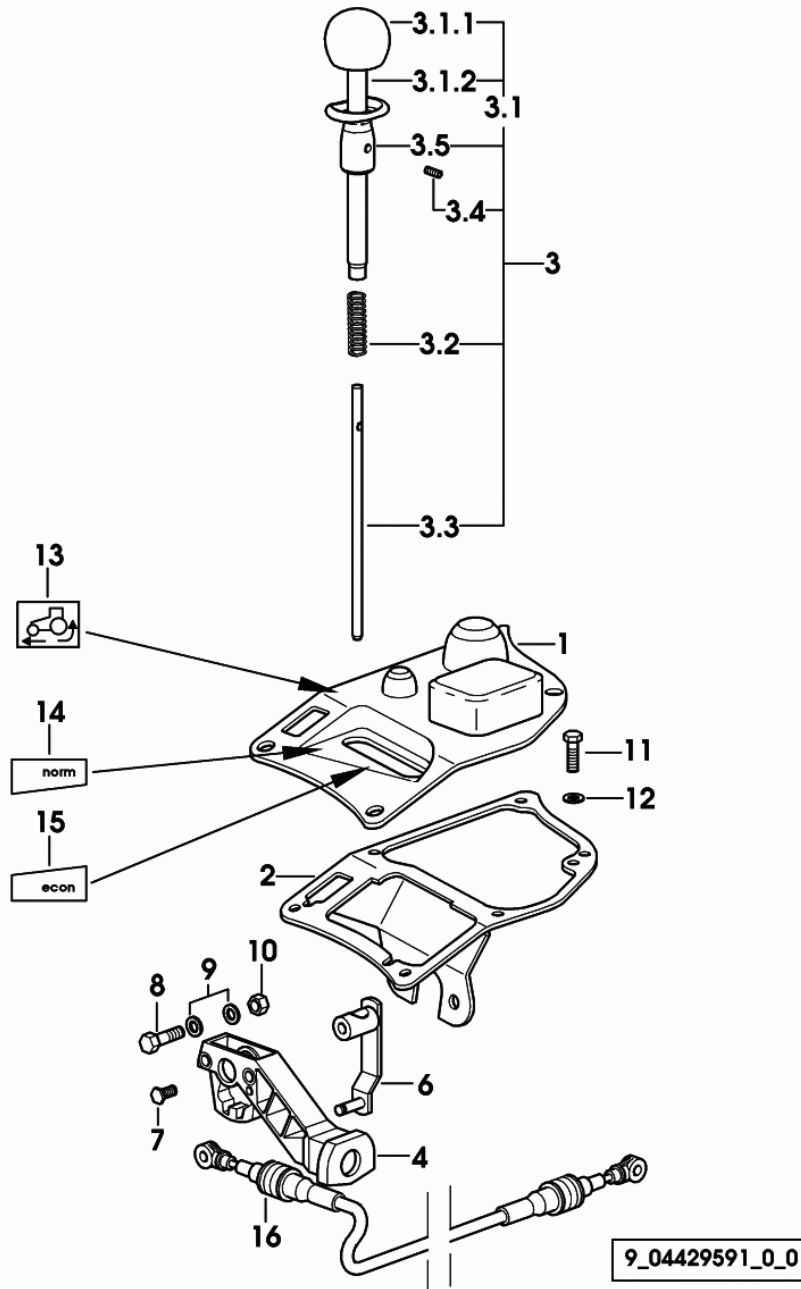
405014 405015 445140 445141 445142 445143 445144 445145 445146 445147 445148 445149 445150 445151
 445152 445153 445154 445155 445156 445157 445158 452722 452723 452724 452725 452726 452727 454796
 454797 454798 454799 464493 464494 464495 464496 464497 464498 464499 464500 464501 464693 464694
 464695 464696 464697 466449 466450 466451 466452 470124 470125 470126 470127 470128 470129 470130
 474548 474549 474550 480749 480750 483658 483659 483660 483662 485783 485784 485785 485786
 485787 485788 485789 485790 485791 485792 485793 485794 485795 485796 485797 485798 485799 485800
 485801 485802 485803 485804 485805 489939 489940 489941 489942 489943 489944 489945 489946 489947
 489948 489949 489950 489951 489952 489953 490613 498644 498645 498646 498647 498648 498649 498650
 498651 498652 498653 498654 498655 498656 498657 498658 498659 498660 498661 498662 498663 507178
 507179 507180 507181 507182 507183 507184 507185 507186 507187 507188 507189 507190 507191 507192
 507193 507194 507195 507196 507197 507198 507199 512191 512192 512193 516609 516610 516611 516612
 516613 516614 516615 516616 516617 516618 516619 516620 516621 516622 516623 517311 517312 517313
 517314 517315 517316 517317 517318 517319 517320 517321 517322 517323 517324 517325 517326 517327
 517328 517329 517330 517331 518291 518292 518293 518294 529942 529943 529944 529945 529946 529947
 529948 529949 529950 529951 529952 529953 529954 529955 529956 529957 529958 529959 529960 529961
 532163 532164 532165 532166 532167 532168 532169 532170 532171 532172 532173 532174 542870 542871
 542872 542873 542874 546773 546774 546775 546776 546777 546778 546779 546780 546781 546782 546783
 546784 546785 546786 546787 546788 546789 546790 546791 550283 550284 550285 550286 550287 550288
 550289 550290 550291 550292 550293 550294 550295 550296 550297 550298 550299 550300 550301 550302
 550303 550304 550305 550306 550307 550308 550309 550310 556802 556803 556804 556805 556806 556807
 556808 556809 556810 556811 556812 556813 556814 556815 556816 556831 556832 556833 556834 556835
 556836 556837 556838 556839 556840 559401 559402 559403 559404 559405 559406 559407 559408 559409
 559410 559411 559412 559413 559414 559415 561012 561013 561014 561015 561016 561017 561018 561019
 561020 561021 561022 561023 561024 561025 561026 583727 583728 583729 583730 583731 583732 583733
 583734 583735 583736 583737 583738 583739 583740 583741 589929 589930 589931 589932 589933 589934
 589935 589936 593856 593857 593858 593859 593860 593861 593862 593863 593864 593865 593866 593867
 600335 600336 600337 600338 600339 600340 600341 603808 603809 603810 603811 603812 603813 603814
 603815 607324 607325 607326 607327 607328 611314 611315 611316 611317 611318 611319 611320 611321
 611322 611323 615784 615785 615786 615787 615788 615789 615790 615791 621738 621739 624688 624689
 624690 624691 624692 624693 624694 624695 624696 624697 624698 624699 624700 624701 624702 624703
 625028 625029 628117 628118 628119 628120 628121 628122 628123 628124 628125 628126 628127 630739
 630740 630741 630742 630743 630744 630745 630746 630747 630748 630749 630750 630751 630752 630753
 630754 630755 630756 630757 630758 630759 630760 630761 630762 645624 645625 645626 645627 645628
 645629 645630 645631 645632 645633 645634 645635 645636 645637 645638 645639 645640 645641 657776
 657777 657778 657779 657780 657781 657782 657783 657784 657785 657786 657787 657788 657789 657790
 657791 657792 659803 659804 659805 659806 659807 659808 659809 659810 659811 659812 659813 659814
 659815 659816 659817 659818 659819 659820 661297 661298 661299 661300 661301 661302 661303 661304
 661305 661306 661307 661308 661309 661310 661311 666220 666221 666222 666223 666224 666225 666226
 666227 666228 666229 666230 666231 666232 666233 666234 666235 666236 666237 666238 666239 675952
 675953 675954 675955 675956 675957 675958 675959 675960 675961 675962 675963 675964 675965 675966
 675967 678390 678391 678392 678393 678394 678395 683156 683157 683158 683159 683160 685174 685175
 685176 685177 685178 685179 685180 685181 685182 685183 685184 685185 685186 685187 685188 685189
 687822 687823 687824 687825 687826 687827 693233 693234 693235 693236 693237 693238 693239 693240
 693241 693242 693243 693244 693245 693246 693247 693248 693249 693250 693251 693252 693253 693254
 693255 698538 698539 698540 698541 698542 698543 698544 698545 698546 698547 698548 698549 698550
 698551 704407 704408 704409 704410 704411 704412 704413 704414 704415 704416 704417 704418 704419
 704420 712994 712995 712996 712997 712998 712999 713000 713001 720719 720720 720721 720722 720723
 720724 720725 723213 723214 723215 723231 723232 723233 723234 723235 726703 726704 726705 726706

003



0507 0067

P.T.O. SHAFT DRIVE

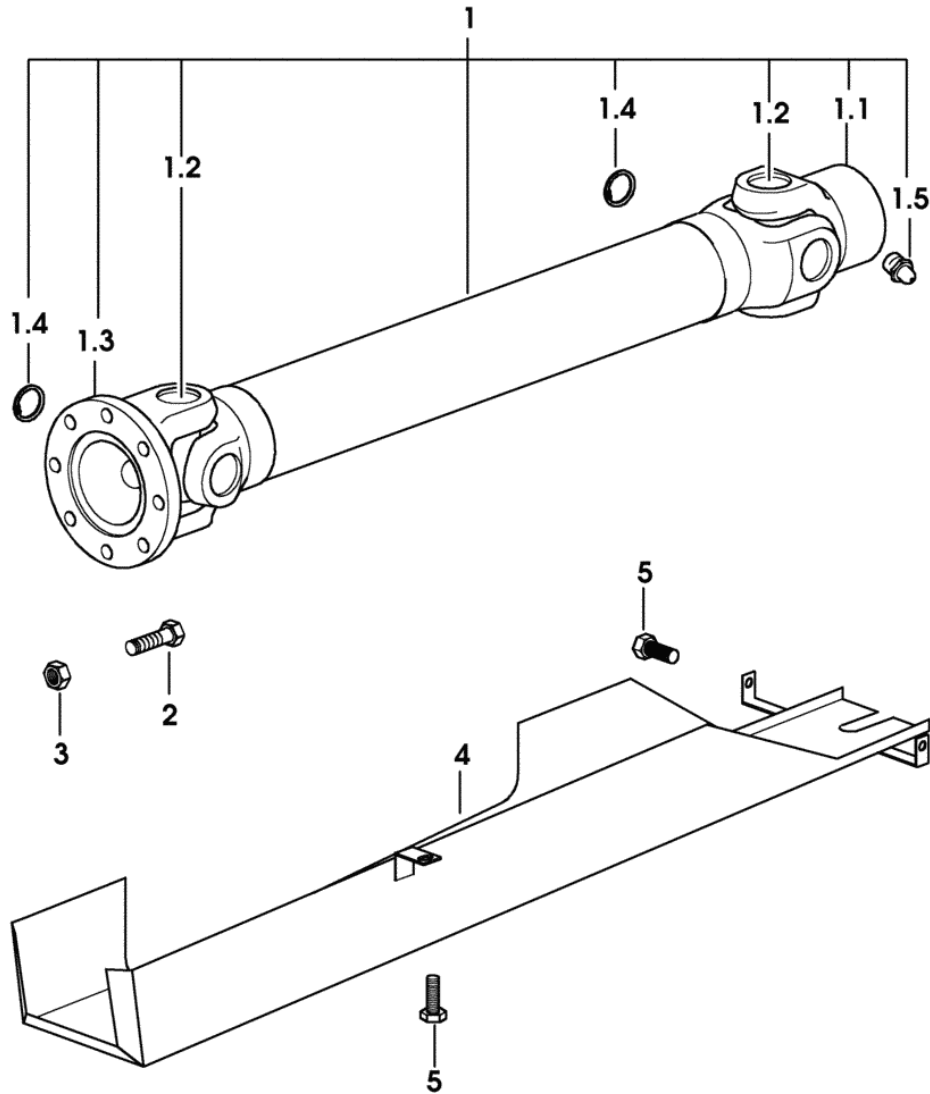


| Fig. | Code | QTY | Name |
|-------|------------|-----|----------------------|
| 1 | 04429597.4 | 1 | knob ☞ 04429597.4 |
| 2 | 04429601.4 | 1 | crosspiece |
| 3 | 04429684.4 | 1 | lever |
| 3.1 | 04429685.4 | 1 | tube |
| 3.1.1 | 04429875 | 1 | knob |
| 3.1.2 | 04423037 | 1 | tube |
| 3.2 | 04426194 | 1 | spring |
| 3.3 | 04414328 | 1 | rod |
| 3.4 | 01144807 | 1 | screw |
| 3.5 | 04411645 | 1 | support |
| 4 | 04425449 | 1 | lever |
| 6 | 04423032.4 | 1 | lever |
| 7 | 04423712 | 1 | screw |
| 8 | 01124457 | 2 | screw m 8 x 45 |
| 9 | 01127876 | 4 | washer |
| 10 | 01136452 | 2 | nut vm 8 d980 |
| 11 | 04429756 | 6 | screw |
| 12 | 01139990 | 6 | washer |
| 13 | 04429909 | 1 | number plate |
| 14 | 04429910 | 1 | stickers norm |
| 15 | 04429911 | 1 | stickers econ |
| 16 | 04429752 | 1 | rod mm 2130 |

Section: FRONT AXEL

PROPELLER SHAFT - WITHOUT FRONT SUSPENSION

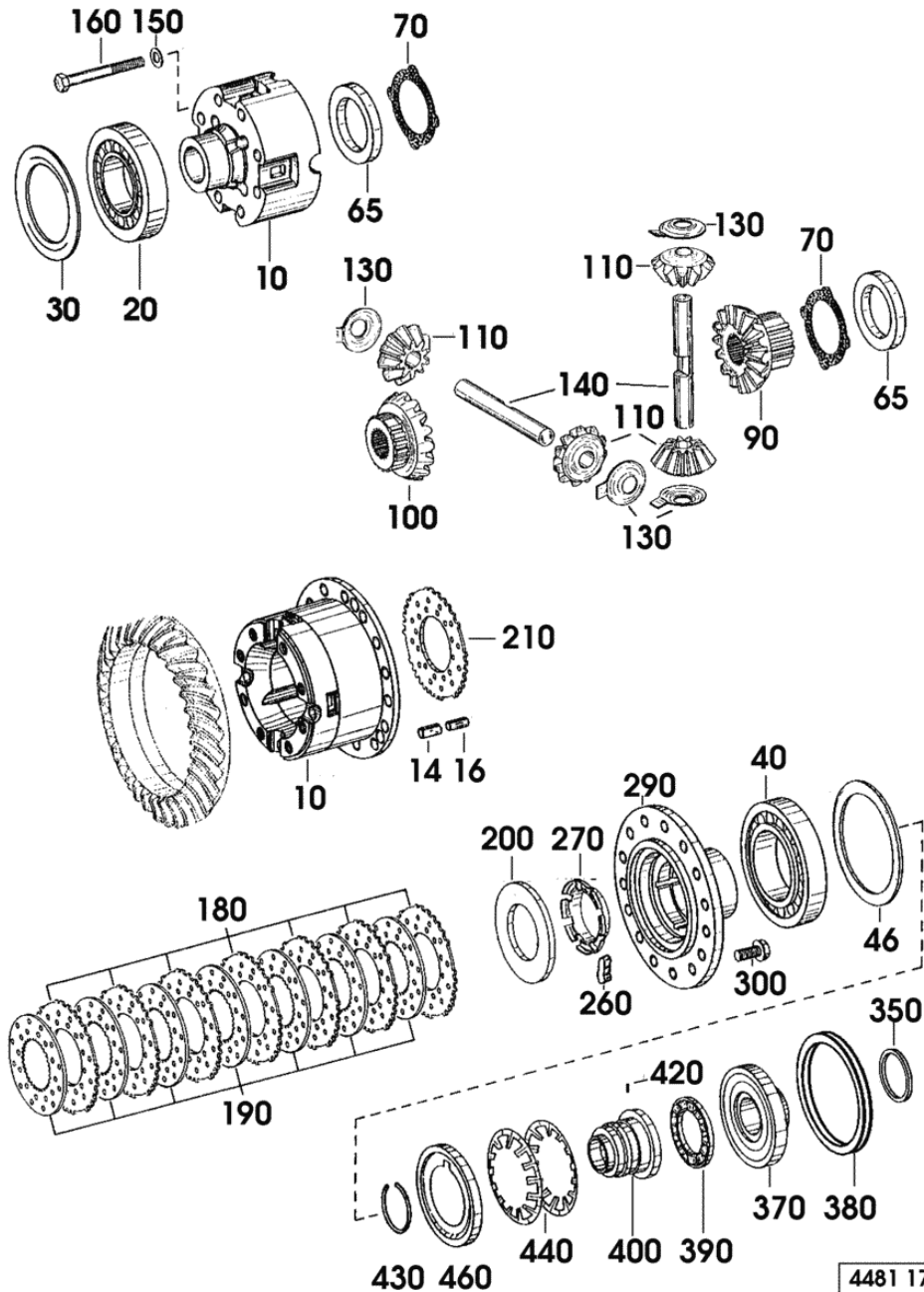
| Fig. | Code | QTY | Name |
|------|------------|-----|---------------------|
| 1 | 04411491.4 | 1 | axle shaft |
| 1.1 | 04416464 | 1 | shaft |
| 1.2 | 04416465 | 2 | universal joint kit |
| 1.3 | 04416466 | 1 | flange |
| 1.4 | 01107821 | 8 | circlip 35x1,5 d472 |
| 1.5 | 01168224 | 1 | lubricator m 6 |
| 2 | 02326053 | 8 | screw m 10 x 25 |
| 3 | 01136456 | 8 | nut m 10 |
| 4 | 04411274.4 | 1 | small sump |
| 5 | 01139692 | 4 | screw m 10 x 20 |



9_04437988_0_0

Section: FRONT AXEL
DIFF. GEAR LOCK

| Fig. | Code | QTY | Name |
|------|--------------|-----|------------------------|
| 180 | 04415162 | 7 | thin plate mm 1.4 |
| 180 | 04415163 | 7 | thin plate mm 1.5 |
| 180 | 04415164 | 7 | thin plate mm 1.6 |
| 180 | 04415165 | 7 | thin plate mm 1.7 |
| 180 | 04415166 | 7 | thin plate mm 1.8 |
| 190 | 04415167 | 7 | thin plate |
| 200 | 04415184 | 1 | pressure plate |
| 210 | 04415183 | 1 | washer |
| 260 | 04415182 | 8 | lever |
| 270 | 04415181 | 1 | roller cage |
| 290 | 04415180 | 1 | cover |
| 300 | 04415388 | 15 | screw m 10 p.1.25 x 30 |
| 350 | 04415178 | 1 | ring 50.16x5.33 |
| 370 | 04415179 | 1 | piston |
| 380 | 04415185 | 1 | ring 107.30x5.33 |
| 390 | 04415186 | 1 | bearing |
| 400 | 04415187 | 1 | sleeve |
| 420 | 0.010.2941.0 | 1 | pin 5x10 |
| 430 | 0.010.2941.2 | 1 | circlip |
| 440 | 04415188 | 2 | spring |
| 460 | 04415189 | 1 | shim |



FRONT HYDRAULIC POWER-LIFT

| Fig. | Code | QTY | Name |
|------|--------------|-----|-----------------|
| 0 | 0.000.0000.1 | 0 | not serviceable |

Original Ersatzteilkatalog

Original parts catalogue

Catalogue pièces d'origine

Catalogo ricambi originali

Catálogo peças originais

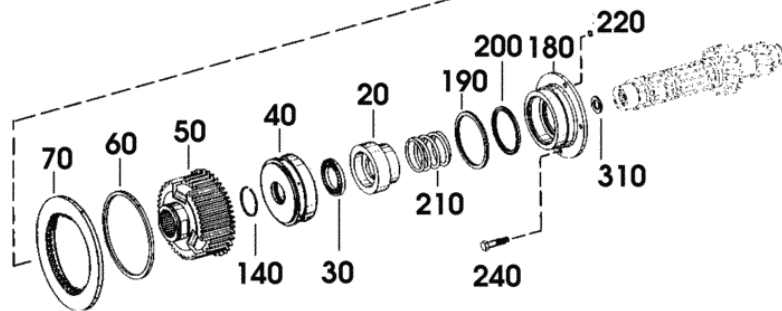
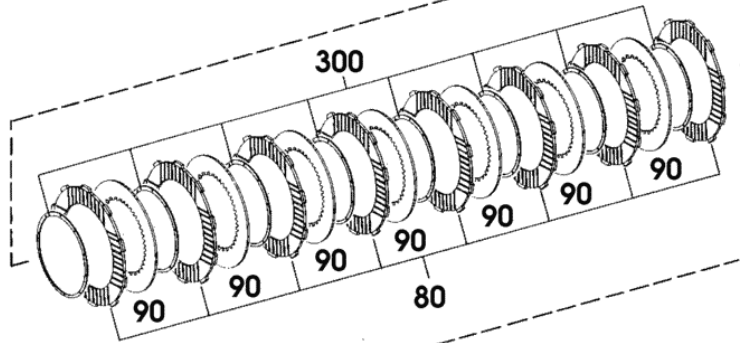
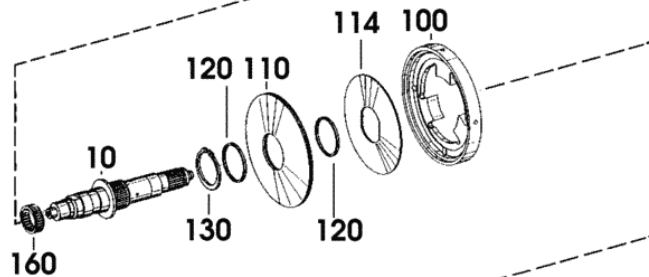
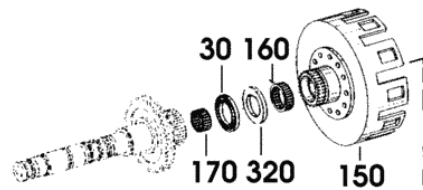
**FIRMA HANS SAUTER GMBH
LANDTECHNIK-STAHLBAU
AUERBACHWEG 13
D 87778 STETTEN**

TEL: 08261/759940

FAX: 08261/7599420

Section: GEAR

CLUTCH

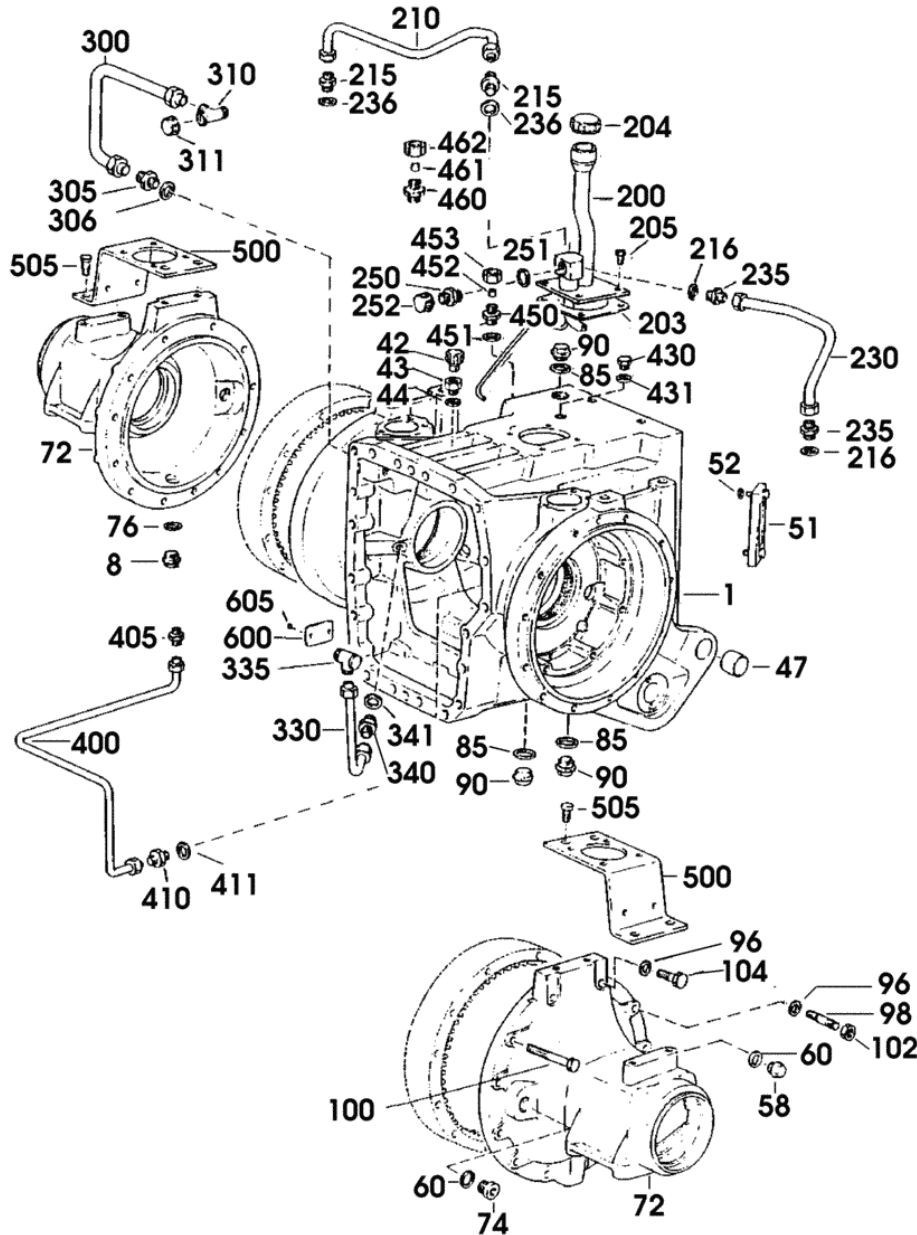


2093 113 001

| Fig. | Code | QTY | Name |
|------|--------------|-----|--|
| 114 | 04427606 | 1 | spring |
| 120 | 04416801 | 2 | washer |
| 130 | 01107773 | 1 | circlip 60x2 d471 |
| 140 | 04416966 | 1 | ring SW 50 |
| 150 | 04427607 | 1 | clutch housing |
| 160 | 04417001 | 2 | roller cage |
| 170 | 04415815 | 1 | roller cage |
| 180 | 04417002 | 1 | support |
| 190 | 04416617 | 1 | ring |
| 200 | 04416618 | 1 | ring |
| 210 | 04416786 | 1 | spring |
| 220 | 01295714 | 2 | ring 10X3 |
| 240 | 0.010.2864.0 | 4 | screw m 8 x 40 |
| 300 | 04416796 | 8 | stop |
| 310 | 0.010.2864.1 | 1 | washer s = 2.9 |
| 310 | 0.010.2864.2 | 1 | washer s = 2.7 |
| 310 | 0.010.2865.0 | 1 | washer s = 2.6 |
| 310 | 0.010.2865.1 | 1 | washer s = 2.4 |
| 310 | 0.010.2865.2 | 1 | washer s = 2.3 |
| 310 | 0.010.2866.0 | 1 | washer s = 2.1 |
| 310 | 0.010.2866.1 | 1 | washer s = 2.0 |
| 310 | 0.010.2866.2 | 1 | washer S = 1.70 |
| 310 | 0.010.2867.0 | 1 | washer s = 1.8 |
| 310 | 0.010.2867.1 | 1 | washer s = 2.05 |
| 310 | 0.010.2867.2 | 1 | washer s = 2.15 |
| 310 | 0.010.2868.0 | 1 | washer s = 2.25 |
| 310 | 0.010.2868.1 | 1 | washer s = 2.35 |
| 310 | 0.010.2868.2 | 1 | washer s = 2.45 |
| 310 | 0.010.2869.0 | 1 | washer s = 2.55 |
| 310 | 0.010.2869.1 | 1 | washer s = 2.65 |
| 310 | 0.010.2869.2 | 1 | washer s = 2.75 |
| 310 | 04417134 | 1 | washer s = 3.0 |
| 310 | 04417136 | 1 | washer s = 2.8 |
| 310 | 04417139 | 1 | washer s = 2.5 |
| 310 | 04417142 | 1 | washer s = 2.2 |
| 310 | 04423252 | 1 | washer s = 1.6 |
| 310 | 04423255 | 1 | washer s = 1.9 |
| 320 | 04417183 | 1 | ring mm 6.65 - FOR TYPES WITH SUPER REDUCTION GEAR |
| 320 | 04417184 | 1 | ring mm 6.75 - FOR TYPES WITH SUPER REDUCTION GEAR |
| 320 | 04417185 | 1 | ring mm 6.85 |

Section: GEAR

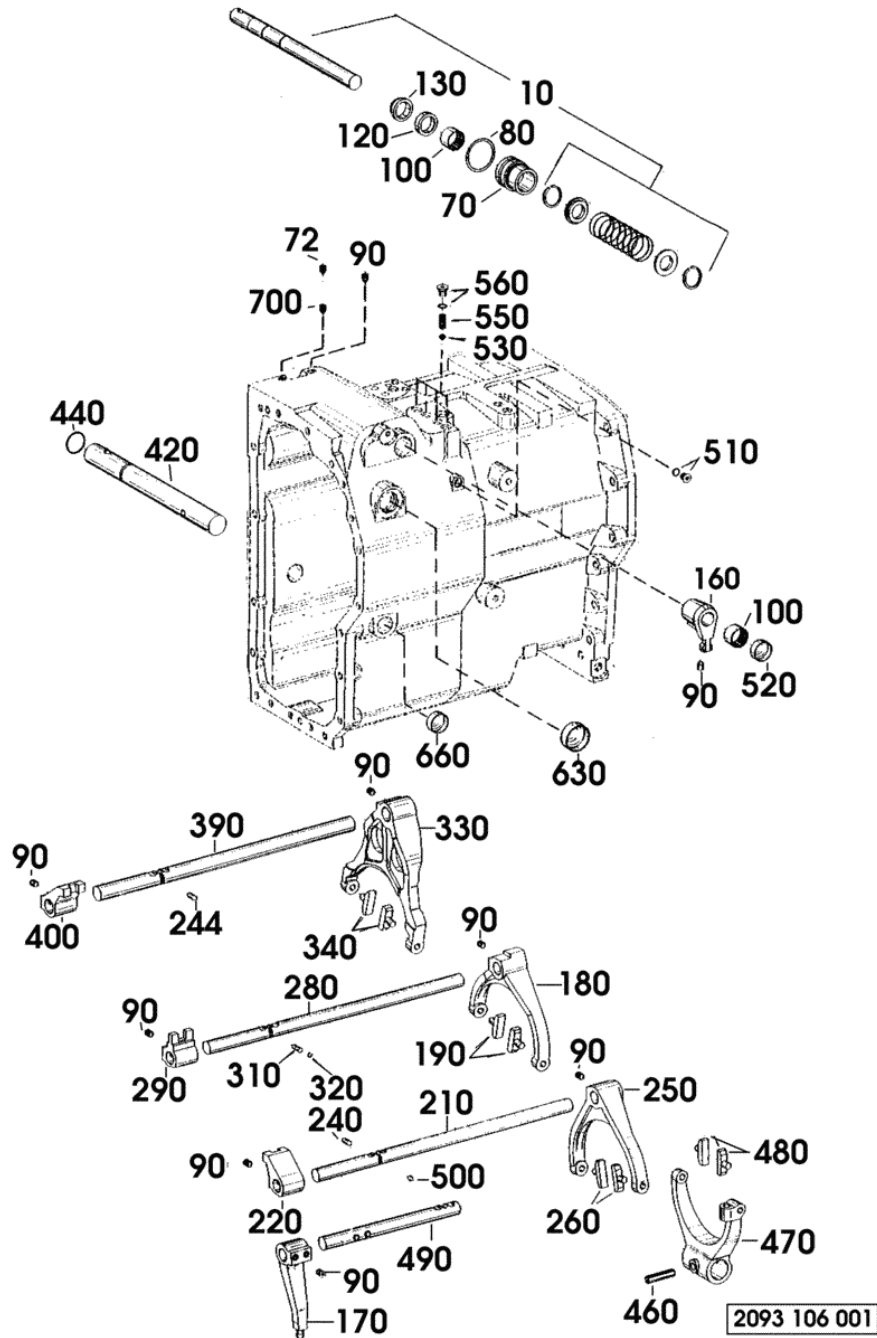
GEARBOX WITH HYDRAULIC SHUTTLE



5835 117 001 1

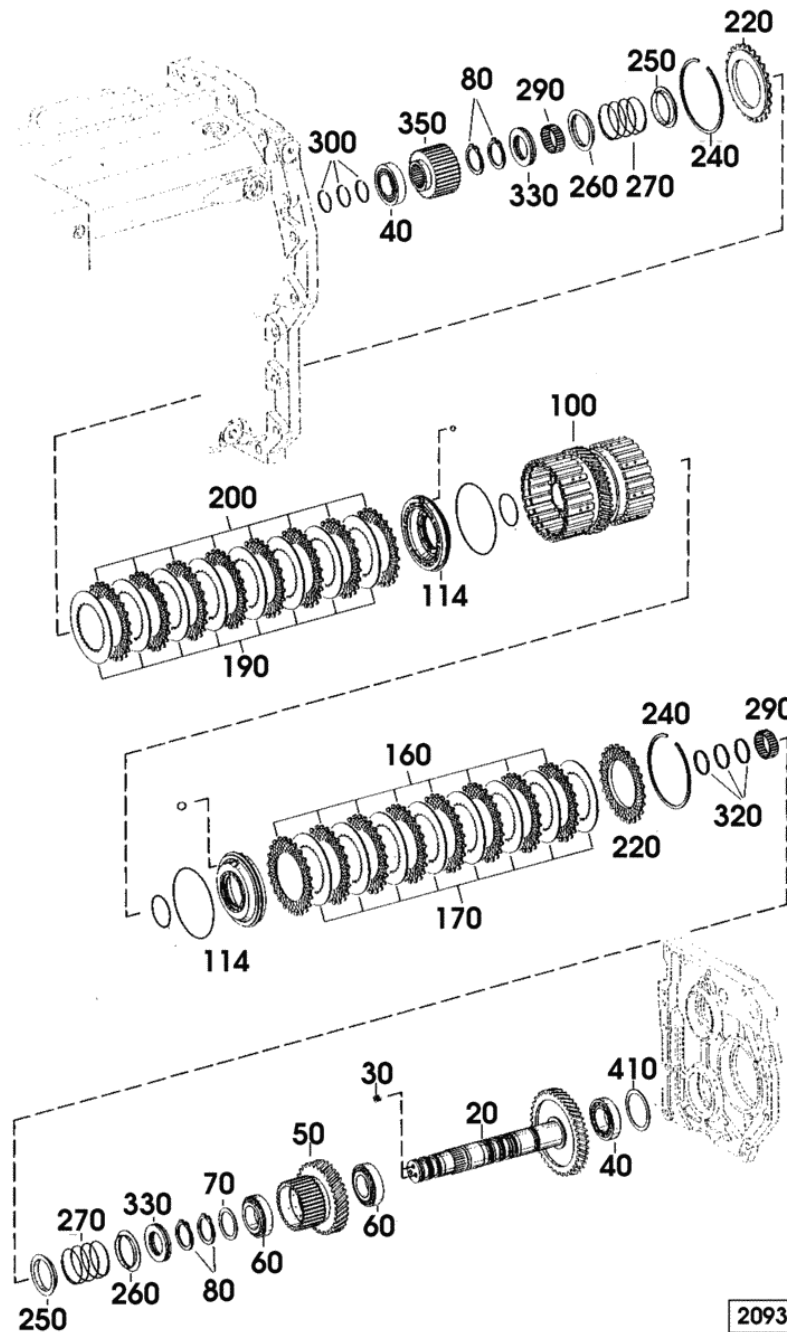
| Fig. | Code | QTY | Name |
|------|--------------|-----|---------------------------------------|
| 203 | 0.010.2897.1 | 1 | gasket |
| 204 | 0.010.2897.2 | 1 | plug |
| 205 | 04435705 | 4 | screw m 8 p.1.25 x 20 |
| 210 | 04435706 | 1 | tube |
| 215 | 04427628 | 2 | screw |
| 216 | 0.010.2898.2 | 2 | gasket 18x22 |
| 230 | 0.010.2898.1 | 1 | tube |
| 235 | 04427628 | 2 | screw |
| 236 | 0.010.2898.2 | 2 | gasket 18x22 |
| 250 | 04428940 | 1 | screw |
| 251 | 0.010.2899.0 | 1 | gasket 26x31 |
| 252 | 04435708 | 1 | small sump m 30x2 |
| 300 | 0.010.2899.1 | 1 | pipng |
| | | | - Agrotron 120 - 135 - 150 MK3 |
| 300 | 0.010.2973.0 | 1 | pipng |
| | | | - Agrotron 165 MK3 |
| 305 | 04417470 | 1 | tongue |
| 306 | 01118737 | 1 | 'o' ring 22 x 27 |
| 306 | 01118737 | 4 | 'o' ring 22 x 27 |
| | | | - Agrotron 165 MK3 |
| | | | - FOR TYPES WITH SUPER REDUCTION GEAR |
| 310 | 04435710 | 1 | tongue |
| 311 | 04427593 | 1 | bottom m 26x1.5 |
| 330 | 04435711 | 1 | tube |
| | | | - Agrotron 120 - 135 - 150 MK3 |
| 335 | 04417707 | 1 | pipe fitting |
| 340 | 04417466 | 1 | pipe fitting |
| 341 | 04423731 | 1 | 'o' ring 14 x 18 |
| 400 | 0.010.2899.2 | 1 | tube |
| 405 | 04417705 | 1 | tongue |
| 410 | 04417466 | 1 | pipe fitting |
| 411 | 04423731 | 1 | 'o' ring 14 x 18 |
| 430 | 04417441 | 1 | screw m 14x1.5 |
| 431 | 04423731 | 1 | 'o' ring 14 x 18 |
| 450 | 04417466 | 1 | pipe fitting |
| 451 | 04423731 | 1 | 'o' ring 14 x 18 |
| 452 | 04424419 | 1 | nut |
| | | | - Agrotron 120 - 135 - 150 MK3 |
| 453 | 04423768 | 1 | nut |
| | | | - Agrotron 120 - 135 - 150 MK3 |
| 460 | 04423761 | 1 | tongue |
| 461 | 04424419 | 1 | nut |
| | | | - Agrotron 120 - 135 - 150 MK3 |

Section: GEAR
GEARSHIFT LEVER



| Fig. | Code | QTY | Name |
|------|--------------|-----|---|
| 560 | 04415796 | 4 | 'o' ring 9.5x2 |
| 630 | 01122153 | 1 | cover 42 |
| 650 | 01122153 | 1 | cover 42 |
| 660 | 0.010.2863.0 | 1 | cover 30 |
| | | | - FOR TYPES WITH SUPER REDUCTION GEAR |
| 660 | 0.010.2863.0 | 2 | cover 30 |
| | | | - FOR TYPES NOT HAVING SUPER REDUCTION GEAR |
| 700 | 01272647 | 1 | stud bolt L = 13.7 |

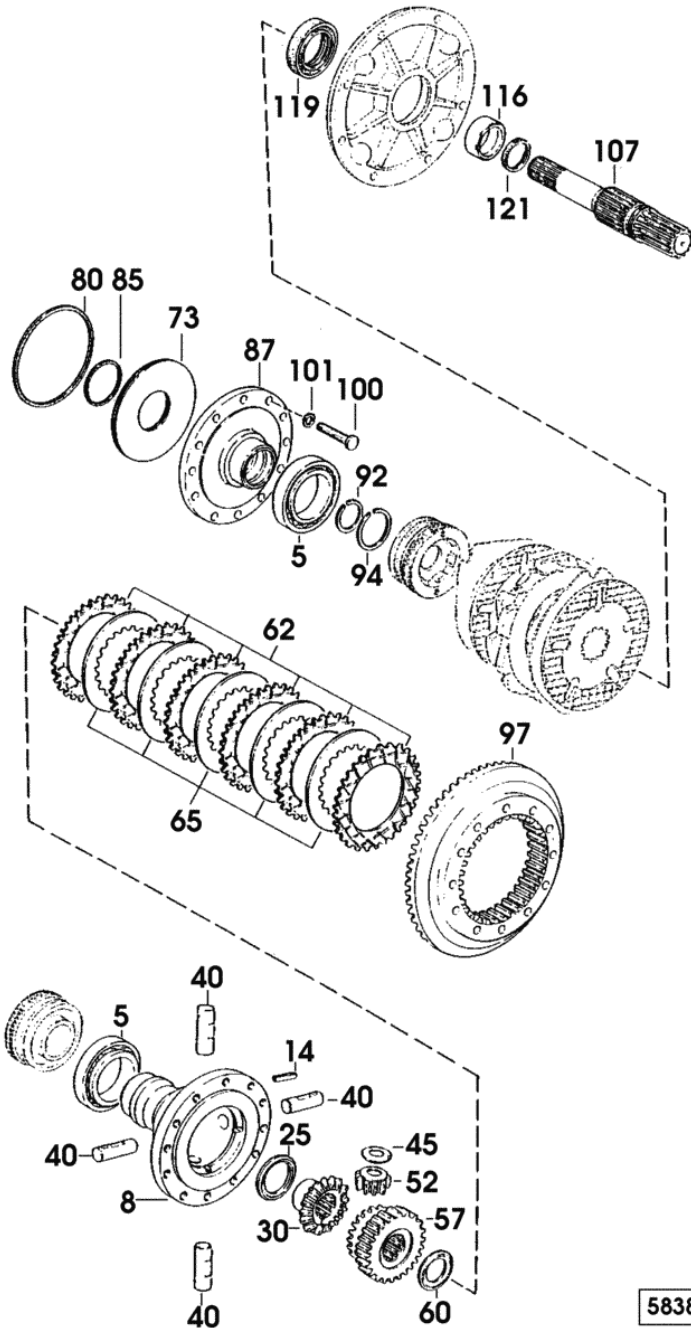
Section: GEAR
POWERSHIFT



| Fig. | Code | QTY | Name |
|------|----------|-----|---|
| 170 | 04416967 | 9 | clutch disc - Agrotron 150 - 165 MK3 |
| 190 | 04416967 | 8 | clutch disc - Agrotron 120 - 135 MK3 |
| 190 | 04416967 | 9 | clutch disc - Agrotron 150 - 165 MK3 |
| 200 | 04416760 | 8 | clutch disc AV 35 - Agrotron 120 - 135 MK3 |
| 200 | 04416760 | 9 | clutch disc AV 35 - Agrotron 150 - 165 MK3 |
| 220 | 04416763 | 2 | disc |
| 240 | 04416765 | 2 | circlip A = 2.0 |
| 240 | 04416766 | 2 | circlip A = 2.5 |
| 240 | 04416767 | 2 | circlip A = 3.0 |
| 240 | 04416768 | 2 | circlip A = 3.5 |
| 250 | 04416953 | 2 | ring |
| 260 | 04416954 | 2 | ring |
| 270 | 04416759 | 2 | spring |
| 290 | 04416955 | 2 | roller cage |
| 300 | 04415761 | 3 | ring 35x2 |
| 320 | 04416956 | 3 | ring 38/35.2x2 |
| 330 | 04416957 | 2 | bearing |
| 350 | 04416958 | 1 | plate carrier Z = 36 |
| 410 | 04417041 | 1 | washer mm 1.90 |
| 410 | 04417042 | 1 | washer mm 1.95 |
| 410 | 04417043 | 1 | washer mm 2.00 |
| 410 | 04417044 | 1 | washer mm 2.05 |
| 410 | 04417045 | 1 | washer mm 2.10 |
| 410 | 04417046 | 1 | washer mm 2.15 |
| 410 | 04417047 | 1 | washer mm 2.20 |
| 410 | 04417048 | 1 | washer mm 2.25 |
| 410 | 04417049 | 1 | washer mm 2.30 |
| 410 | 04417050 | 1 | washer mm 2.35 |
| 410 | 04417051 | 1 | washer mm 2.40 |
| 410 | 04417052 | 1 | washer mm 2.45 |
| 410 | 04417053 | 1 | washer mm 2.50 |
| 410 | 04417054 | 1 | washer mm 2.55 |
| 410 | 04417055 | 1 | washer mm 2.60 |
| 410 | 04424430 | 1 | washer mm 2.65 |
| 410 | 04424431 | 1 | washer mm 2.70 |
| 410 | 04424432 | 1 | washer mm 2.75 |
| 410 | 04424433 | 1 | washer mm 2.80 |
| 410 | 04424434 | 1 | washer mm 2.85 |
| 410 | 04424435 | 1 | washer mm 2.90 |

Section: GEAR

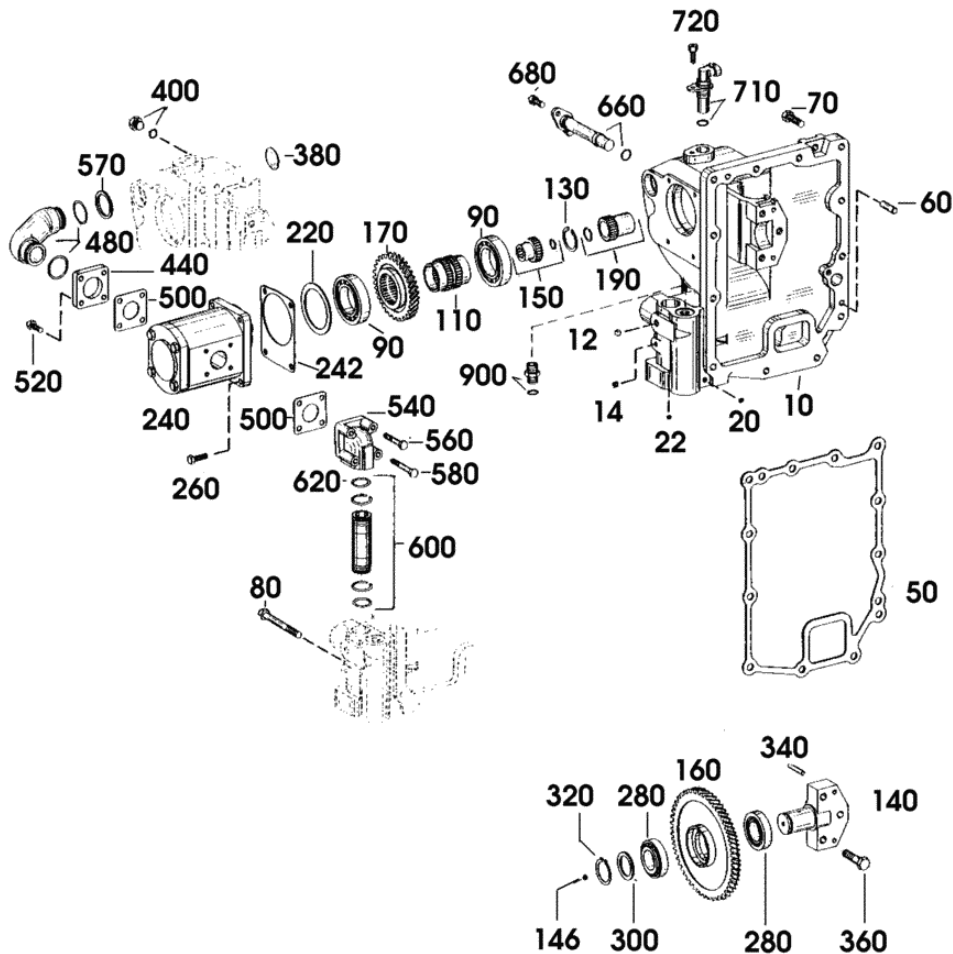
DIFFERENTIAL - WITHOUT HYDRAULIC SHUTTLE



| Fig. | Code | QTY | Name |
|------|--------------|-----|-----------------------|
| 5 | 04417292 | 2 | bearing |
| 8 | 0.010.2889.1 | 1 | differential carrier |
| 14 | 0.010.2888.2 | 4 | pin 8 x 50 |
| 20 | 0.010.2890.2 | 4 | washer |
| 25 | 0.010.2889.2 | 1 | washer |
| 30 | 0.010.2890.0 | 1 | crown wheel Z = 11 |
| 40 | 0.010.2890.1 | 4 | pin |
| 45 | 0.010.2890.2 | 4 | washer |
| 52 | 0.010.2891.0 | 4 | planet gear Z = 11 |
| 57 | 0.010.2891.1 | 1 | crown wheel Z = 18 |
| 60 | 0.010.2891.2 | 1 | washer |
| 62 | 0.010.2892.0 | 6 | thin plate |
| 65 | 0.010.2892.1 | 5 | thin plate |
| 73 | 04417602 | 1 | piston |
| 80 | 04417603 | 1 | ring |
| 85 | 04417308 | 1 | ring |
| 87 | 04417604 | 1 | box |
| 92 | 04417312 | 1 | ring 55 x 2.5 |
| 94 | 04417313 | 1 | ring 70 x 3.0 |
| 97 | 04424413 | 1 | crown wheel z = 53 RE |
| 100 | 04417606 | 12 | bolt m 12 x 80 |
| 101 | 04423324 | 12 | washer |
| 107 | 04436303 | 2 | shaft |
| 116 | 04417315 | 2 | bushing |
| 119 | 04417316 | 2 | oil seal |
| 121 | 04417317 | 2 | ring 54.2x3 |

5838 109 002 1

Section: GEAR
PUMP DRIVE

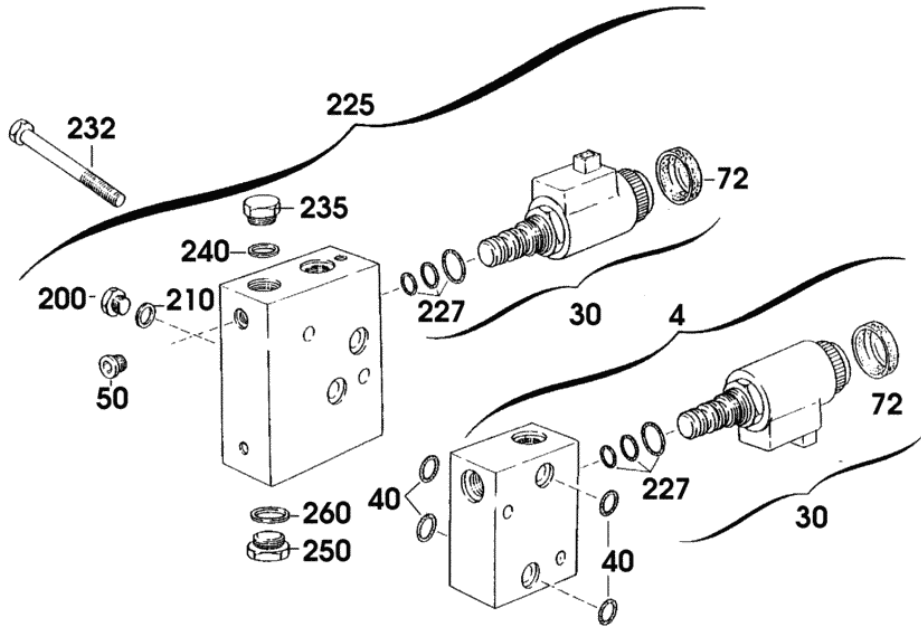


2093 122 001

| Fig. | Code | QTY | Name |
|------|--------------|-----|----------------------------|
| 10 | 04419230 | 1 | body |
| 12 | 04415830 | 1 | ball 12 mm |
| 14 | 04416947 | 2 | grain m 8x8 |
| 20 | 04415831 | 1 | ball |
| 22 | 04417931 | 1 | ball |
| 50 | 04415832 | 1 | gasket |
| 60 | 04415833 | 2 | cylindrical plug 10 m 6x35 |
| 70 | 04434540 | 11 | screw m 10 x 35 |
| 80 | 0.010.2872.0 | 1 | screw m 10 x 100 |
| 90 | 04415834 | 2 | ball bearing |
| 110 | 04415817 | 1 | bushing |
| 130 | 0.010.2620.1 | 1 | circlip 35 x 1.5 |
| 140 | 04415918 | 1 | bearing block |
| 146 | 04415919 | 1 | ball |
| 150 | 0.010.2872.1 | 1 | sleeve |
| 160 | 04415920 | 1 | gear Z = 68 |
| 170 | 04415916 | 1 | gear wheel Z = 41 |
| 190 | 0.010.2872.2 | 1 | sleeve |
| 220 | 04433185 | 1 | shim mm 1.60 |
| 220 | 06255623 | 1 | shim mm 1.70 |
| 220 | 04334552 | 1 | shim mm 1.80 |
| 220 | 02965988 | 1 | shim mm 2.40 |
| 220 | 04334537 | 1 | shim mm 2.60 |
| 220 | 04417129 | 1 | washer mm 2.80 |
| 220 | 04417132 | 1 | washer mm 2.90 |
| 220 | 04417130 | 1 | washer mm 3.00 |
| 220 | 04417131 | 1 | washer mm 3.10 |
| 220 | 04417133 | 1 | washer mm 3.20 |
| 240 | 04431697 | 1 | oil pump |
| 242 | 04415921 | 1 | gasket |
| 260 | 04434509 | 4 | screw m 8 x 30 |
| 280 | 04415821 | 2 | ball bearing |
| 300 | 04416775 | 1 | shim mm 2.50 |
| 300 | 04416776 | 1 | shim mm 2.00 |
| 300 | 04416777 | 1 | shim mm 2.40 |
| 300 | 04416778 | 1 | shim mm 2.50 |
| 300 | 04417056 | 1 | shim mm 2.10 |
| 300 | 04417115 | 1 | shim mm 2.05 |
| 300 | 04417117 | 1 | shim mm 2.15 |
| 300 | 04417118 | 1 | shim mm 2.20 |
| 300 | 04417119 | 1 | shim mm 2.25 |
| 300 | 04417120 | 1 | shim mm 2.30 |
| 300 | 04417121 | 1 | shim mm 2.35 |
| 300 | 04417123 | 1 | shim mm 2.45 |

Section: GEAR
CONTROL UNIT

| Fig. | Code | QTY | Name |
|------|--------------|-----|------------------|
| 4 | 04423824 | 1 | distributor |
| 30 | 04417555 | 2 | valve |
| 40 | 04417556 | 4 | ring |
| 50 | 0.010.2905.0 | 2 | screw m 10 p.1 |
| 72 | 04423818 | 2 | small sump |
| 200 | 04417563 | 2 | screw m 10 x 1 |
| 210 | 0.010.2905.1 | 2 | gasket 10x13.5 |
| 225 | 0.010.2628.2 | 1 | controller |
| 227 | 04422923 | 2 | gasket set |
| 232 | 0.010.2905.2 | 2 | screw m 8x95 |
| 235 | 04417441 | 1 | screw m 14x1.5 |
| 240 | 04423731 | 1 | 'o' ring 14 x 18 |
| 250 | 0.010.2906.0 | 1 | plug m 16 p.1.5 |
| 260 | 04436331 | 1 | 'o' ring 16 x 20 |



5838 138 001

Agrotron 150 MK3 -> 8094

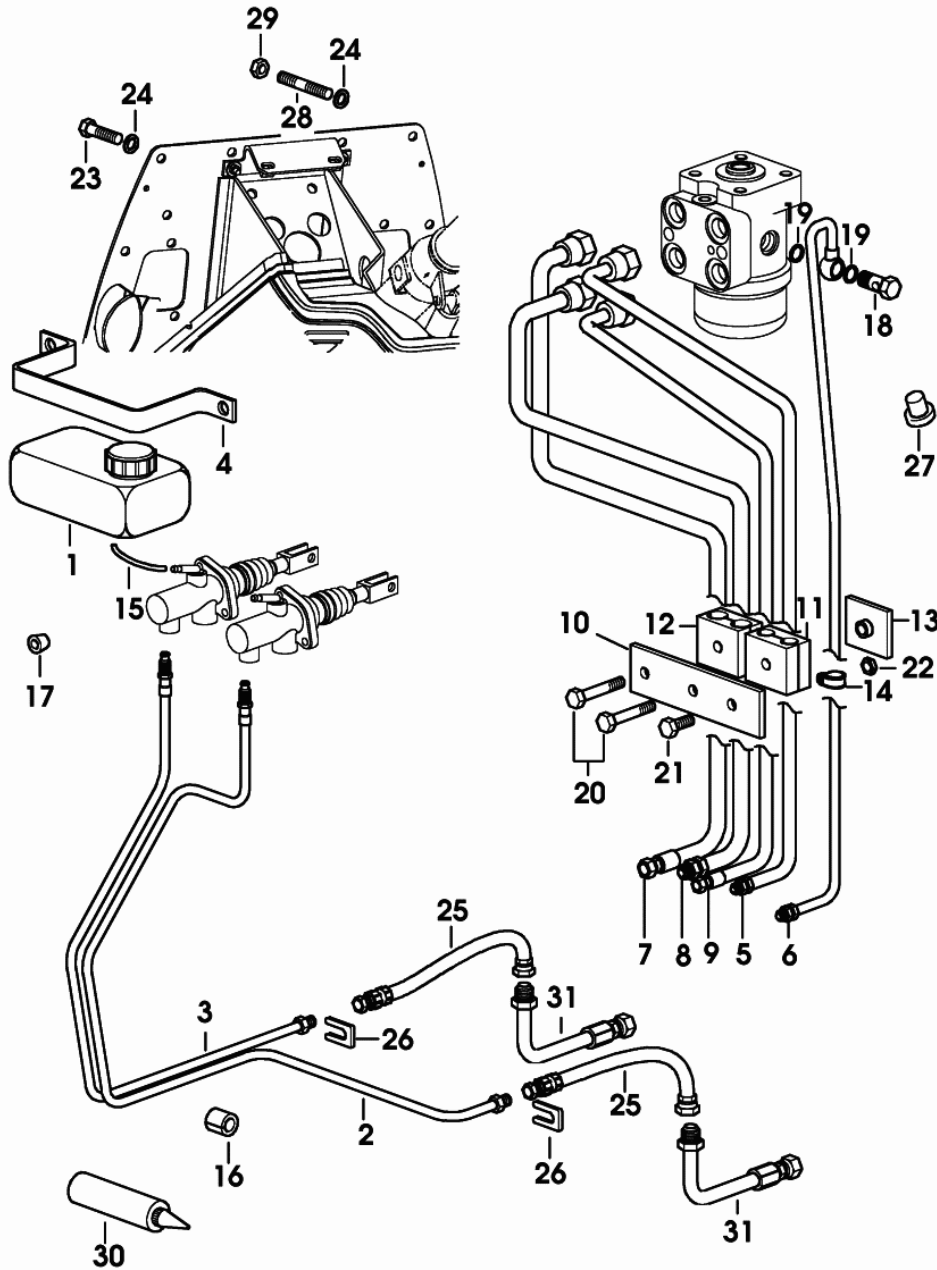
REAR AXLE

GENERAL

| | |
|---------------------|---------|
| BRAKE CONTROLS..... | 03.00.1 |
| HAND BRAKE..... | 03.00.2 |

CONNECTION PIPES WITH HYDRAULIC SHUTTLE

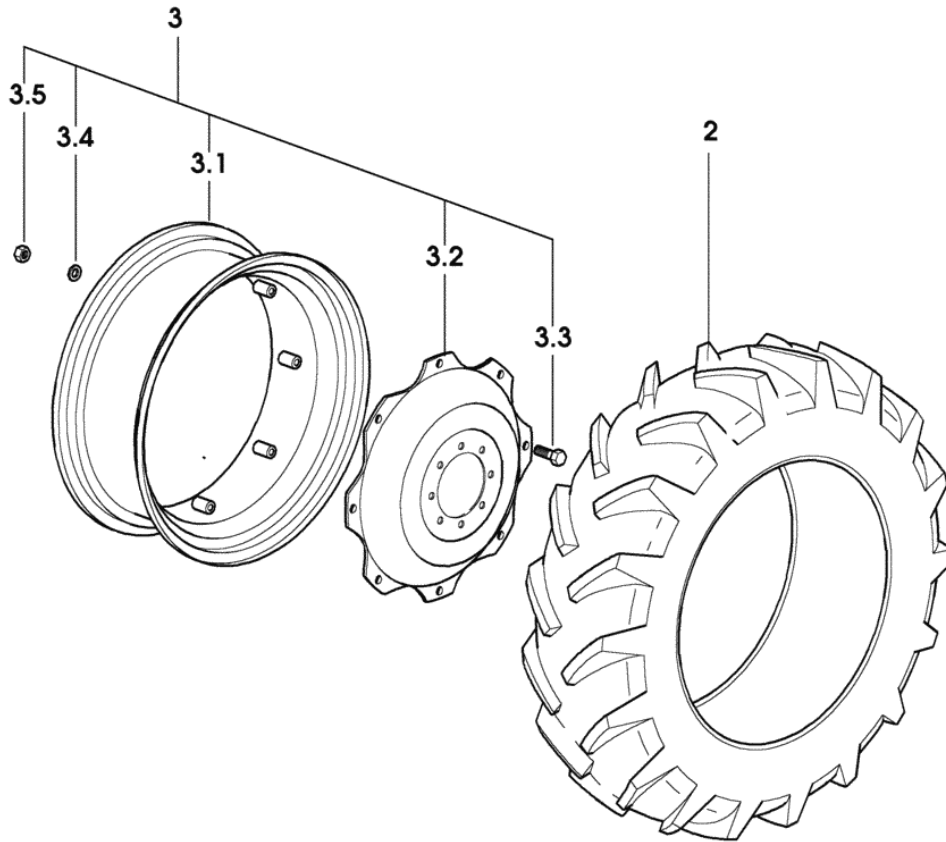
| Fig. | Code | QTY | Name |
|------|----------|-----|-------------------------------------|
| 1 | 04432281 | 1 | tank ☞ 04432281 ☞ 06.00.5 |
| 2 | 04429566 | 1 | pipng sx/lh/li |
| 3 | 04429567 | 1 | pipng dx/rh/re |
| 4 | 01144700 | 1 | clamp DIN 3017- 100-120 |
| 5 | 04435955 | 1 | tube sx/lh/li |
| 6 | 04429233 | 1 | tube |
| 7 | 04429147 | 1 | pipng |
| 8 | 04429149 | 1 | tube dx/rh/re |
| 9 | 04435953 | 1 | tube dx/rh/re |
| 10 | 04429568 | 1 | support |
| 11 | 01175615 | 2 | terminal Ø 16 |
| 12 | 01177270 | 2 | terminal |
| 13 | 01177274 | 2 | small plate |
| 14 | 01175559 | 1 | hose clip |
| 15 | 04433699 | 0 | guard |
| 16 | 01216315 | 9 | rubber plug |
| 17 | 01173353 | 2 | sleeve |
| 18 | 01119240 | 1 | pipe union |
| 19 | 01214283 | 2 | 'o' ring |
| 20 | 01127031 | 2 | screw m 6 x 30, d933 |
| 21 | 01103316 | 1 | screw m 6 p.1.0 x 16 |
| 22 | 01112814 | 1 | nut m6 znphrf |
| 23 | 04426352 | 9 | screw m 8 p.1.25 x 20 |
| 24 | 01107101 | 10 | washer 8.4 |
| 25 | 04415735 | 2 | flange |
| 26 | 01121654 | 2 | stop |
| 27 | 01167312 | 1 | plug 10.3x8 x17 |
| 28 | 01113381 | 1 | stud bolt m 8x20 DIN 939 |
| 29 | 01112824 | 1 | nut m 8, d934 |
| 30 | 01009463 | 0 | sealing compound H 699 -DEUTZ DW 43 |
| 31 | 04422366 | 2 | tube |



9_04429084_0_0

Section: WHEELS

WHEELS 9.5R36" 130 A8

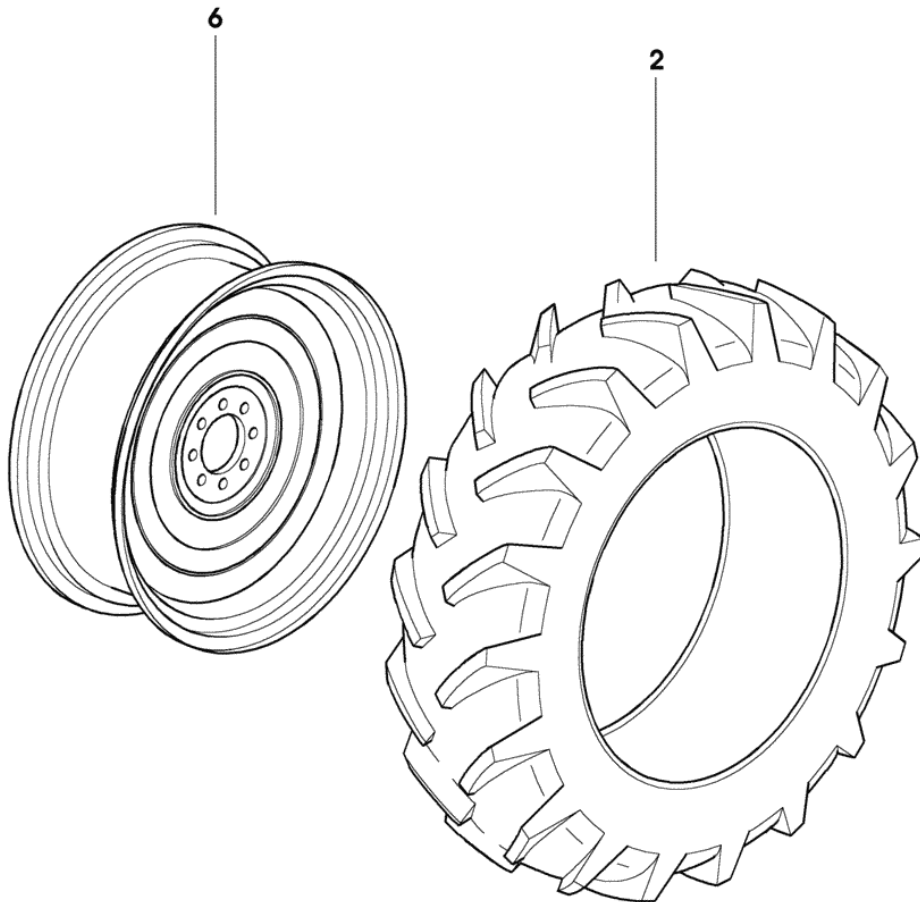


| Fig. | Code | QTY | Name |
|------|------------|-----|----------------------------|
| 2 | 04414495 | 2 | tyre 9.5R36" 130 A8 |
| 3 | 04425880.4 | 2 | wheel W 8x36" |
| 3.1 | 04425871 | 1 | rim |
| 3.2 | 04425879 | 1 | rim center flange mm 818.4 |
| 3.3 | 04425895 | 8 | screw m 16 p.1.5 |
| 3.4 | 04425886 | 8 | washer |
| 3.5 | 04425887 | 8 | nut m 16 p.1.5 |

9_04414493_0_0

WHEELS 18.4R38" 146 A8

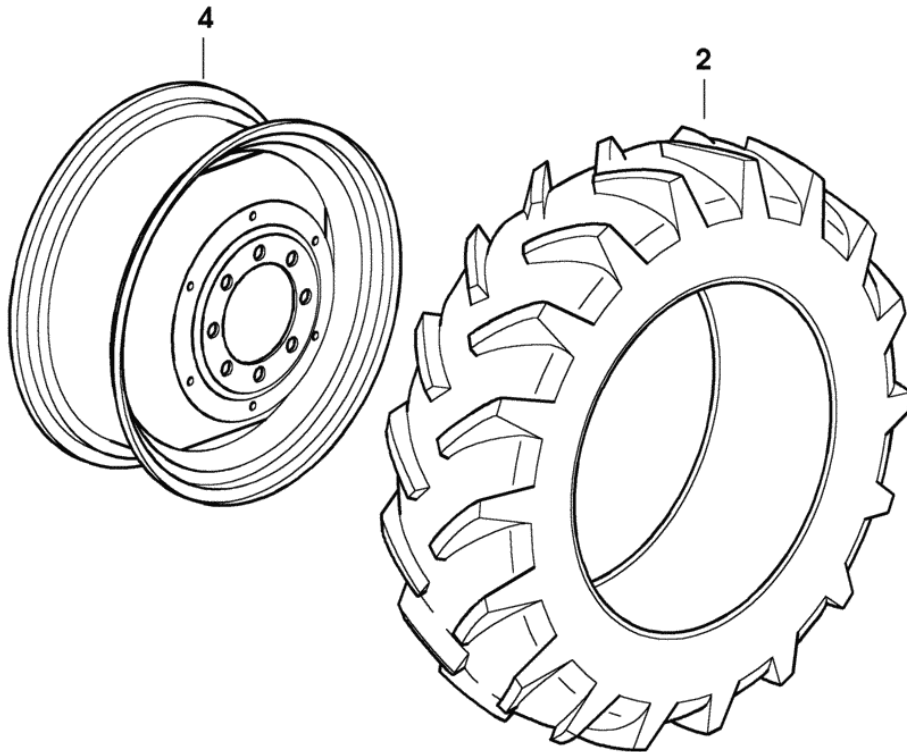
| Fig. | Code | QTY | Name |
|------|----------|-----|----------------------|
| 2 | 04414347 | 2 | tyre 18.4R38" 146 A8 |
| 6 | 04426103 | 2 | disc DWW 15Lx38" |



9_04422677_0_0

WHEELS 480/70R28" 140 A8

| Fig. | Code | QTY | Name |
|------|----------|-----|------------------------|
| 2 | 04414370 | 2 | tyre 480/70R28" 140 A8 |
| 4 | 04425821 | 2 | rim W 15Lx28" |



9_04414369_0_0

CLICK HERE TO **DOWNLOAD** THE COMPLETE MANUAL

- Thank you very much for reading the preview of the manual.
- You can download the complete manual from: www.heydownloads.com by clicking the link below



- Please note: If there is no response to CLICKING the link, please download this PDF first and then click on it.

CLICK HERE TO **DOWNLOAD** THE COMPLETE MANUAL