

AgroPrima 4.56

BRAKE

Control assy./servise brake, Parking brake

PARKING BRAKE UNIT.....	13.29.1
OPERATION - PARKING BRAKE.....	13.29.2

Service brake, Contral assy./service brake

SERVICE BRAKE DOUBLE BRAKE HYDR. REAR.....	13.30.3
SERVICE BRAKE - DISC BRAKE ON CARDAN SHAFT.....	13.30.4
SERVICE BRAKE - DISC BRAKE.....	13.30.5
OPERATION - SERVICE BRAKE.....	13.30.7
OPERATION - SERVICE BRAKE.....	13.30.8
OPERATION - SUSTAINED-ACTION SERVICE BRAKE - DRUM BRAKE.....	13.30.9
OPERATION - SERVICE BRAKE - DRUM BRAKE.....	13.30.10
OPERATION - SERVICE BRAKE - DISC BRAKE.....	13.30.11
OPERATION - SUSTAINED-ACTION SERVICE BRAKE - DISC BRAKE.....	13.30.12

Pneumatic system

COMPRESSED-AIR UNIT.....	13.55.1
COMPRESSED-AIR UNIT.....	13.55.2
COMPRESSED-AIR UNIT.....	13.55.3
COMPRESSED-AIR UNIT.....	13.55.4
COMPRESSED-AIR UNIT.....	13.55.5
COMPRESSED-AIR UNIT.....	13.55.6
COMPRESSED-AIR UNIT.....	13.55.7
COMPRESSED-AIR UNIT.....	13.55.8
COMPRESSED-AIR UNIT.....	13.55.9
PRESSURE GAUGE.....	13.55.10
COMPRESSED-AIR UNIT.....	13.55.11
COMPRESSED-AIR UNIT.....	13.55.12

Hydr. brake for trailer

HYDRAULIC BRAKE FOR TRAILER.....	13.56.1
HYDRAULIC BRAKE FOR TRAILER.....	13.56.2

CLICK HERE TO **DOWNLOAD** THE COMPLETE MANUAL

- Thank you very much for reading the preview of the manual.
- You can download the complete manual from: www.heydownloads.com by clicking the link below



- Please note: If there is no response to CLICKING the link, please download this PDF first and then click on it.

CLICK HERE TO **DOWNLOAD** THE COMPLETE MANUAL

Section: BRAKE
OPERATION - SERVICE BRAKE

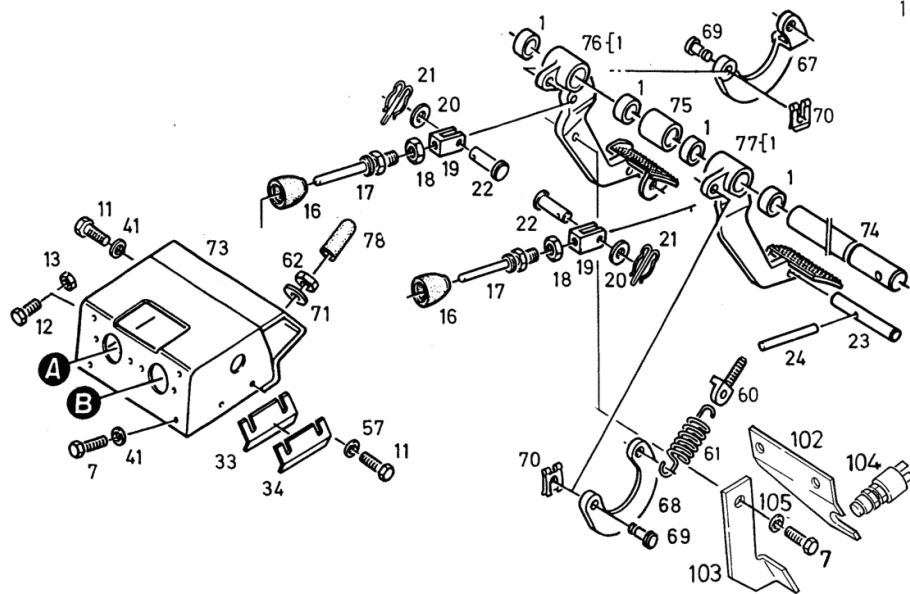
Fig.	Code	QTY	Name
75	04368130	1	ring
76	04400752	1	pedal
77	04368396	1	pedal
78	04322624	2	plug
102	04400743	1	consolle WITH COMPRESSED-AIR SYSTEM
103	04400742	1	consolle WITH COMPRESSED-AIR SYSTEM
104	01175754	1	switch WITH COMPRESSED-AIR SYSTEM
105	01102799	1	washer 8, d128 DIN 000128-A 8 -FST -A4C WITH COMPRESSED-AIR SYSTEM



BETAETIGUNG
 CONTROL ASSEMBLY
 CDE D'ACTIONNEM.
 ACCIONAMIENTO

BETRIEBSBREMSE
 BRAKE
 FREIN DE SERVICE
 FRENO

1065-30 0504 6194



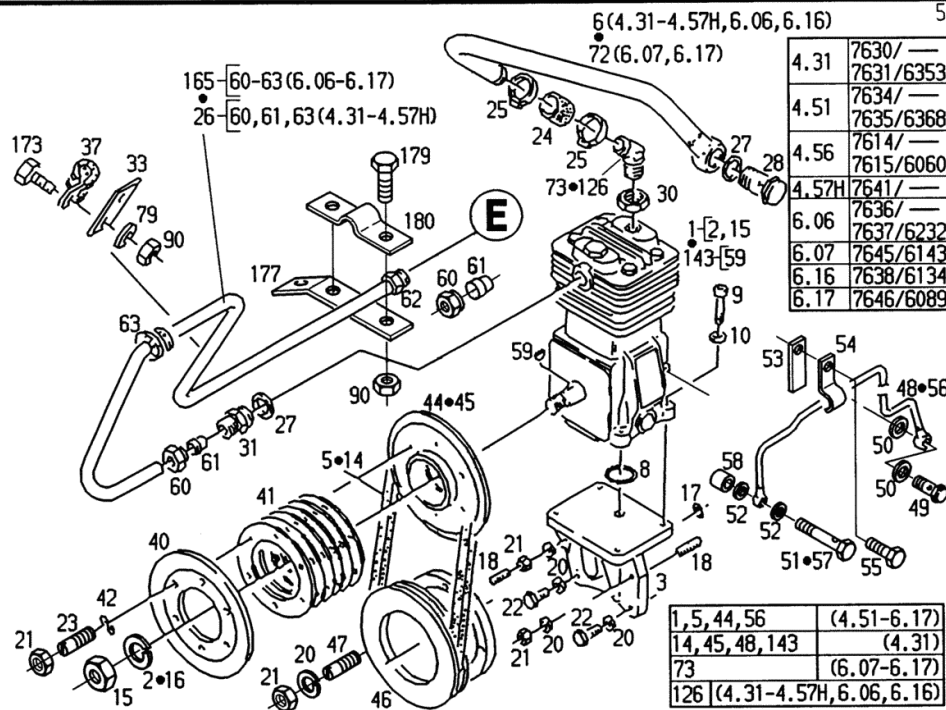
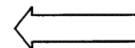
Section: BRAKE
COMPRESSED-AIR UNIT

Fig.	Code	QTY	Name
			H 003132- M26X1,5X15-A4C
33	04339982	1	consolle
37	01176012	2	hose clip
			H 003223-C15X15-ST/DEUTZ MVQ 1-70
40	02237056	1	washer
41	03363622	6	snoulder
42	01107283	6	washer 8.2
			DIN 000137-B 8-FST-A4C
44	04380863	1	extension
45	04304121	1	pulley
46	02165606	1	pulley
47	01113386	4	screw
			DIN 000939-M 8 X 22 - 8.8-A4C
48	04152218	1	tube
49	01119241	1	pipe union m 12 p.1.5
			H 003102-D 8 M-ST-A4C
50	01118673	2	'o' ring
			DIN 007603-A 12 X 15,5-CU
51	01119237	1	pipe union
			DIN 007643 6-4-A3C
52	01118659	2	'o' ring
			DIN 007603-A 10 X 13,5-CU
53	02234890	1	plate
54	02234889	1	hose clip
55	01112308	1	screw
			ISO 004017-M 8 X 18 - 8.8-GES BLACK
56	04157993	1	tube
57	01178624	1	pipe union
			H 003103-A 6M-A4C
58	02233587	1	spacer
59	01118329	1	key
			DIN 006888- 5 X 7,5
60	01179540	1	nut cl 15 h3105
			H 003105- CL15 -STF55 -A3C GE WAXED
61	01116626	1	ring
			H 003107-F L15-ST
62	04337377	1	tongue
63	01172971	1	rubber bushing
			H 002928-N20-26 CR-SW
72	04392139	1	pipng
73	02414758	1	tongue



DRUCKLUFTANLAGE
 PNEUMATIC SYSTEM
 SYST. D' AIR COMPR.
 SIST. AIRE COMPR.

1963-55 0504 5366

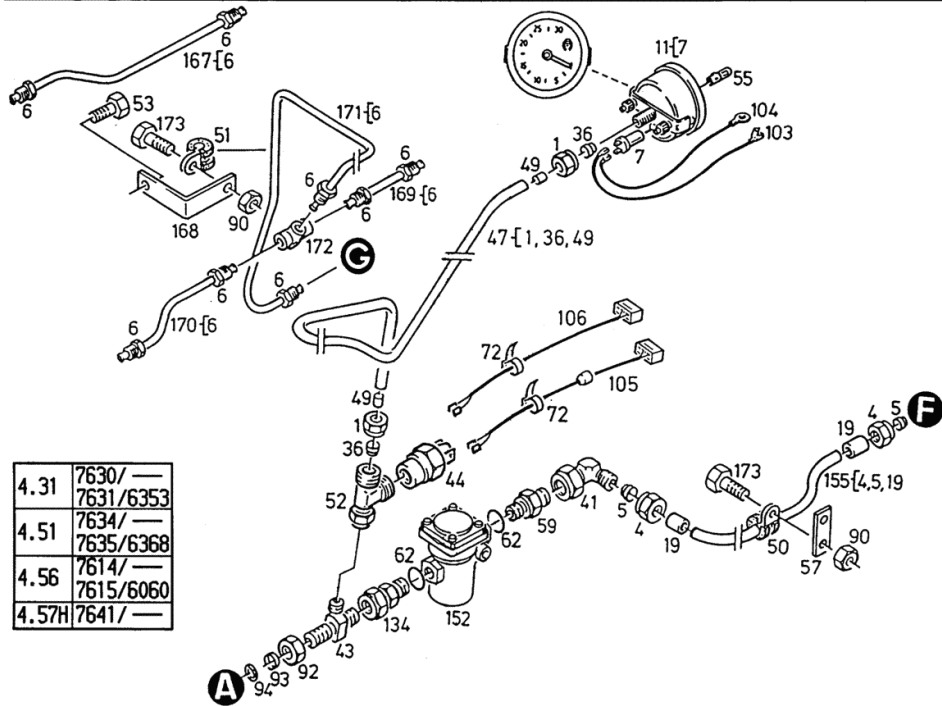


Section: BRAKE
COMPRESSED-AIR UNIT

Fig.	Code	QTY	Name
93	02523701	4	ring
94	02523700	4	ring
103	04310618	1	tube
104	04389758	1	tube
105	04383240	1	gasket set
106	04383239	1	gasket set
134	04389937	2	pipe fitting
152	04347830	1	valve
155	04386136	1	pipng
167	04381876	1	tube
168	04363226	1	support
169	04343971	1	tube
170	04381890	1	tube
171	04382020	1	tube
172	03499196	1	pipe fitting T
173	01112264	4	screw m 6 x 20, d933 ISO 004017-M 6 X 20 - 8.8-A4C

DEUTZ FAHR
 DRUCKLUFTANLAGE
 PNEUMATIC SYSTEM
 INSTAL. AIR COMPR.
 SISTEMA AIRE COMPR.

1963-55 0504 5368



4.31	7630/—	7631/6353
4.51	7634/—	7635/6368
4.56	7614/—	7615/6060
4.57H	7641/—	

Section: BRAKE
COMPRESSED-AIR UNIT



1963-55 0504 5377

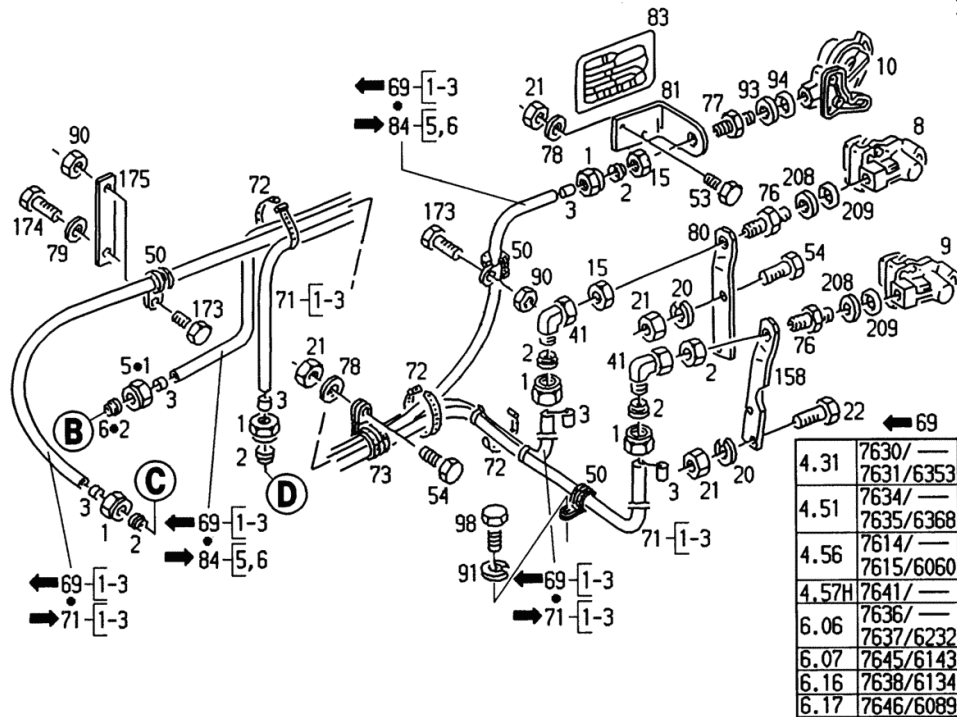


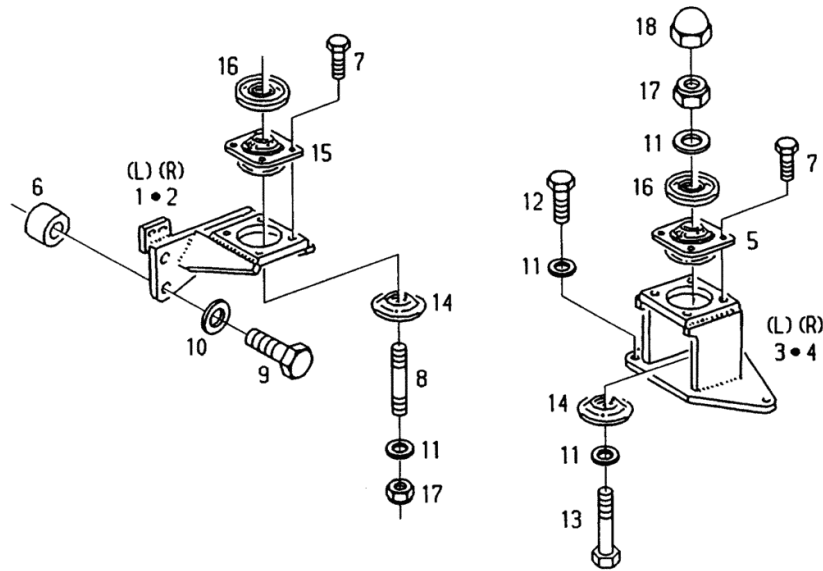
Fig.	Code	QTY	Name
1	01179539	2	nut CL 12 H310 H 003105- CL12 -STF55 -A3C GE WAXED
2	01116637	2	ring H 003107-F S12-ST
3	01173175	2	stop H 003111-B 12X 9 -MS
5	01179540	2	nut cl 15 h3105 H 003105- CL15 -STF55 -A3C GE WAXED
6	01116626	2	ring H 003107-F L15-ST
8	04323303	1	socket
9	04323302	1	socket
10	04322997	1	top
15	01131116	4	nut m 18 x 1.5 ISO 008675- M18X1,5 -05-A4C
20	01102799	6	washer 8, d128 DIN 000128-A 8 -FST -A4C
21	01112824	9	nut m 8, d934 ISO 004032-M 8 - 8-A4C
22	01112333	3	screw m 8 x 25, d933 ISO 004017-M 8 X 25 - 8.8-A4C
41	01179537	3	pipe fitting BL 12 H H 003130-BL12-ST -A4C
50	01213265	3	clamp H 003223-B12X15-W1/CR70-10
53	01112322	3	screw m 8 p.1.25 x 20 ISO 004017-M 8 X 20 - 8.8-A4C
54	01112341	3	screw m 8 x 30, d933 ISO 004017-M 8 X 30 - 8.8-A4C
69	04390999	2	pipng
71	04389948	1	pipng
72	01172065	10	clamp 4.6 x 146 H 007672-G 146X 4,6
73	01173182	1	clamp H 003223-B22X20-W1/CR70-10
76	01143566	2	pipe fitting a12 m16x1,5 H 003125-A12 M16X1,5-ST-A4C
77	01143567	1	pipe fitting m 22 x 1.5 H 003125-A12 M22X1,5-ST-A4C
78	01136363	3	washer 8.4 DIN 009021- 8,4-140HV-A4C
79	01214957	902	washer

CAB BEARING

DEUTZ FAHR
 FAHRERHAUSLAGERUNG
 CAB SUPPORT
 LOGEMENT DE CABINE
 SOPORTE CABINA

1963-37 0504 5358

Fig.	Code	QTY	Name
1	04380408	1	consolle
2	04380410	1	consolle
3	04380379	1	consolle
4	04380381	1	consolle
5	04356433	2	rubber mount
6	04340824	6	tube
7	01137499	16	screw DIN 000933-M10 X 25 SB- 8.8-A 4C
8	01144107	2	screw DIN 000939-M16 X 70 - 8.8-A4C
9	01114088	2	screw ISO 008765- M20X2 X 75 - 8.8- A4C
10	01167055	6	washer 20.5x40 H 000995-20,5X40X 8- 8.8
11	01107117	12	washer 17 DIN 000125-A17 -140HV-A4C
12	01112670	6	screw m16x30 d933 ISO 004017-M16 X 30 - 8.8-A4C
13	01111949	2	screw m16x140 d931 ISO 004014- M16 X140 - 8.8-A4 C
14	04355054	4	plate
15	04356418	2	rubber mount
16	04369397	2	plate
17	01136464	4	nut m 16 DIN 000980-VM16 - 8-A4C GEWAC HST
18	01174049	2	tube H 002870-K 24 -PE SOFT-SW

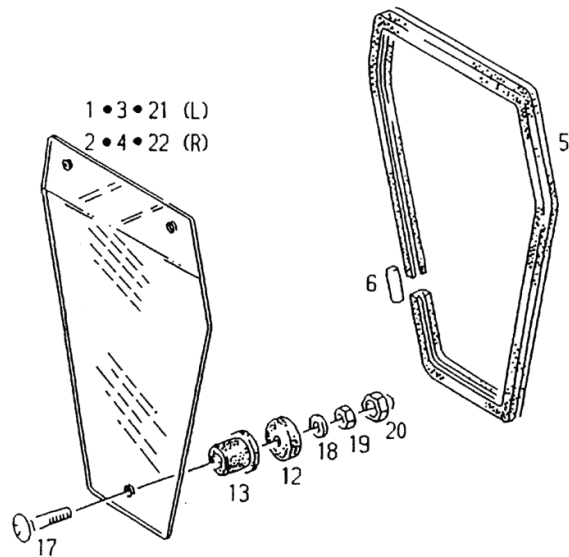


Section: BUILT-ON ACCESSORIES
FRONT WINDSCREEN BOTTOM

Fig.	Code	QTY	Name
1	04351733	1	glass
2	04351731	1	glass
3	04351734	1	glass TINTED
4	04351732	1	glass TINTED
5	01396762	0	profile H 846471-21-PN 3 -EPDM 1800,0 MM
6	01388794	0	parting 9x4,5 H 846482-02-PN 1 80,0 MM
12	04312658	1	shim
13	04312657	1	rubber bushing
17	01171755	1	screw H 002093- 603-M 6 X 35
18	01171739	1	washer H 002398- 125-A 6,4-ST
19	01112813	1	nut m 6 DIN 000934-M 6 - 8-A4C
20	04314758	1	tube
21	04398763	1	window glass WITHOUT HOLES
22	04398764	1	window glass WITHOUT HOLES TO GLUE IN PLACE

1965-37 0504 4062
 6

**DEUTZ
FAHR** FRONTSCHEIBE
 WINDSCREEN
 PARE-BRISE
 PARABRISAS UNTEN
 AT BOTTOM
 EN BAS
 ASBAJO



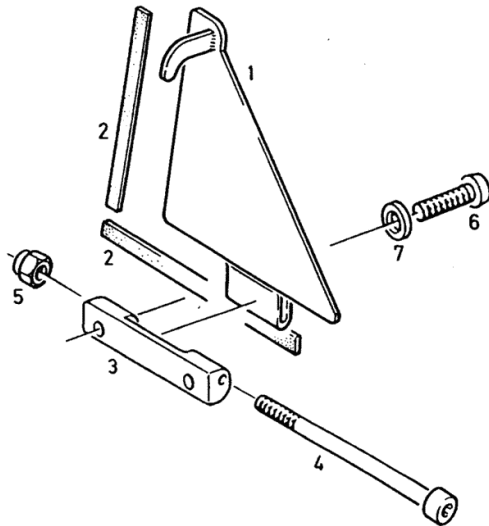
FLAP - REAR



KLAPPE HECK
 FLAP REAR
 CLAPET ARRIERE
 TRAMPILLA ATRAS

1963-37 504 5360

Fig.	Code	QTY	Name
1	04381965	1	shutter
2	01395781	0	gasket H 843582-A 2,5X15 380 MM
3	04364119	1	consolle
4	01177034	1	screw H 002093- 912-M 6 X120 - 8.8
5	01174849	1	nut H 002198- 980-VM 6-8-WAXED
6	01171734	2	screw H 002093- 7985-M 6X 16 -4.8 - H
7	01171739	2	washer H 002398- 125-A 6,4-ST



SPEED ADJUSTMENT WITH ELECTRONIC LIFTING GEAR CONTROL

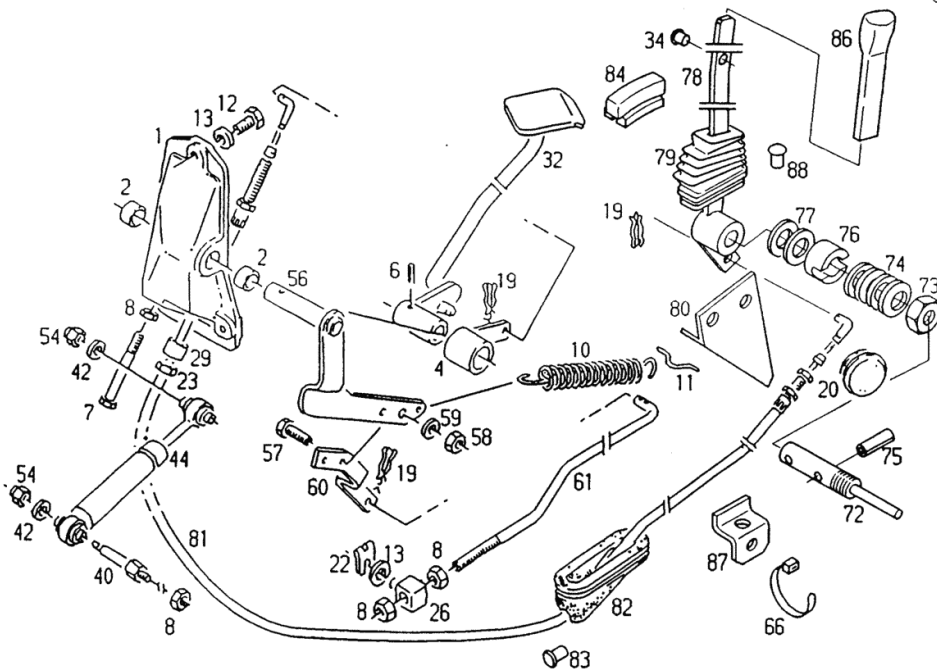
Fig.	Code	QTY	Name
60	04382440	1	lever
61	04382441	1	ferrule
66	01172065	1	clamp 4.6 x 146 H 007672-G 146X 4,6
72	04338712	1	shaft
73	01137252	2	nut bm12 d439 DIN 000439-BM12 - 6-A4C
74	01116029	4	spring A25, d2093 DIN 002093-A 25 GR2
75	01115437	2	pin 5 x 28 ISO 008752- 5 X 28
76	04372724	1	pressure plate
77	04372536	2	brake disc
78	04391963	1	lever
79	04338349	1	bellows
80	04391966	1	console
81	04391986	1	crate
82	04354878	1	crate
83	01167308	1	plug 7.2x5.2x9 H 002873-A 7,2X 5,2X 9 -PE WE ICH-SW
84	04340103	2	shim
86	04391996	1	knob
87	04392430	1	console
88	01167319	1	bottom H 002873-A 16,6X 13,5X21 -PE WEICH-SW



DREHZ. VERSTELLUNG
SPEED CONTROL
VARIATION REGIME
GRADUAC. REVOLUC

BEI ELEKTRONISCHER HUBWERKREGELUNG
WITH ELECTRONIC POWER LIFT CONTROL
AVEC ELECTRONIQUE CONTROLE RELEVAGE
CON ELECTROTECN. CONTROL ELEVADOR

1065-46 0504 6293



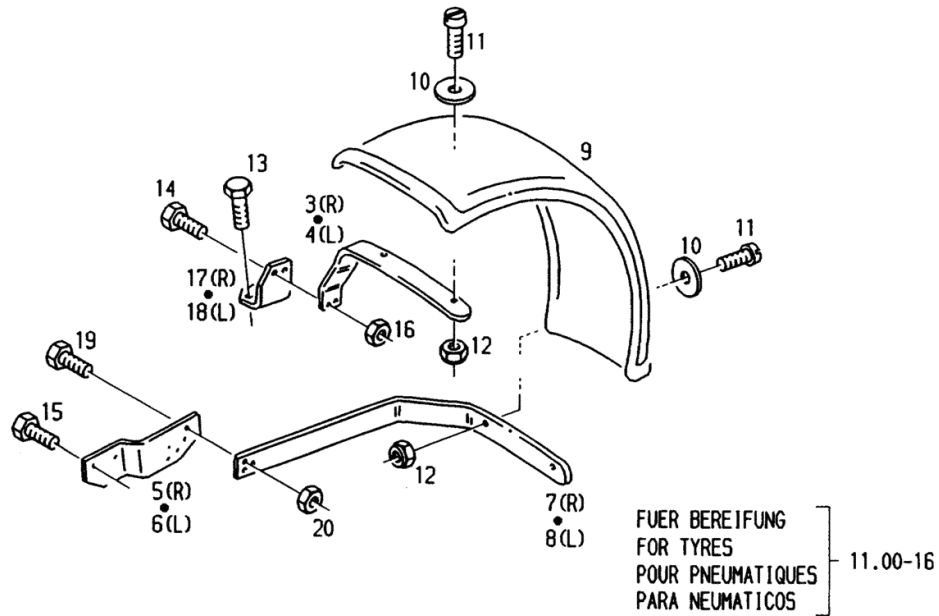
RUBBER WING - RIGID AXLE-HEAVY - TELESCOPIC AXLE



GUMMIKOTFLUEGEL STARRACHSE-SCHWER TELESKOPACHSE
 RUBBER MUDGUARD RIGID AXLE-HEAVY TELESCOPIC AXLE
 GARDE-BOUE CAOUTCH ESSTIEU RIGIDE-LOURD ESSTIEU TELESCOP.
 GUARDABARRIOS CAUCHO EJE RIGIDO-PESADO EJE TELESCOPICO

1065-52 0504 4152

Fig.	Code	QTY	Name
3	04357192	1	support
4	04357193	1	support
5	04357177	1	consolle
6	04357178	1	consolle
7	04356931	1	support
8	04356932	1	support
9	04356979	1	fender
10	01171741	4	washer H 002398- 9021-A 8,4-ST
11	01172758	4	screw H 002093- 7985-M 8X 25 -4.8 - H
12	01136452	4	nut vm 8 d980 DIN 000980-VM 8 - 8-A4C GEWAC HST
13	01137388	2	screw DIN 000933-M10 X 20 SB- 8.8-A 4C
14	01112429	2	screw m 10 x 30, d933 DIN 000933-M10 X 30 - 8.8-A4C
15	01112502	2	screw m 12 x 20 DIN 000933-M12 X 20 - 8.8-A4C
16	01102659	2	nut m 10, d934 DIN 000934-M10 - 8-A4C
17	04357684	1	consolle
18	04357685	1	consolle
19	01112538	3	screw m 12 x 35, d933 DIN 000933-M12 X 35 - 8.8-A4C
20	01112858	3	nut m 12, d934 DIN 000934-M12 - 8-A4C



Section: BUILT-ON ACCESSORIES
DRIVER'S SEAT -FIT-ISRINGHAUSEN



FAHRERSITZ
 DRIVER'S SEAT
 SIEGE DE CONDUCT
 ASIENTO CONDUCTOR

FIT-ISRINGHAUSEN

1101-54 0504 6082

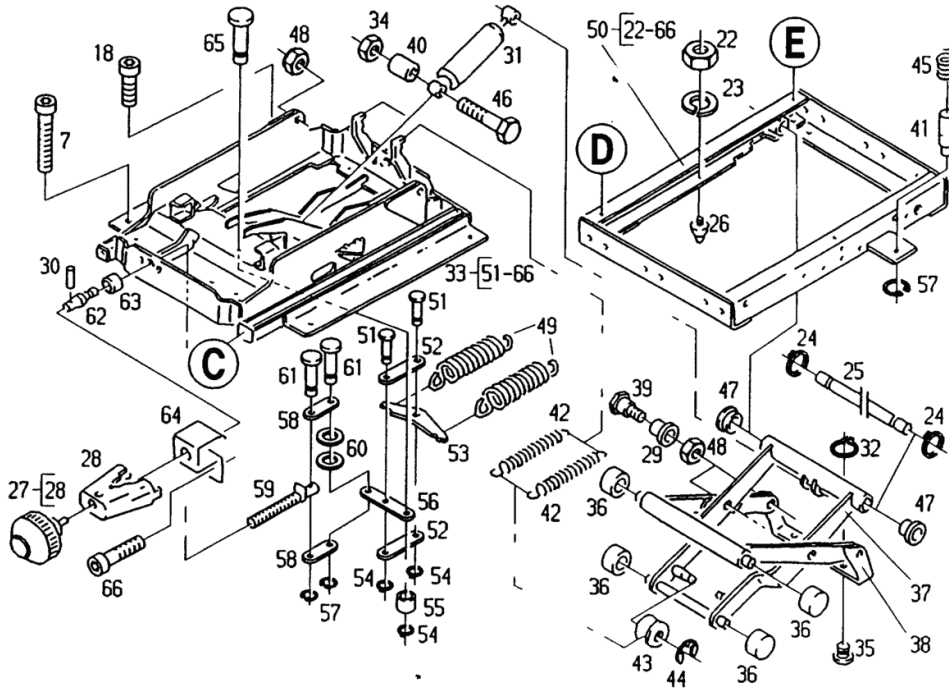


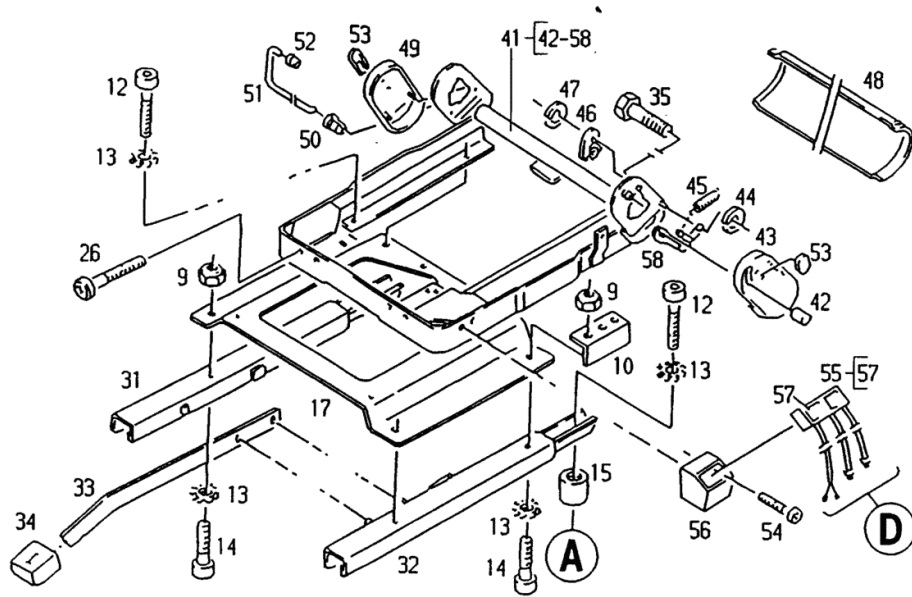
Fig.	Code	QTY	Name
49	04360023	2	spring
50	04387939	1	support
51	04360022	2	pin
52	04360027	2	link
53	04360024	1	lamination
54	04360025	3	terminal
55	04360026	1	ring
56	04360028	1	link
57	01155120	4	washer DIN 006799- 6-A4C
58	04360029	2	link
59	04360030	1	top link
60	04360031	2	brake disc
61	04360032	2	pin
62	04360035	1	tongue
63	04388164	1	bearing
64	04387943	1	bracket
65	04360038	1	pin
66	01122356	1	screw DIN 000912- M 4 X 12 -10.9-A4 C

DRIVER'S SEAT

DEUTZ FAHR
 FAHRERSITZ
 DRIVER'S SEAT
 SIEGE DE CONDUCT
 ASIEN TO CONDUCTOR

1101-54 0504 6072

Fig.	Code	QTY	Name
9	01136452	4	nut vm 8 d980 DIN 000980-VM 8 - 8-A4C GEWAC
10	04388170	1	square
12	01102193	11	screw m 8 x 16 DIN 000912- M 8 X 16 - 8.8-A4 C
13	01133512	12	washer DIN 006798-A 8,4-A4C
14	01126918	1	screw m 8 p.1.25 x 20 DIN 000912- M 8 X 20 - 8.8-A4 C
15	04388167	4	bushing
17	04385688	1	plate
26	01119633	2	screw m 5 x 16 ISO 007045-M 5X 16 - 4.8-H -A 4C
31	04385679	1	guide
32	04385685	1	guide
33	04385686	1	lever
34	04385687	1	knob
35	01143117	1	screw DIN 000933-M 8 X 16 Z1-ST- 8.8-A4C
41	04385708	1	chassis frame
42	04360250	1	knob
43	04385710	1	cap
44	01155120	1	washer DIN 006799- 6-A4C
45	04360260	1	spring
46	04360276	1	disc
47	01139125	1	washer DIN 006799-12-A4A
48	04360275	1	lamination
49	04385711	1	cap
50	04360270	1	bearing
51	04360271	1	workshop tool
52	04360272	1	spacer
53	04360263	2	tube
54	01119629	2	screw m 4.0 x 12 ISO 007045-M 4X 12 - 4.8-H -A 4C
55	04385714	1	operation
56	04385712	1	ring



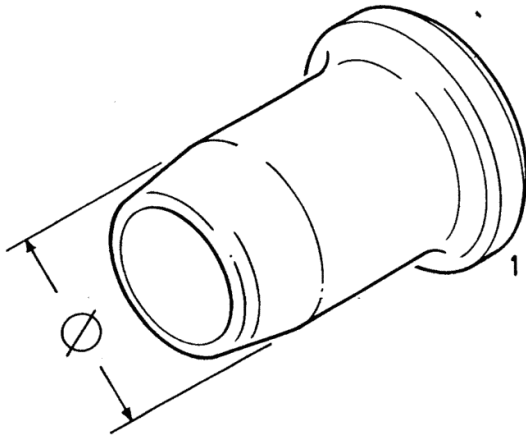
PLUG

Fig.	Code	QTY	Name
			WEICH-SW 32,50 MM

**DEUTZ
FAHR** VERSCHLUSSTOPFEN
NIPPLE
BOUCHON
TAPON OBTURADOR

1024-57 504 1708

1



Section: BUILT-ON ACCESSORIES
SIGN SET

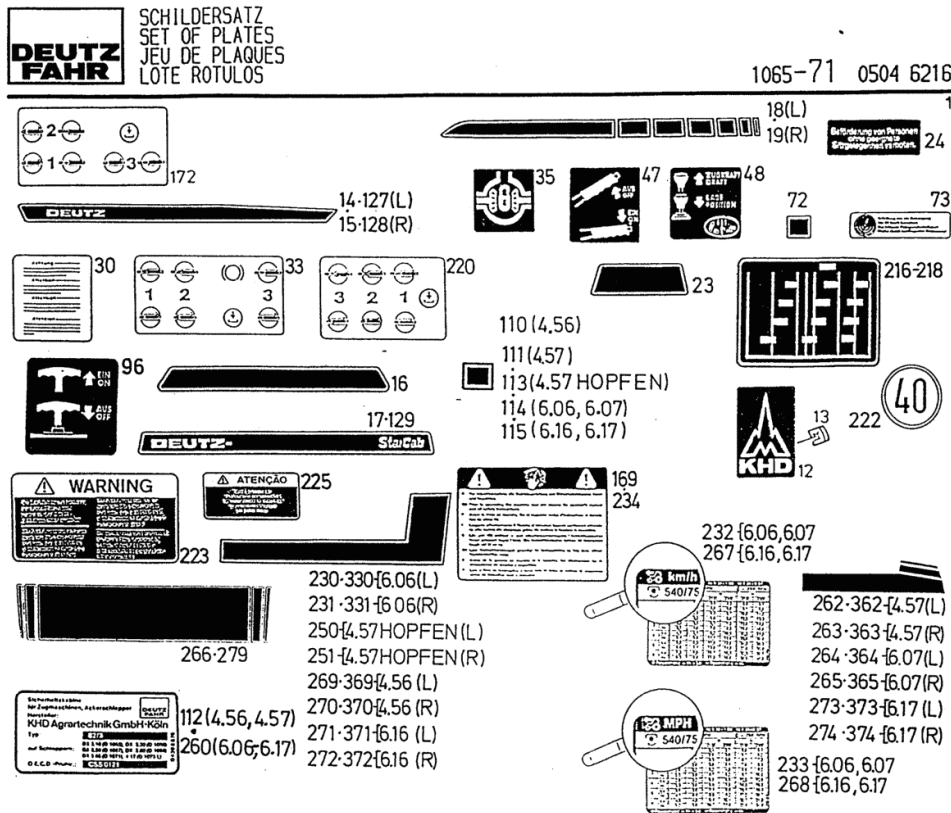


Fig.	Code	QTY	Name
			GERMAN,ENGLISH,FRENCH,ITAL. SWED.,DAN.,SPANISH+PORTUG.
172	04372876	1	plate
216	04372400	1	plate
217	04365502	1	S+SK KM/H advertising material
218	04365503	1	T+TK KM/H advertising material
220	04365127	1	plate
222	04382527	1	plate 40 KM/H
223	04373286	1	plate
225	04382580	1	TOW WITHOUT MOTOR DRIVE GERMAN,ENGLISH,FRENCH,SPAN. plate
230	04389276	1	TOW WITHOUT MOTOR DRIVE PORTUGUESE number plate
231	04389277	1	HOOD DX 6.06 number plate
232	04385029	1	HOOD DX 6.06 plate
233	04385034	1	S+T KM/H plate
234	04388832	1	S+T MP/H DX 6.06+6.07 plate
250	04390740	1	GERMAN,GREEK,NORWEGIAN FINNISH+ARABIC number plate
251	04390741	1	4.57 HOPS number plate
260	04393106	1	4.57 HOPS plate
262	04392803	1	number plate DX 4.57
263	04392804	1	number plate DX 4.57
264	04392806	1	number plate DX 6.07
265	04392807	1	number plate DX 6.07
266	04392808	1	number plate AGROXTRA
267	04392980	1	plate

KIT RADIO

Fig.	Code	QTY	Name
2	04352056	1	casing
5	04352059	2	cable
6	04325241	1	radio aereo
14	04359364	1	chassis frame
15	04359271	2	loud speaker
16	01143954	2	screw
			ISO 001481-ST 2,9X16 -C-A4C
17	01162414	1	connection
			H 007677-G 6,3

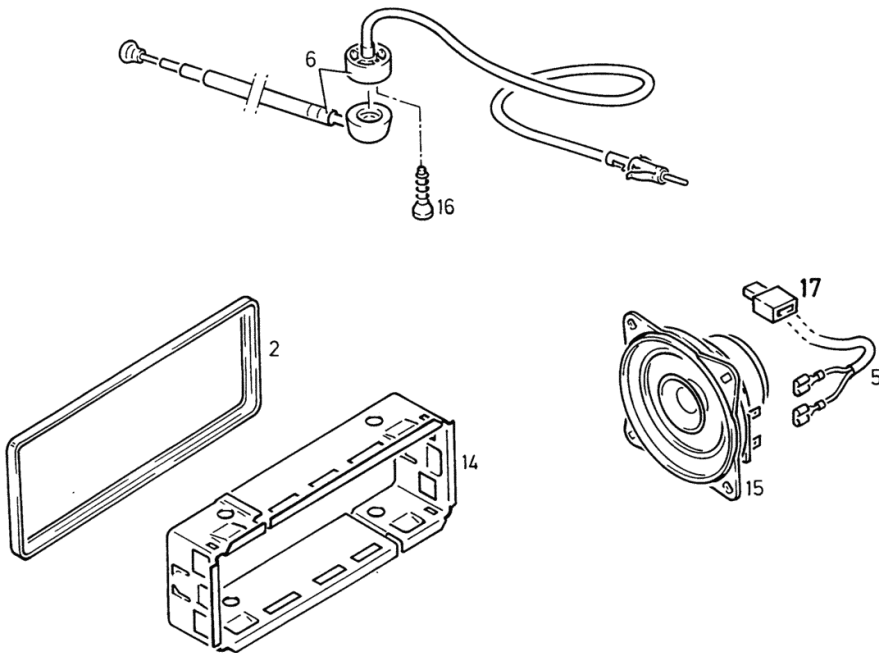


EINBAUSATZ
INSTALL. KIT
LOT D'ADAPTATION
JUEGO DE MONTAJE

RADIO
RADIO
POSTE TSF
RADIO

1023-49 504 6271

1



Section: ELECTRIC AL SYSTEM
CABLE HARNESS REAR

Fig.	Code	QTY	Name
			☞ 18.49.26
454	04392671	1	cable
455	01395661	0	band
950	01242003	1	H 843171-01-A 50X 100 socket 8 pol.
951	01172808	1	H 007642-NH6.3-8-BLACK body 8 pol.
952	01231343	2	H 007642-NH6.3-8-LIGHT GREY socket 8 pol.
953	01242000	1	H 007642-NH6.3-8-LIGHT RED plug 8 pol.
954	01242002	1	H 007642-NH6.3-8-DARK GREEN plug 8 pol.
955	01242009	1	H 007642-NH6.3-8-YELLOW socket
956	01242005	1	H 007642-NS6.3-8-BLACK socket
957	01172065	4	H 007642-NS6.3-8-RED clamp 4.6 x 146 H 007672-G 146X 4,6

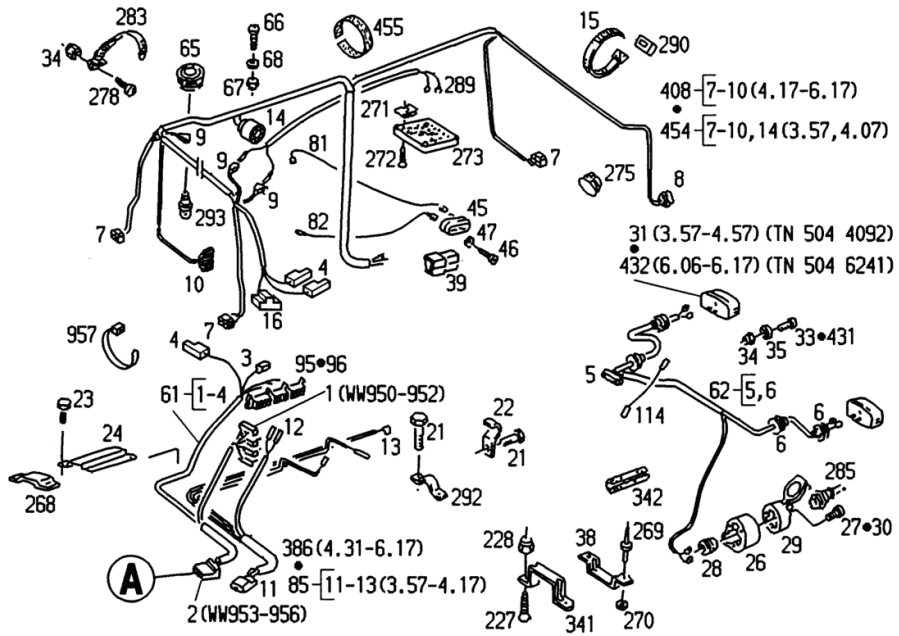


KABELSATZ
 SET OF WIRING
 JEU DE CABLES
 JUEGO DE CABLES

HINTEN
 REAR
 ARRIERE
 TRASERAS

1065-49 0504 5483

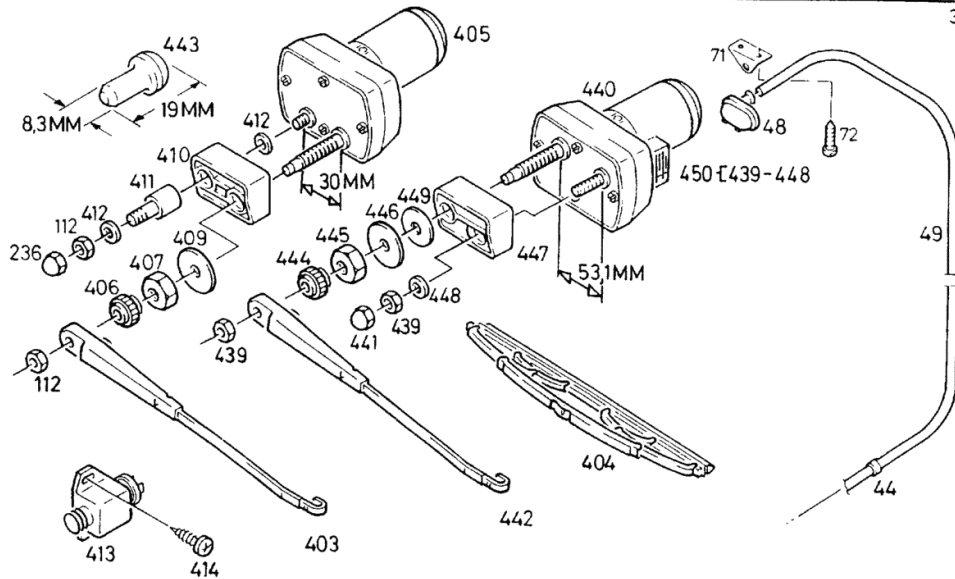
6



Section: ELECTRIC AL SYSTEM
SCREEN WIPER FRONT ROOF PLASTIC

Fig.	Code	QTY	Name
448	01171741	1	washer H 002398- 9021-A 8,4-ST
449	04391423	1	disc
450	04391426	1	sub-assy parts

DEUTZ FAHR SCHEIBENWISCHER VORN DACH KUNSTSTOFF
 WINDSCREEN WIPER FRONT ROOF SYNTHETIC MATERIAL
 ESSUIE-GLACE AVANT TOIT MAT. SYNTH OU PLAST
 LIMPIAPARABRISAS DELANTE TEJADO MAT. SINTETICO 1065-49 504 5464



LIGHTS FRONT

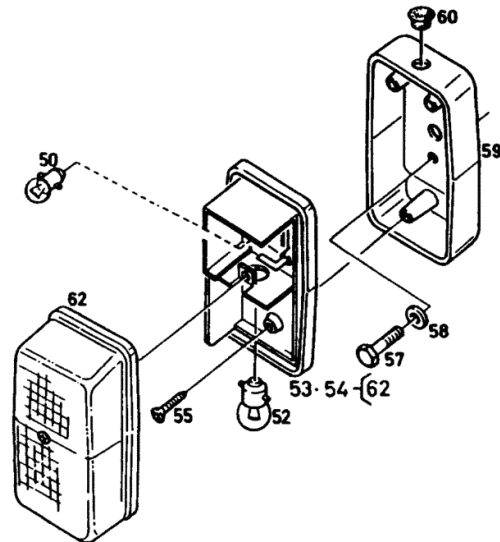
Fig.	Code	QTY	Name
50	01102550	6	lamp r121w d72601 DIN 072601-P25-1- 12V 21 W
52	01121407	2	lamp 12v 5w r19/5 DIN 072601-R19/ 5-12V 5 W
53	04360874	1	light LEFT
54	04360875	1	lamp RIGHTS
55	01137072	6	screw ISO 007049-ST4,2X19 -C-H-A4C
57	01112264	4	screw m 6 x 20, d933 ISO 004017-M 6 X 20 - 8.8-A4C
58	01107095	4	washer 6.4 DIN 000125-A 6,4-140HV-A4C
59	04353742	2	support
60	01174056	2	bottom H 002873-G12,7 X 8,7-PA 66-SC BLACK
62	04356959	1	glass



LEUCHTEN
LIGHTS
FEUX
LAMPARAS

VORN
FRONT
AVANT
DELANTE

1065-49 504 4117



AgroPrima 4.56

ENGINE

Crankcase

CRANK CASE.....	11.01.1
BLANKING PARTS.....	11.01.4
ACCESSORIES.....	11.01.5
IDLER BEARING.....	11.01.7
FRONT COVER.....	11.01.10
FASTENINGS.....	11.01.13
BLANKING PARTS.....	11.01.15
SEALING COVER FOR INJECTION TIMING GEAR.....	11.01.17
ACCESSORIES.....	11.01.19
INJECTION NOZZLE PIECE/CYL.- UNIT.....	11.01.22
BREATHER.....	11.01.25
OIL FILLER CAP.....	11.01.28
DIPSTICK.....	11.01.29
GUARD PLATE.....	11.01.32

Oil pan

OIL PAN.....	11.02.1
--------------	---------

Cylinder

CYLINDER.....	11.04.2
---------------	---------

Crankshaft

CRANKSHAFT.....	11.05.2
V-GROOVED PULLEY.....	11.05.6
FLYWHEEL.....	11.05.9
VIBRATION DAMPER.....	11.05.10
COUNTERWEIGHTS.....	11.05.12

Connecting rod

CONNECTING ROD PIECE/CYL.-UNIT.....	11.06.2
-------------------------------------	---------

Piston

PISTON PIECE/CYL.-UNIT.....	11.07.2
-----------------------------	---------

Cylinder head

CYLINDER HEAD PIECE/CYL.-UNIT.....	11.08.2
VALVE MECHAN.COVER.....	11.08.6
FIXING PARTS PIECE/CYL.-UNIT.....	11.08.7

Camshaft

CAMSHAFT.....	11.10.2
---------------	---------

Timing gears

CONTROL PARTS PIECE/CYL.-UNIT.....	11.11.2
CONDUIT.....	11.11.3

Lube oil pump

LUBRICAT. OIL PUMP.....	11.14.2
-------------------------	---------

Oil cooler, Lube oil filter

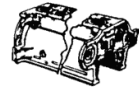
Section: ENGINE

BLANKING PARTS

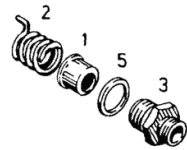
Fig.	Code	QTY	Name
1	02135019	1	tube
2	02237638	1	spring
3	02234350	1	tongue
5	01118750	1	'o' ring DIN 007603-A 24 X 30 -AL



Verschluss-teile
Locking parts
Pièces de fermeture
Partes de cierre



0150-01-503 0825



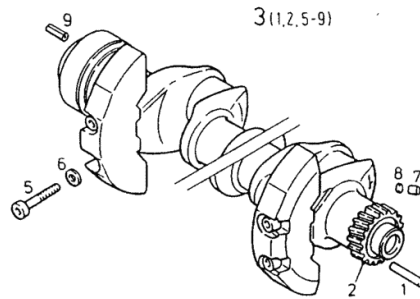
Section: ENGINE
CRANKSHAFT

Fig.	Code	QTY	Name
1	01137239	1	pin ISO 008742- 8 X 45-ST
2	02237258	1	gear wheel
3	04153222	1	crank shaft
5	01137280	8	screw m12x60 d912-10 DIN 000912- M12 X 60 -10.9-OE LGESCHW
6	01216119	8	washer 13x21x1,5 H 002308-13 X21X1,5
7	01170580	4	plug H 002855-A 8X 8
8	01167010	4	washer H 000984- 7,5X 1 -ST
9	01115464	1	pin ISO 008752- 8 X 18



Kurbelwelle
Crankshaft
Vilebrequin
Cigüeñal

0150-05-0503 4338



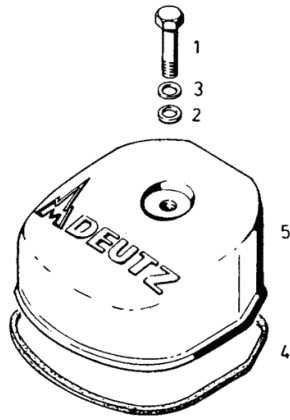
Section: ENGINE
VALVE MECHAN.COVER

Fig.	Code	QTY	Name
1	01112341	1	screw m 8 x 30, d933 ISO 004017-M 8 X 30 - 8.8-A4C
2	01216307	1	'o' ring H 002914- 8
3	01107101	1	washer 8.4 DIN 000125-A 8,4-140HV-A4C
4	04157234	1	gasket
5	02234784	1	guard



Zylinderkopphaube
 Rocker chamber cover
 Culasse
 Caperuza de culata

0150-08-500 6586



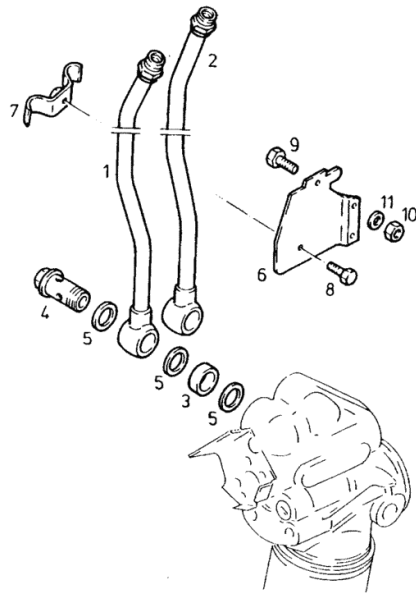
Section: ENGINE
PIPING

Fig.	Code	QTY	Name
1	04158857	1	pipng
2	04158859	1	pipng
3	02239213	2	spacer
4	02239200	2	screw
5	01118737	6	'o' ring 22 x 27 DIN 007603-A 22 X 27 -CU
6	04154204	1	consolle
7	04152612	1	hose clip
8	01103316	1	screw m 6 p.1.0 x 16 ISO 004017-M 6 X 16 - 8.8-A4C
9	01112307	0	screw m 8 p.1.25 x 15, d933 ISO 004017-M 8 X 16 - 8.8-A4C
10	01122477	0	nut m 8 p.1.25 ISO 004032-M 8 -10-A4C
11	02404201	0	washer



Rohrleitungen
 Piping
 Tuyauteries
 Tuberias

0150 - 15 -0506 3642



Section: ENGINE

INJECTION VALVE COMPONENT PARTS

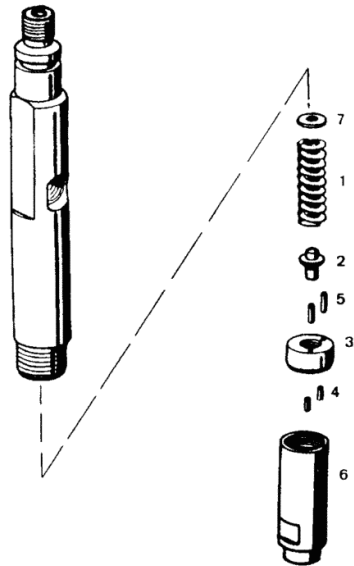
Fig.	Code	QTY	Name
970	01290471	0	7, 1,80 MM shim OPTION ITEM...
971	01290472	0	7, 1,84 MM shim OPTION ITEM...
972	01290473	0	7, 1,9 MM shim OPTION ITEM...



Einzelteile zum Einspritzventil
Single parts for injector
Pièces détachées de injecteur
Partes para inyector



0150-19-502 9023



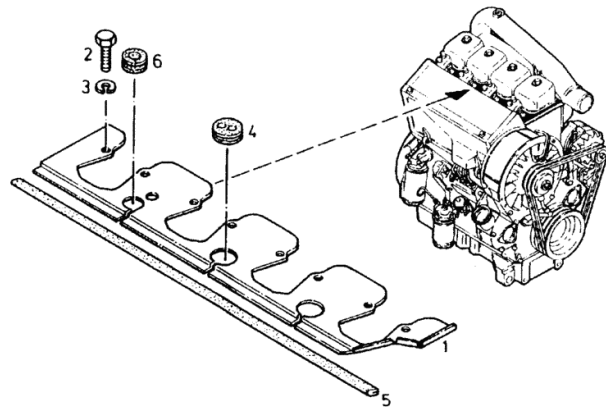
Section: ENGINE
AIR DUCTING RAIL

Fig.	Code	QTY	Name
1	04158159	1	air duct
2	01103316	8	screw m 6 p.1.0 x 16 ISO 004017-M 6 X 16 - 8.8-A4C
3	01102797	8	washer 6, d128 DIN 000128-A 6 -FST -A4C
4	03361809	2	rubber bushing
5	01402722	1	gasket H 846471-20-PN 2X 520
6	01160592	1	rubber bushing H 002928-F 6,5 X21 X 1,5-GI D DEUTZ 1



Luffführungsleiste
 Baffle mounting plate
 Plinthe de hotte de guidage d'air
 Listón guía de aire

0150 - 40-0506 3620



Section: ENGINE

TURBOCHARGER COMPONENT PARTS

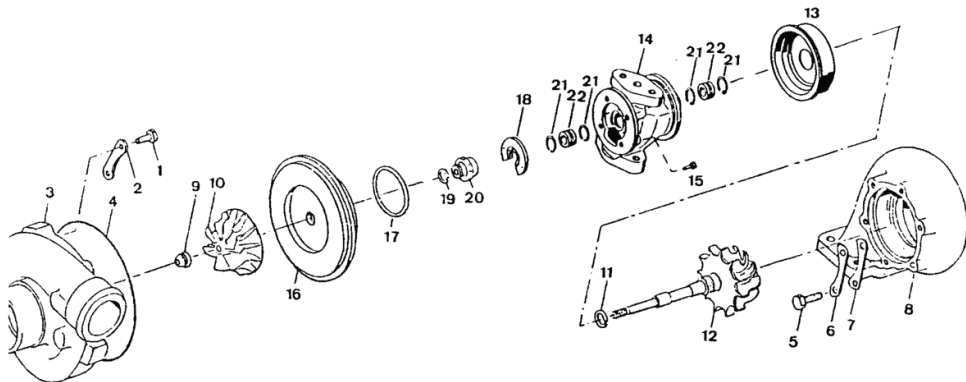
Fig.	Code	QTY	Name
1	01309743	6	screw
2	01309744	3	lamination
3	01309745	1	gear compressor
4	01309746	1	'o' ring
5	01309747	6	screw
6	01309748	3	lamination
7	01309749	3	lamination
8	01309750	1	box
9	01309751	1	nut
10	01309752	1	wheel
11	01309753	1	piston ring
12	01309754	1	wheel
13	01309755	1	plate
14	01309764	1	box
15	01309756	4	screw
16	01309757	1	rear panel
17	01309758	1	'o' ring
18	01309759	1	thrust bearing
19	01309760	1	piston ring
20	01309761	1	clutch.pres plate
21	01309762	4	circlip
22	01309763	2	bushing
950	02238544	1	turbo charger (COMPL.)



Einzelteile zum Turbolader
 Singleparts for Turbocharger
 Pièces détachées Turbocompresseur
 Partes para Turbocompresor



0150-43 502 9083



Section: ENGINE
NARROW V-BELT SET

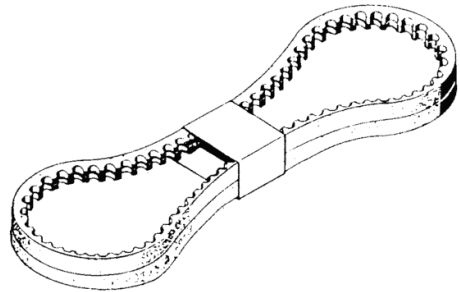
Fig.	Code	QTY	Name
1	02235265	1	belt 2x AV 10x1600 mm H 003710-2X AVX 10X1600LA



Schnialkeilmensatz
 Set of narrow V-belts
 Sene de courroies trapezoidales étroites
 Lote de correas trapeciales estrechas



0150-44-503 2467



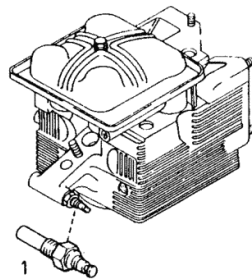
Section: ENGINE
THERMOSTAT

Fig.	Code	QTY	Name
1	01177090	1	resistance H 820313-A1-ET



Temperaturschalter
 Thermo-switch
 Thermocontacteur
 Conmutador temperatura

0142-51-505 0734



CLICK HERE TO **DOWNLOAD** THE COMPLETE MANUAL

- Thank you very much for reading the preview of the manual.
- You can download the complete manual from: www.heydownloads.com by clicking the link below



- Please note: If there is no response to CLICKING the link, please download this PDF first and then click on it.

CLICK HERE TO **DOWNLOAD** THE COMPLETE MANUAL

DRIVEN FRONT AXLE



GETR. LENKACHSE
DRIVEN AXLE
ESSIEU DIRECTEUR
EJE MOTRIZ

1065-28 0504 5435

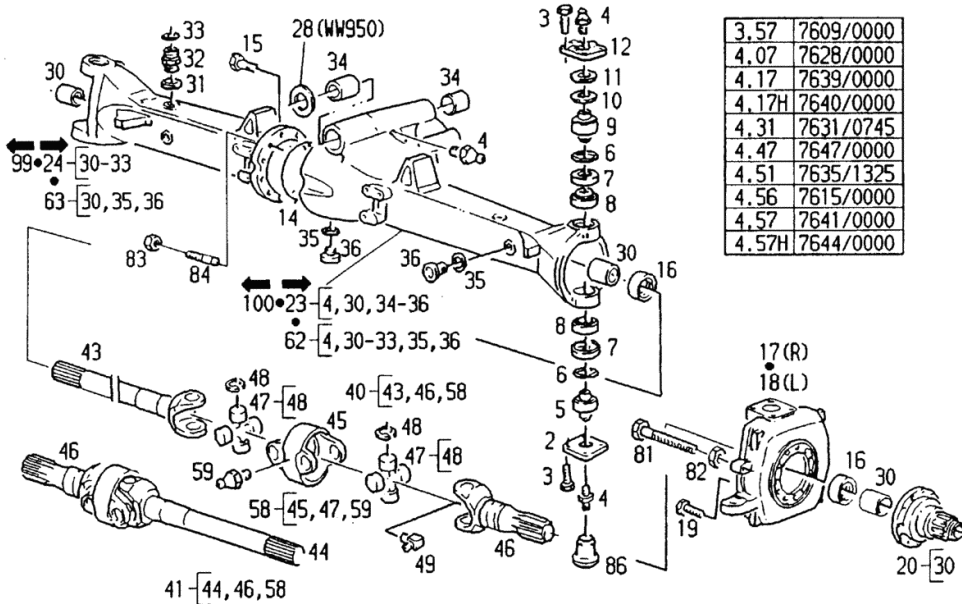


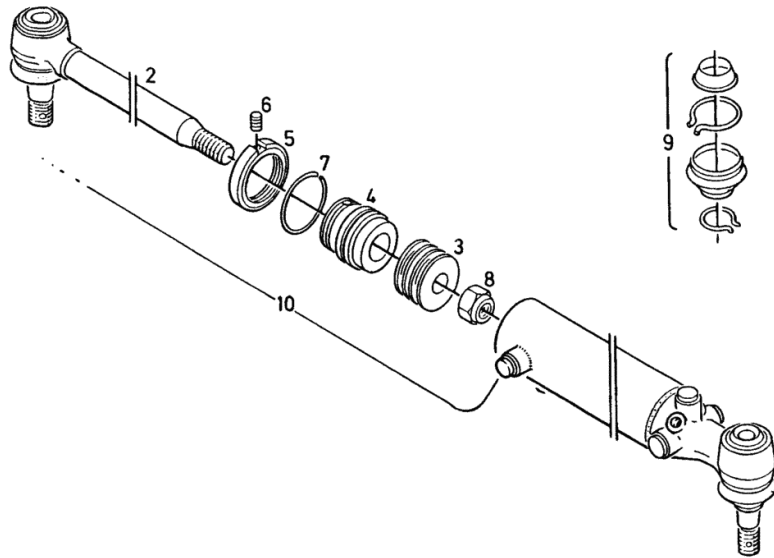
Fig.	Code	QTY	Name
2	04358236	1	plate
3	01112543	1	screw m 12 x 40 DIN 000933-M12 X 40 - 10.9-A4 C
4	01168226	1	lubricator H 003360-SA10
5	04358237	1	pin
6	04357923	1	'o' ring 53.57 x 3.53 H 002927- 53,57X 3,53 -NBR 70
7	04358238	1	tube
8	01175920	1	roller bearing H 004465-KR 30,162X 64,292X21 ,433
9	04358239	1	pin
10	04358240	1	shim 45.2x57.5x0.50 0,20 MM
11	04358241	1	shim 45.2x57.5x0.20 0,50 MM
12	04358242	1	plate
14	04358300	1	'o' ring H 002927-202,87X 2,62 -NBR 70
15	01137392	1	screw DIN 000933-M14 X 40 - 10.9-OE LGESCHW.
16	04388580	1	'o' ring
17	04386747	1	support
18	04386748	1	support
19	01122447	1	screw m10x30 d933-10 DIN 000933-M10 X 30 - 10.9-A4 C
20	04358301	1	joint
23	04386762	1	box
24	04386764	1	STEERING CYLINDER SCREWED ON box
28	02330371	1	washer 1,00 MM
30	04344766	1	bushing
31	01118754	1	gasket DIN 007603-A 24 X 32 -CU
32	04343461	1	valve
33	02339175	1	'o' ring H 002927- 18,64X 3,53 -NBR 70
34	04362412	1	bushing

HYDRAULIC CYLINDER

Fig.	Code	QTY	Name
2	04356389	1	piston
3	04338821	1	piston
4	04356390	1	flange
5	02389863	1	ring
6	06208942	1	pin DIN 000915-M 6 X 10-45H
7	01136538	1	circlip DIN 007993-B 48
8	01136466	1	nut m 16 p.1.5 DIN 000980-VM16X1,5 - 8-A4C G WAXED
9	04324587	2	guard
10	04380942	1	cylinder

DEUTZ FAHR HYDROZYLINDER
HYDR.CYLINDER
CYLINDRE HYDRAUL.
CILINDRO HIDRAULICO

1805-30504 5428



HYDRAULIC STEERING GEAR - DRIVEN STEERING AXLE

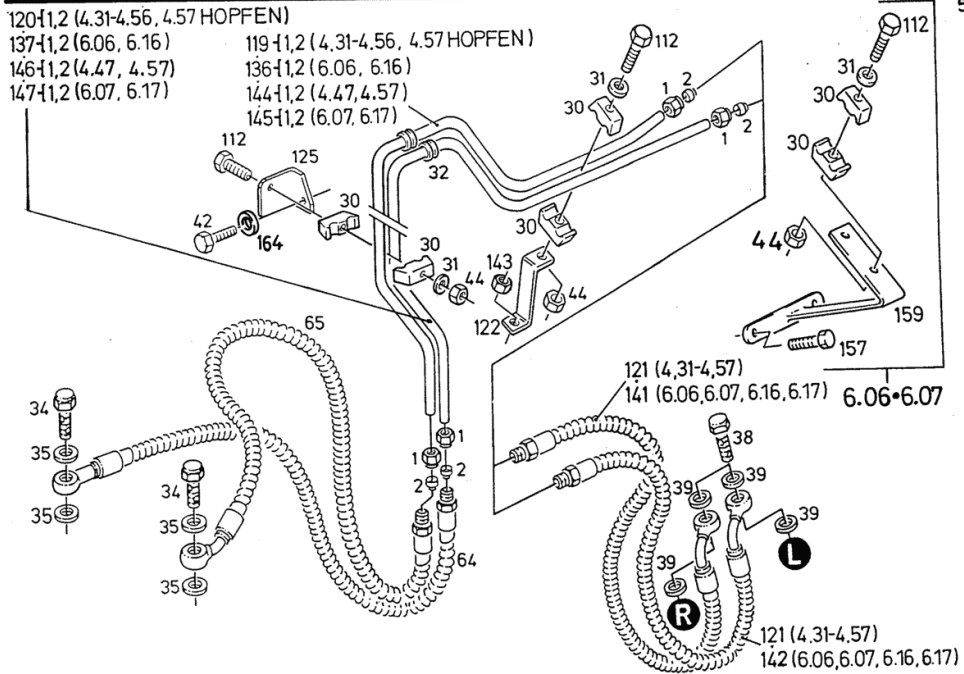
Fig.	Code	QTY	Name
146	04390357	1	pipng
147	04390363	1	pipng
157	01112264	1	screw m 6 x 20, d933 ISO 004017-M 6 X 20 - 8.8-A4C
159	04393200	1	consolle
164	01119817	1	washer DIN 009021- 6,4-140HV-A4C



HYDROLENKUNG
POWER STEERING
DIRECT HYDRO-ASSIS
DIRECCION HIDRAUL.

GETR. LENKACHSE
DRIVEN AXLE
ESSIEU DIRECTEUR
EJE MOTRIZ

1805-89 0504 5425



Section: GEARBOX, CLUTCH
OPERATION - DRIVING CLUTCH

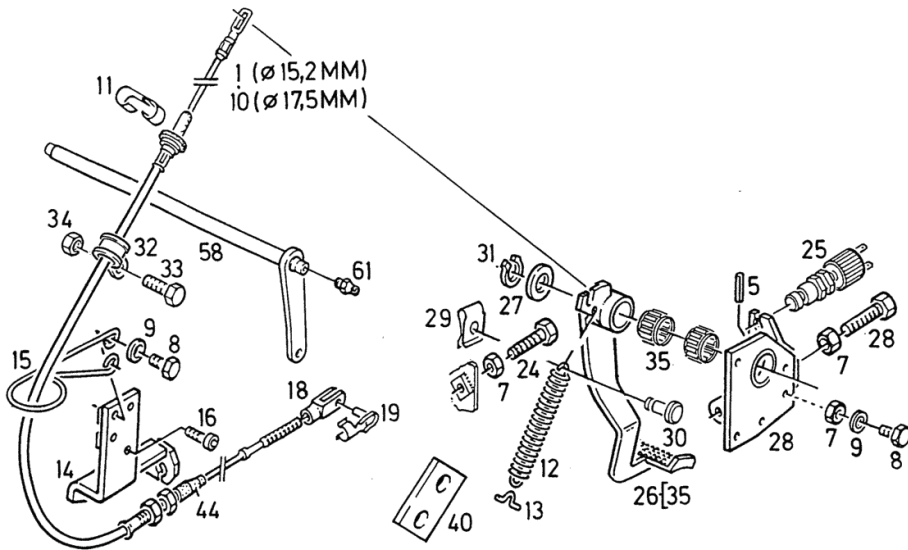
Fig.	Code	QTY	Name
35	01176436	2	pin H 004455-NH 25 X 32X20 -2RS
40	04402075	1	link
44	04340164	1	sleeve
58	04380663	1	clutch shaft
61	01168226	1	lubricator H 003360-SA10



BETÄTIGUNG FAHRKUPPLUNG
 CONTROL ASSEMBLY TRAVEL CLUTCH
 CDE D' ACTIONNEM EMBRAYAGE MARCHÉ
 ACCIONAMIENTO EMBRAGUE

1065 - 03 504 5317

3

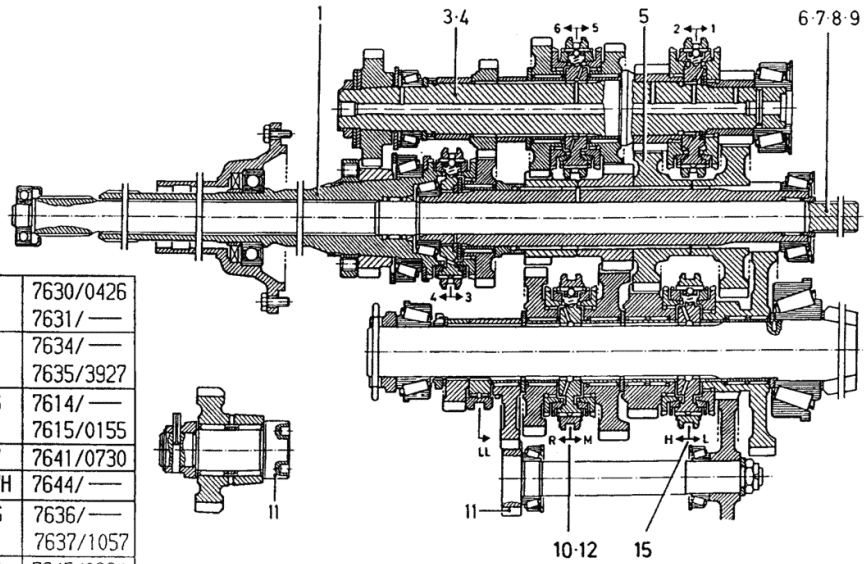
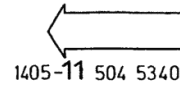


Section: GEARBOX, CLUTCH
GEAR CHANGE BOX

Fig.	Code	QTY	Name
------	------	-----	------

11	05043270	0	MAIN SHAFT R-M 91 MM 1405-11 504 5346 12.11.11 super reduction gear PART NUMBERS LISTING SHEET CREEP+REVERSE SPEED 1405-11 504 3270 12.11.17
5 12	05045489	0	main shaft PART NUMBERS LISTING SHEET 1405-11 504 5489 MAIN SHAFT R-M 110 MM 12.11.12
15	05046353	0	main shaft PART NUMBERS LISTING SHEET 1405-11 504 6353 12.11.15

DEUTZ FAHR
 WECHSELGETRIEBE
 TRANSMISSION
 BOITE DE VITESSES
 CAJA CAMBIO



4.31	7630/0426 7631/ —
4.51	7634/ — 7635/3927
4.56	7614/ — 7615/0155
4.57	7641/0730
4.57H	7644/ —
6.06	7636/ — 7637/1057
6.07	7645/0884
6.16	7638/0131
6.17	7646/0139

Section: GEARBOX, CLUTCH
INTERMEDIATE SHAFT 6 SPEED

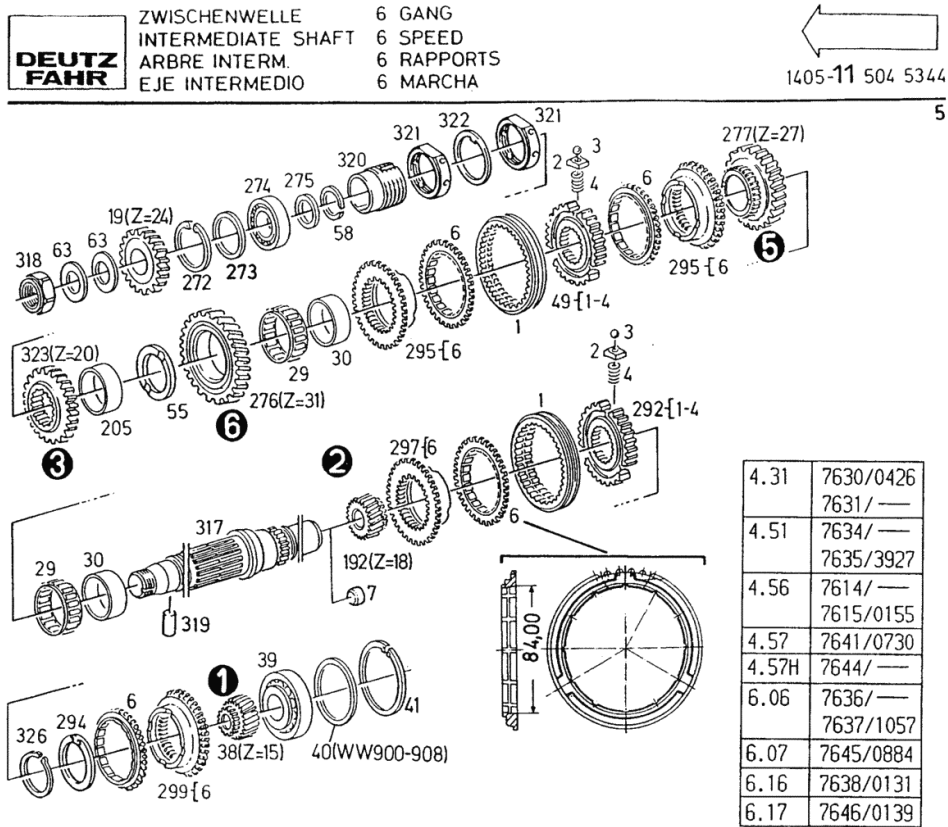


Fig.	Code	QTY	Name
1	04389151	1	sleeve IF PART NO LONGER VORRAETIG SEIN SOLLTE, IST ERSATZ: FOR 1ST. AND 2ND. SPEED (ITEM 292) GEAR SLE
2	02384247	3	controle panel IF PART NO LONGER VORRAETIG SEIN SOLLTE, IST ERSATZ: FOR 1ST. AND 2ND. SPEED (ITEM 292) GEAR SLE
3	01116954	3	ball DIN 005401- 6,500MM-III IF PART NO LONGER VORRAETIG SEIN SOLLTE, IST ERSATZ: FOR 1ST. AND 2ND. S
4	02387699	3	spring IF PART NO LONGER VORRAETIG SEIN SOLLTE, IST ERSATZ: FOR 1ST. AND 2ND. SPEED (ITEM 292) GEAR SLE
6	04377380	1	ring IF PART NO LONGER VORRAETIG SEIN SOLLTE, IST ERSATZ: FOR 1ST. SPEED (ITEM 299) COUPLING BODY 043
7	01165826	1	stop H 000711-B12
19	04401332	1	gear
29	01177126	1	workshop tool H 004455-NK 55 X 60X30 -TN/PA 66-GF-W
30	02383323	1	ring
38	04383370	1	gear
39	04334474	1	roller bearing
40	02387545	1	shim 0,50 MM
41	01107855	2	circlip 80 x 2.5 DIN 000472- 80X2,5
49	04390274	1	support

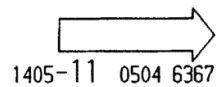
Section: GEARBOX, CLUTCH
MAIN SHAFT - H-L - GRAZIANO

Fig.	Code	QTY	Name
2	04391849	2	ring
3	04391850	1	sleeve
4	04391851	3	guide
5	04391839	3	spring
6	04391840	3	pin
7	04391853	1	clutch body
8	04391852	1	clutch body
55	04391136	3	shim
83	01177127	2	workshop tool H 004455-NK2 55 X 60X40 -TN/P A66-GF-W
86	04322381	1	ring
93	04383371	1	gear wheel CREEP SPEED
94	04383372	1	gear WITHOUT CREEP SPEED
95	04300597	1	roller bearing
96	04300627	1	shim 1,00 MM
97	04330198	1	ring
98	01105082	1	cylindrical plug ISO 002338- 4 M 6X 8
99	04322380	1	ring
168	04383248	1	gear
194	04346872	1	gear
282	01115399	1	pin ISO 008752- 2,5X 10
367	04391834	1	lock synchronizer
900	04300628	1	shim 1,10 MM
901	04300629	1	shim 1,20 MM
902	04300630	1	shim 1,30 MM
903	04300631	1	shim 1,40 MM
904	04300632	1	shim 1,50 MM
905	04300633	1	shim 1,60 MM
906	04300634	1	shim 1,70 MM
907	04300635	1	shim 1,80 MM

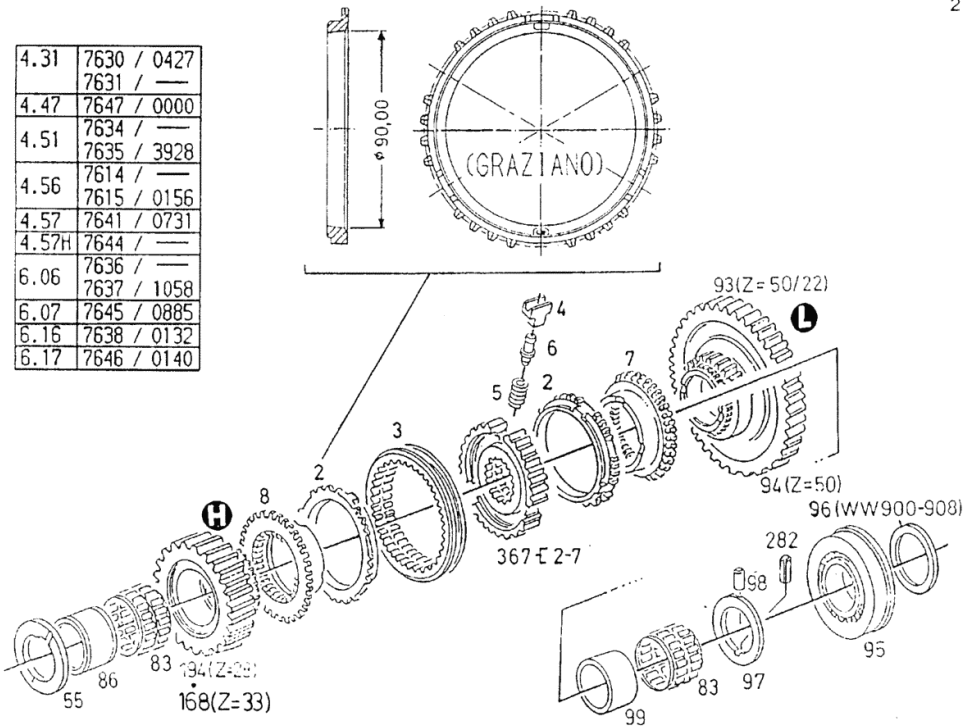


HAUPTWELLE
 MAIN SHAFT
 ARBRE PRINCIPAL
 EJE PRINCIPAL

H-L (GRAZIANO)

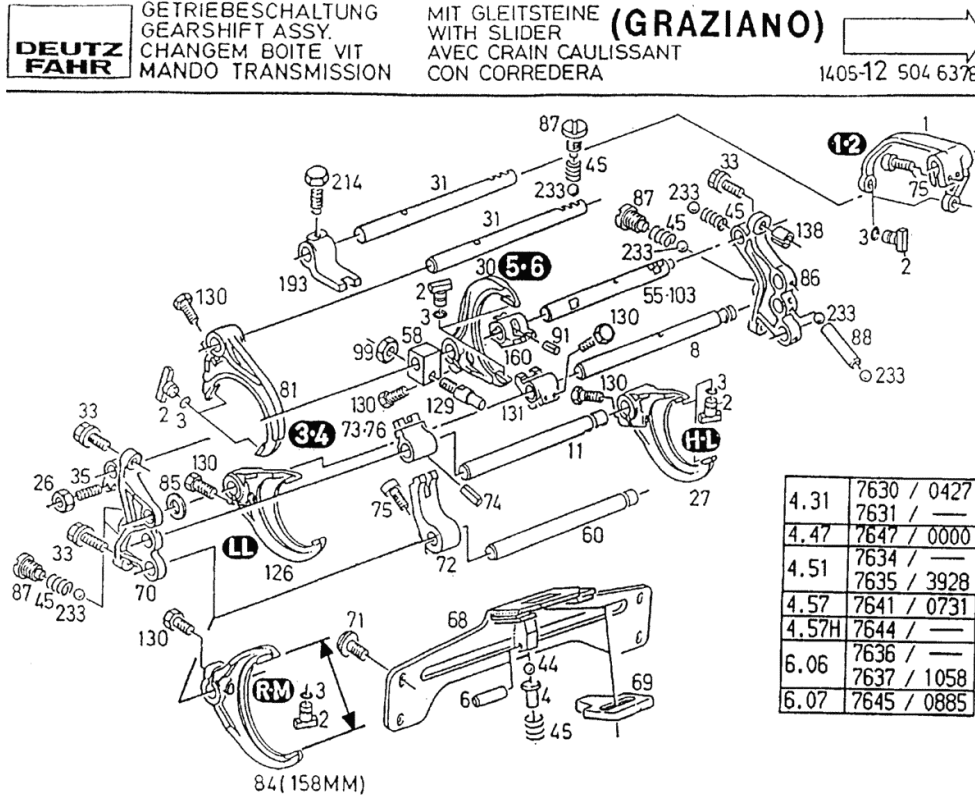


4.31	7630 / 0427 7631 / —
4.47	7647 / 0000
4.51	7634 / — 7635 / 3928
4.56	7614 / — 7615 / 0156
4.57	7641 / 0731
4.57H	7644 / —
6.06	7636 / — 7637 / 1058
6.07	7645 / 0885
6.16	7638 / 0132
6.17	7646 / 0140



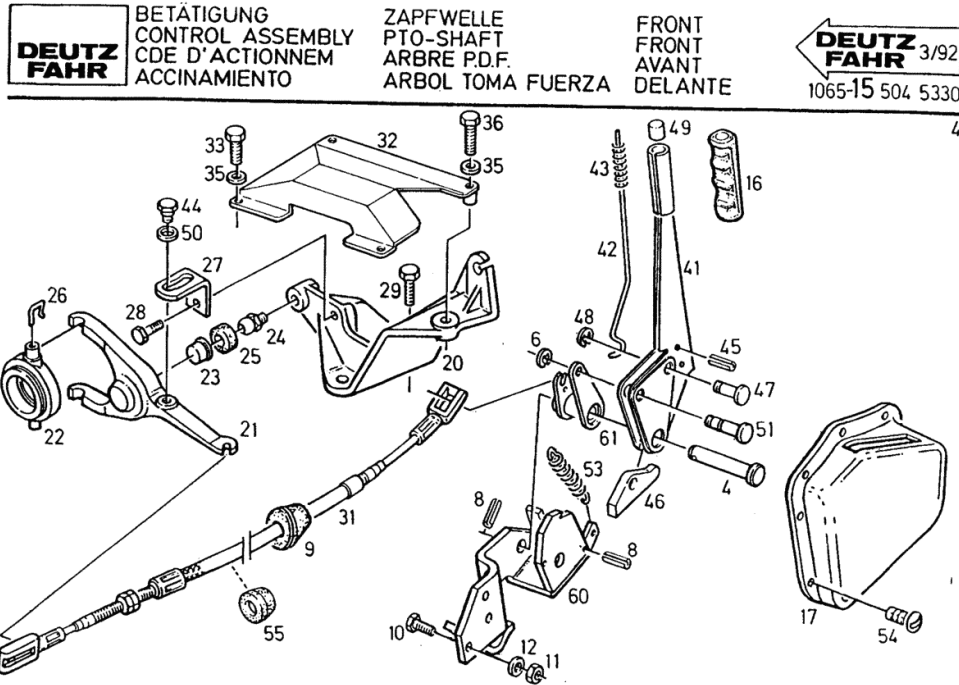
Section: GEARBOX, CLUTCH
GEAR SHIFT - WITH SLIDE RINGS - GRAZIANO

Fig.	Code	QTY	Name
1	04381375	1	fork
2	04390282	8	shoe
3	01169576	8	'o' ring H 002927- 7 X 1,5 -NBR-1-70
4	04386650	1	pin
6	01115409	1	pin
8	04389672	1	rod
11	04389674	1	rod
26	01112824	2	nut m 8, d934 ISO 004032-M 8 - 8-A4C
27	04381530	1	fork
30	04381858	1	fork
31	04371804	2	rod
33	01171278	4	screw H 002009-AM10X 40-12.9
35	01139915	1	pin DIN 000915-M 8 X 45-45H
44	01116956	1	ball DIN 005401- 8 MM-III
45	03386770	4	spring
55	04389668	1	rod
58	04389669	1	controle panel
60	04389673	1	rod
68	04386647	1	throttle slide
69	04332214	1	latch
70	04389692	1	guide
71	01163285	2	screw H 002009-AM10X 16-12.9
72	04332227	1	controle panel
73	04303285	1	controle panel CREEP SPEED
74	01115471	1	pin ISO 008752- 8 X 36
75	01173101	4	screw H 002091- 912-M 8 X 30- 10.9- A4C-MK-1,5D-BL
76	04332164	1	controle panel WITHOUT CREEP SPEED
81	04381520	1	fork
84	04391137	1	fork
85	04393057	1	washer
86	04389694	1	guide
87	04390293	4	screw



Section: GEARBOX, CLUTCH
OPERATION - FRONT P.T.O. SHAFT

Fig.	Code	QTY	Name
			DIN 006799- 8-A4C
49	04338409	1	push-button
50	01216119	1	washer 13x21x1,5
			H 002308-13 X21X1,5
51	04358764	1	pin
53	04359329	1	spring
54	01173920	6	screw
			H 002093- 7981-ST4,8X13-Z2-F
			-H
55	01172971	1	rubber bushing
			H 002928-N20-26 CR-SW
60	04368423	1	console
61	04368422	1	lever



Section: GEARBOX, CLUTCH

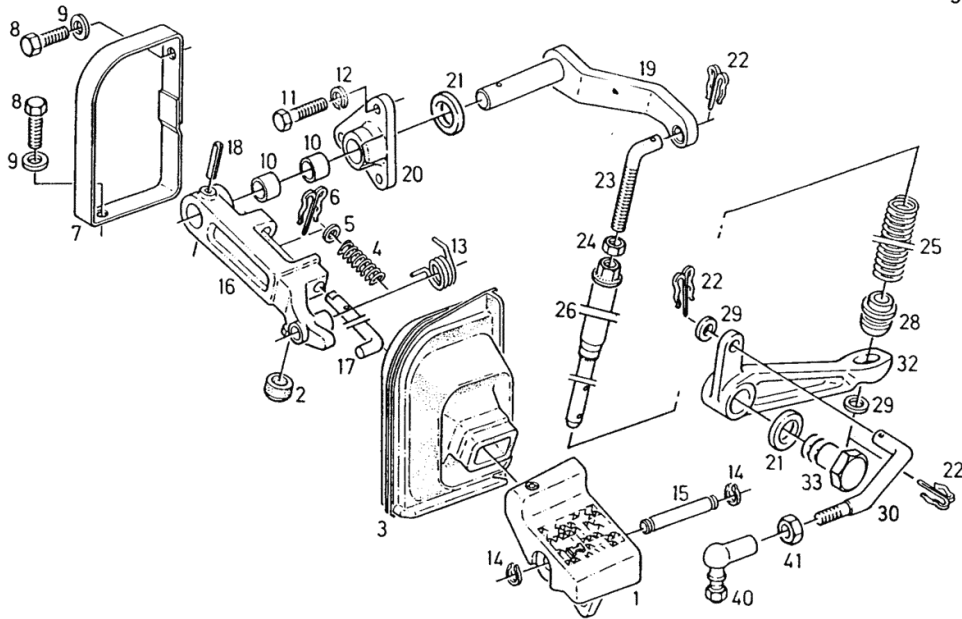
OPERATION - DIFFERENTIAL LOCK

Fig.	Code	QTY	Name
32	04380430	1	lever
33	02325621	1	pin
40	01127748	1	joint as16 d71802 DIN 071802-AS16 -A4C
41	01102659	1	nut m 10, d934 DIN 000934-M10 - 8-A4C

DEUTZ FAHR BETÄTIGUNG CONTROL ASSEMBLY CDE D'ACTIONNEM ACCIONAMIENTO AUSGLEICHSGETRIESPERRE DIFF. LOCK BLOCAGE DIFFERENTIEL BLOQUEO DIFERENC

1063-25 504 5322

3



Section: GEARBOX, CLUTCH
P.T.O. SHAFT - SINGLE STUB MODEL

DEUTZ FAHR ZAPFWELLE EINSTUMMELAUFSÜHRUNG
 PTO-SHAFT SINGLE STUB SHAFT
 ARBRE P.D.F. A UN BOUT D'ARBRE
 ARBOL TOMA FUERZA EJECUCION DE UN SOLO EJE TDF

1405-77 504 5564

540/750 U/MIN	750/1000 U/MIN	540/1000 U/MIN
36	99	36
101	52	52

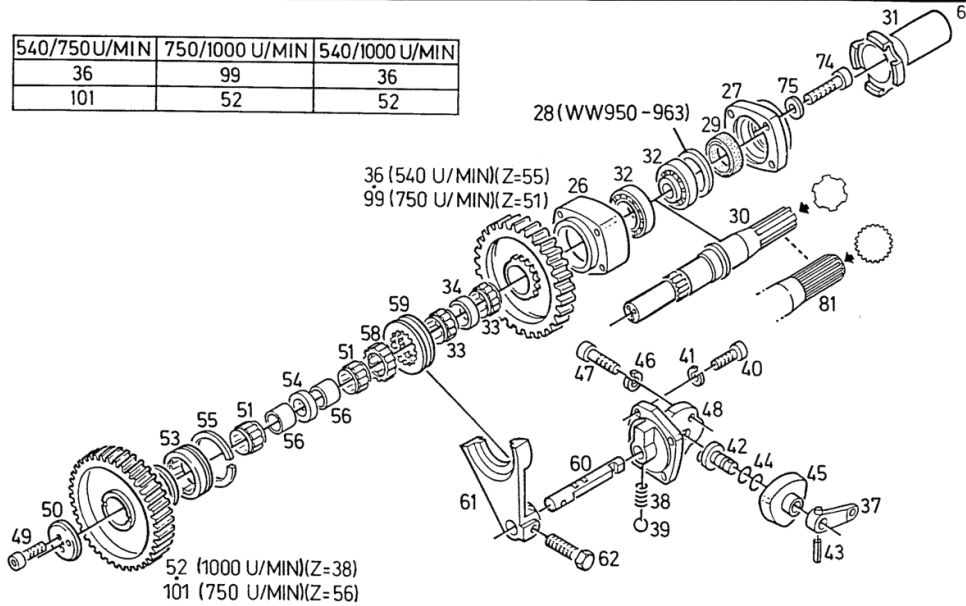


Fig.	Code	QTY	Name
55	01117455	1	circlip DIN 005417-SP 72
56	01137949	2	ring H 004455-IR 35 X 40X30
58	04336070	1	sleeve
59	04336071	1	sleeve
60	04341050	1	rod
61	04367346	1	fork
62	02315042	1	screw
74	01124775	4	screw DIN 000912- M10 X 75 - 8.8-A4 C
75	01107105	4	washer 10.5 DIN 000125-A10,5-140HV-A4C
81	04369330	1	p.t.o.shaft
99	04370800	1	gear
101	04385880	1	gear
950	02389704	1	shim 1,60 MM
951	02389705	1	shim 1,70 MM
952	02389706	1	shim 1,80 MM
953	02389707	1	shim 1,90 MM
954	02389708	1	shim 2,00 MM
955	02389709	1	shim 2,10 MM
956	02389652	1	shim 2,20 MM
957	02389653	1	shim 2,30 MM
958	02389654	1	shim 2,40 MM
959	02389655	1	shim 2,50 MM
960	02389656	1	shim 2,60 MM
961	02389657	1	shim 2,70 MM
962	02389658	1	shim 2,80 MM
963	02389659	1	shim

Section: GEARBOX, CLUTCH

P.T.O. SHAFT PROTECTOR - SINGLE STUB MODEL

Fig.	Code	QTY	Name
2	04372767	1	lamination
3	01112407	4	screw m 10 x 20, d933 DIN 000933-M10 X 20 - 8.8-A4C
4	01136453	4	nut m 10 DIN 000980-VM10 - 8-A4C GEWAC HST
6	04393780	1	small sump WITH AND WITHOUT PICK-UP-HITCH
7	04399860	1	lamination

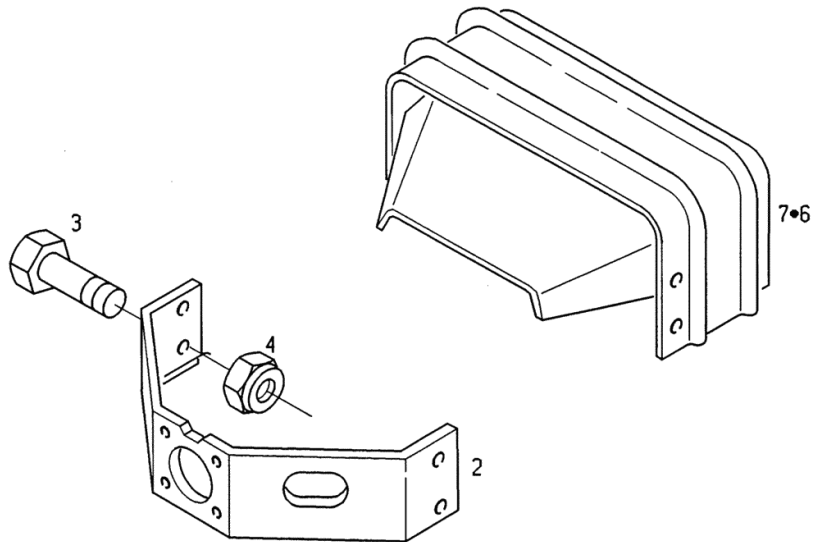


ZAPFWELLENSCHUTZ
PTO GUARD
GARDE PRISE FORCE
PROTEDC. TOMA FUERZA

EINSTUMMELAUFSUEHRUNG
SINGEL STUB SHAFT
A UN BOUT D'ARBRE
EJECUCION DE UN SOLO EJE T.D.F.

1905-77 0504 6872

0

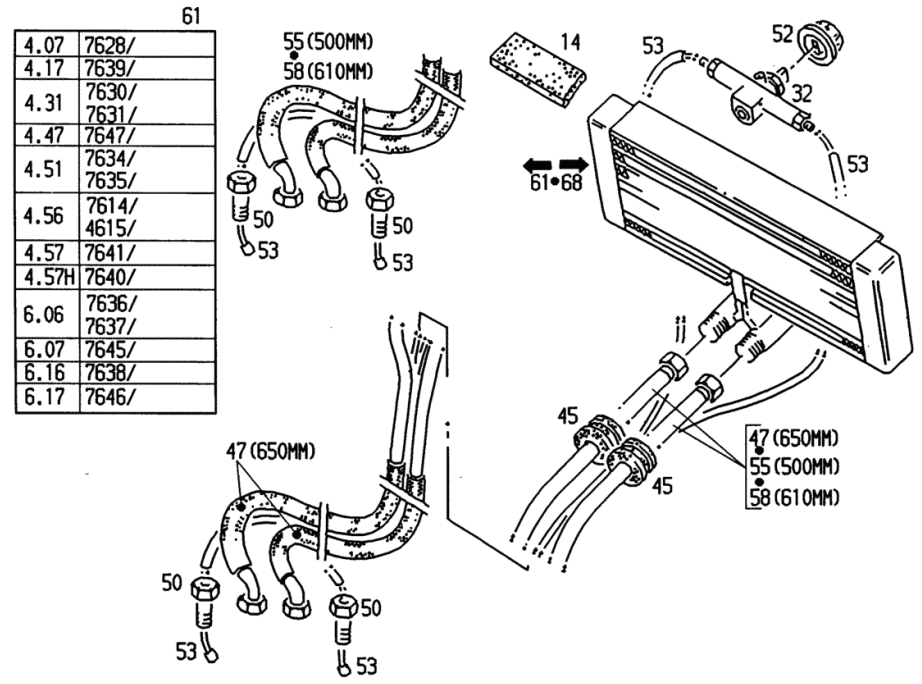


HEAT EXCHANGER

Fig.	Code	QTY	Name
14	01395139	1	lining H 843180-02-10
32	04339271	1	switch
45	01163643	2	rubber bushing H 002928-D21 X32 X 5 -GI DEUT Z 1
47	04380465	2	tube
50	04321014	2	screw
52	04345714	1	button
53	04344912	2	crate
55	04384896	2	flexible hose
58	04391344	2	tube
61	04375812	1	heat exchanger
68	04400561	1	heat exchanger

DEUTZ FAHR
 WAERMEAUSTAUSCHER
 HEAT EXCHANGER
 ECHANG. DE CHALEUR
 CAMBIADOR CALOR

1065-85 0504 5442



AgroPrima 4.56

HITCH

Hitch pin	
COTTER PIN.....	1A.11.1
Bracket, Drawbar	
BRACKET.....	1A.14.1
DEFLECTOR.....	1A.14.4
DRAWBAR WITH SMALL SWIVEL RANGE.....	1A.14.5
SUPPORTING FRAME FOR DRAWBAR WITH SMALL SWIVELLING RANGE.....	1A.14.6
DRAWBAR WITH SMALL SWIVEL RANGE.....	1A.14.7
PICK-UP-HITCH.....	1A.14.8
Towing clevis, Clevis	
CATCHING MOUTH.....	1A.32.1
CATCHING MOUTH.....	1A.32.2
FRONT DRAWBAR COUPLING.....	1A.32.3
Ballast carrier, Autom. trailer hitch	
BALLAST CARRIER.....	1A.62.1
REMOTE CONTROL FOR AUTOMATIC HITCHING.....	1A.62.3
DRAWBAR COUPLING AUTOM. SWIVELS OUT.....	1A.62.4
DRAWBAR COUPLING AUTOM. 10to.....	1A.62.5
Trailer hitch	
DRAWBAR COUPLING MECH.....	1A.63.1
DRAWBAR COUPLING MECH.....	1A.63.2

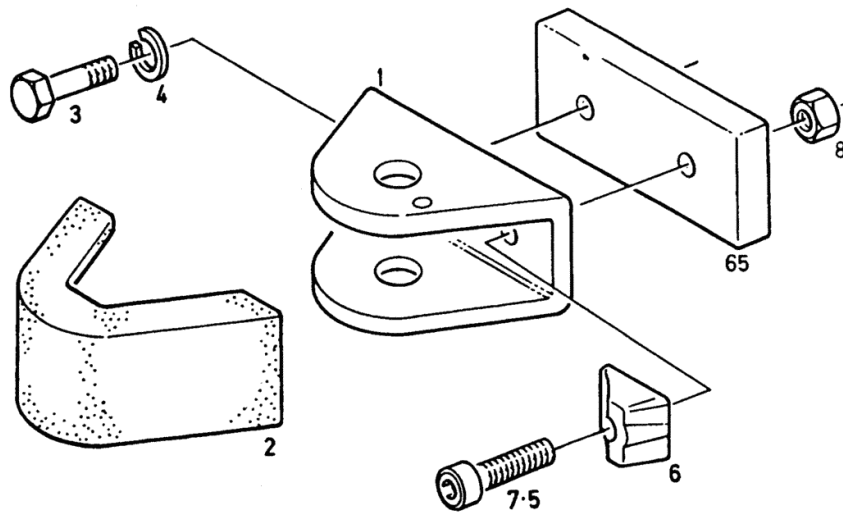
Section: HITCH
CATCHING MOUTH

Fig.	Code	QTY	Name
1	02377119	1	tow hook
2	02377120	1	tube
3	01112624	2	bolt
4	01102802	2	DIN 000933-M14 X 40 - 8.8-A4C washer 14.2
5	01110812	2	DIN 000128-A 14 -FST -A4C screw
6	04388687	2	DIN 000912- M14 X 40 -10.9-A4 C spacer
7	01124449	2	DIN 000912- M14 X 80 -10.9-A4 C screw
8	01112874	2	DIN 000934-M14 - 8-A4C stop m14 d934
65	04355688	1	shim

DEUTZ FAHR
 FANGMAUL
 CLEVIS
 BOUCHE DI ARRET
 BOCA ENCASTRE

1003-32 504 3930

4



AgroPrima 4.56

HYDRAULIC SYSTEM

Oil supply

OIL SUPPLY.....	14.01.1
OIL SUPPLY 19/11 CCM/H - BOSCH.....	14.01.4
HYDRAULIC PUMP 19/11 CCM/H - BOSCH.....	14.01.7
OIL SUPPLY.....	14.01.8

Oil reservoir, Remote Control

OIL TANK.....	14.04.1
---------------	---------

Aux. oil tank

ADDITIONAL OIL TANK.....	14.05.1
--------------------------	---------

Hydr. main contr: unit

CONTROL DEVICE.....	14.06.1
---------------------	---------

Hydraulic lift, Electronic. power lift control

POWER LIFT.....	14.08.1
POWER LIFT.....	14.08.2
POWER LIFT.....	14.08.3
INTAKE FILTER.....	14.08.4
BLEEDING TUBE.....	14.08.5
REMOTE CONTROL - POWER LIFT.....	14.08.6
REMOTE CONTROL - POWER LIFT.....	14.08.7
OPERATION.....	14.08.9
POWER LIFT.....	14.08.10
POWER LIFT.....	14.08.11
POWER LIFT.....	14.08.12
POWER LIFT.....	14.08.15
LIFTING ARM RIGHT.....	14.08.16
LIFTING ARM LEFT.....	14.08.17
POWER LIFT.....	14.08.19
POWER LIFT - HYDRAULIC CYLINDER.....	14.08.22
ELECTRONIC - LIFTING GEAR CONTROL.....	14.08.23
ELECTRONIC - LIFTING GEAR CONTROL.....	14.08.24
ELECTRONIC - LIFTING GEAR CONTROL.....	14.08.25
ELECTRONIC - LIFTING GEAR CONTROL.....	14.08.26
ELECTRONIC - LIFTING GEAR CONTROL.....	14.08.27
ELECTRONIC - LIFTING GEAR CONTROL.....	14.08.28
ELECTRONIC - LIFTING GEAR CONTROL.....	14.08.29

Front power lift

FRONT HYDRAULIC POWER-LIFT.....	14.09.1
UPPER LINK FRONT POWER LIFT.....	14.09.2
FRONT HYDRAULIC POWER-LIFT.....	14.09.3
FRONT HYDRAULIC POWER-LIFT.....	14.09.4

Three-point hitch

Section: HYDRAULIC SYSTEM
OIL SUPPLY

**DEUTZ
FAHR**
ÖLVERSORGUNG
OIL SUPPLY
ALIMENTATION HUILE
ABASTECIM. ACEITE

1963-01 504 5418

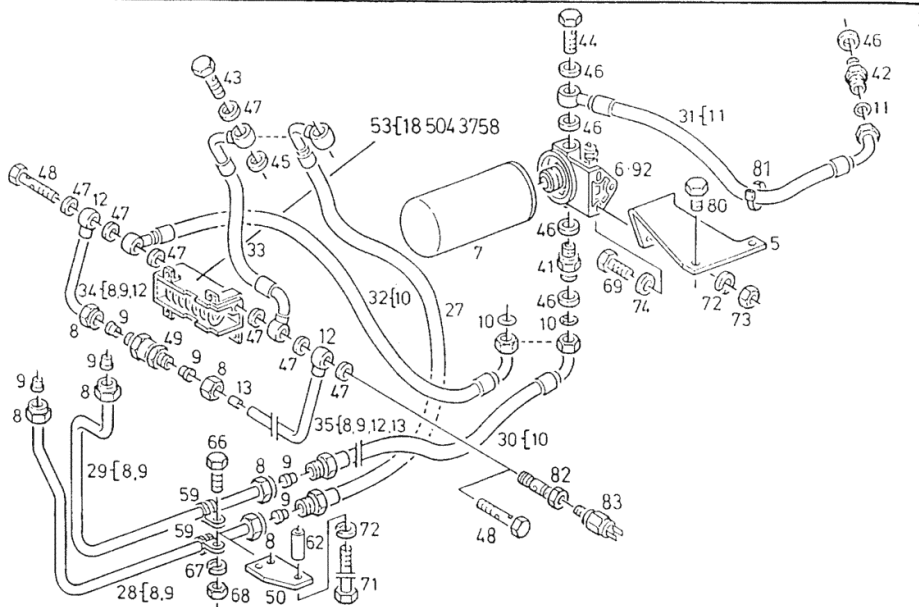


Fig.	Code	QTY	Name
5	04379693	1	console
6	04331843	1	filter
7	04399525	1	filter
8	01179540	2	nut cl 15 h3105 H 003105- CL15 -STF55 -A3C GE WAXED
9	01116626	2	ring H 003107-F L15-ST
10	01162327	1	ring H 002927- 13 X 2 -FPM-1-70
11	01175614	1	'o' ring H 002927- 16 X 2 -FPM-1-70
12	01179517	1	ring H 003101-D15-ST
13	01170620	1	pin H 003111-C13-ST
27	04380630	1	tube
28	04385984	1	tube
29	04341998	1	tube
30	04342013	1	filter
31	04393975	1	tube
32	04380838	1	tube
33	04380627	1	tube
34	04354926	1	pipng
35	04380926	1	pipng
41	01173208	1	tongue H 003132-AM22X1,5X15-A4C
42	01136638	1	fuse DIN 003901-L 18A-M-ST-A4C
43	01119252	2	screw H 003102-D15 M-ST-A4C
44	01137278	1	screw H 003102-D18 M-ST-A4C
45	01118718	2	ring 18 x 24 DIN 007603-A 18 X 24 -CU
46	01173526	4	ring 22.7 x 30 x 2 H 002905-U 22,7X30 X2 -W1
47	01171518	9	'o' ring H 002905-U 18,7X26 X1,5 -W1
48	01173073	2	pipe union H 003103-A15M-A4C
49	04355527	1	valve
50	04344158	1	console
53	05043758	0	oil cooler

Section: HYDRAULIC SYSTEM
POWER LIFT



KRAFTHEBER
HYDRAULIC LIFT
BLOC DE RELEVAGE
ELEVADOR HIDRAUL.

1963-08 0504 6335

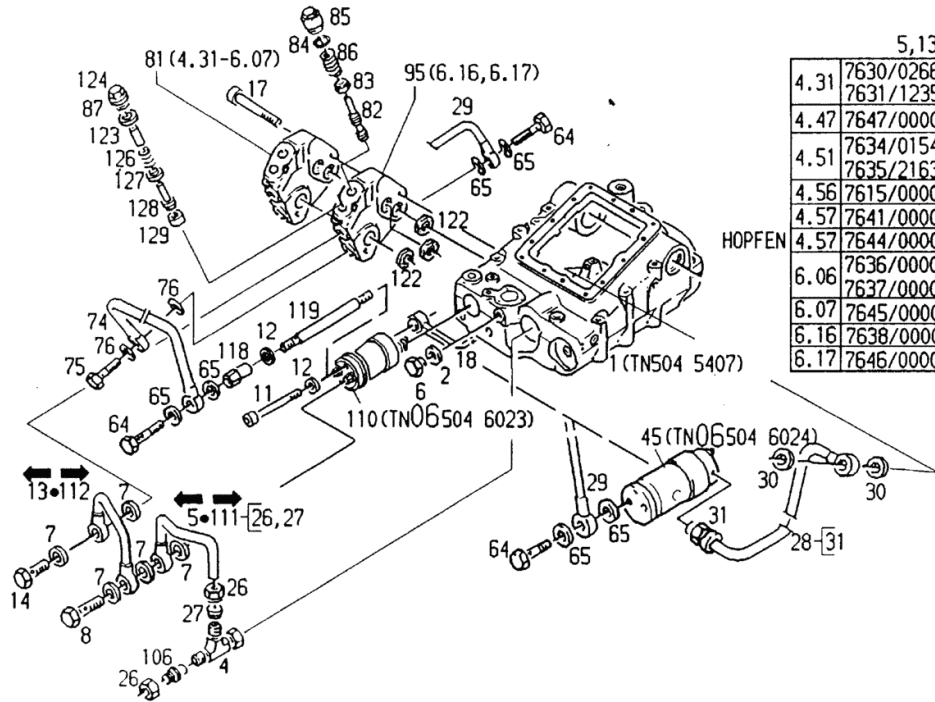


Fig.	Code	QTY	Name
1	05045407	0	hydraulics housing ☞ 14.08.3
2	01118713	2	washer 18.5 DIN 007603-A 18 X 22 -CU
4	01173028	1	pipe fitting AL 12 H 003127-AL12-ST-A4C
5	04337502	1	tube
6	01118971	1	screw DIN 007604-AM18X1,5 -ST-A4C
7	01172949	5	'o' ring 16.7 H 002905-U 16,7X24 X1,5 -W1
8	01178628	1	pipe union H 003103-A12M-A4C
11	01123702	1	screw DIN 000912- M 8 X120 - 8.8-A4 C
12	03401325	1	'o' ring
13	04340912	1	tube
14	01137064	1	pipe union m 16 p.1.5 H 003102-D12 M-ST-A4C
17	01126928	2	screw DIN 000912- M10 X 45 -10.9-A4 C
18	04341076	1	tube
26	01179539	1	nut CL 12 H310 H 003105- CL12 -STF55 -A3C GE WAXED
27	01116637	1	ring H 003107-F S12-ST
28	02389063	1	tube
29	04393898	1	tube
30	01118659	3	'o' ring DIN 007603-A 10 X 13,5-CU
31	04303476	1	screw
45	05046024	0	distributor ☞ 14.06.2
64	01119237	1	pipe union DIN 007643 6-4-A3C
65	01178939	2	'o' ring H 002905-U 10,7X16 X1,5 -W1
74	04387596	1	tube
75	01119241	1	pipe union m 12 p.1.5 H 003102-D 8 M-ST-A4C
76	01213282	2	gasket

Section: HYDRAULIC SYSTEM
POWER LIFT



KRAFTHEBER
HYDRAULIC LIFT
BLOC DE RELEVAGE
ELEVADOR HIDRAUL.

1963-08 0504 5413

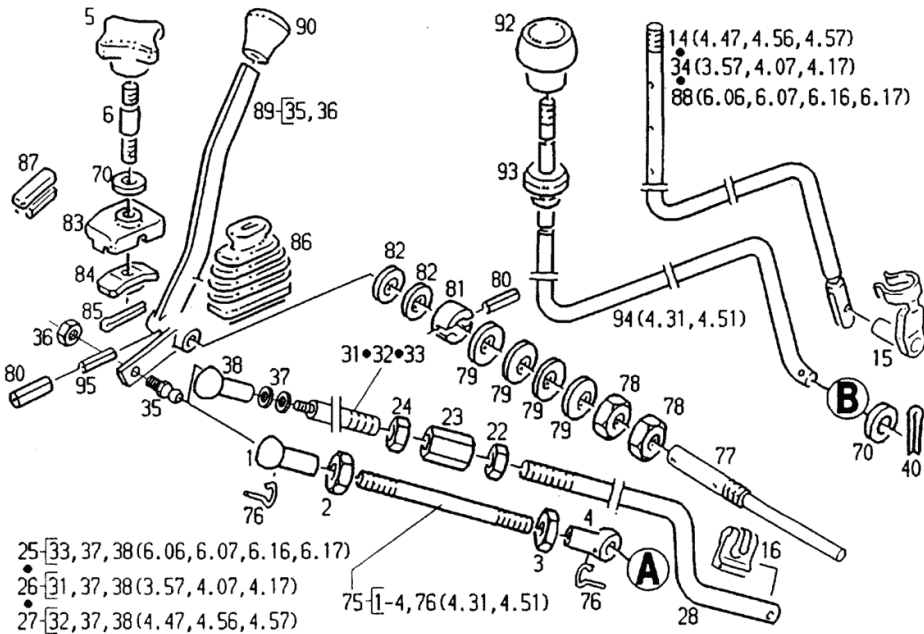


Fig.	Code	QTY	Name
1	01173814	1	fixing locator H 003604-B 10/1
2	01112813	1	nut m 6 DIN 000934-M 6 - 8-A4C
3	01112819	1	nut m 6 ISO 004032-M 6 LH - 8-A4C LEFT-HAND THREAD
4	04310279	1	fixing locator LEFT-HAND THREAD
5	01137111	1	knob DIN 006335-K 40
6	01130706	1	screw DIN 000939-M 8 X 30 S- 8.8-A4 C
14	04391269	1	rod
15	01177895	1	pin H 002711- 5X20-A4C
16	01175725	1	small spring 6, d128 H 002205-L 6 -FE/ZN12CC
22	01102659	1	nut m 10, d934 DIN 000934-M10 - 8-A4C
23	01130738	1	nut DIN 001479-SP M10- 6-A4C
24	01112850	1	nut DIN 000934-M10 LH - 8-A4C
25	04392365	1	rod
26	04392363	1	rod
27	04392364	1	rod
28	04390823	1	rod
31	04392367	1	rod
32	04392368	1	rod
33	04392369	1	rod
34	04391594	1	rod
35	01125410	1	cap DIN 071803-A10-ST -A4C
36	01112813	1	nut m 6 DIN 000934-M 6 - 8-A4C
37	01107095	2	washer 6.4 DIN 000125-A 6,4-140HV-A4C
38	01124184	1	fixing locator DIN 071805-B10 -A4C
40	01132628	2	split pin 3.2 x 25 DIN 000094- 3,2X 25-ST-A4C
70	01107101	3	washer 8.4

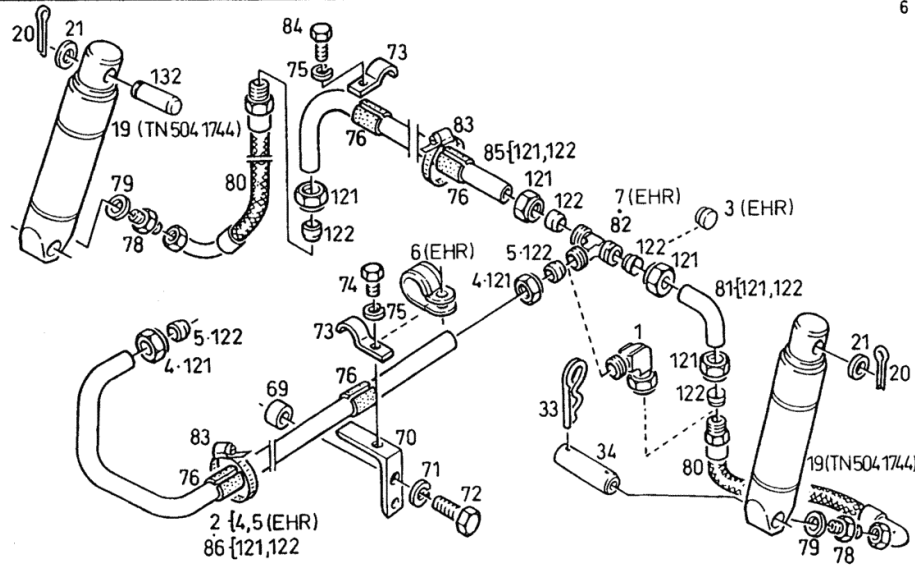
Section: HYDRAULIC SYSTEM
POWER LIFT

DEUTZ FAHR
 KRAFTHEBER
 HYDRAULIC LIFT
 VERIN HYDRAULIQUE
 ELEVADOR HIDRAUL.

1905-08 504 1729

6

Fig.	Code	QTY	Name
83	01173966	1	hose clip 12-20 H 003461-B 9 C 12- 20-W1
84	01103316	1	screw m 6 p.1.0 x 16 ISO 004017-M 6 X 16 - 8.8-A4C
85	04323189	1	pipng
86	04365259	1	pipng
121	01179539	2	nut CL 12 H310 H 003105- CL12 -STF55 -A3C GE WAXED
122	01116637	2	ring H 003107-F S12-ST
132	04306796	1	pin



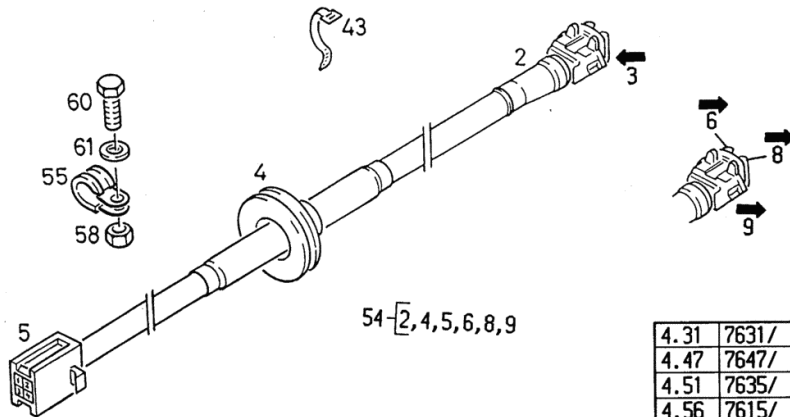
ELECTRONIC - LIFTING GEAR CONTROL

Fig.	Code	QTY	Name
2	04364444	1	tube
3	04364443	1	socket
4	04305925	1	sleeve
5	04364453	1	connection
6	04190848	1	gasket
8	04190851	1	gasket
9	04190847	1	box
43	01172065	6	clamp 4.6 x 146 H 007672-G 146X 4,6
2	54	1	cable
55	01172129	1	terminal B8X15 H 003223-B 8X15-W1/CR70-10
58	01112813	1	nut m 6 DIN 000934-M 6 - 8-A4C
60	01103316	1	screw m 6 p.1.0 x 16 ISO 004017-M 6 X 16 - 8.8-A4C
61	01119810	1	washer 6.4 DIN 009021- 6,4-100HV-A4C



ELEKTRONISCHE HUBWERKREGELUNG
ELECTRONIC POWER LIFT CONTROL
ELECTRONIQUE CONTRÔLE RELEVAGE
ELECTROTECN. CONTROL ELEVADOR

1963-08 0504 6320



54 [2,4,5,6,8,9

4.31	7631/
4.47	7647/
4.51	7635/
4.56	7615/
4.57	7641/
4.57H	7644/
6.06	7637/
6.07	7645/
6.16	7638/
6.17	7646/

THREE-POINT COUPLING STABILIZATION -YLOE

Fig.	Code	QTY	Name
			C
73	01112803	1	nut m 5, d934 ISO 004032-M 5 - 8-A4C
74	04003558	1	bracket
75	01122071	1	split pin DIN 000094- 5 X 28-ST-A4C
76	01116920	1	ring DIN 005296-A25X2,6-ST -FE/ZN1 2CC
77	04311054	1	pin
80	01216118	4	washer H 002308-18 X25X1,5
81	01143170	4	screw ISO 004014- M16 X105 - 10.9-G BLACKENED
82	04376488	2	support
83	04376454	1	pin
90	01173143	2	clamp 4,6x280 H 007672-G 280X 4,6
91	04322508	2	ring
92	01404861	2	chain DIN 005686-2,5X 350-FE/ZN12CC

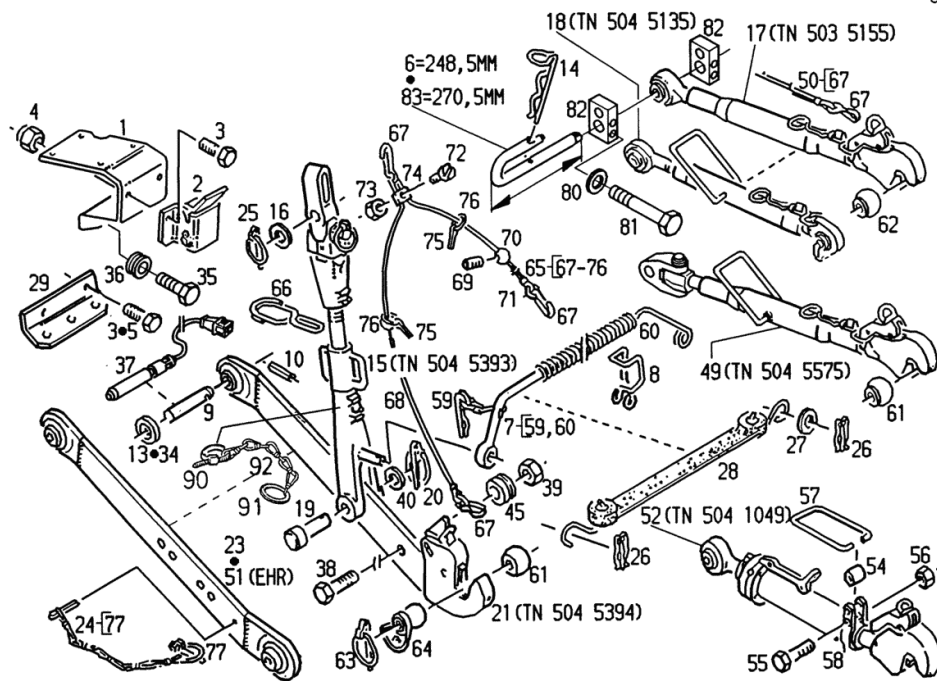


DREIPUNKTKUPPLUNG
3-POINT LINKAGE
ATTELAGE TROIS PTS
ACOPLAM 3 PUNTOS

STABILISIERUNG
STABILIZATION
STABILISATION
ESTABILIZACION

(YLOE)

1963-11 0504 5392



Section: HYDRAULIC SYSTEM
SPACER - WALTERSCHEID

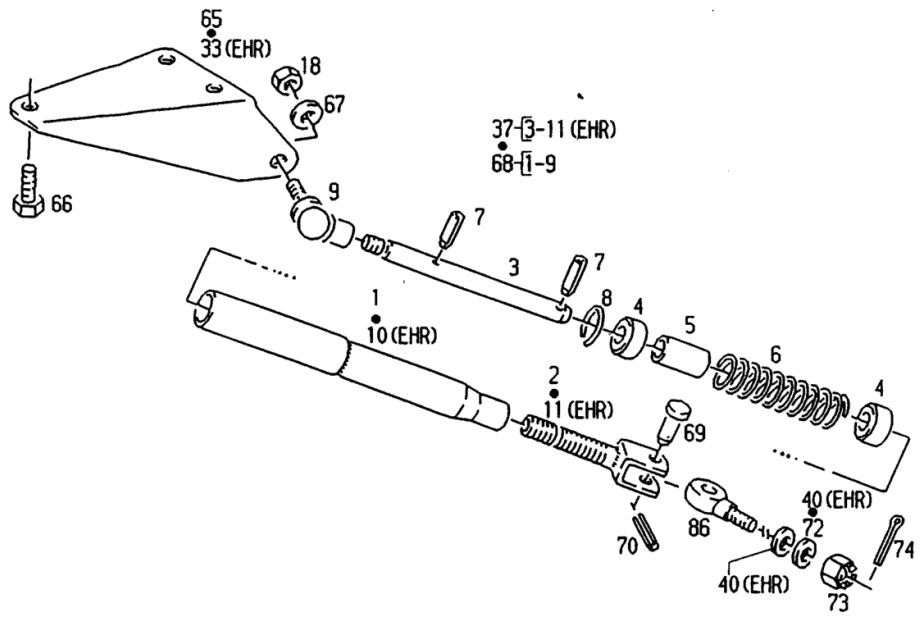


ABSTANDHALTER
 SUPPORT
 SUPPORT
 SOPORTE

WALTERSCHEID

1905-11 0504 5398 8

Fig.	Code	QTY	Name
1	04376034	1	sleeve
2	04376035	1	fork
3	04376036	1	guide
4	04376037	2	guide
5	04376038	1	bushing
6	04376039	1	spring
7	04376040	2	pin
8	01151387	1	ISO 008748- 5 X 20-ST
9	01102265	1	circclip DIN 007993-B 30
10	04388290	1	joint DIN 071802-AS19
11	04388291	1	sleeve
18	01100169	1	fork
33	04375552	1	nut DIN 000934-M14 X1,5 -10-A4C
37	04397041	1	shim
40	01137885	3	support washer ISO 008738-18-ST50-A4C
65	04375552	1	shim
66	01112683	3	screw m 16 x 40 ISO 004017-M16 X 40 -M10.9-A4 C
67	01174739	1	washer H 000995-14,5X28X 6- 8.8 -A4C
68	04376208	1	support
69	01143124	1	pin ISO 002341-B 18A11X 50 -ST50-2-A4C
70	01115438	1	pin DIN 001481- 5 X 28-A4C
72	01151005	1	washer 18 DIN 000125- 19 -200HV
73	01113267	1	castellated nut DIN 000937-M18X1,5 -22H-A -ZN PHRF
74	01126649	1	split pin 4.0 x 32 DIN 000094- 4 X 32-ST-A4C
86	04378871	1	screw



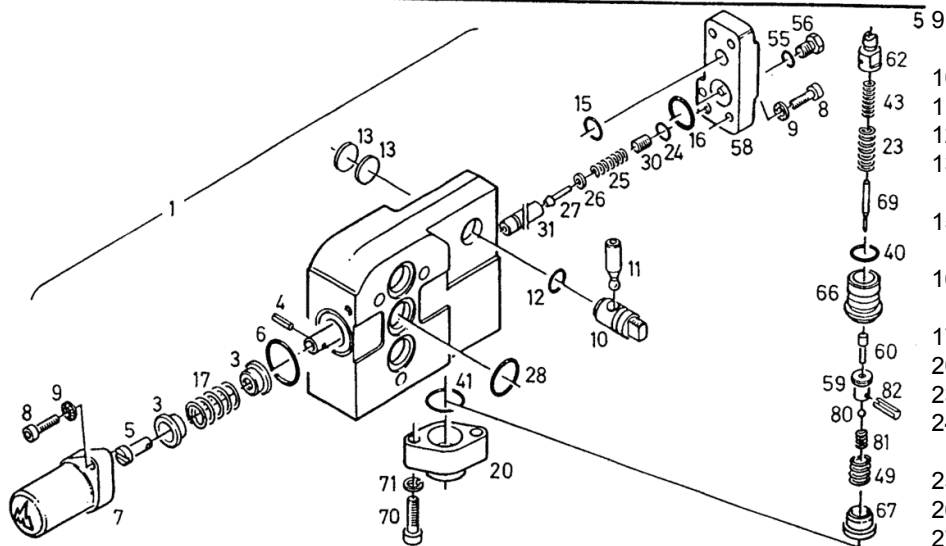
INTERMEDIATE DEVICE I - VALVE SEALED

Fig.	Code	QTY	Name
1	04358546	1	distributor
3	04311453	2	cup
4	01115405	1	pin ISO 008752- 3 X 12
5	04311451	1	pin
6	01173499	1	'o' ring 32X2,5 H 002927- 32 X 2,5 -NBR-1-70
7	04321775	1	cover
8	01110519	6	screw DIN 000912- M 6 X 22 - 8.8-A4 C
9	01167194	6	washer H 002203- 6
10	04321776	1	shaft
11	04323193	1	pin
12	04337490	1	'o' ring
13	01137303	2	washer DIN 000470- 18-ST-A4C
15	01173127	1	'o' ring H 002927- 16 X 2,5 -NBR-1-70
16	01173119	1	'o' ring H 002927- 24 X 2,5 -NBR-1-70
17	04336773	1	spring
20	04336679	1	cover
23	04335622	1	spring
24	01173907	1	'o' ring H 002927- 12 X 2 -NBR-1-70
25	04324630	1	spring
26	04324607	1	washer
27	04371914	1	needle
28	04308375	3	'o' ring
30	04383663	1	pin
31	04349388	1	valve seat
40	04337553	1	'o' ring
41	04337554	1	'o' ring
43	04337488	1	spring
49	04345006	1	spring
55	01118647	1	'o' ring 8x11,5 d7603 DIN 007603-A 8 X 11,5-CU
56	01134045	1	screw cm 8x1 d 7604 DIN 007604-CM 8X1 -ST-A4C
58	04346995	1	cover
59	04346168	1	valve
60	04346171	1	cap



ZWISCHENGERÄT 1 VENTILGEDICHTET
 INTERMEDIATE UNIT 1 SEALING VALVE
 DISTRIBUTEUR INT 1 OPTURE PAR CLAPET
 APTO MANDO INTERM 1 CON HERMETIZAC. POR VALV.

1805-40504 3749



Section: HYDRAULIC SYSTEM

HYDR. CONTROL - FRONT POWER LIFT

DEUTZ FAHR HYDR. STEUERUNG
HYDRAULIC CONTROL
CONTROLE HYDRAUL.
MANDO HIDRAULICO

FRONTKRAFTHEBER
FRONT LIFT
RELEVAGE FRONTAL
ELEVADOR DELANTERO

1805-88 0504 4671

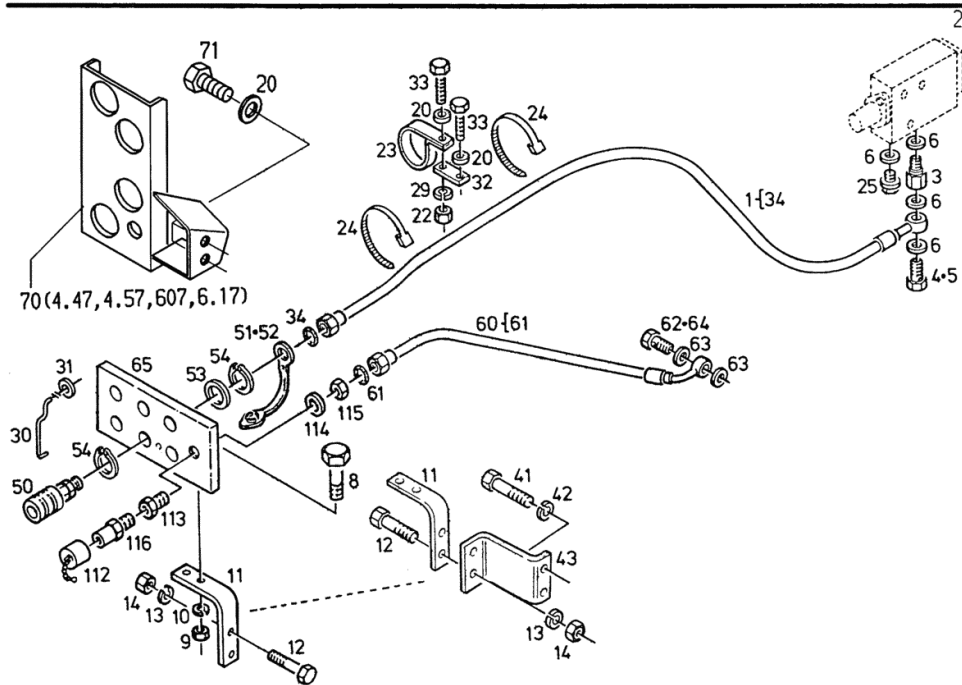


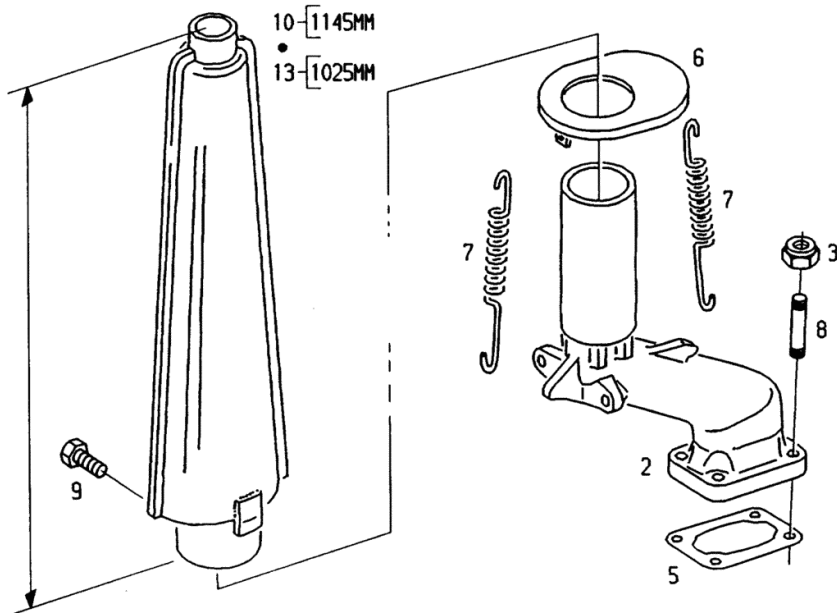
Fig.	Code	QTY	Name
43	04380918	1	rotor blade
50	04327905	1	socket
51	04352705	1	pin RED
52	04352707	1	pin YELLOW
53	04333969	1	washer
54	01137338	2	circlip DIN 000471- 38X1,75-A4C
60	04363188	1	tube
61	01162327	1	ring H 002927- 13 X 2 -FPM-1-70
62	01176460	1	pipe union H 003103-A18M-A4C
63	01173526	2	ring 22.7 x 30 x 2 H 002905-U 22,7X30 X2 -W1
64	01137278	1	screw H 003102-D18 M-ST-A4C
65	04363187	1	support
70	04400756	1	rotor blade
71	01112307	2	screw m 8 p.1.25 x 15, d933 ISO 004017-M 8 X 16 - 8.8-A4C
112	04345654	1	dust guard
113	04345652	1	pipe fitting
114	01107127	1	washer DIN 000125-A23 -140HV-A4C
115	01137633	1	nut m 22 x 1.5
116	04363181	1	union nut DIN 080705-M 22X1,5-A4C

Section: MOTOR SUPPLY
EXHAUST SYSTEM

**DEUTZ
FAHR**
 AUSPUFFANLAGE
 EXHAUST SYSTEM
 SYSTEME D'ÉCHAPPMT
 SISTEMA ESCAPE

1036-44 0504 1873

Fig.	Code	QTY	Name
2	04336272	1	exhaust manifold
3	01136452	4	nut vm 8 d980 DIN 000980-VM 8 - 8-A4C GEWAC HST
5	04378888	1	gasket
6	04343358	1	cover
7	02245269	2	spring
8	01113399	4	screw DIN 000939-M 8 X 35 - 8.8-A4C
9	01143955	1	screw DIN 000933-M10 X 20 -CUZN40AL 2F59
10	04385385	1	silencer
13	04382972	1	exhaust silencer



CLICK HERE TO **DOWNLOAD** THE COMPLETE MANUAL

- Thank you very much for reading the preview of the manual.
- You can download the complete manual from: www.heydownloads.com by clicking the link below



- Please note: If there is no response to CLICKING the link, please download this PDF first and then click on it.

CLICK HERE TO **DOWNLOAD** THE COMPLETE MANUAL