

## AGROPLUS 320 F -> 5001

### V0 - BALLAST, TOWING HITCHES

#### FRONT HITCHES

FRONT TOWING HITCH..... V0.01.0 (1)

#### REAR HITCHES

SUPPORTS..... V0.02.2 (1)

PIN FOR REAR TOW HOOK..... V0.02.3 (1)

REAR TOWING HITCH..... V0.02.4 (1)

REAR SWINGING TOWING-HITCH..... V0.02.5 (1)

REAR TOWING HITCH BRACKET..... V0.02.7 (1)

DRAWBAR COUPLING CUNA - cat. C..... V0.02.9 (1)

DRAWBAR COUPLING CEE Ø 31..... V0.02.10 (1)

DRAWBAR COUPLING CUNA - cat. D2..... V0.02.13 (1)

DRAWBAR COUPLING CEE..... V0.02.14 (1)

AUTOMATIC DRAWBAR COUPLING CEE Ø 31..... V0.02.16 (1)

DRAWBAR COUPLING CEE..... 0.017.0233.3.A

AUTOMATIC DRAWBAR COUPLING CEE Ø 31..... 0.017.0234.3.A

DRAWBAR COUPLING CUNA - cat. D2..... 0.017.0235.3.A

DRAWBAR COUPLING CUNA - cat. C..... 0.017.0236.3.A

#### FRONT BALLAST WEIGHTS

FRONT WEIGHT CARRIER..... V0.03.1 (1)

FRONT BALLAST..... V0.03.4 (1)

FRONT BALLAST KG. 70..... V0.03.5 (1)

FRONT BALLAST KG. 250..... V0.03.6 (1)

BALLAST LOCK BAR mm 30x780..... V0.03.7 (1)

CLICK HERE TO **DOWNLOAD** THE COMPLETE MANUAL

- Thank you very much for reading the preview of the manual.
- You can download the complete manual from: [www.heydownloads.com](http://www.heydownloads.com) by clicking the link below



- Please note: If there is no response to CLICKING the link, please download this PDF first and then click on it.

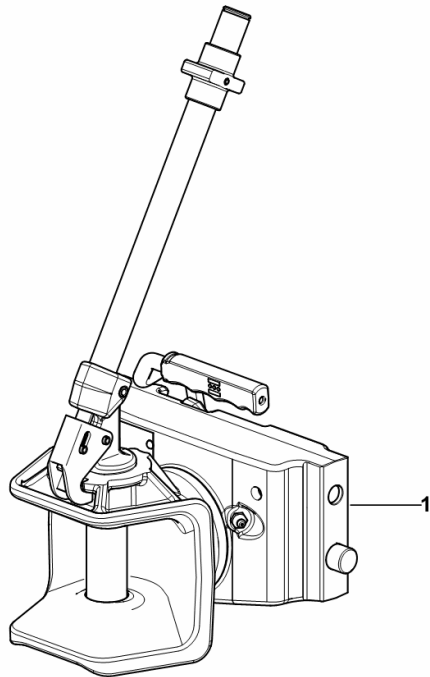
CLICK HERE TO **DOWNLOAD** THE COMPLETE MANUAL

**DRAWBAR COUPLING CEE**

Fig.	Code	QTY	Name
------	------	-----	------

Notes:  
[AGROPLUS 320 F -> ZKDP2402W0TD05001]

1	0.017.0233.3	1	clevis CBM - CEE ☞ 0.017.0233.3
---	--------------	---	------------------------------------



9\_P2531\_65\_0-A-001

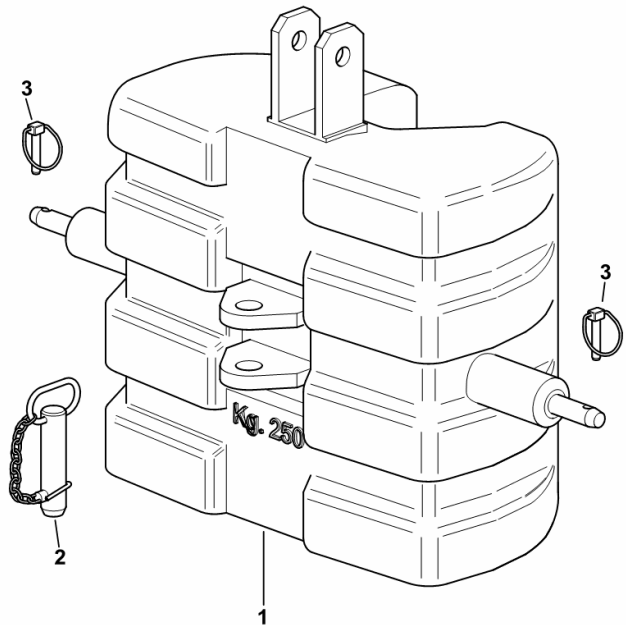
**FRONT BALLAST KG. 250**

Fig.	Code	QTY	Name
------	------	-----	------

**Notes:**

[AGROPLUS 320 F -> ZKDP2402W0TD05001]

1	0.010.4553.3/10	1	ballast KG. 250
2	0.96309.51.3	1	pin Ø 32
3	0.010.9322.4	2	pin Ø 11



9\_64852\_60\_0-A-001

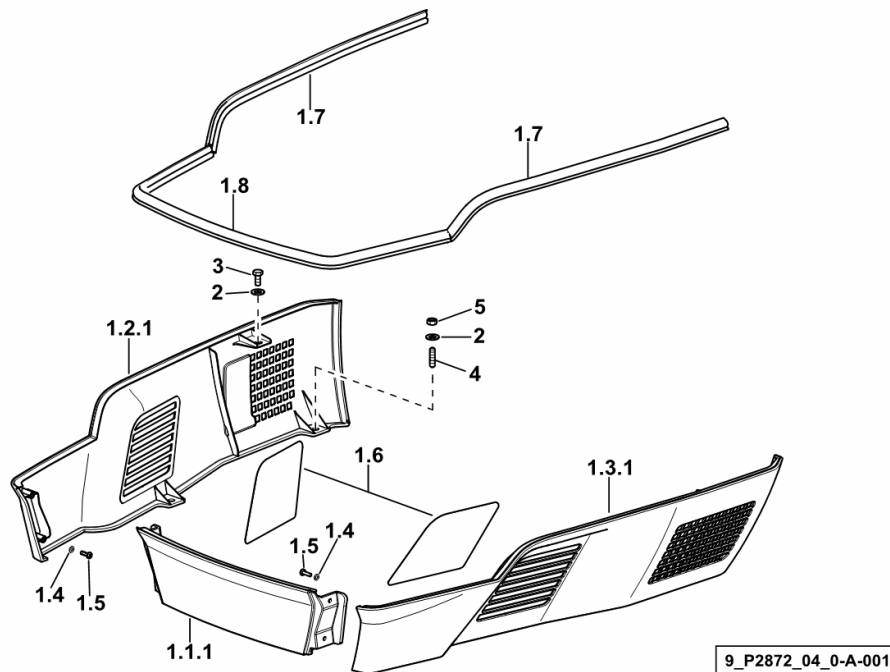
**BONNET - FRONT PORTION**

Fig.	Code	QTY	Name
------	------	-----	------

**Notes:**

[AGROPLUS 320 F -> ZKDP2402W0TD05001]

1.1.1	0.016.0409.0/10	1	headband and
1.2.1	0.016.0411.3/10	1	hose clip dx/rh/re
1.3.1	0.016.0410.3/10	1	hose clip sx/lh/li
1.4	2.1310.001.2	4	flat washer 5.3
1.5	2.0332.306.2	4	screw m 5x0.8x16
1.6	0.016.0412.0	2	grille
1.7	0.010.7094.0	2	gasket
1.8	0.010.7094.0	1	gasket
2	2.1310.006.2	8	flat washer 10.5
3	2.0112.206.2	2	screw m 8 p.1.25 x 18
4	2.0432.003.7	6	stud bolt m 8 p.1.25 / p.1 x 20
5	2.1011.405.2	6	nut m 8 p.1



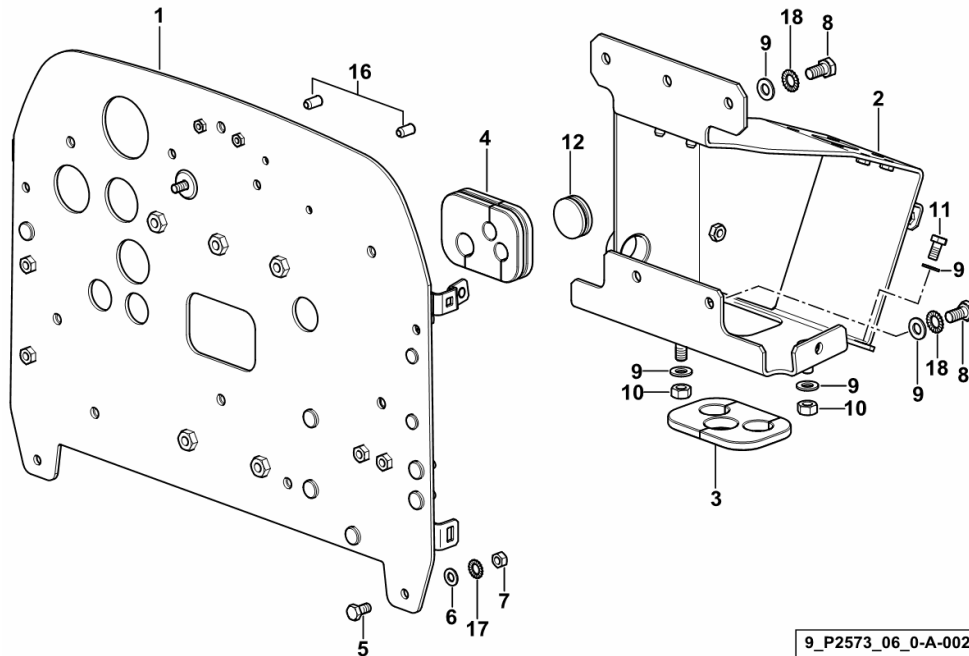
9\_P2872\_04\_0-A-001

**PEDAL SUPPORT**

Fig.	Code	QTY	Name
------	------	-----	------

**Notes:**

[AGROPLUS 320 F -> ZKDP2402W0TD05001]



1	0.016.1340.3/20	1	division
2	0.016.3306.3/20	1	support
3	0.016.1940.0/20	1	wire guide
4	0.016.1984.0	1	wire guide
5	2.0112.205.2	2	screw m 8 p.1.25 x 16
6	2.1310.004.2	2	flat washer 8.5
7	2.1011.105.2	2	nut m 8 p.1.25
8	2.0112.307.2	5	screw m 10 p.1.5 x 20
9	2.1310.006.2	10	flat washer 10.5
10	2.1011.421.2	3	nut m 10 p.1.25
11	2.0112.305.2	2	screw m 10 p.1.5 x 16
12	2.3199.115.0	1	plug 38x12
16	2.1142.010.2	2	insert m 6
17	2.1470.004.2	2	washer 8
18	2.1470.006.2	5	lock washer 10

9\_P2573\_06\_0-A-002

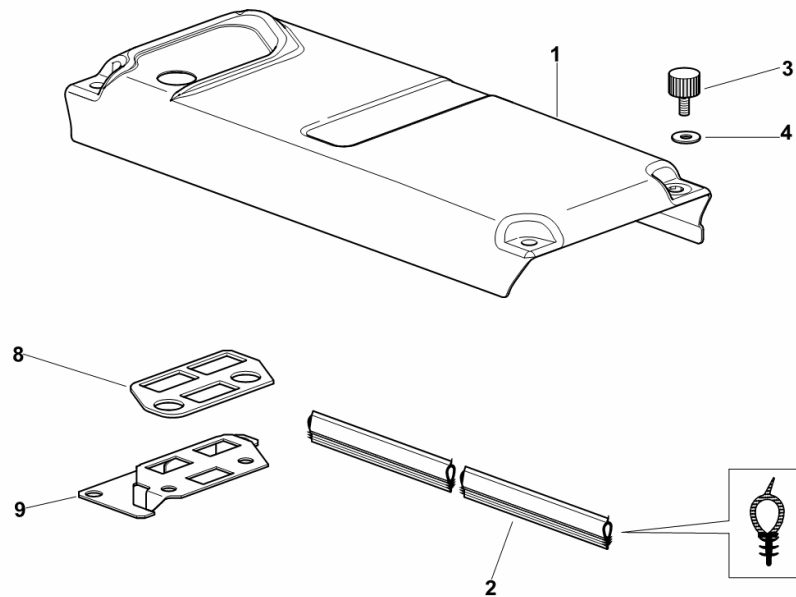
**BATTERY COVER**

Fig.	Code	QTY	Name
------	------	-----	------

**Notes:**

- FOR TYPES WITH MECHANICAL 3-POINT LINKAGE [AGROPLUS 320 F -> ZKDP2402W0TD05001]

1	0.013.0024.0/30	1	cover
2	0.010.8105.0	1	gasket mm 900
3	0.009.0133.3/10	4	knob
4	2.1312.004.3	4	washer 8,4x24x2
8	0.016.6975.0	1	gasket ( -> 5001 )
9	0.016.6977.2	1	support ( -> 5001 )



9\_70573\_05\_0-A-001

**P.T.O. WARNING PLATE FRONT**

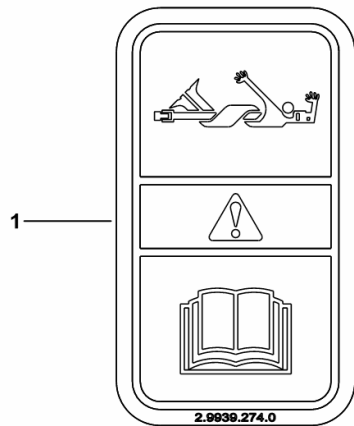
Fig.	Code	QTY	Name
------	------	-----	------

**Notes:**

[AGROPLUS 320 F -> ZKDP2402W0TD05001]

1	2.9939.274.0	1	plate
---	--------------	---	-------

9\_F1988\_36\_0-A-001



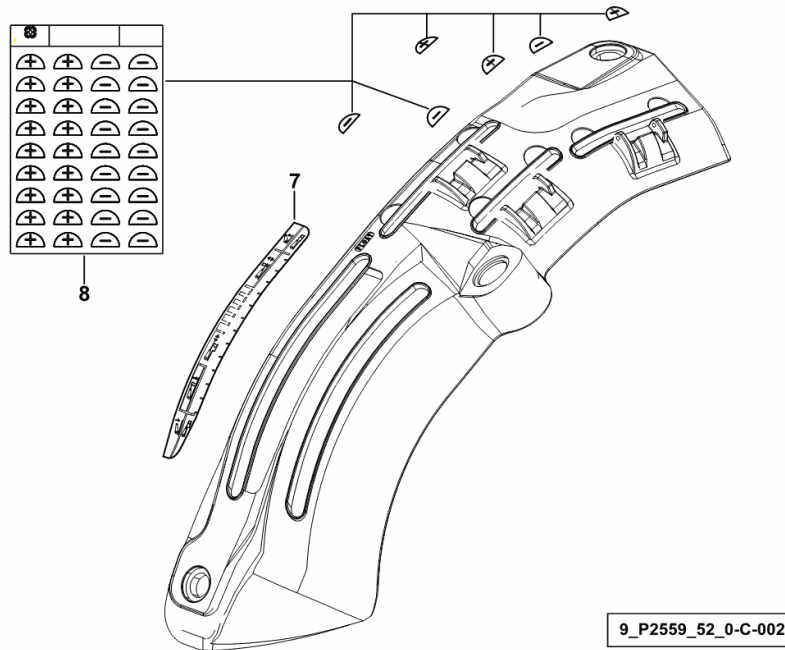
**RH CONSOLE IDENTIFICATION PLATES**

Fig.	Code	QTY	Name
------	------	-----	------

**Notes:**

- FOR TYPES W/ MECHANICAL REAR LIFT AND TYRES 420/85R24"(16.9R24") - 340/85R28"(13.6R28") - 380/70R28" - 380/85R28"(14.9R28") - 420/70R28" - [AGROPLUS 320 F -> ZKDP2402W0TD05001] -> 5021 - FOR TYPES W/ MECHANICAL REAR LIFT AND TYRES 380/70R20" - 360/70R24" - 380/70R24" - 380/85R24"(14.9R24") - 420/70R24" [AGROPLUS 320 F -> ZKDP2402W0TD05001] -> 5021 - 5029 <- - FOR TYPES WITH CAB AND MECHANICAL LIFT [AGROPLUS 320 F -> ZKDP2402W0TD05001] -> 5021

7	0.010.7140.0	1	plate
8	0.017.3323.0	1	plate



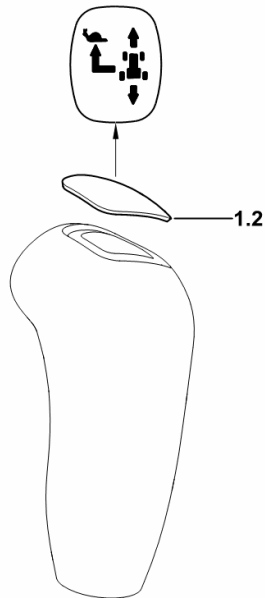
**SHUTTLE LEVER CAP FOR TYPES WITH UNDERDRIVE**

Fig.	Code	QTY	Name
------	------	-----	------

**Notes:**

[AGROPLUS 320 F -> ZKDP2402W0TD05001]

1.2	0.015.2580.3	1	cap
-----	--------------	---	-----



9\_I7564\_08\_0-B-001



AGROPLUS 320 F -> 5001

Section: G0 - BODYWORK - CAB

Ref.: G0.02.61 (1)

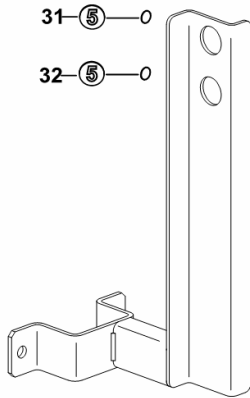
**PLATES FOR MID-MOUNT HYDRAULIC COUPLERS - SX/LH/LI**

Fig.	Code	QTY	Name
------	------	-----	------

**Notes:**

- FOR TYPES WITHOUT SAFETY FRAME WITH MECHANICAL 4-WAY FRONT CONTROL VALVE [AGROPLUS 320 F -> ZKDP2402W0TD05001] 5006 <-

31	2.9929.743.0	1	plate 5 - RED COLOUR
32	2.9929.746.0	1	plate 5 - YELLOW COLOUR



9\_P2688\_08\_0-C-001

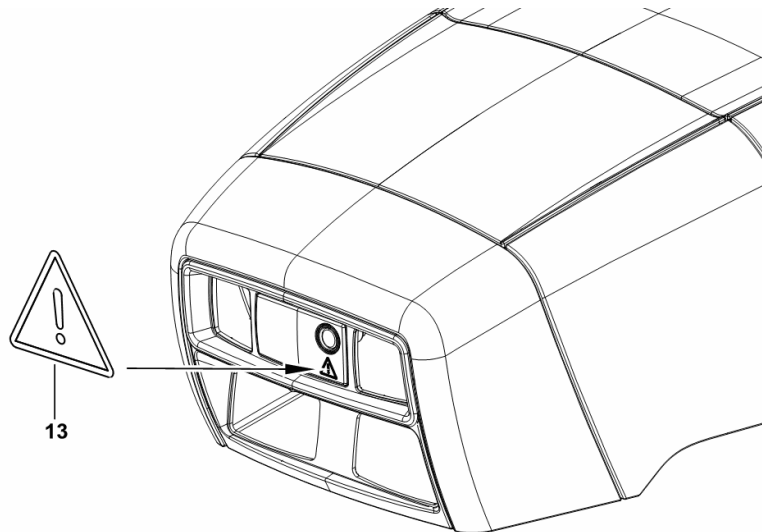
**WARNING PLATE**

Fig.	Code	QTY	Name
------	------	-----	------

**Notes:**

[AGROPLUS 320 F -> ZKDP2402W0TD05001]

13	2.9939.465.0	1	plate
----	--------------	---	-------



9\_P2472\_01\_0-B-001

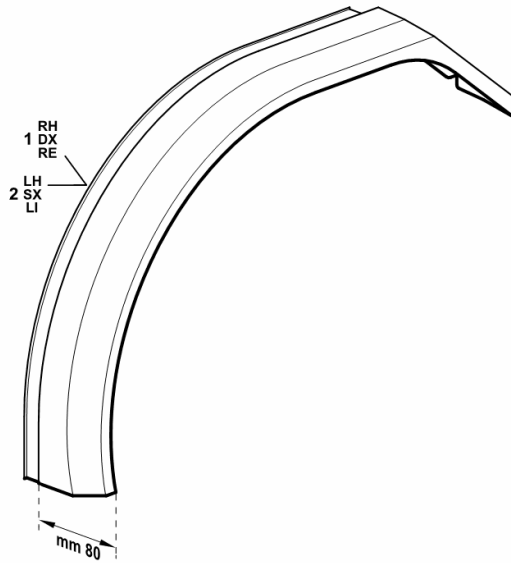
**MUDGUARDS EXTENSIONS mm 80**

Fig.	Code	QTY	Name
------	------	-----	------

**Notes:**

[AGROPLUS 320 F -> ZKDP2402W0TD05001]

1	0.479.7663.0/40	1	extension dx/rh/re
2	0.479.7664.0/40	1	extension sx/lh/li



9\_70576\_25\_0-A-001

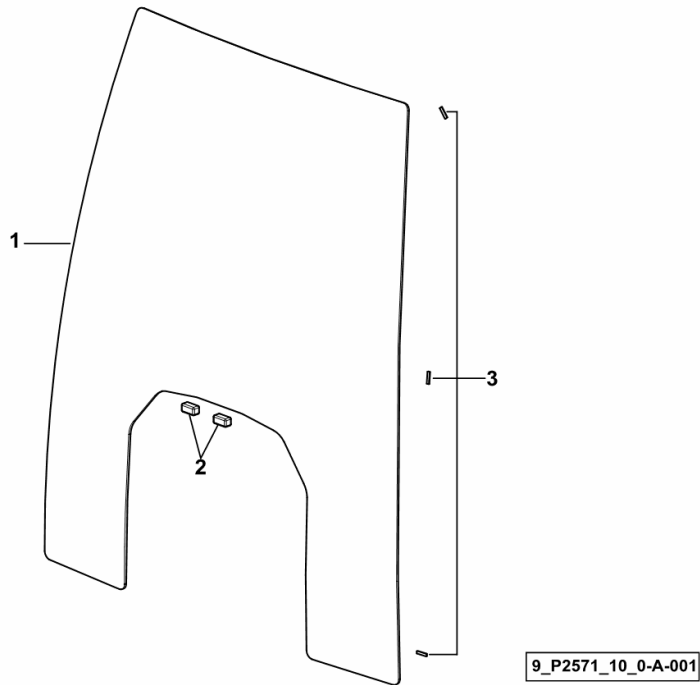
**FRONT CAB GLASS SHIELD**

Fig.	Code	QTY	Name
------	------	-----	------

**Notes:**

[AGROPLUS 320 F -> ZKDP2402W0TD05001]

1	0.016.2105.0/10	1	windshield
2	0.016.5380.0	2	rubber plug
3	0.015.0489.0	7	spacer



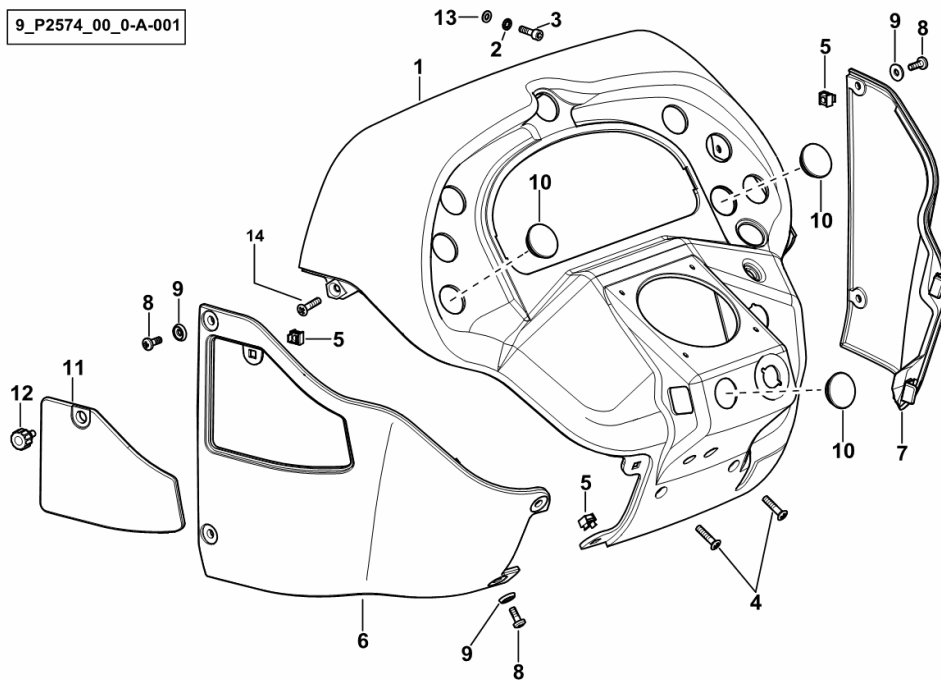
**DASHBOARD**

Fig.	Code	QTY	Name
------	------	-----	------

**Notes:**

[AGROPLUS 320 F -> ZKDP2402W0TD05001]

9\_P2574\_00\_0-A-001



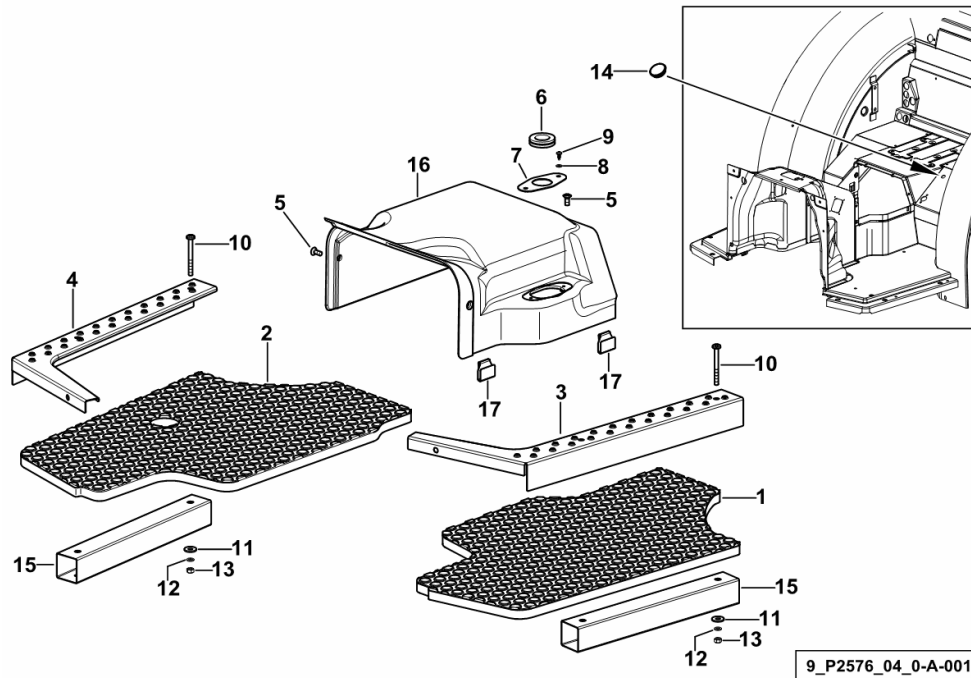
1	0.016.3901.0	1	dashboard
2	2.1472.003.2	2	washer 6, d128
3	2.0312.106.2	2	screw m 6 p.1 x 20
4	2.0322.408.6	2	screw m 6 x 25
5	2.6999.024.2	7	special nut m 6
6	0.016.1485.0	1	shield sx/lh/li
7	0.016.3900.0	1	shield dx/rh/re
8	2.0332.406.3	6	screw m 6 p.1.0 x 16
9	0.9125.662.0	6	washer 6.4 x 12.5
10	0.015.0457.0/10	3	plug
11	0.016.3899.0	1	shield
12	0.014.8187.0	1	knob
13	2.1310.002.2	2	washer 6.6, d125
14	2.0322.407.6	2	screw m 6 x 20

**INTERIOR TRIM**

Fig.	Code	QTY	Name
------	------	-----	------

**Notes:**

- FOR MODELS WITH PLATFORM [AGROPLUS 320 F -> ZKDP2402W0TD05001]



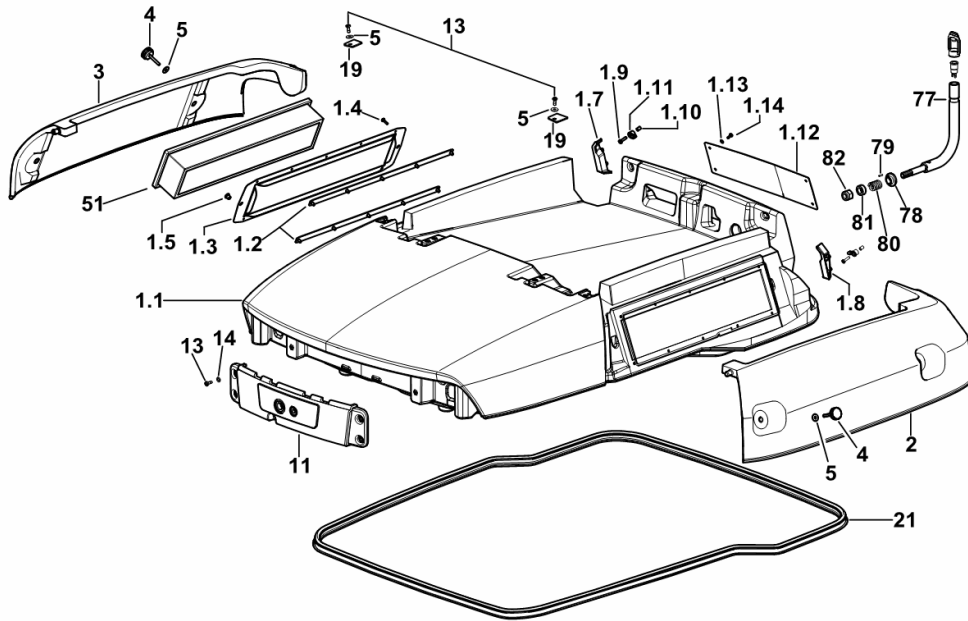
1	0.014.9991.0	1	small carpet sx/lh/li
2	0.016.4562.0	1	small carpet dx/rh/re
3	0.014.9968.0	1	stop sx/lh/li
4	0.015.0152.0	1	stop dx/rh/re
5	2.0322.404.3	4	screw m 6 p.1 x 12
6	2.6560.016.0	1	wire guide Ø 22
7	0.015.3591.0	1	small plate
8	2.1310.028.3	2	washer 4
9	2.0350.453.6	2	screw m 4.3 x 9.5
10	2.0332.414.2	4	screw m 6 x 60
11	2.1312.003.2	4	washer 6
12	2.1470.002.2	4	washer 6, d128
13	2.1011.103.2	1	nut m 6 p.1
14	0.9200.178.0	1	plug Ø 17
15	0.014.9986.0	2	profile
16	0.015.3584.0	1	cover
17	0.012.5968.0/10	4	stop

**ROOF**

Fig.	Code	QTY	Name
------	------	-----	------

**Notes:**

- FOR TRACTORS WITH AIR HEATING [AGROPLUS 320 F -> ZKDP2402W0TD05001] 5016 <-

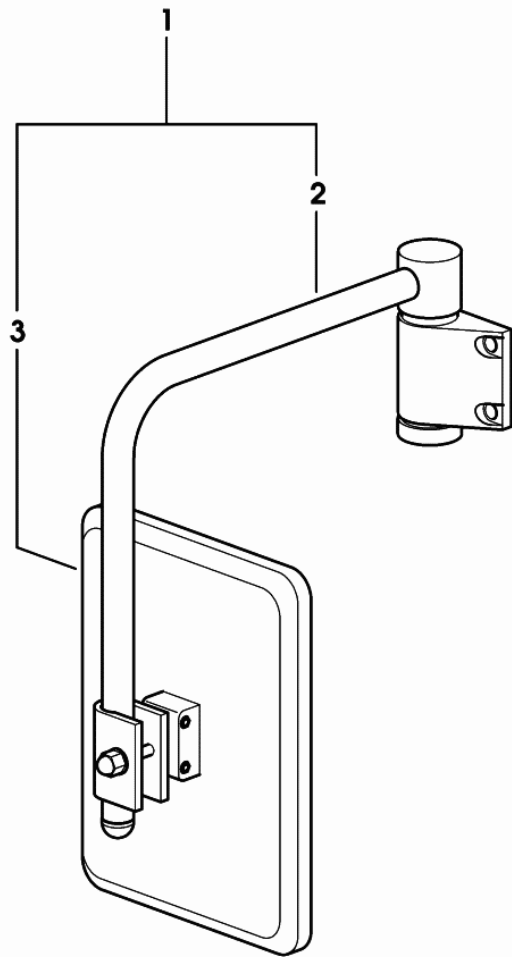


1.1	0.016.6821.2/30	1	roof
1.2	0.017.1832.3	4	small plate
1.3	0.012.1345.0/10	2	chassis frame
1.4	2.0330.206.2	20	screw m4x16 d933
1.5	2.1140.018.2	4	nut m 6 p.1, d934
1.7	0.017.3617.0	1	block dx/rh/re
1.8	0.017.3618.0	1	block sx/lh/li
1.9	2.0330.307.2	2	screw m 5 x 20
1.10	0.016.6515.0	2	bushing
1.11	0.016.5470.0	2	catch
1.12	0.017.6838.0	1	threshing basket
1.13	2.1310.028.2	4	flat washer 4
1.14	2.0330.204.2	4	screw m 4.0 x 12
2	0.015.9884.0	1	shield sx/lh/li
3	0.015.9885.0	1	shield dx/rh/re
4	0.012.2463.2/20	4	knob
5	2.1312.003.2	7	washer 6
11	0.016.6798.2/10	1	front grille
13	2.0330.406.2	15	screw m 6 p.1.0 x 16
14	2.1310.002.2	18	washer 6.6, d125
19	0.012.2490.0	2	small plate
21	0.012.7029.0	3.7	gasket
51	0.012.0313.2	2	air filter
77	0.012.1622.2	1	support
78	0.012.1627.0	1	bushing
79	2.1631.205.2	1	pin 3x12
80	2.4019.664.2	1	spring
81	2.1549.512.2	1	spacer 14.2 x 24.8 x 10
82	2.1120.008.2	1	selflock nut m 14 p.1.75

9\_P2571\_60\_0-A-001

**REARVIEW MIRROR**

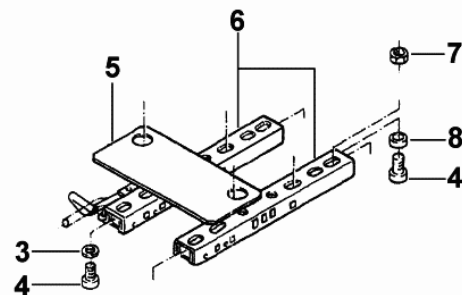
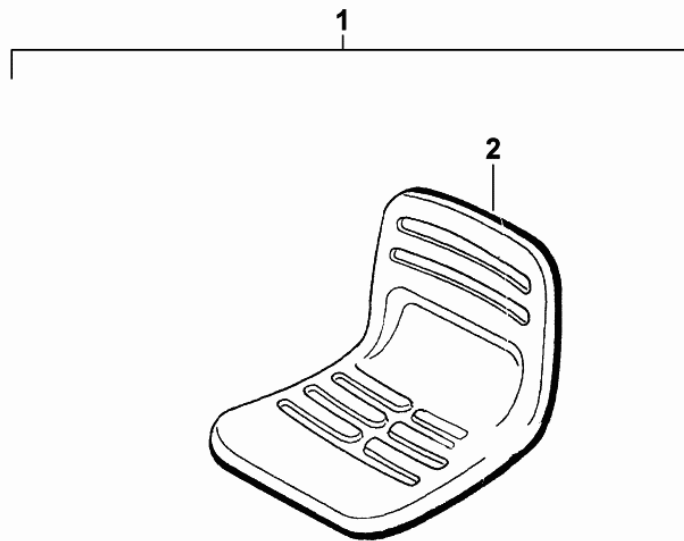
Fig.	Code	QTY	Name
1	0.011.4205.4/20	1	rear view mirror sx/lh/li
2	0.010.3096.0	1	rod
3	0.9233.183.3	1	rear view mirror



0.011.4205.4/20

**SEAT-COMPONENTS**

Fig.	Code	QTY	Name
1	0.000.0000.1	0	not serviceable
2	0.010.2968.0	1	seat
3	0.000.0000.1	0	not serviceable
4	0.010.2405.0	5	pin m 8 x 16
5	0.010.2961.2	1	plate
6	0.010.2962.0	1	seat guide
7	0.010.2401.0	1	nut m 8
8	0.010.2962.1	1	bushing



0\_010\_8721\_4\_20\_A

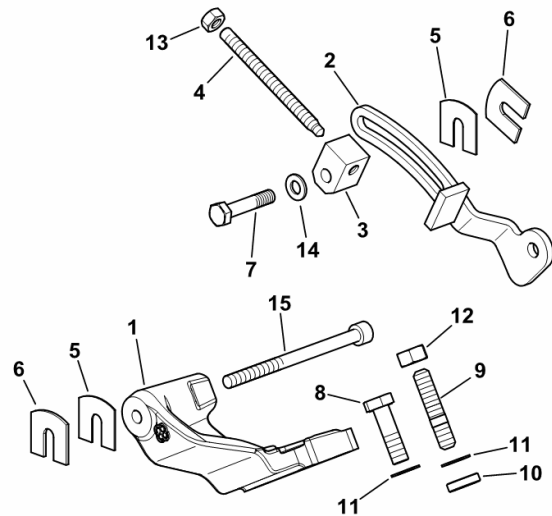
**COMPRESSOR SUPPORTS**

Fig.	Code	QTY	Name
------	------	-----	------

**Notes:**

[AGROPLUS 320 F -> ZKDP2402W0TD05001] 5006 <-

1	0.013.7604.0	1	support
2	0.013.6683.2	1	bracket
3	0.010.7207.0	1	small block Ø 8
4	2.0399.221.2	1	screw m 8 p.1.25 x 95
5	0.009.7981.0	2	shim mm 1.00
6	0.009.7982.0	2	shim mm 2.00
7	2.0112.215.2	1	screw m 8 p.1.25 x 40
8	2.0112.313.2	1	screw m 10 p.1.5 x 35
9	2.0432.159.7	2	stud bolt m 10 p.1.5 / p.1.25 x 35
10	2.1579.901.2	2	spacer 12x20x5
11	2.1470.006.2	3	lock washer 10
12	2.1011.421.2	2	nut m 10 p.1.25
13	2.1011.105.2	1	nut m 8 p.1.25
14	2.1310.004.2	1	flat washer 8.5
15	2.0112.229.2	1	screw m 8 p.1.25 x 100



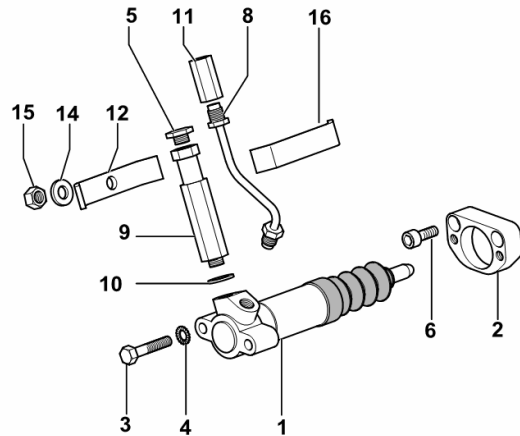
9\_B6184\_08\_0-A-001

**CLUTCH CONTROL**

Fig.	Code	QTY	Name
------	------	-----	------

**Notes:**

[AGROPLUS 320 F -> ZKDP2402W0TD05001]



1	0.007.1961.4/20	1	cylinder ☞ 0.007.1961.4/20
2	0.009.7023.0	1	flange
3	2.0112.215.2	2	screw m 8 p.1.25 x 40
4	2.1470.004.2	2	washer 8
5	2.3199.039.0	1	plug 6.50 x 7.25
6	2.0312.204.2	2	screw m 8 p.1.25 x 16
8	0.010.9029.3	1	tube
9	2.3339.796.2	1	extension
10	2.1560.008.0	1	gasket 12.2 x 18
11	2.3339.658.2/20	1	pipe fitting m 12 p.1.25
12	0.010.8193.0	1	bracket
14	2.1310.004.2	1	flat washer 8.5
15	2.1011.105.2	1	nut m 8 p.1.25
16	0.011.3339.2	1	small plate

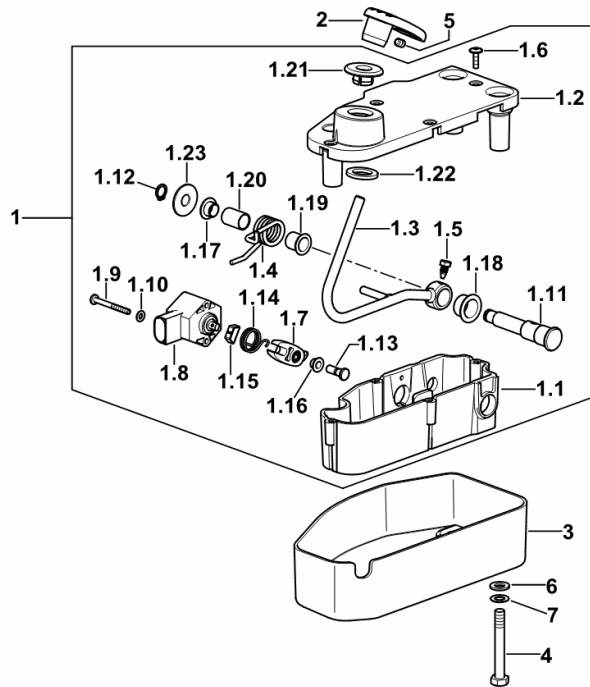
9\_70565\_02\_0-A-001

**CONTROL PEDAL FOR ELECTRONIC THROTTLE**

Fig.	Code	QTY	Name
------	------	-----	------

**Notes:**

[AGROPLUS 320 F -> ZKDP2402W0TD05001]



1	0.012.6571.4/50	1	accel. pedal
1.1	0.010.8694.2/30	1	box
1.2	0.012.6572.0	1	cover
1.3	0.010.8699.2/30	1	lever
1.4	2.4099.115.2/30	1	spring
1.5	2.0399.272.2	1	screw m 5
1.6	2.0363.105.2	4	screw m 4
1.7	0.011.6578.0	1	lever
1.8	04429390/10	1	sensor
1.9	2.0332.211.3	2	screw m 4 x 40
1.10	2.1310.028.2	2	flat washer 4
1.11	0.011.6028.0/10	1	pin
1.12	2.1410.001.1	1	circlip 10
1.13	2.1699.492.2/20	1	pin
1.14	2.4099.134.2	1	spring
1.15	0.011.3791.0	1	small spring
1.16	2.2841.010.0	1	bushing 6x8x6
1.17	2.2841.034.0	1	bushing 10x12x7
1.18	2.2841.071.0	1	bushing 16x18x12
1.19	2.2841.043.0	1	bushing 12 x 14 x 15
1.20	2.2840.042.0	1	bushing 12x14x20
1.21	0.011.9149.0	1	plug
1.22	0.011.8709.0	1	washer
1.23	2.1599.044.2	1	snoulder 10.5x25.5x1.5
2	0.016.4133.2/10	1	pedal
3	0.016.4011.0	1	cover
4	2.0112.221.2	3	screw m 8 p.1.25 x 60
5	2.0512.102.7	1	screw m 6 p.1 x 8
6	2.1310.004.2	3	flat washer 8.5
7	2.1470.004.2	3	washer 8

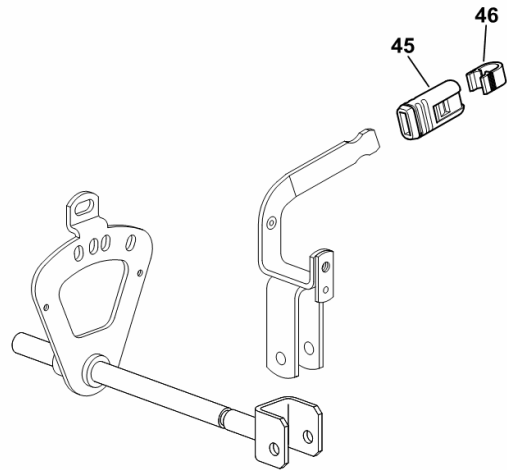
**P.T.O. - EXTERNAL CONTROLS 540/N**

Fig.	Code	QTY	Name
------	------	-----	------

**Notes:**

- EXPORT U.S.A. [AGROPLUS 320 F -> ZKDP2402W0TD05001]

45	0.008.8388.0	1	knob
46	0.008.8383.0	1	coupling - YELLOW COLOUR



9\_C5936\_05\_0-A-001

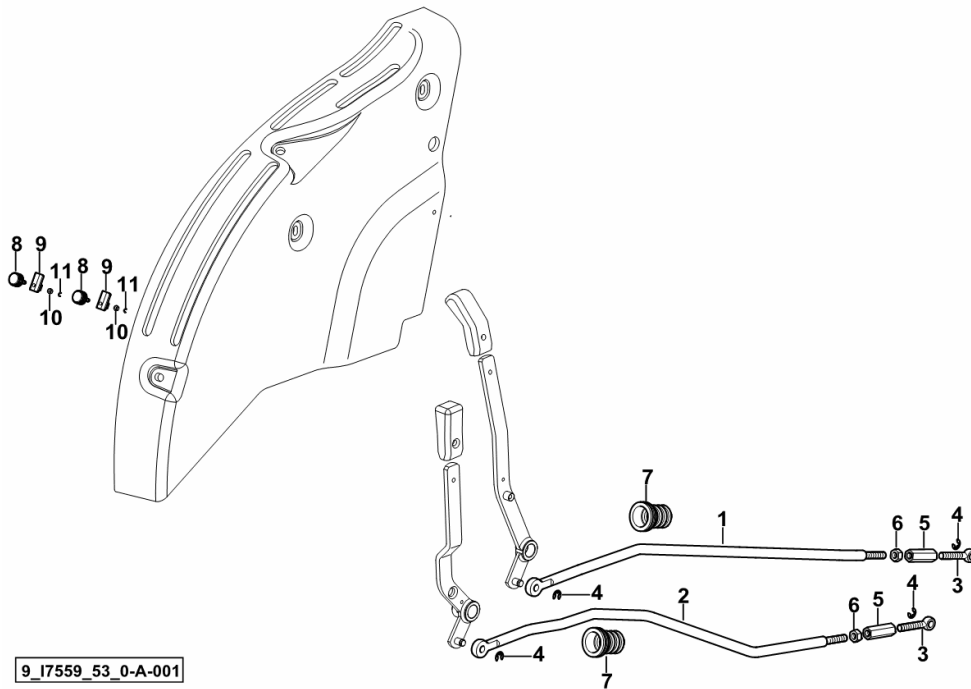
**TIE RODS FOR LIFT CONTROL LEVERS**

Fig.	Code	QTY	Name
------	------	-----	------

**Notes:**

- FOR TYPES WITH PLATFORM WITH TYRES 380/70R20" - 360/70R24" - 380/70R24" - 380/85R24"(14.9R24)" - 420/70R24" [AGROPLUS 320 F -> ZKDP2402W0TD05001] -> 5030

1	0.015.3331.0/20	1	rod
2	0.015.3330.0/20	1	rod
3	0.010.4186.0	2	tip m 8
4	2.1430.007.7	4	circlip 6, d128
5	2.1099.139.2/10	2	nut m 8
6	2.1019.127.2	2	nut m 8 p.1.25 x 6.8, sx/lh/li
7	0.013.3229.0	2	bellows
8	0.007.6770.3/10	2	knob
9	0.014.8194.0	2	slider
10	2.1011.103.2	2	nut m 6 p.1
11	2.1430.005.7	2	circlip 4

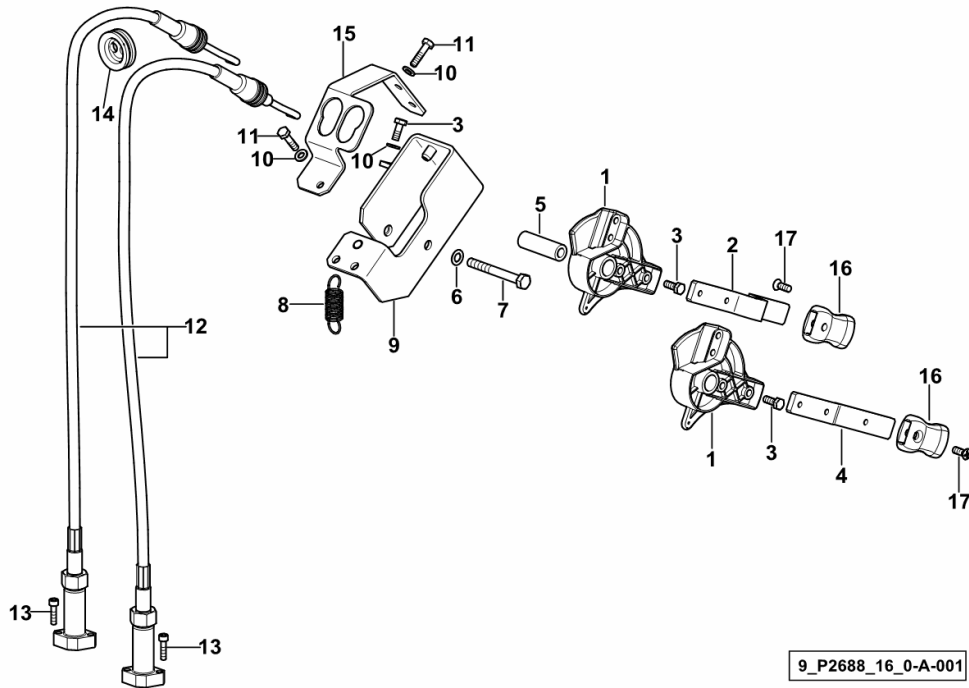


**CONTROLS FOR 4-WAY FRONT AUXILIARY SERVICES CONTROL VALVE**

Fig.	Code	QTY	Name
------	------	-----	------

**Notes:**

- MECHANICAL [AGROPLUS 320 F -> ZKDP2402W0TD05001]



1	0.009.1749.0/20	2	controller
2	0.016.1423.0	1	lever
3	2.0112.005.2	6	screw m 6 p.1 x 16
4	0.016.1422.0	1	lever
5	2.1549.327.2	1	spacer 9X16X50
6	2.1470.004.2	1	washer 8
7	2.0112.223.2	1	screw m 8 p.1.25x70
8	2.4049.160.2	2	spring
9	0.016.1424.3	1	support
10	2.1310.002.2	5	washer 6.6, d125
11	2.0112.009.2	3	screw m 6 p.1 x 25
12	0.016.4079.3/10	2	rod
13	2.0312.006.2	4	screw m 5 p.0.8 x 20
14	2.6569.054.0	1	rubber plug
15	0.016.2158.0	1	support
16	0.010.5315.0	2	knob
17	2.0322.406.6	2	screw m 6 p.1.0 x 16

9\_P2688\_16\_0-A-001

PLATFORM GROUND CABLE.....	L0.02.31 (1)
POWER SUPPLY ELECTRICAL SYSTEM.....	L0.02.32 (1)
POWER SUPPLY ELECTRICAL SYSTEM.....	L0.02.34 (1)
ELECTRICAL CABLE FOR OIL CONTROL VALVES HOUSING PRESSURE SWITCH.....	L0.02.36 (1)
FRONT P.T.O. SOLENOID VALVE ELECTRICAL CABLE.....	L0.02.37 (1)
PRESSURE SWITCH WIRING FOR HYDRAULIC BRAKING SYSTEM ITALY.....	L0.02.40 (1)
PREARRANGEMENT FOR WARNING BEACON - FOR MODELS WITH CAB.....	L0.02.41 (1)
PREARRANGEMENT FOR WARNING BEACON - FOR MODELS WITH CAB.....	L0.02.42 (1)
PREARRANGEMENT FOR WARNING BEACON.....	L0.02.43 (1)
ELECTRICAL EQUIPMENT ROTARY WARN. LAMP.....	L0.02.44 (1)
ELECTRIC CABLE FOR WORK LIGHT.....	L0.02.46 (1)
BATTERY LEADS.....	0.010.6708.3/20.A
ELECTRICAL SYSTEM.....	0.011.2025.4/40.A
FLASHING LIGHT SUPPORT.....	0.011.7840.4.A
ELECTRICAL SYSTEM.....	0.012.0101.4.A
ELECTRICAL SYSTEM.....	0.013.6326.4.A
CENTRAL WIRING LOOM.....	0.016.0551.4.A
CENTRAL WIRING LOOM.....	0.016.0551.4/10.A
CENTRAL WIRING LOOM.....	0.016.0551.4/20.A
ELECTRICAL EQUIPMENT FRONT.....	0.016.0552.4.A
CENTRAL WIRING LOOM.....	0.016.0556.4.A
CENTRAL WIRING LOOM.....	0.016.0556.4/10.A
CENTRAL WIRING LOOM.....	0.016.0556.4/20.A
POWER SUPPLY ELECTRICAL SYSTEM.....	0.016.0570.4.A
POWER SUPPLY ELECTRICAL SYSTEM.....	0.016.0572.4.A
ELECTRICAL SYSTEM - ROOF.....	0.016.0766.4/20.A
ELECTRICAL SYSTEM - ROOF.....	0.016.0767.4.A
ELECTRICAL SYSTEM - ROOF.....	0.016.0768.4/10.A
WIRING FOR CAB FRONT LIGHTS.....	0.016.0771.4.A
WIRING FOR CAB FRONT LIGHTS.....	0.016.0772.4.A

#### ECUs

ELECTRONICS BOX.....	L0.03.0 (1)
ELECTRICAL SYSTEM FOR REAR ELECTRONIC LIFT.....	L0.03.1 (1)
CONTROL UNIT FOR 4-WAY FRONT AUXILIARY CONTROL VALVE.....	L0.03.2 (1)
CONTROL UNIT - P.T.O. SHAFT.....	L0.03.4 (1)
CONTROL UNIT - P.T.O. SHAFT.....	L0.03.6 (1)

#### SENSORS - POTENTIOMETERS - ENABLING SWITCHES

COOLING SYSTEM MANIFOLD SENSORS.....	L0.04.0 (1)
AIR CLEANER AND ENGINE OIL FILTER CLOGGING PRESSURE SWITCH.....	L0.04.2 (1)
ENGINE OIL PRESSURE SWITCH.....	L0.04.3 (1)
START ENABLE SWITCH.....	L0.04.9 (1)
START ENABLE SWITCH PROTECTION.....	L0.04.10 (1)
SPEED SENSOR.....	L0.04.12 (1)
SPEED SENSOR.....	L0.04.13 (1)

**ALTERNATOR PARTS**

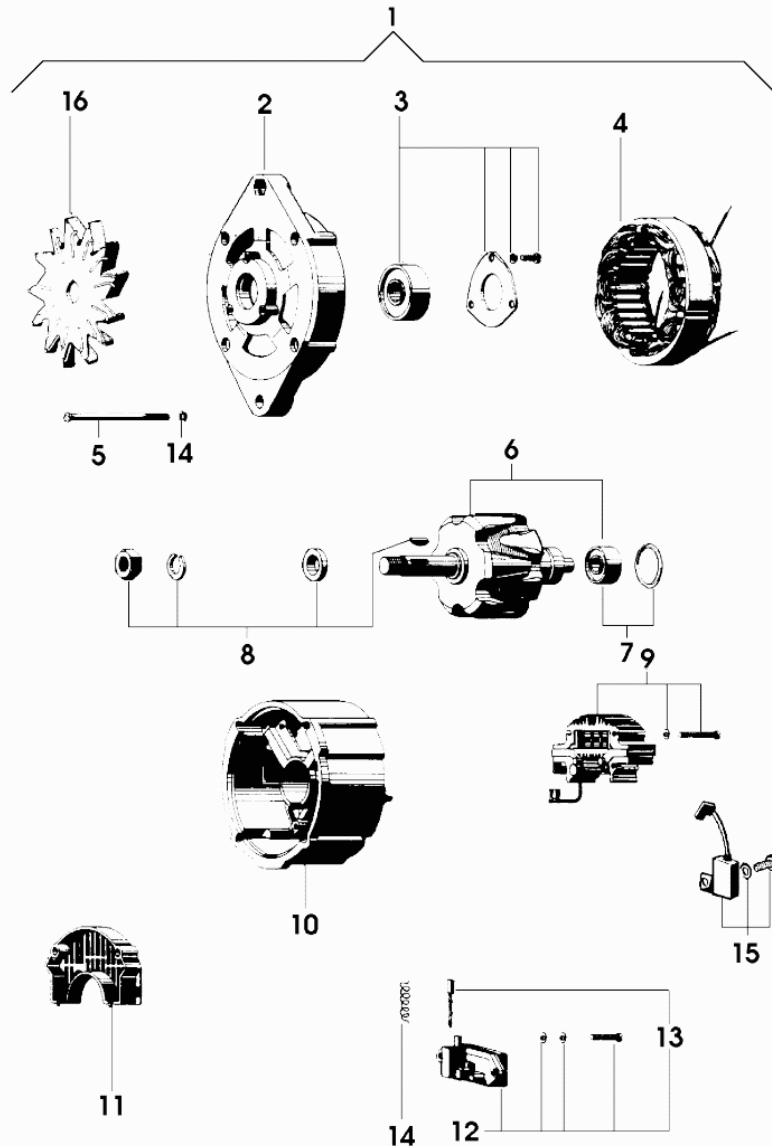


Fig.	Code	QTY	Name
1	2.9439.420.0/10	1	alternator 14V - 65A - ISKRA
2	0.009.4331.1	1	cover
3	0.010.2066.1	1	bearing
4	0.010.2066.2	1	field winding
5	0.010.2231.0	4	screw
6	0.010.2084.0	1	armature
7	0.010.2067.2	1	bearing
8	0.010.2068.0	1	repair seal set
9	0.009.4881.0	1	rectifier
10	0.010.2068.1	1	cover
11	0.010.2231.1	1	guard
12	0.009.4335.0	1	regulator
13	0.009.4335.1	2	brush set
14	0.000.0000.1	0	not serviceable
15	0.010.2068.2	1	condenser
16	0.009.4331.0	1	rotor blade

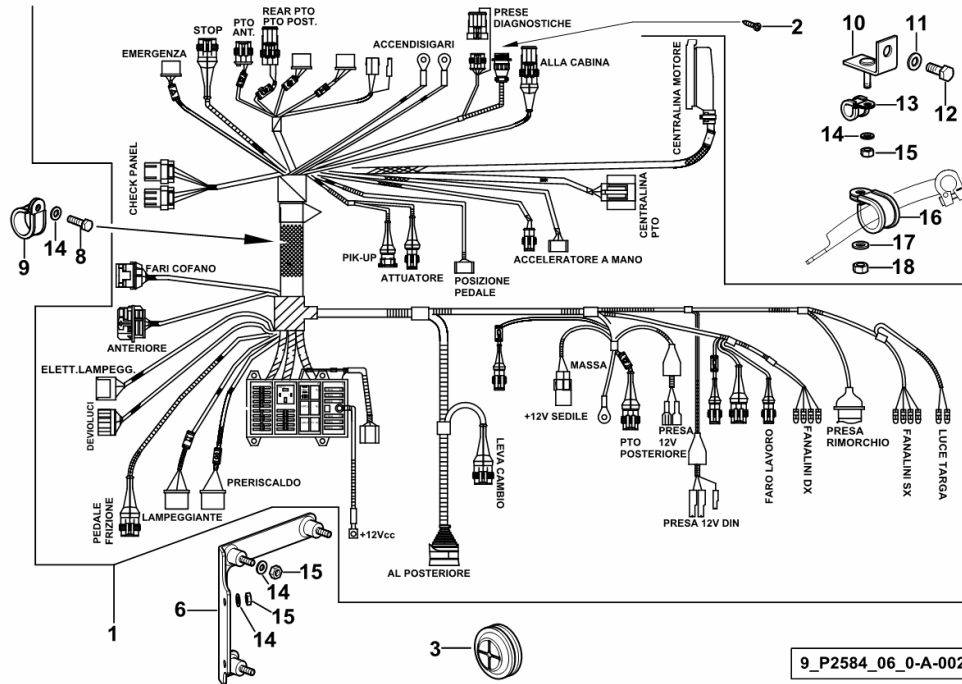
2\_9439\_420\_0\_10

**CENTRAL WIRING LOOM**

Fig.	Code	QTY	Name
------	------	-----	------

**Notes:**

[AGROPLUS 320 F -> ZKDP2402W0TD05001] -> 5014 - 5031 <-



1	0.016.0551.4/10	1	electrical system ☞ 0.016.0551.4/10
2	2.0350.403.6	4	screw m 4.2x9.5B
3	2.6569.026.0	1	grommet 42.5x52x19
6	0.016.1213.2	1	support
8	2.0112.007.2	2	screw m 6 p.1 x 20
9	2.6839.065.0	2	clamp 40
10	0.010.1395.2	1	square
11	2.1310.004.2	1	flat washer 8.5
12	2.0112.205.2	1	screw m 8 p.1.25 x 16
13	2.6839.059.0	1	clamp Ø 12 / 15
14	2.1312.003.2	8	washer 6
15	2.1011.103.2	6	nut m 6 p.1
16	2.6839.054.0	1	clamp Ø 20/25
17	2.1310.004.2	1	flat washer 8.5
18	2.1011.105.2	1	nut m 8 p.1.25

9\_P2584\_06\_0-A-002

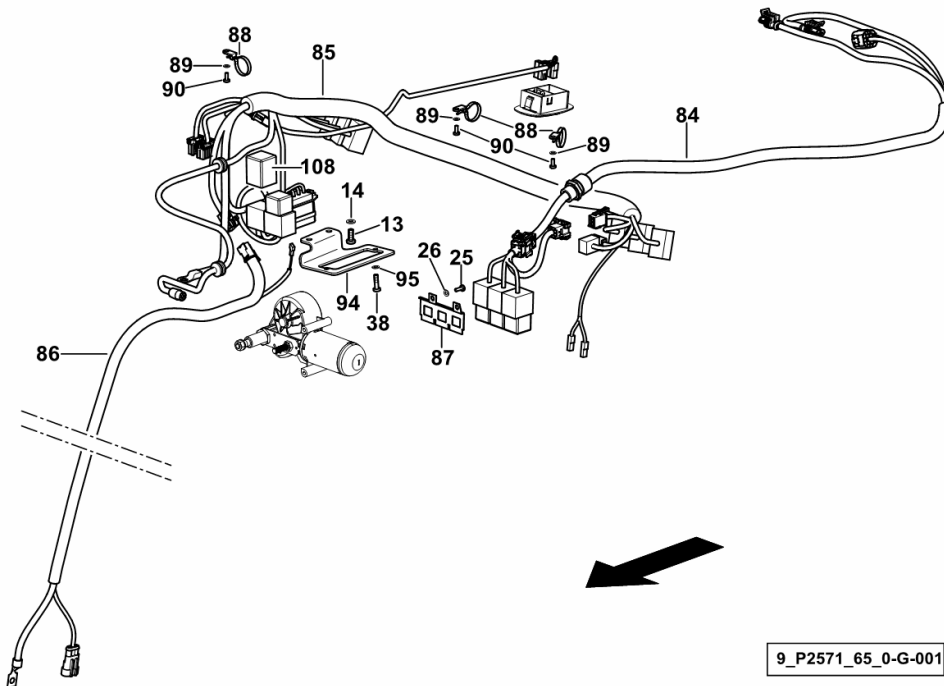
**ELECTRICAL SYSTEM - ROOF**

Fig.	Code	QTY	Name
------	------	-----	------

**Notes:**

- FOR TYPES WITH HEATING AND AIR CONDITIONING [AGROPLUS 320 F -> ZKDP2402W0TD05001]

13	2.0330.406.2	19	screw m 6 p.1.0 x 16
14	2.1310.002.2	18	washer 6.6, d125
25	2.0330.204.2	12	screw m 4.0 x 12
26	2.1310.028.3	10	washer 4
38	2.0330.307.2	2	screw m 5 x 20
84	0.016.0767.4	1	electrical system
			☞ 0.016.0767.4
85	0.016.0766.4/20	1	electrical system
			☞ 0.016.0766.4/20
86	0.016.0769.4	1	electrical system
87	0.012.5981.0	1	small plate
88	01171694	8	clamp 172X4.6
89	2.1310.028.2	8	flat washer 4
90	2.0330.203.2	8	screw m 4 x 10
94	0.016.6519.0	1	bracket
95	2.1310.001.2	2	flat washer 5.3
108	2.8639.008.0	1	intermitent switch HG4121, 12V
			- FOR WINDSCREEN WIPER



9\_P2571\_65\_0-G-001

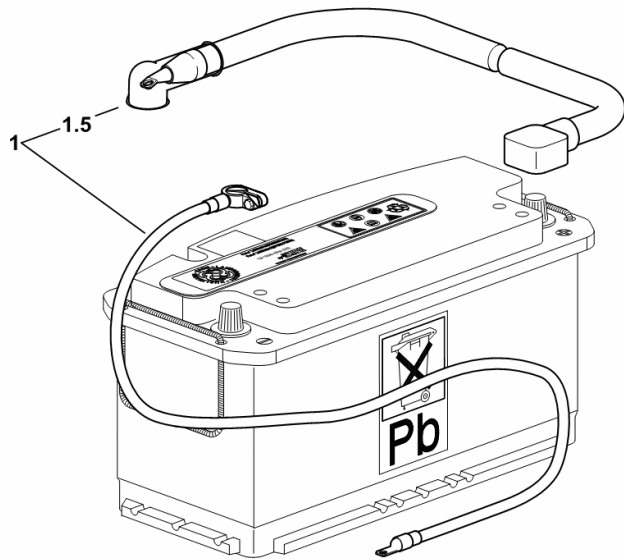
**BATTERY LEADS**

Fig.	Code	QTY	Name
------	------	-----	------

**Notes:**

[AGROPLUS 320 F -> ZKDP2402W0TD05001]

1	0.010.6708.3/20	1	wire SET = 2 PARTS ☞ 0.010.6708.3/20
1.5	2.6519.033.0	1	cap



9\_F2084\_07\_0-A-001

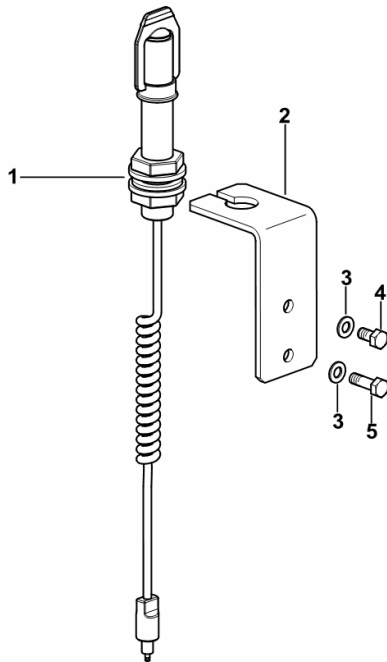
**PREARRANGEMENT FOR WARNING BEACON**

Fig.	Code	QTY	Name
------	------	-----	------

**Notes:**

- FOR TYPES WITH SAFETY FRAME [AGROPLUS 320 F -> ZKDP2402W0TD05001]

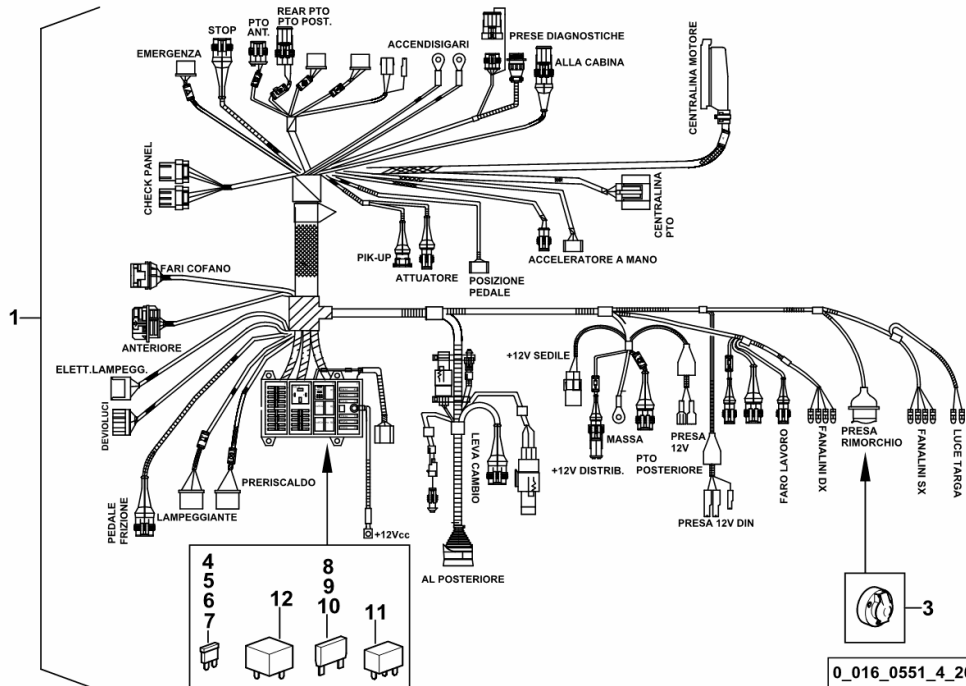
1	0.011.7840.4	1	wire ☞ 0.011.7840.4
2	0.016.3066.0	1	bracket
3	2.1310.004.2	2	flat washer 8.5
4	2.0112.205.2	1	screw m 8 p.1.25 x 16
5	2.0112.209.2	1	screw m 8 p 1.25 x 25



9\_P2578\_02\_0-A-001

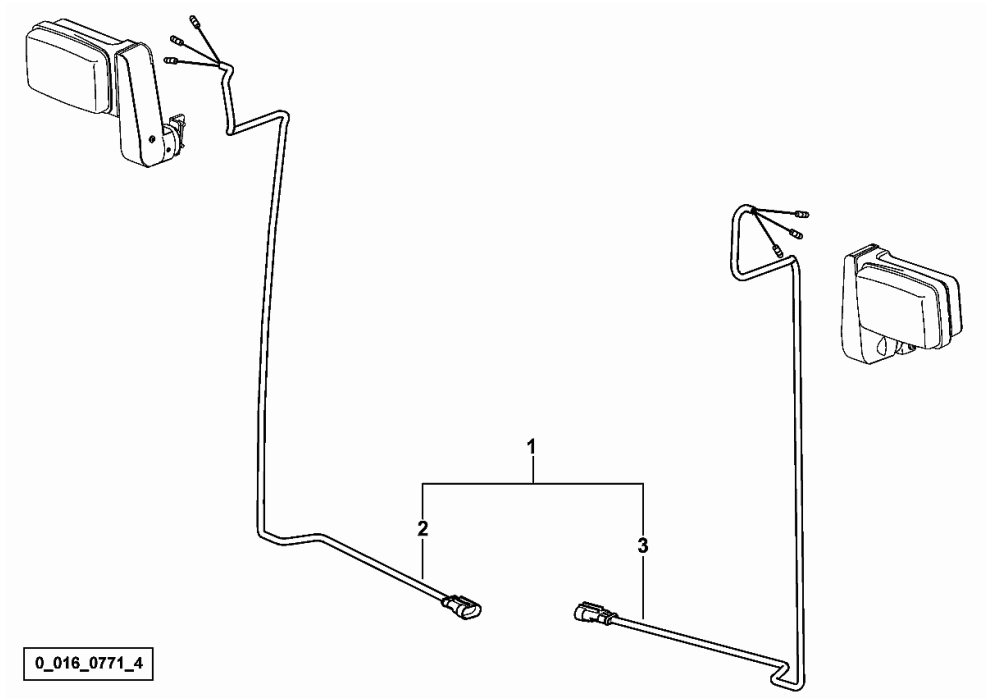
**CENTRAL WIRING LOOM**

Fig.	Code	QTY	Name
1	0.016.0551.4/20	1	electrical system
3	0.900.0017.0	1	socket
4	0.900.1194.2	4	fuse 5 A minival
5	0.900.1194.3	25	fuse 10 A minival
6	0.900.1194.4	3	fuse 15 A minival
7	0.900.1194.5	1	fuse 7.5 A minival
8	0.010.3901.0	2	fuse 20 A maxival
9	0.010.3901.1	3	fuse 30 A maxival
10	0.010.2089.1	1	fuse 40 A maxival
11	0.900.0525.5	4	relay 12 V 30A
12	0.900.1194.6	1	relay 12 V 70A



**WIRING FOR CAB FRONT LIGHTS**

Fig.	Code	QTY	Name
1	0.016.0771.4	1	electrical system
2	0.900.1199.7	1	wire dx/rh/re
3	0.900.1199.8	1	wire sx/lh/li



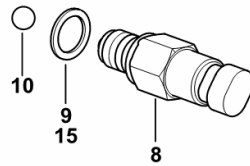
**START ENABLE SWITCH**

Fig.	Code	QTY	Name
------	------	-----	------

**Notes:**

[AGROPLUS 320 F -> ZKDP2402W0TD05001]

8	2.7659.343.0	1	switch
9	2.1560.012.0	1	gasket 16.2 x 22 x 1.5
10	2.2999.156.0	1	ball Ø 10
15	2.1569.227.0	1	gasket 16.2 x 22 x 2



9\_I7433\_00\_0-B-001

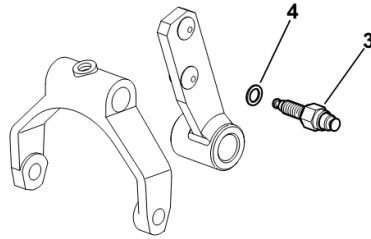
**P.T.O. SWITCH**

Fig.	Code	QTY	Name
------	------	-----	------

**Notes:**

- FOR 540/N EXPORT U.S.A. [AGROPLUS 320 F -> ZKDP2402W0TD05001]

3	2.7659.131.0	1	switch
4	2.1560.003.0	1	gasket 8.2 x 12



9\_17436\_02\_0-B-001

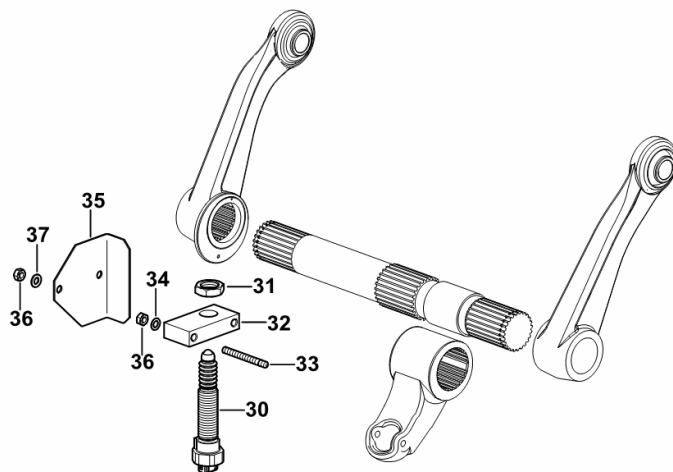
**REAR LIFT POSITION SENSOR**

Fig.	Code	QTY	Name
------	------	-----	------

**Notes:**

- FOR TYPES WITH ELECTRONIC LIFTER [AGROPLUS 320 F -> ZKDP2402W0TD05001]

30	0.009.2194.4/20	1	sensor
31	2.1019.106.1	1	nut m 24 p.1.5 x 10
32	0.011.2293.0	1	support
33	2.0432.018.7	2	stud bolt m 8 p.1.25 / p.1 x 65
34	2.1470.004.2	2	washer 8
35	0.011.4864.0/10	1	bracket
36	2.1011.405.2	4	nut m 8 p.1
37	2.1310.004.2	2	flat washer 8.5



W9\_F1759\_21\_0-B-001

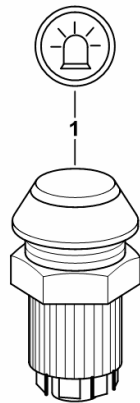
**SWITCH FOR ROTATING BEACON**

Fig.	Code	QTY	Name
------	------	-----	------

**Notes:**

- FOR MODELS WITH PLATFORM [AGROPLUS 320 F -> ZKDP2402W0TD05001]

1	2.7659.118.0	1	push-button
---	--------------	---	-------------



9\_F2084\_01\_0-A-001

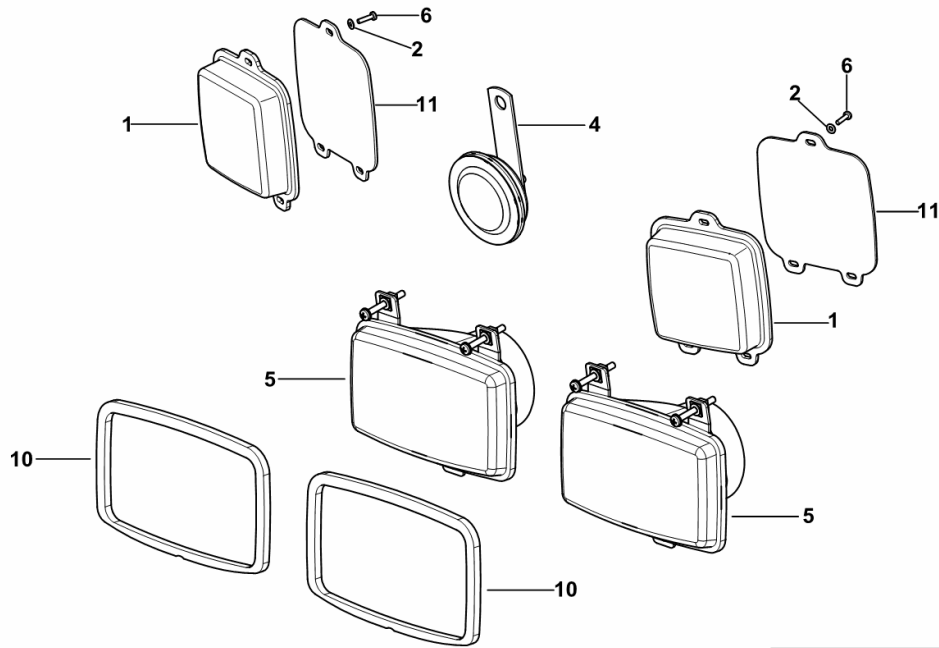
**HEADLIGHTS \ HORN**

Fig.	Code	QTY	Name
------	------	-----	------

**Notes:**

- FOR LEFT-HAND DRIVE [AGROPLUS 320 F -> ZKDP2402W0TD05001]

1	0.015.7056.0	2	cover
2	2.1310.029.2	6	washer
4	2.8419.007.0	1	horn
5	2.8039.250.0	2	headlight
			☞ 2.8039.250.0
6	2.0332.104.3	6	screw m 3x12
10	0.013.0097.0	2	gasket
11	0.016.8687.0	2	cover



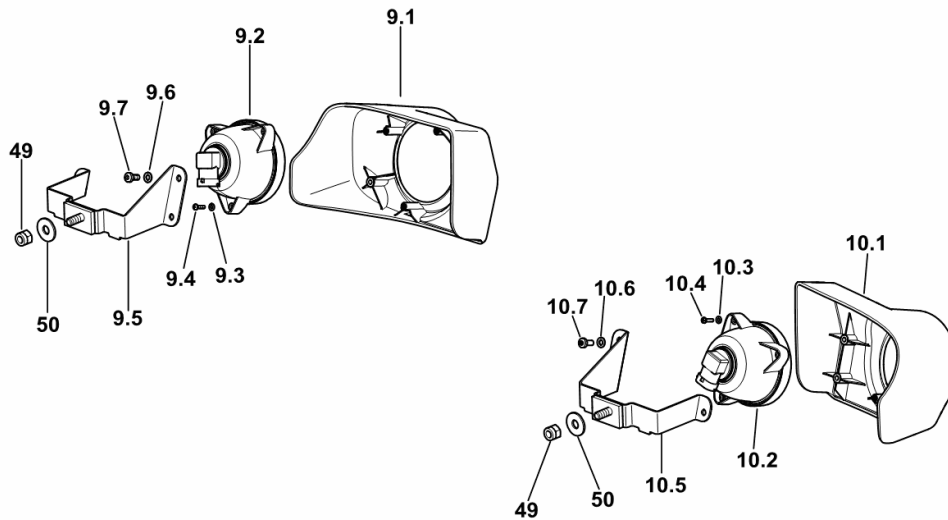
9\_L6485\_02\_0-A-002

**REAR WORKLIGHTS FOR CAB ROOF**

Fig.	Code	QTY	Name
------	------	-----	------

**Notes:**

- FOR TYPES WITH HEATING AND AIR CONDITIONING [AGROPLUS 320 F -> ZKDP2402W0TD05001]

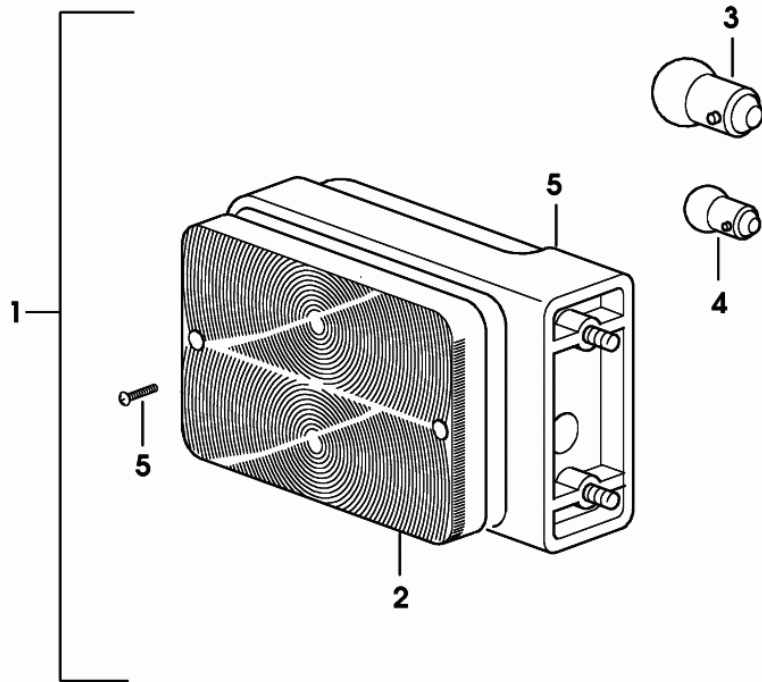


9.1	0.016.6804.2	1	shield dx/rh/re
9.2	2.8039.017.0	1	headlight ☞ 2.8039.017.0
9.3	2.1310.029.2	3	washer
9.4	2.0332.104.3	3	screw m 3x12
9.5	0.016.6806.3/10	1	bracket dx/rh/re
9.6	2.1310.001.2	3	flat washer 5.3
9.7	2.0330.304.2	3	screw m 5 x 12
10.1	0.016.6805.2	1	shield sx/lh/li
10.2	2.8039.017.0	1	headlight ☞ 2.8039.017.0
10.3	2.1310.029.2	3	washer
10.4	2.0332.104.3	3	screw m 3x12
10.5	0.016.6807.3/10	1	bracket sx/lh/li
10.6	2.1310.001.2	3	flat washer 5.3
10.7	2.0330.304.2	3	screw m 5 x 12
49	2.1120.005.2	4	nut m 8 p.1.25
50	2.1312.004.2	2	washer 8.4

9\_P2571\_65\_0-E-001

**HEADLAMP COMPONENTS**

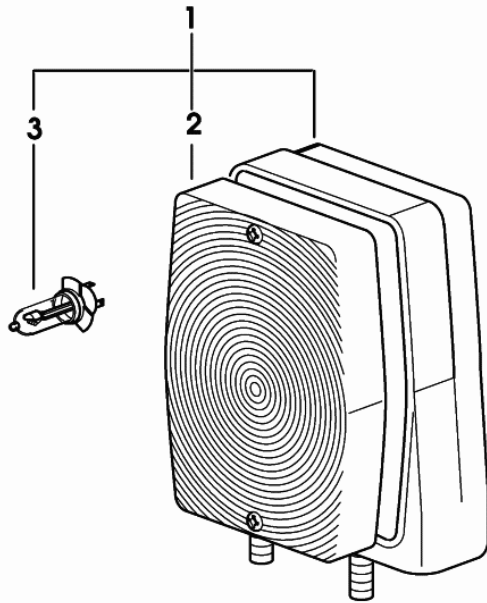
Fig.	Code	QTY	Name
1	2.8019.970.0	1	side lamp dx/rh/re
2	2.8019.200.1	1	light body dx/rh/re
3	2.8313.001.0	1	lamp 12V 21W
4	2.8311.005.0	1	lamp 12 V, 5 W
5	0.000.0000.1	0	not serviceable



2\_8019\_970\_0

**HEADLAMP COMPONENTS**

Fig.	Code	QTY	Name
1	2.8059.460.0	1	side lamp sx/lh/li
2	0.010.3486.2	1	guard
3	0.010.3487.0	1	lamp 12V - 21W



2\_8059\_460\_0

CLICK HERE TO **DOWNLOAD** THE COMPLETE MANUAL

- Thank you very much for reading the preview of the manual.
- You can download the complete manual from: [www.heydownloads.com](http://www.heydownloads.com) by clicking the link below



- Please note: If there is no response to CLICKING the link, please download this PDF first and then click on it.

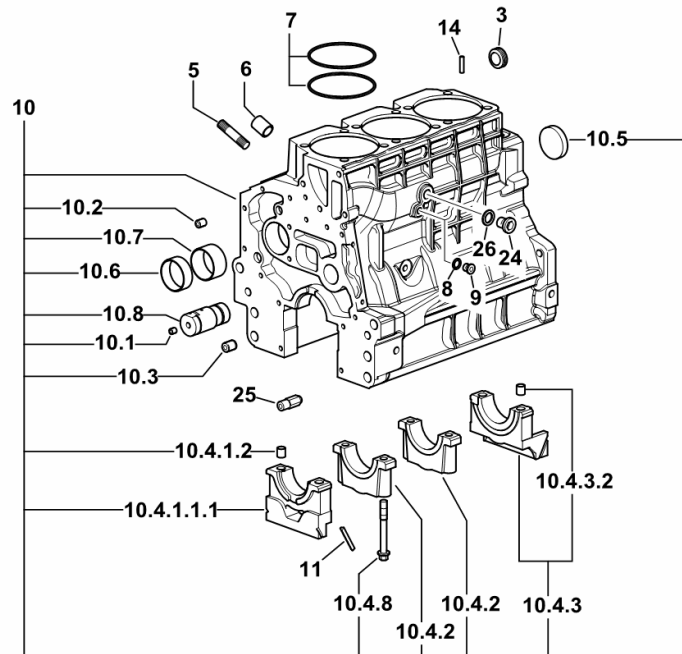
CLICK HERE TO **DOWNLOAD** THE COMPLETE MANUAL

**CRANKCASE**

Fig.	Code	QTY	Name
------	------	-----	------

**Notes:**

[AGROPLUS 320 F -> ZKDP2402W0TD05001]



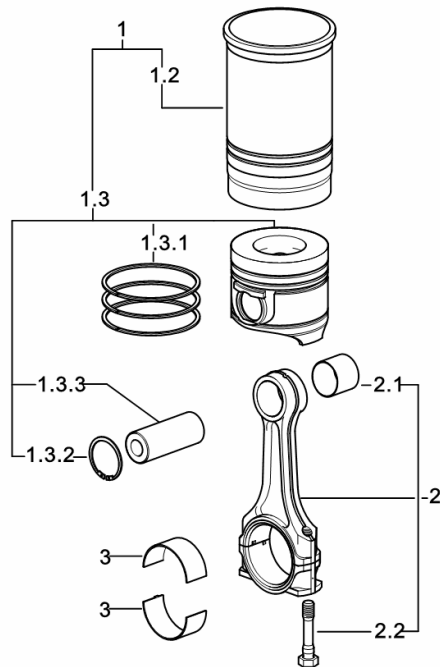
3	2.3199.312.2/20	1	plug m 35x1.5x9.5
5	2.0439.279.7	6	stud bolt m 8 p.1 x 25
6	2.1559.188.2	3	sleeve 11.4 x 14 x16
7	2.1539.259.0	6	'o' ring 107.62x2.62
8	2.1560.010.0	1	gasket 14.2 x 20 x 1.5
9	2.3199.292.0	1	plug 1/4" gas
10	0.014.9911.4/30	1	crankcase
10.1	2.3130.001.1	12	plug 1/8" gas
10.2	2.3130.002.1	4	plug 1/4" gas
10.3	2.3130.003.1	2	plug 3/8" gas
10.4.1.1.1	0.065.1112.7/10	1	support
10.4.1.2	2.1699.165.0	1	sleeve 12.3x15x16
10.4.2	0.065.1114.0/10	2	support
10.4.3	0.065.1116.3	1	support
10.4.3.2	2.1699.165.0	1	sleeve 12.3x15x16
10.4.8	0.065.1117.0	8	screw m 12 x 100
10.5	2.3179.012.0	1	plug 60
10.6	0.065.1140.0	3	bushing 59X55X20
10.7	0.065.1141.0	1	bushing 59X55X30
10.8	0.014.1340.0/10	1	pin
11	0.066.1152.0/10	4	gasket
14	2.1549.154.2	3	sleeve 4.8x5.8x16
24	2.3120.101.0	1	plug m 18 p.1.5
25	0.013.4946.0/10	1	cooling nozze
26	2.1560.014.0	1	gasket 18.2 x 24 x 1.5

**CYLINDER - PISTON - CONNECTING ROD**

Fig.	Code	QTY	Name
------	------	-----	------

**Notes:**

[AGROPLUS 320 F -> ZKDP2402W0TD05001]



1	0.O55.0065.A	3	piston cyl.assembly "A" - CLASS A
1	0.O55.0065.B	3	piston cyl.assembly "B" - CLASS B
1.2	0.A12.2675.0	1	engine cylinder "A" - CLASS A
1.2	0.B12.2675.0	1	engine cylinder "B" - CLASS B
1.3	0.O55.0060.A	1	complete piston "A" - CLASS A
1.3	0.O55.0060.B	1	complete piston "B" - CLASS B
1.3.1	0.338.0052.6/20	1	piston ring set
1.3.2	2.1411.014.1	2	circlip 35
1.3.3	0.078.1236.0	1	piston pin
2	0.014.5175.3	3	engine connect.rod
2.1	2.1559.255.0	1	bushing
2.2	2.0399.213.0	2	screw m 12 p.1.25x61.5
3	0.065.1225.0	6	con.rod half bushing STANDARD
3	0.065.1225.7	6	con.rod half bushing - mm 0.25
3	0.065.1225.8	6	con.rod half bushing - mm 0.50

9\_O5312\_01\_M-A-001

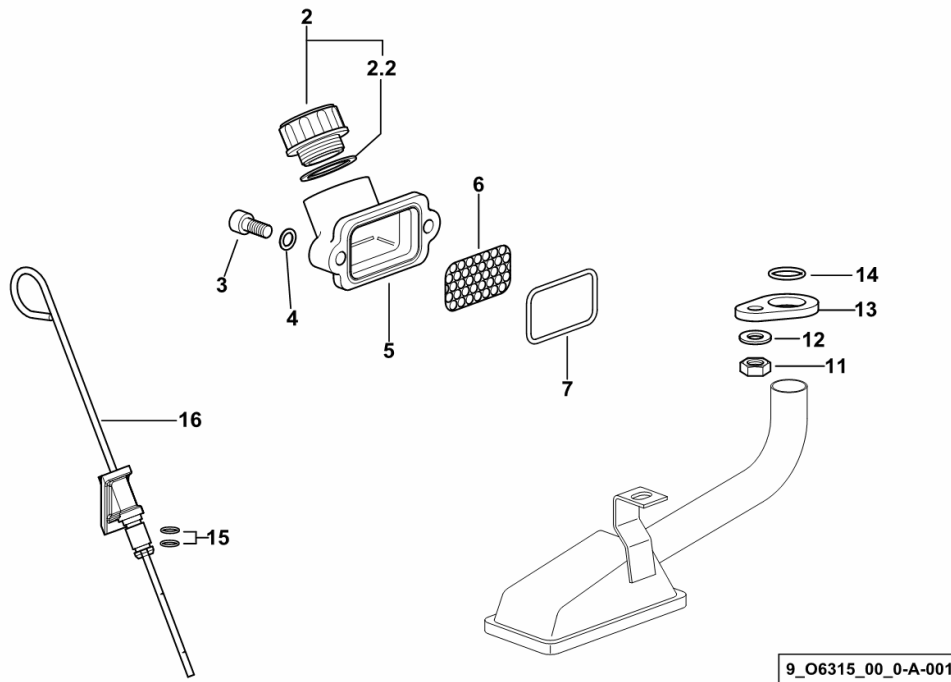
**LUBRICATION**

Fig.	Code	QTY	Name
------	------	-----	------

**Notes:**

[AGROPLUS 320 F -> ZKDP2402W0TD05001]

2	0.041.1135.4	1	plug 1" gas
2.2	2.1569.072.0	1	gasket 32 x 39.5 x 2
3	2.0312.205.2	2	screw m 8 p.1.25 x 18
4	2.1480.014.1	2	washer 8
5	0.013.0942.0/10	1	pipe union
6	0.013.1387.0	1	small mesh
7	2.1532.515.0	1	rubber ring 1.78 x 53.70
11	2.1011.105.2	1	nut m 8 p.1.25
12	2.1470.004.2	1	washer 8
13	0.065.1538.0	1	flange
14	2.1539.040.0	1	'o' ring 21.82 x 3.53
15	2.1539.065.0	2	'o' ring 8.73 x 1.78
16	0.007.1624.2	1	dipstick



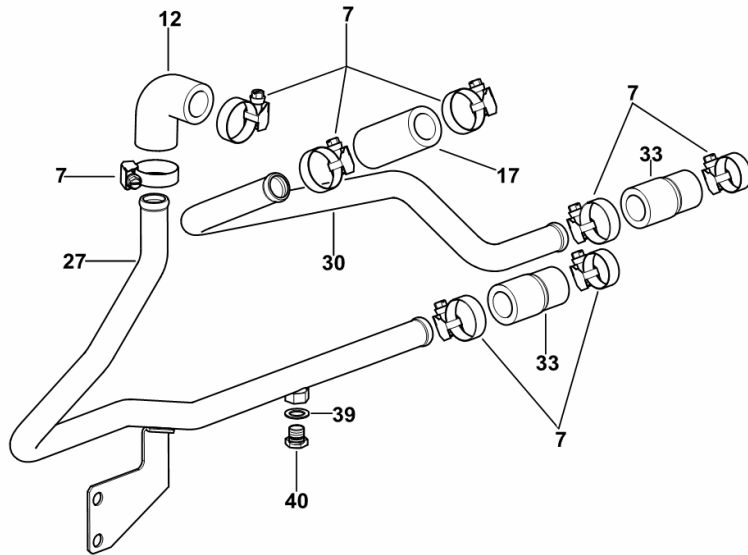
9\_O6315\_00\_0-A-001

Section: B0 - ENGINE  
**WATER PUMP HOSES**

Fig.	Code	QTY	Name
------	------	-----	------

Notes:  
 [AGROPLUS 320 F -> ZKDP2402W0TD05001]

7	2.6851.002.0	12	clamp Ø 20/32
12	0.016.5019.0	2	sleeve
17	0.007.0678.0/10	2	sleeve 18x28x60
27	0.015.8497.2/10	1	tube
30	0.015.2065.0	1	tube
33	0.007.1228.0/10	2	sleeve
39	2.1560.006.0	1	gasket 10.2 x 16
40	2.3110.401.1	1	plug m 10 p.1x8



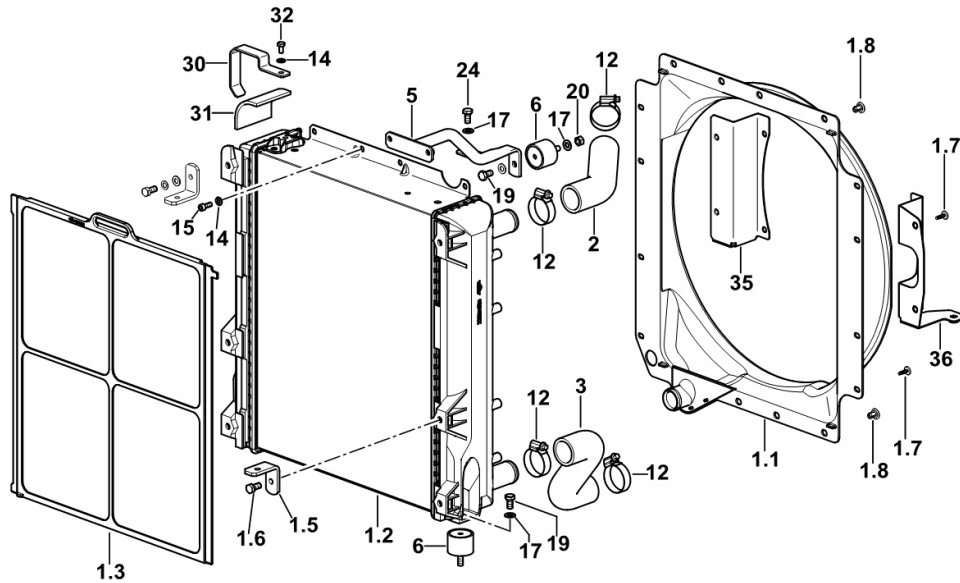
9\_O6317\_01\_0-B-001

Section: C0 - ENGINE ACCESSORIES  
**COOLING - COOLANT RADIATOR**

Fig.	Code	QTY	Name
------	------	-----	------

**Notes:**

[AGROPLUS 320 F -> ZKDP2402W0TD05001]



1.1	0.014.8030.2/10	1	duct
1.2	0.014.8026.4/10	1	water cooler
1.3	0.014.8035.2	1	shield
1.5	0.016.9782.0	4	bracket
1.6	0.900.1176.4	8	screw m 8 x 20
1.7	0.900.1176.5	8	screw
1.8	0.900.1176.6	5	rivet
2	0.016.2397.0	1	sleeve
3	0.016.2399.0	1	sleeve
5	0.016.2446.3	1	adjustable tensioner
6	0.010.1054.2/10	3	support
12	2.6851.004.0	4	clamp Ø 32/50
14	2.1310.002.2	3	washer 6.6, d125
15	2.0312.104.2	2	screw m 6 p.1 x 16
17	2.1310.004.2	5	flat washer 8.5
19	2.0112.205.2	3	screw m 8 p.1.25 x 16
20	2.1011.105.2	1	nut m 8 p.1.25
24	2.0114.205.2	1	screw m 8 p.1.25 x 16
30	0.014.8869.0/20	1	bracket
31	0.014.9300.0	1	insulator
32	2.0112.003.2	1	screw m 6 p.1 x 12
35	0.016.3291.3	1	support
36	0.016.3292.3	1	support

9\_P2583\_00\_0-A-001

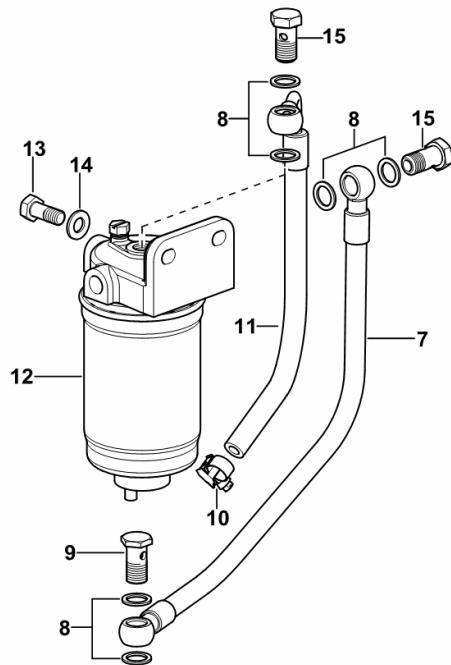
**FUEL FILTER**

Fig.	Code	QTY	Name
------	------	-----	------

**Notes:**

[AGROPLUS 320 F -> ZKDP2402W0TD05001]

7	0.016.7838.3	1	tube
8	2.1560.010.0	6	gasket 14.2 x 20 x 1.5
9	2.3339.357.2/10	1	pipe union m 14 p.1.5x28
10	2.6851.003.0	1	clamp Ø 25/40
11	0.017.0119.3	1	tube
12	2.4319.230.0	1	fuel filter ☞ 2.4319.230.0
13	2.0112.309.2	2	screw m 10 p.1.5 x 25
14	2.1310.006.2	2	flat washer 10.5
15	2.3332.004.1	2	pipe union m 14 p.1.5 x 27



9\_O6316\_02\_0-A-001

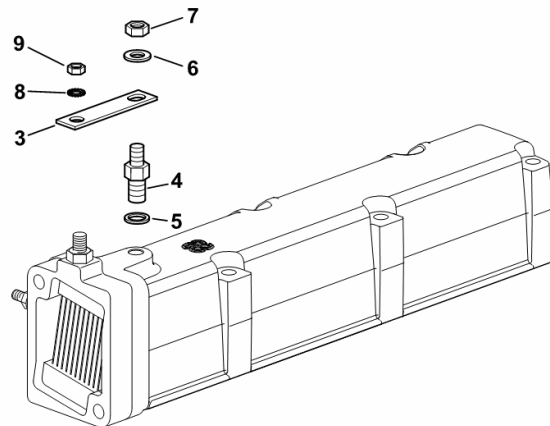
**HEATING ELEMENT EARTH**

Fig.	Code	QTY	Name
------	------	-----	------

**Notes:**

[AGROPLUS 320 F -> ZKDP2402W0TD05001]

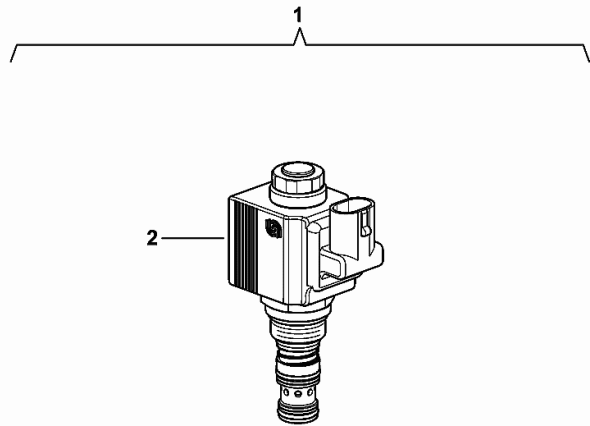
3	0.013.4451.0	1	bracket
4	0.013.4450.0	1	stud bolt m 8 / m 10
5	2.1560.006.0	1	gasket 10.2 x 16
6	2.1475.002.2	1	conical washer 8
7	2.1011.105.2	1	nut m 8 p.1.25
8	2.1470.002.2	1	washer 6, d128
9	2.1011.103.2	1	nut m 6 p.1



9\_B6784\_21\_0-A-001

**SOLENOID VALVE 13 V - 20 W, ON/OFF 3/2**

Fig.	Code	QTY	Name
1	2.3729.697.0/20	1	electro valve 13V - 20W
2	0.900.1130.7	1	coil



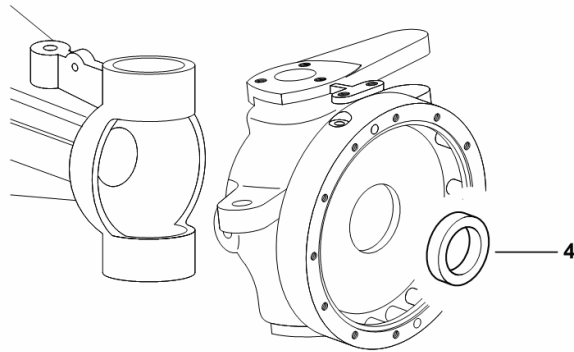
2.3729.697.0\_20

Section: F0 - FRONT AXLE  
**4WD - STANDARD SEALING**

Fig.	Code	QTY	Name
------	------	-----	------

Notes:  
 [AGROPLUS 320 F -> ZKDP2402W0TD05001]

4	2.1529.130.0	2	'o' ring 50 x 72 x 16.5
---	--------------	---	-------------------------



9\_58946\_06\_0-A-001

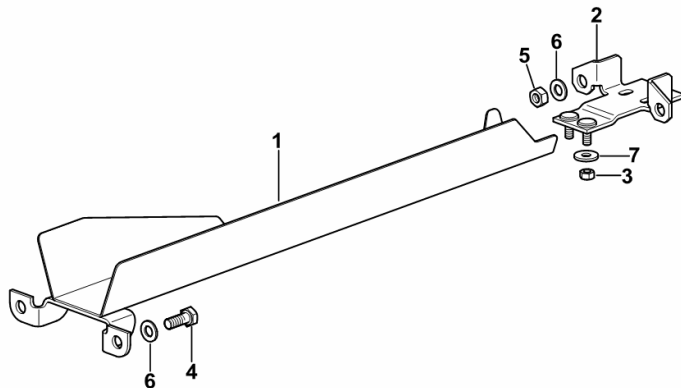
**4WD - PROPELLER SHAFT - GUARDS**

Fig.	Code	QTY	Name
------	------	-----	------

**Notes:**

[AGROPLUS 320 F -> ZKDP2402W0TD05001]

1	0.016.3806.2/10	1	guard
2	0.015.7439.3	1	support
3	2.1011.103.2	2	nut m 6 p.1
4	2.0112.207.2	2	screw m 8 p 1.25 x 20
5	2.1011.105.2	2	nut m 8 p.1.25
6	2.1310.004.2	4	flat washer 8.5
7	2.1312.003.2	2	washer 6



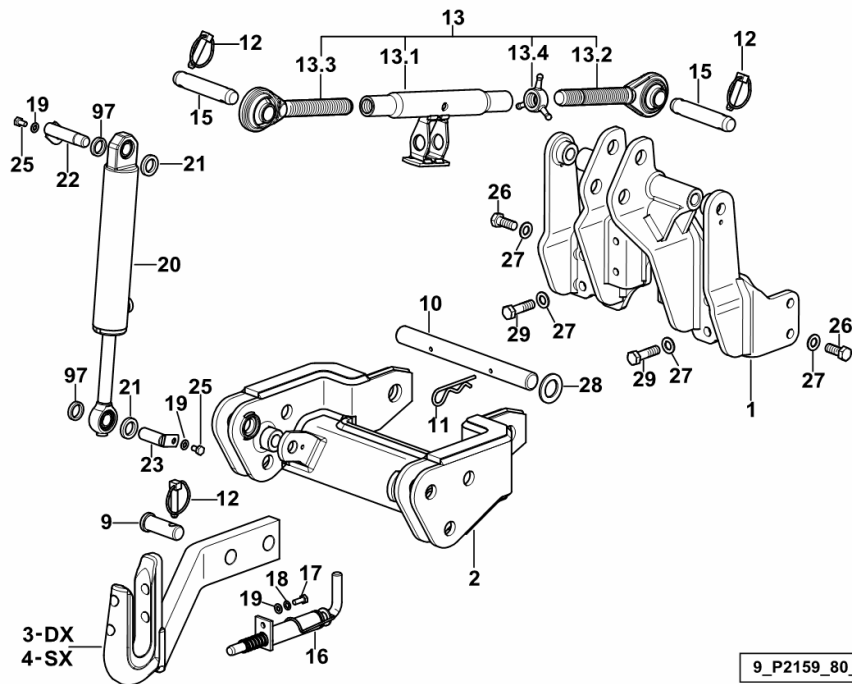
9\_P2126\_02\_0-A-001

**FRONT HYDRAULIC POWER-LIFT**

Fig.	Code	QTY	Name
------	------	-----	------

**Notes:**

[AGROPLUS 320 F -> ZKDP2402W0TD05001] 5006 <-



1	0.016.7034.2/10	1	support
2	0.014.9796.2	1	support
3	0.014.9940.3	1	right hand arm dx/rh/re
4	0.014.9939.3	1	left hand arm sx/lh/li
9	2.1679.110.2	4	pin
10	0.010.0986.0/10	1	pin
11	2.1699.084.2	2	pin Ø 27
12	0.010.9322.4	8	pin Ø 11
13	0.015.0372.4/20	1	top link
13.1	0.015.0372.3/10	1	sleeve
13.2	0.96044.14.3/20	1	rod dx/rh/re
13.3	0.760.3515.3/10	1	rod sx/lh/li
13.4	0.96014.57.0/10	1	locknut m 27 p.3
15	2.1669.024.2	2	pin 25.4 x 133
16	0.009.8357.3/20	2	clevis
17	2.0112.207.2	2	screw m 8 p 1.25 x 20
18	2.1470.004.2	2	washer 8
19	2.1310.004.2	6	flat washer 8.5
20	2.3749.007.0	2	jack
21	2.1569.125.0	4	gasket 23x35x6
22	0.007.3704.2	2	pin
23	0.007.3705.2/10	2	pin
25	2.0112.204.2	4	screw m 8 p.1.25x14
26	2.0112.513.2	4	screw m 14 p.2 x 35
27	2.1475.005.7	12	washer 14
28	2.1599.124.0	4	snoulder 30.5x50x4
29	2.0112.519.2	8	screw m 14 p.2x50
97	2.1549.517.0	4	ring 23x31x6

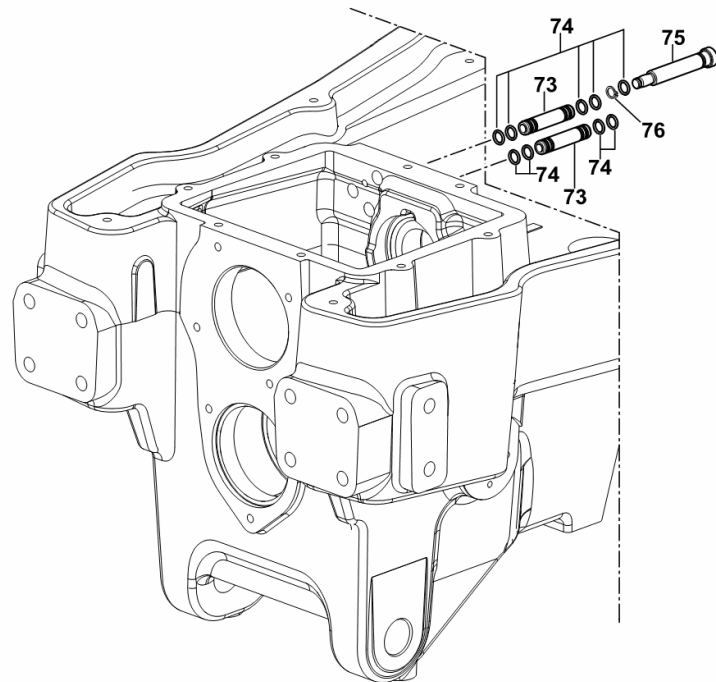
Section: M0 - FRONT PTO  
**FRONT PTO PACKAGE**

Fig.	Code	QTY	Name
------	------	-----	------

**Notes:**

[AGROPLUS 320 F -> ZKDP2402W0TD05001]

73	0.016.3004.0	2	pin
74	2.1531.016.0	9	ring 8.74 x 1.78
75	0.016.2971.0	1	pin
76	2.1410.063.2	1	circlip 8



9\_P2559\_85\_0-E-001

MID-MOUNT HYDRAULIC COUPLERS - FRONT - SX/LH/LI.....	H0.06.10 (2)
MID-MOUNT HYDRAULIC COUPLERS - FRONT - SX/LH/LI.....	H0.06.11 (1)
MID-MOUNT HYDRAULIC COUPLERS - FRONT - SX/LH/LI.....	H0.06.11 (2)
MID-MOUNT HYDRAULIC COUPLERS - FRONT - SX/LH/LI.....	H0.06.12 (1)
MID-MOUNT HYDRAULIC COUPLERS - FRONT - SX/LH/LI.....	H0.06.12 (2)
MID-MOUNT HYDRAULIC COUPLERS - FRONT - DX/RH/RE.....	H0.06.13 (1)
MID-MOUNT HYDRAULIC COUPLERS - FRONT - DX/RH/RE.....	H0.06.13 (2)
4+1 MID-MOUNT HYDRAULIC COUPLERS - FRONT - DX/RH/RE.....	H0.06.14 (1)
4+1 MID-MOUNT HYDRAULIC COUPLERS - FRONT - DX/RH/RE.....	H0.06.14 (2)
2+1 OR 4+1 MID-MOUNT HYDRAULIC COUPLERS - FRONT - DX/RH/RE.....	H0.06.15 (1)
2+1 OR 4+1 MID-MOUNT HYDRAULIC COUPLERS - FRONT - DX/RH/RE.....	H0.06.15 (2)
MID-MOUNT HYDRAULIC COUPLERS - FRONT - DX/RH/RE.....	H0.06.16 (1)
MID-MOUNT HYDRAULIC COUPLERS - FRONT - DX/RH/RE.....	H0.06.16 (2)
BRACKET FOR MID-MOUNT COUPLERS 2+1.....	H0.06.17 (1)
BRACKET FOR MID-MOUNT COUPLERS 4+1.....	H0.06.18 (1)
BRACKET FOR MID-MOUNT COUPLERS 4+1.....	H0.06.19 (1)
ENGAGEMENT.....	0.98308.50.3/10.A
DISTRIBUTOR.....	2.3729.687.0.A

**REAR REMOTE CONTROL VALVES**

6-WAY AUXILIARY DISTRIBUTOR.....	H0.07.0 (1)
AUXILIARY CONTROL VALVE SYSTEM.....	H0.07.1 (1)
AUXILIARY CONTROL VALVE SYSTEM.....	H0.07.2 (1)
AUXILIARY CONTROL VALVE SYSTEM.....	H0.07.2 (2)
QUICK-ACTION PROTECTIONS - 6-WAY.....	H0.07.3 (1)
HYDRAULIC SYSTEM - FOR 6-WAY CONTROL VALVE.....	H0.07.4 (1)
HYDRAULIC SYSTEM - FOR 6-WAY CONTROL VALVE.....	H0.07.4 (2)
HYDRAULIC SYSTEM - FOR 6-WAY CONTROL VALVE.....	H0.07.4 (3)
HYDRAULIC SYSTEM - FOR 6-WAY CONTROL VALVE.....	H0.07.5 (1)
AUXILIARY CONTROL VALVE SYSTEM WITH 2+1 CENTRAL CONNECTORS.....	H0.07.6 (1)
AUXILIARY CONTROL VALVE SYSTEM WITH 4+1 CENTRAL CONNECTORS.....	H0.07.7 (1)
AUXILIARY CONTROL VALVE SYSTEM.....	H0.07.8 (1)
AUXILIARY CONTROL VALVE SYSTEM.....	H0.07.9 (1)
TANK - PARTS.....	0.011.0212.3.A
ENGAGEMENT.....	0.98309.50.3/10.A
HYDRAULIC DISTRIBUTOR-PARTS.....	2.3719.740.0/20.A

**BRAKING SYSTEM AND PNEUMATIC SYSTEM|**

FLOW CONTROL VALVE.....	H0.09.0 (1)
BRAKES CONTROL VALVE.....	H0.09.2 (1)
BRAKING SYSTEM.....	H0.09.4 (1)
BRAKE PIPES - FRONT.....	H0.09.5 (1)
HYDRAULIC BRAKING FOR TRAILER - ITALY -.....	H0.09.7 (2)
HYDRAULIC BRAKING FOR TRAILER - EXPORT F.....	H0.09.9 (1)
BRAKING SYSTEM.....	H0.09.10 (1)
SYSTEM FROM HYDRAULIC PUMP TO HYDRAULIC BRAKES.....	H0.09.11 (1)

**AGROPLUS 320 F -> 5001**

Section: H0 - HYDRAULIC AND PNEUMATIC SYSTEM|

Ref.: H0.01.11 (1)

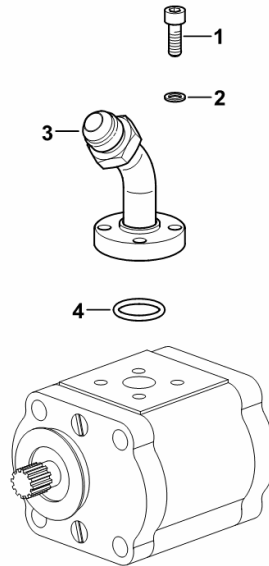
**COMPLETING THE HYDRAULIC PUMP 22.5 CM<sup>3</sup>**

Fig.	Code	QTY	Name
------	------	-----	------

**Notes:**

[AGROPLUS 320 F -> ZKDP2402W0TD05001]

1	2.0312.105.2	4	screw m 6 p.1 x 18
2	2.1480.012.2	4	washer 6, d128
3	0.014.5626.3	1	tube
4	2.1531.052.0	1	'o' ring 20.29 x 2.62



9\_F2082\_02\_0-A-001

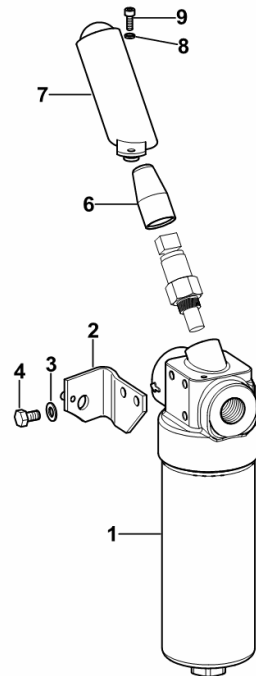
**LUBRIC. OIL FILTER 7"**

Fig.	Code	QTY	Name
------	------	-----	------

**Notes:**

[AGROPLUS 320 F -> ZKDP2402W0TD05001]

1	2.4419.792.0	1	oil filter 7" ☞ 2.4419.792.0
2	0.016.4316.2/10	1	bracket
3	2.1475.002.2	2	conical washer 8
4	2.0112.204.2	2	screw m 8 p.1.25x14
6	2.6519.029.0	1	cap
7	0.016.4317.2	1	guard
8	2.1480.011.2	1	washer 5
9	2.0312.003.2	1	screw m 5 p.0.8 x 14



SENSO DI MARCIA (LATO DX)  
FORWARD SPEED (RIGHT SIDE)

9\_P2582\_10\_0-A-001

**AGROPLUS 320 F -> 5001**

Section: H0 - HYDRAULIC AND PNEUMATIC SYSTEM|

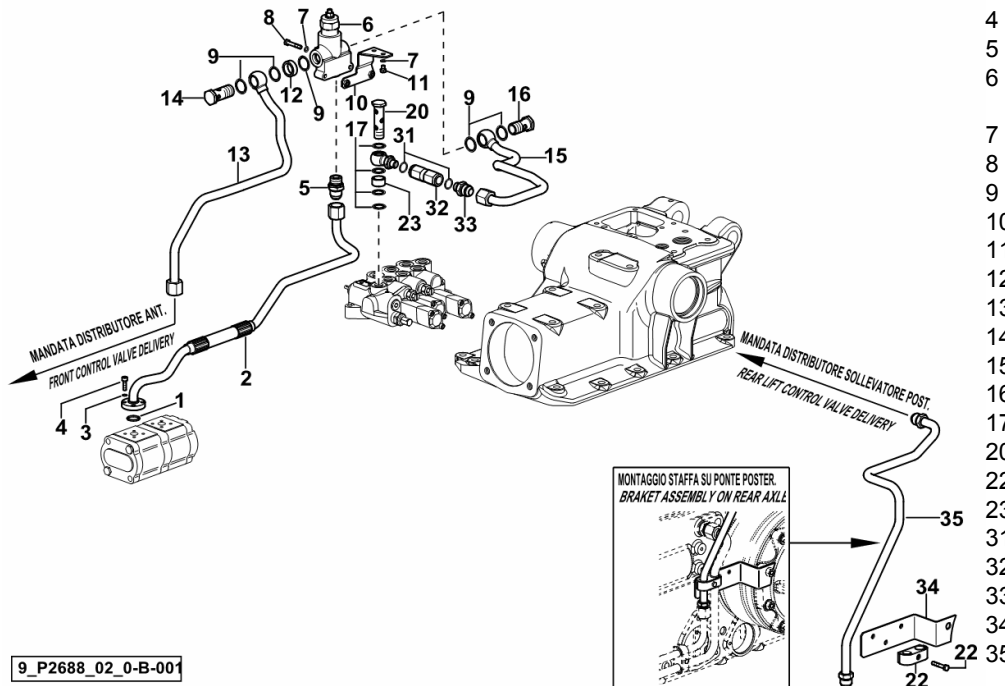
Ref.: H0.01.34 (1)

**WORKING HYDR. SYSTEM CUTTING ANGLE ADJUSTMENT**

Fig.	Code	QTY	Name
------	------	-----	------

**Notes:**

- FOR TYPES WITHOUT ROLL BAR [AGROPLUS 320 F -> ZKDP2402W0TD05001] 5015 <- - WITH 4-WAY FRONT CONTROL VALVE [AGROPLUS 320 F -> ZKDP2402W0TD05001] 5015 <-



9\_P2688\_02\_0-B-001

1	2.1531.052.0	1	'o' ring 20.29 x 2.62
2	0.016.4351.3	1	tube
3	2.1480.012.2	4	washer 6, d128
4	2.0312.106.2	4	screw m 6 p.1 x 20
5	2.3249.129.2	1	pipe fitting m 22 - 7/8" JIC
6	2.3729.729.0	1	valve MULTIPLE FLOW CONTROL VALVE
7	2.1470.002.2	4	washer 6, d128
8	2.0112.013.2	3	screw m 6 p.1 x 35
9	2.1561.112.0	5	gasket Ø 22 -B-
10	0.016.4350.3	1	bracket
11	2.0112.001.2	2	screw m 6 p.1 x 18
12	2.1549.670.2	1	spacer
13	0.016.4354.3	1	tube
14	2.3335.056.2	1	pipe union m 22 p.1.5 x 50
15	0.016.4355.3	1	tube
16	2.3335.009.2	1	pipe union m 22 p.1.5 x 39
17	2.1561.110.0	19	'o' ring Ø 18 -B-
20	2.3339.820.2/10	3	pipe union m 18 p.1.5 x 68
22	2.3320.317.0	1	terminal
23	2.1549.385.2	2	spacer 18.6 x 25 x 13
31	2.1560.053.0	2	gasket 17 x 21
32	0.445.6388.3/10	1	valve
33	2.3261.115.2	1	pipe fitting 3/8 gas - 7/8"
34	0.014.7622.3	1	bracket
35	0.016.4353.3	1	tube

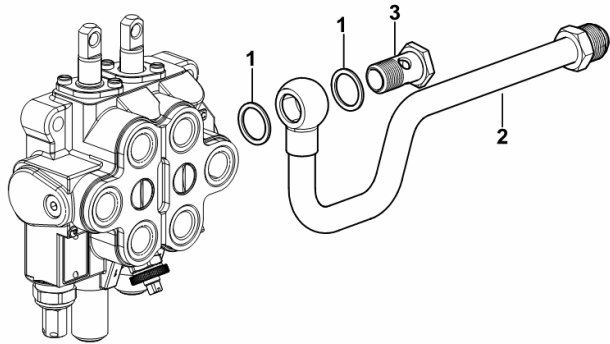
**DRAIN LINE OF FRONT REMOTE VALVE**

Fig.	Code	QTY	Name
------	------	-----	------

**Notes:**

- FOR TYPES WITHOUT FRONT LIFT AND MECHANICALLY OPERATED FRONT REMOTE VALVE [AGROPLUS 320 F -> ZKDP2402W0TD05001]

1	2.1561.010.0	2	'o' ring 18
2	0.016.4348.3	1	tube
3	2.3335.008.2	1	pipe union m 18 p.1.5 x 32



9\_P2588\_07\_0-A-001

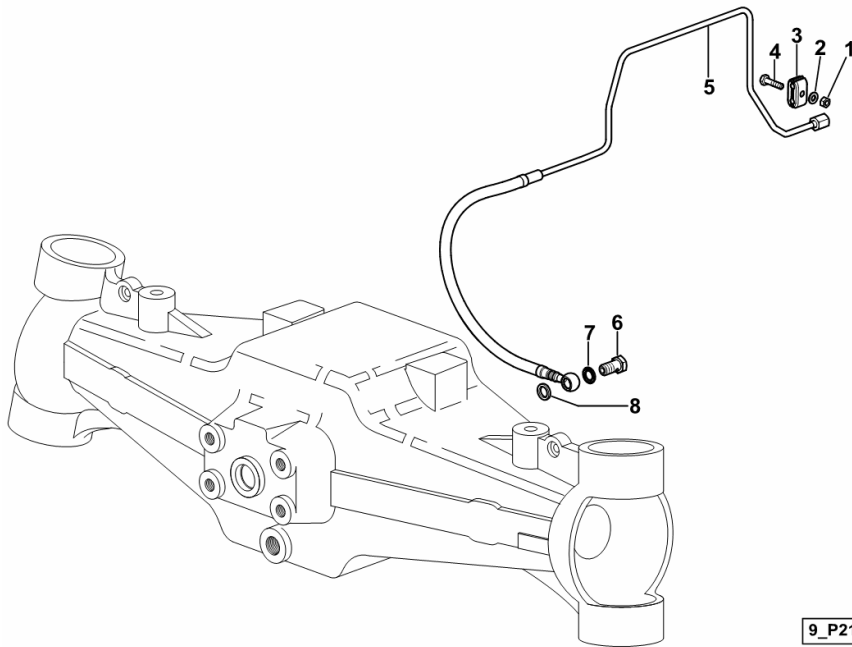
**FRONT DIFFERENTIAL LOCK PIPE**

Fig.	Code	QTY	Name
------	------	-----	------

**Notes:**

[AGROPLUS 320 F -> ZKDP2402W0TD05001]

1	2.1011.103.2	1	nut m 6 p.1
2	2.1310.002.2	1	washer 6.6, d125
3	2.3321.002.0	1	terminal Ø 6.35 / 6.35
4	2.0112.009.2	1	screw m 6 p.1 x 25
5	0.016.4810.3/10	1	tube
6	2.3332.003.2	1	pipe union m 12 p.1.25 x 23
7	2.1561.106.0	1	gasket Ø 12 -B-
8	2.1569.118.0	1	gasket 12.5x18x2.5



9\_P2182\_15\_0-A-001

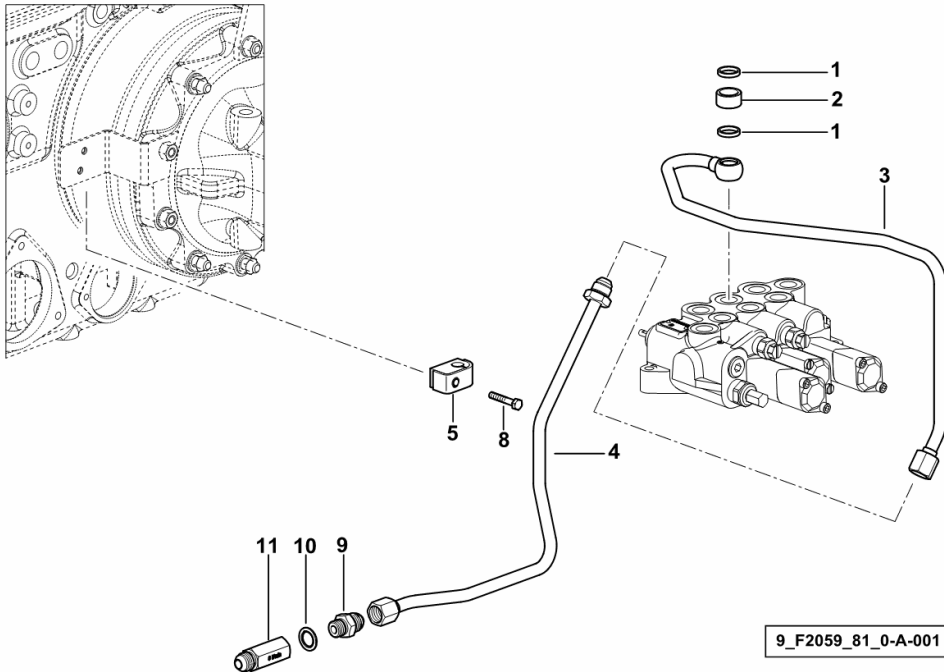
**FRONT LIFT - HYDRAULIC SYSTEM**

Fig.	Code	QTY	Name
------	------	-----	------

**Notes:**

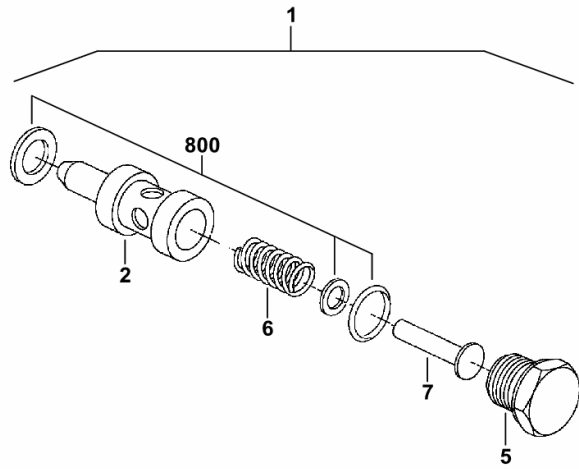
[AGROPLUS 320 F -> ZKDP2402W0TD05001] 5035 <-

1	2.1569.160.0	2	gasket 18.2x22x3.5
2	2.1549.385.2	1	spacer 18.6 x 25 x 13
3	0.014.8624.3/10	1	tube
4	0.014.8601.3	1	tube
5	2.3320.105.0	1	collar
8	2.0112.013.2	1	screw m 6 p.1 x 35
9	2.3261.112.2	1	pipe fitting 3/8 gas-3/4"
10	2.1561.109.0	1	gasket
11	0.014.7203.3	1	valve



**PRESSURE CONTROL VALVE**

Fig.	Code	QTY	Name
1	0.009.2038.4/10	1	valve
2	04417983	1	valve
5	0.900.0039.0	1	plug
6	0.900.0051.7	1	spring
7	0.900.0039.1	1	pin
800	2.3719.020.1	1	shim



0\_009\_2038\_4\_10

**AGROPLUS 320 F -> 5001**

Section: H0 - HYDRAULIC AND PNEUMATIC SYSTEM|

Ref.: H0.06.9 (1)

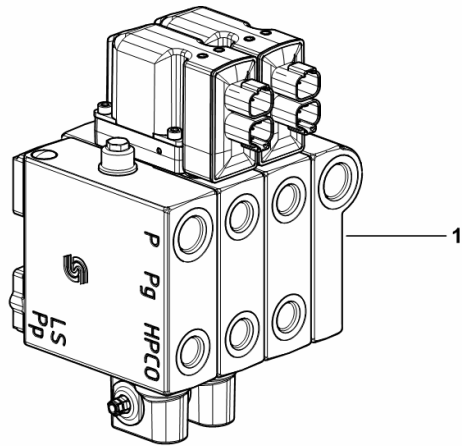
**AUXILIARY FRONT HYDRAULIC DISTRIBUTOR WITH 4 OIL WAYS - SAUER -**

Fig.	Code	QTY	Name
------	------	-----	------

**Notes:**

- ELECTROHYDRAULIC CONTROL [AGROPLUS 320 F -> ZKDP2402W0TD05001]

1	2.3729.731.0	1	distributor
---	--------------	---	-------------



9\_P2888\_15\_0-A-001

**AGROPLUS 320 F -> 5001**

Section: H0 - HYDRAULIC AND PNEUMATIC SYSTEM|

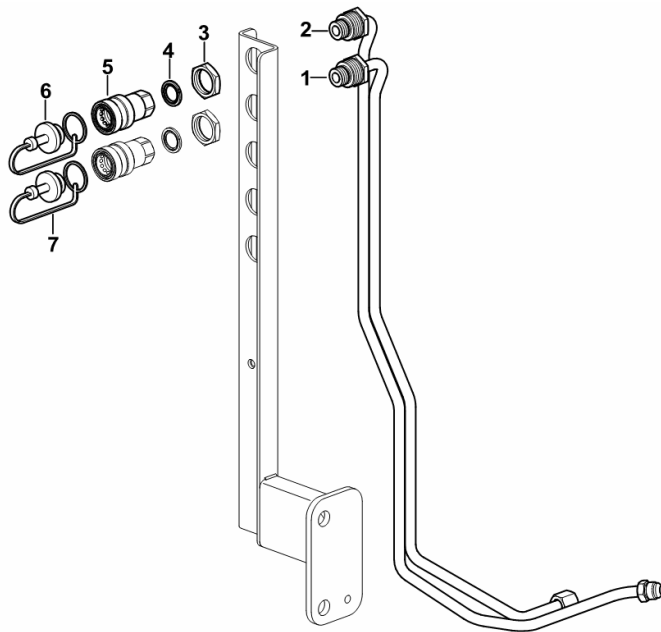
Ref.: H0.06.14 (1)

**4+1 MID-MOUNT HYDRAULIC COUPLERS - FRONT - DX/RH/RE**

Fig.	Code	QTY	Name
------	------	-----	------

**Notes:**

- FOR TYPES WITHOUT ROLL BAR [AGROPLUS 320 F -> ZKDP2402W0TD05001] - FOR TYPES WITHOUT FRONT CONTROL VALVE [AGROPLUS 320 F -> ZKDP2402W0TD05001]



1	0.016.4344.3	1	tube
2	0.016.4343.3	1	tube
3	2.1019.091.2	2	special nut m 30 p.1.5x8
4	2.1569.206.0	2	gasket
5	0.98308.50.3/10	2	coupling ☞ 0.98308.50.3/10
6	0.013.7999.0	1	plug - RED COLOUR
7	0.014.7609.0	1	plug - YELLOW COLOUR

9\_P2588\_08\_0-A-001

**DISTRIBUTOR**

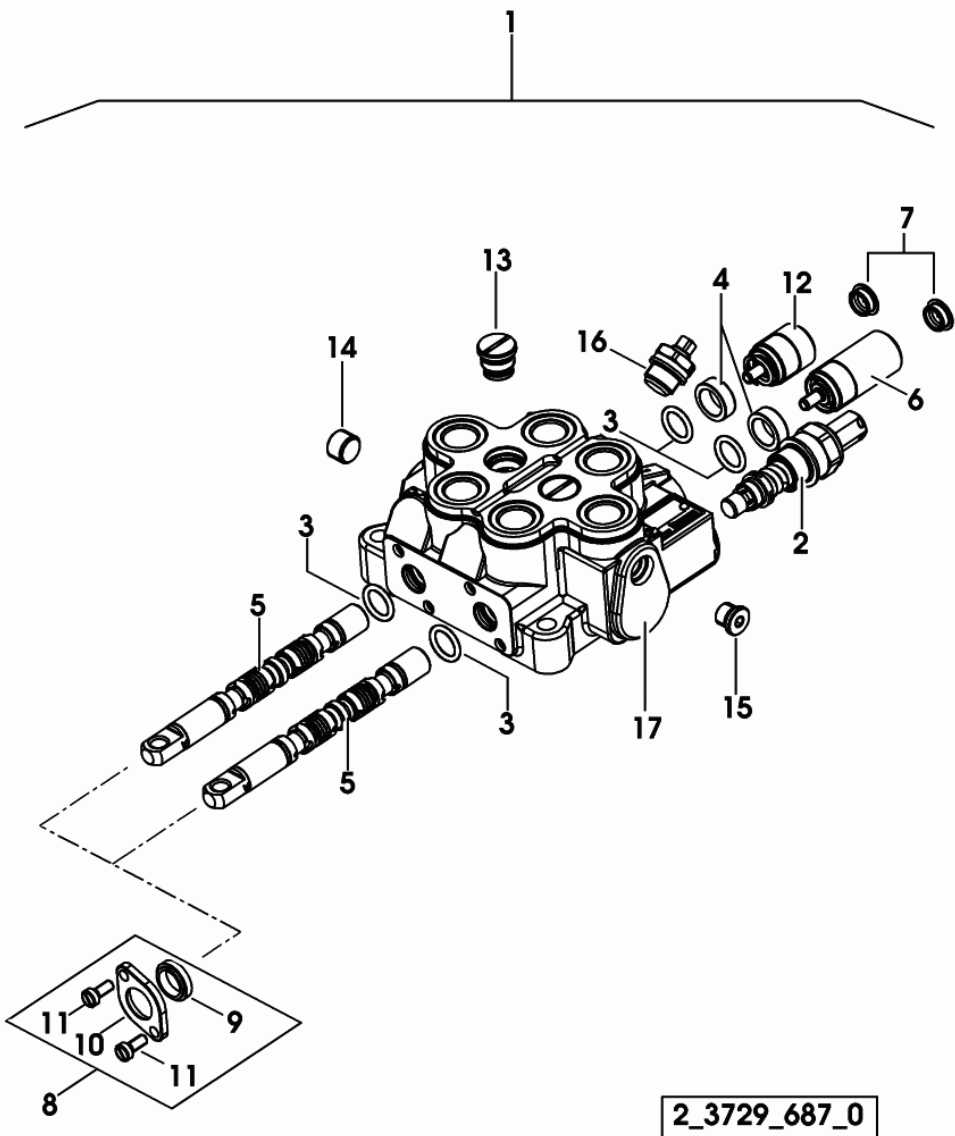


Fig.	Code	QTY	Name
1	2.3729.687.0	1	distributor - BUCHER
2	0.010.3601.2	1	valve
3	0.010.3605.2	4	'o' ring
4	0.010.3609.0	2	spacer
5	0.010.3608.1	2	slider
6	0.010.3613.0	1	connection
7	0.010.3610.0	2	plug
8	0.900.0020.3	2	accessories
9	0.900.0020.0	2	'o' ring
10	0.900.0020.1	2	small plate
11	0.900.0020.2	4	screw
12	0.900.0019.5	1	sleeve
13	0.010.3615.1	2	valve
14	0.900.0020.5	1	plug
15	0.900.0020.4	1	plug
16	0.900.0020.7	1	valve
17	0.000.0000.1	0	not serviceable

2\_3729\_687\_0

**AGROPLUS 320 F -> 5001**

Section: H0 - HYDRAULIC AND PNEUMATIC SYSTEM|

Ref.: H0.07.6 (1)

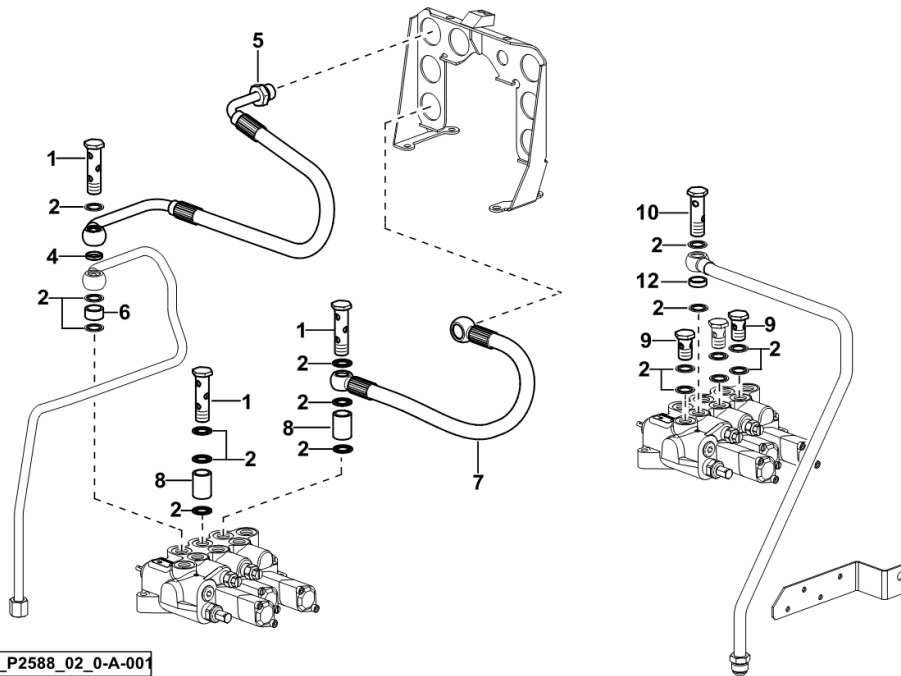
**AUXILIARY CONTROL VALVE SYSTEM WITH 2+1 CENTRAL CONNECTORS**

Fig.	Code	QTY	Name
------	------	-----	------

**Notes:**

- FOR TYPES WITHOUT ROLL BAR [AGROPLUS 320 F -> ZKDP2402W0TD05001] - FOR TYPES WITHOUT FRONT CONTROL VALVE [AGROPLUS 320 F -> ZKDP2402W0TD05001]

1	2.3339.820.2/10	3	pipe union m 18 p.1.5 x 68
2	2.1561.110.0	17	'o' ring Ø 18 -B-
4	2.1569.160.0	1	gasket 18.2x22x3.5
5	0.016.4345.3	1	tube
6	2.1549.385.2	1	spacer 18.6 x 25 x 13
7	0.010.9302.3	1	tube mm 575
8	2.1549.548.2	2	spacer 19 x 25 x 34
9	2.3335.008.2	3	pipe union m 18 p.1.5 x 32
10	2.3339.932.2/10	1	pipe union m 18 p.1.5 x 60
12	2.1569.158.0/10	1	gasket 18.2 x 24 x 6.5



9\_P2588\_02\_0-A-001

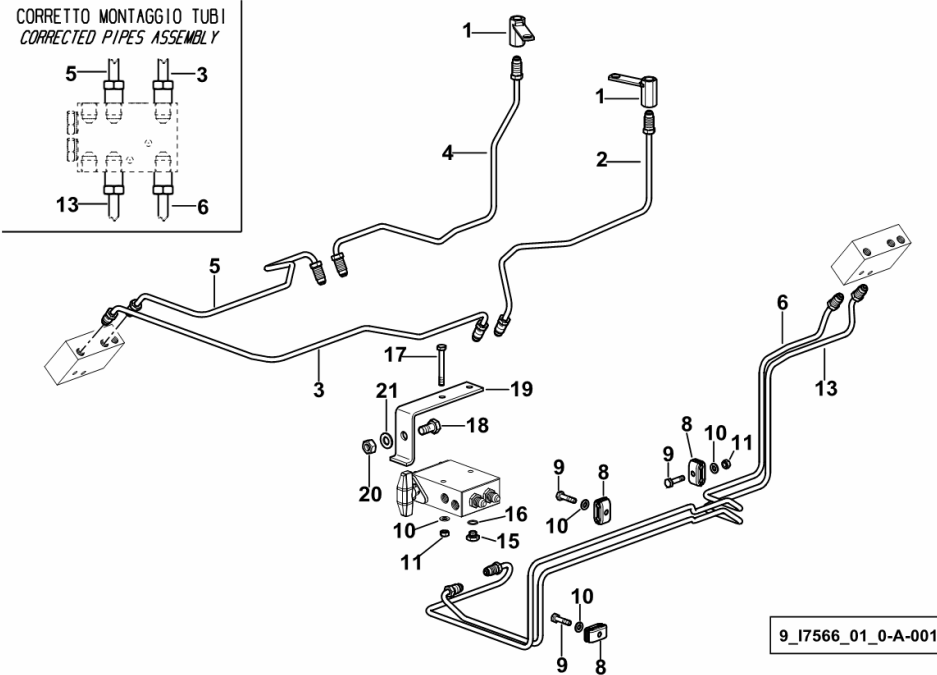
**BRAKING SYSTEM**

Fig.	Code	QTY	Name
------	------	-----	------

**Notes:**

[AGROPLUS 320 F -> ZKDP2402W0TD05001]

CORRETTO MONTAGGIO TUBI  
CORRECTED PIPES ASSEMBLY



1	0.010.9417.2	2	pipe fitting
2	0.010.9416.3/20	1	tube sx/lh/li
3	0.014.5703.3	1	tube sx/lh/li
4	0.014.5707.3	1	tube dx/rh/re
5	0.014.5704.3	1	tube dx/rh/re
6	0.014.5705.3/20	1	tube sx/lh/li
8	2.3321.002.0	3	terminal Ø 6.35 / 6.35
9	2.0112.009.2	3	screw m 6 p.1 x 25
10	2.1310.002.2	5	washer 6.6, d125
11	2.1011.103.2	3	nut m 6 p.1
13	0.014.5706.3/20	1	tube dx/rh/re
15	2.3110.510.1	1	plug 1/8" gas
16	2.1560.051.0	1	gasket 10x13.5
17	2.0112.019.2	2	screw m 6 p.1 x 50
18	2.0112.307.2	1	screw m 10 p.1.5 x 20
19	0.010.8357.0	1	bracket
20	2.1011.106.2	1	nut m 10 p.1.5
21	2.1310.006.2	1	flat washer 10.5

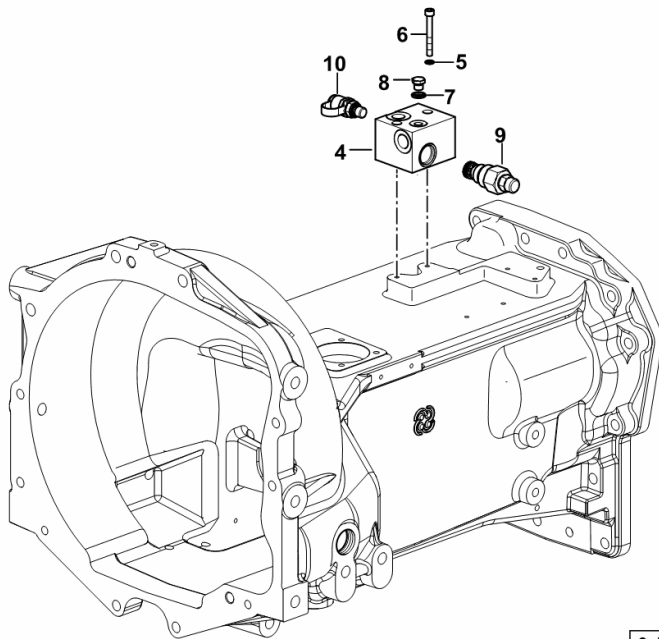
**BYPASS VALVE ASSEMBLY**

Fig.	Code	QTY	Name
------	------	-----	------

**Notes:**

- FOR TYPES WITHOUT H-M-L (POWERSHIFT) [AGROPLUS 320 F -> ZKDP2402W0TD05001]

4	0.015.2724.0	1	small block
5	2.1480.012.2	2	washer 6, d128
6	2.0312.116.2	2	screw m 6 p.1 x 50
7	2.1561.005.0	1	washer typ A
8	2.3110.401.1	1	plug m 10 p.1x8
9	2.3729.692.0	1	valve
10	2.3729.696.0	1	socket



9\_17582\_31\_0-B-001

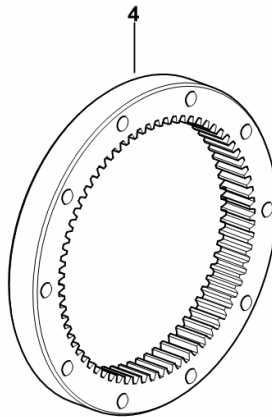
**REAR AXLE CROWN WHEEL**

Fig.	Code	QTY	Name
------	------	-----	------

**Notes:**

[AGROPLUS 320 F -> ZKDP2402W0TD05001]

4	0.008.5160.0/10	2	bevel ring gear Z = 69
---	-----------------	---	------------------------



9\_64847\_00\_0-B-001

## AGROPLUS 320 F -> 5001

### R0 - REAR LIFT

#### LIFT COVER

POWER-LIFT CASE.....	R0.01.0 (1)
PLUG.....	R0.01.1 (1)
LIFT FIXING COMPONENTS.....	R0.01.3 (1)

#### LIFT ASSEMBLY

LIFTING.....	R0.02.0 (1)
LIFTING.....	R0.02.1 (1)

#### LIFT CONTROL VALVE

FLOW CONTROL VALVE WITH MECHANICAL CONTROL.....	R0.03.0 (1)
FLOW CONTROL VALVE WITH MECHANICAL CONTROL.....	R0.03.1 (1)
REGULATING DISTRIBUTOR WITH ELECTRONIC CONTROL.....	R0.03.2 (1)
DISTRIBUTOR PARTS.....	2.3729.320.0.A

#### IN-CAB CONTROLS

INTERNAL CONTROLS.....	R0.04.0 (1)
------------------------	-------------

#### SENSOR

SENSITIVE ELEMENTS.....	R0.05.0 (1)
SENSING ELEMENTS WITH ELECTRONIC CONTROL.....	R0.05.1 (1)

#### THREE-POINT LINKAGE - LINK ARMS

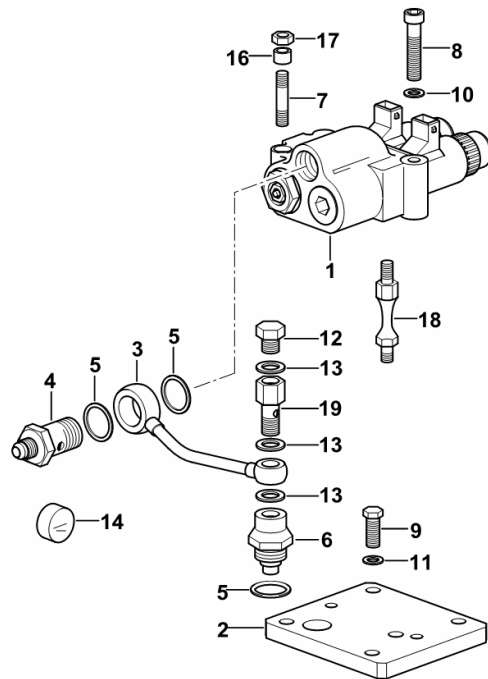
LIFT ARMS TO GEARBOX LOCK PINS.....	R0.06.1 (1)
THREE-POINT COUPLING - TOP/LOWER LINK.....	R0.06.2 (1)
THREE-POINT COUPLING - TOP/LOWER LINK - AUTOM.....	R0.06.3 (1)
THREE-POINT COUPLING - TOP/LOWER LINK - AUTOM.....	R0.06.3 (2)
THREE-POINT COUPLING.....	R0.06.4 (1)
3-POINT LINKAGE - ADJUSTABLE MECHANICAL TIE ROD dx/rh/re.....	R0.06.5 (1)
3-POINT LINKAGE - ADJUSTABLE HYDRAULIC TIE ROD.....	R0.06.6 (1)
3-POINT HITCH WITH ELECTRO-HYDRAULIC ADJUSTMENT.....	R0.06.7 (1)
3-POINT LINKAGE HYDRAULIC SYSTEM WITH ELECTROHYDRAULIC CONTROL.....	R0.06.8 (1)
TOWING BAR.....	R0.06.9 (1)
LINKAGE.....	0.014.1412.3.A
TOWING HITCH.....	0.014.1420.3.A
HYDRAULIC CYLINDER.....	0.015.2274.4.A

**REGULATING DISTRIBUTOR WITH ELECTRONIC CONTROL**

Fig.	Code	QTY	Name
------	------	-----	------

**Notes:**

[AGROPLUS 320 F -> ZKDP2402W0TD05001]



1	2.3729.320.0	1	distributor ☞ 2.3729.320.0
2	0.011.2295.0	1	plate
3	0.011.2307.3/10	1	tube
4	2.3339.826.2/10	1	pipe fitting m 22
5	2.1560.017.0	3	gasket 22.2 x 27
6	0.011.2320.3/20	1	valve
7	2.0432.020.7	1	stud bolt m 8 p.1.25-1x75
8	2.0312.215.2	2	screw m 8 p.1.25 x 45
9	2.0112.207.2	2	screw m 8 p 1.25 x 20
10	2.1480.014.1	2	washer 8
11	2.1470.004.2	2	washer 8
12	2.3110.402.7	1	plug m 12 p.1.5
13	2.1560.008.0	3	gasket 12.2 x 18
14	2.3171.009.4	3	expansion plug Ø 22
16	2.1579.776.0	1	spacer 8.8x12x8
17	2.1011.405.2	1	nut m 8 p.1
18	0.011.2375.0	1	small column
19	2.3339.755.2/10	1	pipe union m 12 p.1.5 x 24

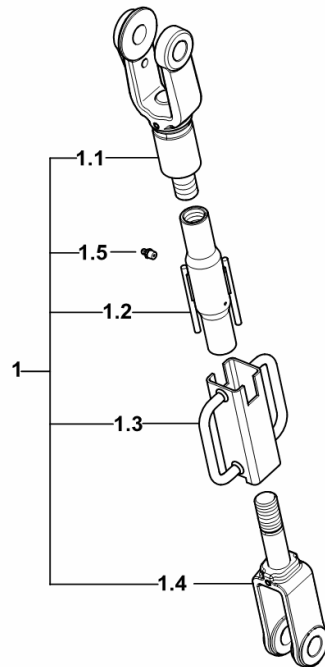
**3-POINT LINKAGE - ADJUSTABLE MECHANICAL TIE ROD dx/rh/re**

Fig.	Code	QTY	Name
------	------	-----	------

**Notes:**

[AGROPLUS 320 F -> ZKDP2402W0TD05001]

1	0.014.5308.4/10	1	adjustable tensioner
1.1	0.014.7385.3/10	1	adjustable tensioner
1.2	0.014.5637.2	1	sleeve
1.3	0.014.7405.2	1	tube
1.4	0.014.5308.3	1	rod
1.5	2.3820.105.2	1	lubricator m 10 p.1 x 7



9\_F1558\_03\_0-A-001

P.T.O. SHAFT 540 - 750 + SYNCRO.....	D0.14.8 (1)
PTO - 2-SPEED WITH INSERTED END SHAFT 540-750.....	D0.14.9 (1)
P.T.O. SHAFT 540 - 750 + SYNCRO.....	D0.14.10 (1)
P.T.O. WITH FIXED OUTPUT SHAFT - 2 SPEEDS + SINCRO AND 3 SPEEDS.....	D0.14.11 (1)
P.T.O. WITH FIXED OUTPUT SHAFT - 2 SPEEDS + SINCRO AND 3 SPEEDS.....	D0.14.11 (2)
3-SPEED P.T.O. WITH FIXED OUTPUT SHAFT 540-750-1000.....	D0.14.12 (1)
P.T.O. WITH INSERTED END SHAFTS - 2 -SPEED + GROUNDSP. AND 3- SPEED.....	D0.14.13 (1)
PTO - 3-SPEED WITH INSERTED END SHAFT 540-750-1000.....	D0.14.14 (1)
PTO - 3-SPEED WITH INSERTED END SHAFT 540-750-1000.....	D0.14.15 (1)
PTO - 3-SPEED WITH INSERTED END SHAFT 540-750-1000.....	D0.14.16 (2)
PTO - 3-SPEED WITH INSERTED END SHAFT 540-750-1000.....	D0.14.17 (1)
PTO - 3-SPEED WITH INSERTED END SHAFT 540-750-1000.....	D0.14.18 (1)
P.T.O. - SYNCHRONIZED CONTROL.....	D0.14.19 (1)
P.T.O. - SYNCHRONIZED CONTROL.....	D0.14.19 (2)
GUARD PLATE P.T.O.....	D0.14.20 (1)
GUARD PLATE P.T.O.....	D0.14.21 (1)
GUARD PLATE P.T.O.....	D0.14.22 (1)
REAR PTO COVER WITH STANDARD SEAL.....	D0.14.23 (1)
<b>4WD ENGAGEMENT POWER TAKE-OFF - 4WD PARKING BRAKE</b>	
4WD - ELECTROHYDRAULIC ENGAGEMENT CONTROL.....	D0.15.0 (1)
4WD - ENGAGEMENT CONTROL - STANDARD SEALS.....	D0.15.1 (1)
HAND BRAKE.....	D0.15.2 (2)

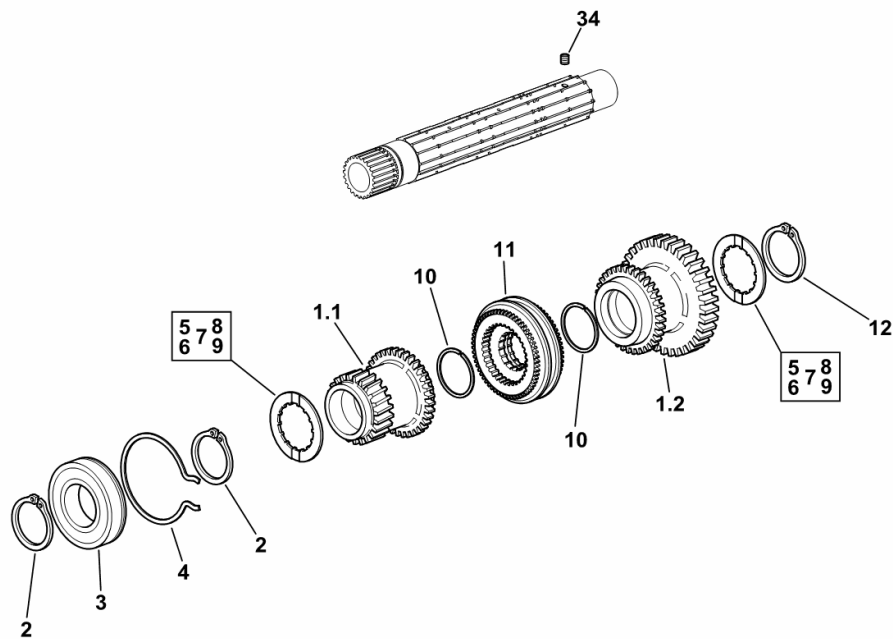
**SHUTTLE FOR 5-SPEED TRANSMISSION**

Fig.	Code	QTY	Name
------	------	-----	------

**Notes:**

- FOR TYPES WITH H-M-L- (POWERSHIFT) [AGROPLUS 320 F -> ZKDP2402W0TD05001]

1.1	0.008.5128.0/40	1	gear Z = 23
1.2	0.011.9671.0/10	1	gear Z = 37
2	2.1410.016.1	2	circlip 40
3	2.2999.266.0	1	bearing 40 x 80 x 18
4	2.1499.052.1/10	2	circlip 80
5	0.008.0251.0	1	shim 39 x 64 x 2.65
6	0.010.0629.0	1	shim 39 x 64 x 2.85
7	0.010.0630.0	1	shim 39 x 64 x 3.05
8	0.010.0631.0	1	shim 39 x 64 x 3.25
9	0.010.0632.0	1	shim 39 x 64 x 3.45
10	2.1422.029.7	7	circlip 40 x 1.5
11	0.007.7620.4/10	1	lock synchronizer 62 ☞ 0.007.7620.4/10
12	2.1410.017.1	6	circlip 42
34	2.0599.089.7	2	grain m 5 p.0.8 x 50



9\_B6133\_00\_0-C-001

**H-M-L GEARBOX SECONDARY SHAFT**

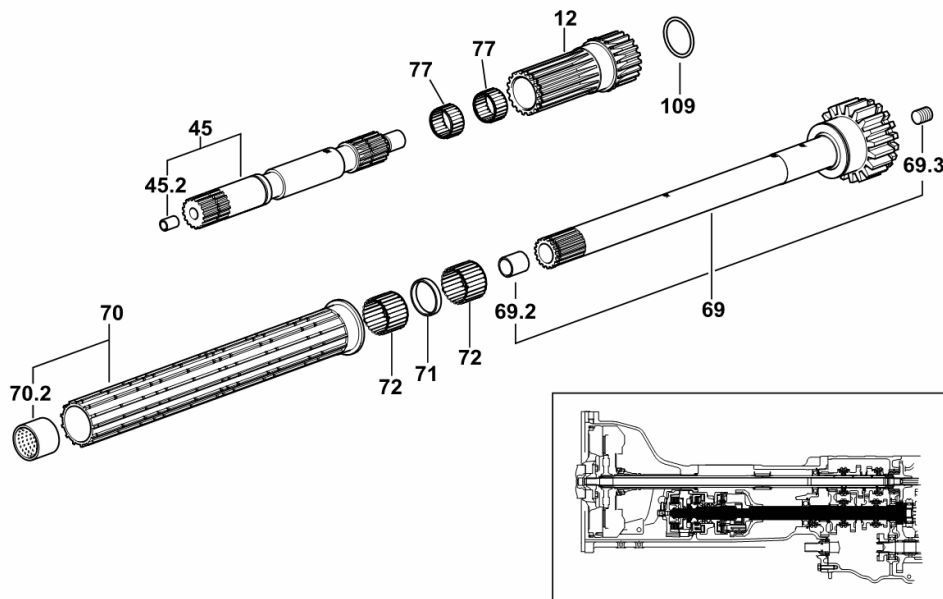
Fig.	Code	QTY	Name
------	------	-----	------

**Notes:**

(GEARSHIFT) [AGROPLUS 320 F -> ZKDP2402W0TD05001]

12	0.008.0312.0/50	1	shaft
45	0.009.9871.3/60	1	shaft
45.2	2.1549.196.0/10	1	bushing 8 x 10.3 x 14
69	0.010.0537.3/20	1	reduction shaft Z = 19
69.2	2.1552.205.0	1	bushing 16 x 20
69.3	2.0599.092.0	1	grain m 12x14
70	0.010.0536.3/10	1	shaft
70.2	2.1559.365.0	1	bushing 27.6 x 32 x 25
71	2.1549.198.0	1	spacer 30 x 33 x 5
72	2.2999.298.0	2	roller cage 28 x 33 x 27
77	2.2999.312.0	2	roller cage
109	2.1532.504.0	1	'o' ring 37.82 x 1.78

9\_I7427\_00\_0-C-001



Section: D0 - TRANSMISSION  
**GEARBOX REAR**

9\_I7431\_01\_0-A-002

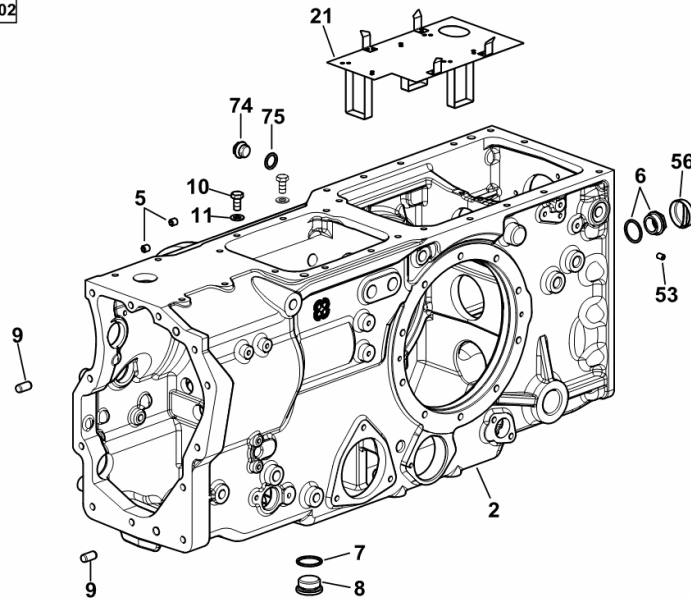


Fig.	Code	QTY	Name
------	------	-----	------

**Notes:**

[AGROPLUS 320 F -> ZKDP2402W0TD05001] 5031 <-

2	0.015.2900.0/20	1	gear box
5	2.0532.303.7	2	screw m 10 p.1.5 x 10
6	2.3199.250.0	1	plug m 30 p.1
7	2.1560.056.0	1	gasket 33x39
8	2.3199.002.2	1	plug 1 gas
9	2.1651.911.0	2	cylindrical plug 12 x 24
10	2.0112.307.2	8	screw m 10 p.1.5 x 20
11	2.1475.003.2	20	washer 10
21	0.013.9449.2	1	division
53	2.0512.204.7	1	grain m 8 p.1.25 x 12
56	2.3179.018.4	1	plug
74	2.3110.405.1	1	plug m 18 p.1.5 x 15
75	2.1560.014.0	1	gasket 18.2 x 24 x 1.5

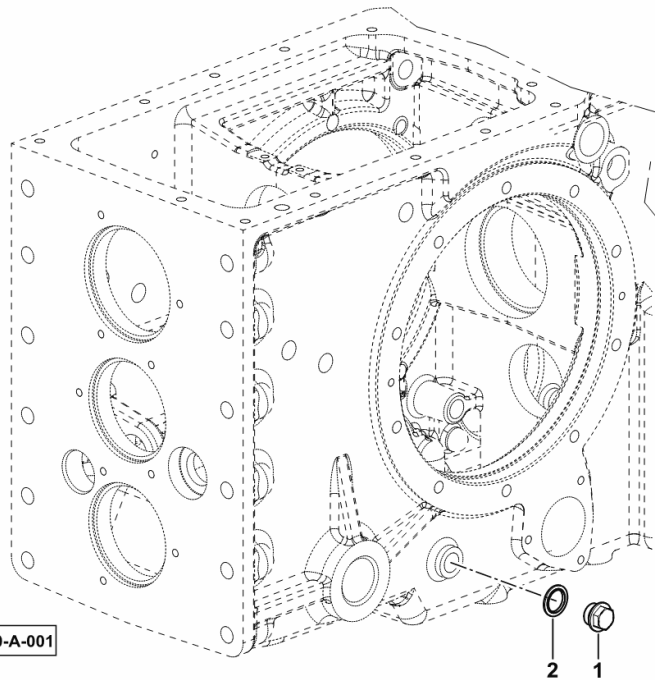
**REAR GEARBOX PLUG**

Fig.	Code	QTY	Name
------	------	-----	------

**Notes:**

- FOR MODELS WITHOUT FRONT LIFT [AGROPLUS 320 F -> ZKDP2402W0TD05001] - FOR TYPES WITHOUT TRAILER BRAKING SYSTEM [AGROPLUS 320 F -> ZKDP2402W0TD05001]

1	2.3110.405.2	1	plug m 18 p.1.5 x 15
2	2.1561.010.0	1	'o' ring 18



9\_17582\_38\_0-A-001

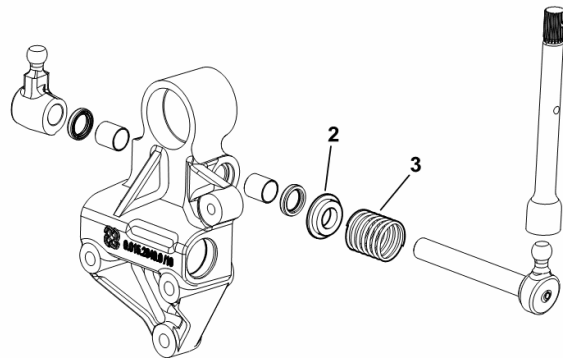
**PARTS SET - 5-SPEED WITH UNDERDRIVE**

Fig.	Code	QTY	Name
------	------	-----	------

**Notes:**

[AGROPLUS 320 F -> ZKDP2402W0TD05001]

2	2.1549.544.2	1	spacer 16 x 27 x 34 x 7.3
3	2.4019.634.1/10	1	spring





9\_D0533\_03\_0-A-001

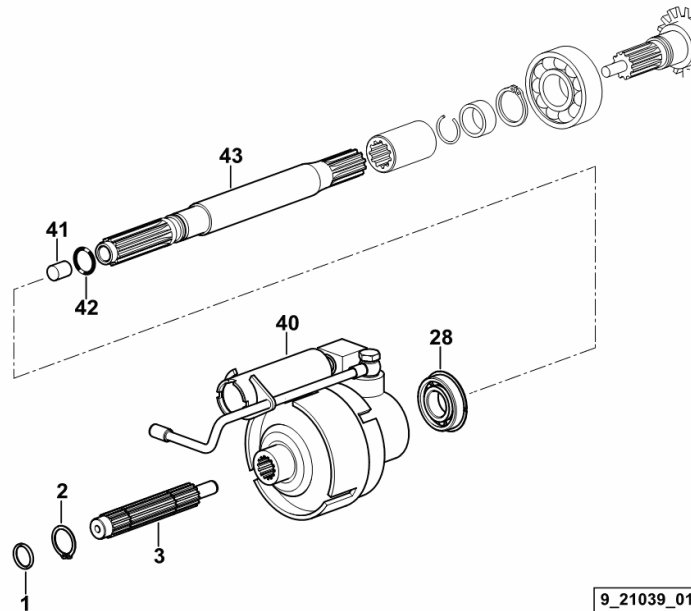
**P.T.O. - HYDRAULIC CLUTCH**

Fig.	Code	QTY	Name
------	------	-----	------

**Notes:**

[AGROPLUS 320 F -> ZKDP2402W0TD05001]

1	2.1530.048.0	1	'o' ring 18.72x2.62
2	2.1410.009.1	2	circlip 24
3	0.009.7017.0/10	1	shaft
28	2.2043.007.0	1	ball bearing
40	0.011.9686.4/40	1	hydraulic pto clutch  0.011.9686.4/40  0.011.9686.4/40
41	2.1555.206.0	1	bushing 12 x 14 x 15
42	2.1530.054.0	1	'o' ring 20.63x2.62
43	0.010.7695.0/10	1	p.t.o.shaft



9\_21039\_01\_0-A-002

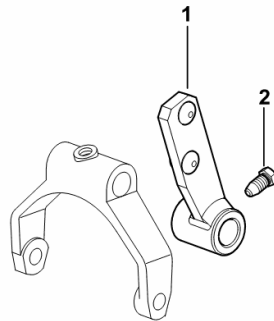
Section: D0 - TRANSMISSION  
**CONTROL LEVER P.T.O.**

Fig.	Code	QTY	Name
------	------	-----	------

**Notes:**

- FOR 540/N EXPORT U.S.A. [AGROPLUS 320 F -> ZKDP2402W0TD05001]

1	0.012.0107.3	1	lever
2	2.0399.019.1	1	screw m 8 p.1 x 16



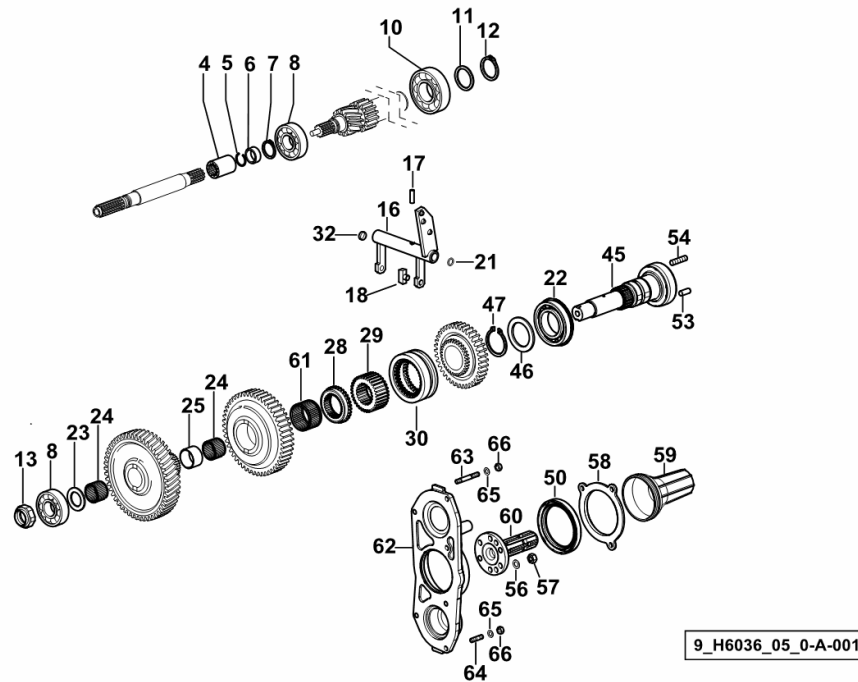
9\_I7436\_02\_0-A-001

**P.T.O. WITH INSERTED END SHAFTS - 2 -SPEED + GROUNDSP. AND 3- SPEED**

Fig.	Code	QTY	Name
------	------	-----	------

**Notes:**

[AGROPLUS 320 F -> ZKDP2402W0TD05001]



4	0.010.7696.0	1	sleeve Z = 11
5	2.1421.010.7	1	circlip 25
6	2.1549.172.0	1	spacer 24.7 x 31 x 12
7	2.1410.012.1	1	circlip 30
8	2.2999.300.0	2	bearing 30 x 72 x 19
10	2.2062.012.0	1	ball bearing 40 x 90 x 23
11	2.1599.414.0	1	snoulder 40 x 50 x 3.0
12	2.1410.016.1	1	circlip 40
13	2.1219.038.0/40	1	ring nut m 30 p.1.5
16	0.010.7710.3	1	fork
17	2.1631.712.0	1	pin 8x26
18	0.255.6463.0	2	shoe
21	2.1530.028.0	1	'o' ring 11.91 x 2.62
22	2.2999.204.0	1	bearing 50 x 90 x 20
23	2.1589.321.0	1	snoulder 30x47x3
24	2.2770.062.0	2	roller cage 35x40x27
25	0.010.7712.0	1	spacer
28	0.009.3830.3/10	1	gear Z = 32
29	0.010.7701.0	1	hub z=32 z=21
30	0.009.3822.0/20	1	sleeve Z = 32
32	2.3171.006.4	5	plug Ø 16
45	0.014.3780.0	1	shaft
46	2.1599.779.0	1	thrust plate 50x70x4
47	2.1412.019.7	1	circlip 50x3
50	2.1520.043.0	1	oil seal 85 x 110 x 12
53	2.1651.811.0	2	cylindrical plug 10x24
54	2.0432.155.7	6	stud bolt m 10 p.1.5 / p. 1.25 x 25
56	2.1470.006.2	6	lock washer 10
57	2.1011.421.2	6	nut m 10 p.1.25
58	0.011.3274.0	1	cover
59	0.008.0757.0	1	guard
60	0.011.3221.0	1	p.t.o.shaft Z = 6
61	2.2999.363.0	1	roller cage
62	0.014.3683.0/10	1	cover
63	2.0422.215.7	2	stud bolt m 8 p.1.25 x 50
64	2.0422.203.7	5	stud bolt m 8 p.1.25 x 20
65	2.1470.004.2	7	washer 8
66	2.1011.105.2	7	nut m 8 p.1.25

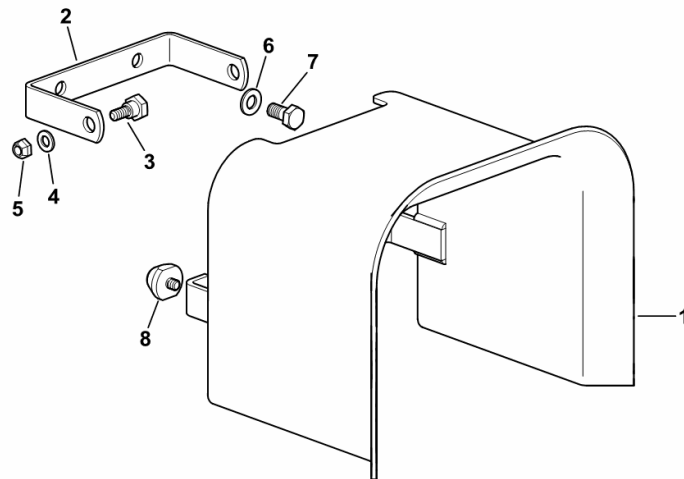
**GUARD PLATE P.T.O.**

Fig.	Code	QTY	Name
------	------	-----	------

**Notes:**

- EXPORT U.S.A. [AGROPLUS 320 F -> ZKDP2402W0TD05001]

1	0.012.5774.2/20	1	sump
2	0.015.6060.0	1	bracket
3	2.0399.250.2	2	screw
4	2.1475.102.7	2	washer 8
5	2.1121.005.2	2	nut m 8 p.1.25
6	2.1310.006.2	2	flat washer 10.5
7	2.0112.307.2	2	screw m 10 p.1.5 x 20
8	0.154.7969.2	2	rubber plug



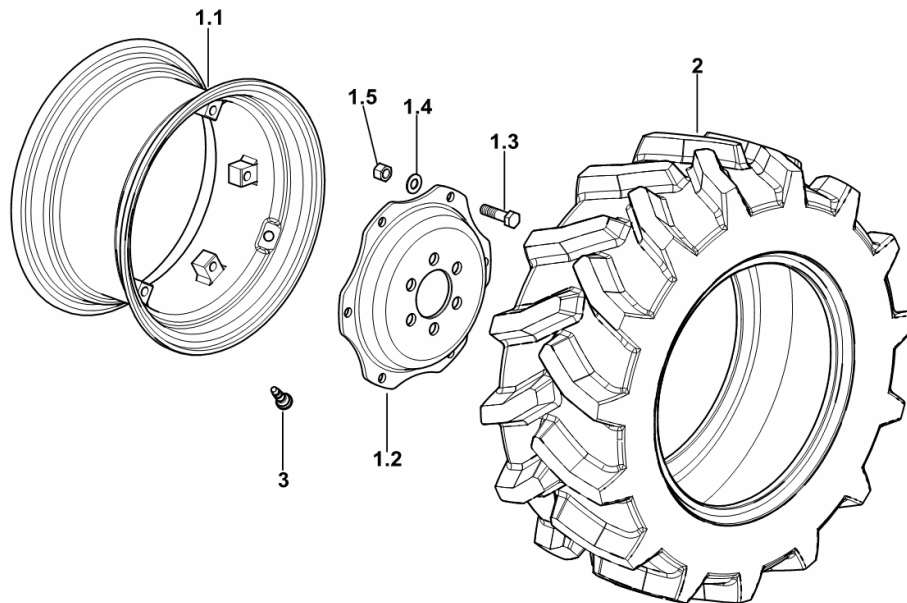
9\_F1836\_20\_0-A-001

Section: S0 - WHEELS  
**WHEELS 240/70 R16"**

Fig.	Code	QTY	Name
------	------	-----	------

Notes:  
 [AGROPLUS 320 F -> ZKDP2402W0TD05001]

1.1	0.013.9184.3	1	rim W 9x16" C/BL
1.2	0.013.9184.0	1	rim center flange
1.3	2.0122.521.6	6	screw m 14 p.1.5 x 60
1.4	2.1475.105.6	6	conical washer 15 x 27
1.5	2.1011.308.6	6	nut m 14 p.1.5
2	2.4811.120.0	2	tyre 240/70 R16"
3	0.012.6364.0	2	valve



9\_17555\_20\_0-A-001

CLICK HERE TO **DOWNLOAD** THE COMPLETE MANUAL

- Thank you very much for reading the preview of the manual.
- You can download the complete manual from: [www.heydownloads.com](http://www.heydownloads.com) by clicking the link below



- Please note: If there is no response to CLICKING the link, please download this PDF first and then click on it.

CLICK HERE TO **DOWNLOAD** THE COMPLETE MANUAL