

AGROPLUS 310 ECOLINE -> 10001

V0 - BALLAST, TOWING HITCHES

FRONT HITCHES

FRONT TOWING HITCH..... V0.01.0 (1)

REAR HITCHES

SUPPORTS..... V0.02.0 (1)

PIN FOR REAR TOW HOOK..... V0.02.4 (1)

REAR TOWING HITCH..... V0.02.5 (1)

REAR TOWING HITCH BRACKET..... V0.02.6 (1)

TOWING FRAME - WITH PITON-FIX..... V0.02.7 (1)

REAR TOWING HITCH CAT. " C "..... V0.02.8 (1)

REAR TOWING HITCH cat. 2 - CEE..... V0.02.9 (1)

REAR TOWING HITCH CAT. " D2 "..... V0.02.10 (1)

DRAWBAR COUPLING AUTOM. Ø 31..... V0.02.11 (1)

DRAWBAR COUPLING AUTOM. Ø 38..... V0.02.12 (1)

DRAWBAR COUPLING CEE..... V0.02.13 (1)

PICK-UP-HITCH - MECHANICAL..... V0.02.14 (2)

PICK-UP-HITCH - MECHANICAL..... V0.02.14 (3)

REAR OSCILLATING HITCH..... V0.02.15 (1)

REAR SWINGING TOWING-HITCH..... V0.02.16 (1)

PICK-UP-HITCH..... 0.014.8659.4/60.A

FRONT BALLAST WEIGHTS

FRONT WEIGHT CARRIER..... V0.03.0 (1)

FRONT BALLAST Kg 80..... V0.03.1 (1)

FRONT BALLAST Kg 160..... V0.03.2 (1)

FRONT BALLAST 320 Kg..... V0.03.3 (1)

CLICK HERE TO **DOWNLOAD** THE COMPLETE MANUAL

- Thank you very much for reading the preview of the manual.
- You can download the complete manual from: www.heydownloads.com by clicking the link below



- Please note: If there is no response to CLICKING the link, please download this PDF first and then click on it.

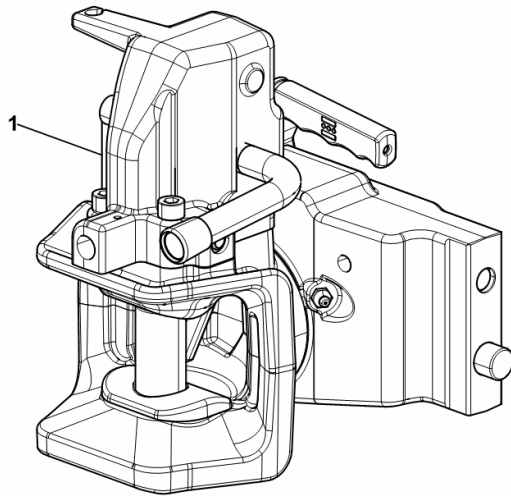
CLICK HERE TO **DOWNLOAD** THE COMPLETE MANUAL

DRAWBAR COUPLING AUTOM. Ø 31

Fig.	Code	QTY	Name
------	------	-----	------

Notes:
[AGROPLUS 310 ECOLINE -> 10001]

1	0.017.9618.3	1	automatic hook - CBM - CAT. 2 - Ø 31
---	--------------	---	--------------------------------------



9_R3031_65_0-A-001

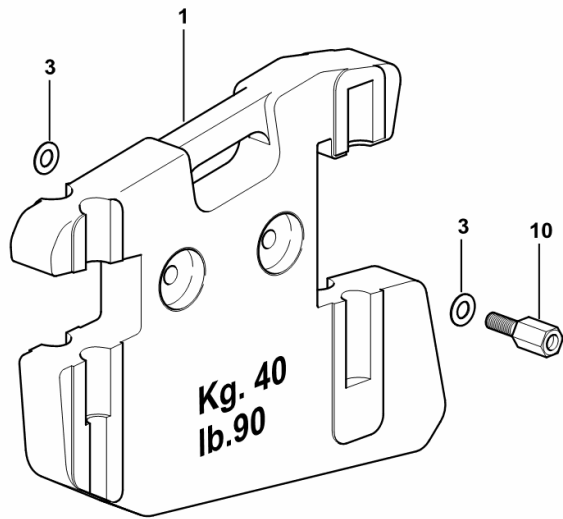
FRONT BALLAST Kg 80

Fig.	Code	QTY	Name
------	------	-----	------

Notes:

[AGROPLUS 310 ECOLINE -> 10001]

1	0.96929.40.0/20	2	ballast kg 40 / lb 90
3	2.1310.009.2	8	flat washer 14
10	0.96916.50.0	4	small column m 14 p.2



9_49052_50_0-A-001

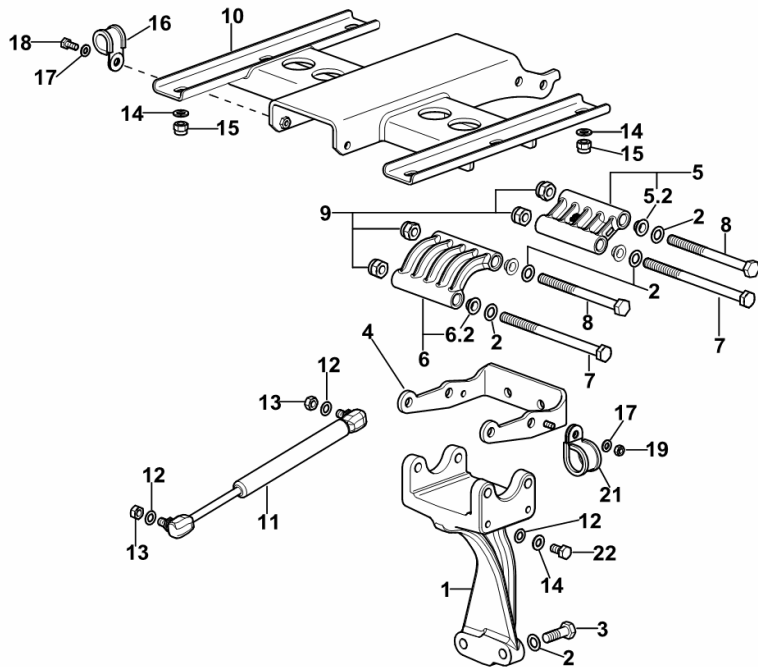
HOOD SUPPORT

Fig.	Code	QTY	Name
------	------	-----	------

Notes:

[AGROPLUS 310 ECOLINE -> 10001]

1	0.016.2297.0	1	support
2	2.1470.006.2	6	lock washer 10
3	2.0112.311.2	2	screw m 10 p.1.5 x 30
4	0.016.2227.3/10	1	bracket
5	0.014.9219.3/10	1	hinge
5.2	2.2841.034.0	4	bushing 10x12x7
6	0.014.9225.3/10	1	hinge
6.2	2.2841.034.0	4	bushing 10x12x7
7	2.0112.339.2	2	screw
8	2.0112.333.2	2	screw m 10 p.1.5x120
9	2.1120.006.2	4	nut m 10 p.1.5
10	0.016.2228.3/20	1	chassis frame
11	0.014.9255.0	1	shoch.absorber
12	2.1470.004.2	3	washer 8
13	2.1011.105.2	2	nut m 8 p.1.25
14	2.1310.004.2	7	flat washer 8.5
15	2.1120.005.2	6	nut m 8 p.1.25
16	2.6839.058.0	1	clamp Ø 17/20
17	2.1310.002.2	2	washer 6.6, d125
18	2.0112.004.2	1	screw m 6 p.1 x 14
19	2.1011.103.2	1	nut m 6 p.1
21	2.6839.065.0	1	clamp 40
22	2.0112.205.2	1	screw m 8 p.1.25 x 16



9_P2572_00_0-A-001

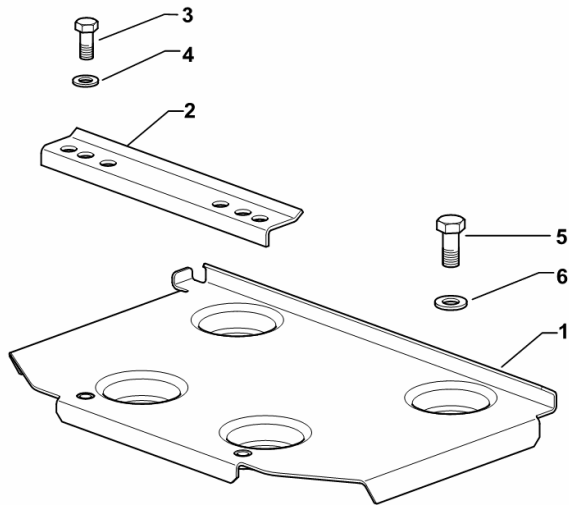
BATTERY SUPPORT

Fig.	Code	QTY	Name
------	------	-----	------

Notes:

[AGROPLUS 310 ECOLINE -> 10001]

1	0.014.4746.3	1	plate
2	0.007.5411.0/10	1	crosspiece
3	2.0112.209.2	2	screw m 8 p 1.25 x 25
4	2.1310.004.2	2	flat washer 8.5
5	2.0112.307.2	4	screw m 10 p.1.5 x 20 (-> 10001)
6	2.1310.006.2	4	flat washer 10.5



9_H1573_04_0-A-001

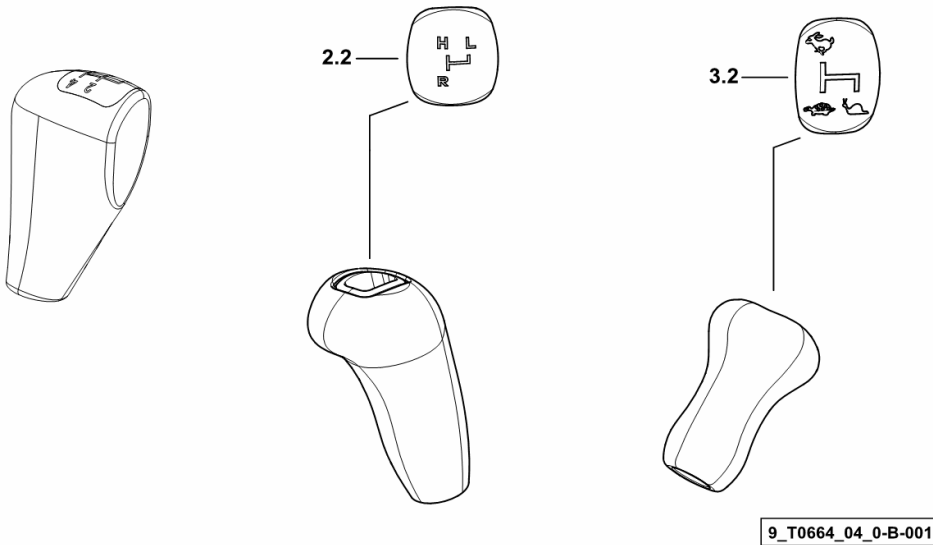
GEAR CONTROL KNOB AND REDUCTION GEAR CONTROL KNOB COVERS

Fig.	Code	QTY	Name
------	------	-----	------

Notes:

- FOR MODELS WITH 3 RANGES [AGROPLUS 310 ECOLINE -> 10001]

2.2	0.013.7064.3	1	cap
3.2	0.010.5543.3/10	1	cap

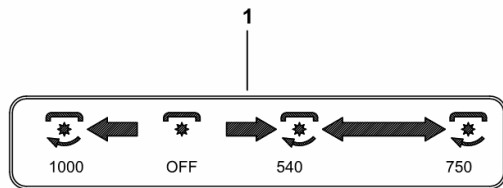


PTO DATA PLATE 540 - 750 - 1000

Fig.	Code	QTY	Name
------	------	-----	------

Notes:
[AGROPLUS 310 ECOLINE -> 10001]

1	2.9929.921.0	1	plate 540 - 750 - 1000
---	--------------	---	------------------------



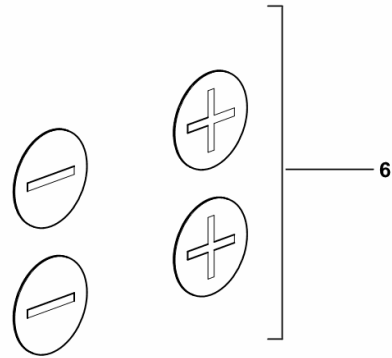
9_C1236_09_0-A-001

REAR 4 WAY AUXILIARY CONTROL VALVE SYMBOLS

Fig.	Code	QTY	Name
------	------	-----	------

Notes:
[AGROPLUS 310 ECOLINE -> 10001]

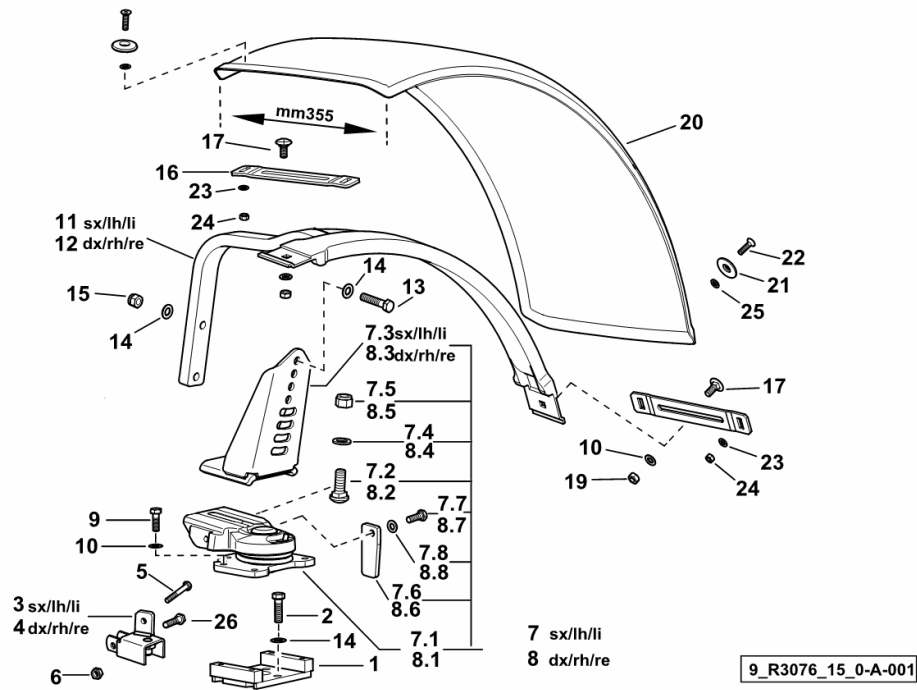
6	0.015.7206.0	1	autoadesive labels
---	--------------	---	--------------------



9_L6288_16_0-B-001

4WD - FRONT MUDGUARDS mm 355

Fig.	Code	QTY	Name
25	2.1310.004.2	8	flat washer 8.5
26	2.0112.220.2	2	screw m 8 p.1.25x55

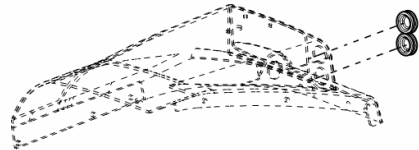
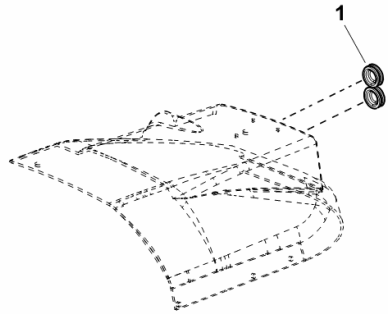


PLUGS

Fig.	Code	QTY	Name
------	------	-----	------

Notes:
[AGROPLUS 310 ECOLINE -> 10001]

1	2.3199.115.0	4	plug 38x12
---	--------------	---	------------



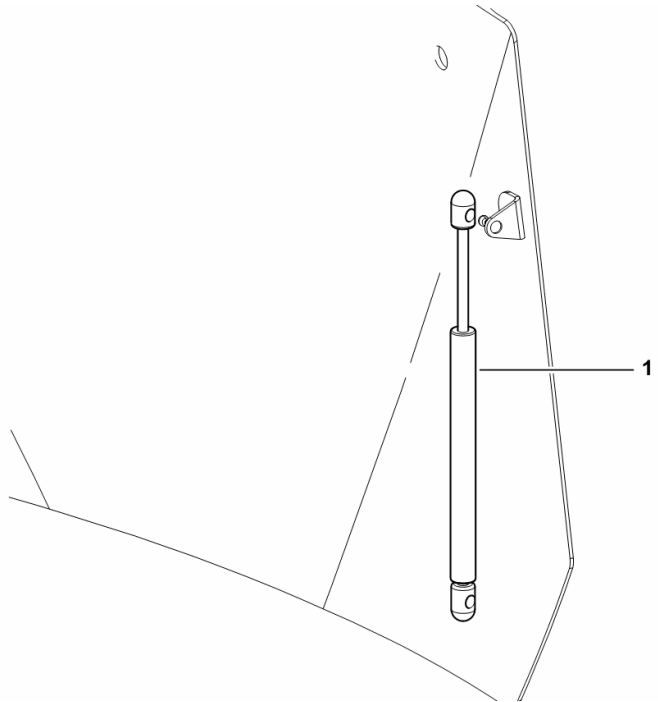
9_R3076_07_0-A-002

DAMPER FOR REAR WINDOW HATCH

Fig.	Code	QTY	Name
------	------	-----	------

Notes:
[AGROPLUS 310 ECOLINE -> 10001]

1	0.009.8629.2	2	shoch.absorber mm 405.5
---	--------------	---	-------------------------



9_77871_11_0-A-001

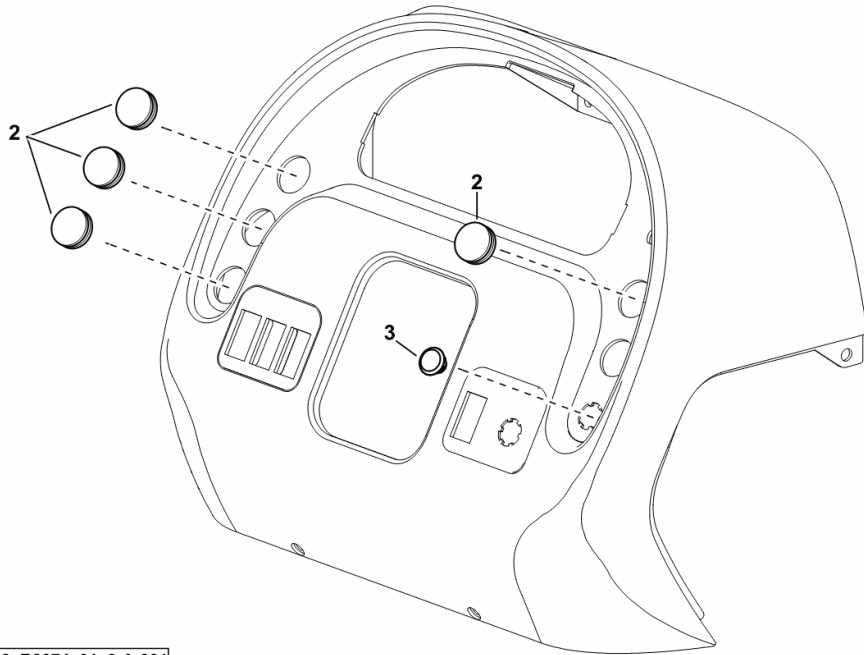
INSTRUMENT PANEL - BLANKING PLUGS

Fig.	Code	QTY	Name
------	------	-----	------

Notes:

[AGROPLUS 310 ECOLINE -> 10001]

2	2.3199.115.0	4	plug 38x12
3	2.3199.315.0	1	plug



9_R3074_01_0-A-001

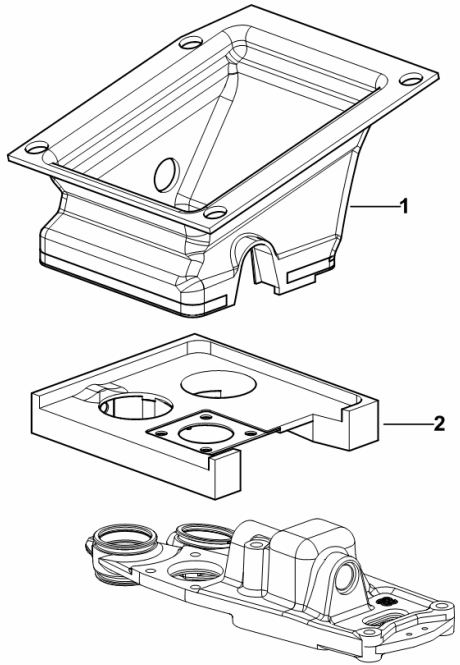
SOUNDPROOFING FOR GEAR LEVERS

Fig.	Code	QTY	Name
------	------	-----	------

Notes:

[AGROPLUS 310 ECOLINE -> 10001]

1	0.014.2982.2	1	sound deadening
2	0.014.2466.3	1	sound deadening



9_F0271_22_0-A-001

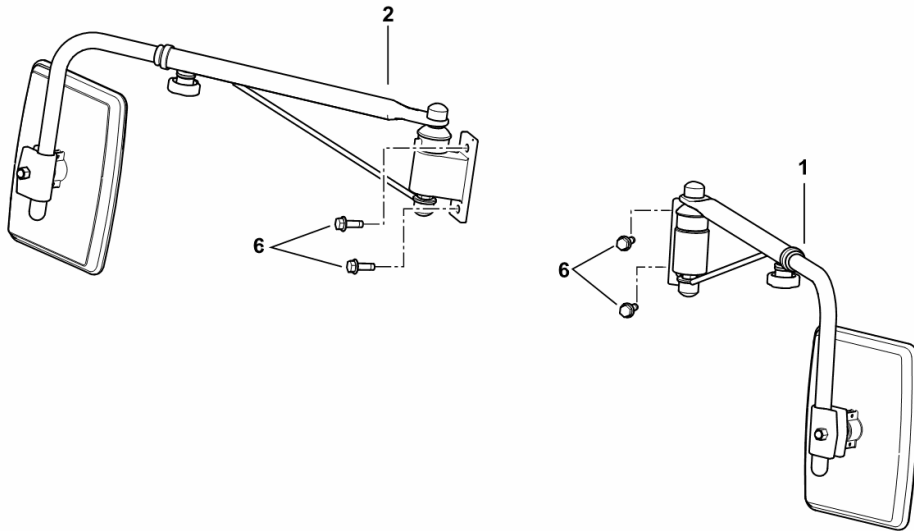
REARVIEW MIRRORS

Fig.	Code	QTY	Name
------	------	-----	------

Notes:

[AGROPLUS 310 ECOLINE -> 10001]

1	0.018.0611.4	1	rear view mirror sx/lh/li
2	0.018.0610.4	1	rear view mirror dx/rh/re
6	2.0365.308.3	4	screw m 8 x 25



SEAT-COMPONENTS

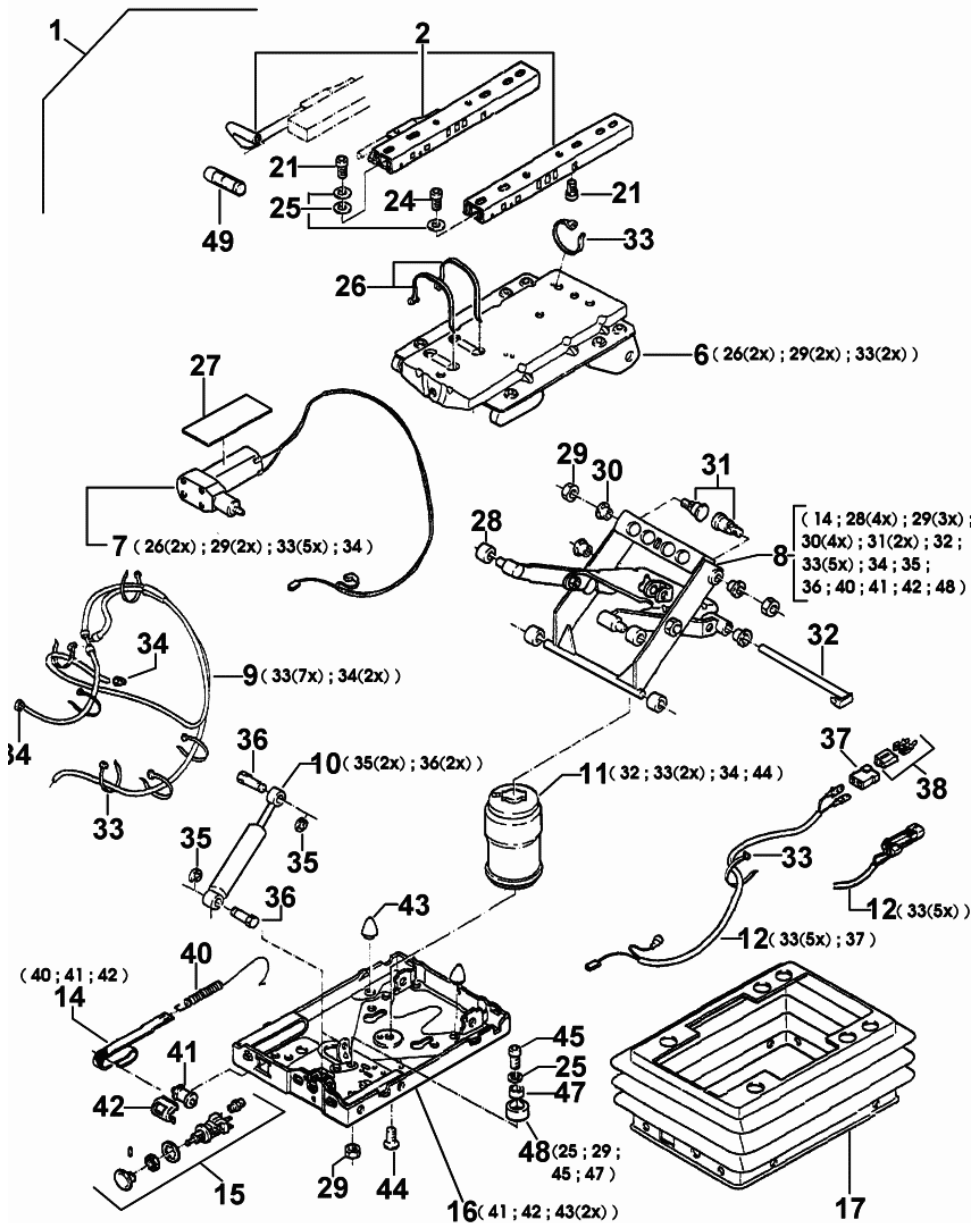


Fig.	Code	QTY	Name
1	0.010.2974.0	1	seat springs
2	0.010.2978.0	1	seat guide
6	0.010.2974.1	1	plate
7	0.900.0307.9	1	gear compressor
8	0.010.2975.0	1	arm
9	0.900.0308.0	1	tube
10	0.009.4494.1	1	shoch.absorber
11	0.010.2975.2	1	spring
12	0.010.2976.0	1	wire
14	0.010.2976.1	1	register
15	0.010.2976.2	1	valve
16	0.010.2978.1	1	plate
17	0.010.2977.1	1	guard
21	0.010.2405.0	2	pin m 8 x 16
24	0.010.2966.1	2	screw m 8 x 12
25	0.000.0000.1	0	not serviceable
26	0.000.0000.1	0	not serviceable
27	0.900.0308.1	1	small plate
28	0.009.4726.1	4	roller
29	0.010.2948.1	3	nut m 8
30	0.009.4715.1	4	spacer
31	0.010.2967.0	2	pin
32	0.010.2967.2	1	pin m 10
33	0.000.0000.1	0	not serviceable
34	0.009.4381.0	2	terminal
35	0.000.0000.1	0	not serviceable
36	0.010.2966.2	2	screw
37	0.010.2977.2	1	pin
38	0.009.4381.1	1	connection
40	0.009.4498.2	1	spring
41	0.009.4496.1	1	roller
42	0.009.4496.0	1	bracket
43	0.010.2275.1	2	stop
44	0.000.0000.1	0	not serviceable
45	0.000.0000.1	0	not serviceable
47	0.009.4720.1	1	bushing
48	0.010.2277.2	1	sub-assy parts
49	0.010.2268.2	1	knob

0_014_3062_4_20_B

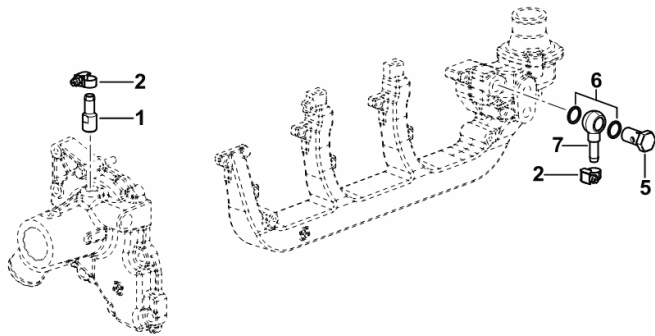
HEATING SYSTEM

Fig.	Code	QTY	Name
------	------	-----	------

Notes:

[AGROPLUS 310 ECOLINE -> 10001]

1	2.3339.636.2	1	pipe fitting 3/8" gas
2	2.6851.019.0	4	clamp Ø 13/20
5	2.3339.063.2	1	pipe union 3/8" gas x 30
6	2.1560.053.0	2	gasket 17 x 21
7	0.009.8726.3	1	pipe fitting



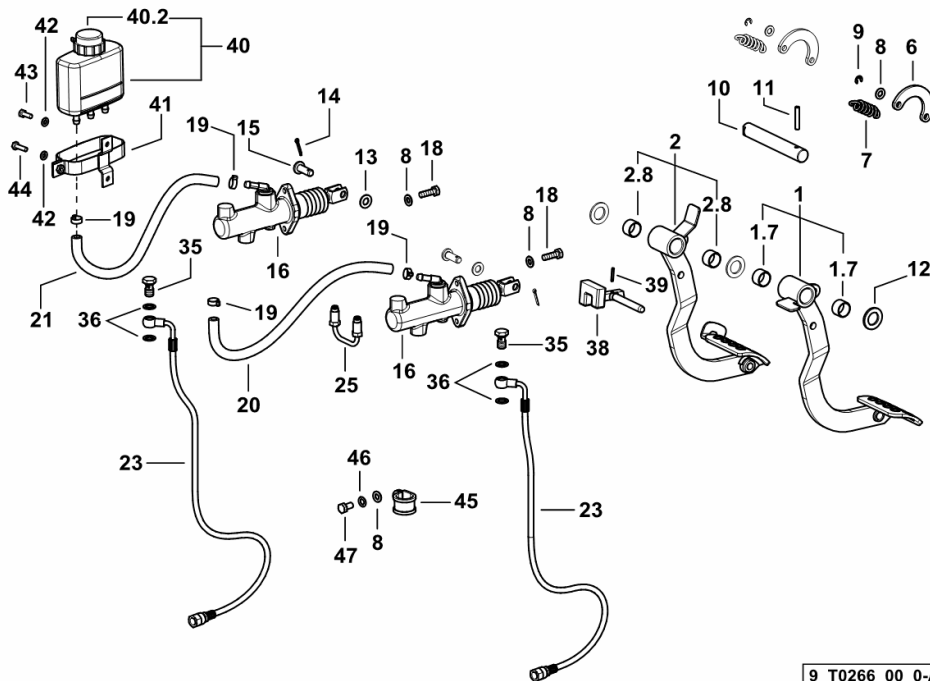
9_F1686_16_0-A-001

BRAKE CONTROLS

Fig.	Code	QTY	Name
------	------	-----	------

Notes:

[AGROPLUS 310 ECOLINE -> 10001]



1	0.015.4435.3/10	1	pedal sx/lh/li
1.7	2.1555.211.0	2	bushing 20x23x15
2	0.015.4432.3/10	1	pedal dx/rh/re
2.8	2.1555.211.0	2	bushing 20x23x15
6	0.009.3951.0/10	2	link
7	2.4049.200.2/30	2	spring
8	2.1310.004.2	7	flat washer 8.5
9	2.1430.007.2	2	circlip 6, d128
10	2.1699.406.2	1	pin
11	2.1630.614.0	1	roll pin 6x36
12	2.1311.012.2	3	flat washer 20
13	2.1310.006.2	2	flat washer 10.5
14	2.1690.308.2	2	split pin 3.2 x 20
15	2.1671.407.2	2	pin 10 x 28
16	0.015.6513.4	2	brake cylinder
18	2.0112.209.2	4	screw m 8 p 1.25 x 25
19	2.6857.019.0	4	clamp 14
20	0.012.6343.0	0.37	tube
21	0.012.6343.0	0.37	tube
23	0.010.0339.3	2	tube
25	0.255.6660.3/10	1	tube
35	2.3339.431.2/10	2	pipe union m 12 p.1.25x21
36	2.1560.008.0	4	gasket 12.2 x 18
38	0.010.7310.3/40	1	bracket
39	2.1630.210.9	1	pin 3 x 20
40	0.009.1780.4/10	1	tank
40.2	0.257.6654.3/10	1	plug
41	0.270.6656.2	1	clamp
42	2.1310.002.2	3	washer 6.6, d125
43	2.0112.005.2	2	screw m 6 p.1 x 16
44	2.0112.007.2	1	screw m 6 p.1 x 20
45	2.6839.054.0	1	clamp Ø 20/25
46	2.1470.004.2	1	washer 8
47	2.0112.205.2	1	screw m 8 p.1.25 x 16

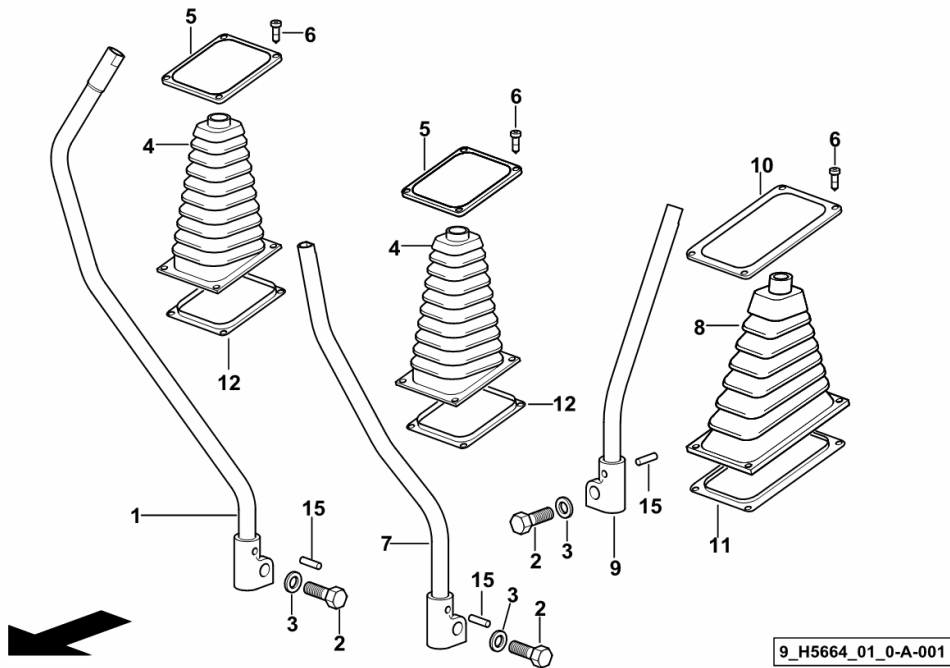
GEAR SHIFTING

Fig.	Code	QTY	Name
------	------	-----	------

Notes:

[AGROPLUS 310 ECOLINE -> 10001]

1	0.010.5592.3/30	1	gear lever GEARS
2	2.0112.211.2	3	screw m 8 p.1.25 x 30
3	2.1310.004.2	3	flat washer 8.5
4	0.009.6986.0	2	guard
5	0.009.6997.0	2	lamination
6	2.0350.255.3	16	screw m 3.5 x 16 -AB-
7	0.010.5593.3/10	1	lever - FOR SHUTTLE
8	0.009.6985.0	1	guard
9	0.014.8197.3	1	lever FOR REDUCTION UNIT CONTROL
10	0.009.6999.0	1	lamination
11	0.009.6933.0	1	lamination
12	0.009.6998.0	2	lamination
15	2.1631.415.2	3	pin 5x32



9_H5664_01_0-A-001

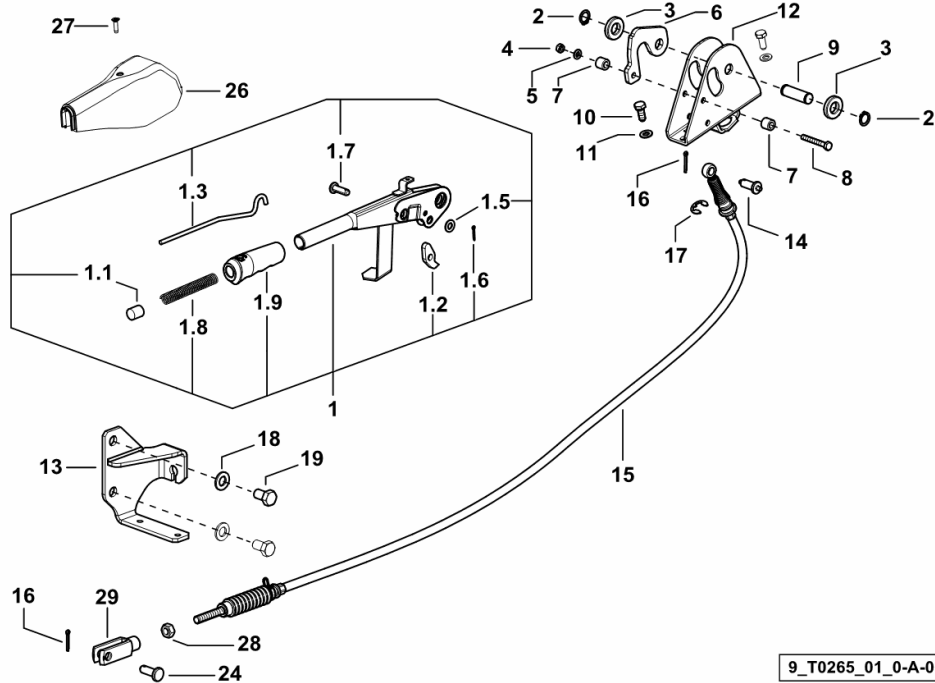
PTO CLUTCH CONTROL

Fig.	Code	QTY	Name
------	------	-----	------

Notes:

[AGROPLUS 310 ECOLINE -> 10001]

1	0.017.7399.4/10	1	lever
1.1	0.171.6622.0	1	push-button
1.2	0.200.6623.0/20	1	ratchet
1.3	0.171.6621.0/10	1	rod
1.5	2.1310.004.2	1	flat washer 8.5
1.6	2.1690.206.2	1	split pin 2x16
1.7	2.1671.306.2	1	pin 8x25
1.8	2.4019.555.2	1	spring 14x130x1.3
1.9	0.015.5458.0	1	grip
2	2.1410.003.1	2	circlip 14
3	2.1599.565.2	2	shim 15 x 30 x 6
4	2.1011.103.2	1	nut m 6 p.1
5	2.1310.002.2	1	washer 6.6, d125
6	0.007.5631.0/10	1	toothed sector
7	2.1579.996.2	2	spacer 8x14x12
8	2.0112.017.2	1	screw m 6 p.1x45
9	2.1699.265.2	1	pin
10	2.0364.307.2	2	screw m 8 p.1.25 x 20
11	2.1310.004.2	2	flat washer 8.5
12	0.007.6870.2/30	1	support
13	0.017.4819.0	1	bracket
14	0.014.8804.0	1	pin
15	0.017.6934.3	1	rod
16	2.1690.308.2	2	split pin 3.2 x 20
17	2.1430.012.2	1	circlip 12
18	2.1310.007.2	2	flat washer 13.5
19	2.0112.407.2	2	screw m 12 p.1.75 x 20
24	2.1671.407.2	1	pin 10 x 28
26	0.017.7532.0	1	lining
27	2.0351.556.3	1	screw 4.8x19
28	2.1011.106.2	1	nut m 10 p.1.5
29	2.3519.021.2	1	fork



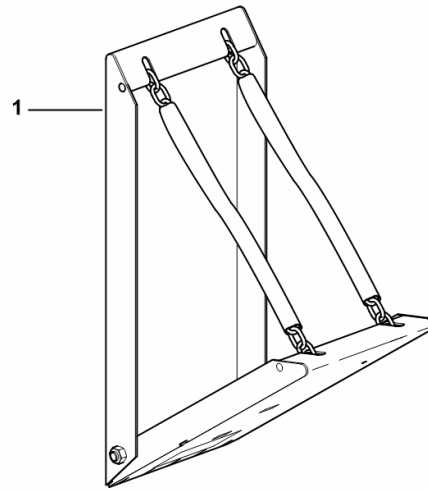
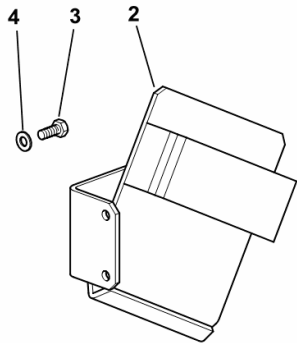
HOLDING DEVICE - WHEEL CHOCK

Fig.	Code	QTY	Name
------	------	-----	------

Notes:

[AGROPLUS 310 ECOLINE -> 10001]

1	04415868/10	1	stop
2	0.011.4313.2	1	support
3	2.0112.309.2	2	screw m 10 p.1.5 x 25
4	2.1310.006.2	2	flat washer 10.5



9_78076_10_0-A-001

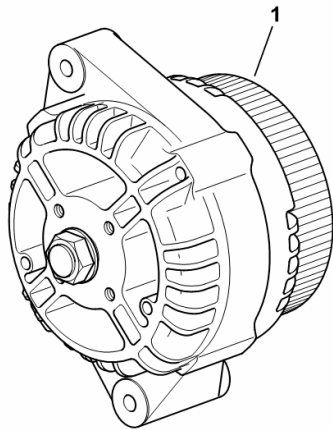
ALTERNATOR 85A

Fig.	Code	QTY	Name
------	------	-----	------

Notes:

- FOR TYPES WITH HEATING AND AIR CONDITIONING [AGROPLUS 310 ECOLINE -> 10001]

1	2.9439.460.0/10	1	alternator 14V - 85A - ISKRA ☞ 2.9439.460.0/10
---	-----------------	---	---



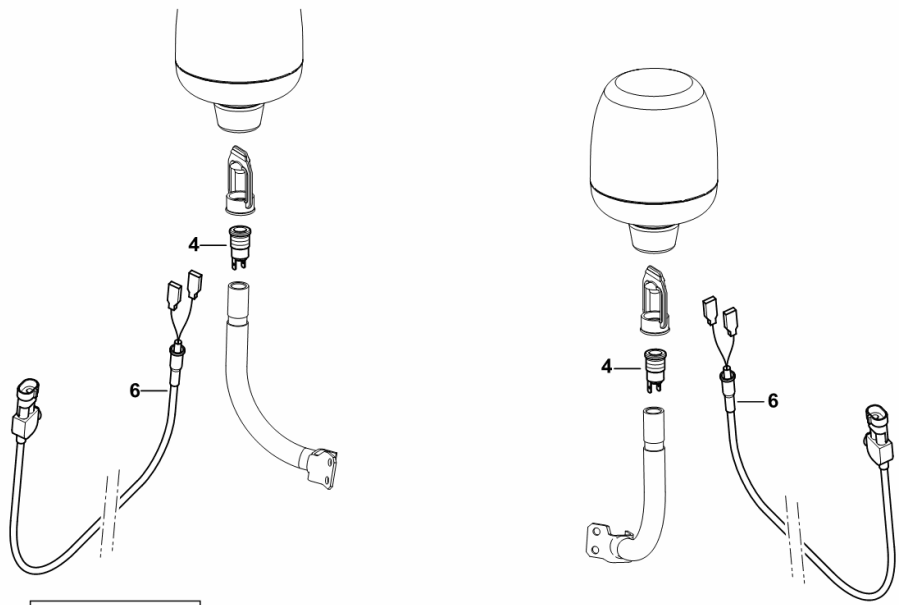
9_B6184_03_0-A-001

ELECTRICAL EQUIPMENT ROTARY WARN. LAMP

Fig.	Code	QTY	Name
------	------	-----	------

Notes:
[AGROPLUS 310 ECOLINE -> 10001]

4	2.6039.017.0	2	socket
6	0.013.6327.4	2	wire



9_J1571_32_0-B-001

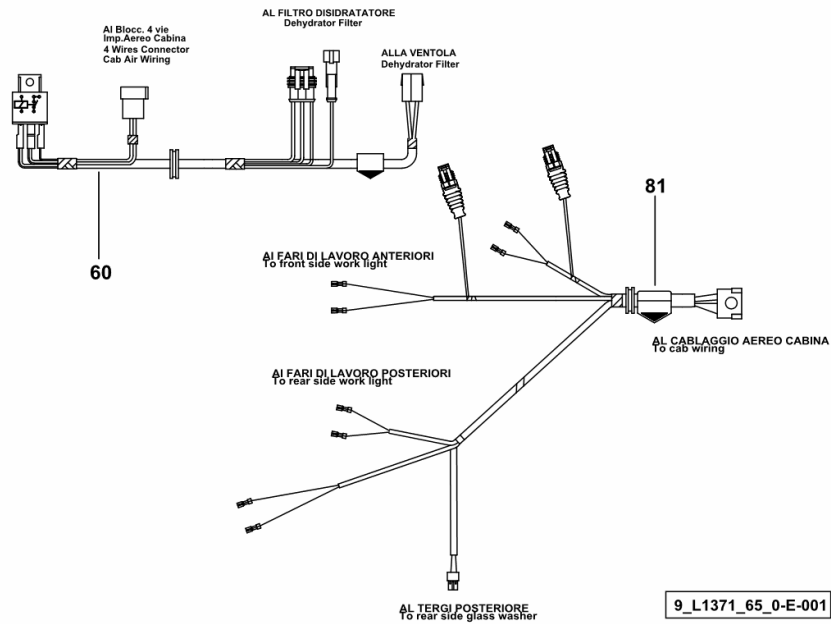
CAB ELECTRICAL SYSTEM

Fig.	Code	QTY	Name
------	------	-----	------

Notes:

- FOR TYPES WITH HEATING AND AIR CONDITIONING [AGROPLUS 310 ECOLINE -> 10001]

60	0.009.7853.3/20	1	electrical system ☞ 0.009.7853.3/20
81	0.016.0866.4/10	1	electrical system



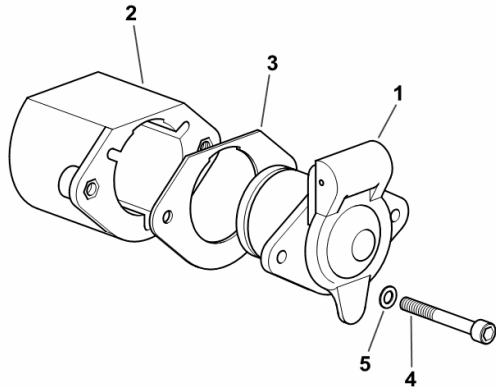
TRAILER SOCKET-OUTLET

Fig.	Code	QTY	Name
------	------	-----	------

Notes:

- EXPORT U.S.A. [AGROPLUS 310 ECOLINE -> 10001]

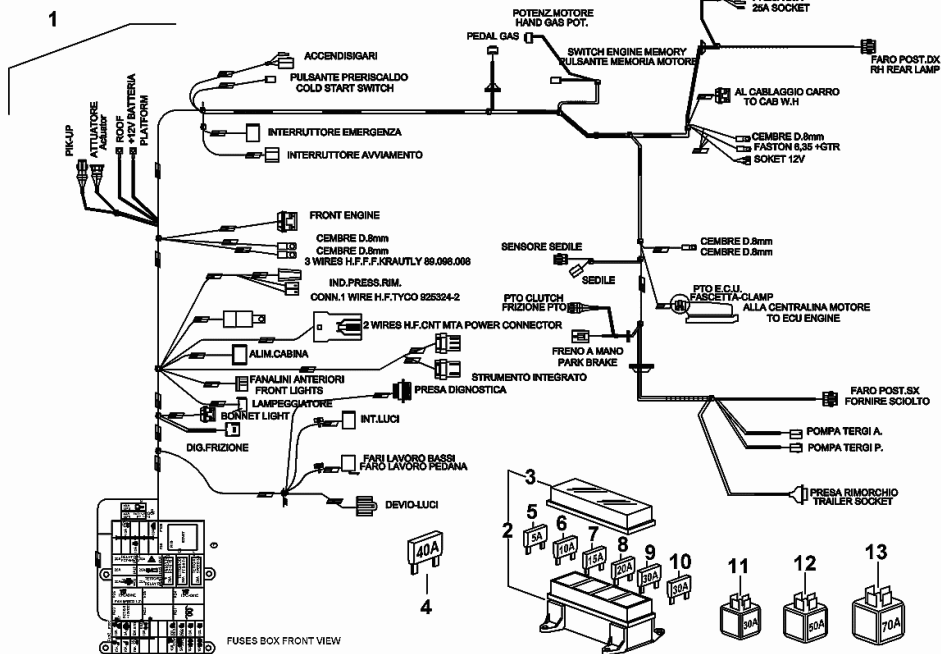
1	2.6039.027.0	1	socket
2	0.011.5033.0	1	power control
3	0.011.5044.0	1	gasket
4	2.0313.206.7	2	screw m 8 p.1.25 x 20
5	2.1310.004.3	2	washer 8.4x17



9_62084_41_0-A-001

ELECTRICAL SYSTEM

Fig.	Code	QTY	Name
1	0.017.6975.4	1	electrical system
2	0.000.0000.1	0	not serviceable
3	0.010.2089.0	1	small cover
4	0.010.2089.1	2	fuse 40 A maxival
5	0.900.1194.2	2	fuse 5 A minival
6	0.900.1194.3	12	fuse 10 A minival
7	0.900.1194.4	4	fuse 15 A minival
8	0.010.2088.1	4	fuse 20 A unival
9	0.010.2088.2	2	fuse 30 A unival
10	0.010.3901.1	3	fuse 30 A maxival
11	0.900.1289.0	5	relay 12V-30A
12	0.900.0859.7	1	relay 12V-40A
13	0.900.1194.6	1	relay 12 V 70A



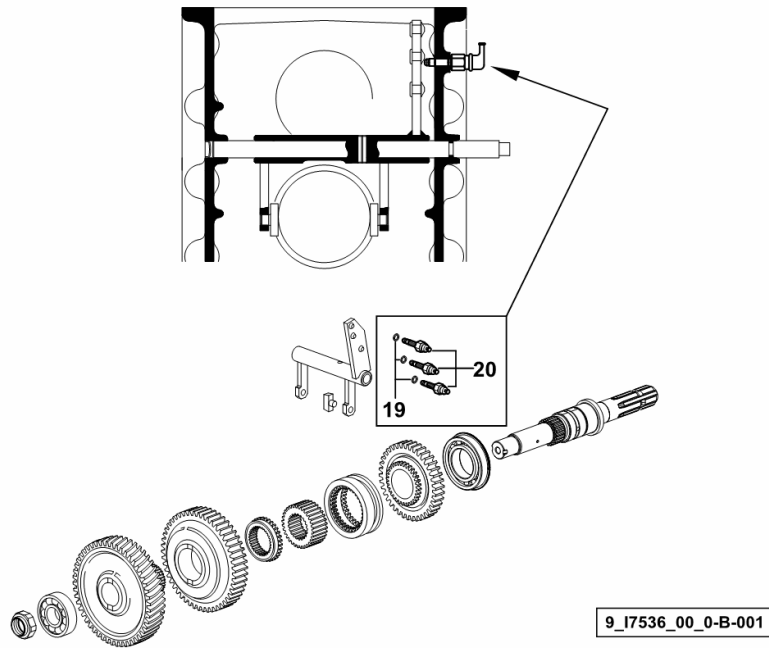
SWITCHES FOR 2-SPEED WITH FIXED OUTPUT SHAFT + SYNCRO AND 3 SPEEDS

Fig.	Code	QTY	Name
------	------	-----	------

Notes:

[AGROPLUS 310 ECOLINE -> 10001]

19	2.1560.003.0	3	gasket 8.2 x 12
20	2.7659.131.0	3	switch

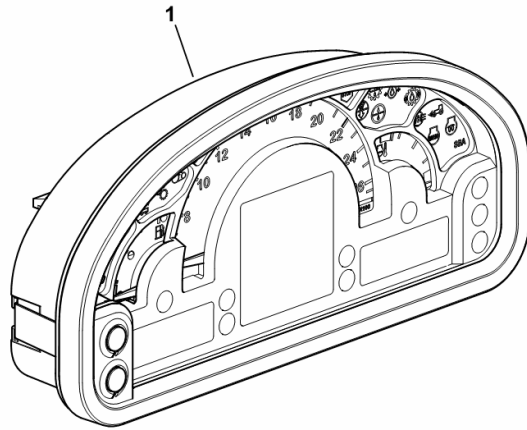


DIGITAL INSTRUMENT PANEL

Fig.	Code	QTY	Name
------	------	-----	------

Notes:
[AGROPLUS 310 ECOLINE -> 10001]

1	2.8339.269.0/30	1	instrument holder
---	-----------------	---	-------------------



9_F0284_21_0-A-001

CLICK HERE TO **DOWNLOAD** THE COMPLETE MANUAL

- Thank you very much for reading the preview of the manual.
- You can download the complete manual from: www.heydownloads.com by clicking the link below



- Please note: If there is no response to CLICKING the link, please download this PDF first and then click on it.

CLICK HERE TO **DOWNLOAD** THE COMPLETE MANUAL

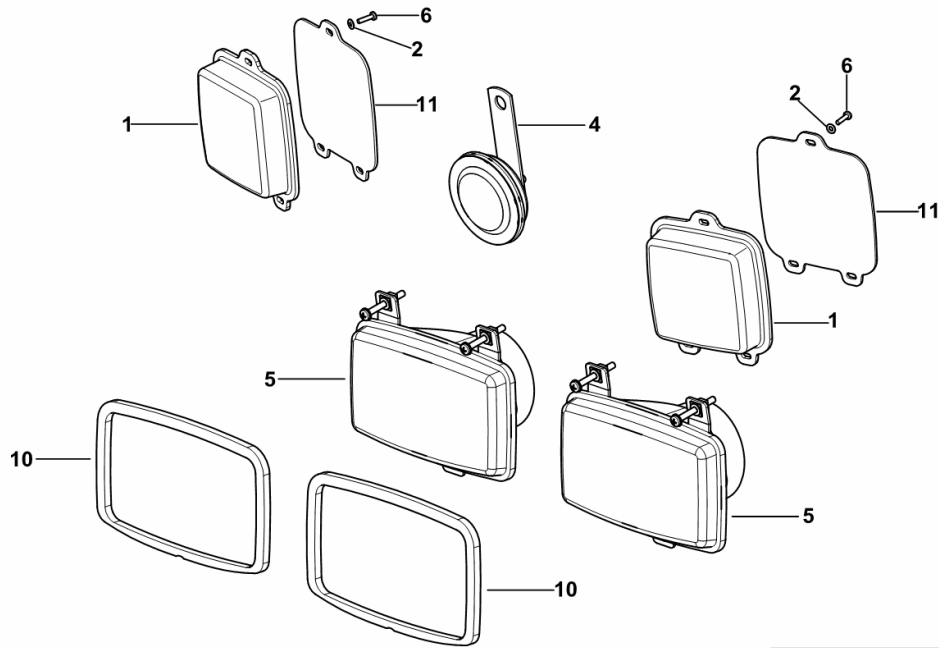
HEADLIGHTS \ HORN

Fig.	Code	QTY	Name
------	------	-----	------

Notes:

- FOR LEFT-HAND DRIVE [AGROPLUS 310 ECOLINE -> 10001]

1	0.015.7056.0	2	cover
2	2.1310.029.2	6	washer
4	2.8419.007.0	1	horn
5	2.8039.250.0	2	headlight
			☞ 2.8039.250.0
6	2.0332.104.3	6	screw m 3x12
10	0.013.0097.0	2	gasket
11	0.016.8687.0	2	cover



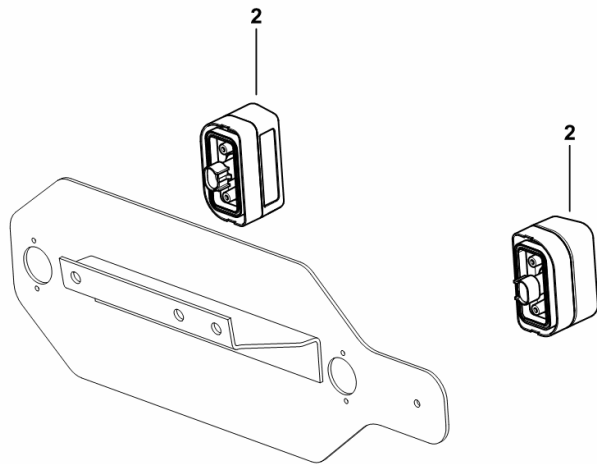
9_L6485_02_0-A-002

LICENCE PLATE LIGHT

Fig.	Code	QTY	Name
------	------	-----	------

Notes:
[AGROPLUS 310 ECOLINE -> 10001]

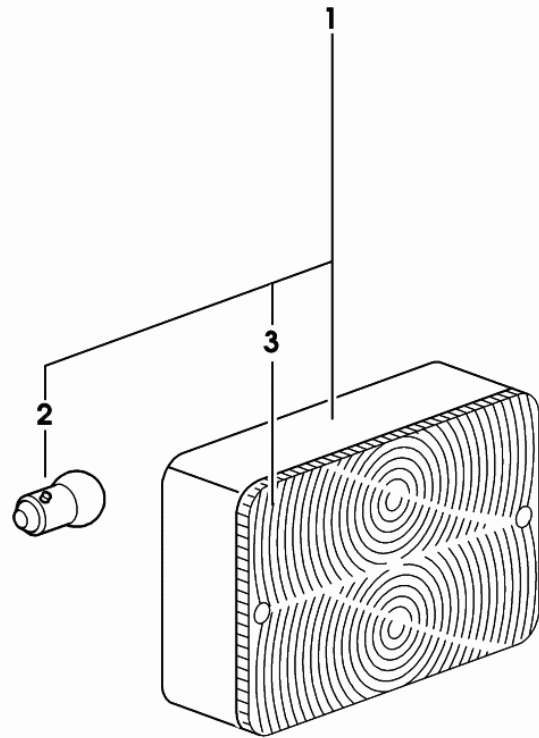
2	2.8059.526.0	2	side lamp ☞ 2.8059.526.0
---	--------------	---	-----------------------------



9_H1576_60_0-A-001

HEADLAMP COMPONENTS

Fig.	Code	QTY	Name
1	2.8039.180.0/10	1	lamp
2	2.8313.001.0	1	lamp 12V 21W
3	0.900.0138.0	1	light body



2_8039_180_0_10

HEAT EXCHANGER.....	B0.09.11 (1)
WATER COOLING -SEALING.....	B0.09.12 (1)
LUBRIC. OIL COOLER.....	0.007.0172.0.A
COOLING WATER PUMP.....	0.016.0460.4.A
INTAKE - EXHAUST MANIFOLDS	
AIR INTAKE MANIFOLD - EXHAUST MANIFOLD.....	B0.10.0 (1)
TURBOCHARGER	
TURBOCHARGER.....	B0.11.0 (1)

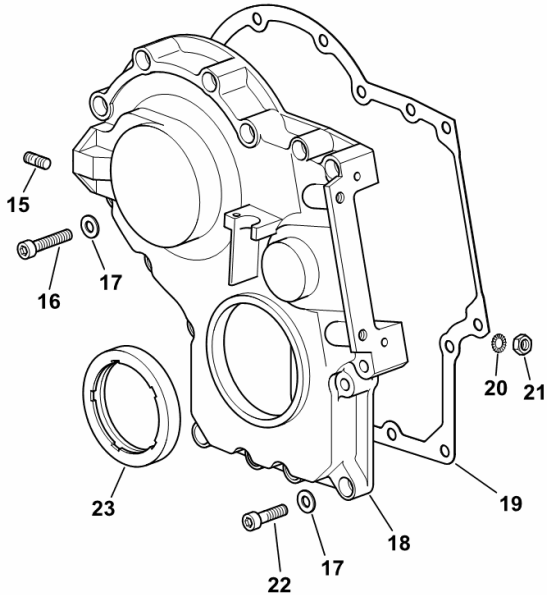
TIMING CASE

Fig.	Code	QTY	Name
------	------	-----	------

Notes:
 [AGROPLUS 310 ECOLINE -> 10001]

15	2.0432.003.7	2	stud bolt m 8 p.1.25 / p.1 x 20
16	2.0312.214.2	7	screw m 8 p.1.25 x 40
17	2.1480.014.1	15	washer 8
18	0.013.4981.0	1	sump
19	0.065.1150.0/30	1	gasket
20	2.1470.004.2	4	washer 8
21	2.1011.405.2	2	nut m 8 p.1
22	2.0312.208.2	8	screw m 8 p.1.25 x 25
23	2.1529.167.0	1	'o' ring

9_O0811_00_0-B-001

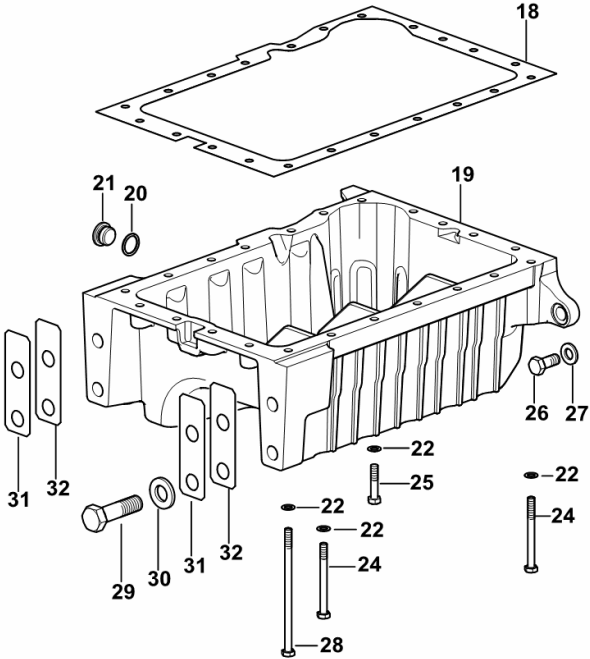


Section: B0 - ENGINE
ENGINE OIL PAN

Fig.	Code	QTY	Name
------	------	-----	------

Notes:
[AGROPLUS 310 ECOLINE -> 10001]

18	0.007.0614.0/10	1	gasket
19	0.007.1422.0/50	1	oil pan
20	2.1560.054.0	1	gasket 21 x 26
21	2.3199.001.2	1	plug 1/2" gas
22	2.1470.004.2	22	washer 8
24	2.0112.226.2	7	screw m 8 p.1.25 x 85
25	2.0112.215.2	13	screw m 8 p.1.25 x 40
26	2.0112.411.2	4	screw m 12 p.1.75 x 30
27	2.1470.007.2	4	lock washer 12
28	2.0112.239.2	2	screw m 8 p.1.25 x 150
29	2.0112.722.2	4	screw m 18 p.2.5 x 65
30	2.1475.007.7	4	washer 18
31	0.008.8586.0/10	4	shim mm 0.20
32	0.008.8587.0/10	8	shim mm 0.50



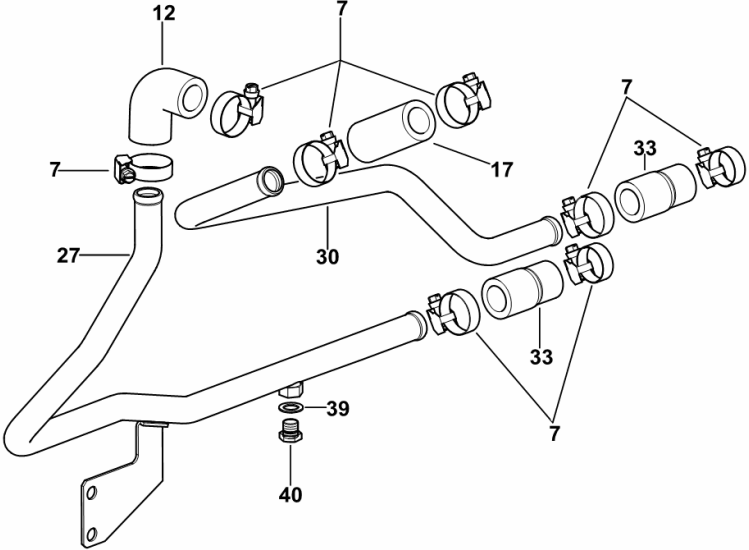
9_35115_01_0-A-001

Section: B0 - ENGINE
WATER PUMP HOSES

Fig.	Code	QTY	Name
------	------	-----	------

Notes:
[AGROPLUS 310 ECOLINE -> 10001]

7	2.6851.002.0	12	clamp Ø 20/32
12	0.016.5019.0	2	sleeve
17	0.007.0678.0/10	2	sleeve 18x28x60
27	0.015.8497.2/10	1	tube
30	0.015.2065.0	1	tube
33	0.007.1228.0/10	2	sleeve
39	2.1560.006.0	1	gasket 10.2 x 16
40	2.3110.401.1	1	plug m 10 p.1x8



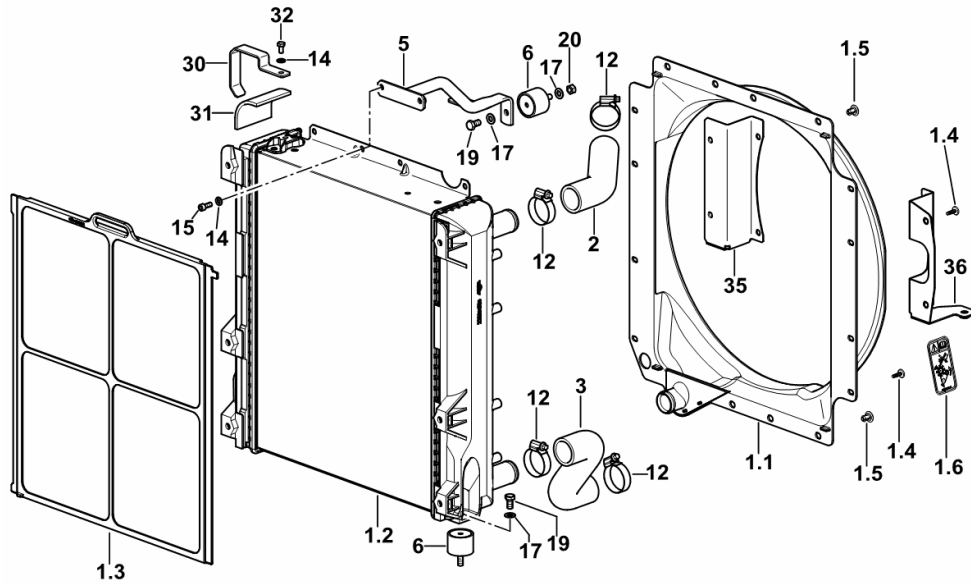
9_O6317_01_0-B-001

COOLING - COOLANT RADIATOR

Fig.	Code	QTY	Name
------	------	-----	------

Notes:

[AGROPLUS 310 ECOLINE -> 10001]



1.1	0.014.8030.2/10	1	duct
1.2	0.014.8026.4/10	1	water cooler
1.3	0.014.8035.2	1	shield
1.4	0.900.1176.5	8	screw
1.5	0.900.1176.6	8	rivet
1.6	2.9939.273.0	2	plate
2	0.016.2397.0	1	sleeve
3	0.016.2399.0	1	sleeve
5	0.016.2446.3	1	adjustable tensioner
6	0.010.1054.2/10	3	support
12	2.6851.004.0	4	clamp Ø 32/50
14	2.1310.002.2	3	washer 6.6, d125
15	2.0312.104.2	2	screw m 6 p.1 x 16
17	2.1310.004.2	4	flat washer 8.5
19	2.0112.205.2	3	screw m 8 p.1.25 x 16
20	2.1011.105.2	1	nut m 8 p.1.25
30	0.014.8869.0/20	1	bracket
31	0.014.9300.0	1	insulator
32	2.0112.003.2	1	screw m 6 p.1 x 12
35	0.016.3291.3	1	support
36	0.016.3292.3	1	support

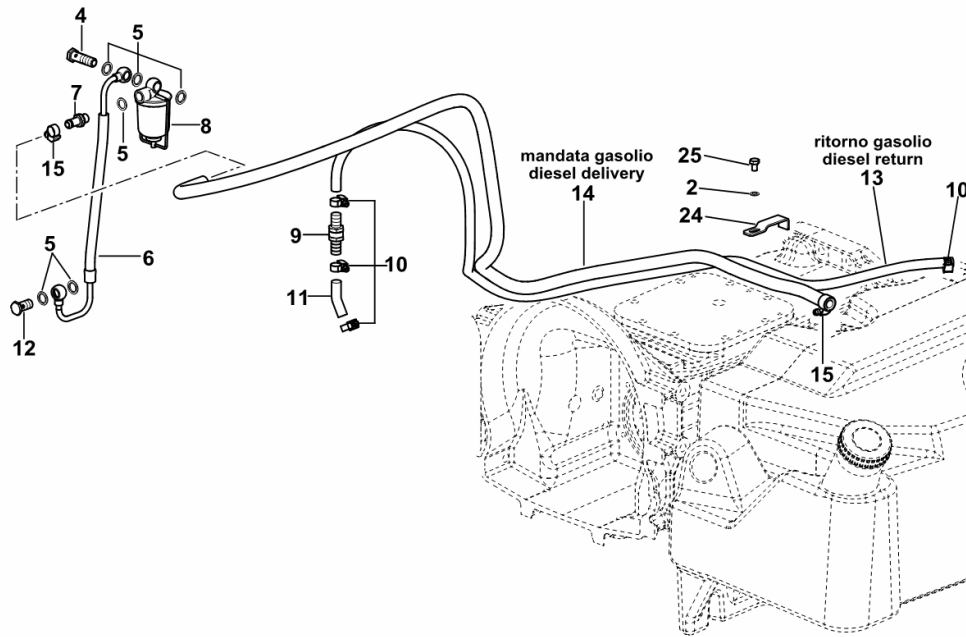
9_P0783_00_0-A-001

FUEL FEED PIPES AND PREFILTER

Fig.	Code	QTY	Name
------	------	-----	------

Notes:

[AGROPLUS 310 ECOLINE -> 10001]



9_O6619_10_0-A-001

2	2.1470.004.2	5	washer 8
4	2.3249.095.2	1	pipe union m 14 p.1.5x45
5	2.1560.010.0	6	gasket 14.2 x 20 x 1.5
6	0.016.0459.3/10	1	tube
7	2.3339.758.2/10	1	pipe fitting m 14 p.1.5
8	2.4319.220.0	1	precleaner ☞ 2.4319.220.0
9	0.013.8464.4	1	valve
10	2.6851.002.0	4	clamp Ø 20/32
11	0.012.6451.0	0.06	tube Ø mm 8/15
12	2.3339.357.2/10	1	pipe union m 14 p.1.5x28
13	0.012.6451.0	1.7	tube Ø mm 8/15
14	0.012.6450.0	2.35	tube
15	2.6851.019.0	2	clamp Ø 13/20
24	0.011.4323.0/10	1	bracket
25	2.0112.203.2	1	screw m 8 p.1.25 x 12

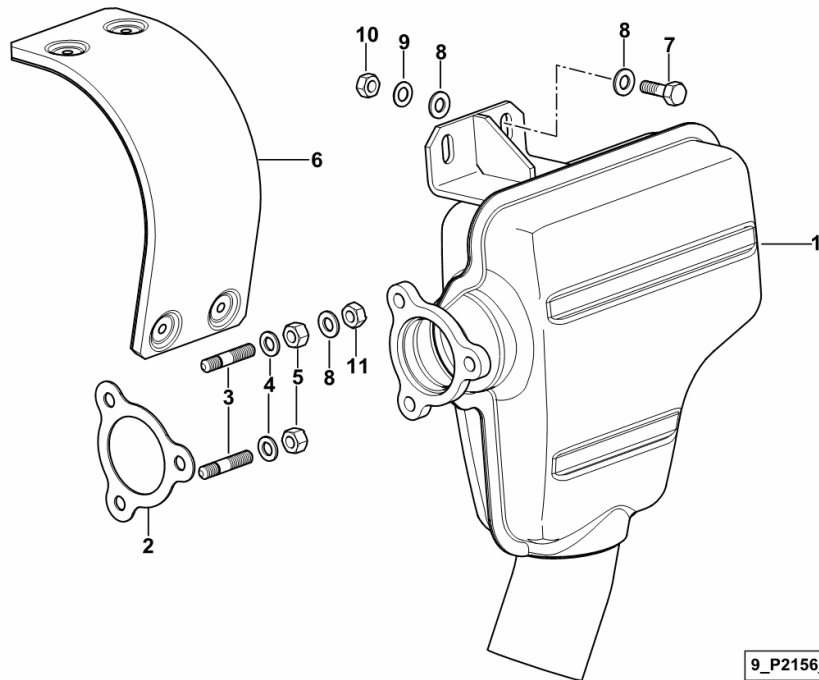
EXHAUST SILENCER

Fig.	Code	QTY	Name
------	------	-----	------

Notes:

[AGROPLUS 310 ECOLINE -> 10001]

1	0.016.0248.2/10	1	exhaust silencer
2	0.016.2555.0	1	gasket
3	2.0432.007.2	3	stud bolt m 8 p.1.25 / p.1 x 30
4	2.1474.009.2	3	spring washer 8
5	2.1019.033.0	3	special nut m 8 p.1 x 8
6	0.016.2557.3/10	1	sump
7	2.0112.209.2	2	screw m 8 p 1.25 x 25
8	2.1310.004.2	6	flat washer 8.5
9	2.1470.004.2	2	washer 8
10	2.1011.105.2	2	nut m 8 p.1.25
11	2.1011.405.2	2	nut m 8 p.1



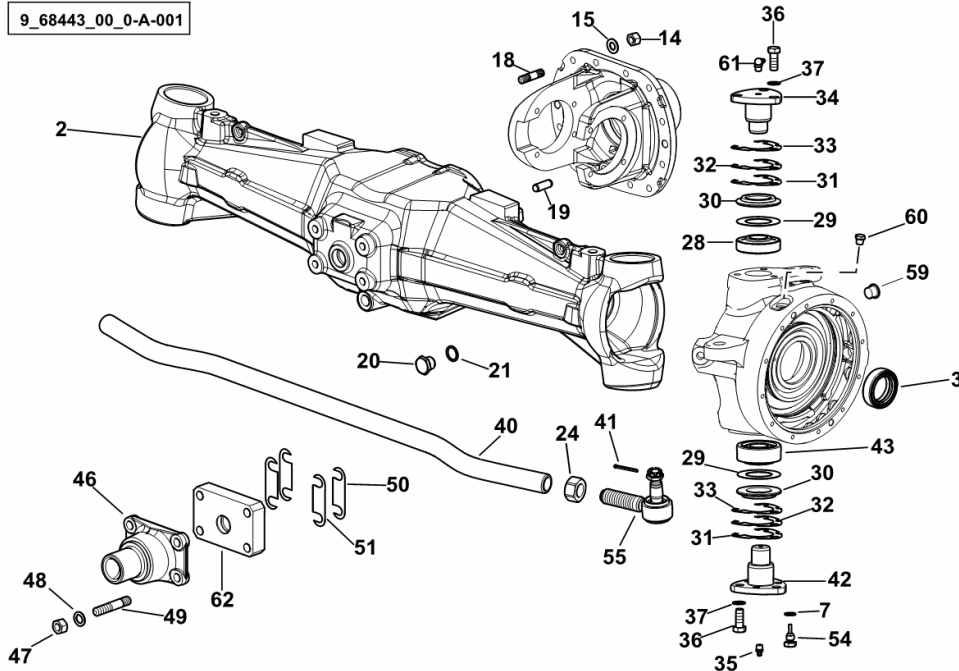
9_P2156_00_0-A-001

Section: F0 - FRONT AXLE
4WD - FRONT DRIVE AXLE

Fig.	Code	QTY	Name
------	------	-----	------

Notes:
 [AGROPLUS 310 ECOLINE -> 10001]

9_68443_00_0-A-001



2	0.008.5332.0/90	1	front axle
3	2.1529.112.0	2	'o' ring 45 x 65 x 18.5
7	2.1560.008.0	2	gasket 12.2 x 18
14	2.1011.322.2	13	nut m 12 p.1.25
15	2.1475.004.2	13	washer 12
18	2.0432.257.7	13	stud bolt m 12 p.1.75 - 1.25 x 30
19	2.1651.915.0	2	pin 12x35
20	2.3199.021.2	1	plug 1/2" gas
21	2.1560.054.0	3	gasket 21 x 26
24	2.1099.020.1	2	special nut m 24 p.1.5
28	2.2530.007.0	2	roller bearing 30x72x20.75
29	2.1599.260.0	4	snoulder 43x71x1
30	2.1519.045.0	4	'o' ring 41x73x9
31	0.463.4352.0	4	shim mm 0.15
32	0.463.4351.0	4	shim mm 0.50
33	0.463.4350.0	4	shim mm 0.20
34	0.169.4336.0	2	pin
35	2.3820.105.2	2	lubricator m 10 p.1 x 7
36	2.0112.411.2	12	screw m 12 p.1.75 x 30
37	2.1470.007.2	12	lock washer 12
40	0.008.5389.0/10	1	rod
41	2.1690.412.2	2	split pin 4 x 30
42	0.169.4337.0/10	2	pin
43	2.2550.007.0	2	roller bearing 30x72x28.75
46	0.011.7163.0/10	1	pin (-> 10001)
47	2.1011.408.2	4	nut m 14 p.1.5
48	2.1470.008.2	4	lock washer 14
49	2.0433.317.7	4	stud bolt m 14 p.1.5 x 60
50	2.1379.003.0/10	4	small plate 15x15x62x0.12
51	2.1379.004.0/10	4	small plate 15x15x62x1.5
54	2.3199.065.2	2	plug m 12 p.1.75 x 36
55	0.010.0488.4/10	2	joint ⚙ 0.010.0488.4/10
59	2.3199.537.0	5	plug Ø 11
60	2.3199.125.0	3	plug 1/8" gas
61	2.3821.303.2	2	lubricator m 10 p.1
62	0.011.4378.0	1	spacer

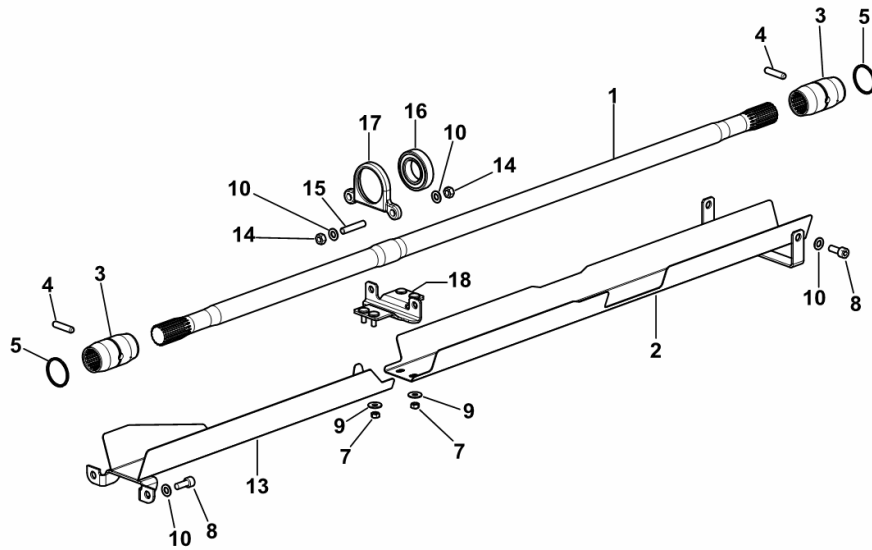
4WD - PROPELLER SHAFT

Fig.	Code	QTY	Name
------	------	-----	------

Notes:

[AGROPLUS 310 ECOLINE -> 10001]

1	0.016.7846.0	1	transmission shaft
2	0.017.6927.2	1	guard
3	0.010.4887.0	2	sleeve
4	2.1650.715.0	2	pin 8 x 35
5	2.1499.165.7	2	circlip
7	2.1011.103.2	4	nut m 6 p.1
8	2.0312.206.2	4	screw m 8 p 1.25 x 20
9	2.1312.003.2	4	washer 6
10	2.1475.002.2	4	conical washer 8
13	0.016.3806.2/10	1	guard
14	2.1011.105.2	4	nut m 8 p.1.25
15	2.0422.207.2	2	stud bolt m 8 x 30
16	2.2999.469.0	1	bearing 30x55x13
17	0.007.7751.0/10	1	support
18	0.017.6928.3	1	support



9_S9726_00_0-A-001

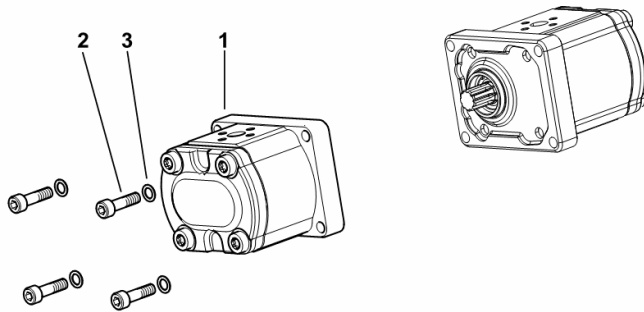
HYDRAULIC PUMP 8 cc sx/lh/li - BOSCH -

Fig.	Code	QTY	Name
------	------	-----	------

Notes:

[AGROPLUS 310 ECOLINE -> 10001] -> 10001

1	2.4539.190.0	1	hydraulic pump 8 cc sx/lh/li - BOSCH - ☞ 2.4539.190.0
2	2.0312.210.2	4	screw m 8 p 1.25 x 30
3	2.1480.014.2	4	washer 8



9_T0282_01_0-A-001

AGROPLUS 310 ECOLINE -> 10001

Section: H0 - HYDRAULIC AND PNEUMATIC SYSTEM|

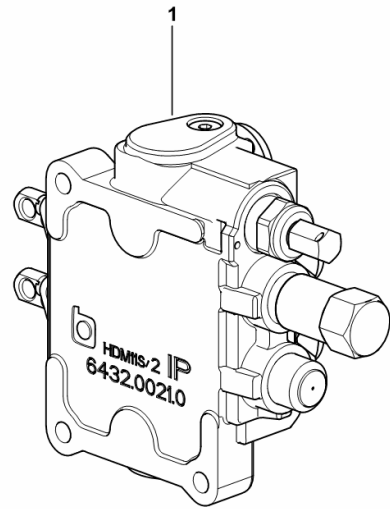
Ref.: H0.07.0 (1)

4-WAY AUXILIARY DISTRIBUTOR

Fig.	Code	QTY	Name
------	------	-----	------

Notes:
[AGROPLUS 310 ECOLINE -> 10001]

1	2.3729.706.0/10	1	distributor ☞ 2.3729.706.0/10
---	-----------------	---	----------------------------------



9_H1288_15_0-A-001

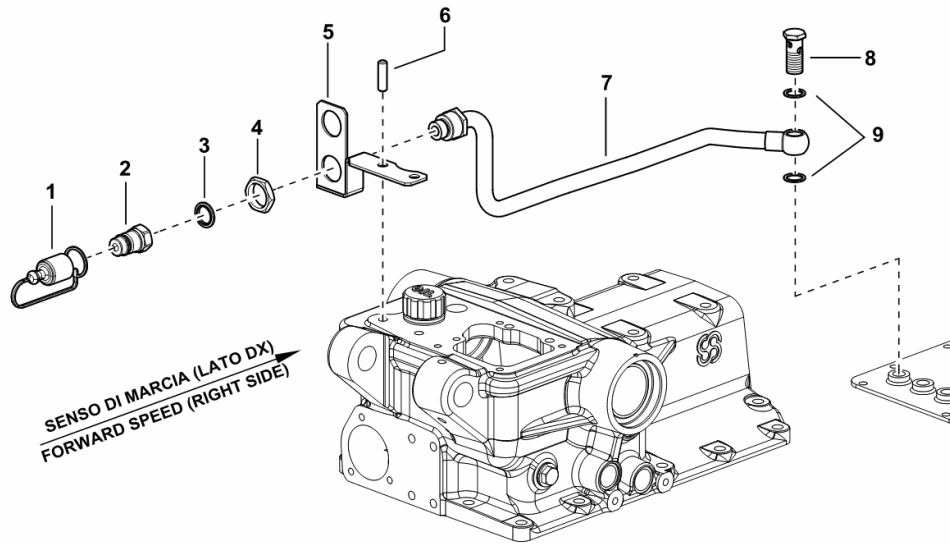
EXHAUST SYSTEM

Fig.	Code	QTY	Name
------	------	-----	------

Notes:

[AGROPLUS 310 ECOLINE -> 10001]

1	0.009.3149.0	1	plug
2	0.98309.51.3/10	1	coupling 1/2
3	2.1561.017.0	1	'o' ring
4	2.1019.091.2	1	special nut m 30 p.1.5x8
5	0.017.7157.2	1	bracket
6	2.0422.303.2	2	stud bolt m 10 p.1.5 x 20
7	0.017.7156.3	1	tube
8	2.3335.055.2	1	pipe union m 18 p.1.5
9	2.1560.014.0	2	gasket 18.2 x 24 x 1.5



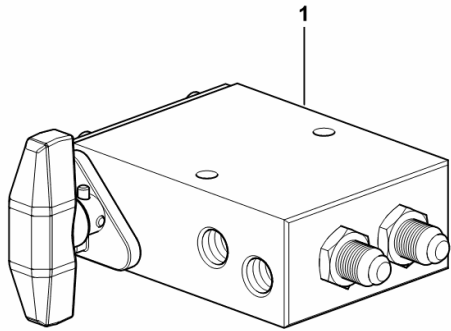
9_T0288_80_0-A-001

FLOW CONTROL VALVE

Fig.	Code	QTY	Name
------	------	-----	------

Notes:
[AGROPLUS 310 ECOLINE -> 10001]

1	0.445.4351.4/30	1	valve
---	-----------------	---	-------



9_49066_12_0-A-001

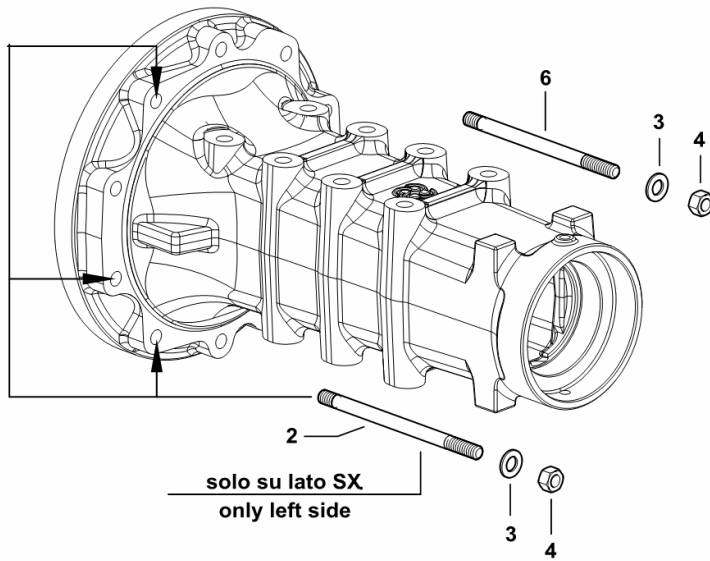
REAR AXLE - MOUNTINGS

Fig.	Code	QTY	Name
------	------	-----	------

Notes:

[AGROPLUS 310 ECOLINE -> 10001]

2	2.0432.282.7	3	stud bolt m 12 p.1.75 / p. 1.25 x 170
3	2.1475.004.7	20	washer 13 x 24
4	2.1011.422.2	20	nut m 12 p.1.25
6	2.0432.281.7	17	stud bolt m 12 p.1.75 / p. 1.25 x 160



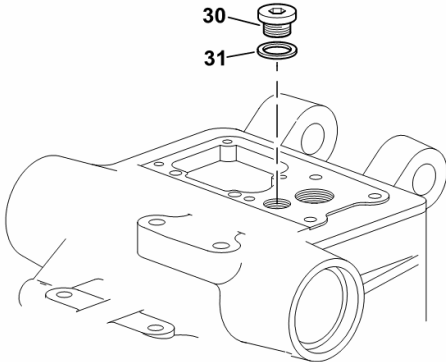
9_T0244_00_0-A-001

PLUG

Fig.	Code	QTY	Name
------	------	-----	------

Notes:
[AGROPLUS 310 ECOLINE -> 10001]

30	2.3120.002.4	1	plug m 22 x 1.5
31	2.1560.017.0	1	gasket 22.2 x 27



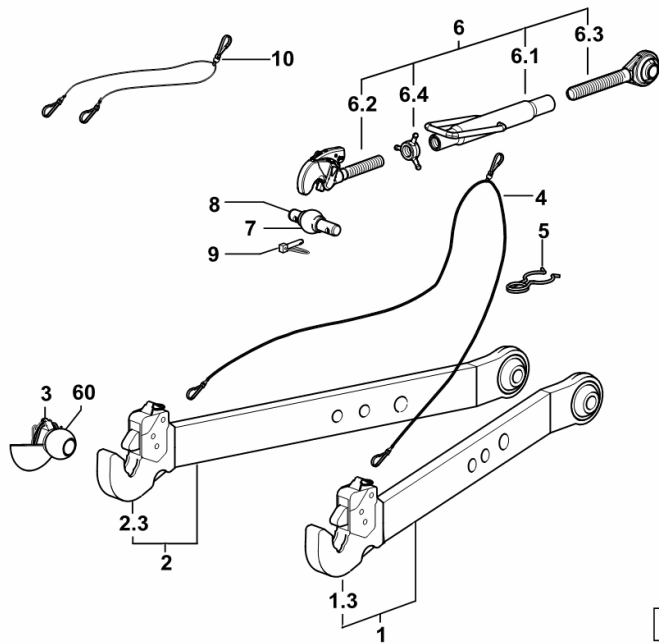
W9_64859_21_0-C-001

3-POINT LINKAGE WITH AUTOMATIC COUPLERS

Fig.	Code	QTY	Name
------	------	-----	------

Notes:
[AGROPLUS 310 ECOLINE -> 10001]

1	0.014.1435.3	1	right hand arm dx/rh/re
1.3	0.014.1420.3	1	automatic hook 2 cat.-CBM- ☞ 0.014.1420.3
2	0.014.1434.3	1	left hand arm sx/lh/li
2.3	0.014.1420.3	1	automatic hook 2 cat.-CBM- ☞ 0.014.1420.3
3	0.016.7833.3	2	pin 2 cat.
4	0.760.2258.3	1	cable
5	0.760.2262.0	2	spring
6	0.015.2066.4/10	1	top link
6.1	0.015.2066.3	1	sleeve
6.2	0.014.1412.3	1	rod 2 cat.-CBM- ☞ 0.014.1412.3
6.3	0.760.3515.3/10	1	rod sx/lh/li
6.4	0.96014.57.0/10	1	locknut m 27 p.3
7	0.96001.17.0	1	cap Ø 50
8	2.1669.024.2	1	pin 25.4 x 133
9	0.010.9322.4	2	pin Ø 11
10	0.009.3534.0	1	cable
60	0.760.5952.0	2	cap Ø 56



9_T0258_03_0-A-001

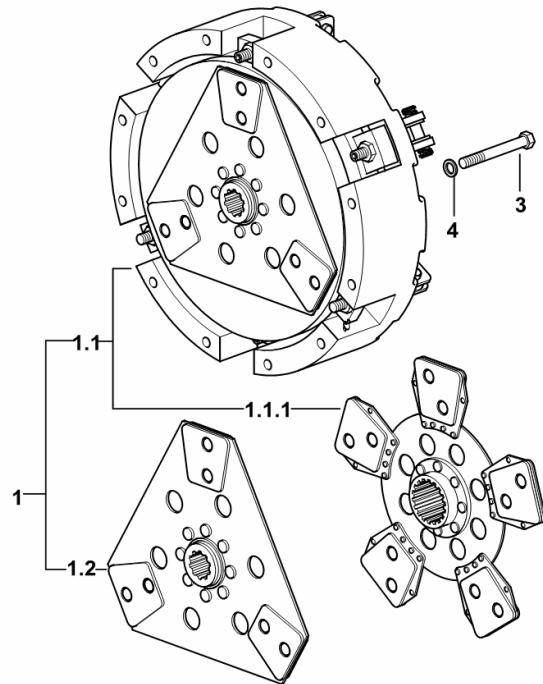
DOUBLE COUPLING

Fig.	Code	QTY	Name
------	------	-----	------

Notes:

[AGROPLUS 310 ECOLINE -> 10001] -> 10001

1	0.012.2570.4/10	1	clutch assy ☞ 0.012.2570.4/10
1.1	0.012.2571.4	1	clutch assy 11"
1.1.1	0.012.2572.3	1	clutch disc 11"
1.2	0.011.9067.3	1	clutch disc 11" - P.T.O.
3	2.0113.217.2	6	screw m 8 p 1x45
4	2.1475.002.2	6	conical washer 8



9_49024_00_0-A-002

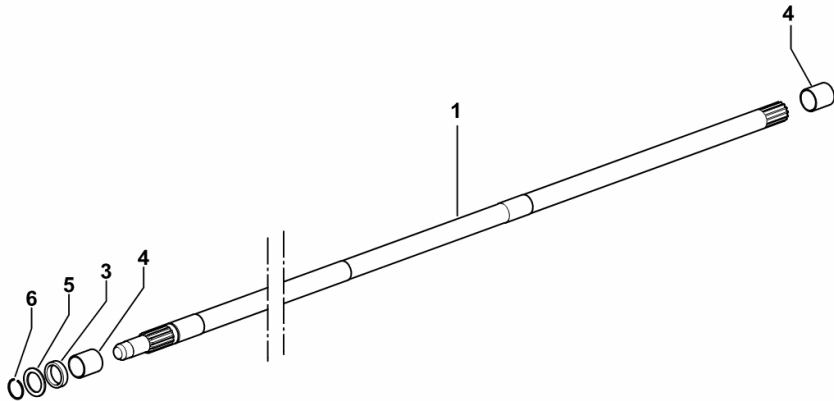
P.T.O.-CLUTCH OUTPUT SHAFT

Fig.	Code	QTY	Name
------	------	-----	------

Notes:

[AGROPLUS 310 ECOLINE -> 10001]

1	0.013.9983.0/10	1	shaft (-> 10001) A = mm 109.5
3	2.1529.125.0/10	1	'o' ring 25 x 32 x 7
4	2.1555.514.0	2	bushing 25 x 28 x 30
5	2.1599.677.0	1	thrust plate 25x35x2
6	2.1420.010.1	1	circlip a 25



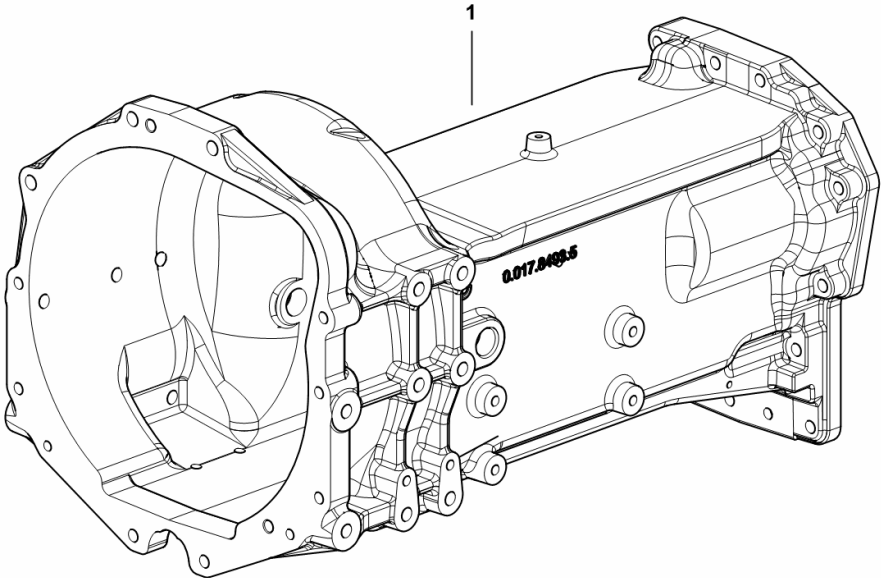
9_E6125_00_0-A-001

GEARBOX FRONT

Fig.	Code	QTY	Name
------	------	-----	------

Notes:
[AGROPLUS 310 ECOLINE -> 10001]

1	0.017.8493.0	1	gear box
---	--------------	---	----------



9_T0631_01_0-A-001

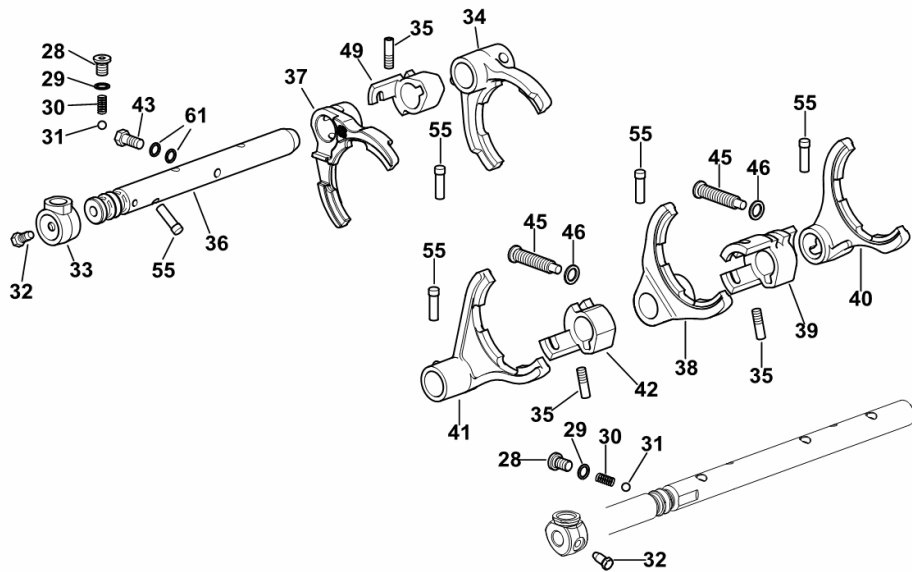
INTERNAL CONTROLS OF 5-SPEED GEARBOX WITH UNDERDRIVE

Fig.	Code	QTY	Name
------	------	-----	------

Notes:

[AGROPLUS 310 ECOLINE -> 10001]

28	2.3199.238.2	2	plug m 10
29	2.1560.005.0	2	gasket 10.2 x 14
30	2.4019.670.1	2	spring 5 x 8 x 1.5 x 22.5
31	2.2810.004.0	2	ball 5/16"
32	2.0399.019.1	2	screw m 8 p.1 x 16
33	0.008.5226.0/20	1	hub
34	0.013.1661.0/10	1	fork
			UNDERDRIVE
35	2.0599.086.0/40	3	grain m 8 p.1.25 x 28
36	0.010.0543.0/20	1	rod
37	0.013.2469.0/20	1	fork
			SHUTTLE
38	0.009.6750.0	1	fork # 2 / # 3
39	0.008.5152.0/50	1	hub
40	0.009.7080.0	1	fork # 4 / # 5
41	0.009.6749.0	1	fork # 1
42	0.008.5198.0/40	1	hub
43	2.0122.209.2	1	screw m 8 p.1 x 25
45	2.0399.206.2	2	screw m 12 p.1.75 x 56.5
46	2.1560.008.0	2	gasket 12.2 x 18
49	0.013.1619.0	1	sleeve
55	0.008.5994.0/10	5	pin
61	2.1560.004.0	2	gasket 8.2 x 14



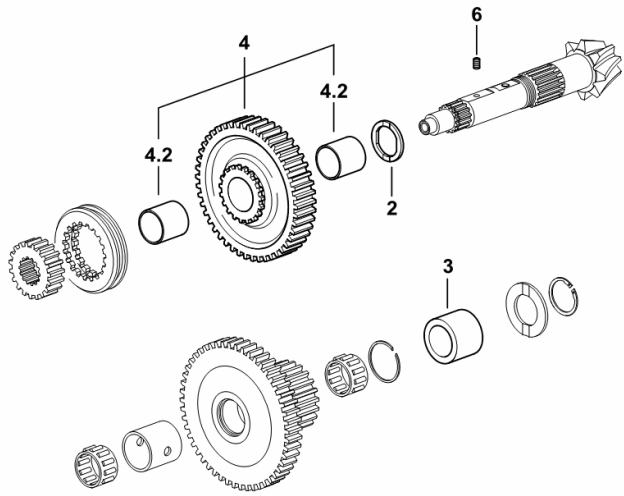
2-RANGE BOX

Fig.	Code	QTY	Name
------	------	-----	------

Notes:

[AGROPLUS 310 ECOLINE -> 10001]

2	2.1599.611.0	1	shoulder 34 x 45 x 3.5
3	2.1549.053.0/10	1	spacer 35 x 50 x 39
4	0.010.5211.3/10	1	gear Z = 45
4.2	2.1559.426.0	2	bushing 34.50 x 38 x 37.5
6	2.0512.201.7	1	grain m 8 p.1.25 x 6



9_64834_05_0-A-001

AGROPLUS 310 ECOLINE -> 10001

Section: D0 - TRANSMISSION

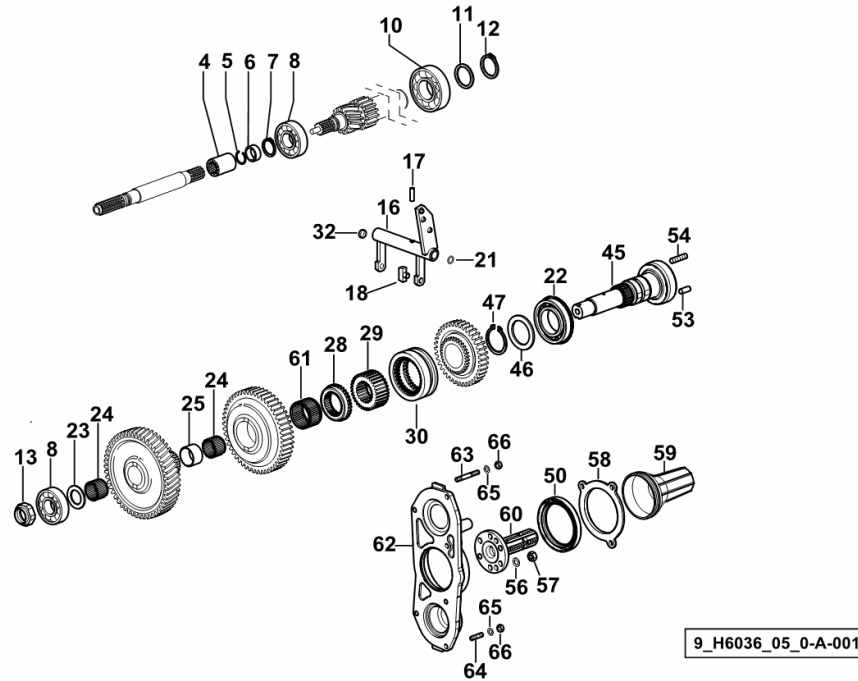
Ref.: D0.14.7 (1)

P.T.O. WITH INSERTED END SHAFTS - 2 -SPEED + GROUNDSP. AND 3- SPEED

Fig.	Code	QTY	Name
------	------	-----	------

Notes:

[AGROPLUS 310 ECOLINE -> 10001]



4	0.010.7696.0	1	sleeve Z = 11
5	2.1421.010.7	1	circlip 25
6	2.1549.172.0	1	spacer 24.7 x 31 x 12
7	2.1410.012.1	1	circlip 30
8	2.2999.300.0	2	bearing 30 x 72 x 19
10	2.2062.012.0	1	ball bearing 40 x 90 x 23
11	2.1599.414.0	1	snoulder 40 x 50 x 3.0
12	2.1410.016.1	1	circlip 40
13	2.1219.038.0/40	1	ring nut m 30 p.1.5
16	0.010.7710.3	1	fork
17	2.1631.712.0	1	pin 8x26
18	0.255.6463.0	2	shoe
21	2.1530.028.0	1	'o' ring 11.91 x 2.62
22	2.2999.204.0	1	bearing 50 x 90 x 20
23	2.1589.321.0	1	snoulder 30x47x3
24	2.2770.062.0	2	roller cage 35x40x27
25	0.010.7712.0	1	spacer
28	0.009.3830.3/10	1	gear Z = 32
29	0.010.7701.0	1	hub z=32 z=21
30	0.009.3822.0/20	1	sleeve Z = 32
32	2.3171.006.4	5	plug Ø 16
45	0.014.3780.0	1	shaft
46	2.1599.779.0	1	thrust plate 50x70x4
47	2.1412.019.7	1	circlip 50x3
50	2.1520.043.0	1	oil seal 85 x 110 x 12
53	2.1651.811.0	2	cylindrical plug 10x24
54	2.0432.155.7	6	stud bolt m 10 p.1.5 / p. 1.25 x 25
56	2.1470.006.2	6	lock washer 10
57	2.1011.421.2	6	nut m 10 p.1.25
58	0.011.3274.0	1	cover
59	0.008.0757.0	1	guard
60	0.011.3221.0	1	p.t.o.shaft Z = 6
61	2.2999.363.0	1	roller cage
62	0.014.3683.0/10	1	cover
63	2.0422.215.7	2	stud bolt m 8 p.1.25 x 50
64	2.0422.203.7	5	stud bolt m 8 p.1.25 x 20
65	2.1470.004.2	7	washer 8
66	2.1011.105.2	7	nut m 8 p.1.25

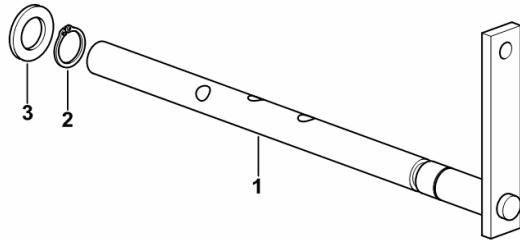
CONTROL LEVER P.T.O.

Fig.	Code	QTY	Name
------	------	-----	------

Notes:

- FOR 540/N EXPORT U.S.A. [AGROPLUS 310 ECOLINE -> 10001] - 540/750 [AGROPLUS 310 ECOLINE -> 10001]

1	0.012.4365.2/10	1	lever
2	2.1410.004.2	1	circlip 16
3	2.1311.010.2	1	flat washer 16



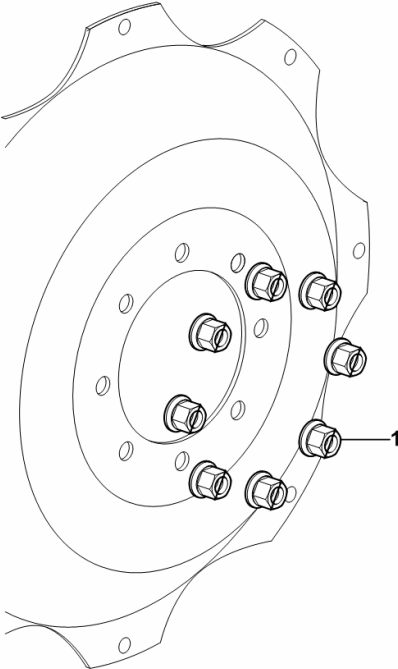
9_C1236_06_0-A-001

REAR WHEEL BOLTS

Fig.	Code	QTY	Name
------	------	-----	------

Notes:
[AGROPLUS 310 ECOLINE -> 10001]

1	2.1099.083.0/20	16	special nut m 20 p.1.5
---	-----------------	----	------------------------



9_52655_03_0-A-001

CLICK HERE TO **DOWNLOAD** THE COMPLETE MANUAL

- Thank you very much for reading the preview of the manual.
- You can download the complete manual from: www.heydownloads.com by clicking the link below



- Please note: If there is no response to CLICKING the link, please download this PDF first and then click on it.

CLICK HERE TO **DOWNLOAD** THE COMPLETE MANUAL