

Agrolux F 60

ACCESSORIES

GENERAL

4-WAY AUXILIARY DISTRIBUTOR.....	0E.00.1
4-WAY AUXILIARY DISTRIBUTOR.....	0E.00.2
4-WAY AUXILIARY DISTRIBUTOR.....	0E.00.3
PILOTED CHECK VALVE.....	0E.00.4
6-WAY AUXILIARY DISTRIBUTOR.....	0E.00.5
6-WAY AUXILIARY DISTRIBUTOR.....	0E.00.6
6-WAY AUXILIARY DISTRIBUTOR.....	0E.00.7
PILOTED CHECK VALVE.....	0E.00.8
4 - 6 - WAY AUXILIARY DISTRIBUTOR.....	0E.00.9
AUXILIARY HYDRAULIC DISTRIBUTOR.....	0E.00.10
AUXILIARY HYDRAULIC DISTRIBUTOR.....	0E.00.11
EXHAUST PIPE.....	0E.00.12
PILOTED CHECK VALVE.....	0E.00.13
3 POINT HITCH.....	0E.00.19
3 POINT HITCH - LIFTING ARMS.....	0E.00.20
THREE-POINT COUPLING - TOP/LOWER LINK - AUTOM.....	0E.00.21
3-POINT HITCH - ADJUSTABLE RH RODS.....	0E.00.22
3-POINT HITCH WITH HYDRAULIC LIFT ROD.....	0E.00.23
TOWING BAR.....	0E.00.24
REAR OSCILLATING HITCH CAT. " A ".....	0E.00.27
REAR OSCILLATING HITCH.....	0E.00.28
FRONT TOWING HITCH.....	0E.00.30
REAR TOWING HITCH.....	0E.00.31
PIN FOR REAR TOW HOOK.....	0E.00.32
REAR TOWING HITCH (CRAMER).....	0E.00.34
REAR TOWING HITCH CAT: "D" GRASSI.....	0E.00.37
REAR TOWING HITCH CAT: "D" GRASSI.....	0E.00.38
REAR TOWING HITCH CAT: "D2" GRASSI.....	0E.00.39
REAR TOWING HITCH CAT: "D2" GRASSI.....	0E.00.40
REAR TOWING HITCH (GRASSI) CEE.....	0E.00.41
REAR TOWING HITCH (GRASSI) CAT. " C ".....	0E.00.42
FRAME HOOK HOLDER GRASSI.....	0E.00.43
FRAME HOOK HOLDER.....	0E.00.44
BALLAST.....	0E.00.47
FRONT WEIGHT CARRIER.....	0E.00.48
FRONT BALLAST n. 2.....	0E.00.49
FRONT BALLAST n. 4.....	0E.00.50
FRONT BALLAST n. 8.....	0E.00.51
FRONT WEIGHT CARRIER.....	0E.00.52
WHEEL BALLAST.....	0E.00.55

CLICK HERE TO **DOWNLOAD** THE COMPLETE MANUAL

- Thank you very much for reading the preview of the manual.
- You can download the complete manual from: www.heydownloads.com by clicking the link below

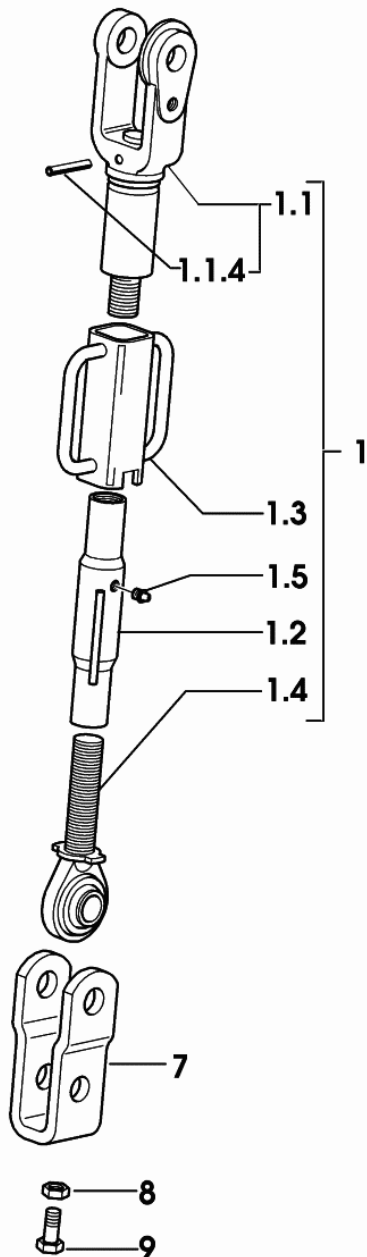


- Please note: If there is no response to CLICKING the link, please download this PDF first and then click on it.

CLICK HERE TO **DOWNLOAD** THE COMPLETE MANUAL

Section: ACCESSORIES

3-POINT HITCH - ADJUSTABLE RH RODS



9_16158_03_0_0

Fig.	Code	QTY	Name
1	0.010.8912.4/10	1	adjustable tensioner kpl.
1.1	0.010.8912.3	1	rod
1.1.4	2.1630.717.0	1	roll pin 8 x 50
1.2	0.010.8913.2/10	1	sleeve
1.3	0.010.8920.2	1	grip
1.4	0.010.8914.3	1	head
1.5	2.3820.105.2	1	lubricator m 10 p.1 x 7
7	0.010.8942.0/20	2	bracket
8	2.1011.108.2	4	nut m 14 p.2 -> 1094 X Agrolux F60 -> 1120 X Agrolux F70 -> 1226 X Agrolux F80
9	2.0112.511.2	4	screw m 14 p.2 x 30 -> 1094 X Agrolux F60 -> 1120 X Agrolux F70 -> 1226 X Agrolux F80

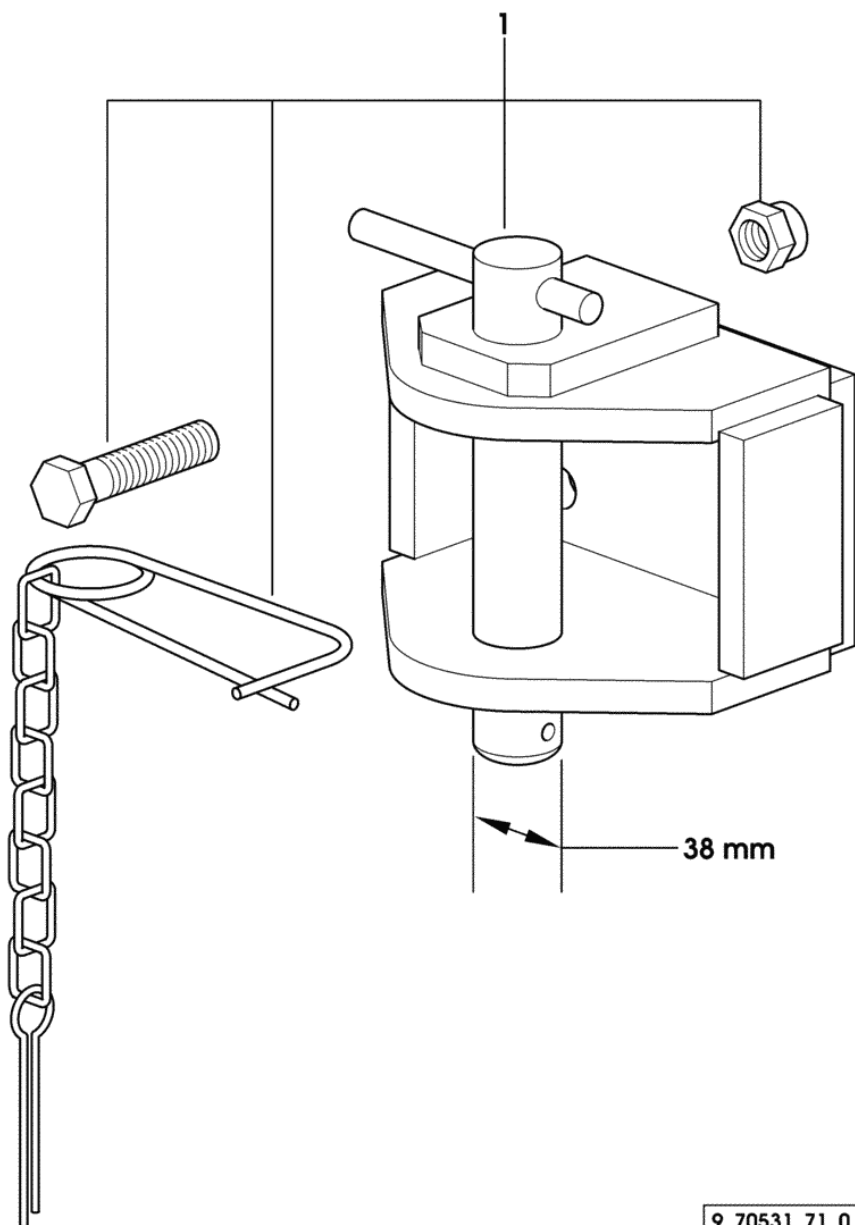
REAR TOWING HITCH CAT: "D" GRASSI

Fig.	Code	QTY	Name
------	------	-----	------

Notes:

-> 1202 X Agrolux F 60 -> 1215 X Agrolux F 70 -> 1487 X Agrolux F 80

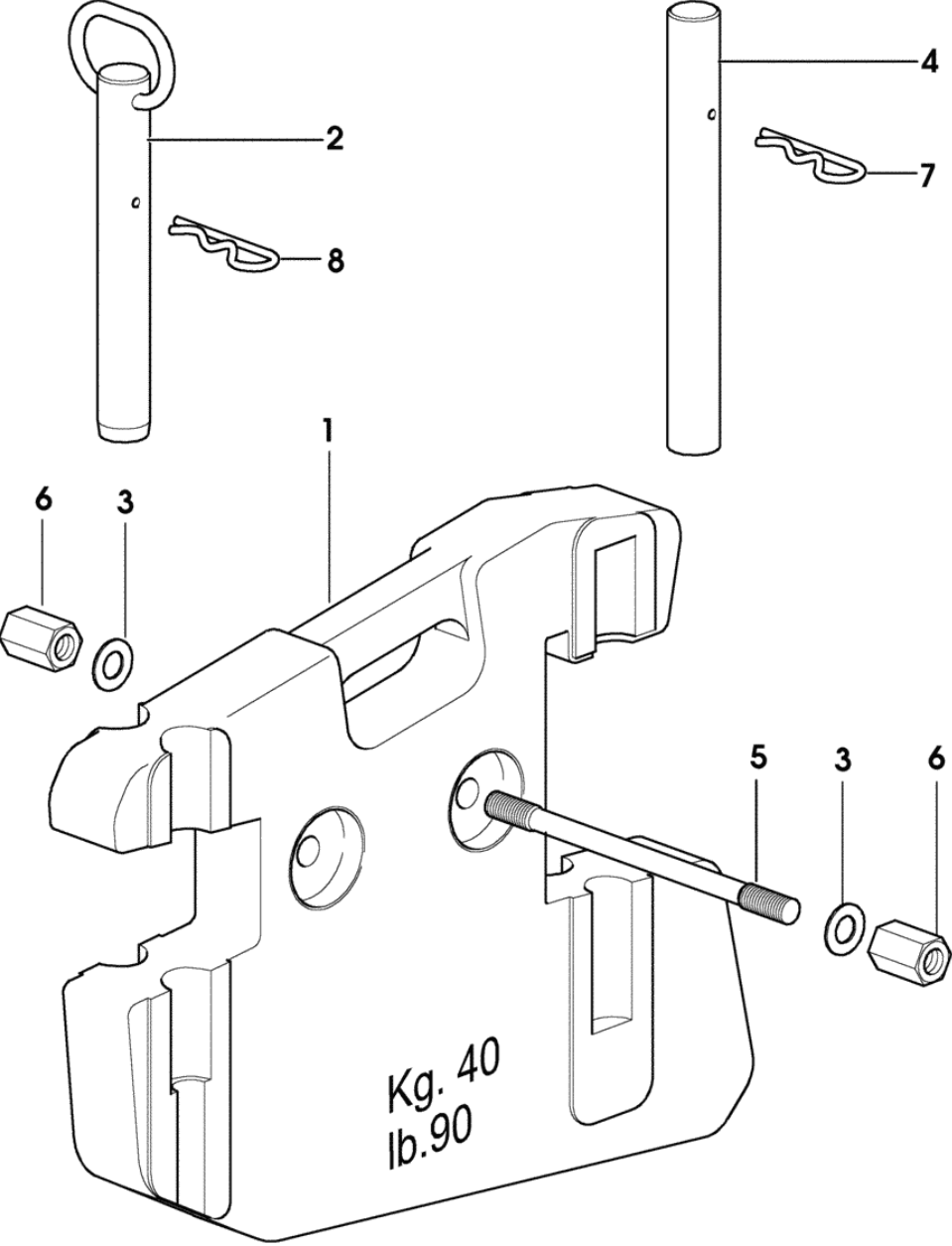
1	0.011.5143.4	1	tow hook CAT. " D " COMPONENT PARTS SEE COMPONENTS LIST ☞ 0.011.5143.4 ☞ 0E.00.75
---	--------------	---	---



9_70531_71_0_0

Section: ACCESSORIES
FRONT BALLAST n. 4

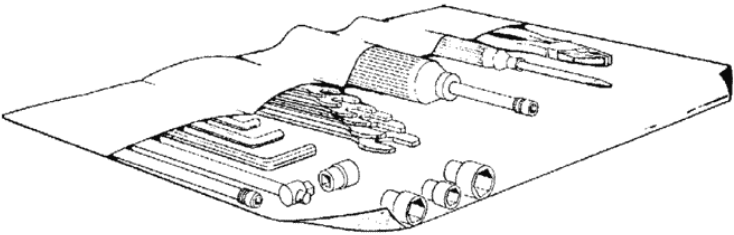
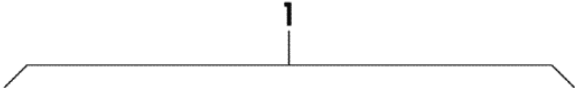
Fig.	Code	QTY	Name
1	0.96929.40.0/20	4	ballast kg 40 / lb 90
2	0.96928.51.2	1	pin
3	2.1310.009.2	4	flat washer 14
4	0.96930.50.0	1	pin mm 28x250
5	0.96930.51.0/10	2	rod m 14x220
6	2.1099.065.1	4	special nut m 14
7	2.1699.084.2	1	pin Ø 27
8	2.1699.084.2	1	pin Ø 27



9_49052_51_0_0

TOOL POUCH

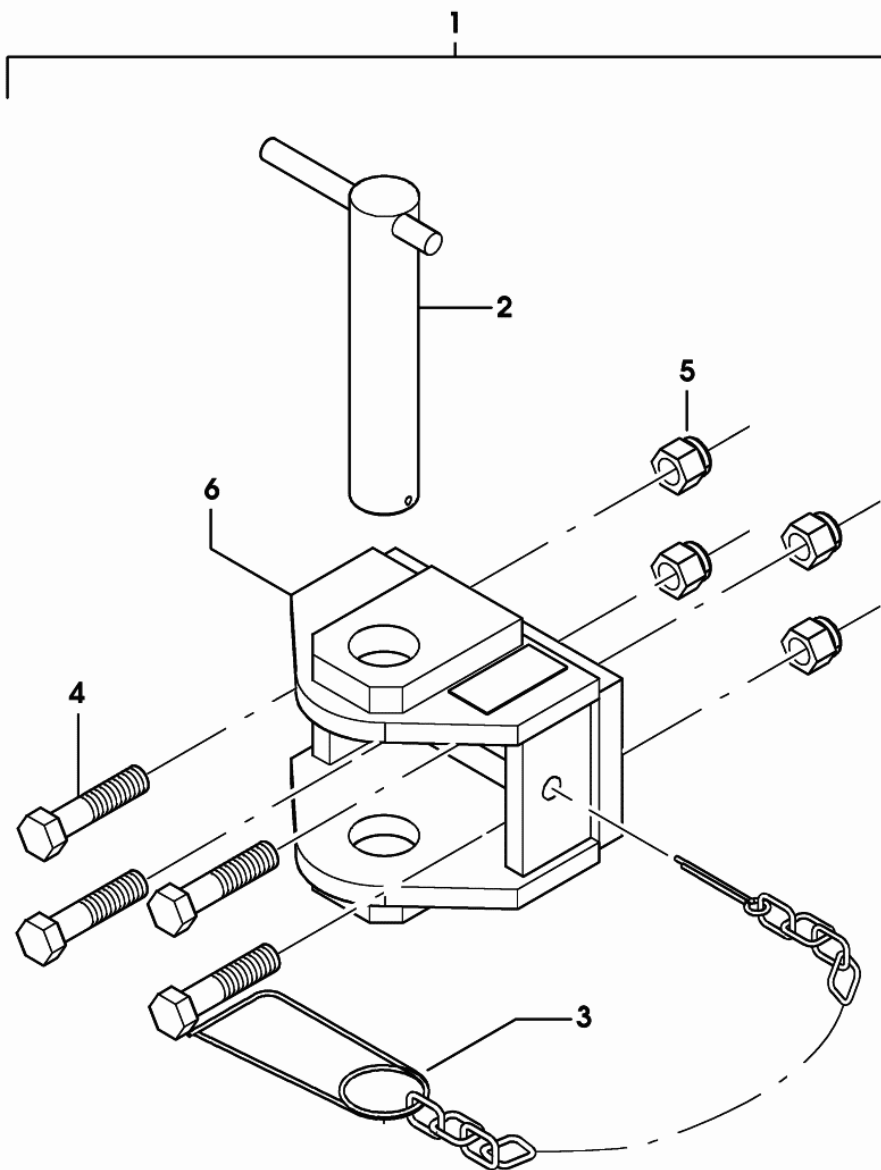
Fig.	Code	QTY	Name
1	9.68373.00.0	1	small tool box



9_68373_00_0_0

Section: ACCESSORIES
DRAWBAR COUPLING CAT: "D2"

Fig.	Code	QTY	Name
1	0.011.5144.4	1	tow hook CAT. " D2 "
2	0.010.2985.0	1	pin
3	0.010.2985.1	1	piston pin
4	0.010.2842.0	4	screw m 18x80
5	0.010.2842.1	4	nut m 18
6	0.010.2985.2	1	clevis



011_5144_4

Agrolux F 60

BODY WORK

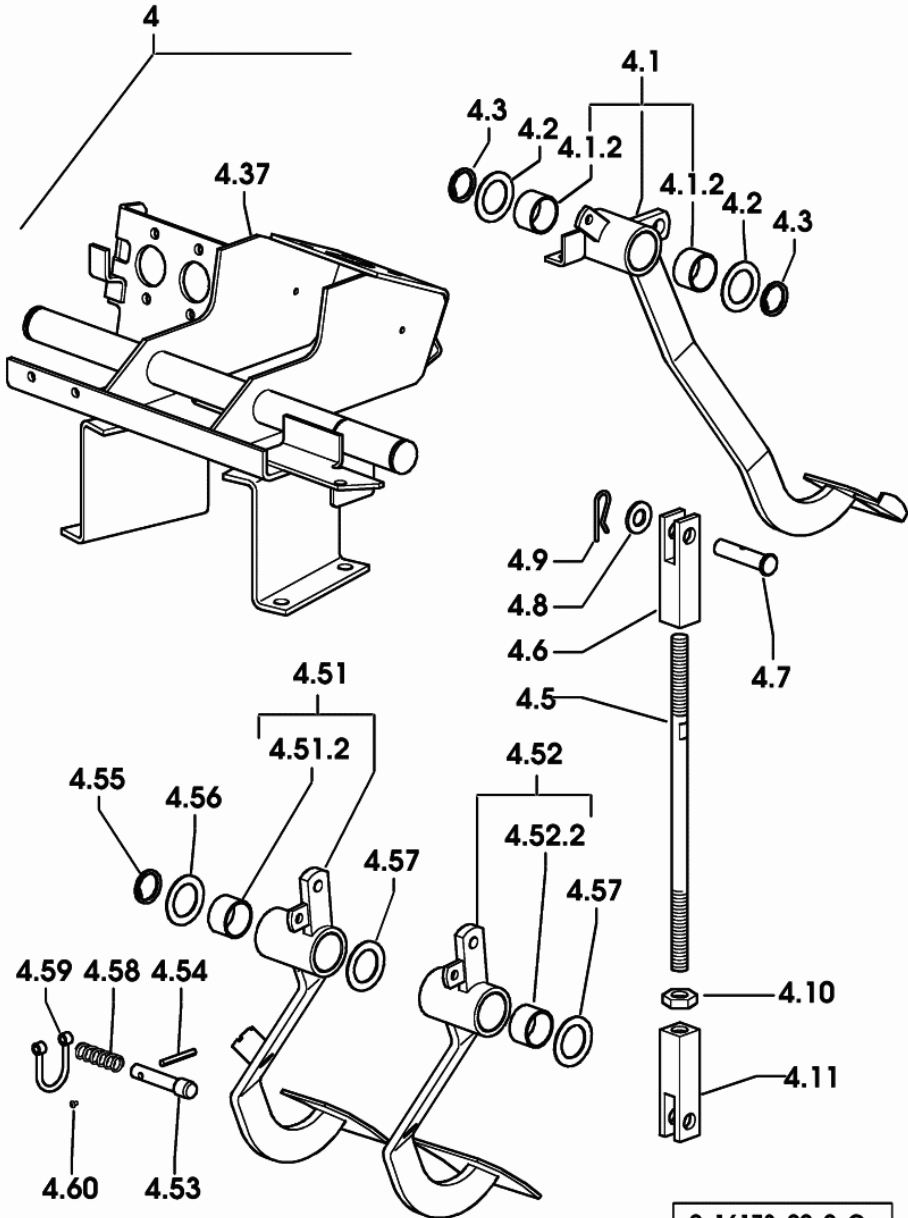
GENERAL

HOOD FRONT PART.....	07.00.1
HOOD.....	07.00.2
PLATES.....	07.00.5
HOOD PLUG.....	07.00.9
HOOD.....	07.00.10
DEFLECTORS AND SUPPORTS.....	07.00.14
DEFLECTORS AND SUPPORTS.....	07.00.15
CLUTCH AND BRAKE PEDALS - PEDALS SUPPORT.....	07.00.16
METAL TOOLBOX.....	07.00.17
AIR DUCT WALL.....	07.00.18
DASHBOARD.....	07.00.20
DASHBOARD.....	07.00.22
PLATES.....	07.00.23
INFORMATION PLATE.....	07.00.24
PLATES.....	07.00.27
INFORMATION PLATE.....	07.00.28
PLATES ITALY.....	07.00.31
PLATES OCDE.....	07.00.32
THROTTLE.....	07.00.34
THROTTLE.....	07.00.35
ACCELERATOR CONTROL BRACKETS.....	07.00.36
REAR MUDGUARDS.....	07.00.48
EXTENSION FOR WING.....	07.00.49
MUDGUARDS EXTENSIONS mm 80.....	07.00.50
MUDGUARDS EXTENSIONS mm 120.....	07.00.53
MUDGUARDS EXTENSIONS mm 170.....	07.00.54
FOOT BOARD AND COVER.....	07.00.57
FOOT BOARD AND COVER.....	07.00.59
FENDERS.....	07.00.62
SPEED LABEL - 40 KM/H.....	07.00.66
SPEED LABEL - 40 KM/H - REFLEX ITALY.....	07.00.67
BRACKET - SPEED LABEL.....	07.00.68
LICENCE PLATE HOLDER.....	07.00.69
REARVIEW MIRROR dx/rh/re.....	07.00.71
REARVIEW MIRROR dx/rh/re.....	07.00.72
SAFETY ARCH.....	07.00.78
LIGHT SUPPORT AND TOOL BOX.....	07.00.79
FUEL TANK.....	07.00.82
FUEL SUPPLY - AIR FILTER 7".....	07.00.83
FUEL SUPPLY - AIR FILTER 8 ".....	07.00.84

Section: BODY WORK

CLUTCH AND BRAKE PEDALS - PEDALS SUPPORT

Fig.	Code	QTY	Name
4	0.000.0000.1	0	not serviceable
4.1	0.009.8909.3/20	1	pedal
4.1.2	2.1559.117.0/20	2	bushing 30x34x20
4.2	2.1599.511.2	2	snoulder 30.5x45x2
4.3	2.1410.012.1	2	circlip 30
4.5	0.009.8923.0/20	1	rod
4.6	2.3519.089.2	1	fork
4.7	2.1679.084.2	1	pin
4.8	2.1310.009.2	1	flat washer 14
4.9	2.1690.408.2	1	split pin 4 x 20
4.10	2.1011.108.2	1	nut m 14 p.2
4.11	2.3519.088.2	1	fork
4.37	0.009.8920.3/20	1	support
4.51	0.009.8913.3/30	1	pedal dx/rh/re
4.51.2	2.1559.117.0/20	2	bushing 30x34x20
4.52	0.009.8911.3/30	1	pedal sx/lh/li
4.52.2	2.1559.117.0/20	2	bushing 30x34x20
4.53	0.009.9472.0	1	latch
4.54	2.1630.515.0	1	roll pin 5 x 40
4.55	2.1410.012.1	1	circlip 30
4.56	2.1599.511.2	1	snoulder 30.5x45x2
4.57	2.1599.268.0	2	snoulder 30.2x45x2
4.58	2.4019.586.2	1	spring
4.59	0.009.9591.0/10	1	u bolt
4.60	2.1855.010.0	2	rivet 3.4



9_16173_00_0_C

Section: BODY WORK
PLATES OCDE

Fig.	Code	QTY	Name
1	2.9919.966.0/30	1	plate
2	0.000.0000.1	0	not serviceable

2

Made by
DEUTZ-FAHR
 SAME DEUTZ-FAHR
 Agrarsysteme GmbH
 D-68415 LAUINGEN GERMANY
 C/O STAB.SAME DEUTZ-FAHR
 GROUP TREVIGLIO ITALY

Type: _____

Homologation number: _____

Identification number: _____

Max total weight from _____ to _____ Kg

Max weight on the front axle from _____ to _____ Kg

Max weight on the rear axle from _____ to _____ Kg

Max weight of the trailer _____ Kg

Max trailer weight (not trailer) _____ Kg

Max trailer weight with independent brakes _____ Kg

Max trailer weight with merged brakes _____ Kg

Max trailer weight with shock absorbers (steer or green) _____ Kg

1

Made by
ITALIA S.p.A.
 SAME DEUTZ-FAHR
 TREVIGLIO ITALY

CAB or SAFETY FRAME
 CABINA o TELAIO DI PROTEZIONE

APPROVAZIONE/APPROVAL

O.C.D.E. REPORT

FOR TRACTORS
 PER TRATTORI

9_78474_24_0_0

9_16176_00_0_0

Section: BODY WORK
FOOT BOARD AND COVER

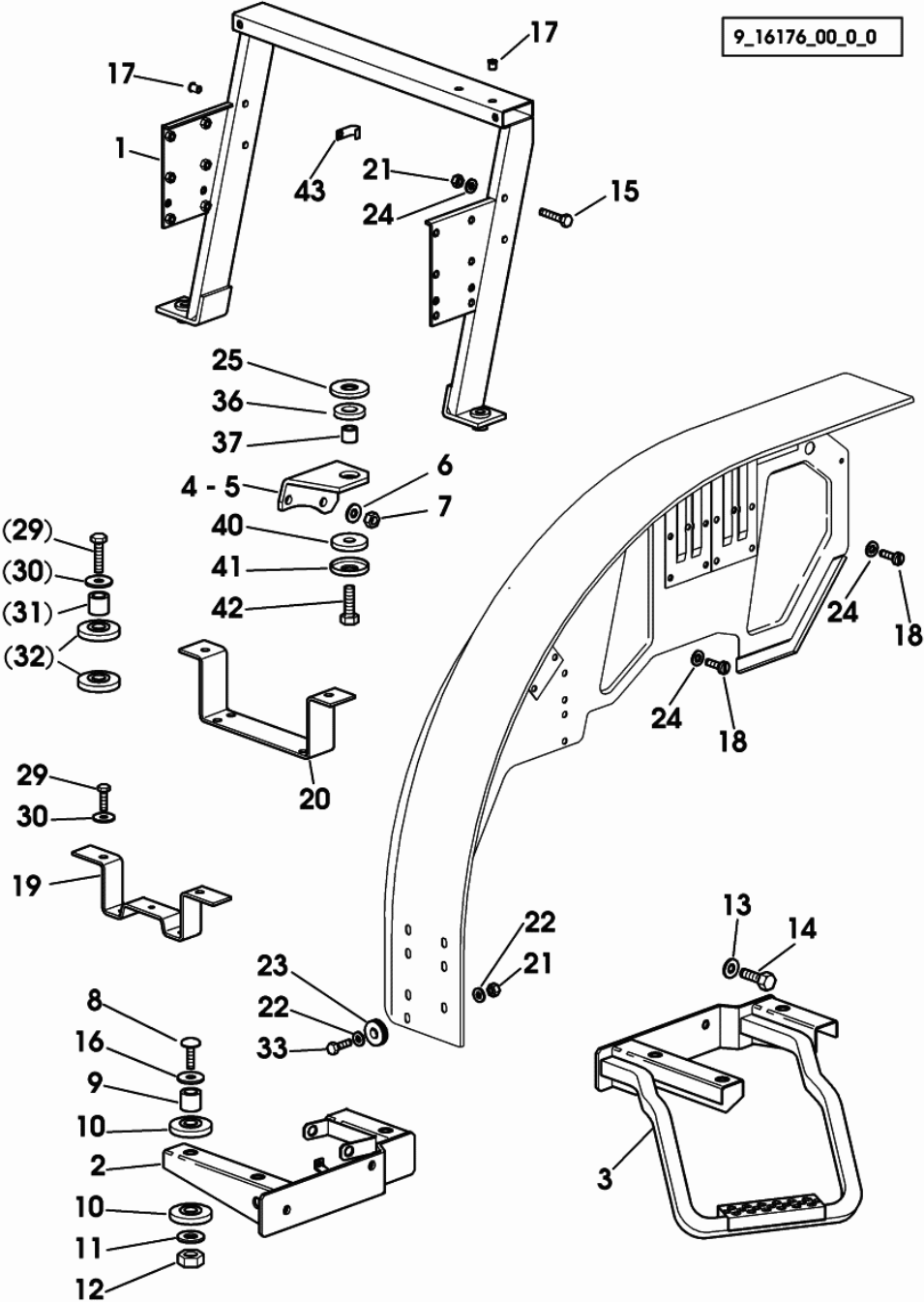


Fig.	Code	QTY	Name
30	2.1310.004.2	4	flat washer 8.5 -> 1028 X Agrolux F60 -> 1008 X Agrolux F70 -> 1027 X Agrolux F80
31	2.1549.062.2	4	spacer 11x14x13 1027 <- X Agrolux F 60 1007 <- X Agrolux F 70 1026 <- X Agrolux F 80
32	0.008.7443.0	8	block 1027 <- X Agrolux F 60 1007 <- X Agrolux F 70 1026 <- X Agrolux F 80
33	2.0112.207.2	6	screw m 8 p 1.25 x 20
36	0.010.1944.0	2	block 1033 <- X Agrolux F 60 1021 <- X Agrolux F 70 1041 <- X Agrolux F 80
36	0.012.6493.0	2	block -> 1034 X Agrolux F60 -> 1022 X Agrolux F70 -> 1042 X Agrolux F80
37	2.1579.611.2	2	spacer 15x20x13
40	0.467.7680.0	2	block
41	0.010.1947.0	2	cup
42	2.0112.515.2	2	screw m 14 p.2 x 40
43	2.6819.004.2	2	clamp Ø 17 -> 1032 X Agrolux F60 -> 1022 X Agrolux F70 -> 1036 X Agrolux F80

9_16178_01_0_0

Section: BODY WORK
LIGHT SUPPORT AND TOOL BOX

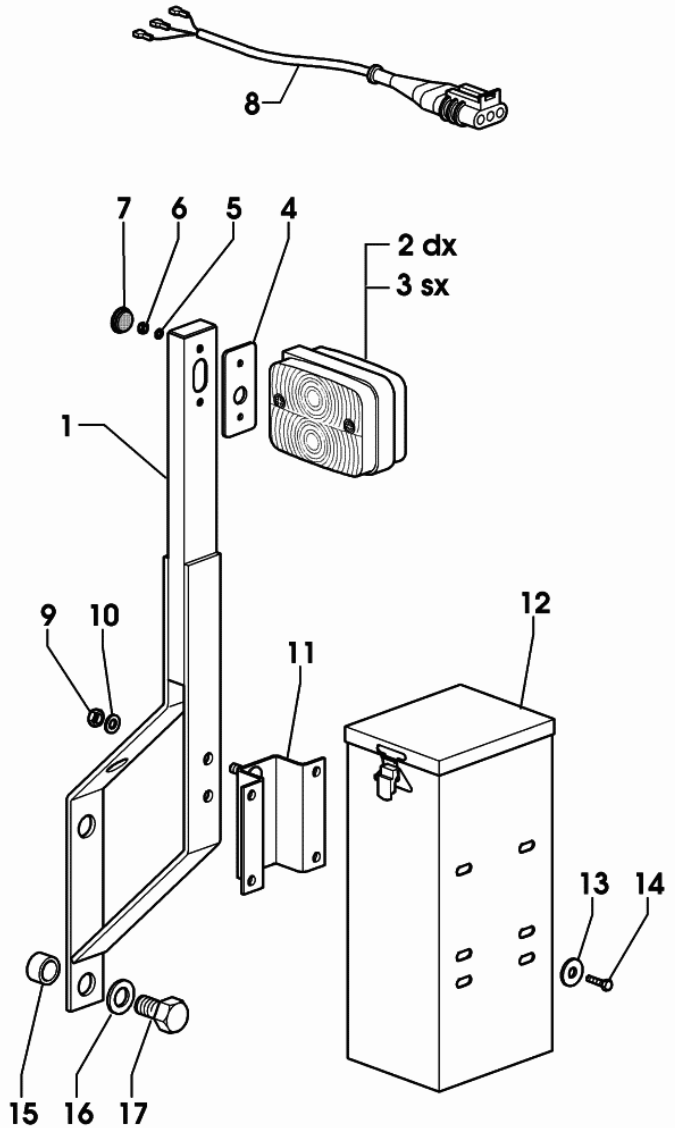


Fig.	Code	QTY	Name
------	------	-----	------

Notes:

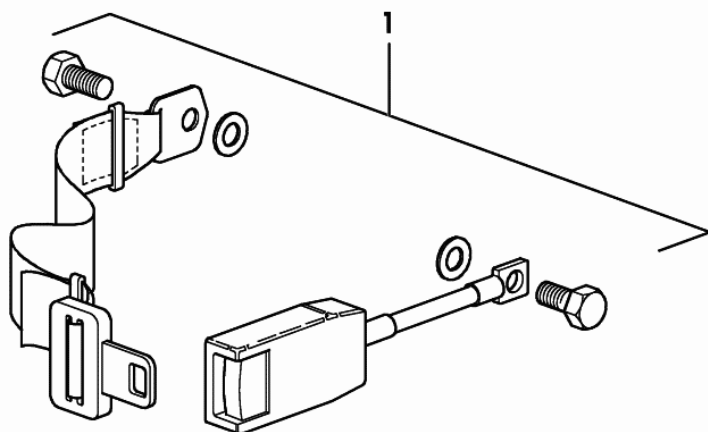
1201 <- X Agrolux F 60 1214 <- X Agrolux F 70 1486 <- X Agrolux F 80

1	0.012.3400.2	2	lamp support
2	2.8019.970.0	1	side lamp dx/rh/re COMPONENT PARTS SEE COMPONENTS LIST ☞ 2.8019.970.0 ☞ 07.00.35
3	2.8019.960.0	1	side lamp sx/lh/li COMPONENT PARTS SEE COMPONENTS LIST ☞ 2.8019.960.0 ☞ 07.00.36
4	0.467.8550.0	2	gasket
5	2.1470.001.2	4	lock washer 5
6	2.1032.003.7	4	cap nut m 5
7	0.9200.178.0	4	plug Ø 17
8	0.010.9058.3/10	1	wire
9	2.1011.105.2	2	nut m 8 p.1.25
10	2.1310.004.2	2	flat washer 8.5
11	0.012.0287.3	1	bracket
12	0.467.7317.3/60	1	metal toolbox
13	2.1312.004.2	4	washer 8.4
14	2.0132.006.2	4	screw m 8 p.1.25 x 20
15	2.1579.930.2	4	spacer 25x17.8x15
16	2.1310.010.2	4	flat washer 16
17	2.0112.611.2	4	screw m 16 p.2x30

Section: BODY WORK

SAFETY BELT

Fig.	Code	QTY	Name
1	0.012.5831.4	1	safety belt



9_21075_05_0_0

Section: BODY WORK
SEAT-COMPONENTS

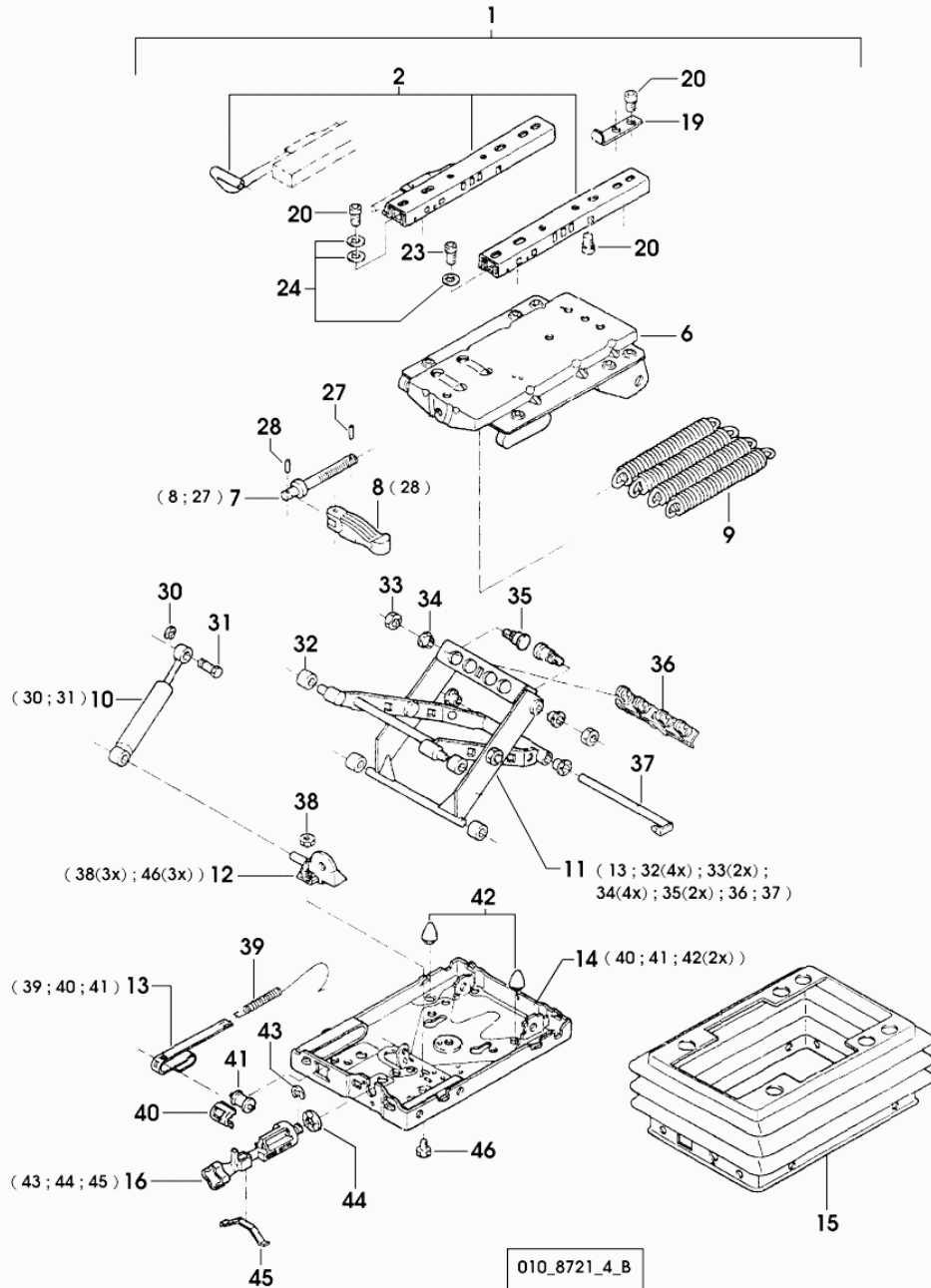
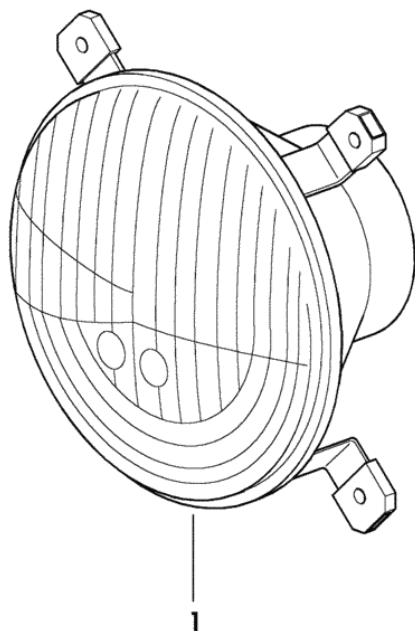


Fig.	Code	QTY	Name
1	0.010.2963.1	1	seat springs
2	0.010.2962.0	1	seat guide
6	0.010.2963.2	1	plate
7	0.010.2964.0	1	register
8	0.010.2074.2	1	fork
9	0.009.4494.2	4	spring
10	0.009.4494.1	1	shoch.absorber
11	0.010.2964.1	1	seat springs
12	0.010.2964.2	1	stop
13	0.010.2965.0	1	register
14	0.010.2965.1	1	plate
15	0.010.2965.2	1	guard
16	0.009.4495.2	1	regulator
19	0.010.2966.0	1	small plate
20	0.010.2405.0	2	pin m 8 x 16
23	0.010.2966.1	3	screw m 8 x 12
24	0.000.0000.1	0	not serviceable
27	0.000.0000.1	0	not serviceable
28	0.000.0000.1	0	not serviceable
30	0.000.0000.1	0	not serviceable
31	0.010.2966.2	1	screw
32	0.009.4726.1	4	roller
33	0.010.2948.1	2	nut m 8
34	0.009.4715.1	4	spacer
35	0.010.2967.0	2	pin
36	0.010.2967.1	1	clevis
37	0.010.2967.2	1	pin m 10
38	0.009.4377.0	3	nut
39	0.009.4498.2	1	spring
40	0.009.4496.0	1	bracket
41	0.009.4496.1	1	roller
42	0.010.2275.1	2	stop
43	0.000.0000.1	0	not serviceable
44	0.000.0000.1	0	not serviceable
45	0.000.0000.1	0	not serviceable
46	0.000.0000.1	0	not serviceable

Section: ELECTRIC AL SYSTEM
HEADLAMP FOR LEFT-HAND DRIVE

Fig.	Code	QTY	Name
1	2.8029.830.0/20	2	lamp COMPONENT PARTS SEE COMPONENTS LIST ↳ 2.8029.830.0/20 ↳ 08.00.51



Section: ELECTRIC AL SYSTEM
ALTERNATOR 65A

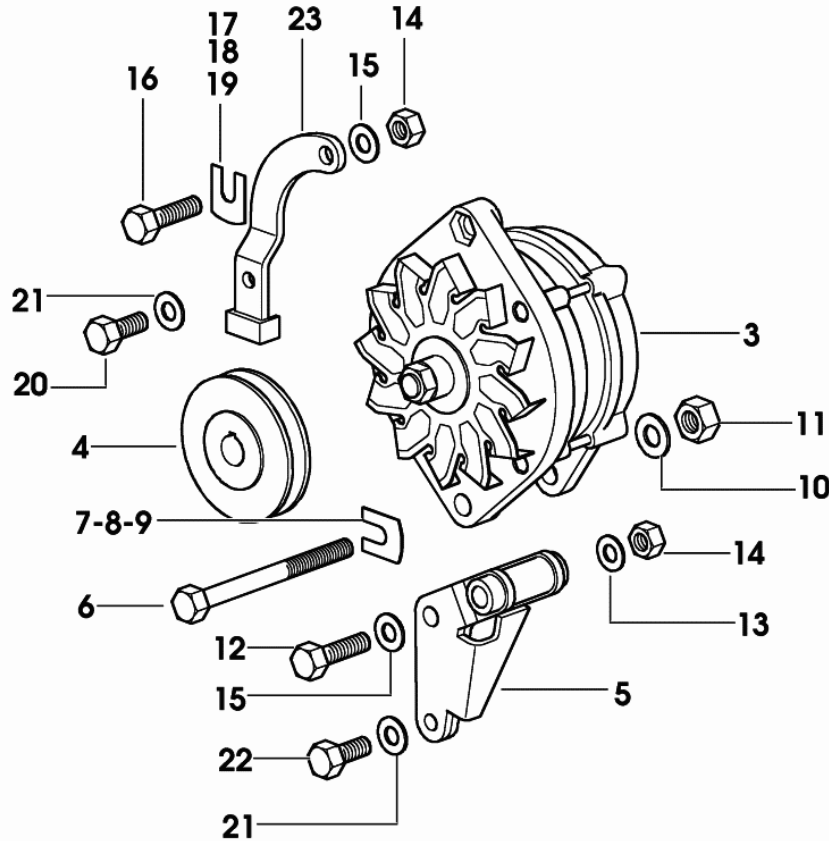
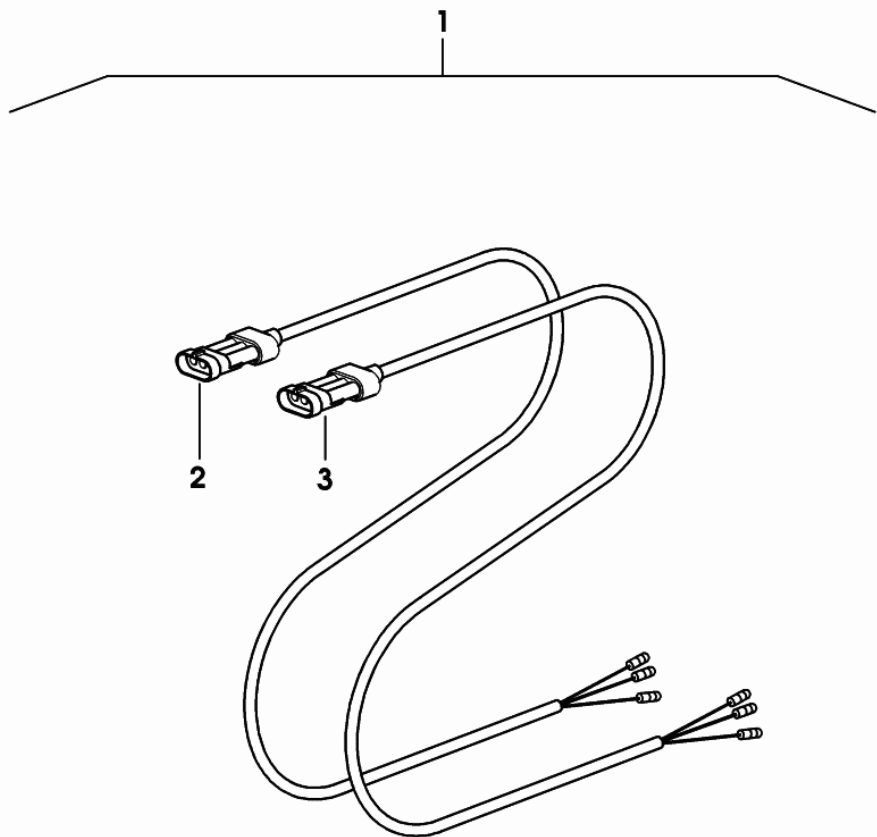


Fig.	Code	QTY	Name
3	2.9439.420.0/10	1	alternator 14V - 65A - ISKRA COMPONENT PARTS SEE COMPONENTS LIST ☞ 2.9439.420.0/10 ☞ 08.00.59
4	0.007.1718.0	1	pulley
5	0.010.5188.2/10	1	bracket
6	2.0122.483.2	1	screw m 12 x 120
7	0.98525.60.0	2	register mm 3.00
8	0.98525.59.0	2	register mm 2.00
9	0.98525.64.0	2	register mm 1.00
10	2.1470.007.2	1	lock washer 12
11	2.1011.422.2	1	nut m 12 p.1.25
12	2.0112.329.2	1	screw m 10 p.1.5x100
13	2.1474.010.2	1	washer 10
14	2.1011.106.2	2	nut m 10 p.1.5
15	2.1310.006.2	2	flat washer 10.5
16	2.0112.311.2	1	screw m 10 p.1.5 x 30
17	0.167.8460.0	2	small plate mm 3.00
18	0.167.8461.0	2	small plate mm 1.00
19	0.167.8462.0	2	small plate mm 2.00
20	2.0112.205.2	1	screw m 8 p.1.25 x 16
21	2.1310.004.2	1	flat washer 8.5
22	2.0112.226.2	1	screw m 8 p.1.25 x 85
23	0.010.5189.2	1	bracket

ELECTRICAL SYSTEM

Fig.	Code	QTY	Name
1	0.013.6326.4	1	wire
2	0.900.0460.2	1	wire dx/rh/re
3	0.900.0460.3	1	wire sx/lh/li

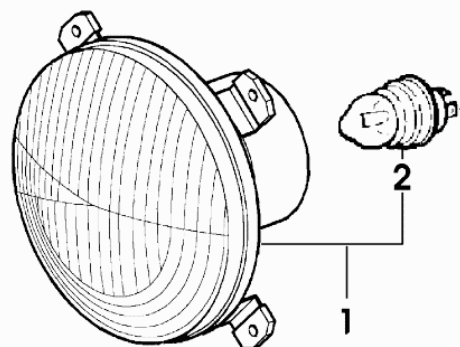


0_013_6326_4

Section: ELECTRIC AL SYSTEM
ELECTRIC LIGHTING SYSTEM

Fig.	Code	QTY	Name
1	2.8029.820.0/20	1	lamp
2	0.010.2251.0	1	lamp 60/55W - HALOGEN -

2_8029_820_0_20



Section: ENGINE
EXHAUST SILENCER

9_16156_00_0_0

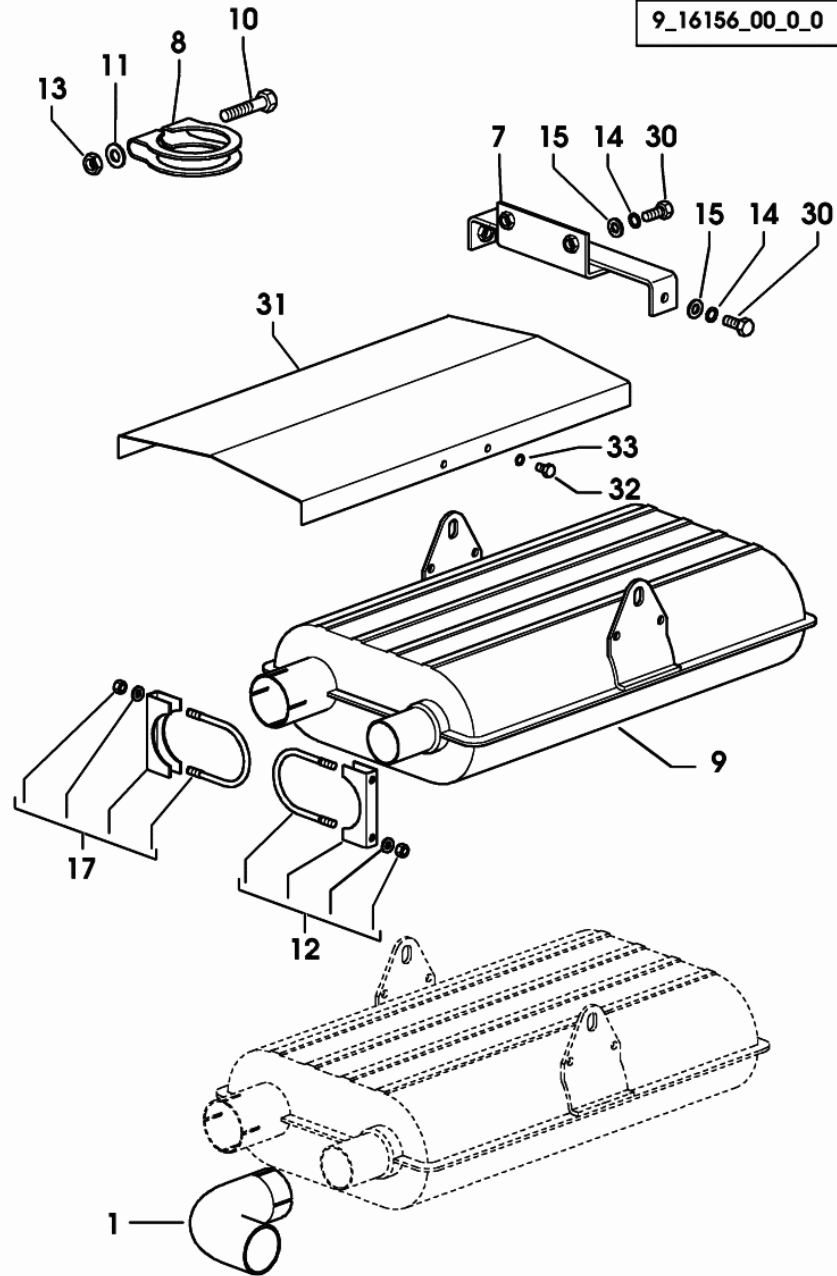


Fig.	Code	QTY	Name
1	0.008.3287.0/10	1	exhaust
7	0.008.8688.2/10	1	bracket
8	0.011.1316.0	1	clamp
9	0.008.3943.2/40	1	silencer
10	2.0119.234.3	1	screw m 10 p 1.5x80
11	2.1310.006.3	2	flat washer 10.5x21x2
12	0.431.5651.4	1	clamp
13	2.1011.106.3	1	nut m 10
14	2.1470.004.2	4	washer 8
15	2.1310.004.2	4	flat washer 8.5
17	0.467.5651.4	1	clamp
30	2.0112.207.2	4	screw m 8 p 1.25 x 20
31	0.007.2798.2	1	baffle
32	2.0112.002.2	4	screw m 6 p.1 x 10
33	2.1470.002.2	4	washer 6, d128

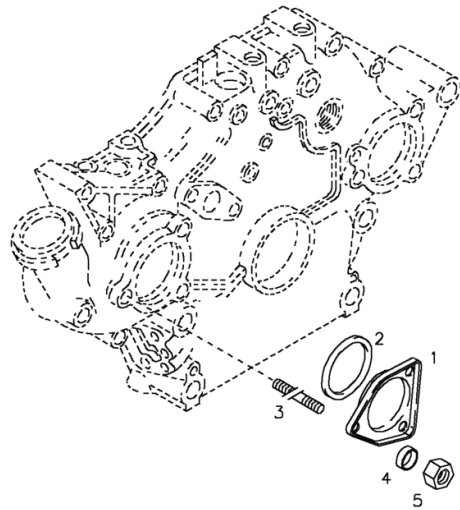
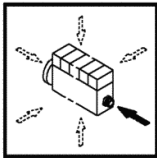
Section: ENGINE
COVER

Fig.	Code	QTY	Name
------	------	-----	------

Engine Serial Numbers:

8579549 8579550 8579551 8579552 8579553 8579554 8579555 8579556 8579557 8579558 8579559 8579560
 8579561 8579562 8579563 8579564 8579565 8579566 8579567 8579568 8580832 8580833 8580834 8580835
 8580836 8580837 8582907 8582908 8582909 8582910 8582911 8582912 8586405 8586406 8586407 8586408
 8586409 8586410 8586411 8586412 8586951 8586952 8586953 8586954 8588081 8588082 8588083 8588084
 8588085 8588086 8588087 8588088 8589555 8589556 8589557 8589558 8589559 8589560 8589561 8589562
 8589563 8589564 8589565 8589566 8591089 8591090 8591091 8591092 8591093 8591094 8591095 8591096
 8591097 8591098 8591099 8591100 8591101 8591102 8591103 8591104 8593194 8593195 8593196 8593197
 8593198 8593199 8593200 8593201 8593202 8593203 8593204 8593205 8593206 8593207 8593208 8593209
 8593210 8593211 8593212 8593213 8593214 8593215 8593216 8593217 8596627 8596628 8596629 8596630
 8596631 8596632 8596633 8597047 8597048 8597049 8597050 8597051 8597052 8597053 8597054
 8597055 8597056 8597057 8597058 8597059 8597060 8597061 8597062 8597063 8597064 8610515 8610516
 8610517 8610518 8610519 8610520 8610521 8610522 8610523 8610524 8610525 8610813 8610814 8610815
 8611968 8611969 8612838 8612839 8612840 8612841 8612842 8612843 8612844 8612845 8612846 8612847
 8612848 8615643 8615644 8615645 8615646 8615647 8615648 8615649 8615650 8615651 8615652 8618551
 8618552 8618553 8618554 8619298 8619299 8619300 8619301 8619302 8619303 8619304 8619305 8621397
 8621398 8621399 8621400 8621401 8621402 8621403 8621404 8622528 8622529 8622530 8622531 8622532
 8622533 8622534 8622535 8622536 8622537 8623422 8623423 8623677 8623678 8623679 8623680 8623681
 8623682 8626717 8626718 8626719 8626720 8626721 8626722 8626723 8626724 8626725 8626726 8626727
 8626728 8626729 8626730 8626731 8626732 8626733 8626734 8626735 8626736 8626737 8626738 8626739
 8626740 8626741 8628654 8628655 8628656 8628908 8628909 8628910 8628911 8628912 8628913 8628914
 8628915 8630485 8630486 8630487 8630488 8630489 8630490 8630491 8630492 8630493 8630494 8631126
 8631127 8631128 8631129 8631130 8631361 8632849 8633215 8633216 8633217 8633218 8633448 8633449
 8633450 8633451 8633452 8633453 8633454 8633455 8633456 8633457 8633458 8633459 8633460 8633461
 8633953 8633954 8633955 8633956 8633957 8633958 8633959 8633960 8633961 8635033 8635034 8635035
 8635036 8635037 8635038 8635039 8635040 8635041 8635042 8635043 8635451 8635452 8635453 8635454
 8635455 8635456 8635457 8635817 8635818 8635819 8635820 8635821 8635822 8635823 8641166 8641167
 8641168 8641169 8641170 8641171 8641172 8641173 8641174 8641175 8641176 8641177 8641178 8641179
 8641180 8641181 8642039 8642040 8642041 8642042 8642515 8643246 8643247 8643248 8643489 8643490
 8643491 8643492 8643493 8643494 8643495 8643496 8643497 8643498 8643499 8643500 8643501 8643502
 8643503 8643504 8643505 8643506 8643507 8643508 8643868 8643869 8643870 8644116 8644117 8644118
 8644119 8644120 8644121 8644122 8644802 8645766 8645767 8645768 8645769 8645770 8646073 8646074
 8646075 8646076 8646077 8646078 8646079 8649697 8649698 8649699 8649700 8649701 8649702 8649703
 8649704 8649705 8649706 8649707 8650223 8650224 8650225 8650226 8650227 8650228 8650229 8650230
 8650231 8650232 8650233 8650234 8651148 8651149 8654897 8654898 8654899 8654900 8654901 8654902
 8654903 8654904 8654905 8655994 8655995 8655996 8655997 8655998 8655999 8656000 8656001 8657885

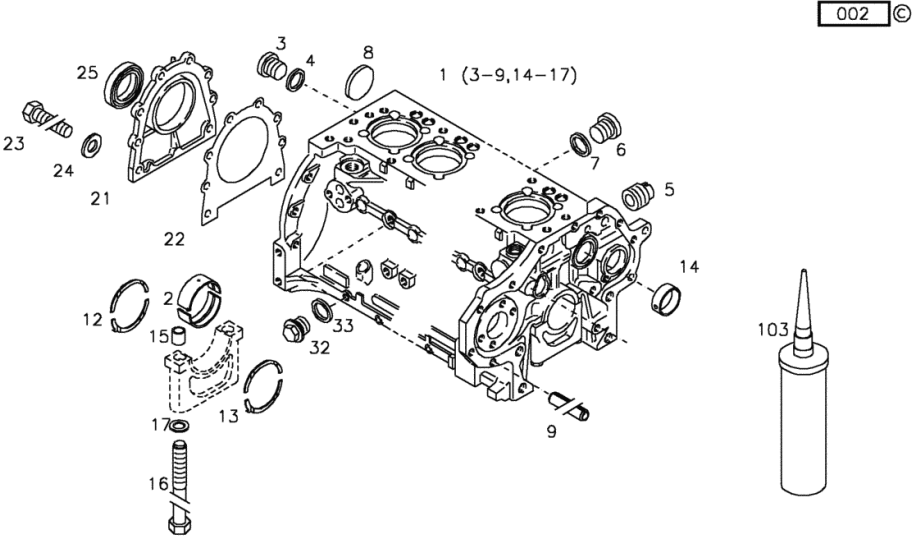
000 ©



1	04152404	1	cover
2	01166110	1	ring H 002927- 80 X 3 -NBR-1-60
3	01176479	3	stud bolt H 002091- 835-M 8 X 20- 8.8-A4C-MK-2D-BL
4	01216143	3	ring
5	01112824	3	nut m 8, d934 ISO 004032-M 8 - 8-A4C

Section: ENGINE
CRANKCASE

Fig.	Code	QTY	Name
			2ND OVERSIZE 3.50 MM
958	02230184	1	shim
			3RD OVERSIZE 3.75 MM
959	02230185	1	shim
			4TH OVERSIZE 4.00 MM
.960	02230172	1	shim
			1ST OVERSIZE 3.25 MM
961	02230173	1	shim
			2ND OVERSIZE 3.50 MM
962	02230174	1	shim
			3RD OVERSIZE 3.75 MM
963	02230175	1	shim
			4TH OVERSIZE 4.00 MM
976	02233347	4	bearing FOR INSIDE...(1)...MM FOR OUTSIDE...(2)...MM (1) = 69.75 MM (2) = 75.50 MM



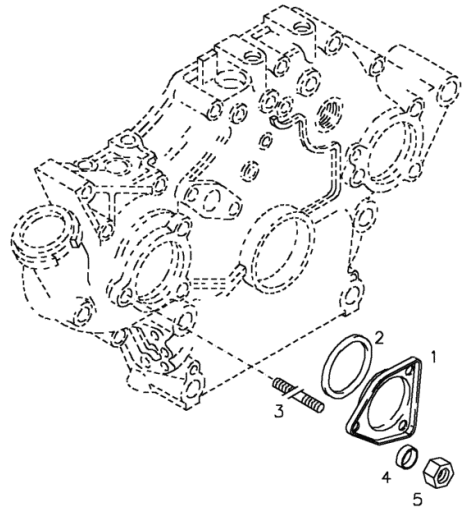
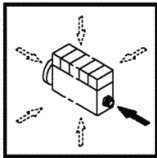
Section: ENGINE
COVER

Fig.	Code	QTY	Name
------	------	-----	------

Engine Serial Numbers:

8675733 8675734 8675735 8675736 8675737 8675738 8676146 8676147 8676148 8676149 8676150 8676151
 8676152 8676153 8676154 8676155 8676529 8676530 8676531 8676532 8676533 8676534 8676535 8676536
 8676537 8676538 8676539 8676540 8676541 8676542 8676543 8676544 8676545 8680014 8680015 8680422
 8680423 8680424 8680425 8681835 8681836 8681837 8681838 8681839 8681840 8681841 8681842 8681843
 8681844 8682893 8683796 8683797 8683798 8683799 8683800 8683801 8683802 8683803 8683804 8683805
 8683806 8683807 8683808 8683809 8683810 8685051 8685052 8685053 8685576 8685577 8685578 8685579
 8685580 8685581 8685582 8685583 8685584 8685585 8685586 8685587 8685588 8685589 8686502 8686503
 8686504 8686505 8686506 8686507 8686508 8686509 8686510 8686511 8686512 8689678 8689679 8689680
 8689681 8689682 8689683 8689684 8689685 8689686 8689687 8689688 8691274 8691275 8691276 8691277
 8691278 8691279 8691280 8691281 8691282 8691283 8691528 8691529 8691530 8691531 8691532 8691533
 8695354 8695355 8695356 8695357 8695358 8695359 8695360 8695361 8695362 8695363 8695364 8695365
 8695366 8695367 8695368 8695369 8695370 8695371 8695372 8695373 8695374 8695375 8695376 8695377
 8695378 8695379 8695380 8695381 8695382 8695383 8695384 8697481 8697482 8697483 8697484 8697485
 8697486 8697487 8697488 8697489 8697490 8697491 8697492 8697493 8697494 8697495 8697496 8697497
 8697498 8697499 8697500 8697501 8697502 8697503 8697504 8697505 8697506 8697507 8697508 8697509
 8697510 8697511 8697512 8697513 8697514 8697515 8697516 8697517 8697518 8697519 8697520 8697521
 8697522 8697523 8697524 8697525 8697526 8707975 8707976 8707977 8707978 8707979 8707980 8707981
 8707982 8707983 8707984 8707985 8707986 8707987 8707988 8707989 8707990 8707991 8707992 8707993
 8707994 8717883 8717884 8717885 8717886 8717887 8717888 8717889 8717890 8717891 8717892 8717893
 8717894 8729921 8729922 8729923 8729924 8729925 8729926 8729927 8729928 8729929 8729930 8729931
 8729932 8729933 8729934 8729935

000 ©



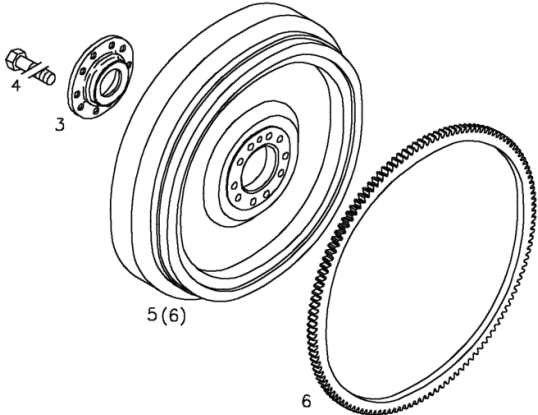
1	04152404	1	cover
2	01166110	1	ring
3	01176479	3	H 002927- 80 X 3 -NBR-1-60 stud bolt
4	01216143	3	H 002091- 835-M 8 X 20- 8.8-A4C-MK-2D-BL ring
5	01112824	3	nut m 8, d934 ISO 004032-M 8 - 8-A4C

Section: ENGINE
FLYWHEEL

Fig.	Code	QTY	Name
------	------	-----	------

8681836	8681837	8681838	8681839	8681840	8681841	8681842	8681843	8681844	8682893	8683796	8683797
8683798	8683799	8683800	8683801	8683802	8683803	8683804	8683805	8683806	8683807	8683808	8683809
8683810	8685051	8685052	8685053	8685576	8685577	8685578	8685579	8685580	8685581	8685582	8685583
8685584	8685585	8685586	8685587	8685588	8685589	8686502	8686503	8686504	8686505	8686506	8686507
8686508	8686509	8686510	8686511	8686512	8689678	8689679	8689680	8689681	8689682	8689683	8689684
8689685	8689686	8689687	8689688	8691274	8691275	8691276	8691277	8691278	8691279	8691280	8691281
8691282	8691283	8691528	8691529	8691530	8691531	8691532	8691533	8695354	8695355	8695356	8695357
8695358	8695359	8695360	8695361	8695362	8695363	8695364	8695365	8695366	8695367	8695368	8695369
8695370	8695371	8695372	8695373	8695374	8695375	8695376	8695377	8695378	8695379	8695380	8695381
8695382	8695383	8695384	8697481	8697482	8697483	8697484	8697485	8697486	8697487	8697488	8697489
8697490	8697491	8697492	8697493	8697494	8697495	8697496	8697497	8697498	8697499	8697500	8697501
8697502	8697503	8697504	8697505	8697506	8697507	8697508	8697509	8697510	8697511	8697512	8697513
8697514	8697515	8697516	8697517	8697518	8697519	8697520	8697521	8697522	8697523	8697524	8697525
8697526	8707975	8707976	8707977	8707978	8707979	8707980	8707981	8707982	8707983	8707984	8707985
8707986	8707987	8707988	8707989	8707990	8707991	8707992	8707993	8707994	8717883	8717884	8717885
8717886	8717887	8717888	8717889	8717890	8717891	8717892	8717893	8717894	8729921	8729922	8729923
8729924	8729925	8729926	8729927	8729928	8729929	8729930	8729931	8729932	8729933	8729934	8729935

000 ©

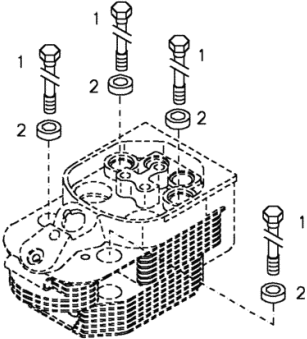


3	04232006	1	flange
4	01138413	10	screw DIN 000961-M10X1 X 40 - 10.9
5	04232300	1	flywheel WITH ITEM (6)
6	02131081	1	crown wheel

Section: ENGINE
FASTENINGS

Fig.	Code	QTY	Name
8681836	8681837	8681838	8681839
8681840	8681841	8681842	8681843
8681844	8681844	8682893	8683796
8683797	8683798	8683799	8683800
8683801	8683802	8683803	8683804
8683805	8683806	8683807	8683808
8683809	8685051	8685052	8685053
8685576	8685577	8685578	8685579
8685580	8685581	8685582	8685583
8685584	8685585	8685586	8685587
8685588	8685589	8686502	8686503
8686504	8686505	8686506	8686507
8686508	8686509	8686510	8686511
8686512	8689678	8689679	8689680
8689681	8689682	8689683	8689684
8689685	8689686	8689687	8689688
8691274	8691275	8691276	8691277
8691278	8691279	8691280	8691281
8691282	8691283	8691528	8691529
8691530	8691531	8691532	8691533
8695354	8695355	8695356	8695357
8695358	8695359	8695360	8695361
8695362	8695363	8695364	8695365
8695366	8695367	8695368	8695369
8695370	8695371	8695372	8695373
8695374	8695375	8695376	8695377
8695378	8695379	8695380	8695381
8695382	8695383	8695384	8697481
8697482	8697483	8697484	8697485
8697486	8697487	8697488	8697489
8697490	8697491	8697492	8697493
8697494	8697495	8697496	8697497
8697498	8697499	8697500	8697501
8697502	8697503	8697504	8697505
8697506	8697507	8697508	8697509
8697510	8697511	8697512	8697513
8697514	8697515	8697516	8697517
8697518	8697519	8697520	8697521
8697522	8697523	8697524	8697525
8697526	8707975	8707976	8707977
8707978	8707979	8707980	8707981
8707982	8707983	8707984	8707985
8707986	8707987	8707988	8707989
8707990	8707991	8707992	8707993
8707994	8717883	8717884	8717885
8717886	8717887	8717888	8717889
8717890	8717891	8717892	8717893
8717894	8729921	8729922	8729923
8729924	8729925	8729926	8729927
8729928	8729929	8729930	8729931
8729932	8729933	8729934	8729935

001 ©

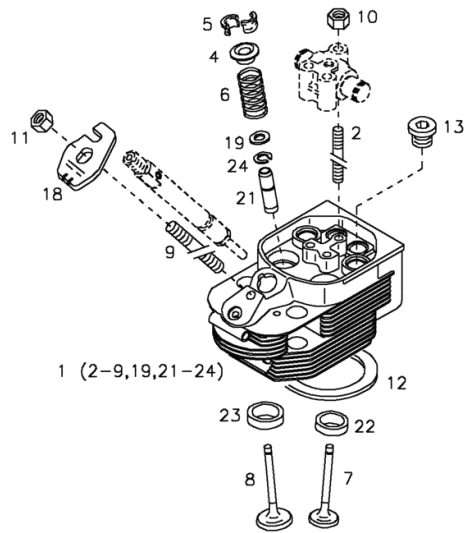
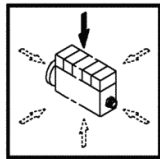


1	02101681	4	screw
2	03371666	4	flat washer

Section: ENGINE
CYLINDER HEAD

Fig.	Code	QTY	Name
		 MM THICK
			1.25 MM
965	04157658	1	shim mm 1.30
		 MM THICK
			1.30 MM
966	04157659	1	shim mm 1.35
		 MM THICK
			1.35 MM
967	04157466	1	shim mm 1.40
		 MM THICK
			1.40 MM
968	04157468	1	shim mm 1.50
		 MM THICK
			1.50 MM
969	04157470	1	shim mm 1.60
		 MM THICK
			1.60 MM
970	04157472	1	shim mm 1.70
		 MM THICK
			1.70 MM
971	04157660	1	shim
		 MM THICK
			1.75 MM
972	04157661	1	shim mm 1.80
		 MM THICK
			1.80 MM
973	04157662	1	shim
		 MM THICK
			1.85 MM
974	04157664	1	shim mm 1.95
		 MM THICK
			1.95 MM
975	04157665	1	shim mm 2.00
		 MM THICK
			2.00 MM

000 ©



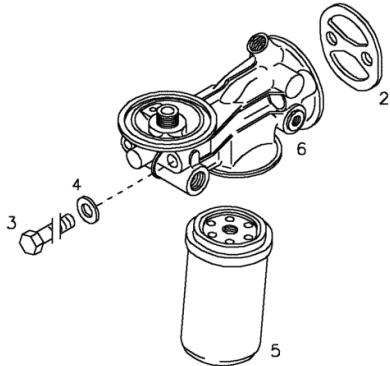
Section: ENGINE
LUBRIC. OIL FILTER

Fig.	Code	QTY	Name
------	------	-----	------

Engine Serial Numbers:

8579549 8579550 8579551 8579552 8579553 8579554 8579555 8579556 8579557 8579558 8579559 8579560
8579561 8579562 8579563 8579564 8579565 8579566 8579567 8579568 8580832 8580833 8580834 8580835
8580836 8580837 8582907 8582908 8582909 8582910 8582911 8582912 8586405 8586406 8586407 8586408
8586409 8586410 8586411 8586412 8586951 8586952 8586953 8586954 8588081 8588082 8588083 8588084
8588085 8588086 8588087 8588088 8589555 8589556 8589557 8589558 8589559 8589560 8589561 8589562
8589563 8589564 8589565 8589566 8591089 8591090 8591091 8591092 8591093 8591094 8591095 8591096
8591097 8591098 8591099 8591100 8591101 8591102 8591103 8591104 8593194 8593195 8593196 8593197
8593198 8593199 8593200 8593201 8593202 8593203 8593204 8593205 8593206 8593207 8593208 8593209
8593210 8593211 8593212 8593213 8593214 8593215 8593216 8593217 8596627 8596628 8596629 8596630
8596631 8596632 8596633 8596634 8597047 8597048 8597049 8597050 8597051 8597052 8597053 8597054
8597055 8597056 8597057 8597058 8597059 8597060 8597061 8597062 8597063 8597064 8610515 8610516
8610517 8610518 8610519 8610520 8610521 8610522 8610523 8610524 8610525 8610813 8610814 8610815
8611968 8611969 8612838 8612839 8612840 8612841 8612842 8612843 8612844 8612845 8612846 8612847
8612848 8615643 8615644 8615645 8615646 8615647 8615648 8615649 8615650 8615651 8615652 8618551
8618552 8618553 8618554 8619298 8619299 8619300 8619301 8619302 8619303 8619304 8619305 8621397
8621398 8621399 8621400 8621401 8621402 8621403 8621404 8622528 8622529 8622530 8622531 8622532
8622533 8622534 8622535 8622536 8622537 8623422 8623423 8623677 8623678 8623679 8623680 8623681
8623682 8626717 8626718 8626719 8626720 8626721 8626722 8626723 8626724 8626725 8626726 8626727
8626728 8626729 8626730 8626731 8626732 8626733 8626734 8626735 8626736 8626737 8626738 8626739
8626740 8626741 8628654 8628655 8628656 8628908 8628909 8628910 8628911 8628912 8628913 8628914
8628915 8630485 8630486 8630487 8630488 8630489 8630490 8630491 8630492 8630493 8630494 8631126
8631127 8631128 8631129 8631130 8631361 8632849 8633215 8633216 8633217 8633218 8633448 8633449
8633450 8633451 8633452 8633453 8633454 8633455 8633456 8633457 8633458 8633459 8633460 8633461
8633953 8633954 8633955 8633956 8633957 8633958 8633959 8633960 8633961 8635033 8635034 8635035
8635036 8635037 8635038 8635039 8635040 8635041 8635042 8635043 8635451 8635452 8635453 8635454
8635455 8635456 8635457 8635817 8635818 8635819 8635820 8635821 8635822 8635823

001 ©



2	04154482	1	gasket
3	01111385	2	screw DIN 000931- M10 X160 - 8.8-A-A4C
4	01107105	2	washer 10.5 DIN 000125-A10,5-140HV-A4C
5	01182001	1	oil filter H 004123- AD0,6R-2-II-125-1 *
6	04156002	1	support UP TO MOTOR-NO. 6 608 250 F 4L 912 6 537 655 F 4L 913 6 517 337 F 5L 912 6 566 832 F 6L 912 6 599 479 F 6L 913 WITH THE FOLLOWING PARTS- SUPPLIER NR.: 1 X 110 0940 SCREW PLUG 1 X 111 8936 SEALING WASHER

CLICK HERE TO **DOWNLOAD** THE COMPLETE MANUAL

- Thank you very much for reading the preview of the manual.
- You can download the complete manual from: www.heydownloads.com by clicking the link below



- Please note: If there is no response to CLICKING the link, please download this PDF first and then click on it.

CLICK HERE TO **DOWNLOAD** THE COMPLETE MANUAL

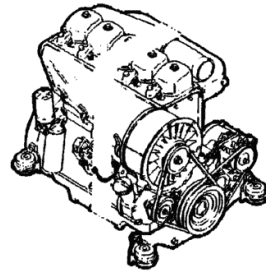
Section: ENGINE
OIL LUBRICATION PIPE

Fig.	Code	QTY	Name
------	------	-----	------

Engine Serial Numbers:

8667701 8667702 8667703 8667704 8667705 8667706 8667707 8669282 8669283 8669284 8669285 8669286
 8669287 8669288 8669289 8669290 8670164 8670165 8670166 8670167 8670168 8670169 8670170 8670171
 8670172 8670173 8670983 8670984 8670985 8670986 8671937 8671938 8671939 8671940 8671941 8671942
 8671943 8671944 8671945 8671946 8671947 8671948 8671949 8671950 8671951 8671952 8671953 8672082
 8672083 8672084 8673165 8673166 8675733 8675734 8675735 8675736 8675737 8675738 8676146 8676147
 8676148 8676149 8676150 8676151 8676152 8676153 8676154 8676155 8676529 8676530 8676531 8676532
 8676533 8676534 8676535 8676536 8676537 8676538 8676539 8676540 8676541 8676542 8676543 8676544
 8676545 8680014 8680015

	1	01179228	1	tube H 003475-AA - 4- 230 -17/35
	2	01153236	1	screw H 003102-D 6 M-ST
	3	01118659	4	'o' ring DIN 007603-A 10 X 13,5 -CU
	4	02231136	1	screw



Section: ENGINE
PARTS INJECT.PUMP

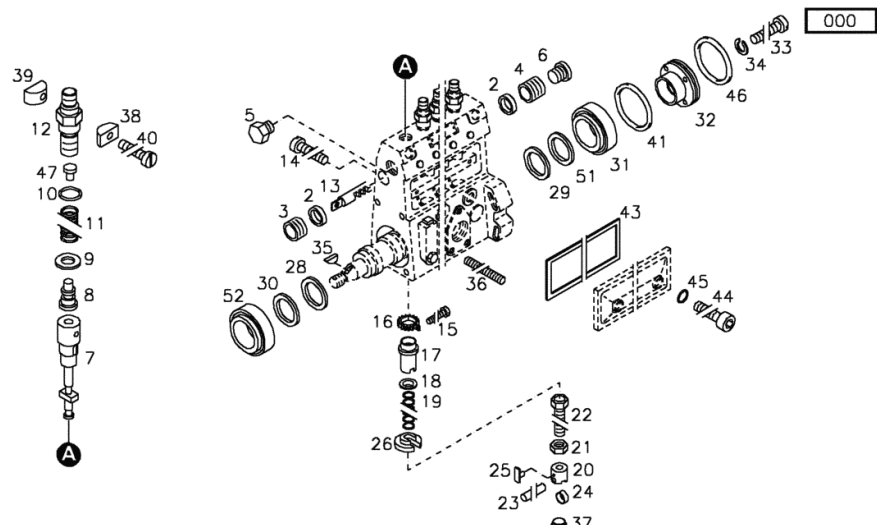


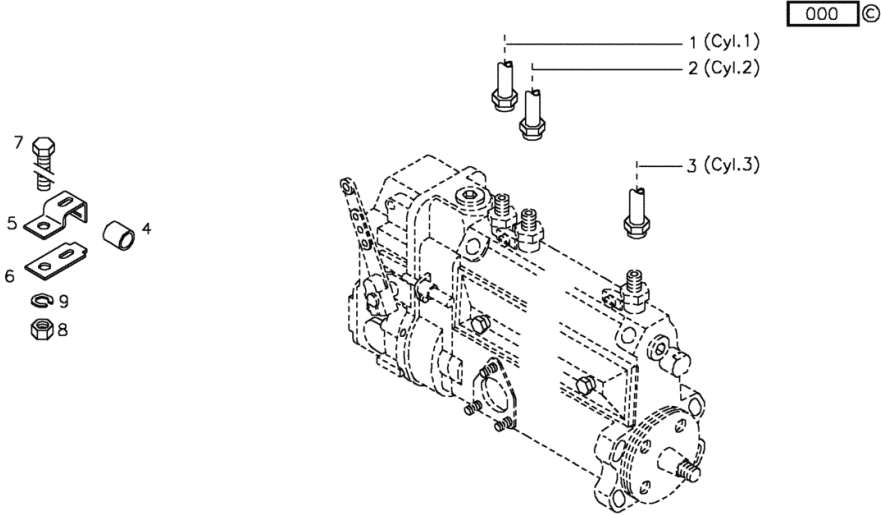
Fig.	Code	QTY	Name								
8681836	8681837	8681838	8681839	8681840	8681841	8681842	8681843	8681844	8682893	8683796	8683797
8683798	8683799	8683800	8683801	8683802	8683803	8683804	8683805	8683806	8683807	8683808	8683809
8683810	8685051	8685052	8685053	8685576	8685577	8685578	8685579	8685580	8685581	8685582	8685583
8685584	8685585	8685586	8685587	8685588	8685589	8686502	8686503	8686504	8686505	8686506	8686507
8686508	8686509	8686510	8686511	8686512	8689678	8689679	8689680	8689681	8689682	8689683	8689684
8689685	8689686	8689687	8689688	8691274	8691275	8691276	8691277	8691278	8691279	8691280	8691281
8691282	8691283	8691528	8691529	8691530	8691531	8691532	8691533	8695354	8695355	8695356	8695357
8695358	8695359	8695360	8695361	8695362	8695363	8695364	8695365	8695366	8695367	8695368	8695369
8695370	8695371	8695372	8695373	8695374	8695375	8695376	8695377	8695378	8695379	8695380	8695381
8695382	8695383	8695384	8697481	8697482	8697483	8697484	8697485	8697486	8697487	8697488	8697489
8697490	8697491	8697492	8697493	8697494	8697495	8697496	8697497	8697498	8697499	8697500	8697501
8697502	8697503	8697504	8697505	8697506	8697507	8697508	8697509	8697510	8697511	8697512	8697513
8697514	8697515	8697516	8697517	8697518	8697519	8697520	8697521	8697522	8697523	8697524	8697525
8697526	8707975	8707976	8707977	8707978	8707979	8707980	8707981	8707982	8707983	8707984	8707985
8707986	8707987	8707988	8707989	8707990	8707991	8707992	8707993	8707994	8717883	8717884	8717885
8717886	8717887	8717888	8717889	8717890	8717891	8717892	8717893	8717894	8729921	8729922	8729923
8729924	8729925	8729926	8729927	8729928	8729929	8729930	8729931	8729932	8729933	8729934	8729935
2	01288043	2	ring								
3	01288143	1	ring								
4	01288074	1	tappet casing								
5	01288773	1	plug								
6	01308386	1	screw								
7	01318982	3	pump								
8	02138223	3	valve								
9	02138224	3	washer								
10	01319383	3	'o' ring								
11	02103045	3	spring								
12	01309970	3	support								
13	01310142	1	rod								
14	01308387	1	screw								
15	01288164	3	screw								
16	01288318	0	crown wheel mm 22.85 NORMAL (A)MM, UNDERSIZE STEP SEE ITEM (B) (A) 22,85 (B) 950								
17	01288072	3	pin								
18	01288023	3	cup								
19	01308524	3	spring								
20	01309919	3	cap								
21	01288137	3	nut								
22	01288166	3	screw								
23	01301338	3	pin								
24	01320121	3	roller								

Section: ENGINE
HIGH PRESSURE PIPE

Fig.	Code	QTY	Name
------	------	-----	------

Engine Serial Numbers:

8579549	8579550	8579551	8579552	8579553	8579554	8579555	8579556	8579557	8579558	8579559	8579560
8579561	8579562	8579563	8579564	8579565	8579566	8579567	8579568	8580832	8580833	8580834	8580835
8580836	8580837	8582907	8582908	8582909	8582910	8582911	8582912	8586405	8586406	8586407	8586408
8586409	8586410	8586411	8586412	8586951	8586952	8586953	8586954	8588081	8588082	8588083	8588084
8588085	8588086	8588087	8588088	8589555	8589556	8589557	8589558	8589559	8589560	8589561	8589562
8589563	8589564	8589565	8589566	8591089	8591090	8591091	8591092	8591093	8591094	8591095	8591096
8591097	8591098	8591099	8591100	8591101	8591102	8591103	8591104	8593194	8593195	8593196	8593197
8593198	8593199	8593200	8593201	8593202	8593203	8593204	8593205	8593206	8593207	8593208	8593209
8593210	8593211	8593212	8593213	8593214	8593215	8593216	8593217	8596627	8596628	8596629	8596630
8596631	8596632	8596633	8596634	8597047	8597048	8597049	8597050	8597051	8597052	8597053	8597054
8597055	8597056	8597057	8597058	8597059	8597060	8597061	8597062	8597063	8597064	8610515	8610516
8610517	8610518	8610519	8610520	8610521	8610522	8610523	8610524	8610525	8610813	8610814	8610815
8611968	8611969	8612838	8612839	8612840	8612841	8612842	8612843	8612844	8612845	8612846	8612847
8612848	8615643	8615644	8615645	8615646	8615647	8615648	8615649	8615650	8615651	8615652	8618551
8618552	8618553	8618554	8619298	8619299	8619300	8619301	8619302	8619303	8619304	8619305	8621397
8621398	8621399	8621400	8621401	8621402	8621403	8621404	8621405	8622528	8622529	8622530	8622531
8622532	8622533	8622534	8622535	8622536	8622537	8623422	8623423	8623677	8623678	8623679	8623680
8623681	8623682	8626717	8626718	8626719	8626720	8626721	8626722	8626723	8626724	8626725	8626726
8626727	8626728	8626729	8626730	8626731	8626732	8626733	8626734	8626735	8626736	8626737	8626738
8626739	8626740	8626741	8628654	8628655	8628656	8628908	8628909	8628910	8628911	8628912	8628913
8628914	8628915	8630485	8630486	8630487	8630488	8630489	8630490	8630491	8630492	8630493	8630494
8631126	8631127	8631128	8631129	8631130	8631361	8632849	8633215	8633216	8633217	8633218	8633448
8633449	8633450	8633451	8633452	8633453	8633454	8633455	8633456	8633457	8633458	8633459	8633460
8633461	8633953	8633954	8633955	8633956	8633957	8633958	8633959	8633960	8633961	8635033	8635034
8635035	8635036	8635037	8635038	8635039	8635040	8635041	8635042	8635043	8635451	8635452	8635453
8635454	8635455	8635456	8635457	8635817	8635818	8635819	8635820	8635821	8635822	8635823	8641166
8641167	8641168	8641169	8641170	8641171	8641172	8641173	8641174	8641175	8641176	8641177	8641178
8641179	8641180	8641181	8642039	8642040	8642041	8642042	8642515	8643246	8643247	8643248	8643489
8643490	8643491	8643492	8643493	8643494	8643495	8643496	8643497	8643498	8643499	8643500	8643501
8643502	8643503	8643504	8643505	8643506	8643507	8643508	8643868	8643869	8643870	8644116	8644117
8644118	8644119	8644120	8644121	8644122	8644802	8645766	8645767	8645768	8645769	8645770	8646073
8646074	8646075	8646076	8646077	8646078	8646079	8649697	8649698	8649699	8649700	8649701	8649702
8649703	8649704	8649705	8649706	8649707	8650223	8650224	8650225	8650226	8650227	8650228	8650229
8650230	8650231	8650232	8650233	8650234	8651148	8651149	8654897	8654898	8654899	8654900	8654901
8654902	8654903	8654904	8654905	8655994	8655995	8655996	8655997	8655998	8655999	8656000	8656001
8657885	8661674	8661675	8661676	8661677	8661678	8661679	8661680	8661681	8661682	8661683	8661684
8661685	8661686	8661687	8661688	8661689	8664582	8664583	8664584	8664585	8664586	8664587	8664588
8664589	8664590	8664591	8664592	8664593	8664594	8664595	8664596	8664597	8664598	8664599	8665369
8665370	8665371	8665372	8665373	8666744	8666745	8666746	8666747	8666748	8667701	8667702	8667703
8667704	8667705	8667706	8667707	8669282	8669283	8669284	8669285	8669286	8669287	8669288	8669289
8669290	8670164	8670165	8670166	8670167	8670168	8670169	8670170	8670171	8670172	8670173	8670983
8670984	8670985	8670986	8671937	8671938	8671939	8671940	8671941	8671942	8671943	8671944	8671945
8671946	8671947	8671948	8671949	8671950	8671951	8671952	8671953	8672082	8672083	8672084	8673165
8673166	8673926	8673927	8673928	8673929	8673930	8673931	8673932	8673933	8673934	8673935	8674402
8674403	8674404	8674405	8674406	8674407	8674408	8674409	8674410	8674411	8675733	8675734	8675735
8675736	8675737	8675738	8676146	8676147	8676148	8676149	8676150	8676151	8676152	8676153	8676154
8676155	8676529	8676530	8676531	8676532	8676533	8676534	8676535	8676536	8676537	8676538	8676539
8676540	8676541	8676542	8676543	8676544	8676545	8680014	8680015	8680422	8680423	8680424	8680425
8681835											



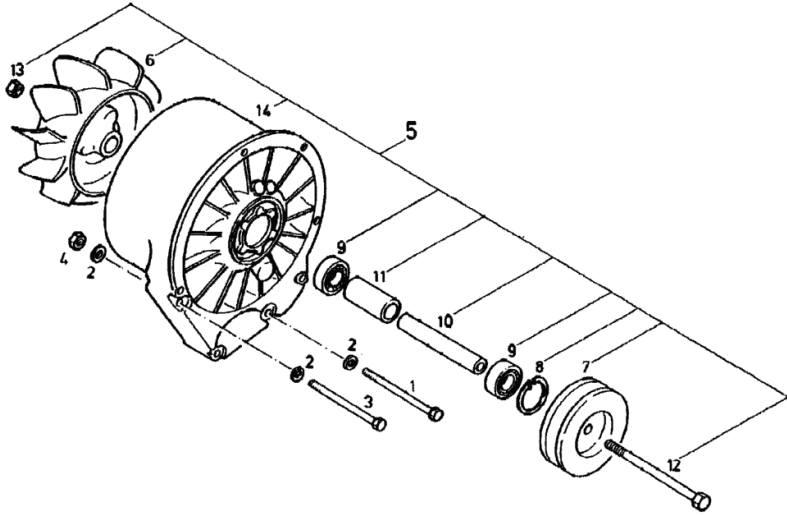
Section: ENGINE
COOLING FAN

Fig.	Code	QTY	Name
------	------	-----	------

Engine Serial Numbers:

- 8579549 8579550 8579551 8579552 8579553 8579554 8579555 8579556 8579557 8579558 8579559 8579560
- 8579561 8579562 8579563 8579564 8579565 8579566 8579567 8579568 8580832 8580833 8580834 8580835
- 8580836 8580837 8582907 8582908 8582909 8582910 8582911 8582912 8586405 8586406 8586407 8586408
- 8586409 8586410 8586411 8586412 8586951 8586952 8586953 8586954 8588081 8588082 8588083 8588084
- 8588085 8588086 8588087 8588088 8589555 8589556 8589557 8589558 8589559 8589560 8589561 8589562
- 8589563 8589564 8589565 8589566 8591089 8591090 8591091 8591092 8591093 8591094 8591095 8591096
- 8591097 8591098 8591099 8591100 8591101 8591102 8591103 8591104 8593194 8593195 8593196 8593197
- 8593198 8593199 8593200 8593201 8593202 8593203 8593204 8593205 8593206 8593207 8593208 8593209
- 8593210 8593211 8593212 8593213 8593214 8593215 8593216 8593217 8596627 8596628 8596629 8596630
- 8596631 8596632 8596633 8596634 8597047 8597048 8597049 8597050 8597051 8597052 8597053 8597054
- 8597055 8597056 8597057 8597058 8597059 8597060 8597061 8597062 8597063 8597064 8610515 8610516
- 8610517 8610518 8610519 8610520 8610521 8610522 8610523 8610524 8610525 8610813 8610814 8610815
- 8611968 8611969 8612838 8612839 8612840 8612841 8612842 8612843 8612844 8612845 8612846 8612847
- 8612848 8615643 8615644 8615645 8615646 8615647 8615648 8615649 8615650 8615651 8615652 8618551
- 8618552 8618553 8618554 8619298 8619299 8619300 8619301 8619302 8619303 8619304 8619305 8621397
- 8621398 8621399 8621400 8621401 8621402 8621403 8621404 8622528 8622529 8622530 8622531 8622532
- 8622533 8622534 8622535 8622536 8622537 8623422 8623423 8623677 8623678 8623679 8623680 8623681
- 8623682 8626717 8626718 8626719 8626720 8626721 8626722 8626723 8626724 8626725 8626726 8626727
- 8626728 8626729 8626730 8626731 8626732 8626733 8626734 8626735 8626736 8626737 8626738 8626739
- 8626740 8626741 8628654 8628655 8628656 8628908 8628909 8628910 8628911 8628912 8628913 8628914
- 8628915 8630485 8630486 8630487 8630488 8630489 8630490 8630491 8630492 8630493 8630494 8631126
- 8631127 8631128 8631129 8631130 8631361 8632849 8633215 8633216 8633217 8633218 8633448 8633449
- 8633450 8633451 8633452 8633453 8633454 8633455 8633456 8633457 8633458 8633459 8633460 8633461
- 8633953 8633954 8633955 8633956 8633957 8633958 8633959 8633960 8633961 8635033 8635034 8635035
- 8635036 8635037 8635038 8635039 8635040 8635041 8635042 8635043 8635451 8635452 8635453 8635454
- 8635455 8635456 8635457 8635817 8635818 8635819 8635820 8635821 8635822 8635823 8641166 8641167
- 8641168 8641169 8641170 8641171 8641172 8641173 8641174 8641175 8641176 8641177 8641178 8641179
- 8641180 8641181 8642039 8642040 8642041 8642042 8642515 8643246 8643247 8643248 8643489 8643490
- 8643491 8643492 8643493 8643494 8643495 8643496 8643497 8643498 8643499 8643500 8643501 8643502
- 8643503 8643504 8643505 8643506 8643507 8643508 8643868 8643869 8643870 8644116 8644117 8644118
- 8644119 8644120 8644121 8644122 8644802 8645766 8645767 8645768 8645769 8645770 8646073 8646074
- 8646075 8646076 8646077 8646078 8646079 8649697 8649698 8649699 8649700 8649701 8649702 8649703
- 8649704 8649705 8649706 8649707 8650223 8650224 8650225 8650226 8650227 8650228 8650229 8650230
- 8650231 8650232 8650233 8650234 8651148 8651149 8654897 8654898 8654899 8654900 8654901 8654902
- 8654903 8654904 8654905 8655994 8655995 8655996 8655997 8655998 8655999 8656000 8656001 8657885
- 8661674 8661675 8661676 8661677 8661678 8661679 8661680 8661681 8661682 8661683 8661684 8661685
- 8661686 8661687 8661688 8661689 8664582 8664583 8664584 8664585 8664586 8664587 8664588 8664589
- 8664590 8664591 8664592 8664593 8664594 8664595 8664596 8664597 8664598 8664599 8665369 8665370
- 8665371 8665372 8665373 8666744 8666745 8666746 8666747 8666748 8667701 8667702 8667703 8667704
- 8667705 8667706 8667707 8669282 8669283 8669284 8669285 8669286 8669287 8669288 8669289 8669290
- 8670164 8670165 8670166 8670167 8670168 8670169 8670170 8670171 8670172 8670173 8670983 8670984
- 8670985 8670986 8671937 8671938 8671939 8671940 8671941 8671942 8671943 8671944 8671945 8671946
- 8671947 8671948 8671949 8671950 8671951 8671952 8671953 8672082 8672083 8672084 8673165 8673166
- 8673926 8673927 8673928 8673929 8673930 8673931 8673932 8673933 8673934 8673935 8674402 8674403
- 8674404 8674405 8674406 8674407 8674408 8674409 8674410 8674411 8675733 8675734 8675735 8675736
- 8675737 8675738 8676146 8676147 8676148 8676149 8676150 8676151 8676152 8676153 8676154 8676155
- 8676529 8676530 8676531 8676532 8676533 8676534 8676535 8676536 8676537 8676538 8676539 8676540
- 8676541 8676542 8676543 8676544 8676545 8680014 8680015 8680422 8680423 8680424 8680425 8681835

000 ©



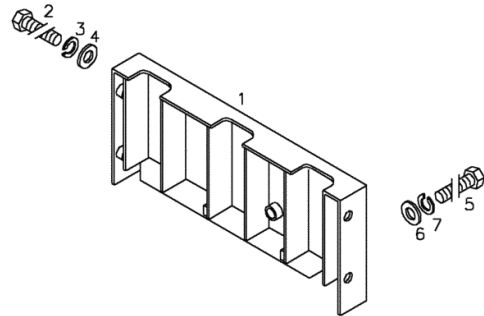
0505 1135

Section: ENGINE
COOLING AIR BAFFLE

Fig.	Code	QTY	Name
------	------	-----	------

8681836	8681837	8681838	8681839	8681840	8681841	8681842	8681843	8681844	8682893	8683796	8683797
8683798	8683799	8683800	8683801	8683802	8683803	8683804	8683805	8683806	8683807	8683808	8683809
8683810	8685051	8685052	8685053	8685576	8685577	8685578	8685579	8685580	8685581	8685582	8685583
8685584	8685585	8685586	8685587	8685588	8685589	8686502	8686503	8686504	8686505	8686506	8686507
8686508	8686509	8686510	8686511	8686512	8689678	8689679	8689680	8689681	8689682	8689683	8689684
8689685	8689686	8689687	8689688	8691274	8691275	8691276	8691277	8691278	8691279	8691280	8691281
8691282	8691283	8691528	8691529	8691530	8691531	8691532	8691533	8695354	8695355	8695356	8695357
8695358	8695359	8695360	8695361	8695362	8695363	8695364	8695365	8695366	8695367	8695368	8695369
8695370	8695371	8695372	8695373	8695374	8695375	8695376	8695377	8695378	8695379	8695380	8695381
8695382	8695383	8695384	8697481	8697482	8697483	8697484	8697485	8697486	8697487	8697488	8697489
8697490	8697491	8697492	8697493	8697494	8697495	8697496	8697497	8697498	8697499	8697500	8697501
8697502	8697503	8697504	8697505	8697506	8697507	8697508	8697509	8697510	8697511	8697512	8697513
8697514	8697515	8697516	8697517	8697518	8697519	8697520	8697521	8697522	8697523	8697524	8697525
8697526	8707975	8707976	8707977	8707978	8707979	8707980	8707981	8707982	8707983	8707984	8707985
8707986	8707987	8707988	8707989	8707990	8707991	8707992	8707993	8707994	8717883	8717884	8717885
8717886	8717887	8717888	8717889	8717890	8717891	8717892	8717893	8717894	8729921	8729922	8729923
8729924	8729925	8729926	8729927	8729928	8729929	8729930	8729931	8729932	8729933	8729934	8729935

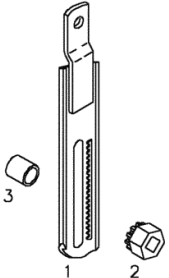
000 ©



1	02231932	1	division
2	01112232	4	screw m 6 p.1 x 10 ISO 004017-M 6 X 10 - 8.8-A4C
3	01102797	4	washer 6, d128 DIN 000128-A 6 -FST -A4C
4	01215850	4	washer
5	01112307	2	screw m 8 p.1.25 x 15, d933 ISO 004017-M 8 X 16 - 8.8-A4C
6	01107101	2	washer 8.4 DIN 000125-A 8,4-140HV-A4C
7	01102799	2	washer 8, d128 DIN 000128-A 8 -FST -A4C

Section: ENGINE
ACCESSORIES

Fig.	Code	QTY	Name
	8681836 8681837 8681838 8681839 8681840 8681841 8681842 8681843 8681844 8682893 8683796 8683797 8683798 8683799 8683800 8683801 8683802 8683803 8683804 8683805 8683806 8683807 8683808 8683809 8683810 8685051 8685052 8685053 8685576 8685577 8685578 8685579 8685580 8685581 8685582 8685583 8685584 8685585 8685586 8685587 8685588 8685589 8686502 8686503 8686504 8686505 8686506 8686507 8686508 8686509 8686510 8686511 8686512 8689678 8689679 8689680 8689681 8689682 8689683 8689684 8689685 8689686 8689687 8689688 8691274 8691275 8691276 8691277 8691278 8691279 8691280 8691281 8691282 8691283 8691528 8691529 8691530 8691531 8691532 8691533 8695354 8695355 8695356 8695357 8695358 8695359 8695360 8695361 8695362 8695363 8695364 8695365 8695366 8695367 8695368 8695369 8695370 8695371 8695372 8695373 8695374 8695375 8695376 8695377 8695378 8695379 8695380 8695381 8695382 8695383 8695384 8697481 8697482 8697483 8697484 8697485 8697486 8697487 8697488 8697489 8697490 8697491 8697492 8697493 8697494 8697495 8697496 8697497 8697498 8697499 8697500 8697501 8697502 8697503 8697504 8697505 8697506 8697507 8697508 8697509 8697510 8697511 8697512 8697513 8697514 8697515 8697516 8697517 8697518 8697519 8697520 8697521 8697522 8697523 8697524 8697525 8697526 8707975 8707976 8707977 8707978 8707979 8707980 8707981 8707982 8707983 8707984 8707985 8707986 8707987 8707988 8707989 8707990 8707991 8707992 8707993 8707994 8717883 8717884 8717885 8717886 8717887 8717888 8717889 8717890 8717891 8717892 8717893 8717894 8729921 8729922 8729923 8729924 8729925 8729926 8729927 8729928 8729929 8729930 8729931 8729932 8729933 8729934 8729935		
	000 ©		
1	04151430	1	link
2	04151502	1	pinion
3	02243288	1	bushing

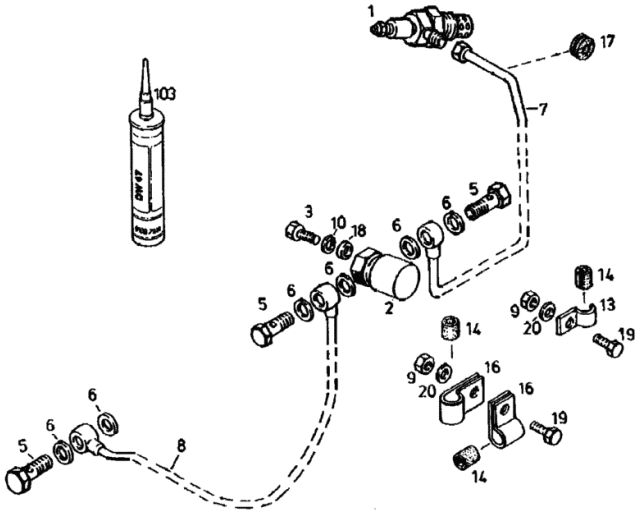


Section: ENGINE
HEATER PLUG ASSY

Fig.	Code	QTY	Name
------	------	-----	------

Engine Serial Numbers:

- 8579549 8579550 8579551 8579552 8579553 8579554 8579555 8579556 8579557 8579558 8579559 8579560
- 8579561 8579562 8579563 8579564 8579565 8579566 8579567 8579568 8580832 8580833 8580834 8580835
- 8580836 8580837 8582907 8582908 8582909 8582910 8582911 8582912 8586405 8586406 8586407 8586408
- 8586409 8586410 8586411 8586412 8586951 8586952 8586953 8586954 8588081 8588082 8588083 8588084
- 8588085 8588086 8588087 8588088 8589555 8589556 8589557 8589558 8589559 8589560 8589561 8589562
- 8589563 8589564 8589565 8589566 8591089 8591090 8591091 8591092 8591093 8591094 8591095 8591096
- 8591097 8591098 8591099 8591100 8591101 8591102 8591103 8591104 8593194 8593195 8593196 8593197
- 8593198 8593199 8593200 8593201 8593202 8593203 8593204 8593205 8593206 8593207 8593208 8593209
- 8593210 8593211 8593212 8593213 8593214 8593215 8593216 8593217 8596627 8596628 8596629 8596630
- 8596631 8596632 8596633 8596634 8597047 8597048 8597049 8597050 8597051 8597052 8597053 8597054
- 8597055 8597056 8597057 8597058 8597059 8597060 8597061 8597062 8597063 8597064 8610515 8610516
- 8610517 8610518 8610519 8610520 8610521 8610522 8610523 8610524 8610525 8610813 8610814 8610815
- 8611968 8611969 8612838 8612839 8612840 8612841 8612842 8612843 8612844 8612845 8612846 8612847
- 8612848 8615643 8615644 8615645 8615646 8615647 8615648 8615649 8615650 8615651 8615652 8618551
- 8618552 8618553 8618554 8619298 8619299 8619300 8619301 8619302 8619303 8619304 8619305 8621397
- 8621398 8621399 8621400 8621401 8621402 8621403 8621404 8622528 8622529 8622530 8622531 8622532
- 8622533 8622534 8622535 8622536 8622537 8623422 8623423 8623677 8623678 8623679 8623680 8623681
- 8623682 8626717 8626718 8626719 8626720 8626721 8626722 8626723 8626724 8626725 8626726 8626727
- 8626728 8626729 8626730 8626731 8626732 8626733 8626734 8626735 8626736 8626737 8626738 8626739
- 8626740 8626741 8628654 8628655 8628656 8628908 8628909 8628910 8628911 8628912 8628913 8628914
- 8628915 8630485 8630486 8630487 8630488 8630489 8630490 8630491 8630492 8630493 8630494 8631126
- 8631127 8631128 8631129 8631130 8631361 8632849 8633215 8633216 8633217 8633218 8633448 8633449
- 8633450 8633451 8633452 8633453 8633454 8633455 8633456 8633457 8633458 8633459 8633460 8633461
- 8633953 8633954 8633955 8633956 8633957 8633958 8633959 8633960 8633961 8635033 8635034 8635035
- 8635036 8635037 8635038 8635039 8635040 8635041 8635042 8635043 8635451 8635452 8635453 8635454
- 8635455 8635456 8635457 8635817 8635818 8635819 8635820 8635821 8635822 8635823 8641166 8641167
- 8641168 8641169 8641170 8641171 8641172 8641173 8641174 8641175 8641176 8641177 8641178 8641179
- 8641180 8641181 8642039 8642040 8642041 8642042 8642515 8643246 8643247 8643248 8643489 8643490
- 8643491 8643492 8643493 8643494 8643495 8643496 8643497 8643498 8643499 8643500 8643501 8643502
- 8643503 8643504 8643505 8643506 8643507 8643508 8643868 8643869 8643870 8644116 8644117 8644118
- 8644119 8644120 8644121 8644122 8644802 8645766 8645767 8645768 8645769 8645770 8646073 8646074
- 8646075 8646076 8646077 8646078 8646079 8649697 8649698 8649699 8649700 8649701 8649702 8649703
- 8649704 8649705 8649706 8649707 8650223 8650224 8650225 8650226 8650227 8650228 8650229 8650230
- 8650231 8650232 8650233 8650234 8651148 8651149 8654897 8654898 8654899 8654900 8654901 8654902
- 8654903 8654904 8654905 8655994 8655995 8655996 8655997 8655998 8655999 8656000 8656001 8657885
- 8661674 8661675 8661676 8661677 8661678 8661679 8661680 8661681 8661682 8661683 8661684 8661685
- 8661686 8661687 8661688 8661689 8664582 8664583 8664584 8664585 8664586 8664587 8664588 8664589
- 8664590 8664591 8664592 8664593 8664594 8664595 8664596 8664597 8664598 8664599 8665369 8665370
- 8665371 8665372 8665373 8666744 8666745 8666746 8666747 8666748 8667701 8667702 8667703 8667704
- 8667705 8667706 8667707 8669282 8669283 8669284 8669285 8669286 8669287 8669288 8669289 8669290
- 8670164 8670165 8670166 8670167 8670168 8670169 8670170 8670171 8670172 8670173 8670983 8670984
- 8670985 8670986 8671937 8671938 8671939 8671940 8671941 8671942 8671943 8671944 8671945 8671946
- 8671947 8671948 8671949 8671950 8671951 8671952 8671953 8672082 8672083 8672084 8673165 8673166
- 8673926 8673927 8673928 8673929 8673930 8673931 8673932 8673933 8673934 8673935 8674402 8674403
- 8674404 8674405 8674406 8674407 8674408 8674409 8674410 8674411 8675733 8675734 8675735 8675736
- 8675737 8675738 8676146 8676147 8676148 8676149 8676150 8676151 8676152 8676153 8676154 8676155
- 8676529 8676530 8676531 8676532 8676533 8676534 8676535 8676536 8676537 8676538 8676539 8676540
- 8676541 8676542 8676543 8676544 8676545 8680014 8680015 8680422 8680423 8680424 8680425 8681835



001

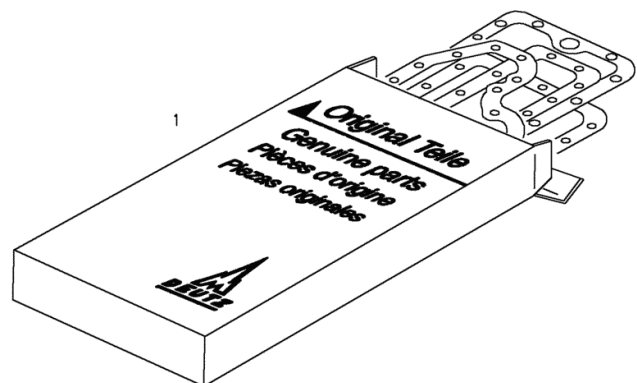
0505 0935

Section: ENGINE

GASKET SET

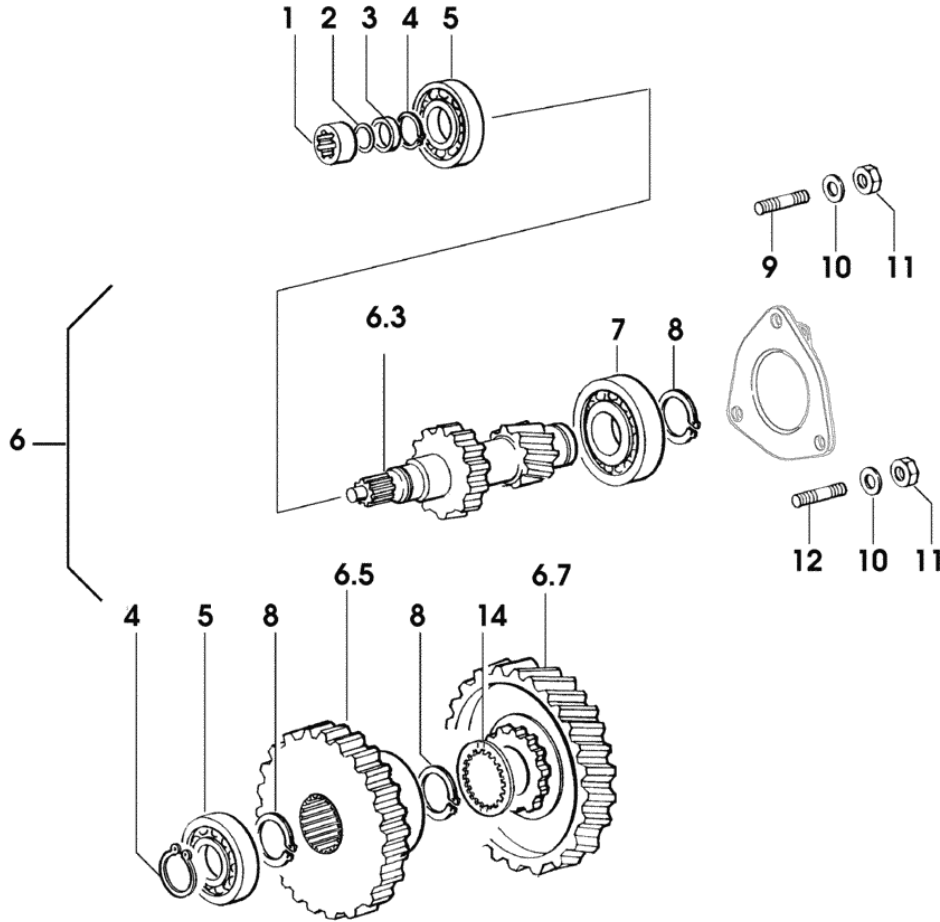
Fig.	Code	QTY	Name
8697500	8697501 8697502 8697503 8697504 8697505 8697506 8697507 8697508 8697509 8697510 8697511		
8697512	8697513 8697514 8697515 8697516 8697517 8697518 8697519 8697520 8697521 8697522 8697523		
8697524	8697525 8697526 8707975 8707976 8707977 8707978 8707979 8707980 8707981 8707982 8707983		
8707984	8707985 8707986 8707987 8707988 8707989 8707990 8707991 8707992 8707993 8707994 8717883		
8717884	8717885 8717886 8717887 8717888 8717889 8717890 8717891 8717892 8717893 8717894 8729921		
8729922	8729923 8729924 8729925 8729926 8729927 8729928 8729929 8729930 8729931 8729932 8729933		
8729934	8729935		
1	02931315	1	gasket set

000 ©



P.T.O. - WITH INSERTED END SHAFTS 540 - 1000

Fig.	Code	QTY	Name
1	0.008.5176.0	1	sleeve
2	2.1420.010.1	1	circlip a 25
3	2.1549.172.0	1	spacer 24.7 x 31 x 12
4	2.1410.012.1	2	circlip 30
5	2.2060.009.0	2	ball bearing 30 x 72 x 19
6	0.000.0000.1	0	not serviceable
6.3	0.008.5357.0/10	1	p.t.o.shaft
6.5	0.008.5367.0/20	1	gear Z = 46
6.7	0.008.5366.0/10	1	gear Z = 50
7	2.2062.012.0	1	ball bearing 40 x 90 x 23
8	2.1410.016.1	3	circlip 40
9	2.0422.215.7	2	stud bolt m 8 p.1.25 x 50
10	2.1470.004.2	7	washer 8
11	2.1011.105.2	7	nut m 8 p.1.25
12	2.0422.203.7	5	stud bolt m 8 p.1.25 x 20
14	2.1599.641.0	1	thrust plate

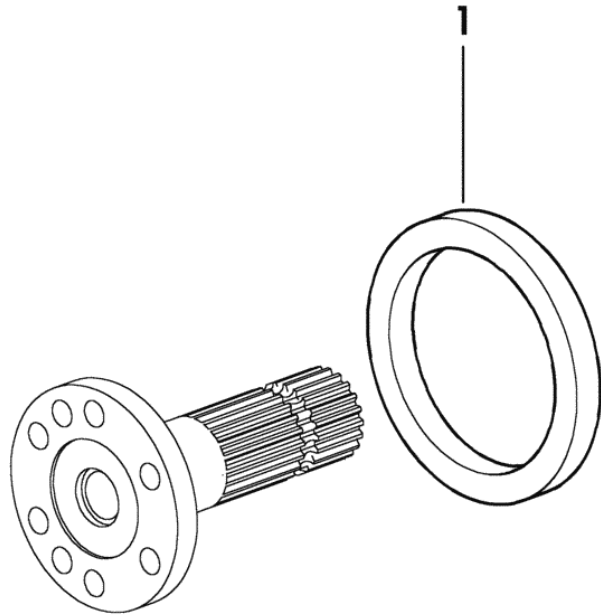


9_58936_14_0_A

PTO - SEAL RING FOR INSERTED END SHAFT - WATER PROOF VERSION

9_40536_02_0_0

Fig.	Code	QTY	Name
1	2.1529.120.0	1	'o' ring 85x110x13



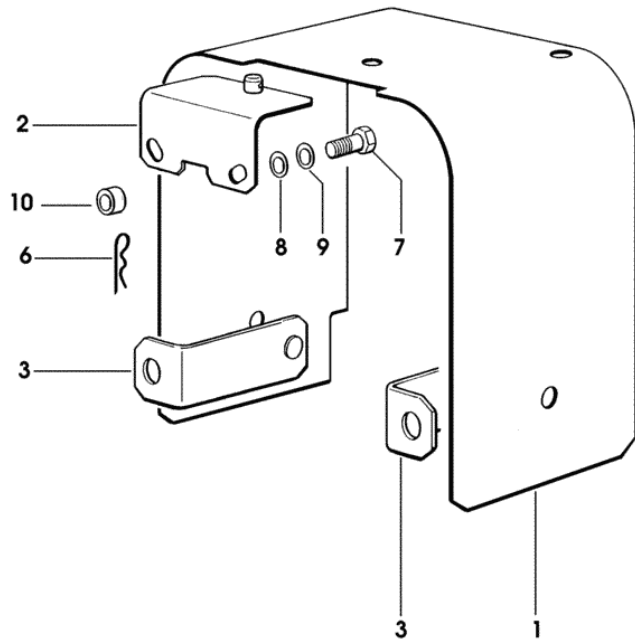
P.T.O. GUARD

Fig.	Code	QTY	Name
------	------	-----	------

Notes:

(...) <- X Agrolux F 60 (...) <- X Agrolux F 70 (...) <- X Agrolux F 80

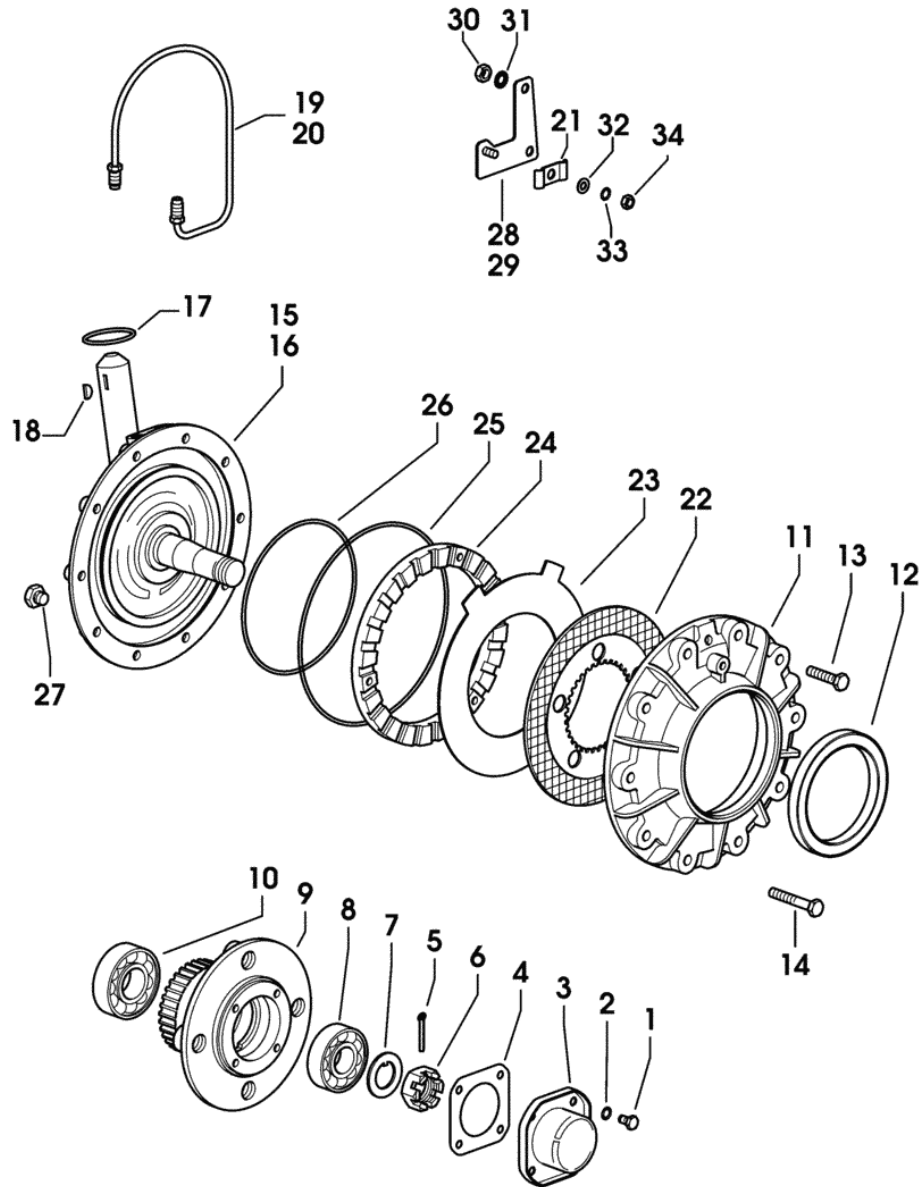
1	0.009.6974.0	1	sump
2	0.255.3668.2/20	1	square
3	0.255.3669.2	2	square
6	2.1699.180.2	3	pin
7	2.0112.311.2	2	screw m 10 p.1.5 x 30
8	2.1310.006.2	2	flat washer 10.5
9	2.1470.006.2	2	lock washer 10
10	2.1579.033.0	2	spacer 10.5x16x12



9_69436_22_0_0

2WD - EXTENDIBLE FRONT AXLE WITH FRONT BRAKES

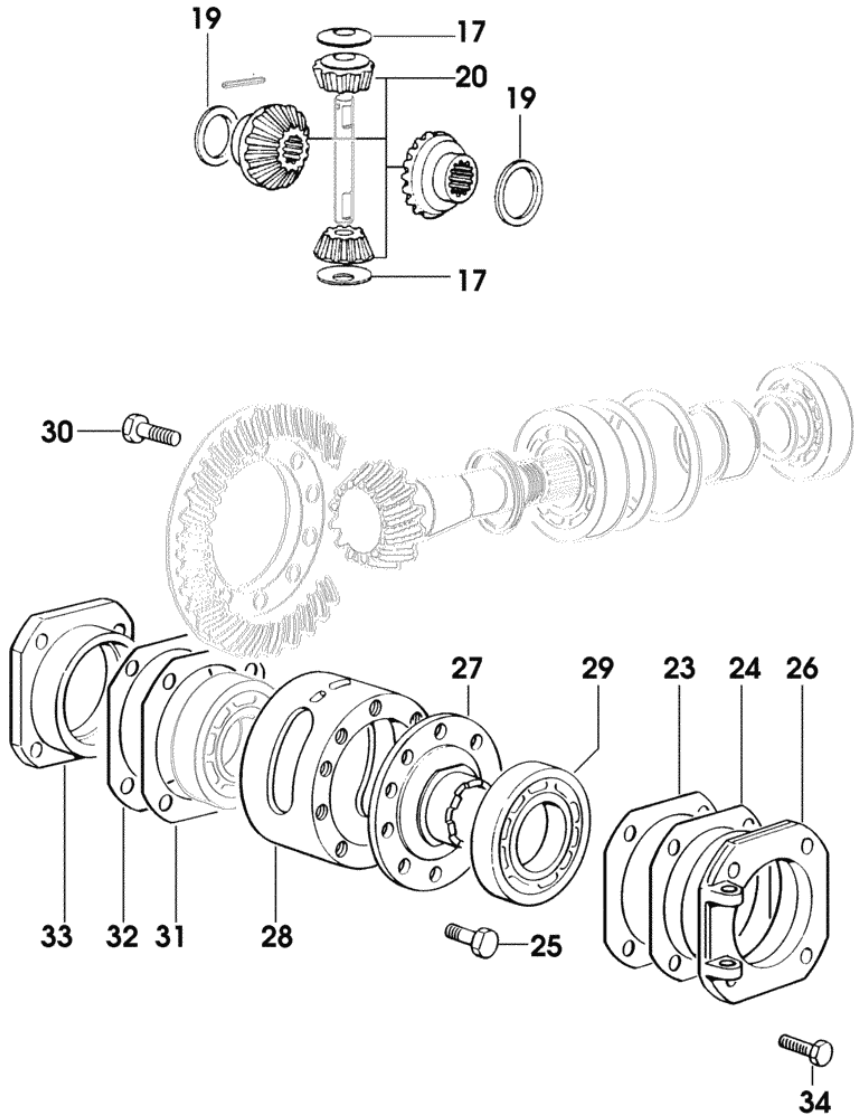
Fig.	Code	QTY	Name
1	2.0112.204.2	8	screw m 8 p.1.25x14
2	2.1470.004.2	8	washer 8
3	0.001.2920.0	2	small cover
4	0.001.2921.0	2	gasket
5	2.1690.516.2	2	split pin 5x50
6	2.1029.001.1	2	nut m 30 p.1.5
7	2.1249.002.0	2	lock-nut 30x50x3
8	2.2560.003.0	2	roller bearing 30x72x20.75
9	0.007.3185.0/30	2	wheel hub
10	2.2530.009.0	2	roller bearing 35 x 80 x 22.75
11	0.007.3186.0/30	2	cover
12	2.1529.056.0/10	2	'o' ring Ø 110/140 x13
13	2.0132.209.2	16	screw m 10 p.1.25 x 35
14	2.0139.030.2	4	screw m 10 p.1.25 x 65
15	0.007.3194.3/20	1	axle shaft dx/rh/re
16	0.007.3195.3/20	1	axle shaft sx/lh/li
17	2.1530.134.0	2	'o' ring 53.98x3.53
18	2.1719.519.0	4	key
19	0.010.1211.3	1	tube dx/rh/re
20	0.010.1212.3	1	tube sx/lh/li
21	0.008.9082.0	2	small plate
22	0.007.3191.0/10	2	brake disc
23	0.275.4351.0	2	disc
24	0.009.8420.0/10	2	piston
25	2.1539.118.0	2	'o' ring Ø 221.84 x 3.53
26	2.1539.177.0	2	'o' ring Ø 171.04 x 3.53
27	2.3130.002.1	4	plug 1/4" gas
28	0.010.1304.3/20	1	plate dx/rh/re
29	0.010.1305.3/20	1	plate sx/lh/li
30	2.1011.421.2	4	nut m 10 p.1.25
31	2.1470.006.2	4	lock washer 10
32	2.1310.004.2	2	flat washer 8.5
33	2.1470.004.2	2	washer 8
34	2.1011.105.2	2	nut m 8 p.1.25



9_70542_02_0_0

Section: FRONT AXEL
4WD - FRONT DIFFERENTIAL

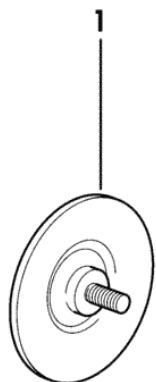
Fig.	Code	QTY	Name
17	0.255.4629.0	2	snoulder 15.5x36x2
19	2.1599.431.0	2	snoulder 42x66x2
20	0.012.1705.3	1	crown wheel
23	0.445.4656.0/10	2	shim 92x127x0.2
24	0.445.4655.0/10	2	shim 92x127x0.5
25	2.0139.002.1	10	screw m 10 p.1.25 x 20
26	0.467.4650.0/30	1	flange
27	0.255.4615.0	1	flange
28	0.275.4610.0	1	differential carrier
			1201 <- X Agrolux F 60
			1214 <- X Agrolux F 70
			1486 <- X Agrolux F 80
28	0.275.4610.0/10	1	differential carrier
			-> 1202 X Agrolux F60
			-> 1215 X Agrolux F70
			-> 1487 X Agrolux F80
29	2.2520.011.0	1	roller bearing 50x90x21.75
30	2.0139.025.1	10	screw m 10 p.1.25 x 25
31	0.146.4653.0/10	4	shim 96x127x0.2
32	0.146.4654.0/10	4	shim 96x127x0.5
33	0.255.4652.0/20	1	flange
34	2.0132.207.2	8	screw m 10 p.1 x 25



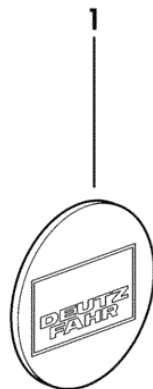
9_16146_05_0_0

Section: FRONT AXEL
FRONT WHEEL HUB COVER

Fig.	Code	QTY	Name
1	2.3199.272.0	2	small cover

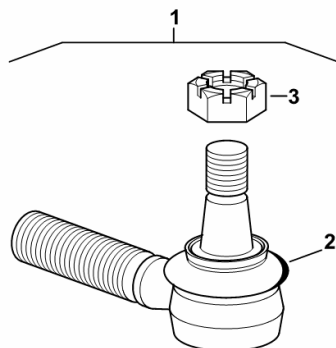


9_68446_05_0_0



STEERING ROD - MECH. STEERING - TELESCOPIC AXLE

Fig.	Code	QTY	Name
1	0.010.0488.4/10	1	joint
2	0.900.0025.7	1	guard
3	0.900.0025.8	1	nut

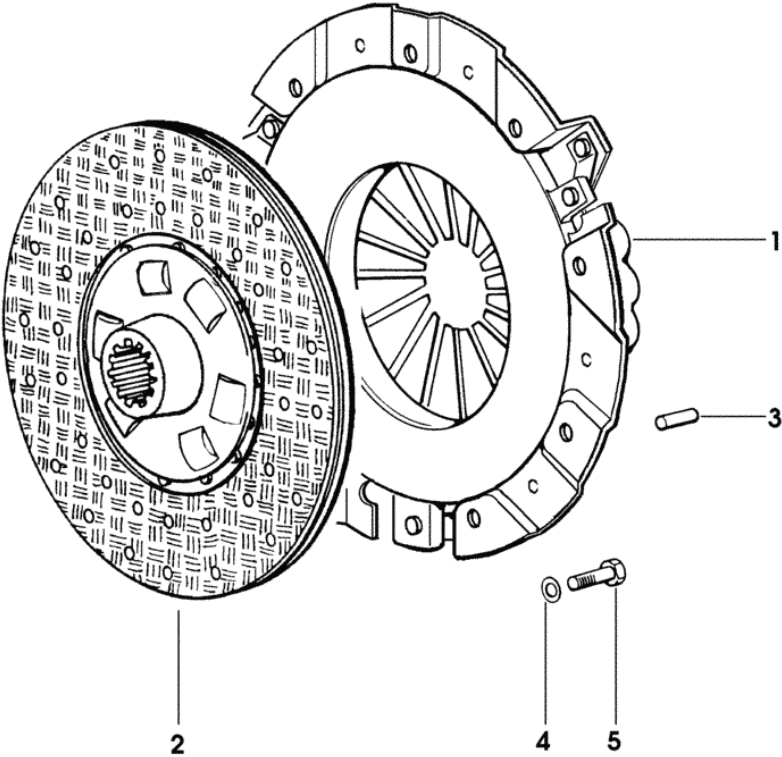


0_010_0488_4_10

Section: GEAR
CLUTCH 11"

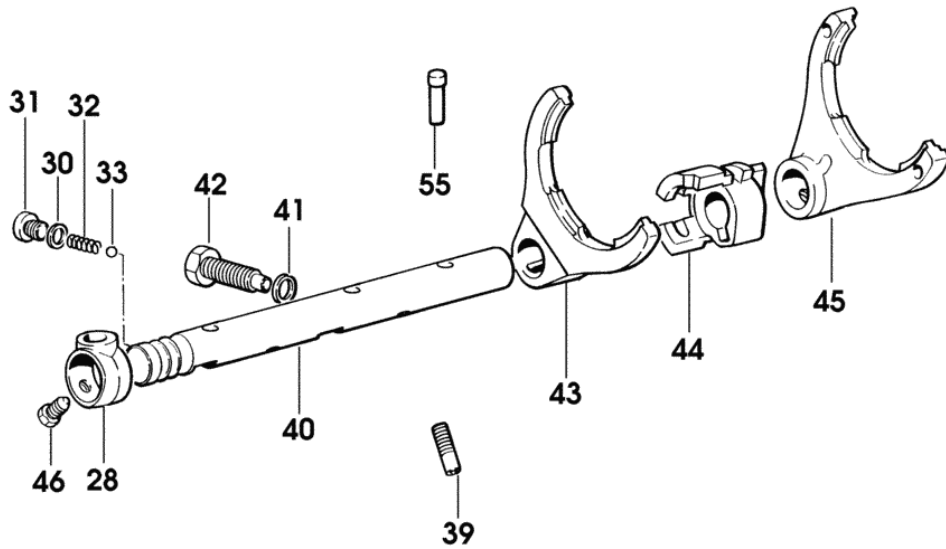
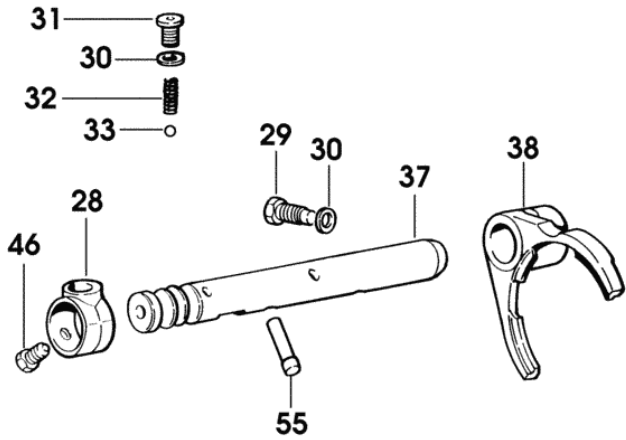
9_50823_00_0_0

Fig.	Code	QTY	Name
1	0.009.6914.3/20	1	clutch assy 11"
2	0.009.6913.3/10	1	clutch disc 11"
3	2.1699.173.0	3	pin 7.9x18
4	2.1474.009.2	6	spring washer 8
5	2.0112.207.2	6	screw m 8 p 1.25 x 20



COMMON BASIC GEARBOX - SELECTOR RODS AND FORKS

Fig.	Code	QTY	Name
28	0.008.5226.0/20	2	hub
29	2.0119.180.2	1	screw m 10x24
30	2.1560.005.0	3	gasket 10.2 x 14
31	2.3199.238.2	2	plug m 10
32	2.4019.670.1	2	spring 5 x 8 x 1.5 x 22.5
33	2.2810.004.0	2	ball 5/16"
37	0.010.0543.0/20	1	rod
38	0.009.6752.0	1	fork
39	2.0599.086.0/40	1	grain m 8 p.1.25 x 28
40	0.008.5130.0/70	1	rod
41	2.1560.008.0	2	gasket 12.2 x 18
42	2.0399.206.2	2	screw m 12 p.1.75 x 56.5
43	0.009.6750.0	1	fork # 2 / # 3
44	0.008.5152.0/40	1	hub
45	0.009.7080.0	1	fork # 4 / # 5
46	2.0399.019.1	2	screw m 8 p.1 x 16
55	0.008.5994.0/10	3	pin

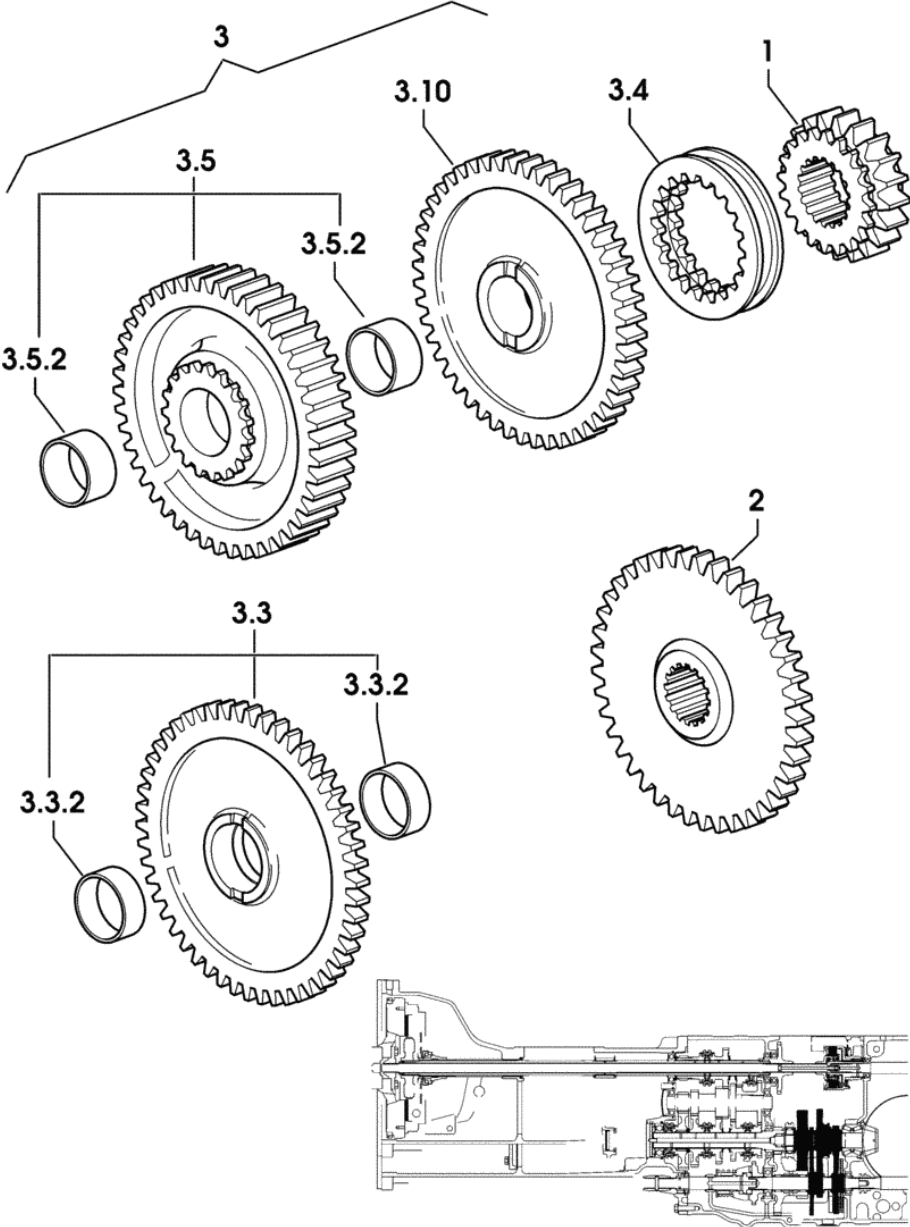


9_64733_00_0_B

Section: GEAR
3-RANGE BOX 30 Km/h

9_58934_07_0_0

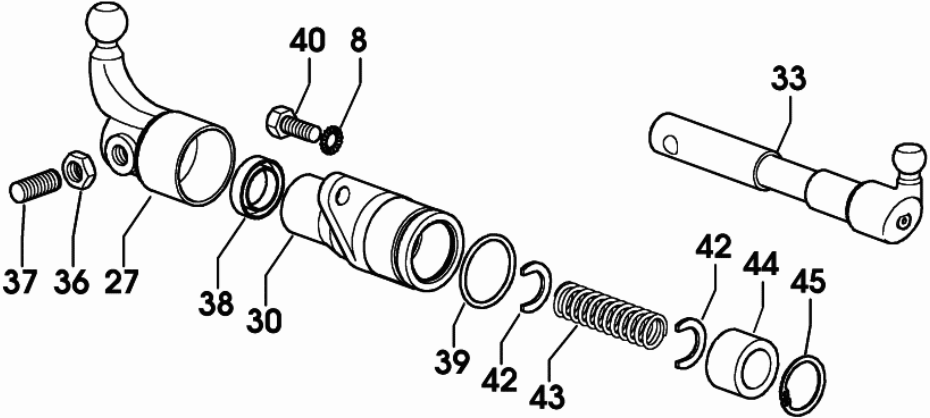
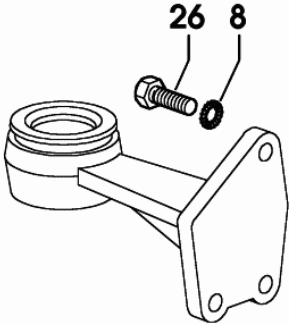
Fig.	Code	QTY	Name
1	0.008.5566.0/10	1	gear 30 Km/h, Z = 20
2	0.008.5567.0/10	1	gear Z = 41 / Z = 15
3	0.000.0000.1	0	not serviceable
3.3	0.008.5112.3/20	1	gear Z = 50 / Z = 20
3.3.2	2.1552.120.0	2	bushing 35 x 39x 15
3.4	0.008.5237.0/10	1	sleeve Z = 20
3.5	0.009.7015.3/10	1	gear Z = 19 / Z = 46
3.5.2	2.1559.170.0	2	bushing 34 x 38 x 20
3.10	0.008.5111.0/10	1	gear Z = 48



Section: GEAR
GEAR SHIFTING

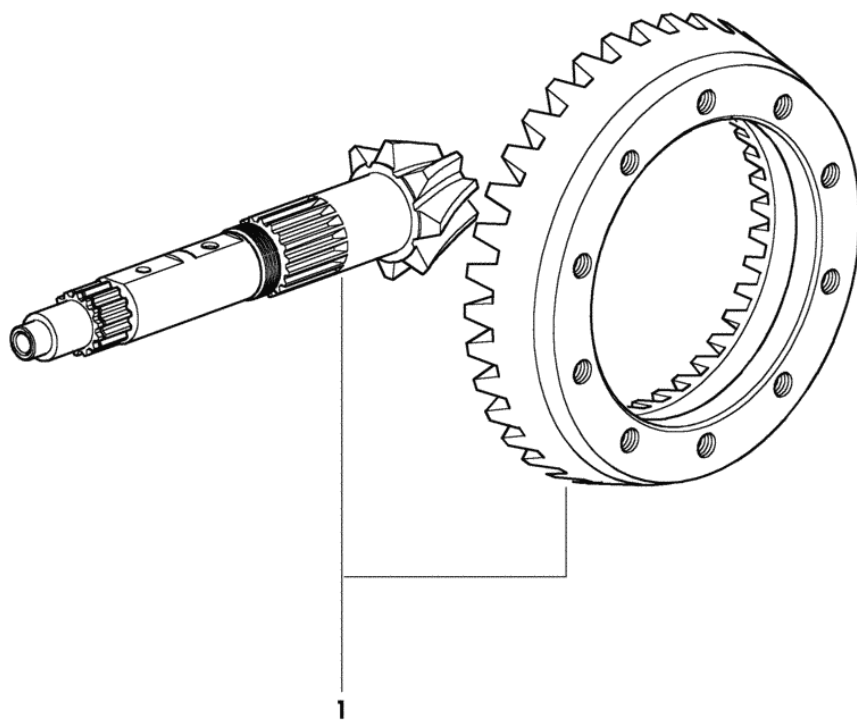
9_58964_00_0_C

Fig.	Code	QTY	Name
8	2.1475.002.2	9	conical washer 8
26	2.0112.209.2	3	screw m 8 p 1.25 x 25
27	0.008.5958.3/10	1	lever
30	0.008.5407.0/10	1	support
33	0.008.5408.0/10	1	gear lever
36	2.1011.406.2	3	nut m 10 p.1
37	2.0399.050.2	3	screw m 10 p.1 x 30
38	2.1520.006.0	3	oil seal 20 x 30 x 7
39	2.1530.091.0	3	'o' ring 34.60 x 2.62
40	2.0112.207.2	5	screw m 8 p 1.25 x 20
42	0.008.5405.0	2	ring
43	2.4019.565.1/10	1	spring
44	2.1559.311.0	1	bushing 20x30x20
45	2.1419.073.0	1	circlip 30x1.2



BEVEL WHEEL GEAR Z = 10 / Z = 34

Fig.	Code	QTY	Name
1	0.012.1707.3	1	bevel gear Z = 10 / Z = 34



9_16135_0_0_0

REAR REDUCTION GEARS AND AXLE SHAFTS

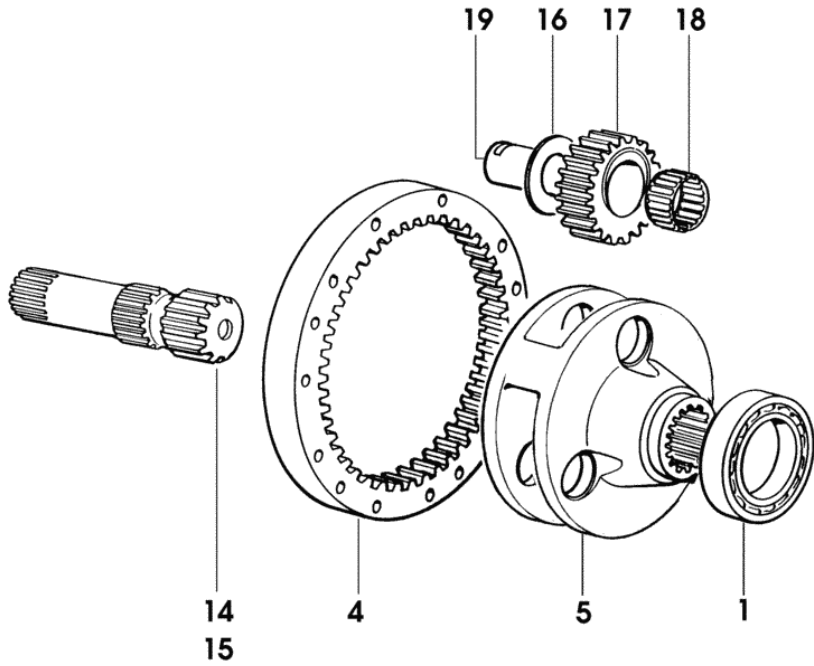
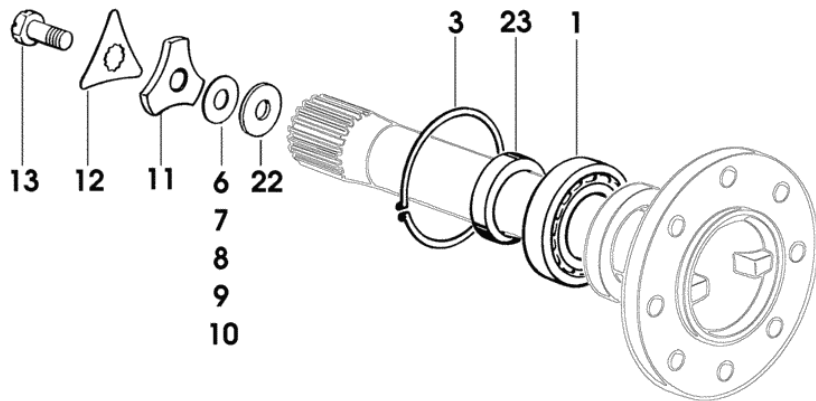


Fig.	Code	QTY	Name
1	2.2520.012.0	4	roller bearing 55 x 100 x 22.75
3	2.1410.041.1	2	circlip Ø 105
4	0.008.5160.0/10	2	bevel ring gear Z = 69
5	0.008.5163.0/10	2	spider
6	2.1589.106.0	6	snoulder 14.5 x 41 x 1.0
7	2.1589.107.0	2	snoulder 14.5 x 41 x 0.5
8	2.1589.108.0	2	snoulder 14.5 x 41 x 0.2
9	2.1589.109.0	2	snoulder 14.5 x 41 x 0.1
10	2.1589.246.0	2	snoulder 14.5 x 41 x 0.15
11	0.008.5604.0	2	spacer
12	0.008.5605.0	2	washer
13	2.0133.611.7	2	screw m 14 p.1.5x45
14	0.008.5172.0	1	half-shaft dx/rh/re
15	0.008.5171.0	1	half-shaft sx/lh/li
16	2.1599.589.0	12	shim 28.2x45x1
17	0.008.5166.0	6	planet gear Z = 28
18	2.2999.250.0	6	roller cage 28x38x46
19	0.008.5167.0	6	pin
22	2.1599.803.0	2	shoulder 15x47x4
23	2.1510.329.0	2	oil seal 55 x 80 x 10



9_70547_01_0_0

Section: REAR AXLE

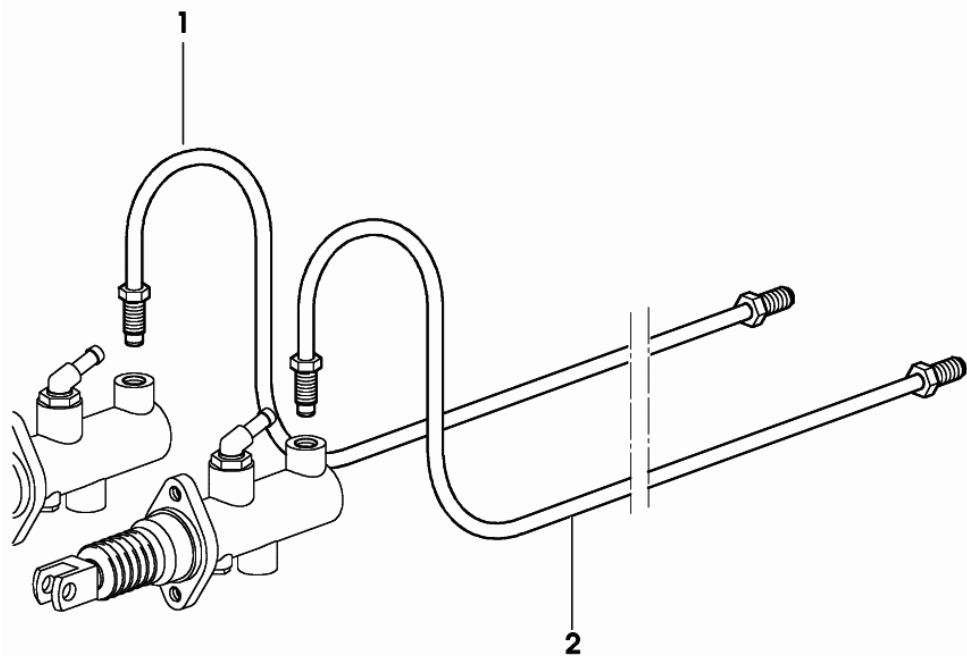
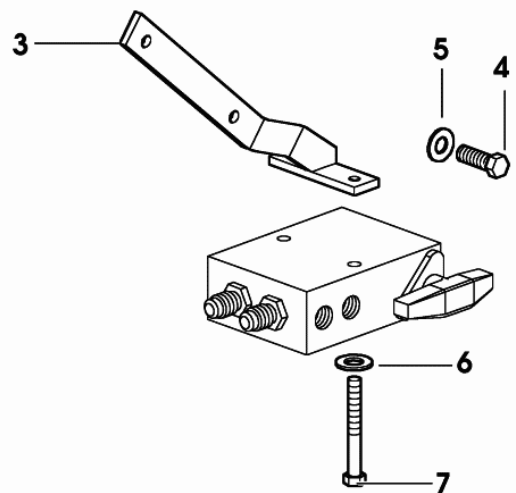
BRAKE PIPES

Fig.	Code	QTY	Name
------	------	-----	------

Notes:

- FOR TYPES WITH FRONT BRAKES

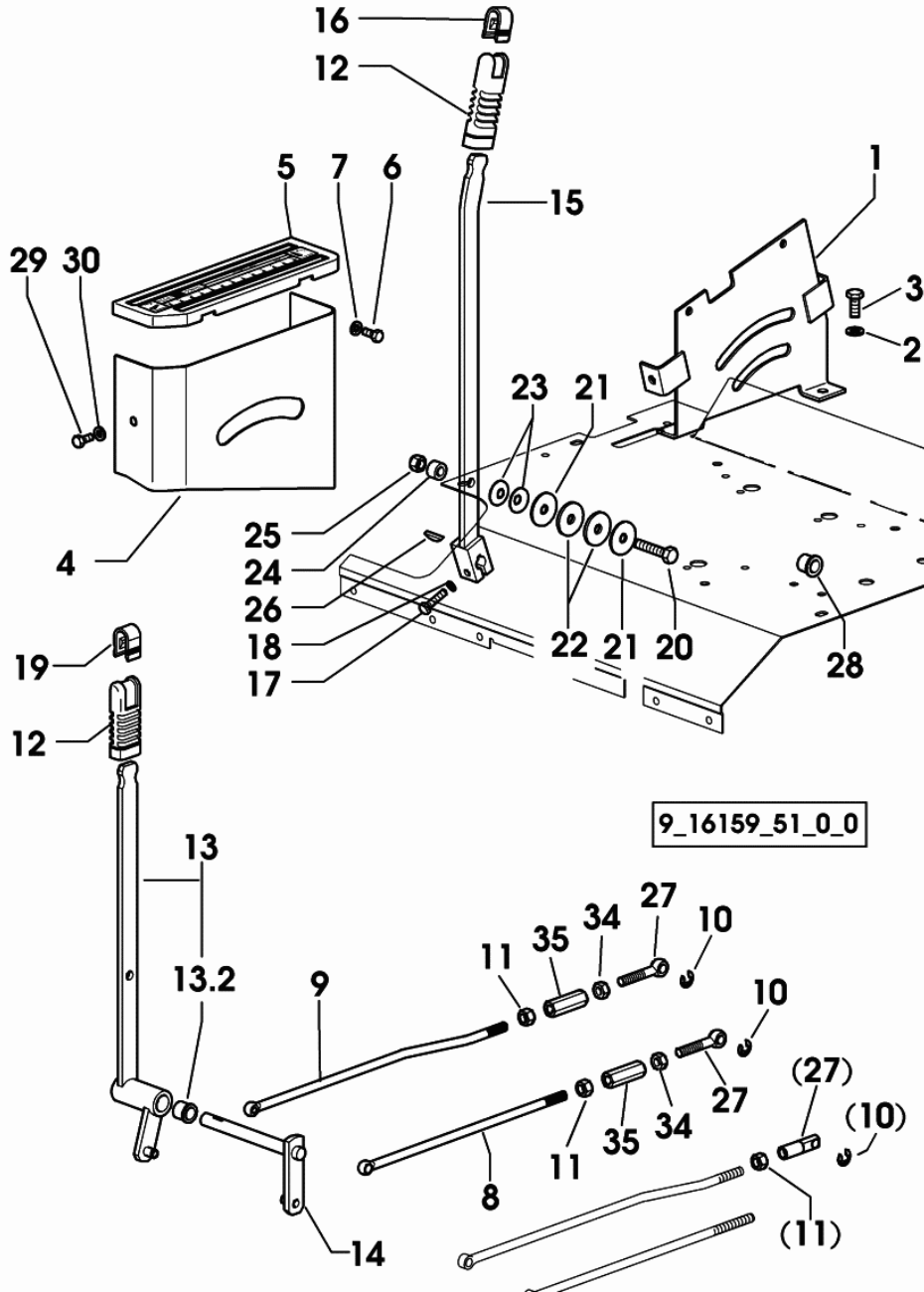
1	0.009.8922.3/10	1	tube dx/rh/re
2	0.009.8921.3/10	1	tube sx/lh/li
3	0.009.9384.2/10	1	bracket
4	2.0112.007.2	2	screw m 6 p.1 x 20
5	2.1310.004.2	2	flat washer 8.5
6	2.1310.004.2	2	flat washer 8.5
7	2.0112.019.2	2	screw m 6 p.1 x 50



9_58966_04_0_0

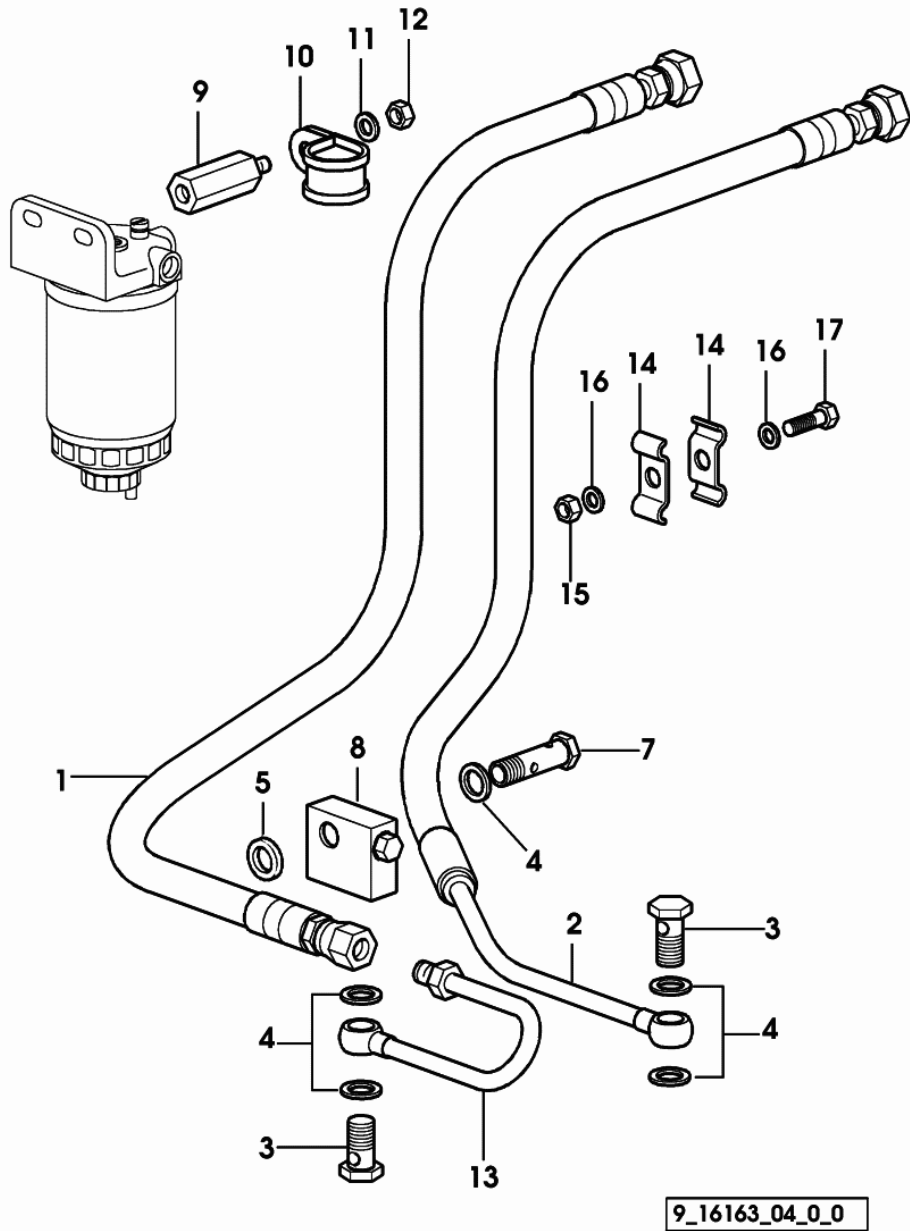
CONTROL TIE RODS AND LEVERS

Fig.	Code	QTY	Name
27	0.010.4186.0	2	1191 <- X Agrolux F 80 tip m 8 -> 1085 X Agrolux F60 -> 1117 X Agrolux F70 -> 1192 X Agrolux F80
28	2.1559.243.0	2	bushing 12x16x15
29	2.0112.004.2	2	screw m 6 p.1 x 14
30	2.1310.002.2	2	washer 6.6, d125
34	2.1019.127.2	2	nut m 8 p.1.25 x 6.8, sx/lh/li -> 1085 X Agrolux F60 -> 1117 X Agrolux F70 -> 1192 X Agrolux F80
35	2.1099.139.2/10	2	nut m 8 -> 1085 X Agrolux F60 -> 1117 X Agrolux F70 -> 1192 X Agrolux F80



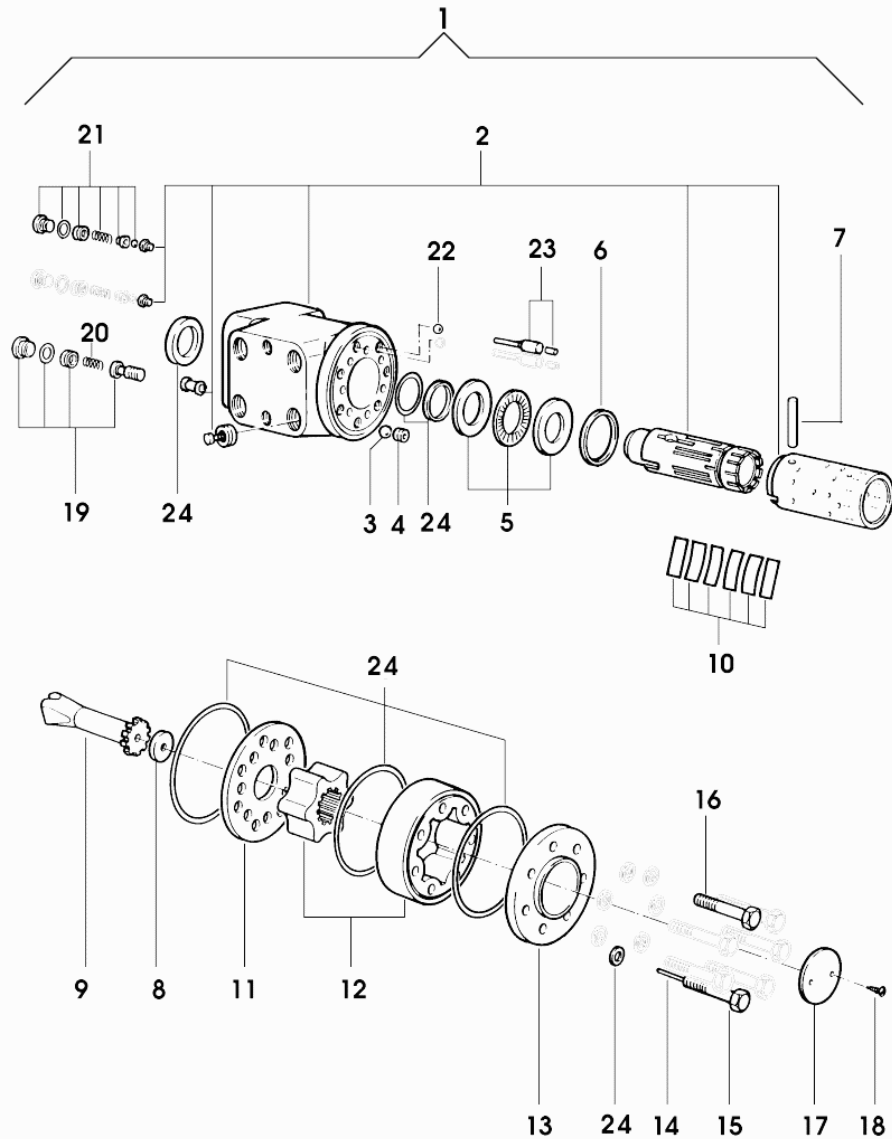
2WD - POWER STEERING

Fig.	Code	QTY	Name
1	0.012.4289.3	1	tube
2	0.012.4276.3	1	tube
3	2.3332.004.2	2	pipe union m 14 p.1.5 x 27
4	2.1560.010.0	5	gasket 14.2 x 20 x 1.5
5	2.1599.683.0	1	snoulder 14.5x23x4
7	2.3339.662.2/10	1	pipe union
8	0.445.6375.4/30	1	small block
9	2.0399.284.2	1	small column
10	2.6839.052.0	1	clamp 30/20
11	2.1310.004.2	1	flat washer 8.5
12	2.1011.105.2	1	nut m 8 p.1.25
13	0.012.4287.3	1	tube
14	0.008.9082.0	2	small plate
15	2.1011.105.2	1	nut m 8 p.1.25
16	2.1310.004.2	2	flat washer 8.5
17	2.0112.207.2	1	screw m 8 p 1.25 x 20



HYDR. STEERING DISTRIBUTOR PARTS

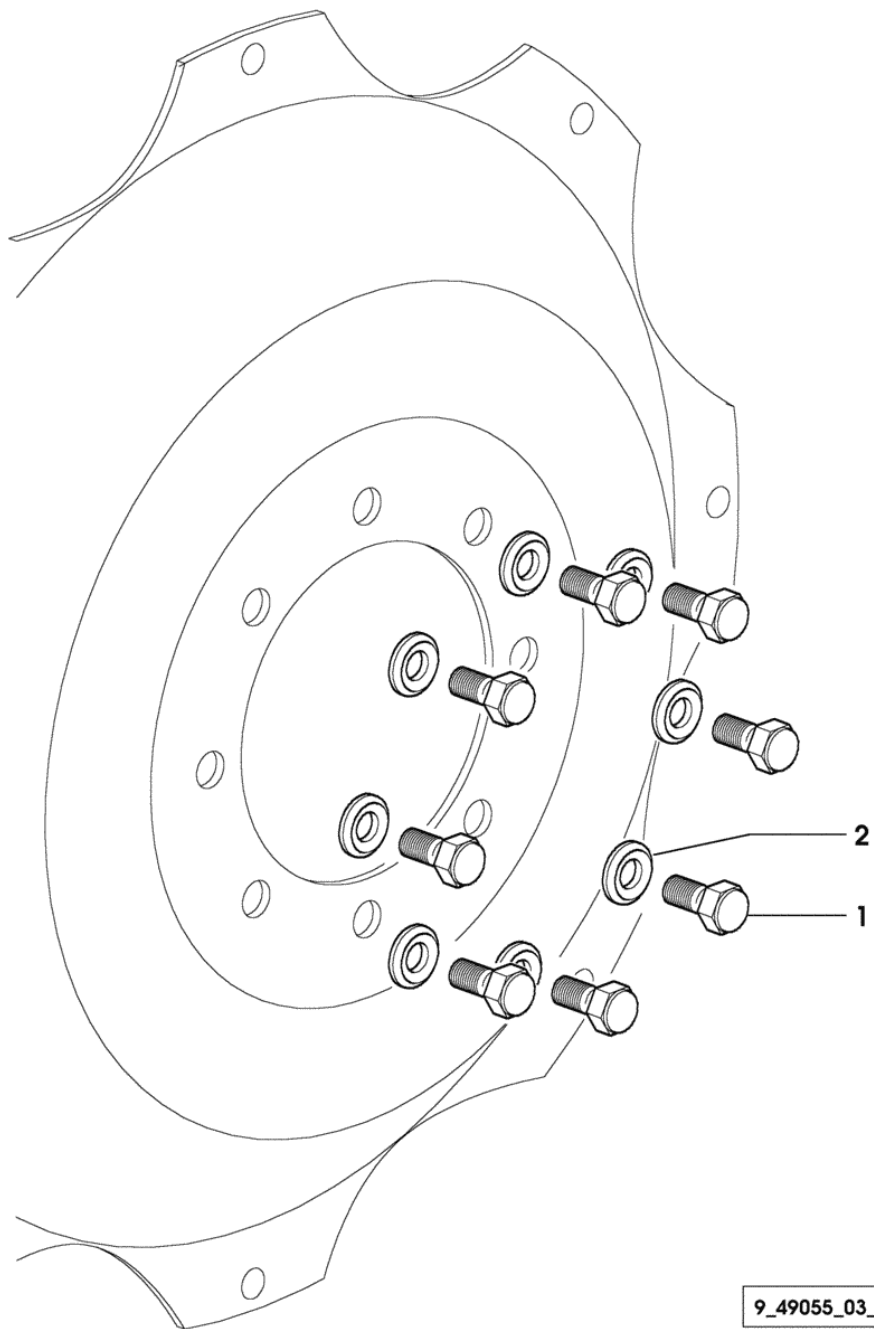
Fig.	Code	QTY	Name
1	0.009.3141.4/10	1	hydrosteering OSPC 80 OR
2	0.000.0000.1	0	not serviceable
3	0.009.4012.1	1	ball mm 8.5
4	0.009.4014.1	1	plug
5	0.193.6378.0	1	bearing
6	0.009.4015.1	1	ring
7	0.009.4016.1	1	pin
8	0.009.4017.1	1	spacer
9	0.000.0000.1	0	not serviceable
10	0.009.4021.1	1	repair seal set
11	0.009.4022.1	1	plate
12	0.009.4872.0	1	rotor w = 10.4
13	0.009.4024.1	1	cover
14	0.009.4025.1	1	pin
15	0.009.4026.1	1	screw L = 63
16	0.009.4027.1	6	screw L = 35
17	0.009.4028.1	1	small disc
18	0.009.4029.1	2	screw
19	0.009.4030.1	1	valve
20	0.290.6373.1	1	spring 100-105 bar
21	0.193.6380.4	2	valve
22	0.009.4019.1	2	ball mm 3.00
23	0.009.4020.1	2	pin
24	0.003.5059.3	1	seal ring kit



009_3141_4_10

Section: WHEELS
REAR WHEEL BOLTS

Fig.	Code	QTY	Name
1	2.0399.129.6	16	screw m 18 p.1.5 x 38
2	2.1599.501.6/10	16	washer 19 x 40 x 7.5



9_49055_03_0_0

Section: WHEELS

WHEELS 10.5/80x18" pr 10

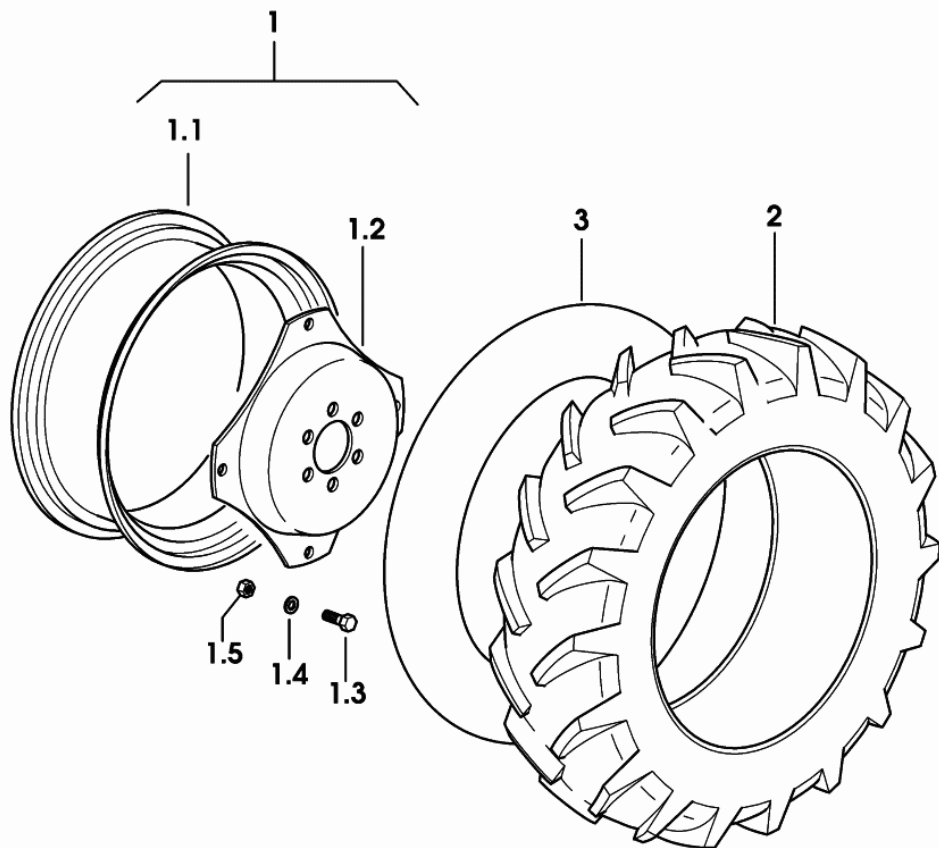


Fig.	Code	QTY	Name
1	0.000.0000.1	0	not serviceable
1.1	0.012.3110.3	1	rim W 9x18" C/ST.
1.2	0.011.5697.0	1	flange
1.3	2.0099.005.6	4	screw m 16 p.1.5 x 38
1.4	2.1499.019.6	4	washer 16.3 x 31.5
1.5	2.1019.059.6	4	nut m 16 p.1.5 x 16
2	2.4819.078.0	2	tyre 10.5/80x18" pr 10
3	2.4829.018.0	2	air chamber

9_16355_22_0_0

CLICK HERE TO **DOWNLOAD** THE COMPLETE MANUAL

- Thank you very much for reading the preview of the manual.
- You can download the complete manual from: www.heydownloads.com by clicking the link below



- Please note: If there is no response to CLICKING the link, please download this PDF first and then click on it.

CLICK HERE TO **DOWNLOAD** THE COMPLETE MANUAL