

Agrolux F 60 -> 6001

ACCESSORIES

GENERAL

STANDARD 22.5CC PUMP PARTS KIT.....	0E.00.1
4-WAY AUXILIARY DISTRIBUTOR.....	0E.00.2
4-WAY DISTRIBUTOR EQUIPMENT.....	0E.00.3
CONTROLS FOR 4-WAY AUXILIARY SERVICES CONTROL VALVE.....	0E.00.4
CONTROLS FOR 4-WAY AUXILIARY SERVICES CONTROL VALVE.....	0E.00.5
CONTROLS FOR 4-WAY AUXILIARY SERVICES CONTROL VALVE.....	0E.00.6
6-WAY AUXILIARY DISTRIBUTOR.....	0E.00.7
6-WAY AUXILIARY DISTRIBUTOR.....	0E.00.8
6-WAY DISTRIBUTOR EQUIPMENT.....	0E.00.9
CONTROLS FOR 6-WAY AUXILIARY SERVICES CONTROL VALVE.....	0E.00.10
CONTROLS FOR 6-WAY AUXILIARY SERVICES CONTROL VALVE.....	0E.00.11
CONTROLS FOR 6-WAY AUXILIARY SERVICES CONTROL VALVE.....	0E.00.12
4 - 6 - WAY DISTRIBUTOR EQUIPMENT.....	0E.00.13
4 - 6 - WAY DISTRIBUTOR EQUIPMENT.....	0E.00.14
THREE-POINT COUPLING - TOP/LOWER LINK.....	0E.00.15
THREE-POINT COUPLING - TOP/LOWER LINK - AUTOM.....	0E.00.16
3 POINT HITCH.....	0E.00.17
3-POINT HITCH - ADJUSTABLE RH RODS.....	0E.00.18
3-POINT HITCH WITH HYDRAULIC LIFT ROD.....	0E.00.19
TOWING BAR 2 cat.....	0E.00.20
REAR OSCILLATING HITCH CAT. " A ".....	0E.00.21
FRAME HOOK HOLDER.....	0E.00.22
FRAME HOOK HOLDER GRASSI.....	0E.00.23
REAR TOWING HITCH.....	0E.00.24
REAR TOWING HITCH (GRASSI) CEE.....	0E.00.25
REAR TOWING HITCH (GRASSI) CAT. " C ".....	0E.00.26
FRAME HOOK HOLDER.....	0E.00.27
PIN FOR REAR TOW HOOK.....	0E.00.28
REAR TOWING HITCH.....	0E.00.29
REAR TOWING HITCH CAT: "D" GRASSI.....	0E.00.30
REAR TOWING HITCH CAT: "D2" GRASSI.....	0E.00.31
FRONT TOWING HITCH.....	0E.00.32
BALLAST.....	0E.00.33
FRONT WEIGHT CARRIER.....	0E.00.34
WHEEL BALLAST.....	0E.00.35
WHEEL BALLAST.....	0E.00.36
HYDRAULIC BREAKING FOR TRAILER - ITALY -.....	0E.00.37
HYDRAULIC BREAKING FOR TRAILER - EXPORT F.....	0E.00.38
HYDRAULIC BREAKING FOR TRAILER.....	0E.00.39
HYDRAULIC BREAKING FOR TRAILER.....	0E.00.40

CLICK HERE TO **DOWNLOAD** THE COMPLETE MANUAL

- Thank you very much for reading the preview of the manual.
- You can download the complete manual from: www.heydownloads.com by clicking the link below



- Please note: If there is no response to CLICKING the link, please download this PDF first and then click on it.

CLICK HERE TO **DOWNLOAD** THE COMPLETE MANUAL

Section: ACCESSORIES

6-WAY AUXILIARY DISTRIBUTOR

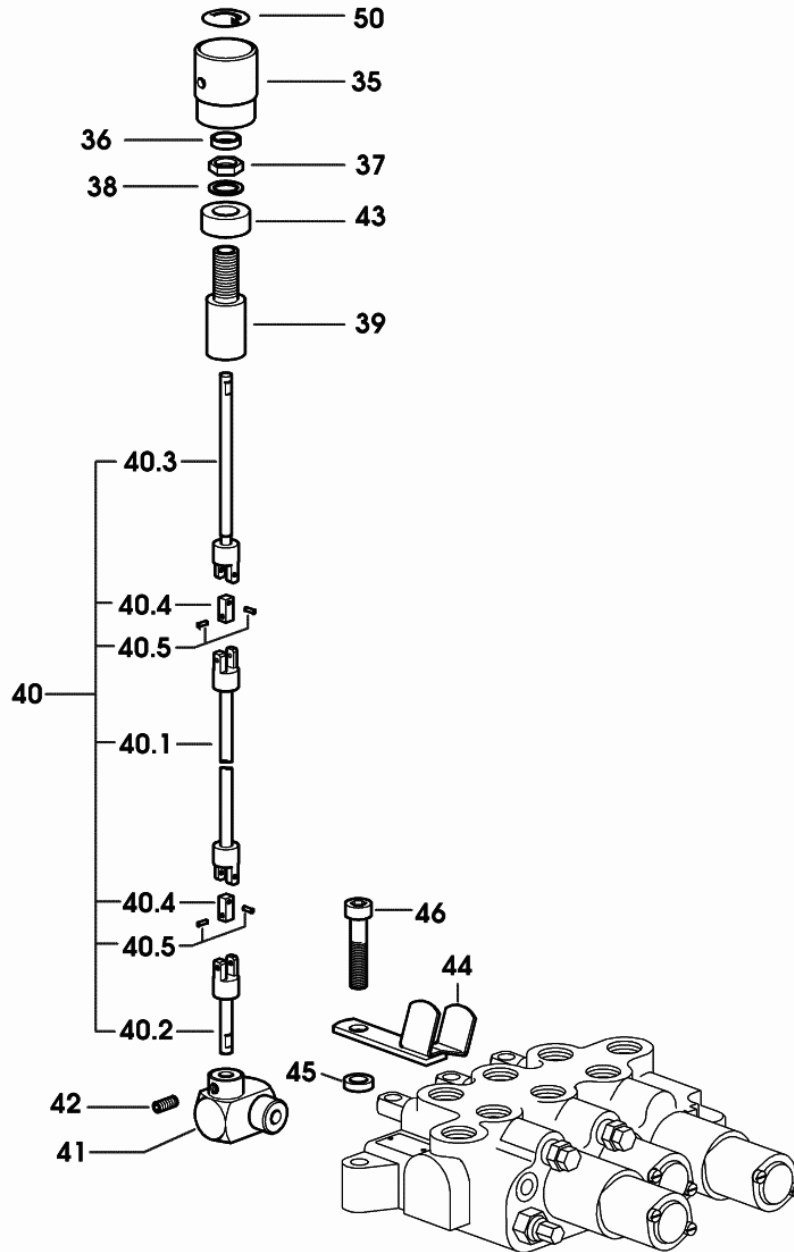
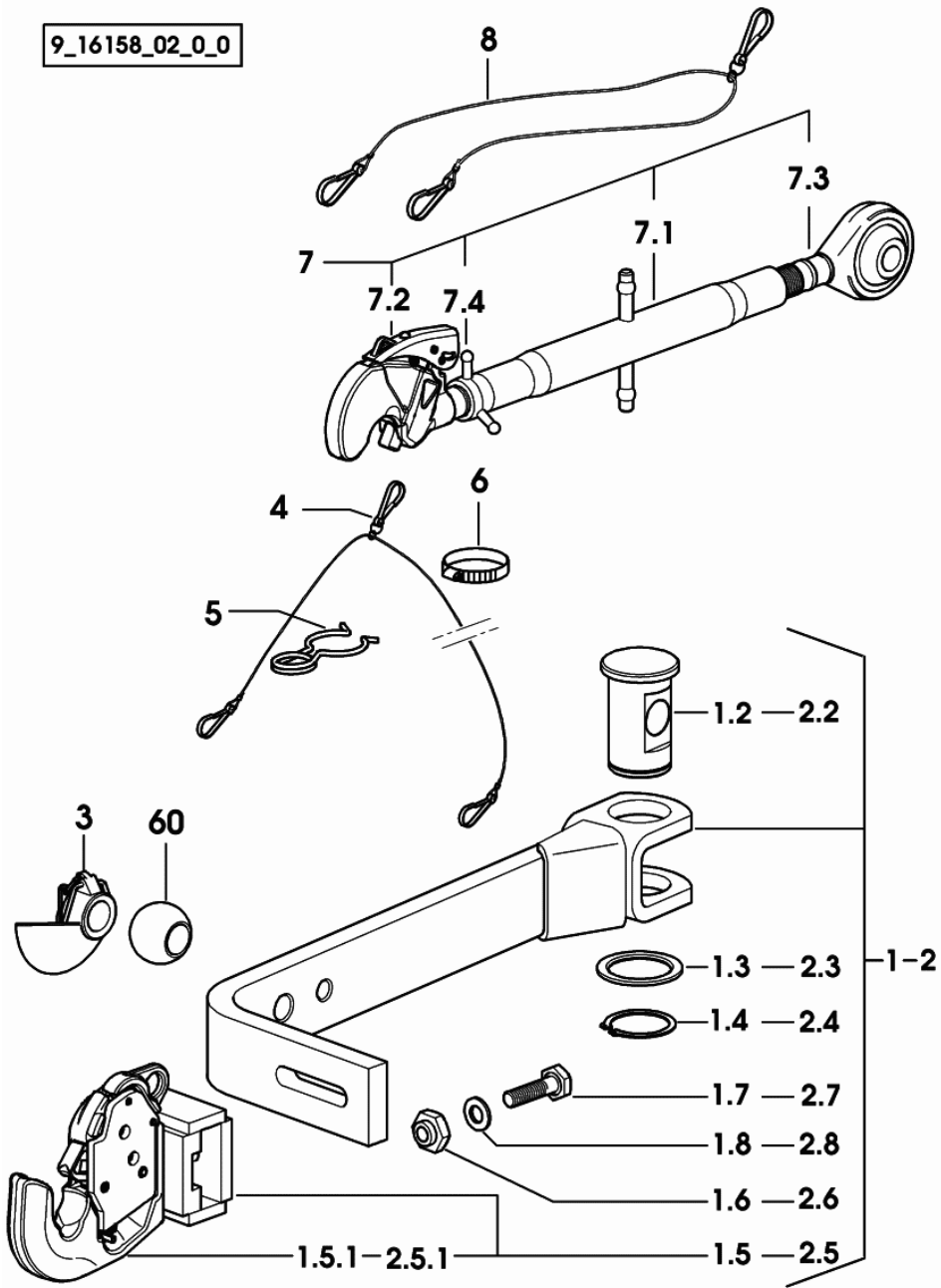


Fig.	Code	QTY	Name
35	0.010.4410.0	1	knob
36	2.1549.345.2	1	spacer 12x14.5x3.5
37	2.1011.307.2	1	nut m 12
38	2.1310.004.2	1	flat washer 8.5
39	0.010.4415.0	1	pin
40	0.013.5888.4	1	rod
40.1	0.013.5888.3	1	rod
40.2	0.011.7951.3	1	pin
40.3	0.011.4340.3/10	1	pin
40.4	0.010.4511.0	2	small block
40.5	2.1655.004.0	4	pin 3x14
41	0.011.4322.4/20	1	transmission
42	2.0512.004.2	2	grain m 5 p.0.8 x 12
43	2.1579.838.2	1	spacer 13.2x25x10
44	0.011.7081.2	1	bracket
45	2.1579.801.2	1	spacer 9x15x4
46	2.0312.214.2	1	screw m 8 p.1.25 x 40
50	0.011.2620.0	1	plate

9_D4188_25_0_B

9_16158_02_0_0



Section: ACCESSORIES

THREE-POINT COUPLING - TOP/LOWER LINK - AUTOM.

Fig.	Code	QTY	Name
			☞ 0E.00.64
7.3	0.760.3515.3	1	rod sx/lh/li
7.4	0.96014.57.0	1	wing nut m 27 p.3
8	0.009.3534.0	1	cable
60	0.760.5952.0	2	cap Ø 56

Section: ACCESSORIES

REAR TOWING HITCH (GRASSI) CAT. " C "

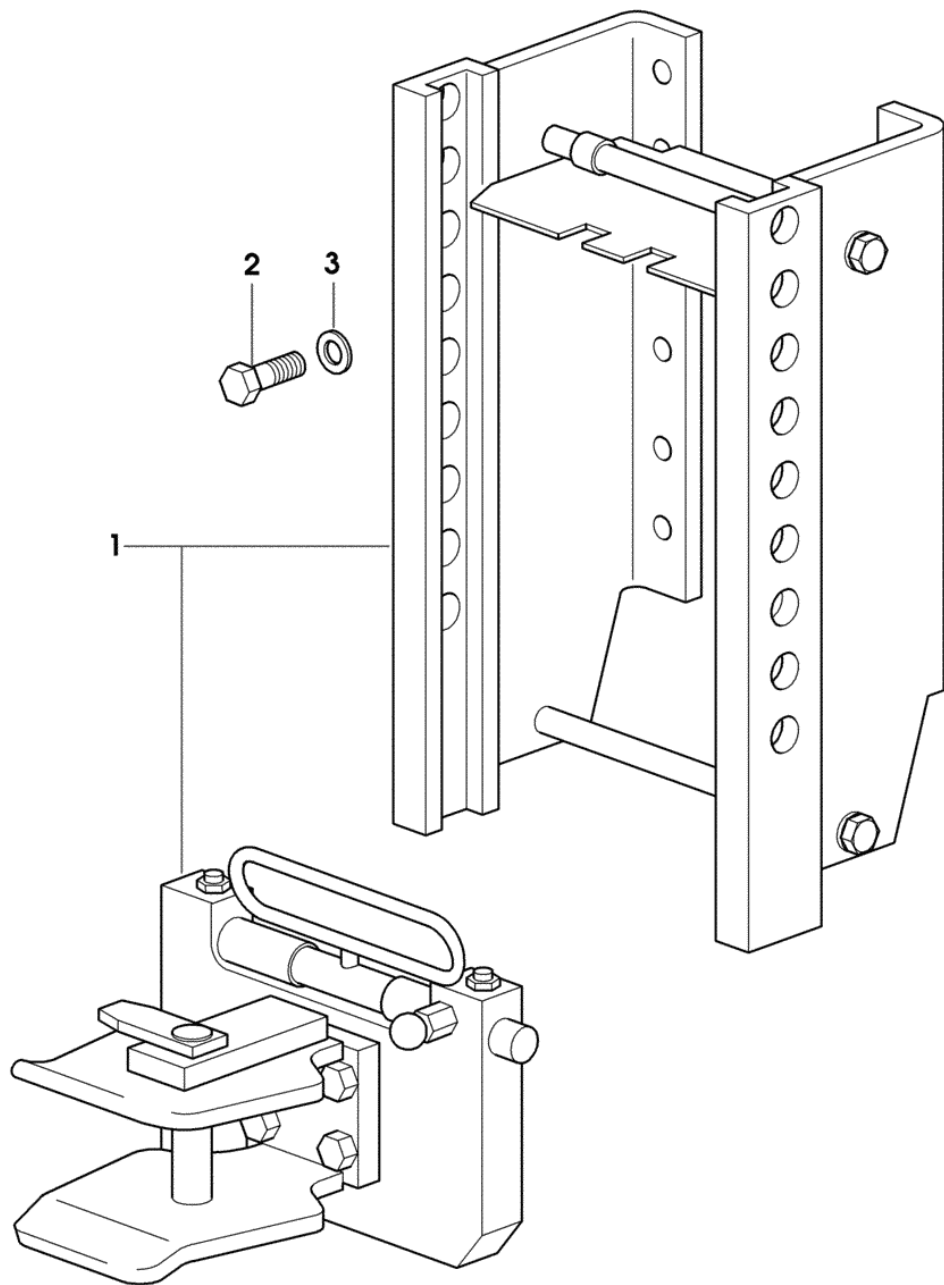
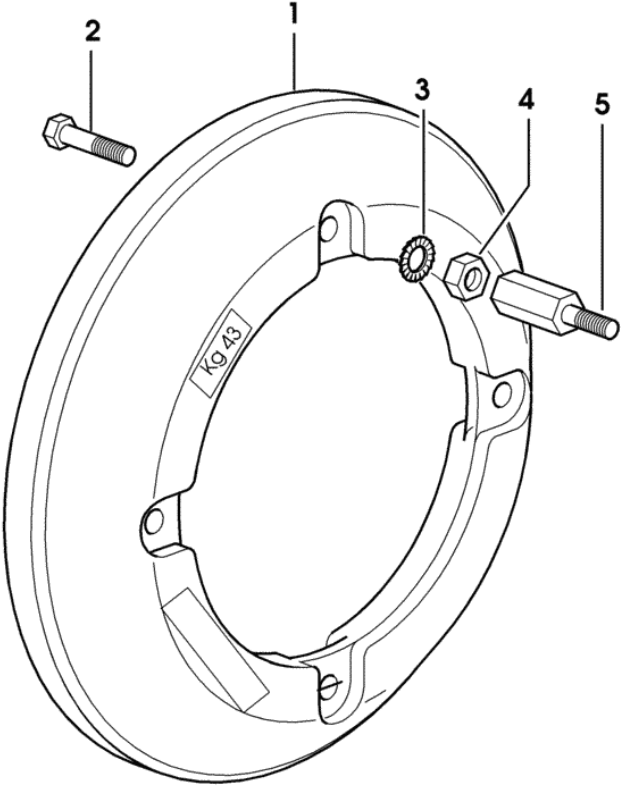


Fig.	Code	QTY	Name
1	0.012.6369.4/10	1	tow hook CAT. " C " COMPONENT PARTS SEE COMPONENTS LIST ☞ 0.012.6374.4/10 ☞ 0.012.6369.4/10 ☞ 0E.00.70
2	2.0113.615.2	12	screw m 16 p.2 x 40
3	2.1475.206.2	12	washer 16

9_21631_70_0_0

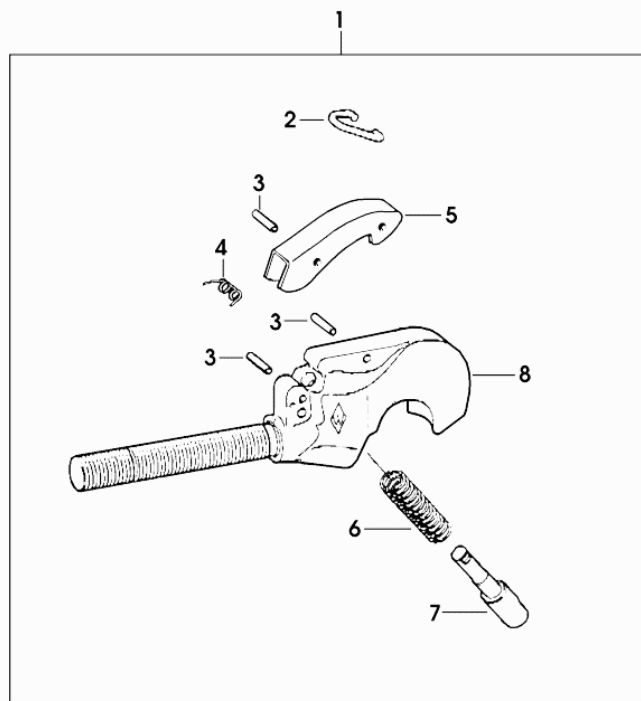
Section: ACCESSORIES
WHEEL BALLAST

Fig.	Code	QTY	Name
1	0.135.5540.0/10	4	ballast 43 Kg
2	2.0122.623.2	8	screw m 16 p.1.5x70
3	2.1470.009.2	16	lock washer 16
4	2.1011.309.2	8	nut m 16 p.1.5
5	0.001.8527.0	8	small column



9_40555_90_0_0

3-POINT HITCH - ADJUSTABLE RH RODS

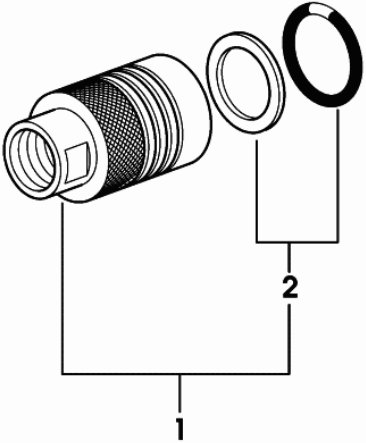


011_3988_3

Fig.	Code	QTY	Name
1	0.011.3988.3	1	rod 2 cat.- WALTERSCHEID
2	0.009.4731.1	1	spring
3	0.009.4677.2	3	pin 6 x 28
4	0.009.4731.2	1	lever
5	0.010.2786.2	1	lever
6	0.010.2787.0	1	spring
7	0.010.2787.1	1	pin
8	0.000.0000.1	0	not serviceable

Section: ACCESSORIES
ENGAGEMENT

Fig.	Code	QTY	Name
1	0.98309.50.3/10	1	coupling
2	04438079	1	seal ring kit



0_98309_50_3_10

Section: BODY WORK

HOOD

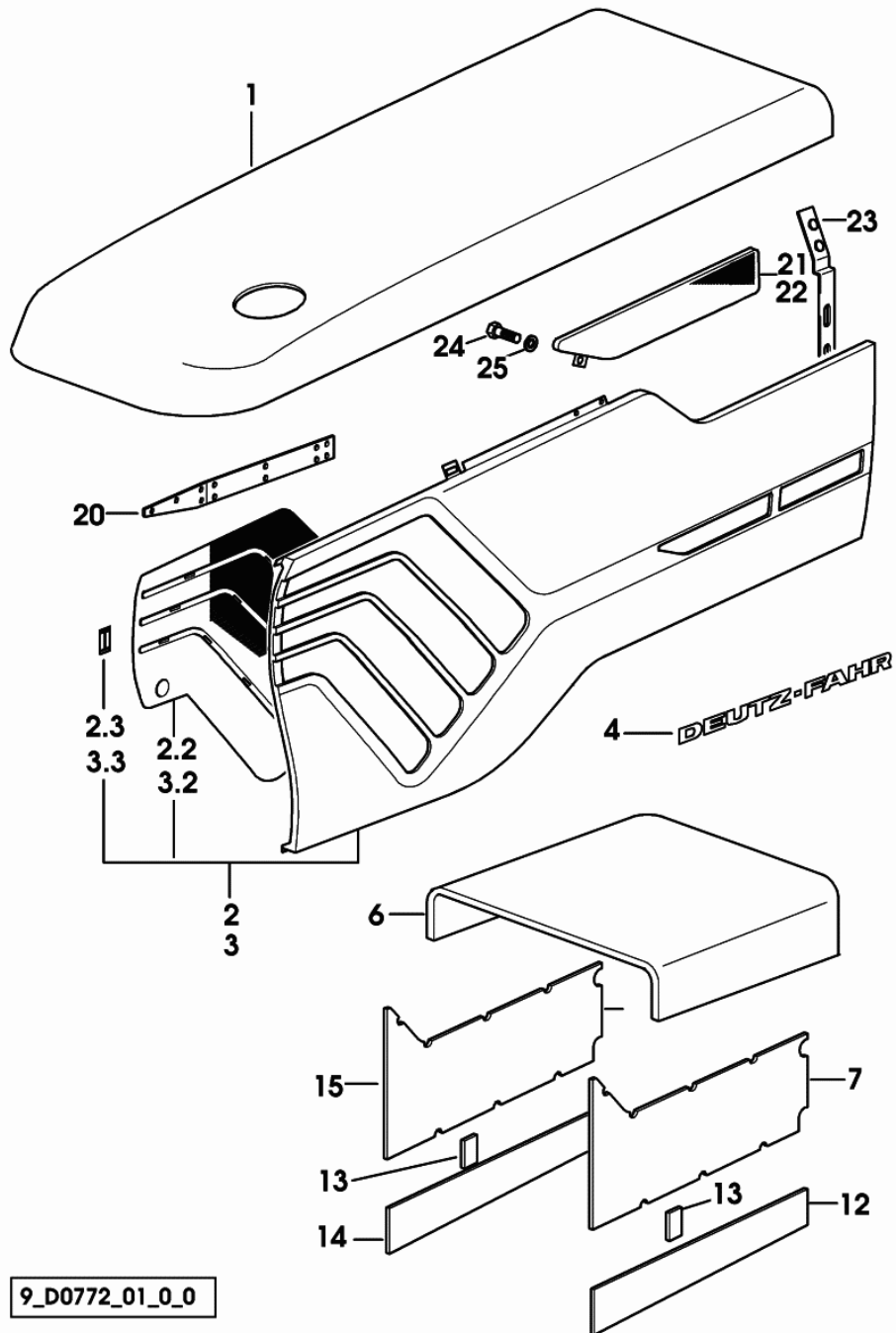
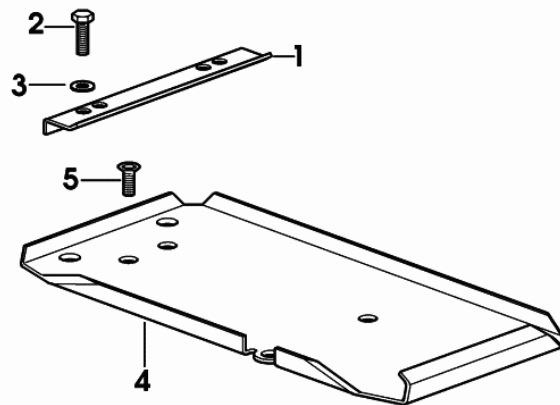


Fig.	Code	QTY	Name
1	0.011.7991.4	1	bonnet
2	0.012.9460.4/10	1	lift hand side panel sx/lh/li
2.2	0.011.8023.0	1	grille
2.3	0.012.1492.0	9	small spring
3	0.012.9458.4/10	1	right h.side panel dx/rh/re
3.2	0.011.8024.0	1	grille
3.3	0.012.1492.0	9	small spring
4	0.010.4265.0	1	plate DEUTZ-FAHR
6	0.013.8880.0	1	panel
7	0.011.8642.0	1	guard
12	0.010.6571.0	1	panel sx/lh/li
13	0.010.6574.0	2	panel
14	0.010.6780.0	1	shield dx/rh/re
15	0.011.8643.0	1	shield
20	0.010.7287.0	1	bracket
21	0.011.9153.2/10	1	grille dx/rh/re
22	0.011.9150.2/10	1	grille sx/lh/li
23	0.010.7123.2/10	2	bracket
24	2.0350.255.3	2	screw m 3.5 x 16 -AB-
25	2.1312.001.2	2	washer 4

9_D0772_01_0_0

Section: BODY WORK
BATTERY SUPPORT

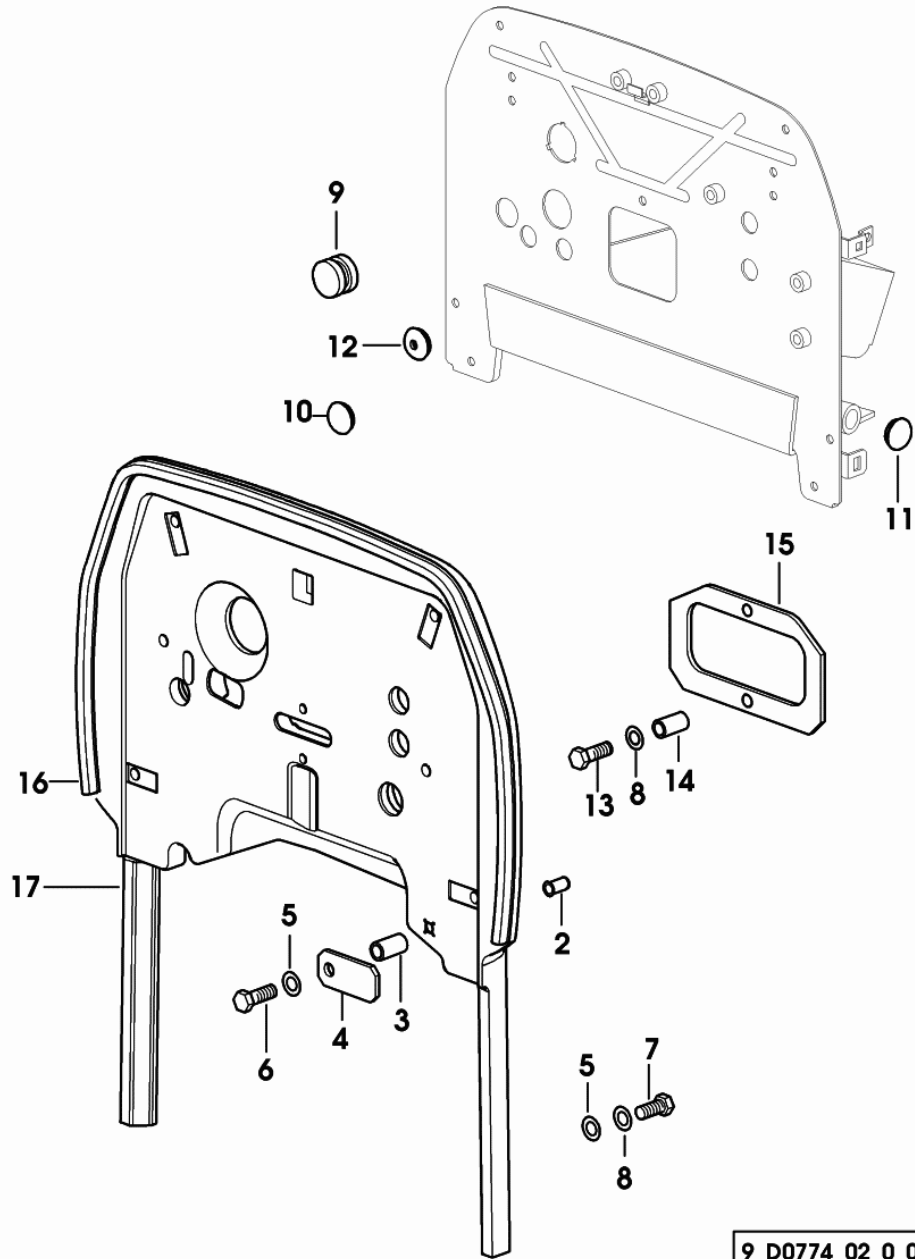
Fig.	Code	QTY	Name
1	0.011.1214.0/20	1	small plate
2	2.0112.213.2	2	screw m 8 p.1.25 x 35
3	2.1310.004.2	2	flat washer 8.5
4	0.010.8251.3/10	1	battery support
5	2.0342.303.6	3	screw m 8 p. 1.25x16



9_70573_00_0_0

Section: BODY WORK
INSTRUMENT PANEL SURROUND

Fig.	Code	QTY	Name
2	2.1142.010.2	4	insert m 6
3	2.1549.391.2	4	spacer 8.4x12x25
4	0.013.4116.0	4	small plate
5	2.1310.002.2	10	washer 6.6, d125
6	2.0112.019.2	6	screw m 6 p.1 x 50
7	2.0112.005.2	4	screw m 6 p.1 x 16
8	2.1470.002.2	6	washer 6, d128
9	2.3199.115.0	1	plug 38x12
10	0.010.1453.0	4	plug 22
11	0.9200.178.0	4	plug Ø 17
12	2.6569.052.0	1	rubber plug
13	2.0112.017.2	2	screw m 6 p.1x45
14	2.1549.440.2	2	spacer
15	0.011.3907.3	1	flange
16	0.013.6950.0	0	gasket
17	0.013.6770.0/10	1	frame



9_D0774_02_0_0

101

Section: BODY WORK
SPEED DATA PLATES MPH

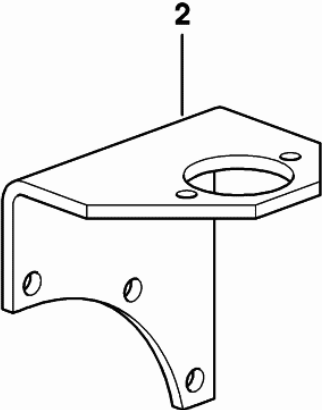
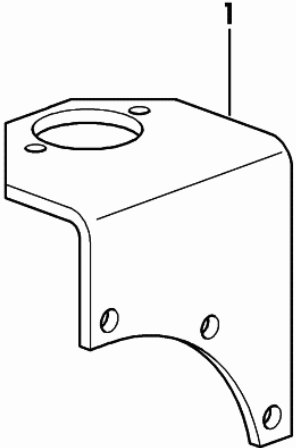
Fig.	Code	QTY	Name
101	0.000.0000.1	0	not serviceable
101.10	2.9929.982.0	1	plate 18 MPH
101.11	2.9929.983.0	1	plate 18 MPH
101.12	2.9929.984.0	1	plate 18 MPH, 30 + 15
101.13	2.9929.985.0	1	plate 18 MPH
101.14	2.9929.986.0	1	plate 25 MPH
101.15	2.9929.987.0	1	plate 25 MPH, 20 + 10
101.16	2.9929.988.0	1	plate 25 MPH, 30 + 15
101.17	2.9929.989.0	1	plate 25 MPH
101.18	2.9929.990.0	1	plate 25 MPH, 45 + 45 ECO

101.10

ENGINE	1400	1800	1967	2200	RPM		
1L	0.42	0.51	0.54	0.69	0.77	0.86	0.90
2L	0.87	0.91	0.96	1.04	1.14	1.15	1.27
3L	1.06	1.28	1.36	1.63	1.49	1.60	1.66
4L	1.67	2.03	2.15	2.61	2.35	2.46	2.63
5L	2.31	2.81	2.99	3.63	3.30	3.44	3.44
6L	3.07	3.74	3.92	4.73	4.36	4.51	4.51
7L	3.94	4.84	5.02	6.04	5.67	5.82	5.82
8L	4.94	6.04	6.22	7.63	7.16	7.31	7.31
9L	6.04	7.31	7.49	9.12	8.55	8.70	8.70
10L	7.31	8.70	8.88	10.91	10.24	10.39	10.39
11L	8.70	10.39	10.57	12.80	12.03	12.18	12.18
12L	10.19	12.18	12.36	15.00	14.13	14.28	14.28
13L	11.78	14.28	14.46	17.41	16.46	16.61	16.61
14L	13.47	16.61	16.79	20.03	19.06	19.21	19.21
15L	15.26	18.90	19.08	22.86	21.79	21.94	21.94
16L	17.15	21.94	22.12	25.91	24.62	24.77	24.77
17L	19.14	24.77	24.95	29.18	27.55	27.70	27.70
18L	21.23	27.70	27.88	32.67	30.52	30.67	30.67
19L	23.42	30.67	30.85	36.38	33.59	33.74	33.74
20L	25.71	33.74	33.92	40.31	36.76	36.91	36.91
21L	28.10	36.91	37.09	44.46	40.03	40.18	40.18
22L	30.59	40.18	40.36	48.83	43.40	43.55	43.55
23L	33.18	43.55	43.73	53.43	46.87	47.02	47.02
24L	35.87	47.02	47.20	58.25	50.44	50.59	50.59
25L	38.66	50.59	50.77	63.29	54.11	54.26	54.26
26L	41.55	54.26	54.44	68.55	57.88	58.03	58.03
27L	44.54	58.03	58.21	73.93	61.75	61.90	61.90
28L	47.63	61.90	62.08	79.43	65.72	65.87	65.87
29L	50.82	65.87	66.05	85.05	69.79	69.94	69.94
30L	54.11	69.94	70.12	90.79	73.96	74.11	74.11
31L	57.50	74.11	74.29	96.65	78.23	78.38	78.38
32L	60.99	78.38	78.56	102.63	82.60	82.75	82.75
33L	64.58	82.75	82.93	108.73	87.07	87.22	87.22
34L	68.27	87.22	87.40	114.95	91.64	91.79	91.79
35L	72.06	91.79	91.97	121.29	96.31	96.46	96.46
36L	75.95	96.46	96.64	127.75	101.08	101.23	101.23
37L	79.94	101.23	101.41	134.33	105.95	106.10	106.10
38L	84.03	106.10	106.28	140.93	110.92	111.07	111.07
39L	88.22	111.07	111.25	147.55	115.99	116.14	116.14
40L	92.51	116.14	116.32	154.19	121.16	121.31	121.31
41L	96.90	121.31	121.49	160.85	126.43	126.58	126.58
42L	101.39	126.58	126.76	167.53	131.80	131.95	131.95
43L	105.98	131.95	132.13	174.23	137.27	137.42	137.42
44L	110.67	137.42	137.60	180.95	142.84	142.99	142.99
45L	115.46	142.99	143.17	187.69	148.51	148.66	148.66
46L	120.35	148.66	148.84	194.45	154.28	154.43	154.43
47L	125.34	154.43	154.61	201.23	160.15	160.30	160.30
48L	130.43	160.30	160.48	208.03	166.12	166.27	166.27
49L	135.62	166.27	166.45	214.85	172.19	172.34	172.34
50L	140.91	172.34	172.52	221.69	178.36	178.51	178.51
51L	146.30	178.51	178.69	228.55	184.63	184.78	184.78
52L	151.79	184.78	184.96	235.43	191.00	191.15	191.15
53L	157.38	191.15	191.33	242.33	197.47	197.62	197.62
54L	163.07	197.62	197.80	249.25	204.04	204.19	204.19
55L	168.86	204.19	204.37	256.19	210.71	210.86	210.86
56L	174.75	210.86	211.04	263.15	217.48	217.63	217.63
57L	180.74	217.63	217.81	270.13	224.35	224.50	224.50
58L	186.83	224.50	224.68	277.13	231.32	231.47	231.47
59L	192.92	231.47	231.65	284.15	238.39	238.54	238.54
60L	199.11	238.54	238.72	291.19	245.56	245.71	245.71
61L	205.40	245.71	245.89	298.25	252.83	252.98	252.98
62L	211.79	252.98	253.16	305.33	260.20	260.35	260.35
63L	218.28	260.35	260.53	312.43	267.67	267.82	267.82
64L	224.87	267.82	268.00	319.55	275.24	275.39	275.39
65L	231.56	275.39	275.57	326.69	282.91	283.06	283.06
66L	238.35	283.06	283.24	333.85	290.68	290.83	290.83
67L	245.24	290.83	291.01	341.03	298.55	298.70	298.70
68L	252.23	298.70	298.88	348.23	306.52	306.67	306.67
69L	259.32	306.67	306.85	355.45	314.59	314.74	314.74
70L	266.51	314.74	314.92	362.69	322.76	322.91	322.91
71L	273.80	322.91	323.09	369.95	331.03	331.18	331.18
72L	281.19	331.18	331.36	377.23	339.40	339.55	339.55
73L	288.68	339.55	339.73	384.53	347.87	348.02	348.02
74L	296.27	348.02	348.20	391.85	356.44	356.59	356.59
75L	303.96	356.59	356.77	399.19	365.11	365.26	365.26
76L	311.75	365.26	365.44	406.55	373.88	374.03	374.03
77L	319.64	374.03	374.21	413.93	382.75	382.90	382.90
78L	327.63	382.90	383.08	421.33	391.72	391.87	391.87
79L	335.72	391.87	392.05	428.75	400.79	400.94	400.94
80L	343.91	400.94	401.12	436.19	409.96	410.11	410.11
81L	352.20	410.11	410.29	443.65	419.23	419.38	419.38
82L	360.59	419.38	419.56	451.13	428.60	428.75	428.75
83L	369.08	428.75	428.93	458.63	438.07	438.22	438.22
84L	377.67	438.22	438.40	466.15	447.64	447.79	447.79
85L	386.36	447.79	447.97	473.69	457.31	457.46	457.46
86L	395.15	457.46	457.64	481.25	467.08	467.23	467.23
87L	404.04	467.23	467.41	488.83	476.95	477.10	477.10
88L	413.03	477.10	477.28	496.43	486.92	487.07	487.07
89L	422.12	487.07	487.25	504.05	497.09	497.24	497.24
90L	431.31	497.24	497.42	511.69	507.36	507.51	507.51
91L	440.60	507.51	507.69	519.35	517.73	517.88	517.88
92L	450.09	517.88	518.06	527.03	528.20	528.35	528.35
93L	459.68	528.35	528.53	534.73	538.77	538.92	538.92
94L	469.37	538.92	539.10	542.45	549.44	549.59	549.59
95L	479.16	549.59	549.77	550.19	560.21	560.36	560.36
96L	489.05	560.36	560.54	557.95	571.08	571.23	571.23
97L	499.04	571.23	571.41	565.71	582.05	582.20	582.20
98L	509.13	582.20	582.38	573.49	593.12	593.27	593.27
99L	519.32	593.27	593.45	581.29	604.29	604.44	604.44
100L	529.61	604.44	604.62	589.11	615.56	615.71	615.71
101L	540.00	615.71	615.89	596.95	626.93	627.08	627.08
102L	550.49	627.08	627.26	604.81	638.40	638.55	638.55
103L	561.08	638.55	638.73	612.69	650.07	650.22	650.22
104L	571.77	650.22	650.40	620.59	661.84	661.99	661.99
105L	582.56	661.99	662.17	628.51	673.71	673.86	673.86
106L	593.45	673.86	674.04	636.45	685.68	685.83	685.83
107L	604.44	685.83	686.01	644.41	697.75	697.90	697.90
108L	615.53	697.90	698.08	652.39	709.92	710.07	710.07
109L	626.72	710.07	710.25	660.39	722.19	722.34	722.34
110L	638.01	722.34	722.52	668.41	734.56	734.71	734.71
111L	649.40	734.71	734.89	676.45	747.03	747.18	747.18
112L	660.89	747.18	747.36	684.51	759.60	759.75	759.75
113L	672.48	759.75	759.93	692.59	772.27	772.42	772.42
114L	684.17	772.42	772.60	700.69	785.04	785.19	785.19
115L	695.96	785.19	785.37	708.81	797.91	798.06	798.06
116L	707.85	798.06	798.24	716.95	810.88	810.93	810.93
117L	719.84	810.93	811.11	725.11	823.95	824.10	824.10
118L	731.93						

Section: BODY WORK
SUPPORTS

Fig.	Code	QTY	Name
1	0.013.5814.0	1	bracket dx/rh/re
2	0.013.5815.0	1	bracket sx/lh/li

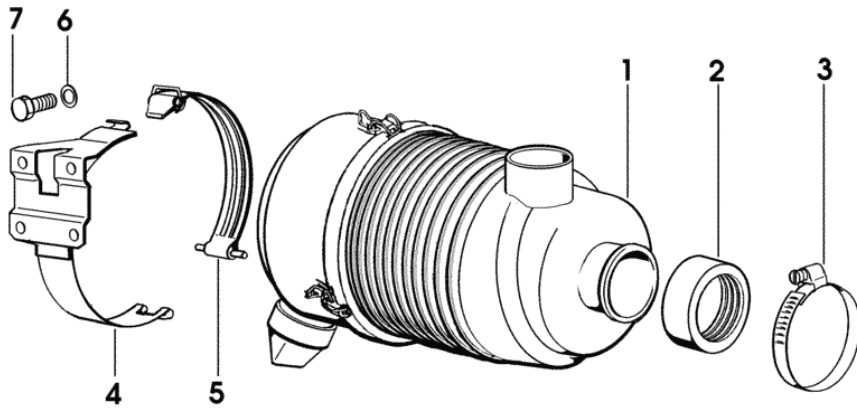


9_D4176_06_0_02

Section: BODY WORK

FUEL SUPPLY - AIR FILTER 7"

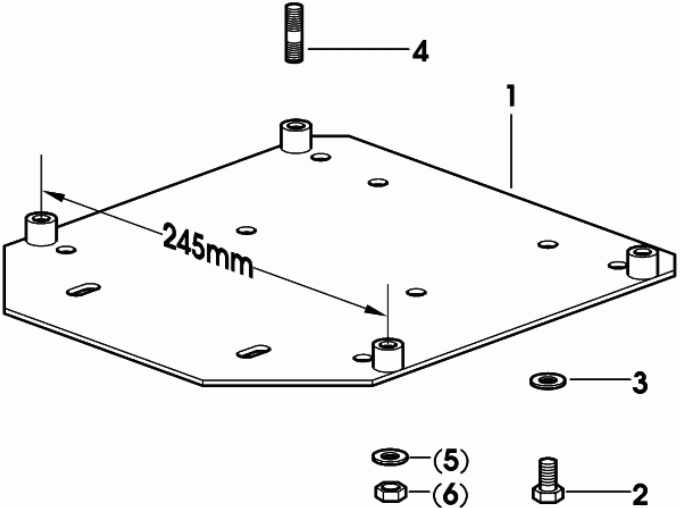
Fig.	Code	QTY	Name
1	2.4249.610.0	1	air filter 7" COMPONENT PARTS SEE COMPONENTS LIST ☞ 2.4249.610.0 ☞ 07.00.21
2	0.009.9128.0	1	spacer
3	2.6850.014.0	1	clamp 60-115
4	0.011.8219.3	1	support
5	0.261.8367.2/20	1	rod
6	2.1470.004.2	4	washer 8
7	2.0112.207.2	4	screw m 8 p 1.25 x 20



9_19281_01_0_0

Section: BODY WORK
SEAT SUPPORT PLATE

Fig.	Code	QTY	Name
1	0.010.6373.2/10	1	plate
2	2.0112.204.2	4	screw m 8 p.1.25x14
3	2.1310.004.2	4	flat washer 8.5
4	2.0432.001.2	4	stud bolt m 8 p.1 x 16



9_70575_00_0_0

Section: BODY WORK
SEAT-COMPONENTS

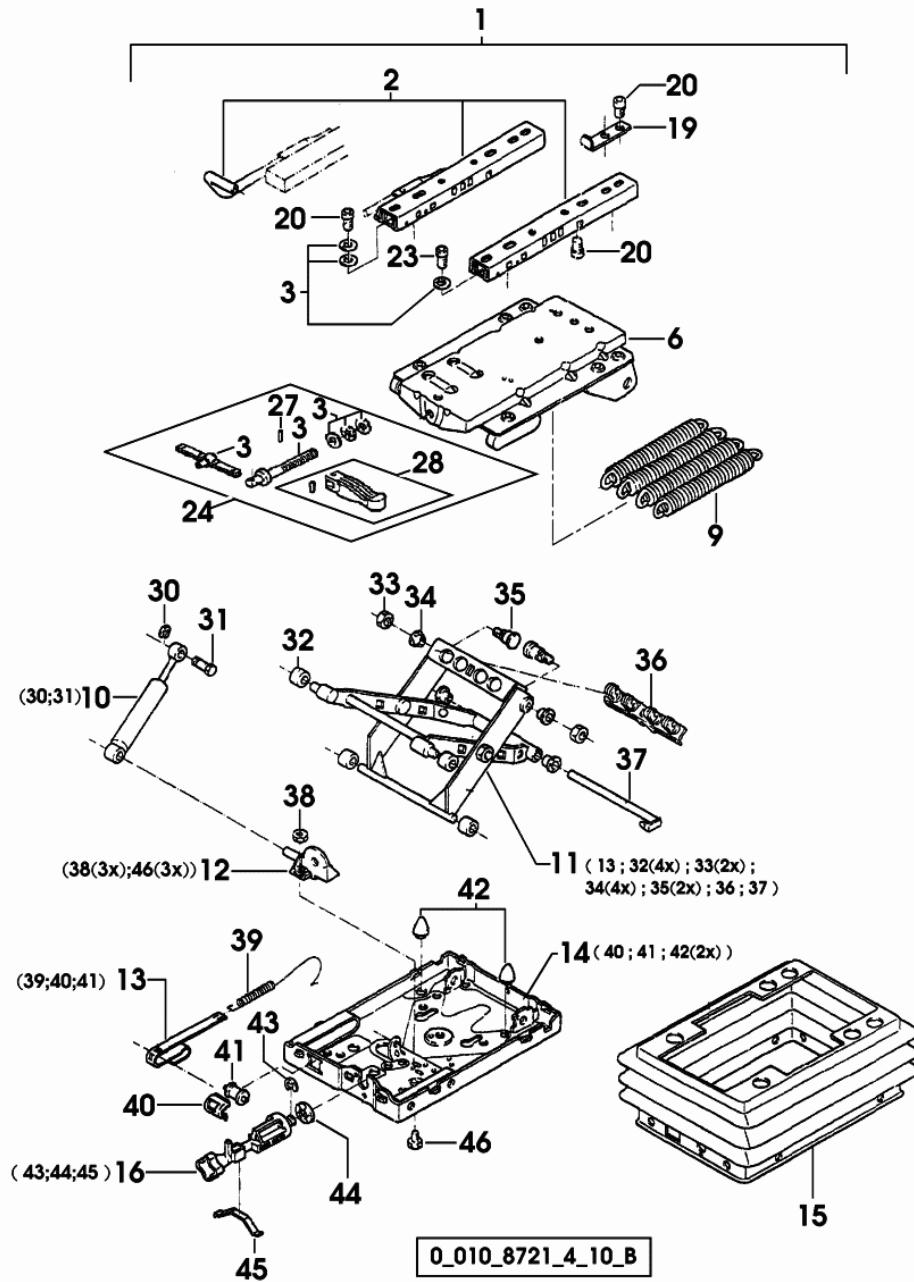
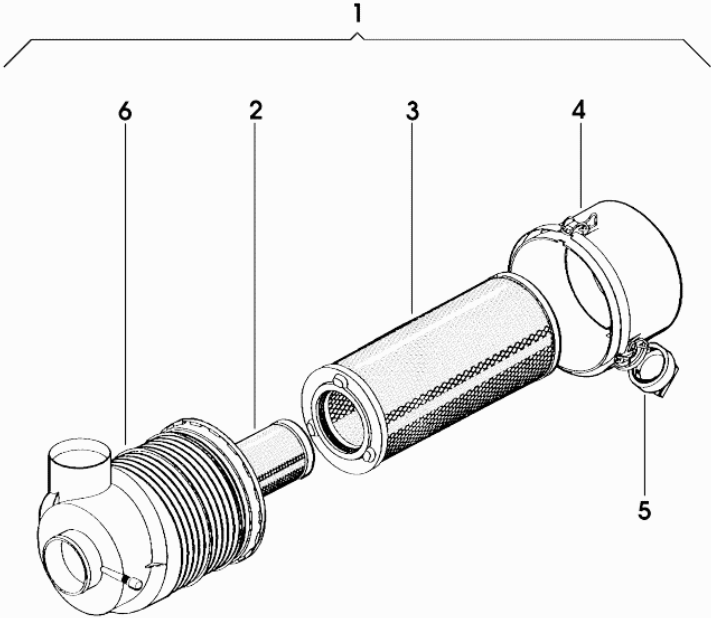


Fig.	Code	QTY	Name
1	0.010.2963.1	1	seat springs
2	0.010.2962.0	1	seat guide
6	0.010.2963.2	1	plate
9	0.009.4494.2	4	spring
10	0.009.4494.1	1	shoch.absorber
11	0.010.2964.1	1	seat springs
12	0.010.2964.2	1	stop
13	0.010.2965.0	1	register
14	0.010.2965.1	1	plate
15	0.010.2965.2	1	guard
16	0.009.4495.2	1	regulator
19	0.010.2966.0	1	small plate
20	0.010.2405.0	2	pin m 8 x 16
23	0.010.2966.1	3	screw m 8 x 12
24	0.010.2964.0	1	register
27	0.010.3874.0	1	pin 3x12
28	0.010.2074.2	1	fork
30	0.000.0000.1	0	not serviceable
31	0.010.2966.2	1	screw
32	0.009.4726.1	4	roller
33	0.010.2948.1	2	nut m 8
34	0.009.4715.1	4	spacer
35	0.010.2967.0	2	pin
36	0.010.2967.1	1	clevis
37	0.010.2967.2	1	pin m 10
38	0.009.4377.0	3	nut
39	0.009.4498.2	1	spring
40	0.009.4496.0	1	bracket
41	0.009.4496.1	1	roller
42	0.010.2275.1	2	stop
43	0.000.0000.1	0	not serviceable
44	0.000.0000.1	0	not serviceable
45	0.000.0000.1	0	not serviceable
46	0.000.0000.1	0	not serviceable

Section: BODY WORK
AIR FILTER PARTS

Fig.	Code	QTY	Name
1	2.4249.610.0	1	air filter 7"
2	0.010.2094.0	1	internal air filter element
3	0.010.2095.0	1	external air filter element
4	0.010.2096.0	1	cover
5	0.010.2097.0	1	valve
6	0.000.0000.1	0	not serviceable



2_4249_610_0

Section: ELECTRIC AL SYSTEM

PREARRANGEMENT FOR WARNING BEACON

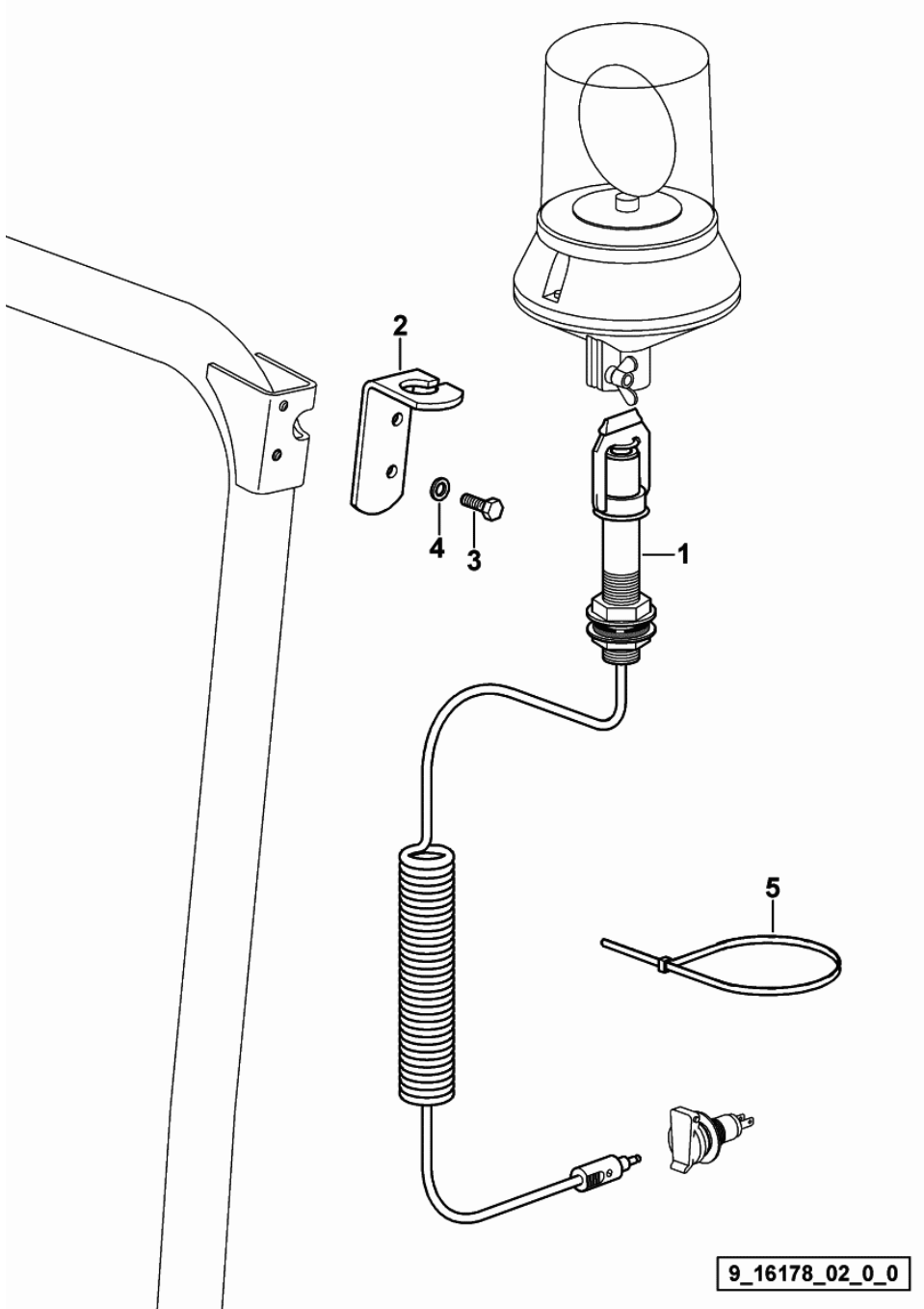
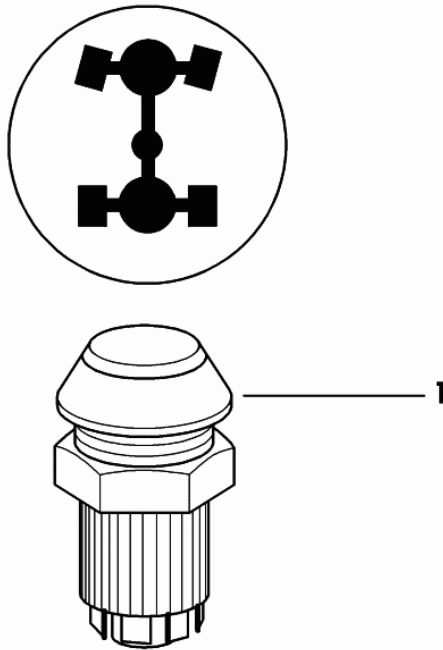


Fig.	Code	QTY	Name
1	0.011.7840.4	1	wire COMPONENT PARTS SEE COMPONENTS LIST ☞ 0.011.7840.4 ☞ 08.00.50
2	0.012.6564.0/10	1	bracket
3	2.0112.205.2	2	screw m 8 p.1.25 x 16
4	2.1310.004.2	2	flat washer 8.5
5	2.6852.203.0	5	clamp 292 x 4.8

9_16178_02_0_0

Section: ELECTRIC AL SYSTEM
4WD - ENGAGEMENT CONTROL

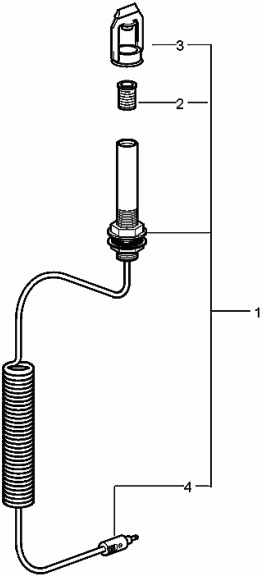
Fig.	Code	QTY	Name
1	0.007.5945.0/20	1	switch 4 WD



9_52684_04_0_0

Section: ELECTRIC AL SYSTEM
FLASHING LIGHT SUPPORT

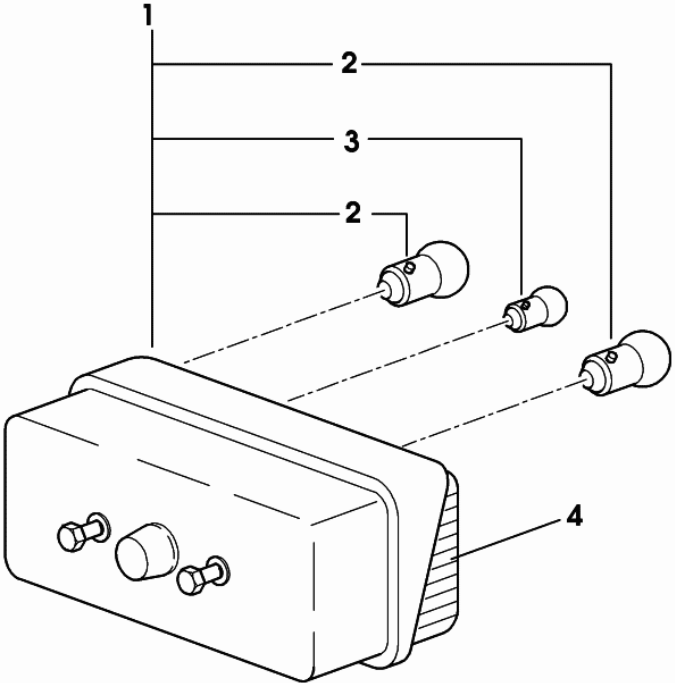
Fig.	Code	QTY	Name
1	0.011.7840.4	1	wire
2	0.010.3304.0	1	coupling
3	0.009.6650.0	1	cap
4	0.010.3304.2	1	piston pin



0.011.7840.4

Section: ELECTRIC AL SYSTEM
HEADLAMP COMPONENTS

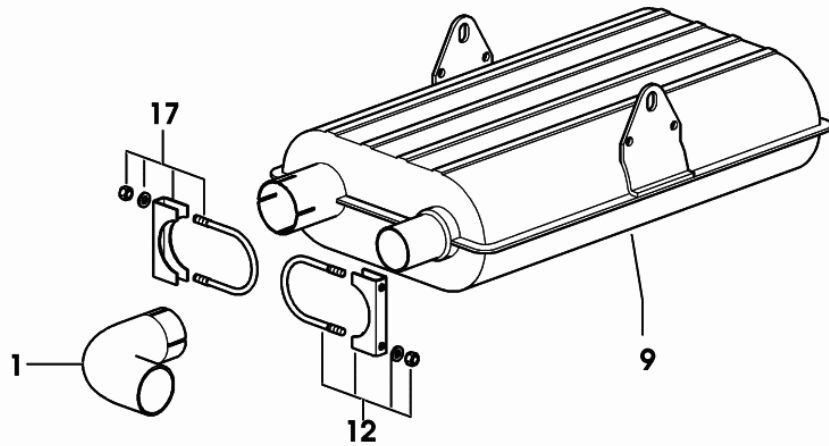
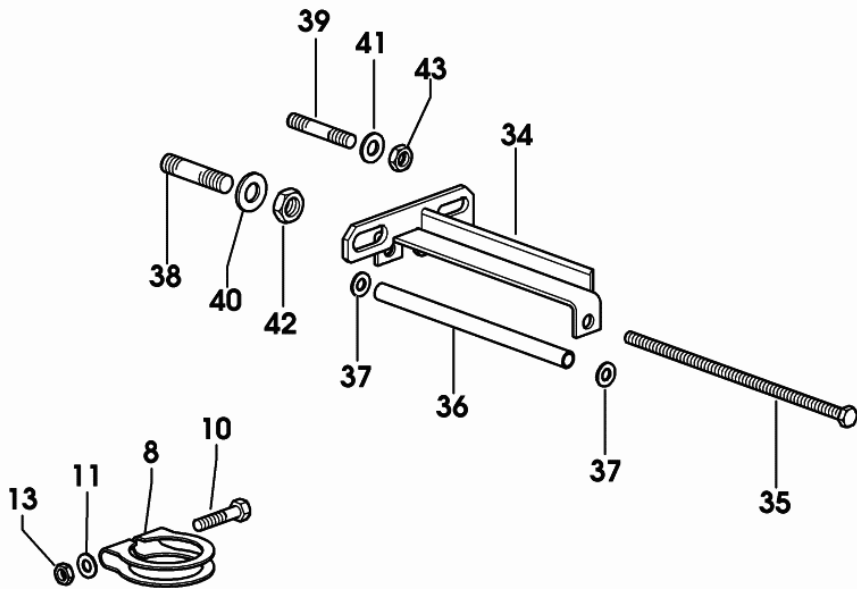
Fig.	Code	QTY	Name
1	2.8059.523.0	1	lamp sx/lh/li
2	0.010.3487.0	2	lamp 12V - 21W
3	0.900.0049.6	1	lamp 12 V, 5 W
4	2.8019.860.1	1	light body sx/lh/li



2_8059_523_0

Section: ENGINE
EXHAUST SILENCER

Fig.	Code	QTY	Name
1	0.008.3287.0/10	1	exhaust
8	0.011.1316.0	1	clamp
9	0.008.3943.2/40	1	silencer
10	2.0119.234.3	1	screw m 10 p 1.5x80
11	2.1310.006.3	2	flat washer 10.5x21x2
12	0.431.5651.4	1	clamp
13	2.1011.106.3	1	nut m 10
17	0.467.5651.4	1	clamp
34	0.013.6922.3	1	bracket
35	0.013.7090.0	1	pin
36	0.013.7091.0/10	1	spacer
37	2.1310.006.2	2	flat washer 10.5
38	2.0422.609.2	1	stud bolt m 16 p.2x35
39	2.0422.411.2	1	stud bolt m 12 x 40
40	2.1310.010.2	1	flat washer 16
41	2.1310.007.2	1	flat washer 13.5
42	2.1011.109.2	1	nut m 16 p.2
43	2.1011.107.2	1	nut m 12 p.1.75



9_D4156_00_0_0

Section: ENGINE

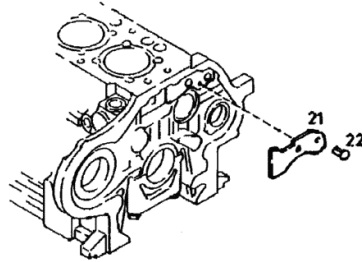
CLOSING COMPONENTS

Fig.	Code	QTY	Name
------	------	-----	------

Engine Serial Numbers:

8684362 8684363 8690234 8692890 8694855 8694856 8694857 8694858 8694859 8694860 8694861 8694862
 8694863 8694864 8694872 8706399 8706400 8706401 8706402 8706403 8708035 8708036 8708037 8708038
 8708039 8709237 8709238 8709239 8709240 8709241

21	02231082	1	lamination UNTIL THE ASSEMBLY MONTH OF 09.1988
22	01115333	2	self tapping screw ISO 008746- 6 X10-ST-A4C 00000000
000 © 950	04156862	1	lamination FROM THE ASSEMBLY MONTH OF 10.1988



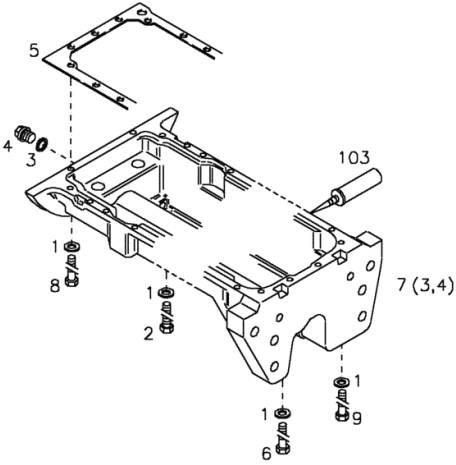
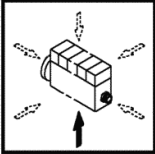
Section: ENGINE
OIL PAN

Fig.	Code	QTY	Name
------	------	-----	------

Engine Serial Numbers:

8684362 8684363 8690234 8692890 8694855 8694856 8694857 8694858 8694859 8694860 8694861 8694862
 8694863 8694864 8694872 8706399 8706400 8706401 8706402 8706403 8708035 8708036 8708037 8708038
 8708039 8709237 8709238 8709239 8709240 8709241

1	01148124	15	washer 8,4
2	01148239	12	screw m 8
3	01118737	1	'o' ring 22 x 27
4	01139720	1	screw
5	03362573	1	gasket
6	01148314	1	screw
7	02931271	1	oil pan WITH ITEM (3,4)
8	01111205	2	screw
9	01111237	3	screw
10	01216143	3	ring compound
103	01016120	1	



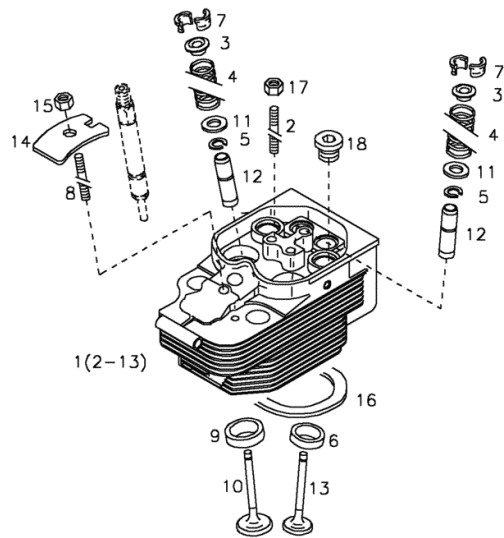
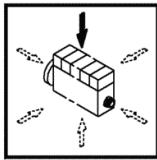
Section: ENGINE
CYLINDER HEAD

Fig.	Code	QTY	Name
------	------	-----	------

Engine Serial Numbers:

8684362 8684363 8690234 8692890 8694855 8694856 8694857 8694858 8694859 8694860 8694861 8694862
8694863 8694864 8694872 8706399 8706400 8706401 8706402 8706403 8708035 8708036 8708037 8708038
8708039 8709237 8709238 8709239 8709240 8709241

1	04234264	1	engine head WITH ITEM (2-13)
2	01144534	3	screw DIN 000835-M 8 SN4X 55 - 8.8
3	03371748	2	cup
4	03369305	2	spring
5	01215500	2	circlip
6	02137306	1	ring mm 40.16
7	02108102	4	half shell H 007020-MK 8
8	01148425	1	stud bolt DIN 000835-M10 SN4X 50 - 8.8-ZNAL-A
9	04231325	1	ring
10	04231479	1	screw
11	04232070	2	filler
12	04231976	2	valve guide
13	04159137	1	valve
14	04233861	1	support
15	01148419	1	nut DIN 000934-M10 - 8-ZNAL-A
16	04157656	1	ring mm 1.20
17	01112824	3	nut m 8, d934 ISO 004032-M 8 - 8-A4C
18	01148136	2	screw DIN 000908-M26X1,5-ST *
950	02137307	0	screw mm 40.26
951	02137308	0	ring mm 40.36
952	02137309	0	ring mm 40.46
953	04231326	0	ring
954	04231327	0	ring
955	04231328	0	ring
956	04231977	0	valve guide
957	04231978	0	valve guide
958	04157467	0	shim mm 1.45
959	04157469	0	shim mm 1.55
960	04157471	0	shim mm 1.65
961	04157663	0	shim mm 1.90
962	04157655	0	shim mm 1.15



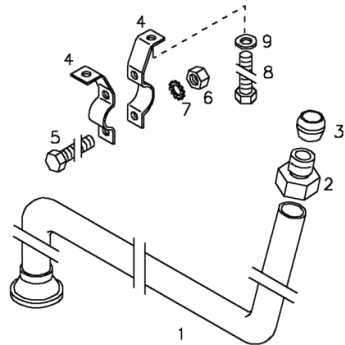
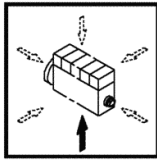
Section: ENGINE
OIL INTAKE LINE

Fig.	Code	QTY	Name
------	------	-----	------

Engine Serial Numbers:

8684362 8684363 8690234 8692890 8694855 8694856 8694857 8694858 8694859 8694860 8694861 8694862
 8694863 8694864 8694872 8706399 8706400 8706401 8706402 8706403 8708035 8708036 8708037 8708038
 8708039 8709237 8709238 8709239 8709240 8709241

1	04232029	1	tube
2	01216500	1	screw
3	01216512	1	ring
4	03363064	2	hose clip
5	01103316	2	screw m 6 p.1.0 x 16 ISO 004017-M 6 X 16 - 8.8-A4C
6	01148122	2	nut ISO 004032-M 6 - 8-A4C
7	01117863	2	washer 7.5 DIN 006797-A 6,4-A4C
8	01112297	2	screw m8x12 d933 ISO 004017-M 8 X 12 - 8.8-GESCHW.
9	01107547	2	washer ISO 007092- 8 -140HV *



CLICK HERE TO **DOWNLOAD** THE COMPLETE MANUAL

- Thank you very much for reading the preview of the manual.
- You can download the complete manual from: www.heydownloads.com by clicking the link below



- Please note: If there is no response to CLICKING the link, please download this PDF first and then click on it.

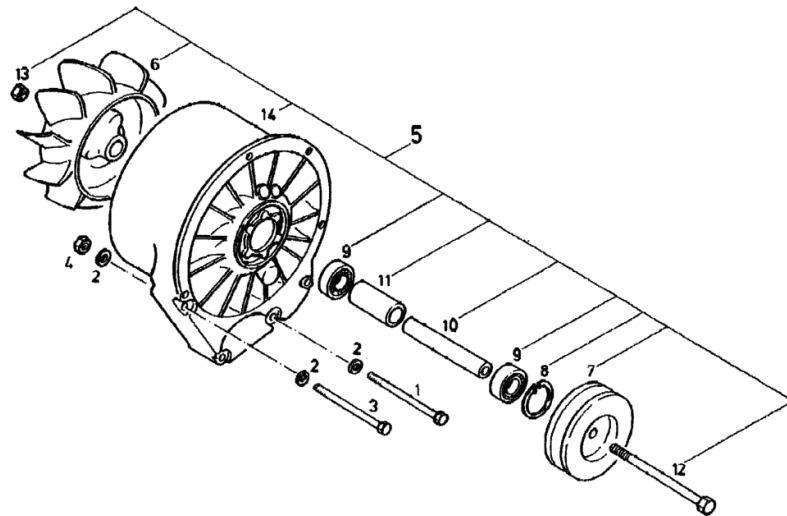
CLICK HERE TO **DOWNLOAD** THE COMPLETE MANUAL

Section: ENGINE
COOLING FAN

Fig.	Code	QTY	Name
------	------	-----	------

Engine Serial Numbers:

8684362 8684363 8690234 8692890 8694855 8694856 8694857 8694858 8694859 8694860 8694861 8694862
 8694863 8694864 8694872 8706399 8706400 8706401 8706402 8706403 8708035 8708036 8708037 8708038
 8708039 8709237 8709238 8709239 8709240 8709241



000 ©

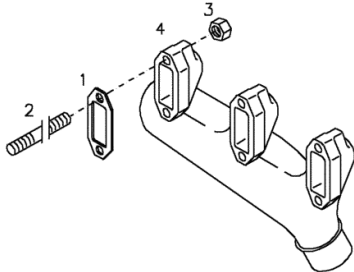
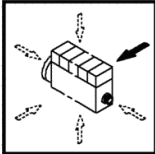
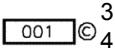
1	01111210	3	screw m 8x105 d931 ISO 004014- M 8 X105 - 8.8-A4C
2	01107101	5	washer 8.4 DIN 000125-A 8,4-140HV-A4C
3	01126979	1	screw m8x95 d931 ISO 004014- M 8 X 95 - 8.8-A4C
4	01112824	1	nut m 8, d934 ISO 004032-M 8 - 8-A4C
5	04154639	1	rotor blade
6	04154640	1	wheel
7	02133636	1	pulley
8	01107834	1	circlip 47 x 1.75 DIN 000472- 47X1,75
9	01174602	2	ball bearing H 004461-62 04-Z C3
10	03363658	1	shaft
11	02133633	1	bushing
12	01111589	1	screw m12x140 d931 DIN 000931- M12 X140 - 8.8-A-A4C
13	01112858	1	nut m 12, d934 DIN 000934-M12 - 8-A4C
14	02233424	1	rotor blade

Section: ENGINE
EXHAUST MANIFOLD

Fig.	Code	QTY	Name
------	------	-----	------

Engine Serial Numbers:
 8684362 8684363 8690234 8692890 8694855 8694856 8694857 8694858 8694859 8694860 8694861 8694862
 8694863 8694864 8694872 8706399 8706400 8706401 8706402 8706403 8708035 8708036 8708037 8708038
 8708039 8709237 8709238 8709239 8709240 8709241

1	04157247	3	gasket
2	01144525	6	stud bolt DIN 000835-M 8 SN4X 35 -10.9-OELGESCHW
3	03316466	6	nut
4	03363913	1	exhaust manifold



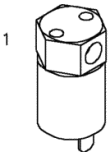
Section: ENGINE
SOLENOID VALVE

Fig.	Code	QTY	Name
------	------	-----	------

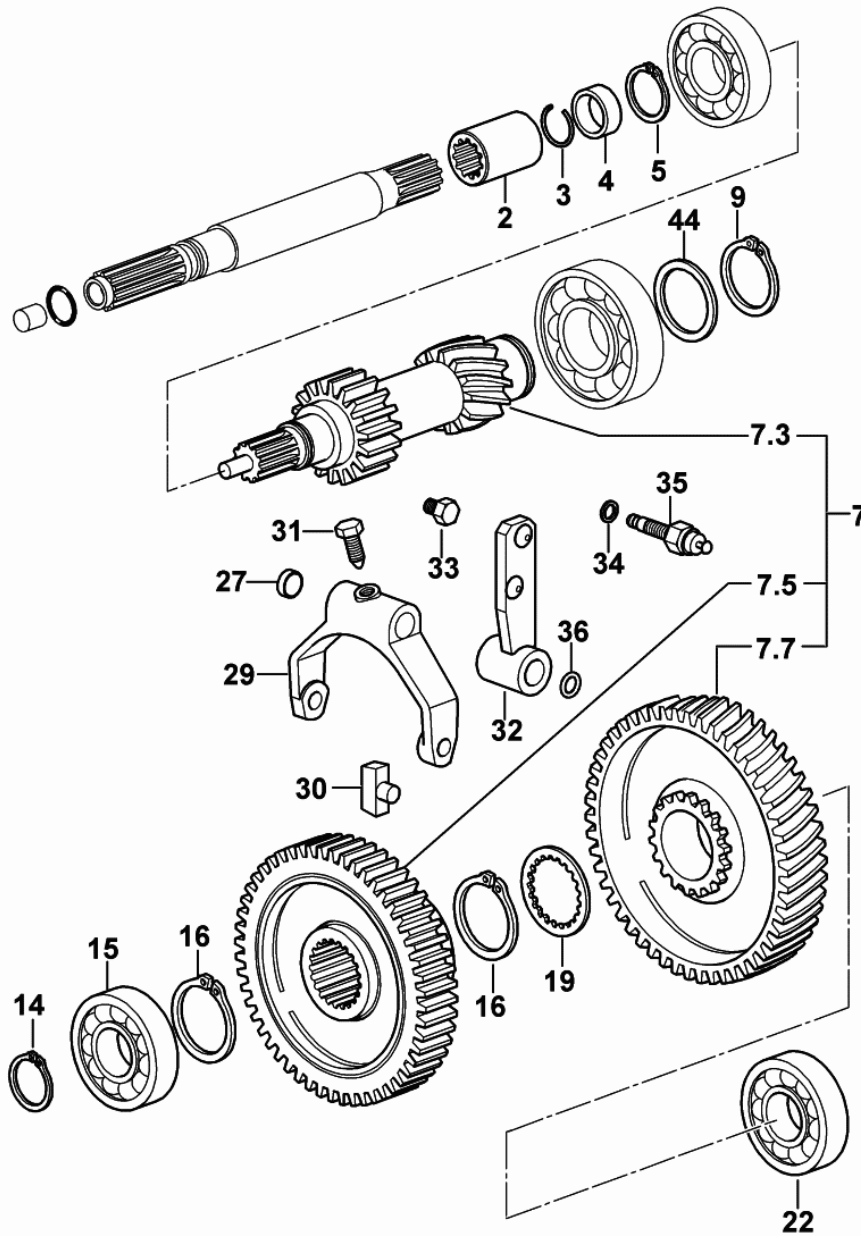
Engine Serial Numbers:
 8684362 8684363 8690234 8692890 8694855 8694856 8694857 8694858 8694859 8694860 8694861 8694862
 8694863 8694864 8694872 8706399 8706400 8706401 8706402 8706403 8708035 8708036 8708037 8708038
 8708039 8709237 8709238 8709239 8709240 8709241

1	01179366	1	electro valve H 824113- G -12V- 1 ED100 ISK F12V H7619
---	----------	---	--

000 ©



P.T.O. - WITH N° 540 - 750



9_C1236_00_0_0

Fig.	Code	QTY	Name
2	0.010.7696.0	1	sleeve Z = 11
3	2.1421.010.7	1	circlip 25
4	2.1549.172.0	1	spacer 24.7 x 31 x 12
5	2.1410.012.1	1	circlip 30
7	0.000.0000.1	0	not serviceable
7.3	0.011.9829.0/10	1	shaft Z = 11 / Z = 18 / Z = 14
7.5	0.012.0103.0	1	gear Z = 52
7.7	0.012.0074.0	1	gear Z = 51
9	2.1410.016.1	1	circlip 40
14	2.1410.012.1	1	circlip 30
15	2.2060.009.0	1	ball bearing 30 x 72 x 19
16	2.1410.018.7	2	circlip 45
19	2.1599.828.0	1	thrust plate 41x55x3
22	2.2999.235.0	1	bearing 35 x 80 x 21
27	2.3171.006.4	5	plug Ø 16
29	0.010.0468.0	1	fork
30	0.255.6463.0	2	shoe
31	2.0399.019.1	2	screw m 8 p.1 x 16
32	0.012.0107.3	1	lever
33	2.3110.428.1	1	plug m 8 p.1 x 10
34	2.1560.003.0	3	gasket 8.2 x 12
35	2.7659.131.0	2	switch
36	2.1530.028.0	1	'o' ring 11.91 x 2.62
44	2.1599.414.0	1	snoulder 40 x 50 x 3.0

Section: FRONT AND REAR P.T.O.

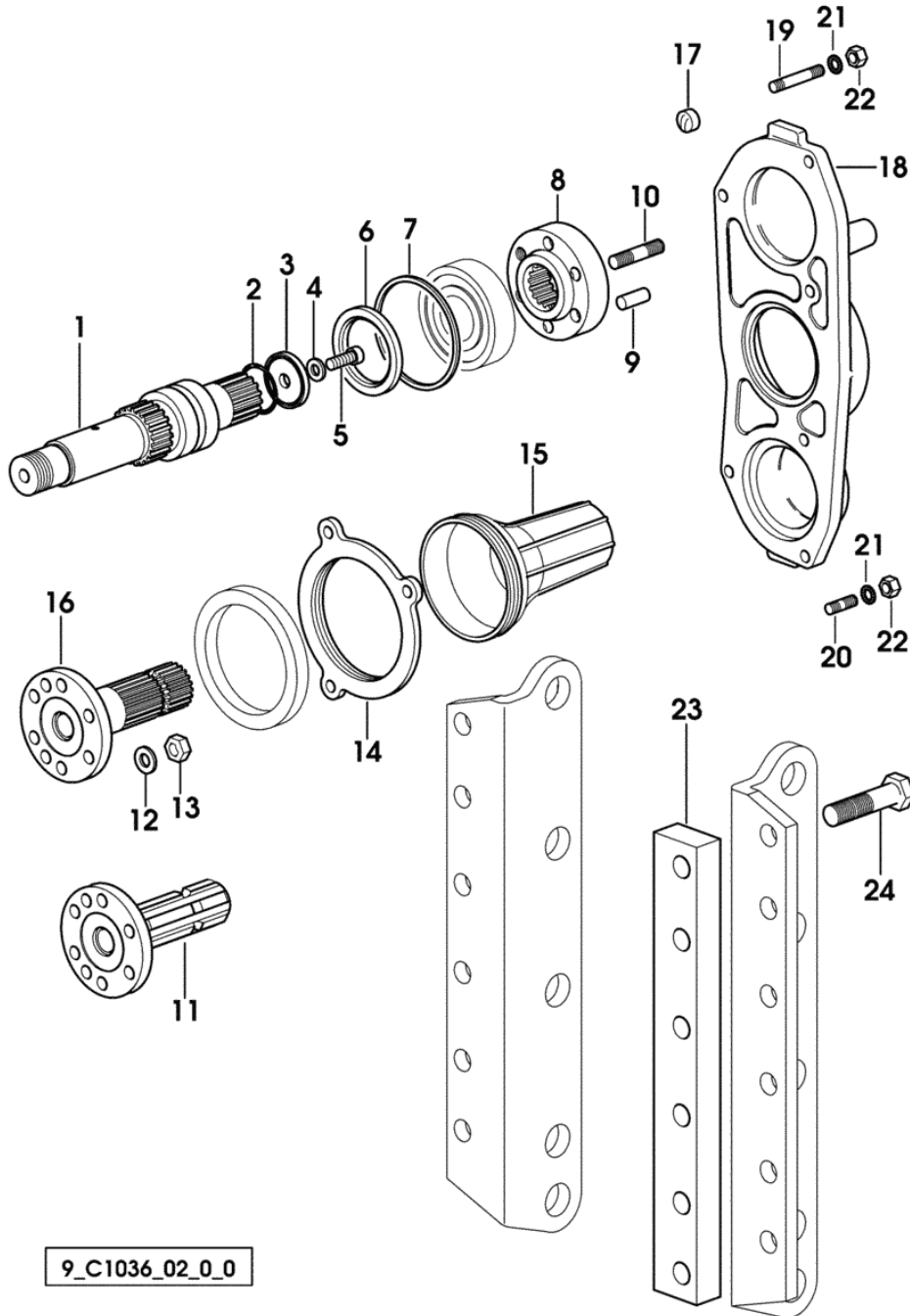
P.T.O. - 540-1000 - WITH INSERTED END SHAFTS + SINCRO

Fig.	Code	QTY	Name
------	------	-----	------

Notes:

1060 <- X Agrolux F 50 6059 <- X Agrolux F 60 6107 <- X Agrolux F 70 6420 <- X Agrolux F 80 1060 <- X Agrolux F 50 6059 <- X Agrolux F 60 6107 <- X Agrolux F 70 6420 <- X Agrolux F 80

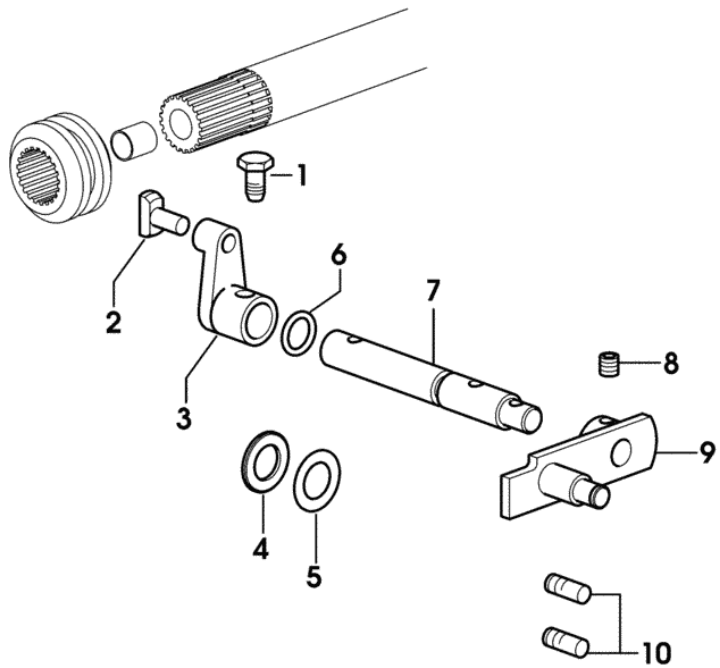
1	0.011.9956.0	1	p.t.o.shaft
2	2.1531.091.0	1	'o' ring 34.60 x 2.62
3	0.011.6415.0	1	thrust plate
4	2.1475.203.7	1	washer 10.5
5	2.0313.308.2	1	screw m 10 x 25
6	2.1599.827.0	1	snoulder
7	2.1549.430.0	1	spacer 80x87x3
8	0.011.3229.0	1	flange
9	2.1651.811.0	2	cylindrical plug 10x24
10	2.0432.155.7	6	stud bolt m 10 p.1.5 / p. 1.25 x 25
11	0.011.3221.0	1	p.t.o.shaft Z = 6
12	2.1470.006.2	6	lock washer 10
13	2.1011.421.2	6	nut m 10 p.1.25
14	0.011.3274.0	1	cover
15	0.008.0757.0	1	guard
16	0.011.3227.0	1	p.t.o.shaft Z = 21
17	2.3171.006.4	1	plug Ø 16
18	0.011.3261.0/20	1	cover
19	2.0422.215.7	2	stud bolt m 8 p.1.25 x 50
20	2.0422.203.7	5	stud bolt m 8 p.1.25 x 20
21	2.1470.004.2	7	washer 8
22	2.1011.105.2	7	nut m 8 p.1.25
23	0.011.3480.0	2	spacer 45 x 365 x 25
24	2.0112.623.2	12	screw m 16 p.2 x 70



9_C1036_02_0_0

P.T.O. - 2 SPEED TYPE + SINCRO

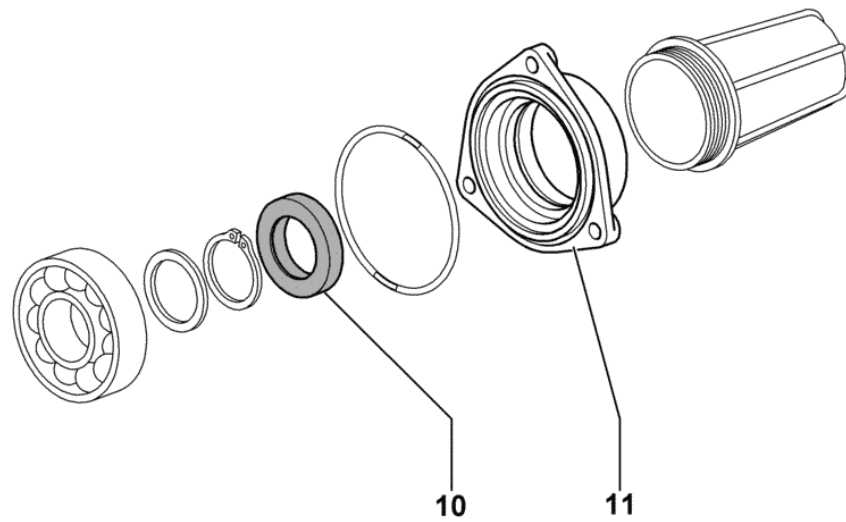
Fig.	Code	QTY	Name
1	2.0399.019.1	1	screw m 8 p.1 x 16
2	0.150.6833.0/10	1	shoe
3	0.008.5557.0/10	1	lever
4	2.1311.010.2	1	flat washer 16
5	2.1589.364.0	1	snoulder mm 0.50
6	2.1530.024.0	1	'o' ring 10.78 x 2.62
7	0.008.5291.0/10	1	pin
8	2.0512.102.7	1	screw m 6 p.1 x 8
9	0.010.1075.2/10	1	lever
10	2.0439.002.1	2	stud bolt m 8 p.1.25 x 20



9_B6136_03_0_0

PTO - PARTS SET WITH WATER PROOF SEALS

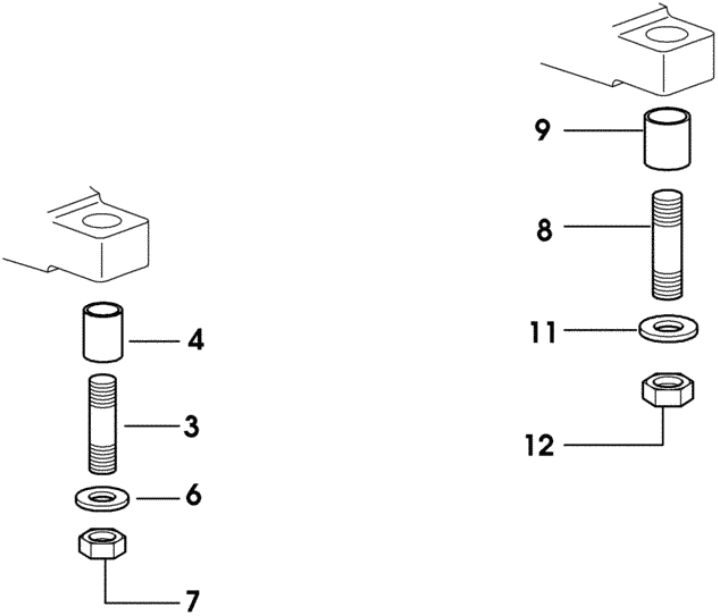
Fig.	Code	QTY	Name
10	2.1529.115.0	1	'o' ring 35x60x13
11	0.009.9926.0	1	cover



9_58936_08_0_0

Section: FRONT AXEL
FRONT SUPPORT

Fig.	Code	QTY	Name
3	2.0432.419.7	2	stud bolt m 16 p.2-1.5x70
4	2.1559.030.0	2	bushing 16.5x22x35
6	2.1475.006.2	2	washer 16
7	2.1011.309.2	2	nut m 16 p.1.5
8	2.0432.521.7	2	stud bolt m 18 p.1.5x80
9	2.1559.010.0	2	bushing 18.5x24x35
11	2.1475.007.7	2	washer 18
12	2.1011.310.2	2	nut m 18 p.1.5

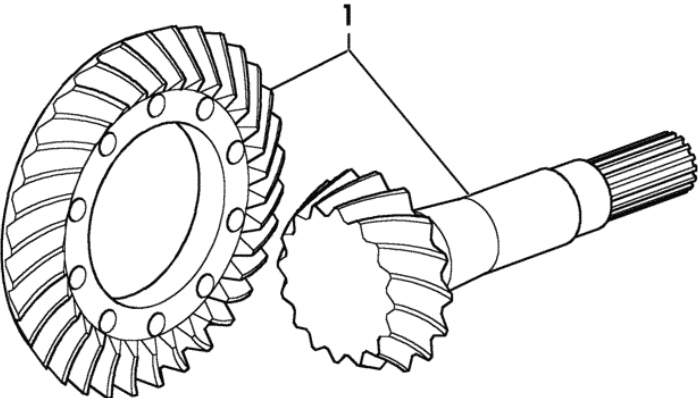


9_68452_03_0_0

BEVEL WHEEL GEAR Z = 16 / 33

9_16146_01_0_0

Fig.	Code	QTY	Name
1	0.011.9951.3	1	bevel gear Z = 16 / 33



4WD - ELECTROHYDRAULIC ENGAGEMENT CONTROL

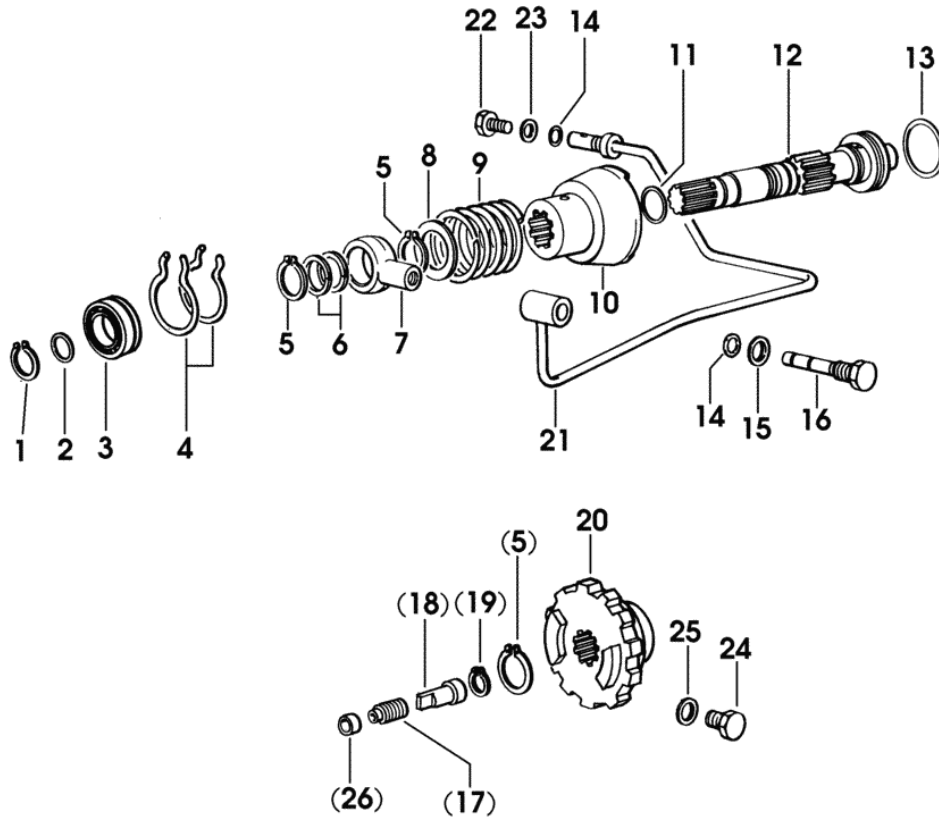


Fig.	Code	QTY	Name
1	2.1410.011.7	1	circlip 28
2	2.1530.060.0	1	'o' ring 23.40x3.53
3	2.2999.270.0/20	1	bearing 6006n
4	2.1499.125.1	2	circlip 49.8x1.1
5	2.1410.014.1	2	circlip 35
6	2.1569.166.0	2	gasket 35
7	0.009.3684.0	1	manifold
8	2.1599.700.0	1	thrust plate 30x74x3
9	2.4019.605.1/10	1	spring
10	0.009.3688.0/10	1	coupling
11	2.1530.095.0	1	'o' ring 36.14x2.62
12	0.009.3685.3	1	shaft
13	2.1530.125.0	1	'o' ring 50.47x2.62
14	2.1530.019.0	4	'o' ring 9.25x1.78
15	2.1560.012.0	1	gasket 16.2 x 22 x 1.5
16	0.009.6514.0/20	1	pin
20	0.009.3687.0/10	1	gear
21	0.009.6513.2/20	1	tube
22	2.0119.197.2	1	screw m 8 x 15
23	2.1560.008.0	1	gasket 12.2 x 18
24	2.3110.405.2	1	plug m 18 p.1.5 x 15
25	2.1560.014.0	1	gasket 18.2 x 24 x 1.5

9_64838_00_0_0

Section: GEAR

4 SPEED GEARBOX WITH MINI REDUCTION GEAR (SYNCHROPLIT)

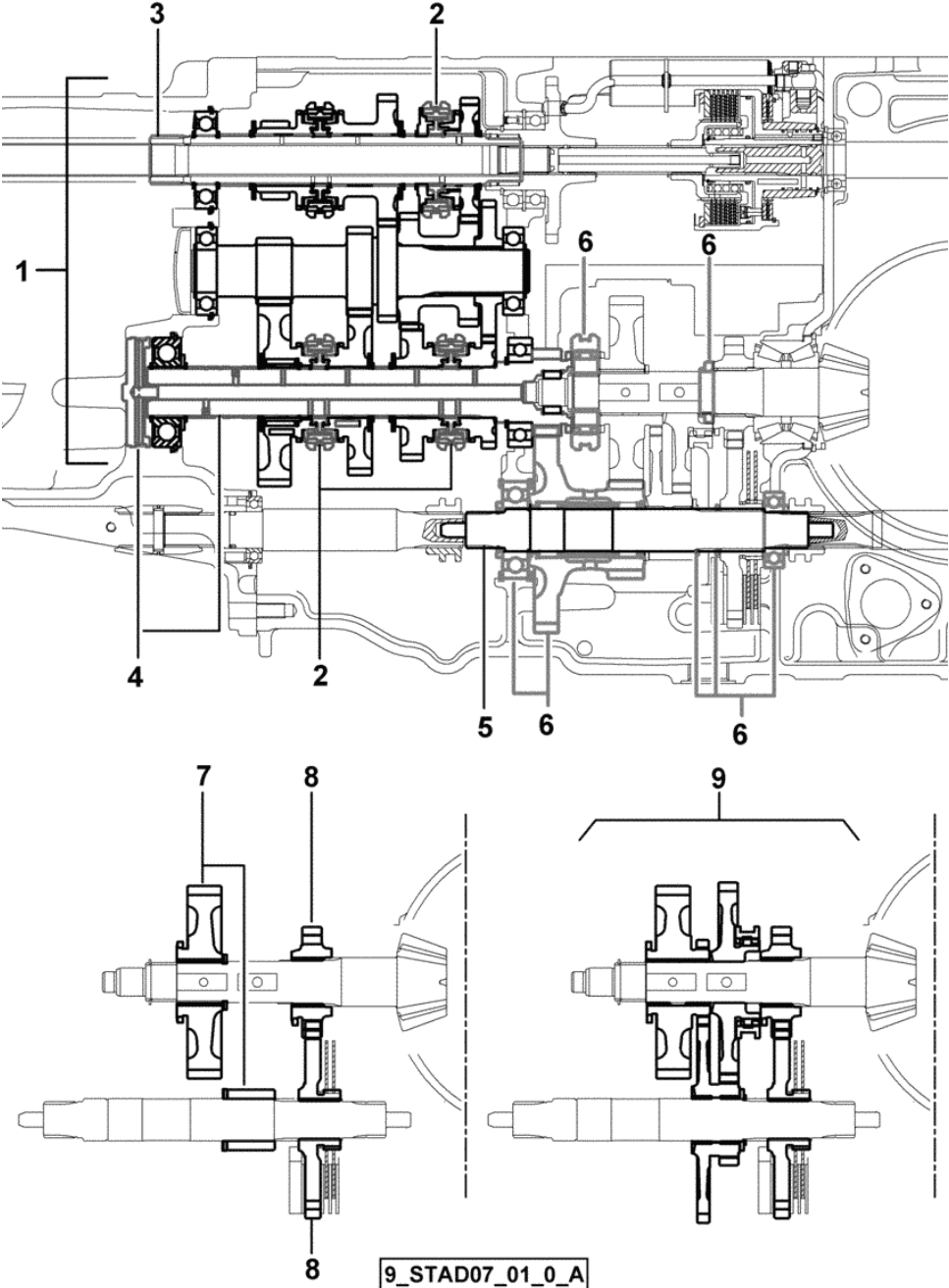
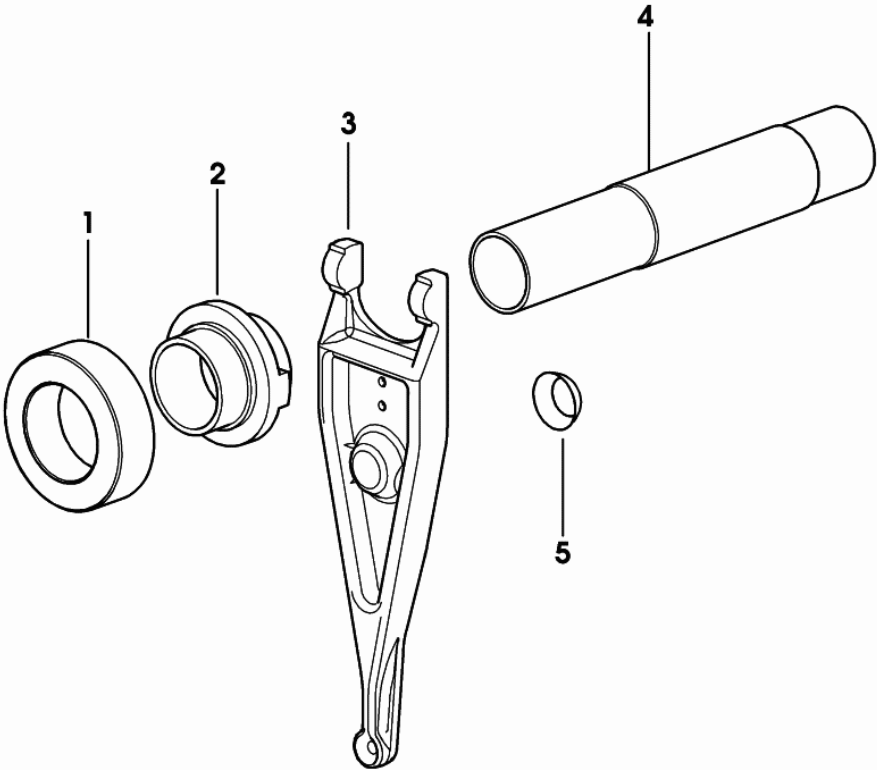


Fig.	Code	QTY	Name
9	0.000.0000.1	0	<ul style="list-style-type: none"> ☞ 02.00.44 not serviceable - 30 Km/h COMPONENT PARTS SEE COMPONENTS LIST - 40 Km/h COMPONENT PARTS SEE COMPONENTS LIST ☞ 02.00.47 ☞ 02.00.46

Section: GEAR
CLUTCH CONTROL

Fig.	Code	QTY	Name
1	2.2999.193.0	1	bearing 55x90.5x25
2	0.255.6533.0/30	1	sleeve
3	0.013.1313.3	1	fork
4	0.009.9805.0/10	1	tube
5	0.010.4940.0	1	container



9_B6165_00_0_0

Section: GEAR
PARTS SET - 5-SPEED GEARBOX - FOR TYPES WITH MINREDUCTION - (SYNCHROSPLIT)

9_C1033_02_0_0

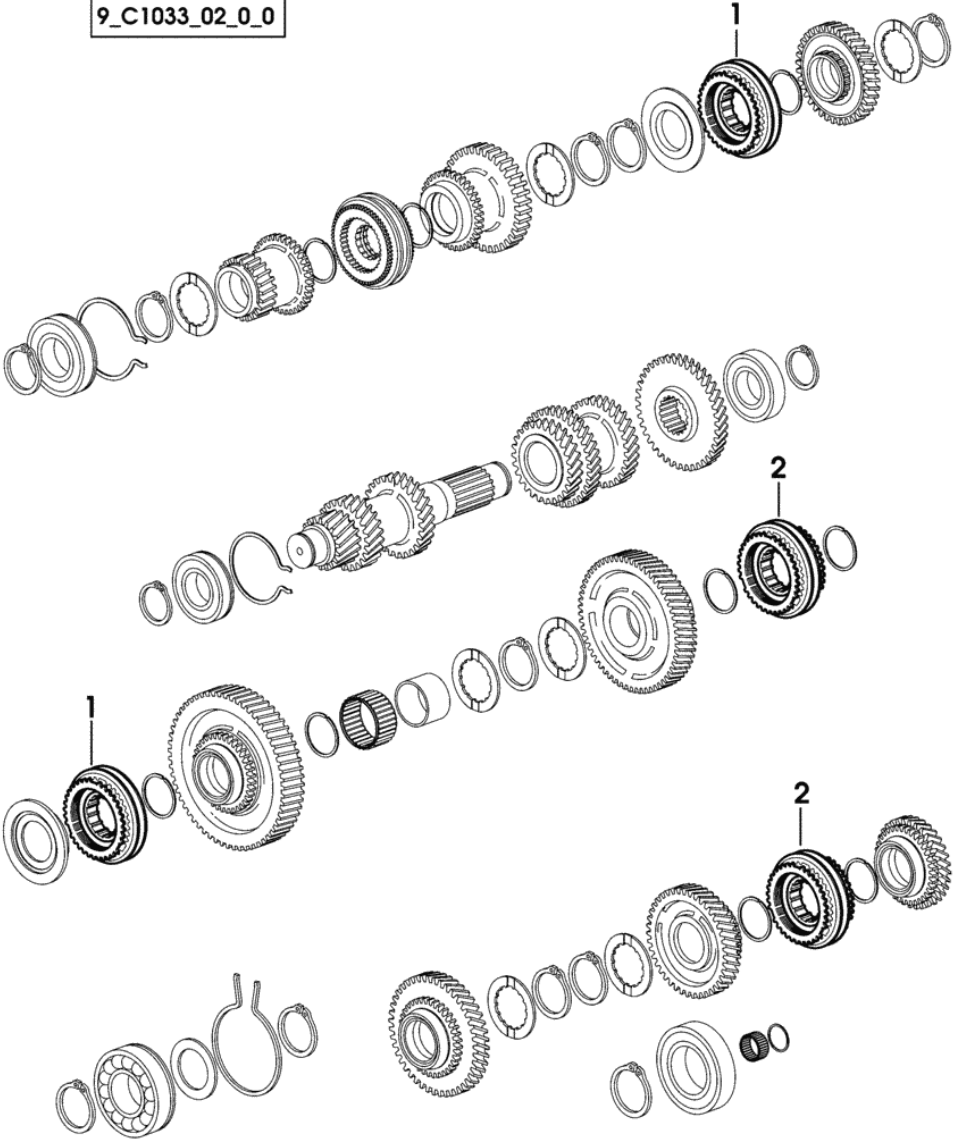


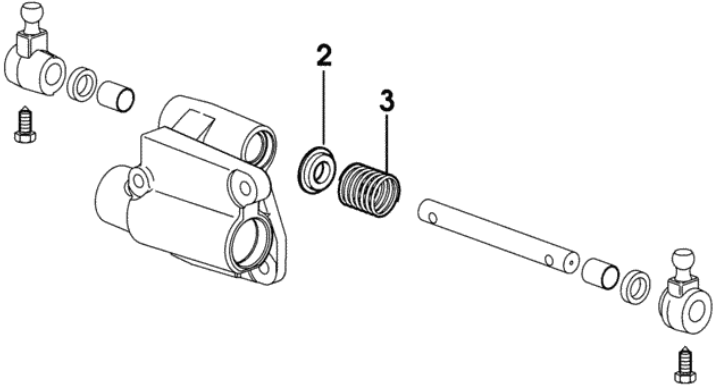
Fig.	Code	QTY	Name
1	0.009.6826.4	2	lock synchronizer 62 COMPONENT PARTS SEE COMPONENTS LIST ☞ 0.009.6826.4 ☞ 02.00.6
2	0.009.6825.4	2	lock synchronizer 62 COMPONENT PARTS SEE COMPONENTS LIST ☞ 0.009.6825.4 ☞ 02.00.7

Section: GEAR

PARTS SET - 5-SPEED WITH UNDERDRIVE (SYNCHROPLIT)

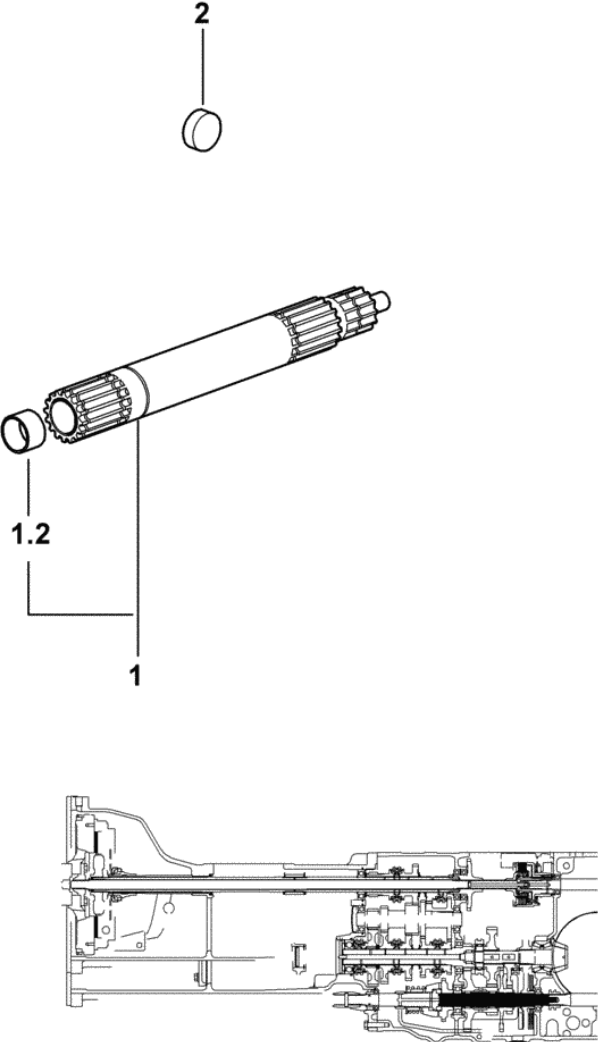
9_D0533_03_0_0

Fig.	Code	QTY	Name
2	2.1549.544.2	1	spacer 16 x 27 x 34 x 7.3
3	2.4019.634.1/10	1	spring



Section: GEAR
SPEED RANGE REDUCTION GEAR SHAFT - FOR ELECTROHYDRAULIC CONTROLS

Fig.	Code	QTY	Name
1	0.009.9943.3	1	shaft
1.2	2.1559.338.0	1	bushing 21.6 x 25 x 15.2
2	2.3171.007.4	1	plug Ø 18



9_70534_02_0_0

Section: GEAR
4-RANGE GEARBOX COVER

Fig.	Code	QTY	Name
1	0.009.9162.0/10	1	cap



9_58964_02_0_0

Section: GEAR

CONTROL FOR 3-RANGE GEARBOX

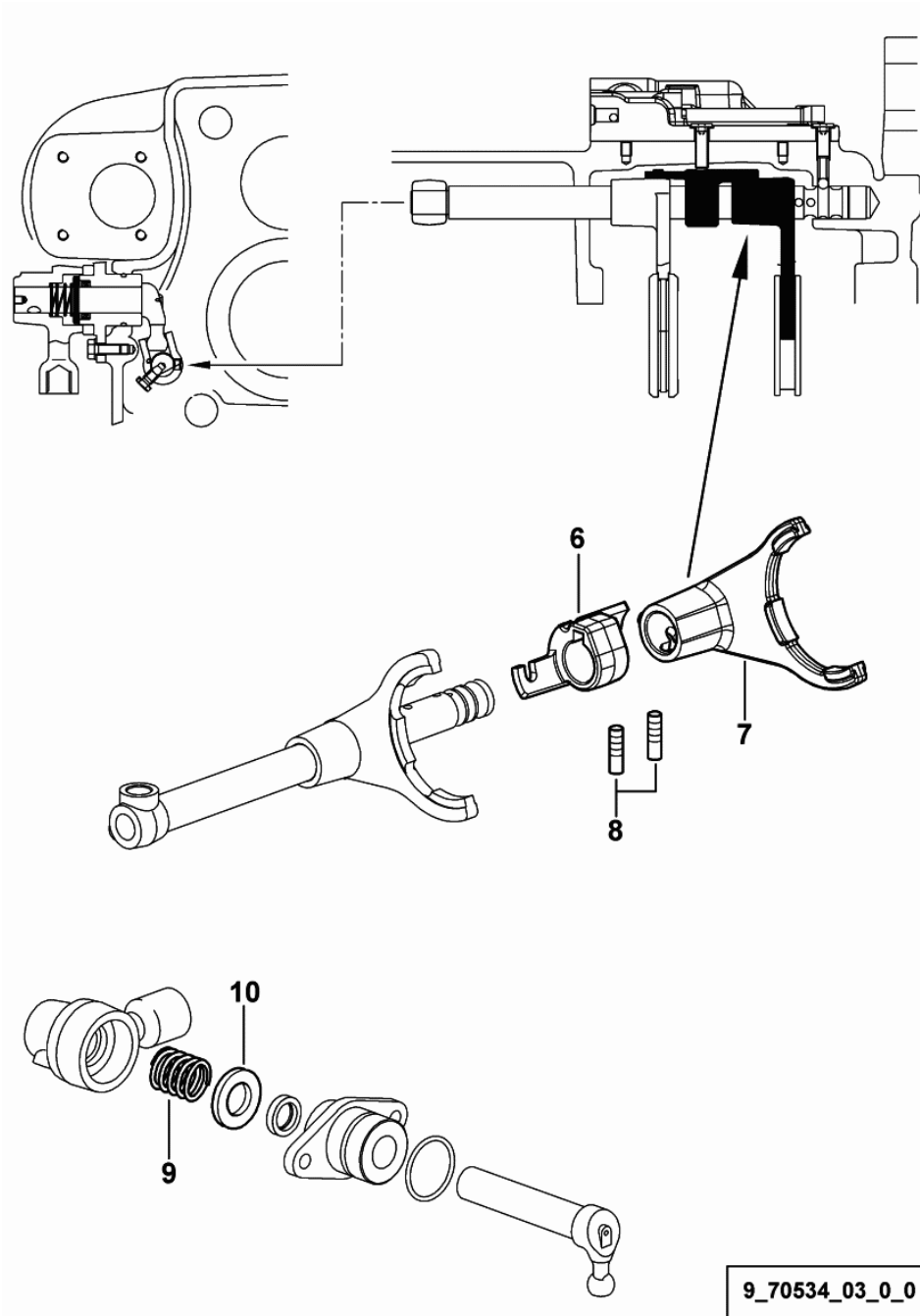
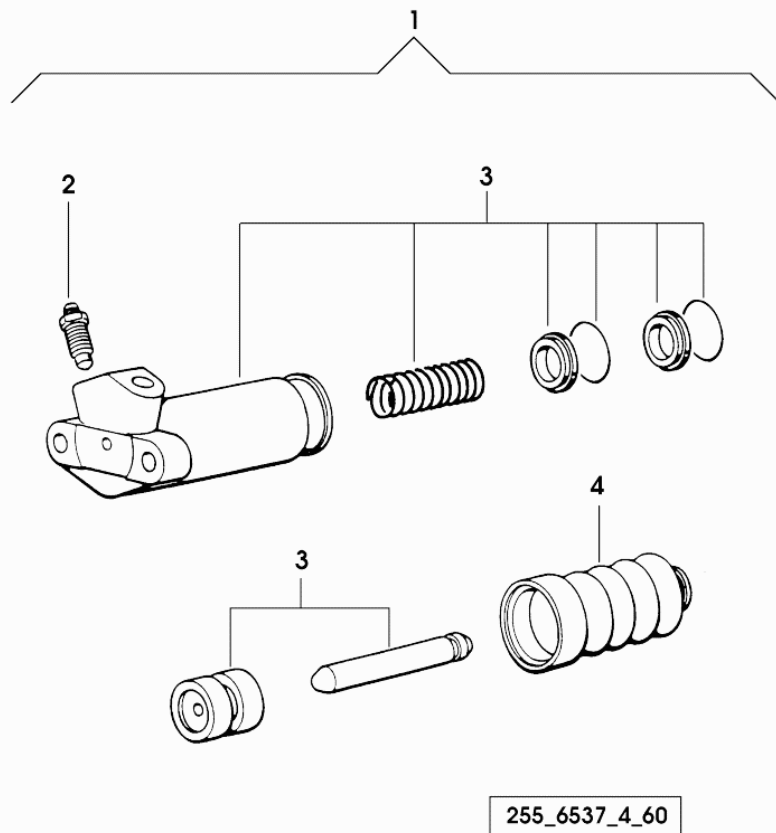


Fig.	Code	QTY	Name
6	0.008.5381.0/30	1	sleeve
7	0.008.0243.0	1	fork
8	2.0599.086.0/40	2	grain m 8 p.1.25 x 28
9	2.4019.641.1	1	spring
10	2.1549.117.0	1	spacer 20.1 x 36 x 4.6

9_70534_03_0_0

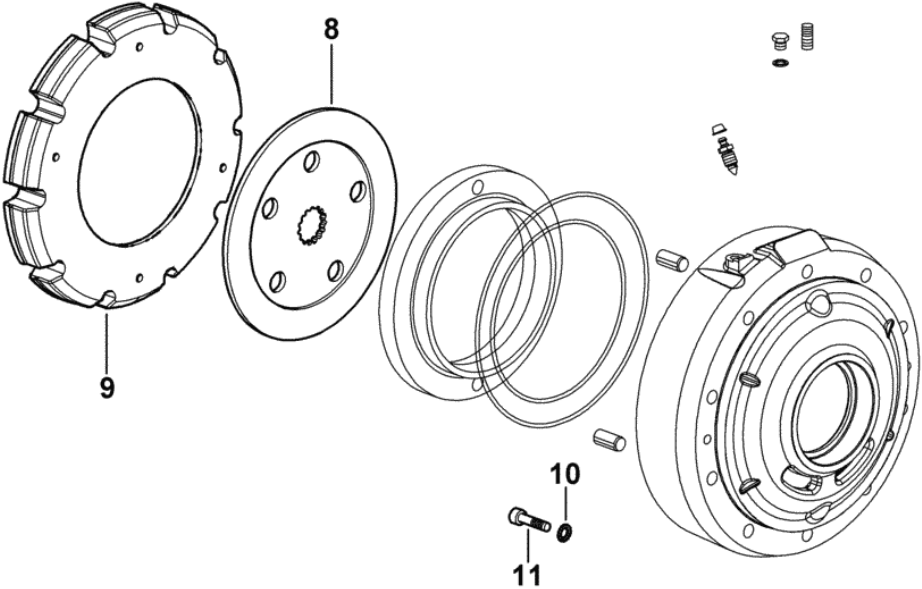
Section: GEAR
CYLINDER PARTS

Fig.	Code	QTY	Name
1	0.255.6537.4/60	1	cylinder
2	0.009.4329.1	1	screw
3	0.000.0000.1	0	not serviceable
4	0.009.4891.1	1	guard



Section: REAR AXLE
REAR BRAKES

Fig.	Code	QTY	Name
8	0.011.0587.2	2	brake disc
9	0.008.5159.0/30	2	disc
10	2.1480.014.1	4	washer 8
11	2.0312.212.2	4	screw m 8 p.1.25 x 35



9_64854_00_0_0

Section: S.A.C.

POWER-LIFT CASE

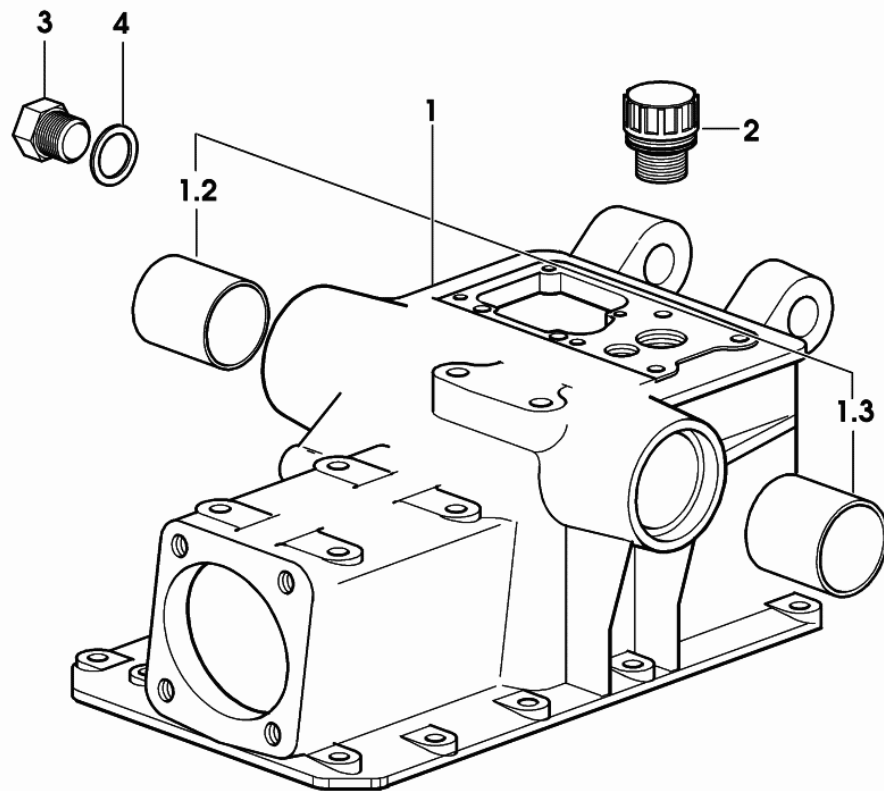


Fig.	Code	QTY	Name
1	0.011.2299.3	1	hydraulics housing
1.2	2.1555.819.0	1	bushing 55x50x60
1.3	2.1555.820.0	1	bushing 60x55x60
2	2.3199.255.0	1	plug
3	2.3110.405.1	1	plug m 18 p.1.5 x 15
4	2.1560.014.0	1	gasket 18.2 x 24 x 1.5

9_70659_01_0_0

Section: S.A.C.

CONTROL TIE RODS AND LEVERS

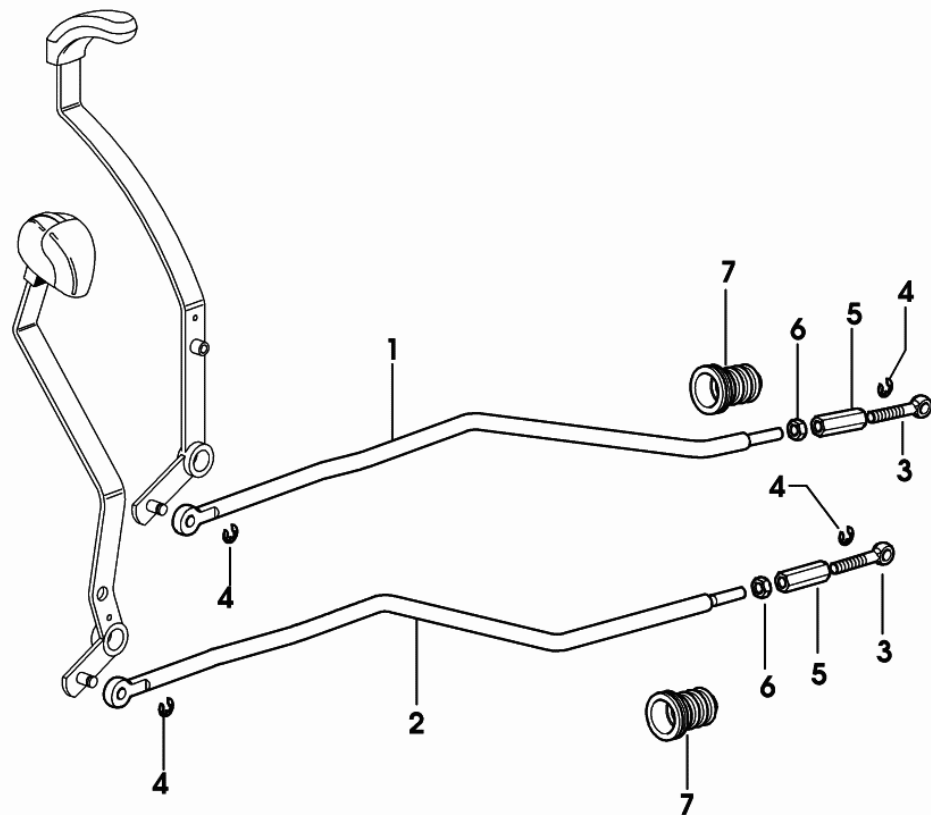
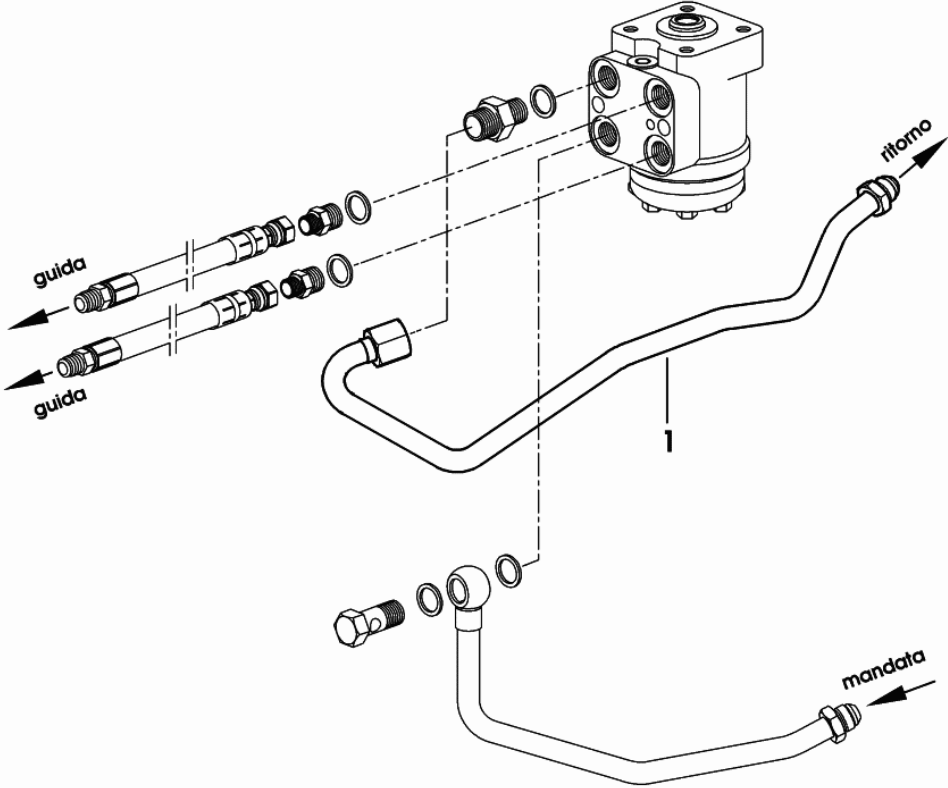


Fig.	Code	QTY	Name
1	0.013.5227.0	1	rod
2	0.013.5228.0	1	rod
3	0.010.4186.0	2	tip m 8
4	2.1430.007.2	4	circlip 6, d128
5	2.1099.139.2/10	2	nut m 8
6	2.1019.127.2	2	nut m 8 p.1.25 x 6.8, sx/lh/li
7	0.013.3229.0	2	bellows

9_D0759_53_0_0

POWER STEERING

Fig.	Code	QTY	Name
1	0.014.1537.3	1	tube



9_B6163_06_0_0

GUARD FOR ELECTRO VALVES

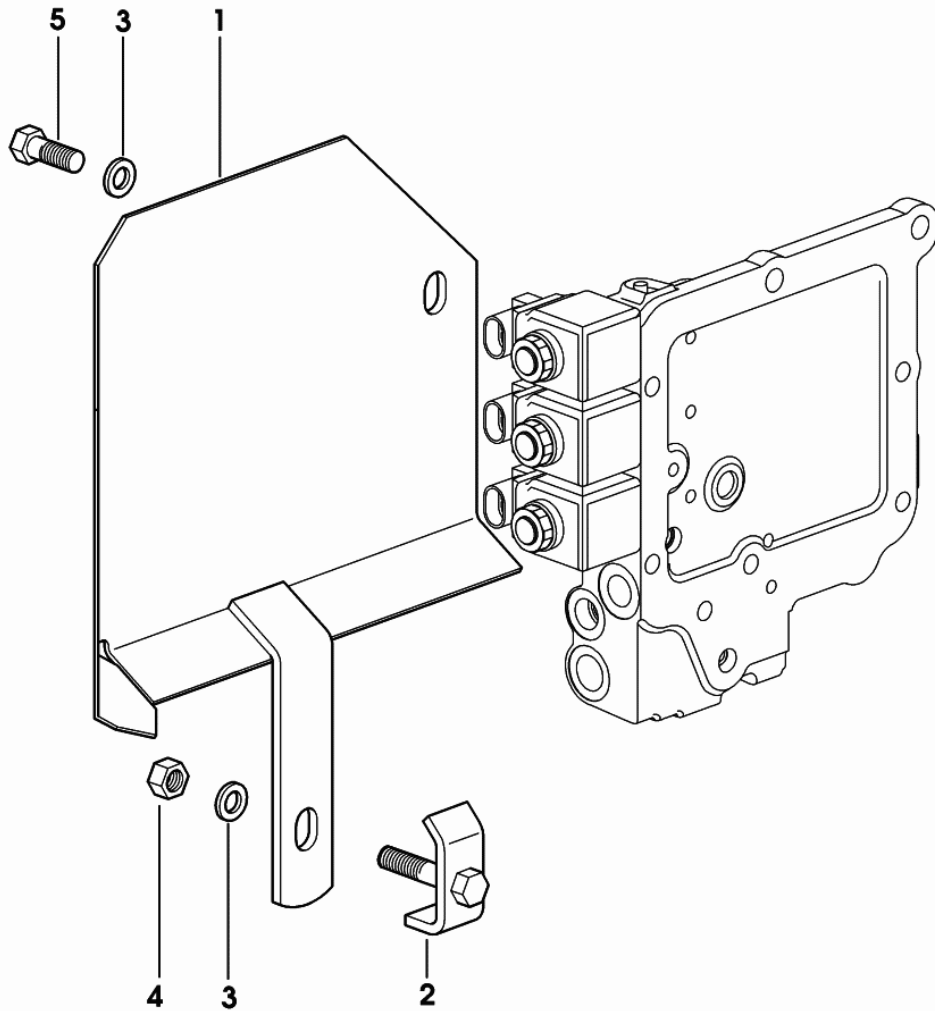
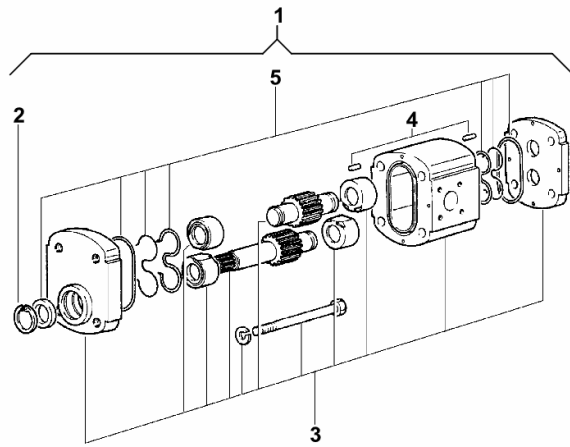


Fig.	Code	QTY	Name
1	0.011.7746.2	1	shield
2	0.212.6368.2	1	small plate
3	2.1310.002.2	2	washer 6.6, d125
4	2.1011.103.2	1	nut m 6 p.1
5	2.0112.005.2	1	screw m 6 p.1 x 16

9_70584_07_0_0

HYDRAULIC PUMP PARTS

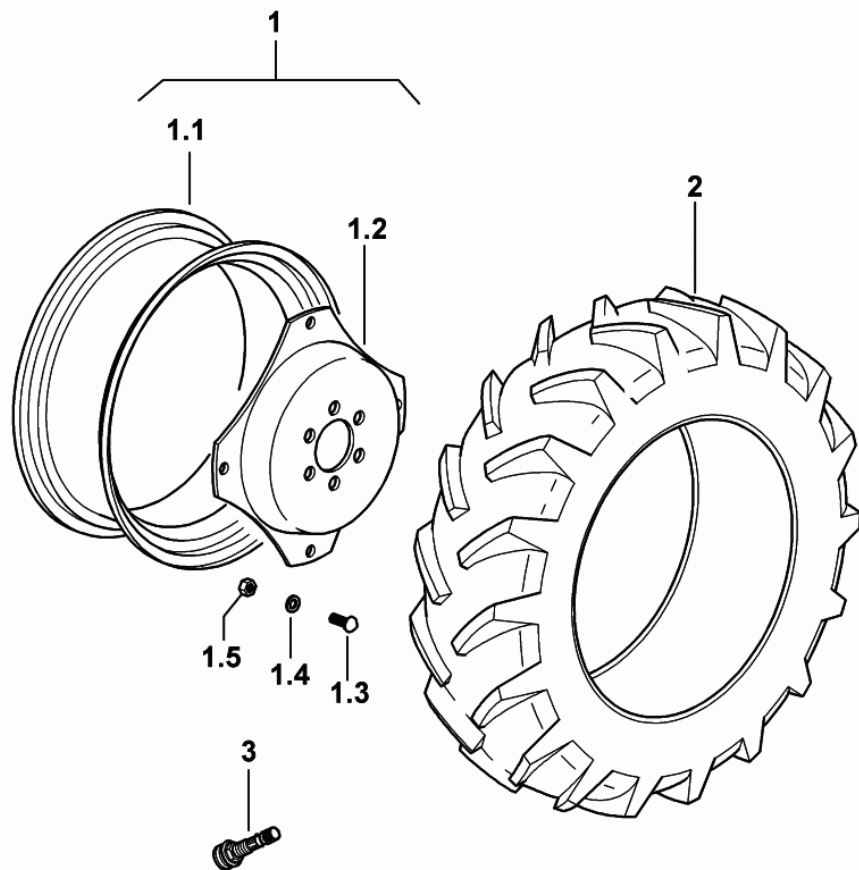
Fig.	Code	QTY	Name
1	2.4529.960.0	1	hydraulic pump 11 cc sx/lh/li - SAUER - TUROLLA -
2	0.009.4129.1	1	circlip
3	0.000.0000.1	0	not serviceable
4	0.009.4130.1	4	roller
5	0.009.4128.1	1	seal ring kit



2_4529_960_0

Section: WHEELS
WHEELS 300/65R18"

Fig.	Code	QTY	Name
1	0.000.0000.1	0	not serviceable
1.1	0.012.2862.3	1	rim W 9x18 C/ST.
1.2	0.011.5697.0	1	flange
1.3	2.0099.005.6	4	screw m 16 p.1.5 x 38
1.4	2.1499.019.6	4	washer 16.3 x 31.5
1.5	2.1019.059.6	4	nut m 16 p.1.5 x 16
2	2.4811.183.0	2	tyre 300/65R18"
3	0.012.6364.0	2	valve



9_B6155_20_0_0

CLICK HERE TO **DOWNLOAD** THE COMPLETE MANUAL

- Thank you very much for reading the preview of the manual.
- You can download the complete manual from: www.heydownloads.com by clicking the link below



- Please note: If there is no response to CLICKING the link, please download this PDF first and then click on it.

CLICK HERE TO **DOWNLOAD** THE COMPLETE MANUAL