

AGROLUX 90 -> 5001

V0 - BALLAST, TOWING HITCHES

FRONT HITCHES

FRONT TOWING HITCH..... V0.01.0 (1)

PROVISION FOR FRONT WINCH ASSEMBLY..... V0.01.1 (1)

REAR HITCHES

REAR GEARBOX BRACKETS..... V0.02.0 (1)

REAR TOWING HITCH..... V0.02.1 (1)

REAR SWINGING TOWING-HITCH..... V0.02.2 (1)

FRONT BALLAST WEIGHTS

FRONT WEIGHT CARRIER..... V0.03.0 (1)

FRONT BALLAST Kg 160..... V0.03.1 (1)

FRONT BALLAST 320 Kg..... V0.03.2 (1)

WHEEL BALLAST

WHEEL BALLAST 172 Kg..... V0.05.0 (1)

CLICK HERE TO **DOWNLOAD** THE COMPLETE MANUAL

- Thank you very much for reading the preview of the manual.
- You can download the complete manual from: www.heydownloads.com by clicking the link below



- Please note: If there is no response to CLICKING the link, please download this PDF first and then click on it.

CLICK HERE TO **DOWNLOAD** THE COMPLETE MANUAL

AGROLUX 90 -> 5001

G0 - BODYWORK - CAB

HOOD - SIDE PANELS - SUPPORTS

HOOD.....	G0.01.4 (1)
HOOD FASTENER.....	G0.01.5 (1)
HOOD PLUG.....	G0.01.6 (1)
HOOD - RIGHT SIDE PANEL.....	G0.01.7 (1)
HOOD - LEFT SIDE PANEL.....	G0.01.10 (1)
HOOD INSULATION PANEL.....	G0.01.13 (1)
HOOD FRONT PART.....	G0.01.17 (1)
CONNECTION FRAME.....	G0.01.18 (1)
CONNECTION FRAME.....	G0.01.18 (2)
ENGINE HOOD GASKETS.....	G0.01.19 (1)
HOOD - SUPPORTS.....	G0.01.20 (1)
FUEL FILTER SUPPORT.....	G0.01.21 (1)
BELT GUARD SUPPORT BRACKET.....	G0.01.22 (1)
BELT GUARDS.....	G0.01.23 (1)
BATTERY SUPPORT.....	G0.01.24 (1)

LETTERING

PRODUCT PLATE.....	G0.02.4 (1)
PRODUCT PLATE.....	G0.02.10 (1)
START ENABLE PLATE.....	G0.02.12 (1)
GEAR AND SHUTTLE COMMAND CAP.....	G0.02.14 (1)
GEAR AND SHUTTLE COMMAND CAP.....	G0.02.16 (1)
3-RANGE REDUCTION UNIT COVER.....	G0.02.17 (1)
COVER FOR 4-RANGE UNDERDRIVE.....	G0.02.19 (1)
4WD ENGAGEMENT COVER.....	G0.02.21 (1)
REAR LIFT GROUND CONTROL COVER.....	G0.02.22 (1)
GROUNDSPEED P.T.O. COVER.....	G0.02.24 (1)
FUSEBOX IDENTIFICATION PLATE.....	G0.02.25 (1)
SPEED DATA PLATES - 30/40 Km/h.....	G0.02.26 (1)
SPEED DATA PLATES MPH.....	G0.02.27 (1)
WARNING PLATES.....	G0.02.28 (1)
WARNING PLATES.....	G0.02.28 (2)
WARNING PLATES.....	G0.02.28 (3)
FRONT WINCH INSTRUCTIONS DECALS.....	G0.02.29 (1)
PLATES.....	G0.02.31 (1)
REAR LIFT MOVEMENT WARNING LABEL SX/LH/LI - DX/RH/RE.....	G0.02.32 (1)
WATER COOLER IDENTIFICATION PLATE.....	G0.02.33 (1)
WARNING NOTICES ON RADIATOR AND EXPANSION TANK.....	G0.02.34 (1)
DIFFERENTIAL LOCK IDENTIFICATION PLATE.....	G0.02.36 (1)
PTO DATA PLATE.....	G0.02.37 (1)
PTO DATA PLATE.....	G0.02.38 (1)

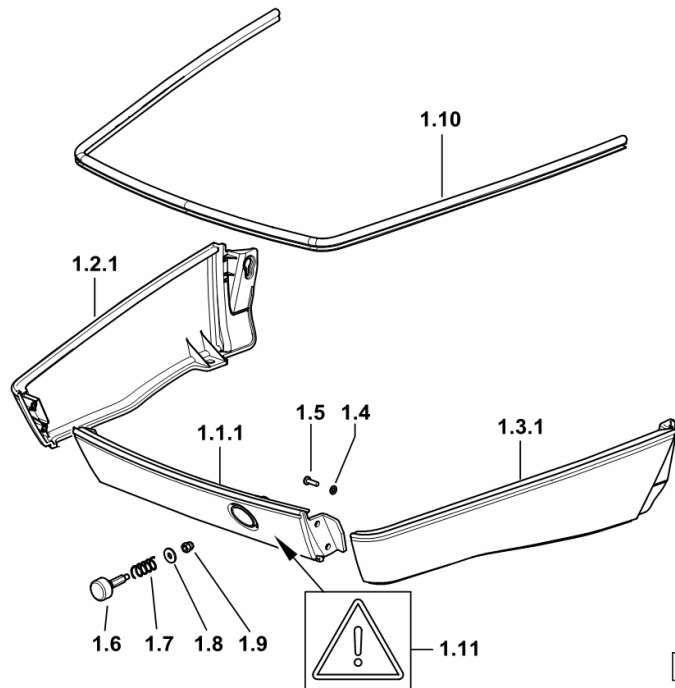
HOOD FRONT PART

Fig.	Code	QTY	Name
------	------	-----	------

Notes:

[AGROLUX 90 2WD -> 5001] [AGROLUX 90 4WD -> 5001]

1.1.1	0.014.8493.0/20	1	hose clip
1.2.1	0.014.8497.2/20	1	hose clip dx/rh/re
1.3.1	0.014.8496.2/20	1	hose clip sx/lh/li
1.4	2.1310.001.2	4	flat washer 5.3
1.5	2.0332.306.2	4	screw m 5x0.8x16
1.6	0.015.3441.2	1	push-button (-> 5001)
1.7	2.4019.808.2	1	spring (-> 5001)
1.8	2.1312.003.2	1	washer 6
1.9	2.1030.001.2	1	nut m 6
1.1.0	0.010.7094.0	1.3	gasket
1.1.1	2.9939.465.0	1	plate



9_H2772_04_0-A-001

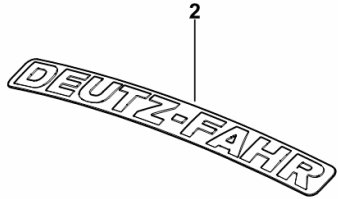
PRODUCT PLATE

Fig.	Code	QTY	Name
------	------	-----	------

Notes:

[AGROLUX 90 2WD -> 5001] [AGROLUX 90 4WD -> 5001]

2	0.014.9384.2	1	plate DEUTZ-FAHR
3	0.017.6805.0	2	plate Agrolux 90



9_S7372_05_0-A-001

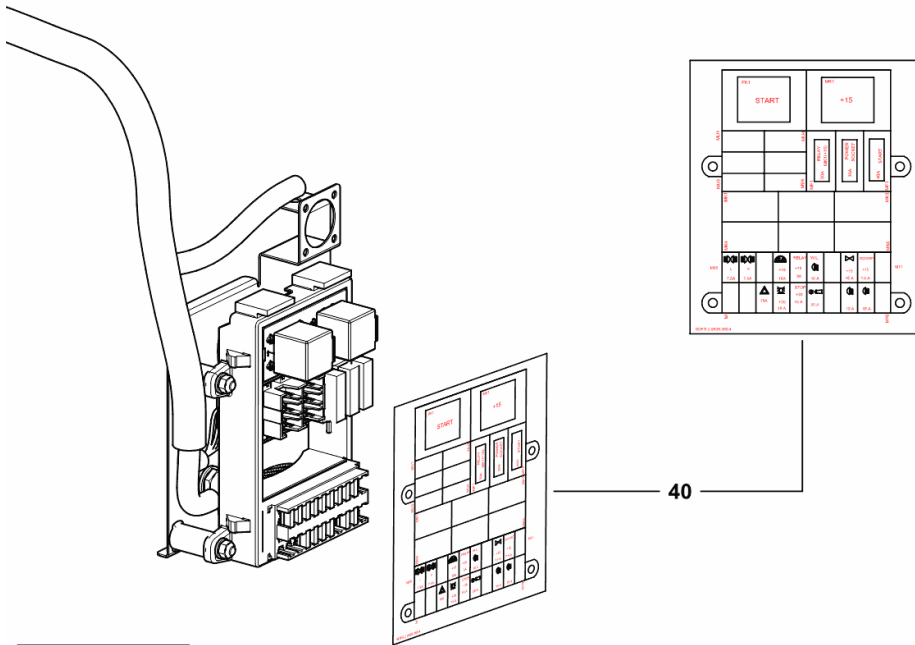
FUSEBOX IDENTIFICATION PLATE

Fig.	Code	QTY	Name
------	------	-----	------

Notes:

[AGROLUX 90 2WD -> 5001] [AGROLUX 90 4WD -> 5001]

40	2.9939.380.0	1	adhesive
----	--------------	---	----------



9_SS_02_0-A-00X

WARNING NOTICES ON RADIATOR AND EXPANSION TANK

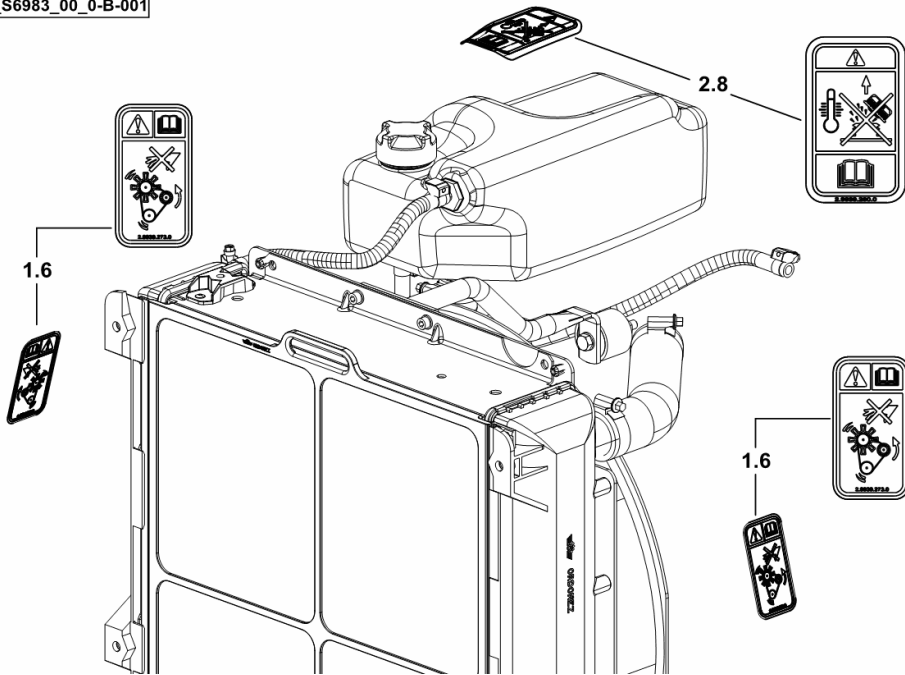
Fig.	Code	QTY	Name
------	------	-----	------

Notes:

[AGROLUX 90 2WD -> 5001] [AGROLUX 90 4WD -> 5001]

1.6	2.9939.273.0	2	plate
2.8	2.9939.280.0	1	plate

9_S6983_00_0-B-001



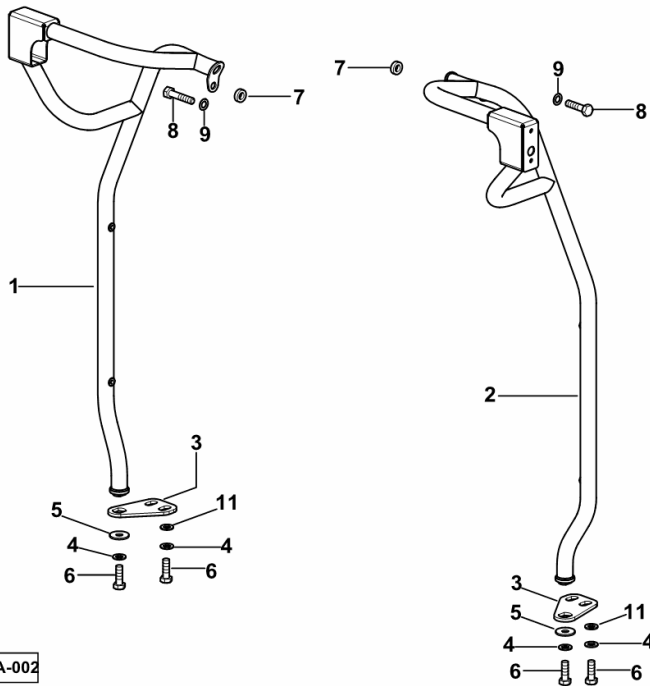
GRAB HANDLE

Fig.	Code	QTY	Name
------	------	-----	------

Notes:

[AGROLUX 90 2WD -> 5001] -> 5005 [AGROLUX 90 4WD -> 5001] -> 5005

1	0.016.2313.3/10	1	handle dx/rh/re
2	0.016.2312.3/10	1	handle sx/lh/li
3	0.017.8987.0	2	small plate
4	2.1475.003.2	6	washer 10
5	2.1312.005.2	2	washer 10.2
6	2.0112.311.2	6	screw m 10 p.1.5 x 30
7	2.1579.350.2	2	spacer 10.5x20x6
8	2.0112.309.2	2	screw m 10 p.1.5 x 25
9	2.1470.006.2	2	lock washer 10
11	2.1310.006.2	4	flat washer 10.5



9_S6976_03_0-A-002

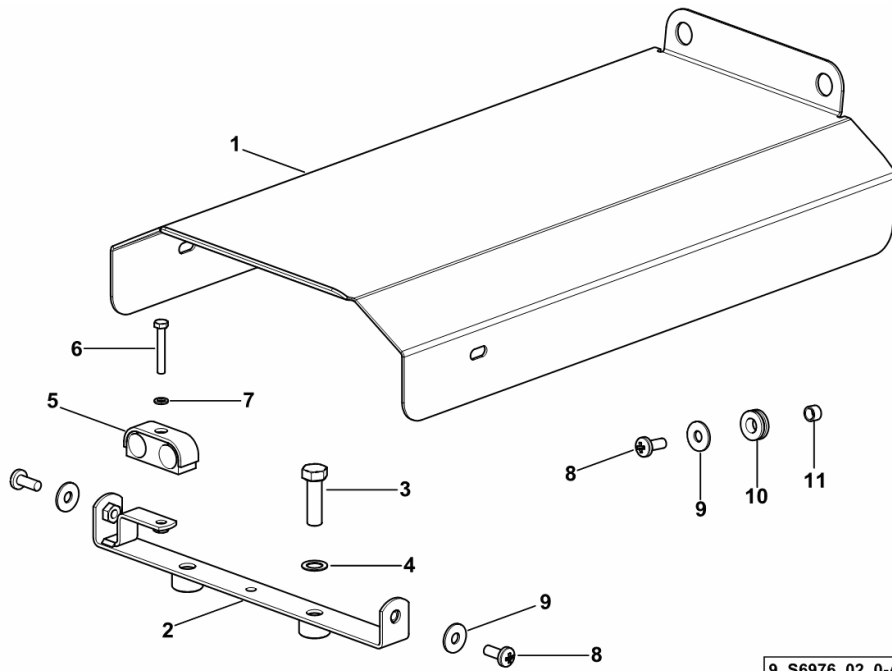
TUNNEL COVER

Fig.	Code	QTY	Name
------	------	-----	------

Notes:

[AGROLUX 90 2WD -> 5001] [AGROLUX 90 4WD -> 5001]

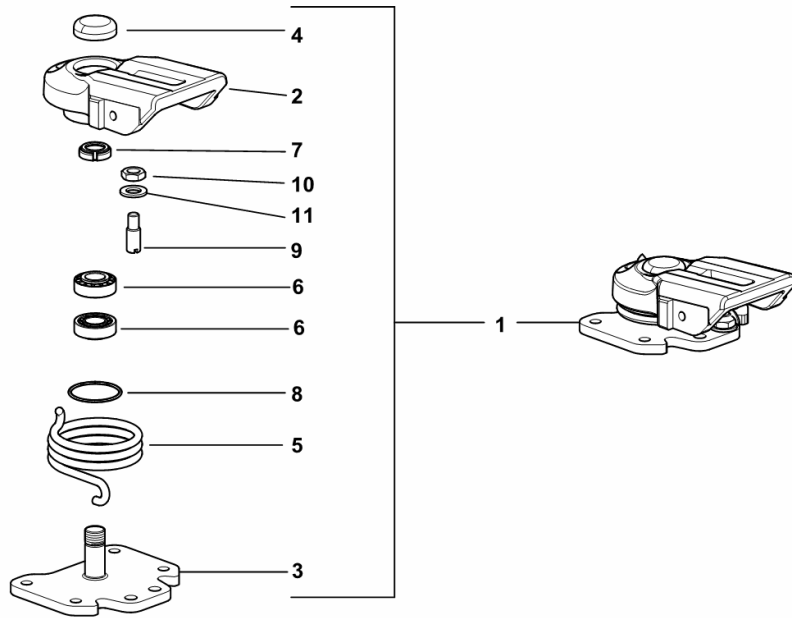
1	0.017.1775.0	1	shield
2	0.017.1776.3	1	bracket
3	2.0112.415.2	2	screw m 12 p.1.75 x 40
4	2.1470.007.2	2	lock washer 12
5	2.3320.321.0	1	terminal
6	2.0112.015.2	1	screw m 6 p.1x40
7	2.1470.002.2	1	washer 6, d128
8	2.0332.507.2	4	screw m 8 p.1.25 x 20
9	2.1312.004.2	4	washer 8.4
10	2.6560.006.0	2	wire guide 12x1.5
11	2.1579.772.2	2	spacer 9x12x7.5



9_S6976_02_0-A-001

WING HOLDER dx/rh/re

Fig.	Code	QTY	Name
1	0.015.4233.3	1	support dx/rh/re
2	0.000.0000.1	1	not serviceable
3	0.000.0000.1	1	not serviceable
4	0.900.1404.1	1	small cover
5	0.900.1404.2	1	spring
6	0.900.1404.3	2	bearing
7	0.900.1404.4	1	ring nut
8	0.900.1404.5	1	gasket
9	0.900.1404.6	1	grain
10	0.900.1404.7	1	nut
11	0.900.1404.8	1	washer



0.015.4233.3

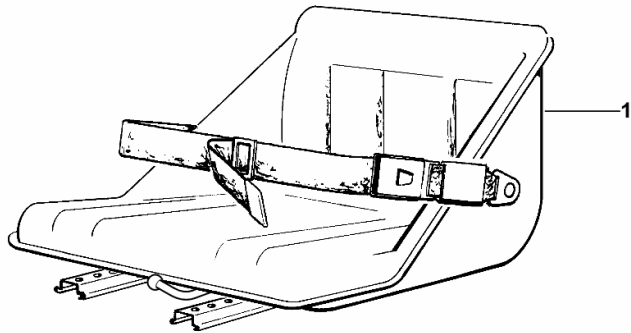
DRIVER'S SEAT KAB XH2

Fig.	Code	QTY	Name
------	------	-----	------

Notes:

[AGROLUX 90 2WD -> 5001] [AGROLUX 90 4WD -> 5001]

1	0.010.5361.4/10	1	seat ☞ 0.010.5361.4/10
---	-----------------	---	---------------------------



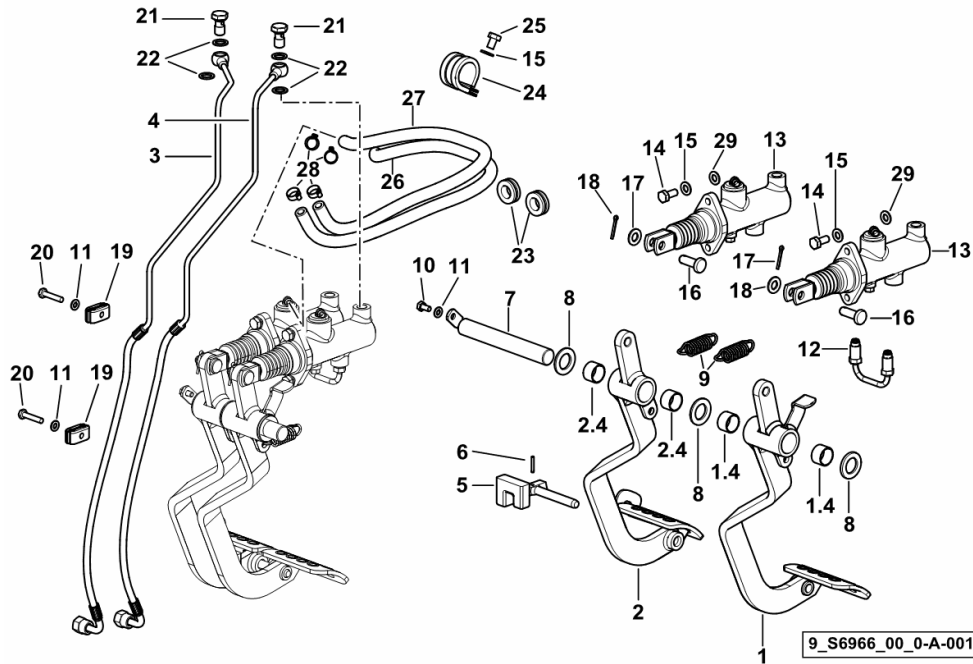
9_64875_03_0-A-001

BRAKE CONTROLS

Fig.	Code	QTY	Name
------	------	-----	------

Notes:

[AGROLUX 90 2WD -> 5001] [AGROLUX 90 4WD -> 5001]



1	0.016.0282.3/20	1	pedal sx/lh/li
1.4	2.1555.211.0	2	bushing 20x23x15
2	0.016.0283.3/20	1	pedal dx/rh/re
2.4	2.1555.211.0	2	bushing 20x23x15
3	0.016.5012.3/10	1	tube dx/rh/re
4	0.016.5011.3/10	1	tube sx/lh/li
5	0.010.7310.3/40	1	bracket
6	2.1630.210.9	1	pin 3 x 20
7	0.016.1967.2/10	1	pin
8	2.1311.012.2	3	flat washer 20
9	2.4049.190.2/10	2	spring
10	2.0112.003.2	1	screw m 6 p.1 x 12
11	2.1310.002.2	3	washer 6.6, d125
12	0.255.6660.3/10	1	tube
13	0.009.9234.4	2	brake cylinder
14	2.0312.206.2	4	screw m 8 p 1.25 x 20
15	2.1310.004.2	5	flat washer 8.5
16	2.1671.408.2	2	pin 10x30
17	2.1310.006.2	2	flat washer 10.5
18	2.1690.308.2	2	split pin 3.2 x 20
19	2.3321.002.0	2	terminal Ø 6.35 / 6.35
20	2.0112.011.2	2	screw m 6 p.1x30
21	2.3339.431.2/10	2	pipe union m 12 p.1.25x21
22	2.1560.008.0	4	gasket 12.2 x 18
23	2.6560.011.0	2	wire guide 16x2.5
24	2.6839.052.0	1	clamp 30/20
25	2.0112.203.2	1	screw m 8 p.1.25 x 12
26	0.012.2721.0	1	tube mm 8x15x1300
27	0.012.2721.0	1	tube mm 8x15x1300
28	2.6857.019.0	4	clamp 14
29	2.1470.004.2	4	washer 8

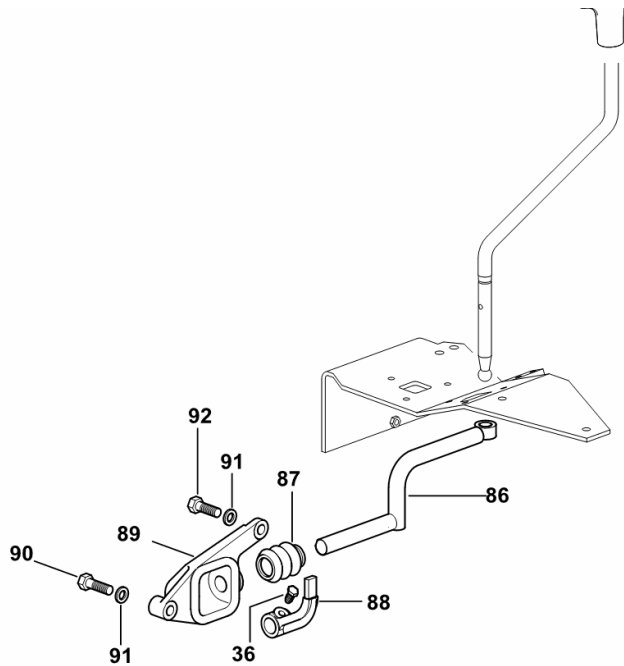
SHUTTLE CONTROL FOR 4-SPEED GEARBOX

Fig.	Code	QTY	Name
------	------	-----	------

Notes:

[AGROLUX 90 2WD -> 5001]

36	2.0399.019.1	4	screw m 8 p.1 x 16
86	0.290.6451.2/30	1	lever
87	0.233.6479.0	1	guard
88	0.290.6452.2/20	1	lever
89	0.290.6450.0/40	1	support
90	2.0312.410.2	1	screw m 12 p.1.75 x 30
91	2.1480.016.2	2	washer 12
92	2.0312.408.2	1	screw m 12 p.1.75 x 25



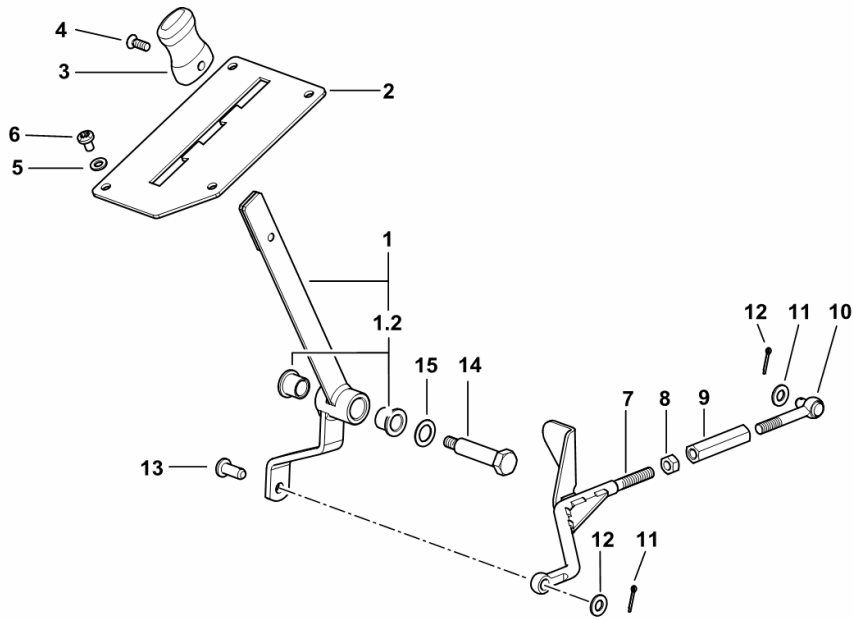
H

P.T.O. SHAFT DRIVE

Fig.	Code	QTY	Name
------	------	-----	------

Notes:

[AGROLUX 90 2WD -> 5001] [AGROLUX 90 4WD -> 5001]



1	0.016.3942.3	1	lever
1.2	2.1559.243.0	2	bushing 12x16x15
2	0.016.0157.0/10	1	plate
3	0.014.9079.0	1	knob
4	2.0322.406.6	1	screw m 6 p.1.0 x 16
5	2.1310.002.3	4	flat washer 6.4 x 12 x 1.6
6	2.0332.403.3	4	screw m 6 p.1 x 10
7	0.016.3943.2	1	rod
8	2.1011.105.2	1	nut m 8 p.1.25
9	2.1099.167.2	1	nut
10	0.015.3923.2	1	terminal
11	2.1310.004.2	2	flat washer 8.5
12	2.1690.207.2	2	split pin 2x18
13	2.1671.304.2	1	pin 8x20
14	2.0399.251.2	1	pin
15	2.1470.007.2	1	lock washer 12

9_P9768_15_0-A-001

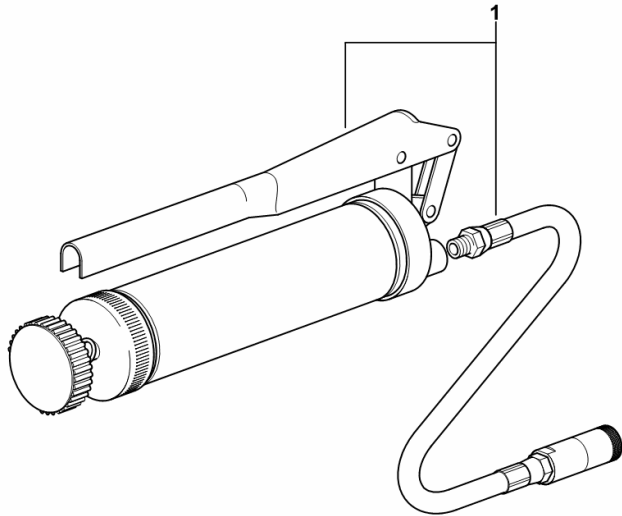
LUBRICATOR

Fig.	Code	QTY	Name
------	------	-----	------

Notes:

[AGROLUX 90 2WD -> 5001] [AGROLUX 90 4WD -> 5001]

1	0.011.6506.3	1	lubricator
---	--------------	---	------------



9_59273_01_0-A-001

ALTERNATOR PARTS

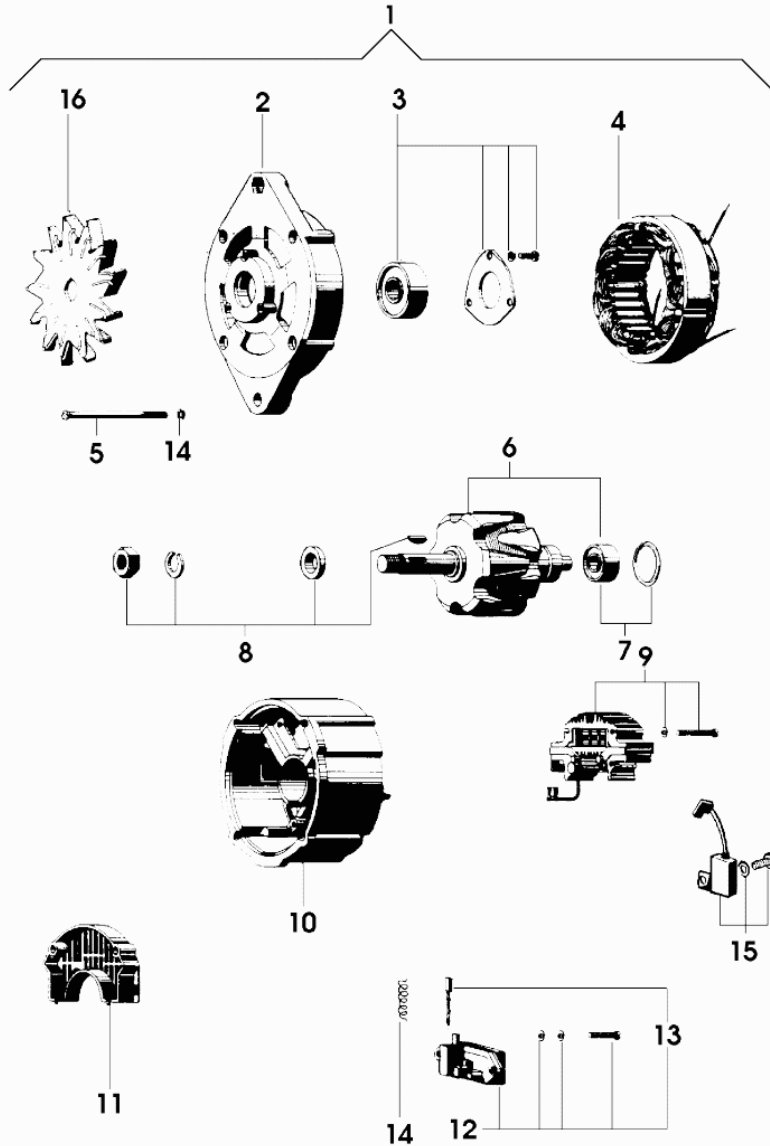


Fig.	Code	QTY	Name
1	2.9439.420.0/10	1	alternator 14V - 65A - ISKRA
2	0.009.4331.1	1	cover
3	0.010.2066.1	1	bearing
4	0.010.2066.2	1	field winding
5	0.010.2231.0	4	screw
6	0.010.2084.0	1	armature
7	0.010.2067.2	1	bearing
8	0.010.2068.0	1	repair seal set
9	0.009.4881.0	1	rectifier
10	0.010.2068.1	1	cover
11	0.010.2231.1	1	guard
12	0.009.4335.0	1	regulator
13	0.009.4335.1	2	brush set
14	0.000.0000.1	0	not serviceable
15	0.010.2068.2	1	condenser
16	0.009.4331.0	1	rotor blade

2_9439_420_0_10

PREARRANGEMENT FOR WARNING BEACON

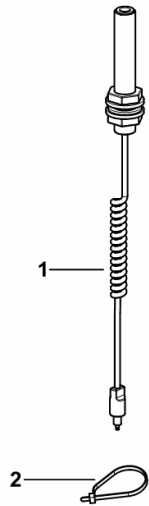
Fig.	Code	QTY	Name
------	------	-----	------

Notes:

- FOR TYPES WITH SUN ROOF [AGROLUX 90 2WD -> 5001] - FOR TYPES WITH SUN ROOF [AGROLUX 90 4WD -> 5001]

1	0.011.7840.4	1	wire ☞ 0.011.7840.4
2	2.6852.203.0	5	clamp 292 x 4.8

9_S6985_25_0-A-001



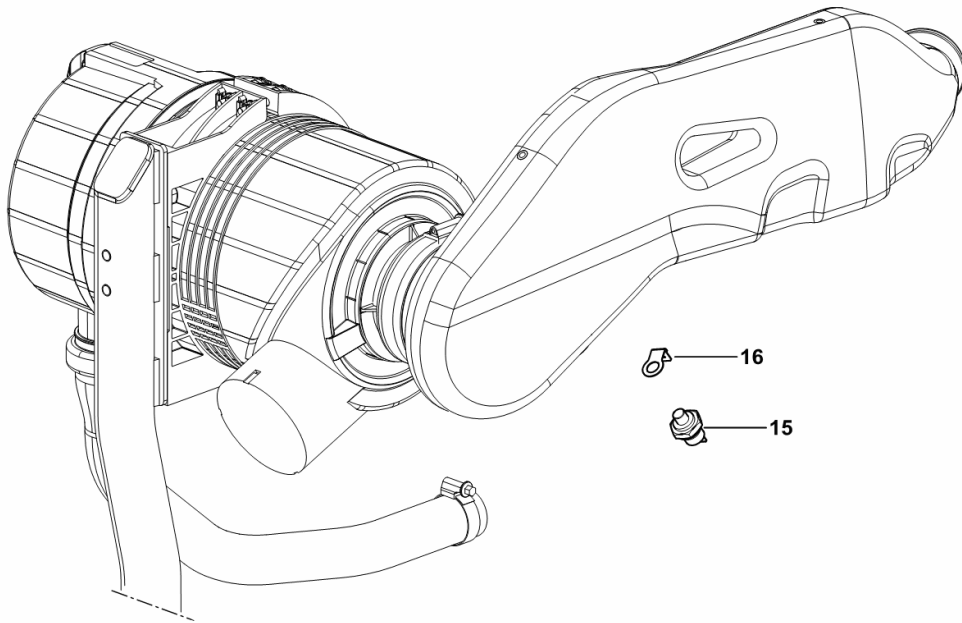
PRESSURE SWITCH FOR AIR CLEANER CLOGGED WARNING LIGHT 8 "

Fig.	Code	QTY	Name
------	------	-----	------

Notes:

[AGROLUX 90 2WD -> 5001] [AGROLUX 90 4WD -> 5001]

15	2.7099.320.0/10	1	pressure switch
16	0.164.8450.0	1	terminal



16

15

9_S6981_01_0-B-001

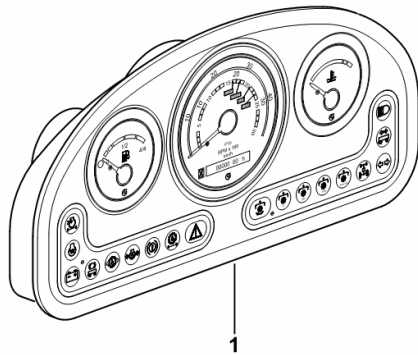
DASHBOARD BOX INSTRUMENT PANEL

Fig.	Code	QTY	Name
------	------	-----	------

Notes:

- 30 Km/h [AGROLUX 90 2WD -> 5001]

1	2.8339.073.0/20	1	multimeter 🔗 2.8339.073.0/20
---	-----------------	---	---------------------------------



9_C2284_19_0-A-001

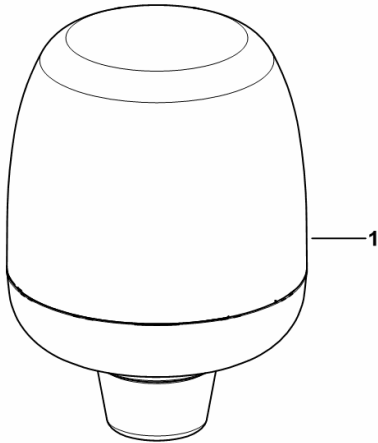
WARNING BEACON

Fig.	Code	QTY	Name
------	------	-----	------

Notes:

[AGROLUX 90 2WD -> 5001] [AGROLUX 90 4WD -> 5001]

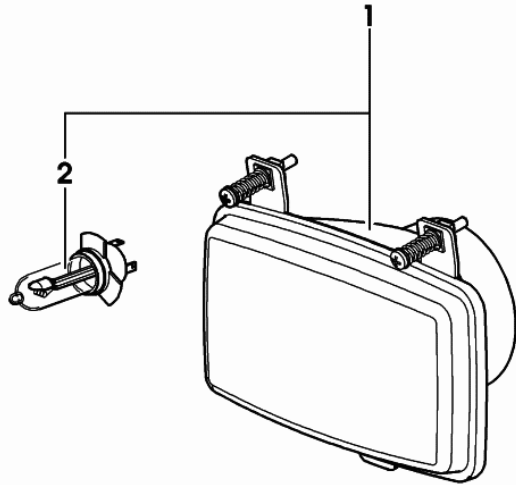
1	0.013.0868.4	1	blinker 🔗 0.013.0868.4
---	--------------	---	---------------------------



9_B8985_24_0-A-001

FRONT LIGHTS

Fig.	Code	QTY	Name
1	2.8039.250.0	1	headlight
2	0.010.2251.0	1	lamp 60/55W - HALOGEN -



2_8039_250_0

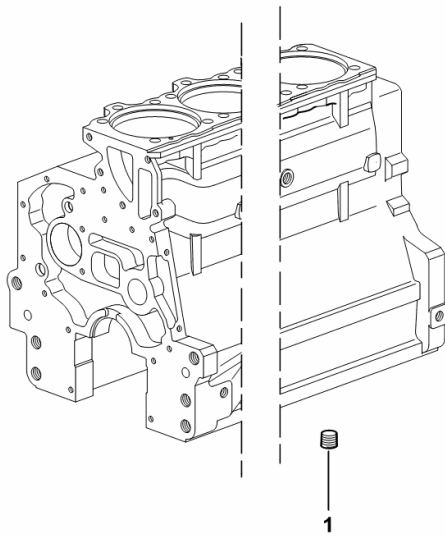
LOWER PLUG FOR CYLINDER BLOCKS

Fig.	Code	QTY	Name
------	------	-----	------

Notes:

[AGROLUX 90 2WD -> 5001] [AGROLUX 90 4WD -> 5001]

1	2.3130.003.1	2	plug 3/8" gas
---	--------------	---	---------------



19_37511_06_0-A-001

Section: B0 - ENGINE
CAMSHAFT

I9_Q5113_00_0-A-001

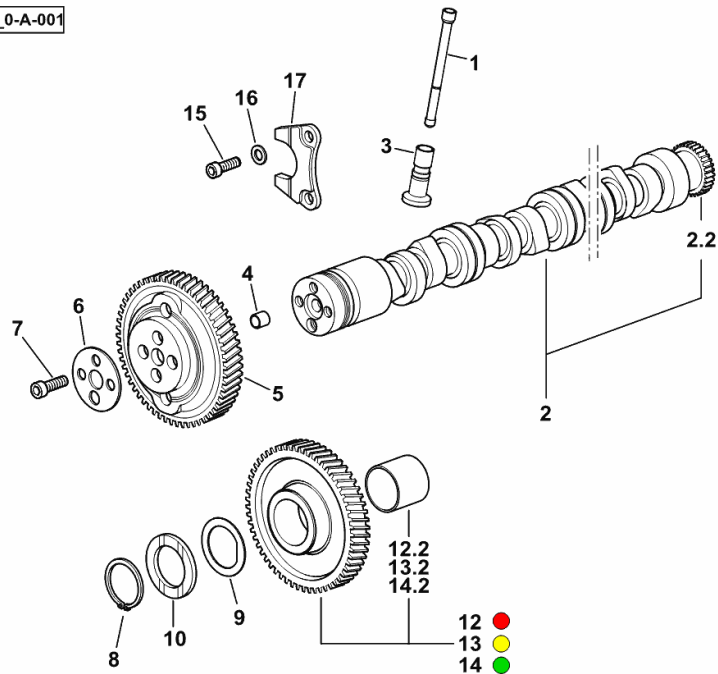


Fig.	Code	QTY	Name
------	------	-----	------

Notes:

[AGROLUX 90 2WD -> 5001] [AGROLUX 90 4WD -> 5001]

1	0.065.1331.2	8	rod
2	0.012.6558.3/10	1	camshaft
2.2	0.065.1324.0/10	1	gear Z = 32
3	0.065.1330.0	8	tappets
4	2.1559.398.0	1	bushing 10.5x13x12
5	0.013.5017.0	1	gear z=58
6	0.065.1350.0	1	small disc
7	2.0132.207.2	4	screw m 10 p.1 x 25
8	2.1410.016.1	1	circlip 40
9	0.065.1352.0	1	shim
10	0.065.1351.0	2	snoulder
12	0.007.1177.3/20	0.5	gear z = 57 - WITH RED IDENTIFICATION STAMP
12.2	2.1559.185.0/10	1	bushing
13	0.007.1178.3/20	0.5	gear z = 57 - WITH YELLOW IDENTIFICATION STAMP
13.2	2.1559.185.0/10	1	bushing
14	0.007.1179.3/20	0	gear z = 57 - WITH GREEN IDENTIFICATION STAMP
14.2	2.1559.185.0/10	1	bushing
15	2.0312.205.2	2	screw m 8 p.1.25 x 18
16	2.1480.014.1	2	washer 8
17	0.065.1353.0	1	small plate

CLICK HERE TO **DOWNLOAD** THE COMPLETE MANUAL

- Thank you very much for reading the preview of the manual.
- You can download the complete manual from: www.heydownloads.com by clicking the link below



- Please note: If there is no response to CLICKING the link, please download this PDF first and then click on it.

CLICK HERE TO **DOWNLOAD** THE COMPLETE MANUAL

Section: B0 - ENGINE
INJECTION PUMP DRIVE

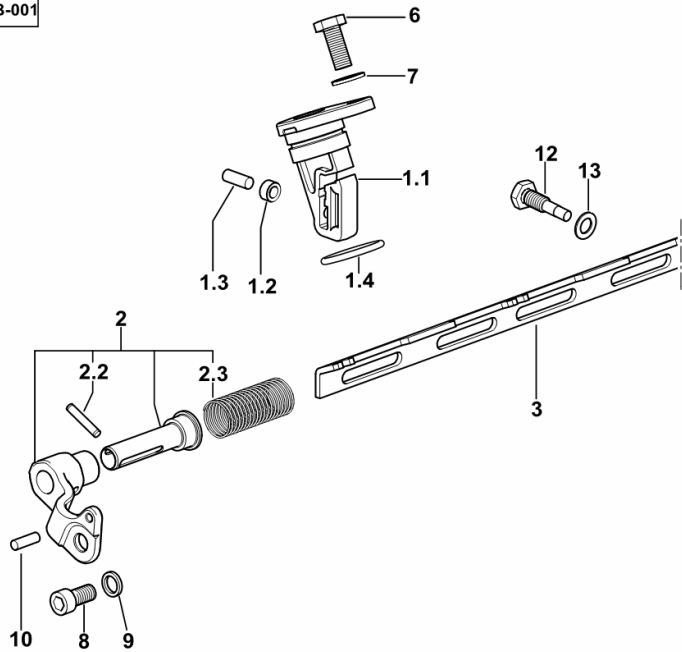
Fig.	Code	QTY	Name
------	------	-----	------

Notes:

[AGROLUX 90 2WD -> 5001] [AGROLUX 90 4WD -> 5001]

1.1	0.012.5618.0/20	1	support
1.2	0.065.1660.0	1	roller
1.3	2.1651.507.0	1	pin 6 x 16
1.4	2.1530.072.0	1	'o' ring 26.70x1.78
2	0.013.4057.4	1	bracket
2.2	2.1631.310.0	1	pin 4x22
2.3	2.4019.761.1	1	spring
3	0.014.9234.3	1	rod
6	2.0112.207.2	2	screw m 8 p 1.25 x 20
7	2.1310.004.2	2	flat washer 8.5
8	2.0312.204.2	1	screw m 8 p.1.25 x 16
9	2.1475.202.2	1	spring washer 8.4 x 16
10	2.1631.305.0	1	roll pin 4 x 12
12	0.014.9232.0	1	screw
13	2.1560.004.0	1	gasket 8.2 x 14

19_O1016_00_0-B-001



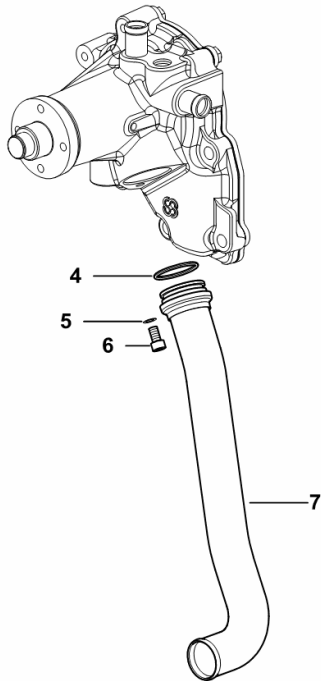
COOLANT PIPE

Fig.	Code	QTY	Name
------	------	-----	------

Notes:

[AGROLUX 90 2WD -> 5001] [AGROLUX 90 4WD -> 5001]

4	2.1539.140.0	1	'o' ring 34.5 x 2.62
5	2.1480.014.2	1	washer 8
6	2.0312.208.2	1	screw m 8 p.1.25 x 25
7	0.015.6057.3	1	tube



9_Q5119_10_0-C-001

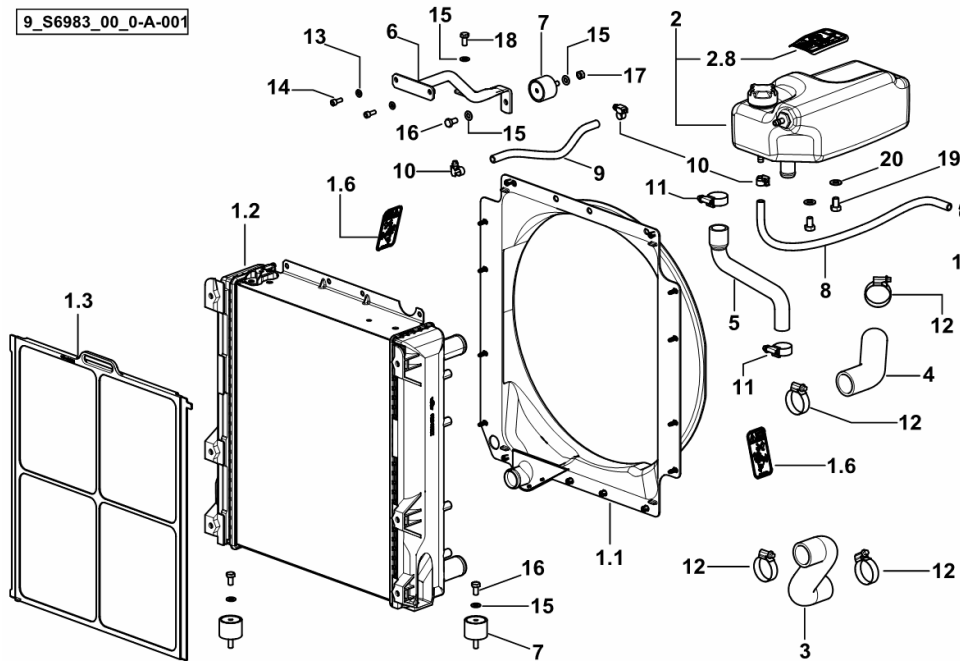
COOLING SYSTEM

Fig.	Code	QTY	Name
------	------	-----	------

Notes:

[AGROLUX 90 2WD -> 5001] [AGROLUX 90 4WD -> 5001]

9_S6983_00_0-A-001



1.1	0.014.8030.2/10	1	duct
1.2	0.014.8026.4/10	1	water cooler
1.3	0.014.8035.2	1	shield
1.6	2.9939.273.0	2	plate
2	0.016.1528.4	1	cup
			☞ 0.016.1528.4
2.8	2.9939.280.0	1	plate
3	0.016.2399.0	1	sleeve
4	0.016.2397.0	1	sleeve
5	0.016.2522.0	1	tube
6	0.016.2446.3	1	adjustable tensioner
7	0.010.1054.2/10	3	support
8	0.012.6457.0	0.5	tube
9	0.012.6457.0	0.25	tube
10	2.6851.018.0	4	clamp 11/17
11	2.6851.003.0	2	clamp Ø 25/40
12	2.6851.004.0	4	clamp Ø 32/50
13	2.1310.002.2	2	washer 6.6, d125
14	2.0312.104.2	2	screw m 6 p.1 x 16
15	2.1310.004.2	5	flat washer 8.5
16	2.0112.205.2	3	screw m 8 p.1.25 x 16
17	2.1011.105.2	1	nut m 8 p.1.25
18	2.0114.205.2	1	screw m 8 p.1.25 x 16
19	2.0112.305.2	2	screw m 10 p.1.5 x 16
20	2.1310.006.2	2	flat washer 10.5

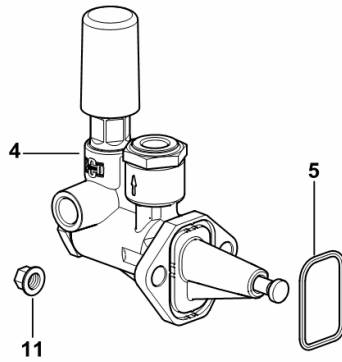
FUEL FEED PUMP

Fig.	Code	QTY	Name
------	------	-----	------

Notes:

[AGROLUX 90 2WD -> 5001] [AGROLUX 90 4WD -> 5001]

4	2.4519.330.0/50	1	feed pump ☞ 2.4519.330.0/50
5	2.1539.045.0	1	'o' ring 37.77x2.62
11	2.1099.159.2/10	2	nut m 8



ENGINE STOP SOLENOID VALVE

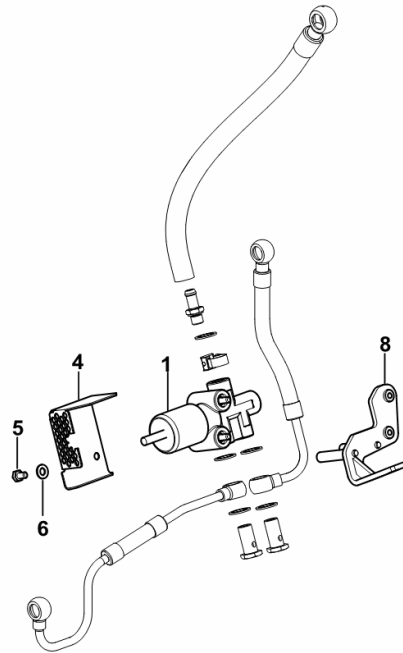
Fig.	Code	QTY	Name
------	------	-----	------

Notes:

[AGROLUX 90 2WD -> 5001] [AGROLUX 90 4WD -> 5001]

1	0.016.0434.4/10	1	electro valve
4	0.015.7449.0	1	guard
5	2.0112.002.2	2	screw m 6 p.1 x 10
6	2.1310.003.2	2	flat washer 7.4x14
8	0.015.7234.3/20	1	support

19_Q5016_02_0-C-001



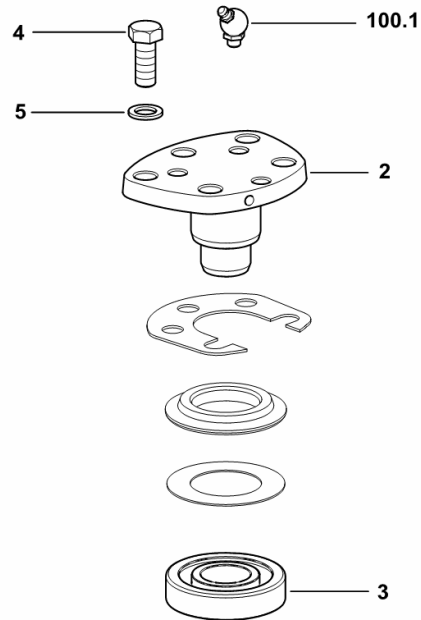
PIN

Fig.	Code	QTY	Name
------	------	-----	------

Notes:

[AGROLUX 90 4WD -> 5001]

2	0.255.4335.0/10	1	pin
3	2.2530.007.0	1	roller bearing 30x72x20.75
4	2.0112.411.2	3	screw m 12 p.1.75 x 30
5	2.1470.007.2	3	lock washer 12
100.1	2.3821.102.2	1	lubricator m 8 p.1 x 8



9_40543_05_0-A-001

Section: F0 - FRONT AXLE
CYLINDER PARTS

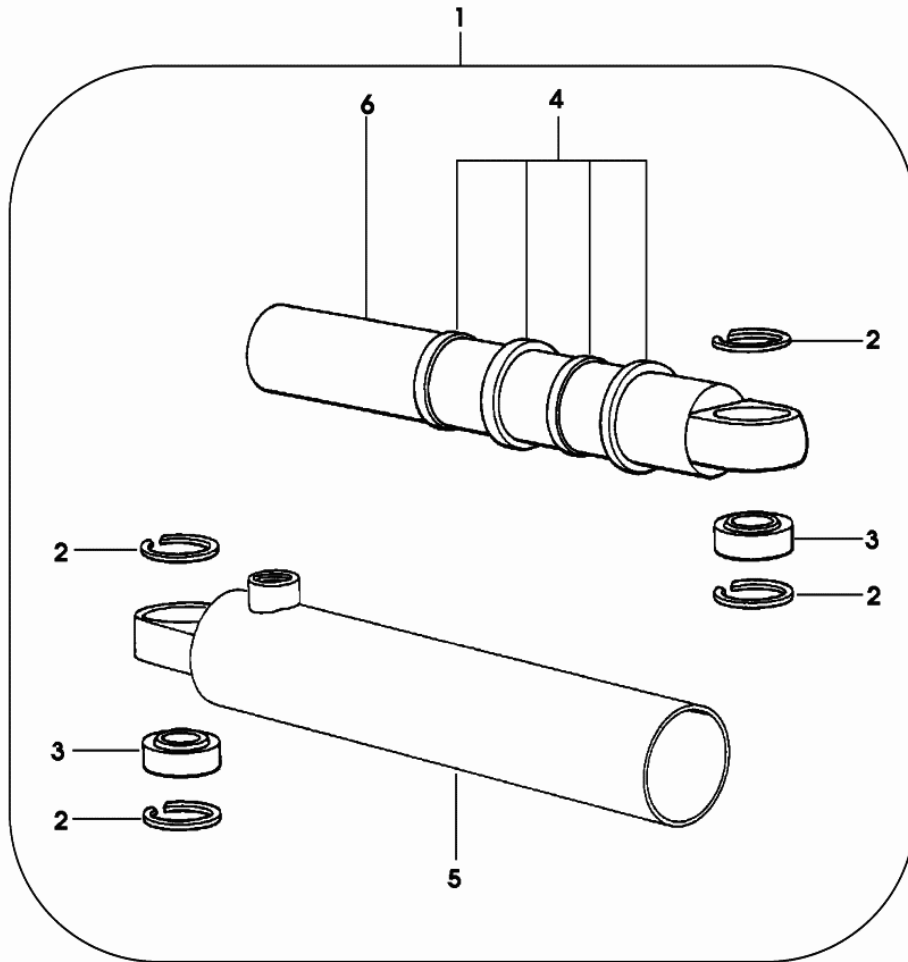


Fig.	Code	QTY	Name
1	0.448.6342.4	1	jack
2	2.1423.026.1	4	circlip 35 x 1.5
3	0.176.6371.0	2	ball joint
4	0.273.6363.4/10	1	seal ring kit
5	0.000.0000.1	0	not serviceable
6	0.448.6350.1	1	stem

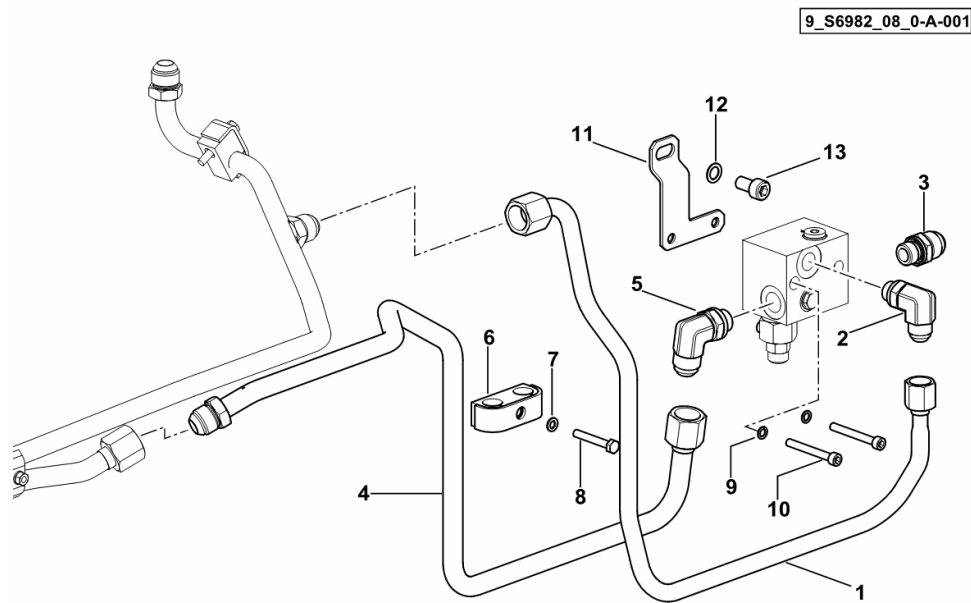
448_6342_4

RADIATOR BYPASS VALVE SYSTEM

Fig.	Code	QTY	Name
------	------	-----	------

Notes:

[AGROLUX 90 2WD -> 5001] [AGROLUX 90 4WD -> 5001]



1	0.017.3092.3	1	tube
2	2.3264.011.2	1	pipe fitting
3	2.3249.141.2	1	pipe fitting 7/8 JIC-M18
4	0.017.3091.3	1	tube
5	2.3264.018.2	1	pipe fitting m 18 p.1.5
6	2.3320.316.0	1	terminal Ø 16/16 -B-
7	2.1470.002.2	1	washer 6, d128
8	2.0112.015.2	1	screw m 6 p.1x40
9	2.1480.012.2	2	washer 6, d128
10	2.0312.116.2	2	screw m 6 p.1 x 50
11	0.017.3089.3	1	bracket
12	2.1480.015.1	1	washer 10
13	2.0312.305.2	1	screw M 10x18

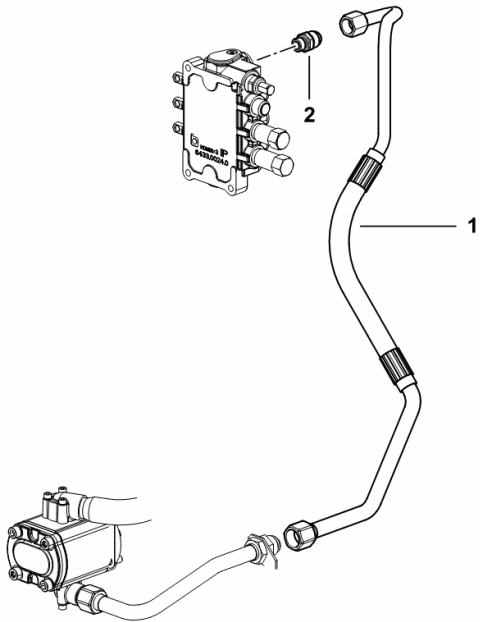
HOSE FROM HYDRAULIC PUMP TO AUXILIARY HYDRAULIC CONTROL VALVE

Fig.	Code	QTY	Name
------	------	-----	------

Notes:

- FOR TYPES WITH AUXILIARY 6-WAY CONTROL VALVE WITHOUT HYDRAULIC BRAKING FOR TRAILER [AGROLUX 90 2WD -> 5001] - FOR TYPES WITH AUXILIARY 6-WAY CONTROL VALVE WITHOUT HYDRAULIC BRAKING FOR TRAILER [AGROLUX 90 4WD -> 5001]

1	0.016.4541.3/10	1	tube
2	2.3249.141.2	1	pipe fitting 7/8 JIC-M18



9_P9782_44_0-A-001

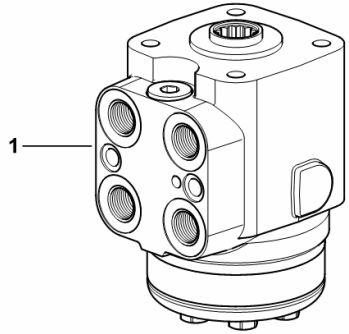
HYDROSTATIC STEERING CONTROL VALVE

Fig.	Code	QTY	Name
------	------	-----	------

Notes:

- 2WD [AGROLUX 90 2WD -> 5001]

1	0.010.8555.4	1	hydrosteering DANFOSS - 125 ☞ 0.010.8555.4
---	--------------	---	---



9_77863_05_0-A-001

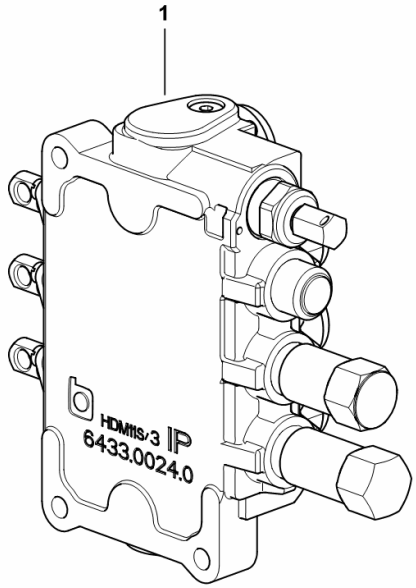
6-WAY AUXILIARY DISTRIBUTOR

Fig.	Code	QTY	Name
------	------	-----	------

Notes:

[AGROLUX 90 2WD -> 5001] [AGROLUX 90 4WD -> 5001]

1	2.3729.707.0/10	1	distributor  2.3729.707.0/10
---	-----------------	---	--



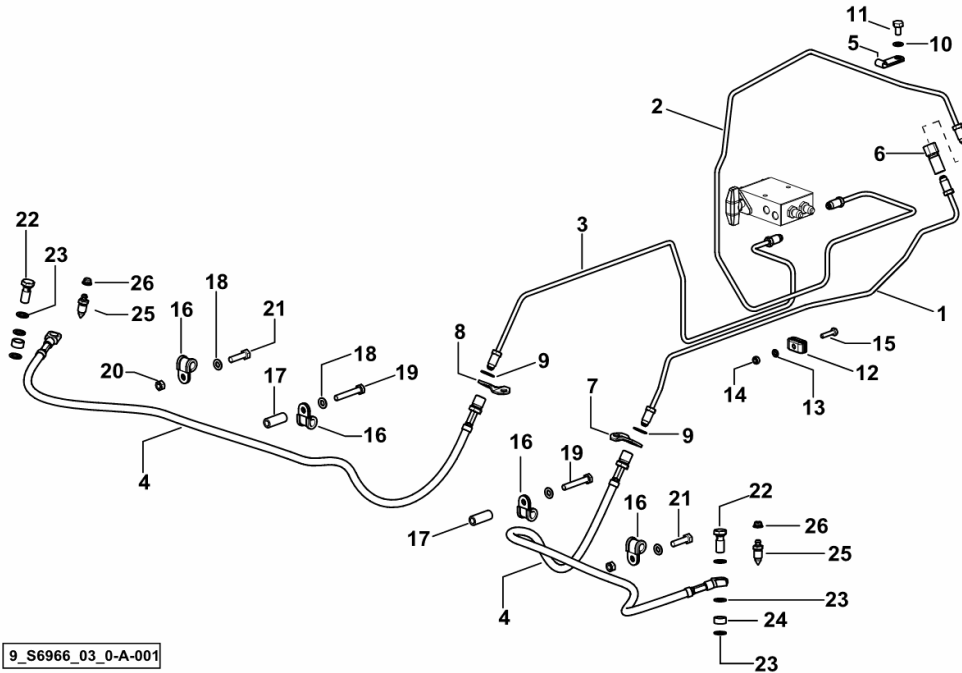
9_H1288_25_0-A-001

FRONT BRAKING SYSTEM

Fig.	Code	QTY	Name
------	------	-----	------

Notes:

[AGROLUX 90 4WD -> 5001]



1	0.017.4133.3	1	tube sx/lh/li
2	0.017.4132.3/10	1	tube
3	0.017.4131.3	1	tube dx/rh/re
4	0.017.4135.3	2	tube
5	2.6839.044.2	1	clamp
6	0.277.4354.0/10	1	pipe fitting
7	0.290.6665.0/10	1	bracket sx/lh/li
8	0.290.6664.0/10	1	bracket dx/rh/re
9	2.1410.004.2	2	circlip 16
10	2.1470.004.2	1	washer 8
11	2.0112.204.2	1	screw m 8 p.1.25x14
12	2.3321.002.0	1	terminal Ø 6.35 / 6.35
13	2.1470.002.2	1	washer 6, d128
14	2.1011.103.2	1	nut m 6 p.1
15	2.0112.009.2	1	screw m 6 p.1 x 25
16	2.6839.055.0	4	clamp Ø 11 / 20
17	2.1549.077.2	2	sleeve 8.5x14x36
18	2.1310.004.2	4	flat washer 8.5
19	2.0112.219.2	2	screw m 8 p.1.25x50
20	2.1011.105.2	2	nut m 8 p.1.25
21	2.0112.211.2	2	screw m 8 p.1.25 x 30
22	2.3339.361.2/10	2	pipe union m 12 p.1.25 x 28
23	2.1560.008.0	6	gasket 12.2 x 18
24	2.1579.765.2/10	2	spacer 12.5 x 18 x 8.0
25	0.170.5455.0	2	valve
26	2.3199.039.0	2	plug 6.50 x 7.25

9_S6966_03_0-A-001

AGROLUX 90 -> 5001

Section: H0 - HYDRAULIC AND PNEUMATIC SYSTEM|

Ref.: H0.09.13 (1)

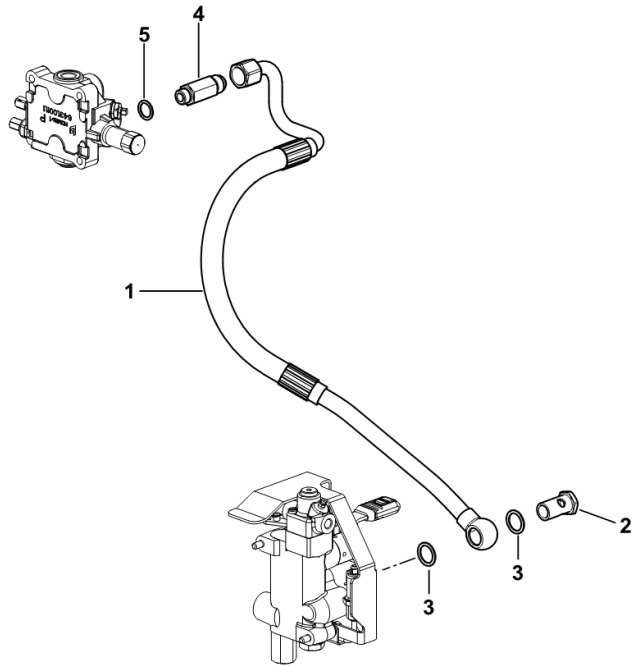
HYDRAULIC BRAKING PARTS KIT WITH 2-WAY DIRECTIONAL CONTROL VALVE

Fig.	Code	QTY	Name
------	------	-----	------

Notes:

[AGROLUX 90 2WD -> 5001] [AGROLUX 90 4WD -> 5001]

1	0.017.5015.3	1	tube
2	2.3335.009.2	1	pipe union m 22 p.1.5 x 39
3	2.1560.018.0	2	gasket 22.2 x 29
4	2.3249.166.2	1	pipe fitting 7/8"-14 jic m 18
5	2.1560.014.0	1	gasket 18.2 x 24 x 1.5



9_S6989_03_0-A-001

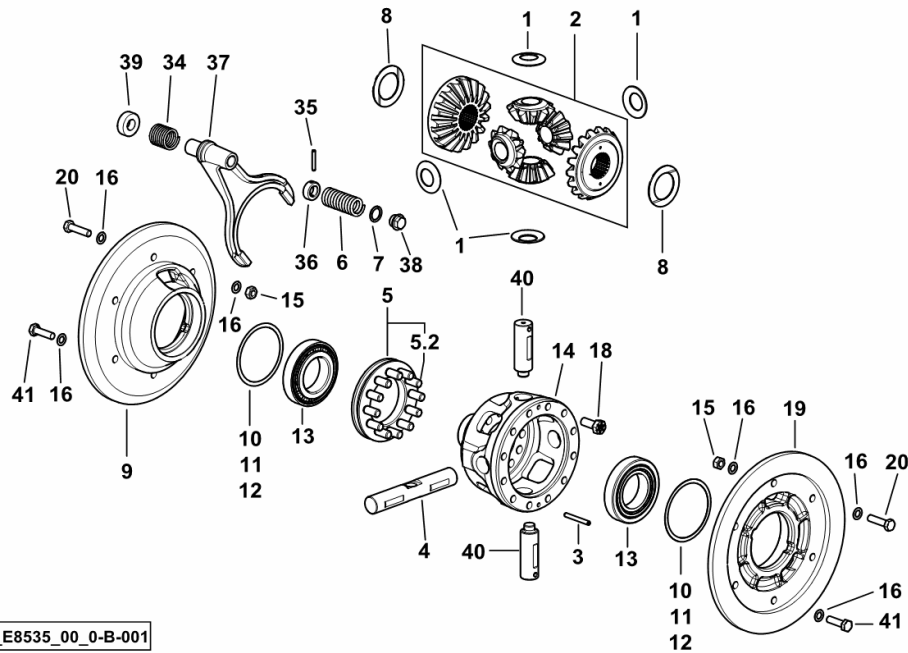
4-PLANET PINION DIFFERENTIAL

Fig.	Code	QTY	Name
------	------	-----	------

Notes:

[AGROLUX 90 2WD -> 5001] [AGROLUX 90 4WD -> 5001]

1	0.157.3550.0	4	snoulder
2	0.011.7735.3	1	crown wheel
3	2.1631.519.0	2	roll pin 6x50
4	0.010.0614.0/10	1	pin
5	0.135.3527.3/20	1	sleeve
5.2	0.135.3550.0/10	12	pin
6	2.4019.225.1	1	spring 28 x 79 x 4.5
7	2.1560.014.0	1	gasket 18.2 x 24 x 1.5
8	2.1599.427.0/10	2	snoulder 42x64x0.3
9	0.255.3512.0/20	1	support
10	2.1580.319.0	5	shim 86x98x0.5
11	2.1580.320.0	4	shim 86x98x0.2
12	2.1580.321.0	2	shim 86x98x0.15
13	2.2520.012.0	2	roller bearing 55 x 100 x 22.75
14	0.011.7732.0/30	1	differential carrier
15	2.1011.106.2	2	nut m 10 p.1.5
16	2.1470.006.2	14	lock washer 10
18	2.0129.028.2	12	screw m 12 p.1.25x30
19	0.255.3513.0/20	1	support
20	2.0114.315.2	2	screw m 10 p.1.5 x 40
34	2.4019.339.1	1	spring 32x56.5x3.5
35	2.1631.415.2	1	pin 5x32
36	0.190.6858.0	1	stop
37	0.445.3541.0/20	1	fork
38	2.3110.405.1	1	plug m 18 p.1.5 x 15
39	2.1549.146.0	1	spacer 16.5X36X12
40	0.010.0613.0	2	pin
41	2.0112.313.2	10	screw m 10 p.1.5 x 35



9_E8535_00_0-B-001

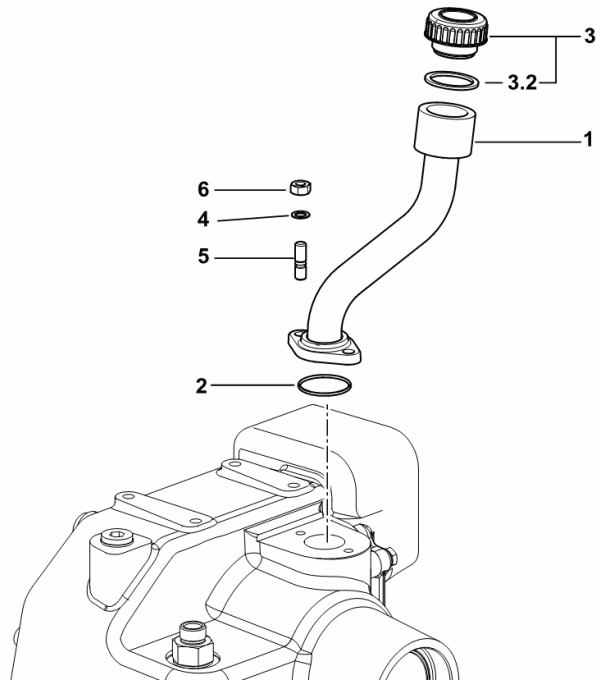
OIL FILLER CAP

Fig.	Code	QTY	Name
------	------	-----	------

Notes:

[AGROLUX 90 2WD -> 5001] [AGROLUX 90 4WD -> 5001]

1	0.016.5604.3	1	tube
2	2.1532.092.0	1	ring 34.65x1.78
3	0.041.1135.4	1	plug 1" gas
3.2	2.1569.072.0	1	gasket 32 x 39.5 x 2
4	2.1480.014.2	2	washer 8
5	2.0432.001.7	2	stud bolt m 8 p.1.25 - 1.00 x 16
6	2.1011.405.2	2	nut m 8 p.1



9_R0659_05_0-A-00

Section: R0 - REAR LIFT
3-POINT LINKAGE

9_P9758_00_0-A-001

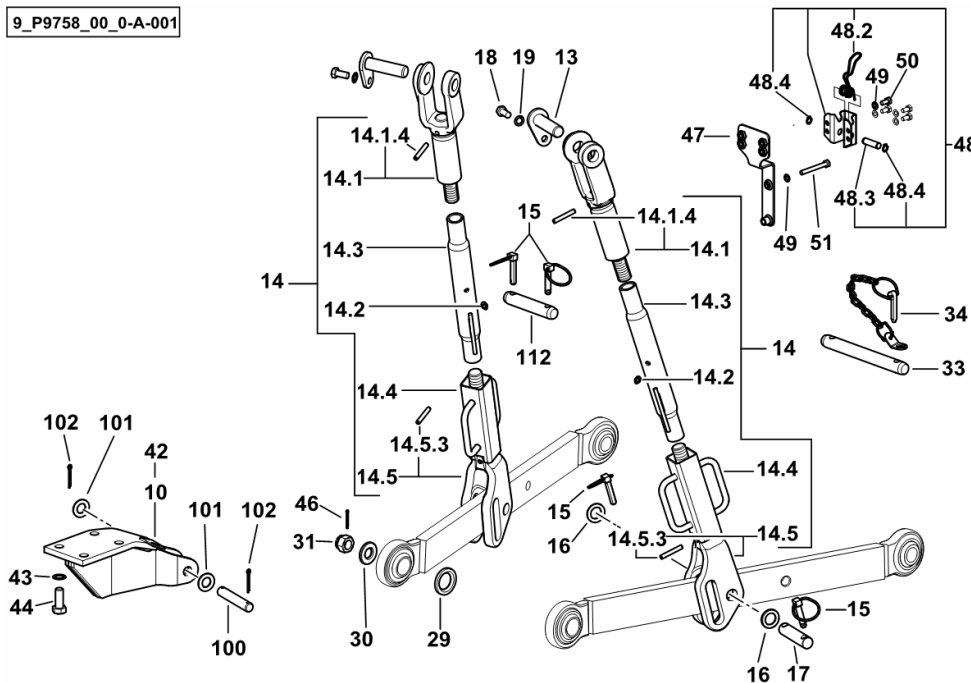


Fig.	Code	QTY	Name
------	------	-----	------

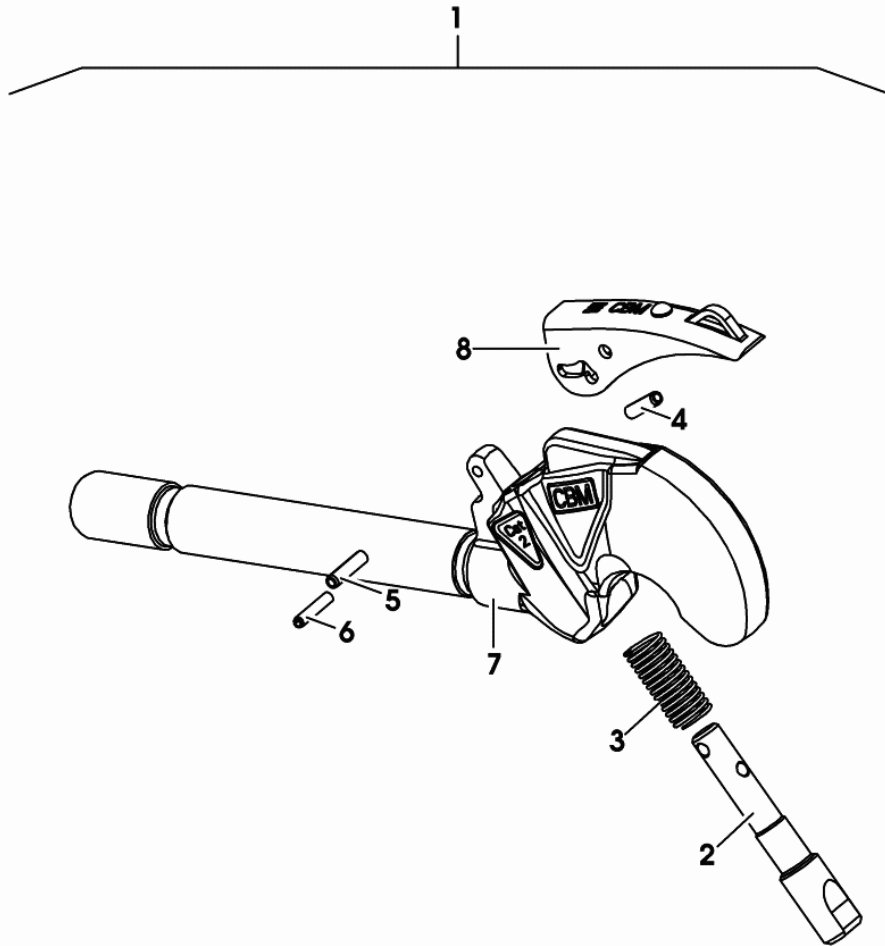
Notes:

[AGROLUX 90 2WD -> 5001] [AGROLUX 90 4WD -> 5001]

10	0.016.6855.3	1	bracket dx/rh/re
13	0.008.8469.2/10	2	pin
14	0.011.4662.4/20	2	rod
14.1	0.010.4773.3/10	1	rod
14.1.4	2.1630.717.2	1	roll pin 8 x 50
14.2	2.3820.105.2	1	lubricator m 10 p.1 x 7
14.3	0.011.5288.2/10	1	sleeve
14.4	0.010.4363.2/10	1	grip
14.5	0.010.4030.3/10	1	rod
14.5.3	2.1630.717.2	1	roll pin 8 x 50
15	0.010.9322.4	6	pin Ø 11
16	2.1311.014.2	4	flat washer Ø 25
17	2.1669.014.2/10	2	pin 24 x 103
18	2.0112.409.2	2	screw m 12 p.1.75 x 25
19	2.1470.007.2	2	lock washer 12
29	0.96001.64.0/10	2	snoulder 35 x 55 x 6.0
30	0.96001.65.0/10	2	snoulder 21x45x6
31	2.1021.209.2	2	castellated nut m 20 p.1.5
33	0.760.3512.0/10	1	pin
34	0.96001.70.3	2	pin
42	0.016.6867.3	1	bracket sx/lh/li
43	2.1470.009.2	8	lock washer 16
44	2.0112.615.2	8	screw m 16 p.2 x 40
46	2.1690.411.2	4	split pin 4x28
47	0.015.2083.3	1	bracket
48	0.009.3492.4/40	1	stop
48.2	2.4099.088.2/10	1	spring
48.3	2.1699.386.2	1	pin 12x42
48.4	2.1410.002.1	2	circlip 12
49	2.1470.004.2	6	washer 8
50	2.0112.205.2	4	screw m 8 p.1.25 x 16
51	2.0112.223.2	2	screw m 8 p.1.25x70
100	2.1669.001.0	2	pin 19x110x98
101	2.1310.013.2	4	flat washer 21x37
102	2.1690.513.2	4	split pin 5 x 36
112	2.1669.024.2	1	pin 25.4 x 133

Section: R0 - REAR LIFT
LINKAGE

Fig.	Code	QTY	Name
1	0.014.1405.3	1	rod 2 cat.-CBM-
2	04397651	1	pin
3	0.900.0070.6	1	spring
4	0.900.0070.7	1	roll pin
5	0.900.0070.8	1	pin
6	0.900.0070.9	1	roll pin
7	0.000.0000.1	0	not serviceable
8	04397652	1	lever



0_014_1405_3

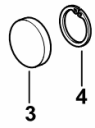
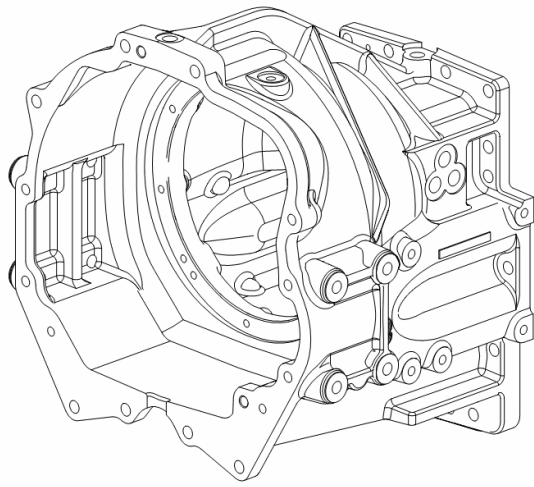
Section: D0 - TRANSMISSION
2WD - COMPLETION

Fig.	Code	QTY	Name
------	------	-----	------

Notes:

[AGROLUX 90 2WD -> 5001]

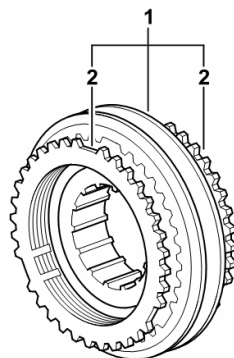
3	2.3199.095.0	1	plug 55x10
4	2.1411.022.1	1	circlip 55



9_40531_01_0-B-001

SYNCHRONIZER PARTS

Fig.	Code	QTY	Name
1	0.007.7646.4/10	1	lock synchronizer Ø 68 mm
2	0.009.4324.1	2	ring



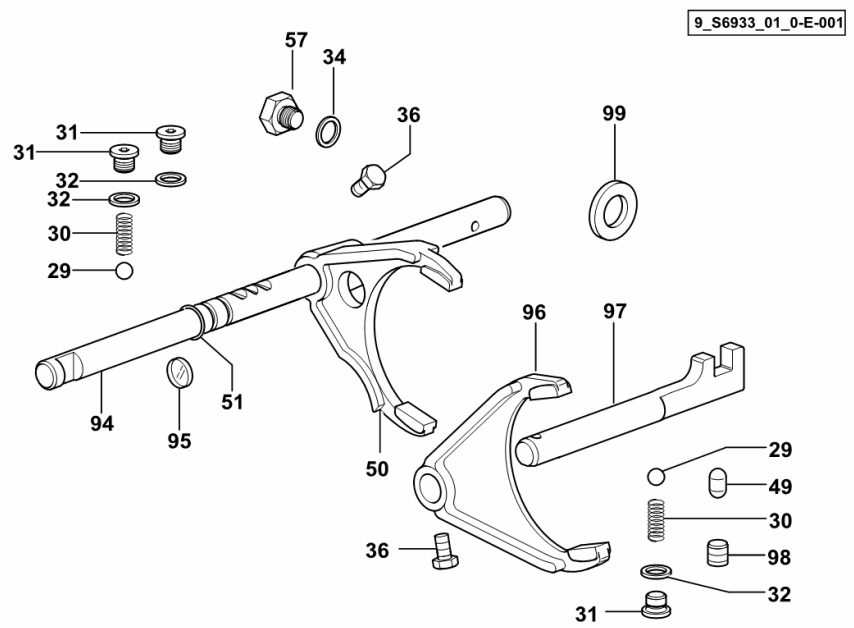
0_007_7646_4_10

INTERNAL GEARBOX AND SHUTTLE COMMANDS - FOR 5-SPEED GEARBOX

Fig.	Code	QTY	Name
------	------	-----	------

Notes:

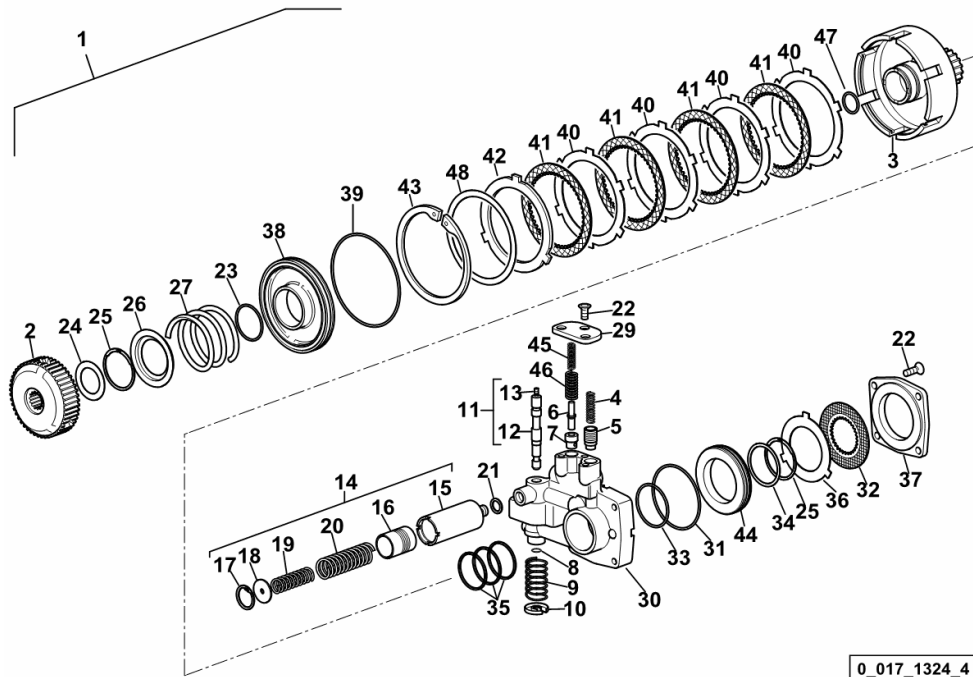
[AGROLUX 90 4WD -> 5001]



29	2.2999.156.0	4	ball Ø 10
30	2.4019.622.1	4	spring 6.3 x 9.5 x 1.6 x 22.4
31	2.3199.164.2/20	4	plug m 12 p.1.5
32	2.1560.008.0	4	gasket 12.2 x 18
34	2.1560.012.0	1	gasket 16.2 x 22 x 1.5
36	2.0399.019.1	5	screw m 8 p.1 x 16
49	2.1699.159.0	2	cap 10 x 14.1
50	0.011.8530.0/10	1	fork
51	2.1530.033.0	2	REVERSING GEAR UNIT
57	2.3199.263.2	1	'o' ring 13.10x2.62
94	0.445.6424.0/20	1	rod
95	2.3171.007.4	1	plug Ø 18
96	0.010.0209.0/20	1	fork
97	0.445.6454.0/30	1	rod
98	2.3131.001.4	1	plug m 12 p.1.5
99	2.1549.117.0/10	2	spacer 20.1 x 36 x 4.6

Section: D0 - TRANSMISSION
P.T.O. - CLUTCH-PARTS

Fig.	Code	QTY	Name
46	2.4019.370.1	1	spring 15.4x32.5x2.2
47	2.1530.062.0	1	'o' ring 23.81 x 2.62
48	2.1599.499.0	1	snoulder 110 x 126.5 x 1.2



0_017_1324_4

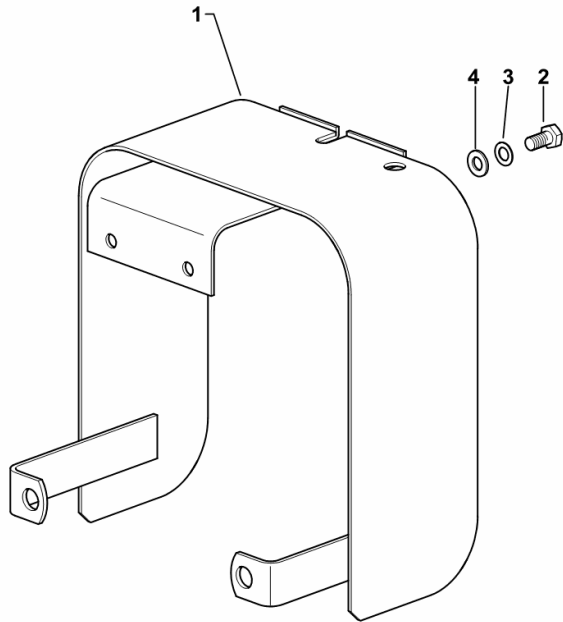
P.T.O. SHAFT PROTECTOR REAR

Fig.	Code	QTY	Name
------	------	-----	------

Notes:

[AGROLUX 90 2WD -> 5001] [AGROLUX 90 4WD -> 5001]

1	0.97915.10.2/40	1	small sump
2	2.0112.307.2	2	screw m 10 p.1.5 x 20
3	2.1470.006.2	2	lock washer 10
4	2.1310.006.2	2	flat washer 10.5



9_50836_20_0-A-001

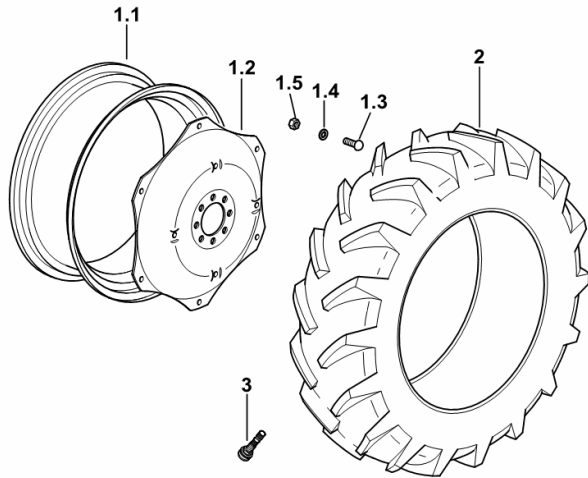
WHEELS 380/85R24"(14.9R24")

Fig.	Code	QTY	Name
------	------	-----	------

Notes:

[AGROLUX 90 4WD -> 5001] 5004 <-

1.1	0.012.8987.3	1	rim W 13x24" C/ST.
1.2	0.010.9752.0	1	flange 24"
1.3	2.0099.005.6	6	screw m 16 p.1.5 x 38
1.4	2.1499.019.6	6	washer 16.3 x 31.5
1.5	2.1019.059.6	6	nut m 16 p.1.5 x 16
2	2.4811.072.0	2	tyre 380/85R24"(14.9R24")
3	0.012.6364.0	2	valve



9_L1355_22_0-A-001

CLICK HERE TO **DOWNLOAD** THE COMPLETE MANUAL

- Thank you very much for reading the preview of the manual.
- You can download the complete manual from: www.heydownloads.com by clicking the link below



- Please note: If there is no response to CLICKING the link, please download this PDF first and then click on it.

CLICK HERE TO **DOWNLOAD** THE COMPLETE MANUAL