

AGROLUX 60 E ->D10S553WT1E1001

V0 - BALLAST, TOWING HITCHES

FRONT HITCHES

FRONT TOWING HITCH..... V0.01.0 (1)

REAR HITCHES

REAR TOWING HITCH.....V0.02.0 (1)

REAR TOWING HITCH.....V0.02.1 (1)

REAR GEARBOX BRACKETS..... V0.02.2 (1)

REAR OSCILLATING HITCH..... V0.02.3 (1)

FRONT BALLAST WEIGHTS

FRONT WEIGHT CARRIER.....V0.03.0 (1)

FRONT BALLAST.....V0.03.1 (1)

FRONT BALLAST.....V0.03.2 (1)

FRONT BALLAST.....V0.03.3 (1)

WHEEL BALLAST

WHEEL BALLAST REAR 172 Kg..... V0.05.0 (1)

WHEEL BALLAST 172 Kg..... V0.05.1 (1)

WHEEL BALLAST REAR 344 Kg..... V0.05.2 (1)

WHEEL BALLAST 344 Kg..... V0.05.3 (1)

CLICK HERE TO **DOWNLOAD** THE COMPLETE MANUAL

- Thank you very much for reading the preview of the manual.
- You can download the complete manual from: www.heydownloads.com by clicking the link below



- Please note: If there is no response to CLICKING the link, please download this PDF first and then click on it.

CLICK HERE TO **DOWNLOAD** THE COMPLETE MANUAL

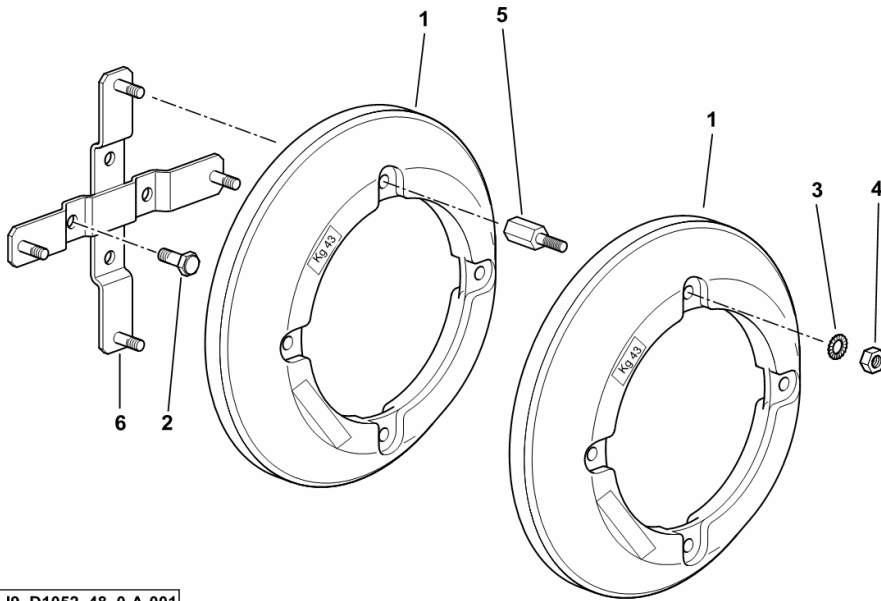
WHEEL BALLAST REAR 172 Kg

Fig.	Code	QTY	Name
------	------	-----	------

Notes:

- FOR TYPES WITH STANDARD AND LONG SEALED REAR AXLE [AGROLUX 60 E 2WD ->D10S553WX1E1001]
- FOR TYPES WITH STANDARD AND LONG SEALED REAR AXLE [AGROLUX 60 E 4WD->D10S553WT1E1001]

1	0.135.5540.0/10	4	ballast 43 Kg
2	2.0399.258.6	8	screw
3	2.1470.009.2	4	lock washer 16
4	2.1011.309.2	8	nut m 16 p.1.5
5	0.001.8527.0	8	small column
6	0.011.3903.3/10	2	support



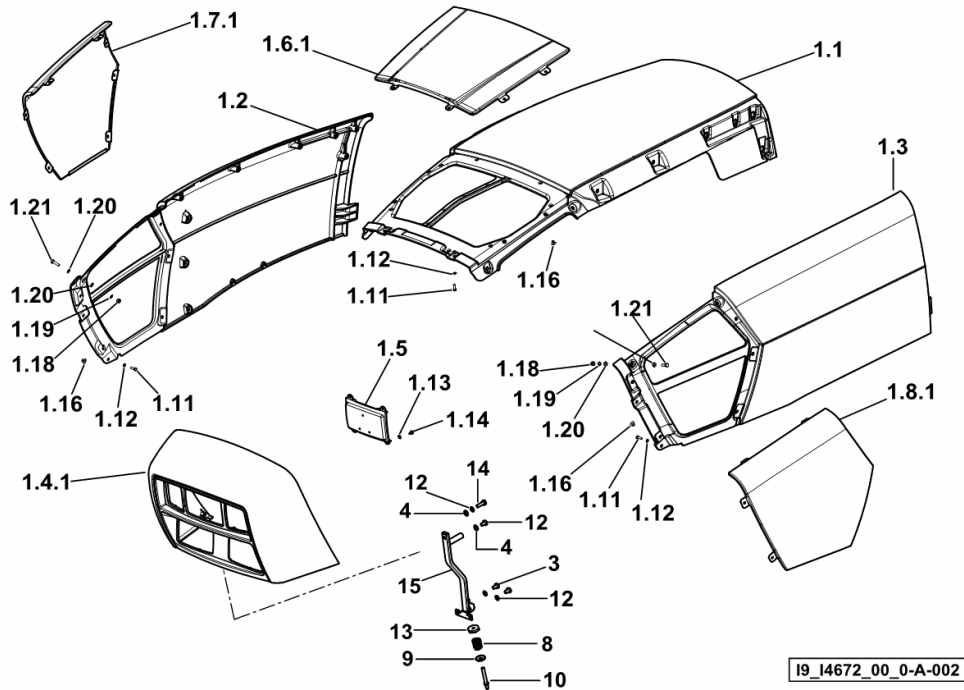
19_D1052_48_0-A-001

HOOD

Fig.	Code	QTY	Name
------	------	-----	------

Notes:

- FOR TYPES W/O EXTENSION FOR AIR PREFILTER [AGROLUX 60 E 2WD ->D10S553WX1E1001] -> 1353 -
 FOR TYPES W/O EXTENSION FOR AIR PREFILTER [AGROLUX 60 E 4WD->D10S553WT1E1001] -> 1353



1.1	0.015.6735.2/10	1	bonnet
1.2	0.015.6734.2/30	1	right h.side panel
1.3	0.015.6733.2/30	1	lift hand side panel
1.4.1	0.014.8539.2/20	1	grille/grid
1.5	0.015.1840.0	1	grille
1.6.1	0.014.8537.0/10	1	grille
1.7.1	0.014.8475.0/10	1	grille dx/rh/re
1.8.1	0.014.8471.0/10	1	grille sx/lh/li
1.11	2.0114.105.2	6	screw m 5 x 16
1.12	2.1310.001.2	6	flat washer 5.3
1.13	2.1310.028.2	4	flat washer 4
1.14	2.0350.454.6	4	screw m 4.2 x 13 -AB-
1.16	2.1899.074.0	22	rivet 4.7
1.18	2.1120.003.2	4	nut m 6
1.19	2.1470.002.2	4	washer 6, d128
1.20	2.1310.002.2	8	washer 6.6, d125
1.21	2.0112.008.2	4	screw m 6 p.1x22
3	2.0112.203.2	3	screw m 8 p.1.25 x 12
4	2.1310.004.2	2	flat washer 8.5
8	2.4019.804.2	1	spring
9	0.009.7867.0	1	bottom
10	0.009.7868.0/30	1	pin
12	2.1470.004.2	3	washer 8
13	0.010.0849.0	1	ring nut
14	2.0112.209.2	1	screw m 8 p 1.25 x 25
15	0.017.7245.3	1	support

AGROLUX 60 E ->D10S553WT1E1001

Section: G0 - BODYWORK - CAB

Ref.: G0.01.25 (1)

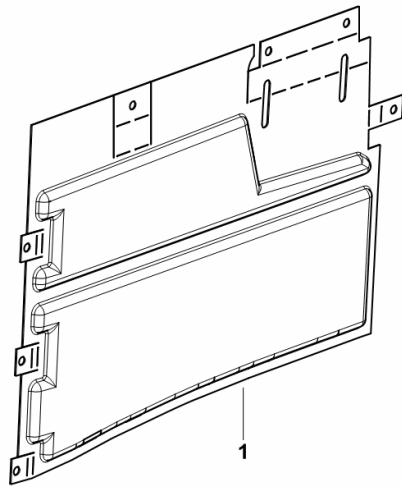
HOOD INSULATION PANEL

Fig.	Code	QTY	Name
------	------	-----	------

Notes:

[AGROLUX 60 E 2WD ->D10S553WX1E1001] [AGROLUX 60 E 4WD->D10S553WT1E1001]

1	0.016.0461.0	1	panel
---	--------------	---	-------



19_J1272_30_0-A-001

AGROLUX 60 E ->D10S553WT1E1001

Section: G0 - BODYWORK - CAB

Ref.: G0.01.46 (1)

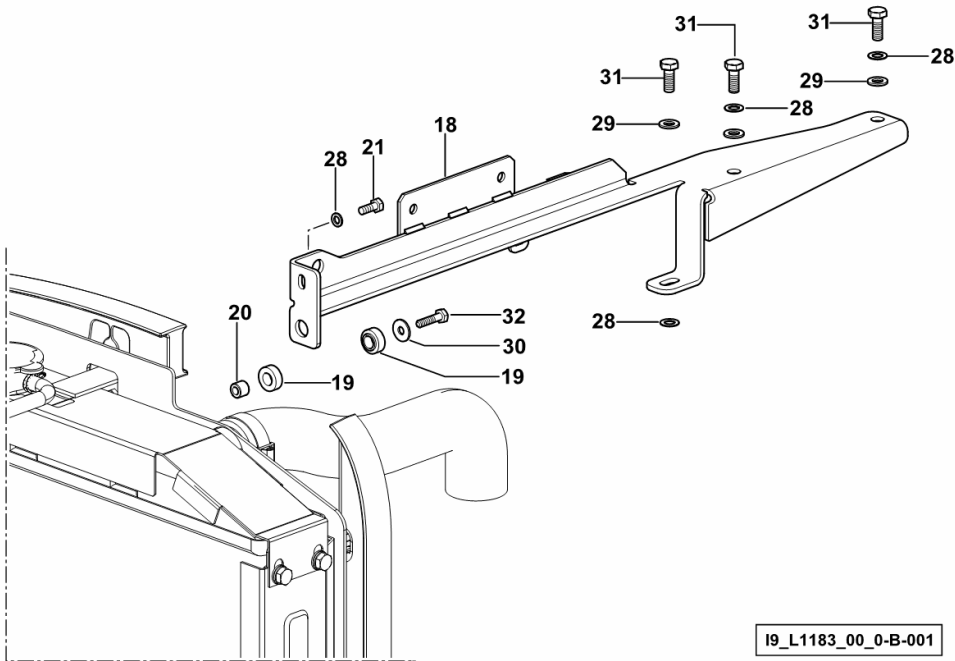
BRACKET

Fig.	Code	QTY	Name
------	------	-----	------

Notes:

- FOR TYPES WITH OVERSIZED COOLING (HARVESTER) [AGROLUX 60 E 2WD ->D10S553WX1E1001]

18	0.015.2949.3/20	1	rod
19	0.035.8459.0	2	rubber plug
20	2.1549.004.2	1	spacer 6.4x12x10
21	2.0112.005.2	2	screw m 6 p.1 x 16
28	2.1470.004.2	3	washer 8
29	2.1310.004.2	3	flat washer 8.5
30	2.1312.003.2	1	washer 6
31	2.0112.207.2	3	screw m 8 p 1.25 x 20
32	2.0112.009.2	1	screw m 6 p.1 x 25



19_L1183_00_0-B-001

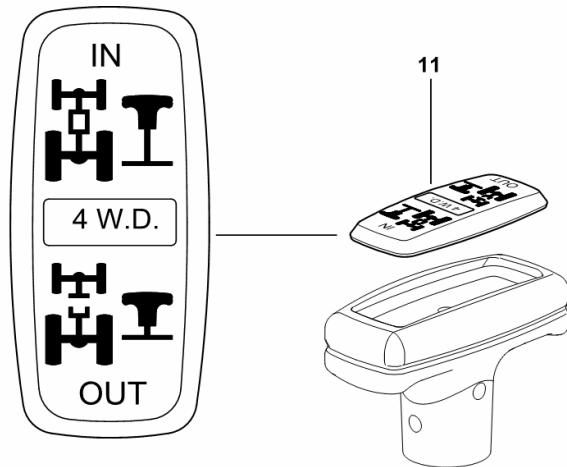
4WD ENGAGEMENT COVER

Fig.	Code	QTY	Name
------	------	-----	------

Notes:

[AGROLUX 60 E 4WD->D10S553WT1E1001] 1035 <-

11	0.009.9886.0/10	1	cap
----	-----------------	---	-----



I9_D1026_01_0-B-001

WARNING PLATES

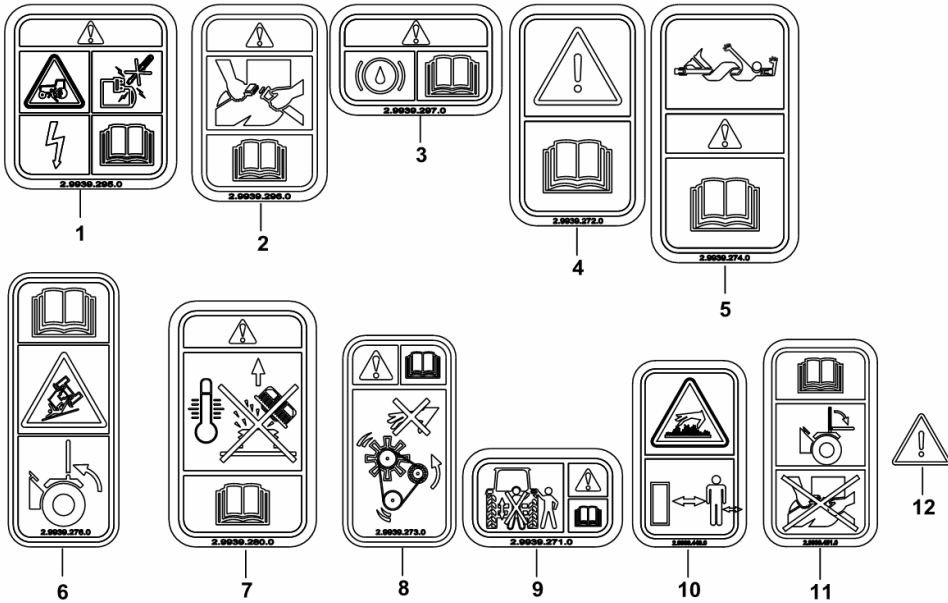
Fig.	Code	QTY	Name
------	------	-----	------

Notes:

[AGROLUX 60 E 2WD ->D10S553WX1E1001] 1619 <- [AGROLUX 60 E 4WD->D10S553WT1E1001] 1619 <-

1	2.9939.295.0	1	plate
2	2.9939.296.0	1	plate
3	2.9939.297.0	1	plate
4	2.9939.272.0	1	plate
5	2.9939.274.0	1	plate
6	2.9939.276.0	1	plate
7	2.9939.280.0	1	plate
8	2.9939.273.0	2	plate
9	2.9939.271.0	2	plate
10	2.9939.449.0	3	plate
11	2.9939.451.0	1	plate
12	2.9939.465.0	1	plate

I9_J1374_27_0-A-001



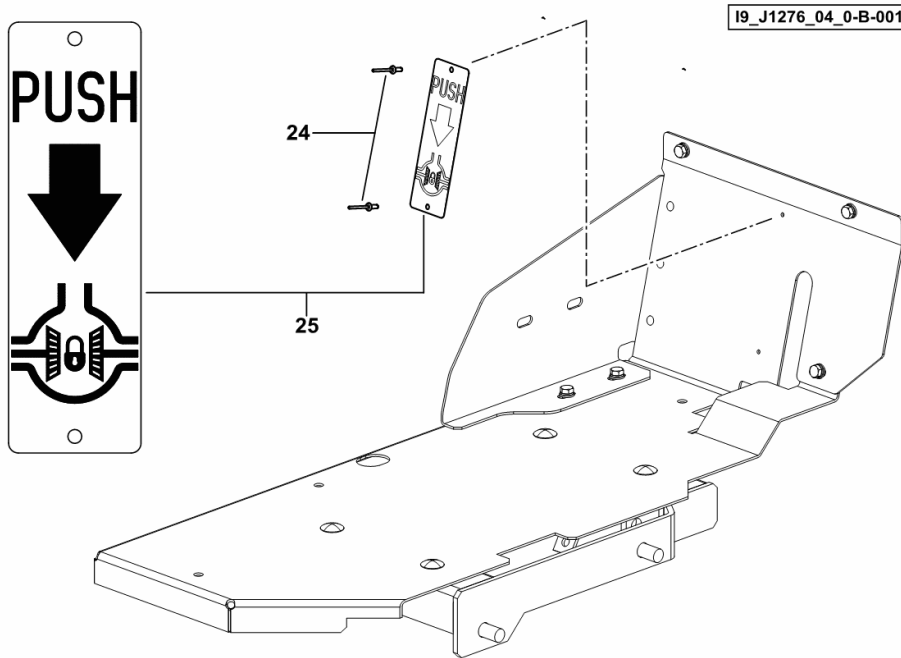
DIFFERENTIAL LOCK IDENTIFICATION PLATE

Fig.	Code	QTY	Name
------	------	-----	------

Notes:

- PER TIPI CON CAMBIO A 4 MARCE E 3 GAMME E CON TAPPETO PEDANA [AGROLUX 60 E 2WD ->D10S553WX1E1001] - PER TIPI CON CAMBIO A 4 MARCE E 3 GAMME E CON TAPPETO PEDANA [AGROLUX 60 E 4WD->D10S553WT1E1001]

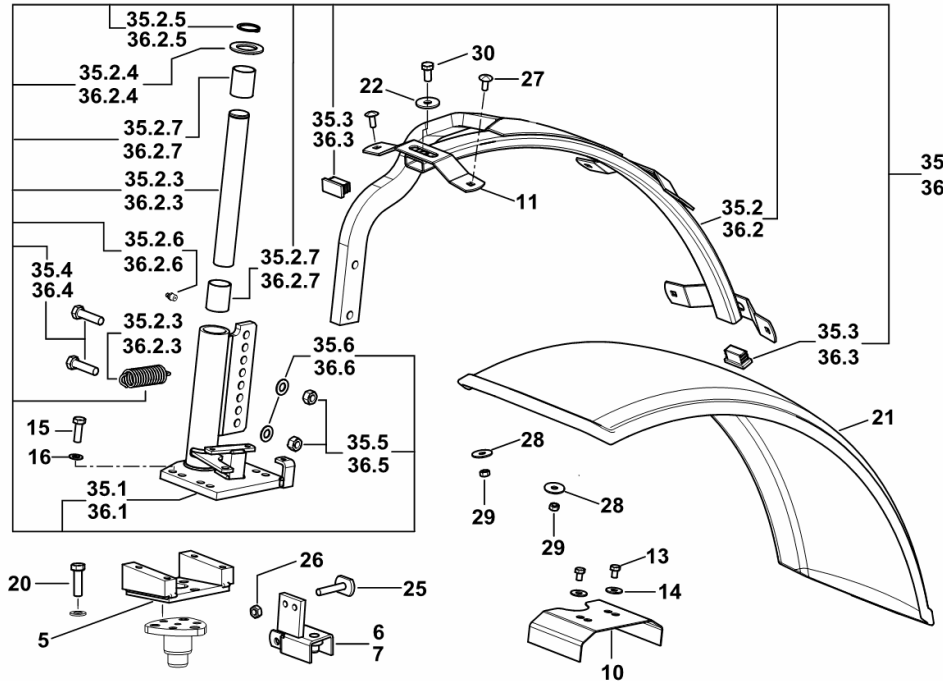
24	2.1855.010.0	2	rivet 3.4
25	2.9929.573.0	1	plate



Section: G0 - BODYWORK - CAB
4WD - FRONT MUDGUARDS

Fig.	Code	QTY	Name
------	------	-----	------

Notes:
 [AGROLUX 60 E 4WD->D10S553WT1E1001]



5	0.010.6519.2/20	2	plate
6	0.010.6522.2	1	bracket dx/rh/re
7	0.010.6523.2	1	bracket sx/lh/li
10	0.010.6526.0/10	2	cover
11	0.010.9845.0/10	6	plate
13	2.0112.203.2	4	screw m 8 p.1.25 x 12
14	2.1312.004.2	4	washer 8.4
15	2.0112.311.2	8	screw m 10 p.1.5 x 30
16	2.1475.003.7	8	washer 10.5
20	2.0112.415.2	6	screw m 12 p.1.75 x 40
21	0.163.7632.0/10	2	fender mm 310
22	2.1599.082.0	6	washer 11 x 35 x 3
25	0.010.7173.2/10	2	screw
26	2.1011.106.2	2	nut m 10 p.1.5
27	2.0020.205.2	12	screw m 8 p.1.25 x 20
28	2.1599.584.2	12	snoulder 9 x 30 x 2
29	2.1011.105.2	12	nut m 8 p.1.25
30	2.0112.307.2	6	screw m 10 p.1.5 x 20
35	0.011.0214.4/20	1	support dx/rh/re
35.1	0.010.9788.2	1	chassis frame dx/rh/re
35.2	0.010.9847.4/20	1	support dx/rh/re
35.2.3	2.4049.201.2/30	1	spring
35.2.4	2.1549.409.2	2	washer
35.2.5	2.1410.012.1	1	circlip 30
35.2.6	2.3820.105.2	1	lubricator m 10 p.1 x 7
35.2.7	2.1559.409.0	2	bushing
35.3	0.010.9844.0	2	plug
35.4	2.0112.417.2	2	screw m 12 p.1.75 x 45
35.5	2.1011.107.2	2	nut m 12 p.1.75
35.6	2.1475.004.2	2	washer 12
36	0.011.0216.4/20	1	support sx/lh/li
36.1	0.010.9444.2	1	chassis frame sx/lh/li
36.2	0.010.9848.4/20	1	support sx/lh/li
36.2.3	2.4049.201.2/30	1	spring
36.2.4	2.1549.409.2	2	washer
36.2.5	2.1410.012.1	1	circlip 30
36.2.6	2.3820.105.2	1	lubricator m 10 p.1 x 7
36.2.7	2.1559.409.0	2	bushing
36.3	0.010.9844.0	2	plug
36.4	2.0112.417.2	2	screw m 12 p.1.75 x 45
36.5	2.1011.107.2	2	nut m 12 p.1.75

AGROLUX 60 E ->D10S553WT1E1001

Section: G0 - BODYWORK - CAB

Ref.: G0.04.17 (1)

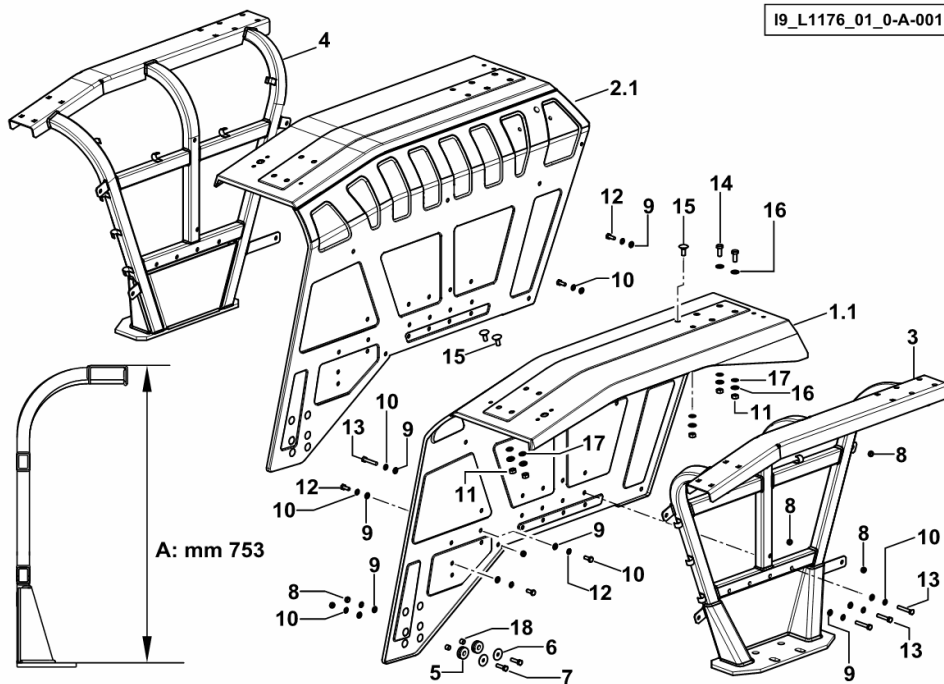
REAR MUDGUARDS A: mm 753

Fig.	Code	QTY	Name
------	------	-----	------

Notes:

[AGROLUX 60 E 2WD ->D10S553WX1E1001] [AGROLUX 60 E 4WD->D10S553WT1E1001]

1.1	0.016.5566.3	1	fender sx/lh/li
2.1	0.016.5568.3	1	fender dx/rh/re
3	0.014.6311.3	1	chassis frame
4	0.014.6312.3	1	chassis frame
5	0.157.7693.0	4	rubber plug
6	2.1599.245.0	4	snoulder 8.5 x 32 x 2.0
7	2.0112.211.2	4	screw m 8 p.1.25 x 30
8	2.1011.105.2	14	nut m 8 p.1.25
9	2.1310.004.2	26	flat washer 8.5
10	2.1470.004.2	26	washer 8
11	2.1011.106.2	20	nut m 10 p.1.5
12	2.0112.207.2	18	screw m 8 p 1.25 x 20
13	2.0112.217.2	4	screw m 8 p.1.25 x 45
14	2.0029.505.3	12	screw
15	2.1310.006.2	28	flat washer 10.5
16	2.1470.006.2	20	lock washer 10
17	2.1579.120.2	4	spacer 8.8x12x9.5
18	2.0112.309.2	8	screw m 10 p.1.5 x 25



FOOT PLATES AND PLATFORM

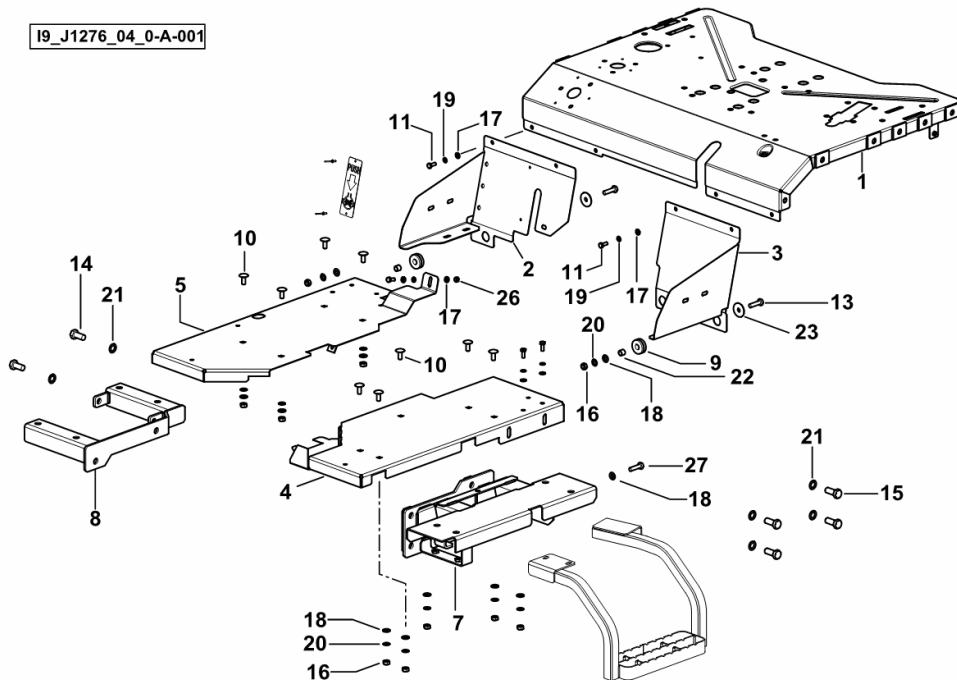
Fig.	Code	QTY	Name
------	------	-----	------

Notes:

- PER TIPI CON CAMBIO A 4 MARCE E 3 GAMME E CON TAPPETO PEDANA [AGROLUX 60 E 2WD ->D10S553WX1E1001] - PER TIPI CON CAMBIO A 4 MARCE E 3 GAMME E CON TAPPETO PEDANA [AGROLUX 60 E 4WD->D10S553WT1E1001]

1	0.014.6055.3/60	1	foot board (1384 <-)
1	0.014.6055.3/80	1	foot board (-> 1377)
2	0.015.5671.2/10	1	guard dx/rh/re
3	0.015.5670.2/10	1	guard sx/lh/li
4	0.015.5668.3/10	1	foot board sx/lh/li
5	0.015.5669.3/20	1	foot board dx/rh/re
7	0.015.5666.2/20	1	chassis frame sx/lh/li
8	0.015.5667.2/30	1	chassis frame dx/rh/re
9	0.157.7693.0	3	rubber plug
10	2.0020.205.2	9	screw m 8 p.1.25 x 20
11	2.0112.005.2	9	screw m 6 p.1 x 16
13	2.0112.211.2	3	screw m 8 p.1.25 x 30
14	2.0112.409.2	2	screw m 12 p.1.75 x 25
15	2.0112.411.2	4	screw m 12 p.1.75 x 30
16	2.1011.105.2	14	nut m 8 p.1.25
17	2.1310.002.2	10	washer 6.6, d125
18	2.1310.004.2	16	flat washer 8.5
19	2.1470.002.2	9	washer 6, d128
20	2.1470.004.2	24	washer 8
21	2.1470.007.2	6	lock washer 12
22	2.1579.120.2	3	spacer 8.8x12x9.5
23	2.1599.245.0	3	snoulder 8.5 x 32 x 2.0
26	2.1011.103.2	1	nut m 6 p.1
27	2.0112.207.2	2	screw m 8 p 1.25 x 20

19_J1276_04_0-A-001



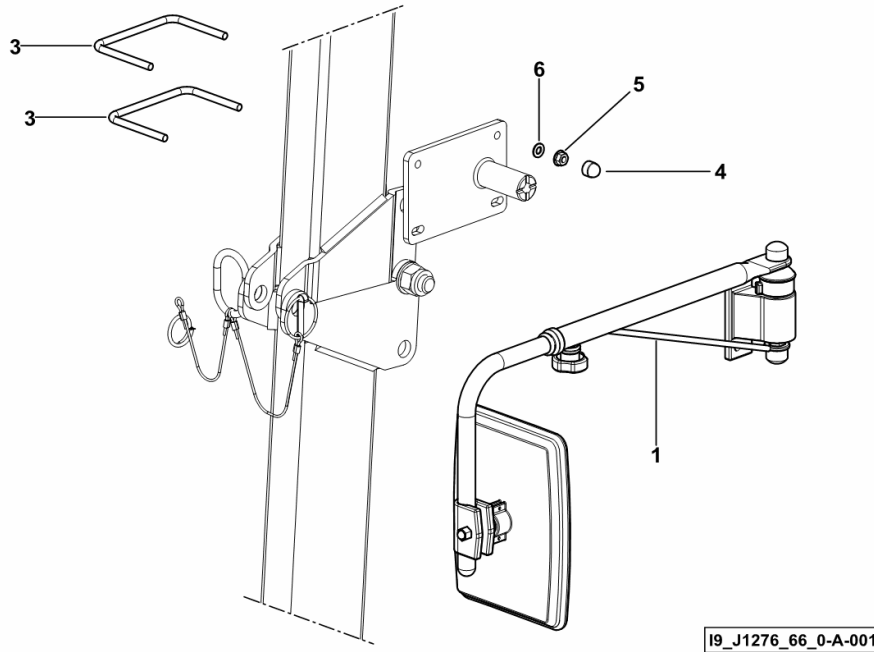
REARVIEW MIRROR

Fig.	Code	QTY	Name
------	------	-----	------

Notes:

- FOR TYPES W/ FOLDING ROLL BAR AND LH DRIVE [AGROLUX 60 E 2WD ->D10S553WX1E1001] - FOR TYPES W/ FOLDING ROLL BAR AND LH DRIVE [AGROLUX 60 E 4WD->D10S553WT1E1001]

1	0.010.1604.4/40	1	rear view mirror sx/lh/li ☞ 0.010.1604.4/40
3	0.015.5726.0	2	u bolt
4	0.163.7856.0	4	cap
5	2.1071.004.2	4	special nut
6	2.1310.004.2	4	flat washer 8.5



SEAT SUPPORT PLATE

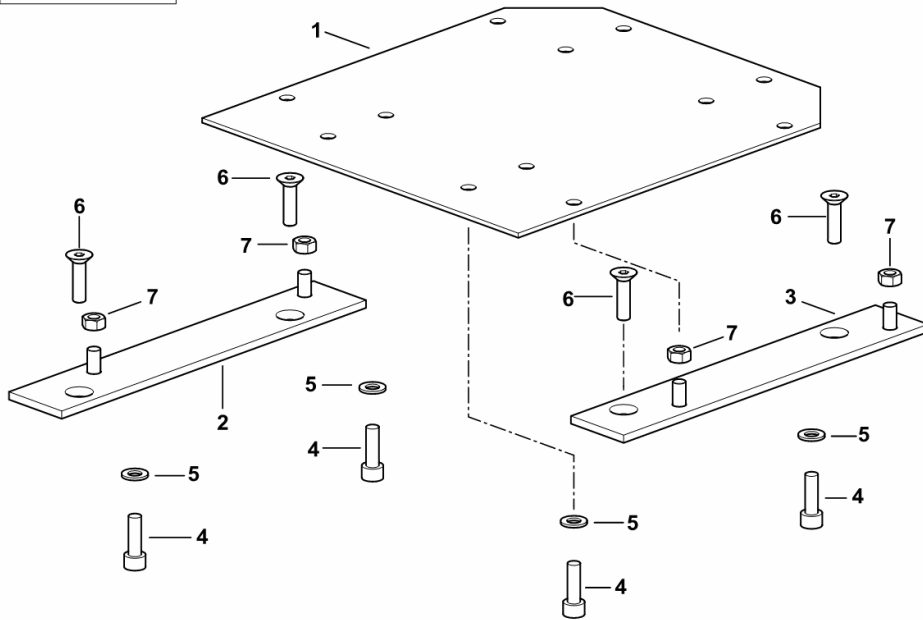
Fig.	Code	QTY	Name
------	------	-----	------

Notes:

[AGROLUX 60 E 2WD ->D10S553WX1E1001] [AGROLUX 60 E 4WD->D10S553WT1E1001]

1	0.015.7138.0	1	plate
2	0.015.7150.3	1	bracket dx/rh/re
3	0.015.7151.3	1	bracket sx/lh/li
4	2.0312.208.2	4	screw m 8 p.1.25 x 25
5	2.1310.004.2	4	flat washer 8.5
6	2.0349.002.3	4	screw m 8 p.1.25 x 30
7	2.1011.105.2	4	nut m 8 p.1.25

I9_J1275_00_0-A-001

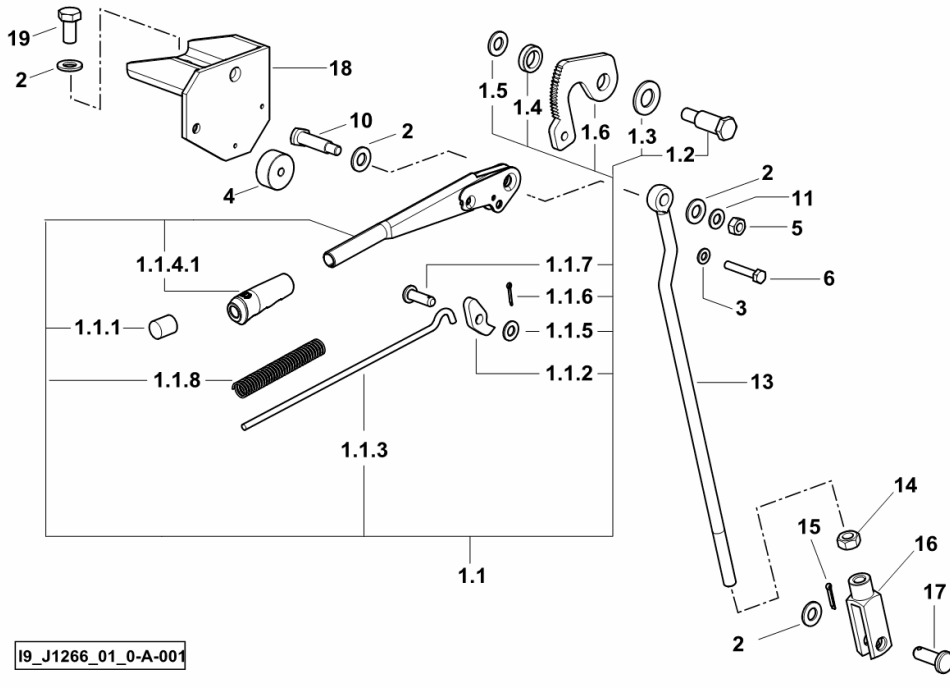


HANDBRAKE LEVER

Fig.	Code	QTY	Name
------	------	-----	------

Notes:

[AGROLUX 60 E 2WD ->D10S553WX1E1001] [AGROLUX 60 E 4WD->D10S553WT1E1001]



1.1	0.015.8367.4	1	h/brake lever
1.1.1	0.171.6622.0	1	push-button
1.1.2	0.200.6623.0/20	1	ratchet
1.1.3	0.467.6621.0/20	1	rod
1.1.4.1	0.015.6031.0	1	grip
1.1.5	2.1310.004.2	1	flat washer 8.5
1.1.6	2.1690.206.2	1	split pin 2x16
1.1.7	2.1671.305.2	1	pin 8x22
1.1.8	2.4019.555.2	1	spring 14x130x1.3
1.2	2.1699.391.2	1	pin
1.3	2.1310.009.2	1	flat washer 14
1.4	2.1579.449.2	1	spacer
1.5	2.1310.006.2	1	flat washer 10.5
1.6	0.257.6624.0	1	sector
2	2.1310.006.2	1	flat washer 10.5
3	2.1310.002.2	3	washer 6.6, d125
4	2.1549.348.2	1	spacer
5	2.1011.105.2	1	nut m 8 p.1.25
6	2.0112.013.2	1	screw m 6 p.1 x 35
10	2.1699.397.2	1	pin
11	2.1310.004.2	1	flat washer 8.5
13	0.010.1599.0	1	rod
14	2.1011.106.2	1	nut m 10 p.1.5
15	2.1690.306.2	1	split pin 3.2 x 16
16	2.3519.021.2	1	fork
17	2.1671.408.2	1	pin 10x30
18	0.014.6123.3	1	support
19	2.0112.307.2	2	screw m 10 p.1.5 x 20

19_J1266_01_0-A-001

LATERAL STEERING LINKAGE

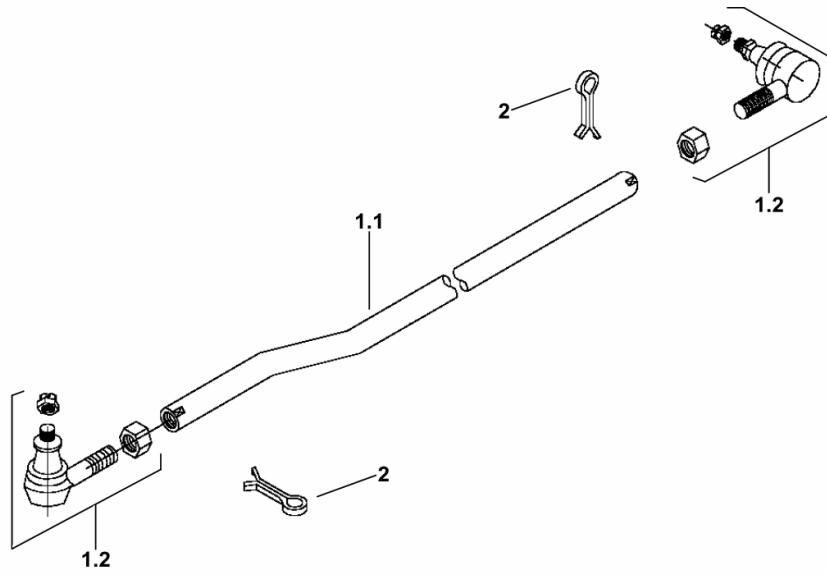
Fig.	Code	QTY	Name
------	------	-----	------

Notes:

- FOR TYPES WITH MANUAL STEERING [AGROLUX 60 E 2WD ->D10S553WX1E1001]

1.1	0.012.7560.0	1	none
1.2	0.012.7685.4	2	joint
2	2.1690.312.2	2	split pin 3.2x30

19_72362_01_0-A-001



AGROLUX 60 E ->D10S553WT1E1001

Section: G0 - BODYWORK - CAB

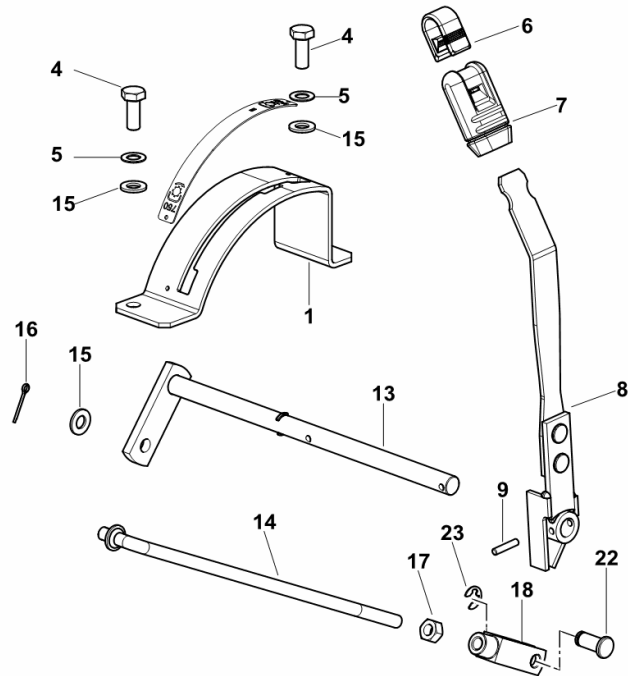
Ref.: G0.16.2 (1)

P.T.O. SHAFT DRIVE - 2 SPEED

Fig.	Code	QTY	Name
------	------	-----	------

Notes:

- FOR TYPES WITH PTO 540/750 RPM [AGROLUX 60 E 2WD ->D10S553WX1E1001] - FOR TYPES WITH PTO 540/750 RPM [AGROLUX 60 E 4WD->D10S553WT1E1001]



1	0.016.1657.0/10	1	small plate
4	2.0112.207.2	2	screw m 8 p 1.25 x 20
5	2.1470.004.2	2	washer 8
6	0.008.8383.0	1	coupling
7	0.008.8388.0	1	knob
8	0.016.1673.3/20	1	lever
9	2.1630.410.0	1	roll pin 4 x 20
13	0.016.1658.3/10	1	lever
14	0.012.7767.2	1	stay
15	2.1310.004.2	3	flat washer 8.5
16	2.1690.106.2	1	split pin 1.6x16
17	2.1011.105.2	2	nut m 8 p.1.25
18	2.3510.014.2	1	fork
22	2.1699.443.2	1	pin
23	2.1430.008.2	1	circlip 7

METAL TOOLBOX

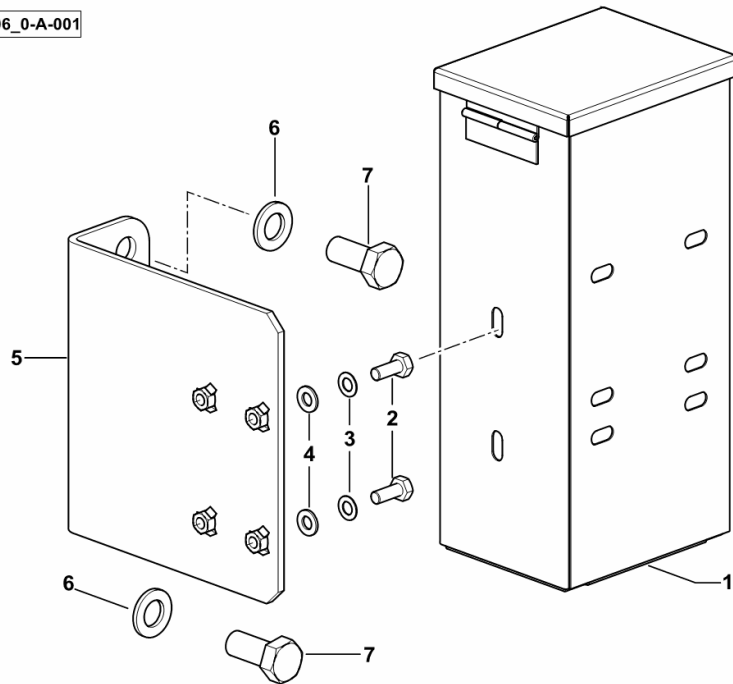
Fig.	Code	QTY	Name
------	------	-----	------

Notes:

- PER TIPI CON ARCO DI SICUREZZA ABBATTIBILE [AGROLUX 60 E 2WD ->D10S553WX1E1001] -> 1542 - 5039
 <- - PER TIPI CON ARCO DI SICUREZZA ABBATTIBILE [AGROLUX 60 E 4WD->D10S553WT1E1001] -> 1542 - 5039 <-

1	0.467.7317.3/70	1	metal toolbox
2	2.0132.006.2	2	screw m 8 p.1.25 x 20
3	2.1470.004.2	2	washer 8
4	2.1310.004.2	2	flat washer 8.5
5	0.017.8017.3	1	bracket L = 185 mm
6	2.1310.010.2	2	flat washer 16
7	2.0112.613.2	2	screw m 16 p.2x35

19_S4473_06_0-A-001



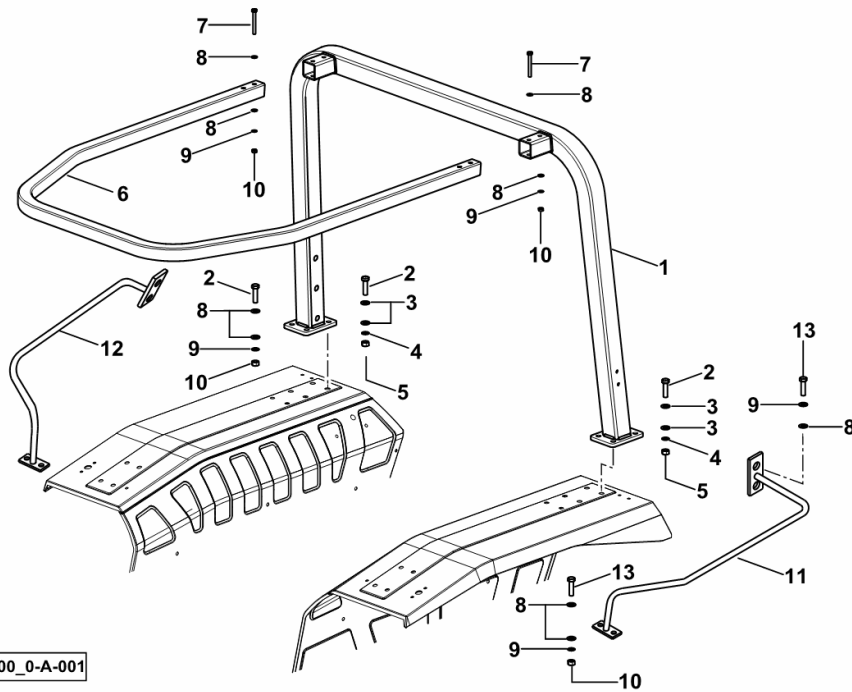
SAFETY ARCH

Fig.	Code	QTY	Name
------	------	-----	------

Notes:

- FOR TYPES WITH SUN ROOF [AGROLUX 60 E 2WD ->D10S553WX1E1001] - FOR TYPES WITH SUN ROOF [AGROLUX 60 E 4WD->D10S553WT1E1001]

1	0.010.4669.2	1	safety frame
2	2.0112.417.2	8	screw m 12 p.1.75 x 45
3	2.1310.007.2	16	flat washer 13.5
4	2.1470.007.2	8	lock washer 12
5	2.1011.107.2	8	nut m 12 p.1.75
6	0.010.4668.0	1	chassis frame
7	2.0112.223.2	4	screw m 8 p.1.25x70
8	2.1310.004.2	18	flat washer 8.5
9	2.1470.004.2	12	washer 8
10	2.1011.105.2	8	nut m 8 p.1.25
11	0.010.4664.2	1	backrest sx/lh/li
12	0.010.4665.2	1	backrest dx/rh/re
13	2.0112.207.2	8	screw m 8 p 1.25 x 20



19_L1178_00_0-A-001

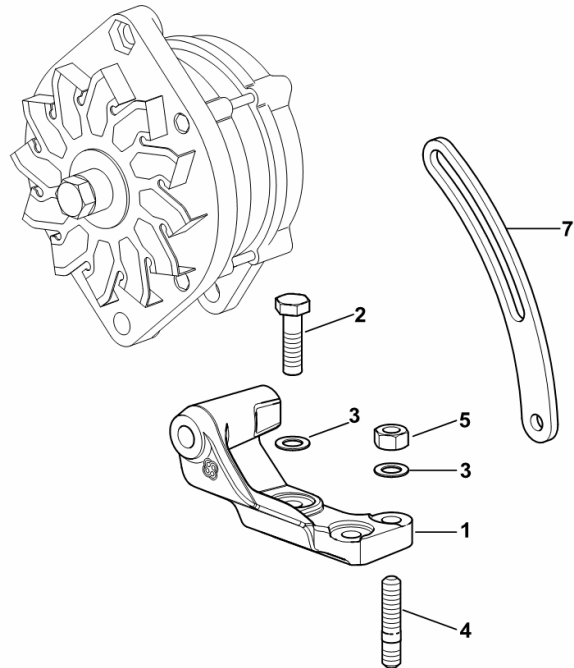
ALTERNATOR AND BELT TENSIONER SUPPORT

Fig.	Code	QTY	Name
------	------	-----	------

Notes:

[AGROLUX 60 E 2WD ->D10S553WX1E1001] [AGROLUX 60 E 4WD->D10S553WT1E1001]

1	0.261.8441.0/10	1	support
2	2.0112.311.2	1	screw m 10 p.1.5 x 30
3	2.1470.006.2	3	lock washer 10
4	2.0432.159.7	2	stud bolt m 10 p.1.5 / p.1.25 x 35
5	2.1011.421.2	2	nut m 10 p.1.25
7	0.261.8442.0	1	bracket



19_O2884_50_0-A-001

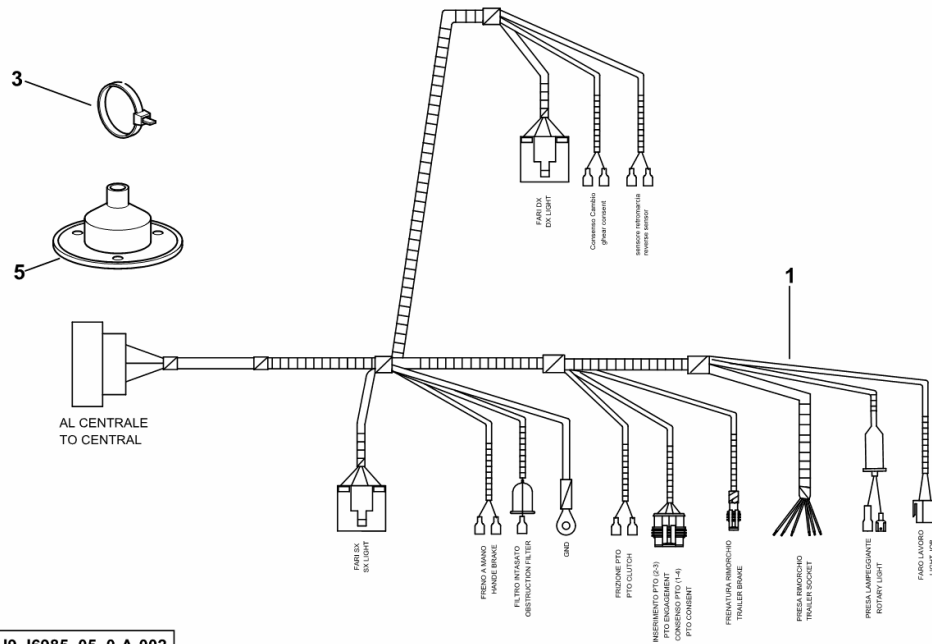
Section: L0 - ELECTRIC AL SYSTEM
ELECTRICAL EQUIPMENT REAR

Fig.	Code	QTY	Name
------	------	-----	------

Notes:

[AGROLUX 60 E 2WD ->D10S553WX1E1001] -> 1010 [AGROLUX 60 E 4WD->D10S553WT1E1001] -> 1010

1	0.015.3657.4	1	electrical system (1012 - 1015)
1	0.015.3657.4/10	1	electrical system (-> 1010)
3	2.6852.203.0	14	clamp 292 x 4.8
5	2.6519.035.0	1	cap



I9_I6985_05_0-A-002

AGROLUX 60 E ->D10S553WT1E1001

Section: L0 - ELECTRIC AL SYSTEM

Ref.: L0.02.28 (1)

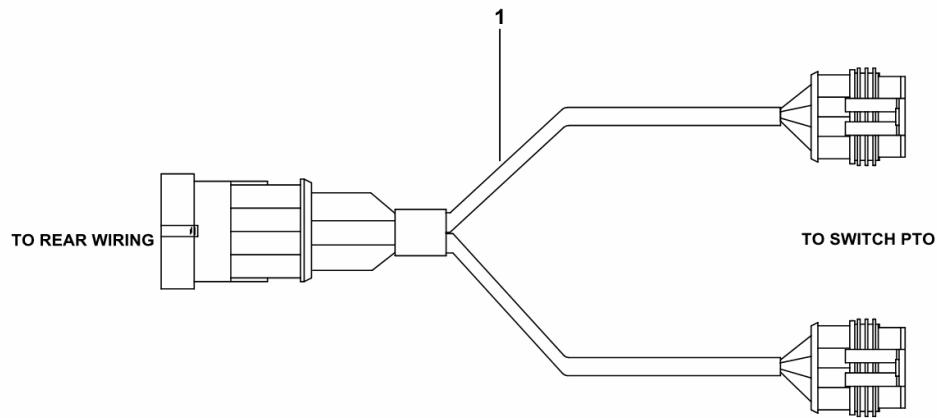
ELETRICAL EQIPMENT FOR 2 - SPEED P.T.O.

Fig.	Code	QTY	Name
------	------	-----	------

Notes:

[AGROLUX 60 E 2WD ->D10S553WX1E1001] [AGROLUX 60 E 4WD->D10S553WT1E1001]

1	0.015.3660.4/10	1	wire (-> 1071)
---	-----------------	---	-----------------



I9_J1285_08_0-A-001

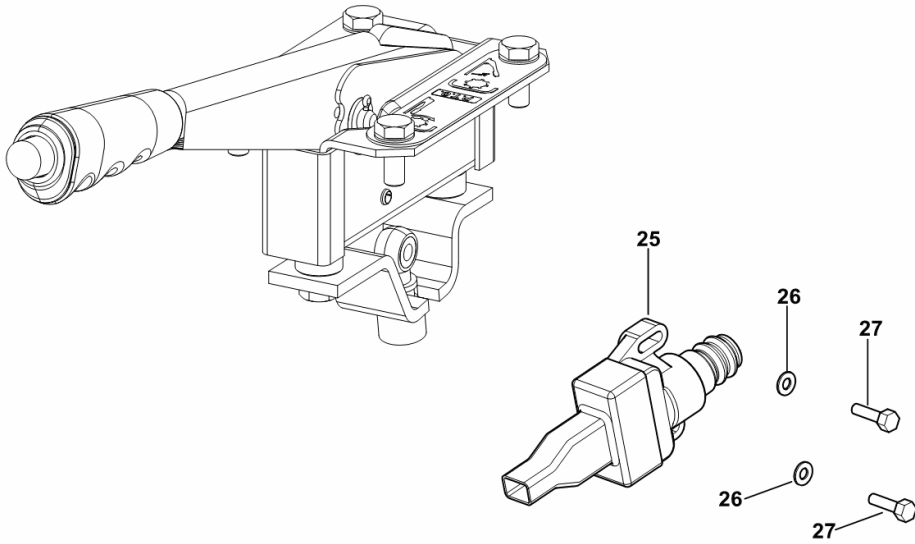
PTO CLUTCH SENSOR

Fig.	Code	QTY	Name
------	------	-----	------

Notes:

- FOR TYPES WITH DOUBLE CLUTCH [AGROLUX 60 E 2WD ->D10S553WX1E1001] - FOR TYPES WITH DOUBLE CLUTCH [AGROLUX 60 E 4WD->D10S553WT1E1001]

25	2.7659.097.0	1	switch
26	2.1310.028.2	2	flat washer 4
27	2.0119.070.6	2	screw m 4 p.0.7 x 16



19_J1268_10_0-B-001

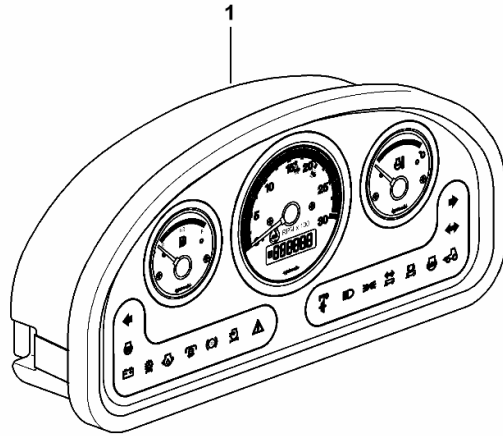
DASHBOARD BOX INSTRUMENT PANEL

Fig.	Code	QTY	Name
------	------	-----	------

Notes:

[AGROLUX 60 E 2WD ->D10S553WX1E1001] [AGROLUX 60 E 4WD->D10S553WT1E1001]

1	2.8339.161.0	1	instrument holder
---	--------------	---	-------------------



I9_J1284_20_0-A-001

LIGHTING SYSTEM

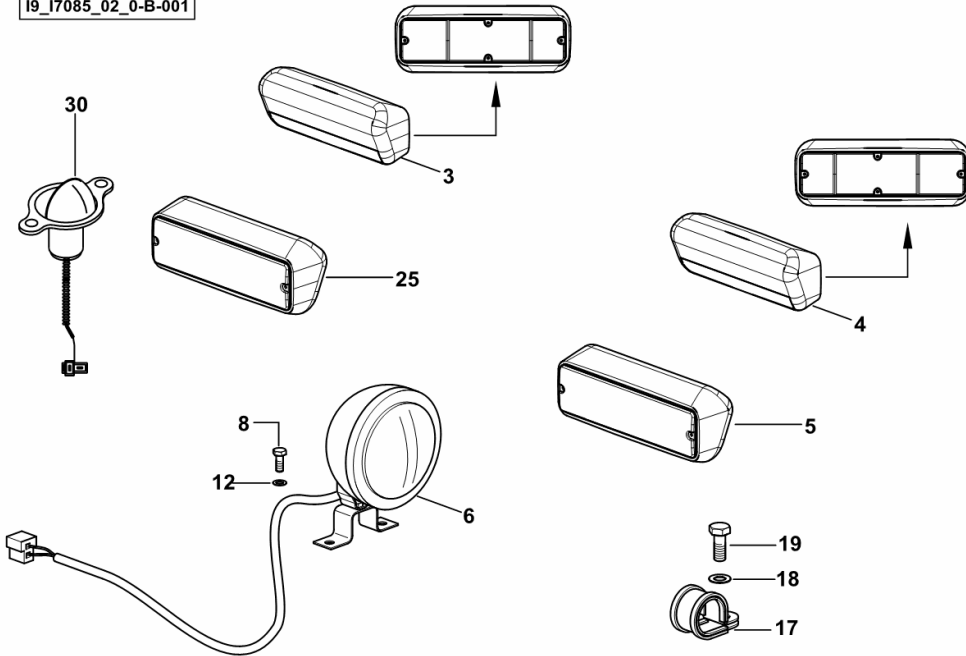
Fig.	Code	QTY	Name
------	------	-----	------

Notes:

- FOR TYPES WITH REVERSING BUZZER [AGROLUX 60 E 2WD ->D10S553WX1E1001] - FOR TYPES WITH REVERSING BUZZER [AGROLUX 60 E 4WD->D10S553WT1E1001]

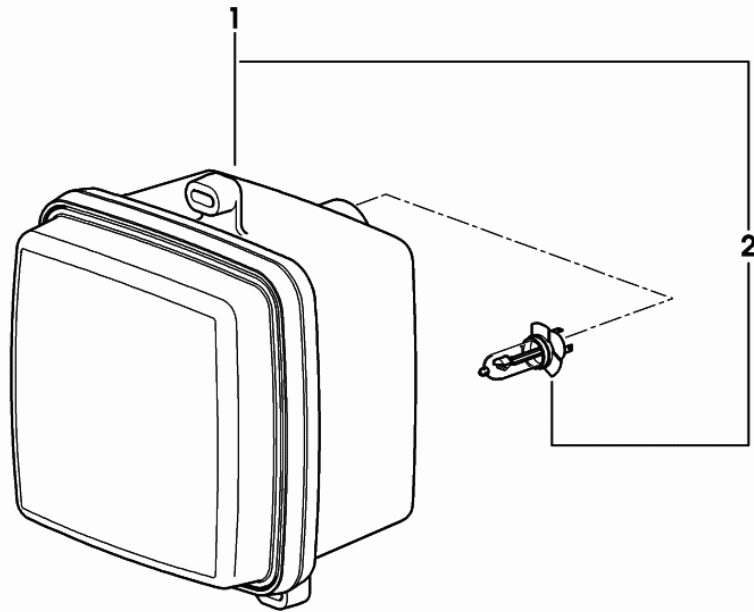
3	2.8059.370.0	1	lamp dx/rh/re
4	2.8059.380.0	1	lamp sx/lh/li
5	2.8059.004.0/10	1	side lamp sx/lh/li
6	2.8039.015.0/20	1	headlight
8	2.0112.309.2	1	screw m 10 p.1.5 x 25
12	2.1470.006.2	1	lock washer 10
17	2.6859.065.2	1	clamp Ø 18
18	2.1310.006.2	1	flat washer 10.5
19	2.0112.305.2	1	screw m 10 p.1.5 x 16
25	2.8059.003.0/10	1	side lamp dx/rh/re
30	2.8339.268.0	1	side lamp

I9_17085_02_0-B-001



HEADLAMP COMPONENTS

Fig.	Code	QTY	Name
1	2.8039.160.0	1	worklamp
2	0.900.0063.0	1	lamp H3 12V 55W



2_8039_160_0

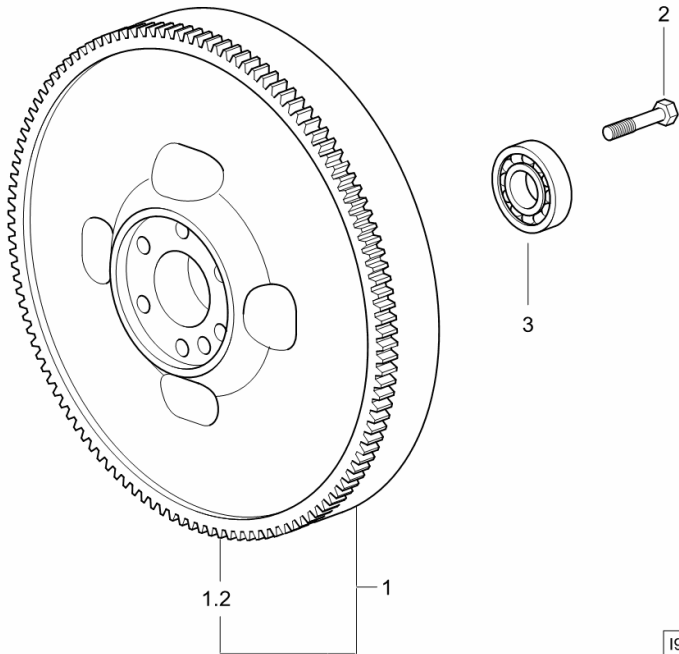
Section: B0 - ENGINE
ENGINE FLYWHEEL

Fig.	Code	QTY	Name
------	------	-----	------

Notes:

- FOR TYPES WITH DOUBLE CLUTCH [AGROLUX 60 E 2WD ->D10S553WX1E1001] - FOR TYPES WITH DOUBLE CLUTCH [AGROLUX 60 E 4WD->D10S553WT1E1001]

1	0.007.1617.3/30	1	flywheel
1.2	0.069.1242.0	1	crown wheel Z = 121
2	2.0119.174.0/10	6	screw m 12 p.1.25x45
3	2.2041.008.9	1	ball bearing 20x47x14



I9_38512_12_0-A-001

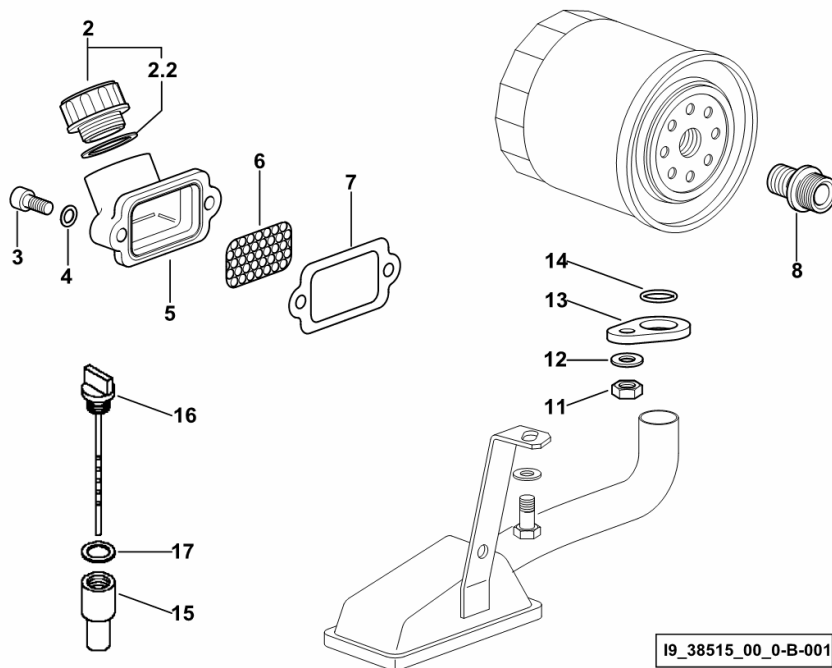
LUBRICATION

Fig.	Code	QTY	Name
------	------	-----	------

Notes:

[AGROLUX 60 E 2WD ->D10S553WX1E1001] [AGROLUX 60 E 4WD->D10S553WT1E1001]

2	0.041.1135.4	1	plug 1" gas
2.2	2.1569.072.0	1	gasket 32 x 39.5 x 2
3	2.0312.205.2	2	screw m 8 p.1.25 x 18
4	2.1480.014.1	2	washer 8
5	0.012.0613.0	1	pipe union
6	0.065.1567.0/10	1	filter
7	0.065.1566.0	1	gasket
8	2.3339.307.0	1	pipe fitting m 22 p.1.5-3/4"
11	2.1011.105.2	1	nut m 8 p.1.25
12	2.1470.004.2	1	washer 8
13	0.065.1538.0	1	flange
14	2.1539.040.0	1	'o' ring 21.82 x 3.53
15	0.012.0684.0	1	none
16	0.012.0682.2	1	none
17	2.1539.065.0	1	'o' ring 8.73 x 1.78



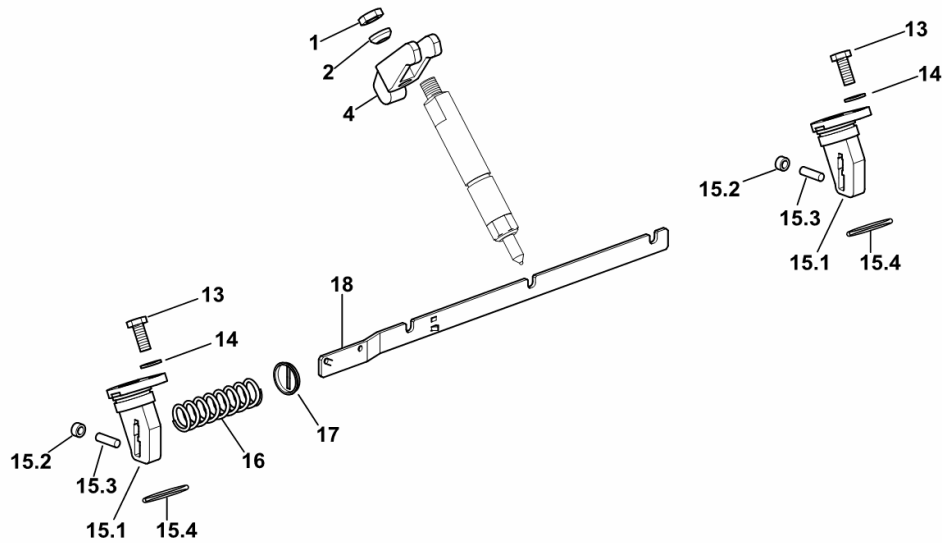
INJECTION PUMP DRIVE

Fig.	Code	QTY	Name
------	------	-----	------

Notes:

[AGROLUX 60 E 2WD ->D10S553WX1E1001] [AGROLUX 60 E 4WD->D10S553WT1E1001]

1	2.1011.421.2	3	nut m 10 p.1.25
2	2.1599.454.0	3	snoulder 10.5x17x7.5
4	0.011.5275.0/20	3	bracket
13	2.0112.207.2	2	screw m 8 p 1.25 x 20
14	2.1310.004.2	2	flat washer 8.5
15.1	0.065.1693.0/30	1	support
15.2	0.065.1660.0	1	roller
15.3	2.1651.507.0	1	pin 6 x 16
15.4	2.1530.072.0	1	'o' ring 26.70x1.78
16	2.4019.314.1/20	1	spring 21.5x76x1
17	0.065.1659.0	1	stop
18	0.069.1613.3/20	1	rod



I9_38516_00_0-A-001

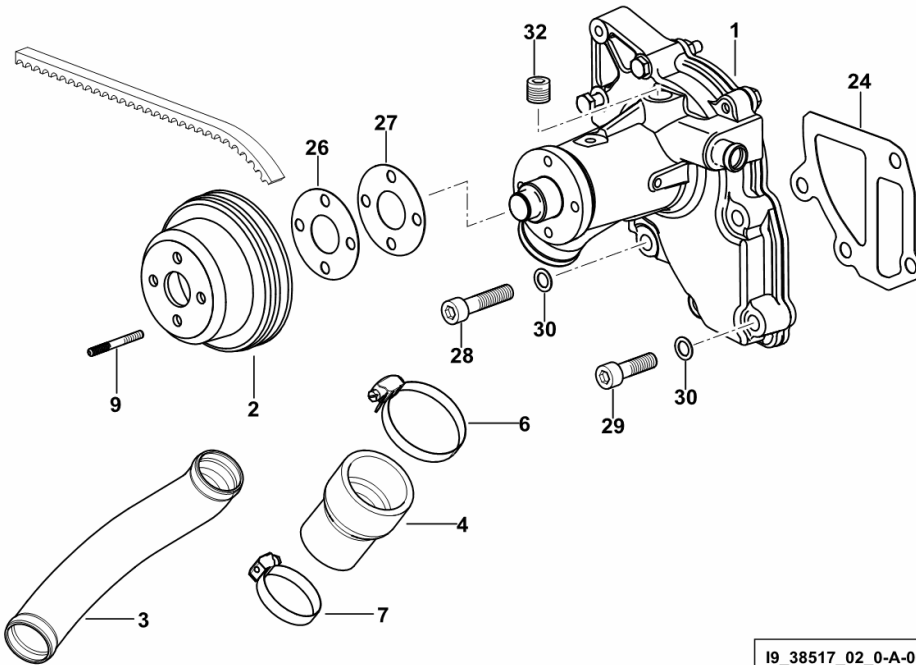
COOLING WATER PUMP - V-GROOVED PULLEY

Fig.	Code	QTY	Name
------	------	-----	------

Notes:

[AGROLUX 60 E 2WD ->D10S553WX1E1001] [AGROLUX 60 E 4WD->D10S553WT1E1001]

1	0.014.3346.4	1	water pump (-> 1083) ☞ 0.014.3346.4
2	0.066.1735.2	1	pulley
3	0.010.4548.0	1	tube
4	0.066.1754.0/10	1	sleeve
6	2.6859.134.2	1	clamp Ø 50/70
7	2.6859.130.2	1	clamp Ø 38/50
9	2.0439.261.7	4	stud bolt
24	0.066.1753.0/30	1	gasket
26	2.1589.130.0	1	snoulder 29 x 68 x 0.5
27	2.1589.131.0	3	snoulder 29 x 68 x 1.0
28	2.0313.312.1	3	screw m 10 p.1.5 x 35
29	2.0313.315.1	1	screw m 10 p.1.5 x 45
30	2.1480.015.1	4	washer 10
32	2.3130.003.1	1	plug 3/8" gas



19_38517_02_0-A-001

AIR FILTER 7"

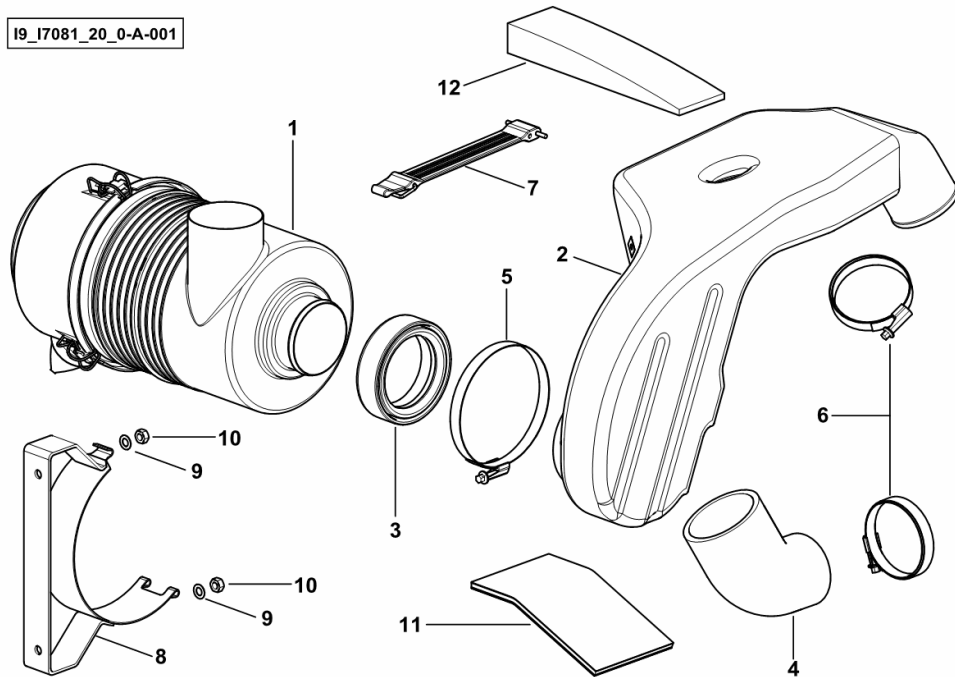
Fig.	Code	QTY	Name
------	------	-----	------

Notes:

[AGROLUX 60 E 2WD ->D10S553WX1E1001] [AGROLUX 60 E 4WD->D10S553WT1E1001]

1	2.4249.721.0	1	air filter 7" ☞ 2.4249.721.0
2	0.015.2959.2	1	sleeve
3	0.009.9128.0	1	spacer
4	0.010.4645.0	1	sleeve
5	2.6851.011.0	1	clamp Ø 100/120
6	2.6851.008.0	2	clamp Ø 70/90
7	0.261.8367.2/30	1	rod
8	0.015.2946.2/10	1	support
9	2.1470.004.2	2	washer 8
10	2.1011.105.2	2	nut m 8 p.1.25
11	0.015.0980.0	1	panel
12	0.015.9838.0	1	stopper

19_I7081_20_0-A-001



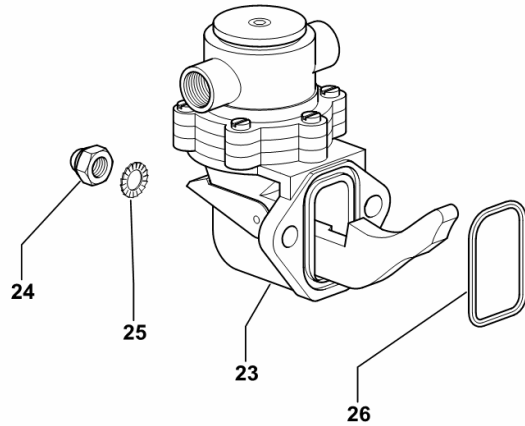
FUEL SUPPLY PUMP

Fig.	Code	QTY	Name
------	------	-----	------

Notes:

[AGROLUX 60 E 2WD ->D10S553WX1E1001] [AGROLUX 60 E 4WD->D10S553WT1E1001]

23	2.4519.350.0	1	feed pump
24	2.1011.405.2	2	nut m 8 p.1
25	2.1470.004.2	2	washer 8
26	2.1539.045.0	1	'o' ring 37.77x2.62



I9_38516_00_0-B-001

CLICK HERE TO **DOWNLOAD** THE COMPLETE MANUAL

- Thank you very much for reading the preview of the manual.
- You can download the complete manual from: www.heydownloads.com by clicking the link below



- Please note: If there is no response to CLICKING the link, please download this PDF first and then click on it.

CLICK HERE TO **DOWNLOAD** THE COMPLETE MANUAL

AGROLUX 60 E ->D10S553WT1E1001

Section: C0 - ENGINE ACCESSORIES

Ref.: C0.05.2 (1)

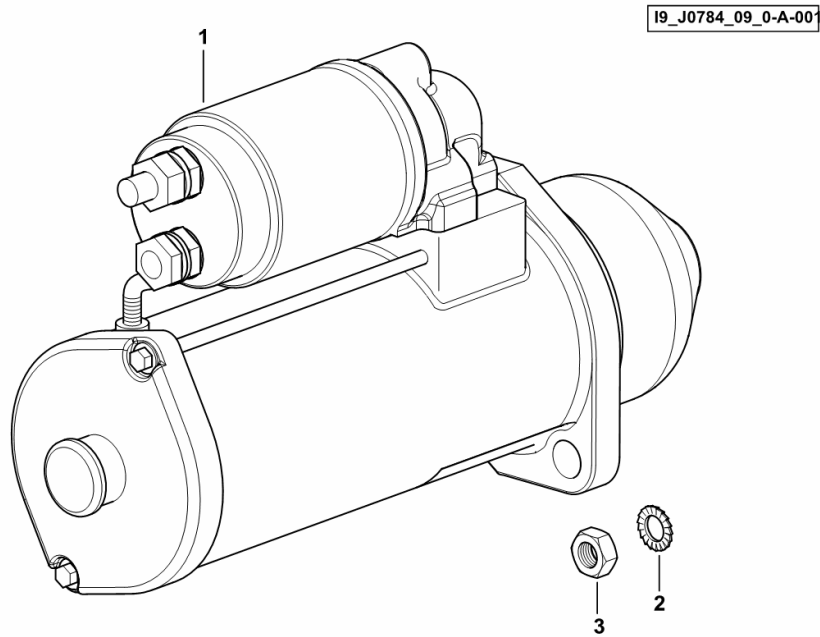
STARTER

Fig.	Code	QTY	Name
------	------	-----	------

Notes:

[AGROLUX 60 E 2WD ->D10S553WX1E1001] -> 1010 [AGROLUX 60 E 4WD->D10S553WT1E1001] -> 1010

1	2.9619.562.0	1	starter motor 12V - 3.5KW - Z = 11
2	2.1470.007.2	2	lock washer 12
3	2.1011.422.2	2	nut m 12 p.1.25



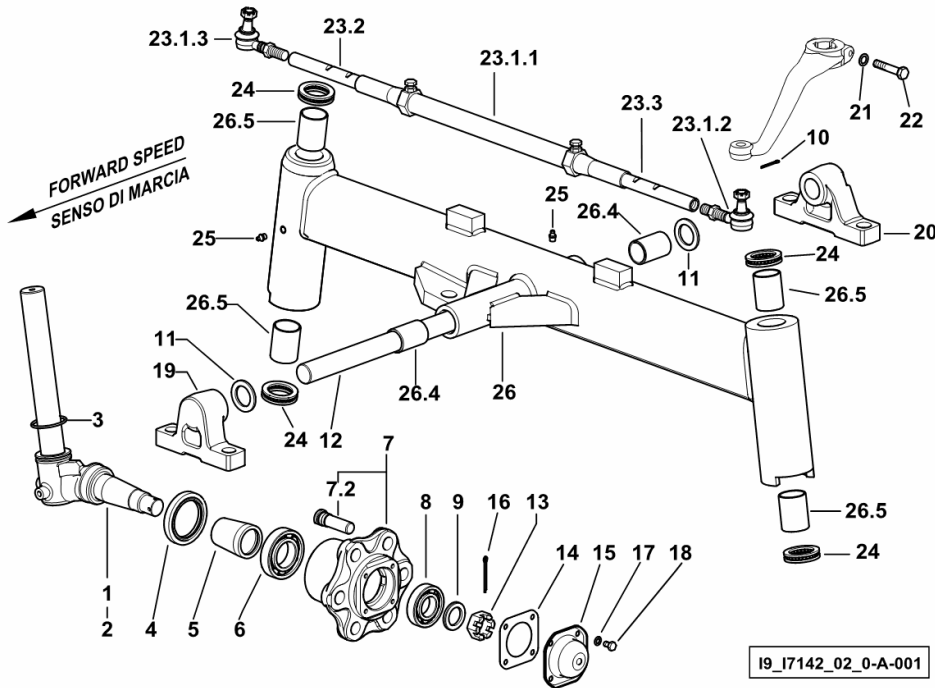
2WD - AXLE

Fig.	Code	QTY	Name
------	------	-----	------

Notes:

- FOR TYPES WITH POWER STEERING [AGROLUX 60 E 2WD ->D10S553WX1E1001]

1	0.014.8117.3/10	1	wheel spindle dx/rh/re
2	0.014.8063.3/10	1	wheel spindle sx/lh/li
3	2.1530.134.0	2	'o' ring 53.98x3.53
4	2.1529.024.0	2	'o' ring 65x90x13
5	0.154.4257.0	2	spacer
6	2.2045.013.0	2	bearing 45 x 85 x 19
7	0.154.4224.3/30	2	wheel hub
7.2	0.148.4737.0/20	6	small column m 20x68
8	2.2045.011.0	2	ball bearing 35 x 72 x 17
9	2.1599.094.0	2	snoulder 32x48x5
10	2.1690.312.2	2	split pin 3.2x30
11	2.1599.062.0	2	snoulder 36x54x4
12	0.007.5384.0	1	pin
13	2.1029.001.1	2	nut m 30 p.1.5
14	0.001.2921.0	2	gasket
15	0.001.2920.0	2	small cover
16	2.1690.516.2	2	split pin 5x50
17	2.1470.004.2	8	washer 8
18	2.0112.204.2	8	screw m 8 p.1.25x14
19	0.467.5232.0	1	support
20	0.467.5233.0/20	1	support
21	2.1470.007.2	2	lock washer 12
22	2.0112.421.2	2	screw m 12 p.1.75 x 60
23.1.1	0.012.7670.0	1	rod
23.1.2	0.012.7671.4	1	joint sx/lh/li
23.1.3	0.012.7672.4	1	joint dx/rh/re
23.2	0.012.7667.0	1	rod dx/rh/re
23.3	0.012.7666.0	1	rod sx/lh/li
24	2.2610.009.0	2	thrust bearing 40x60x13
25	2.3820.105.2	3	lubricator m 10 p.1 x 7
26	0.015.7191.3/30	1	complete axle
26.4	2.1559.078.0	2	bushing 35x41x60
26.5	2.1559.077.0	4	bushing 40 x 46 x 60



2WD - STEERING LEVERS

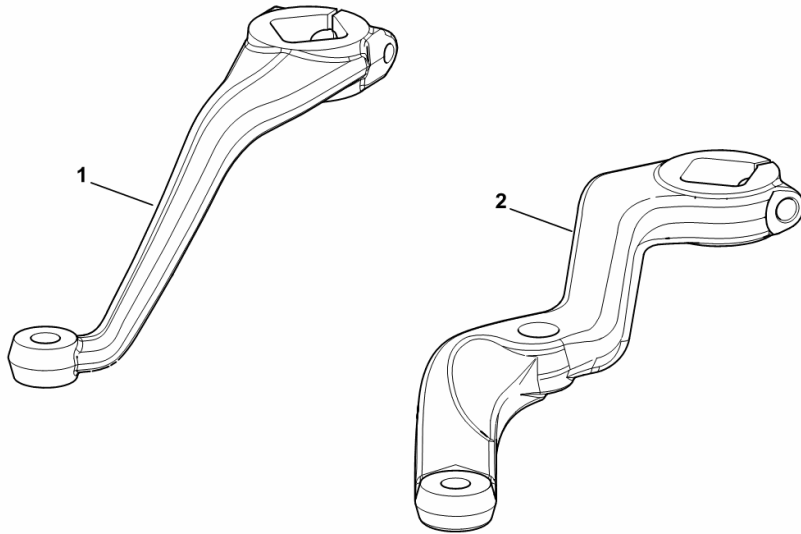
Fig.	Code	QTY	Name
------	------	-----	------

Notes:

[AGROLUX 60 E 2WD ->D10S553WX1E1001] -> 1543

1	0.014.7999.0	1	lever dx/rh/re
2	0.014.8016.0	1	lever sx/lh/li

19_S4442_09_0-A-001



AGROLUX 60 E ->D10S553WT1E1001

Section: F0 - FRONT AXLE

Ref.: F0.04.1 (1)

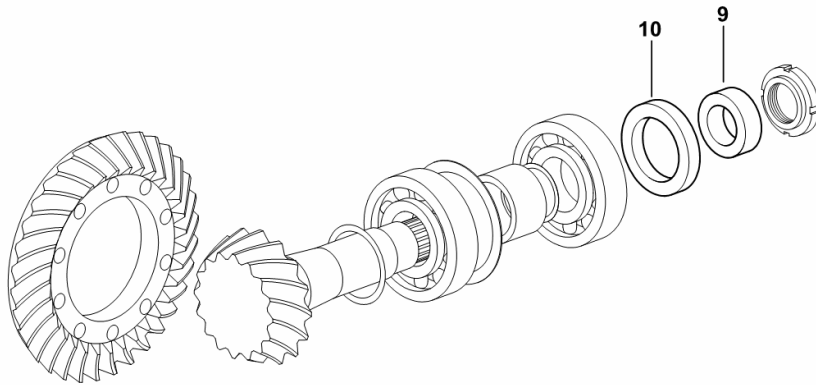
4WD - FRONT DIFFERENTIAL LOCK- WATER PROOF SEALING

Fig.	Code	QTY	Name
------	------	-----	------

Notes:

[AGROLUX 60 E 4WD->D10S553WT1E1001]

9	2.1549.211.0	1	spacer 35x56x19
10	2.1529.113.0	1	'o' ring 56x80x13



9_58946_07_0-A-001

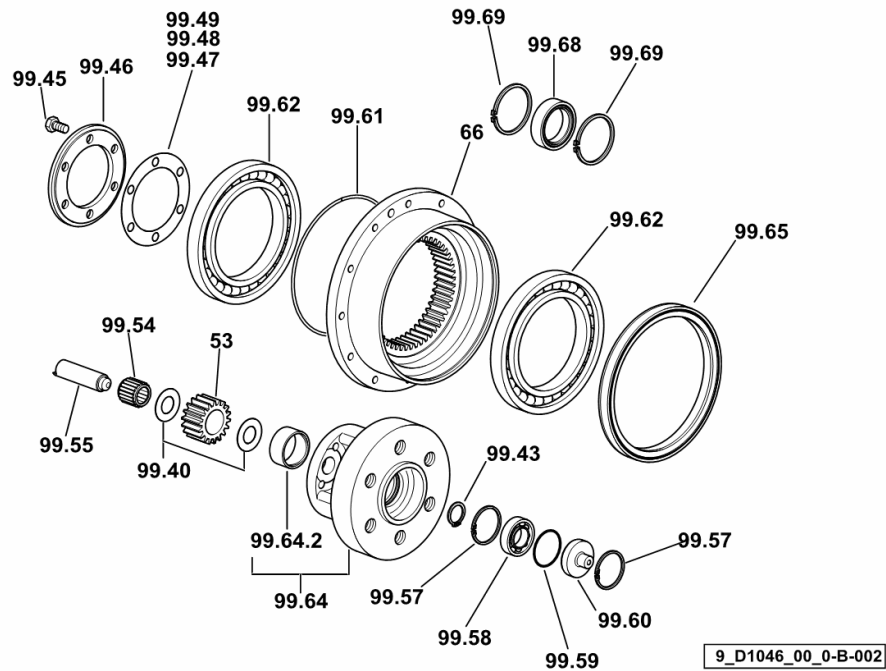
4WD - FRONT REDUCTION GEARBOX

Fig.	Code	QTY	Name
------	------	-----	------

Notes:

[AGROLUX 60 E 4WD->D10S553WT1E1001] 1364 <-

53	0.146.4644.0	6	planet gear Z = 18
66	0.008.5345.0	2	crown wheel
99.40	2.1589.552.0	12	shoulder 22x42x1
99.43	2.1419.029.7	2	circlip 25
99.45	2.0113.307.2	12	screw m 10 p 1.5 x 20
99.46	0.008.5401.0/20	2	spider
99.47	0.467.4653.0/10	4	shim 82x119x0.2
99.48	0.467.4654.0/10	4	ring 82x119x0.5
99.49	0.467.4655.0/10	4	ring 82x119x0.15
99.54	2.2999.030.0	6	roller cage 22 x 32 x 30
99.55	0.146.4643.0	6	pin
99.57	2.1411.019.1	4	circlip 47
99.58	2.2030.006.0	2	ball bearing 25 x 47 x 12
99.59	2.1530.118.0	2	'o' ring 46.04x3.53
99.60	0.270.4652.0	2	small cover
99.61	2.1530.276.0	2	'o' ring 177.4x3.53
99.62	2.2020.022.0	4	ball bearing 120x180x19
99.64	0.008.5344.3/50	2	spider
99.64.2	2.1559.309.0	1	bushing
99.65	2.1529.124.0/30	1	'o' ring 173 x 200 x 17
99.68	2.2999.325.0	1	bearing 43.8x62x18
99.69	2.1411.025.1	4	circlip 62



AGROLUX 60 E ->D10S553WT1E1001

Section: H0 - HYDRAULIC AND PNEUMATIC SYSTEM|

Ref.: H0.01.0 (2)

HYDRAULIC SYSTEM

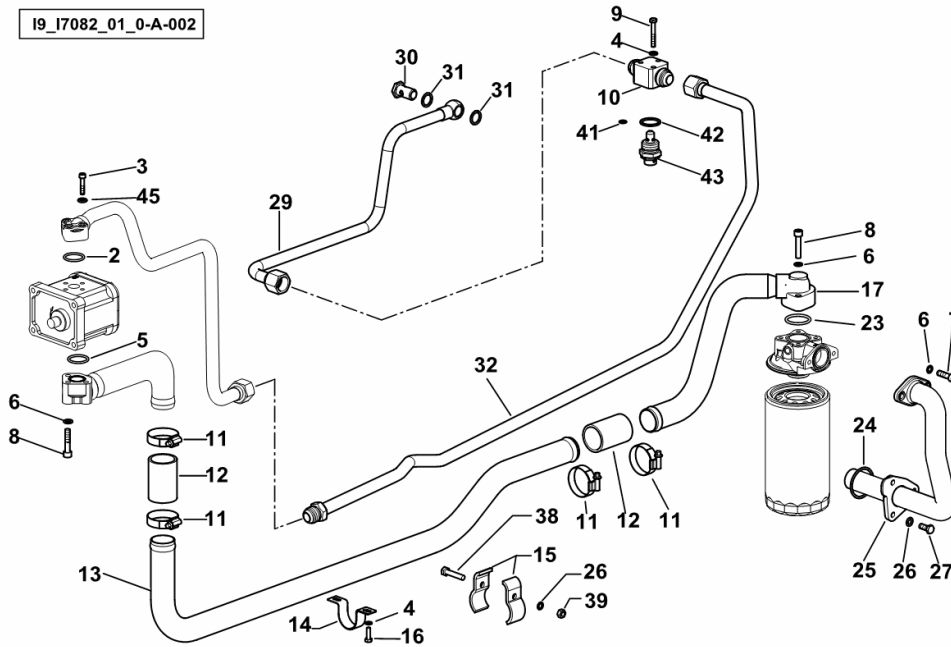
Fig.	Code	QTY	Name
------	------	-----	------

Notes:

- FOR TYPES WITHOUT REAR CONTROL VALVE [AGROLUX 60 E 2WD ->D10S553WX1E1001] -> 1010 - FOR TYPES WITHOUT REAR CONTROL VALVE [AGROLUX 60 E 4WD->D10S553WT1E1001] -> 1010

2	2.1539.233.0	1	'o' ring
3	2.0312.110.2	3	screw m 6 p.1x30
4	2.1470.002.2	5	washer 6, d128
5	2.1539.234.0	1	'o' ring
6	2.1480.014.1	7	washer 8
7	2.0312.210.2	2	screw m 8 p 1.25 x 30
8	2.0312.214.2	5	screw m 8 p.1.25 x 40
9	2.0112.017.2	3	screw m 6 p.1x45
10	0.010.7369.0	1	pipe fitting
11	2.6890.012.2	4	hose clip
12	2.3213.240.0	2	sleeve
13	0.010.1935.0	1	tube
14	0.012.0905.0	1	bracket
15	0.9087.260.0	2	terminal
16	2.0112.007.2	2	screw m 6 p.1 x 20
17	0.012.8046.2	1	tube
23	2.1530.091.0	2	'o' ring 34.60 x 2.62
24	2.1530.120.0	1	'o' ring 47.30x2.62
25	0.012.7545.3	1	tube
26	2.1470.004.2	5	washer 8
27	2.0112.207.2	3	screw m 8 p 1.25 x 20
29	0.010.1936.3/10	1	tube
30	2.3335.008.2	1	pipe union m 18 p.1.5 x 32
30	2.3249.458.2	1	pipe union m 18 p.1.5
31	2.1560.014.0	2	gasket 18.2 x 24 x 1.5
32	0.015.6166.3	1	tube
38	2.0112.215.2	2	screw m 8 p.1.25 x 40
39	2.1011.105.2	2	nut m 8 p.1.25
41	2.1531.016.0	1	ring 8.74 x 1.78
42	2.1560.021.0	1	gasket 28.3x34
43	0.010.7166.3/10	1	valve
45	2.1480.012.2	3	washer 6, d128

I9_I7082_01_0-A-002



AGROLUX 60 E ->D10S553WT1E1001

Section: H0 - HYDRAULIC AND PNEUMATIC SYSTEM|

Ref.: H0.01.13 (1)

LUBRIC. OIL FILTER

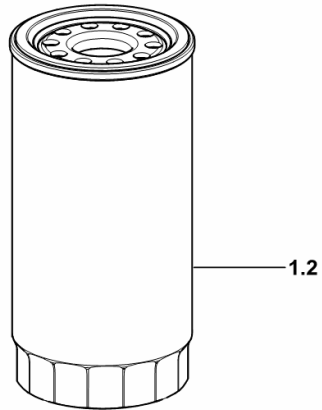
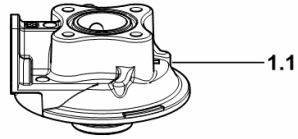
Fig.	Code	QTY	Name
------	------	-----	------

Notes:

- EXPORT IND [AGROLUX 60 E 2WD ->D10S553WX1E1001] - EXPORT IND [AGROLUX 60 E 4WD->D10S553WT1E1001]

1.1	2.4419.350.1/40	1	head
1.2	2.4419.797.0	1	oil filter

I9_I7082_10_0-A-001



AGROLUX 60 E ->D10S553WT1E1001

Section: H0 - HYDRAULIC AND PNEUMATIC SYSTEM|

Ref.: H0.01.23 (1)

HYDRAULIC SYSTEM - FOR 4-WAY DISTRIBUTOR

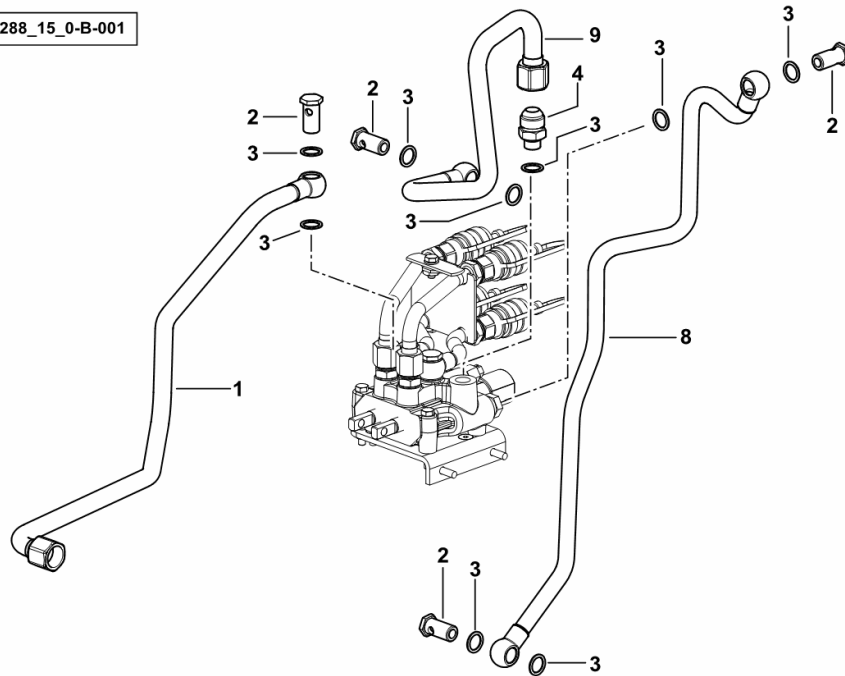
Fig.	Code	QTY	Name
------	------	-----	------

Notes:

- FOR TYPES WITH 4 WAY REAR CONTROL VALVE [AGROLUX 60 E 2WD ->D10S553WX1E1001] - FOR TYPES WITH 4 WAY REAR CONTROL VALVE [AGROLUX 60 E 4WD->D10S553WT1E1001]

1	0.015.6147.3/10	1	tube
2	2.3339.295.2/10	6	pipe union m 18 p.1.5 x 35
3	2.1560.014.0	15	gasket 18.2 x 24 x 1.5
4	2.3339.235.2	1	pipe fitting M 18 x 1" 1/16-12jic
8	0.015.6144.3/10	1	tube
9	0.015.6143.3	1	tube

19_J1288_15_0-B-001



BRAKE COOLING VESSEL

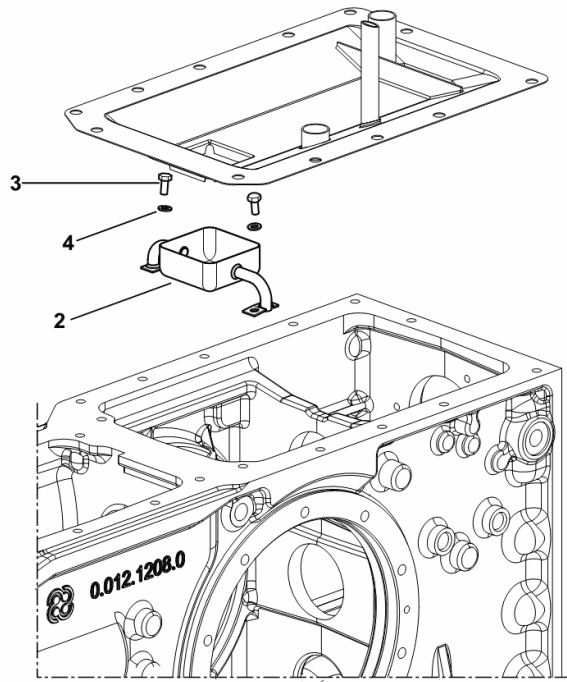
Fig.	Code	QTY	Name
------	------	-----	------

Notes:

- FOR TYPES WITH 1 BRAKE DISK HEAVY DUTY REAR AXLE [AGROLUX 60 E 2WD ->D10S553WX1E1001]
- FOR TYPES WITH 2 BRAKE DISK HEAVY DUTY REAR AXLE [AGROLUX 60 E 2WD ->D10S553WX1E1001] -
- FOR TYPES WITH 1 BRAKE DISK HEAVY DUTY REAR AXLE [AGROLUX 60 E 4WD->D10S553WT1E1001] - FOR
- TYPES WITH 2 BRAKE DISK HEAVY DUTY REAR AXLE [AGROLUX 60 E 4WD->D10S553WT1E1001]

2	0.015.6076.2	1	cup
3	2.0112.004.2	2	screw m 6 p.1 x 14
4	2.1475.201.2	2	washer 6.4x12

19_J1431_01_0-B-001

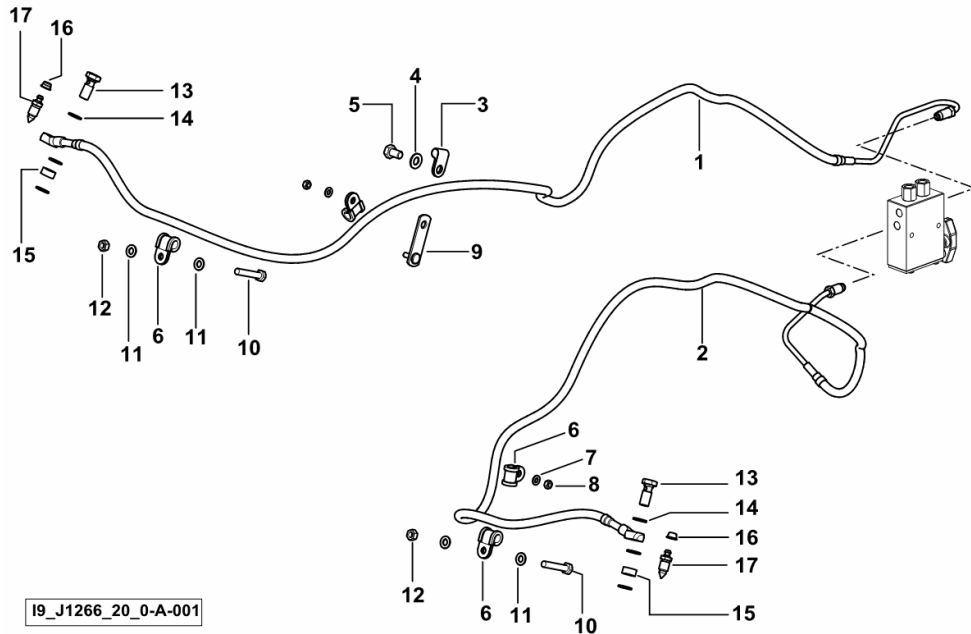


FRONT BRAKING SYSTEM

Fig.	Code	QTY	Name
------	------	-----	------

Notes:

[AGROLUX 60 E 4WD->D10S553WT1E1001]



1	0.015.6358.3	1	tube dx/rh/re
2	0.015.6359.3	1	tube sx/lh/li
3	2.6839.077.0	1	clamp
4	2.1310.006.2	1	flat washer 10.5
5	2.0112.305.2	1	screw m 10 p.1.5 x 16
6	2.6839.055.0	4	clamp Ø 11 / 20
7	2.1310.002.2	2	washer 6.6, d125
8	2.1011.103.2	2	nut m 6 p.1
9	0.014.3826.3	1	bracket
10	2.0312.214.2	2	screw m 8 p.1.25 x 40
11	2.1310.004.2	4	flat washer 8.5
12	2.1011.105.2	2	nut m 8 p.1.25
13	2.3339.361.2/10	2	pipe union m 12 p.1.25 x 28
14	2.1560.008.0	6	gasket 12.2 x 18
15	2.1579.765.2/10	2	spacer 12.5 x 18 x 8.0
16	2.3199.039.0	2	plug 6.50 x 7.25
17	0.014.6220.0	2	lubricator

I9_J1266_20_0-A-001

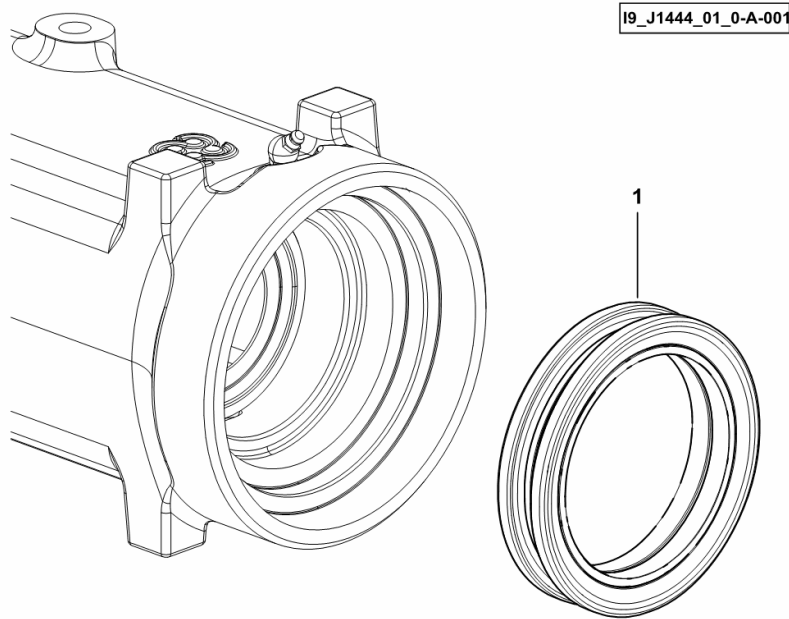
PARTS SET FOR REAR AXLE - WATERPROOF SEAL

Fig.	Code	QTY	Name
------	------	-----	------

Notes:

- FOR TYPES WITH 1 BRAKE DISK HEAVY DUTY REAR AXLE [AGROLUX 60 E 2WD ->D10S553WX1E1001]
- FOR TYPES WITH 2 BRAKE DISK HEAVY DUTY REAR AXLE [AGROLUX 60 E 2WD ->D10S553WX1E1001] -
- FOR TYPES WITH 1 BRAKE DISK HEAVY DUTY REAR AXLE [AGROLUX 60 E 4WD->D10S553WT1E1001] - FOR
- TYPES WITH 2 BRAKE DISK HEAVY DUTY REAR AXLE [AGROLUX 60 E 4WD->D10S553WT1E1001]

1	0.216.4754.3	2	'o' ring
---	--------------	---	----------

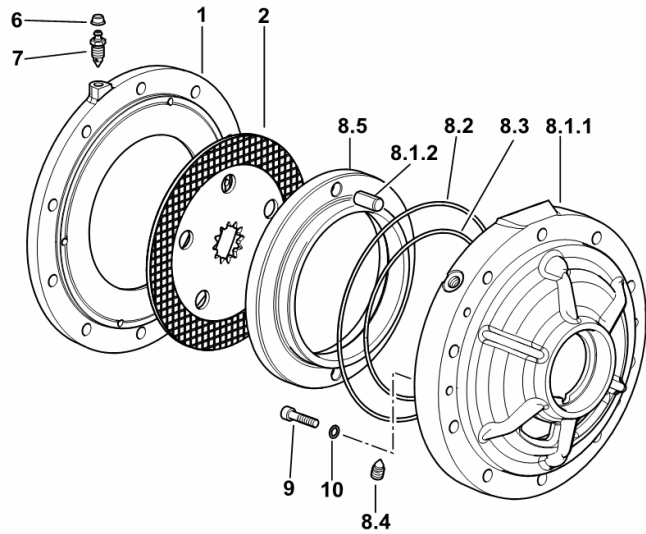


REAR BRAKES

Fig.	Code	QTY	Name
------	------	-----	------

Notes:

- FOR TYPES WITH LONG SEALED REAR AXLE [AGROLUX 60 E 2WD ->D10S553WX1E1001] 1009 <- - FOR TYPES WITH LONG SEALED REAR AXLE [AGROLUX 60 E 4WD->D10S553WT1E1001] 1009 <-



1	0.008.5269.0/20	2	disc
2	0.015.6021.2	2	brake disc
6	2.3199.039.0	2	plug 6.50 x 7.25
7	0.014.6220.0	2	lubricator
8.1.1	0.012.0938.0/10	1	flange
8.1.2	2.1699.470.0	2	pin 14x32
8.2	2.1539.118.0	1	'o' ring Ø 221.84 x 3.53
8.3	2.1539.177.0	1	'o' ring Ø 171.04 x 3.53
8.4	2.3139.013.7	1	plug m12x1,25
8.5	0.008.5272.0/10	1	piston
9	2.0312.212.2	4	screw m 8 p.1.25 x 35
10	2.1480.014.1	4	washer 8

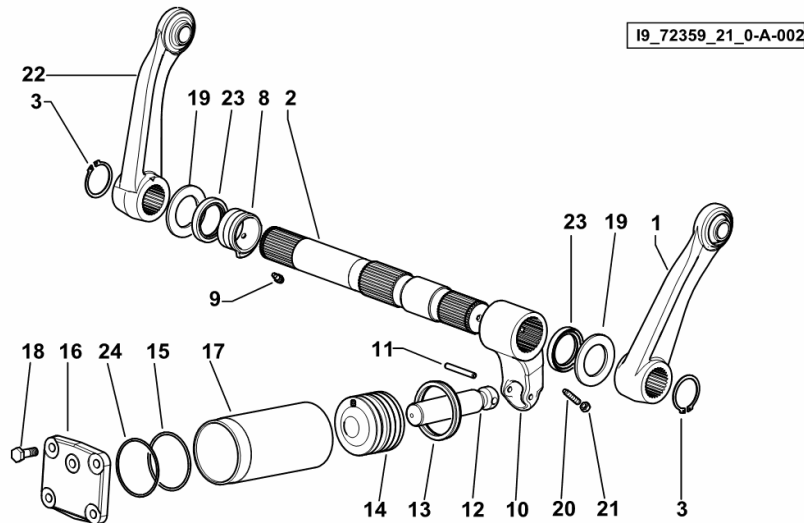
19_J1454_01_0-A-001

LIFTING

Fig.	Code	QTY	Name
------	------	-----	------

Notes:

[AGROLUX 60 E 2WD ->D10S553WX1E1001] [AGROLUX 60 E 4WD->D10S553WT1E1001]



1	0.009.2846.3/10	1	lever sx/lh/li
2	0.009.2374.0/30	1	shaft L = mm 445
3	2.1410.020.1	2	circlip 50
8	0.009.2377.0/30	1	spacer
9	0.009.2378.0/30	1	pin
10	0.009.2379.0/70	1	lever
11	2.1631.721.0	1	roll pin 8 x 60
12	0.009.2380.0	1	connecting rod
13	2.1518.105.0	1	'o' ring 75 x 90
14	0.9002.311.0/20	1	piston
15	2.1531.184.0	1	'o' ring 82.14 x 3.53
16	0.009.2381.0/20	1	flange
17	0.009.2382.0/20	1	cylinder
18	2.0122.463.2	4	screw m 12 p.1.25 x 35
19	2.1599.609.2	2	snoulder
20	2.0522.216.7	1	grain m 8 p.1.25 x 40
21	2.1011.105.2	1	nut m 8 p.1.25
22	0.009.2847.3/10	1	lever dx/rh/re
23	2.1520.026.0	2	oil seal 50 x 68 x 10
24	2.1539.156.0	1	'o' ring 82 x 88 x 1.27

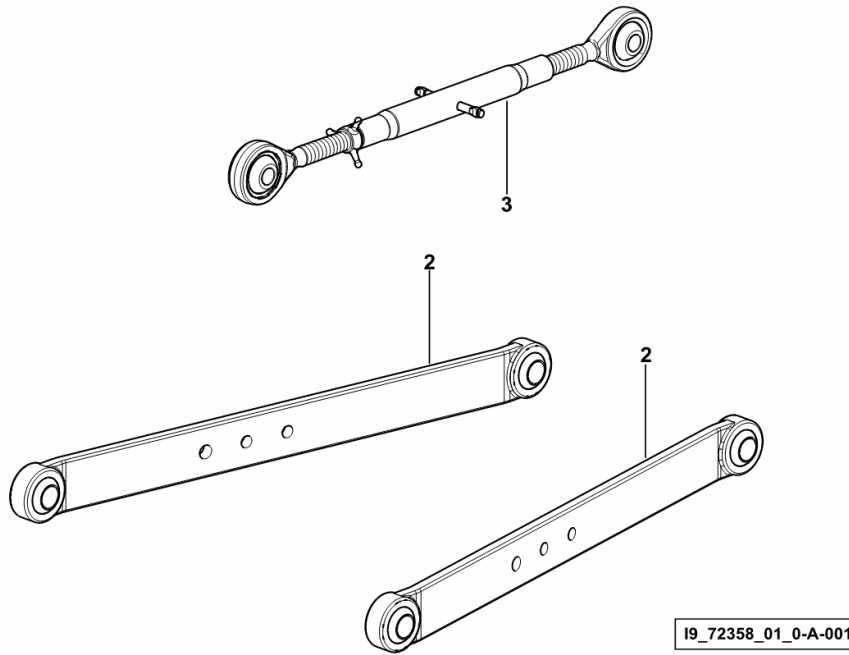
3 POINT HITCH

Fig.	Code	QTY	Name
------	------	-----	------

Notes:

[AGROLUX 60 E 2WD ->D10S553WX1E1001] [AGROLUX 60 E 4WD->D10S553WT1E1001]

2	0.012.1182.3	2	arm
3	0.012.1065.4/10	1	arm



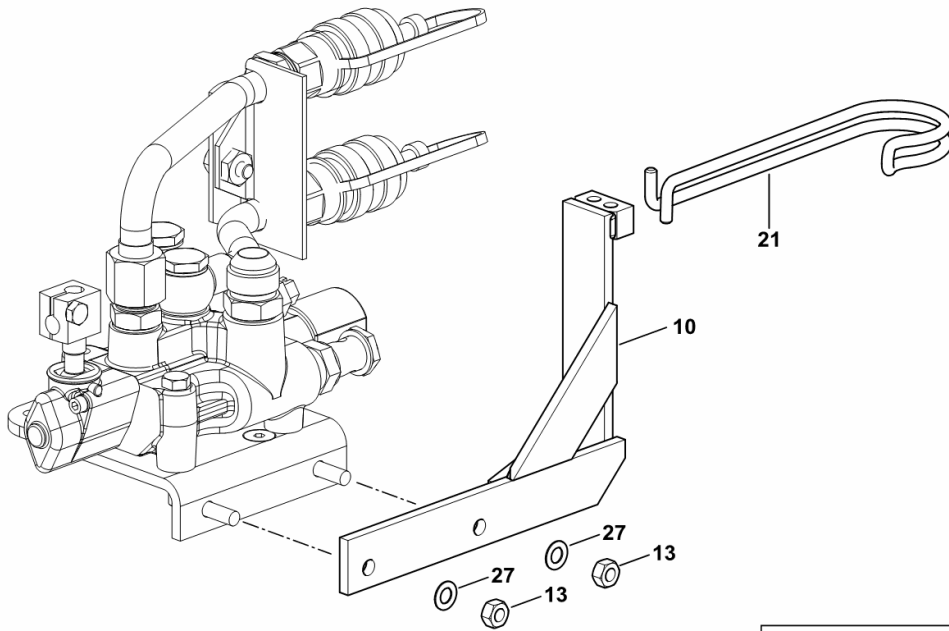
TOP LINK LOCK - FOR 2-WAY CONTROL VALVE

Fig.	Code	QTY	Name
------	------	-----	------

Notes:

- FOR TYPES WITH 2 WAY REAR CONTROL VALVE [AGROLUX 60 E 2WD ->D10S553WX1E1001] - FOR TYPES WITH 2 WAY REAR CONTROL VALVE [AGROLUX 60 E 4WD->D10S553WT1E1001]

10	0.015.6152.2/10	1	bracket
13	2.1011.105.2	3	nut m 8 p.1.25
21	0.467.5857.0	1	spring
27	2.1470.004.2	2	washer 8



19_J1288_05_0-C-001

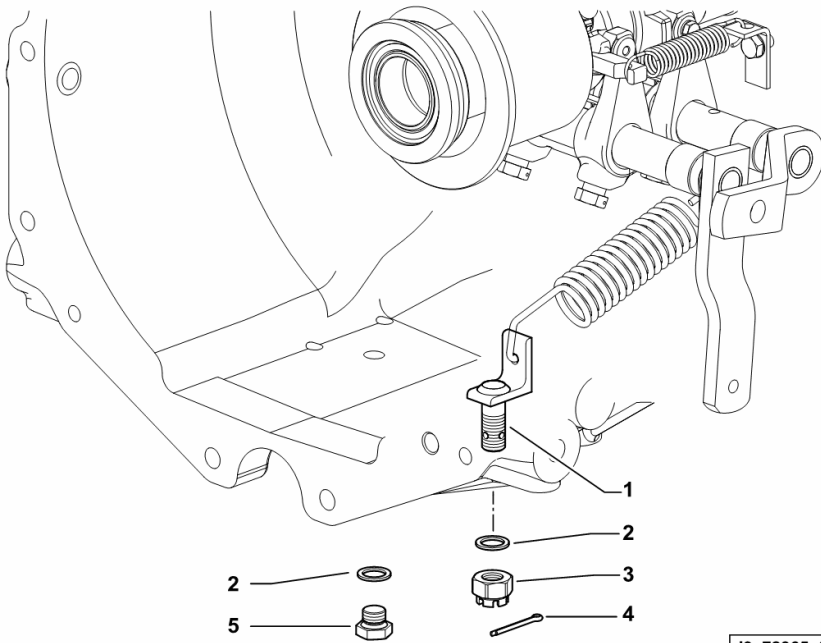
CLUTCH ANCILLARY PARTS KIT

Fig.	Code	QTY	Name
------	------	-----	------

Notes:

[AGROLUX 60 E 2WD ->D10S553WX1E1001] [AGROLUX 60 E 4WD->D10S553WT1E1001]

1	0.012.0901.2	1	support
2	2.1560.010.0	3	gasket 14.2 x 20 x 1.5
3	2.1021.306.2	1	castellated nut
4	2.1690.312.2	1	split pin 3.2x30
5	2.3110.403.7	1	plug m 14 p.1.5



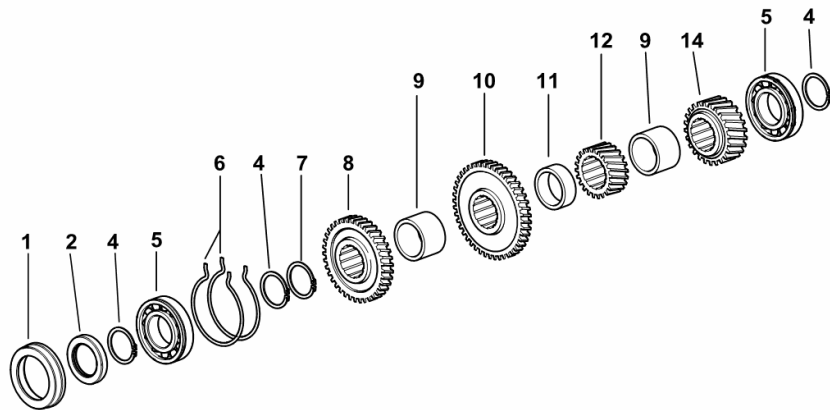
19_72365_04_0-A-001

MAIN SHAFT

Fig.	Code	QTY	Name
------	------	-----	------

Notes:

- FOR SYNCHRONISED GEARBOX - WITH 10 KPH REVERSE [AGROLUX 60 E 2WD ->D10S553WX1E1001] -
 FOR SYNCHRONISED GEARBOX - WITH 10 KPH REVERSE [AGROLUX 60 E 4WD->D10S553WT1E1001]



1	0.008.5148.0/10	1	ring
2	2.1529.109.0	1	'o' ring 40 x 60 x10
4	2.1410.016.1	3	circlip 40
5	2.2042.012.9	2	ball bearing 40 x 80 x 18
6	2.1499.052.1/10	2	circlip 80
7	2.1419.092.0	6	circlip
8	0.010.1003.0	1	gear Z = 37
9	2.1549.310.0	2	spacer
10	0.010.1004.0	1	gear Z = 44
11	2.1549.312.0	1	spacer
12	0.010.1001.0	1	gear Z = 22
14	0.010.1002.0	1	gear Z = 28

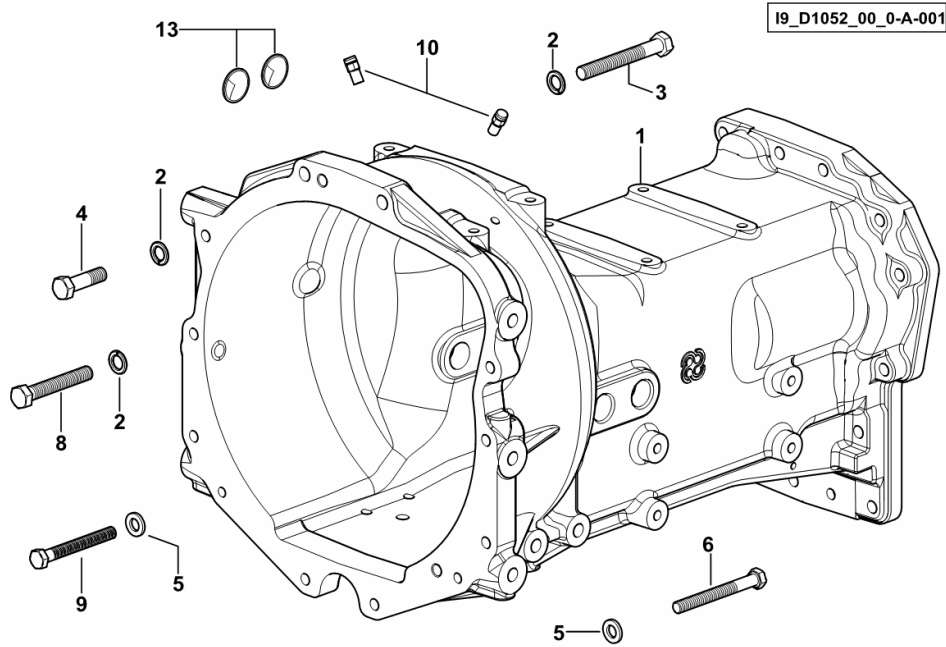
I9_D1033_00_0-B-001

GEARBOX - FRONT

Fig.	Code	QTY	Name
------	------	-----	------

Notes:

[AGROLUX 60 E 2WD ->D10S553WX1E1001] [AGROLUX 60 E 4WD->D10S553WT1E1001]



1	0.012.1209.0/50	1	gear box
2	2.1474.012.2	8	washer 14
3	2.0112.531.2	2	screw m 14 p.2x110
4	2.0112.519.2	3	screw m 14 p.2x50
5	2.1475.204.7	4	washer 12x3.2
6	2.0112.431.2	2	screw m 12 p.1.75 x 110
8	2.0112.527.2	3	screw m 14 p.2x90
9	2.0112.429.2	2	screw m 12 p.1.75x100
10	0.012.7405.0	2	breather
13	2.3170.014.2	2	expansion plug Ø 35

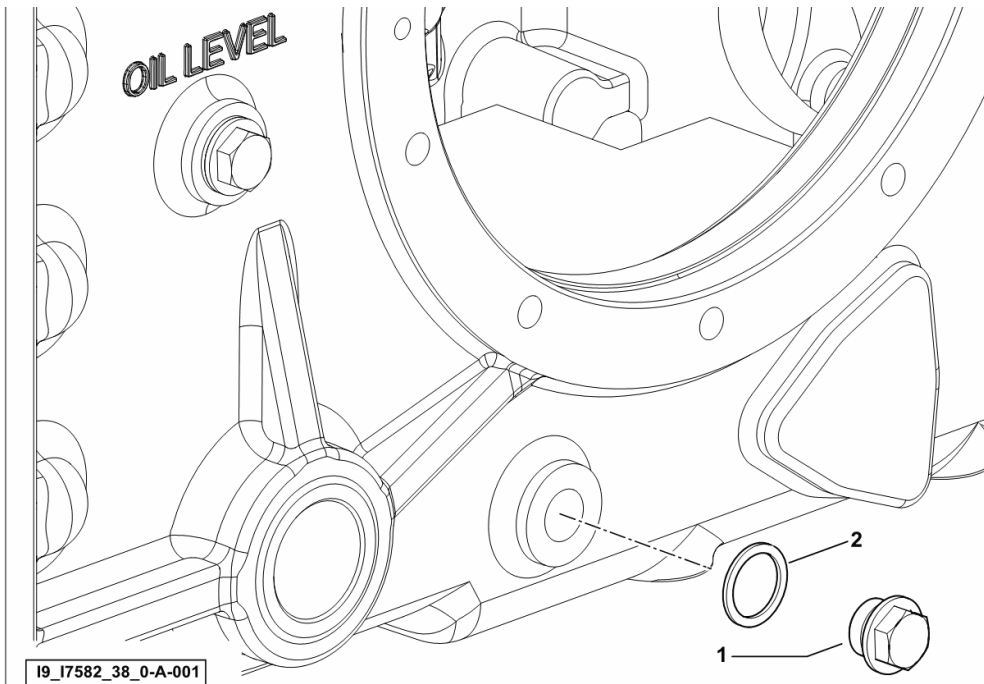
PLUGS FOR GEARBOX

Fig.	Code	QTY	Name
------	------	-----	------

Notes:

[AGROLUX 60 E 2WD ->D10S553WX1E1001] [AGROLUX 60 E 4WD->D10S553WT1E1001]

1	2.3110.405.2	1	plug m 18 p.1.5 x 15
2	2.1561.010.0	1	'o' ring 18



INTERNAL CONTROLS

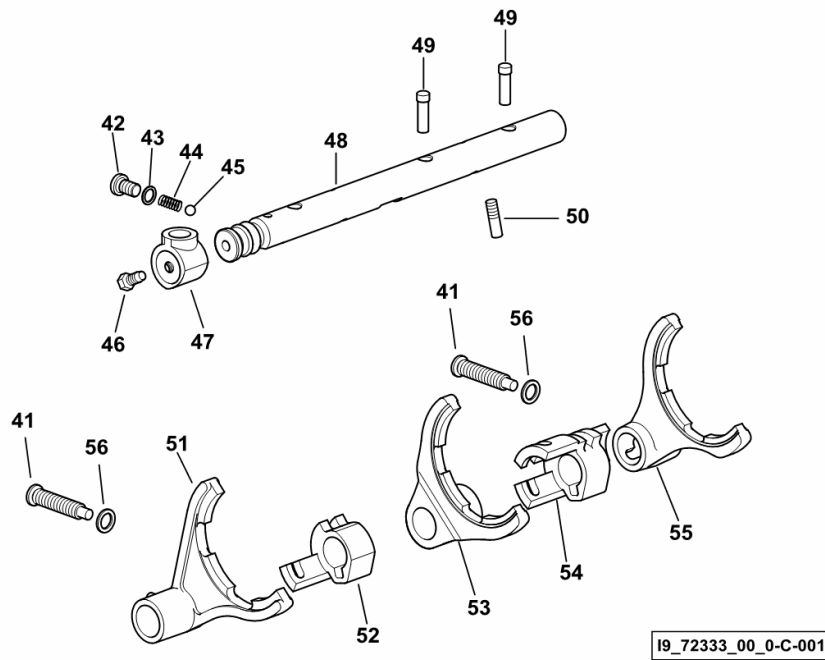
Fig.	Code	QTY	Name
------	------	-----	------

Notes:

- FOR NON SYNCHRONISED GEARBOX - WITH 10 KPH REVERSE [AGROLUX 60 E 2WD ->D10S553WX1E1001]

- FOR NON SYNCHRONISED GEARBOX - WITH 10 KPH REVERSE [AGROLUX 60 E 4WD->D10S553WT1E1001]

41	2.0399.206.2	2	screw m 12 p.1.75 x 56.5
42	2.3199.238.2	1	plug m 10
43	2.1560.005.0	1	gasket 10.2 x 14
44	2.4019.670.1	1	spring 5 x 8 x 1.5 x 22.5
45	2.2810.004.0	1	ball 5/16"
46	2.0399.019.1	1	screw m 8 p.1 x 16
47	0.008.5226.0/20	1	hub
48	0.008.5130.0/70	1	rod
49	0.008.5994.0/10	3	pin
50	2.0399.286.0/10	2	grain m 8 p.1.25 x 28
51	0.014.6201.0	1	fork
52	0.008.5198.0/40	1	hub
53	0.014.6202.0	1	fork
54	0.010.4945.0	1	sleeve
55	0.014.6203.0/10	1	fork
56	2.1560.008.0	2	gasket 12.2 x 18



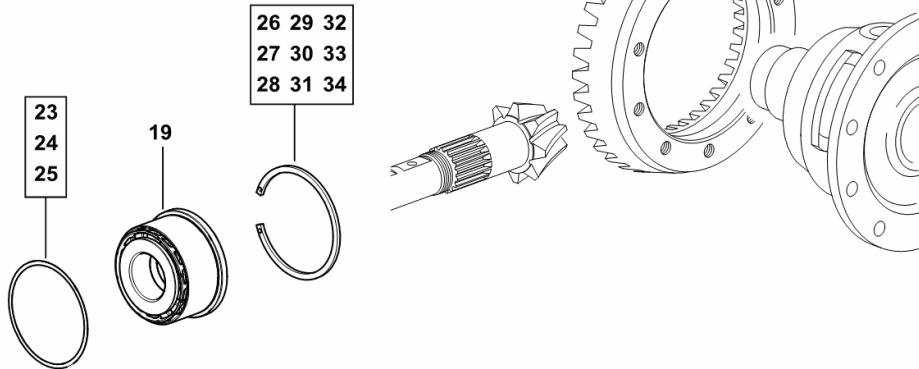
BEVEL DRIVE PINION BEARING

Fig.	Code	QTY	Name
------	------	-----	------

Notes:

- 2WD - FOR TYPES WITH LONG SEALED REAR AXLE [AGROLUX 60 E 2WD ->D10S553WX1E1001] - 4WD - FOR TYPES WITH LONG SEALED REAR AXLE [AGROLUX 60 E 4WD->D10S553WT1E1001]

19	2.2999.233.0	1	bearing 40 x 85 x 54
23	2.1589.225.0	2	snoulder mm 0.15
24	2.1589.226.0	2	snoulder mm 0.20
25	2.1589.227.0	2	snoulder mm 0.50
26	2.1419.056.0/10	1	circlip 99 x 2.8
27	2.1419.057.0/10	1	circlip 99 x 2.9
28	2.1419.058.0/10	1	circlip 99 x 3.0
29	2.1419.059.0/10	1	circlip 99 x 3.1
30	2.1419.060.0/10	1	circlip 99 x 3.2
31	2.1419.061.0/10	1	circlip 99 x 3.3
32	2.1419.062.0/10	1	circlip 99x3.4
33	2.1419.063.0/10	1	circlip 99x3.5
34	2.1419.064.0/10	1	circlip 99x3.6



19_72335_00_0-A-001

AGROLUX 60 E ->D10S553WT1E1001

Section: D0 - TRANSMISSION

Ref.: D0.13.1 (1)

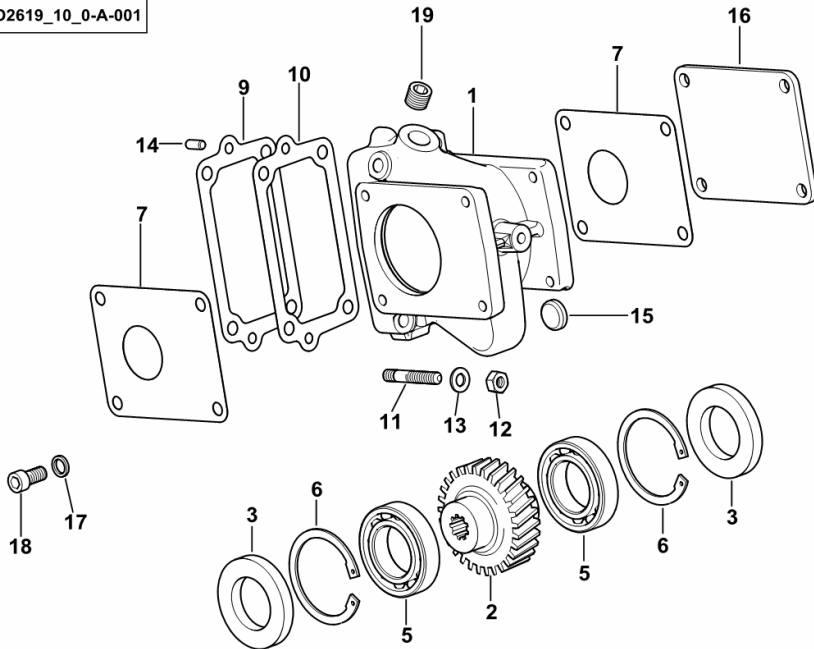
HYDRAULIC PUMP POWER TAKEOFF

Fig.	Code	QTY	Name
------	------	-----	------

Notes:

[AGROLUX 60 E 2WD ->D10S553WX1E1001] -> 1165 [AGROLUX 60 E 4WD->D10S553WT1E1001] -> 1165

19_O2619_10_0-A-001



1	0.007.0810.0	1	support
2	0.007.0811.0/10	1	gear
3	2.1549.426.0	2	spacer
5	2.2030.008.9	2	ball bearing 35x62x14
6	2.1411.025.1	2	circlip 62
7	0.163.6350.0	2	gasket
9	0.065.1967.0	4	shim mm 0.1
10	0.065.1968.0	1	shim mm 0.50
11	2.0432.009.7	4	stud bolt m 8 p.1.25 / p. 1 x 35
12	2.1011.405.2	4	nut m 8 p.1
13	2.1310.004.2	4	flat washer 8.5
14	2.1651.506.0	2	cylindrical plug 6 x 14
15	2.3171.008.4	1	plug 20
16	0.007.0812.0	4	small plate
17	2.1480.014.1	4	washer 8
18	2.0112.207.2	4	screw m 8 p 1.25 x 20
19	2.3131.003.2	1	plug m 16 p.1.5

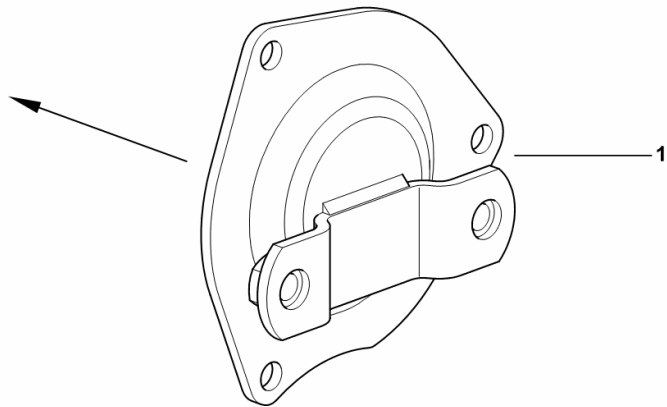
REAR PTO COVER

Fig.	Code	QTY	Name
------	------	-----	------

Notes:

- FOR TYPES WITH PROTECTIVE CASING [AGROLUX 60 E 2WD ->D10S553WX1E1001] - FOR TYPES WITH PROTECTIVE CASING [AGROLUX 60 E 4WD->D10S553WT1E1001]

1	0.008.5181.3/30	1	complete cover
---	-----------------	---	----------------



19_D1036_05_0-A-001

AGROLUX 60 E ->D10S553WT1E1001

S0 - WHEELS

FRONT WHEEL BOLTS

2WD - FRONT WHEEL MOUNTING.....	S0.01.0 (1)
2WD - FRONT WHEEL MOUNTING.....	S0.01.1 (1)
2WD - FRONT WHEEL MOUNTING.....	S0.01.2 (1)
4WD - FRONT WHEEL MOUNTING.....	S0.01.3 (1)

REAR WHEEL BOLTS

REAR WHEEL BOLTS.....	S0.02.0 (1)
REAR WHEEL BOLTS.....	S0.02.1 (1)

2WD FRONT WHEELS

2WD - FRONT WHEELS 6.00 - 16.....	S0.03.0 (1)
2WD - FRONT WHEELS 6.00 - 16 PR8.....	S0.03.1 (1)
2WD - FRONT WHEELS 6.50 R20".....	S0.03.3 (1)
2WD - FRONT WHEELS 6.50-20" PR 8.....	S0.03.4 (1)
2WD - FRONT WHEELS 6.50-20" PR 8.....	S0.03.5 (1)
2WD - FRONT WHEELS 7.50 x 16" pr 8.....	S0.03.6 (1)
2WD - FRONT WHEELS 7.50 x 16" pr 8.....	S0.03.7 (1)
2WD - FRONT WHEELS 7.50 x 16" pr 8.....	S0.03.8 (1)
2WD - FRONT WHEELS 7.50 x 16" pr 8.....	S0.03.9 (1)

WHEELS

WHEELS 7.50 x 20" PR6.....	S0.04.0 (2)
WHEELS 7.50-20" PR8.....	S0.04.1 (1)
WHEELS 8.00 - 20".....	S0.04.2 (1)
WHEELS 9.5-20" PR8 A6.....	S0.04.3 (1)
WHEELS 250/85R20"(9.5R20").....	S0.04.4 (1)
WHEELS 250/85R20"(9.5R20").....	S0.04.4 (2)
WHEELS 280/85R20" (11.2R20").....	S0.04.5 (1)
WHEELS 11.2-20".....	S0.04.6 (1)
WHEELS 11.2-20".....	S0.04.6 (2)
WHEELS 320/85R20"(12.4R20").....	S0.04.7 (1)
WHEELS 12.5-20".....	S0.04.8 (1)
WHEELS 12.5-20".....	S0.04.8 (2)
WHEELS 9.5-24".....	S0.04.9 (1)
WHEELS 11.2-24".....	S0.04.11 (1)
WHEELS 11.2-24".....	S0.04.11 (2)
WHEELS 280/85R24"(11.2R24").....	S0.04.12 (1)
WHEELS 320/85R28"(12.4R28").....	S0.04.13 (1)
WHEELS 12.4-28".....	S0.04.14 (1)
WHEELS 12.4-28".....	S0.04.15 (1)
WHEELS 12.4-28".....	S0.04.16 (1)
WHEELS 12.4-28".....	S0.04.17 (1)
WHEELS 340/85R28"(13.6R28").....	S0.04.18 (1)

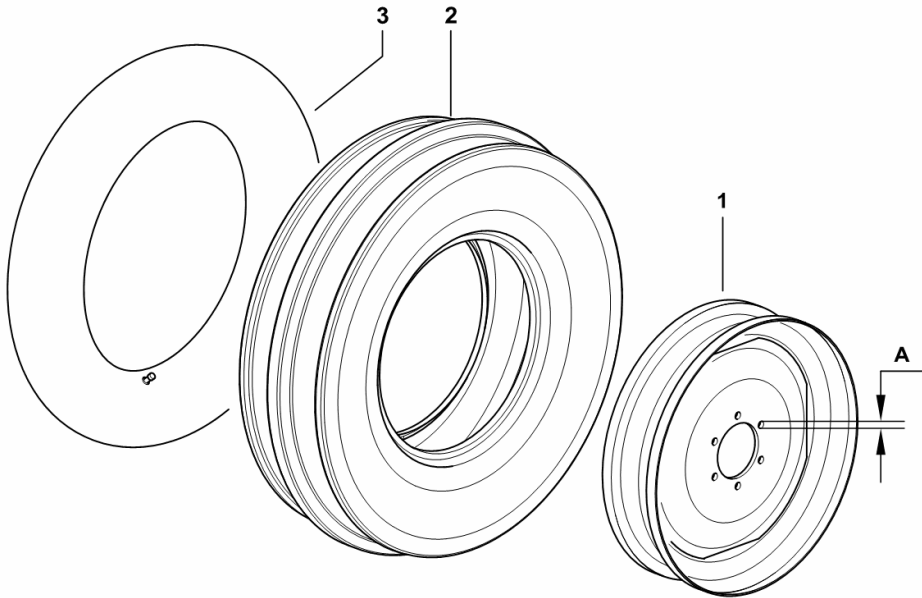
2WD - FRONT WHEELS 6.50 R20"

Fig.	Code	QTY	Name
------	------	-----	------

Notes:

[AGROLUX 60 E 2WD ->D10S553WX1E1001]

1	0.012.7496.2/10	2	rim 5.00F x 20" A=17,5 MM.
2	2.4810.023.0	2	tyre 6.50-20" PR 8
3	2.4820.014.0	2	air chamber 6.50-20"



I9_J1255_13_0-A-001

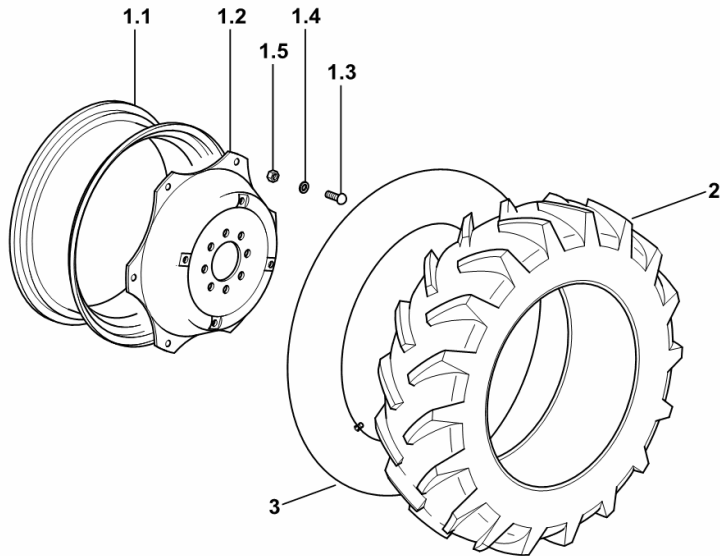
WHEELS 9.5-20" PR8 A6

Fig.	Code	QTY	Name
------	------	-----	------

Notes:

[AGROLUX 60 E 4WD->D10S553WT1E1001]

1.1	0.012.2835.3	1	rim W 8x20" C/ST
1.2	0.010.4301.0	1	rim center flange
1.3	2.0099.005.6	6	screw m 16 p.1.5 x 38
1.4	2.1499.019.6	6	washer 16.3 x 31.5
1.5	2.1019.059.6	6	nut m 16 p.1.5 x 16
2	2.4811.240.0	2	tyre 9.5-20" PR8 A6
3	2.4820.023.0	2	air chamber



I9_I4655_20_0-A-001

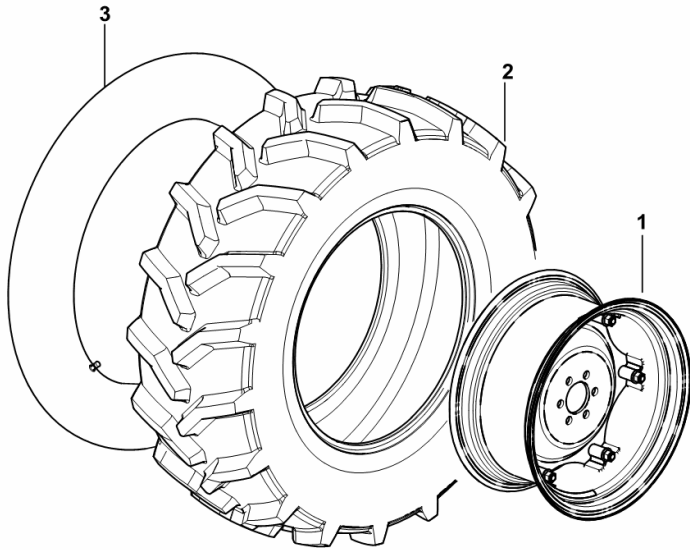
Section: S0 - WHEELS
WHEELS 11.2-24"

Fig.	Code	QTY	Name
------	------	-----	------

Notes:

[AGROLUX 60 E 4WD->D10S553WT1E1001]

1	0.016.1359.4	2	rim W10x24
2	2.4811.219.0	2	tyre 11.2-24"
3	2.4820.027.0	2	air chamber



I9_I7155_22_0-A-001

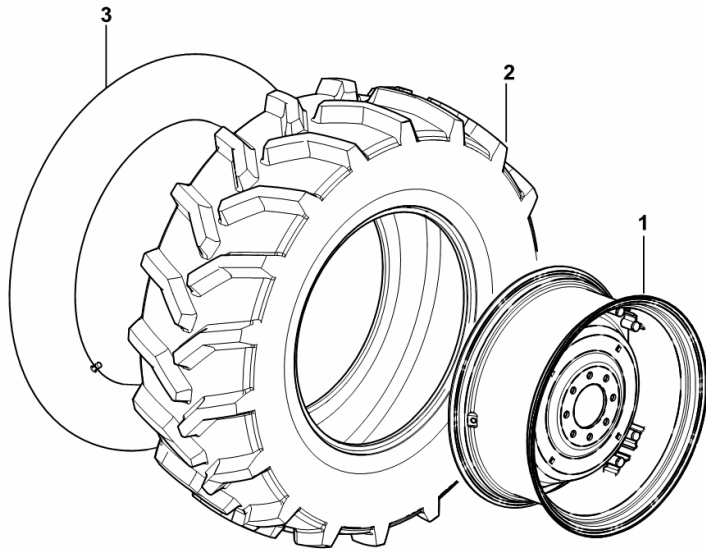
WHEELS 13.6-28"

Fig.	Code	QTY	Name
------	------	-----	------

Notes:

[AGROLUX 60 E 2WD ->D10S553WX1E1001] [AGROLUX 60 E 4WD->D10S553WT1E1001]

1	0.014.6079.4	2	rim W12x28"
2	2.4811.216.0	2	tyre 13.6-28"
3	2.4820.033.0	2	air chamber 13.6/12X28" pr 6



I9_17055_40_0-A-001

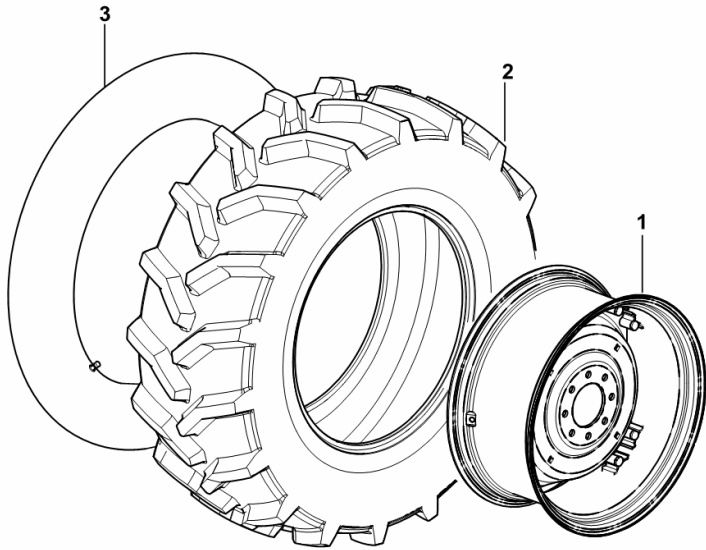
WHEELS 16.9-28"

Fig.	Code	QTY	Name
------	------	-----	------

Notes:

[AGROLUX 60 E 2WD ->D10S553WX1E1001] [AGROLUX 60 E 4WD->D10S553WT1E1001]

1	0.012.0975.4	2	rim W15Lx28"
2	2.4811.223.0	2	tyre 16.9-28"
3	2.4820.039.0	2	air chamber



I9_17055_43_0-A-001

CLICK HERE TO **DOWNLOAD** THE COMPLETE MANUAL

- Thank you very much for reading the preview of the manual.
- You can download the complete manual from: www.heydownloads.com by clicking the link below



- Please note: If there is no response to CLICKING the link, please download this PDF first and then click on it.

CLICK HERE TO **DOWNLOAD** THE COMPLETE MANUAL