

Agrokid 35 -> 10001

V0 - BALLAST, TOWING HITCHES

FRONT HITCHES

FRONT TOWING HITCH.....	V0.01.0 (1)
TOWING HOOK WITH FRONT POWER-LIFT.....	V0.01.1 (1)

REAR HITCHES

REAR GEARBOX BRACKETS.....	V0.02.0 (1)
REAR GEARBOX BRACKETS.....	V0.02.1 (1)
REAR TOWING HITCH CAT. " C ".....	V0.02.2 (1)
REAR OSCILLATING HITCH.....	V0.02.3 (1)
REAR TOWING HITCH.....	V0.02.5 (1)
REAR TOWING HITCH.....	V0.02.7 (1)
TOWING BAR.....	V0.02.8 (1)
DRAWBAR COUPLING.....	0.014.8210.4.A

FRONT BALLAST WEIGHTS

FRONT BALLAST Kg 60.....	V0.03.0 (1)
FRONT BALLAST kg 100.....	V0.03.1 (1)
FRONT BALLAST FASTENERS.....	V0.03.2 (1)

WHEEL BALLAST

WHEEL BALLAST REAR.....	V0.05.0 (1)
-------------------------	-------------

CLICK HERE TO **DOWNLOAD** THE COMPLETE MANUAL

- Thank you very much for reading the preview of the manual.
- You can download the complete manual from: www.heydownloads.com by clicking the link below

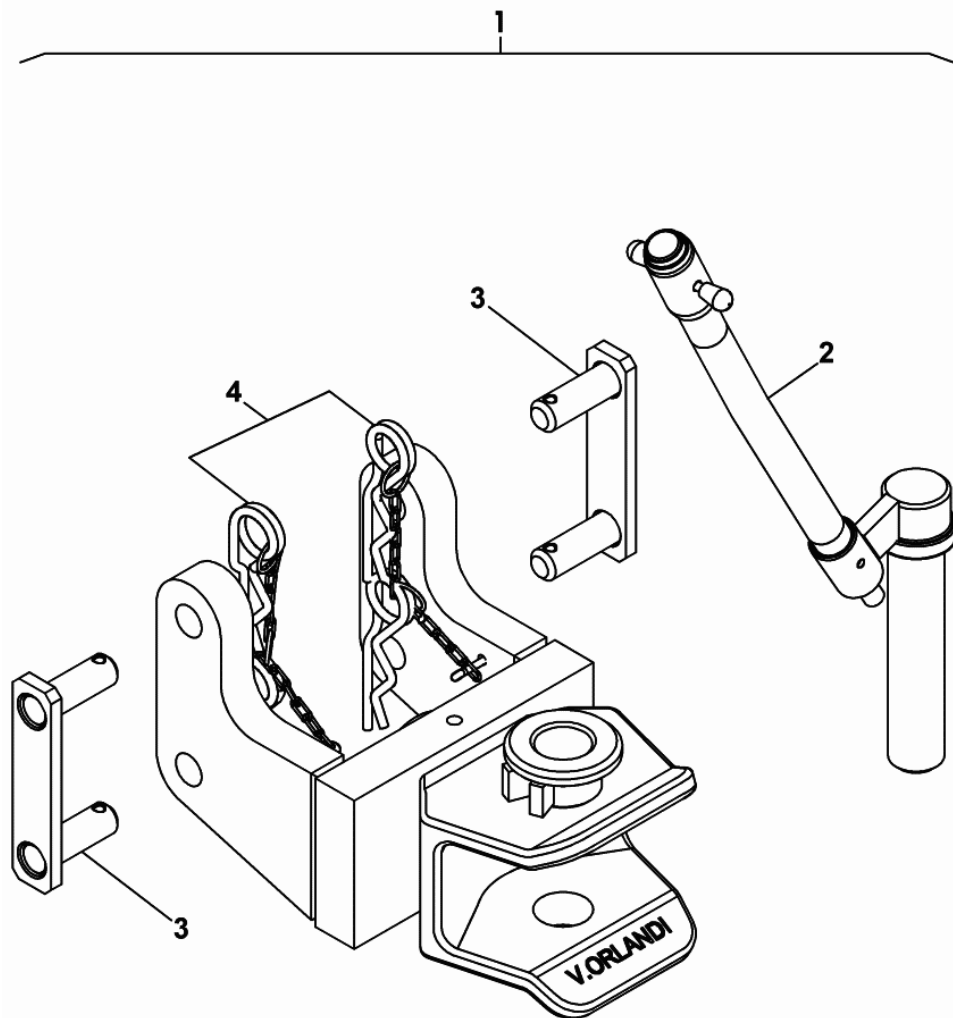


- Please note: If there is no response to CLICKING the link, please download this PDF first and then click on it.

CLICK HERE TO **DOWNLOAD** THE COMPLETE MANUAL

DRAWBAR COUPLING

Fig.	Code	QTY	Name
1	0.014.8210.4	1	tow hook
2	0.900.0512.0	1	pin
3	0.900.0512.1	1	pin
4	0.900.0512.2	1	chain



0_014_8210_4

ACCESSORIES

SUN BLIND..... G0.19.0 (1)
TRIANGLE SUPPORT..... G0.19.1 (1)
BRACKETS FOR WARNING TRIANGLE AND NUMBER PLATE HOLDER..... G0.19.2 (1)
LICENCE PLATE HOLDER..... G0.19.3 (1)
LICENCE PLATE HOLDER..... G0.19.4 (1)
FRONT NUMBER PLATE HOLDER..... G0.19.5 (1)
BRACKET FOR EXTINGUISHER AND WARNING TRIANGLE SUPPORT..... G0.19.6 (1)
WARNING TRIANGLES AND EXTINGUISHER..... G0.19.7 (1)
WARNING TRIANGLE..... G0.19.8 (1)
TOOL POUCH..... G0.19.12 (1)
BRACKET FOR TOOL BOX..... G0.19.14 (1)
LUBRICATOR..... G0.19.15 (1)

SAFETY ROLL BAR

SAFETY ARCH..... G0.20.0 (1)
SAFETY ARCH..... G0.20.1 (1)
SAFETY ARCH FOLDING..... G0.20.2 (1)
SAFETY ARCH..... G0.20.3 (1)
SAFETY ARCH - EXPORT U.S.A..... G0.20.5 (1)
SAFETY ARCH..... G0.20.6 (1)

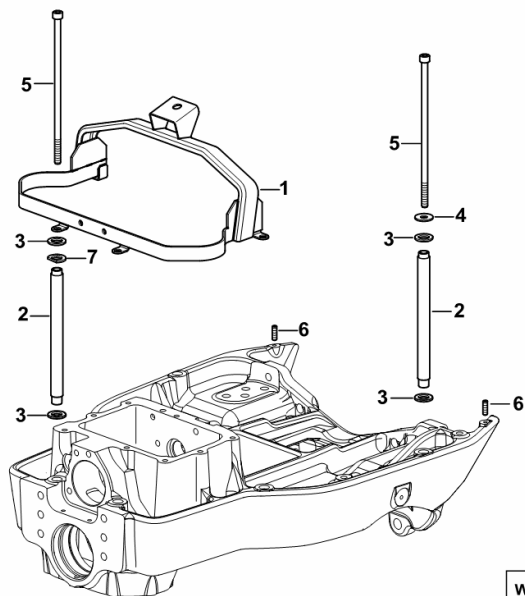
HOOD - SUPPORTS

Fig.	Code	QTY	Name
------	------	-----	------

Notes:

- FOR MODELS EQUIPPED WITH FRONT P.T.O. [AGROKID 35 -> 10001 4WD]

1	0.013.8660.3/10	1	chassis frame
2	0.013.2043.0/20	6	tube
3	2.1311.009.2	10	flat washer 14
4	2.1312.004.2	2	washer 8.4
5	2.0399.291.2	6	screw
6	2.0512.108.7	2	screw m 6 p.1 x 20
7	2.1399.014.2	2	washer



W9_A4972_06_0-A-001

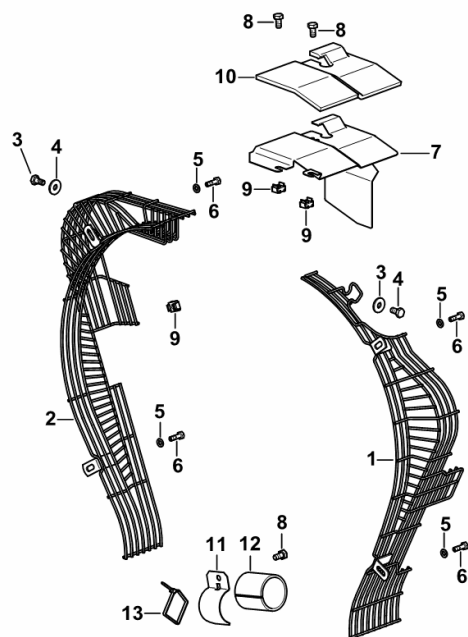
BELT GUARDS

Fig.	Code	QTY	Name
------	------	-----	------

Notes:

- FOR TRACTORS WITH AIR CONDITIONING [AGROKID 35 -> 10001 4WD]

1	0.013.2530.3/10	1	guard sx/lh/li
2	0.014.1364.3/10	1	guard dx/rh/re
3	2.1312.003.2	2	washer 6
4	2.0112.003.2	2	screw m 6 p.1 x 12
5	2.1310.001.2	4	flat washer 5.3
6	2.0114.109.2	4	screw
7	0.014.1327.2/10	1	guard
8	2.0112.003.2	3	screw m 6 p.1 x 12
9	2.6999.003.2	3	special nut m 6
10	0.014.3524.0	1	panel
11	0.015.0150.0	1	bracket
12	0.015.0151.0	1	guard
13	2.6852.101.0	1	clamp 142x3.6



W9_H3773_01_0-A-001

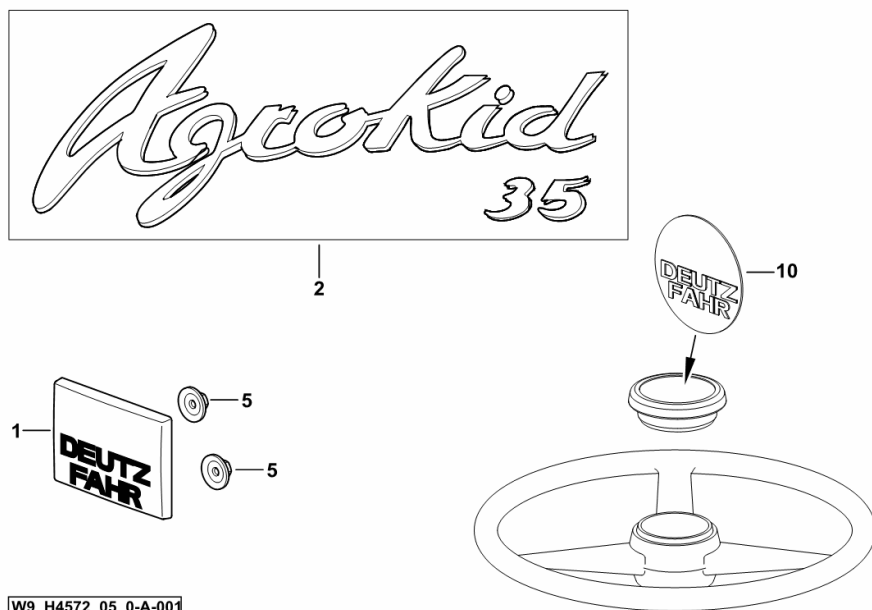
PRODUCT PLATE

Fig.	Code	QTY	Name
------	------	-----	------

Notes:

[AGROKID 35 -> 10001 4WD]

1	0.013.3514.2	1	plate DEUTZ-FAHR
2	0.014.8892.0	2	plate
5	2.1129.004.0	2	selflock nut m 4
10	0.013.8054.0	1	plate DEUTZ-FAHR



W9_H4572_05_0-A-001

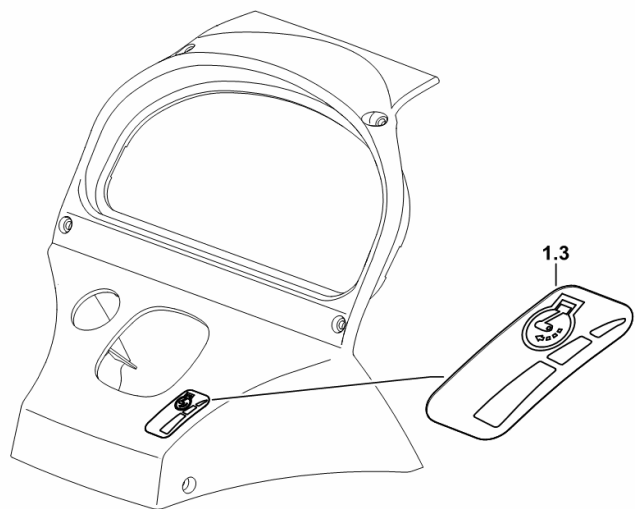
MECHANICAL ACCELERATOR CONTROL IDENTIFICATION PLATE

Fig.	Code	QTY	Name
------	------	-----	------

Notes:

- FOR MODELS WITH CAB [AGROKID 35 -> 10001 4WD]

1.3	0.013.3934.0	1	plate
-----	--------------	---	-------



W9_H3774_00_0-B-001

SPEED LABEL

Fig.	Code	QTY	Name
------	------	-----	------

Notes:

- FOR MODELS WITH PLATFORM [AGROKID 35 -> 10001 4WD]

8	0.010.9969.0	1	disc 40 KM/H
---	--------------	---	--------------



W9_75976_70_0-B-001

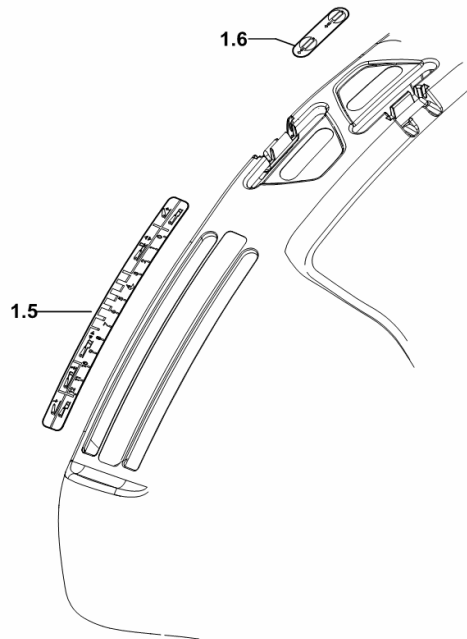
RH CONSOLE IDENTIFICATION PLATES

Fig.	Code	QTY	Name
------	------	-----	------

Notes:

- FOR MODELS WITHOUT CAB [AGROKID 35 -> 10001 4WD] -> 10002

1.5	0.013.2955.0	1	plate
1.6	0.013.3506.0	1	plate



W9_A4859_51_0-B-002

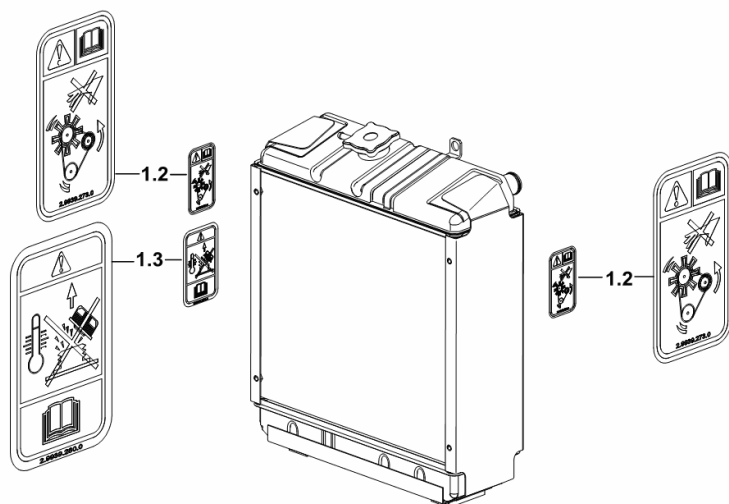
WARNING SIGNS ON WATER RADIATOR

Fig.	Code	QTY	Name
------	------	-----	------

Notes:

- FOR MODELS WITHOUT FRONT P.T.O. [AGROKID 35 -> 10001 4WD] -> 10017

1.2	2.9939.273.0	2	plate
1.3	2.9939.280.0	1	plate



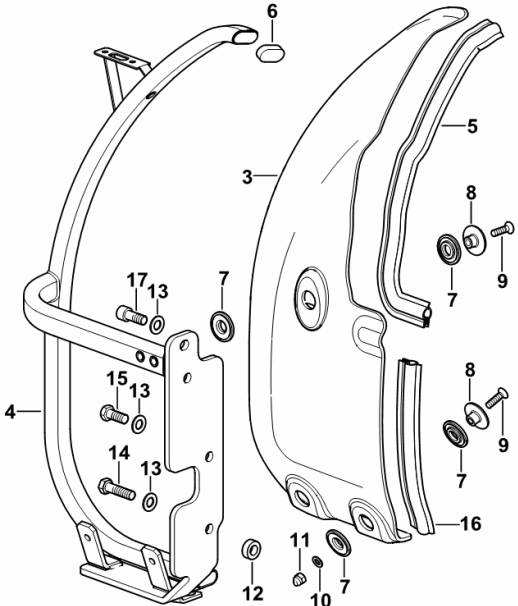
W9_A5683_00_0-C-001

Section: G0 - BODYWORK - CAB
FOOTPLATE COVER dx/rh/re

Fig.	Code	QTY	Name
------	------	-----	------

Notes:
- EXPORT U.S.A. [AGROKID 35 -> 10001 4WD]

3	0.013.9400.0/10	1	splash-guards dx/rh/re
4	0.013.9408.3/30	1	chassis frame dx/rh/re
5	0.012.5051.0/10	1	gasket mm 490
6	0.013.9021.0	1	gasket
7	0.009.0422.0	10	gasket
8	2.1499.093.0/10	5	washer 8.5
9	2.0342.309.6	5	screw m 8 p.1.25 x 35
10	2.1310.004.2	2	flat washer 8.5
11	2.1030.002.2	2	nut m 8
12	2.1579.838.2	1	spacer 13.2x25x10
13	2.1475.004.2	3	washer 12
14	2.0112.417.2	1	screw m 12 p.1.75 x 45
15	2.0112.411.2	1	screw m 12 p.1.75 x 30
16	0.014.4529.0	1	gasket mm 260
17	2.0312.410.2	1	screw m 12 p.1.75 x 30



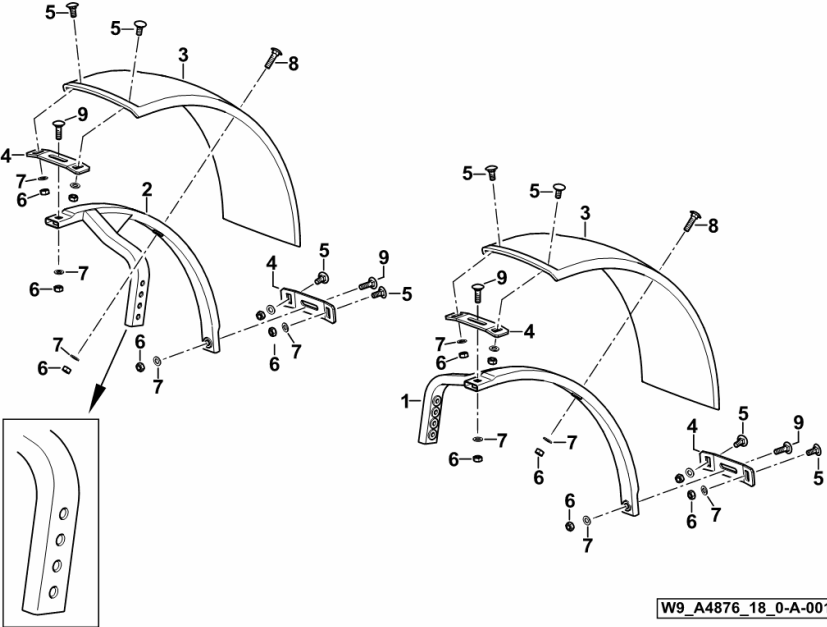
W9_A4976_01_0-A-001

Section: G0 - BODYWORK - CAB
FRONT MUDGUARDS

Fig.	Code	QTY	Name
------	------	-----	------

Notes:
mm 225 [AGROKID 35 -> 10001 4WD]

1	0.013.8146.3	1	chassis frame sx/lh/li
2	0.013.8169.3	1	chassis frame dx/rh/re
3	0.009.6378.0	2	fender mm 225
4	0.013.8081.0	4	bracket
5	2.0020.306.2	8	screw m 10 x 25
6	2.1011.106.2	14	nut m 10 p.1.5
7	2.1475.003.2	14	washer 10
8	2.0020.309.2	2	screw m 10 x 40
9	2.0020.308.2	4	screw m 10 x 35

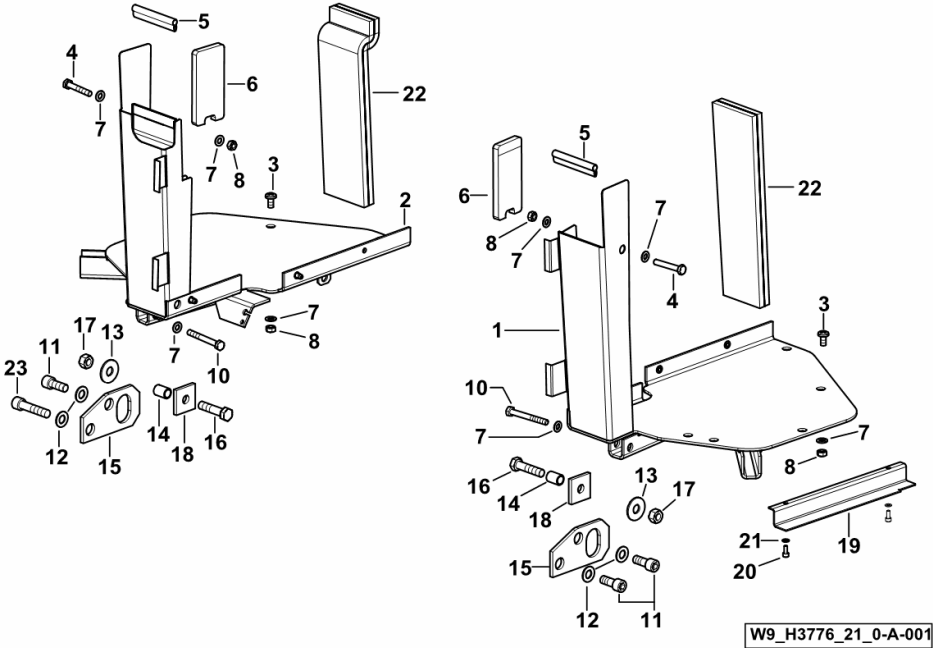


FOOT BOARDS

Fig.	Code	QTY	Name
------	------	-----	------

Notes:
FOR CAB [AGROKID 35 -> 10001 4WD]

1	0.014.0903.3/70	1	foot board sx/lh/li
2	0.014.0933.3/60	1	foot board dx/rh/re
3	2.0332.506.2	8	screw m 8 x 16
4	2.0112.219.2	2	screw m 8 p.1.25x50
5	0.014.3329.0	2	gasket
6	0.014.5188.0/10	2	gasket
7	2.1310.004.2	10	flat washer 8.5
8	2.1011.105.2	10	nut m 8 p.1.25
10	2.0112.223.2	2	screw m 8 p.1.25x70
11	2.0312.410.2	3	screw m 12 p.1.75 x 30
12	2.1475.004.2	4	washer 12
13	2.1312.006.2	2	washer 14.5
14	2.1559.461.2/10	2	bushing 16.1x12x22.5
15	0.014.8041.0	2	brace
16	2.0113.419.7	2	screw m 12 p.1.75 x 50
17	2.1011.107.2	2	nut m 12 p.1.75
18	0.014.9153.0	2	shim
19	0.015.0059.0/10	1	bracket
20	2.0312.002.2	2	screw
21	2.1310.001.2	2	flat washer 5.3
22	0.015.1581.0	2	shield
23	2.0312.417.2	1	screw

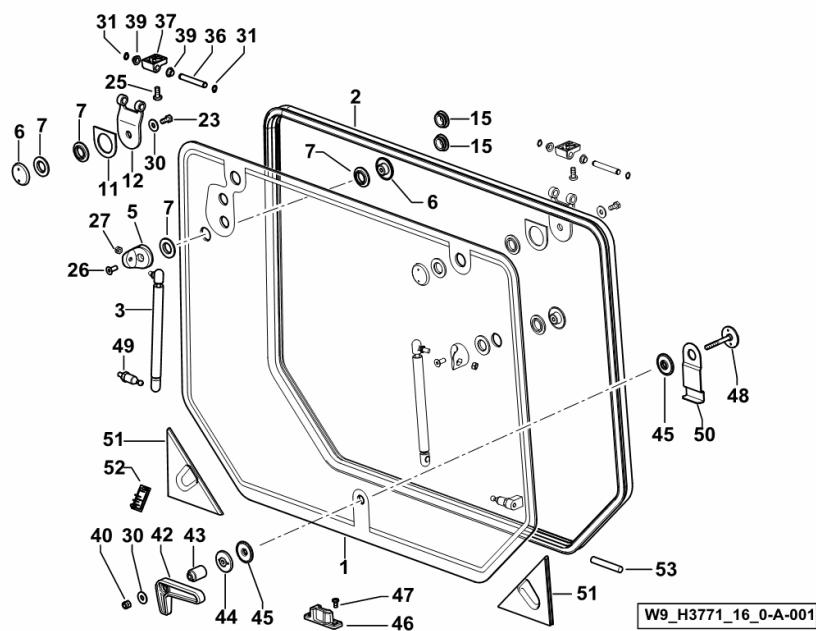


REAR WINDOW

Fig.	Code	QTY	Name
------	------	-----	------

Notes:

- FOR TYPES WITHOUT WINDSCREEN WIPERS [AGROKID 35 -> 10001 4WD]



1	0.014.2295.0/10	1	glass
2	0.014.3817.0	3.22	gasket M 3.220
3	0.015.3670.2	2	shoch.absorber
5	0.012.6175.0	2	support
6	0.012.6176.2/10	4	washer
7	0.012.6178.0	8	gasket
11	0.014.2602.0	2	gasket
12	0.014.2932.2	2	hinge
15	2.3199.326.0	2	plug
23	2.0112.206.2	2	screw m 8 p.1.25 x 18
25	2.0332.507.2	2	screw m 8 p.1.25 x 20
26	2.0342.305.3	2	screw m 8 p.1.25 x 20
27	2.1011.105.2	2	nut m 8 p.1.25
30	2.1312.004.2	3	washer 8.4
31	2.1410.001.1	4	circlip 10
36	2.1699.428.2	2	pin 9.6 x 71.5
37	0.014.4250.0/10	2	hinge
39	2.2841.034.0	4	bushing 10x12x7
40	2.1120.005.2	1	nut m 8 p.1.25
42	0.008.0772.0	1	handle
43	0.014.7267.0	1	spacer
44	0.014.4966.0	1	washer
45	0.014.4959.0	2	rubber bushing
46	0.014.8307.0/10	1	stop
47	2.0332.405.2	2	screw m 6 x 14
48	0.014.5043.2/10	1	screw
49	04418838	2	ball joint
50	0.014.5953.0/20	1	bracket
51	0.014.3924.0/10	2	plug
52	0.009.0500.0	1	plug 50x26
53	04418372	1	sealing section

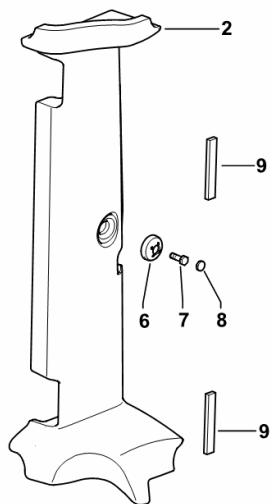
UPRIGHT COVER dx/rh/re

Fig.	Code	QTY	Name
------	------	-----	------

Notes:

[AGROKID 35 -> 10001 4WD]

2	0.014.7960.0/10	1	cover dx/rh/re
6	0.014.8012.0	2	washer
7	2.0114.209.2	2	screw m 8 x 25
8	0.014.8013.0	2	plug
9	0.014.7938.0	4	gasket



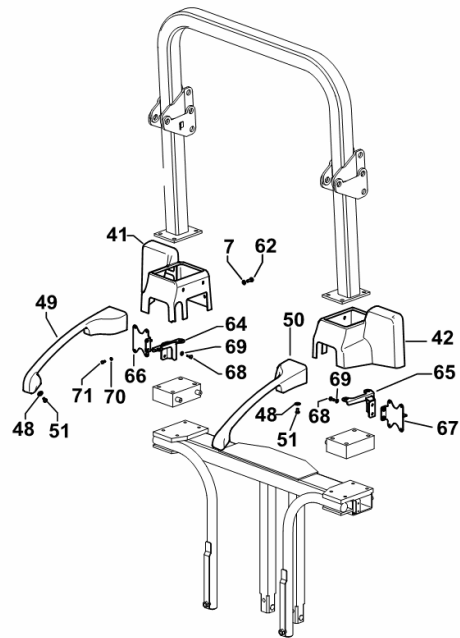
W9_H3771_22_0-B-001

REAR BEACON MOUNTING - EXPORT U.S.A.

Fig.	Code	QTY	Name
------	------	-----	------

Notes:

- WITH FOLDING ROLL BAR WITH 24" TYRES [AGROKID 35 -> 10001 4WD]



W9_H3778_10_0-C-001

7	0.9200.358.0	10	washer 5.4x10x15.8
41	0.014.3542.2	1	lamp support dx/rh/re
42	0.014.3543.2	1	lamp support sx/lh/li
48	2.1312.003.3	6	washer 6.6 x 18
49	0.013.6490.3	1	handle dx/rh/re
50	0.013.6491.3	1	handle sx/lh/li
51	2.0332.404.2	6	screw m 6 x 12
62	2.0332.304.2	8	screw m 5 p.0.8 x 12
64	0.014.3534.2/10	1	support dx/rh/re
65	0.014.3535.2/10	1	support sx/lh/li
66	0.014.3532.3	1	support dx/rh/re
67	0.014.3533.3	1	support sx/lh/li
68	2.0114.005.2	4	screw m 6 p.1.0 x 16
69	2.1474.007.2	4	washer 6, d128
70	2.1474.006.2	8	spring washer 5
71	2.0114.103.2	8	screw m 5 x 12

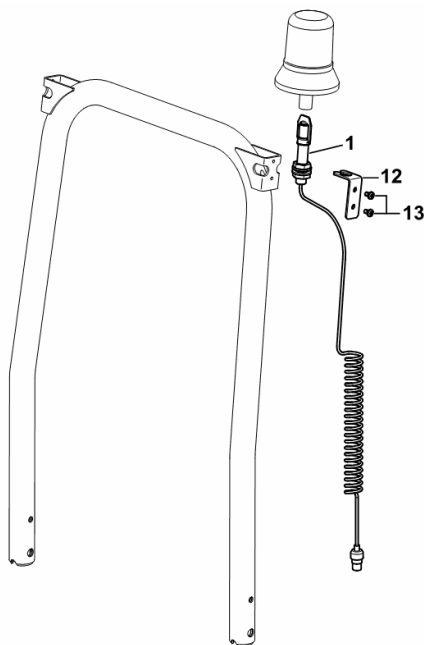
PREARRANGEMENT FOR WARNING BEACON

Fig.	Code	QTY	Name
------	------	-----	------

Notes:

- FOR MODELS WITHOUT CAB [AGROKID 35 -> 10001 4WD]

1	0.013.2605.4	1	wire ☞ 0.013.2605.4
12	0.013.9164.0	1	support
13	2.0332.506.2	2	screw m 8 x 16



W9_A4885_24_0-A-001

SEAT SPRINGING

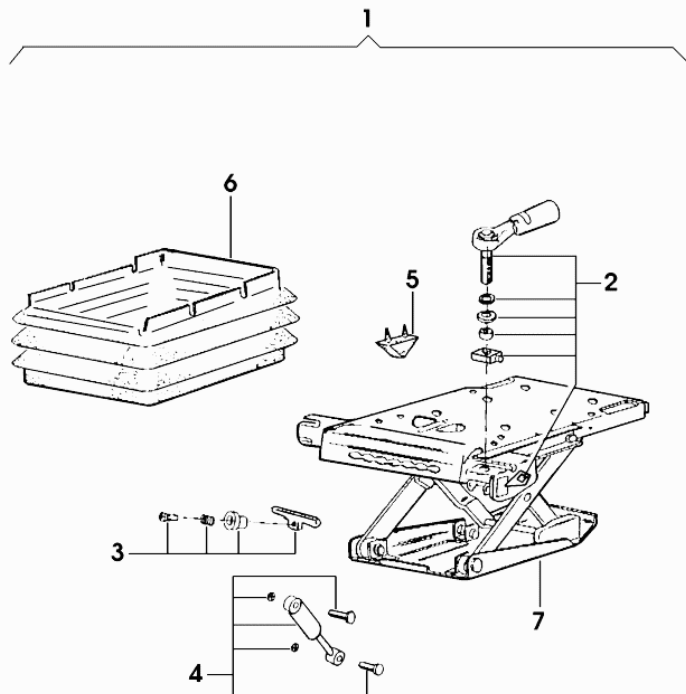




Fig.	Code	QTY	Name
1	0.010.5356.4	1	seat springs KAB XH2
2	0.010.2228.0	1	handle
3	0.010.2228.1	1	accessories
4	0.010.2228.2	1	shoch.absorber
5	0.010.2229.0	1	stopper
6	0.010.2229.1	1	guard
7	0.000.0000.1	0	not serviceable

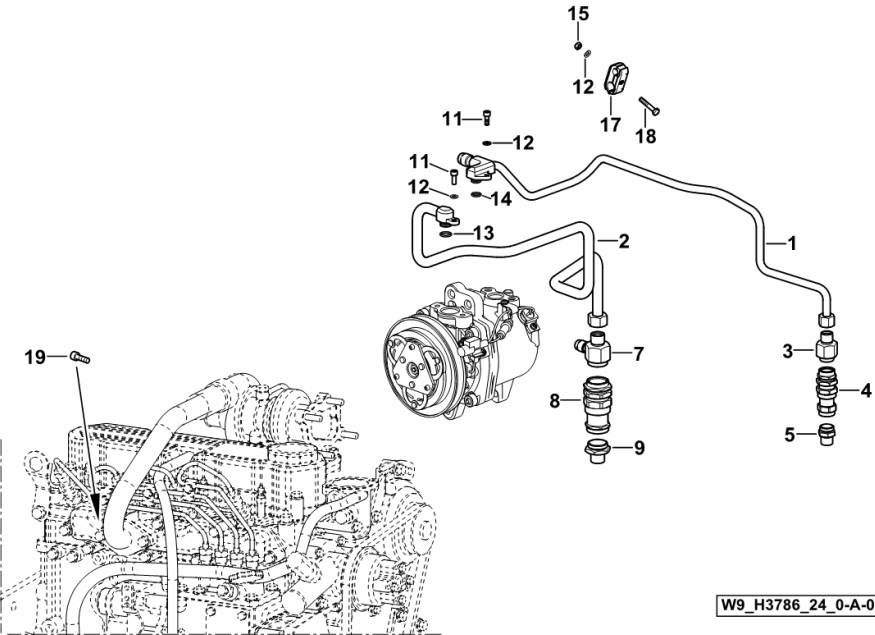
010_5356_4

Section: G0 - BODYWORK - CAB
COMPRESSOR PIPES

Fig.	Code	QTY	Name
------	------	-----	------

Notes:
 [AGROKID 35 -> 10001 4WD]

1	0.014.7291.3/20	1	tube
2	0.014.7292.3/20	1	tube
3	0.010.4833.3	1	pipe fitting
4	0.009.7203.4/10	1	connection 7/8"-20UN  0.009.7203.4/10
5	2.3339.628.0	1	power control 3/4"-16UNF--7/8"-20NEF
7	0.010.4834.3	1	pipe fitting
8	0.009.7202.4/10	1	connection 1-1/4"-18UN  0.009.7202.4/10
9	0.009.0111.0	1	pipe fitting 7/8"-14UNF--1-1/4"-18NEF
11	2.0312.104.2	3	screw m 6 p.1 x 16
12	2.1310.002.2	4	washer 6.6, d125
13	2.1533.036.0	1	gasket
14	2.1533.027.0	1	gasket
15	2.1011.103.2	1	nut m 6 p.1
17	2.3321.012.0	1	collar
18	2.0112.013.2	1	screw m 6 p.1 x 35
19	2.0312.208.2	1	screw m 8 p.1.25 x 25



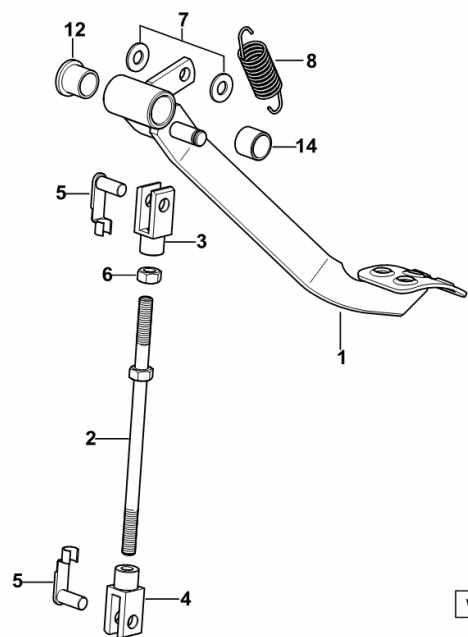
CLUTCH CONTROL

Fig.	Code	QTY	Name
------	------	-----	------

Notes:

- FOR MODELS WITHOUT CAB [AGROKID 35 -> 10001 4WD]

1	0.012.9512.3/50	1	pedal
2	0.012.6819.2	1	top link
3	2.3510.005.2	1	fork m 10
4	0.012.6821.0	1	fork
5	2.1673.008.2	2	pin m 10
6	2.1011.106.2	1	nut m 10 p.1.5
7	2.1310.006.2	2	flat washer 10.5
8	2.4049.227.2/10	1	spring
12	2.1559.278.0/10	1	bushing 18x22x21
14	2.1559.446.0/10	1	bushing



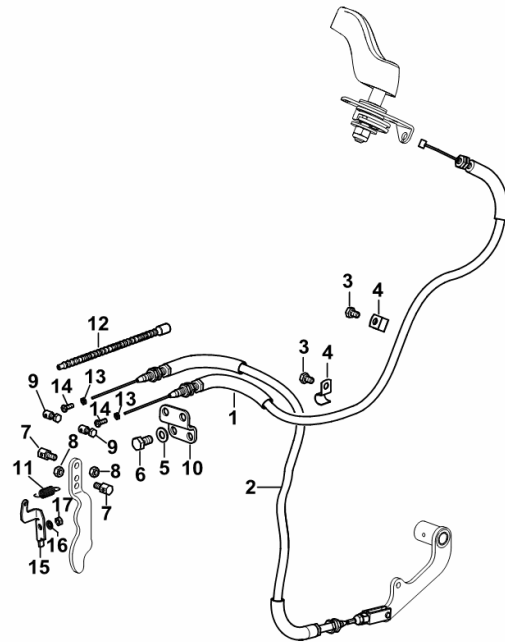
W9_A4865_02_0-A-001

HAND THROTTLE AND CONTROL LEVER LINKAGES

Fig.	Code	QTY	Name
------	------	-----	------

Notes:

[AGROKID 35 -> 10001 4WD]



W9_A4867_02_0-A-001

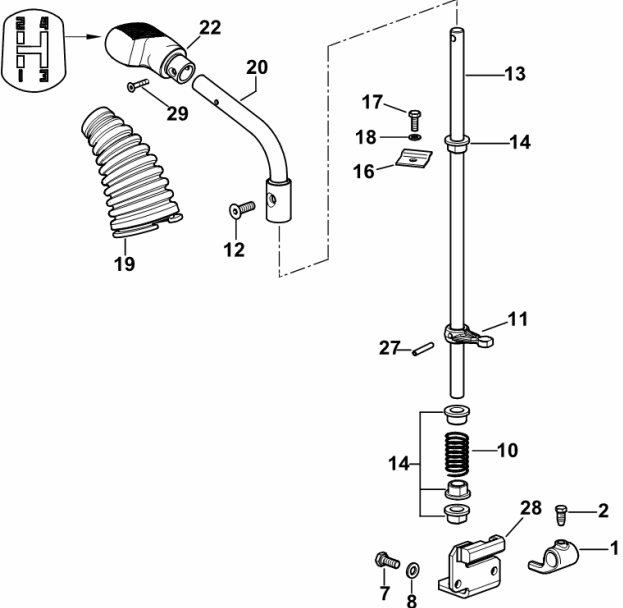
1	0.013.3741.3	1	rod
2	0.013.3742.3/20	1	rod
3	2.0112.002.2	2	screw m 6 p.1 x 10
4	2.6810.006.2	2	bracket
5	2.1310.004.2	2	flat washer 8.5
6	2.0112.205.2	2	screw m 8 p.1.25 x 16
7	0.013.3740.0/10	2	catch
8	2.1011.103.2	3	nut m 6 p.1
9	0.87586.54.3	2	terminal
10	0.013.3738.0	1	bracket
11	2.4049.231.1	1	spring
12	0.013.5533.0	2	bellows
13	2.1011.202.2	2	nut m 5 p.0.8
14	2.0399.076.2	2	screw M5x16
15	0.012.4963.0	1	support
16	2.1470.002.2	1	washer 6, d128
17	2.1011.103.2	1	nut m 6 p.1

GEAR SHIFTING

Fig.	Code	QTY	Name
------	------	-----	------

Notes:
16+16 [AGROKID 35 -> 10001 4WD]

1	0.014.3375.0/20	1	fork
2	2.0399.019.1	1	screw m 8 p.1 x 16
7	2.0112.207.2	2	screw m 8 p 1.25 x 20
8	2.1475.202.2	2	spring washer 8.4 x 16
10	2.4019.480.2	1	spring 20.9x23.7x1.4
11	0.008.6029.0/10	1	coupling
12	2.0342.307.3	1	screw m 8 p.1.25 x 25
13	0.014.3518.0	1	pin
14	2.1559.277.0	4	bushing 14.1x20x10
16	0.008.6192.0/10	1	bracket
17	2.0112.005.2	1	screw m 6 p.1 x 16
18	2.1475.201.2	1	washer 6.4x12
19	0.013.3283.0/20	1	boot
20	0.014.3517.3/20	1	lever
22	0.013.3145.3/60	1	knob
27	2.1630.513.0	1	roll pin 5x32
28	0.014.3376.3/10	1	support
29	2.0342.107.3	1	screw m 5 p.0.8 x 25



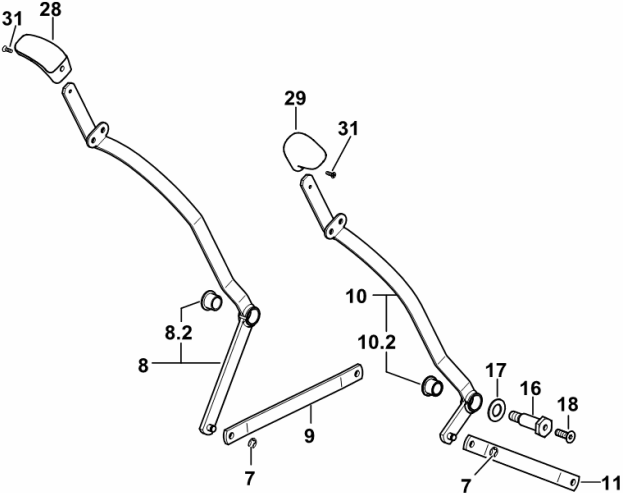
W9_H3764_04_0-A-001

REAR LIFT CONTROL

Fig.	Code	QTY	Name
------	------	-----	------

Notes:
 - FOR MODELS WITH CAB [AGROKID 35 -> 10001 4WD] -> 10067

7	2.1430.008.7	8	circlip 7
8	0.013.3278.4/40	1	lever
8.2	2.1559.276.0/10	1	bushing 16x20x15
9	0.013.3483.0	1	rod
10	0.013.3280.4/40	1	lever
10.2	2.1559.276.0/10	1	bushing 16x20x15
11	0.013.3482.0	1	rod
16	2.1699.553.2/30	2	pin
17	2.1499.143.0	2	washer 16.5x30x2
18	2.0342.307.3	2	screw m 8 p.1.25 x 25
28	0.014.3587.0	1	grip
29	0.014.3588.0	1	knob
31	2.0351.404.6	4	screw 4.2x13 -B-



W9_A5659_51_0-C-002

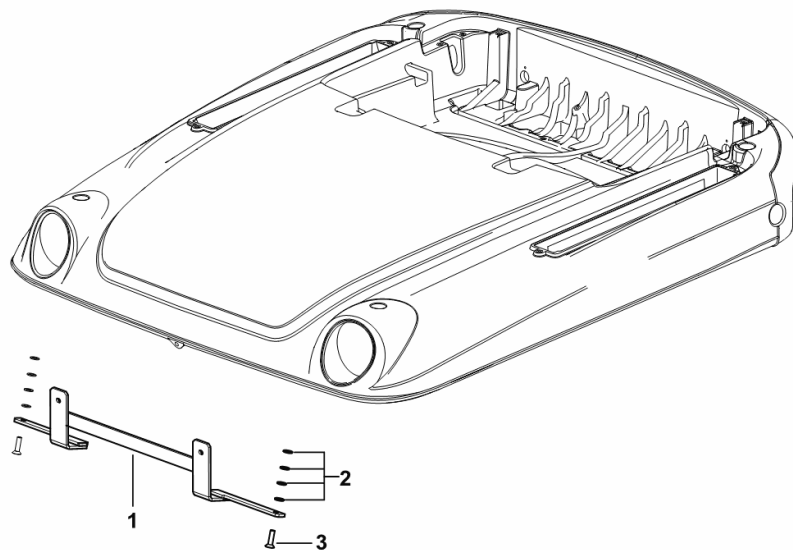
FRONT NUMBER PLATE HOLDER

Fig.	Code	QTY	Name
------	------	-----	------

Notes:

- EXPORT D [AGROKID 35 -> 10001 4WD]

1	0.015.1183.2/10	1	bracket
2	2.1310.004.2	8	flat washer 8.5
3	2.0349.002.3	2	screw m 8 p.1.25 x 30

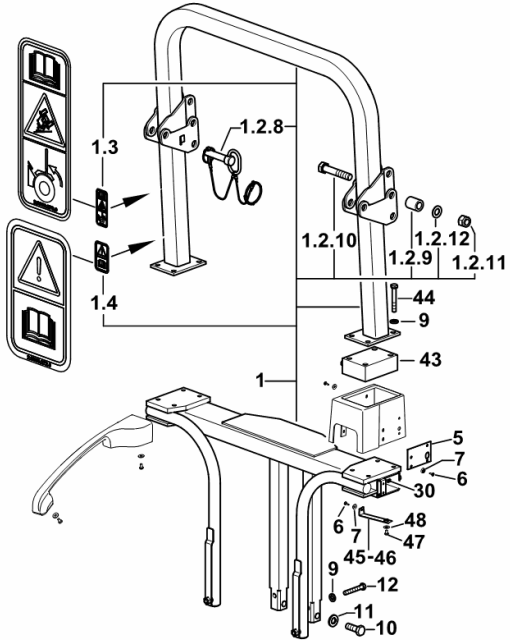


W9_H3776_71_0-A-001

SAFETY ARCH

Fig.	Code	QTY	Name
------	------	-----	------

Notes:
 - WITH FOLDING ROLL BAR WITH 24" TYRES [AGROKID 35 -> 10001 4WD]



W9_A5278_10_0-A-001

1	0.013.4149.4/20	1	safety frame
1.2.8	0.010.4049.4	2	pin
1.2.9	2.1549.332.2/10	2	spacer 20.8x35x42.5
1.2.10	2.0119.216.2	2	screw m 20 p.2.5 x 110
1.2.11	2.1120.011.2	2	nut m 20 p.2.5
1.2.12	2.1310.013.2	2	flat washer 21x37
1.3	2.9939.276.0	1	plate
1.4	2.9939.272.0	1	plate
5	0.010.9879.0/10	2	square
6	2.0350.505.3	6	screw 4.8x16
7	0.9200.358.0	14	washer 5.4x10x15.8
9	2.1475.204.6	10	washer 12
10	2.0122.719.6	2	screw m 18 p.1.5x50
11	2.1475.107.6	2	washer 18
12	2.0112.424.2	2	screw m 12 p.1.75x75
30	2.6999.063.0	4	small spring
43	0.013.6487.0/10	2	spacer
44	2.0112.425.2	8	screw m 12 p.1,75 x 80
45	0.013.6500.3	1	square dx/rh/re
46	0.013.6501.3	1	square sx/lh/li
47	2.0332.403.2	2	screw m 6 p.1 x 10
48	2.1312.003.3	8	washer 6.6 x 18

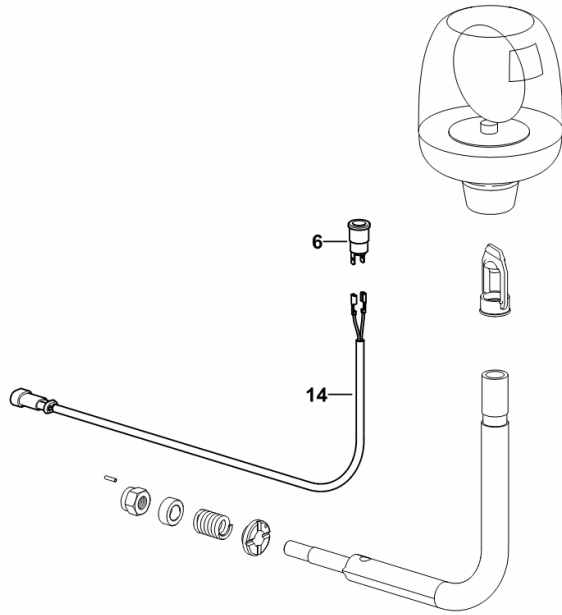
ROTATING BEACON WIRING

Fig.	Code	QTY	Name
------	------	-----	------

Notes:

- FOR MODELS WITH CAB [AGROKID 35 -> 10001 4WD]

6	2.6039.017.0	1	socket
14	0.014.7597.4	1	electrical system



W9_H3771_31_0-B-001

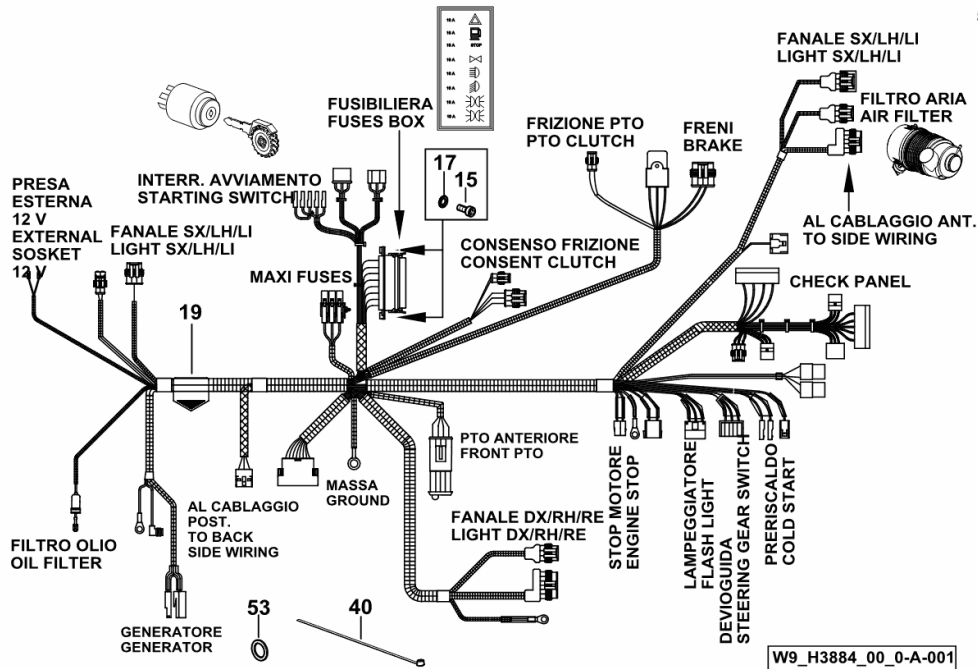
CENTRAL WIRING LOOM

Fig.	Code	QTY	Name
------	------	-----	------

Notes:

- EXPORT U.S.A. [AGROKID 35 -> 10001 4WD]

15	2.0312.004.2	2	screw m 5 p.0.8 x 10
17	2.1472.002.2	2	washer 5
19	0.012.6952.4/20	1	electrical system
40	2.6852.203.0	40	clamp 292 x 4.8
53	2.1560.010.0	1	gasket 14.2 x 20 x 1.5



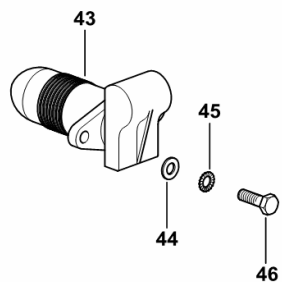
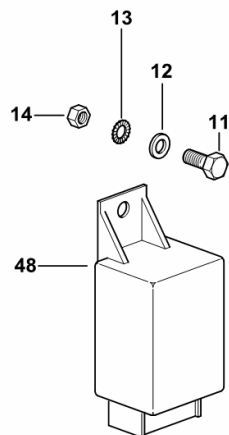
2-POLE SOCKET - LIGHTS FLASHER RELAY

Fig.	Code	QTY	Name
------	------	-----	------

Notes:

[AGROKID 35 -> 10001 4WD]

11	2.0112.005.2	1	screw m 6 p.1 x 16
12	2.1310.002.2	1	washer 6.6, d125
13	2.1472.003.2	1	washer 6, d128
14	2.1011.103.2	1	nut m 6 p.1
43	2.6032.011.0	1	socket ☞ 2.6032.011.0
44	2.1310.001.2	2	flat washer 5.3
45	2.1470.001.2	2	lock washer 5
46	2.0332.306.2	2	screw m 5x0.8x16
48	2.8639.007.0/10	1	blinker 12V, 21W (2+1+1)



W9_A4884_00_0-C-001

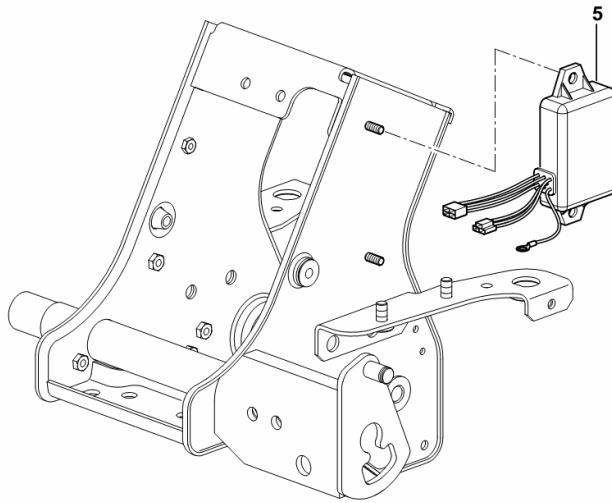
ENGINE STOP CONTROL UNIT

Fig.	Code	QTY	Name
------	------	-----	------

Notes:

[AGROKID 35 -> 10001 4WD]

5	0.011.0647.4	1	central device
---	--------------	---	----------------



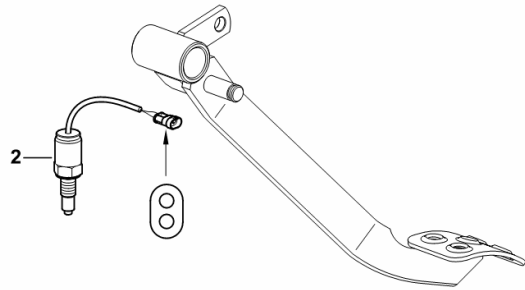
W9_M8611_00_0-B-001

CLUTCH PEDAL SWITCH

Fig.	Code	QTY	Name
------	------	-----	------

Notes:
[AGROKID 35 -> 10001 4WD]

2	2.7659.246.0	1	switch
---	--------------	---	--------



W9_A4884_00_0-G-001

CLICK HERE TO **DOWNLOAD** THE COMPLETE MANUAL

- Thank you very much for reading the preview of the manual.
- You can download the complete manual from: www.heydownloads.com by clicking the link below



- Please note: If there is no response to CLICKING the link, please download this PDF first and then click on it.

CLICK HERE TO **DOWNLOAD** THE COMPLETE MANUAL

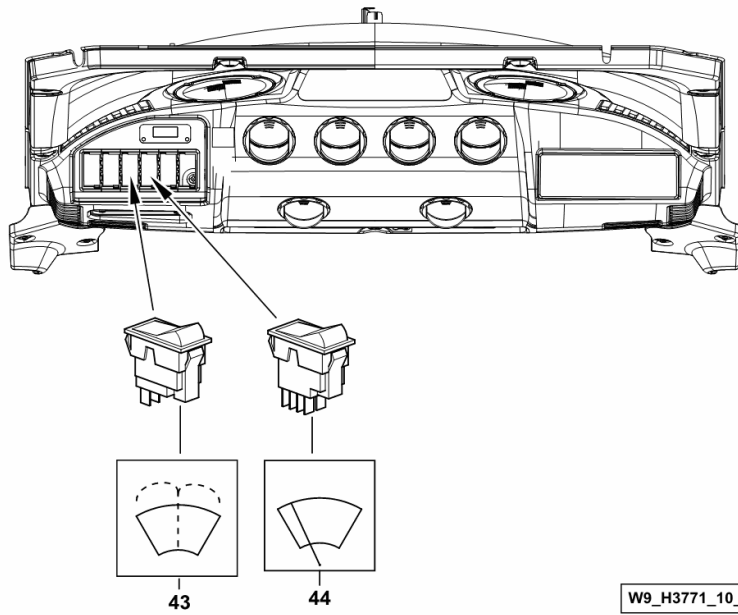
WIPER SWITCHES

Fig.	Code	QTY	Name
------	------	-----	------

Notes:

[AGROKID 35 -> 10001 4WD]

43	2.7659.091.0	1	push-button
44	2.7659.092.0	1	switch



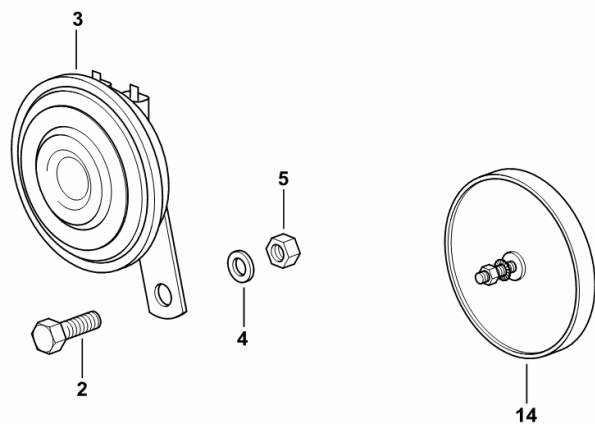
HORN AND REFLECTOR

Fig.	Code	QTY	Name
------	------	-----	------

Notes:

[AGROKID 35 -> 10001 4WD]

2	2.0112.209.2	1	screw m 8 p 1.25 x 25
3	2.8419.006.0	1	horn
4	2.1470.004.2	1	washer 8
5	2.1011.105.2	2	nut m 8 p.1.25
14	2.8349.002.2/30	2	reflector Ø 86 mm



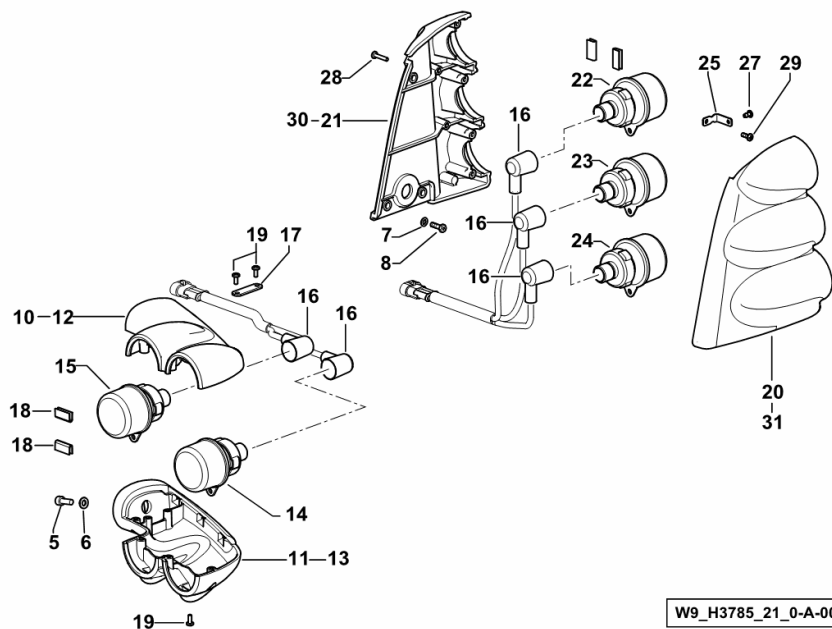
W9_A4885_00_0-C-001

SIDE AND REAR LIGHTS

Fig.	Code	QTY	Name
------	------	-----	------

Notes:

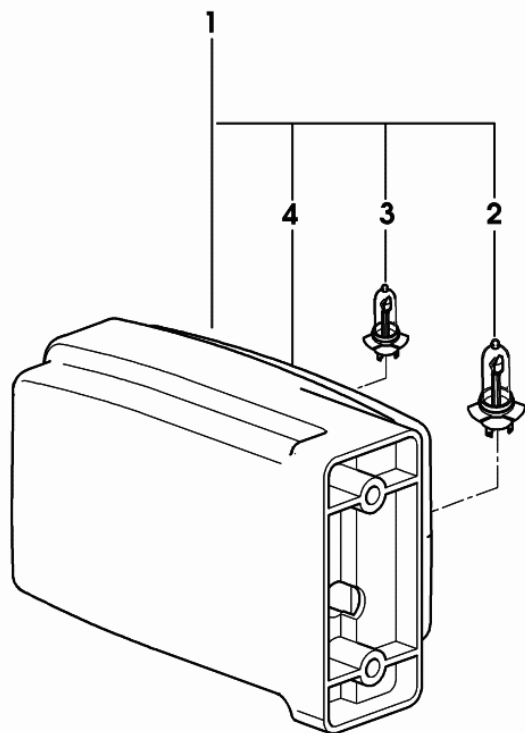
- FOR MODELS WITH CAB [AGROKID 35 -> 10001 4WD]



5	2.0312.104.2	6	screw m 6 p.1 x 16
6	2.1310.002.2	6	washer 6.6, d125
7	2.1310.001.2	6	flat washer 5.3
8	2.0399.076.2	6	screw M5x16
10	0.014.9910.2	1	body sx/lh/li
11	0.014.9909.2/10	1	body sx/lh/li
12	0.014.9906.2	1	body dx/rh/re
13	0.014.9905.2/10	1	body dx/rh/re
14	2.8059.014.0	2	headlight ☞ 2.8059.014.0
15	2.8059.015.0	2	lamp ☞ 2.8059.015.0
16	2.6519.034.0	10	cap
17	0.014.9907.0	2	bracket
18	0.015.0224.0	20	gasket
19	2.0332.203.2	12	screw m 4 x 10
20	0.014.9933.2	1	body dx/rh/re
21	0.014.9932.2	1	body dx/rh/re
22	2.8059.013.0	2	lamp ☞ 2.8059.013.0
23	2.8059.011.0	2	lamp ☞ 2.8059.011.0
24	2.8059.012.0	2	lamp stop ☞ 2.8059.012.0
25	0.015.0126.0	6	bracket
27	2.1856.003.0	6	rivet
28	2.0332.207.2	8	screw m 4 p.0.7 x 20
29	2.0332.204.2	6	screw m 4x0.7x12
30	0.014.9934.2	1	body sx/lh/li
31	0.014.9935.2	1	body sx/lh/li

REAR LIGHT

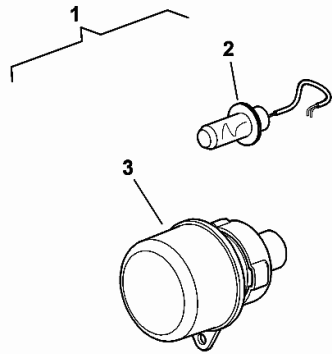
Fig.	Code	QTY	Name
1	2.8039.090.0	1	side lamp dx/rh/re
2	2.8313.001.0	1	lamp 12V 21W
3	2.8313.003.0	1	lamp 12V 5W
4	0.900.0137.5	1	light body



2_8039_090_0

FRONT LIGHTS

Fig.	Code	QTY	Name
1	2.8059.015.0	1	lamp
2	0.900.0513.6	1	lamp 12 V - 5 W
3	0.000.0000.1	0	not serviceable



2_8059_015_0

Agrokid 35 -> 10001

B0 - ENGINE

GENERAL

ENGINE.....	B0.00.0 (1)
CYLINDER HEAD.....	6.N8600.01.0.01
CYLINDER HEAD.....	6.N8600.01.0.02
CAMSHAFT.....	6.N8600.01.0.03
CYLINDER HEAD COVER.....	6.N8600.01.0.04
CRANKCASE.....	6.N8600.01.0.05
MAIN BEARINGS.....	6.N8600.01.0.06
TIMING CASE.....	6.N8600.01.0.07
FLYWHEEL HOUSING.....	6.N8600.01.0.08
OIL PAN.....	6.N8600.01.0.09
PISTON - CONNECTING ROD.....	6.N8600.01.0.10
CRANKSHAFT - FLYWHEEL.....	6.N8600.01.0.11
CAMSHAFT.....	6.N8600.01.0.12
INTAKE AND EXHAUST.....	6.N8600.01.0.13
OIL PUMP.....	6.N8600.01.0.14
LUBRICATION.....	6.N8600.01.0.15
LUBRIC. OIL FILTER.....	6.N8600.01.0.16
COOLING.....	6.N8600.01.0.17
FUEL SUPPLY SYSTEM.....	6.N8600.01.0.18
INJECTOR NOZZLE HOLDER COMPONENTS.....	6.N8600.01.0.19
INJECTION PUMP PARTS.....	6.N8600.01.0.20
FUEL FILTER.....	6.N8600.01.0.21
CONTROLLER.....	6.N8600.01.0.22
ELECTRICAL SYSTEM.....	6.N8600.01.0.23
STARTER PARTS.....	6.N8600.01.0.24
ALTERNATOR PARTS.....	6.N8600.01.0.25
SOLENOID VALVE.....	6.N8600.01.0.26
THERMOSTAT.....	6.N8600.01.0.27
ACCESSORIES.....	6.N8600.01.0.28
GASKET SET FOR ENGINE ASSEMBLY.....	6.N8600.01.0.29

CYLINDER BLOCK

HEATER CONNECTION.....	B0.01.0 (1)
------------------------	-------------

CRANKSHAFT

CRANKSHAFT PULLEY.....	B0.02.0 (1)
COMPRESSOR BELT AND BELT TENSIONER.....	B0.02.1 (1)

LUBRICATION

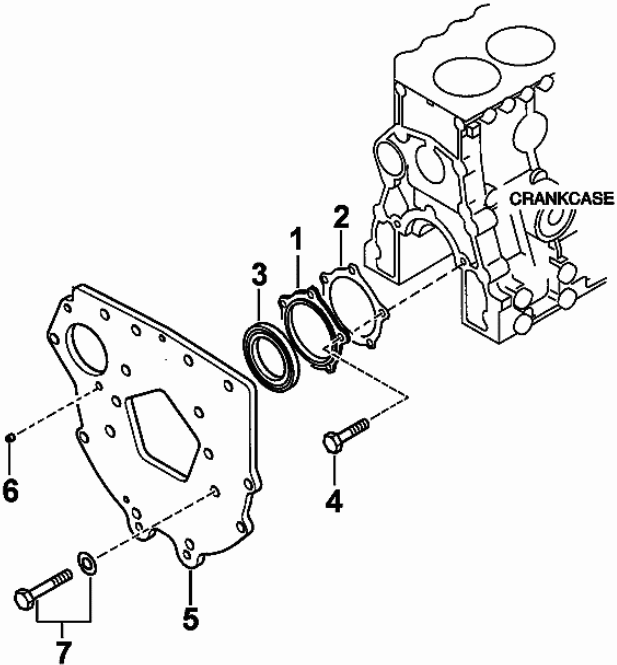
OIL FILLER NECK.....	B0.06.0 (1)
----------------------	-------------

COOLING

COOLING.....	B0.09.0 (1)
COOLING.....	B0.09.0 (2)

Section: B0 - ENGINE
FLYWHEEL HOUSING

Fig.	Code	QTY	Name
1	0.010.2654.2	1	flange
2	0.010.2655.0	1	gasket
3	0.010.2655.1	1	'o' ring
4	0.010.2655.2	5	screw
5	0.010.3953.1	1	flange
6	0.009.4532.2	1	pin
7	0.010.3953.2	10	screw

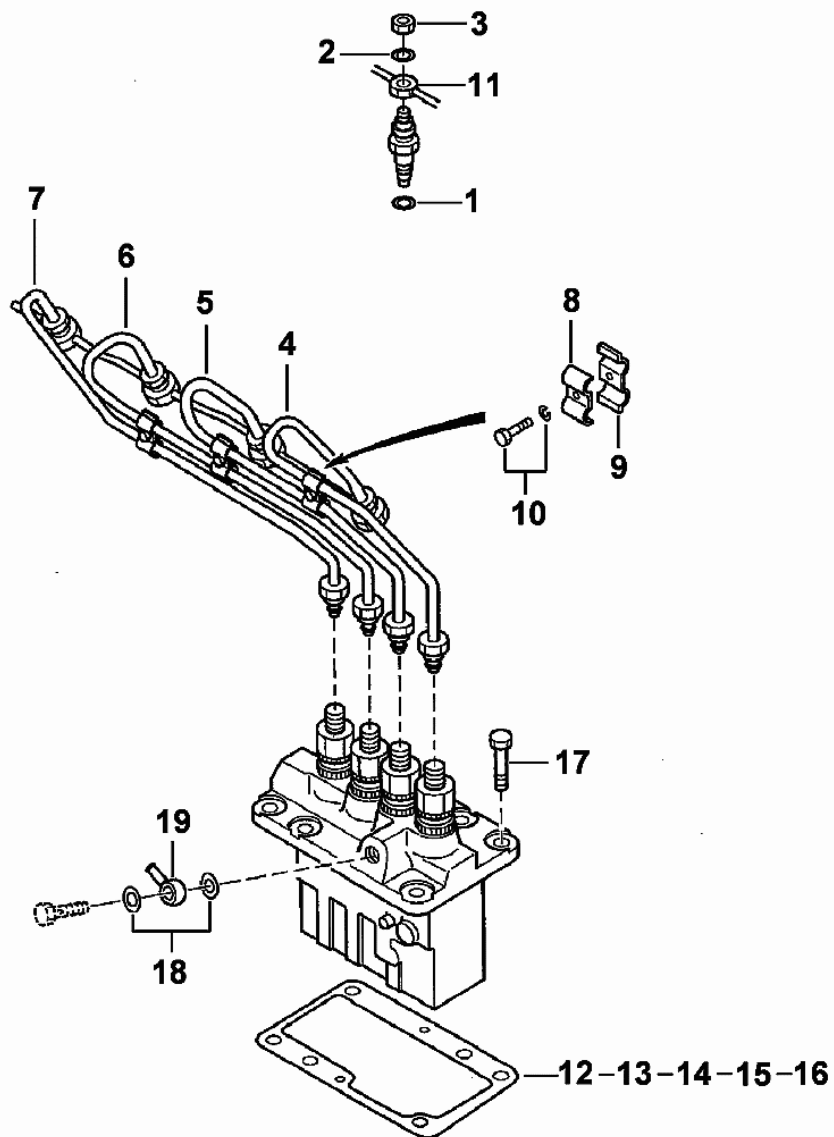


MIT_H36_014-A-001

01061-019E

Section: B0 - ENGINE
FUEL SUPPLY SYSTEM

Fig.	Code	QTY	Name
1	0.010.2699.1	4	gasket
2	0.010.2699.2	4	gasket
3	0.010.2700.0	4	nut
4	0.010.2700.1	1	tube
5	0.010.2700.2	1	tube
6	0.010.2701.0	1	tube
7	0.010.2704.0	1	tube
8	0.009.4570.2	3	clamp
9	0.009.4571.0	3	clamp
10	0.010.2701.1	3	screw
11	0.010.2703.1	1	tube
12	0.009.4578.1	0	shim mm 0.7
13	0.009.4578.2	0	shim mm 0.8
14	0.009.4579.0	0	shim mm 0.9
15	0.009.4579.1	0	shim mm 1.0
16	0.009.4576.2	0	shim mm 0.20
17	0.010.3959.2	6	screw
18	0.009.4576.1	2	gasket
19	0.010.2704.2	1	pipe fitting



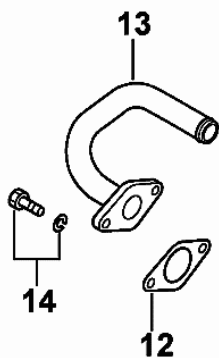
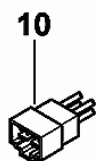
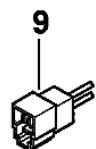
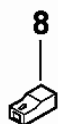
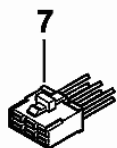
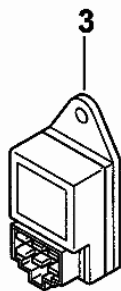
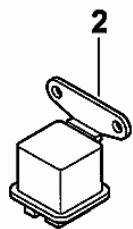
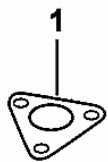
MIT_H36_035-A-001

05011-053E

Section: B0 - ENGINE

ACCESSORIES

Fig.	Code	QTY	Name
1	0.009.4798.0	1	gasket
2	0.010.3970.1	1	relay
3	0.010.3970.2	1	relay
6	0.009.4649.2	2	connection
7	0.010.3972.2	1	connection
8	0.010.3973.0	2	connection
9	0.009.4649.0	1	connection
10	0.009.4649.1	1	connection
11	0.009.4648.2	1	connection
12	0.010.2676.2	1	gasket
13	0.010.3973.1	1	tube
14	0.010.2677.1	1	screw



MIT_H36_049-A-001

10011-090

Agrokid 35 -> 10001

C0 - ENGINE ACCESSORIES

RADIATORS - FANS

WATER COOLER.....	C0.01.0 (1)
WATER COOLER.....	C0.01.1 (1)
WATER COOLER.....	C0.01.2 (1)
RADIATOR HOSES.....	C0.01.3 (1)
RADIATOR HOSES.....	C0.01.3 (2)
COLLECTION TANK.....	C0.01.4 (1)
AIR DUCTING HOOD.....	C0.01.5 (1)
ENGINE AIR BLOWER.....	C0.01.6 (1)
ENGINE AIR BLOWER.....	C0.01.7 (1)
WATER COOLER.....	0.013.6828.4/40.A
WATER COOLER.....	0.013.8736.4/20.A
WATER COOLER.....	0.014.0416.4/10.A

INTERCOOLER - AIR CLEANER

AIR CLEANER.....	C0.02.0 (1)
AIR CLEANER HOSE.....	C0.02.1 (1)
AIR FILTER PARTS.....	2.4249.610.0.A

FUEL SYSTEM

FUEL SUPPLY SYSTEM.....	C0.03.1 (1)
FUEL PUMP.....	C0.03.2 (1)
FUEL SYSTEM - TANK.....	C0.03.3 (1)
TANK FLOAT.....	C0.03.4 (1)
FUEL TANK FIXING PARTS.....	C0.03.5 (1)
TANK SEALS.....	C0.03.6 (1)
AUXILIARY TANK.....	C0.03.7 (1)
AUXILIARY TANK.....	C0.03.8 (1)
FUEL FEED PUMP.....	0.008.6957.4.A

STARTER MOTOR

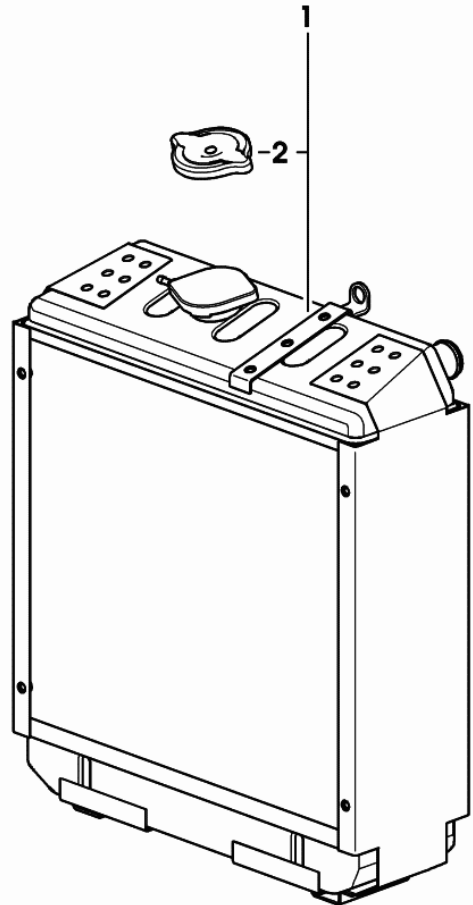
STARTER MOTOR COVER.....	C0.05.0 (1)
STARTER MOTOR COVER.....	C0.05.1 (1)

EXHAUST SILENCER

EXHAUST SILENCER.....	C0.06.0 (1)
-----------------------	-------------

WATER COOLER

Fig.	Code	QTY	Name
1	0.013.6828.4/40	1	water cooler
2	0.013.2465.4/10	1	plug



0_013_6828_4_40

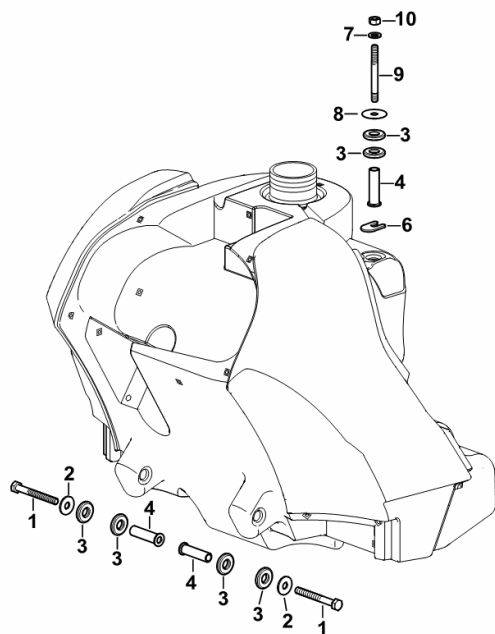
FUEL TANK FIXING PARTS

Fig.	Code	QTY	Name
------	------	-----	------

Notes:

[AGROKID 35 -> 10001 4WD]

1	2.0112.223.2	2	screw m 8 p.1.25x70
2	2.1312.004.2	2	washer 8.4
3	0.013.5423.0	8	spacer
4	0.013.7643.3/10	4	spacer
6	0.013.7651.0/10	2	shim
7	2.1310.004.2	2	flat washer 8.5
8	2.1599.883.2	2	washer 31.5x8.2x0.5
9	2.0422.218.2	2	stud bolt m 8 x 65
10	2.1011.105.2	2	nut m 8 p.1.25



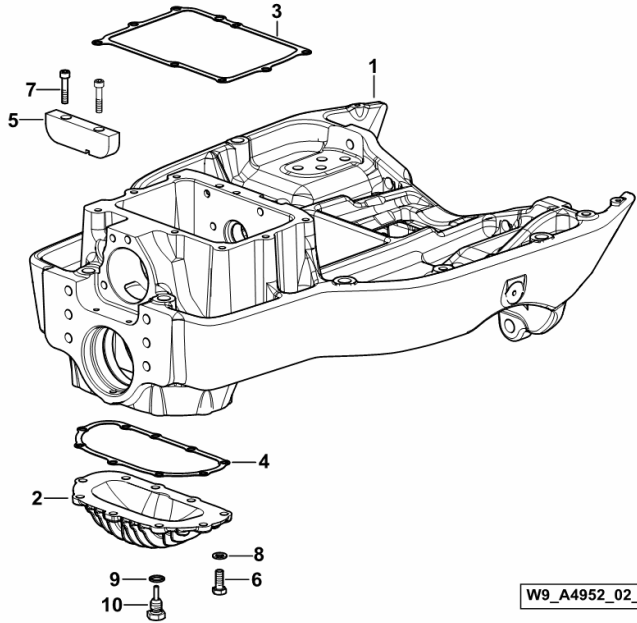
W9_A4981_01_0-A-001

Section: F0 - FRONT AXLE
FRONT SUPPORT

Fig.	Code	QTY	Name
------	------	-----	------

Notes:
 - FOR MODELS EQUIPPED WITH FRONT P.T.O. [AGROKID 35 -> 10001 4WD]

1	0.014.1651.3/30	1	front support (10021 <-)
1	0.014.1651.3/50	1	front support
2	0.014.1692.0	1	front support (10021 <-)
2	0.014.1692.0/10	1	cover
3	0.014.1812.0	1	gasket
4	0.014.1817.0	1	gasket (10021 <-)
4	0.014.1817.0/10	1	gasket
5	0.014.1952.0	1	plate
6	2.0112.207.2	9	screw m 8 p 1.25 x 20
7	2.0312.110.2	2	screw m 6 p.1x30
8	2.1474.009.2	9	spring washer 8
9	2.1560.008.0	1	gasket 12.2 x 18
10	2.3199.065.2	1	plug m 12 p.1.75 x 36

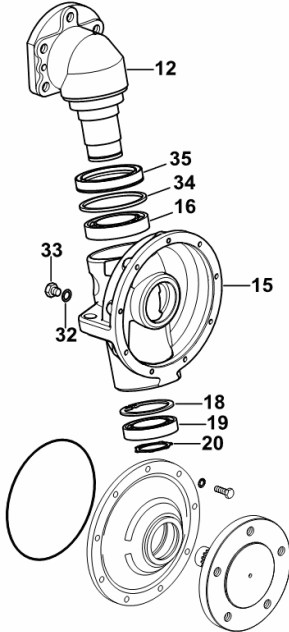


Section: F0 - FRONT AXLE
4WD - FRONT AXLE YOKES

Fig.	Code	QTY	Name
------	------	-----	------

Notes:
[AGROKID 35 -> 10001 4WD] 10084 <-

12	0.008.7675.0/30	2	support
15	0.013.2824.0/10	2	reduction box
16	2.2030.013.0	2	ball bearing 60x95x18
18	2.1411.032.1	4	circlip 80 x 2.5
19	2.2030.011.0	4	ball bearing 50 x 80 x 16
20	2.1419.068.0	2	circlip 50x2
32	2.1560.008.0	2	gasket 12.2 x 18
33	2.3110.402.7	2	plug m 12 p.1.5
34	2.1549.577.2	2	spacer 95x99.7x5
35	2.1529.158.0	2	'o' ring Ø 80/100



W9_A4846_05_0-B-001

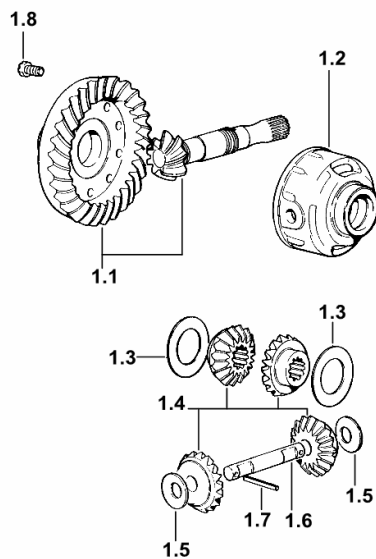
DIFFERENTIAL BEVEL GEAR PAIR

Fig.	Code	QTY	Name
------	------	-----	------

Notes:

[AGROKID 35 -> 10001 4WD]

1.1	0.008.7761.3/10	1	bevel gear
1.2	0.008.7721.0/10	1	differential carrier
1.3	2.1599.447.0	2	snoulder 35.2x59x2
1.4	0.008.7722.3	1	crown wheel
1.5	0.008.6061.0	2	shoulder
1.6	2.1699.312.0	1	pin 15x102
1.7	2.1631.418.0	1	pin 5 x 45
1.8	2.0139.026.1	10	screw m 8 p.1.25 x 20



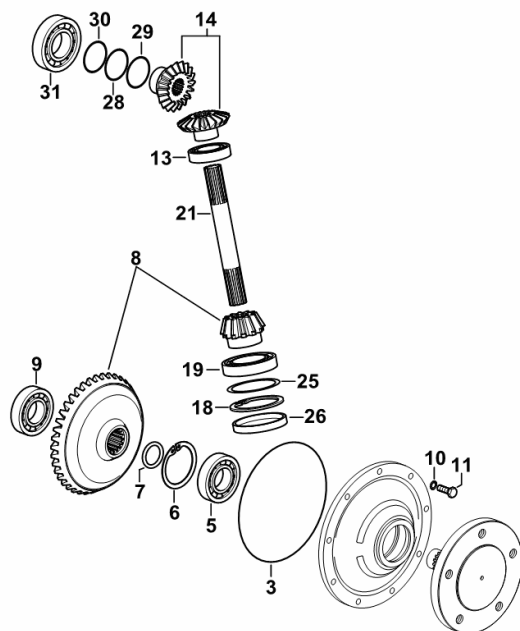
W9_55846_02_0-A-001

4WD - FRONT REDUCTION GEARBOX

Fig.	Code	QTY	Name
------	------	-----	------

Notes:

- FOR NARROW TYPES [AGROKID 35 -> 10001 4WD]

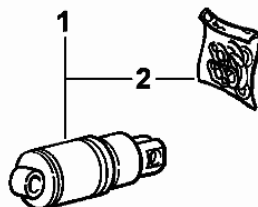


3	2.1539.126.0	2	'o' ring 183.82x2.62
5	2.2045.011.0	2	ball bearing 35 x 72 x 17
6	2.1411.029.1	2	circlip 72
7	2.1499.116.0	4	ring 30x40x5
8	0.008.7728.3/10	2	bevel gear Z = 12 / Z = 41
9	2.2040.009.0	2	ball bearing iso 30 bc 02
10	2.1470.004.2	18	washer 8
11	2.0112.209.2	18	screw m 8 p 1.25 x 25
13	2.2030.008.0	2	ball bearing 35x62x14
14	0.008.7729.3	2	bevel gear
18	2.1411.032.1	4	circlip 80 x 2.5
19	2.2030.011.0	4	ball bearing 50 x 80 x 16
21	0.008.7730.0	2	shaft
25	2.1580.207.0	3	shim 66x79x0.5
26	2.3179.014.0	2	plug
28	2.1580.135.0	4	shim 40.5x48x0.15
29	2.1580.105.0	2	shim 40.5x48x0.20
30	2.1580.106.0	4	shim 40.5x48x0.50
31	2.2040.012.0	2	ball bearing iso 40 bc 02

W9_55846_05_0-A-001

Section: N0 - FRONT LIFT
CYLINDER PARTS

Fig.	Code	QTY	Name
1	0.008.7741.4/10	1	cylinder
2	0.009.4874.0	1	seal ring kit



008_7741_4_10

Section: M0 - FRONT PTO
P.T.O. FRONT

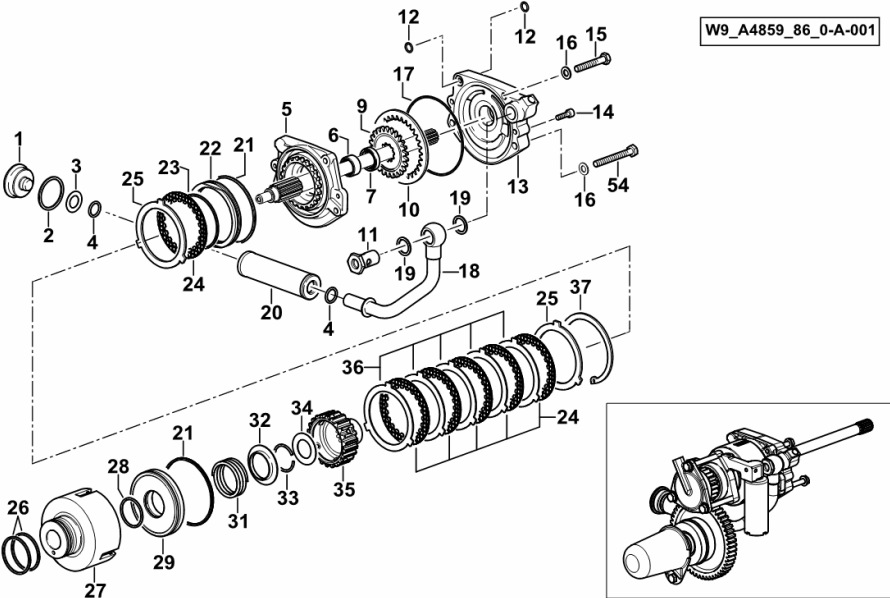


Fig.	Code	QTY	Name
Notes:			
- EXPORT U.S.A. [AGROKID 35 -> 10001 4WD]			
1	2.3199.182.2	1	plug
2	2.1560.027.0	1	gasket 38.3x44
3	2.1599.453.0	1	snoulder
4	2.1530.040.0	2	'o' ring 15.88x2.62
5	0.014.0368.3/10	1	cover
6	2.2725.025.0	1	roller cage 20x26x12
7	2.1520.006.0	1	oil seal 20 x 30 x 7
9	0.013.9945.0/10	1	gear
10	0.008.1362.0/10	1	crown wheel Z = 31
11	2.3335.008.2	1	pipe union m 18 p.1.5 x 32
12	2.1531.021.0	5	'o' ring 9.66x1.78
13	0.013.9947.3/10	1	pump
14	2.0312.106.2	2	screw m 6 p.1 x 20
15	2.0112.219.2	1	screw m 8 p.1.25x50
16	2.1475.002.2	6	conical washer 8
17	2.1539.103.0/10	1	'o' ring 101.32 x 1.78
18	0.014.0570.2	1	tube
19	2.1560.014.0	2	gasket 18.2 x 24 x 1.5
20	0.9012.428.2	1	oil filter
21	2.1532.503.0	2	'o' ring 82.14x2.62
22	0.014.0308.0/10	1	piston
23	2.1532.512.0	1	ring 72.75x1.78
24	0.013.9853.2	6	clutch disc
25	0.013.9856.0	2	disc
26	2.1569.109.0/10	2	gasket 46 x 50 x 2.0
27	0.014.0267.3/10	1	body
28	2.1539.140.0	1	'o' ring 34.5 x 2.62
29	0.013.9802.0	1	piston
31	2.4019.787.1	1	spring
32	0.007.6115.0	1	small disc
33	2.1420.014.7	1	circlip Ø 35
34	2.2685.006.0	1	thrust plate 25 x 42 x 1.0
35	0.013.9823.0	1	hub
36	0.013.9859.0	5	disc
37	2.1411.036.7	1	disc 90x3
54	2.0112.222.2	2	screw m 8 p.1.25x65

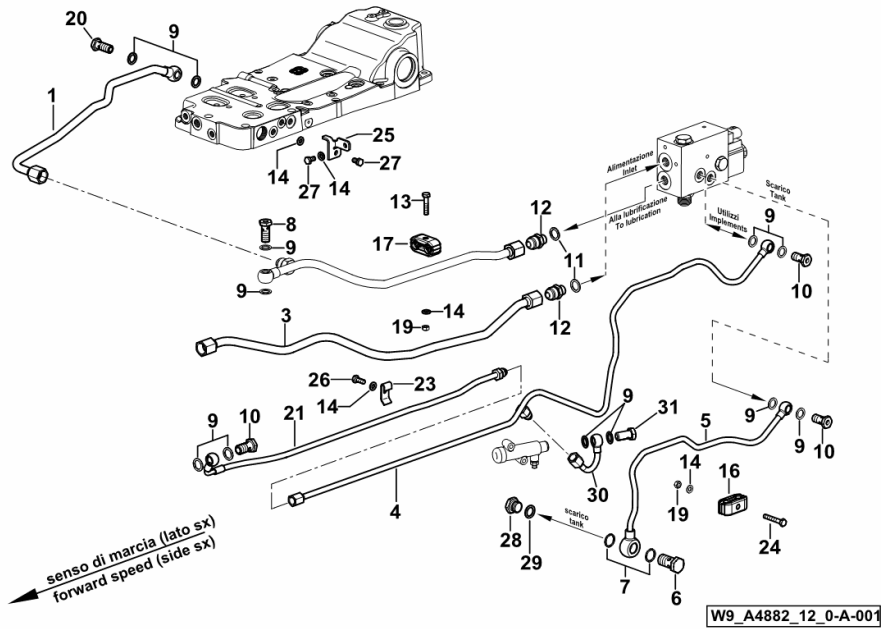
4WD - DIFFERENTIAL LOCK CONTROL-ELECTROHYDRAULIC

Fig.	Code	QTY	Name
------	------	-----	------

Notes:

[AGROKID 35 -> 10001 4WD]

1	0.013.3053.3/20	1	tube
3	0.013.9890.3	1	tube
4	0.013.3052.3/10	1	tube
5	0.013.3051.3	1	tube
6	2.3339.561.2	1	pipe union 3/8" gas
7	2.1560.053.0	2	gasket 17 x 21
8	2.3335.052.2	1	pipe union m 12 p.1.5
9	2.1560.008.0	12	gasket 12.2 x 18
10	2.3335.005.2	3	pipe union m 12 p.1.5 x 24
11	2.1560.010.0	2	gasket 14.2 x 20 x 1.5
12	2.3339.594.2/10	2	pipe fitting m 14 p.1.5-3/4-16
13	2.0112.011.2	1	screw m 6 p.1x30
14	2.1310.002.2	6	washer 6.6, d125
16	2.3321.004.0	1	terminal 8-8
17	2.3321.010.0	1	collar Ø 12/12
19	2.1011.103.2	2	nut m 6 p.1
20	2.3335.052.2	1	pipe union m 12 p.1.5
21	0.008.7843.3	1	tube
23	0.261.6350.0	2	clamp
24	2.0112.011.2	1	screw m 6 p.1x30
25	0.013.5518.0	1	bracket
26	2.0112.007.2	2	screw m 6 p.1 x 20
27	2.0112.003.2	2	screw m 6 p.1 x 12
28	2.3110.403.7	1	plug m 14 p.1.5
29	2.1560.010.0	1	gasket 14.2 x 20 x 1.5
30	0.013.6601.3	1	tube
31	2.3332.003.2	1	pipe union m 12 p.1.25 x 23



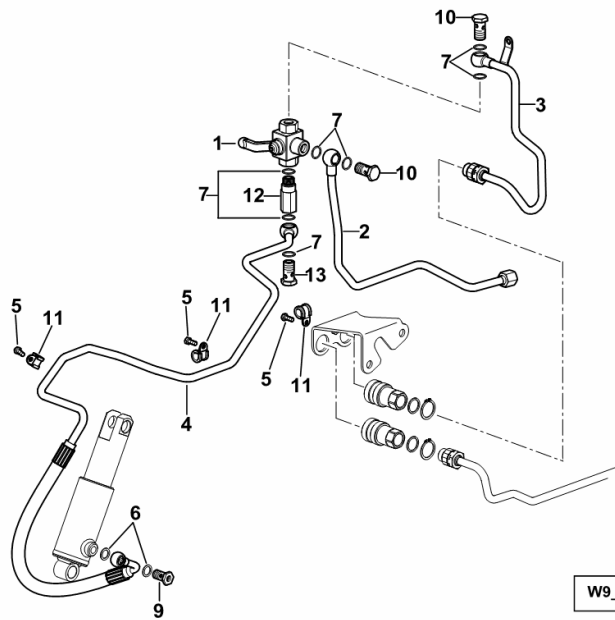
FRONT LIFT - HYDRAULIC SYSTEM

Fig.	Code	QTY	Name
------	------	-----	------

Notes:

[AGROKID 35 -> 10001 4WD]

1	0.008.8558.0	1	cock or tap
2	0.013.9842.3/10	1	tube
3	0.013.9843.3/10	1	tube
4	0.013.9844.3/20	1	tube
5	2.0112.005.2	3	screw m 6 p.1 x 16
6	2.1560.010.0	2	gasket 14.2 x 20 x 1.5
7	2.1560.053.0	7	gasket 17 x 21
9	2.3335.006.2	1	pipe union m 14 p.1.5x24
10	2.3339.561.0	2	pipe union 3/8" gas
11	2.6839.059.0	3	clamp Ø 12 / 15
12	2.3729.682.0	1	valve
13	2.3339.561.2	1	pipe union 3/8" gas



Agrokid 35 -> 10001

Section: H0 - HYDRAULIC AND PNEUMATIC SYSTEM|

Ref.: H0.07.6 (1)

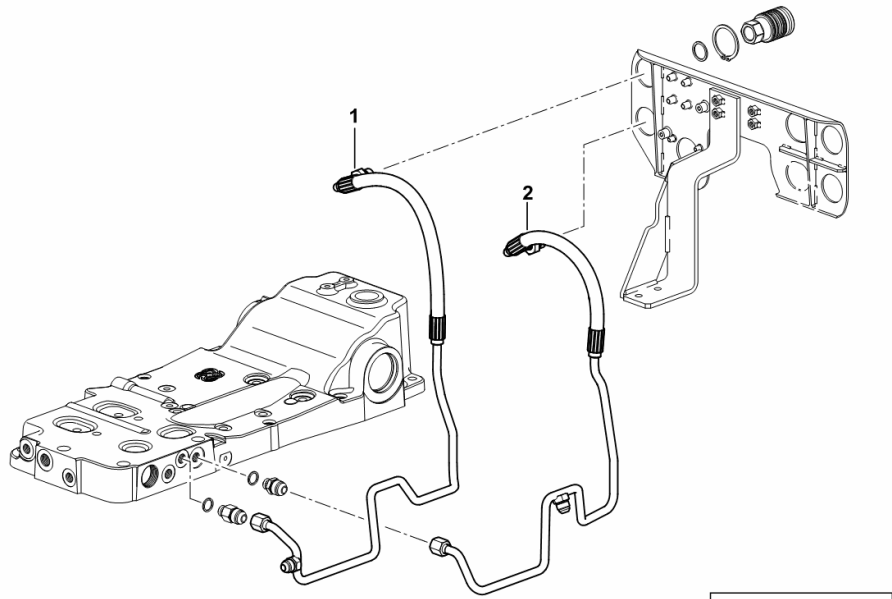
PIPES/HOSES FOR QUICK ACTION REAR COUPLERS

Fig.	Code	QTY	Name
------	------	-----	------

Notes:

- WITH QUICK ACTION FRONT COUPLERS [AGROKID 35 -> 10001 4WD]

1	0.013.9629.3/10	1	tube
2	0.013.9628.3	1	tube



W9_A5088_04_0-A-001

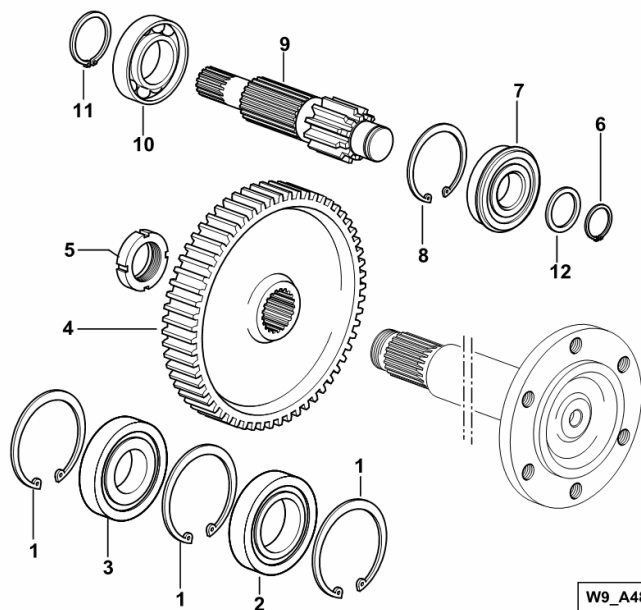
Section: E0 - REAR AXLE
REDUCTION GEAR UNIT

Fig.	Code	QTY	Name
------	------	-----	------

Notes:

[AGROKID 35 -> 10001 4WD]

1	2.1411.040.1	6	circlip 100
2	2.2040.015.0	2	ball bearing iso 55 bc 02
3	2.2064.013.0	2	ball bearing 45x100x25
4	0.008.7248.0/10	2	gear z = 59
5	2.1219.032.0/10	2	ring nut m 40 p.1.5
6	2.1412.013.7	2	ring Ø 35
7	2.2999.235.0	2	bearing 35 x 80 x 21
8	2.1411.032.1	2	circlip 80 x 2.5
9	0.013.0277.0	2	half-shaft
10	2.2045.013.0	2	bearing 45 x 85 x 19
11	2.1410.018.7	2	circlip 45
12	2.1599.874.0	2	washer 35 x 45 x 3.0



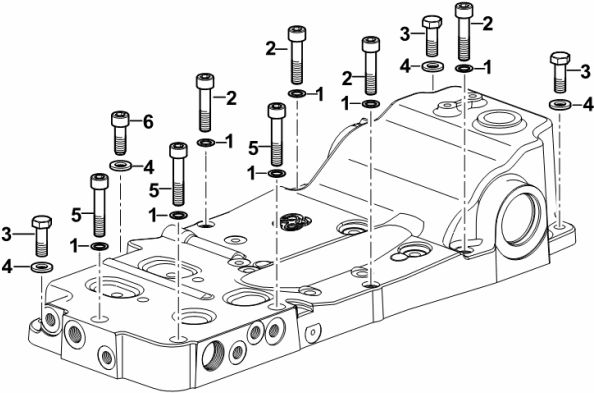
WS_A4847_00_0-A-001

Section: R0 - REAR LIFT
LIFT FIXING COMPONENTS

Fig.	Code	QTY	Name
------	------	-----	------

Notes:
[AGROKID 35 -> 10001 4WD]

1	2.1480.015.1	7	washer 10
2	2.0312.315.2	4	screw m 10 p.1.5 x 45
3	2.0112.311.2	3	screw m 10 p.1.5 x 30
4	2.1475.203.2	4	spring washer 10
5	2.0312.316.2	3	screw m 10 p 1.5x50
6	2.0312.310.2	1	screw m 10 p.1.5 x 30



W9_A5059_03_0-A-001

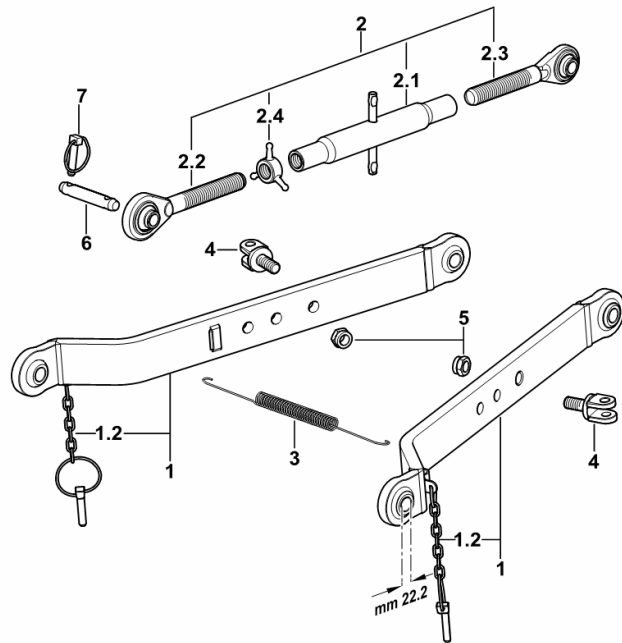
THREE-POINT COUPLING - TOP/LOWER LINK

Fig.	Code	QTY	Name
------	------	-----	------

Notes:

- CATEGORY 1 [AGROKID 35 -> 10001 4WD]

1	0.012.4971.4/10	2	arm
1.2	0.001.3041.4	1	pin
2	0.96018.13.4/20	1	3 point hitch
2.1	0.96018.13.3	1	sleeve
2.2	0.96014.14.3/10	1	rod
2.3	0.96014.15.3	1	rod sx/lh/li
2.4	0.96014.57.0/10	1	locknut m 27 p.3
3	2.4049.111.2	1	spring
4	0.008.7619.0	2	pin
5	2.1120.310.2	2	selflock nut m 18 p.1.5
6	2.1669.025.2	1	pin 19x115.5
7	0.010.9322.4	2	pin Ø 11



W9_A4858_10_0-A-001

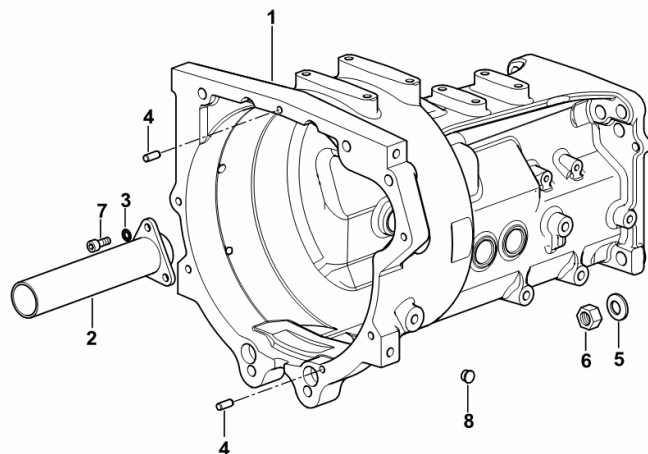
JUNCTION CASE

Fig.	Code	QTY	Name
------	------	-----	------

Notes:

12+12 [AGROKID 35 -> 10001 4WD]

1	0.013.0276.0/40	1	clutch housing
2	0.013.0278.2	1	tube
3	2.1470.004.2	2	washer 8
4	2.1651.709.0	2	pin 8x20
5	2.1475.006.2	4	washer 16
6	2.1011.409.2	4	nut m 16 p.1.5
7	2.0312.206.2	2	screw m 8 p 1.25 x 20
8	2.3199.537.0	12	plug Ø 11



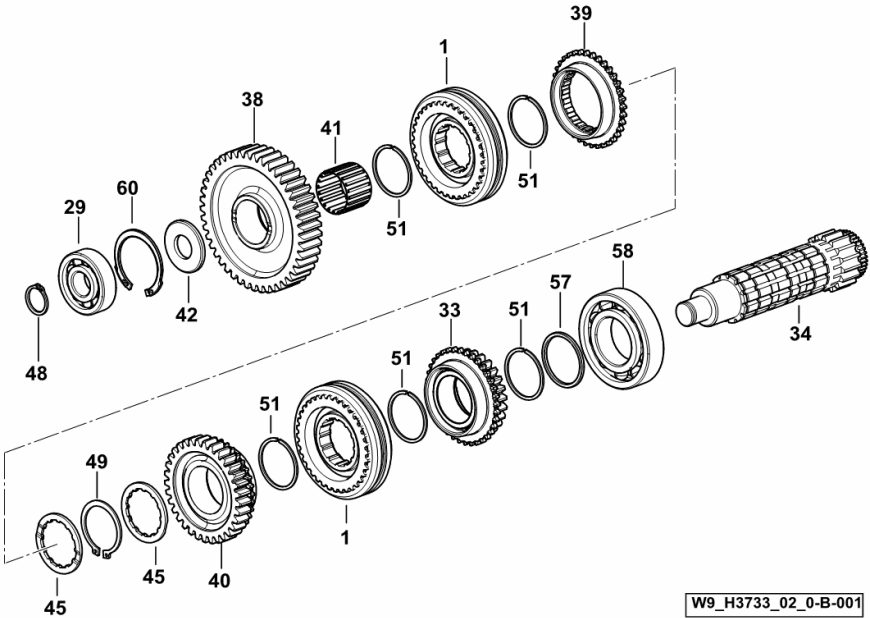
W9_A4852_01_0-A-001

Section: D0 - TRANSMISSION
TRANSMISSION SHAFT

Fig.	Code	QTY	Name
------	------	-----	------

Notes:
 16+16 [AGROKID 35 -> 10001 4WD]

1	0.008.4951.4	4	lock synchronizer ☞ 0.008.4951.4
29	2.2999.265.0	4	bearing 20x52x15
33	0.008.7218.3/20	1	gear z = 26
34	0.013.0265.0	1	countershaft
38	0.008.7221.3/20	1	gear z = 45
39	0.008.7220.3/10	1	gear Z = 39
40	0.008.7219.3/20	1	gear z = 33
41	2.2770.057.0	1	roller cage 32x37x27
42	2.1589.228.0/10	1	snoulder 20x43.5x3
45	0.008.7340.0	2	ring
48	2.1410.006.1	2	circlip 20
49	2.1410.016.7	3	circlip 40x1.75
51	2.1422.029.7	9	circlip 40 x 1.5
57	2.1599.579.0/10	1	shoulder
58	2.2040.012.0	1	ball bearing iso 40 bc 02
60	2.1419.071.0	1	circlip 56.2x2



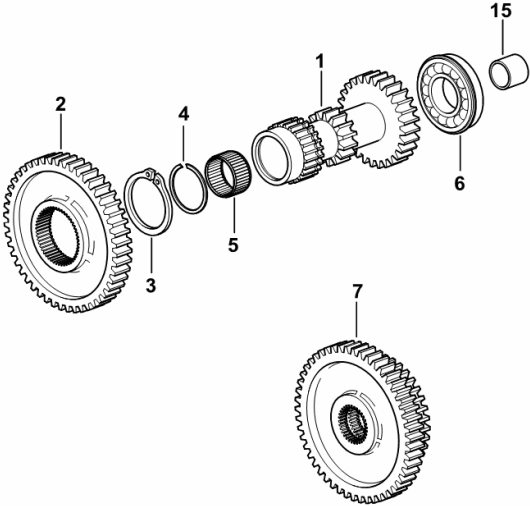
W9_H3733_02_0-B-001

Section: D0 - TRANSMISSION
REDUCTION GEAR UNIT

Fig.	Code	QTY	Name
------	------	-----	------

Notes:
12+12 [AGROKID 35 -> 10001 4WD]

1	0.008.7223.0/10	1	shaft
2	0.008.7224.0	1	gear Z = 49
3	2.1410.020.1	1	circlip 50
4	2.1423.027.7	1	circlip 37x1.5
5	2.2770.056.0	1	roller cage 32x37x17
6	2.2043.009.0	1	ball bearing 30x62x16
7	0.013.0269.0	1	gear z = 50 - z = 37
15	2.1555.311.0	1	bushing 20x23x20



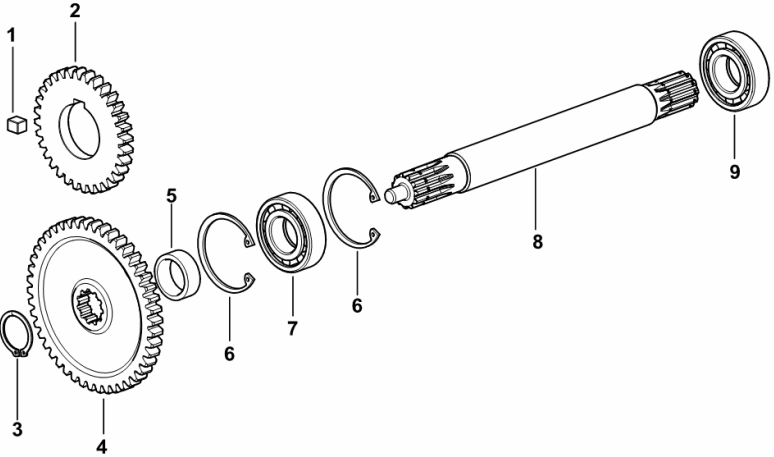
W9_A4834_00_0-A-001

Section: D0 - TRANSMISSION
P.T.O. - SYNCHRONIZED

Fig.	Code	QTY	Name
------	------	-----	------

Notes:
[AGROKID 35 -> 10001 4WD]

1	2.1799.035.0	1	key 10x8x8
2	0.013.0270.0	1	gear Z = 32
3	1	ring 25	
4	0.008.7228.0	1	gear Z = 46
5	2.1549.033.0	1	spacer 24.5x32x12.3
6	2.1411.021.1	2	circlip 52
7	2.2040.007.0	1	ball bearing 25x52x15
8	0.014.0212.0	1	shaft mm 283
9	2.2999.493.0	1	bearing



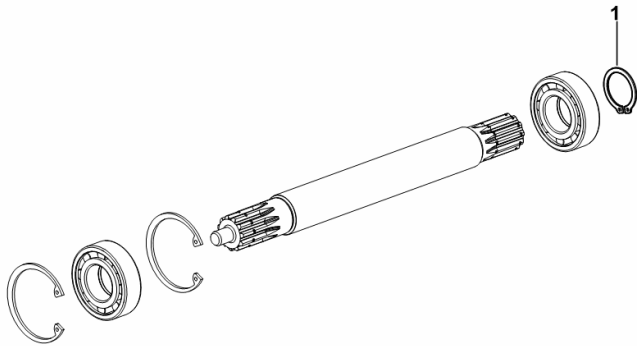
W9_A4836_11_0-A-001

PTO PACKAGE WITHOUT GROUNDSPEED

Fig.	Code	QTY	Name
------	------	-----	------

Notes:
 [AGROKID 35 -> 10001 4WD]

1	2.1410.010.2	1	ring 25
---	--------------	---	---------



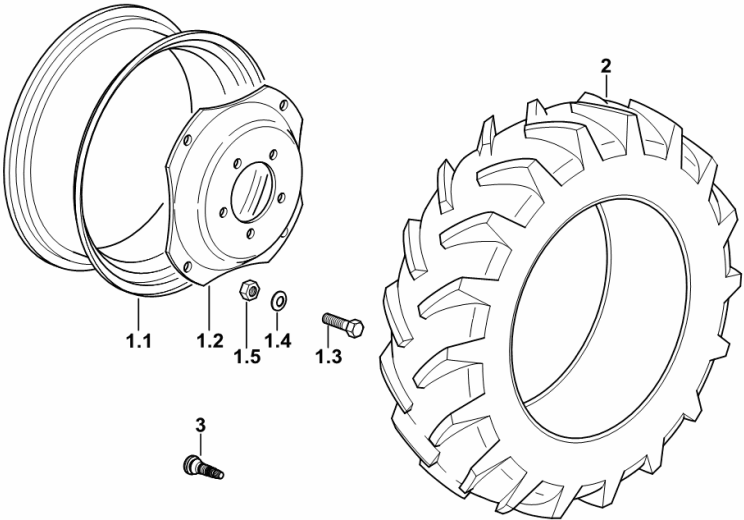
W9_A4836_13_0-A-001

Section: S0 - WHEELS
WHEELS 6.50 R16" PR 8

Fig.	Code	QTY	Name
------	------	-----	------

Notes:
[AGROKID 35 -> 10001 4WD]

1.1	0.012.2807.3	1	rim 5.50F x 16" C/BL
1.2	0.008.7636.0	1	rim center flange
1.3	2.0122.621.6	4	screw m 16 p.1.5 x 60
1.4	2.1499.019.6	4	washer 16.3 x 31.5
1.5	2.1011.309.6	4	nut m 16 p.1.5
2	2.4811.177.0	2	tyre 6.50 R16" PR 8
3	0.012.6364.0	2	valve



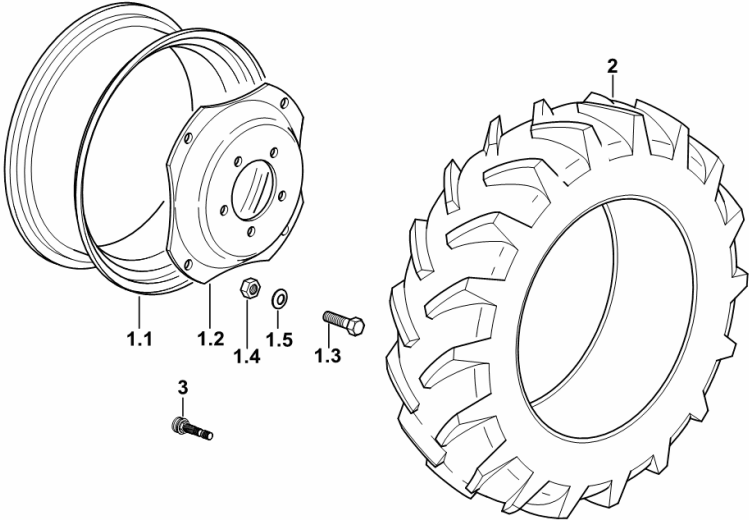
W9_A5755_21_0-A-001

Section: S0 - WHEELS
WHEELS 260/70 R16"

Fig.	Code	QTY	Name
------	------	-----	------

Notes:
[AGROKID 35 -> 10001 4WD]

1.1	0.012.2804.3	1	rim W 8x16" C/BL
1.2	0.008.7636.0	1	rim center flange
1.3	2.0122.621.6	4	screw m 16 p.1.5 x 60
1.4	2.1011.309.6	4	nut m 16 p.1.5
1.5	2.1499.019.6	4	washer 16.3 x 31.5
2	2.4811.125.0	2	tyre 260/70 R16"
3	0.012.6364.0	2	valve



W9_A4855_23_0-A-001

CLICK HERE TO **DOWNLOAD** THE COMPLETE MANUAL

- Thank you very much for reading the preview of the manual.
- You can download the complete manual from: www.heydownloads.com by clicking the link below



- Please note: If there is no response to CLICKING the link, please download this PDF first and then click on it.

CLICK HERE TO **DOWNLOAD** THE COMPLETE MANUAL