

AGROFARM 420 -> 20001

V0 - BALLAST, TOWING HITCHES

FRONT HITCHES

FRONT TOWING HITCH.....	V0.01.0 (1)
FRONT TOWING HITCH.....	V0.01.1 (1)

REAR HITCHES

REAR GEARBOX BRACKETS.....	V0.02.1 (1)
REAR GEARBOX BRACKETS.....	V0.02.2 (1)
REAR TOWING HITCH BRACKET.....	V0.02.6 (3)
REAR TOWING HITCH BRACKET.....	V0.02.7 (1)
REAR TOWING HITCH.....	V0.02.8 (2)
REAR TOWING HITCH.....	V0.02.9 (1)
REAR TOWING HITCH BRACKET.....	V0.02.11 (1)
REAR TOWING HITCH PITON FIX.....	V0.02.14 (1)
REAR TOWING HITCH PITON FIX.....	V0.02.17 (1)
REAR TOWING HITCH.....	V0.02.20 (1)
REAR TOWING HITCH.....	V0.02.21 (1)
REAR TOWING HITCH CAT. " C ".....	V0.02.22 (2)
REAR TOWING HITCH CAT. " C ".....	V0.02.22 (3)
REAR TOWING HITCH CAT. " C ".....	V0.02.23 (1)
REAR TOWING HITCH CAT. " C ".....	V0.02.24 (1)
REAR TOWING HITCH CEE.....	V0.02.25 (2)
REAR TOWING HITCH CEE.....	V0.02.25 (3)
REAR TOWING HITCH cat. 2 - CEE.....	V0.02.26 (1)
DRAWBAR COUPLING CEE.....	V0.02.27 (1)
REAR TOWING HITCH CAT. " D ".....	V0.02.28 (2)
REAR TOWING HITCH CAT. " D2 ".....	V0.02.29 (1)
REAR TOWING HITCH CAT. " D2 ".....	V0.02.30 (1)
REAR TOWING HITCH CAT. " D2 ".....	V0.02.31 (1)
REAR TOWING HITCH CAT: "D3".....	V0.02.32 (2)
REAR TOWING HITCH CAT: "D3".....	V0.02.33 (1)
DRAWBAR COUPLING AUTOM. Ø 38.....	V0.02.34 (2)
DRAWBAR COUPLING AUTOM. Ø 38.....	V0.02.35 (1)
DRAWBAR COUPLING AUTOM. Ø 38.....	V0.02.36 (1)
REAR SWINGING TOWING-HITCH.....	V0.02.39 (1)
REAR SWINGING TOWING-HITCH.....	V0.02.40 (1)
REAR SWINGING TOWING-HITCH.....	V0.02.41 (1)
REAR SWINGING TOWING-HITCH.....	V0.02.44 (1)
REAR SWINGING TOWING-HITCH.....	V0.02.45 (1)
MECHANICAL PICK-UP-HITCH.....	V0.02.47 (1)
HYDRAULIC PICK-UP-HITCH.....	V0.02.50 (1)
DRAWBAR COUPLING mm 38.....	0.014.4449.3/20.A
DRAWBAR COUPLING mm 38.....	0.014.4449.3/30.A

CLICK HERE TO **DOWNLOAD** THE COMPLETE MANUAL

- Thank you very much for reading the preview of the manual.
- You can download the complete manual from: www.heydownloads.com by clicking the link below



- Please note: If there is no response to CLICKING the link, please download this PDF first and then click on it.

CLICK HERE TO **DOWNLOAD** THE COMPLETE MANUAL

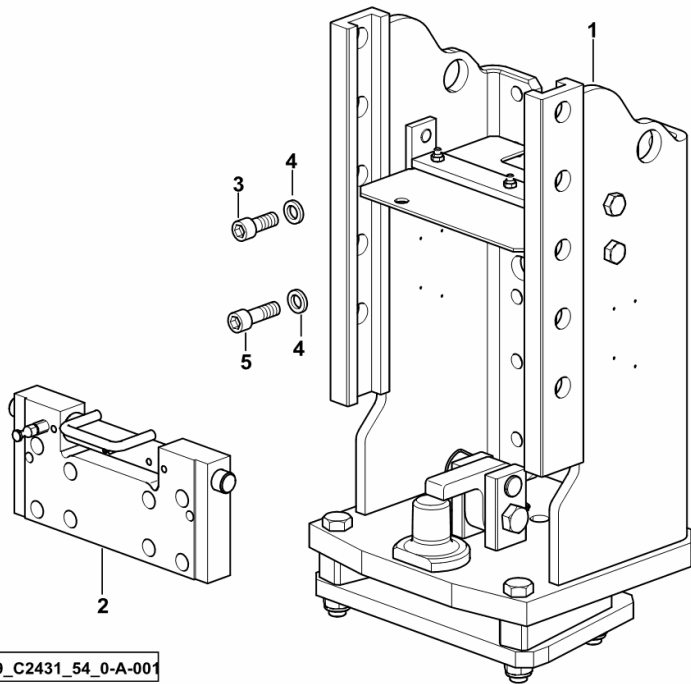
REAR TOWING HITCH PITON FIX

Fig.	Code	QTY	Name
------	------	-----	------

Notes:

- EXPORT F [Agrofarm 420 2WD -> 20001] 21036 <- - EXPORT F [Agrofarm 420 4WD -> 20001] 21036 <-

1	0.014.4459.4/10	1	chassis frame - V.ORLANDI - ☞ 0.014.4459.4/10
2	0.014.4485.3	1	plate - V.ORLANDI - ☞ 0.014.4485.3
3	2.0314.614.2	2	screw m 16 p.2 x 40
4	2.1474.013.2	12	washer 16
5	2.0314.616.2	10	screw m 16 p.2x50



9_C2431_54_0-A-001

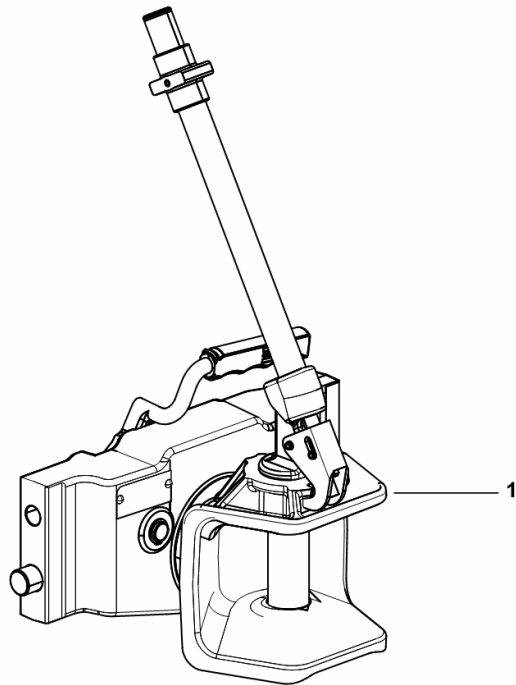
DRAWBAR COUPLING CEE

Fig.	Code	QTY	Name
------	------	-----	------

Notes:

[Agrofarm 420 2WD -> 20001] [Agrofarm 420 4WD -> 20001]

1	0.016.5195.3	1	tow hook CBM - CEE
---	--------------	---	--------------------



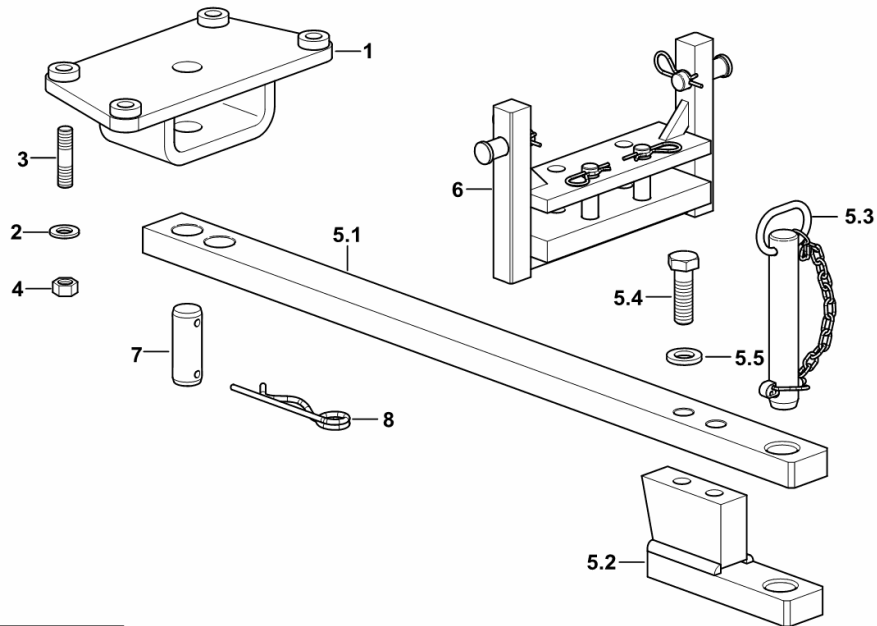
REAR SWINGING TOWING-HITCH

Fig.	Code	QTY	Name
------	------	-----	------

Notes:

- SAE CATEGORY [Agrofarm 420 2WD -> 20001] - SAE CATEGORY [Agrofarm 420 4WD -> 20001]

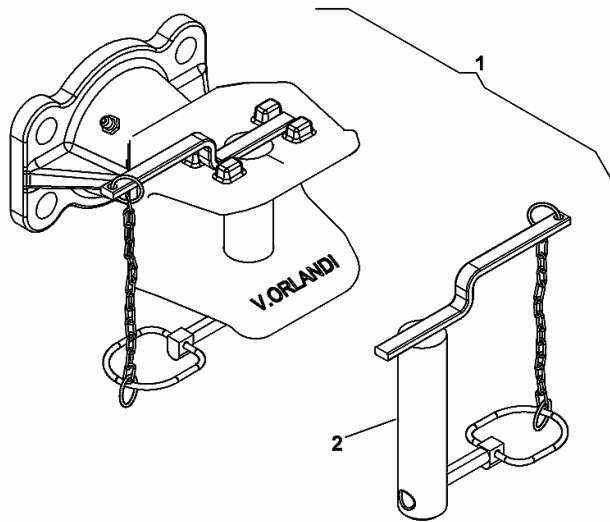
1	0.008.0780.2/10	1	support
2	2.1475.006.2	4	washer 16
3	2.0432.413.7	4	stud bolt m 16 p.2-1.5x45
4	2.1011.409.2	4	nut m 16 p.1.5
5.1	0.008.0782.0/50	1	draw bar mm 1000
5.2	0.015.2492.3	1	plate
5.3	0.014.9401.3	1	pin
5.4	2.0122.822.2	2	screw m 20 p.1.5x65
5.5	2.1475.108.2	2	spring washer 20
6	0.016.5186.3	1	support
7	2.1679.067.2	1	pin 32x85
8	2.1699.072.2	1	pin



9_L2031_74_0-A-001

DRAWBAR COUPLING

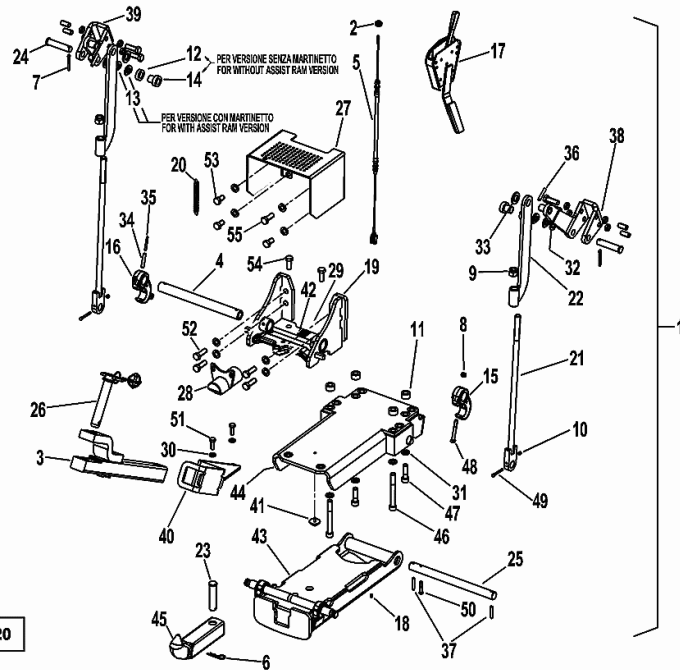
Fig.	Code	QTY	Name
1	0.014.4453.3/10	1	tow hook - V.ORLANDI -
2	0.900.0458.3	1	pin



0.014.4453.3/10

MECHANICAL PICK-UP-HITCH

Fig.	Code	QTY	Name
1	0.015.4262.4/20	1	tow hook
2	0.010.3115.1	1	grommet
3	0.900.1364.6	1	draw bar
4	0.900.0508.9	1	bushing
5	0.010.3560.0	1	cable
6	0.900.0509.0	1	split pin
7	0.010.3112.1	2	split pin
8	0.96093.70.0	1	nut m 10 p.1.5
9	0.900.0509.3	2	nut m 20
10	0.010.3108.2	2	nut m 6
11	0.010.3121.2	4	spacer
12	0.010.3113.0	2	spacer
13	0.010.3111.2	4	spacer
14	0.010.3112.2	2	spacer
15	0.900.0529.7	1	clevis
16	0.900.0529.8	1	clevis
17	0.900.1382.9	1	lever
18	04418473	3	lubricator m 6 p.1
19	0.900.0528.1	1	chassis frame
20	0.900.0509.6	1	spring
21	0.900.0509.7	2	rod
22	0.900.1421.1	2	rod
23	0.900.0509.9	1	pin
24	0.010.3154.0	2	pin
25	0.900.0528.3	1	pin
26	0.900.1364.7	1	pin
27	0.900.0528.4	1	guard
28	0.900.0529.5	1	guard
29	0.900.0510.2	2	rivet Ø 3.5 / L = 6.5
30	0.010.3110.1	2	washer
31	0.010.3108.0	12	washer 17x30
32	0.010.3112.0	2	washer
33	0.010.3124.0	2	washer
34	0.900.0510.3	1	pin 10x55
35	0.900.0510.4	1	pin 6x55
36	0.010.3123.2	2	roll pin
37	0.900.0528.6	2	pin 8 x 50
38	0.900.1421.2	1	bracket
39	0.900.1421.3	1	bracket
40	0.900.0529.6	1	support
41	0.900.0528.8	1	stopper
42	0.900.1421.4	1	plate
43	0.900.0528.9	1	chassis frame
44	0.900.0529.0	1	chassis frame



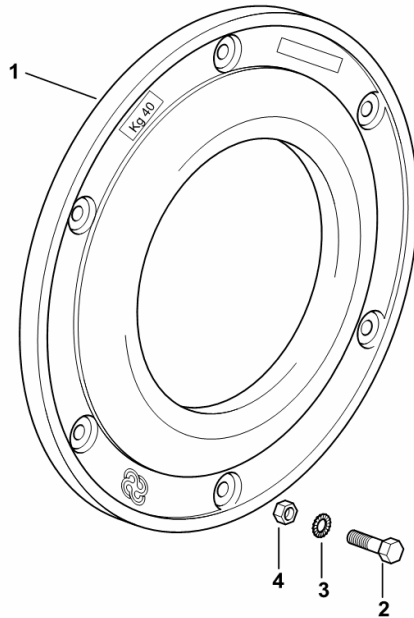
WHEEL BALLAST 80 Kg

Fig.	Code	QTY	Name
------	------	-----	------

Notes:

- FOR 38" WHEELS [Agrofarm 420 2WD -> 20001] - FOR 38" WHEELS [Agrofarm 420 4WD -> 20001]

1	0.135.5574.0/10	2	ballast 40 Kg
2	2.0112.620.2	12	screw m 16 p.2x55
3	2.1470.009.2	12	lock washer 16
4	2.1011.409.2	12	nut m 16 p.1.5



9_40555_91_0-A-001

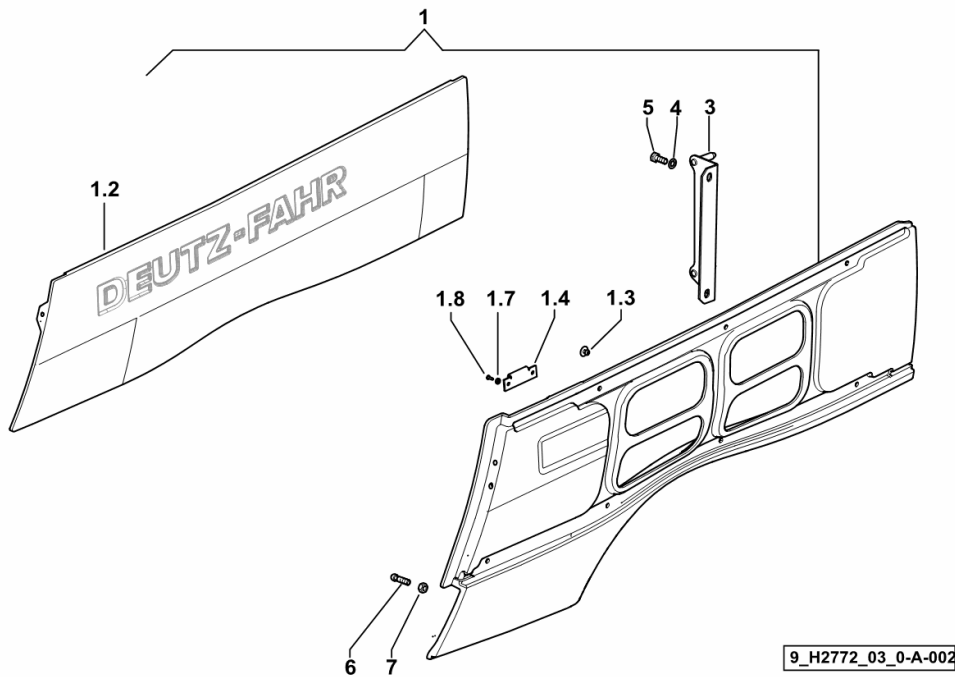
HOOD - LEFT SIDE PANEL

Fig.	Code	QTY	Name
------	------	-----	------

Notes:

[Agrofarm 420 2WD -> 20001] [Agrofarm 420 4WD -> 20001]

1	0.014.9372.3/40	1	lift hand side panel
1.2	0.014.8540.9/10	1	grille sx/lh/li
1.3	2.1899.074.0	9	rivet 4.7
1.4	0.011.2243.0	1	clevis
1.7	2.1599.673.0	2	washer 4.3x8x2
1.8	2.0350.153.3	2	screw 2.9x9.5
3	0.014.9189.2	1	bracket sx/lh/li
4	2.1470.004.2	2	washer 8
5	2.0112.207.2	2	screw m 8 p 1.25 x 20
6	0.010.0852.0/10	1	pin m 8
7	2.1011.105.2	1	nut m 8 p.1.25



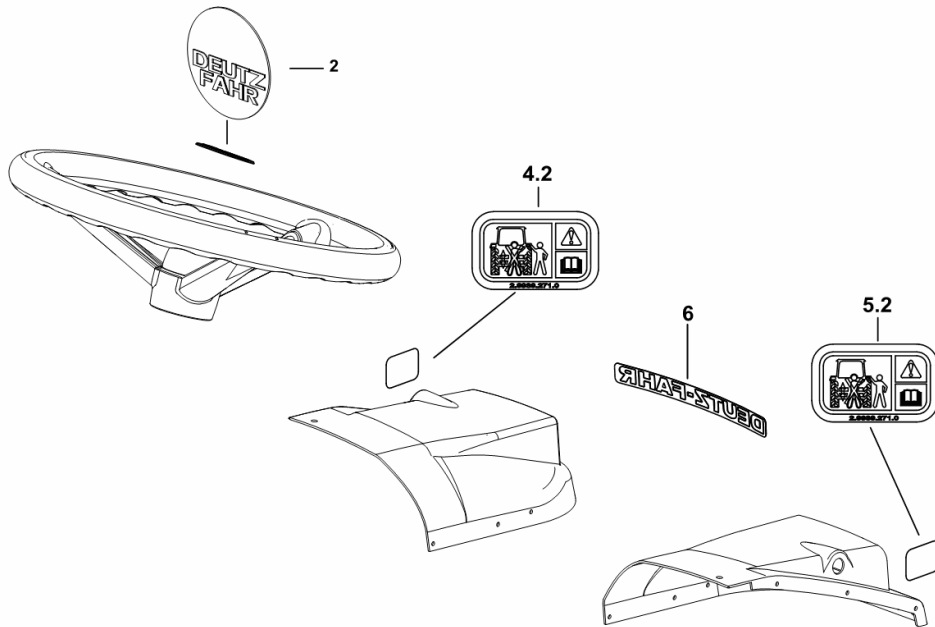
PRODUCT PLATE

Fig.	Code	QTY	Name
------	------	-----	------

Notes:

[Agrofarm 420 2WD -> 20001] [Agrofarm 420 4WD -> 20001]

2	0.013.8054.0	1	plate DEUTZ-FAHR
4.2	2.9939.271.0	1	plate
5.2	2.9939.271.0	1	plate
6	0.014.9384.2	1	plate DEUTZ-FAHR



9_H2761_01_0-B-001

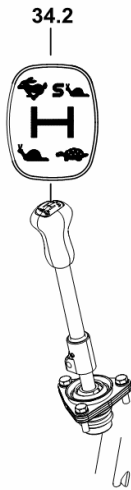
COVER FOR REDUCTION UNIT

Fig.	Code	QTY	Name
------	------	-----	------

Notes:

[Agrofarm 420 2WD -> 20001] [Agrofarm 420 4WD -> 20001]

34.2	0.011.0052.3/20	1	cap
------	-----------------	---	-----



9_18464_00_0-C-001

AIR CONDITIONING DATA PLATE

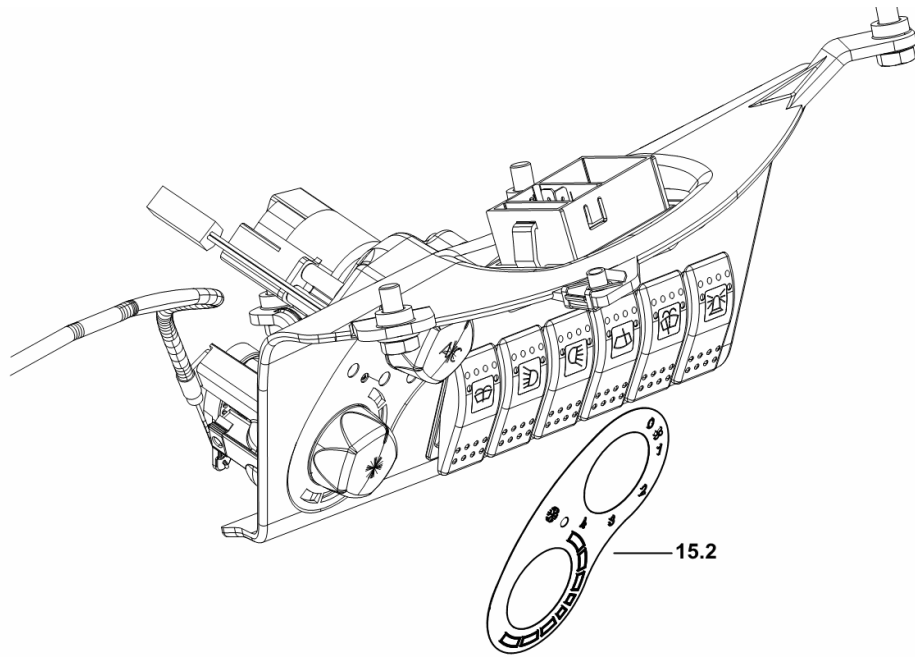
Fig.	Code	QTY	Name
------	------	-----	------

Notes:

HIGHT VISIBILITY - FOR TYPES WITH HEATING AND AIR CONDITIONING [Agrofarm 420 2WD -> 20001] -> 20893

HIGHT VISIBILITY - FOR TYPES WITH HEATING AND AIR CONDITIONING [Agrofarm 420 4WD -> 20001] -> 20893

15.2	0.015.4741.0	1	plate
------	--------------	---	-------



9_R8686_20_0-D-001

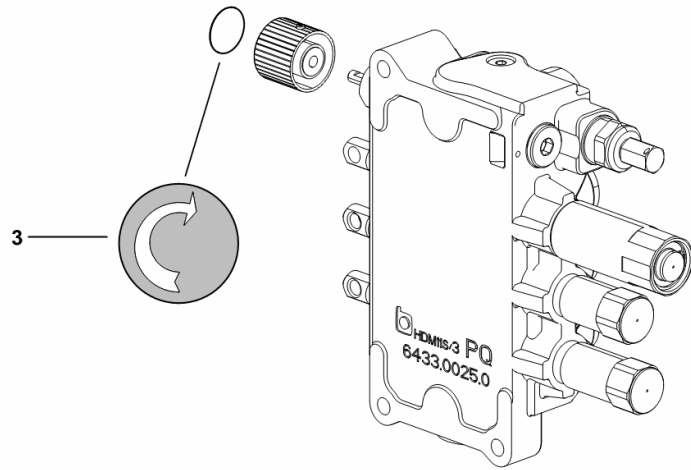
PLATE FOR 6-WAY REMOTE VALVE

Fig.	Code	QTY	Name
------	------	-----	------

Notes:

[Agrofarm 420 2WD -> 20001] [Agrofarm 420 4WD -> 20001]

3	0.011.2620.0	1	plate
---	--------------	---	-------



9_L8088_25_0-B-001

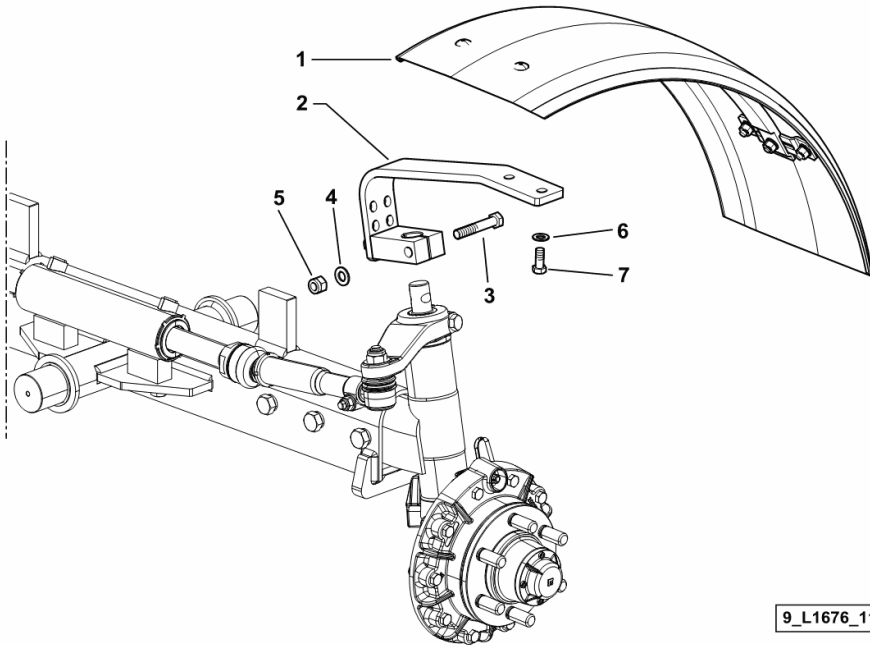
Section: G0 - BODYWORK - CAB
2WD - FRONT MUDGUARDS

Fig.	Code	QTY	Name
------	------	-----	------

Notes:

[Agrofarm 420 2WD -> 20001]

1	0.016.3033.4	2	fender
2	0.016.3032.4	2	support
3	2.0112.525.2	2	screw m 14 p.2x80
4	2.1310.009.2	2	flat washer 14
5	2.1120.008.2	2	selflock nut m 14 p.1.75
6	2.1475.004.2	4	washer 12
7	2.0112.411.2	4	screw m 12 p.1.75 x 30



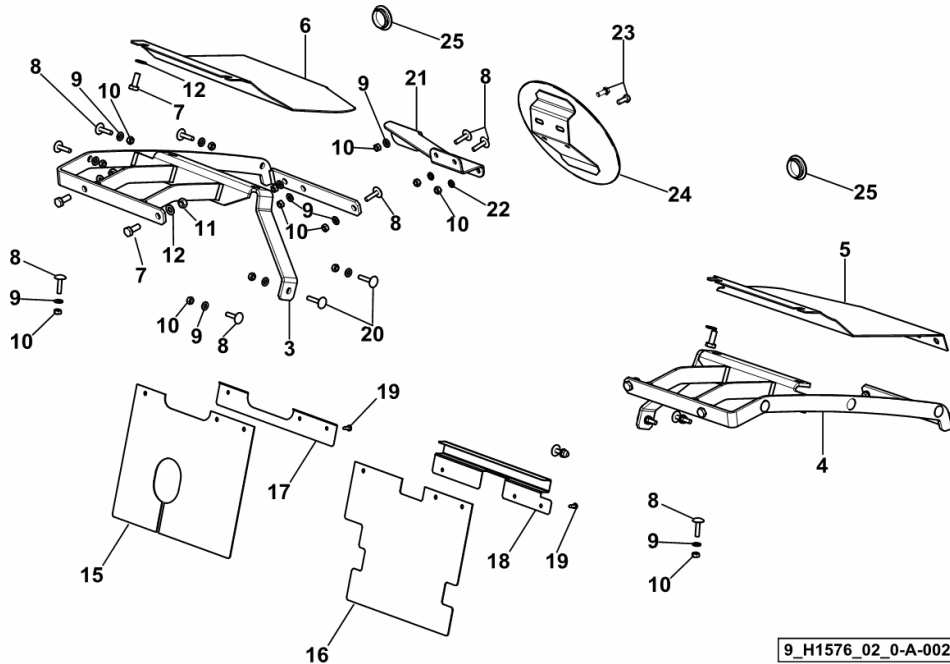
9_L1676_11_0-A-001

SUPPORTS FOR SPRAY GUARDS

Fig.	Code	QTY	Name
------	------	-----	------

Notes:

[Agrofarm 420 2WD -> 20001] [Agrofarm 420 4WD -> 20001]



3	0.015.5387.2	1	support dx/rh/re
4	0.015.4737.2	1	support sx/lh/li
5	0.015.4744.0	1	shield sx/lh/li
6	0.015.5804.0	1	shield dx/rh/re
7	2.0112.207.2	8	screw m 8 p 1.25 x 20
8	2.0099.014.0/20	16	screw m 6 x 25
9	2.1312.003.2	21	washer 6
10	2.1011.103.2	23	nut m 6 p.1
11	2.1011.105.2	4	nut m 8 p.1.25
12	2.1310.004.2	8	flat washer 8.5
15	0.015.0706.0/10	1	shield dx/rh/re
16	0.015.0708.0/10	1	shield sx/lh/li
17	0.015.0705.0/10	1	lamination
18	0.015.0707.0/10	1	lamination
19	2.0350.454.3	4	screw m 4.2 x 13 -AB-
20	2.0029.509.3	4	screw m 6 x 30
21	0.015.2422.0	1	bracket
22	2.1470.002.2	2	washer 6, d128
23	2.0112.005.2	2	screw m 6 p.1 x 16
24	0.011.0006.2/20	1	support
25	0.009.0210.0/10	4	plug 30 x 38 x 9.0

9_H1576_02_0-A-002

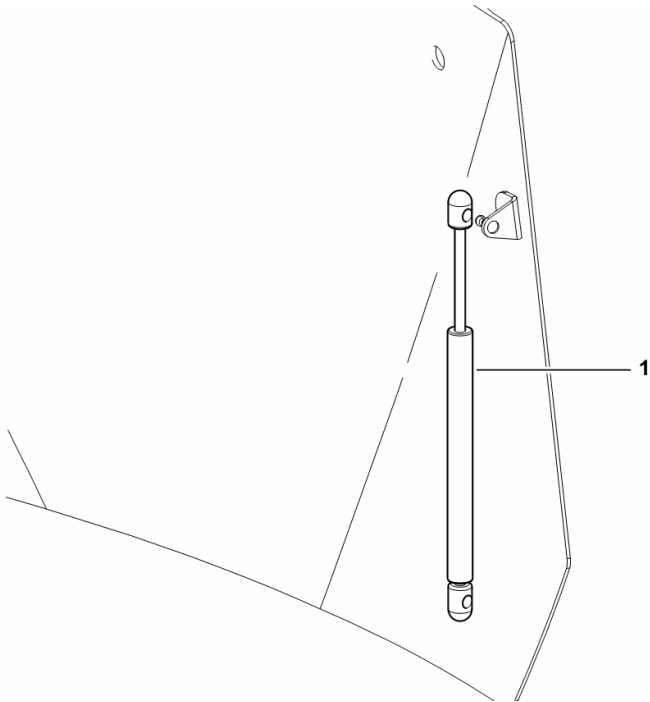
DAMPER FOR REAR WINDOW HATCH

Fig.	Code	QTY	Name
------	------	-----	------

Notes:

- FOR "HIGH VISIBILITY" CAB [Agrofarm 420 2WD -> 20001] - FOR "HIGH VISIBILITY" CAB [Agrofarm 420 4WD -> 20001]

1	0.010.6267.0	2	shoch.absorber
---	--------------	---	----------------



9_77871_12_0-A-001

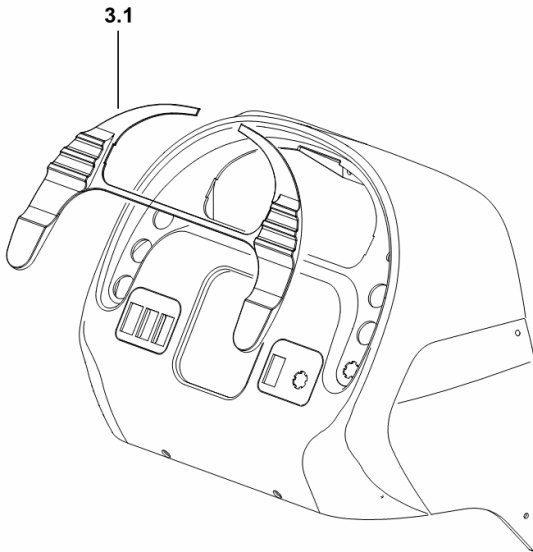
INSTRUMENT PANEL SURROUND

Fig.	Code	QTY	Name
------	------	-----	------

Notes:

[Agrofarm 420 2WD -> 20001] [Agrofarm 420 4WD -> 20001]

3.1	0.015.0117.0	1	frame
-----	--------------	---	-------



9_H2761_01_0-C-001

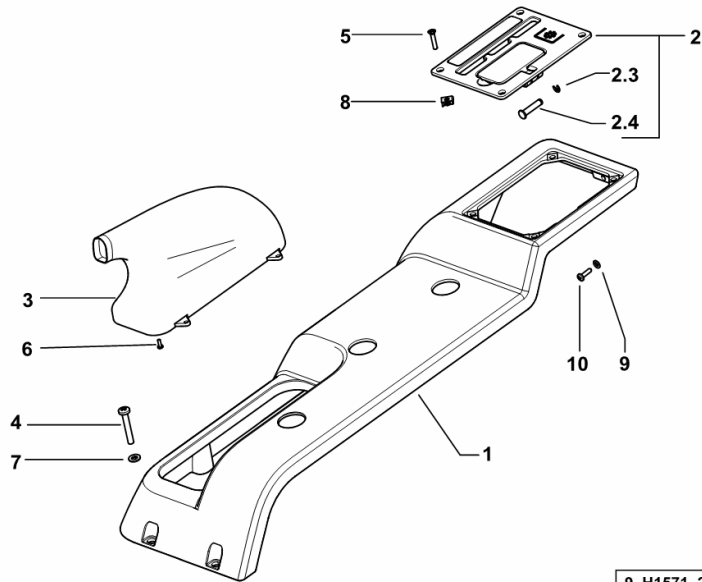
CONTROL CONSOLE - SX/LH/LI

Fig.	Code	QTY	Name
------	------	-----	------

Notes:

[Agrofarm 420 2WD -> 20001] [Agrofarm 420 4WD -> 20001]

1	0.015.0308.0/10	1	consolle sx/lh/li
2	0.015.0309.4/20	1	cover
2.3	2.1679.100.2	1	pin
2.4	2.1430.005.7	1	circlip 4
3	0.015.0493.3/10	1	boot
4	2.0332.411.3	4	screw
5	2.0352.407.3	4	screw m 4.2 x 22
6	2.0361.205.2	4	screw 3x8
7	2.1310.002.3	4	flat washer 6.4 x 12 x 1.6
8	2.6999.022.0	4	small spring
9	2.1310.028.2	1	flat washer 4
10	2.0350.455.3	1	screw m 4.2



9_H1571_22_0-A-001

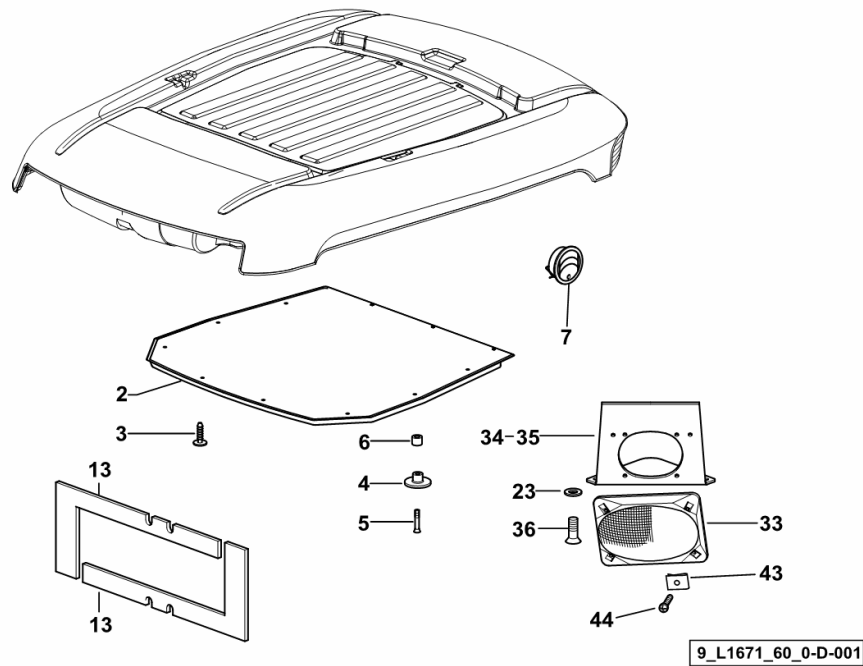
INTERIOR TRIM

Fig.	Code	QTY	Name
------	------	-----	------

Notes:

- FOR TRACTORS WITH AIR HEATING [Agrofarm 420 2WD -> 20001] 20800 <- - FOR TRACTORS WITH AIR HEATING [Agrofarm 420 4WD -> 20001] 20800 <-

2	0.015.0815.0	1	inner cab roof panel
3	2.3199.198.0/10	3	plug 20x31
4	0.010.1790.0	9	washer
5	2.0322.412.3	9	screw m 6 p.1x45
6	2.1579.980.2	9	spacer 7x15x11.5
7	0.011.0760.3	2	tongue mm 95
13	0.010.0756.0/10	2	gasket
23	2.1310.002.2	20	washer 6.6, d125
33	0.010.0716.4/10	2	grille
34	0.010.0722.0/20	1	support dx/rh/re
35	0.010.0723.0/20	1	support sx/lh/li
36	2.0399.164.3	8	screw m 6 p.1 x 40
43	2.6999.041.0	8	small spring
44	2.0399.177.3	8	screw 4.2x25



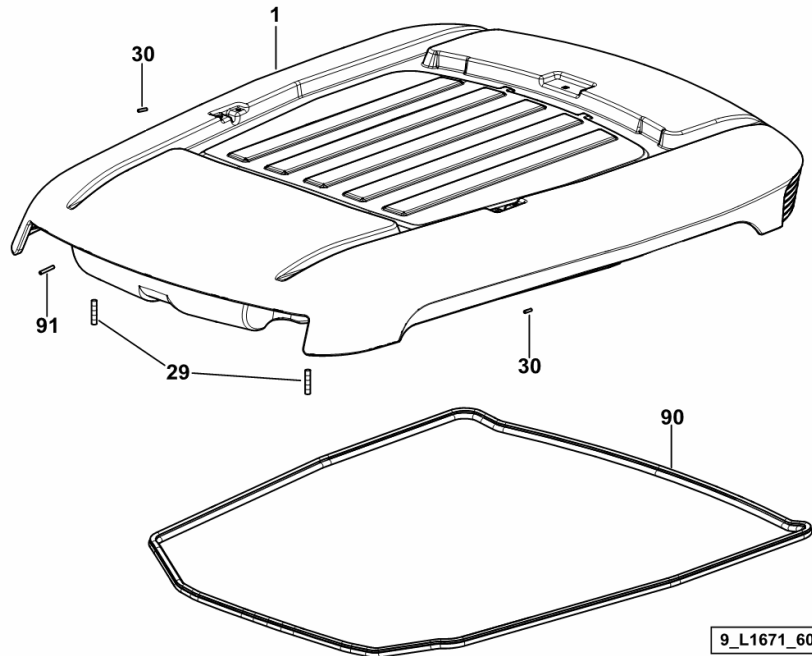
DRIVER'S CAB ROOF

Fig.	Code	QTY	Name
------	------	-----	------

Notes:

- FOR TRACTORS WITH AIR HEATING [Agrofarm 420 2WD -> 20001] -> 20806 - FOR TRACTORS WITH AIR HEATING [Agrofarm 420 4WD -> 20001] -> 20806

1	0.012.9108.2/80	1	roof
29	2.0422.203.7	2	stud bolt m 8 p.1.25 x 20
30	2.0422.001.2	2	stud bolt m 6 p.1.0 x 16
90	0.012.8429.0	4.7	gasket
91	04418372	0.05	sealing section



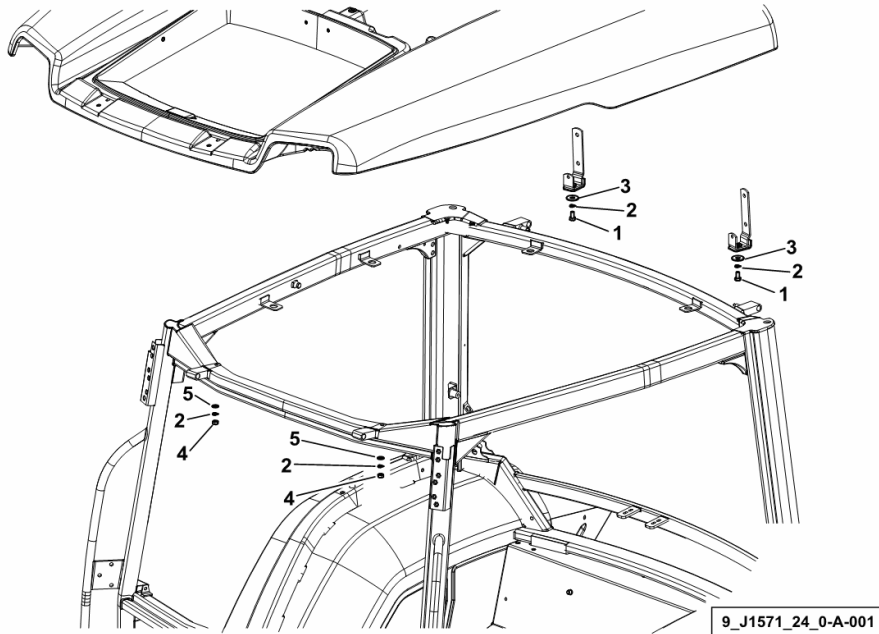
FASTENINGS

Fig.	Code	QTY	Name
------	------	-----	------

Notes:

- FOR "HIGH VISIBILITY" CAB [Agrofarm 420 2WD -> 20001] - FOR "HIGH VISIBILITY" CAB [Agrofarm 420 4WD -> 20001]

1	2.0112.205.2	2	screw m 8 p.1.25 x 16
2	2.1481.007.2	4	washer 8
3	2.1579.520.2	2	washer 10.5x30x3
4	2.1011.105.2	2	nut m 8 p.1.25
5	2.1310.004.2	2	flat washer 8.5



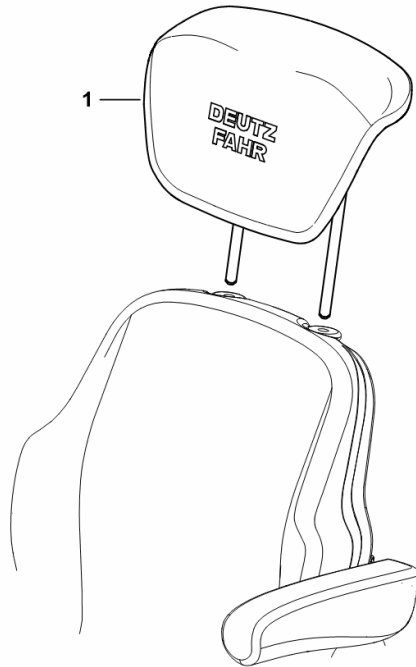
HEAD REST

Fig.	Code	QTY	Name
------	------	-----	------

Notes:

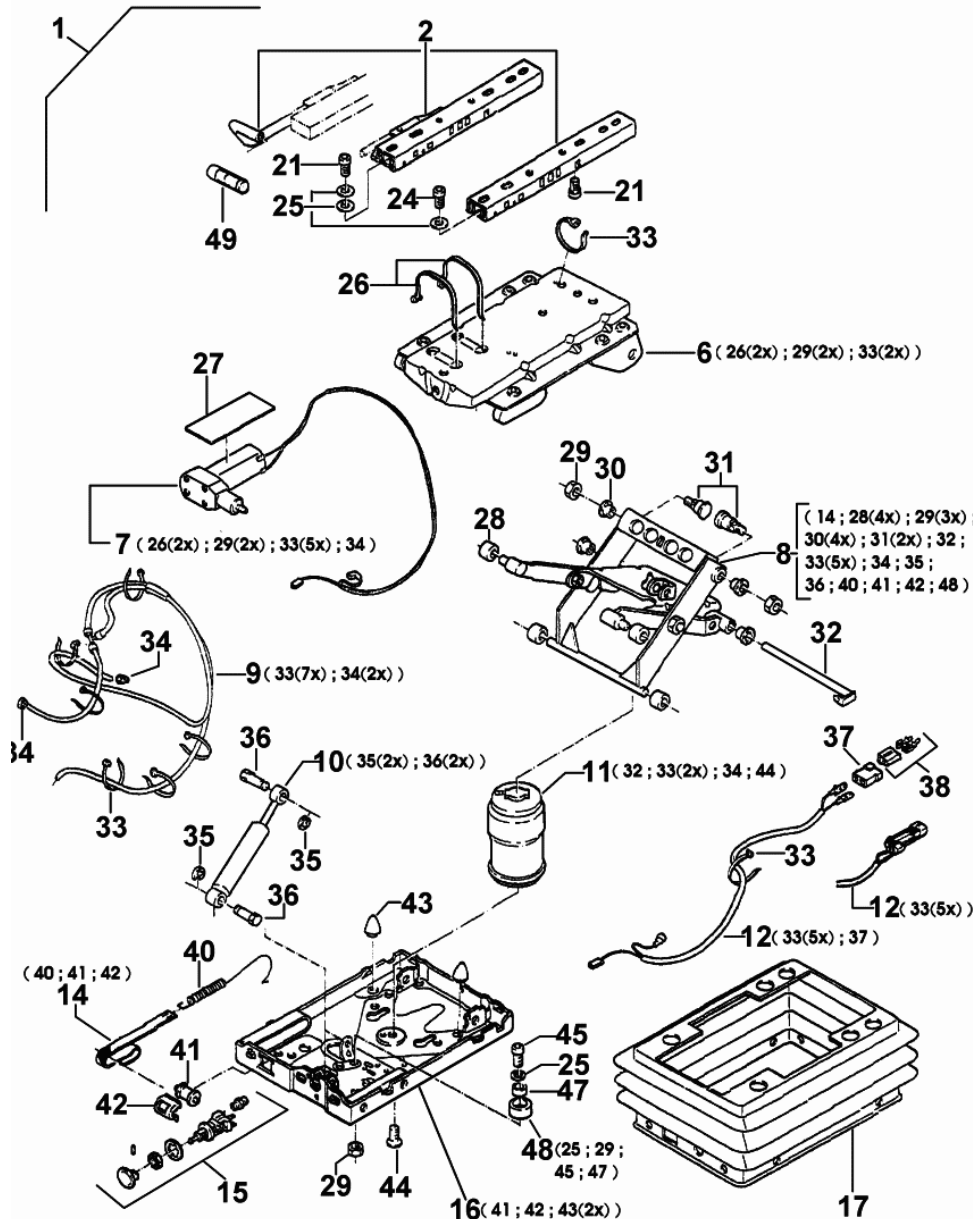
[Agrofarm 420 2WD -> 20001] 20691 <- [Agrofarm 420 4WD -> 20001] 20714 <-

1	0.014.4890.0	1	embroiderhead DEUTZ-FAHR (20714 <-)
1	0.014.4890.0/10	1	embroiderhead DEUTZ-FAHR



9_H5975_01_0-A-001

SEAT-COMPONENTS



0_014_3062_4_20_B

Fig.	Code	QTY	Name
1	0.010.2974.0	1	seat springs
2	0.010.2978.0	1	seat guide
6	0.010.2974.1	1	plate
7	0.900.0307.9	1	gear compressor
8	0.010.2975.0	1	arm
9	0.900.0308.0	1	tube
10	0.009.4494.1	1	shoch.absorber
11	0.010.2975.2	1	spring
12	0.010.2976.0	1	wire
14	0.010.2976.1	1	register
15	0.010.2976.2	1	valve
16	0.010.2978.1	1	plate
17	0.010.2977.1	1	guard
21	0.010.2405.0	2	pin m 8 x 16
24	0.010.2966.1	2	screw m 8 x 12
25	0.000.0000.1	0	not serviceable
26	0.000.0000.1	0	not serviceable
27	0.900.0308.1	1	small plate
28	0.009.4726.1	4	roller
29	0.010.2948.1	3	nut m 8
30	0.009.4715.1	4	spacer
31	0.010.2967.0	2	pin
32	0.010.2967.2	1	pin m 10
33	0.000.0000.1	0	not serviceable
34	0.009.4381.0	2	terminal
35	0.000.0000.1	0	not serviceable
36	0.010.2966.2	2	screw
37	0.010.2977.2	1	pin
38	0.009.4381.1	1	connection
40	0.009.4498.2	1	spring
41	0.009.4496.1	1	roller
42	0.009.4496.0	1	bracket
43	0.010.2275.1	2	stop
44	0.000.0000.1	0	not serviceable
45	0.000.0000.1	0	not serviceable
47	0.009.4720.1	1	bushing
48	0.010.2277.2	1	sub-assy parts
49	0.010.2268.2	1	knob

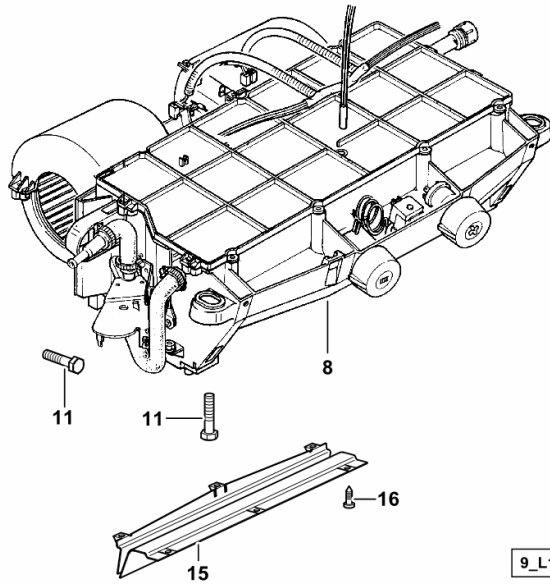
VENTILATION - HEATING

Fig.	Code	QTY	Name
------	------	-----	------

Notes:

- FOR TRACTORS WITH AIR HEATING [Agrofarm 420 2WD -> 20001] 20800 <- - FOR TRACTORS WITH AIR HEATING [Agrofarm 420 4WD -> 20001] 20800 <-

8	0.010.8108.4/30	1	cab heating ☞ 0.010.8108.4/30
11	2.0112.213.2	4	screw m 8 p.1.25 x 35
15	0.013.3352.0	1	blower
16	2.0350.253.6	6	screw m 3.5 x 9.5



9_L1671_60_0-G-001

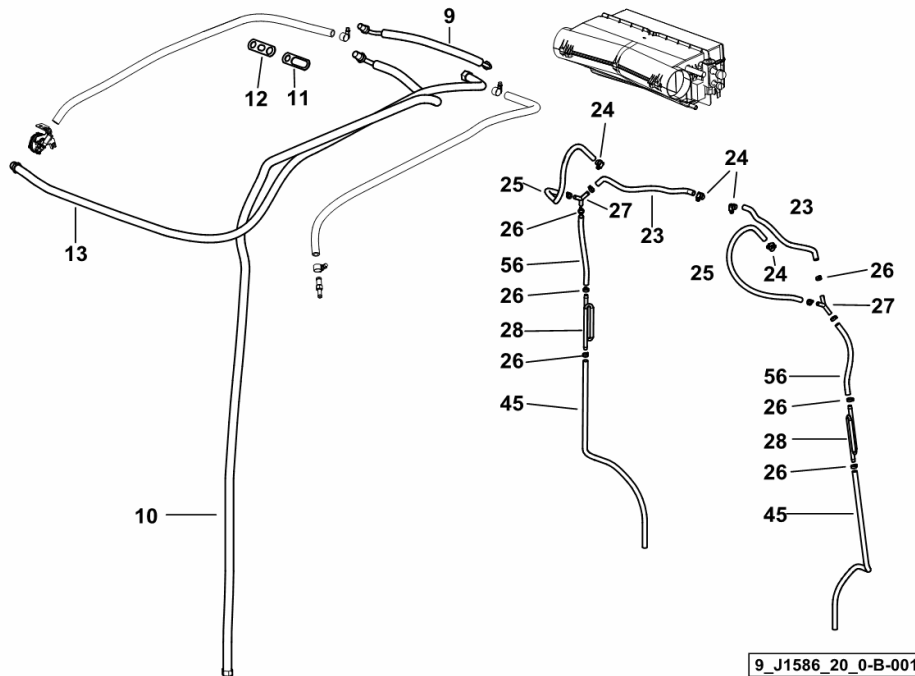
AIR CONDITIONING UNIT - LINES - WITH MANUAL AIR CONDITIONING

Fig.	Code	QTY	Name
------	------	-----	------

Notes:

HIGHT VISIBILITY - FOR TYPES WITH HEATING AND AIR CONDITIONING [Agrofarm 420 2WD -> 20001] 20905 <-

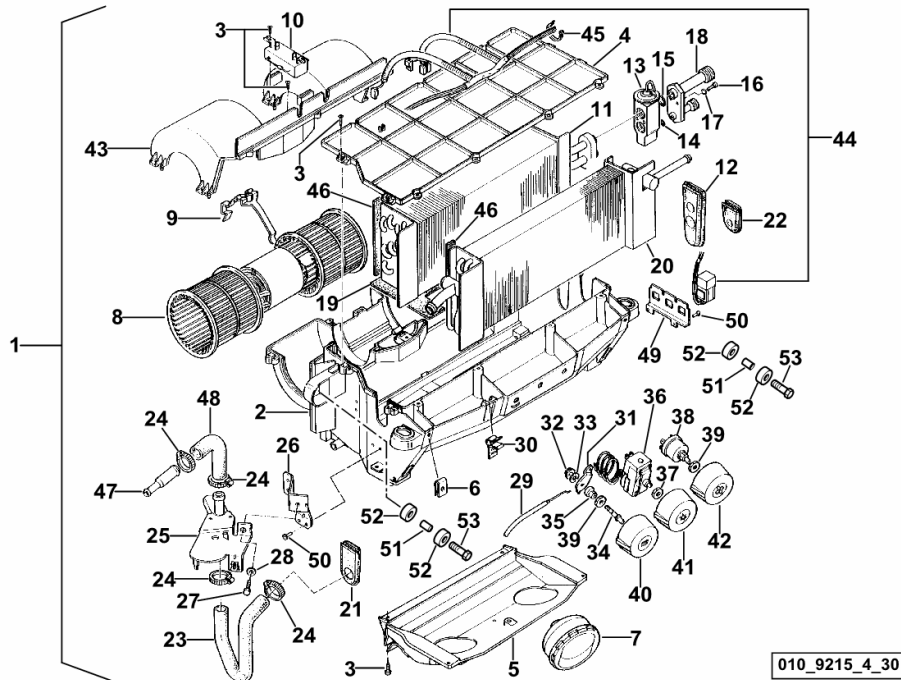
HIGHT VISIBILITY - FOR TYPES WITH HEATING AND AIR CONDITIONING [Agrofarm 420 4WD -> 20001] 20905 <-



9	0.011.2061.3/10	1	tube mm 430
10	0.011.2124.3	1	tube mm 2650
11	0.011.2145.0	1	gasket
12	0.011.2139.0/10	1	small plate
13	0.011.3723.3	1	tube mm 2160
23	0.016.4241.0	2	tube Ø mm10x14x380
24	2.6851.019.0	4	clamp Ø 13/20
25	0.011.3697.0	2	tube Ø mm10x14x500
26	2.6857.019.0	10	clamp 14
27	0.011.6181.0	2	pipe fitting
28	0.011.3724.3	2	tube
45	0.015.6840.0	2	tube Ø mm10x14x700
56	0.016.3695.0	2	tube Ø mm10x14x244

AIR-CONDITIONING HEATING PARTS

Fig.	Code	QTY	Name
45	0.010.2544.0	2	clamp
46	0.010.2131.0	2	gasket
47	0.010.2147.1	1	pipe fitting
48	0.900.0060.7	1	sleeve
49	0.010.2125.2	1	bracket
50	0.010.2126.0	6	rivet 4x7
51	0.98538.71.1	4	spacer
52	0.009.9536.4	8	rubber plug
53	0.000.0000.1	0	not serviceable



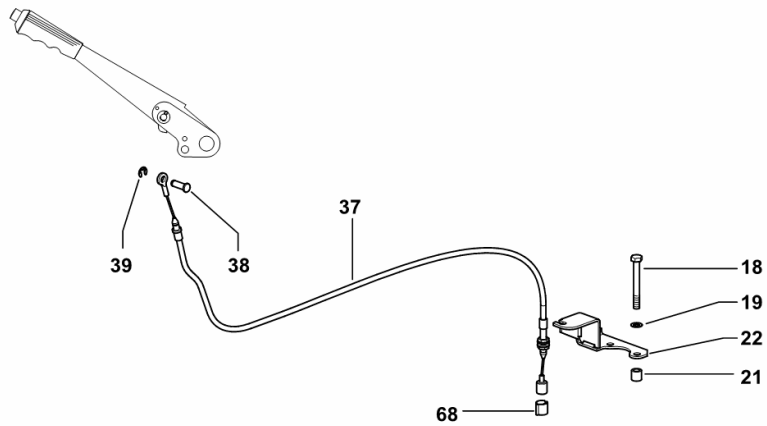
AIR TRAILER BRAKING CONTROL CABLE ITALY

Fig.	Code	QTY	Name
------	------	-----	------

Notes:

[Agrofarm 420 2WD -> 20001] [Agrofarm 420 4WD -> 20001]

18	2.0112.223.2	4	screw m 8 p.1.25x70
19	2.1470.004.2	4	washer 8
21	2.1579.825.0	2	spacer
22	0.011.3979.2/20	1	bracket
37	0.011.4121.3	1	cable
38	2.1699.307.2	1	pin 23x27.5x12
39	2.1430.008.7	1	circlip 7
68	0.257.6757.0	1	spring



9_H1589_20_0-G-001

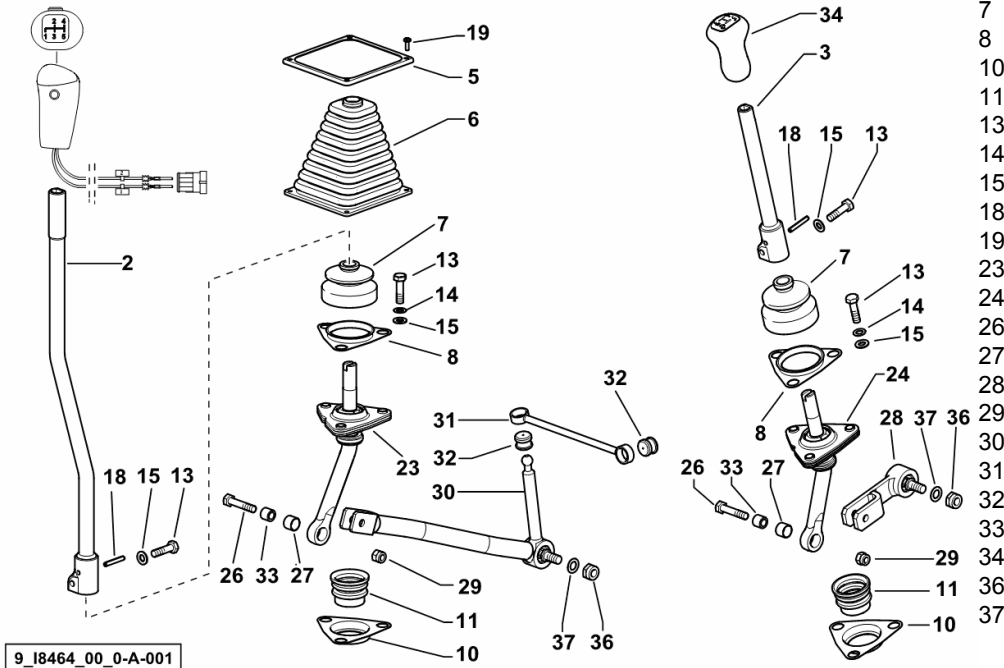
GEAR SHIFTING

Fig.	Code	QTY	Name
------	------	-----	------

Notes:

[Agrofarm 420 2WD -> 20001] [Agrofarm 420 4WD -> 20001]

2	0.015.0868.3	1	gear lever
3	0.014.8508.3	1	lever
5	0.014.8599.0	1	metal strap
6	0.014.8600.0	1	boot
7	0.255.6451.0/10	2	bellows
8	0.007.6981.0/10	2	support
10	0.007.7693.0/10	2	cap-washer
11	0.007.7692.0/10	2	guard
13	2.0112.211.2	8	screw m 8 p.1.25 x 30
14	2.1470.004.2	6	washer 8
15	2.1310.004.2	8	flat washer 8.5
18	2.1631.415.2	2	pin 5x32
19	2.0350.456.3	8	screw m 4.2 x 19 -AB-
23	0.014.8613.4	1	lever
24	0.014.8623.4	1	lever
26	2.0112.215.2	2	screw m 8 p.1.25 x 40
27	2.1555.107.0	2	bushing 14x16x12
28	0.014.8564.3/10	1	rod
29	2.1120.005.2	2	nut m 8 p.1.25
30	0.014.8487.3	1	rod
31	0.014.8526.2	1	rod
32	0.255.6454.0	2	pin seat
33	2.1579.965.2	2	spacer 8.5x14x12.5
34	0.014.8862.3	1	knob
36	2.1120.106.2	2	nut m 10 p.1.25
37	2.1470.006.2	2	lock washer 10



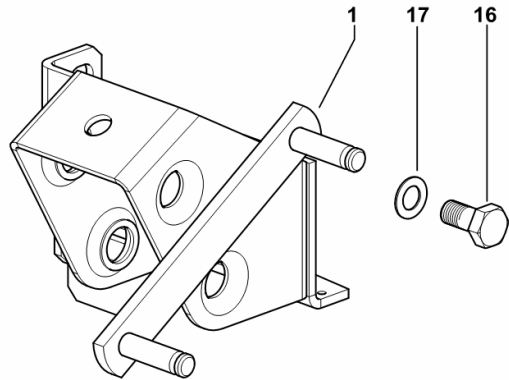
P.T.O. LEVERS SUPPORT

Fig.	Code	QTY	Name
------	------	-----	------

Notes:

[Agrofarm 420 2WD -> 20001] [Agrofarm 420 4WD -> 20001]

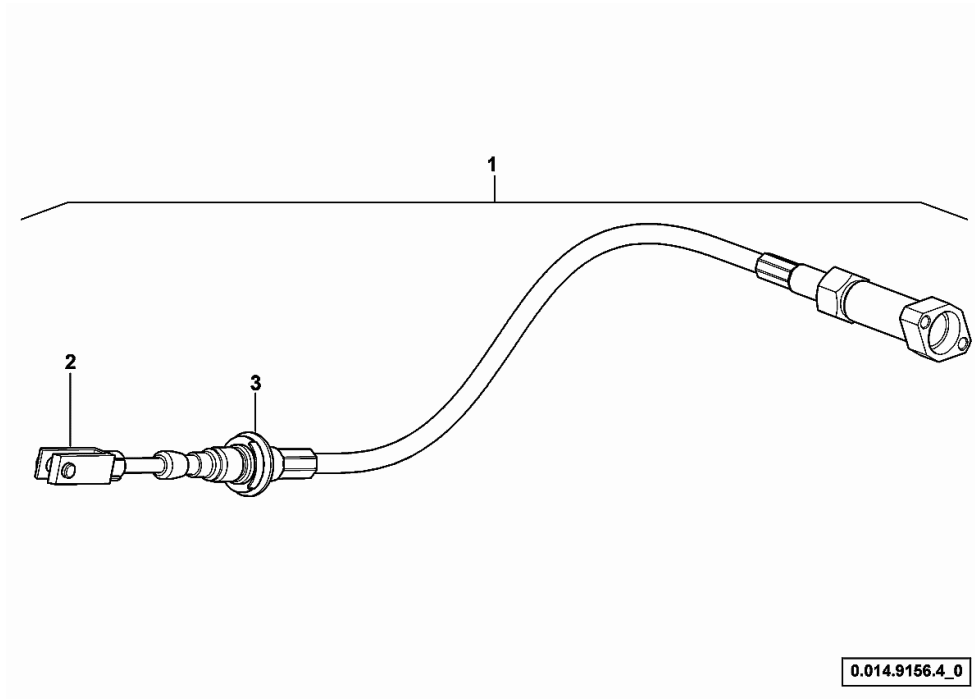
1	0.008.9472.3/20	1	support
16	2.0112.307.2	2	screw m 10 p.1.5 x 20
17	2.1470.006.2	2	lock washer 10



9_B8668_00_0-A-001

LINKAGE

Fig.	Code	QTY	Name
1	0.014.9156.4	1	rod
2	0.900.0967.4	1	fork
3	0.900.0967.5	1	ring



0.014.9156.4_0

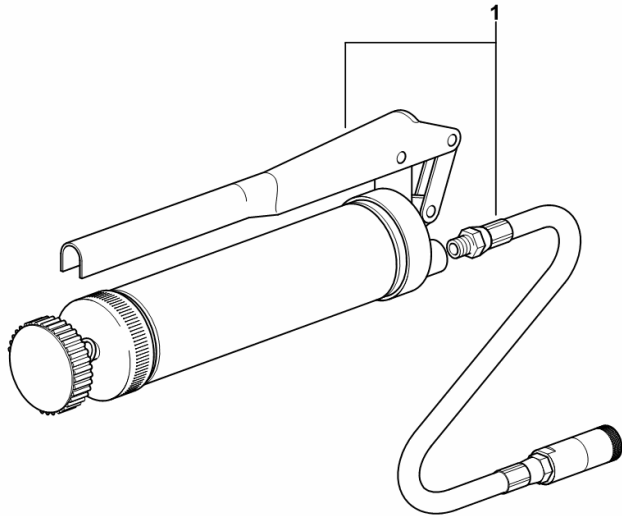
LUBRICATOR

Fig.	Code	QTY	Name
------	------	-----	------

Notes:

[Agrofarm 420 2WD -> 20001] [Agrofarm 420 4WD -> 20001]

1	0.011.6506.3	1	lubricator
---	--------------	---	------------



9_59273_01_0-A-001

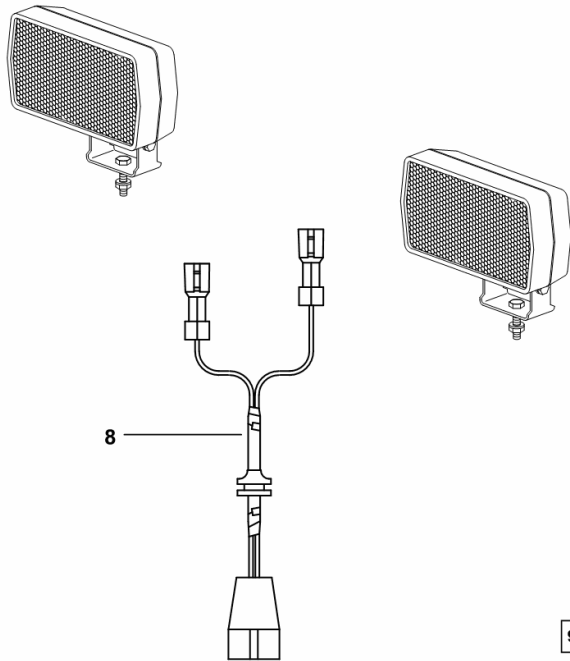
WIRING FOR HEADLIGHTS IN BASSO

Fig.	Code	QTY	Name
------	------	-----	------

Notes:

- FOR TYPES WITH CAB W/O "HIGH VISIBILITY" [Agrofarm 420 2WD -> 20001] - FOR TYPES WITH CAB W/O "HIGH VISIBILITY" [Agrofarm 420 4WD -> 20001]

8	0.015.1435.4/20	2	wire
---	-----------------	---	------



9_H1284_01_0-C-001

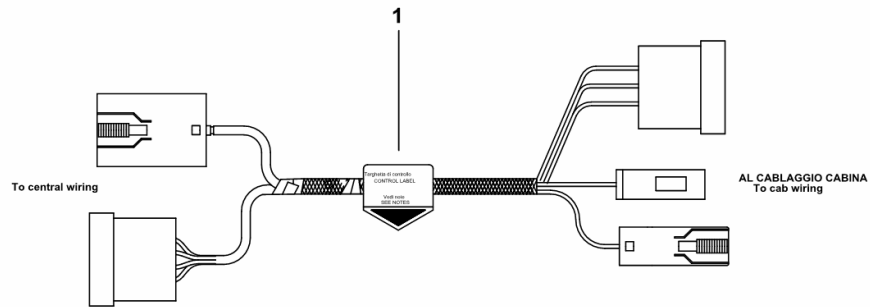
CAB POWER SUPPLY WIRING

Fig.	Code	QTY	Name
------	------	-----	------

Notes:

[Agrofarm 420 2WD -> 20001] [Agrofarm 420 4WD -> 20001]

1	0.016.0373.4/30	1	wire
---	-----------------	---	------



9_L1684_10_0-A-001

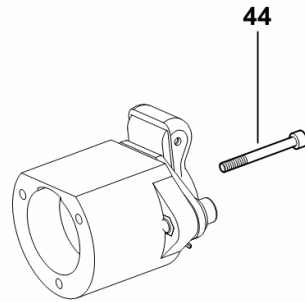
TRAILER SOCKET FIXING

Fig.	Code	QTY	Name
------	------	-----	------

Notes:

- FOR MODELS WITH CAB - EXPORT U.S.A. [Agrofarm 420 2WD -> 20001] - FOR MODELS WITH CAB - EXPORT U.S.A. [Agrofarm 420 4WD -> 20001]

44	2.0312.015.2	3	screw m 5 p.0.8x45
----	--------------	---	--------------------



9_H1284_11_0-C-002

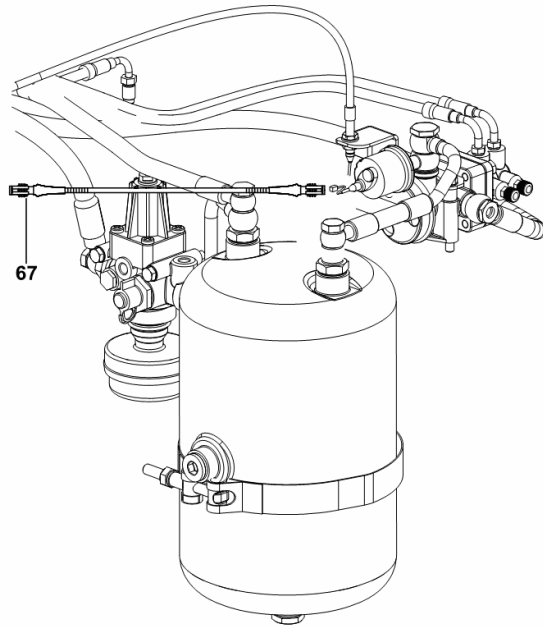
PRESSURE SWITCH WIRING FOR AIR BRAKING SYSTEM ITALY

Fig.	Code	QTY	Name
------	------	-----	------

Notes:

[Agrofarm 420 2WD -> 20001] [Agrofarm 420 4WD -> 20001]

67	0.014.1645.4/10	1	electrical system
----	-----------------	---	-------------------



9_H1589_20_0-F-002

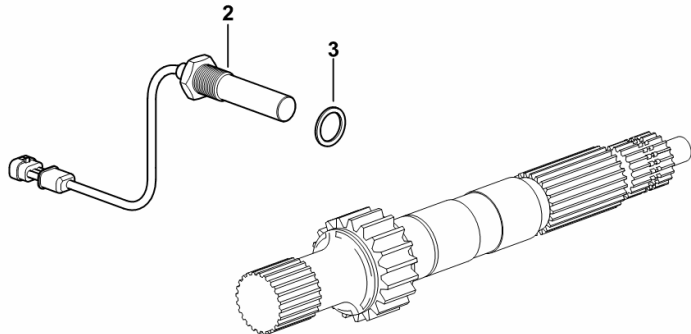
SPEED SENSOR

Fig.	Code	QTY	Name
------	------	-----	------

Notes:

[Agrofarm 420 2WD -> 20001] [Agrofarm 420 4WD -> 20001] -> 20033

2	2.7099.996.0	1	sensor
3	2.1560.014.0	1	gasket 18.2 x 24 x 1.5



9_L1684_05_0-B-001

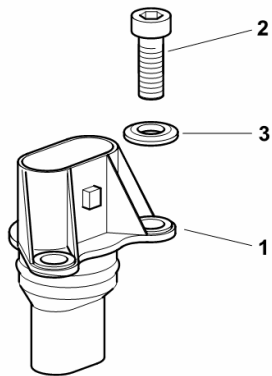
PICK-UP

Fig.	Code	QTY	Name
------	------	-----	------

Notes:

- EXPORT U.S.A. [Agrofarm 420 2WD -> 20001] - EXPORT U.S.A. [Agrofarm 420 4WD -> 20001]

1	0.010.1214.4	1	sensor
2	2.0312.003.2	2	screw m 5 p.0.8 x 14
3	2.1480.011.2	2	washer 5



9_73184_16_0-A-001

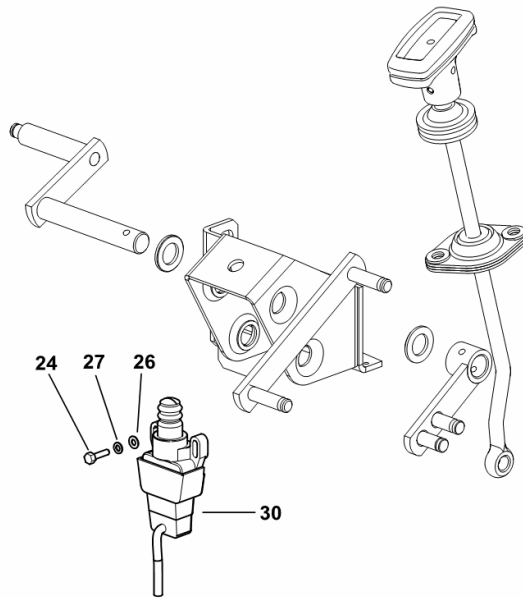
Section: L0 - ELECTRIC AL SYSTEM
GROUNDSPEED P.T.O. SWITCH

Fig.	Code	QTY	Name
------	------	-----	------

Notes:

[Agrofarm 420 2WD -> 20001] [Agrofarm 420 4WD -> 20001]

24	2.0119.070.6	2	screw m 4 p.0.7 x 16
26	2.1310.028.2	2	flat washer 4
27	2.1470.052.2	2	lock washer 4
30	2.7659.096.0/10	1	switch



9_62068_01_0-B-001

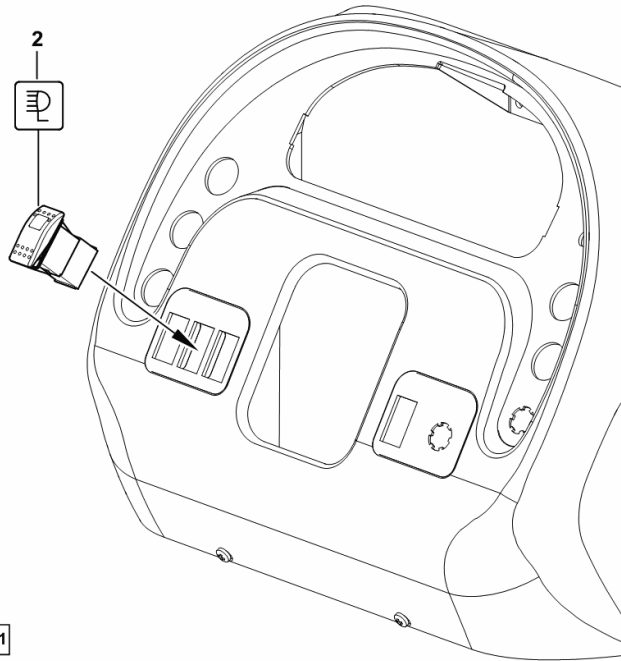
LOW FRONT WORKLIGHTS SWITCH

Fig.	Code	QTY	Name
------	------	-----	------

Notes:

- FOR TYPES WITH CAB W/O "HIGH VISIBILITY" [Agrofarm 420 2WD -> 20001] - FOR TYPES WITH CAB W/O "HIGH VISIBILITY" [Agrofarm 420 4WD -> 20001]

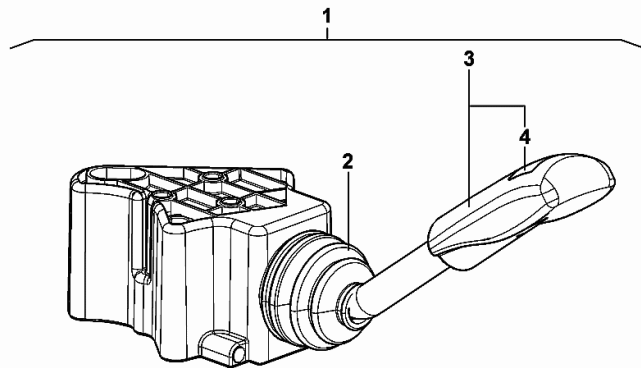
2	2.7659.150.0	1	switch
---	--------------	---	--------



9_H1284_01_0-B-001

SHUTTLE LEVER

Fig.	Code	QTY	Name
1	0.015.0363.4/60	1	switch
2	0.900.1284.4	1	bellows
3	0.900.1546.9	1	knob
4	0.900.1284.3	1	plate



0.015.0363.4/60

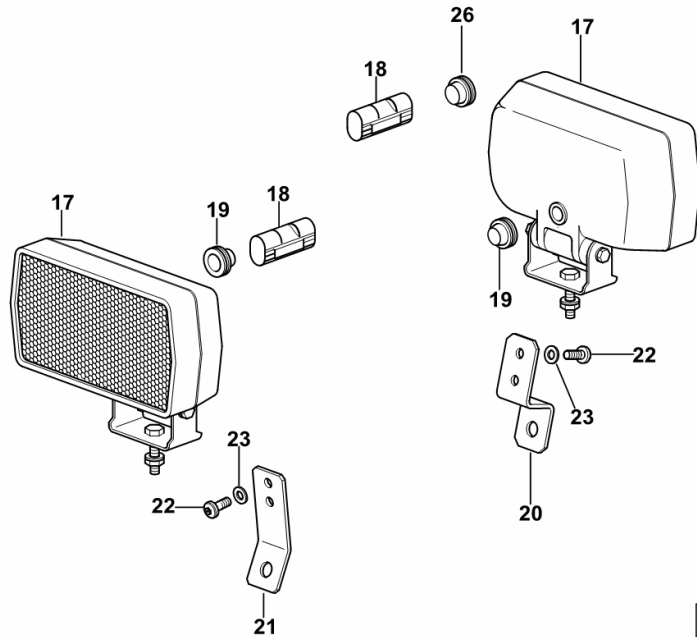
WORKING SPOTLIGHT FRONT/REAR

Fig.	Code	QTY	Name
------	------	-----	------

Notes:

- FOR TYPES WITH HEATING AND AIR CONDITIONING [Agrofarm 420 2WD -> 20001] -> 20811 - FOR TYPES WITH HEATING AND AIR CONDITIONING [Agrofarm 420 4WD -> 20001] -> 20811

17	2.8029.730.0	4	headlight ☞ 2.8029.730.0
18	2.6039.010.0	4	guard
19	2.6569.018.0	3	wire guide 20 x 8 x 15
20	0.017.8405.0	2	bracket
21	0.010.0260.0	2	bracket
22	2.0339.025.3	9	screw m 6 x 16
23	2.1310.002.3	8	flat washer 6.4 x 12 x 1.6
26	2.6569.042.0	1	wire guide 20x10x15



9_L1671_65_0-F-002

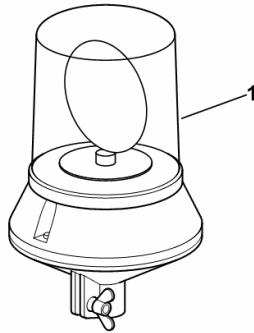
WARNING BEACON

Fig.	Code	QTY	Name
------	------	-----	------

Notes:

- FOR MODELS WITH PLATFORM [Agrofarm 420 2WD -> 20001] - FOR MODELS WITH PLATFORM [Agrofarm 420 4WD -> 20001]

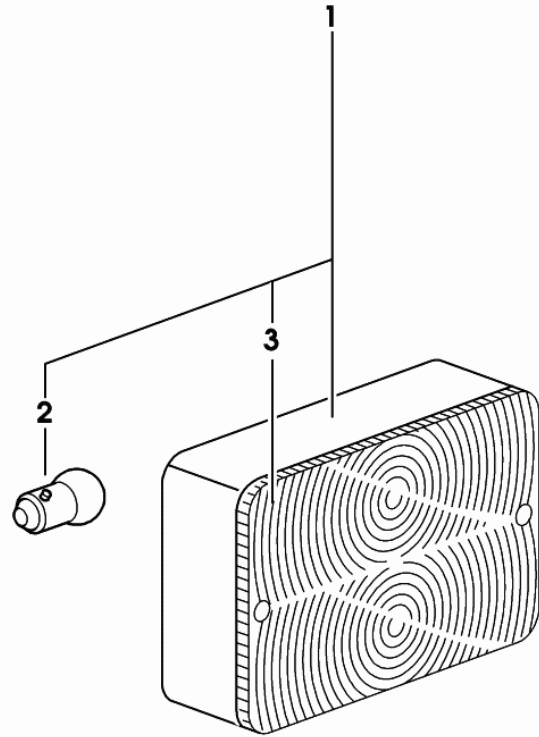
1	0.017.7434.4	1	blinker
---	--------------	---	---------



9_62085_24_0-A-001

HEADLAMP COMPONENTS

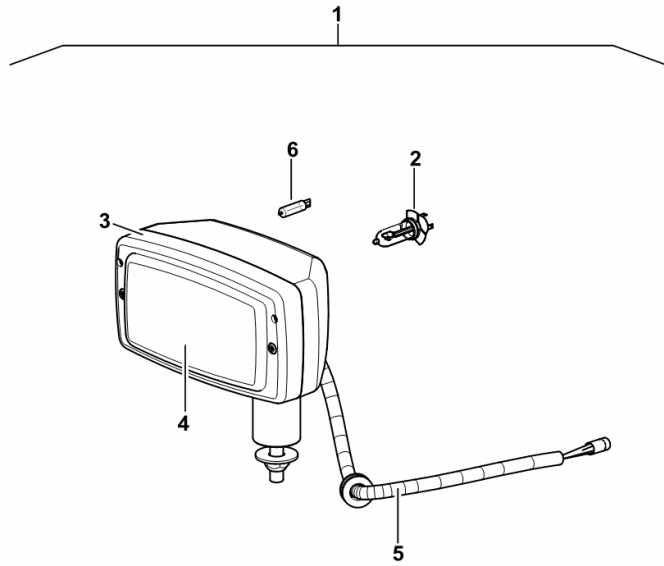
Fig.	Code	QTY	Name
1	2.8039.180.0/10	1	lamp
2	2.8313.001.0	1	lamp 12V 21W
3	0.900.0138.0	1	light body



2_8039_180_0_10

WORKING SPOTLIGHT sx/lh/li

Fig.	Code	QTY	Name
1	2.8059.527.0	1	headlight
2	0.900.0063.1	1	lamp H4 12V 60/55W
3	0.900.0263.5	1	frame
4	0.900.0263.6	1	glass
5	0.900.0263.7	1	wire
6	0.900.1540.3	1	lamp T4W 12V 4W



2_8059_527_0

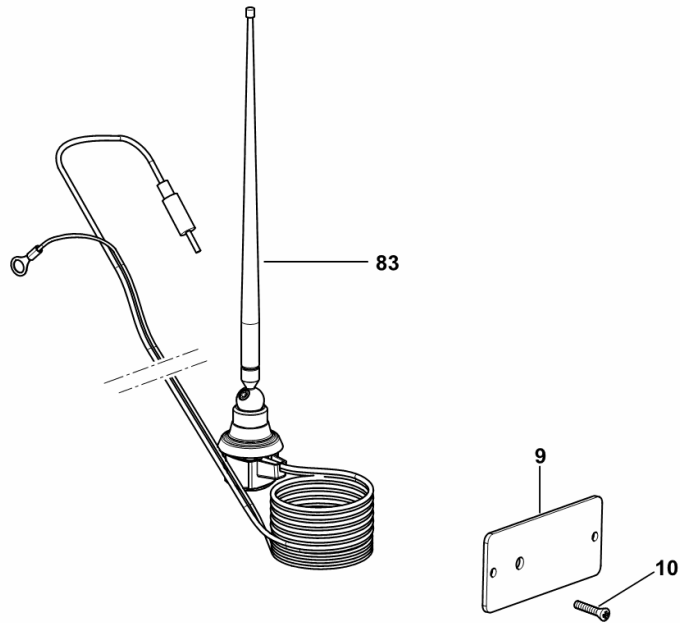
RADIO ANTENNA

Fig.	Code	QTY	Name
------	------	-----	------

Notes:

- FOR TYPES WITH HEATING AND AIR CONDITIONING [Agrofarm 420 2WD -> 20001] -> 20811 - FOR TYPES WITH HEATING AND AIR CONDITIONING [Agrofarm 420 4WD -> 20001] -> 20811

9	0.016.0429.0/10	1	support
10	2.0330.304.2	2	screw m 5 x 12
83	0.011.5630.3/20	1	radio aereo



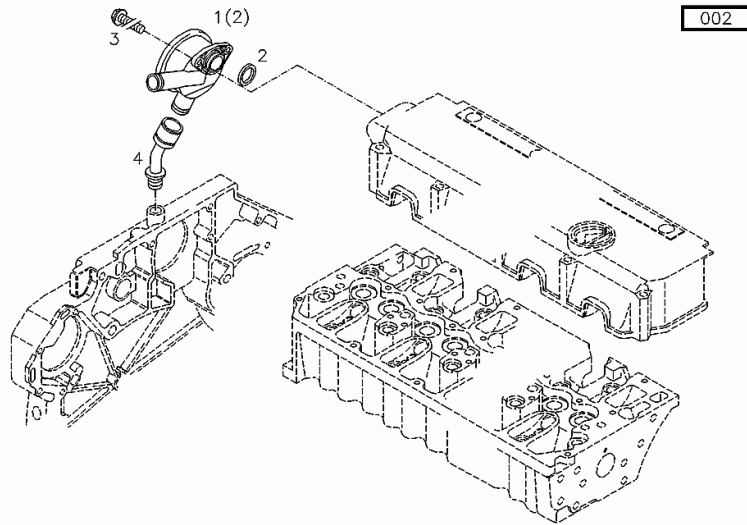
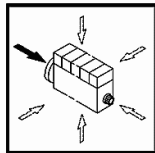
9_L1671_65_0-J-002

Section: B0 - ENGINE
CRANKCASE BREATHER

Fig.	Code	QTY	Name
------	------	-----	------

Engine Serial Numbers:

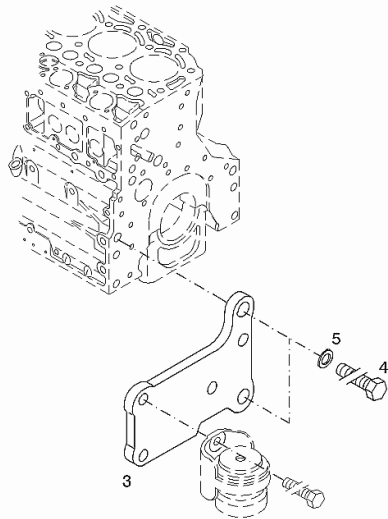
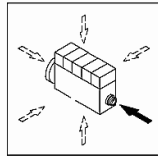
10600578	10637871	10637872	10756595	10756596	10756597	10756598	10756599	10765683	10765688	10765689
10765690	10765692	10765693	10765694	10765695	10765697	10765700	10765701	10765702	10765704	10770165
10770167	10770168	10770173	10770174	10770175	10770176	10770177	10770179	10770180	10771126	10771127
10771128	10775378	10775380	10775383	10775384	10775385	10775386	10775387	10775390	10776045	10776046
10776050	10777757	10777759	10777760	10777761	10777762	10777763	10777764	10791147	10792395	10792401
10792402	10792404	10792405	10792408	10792417	10792421	10792424	10793409	10793411	10793412	10793413
10793415	10793416	10793417	10793419	10793420	10793421	10795351	10795352	10795358	10795359	10795361
10795362	10795367	10795375	10795376	10795379	10795380	10795381	10795382	10795388	10795390	10798287
10798288	10798293	10798296	10798297	10798298	10798299	10798300	10800771	10800772	10800773	10800774
10800775	10800776	10800777	10800778	10800780	10800781	10800782	10800783	10800784	10800785	10800786
10800787	10800788	10802729	10803337	10803338	10803339	10803340	10803341	10803342	10805252	10805253
10805254	10805255	10805256	10805257	10805258	10805259	10805260	10805261	10805262	10805263	10805264
10805265	10805266	10805862	10805863	10805864	10805866	10805867	10805868	10805870	10806326	10806327
10806328	10806330	10806332	10806333	10806334	10807768	10807770	10807775	10807778	10807779	10812843
10812844	10812846	10812849	10812850	10812851	10812852	10812854	10812855	10812858	10812859	10813148
10813149	10813151	10813155	10813160	10813197	10813198	10813199	10813200	10813201	10813204	10813205
10813206	10813207	10813209	10813210	10813211	10813212	10815300	10815302	10815303	10815304	10815308
10815313	10815316	10815317	10817165	10817166	10817167	10817168	10817173	10817176	10817177	10817184
10817185	10822004	10822005	10822006	10822007	10822008	10822010	10822011	10822014	10822016	10822018
10822019	10825282	10825283	10825288	10825292	10825293	10825297	10825298	10825300	10825301	10825302
10825304	10825305	10825306	10825307	10825931	10825932	10825934	10825936	10825937	10825938	10825939
10825940	10825942	10825943	10825944	10825945	10825946	10825947	10825948	10825950	10827145	10827146
10827147	10827148	10827149	10827152	10827154	10827155	10827156	10827157	10827158	10827159	10827577
10827579	10827580	10827581	10827583	10827584	10827587	10827588	10827589	10827590	10827591	10830683
10830688	10830691	10830693	10830694	10830695	10830697	10831362	10831363	10831365	10831370	10831371
10831372	10831375	10832302	10832305	10832307	10832309	10832310	10832312	10832314	10833052	10833054
10833059	10833060	10833062	10833063	10834150	10834151	10834153	10834154	10834155	10834157	10834158
10834159	10834160	10834161	10834162	10834163	10834164	10834165	10834166	10834167	10834168	10834169
10835174	10835175	10835176	10835177	10835178	10835181	10835187	10835189	10835191	10835192	10836510
10836511	10836512	10836513	10836514	10836919	10836921	10836925	10836926	10836927	10836928	10836930
10837706	10837707	10837708	10837709	10837710	10837711	10837712	10837713	10837714	10837716	10837721
10837722	10837723	10837724	10842053	10842054	10842055	10842057	10842058	10842059	10842060	10842062
10842063	10842064	10842065	10842066	10842067	10842068	10842069	10842070	10842071	10842072	10842416
10842417	10842418	10842419	10842420	10842421	10842422	10842719	10842720	10842721	10842722	10843911
10843912	10843920	10843921	10843923	10843926	10843927	10843928	10844275	10844278	10844284	10844285
10844289	10847752	10847754	10847755	10847756	10847757	10847760	10847761	10847763	10847765	10847766
10847767	10847769	10847770	10847771	10847772	10847774	10847775	10847776	10847777	10848302	10848303
10848304	10848306	10848308	10848309	10850699	10850700	10850704	10850705	10850706	10850708	10851667
10851671	10851672	10851674	10851675	10851676	10857635	10857636	10860840	10860841	10860843	10860847
10861226	10861230	10861231	10861234	10861235	10862771	10862774	10862778	10863543	10863545	10863547
10863548	10863549	10863550	10863551	10863553	10863555	10863556	10863557	10868171	10868174	10868177
10868178	10868182	10870420	10870421	10870422	10870423	10870424	10873021	10873022	10873024	10873026
10873027	10873028	10873029	10873030	10873032	10873033	10873035	10873036	10876201	10876884	10876888
10876890	10876893	10876897	10876901	10876902	10877937	10884878	10884879	10884880	10884881	10884882
10884883	10884884	10884885	10884886	10884891	10884892	10884893	10888699	10888703	10888704	10888708
10888709	10888710	10888711	10888712	10888713	10891815	10891818	10891820	10891828	10891835	10891836
10891837	10891841	10891844	10893471	10893478	10893481	10893482	10893483	10893487	10893503	10893504
10893505	10893507	10893510	10893517	10893518	10893831	10893833	10893834	10893835	10893836	10893837



0507 1876

ACCESSORIES

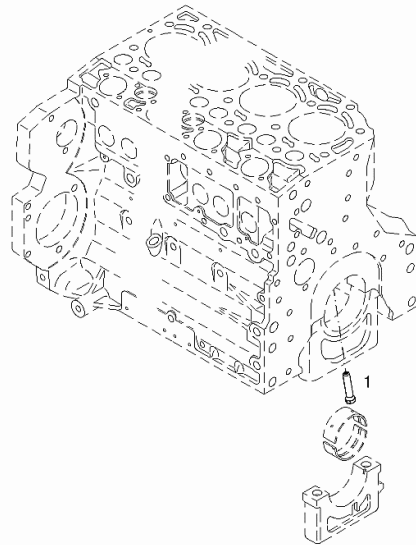
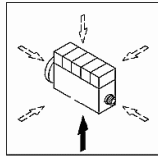
Fig.	Code	QTY	Name
	10893838 10893839 10893841 10893843 10893844 10893846 10893874 10893875 10893877 10893879 10894695		
	10894696 10894698 10895559 10895561 10895562 10895563 10895857 10895859 10895861 10895862 10895866		
	10895867 10902225 10902227 10902228 10902230 10902231 10902237 10902240 10902247 10903166 10903167		
	10903168 10903169 10903171 10903172 10903174 10903175 10903601 10903603 10903604 10903606 10903607		
	10903609 10903636 10903640 10903642 10903643 10908191 10908193 10908196 10908197 10908235 10908237		
	10911355 10911356 10911358 10911361 10911364 10912443 10912449 10912451 10912452 10913936 10913937		
	10913945 10913975 10914569 10915099 10915100 10915101 10915102 10915103 10915104 10915106 10915107		
	10915108 10920279 10920280 10920283 10920284 10920286 10921808 10921810 10921811 10921813 10921815		
	10921816 10921817 10922546 10922549 10922551 10922553 10922555 10922559 10922561 10922562 10922563		
	10922564 10922566 10922567 10922568 10922569 10922570 10922571 10923162 10923163 10923164 10923166		
	10923167 10923168 10923169 10923171 10923172 10923173 10923175 10923178 10923179 10923181 10923182		
003	10923183 10923626 10923634 10923635 10923637 10923639 10923640 10924532 10924533 10924535 10924537		
	10924538 10924539 10925113 10925114 10925117 10925121 10925124 10925128 10925129 10925130 10925134		
	10925135 10925137 10925139 10925142 10925143 10927319 10927899 10927900 10927901 10927902 10927903		
	10927904 10927905 10927906 10927909 10927910 10927913 10927915 10928547 10929300 10929302 10930259		
	10930260 10930263 10930264 10930266 10930272 10931415 10931423 10932251 10932255 10932257 10932260		
	10932262 10932267 10932268 10932509 10942247 10942249 10942250 10942252 10942253 10942254 10942255		
	10942258 10942260 10943518 10943519 10943520 10943521 10943522 10943527 10943528 10953643 10953644		
	10953646 10953649 10955611 10955612 10955613 10955614 10955615 10955965 10955966 10955968 10955969		
	10955970 10955971 10955972 10956257 10956261 10956929 10961603 10961605 10962168 10962174 10962175		
	10962176 10962178 10964808 10964812 10964814 10965081 10965527 10965528 10965530 10965532 10965533		
	10965534 10965536 10965537 10965538 10965539 10965540 10966571 10966572 10966573 10966575 10966576		
	10966577 10966578 10967935 10968053 10968054 10968055 10968058 10968059 10968553 10968556 10968557		
	10970066 10970067 10970653 10970654 10970655 10972049 10972052 10973249 10973250 10973251 10973254		
	10973275 10973276 10973279 10973280 10973281 10973283 10973290 10973292 10973293 10973526 10973527		
	10973528 10973529 10973532 10973534 10973535 10975130 10975132 10975133 10975136 10975137 10975138		
	10975139 10976062 10979097 10979099 10979101 10979102 10979104 10979128 10979129 10979130 10979132		
	10982700 10983154 10983155 10985007 10985539 10985540 10985541 10985542 10985545 10985546 10986678		
	10986679 10986680 10986681 10986682 10986683 10986684 10986685 10986686 10986687 10986699 10986700		
	10986702 10986703 10986704 10986706 10986707 10986708 10986709 10986710 10986712 10986715 10986909		
	10986913 10986914 10986915 10986916 10986924 10986925 10986926 10986927 10986928 10986929 10986932		
	10987725 10987727 10987728 10987731 10987732 10988324 10988326 10988327 10988328 10988330		
	10988331 10988332 10988429 10988430 10988431 10988432 10988434 10988435 10988437 10989317 10989321		
	10989322 10989323 10989325 10989328 10989329 10989330 10989332 11000982 11000996 11000999 11001593		
	11001594 11001595 11001597 11001599 11001600 11001693 11002565 11002571 11002575 11002608 11002611		
	11002612 11006285 11006286 11006287 11006288 11006289 11006291 11006292 11006294 11006295 11006296		
	11006297 11006300 11006305 11006307 11006313 11007496 11007528 11007530 11007531 11007968 11007993		
	11007996 11007997 11007998 11010396 11010397 11011113 11011939 11011940 11012144 11012147 11012148		
	11014234 11014235 11014237 11014244 11014245 11014248 11014249 11014250 11014254 11014255 11015045		
	11015046 11015048 11015861 11015862 11018501 11018506 11018635 11018641 11018644 11018645 11018650		
	11018651 11018944 11018946 11020643 11020644 11020647 11020650 11021122 11021123 11021599 11021600		
	11021602 11021604 11021710 11021711 11023559 11023949 11023950 11023952 11023953 11023954 11023955		
	11023957 11023997 11024022 11024023 11024024 11024025 11024026 11024199 11024201 11024203 11024640		
	11024641 11024642 11027539 11027541 11027866		



3	04288660	1	support
4	01148261	2	screw
			ISO 4017 -M16X40-10.9-ZNAL-A

Section: B0 - ENGINE
PISTON COOL.NOZZLE

Fig.	Code	QTY	Name
	10893838 10893839 10893841 10893843 10893844 10893846 10893874 10893875 10893877 10893879 10894695		
	10894696 10894698 10895559 10895561 10895562 10895563 10895857 10895859 10895861 10895862 10895866		
	10895867 10902225 10902227 10902228 10902230 10902231 10902237 10902240 10902247 10903166 10903167		
	10903168 10903169 10903171 10903172 10903174 10903175 10903601 10903603 10903604 10903606 10903607		
	10903609 10903636 10903640 10903642 10903643 10908191 10908193 10908196 10908197 10908235 10908237		
	10911355 10911356 10911358 10911361 10911364 109112443 10912449 10912451 10912452 10913936 10913937		
	10913945 10913975 10914569 10915099 10915100 10915101 10915102 10915103 10915104 10915106 10915107		
	10915108 10920279 10920280 10920283 10920284 10920286 10921808 10921810 10921811 10921813 10921815		
	10921816 10921817 10922546 10922549 10922551 10922553 10922555 10922559 10922561 10922562 10922563		
	10922564 10922566 10922567 10922568 10922569 10922570 10922571 10923162 10923163 10923164 10923166		
	10923167 10923168 10923169 10923171 10923172 10923173 10923175 10923178 10923179 10923181 10923182		
001	10923183 10923626 10923634 10923635 10923637 10923639 10923640 10924532 10924533 10924535 10924537		
	10924538 10924539 10925113 10925114 10925117 10925121 10925124 10925128 10925129 10925130 10925134		
	10925135 10925137 10925139 10925142 10925143 10927319 10927899 10927900 10927901 10927902 10927903		
	10927904 10927905 10927906 10927909 10927910 10927913 10927915 10928547 10929300 10929302 10930259		
	10930260 10930263 10930264 10930266 10930272 10931415 10931423 10932251 10932255 10932257 10932260		
	10932262 10932267 10932268 10932509 10942247 10942249 10942250 10942252 10942253 10942254 10942255		
	10942258 10942260 10943518 10943519 10943520 10943521 10943522 10943527 10943528 10953643 10953644		
	10953646 10953649 10955611 10955612 10955613 10955614 10955615 10955965 10955966 10955968 10955969		
	10955970 10955971 10955972 10956257 10956261 10956929 10961603 10961605 10962168 10962174 10962175		
	10962176 10962178 10964808 10964812 10964814 10965081 10965527 10965528 10965530 10965532 10965533		
	10965534 10965536 10965537 10965538 10965539 10965540 10966571 10966572 10966573 10966575 10966576		
	10966577 10966578 10967935 10968053 10968054 10968055 10968058 10968059 10968553 10968556 10968557		
	10970066 10970067 10970653 10970654 10970655 10972049 10972052 10973249 10973250 10973251 10973254		
	10973275 10973276 10973279 10973280 10973281 10973283 10973290 10973292 10973293 10973526 10973527		
	10973528 10973529 10973532 10973534 10973535 10975130 10975132 10975133 10975136 10975137 10975138		
	10975139 10976062 10979097 10979099 10979101 10979102 10979104 10979129 10979129 10979130 10979132		
	10982700 10983154 10983155 10985007 10985539 10985540 10985541 10985542 10985545 10985546 10986678		
	10986679 10986680 10986681 10986682 10986683 10986684 10986685 10986686 10986687 10986699 10986700		
	10986702 10986703 10986704 10986706 10986707 10986708 10986709 10986710 10986712 10986715 10986909		
	10986913 10986914 10986915 10986916 10986924 10986925 10986926 10986927 10986928 10986929 10986932		
	10987725 10987727 10987728 10987731 10987732 10988324 10988326 10988327 10988328 10988330 10988331		
	10988332 10988332 10988429 10988430 10988431 10988432 10988434 10988435 10988437 10989317 10989321		
	10989322 10989323 10989325 10989328 10989329 10989330 10989332 11000982 11000996 11000999 11001593		
	11001594 11001595 11001597 11001599 11001600 11001693 11002565 11002571 11002575 11002608 11002611		
	11002612 11006285 11006286 11006287 11006288 11006289 11006291 11006292 11006294 11006295 11006296		
	11006297 11006300 11006305 11006307 11006313 11007496 11007528 11007530 11007531 11007968 11007993		
	11007996 11007997 11007998 11010396 11010397 11011113 11011939 11011940 11012144 11012147 11012148		
	11014234 11014235 11014237 11014244 11014245 11014248 11014249 11014250 11014254 11014255 11015045		
	11015046 11015048 11015861 11015862 11018501 11018506 11018635 11018641 11018644 11018645 11018650		
	11018651 11018944 11018946 11020643 11020644 11020647 11020650 11021122 11021123 11021599 11021600		
	11021602 11021604 11021710 11021711 11023559 11023949 11023950 11023952 11023953 11023954 11023955		
	11023957 11023997 11024022 11024023 11024024 11024025 11024026 11024199 11024201 11024203 11024640		
	11024641 11024642 11027539 11027541 11027866		



1 04207521 1 windscreen washer

Section: B0 - ENGINE
CRANKSHAFT

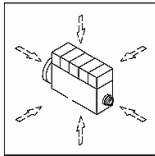
Fig.	Code	QTY	Name
------	------	-----	------

Engine Serial Numbers:

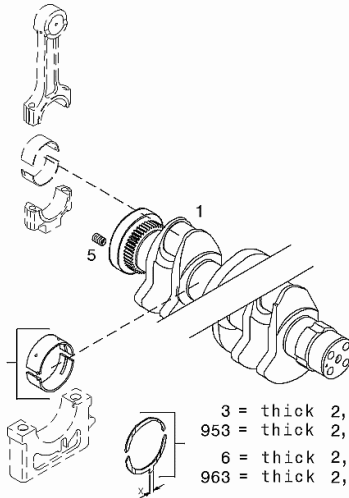
10600578 10637871 10637872 10756595 10756596 10756597 10756598 10756599 10765683 10765688 10765689
 10765690 10765692 10765693 10765694 10765695 10765697 10765700 10765701 10765702 10765704 10770165
 10770167 10770168 10770173 10770174 10770175 10770176 10770177 10770179 10770180 10771126 10771127
 10771128 10775378 10775380 10775383 10775384 10775385 10775386 10775387 10775390 10776045 10776046
 10776050 10777757 10777759 10777760 10777761 10777762 10777763 10777764 10791147 10792395 10792401
 10792402 10792404 10792405 10792408 10792417 10792421 10792424 10793409 10793411 10793412 10793413
 10793415 10793416 10793417 10793419 10793420 10793421 10795351 10795352 10795358 10795359 10795361
 10795362 10795367 10795375 10795376 10795379 10795380 10795381 10795382 10795388 10795390 10798287
 10798288 10798293 10798296 10798297 10798298 10798299 10798300 10800771 10800772 10800773 10800774
 10800775 10800776 10800777 10800778 10800780 10800781 10800782 10800783 10800784 10800785 10800786
 10800787 10800788 10802729 10803337 10803338 10803339 10803340 10803341 10803342

003 ©

1	04292803	1	crank shaft
2	02931062	5	main bearing STANDARD NORMAL (A) MM RD, UNDERSIZE SEE POS. (B) A = 84.00 B = POS. 952
3	02931331	2	snoulder STANDARD NORMAL (A) MM, OVERSIZE SEE POS. (B) POS. (B) A = 2.00 B = Pos. 953
5	01172066	10	insert H 2358 -AM10X1X20
6	02931063	2	snoulder STANDARD NORMAL (A) MM, OVERSIZE SEE POS. (B) POS. (B) A = 2.00 B = Pos. 963
952	02931071	1	main bearing - mm 0.25 1st UNDERSIZE 83.75 mm
953	02931332	1	snoulder 1st OVERSIZE 2.20 MM
963	02931074	1	snoulder 1st OVERSIZE 2.20 MM



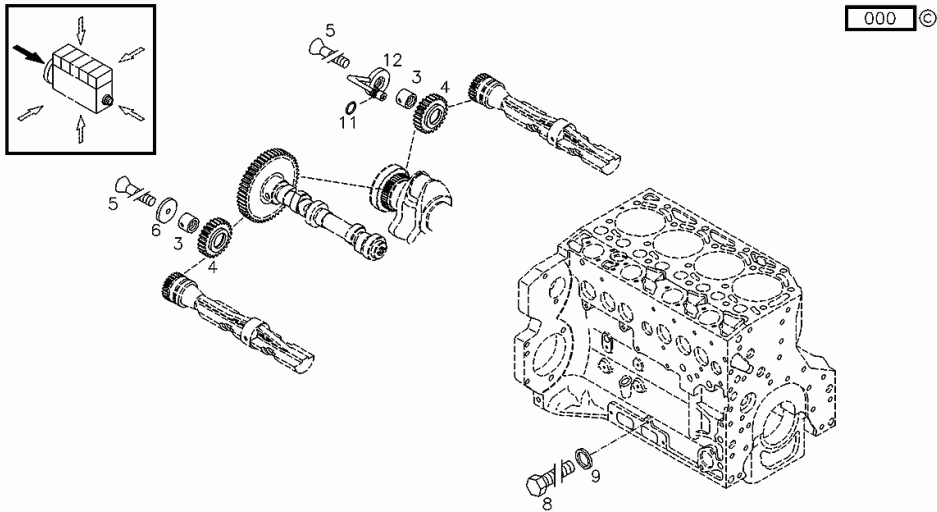
2 = diam. 84,00 mm
 952 = diam. 83,75 mm



3 = thick 2,00 mm X = 14,00 mm
 953 = thick 2,20 mm X = 14,00 mm
 6 = thick 2,00 mm X = 10,00 mm
 963 = thick 2,20 mm X = 10,00 mm

Section: B0 - ENGINE
COUNTERWEIGHTS

Fig.	Code	QTY	Name
			H 2091 -7991-M8X45-10.9-GESCHW-MK-1.0
6	04255410	1	ring
8	01148220	2	valve
9	01118647	2	ISO 4017 -M8X10-8.8-ZNAL-A 'o' ring 8x11,5 d7603 DIN 7603 -A8X11,5-CU
11	01181582	1	snoulder
12	04255412	1	H 2927 -7X1,5-ACM-1-70 pin

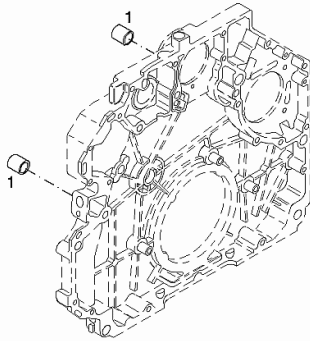
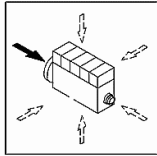


0507 8756

BUSH

Fig.	Code	QTY	Name
10893838	10893839 10893841 10893843 10893844 10893846 10893874 10893875 10893877 10893879 10894695		
10894696	10894698 10895559 10895561 10895562 10895563 10895857 10895859 10895861 10895862 10895866		
10895867	10902225 10902227 10902228 10902230 10902231 10902237 10902240 10902247 10903166 10903167		
10903168	10903169 10903171 10903172 10903174 10903175 10903601 10903603 10903604 10903606 10903607		
10903609	10903636 10903640 10903642 10903643 10908191 10908193 10908196 10908197 10908235 10908237		
10911355	10911356 10911358 10911361 10911364 109112443 10912449 10912451 10912452 10913936 10913937		
10913945	10913975 10914569 10915099 10915100 10915101 10915102 10915103 10915104 10915106 10915107		
10915108	10920279 10920280 10920283 10920284 10920286 10921808 10921810 10921811 10921813 10921815		
10921816	10921817 10922546 10922549 10922551 10922553 10922555 10922559 10922561 10922562 10922563		
10922564	10922566 10922567 10922568 10922569 10922570 10922571 10923162 10923163 10923164 10923166		
10923167	10923168 10923169 10923171 10923172 10923173 10923175 10923178 10923179 10923181 10923182		
10923183	10923626 10923634 10923635 10923637 10923639 10923640 10924532 10924533 10924535 10924537		
10924538	10924539 10925113 10925114 10925117 10925121 10925124 10925128 10925129 10925130 10925134		
10925135	10925137 10925139 10925142 10925143 10927319 10927899 10927900 10927901 10927902 10927903		
10927904	10927905 10927906 10927909 10927910 10927913 10927915 10928547 10929300 10929302 10930259		
10930260	10930263 10930264 10930266 10930272 10931415 10931423 10932251 10932255 10932257 10932260		
10932262	10932267 10932268 10932509 10942247 10942249 10942250 10942252 10942253 10942254 10942255		
10942258	10942260 10943518 10943519 10943520 10943521 10943522 10943527 10943528 10953643 10953644		
10953646	10953649 10955611 10955612 10955613 10955614 10955615 10955965 10955966 10955968 10955969		
10955970	10955971 10955972 10956257 10956261 10956929 10961603 10961605 10962168 10962174 10962175		
10962176	10962178 10964808 10964812 10964814 10965081 10965527 10965528 10965530 10965532 10965533		
10965534	10965536 10965537 10965538 10965539 10965540 10966571 10966572 10966573 10966575 10966576		
10966577	10966578 10967935 10968053 10968054 10968055 10968058 10968059 10968553 10968556 10968557		
10970066	10970067 10970653 10970654 10970655 10972049 10972052 10973249 10973250 10973251 10973254		
10973275	10973276 10973279 10973280 10973281 10973283 10973290 10973292 10973293 10973526 10973527		
10973528	10973529 10973532 10973534 10973535 10975130 10975132 10975133 10975136 10975137 10975138		
10975139	10976062 10979097 10979099 10979101 10979102 10979104 10979129 10979129 10979130 10979132		
10982700	10983154 10983155 10985007 10985539 10985540 10985541 10985542 10985545 10985546 10986678		
10986679	10986680 10986681 10986682 10986683 10986684 10986685 10986686 10986687 10986699 10986700		
10986702	10986703 10986704 10986706 10986707 10986708 10986709 10986710 10986712 10986715 10986909		
10986913	10986914 10986915 10986916 10986924 10986925 10986926 10986927 10986928 10986929 10986932		
10987725	10987727 10987728 10987729 10987731 10987732 10988324 10988326 10988328 10988328 10988330		
10988331	10988332 10988429 10988430 10988431 10988432 10988434 10988435 10988437 10989317 10989321		
10989322	10989323 10989325 10989328 10989329 10989330 10989332 11000982 11000996 11000999 11001593		
11001594	11001595 11001597 11001599 11001600 11001693 11002565 11002571 11002575 11002608 11002611		
11002612	11006285 11006286 11006287 11006288 11006289 11006291 11006292 11006294 11006295 11006296		
11006297	11006300 11006305 11006307 11006313 11007496 11007528 11007530 11007531 11007968 11007993		
11007996	11007997 11007998 11010396 11010397 11011113 11011939 11011940 11012144 11012147 11012148		
11014234	11014235 11014237 11014244 11014245 11014248 11014249 11014250 11014254 11014255 11015045		
11015046	11015048 11015861 11015862 11018501 11018506 11018635 11018641 11018644 11018645 11018650		
11018651	11018944 11018946 11020643 11020644 11020647 11020650 11021122 11021123 11021599 11021600		
11021602	11021604 11021710 11021711 11023559 11023949 11023950 11023952 11023953 11023954 11023955		
11023957	11023997 11024022 11024023 11024024 11024025 11024026 11024199 11024201 11024203 11024640		
11024641	11024642 11027539 11027541 11027866		

001 ©



1

04206381

2

bushing 13x18x20

CLICK HERE TO **DOWNLOAD** THE COMPLETE MANUAL

- Thank you very much for reading the preview of the manual.
- You can download the complete manual from: www.heydownloads.com by clicking the link below

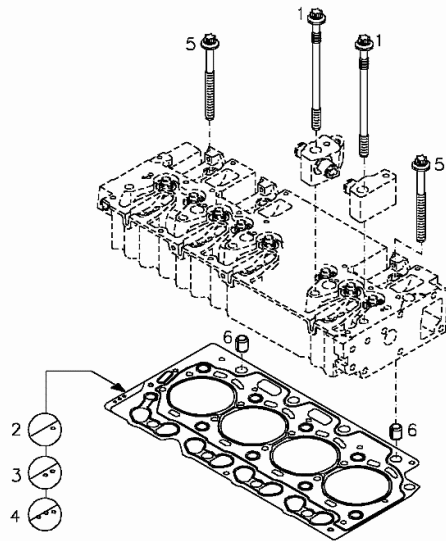
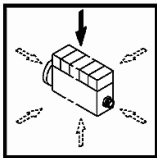


- Please note: If there is no response to CLICKING the link, please download this PDF first and then click on it.

CLICK HERE TO **DOWNLOAD** THE COMPLETE MANUAL

FASTENINGS

Fig.	Code	QTY	Name
3	04289407	1	DEPENDING ON THE MEASUREMENT, GASKET THICKNESS DELIVERY STATUS (A)= ...MM ASSEMBLY STATUS (B)= ...MM FOR OTHER THICKNESSESS SEE POS. (C) A = 1.13MM 1 gasket
4	04289406	1	DEPENDING ON THE MEASUREMENT, GASKET THICKNESS DELIVERY STATUS (A)= ...MM ASSEMBLY STATUS (B)= ...MM FOR OTHER THICKNESSESS SEE POS. (C) A = 1.23 MM 2 gasket
5	04251251	13	DEPENDING ON THE MEASUREMENT, GASKET THICKNESS DELIVERY STATUS (A)= ...MM ASSEMBLY STATUS (B)= ...MM FOR OTHER THICKNESSESS SEE POS. (C) A = 1.33 MM 3 screw
6	01181405	2	grain H 2341 -B15X18-FE/ZN12C*

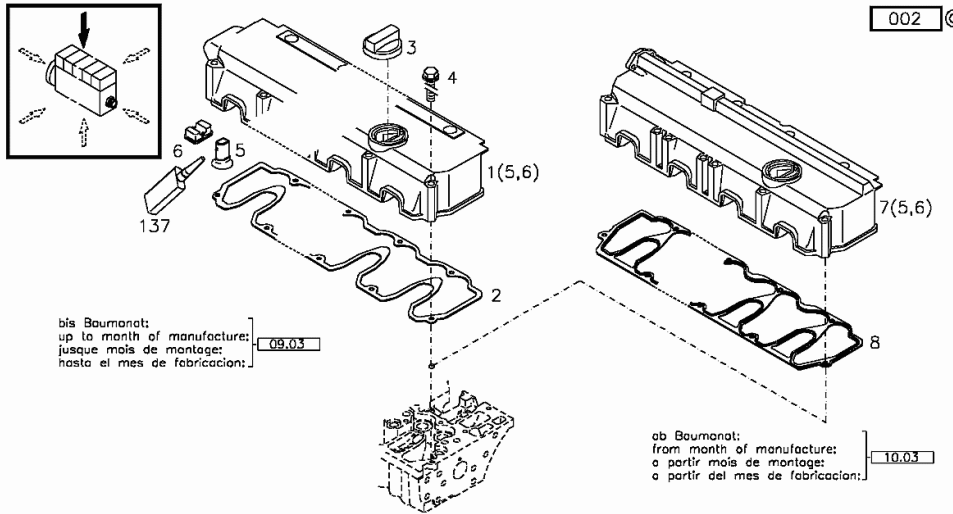


Section: B0 - ENGINE
ROCKER ARMS COVER

Fig.	Code	QTY	Name
------	------	-----	------

10893838	10893839	10893841	10893843	10893844	10893846	10893874	10893875	10893877	10893879	10894695
10894696	10894698	10895559	10895561	10895562	10895563	10895857	10895859	10895861	10895862	10895866
10895867	10902225	10902227	10902228	10902230	10902231	10902237	10902240	10902247	10903166	10903167
10903168	10903169	10903171	10903172	10903174	10903175	10903601	10903603	10903604	10903606	10903607
10903609	10903636	10903640	10903642	10903643	10908191	10908193	10908196	10908197	10908235	10908237
10911355	10911356	10911358	10911361	10911364	109112443	10912449	10912451	10912452	10913936	10913937
10913945	10913975	10914569	10915099	10915100	10915101	10915102	10915103	10915104	10915106	10915107
10915108	10920279	10920280	10920283	10920284	10920286	10921808	10921810	10921811	10921813	10921815
10921816	10921817	10922546	10922549	10922551	10922553	10922555	10922559	10922561	10922562	10922563
10922564	10922566	10922567	10922568	10922569	10922570	10922571	10923162	10923163	10923164	10923166
10923167	10923168	10923169	10923171	10923172	10923173	10923175	10923178	10923179	10923181	10923182
10923183	10923626	10923634	10923635	10923637	10923639	10923640	10924532	10924533	10924535	10924537
10924538	10924539	10925113	10925114	10925117	10925121	10925124	10925128	10925129	10925130	10925134
10925135	10925137	10925139	10925142	10925143	10927319	10927899	10927900	10927901	10927902	10927903
10927904	10927905	10927906	10927909	10927910	10927913	10927915	10928547	10929300	10929302	10930259
10930260	10930263	10930264	10930266	10930272	10931415	10931423	10932251	10932255	10932257	10932260
10932262	10932267	10932268	10932509	10942247	10942249	10942250	10942252	10942253	10942254	10942255
10942258	10942260	10943518	10943519	10943520	10943521	10943522	10943527	10943528	10953643	10953644
10953646	10953649	10955611	10955612	10955613	10955614	10955615	10955965	10955966	10955968	10955969
10955970	10955971	10955972	10956257	10956261	10956929	10961603	10961605	10962168	10962174	10962175
10962176	10962178	10964808	10964812	10964814	10965081	10965527	10965528	10965530	10965532	10965533
10965534	10965536	10965537	10965538	10965539	10965540	10966571	10966572	10966573	10966575	10966576
10966577	10966578	10967935	10968053	10968054	10968055	10968058	10968059	10968553	10968556	10968557
10970066	10970067	10970653	10970654	10970655	10972049	10972052	10973249	10973250	10973251	10973254
10973275	10973276	10973279	10973280	10973281	10973283	10973290	10973292	10973293	10973526	10973527
10973528	10973529	10973532	10973534	10973535	10975130	10975132	10975133	10975136	10975137	10975138
10975139	10976062	10979097	10979099	10979101	10979102	10979104	10979128	10979129	10979130	10979132
10982700	10983154	10983155	10985007	10985539	10985540	10985541	10985542	10985545	10985546	10986678
10986679	10986680	10986681	10986682	10986683	10986684	10986685	10986686	10986687	10986699	10986700
10986702	10986703	10986704	10986706	10986707	10986708	10986709	10986710	10986712	10986715	10986909
10986913	10986914	10986915	10986916	10986924	10986925	10986926	10986927	10986928	10986929	10986932
10987725	10987727	10987728	10987729	10987731	10987732	10988324	10988326	10988327	10988328	10988330
10988331	10988332	10988429	10988430	10988431	10988432	10988434	10988435	10988437	10989317	10989321
10989322	10989323	10989325	10989328	10989329	10989330	10989332	11000982	11000996	11000999	11001593
11001594	11001595	11001597	11001599	11001600	11001693	11002565	11002571	11002575	11002608	11002611
11002612	11006285	11006286	11006287	11006288	11006289	11006291	11006292	11006294	11006295	11006296
11006297	11006300	11006305	11006307	11006313	11007496	11007528	11007530	11007531	11007968	11007993
11007996	11007997	11007998	11010396	11010397	11011113	11011939	11011940	11012144	11012147	11012148
11014234	11014235	11014237	11014244	11014245	11014248	11014249	11014250	11014254	11014255	11015045
11015046	11015048	11015861	11015862	11018501	11018506	11018635	11018641	11018644	11018645	11018650
11018651	11018944	11018946	11020643	11020644	11020647	11020650	11021122	11021123	11021599	11021600
11021602	11021604	11021710	11021711	11023559	11023949	11023950	11023952	11023953	11023954	11023955
11023957	11023997	11024022	11024023	11024024	11024025	11024026	11024199	11024201	11024203	11024640
11024641	11024642	11027539	11027541	11027866						

1	04197879	1	boot WITH POS.... (5,6)
2	04198796	1	gasket



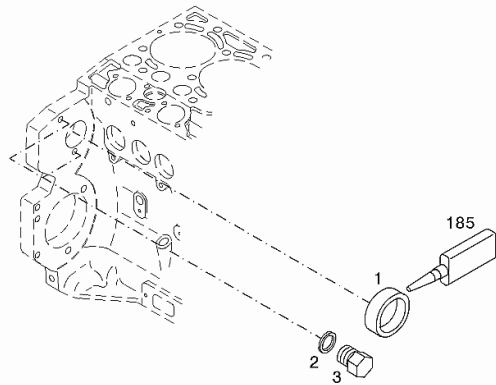
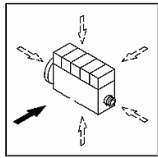
Section: B0 - ENGINE
CLOSING COMPONENTS

Fig.	Code	QTY	Name
------	------	-----	------

Engine Serial Numbers:

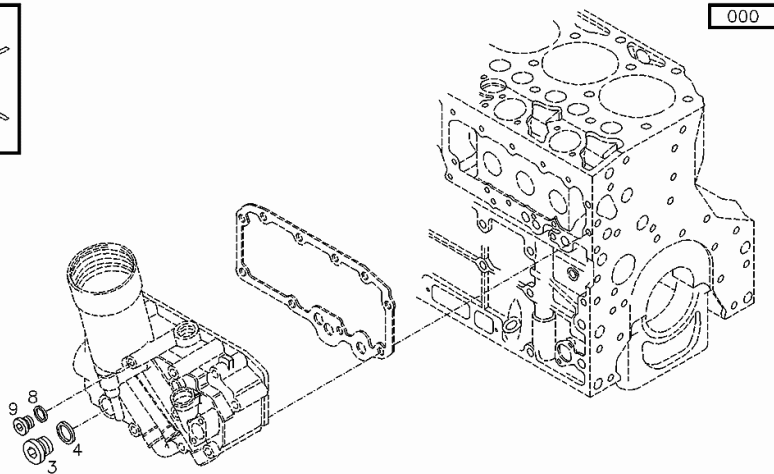
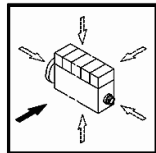
10600578	10637871	10637872	10756595	10756596	10756597	10756598	10756599	10765683	10765688	10765689
10765690	10765692	10765693	10765694	10765695	10765697	10765700	10765701	10765702	10765704	10770165
10770167	10770168	10770173	10770174	10770175	10770176	10770177	10770179	10770180	10771126	10771127
10771128	10775378	10775380	10775383	10775384	10775385	10775386	10775387	10775390	10776045	10776046
10776050	10777757	10777759	10777760	10777761	10777762	10777763	10777764	10791147	10792395	10792401
10792402	10792404	10792405	10792408	10792417	10792421	10792424	10793409	10793411	10793412	10793413
10793415	10793416	10793417	10793419	10793420	10793421	10795351	10795352	10795358	10795359	10795361
10795362	10795367	10795375	10795376	10795379	10795380	10795381	10795382	10795388	10795390	10798287
10798288	10798293	10798296	10798297	10798298	10798299	10798300	10800771	10800772	10800773	10800774
10800775	10800776	10800777	10800778	10800780	10800781	10800782	10800783	10800784	10800785	10800786
10800787	10800788	10802729	10803337	10803338	10803339	10803340	10803341	10803342	10805252	10805253
10805254	10805255	10805256	10805257	10805258	10805259	10805260	10805261	10805262	10805263	10805264
10805265	10805266	10805862	10805863	10805864	10805866	10805867	10805868	10805870	10806326	10806327
10806328	10806330	10806332	10806333	10806334	10807768	10807770	10807775	10807778	10807779	10812843
10812844	10812846	10812849	10812850	10812851	10812852	10812854	10812855	10812858	10812859	10813148
10813149	10813151	10813155	10813160	10813197	10813198	10813199	10813200	10813201	10813204	10813205
10813206	10813207	10813209	10813210	10813211	10813212	10815300	10815302	10815303	10815304	10815308
10815313	10815316	10815317	10817165	10817166	10817167	10817168	10817173	10817176	10817177	10817184
10817185	10822004	10822005	10822006	10822007	10822008	10822010	10822011	10822014	10822016	10822018
10822019	10825282	10825283	10825288	10825292	10825293	10825297	10825298	10825300	10825301	10825302
10825304	10825305	10825306	10825307	10825931	10825932	10825934	10825936	10825937	10825938	10825939
10825940	10825942	10825943	10825944	10825945	10825946	10825947	10825948	10825950	10827145	10827146
10827147	10827148	10827149	10827152	10827154	10827155	10827156	10827157	10827158	10827159	10827577
10827579	10827580	10827581	10827583	10827584	10827587	10827588	10827589	10827590	10827591	10830683
10830688	10830691	10830693	10830694	10830695	10830697	10831362	10831363	10831365	10831370	10831371
10831372	10831375	10832302	10832305	10832307	10832309	10832310	10832312	10832314	10833052	10833054
10833059	10833060	10833062	10833063	10834150	10834151	10834153	10834154	10834155	10834157	10834158
10834159	10834160	10834161	10834162	10834163	10834164	10834165	10834166	10834167	10834168	10834169
10835174	10835175	10835176	10835177	10835178	10835181	10835187	10835189	10835191	10835192	10836510
10836511	10836512	10836513	10836514	10836919	10836921	10836925	10836926	10836927	10836928	10836930
10837706	10837707	10837708	10837709	10837710	10837711	10837712	10837713	10837714	10837716	10837721
10837722	10837723	10837724	10842053	10842054	10842055	10842057	10842058	10842059	10842060	10842062
10842063	10842064	10842065	10842066	10842067	10842068	10842069	10842070	10842071	10842072	10842416
10842417	10842418	10842419	10842420	10842421	10842422	10842719	10842720	10842721	10842722	10843911
10843912	10843920	10843921	10843923	10843926	10843927	10843928	10844275	10844278	10844284	10844285
10844289	10847752	10847754	10847755	10847756	10847757	10847760	10847761	10847763	10847765	10847766
10847767	10847769	10847770	10847771	10847772	10847773	10847774	10847775	10847776	10848302	10848303
10848304	10848306	10848308	10848309	10850699	10850700	10850704	10850705	10850706	10850708	10851667
10851671	10851672	10851674	10851675	10851676	10857635	10857636	10860840	10860841	10860843	10860847
10861226	10861230	10861231	10861234	10861235	10862771	10862774	10862778	10863543	10863545	10863547
10863548	10863549	10863550	10863551	10863553	10863555	10863556	10863557	10868171	10868174	10868177
10868178	10868182	10870420	10870421	10870422	10870423	10870424	10873021	10873022	10873024	10873026
10873027	10873028	10873029	10873030	10873032	10873033	10873035	10873036	10876201	10876884	10876888
10876890	10876893	10876897	10876901	10876902	10877937	10884878	10884879	10884880	10884881	10884882
10884883	10884884	10884885	10884886	10884891	10884892	10884893	10888699	10888703	10888704	10888708
10888709	10888710	10888711	10888712	10888713	10891815	10891818	10891820	10891828	10891835	10891836
10891837	10891841	10891844	10893471	10893478	10893481	10893482	10893483	10893487	10893503	10893504
10893505	10893507	10893510	10893517	10893518	10893831	10893833	10893834	10893835	10893836	10893837

003 ©



CLOSING COMPONENTS

Fig.	Code	QTY	Name
8	01118659	1	DIN 7603 -A18X22-CU 'o' ring UP TO THE MONTH OF ASSEMBLY 01/2007
9	01131075	1	DIN 7603 -A10X13,5-CU screw - UP TO MONTH OF ASSEMBLY (A) - FROM MONTH OF ASSEMBLY SEE POS. (B) A = UP TO 01/2007 B = POS. 950
950	01148766	1	DIN 908 -M10X1-ST-A4C* plug - FROM MONTH OF ASSEMBLY SEE POS. (B) - UP TO MONTH OF ASSEMBLY (A) FROM MONTH OF ASSEMBLY A = UP TO 02/2007 B = Pos.9 WITH GASKETS DIN 908 -M10X1-ST-A4C+DICHTRING*

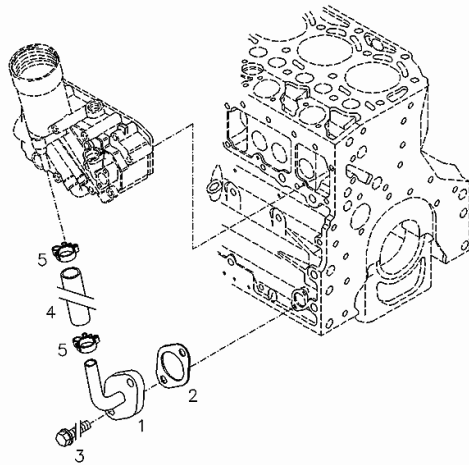
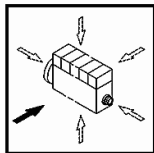


0507 4576

OIL RETURN

Fig.	Code	QTY	Name
------	------	-----	------

10893838	10893839	10893841	10893843	10893844	10893846	10893874	10893875	10893877	10893879	10894695
10894696	10894698	10895559	10895561	10895562	10895563	10895857	10895859	10895861	10895862	10895866
10895867	10902225	10902227	10902228	10902230	10902231	10902237	10902240	10902247	10903166	10903167
10903168	10903169	10903171	10903172	10903174	10903175	10903601	10903603	10903604	10903606	10903607
10903609	10903636	10903640	10903642	10903643	10908191	10908193	10908196	10908197	10908235	10908237
10911355	10911356	10911358	10911361	10911364	109112443	10912449	10912451	10912452	10913936	10913937
10913945	10913975	10914569	10915099	10915100	10915101	10915102	10915103	10915104	10915106	10915107
10915108	10920279	10920280	10920283	10920284	10920286	10921808	10921810	10921811	10921813	10921815
10921816	10921817	10922546	10922549	10922551	10922553	10922555	10922559	10922561	10922562	10922563
10922564	10922566	10922567	10922568	10922569	10922570	10922571	10923162	10923163	10923164	10923166
10923167	10923168	10923169	10923171	10923172	10923173	10923175	10923178	10923179	10923181	10923182
10923183	10923626	10923634	10923635	10923637	10923639	10923640	10924532	10924533	10924535	10924537
10924538	10924539	10925113	10925114	10925117	10925121	10925124	10925128	10925129	10925130	10925134
10925135	10925137	10925139	10925142	10925143	10927319	10927899	10927900	10927901	10927902	10927903
10927904	10927905	10927906	10927909	10927910	10927913	10927915	10928547	10929300	10929302	10930259
10930260	10930263	10930264	10930266	10930272	10931415	10931423	10932251	10932255	10932257	10932260
10932262	10932267	10932268	10932509	10942247	10942249	10942250	10942252	10942253	10942254	10942255
10942258	10942260	10943518	10943519	10943520	10943521	10943522	10943527	10943528	10953643	10953644
10953646	10953649	10955611	10955612	10955613	10955614	10955615	10955965	10955966	10955968	10955969
10955970	10955971	10955972	10956257	10956261	10956929	10961603	10961605	10962168	10962174	10962175
10962176	10962178	10964808	10964812	10964814	10965081	10965527	10965528	10965530	10965532	10965533
10965534	10965536	10965537	10965538	10965539	10965540	10966571	10966572	10966573	10966575	10966576
10966577	10966578	10967935	10968053	10968054	10968055	10968058	10968059	10968553	10968556	10968557
10970066	10970067	10970653	10970654	10970655	10972049	10972052	10973249	10973250	10973251	10973254
10973275	10973276	10973279	10973280	10973281	10973283	10973290	10973292	10973293	10973526	10973527
10973528	10973529	10973532	10973534	10973535	10975130	10975132	10975133	10975136	10975137	10975138
10975139	10976062	10979097	10979099	10979101	10979102	10979104	10979128	10979129	10979130	10979132
10982700	10983154	10983155	10985007	10985539	10985540	10985541	10985542	10985545	10985546	10986678
10986679	10986680	10986681	10986682	10986683	10986684	10986685	10986686	10986687	10986699	10986700
10986702	10986703	10986704	10986706	10986707	10986708	10986709	10986710	10986712	10986715	10986909
10986913	10986914	10986915	10986916	10986924	10986925	10986926	10986927	10986928	10986929	10986932
10987725	10987727	10987728	10987729	10987731	10987732	10988324	10988326	10988327	10988328	10988330
10988331	10988332	10988429	10988430	10988431	10988432	10988434	10988435	10988437	10989317	10989321
10989322	10989323	10989325	10989328	10989329	10989330	10989332	11000982	11000996	11000999	11001593
11001594	11001595	11001597	11001599	11001600	11001693	11002565	11002571	11002575	11002608	11002611
11002612	11006285	11006286	11006287	11006288	11006289	11006291	11006292	11006294	11006295	11006296
11006297	11006300	11006305	11006307	11006313	11007496	11007528	11007530	11007531	11007968	11007993
11007996	11007997	11007998	11010396	11010397	11011113	11011939	11011940	11012144	11012147	11012148
11014234	11014235	11014237	11014244	11014245	11014248	11014249	11014250	11014254	11014255	11015045
11015046	11015048	11015861	11015862	11018501	11018506	11018635	11018641	11018644	11018645	11018650
11018651	11018944	11018946	11020643	11020644	11020647	11020650	11021122	11021123	11021599	11021600
11021602	11021604	11021710	11021711	11023559	11023949	11023950	11023952	11023953	11023954	11023955
11023957	11023997	11024022	11024023	11024024	11024025	11024026	11024199	11024201	11024203	11024640
11024641	11024642	11027539	11027541	11027866						



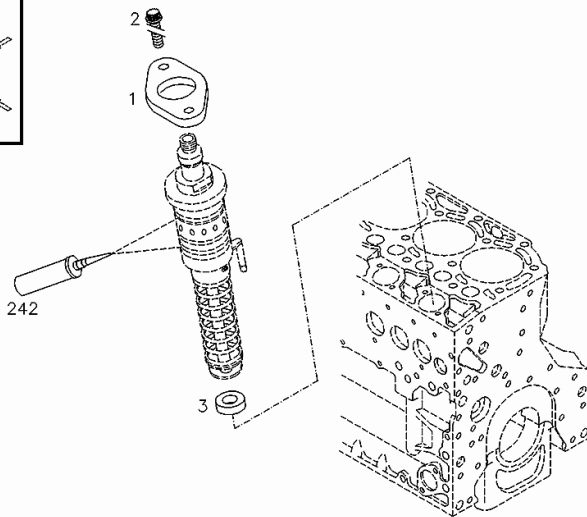
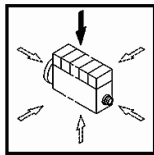
002 ©

0507 1242

1	04207447	1	tube
2	01178421	1	gasket
DIN 71511 -35X58X1,5-DEUTZFW312/3			

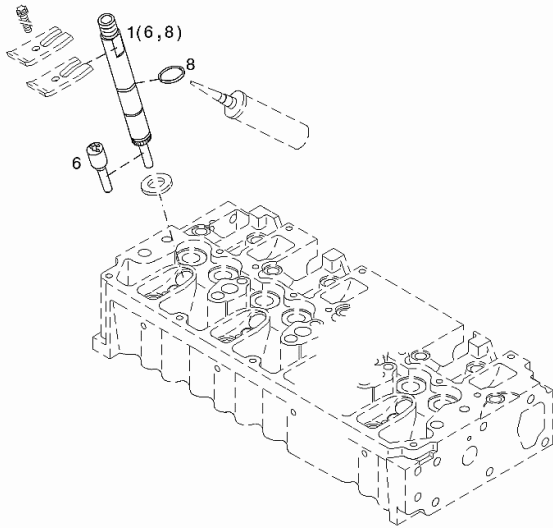
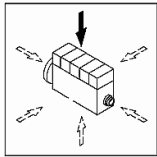
FASTENINGS

Fig.	Code	QTY	Name
958	02113031	1	DEPENDENT ON THE MEASUREMENT, GASKET THICKNESS (A) = MM FOR OTHER THICKNESSES SEE POS. (B) A=5.05 MM B=950-956,958-984 disc
959	02113032	1	DEPENDENT ON THE MEASUREMENT, GASKET THICKNESS (A) = MM FOR OTHER THICKNESSES SEE POS. (B) A=5.10 MM B=950-957,959-984 disc
960	02113033	1	DEPENDENT ON THE MEASUREMENT, GASKET THICKNESS (A) = MM FOR OTHER THICKNESSES SEE POS. (B) A=5.15 MM B=950-958,960-984 disc
961	02113034	1	DEPENDENT ON THE MEASUREMENT, GASKET THICKNESS (A) = MM FOR OTHER THICKNESSES SEE POS. (B) A=5.20 MM B=950-959,961-984 disc
962	02113035	1	DEPENDENT ON THE MEASUREMENT, GASKET THICKNESS (A) = MM FOR OTHER THICKNESSES SEE POS. (B) A=5.25 MM B=950-960,962-984 disc
963	02113036	1	DEPENDENT ON THE MEASUREMENT, GASKET THICKNESS (A) = MM FOR OTHER THICKNESSES SEE POS. (B) A=5.30 MM B=950-961,963-984 disc
964	02113037	1	DEPENDENT ON THE MEASUREMENT, GASKET THICKNESS (A) = MM FOR OTHER THICKNESSES SEE POS. (B) A=5.35 MM B=950-962,964-984 disc
965	02113038	1	DEPENDENT ON THE MEASUREMENT, GASKET THICKNESS (A) = MM FOR OTHER THICKNESSES SEE POS. (B) A=5.40 MM B=950-963,965-984 disc
			DEPENDENT ON THE MEASUREMENT, GASKET THICKNESS (A) = MM FOR OTHER THICKNESSES SEE POS. (B) A=5.45 MM B=950-964,966-984



Section: B0 - ENGINE
FUEL INJECTOR

Fig.	Code	QTY	Name
8	01340164	1	ring



000 ©

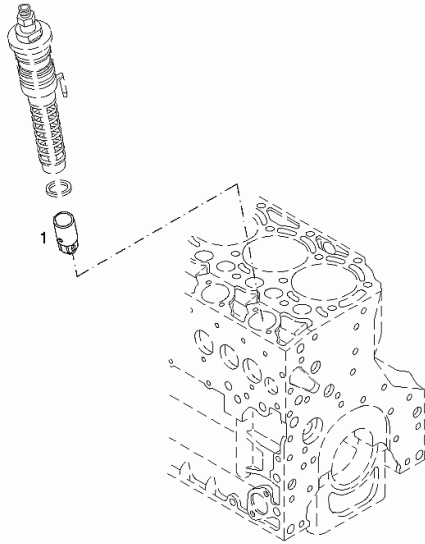
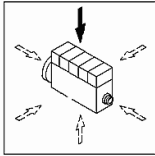
Section: B0 - ENGINE
ROLLER TAPPET

Fig.	Code	QTY	Name
------	------	-----	------

Engine Serial Numbers:

10827145	10827146	10827147	10827148	10827149	10827152	10827154	10827155	10827156	10827157	10827158
10827159	10827577	10827579	10827580	10827581	10827583	10827584	10827587	10827588	10827589	10827590
10827591	10830683	10830688	10830691	10830693	10830694	10830695	10830697	10831362	10831363	10831365
10831370	10831371	10831372	10831375	10832302	10832305	10832307	10832309	10832310	10832312	10832314
10833052	10833054	10833059	10833060	10833062	10833063	10834150	10834151	10834153	10834154	10834155
10834157	10834158	10834159	10834160	10834161	10834162	10834163	10834164	10834165	10834166	10834167
10834168	10834169	10835174	10835175	10835176	10835177	10835178	10835181	10835187	10835189	10835191
10835192	10836510	10836511	10836512	10836513	10836514	10836919	10836921	10836925	10836926	10836927
10836928	10836930	10837706	10837707	10837708	10837709	10837710	10837711	10837712	10837713	10837714
10837716	10837721	10837722	10837723	10837724	10842053	10842054	10842055	10842057	10842058	10842059
10842060	10842062	10842063	10842064	10842065	10842066	10842067	10842068	10842069	10842070	10842071
10842072	10842416	10842417	10842418	10842419	10842420	10842421	10842422	10842719	10842720	10842721
10842722	10843911	10843912	10843920	10843921	10843923	10843926	10843927	10843928	10844275	10844278
10844284	10844285	10844289	10847752	10847754	10847755	10847756	10847757	10847760	10847761	10847763
10847765	10847766	10847767	10847769	10847770	10847771	10847772	10847773	10847774	10847776	10847778
10848302	10848303	10848304	10848306	10848308	10848309	10850699	10850700	10850704	10850705	10850706
10850708	10851667	10851671	10851672	10851674	10851675	10851676	10857635	10857636	10860840	10860841
10860843	10860847	10861226	10861230	10861231	10861234	10861235	10862771	10862774	10862778	10863543
10863545	10863547	10863548	10863549	10863550	10863551	10863553	10863555	10863556	10863557	10868171
10868174	10868177	10868178	10868182	10870420	10870421	10870422	10870423	10870424	10873021	10873022
10873024	10873026	10873027	10873028	10873029	10873030	10873032	10873033	10873035	10873036	10876201
10876884	10876888	10876890	10876893	10876897	10876901	10876902	10877937	10884878	10884879	10884880
10884881	10884882	10884883	10884884	10884885	10884886	10884891	10884892	10884893	10888699	10888703
10888704	10888708	10888709	10888710	10888711	10888712	10888713	10891815	10891818	10891820	10891828
10891835	10891836	10891837	10891841	10891844	10893471	10893478	10893481	10893482	10893483	10893487
10893503	10893504	10893505	10893507	10893510	10893517	10893518	10893831	10893833	10893834	10893835
10893836	10893837	10893838	10893839	10893841	10893843	10893844	10893846	10893874	10893875	10893877
10893879	10894695	10894696	10894698	10895559	10895561	10895562	10895563	10895857	10895859	10895861
10895862	10895866	10895867	10902225	10902227	10902228	10902230	10902231	10902237	10902240	10902247
10903166	10903167	10903168	10903169	10903171	10903172	10903174	10903175	10903601	10903603	10903604
10903606	10903607	10903609	10903636	10903640	10903642	10903643	10908191	10908193	10908196	10908197
10908235	10908237	10911355	10911356	10911358	10911361	10911364	10912443	10912449	10912451	10912452
10913936	10913937	10913945	10913975	10914569	10915099	10915100	10915101	10915102	10915103	10915104
10915106	10915107	10915108	10920279	10920280	10920283	10920284	10920286	10921808	10921810	10921811
10921813	10921815	10921816	10921817	10922546	10922549	10922551	10922553	10922555	10922559	10922561
10922562	10922563	10922564	10922566	10922567	10922568	10922569	10922570	10922571	10923162	10923163
10923164	10923166	10923167	10923168	10923169	10923171	10923172	10923173	10923175	10923178	10923179
10923181	10923182	10923183	10923626	10923634	10923635	10923637	10923639	10923640	10924532	10924533
10924535	10924537	10924538	10924539	10925113	10925114	10925117	10925121	10925124	10925128	10925129
10925130	10925134	10925135	10925137	10925139	10925142	10925143	10927319	10927899	10927900	10927901
10927902	10927903	10927904	10927905	10927906	10927909	10927910	10927913	10927915	10928547	10929300
10929302	10930259	10930260	10930263	10930264	10930266	10930272	10931415	10931423	10932251	10932255
10932257	10932260	10932262	10932267	10932268	10932509	10942247	10942249	10942250	10942252	10942253
10942254	10942255	10942258	10942260	10943518	10943519	10943520	10943521	10943522	10943527	10943528
10953643	10953644	10953646	10953649	10955611	10955612	10955613	10955614	10955615	10955965	10955966
10955968	10955969	10955970	10955971	10955972	10956257	10956261	10956929	10961603	10961605	10962168
10962174	10962175	10962176	10962178	10964808	10964812	10964814	10965081	10965528	10965530	10965532
10965532	10965533	10965534	10965536	10965537	10965538	10965539	10965540	10966571	10966572	10966573

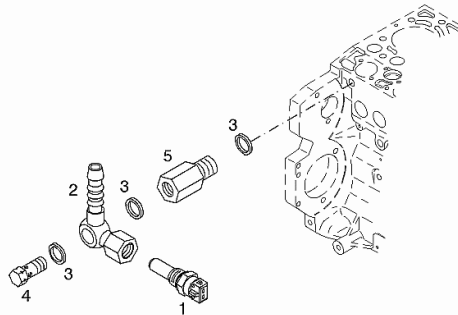
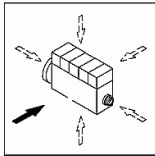
000 ©



ACCESSORIES

Fig.	Code	QTY	Name
10893838	10893839 10893841 10893843 10893844 10893846 10893874 10893875 10893877 10893879 10894695		
10894696	10894698 10895559 10895561 10895562 10895563 10895857 10895859 10895861 10895862 10895866		
10895867	10902225 10902227 10902228 10902230 10902231 10902237 10902240 10902247 10903166 10903167		
10903168	10903169 10903171 10903172 10903174 10903175 10903601 10903603 10903604 10903606 10903607		
10903609	10903636 10903640 10903642 10903643 10908191 10908193 10908196 10908197 10908235 10908237		
10911355	10911356 10911358 10911361 10911364 10912443 10912449 10912451 10912452 10913936 10913937		
10913945	10913975 10914569 10915099 10915100 10915101 10915102 10915103 10915104 10915106 10915107		
10915108	10920279 10920280 10920283 10920284 10920286 10921808 10921810 10921811 10921813 10921815		
10921816	10921817 10922546 10922549 10922551 10922553 10922555 10922559 10922561 10922562 10922563		
10922564	10922566 10922567 10922568 10922569 10922570 10922571 10923162 10923163 10923164 10923166		
10923167	10923168 10923169 10923171 10923172 10923173 10923175 10923178 10923179 10923181 10923182		
10923183	10923626 10923634 10923635 10923637 10923639 10923640 10924532 10924533 10924535 10924537		
10924538	10924539 10925113 10925114 10925117 10925121 10925124 10925128 10925129 10925130 10925134		
10925135	10925137 10925139 10925142 10925143 10927319 10927899 10927900 10927901 10927902 10927903		
10927904	10927905 10927906 10927909 10927910 10927913 10927915 10928547 10929300 10929302 10930259		
10930260	10930263 10930264 10930266 10930272 10931415 10931423 10932251 10932255 10932257 10932260		
10932262	10932267 10932268 10932509 10942247 10942249 10942250 10942252 10942253 10942254 10942255		
10942258	10942260 10943518 10943519 10943520 10943521 10943522 10943527 10943528 10953643 10953644		
10953646	10953649 10955611 10955612 10955613 10955614 10955615 10955965 10955966 10955968 10955969		
10955970	10955971 10955972 10956257 10956261 10956929 10961603 10961605 10962168 10962174 10962175		
10962176	10962178 10964808 10964812 10964814 10965081 10965527 10965528 10965530 10965532 10965533		
10965534	10965536 10965537 10965538 10965539 10965540 10966571 10966572 10966573 10966575 10966576		
10966577	10966578 10967935 10968053 10968054 10968055 10968058 10968059 10968553 10968556 10968557		
10970066	10970067 10970653 10970654 10970655 10972049 10972052 10973249 10973250 10973251 10973254		
10973275	10973276 10973279 10973280 10973281 10973283 10973290 10973292 10973293 10973526 10973527		
10973528	10973529 10973532 10973534 10973535 10975130 10975132 10975133 10975136 10975137 10975138		
10975139	10976062 10979097 10979099 10979101 10979102 10979104 10979129 10979129 10979130 10979132		
10982700	10983154 10983155 10985007 10985539 10985540 10985541 10985542 10985545 10985546 10986678		
10986679	10986680 10986681 10986682 10986683 10986684 10986685 10986686 10986687 10986699 10986700		
10986702	10986703 10986704 10986706 10986707 10986708 10986709 10986710 10986712 10986715 10986909		
10986913	10986914 10986915 10986916 10986924 10986925 10986926 10986927 10986928 10986929 10986932		
10987725	10987727 10987728 10987731 10987732 10988324 10988326 10988328 10988328 10988330		
10988331	10988332 10988429 10988430 10988431 10988432 10988434 10988435 10988437 10989317 10989321		
10989322	10989323 10989325 10989328 10989329 10989330 10989332 11000982 11000996 11000999 11001593		
11001594	11001595 11001597 11001599 11001600 11001693 11002565 11002571 11002575 11002608 11002611		
11002612	11006285 11006286 11006287 11006288 11006289 11006291 11006292 11006294 11006295 11006296		
11006297	11006300 11006305 11006307 11006313 11007496 11007528 11007530 11007531 11007968 11007993		
11007996	11007997 11007998 11010396 11010397 11011113 11011939 11011940 11012144 11012147 11012148		
11014234	11014235 11014237 11014244 11014245 11014248 11014249 11014250 11014254 11014255 11015045		
11015046	11015048 11015861 11015862 11018501 11018506 11018635 11018641 11018644 11018645 11018650		
11018651	11018944 11018946 11020643 11020644 11020647 11020650 11021122 11021123 11021599 11021600		
11021602	11021604 11021710 11021711 11023559 11023949 11023950 11023952 11023953 11023954 11023955		
11023957	11023997 11024022 11024023 11024024 11024025 11024026 11024199 11024201 11024203 11024640		
11024641	11024642 11027539 11027541 11027866		

000 ©



1	04213839	1	tempe guage
2	04288904	1	pieces
3	01118693	3	gasket 14x20

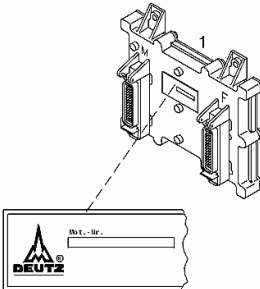
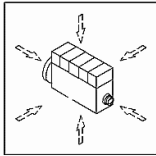
ELECTRONIC CONTROL UNIT - ENGINE

Fig.	Code	QTY	Name
------	------	-----	------

Engine Serial Numbers:

10775378	10775380	10775383	10775384	10775385	10775386	10775387	10775390	10776045	10776046	10776050
10777757	10777759	10777760	10777761	10777762	10777763	10777764	10791147	10792395	10792401	10792402
10792404	10792405	10792408	10792417	10792421	10792424	10793409	10793411	10793412	10793413	10793415
10793416	10793417	10793419	10793420	10793421	10795351	10795352	10795358	10795359	10795361	10795362
10795367	10795375	10795376	10795379	10795380	10795381	10795382	10795388	10795390	10798287	10798288
10798293	10798296	10798297	10798298	10798299	10798300	10800771	10800772	10800773	10800774	10800775
10800776	10800777	10800778	10800780	10800781	10800782	10800783	10800784	10800785	10800786	10800787
10800788	10802729	10803337	10803338	10803339	10803340	10803341	10803342	10805252	10805253	10805254
10805255	10805256	10805257	10805258	10805259	10805260	10805261	10805262	10805263	10805264	10805265
10805266	10805862	10805863	10805864	10805866	10805867	10805868	10805870	10806326	10806327	10806328
10806330	10806332	10806333	10806334	10807768	10807770	10807771	10807772	10807773	10807774	10807775
10812846	10812849	10812850	10812851	10812852	10812854	10812855	10812858	10812859	10813148	10813149
10813151	10813155	10813160	10813197	10813198	10813199	10813200	10813201	10813204	10813205	10813206
10813207	10813209	10813210	10813211	10813212	10815300	10815302	10815303	10815304	10815308	10815313
10815316	10815317	10817165	10817166	10817167	10817168	10817173	10817176	10817177	10817184	10817185
10822004	10822005	10822006	10822007	10822008	10822010	10822011	10822014	10822018	10822019	10822019
10825282	10825283	10825288	10825292	10825293	10825297	10825298	10825300	10825301	10825302	10825304
10825305	10825306	10825307	10825931	10825932	10825934	10825936	10825937	10825938	10825939	10825940
10825942	10825943	10825944	10825945	10825946	10825947	10825948	10825950	10827145	10827146	10827147
10827148	10827149	10827152	10827154	10827155	10827156	10827157	10827158	10827159	10827577	10827579
10827580	10827581	10827583	10827584	10827587	10827588	10827589	10827590	10827591	10830683	10830688
10830691	10830693	10830694	10830695	10830697	10831362	10831363	10831365	10831370	10831371	10831372
10831375	10832302	10832305	10832307	10832309	10832310	10832312	10832314	10833052	10833054	10833059
10833060	10833062	10833063	10834150	10834151	10834153	10834154	10834155	10834157	10834158	10834159
10834160	10834161	10834162	10834163	10834164	10834165	10834166	10834167	10834168	10834169	10835174
10835175	10835176	10835177	10835178	10835181	10835187	10835189	10835191	10835192	10836510	10836511
10836512	10836513	10836514	10836919	10836921	10836925	10836926	10836927	10836928	10836930	10837706
10837707	10837708	10837709	10837710	10837711	10837712	10837713	10837714	10837716	10837721	10837722
10837723	10837724	10842053	10842054	10842055	10842057	10842058	10842059	10842060	10842062	10842063
10842064	10842065	10842066	10842067	10842068	10842069	10842070	10842071	10842072	10842416	10842417
10842418	10842419	10842420	10842421	10842422	10842719	10842720	10842721	10842722	10843911	10843912
10843920	10843921	10843923	10843926	10843927	10843928	10844275	10844278	10844284	10844285	10844289
10847752	10847754	10847755	10847756	10847757	10847760	10847761	10847763	10847765	10847766	10847767
10847769	10847770	10847771	10847772	10847773	10847774	10847776	10847778	10848302	10848303	10848304
10848306	10848308	10848309	10850699	10850700	10850704	10850705	10850706	10850708	10851667	10851671
10851672	10851674	10851675	10851676	10857635	10857636	10860840	10860841	10860843	10860847	10861226
10861230	10861231	10861234	10861235	10862771	10862774	10862778	10863543	10863545	10863547	10863548
10863549	10863550	10863551	10863553	10863555	10863556	10863557	10868171	10868174	10868177	10868178
10868182	10870420	10870421	10870422	10870423	10870424	10873021	10873022	10873024	10873026	10873027
10873028	10873029	10873030	10873032	10873033	10873035	10873036	10876201	10876884	10876888	10876890
10876893	10876897	10876901	10876902	10877937	10884878	10884879	10884880	10884881	10884882	10884883
10884884	10884885	10884886	10884891	10884892	10884893	10888699	10888703	10888704	10888708	10888709
10888710	10888711	10888712	10888713	10891815	10891818	10891820	10891828	10891835	10891836	10891837
10891841	10891844	10893471	10893478	10893481	10893482	10893483	10893487	10893503	10893504	10893505
10893507	10893510	10893517	10893518	10893831	10893833	10893834	10893835	10893836	10893837	10893838
10893839	10893841	10893843	10893844	10893846	10893874	10893875	10893877	10893879	10894695	10894696
10894698	10895559	10895561	10895562	10895563	10895857	10895859	10895862	10895867	10895868	10895869
10902225	10902227	10902228	10902230	10902231	10902237	10902240	10902247	10903166	10903167	10903168

000 ©



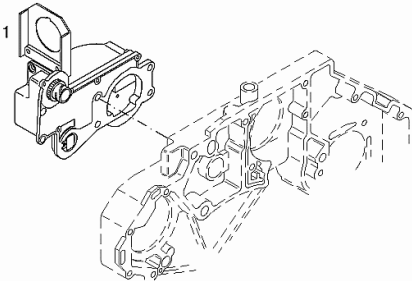
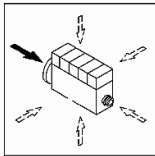
Section: B0 - ENGINE
ACTUATOR

Fig.	Code	QTY	Name
------	------	-----	------

Engine Serial Numbers:

10600578	10637871	10637872	10756595	10756596	10756597	10756598	10756599	10765683	10765688	10765689
10765690	10765692	10765693	10765694	10765695	10765697	10765700	10765701	10765702	10765704	10770165
10770167	10770168	10770173	10770174	10770175	10770176	10770177	10770179	10770180	10771126	10771127
10771128	10775378	10775380	10775383	10775384	10775385	10775386	10775387	10775390	10776045	10776046
10776050	10777757	10777759	10777760	10777761	10777762	10777763	10777764	10791147	10792395	10792401
10792402	10792404	10792405	10792408	10792417	10792421	10792424	10793409	10793411	10793412	10793413
10793415	10793416	10793417	10793419	10793420	10793421	10795351	10795352	10795358	10795359	10795361
10795362	10795367	10795375	10795376	10795379	10795380	10795381	10795382	10795388	10795390	10798287
10798288	10798293	10798296	10798297	10798298	10798299	10798300	10800771	10800772	10800773	10800774
10800775	10800776	10800777	10800778	10800780	10800781	10800782	10800783	10800784	10800785	10800786
10800787	10800788	10802729	10803337	10803338	10803339	10803340	10803341	10803342	10805252	10805253
10805254	10805255	10805256	10805257	10805258	10805259	10805260	10805261	10805262	10805263	10805264
10805265	10805266	10805862	10805863	10805864	10805866	10805867	10805868	10805870	10806326	10806327
10806328	10806330	10806332	10806333	10806334	10807768	10807770	10807775	10807778	10807779	10812843
10812844	10812846	10812849	10812850	10812851	10812852	10812854	10812855	10812858	10812859	10813148
10813149	10813151	10813155	10813160	10813197	10813198	10813199	10813200	10813201	10813204	10813205
10813206	10813207	10813209	10813210	10813211	10813212	10815300	10815302	10815303	10815304	10815308
10815313	10815316	10815317	10817165	10817166	10817167	10817168	10817173	10817176	10817177	10817184
10817185	10822004	10822005	10822006	10822007	10822008	10822010	10822011	10822014	10822016	10822018
10822019	10825282	10825283	10825288	10825292	10825293	10825297	10825298	10825300	10825301	10825302
10825304	10825305	10825306	10825307	10825931	10825932	10825934	10825936	10825937	10825938	10825939
10825940	10825942	10825943	10825944	10825945	10825946	10825947	10825948	10825950	10827145	10827146
10827147	10827148	10827149	10827152	10827154	10827155	10827156	10827157	10827158	10827159	10827577
10827579	10827580	10827581	10827583	10827584	10827587	10827588	10827589	10827590	10827591	10830683
10830688	10830691	10830693	10830694	10830695	10830697	10831362	10831363	10831365	10831370	10831371
10831372	10831375	10832302	10832305	10832307	10832309	10832310	10832312	10832314	10833052	10833054
10833059	10833060	10833062	10833063	10834150	10834151	10834153	10834154	10834155	10834157	10834158
10834159	10834160	10834161	10834162	10834163	10834164	10834165	10834166	10834167	10834168	10834169
10835174	10835175	10835176	10835177	10835178	10835181	10835187	10835189	10835191	10835192	10836510
10836511	10836512	10836513	10836514	10836919	10836921	10836925	10836926	10836927	10836928	10836930
10837706	10837707	10837708	10837709	10837710	10837711	10837712	10837713	10837714	10837716	10837721
10837722	10837723	10837724	10842053	10842054	10842055	10842057	10842058	10842059	10842060	10842062
10842063	10842064	10842065	10842066	10842067	10842068	10842069	10842070	10842071	10842072	10842416
10842417	10842418	10842419	10842420	10842421	10842422	10842719	10842720	10842721	10842722	10843911
10843912	10843920	10843921	10843923	10843926	10843927	10843928	10844275	10844278	10844284	10844285
10844289	10847752	10847754	10847755	10847756	10847757	10847760	10847761	10847763	10847765	10847766
10847767	10847769	10847770	10847771	10847772	10847773	10847774	10847775	10847776	10848302	10848303
10848304	10848306	10848308	10848309	10850699	10850700	10850704	10850705	10850706	10850708	10851667
10851671	10851672	10851674	10851675	10851676	10857635	10857636	10860840	10860841	10860843	10860847
10861226	10861230	10861231	10861234	10861235	10862771	10862774	10862778	10863543	10863545	10863547
10863548	10863549	10863550	10863551	10863553	10863555	10863556	10863557	10868171	10868174	10868177
10868178	10868182	10870420	10870421	10870422	10870423	10870424	10873021	10873022	10873024	10873026
10873027	10873028	10873029	10873030	10873032	10873033	10873035	10873036	10876201	10876884	10876888
10876890	10876893	10876897	10876901	10876902	10877937	10884878	10884879	10884880	10884881	10884882
10884883	10884884	10884885	10884886	10884891	10884892	10884893	10888699	10888703	10888704	10888708
10888709	10888710	10888711	10888712	10888713	10891815	10891818	10891820	10891828	10891835	10891836
10891837	10891841	10891844	10893471	10893478	10893481	10893482	10893483	10893487	10893503	10893504
10893505	10893507	10893510	10893517	10893518	10893831	10893833	10893834	10893835	10893836	10893837

000 ©

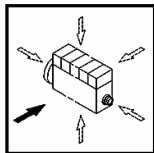


Section: B0 - ENGINE
CLOSING COMPONENTS

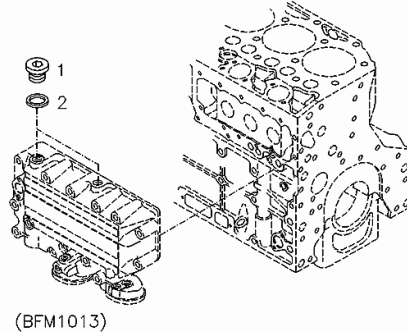
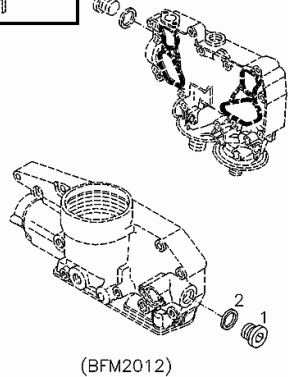
Fig.	Code	QTY	Name
------	------	-----	------

Engine Serial Numbers:

10600578	10637871	10637872	10756595	10756596	10756597	10756598	10756599	10765683	10765688	10765689
10765690	10765692	10765693	10765694	10765695	10765697	10765700	10765701	10765702	10765704	10770165
10770167	10770168	10770173	10770174	10770175	10770176	10770177	10770179	10770180	10771126	10771127
10771128	10775378	10775380	10775383	10775384	10775385	10775386	10775387	10775390	10776045	10776046
10776050	10777757	10777759	10777760	10777761	10777762	10777763	10777764	10791147	10792395	10792401
10792402	10792404	10792405	10792408	10792417	10792421	10792424	10793409	10793411	10793412	10793413
10793415	10793416	10793417	10793419	10793420	10793421	10795351	10795352	10795358	10795359	10795361
10795362	10795367	10795375	10795376	10795379	10795380	10795381	10795382	10795388	10795390	10798287
10798288	10798293	10798296	10798297	10798298	10798299	10798300	10800771	10800772	10800773	10800774
10800775	10800776	10800777	10800778	10800780	10800781	10800782	10800783	10800784	10800785	10800786
10800787	10800788	10802729	10803337	10803338	10803339	10803340	10803341	10803342	10805252	10805253
10805254	10805255	10805256	10805257	10805258	10805259	10805260	10805261	10805262	10805263	10805264
10805265	10805266	10805862	10805863	10805864	10805866	10805867	10805868	10805870	10806326	10806327
10806328	10806330	10806332	10806333	10806334	10807768	10807770	10807775	10807778	10807779	10812843
10812844	10812846	10812849	10812850	10812851	10812852	10812854	10812855	10812858	10812859	10813148
10813149	10813151	10813155	10813160	10813197	10813198	10813199	10813200	10813201	10813204	10813205
10813206	10813207	10813209	10813210	10813211	10813212	10815300	10815302	10815303	10815304	10815308
10815313	10815316	10815317	10817165	10817166	10817167	10817168	10817173	10817176	10817177	10817184
10817185	10822004	10822005	10822006	10822007	10822008	10822010	10822011	10822014	10822016	10822018
10822019	10825282	10825283	10825288	10825292	10825293	10825297	10825298	10825300	10825301	10825302
10825304	10825305	10825306	10825307	10825931	10825932	10825934	10825936	10825937	10825938	10825939
10825940	10825942	10825943	10825944	10825945	10825946	10825947	10825948	10825950	10827145	10827146
10827147	10827148	10827149	10827152	10827154	10827155	10827156	10827157	10827158	10827159	10827577
10827579	10827580	10827581	10827583	10827584	10827587	10827588	10827589	10827590	10827591	10830683
10830688	10830691	10830693	10830694	10830695	10830697	10831362	10831363	10831365	10831370	10831371
10831372	10831375	10832302	10832305	10832307	10832309	10832310	10832312	10832314	10833052	10833054
10833059	10833060	10833062	10833063	10834150	10834151	10834153	10834154	10834155	10834157	10834158
10834159	10834160	10834161	10834162	10834163	10834164	10834165	10834166	10834167	10834168	10834169
10835174	10835175	10835176	10835177	10835178	10835181	10835187	10835189	10835191	10835192	10836510
10836511	10836512	10836513	10836514	10836919	10836921	10836925	10836926	10836927	10836928	10836930
10837706	10837707	10837708	10837709	10837710	10837711	10837712	10837713	10837714	10837716	10837721
10837722	10837723	10837724	10842053	10842054	10842055	10842057	10842058	10842059	10842060	10842062
10842063	10842064	10842065	10842066	10842067	10842068	10842069	10842070	10842071	10842072	10842416
10842417	10842418	10842419	10842420	10842421	10842422	10842719	10842720	10842721	10842722	10843911
10843912	10843920	10843921	10843923	10843926	10843927	10843928	10844275	10844278	10844284	10844285
10844289	10847752	10847754	10847755	10847756	10847757	10847760	10847761	10847763	10847765	10847766
10847767	10847769	10847770	10847771	10847772	10847773	10847774	10847775	10847776	10848302	10848303
10848304	10848306	10848308	10848309	10850699	10850700	10850704	10850705	10850706	10850708	10851667
10851671	10851672	10851674	10851675	10851676	10857635	10857636	10860840	10860841	10860843	10860847
10861226	10861230	10861231	10861234	10861235	10862771	10862774	10862778	10863543	10863545	10863547
10863548	10863549	10863550	10863551	10863553	10863555	10863556	10863557	10868171	10868174	10868177
10868178	10868182	10870420	10870421	10870422	10870423	10870424	10873021	10873022	10873024	10873026
10873027	10873028	10873029	10873030	10873032	10873033	10873035	10873036	10876201	10876884	10876888
10876890	10876893	10876897	10876901	10876902	10877937	10884878	10884879	10884880	10884881	10884882
10884883	10884884	10884885	10884886	10884891	10884892	10884893	10888699	10888703	10888704	10888708
10888709	10888710	10888711	10888712	10888713	10891815	10891818	10891820	10891828	10891835	10891836
10891837	10891841	10891844	10893471	10893478	10893481	10893482	10893483	10893487	10893503	10893504
10893505	10893507	10893510	10893517	10893518	10893831	10893833	10893834	10893835	10893836	10893837



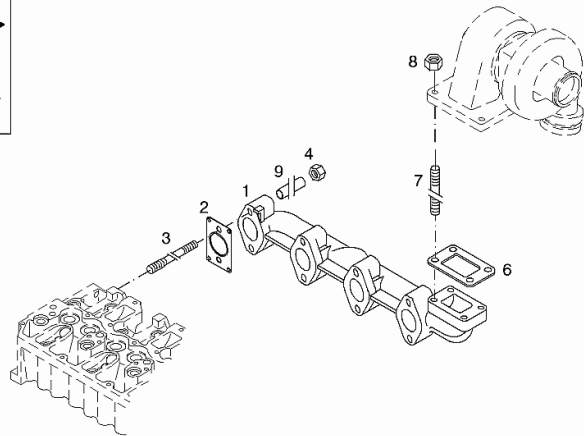
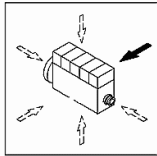
002 ©



0507 1182

Section: B0 - ENGINE
EXHAUST PIPE

Fig.	Code	QTY	Name
1	04293681	1	manifold
2	04292820	4	gasket
3	04505088	8	screw
4	01182036	8	nut
6	04283303	1	gasket
7	01148756	4	stud bolt DIN 939
8	01138774	4	nut m 8 ISO 4032 -M8-24CRMO5V
001 © 9	04291996	8	spacer



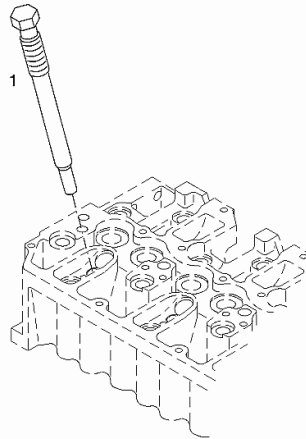
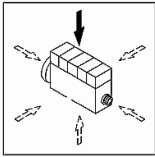
Section: B0 - ENGINE
CLOSING COMPONENTS

Fig.	Code	QTY	Name
------	------	-----	------

Engine Serial Numbers:

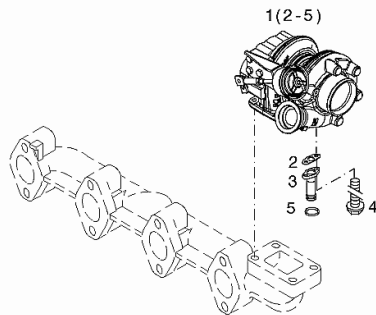
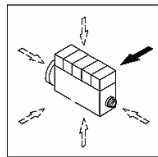
10600578	10637871	10637872	10756595	10756596	10756597	10756598	10756599	10765683	10765688	10765689
10765690	10765692	10765693	10765694	10765695	10765697	10765700	10765701	10765702	10765704	10770165
10770167	10770168	10770173	10770174	10770175	10770176	10770177	10770179	10770180	10771126	10771127
10771128	10775378	10775380	10775383	10775384	10775385	10775386	10775387	10775390	10776045	10776046
10776050	10777757	10777759	10777760	10777761	10777762	10777763	10777764	10791147	10792395	10792401
10792402	10792404	10792405	10792408	10792417	10792421	10792422	10792424	10793409	10793411	10793412
10793413	10793415	10793416	10793417	10793419	10793420	10793421	10795351	10795352	10795358	10795359
10795361	10795362	10795367	10795375	10795376	10795379	10795380	10795381	10795382	10795388	10795390
10798287	10798288	10798293	10798296	10798297	10798298	10798299	10798300	10800771	10800772	10800773
10800774	10800775	10800776	10800777	10800778	10800780	10800781	10800782	10800783	10800784	10800785
10800786	10800787	10800788	10802729	10803337	10803338	10803339	10803340	10803341	10803342	10805252
10805253	10805254	10805255	10805256	10805257	10805258	10805259	10805260	10805261	10805262	10805263
10805264	10805265	10805266	10805862	10805863	10805864	10805866	10805867	10805868	10805870	10806326
10806327	10806328	10806330	10806332	10806333	10806334	10807768	10807770	10807775	10807778	10807779
10812843	10812844	10812846	10812849	10812850	10812851	10812852	10812854	10812855	10812858	10812859
10813148	10813149	10813151	10813155	10813160	10813197	10813198	10813199	10813200	10813201	10813204
10813205	10813206	10813207	10813209	10813210	10813211	10813212	10815300	10815302	10815303	10815304
10815308	10815313	10815316	10815317	10817165	10817166	10817167	10817168	10817173	10817176	10817177
10817184	10817185	10822004	10822005	10822006	10822007	10822008	10822010	10822011	10822014	10822016
10822018	10822019	10825282	10825283	10825288	10825292	10825293	10825297	10825298	10825300	10825301
10825302	10825304	10825305	10825306	10825307	10825931	10825932	10825934	10825936	10825937	10825938
10825939	10825940	10825942	10825943	10825944	10825945	10825946	10825947	10825948	10825950	10827145
10827146	10827147	10827148	10827149	10827152	10827154	10827155	10827156	10827157	10827158	10827159
10827577	10827579	10827580	10827581	10827583	10827584	10827587	10827588	10827589	10827590	10827591
10830683	10830688	10830691	10830693	10830694	10830695	10830697	10831362	10831363	10831365	10831370
10831371	10831372	10831375	10832302	10832305	10832307	10832309	10832310	10832312	10832314	10833052
10833054	10833059	10833060	10833062	10833063	10834150	10834151	10834153	10834154	10834155	10834157
10834158	10834159	10834160	10834161	10834162	10834163	10834164	10834165	10834166	10834167	10834168
10834169	10835174	10835175	10835176	10835177	10835178	10835181	10835187	10835189	10835191	10835192
10836510	10836511	10836512	10836513	10836514	10836919	10836921	10836925	10836926	10836927	10836928
10836930	10837706	10837707	10837708	10837709	10837710	10837711	10837712	10837713	10837714	10837716
10837721	10837722	10837723	10837724	10842053	10842054	10842055	10842057	10842058	10842059	10842060
10842062	10842063	10842064	10842065	10842066	10842067	10842068	10842069	10842070	10842071	10842072
10842416	10842417	10842418	10842419	10842420	10842421	10842422	10842719	10842720	10842721	10842722
10843911	10843912	10843920	10843921	10843923	10843926	10843927	10843928	10844275	10844278	10844284
10844285	10844289	10847752	10847754	10847755	10847756	10847757	10847760	10847761	10847763	10847765
10847766	10847767	10847769	10847770	10847771	10847772	10847773	10847774	10847775	10847776	10848302
10848303	10848304	10848306	10848308	10848309	10850699	10850700	10850704	10850705	10850706	10850708
10851667	10851671	10851672	10851674	10851675	10851676	10857635	10857636	10860840	10860841	10860843
10860847	10861226	10861230	10861231	10861234	10861235	10862771	10862774	10862778	10863543	10863545
10863547	10863548	10863549	10863550	10863551	10863553	10863555	10863556	10863557	10868171	10868174
10868177	10868178	10868182	10870420	10870421	10870422	10870423	10870424	10873021	10873022	10873024
10873026	10873027	10873028	10873029	10873030	10873032	10873033	10873035	10873036	10876201	10876884
10876888	10876890	10876893	10876897	10876901	10876902	10877937	10884878	10884879	10884880	10884881
10884882	10884883	10884884	10884885	10884886	10884891	10884892	10884893	10888699	10888703	10888704
10888708	10888709	10888710	10888711	10888712	10888713	10891815	10891818	10891820	10891828	10891835
10891836	10891837	10891841	10891844	10893471	10893478	10893481	10893482	10893483	10893487	10893503
10893504	10893505	10893507	10893510	10893517	10893518	10893831	10893833	10893834	10893835	10893836
10893837										

001 ©



Section: B0 - ENGINE
TURBOCHARGER

Fig.	Code	QTY	Name
	10893838 10893839 10893841 10893843 10893844 10893846 10893874 10893875 10893877 10893879 10894695		
	10894696 10894698 10895559 10895561 10895562 10895563 10895857 10895859 10895861 10895862 10895866		
	10895867 10902225 10902227 10902228 10902230 10902231 10902237 10902240 10902247 10903166 10903167		
	10903168 10903169 10903171 10903172 10903174 10903175 10903601 10903603 10903604 10903606 10903607		
	10903609 10903636 10903640 10903642 10903643 10908191 10908193 10908196 10908197 10908235 10908237		
	10911355 10911356 10911358 10911361 10911364 109112443 10912449 10912451 10912452 10913936 10913937		
	10913945 10913975 10914569 10915099 10915100 10915101 10915102 10915103 10915104 10915106 10915107		
	10915108 10920279 10920280 10920283 10920284 10920286 10921808 10921810 10921811 10921813 10921815		
	10921816 10921817 10922546 10922549 10922551 10922553 10922555 10922559 10922561 10922562 10922563		
	10922564 10922566 10922567 10922568 10922569 10922570 10922571 10923162 10923163 10923164 10923166		
	10923167 10923168 10923169 10923171 10923172 10923173 10923175 10923178 10923179 10923181 10923182		
000	10923183 10923626 10923634 10923635 10923637 10923639 10923640 10924532 10924533 10924535 10924537		
	10924538 10924539 10925113 10925114 10925117 10925121 10925124 10925128 10925129 10925130 10925134		
	10925135 10925137 10925139 10925142 10925143 10927319 10927899 10927900 10927901 10927902 10927903		
	10927904 10927905 10927906 10927909 10927910 10927913 10927915 10928547 10929300 10929302 10930259		
	10930260 10930263 10930264 10930266 10930272 10931415 10931423 10932251 10932255 10932257 10932260		
	10932262 10932267 10932268 10932509 10942247 10942249 10942250 10942252 10942253 10942254 10942255		
	10942258 10942260 10943518 10943519 10943520 10943521 10943522 10943527 10943528 10953643 10953644		
	10953646 10953649 10955611 10955612 10955613 10955614 10955615 10955965 10955966 10955968 10955969		
	10955970 10955971 10955972 10956257 10956261 10956929 10961603 10961605 10962168 10962174 10962175		
	10962176 10962178 10964808 10964812 10964814 10965081 10965527 10965528 10965530 10965532 10965533		
	10965534 10965536 10965537 10965538 10965539 10965540 10966571 10966572 10966573 10966575 10966576		
	10966577 10966578 10967935 10968053 10968054 10968055 10968058 10968059 10968553 10968556 10968557		
	10970066 10970067 10970653 10970654 10970655 10972049 10972052 10973249 10973250 10973251 10973254		
	10973275 10973276 10973279 10973280 10973281 10973283 10973290 10973292 10973293 10973526 10973527		
	10973528 10973529 10973532 10973534 10973535 10975130 10975132 10975133 10975136 10975137 10975138		
	10975139 10976062 10979097 10979099 10979101 10979102 10979104 10979128 10979129 10979130 10979132		
	10982700 10983154 10983155 10985007 10985539 10985540 10985541 10985542 10985545 10985546 10986678		
	10986679 10986680 10986681 10986682 10986683 10986684 10986685 10986686 10986687 10986699 10986700		
	10986702 10986703 10986704 10986706 10986707 10986708 10986709 10986710 10986712 10986715 10986909		
	10986913 10986914 10986915 10986916 10986924 10986925 10986926 10986927 10986928 10986929 10986932		
	10987725 10987727 10987728 10987731 10987732 10988324 10988326 10988327 10988328 10988330		
	10988331 10988332 10988429 10988430 10988431 10988432 10988434 10988435 10988437 10989317 10989321		
	10989322 10989323 10989325 10989328 10989329 10989330 10989332 11000982 11000996 11000999 11001593		
	11001594 11001595 11001597 11001599 11001600 11001693 11002565 11002571 11002575 11002608 11002611		
	11002612 11006285 11006286 11006287 11006288 11006289 11006291 11006292 11006294 11006295 11006296		
	11006297 11006300 11006305 11006307 11006313 11007496 11007528 11007530 11007531 11007968 11007993		
	11007996 11007997 11007998 11010396 11010397 11011113 11011939 11011940 11012144 11012147 11012148		
	11014234 11014235 11014237 11014244 11014245 11014248 11014249 11014250 11014254 11014255 11015045		
	11015046 11015048 11015861 11015862 11018501 11018506 11018635 11018641 11018644 11018645 11018650		
	11018651 11018944 11018946 11020643 11020644 11020647 11020650 11021122 11021123 11021599 11021600		
	11021602 11021604 11021710 11021711 11023559 11023949 11023950 11023952 11023953 11023954 11023955		
	11023957 11023997 11024022 11024023 11024024 11024025 11024026 11024199 11024201 11024203 11024640		
	11024641 11024642 11027539 11027541 11027866		



1	04298303	1	turbo charger WITH POS.... (2-5)
2	04295779	1	gasket

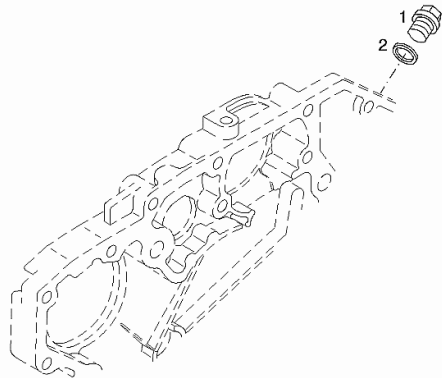
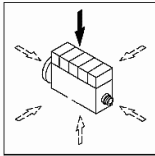
Section: B0 - ENGINE
CLOSING COMPONENTS

Fig.	Code	QTY	Name
------	------	-----	------

Engine Serial Numbers:

10600578	10637871	10637872	10756595	10756596	10756597	10756598	10756599	10765683	10765688	10765689
10765690	10765692	10765693	10765694	10765695	10765697	10765700	10765701	10765702	10765704	10770165
10770167	10770168	10770173	10770174	10770175	10770176	10770177	10770179	10770180	10771126	10771127
10771128	10775378	10775380	10775383	10775384	10775385	10775386	10775387	10775390	10776045	10776046
10776050	10777757	10777759	10777760	10777761	10777762	10777763	10777764	10791147	10792395	10792401
10792402	10792404	10792405	10792408	10792417	10792421	10792424	10793409	10793411	10793412	10793413
10793415	10793416	10793417	10793419	10793420	10793421	10795351	10795352	10795358	10795359	10795361
10795362	10795367	10795375	10795376	10795379	10795380	10795381	10795382	10795388	10795390	10798287
10798288	10798293	10798296	10798297	10798298	10798299	10798300	10800771	10800772	10800773	10800774
10800775	10800776	10800777	10800778	10800780	10800781	10800782	10800783	10800784	10800785	10800786
10800787	10800788	10802729	10803337	10803338	10803339	10803340	10803341	10803342	10805252	10805253
10805254	10805255	10805256	10805257	10805258	10805259	10805260	10805261	10805262	10805263	10805264
10805265	10805266	10805862	10805863	10805864	10805866	10805867	10805868	10805870	10806326	10806327
10806328	10806330	10806332	10806333	10806334	10807768	10807770	10807775	10807778	10807779	10812843
10812844	10812846	10812849	10812850	10812851	10812852	10812854	10812855	10812858	10812859	10813148
10813149	10813151	10813155	10813160	10813197	10813198	10813199	10813200	10813201	10813204	10813205
10813206	10813207	10813209	10813210	10813211	10813212	10815300	10815302	10815303	10815304	10815308
10815313	10815316	10815317	10817165	10817166	10817167	10817168	10817173	10817176	10817177	10817184
10817185	10822004	10822005	10822006	10822007	10822008	10822010	10822011	10822014	10822016	10822018
10822019	10825282	10825283	10825288	10825292	10825293	10825297	10825298	10825300	10825301	10825302
10825304	10825305	10825306	10825307	10825931	10825932	10825934	10825936	10825937	10825938	10825939
10825940	10825942	10825943	10825944	10825945	10825946	10825947	10825948	10825950	10827145	10827146
10827147	10827148	10827149	10827152	10827154	10827155	10827156	10827157	10827158	10827159	10827577
10827579	10827580	10827581	10827583	10827584	10827587	10827588	10827589	10827590	10827591	10830683
10830688	10830691	10830693	10830694	10830695	10830697	10831362	10831363	10831365	10831370	10831371
10831372	10831375	10832302	10832305	10832307	10832309	10832310	10832312	10832314	10833052	10833054
10833059	10833060	10833062	10833063	10834150	10834151	10834153	10834154	10834155	10834157	10834158
10834159	10834160	10834161	10834162	10834163	10834164	10834165	10834166	10834167	10834168	10834169
10835174	10835175	10835176	10835177	10835178	10835181	10835187	10835189	10835191	10835192	10836510
10836511	10836512	10836513	10836514	10836919	10836921	10836925	10836926	10836927	10836928	10836930
10837706	10837707	10837708	10837709	10837710	10837711	10837712	10837713	10837714	10837716	10837721
10837722	10837723	10837724	10842053	10842054	10842055	10842057	10842058	10842059	10842060	10842062
10842063	10842064	10842065	10842066	10842067	10842068	10842069	10842070	10842071	10842072	10842416
10842417	10842418	10842419	10842420	10842421	10842422	10842719	10842720	10842721	10842722	10843911
10843912	10843920	10843921	10843923	10843926	10843927	10843928	10844275	10844278	10844284	10844285
10844289	10847752	10847754	10847755	10847756	10847757	10847760	10847761	10847763	10847765	10847766
10847767	10847769	10847770	10847771	10847772	10847773	10847774	10847775	10847776	10848302	10848303
10848304	10848306	10848308	10848309	10850699	10850700	10850704	10850705	10850706	10850708	10851667
10851671	10851672	10851674	10851675	10851676	10857635	10857636	10860840	10860841	10860843	10860847
10861226	10861230	10861231	10861234	10861235	10862771	10862774	10862778	10863543	10863545	10863547
10863548	10863549	10863550	10863551	10863553	10863555	10863556	10863557	10868171	10868174	10868177
10868178	10868182	10870420	10870421	10870422	10870423	10870424	10873021	10873022	10873024	10873026
10873027	10873028	10873029	10873030	10873032	10873033	10873035	10873036	10876201	10876884	10876888
10876890	10876893	10876897	10876901	10876902	10877937	10884878	10884879	10884880	10884881	10884882
10884883	10884884	10884885	10884886	10884891	10884892	10884893	10888699	10888703	10888704	10888708
10888709	10888710	10888711	10888712	10888713	10891815	10891818	10891820	10891828	10891835	10891836
10891837	10891841	10891844	10893471	10893478	10893481	10893482	10893483	10893487	10893503	10893504
10893505	10893507	10893510	10893517	10893518	10893831	10893833	10893834	10893835	10893836	10893837

002 ©



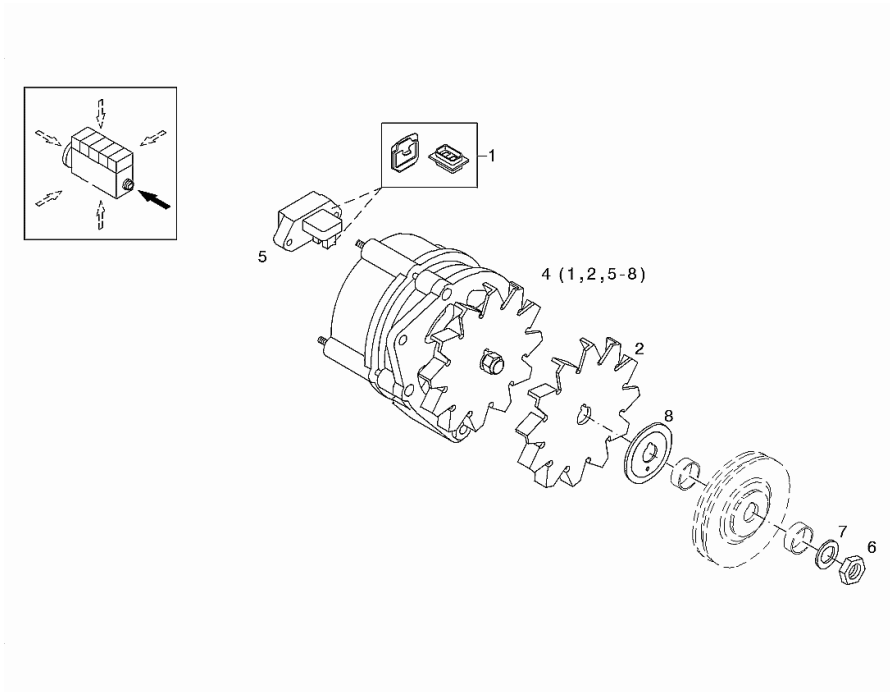
GENERATOR

Fig.	Code	QTY	Name
------	------	-----	------

Engine Serial Numbers:

10600578 10637871 10637872

1	01340485	1	cap
2	01181859	1	rotor blade
4	01182173	1	H 821177-EI138-TI-D-R12BLECH alternator 95 A WITH POS.... (1,2,5-8)
5	01182199	1	H 821170-TIR14X95ATOPF-BAUWEI actuator
6	01131115	1	H 822111-TI-14,1V55/95/120A-2,2MF nut
7	01103952	1	ISO 8675 -M16X1,5-05-A4C spring disc
8	01182010	1	DIN 137 -B16-FST-A4C washer



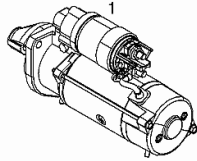
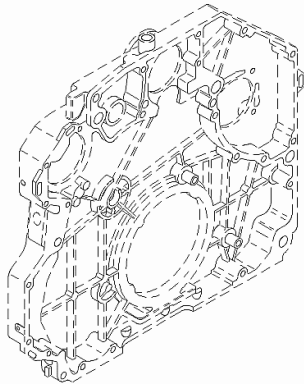
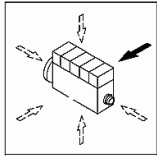
STARTER

Fig.	Code	QTY	Name
------	------	-----	------

Engine Serial Numbers:

10791147	10792395	10792401	10792402	10792404	10792405	10792408	10792417	10792421	10792424	10793409
10793411	10793412	10793413	10793415	10793416	10793417	10793419	10793420	10793421	10795351	10795352
10795358	10795359	10795361	10795362	10795367	10795375	10795376	10795379	10795380	10795381	10795382
10795388	10795390	10798287	10798288	10798293	10798296	10798297	10798298	10798299	10798300	10800771
10800772	10800773	10800774	10800775	10800776	10800777	10800778	10800780	10800781	10800782	10800783
10800784	10800785	10800786	10800787	10800788	10802729	10803337	10803338	10803339	10803340	10803341
10803342	10805252	10805253	10805254	10805255	10805256	10805257	10805258	10805259	10805260	10805261
10805262	10805263	10805264	10805265	10805266	10805862	10805863	10805864	10805866	10805867	10805868
10805870	10806326	10806327	10806328	10806330	10806332	10806333	10806334	10807768	10807770	10807775
10807778	10807779	10812843	10812844	10812846	10812849	10812850	10812851	10812852	10812854	10812855
10812858	10812859	10813148	10813149	10813151	10813155	10813160	10813197	10813198	10813199	10813200
10813201	10813204	10813205	10813206	10813207	10813209	10813210	10813211	10813212	10815300	10815302
10815303	10815304	10815308	10815313	10815316	10815317	10817165	10817166	10817167	10817168	10817173
10817176	10817177	10817184	10817185	10822004	10822005	10822006	10822007	10822008	10822010	10822011
10822014	10822016	10822018	10822019	10825282	10825283	10825288	10825292	10825293	10825297	10825298
10825300	10825301	10825302	10825304	10825305	10825306	10825307	10825931	10825932	10825934	10825936
10825937	10825938	10825939	10825940	10825942	10825943	10825944	10825945	10825946	10825947	10825948
10825950	10827145	10827146	10827147	10827148	10827149	10827152	10827154	10827155	10827156	10827157
10827158	10827159	10827577	10827579	10827580	10827581	10827583	10827584	10827587	10827588	10827589
10827590	10827591	10830683	10830688	10830691	10830693	10830694	10830695	10830697	10831362	10831363
10831365	10831370	10831371	10831372	10831375	10832302	10832305	10832307	10832309	10832310	10832312
10832314	10833052	10833054	10833059	10833060	10833062	10833063	10834150	10834151	10834153	10834154
10834155	10834157	10834158	10834159	10834160	10834161	10834162	10834163	10834164	10834165	10834166
10834167	10834168	10834169	10835174	10835175	10835176	10835177	10835178	10835181	10835187	10835189
10835191	10835192	10836510	10836511	10836512	10836513	10836514	10836919	10836921	10836925	10836926
10836927	10836928	10836930	10837706	10837707	10837708	10837709	10837710	10837711	10837712	10837713
10837714	10837716	10837721	10837722	10837723	10837724	10842053	10842054	10842055	10842057	10842058
10842059	10842060	10842062	10842063	10842064	10842065	10842066	10842067	10842068	10842069	10842070
10842071	10842072	10842416	10842417	10842418	10842419	10842420	10842421	10842422	10842719	10842720
10842721	10842722	10843911	10843912	10843920	10843921	10843923	10843926	10843927	10843928	10844275
10844278	10844284	10844285	10844289	10847752	10847754	10847755	10847756	10847757	10847760	10847761
10847763	10847765	10847766	10847767	10847769	10847770	10847771	10847772	10847773	10847774	10847776
10847778	10848302	10848303	10848304	10848306	10848308	10848309	10850699	10850700	10850704	10850705
10850706	10850708	10851667	10851671	10851672	10851674	10851675	10851676	10857635	10857636	10860840
10860841	10860843	10860847	10861226	10861230	10861231	10861234	10861235	10862771	10862774	10862778
10863543	10863545	10863547	10863548	10863549	10863550	10863551	10863553	10863555	10863556	10863557
10868171	10868174	10868177	10868178	10868182	10870420	10870421	10870422	10870423	10870424	10873021
10873022	10873024	10873026	10873027	10873028	10873029	10873030	10873032	10873033	10873035	10873036
10876201	10876884	10876888	10876890	10876893	10876897	10876901	10876902	10877937	10884878	10884879
10884880	10884881	10884882	10884883	10884884	10884885	10884886	10884891	10884892	10884893	10888699
10888703	10888704	10888708	10888709	10888710	10888711	10888712	10888713	10891815	10891818	10891820
10891828	10891835	10891836	10891837	10891841	10891844	10893471	10893478	10893481	10893482	10893483
10893487	10893503	10893504	10893505	10893507	10893510	10893517	10893518	10893831	10893833	10893834
10893835	10893836	10893837	10893838	10893839	10893841	10893843	10893844	10893846	10893874	10893875
10893877	10893879	10894695	10894696	10894698	10895559	10895561	10895562	10895563	10895857	10895859
10895861	10895862	10895866	10895867	10902225	10902227	10902228	10902230	10902231	10902237	10902240
10902247	10903166	10903167	10903168	10903169	10903171	10903172	10903174	10903175	10903601	10903603
10903604	10903606	10903607	10903609	10903636	10903640	10903642	10903643	10908191	10908193	10908196

000 ©



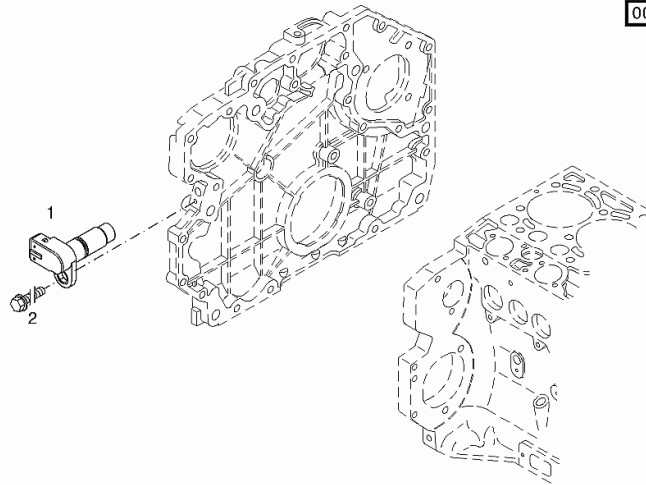
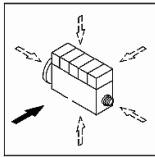
IMPULSE TRANSMITTER

Fig.	Code	QTY	Name
------	------	-----	------

Engine Serial Numbers:

10600578 10637871 10637872 10756595 10756596 10756597 10756598 10756599 10765683 10765688 10765689
 10765690 10765692 10765693 10765694 10765695 10765697 10765700 10765701 10765702 10765704 10770165
 10770167 10770168 10770173 10770174 10770175 10770176 10770177 10770179 10770180 10771126 10771127
 10771128 10775378 10775380 10775383 10775384 10775385 10775386 10775387 10775390 10776045 10776046
 10776050 10777757 10777759 10777760 10777761 10777762 10777763 10777764 10791147 10792395 10792401
 10792402 10792404 10792405 10792408 10792417 10792421 10792424 10793409 10793411 10793412 10793413
 10793415 10793416 10793417 10793419 10793420 10793421 10795351 10795352 10795358 10795359 10795361
 10795362 10795367 10795375 10795376 10795379 10795380 10795381 10795382 10795388 10795390 10798287
 10798288 10798293 10798296 10798297 10798298 10798299 10798300 10800771 10800772 10800773 10800774
 10800775 10800776 10800777 10800778 10800780 10800781 10800782 10800783 10800784 10800785 10800786
 10800787 10800788 10802729 10803337 10803338 10803339 10803340 10803341 10803342 10805252 10805253
 10805254 10805255 10805256 10805257 10805258 10805259 10805260 10805261 10805262 10805263 10805264
 10805265 10805266 10805862 10805863 10805864 10805866 10805867 10805868 10805870 10806326 10806327
 10806328 10806330 10806332 10806333 10806334 10807768 10807770 10807775 10807778 10807779 10812843
 10812844 10812846 10812849 10812850 10812851 10812852 10812854 10812855 10812858 10812859 10813148
 10813149 10813151 10813155 10813160 10813197 10813198 10813199 10813200 10813201 10813204 10813205
 10813206 10813207 10813209 10813210 10813211 10813212 10815300 10815302 10815303 10815304 10815308
 10815313 10815316 10815317 10817165 10817166 10817167 10817168 10817173 10817176 10817177 10817184
 10817185 10822004 10822005 10822006 10822007 10822008 10822010 10822011 10822014 10822016 10822018
 10822019 10825282 10825283 10825288 10825292 10825293 10825297 10825298 10825300 10825301 10825302
 10825304 10825305 10825306 10825307 10825931 10825932 10825934 10825936 10825937 10825938 10825939
 10825940 10825942 10825943 10825944 10825945 10825946 10825947 10825948 10825950 10827145 10827146
 10827147 10827148 10827149 10827152 10827154 10827155 10827156 10827157 10827158 10827159 10827577
 10827579 10827580 10827581 10827583 10827584 10827587 10827588 10827589 10827590 10827591 10830683
 10830688 10830691 10830693 10830694 10830695 10830697 10831362 10831363 10831365 10831370 10831371
 10831372 10831375 10832302 10832305 10832307 10832309 10832310 10832312 10832314 10833052 10833054
 10833059 10833060 10833062 10833063 10834150 10834151 10834153 10834154 10834155 10834157 10834158
 10834159 10834160 10834161 10834162 10834163 10834164 10834165 10834166 10834167 10834168 10834169
 10835174 10835175 10835176 10835177 10835178 10835181 10835187 10835189 10835191 10835192 10836510
 10836511 10836512 10836513 10836514 10836919 10836921 10836925 10836926 10836927 10836928 10836930
 10837706 10837707 10837708 10837709 10837710 10837711 10837712 10837713 10837714 10837716 10837721
 10837722 10837723 10837724 10842053 10842054 10842055 10842057 10842058 10842059 10842060 10842062
 10842063 10842064 10842065 10842066 10842067 10842068 10842069 10842070 10842071 10842072 10842416
 10842417 10842418 10842419 10842420 10842421 10842422 10842719 10842720 10842721 10842722 10843911
 10843912 10843920 10843921 10843923 10843926 10843927 10843928 10844275 10844278 10844284 10844285
 10844289 10847752 10847754 10847755 10847756 10847757 10847760 10847761 10847763 10847765 10847766
 10847767 10847769 10847770 10847771 10847772 10847773 10847774 10847775 10847776 10847777 10848302 10848303
 10848304 10848306 10848308 10848309 10850699 10850700 10850704 10850705 10850706 10850708 10851667
 10851671 10851672 10851674 10851675 10851676 10857635 10857636 10860840 10860841 10860843 10860847
 10861226 10861230 10861231 10861234 10861235 10862771 10862774 10862778 10863543 10863545 10863547
 10863548 10863549 10863550 10863551 10863553 10863555 10863556 10863557 10868171 10868174 10868177
 10868178 10868182 10870420 10870421 10870422 10870423 10870424

000 ©



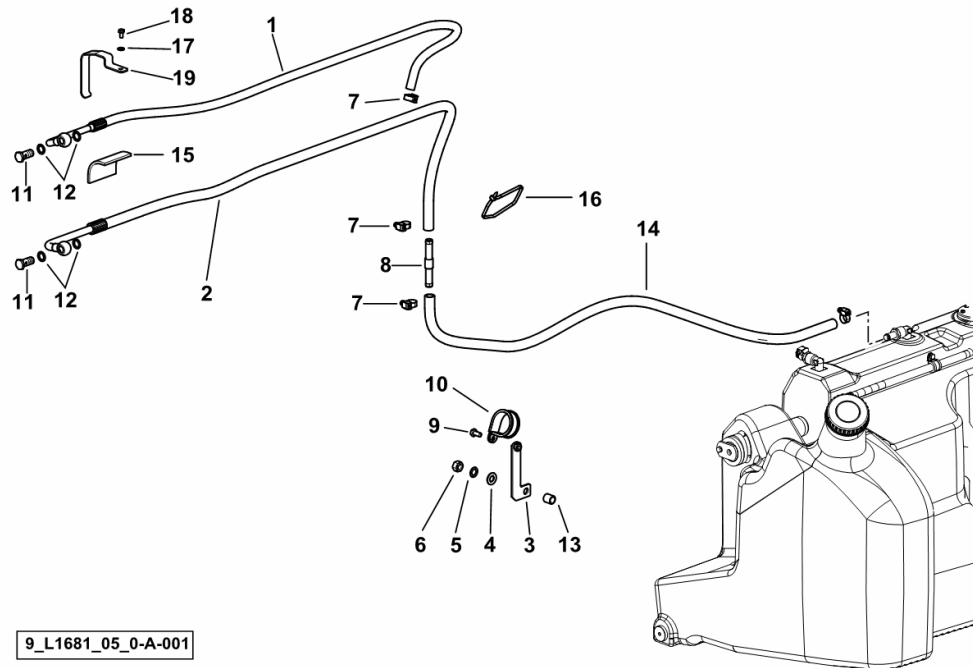
1	01182834	1	switch
2	01181439	1	screw EN 1662 -F-M6X16-10.9-ZNAL-A

FUEL COOLER PIPES

Fig.	Code	QTY	Name
------	------	-----	------

Notes:

[Agrofarm 420 2WD -> 20001] [Agrofarm 420 4WD -> 20001]



1	0.014.8520.3/20	1	tube
2	0.015.6239.3	1	tube
3	0.015.8494.3	1	bracket
4	2.1470.007.2	1	lock washer 12
5	2.1310.007.2	1	flat washer 13.5
6	2.1011.107.2	1	nut m 12 p.1.75
7	2.6851.019.0	4	clamp Ø 13/20
8	0.015.8420.0	1	pipe fitting
9	2.0112.205.2	1	screw m 8 p.1.25 x 16
10	2.6839.073.2	1	clamp 45
11	2.3335.053.2	2	pipe union m 14 p.1.5x30
12	2.1560.010.0	4	gasket 14.2 x 20 x 1.5
13	2.1579.909.2	1	spacer 12.6x17x17
14	0.015.6306.0	1	tube
15	0.014.9300.0	1	insulator
16	2.6852.203.0	1	clamp 292 x 4.8
17	2.1310.002.2	1	washer 6.6, d125
18	2.0112.003.2	1	screw m 6 p.1 x 12
19	0.015.8799.0	1	bracket

9_L1681_05_0-A-001

COMPRESSOR-PARTS

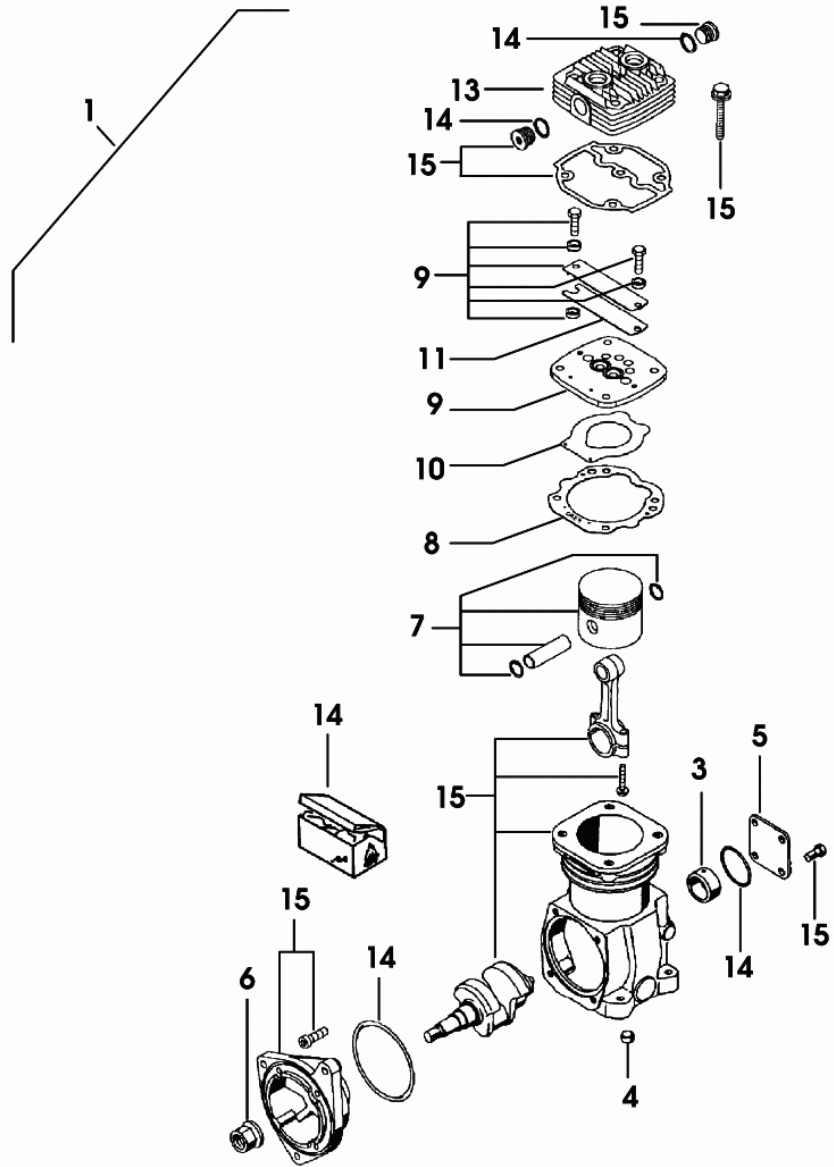


Fig.	Code	QTY	Name
1	04428408.4	1	air compressor 229 cm ³
3	04436267	1	bushing
4	01151194	2	cover
5	04436268	1	cover
6	04436276	1	nut
7	04436269	1	piston
8	04436270	1	gasket
9	04436271	1	valve
10	04436272	1	thin plate
11	04436273	1	thin plate
13	04436275	1	cover
14	04436277	1	sub-assy parts
15	0.000.0000.1	0	not serviceable

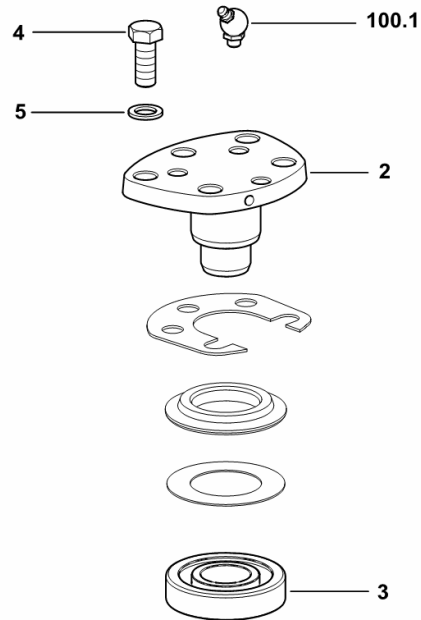
PIN

Fig.	Code	QTY	Name
------	------	-----	------

Notes:

[Agrofarm 420 4WD -> 20001]

2	0.255.4335.0/10	1	pin
3	2.2530.007.0	1	roller bearing 30x72x20.75
4	2.0112.411.2	3	screw m 12 p.1.75 x 30
5	2.1470.007.2	3	lock washer 12
100.1	2.3821.102.2	1	lubricator m 8 p.1 x 8



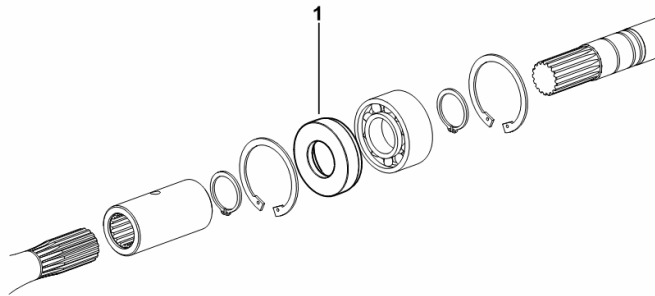
9_40543_05_0-A-001

Section: F0 - FRONT AXLE
4WD - TRANSMISSION SHAFT

Fig.	Code	QTY	Name
------	------	-----	------

Notes:
 [Agrofarm 420 4WD -> 20001]

1	0.014.3406.0	1	bushing
---	--------------	---	---------



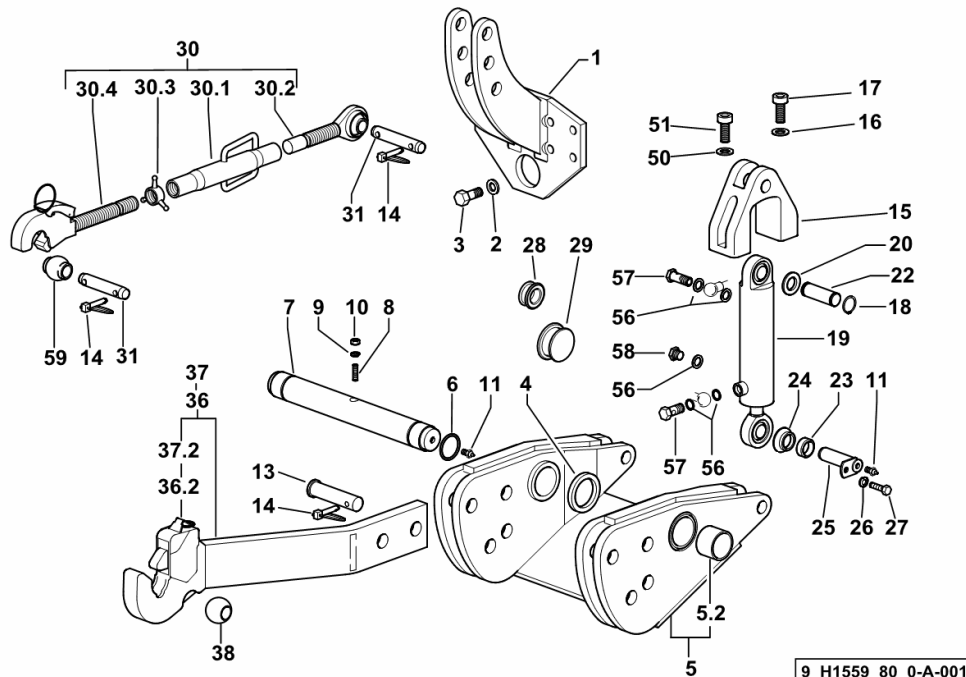
9_B7826_02_0-A-001

Section: N0 - FRONT LIFT
FRONT HYDRAULIC POWER-LIFT

Fig.	Code	QTY	Name
------	------	-----	------

Notes:

[Agrofarm 420 4WD -> 20001]



1	0.014.3679.2/20	1	plate
2	2.1310.009.2	6	flat washer 14
3	2.0112.515.2	6	screw m 14 p.2 x 40
4	2.1549.244.0/20	2	shim 51x68x5
5	0.011.2179.3/10	1	support
5.2	2.1559.354.0	1	bushing
6	2.1514.053.0	2	oil seal 45x55x4
7	0.007.6983.0/10	1	shaft
8	2.0599.079.2	1	screw m 12x1.25x50
9	2.1310.007.2	1	flat washer 13.5
10	2.1011.422.2	1	nut m 12 p.1.25
11	2.3820.105.2	4	lubricator m 10 p.1 x 7
13	2.1679.095.2	4	pin
14	0.010.9322.4	8	pin Ø 11
15	0.010.6707.0/10	2	bracket
16	2.1474.010.2	4	washer 10
17	2.0312.312.2	4	screw m1,5x35
18	2.1699.479.0	2	pin
19	0.010.6837.4/20	2	cylinder
20	2.1569.178.0	4	gasket
22	2.1410.010.2	4	ring 25
23	2.1549.334.2	4	spacer 26x30x8
24	0.010.4205.0	4	gasket
25	0.010.6434.2/10	2	pin
26	2.1470.004.2	2	washer 8
27	2.0112.205.2	2	screw m 8 p.1.25 x 16
28	0.010.4072.0	1	plug 40
29	0.011.0754.0	1	plug 60
30	0.013.2771.4/10	1	top link
30.1	0.013.2767.3/10	1	sleeve
30.2	0.013.2769.3	1	rod sx/lh/li
30.3	0.001.5059.0	1	nut
30.4	0.013.2770.3	1	automatic hook dx/rh/re ☞ 0.013.2770.3
31	2.1669.024.2	2	pin 25.4 x 133
36	0.011.2175.3/10	1	right hand arm
36.2	0.010.1702.3	1	automatic hook 2 cat. - WALTERSCHEID ☞ 0.010.1702.3
37	0.011.2177.3/10	1	left hand arm
37.2	0.010.1702.3	1	automatic hook 2 cat. - WALTERSCHEID ☞ 0.010.1702.3

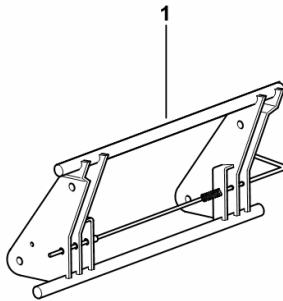
MECHANICAL IMPLEMENT HITCH

Fig.	Code	QTY	Name
------	------	-----	------

Notes:

- EUROPE [Agrofarm 420 4WD -> 20001] 20424 <-

1	0.014.4203.4	1	chassis frame
---	--------------	---	---------------



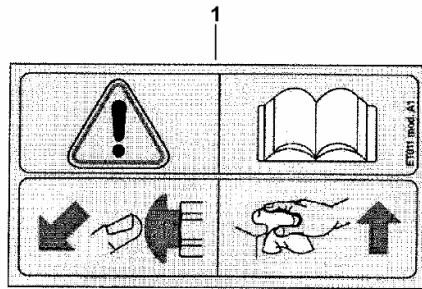
9_G4498_20_0-A-001

WARNING PLATE

Fig.	Code	QTY	Name
------	------	-----	------

Notes:
[Agrofarm 420 4WD -> 20001]

1	2.9939.235.0	1	plate
---	--------------	---	-------



9_G4498_47_0-A-001

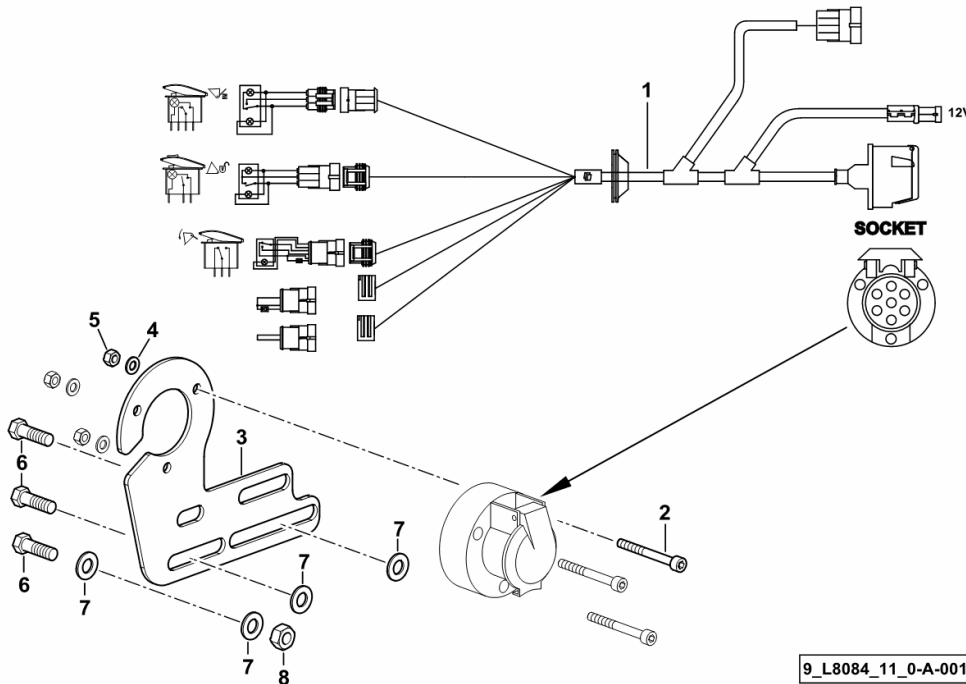
PROVISION FOR FRONT LOADER

Fig.	Code	QTY	Name
------	------	-----	------

Notes:

[Agrofarm 420 4WD -> 20001]

1	0.017.9311.4	1	electrical system ☞ 0.017.9311.4
2	2.0312.015.2	3	screw m 5 p.0.8x45
3	0.014.5183.0	1	bracket
4	2.1310.001.2	3	flat washer 5.3
5	2.1011.102.2	3	nut m 5 p.0.7
6	2.0112.209.2	3	screw m 8 p 1.25 x 25
7	2.1475.002.2	4	conical washer 8
8	2.1011.105.2	1	nut m 8 p.1.25



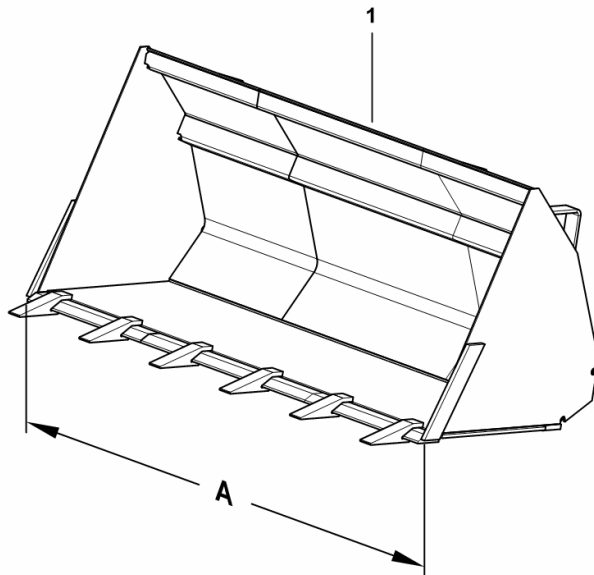
BUCKET EBWT 170 R

Fig.	Code	QTY	Name
------	------	-----	------

Notes:

[Agrofarm 420 4WD -> 20001]

1	0.016.1621.4	1	bucket EBWT 170 R A = mm 1700
---	--------------	---	----------------------------------



9_18598_90_0-A-001

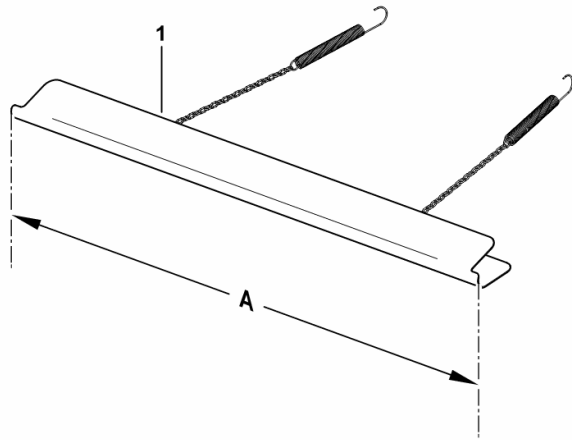
SHOVEL AND FORK PROTECTION A = mm 1910

Fig.	Code	QTY	Name
------	------	-----	------

Notes:

[Agrofarm 420 4WD -> 20001]

1	0.014.9797.3/10	1	guard A = mm 1910
---	-----------------	---	-------------------



9_G4498_89_0-A-001

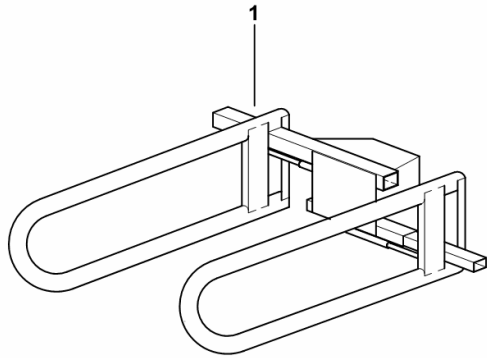
BAIL FORK - BACL 205 H

Fig.	Code	QTY	Name
------	------	-----	------

Notes:

[Agrofarm 420 4WD -> 20001]

1	0.014.4935.4	1	fork-lift - BACL 205 H
---	--------------	---	------------------------



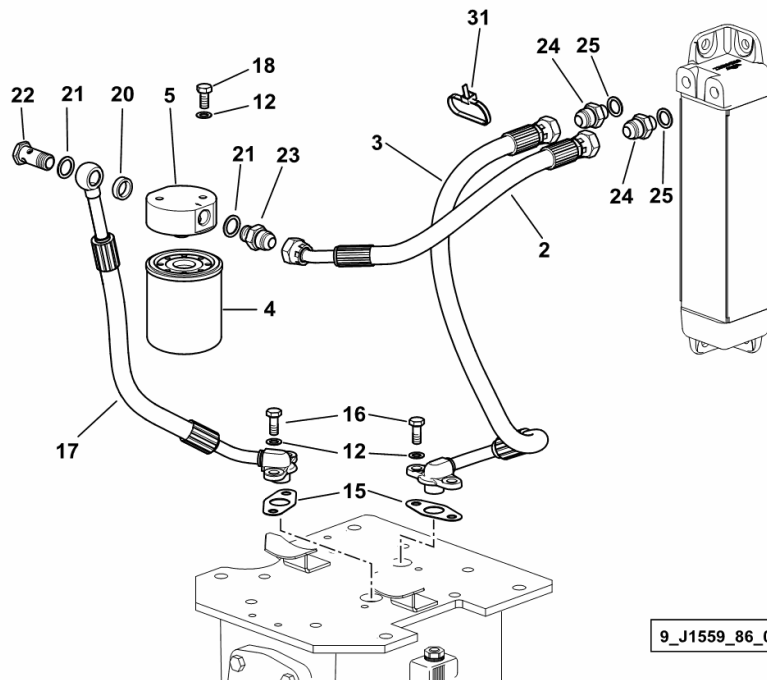
9_G4398_85_0-A-001

Section: M0 - FRONT PTO
FRONT P.T.O. - PIPES

Fig.	Code	QTY	Name
------	------	-----	------

Notes:

[Agrofarm 420 4WD -> 20001] 20114 <-



9_J1559_86_0-B-001

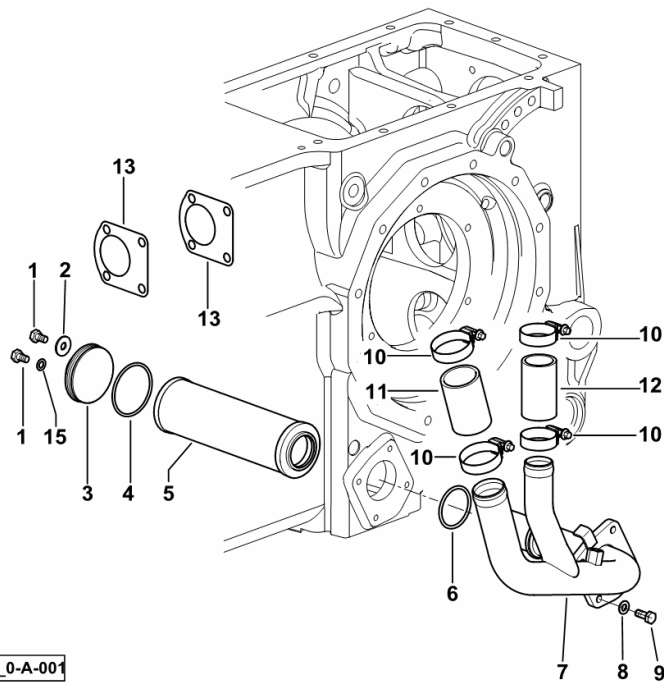
2	0.015.5314.3	1	tube
3	0.015.5344.3	1	tube
4	0.008.3100.0/10	1	hydr.oil filter elem
5	0.008.3065.0/30	1	head
12	2.1470.004.2	10	washer 8
15	0.052.1558.0/10	2	gasket
16	2.0112.207.2	4	screw m 8 p 1.25 x 20
17	0.014.8186.3/10	1	tube
18	2.0112.206.2	2	screw m 8 p.1.25 x 18
20	2.1569.154.0	1	gasket 16.2x22x6
21	2.1560.012.0	2	gasket 16.2 x 22 x 1.5
22	2.3335.054.2	1	pipe union m 16 p.1.5
23	2.3261.008.2	1	pipe fitting m 16 p.1.5-3/4"
24	2.3339.146.2	2	pipe fitting m 14 p.1.5-3/4 gas
25	2.1560.010.0	2	gasket 14.2 x 20 x 1.5
31	2.6852.203.0	1	clamp 292 x 4.8

OIL SUCTION

Fig.	Code	QTY	Name
------	------	-----	------

Notes:

[Agrofarm 420 2WD -> 20001] [Agrofarm 420 4WD -> 20001]



1	2.0112.204.2	2	screw m 8 p.1.25x14
2	2.1312.004.3	1	washer 8,4x24x2
3	0.013.8789.0/10	1	cover
4	2.1530.157.0	1	'o' ring 64.77x2.62
5	2.4419.484.0	1	oil filter
6	2.1532.138.0	1	'o' ring 55.56x3.53
7	0.015.1259.3	1	tube
8	2.1310.004.2	4	flat washer 8.5
9	2.0112.209.2	4	screw m 8 p 1.25 x 25
10	2.6851.004.0	4	clamp Ø 32/50
11	2.3213.240.0	1	sleeve
12	2.3213.234.0	1	sleeve Ø 34, L 70
13	0.9104.250.0/10	2	gasket
15	2.1560.004.0	1	gasket 8.2 x 14

9_H1582_00_0-A-001

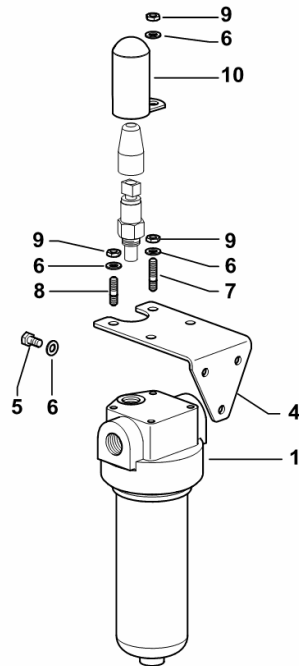
OIL FILTER

Fig.	Code	QTY	Name
------	------	-----	------

Notes:

[Agrofarm 420 2WD -> 20001] [Agrofarm 420 4WD -> 20001]

1	2.4419.490.0/30	1	filter 8 " 40 bar ☞ 2.4419.490.0/30
4	0.015.1356.2/10	1	bracket
5	2.0112.205.2	3	screw m 8 p.1.25 x 16
6	2.1310.004.2	8	flat washer 8.5
7	2.0432.005.7	1	stud bolt m 8 p.1.25 / p.1 x 25
8	2.0432.003.7	3	stud bolt m 8 p.1.25 / p.1 x 20
9	2.1011.505.2	5	nut m 8 p.1 x 8
10	0.011.0481.2/20	1	guard



9_H1582_10_0-A-001

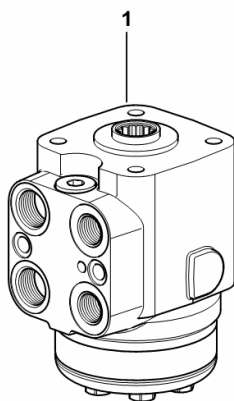
HYDROSTATIC STEERING CONTROL VALVE

Fig.	Code	QTY	Name
------	------	-----	------

Notes:

[Agrofarm 420 2WD -> 20001] [Agrofarm 420 4WD -> 20001]

1	2.4569.005.0	1	hydrosteering OSPC 125 OR ☞ 2.4569.005.0
---	--------------	---	---



9_C1263_04_0-A-001

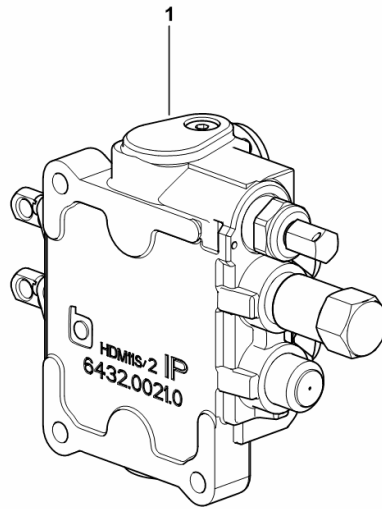
4-WAY AUXILIARY DISTRIBUTOR

Fig.	Code	QTY	Name
------	------	-----	------

Notes:

[Agrofarm 420 2WD -> 20001] [Agrofarm 420 4WD -> 20001]

1	2.3729.706.0/10	1	distributor ☞ 2.3729.706.0/10
---	-----------------	---	----------------------------------



9_H1288_15_0-A-001

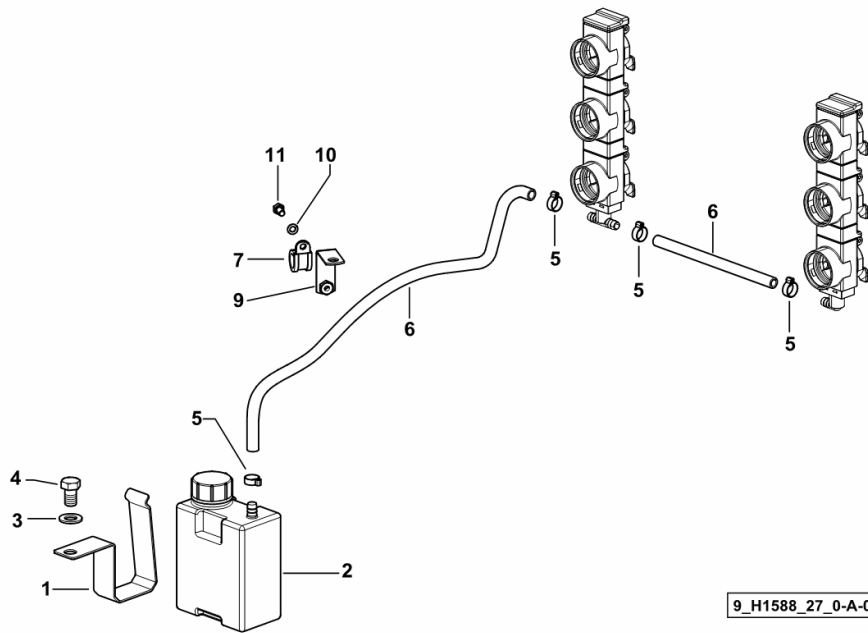
CONNECTOR OIL COLLECTION SYSTEM

Fig.	Code	QTY	Name
------	------	-----	------

Notes:

[Agrofarm 420 2WD -> 20001] [Agrofarm 420 4WD -> 20001]

1	0.015.3430.0	1	bracket
2	04426824.4	1	tank 600 cm ³
3	2.1475.004.2	1	washer 12
4	2.0112.407.2	1	screw m 12 p.1.75 x 20
5	2.6857.019.0	4	clamp 14
6	0.012.9660.0/10	0.75	flexible hose
7	2.6839.066.0/10	1	clamp 16
9	0.015.3818.3/10	1	bracket
10	2.1470.002.2	1	washer 6, d128
11	2.0112.003.2	1	screw m 6 p.1 x 12



9_H1588_27_0-A-002

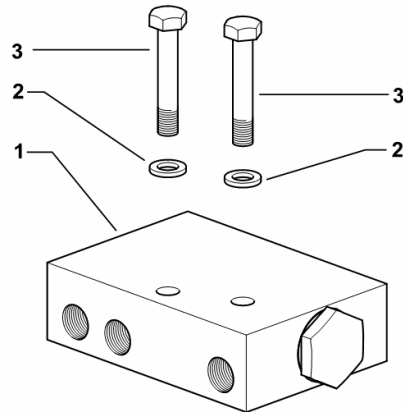
BLAKES BLOCK

Fig.	Code	QTY	Name
------	------	-----	------

Notes:

- FOR TYPES WITH HYDRAULIC TRAILER BRAKING (FRANCE) [Agrofarm 420 2WD -> 20001] - FOR TYPES WITH HYDRAULIC TRAILER BRAKING (ITALY) [Agrofarm 420 2WD -> 20001] - FOR TYPES WITH HYDRAULIC TRAILER BRAKING (FRANCE) [Agrofarm 420 4WD -> 20001] - FOR TYPES WITH HYDRAULIC TRAILER BRAKING (ITALY) [Agrofarm 420 4WD -> 20001]

1	0.015.8158.4	1	small block
2	2.1470.002.2	2	washer 6, d128
3	2.0112.013.2	2	screw m 6 p.1 x 35



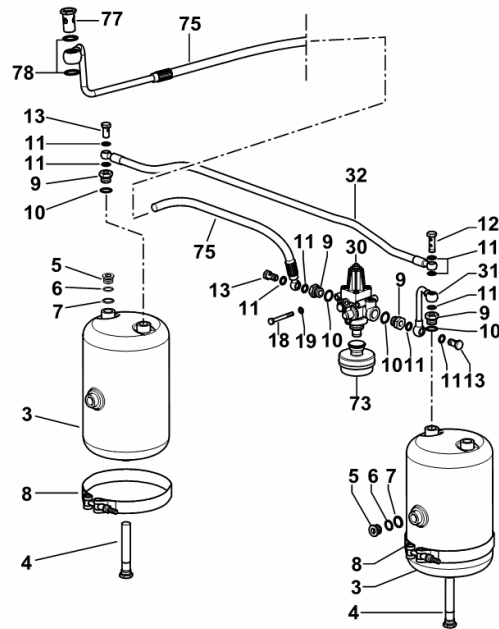
9_J1589_04_0-A-001

AIR BRAKING FOR 'EXPORT D' TRAILER

Fig.	Code	QTY	Name
------	------	-----	------

Notes:

[Agrofarm 420 2WD -> 20001] [Agrofarm 420 4WD -> 20001]



3	04414694/10	2	tank
4	04400757	2	valve
5	2.3120.002.4	3	plug m 22 x 1.5
6	02523701	5	ring
7	02523700	5	ring
8	2.6859.101.0	2	clamp
9	2.3339.766.2	8	reduction m 22 p.1.5/m 14 p.1.5
10	2.1560.017.0	8	gasket 22.2 x 27
11	2.1560.010.0	19	gasket 14.2 x 20 x 1.5
12	2.3339.280.2	2	pipe union m 14 p.1.5X42
13	2.3332.004.2	6	pipe union m 14 p.1.5 x 27
18	2.0112.223.2	4	screw m 8 p.1.25x70
19	2.1470.004.2	4	washer 8
30	04398756	1	valve ☞ 04398756
31	0.011.3914.3	1	tube
32	0.018.0780.0	1	tube mm 1300
73	0.012.3382.0	1	silencer
75	0.015.9645.3/10	1	tube
77	2.3335.010.2	1	pipe union m 26x1.5
78	2.1569.068.0	2	gasket 26.3x34x2

9_H1589_21_0-A-001

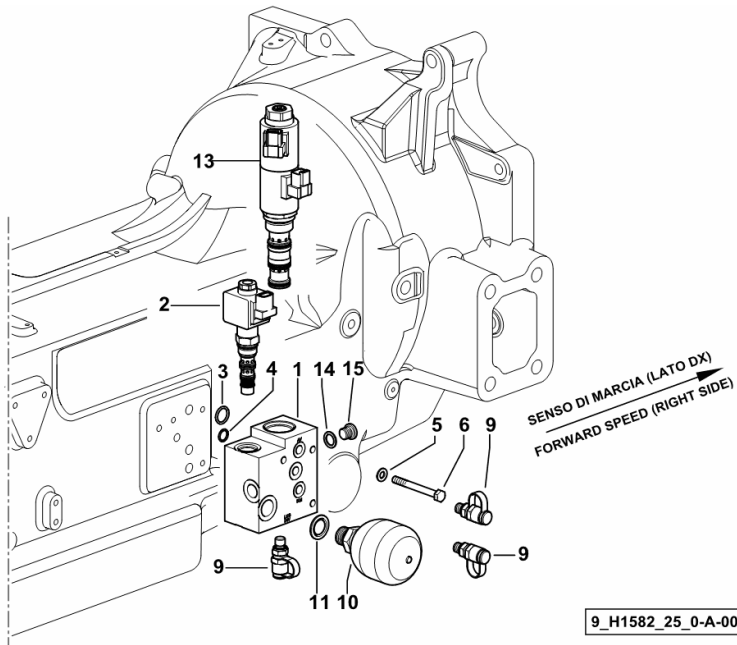
HYDRAULIC SHUTTLE CONTROL

Fig.	Code	QTY	Name
------	------	-----	------

Notes:

[Agrofarm 420 2WD -> 20001] [Agrofarm 420 4WD -> 20001]

1	0.015.0824.0/10	1	body
2	2.3729.698.0/10	1	electro valve EVP, 20 bar ☞ 2.3729.698.0/10
3	2.1539.142.0	3	'o' ring 15.54x2.62
4	2.1532.030.0	3	'o' ring
5	2.1310.004.2	3	flat washer 8.5
6	2.0112.224.2	3	screw m 8 p.1.25x75
9	2.3729.696.0	3	socket
10	0.013.8759.0/10	1	accumulator
11	2.1561.112.0	1	gasket Ø 22 -B-
13	2.3729.709.0/10	1	electro valve (-> 20001)
14	2.1560.010.0	1	gasket 14.2 x 20 x 1.5
15	2.3120.109.0	1	plug m 14



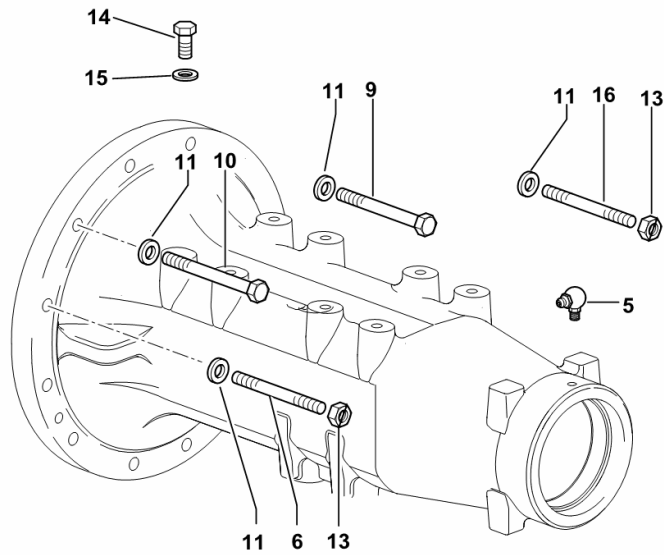
REAR AXLE - MOUNTINGS

Fig.	Code	QTY	Name
------	------	-----	------

Notes:

[Agrofarm 420 2WD -> 20001] [Agrofarm 420 4WD -> 20001]

5	2.3821.103.2	2	lubricator m 10 p.1
6	2.0422.426.7	6	stud bolt m 12 x 110
9	2.0112.431.2	14	screw m 12 p.1.75 x 110
10	2.0112.433.2	2	screw m 12 p.1.75x120
11	2.1475.004.7	24	washer 13 x 24
13	2.1011.107.2	8	nut m 12 p.1.75
14	2.0112.409.2	1	screw m 12 p.1.75 x 25
15	2.1310.007.2	1	flat washer 13.5
16	2.0422.427.7	2	stud bolt m 12 x 120



9_H1544_01_0-A-001

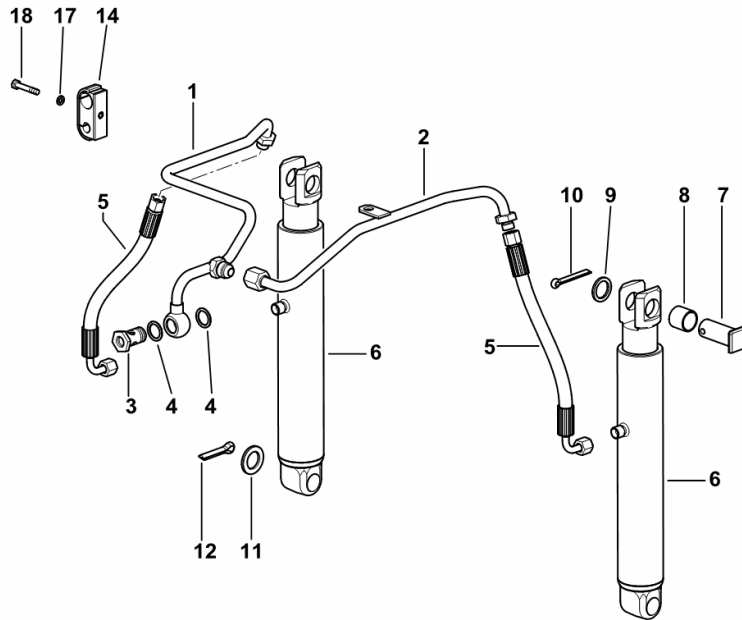
Section: R0 - REAR LIFT
HYDRAULIC CYLINDERS

Fig.	Code	QTY	Name
------	------	-----	------

Notes:

[Agrofarm 420 2WD -> 20001] [Agrofarm 420 4WD -> 20001]

1	0.015.0878.3	1	tube
2	0.015.0877.3	1	tube
3	2.3335.008.2	1	pipe union m 18 p.1.5 x 32
4	2.1560.014.0	2	gasket 18.2 x 24 x 1.5
5	0.9012.361.3	2	tube
6	0.98601.10.4/20	2	jack Ø 42
7	2.1699.372.0/30	2	pin 22x59
8	2.1559.076.0	2	bushing 22.05x26.05x23
9	2.1599.656.2	2	washer 22 x 30 x 3.0
10	2.1690.616.2	2	split pin 6.3 x 50
11	2.1310.013.2	2	flat washer 21x37
12	2.1690.713.2	2	split pin 8x36
14	2.3320.212.0	1	terminal
17	2.1470.002.2	1	washer 6, d128
18	2.0112.013.2	1	screw m 6 p.1 x 35



9_H1559_23_0-A-001

3-POINT LINKAGE - ADJUSTABLE MECHANICAL TIE ROD

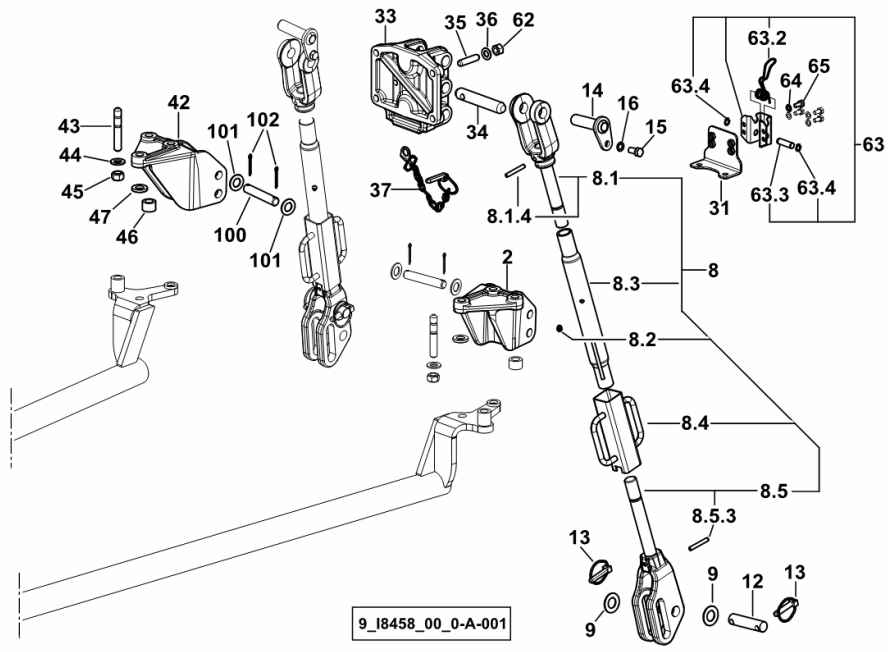


Fig.	Code	QTY	Name
------	------	-----	------

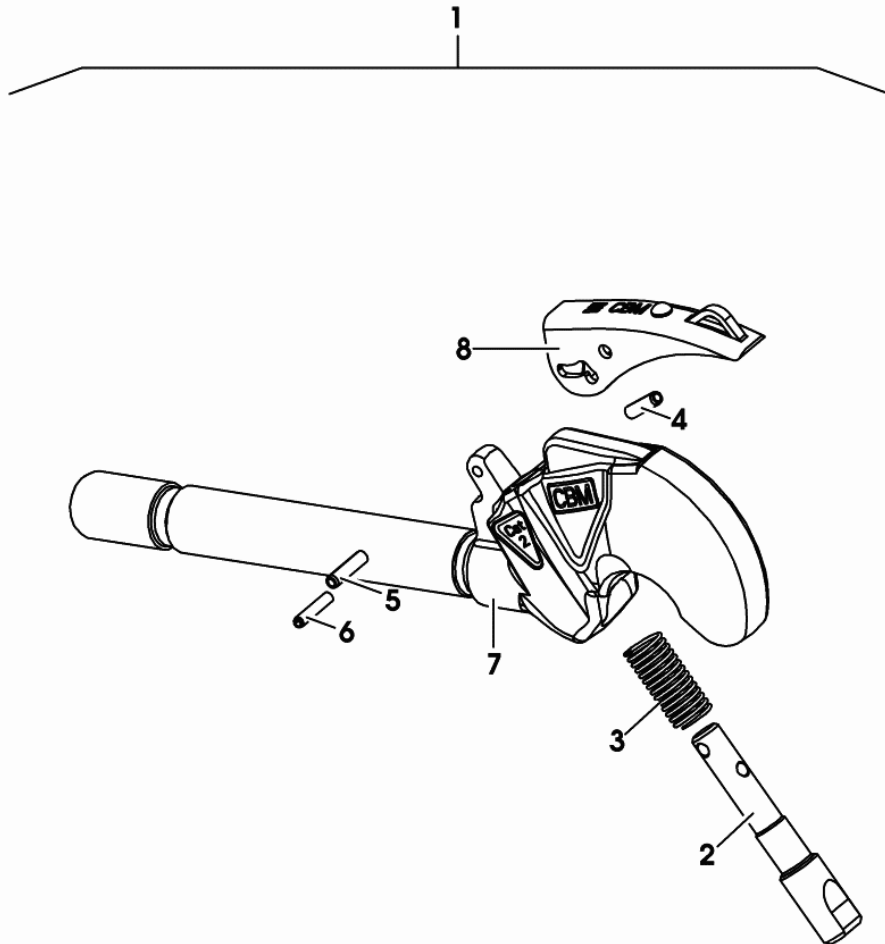
Notes:

WITH STOLL FRONT LOADER [Agrofarm 420 4WD -> 20001]

2	0.010.6425.0/20	1	bracket sx/lh/li
8	0.010.4772.4/20	1	rod
8.1	0.010.4773.3/10	1	rod
8.1.4	2.1630.717.2	1	roll pin 8 x 50
8.2	2.3820.105.2	1	lubricator m 10 p.1 x 7
8.3	0.010.4029.2/10	1	sleeve
8.4	0.010.4363.2/10	1	grip
8.5	0.010.4030.3/10	1	rod
8.5.3	2.1630.717.2	1	roll pin 8 x 50
9	2.1599.678.2	4	washer 25x45x3
12	2.1669.014.2/10	2	pin 24 x 103
13	0.010.9322.4	4	pin Ø 11
14	0.008.8469.2/10	2	pin
15	2.0112.409.2	2	screw m 12 p.1.75 x 25
16	2.1470.007.2	2	lock washer 12
31	0.015.2111.3	1	bracket
33	0.96037.10.0/20	1	flange
34	0.96035.12.0	1	piston pin
35	2.0422.511.7	4	stud bolt m14 x 40
36	2.1475.005.2	4	washer 14
37	0.96001.70.3	1	pin
42	0.010.6424.0/20	1	bracket dx/rh/re
43	2.0439.278.2	8	stud bolt m 16 p.1.5x80
44	2.1475.006.2	8	washer 16
45	2.1012.309.7	8	nut m 16 p.1.5
46	2.1549.539.2	2	spacer 18.5x30x20
47	2.1549.373.2	2	spacer 35x18x6
62	2.1011.108.2	4	nut m 14 p.2
63	0.009.3492.4/40	1	stop
63.2	2.4099.088.2/10	1	spring
63.3	2.1699.386.2	1	pin 12x42
63.4	2.1410.002.1	2	circlip 12
64	2.1470.004.2	4	washer 8
65	2.0112.205.2	4	screw m 8 p.1.25 x 16
100	2.1669.001.0	2	pin 19x110x98
101	2.1310.013.2	4	flat washer 21x37
102	2.1690.513.2	4	split pin 5 x 36

Section: R0 - REAR LIFT
LINKAGE

Fig.	Code	QTY	Name
1	0.014.1405.3	1	rod 2 cat.-CBM-
2	04397651	1	pin
3	0.900.0070.6	1	spring
4	0.900.0070.7	1	roll pin
5	0.900.0070.8	1	pin
6	0.900.0070.9	1	roll pin
7	0.000.0000.1	0	not serviceable
8	04397652	1	lever



0_014_1405_3

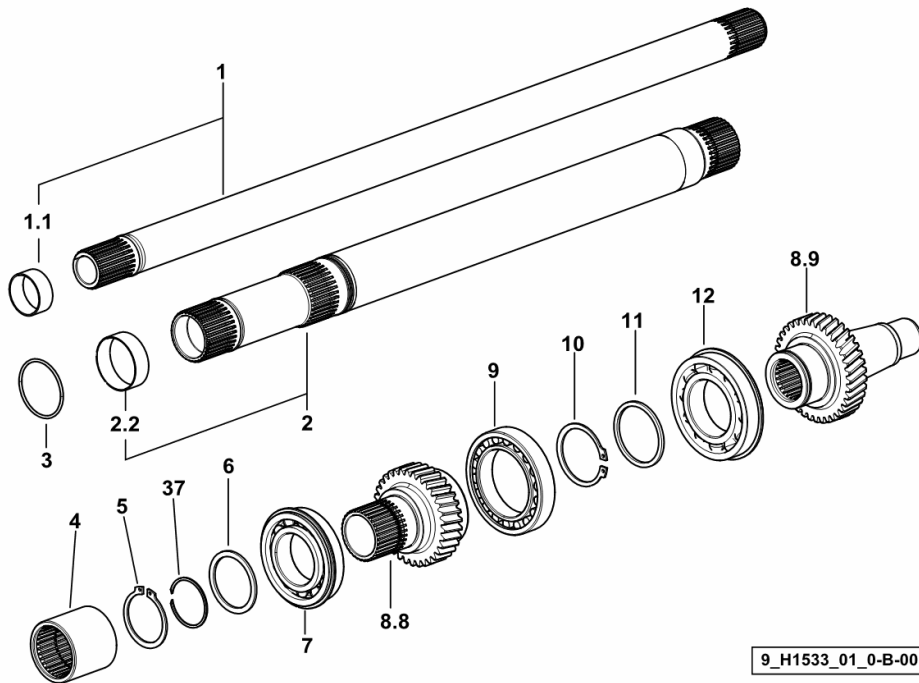
5-SPEED GEARBOX INPUT SHAFT

Fig.	Code	QTY	Name
------	------	-----	------

Notes:

[Agrofarm 420 2WD -> 20001] [Agrofarm 420 4WD -> 20001]

1	0.015.0145.3/10	1	shaft
1.1	0.015.6922.0	1	ring 41.3x37.7x17 (-> 20003)
2	0.015.0506.3/10	1	shaft
2.2	0.015.6923.0	1	ring 52.8x49.7x17 (-> 20003)
3	2.1530.129.0	1	'o' ring 52.07x2.62
4	0.014.8466.0	1	bushing
5	2.1410.020.1	1	circlip 50
6	2.1599.426.0	1	snoulder 50x60x2.5
7	2.2999.204.0	2	bearing 50 x 90 x 20
8.8	0.015.0094.0	1	gear Z = 34
8.9	0.015.0097.0/20	1	gear Z = 37
9	2.2999.496.0	1	bearing
10	2.1410.022.7	1	circlip 55
11	2.1599.422.0	1	snoulder 44
12	2.2043.015.0	1	bearing 55 x 100 x 21
37	2.1423.036.7	1	circlip

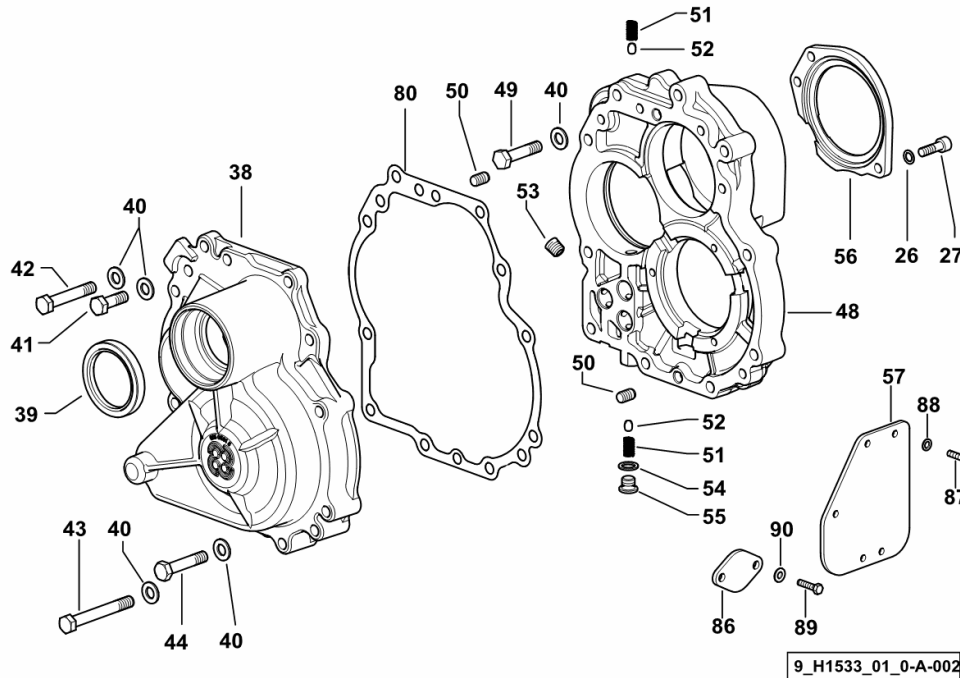


5-SPEED GEARBOX INTERNAL FLANGES

Fig.	Code	QTY	Name
------	------	-----	------

Notes:

[Agrofarm 420 2WD -> 20001] -> 20421 [Agrofarm 420 4WD -> 20001] -> 20421



26	2.1480.014.2	6	washer 8
27	2.0312.208.2	6	screw m 8 p.1.25 x 25
38	0.015.0581.0	1	cover
39	2.1520.329.0	1	oil seal 55x72x10
40	2.1475.003.2	15	washer 10
41	2.0112.311.2	4	screw m 10 p.1.5 x 30
42	2.0112.321.2	5	screw m 10 p.1.5 x 60
43	2.0112.325.2	3	screw m 10 p.1.5 x 80
44	2.0112.319.2	1	screw m 10 p.1.5 x 50
48	0.015.0087.0/40	1	flange
49	2.0112.317.2	2	screw m 10 p.1.5 x 45
50	2.1651.807.0	2	pin 10 x 16
51	2.4019.622.1	3	spring 6.3 x 9.5 x 1.6 x 22.4
52	2.2999.156.0	4	ball Ø 10
53	2.3131.001.4	1	plug m 12 p.1.5
54	2.1560.008.0	2	gasket 12.2 x 18
55	2.3199.164.2/20	2	plug m 12 p.1.5
56	0.014.8340.0/10	1	cover
57	0.017.4713.0	1	cover
80	0.015.6286.0	1	gasket
86	0.009.3446.0/10	1	flange
87	2.0312.104.2	5	screw m 6 p.1 x 16
88	2.1480.012.2	2	washer 6, d128
89	2.0112.205.2	2	screw m 8 p.1.25 x 16
90	2.1475.002.2	2	conical washer 8

9_H1533_01_0-A-002

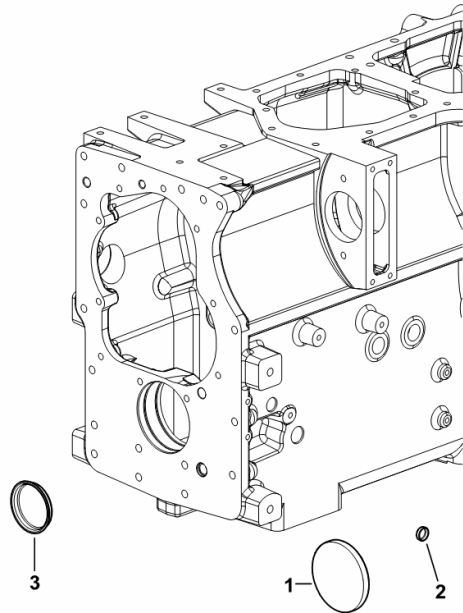
2WD - COMPLETION

Fig.	Code	QTY	Name
------	------	-----	------

Notes:

[Agrofarm 420 2WD -> 20001]

1	2.3199.121.0	1	plug 95x10
2	2.3171.007.4	1	plug Ø 18
3	0.015.0442.0	1	ring Ø 62



9_H1231_02_0-A-001

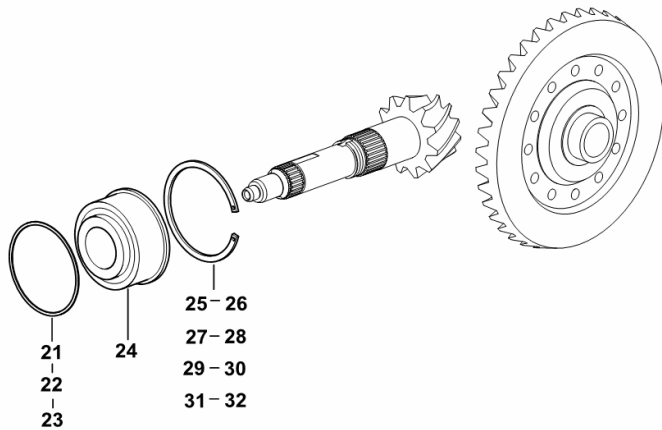
BEVEL DRIVE PINION BEARING

Fig.	Code	QTY	Name
------	------	-----	------

Notes:

[Agrofarm 420 2WD -> 20001] [Agrofarm 420 4WD -> 20001]

21	2.1589.167.0	1	snoulder 105 x 112 x 0.15
22	2.1589.168.0	1	snoulder 105 x 112 x 0.1
23	2.1589.169.0	1	snoulder 105 x 112 x 0.5
24	2.2999.502.0/10	1	bearing
25	2.1499.061.1	0.12	circlip 120x3.4
26	2.1499.062.1	0.12	circlip 120x3.5
27	2.1499.063.1	0.12	circlip 120x3.6
28	2.1499.064.1	0.12 <td circlip 120x3.7	
29	2.1499.065.1	0.12	circlip 120x3.8
30	2.1499.066.1	0.12	circlip 120x3.9
31	2.1499.067.1	0.12	circlip 120x4
32	2.1499.068.1	0.12	circlip 120x4.1



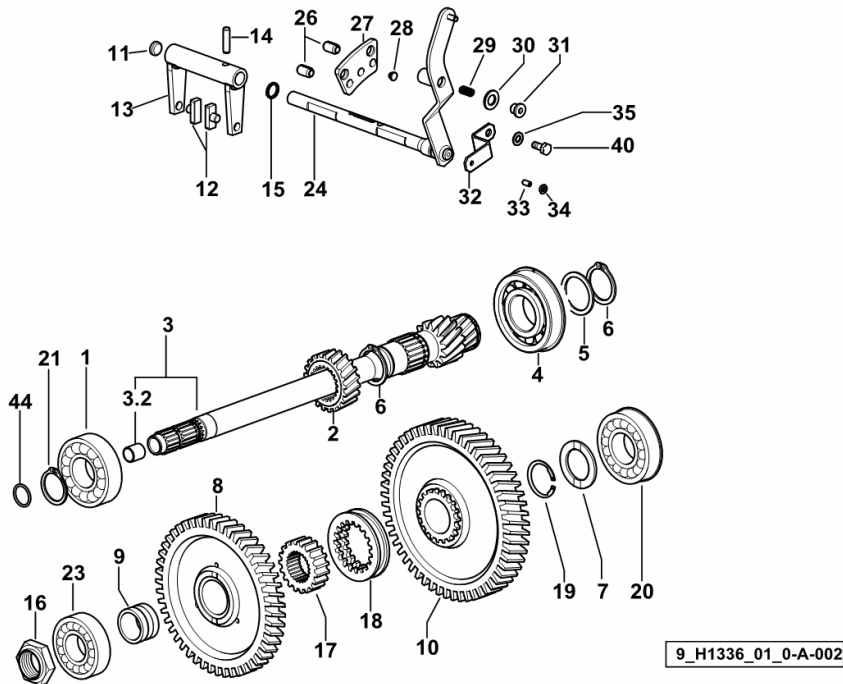
9_B8635_00_0-B-001

Section: D0 - TRANSMISSION
P.T.O. - 2 SPEED TYPE

Fig.	Code	QTY	Name
------	------	-----	------

Notes:

[Agrofarm 420 2WD -> 20001] [Agrofarm 420 4WD -> 20001]



1	2.2060.012.0	1	ball bearing 40 x 90 x 23
2	0.010.8218.0	1	gear Z = 21
3	0.010.8217.3	1	p.t.o.shaft
3.2	2.1559.023.0/10	1	bushing 15.8x19x20
4	2.2062.013.0	1	ball bearing 45x100x25
5	2.1599.541.0	1	snoulder 45x55x2
6	2.1410.018.7	2	circlip 45
7	0.255.3450.0	1	snoulder 40 x 60 x 3.5
8	0.010.8219.0	1	gear Z = 48
9	0.255.3662.0	1	bushing 35x44x27
10	0.010.8220.0	1	gear Z = 54
11	2.3171.006.4	1	plug Ø 16
12	0.255.6463.0	2	shoe
13	0.255.3658.2	1	lever
14	2.1630.713.0	1	roll pin 8x32
15	2.1530.038.0	1	'o' ring 15.54x2.62
16	0.255.3661.0	1	ring nut m 35x1.5
17	0.255.3455.0	1	hub Z = 19
18	0.255.3438.0/20	1	sleeve Z = 19
19	2.1499.034.1	1	circlip 40 x 1.75
20	2.2062.012.0	1	ball bearing 40 x 90 x 23
21	2.1410.016.1	1	circlip 40
23	2.2060.011.0	1	ball bearing 35 x 80 x 21
24	0.014.8980.3/20	1	lever
26	2.1630.910.2	2	pin
27	0.014.8955.0/10	1	small plate
28	0.015.1844.0	1	pin
29	2.4019.622.1	1	spring 6.3 x 9.5 x 1.6 x 22.4
30	2.1475.004.2	1	washer 12
31	2.0112.404.2	1	screw m 12 p.1.75x14
32	0.014.8971.0	1	small plate
33	2.0532.108.7	1	grain m6x1x20
34	2.1011.203.2	1	nut m 6 p.1
35	2.1475.002.2	1	conical washer 8
40	2.0112.206.2	1	screw m 8 p.1.25 x 18
44	2.1530.062.0	1	'o' ring 23.81 x 2.62

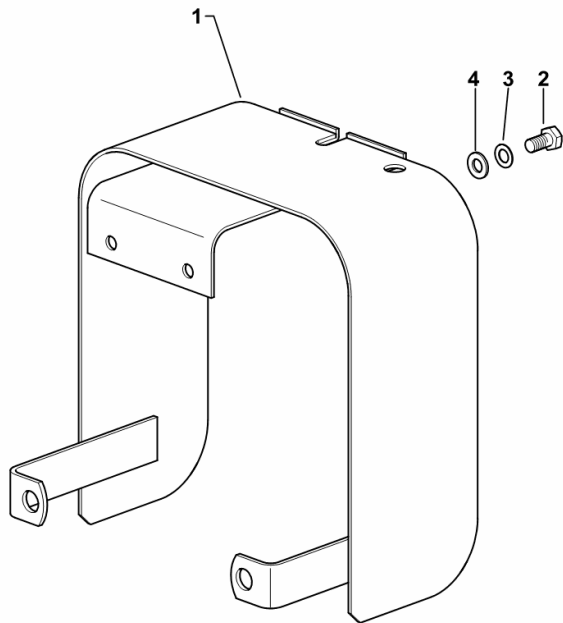
P.T.O. SHAFT PROTECTOR REAR

Fig.	Code	QTY	Name
------	------	-----	------

Notes:

[Agrofarm 420 2WD -> 20001] [Agrofarm 420 4WD -> 20001]

1	0.97915.10.2/40	1	small sump
2	2.0112.307.2	2	screw m 10 p.1.5 x 20
3	2.1470.006.2	2	lock washer 10
4	2.1310.006.2	2	flat washer 10.5



9_50836_20_0-A-001

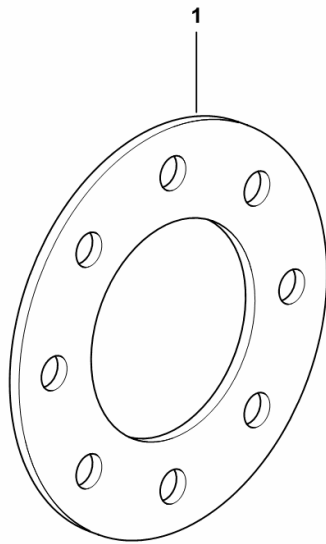
FLANGE

Fig.	Code	QTY	Name
------	------	-----	------

Notes:

[Agrofarm 420 2WD -> 20001] [Agrofarm 420 4WD -> 20001]

1	0.011.5307.0/10	2	flange 140x263x8
---	-----------------	---	------------------



9_54655_05_0-A-002

CLICK HERE TO **DOWNLOAD** THE COMPLETE MANUAL

- Thank you very much for reading the preview of the manual.
- You can download the complete manual from: www.heydownloads.com by clicking the link below



- Please note: If there is no response to CLICKING the link, please download this PDF first and then click on it.

CLICK HERE TO **DOWNLOAD** THE COMPLETE MANUAL