

AGROFARM 410 T ->1001

V0 - BALLAST, TOWING HITCHES

FRONT HITCHES

FRONT TOWING HITCH..... V0.01.0 (1)

REAR HITCHES

REAR GEARBOX BRACKETS..... V0.02.0 (1)

REAR GEARBOX BRACKETS..... V0.02.1 (1)

REAR TOWING HITCH..... V0.02.2 (1)

REAR TOWING HITCH CAT. " D2 "..... V0.02.3 (1)

REAR TOWING HITCH CAT. " D2 "..... V0.02.5 (1)

REAR TOWING HITCH CAT. " C "..... V0.02.8 (1)

REAR TOWING HITCH CAT. " C "..... V0.02.10 (1)

DRAWBAR COUPLING AUTOM. Ø 38..... V0.02.11 (1)

DRAWBAR COUPLING AUTOM. Ø 38..... V0.02.12 (1)

REAR TOWING HITCH cat. 2 - CEE..... V0.02.13 (1)

DRAWBAR COUPLING CEE..... V0.02.14 (1)

REAR TOWING HITCH BRACKET..... V0.02.16 (1)

REAR TOWING HITCH PITON FIX..... V0.02.17 (1)

REAR SWINGING TOWING-HITCH..... V0.02.19 (1)

REAR SWINGING TOWING-HITCH..... V0.02.20 (1)

DRAWBAR COUPLING AUTOM. Ø 38..... 0.017.9619.3.A

FRONT BALLAST WEIGHTS

FRONT WEIGHT CARRIER..... V0.03.0 (1)

FRONT WEIGHT CARRIER..... V0.03.1 (1)

FRONT BALLAST 320 Kg..... V0.03.2 (1)

BALLAST 264 Kg..... V0.03.3 (1)

WHEEL BALLAST

WHEEL BALLAST 172 Kg..... V0.05.0 (1)

CLICK HERE TO **DOWNLOAD** THE COMPLETE MANUAL

- Thank you very much for reading the preview of the manual.
- You can download the complete manual from: www.heydownloads.com by clicking the link below



- Please note: If there is no response to CLICKING the link, please download this PDF first and then click on it.

CLICK HERE TO **DOWNLOAD** THE COMPLETE MANUAL

AGROFARM 410 T ->1001

Section: V0 - BALLAST, TOWING HITCHES

Ref.: V0.02.12 (1)

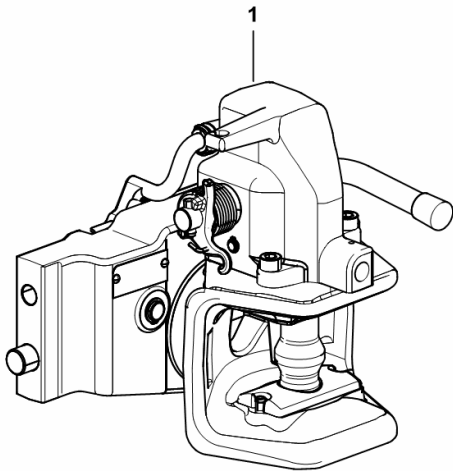
DRAWBAR COUPLING AUTOM. Ø 38

Fig.	Code	QTY	Name
------	------	-----	------

Notes:

- EXPORT CH [AGROFARM 410 T 2WD ->1001] - EXPORT CH [AGROFARM 410 T 4WD ->1001]

1	0.017.9617.3	1	automatic hook - CBM - CAT. 2 - Ø 38 (-> 1016)
---	--------------	---	--



9_R3031_67_0-A-001

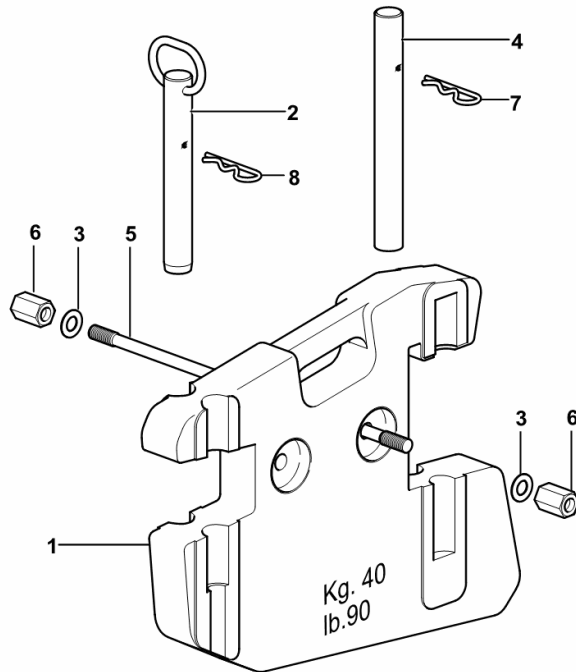
FRONT BALLAST 320 Kg

Fig.	Code	QTY	Name
------	------	-----	------

Notes:

[AGROFARM 410 T 2WD ->1001] [AGROFARM 410 T 4WD ->1001]

1	0.96929.40.0/20	8	ballast kg 40 / lb 90
2	0.96928.51.2	1	pin
3	2.1310.009.2	4	flat washer 14
4	0.96930.50.0	1	pin mm 28x250
5	0.008.8749.0/10	2	rod
6	2.1099.065.1	4	special nut m 14
7	2.1699.084.2	1	pin Ø 27
8	2.1699.084.2	1	pin Ø 27



9_40552_52_0-A-001

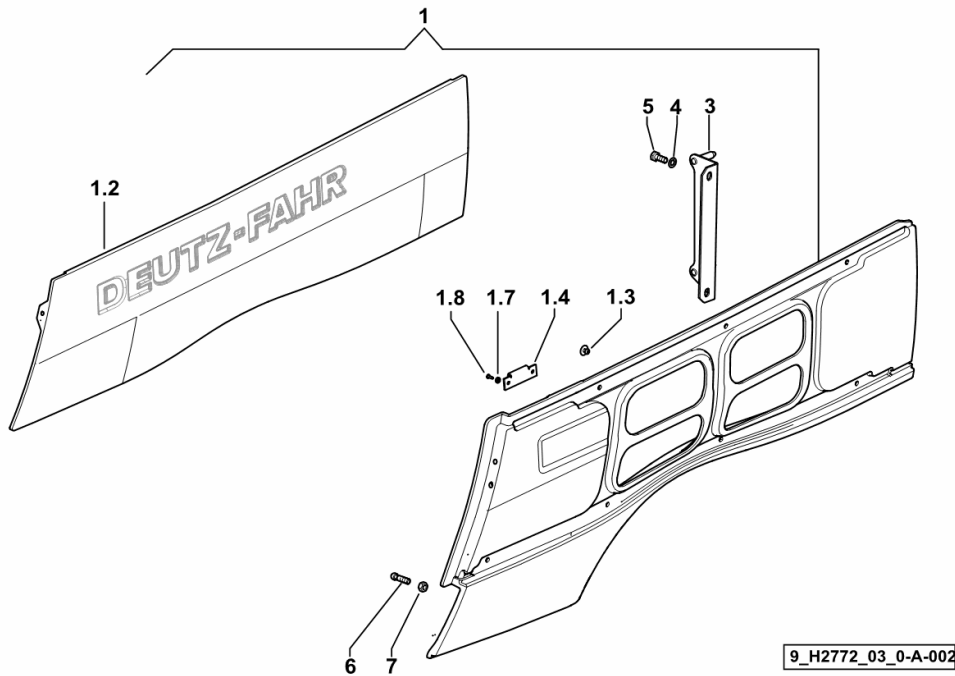
HOOD - LEFT SIDE PANEL

Fig.	Code	QTY	Name
------	------	-----	------

Notes:

[AGROFARM 410 T 2WD ->1001] [AGROFARM 410 T 4WD ->1001]

1	0.014.9372.3/40	1	lift hand side panel
1.2	0.014.8540.9/10	1	grille sx/lh/li
1.3	2.1899.074.0	9	rivet 4.7
1.4	0.011.2243.0	1	clevis
1.7	2.1599.673.0	2	washer 4.3x8x2
1.8	2.0350.153.3	2	screw 2.9x9.5
3	0.014.9189.2	1	bracket sx/lh/li
4	2.1470.004.2	2	washer 8
5	2.0112.207.2	2	screw m 8 p 1.25 x 20
6	0.010.0852.0/10	1	pin m 8
7	2.1011.105.2	1	nut m 8 p.1.25



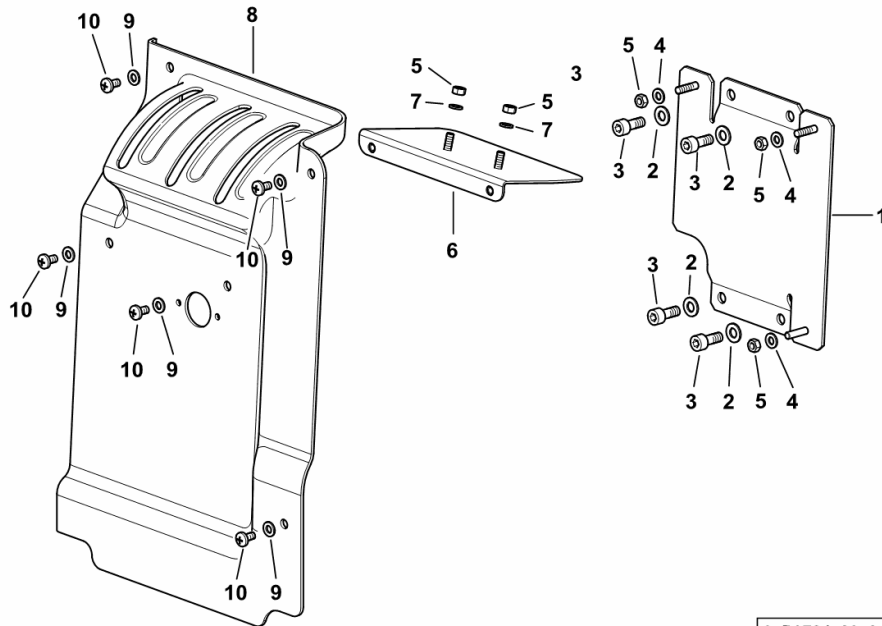
CONTROL UNIT SUPPORT

Fig.	Code	QTY	Name
------	------	-----	------

Notes:

[AGROFARM 410 T 2WD ->1001] [AGROFARM 410 T 4WD ->1001]

1	0.016.1864.3	1	support
2	2.1310.004.2	4	flat washer 8.5
3	2.0312.206.2	4	screw m 8 p 1.25 x 20
4	2.1310.002.2	3	washer 6.6, d125
5	2.1011.103.2	5	nut m 6 p.1
6	0.016.3744.3	1	bracket
7	2.1470.002.2	2	washer 6, d128
8	0.016.2128.0/10	1	shield
9	2.1310.002.3	5	flat washer 6.4 x 12 x 1.6
10	2.0332.404.3	5	screw m 6 x 12



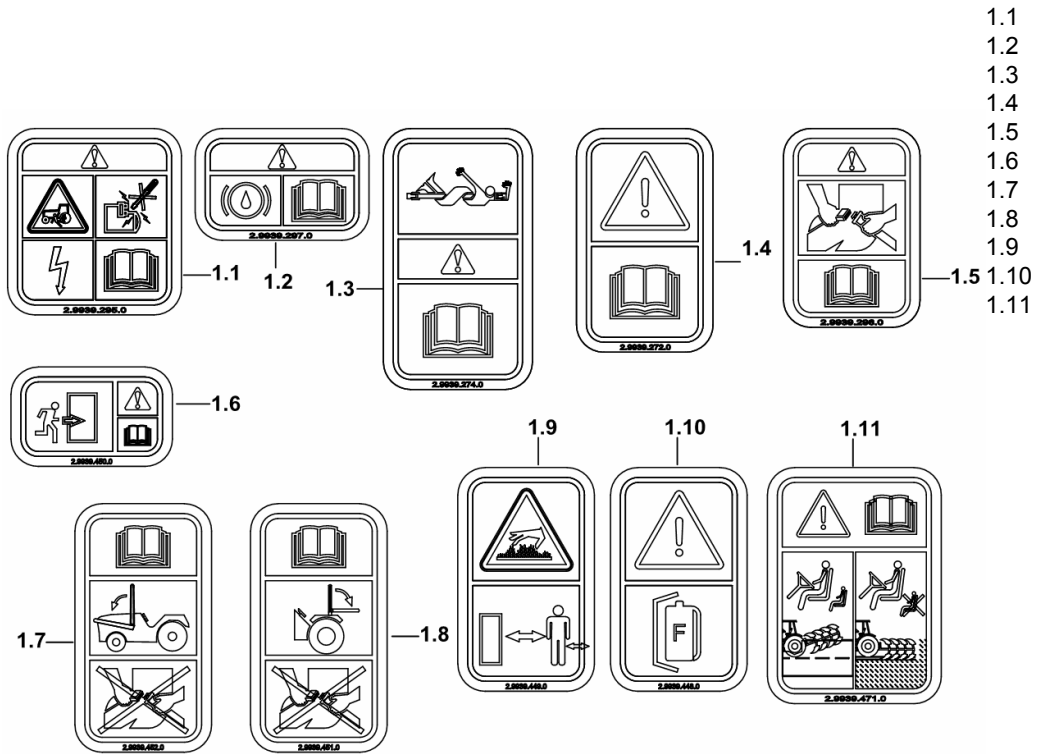
9_P9784_20_0-A-001

WARNING PLATES

Fig.	Code	QTY	Name
------	------	-----	------

Notes:

[AGROFARM 410 T 2WD ->1001] -> 1017 [AGROFARM 410 T 4WD ->1001] -> 1017



1.1	2.9939.295.0	1	plate
1.2	2.9939.297.0	1	plate
1.3	2.9939.274.0	1	plate
1.4	2.9939.272.0	1	plate
1.5	2.9939.296.0	1	plate
1.6	2.9939.450.0	1	plate
1.7	2.9939.452.0	1	plate
1.8	2.9939.451.0	1	plate
1.9	2.9939.449.0	3	plate
1.10	2.9939.448.0	1	plate
1.11	2.9939.471.0	1	plate

9_H1274_27_0-A-003

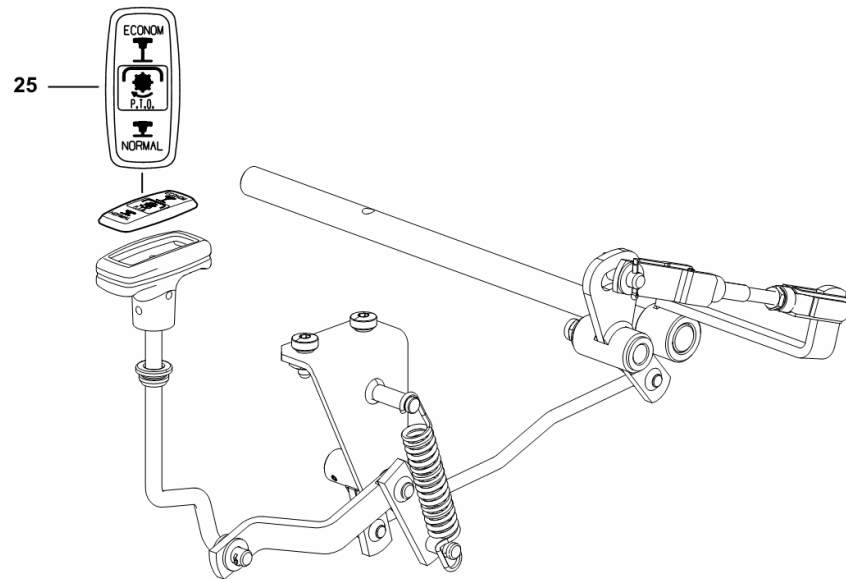
ECONOMY P.T.O. COVER

Fig.	Code	QTY	Name
------	------	-----	------

Notes:

[AGROFARM 410 T 2WD ->1001] [AGROFARM 410 T 4WD ->1001]

25	0.007.6147.0/20	1	cap
----	-----------------	---	-----



9_P9768_05_0-B-001

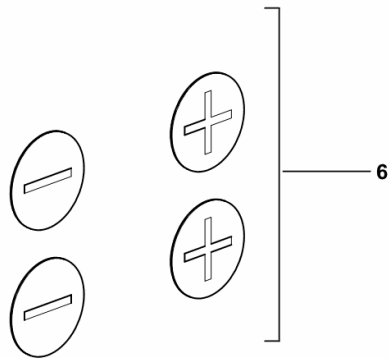
REAR 4 WAY AUXILIARY CONTROL VALVE SYMBOLS

Fig.	Code	QTY	Name
------	------	-----	------

Notes:

[AGROFARM 410 T 2WD ->1001] [AGROFARM 410 T 4WD ->1001]

6	0.015.7206.0	1	autoadesive labels
---	--------------	---	--------------------



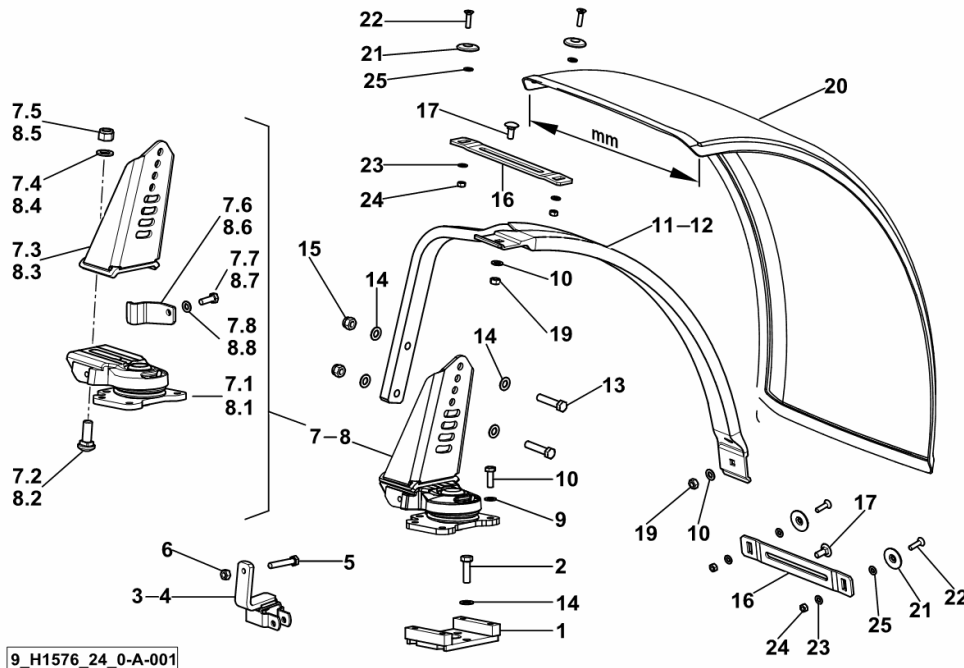
9_L6288_16_0-B-001

4WD - FRONT MUDGUARDS mm 470

Fig.	Code	QTY	Name
------	------	-----	------

Notes:

[AGROFARM 410 T 4WD ->1001]



1	0.011.3341.2/10	2	plate dx/rh/re
2	2.0112.415.2	6	screw m 12 p.1.75 x 40
3	0.011.1428.3/30	1	bracket sx/lh/li
4	0.011.1416.3/30	1	bracket dx/rh/re
5	2.0114.321.2	2	screw m 10 p.1.5x70
6	2.1011.006.2	2	nut m 10 p.1.5
7	0.015.4232.4/10	1	support sx/lh/li
7.1	0.015.4232.3	1	support sx/lh/li ☞ 0.015.4232.3
7.2	2.0029.511.2	1	screw m 16 p.1.5x45
7.3	0.015.3183.2/10	1	support sx/lh/li
7.4	2.1310.010.2	1	flat washer 16
7.5	2.1120.209.2	1	nut m 16 p.1.5
7.6	0.015.3234.0	1	plate
7.7	2.0122.361.2	1	screw m 10 p 1.25 x 30
7.8	2.1310.006.2	1	flat washer 10.5
8	0.015.4233.4/10	1	support dx/rh/re
8.1	0.015.4233.3	1	support dx/rh/re ☞ 0.015.4233.3
8.2	2.0029.511.2	1	screw m 16 p.1.5x45
8.3	0.015.3235.2/10	1	support
8.4	2.1310.010.2	1	flat washer 16
8.5	2.1120.209.2	1	nut m 16 p.1.5
8.6	0.015.3238.0	1	plate dx/rh/re
8.7	2.0122.361.2	1	screw m 10 p 1.25 x 30
8.8	2.1310.006.2	1	flat washer 10.5
9	2.0112.311.2	8	screw m 10 p.1.5 x 30
10	2.1475.003.2	12	washer 10
11	0.015.3226.2/10	1	chassis frame
12	0.015.3237.2/10	1	chassis frame
13	2.0112.420.2	4	screw m 12 p.1.75x55
14	2.1475.004.2	14	washer 12
15	2.1120.007.2	4	nut m 12 p.1.75
16	0.014.7124.0	4	plate
17	2.0020.306.2	4	screw m 10 x 25
19	2.1011.106.2	4	nut m 10 p.1.5
20	0.010.1729.0	2	fender mm 470
21	2.1399.020.0/10	8	washer
22	2.0349.002.3	8	screw m 8 p.1.25 x 30
23	2.1475.002.2	8	conical washer 8
24	2.1011.105.2	8	nut m 8 p.1.25

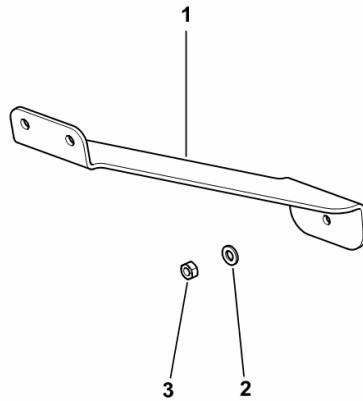
REFLECTOR SUPPORT - SX/LH/LI

Fig.	Code	QTY	Name
------	------	-----	------

Notes:

[AGROFARM 410 T 2WD ->1001] [AGROFARM 410 T 4WD ->1001]

1	0.015.4173.0	1	bracket
2	2.1310.002.2	1	washer 6.6, d125
3	2.1011.103.2	1	nut m 6 p.1



9_H1584_33_0-A-001

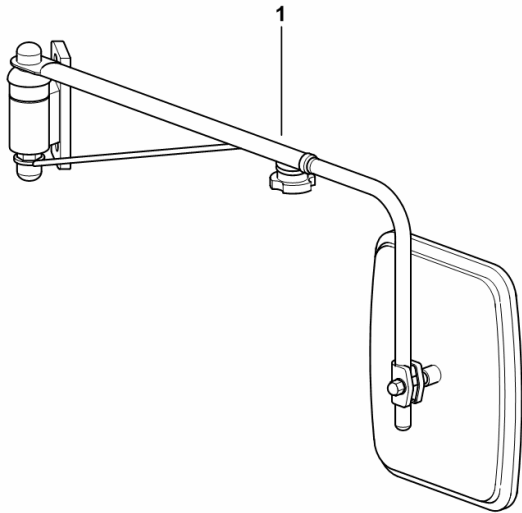
REARVIEW MIRROR - SX/LH/LI

Fig.	Code	QTY	Name
------	------	-----	------

Notes:

- WITH FOLD-DOWN ROPS [AGROFARM 410 T 2WD ->1001] - WITH FOLD-DOWN ROPS [AGROFARM 410 T 4WD ->1001]

1	0.010.1604.4/40	1	rear view mirror sx/lh/li ☞ 0.010.1604.4/40
---	-----------------	---	--



9_20176_65_0-A-001

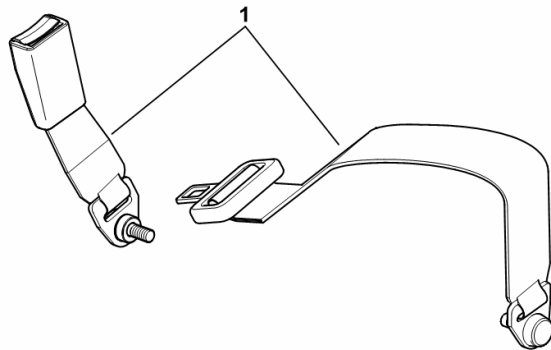
SAFETY BELT

Fig.	Code	QTY	Name
------	------	-----	------

Notes:

[AGROFARM 410 T 2WD ->1001] [AGROFARM 410 T 4WD ->1001]

1	0.014.4448.4	1	safety belt
---	--------------	---	-------------



9_B6175_09_0-A-001

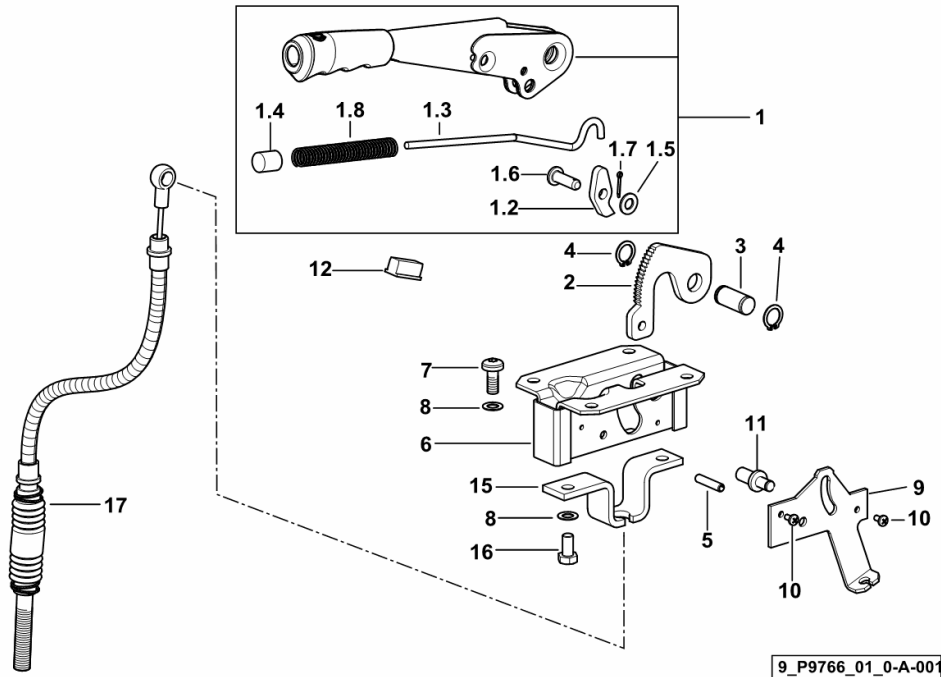
HAND BRAKE

Fig.	Code	QTY	Name
------	------	-----	------

Notes:

[AGROFARM 410 T 2WD ->1001] [AGROFARM 410 T 4WD ->1001]

1	0.200.6658.4/50	1	h/brake lever
1.2	0.200.6623.0/20	1	ratchet
1.3	0.171.6621.0/10	1	rod
1.4	0.171.6622.0	1	push-button
1.5	2.1310.004.2	1	flat washer 8.5
1.6	2.1671.305.2	1	pin 8x22
1.7	2.1690.206.2	1	split pin 2x16
1.8	2.4019.555.2	1	spring 14x130x1.3
2	0.257.6624.0	1	sector
3	2.1699.182.0/10	1	pin 14 x 31.5
4	2.1410.003.1	2	circlip 14
5	2.1630.612.0	1	roll pin 6 x 28
6	0.014.3158.3	1	support
7	2.0330.507.2	4	screw m 8 p.1.25 x 20
8	2.1470.004.2	6	washer 8
9	0.014.3162.0	1	bracket
10	2.0332.202.2	2	screw m 4 x 8
11	2.1699.580.2	1	pin
12	0.264.6655.0/10	1	small block
15	0.014.3157.0	1	stop
16	2.0112.205.2	2	screw m 8 p.1.25 x 16
17	0.014.2455.4	1	cable



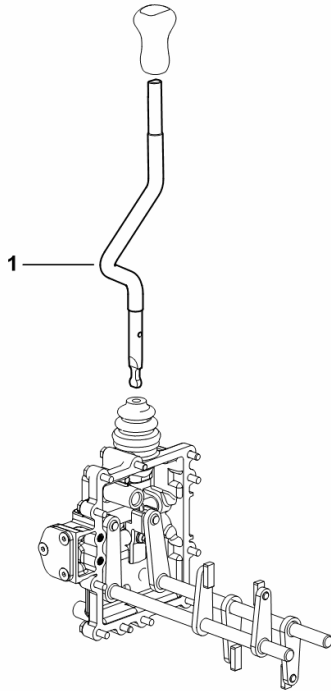
RANGE CONTROL

Fig.	Code	QTY	Name
------	------	-----	------

Notes:

[AGROFARM 410 T 2WD ->1001] [AGROFARM 410 T 4WD ->1001]

1	0.015.9919.0/30	1	lever (-> 1012)
---	-----------------	---	-------------------



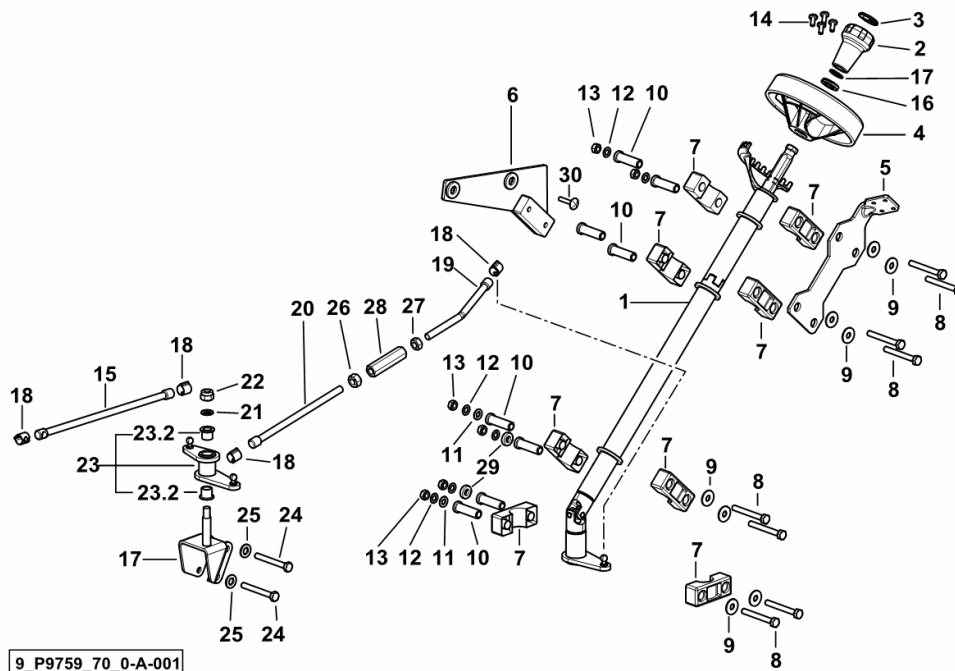
9_P9764_01_0-A-001

S.A.C. GROUND CONTROL

Fig.	Code	QTY	Name
------	------	-----	------

Notes:

[AGROFARM 410 T 2WD ->1001] [AGROFARM 410 T 4WD ->1001]



1	0.016.6400.4	1	hydraulic controles
2	0.257.6413.0	1	grip
3	0.008.2919.0/10	1	cap
4	0.016.3382.0/20	1	cover
5	0.016.6401.0	1	bracket
6	0.014.3184.2	1	bracket
7	0.008.2619.0/10	8	small block
8	2.0112.222.2	10	screw m 8 p.1.25x65
9	2.1312.004.2	8	washer 8.4
10	2.1559.237.2	8	sleeve
11	2.1310.004.2	2	flat washer 8.5
12	2.1470.004.2	6	washer 8
13	2.1011.105.2	6	nut m 8 p.1.25
14	2.0332.405.3	4	screw m 6 p.1 x 14
15	0.016.6085.0	1	rod
16	0.136.7387.0	1	rubber plug 15x27x5
17	2.1419.042.0	1	circlip 18
18	0.257.6757.0	4	spring
19	0.014.3252.0	1	rod
20	0.016.6111.0	1	rod
21	2.1311.007.2	1	flat washer 10
22	2.1120.006.2	1	nut m 10 p.1.5
23	0.014.3260.3/10	1	transmission
23.2	2.1559.243.0	2	bushing 12x16x15
24	0.014.3256.2	1	bracket
25	2.1475.103.2	2	washer 10.5
26	2.1019.018.2	1	special nut m 10 speciale
27	2.1011.106.2	1	nut m 10 p.1.5
28	0.467.6663.2	1	sleeve m 10 p 1.5x70
29	2.1549.448.0	2	washer
30	2.0029.509.3	2	screw m 6 x 30

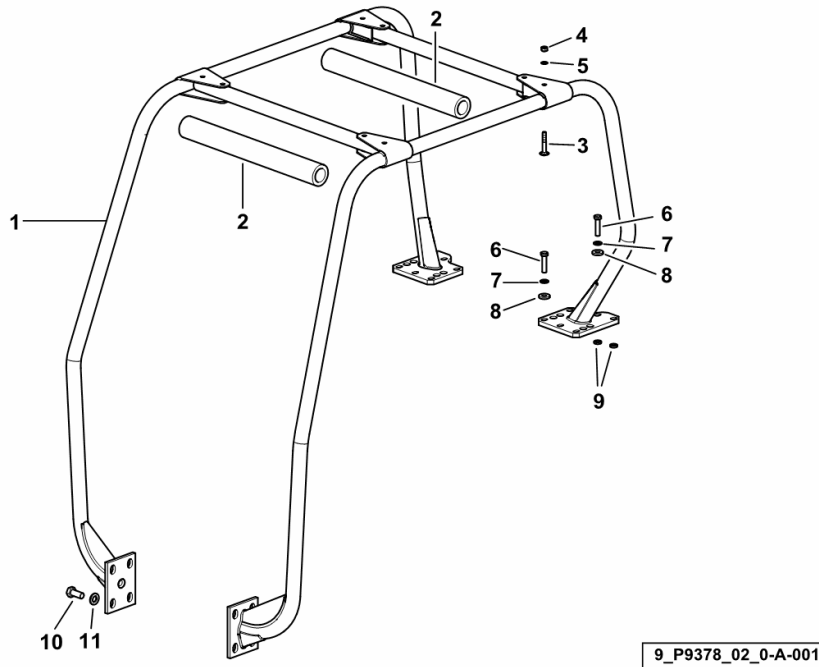
ROPS

Fig.	Code	QTY	Name
------	------	-----	------

Notes:

[AGROFARM 410 T 2WD ->1001] [AGROFARM 410 T 4WD ->1001]

1	0.016.6943.4/10	1	safety frame
2	0.008.8486.0	2	guard
3	2.0029.504.2	8	screw m 12 x 75
4	2.1011.107.2	8	nut m 12 p.1.75
5	2.1470.007.2	8	lock washer 12
6	2.0123.521.2	12	screw m 14 p.1.5 x 60
7	2.1475.005.2	12	washer 14
8	2.1549.624.2/10	12	spacer
9	2.1579.458.0	4	spacer 14x24x5
10	2.0112.817.2	8	screw m 20 p.2.5 x 45
11	2.1475.008.2	8	washer 20



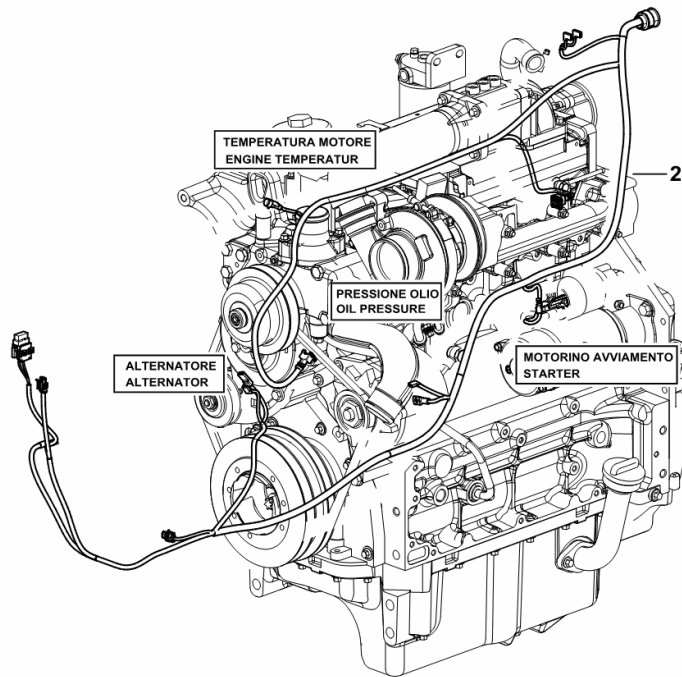
ENGINE ELECTRICAL SYSTEM

Fig.	Code	QTY	Name
------	------	-----	------

Notes:

[AGROFARM 410 T 2WD ->1001] -> 1002 [AGROFARM 410 T 4WD ->1001]

2	0.016.2000.4/20	1	electrical system
---	-----------------	---	-------------------



9 R1484_02_0-A-001

Section: L0 - ELECTRIC AL SYSTEM
CABLES FOR FRONT BATTERY

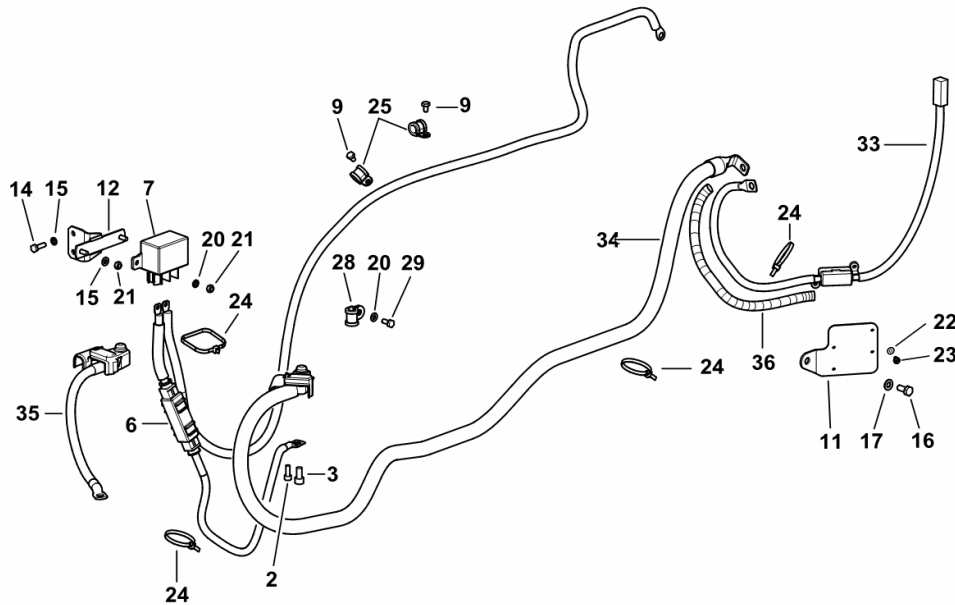


Fig.	Code	QTY	Name
------	------	-----	------

Notes:

[AGROFARM 410 T 2WD ->1001] -> 1008

2	2.0312.104.2	1	screw m 6 p.1 x 16
3	2.0312.204.2	1	screw m 8 p.1.25 x 16
6	0.014.9195.4/20	1	wire ☞ 0.014.9195.4/20
7	2.7659.240.0/10	1	relay 12 V 130A
9	2.0112.002.2	2	screw m 6 p.1 x 10
11	0.017.1264.0	1	bracket
12	0.015.8591.3	1	bracket
14	2.0112.007.2	2	screw m 6 p.1 x 20
15	2.1470.002.2	4	washer 6, d128
16	2.0112.206.2	3	screw m 8 p.1.25 x 18
17	2.1310.004.2	8	flat washer 8.5
20	2.1310.002.2	4	washer 6.6, d125
21	2.1011.103.2	5	nut m 6 p.1
22	2.1310.028.2	6	flat washer 4
23	2.0332.204.2	4	screw m 4x0.7x12
24	2.6852.203.0	8	clamp 292 x 4.8
25	2.6839.059.0	2	clamp Ø 12 / 15
28	2.6839.055.0	1	clamp Ø 11 / 20
29	2.0112.004.2	1	screw m 6 p.1 x 14
33	0.015.1983.4/10	1	electrical system ☞ 0.015.1983.4/10
34	0.017.0474.4	1	wire (+)
35	0.017.0473.4	1	wire (-)
36	0.017.1879.0/10	2	sheath

9_R1484_03_0-A-001

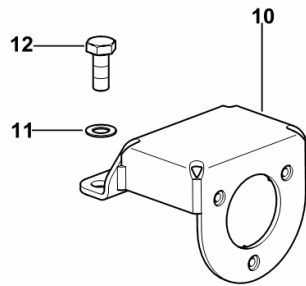
TRAILER SOCKET BRACKET

Fig.	Code	QTY	Name
------	------	-----	------

Notes:

[AGROFARM 410 T 2WD ->1001] [AGROFARM 410 T 4WD ->1001]

10	0.016.8141.3	1	bracket
11	2.1470.004.2	2	washer 8
12	2.0112.207.2	2	screw m 8 p 1.25 x 20



9_P9778_01_0-B-001

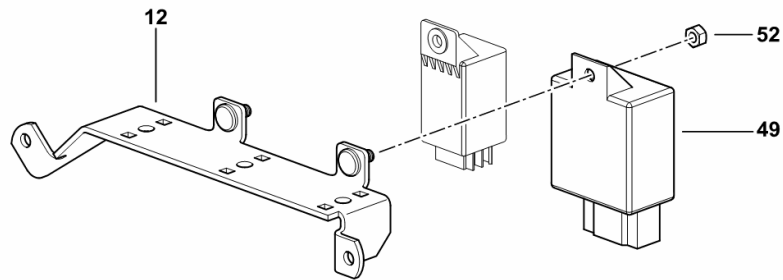
CONTROL UNIT - P.T.O. SHAFT

Fig.	Code	QTY	Name
------	------	-----	------

Notes:

[AGROFARM 410 T 2WD ->1001] -> 1012 [AGROFARM 410 T 4WD ->1001] -> 1012

12	0.016.6730.3/10	1	bracket
49	2.8519.057.0/10	1	central device P.T.O.
52	2.1011.102.2	2	nut m 5 p.0.7



9_P9784_00_0-E-002

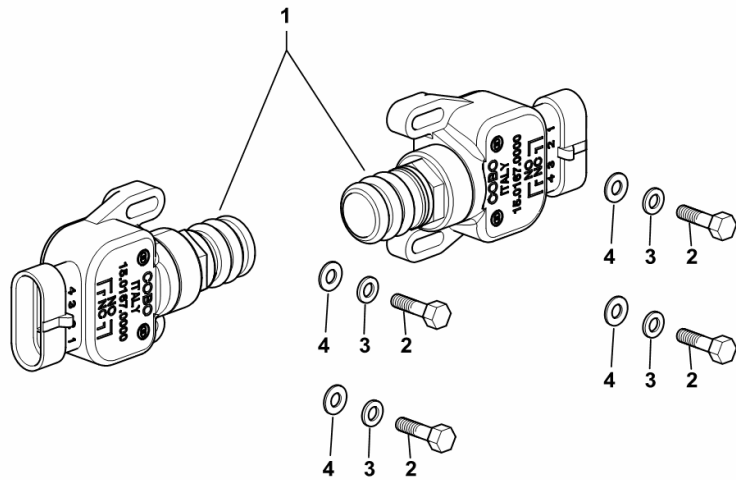
P.T.O. SWITCH 540 - 1000

Fig.	Code	QTY	Name
------	------	-----	------

Notes:

[AGROFARM 410 T 2WD ->1001] [AGROFARM 410 T 4WD ->1001]

1	2.7659.281.0	2	switch
2	2.0119.070.6	4	screw m 4 p.0.7 x 16
3	2.1470.052.2	4	lock washer 4
4	2.1310.028.2	4	flat washer 4



9_R1468_16_0-A-001

ELECTRONIC ACCELERATOR MEMORY PUSHBUTTON

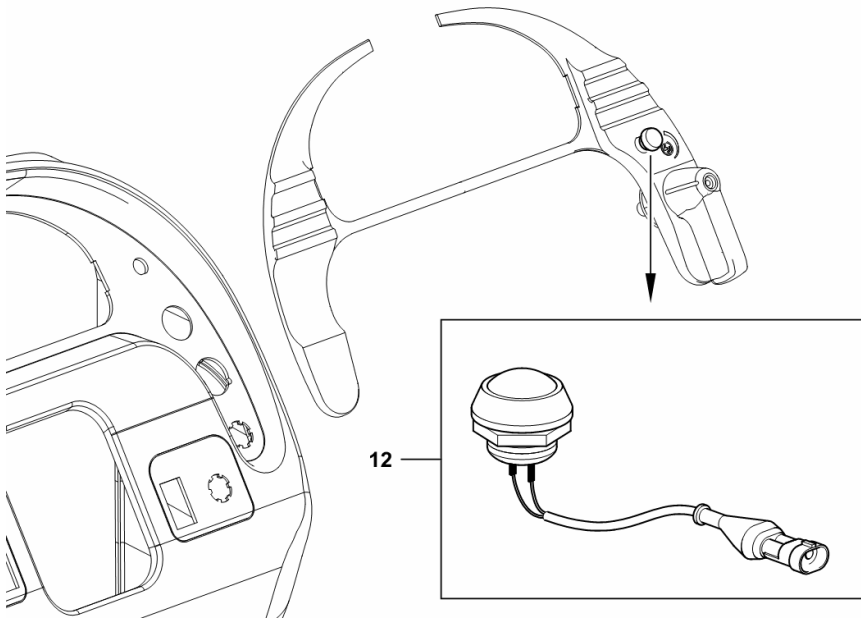
Fig.	Code	QTY	Name
------	------	-----	------

Notes:

[AGROFARM 410 T 2WD ->1001] [AGROFARM 410 T 4WD ->1001]

12	2.7659.203.0/10	1	push-button
----	-----------------	---	-------------

9_P9767_01_0-C-001




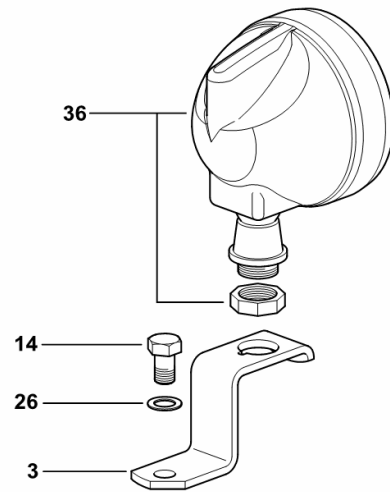
REAR WORKLIGHT

Fig.	Code	QTY	Name
------	------	-----	------

Notes:

[AGROFARM 410 T 2WD ->1001] [AGROFARM 410 T 4WD ->1001]

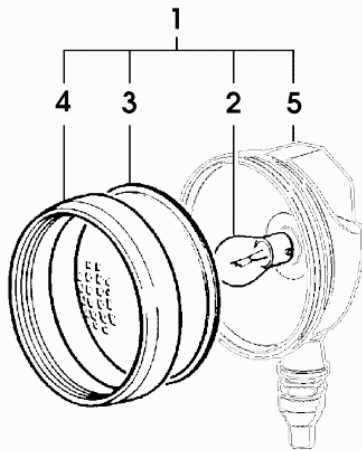
3	0.008.8681.0	1	support
14	2.0112.407.2	1	screw m 12 p.1.75 x 20
26	2.1470.007.2	2	lock washer 12
36	2.8029.300.0	1	headlight
			 2.8029.300.0



9_P9784_00_0-D-001

HEADLAMP COMPONENTS

Fig.	Code	QTY	Name
1	2.8029.300.0	1	headlight
2	2.8210.004.0	1	lamp 12V-35W
3	2.8029.120.1	1	light body
4	2.8029.120.2	1	gasket
5	0.000.0000.1	0	not serviceable



2_8029_300_0

AGROFARM 410 T ->1001

B0 - ENGINE

GENERAL

ENGINE.....B0.00.0 (1)

CYLINDER BLOCK

SUPPORTS.....B0.01.0 (1)

FASTENINGS.....B0.01.1007

GASKET SET.....B0.01.1021

BLEEDING TUBE.....B0.01.1034

CRANKCASE BREATHER.....B0.01.1051

CRANKCASE.....B0.01.1082

OIL FILLER NECK.....B0.01.1090

ACCESSORIES.....B0.01.1134

ACCESSORIES.....B0.01.1135

ACCESSORIES.....B0.01.1137

FILLER CAP.....B0.01.1146

PISTON COOL.NOZZLE.....B0.01.1160

FLANGE.....B0.01.1168

FLANGE.....B0.01.1169

CRANKSHAFT

COOLANT PUMP DRIVEBELT AND BELT TENSIONER.....B0.02.0 (1)

FASTENINGS.....B0.02.1005

V-GROOVED PULLEY.....B0.02.1020

CRANKSHAFT.....B0.02.1040

CRANKSHAFT.....B0.02.1047

FLYWHEEL.....B0.02.1067

COUNTERWEIGHTS.....B0.02.1086

CYLINDERS - PISTONS - CONNECTING RODS

PISTON.....B0.03.1002

CONNECTING ROD.....B0.03.1023

TIMING

FASTENINGS.....B0.04.1011

BUSH.....B0.04.1023

CAMSHAFT.....B0.04.1070

CAMSHAFT.....B0.04.1077

VALVE DRIVE.....B0.04.1088

GEARCASE.....B0.04.1108

GEARCASE.....B0.04.1122

CYLINDER HEAD

FASTENINGS.....B0.05.1007

ENGINE MOUNTING.....B0.05.1015

CLOSING COMPONENTS.....B0.05.1025

CYLINDER HEAD.....B0.05.1032

Section: B0 - ENGINE
OIL FILLER NECK

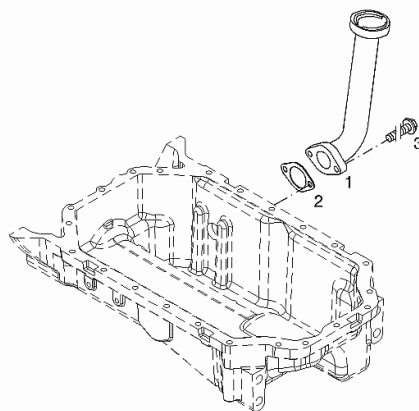
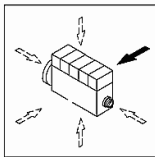
Fig.	Code	QTY	Name
------	------	-----	------

Engine Serial Numbers:

10756881 10802649 10802650 10814770 10814780 10823666 10823668 10829209 10863669 10863671 10870677
 10881497 10888987 10925213 10938544 10943904 10948665

1	04207099	1	tube
2	01178421	1	gasket DIN 71511 -35X58X1,5-DEUTZFW31
3	01181433	2	screw EN 1662 -F-M8X20-LG2,5-10.9-ZNAL-A

000 ©



Section: B0 - ENGINE
V-GROOVED PULLEY

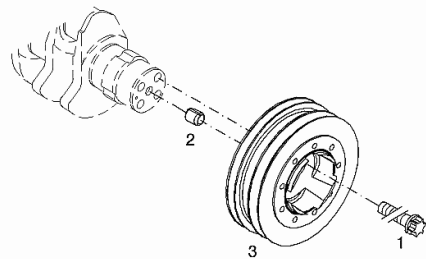
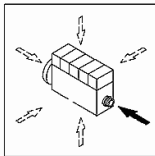
Fig.	Code	QTY	Name
------	------	-----	------

Engine Serial Numbers:

10756881 10802649 10802650 10814770 10814780 10823666 10823668 10829209 10863669 10863671 10870677
 10881497 10888987 10925213 10938544 10943904 10948665

1	04253406	4	screw
2	01181404	1	sleeve
3	04295543	1	H 2341 -B18X24-FE/ZN12C* pulley

000 ©



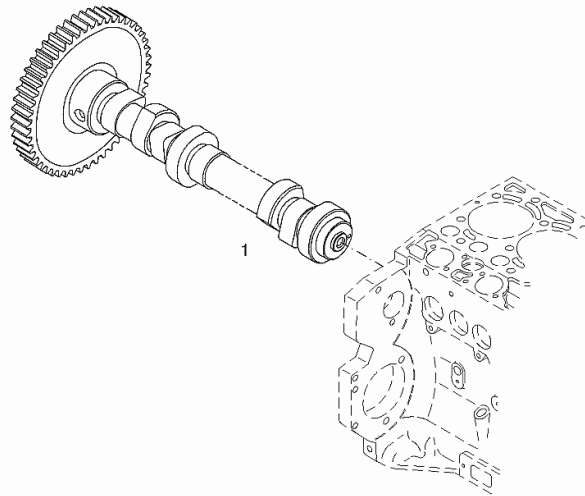
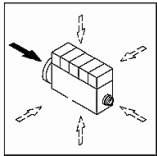
CAMSHAFT

Fig.	Code	QTY	Name
------	------	-----	------

Engine Serial Numbers:

10802649 10802650 10814770 10814780 10823666 10823668 10829209 10863669 10863671 10870677 10881497
 10888987 10925213 10938544 10943904 10948665

1	04502763	1	camshaft
---	----------	---	----------



000 ©

CLICK HERE TO **DOWNLOAD** THE COMPLETE MANUAL

- Thank you very much for reading the preview of the manual.
- You can download the complete manual from: www.heydownloads.com by clicking the link below



- Please note: If there is no response to CLICKING the link, please download this PDF first and then click on it.

CLICK HERE TO **DOWNLOAD** THE COMPLETE MANUAL

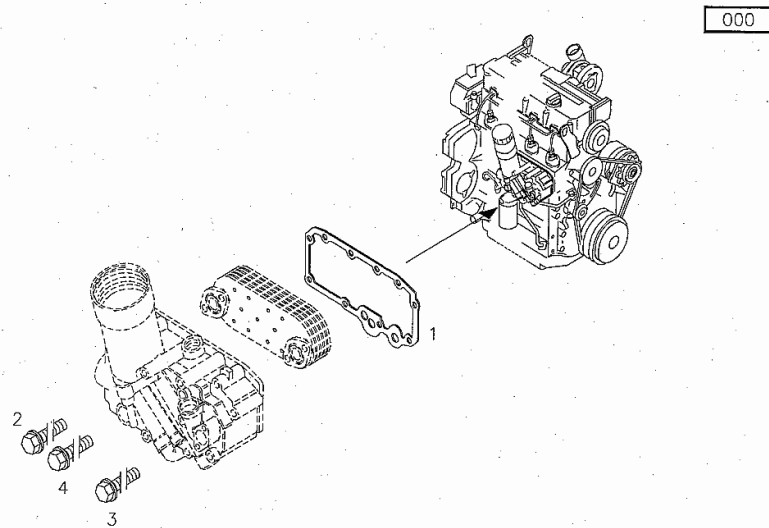
FASTENINGS

Fig.	Code	QTY	Name
------	------	-----	------

Engine Serial Numbers:

10756881 10802649 10802650 10814770 10814780 10823666 10823668 10829209 10863669 10863671 10870677
 10881497 10888987 10925213 10938544 10943904 10948665

1	04208115	1	ring
2	01180364	3	stop UP TO THE MONTH OF ASSEMBLY 11/2006 EN 1662 -F-M8X110-10.9-GESCHW
3	01181438	5	screw UP TO THE MONTH OF ASSEMBLY 11/2006 EN 1662 -F-M8X55-10.9-ZNAL-A
4	01180365	2	stop UP TO THE MONTH OF ASSEMBLY 11/2006 EN 1662 -F-M8X90-10.9-GESCHW



0507 1293

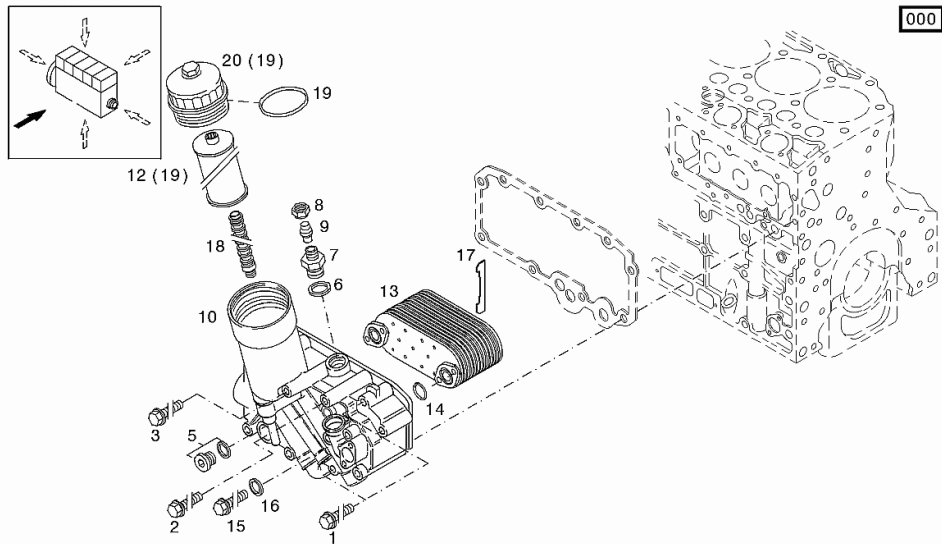
Section: B0 - ENGINE
OIL COOLER BOX

Fig.	Code	QTY	Name
------	------	-----	------

Engine Serial Numbers:

10829209 10863669 10863671 10870677 10881497 10888987 10925213 10938544 10943904 10948665

1	01181438	5	screw EN 1662 -F-M8X55-10.9-ZNAL-A
2	01180365	2	stop EN 1662 -F-M8X90-10.9-GESCHW
3	01180364	3	stop EN 1662 -F-M8X110-10.9-GESCHW
5	01148766	1	plug DIN 908 -M10X1-ST-A4C+DICHTRING*
6	01148892	1	'o' ring DIN 7603 -D26X31-CU-VERZINNT*
7	01172886	1	tongue m 26x1,5/18 H 3132 -AM26X1,5X18-A3C
8	01127347	1	nut CL 18 ISO 8434 -1-N-L18-ST-ZNNI*)-GEWACHST*)N
9	01179135	1	plug L 18-V1 H 3107 -V1L18
10	04294030	1	body
12	02931092	1	filter WITH POS.... (19)
13	04290172	1	oil cooler
14	01174714	2	ring 28x4 H 2927 -28X4-FPM-1-70
15	01181440	4	screw EN 1662 -F-M8X40-10.9-ZNAL-A
16	01118654	4	'o' ring 8x14 d7603 DIN 7603 -A8X14-CU
17	04290976	1	lamination
18	04208354	1	column
19	04207184	1	ring
20	04207186	1	cover WITH POS.... (19)



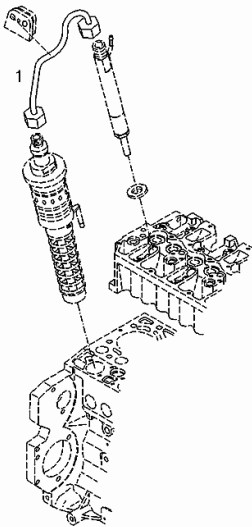
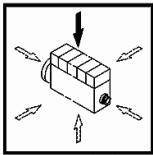
Section: B0 - ENGINE
HIGH PRESSURE PIPE

Fig.	Code	QTY	Name
------	------	-----	------

Engine Serial Numbers:

10756881 10802649 10802650 10814770 10814780 10823666 10823668 10829209 10863669 10863671 10870677
 10881497 10888987 10925213 10938544 10943904 10948665

1	02112063	1	tube
---	----------	---	------



001

0507 2978

ACCESSORIES

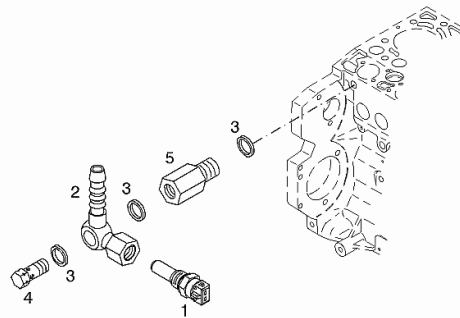
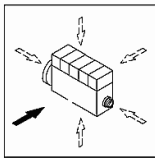
Fig.	Code	QTY	Name
------	------	-----	------

Engine Serial Numbers:

10756881 10802649 10802650 10814770 10814780 10823666 10823668 10829209 10863669 10863671 10870677
 10881497 10888987 10925213 10938544 10943904 10948665

1	04213839	1	tempe guage
2	04288904	1	pieces
3	01118693	3	gasket 14x20 DIN 7603 -A14X20-CU
4	02111519	1	fuse
5	02111508	1	shim

000 ©



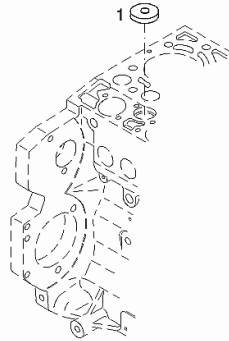
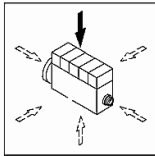
CLOSING COMPONENTS

Fig.	Code	QTY	Name
------	------	-----	------

Engine Serial Numbers:

10756881 10802649 10802650 10814770 10814780 10823666 10823668 10829209 10863669 10863671 10870677
 10881497 10888987 10925213 10938544 10943904 10948665

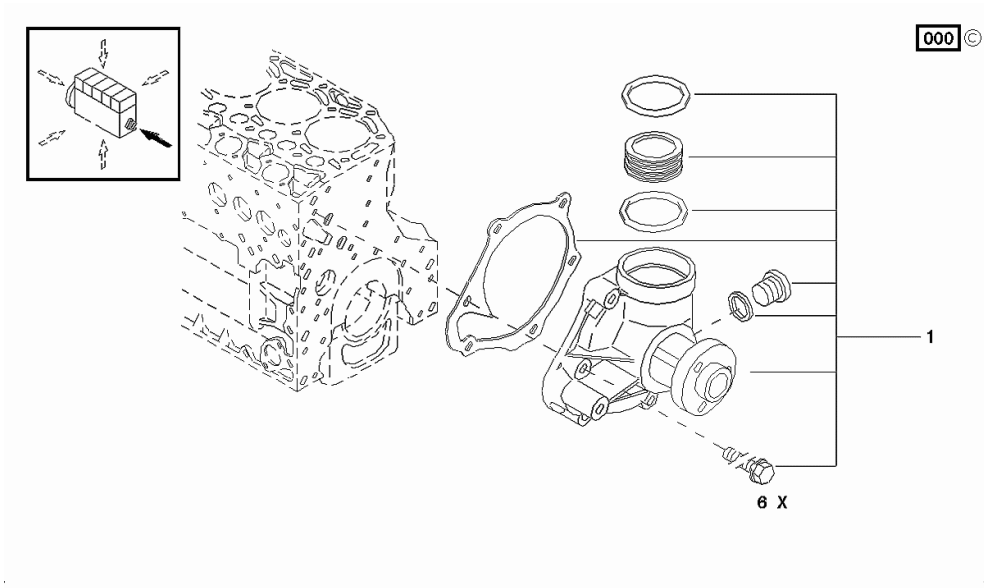
1	01182547	1	cover H 2871 -B32X7-OL-ACM-1-70
---	----------	---	------------------------------------



000 ©

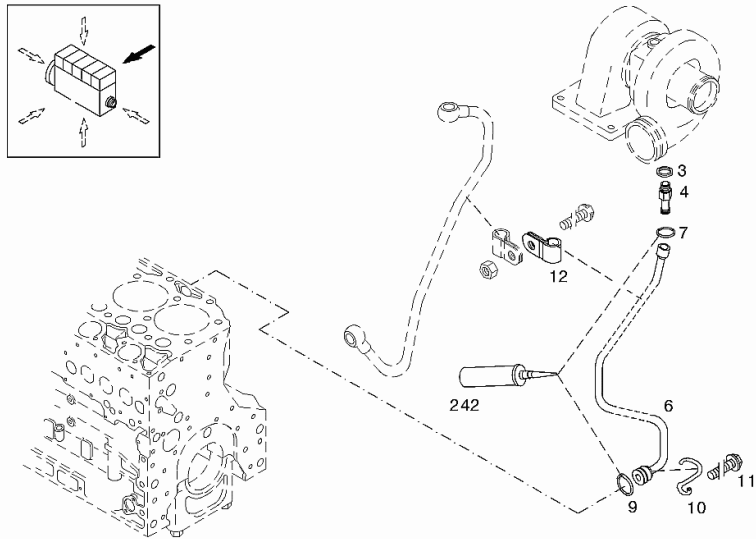
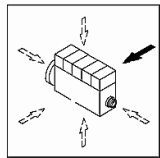
COOLING WATER PUMP

Fig.	Code	QTY	Name
1	02937454	1	water pump



RETURN LINE

Fig.	Code	QTY	Name
3	01118700	1	'o' ring Ø 16 x 20 DIN 7603 -A16X20-CU
4	04207255	1	tongue 13 Nm
6	04507473	1	pipng
7	01213003	1	ring H 2927 -12X3-FPM-1-70
9	01180811	1	ring H 2927 -21,8X3,5-FPM-1-70
10	04505859	1	-
11	01181436	1	screw 30 Nm EN 1662 -F-M8X16-LG2,5-10.9-ZNAL-A
12	01174999	1	hose clip H 3223 -C12X15-ST/MVQ-1-70
242	01016105	1	sealing compound



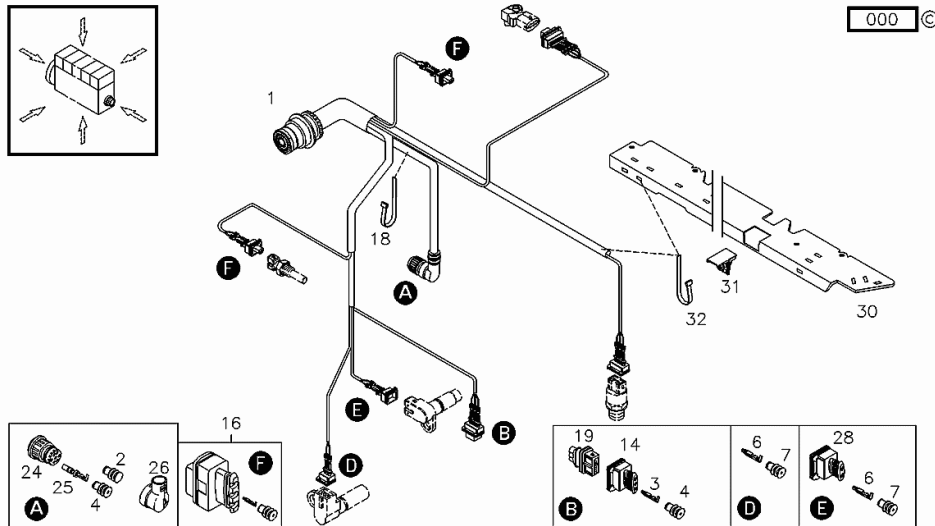
ENGINE ELECTRICAL SYSTEM

Fig.	Code	QTY	Name
------	------	-----	------

Engine Serial Numbers:

10756881 10802649 10802650 10814770 10814780 10823666 10823668 10829209 10863669 10863671 10870677
 10881497 10888987 10925213 10938544 10943904 10948665

1	04213752	1	electrical system
2	04190860	7	plug
3	04190852	3	pin
4	04190853	11	gasket
6	04190848	4	gasket
7	04190851	7	gasket
14	04194629	1	covering
16	04199973	2	connection
18	01176435	1	clamp H 7672 -P160X4,8
19	04400685	1	plug
24	04199563	1	plug
25	04199565	5	pin
26	04199599	1	tube
28	04194932	1	covering
30	04284540	1	shield
31	04194944	1	terminal
32	01080571	4	band 172X4.6 H 7672 -G172X4,6



0507 8928

AGROFARM 410 T ->1001

C0 - ENGINE ACCESSORIES

RADIATORS - FANS

ENGINE FAN.....	C0.01.0 (1)
COOLING - COOLANT RADIATOR.....	C0.01.3 (1)
COOLING - EXPANSION TANK.....	C0.01.4 (1)
TANK - PARTS.....	0.014.8023.4/10.A

INTERCOOLER - AIR CLEANER

8" AIR CLEANER WITH DUST EXHAUSTER.....	C0.02.1 (1)
OIL VAPOUR RECOVERY PIPES.....	C0.02.2 (1)
AIR CLEANER.....	2.4249.718.0.A

FUEL SYSTEM

FUEL COOLER.....	C0.03.0 (1)
FUEL COOLER PIPES.....	C0.03.2 (1)
FUEL FILTER SUPPLY.....	C0.03.3 (1)
FUEL FILTER SUPPLY.....	C0.03.3 (2)
FUEL SYSTEM - TANK.....	C0.03.4 (1)
PRE-FILTER - COMPONENTS.....	2.4319.290.0/10.A

STARTER MOTOR

STARTER MOTOR COVER.....	C0.05.0 (1)
STARTER MOTOR COVER.....	C0.05.1 (1)

EXHAUST SILENCER

EXHAUST SILENCER.....	C0.06.0 (1)
-----------------------	-------------

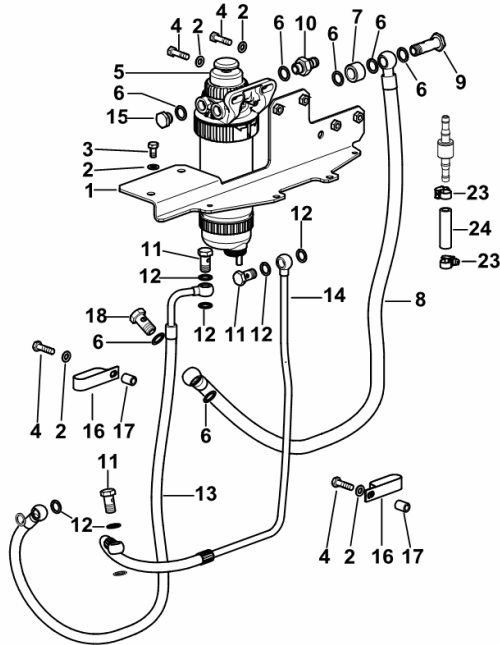
FUEL FILTER SUPPLY

Fig.	Code	QTY	Name
------	------	-----	------

Notes:

[AGROFARM 410 T 2WD ->1001] 1014 <- [AGROFARM 410 T 4WD ->1001] 1014 <-

9_O3016_01_0-A-001



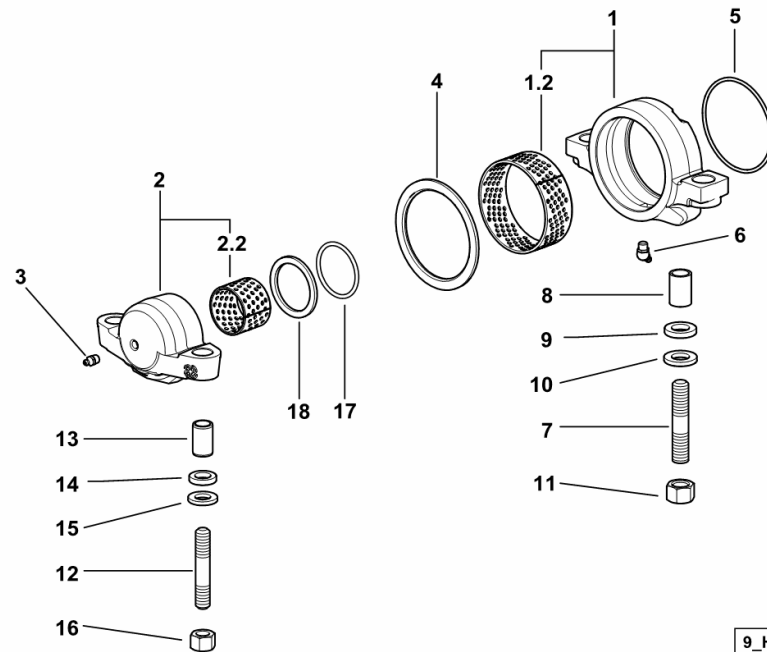
1	0.014.8692.3/20	1	bracket
2	2.1310.004.2	8	flat washer 8.5
3	2.0112.205.2	2	screw m 8 p.1.25 x 16
4	2.0112.211.2	6	screw m 8 p.1.25 x 30
5	2.4319.290.0/10	1	precleaner ☞ 2.4319.290.0/10
6	2.1560.012.0	8	gasket 16.2 x 22 x 1.5
7	2.1549.335.2	1	spacer 26.9x5x18
8	0.014.8614.3	1	tube
9	2.3339.597.2/10	1	pipe union m 16 p.1.5x50
10	2.3339.322.2	1	pipe union
11	2.3332.004.2	3	pipe union m 14 p.1.5 x 27
12	2.1560.010.0	8	gasket 14.2 x 20 x 1.5
13	0.014.8616.3/10	1	tube
14	0.017.7969.3	1	tube
15	2.3110.404.2	2	plug m 16 p.1.5
16	0.011.0332.0	2	clamp
17	2.1579.212.0	2	spacer 8.3 x 13.5 x 18
18	2.3332.005.2	1	pipe fitting m 16 p.1.5
23	2.6851.019.0	2	clamp Ø 13/20
24	0.012.6449.0	0.06	tube

Section: F0 - FRONT AXLE
4WD - FRONT SUPPORT

Fig.	Code	QTY	Name
------	------	-----	------

Notes:
 [AGROFARM 410 T 4WD ->1001]

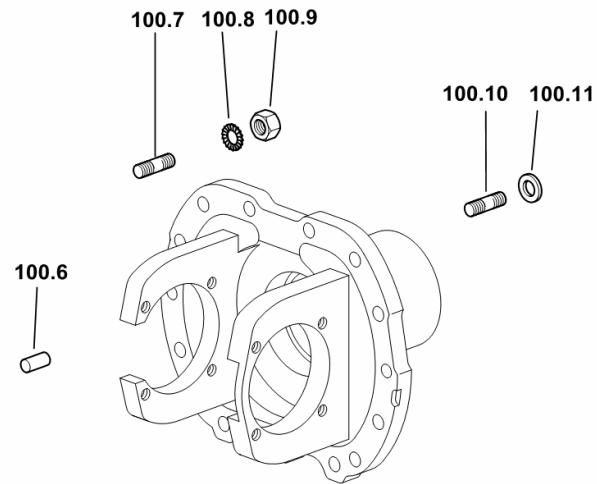
1	0.146.5233.3/40	1	support
1.2	2.1559.455.0	1	bushing 100x106x40
2	0.146.5232.3/30	1	support
2.2	2.1559.458.0	1	bushing 50x55x40
3	2.3820.105.2	1	lubricator m 10 p.1 x 7
4	2.1599.004.0	1	snoulder 101x125x4
5	2.1530.205.0	1	'o' ring 101.2x5.34
6	2.3821.103.2	1	lubricator m 10 p.1
7	2.0439.174.7	2	stud bolt m 18 p.1.5x70
8	2.1559.010.0	2	bushing 18.5x24x35
9	2.1599.030.2	2	snoulder 19x35x6
10	2.1475.107.2	2	washer 19.4x36
11	2.1019.060.2	2	special nut m 18 p.1.5
12	2.0433.419.7	2	stud bolt m 16 p.2-1.5x70
13	2.1559.030.0	2	bushing 16.5x22x35
14	2.1599.029.2	2	washer 17x30x6
15	2.1475.206.2	2	washer 16
16	2.1012.309.2	2	nut
17	2.1535.026.0	1	ring 58x68x9
18	2.1599.870.0	1	snoulder 69x55x4



9_H1252_03_0-A-001

FLANGE FASTENERS

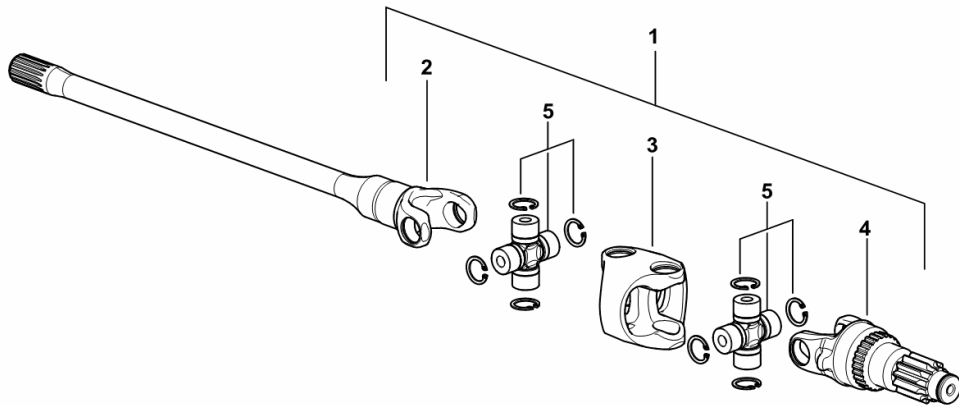
Fig.	Code	QTY	Name
Notes:			
[AGROFARM 410 T 4WD ->1001]			
100.6	2.1651.915.0	2	pin 12x35
100.7	2.0432.257.7	11	stud bolt m 12 p.1.75 - 1.25 x 30
100.8	2.1475.004.2	13	washer 12
100.9	2.1011.322.2	13	nut m 12 p.1.25
100.10	2.0432.259.7	2	stud bolt m 12 p.1.75-1.25x35
100.11	2.1579.147.2	2	spacer 12.5 x 22 x 3.0



9_40543_05_0-B-001

Section: F0 - FRONT AXLE
4WD - AXLESHAFTS

Fig.	Code	QTY	Name
1	0.010.5413.4/20	1	half-shaft
2	0.010.2569.0	1	half-shaft
3	0.010.2569.1	1	fork
4	0.010.2569.2	1	axle shaft
5	0.010.2570.0	2	universal joint



0.010.5413.4_20

AGROFARM 410 T ->1001

Section: H0 - HYDRAULIC AND PNEUMATIC SYSTEM|

Ref.: H0.01.10 (1)

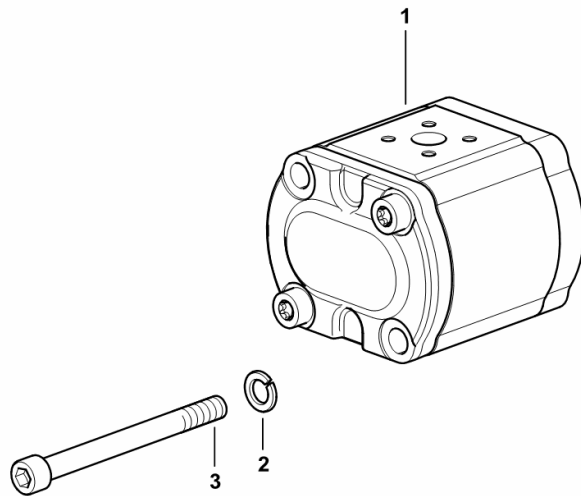
HYDRAULIC PUMP 22.5 cc - dx/rh/re

Fig.	Code	QTY	Name
------	------	-----	------

Notes:

[AGROFARM 410 T 2WD ->1001] [AGROFARM 410 T 4WD ->1001]

1	2.4539.620.0/10	1	hydraulic pump 22.5 cc dx/rh/re - BOSCH -
			☞ 2.4539.620.0/10
2	2.1480.015.2	2	washer 10
3	2.0169.019.2	2	screw m 10x135



9_21082_01_0-A-001

AGROFARM 410 T ->1001

Section: H0 - HYDRAULIC AND PNEUMATIC SYSTEM|

Ref.: H0.01.39 (2)

LUBRICATION - P.T.O. AND REAR BRAKES

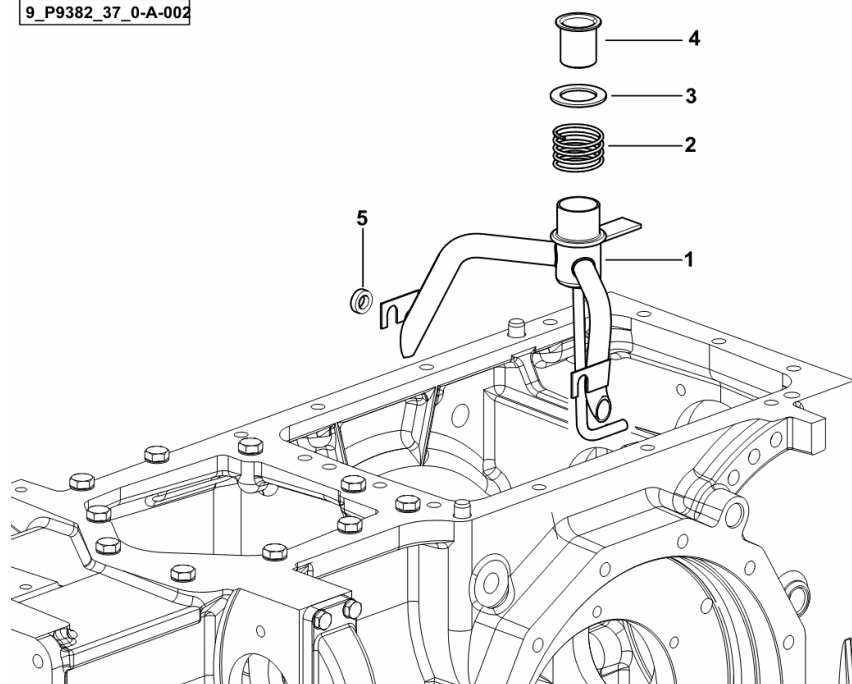
Fig.	Code	QTY	Name
------	------	-----	------

Notes:

[AGROFARM 410 T 2WD ->1001] [AGROFARM 410 T 4WD ->1001]

1	0.016.4282.2/20	1	tube
2	2.4019.609.2	1	spring 33x38x2.5x40
3	2.1549.231.2	1	spacer
4	0.009.6671.0	1	tube
5	2.1549.321.0	1	spacer 10.5X18X5

9_P9382_37_0-A-002



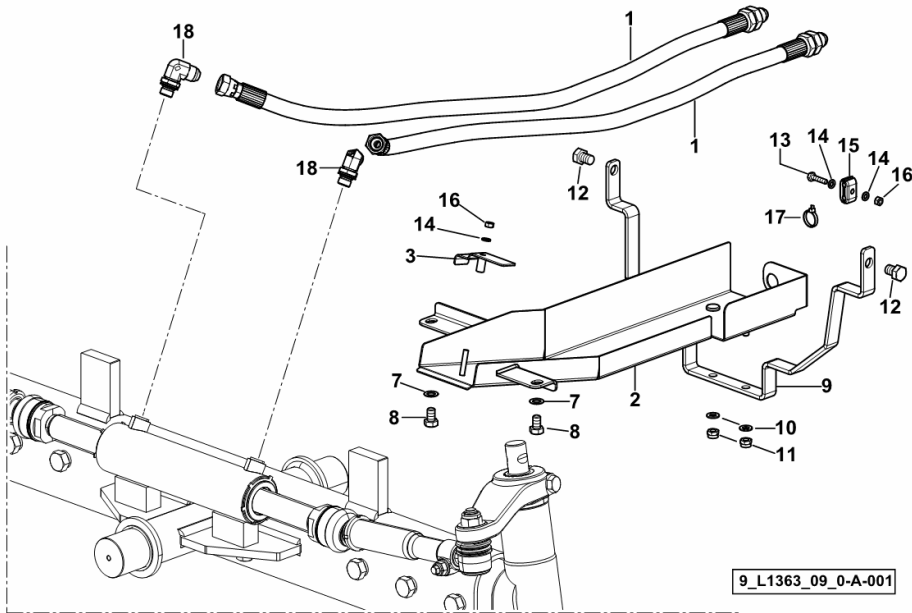
2WD - POWER STEERING

Fig.	Code	QTY	Name
------	------	-----	------

Notes:

[AGROFARM 410 T 2WD ->1001] 1001 <-

1	0.016.0531.3	2	tube
2	0.016.0507.3/10	1	sump
3	0.016.0136.2	1	bracket
7	2.1470.006.2	2	lock washer 10
8	2.0112.305.2	2	screw m 10 p.1.5 x 16
9	0.015.6285.0	1	bracket
10	2.1310.004.2	2	flat washer 8.5
11	2.1120.105.2	2	selflock nut m 8 p.1.25
12	2.0112.405.2	2	screw m 12 p.1.75x16
13	2.0112.009.2	1	screw m 6 p.1 x 25
14	2.1470.002.2	3	washer 6, d128
15	2.3321.002.0	1	terminal Ø 6.35 / 6.35
16	2.1011.103.2	2	nut m 6 p.1
17	2.6852.101.0	1	clamp 142x3.6
18	2.3249.354.2	2	pipe fitting m 16 p.1.5



AGROFARM 410 T ->1001

Section: H0 - HYDRAULIC AND PNEUMATIC SYSTEM|

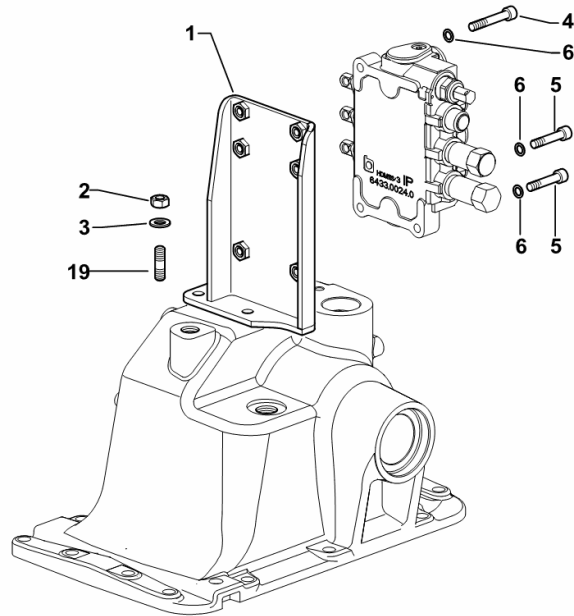
Ref.: H0.07.5 (1)

SUPPORT AND FIXTURE OF REAR 4-6 WAY CONTROL VALVE

Fig.	Code	QTY	Name
------	------	-----	------

Notes:

- FOR 4-6 WAY CONTROL VALVE [AGROFARM 410 T 2WD ->1001] - FOR 4-6 WAY CONTROL VALVE [AGROFARM 410 T 4WD ->1001]



1	0.015.0476.3	1	bracket
2	2.1011.106.2	3	nut m 10 p.1.5
3	2.1475.003.2	3	washer 10
4	2.0312.216.2	1	screw m 8 p.1.25x50
5	2.0312.214.2	2	screw m 8 p.1.25 x 40
6	2.1480.014.2	3	washer 8
19	2.0422.303.2	3	stud bolt m 10 p.1.5 x 20

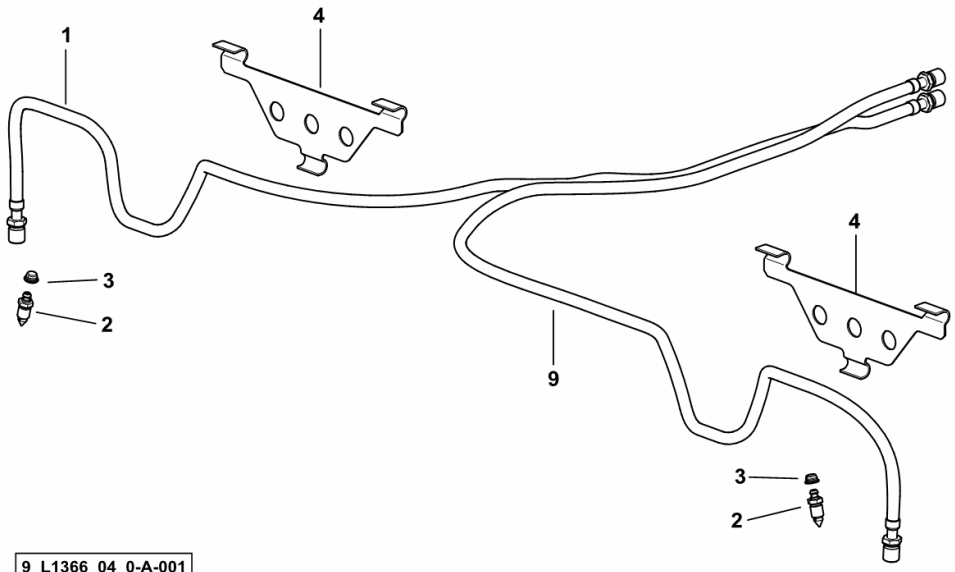
9_H1488_00_0-A-001

2WD - FRONT BRAKES

Fig.	Code	QTY	Name
------	------	-----	------

Notes:
[AGROFARM 410 T 2WD ->1001]

1	0.016.0536.3	1	tube dx/rh/re
2	0.170.5455.0	2	valve
3	2.3199.039.0	2	plug 6.50 x 7.25
4	0.014.3018.0/10	2	bracket
9	0.016.0535.3	1	tube sx/lh/li



9_L1366_04_0-A-001

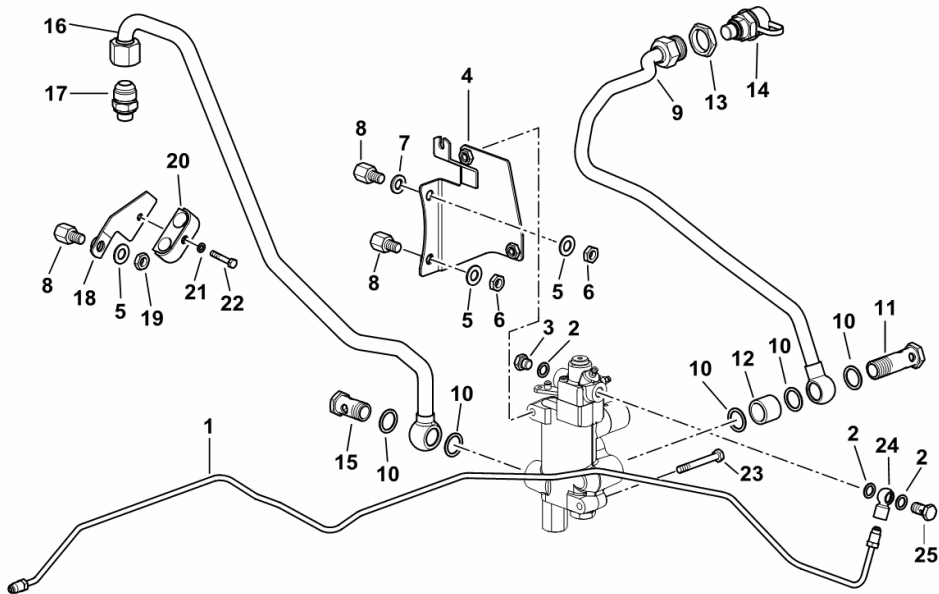
HYDRAULIC BREAKING FOR TRAILER

Fig.	Code	QTY	Name
------	------	-----	------

Notes:

[AGROFARM 410 T 2WD ->1001] [AGROFARM 410 T 4WD ->1001]

1	0.016.9653.3	1	tube
2	2.1560.008.0	1	gasket 12.2 x 18
3	2.3110.422.2	1	plug m 12
4	0.015.2031.3/10	1	bracket
5	2.1475.004.2	3	washer 12
6	2.1011.207.2	2	nut m 12 p.1.5
7	2.1579.147.2	1	spacer 12.5 x 22 x 3.0
8	2.0399.337.2	3	small column
9	0.016.4519.3	1	tube
10	2.1560.018.0	5	gasket 22.2 x 29
11	2.3339.880.2/10	1	pipe union m 22 p.1.5x67
12	2.1579.681.2	1	spacer 22.8 x 30 x 25
13	2.1019.091.2	1	special nut m 30 p.1.5x8
14	0.011.0433.4/10	1	coupling
15	2.3335.009.2	1	pipe union m 22 p.1.5 x 39
16	0.016.4517.3/10	1	tube
17	2.3249.148.2	1	pipe fitting m 18 - 1/16" JIC
18	0.016.7601.3	1	bracket
19	2.1011.522.2	1	nut m 12 p.1.25
20	2.3320.320.0	1	terminal
21	2.1470.002.2	1	washer 6, d128
22	2.0112.013.2	1	screw m 6 p.1 x 35
23	2.0112.222.2	1	screw m 8 p.1.25x65
24	2.3339.374.2	1	pipe fitting m 12 p.1.25
25	2.3332.003.2	1	pipe union m 12 p.1.25 x 23



9_P9389_05_0-A-001

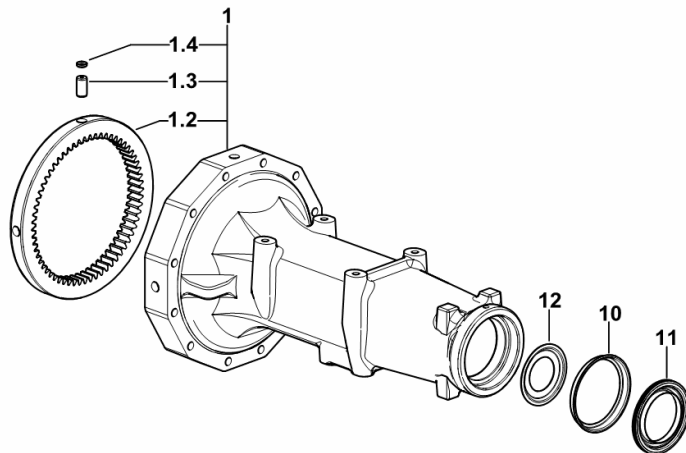
REAR AXLE

Fig.	Code	QTY	Name
------	------	-----	------

Notes:

[AGROFARM 410 T 2WD ->1001] [AGROFARM 410 T 4WD ->1001]

1	0.255.4410.3/70	2	wheel support
1.2	0.255.4420.0/20	1	crown wheel
1.3	2.1699.259.0	4	pin 16x30
1.4	2.3171.006.4	4	plug Ø 16
10	0.255.4450.0/10	2	cup
11	2.1569.104.0	2	'o' ring 80 x 118.2 x 12
12	0.255.4451.0	2	cup



9_50844_10_0-A-001

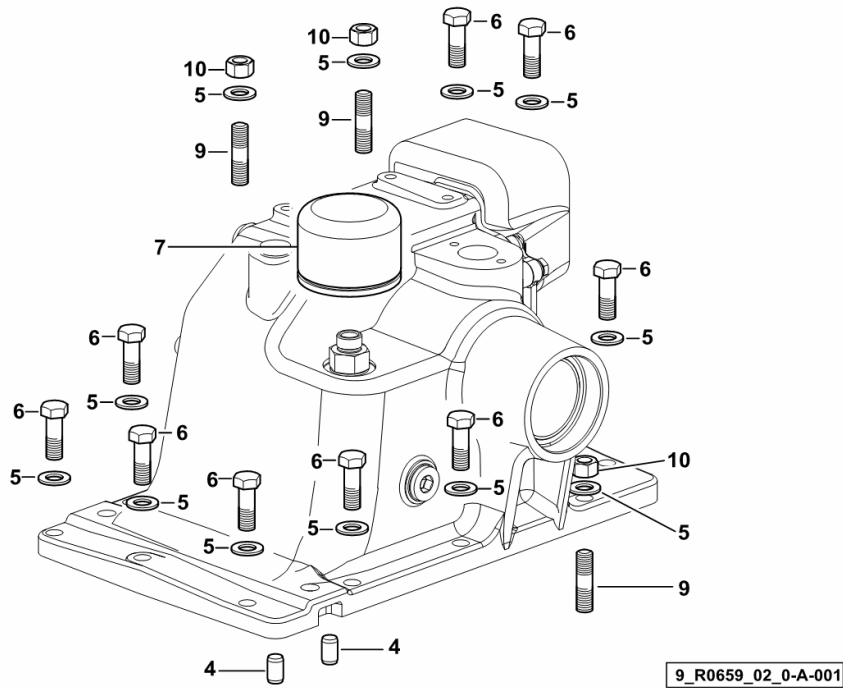
LIFT FIXING COMPONENTS

Fig.	Code	QTY	Name
------	------	-----	------

Notes:

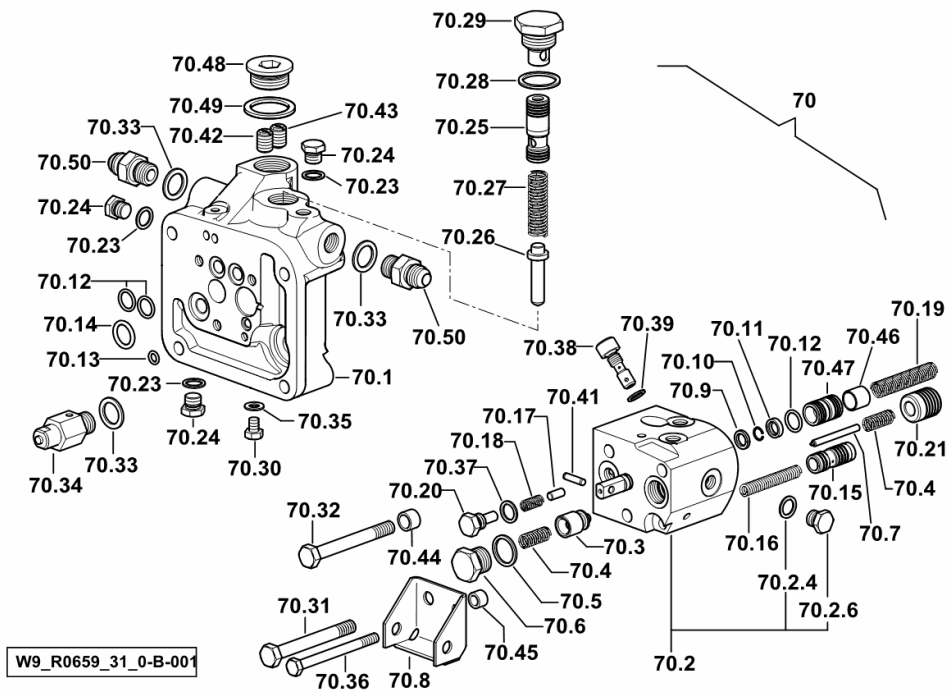
[AGROFARM 410 T 2WD ->1001] [AGROFARM 410 T 4WD ->1001]

4	2.1651.909.0	2	cylindrical plug 12 x 20
5	2.1475.004.2	12	washer 12
6	2.0112.413.2	9	screw m 12 p.1.75x35
7	0.9104.153.3/10	1	breather
9	2.0433.257.7	3	stud bolt m 12 p.1.25x30
10	2.1011.422.2	3	nut m 12 p.1.25



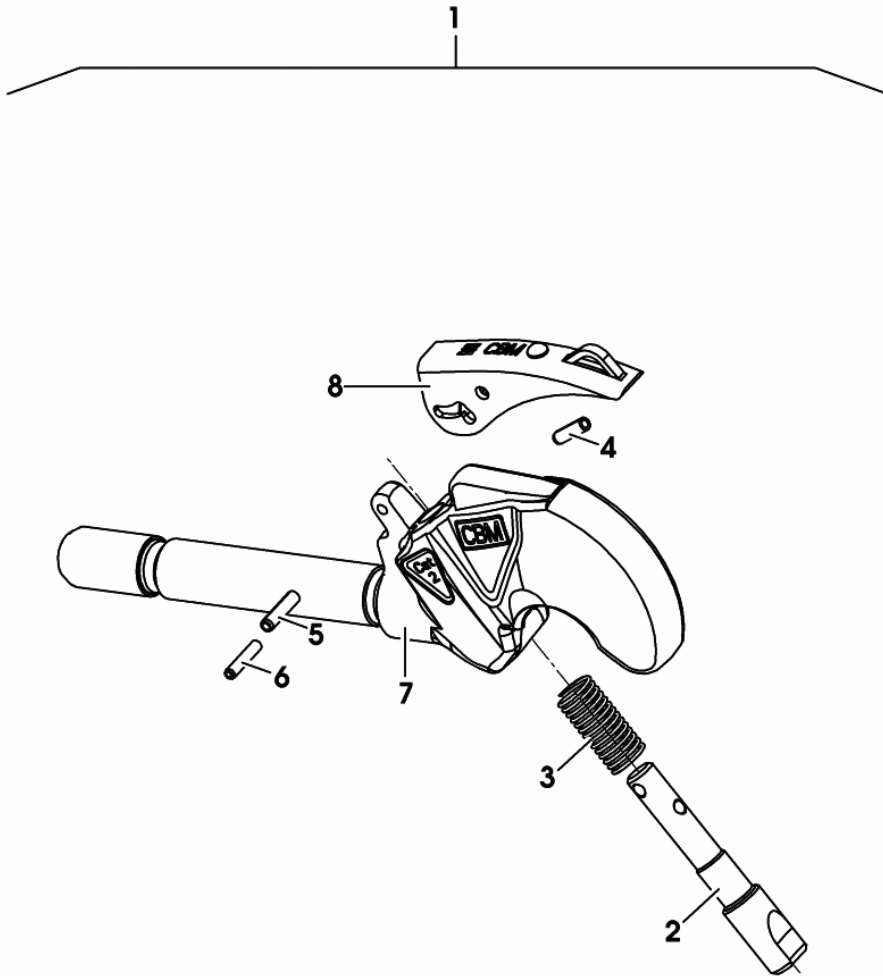
REGULATING DISTRIBUTOR

Fig.	Code	QTY	Name
70.41	2.1631.307.0	1	roll pin 4x16
70.42	0.9123.450.3/10	1	grain
70.43	0.9123.454.3/10	1	grain
70.44	2.1579.776.0	1	spacer 8.8x12x8
70.45	2.1579.777.0	1	spacer
70.46	2.1579.784.0/20	1	spacer
70.47	0.9123.453.0/10	1	small piston
70.48	2.3199.118.2	1	plug m 24 p.1.5
70.49	2.1560.020.0	1	gasket 24.3x32
70.50	2.3261.006.2	2	pipe fitting m 14 p.1.5-9/16"



Section: R0 - REAR LIFT
LINKAGE

Fig.	Code	QTY	Name
1	0.014.1412.3	1	rod 2 cat.-CBM-
2	04397651	1	pin
3	0.900.0070.6	1	spring
4	0.900.0070.7	1	roll pin
5	0.900.0070.8	1	pin
6	0.900.0070.9	1	roll pin
7	0.000.0000.1	0	not serviceable
8	04397652	1	lever



0_014_1412_3

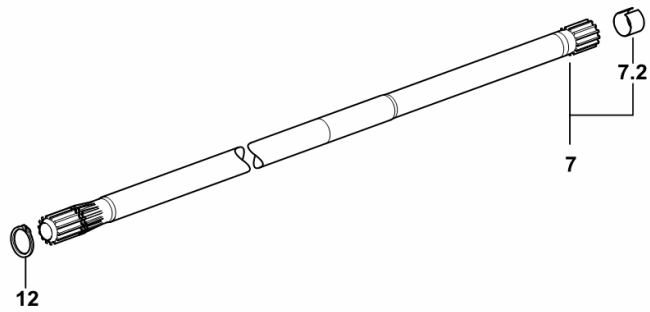
P.T.O. - CLUTCH TRANSMISSION SHAFT

Fig.	Code	QTY	Name
------	------	-----	------

Notes:

[AGROFARM 410 T 2WD ->1001] [AGROFARM 410 T 4WD ->1001]

7	0.010.7190.3/20	1	shaft
7.2	0.255.2550.0	1	ring
12	2.1410.009.1	1	circlip 24



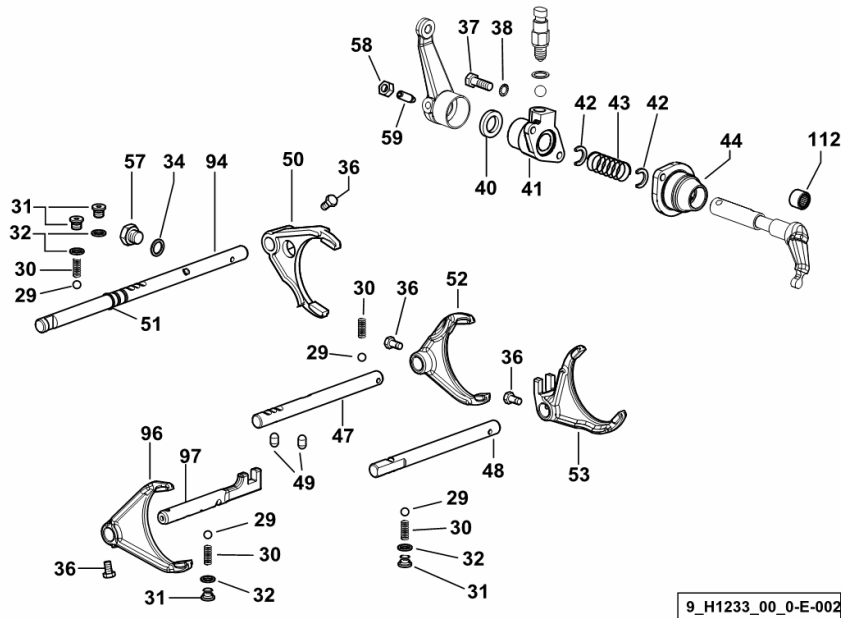
9_77825_00_0-A-001

5-SPEED GEARBOX INTERNAL CONTROLS

Fig.	Code	QTY	Name
------	------	-----	------

Notes:

[AGROFARM 410 T 2WD ->1001] 1010 <- [AGROFARM 410 T 4WD ->1001] 1010 <-



29	2.2999.156.0	5	ball Ø 10
30	2.4019.622.1	4	spring 6.3 x 9.5 x 1.6 x 22.4
31	2.3199.164.2/20	3	plug m 12 p.1.5
32	2.1560.008.0	3	gasket 12.2 x 18
34	2.1560.012.0	1	gasket 16.2 x 22 x 1.5
36	2.0399.019.1	4	screw m 8 p.1 x 16
37	2.0112.213.2	2	screw m 8 p.1.25 x 35
38	2.1470.004.2	2	washer 8
40	2.1519.075.0	1	'o' ring 22 x 35 x 6
41	0.014.9383.0/20	1	support
42	0.008.5405.0	2	ring
43	2.4019.698.1/10	1	spring 21 x 25 x 46
44	0.011.7127.0/20	1	support
47	0.255.6421.0/20	1	rod
48	0.255.6477.0/20	1	rod
49	2.1699.159.0	2	cap 10 x 14.1
50	0.011.8530.0/10	1	fork
51	2.1530.033.0	2	'o' ring 13.10x2.62
52	0.013.0010.0/10	1	fork
53	0.012.4169.0/20	1	fork
57	2.3199.263.2	1	plug m 16 p.2x16x22
58	2.1011.406.2	1	nut m 10 p.1
59	2.0399.050.2	1	screw m 10 p.1 x 30
94	0.255.6424.0/20	1	rod
96	0.013.0009.0/10	1	fork
97	0.255.6478.0/40	1	rod
112	2.2725.030.0	2	roller cage 22 x 28 x 16

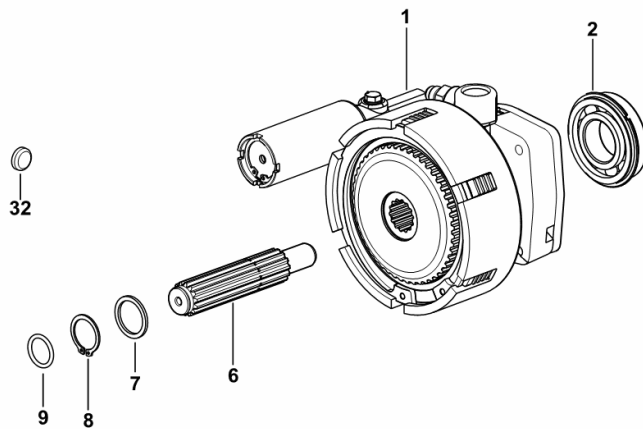
P.T.O. - HYDRAULIC CLUTCH

Fig.	Code	QTY	Name
------	------	-----	------

Notes:

[AGROFARM 410 T 2WD ->1001] [AGROFARM 410 T 4WD ->1001]

1	0.014.9936.4/10	1	hydraulic pto clutch ☞ 0.014.9936.4/10
2	2.2043.009.0	1	ball bearing 30x62x16
6	0.255.3930.0/40	1	shaft
7	2.1599.761.0	1	thrust plate 24x30x2
8	2.1410.009.1	1	circlip 24
9	2.1530.048.0	1	'o' ring 18.72x2.62
32	2.3171.006.4	1	plug Ø 16



9_H1239_02_0-A-001

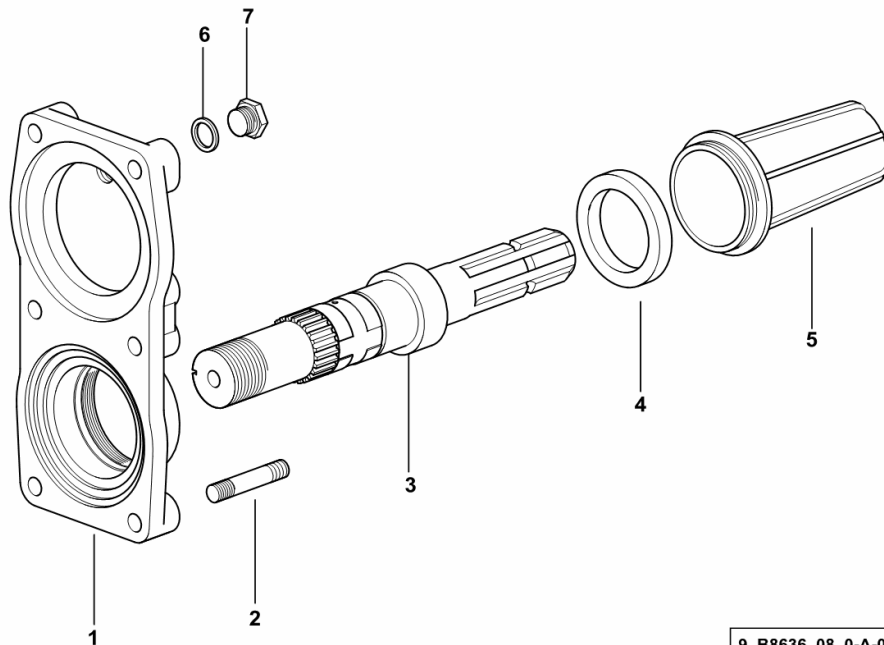
P.T.O. - FIXED END SHAFT - FOR 2-SPEED STANDARD SEALS

Fig.	Code	QTY	Name
------	------	-----	------

Notes:

[AGROFARM 410 T 2WD ->1001] [AGROFARM 410 T 4WD ->1001]

1	0.010.7888.0/10	1	cover
2	2.0432.161.7	6	stud bolt m 10 p.1.5 / p.1.25 x 40
3	0.255.3652.0/30	1	p.t.o.shaft
4	2.1529.079.0	1	'o' ring 50 x 68 x 10
5	0.154.3655.0/10	1	guard
6	2.1560.010.0	1	gasket 14.2 x 20 x 1.5
7	2.3110.403.1	1	plug m 14 p.1.5



9_B8636_08_0-A-001

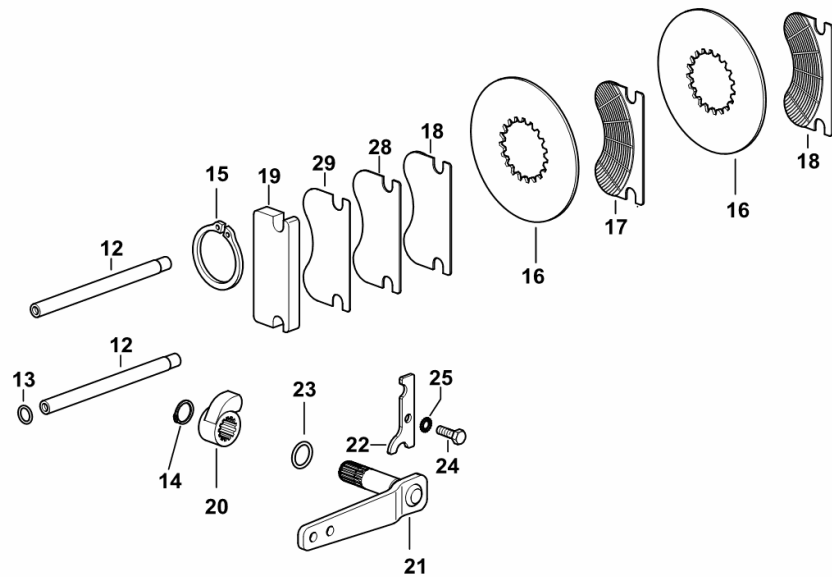
INDEPENDENT HAND BRAKE

Fig.	Code	QTY	Name
------	------	-----	------

Notes:

[AGROFARM 410 T 2WD ->1001] 1020 <- [AGROFARM 410 T 4WD ->1001] 1020 <-

12	0.255.5450.0	2	small column
13	2.1530.034.0	1	'o' ring 13.95x2.62
14	2.1410.006.1	1	circlip 20
15	2.1410.022.1	1	circlip 55
16	0.008.4255.0	2	brake disc 145
17	0.171.5459.2	1	sector
18	0.171.5451.2	2	sector
19	0.188.5459.0/20	1	plate
20	0.171.5453.0/10	1	lever
21	0.255.5451.2/10	1	lever
22	0.255.5453.0	1	small plate
23	2.1530.043.0	1	'o' ring 17.13x2.62
24	2.0112.207.2	1	screw m 8 p 1.25 x 20
25	2.1470.004.2	1	washer 8
28	0.011.5484.0	1	shim mm 1.00
29	0.011.5486.0	1	shim mm 2.00



9_50854_00_0-B-001

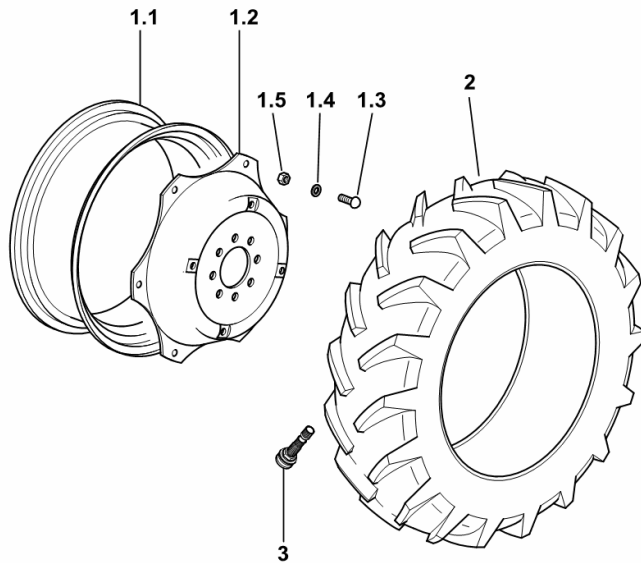
WHEELS 380/85R24"(14.9R-24" a8)

Fig.	Code	QTY	Name
------	------	-----	------

Notes:

[AGROFARM 410 T 4WD ->1001]

1.1	0.012.8987.3	1	rim W 13x24" C/ST.
1.2	0.010.9752.0	1	flange 24"
1.3	2.0099.005.6	6	screw m 16 p.1.5 x 38
1.4	2.1499.019.6	6	washer 16.3 x 31.5
1.5	2.1019.059.6	6	nut m 16 p.1.5 x 16
2	2.4811.072.0	2.00	tyre 380/85R24"(14.9R24")
3	0.018.6474.0	2	valve



9_40555_25_0-A-002

CLICK HERE TO **DOWNLOAD** THE COMPLETE MANUAL

- Thank you very much for reading the preview of the manual.
- You can download the complete manual from: www.heydownloads.com by clicking the link below



- Please note: If there is no response to CLICKING the link, please download this PDF first and then click on it.

CLICK HERE TO **DOWNLOAD** THE COMPLETE MANUAL