

AgroCompact 3.30 V/F

BRAKE

Control assy./servise brake, Parking brake

HAND BRAKE.....	13.29.1
OPERATION - PARKING BRAKE.....	13.29.2

Service brake, Contral assy./service brake

DISC BRAKE - CARDAN SHAFT.....	13.30.1
SERVICE BRAKE DRUM BRAKE HYDR. REAR.....	13.30.2
BRAKE OPERATION.....	13.30.5
BRAKE OPERATION.....	13.30.6
BRAKE OPERATION.....	13.30.7
BRAKE OPERATION.....	13.30.8
BRAKE OPERATION.....	13.30.9
BRAKE OPERATION.....	13.30.10
BRAKE OPERATION.....	13.30.11

CLICK HERE TO **DOWNLOAD** THE COMPLETE MANUAL

- Thank you very much for reading the preview of the manual.
- You can download the complete manual from: www.heydownloads.com by clicking the link below



- Please note: If there is no response to CLICKING the link, please download this PDF first and then click on it.

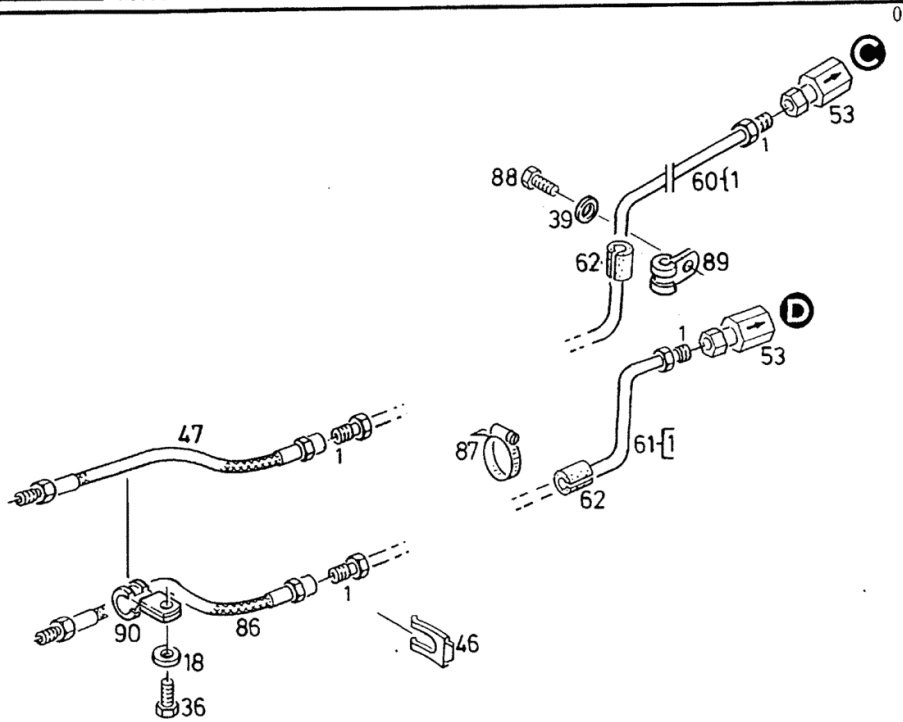
CLICK HERE TO **DOWNLOAD** THE COMPLETE MANUAL

Section: BRAKE
BRAKE OPERATION

Fig.	Code	QTY	Name
1	01100769	2	screw DIN 074233-ESM 12X1 -A4C
18	01107095	10	washer 6.4 DIN 000125-A 6,4-140HV-A4C
36	01103316	6	screw m 6 p.1.0 x 16 ISO 004017-M 6 X 16 - 8.8-A4C
39	01107101	1	washer 8.4 DIN 000125-A 8,4-140HV-A4C
46	01121654	3	stop DIN 074225- 14
47	01137052	1	flexible hose DIN 074225-EE10X300
53	04364269	2	valve
60	04400035	1	tube
61	04400036	1	tube
62	01216315	4	rubber plug
86	01132430	1	flexible hose DIN 074225-EE10X250
87	01137578	2	hose clip 32-50 DIN 003017AL 25- 40-C6-W1
88	01112307	1	screw m 8 p.1.25 x 15, d933 ISO 004017-M 8 X 16 - 8.8-A4C
89	01172689	2	clamp H 003223-B12X20-W1/CR70-10
90	01211882	1	collar H 003223-B15X15-W1/CR70-10

DEUTZ FAHR BREMSBETAETIGUNG
 BRAKE CONTROL
 ACTIONNEMENT FREIN
 ACCIONAMIENT. FRENO

1079-30 0504 6613



WINDSCREEN

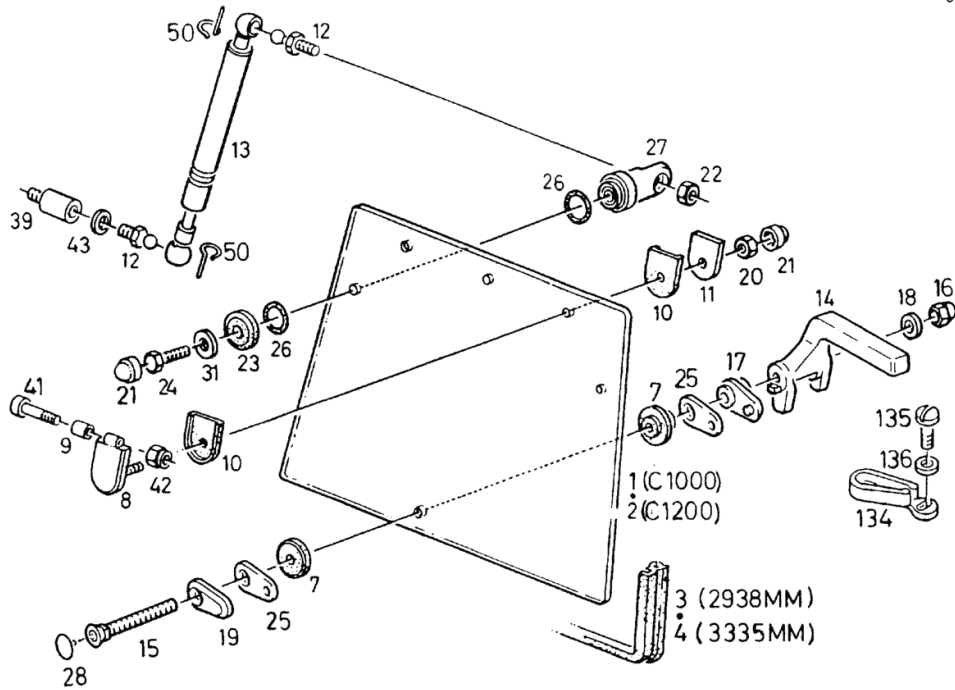
Fig.	Code	QTY	Name
			H 002203- 8
50	01120997	1	pin DIN 071805-S10 -A4C
134	04389907	1	consolle
135	01119635	1	screw ISO 007045-M 6X 16 - 4.8-H -A 4C
136	01119809	1	washer DIN 009021- 6,4-100HV



FRONTSCHIEBE
WINDSCREEN
PARE-BRISE
PARABRISAS

1979-37 0504 6684

0



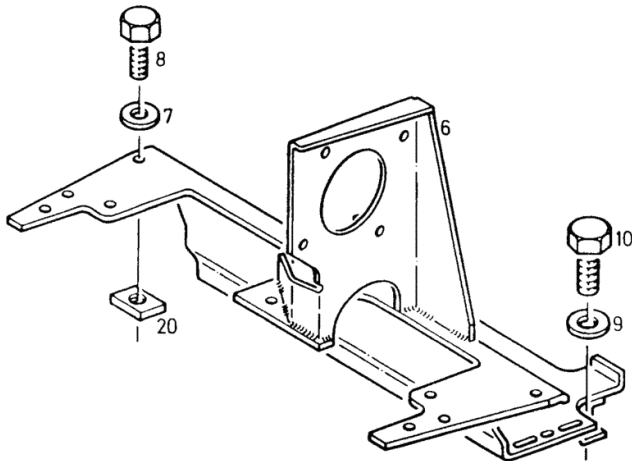
BATTERY CARRIER

Fig.	Code	QTY	Name
6	04375448	1	battery support
7	01107101	9	washer 8.4 DIN 000125-A 8,4-140HV-A4C
8	01112326	3	screw m 8 x 22 ISO 004017-M 8 X 22 - 8.8-A4C
9	01107105	8	washer 10.5 DIN 000125-A10,5-140HV-A4C
10	01112412	4	screw m 10 x 22, d933 DIN 000933-M10 X 22 - 8.8-A4C
20	04369576	9	plate



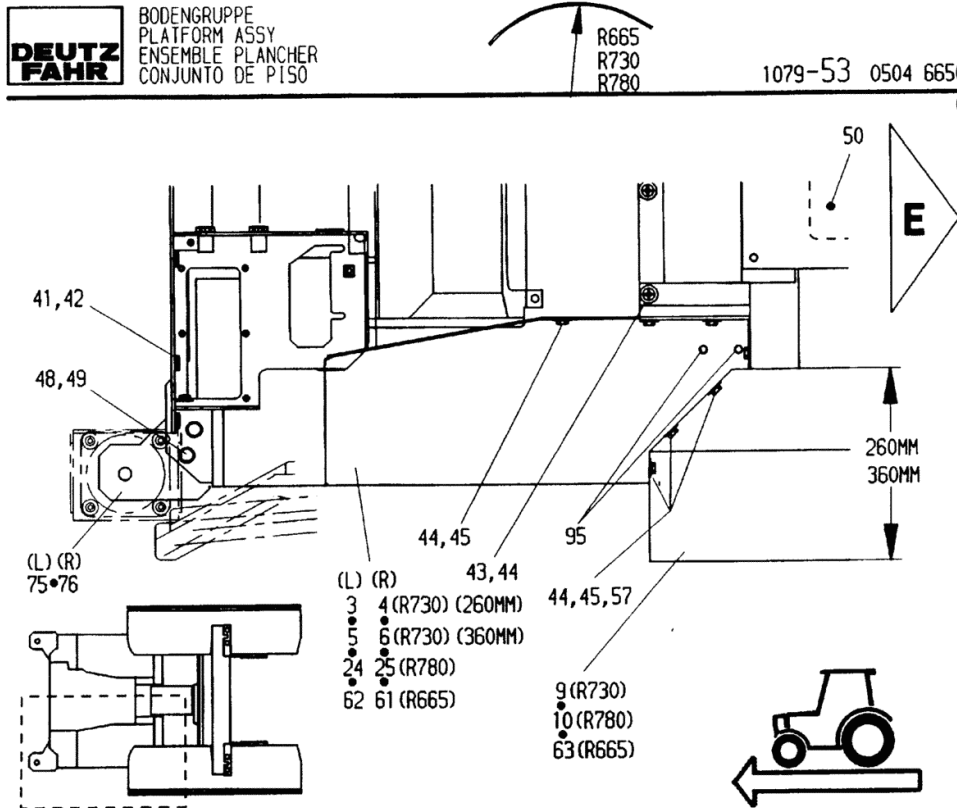
BATTERIETRÄGER
BATTERY CARRIER
SUPPORT BATTERIE
PORTA-BATERIA

1075-41 504 4799



GROUND GROUP

Fig.	Code	QTY	Name
3	04398067	1	lamination
4	04398063	1	lamination
5	04398072	1	lamination
6	04398073	1	lamination
9	04398025	1	fender
10	04398007	1	fender
24	04398004	1	lamination
25	04398001	1	lamination
41	01129112	8	screw DIN 000933-M 8 X 25 SB- 8.8-A 4C
42	01107101	12	washer 8.4 DIN 000125-A 8,4-140HV-A4C
43	01104643	5	screw ISO 007045-M 8X 16 - 4.8-H -A 4C
44	01171741	37	washer H 002398- 9021-A 8,4-ST
45	01171732	33	screw H 002093- 933-M 8 X 16- 8.8
48	01112418	4	screw m 10 x 25, d933 DIN 000933-M10 X 25 - 8.8-A4C
49	01107105	4	washer 10.5 DIN 000125-A10,5-140HV-A4C
50	04398138	1	plate DRIVER'S SEAT
57	01112824	12	nut m 8, d934 ISO 004032-M 8 - 8-A4C
61	04399086	1	lamination
62	04399083	1	lamination
63	04399063	1	fender
75	04399187	1	shim
76	04399188	1	shim
95	01175750	2	plug H 002873-E 10,7 X 5,5-PE WEIC H-SW

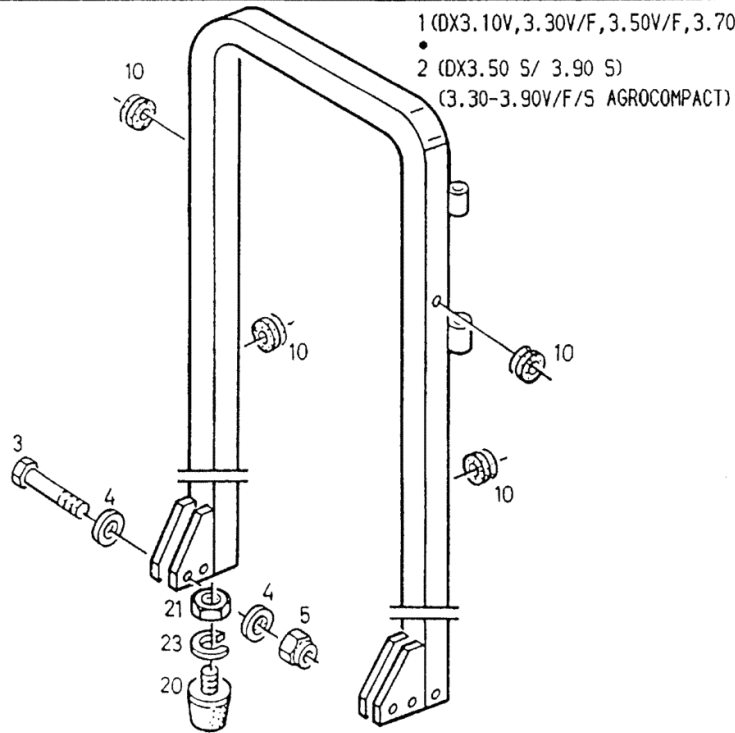


HOOP GUARD



SCHUTZBUEGEL
PROTECTIVE YOKE
ETRIER PROTECTION
ESTRIBO PROTECCION

1078-61 0504 4810



1 (DX3.10V, 3.30V/F, 3.50V/F, 3.70V/F, 3.90F)

2 (DX3.50 S/ 3.90 S)
(3.30-3.90V/F/5 AGROCOMPACT)

Fig.	Code	QTY	Name
1	04379386	1	bracket
2	04379386	1	bracket
3	01111930	2	screw m 16 h6 x 100 ISO 004014- M16 X100 - 8.8-A4 C
4	01124633	4	washer 18.5 DIN 000126- 17,5-100HV-A4C
5	01136464	2	nut m 16 DIN 000980-VM16 - 8-A4C GEWAC HST
10	01160600	4	rubber bushing H 002928-D 8 X12 X 3 -GI DEUT Z 1
20	04372278	2	plug
21	01112824	2	nut m 8, d934 ISO 004032-M 8 - 8-A4C
23	01102799	2	washer 8, d128 DIN 000128-A 8 -FST -A4C





BATTERY

Fig.	Code	QTY	Name
1	01135985	1	battery H 821300-12V 88 AH-UGF+GL 12V 88 AH 395 A
2	01179683	1	battery H 821300-12V 92 AH-UGF+GL 12 V 110 AH 420 A
3	04372893	1	plate

DEUTZ FAHR
BATTERIE
BATTERY
BATTERIE
BATERIA

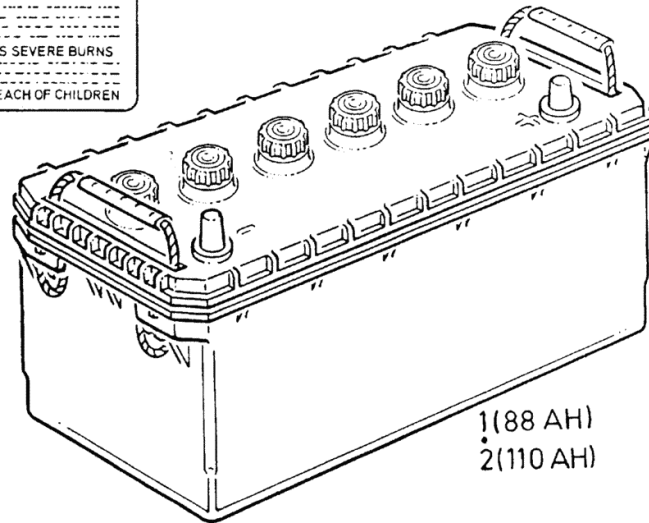
1077-49 0504 5268

⚠ DANGER EXPLOSIVE GASES

-  Shield Eyes
-  Explosive Gas
-  Avoid Sparks and Flame
-  Sulfuric Acid

POISON CAUSES SEVERE BURNS
KEEP OUT OF REACH OF CHILDREN

3



1 (88 AH)
2 (110 AH)

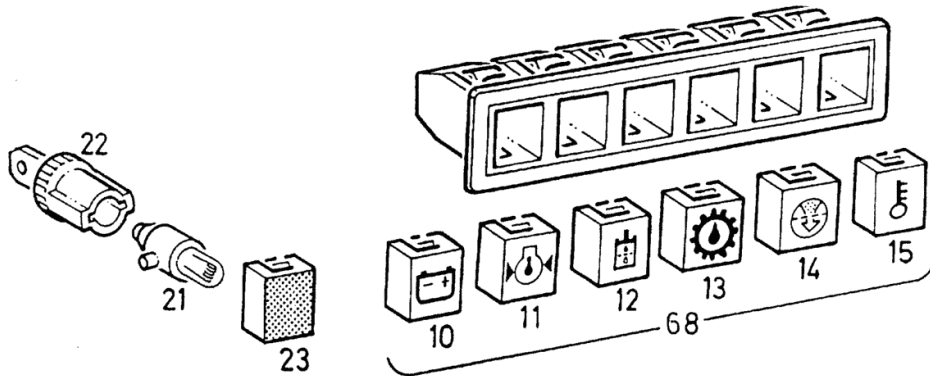
INDICATOR LIGHT

Fig.	Code	QTY	Name
10	04308326	1	warning light FOR CHARGING CHECK
11	04348678	1	warning light ENGINE OIL PRESSURE CONTROL
12	04348680	1	warning light HYDRAULIC FLUID FILTER CONTROL
13	04365114	1	warning light GEAR OIL
14	04348635	1	warning light AIR FILTER CONTROL
15	04308328	1	warning light ENGINE TEMPERATURE
21	01121432	1	lamp j/2w d72601 DIN 072601-J 12V 2 W
22	04308195	1	socket 1-POLE
23	04350486	1	warning light RED
68	04400210	1	warning light

DEUTZ FAHR ANZEIGENLEUCHE
INDICATOR LIGHT
LAMPE-TEMOIN
LAMPARA DE AVISO

1075-49 0504 6640

0



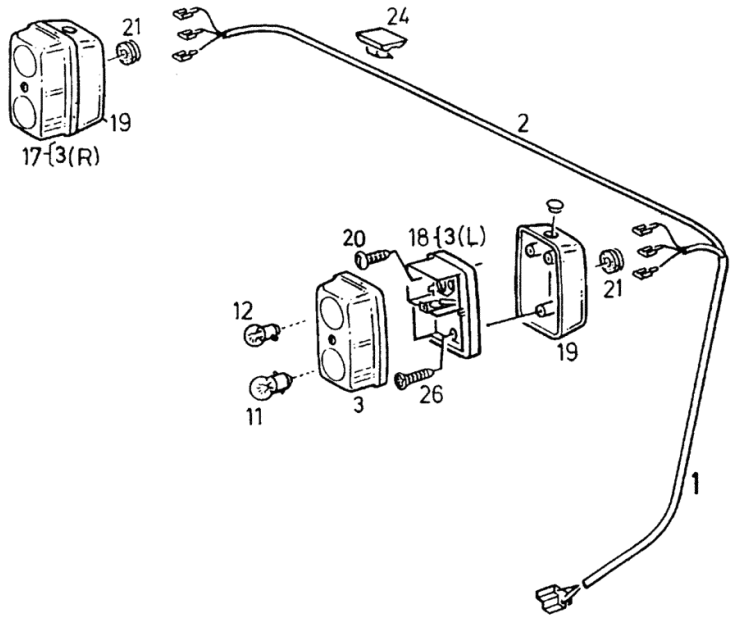
Section: ELECTRIC AL SYSTEM
LIGHTS FRONT - CAB

Fig.	Code	QTY	Name
1	04368273	1	cab.terminal
2	04366377	1	cab.terminal
3	04356959	1	glass
11	01102550	2	lamp r121w d72601 DIN 072601-P25-1- 12V 21 W
12	01121407	2	lamp 12v 5w r19/5 DIN 072601-R19/ 5-12V 5 W
17	04360875	1	lamp
18	04360874	1	light
19	04401495	1	support
20	01100595	3	screw m 5x8 ISO 007045-M 5X 8 - 4.8-H -A4 C
24	04366372	1	cab.terminal

DEUTZ FAHR LEUCHTEN VORN KABINE
 LUMINAIRE FRONT CAB
 FEUX/LAMPE AVANT CABINE
 LAMPARA DELANTE CABINA

C 1000
C 1200

1079-49 0504 6690

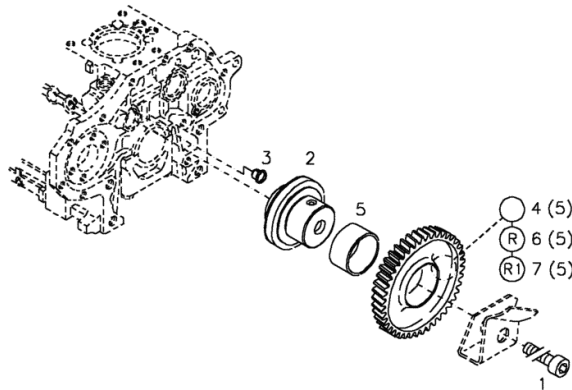
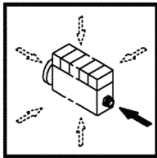


Section: ENGINE
IDLER BEARING

Fig.	Code	QTY	Name
------	------	-----	------

Engine Serial Numbers:

8530434 8530435 8530436 8530437 8530438 8530439 8530440 8530441 8530442 8530443 8530444 8530445
 8530446 8530447 8530448 8530449 8530450 8530451 8530452 8530453 8530454 8536198 8536199 8536200
 8536201 8536202 8536203 8539350 8539351 8539352 8539353 8539354 8539355 8539356 8539357 8539430
 8539431 8539432 8540115 8540116 8540117 8540118 8540119 8543244 8543245 8543246 8543247 8543248
 8543249 8543250 8543251 8543252 8555182 8555183 8557880 8557881 8557882 8557883 8557884 8561440
 8561441 8561442 8561443 8561444 8564263 8564264 8564265 8564266 8564758 8564759 8564760 8564761
 8566862 8566863 8566864 8566865 8566866 8566867 8566868 8566869 8566870 8569638 8569639 8569640
 8569641 8569642 8571391 8571392 8571393 8571394 8571395 8571396 8573963 8573964 8573965 8573966
 8573967 8576234 8576235 8576236 8576237 8576238 8577067 8577068 8577069 8577070 8579344 8579345
 8579346 8580838 8580839 8580840 8580841 8580842 8581749 8581750 8581751 8581752 8581753 8581754
 8582940 8582941 8582942 8582943 8582944 8585493 8585494 8585495 8585496 8585497 8590377 8590378
 8590379 8590380 8590381 8593234 8593235 8593236 8593237 8593238 8597204 8597205 8597206 8597436
 8597437 8600803 8600804 8600805 8600806 8600807 8600808 8604773 8604774 8607047 8607048 8607049
 8622090 8622091 8622092 8622093 8622094 8622095 8622096 8622097 8622098 8622099 8622799 8622800
 8622801 8622802 8622803 8622804 8622805 8622806 8622807 8622808



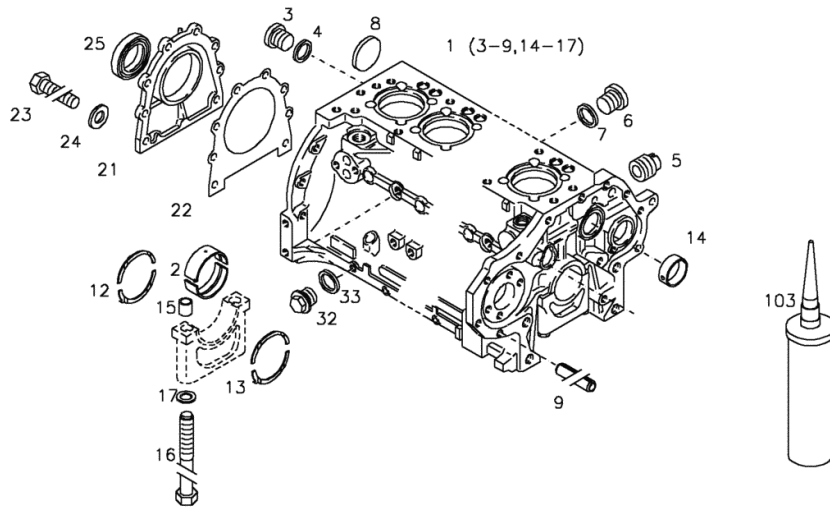
001 ©

1	01151461	1	screw ISO 004762- M10 X 60 -10.9-OELGESCHW
2	04156285	1	journal
3	04156283	1	sleeve
4	04153996	1	gear wheel WITH ITEM (5) STANDARD
5	03362538	1	bushing
6	04233371	1	wheel WITH ITEM (5) RENAULT F 4L912/913
7	04233374	1	support WITH ITEM (5) RENAULT F 4L912/913

Section: ENGINE
CRANKCASE

Fig.	Code	QTY	Name
			3RD OVERSIZE 3.75 MM
959	02230185	1	shim
			4TH OVERSIZE 4.00 MM
960	02230172	1	shim
			1ST OVERSIZE 3.25 MM
961	02230173	1	shim
			2ND OVERSIZE 3.50 MM
962	02230174	1	shim
			3RD OVERSIZE 3.75 MM
963	02230175	1	shim
			4TH OVERSIZE 4.00 MM
976	02233347	4	bearing FOR INSIDE...(1)...MM FOR OUTSIDE...(2)...MM (1) = 69.75 MM (2) = 75.50 MM

002 ©



Section: ENGINE
FLYWHEEL

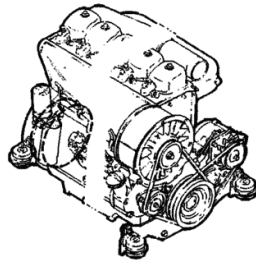
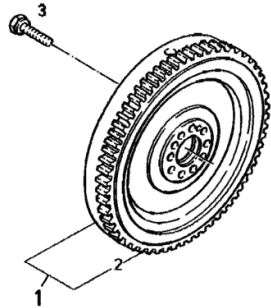
Fig.	Code	QTY	Name
------	------	-----	------

Engine Serial Numbers:

8530434 8530435 8530436 8530437 8530438 8530439 8530440 8530441 8530442 8530443 8530444 8530445
 8530446 8530447 8530448 8530449 8530450 8530451 8530452 8530453 8530454 8536198 8536199 8536200
 8536201 8536202 8536203 8539350 8539351 8539352 8539353 8539354 8539355 8539356 8539357 8539430
 8539431 8539432 8540115 8540116 8540117 8540118 8540119 8543244 8543245 8543246 8543247 8543248
 8543249 8543250 8543251 8543252 8555182 8555183 8557880 8557881 8557882 8557883 8557884 8561440
 8561441 8561442 8561443 8561444 8564263 8564264 8564265 8564266 8564758 8564759 8564760 8564761
 8566862 8566863 8566864 8566865 8566866 8566867 8566868 8566869 8566870 8569638 8569639 8569640
 8569641 8569642 8571391 8571392 8571393 8571394 8571395 8571396 8573963 8573964 8573965 8573966
 8573967 8576234 8576235 8576236 8576237 8576238 8577067 8577068 8577069 8577070 8579344 8579345
 8579346 8580838 8580839 8580840 8580841 8580842 8581749 8581750 8581751 8581752 8581753 8581754
 8582940 8582941 8582942 8582943 8582944 8585493 8585494 8585495 8585496 8585497 8590377 8590378
 8590379 8590380 8590381 8593234 8593235 8593236 8593237 8593238 8597204 8597205 8597206 8597436
 8597437 8600803 8600804 8600805 8600806 8600807 8600808 8604773 8604774 8607047 8607048 8607049
 8622090 8622091 8622092 8622093 8622094 8622095 8622096 8622097 8622098 8622099 8622799 8622800
 8622801 8622802 8622803 8622804 8622805 8622806 8622807 8622808

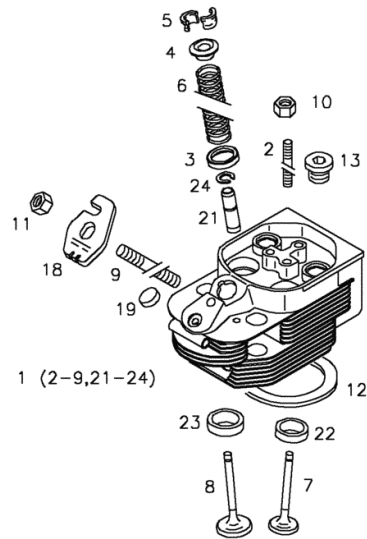
000 ©

1	02249643	1	flywheel
2	02131081	1	crown wheel
3	01104845	10	screw m10x1x35 10.9 DIN 000961-M10X1 X 35 - 10.9-A4C



Section: ENGINE
CYLINDER HEAD

Fig.	Code	QTY	Name
972	04157661	1	shim mm 1.80 MM THICK 1.80 MM
973	04157662	1	shim MM THICK 1.85 MM
974	04157664	1	shim mm 1.95 MM THICK 1.95 MM
975	04157665	1	shim mm 2.00 MM THICK 2.00 MM



000 ©

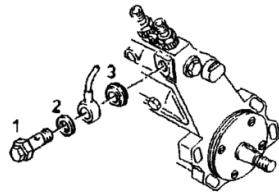
Section: ENGINE
OVERFLOW VALVE

Fig.	Code	QTY	Name
------	------	-----	------

Engine Serial Numbers:

8530434 8530435 8530436 8530437 8530438 8530439 8530440 8530441 8530442 8530443 8530444 8530445
 8530446 8530447 8530448 8530449 8530450 8530451 8530452 8530453 8530454 8536198 8536199 8536200
 8536201 8536202 8536203 8539350 8539351 8539352 8539353 8539354 8539355 8539356 8539357 8539430
 8539431 8539432 8540115 8540116 8540117 8540118 8540119 8543244 8543245 8543246 8543247 8543248
 8543249 8543250 8543251 8543252 8555182 8555183 8557880 8557881 8557882 8557883 8557884 8561440
 8561441 8561442 8561443 8561444 8564263 8564264 8564265 8564266 8564758 8564759 8564760 8564761
 8566862 8566863 8566864 8566865 8566866 8566867 8566868 8566869 8566870 8569638 8569639 8569640
 8569641 8569642 8571391 8571392 8571393 8571394 8571395 8571396 8573963 8573964 8573965 8573966
 8573967 8576234 8576235 8576236 8576237 8576238 8577067 8577068 8577069 8577070 8579344 8579345
 8579346 8580838 8580839 8580840 8580841 8580842 8581749 8581750 8581751 8581752 8581753 8581754
 8582940 8582941 8582942 8582943 8582944 8585493 8585494 8585495 8585496 8585497 8590377 8590378
 8590379 8590380 8590381 8593234 8593235 8593236 8593237 8593238 8597204 8597205 8597206 8597436
 8597437 8600803 8600804 8600805 8600806 8600807 8600808 8604773 8604774 8607047 8607048 8607049
 8622090 8622091 8622092 8622093 8622094 8622095 8622096 8622097 8622098 8622099 8622799 8622800
 8622801 8622802 8622803 8622804 8622805 8622806 8622807 8622808

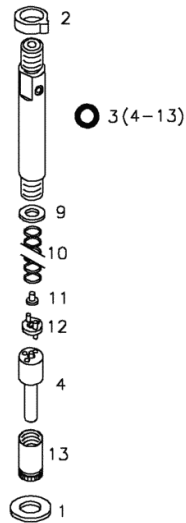
d04 ©



1	02135002	1	valve DIN 073368-E0,2-0,3
2	01118693	1	gasket 14x20 DIN 007603-A 14 X 20 -CU
3	01216306	1	distributor H 002914- 14

Section: ENGINE
FUEL INJECTOR

Fig.	Code	QTY	Name
968	01318343	0	shim mm 1.60 OVERSIZE 1.60 MM
969	01318344	0	shim mm 1.64 OVERSIZE 1.64 MM
970	01318345	0	shim mm 1.68 OVERSIZE 1.68 MM
971	01318346	0	shim mm 1.70 OVERSIZE 1.70 MM
972	01318289	0	shim mm 1.74 OVERSIZE 1.74 MM
973	01318347	0	shim mm 1.78 OVERSIZE 1.78 MM
974	01318348	0	shim mm 1.80 OVERSIZE 1.80 MM
975	01318349	0	shim mm 1.84 OVERSIZE 1.84 MM
976	01318350	0	shim mm 1.88 OVERSIZE 1.88 MM
977	01318351	0	shim mm 1.90 OVERSIZE 1.90 MM
978	01318352	0	shim mm 1.94 OVERSIZE 1.94 MM
979	01318290	0	shim mm 1.98 OVERSIZE 1.98 MM
980	03045341	1	injector RECONDITIONED PART - FOR NEW PART SEE POS. (A) COMPLETE WITH POSITION .. (4-13) (A) = POS. 3



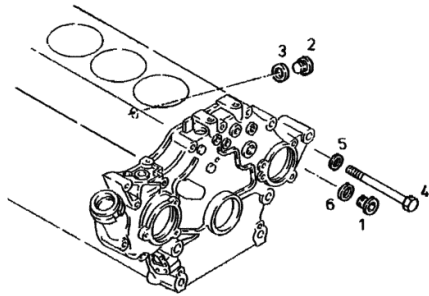
Section: ENGINE
CLOSING COMPONENTS

Fig.	Code	QTY	Name
------	------	-----	------

Engine Serial Numbers:

8530434 8530435 8530436 8530437 8530438 8530439 8530440 8530441 8530442 8530443 8530444 8530445
 8530446 8530447 8530448 8530449 8530450 8530451 8530452 8530453 8530454 8536198 8536199 8536200
 8536201 8536202 8536203 8539350 8539351 8539352 8539353 8539354 8539355 8539356 8539357 8539430
 8539431 8539432 8540115 8540116 8540117 8540118 8540119 8543244 8543245 8543246 8543247 8543248
 8543249 8543250 8543251 8543252 8555182 8555183 8557880 8557881 8557882 8557883 8557884 8561440
 8561441 8561442 8561443 8561444 8564263 8564264 8564265 8564266 8564758 8564759 8564760 8564761
 8566862 8566863 8566864 8566865 8566866 8566867 8566868 8566869 8566870 8569638 8569639 8569640
 8569641 8569642 8571391 8571392 8571393 8571394 8571395 8571396 8573963 8573964 8573965 8573966
 8573967 8576234 8576235 8576236 8576237 8576238 8577067 8577068 8577069 8577070 8579344 8579345
 8579346 8580838 8580839 8580840 8580841 8580842 8581749 8581750 8581751 8581752 8581753 8581754
 8582940 8582941 8582942 8582943 8582944 8585493 8585494 8585495 8585496 8585497 8590377 8590378
 8590379 8590380 8590381 8593234 8593235 8593236 8593237 8593238 8597204 8597205 8597206 8597436
 8597437 8600803 8600804 8600805 8600806 8600807 8600808 8604773 8604774 8607047 8607048 8607049
 8622090 8622091 8622092 8622093 8622094 8622095 8622096 8622097 8622098 8622099 8622799 8622800
 8622801 8622802 8622803 8622804 8622805 8622806 8622807 8622808

002 ©



1	01151441	1	screw DIN 000908-M18X1,5-ST-ZNPHRF
2	01110422	1	screw DIN 000908-M12X1,5-ST
3	01118673	1	'o' ring DIN 007603-A 12 X 15,5 -CU
4	01111177	1	screw ISO 004014- M 8 X 70 - 8.8-OELGESCH
5	01148124	1	washer 8,4 DIN 000125- 8,4-200HV-A4C
6	01118716	1	'o' ring 18 x 24 DIN 007603-A 18 X 24 -AL

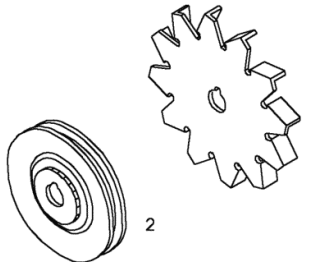
Section: ENGINE
DRIVING PARTS

Fig.	Code	QTY	Name
------	------	-----	------

Engine Serial Numbers:

8530434 8530435 8530436 8530437 8530438 8530439 8530440 8530441 8530442 8530443 8530444 8530445
 8530446 8530447 8530448 8530449 8530450 8530451 8530452 8530453 8530454 8536198 8536199 8536200
 8536201 8536202 8536203 8539350 8539351 8539352 8539353 8539354 8539355 8539356 8539357 8539430
 8539431 8539432 8540115 8540116 8540117 8540118 8540119 8543244 8543245 8543246 8543247 8543248
 8543249 8543250 8543251 8543252 8555182 8555183 8557880 8557881 8557882 8557883 8557884 8561440
 8561441 8561442 8561443 8561444 8564263 8564264 8564265 8564266 8564758 8564759 8564760 8564761
 8566862 8566863 8566864 8566865 8566866 8566867 8566868 8566869 8566870 8569638 8569639 8569640
 8569641 8569642 8571391 8571392 8571393 8571394 8571395 8571396 8573963 8573964 8573965 8573966
 8573967 8576234 8576235 8576236 8576237 8576238 8577067 8577068 8577069 8577070 8579344 8579345
 8579346 8580838 8580839 8580840 8580841 8580842 8581749 8581750 8581751 8581752 8581753 8581754
 8582940 8582941 8582942 8582943 8582944 8585493 8585494 8585495 8585496 8585497 8590377 8590378
 8590379 8590380 8590381 8593234 8593235 8593236 8593237 8593238 8597204 8597205 8597206 8597436
 8597437 8600803 8600804 8600805 8600806 8600807 8600808 8604773 8604774 8607047 8607048 8607049
 8622090 8622091 8622092 8622093 8622094 8622095 8622096 8622097 8622098 8622099 8622799 8622800
 8622801 8622802 8622803 8622804 8622805 8622806 8622807 8622808

000 ©



1	01162876	1	fan H 821177-EL136-E -D-R12BLECH
2	01177344	1	pulley H 821175-EK 10- 66

CLICK HERE TO **DOWNLOAD** THE COMPLETE MANUAL

- Thank you very much for reading the preview of the manual.
- You can download the complete manual from: www.heydownloads.com by clicking the link below



- Please note: If there is no response to CLICKING the link, please download this PDF first and then click on it.

CLICK HERE TO **DOWNLOAD** THE COMPLETE MANUAL

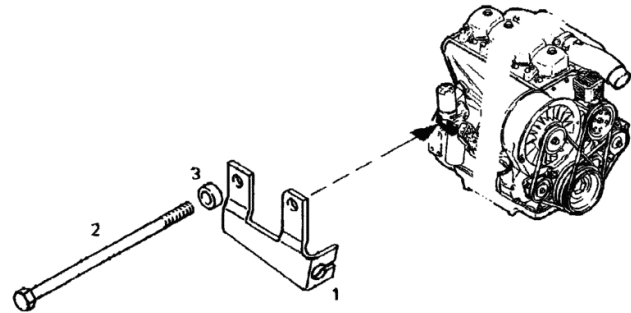
Section: ENGINE
FASTENINGS

Fig.	Code	QTY	Name
------	------	-----	------

Engine Serial Numbers:

8530434 8530435 8530436 8530437 8530438 8530439 8530440 8530441 8530442 8530443 8530444 8530445
 8530446 8530447 8530448 8530449 8530450 8530451 8530452 8530453 8530454 8536198 8536199 8536200
 8536201 8536202 8536203 8539350 8539351 8539352 8539353 8539354 8539355 8539356 8539357 8539430
 8539431 8539432 8540115 8540116 8540117 8540118 8540119 8543244 8543245 8543246 8543247 8543248
 8543249 8543250 8543251 8543252 8555182 8555183 8557880 8557881 8557882 8557883 8557884 8561440
 8561441 8561442 8561443 8561444 8564263 8564264 8564265 8564266 8564758 8564759 8564760 8564761
 8566862 8566863 8566864 8566865 8566866 8566867 8566868 8566869 8566870 8569638 8569639 8569640
 8569641 8569642 8571391 8571392 8571393 8571394 8571395 8571396 8573963 8573964 8573965 8573966
 8573967 8576234 8576235 8576236 8576237 8576238 8577067 8577068 8577069 8577070 8579344 8579345
 8579346 8580838 8580839 8580840 8580841 8580842 8581749 8581750 8581751 8581752 8581753 8581754
 8582940 8582941 8582942 8582943 8582944 8585493 8585494 8585495 8585496 8585497 8590377 8590378
 8590379 8590380 8590381 8593234 8593235 8593236 8593237 8593238 8597204 8597205 8597206 8597436
 8597437 8600803 8600804 8600805 8600806 8600807 8600808 8604773 8604774 8607047 8607048 8607049
 8622090 8622091 8622092 8622093 8622094 8622095 8622096 8622097 8622098 8622099 8622799 8622800
 8622801 8622802 8622803 8622804 8622805 8622806 8622807 8622808

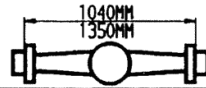
000 ©



1	04156304	1	console
2	01124804	2	screw
3	03363993	2	DIN 000931- M10 X170 - 8.8-A-A4C bushing

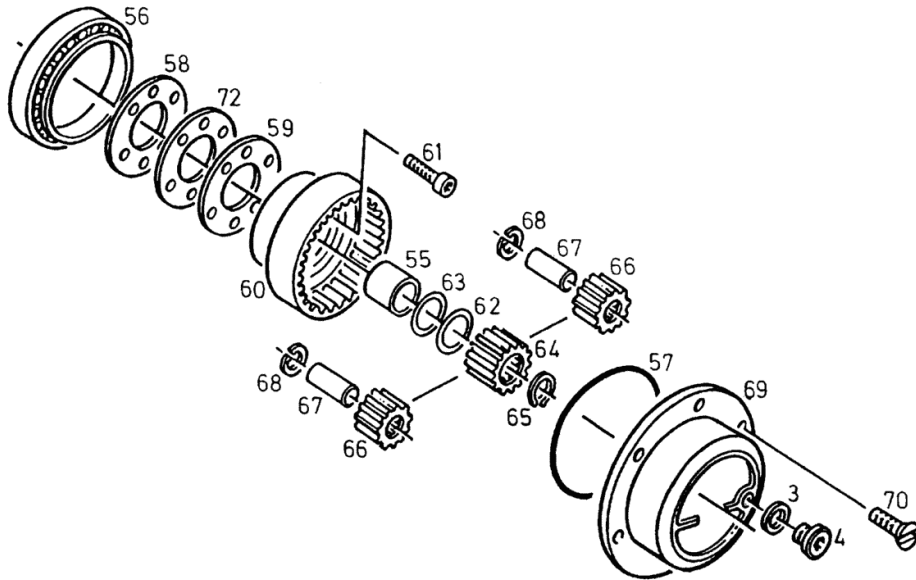
DRIVEN FRONT AXLE

DEUTZ FAHR
 GETR. LENKACHSE
 DRIVEN AXLE
 ESSEU DIRECTEUR
 EJE MOTRIZ



1078-28 0504 6594

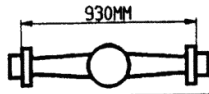
Fig.	Code	QTY	Name
3	01118730	3	ring DIN 007603-A 20 X 26 -CU
4	04370821	3	screw
55	04370849	2	ring
56	01178514	2	roller bearing H 004465-KR 109,538X158,750X2 3,020
57	01177874	2	ring H 002927-164,77X 2,62 -NBR-1- 70
58	04370847	8	shim 0,20 MM
59	04370848	6	shim 0,50 MM
60	04370877	2	crown wheel
61	01124773	16	screw m 10 x 30 DIN 000912- M10 X 30 -10.9-A4 C
62	04370845	8	shim 0,20 MM
63	04370846	6	shim 0,50 MM
64	04370876	2	wheel
65	01124662	2	circlip DIN 000471- 29X1,5
66	04375023	0	crown wheel 3 WHEELS, SPRING RING+NEEDLE ROLLER
67	04374430	6	pin
68	01107807	6	circlip DIN 000472- 18X1
69	04375025	2	flange
70	01139997	6	screw DIN 007991-M 8 X 25-10.9 -A4C
72	04370879	1	shim 0,15 MM



DRIVEN STEERING AXLE MM 930



GETR. LENKACHSE
DRIVEN AXLE
ESSEIEU DIRECTEUR
EJE MOTRIZ



1078-28 0504 6702

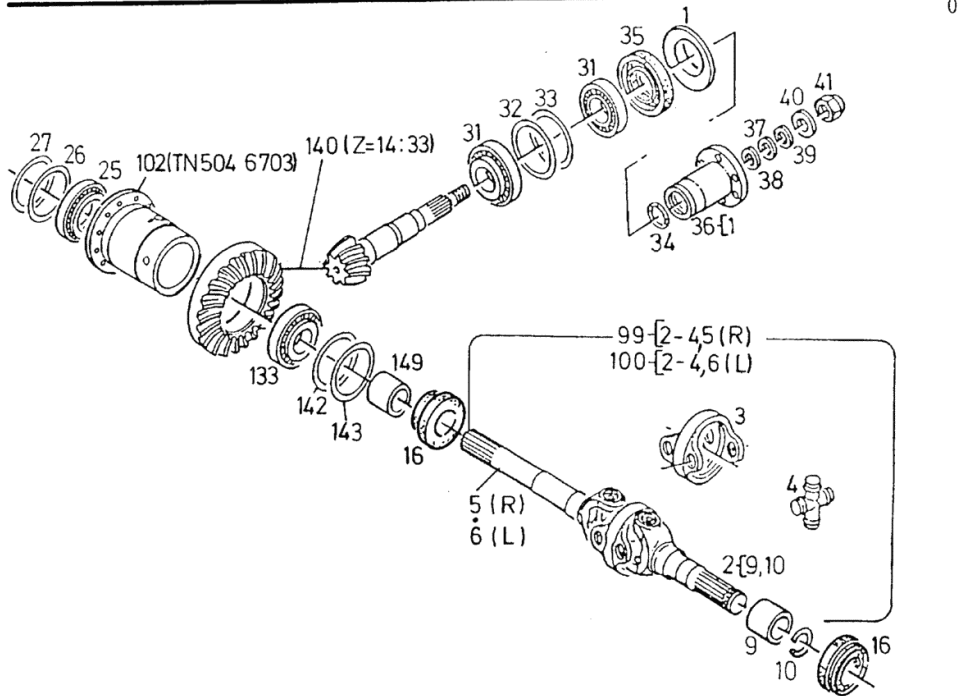
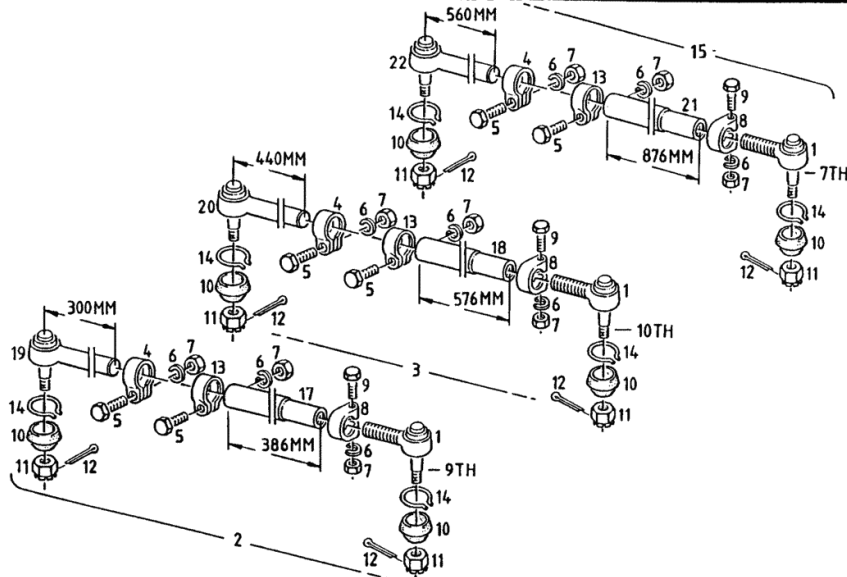


Fig.	Code	QTY	Name
1	04358294	1	tube
2	04370908	1	axle shaft
3	04370917	1	crosspiece
4	04372206	2	universal joint
5	04401559	1	axle shaft
6	04401660	1	axle shaft
9	04370910	1	bushing
10	01139621	1	ring DIN 007993-A 32
16	04388580	4	'o' ring
25	01132697	1	bearing DIN 000720-320 12-X
26	04331138	4	shim 0,2MM
27	04331139	2	shim 0,5MM
31	01110002	2	roller bearing 32208 d720 DIN 000720-322 08
32	04370863	5	shim 0,20 MM 0,2MM
33	04370864	5	shim 0,50 mm 0,5MM
34	01177493	1	rubber plug H 002927- 39,34X 2,62 -NBR-1-70
35	04357913	1	'o' ring
36	04358250	1	flange
37	04358253	2	shim 0,15MM
38	04358251	2	shim 0,2MM
39	04358252	2	shim 0,5MM
40	04344709	1	washer
41	01136470	1	nut DIN 000980-VM20X1,5 - 8-A-A4C WAXED
99	04401556	1	shaft
100	04401557	1	axle shaft
102	04401532	1	differential carrier
133	04401683	1	roller bearing
140	04401679	1	bevel gear
142	04401685	5	shim 118x128x0.50 0,5MM

TRACK ROD - TELESCOPIC AXLE - Manuf. SELL

Fig.	Code	QTY	Name
1	04356954	1	ball joint
2	04373500	1	rod
3	04373501	1	rod
4	04307709	1	clamp
5	01111319	2	screw m 10 x 60 DIN 000931- M10 X 60 - 8.8-A4 C
6	01102800	3	washer 10.2 DIN 000128-A 10 -FST -A4C
7	01102659	3	nut m 10, d934 DIN 000934-M10 - 8-A4C
8	02371237	1	clamp
9	01111308	1	screw m 10 x 50 DIN 000931- M10 X 50 - 8.8-A4 C
10	04356970	2	tube
11	01113267	2	castellated nut DIN 000937-M18X1,5 -22H-A -ZN PHRF
12	01126649	2	split pin 4.0 x 32 DIN 000094- 4 X 32-ST-A4C
13	02311216	1	bracket
14	04356972	2	circlip
15	04378503	1	rod
17	04381158	1	spacer
18	04381159	1	spacer
19	04381160	1	ball joint
20	04381161	1	ball joint
21	04381162	1	spacer
22	04381163	1	ball joint

DEUTZ FAHR SPURSTANGE TRACK ROD BARRE ACCOUPLEMENT BIELA ANCHO RODAD
 TELESKOPACHSE TELESCOPIC AXLE ESSIEU TELESCOP. EJE TELESCOPICO
 Fa. SELL
 1065-33 504 5256



STOPPING LEVER - BEARING LUBRICATION

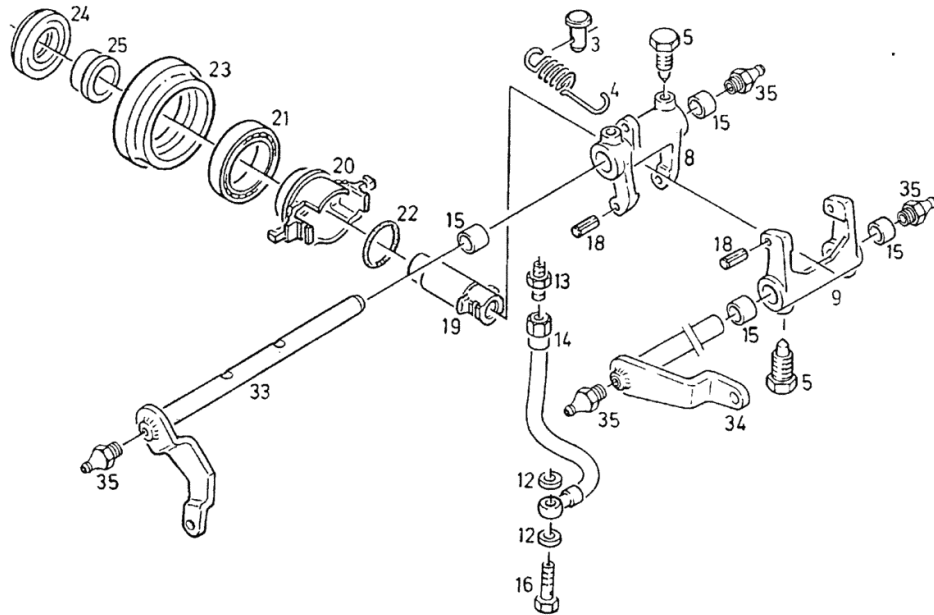


AUSRUECKER
DISENGAGER
DEBRAYEUR
DESEMBRAGADOR

LAGERSCHMIERUNG
BEARING LUBRICAT.
LUBRIF. PALIERS LA
LUBRICAC. COJINETES

1065-02 0504 6583

Fig.	Code	QTY	Name
3	04307977	1	pin
4	04307976	1	spring
5	04373448	4	screw
8	04386656	1	fork
9	04378197	1	fork
12	01118659	2	'o' ring
13	01143481	1	DIN 007603-A 10 X 13,5-CU pipe fitting
14	01175866	1	DIN 003901-L 6A-M-ST-A4C tube
15	01137234	4	H 003467-AE - 4 - 250 bushing
16	01119237	1	DIN 001494- 25B 28X 20-P1 pipe union
18	01115433	4	DIN 007643 6-4-A3C stop
19	04378212	1	ISO 008752- 5 X 16 clutch.pres plate
20	04378210	1	clutch.pres plate
21	04387064	1	ball bearing
22	01178458	1	'o' ring H 002927- 66,4 X 1,78 -FPM-1-70
23	04379450	1	ring
24	01260070	1	sleeve
25	04399881	1	gasket set
33	04397783	1	clutch shaft
34	04397761	1	clutch shaft
35	01168225	4	lubricator m 8 x 1 H 003360-SA 8



GEAR CHANGE BOX - V-R SYNCHRON

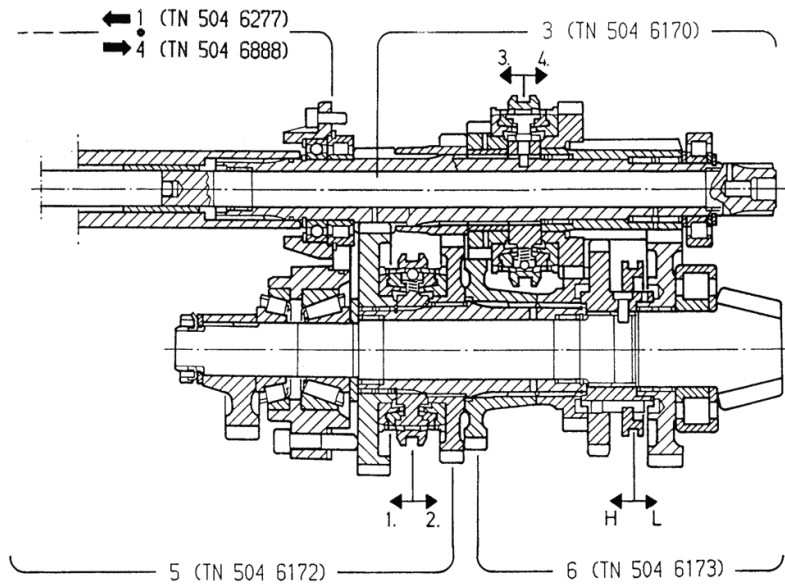
Fig.	Code	QTY	Name
1	05046277	0	transmission ☞ 11.40.10
3	05046170	0	main shaft
4	05046672	0	transmission ☞ 11.63.1
5	05046172	0	countershaft
6	05046173	0	countershaft

DEUTZ FAHR
 WECHSELGETRIEBE
 TRANSMISSION
 BOITE DE VITESSES
 CAJA DE CAMBIOS

V-R SYNCHRON

1420-11 0504 6299

2



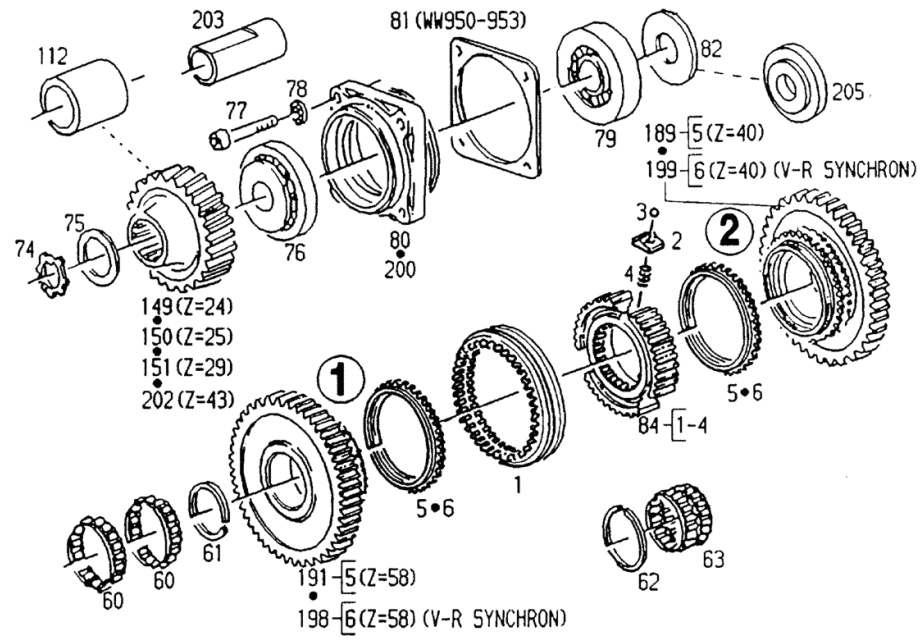
Section: GEARBOX, CLUTCH
LAYSHAFT 1+2 SPEED

DEUTZ FAHR
 VORGELEGEWELLE 1. + 2. GANG
 LAYSHAFT 1. + 2. GEAR
 ARBRE DE RENVOI 1. + 2. MARCHE
 EJE TRANSMISION 1. + 2. MARCHA

1420-11 0504 6172

4

Fig.	Code	QTY	Name
205	04397020	1	washer
900	04355817	1	shim 0,63 MM
901	04355818	1	shim 0,75 MM
902	04355819	1	shim 0,88 MM
903	04355820	1	shim 1,0 MM

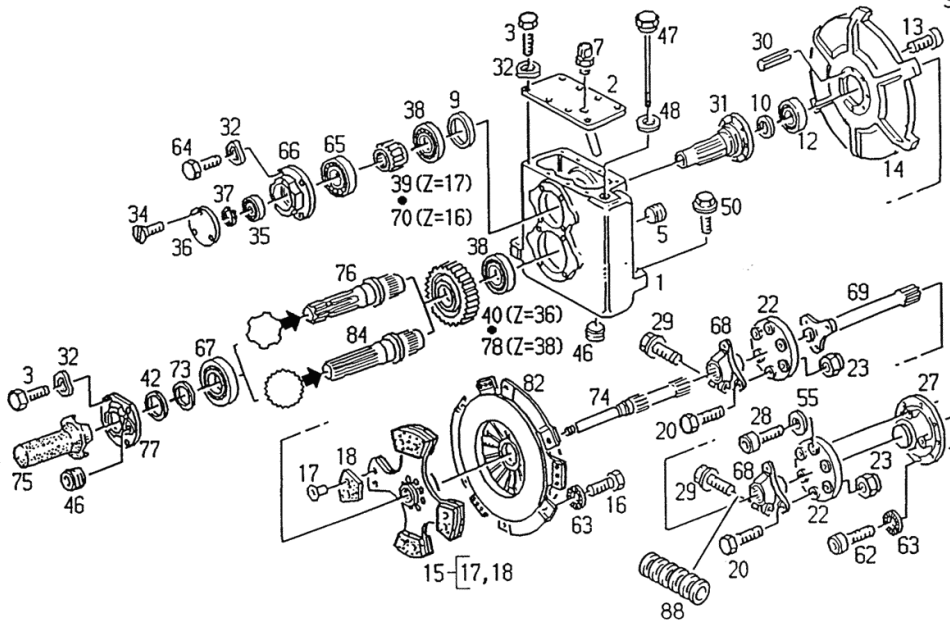


Section: GEARBOX, CLUTCH
P.T.O. FRONT

DEUTZ FAHR FRONTZAPFELLE
PTO-SHAFT
PDF FRONTALE
TOMA FUERZA FRONT.

1036-13 0504 4565

Fig.	Code	QTY	Name
1	04336733	1	gear box
2	04366425	1	cover
3	01112258	12	screw m 6x18 d933 ISO 004017-M 6 X 18 - 8.8-A4C
5	01104736	2	screw DIN 000906-M22X1,5-ST-A4C
7	02303612	1	valve
9	01160682	1	bearing H 002940-A 50X 65 X 8 -NI
10	01160738	1	'o' ring H 002940-A 25X 35 X 7 -NI
12	01125568	1	ball bearing DIN 000625- 6205-2RS 1
13	01110504	8	screw DIN 000912- M 6 X 16 -10.9-A4 C
14	02338328	1	support
15	04302031	1	clutch disc
16	01112307	6	screw m 8 p.1.25 x 15, d933 ISO 004017-M 8 X 16 - 8.8-A4C
17	04343564	8	rivet
18	04343566	8	clutch disc
20	01112554	9	screw m 12 x 45 DIN 000933-M12 X 45 - 8.8-A4C
22	02371090	2	disc
23	01136457	9	nut vm12 d980 DIN 000980-VM12 - 8-A4C GEWAC HST
27	04314383	1	flange
28	01110768	3	screw DIN 000912- M12 X 45 -10.9-A4 C
29	01176158	2	screw H 002009-AM10X 45-12.9
30	01115450	1	pin ISO 008752- 6 X 16
31	02337467	1	shaft
32	01126726	16	spring disc b6 d137 DIN 000137-B 6-FST-A4C
34	01132312	3	screw ISO 002009- M 6 X 12- 4.8 -A4 C
35	01104671	1	ball bearing DIN 000625- 6302-RS



3.10-3.50	3.70-3.90
70/78	39/40

P.T.O. SHAFT PROTECTOR - FRONT

Fig.	Code	QTY	Name
1	04373885	1	small sump
2	01129104	4	screw m 6 p.1.0 x 16 DIN 000933-M 6 X 16 SB- 8.8-A 4C
3	01107095	4	washer 6.4 DIN 000125-A 6,4-140HV-A4C
4	04373884	1	consolle
5	01136951	2	screw DIN 000965- M 6 X 16 - 4.8 -H -A4C

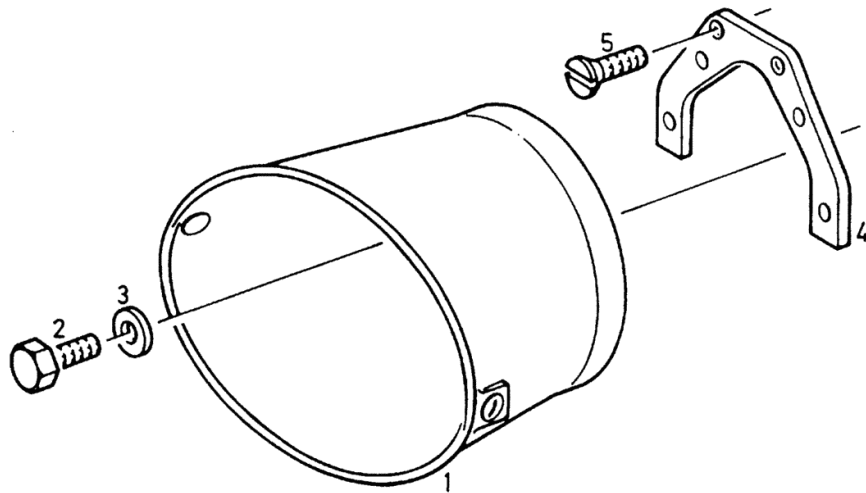


ZAPFWELLENSCHUTZ
PTO GUARD
GARDE PRISE FORCE
PROTEC. TOMA FURZA

VORN
FRONT
AVANT
DELANTE

1978-15 0504 4850

2



Section: GEARBOX, CLUTCH

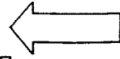
OPERATION - FRONT WHEEL DRIVE

Fig.	Code	QTY	Name
1	04398127	1	sump
2	04398175	1	lever
3	04398172	1	rod
4	04398177	1	lever
5	04367812	1	knob
6	01112307	3	screw m 8 p.1.25 x 15, d933
7	01107101	3	ISO 004017-M 8 X 16 - 8.8-A4C
8	01175723	3	washer 8.4
9	01115438	1	DIN 000125-A 8,4-140HV-A4C
10	01177104	1	split pin H 002470-A12X4 -FE/ZN12CC pin DIN 001481- 5 X 28-A4C bottom H 002873-N 14 X 8,5X 4,5-SW



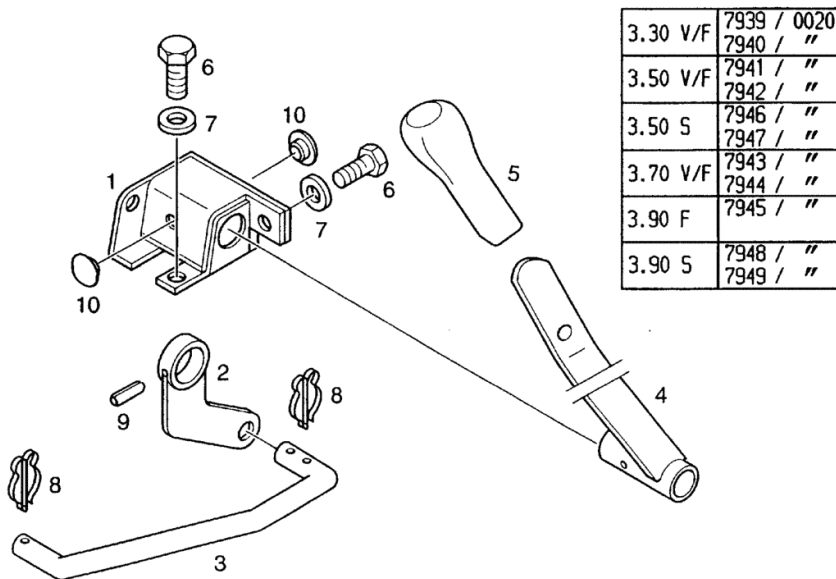
BETAETIGUNG
CONTROL ASSEMBLY
CDE D'ACTIONNEM.
MANO ACCIONAMIENTO

VORDERRADANTRIEB
FRONT WHEEL DRIVE
CDE ROUES AV.
TRACCION DELANTERA



1075-27 0504 6579

0



AUXILIARY HEATING

DEUTZ FAHR
 ZUSATZHEIZUNG
 SUPPLEMENT. HEATING
 CHAUFFAGE SUPPL.
 CALEFACC. SUPLEMEN.

1975-85 0504 4825

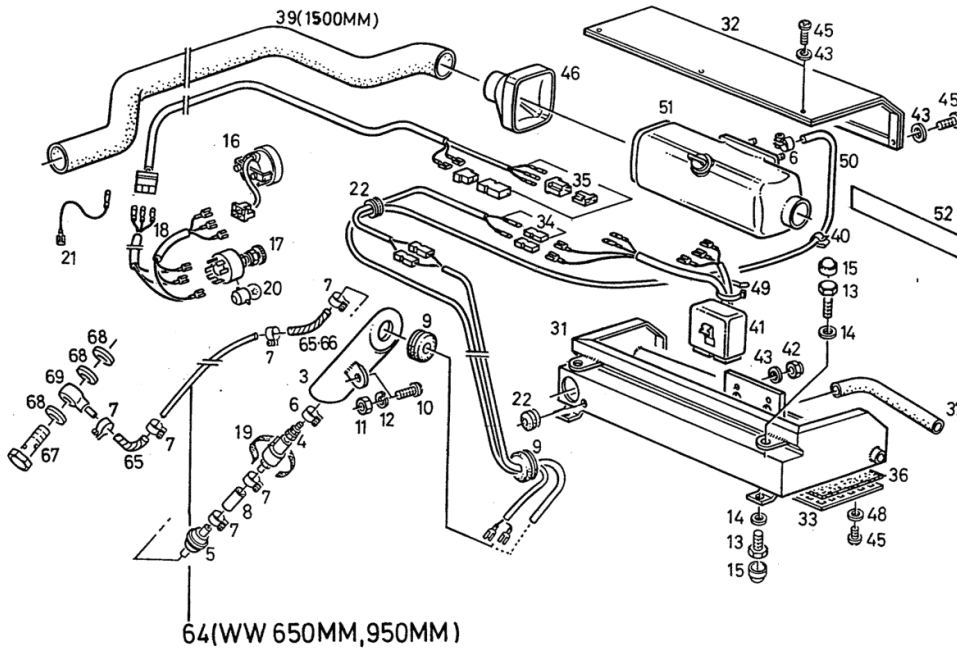


Fig.	Code	QTY	Name
42	01133500	4	nut vm 6 d980 DIN 000980-VM 6 - 8-A4C GEWAC
43	01103550	12	washer DIN 000125-A 6,4-200HV-A4
45	01100596	1	screw ISO 007045-M 6X 12 - 4.8-H -A 4C
46	04321085	1	nozzle
48	01119810	2	washer 6.4 DIN 009021- 6,4-100HV-A4C
49	01172065	2	clamp 4.6 x 146 H 007672-G 146X 4,6
50	04321126	1	flexible hose
51	04327601	1	none
52	04369870	1	plate
64	01398247	0	tube DIN 073378- 6 X 2,0 -PA11PL-S W 6 X 2 X 650 KAB.C1000 OPTIONALLY: 6 X 2 X 950 KAB.C1200
65	04340579	1	stop 5X2,5X50
66	04321126	1	flexible hose 5X2,5X220
67	01178626	1	pipe union H 003103-A10M-A4C
68	01118688	3	ring 14x17 DIN 007603-A 14 X 18 -CU
69	04328506	1	ring

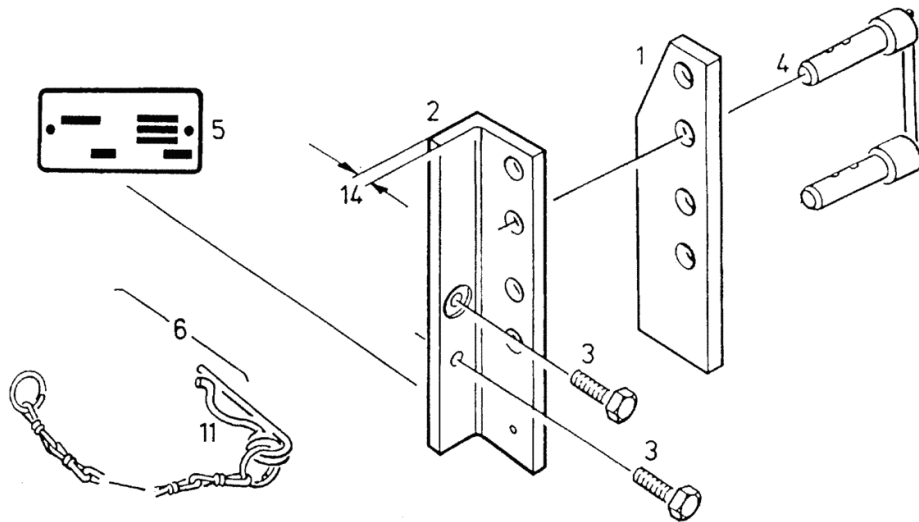
Section: HITCH
TRAILER STAND

Fig.	Code	QTY	Name
1	04374449	1	guide
2	04374450	1	guide
3	01104494	4	screw ISO 004017-M18 X 60 - 10.9-GE BLACK
4	04373908	2	pin
5	04377125	1	plate
6	04371229	2	key-pin
11	04371231	1	roll pin

DEUTZ FAHR
 ANHAENGEBOCK
 HITCH SUPPORT
 CHEVALET REMORQUE
 CABALLETE REMOLQUE

1033-63 0504 4719

4

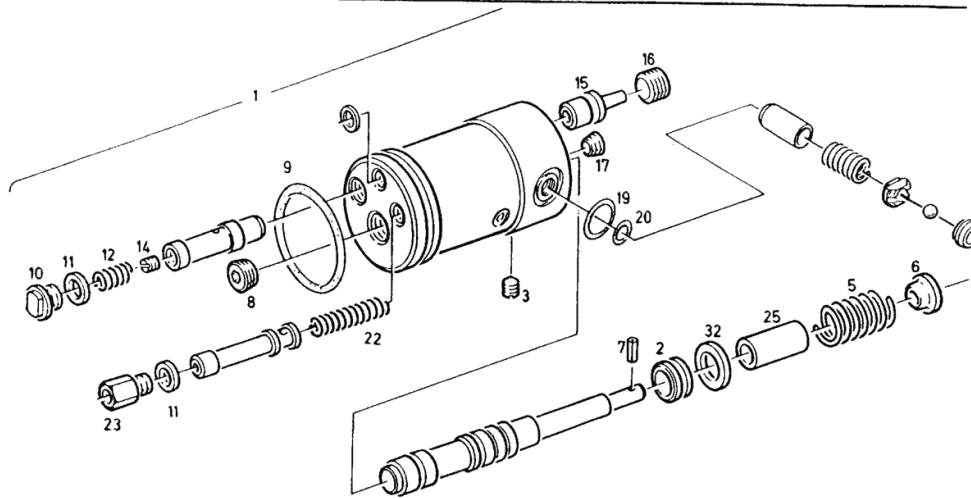


CONTROL DEVICE

Fig.	Code	QTY	Name
1	04360637	1	control unit
2	02300903	1	ring
3	01108013	1	pin ISO 007434-M 6X 8-14H-A4C
5	03401306	1	spring
6	03401280	1	cup
7	01143498	1	pin ISO 008750- 2,5X 12-ST
8	01152286	1	screw DIN 000906-M18X1,5-ST-A4C
9	01176106	1	'o' ring H 002927- 50 X 4 -FPM-1-60
10	04340619	1	screw
11	01118707	2	ring 16 DIN 007603-A 16 X 22 -CU
12	03401307	1	spring
14	01107434	1	pin DIN 000417-M 6 X 10-14H
15	02374004	1	plug
16	02300897	1	screw
17	01151431	1	screw DIN 000906-M16X1,5-ST-A4C
19	01169763	1	'o' ring H 002927- 18 X 2 -NBR-1-70
20	02306576	1	rubber plug
22	02300901	1	spring
23	01124758	1	screw DIN 000908-M16X1,5-ST
25	02334457	1	spacer
32	01107552	1	washer DIN 000433-13 -140HV-A4C

DEUTZ FAHR
 REGELSTEUERGERÄT
 MAIN CONTROL UNIT
 DISTRIBUTEUR PRINC
 APTO. MANDO REGULAD

1952-06 504 4740

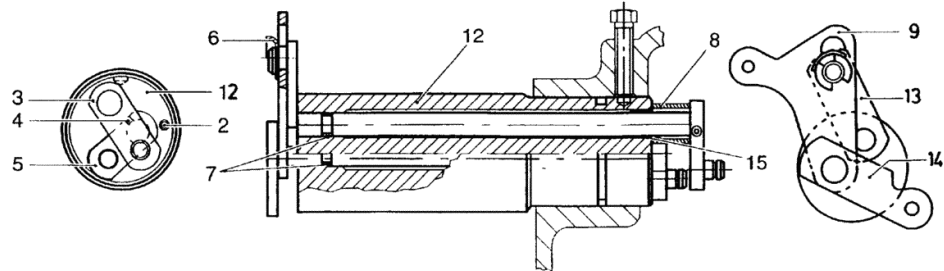
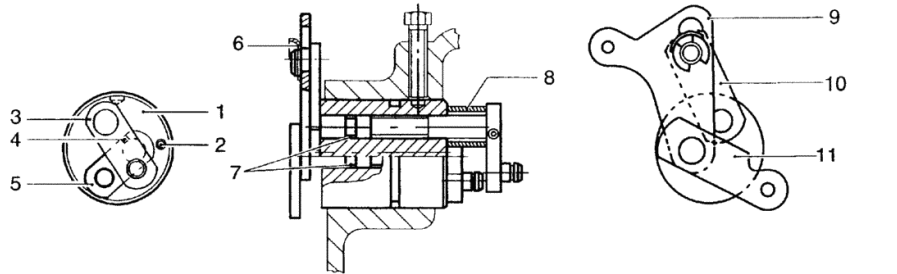


OPERATION

BETAETIGUNG
CONTROL ASSEMBLY
CDE D' ACTIONNEM.
MANO ACCIONAMIENTO

1979-08 0504 6656

Fig.	Code	QTY	Name
1	04397490	1	bearing
2	01115416	1	pin ISO 008752- 4 X 14
3	02314870	1	disc
4	01115407	2	pin ISO 008752- 3 X 16
5	02314868	1	disc
6	01176068	1	washer H 002217-A10-A4C
7	03401398	2	rubber ring
8	02309829	1	ring
9	04397492	1	controle panel
10	04397493	1	lever
11	04397498	1	lever
12	04397497	1	bearing
13	04397498	1	lever
14	04397504	1	lever
15	02247077	2	screw

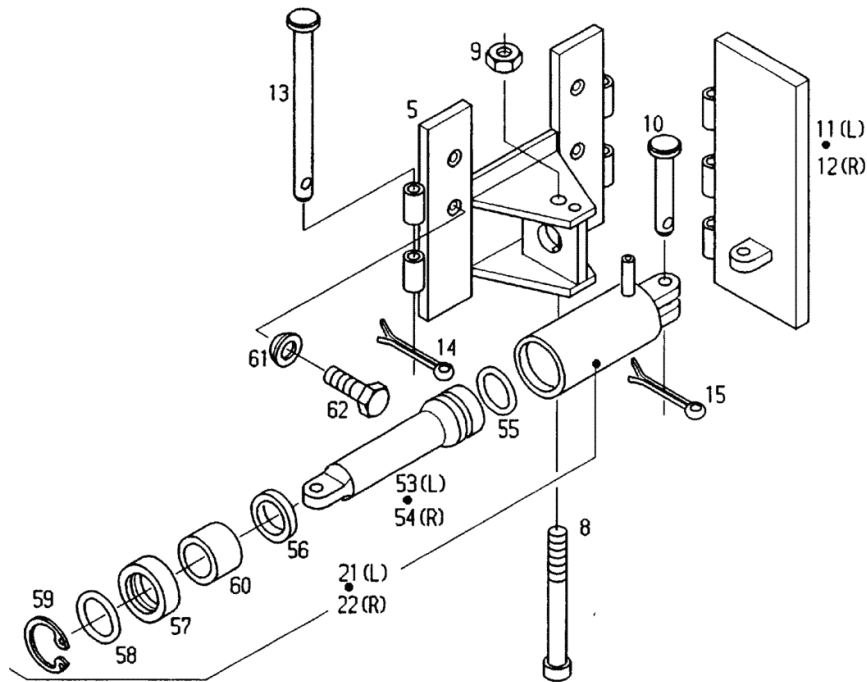


Section: HYDRAULIC SYSTEM
STABILIZING FRAME

**DEUTZ
FAHR** STABILISIER. BOCK
 STABILITZ. BRACKET
 STABILISATION
 CABALL. ESTABILIZAC

1979-11 0504 6678

Fig.	Code	QTY	Name
5	04400727	1	chassis frame
8	01111542	1	screw DIN 000931- M12 X 90 - 10.9-A 4C
9	06209769	1	nut m 12, d985 DIN 000985-M12 - 8-A4C
10	04401380	2	pin
11	04401381	1	plate
12	04401382	1	plate
13	04401383	2	pin
14	01122071	2	split pin DIN 000094- 5 X 28-ST-A4C
15	01132625	2	split pin 3.2 x 20 DIN 000094- 3,2X 20-ST-A4C
21	04401601	1	engine cylinder
22	04401602	1	engine cylinder
53	04401372	1	piston
54	04401373	1	piston
55	04401374	1	'o' ring
56	04401375	1	ring
57	04401376	1	guide
58	04401377	1	'o' ring
59	04401378	1	circlip
60	04401379	1	bushing
61	01117517	4	small disc DIN 006319-C17
62	01112687	4	screw m 16 x 40 ISO 004017-M16 X 40 - 8.8-A4C

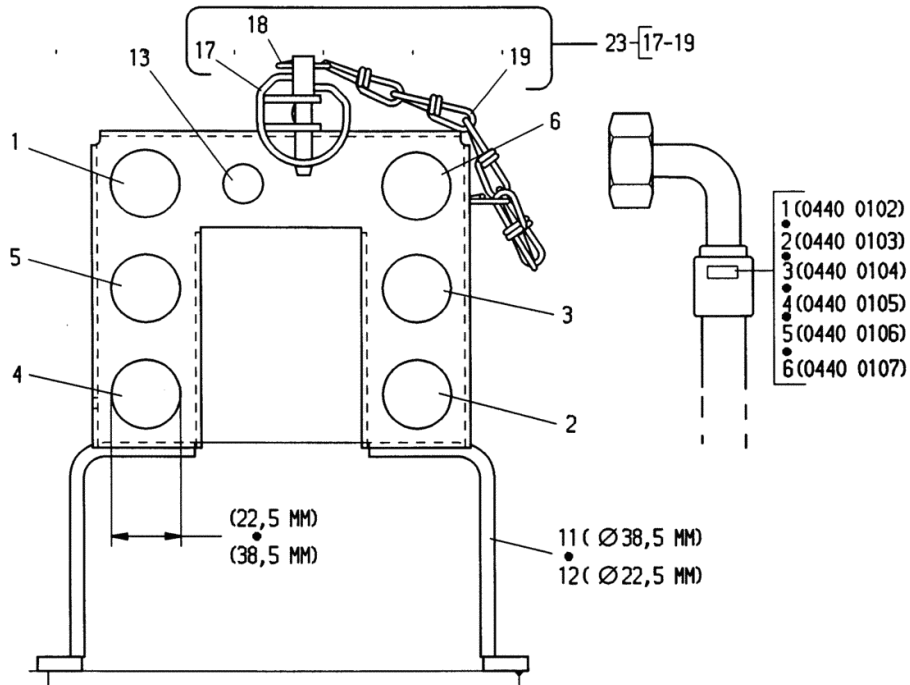


Section: HYDRAULIC SYSTEM
HYDR. CONTROL

DEUTZ FAHR HYDR. STEUERUNG
 HYDRAULIC CONTROL
 CONTROLE HYDRAUL.
 MANDO HIDRAULICO

1879-88 0504 6660

Fig.	Code	QTY	Name
1	04400102	1	tube
2	04400103	1	tube
3	04400104	1	tube
4	04400105	1	tube
5	04400106	1	tube
6	04400107	1	tube
11	04401228	1	consolle
12	04401229	1	consolle
13	04398507	1	tube
17	01101147	1	socket DIN 011023- 10 X45-FE/ZN12CC
18	04305741	2	ring
19	01402736	1	chain mm 175 DIN 005686-2,5X 175-FE/ZN12CC
23	04401251	1	pin

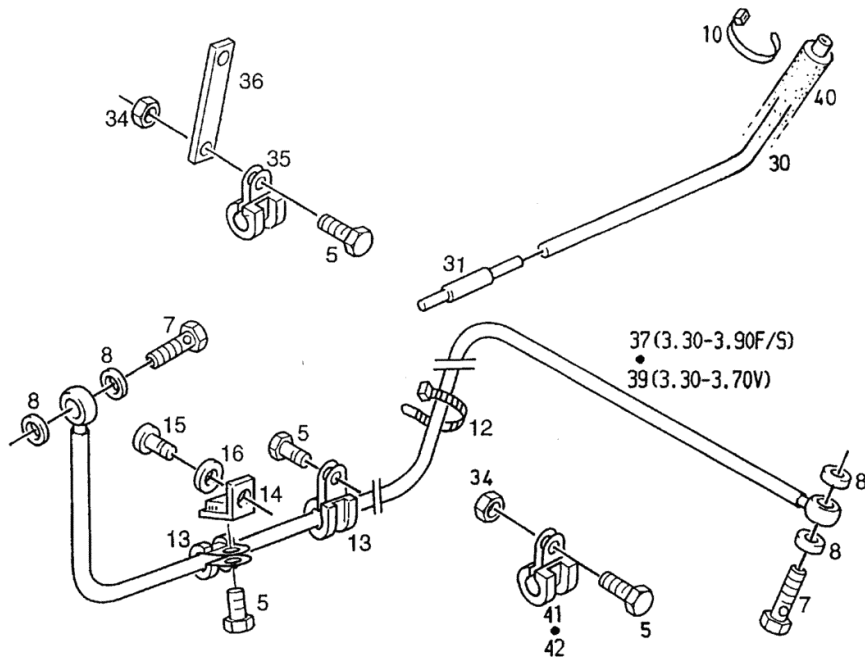


Section: MOTOR SUPPLY
HOSE PIPE

DEUTZ FAHR SCHLAUCHLEITUNG
HOSE ASSEMBLY
CONDUITE FLEXIBLE
MANGUERA

1078-42 0504 6601

Fig.	Code	QTY	Name
5	01129110	9	screw m 8 p.1.25 x 20 DIN 000933-M 8 X 20 SB- 8.8-A 4C
7	01119246	2	pipe union H 3102 -D10 M H 003102-D10 M-ST-A4C
8	01118688	4	ring 14x17 DIN 007603-A 14 X 18 -CU
10	01166350	1	hose clip H 000735-S 12 X 9
12	01172065	4	clamp 4.6 x 146 H 007672-G 146X 4,6
13	01173664	3	hose clip H 003223-B30X20-W1/CR70-10
14	04369430	1	consolle
15	01110757	1	screw DIN 000912- M12 X 30 - 8.8-A4 C
16	01107110	1	washer 13.5 DIN 000125-A13 -140HV-A4C
30	01179893	1	tube H 003405-B 5,5X10,5X 315
31	01179899	1	pipe union H 003452-D 6X6 -POM-1-STD C
34	01112824	3	nut m 8, d934 ISO 004032-M 8 - 8-A4C
35	06216416	2	hose clip H 003223-B35X20-W1/CR70-10
36	04399196	2	support
37	01179966	1	tube H 003467-AA - 8 -2400
39	04400267	1	tube
40	01180039	1	tube H 003405-B 5,5X10,5X2330
41	01172689	1	clamp H 003223-B12X20-W1/CR70-10
42	01174437	1	terminal H 003223-B15X20-W1/CR70-10



CLICK HERE TO **DOWNLOAD** THE COMPLETE MANUAL

- Thank you very much for reading the preview of the manual.
- You can download the complete manual from: www.heydownloads.com by clicking the link below



- Please note: If there is no response to CLICKING the link, please download this PDF first and then click on it.

CLICK HERE TO **DOWNLOAD** THE COMPLETE MANUAL