

AGROCLIMBER 410 F -> 2001

V0 - BALLAST, TOWING HITCHES

FRONT HITCHES

FRONT TOWING HITCH..... V0.01.0 (1)

REAR HITCHES

TOWING BAR mm 1394..... V0.02.0 (1)

TOWING BAR mm 1519..... V0.02.1 (1)

CURVED CROSS MEMBER FOR DRAWBAR..... V0.02.2 (1)

CURVED CROSS MEMBER FOR DRAWBAR..... V0.02.3 (1)

FRONT BALLAST WEIGHTS

PLATE FOR FRONT CARRIER..... V0.03.0 (1)

FRONT WEIGHT CARRIER..... V0.03.1 (1)

FRONT BALLAST 320 Kg..... V0.03.2 (1)

FRONT BALLAST Kg 160..... V0.03.3 (1)

SIDE BALLASTS..... V0.03.5 (1)

CLICK HERE TO **DOWNLOAD** THE COMPLETE MANUAL

- Thank you very much for reading the preview of the manual.
- You can download the complete manual from: www.heydownloads.com by clicking the link below



- Please note: If there is no response to CLICKING the link, please download this PDF first and then click on it.

CLICK HERE TO **DOWNLOAD** THE COMPLETE MANUAL

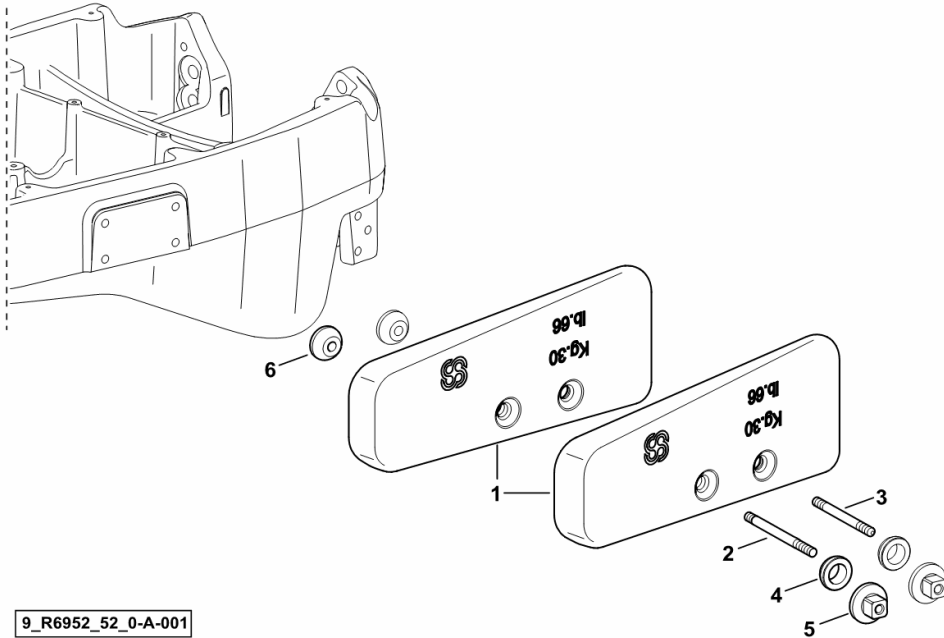
SIDE BALLASTS

| Fig. | Code | QTY | Name |
|------|------|-----|------|
|------|------|-----|------|

Notes:

[AGROCLIMBER 410 F - M] [AGROCLIMBER 410 F - N]

| | | | |
|---|-----------------|---|--------------------------|
| 1 | 0.013.3510.0/10 | 4 | ballast Kg 30 |
| 2 | 2.0422.531.7 | 2 | stud bolt m 14 p.2 x 160 |
| 3 | 2.0422.529.7 | 2 | stud bolt m 14 p.2x 140 |
| 4 | 2.1499.217.2 | 4 | washer 32x52 |
| 5 | 2.1099.161.3 | 4 | nut m 14 |
| 6 | 2.1499.258.2 | 4 | washer |



9_R6952_52_0-A-001

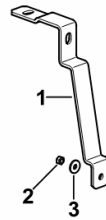
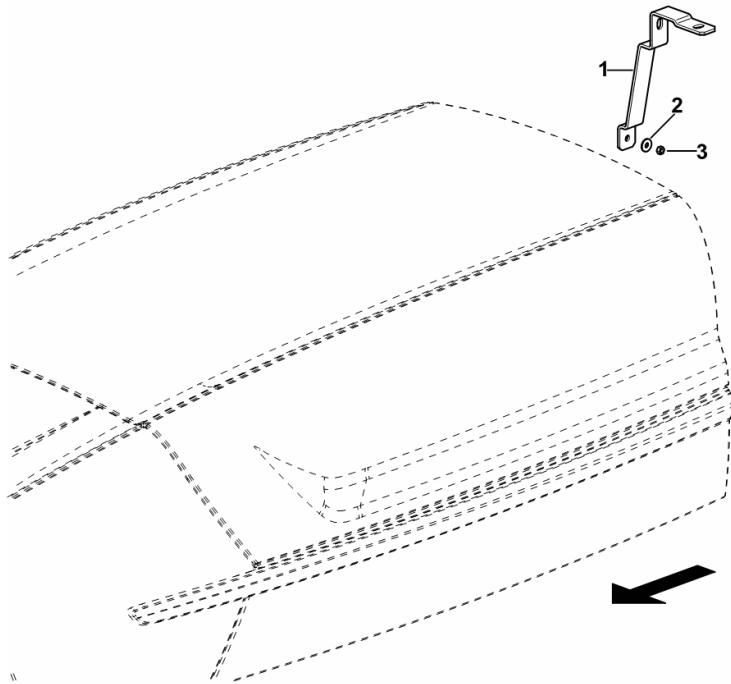
HOOD - SUPPORTS

| Fig. | Code | QTY | Name |
|------|------|-----|------|
|------|------|-----|------|

Notes:

[AGROCLIMBER 410 F - M] [AGROCLIMBER 410 F - N]

| | | | |
|---|-----------------|---|-------------|
| 1 | 0.016.7558.0/10 | 2 | bracket |
| 2 | 2.1312.003.2 | 2 | washer 6 |
| 3 | 2.1011.103.2 | 2 | nut m 6 p.1 |



9_P2172_09_0-A-001

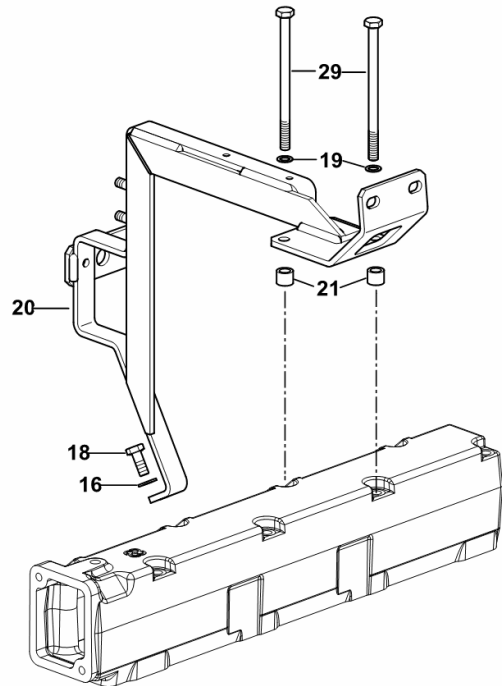
SUPPORT

| Fig. | Code | QTY | Name |
|------|------|-----|------|
|------|------|-----|------|

Notes:

[AGROCLIMBER 410 F - M] [AGROCLIMBER 410 F - N]

| | | | |
|----|-----------------|---|------------------------|
| 16 | 2.1310.004.2 | 9 | flat washer 8.5 |
| 18 | 2.0112.207.2 | 1 | screw m 8 p 1.25 x 20 |
| 19 | 2.1480.014.1 | 8 | washer 8 |
| 20 | 0.016.0458.3/10 | 1 | support |
| 21 | 2.1549.454.2 | 2 | spacer |
| 29 | 2.0312.228.2 | 3 | screw m 8 p.1.25 x 120 |



9_O6418_01_0-A-001

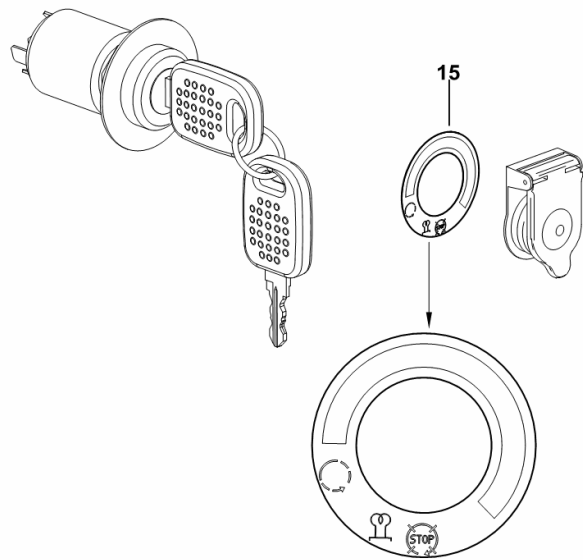
START ENABLE PLATE

| Fig. | Code | QTY | Name |
|------|------|-----|------|
|------|------|-----|------|

Notes:

[AGROCLIMBER 410 F - M] [AGROCLIMBER 410 F - N]

| | | | |
|----|-----------------|---|-------|
| 15 | 0.010.0492.0/20 | 1 | plate |
|----|-----------------|---|-------|



9_R7584_00_0-E-001

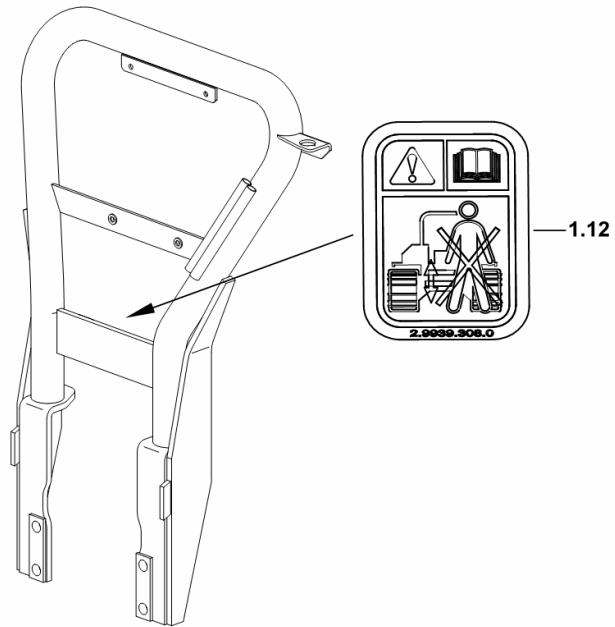
WARNING PLATE

| Fig. | Code | QTY | Name |
|------|------|-----|------|
|------|------|-----|------|

Notes:

[AGROCLIMBER 410 F - M] [AGROCLIMBER 410 F - N]

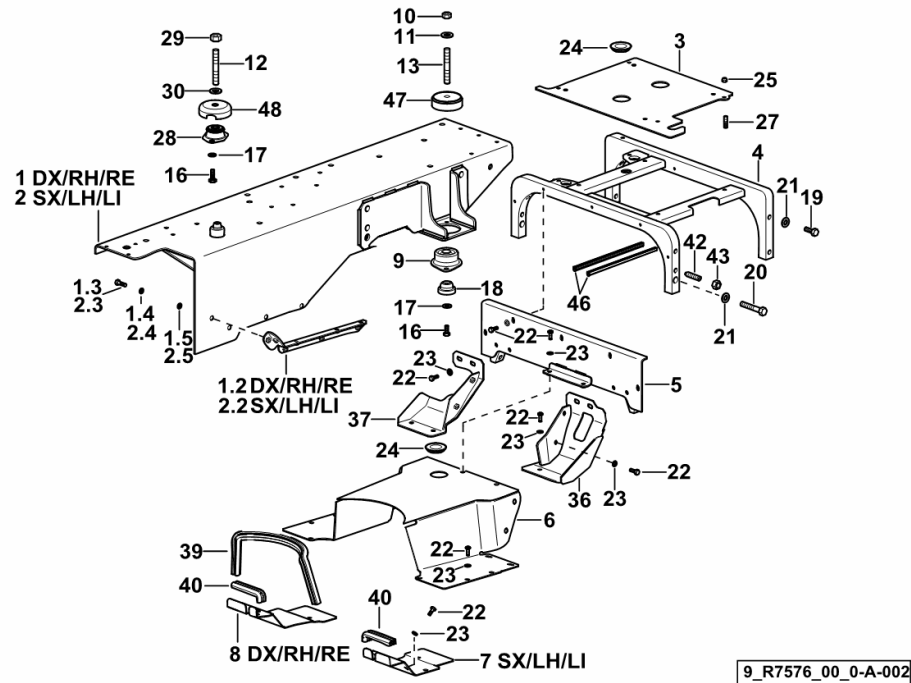
| | | | |
|------|--------------|---|-------|
| 1.12 | 2.9939.308.0 | 1 | plate |
|------|--------------|---|-------|



9_R7578_11_0-B-001

FENDERS AND PLATFORM

| Fig. | Code | QTY | Name |
|------|--------------|-----|--------|
| 46 | 0.015.4091.0 | 2 | gasket |
| 47 | 0.017.8927.2 | 2 | glass |
| 48 | 0.017.9347.0 | 2 | glass |



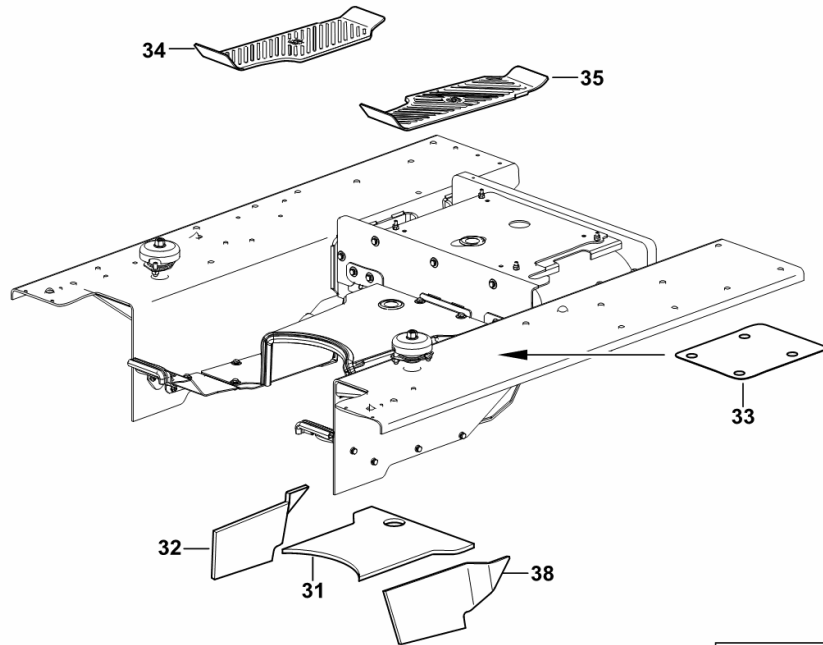
SOUND INSULATION AND CARPETS

| Fig. | Code | QTY | Name |
|------|------|-----|------|
|------|------|-----|------|

Notes:

[AGROCLIMBER 410 F - M] [AGROCLIMBER 410 F - N]

| | | | |
|----|-----------------|---|-----------------------|
| 31 | 0.017.1967.0 | 1 | insulator |
| 32 | 0.013.4306.0 | 1 | guard dx/rh/re |
| 33 | 0.278.7654.0/30 | 1 | foot board |
| 34 | 0.013.4542.0/20 | 1 | small carpet dx/rh/re |
| 35 | 0.013.4543.0/20 | 1 | small carpet sx/lh/li |
| 38 | 0.013.5357.0 | 1 | shield sx/lh/li |



9_R7576_00_0-B-001

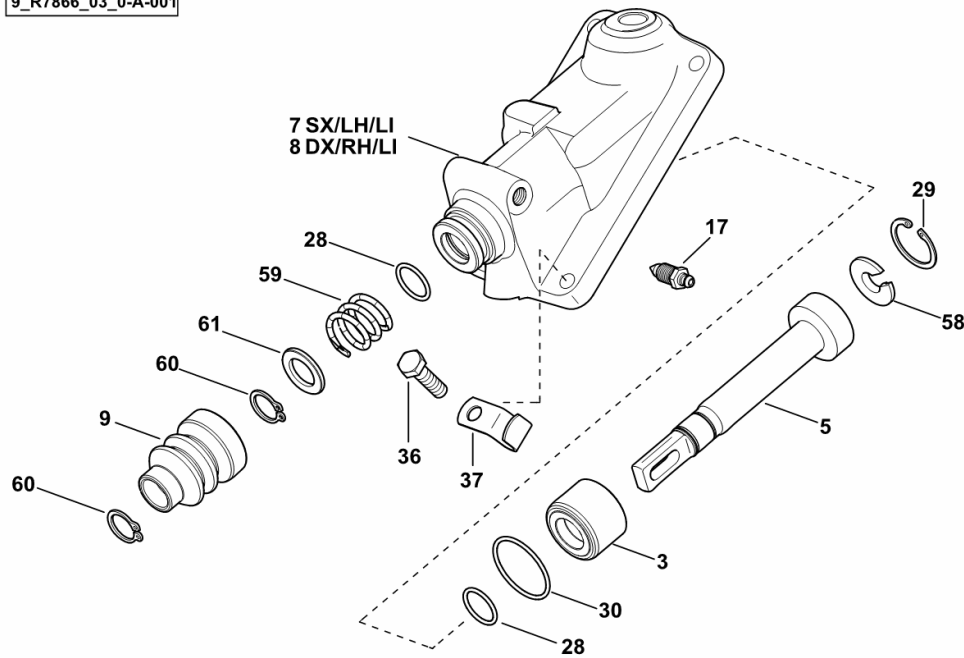
BRAKE CONTROLS

| Fig. | Code | QTY | Name |
|------|------|-----|------|
|------|------|-----|------|

Notes:

[AGROCLIMBER 410 F - M] 2001 <- [AGROCLIMBER 410 F - N] 2001 <-

9_R7866_03_0-A-001



| | | | |
|----|-----------------|---|-----------------------|
| 3 | 0.007.8495.0 | 2 | piston |
| 5 | 0.007.8496.0/10 | 2 | top link |
| 7 | 0.016.2018.0 | 1 | roller sx/lh/li |
| 8 | 0.016.2019.0 | 1 | cylinder dx/rh/re |
| 9 | 0.292.6656.0/20 | 2 | cap |
| 17 | 0.170.5455.0 | 2 | valve |
| 28 | 2.1539.524.0 | 4 | 'o' ring |
| 29 | 2.1411.057.1 | 2 | circlip 37 |
| 30 | 2.1539.052.0 | 2 | 'o' ring |
| 36 | 2.0112.313.2 | 8 | screw m 10 p.1.5 x 35 |
| 37 | 0.013.4969.0 | 2 | small plate |
| 58 | 0.292.6674.0/10 | 2 | washer |
| 59 | 2.4019.418.1 | 2 | spring |
| 60 | 2.1419.043.1 | 4 | circlip 16.5x1.2 |
| 61 | 2.1311.013.2 | 2 | flat washer 22 |

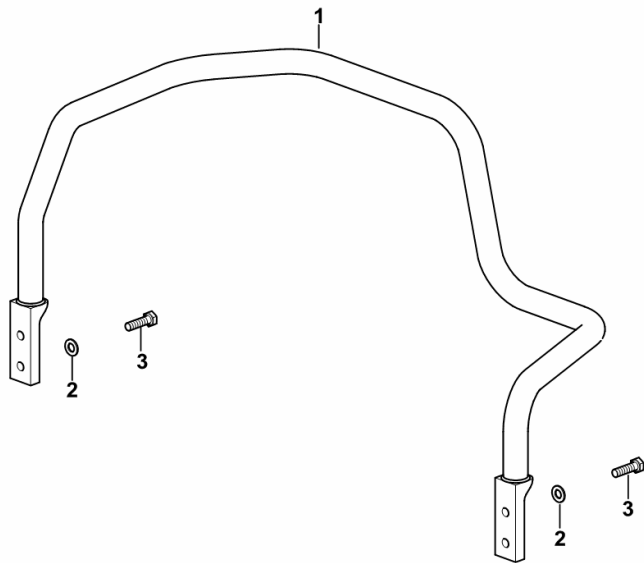
FRONT GRIP

| Fig. | Code | QTY | Name |
|------|------|-----|------|
|------|------|-----|------|

Notes:

[AGROCLIMBER 410 F - M] -> 2002 [AGROCLIMBER 410 F - N]

| | | | |
|---|--------------|---|-----------------------|
| 1 | 0.017.8262.2 | 1 | handle |
| 2 | 2.1475.003.2 | 4 | washer 10 |
| 3 | 2.0112.313.2 | 4 | screw m 10 p.1.5 x 35 |



9 R7573 01 0-A-002

LIFT CONTROLS

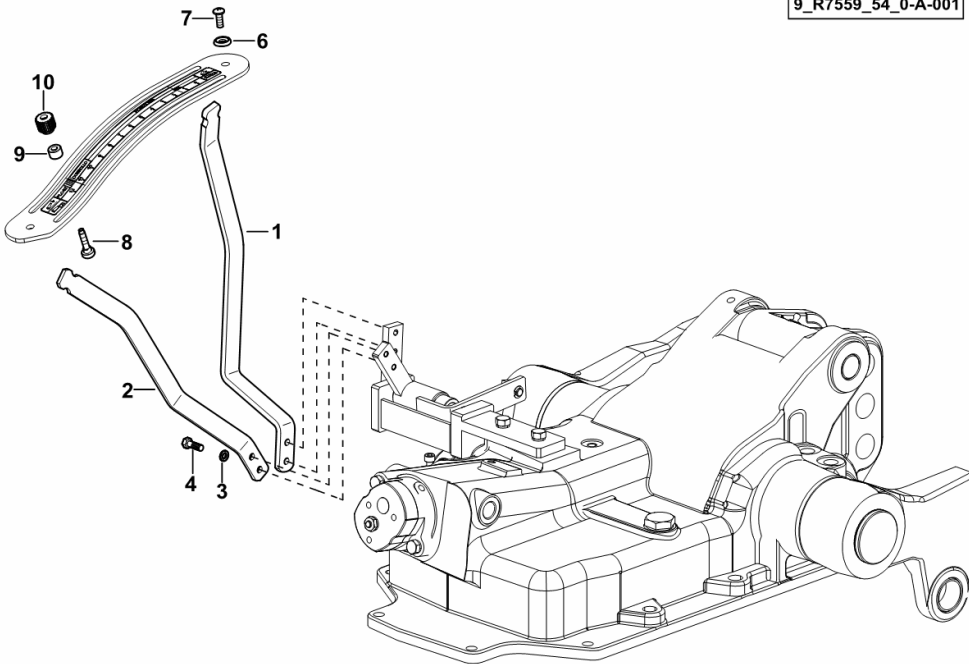
| Fig. | Code | QTY | Name |
|------|------|-----|------|
|------|------|-----|------|

Notes:

[AGROCLIMBER 410 F - M] 2001 <- [AGROCLIMBER 410 F - N] 2001 <-

| | | | |
|----|--------------|---|----------------------|
| 1 | 0.017.1992.0 | 1 | lever |
| 2 | 0.017.1991.0 | 1 | lever |
| 3 | 2.1310.002.2 | 4 | washer 6.6, d125 |
| 4 | 2.0112.005.2 | 4 | screw m 6 p.1 x 16 |
| 6 | 0.9125.662.0 | 2 | washer 6.4 x 12.5 |
| 7 | 2.0332.406.2 | 2 | screw m 6 p.1.0 x 16 |
| 8 | 2.0399.139.2 | 2 | screw m 6 p.1x27 |
| 9 | 2.1579.889.0 | 2 | spacer 6x13x9 |
| 10 | 0.467.5967.2 | 2 | knob |

9_R7559_54_0-A-001



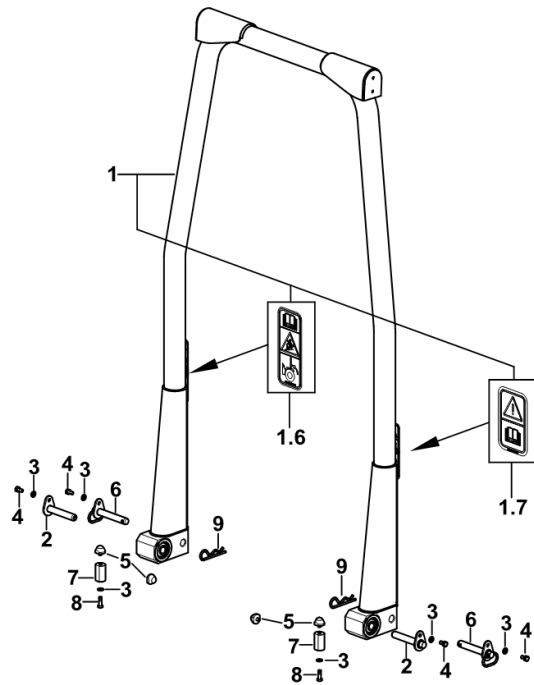
SAFETY ARCH FOLDING

| Fig. | Code | QTY | Name |
|------|------|-----|------|
|------|------|-----|------|

Notes:

[AGROCLIMBER 410 F - M] [AGROCLIMBER 410 F - N]

| | | | |
|-----|-----------------|---|-----------------------|
| 1 | 0.018.1649.3 | 1 | safety frame |
| 1.6 | 2.9939.276.0 | 1 | plate |
| 1.7 | 2.9939.272.0 | 1 | plate |
| 2 | 0.018.1564.2 | 2 | pin |
| 3 | 2.1475.102.2 | 6 | washer 8.4 x 16 |
| 4 | 2.0112.205.2 | 4 | screw m 8 p.1.25 x 16 |
| 5 | 0.154.7969.2 | 4 | rubber plug |
| 6 | 0.013.3097.2/10 | 2 | pin |
| 7 | 0.016.6597.0 | 2 | spacer |
| 8 | 2.0112.209.2 | 2 | screw m 8 p 1.25 x 25 |
| 9 | 2.1699.084.2 | 2 | pin Ø 27 |



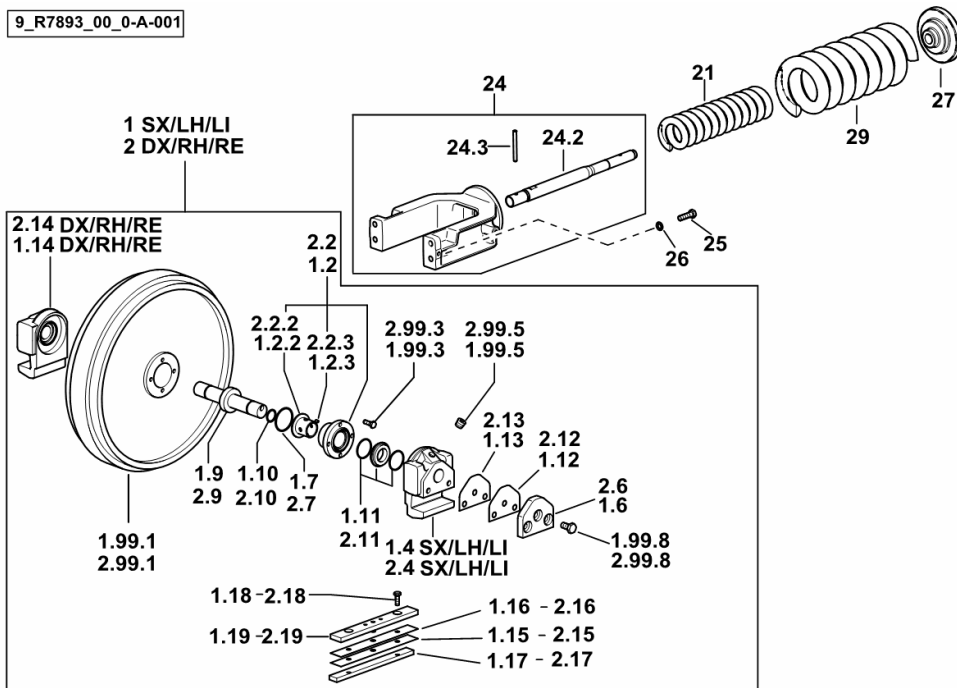
IDLER WHEEL

| Fig. | Code | QTY | Name |
|------|------|-----|------|
|------|------|-----|------|

Notes:

- WITH 1350 mm TRACK [AGROCLIMBER 410 F - M]

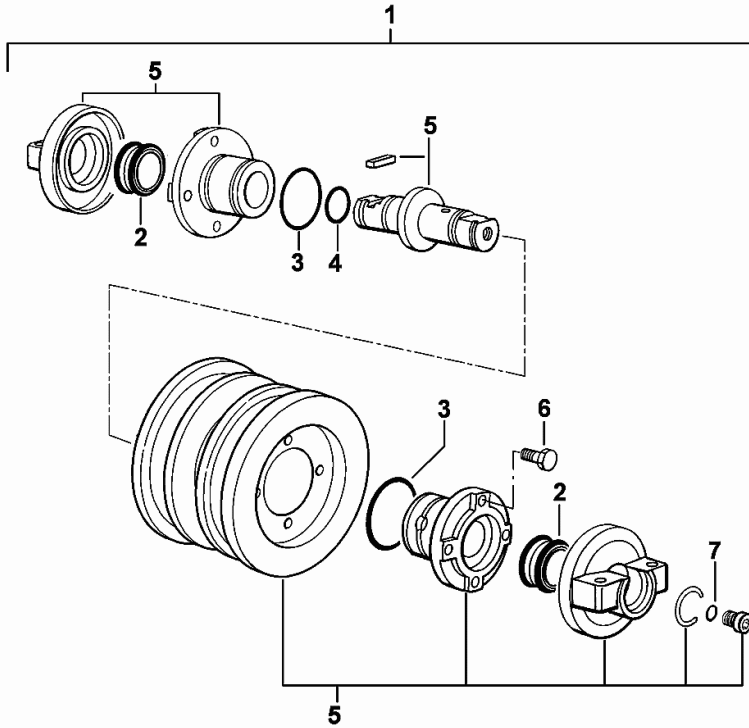
9_R7893_00_0-A-001



| | | | |
|--------|-----------------|------|---------------------|
| 1 | 0.012.1980.4/30 | 1 | wheel sx/lh/li |
| 1.2 | 0.433.9350.3 | 2 | flange |
| 1.2.2 | 0.433.9334.0 | 1.00 | bearing |
| 1.2.3 | 2.1699.086.0 | 1.00 | pin 6x8 |
| 1.4 | 0.011.7862.0/10 | 1 | support sx/lh/li |
| 1.6 | 0.011.7940.0/20 | 2 | plate |
| 1.7 | 2.1530.157.0 | 2 | 'o' ring 64.77x2.62 |
| 1.9 | 0.011.7937.0 | 1 | pin |
| 1.10 | 2.1530.087.0 | 2 | 'o' ring 32.99x2.62 |
| 1.11 | 0.424.9350.3 | 2 | 'o' ring |
| 1.12 | 0.012.1763.0/20 | 14 | wheel |
| 1.13 | 0.011.8090.0/40 | 6 | shim mm 1.00 |
| 1.14 | 0.011.8013.0/10 | 1 | support dx/rh/re |
| 1.15 | 0.012.1748.0/10 | 4 | shim mm 0.4 |
| 1.16 | 0.012.1749.0 | 5 | shim mm 0.20 |
| 1.17 | 0.011.8091.0/10 | 2 | shoe |
| 1.18 | 2.0119.244.2 | 4 | screw |
| 1.19 | 0.011.7873.3/10 | 2 | shoe |
| 1.99.1 | 0.294.9330.0/10 | 1 | wheel |
| 1.99.3 | 2.0132.208.2 | 8 | screw m 10 x 30 |
| 1.99.5 | 2.3130.003.2 | 2 | plug 3/8" gas |
| 1.99.8 | 2.0132.607.7 | 7 | screw m 14 p.1.5x25 |
| 2 | 0.012.2005.4/30 | 1 | wheel dx/rh/re |
| 2.2 | 0.433.9350.3 | 2 | flange |
| 2.2.2 | 0.433.9334.0 | 1.00 | bearing (-> 2001) |
| 2.2.3 | 2.1699.086.0 | 1.00 | pin 6x8 |
| 2.4 | 0.011.7862.0/10 | 1 | support sx/lh/li |
| 2.6 | 0.011.7940.0/20 | 2 | plate |
| 2.7 | 2.1530.157.0 | 2 | 'o' ring 64.77x2.62 |
| 2.9 | 0.011.7937.0 | 1 | pin |
| 2.10 | 2.1530.087.0 | 2 | 'o' ring 32.99x2.62 |
| 2.11 | 0.424.9350.3 | 2 | 'o' ring |
| 2.12 | 0.012.1763.0/20 | 14 | wheel |
| 2.13 | 0.011.8090.0/40 | 6 | shim mm 1.00 |
| 2.14 | 0.011.8013.0/10 | 1 | support dx/rh/re |
| 2.15 | 0.012.1748.0/10 | 4 | shim mm 0.4 |
| 2.16 | 0.012.1749.0 | 5 | shim mm 0.20 |
| 2.17 | 0.011.8091.0/10 | 2 | shoe |
| 2.18 | 2.0119.244.2 | 4 | screw |
| 2.19 | 0.011.7873.3/10 | 2 | shoe |
| 2.99.1 | 0.294.9330.0/10 | 1 | wheel |

TRACK HOLDER ROLLER

| Fig. | Code | QTY | Name |
|------|-----------------|-----|------------------------|
| 1 | 0.007.9445.4/20 | 1 | roller |
| 2 | 0.007.9457.3 | 2 | 'o' ring |
| 3 | 2.1530.157.0 | 2 | 'o' ring 64.77x2.62 |
| 4 | 2.1530.087.0 | 2 | 'o' ring 32.99x2.62 |
| 5 | 0.000.0000.1 | 0 | not serviceable |
| 6 | 2.0129.038.1 | 8 | screw m 10 p.1.25 x 25 |
| 7 | 0.010.2788.2 | 1 | gasket |



007_9445_4_20

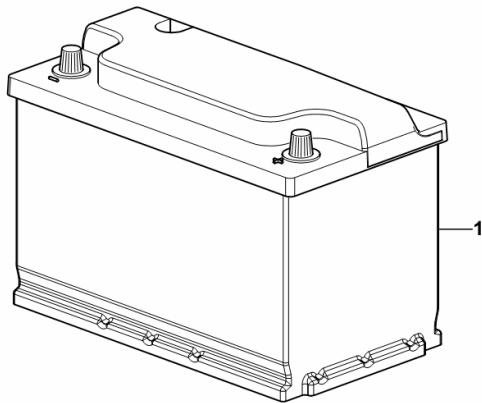
BATTERY 12V 100Ah 550A

| Fig. | Code | QTY | Name |
|------|------|-----|------|
|------|------|-----|------|

Notes:

[AGROCLIMBER 410 F - M] [AGROCLIMBER 410 F - N]

| | | | |
|---|-----------------|---|------------------------|
| 1 | 2.9559.061.0/10 | 1 | battery 12V 100Ah 550A |
|---|-----------------|---|------------------------|

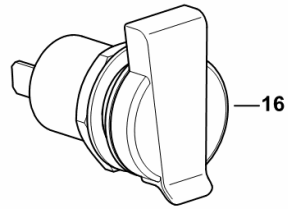


9_60284_10_0-A-001

SINGLE POLE SOCKET

| Fig. | Code | QTY | Name |
|--|--------------|-----|--------|
| Notes: [AGROCLIMBER 410 F - M] [AGROCLIMBER 410 F - N] | | | |
| 16 | 0.008.1550.0 | 2 | socket |

9_R7585_00_0-A-001



CLICK HERE TO **DOWNLOAD** THE COMPLETE MANUAL

- Thank you very much for reading the preview of the manual.
- You can download the complete manual from: www.heydownloads.com by clicking the link below



- Please note: If there is no response to CLICKING the link, please download this PDF first and then click on it.

CLICK HERE TO **DOWNLOAD** THE COMPLETE MANUAL

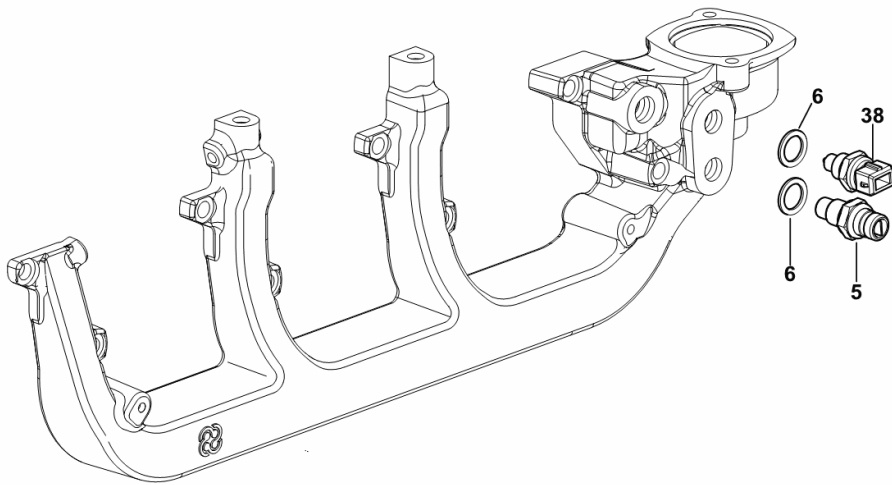
COOLING SYSTEM MANIFOLD SENSORS

| Fig. | Code | QTY | Name |
|------|------|-----|------|
|------|------|-----|------|

Notes:

[AGROCLIMBER 410 F - M] [AGROCLIMBER 410 F - N]

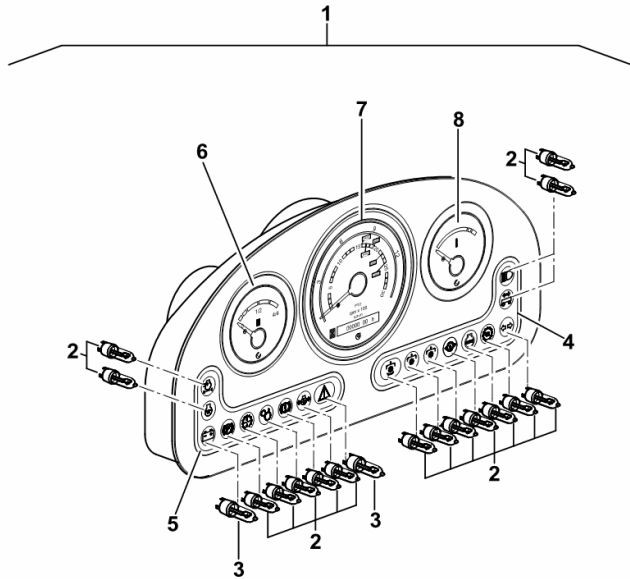
| | | | |
|----|-----------------|---|------------------------|
| 5 | 2.7099.640.0/10 | 1 | tempe guage |
| 6 | 2.1560.010.0 | 2 | gasket 14.2 x 20 x 1.5 |
| 38 | 2.7099.800.0 | 1 | sensor |



9_O6417_00_0-C-001

ELECTRIC REV-HOUR RECORDER TACHOMETER

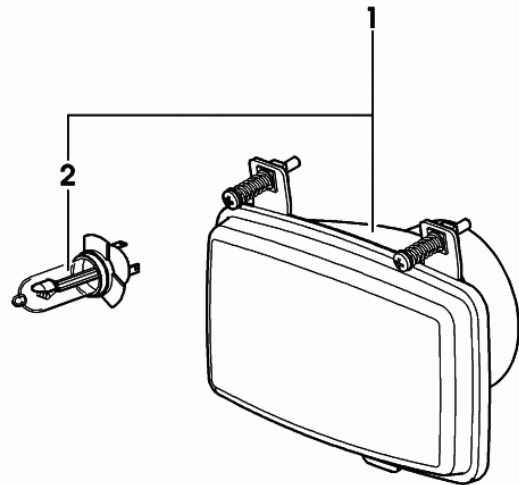
| Fig. | Code | QTY | Name |
|------|-----------------|-----|----------------------------|
| 1 | 2.8339.077.0/10 | 1 | multimeter |
| 2 | 0.010.3604.1 | 16 | lamp 12V - 1W |
| 3 | 0.010.3604.2 | 2 | lamp 12V - 3W |
| 4 | 0.900.0879.9 | 1 | instrument holder dx/rh/re |
| 5 | 0.900.0879.8 | 1 | instrument holder sx/lh/li |
| 6 | 0.900.0386.7 | 1 | level indicator |
| 7 | 0.900.0879.7 | 1 | multimeter |
| 8 | 0.900.0879.4 | 1 | tempe guage |



2_8339_077_0_10

FRONT LIGHTS

| Fig. | Code | QTY | Name |
|------|--------------|-----|-------------------------|
| 1 | 2.8039.240.0 | 1 | headlight |
| 2 | 0.010.2251.0 | 1 | lamp 60/55W - HALOGEN - |



2_8039_240_0

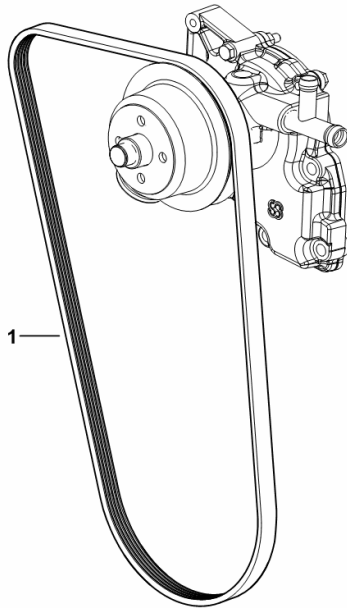
COOLANT PUMP AND ALTERNATOR DRIVEBELT

| Fig. | Code | QTY | Name |
|------|------|-----|------|
|------|------|-----|------|

Notes:

[AGROCLIMBER 410 F - N] [AGROCLIMBER 410 F - M]

| | | | |
|---|--------------|---|-------------------------|
| 1 | 2.4119.188.0 | 1 | belt PV-K5 17.4x1275 mm |
|---|--------------|---|-------------------------|



9_N1817_09_0-A-001

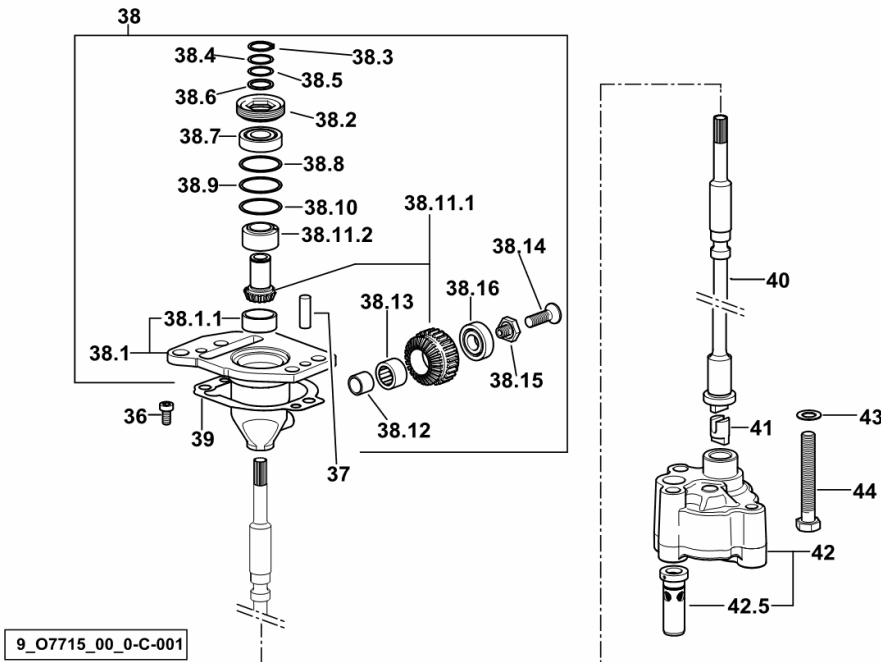
OIL PUMP

| Fig. | Code | QTY | Name |
|------|------|-----|------|
|------|------|-----|------|

Notes:

[AGROCLIMBER 410 F - M] [AGROCLIMBER 410 F - N]

| | | | |
|---------|-----------------|---|-----------------------------|
| 36 | 2.0169.005.2 | 2 | screw m 6 p.1 x 12 |
| 37 | 2.1651.711.0 | 2 | pin 8 x 14 |
| 38 | 0.013.1629.4/20 | 1 | support |
| 38.1 | 0.013.1629.3/10 | 1 | support |
| 38.1.1 | 2.1559.186.0 | 1 | bushing 26 x 31.5 x 35 |
| 38.2 | 2.1219.025.2/10 | 1 | ring nut m 36 p.1.5 |
| 38.3 | 2.1410.057.1 | 1 | circlip 15 |
| 38.4 | 2.1589.153.0 | 1 | snoulder 15.2 x 19 x 1.00 |
| 38.5 | 2.1589.146.0 | 2 | snoulder 15.2 x 19 x 0.15 |
| 38.6 | 2.1589.147.0 | 2 | snoulder 15.2 x 19 x 0.10 |
| 38.7 | 2.2020.001.0 | 1 | ball bearing 15 x 32 x 8.00 |
| 38.8 | 2.1589.148.0 | 1 | snoulder 28.2 x 31.8 x 0.5 |
| 38.9 | 2.1589.150.0 | 2 | snoulder 28.2 x 31.8 x 0.1 |
| 38.10 | 2.1589.151.0 | 2 | snoulder 28.2 x 31.8 x 0.15 |
| 38.11.1 | 0.065.1558.6/10 | 1 | bevel gear |
| 38.11.2 | 0.065.1559.0 | 1 | sleeve |
| 38.12 | 2.2680.020.0 | 1 | ring 12 x 15 x 12 |
| 38.13 | 2.2725.016.0 | 1 | roller cage 15 x 21 x 12 |
| 38.14 | 2.0342.007.6 | 1 | screw m 4 p.0.7 x 30 |
| 38.15 | 2.0399.128.2/10 | 1 | screw m 8 p.1 x 8 |
| 38.16 | 2.2030.002.0 | 1 | ball bearing 12 x 28 x 8 |
| 39 | 0.065.1560.0/30 | 2 | gasket |
| 40 | 0.065.1569.0/40 | 1 | shaft |
| 41 | 0.065.1562.0/10 | 1 | joint |
| 42 | 0.010.5441.4/10 | 1 | oil pump |
| 42.5 | 0.065.1552.3/60 | 1 | valve |
| 43 | 2.1470.006.2 | 2 | lock washer 10 |
| 44 | 2.0112.325.2 | 2 | screw m 10 p.1.5 x 80 |

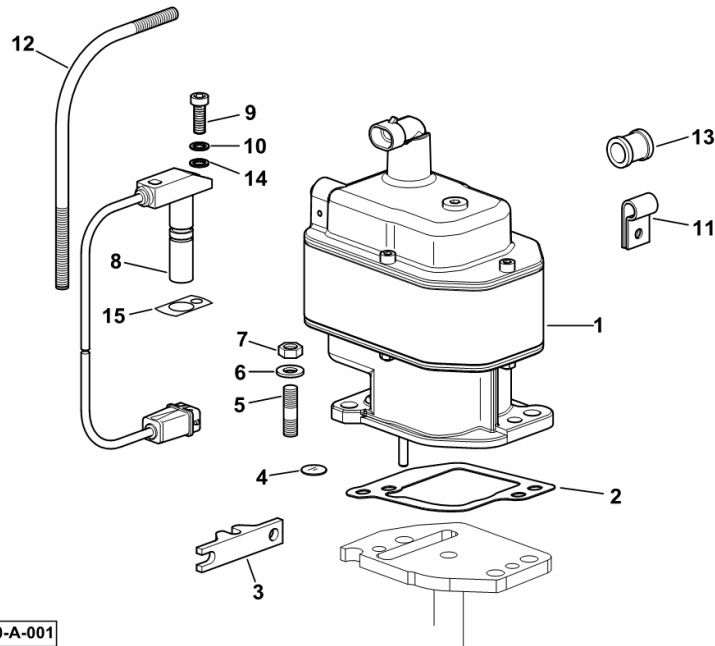


ELECTRONIC MOTOR CONTROLLER

| Fig. | Code | QTY | Name |
|------|------|-----|------|
|------|------|-----|------|

Notes:

[AGROCLIMBER 410 F - M] [AGROCLIMBER 410 F - N]



| | | | |
|----|-----------------|---|---------------------------------|
| 1 | 0.007.0992.4/70 | 1 | actuator 12V |
| 2 | 0.009.3880.0/20 | 1 | gasket |
| 3 | 0.007.0870.0 | 1 | small plate |
| 4 | 2.3170.003.2 | 1 | expansion plug |
| 5 | 2.0432.007.2 | 2 | stud bolt m 8 p.1.25 / p.1 x 30 |
| 6 | 2.1475.002.7 | 2 | washer 8.4 |
| 7 | 2.1011.405.2 | 2 | nut m 8 p.1 |
| 8 | 2.7099.790.0 | 1 | pick-up |
| 9 | 2.0312.004.2 | 1 | screw m 5 p.0.8 x 10 |
| 10 | 2.1480.011.2 | 1 | washer 5 |
| 11 | 2.6839.044.2 | 1 | clamp |
| 12 | 0.011.2030.0 | 1 | tube |
| 13 | 2.6569.001.0 | 1 | rubber ring 12 x 20 x 21 |
| 14 | 2.1310.001.2 | 1 | flat washer 5.3 |
| 15 | 0.011.1207.0 | 1 | shim mm 0.20 |

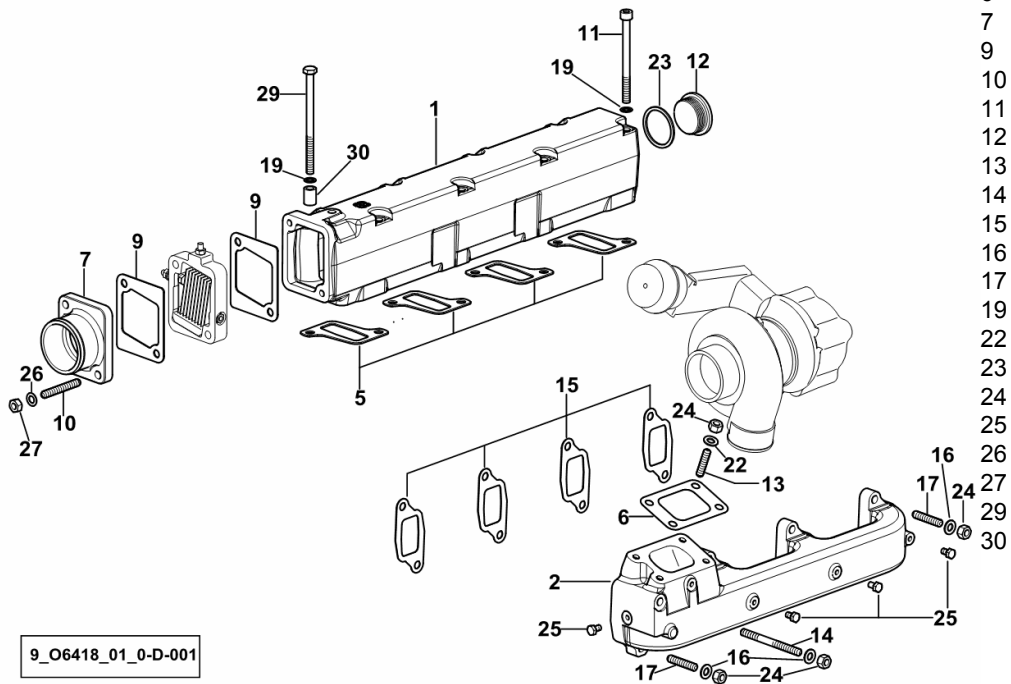
9_33816_04_0-A-001

AIR INTAKE MANIFOLD - EXHAUST MANIFOLD

| Fig. | Code | QTY | Name |
|------|------|-----|------|
|------|------|-----|------|

Notes:

[AGROCLIMBER 410 F - M] [AGROCLIMBER 410 F - N]

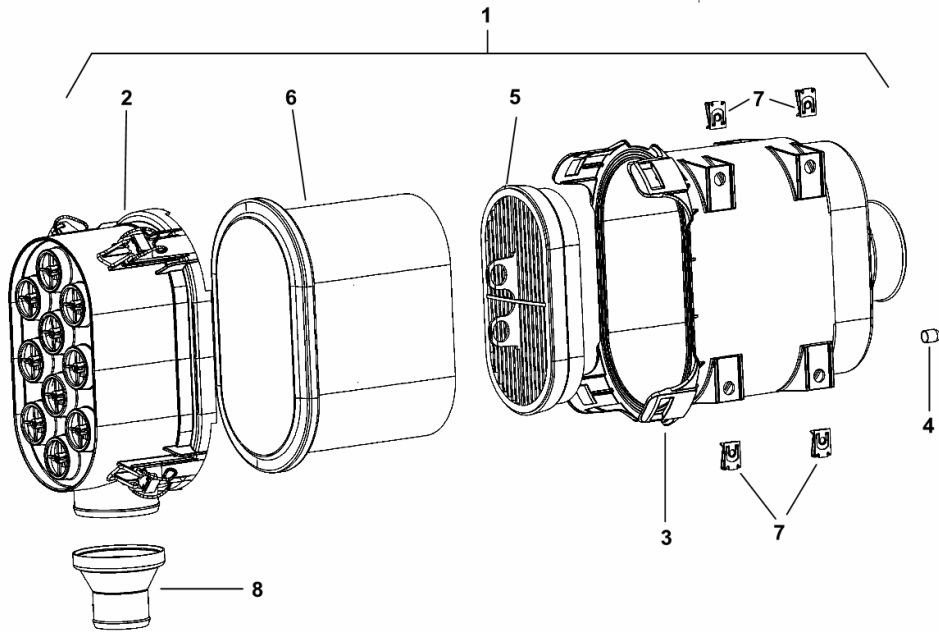


| | | | |
|----|-----------------|----|----------------------------------|
| 1 | 0.013.3358.0/20 | 1 | air intake manifold |
| 2 | 0.015.0048.0/20 | 1 | exhaust manifold |
| 5 | 0.011.1304.0/10 | 4 | gasket |
| 6 | 0.007.0741.0 | 1 | gasket |
| 7 | 0.013.3127.0 | 1 | pipe fitting |
| 9 | 0.013.3121.0 | 2 | gasket |
| 10 | 2.0432.013.7 | 2 | stud bolt m 8 p.1.25 / p.1 x 45 |
| 11 | 2.0312.226.2 | 5 | screw m 8 p.1.25 x 100 |
| 12 | 2.3120.106.0 | 1 | plug m 40 p.1.5 |
| 13 | 2.0432.005.7 | 4 | stud bolt m 8 p.1.25 / p.1 x 25 |
| 14 | 2.0432.021.7 | 1 | stud bolt m 8 p.1.25 - 1.00 x 80 |
| 15 | 0.007.1445.0 | 4 | gasket |
| 16 | 2.1310.004.2 | 9 | flat washer 8.5 |
| 17 | 2.0432.007.2 | 7 | stud bolt m 8 p.1.25 / p.1 x 30 |
| 19 | 2.1480.014.1 | 8 | washer 8 |
| 22 | 2.1475.002.7 | 4 | washer 8.4 |
| 23 | 2.1560.028.0 | 1 | gasket 40.3 x 47 |
| 24 | 2.1019.033.0 | 12 | special nut m 8 p.1 x 8 |
| 25 | 2.0119.121.0 | 4 | screw m 6 p.1 x 10 |
| 26 | 2.1470.004.2 | 2 | washer 8 |
| 27 | 2.1011.405.2 | 2 | nut m 8 p.1 |
| 29 | 2.0312.228.2 | 3 | screw m 8 p.1.25 x 120 |
| 30 | 2.1579.212.0 | 1 | spacer 8.3 x 13.5 x 18 |

9_O6418_01_0-D-001

AIR FILTER PARTS

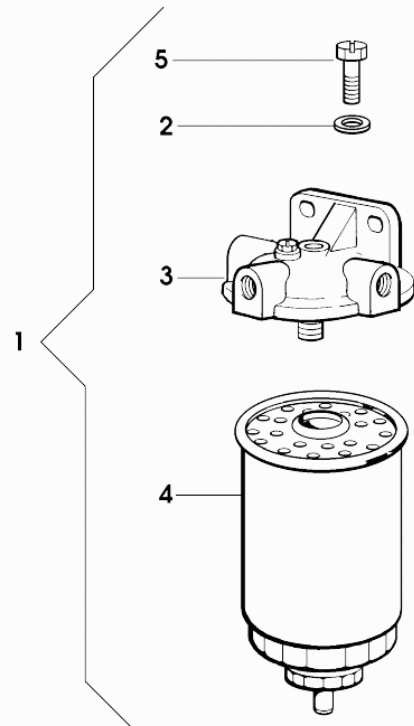
| Fig. | Code | QTY | Name |
|------|--------------|-----|-----------------------------|
| 1 | 2.4249.727.0 | 1 | air filter |
| 2 | 0.900.1383.6 | 1 | cover |
| 3 | 0.900.1383.7 | 1 | filter casing |
| 4 | 0.900.0300.8 | 1 | plug |
| 5 | 0.900.1383.9 | 1 | internal air filter element |
| 6 | 0.900.1384.0 | 1 | external air filter element |
| 7 | 0.900.1384.1 | 4 | brace |
| 8 | 0.900.1384.2 | 1 | valve |



2_4249_727_0

FUEL FILTER PARTS

| Fig. | Code | QTY | Name |
|------|--------------|-----|---------------------|
| 1 | 2.4319.230.0 | 1 | fuel filter |
| 2 | 0.009.4687.2 | 1 | washer |
| 3 | 0.000.0000.1 | 0 | not serviceable |
| 4 | 0.009.4687.0 | 1 | fuel filter element |
| 5 | 0.009.4687.1 | 1 | screw |



2_4319_230_0

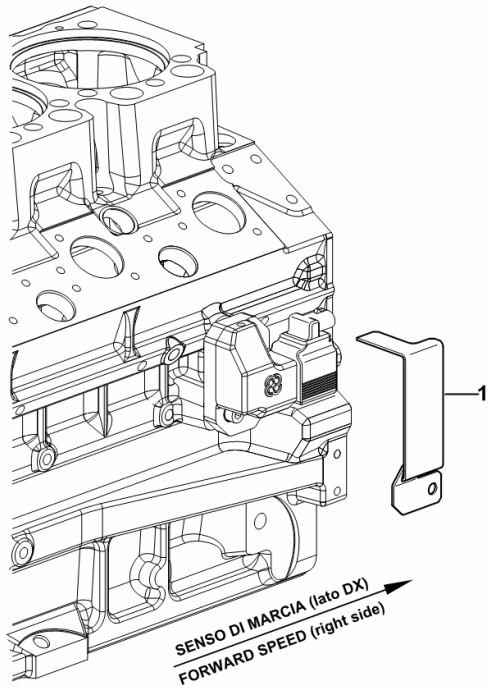
SOLENOID VALVE PROTECTION

| Fig. | Code | QTY | Name |
|------|------|-----|------|
|------|------|-----|------|

Notes:

[AGROCLIMBER 410 F - M] [AGROCLIMBER 410 F - N]

| | | | |
|---|--------------|---|--------|
| 1 | 0.015.5383.0 | 1 | shield |
|---|--------------|---|--------|



9_O3615_01_0-A-001

AGROCLIMBER 410 F -> 2001

Section: H0 - HYDRAULIC AND PNEUMATIC SYSTEM|

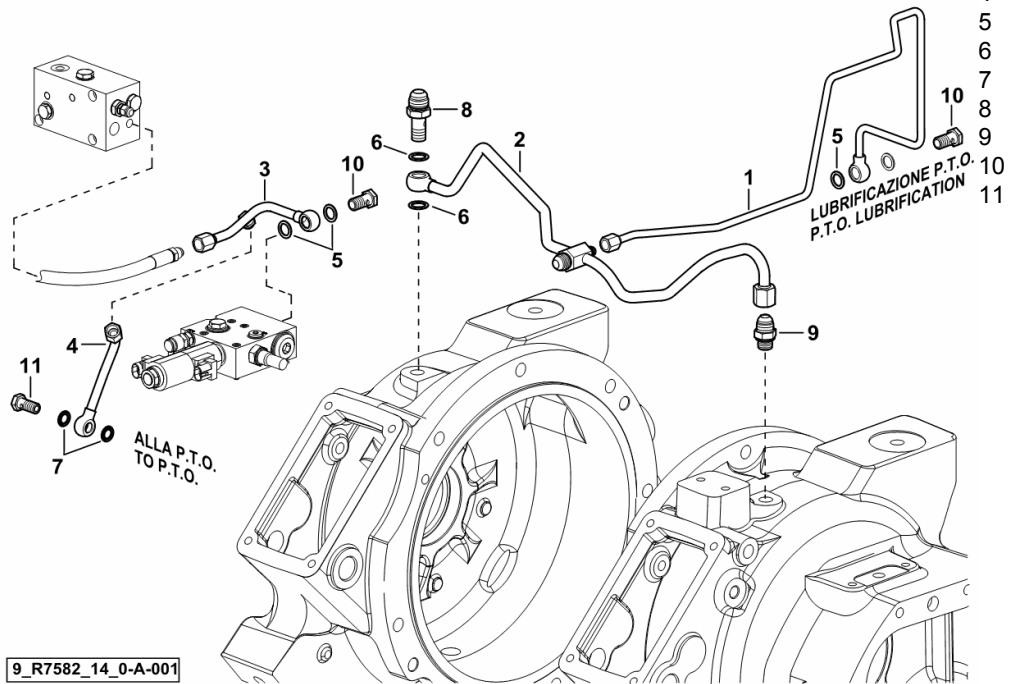
Ref.: H0.01.4 (1)

HYDRAULIC SYSTEM - FOR TYPES WITH REAR PTO

| Fig. | Code | QTY | Name |
|------|------|-----|------|
|------|------|-----|------|

Notes:

[AGROCLIMBER 410 F - M] [AGROCLIMBER 410 F - N]

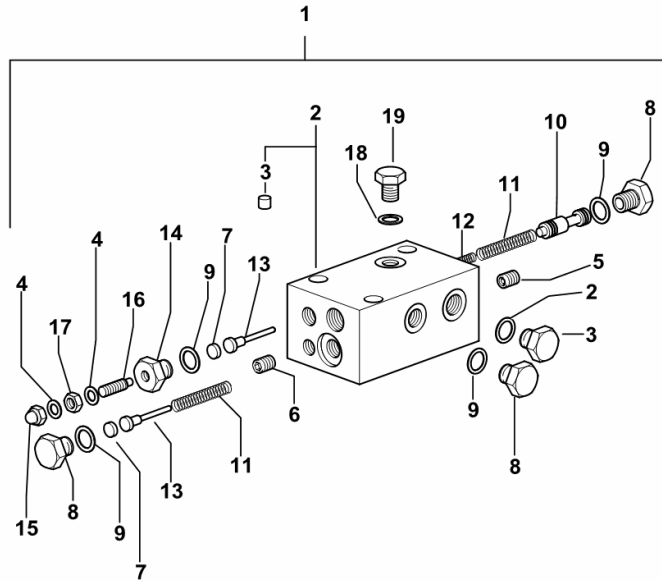


| | | | |
|----|-----------------|---|------------------------------|
| 1 | 0.017.0334.3 | 1 | tube |
| 2 | 0.017.0332.3 | 1 | tube |
| 3 | 0.017.1757.3 | 1 | tube |
| 4 | 0.017.1758.3 | 1 | tube |
| 5 | 2.1560.010.0 | 4 | gasket 14.2 x 20 x 1.5 |
| 6 | 2.1560.012.0 | 2 | gasket 16.2 x 22 x 1.5 |
| 7 | 2.1561.106.0 | 2 | gasket Ø 12 -B- |
| 8 | 2.3249.045.2 | 1 | pipe fitting |
| 9 | 2.3249.227.2 | 1 | pipe fitting m 16 p.1.5-3/4" |
| 10 | 2.3335.006.2 | 2 | pipe union m 14 p.1.5x24 |
| 11 | 2.3339.472.2/10 | 1 | pipe union m 12 p.1.25x26 |

9_R7582_14_0-A-001

CONTROL VALVE FOR STEERING

| Fig. | Code | QTY | Name |
|------|-----------------|-----|------------------------|
| 1 | 0.012.9821.4/10 | 1 | valve |
| 2 | 0.000.0000.1 | 0 | not serviceable |
| 3 | 2.1890.007.2 | 3 | plug |
| 4 | 2.1560.004.0 | 2 | gasket 8.2 x 14 |
| 5 | 2.0599.119.1 | 1 | grain |
| 6 | 2.0599.120.1 | 1 | grain |
| 7 | 0.011.8566.0/10 | 2 | shim |
| 8 | 2.3110.403.2 | 4 | plug m 14 |
| 9 | 2.1560.010.0 | 5 | gasket 14.2 x 20 x 1.5 |
| 10 | 0.011.8662.0/10 | 2 | slider |
| 11 | 2.4019.716.2 | 2 | spring |
| 12 | 2.4019.715.2 | 1 | spring |
| 13 | 0.011.8664.0/10 | 2 | ferrule |
| 14 | 2.3199.301.0 | 1 | plug |
| 15 | 2.1031.002.7 | 1 | plug m 8 |
| 16 | 2.0599.109.0 | 1 | screw |
| 17 | 2.1011.205.2 | 1 | nut m 8 p.1.25 |
| 18 | 2.1560.008.0 | 3 | gasket 12.2 x 18 |
| 19 | 2.3110.402.2 | 3 | plug m 12 p.1.5 |



0_012_9821_4_10

AGROCLIMBER 410 F -> 2001

E0 - REAR AXLE

REAR AXLE

| | |
|----------------|-------------|
| REAR AXLE..... | E0.01.0 (1) |
| REAR AXLE..... | E0.01.1 (1) |

REAR DIFFERENTIAL / HALF-SHAFTS

| | |
|---|-------------|
| INPUT SHAFT..... | E0.02.0 (1) |
| REAR REDUCTION GEARS AND AXLE SHAFTS..... | E0.02.1 (1) |
| REAR REDUCTION GEARS AND AXLE SHAFTS..... | E0.02.2 (1) |

REAR BRAKES

| | |
|------------------|-------------|
| REAR BRAKES..... | E0.03.0 (2) |
|------------------|-------------|

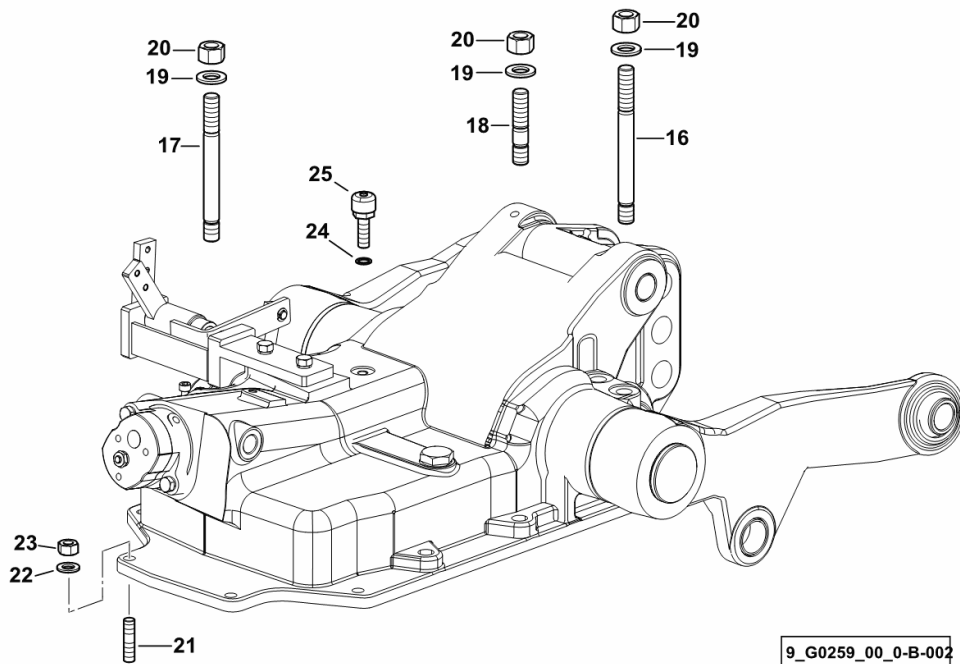
LIFT FIXING COMPONENTS - MITA

| Fig. | Code | QTY | Name |
|------|------|-----|------|
|------|------|-----|------|

Notes:

[AGROCLIMBER 410 F - N] -> 2004 [AGROCLIMBER 410 F - M] -> 2004

| | | | |
|----|--------------|---|-------------------------------------|
| 16 | 2.0439.293.7 | 4 | stud bolt m 14 p.1.5x130 |
| 17 | 2.0439.294.7 | 1 | stud bolt m 14 p.1.5x120 |
| 18 | 2.0439.295.7 | 3 | stud bolt m 14 p.1.5 x 50 |
| 19 | 2.1475.005.2 | 8 | washer 14 |
| 20 | 2.1011.308.2 | 8 | nut m 14 p.1.5 |
| 21 | 2.0432.155.7 | 4 | stud bolt m 10 p.1.5 / p. 1.25 x 25 |
| 22 | 2.1475.003.2 | 4 | washer 10 |
| 23 | 2.1011.321.2 | 4 | nut m 10 p.1.25 |
| 24 | 2.1560.005.0 | 1 | gasket 10.2 x 14 |
| 25 | 0.001.6587.3 | 1 | screw m 12 x 30 |



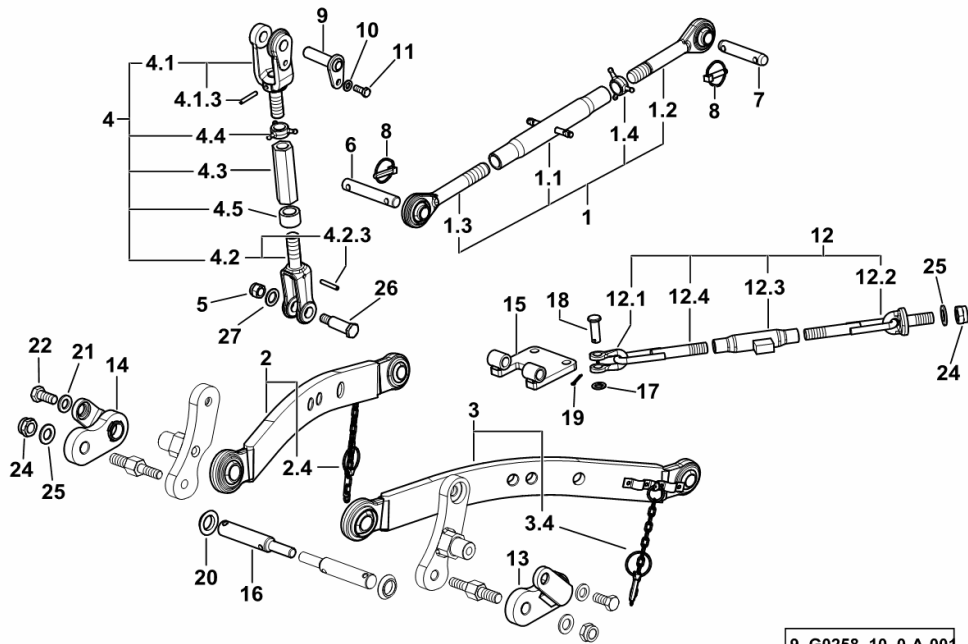
9_G0259_00_0-B-002

THREE-POINT COUPLING

| Fig. | Code | QTY | Name |
|------|------|-----|------|
|------|------|-----|------|

Notes:

[AGROCLIMBER 410 F - N] [AGROCLIMBER 410 F - M]



9_G0258_10_0-A-001

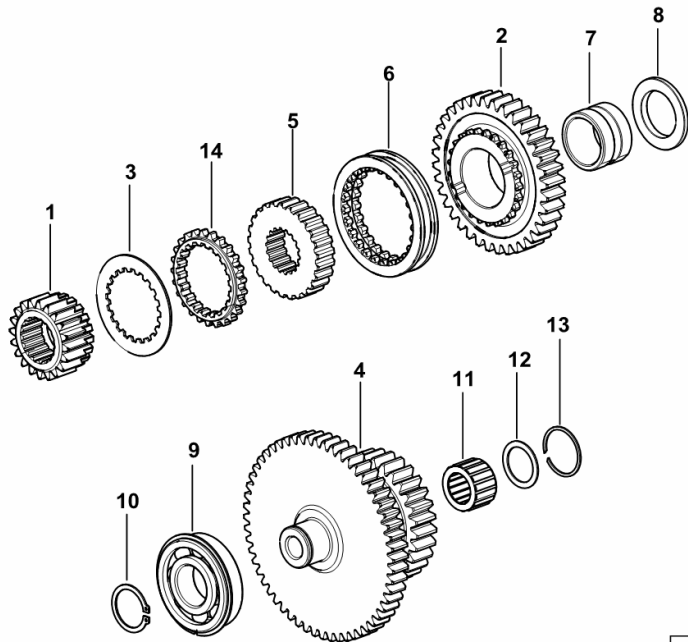
| | | | |
|-------|-----------------|---|-------------------------|
| 1 | 0.760.5413.4/40 | 1 | 3 point hitch |
| 1.1 | 0.96003.13.3/10 | 1 | sleeve |
| 1.2 | 0.96057.14.3/20 | 1 | rod |
| 1.3 | 0.96057.15.3/10 | 1 | rod |
| 1.4 | 0.001.5059.0 | 1 | nut |
| 2 | 0.015.1562.3/20 | 1 | right hand arm |
| 2.4 | 0.001.3041.4 | 1 | pin |
| 3 | 0.015.1563.3/20 | 1 | left hand arm |
| 3.4 | 0.001.3041.4 | 1 | pin |
| 4 | 0.015.2794.4/10 | 2 | rod |
| 4.1 | 0.013.4434.3/10 | 1 | rod |
| 4.1.3 | 2.1630.717.2 | 1 | roll pin 8 x 50 |
| 4.2 | 0.015.2804.3 | 1 | rod |
| 4.2.3 | 2.1630.717.2 | 1 | roll pin 8 x 50 |
| 4.3 | 0.015.2794.0/10 | 1 | sleeve |
| 4.4 | 0.007.6990.0/10 | 1 | wing nut |
| 4.5 | 2.1549.631.2 | 1 | spacer |
| 5 | 2.1120.210.2 | 2 | selflock nut m 18 p.1.5 |
| 6 | 0.760.0451.0 | 1 | pin |
| 7 | 2.1669.024.2 | 1 | pin 25.4 x 133 |
| 8 | 0.010.9322.4 | 4 | pin Ø 11 |
| 9 | 0.008.8469.2/10 | 2 | pin |
| 10 | 2.1475.204.2 | 2 | washer 12 |
| 11 | 2.0112.411.2 | 2 | screw m 12 p.1.75 x 30 |
| 12 | 0.007.9384.4/10 | 2 | stop control |
| 12.1 | 0.007.9388.0/10 | 2 | fork |
| 12.2 | 0.007.9387.3/10 | 2 | tensioner |
| 12.3 | 0.007.9386.2/10 | 2 | sleeve |
| 12.4 | 0.007.9385.2/10 | 2 | tensioner |
| 13 | 0.014.0722.3/10 | 1 | plate sx/lh/li |
| 14 | 0.014.0721.3/10 | 1 | plate dx/rh/re |
| 15 | 0.015.1573.2/10 | 1 | plate |
| 16 | 0.760.5451.0/10 | 2 | pin |
| 17 | 2.1311.011.2 | 2 | flat washer 18 |
| 18 | 2.1671.815.2 | 2 | pin 18x55 |
| 19 | 2.1690.513.2 | 2 | split pin 5 x 36 |
| 20 | 2.1549.589.2 | 2 | spacer |
| 21 | 2.1475.108.2 | 2 | spring washer 20 |
| 22 | 2.0112.817.2 | 2 | screw m 20 p.2.5 x 45 |
| 24 | 2.1120.313.2 | 4 | nut m 24 p.2 |
| 25 | 2.1310.015.2 | 4 | washer 25X44x4 |

SUPER REDUCTION GEAR UNIT

| Fig. | Code | QTY | Name |
|------|------|-----|------|
|------|------|-----|------|

Notes:

[AGROCLIMBER 410 F - M] [AGROCLIMBER 410 F - N]



| | | | |
|----|-----------------|---|---------------------------|
| 1 | 0.014.0011.0 | 1 | gear Z = 20 |
| 2 | 0.007.9317.0 | 1 | gear Z = 36 |
| 3 | 0.014.0012.0 | 1 | spacer |
| 4 | 0.014.0014.0 | 1 | gear z = 29 - 56 |
| 5 | 0.007.9319.0 | 1 | sleeve z = 25 |
| 6 | 0.292.3251.0 | 1 | sleeve |
| 7 | 0.007.9318.0 | 1 | bushing |
| 8 | 2.1549.057.0 | 1 | spacer 40x61x7 |
| 9 | 2.2062.011.0 | 1 | ball bearing 35 x 80 x 21 |
| 10 | 2.1410.014.1 | 1 | circlip 35 |
| 11 | 2.2999.280.0 | 1 | roller cage |
| 12 | 2.1589.268.0/10 | 1 | snoulder 30.5x51.8x1.5 |
| 13 | 2.1423.030.7 | 1 | circlip 40 |
| 14 | 0.014.0013.0 | 1 | gear z = 25 |

9_D8937_01_0-A-001

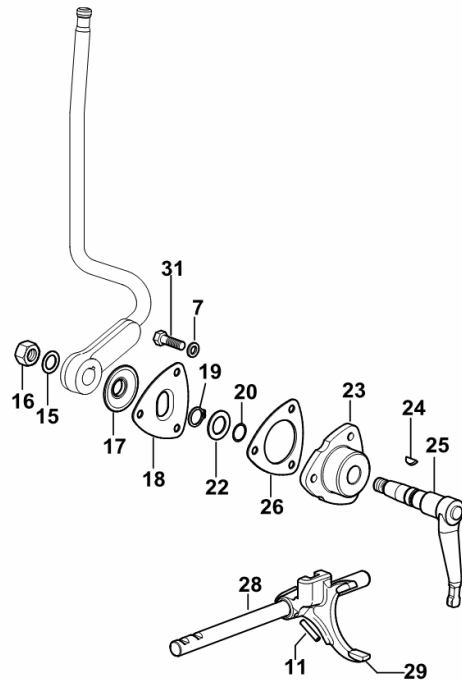
REDUCTION GEAR CONTROL

| Fig. | Code | QTY | Name |
|------|------|-----|------|
|------|------|-----|------|

Notes:

[AGROCLIMBER 410 F - M] -> 2002 [AGROCLIMBER 410 F - N]

| | | | |
|----|-----------------|---|-----------------------|
| 7 | 2.1470.004.2 | 7 | washer 8 |
| 11 | 2.1630.613.0 | 6 | roll pin 6 x 30 |
| 15 | 2.1472.010.2 | 2 | washer 16 |
| 16 | 2.1011.409.2 | 2 | nut m 16 p.1.5 |
| 17 | 0.292.6464.0 | 2 | guard |
| 18 | 0.292.6463.0 | 2 | small sump |
| 19 | 2.1419.018.1 | 2 | circlip |
| 20 | 2.1532.040.0 | 1 | 'o' ring 15.88x2.40 |
| 22 | 2.1599.486.0 | 2 | snoulder |
| 23 | 0.013.2106.0 | 1 | support |
| 24 | 2.1720.006.0 | 2 | key 4x6.5 |
| 25 | 0.013.2591.2 | 1 | lever |
| 26 | 0.151.6464.0 | 2 | gasket |
| 28 | 0.292.6423.0/10 | 1 | rod |
| 29 | 0.292.6433.0 | 1 | fork |
| 31 | 2.0112.209.2 | 3 | screw m 8 p 1.25 x 25 |



9_R7564_00_0-B-001

CLICK HERE TO **DOWNLOAD** THE COMPLETE MANUAL

- Thank you very much for reading the preview of the manual.
- You can download the complete manual from: www.heydownloads.com by clicking the link below



- Please note: If there is no response to CLICKING the link, please download this PDF first and then click on it.

CLICK HERE TO **DOWNLOAD** THE COMPLETE MANUAL