

All rights reserved by **CNHi**.

The information contained in this catalogue is intended to be of a general nature only. **CNHi** may at any time and from time to time, for technical or other necessary reasons, modify any of the details or specifications of the product described in this catalogue.

To be sure of getting accurate, detailed and up-to-date information, an intending buyer should consult his nearest **CNHi** dealer or distributor.

Single item numeration method used in this catalogue may not be used without written consent from **CNHi**.

CLICK HERE TO **DOWNLOAD** THE COMPLETE MANUAL

- Thank you very much for reading the preview of the manual.
- You can download the complete manual from: www.heydownloads.com by clicking the link below



- Please note: If there is no response to CLICKING the link, please download this PDF first and then click on it.

CLICK HERE TO **DOWNLOAD** THE COMPLETE MANUAL

TABLE OF CONTENTS

D3.16	01	REAR WHEEL
D3.16	02	TIRES AND WHEELS
D3.33	01	GRAZIANO TANDEM RH/LH
D3.33	01A	DANA TANDEM RH/LH - OPTIONAL
D3.33	02	GRAZIANO TANDEM LH/RH
D3.33	02A	DANA TANDEM RH/LH - OPTIONAL
D1.01	01	FRONT FRAME
D1.01	02	REAR MAIN FRAME
D1.01	02A	REAR MAIN FRAME
D1.01	03	ARTICULATION JOINT
D1.01	04	ARTICULATION JOINT
D1.01	05	ARTICULATION CYLINDER
D1.01	06	TOW HOOK
D1.01	07	TOW HOOK - OPTIONAL
D2.01	01	OPERATOR'S CONSOLE
D2.01	02	OPERATOR'S CONSOLE
D2.01	03	OPERATOR'S CONSOLE
D2.01	04	OPERATOR'S CONSOLE
E3.10	05	RIPPER TOOL BAR AND LINKAGE (73162631)
E3.10	06	SCARIFIER
E3.10	07	DRAWBAR TRAVEL LIMITER
E3.13	01	MOLDBOARD 13 FT. (75250344)
E3.13	02	MOLDBOARD 14 FT. (75250199) - OPTIONAL
E3.13	03	MOLDBOARD LEFT EXTENSION - OPTIONAL
E3.13	04	MOLDBOARD RIGHT EXTENSION - OPTIONAL
E3.13	05	MOLDBOARD REINFORCEMENT - OPTIONAL
E3.13	06	MOLDBOARD SIDE SHIFT
E3.13	07	HYDRAULIC SYSTEM MOLDBOARD
E3.13	08	DOZER BLADE AND SKID PLATES
E3.13	09	PUSH PLATE - OPTIONAL
H1.01	01	TOOLS
H1.01	02	TOOLS
L1.01	01	HOOD (Jun 2 2007 8:39AM)
L1.01	01	HOOD (May 16 2008 5:11PM)

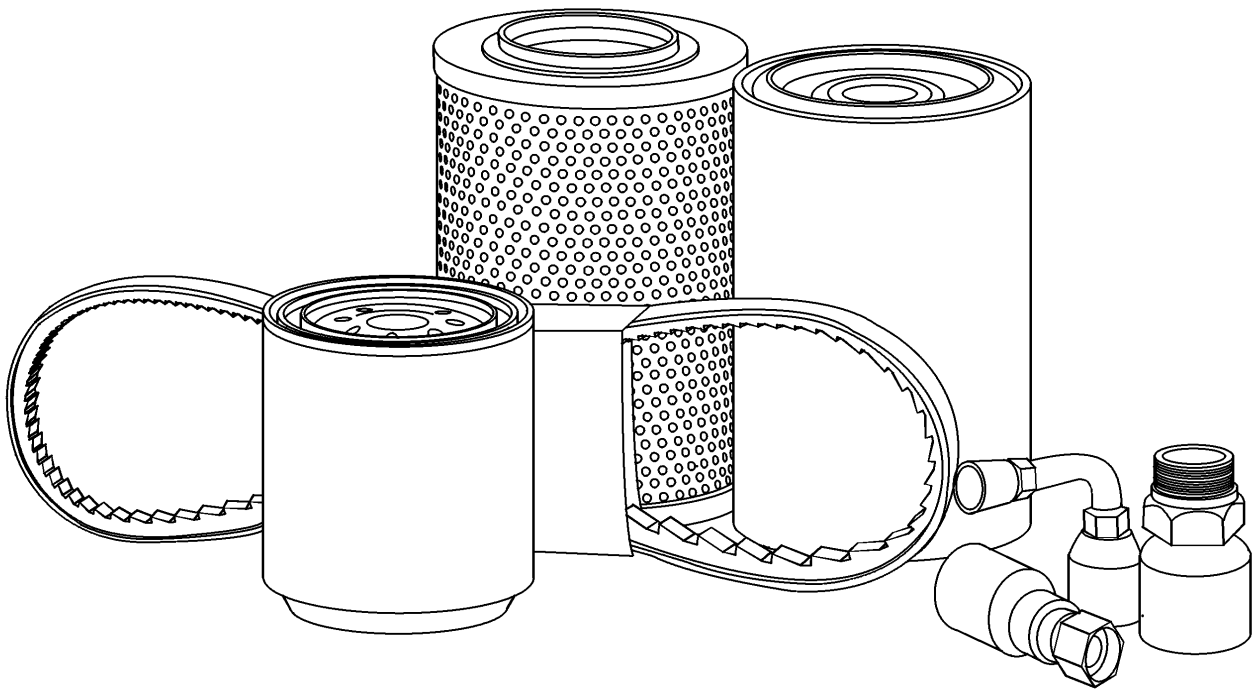
05.100.03

01

p1

12/201
8

FILTERS & CAPACITIES, RG170B VHP GRAZIANO (STD) AXLE - TIER 3



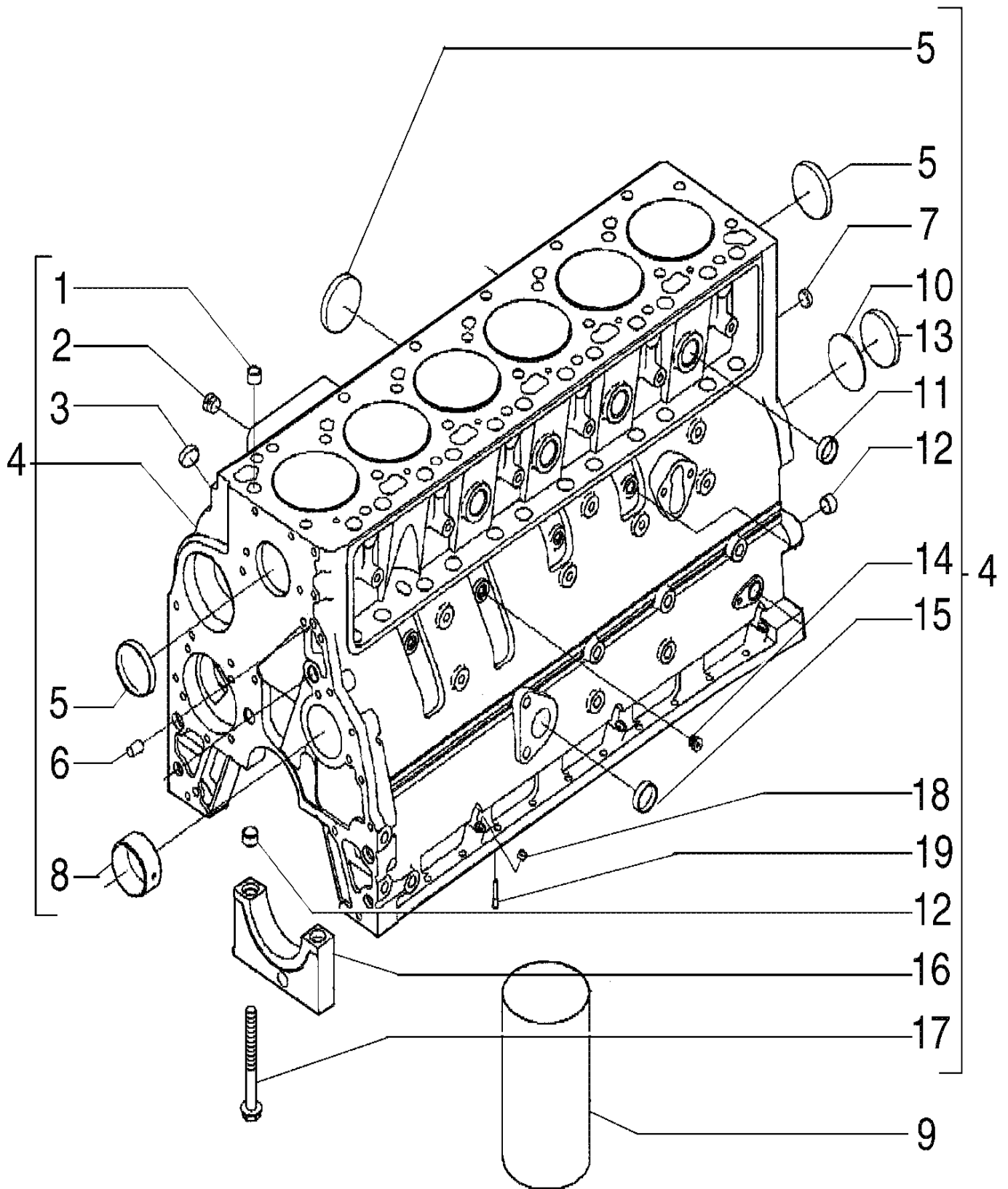
A1.01

01

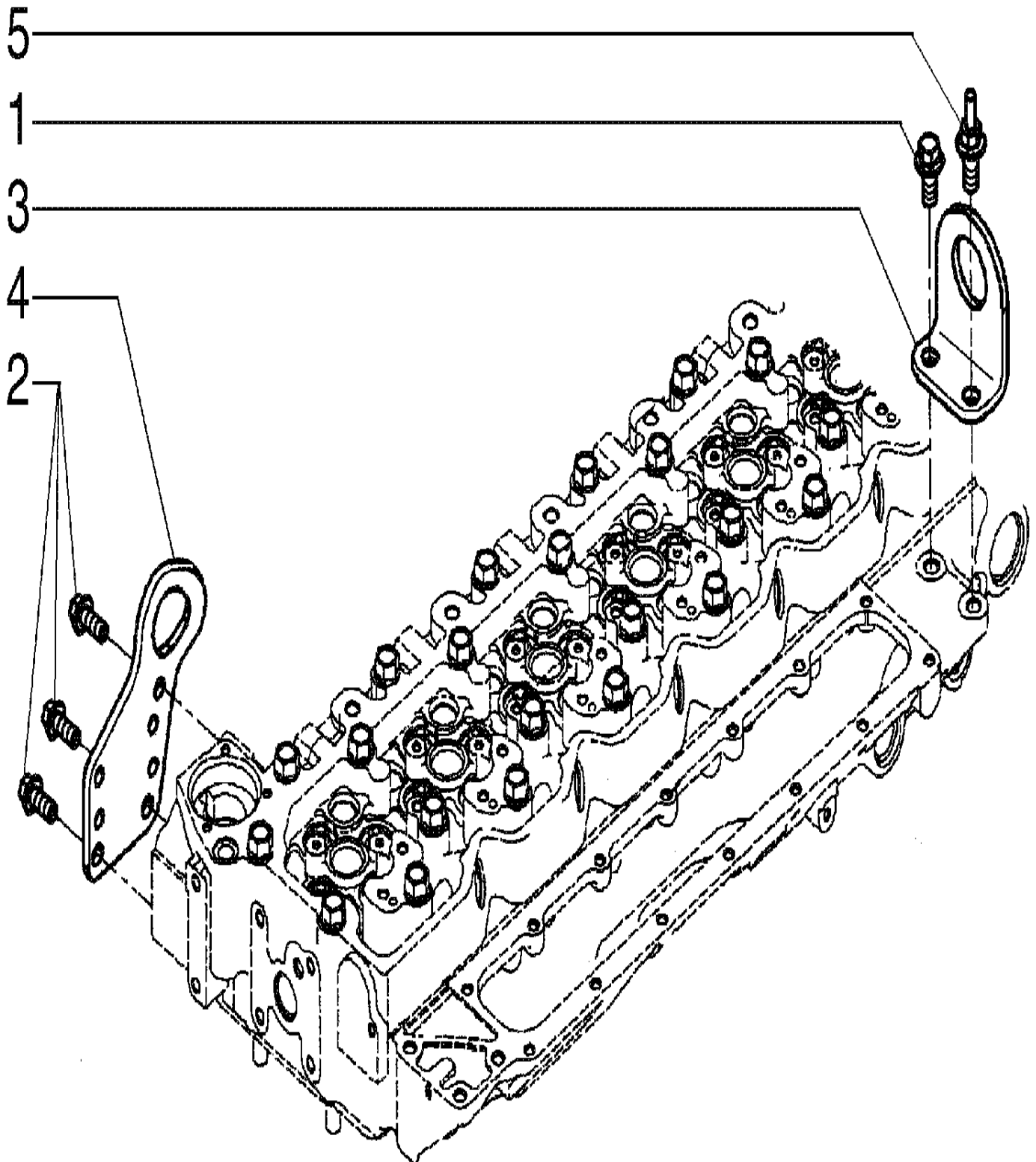
p1

12/201
8

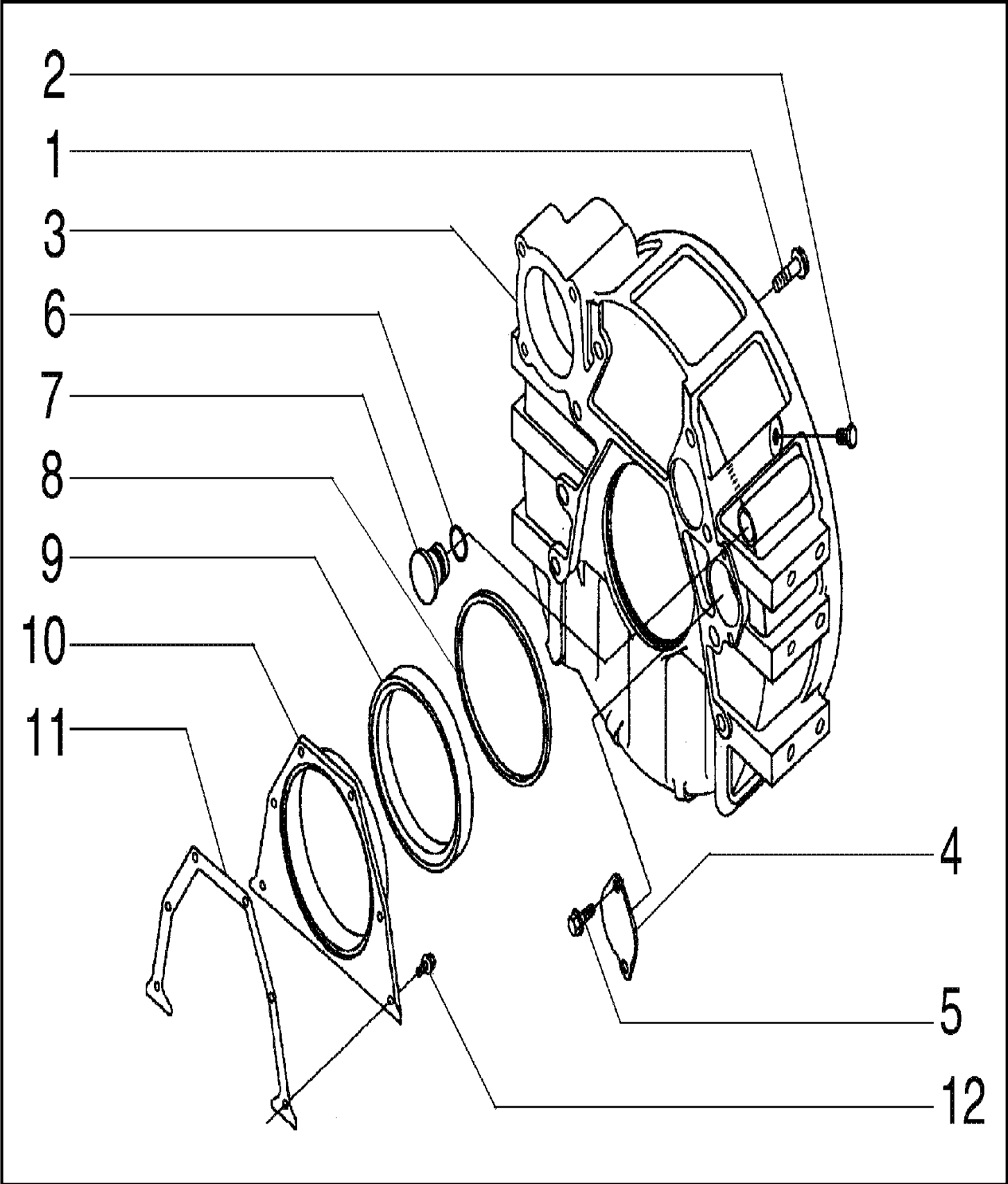
PLUG PIN BLOCK



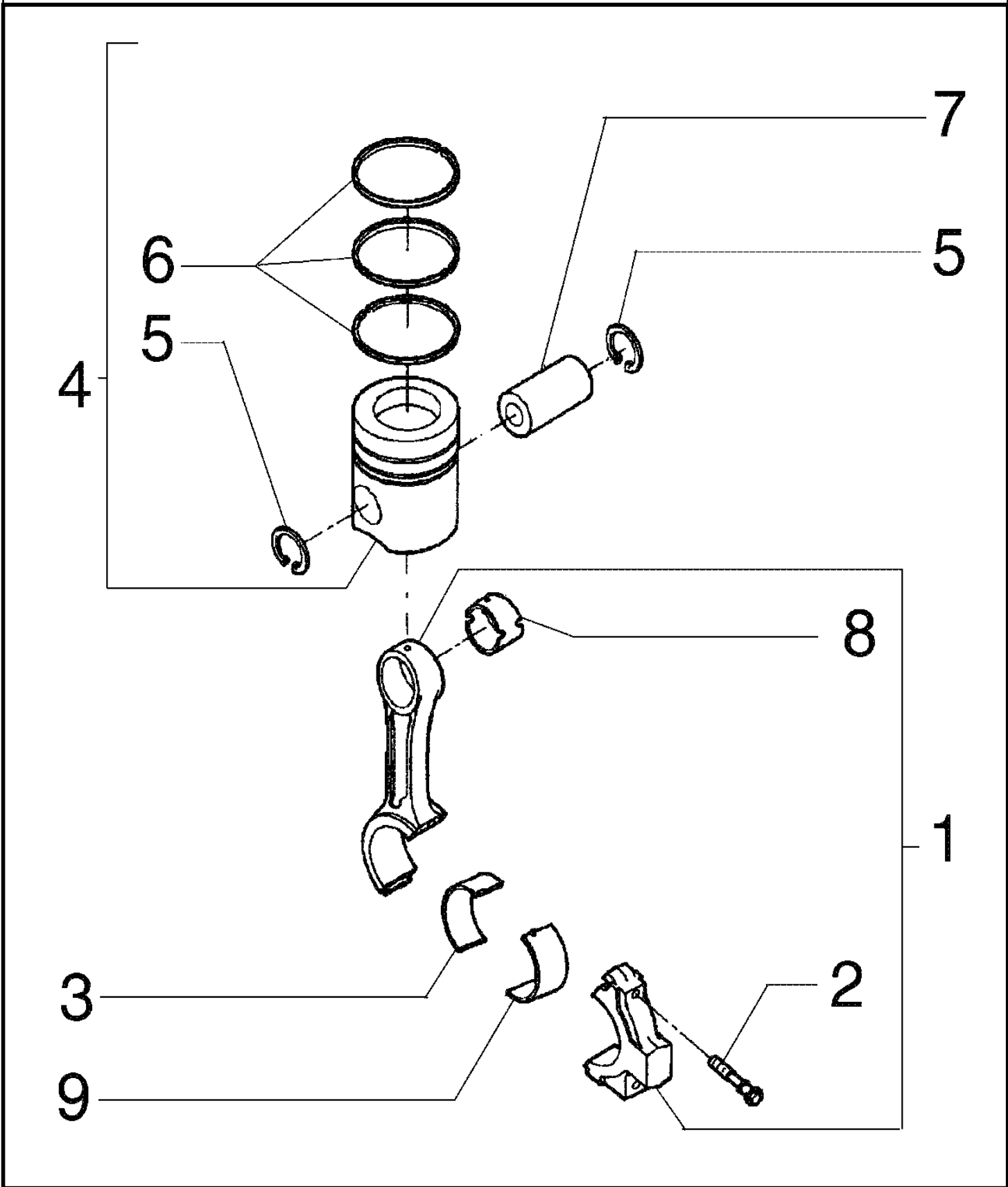
BRACKET LIFTING



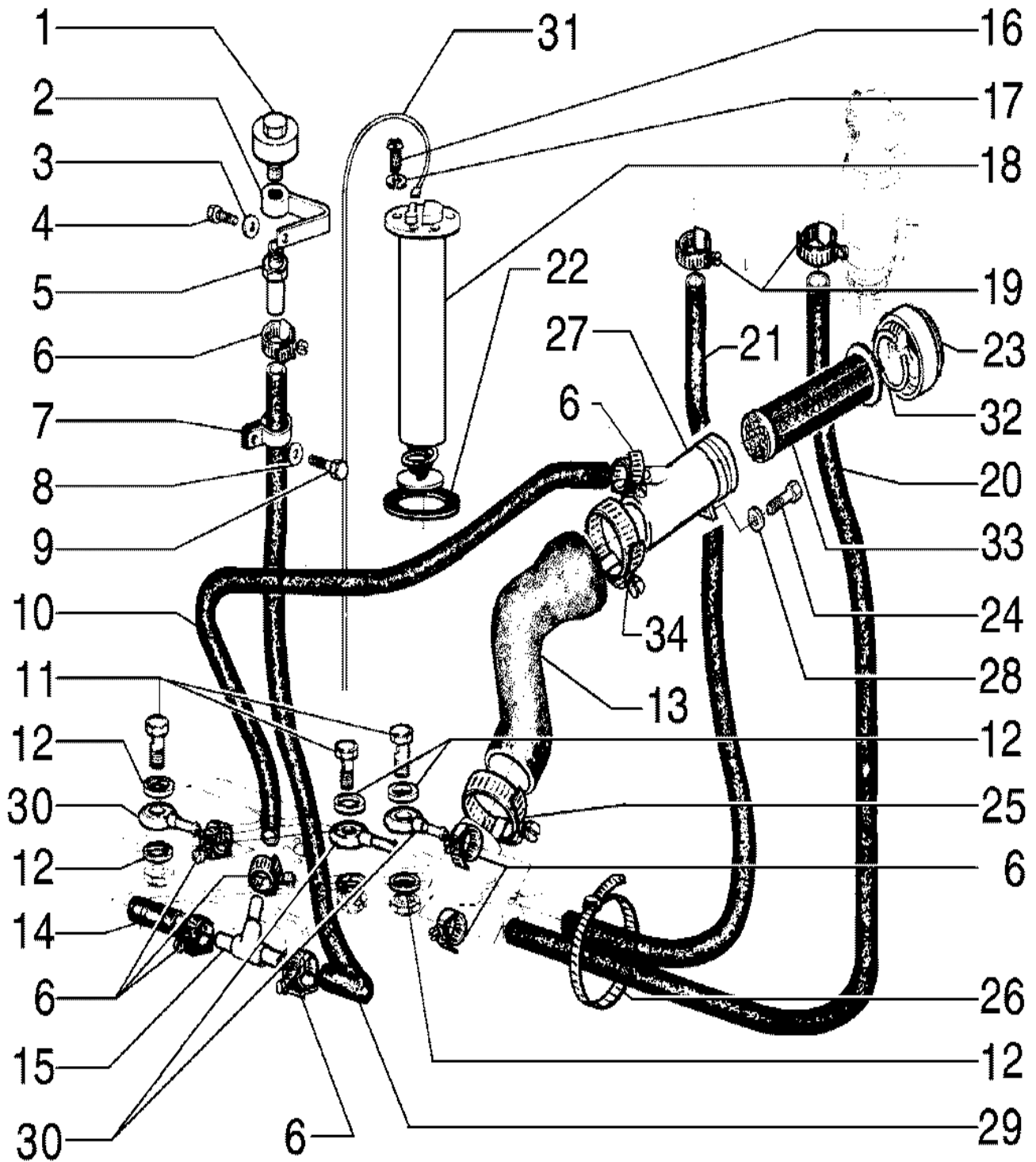
CRANKCASE



CONNECTING RODS AND PISTONS



FUEL LINES



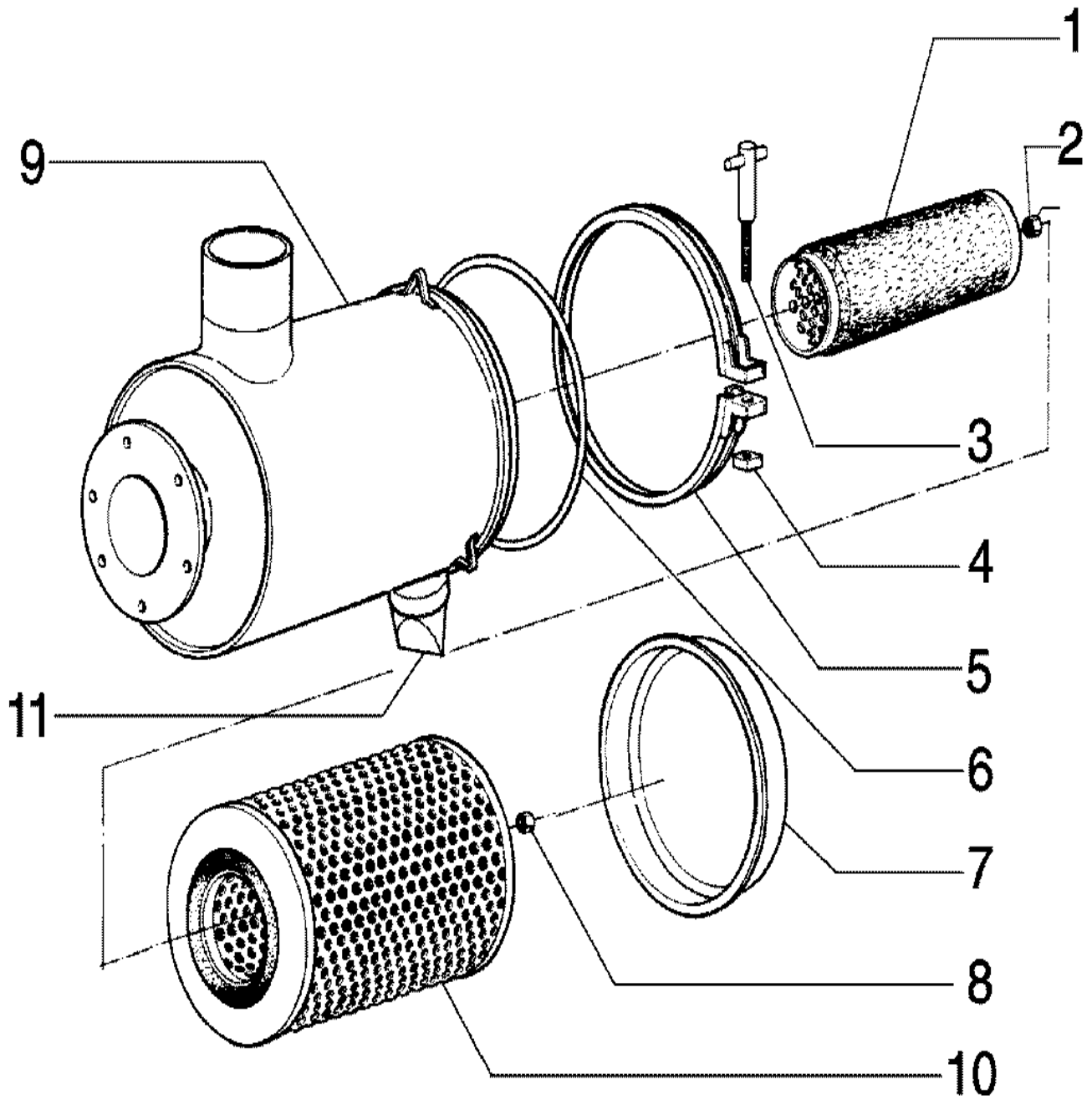
A2.22

02

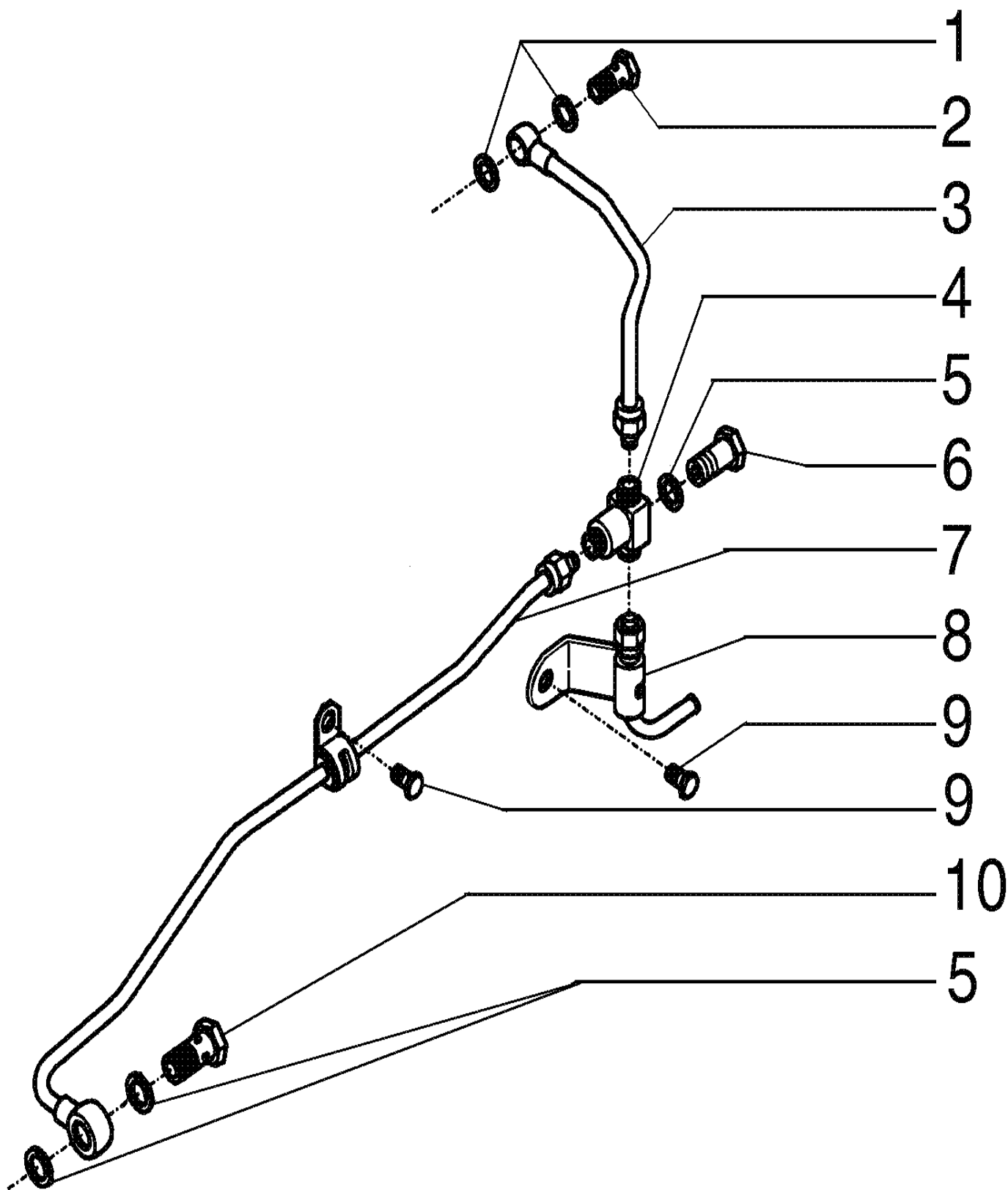
p1

12/201
8

AIR CLEANER



FUEL INJECTION SYSTEM



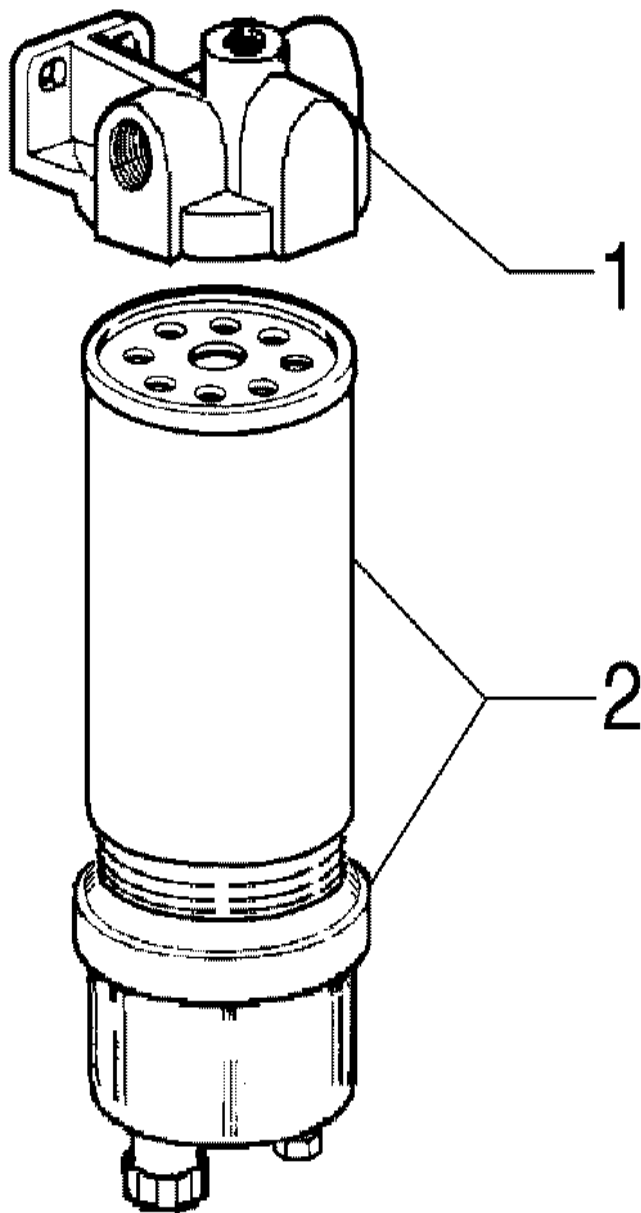
A2.26

03

p1

12/201
8

WATER SEPARATOR FILTER



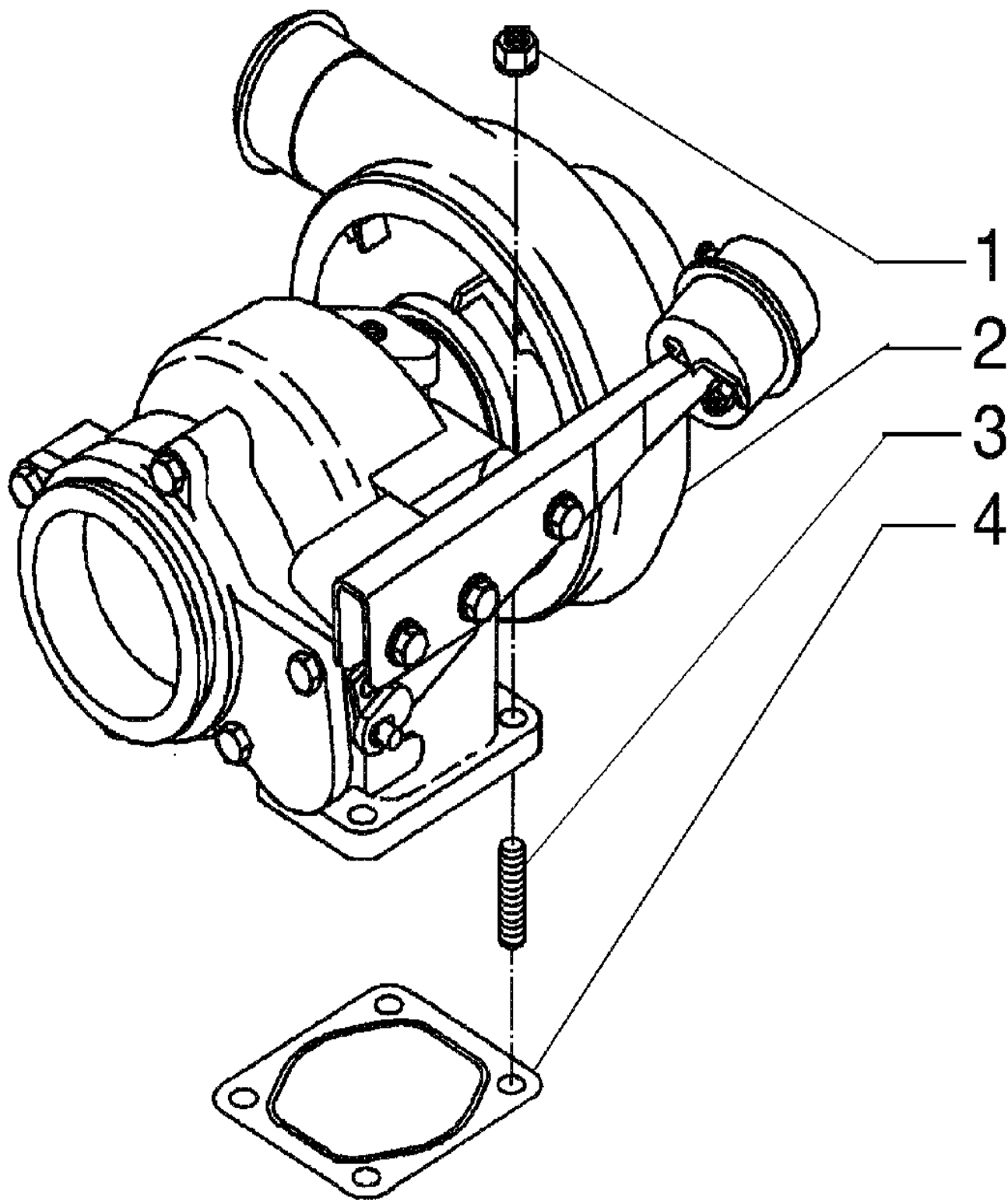
A2.52

01

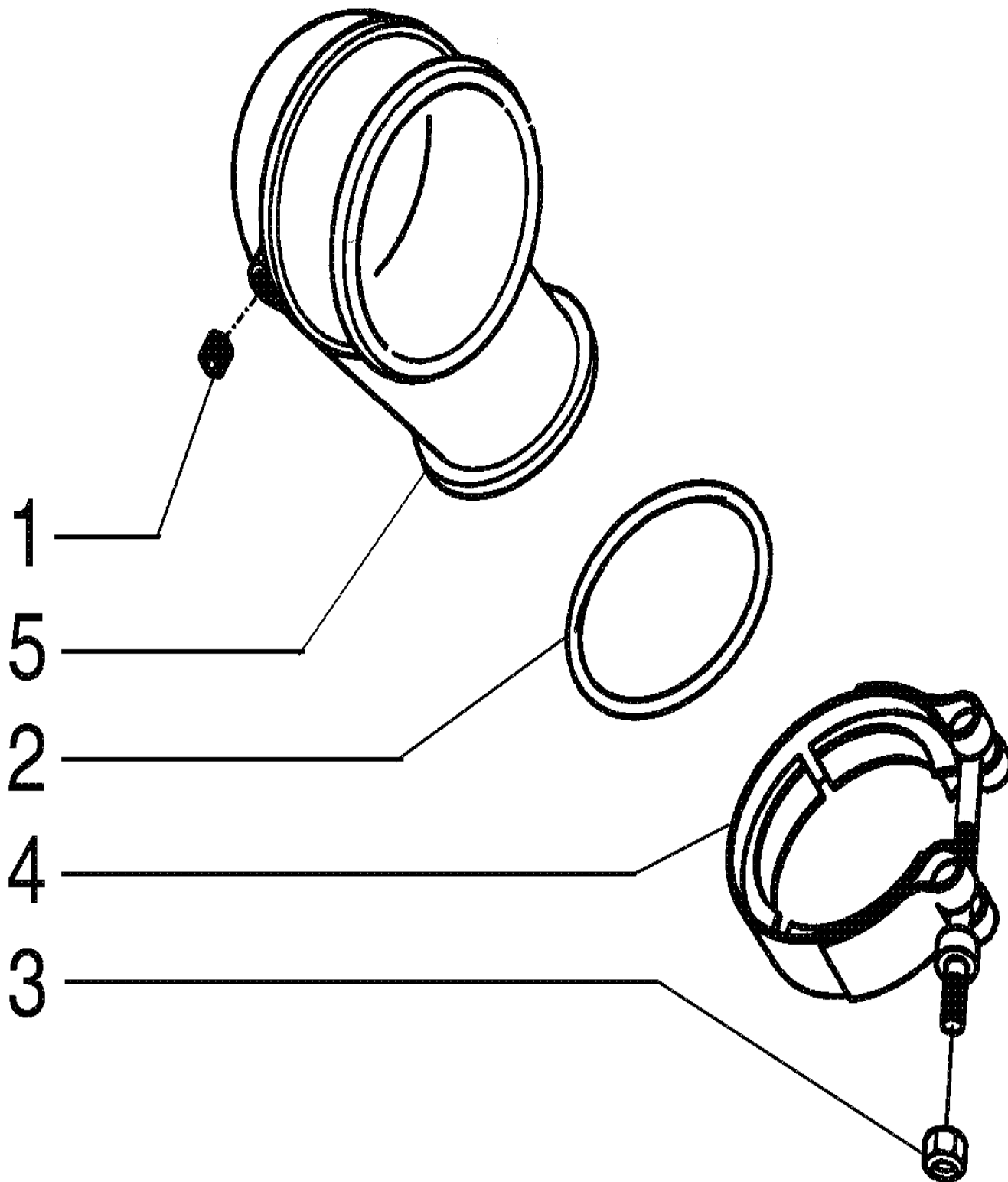
p1

12/201
8

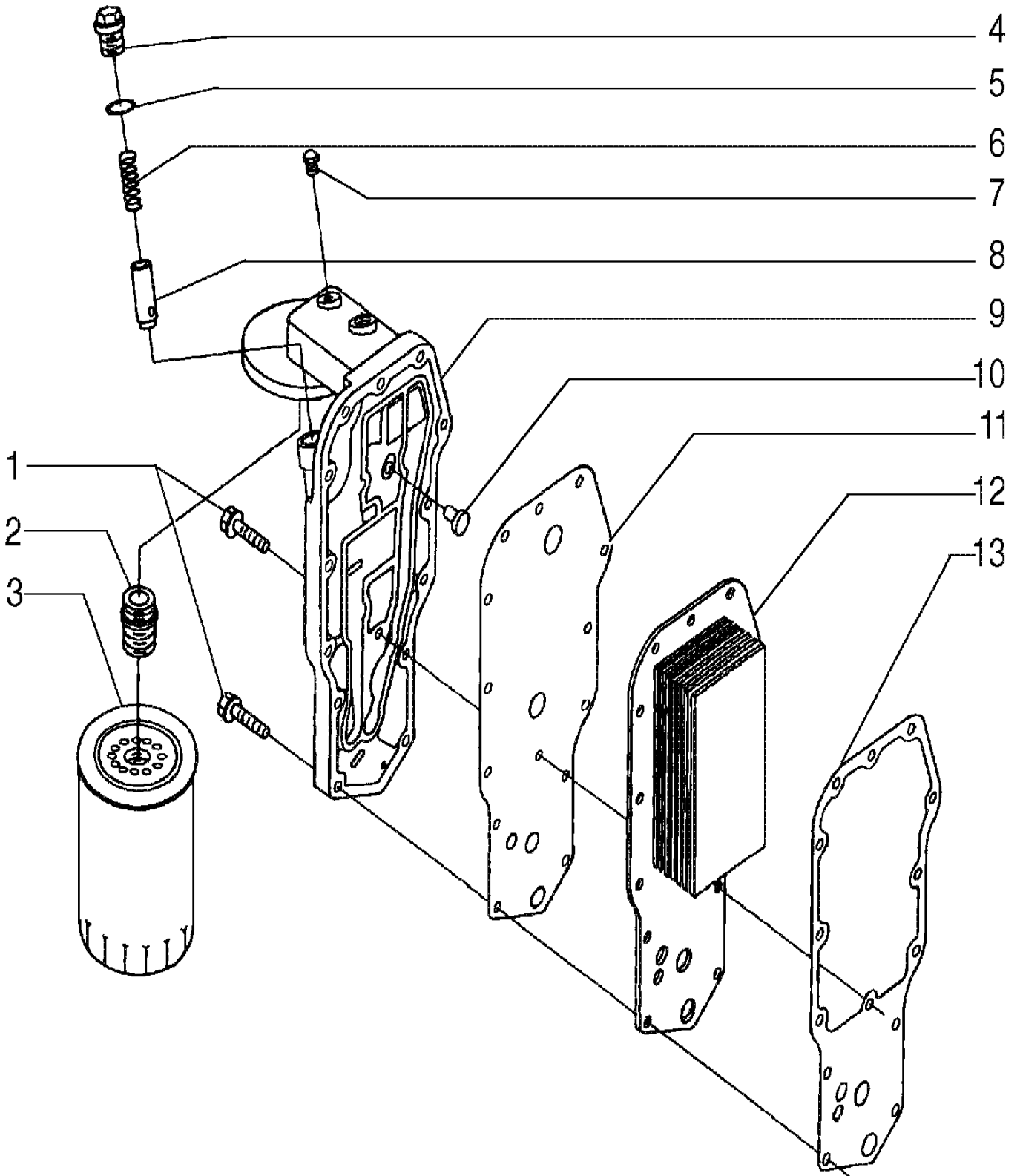
TURBOCHARGER



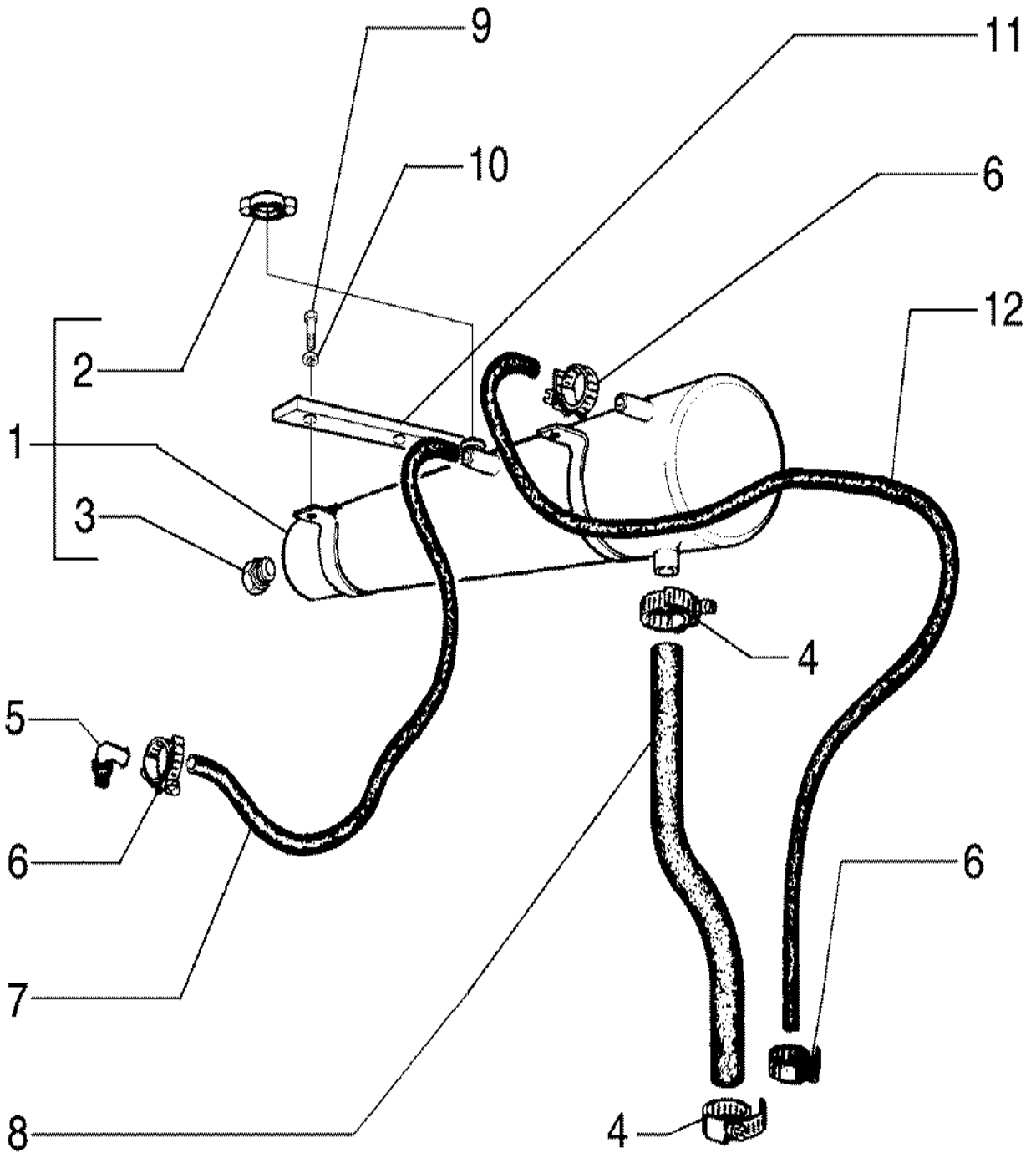
AIR INTAKE CONNECTION



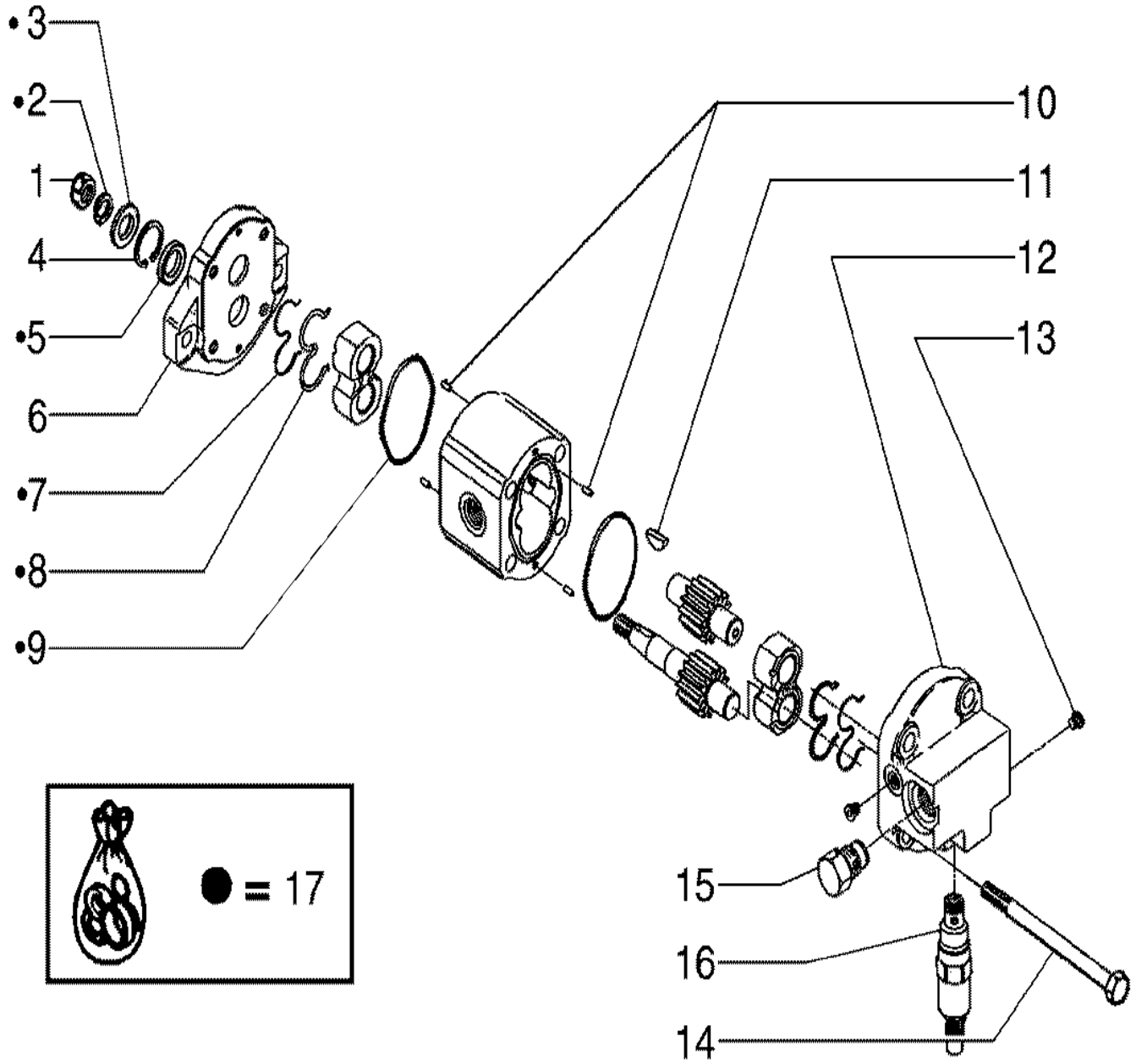
OIL FILTER & HEAT EXCHANGER



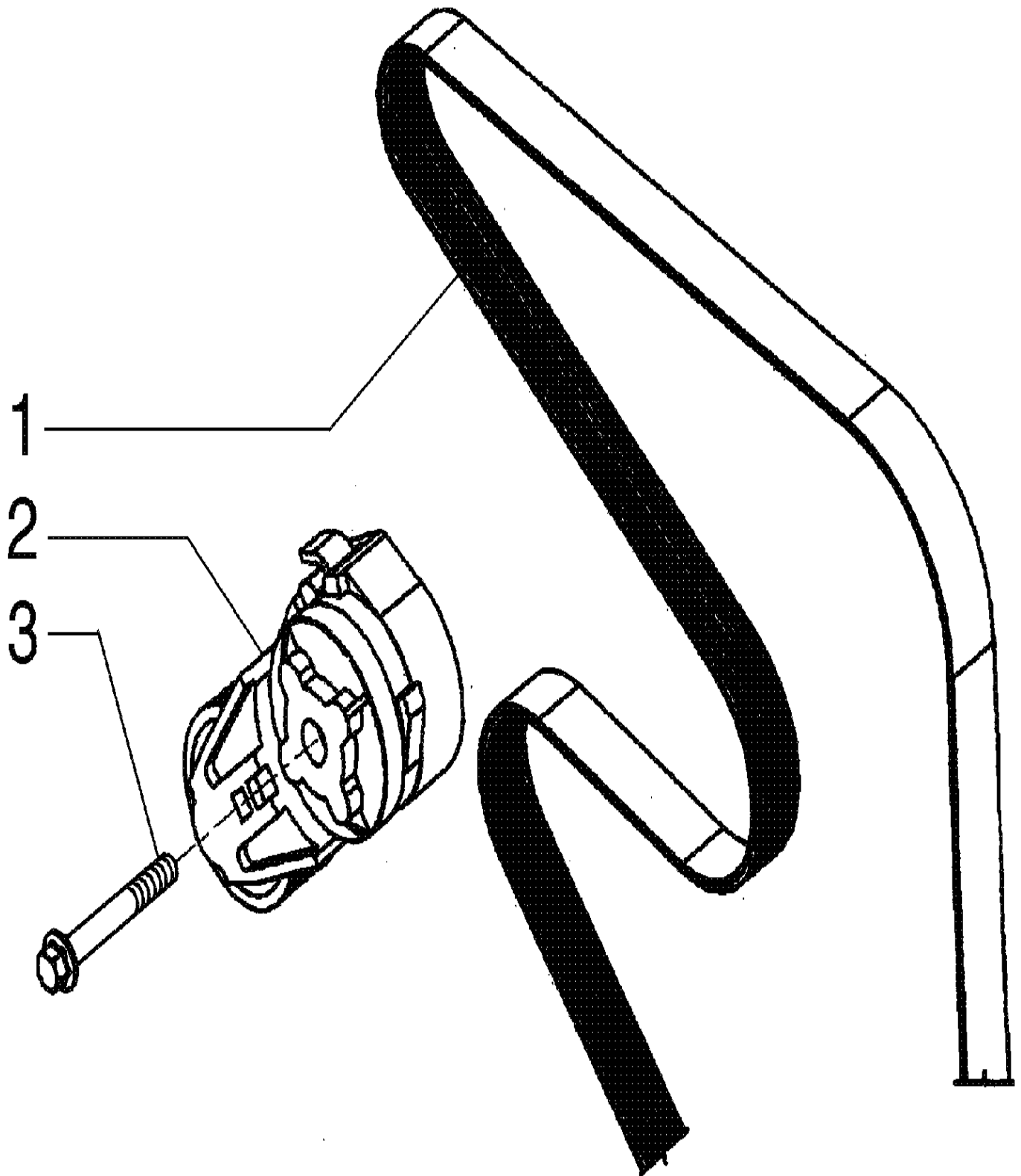
WATER TANK



HYDRAULIC MOTOR FAN



BELT STRETCHER AND BELT

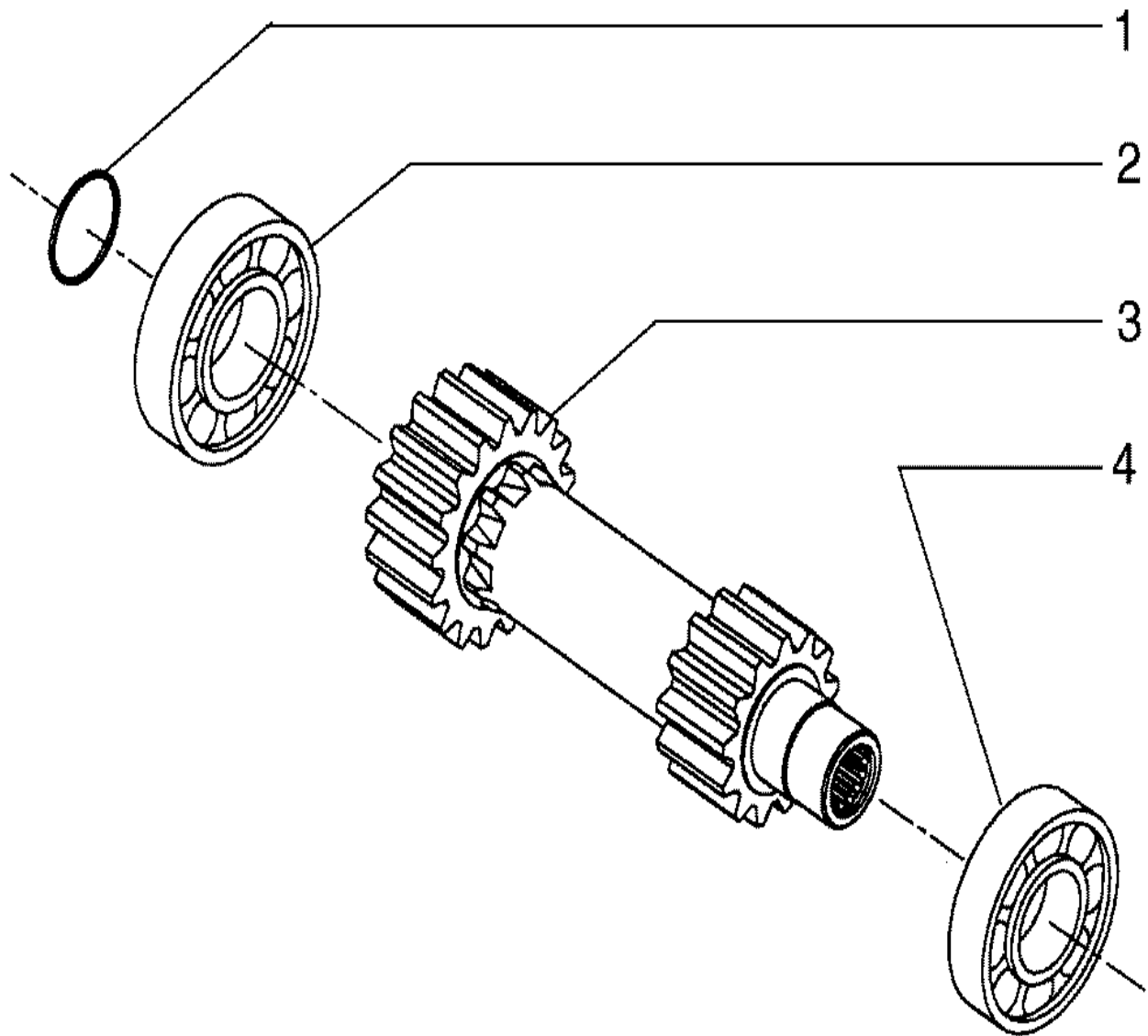


SECTION INDEX

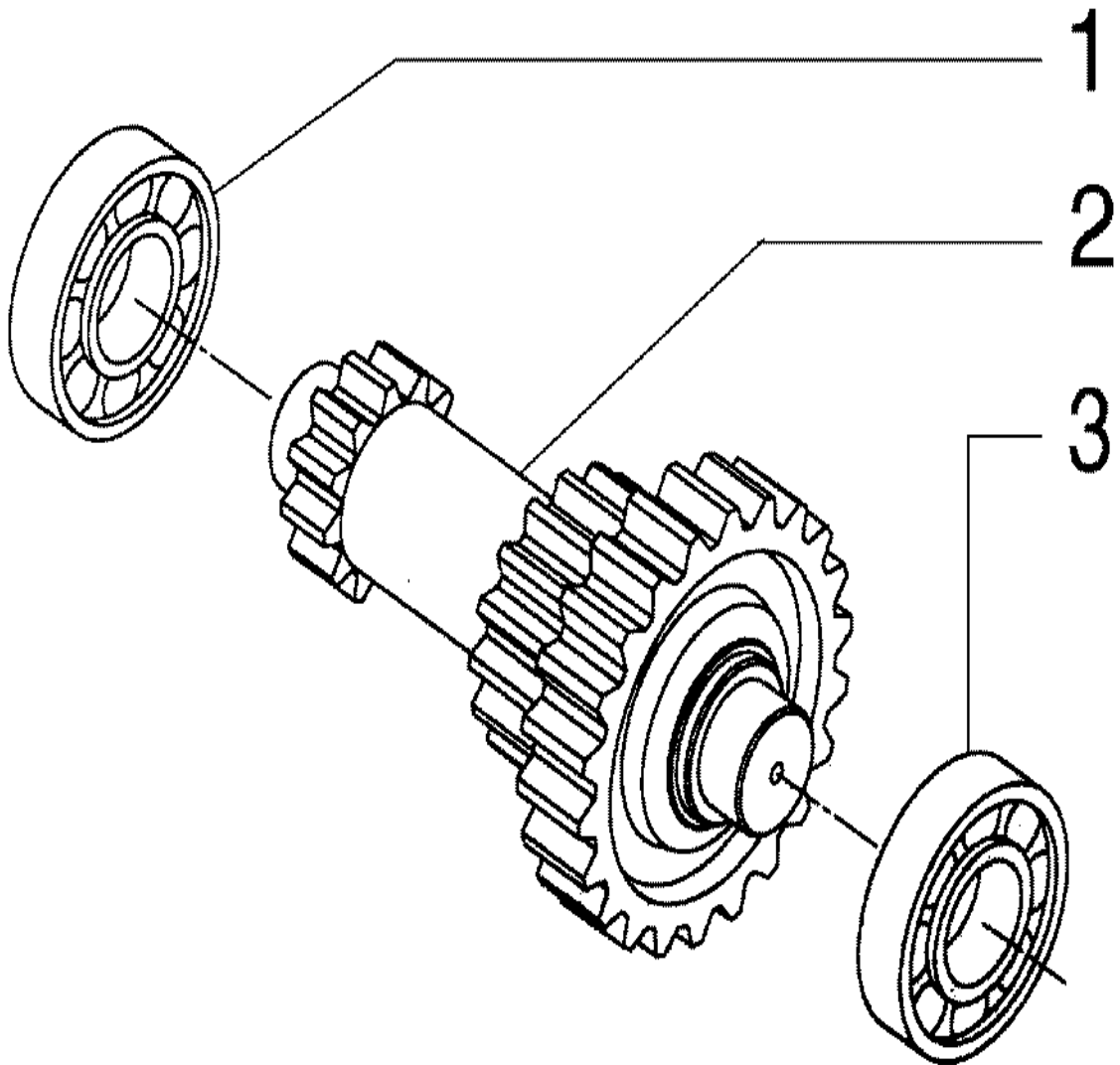
TRANSMISSION

B2.00	01	TRANSMISSION
B2.01	01	TRANSMISSION
B2.01	02	TRANSMISSION
B2.01	03	TRANSMISSION - 1ST SPEED SHAFT
B2.01	04	TRANSMISSION - 2ND SPEED SHAFT
B2.01	05	TRANSMISSION - 3RD SPEED SHAFT
B2.01	06	TRANSMISSION - 4TH SPEED SHAFT
B2.01	07	TRANSMISSION - 5TH SPEED SHAFT
B2.01	08	TRANSMISSION - 6TH SPEED SHAFT
B2.01	09	TRANSMISSION
B2.01	10	TRANSMISSION
B2.01	11	TRANSMISSION - VALVE
B2.01	12	TRANSMISSION - VALVE
B2.01	13	TRANSMISSION - VALVE
B2.01	14	TRANSMISSION - PROPORTIONAL VALVE
B2.01	15	TRANSMISSION
B2.01	16	TRANSMISSION - PUMP
B2.01	17	TRANSMISSION - PARKING BRAKE
B2.01	18	TRANSMISSION - PARKING BRAKE
B2.01	19	TRANSMISSION - PARKING BRAKE
B2.06	01	TRANSMISSION OIL COOLER
B2.06	02	TRANSMISSION OIL DIPSTICK
B2.06	03	AXLE OIL COOLER
B2.06	04	TRANSMISSION PUMP AND FILTER LINES
B2.06	05	TRANSMISSION OIL FILTER
B2.07	01	TRANSMISSION CONTROL
B2.07	02	TRANSMISSION CONTROL
B2.07	03	TRANSMISSION CONTROL

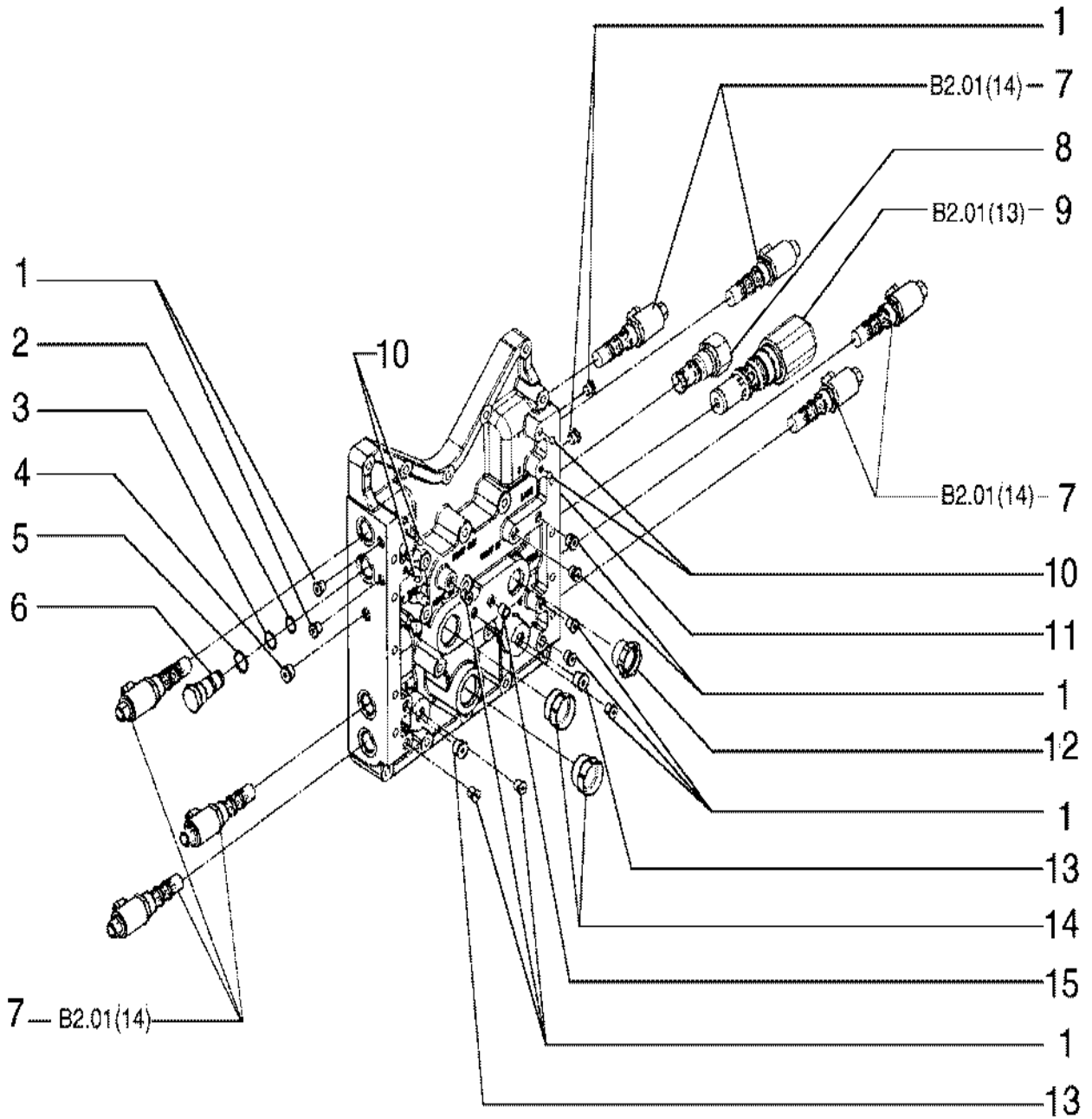
TRANSMISSION - 1ST SPEED SHAFT



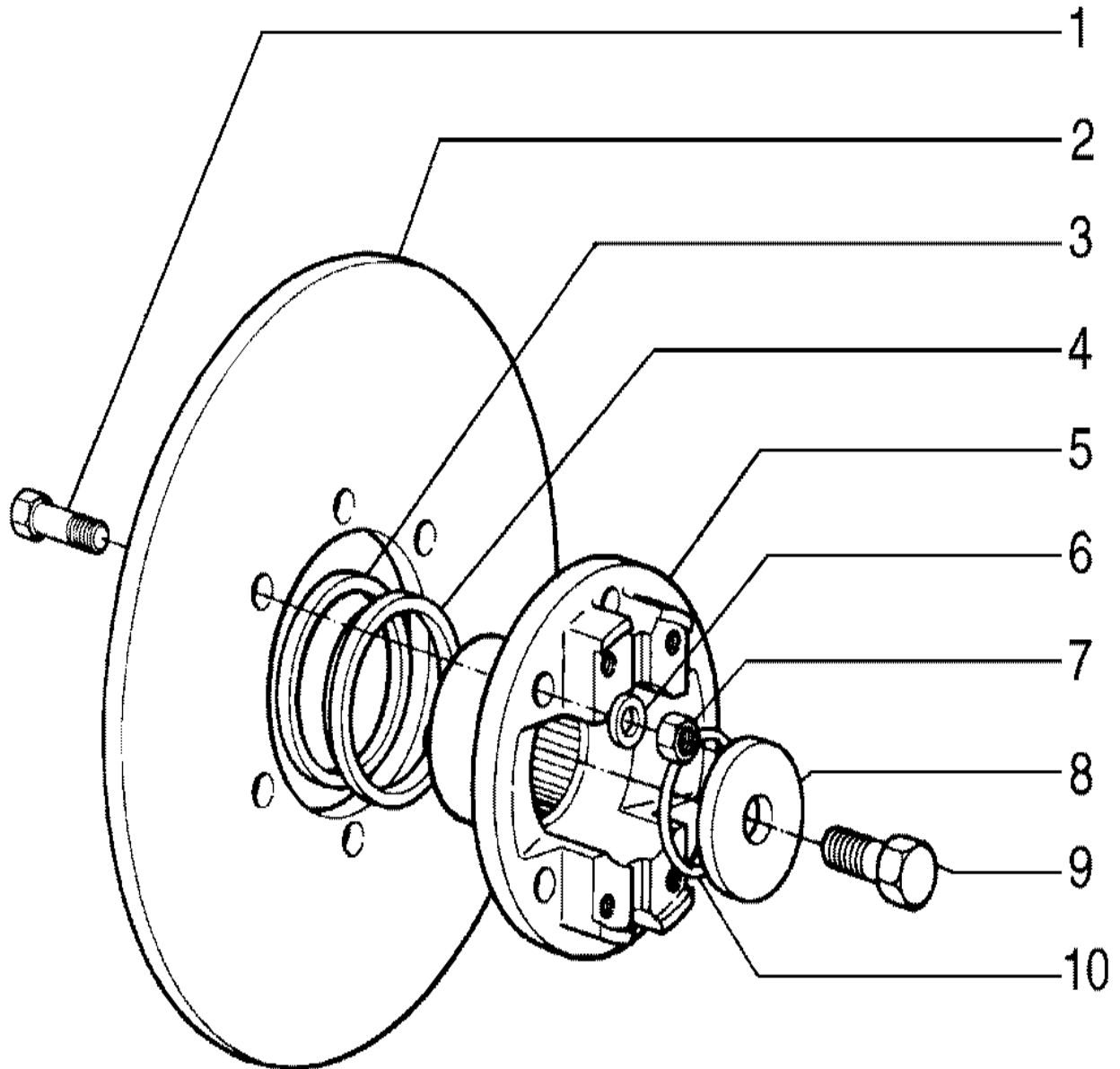
TRANSMISSION - 6TH SPEED SHAFT



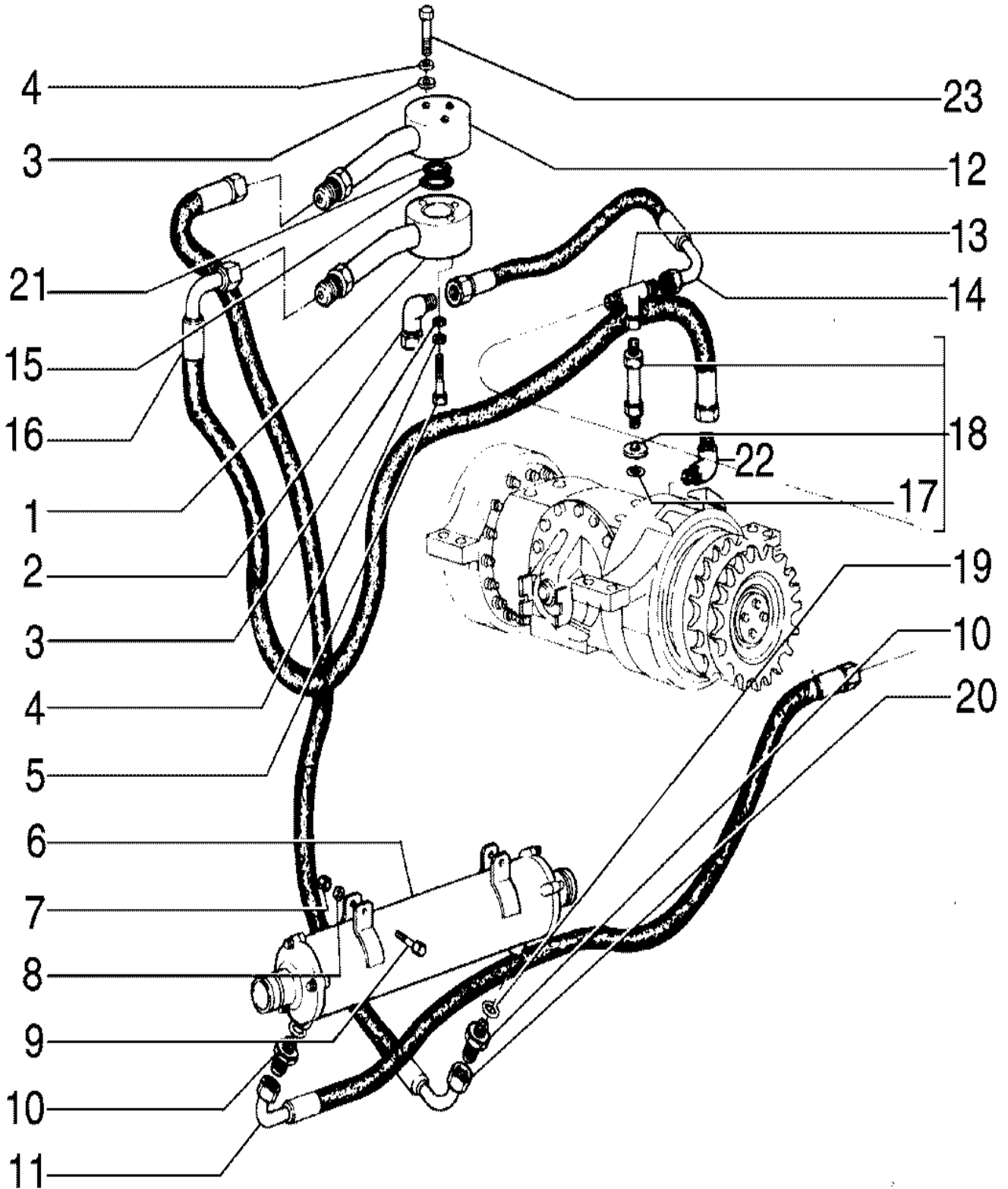
TRANSMISSION - VALVE



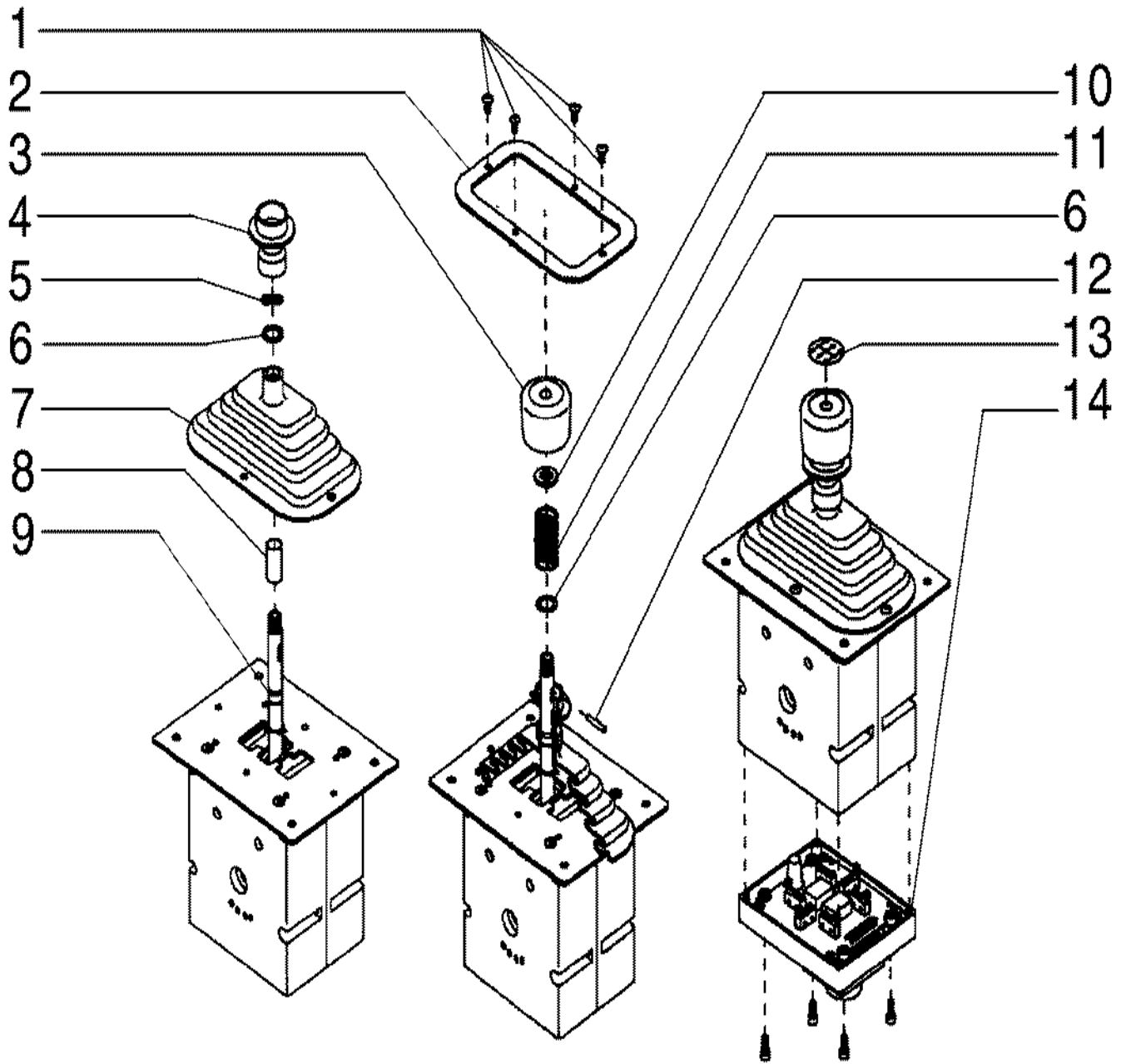
TRANSMISSION - PARKING BRAKE



AXLE OIL COOLER



TRANSMISSION CONTROL



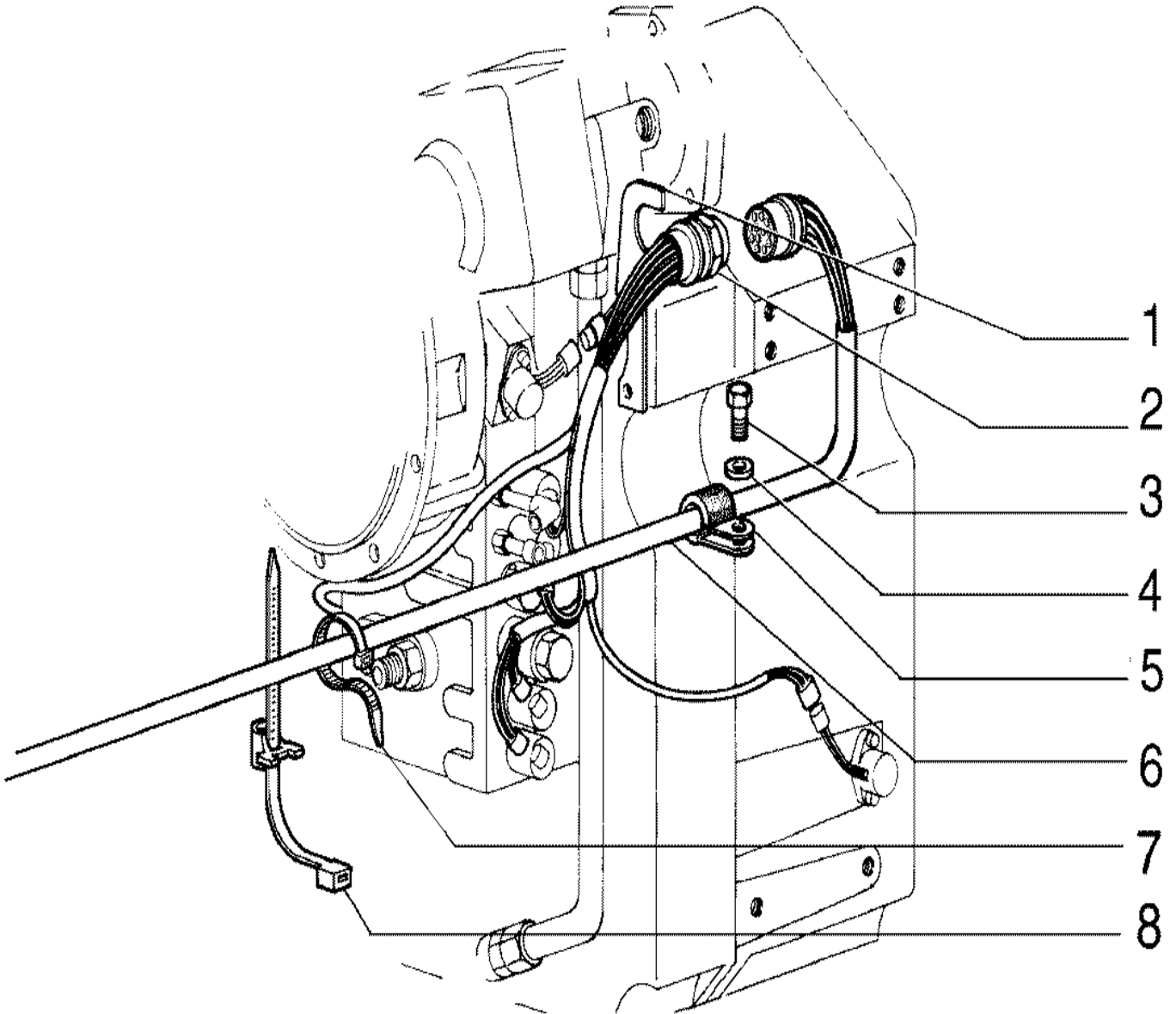
F4.01

01

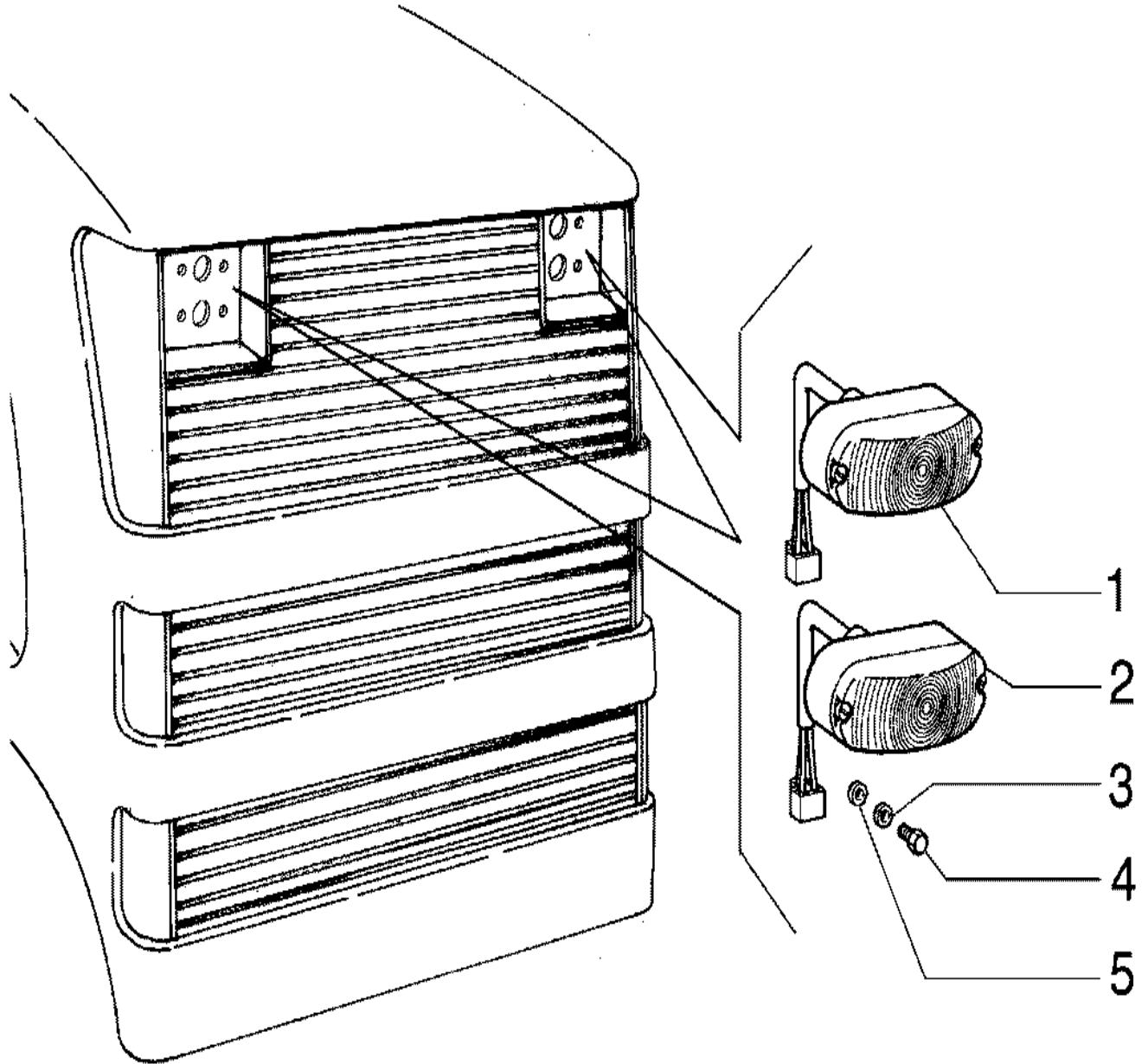
p1

12/201
8

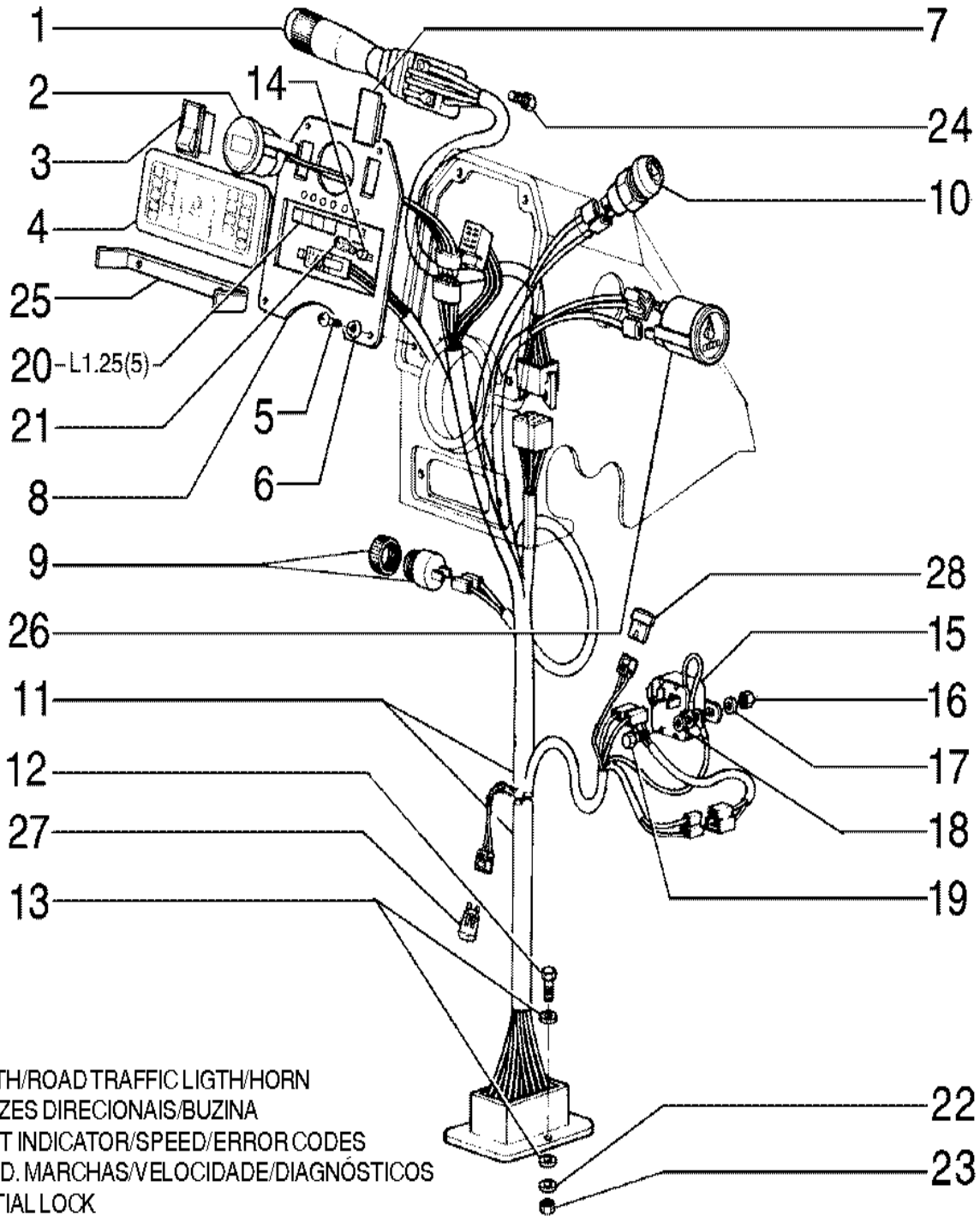
ELECTRIC SYSTEM



TURN SIGNAL



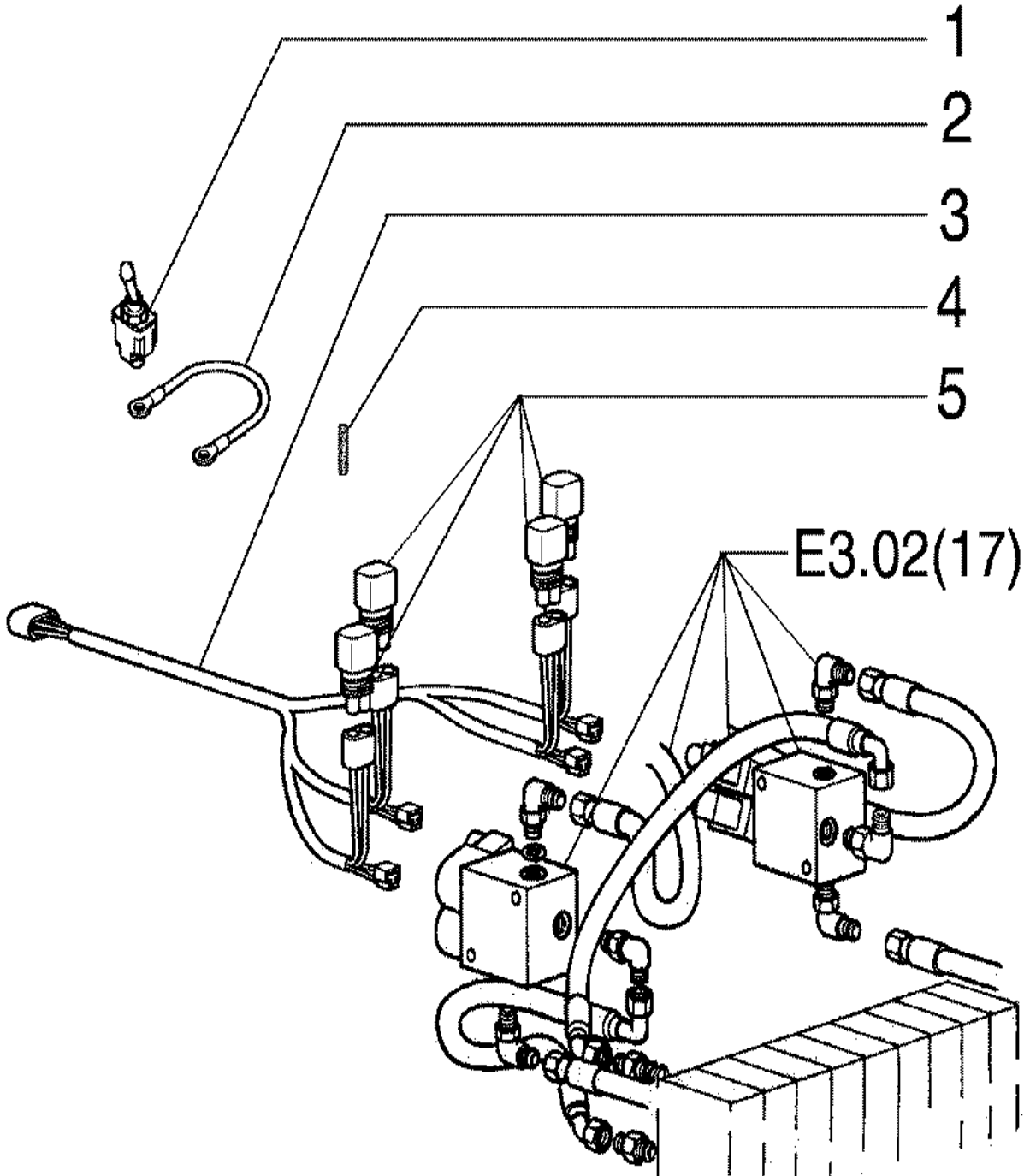
ELECTRIC SYSTEM



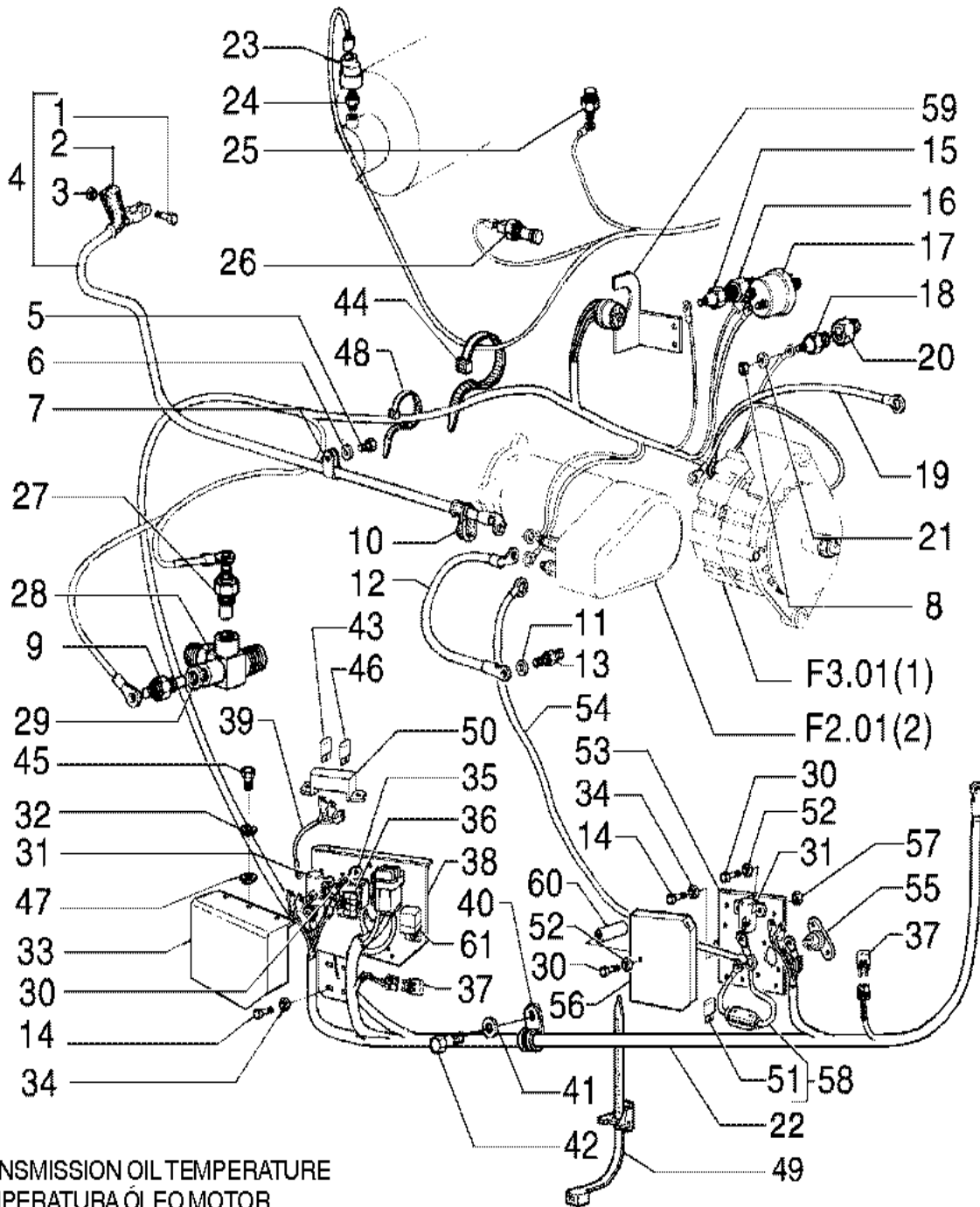
- 1- FLOODLIGH/ROAD TRAFFIC LIGH/HORN
FARÓIS/LUZES DIRECIONAIS/BUZINA
- 2- GEARSHIFT INDICATOR/SPEED/ERROR CODES
DISPLAY IND. MARCHAS/VELOCIDADE/DIAGNÓSTICOS
- 3- DIFFERENTIAL LOCK
BLOQUEIO DO DIFERENCIAL
- 9- BUZZER
ALARME
- 10- HAZARD
ALERTA

- 14- EXCITE RESISTOR
PRÉ-EXITAÇÃO DO ALTERNADOR
- 15- ROAD TRAFFIC LIGH
LUZES DIRECIONAIS

SCARIFIER AND RIPPER - ELECTRIC SYSTEM



ELECTRIC SYSTEM



- 9 - TRANSMISSION OIL TEMPERATURE
TEMPERATURA ÓLEO MOTOR
- 15 - ENGINE WATER TEMPERATURE
TEMPERATURA ÁGUA MOTOR
- 17 - ENGINE OIL PRESSURE
PRESSÃO ÓLEO MOTOR
- 18 - ENGINE WATER TEMPERATURE
TEMPERATURA ÁGUA MOTOR
- 23 - AIR FILTER RESTRICTION
RESTRIÇÃO FILTRO DE AR

- 25 - HYDRAULIC OIL TEMPERATURE
TEMPERATURA ÓLEO HIDRÁULICO
- 26 - HYDRAULIC FILTER RESTRICTION
RESTRIÇÃO FILTRO HIDRÁULICO
- 27 - TRANSMISSION OIL TEMPERATURE
TEMPERATURA ÓLEO TRANSMISSÃO

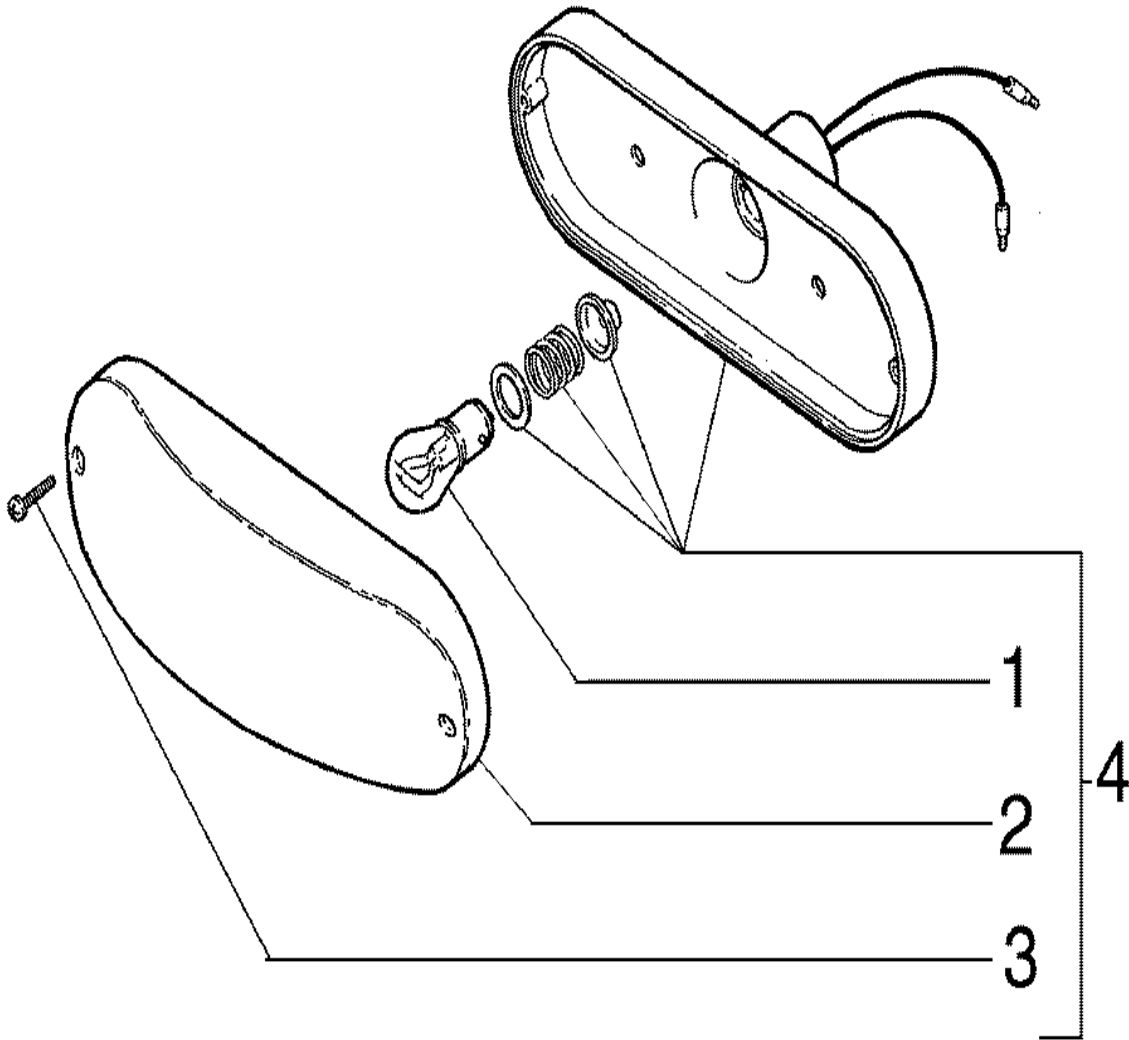
F4.05

03

p1

12/201
8

DIRECTIONAL FLASHING ASS'Y - 75325967



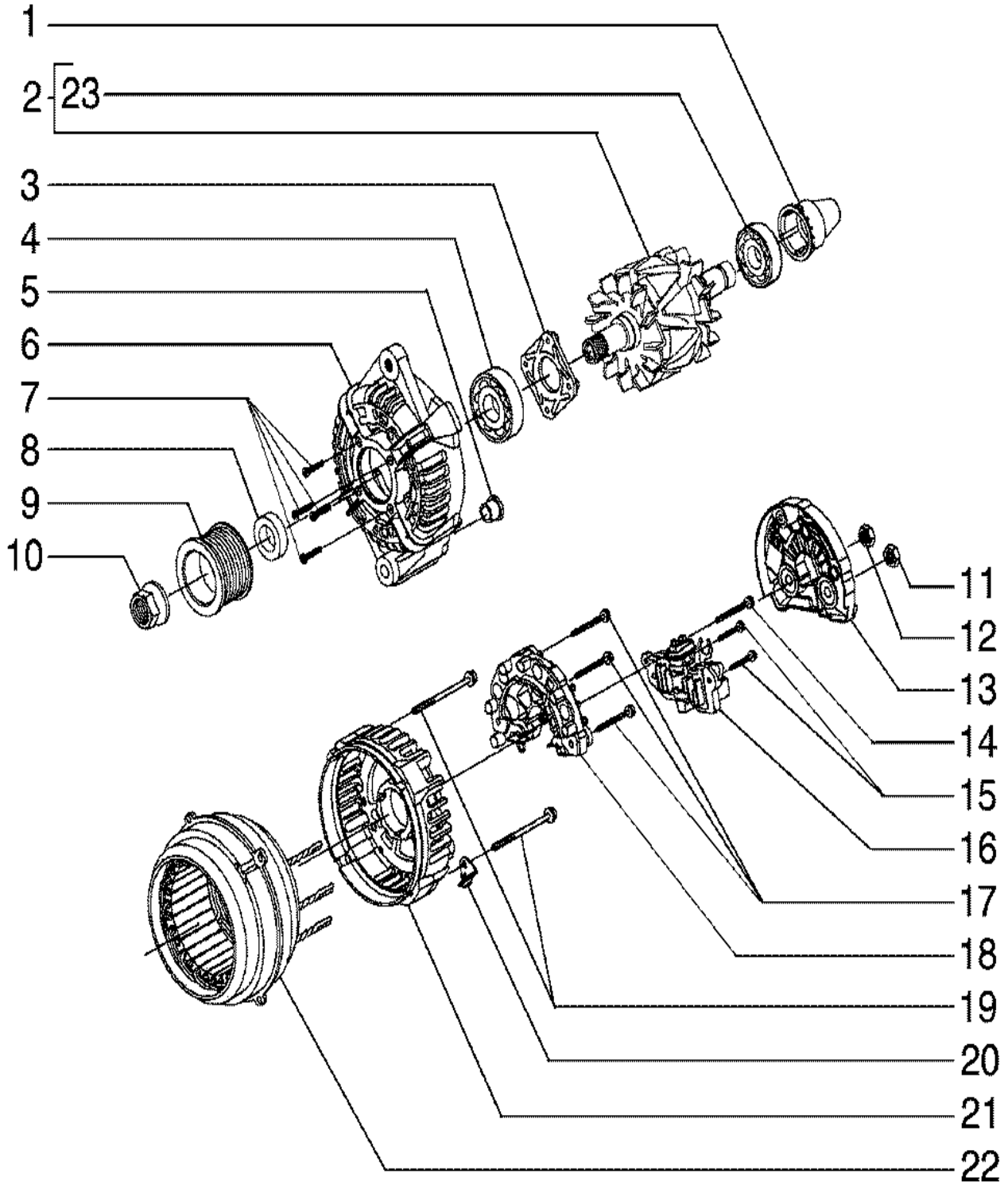
F6.03

01

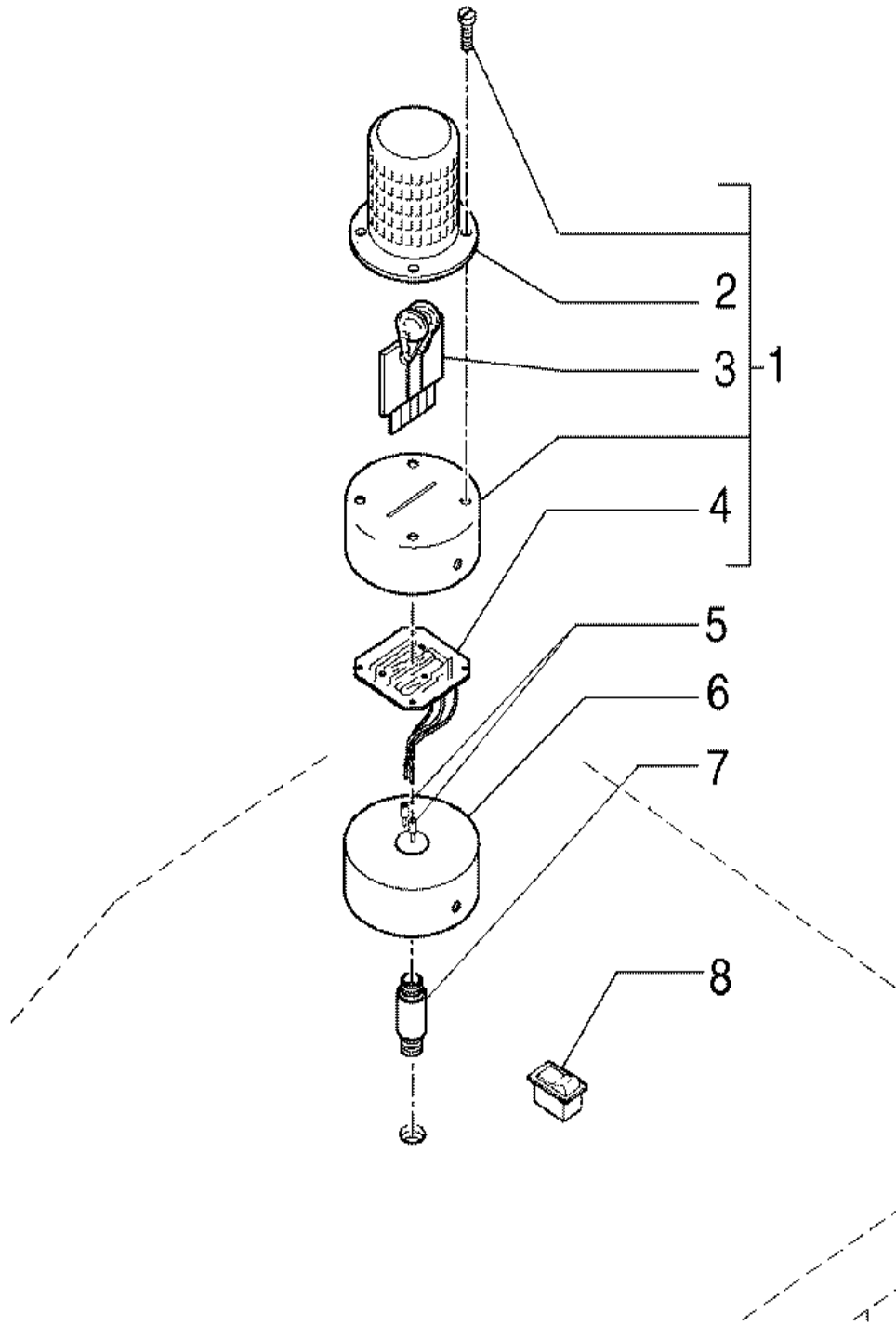
p1

12/2018

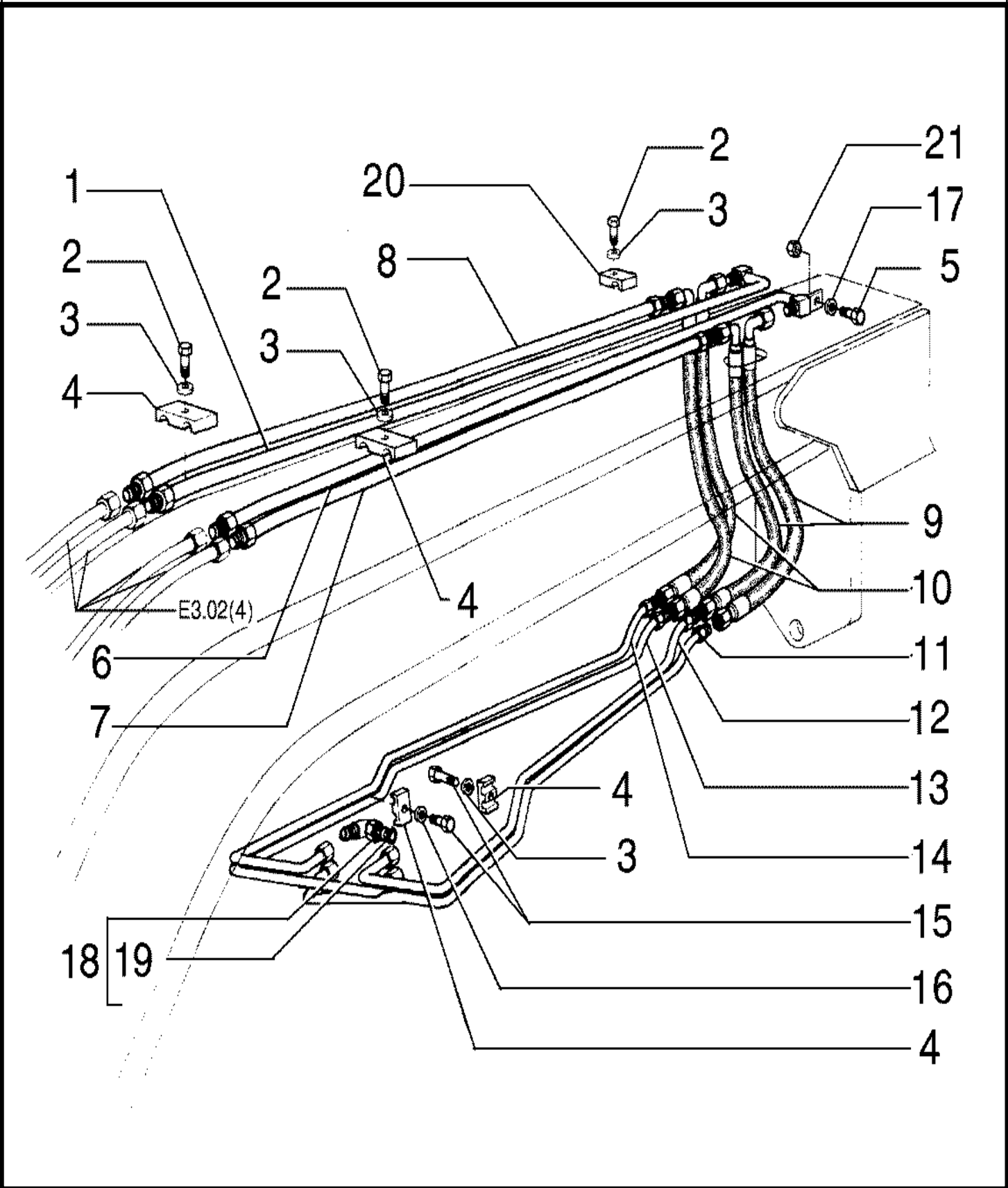
ALTERNATOR 50A - 75261184



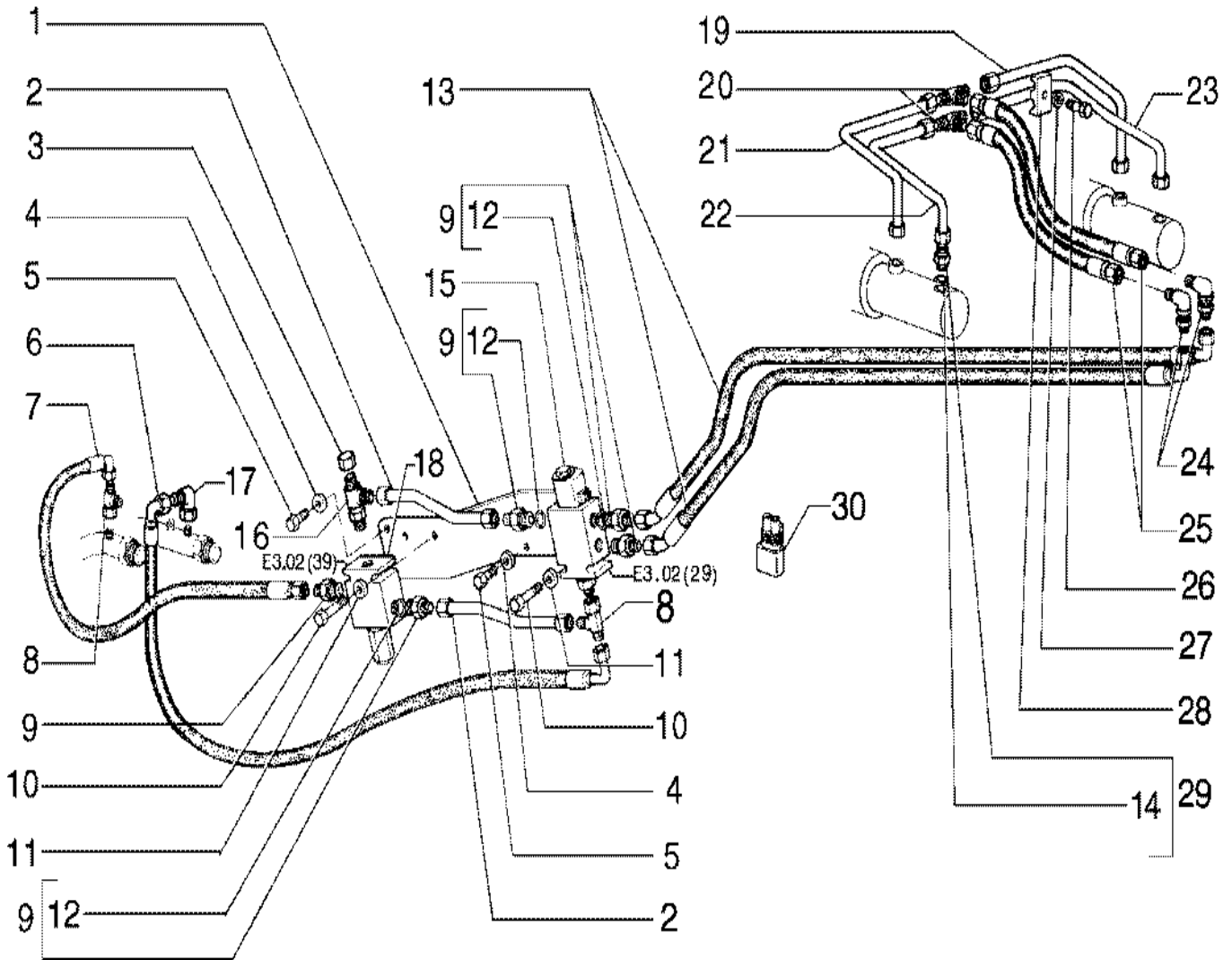
ROTATING WARNING BEACON



HYDRAULIC SYSTEM MOLDBOARD



SADDLE LOCK PIN CYLINDER AND PIPING - OPTIONAL



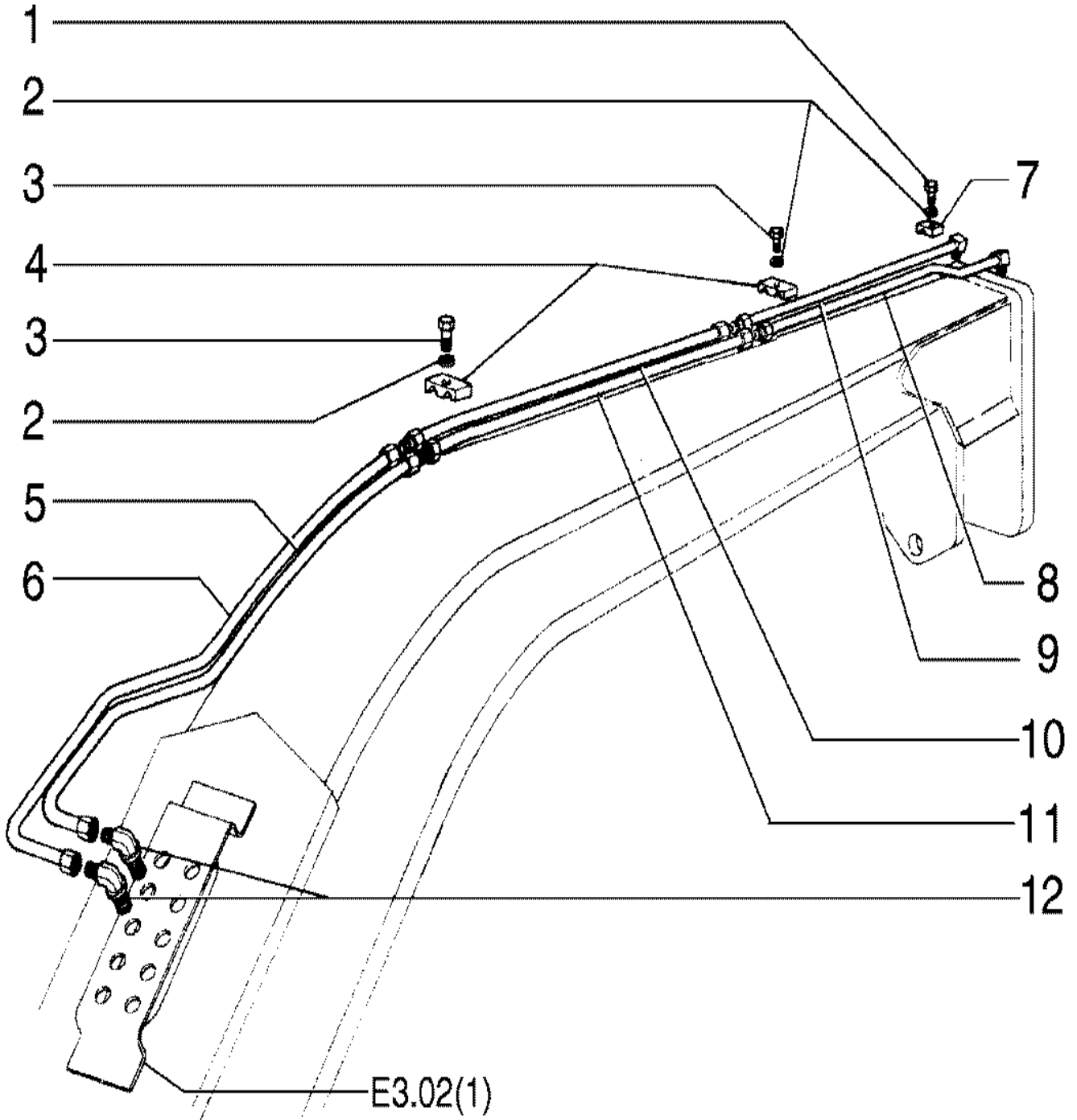
E3.02

11

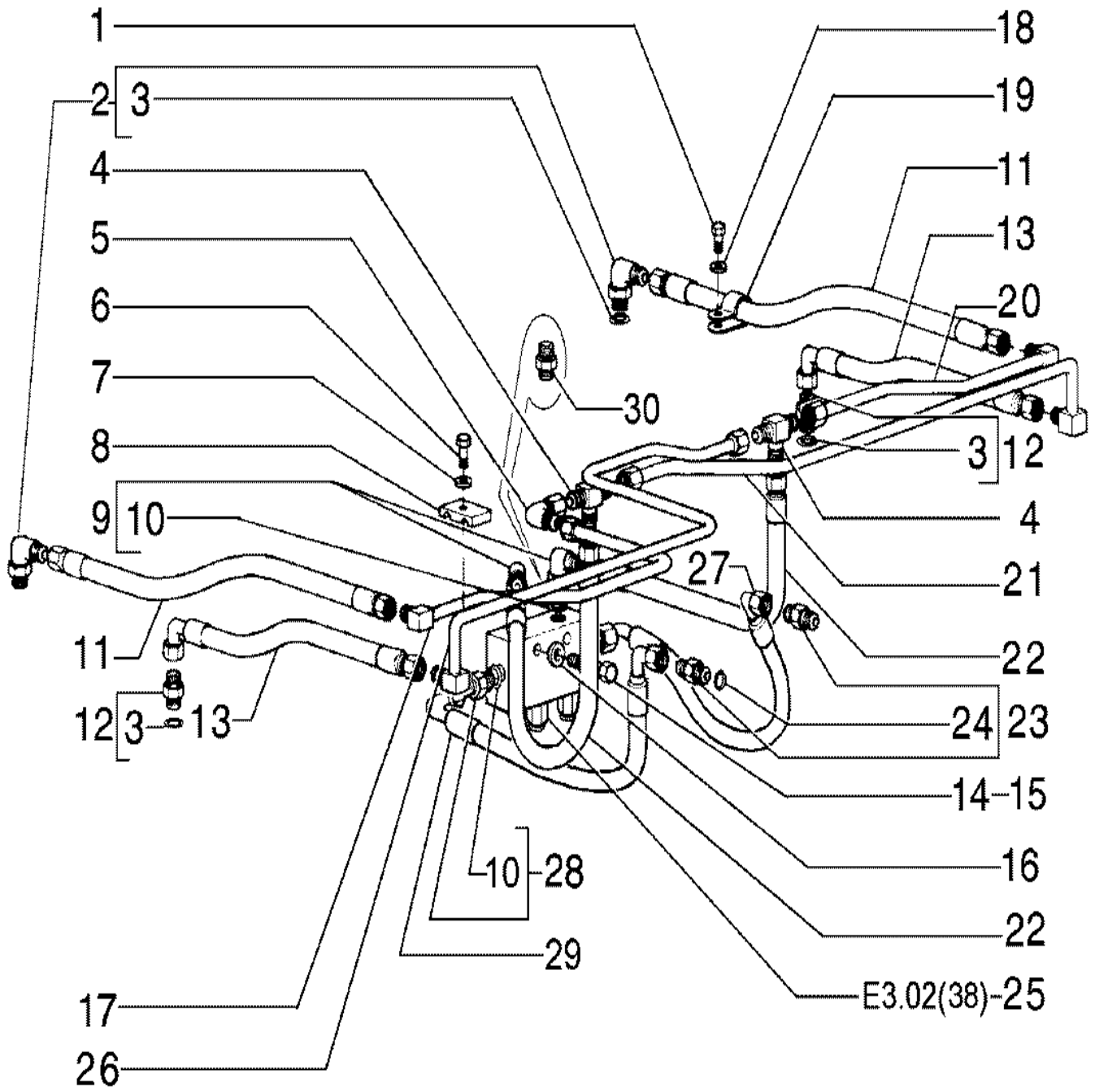
p1

12/201
8

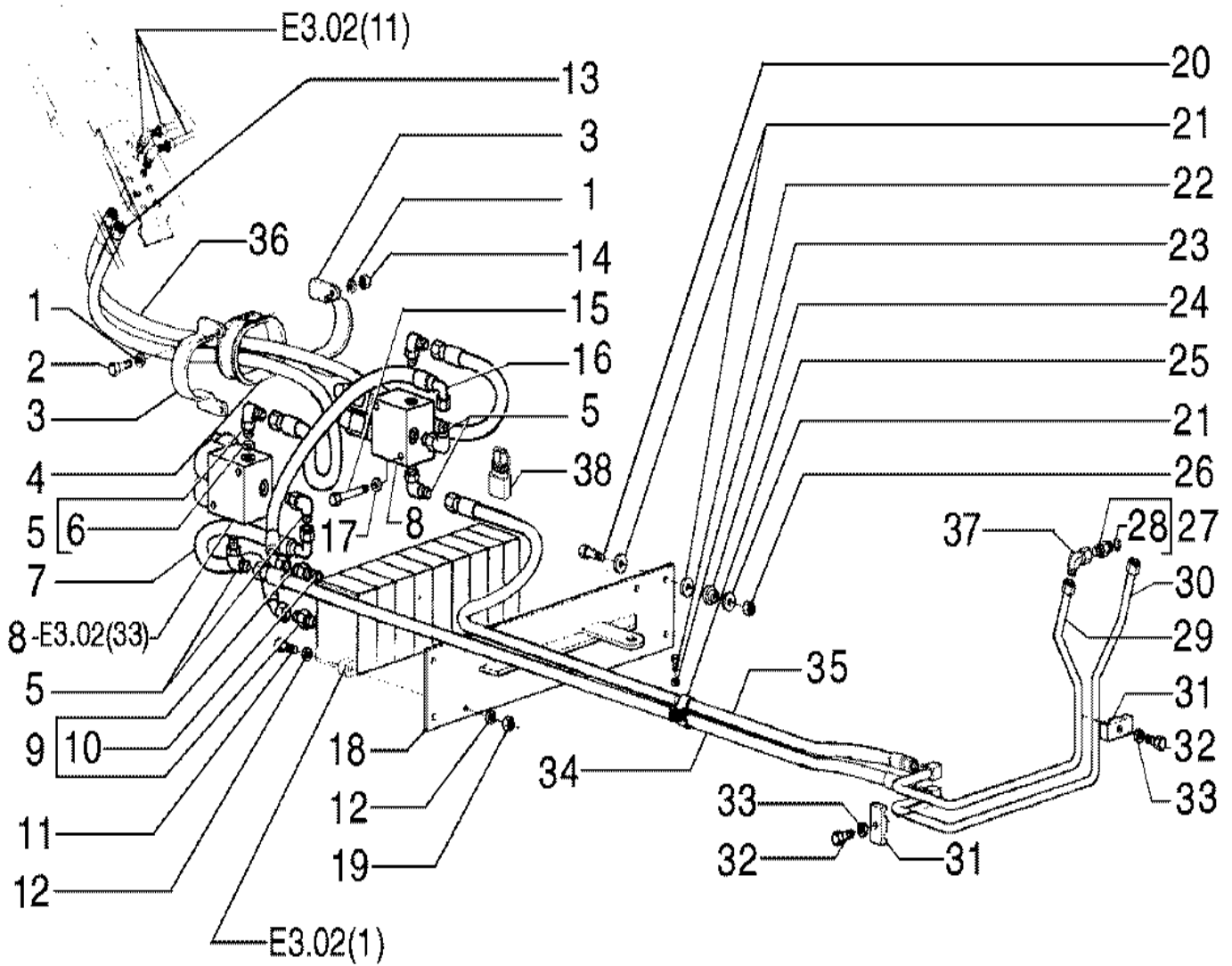
SCARIFIER HYDRAULIC SYSTEM



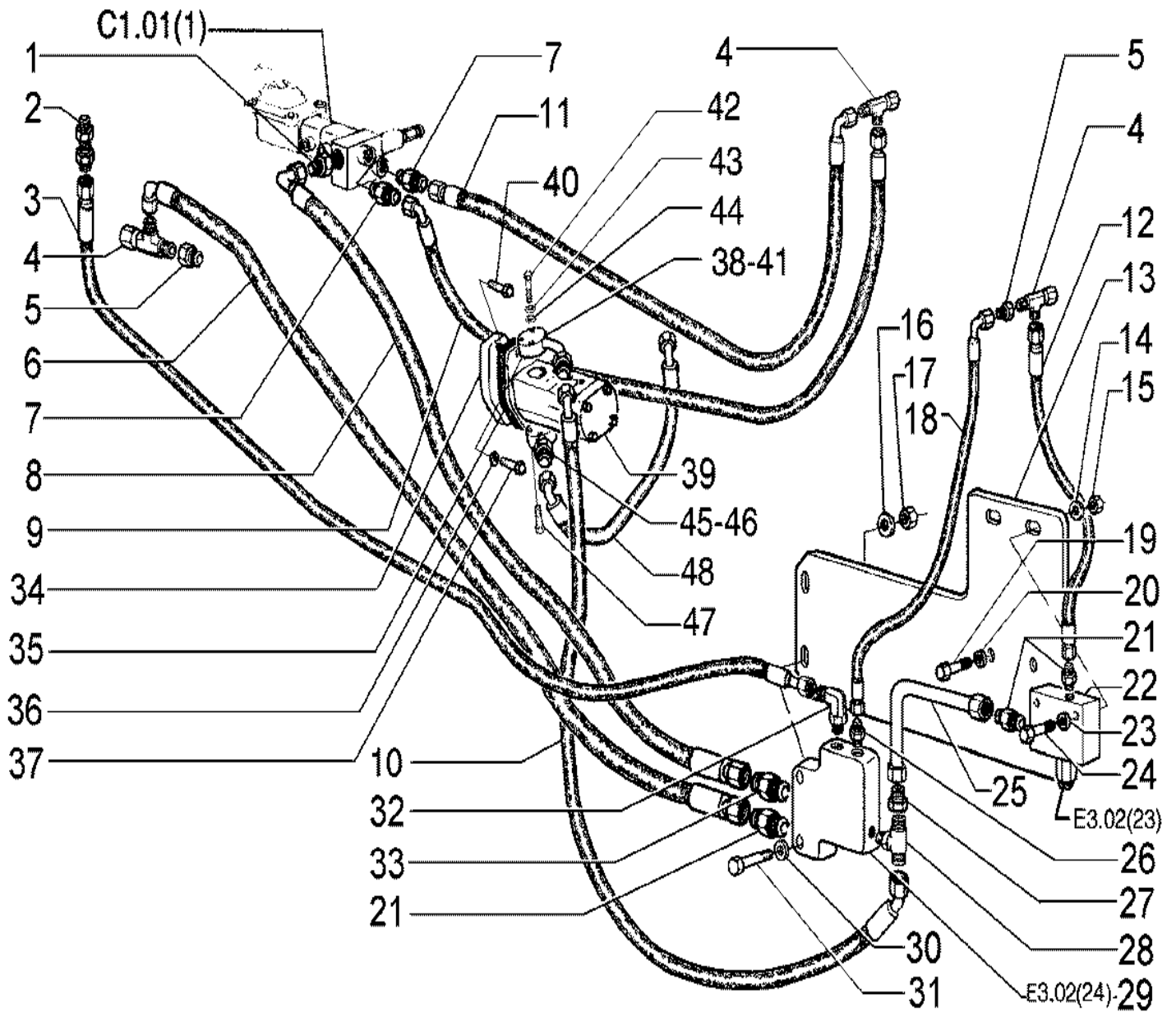
HYDRAULIC ARTICULATION SYSTEM



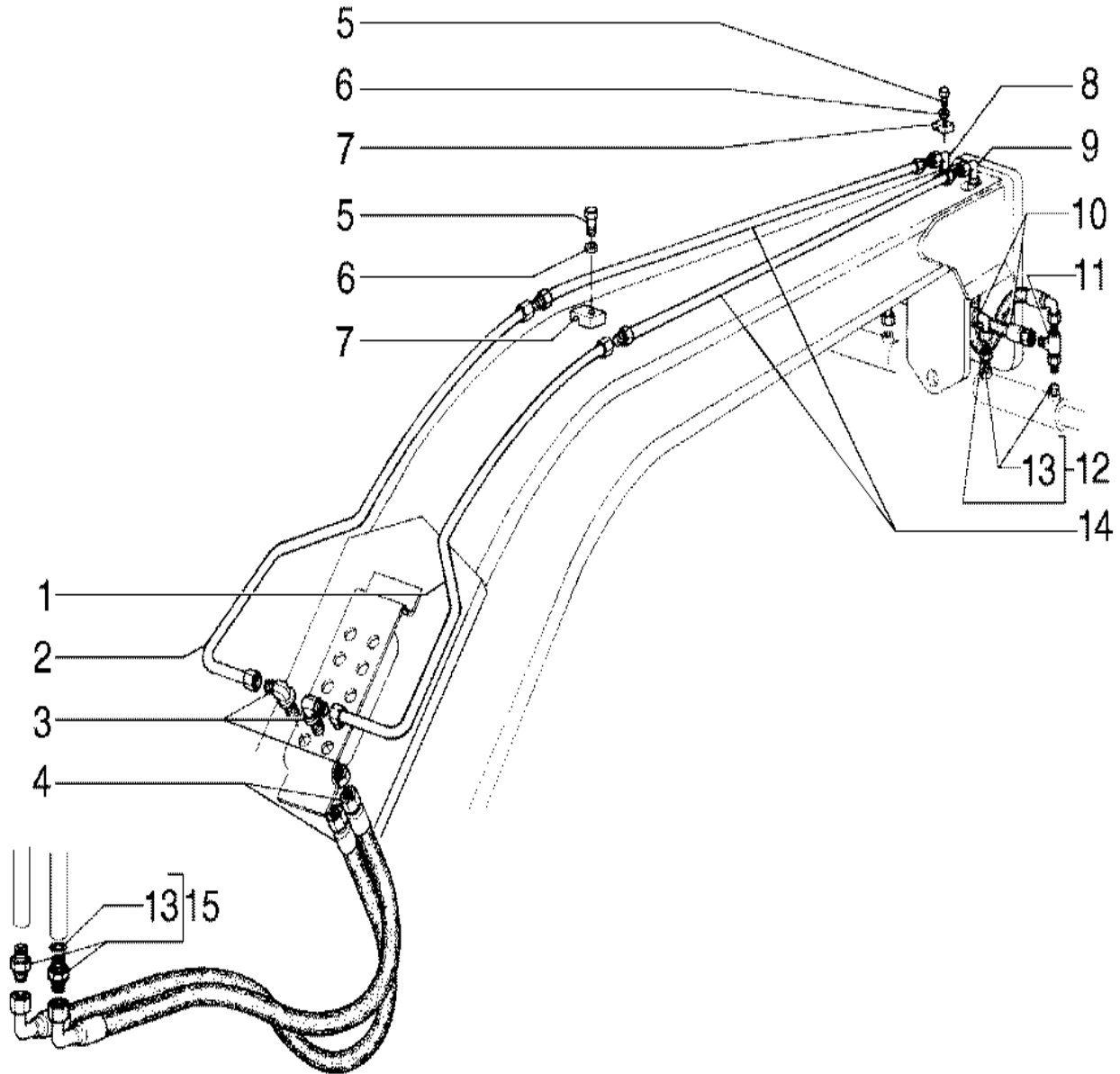
SCARIFIER AND RIPPER HYDRAULIC SYSTEM (May 23 2008 1:28PM)



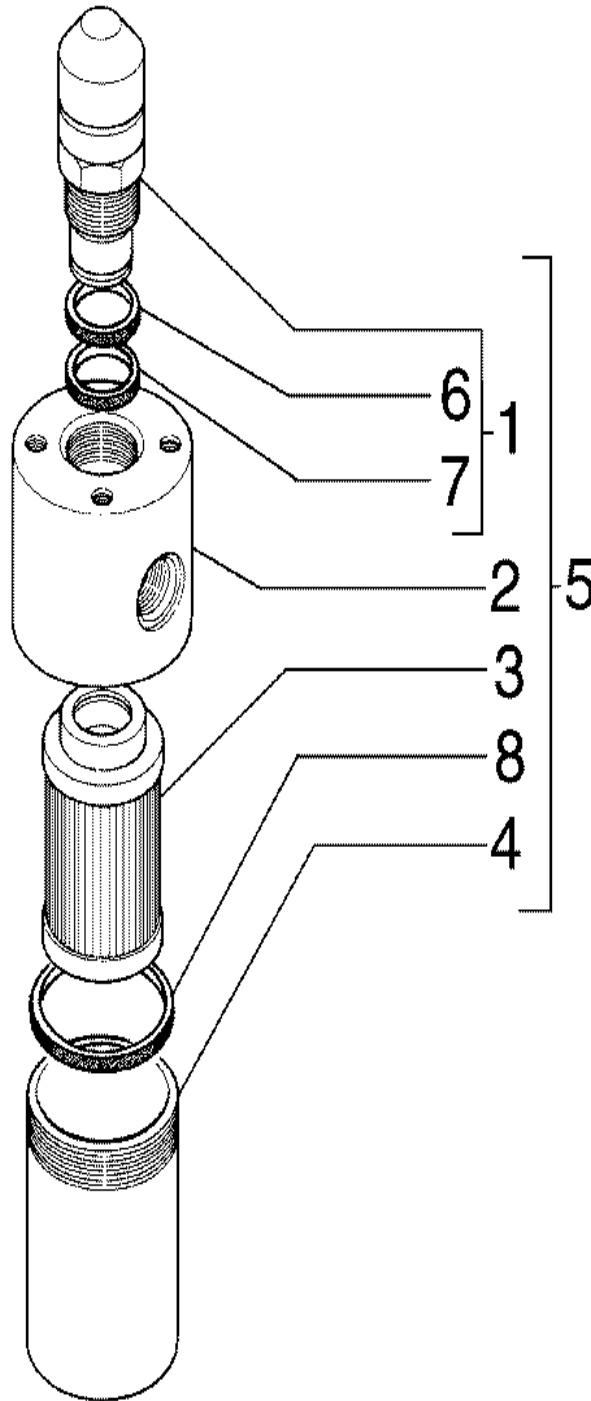
STEERING/BRAKE HYDRAULIC SYSTEM



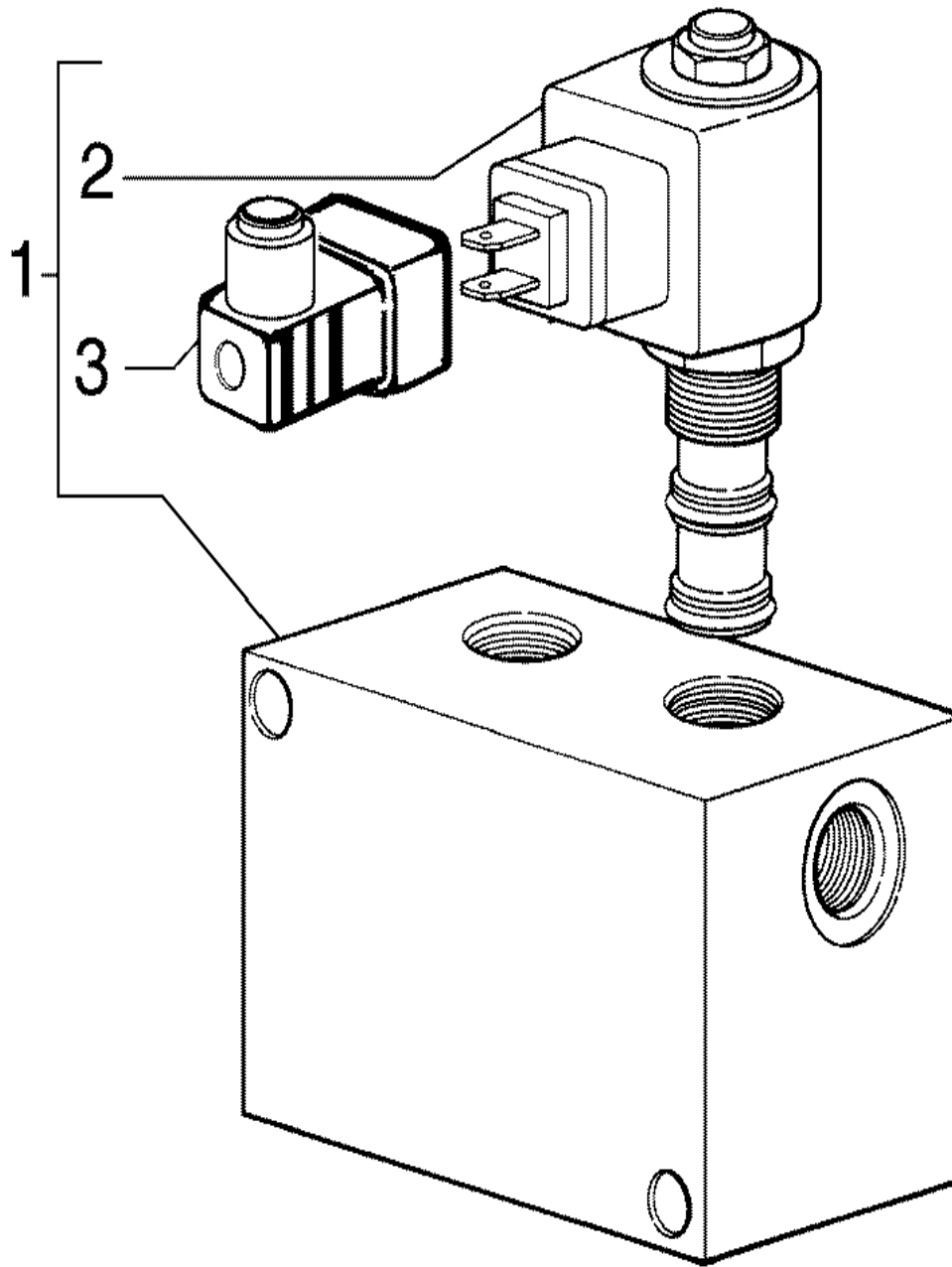
STEERING HYDRAULIC MECHANISM



FILTER ASS'Y (75254360)



SOLENOID VALVE



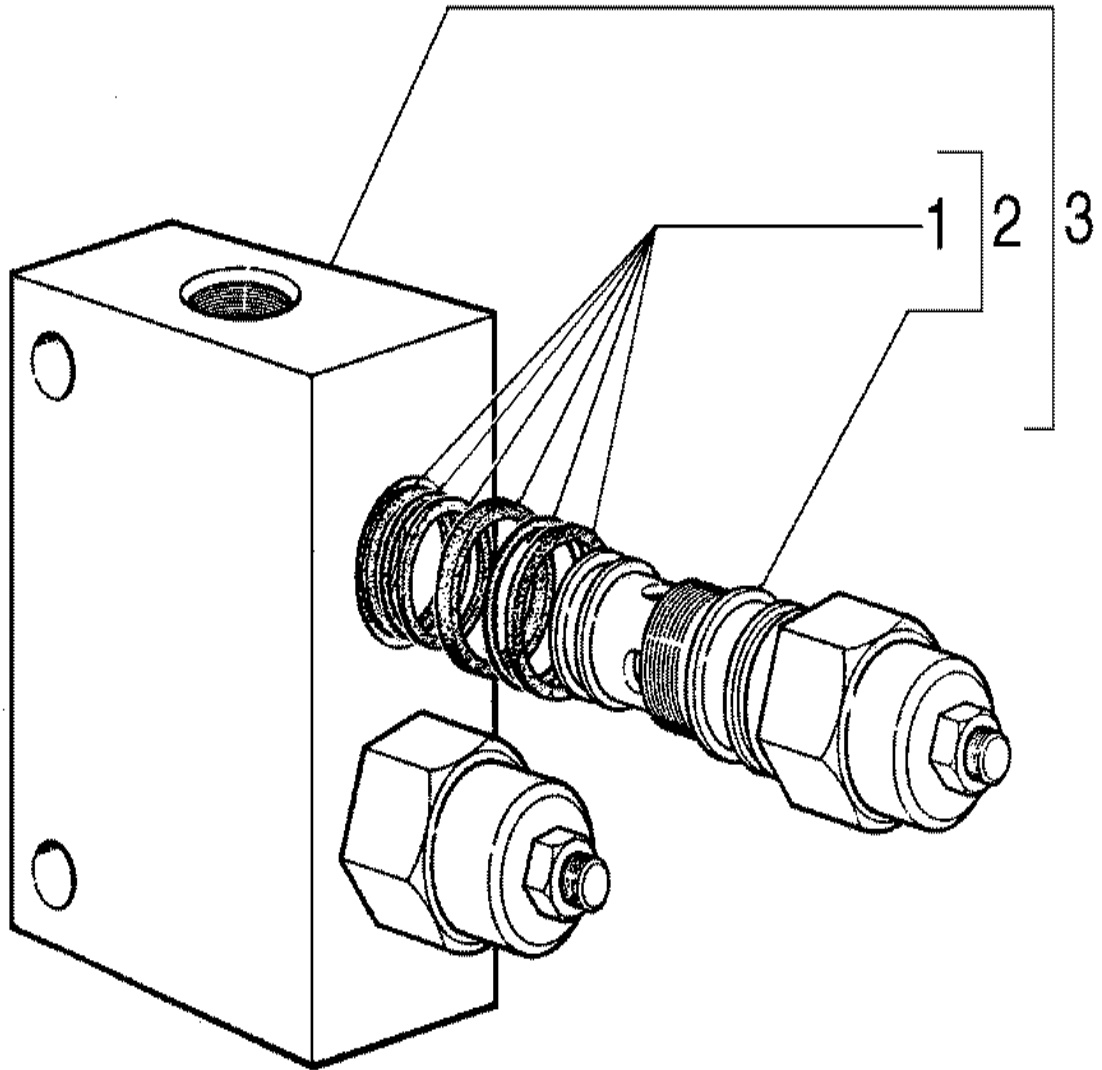
E3.02

38

p1

12/201
8

LOCK VALVE ASSY



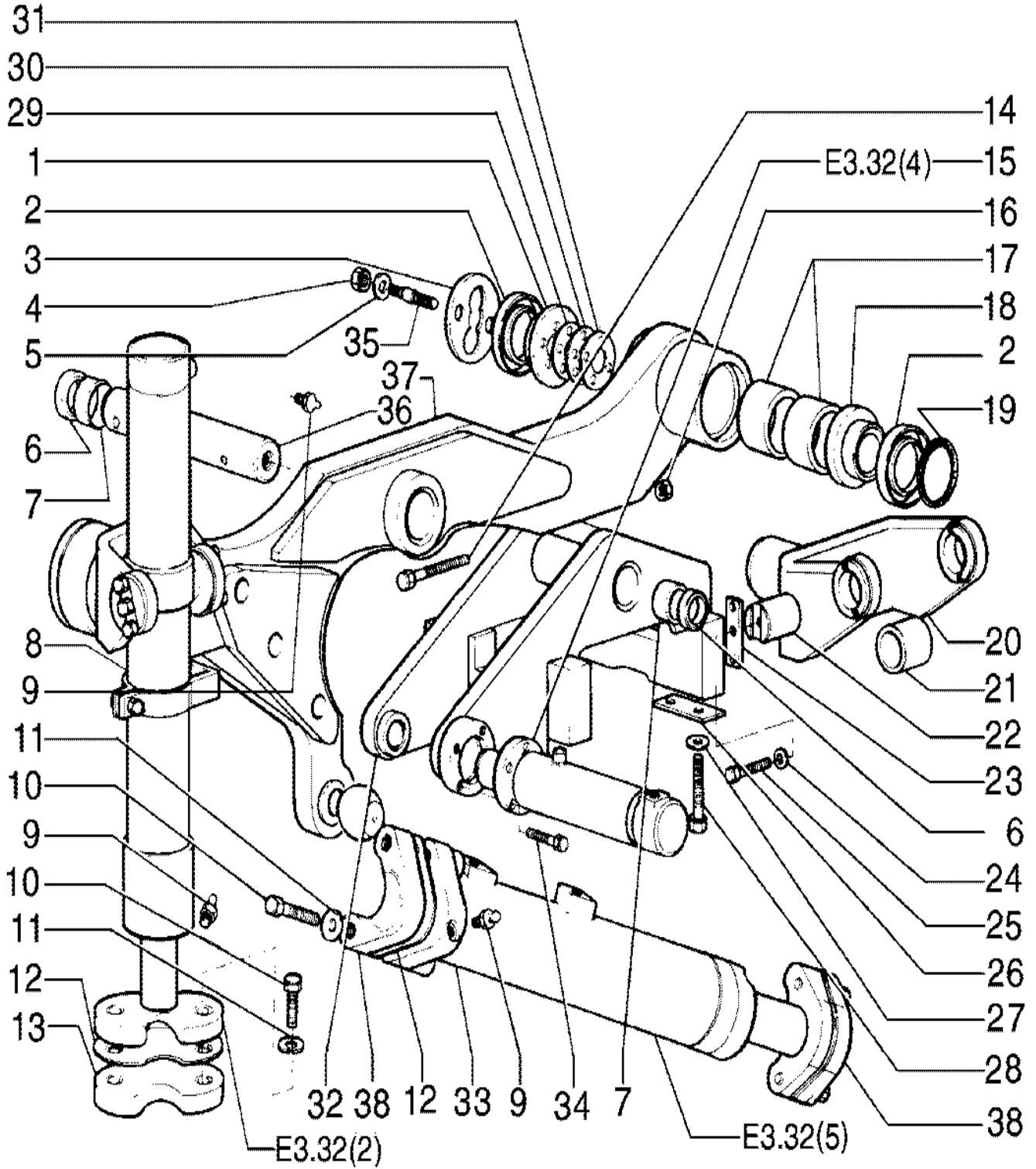
E3.10

01

p2

12/201
8

SADDLE AND CYLINDER



CLICK HERE TO **DOWNLOAD** THE COMPLETE MANUAL

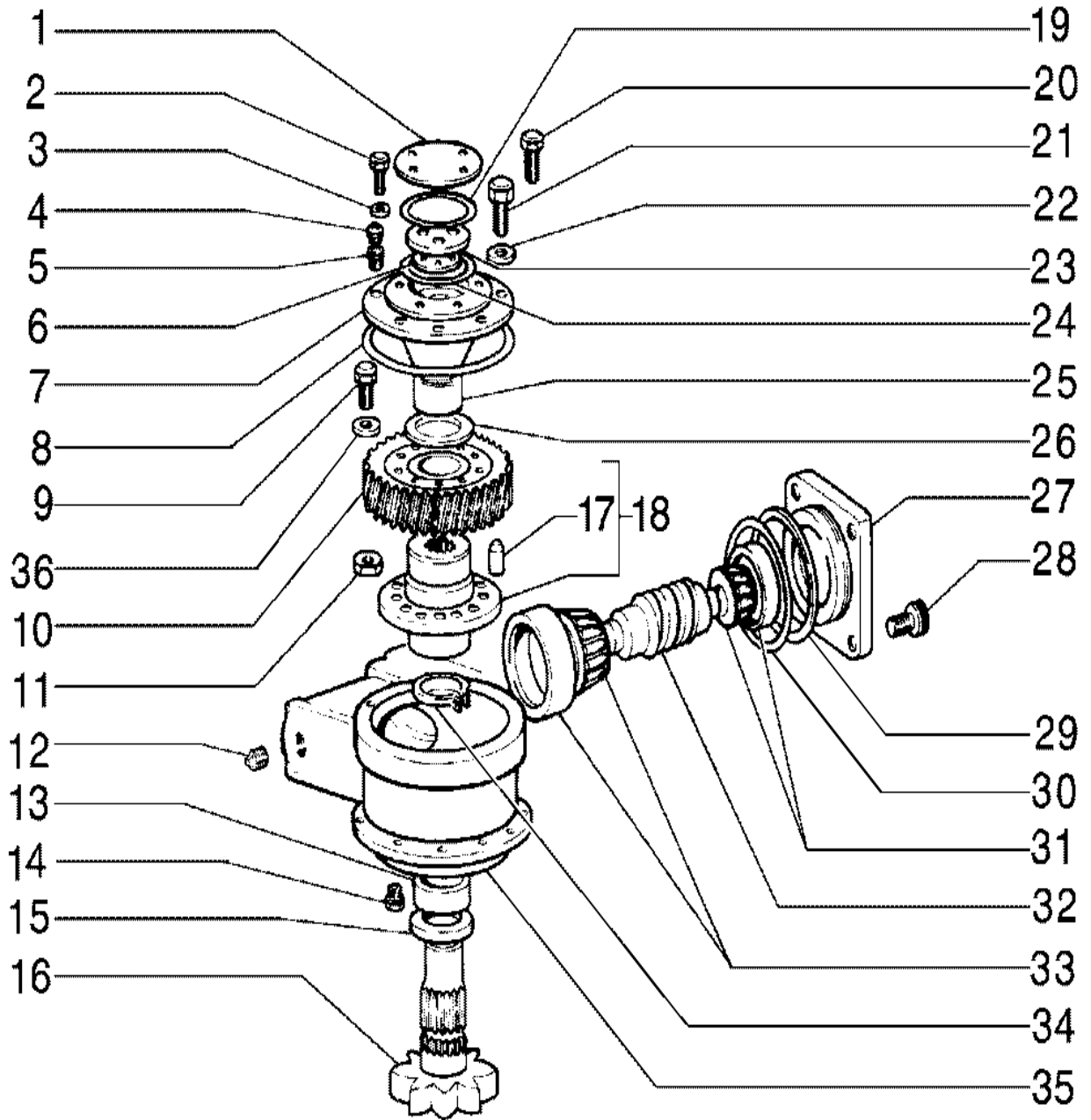
- Thank you very much for reading the preview of the manual.
- You can download the complete manual from: www.heydownloads.com by clicking the link below



- Please note: If there is no response to CLICKING the link, please download this PDF first and then click on it.

CLICK HERE TO **DOWNLOAD** THE COMPLETE MANUAL

REDUCTION GEAR



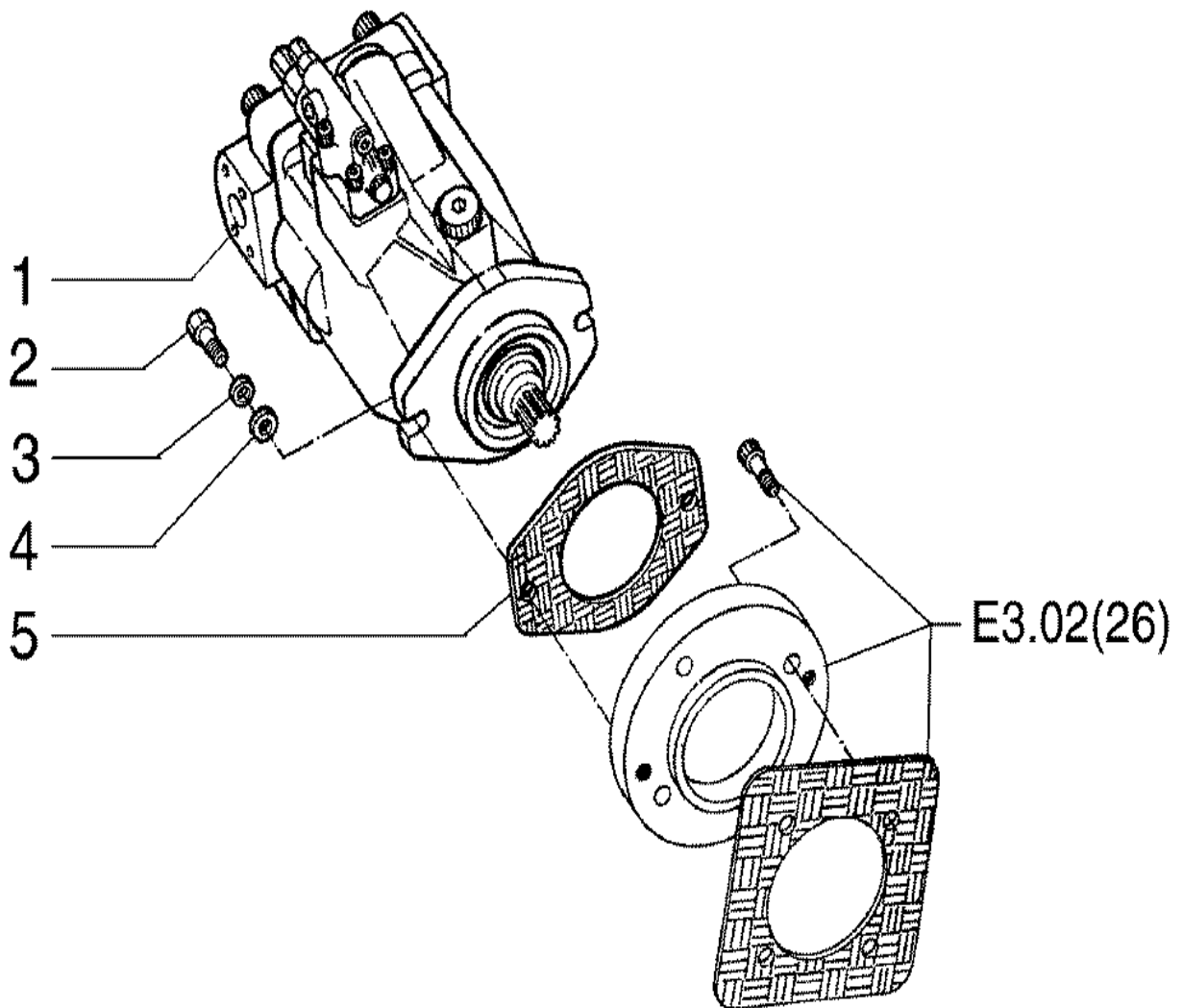
E3.29

01

p1

12/201
8

MAIN HYDRAULIC SYSTEM PUMP ASSEMBLY



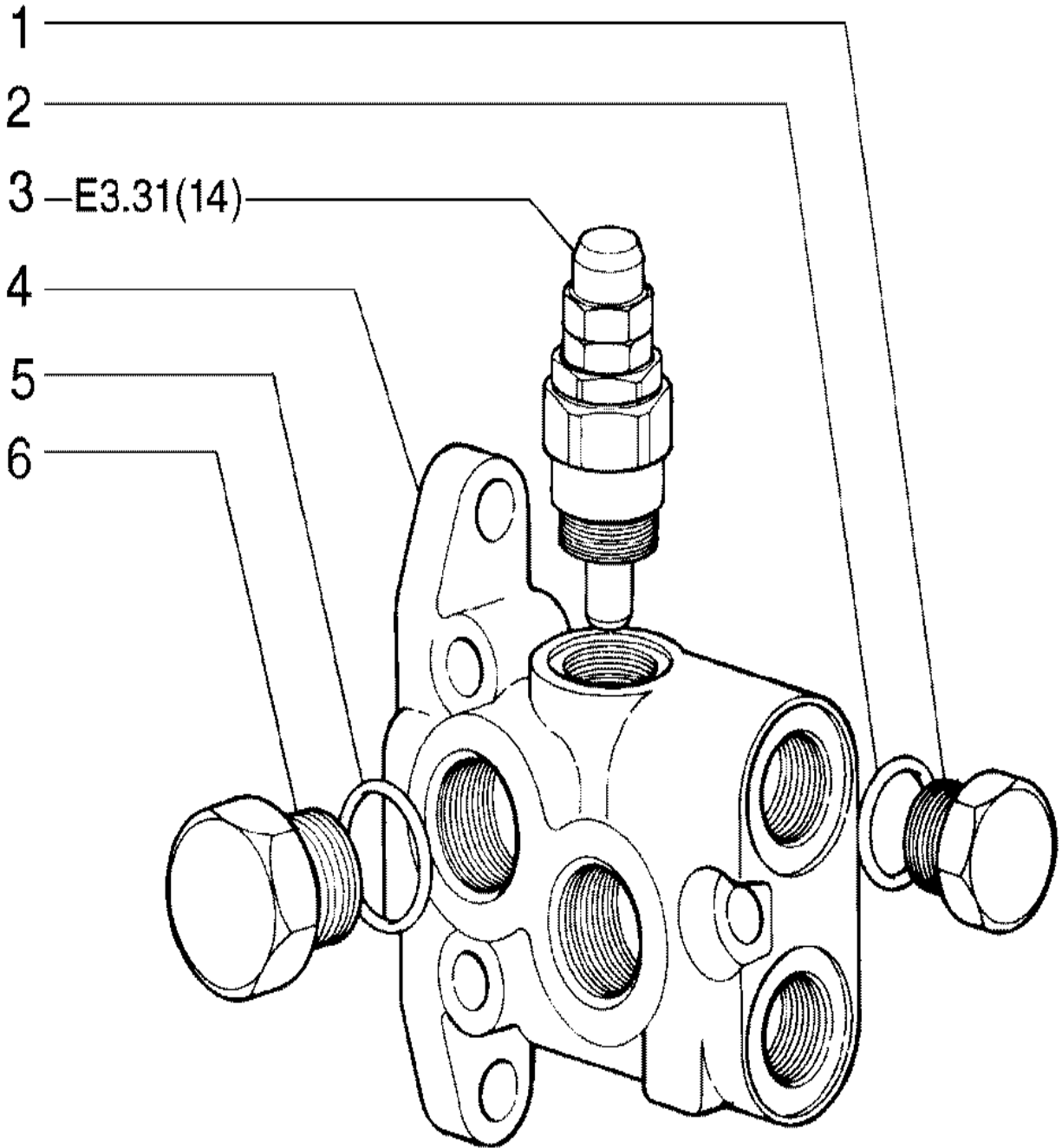
E3.31

03

p1

12/201
8

INLET VALVE (75289553)



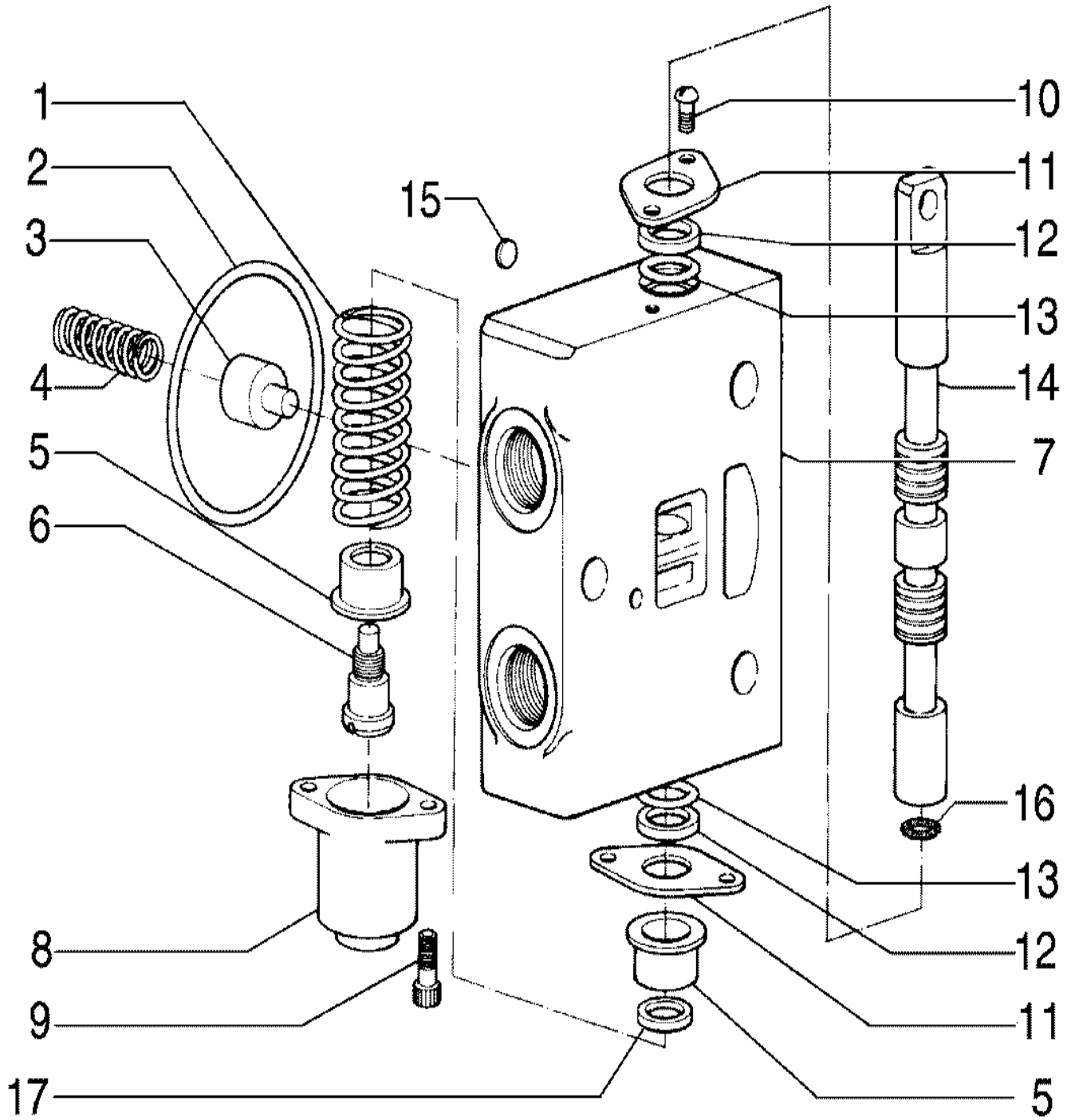
E3.31

08

p1

12/201
8

VALVE - CIRCLE TURN (75289558)



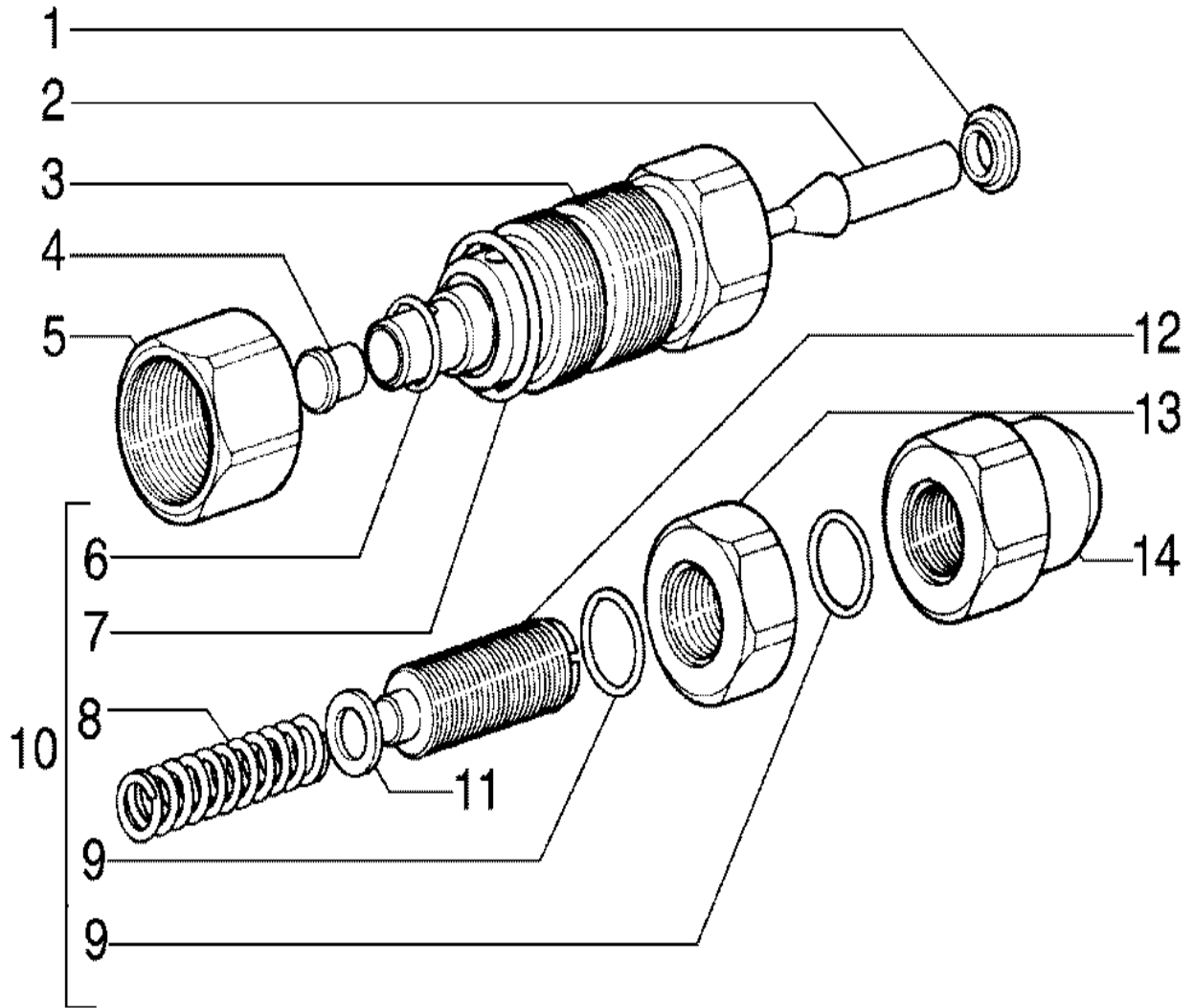
E3.31

13

p1

12/201
8

VALVE (75289611)



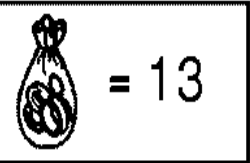
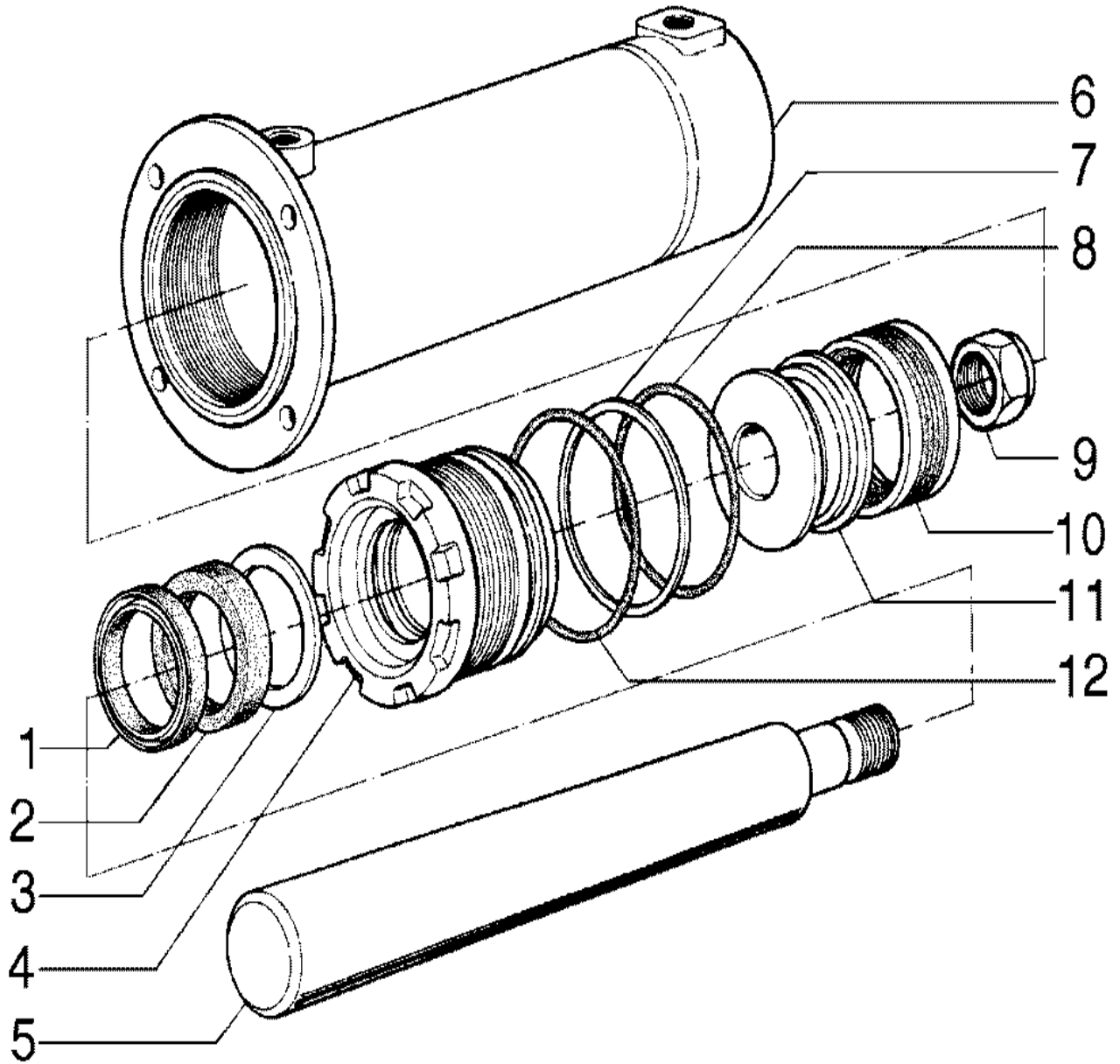
E3.32

04

p1

12/201
8

SADDLE LOCK PIN CYLINDER - 75250238



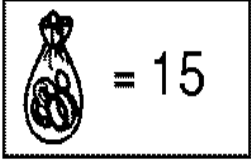
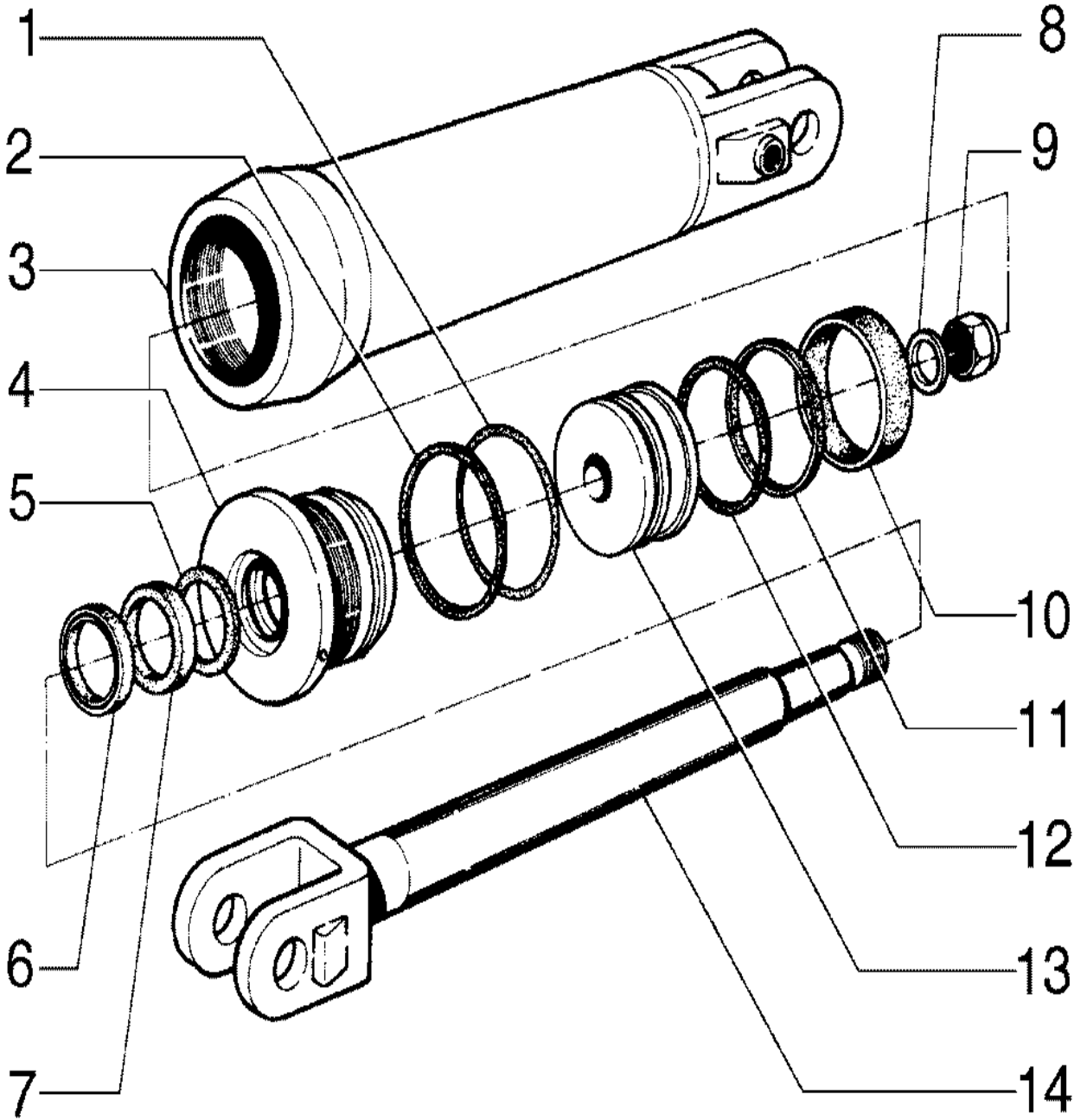
E3.32

09

p1

12/201
8

SCARIFIER LIFT CYLINDER (73067421)



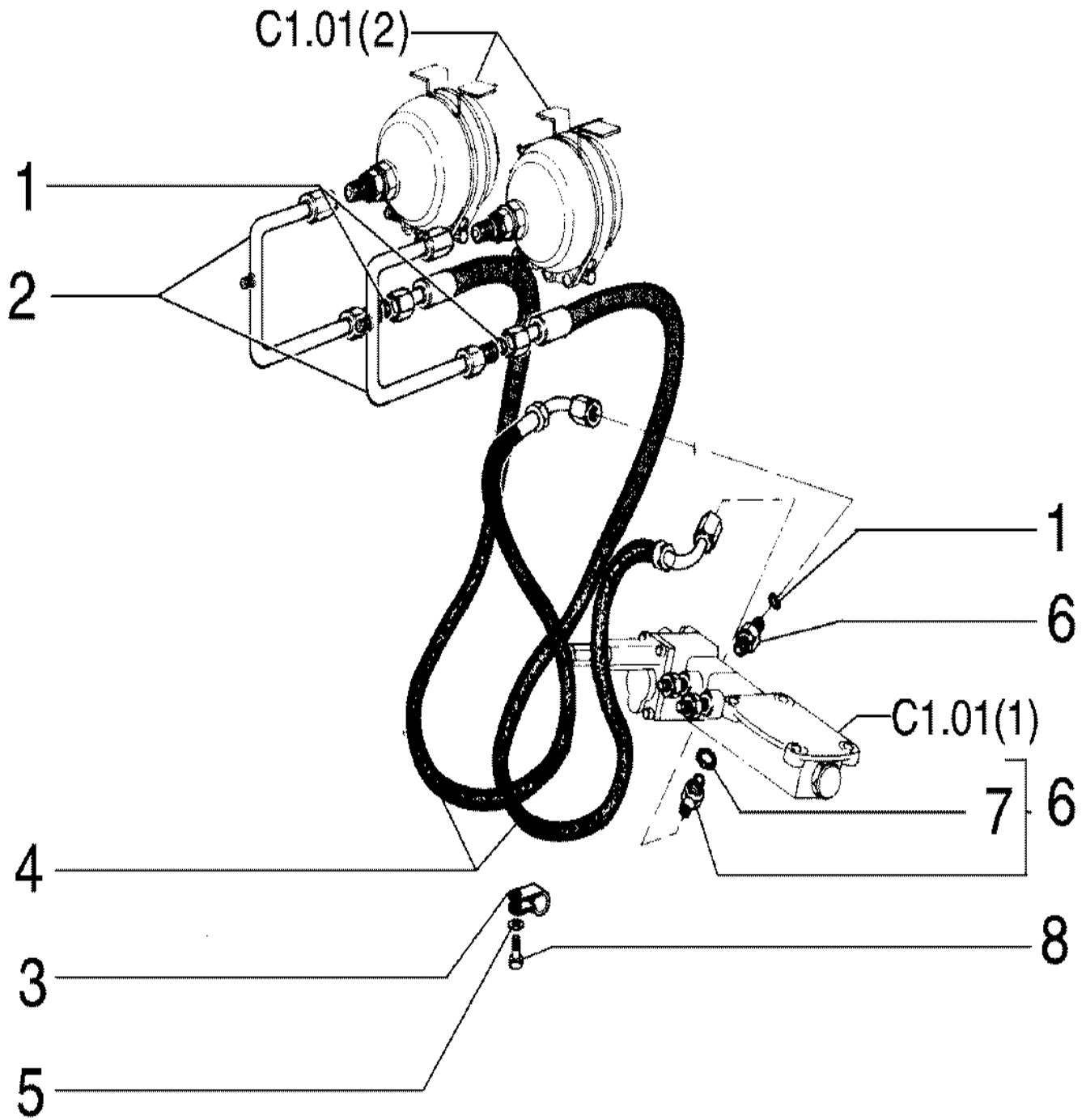
C1.01

03

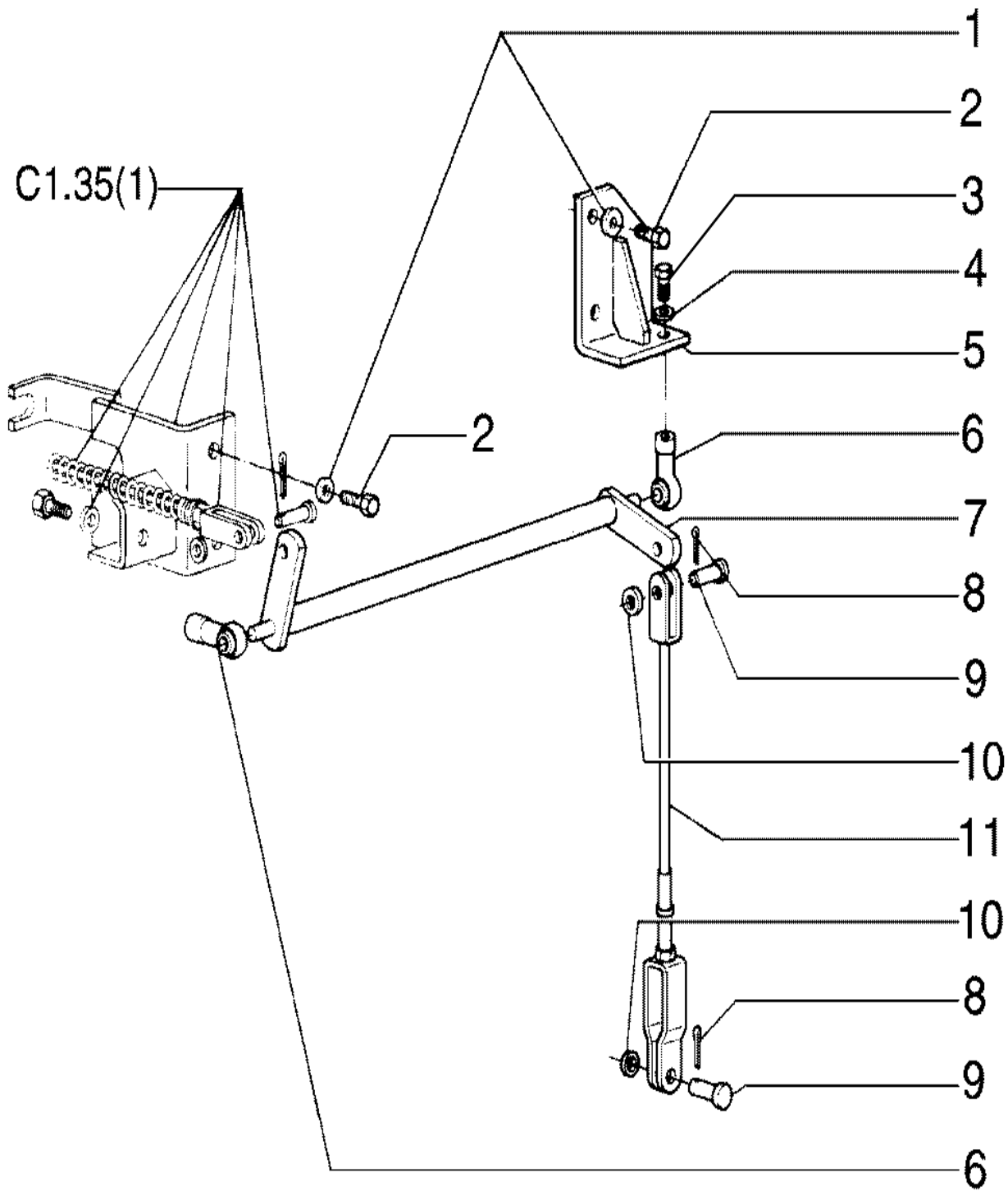
p1

12/2018

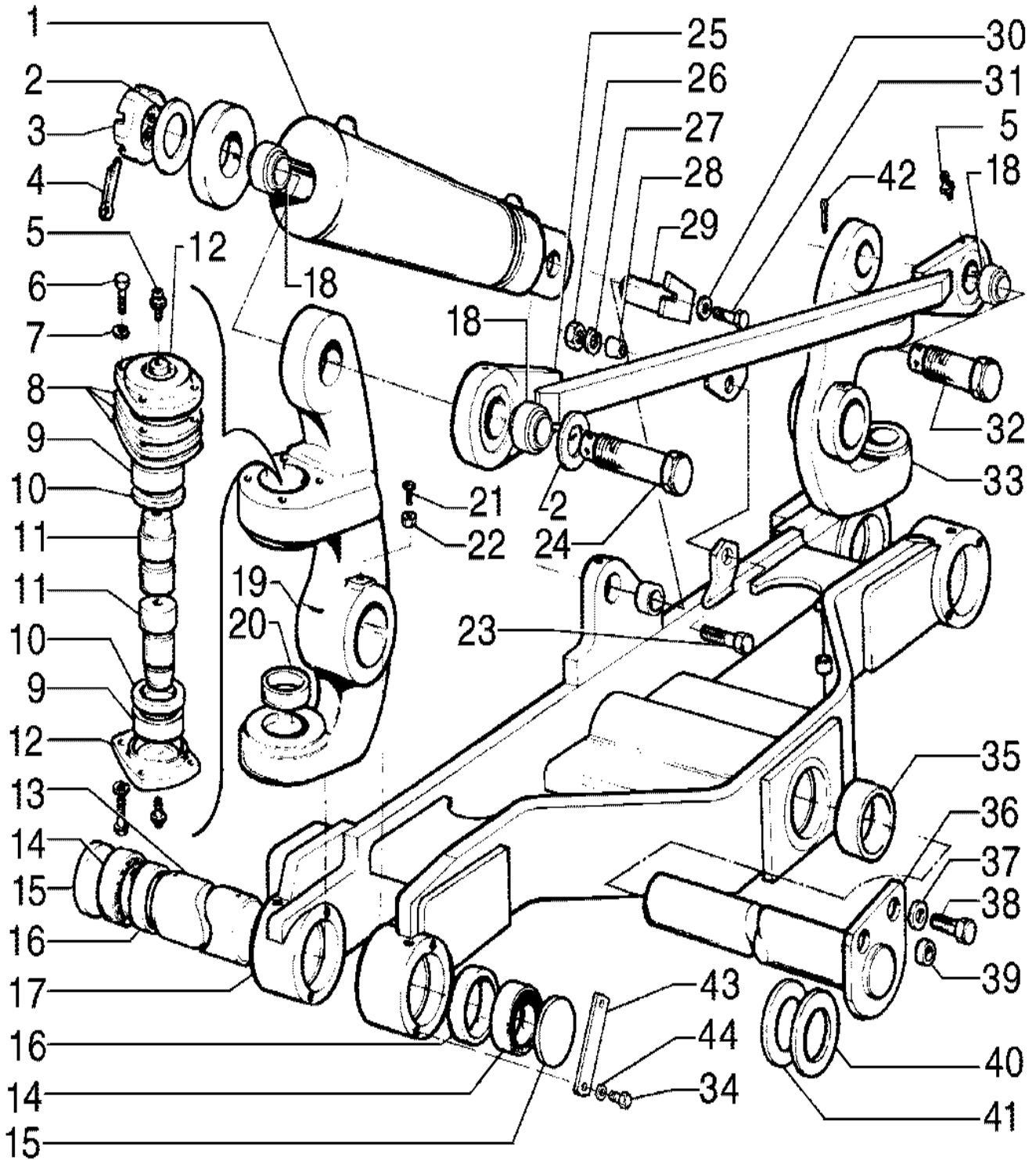
BRAKE SYSTEM



PARKING BRAKE CONTROL



FRONT AXLE



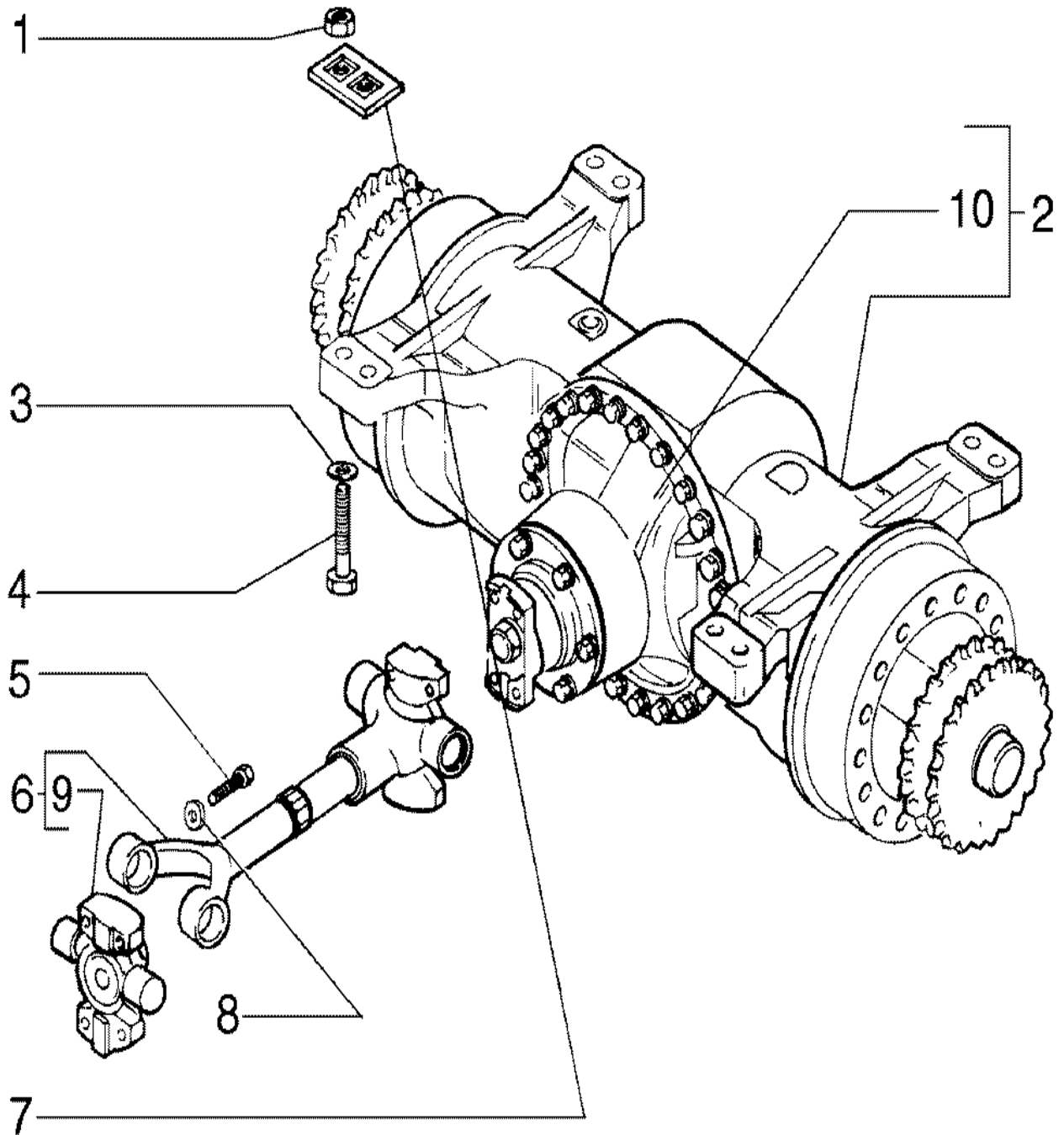
B4.03

01A

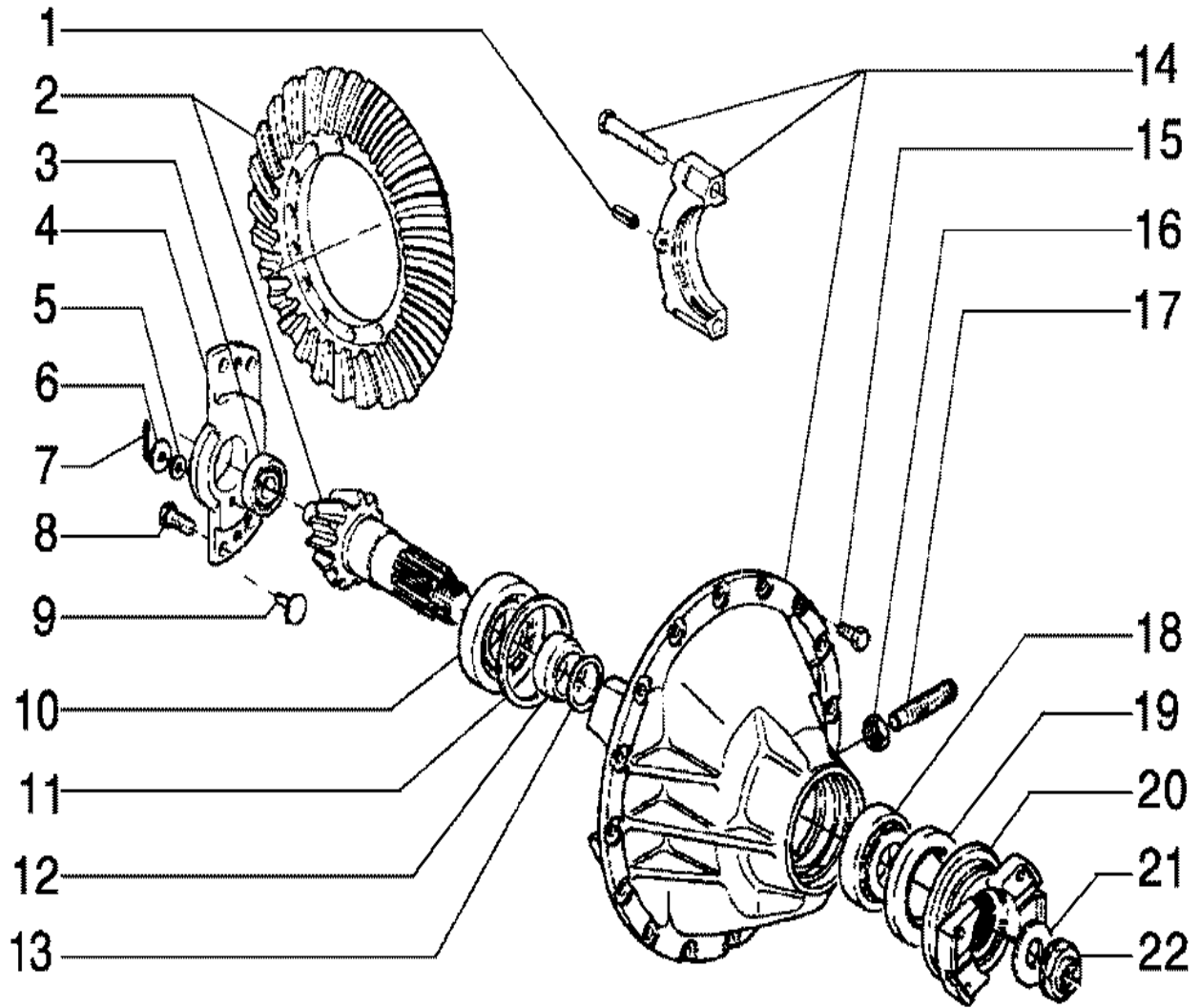
p1

12/201
8

DANA REAR AXLE - OPTIONAL



GRAZIANO REAR AXLE



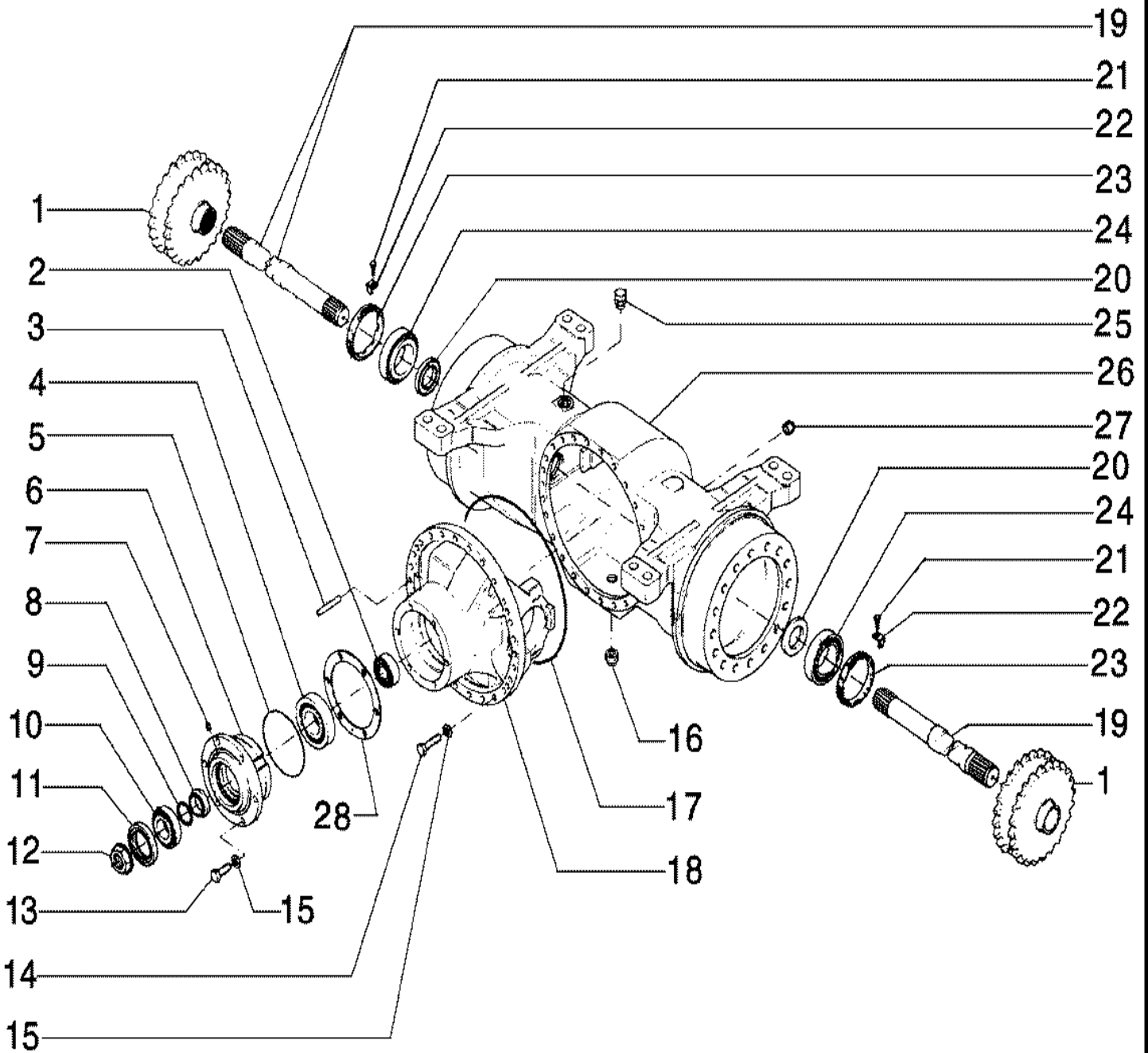
B4.03

09

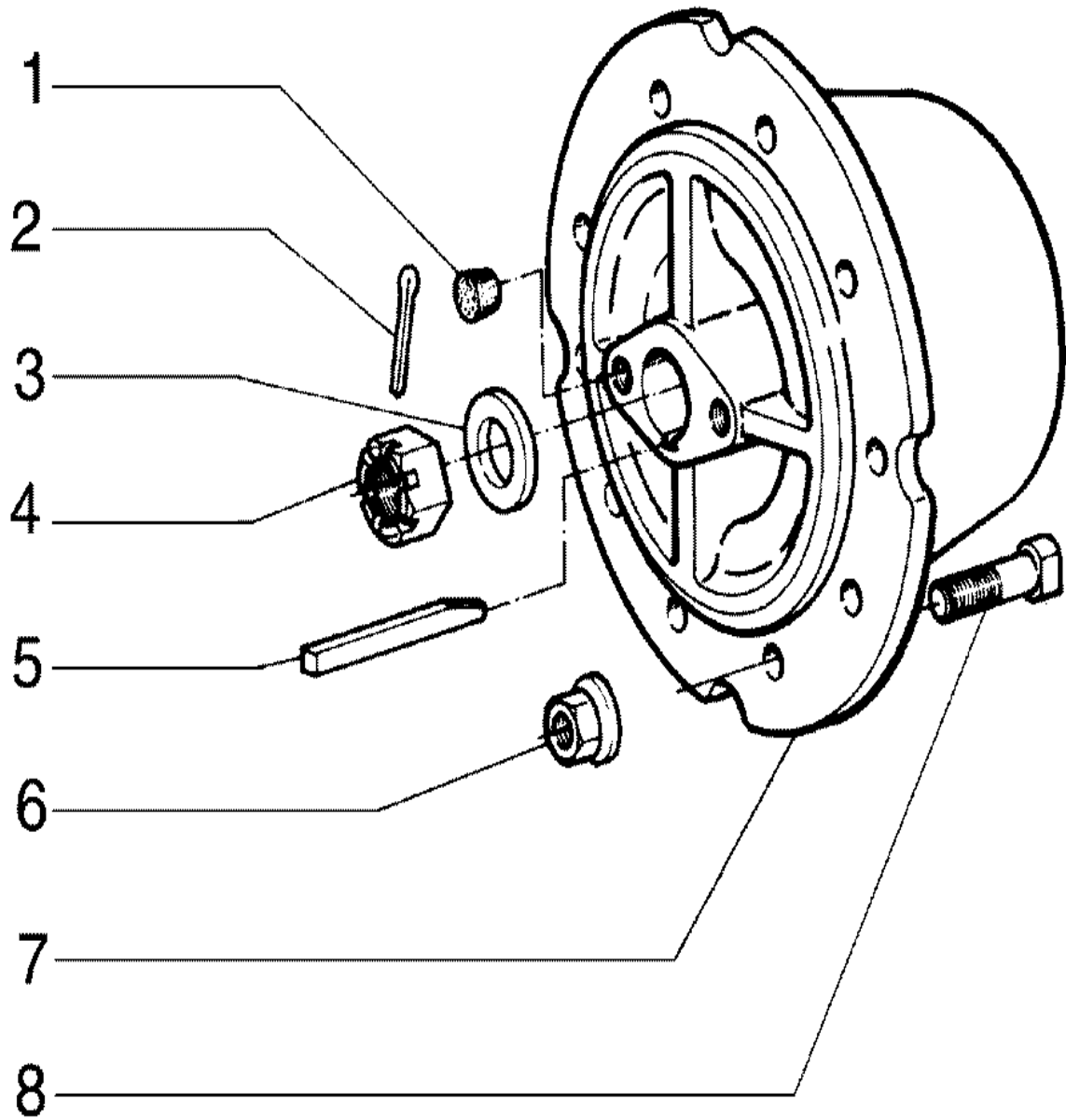
p1

12/201
8

DANA REAR AXLE - OPTIONAL



REAR WHEEL



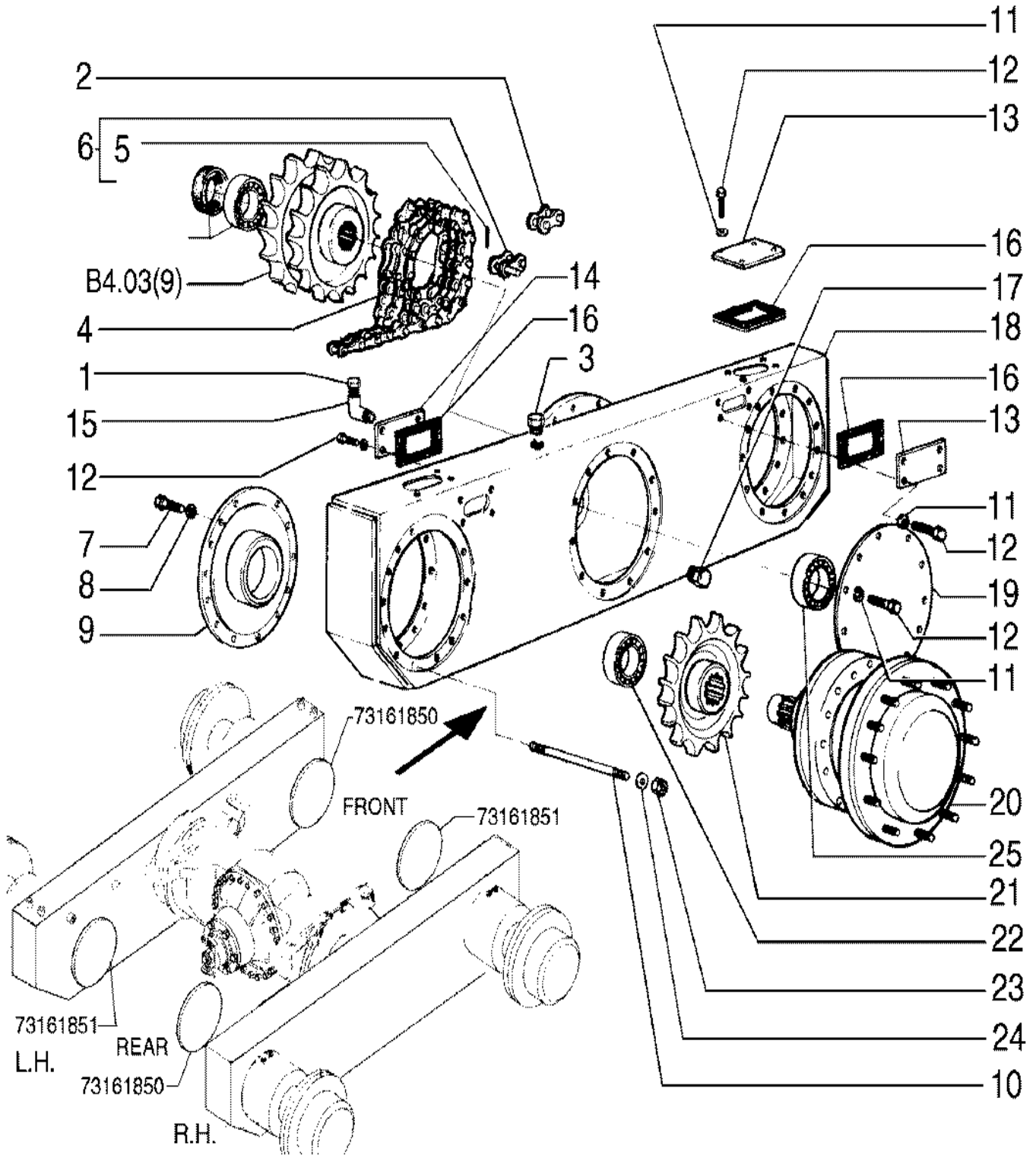
D3.33

01A

p2

12/201
8

DANA TANDEM RH/LH - OPTIONAL



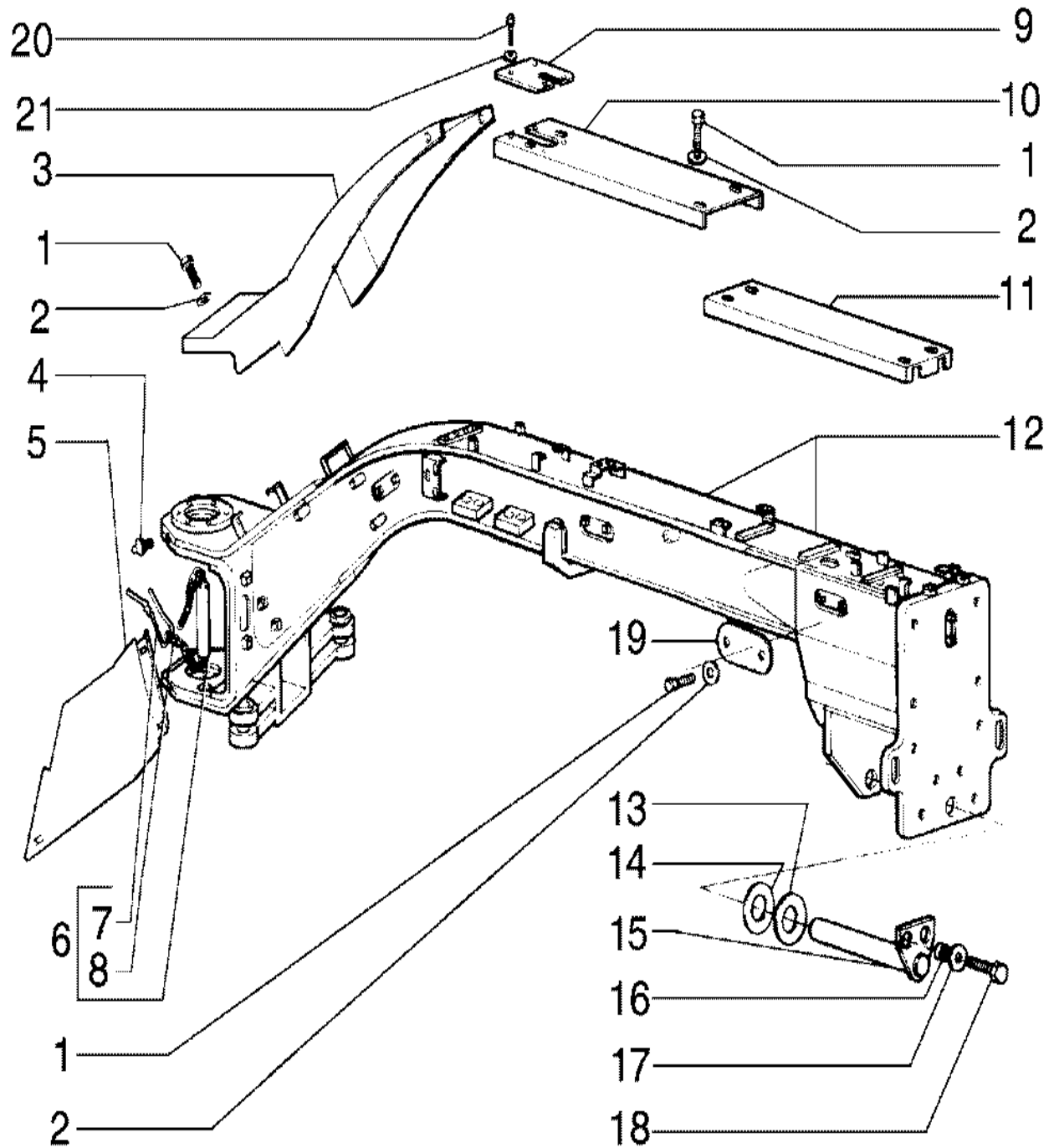
D1.01

01

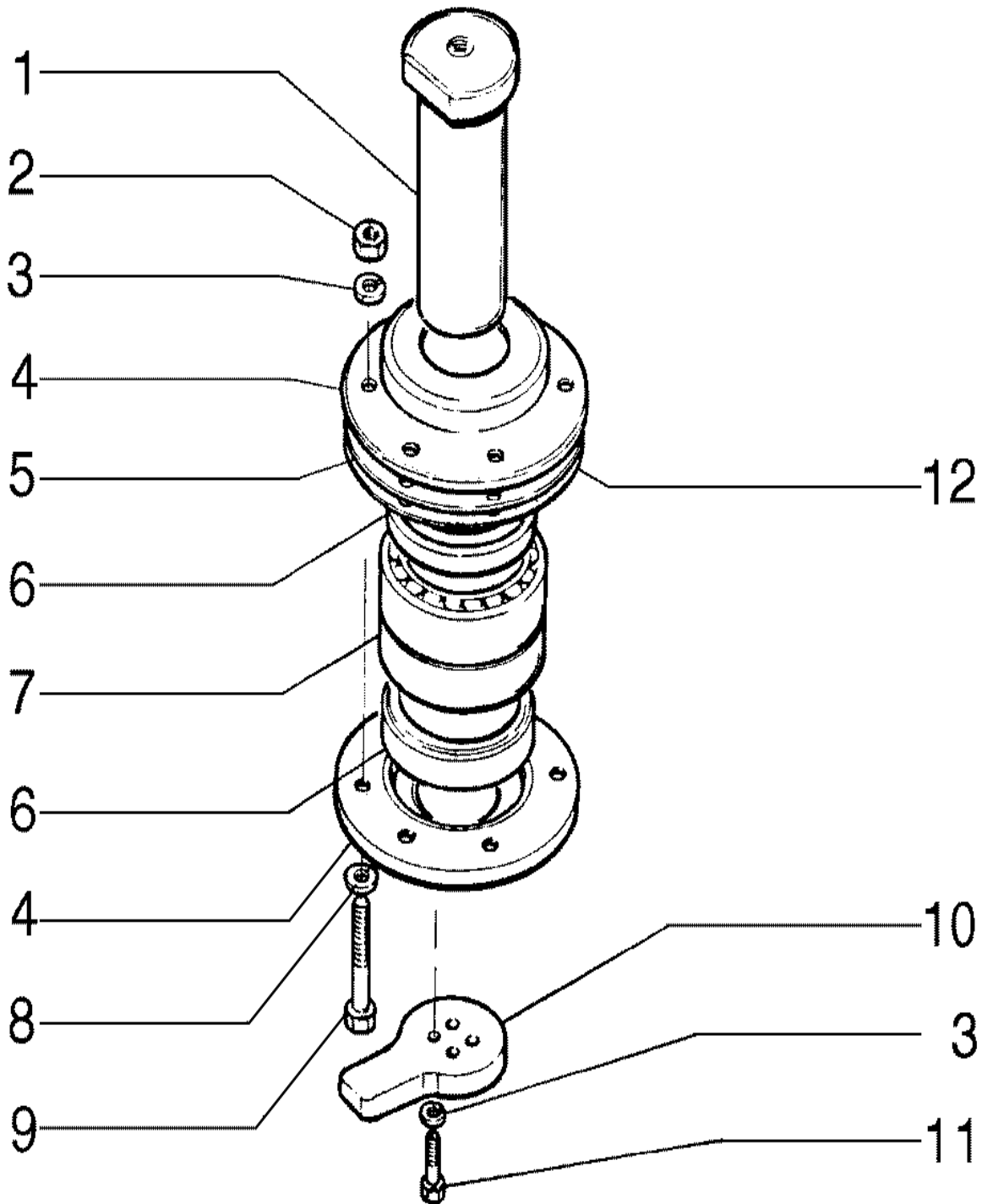
p1

12/201
8

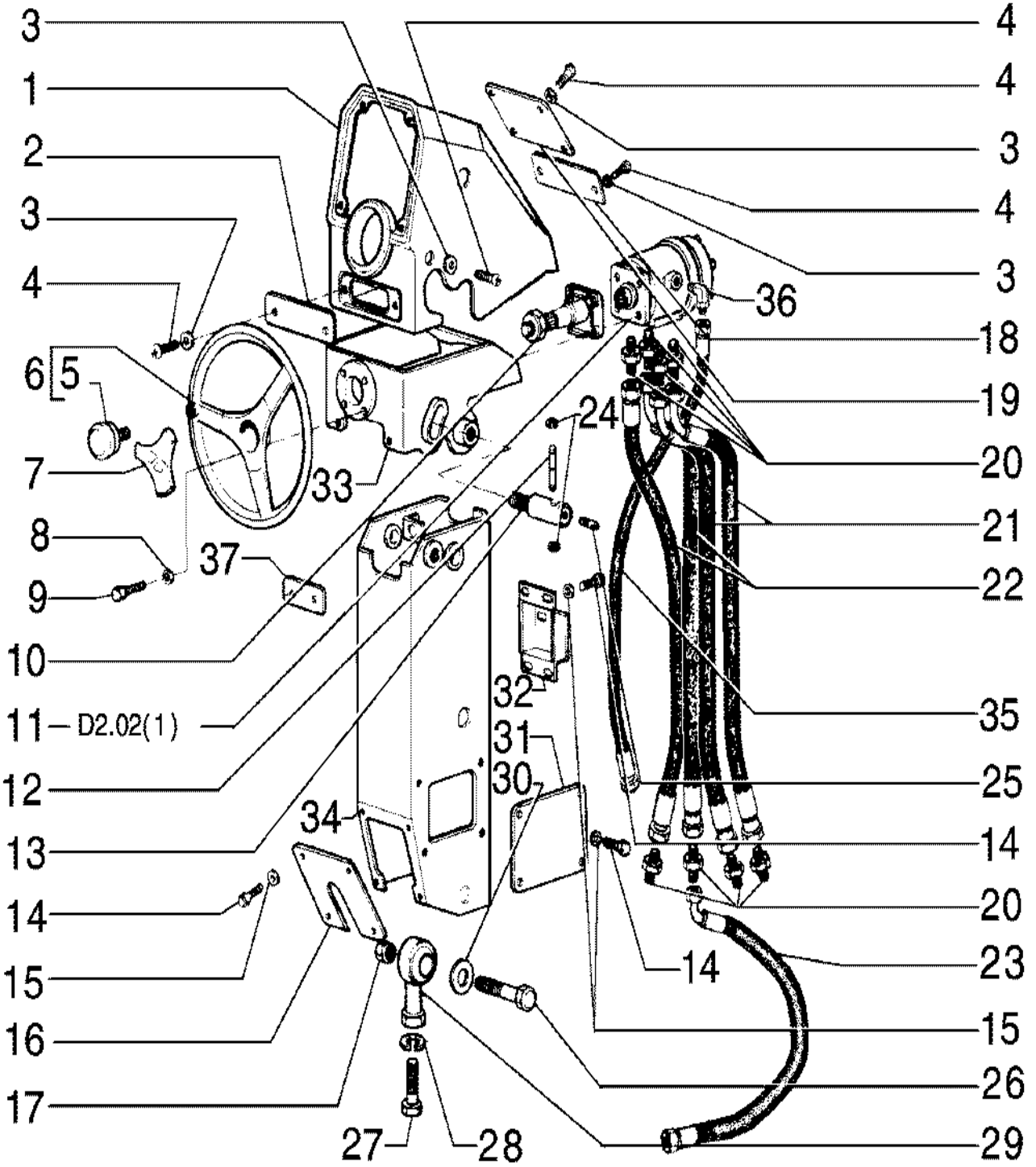
FRONT FRAME



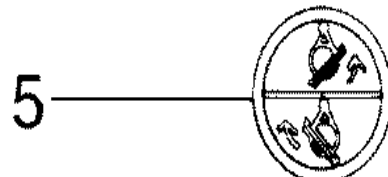
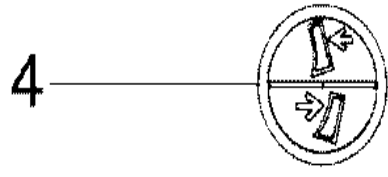
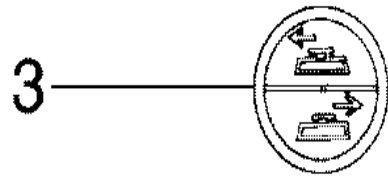
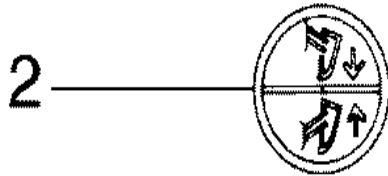
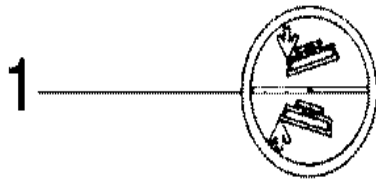
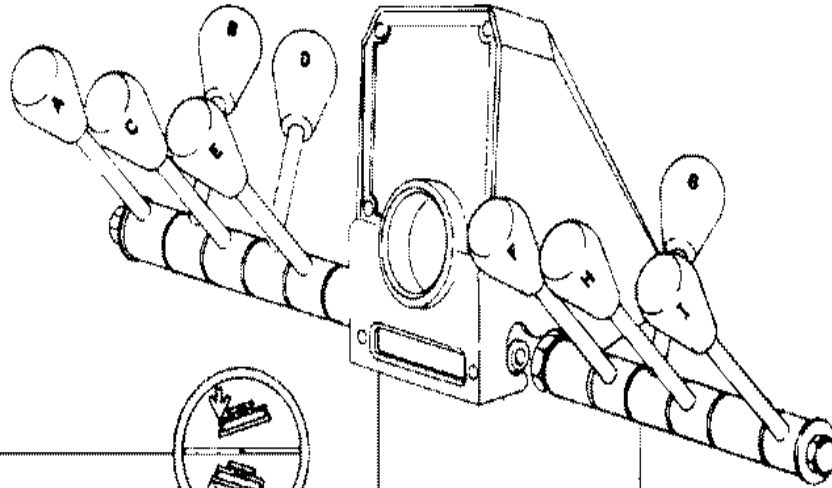
ARTICULATION JOINT



OPERATOR'S CONSOLE



OPERATOR'S CONSOLE



6

7

8

9

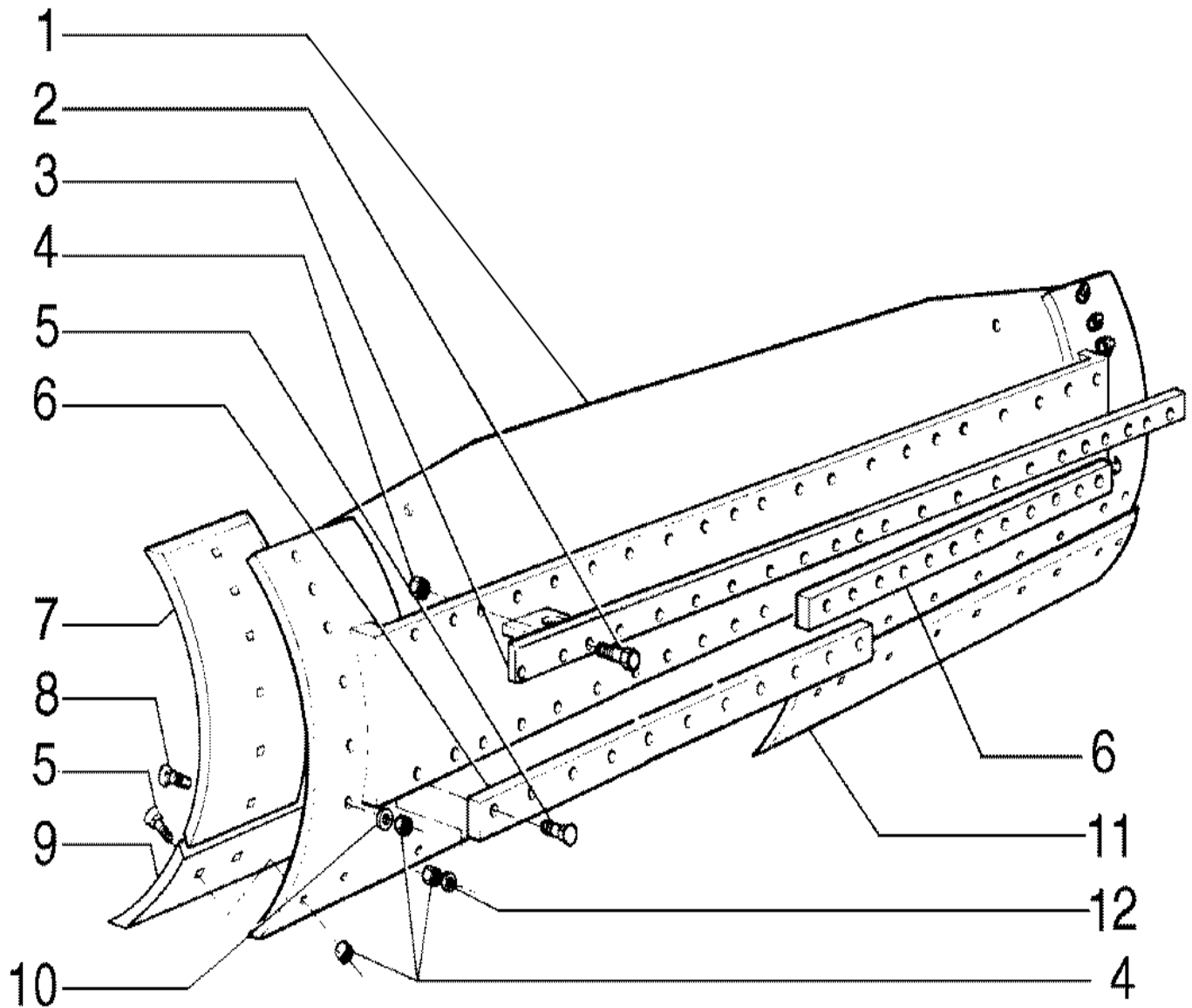
E3.13

01

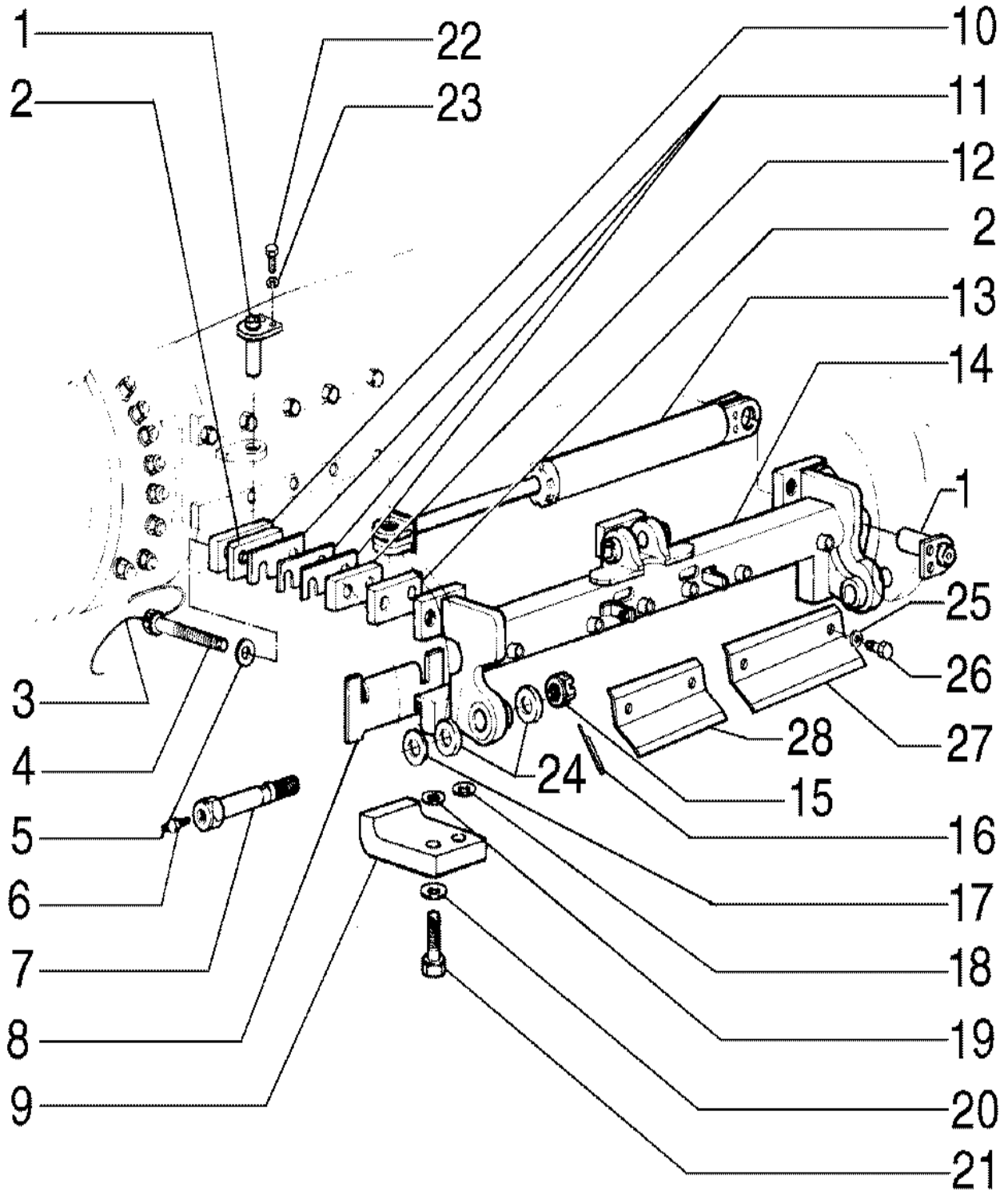
p1

12/201
8

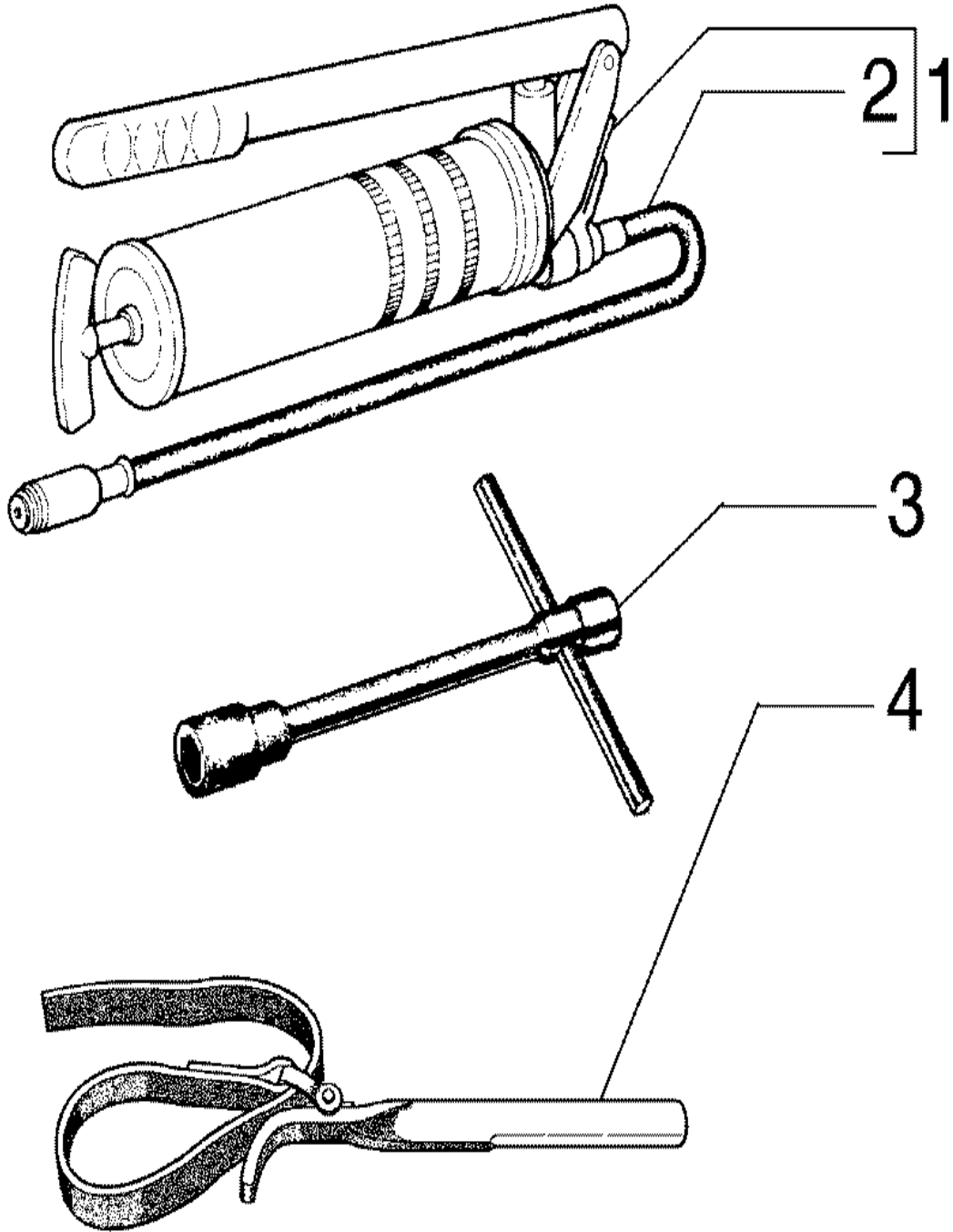
MOLDBOARD 13 FT. (75250344)



MOLDBOARD SIDE SHIFT



TOOLS



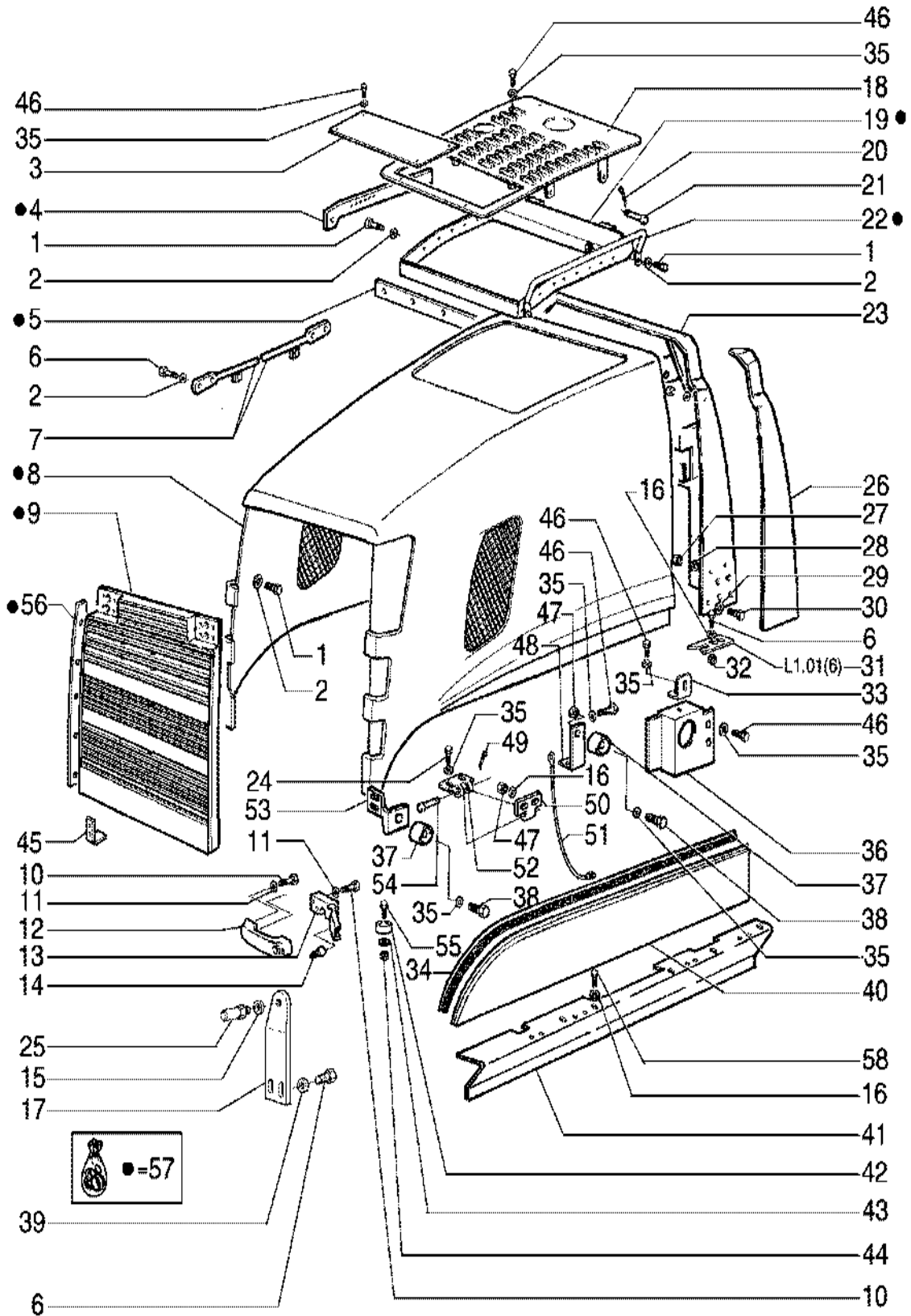
L1.01

01

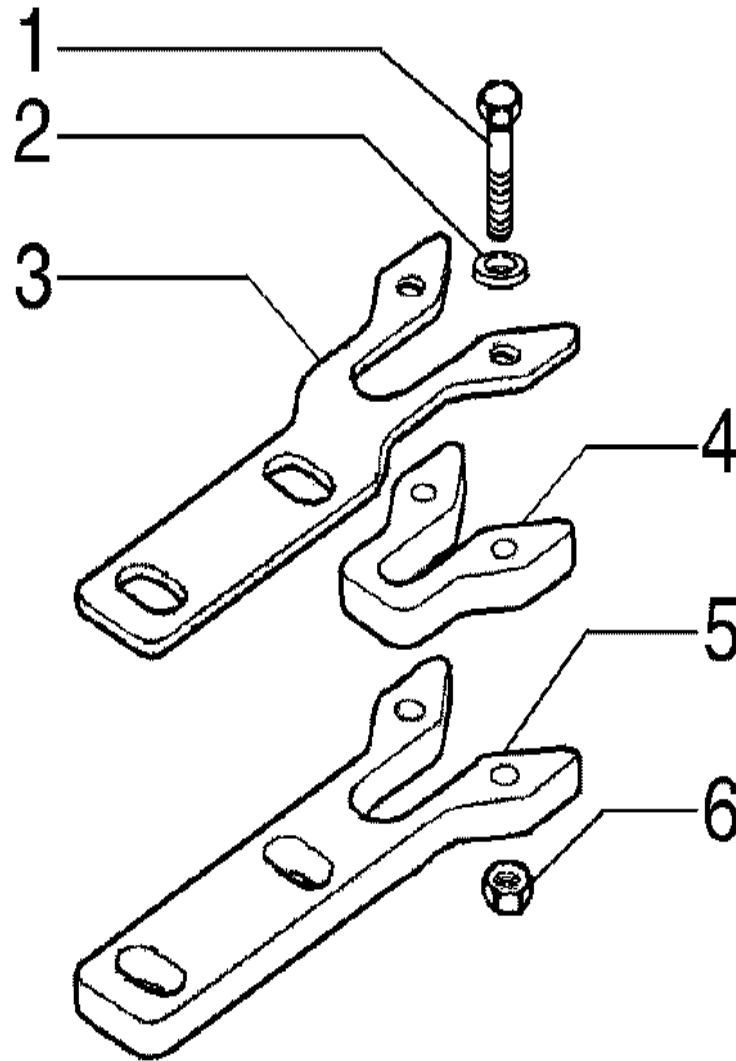
p2

12/2018

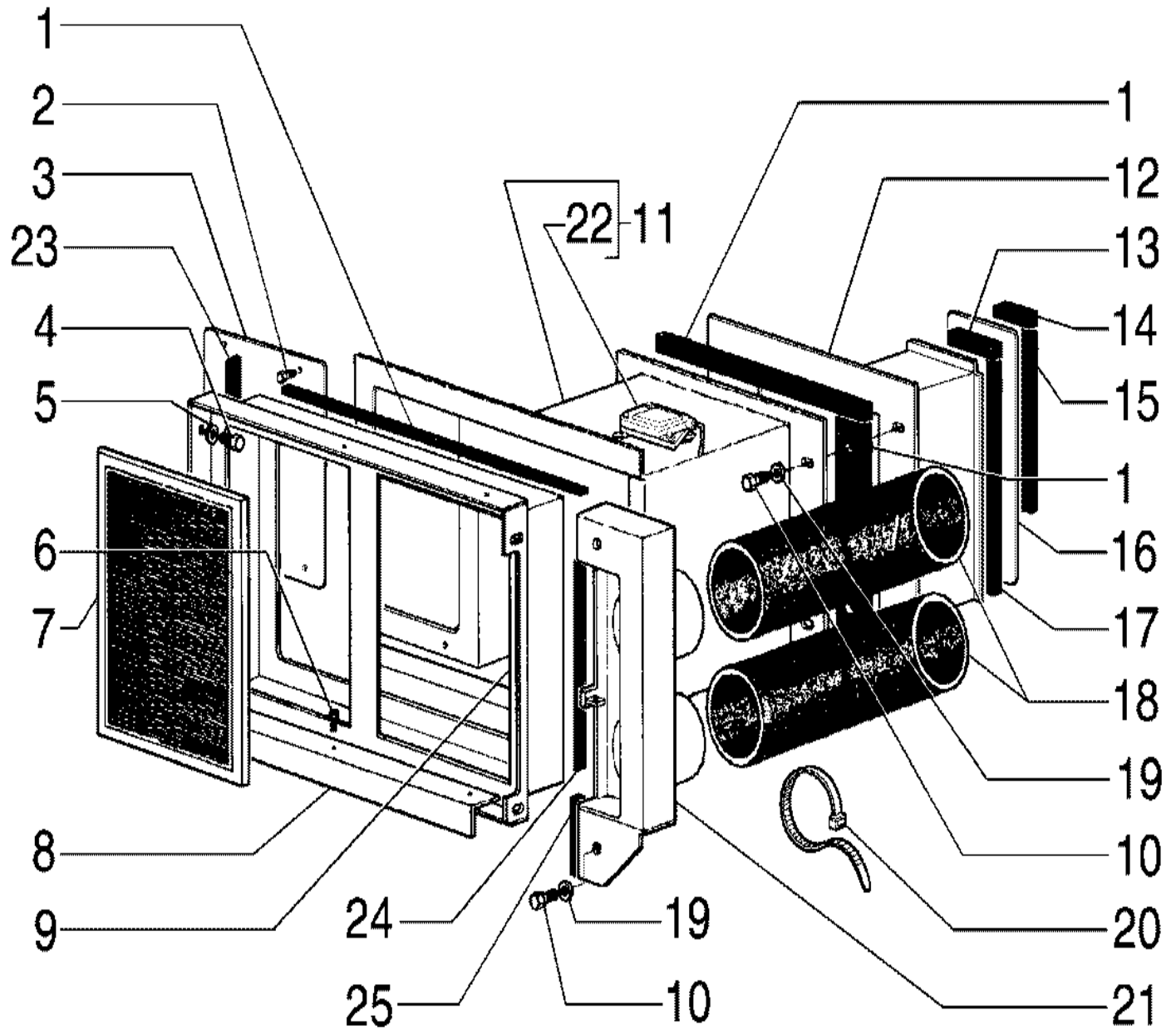
HOOD (May 16 2008 5:11PM)



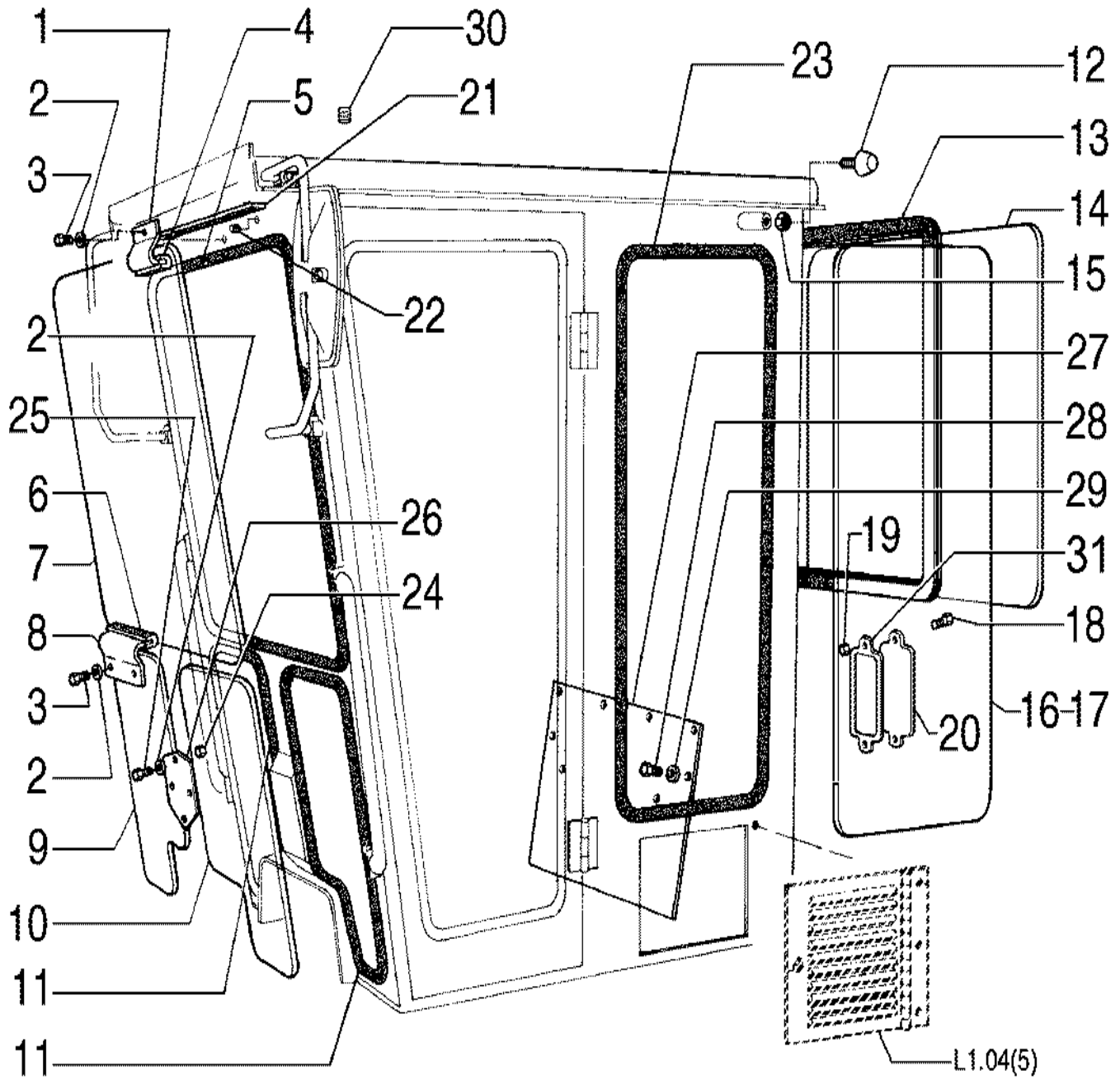
HOOD PAD



AIR CONDITIONER FILTER



CAB



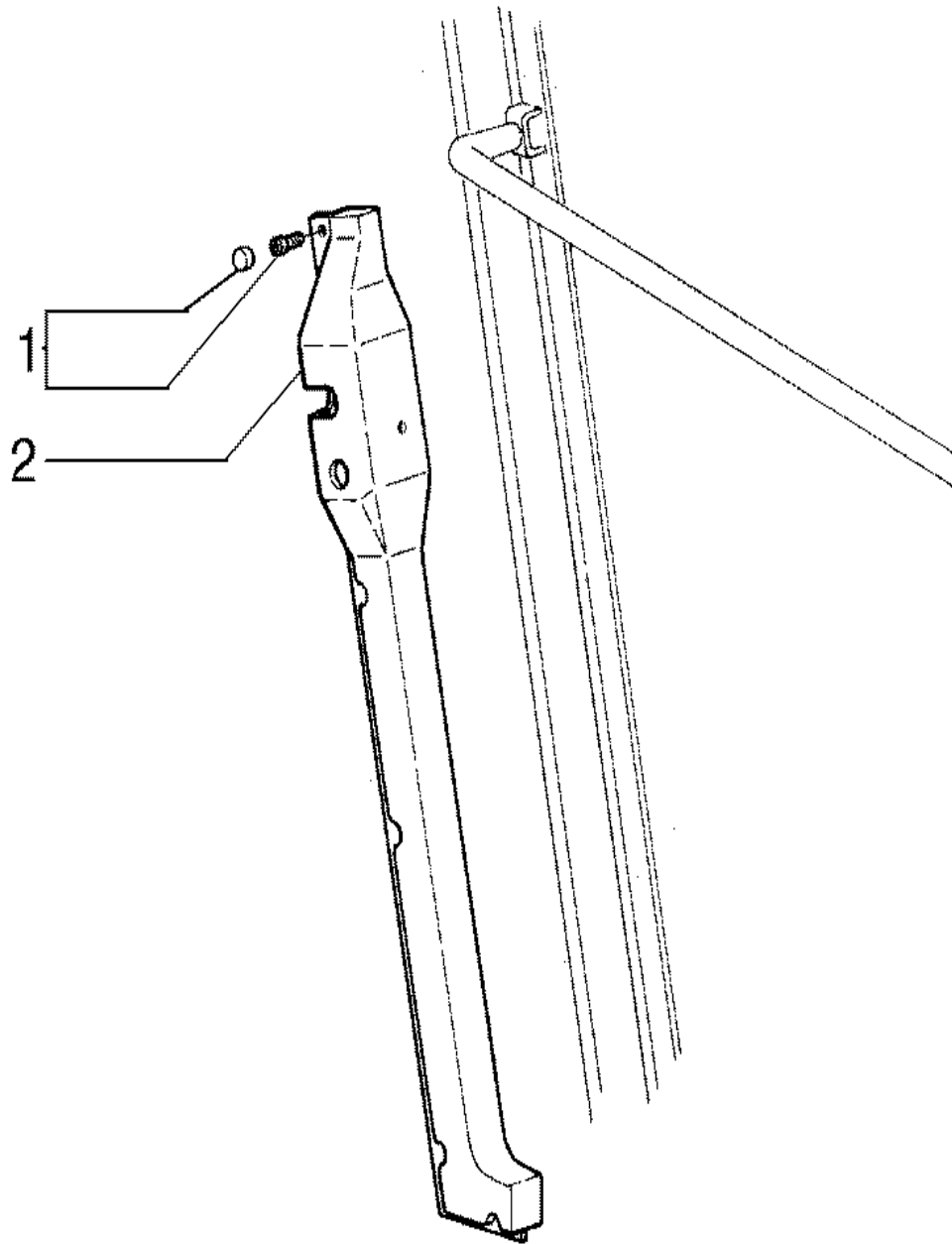
L1.04

09

p1

12/201
8

DOOR COVERING - RH



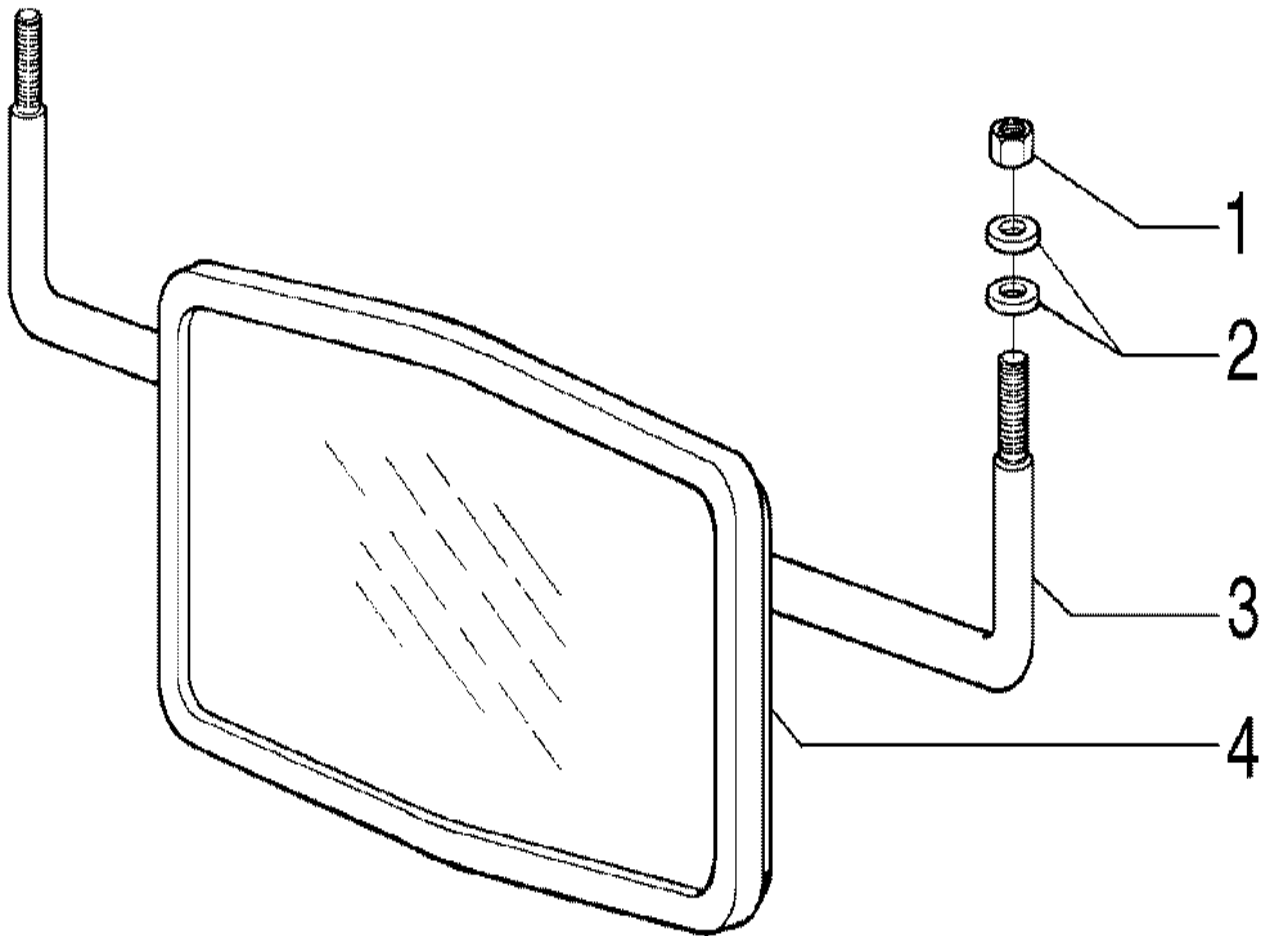
L1.04

12

p1

12/201
8

REAR VIEW MIRROR



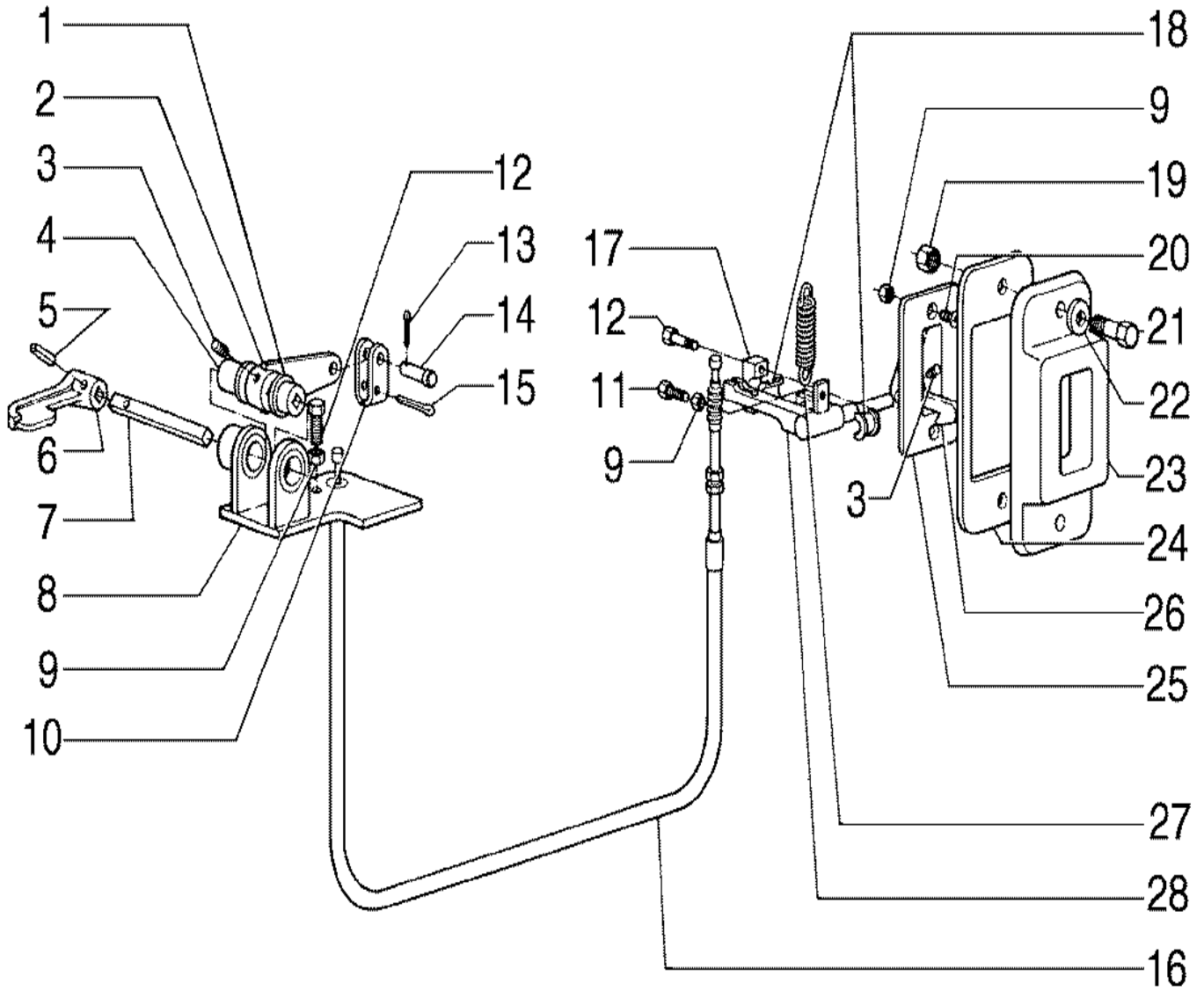
L1.04

15

p1

12/201
8

LOCK SYSTEM L.H.



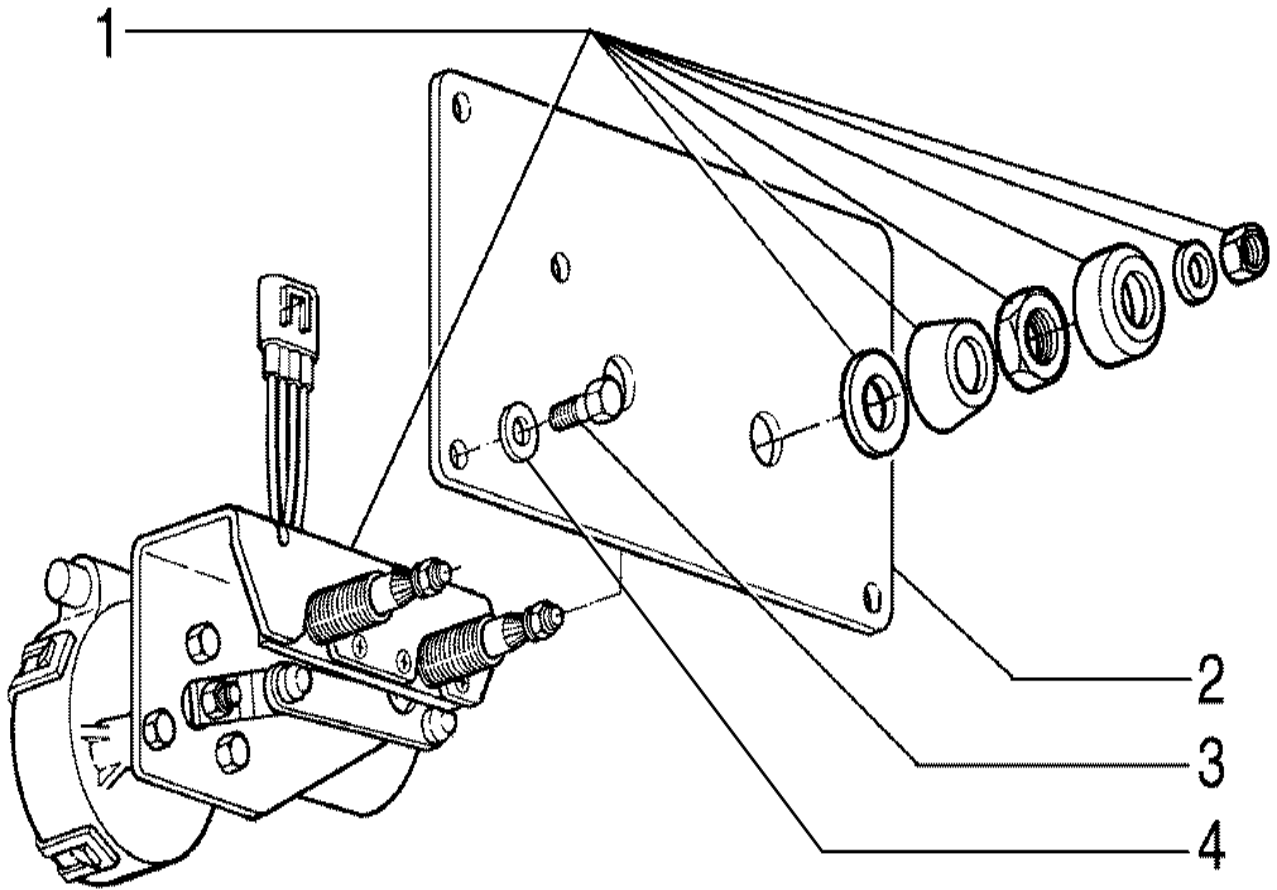
L1.04

18A

p1

12/201
8

LOW PROFILE CAB REAR WINDSHIELD WIPER MOTOR



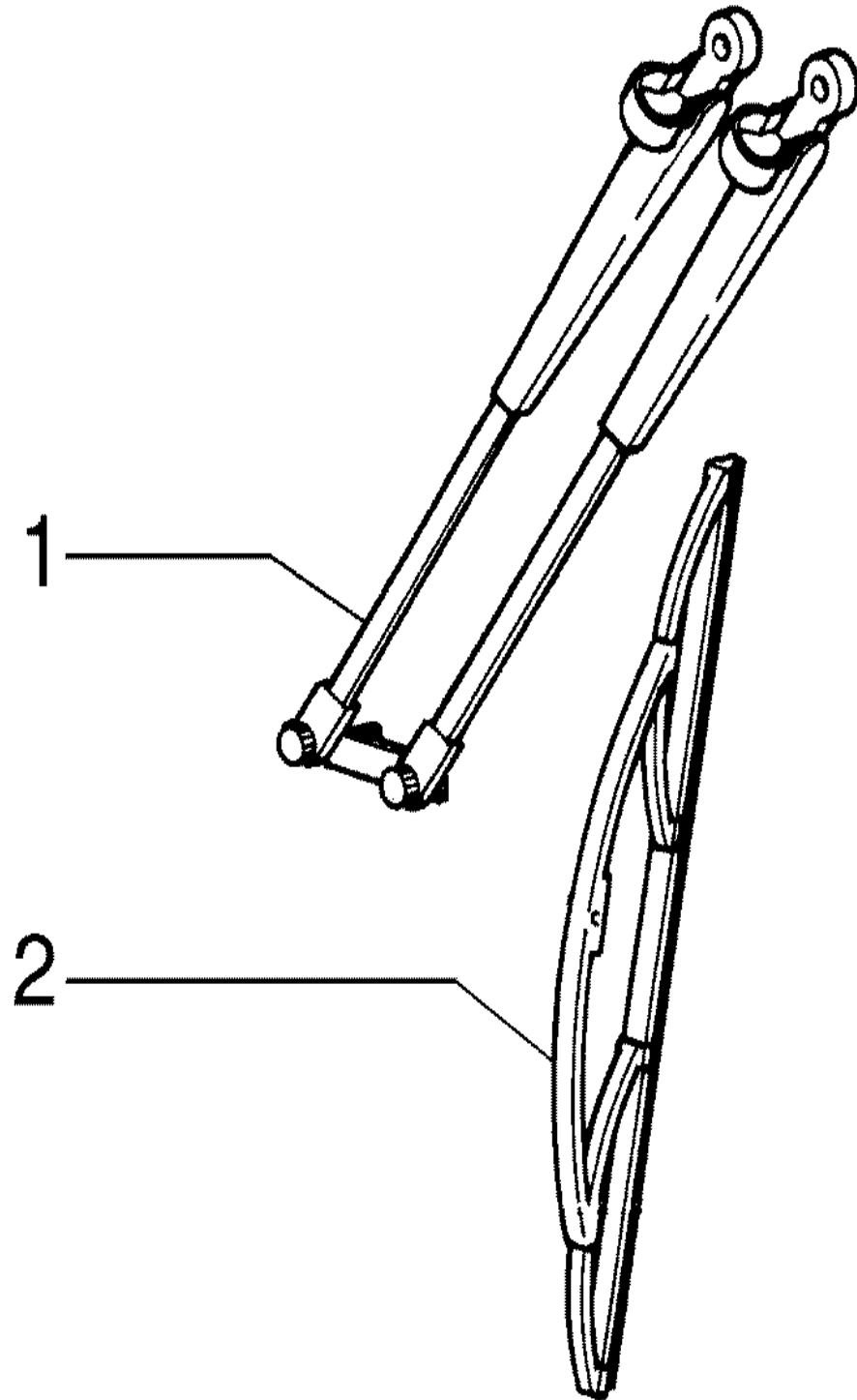
L1.04

20A

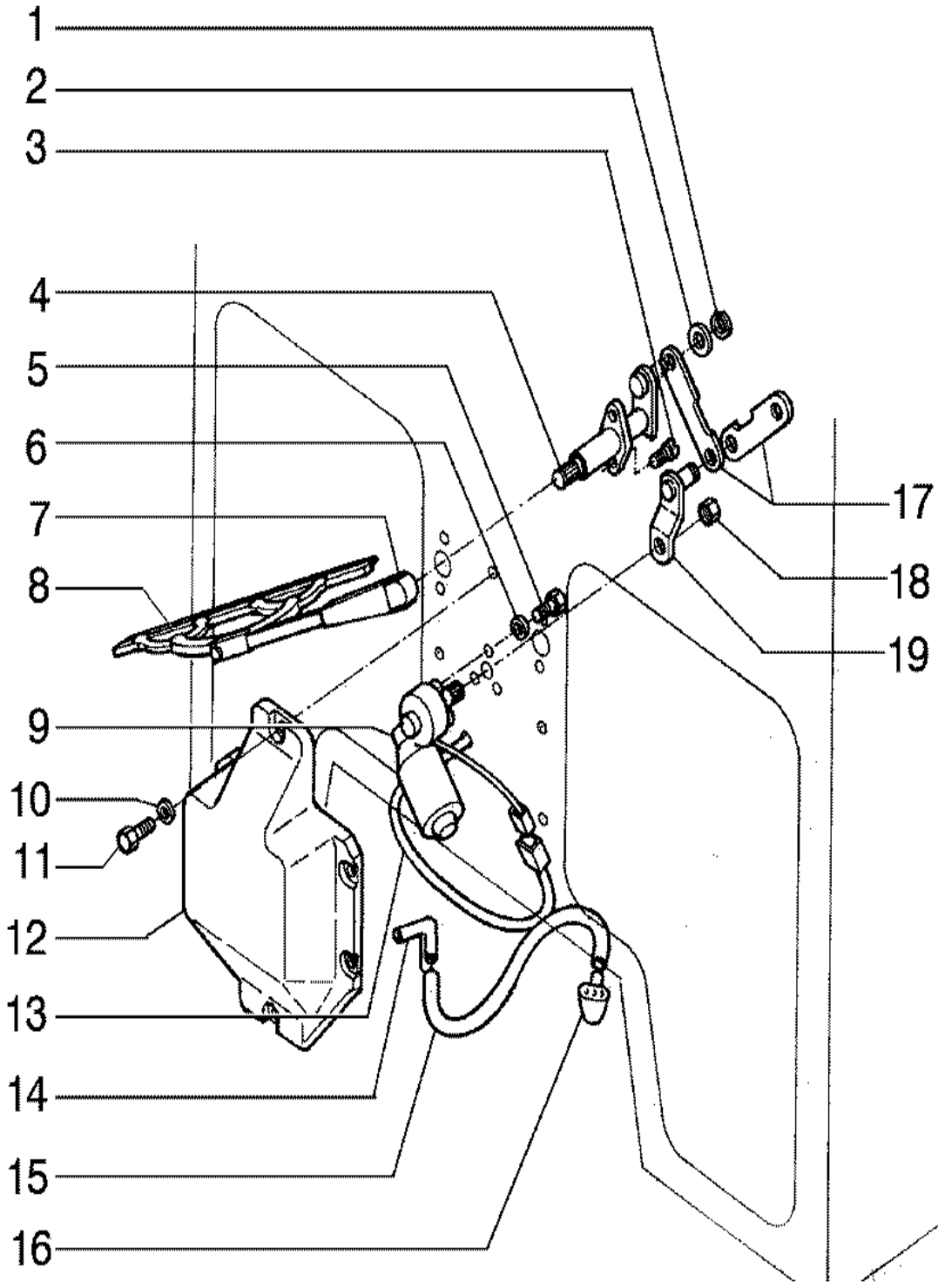
p1

12/201
8

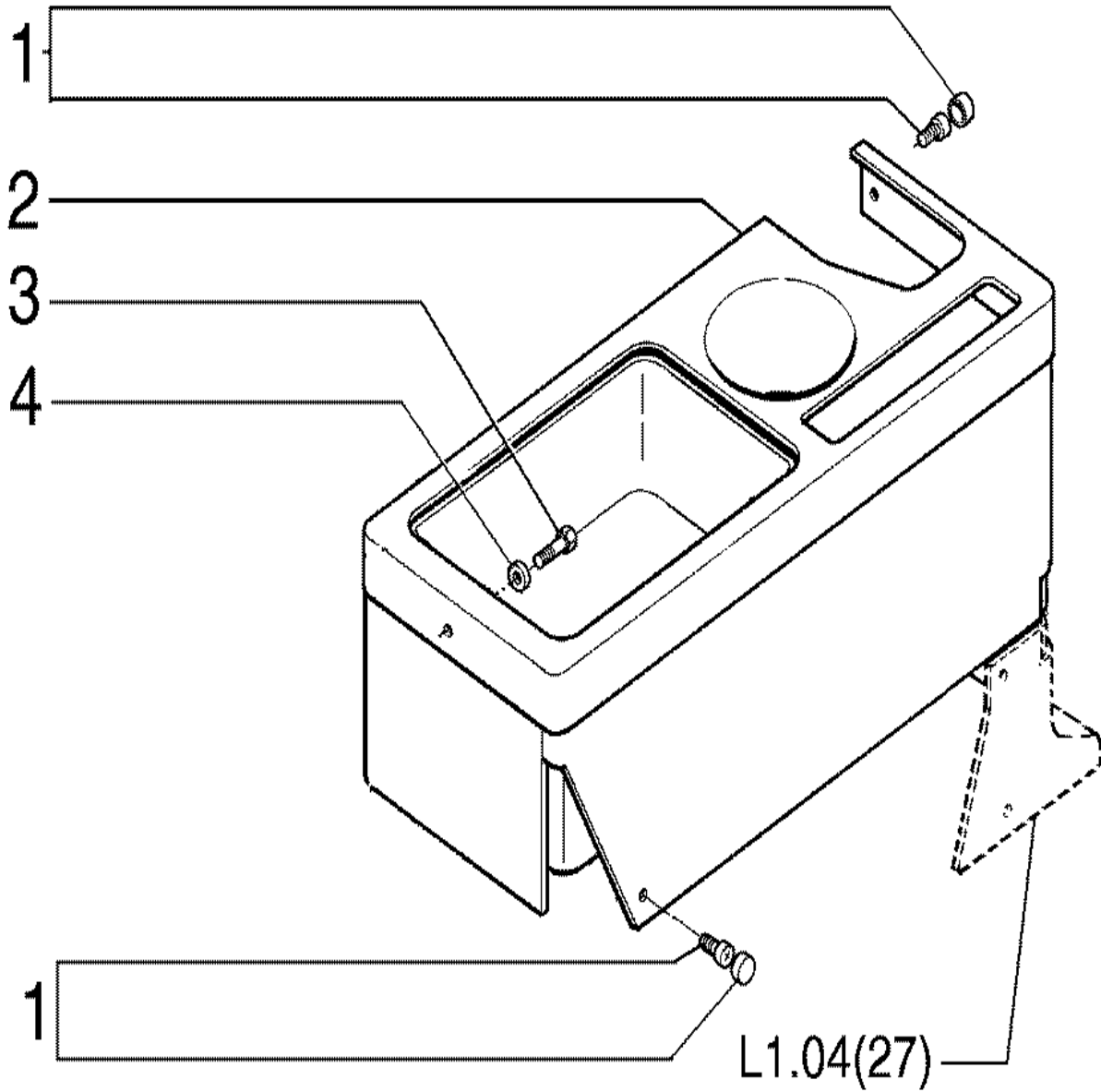
LOW PROFILE FRONT WINDSHIELD WIPER



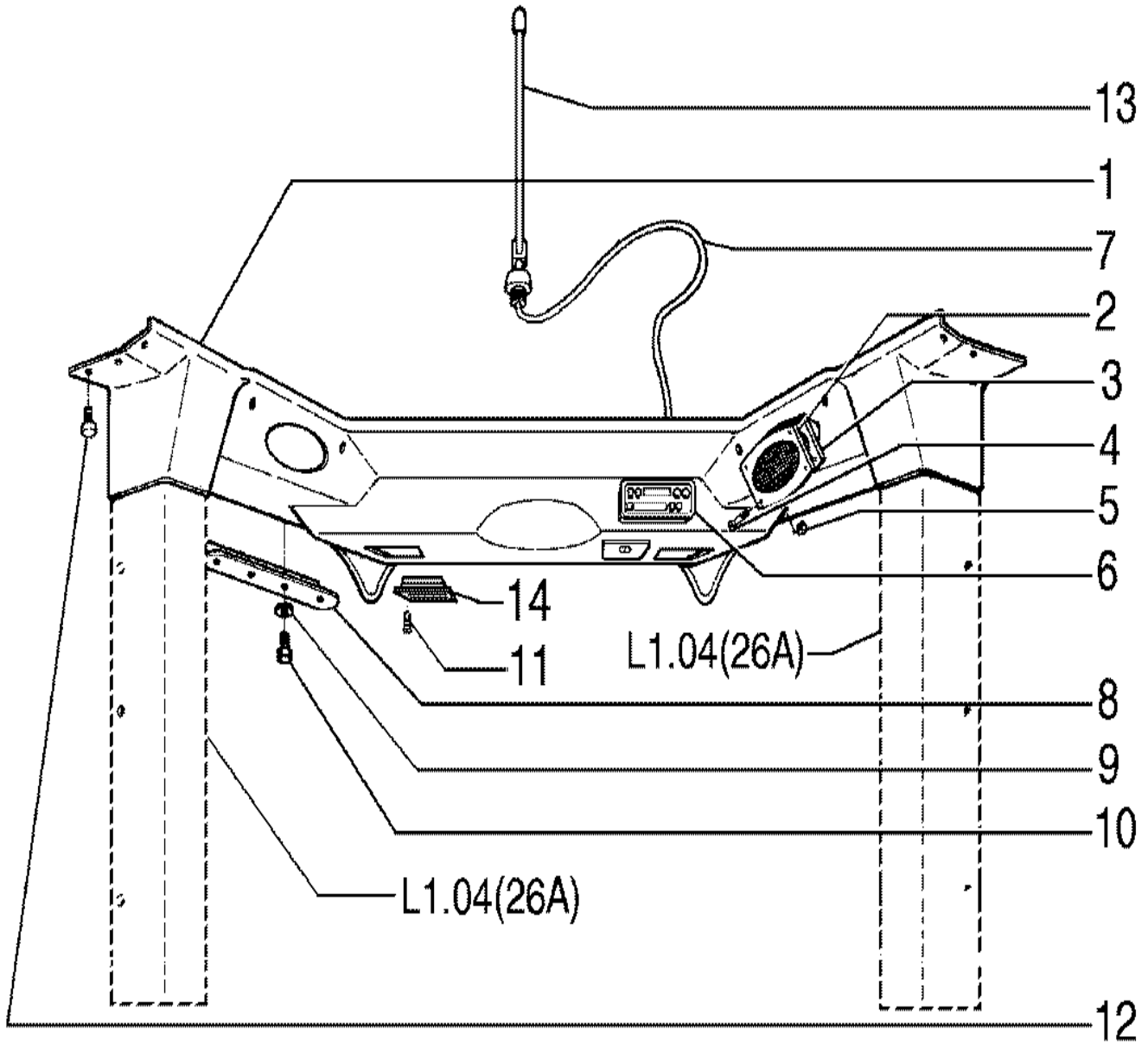
FRONT LOWER WINDSHIELD WIPER



LOW PROFILE CAB COVERING L.H.



LOW PROFILE CAB COVERING



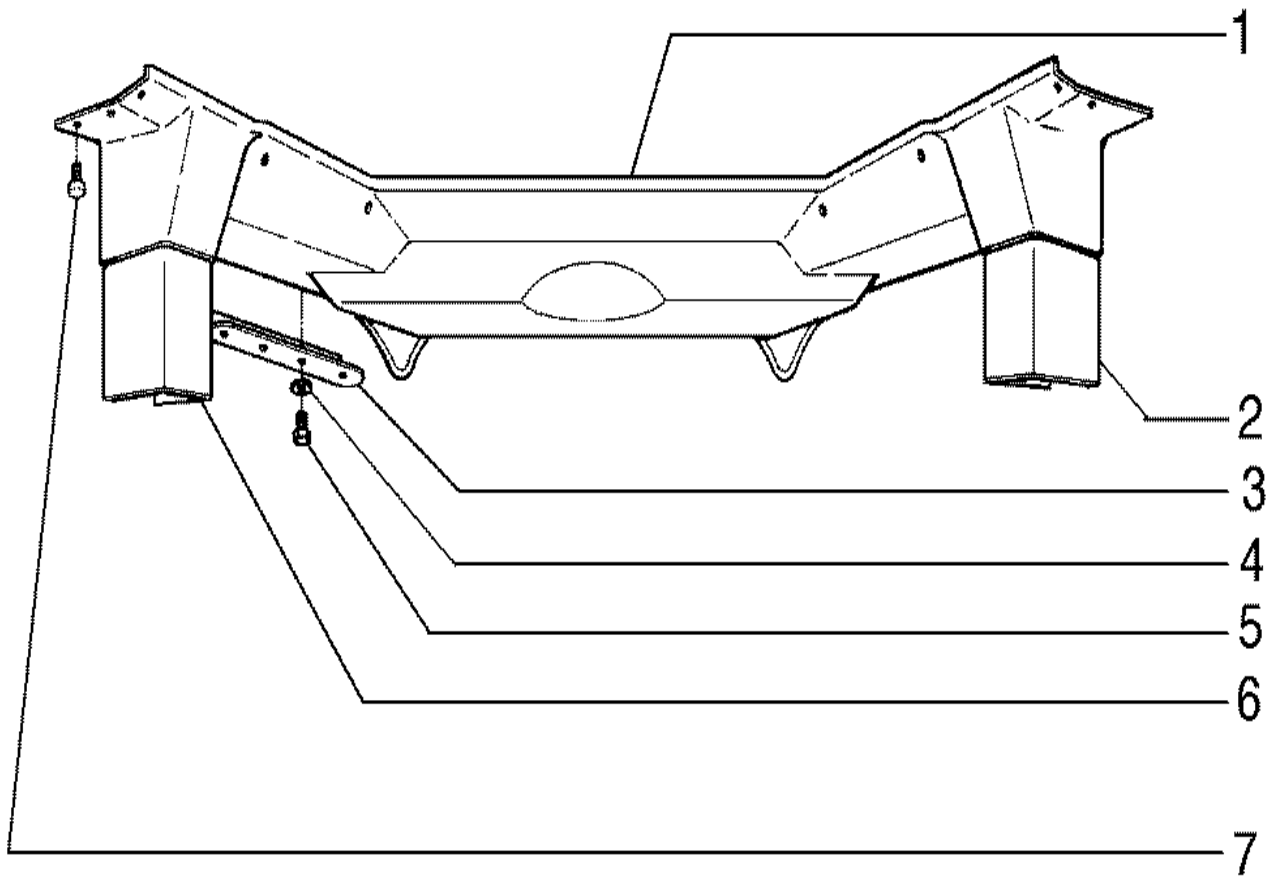
L1.04

35

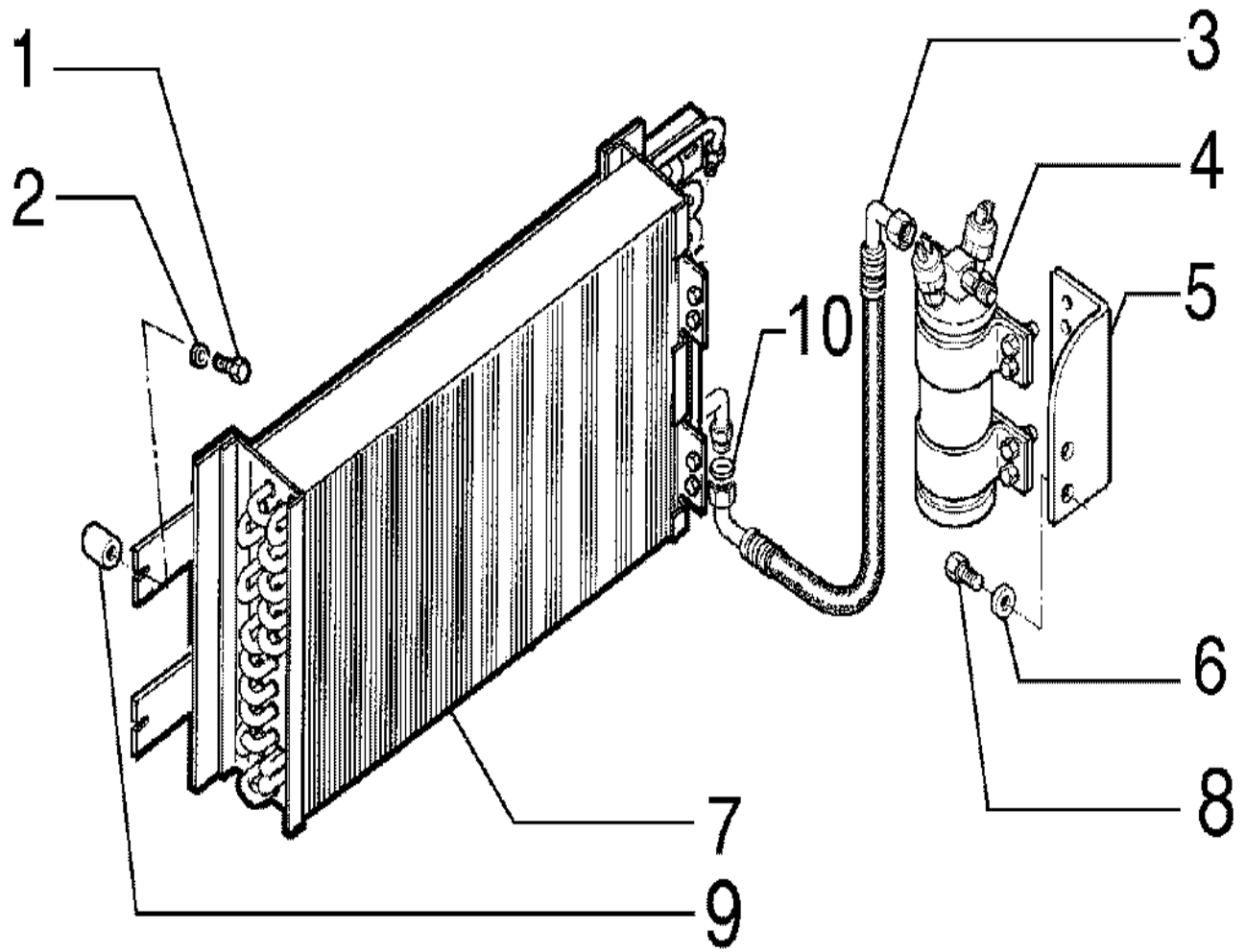
p1

12/201
8

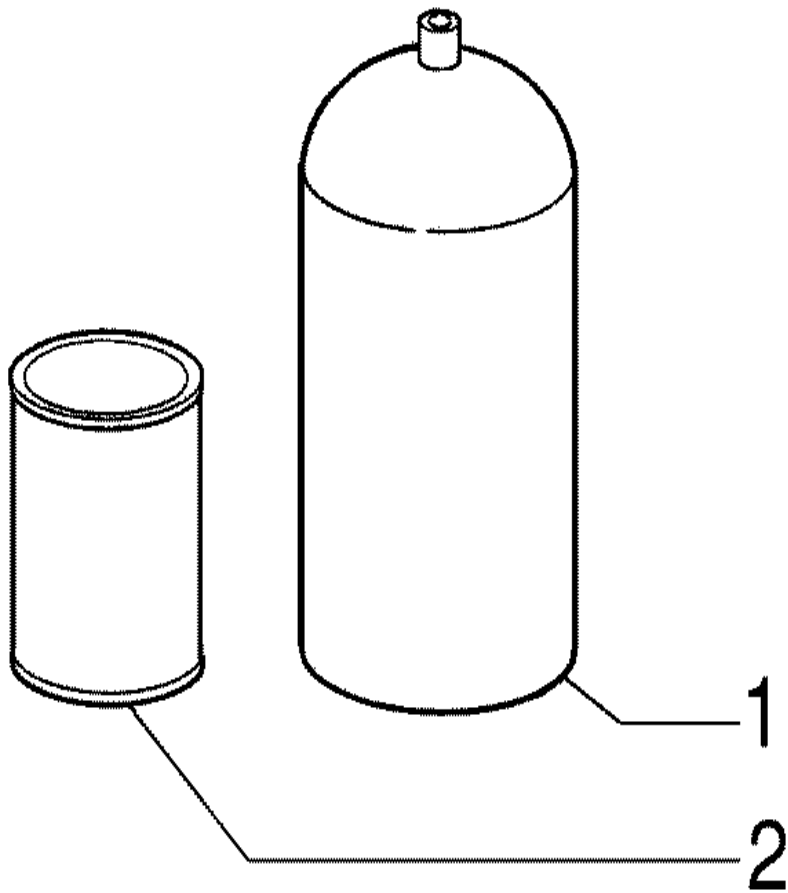
OPEN CAB HEADLINER



AIR CONDITIONER SYSTEM



AIR CONDITIONER SYSTEM

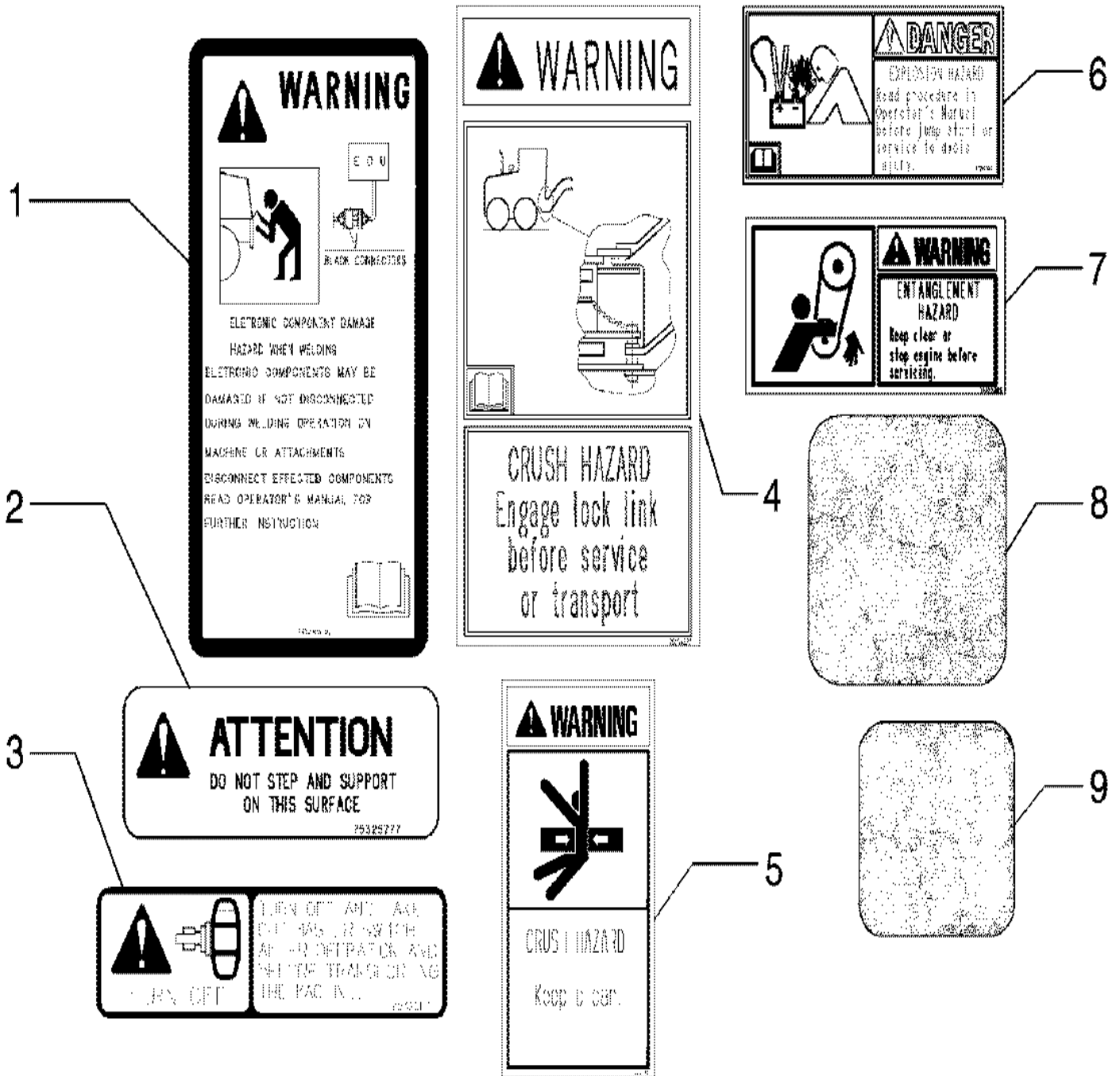


SECTION INDEX

OPTIONS

G1.01	01	FIRE EXTINGUISHER
L1.25	01	DECALS
L1.25	02	DECALS
L1.25	03	DECALS
L1.25	04	DECALS
L1.25	05	DECALS
L1.25	06	DECALS
L1.25	07	DECALS

DECALS



INDEX - INDICE - INDEX - ZAHLENVERZEICHNIS - INDICE - INDICE - INDHOLD - INHOUD

Number	Figure	Sequence	Ref.	Number	Figure	Sequence	Ref.
11061076	E3.13	07	3	11106631	E3.02	17	6
11061076	E3.32	03	1	11106631	E3.10	01	34
11061076	E3.32	07	1	11106831	E3.02	18	32
11061675	E3.32	08	11	11107031	C1.01	05	18
11066676	L1.04	45	45	11107031	D2.01	02	21
11069576	B4.03	04	2	11107031	E3.02	16	10
11075376	D3.33	01	25	11107031	E3.02	18	20
11087971	C1.35	01	3	11107231	L1.04	45	23
11103031	A2.01	02	9	11107331	E3.02	02	16
11103031	E3.02	27	18	11107331	E3.02	09	9
11106031	A2.56	01	12	11107331	E3.02	12	12
11106031	B2.06	04	1	11107331	E3.02	15	14
11106031	B4.03	03	9	11107331	E3.02	16	21
11106031	E3.02	32	15	11107331	E3.02	19	5
11106121	E3.13	06	22	11107631	A4.01	03	8
11106131	A4.01	05	8	11107631	A4.01	03A	8
11106231	A2.01	02	4	11107631	B2.06	03	9
11106231	A4.01	01	29	11112131	D1.01	02	25
11106231	A4.01	04	9	11112131	E3.13	06	26
11106231	D3.33	01	2	11112131	F4.01	07	5
11106231	D3.33	01A	12	11112231	B2.06	02	7
11106231	E3.28	02	2	11112331	F4.01	18	14
11106231	F3.01	02	7	11112431	A4.01	06	11
11106231	F4.01	06	6	11112431	D3.33	01A	7
11106231	F5.01	01	1	11112431	L1.01	01	30
11106231	L1.01	02	5	11112631	A0.02	01	2
11106231	L1.04	45	13	11112631	D1.01	02	21
11106431	A0.02	01	15	11112631	D1.01	02	26
11106431	A2.01	02	24	11112631	D3.33	01	8
11106431	A2.22	01	8	11112631	E3.02	16	15
11106431	A2.56	01	3	11112631	E3.02	26	9
11106431	A4.01	05	11	11112831	B4.03	11	3
11106431	D1.01	02	30	11112831	F3.01	02	5
11106431	D2.01	03	12	11113031	D1.01	02	24
11106431	E3.02	03	15	11113231	B2.07	01	4
11106431	E3.02	31	9	11113231	B4.01	01	38
11106431	E3.02	32	6	11113231	D1.01	01	18
11106431	F4.01	06	12	11113431	A2.01	01	9
11106431	L1.01	01	1	11113631	E3.10	05	23
11106431	L1.01	01	6	11113731	E3.02	20	37
11106631	A2.56	01	5	11113731	E3.10	05	26
11106631	B2.00	01	1	11114631	E3.10	01	14
11106631	B2.06	04	21	11115531	E3.02	26	2
11106631	B4.01	02	22	11118537	A0.02	01	13
11106631	B4.03	11	5	11118537	C1.35	02	2
11106631	C1.01	05	26	11118731	B2.06	02	9

INDEX - INDICE - INDEX - ZAHLENVERZEICHNIS - INDICE - INDICE - INDHOLD - INHOUD

Number	Figure	Sequence	Ref.	Number	Figure	Sequence	Ref.
70922300	E3.10	03	20	70923276	E3.10	01	25
70922457	E3.02	01	7	70923276	E3.10	01A	38
70922457	E3.02	02	10	70923548	B2.06	05	6
70922457	E3.02	07A	29	70923590	E3.10	03	30
70922457	E3.02	12	21	70923594	E3.28	02	17
70922457	E3.02	14	16	70923594	E3.28	02	23
70922457	E3.02	14	2	70923664	E3.02	16	22
70922457	E3.02	15	12	70923664	E3.02	26	13
70922457	E3.02	15	23	70923684	D2.12	01	11
70922457	E3.02	15	28	70923717	E3.02	02	3
70922457	E3.02	17	1	70923717	E3.02	27	38
70922457	E3.02	25	12	70923737	E3.02	27	12
70922475	E3.02	12	10	70923817	E3.10	03	19
70922507	E3.02	05	10	70923824	B4.01	02	20
70922507	E3.02	19	1	70923841	C1.01	02	7
70922508	E3.10	02	18	70923841	C1.01	03	1
70922522	E3.02	07	9	70923841	C1.01	04	14
70922522	E3.02	07A	9	70923841	C1.01	05	12
70922522	E3.02	18	9	70923841	C1.01	05	16
70922523	C1.01	05	6	70923841	C1.01	05	19
70922523	E3.02	18	5	70923845	E3.02	01	20
70922523	E3.02	26A	9	70923905	E3.02	02	13
70922544	B4.01	01	23	70923905	E3.02	07	18
70922571	D2.01	01	36	70923905	E3.02	15	2
70922571	E3.02	20	32	70924026	B2.06	03	22
70922577	E3.02	01	13	70924026	B2.06	04	4
70922739	B2.06	01	7	70924158	D2.12	01	3
70922744	E3.10	03	9	70924158	E3.32	10	9
70922763	B4.01	01	31	70924296	E3.02	27	42
70922763	C1.35	01	7	70924686	E3.02	26	11
70922763	D2.01	03	30	70924686	E3.10	01	19
70922763	E3.02	05	15	70924786	E3.02	03	18
70922763	E3.31	01	9	70925257	E3.31	01	5
70922792	E3.02	31	13	70925311	D2.01	03	32
70922803	F4.01	02	16	70925427	E3.10	06	13
70922997	A4.01	06	13	70925431	E3.10	01A	15
70923102	E3.02	08	11	70925457	E3.10	03	8
70923102	E3.02	20	5	70925617	C1.01	03	3
70923137	E3.10	01	10	70925621	F4.01	01	5
70923137	E3.10	01A	45	70925655	L1.04	37	5
70923163	E3.02	20	26	70925656	E3.02	01	21
70923163	E3.02	27	31	70925756	E3.02	26A	4
70923174	A4.01	06	15	70925857	E3.02	20	28
70923174	B2.06	04	2	70925927	L1.01	01	16
70923276	D2.01	02	25	70925957	B2.06	02	5
70923276	D2.01	02	6	70926031	B2.06	04	11

INDEX - INDICE - INDEX - ZAHLENVERZEICHNIS - INDICE - INDICE - INDHOLD - INHOUD

Number	Figure	Sequence	Ref.	Number	Figure	Sequence	Ref.
73164376	B2.07	02	10	75208135	A3.03/A	01	7
73164378	A4.01	06	23	75208142	A1.01	02	4
73164380	A4.01	06	1	75208153	A2.24	02	8
73164399	A4.01	03	5	75208153	A2.24	06	4
73164399	A4.01	03A	5	75208153	A5.01	01	5
73164400	A4.01	03	7	75208158	A1.02	01	2
73164400	A4.01	03A	7	75208170	A1.02	05	3
73164411	E3.28	02	13	75208172	A5.01	02	8
73164425	A4.01	01	23	75208174	A1.02	01	10
73164427	A4.01	01	11	75208174	A2.52	02	10
73164428	A4.01	01	9	75208179	A1.02	04	2
73164430	A4.01	01	7	75208183	A1.02	04	7
73164431	A4.01	01	22	75208188	A1.02	05	8
73164432	A4.01	01	18	75208192	A1.02	04	8
73164453	A2.56	01	7	75208216	A1.01	01	5
741569	A4.01	01	3	75208250	A4.09/A	01	5
75201087	H1.01	02	8	75208251	A1.02	02	2
75201391	D3.16	01	1	75208252	A4.09/A	01	2
75201641	B2.06	04	16	75208253	A4.09/A	01	1
75201641	F4.01	01	7	75208261	A4.09/A	01	7
75201641	F4.01	06	16	75208297	A2.52	02	8
75201641	F4.01	07	8	75208307	A1.02	04	5
75201641	F4.01	12	7	75208320	A1.01	04	2
75201641	F4.01	18	48	75208320	A4.02	01	4
75201642	A2.01	02	26	75208324	A2.56	01	9
75201642	F4.01	12	9	75208347	A1.01	06	1
75201642	F4.01	18	44	75208347	A1.02	05	2
75201642	L1.04	04	20	75208356	A1.03	01	3
75201642	L1.04	26	2	75208356	A1.03	02	3
75201642	L1.04	26A	2	75208360	E3.02	20	34
75201642	L1.04	27	8	75208362	A1.03	02	9
75201642	L1.04	29	17	75208363	A1.03	02	8
75201642	L1.04	42	3	75208378	A1.06	01	6
75201642	L1.04	45	2	75208384	A3.02	01	2
75204973	A4.09/A	01	9	75208933	A2.24	02	3
75206638	A1.01	06	2	75208953	A1.02	01	1
75206638	F3.01	01	5	75209587	E3.32	07	15
75206638	L1.04	46	3	75210969	H1.01	01	1
75206842	A1.02	04	6	75210985	H1.01	01	2
75206847	A1.02	02	10	75213542	E3.32	07	3
75208110	A1.02	04	9	75213543	E3.32	07	3
75208117	A1.01	01	2	75213759	D1.01	02	11
75208117	A1.01	02	3	75213760	D1.01	03	4
75208117	A1.01	04	1	75213761	D1.01	04	6
75208117	A4.02	01	5	75213765	D1.01	05	1
75208120	A1.01	01	6	75213765	E3.13	07	5

INDEX - INDICE - INDEX - ZAHLENVERZEICHNIS - INDICE - INDICE - INDHOLD - INHOUD

Number	Figure	Sequence	Ref.	Number	Figure	Sequence	Ref.
75287722	B2.01	04	6	75287914	A1.05	01	3
75287751	B2.01	04	11	75287924	A1.01	01	11
75287751	B2.01	05	19	75287924	A1.01	03	5
75287751	B2.01	06	10	75287925	A1.01	01	12
75287751	B2.01	07	9	75287927	A1.01	01	1
75287752	B2.01	04	14	75287928	A1.01	01	19
75287752	B2.01	05	16	75287929	A1.01	01	13
75287752	B2.01	06	13	75287930	A1.01	01	3
75287752	B2.01	07	12	75287930	A1.01	03	1
75287753	B2.01	04	13	75287930	A2.52	02	5
75287753	B2.01	05	17	75287931	A1.01	01	9
75287753	B2.01	06	12	75287932	A1.01	01	15
75287753	B2.01	07	11	75287935	A2.26/A	01	1
75287755	B2.01	04	4	75287935	A3.03/A	01	1
75287755	B2.01	05	4	75287937	A3.03/A	01	6
75287756	B2.01	16	4	75287939	A3.03/A	01	9
75287758	B2.01	10	22	75287941	A3.03/A	01	12
75287758	F4.01	01	1	75287942	A3.03/A	01	11
75287774	L1.04	07	12	75287943	A3.03/A	01	4
75287774	L1.04	07A	12	75287944	A3.03/A	01	8
75287779	L1.04	07	29	75287945	A3.03/A	01	13
75287779	L1.04	07A	29	75287946	A1.01	07	1
75287779	L1.04	14	6	75287951	A1.01	07	5
75287779	L1.04	14A	6	75287955	A1.03	03	1
75287779	L1.04	15	22	75287957	A1.07	02	2
75287779	L1.04	15A	22	75287959	A1.07	02	3
75287779	L1.04	29	6	75287960	A1.02	01	3
75287779	L1.04	33	18	75287965	A1.02	01	7
75287780	L1.04	07	2	75287975	A2.52	03	1
75287780	L1.04	07A	2	75287983	A1.02	04	1
75287780	L1.04	14	21	75287984	A1.02	04	4
75287780	L1.04	14A	21	75288009	A1.02	02	1
75287780	L1.04	18	2	75288041	A2.24	03	6
75287780	L1.04	18A	4	75288042	A2.24	03	19
75287780	L1.04	18B	2	75288046	A2.24	03	24
75287780	L1.04	24	6	75288048	A2.24	03	23
75287780	L1.04	33	2	75288059	F2.01	01	2
75287863	A2.52	01	4	75288061	A4.09/A	01	3
75287869	A1.02	05	4	75288062	A4.09/A	01	6
75287880	A4.03	01	1	75288300	A1.03	02	7
75287883	A1.01	01	7	75288302	A1.03	01	4
75287885	A4.02	01	1	75288302	A1.03	02	2
75287906	A1.05	01	3	75288303	A1.03	01	1
75287911	A1.05	01	3	75288304	A1.03	01	1
75287912	A1.05	01	3	75288305	A1.03	01	1
75287913	A1.05	01	3	75288306	A1.03	01	1

INDEX - INDICE - INDEX - ZAHLENVERZEICHNIS - INDICE - INDICE - INDHOLD - INHOUD

Number	Figure	Sequence	Ref.	Number	Figure	Sequence	Ref.
75311068	A1.03	01	2	75311638	A1.05	01	7
75311078	A1.03	03	2	75312144	L6.04	01	11
75311127	A1.01	02	2	75312145	L6.04	01	7
75311167	A1.02	01	11	75312146	L6.04	01	10
75311259	E3.02	33	2	75312149	A4.09	01	1
75311288	L1.04	21A	6	75312172	A1.02	05	6
75311289	L1.04	21A	5	75312519	E3.29	02	21
75311290	L1.04	11	2	75312524	E3.29	02	7
75311291	L1.04	21A	4	75312525	E3.29	02	6
75311292	L1.04	21A	2	75312528	E3.29	02	26
75311293	L1.04	13A	6	75312531	E3.29	02	4
75311294	L1.04	13A	2	75312533	E3.29	02	11
75311297	L1.04	16	9	75312536	E3.29	02	25
75311298	L1.04	08A	4	75312547	E3.29	03	2
75311299	L1.04	08A	3	75312549	E3.29	03	3
75311300	L1.04	08A	1	75312550	E3.29	03	4
75311301	L1.04	08A	2	75312552	E3.29	03	6
75311302	L1.04	14A	13	75312553	E3.29	03	8
75311302	L1.04	15A	28	75312554	E3.29	03	7
75311303	L1.04	14	10	75312558	E3.29	02	2
75311303	L1.04	14A	10	75312613	A4.09/A	01	10
75311303	L1.04	15	25	75312687	A1.01	01	16
75311303	L1.04	15A	25	75312689	A1.01	01	10
75311321	L1.04	07A	16	75312690	A1.01	01	14
75311322	L1.04	07A	13	75312690	A1.01	02	1
75311323	L1.04	07A	14	75312699	A1.02	02	8
75311324	L1.04	07A	4	75312700	A1.02	02	13
75311325	L1.04	07A	1	75312726	A2.24	03	21
75311327	L1.04	07A	5	75312736	A2.52	04	3
75311328	L1.04	07A	7	75312737	A2.52	02	6
75311329	L1.04	07A	17	75312738	A2.52	02	9
75311330	L1.04	07A	23	75312739	A2.52	02	12
75311339	L1.04	07	31	75312745	A3.02	01	1
75311339	L1.04	07A	31	75312747	A3.03/A	01	5
75311340	L1.04	07	20	75312751	A4.03	01	3
75311340	L1.04	07A	20	75312804	E3.31	04	16
75311341	L1.04	07	21	75312804	E3.31	05	15
75311341	L1.04	07A	21	75312804	E3.31	06	15
75311349	L1.04	07	22	75312804	E3.31	07	15
75311349	L1.04	07A	22	75312804	E3.31	08	15
75311351	L1.04	36	1	75312804	E3.31	09	15
75311352	L1.04	36	2	75312804	E3.31	10	15
75311353	L1.04	36	3	75312820	B2.01	10	5
75311354	L1.04	36	4	75312821	B2.01	10	6
75311355	L1.04	36	5	75312822	B2.01	10	1
75311637	A1.05	01	5	75312824	B2.01	12	9

CLICK HERE TO **DOWNLOAD** THE COMPLETE MANUAL

- Thank you very much for reading the preview of the manual.
- You can download the complete manual from: www.heydownloads.com by clicking the link below



- Please note: If there is no response to CLICKING the link, please download this PDF first and then click on it.

CLICK HERE TO **DOWNLOAD** THE COMPLETE MANUAL