

All rights reserved by **CNHi**.

The information contained in this catalogue is intended to be of a general nature only. **CNHi** may at any time and from time to time, for technical or other necessary reasons, modify any of the details or specifications of the product described in this catalogue.

To be sure of getting accurate, detailed and up-to-date information, an intending buyer should consult his nearest **CNHi** dealer or distributor.

Single item numeration method used in this catalogue may not be used without written consent from **CNHi**.

CLICK HERE TO **DOWNLOAD** THE COMPLETE MANUAL

- Thank you very much for reading the preview of the manual.
- You can download the complete manual from: www.heydownloads.com by clicking the link below



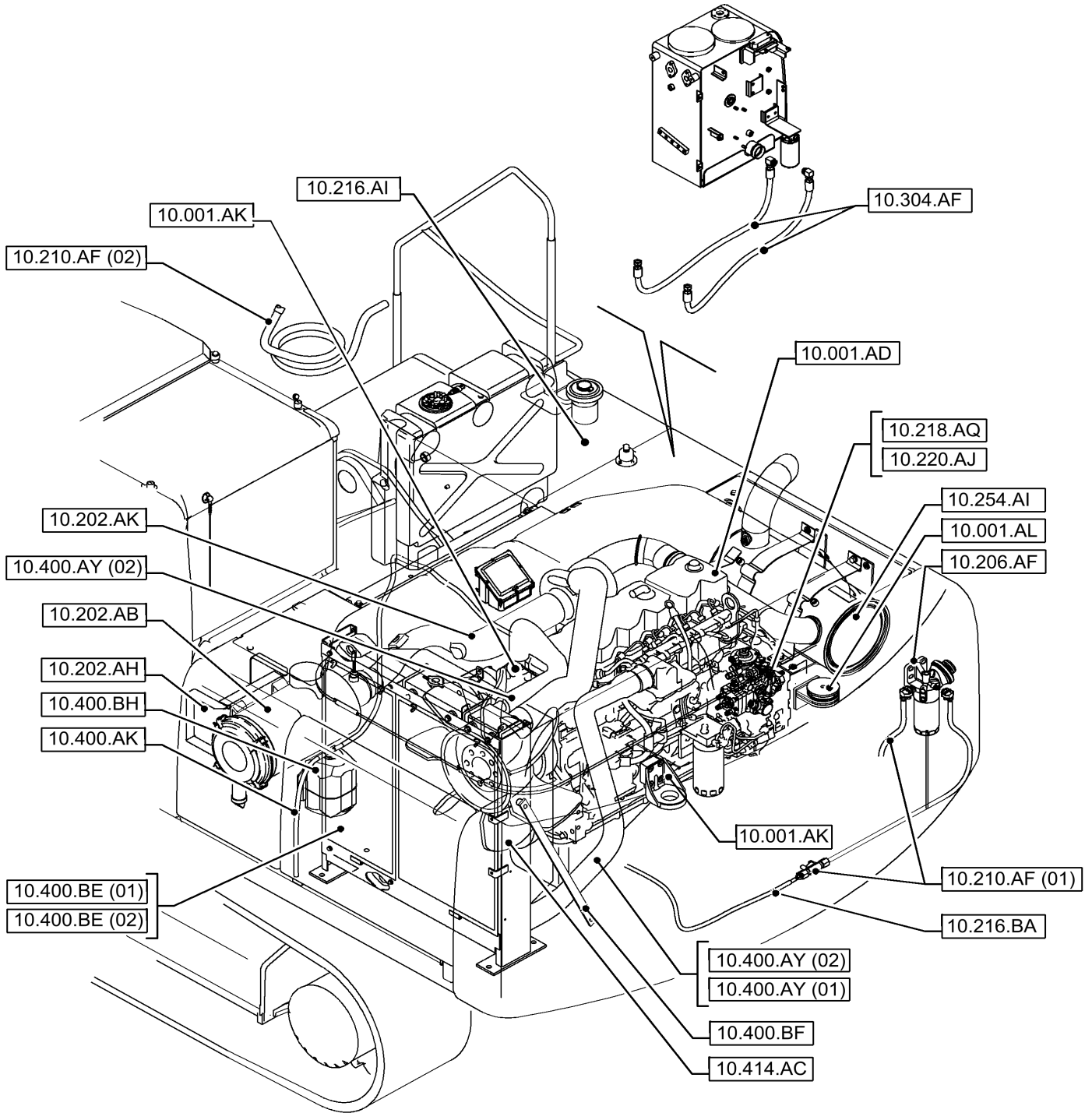
- Please note: If there is no response to CLICKING the link, please download this PDF first and then click on it.

CLICK HERE TO **DOWNLOAD** THE COMPLETE MANUAL

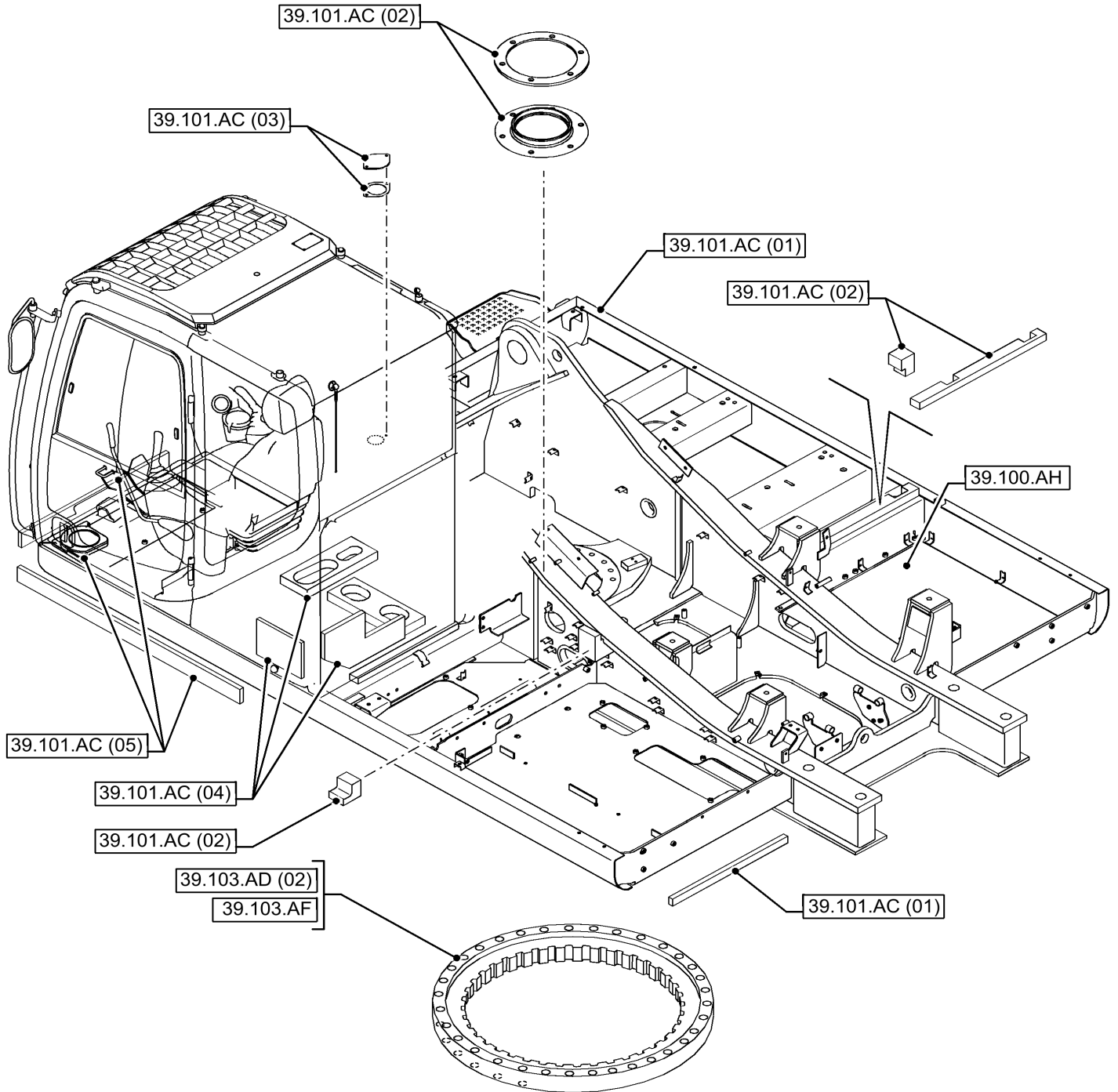
TABLE OF CONTENTS

84.100.AQ	04	VAR - 781490, 781176, 781179 - LINKAGE, PIN
84.100.AQ	05	VAR - 781490, 781176, 781179 - LINKAGE PIN
84.910.AA	01	BOOM
84.910.AC	01	PINS
84.910.AC	02	PINS
84.912.AA	01	VAR - 781490 - DIPPER
84.912.AA	02	VAR - 781176 - DIPPER
84.912.AA	03	VAR - 781179 - DIPPER
84.912.AA	04	VAR - 461220 - DIPPER
84.912.AB	01	PINS
84.912.AB	02	VAR - 461134 - PINS
84.912.AB	03	VAR - 781583 - PINS
84.912.AB	04	VAR - 781490, 781176, 781179 - PINS
84.912.AB	05	VAR - 781490, 781176, 781179 - PINS
84.912.AD	01	VAR - 781490 - BUSHING
84.912.AD	02	VAR - 781176 - BUSHING
84.912.AD	03	VAR - 781179 - BUSHING
88.000.00		SECTION INDEX - ACCESSORIES
88.035.AA	01	DIA KIT - HYDRAULIC QUICK COUPLER PROV.
88.035.AA	02	DIA KIT - HYDRAULIC QUICK COUPLER PROV.
88.035.AA	03	DIA KIT - N&B HPC ARM 2.2M
88.035.AA	04	DIA KIT - N&B HPC ARM 2.2M
88.035.AA	05	DIA KIT - N&B HPC ARM 2.2M
88.035.AA	06	DIA KIT - N&B HPC ARM 2.2M
88.035.AA	07	DIA KIT - N&B HPC ARM 2.2M
88.035.AA	08	DIA KIT - N&B HPC ARM 2.2M
88.035.AA	09	DIA KIT - N&B HPC ARM 2.2M
88.035.AA	10	DIA KIT - N&B HPC ARM 2.2M
88.035.AA	11	DIA KIT - N&B HPC ARM 2.2M
88.035.AA	12	DIA KIT - N&B HPC ARM 2.2M
88.035.AA	13	DIA KIT - N&B HPC ARM 2.2M
88.035.AA	14	DIA KIT - N&B HPC ARM 2.2M
88.035.AA	15	DIA KIT - N&B HPC ARM 2.2M
88.035.AA	16	DIA KIT - N&B HPC ARM 2.2M

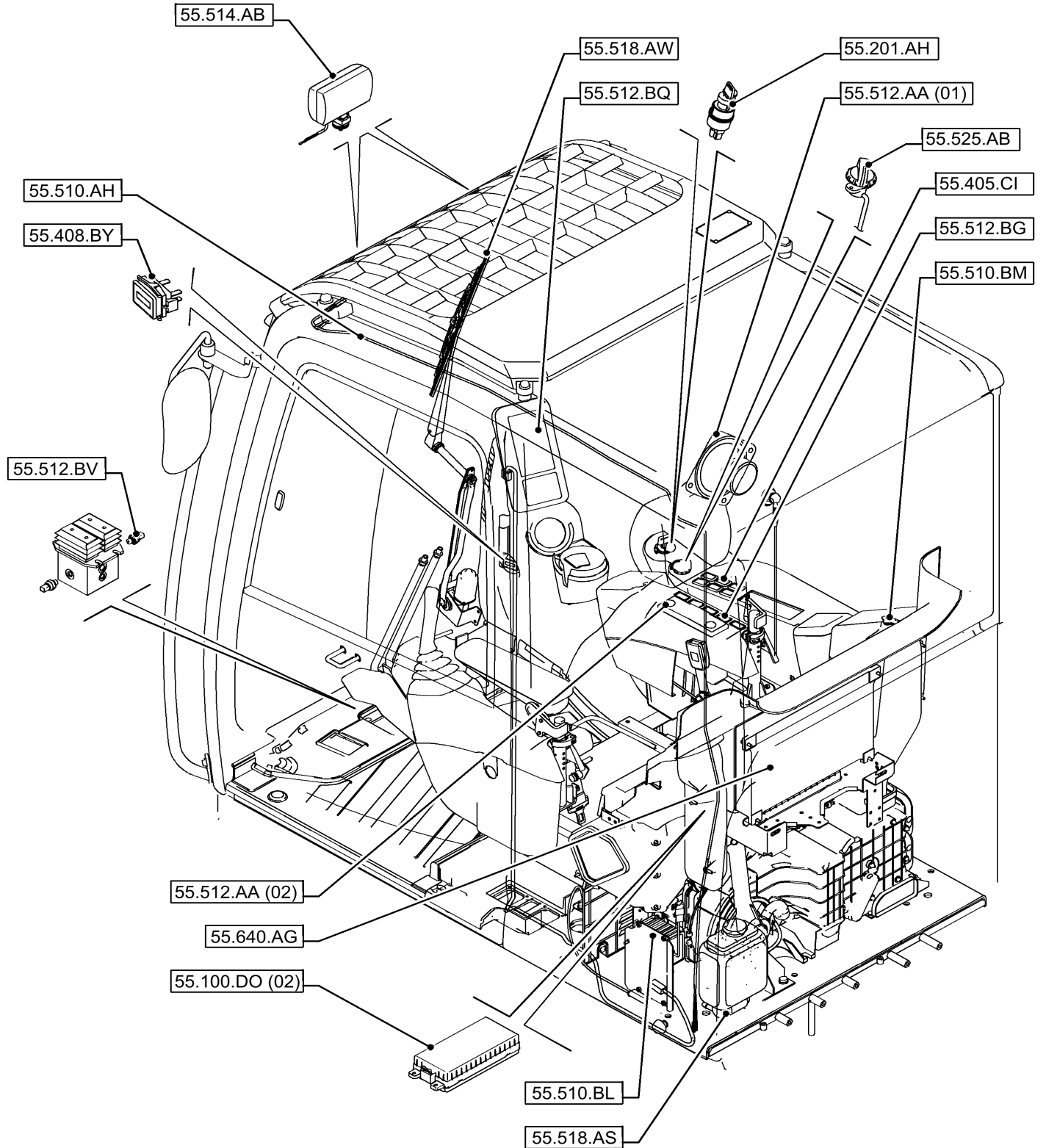
PICTORIAL INDEX - ENGINE



PICTORIAL INDEX - FRAMES AND BALLASTING



PICTORIAL INDEX - ELECTRICAL SYSTEMS



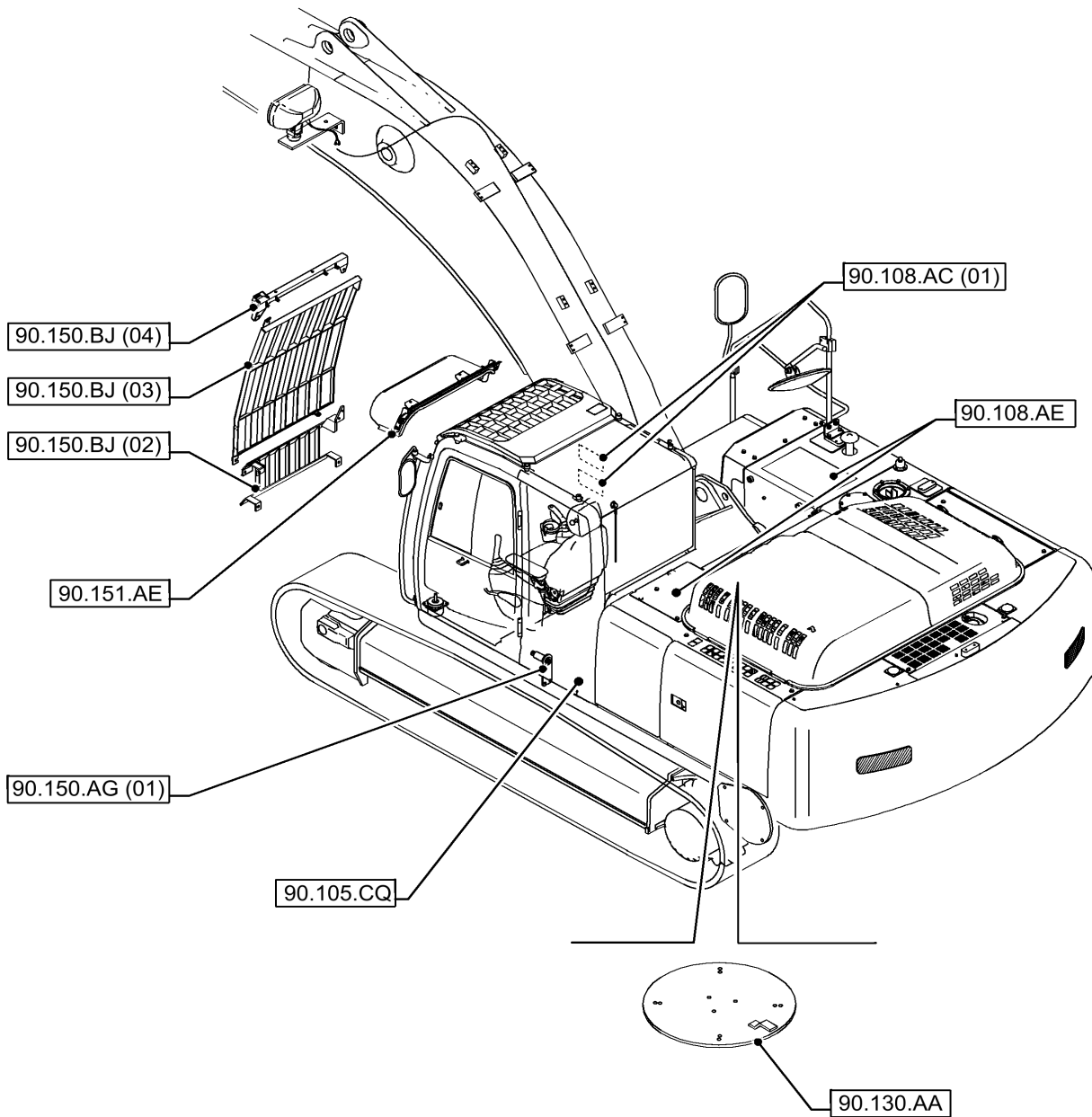
00.000.90

02

p1

6/2020

PICTORIAL INDEX - PLATFORM, CAB, BODYWORK AND DECALS

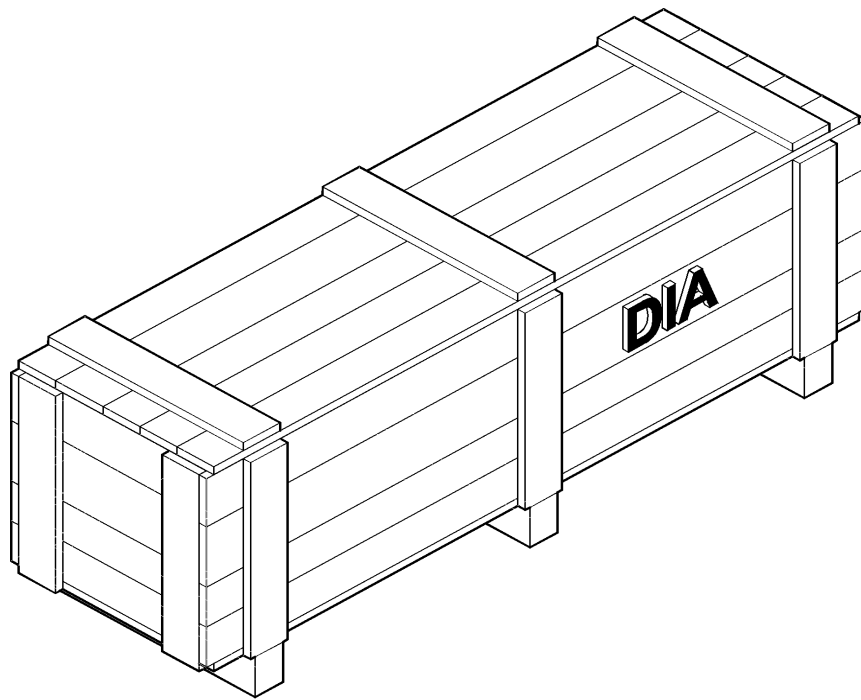


00.500.01

p2

6/2020

DIA KITS



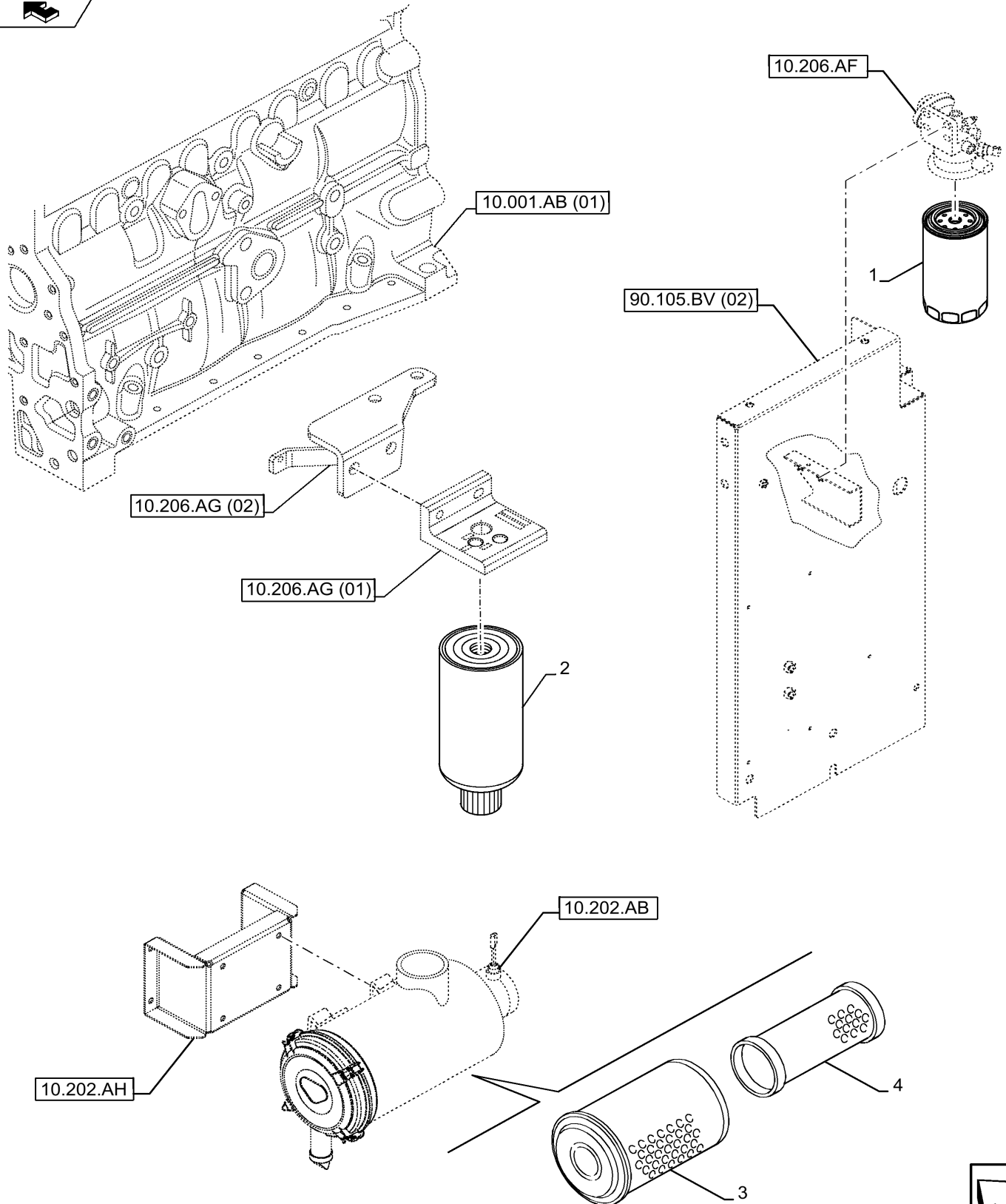
05.100.04

01

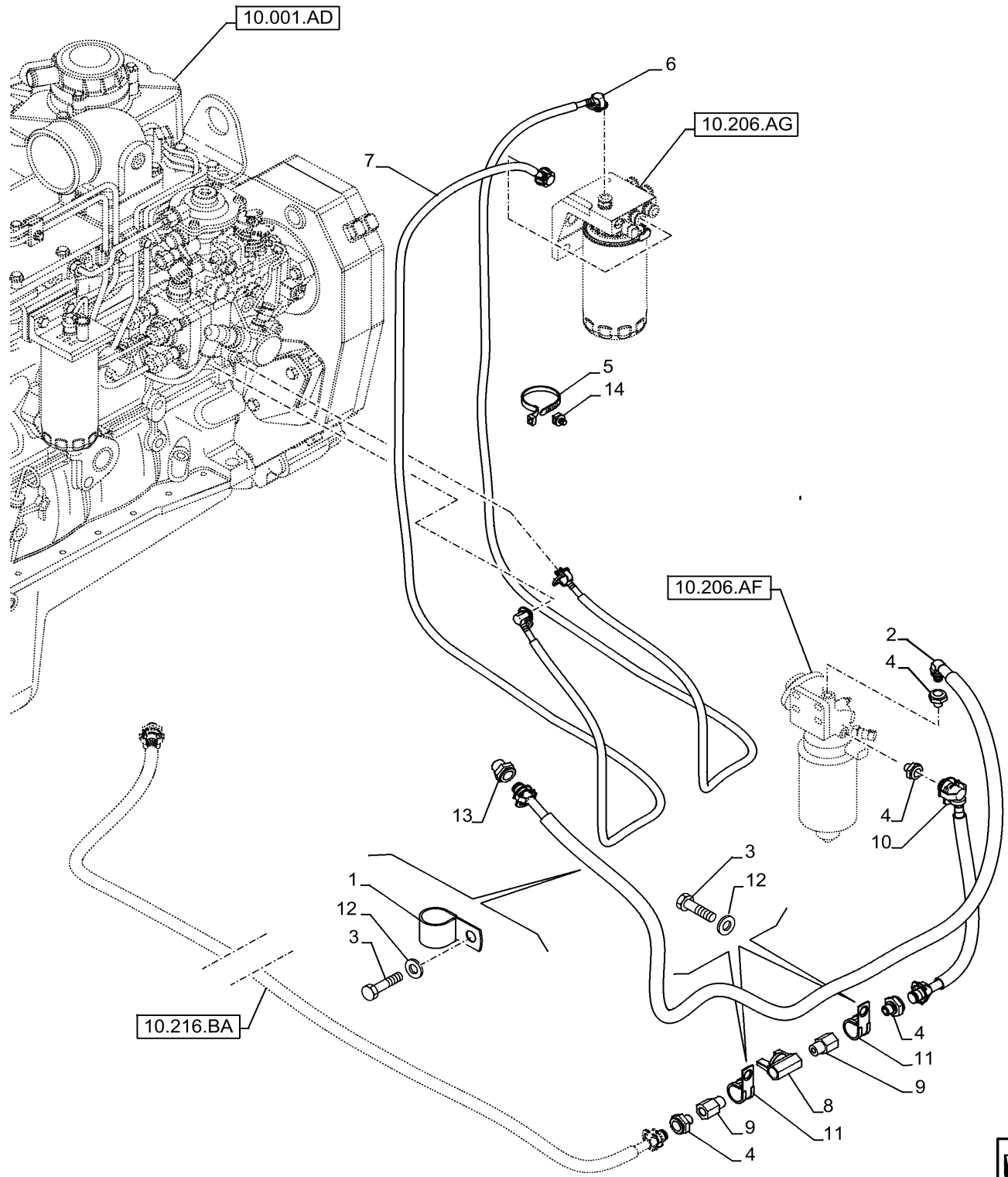
p1

6/2020

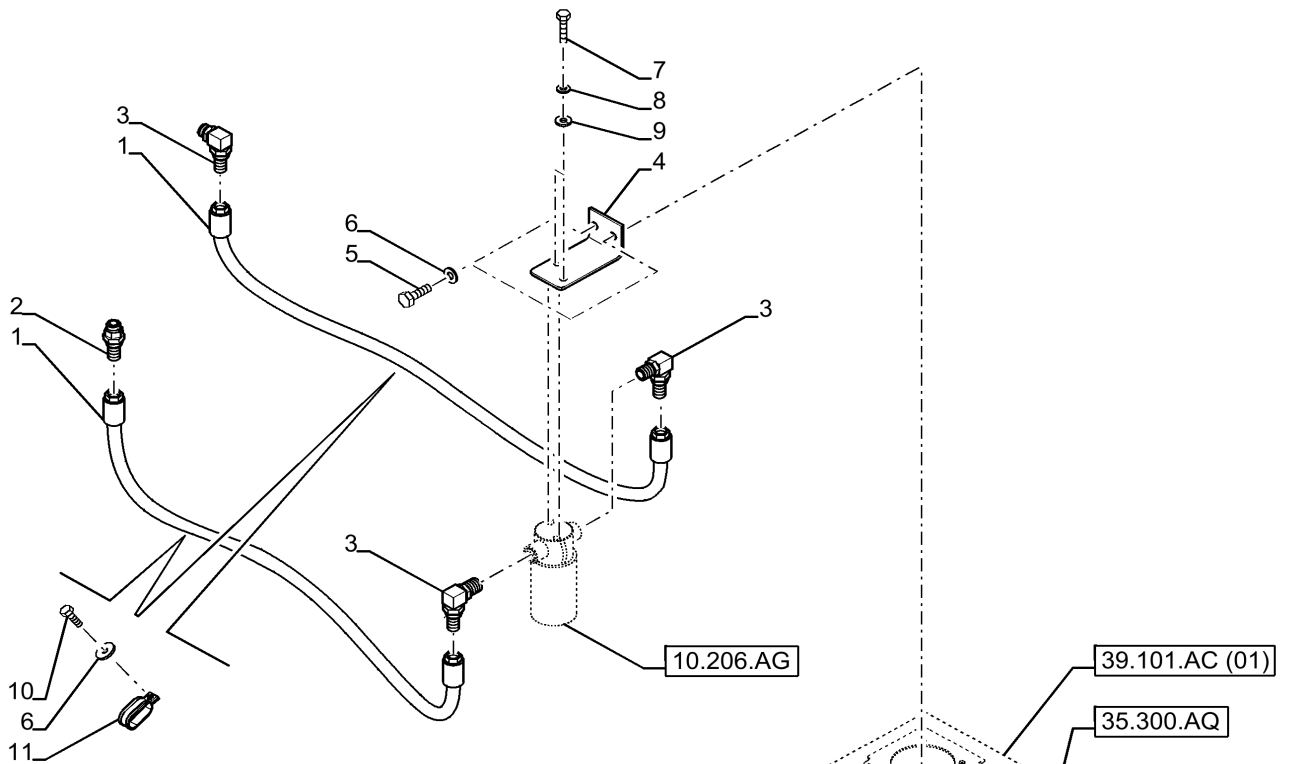
MAINTENANCE PARTS



FUEL SUPPLY LINES



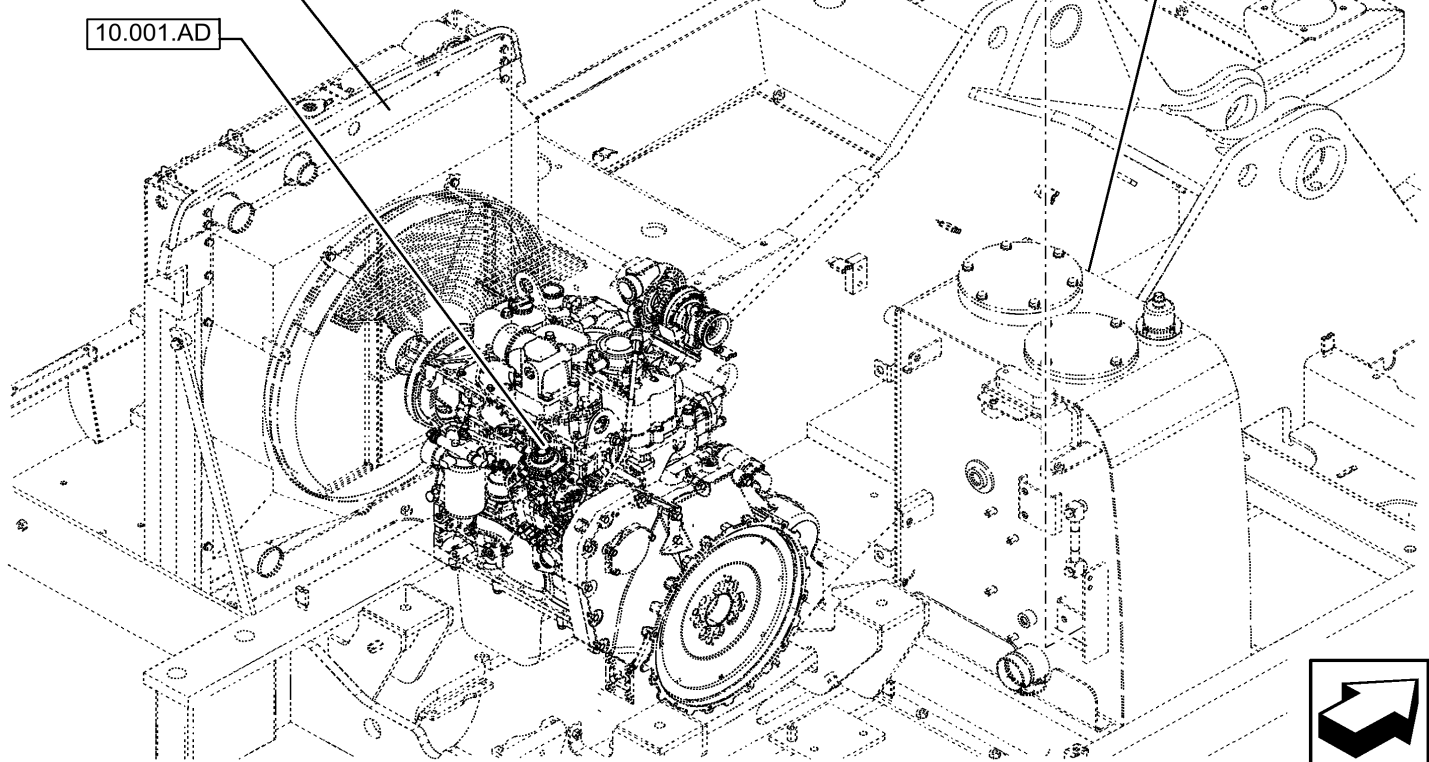
ENGINE OIL FILTER, LINE



10.400.BE (01)

10.400.BE (02)

10.001.AD



EXPANSION TANK



10.400.AK

10.400.AK

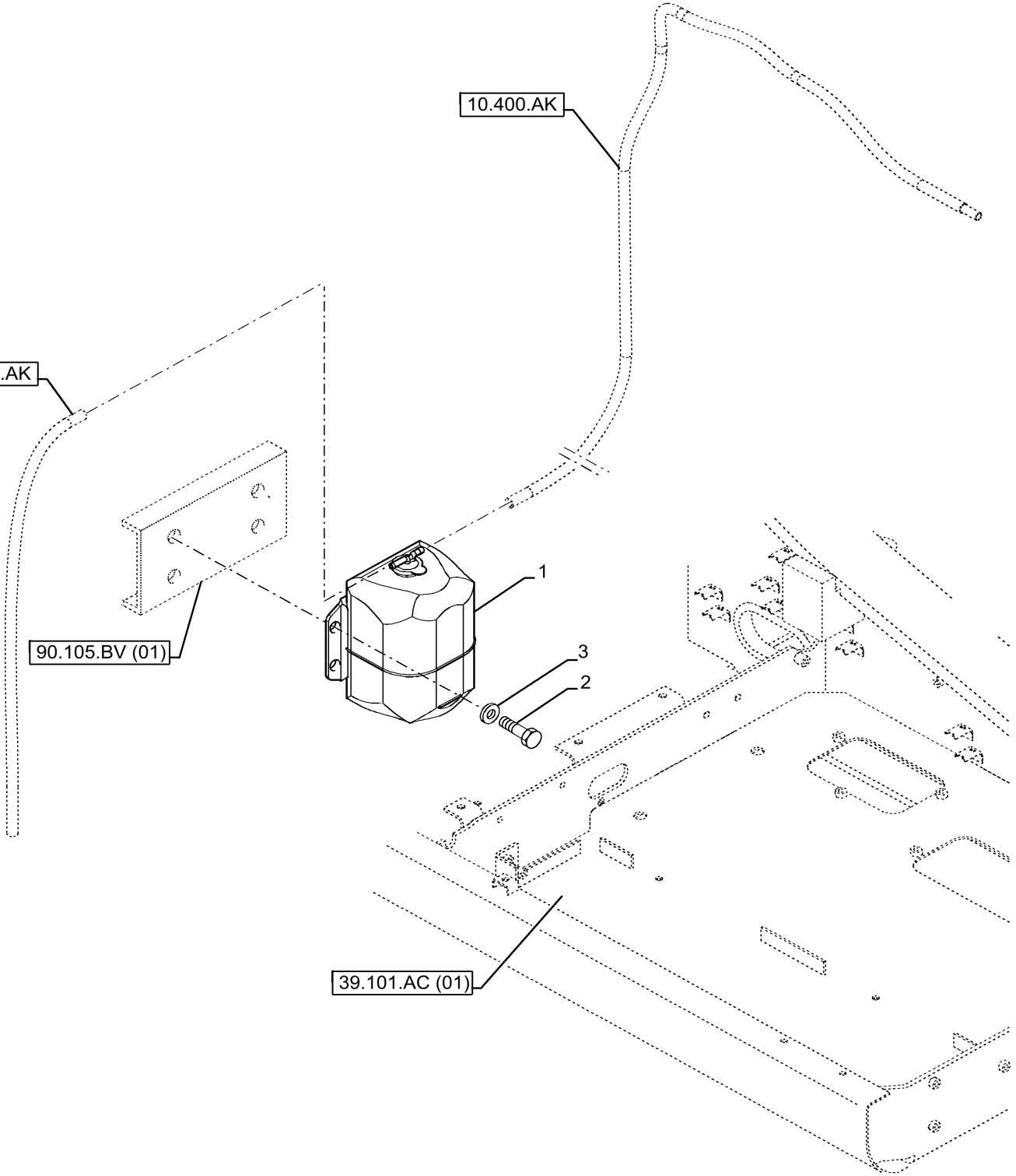
90.105.BV (01)

39.101.AC (01)

1

3

2



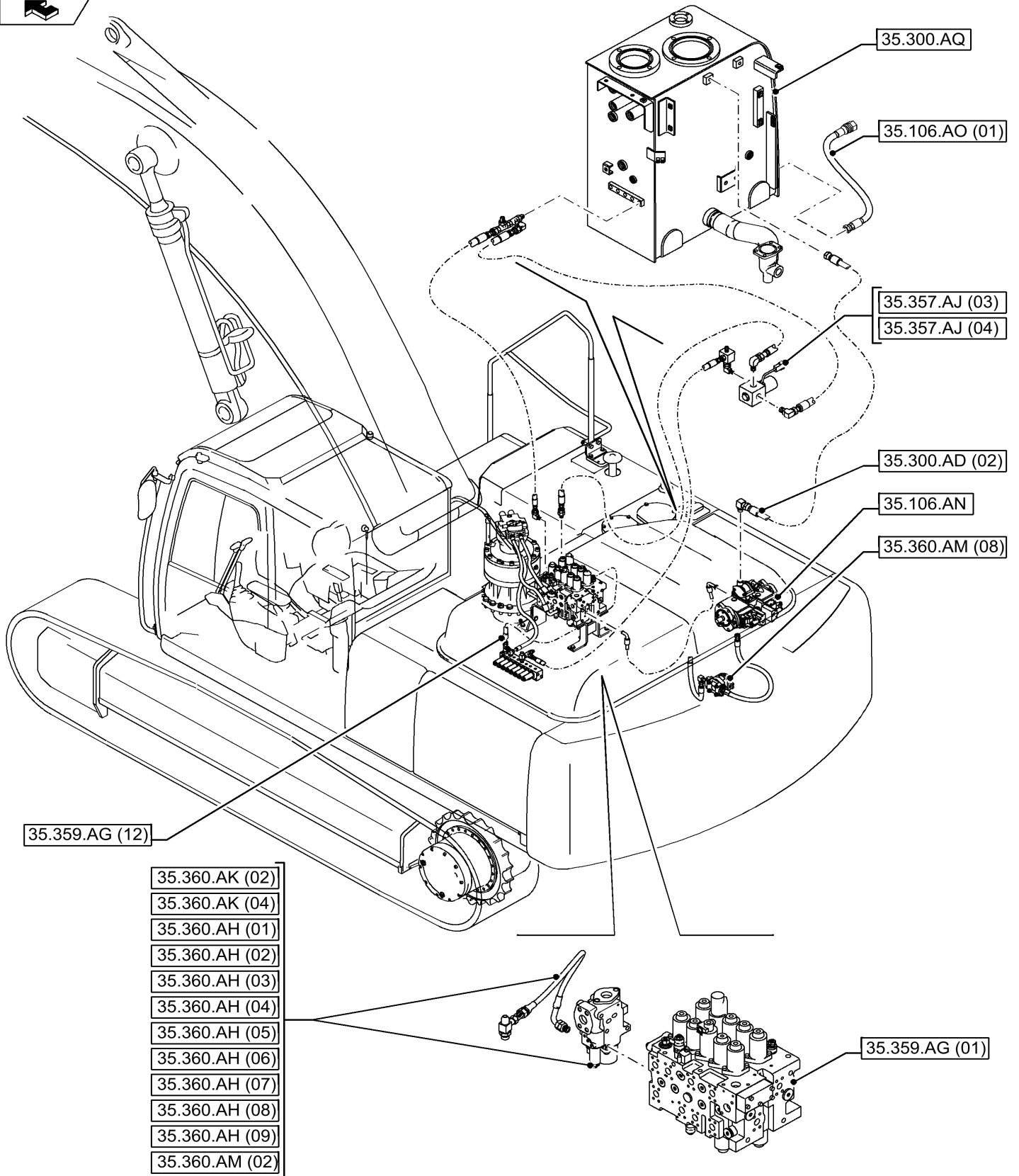
35.000.00

02

p1

6/2020

SECTION INDEX - HYDRAULIC SYSTEMS



35.359.AG (12)

35.300.AQ

35.106.AO (01)

35.357.AJ (03)

35.357.AJ (04)

35.300.AD (02)

35.106.AN

35.360.AM (08)

- 35.360.AK (02)
- 35.360.AK (04)
- 35.360.AH (01)
- 35.360.AH (02)
- 35.360.AH (03)
- 35.360.AH (04)
- 35.360.AH (05)
- 35.360.AH (06)
- 35.360.AH (07)
- 35.360.AH (08)
- 35.360.AH (09)
- 35.360.AM (02)

35.359.AG (01)

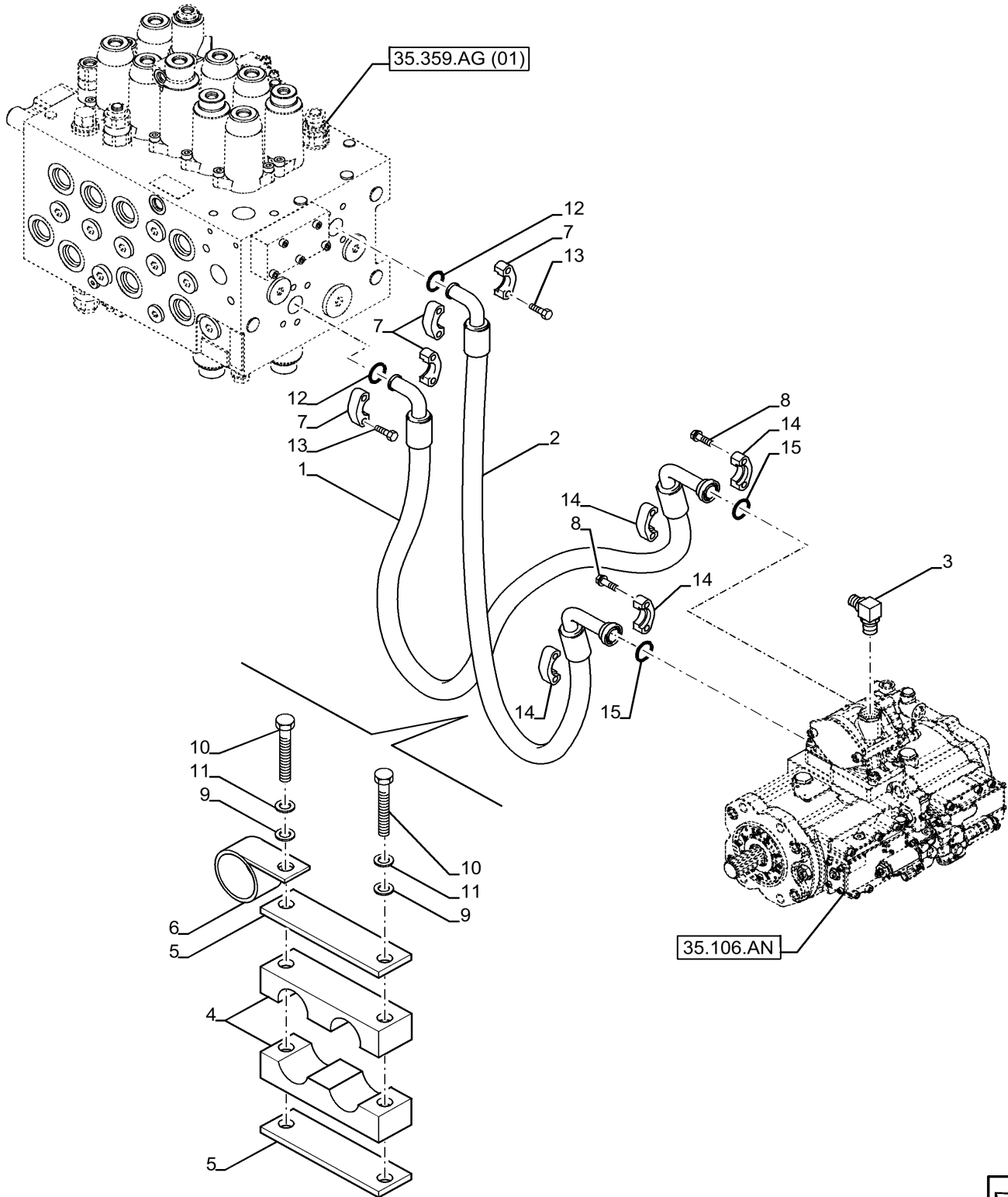
35.106.AO

02

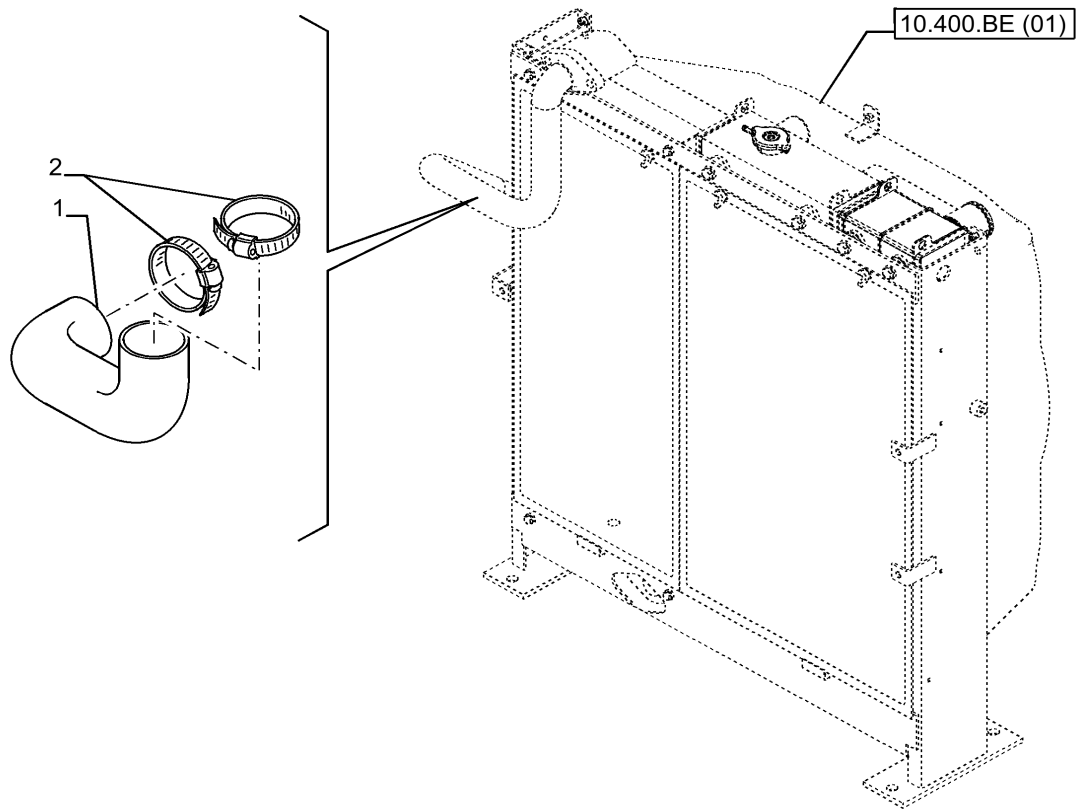
p1

6/2020

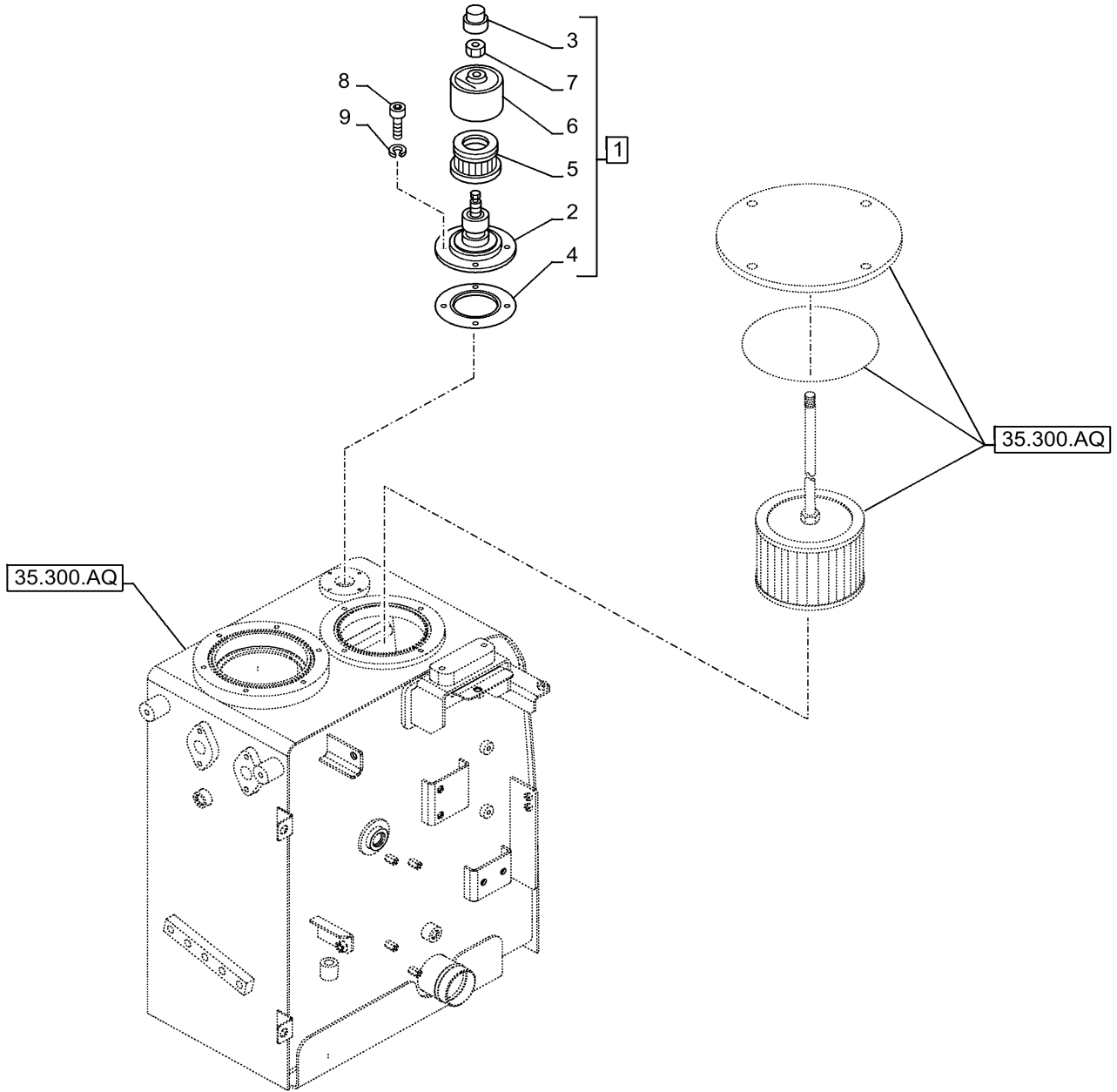
PUMP OIL LINES AND FITTINGS



RESERVOIR LINES



OIL, RESERVOIR, BREATHER



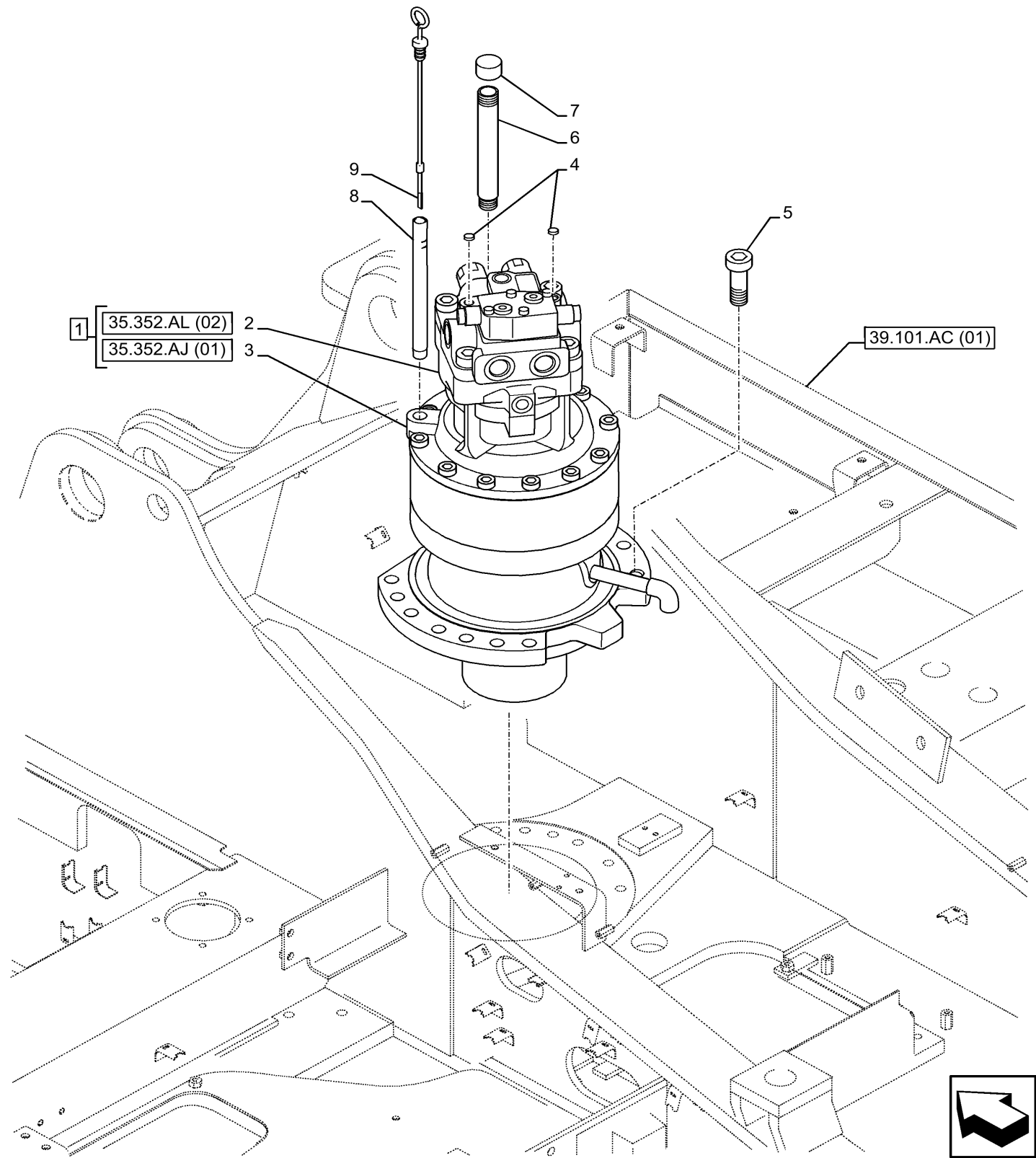
35.352.AL

01

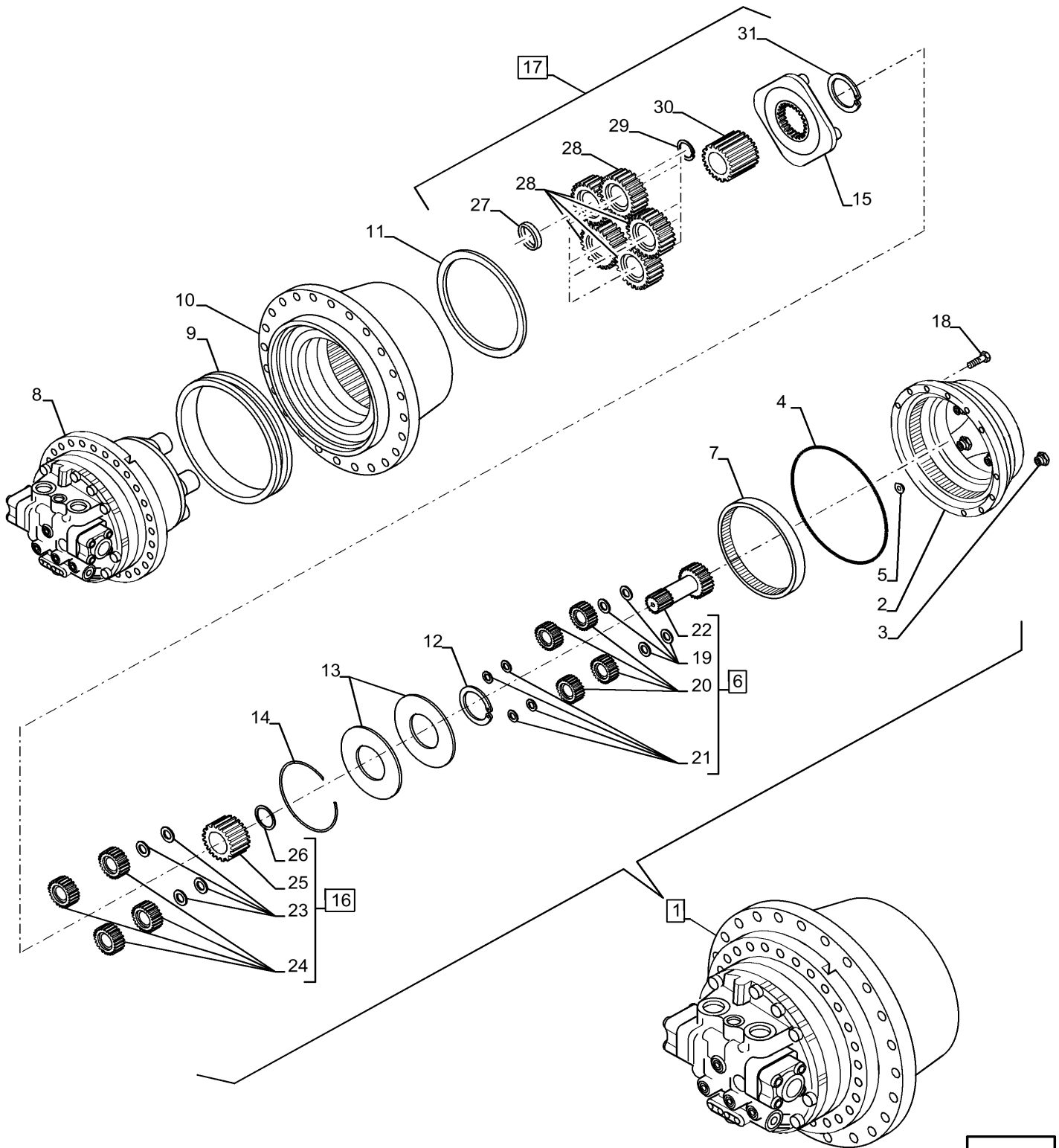
p1

6/2020

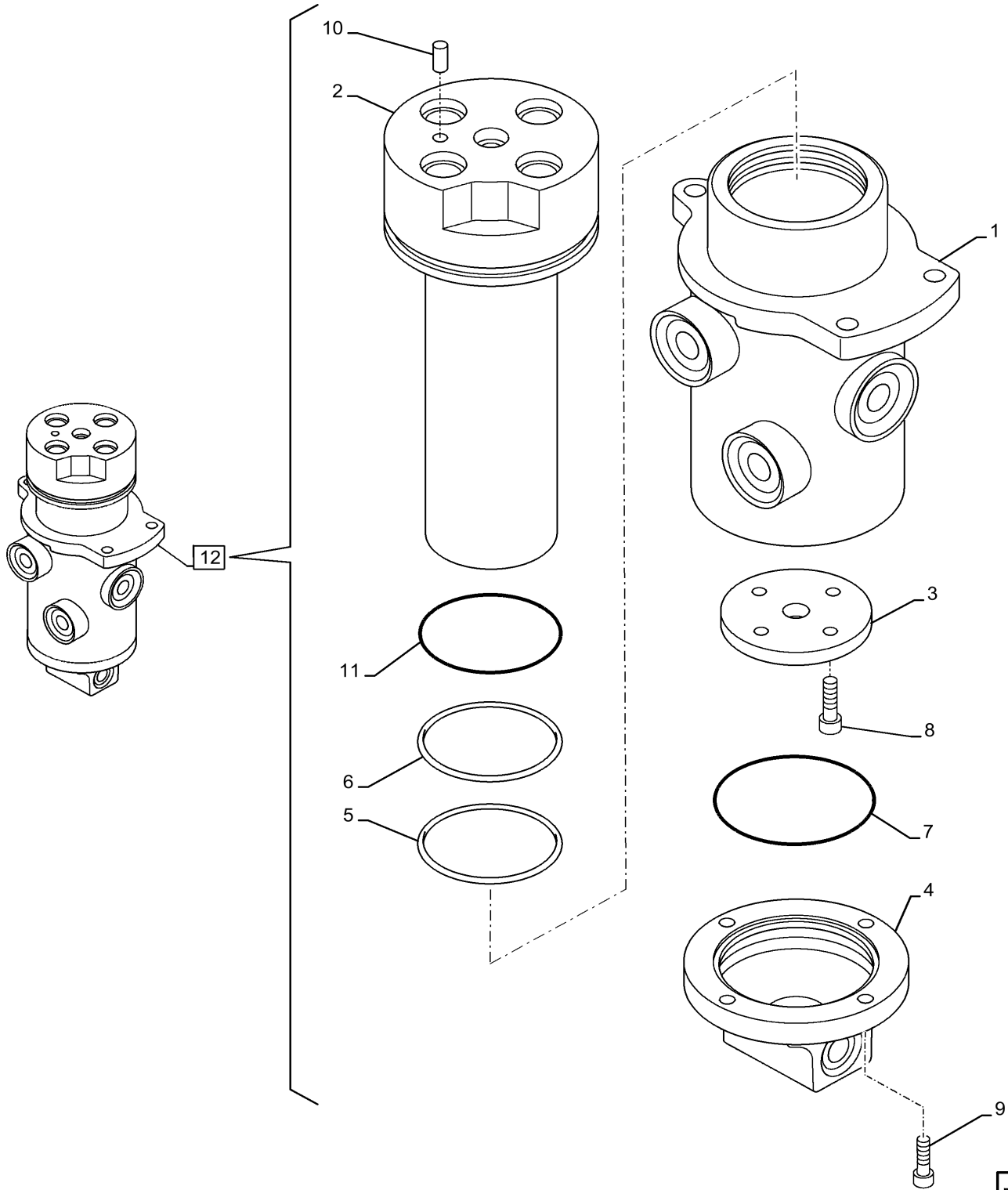
SWING REDUCTION MOTOR



TRAVEL REDUCTION GEAR



HYDRAULIC SWIVEL



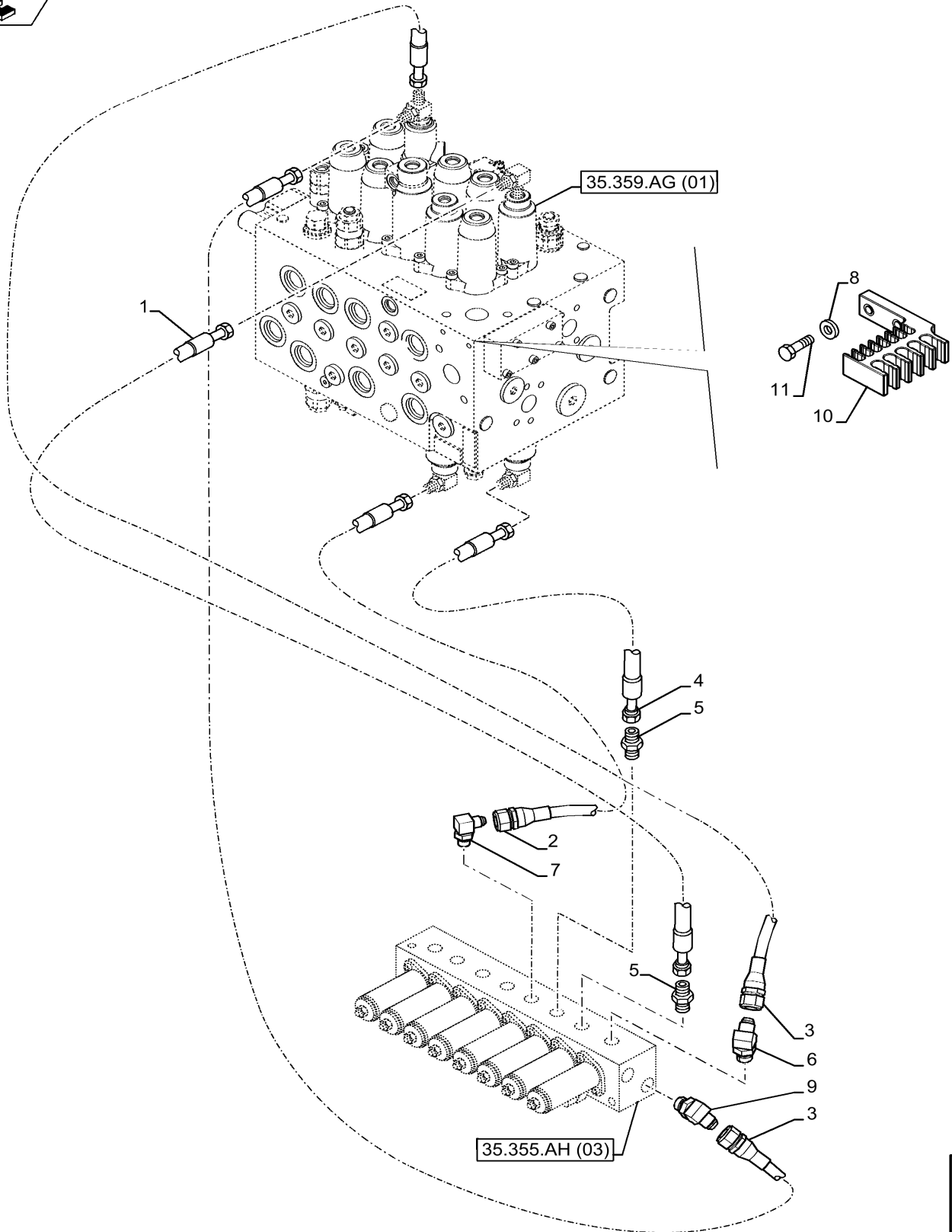
35.355.AI

01

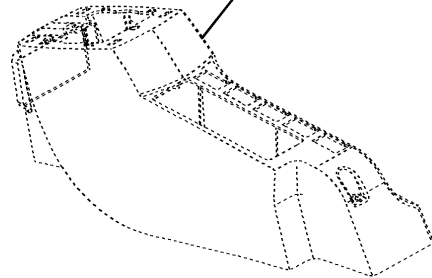
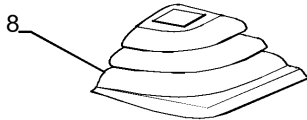
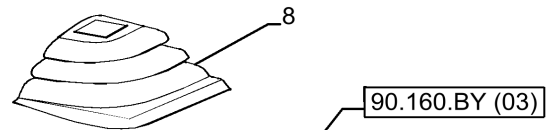
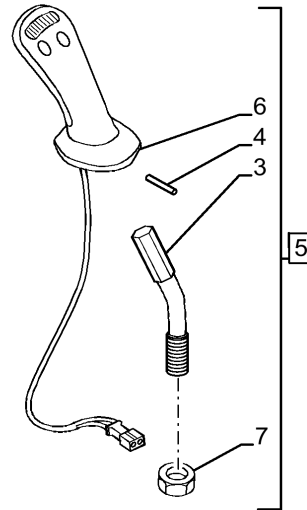
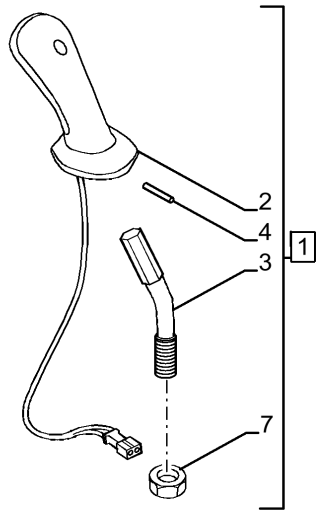
p1

6/2020

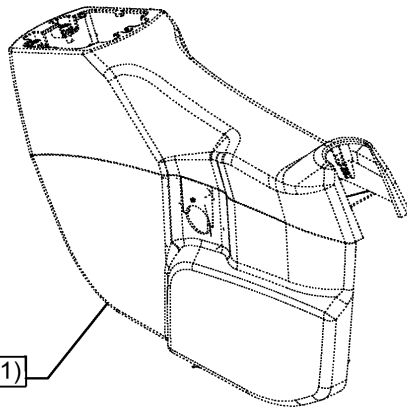
SOLENOID VALVE LINE



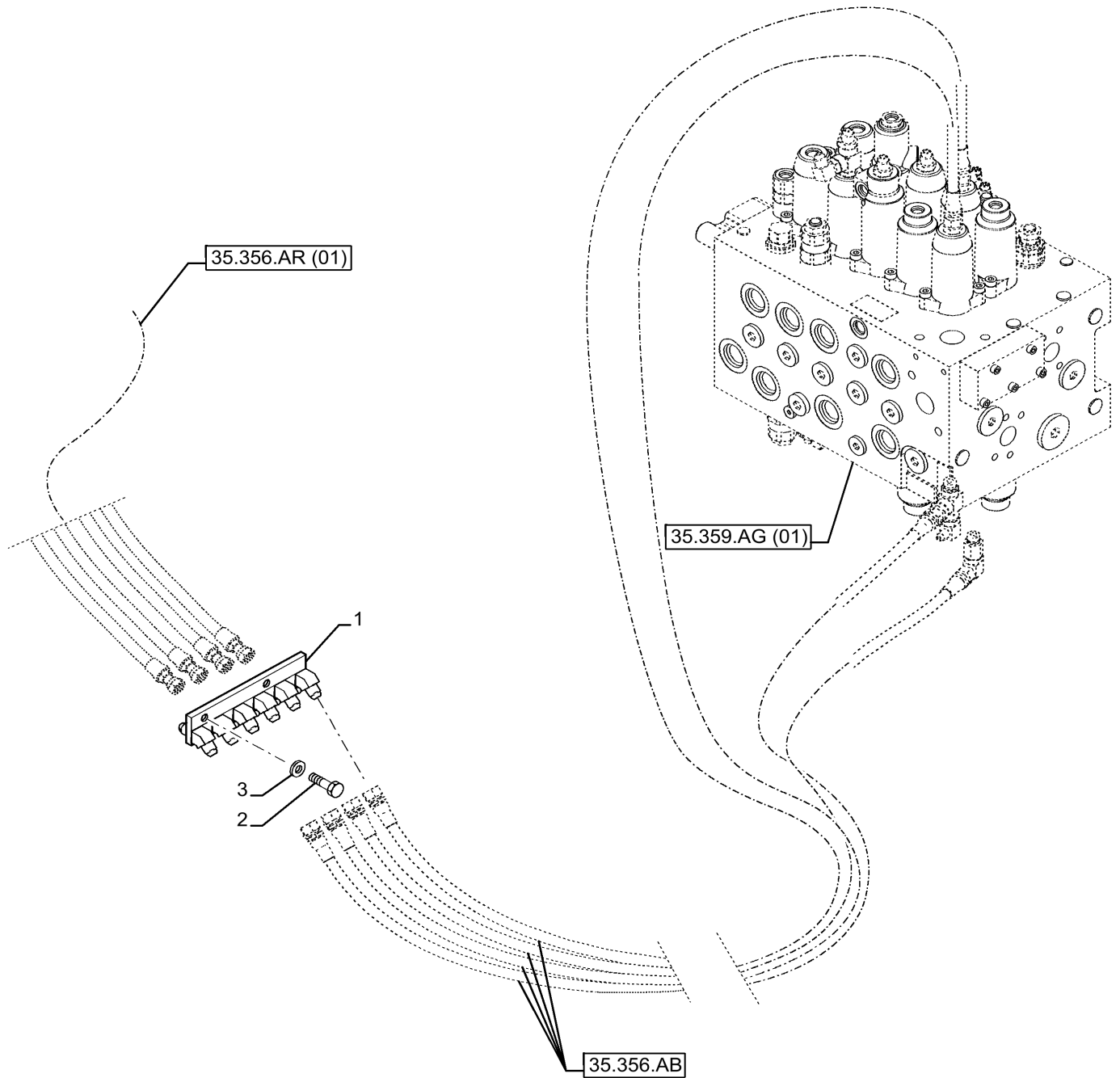
VAR - 461632, 461637, 461641 - HAND CONTROL (N&B HPC)



90.160.BY (01)



PILOT INTERMEDIATE BLOCK



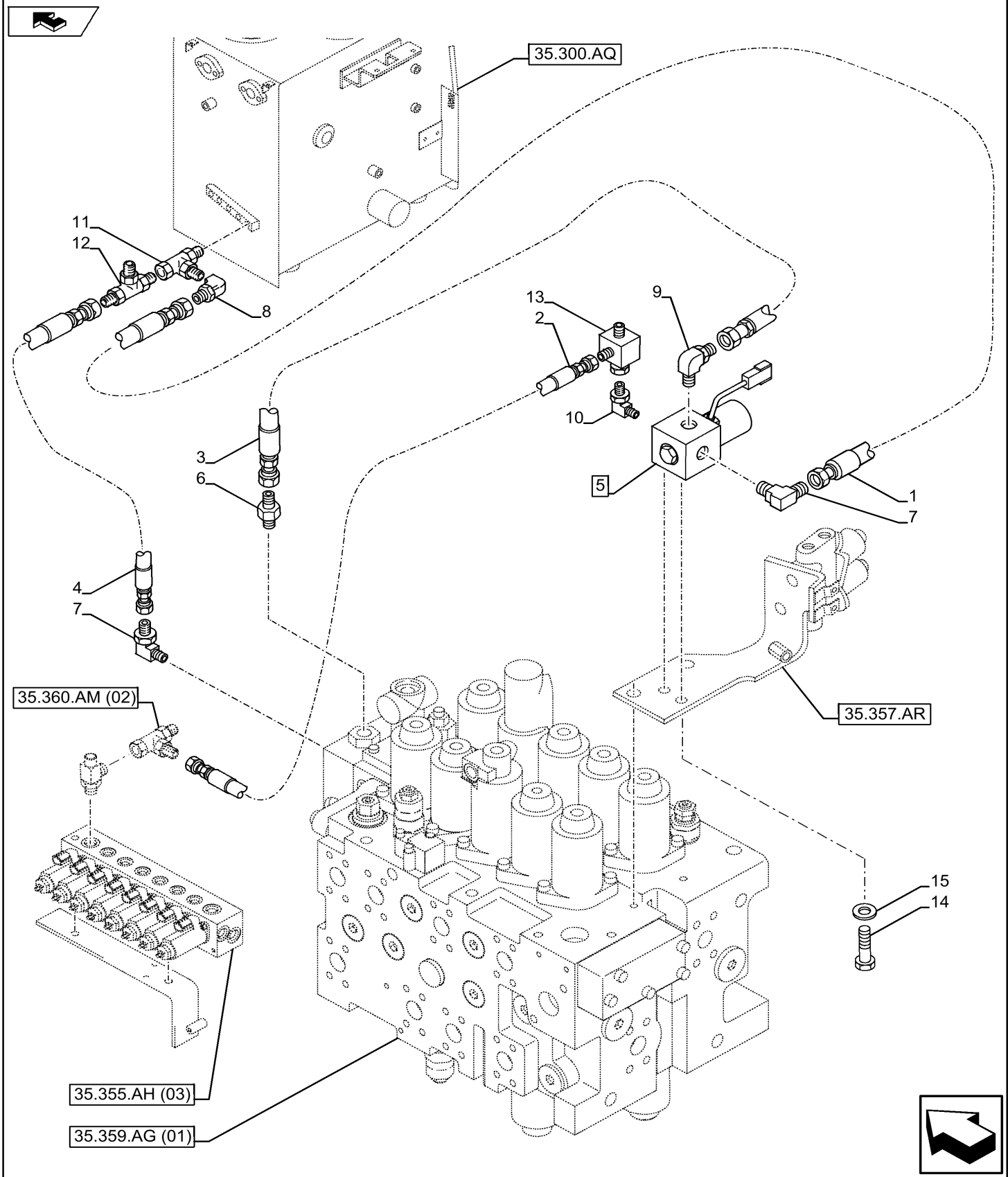
35.357.AJ

04

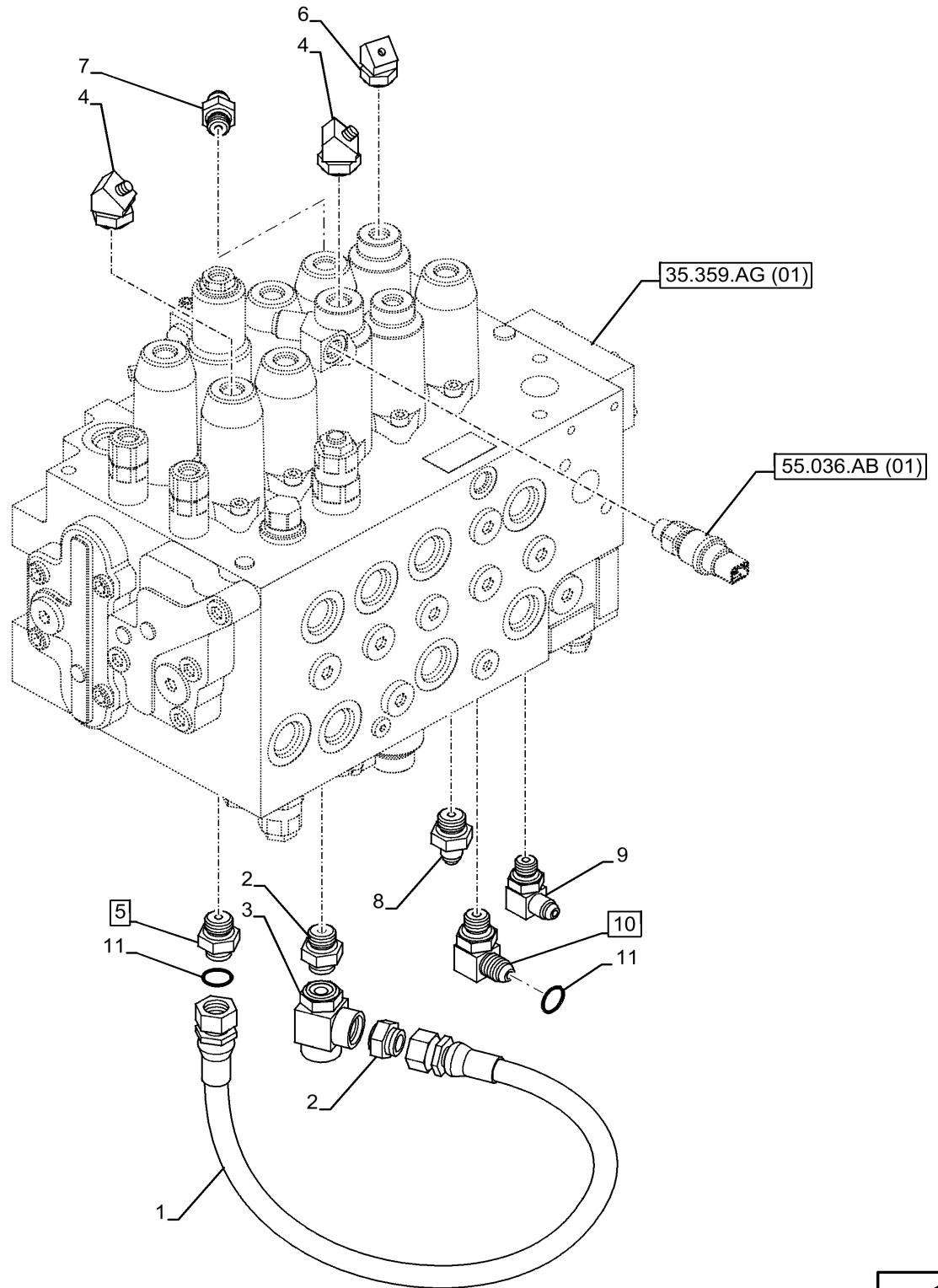
p1

6/2020

VAR - 461609, 461617, 461621 - SYSTEM SOLENOID BLOCK (N&B HPC & EXTRA CIRCUIT HPC)



CONTROL VALVE LINES



35.359.AE

12

p1

6/2020

VAR - 461673, 461678, 461682 - CONTROL VALVE LINES (N&B FOOT)



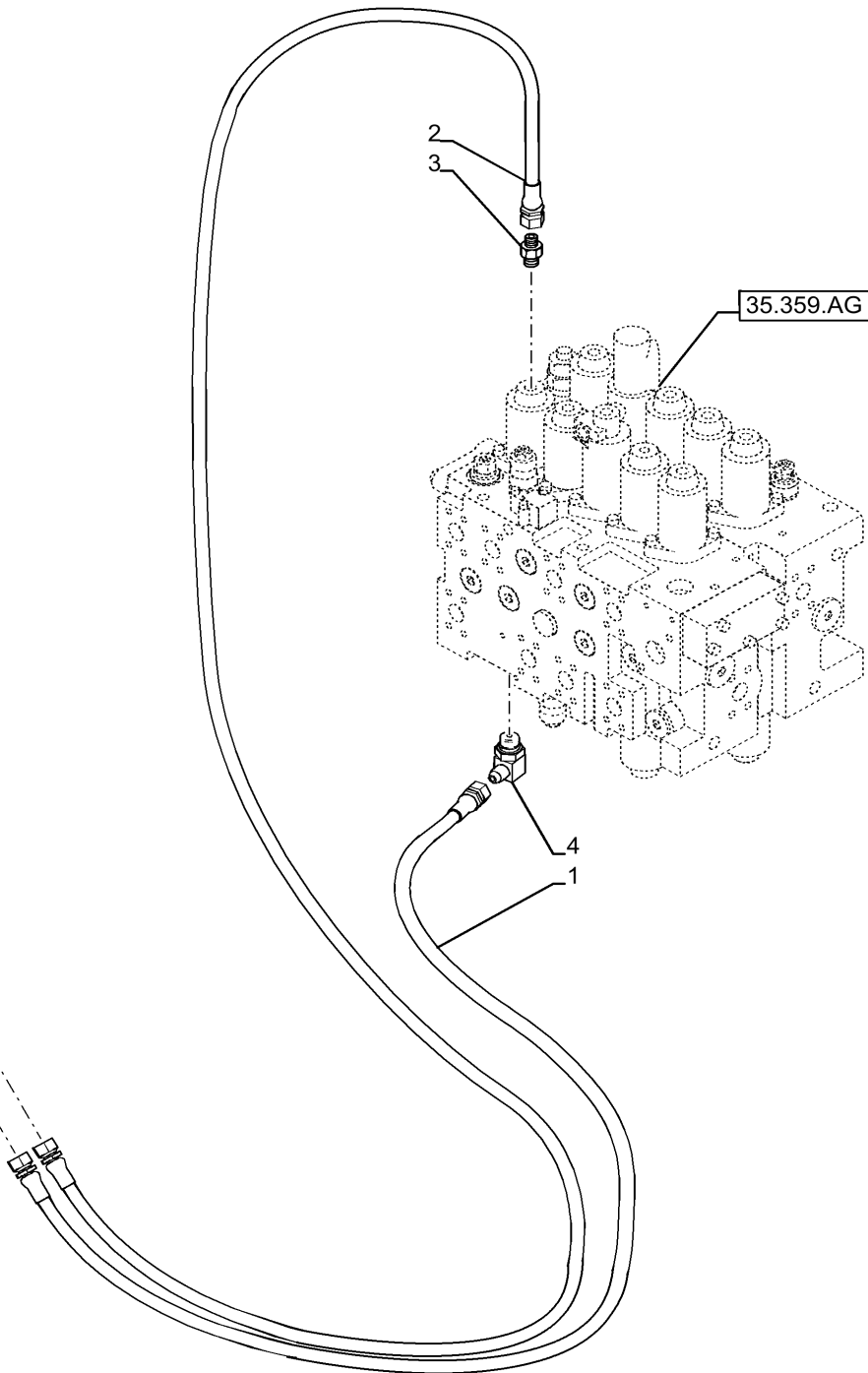
35.356.AQ (02)

35.359.AE (09)

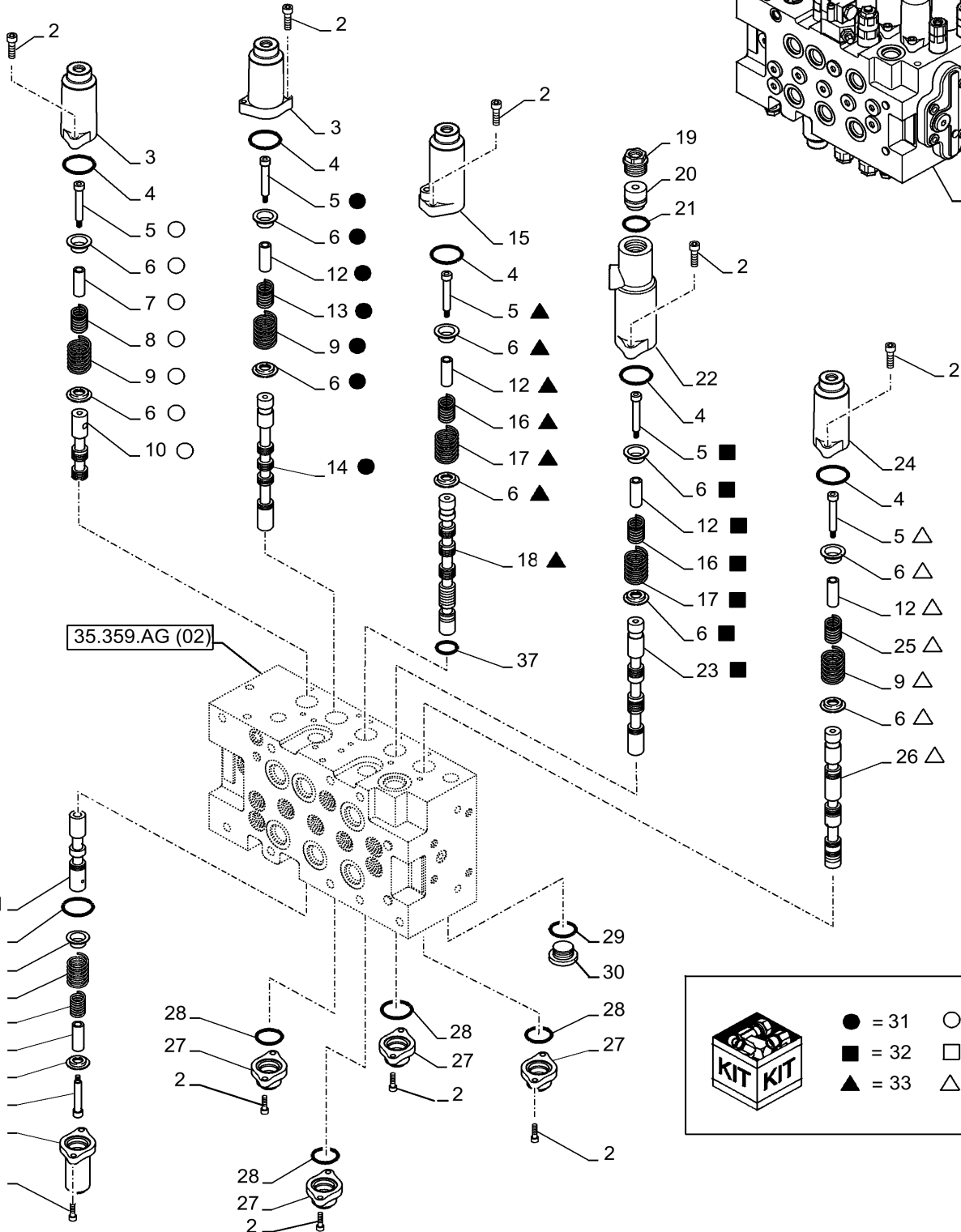
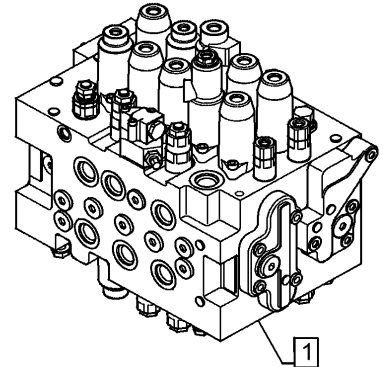

35.359.AG (01)

2
3

4
1



MAIN PRESSURE CONTROL VALVE

● = 31	○ = 34
■ = 32	□ = 35
▲ = 33	△ = 36



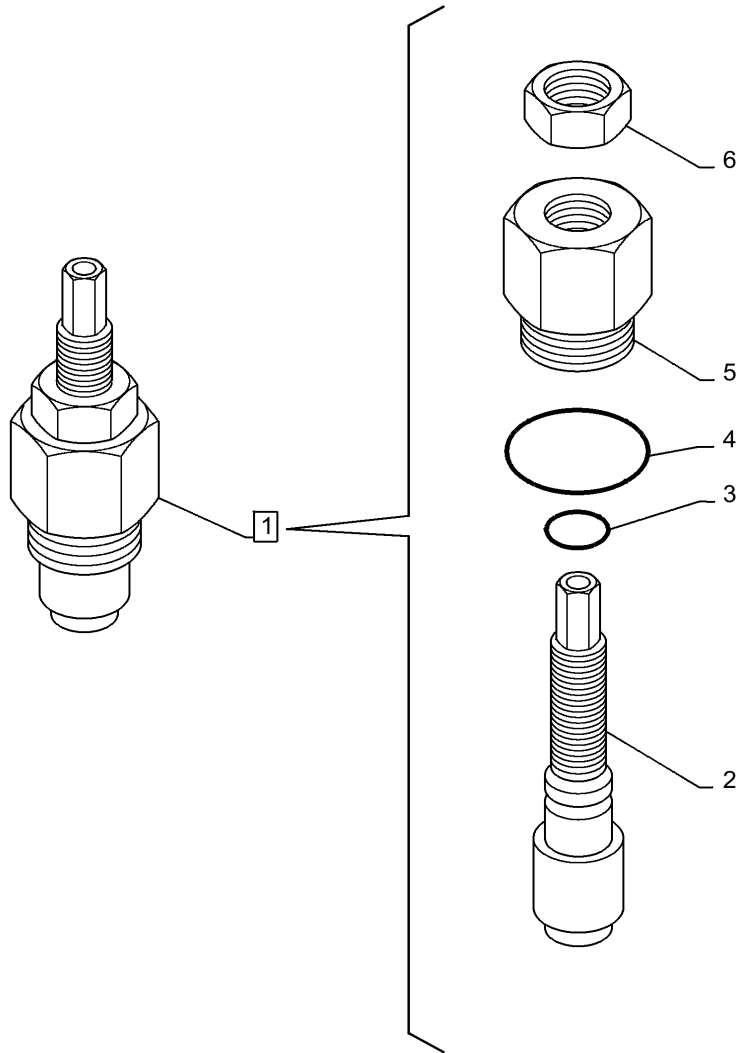
35.359.AG

10

p1

6/2020

MAIN PRESSURE CONTROL VALVE



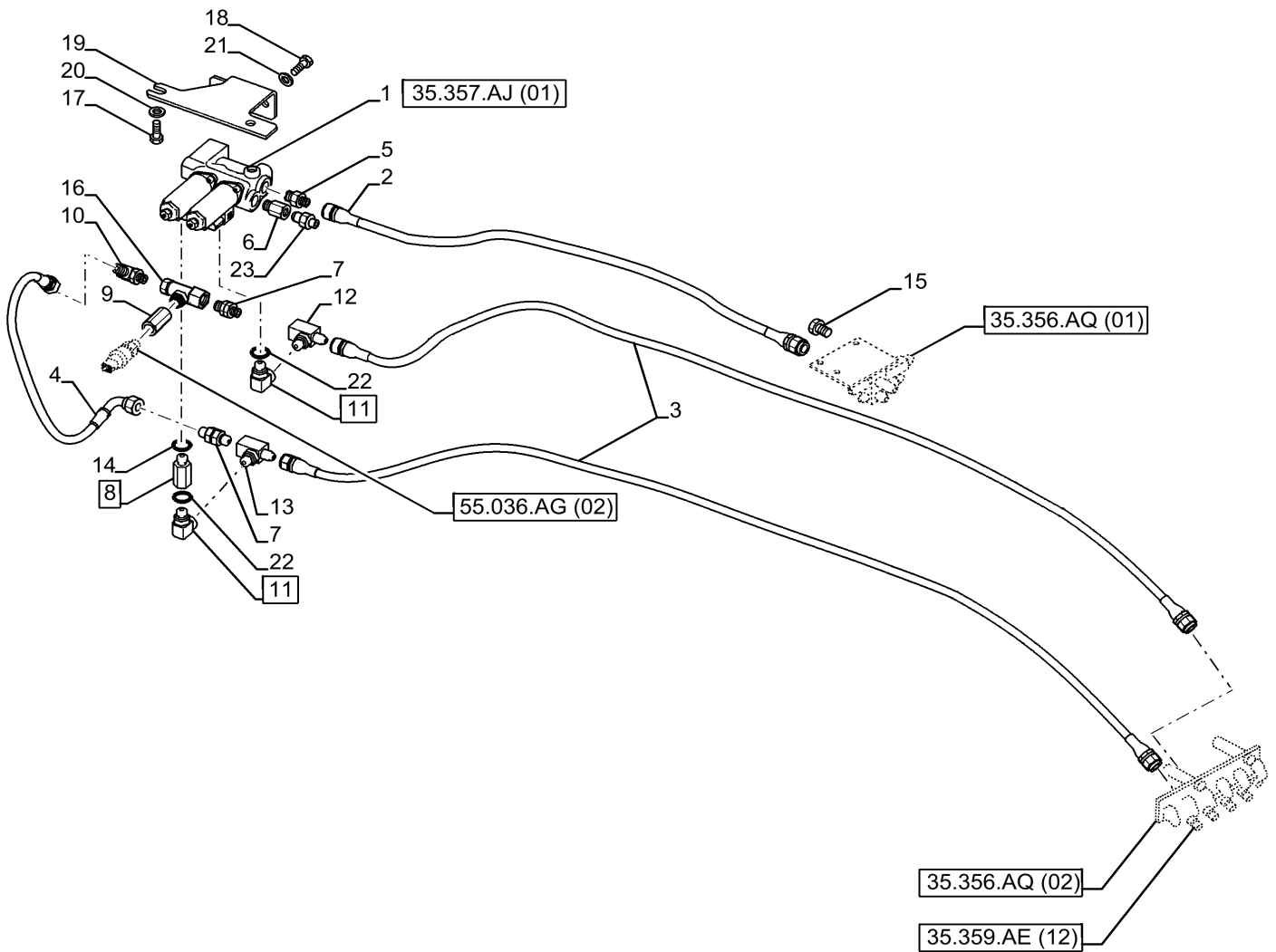
35.360.AB

01

p1

6/2020

VAR - 461609, 461617, 461621 - HAMMER SYSTEM LINES (N&B HPC & EXTRA CIRCUIT HPC)



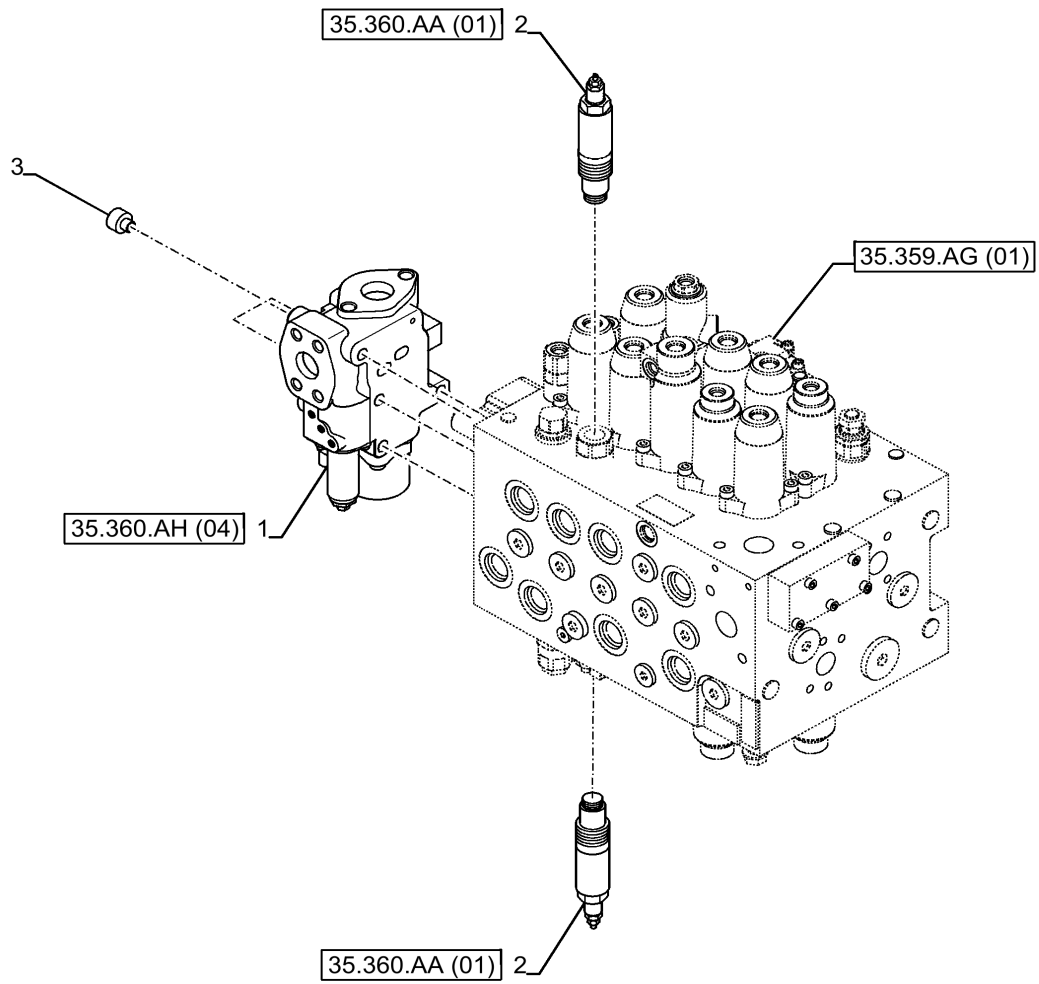
35.360.AH

01

p1

6/2020

VAR - 461673, 461678, 461682 - CONTROL VALVE E175C (N&B FOOT)



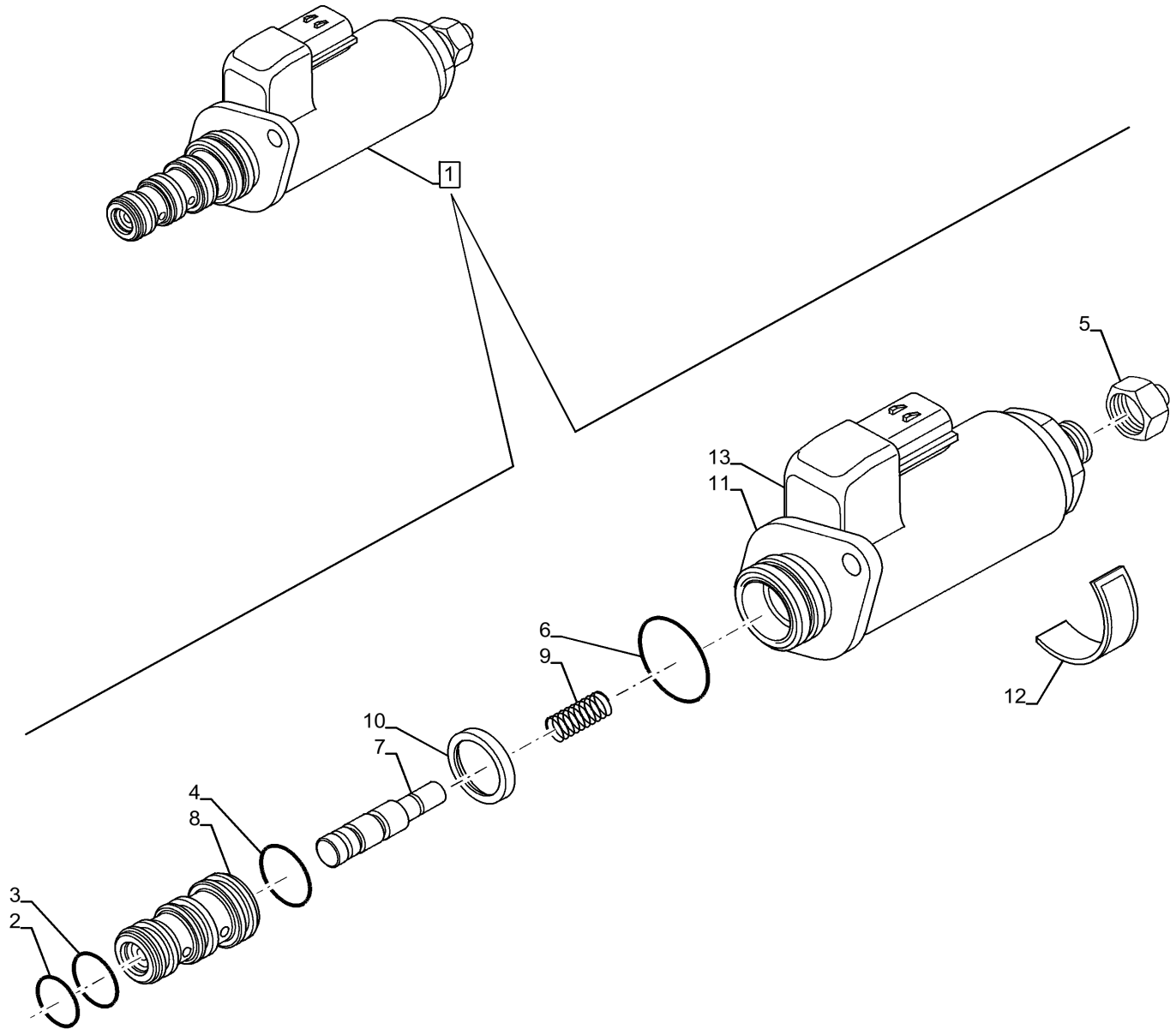
35.360.AH

08

p1

6/2020

VAR - 461609, 461617, 461621 - CONTROL VALVE, COMPONENTS (N&B HPC &EXTRA CIRCUIT HPC)



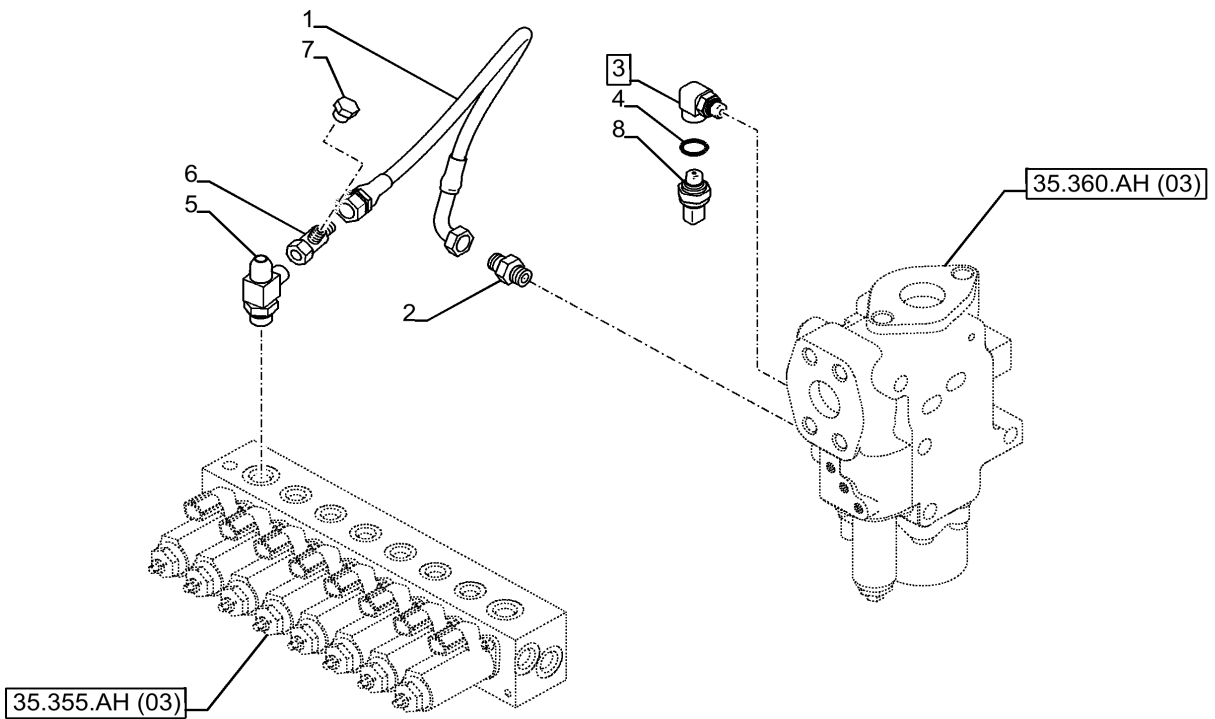
35.360.AK

04

p1

6/2020

VAR - 461632, 461637, 461641 - HAMMER SHEARS BOOM LINES (N&B HPC)



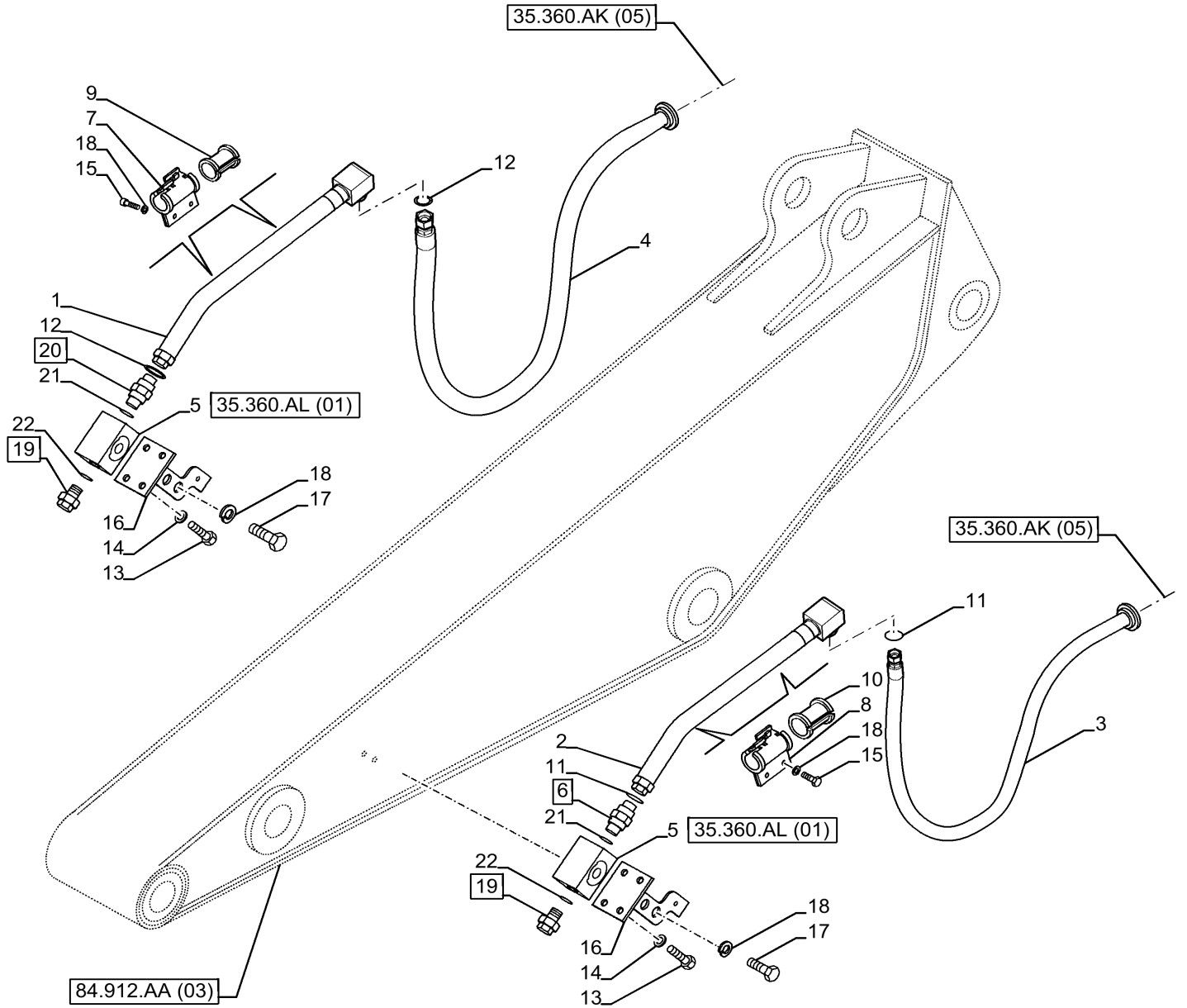
35.360.AK

11

p1

6/2020

VAR - 461682 - HAMMER SHEARS BOOM LINES (N&B FOOT) (L=3.1 MT)



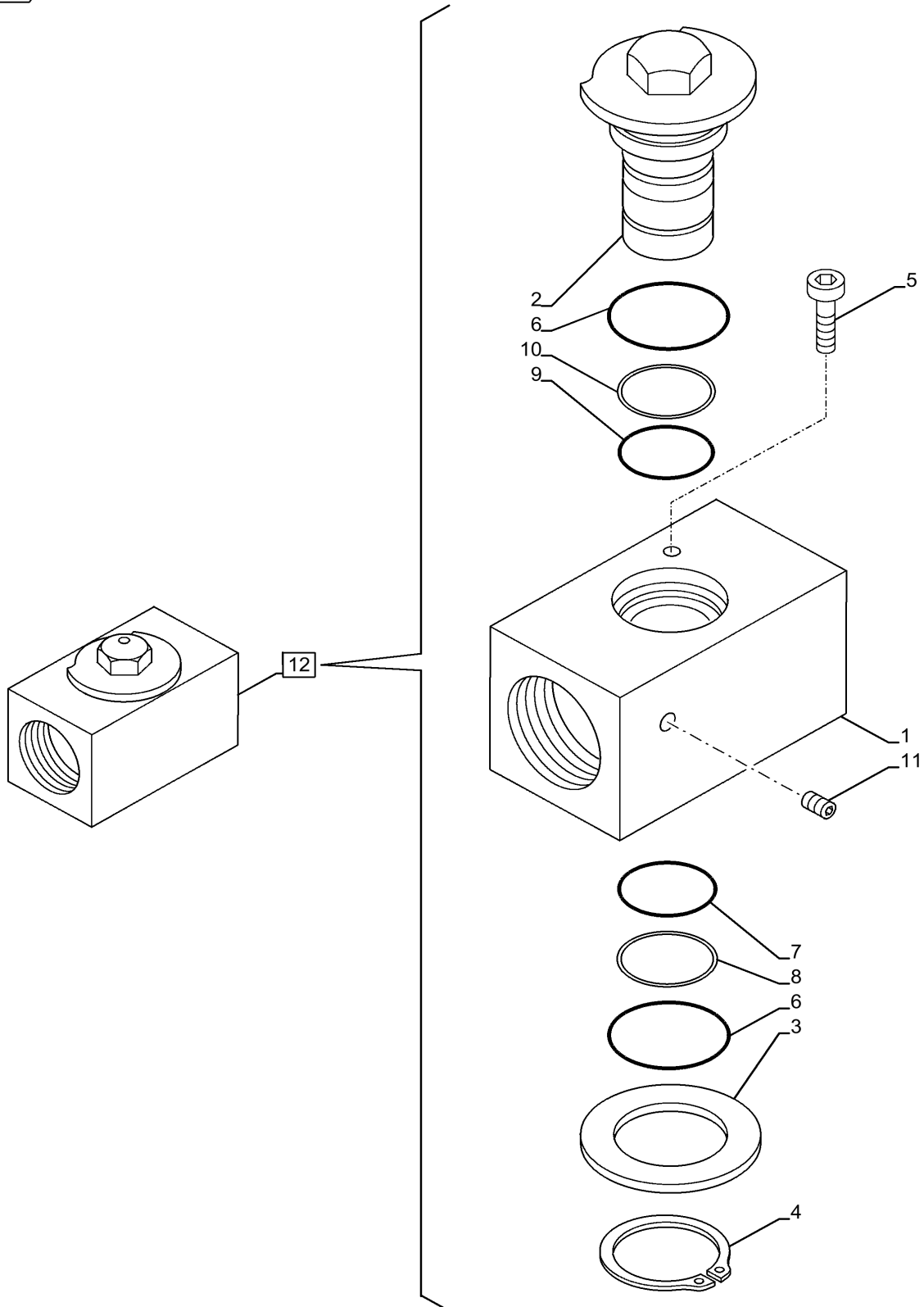
35.360.AL

02

p1

6/2020

VAR - 461621, 461632, 461637, 461641 - STOP, VALVE (N&B)



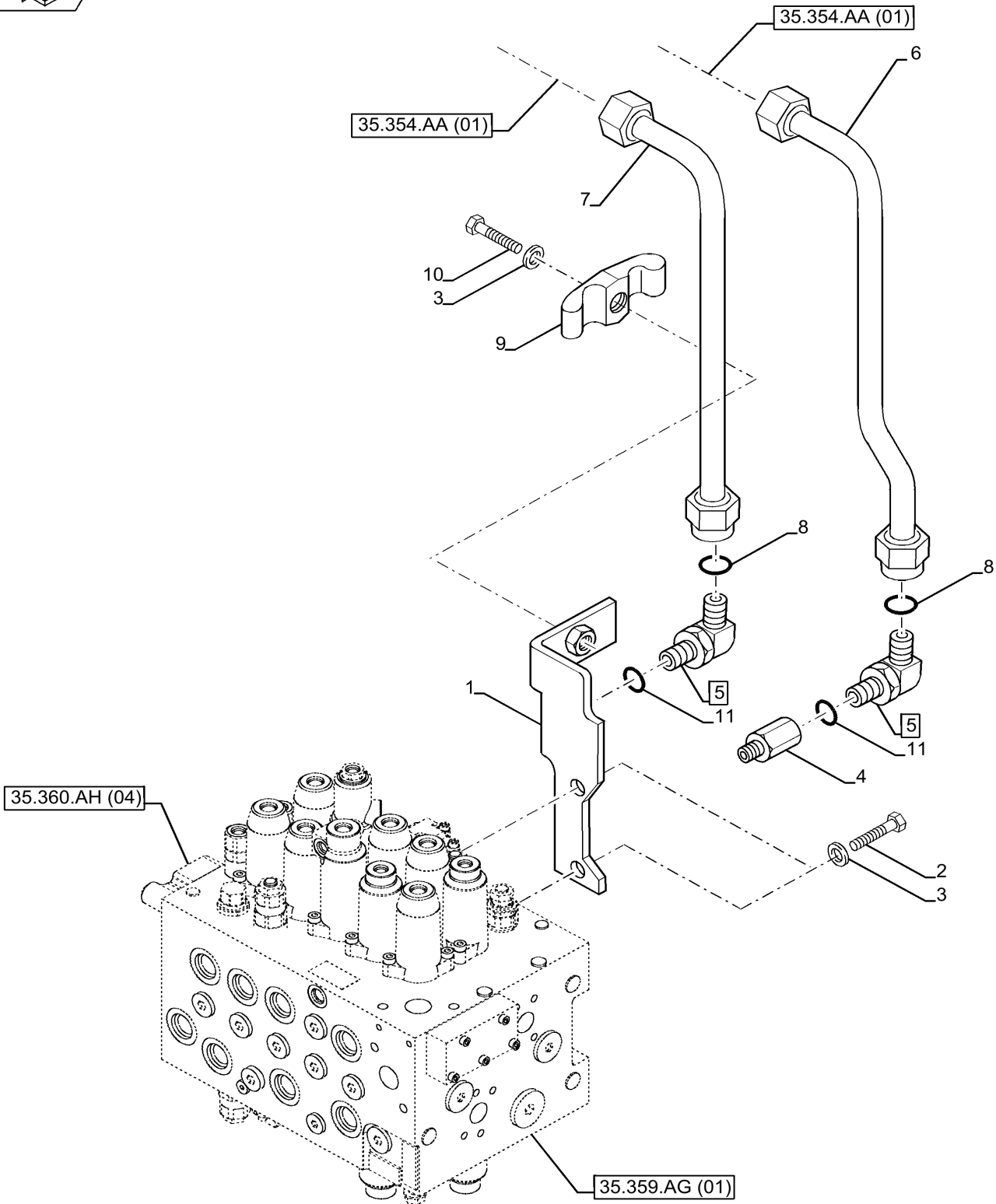
35.360.AM

07

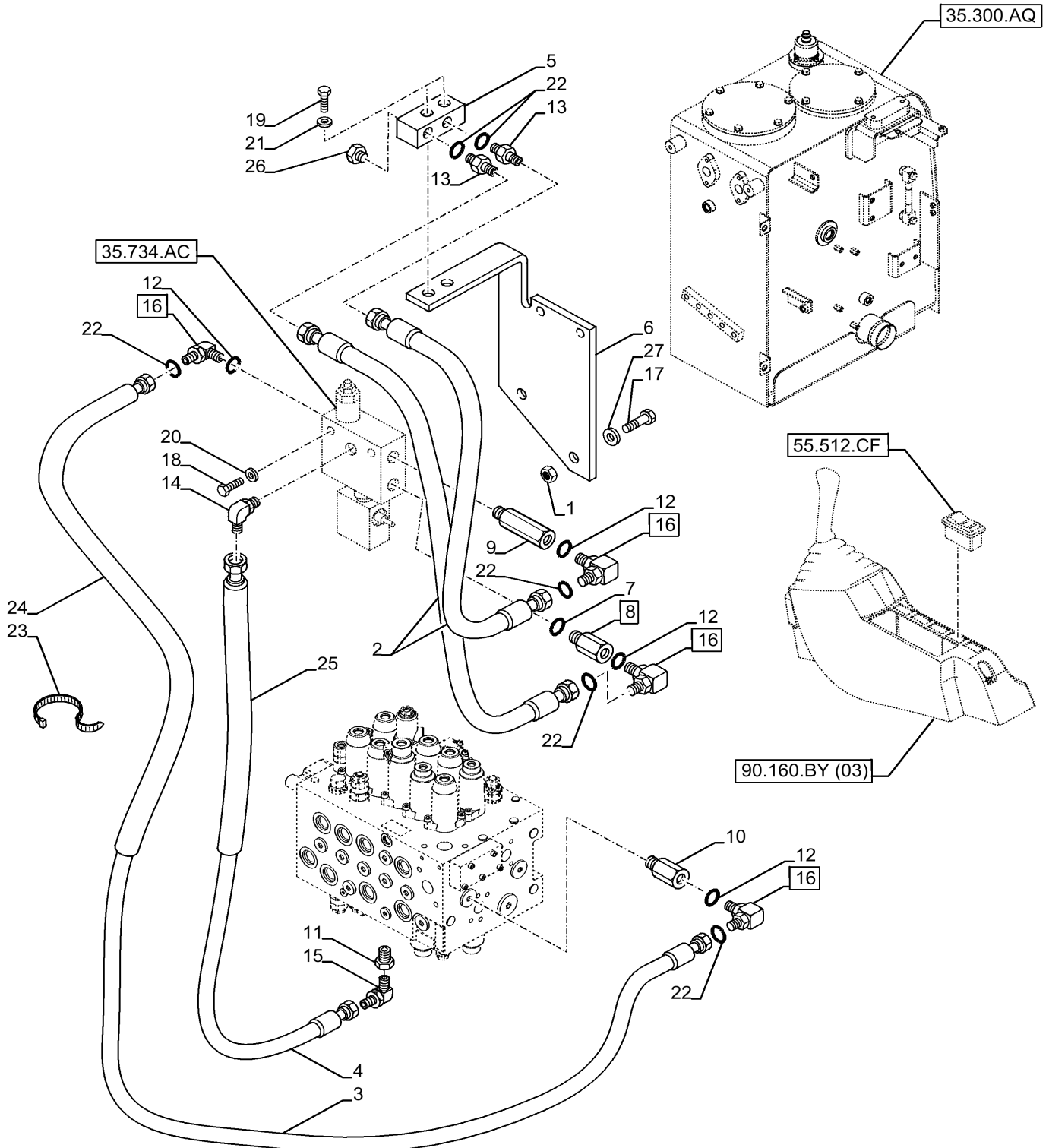
p1

6/2020

VAR - 461609, 461617, 461621 - ROTATING BUCKET BOOM LINES (N&B HPC & EXTRA CIRCUIT HPC)



VAR - 781128 - SOLENOID VALVE, HOSES



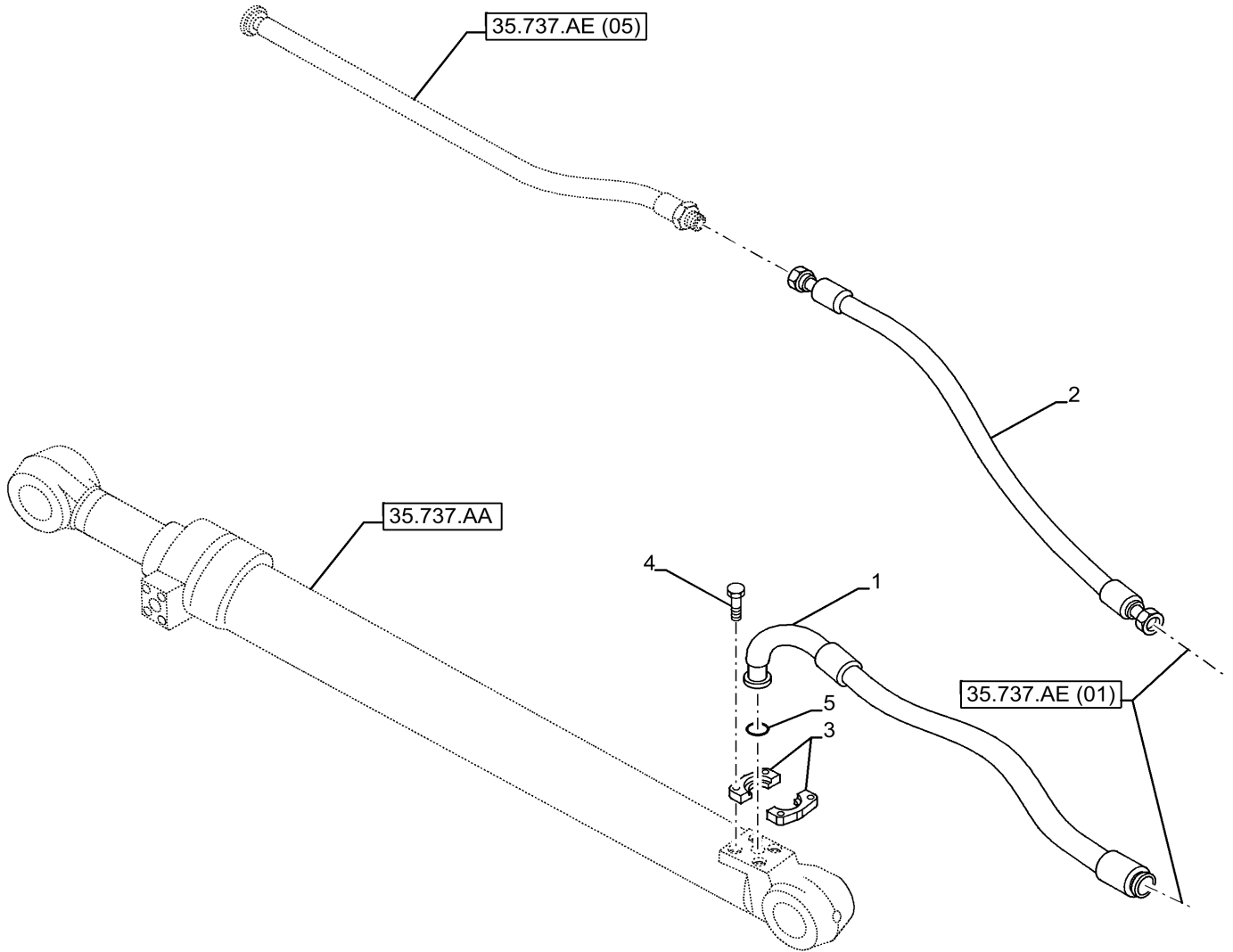
35.737.AE

04

p1

6/2020

VAR - 781583 - DIPPER, CYLINDER, LINE

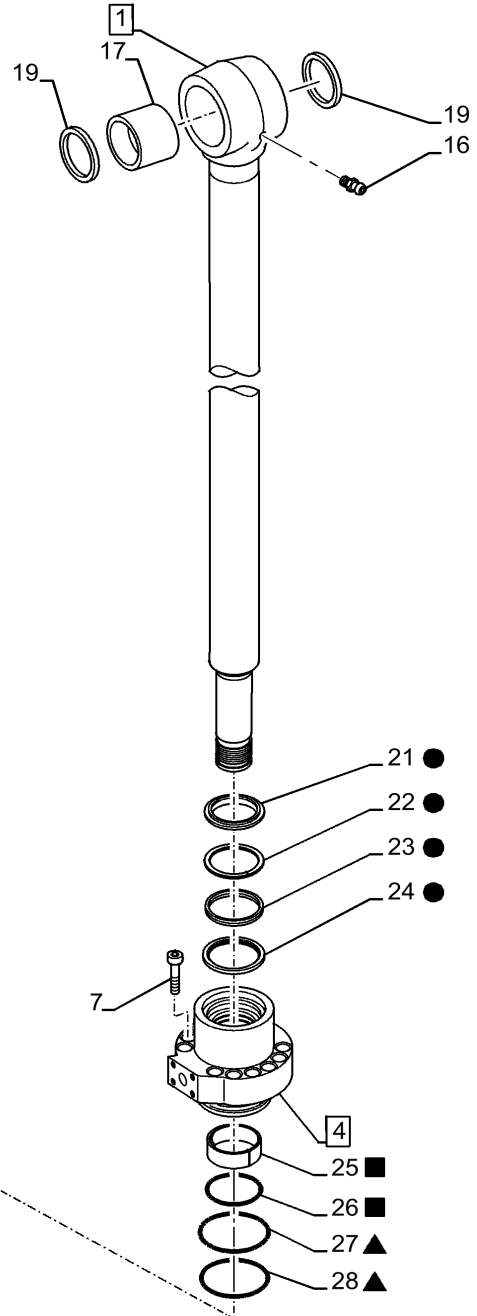
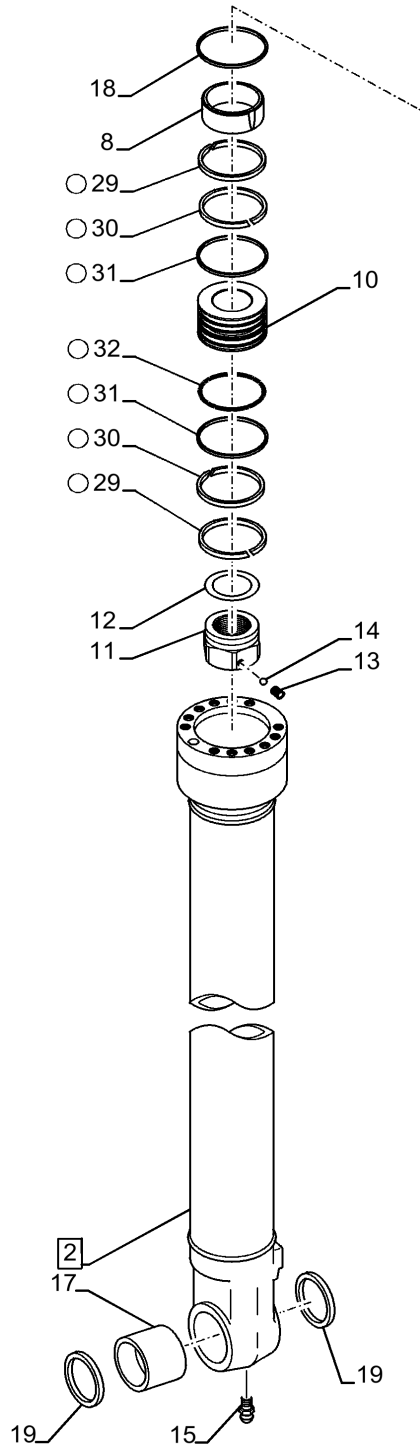
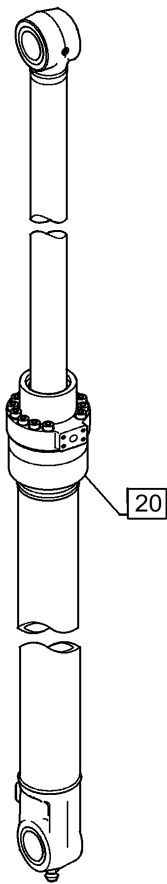


BUCKET CYLINDER

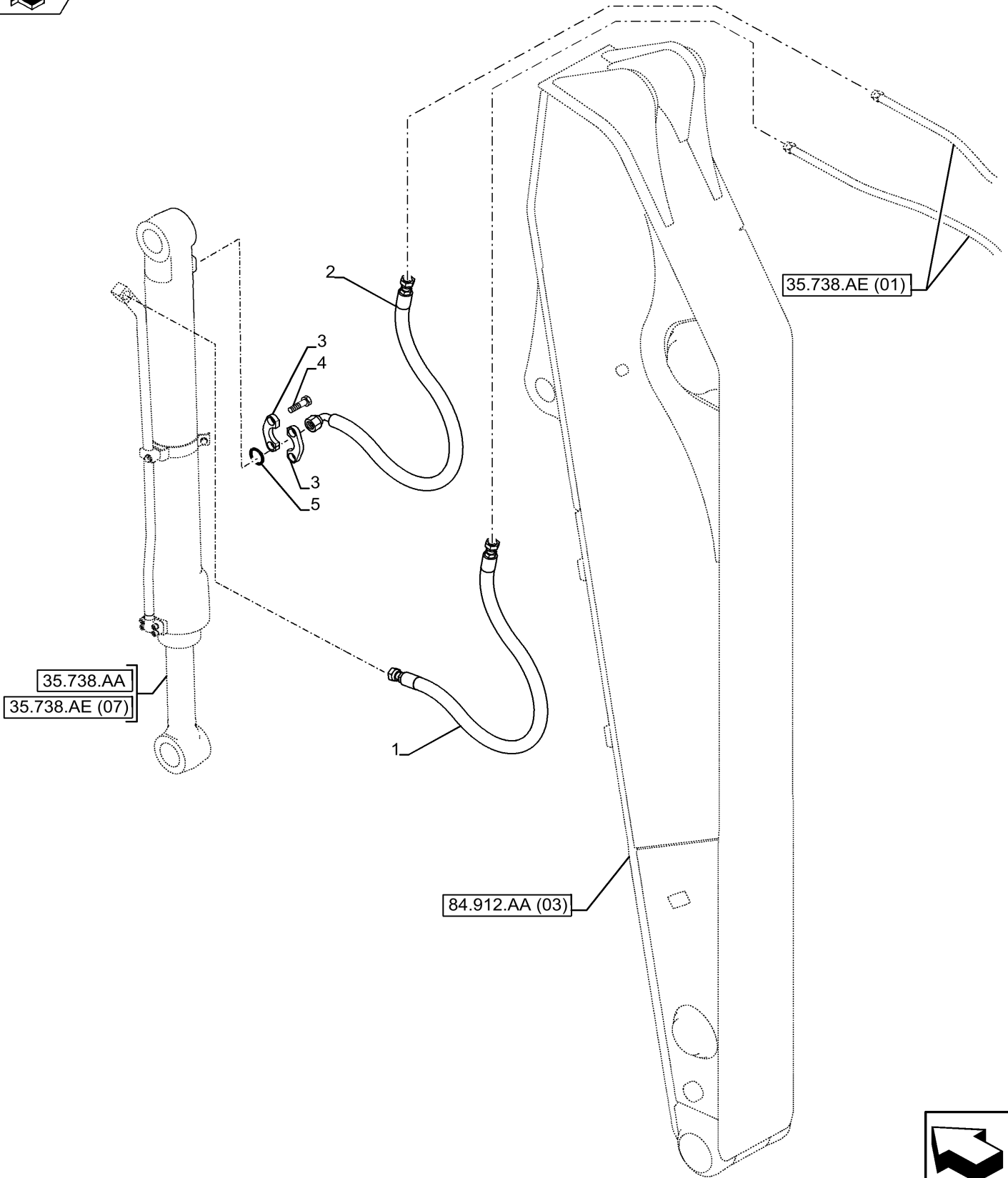


KIT KIT

- = 3
- = 5
- ▲ = 6
- = 9



VAR - 781179 - HYDRAULIC LINES



35.738.AA
35.738.AE (07)

35.738.AE (01)

84.912.AA (03)



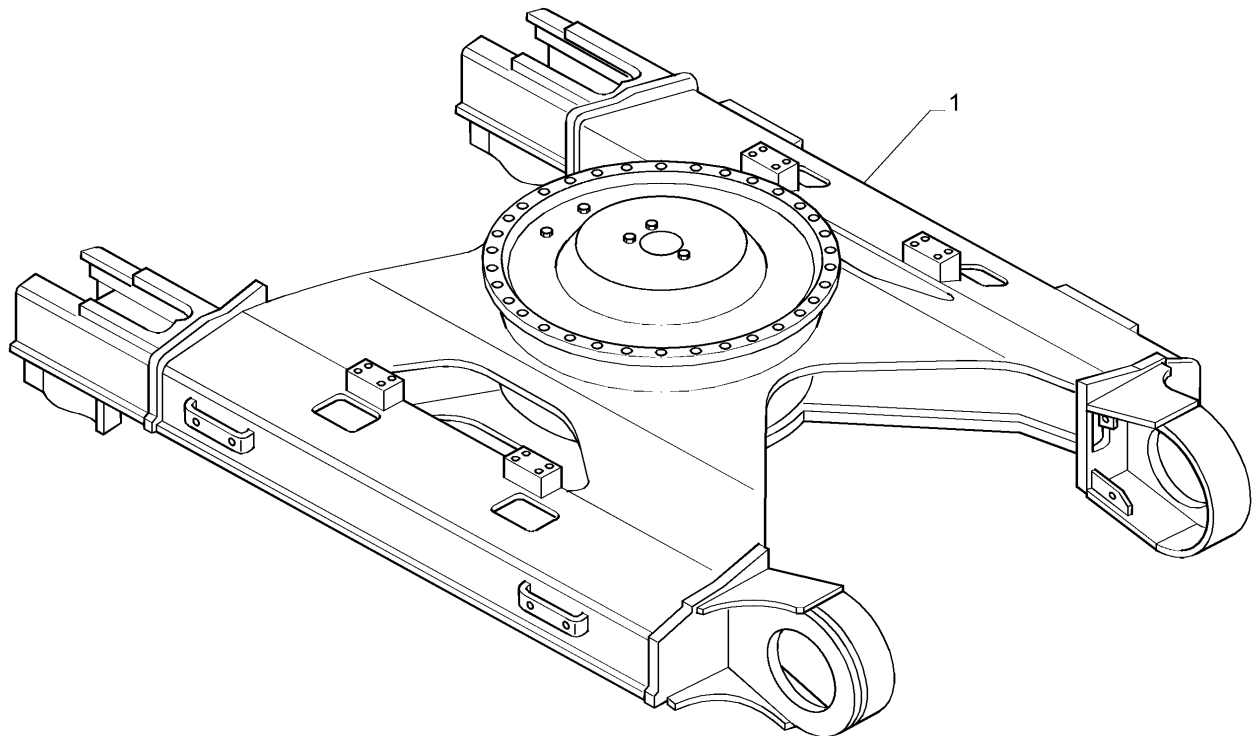
39.100.AB

02

p1

6/2020

FRAME



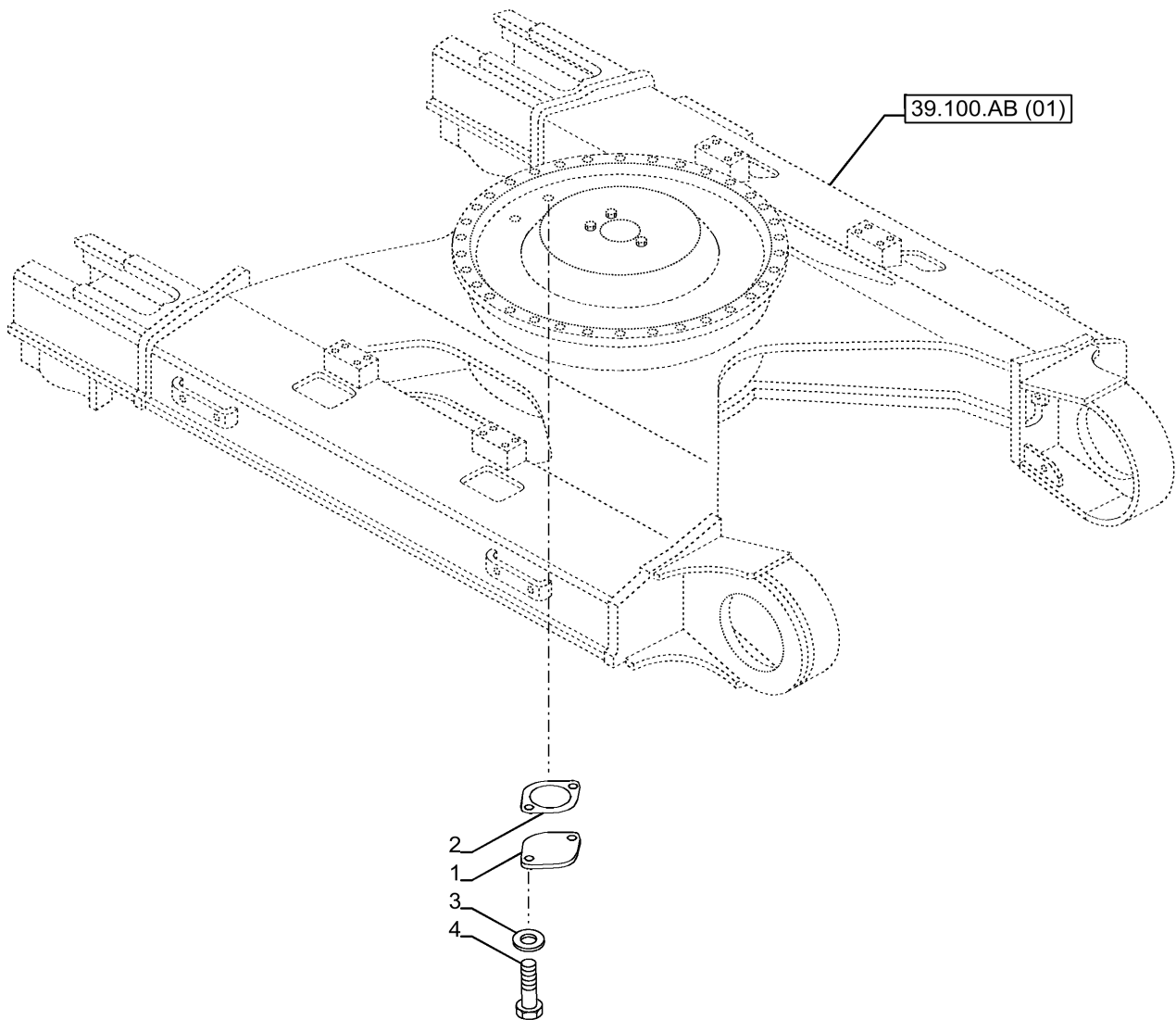
39.103.AD

01

p1

6/2020

SWING BEARING



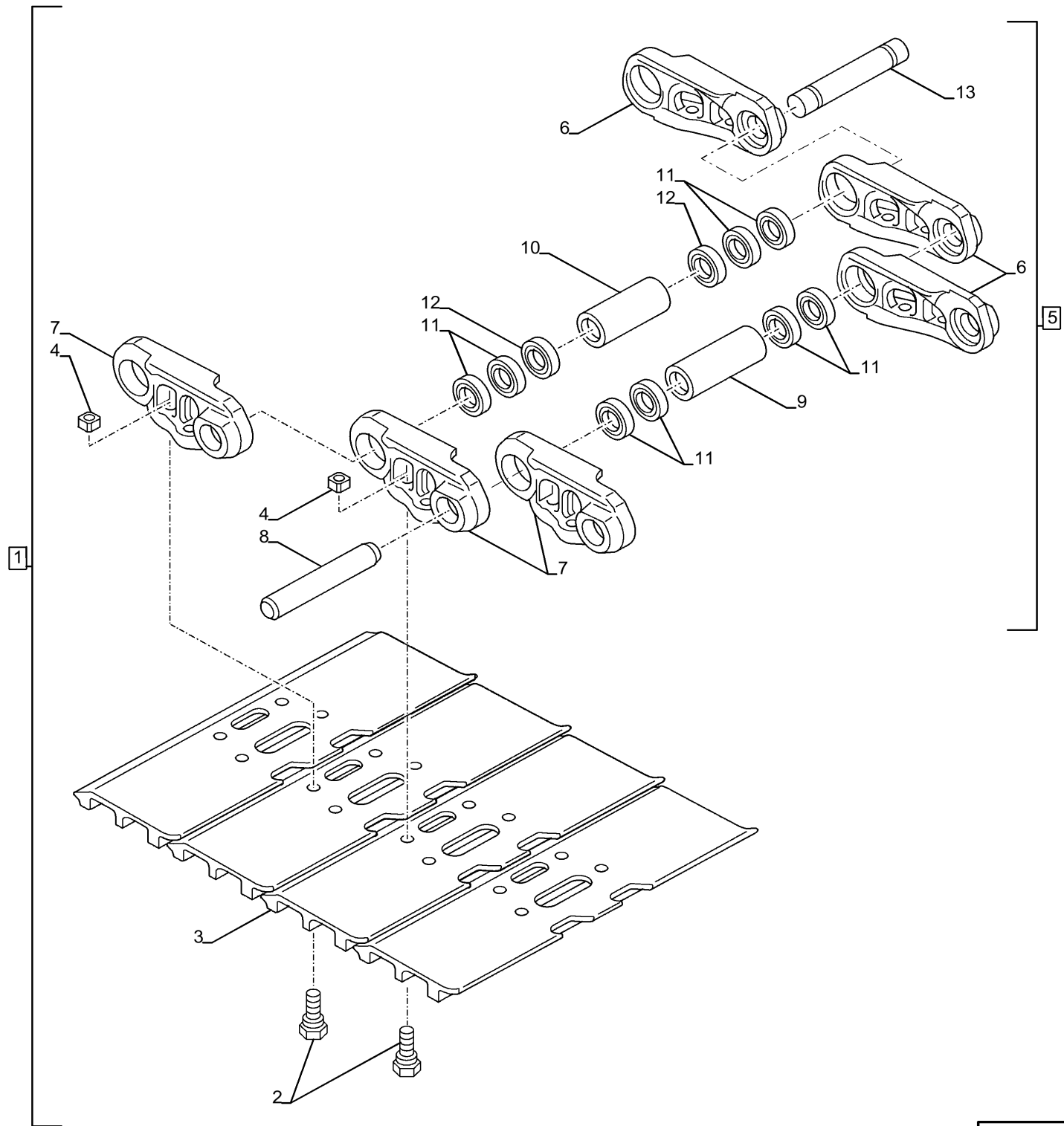
48.100.AD

01

p1

6/2020

VAR - 956000 - TRACK CHAIN - L=600 MM



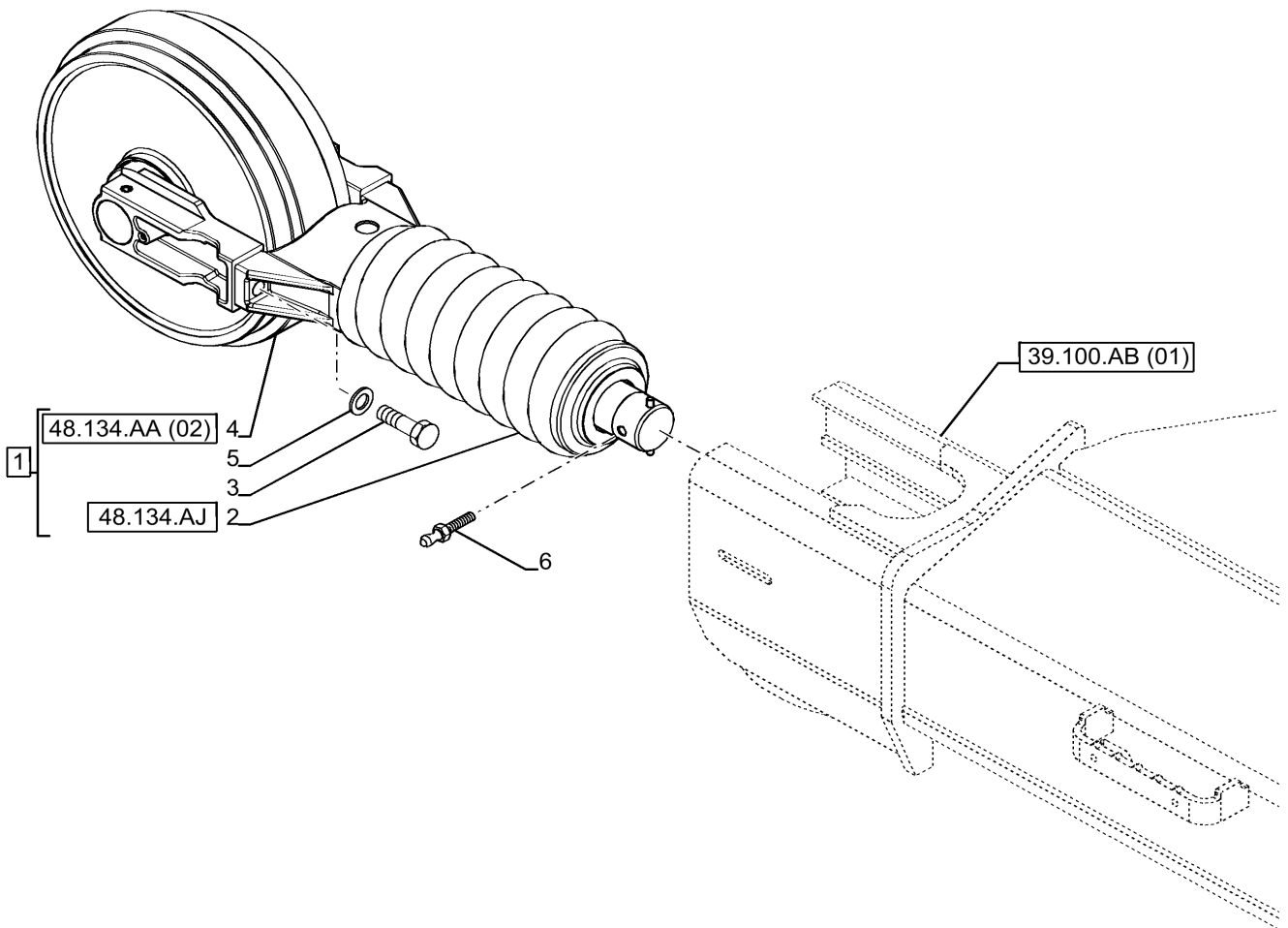
48.134.AA

01

p1

6/2020

IDLER WHEEL



SECTION INDEX

CAB CLIMATE CONTROL

50.000.00	01	SECTION INDEX - CAB CLIMATE CONTROL
50.000.00	02	SECTION INDEX - CAB CLIMATE CONTROL
50.100.AF		HEATER CORE
50.100.AH		HEATING SYSTEM INLET FILTER
50.100.AP	01	HEATING, VENTILATION, AND AIR-CONDITIONING (HVAC) UNIT
50.100.AP	02	HEATING, VENTILATION, AND AIR-CONDITIONING (HVAC) UNIT
50.100.AQ	01	HEATER COOLANT HOSE
50.100.AQ	02	HEATER COOLANT HOSE
50.104.AO	01	AIR DUCTS
50.104.AO	02	AIR DUCT
50.104.AQ		CAB AIR FILTER
50.200.AA		AIR-CONDITIONING COMPRESSOR
50.200.AB	01	AIR-CONDITIONING COMPRESSOR LINES
50.200.AB	02	AIR-CONDITIONING COMPRESSOR LINES
50.200.AK		AIR-CONDITIONING CONDENSER
50.200.AN		RECEIVER-DRYER
50.200.AT		COMPRESSOR, DRIVE, BELT
50.200.CA		AIR-CONDITIONING EVAPORATOR
50.200.CG		AIR-CONDITIONING HOUSING
50.200.CZ		DRAIN LINES

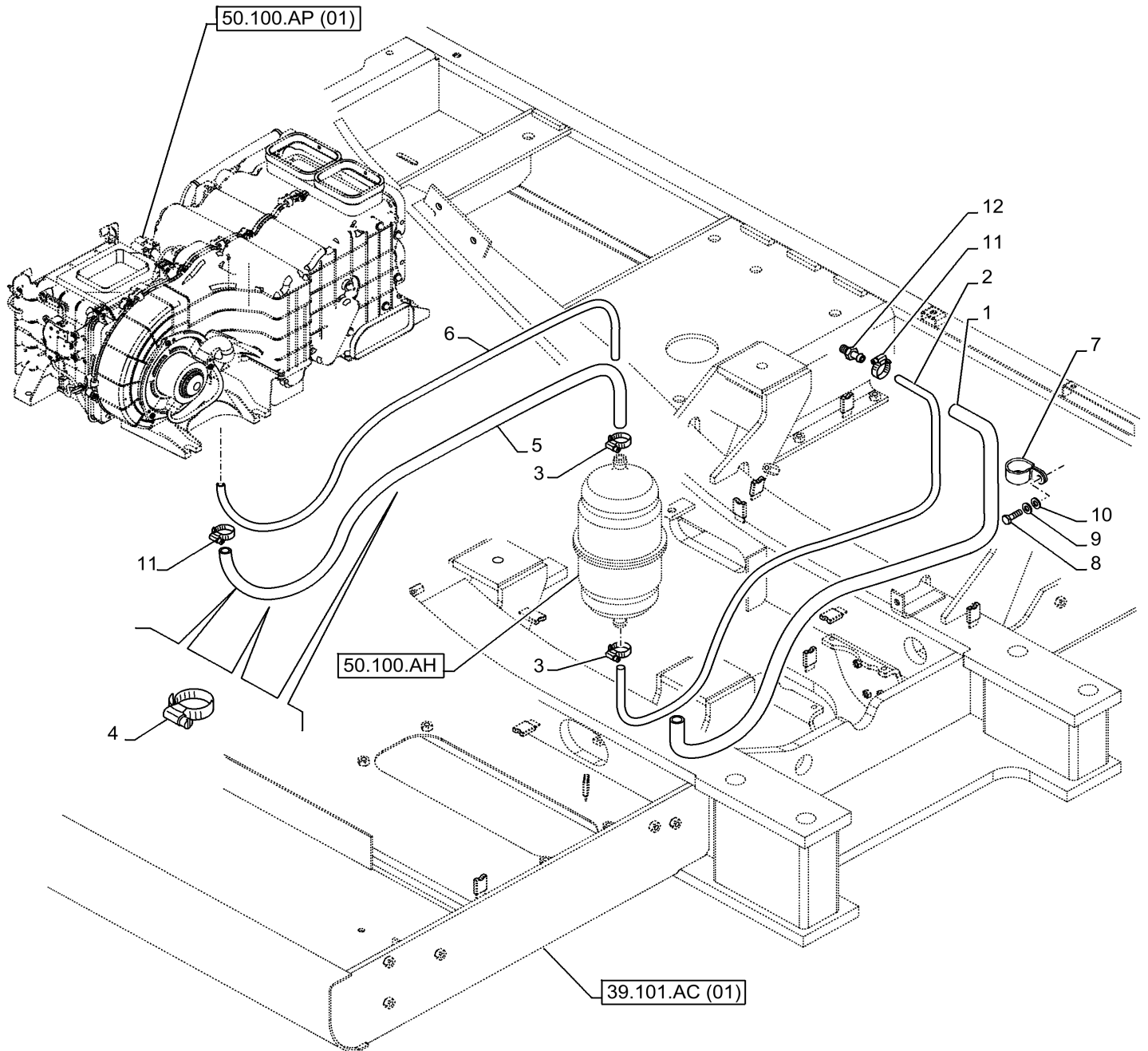
50.100.AQ

01

p1

6/2020

HEATER COOLANT HOSE



50.200.AB

02

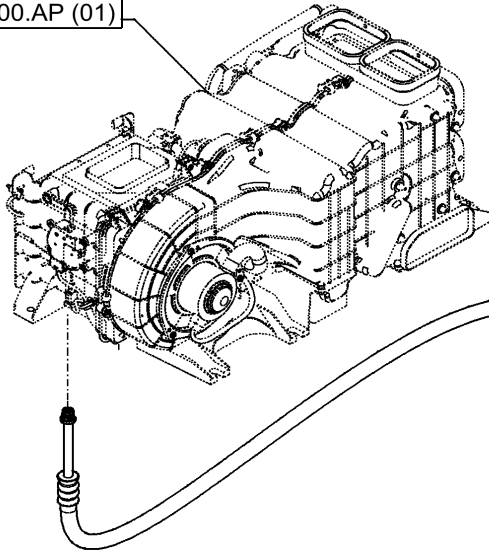
p1

6/2020

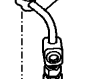
AIR-CONDITIONING COMPRESSOR LINES



50.100.AP (01)



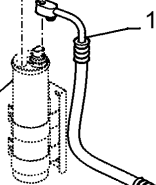
4
3



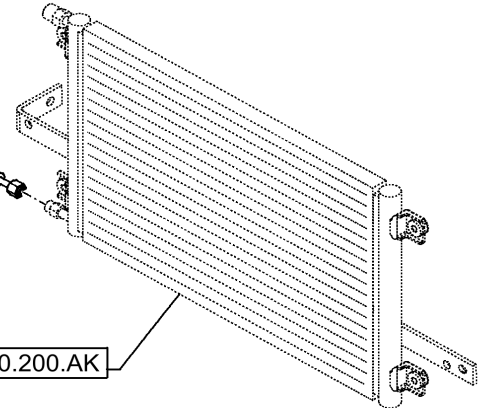
2

4
1

50.200.AN



50.200.AK

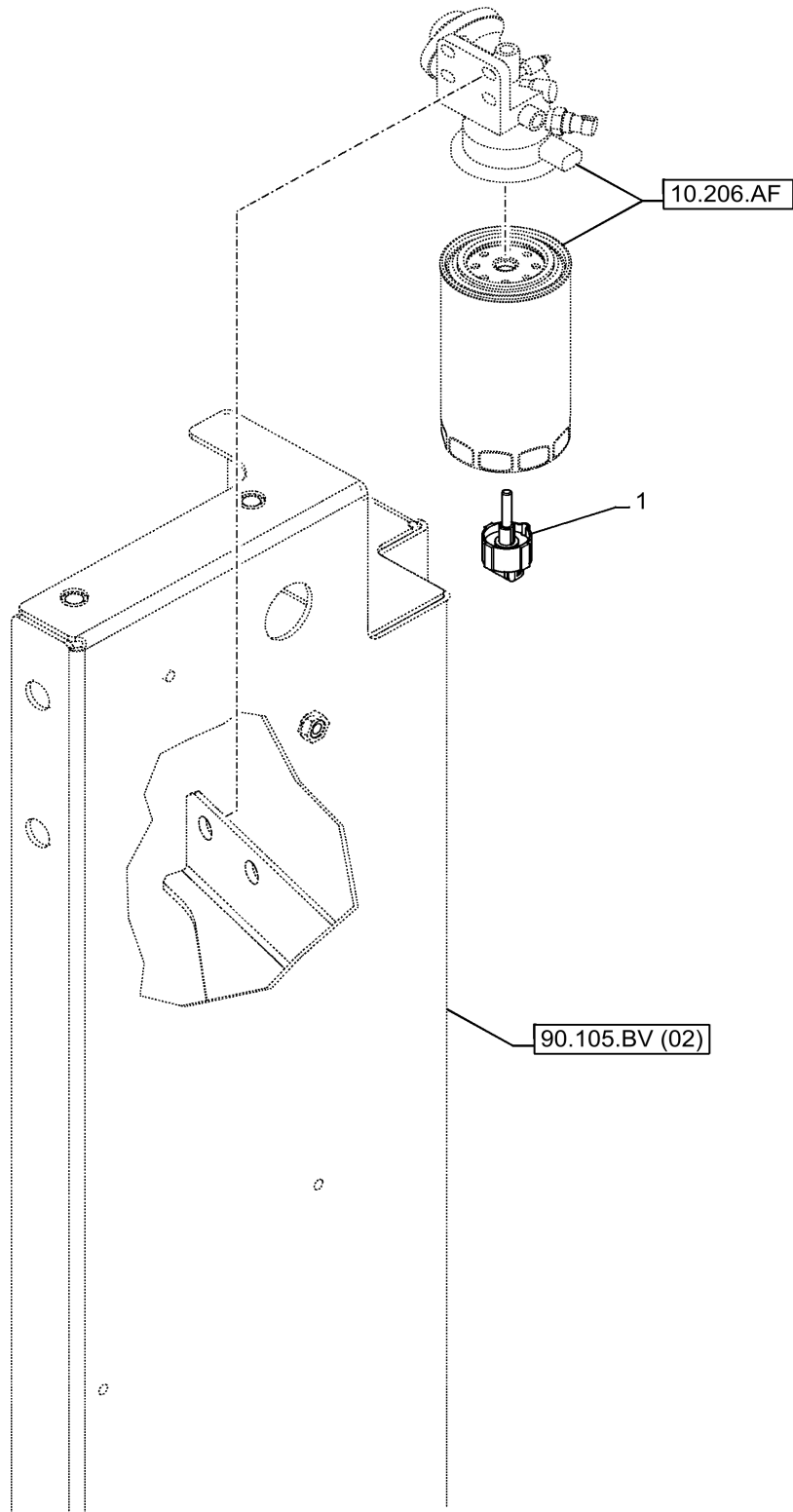


SECTION INDEX

ELECTRICAL SYSTEMS

55.000.00	01	SECTION INDEX - ELECTRICAL SYSTEMS
55.000.00	02	SECTION INDEX - ELECTRICAL SYSTEMS
55.000.00	03	SECTION INDEX - ELECTRICAL SYSTEMS
55.000.01	01	KIT, ELEC CONNECTOR
55.010.AQ		WATER IN FUEL SENSOR
55.011.AC		FUEL LEVEL SENSOR
55.011.AE		VAR - 781151 - FUEL TRANSFER PUMP
55.011.AF		VAR - 781151 - FUEL TANK SWITCHES
55.013.AB		ENGINE OIL PRESSURE SENSOR AND SWITCH
55.014.AC		AIR CLEANER, RESTICTION SENSOR
55.015.AB		ENGINE, WIRE HARNESS
55.036.AB	01	HYDRAULIC FLUID PRESSURE SWITCH
55.036.AB	02	HYDRAULIC FLUID PRESSURE SWITCH
55.036.AG	01	PUMP PRESSURE SENSOR
55.036.AG	02	VAR - 461609, 461617, 461621 - PUMP PRESSURE SENSORS (N&B HPC & EXTRA CIRCUIT HPC)
55.036.AG	03	VAR - 461632, 461637, 461641 - PUMP PRESSURE SENSORS (N&B HPC)
55.050.AG		COMPRESSOR ENGAGEMENT SAFETY RELAY
55.050.AP		SUN LOAD SENSOR
55.050.AR		BLOWER MOTOR
55.050.AS		BLOWER
55.050.AT		TEMPERATURE SENSOR
55.050.AY		BLOWER WIRE HARNESS
55.051.AA		AIR-CONDITIONING SWITCH PANEL
55.100.BE		GROUND CABLE
55.100.DO	01	FUSE AND RELAY BOX
55.100.DO	02	FUSE AND RELAY BOX
55.100.DO	03	FUSE AND RELAY BOX
55.100.DO	04	FUSE AND RELAY BOX
55.100.DO	05	VAR - 461609, 461617, 461621 - FUSE AND RELAY BOX (N&B HPC & EXTRA CIRCUIT HPC)
55.201.AC		ELECTRIC THROTTLE CONTROL SWITCH
55.201.AG		ENGINE START RELAY
55.201.AH		IGNITION SWITCH
55.302.AG		BATTERY

WATER IN FUEL SENSOR



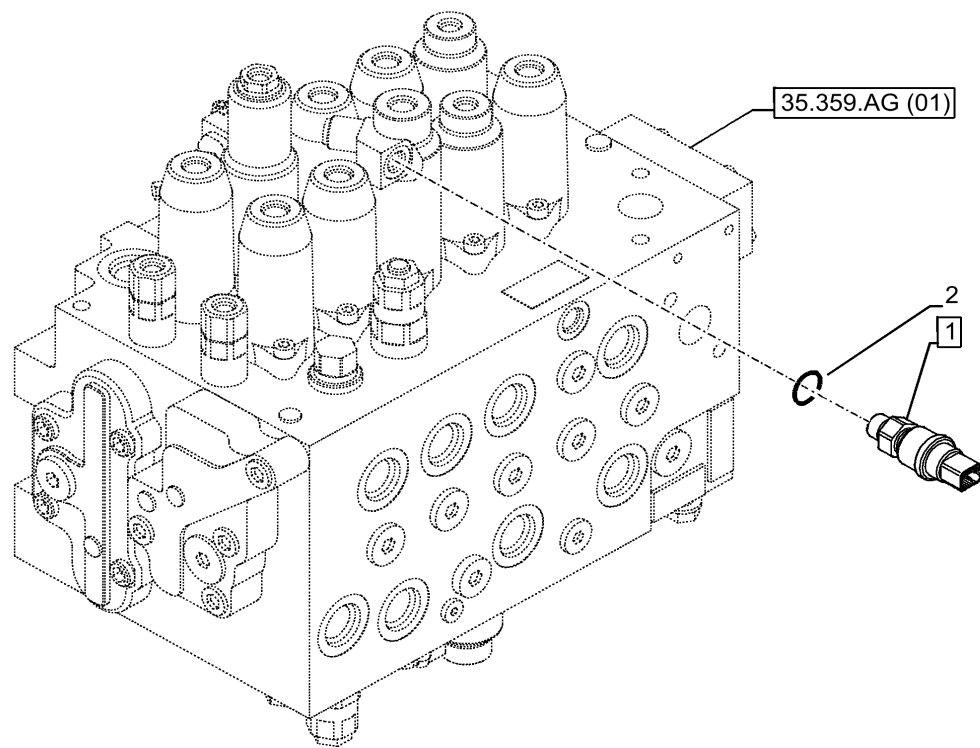
55.036.AB

01

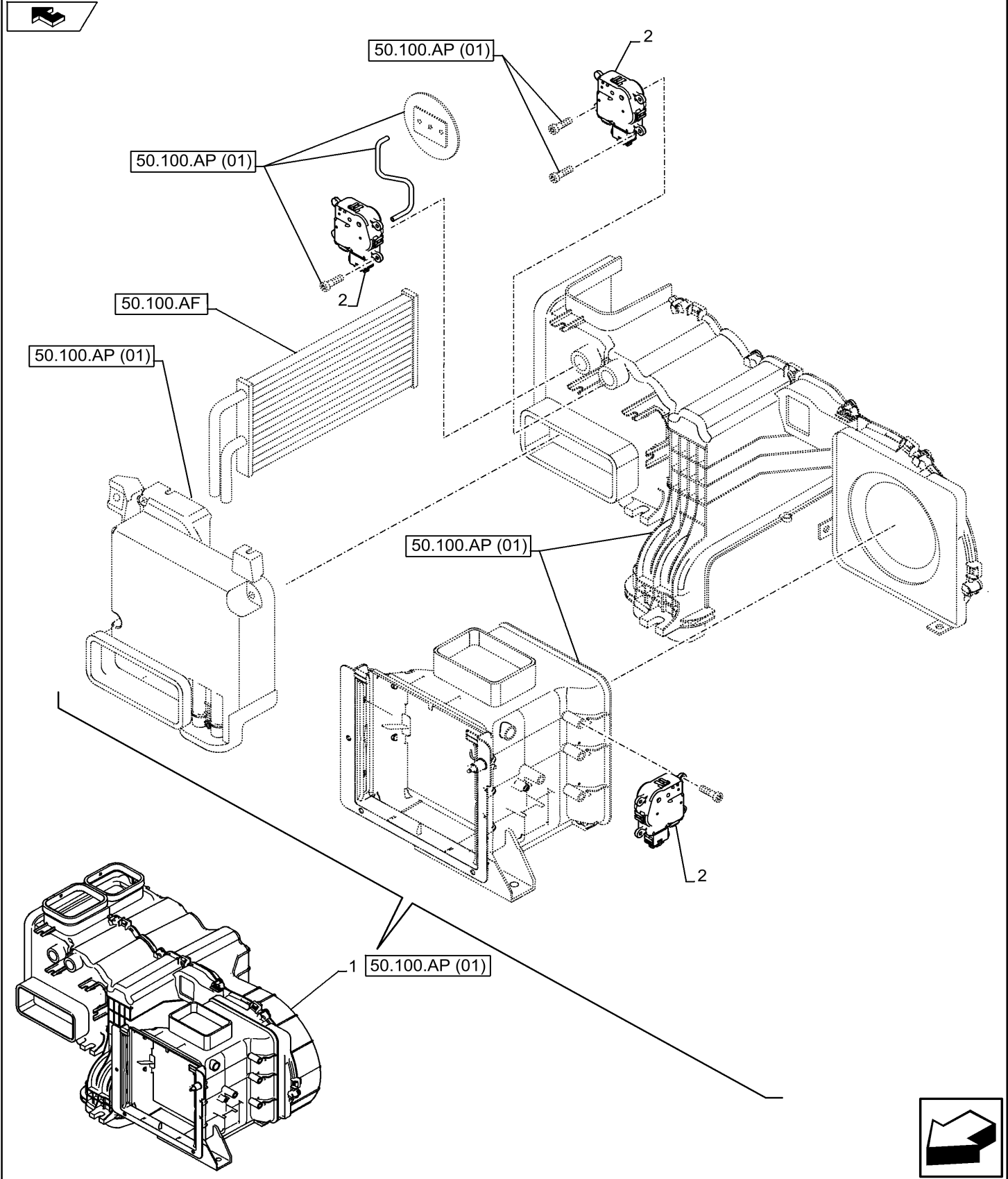
p1

6/2020

HYDRAULIC FLUID PRESSURE SWITCH



BLOWER MOTOR



CLICK HERE TO **DOWNLOAD** THE COMPLETE MANUAL

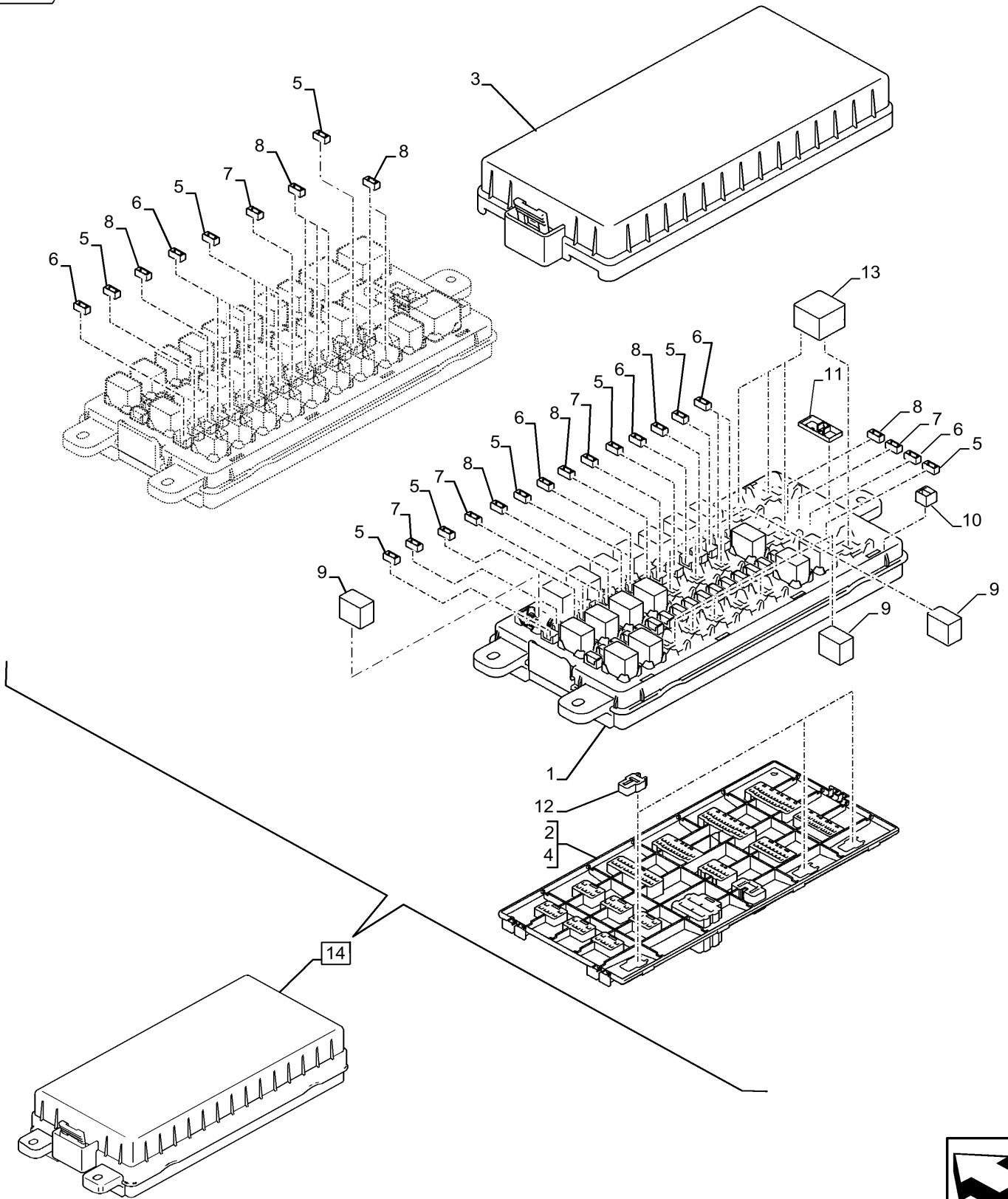
- Thank you very much for reading the preview of the manual.
- You can download the complete manual from: www.heydownloads.com by clicking the link below



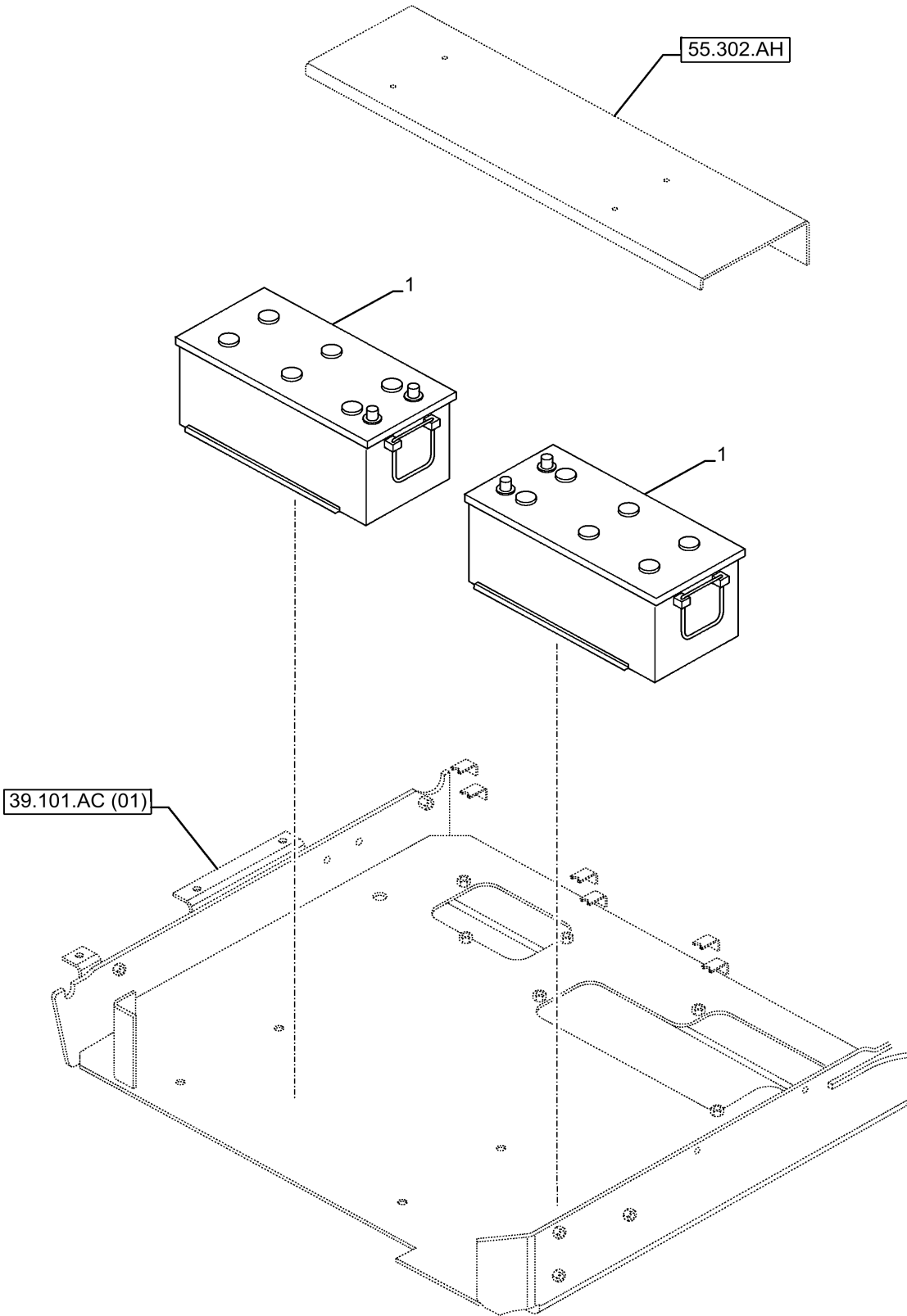
- Please note: If there is no response to CLICKING the link, please download this PDF first and then click on it.

CLICK HERE TO **DOWNLOAD** THE COMPLETE MANUAL

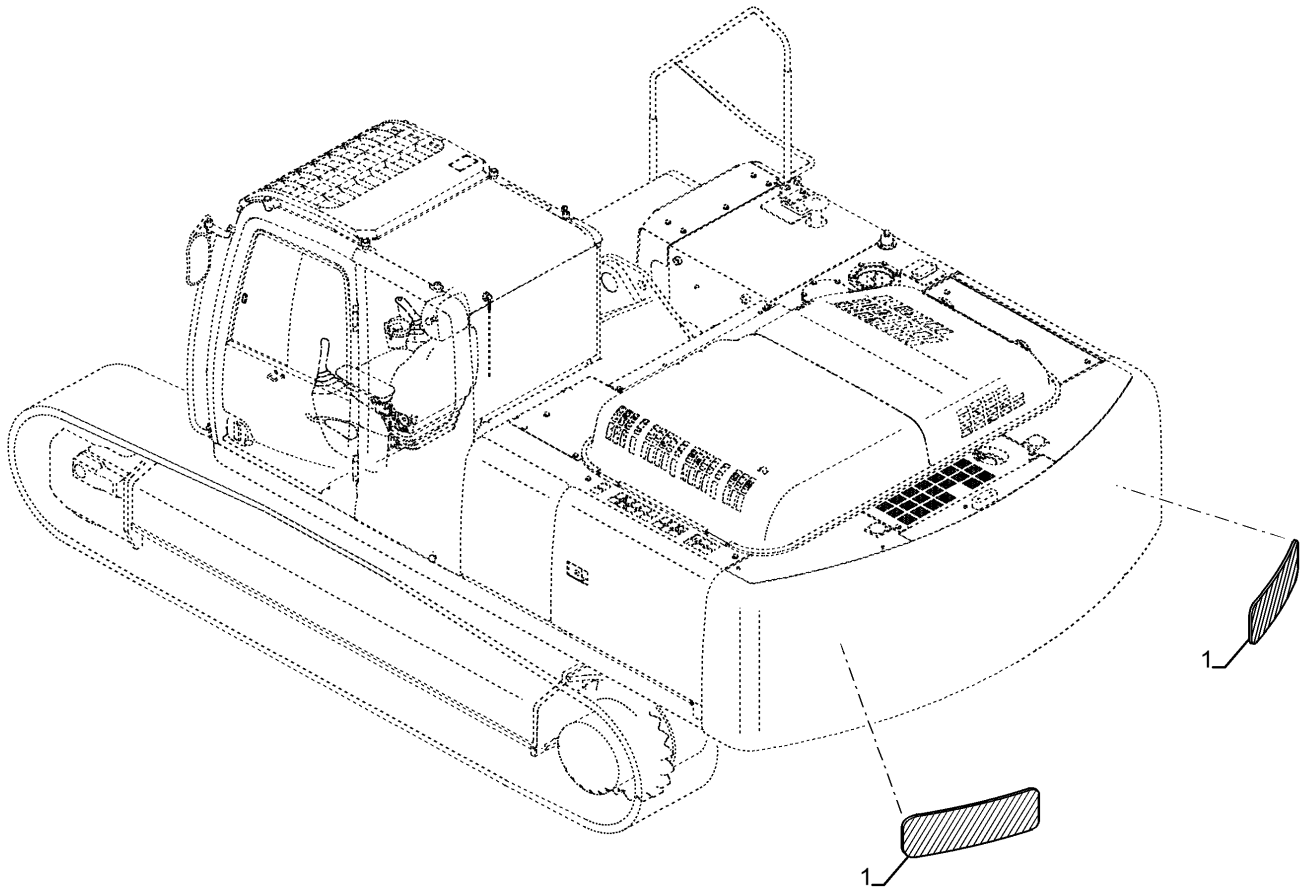
FUSE AND RELAY BOX



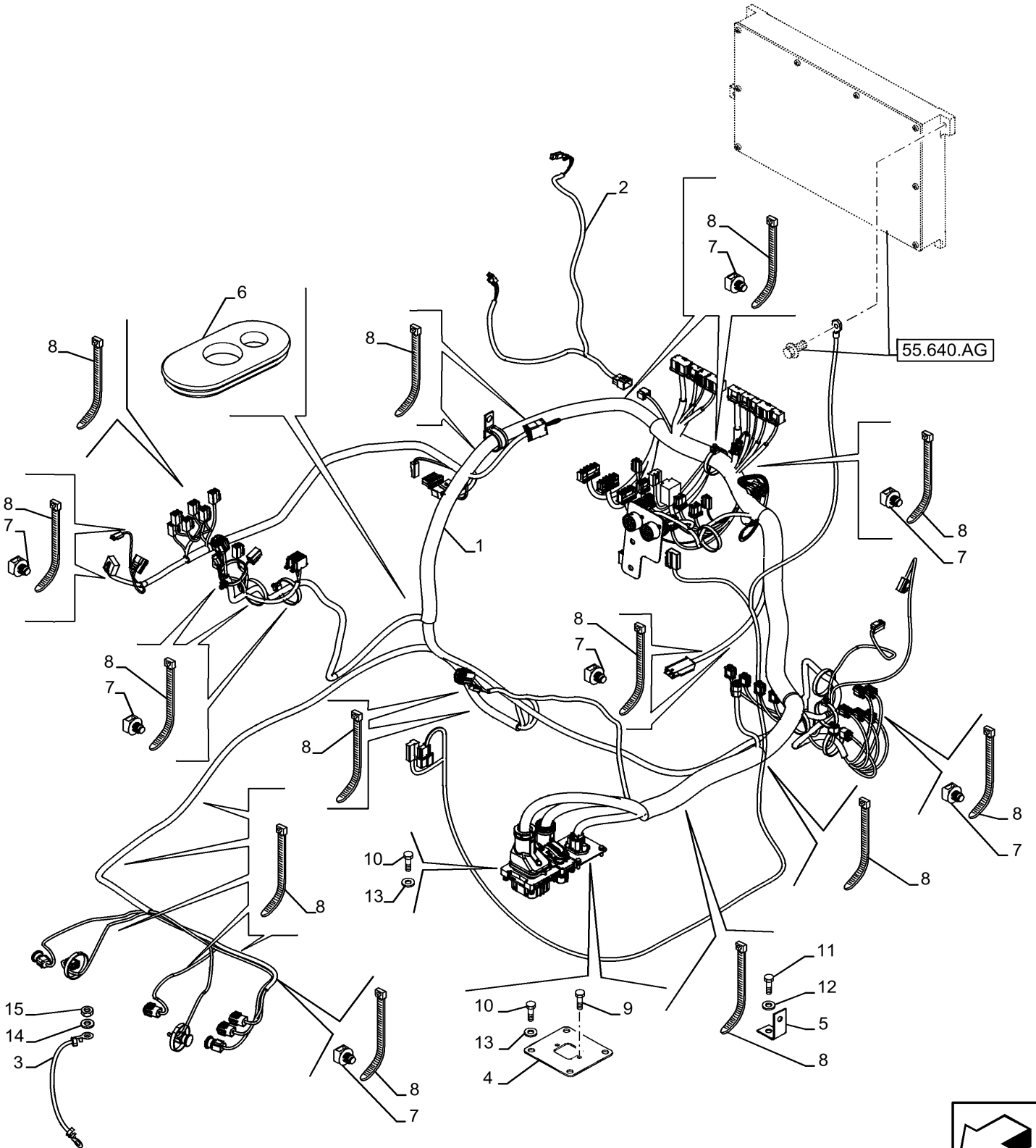
BATTERY



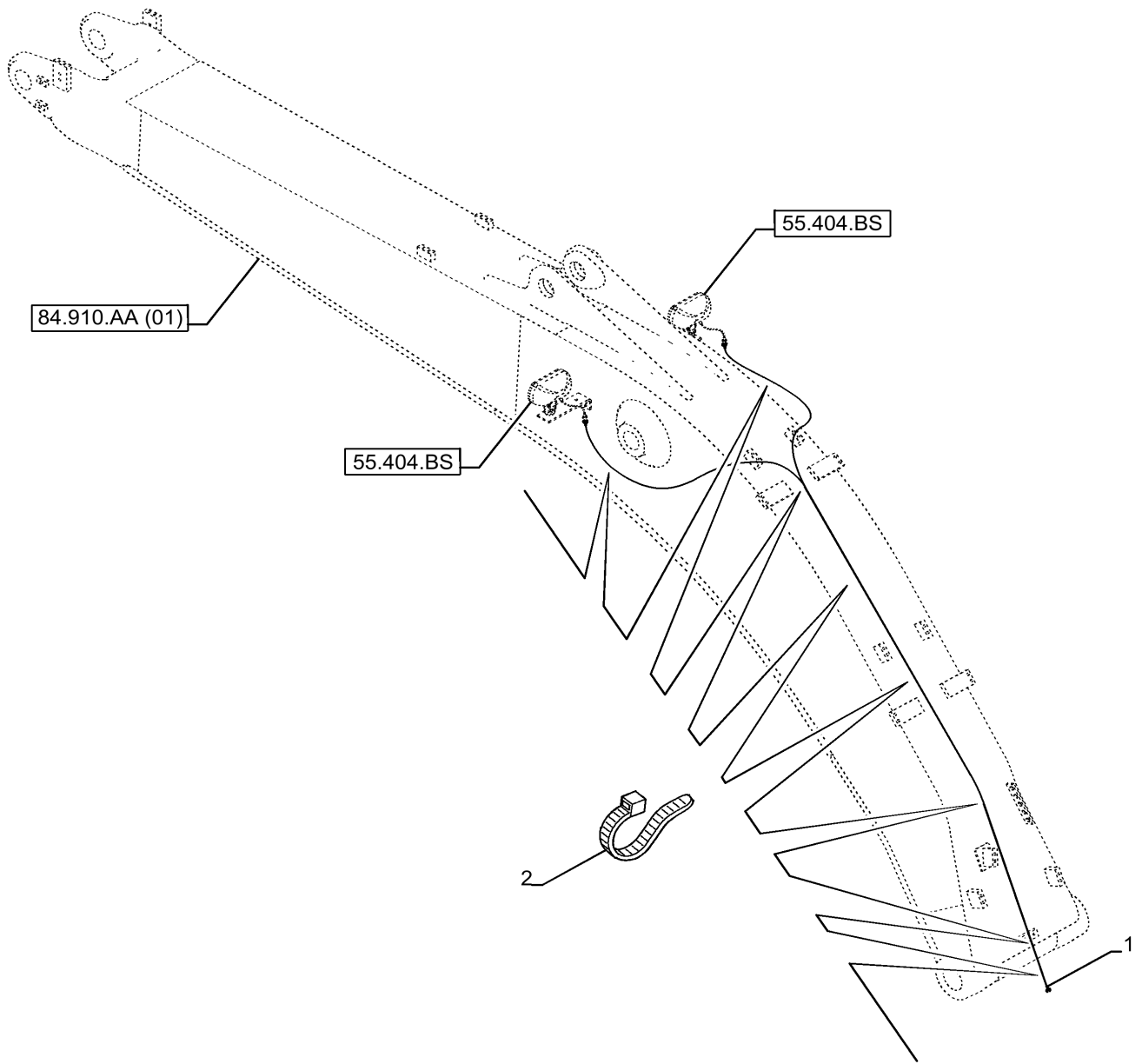
REFLECTOR



CAB MAIN WIRE HARNESS



WORK LIGHT, WIRE HARNESS



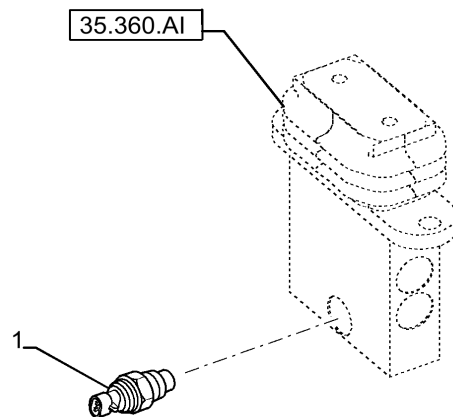
55.512.BV

02

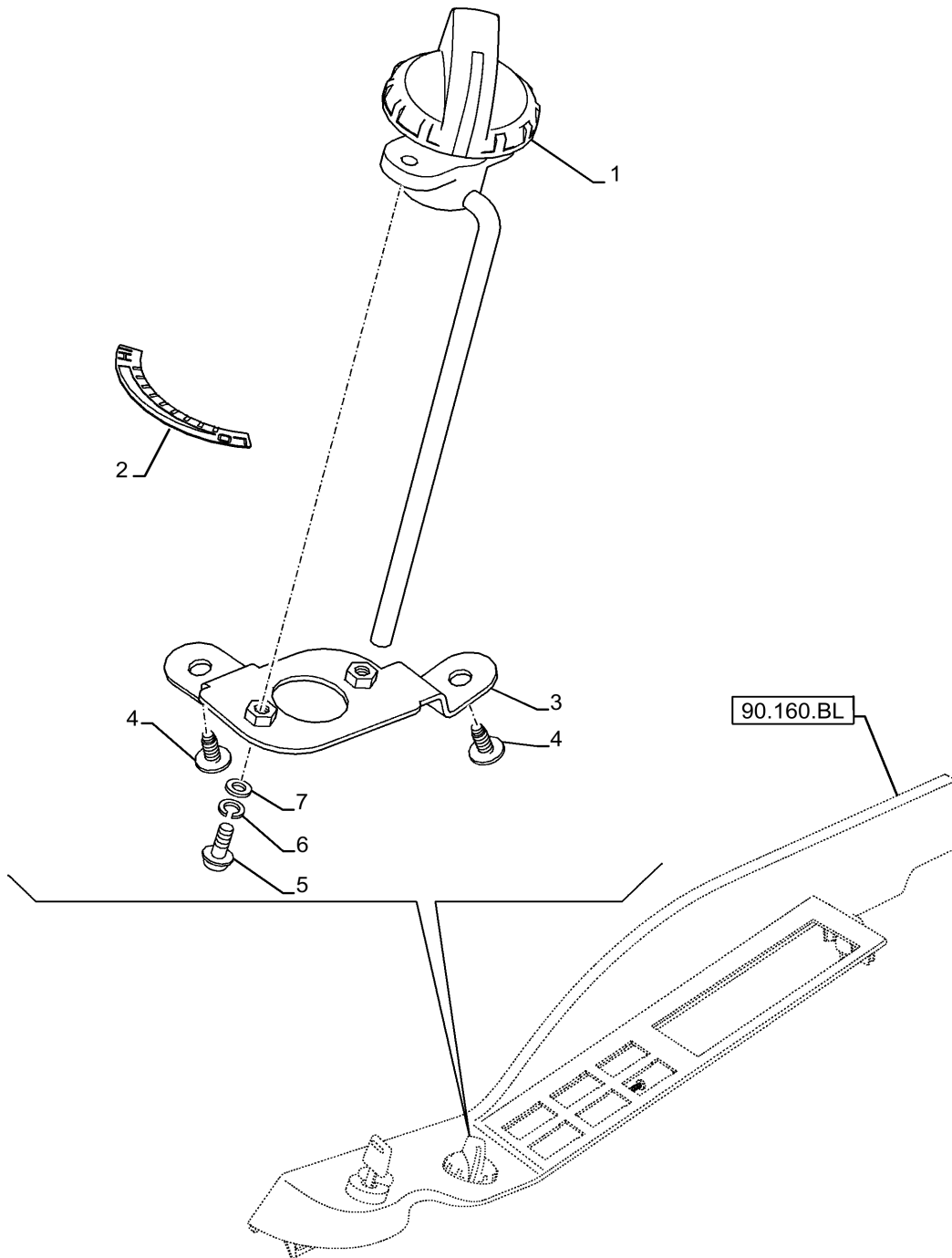
p1

6/2020

VAR - 461673, 461678, 461682 - HYDRAULIC FOOT COMMAND PRESSURE SWITCH (N&B FOOT)



HAND THROTTLE POTENTIOMETER



90.160.BL



SECTION INDEX

LUBRICATION SYSTEM

71.000.00 SECTION INDEX - LUBRICATION

71.460.AF LUBRICATION LINES

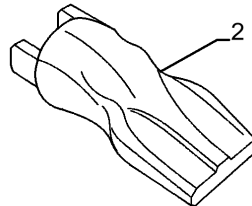
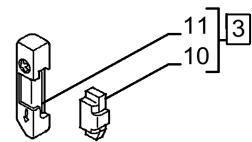
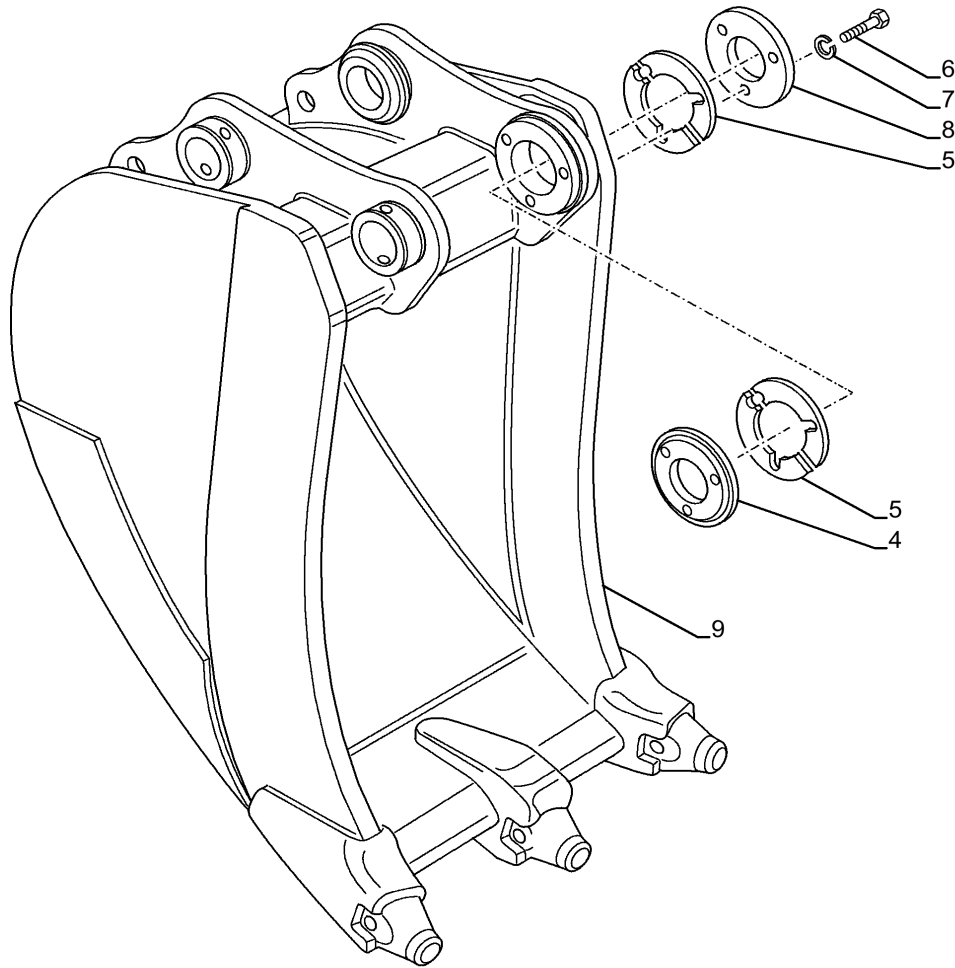
84.100.AB

02

p1

6/2020

VAR - 781100 - BUCKET



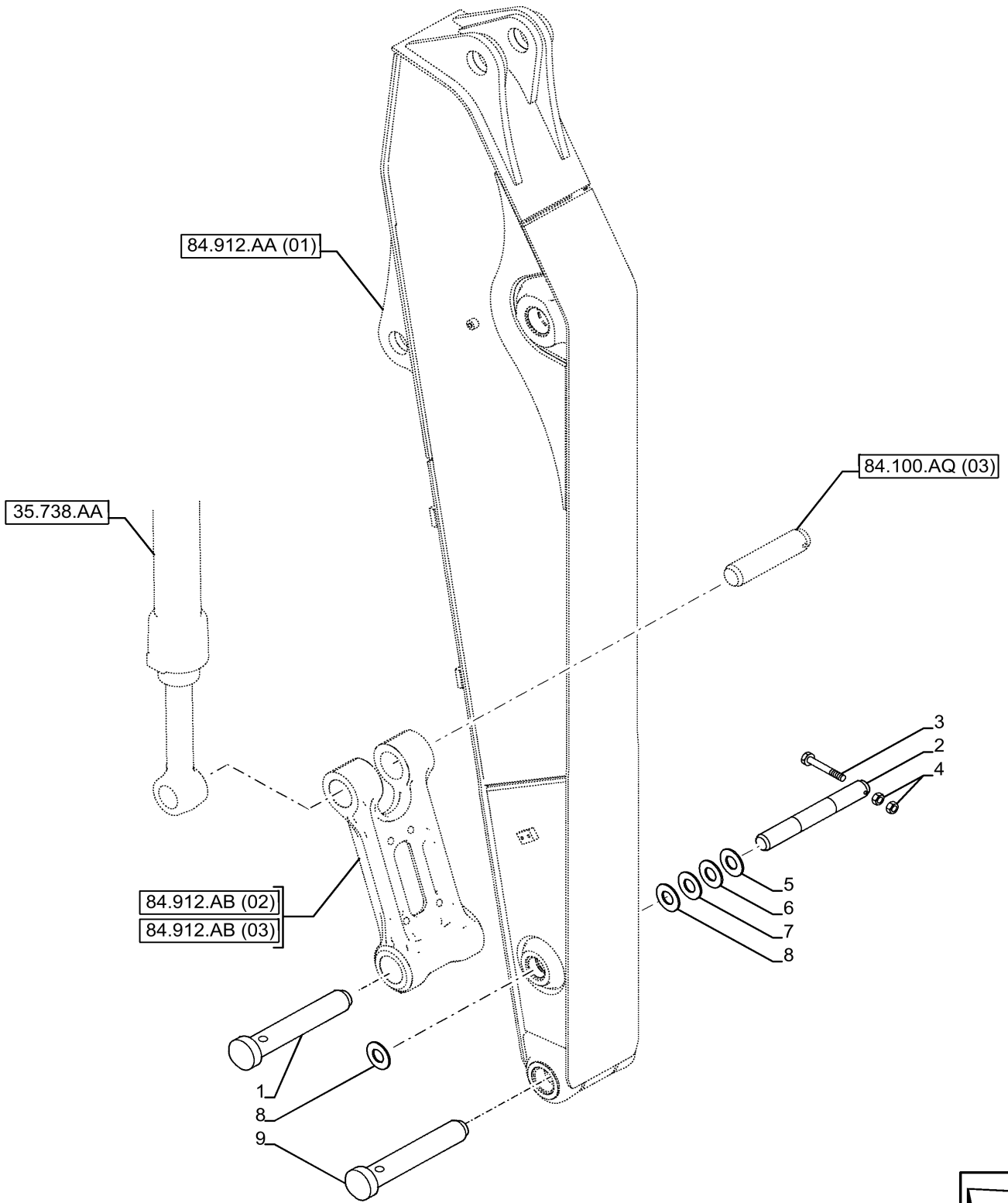
84.100.AQ

02

p1

6/2020

VAR - 781490, 781176, 781179 - LINKAGE, PIN



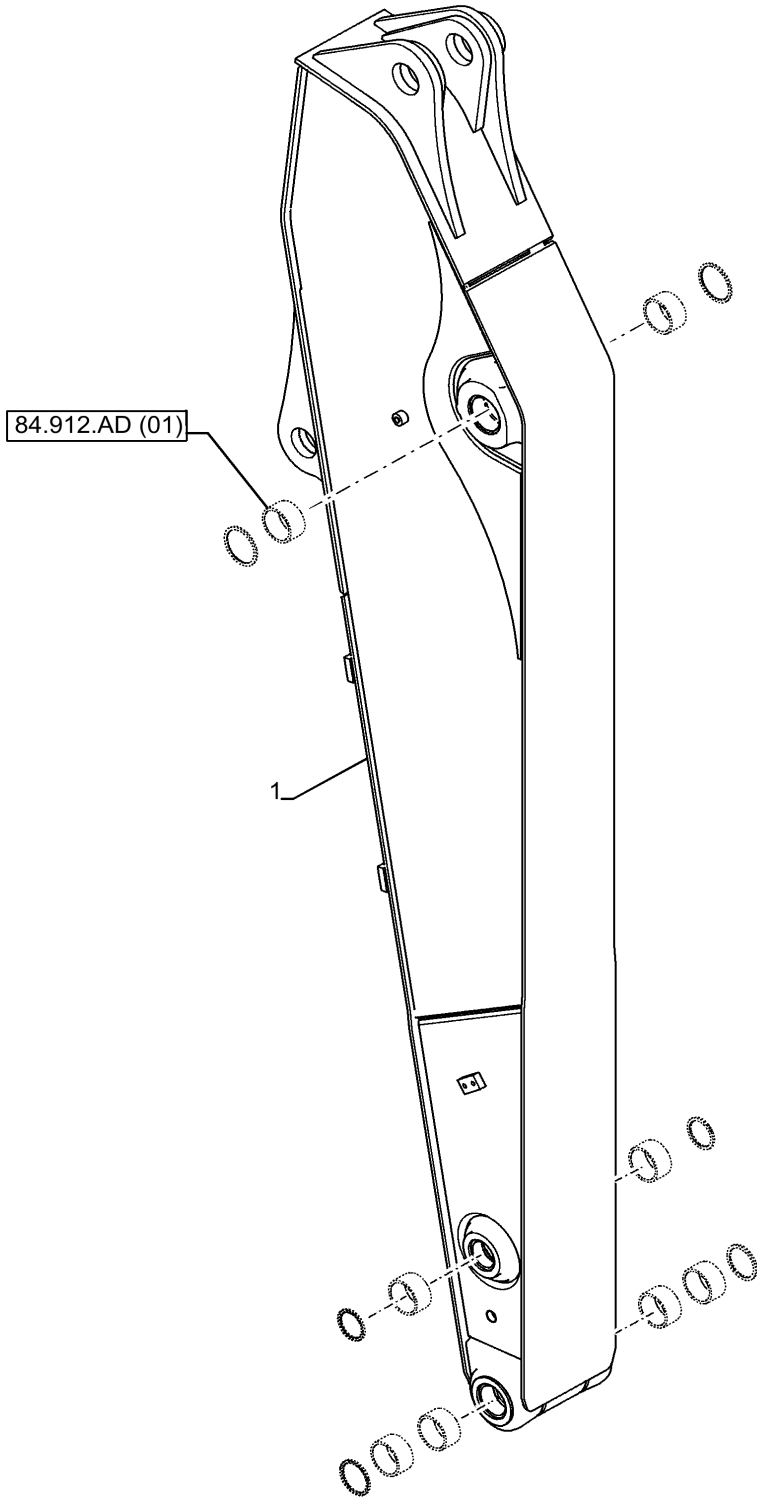
84.912.AA

01

p1

6/2020

VAR - 781490 - DIPPER



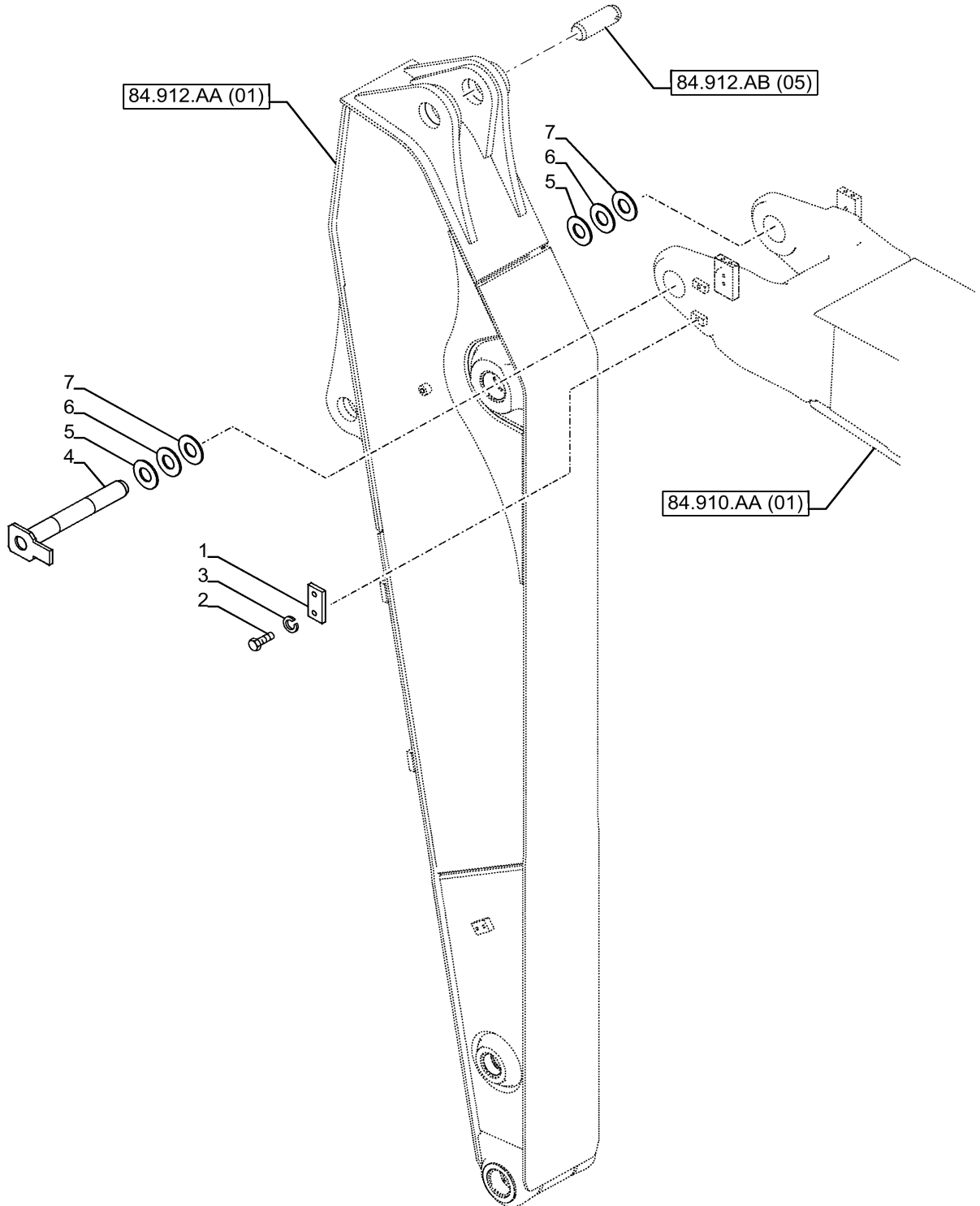
84.912.AB

04

p1

6/2020

VAR - 781490, 781176, 781179 - PINS



SECTION INDEX

ACCESSORIES

88.090.AA	07	DIA KIT - TRANSFORM C SERIES FROM AME TO CIS
88.090.AA	08	DIA KIT - TRANSFORM C SERIES FROM AME TO CIS
88.090.AA	09	DIA KIT - TRANSFORM C SERIES FROM CIS TO AME
88.090.AA	10	DIA KIT - TRANSFORM C SERIES FROM CIS TO AME
88.090.AA	11	DIA KIT - SUN VISOR LIGHT
88.090.AA	12	DIA KIT - SUN VISOR LIGHT
88.090.AA	13	KIT PATTERN CHANGER HARNESS
88.100.AH		TOOL BOX

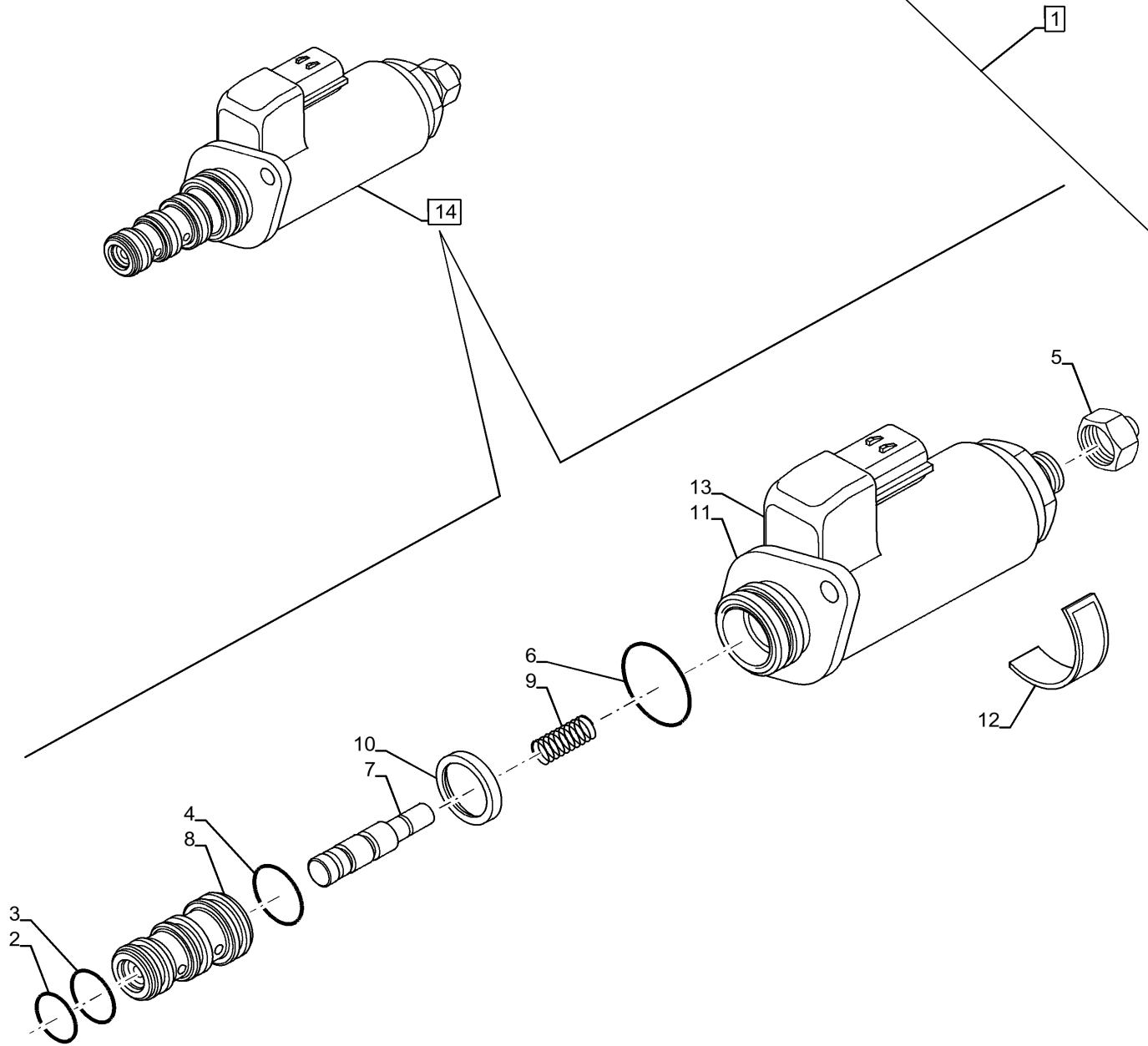
88.035.AA

05

p1

6/2020

DIA KIT - N&B HPC ARM 2.2M



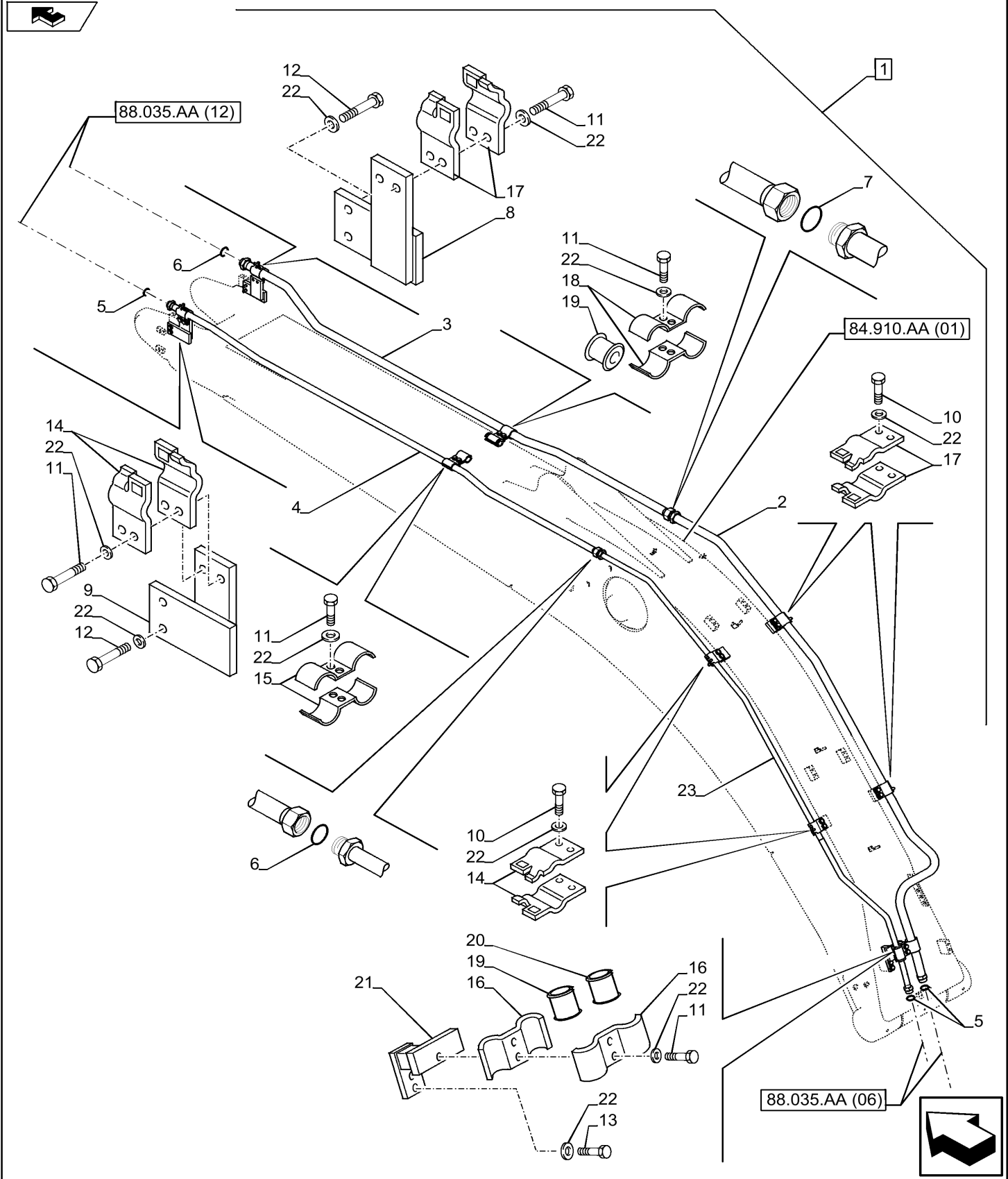
88.035.AA

11

p1

6/2020

DIA KIT - N&B HPC ARM 2.2M



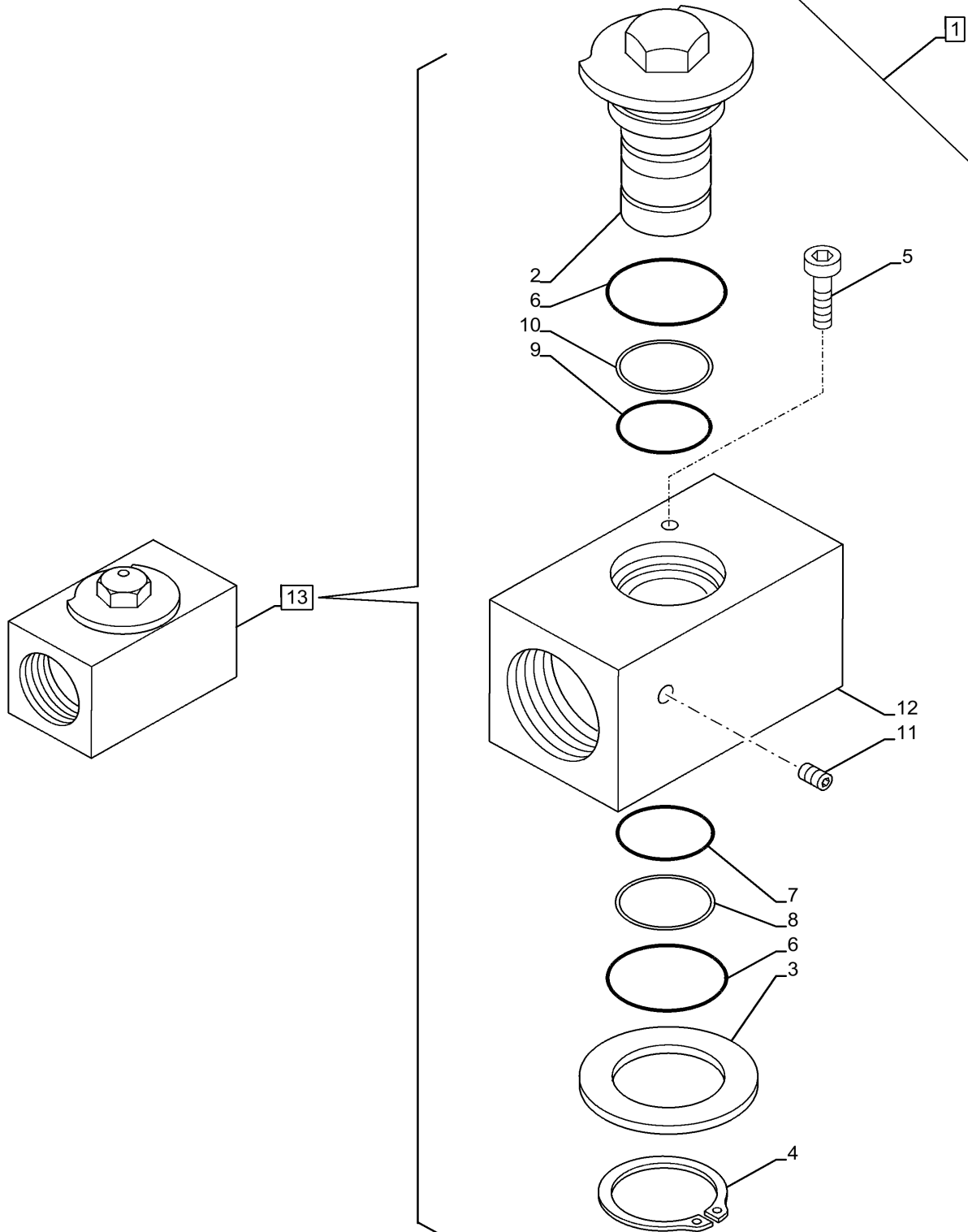
88.035.AA

16

p1

6/2020

DIA KIT - N&B HPC ARM 2.2M



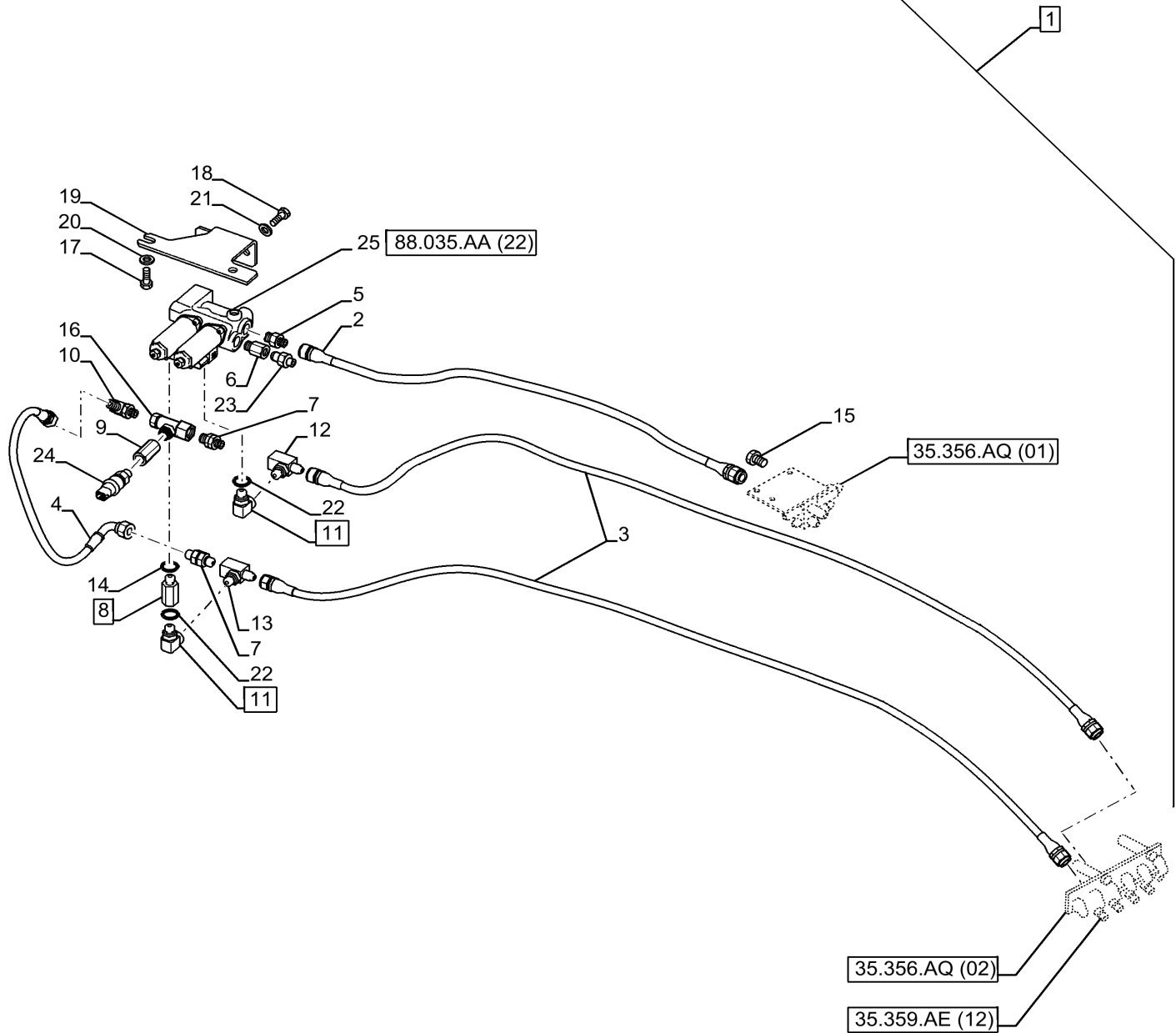
88.035.AA

23

p1

6/2020

DIA KIT - N&B HPC ARM 2.6M



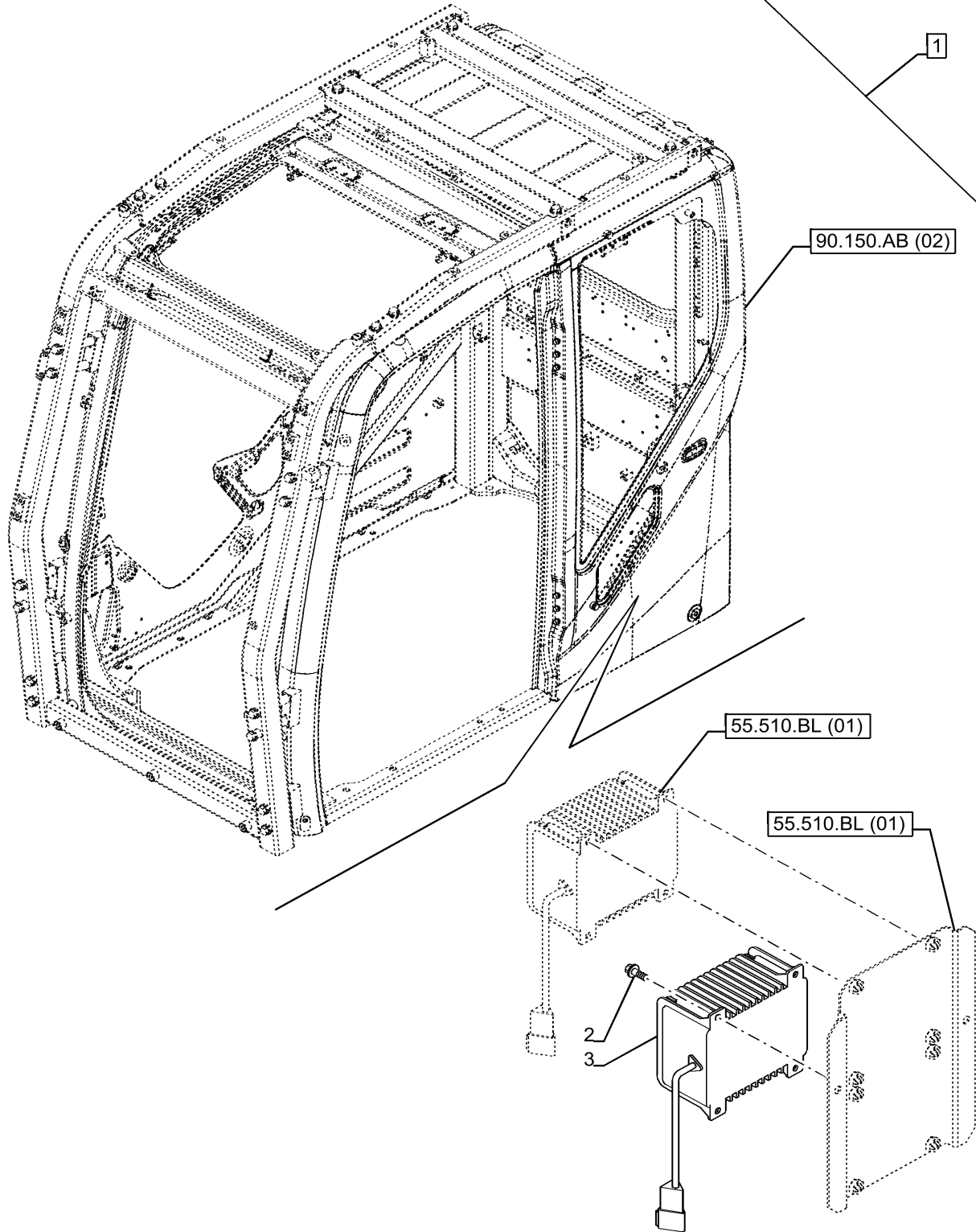
88.035.AA

27

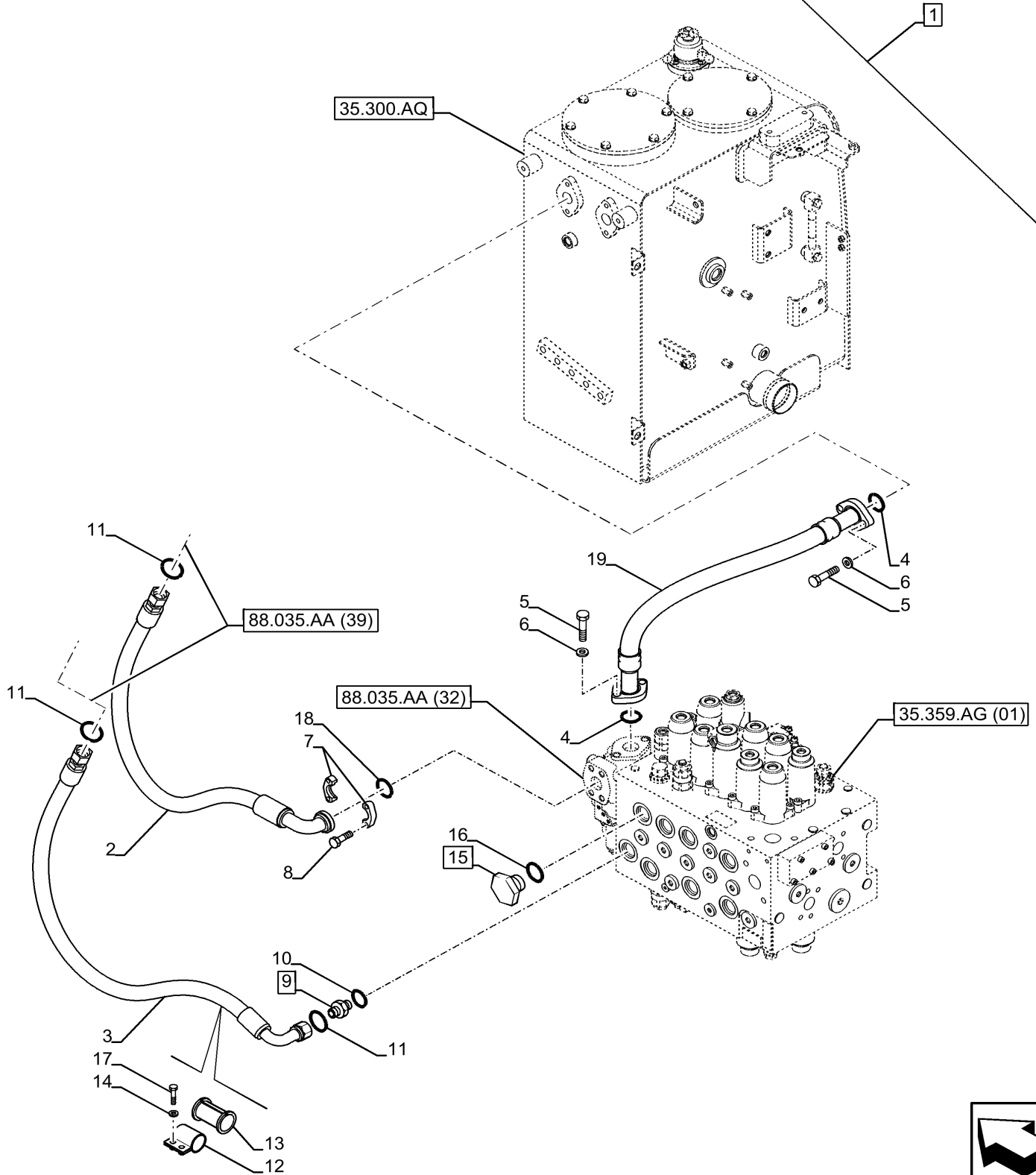
p1

6/2020

DIA KIT - N&B HPC ARM 2.6M



DIA KIT - N&B HPC ARM 3.1M



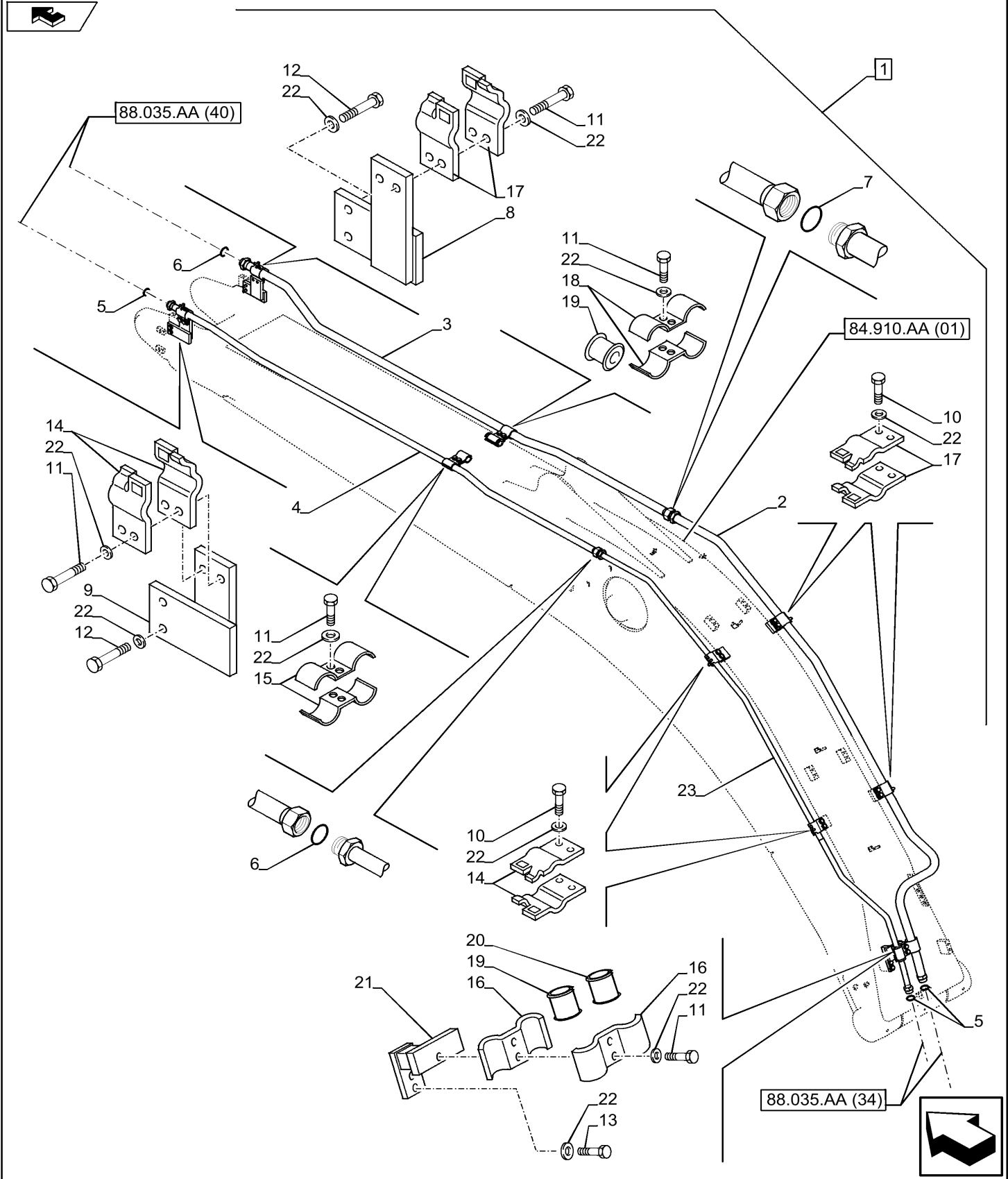
88.035.AA

39

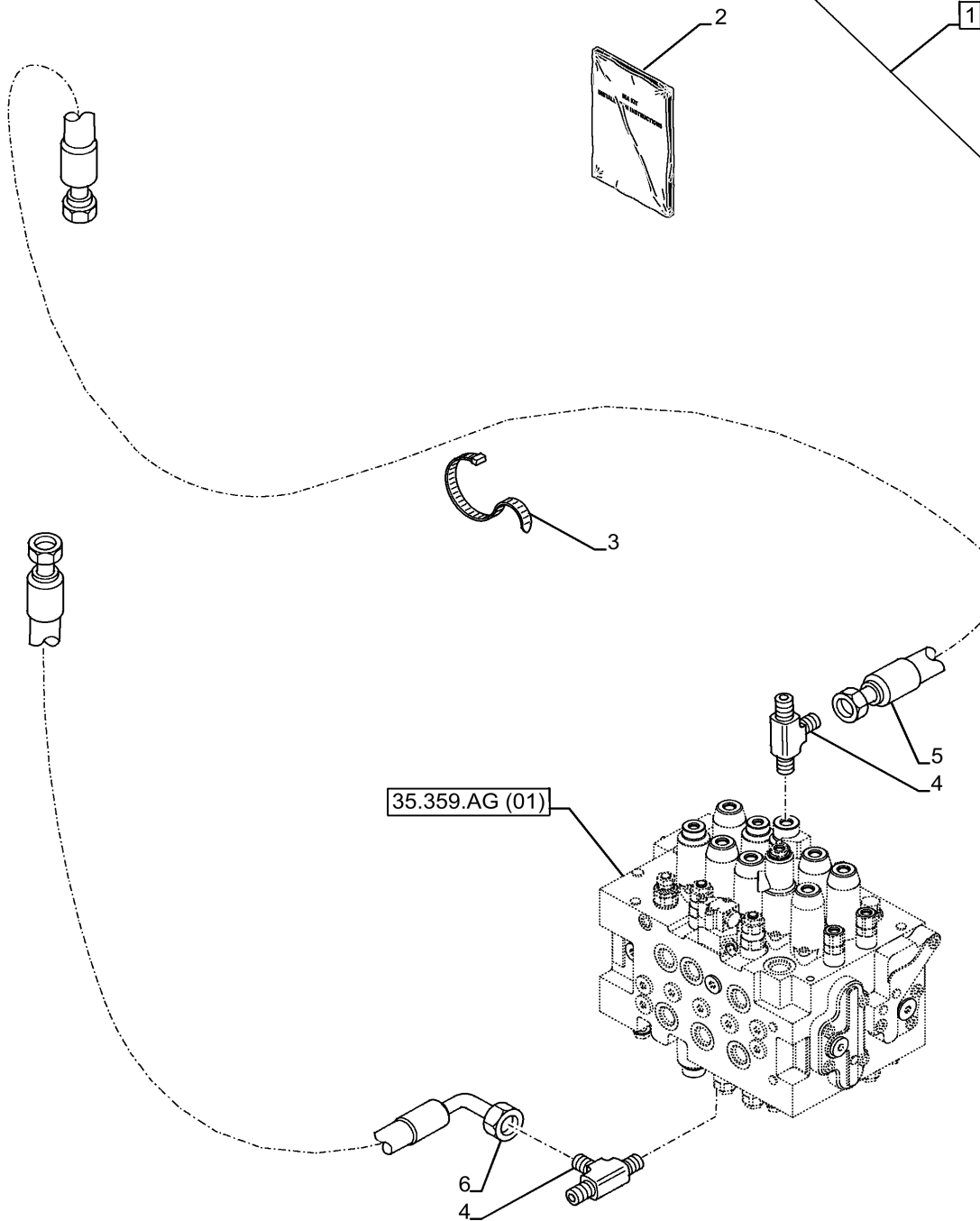
p2

6/2020

DIA KIT - N&B HPC ARM 3.1M



DIA KIT - OBJECT HANDLING



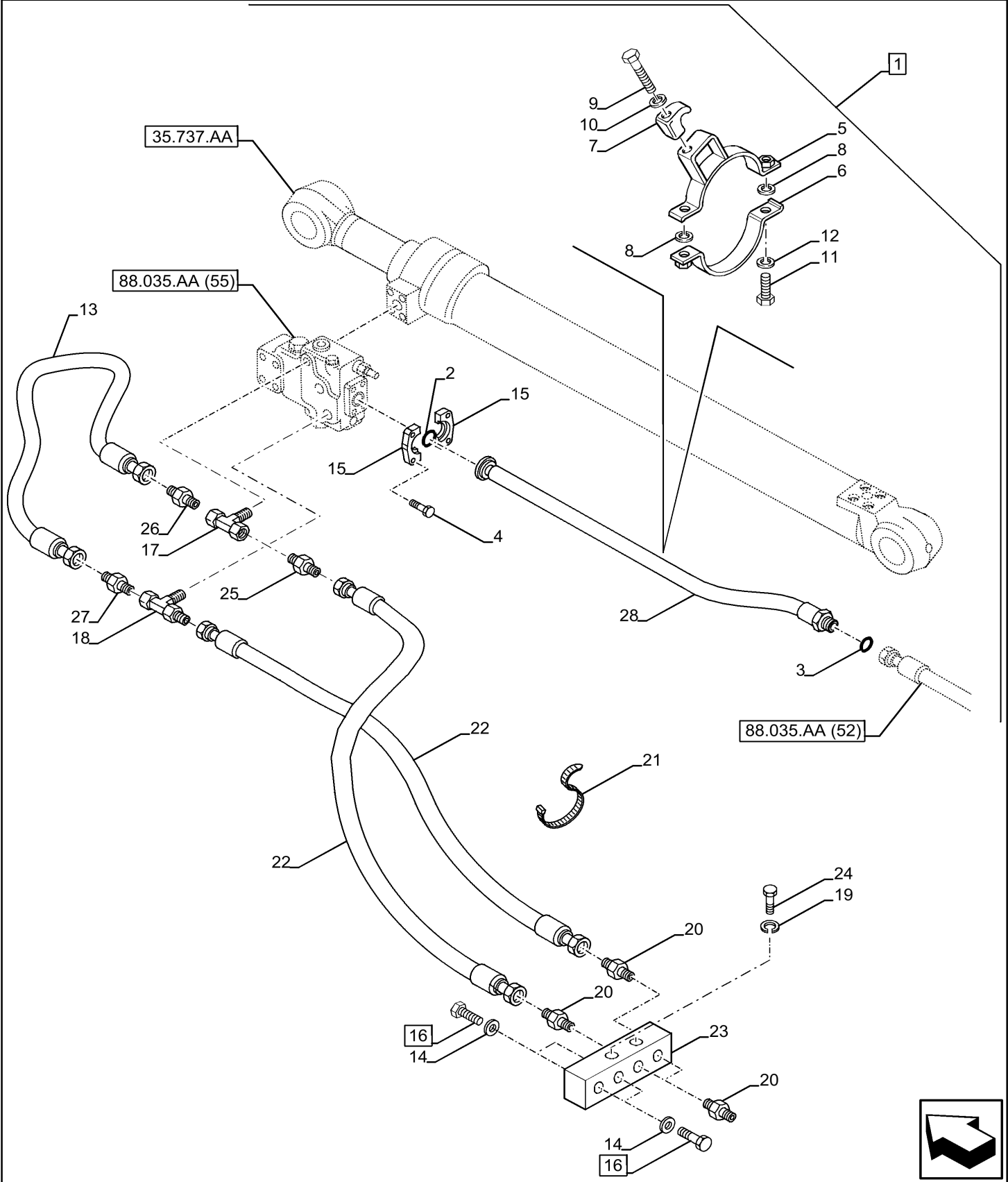
88.035.AA

53

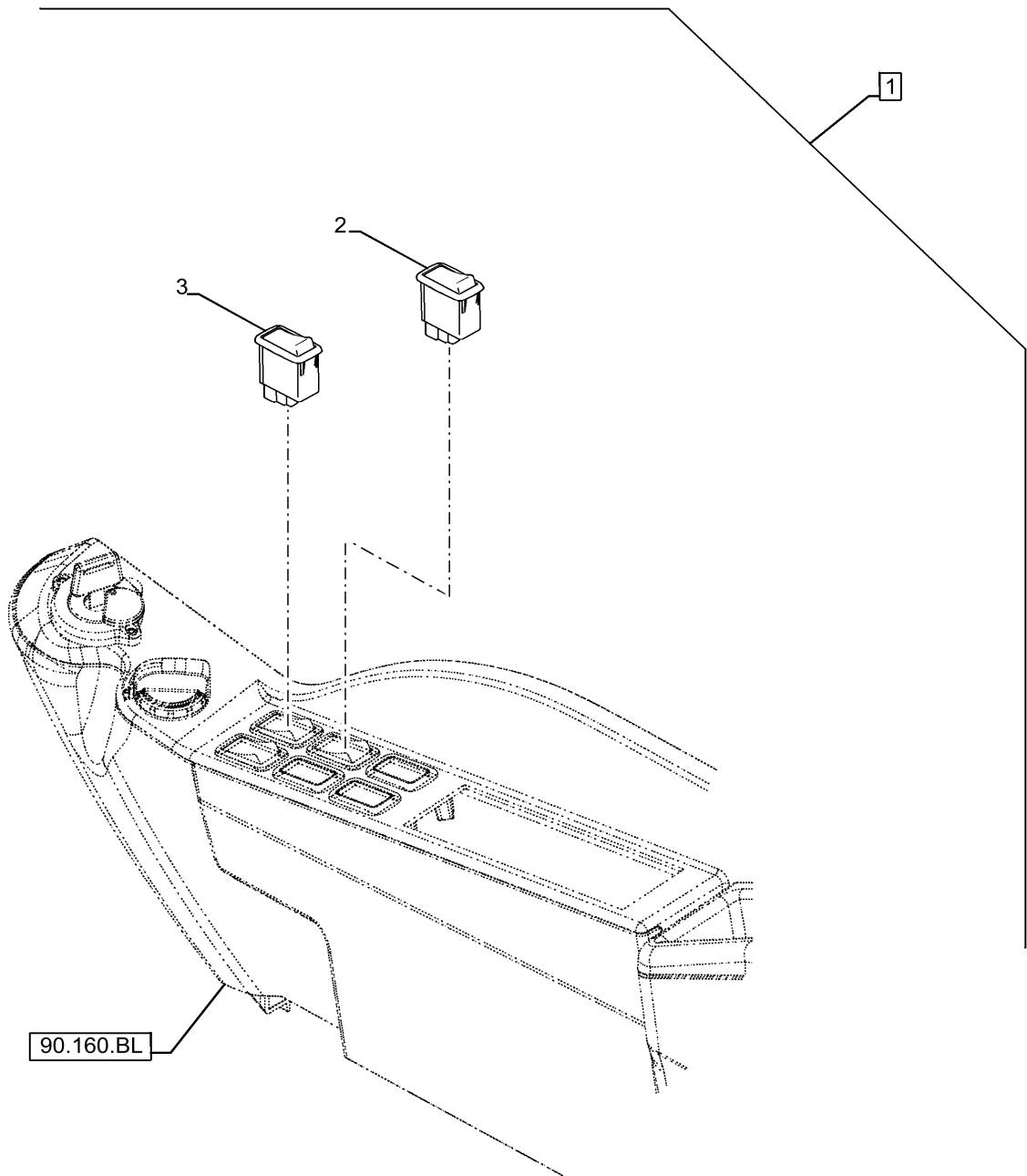
p1

6/2020

DIA KIT - OBJECT HANDLING



DIA KIT - OBJECT HANDLING



90.160.BL



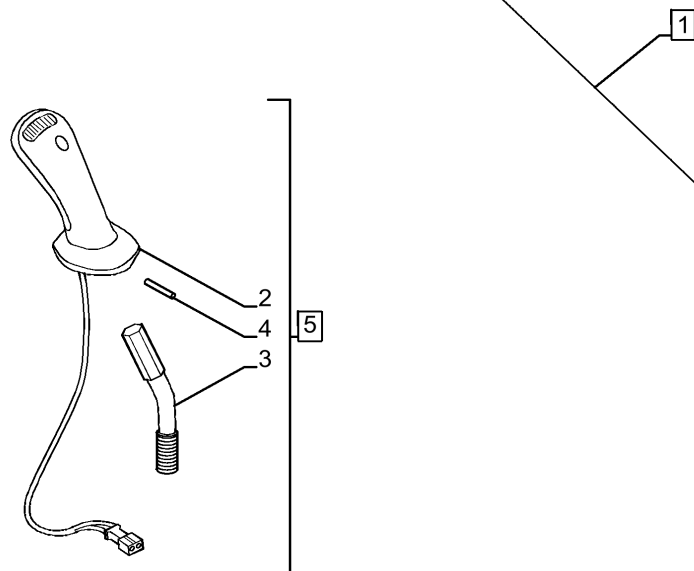
88.035.AA

65

p1

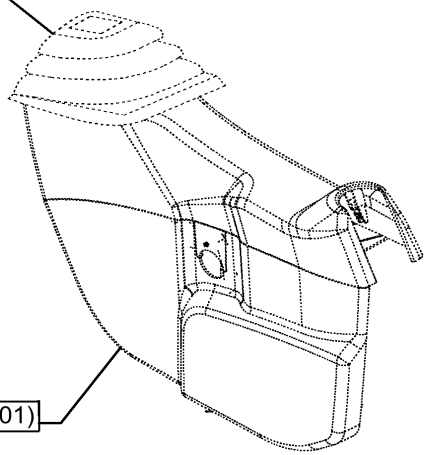
6/2020

DIA KIT - EXTRA HPC ARM 2.2M



35.355.AK (05)

90.160.BY (01)



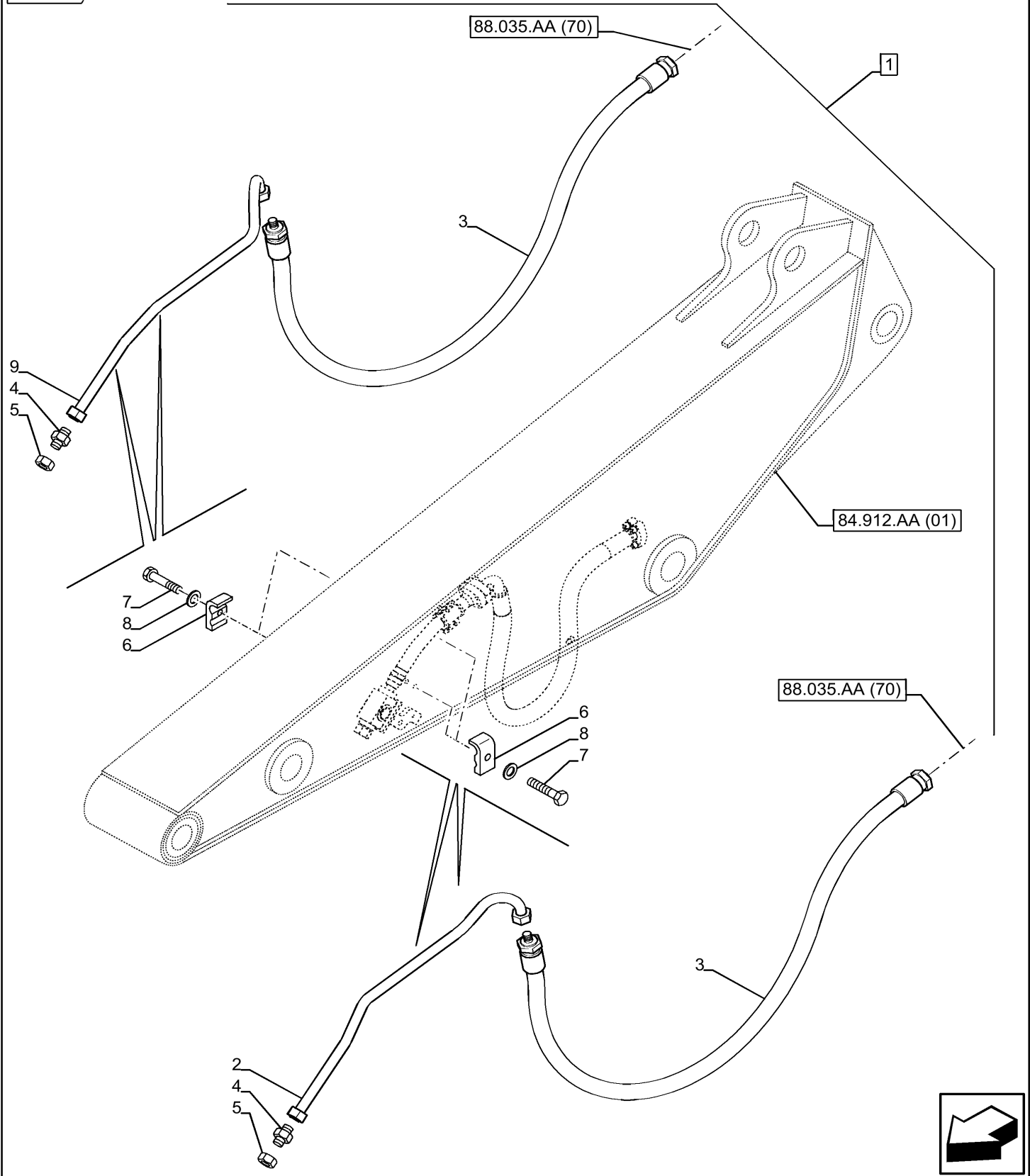
88.035.AA

71

p1

6/2020

DIA KIT - EXTRA HPC ARM 2.2M



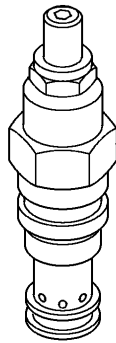
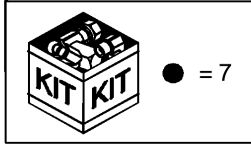
88.035.AA

78

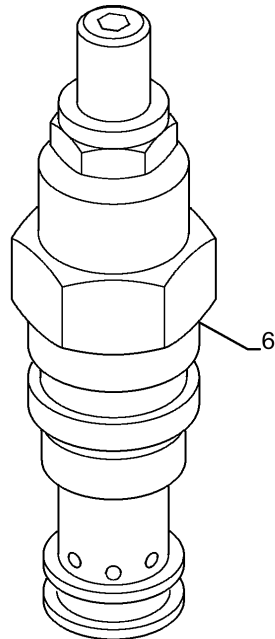
p1

6/2020

DIA KIT - EXTRA HPC ARM 2.6M



8



6

1



3



5



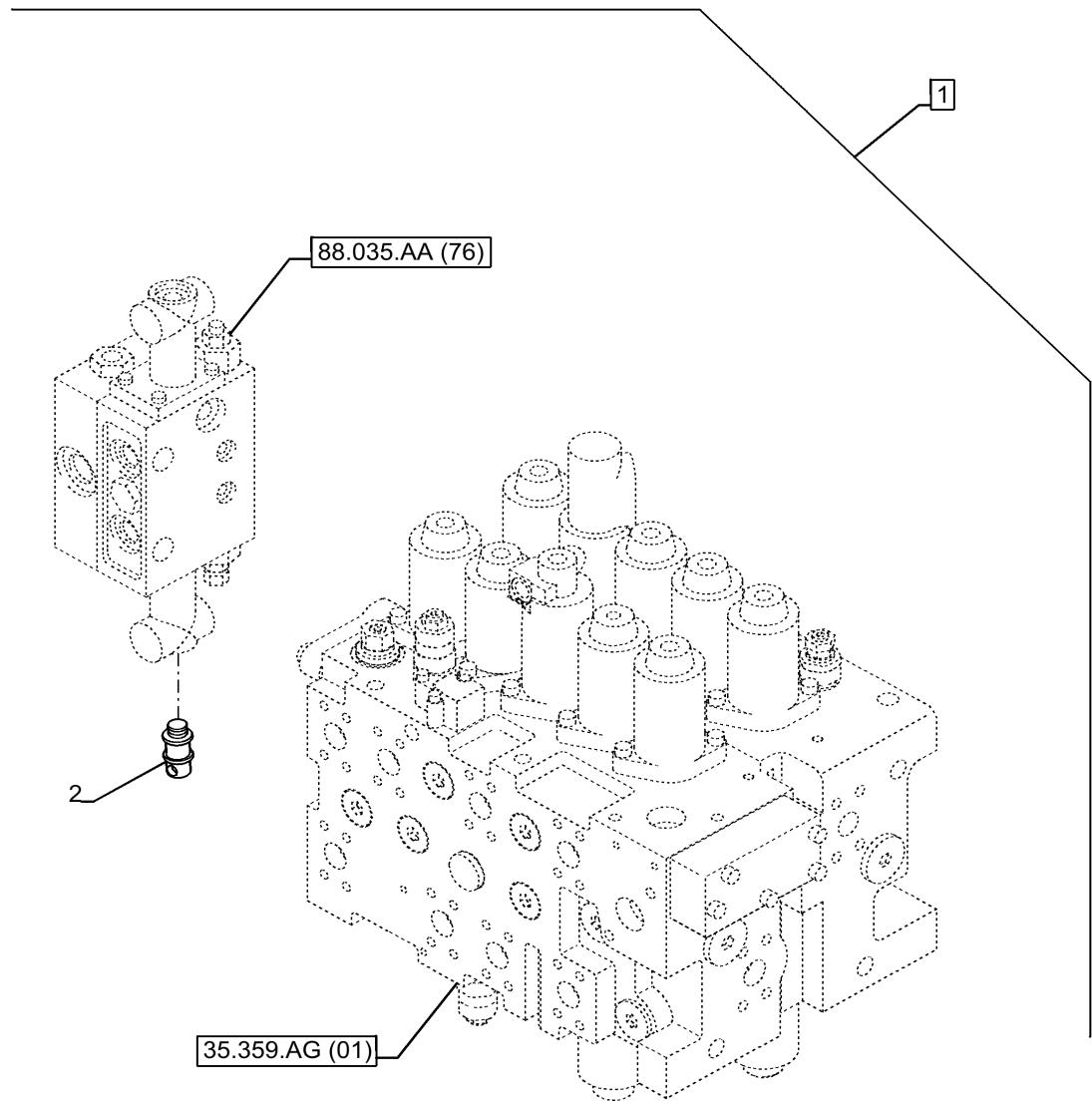
4



2



DIA KIT - EXTRA HPC ARM 2.6M



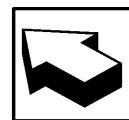
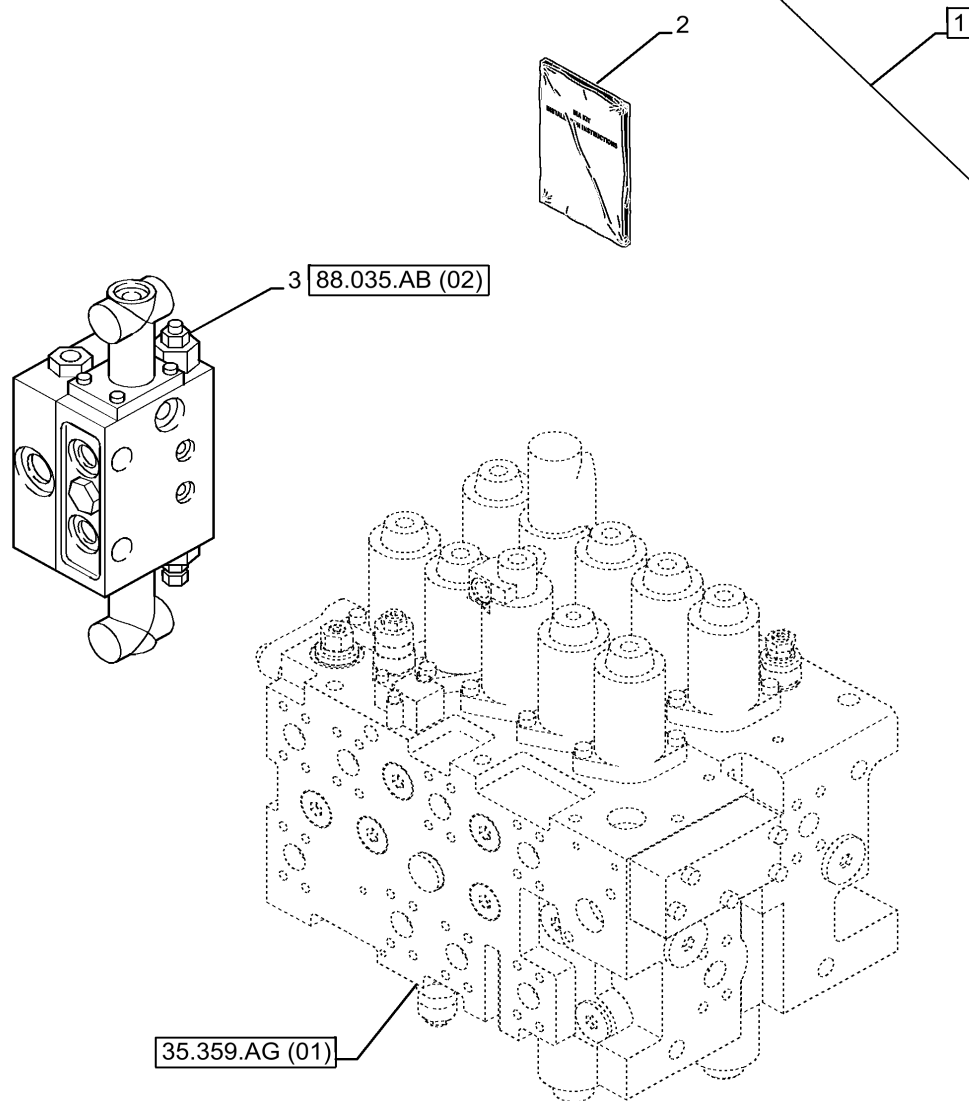
88.035.AB

01

p1

6/2020

DIA KIT - EXTRA HPC ARM 3.1M



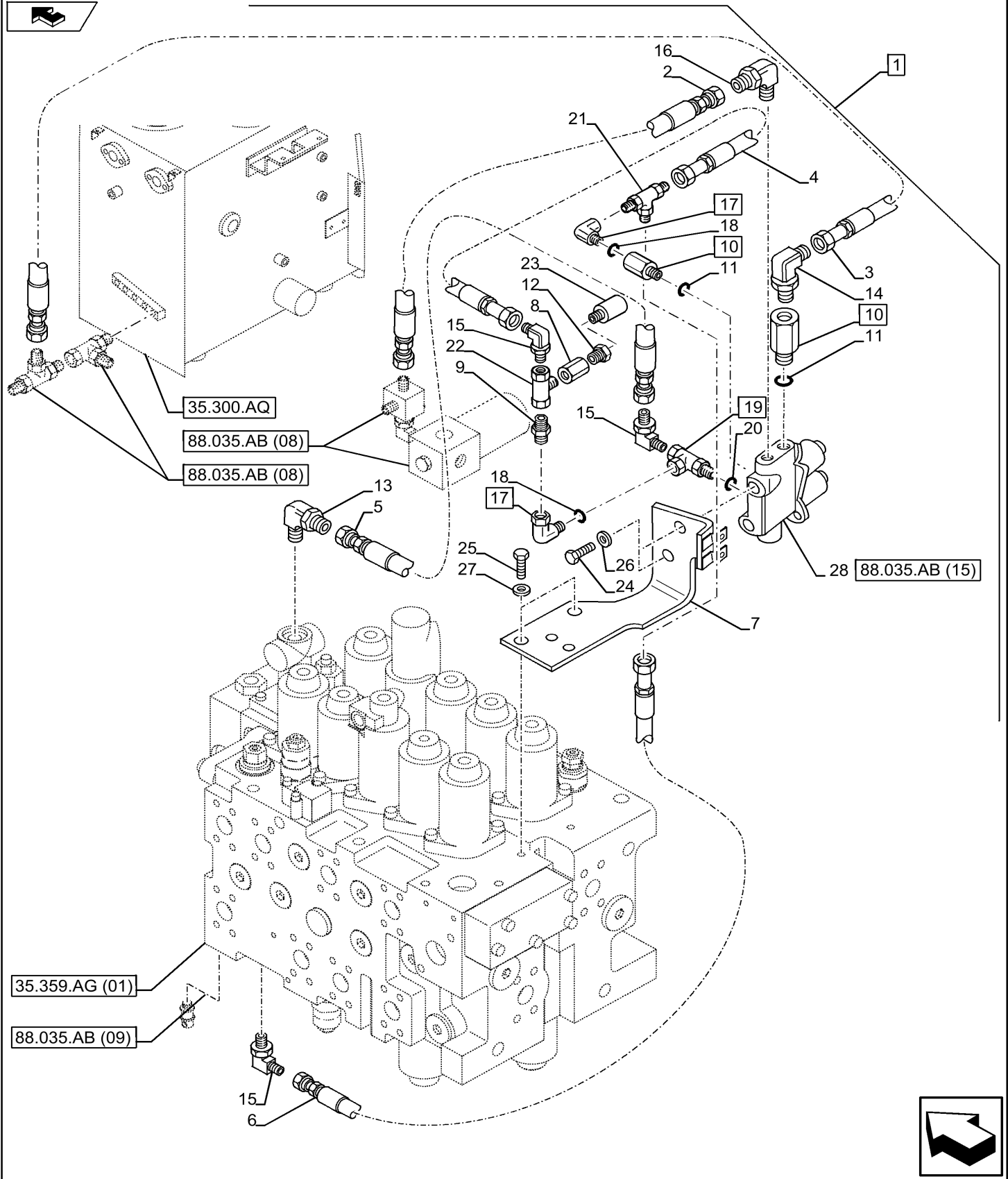
88.035.AB

07

p2

6/2020

DIA KIT - EXTRA HPC ARM 3.1M



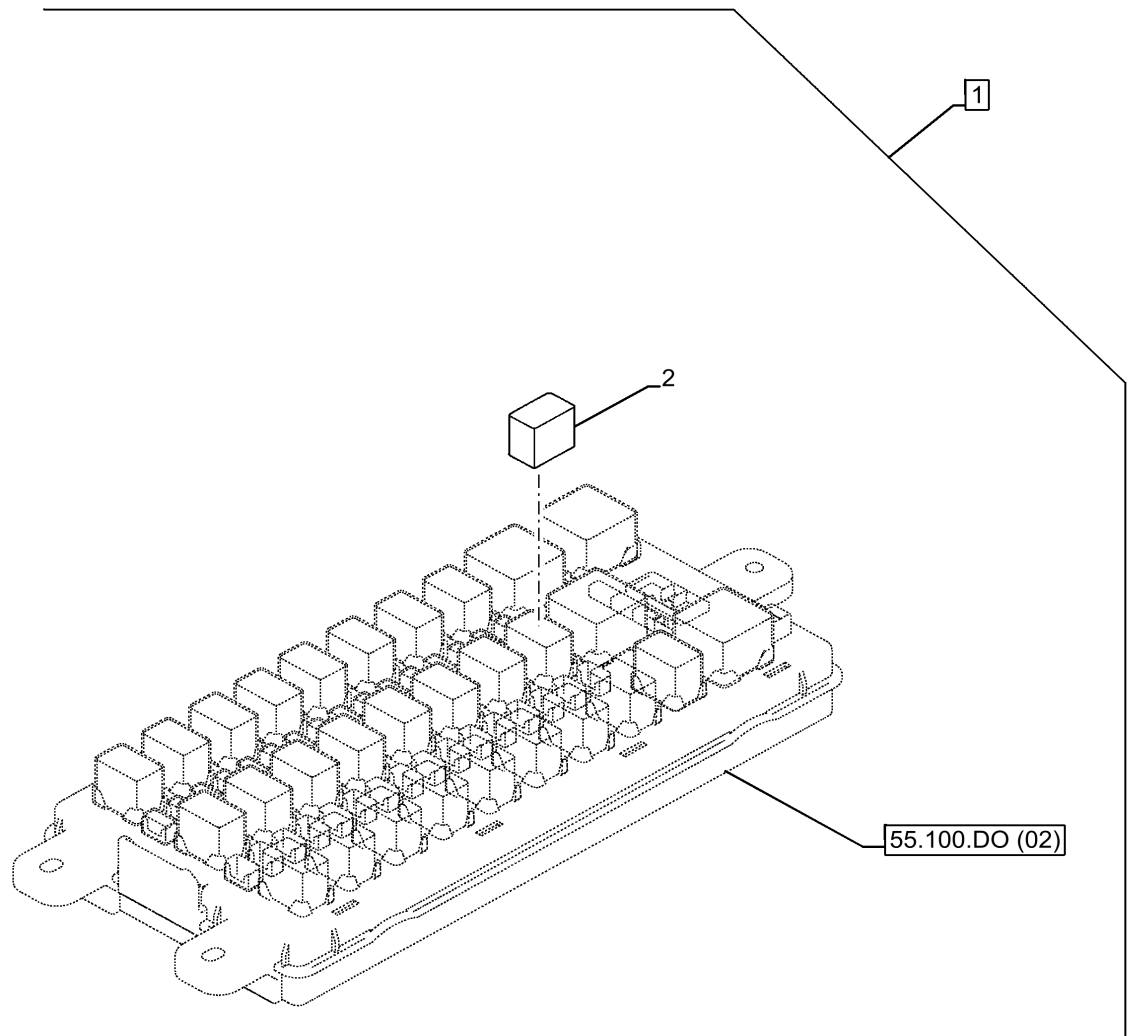
88.035.AB

14

p1

6/2020

DIA KIT - EXTRA HPC ARM 3.1M



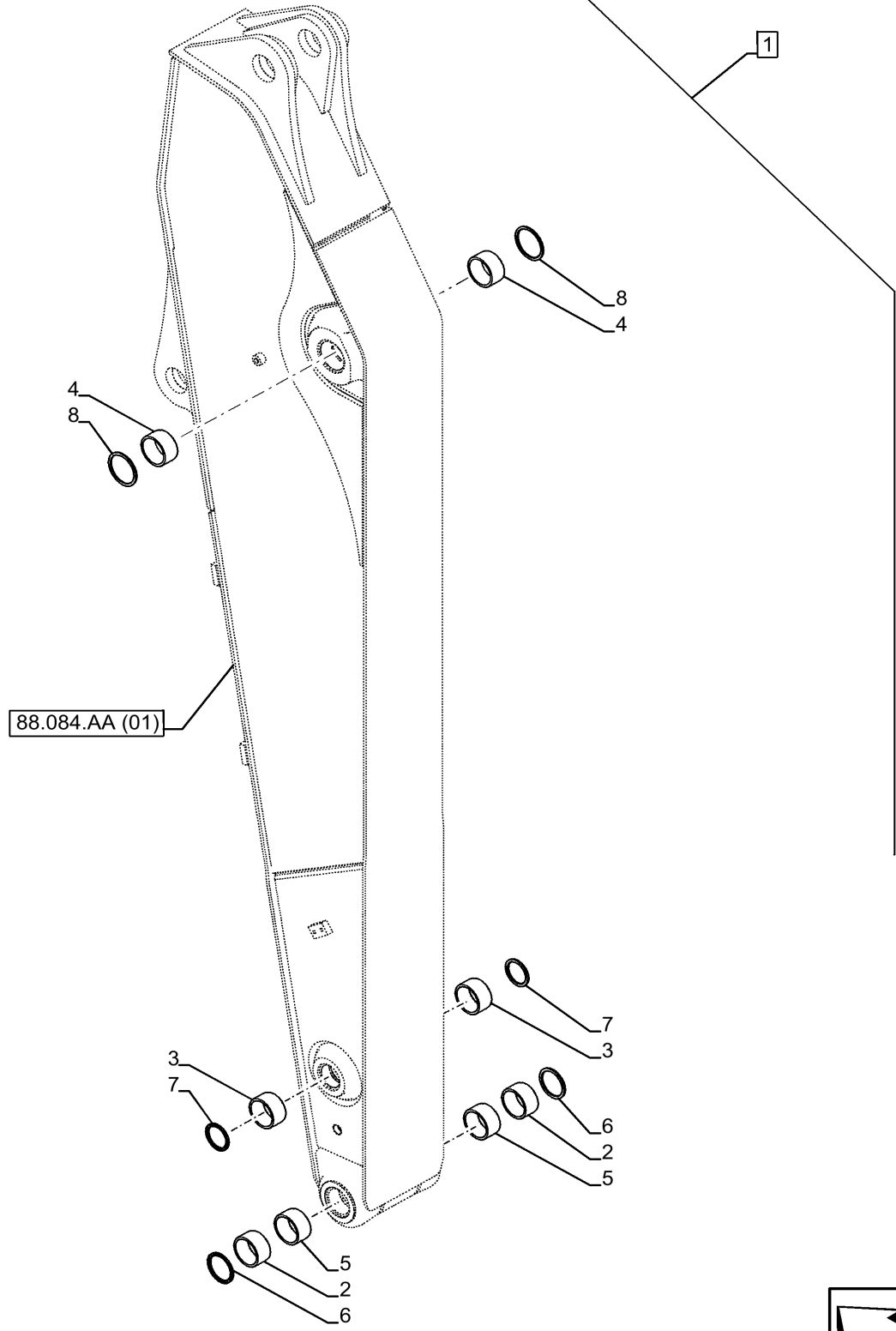
88.084.AA

02

p1

6/2020

DIA KIT - ARM L=2.2M



88.084.AA (01)



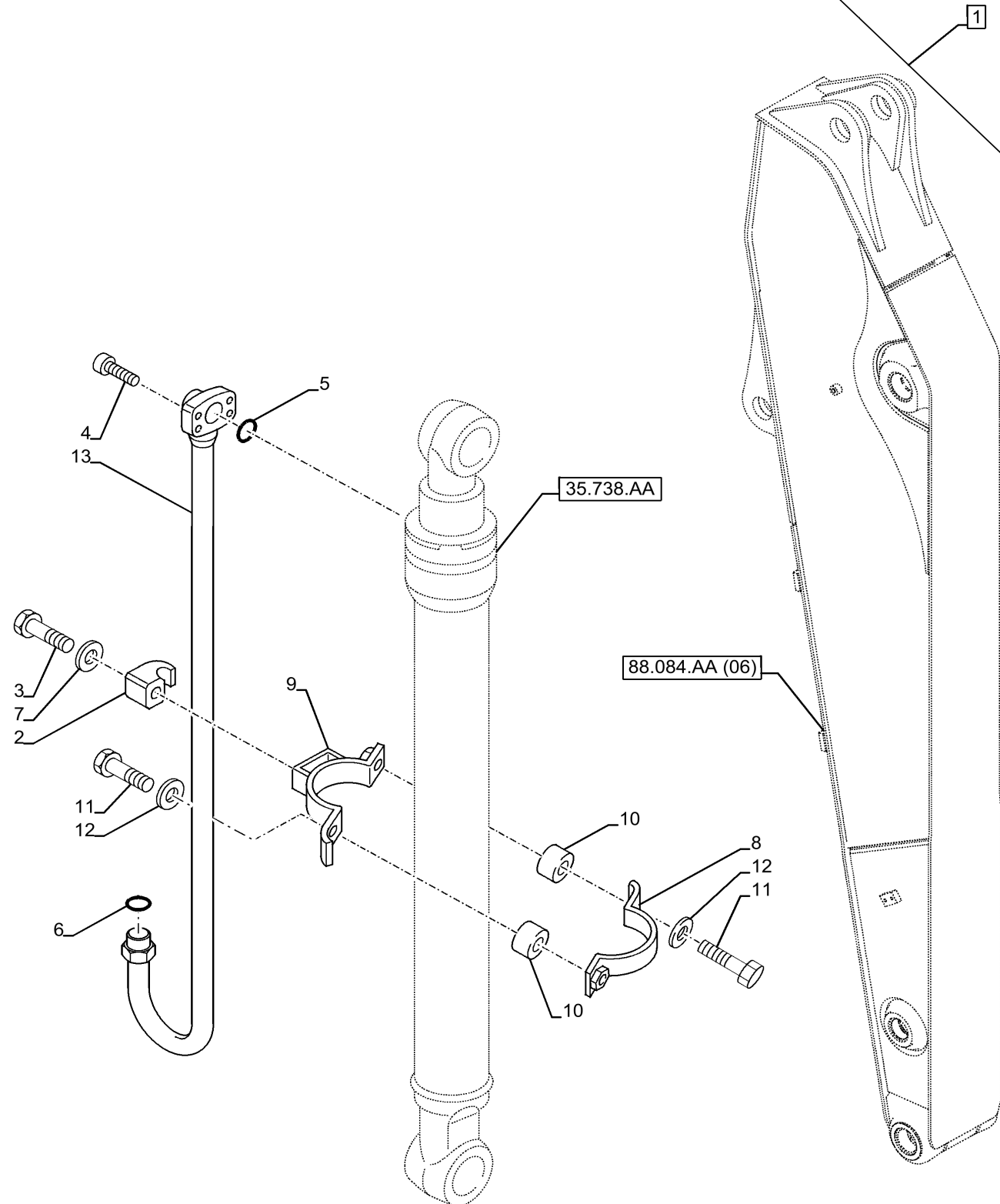
88.084.AA

09

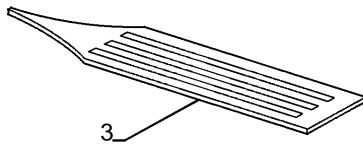
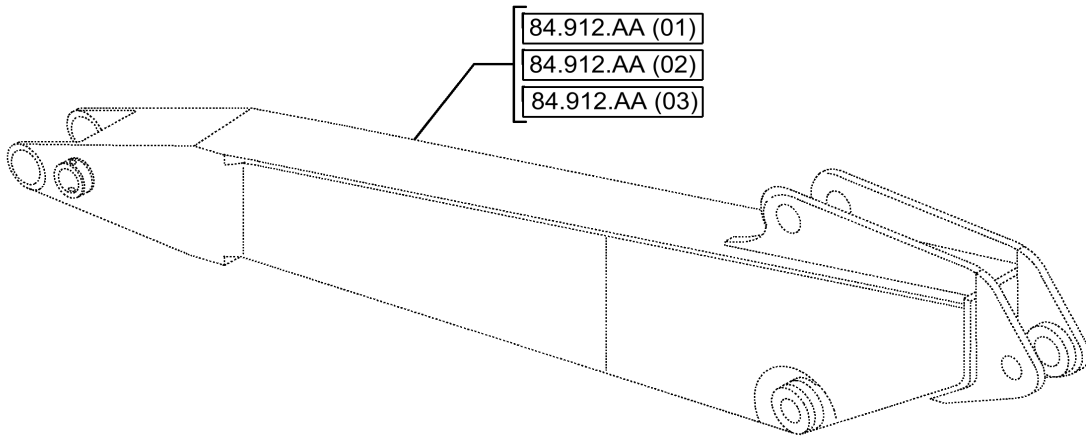
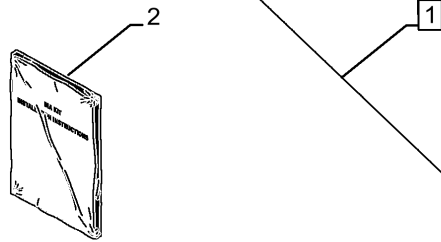
p1

6/2020

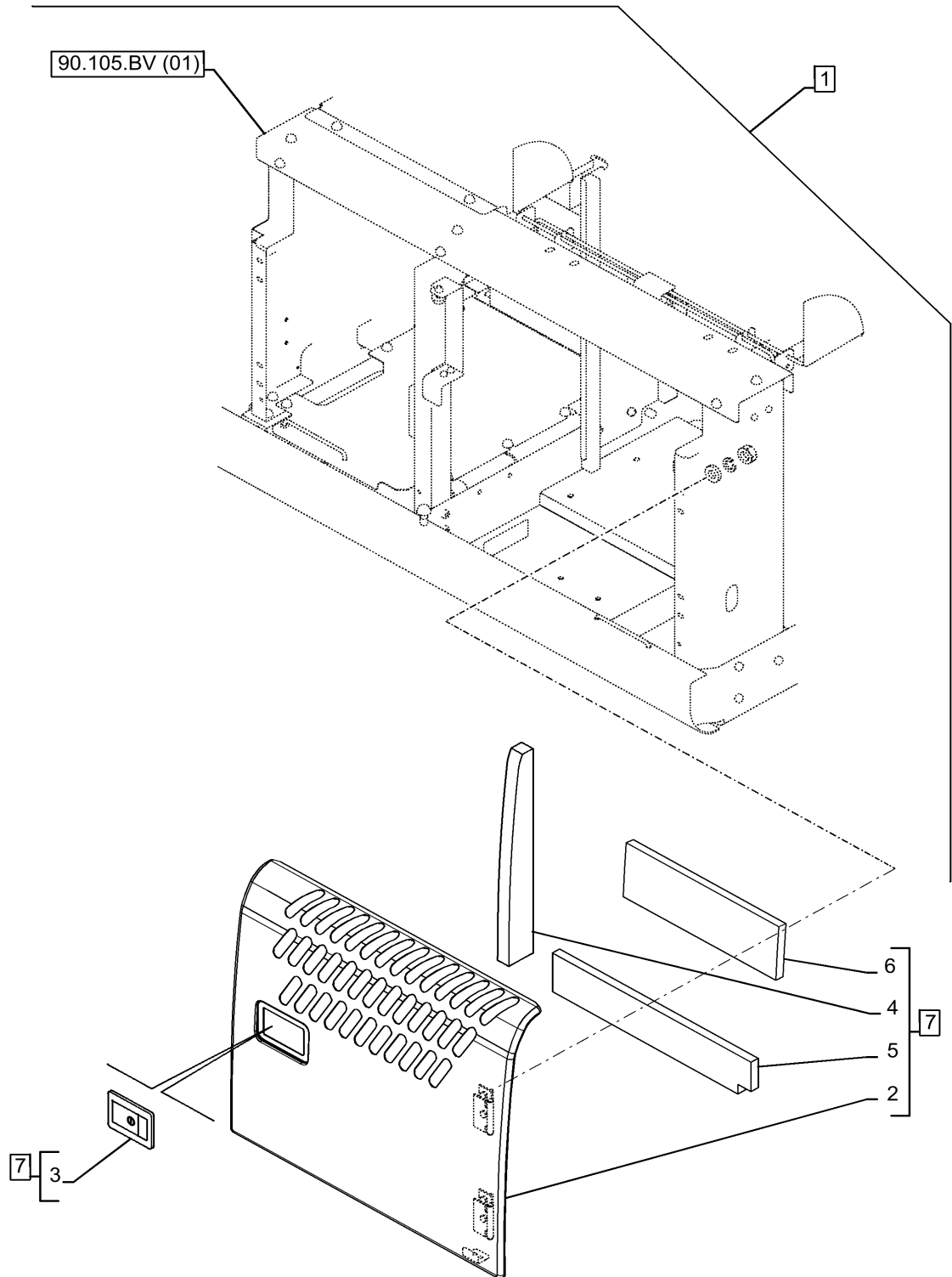
DIA KIT - ARM L=2.6M



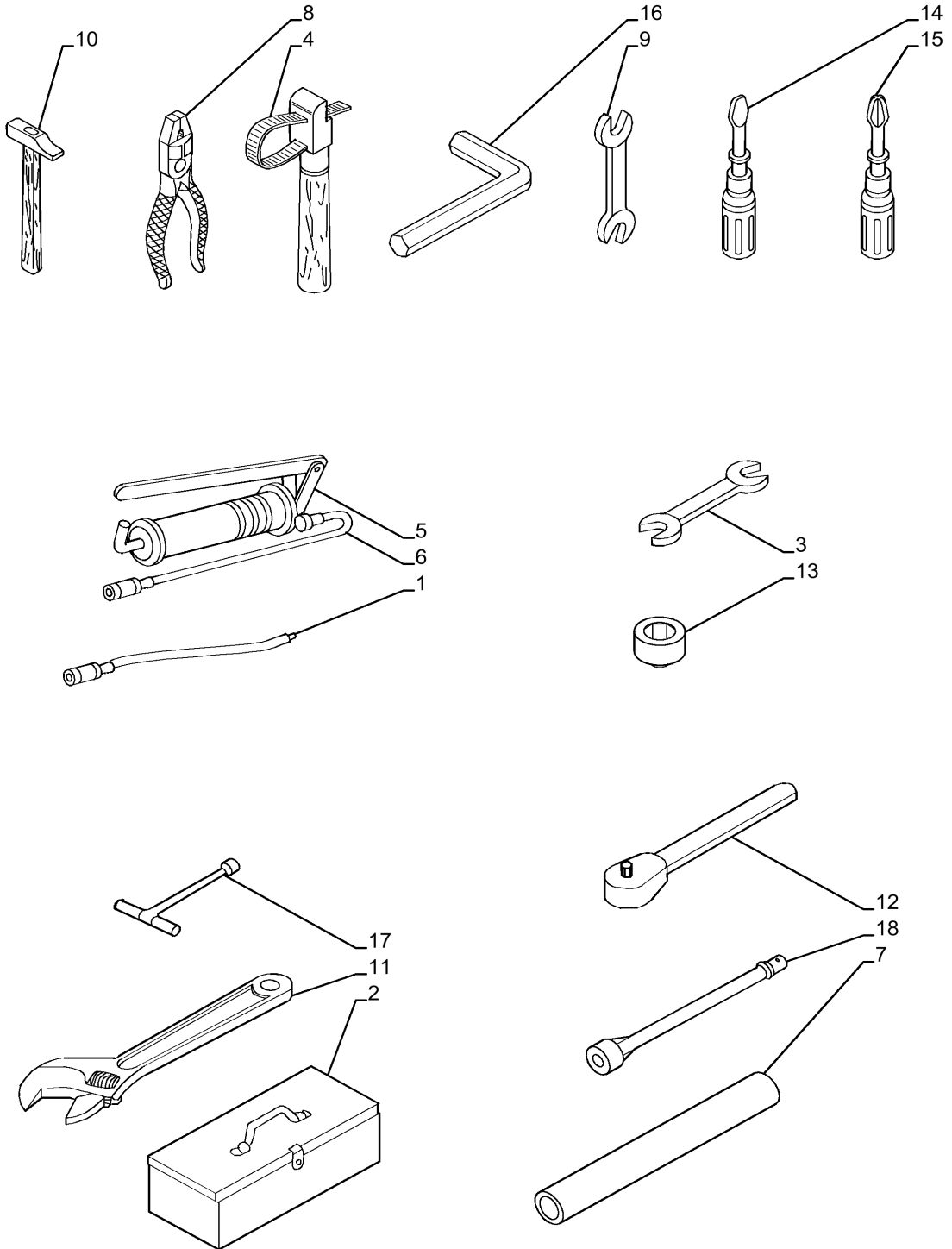
DIA KIT - ARM PROTECTION



DIA KIT - TRANSFORM C SERIES FROM AME TO CIS



TOOL BOX



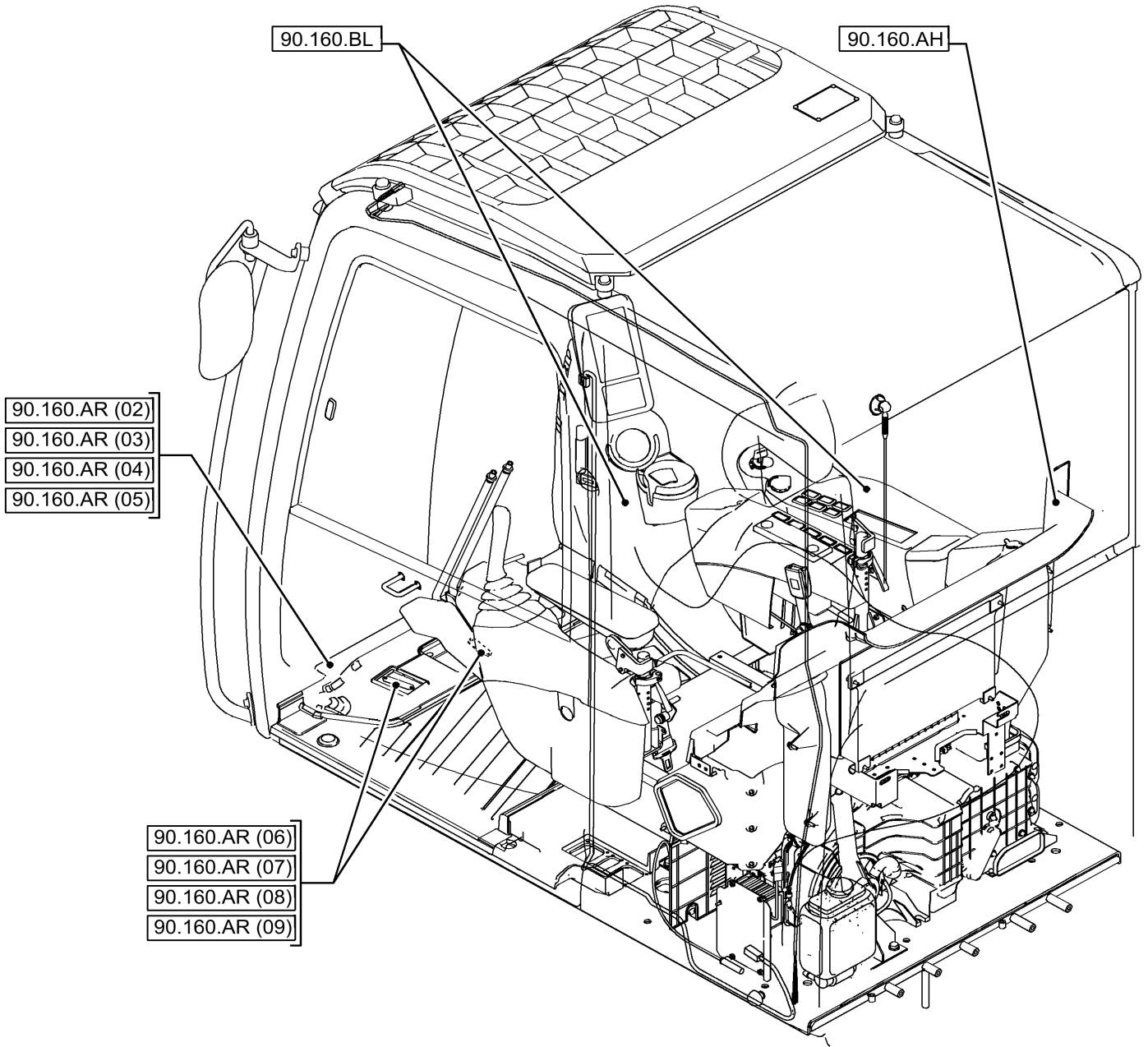
90.000.00

04

p1

6/2020

SECTION INDEX - PLATFORM, CAB, BODYWORK AND DECALS



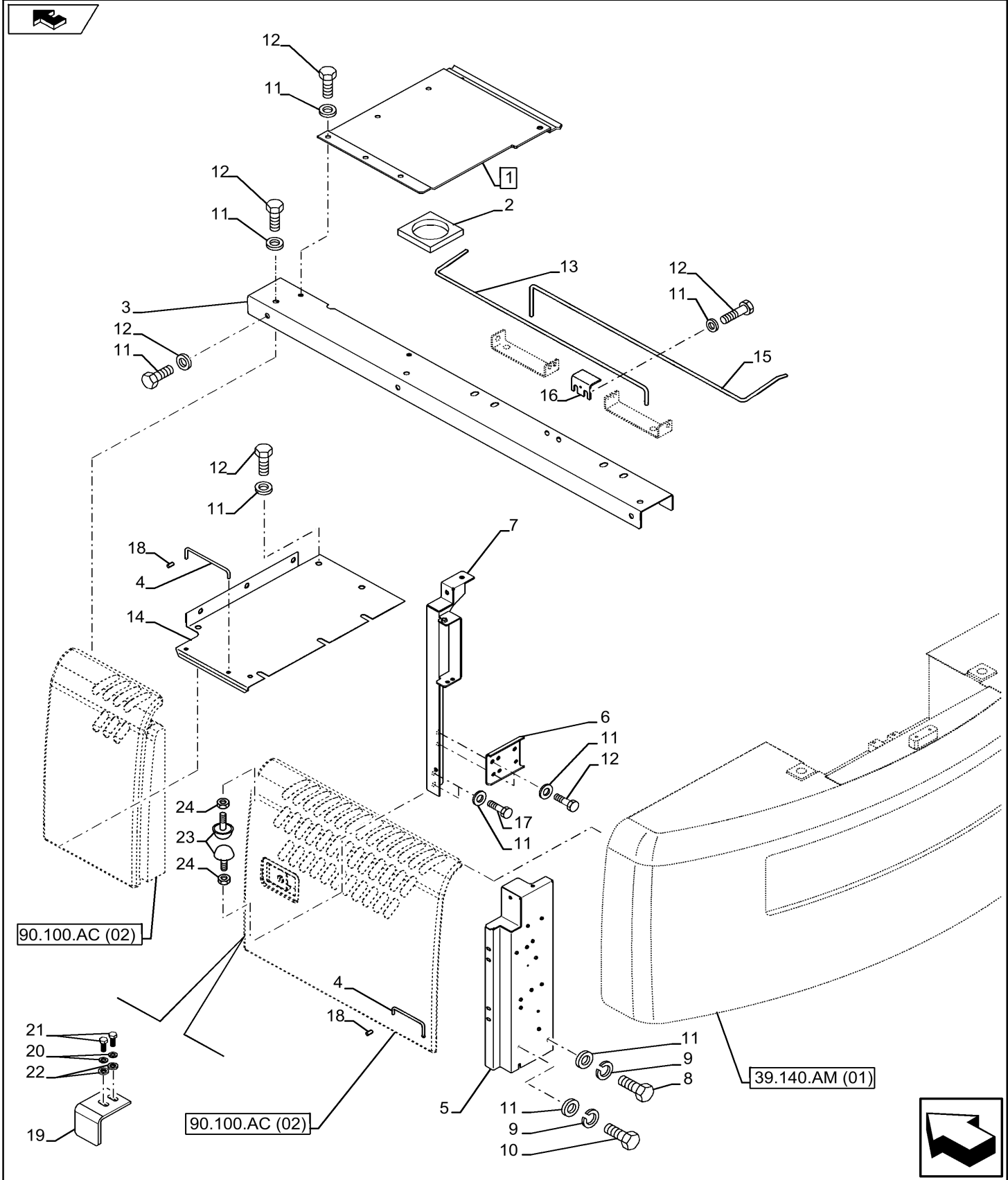
90.105.BV

01

p1

6/2020

VAR - 461000, 461338, 461739 - UPPER SHIELDS AND GUARDS



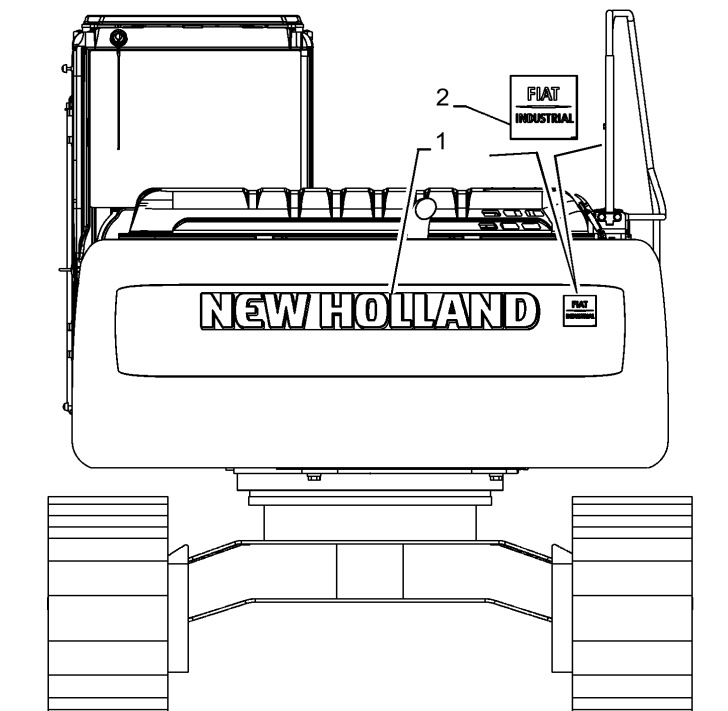
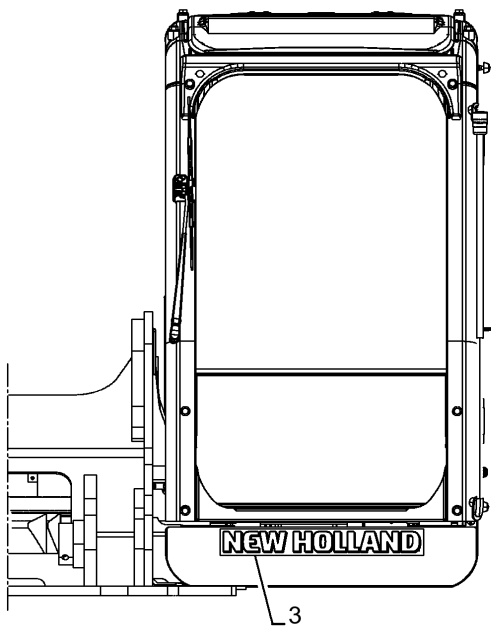
90.108.AB

01

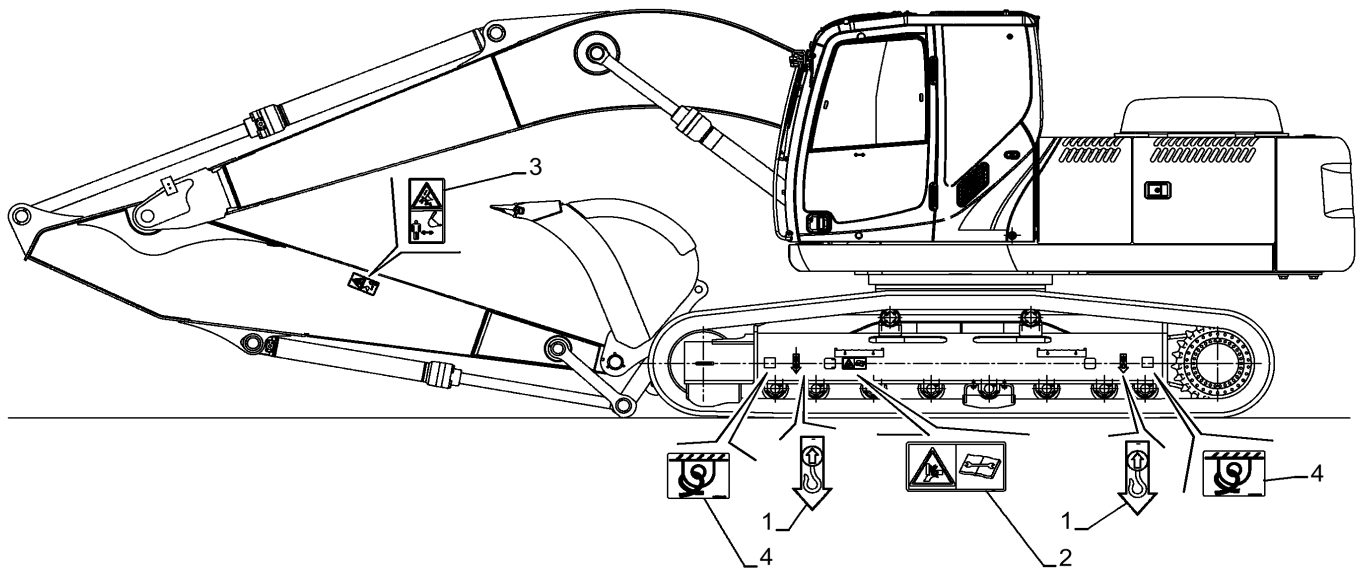
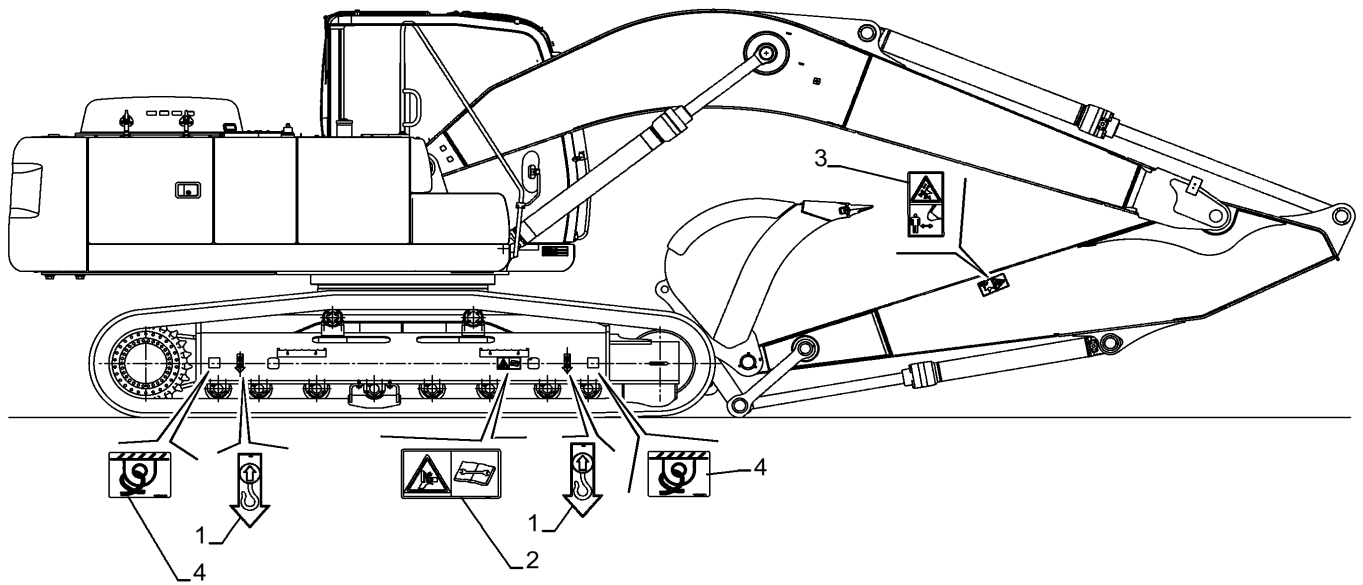
p1

6/2020

BRAND/MODEL DECALS



SAFETY SIGNS OR INFORMATIONAL DECALS



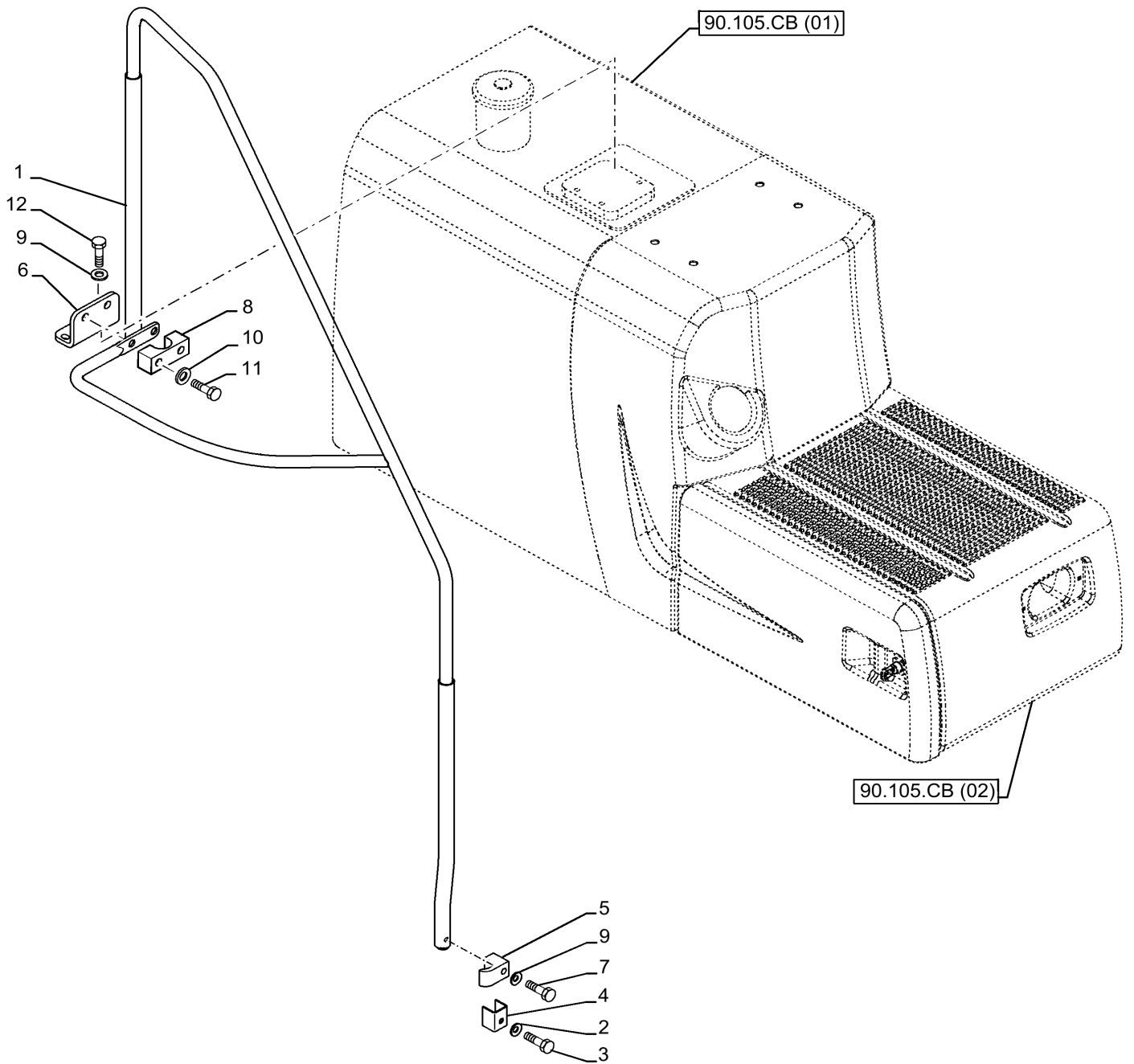
90.118.AX

01

p1

6/2020

VAR - 461000, 461338, 461739 - HANDRAIL



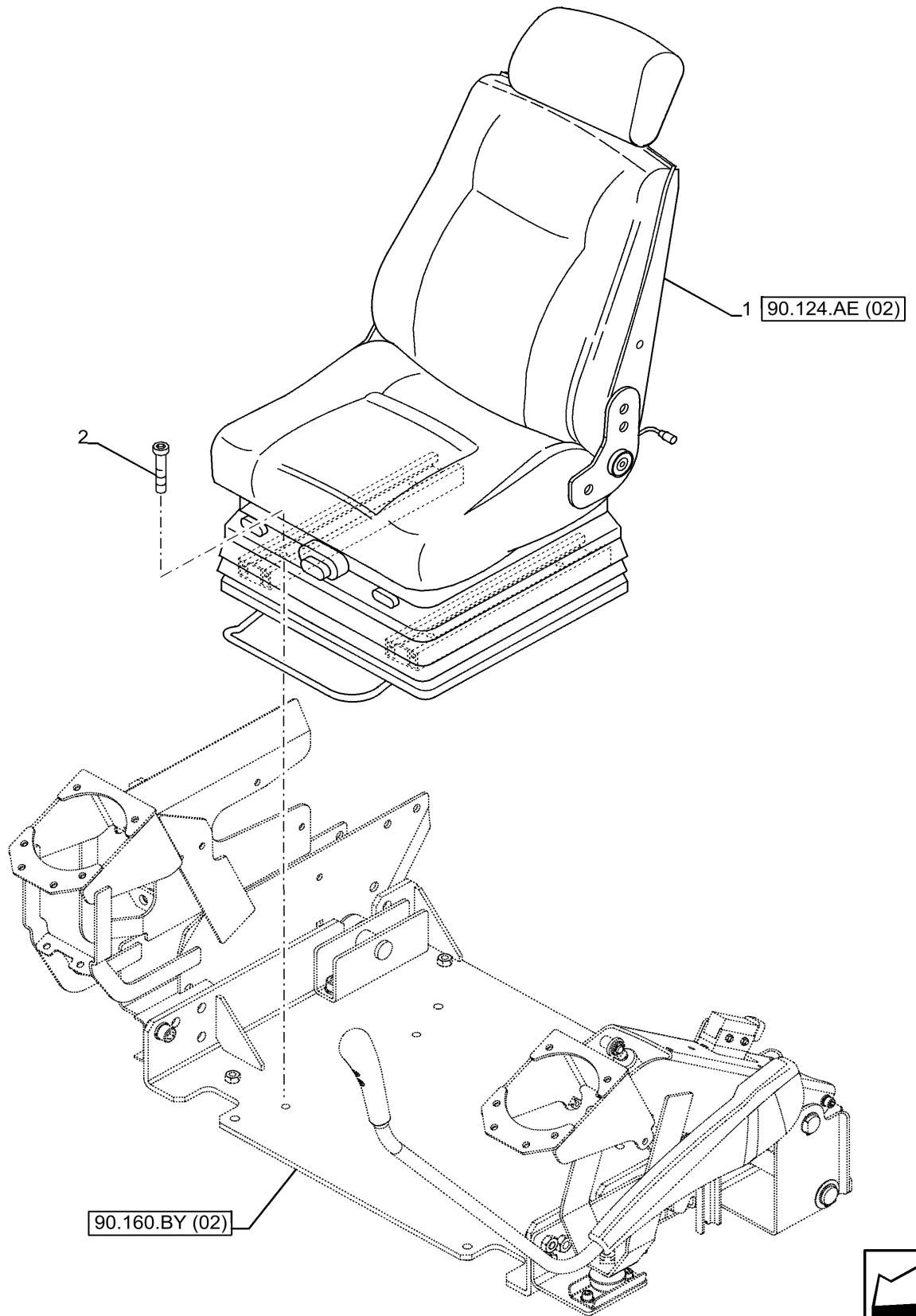
90.124.AE

01

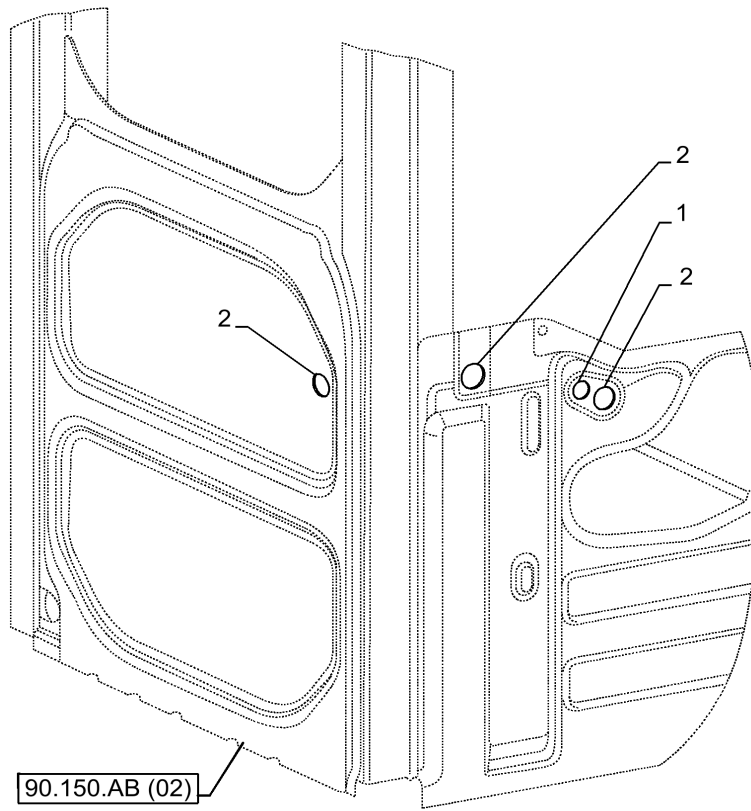
p1

6/2020

PNEUMATICALLY-ADJUSTED OPERATOR SEAT



CAB FRAME



90.150.BJ

03

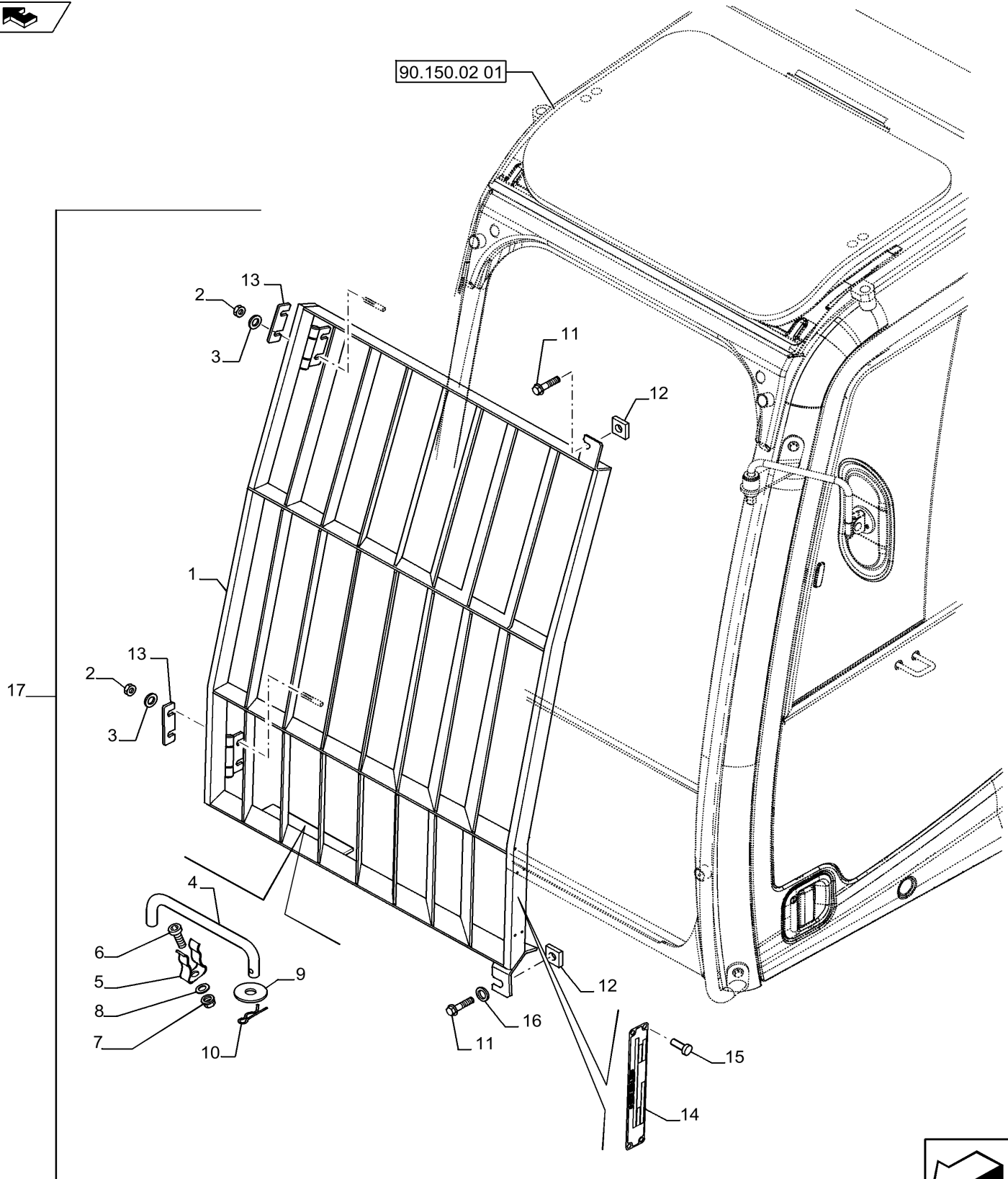
p1

6/2020

VAR - 461488, 781647 - CAB GUARD



90.150.02 01



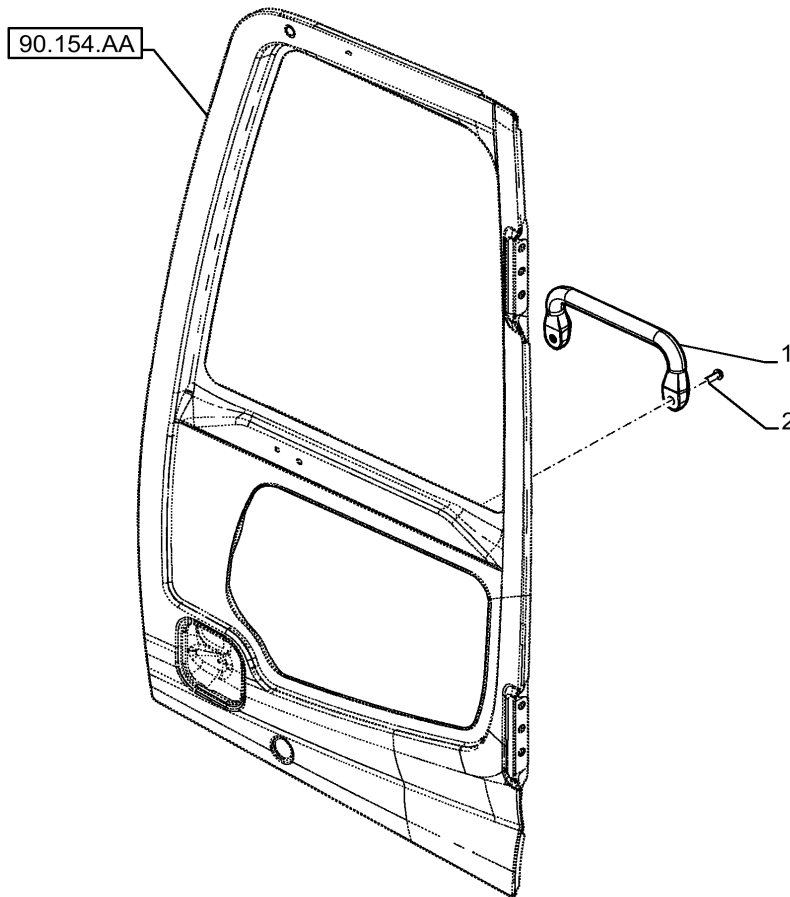
90.154.AC

02

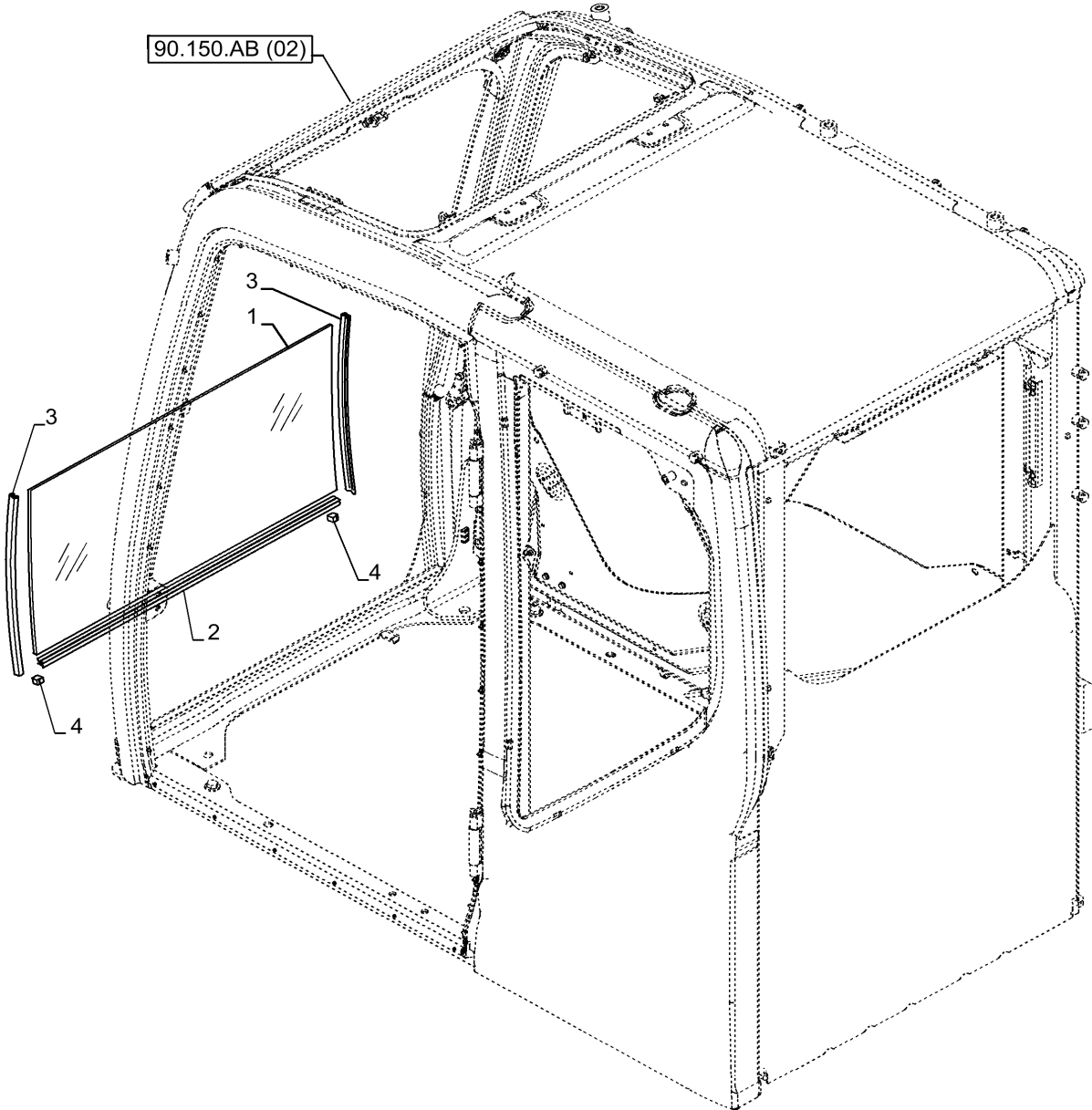
p1

6/2020

CAB DOOR, HANDLE



CAB FRONT WINDOW



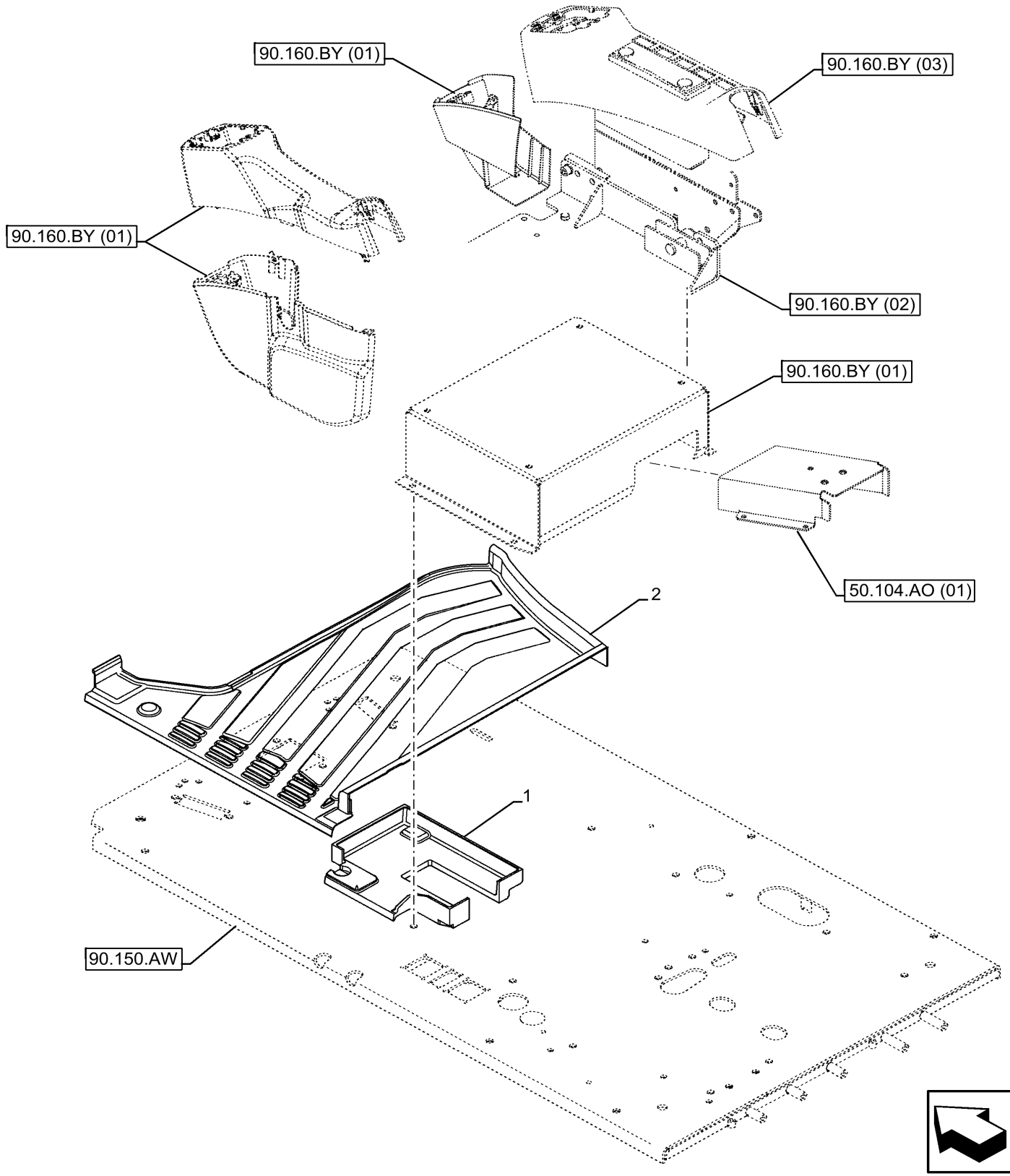
90.160.AR

01

p1

6/2020

FLOOR COVERING



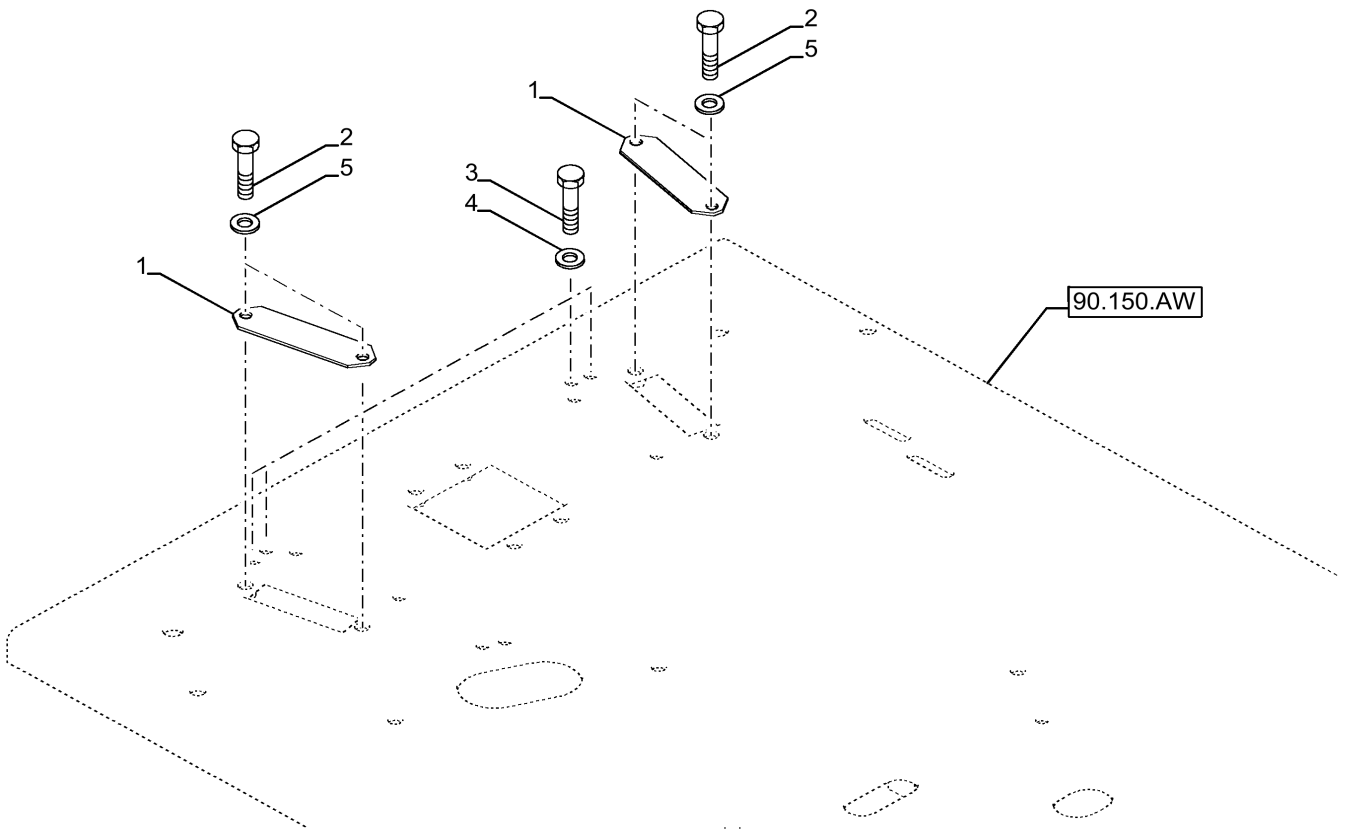
90.160.AR

08

p1

6/2020

VAR - 461632, 461637, 461641 - FLOOR COVERING (N&B HPC)



INDEX - INDICE - INDEX - ZAHLENVERZEICHNIS - INDICE - INDICE - INDHOLD - INHOUD

Number	Figure	Sequence	Ref.	Number	Figure	Sequence	Ref.
	55.000.01	01	10516874	50.100.AQ	01	9
10441690	71.460.AF		19	10516874	50.200.AK		5
10516474	35.300.BE		9	10516874	88.035.AA	50	7
10516474	35.355.AK	01	5	10516874	88.035.AA	53	12
10516474	50.200.AN		4	10516874	88.035.AA	71	8
10516474	55.100.DO	03	11	10516874	88.035.AA	87	8
10516474	55.201.AG		15	10516874	88.035.AB	12	8
10516474	90.160.BE		10	10516874	88.084.AA	04	12
10516474	90.160.BY	01	10	10516874	88.084.AA	09	12
10516474	90.160.BY	03	7	10516874	88.084.AA	14	12
10516674	10.220.AJ		11	10516874	90.100.AC	01	9
10516674	10.304.AF		9	10516874	90.100.AC	02	11
10516674	35.356.AK	01	12	10516874	90.100.AC	03	12
10516674	35.359.AE	09	3	10516874	90.150.AW		7
10516674	35.359.AE	10	3	10517074	35.106.AO	03	8
10516674	35.359.AE	11	3	10517074	35.300.AD	01	11
10516674	50.100.AH		5	10517074	35.355.AM		8
10516674	50.200.AT		14	10517074	35.360.AK	01	6
10516674	55.011.AE		6	10517074	35.360.AK	03	6
10516674	55.201.AG		18	10517074	35.360.AK	09	20
10516674	55.408.AG		4	10517074	35.360.AK	10	20
10516674	55.510.AF		14	10517074	35.360.AM	01	6
10516674	88.035.AA	10	11	10517074	35.360.AM	05	20
10516674	88.035.AA	24	11	10517074	35.737.AE	03	10
10516674	88.035.AA	38	11	10517074	35.737.AE	05	10
10516674	90.105.BV	01	20	10517074	35.738.AE	03	7
10516674	90.105.BV	02	15	10517074	35.738.AE	05	7
10516674	90.118.BM	01	5	10517074	35.738.AE	07	7
10516674	90.151.AG		7	10517074	39.100.AH		11
10516674	90.160.BE		4	10517074	84.912.AB	04	3
10516874	10.202.AH		4	10517074	88.035.AA	06	6
10516874	10.202.AK		8	10517074	88.035.AA	20	6
10516874	35.356.AK	01	10	10517074	88.035.AA	26	20
10516874	35.360.AM	10	8	10517074	88.035.AA	34	6
10516874	35.360.AM	11	8	10517074	88.035.AA	53	10
10516874	35.360.AM	12	8	10517074	88.084.AA	04	7
10516874	35.736.AC	02	7	10517074	88.084.AA	09	7
10516874	35.736.AC	04	7	10517074	88.084.AA	14	7
10516874	35.737.AE	03	12	10517074	90.105.CB	01	4
10516874	35.737.AE	05	12	10517074	90.130.AG		3
10516874	35.738.AE	03	12	10517174	55.404.BS		4
10516874	35.738.AE	05	12	10517270	48.134.AA	01	5
10516874	35.738.AE	07	12	10517374	48.100.AF	01	3
10516874	39.101.AC	02	10	10517374	48.100.AF	02	3
10516874	39.101.AC	03	8	10517374	88.048.AA		3
10516874	39.103.AD	01	3	10517474	39.103.AF		2

INDEX - INDICE - INDEX - ZAHLENVERZEICHNIS - INDICE - INDICE - INDHOLD - INHOUD

Number	Figure	Sequence	Ref.	Number	Figure	Sequence	Ref.
71412023	90.124.AE	02	15	71433122	88.084.AA	10	5
71415031	90.108.AC	01	8	71433122	88.084.AA	15	5
71415214	39.101.AC	02	7	71433122	90.108.AC	03	3
71415426	39.140.AM	01	3	71433123	90.108.AC	01	4
71415899	10.400.AK		3	71433948	35.353.AG	02	4
71416080	35.737.AE	03	7	71437694	90.108.AC	01	2
71416080	35.737.AE	05	7	71438664	10.304.AF		11
71416080	35.738.AE	03	2	71442021	39.103.AD	01	1
71416080	35.738.AE	05	2	71442022	39.103.AD	01	2
71416080	35.738.AE	07	2	71444332	35.737.AY	02	25
71416080	88.035.AA	53	7	71444332	88.035.AA	55	25
71416080	88.084.AA	04	2	71445626	35.736.AA		13
71416080	88.084.AA	09	2	71445626	35.737.AA		13
71416080	88.084.AA	14	2	71445626	35.738.AA		13
71416130	55.015.AB		4	71445627	35.736.AA		14
71418451	35.737.AA		17	71445627	35.737.AA		14
71418452	35.737.AA		18	71445627	35.738.AA		14
71418454	35.737.AA		20	71445667	35.737.AA		23
71418505	35.738.AA		21	71445668	35.737.AA		24
71418510	05.100.01	02	3	71445697	35.736.AA		22
71418510	35.736.AA		5	71445698	35.736.AA		21
71418514	05.100.01	02	1	71445701	35.736.AA		24
71418514	35.736.AA		9	71445738	05.100.01	02	8
71418519	35.736.AA		10	71445738	35.737.AA		5
71418521	35.736.AA		12	71445745	35.737.AA		29
71418893	35.106.AO	02	14	71445762	35.738.AA		23
71418893	35.736.AC	03	16	71445763	35.738.AA		22
71418893	35.737.AE	05	15	71445782	35.738.AA		29
71418893	35.738.AE	02	3	71445784	35.738.AA		32
71418893	35.738.AE	04	3	71445820	35.738.AA		25
71418893	35.738.AE	06	3	71445824	35.738.AA		26
71418893	88.035.AA	48	16	71445830	05.100.01	02	11
71418893	88.035.AA	53	15	71445830	35.738.AA		6
71418893	88.084.AA	03	3	71445831	35.738.AA		27
71418893	88.084.AA	08	3	71445832	35.738.AA		28
71418893	88.084.AA	13	3	71445846	35.738.AA		12
71421784	39.140.AM	02	3	71447622	35.737.AA		30
71425116	90.105.CQ		7	71447625	35.736.AA		4
71431617	10.400.AY	02	5	71447626	35.738.AA		5
71433079	90.108.AC	01	5	71449470	55.404.AC		1
71433086	90.108.AC	04	1	71449470	88.055.AA	01	13
71433088	90.108.AC	03	2	71450201	55.013.AB		2
71433093	90.108.AC	03	1	71450316	55.302.AV		3
71433096	90.108.AC	02	3	71450318	55.302.AW		1
71433121	90.108.AC	02	4	71450342	55.100.BE		1
71433122	88.084.AA	05	5	71450974	88.090.AA	12	7

INDEX - INDICE - INDEX - ZAHLENVERZEICHNIS - INDICE - INDICE - INDHOLD - INHOUD

Number	Figure	Sequence	Ref.	Number	Figure	Sequence	Ref.
72962036	84.910.AC	02	4	778492018	88.035.AA	45	1
72962254	35.360.AM	08	1	778583578	00.500.01		
72962254	88.035.AA	64	20	778583578	88.035.AA	46	1
72962254	88.035.AA	80	20	778583578	88.035.AA	47	1
72962254	88.035.AB	05	20	778583578	88.035.AA	48	1
72962321	35.300.AN		6	778583578	88.035.AA	49	1
72964141	90.105.BV	03	14	778583578	88.035.AA	50	1
72964141	90.105.CQ		23	778583578	88.035.AA	51	1
72964142	90.105.BV	03	15	778583578	88.035.AA	52	1
72964142	90.105.CQ		24	778583578	88.035.AA	53	1
76046530	48.138.AD	02	13	778583578	88.035.AA	54	1
76046537	48.138.AD	02	11	778583578	88.035.AA	55	1
778001048	88.090.AA	06	1	778583578	88.035.AA	56	1
778001048	88.090.AA	07	1	778583578	88.035.AA	57	1
778001048	88.090.AA	08	1	778583578	88.035.AA	58	1
778002048	88.090.AA	09	1	778583578	88.035.AA	59	1
778002048	88.090.AA	10	1	778624068	00.500.01		
778128138	00.500.01			778624068	88.039.AA	01	1
778128138	88.035.AA	01	1	778647028	00.500.01		
778128138	88.035.AA	02	1	778647028	88.090.AA	01	1
778176028	00.500.01			778647028	88.090.AA	02	1
778176028	88.084.AA	06	1	778647028	88.090.AA	03	1
778176028	88.084.AA	07	1	778652028	00.500.01		
778176028	88.084.AA	08	1	778652028	88.048.AA		1
778176028	88.084.AA	09	1	778834018	00.500.01		
778176028	88.084.AA	10	1	778834018	88.055.AA	02	1
778179008	00.500.01			778932008	00.500.01		
778179008	88.084.AA	11	1	778932008	88.035.AA	03	1
778179008	88.084.AA	12	1	778932008	88.035.AA	04	1
778179008	88.084.AA	13	1	778932008	88.035.AA	05	1
778179008	88.084.AA	14	1	778932008	88.035.AA	06	1
778179008	88.084.AA	15	1	778932008	88.035.AA	07	1
778220038	00.500.01			778932008	88.035.AA	08	1
778220038	88.084.AA	16	1	778932008	88.035.AA	09	1
778221018	00.500.01			778932008	88.035.AA	10	1
778221018	88.090.AA	11	1	778932008	88.035.AA	11	1
778221018	88.090.AA	12	1	778932008	88.035.AA	12	1
778427008	00.500.01			778932008	88.035.AA	13	1
778427008	88.055.AA	01	1	778932008	88.035.AA	14	1
778490008	00.500.01			778932008	88.035.AA	15	1
778490008	88.084.AA	01	1	778932008	88.035.AA	16	1
778490008	88.084.AA	02	1	778937038	00.500.01		
778490008	88.084.AA	03	1	778937038	88.035.AA	17	1
778490008	88.084.AA	04	1	778937038	88.035.AA	18	1
778490008	88.084.AA	05	1	778937038	88.035.AA	19	1
778492018	00.500.01			778937038	88.035.AA	20	1

CLICK HERE TO **DOWNLOAD** THE COMPLETE MANUAL

- Thank you very much for reading the preview of the manual.
- You can download the complete manual from: www.heydownloads.com by clicking the link below



- Please note: If there is no response to CLICKING the link, please download this PDF first and then click on it.

CLICK HERE TO **DOWNLOAD** THE COMPLETE MANUAL