

All rights reserved by **CNHi**.

The information contained in this catalogue is intended to be of a general nature only. **CNHi** may at any time and from time to time, for technical or other necessary reasons, modify any of the details or specifications of the product described in this catalogue.

To be sure of getting accurate, detailed and up-to-date information, an intending buyer should consult his nearest **CNHi** dealer or distributor.

Single item numeration method used in this catalogue may not be used without written consent from **CNHi**.

CLICK HERE TO **DOWNLOAD** THE COMPLETE MANUAL

- Thank you very much for reading the preview of the manual.
- You can download the complete manual from: [www.heydownloads.com](http://www.heydownloads.com) by clicking the link below



- Please note: If there is no response to CLICKING the link, please download this PDF first and then click on it.

CLICK HERE TO **DOWNLOAD** THE COMPLETE MANUAL

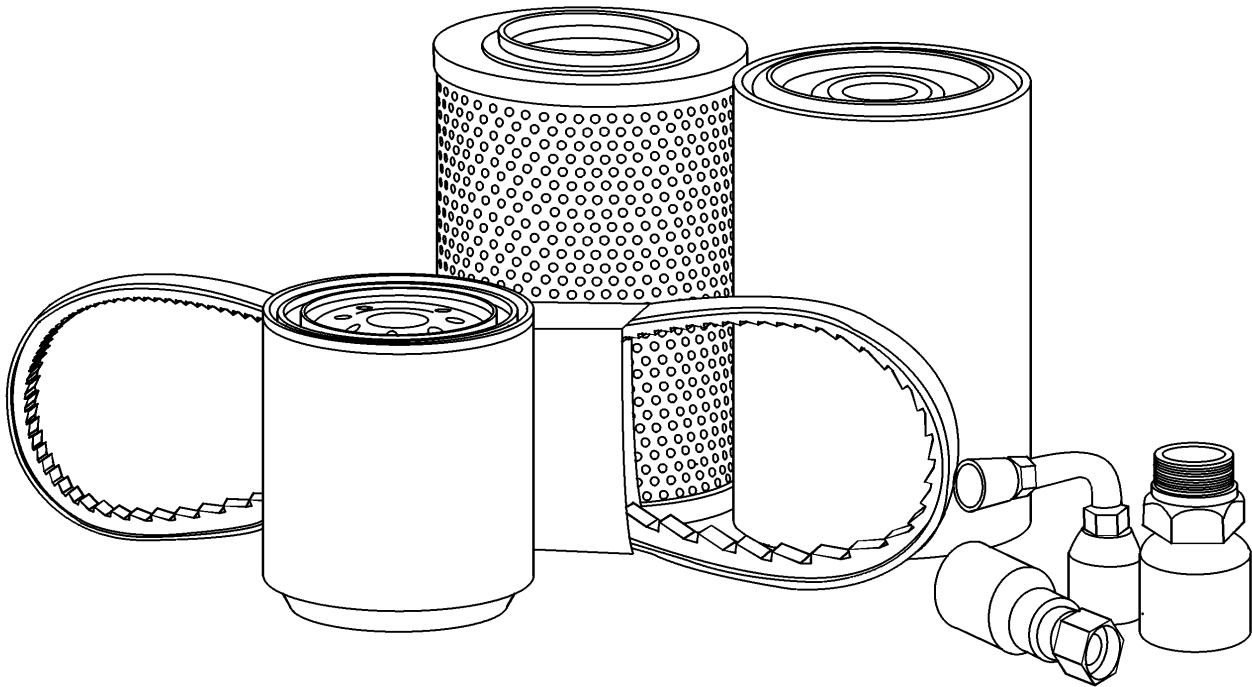
05.100.03

06

p1

9/2018

FILTER & CAPACITIES, 535

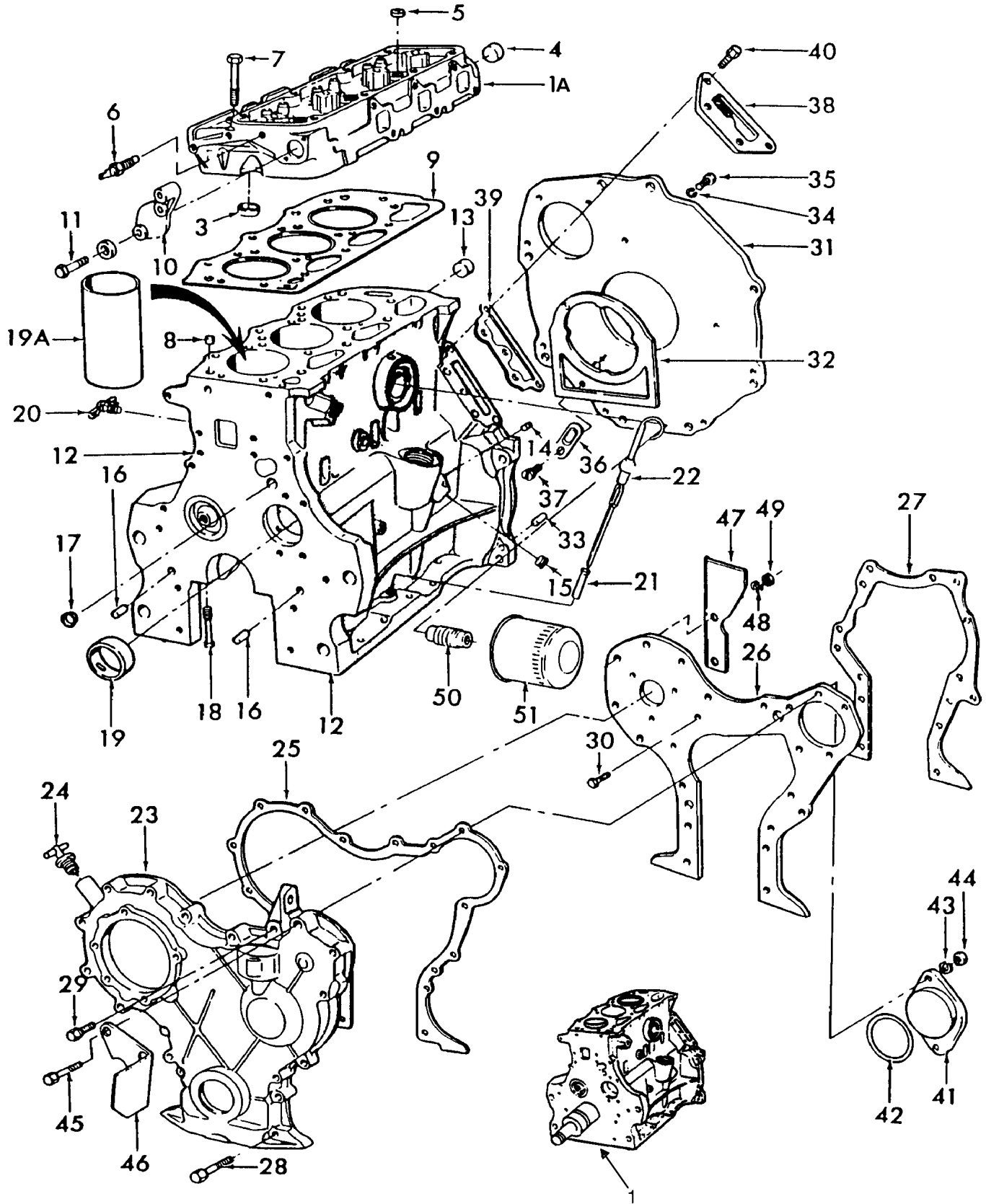


06A01

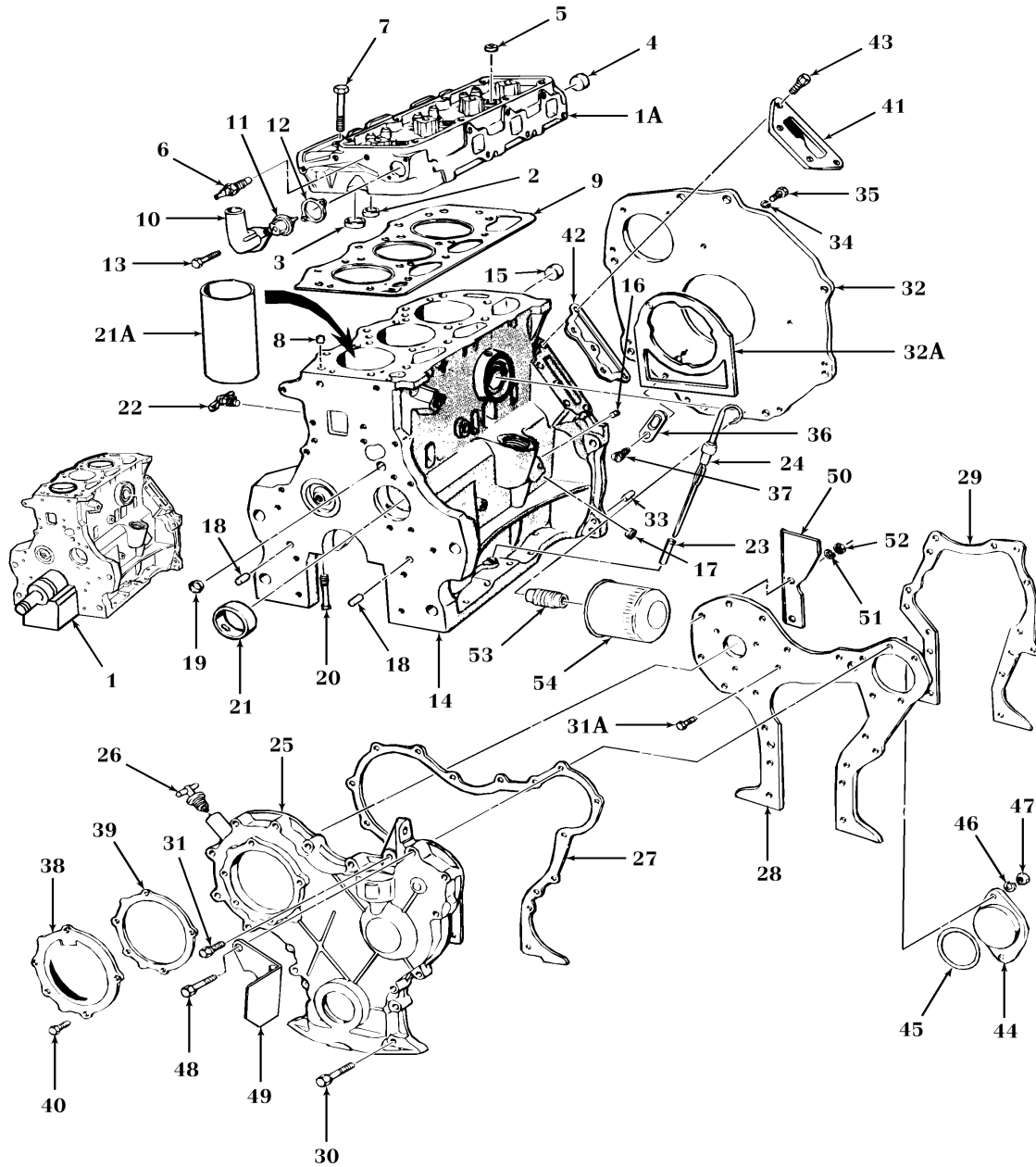
p5

9/2018

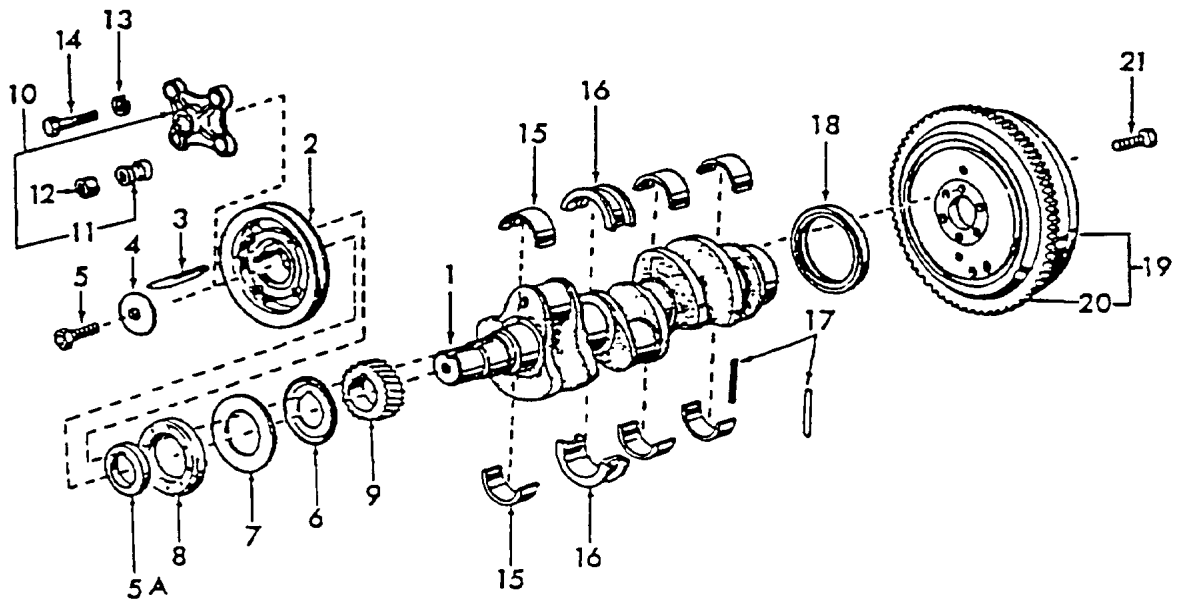
CYLINDER BLOCK, HEAD & RELATED PARTS, GASOLINE



CYLINDER BLOCK, HEAD & RELATED PARTS, 3 CYLINDER, DIESEL - 2600,3600,3900,4100,4600,231,233,333,335,420,515,531,532,535



CRANKSHAFT, FLYWHEEL & RELATED PARTS, 3 CYLINDER ENGINE



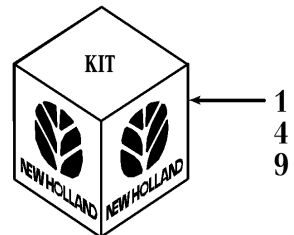
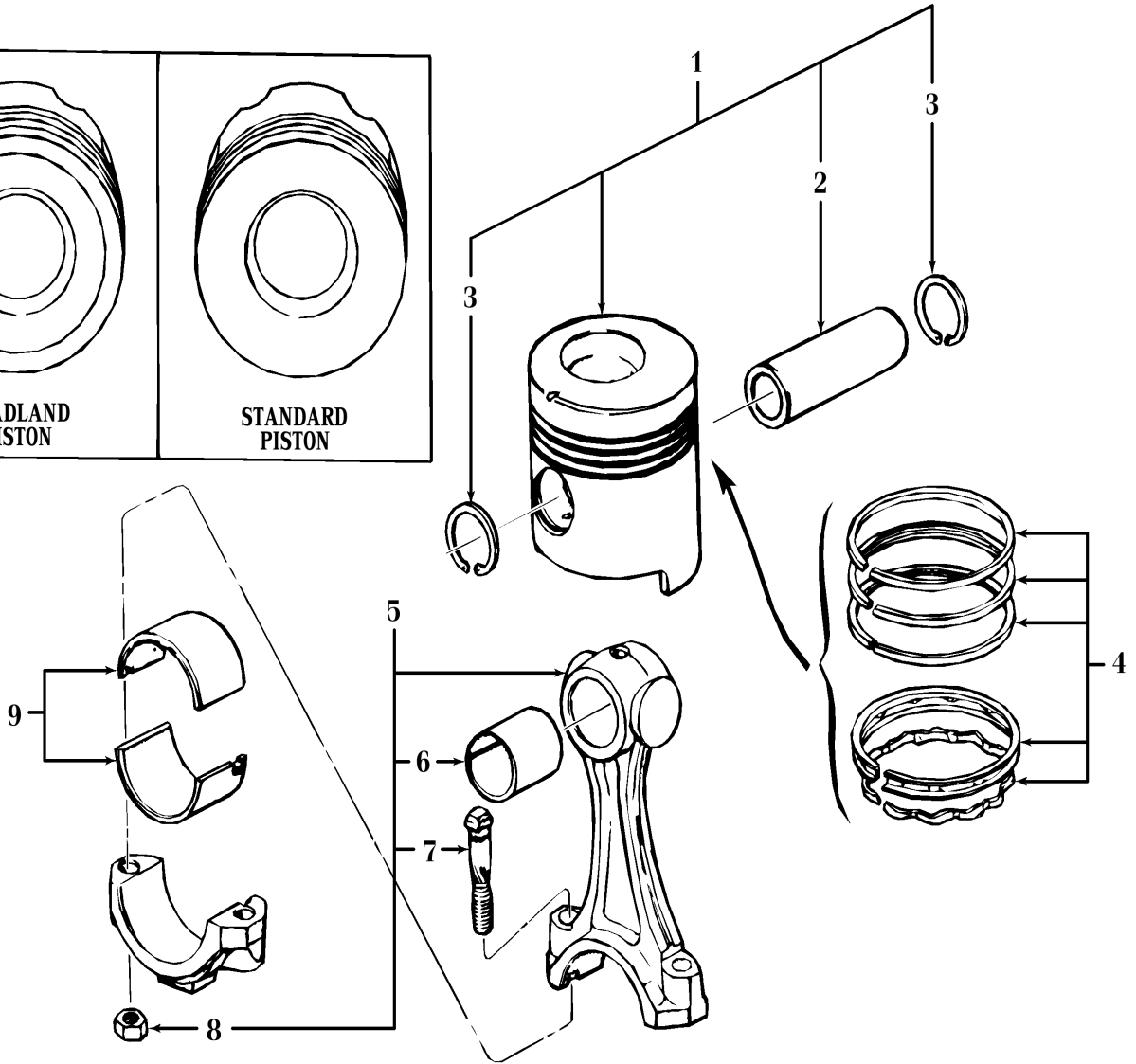
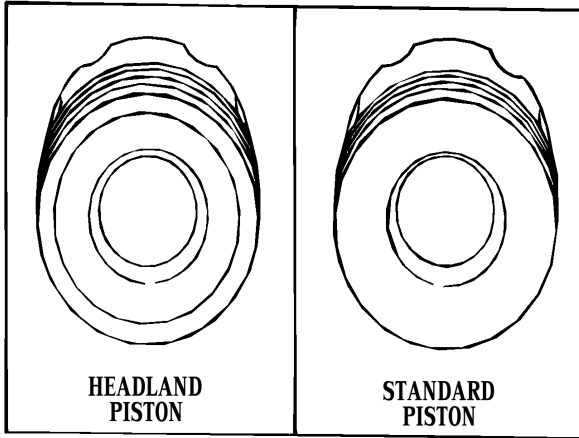


06D02

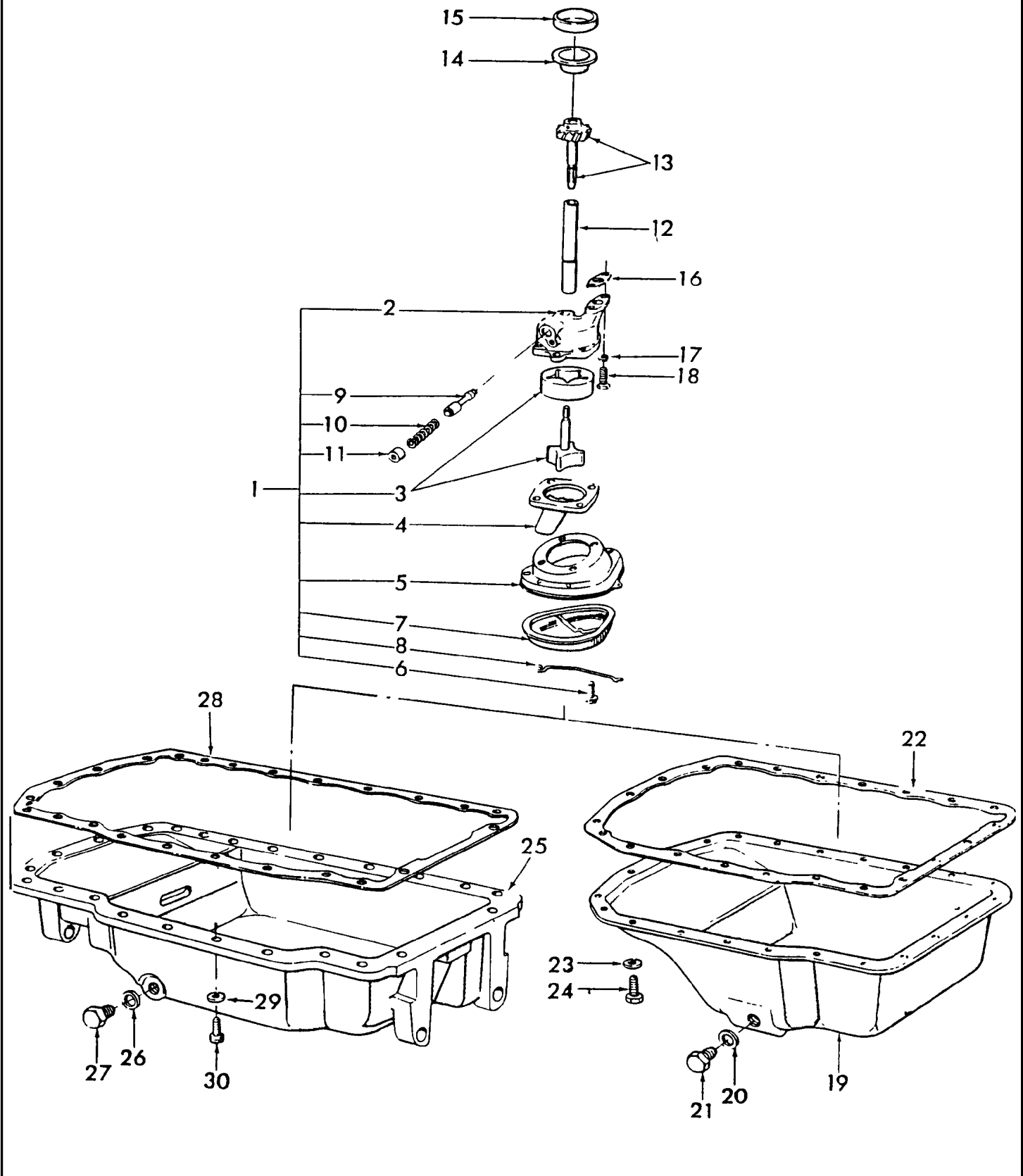
p3

9/2018

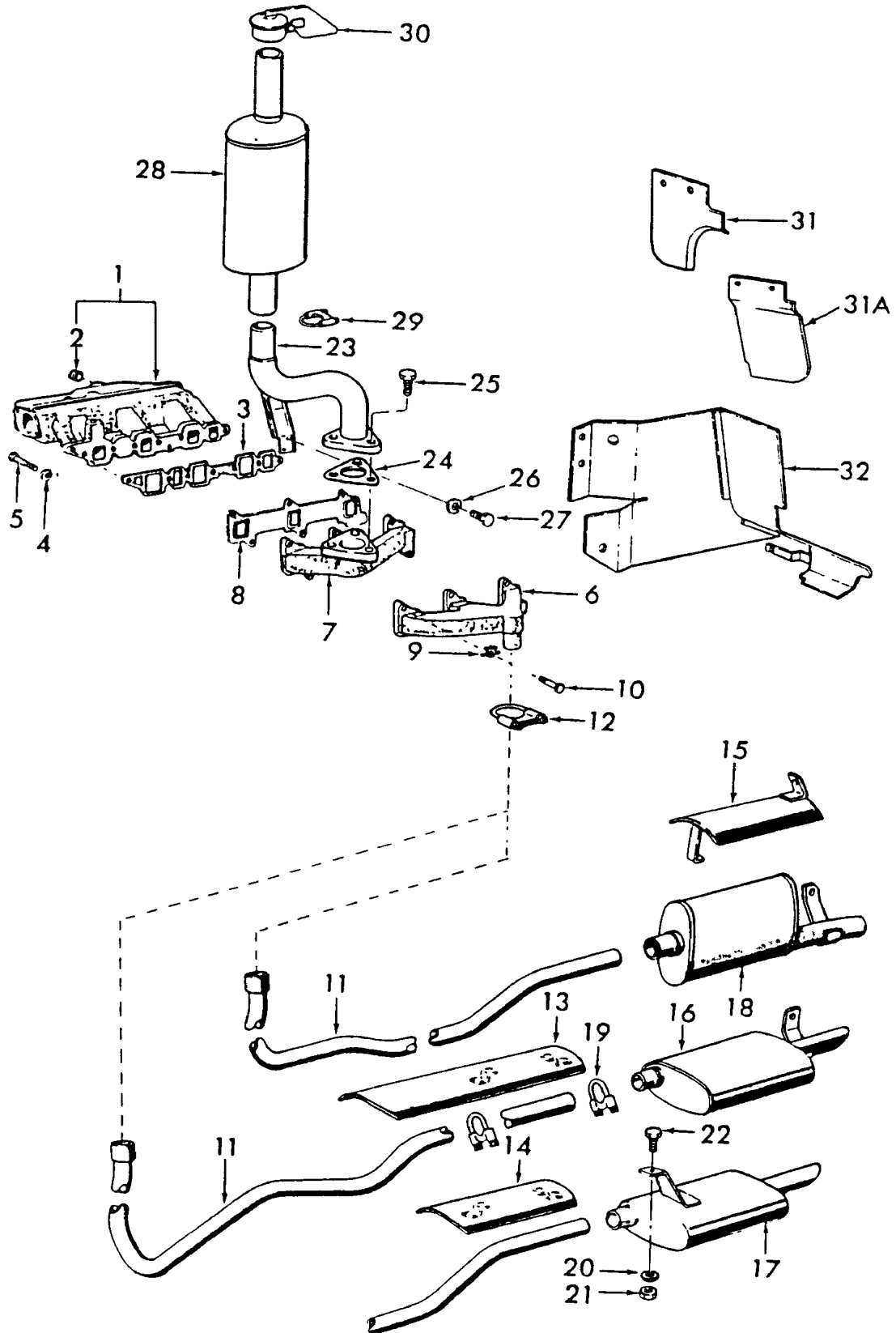
PISTONS & CONNECTING RODS, DIESEL - EXCEPT 7600, 7700



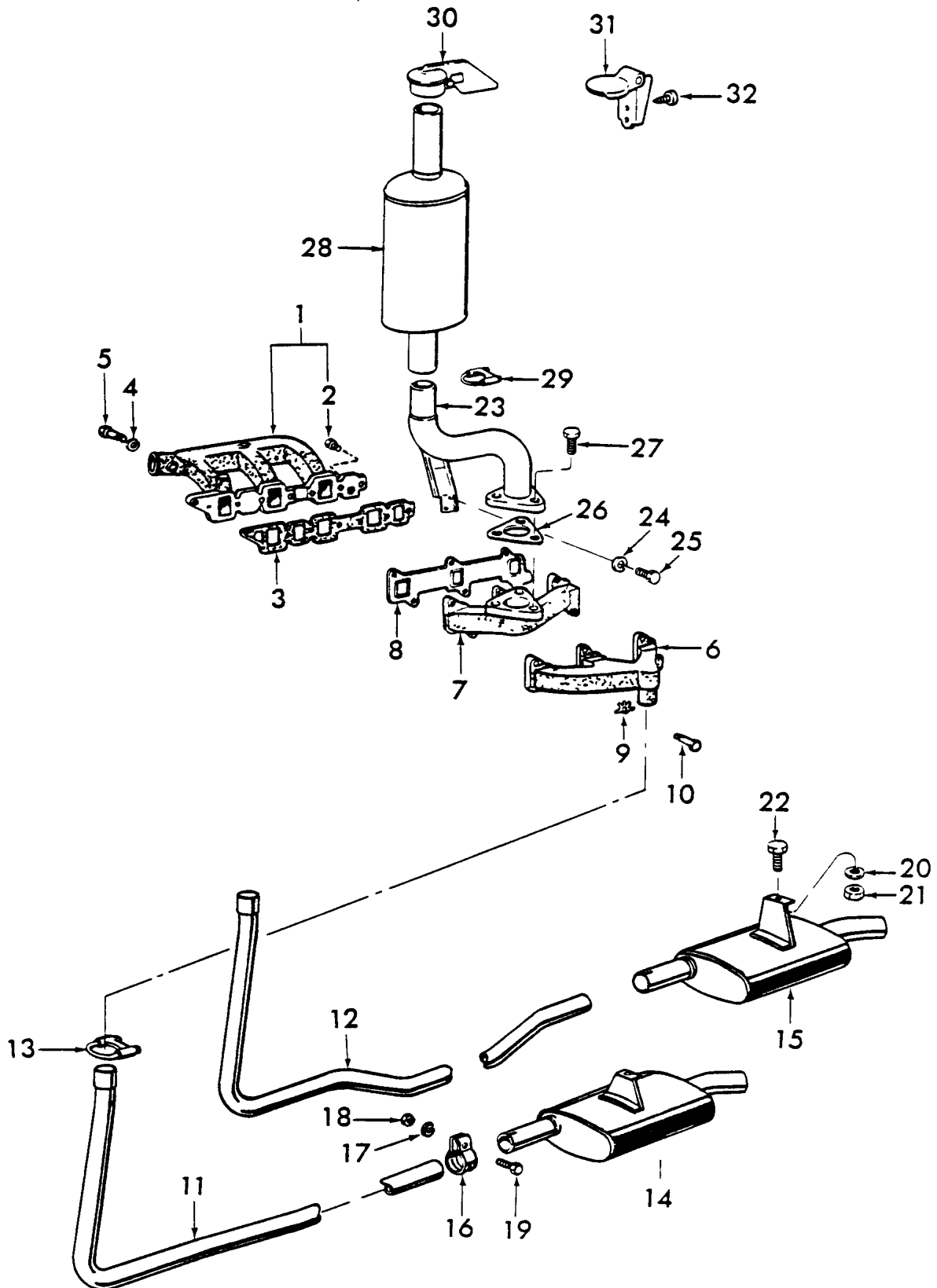
OIL PUMP & PAN (SUMP)



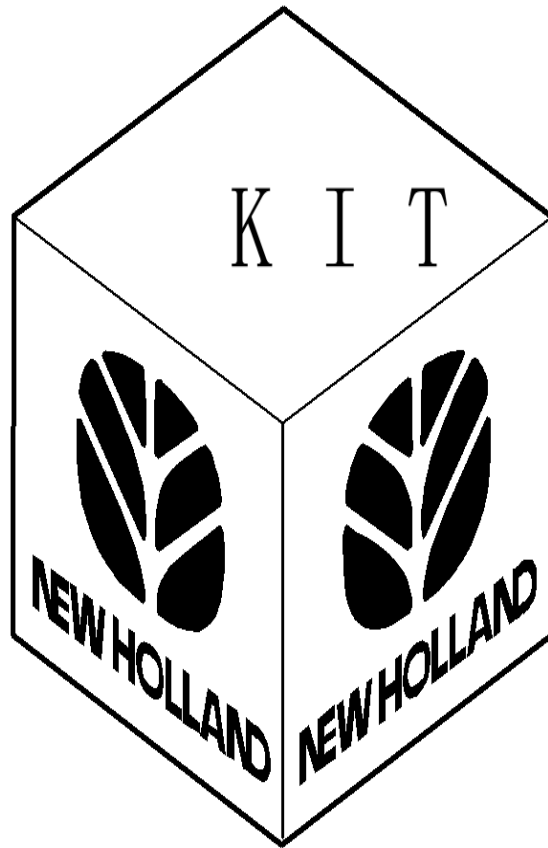
MANIFOLD & EXHAUST SYSTEM, GASOLINE



MANIFOLD & EXHAUST SYSTEM, DIESEL, 3 CYLINDER ENGINE



ENGINE OVERHAUL KITS, DIESEL, NHNA



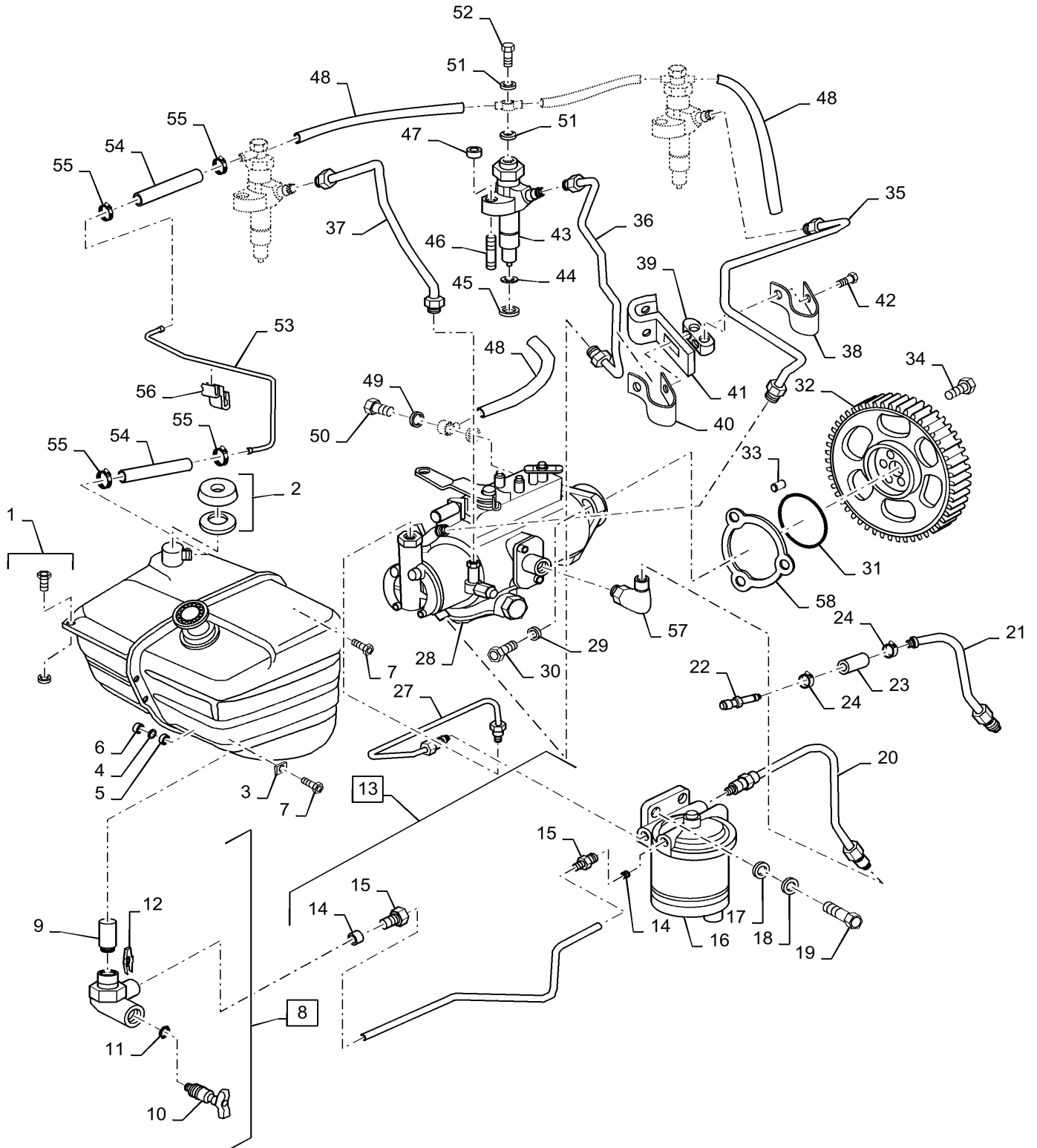
- 1
- 2
- 3
- 4
- 5
- 6
- 7

09A01

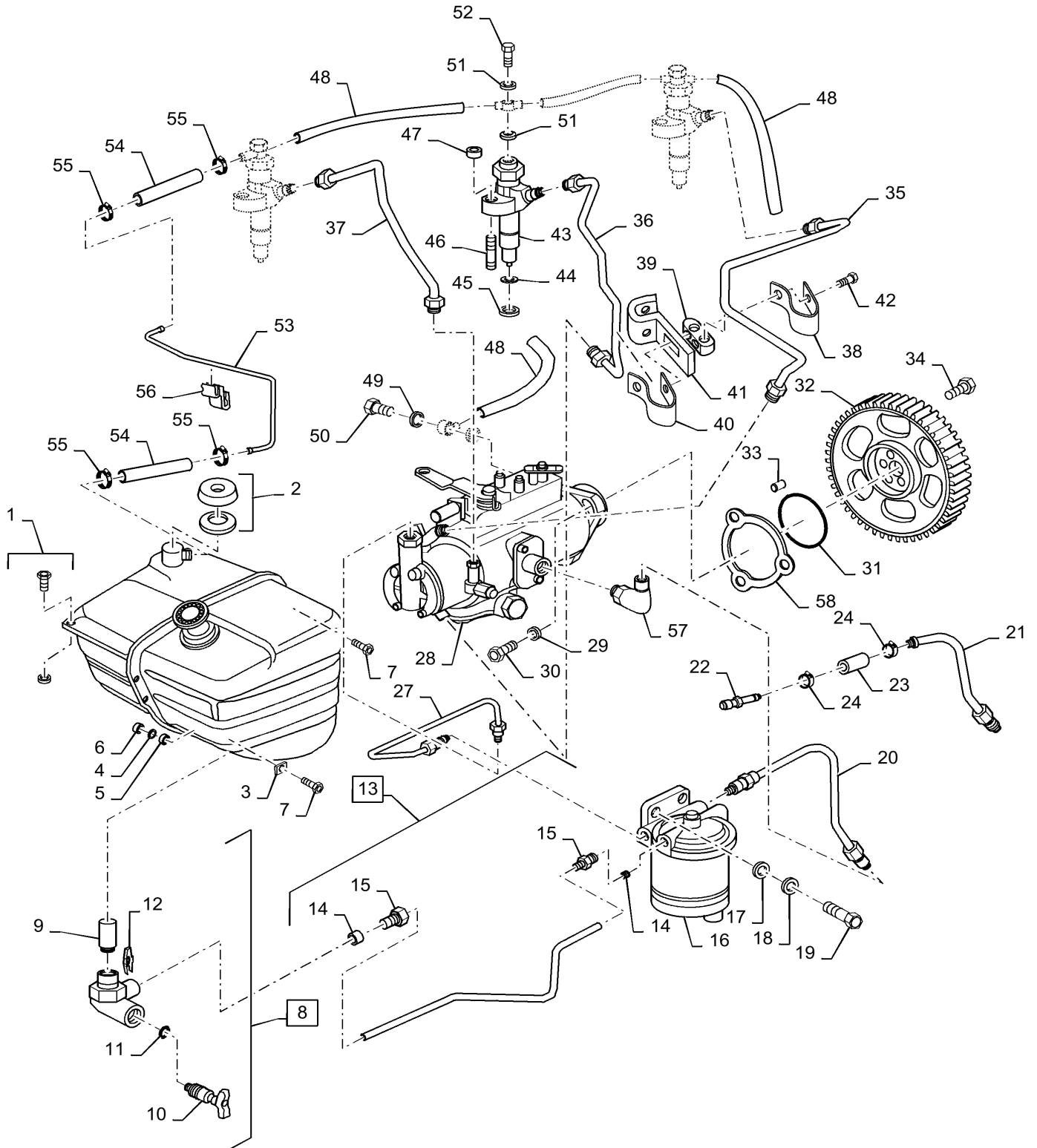
p2

9/2018

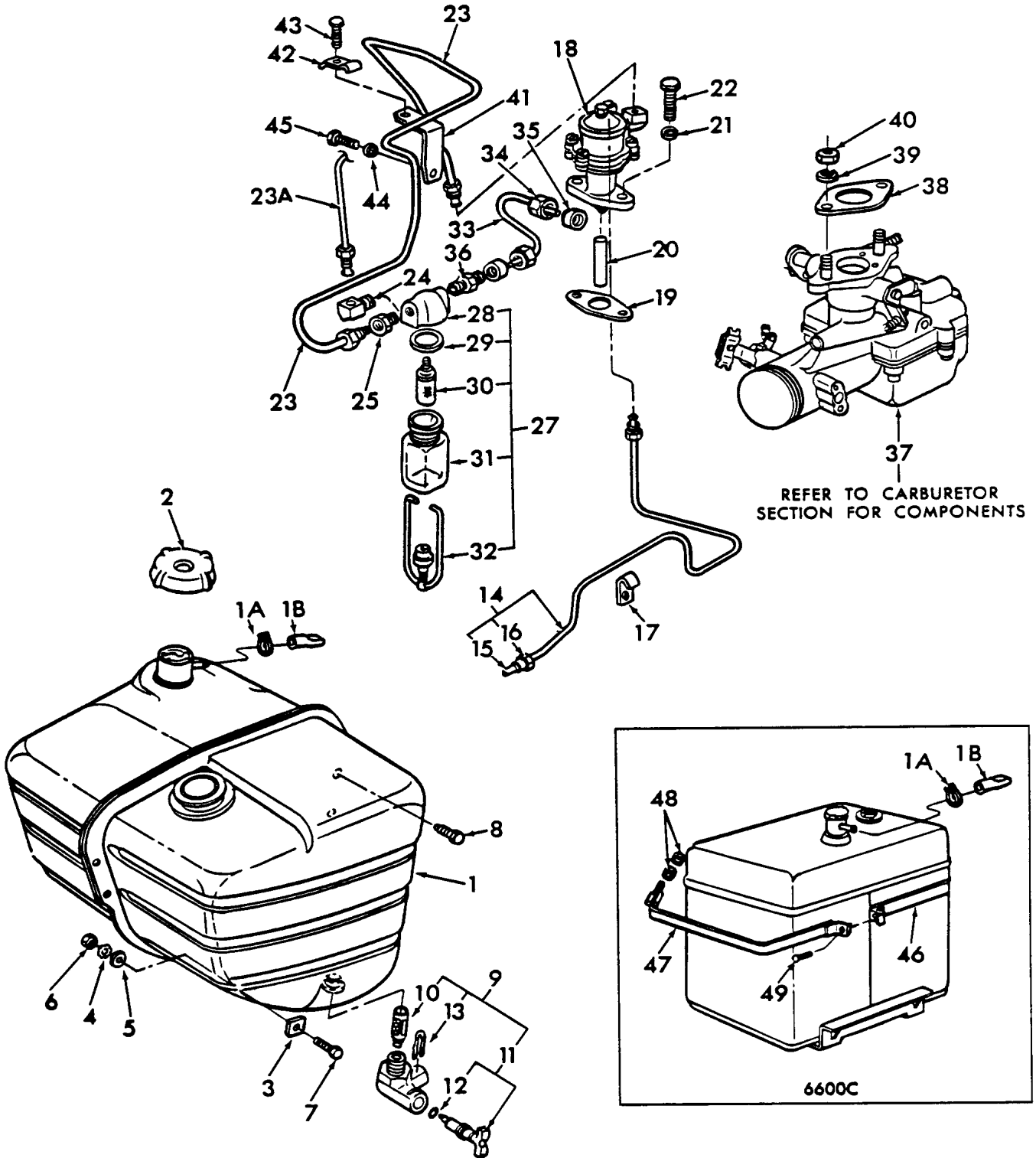
FUEL SYSTEM, DIESEL, W/ROTOR INJECTION PUMP - EXCEPT 7600, 7700



FUEL SYSTEM, DIESEL, W/ROTOR INJECTION PUMP - EXCEPT 7600, 7700



FUEL SYSTEM, GASOLINE

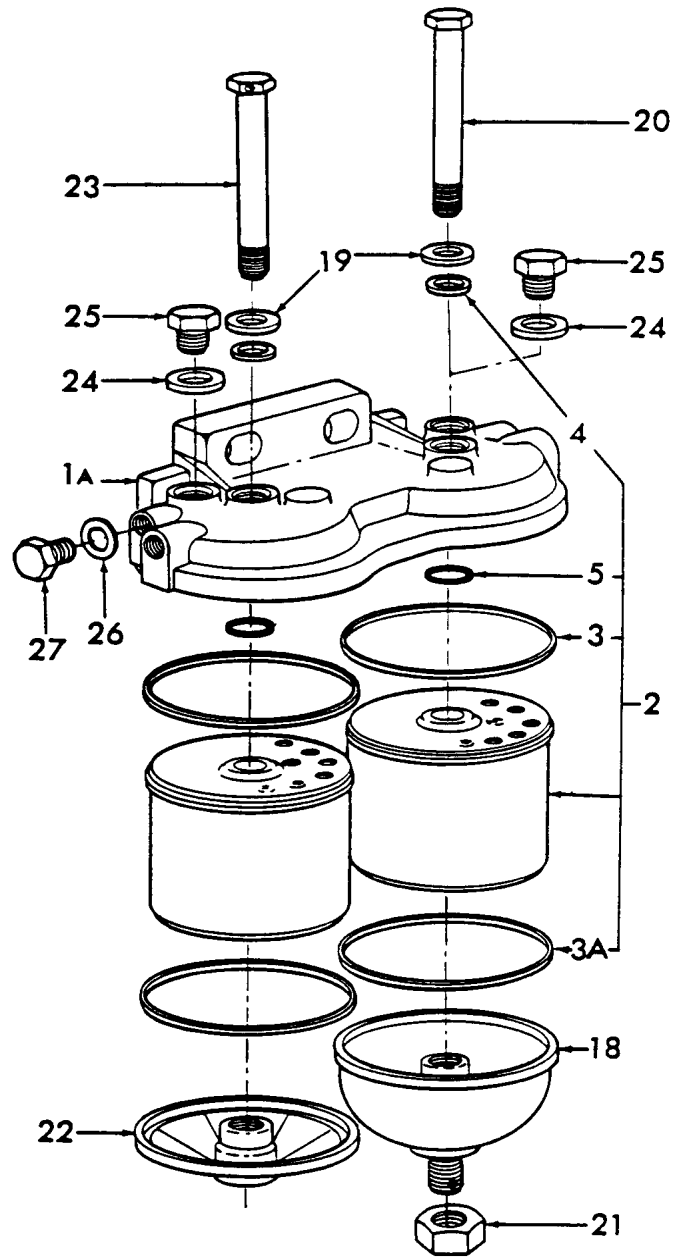
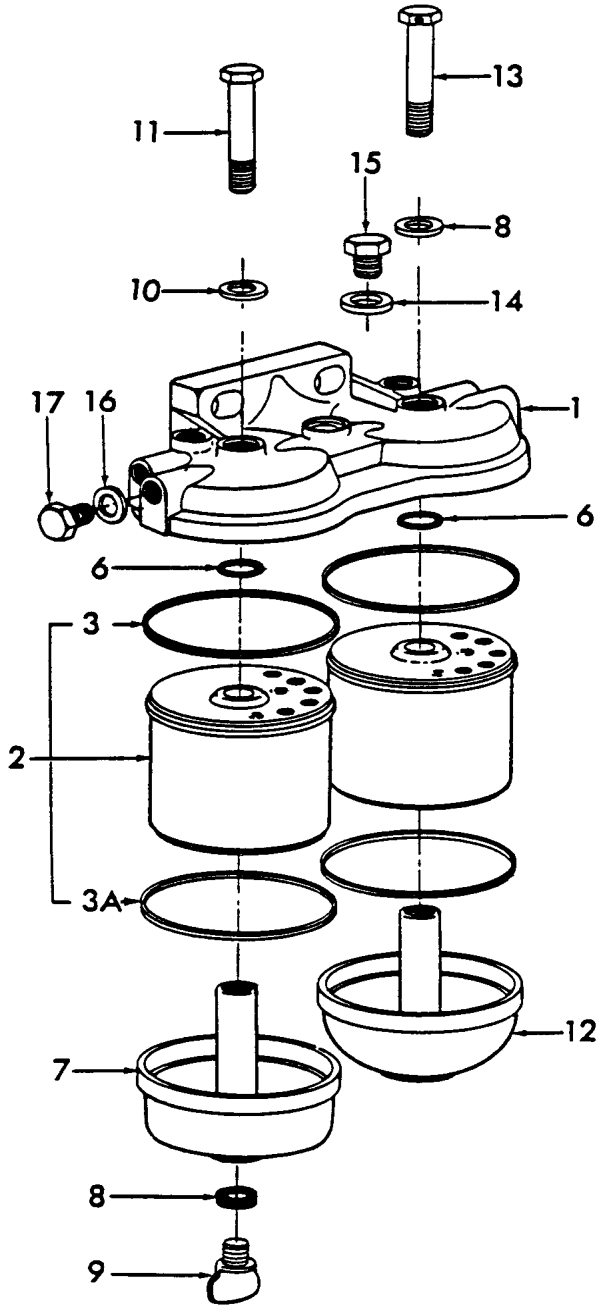


09B02

p3

9/2018

DUAL FUEL FILTER ASSEMBLY (NH-E)

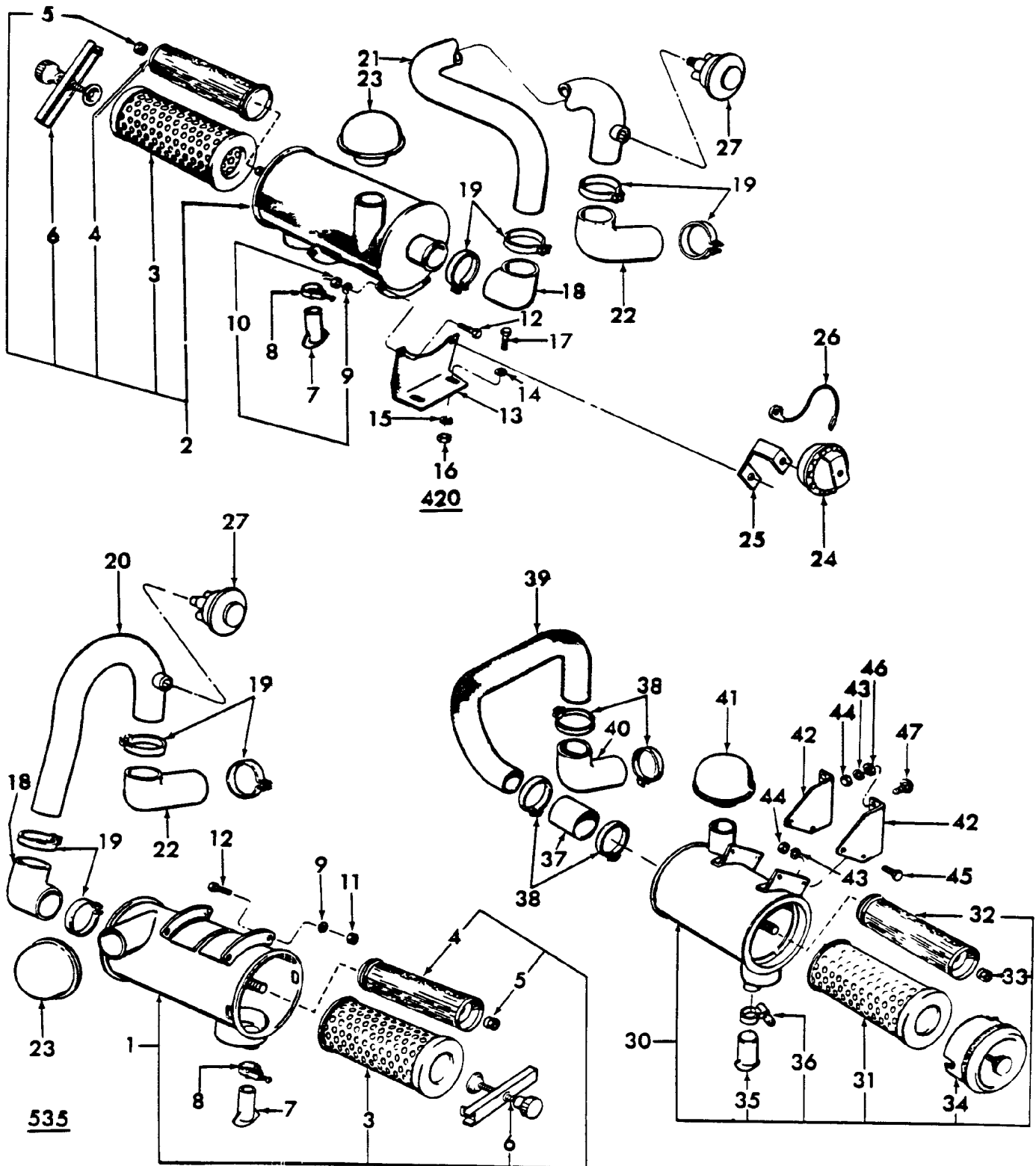


09C03

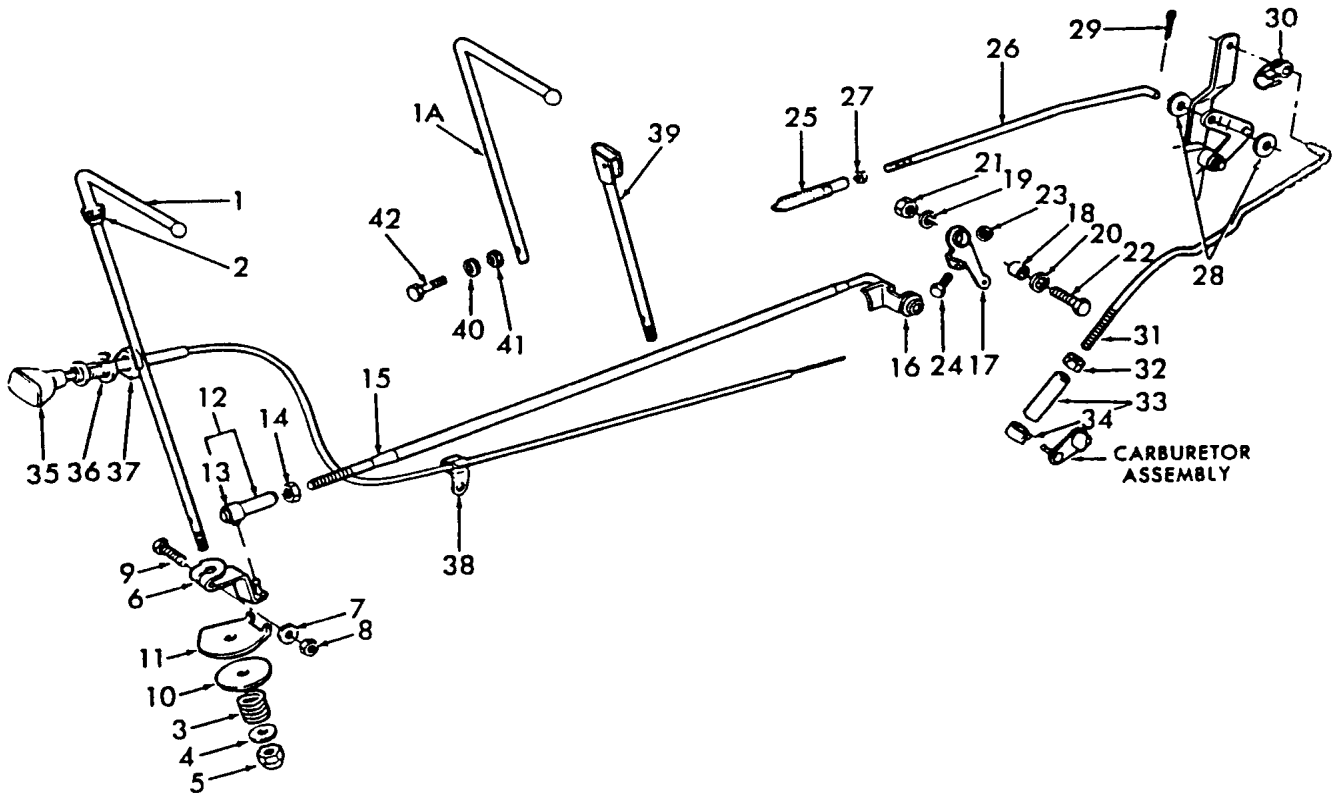
p3

9/2018

AIR CLEANER ASSEMBLY, DRY TYPE, DIESEL - 420, 535, 335, 515, 532



THROTTLE CONTROLS & RELATED PARTS, GASOLINE

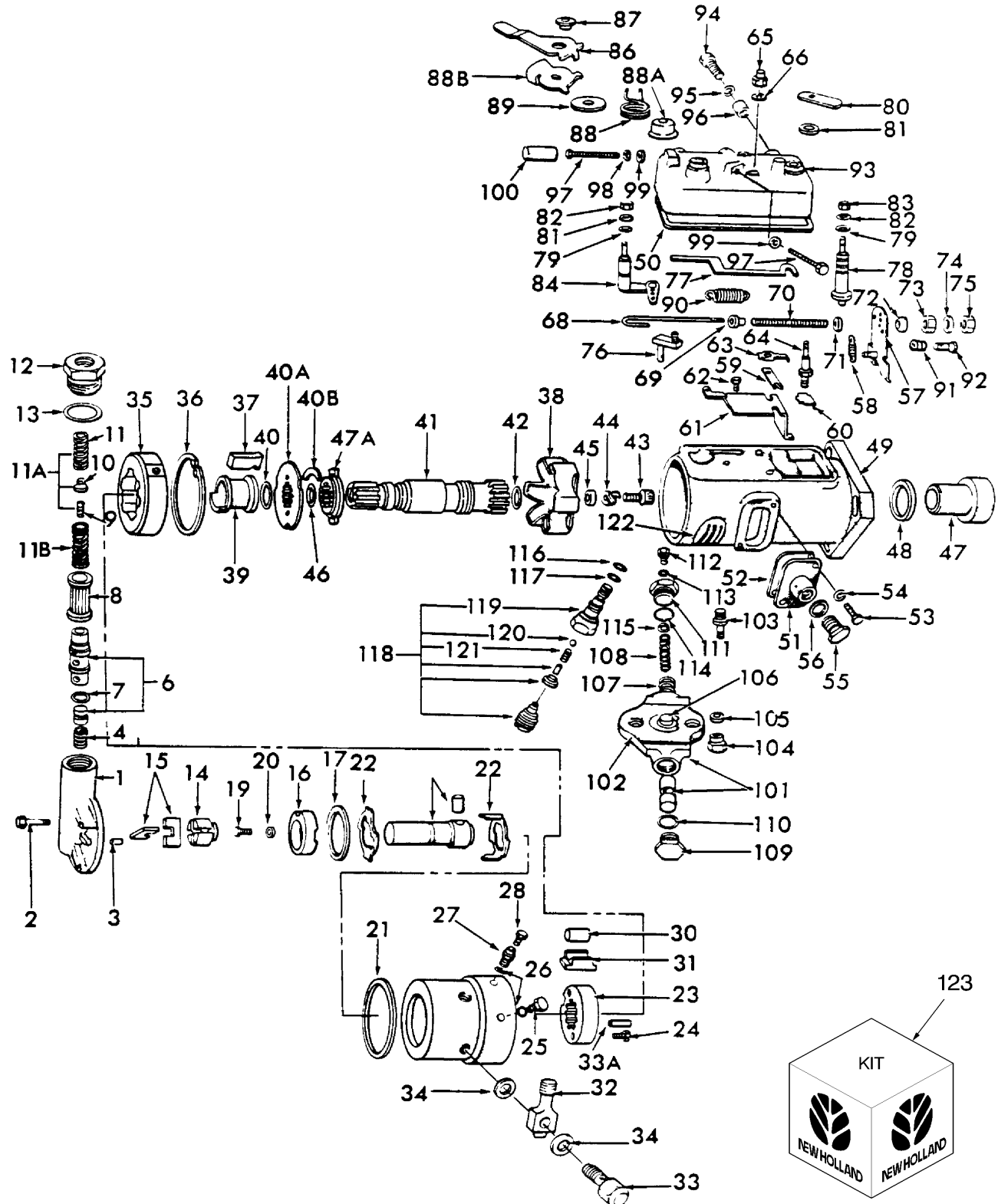


09E01

p1

9/2018

FUEL INJECTION PUMP, ROTOR - EXCEPT 7600, 7700, 6600, 6700 NH-E (75) NHNA (77)

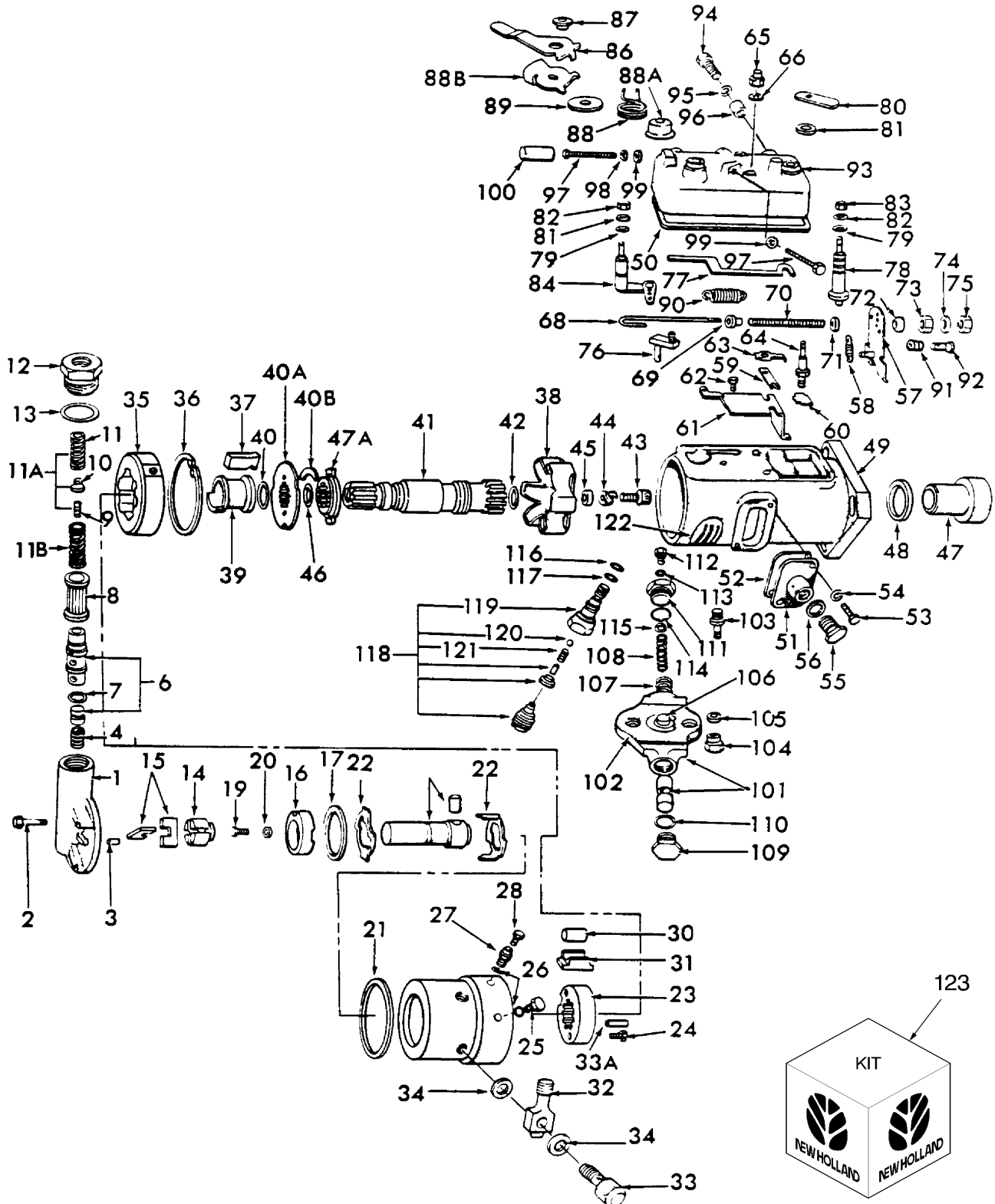


09E01

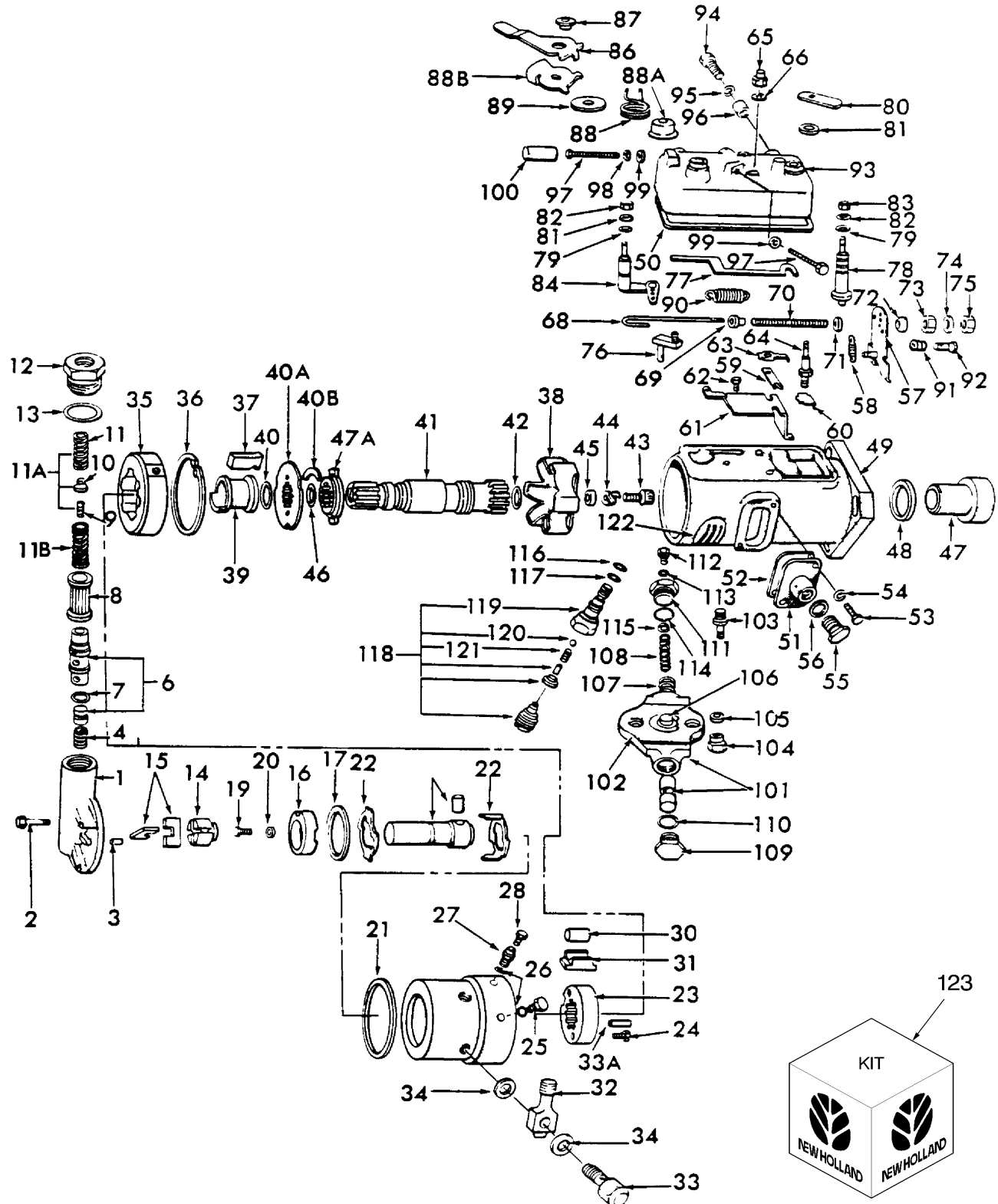
p7

9/2018

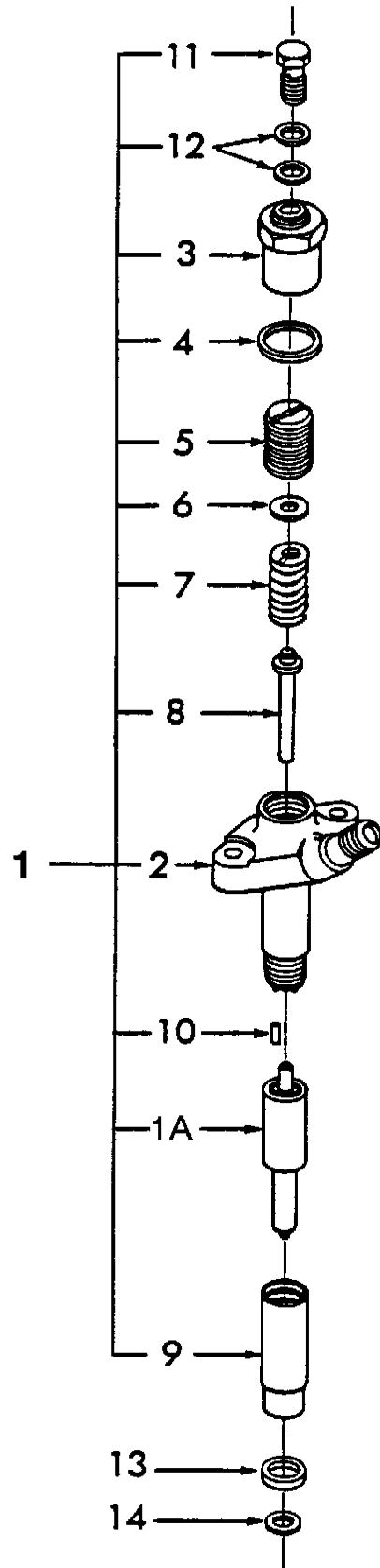
FUEL INJECTION PUMP, ROTOR - EXCEPT 7600, 7700, 6600, 6700 NH-E (75) NHNA (77)



FUEL INJECTION PUMP, ROTOR - EXCEPT 7600, 7700, 6600, 6700 NH-E (75) NHNA (77)



FUEL INJECTOR ASSEMBLY - DIESEL

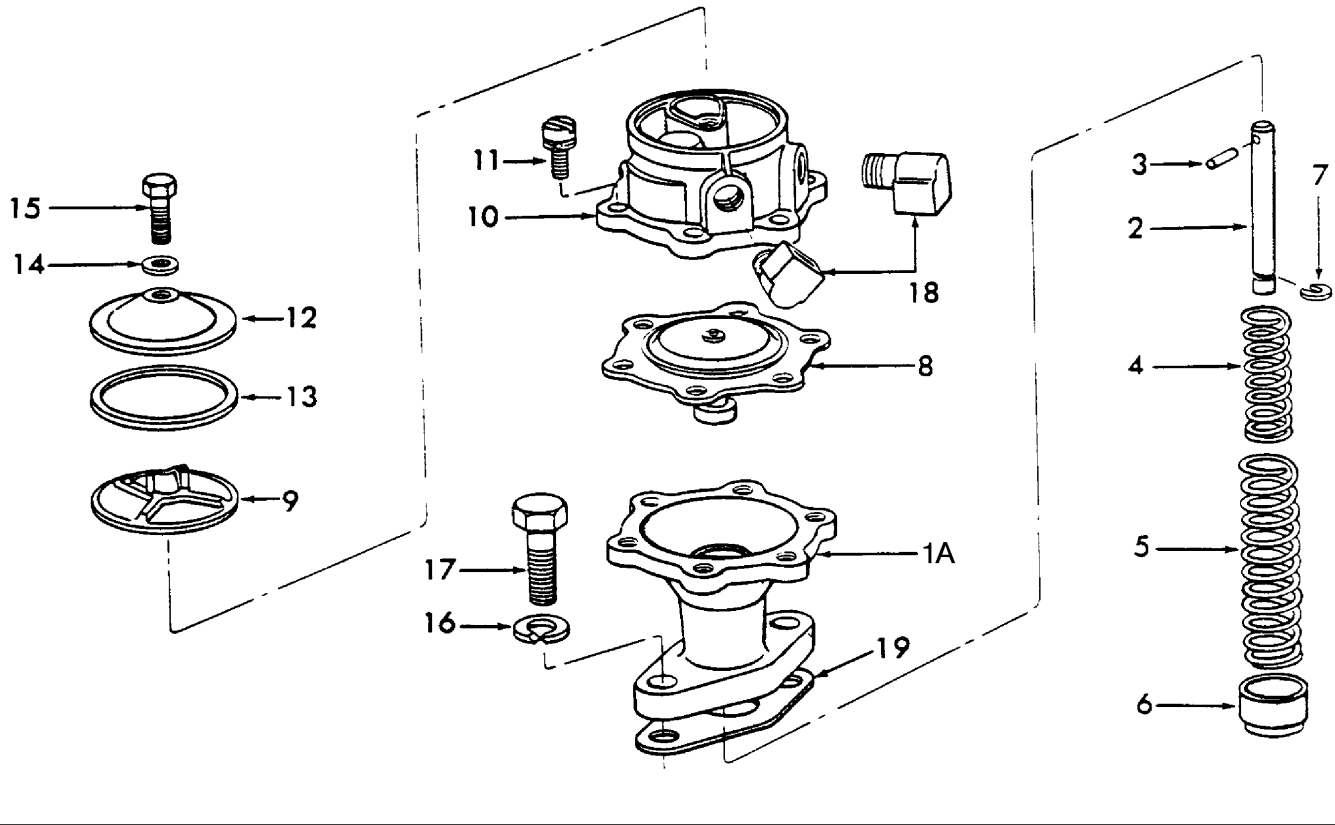


09H02

p1

9/2018

FUEL PUMP ASSEMBLY, GASOLINE - 2600, 360, 4600, 231, 531, 335, 515, 420, 535, 6600



1

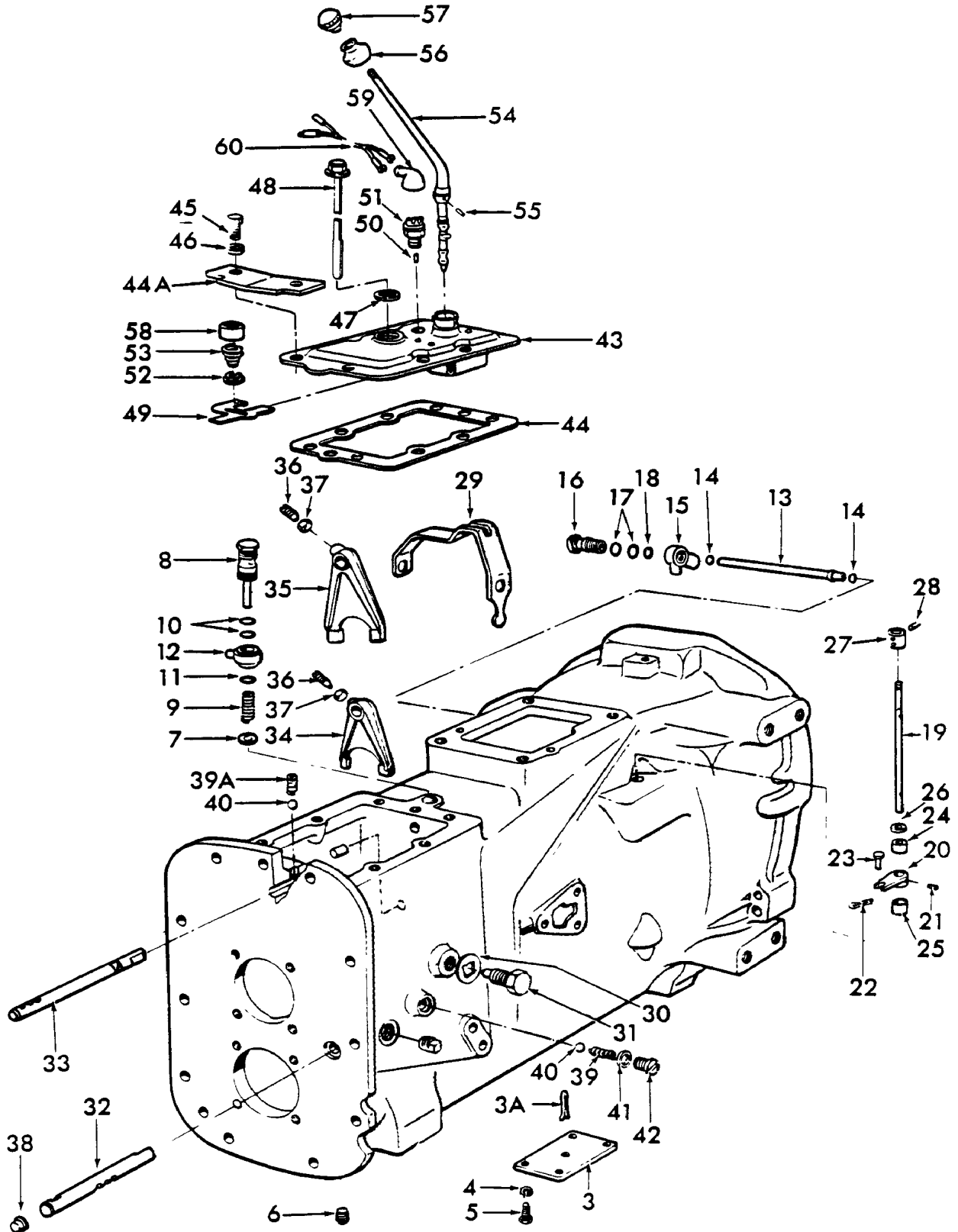


07A01

p3

9/2018

TORQUE CONVERTER TRANSMISSION - CASE, SHIFT LEVER & RELATED PARTS - 420, 532, 535

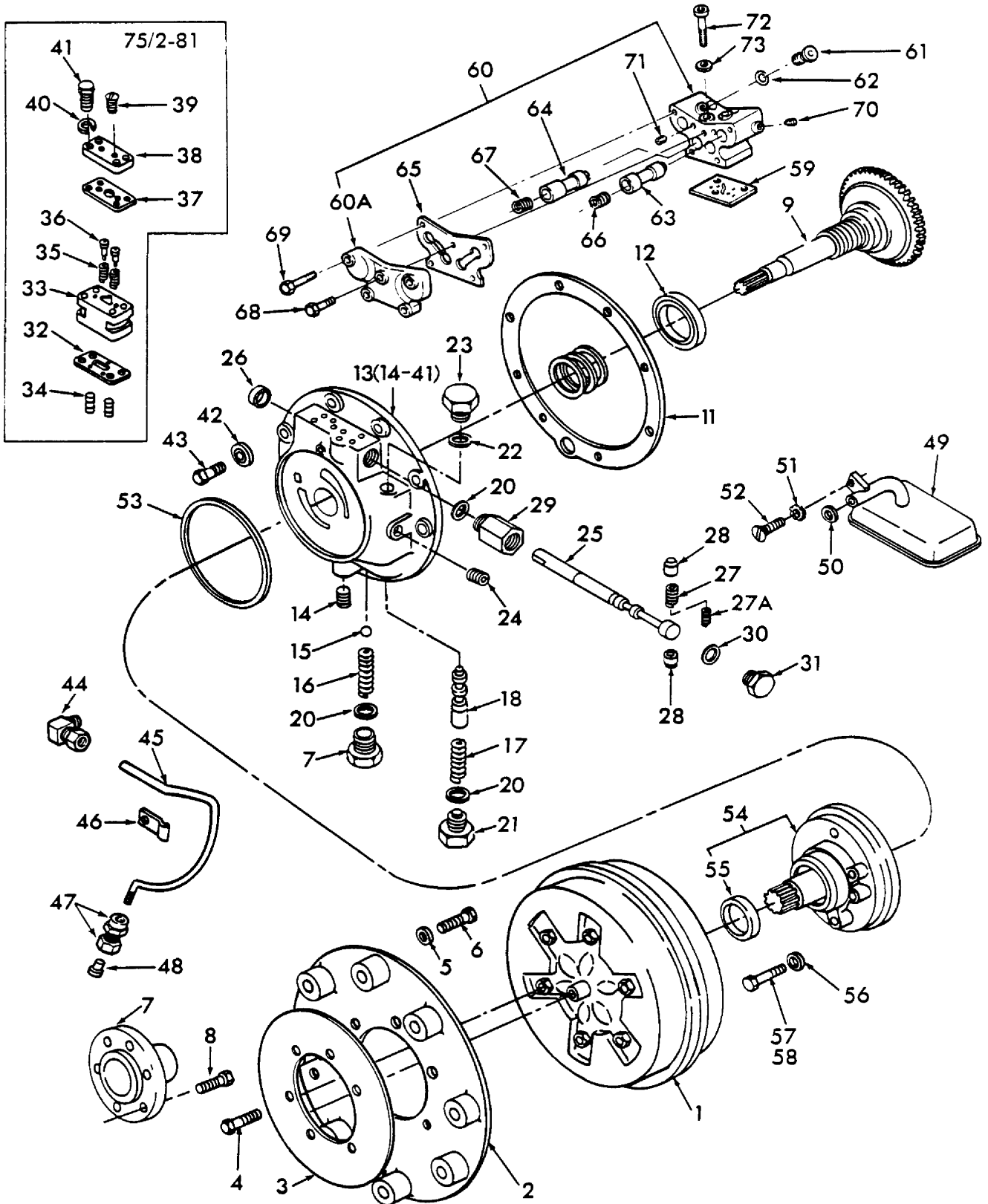


07A02

p5

9/2018

TORQUE CONVERTER TRANSMISSION - OIL DISTRIBUTOR, OIL PUMP & RELATED PARTS - 420, 532, 535

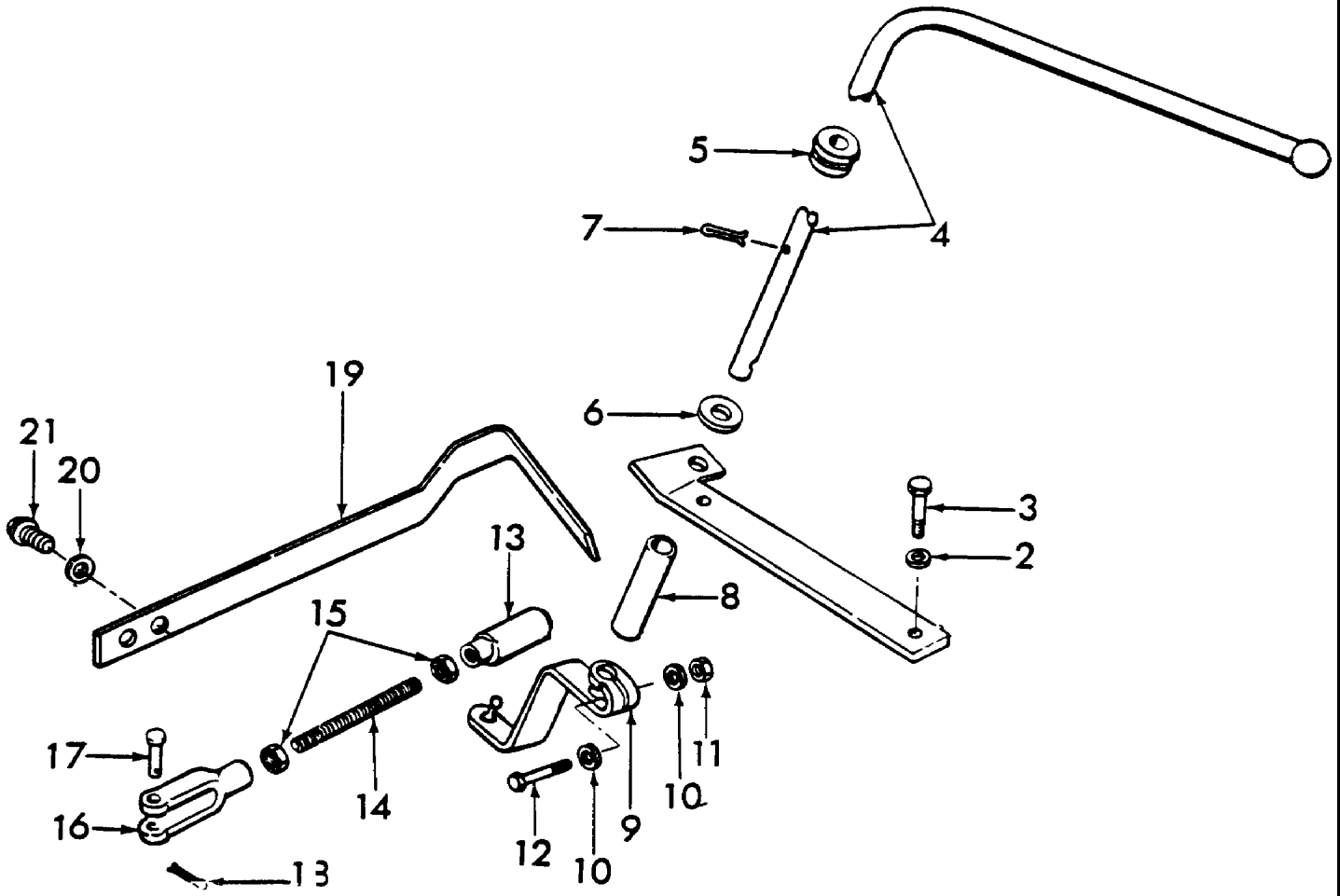


07A04

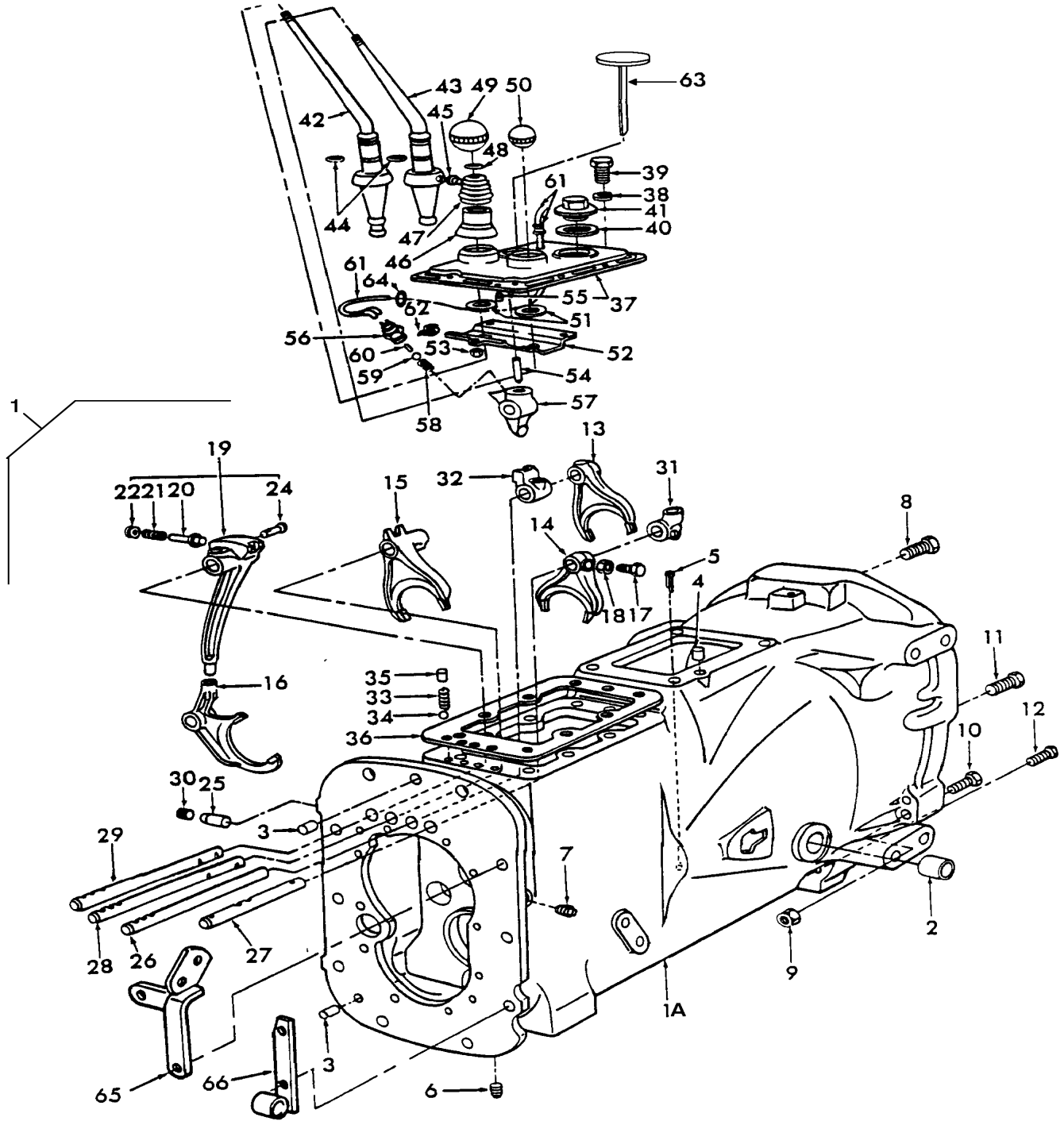
p1

9/2018

TORQUE CONVERTER TRANSMISSION - CONTROL LEVER (75/9-78) - 420, 532, 535



8 SPEED TRANSMISSION - CASE, SHIFT LEVERS & RELATED PARTS



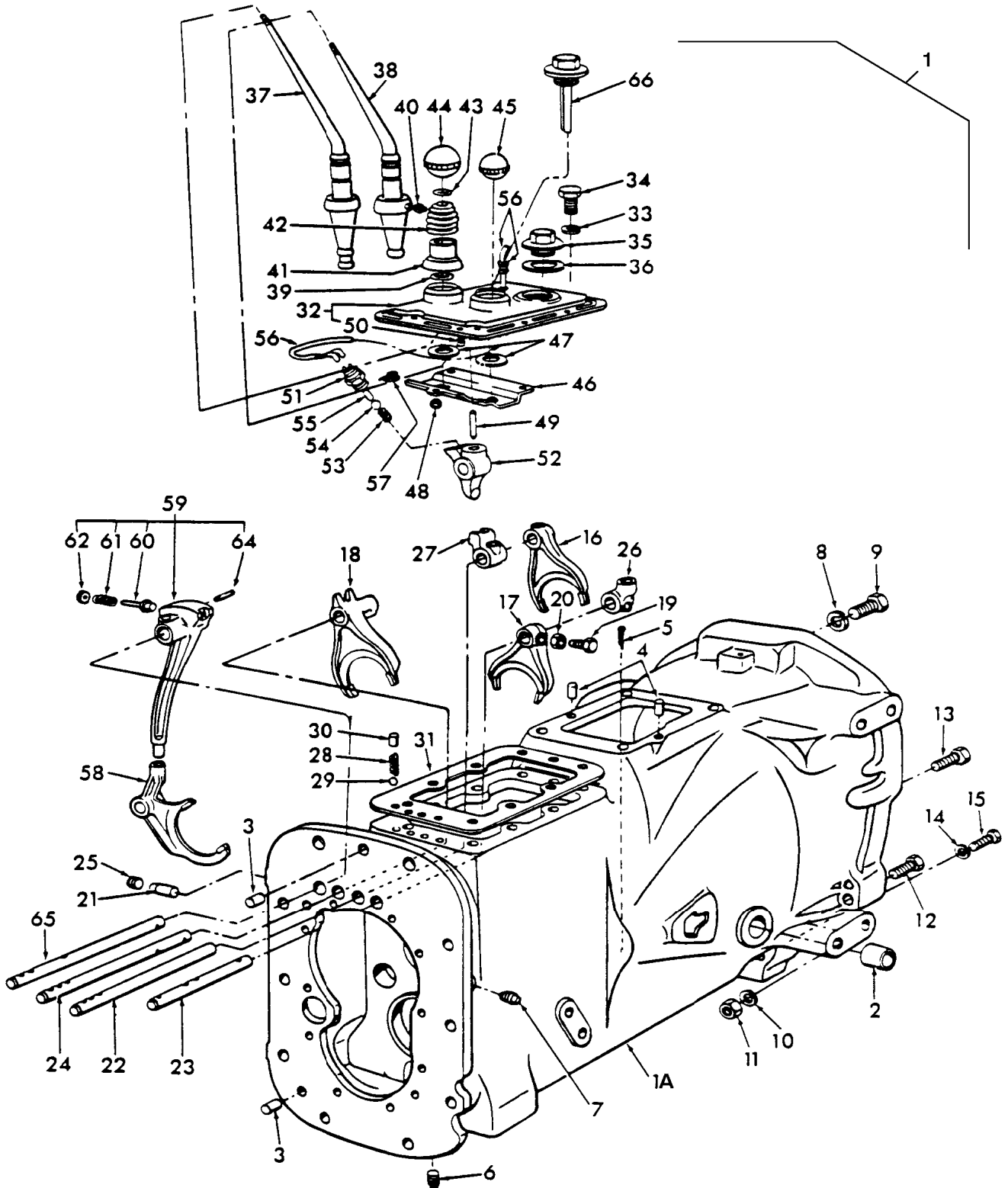
For Models 231, 233, 333, 335, 420, 515, 531, 532, 535, 2600, 3600, 3900, 4100, 4600 & 4600SU.

07D01

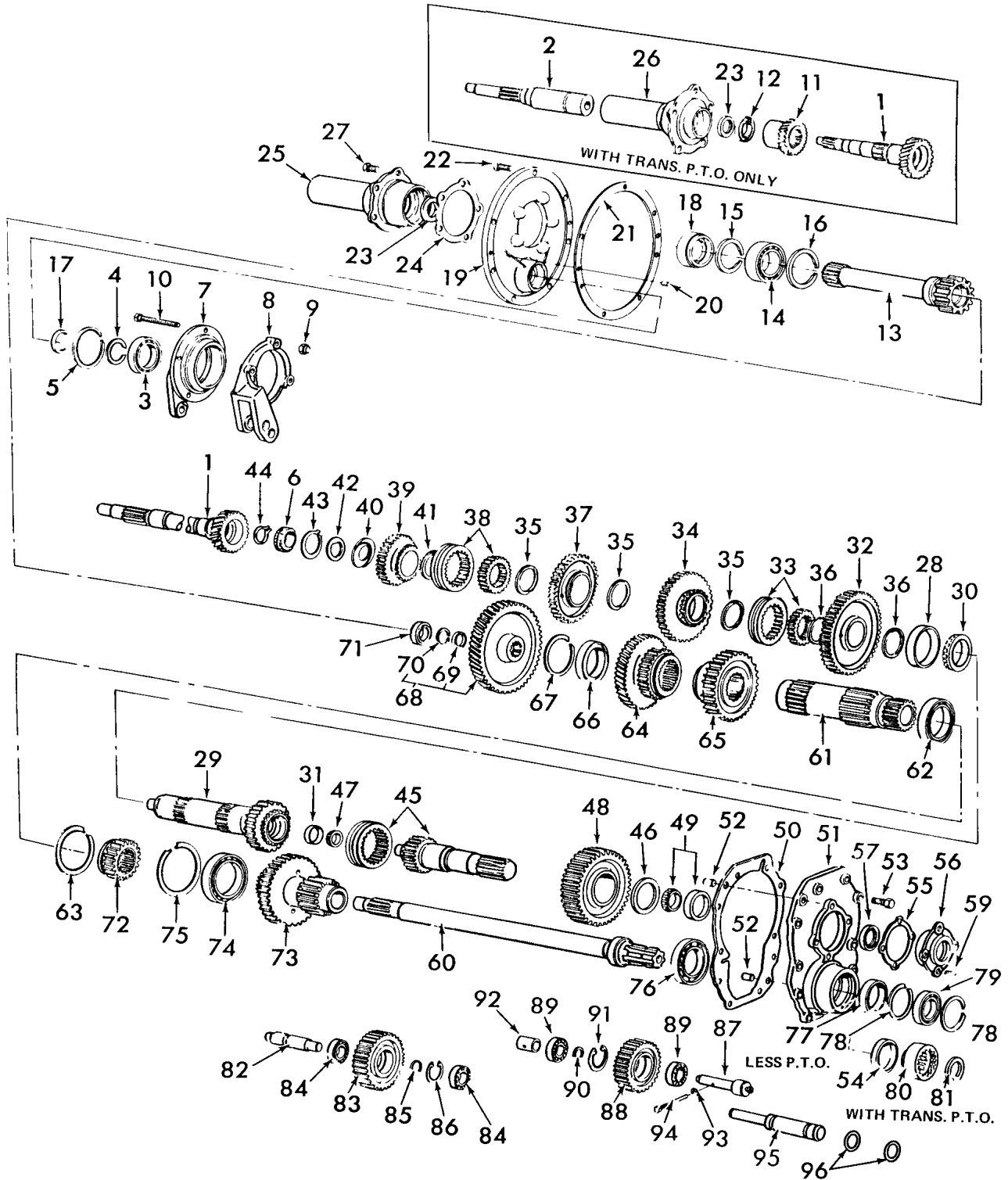
p2

9/2018

6X4 MANUAL REVERSING TRANS. - CASE, SHIFT LEVER & RELATED PARTS - 335, 420, 515, 535, 2600, 3600



MANUAL REVERSING TRANSMISSION - GEARS & RELATED PARTS - 335, 420, 515, 535, 2600, 3600

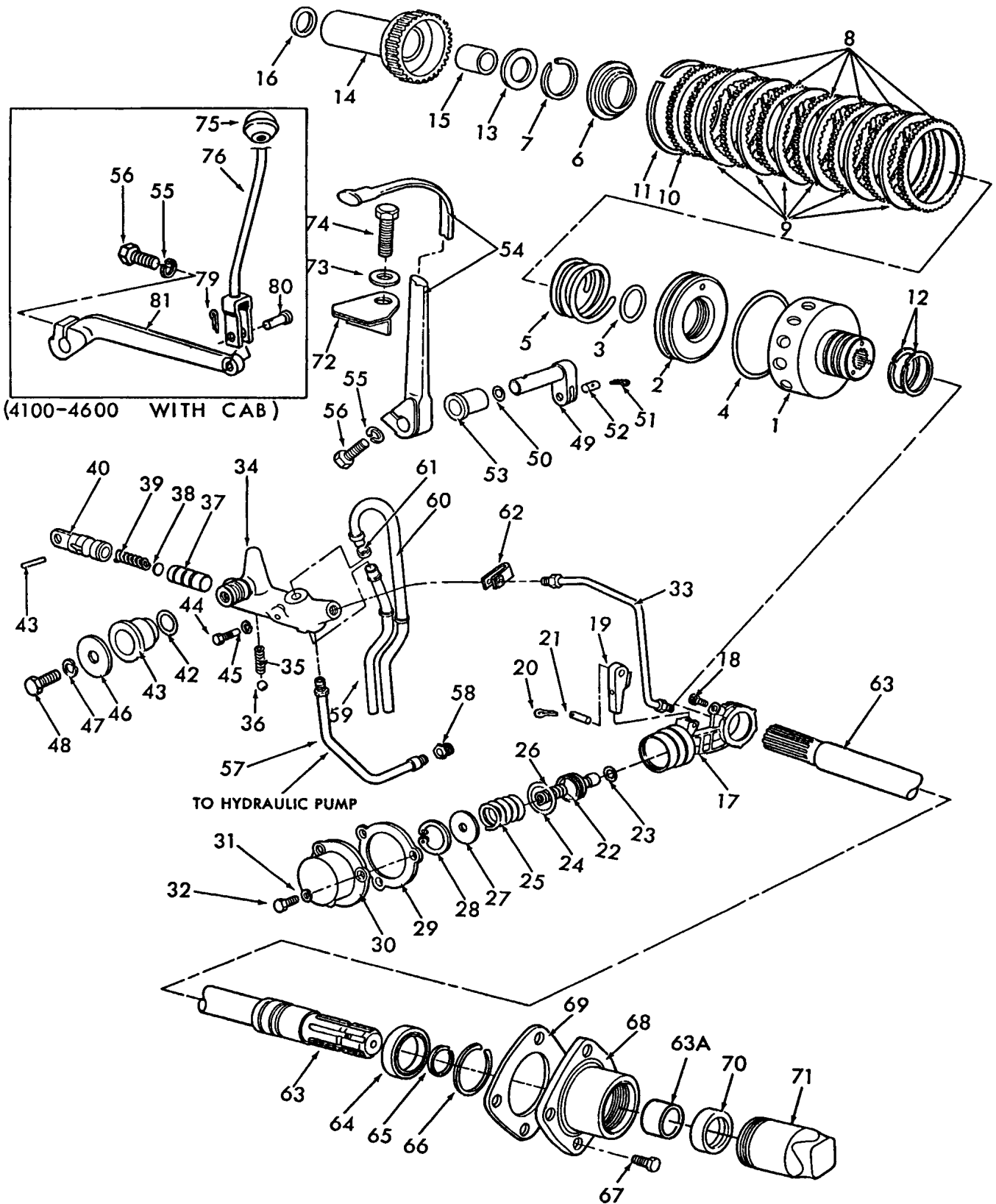


07E03

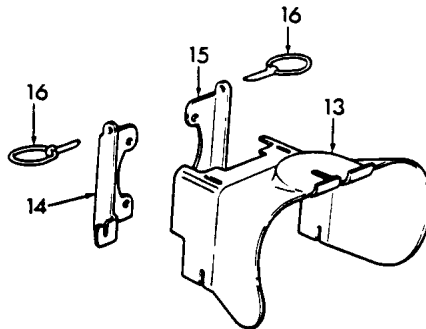
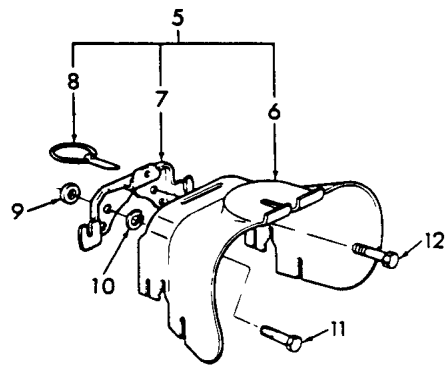
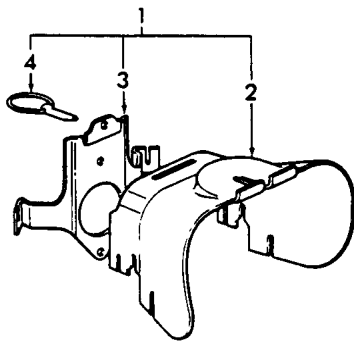
p1

9/2018

INDEPENDENT POWER TAKE-OFF ASSEMBLY, W/7 & 8-SPEED & MANUAL REVERSING - 515, 532, 3900, 4100, 4600



PTO GUARD KIT & ASSEMBLY, ACCESSORY

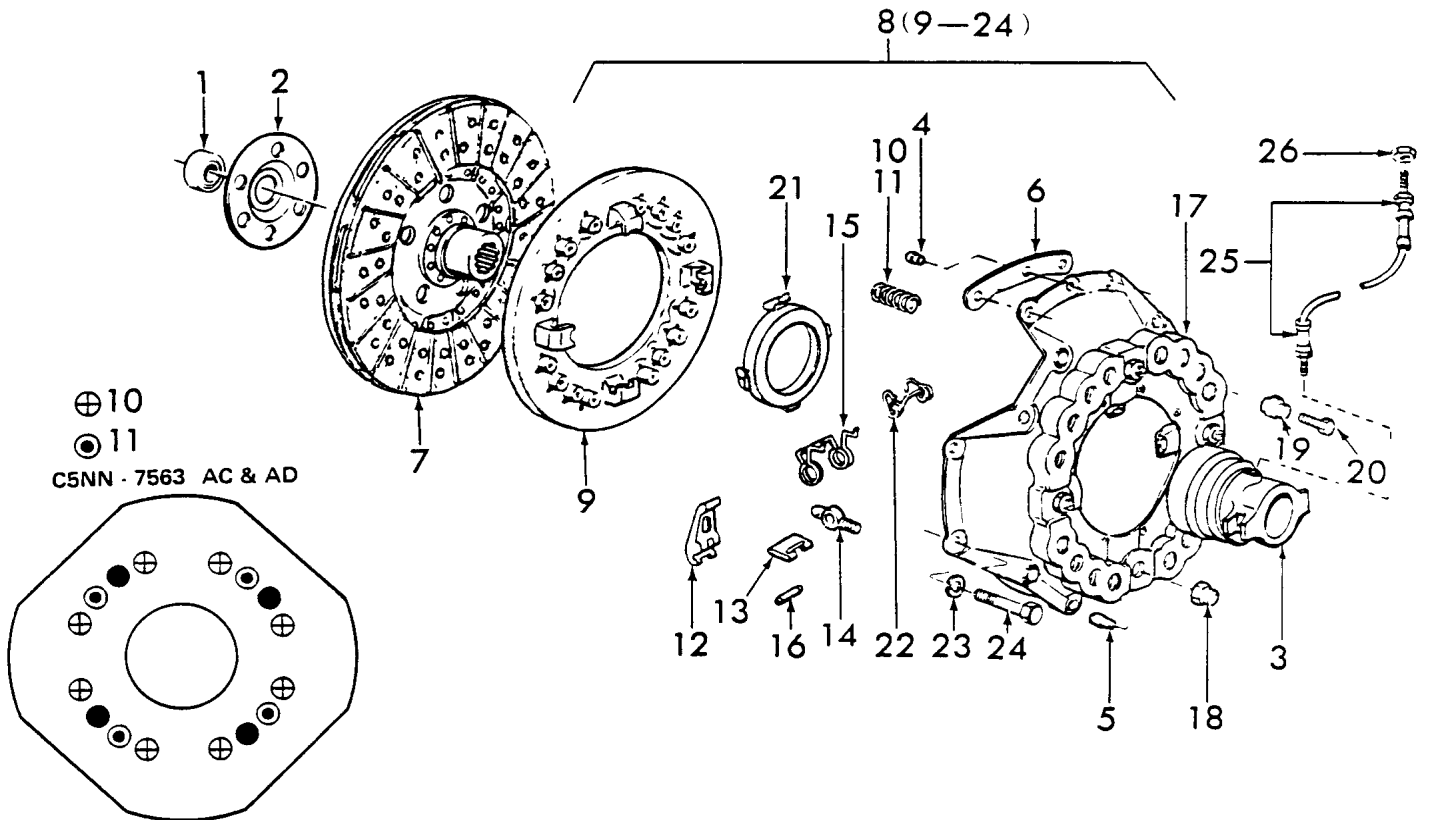


07F06

p1

9/2018

SINGLE CLUTCH ASSEMBLY, 13" - 335, 420, 515, 532, 535, 4600



---

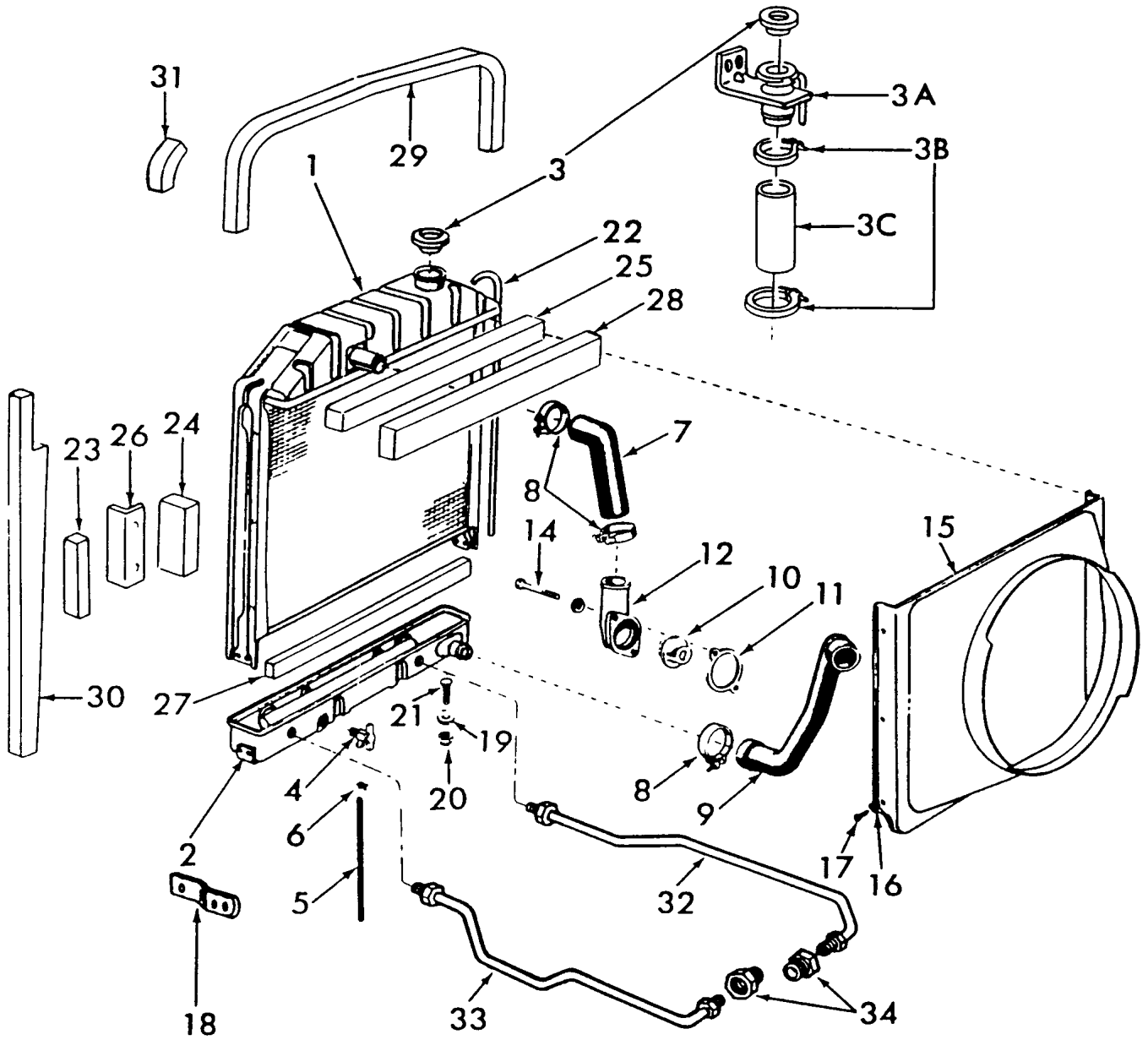
**SECTION INDEX**

**COOLING SYSTEM**

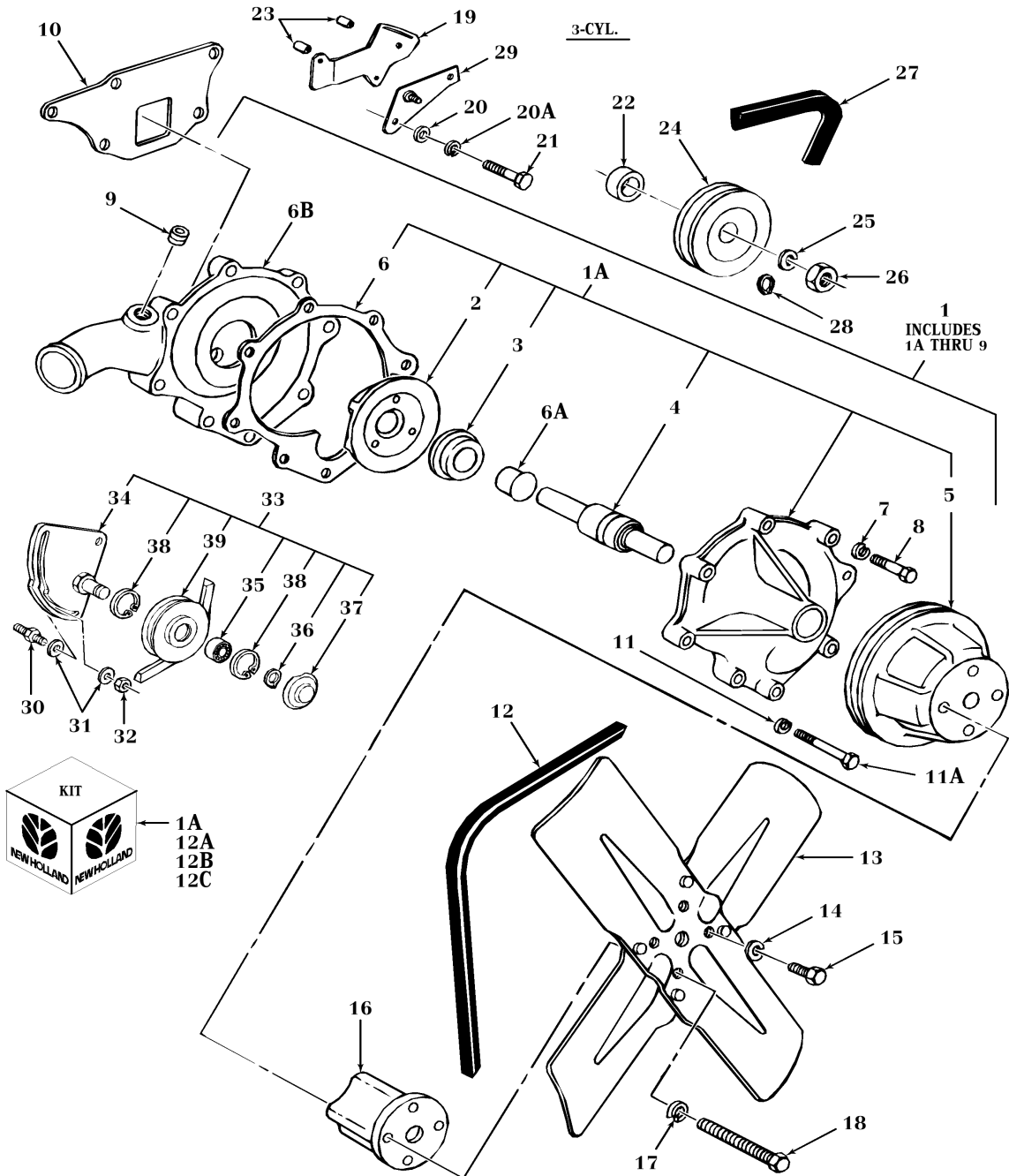
---

08A01	RADIATOR & RELATED PARTS
08B01	WATER PUMP & RELATED PARTS

RADIATOR & RELATED PARTS



WATER PUMP & RELATED PARTS

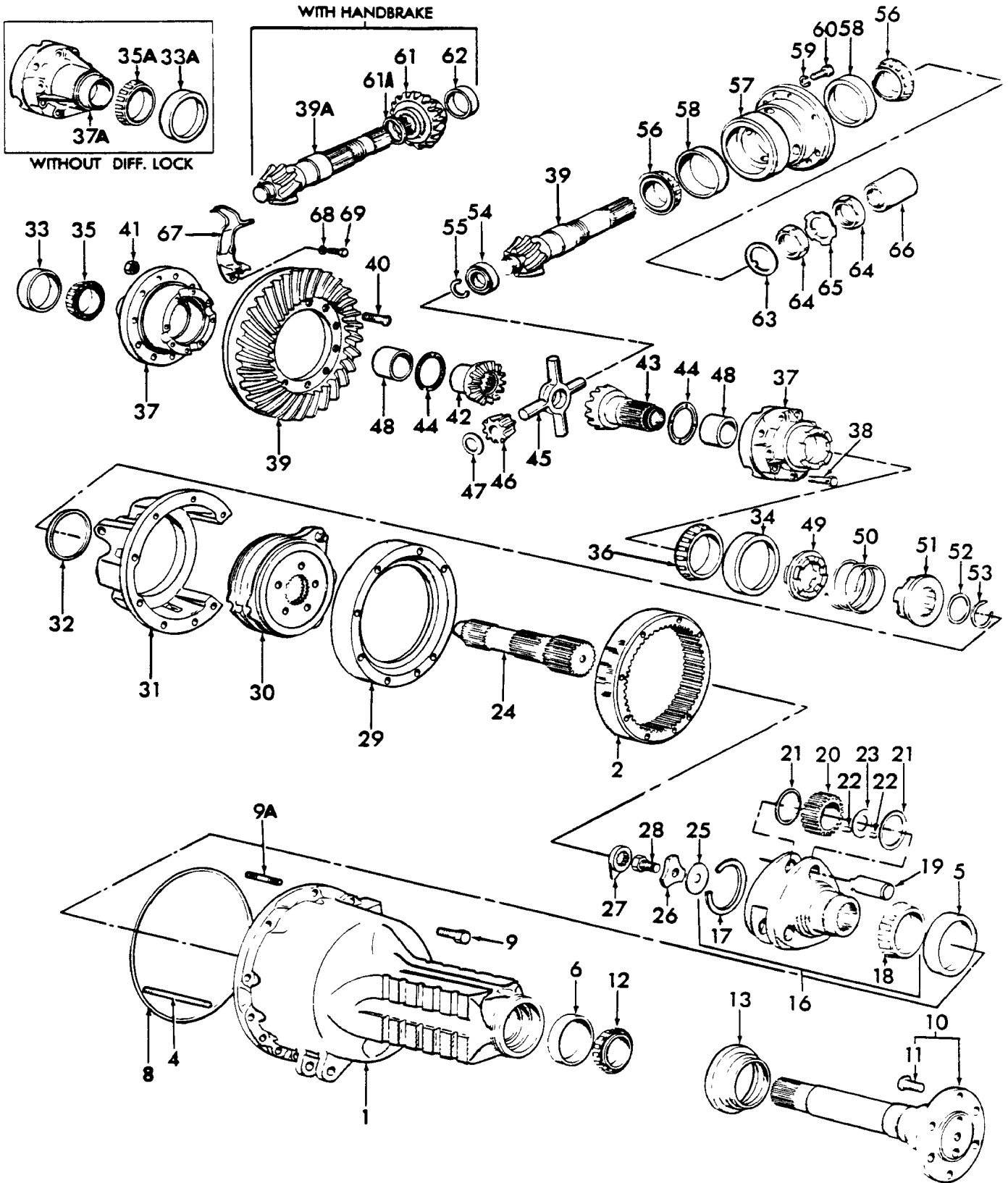


04A02

p3

9/2018

REAR AXLE, DIFFERENTIAL & RELATED PARTS - 3900, 4100, 4100N, 4100NO, 4600, 4600N, 4600NO, 420, 515, 532, 535

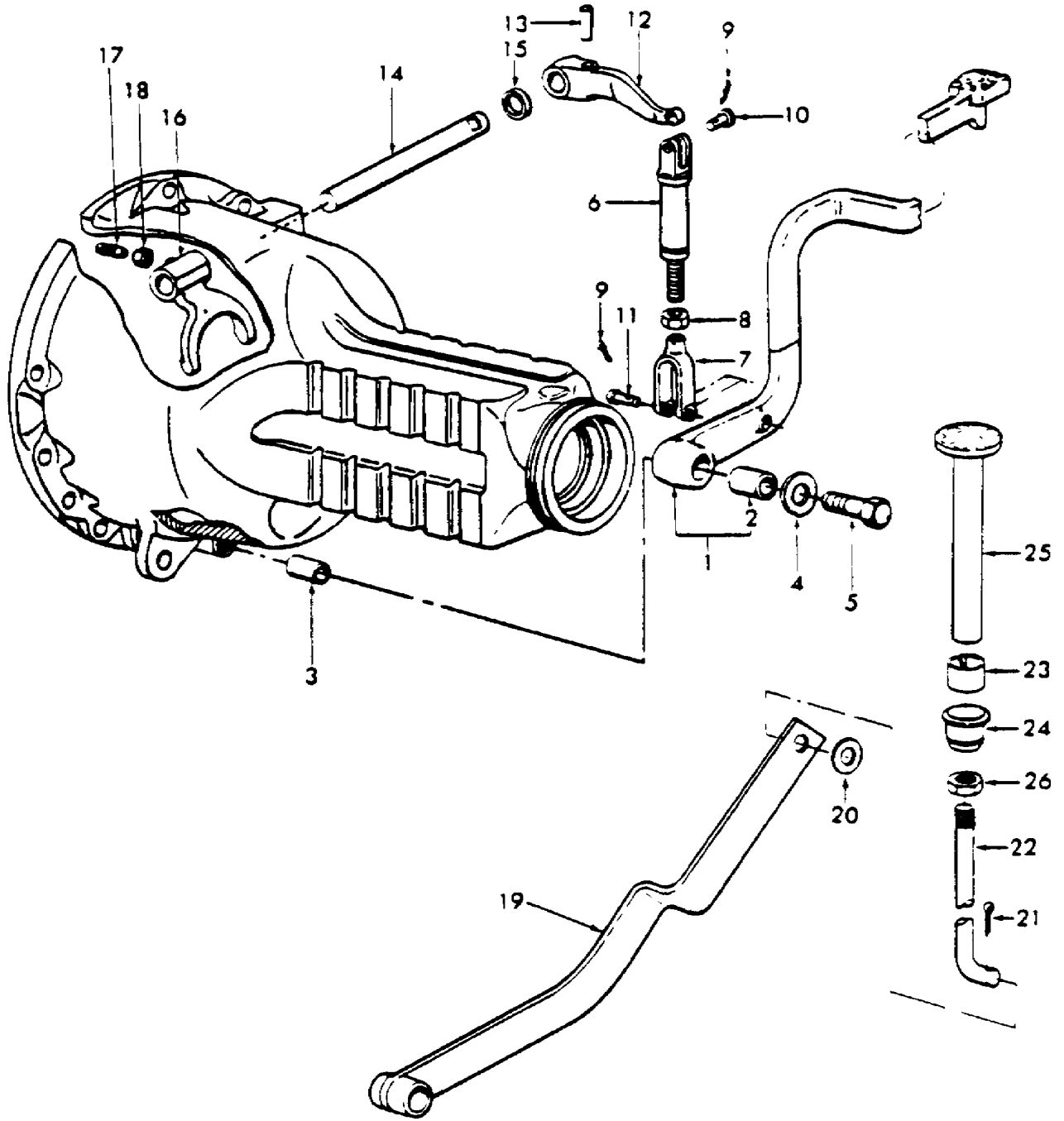


04B02

p1

9/2018

DIFFERENTIAL LOCK LINKAGE - 3900, 4100, 4600, 420, 515, 532, 535

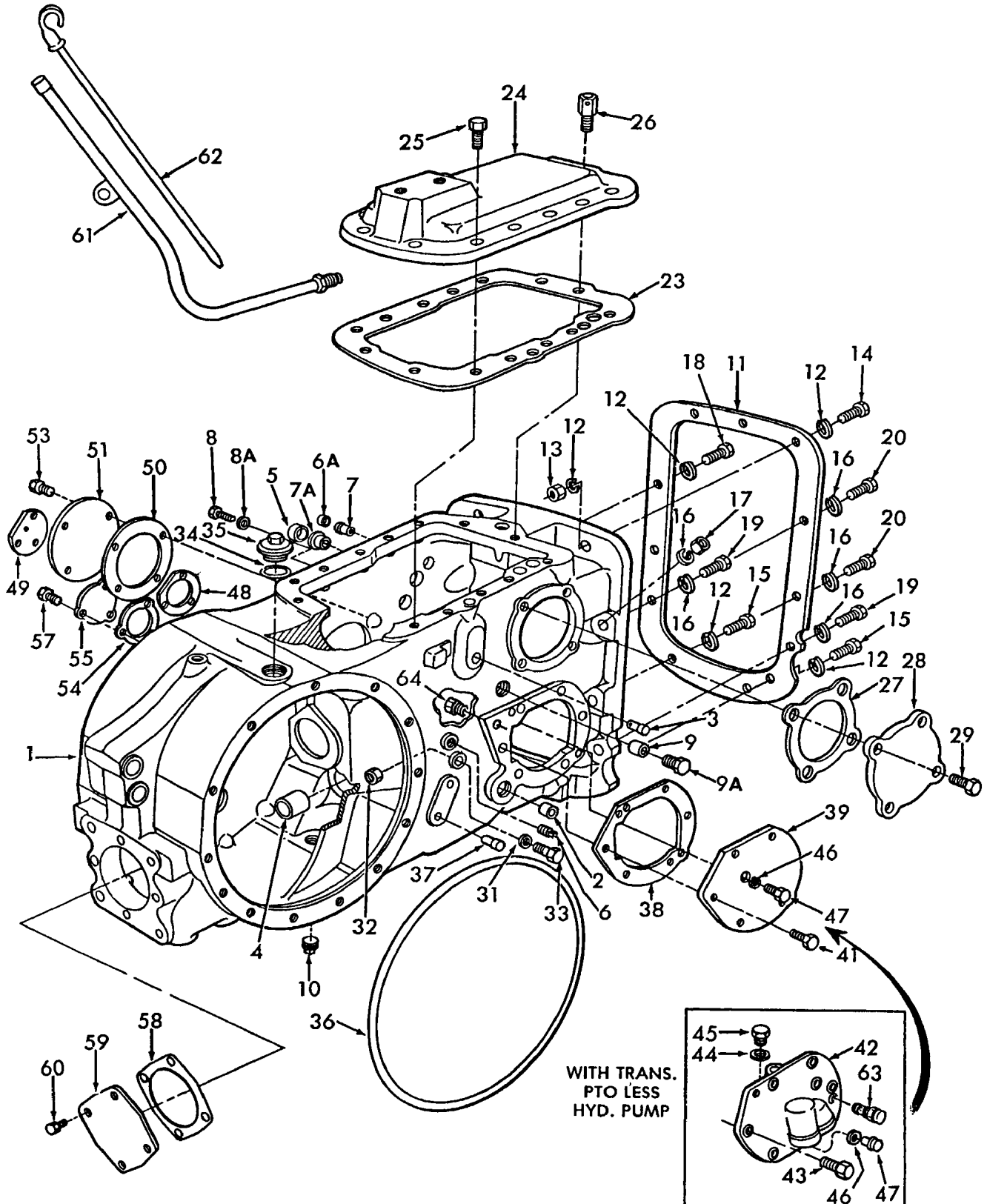


04C02

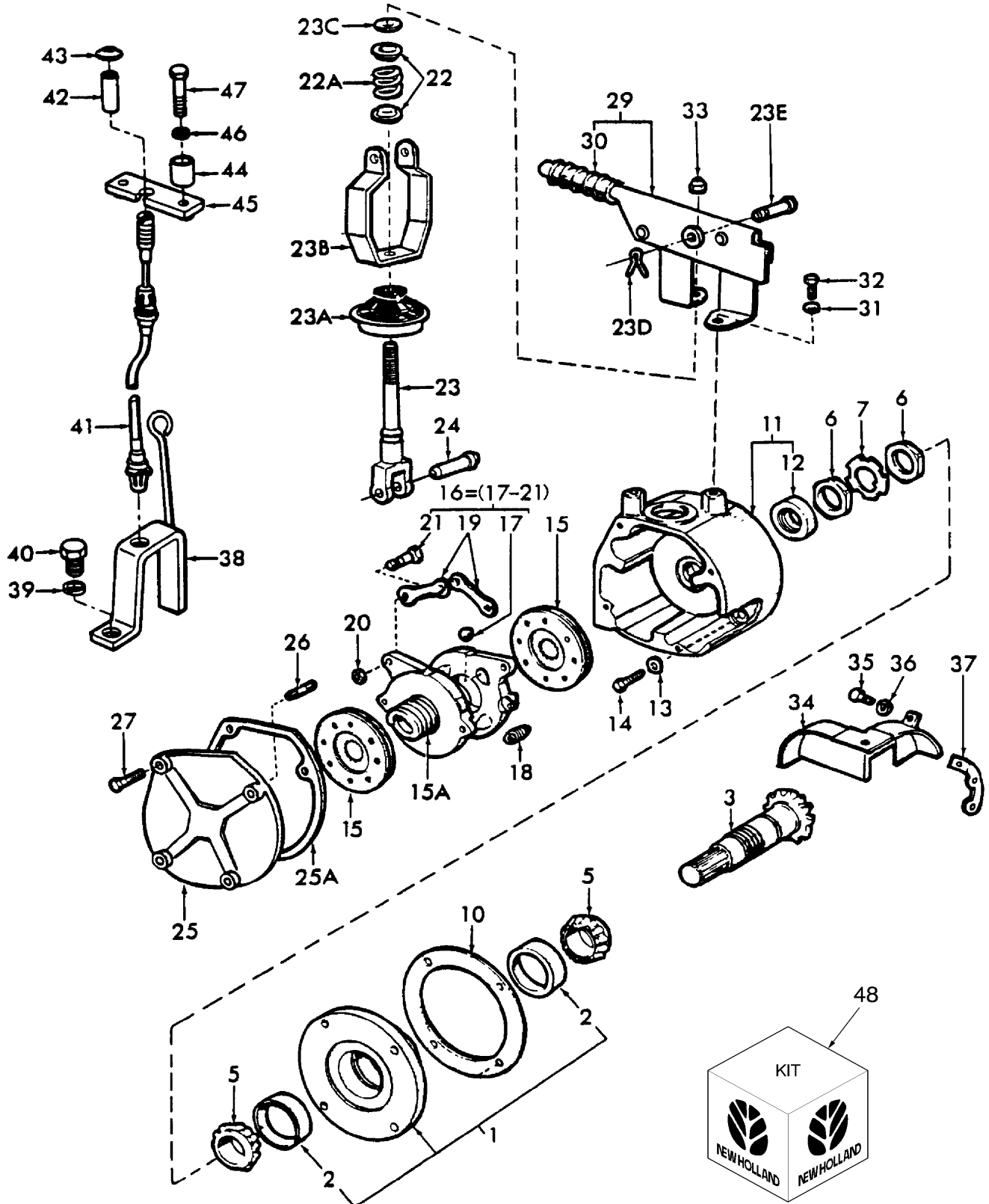
p5

9/2018

CENTER HOUSING & RELATED PARTS - 3900, 4100, 4600, 420, 515, 532, 535



TRANSMISSION HANDBRAKE

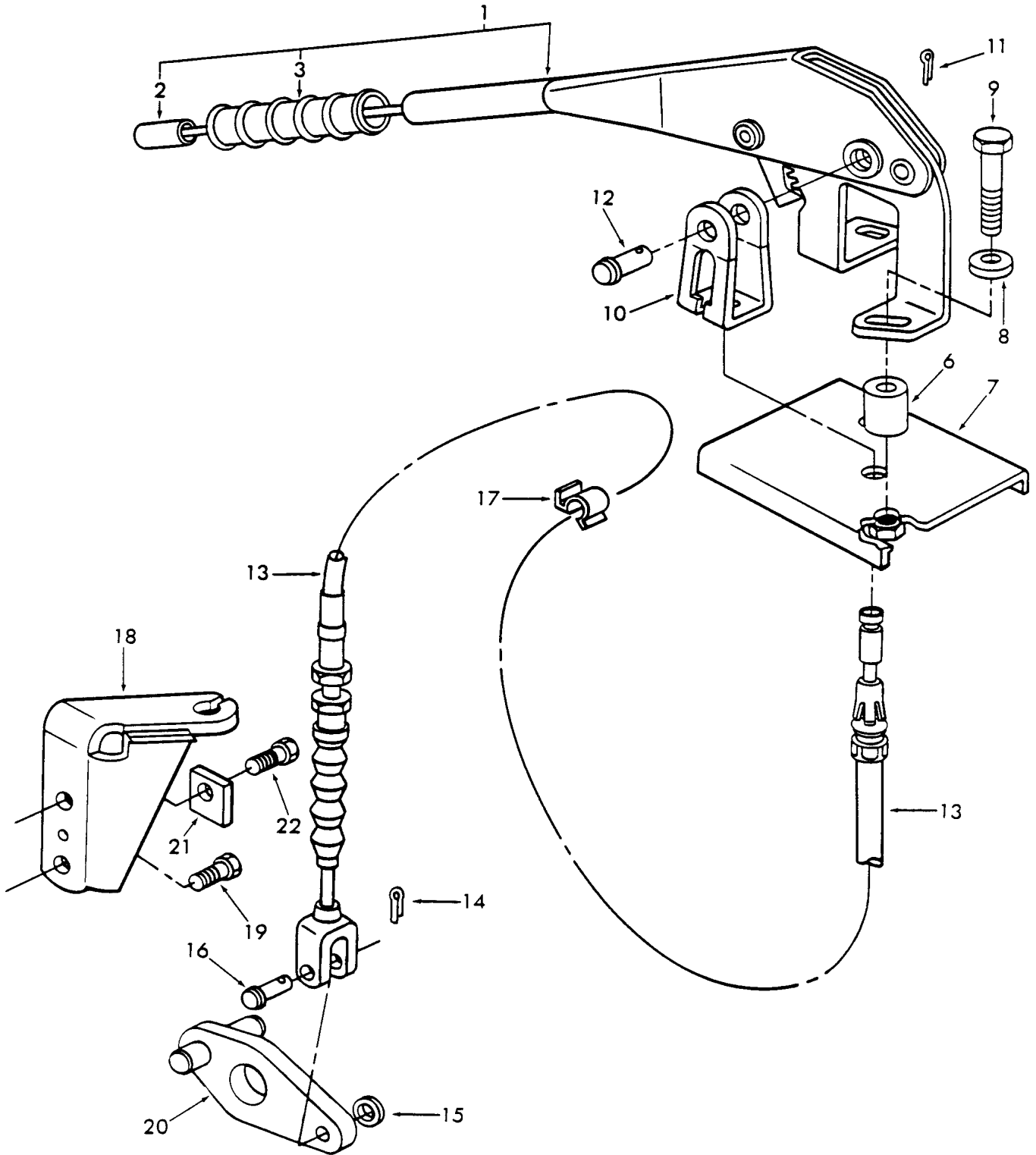


02B04

p1

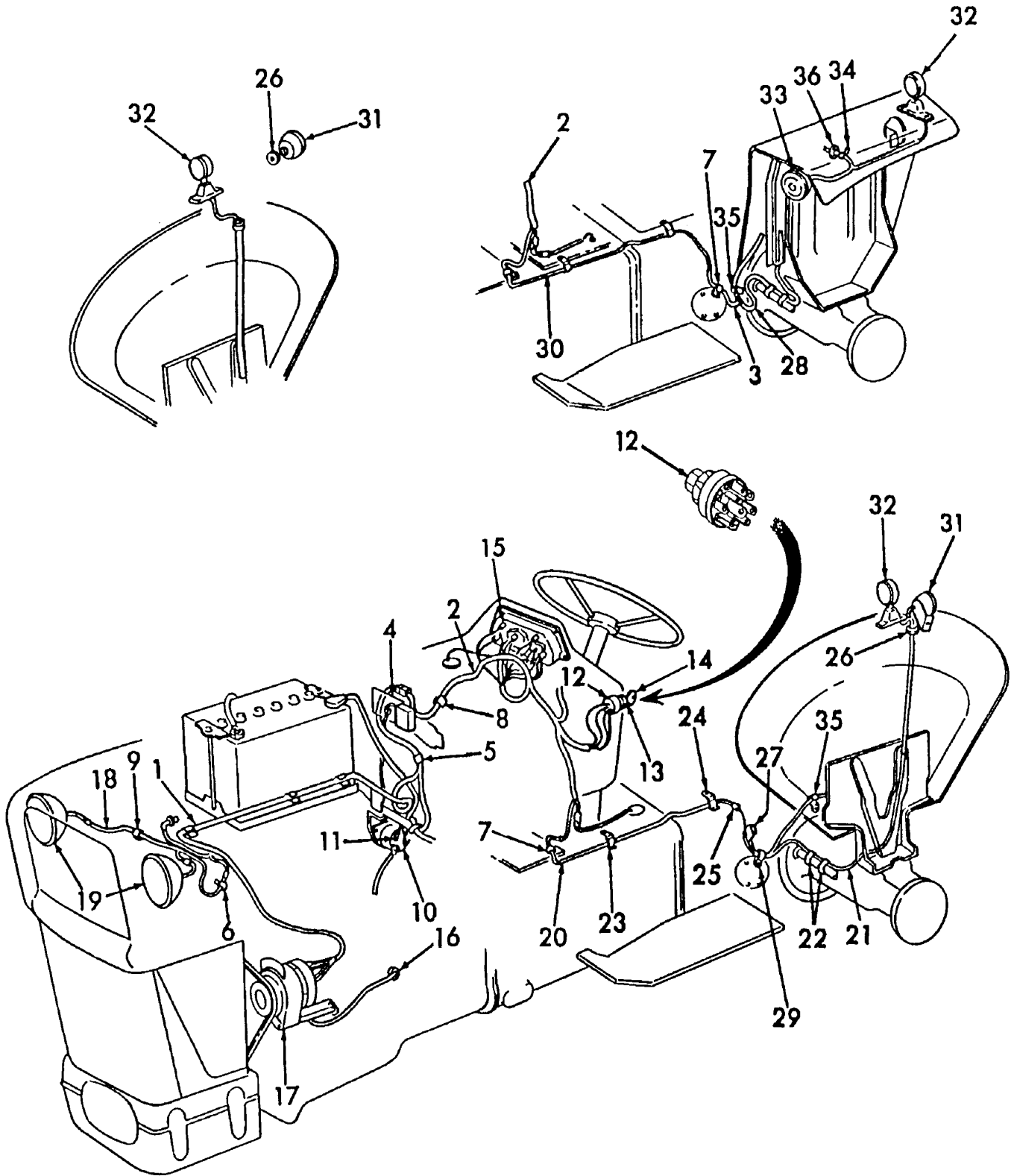
9/2018

HANDBRAKE LEVER & CABLE, W/CAB, 4-76/; W/ OR L/CAB, 8-76/ - 2600, 3600, 4600, 6600, 7600, 4100, 5600, 233, 333, 5700, 5600, 7700





ELECTRICAL SYSTEM, NHNA, LH



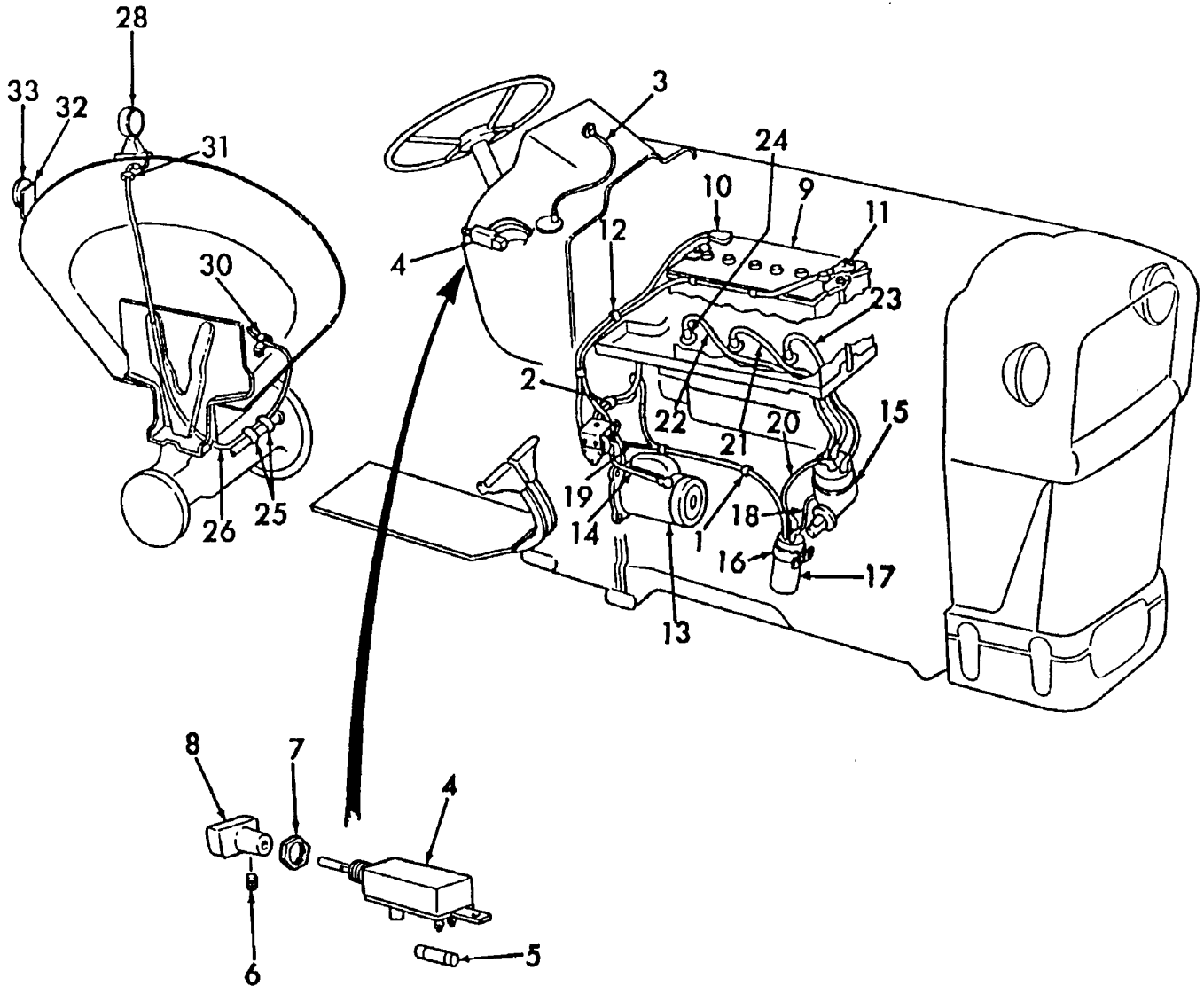
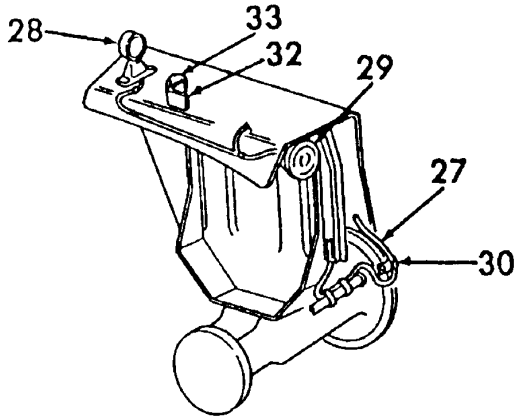
11A01

R

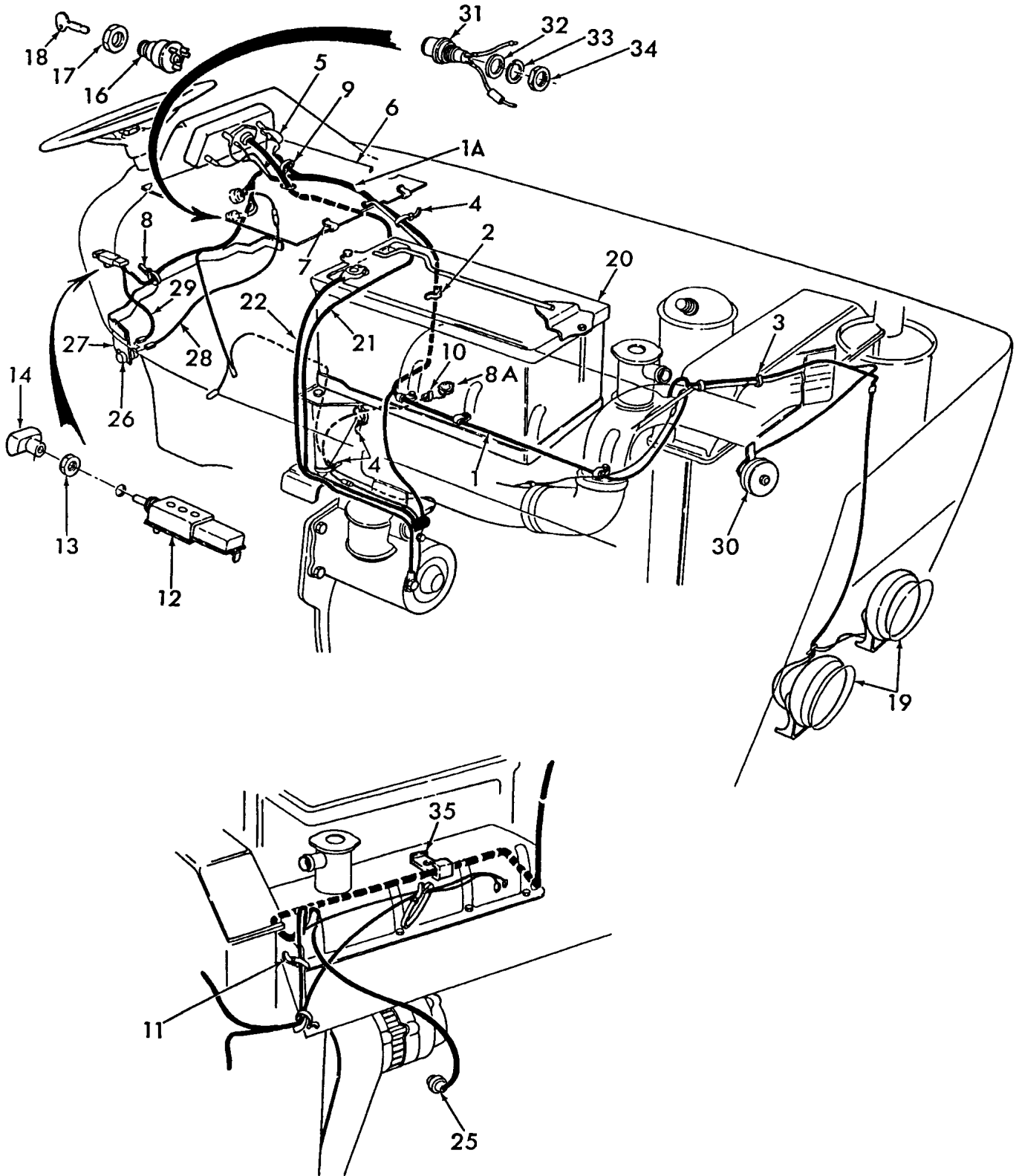
p5

9/2018

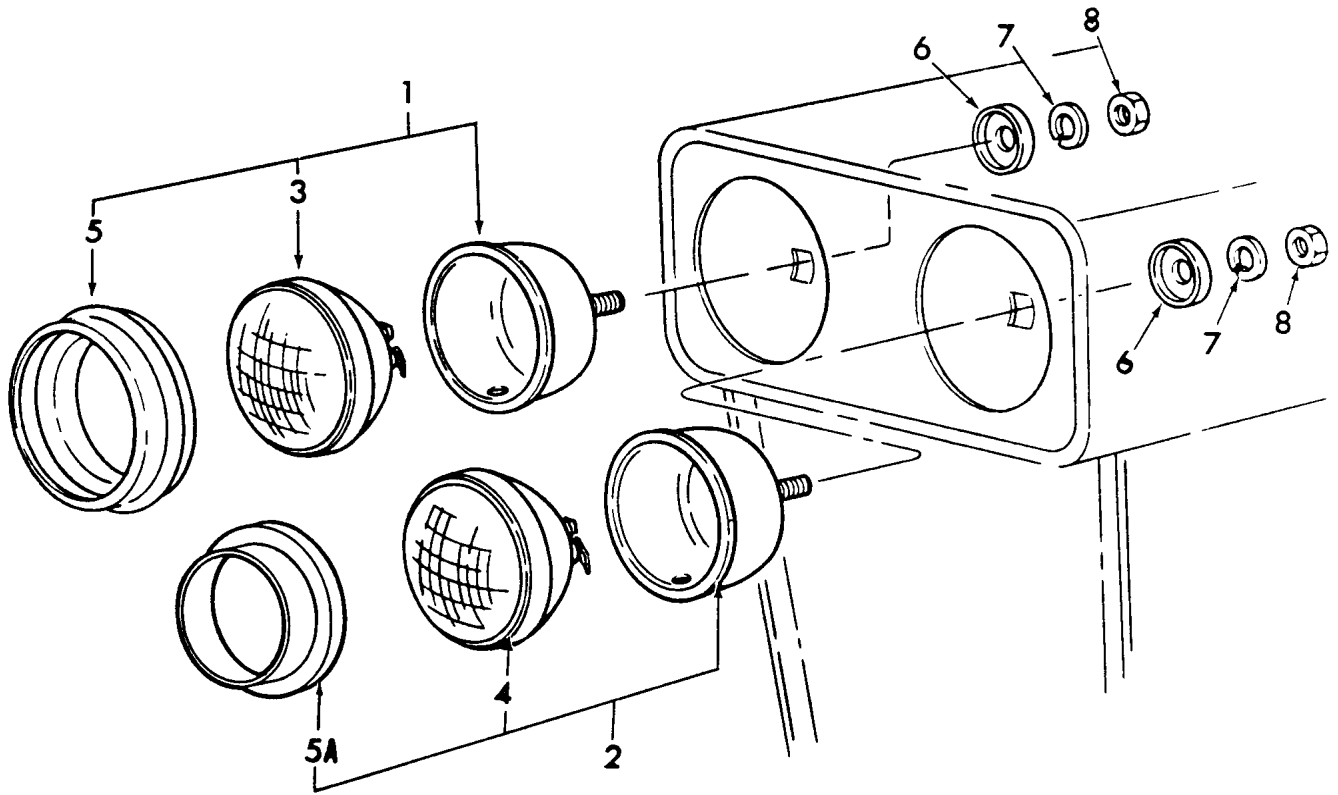
ELECTRICAL SYSTEM, NHNA, RH



ELECTRICAL SYSTEM, NH-E



HEAD & UTILITY LAMPS, NHNA, FENDER OR CAB MOUNTED - EXCEPT 3900

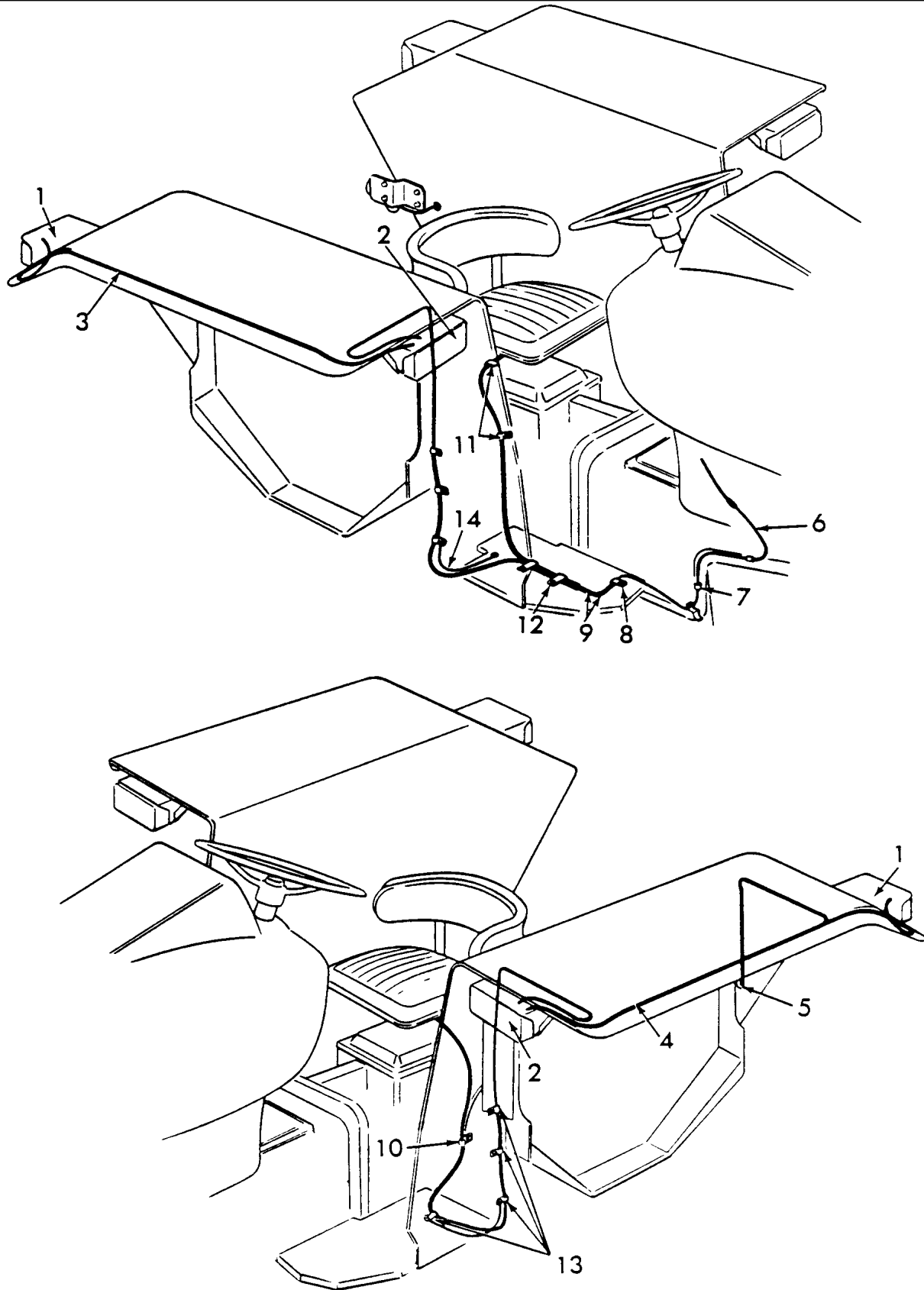


11D04

p1

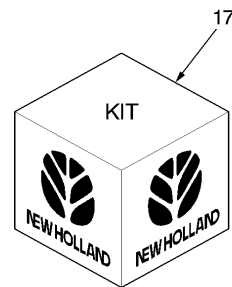
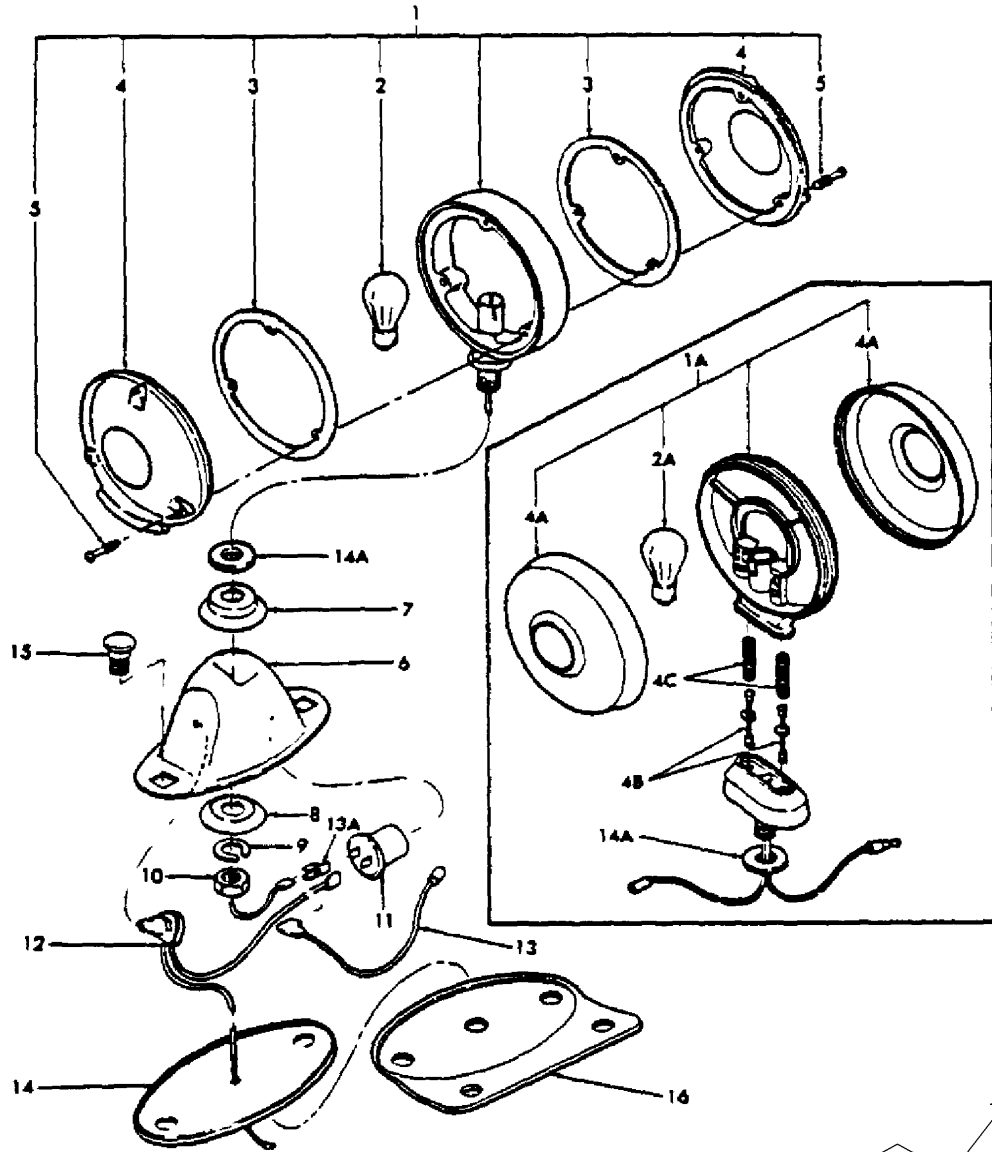
9/2018

REAR WIRING, W/FLAT TOP FENDERS, NH-E - 420, 535





FLASHER LAMPS & TURN SIGNAL, NHNA

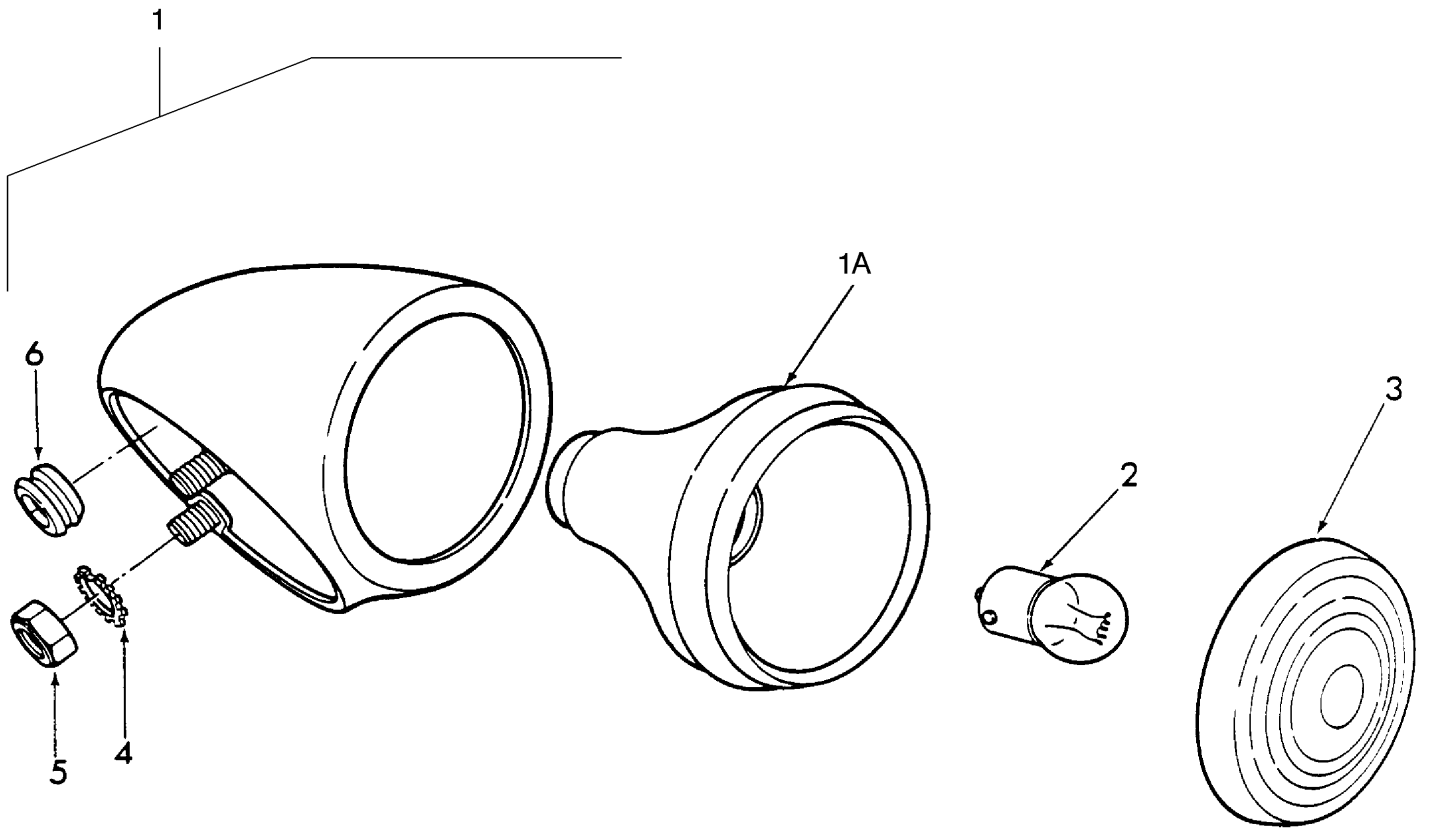


11E07

p1

9/2018

LAMP ASSEMBLY, PARKING, NH-E - 2600, 3600, 4600, 6600, 7600, 4100, 5600, 233, 333, 515, 420, 535

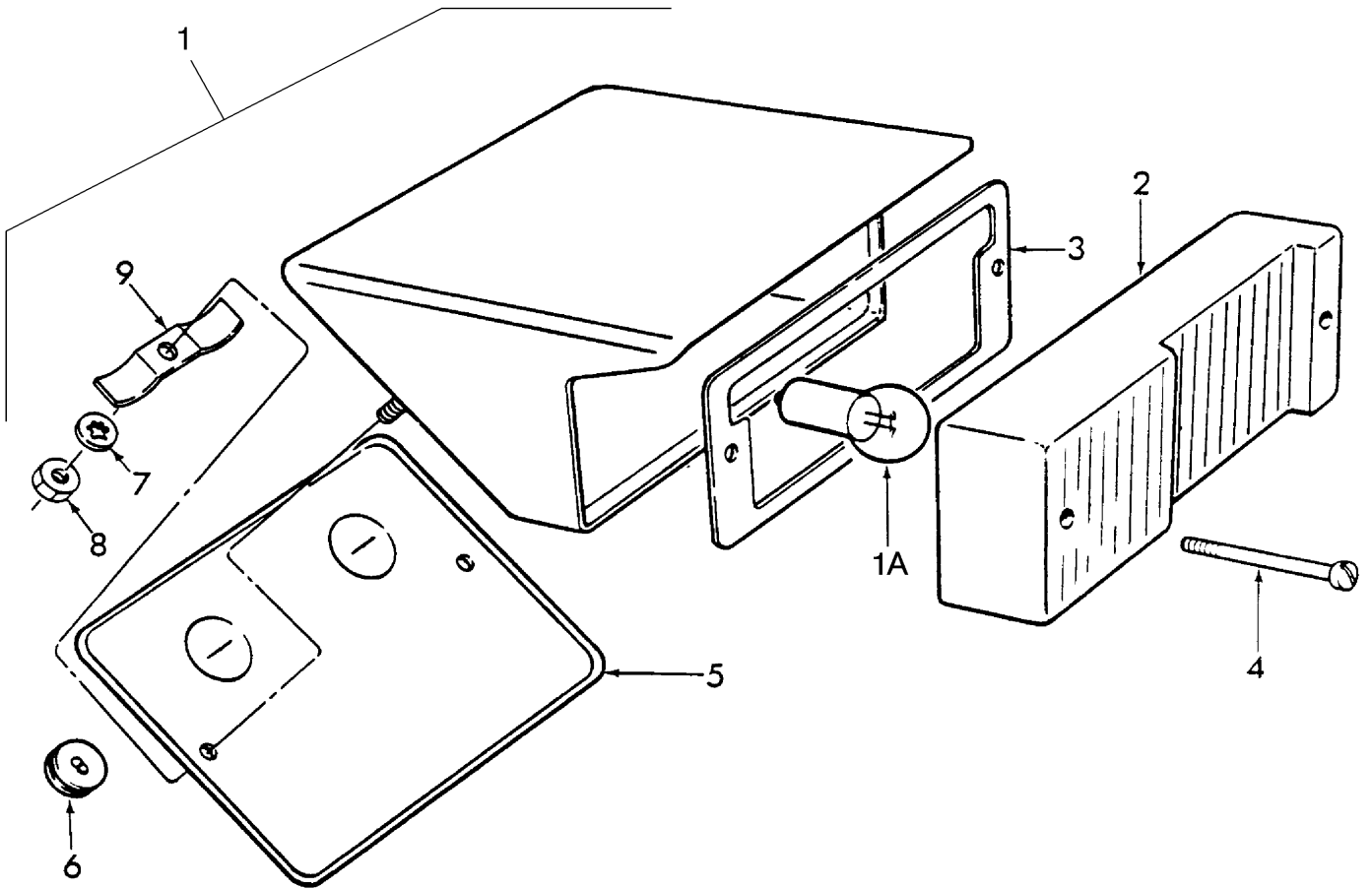


11E11

p1

9/2018

PARKING & REAR LAMPS, ITALY



CLICK HERE TO **DOWNLOAD** THE COMPLETE MANUAL

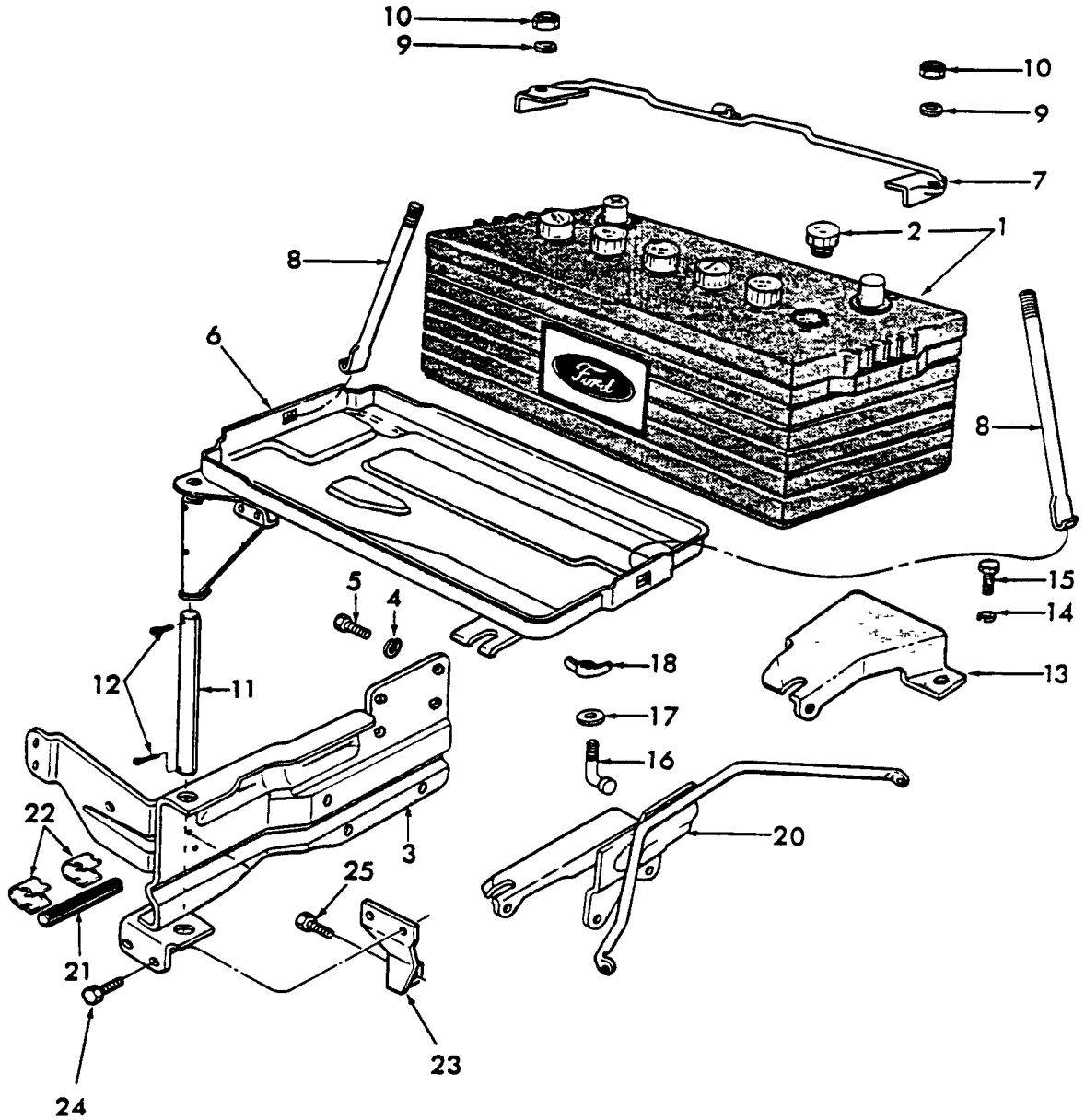
- Thank you very much for reading the preview of the manual.
- You can download the complete manual from: [www.heydownloads.com](http://www.heydownloads.com) by clicking the link below



- Please note: If there is no response to CLICKING the link, please download this PDF first and then click on it.

CLICK HERE TO **DOWNLOAD** THE COMPLETE MANUAL

BATTERY & BATTERY SUPPORT - 6600 GASOLINE & ALL DIESEL, EXCEPT - 5700, 6700, 7700



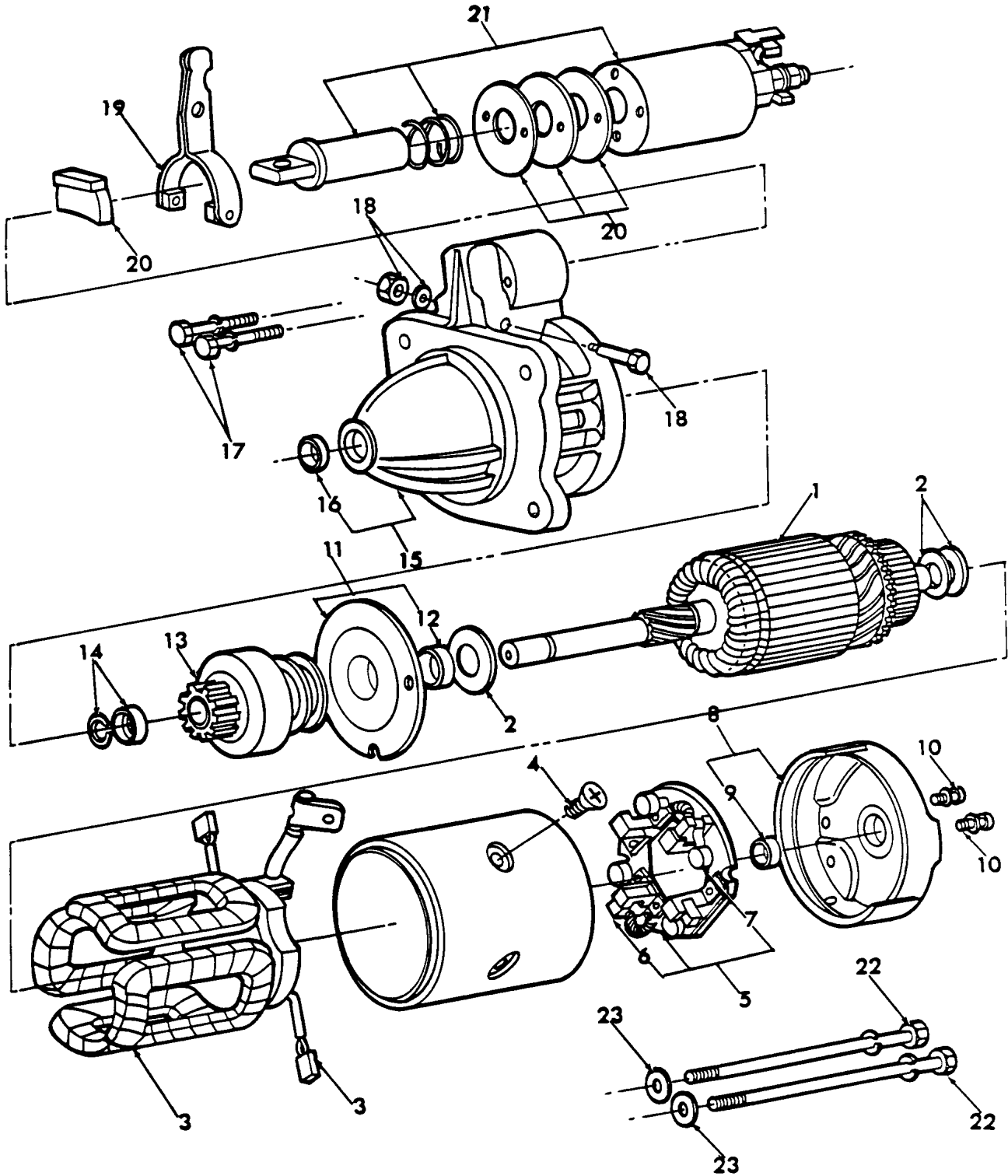
11G02

A

p2

9/2018

STARTING MOTOR ASSEMBLY, 4-1/2" DIA., DIESEL, NHNA

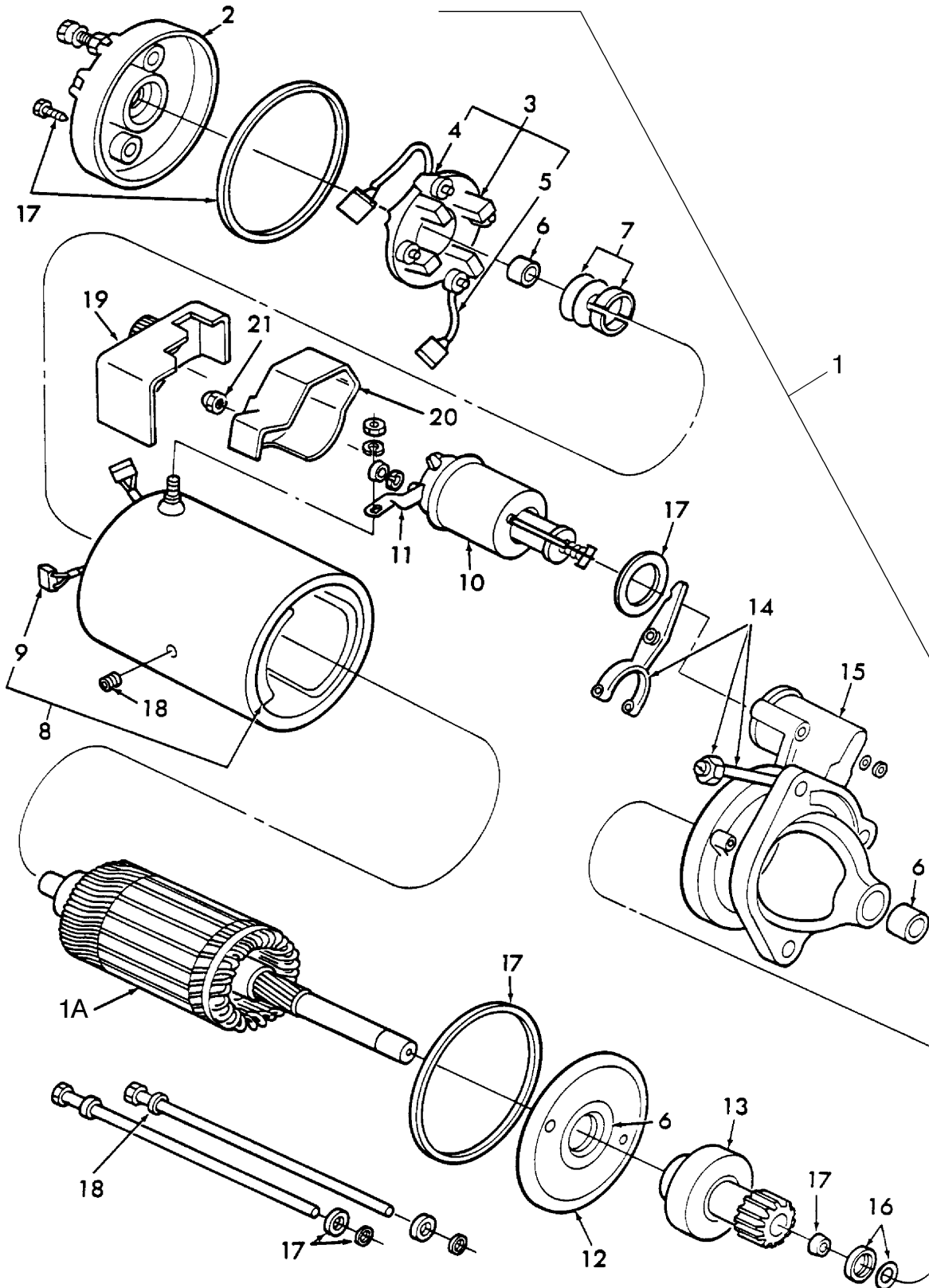


11G04

p1

9/2018

STARTING MOTOR ASSEMBLY, 5" DIA., DIESEL

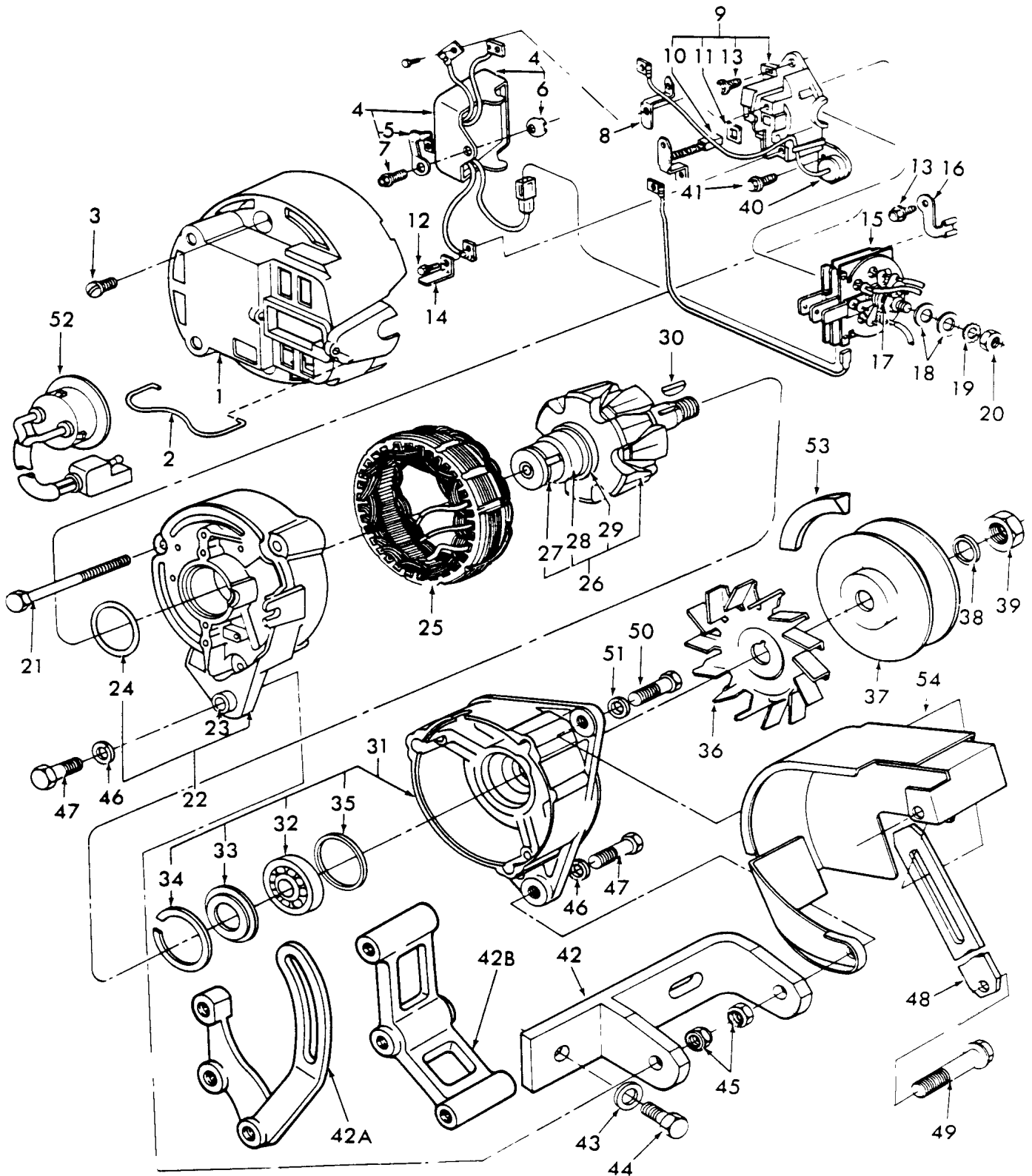


11H02

p1

9/2018

ALTERNATOR ASSEMBLY, NH-E

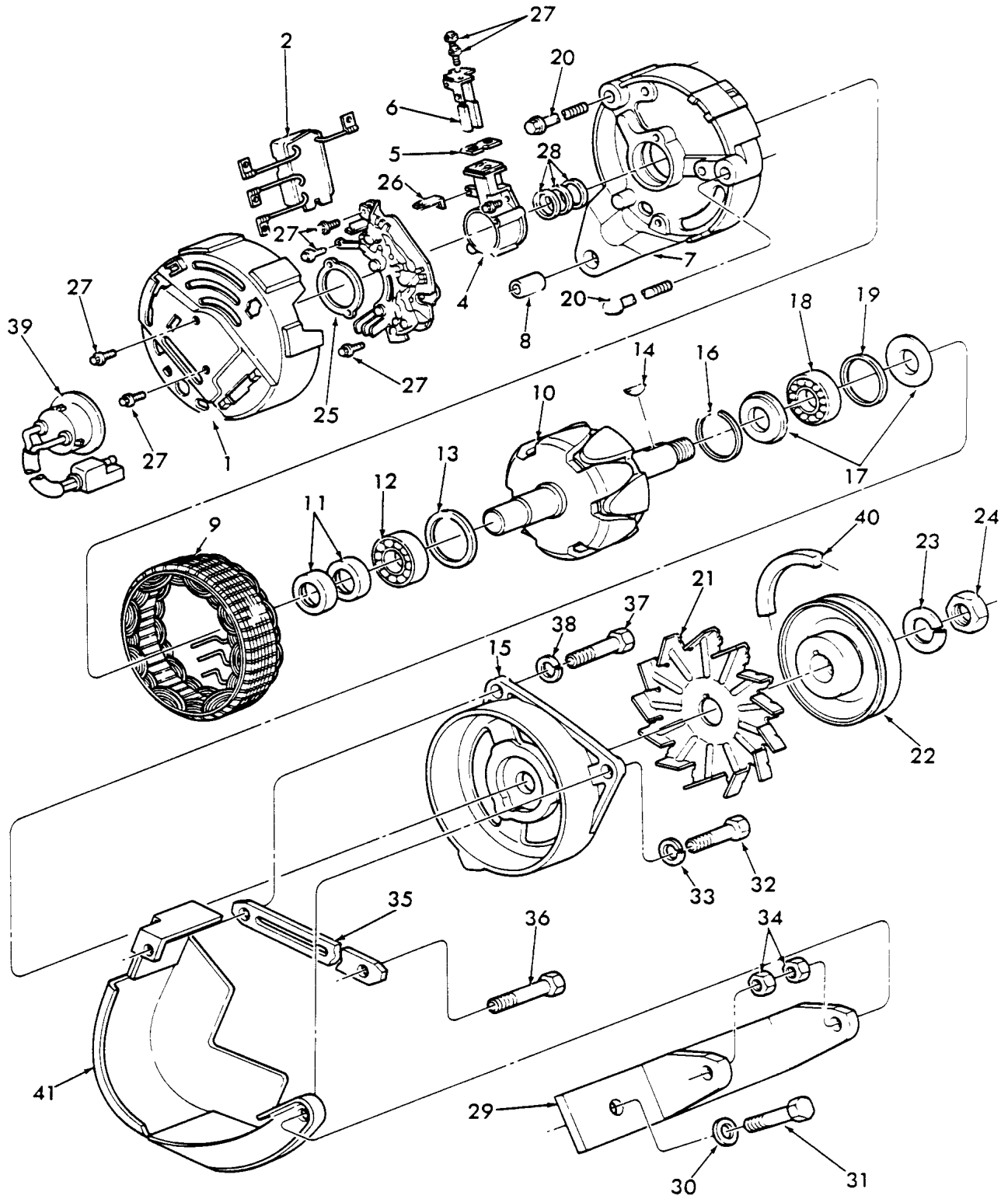


11H03

p3

9/2018

ALTERNATOR ASSEMBLY, 46 AMP, NH-E

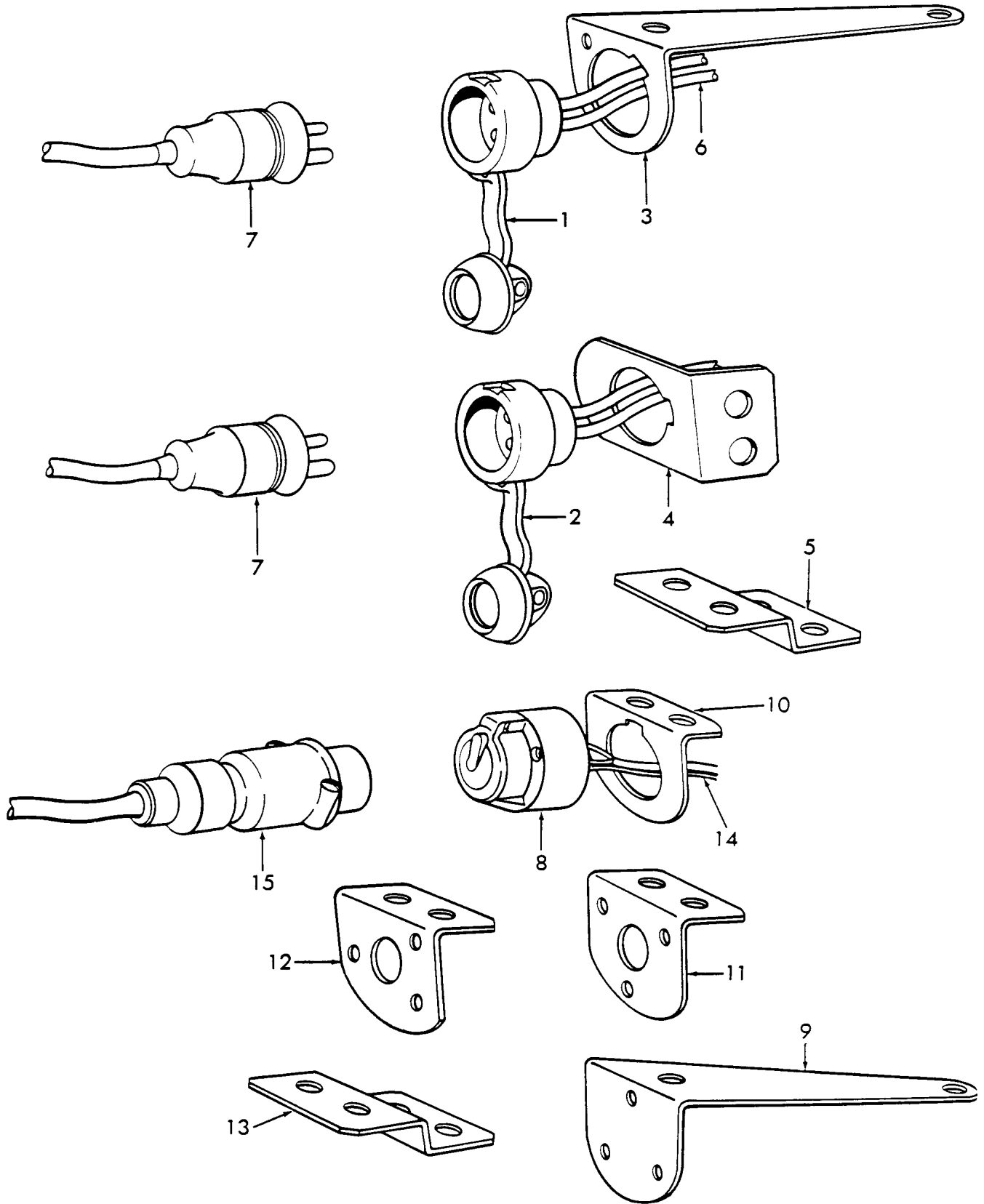


11K01

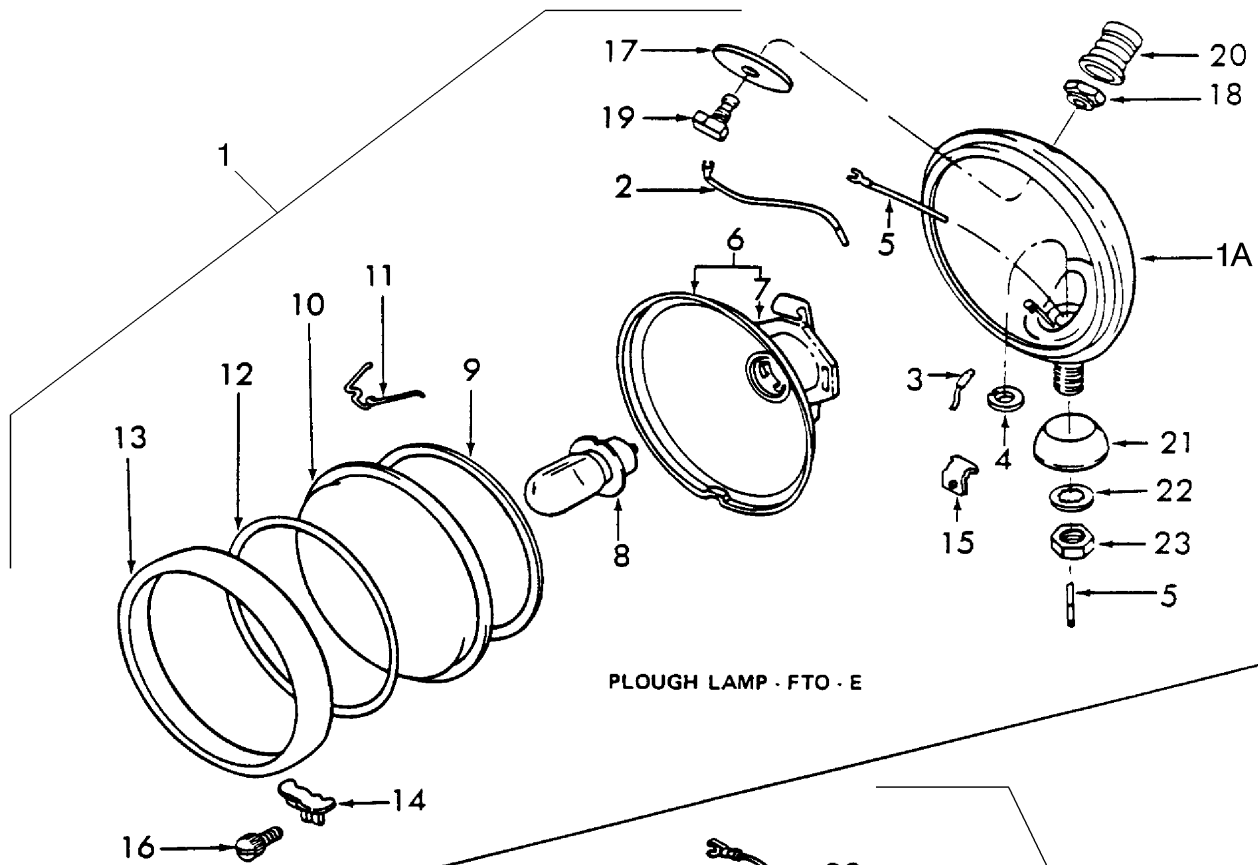
p1

9/2018

TRAILER SOCKETS, 2 POLE/7 POLE, NH-E

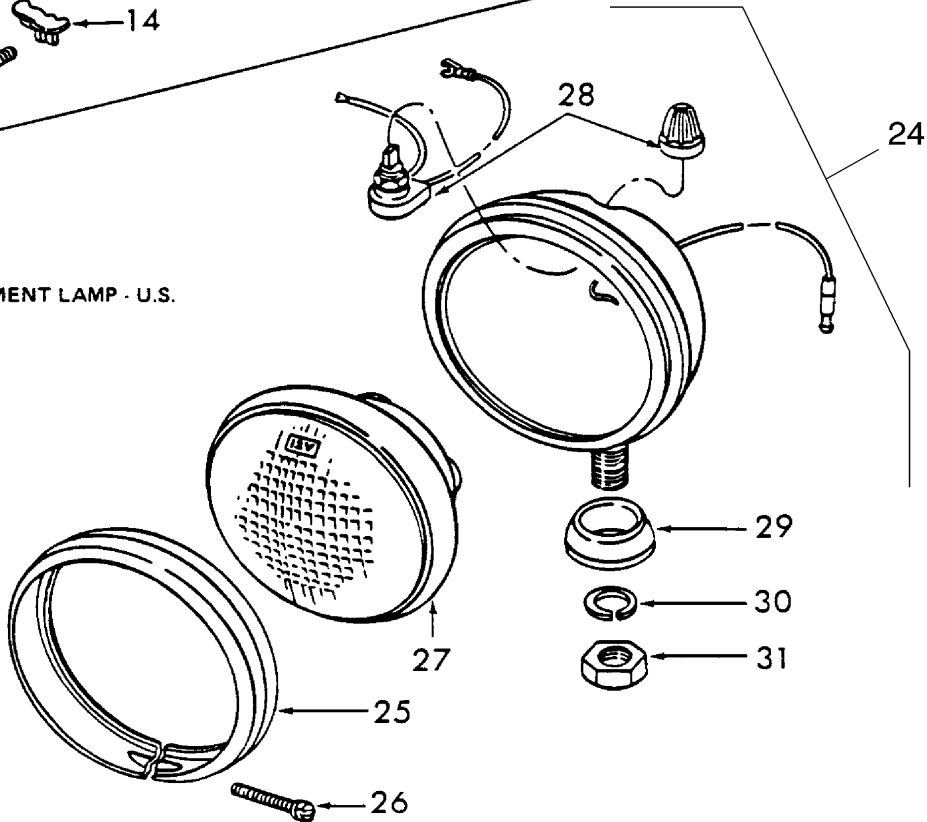


PLOW (PLOUGH) & IMPLEMENT LAMP ASSEMBLIES



PLOW LAMP - FTO - E

IMPLEMENT LAMP - U.S.



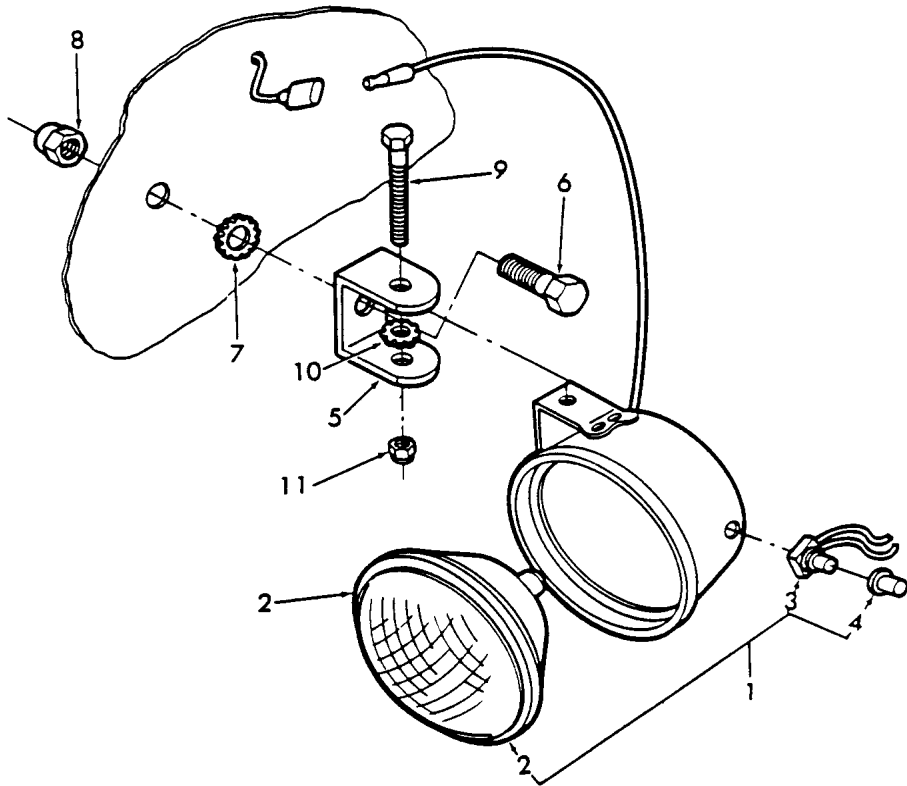
11M02

A

p1

9/2018

IMPLEMENT LAMP ASSEMBLY, NHNA

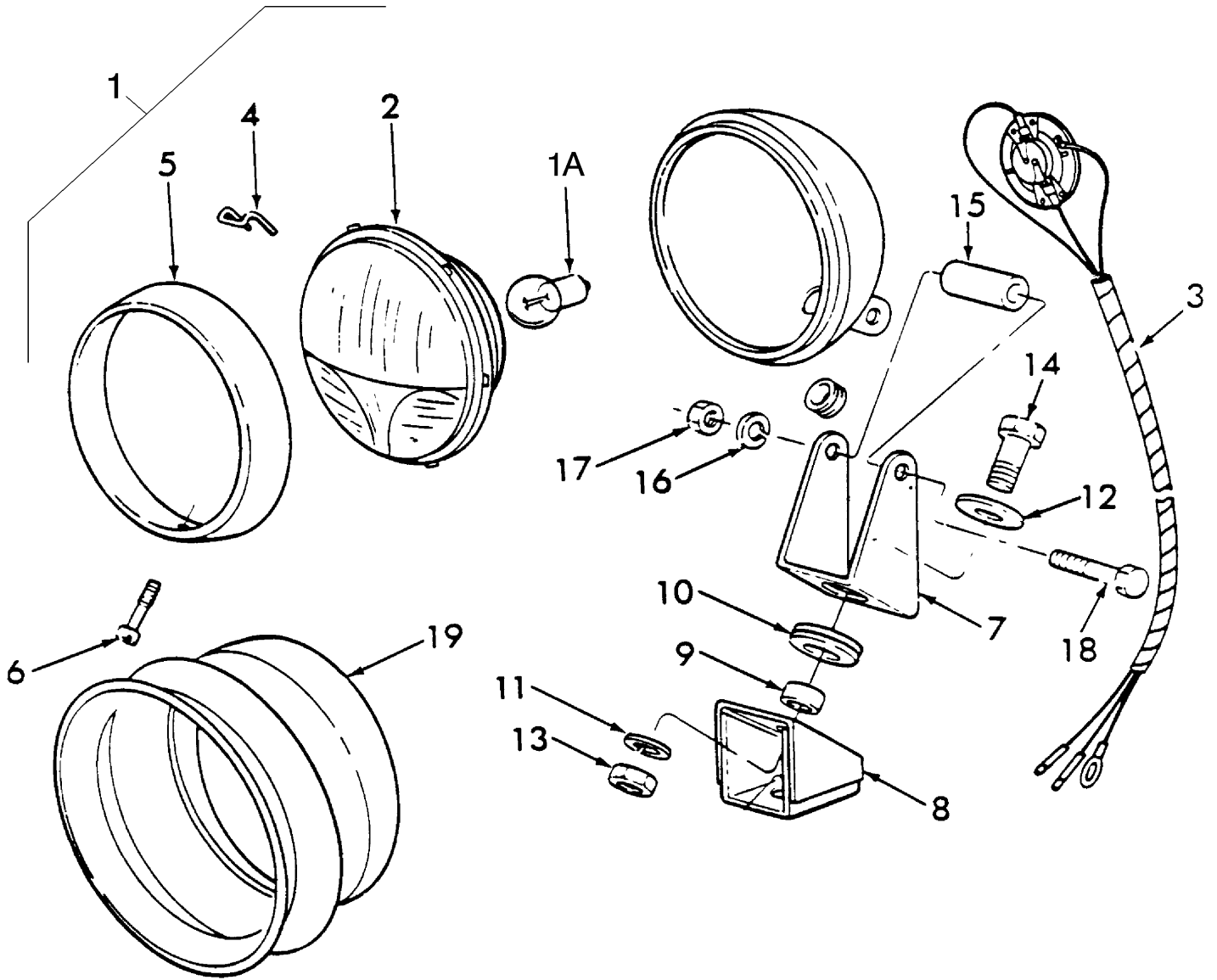


11N03

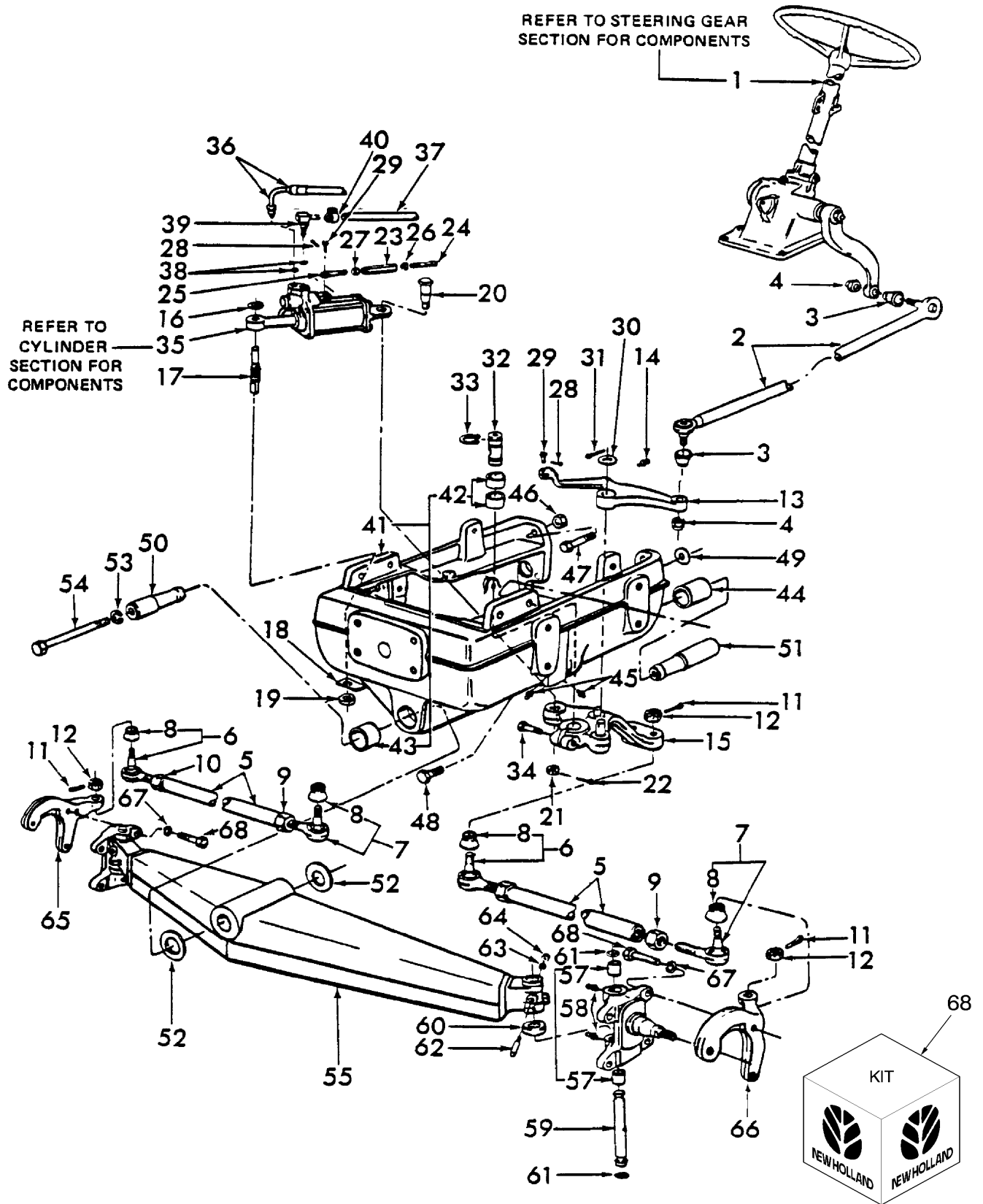
p1

9/2018

HEADLAMP ASSEMBLY, FRONT MOUNTED, NH-E (9-77/1-78)



FRONT AXLE, STEERING & RELATED PARTS (75/9-78) - 535

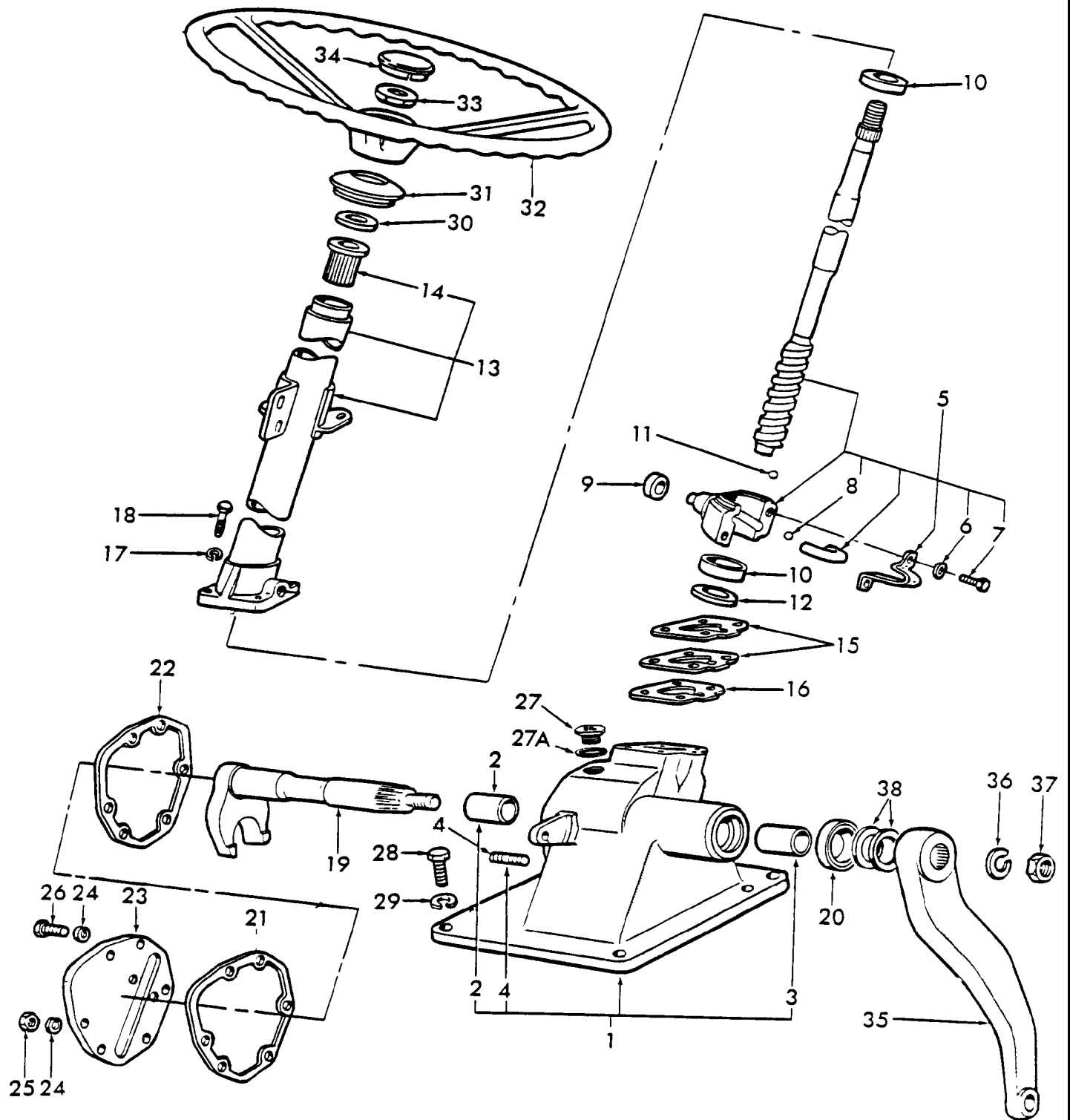


03B03

p4

9/2018

STEERING GEAR ASSY. - 4600 W/MANUAL STEERING, 535 W/POWER STEERING 75/ 2600, 3600, 4100, 233, 333-W/MANUAL

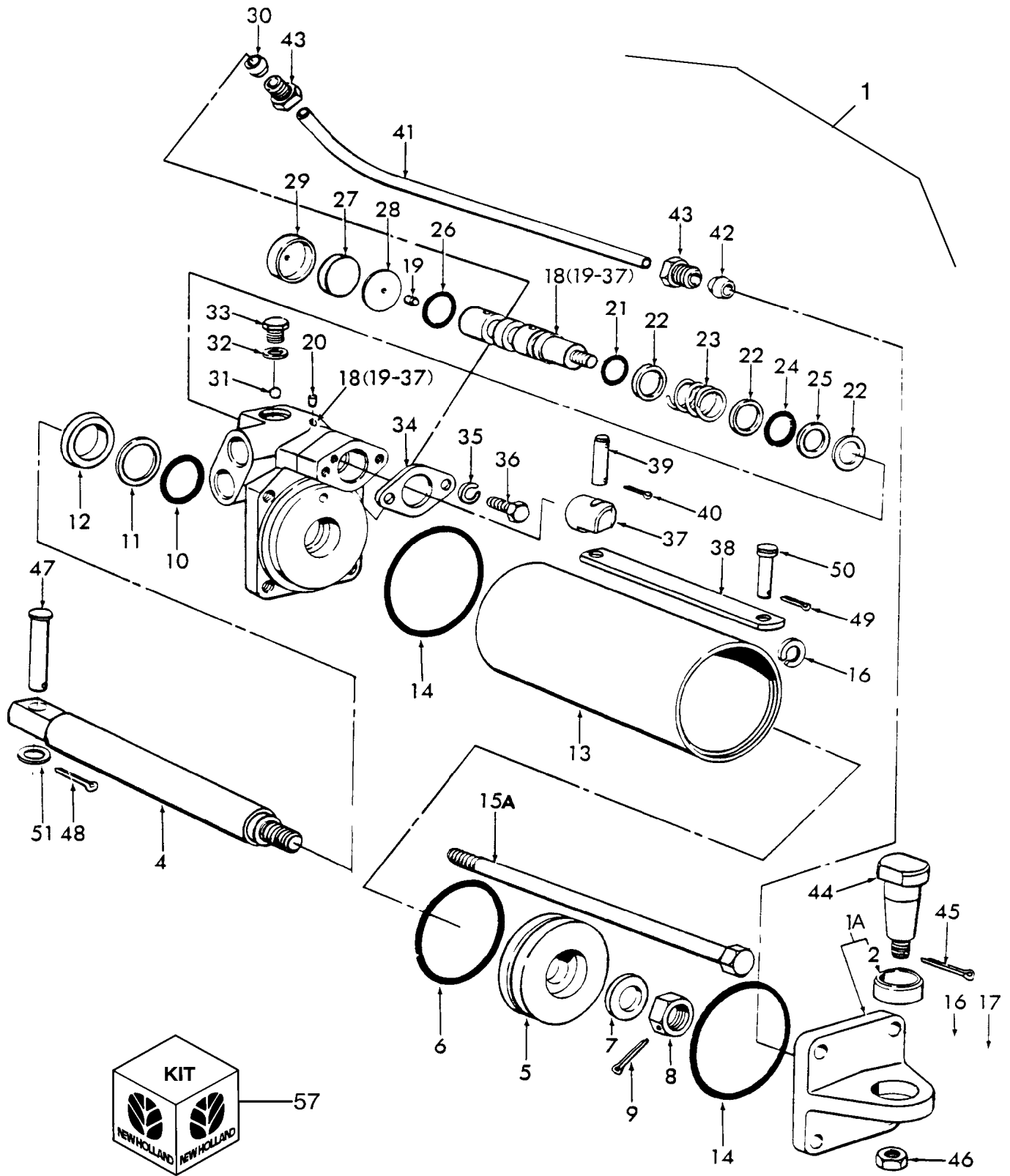


03D04

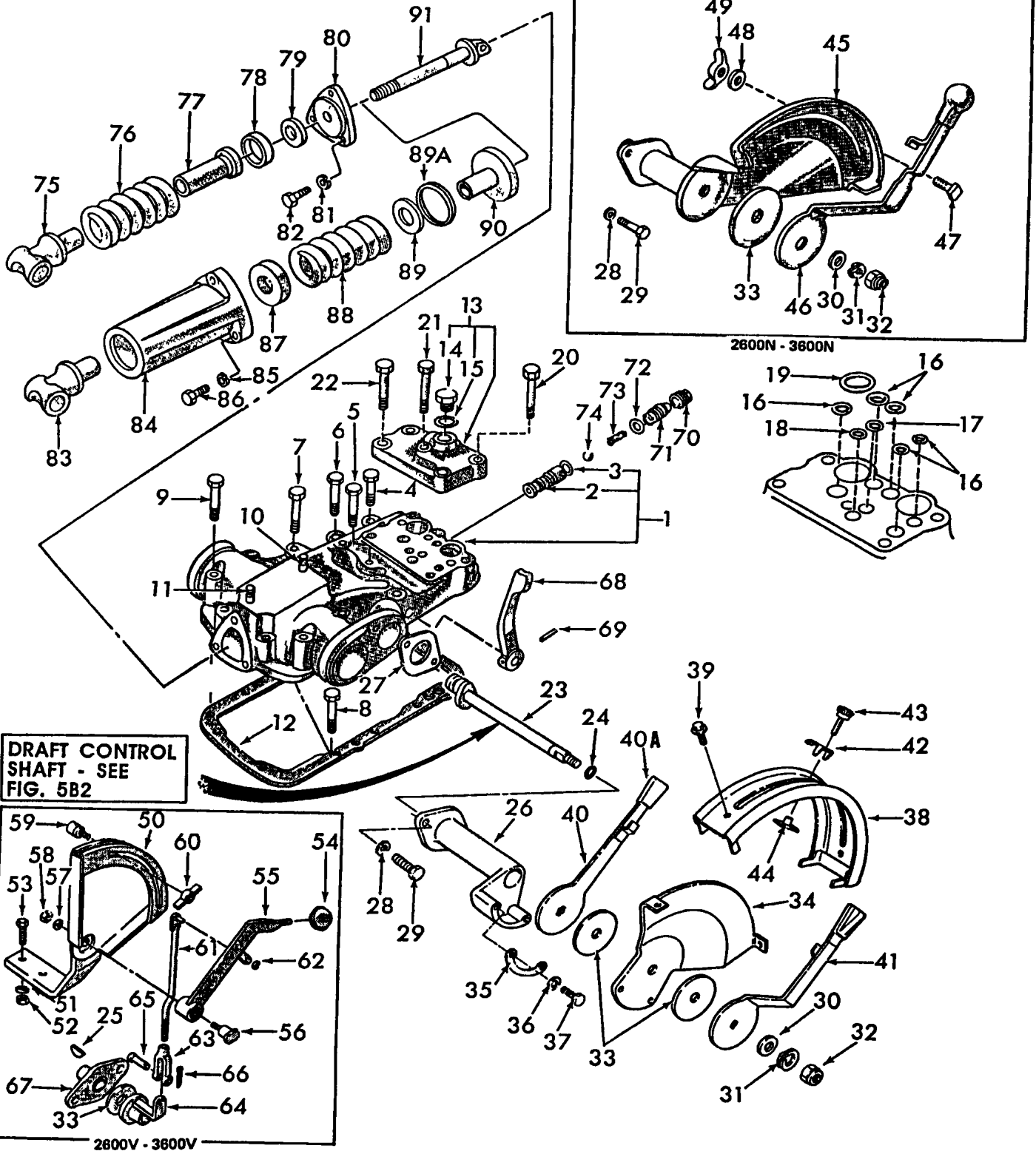
p4

9/2018

STEERING CYLINDER, POWER, (75/9-78), 515 & 535

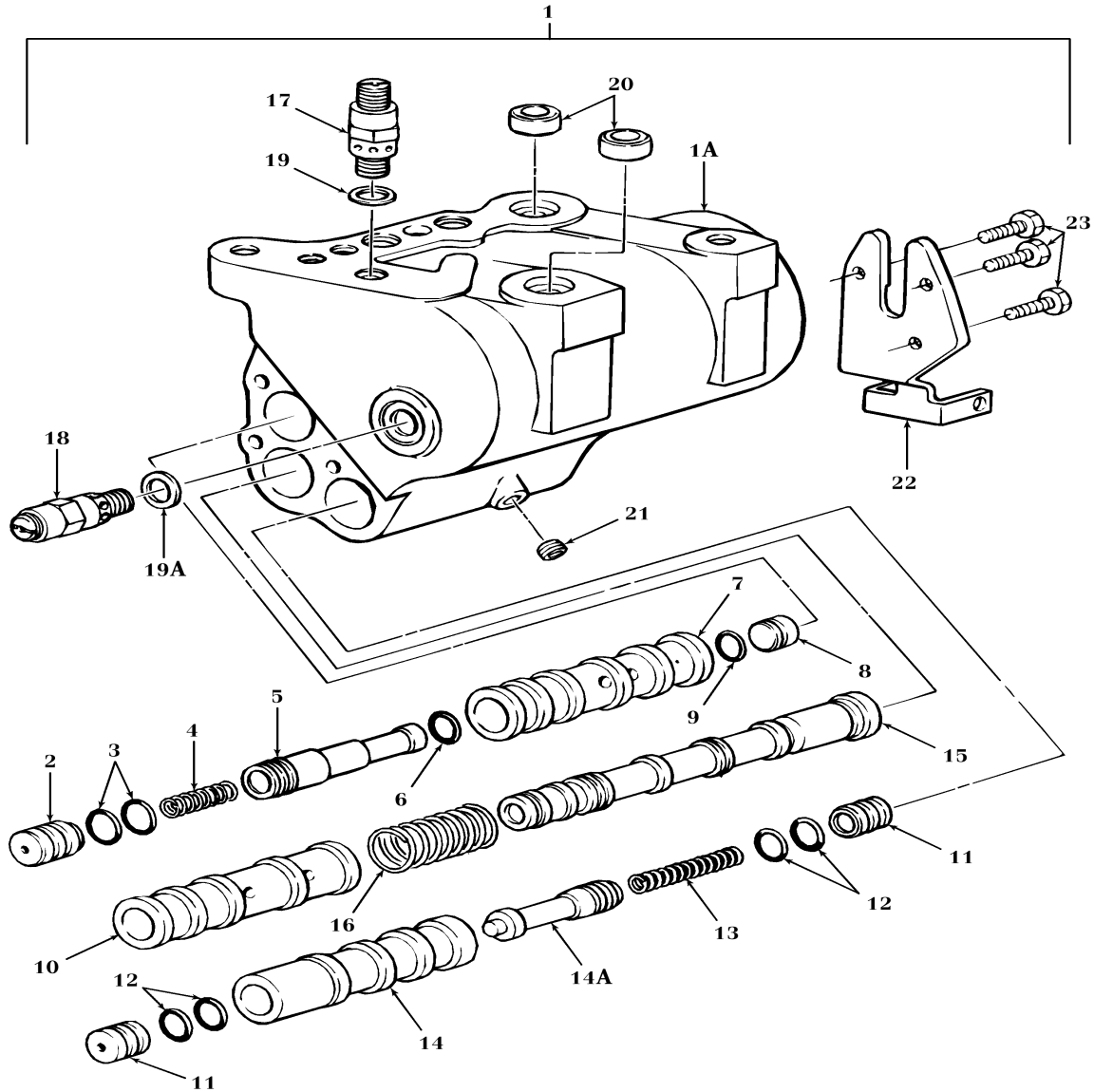


HYDRAULIC LIFT COVER & RELATED PARTS - 2600, 3600, 4600, 3900, 4100, 231, 531, 233, 333, 335, 515, 532, 420, 535





HYDRAULIC LIFT CYLINDER & RELATED PARTS



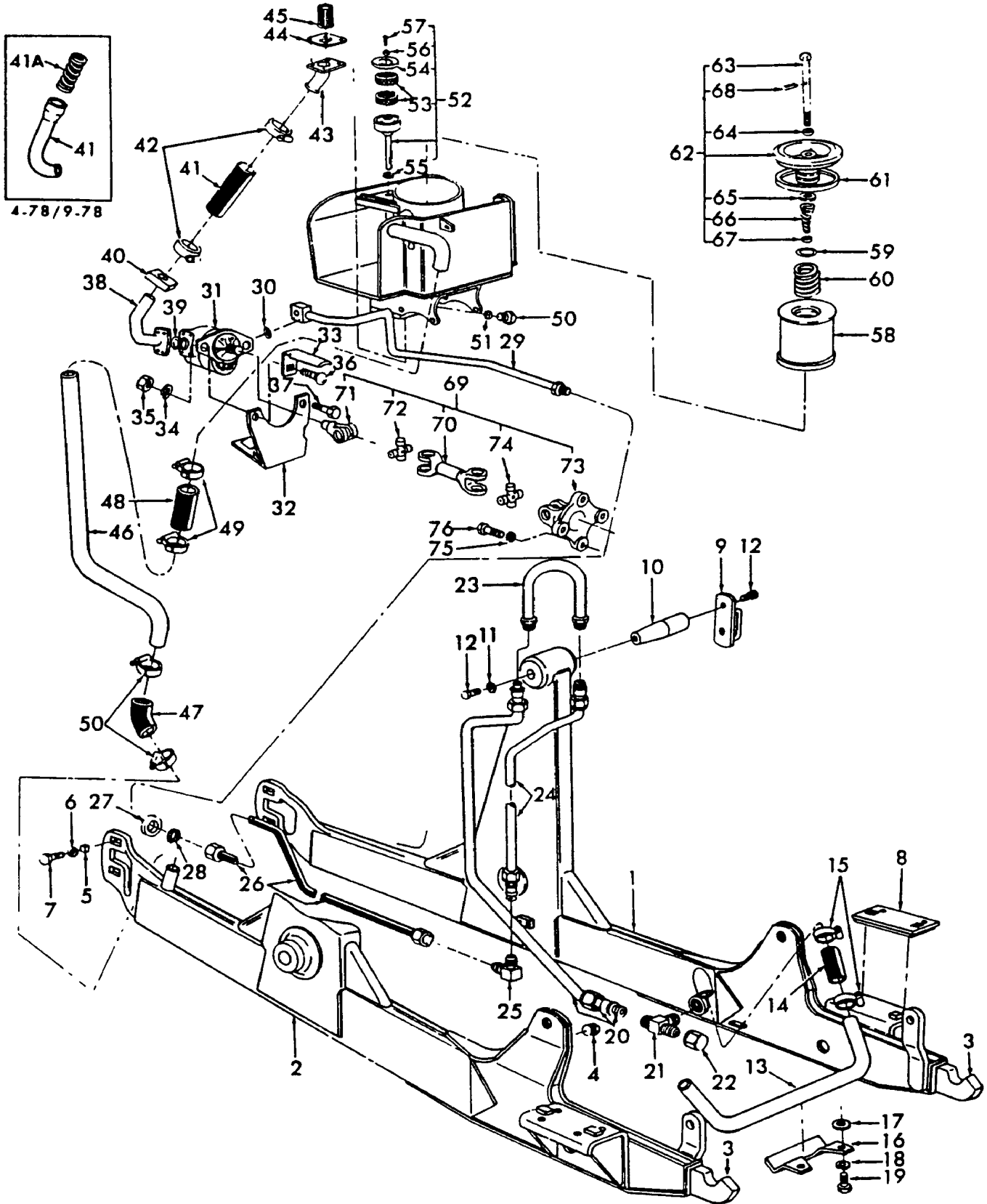
For Models 2600, 3600, 3900, 4100, 4600, 231, 233, 333, 335, 515, 531, 532, 420 & 535 .

05C01

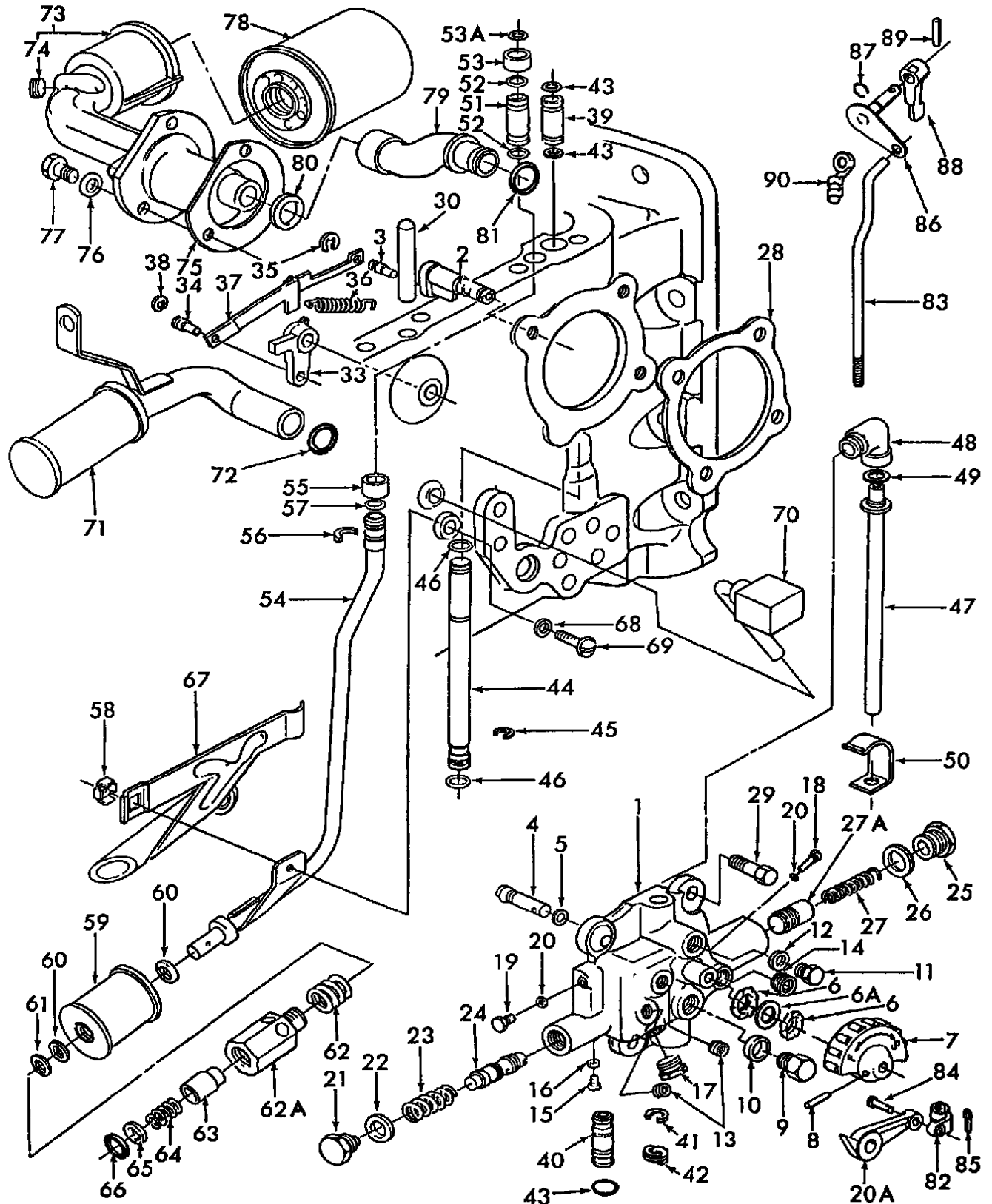
p5

9/2018

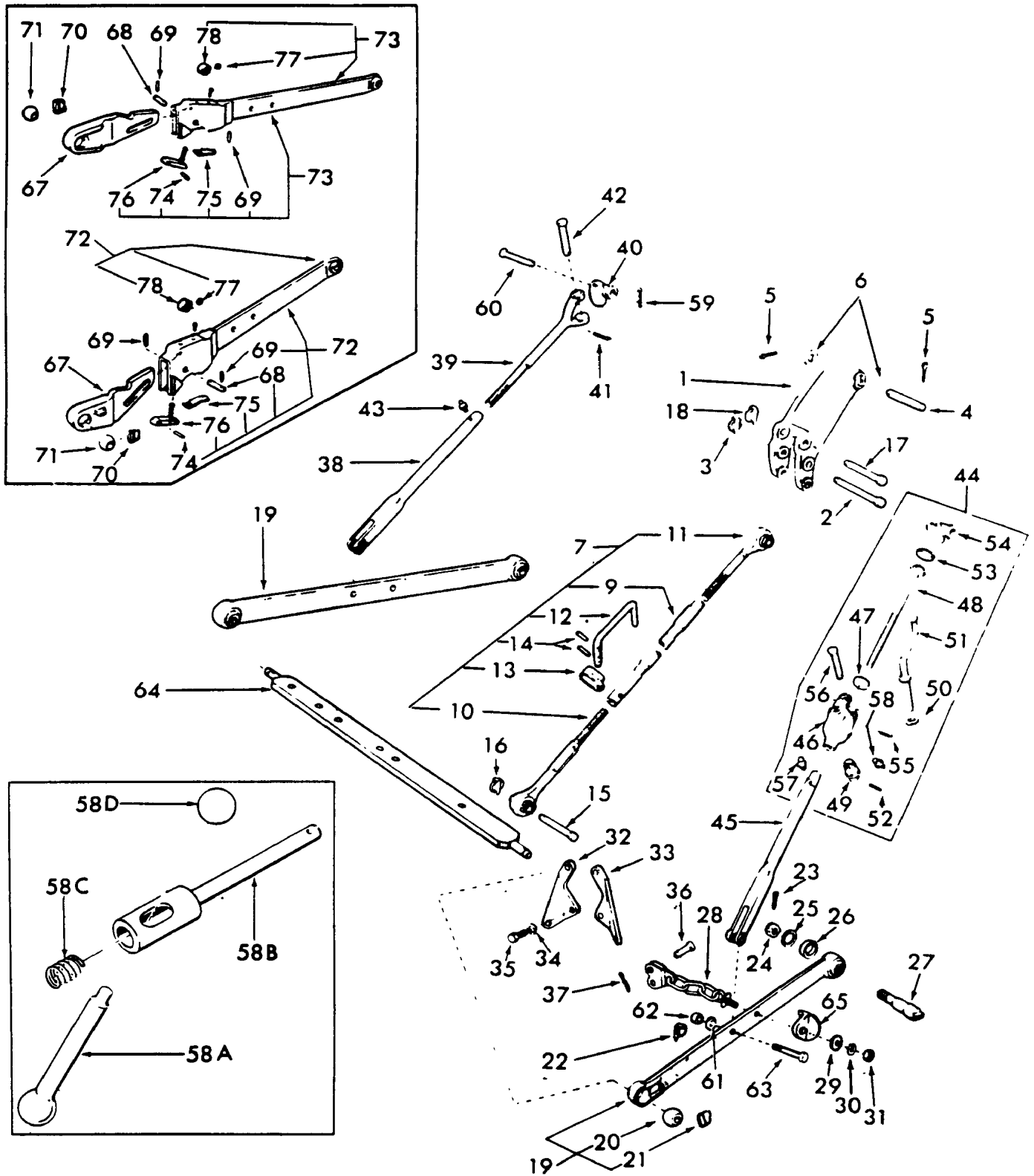
HYDRAULIC SYSTEM, FRAME & RELATED PARTS (75/9-78) - 535



FLOW CONTROL VALVE ASSEMBLIES



HYDRAULIC LIFT LINKAGE - 3900, 4600, 4100, 420, 515, 532, 535



**05H02**

p2

9/2018

REMOTE CONTROL VALVE O-RING KIT

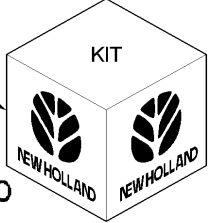
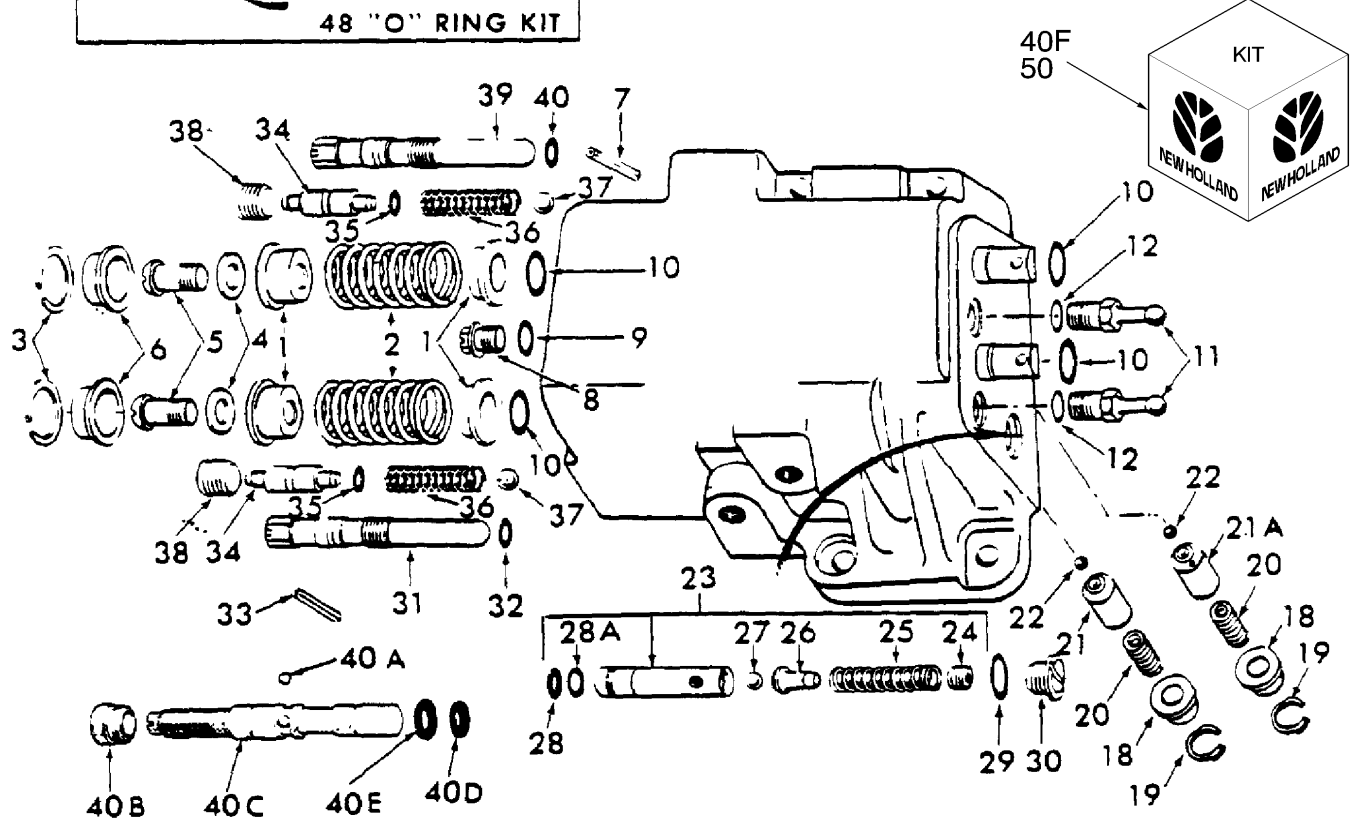
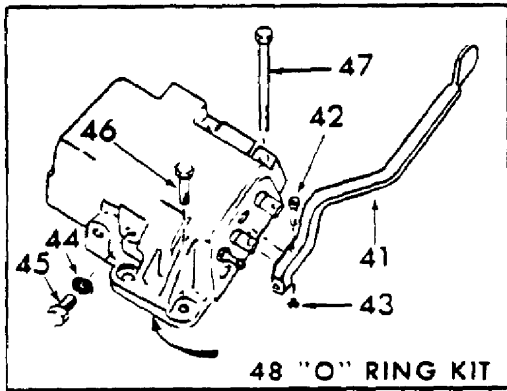
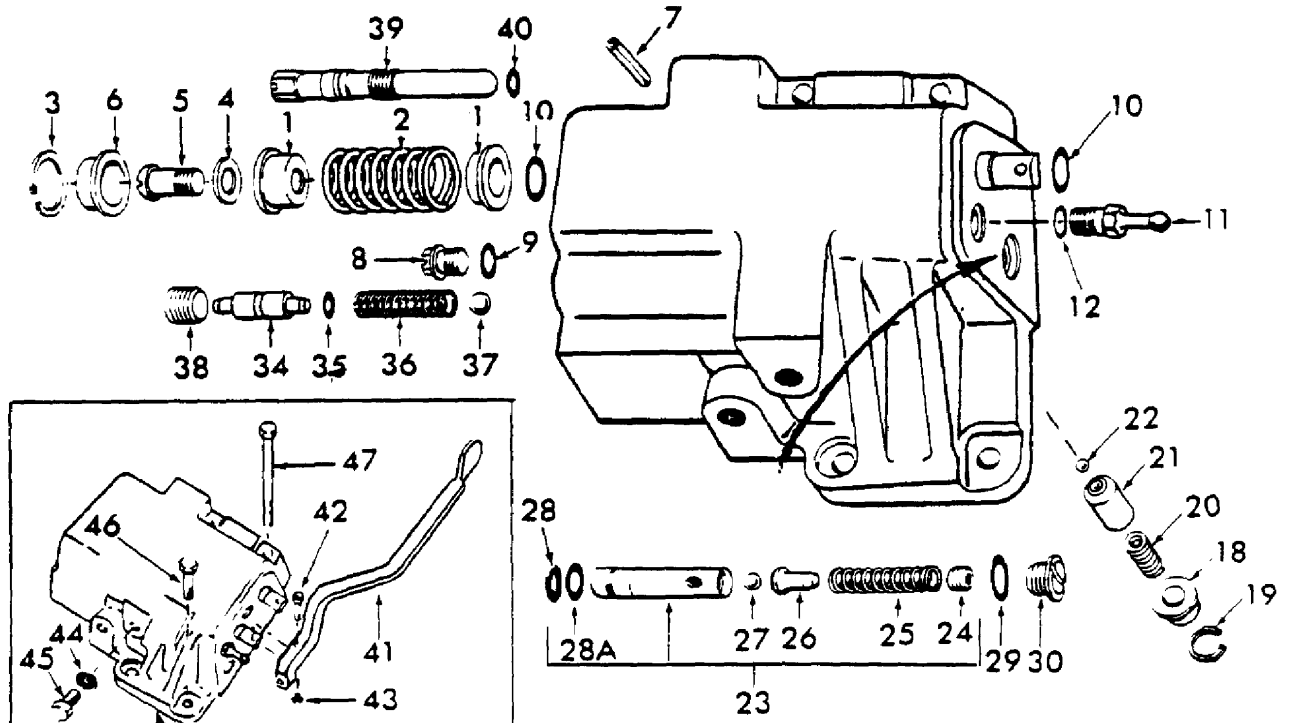


05J02

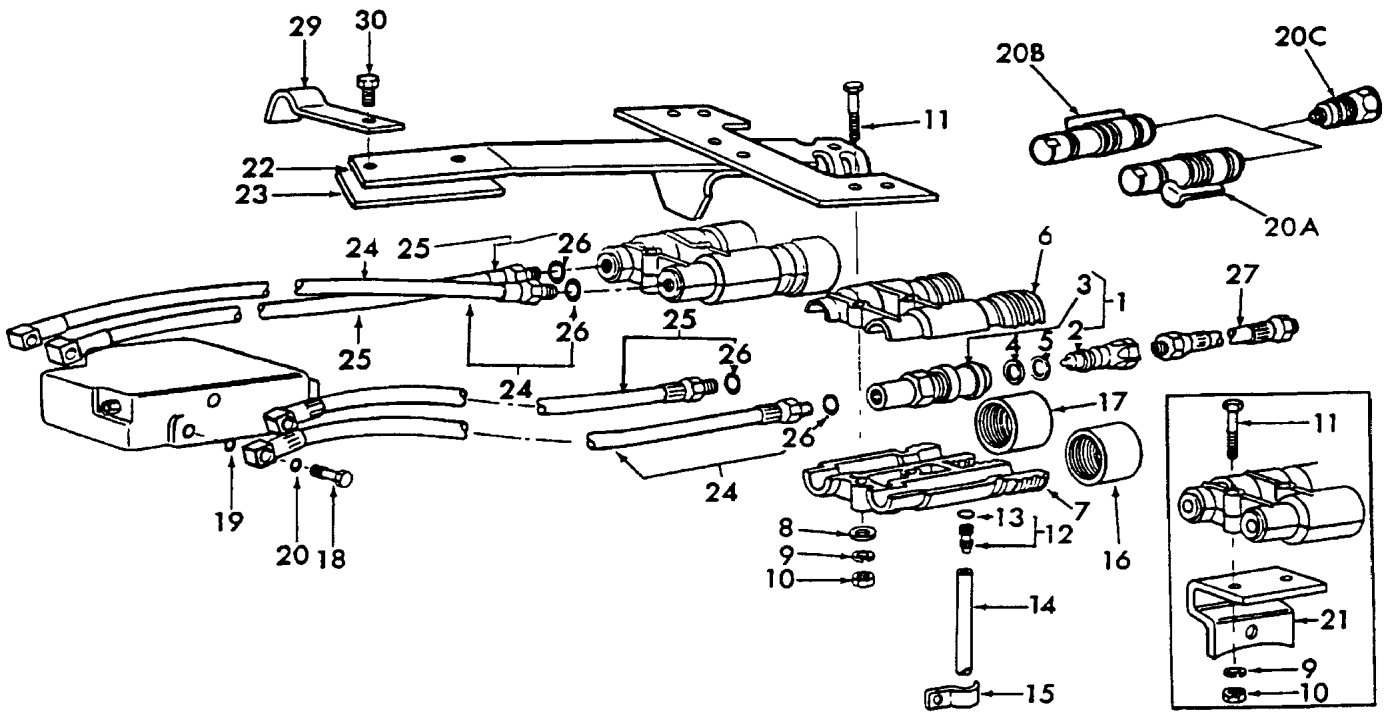
p6

9/2018

HYDRAULICS, REMOTE CONTROL VALVES, SINGLE & DOUBLE SPOOL

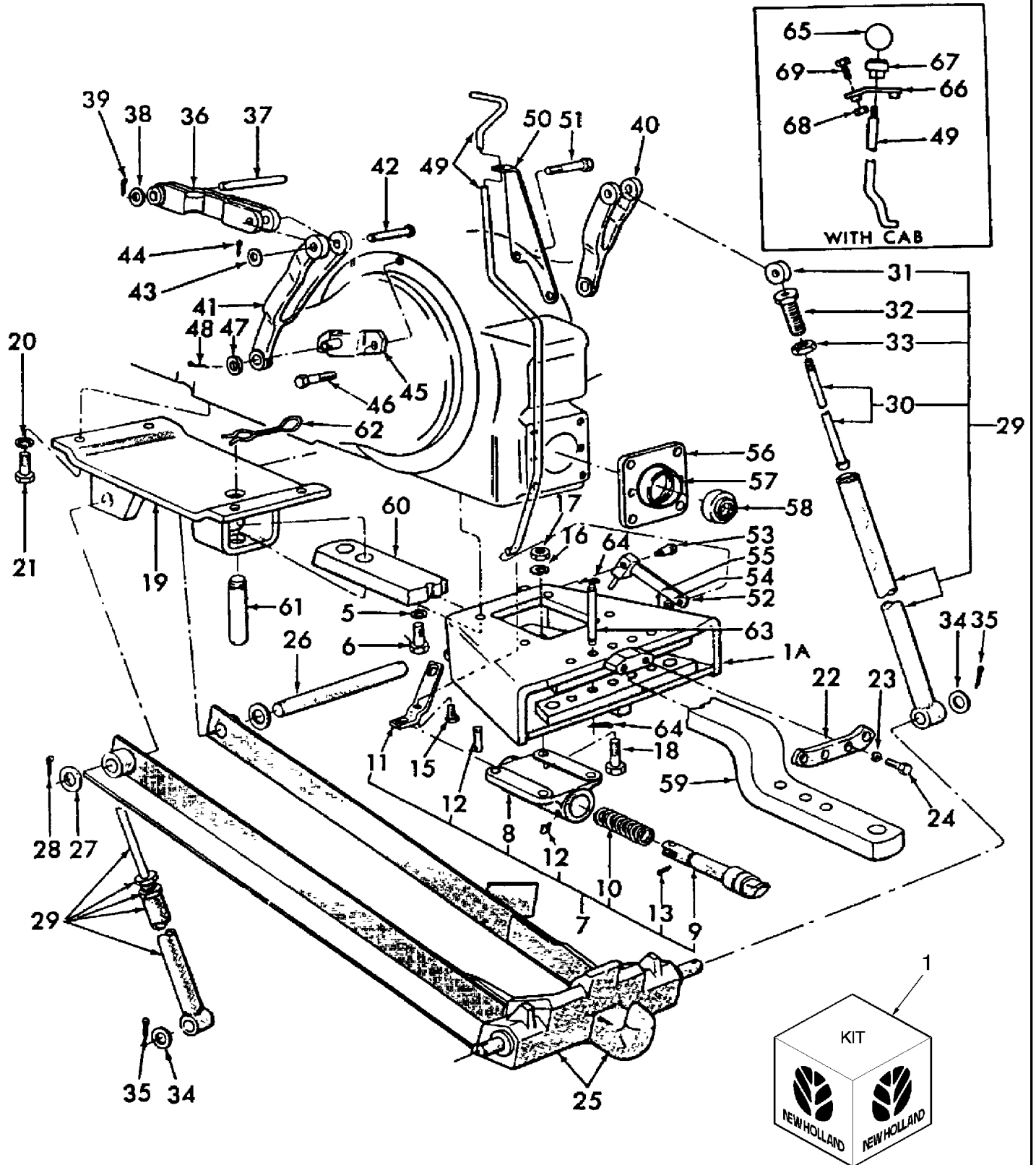


REMOTE CYLINDER COUPLING KITS, DOUBLE ACTING, ACCESSORY



2600 - 3600 - 231  
335 - 420  
U.S.

AUTOMATIC PICK-UP HITCH & SWINGING DRAWBAR KITS, NH-E - 4100, 4600, 535, 420, 515

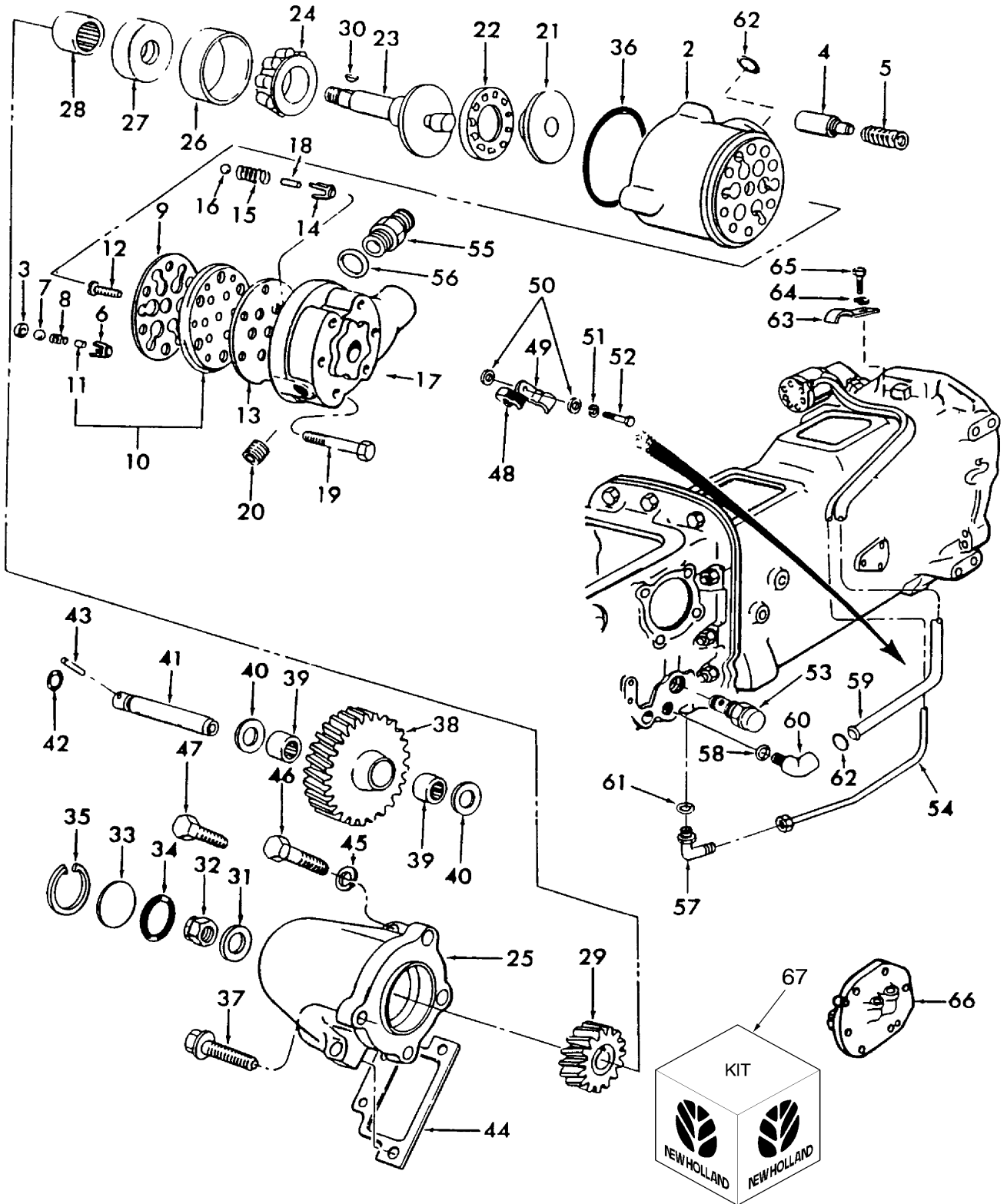


10A01

p2

9/2018

HYDRAULIC PUMP ASSEMBLIES, ENGINE MOUNTED, PISTON TYPE

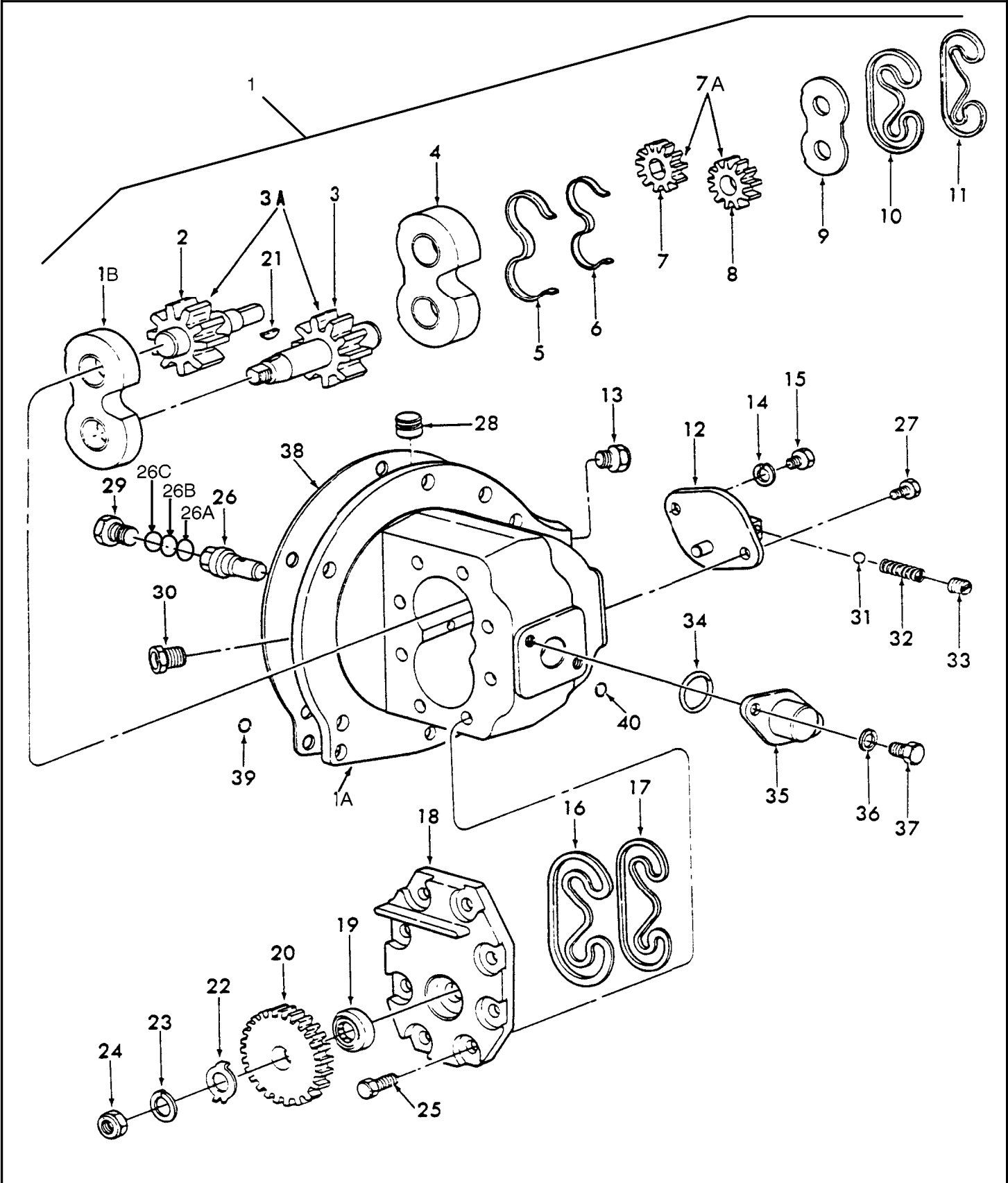


10B01

p3

9/2018

HYDRAULIC PUMPS, MOUNTED IN CENTER HOUSING, GEAR TYPE

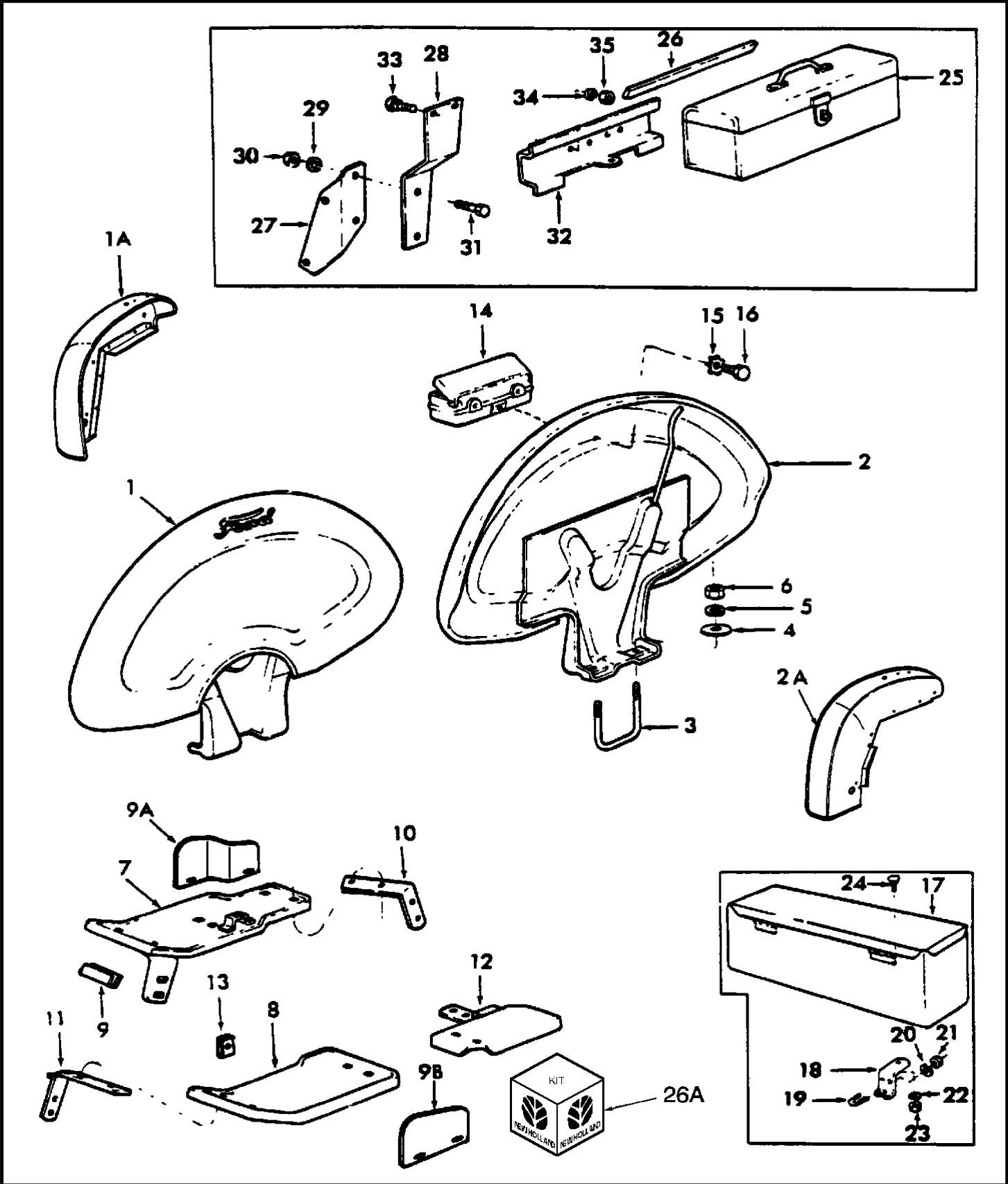


14A01

p3

9/2018

CROWN FENDERS, PLATFORM, TOOL BOX & RELATED PARTS, 231,233,333,335,420,515,531,532,535,2600,3600,4100,4600,66000

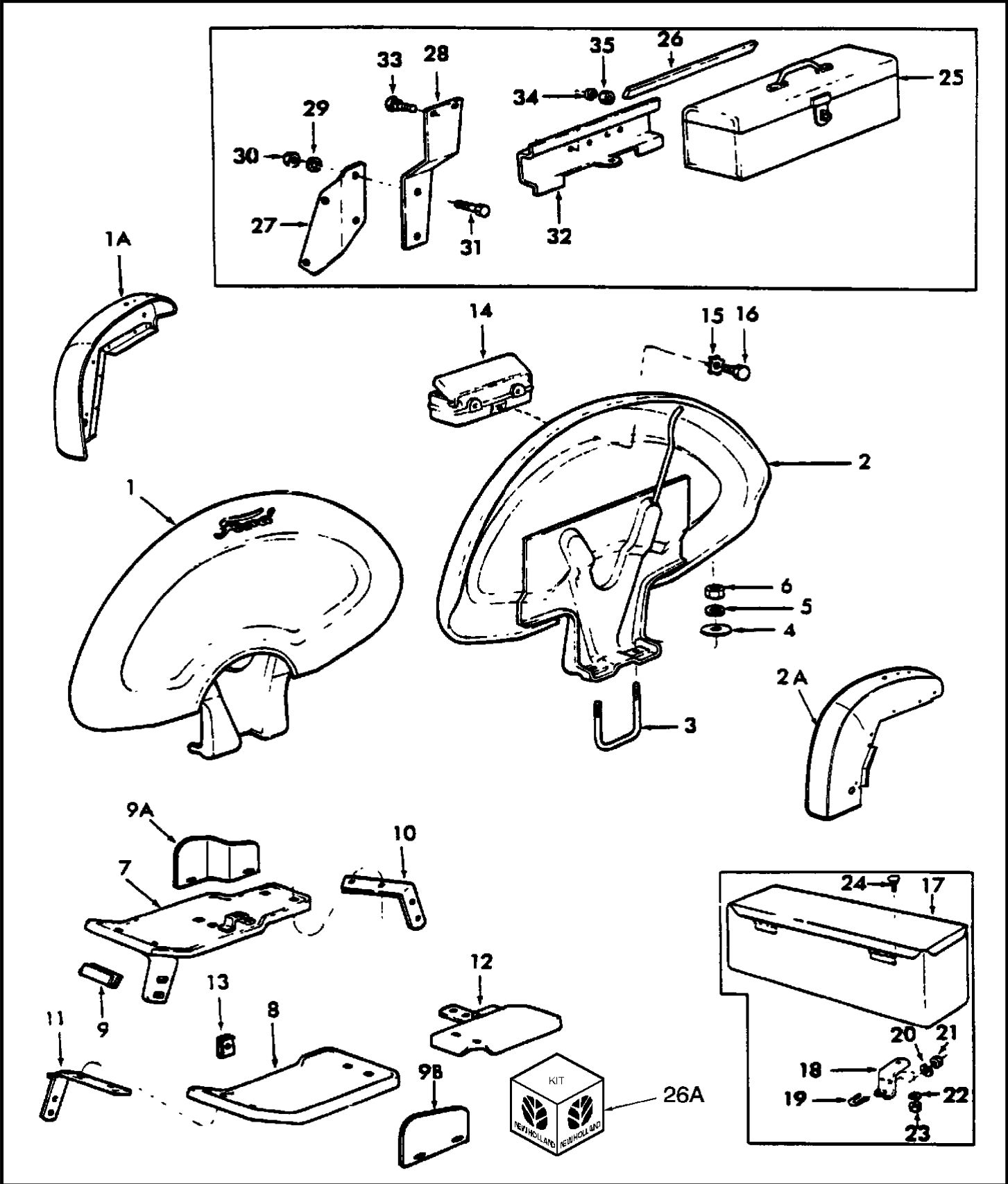


14A01

p9

9/2018

CROWN FENDERS, PLATFORM, TOOL BOX & RELATED PARTS, 231,233,333,335,420,515,531,532,535,2600,3600,4100,4600,66000

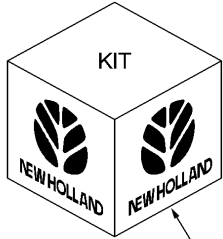


14A02

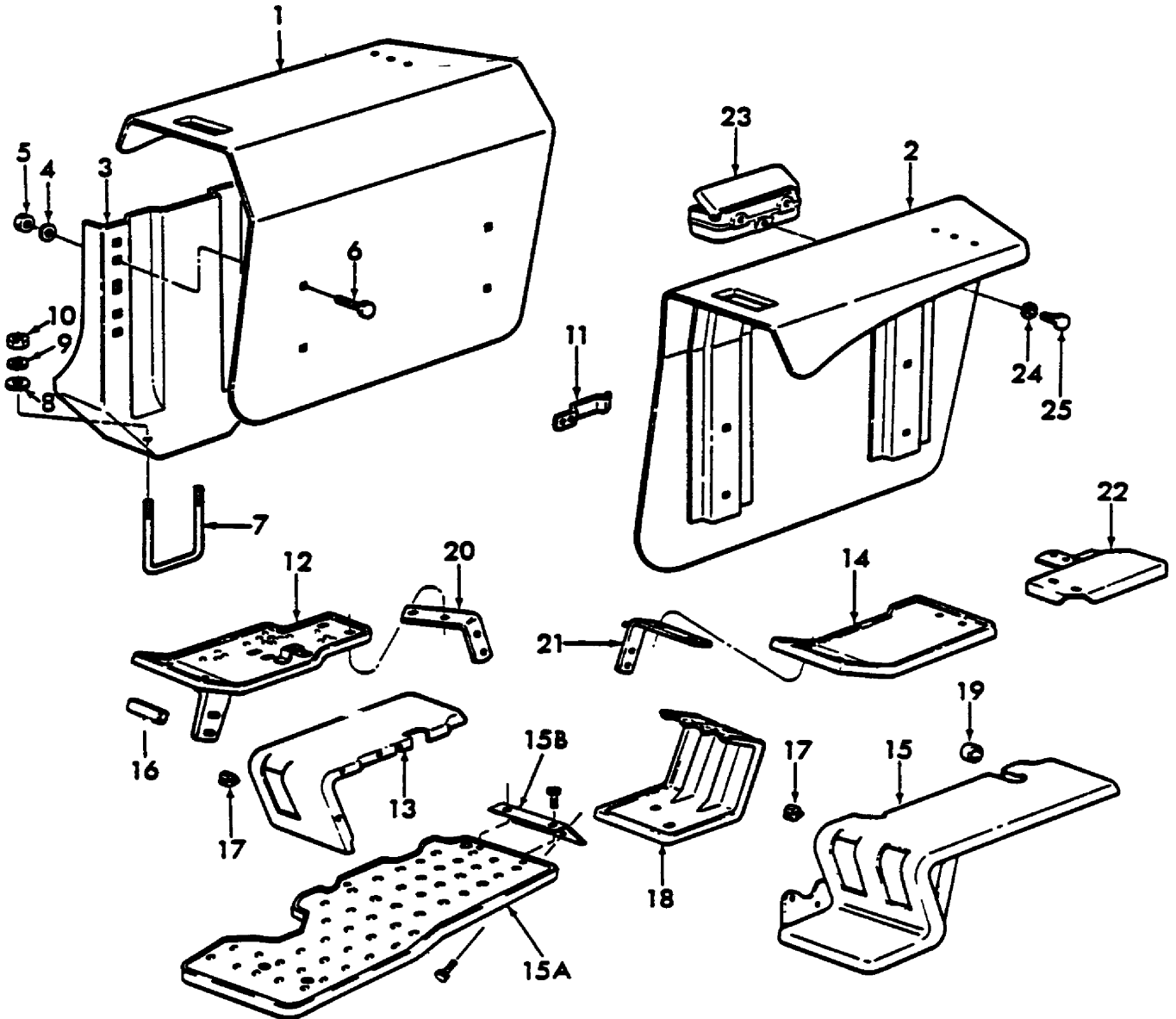
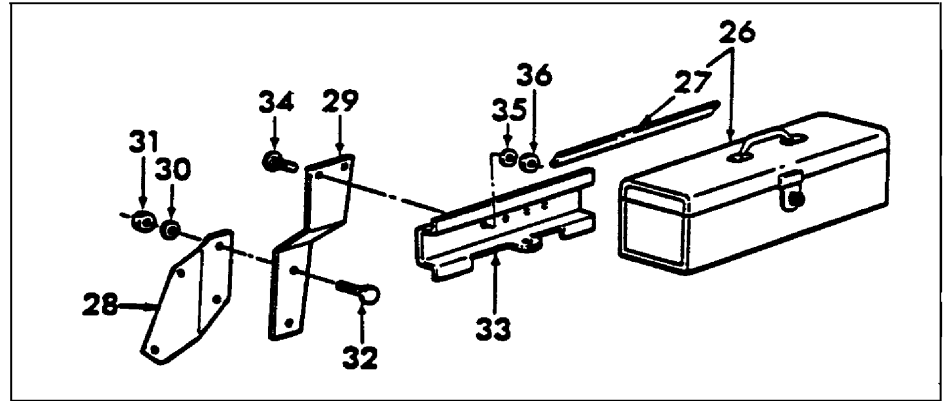
p6

9/2018

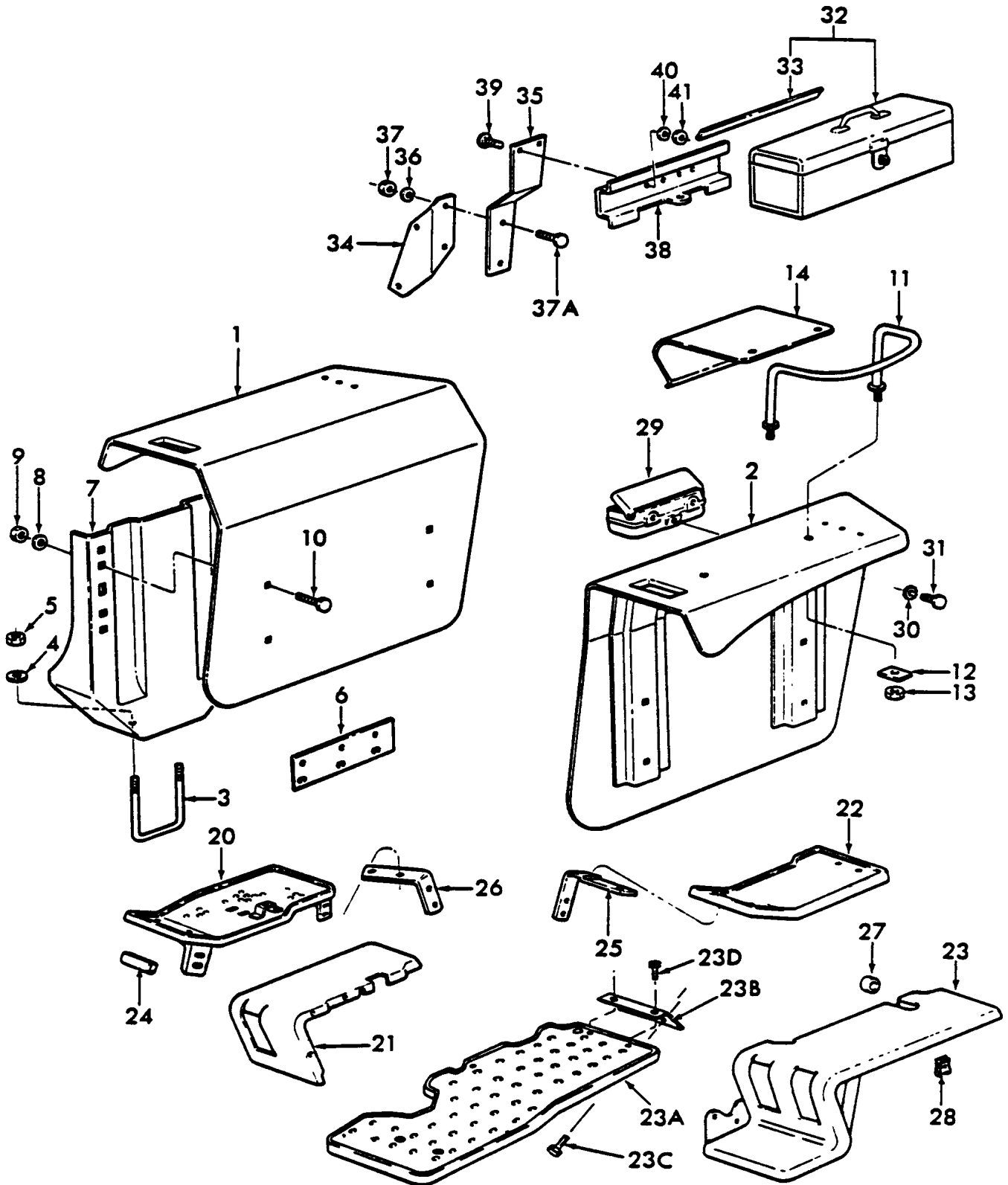
FLAT TOP FENDERS, PLATFORM, TOOL BOX & RELATED PARTS, NHNA, 2600,3600,4600,6600,7600,4100,5600,335,515,532,420,535



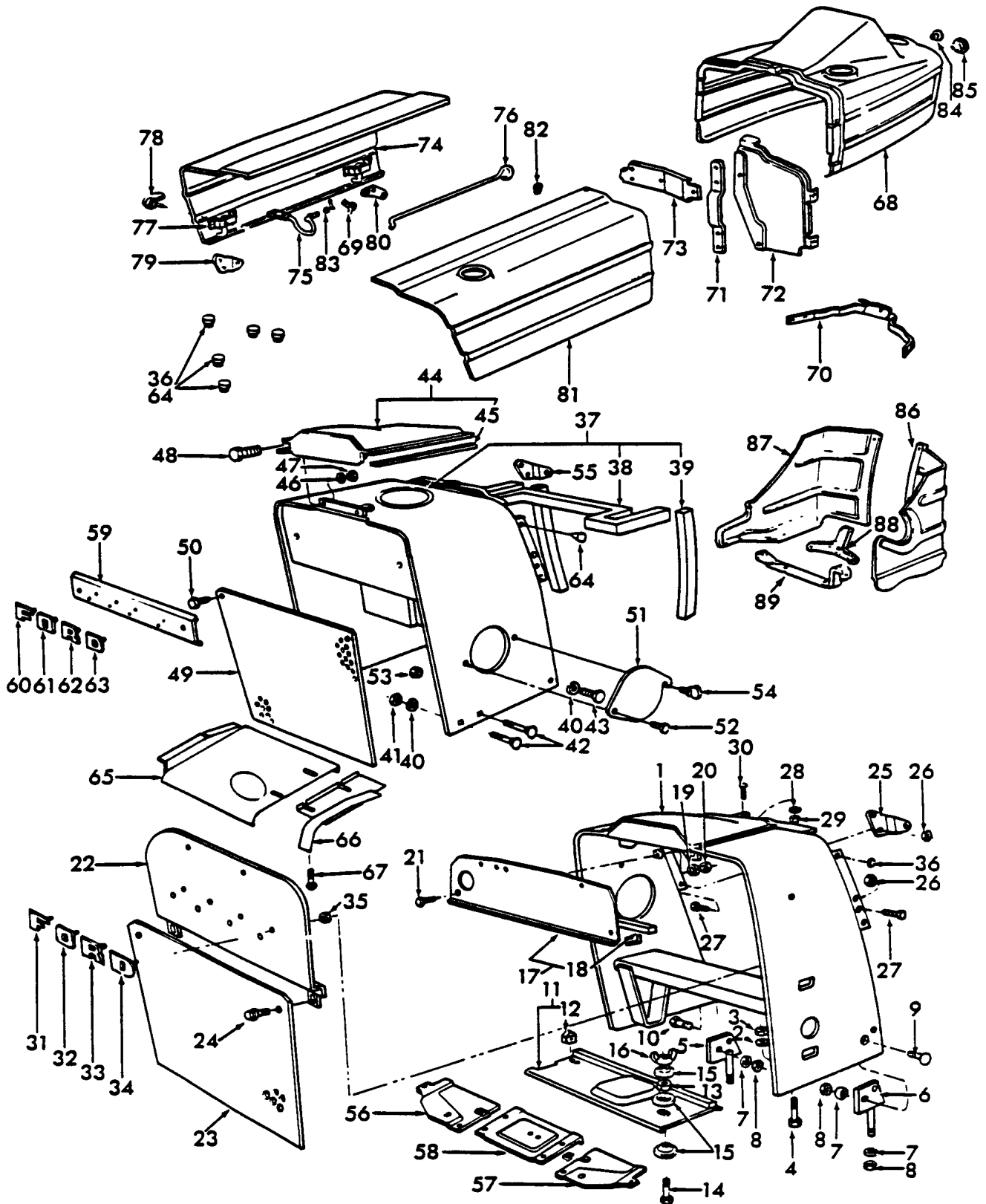
27A



FLAT TOP FENDERS, PLATFORM, TOOL BOX & RELATED PARTS (NH-E)



ENGINE HOOD, GRILLE & RELATED PARTS, NHNA - 420, 535 (75/9-78), NH-E - 420 (75/)

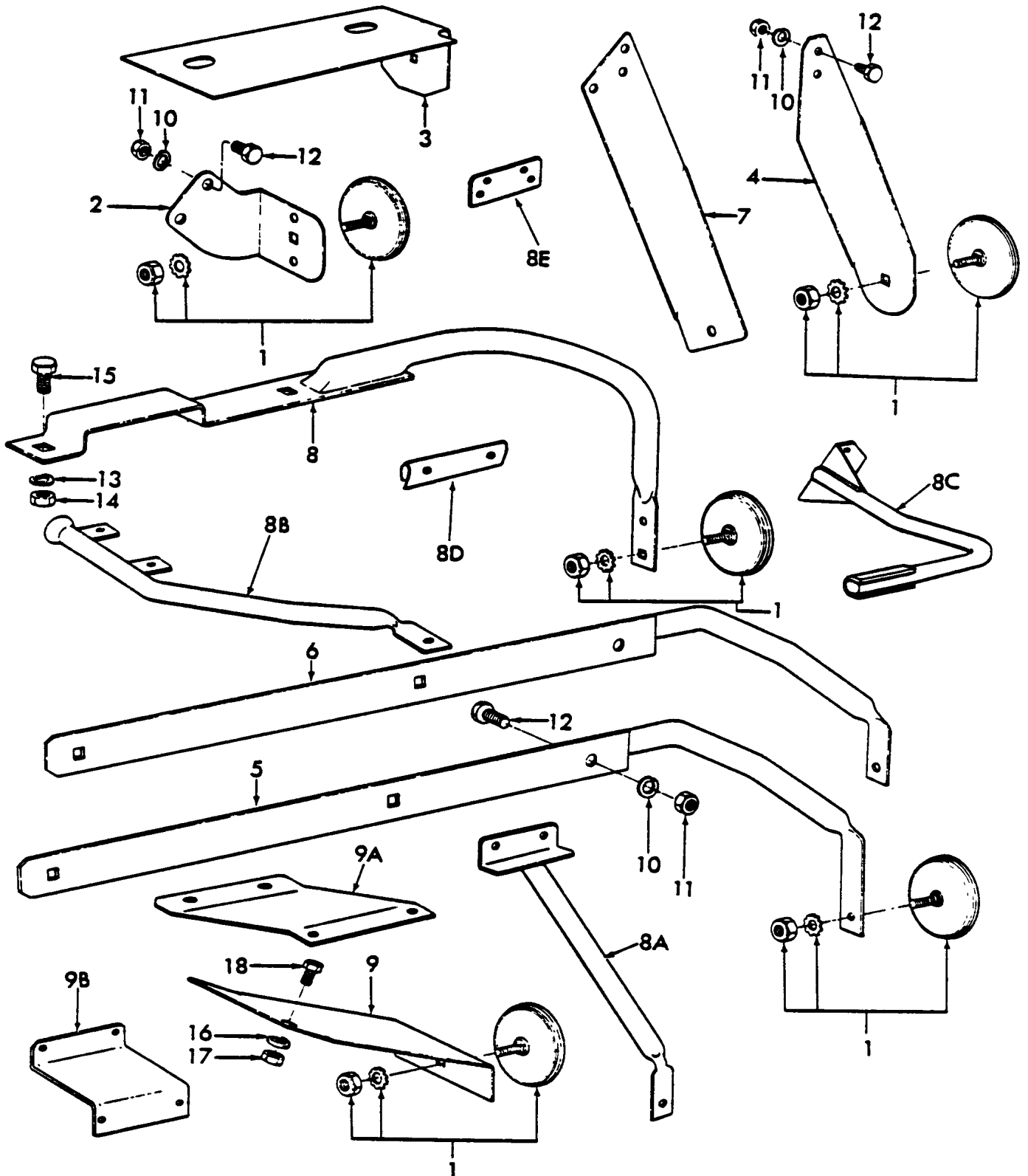


14C01

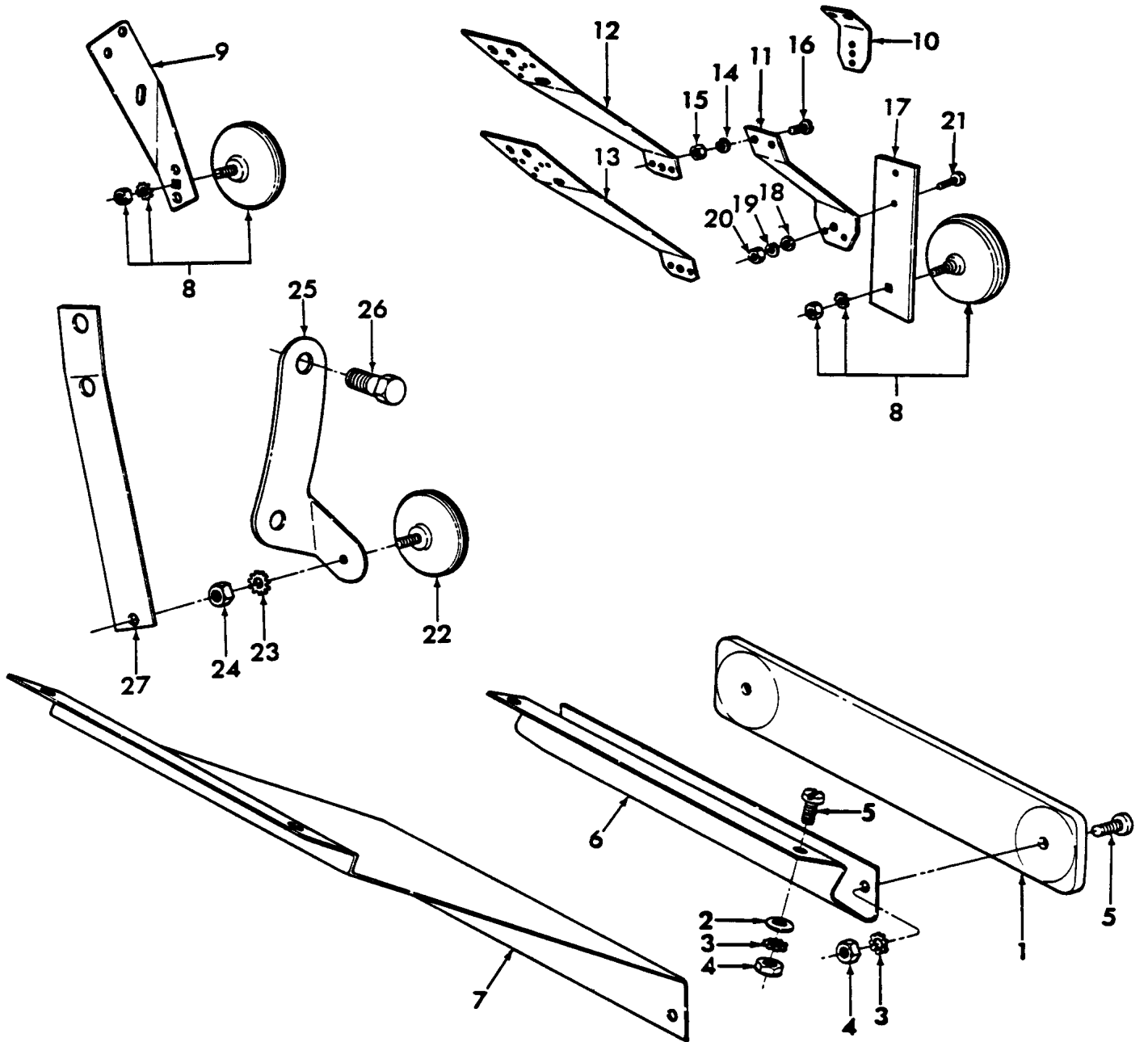
p1

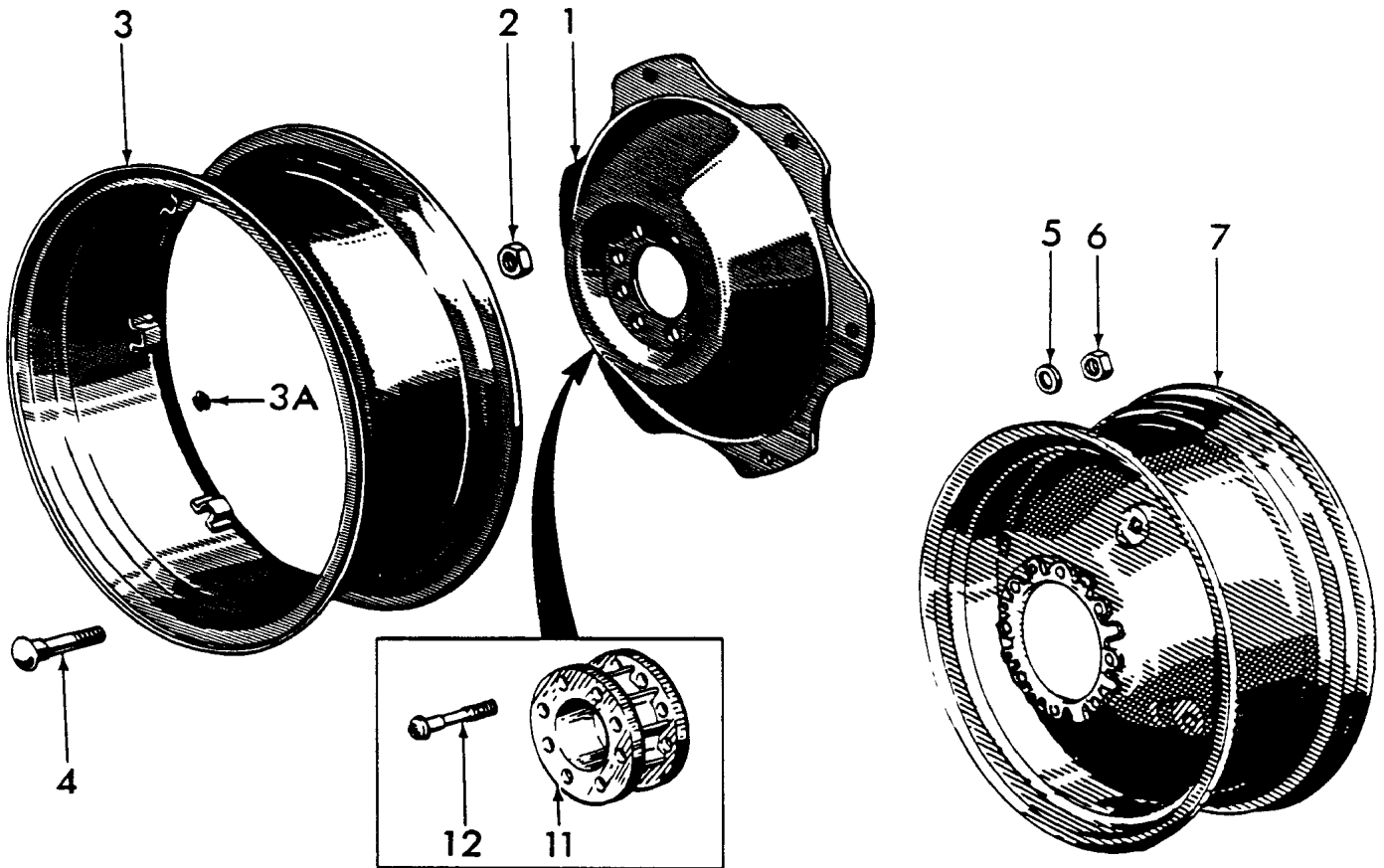
9/2018

REFLECTORS & RELATED PARTS, NH-E



REFLECTORS & RELATED PARTS, NH-E



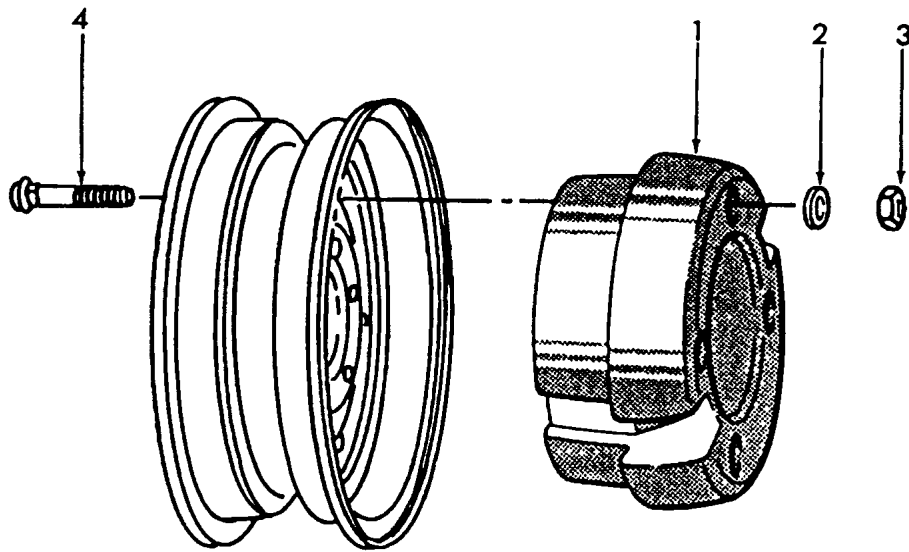


01D02

p1

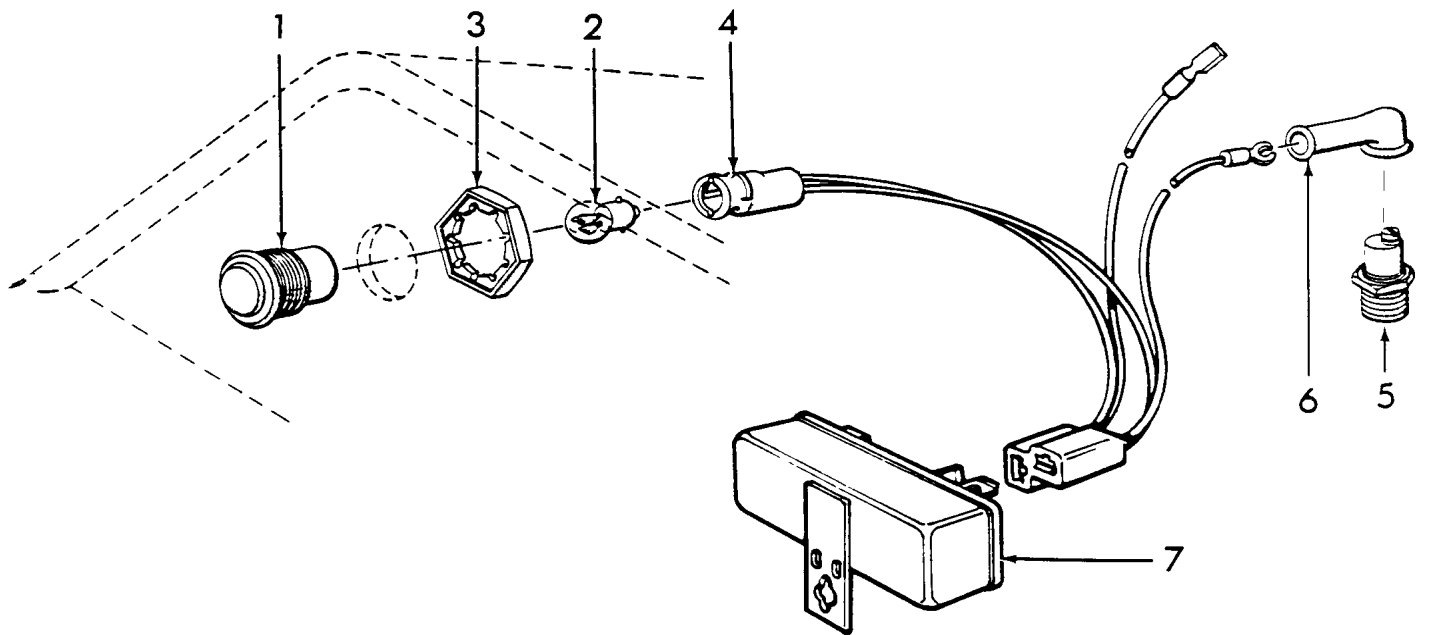
9/2018

FRONT WHEEL WEIGHTS, ACCESSORY - 420, 515, 535





TRANSMISSION OIL TEMPERATURE WARNING LAMP - 420, 535



<b>16A02</b>		p2	9/2018
--------------	--	----	--------

IDENTIFICATION DECALS & PLATES

**NO ART REQUIRED**

**16A04**

p3

9/2018

DECALS, INSTRUCTION

**NO ART REQUIRED**

Individual Language Decals Replaced by Multi-Lingual Decals

**16A05**

p2

9/2018

DECALS, SAFETY, NH-E

**NO ART REQUIRED**

Individual Language Decals Replaced  
By Multi-Lingual Decals

**16B02**

p1

9/2018

TRANSMISSION SHIFT PATTERN DECALS, NHNA (75/5-76)

**NO ART REQUIRED**

**15A00**

B

p1

9/2018

SEAT BELT FOR 2-POST ROPS, NHNA

**NO ART AVAILABLE**

**15A00**

D

p4

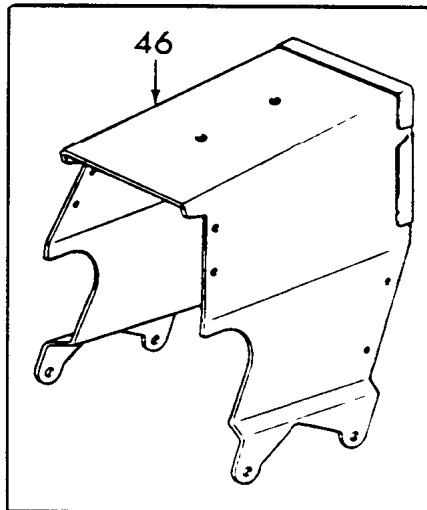
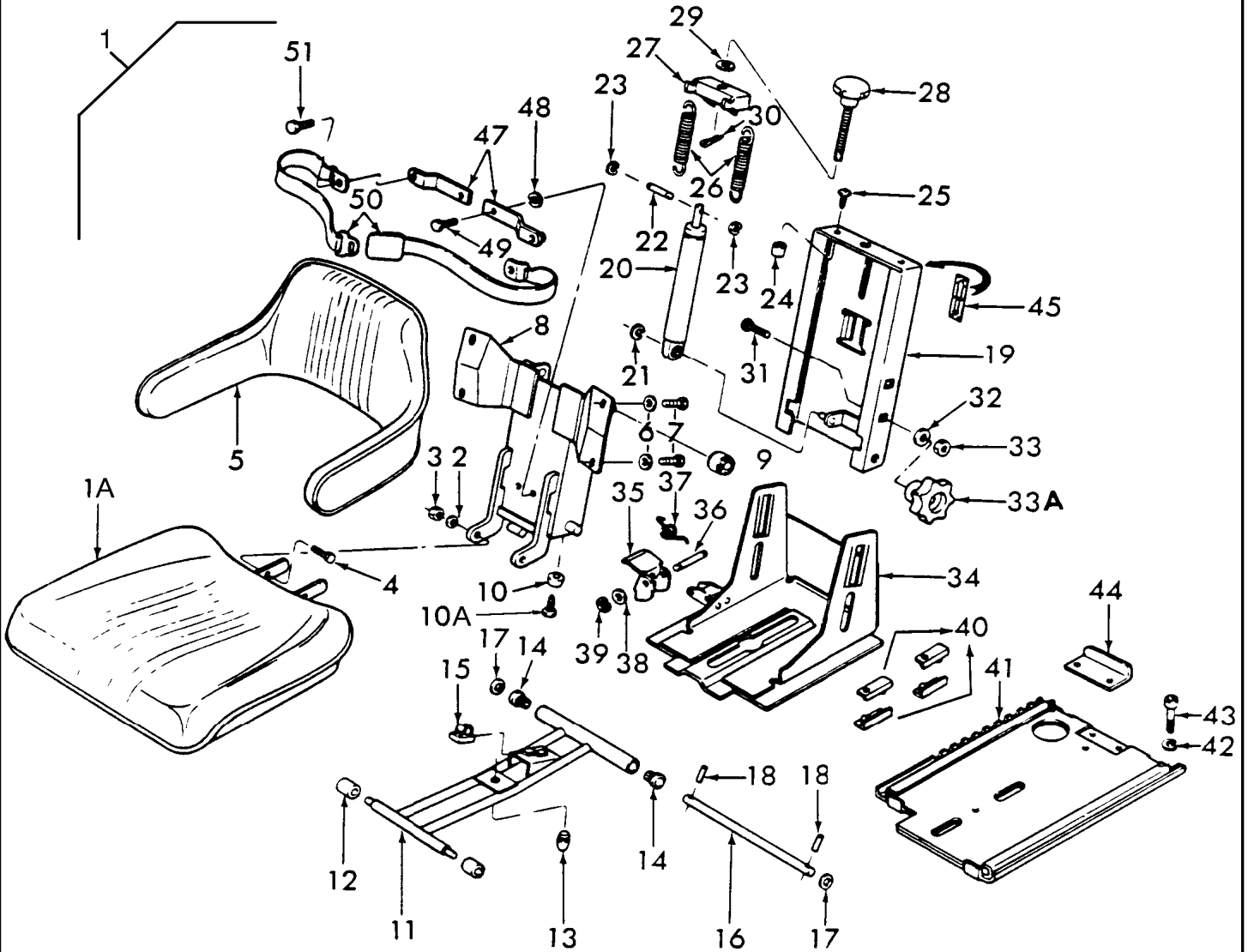
9/2018

4-POST ROLLBAR (75/78), NHNA, 335, 420, 515 & 535

**NO ART AVAILABLE**

**CAUTION: OSHA regulations require that employers must provide ROPS, including a seat belt, on all tractors operated by their employees. Seat belt should not be installed on tractors without a ROPS.**

SUPER COMFORT SEAT ASSEMBLY



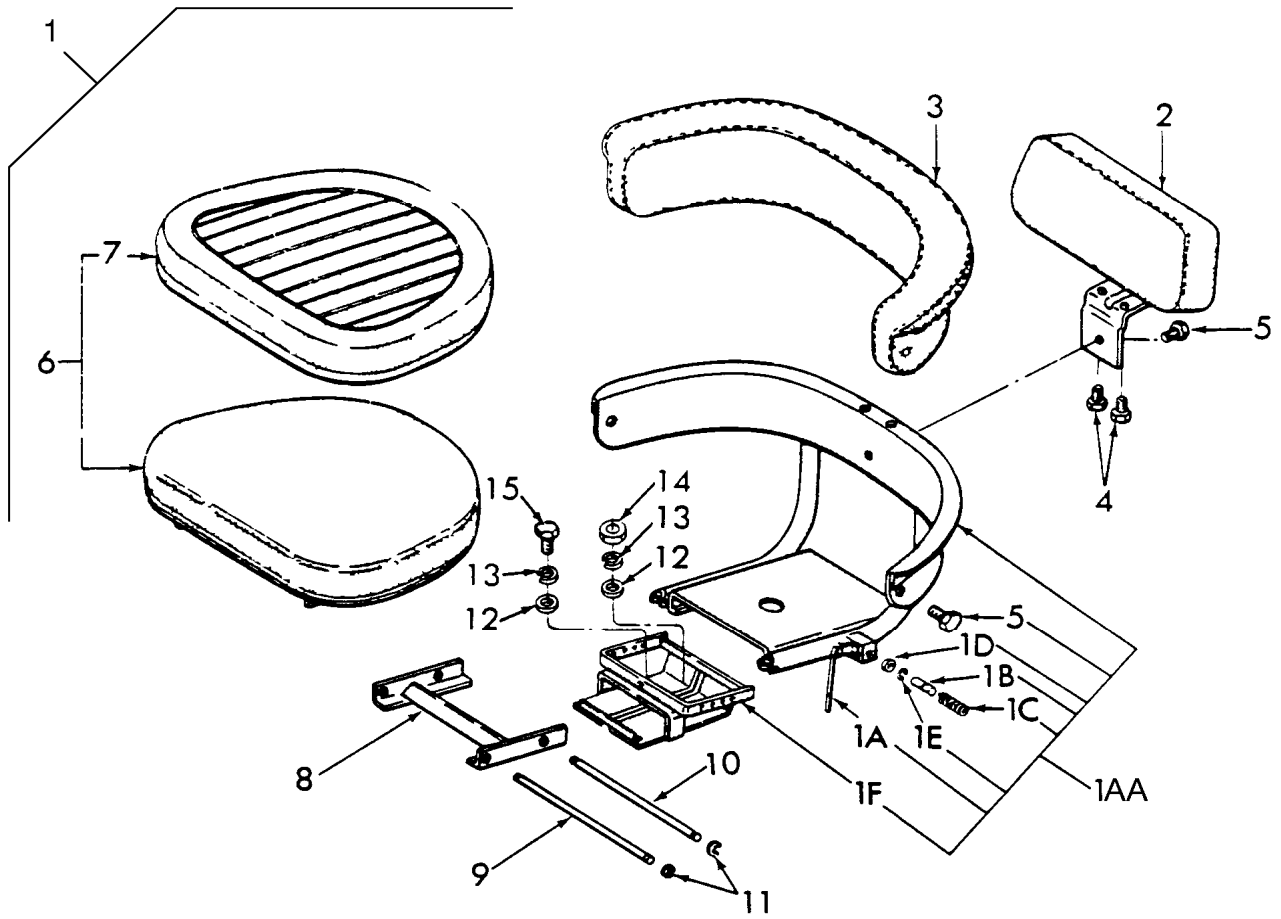
FOR ROW CROP ONLY

13C01

p1

9/2018

DELUXE SEAT, 335, 420, 515, 535 & 4600SU

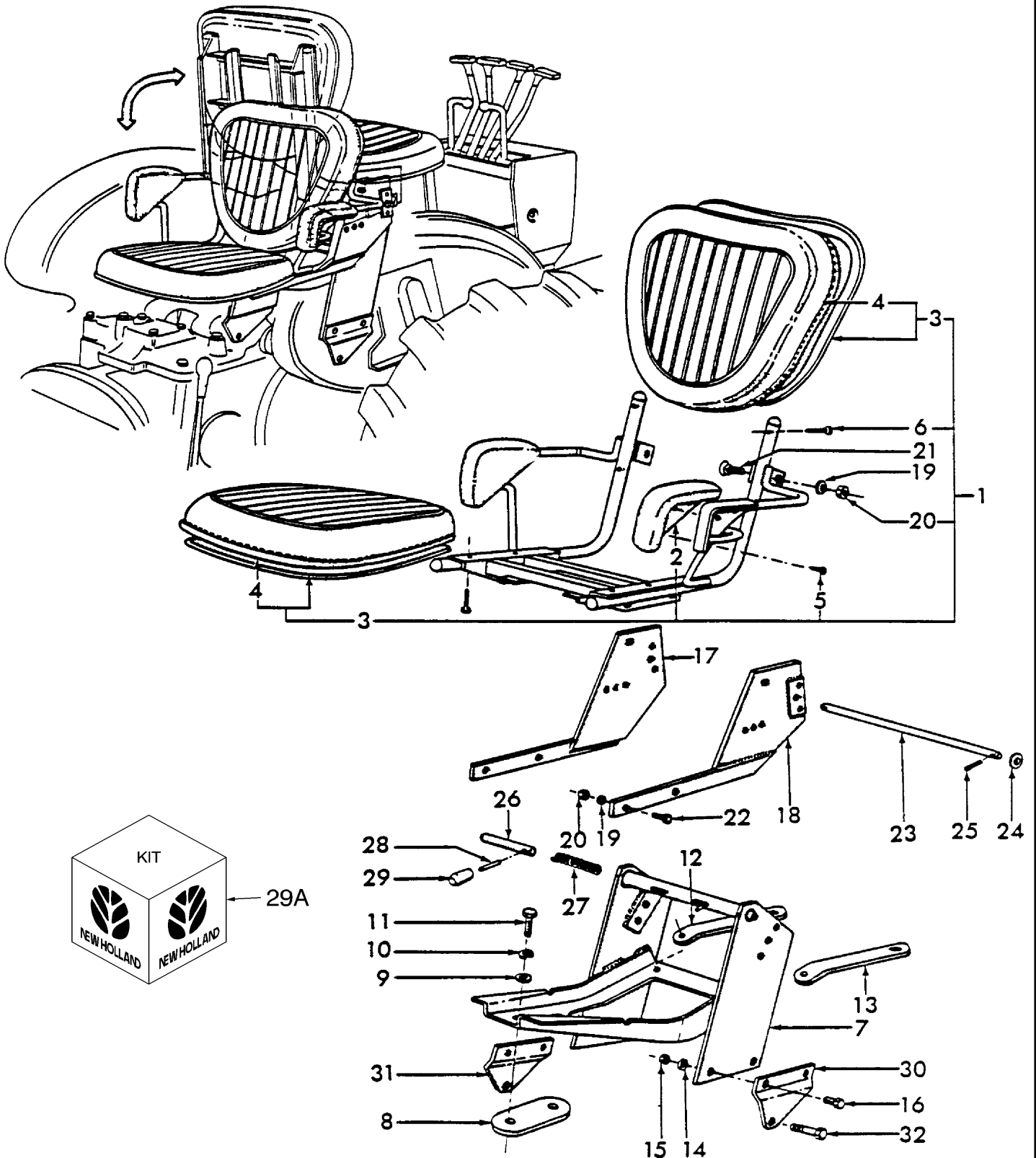


13C02

p5

9/2018

SEAT, REVERSIBLE, 335, 420, 515, 535, 2600V & 3600V



**17B01**

C

p1

9/2018

UNIVERSEL SUPER TRACTOR

**ART**

**NOT**

**AVAILABLE**

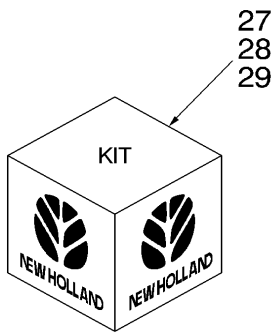
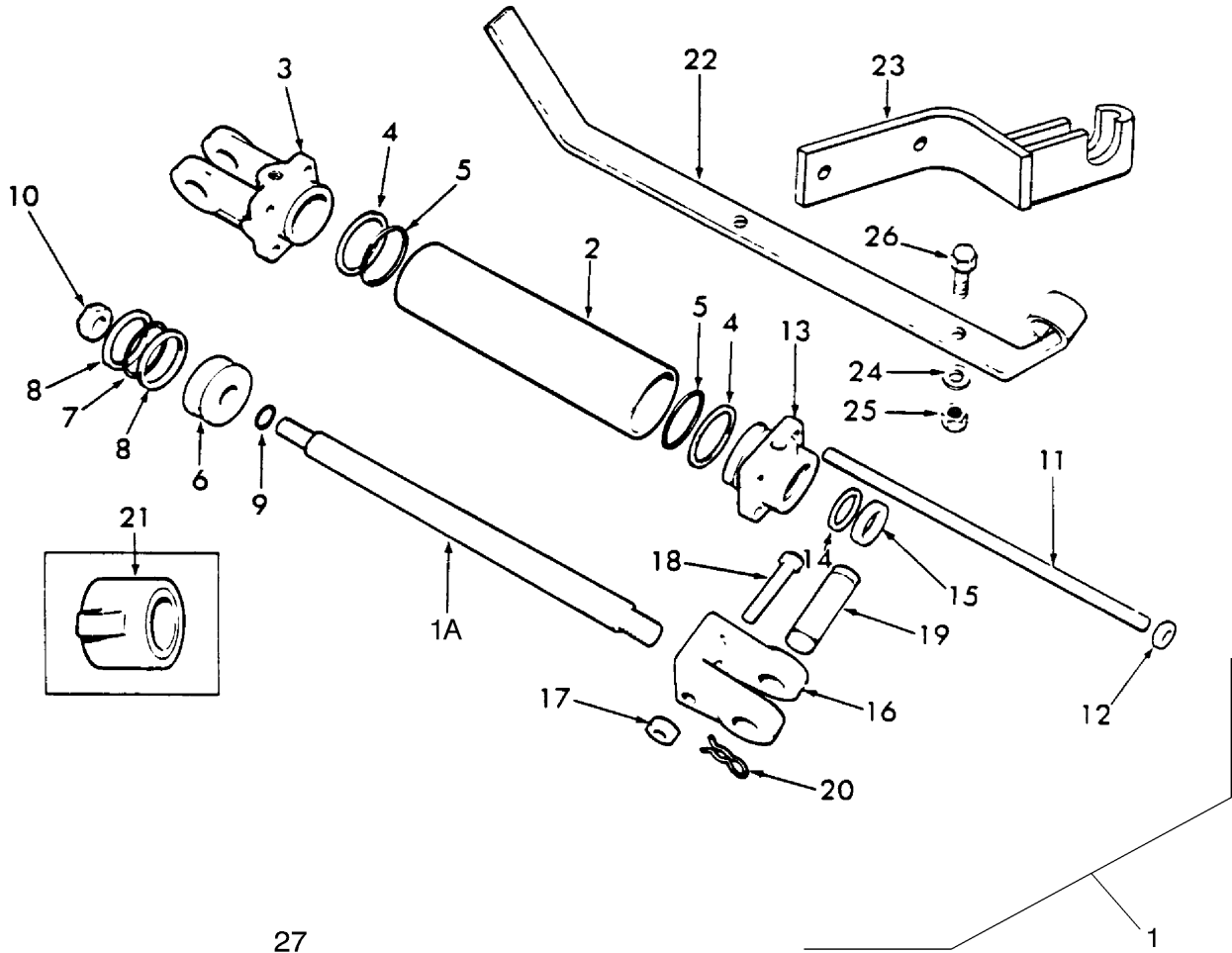
17C01

B

p2

9/2018

HYDRAULIC REMOTE CONTROL CYLINDER ASSEMBLY, 3" (ACCESSORY) U.S.



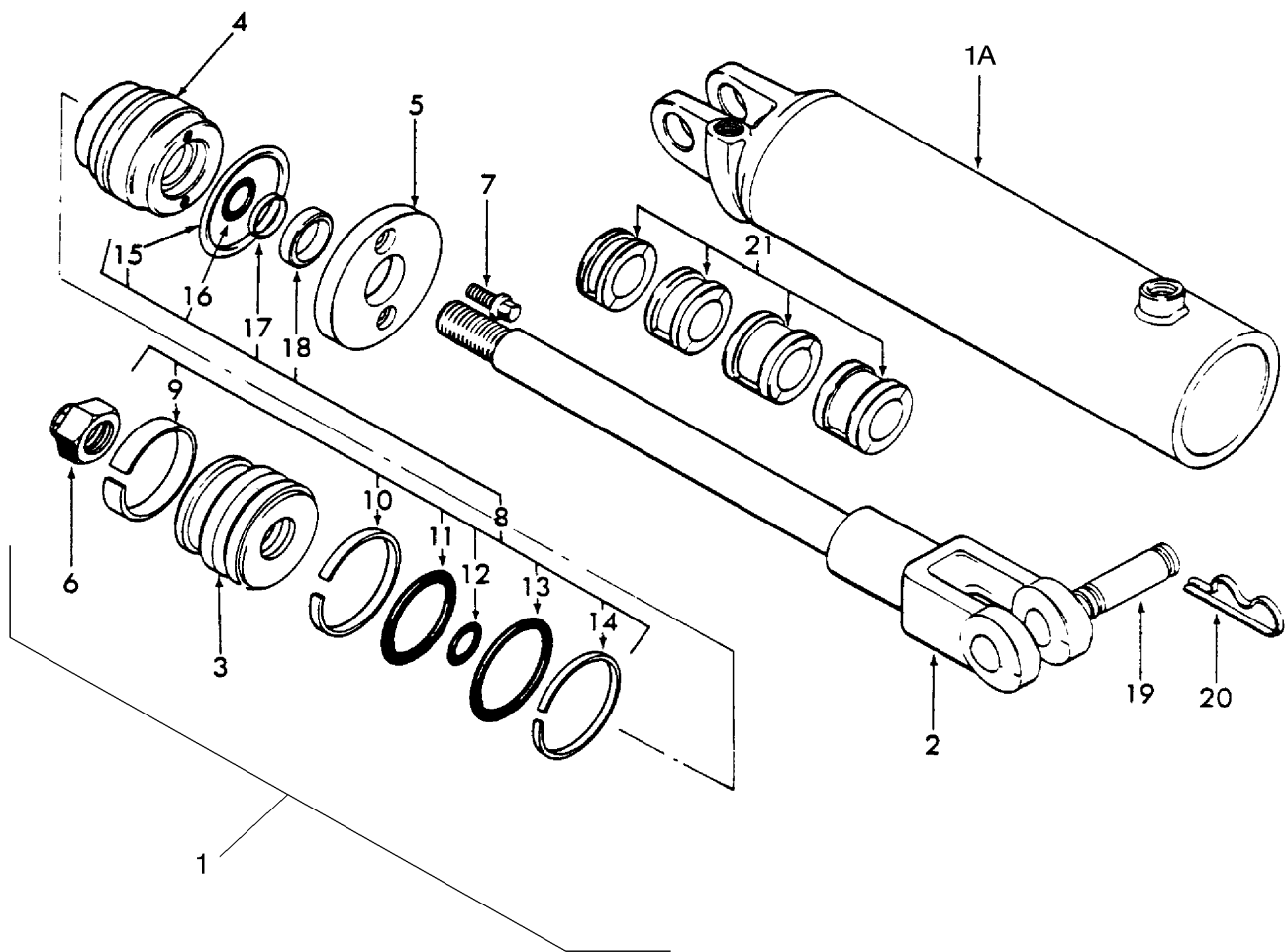
17C04

C

p1

9/2018

HYDRAULIC REMOTE CONTROL CYLINDER ASSEMBLY, 3-1/2 X 8", NHNA



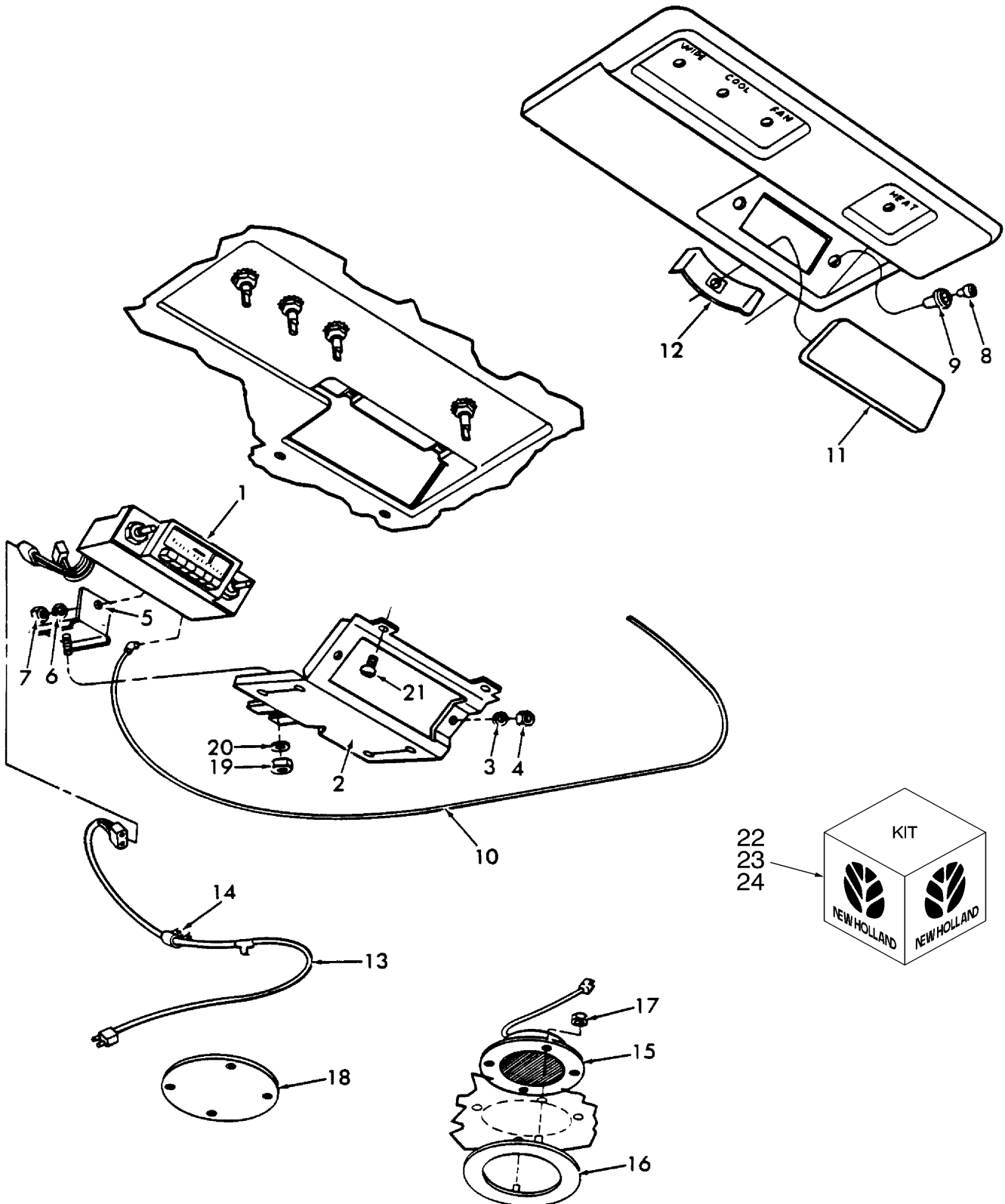


17J01

p4

9/2018

RADIO & RELATED PARTS, CAB MOUNTED



INDEX - INDICE - INDEX - ZAHLENVERZEICHNIS - INDICE - INDICE - INDHOLD - INHOUD

Number	Figure	Sequence	Ref.	Number	Figure	Sequence	Ref.
377733S36	09A03		34	379943S36	09A03		17
377766S	11A01	L		380038S36	03A11		4
378056	11M02			380135S43	04A02		41
378173S43	11A01	L		380175S	04A02		9A
378310S36	06E01		18	380177S36	03D04		50
378336S36	06A01		17	380193S43	03A11		27
378336S36	06A02		19	380194S36	03A11		29
378339S36	06A01		28	380240S	05J02		27
378339S36	06A02		30	380266S	09A01		50
378467S36	17C01	A		380312S36	14A01		
378467S36	17C01	B		380313S36	05A01		10
378467S36	17C01	C		380362S36	01E02		11
378691S100	09A03		42	380363S36	01E02		4
378881S	06F01		9	380363S36	01E03		14
378881S	06F02		9	380391S	06A01		5
378881S	06H01			380399S2	09C03		11
379023S36	11J01		10	380401S15	09E01		2
379034S36	06A02		40	380403S15	09E01		25
379039S	11J01		4	380404S15	09E01		24
379055S36	06G01		21	380405S15	09E01		19
379224S36	01B02		5	380409S	09F01		10
379260S	10A01		11	380410S	09F01		10
379260S	10A01		18	380412S15	09E01		98
379275S94	03C02		31	380414S15	09E01		104
379275S94	06A01		42	380415S15	09E01		65
379275S94	06A02		45	380419S	09F01		10
379275S94	06H01			380421S100	09E01		36
379276S36	05B02		43	380422S	09E01		120
379295S36	14A03			380424S	09E01		20
379304S	07A01		2	380425S43	09E01		99
379304S2	07C01		3	380426S	09E01		66
379304S2	07D01		3	380427S	09E01		26
379304S2	07D02		52	380428S	06H01		
379339S36	06G01		9	380428S	09A01		51
379409S36	05A01		22	380428S	09B01		30
379414S2	05A01		6	380428S	09B02		24
379548S	06A01		18	380428S	09F01		12
379548S	06A02		20	380429S15	09E01		89
379586S36	09D01		9	380430S	09E01		116
379586S36	09D03		9	380515S	06E01		17
379586S36	09D05		9	380549S	07D02		10
379678S	07C01		35	380550S	07D02		10
379678S	07D01		30	380563S92	09E01		
379753S36	09A03		43	380563S92	09E01		42
379758S40	11B01		3	380568S36	11A01	L	22
379758S40	11D04		7	380568S36	11A01	R	25

CLICK HERE TO **DOWNLOAD** THE COMPLETE MANUAL

- Thank you very much for reading the preview of the manual.
- You can download the complete manual from: [www.heydownloads.com](http://www.heydownloads.com) by clicking the link below



- Please note: If there is no response to CLICKING the link, please download this PDF first and then click on it.

CLICK HERE TO **DOWNLOAD** THE COMPLETE MANUAL