



Parts Catalog

CLICK HERE TO **DOWNLOAD** THE COMPLETE MANUAL

- Thank you very much for reading the preview of the manual.
- You can download the complete manual from: www.heydownloads.com by clicking the link below



- Please note: If there is no response to CLICKING the link, please download this PDF first and then click on it.

CLICK HERE TO **DOWNLOAD** THE COMPLETE MANUAL

TYPE 8200 S/N 23212

NUMERICAL CONTENTS

ADDITIONAL INFORMATION (RL NUMBERS)

<u>PART NUMBER</u>	<u>SUPPLEMENTAL PART NUMBER*</u>	<u>DESCRIPTION OF PART</u>	
124G126C		SHAFT, MAIN PROPEL PINION	
124G135		SHAFT ASSY, 1ST INT PROPEL	
124G139A		SHAFT, 2ND INT PROPEL	
133G39	323950-1	FRONT CAB WINDOW & MOUNTING	
133G40	323948-9	CAB SIDE WINDOW - LEFT	
133G40A	323949-7	CAB SIDE WINDOW - RIGHT	
133G41	324268-4	FRONT WINDOW OPENING MECHANISM	
142G167		UPPER FRAME ASSEMBLY	
149G88A	104871-6	COLLECTOR RING ASSEMBLY	
149G94		COLLECTOR RINGS AUXILIARY	
150G137E		SWITCHES, HOIST & DRAG	
150G181		SWITCH, PROPEL LIMIT	
150G181A		SWITCH, PROPEL LIMIT	
154G277E		CASE ASSEMBLY, SWING GEAR	6062
154G319D		CASE, HOIST MACHINERY	
154G323B		BASE COVER, HOIST MACHINERY	
154G323C		BASE COVER, HOIST MACHINERY	
155G179B		LUBE SYSTEM, GANTRY	
155G180E		LUBE SYSTEM, BOOM	
155G261C	155G261C	LUBE SYSTEM, OPEN GEARS	
155G335B	155G335B	LUBE SYSTEM, ROTATING FRAME	
155G353	155G353	LUBE SYSTEM, PROPEL BEARINGS	
155G355		LUBE SYSTEM, ROPE SPRAY	
155G358A	155G358A	LUBE SYSTEM, FRONT END	
155G359		LUBE SYSTEM, FAIRLEAD	
156G84F		SHAFT, MOTOR EXTENSION	

TYPE 8200 S/N 23212

ALPHABETICAL CONTENTS

ADDITIONAL INFORMATION (RL NUMBERS)

SUPPLEMENTAL PART NUMBER*

PART NUMBER

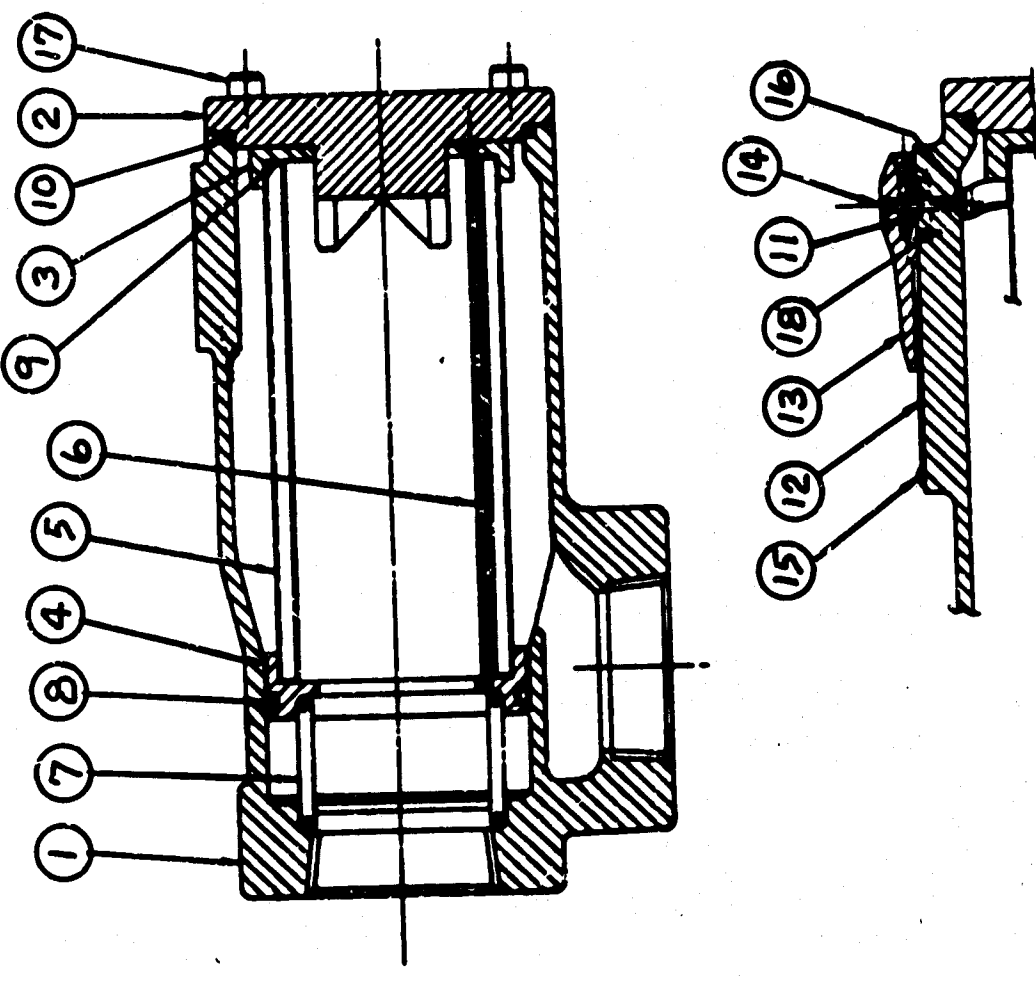
DESCRIPTION OF PART

PART NUMBER	SUPPLEMENTAL PART NUMBER*	DESCRIPTION OF PART	ADDITIONAL INFORMATION (RL NUMBERS)
13G106		BOOM POINT SHEAVE & BRACKET	
343G29		BOOM SUPPORT ROPES	
169G86B		BRAKE ASSEMBLY	5910 6085
169G86C		BRAKE ASSEMBLY	5910 6085
169G71E	169G71E	BRAKE, ROTATING	038524-7
323G2B		BRAKE SNUBBER - LOWER	
	210054-1	BUCKET ASSEMBLY - 74 CUBIC YARD	
	211412-7	BUCKET ASSEMBLY - 79 CY/60 CM	
	210059-2	BUCKET RIGGING	
	210055-0	BUCKET STRUCTURE	
	211413-5	BUCKET STRUCTURE - 79 CY/60 CM	
	210062-2	BUCKET TOOTH (B SIZE)	
133G40	323948-9	CAB SIDE WINDOW - LEFT	
133G40A	323949-7	CAB SIDE WINDOW - RIGHT	
154G277E		CASE ASSEMBLY, SWING GEAR	6062
154G319D		CASE, HOIST MACHINERY	
256G17		CASE, PROPEL DRIVE GEAR	
256G17A		CASE, PROPEL DRIVE GEAR	
256G18		CASE, PROPEL GEAR	
256G18A		CASE, PROPEL GEAR	
276G90		CENTER SECTION	
382G201		CENTER SECTION	
149G88A	104871-6	COLLECTOR RING ASSEMBLY	
149G94		COLLECTOR RINGS AUXILIARY	
359G34		CONTROL PANEL	6098 6099 6100
359G23	171391-4	CONTROL PANEL LUBE	
RL-6062		COUPLING FLEXIBLE	
35G98		CRANE, JIB	

NAME OF PART OR ASSEMBLY:

FILTER

GROUP NO: RL-5902



FILTER 7F (384673-3)

RL-6100

ITEM NO.	PART NO.	REFERENCE	DESCRIPTION	QUAN. REQ.
1	387997-6		ELEMENT KIT ELEMENT (FILTER) SEAL (BODY TO BOWL) GASKET (ELEMENT)	1
2	382364-6		ELEMENT CARTRIDGE KIT HOLDER (ELEMENT) ELEMENT (FILTER) GASKET (ELEMENT) BAFFLE SHROUD DEFLECTOR SEAL (HOLDER) SEAL (BODY TO BOWL)	1
3	386363-8		REPLACEMENT BOWL KIT BOWL SEAL (BODY TO BOWL)	1

NOTE: PARTS AVAILABLE IN KITS ONLY

*QUANTITY FOR ONE ASSEMBLY. TOTAL OF _____
ASSEMBLIES USED PER MACHINE.



BOOM POINT SHEAVE & BRACKET

13G106

ITEM NO.	PART NO.	NAME OF PART	QUAN. REQ.
165	75	Washer C	64
166	1	Washer B	8



SHAFT - HOIST DRUM

60G206 A

ITEM NO.	PART NO.	NAME OF PART	QUAN. REQ.
3	282C83C	Drum End	1
5	282CF136	Drum End Assembly	1
6	426C375A	Bearing Housing	2
8	645C549C	Retainer	1
10	645C641	Retainer	1
12	645C641A	Retainer	1
16	237CF291A	Split Collar	4
18	341CF44	Gear	1
21	643CF176	Drum Lagging	1
23	643CF177	Drum Lagging	1
25	30F100B	Cable Clamp	1
26	79F855	Retainer	6
27	30F100D	Cable Clamp	1
29	79F1393	Retainer	6
30	110F617D	Lock Plate	1
32	79FD7	Retainer	1
34	121F116B	Special Cap Screw	1
36	163F398	Spacer	10
40	941P582	Shoulder Pin	2
43	926P1695A	Pin	4
45	240R4	Rod W/Nuts	1
48	248R14B	Rod W/Nuts	18
50	248R14C	Rod W/Nuts	48
52	932R76C	Rod W/Nuts	24
54	932R76B	Rod W/Nuts	8
61	24088CA-44CSD40	Roller Bearing	8
64	9956 RUP	Oil Seal	2
68	1627B	Grease Fitting	1
69	PFL-PLUG-1/4	Plug	2
70	1/4 x 1	Square Head Cup Point Set Screw	1
71	3/4 x 6	Screw (A)	8
72	1/4 x 3/4	Screw (A)	4
73	3/4	Nut (A)	4
74	5/8 x 5	Cotter Pin	8
75	1/2 x 4	Cotter Pin	72
76	3/8 x 4	Cotter Pin	18
77	3/4	Lock Washer	16
78	1/4	Lock Washer	8
79	2	Lock Washer	4
			10

MACHINERY ASSEMBLY - HOIST

92G130 D

ITEM NO.	PART NO.	NAME OF PART	QUAN. REQ.
8	7G303B	Bearing Support Pedestal	1
22	60G206A	Hoist Drum Shaft	1
29	84G1466E	Guard Over Extension Shaft Coupling	4
36	84G1554	Gear Guard	1
43	84G1660	Guard For Brake	2
44	84G1660A	Guard For Brake	2
51	101G190B	Motor Base	4
54	114G234	Platform For Gear Case	1
58	169G86C	Brake Assembly	4
68	154G319D	Gear Case Assembly	1
74	337G139	Air Duct For Motor	4
96	11QL69	Shim	8
97	11QL70	Shim	16
98	11QL71	Shim	8
99	11QL72	Shim	8
100	11QL73	Shim	8
101	11QL74	Shim	16
102	11QL75	Shim	8
103	11QL76	Shim	8
104	11QL77	Shim	16
105	11QL78	Shim	32
106	11QL79	Shim	16
107	11QL80	Shim	16
132	92G130-132	Hoist Motor (See Elec. Spec.)	4
150	2 x 6-1/2	Bolt (A)	16
152	3/4 x 3-3/4	Screw (A)	32
156	2	Nut (A)	16
158	3/4	Nut (A)	32
162	2	Lock Washer	16
164	3/4	Lock Washer	32



AIR PUMP ASSEMBLY

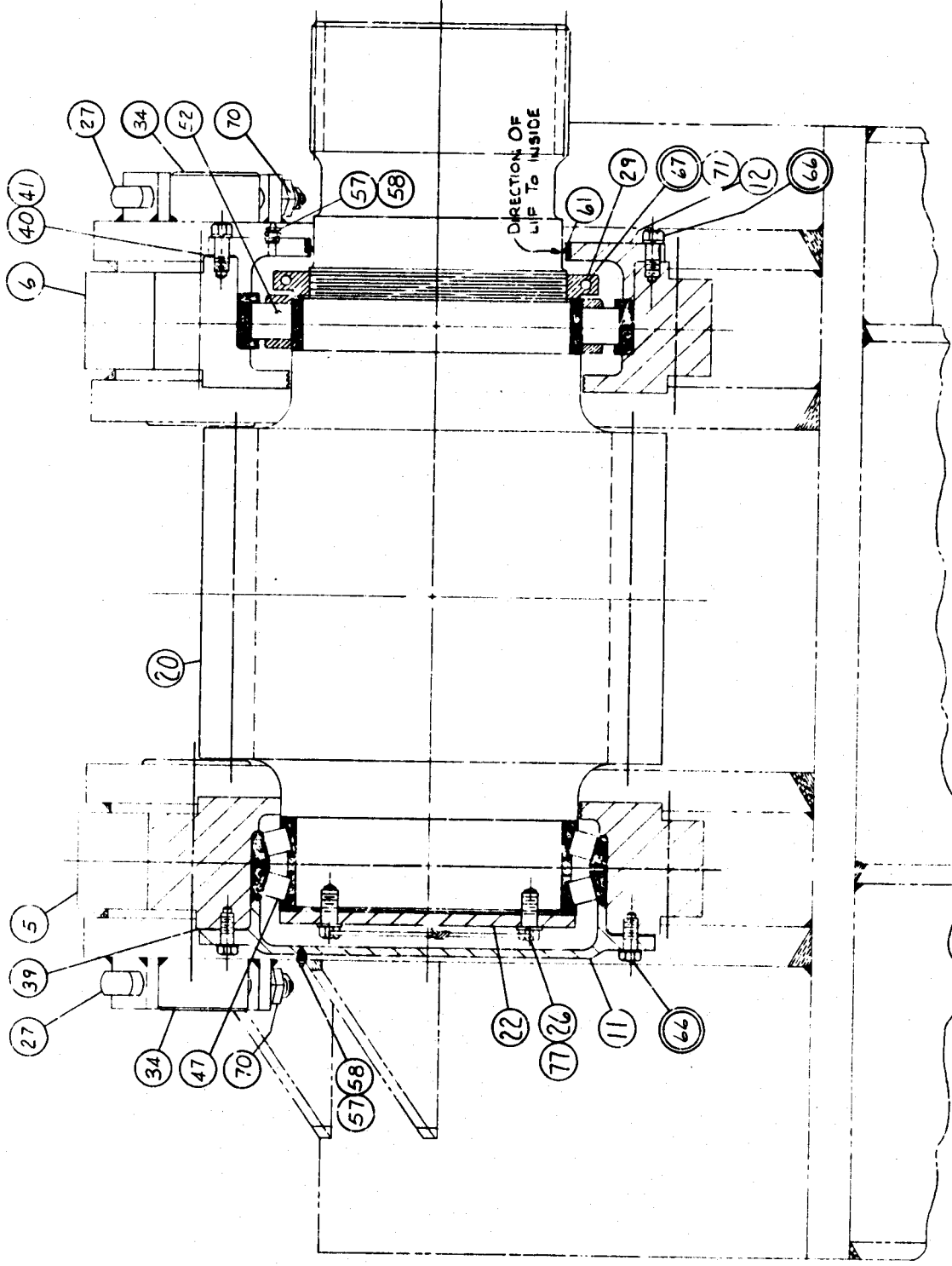
116G74

ITEM NO.	PART NO.	NAME OF PART	QUAN. REQ.
3	D-400	Coupler	1
7	MODEL #1904-1	Drum Pump (See RL-6052)	1
12	56764	Air Muffler	2
16	.5 FF-S	Pipe Nipple	1
18	6-6CTX-S	Male Elbow	1
19	8 CTX-S	Male Elbow	1
23	PFH-R.B. - .75 x .5	Reducing Bushing	1
27	AR-6	Hose	AR
28	100R2-8	Hose	AR
32	MAR-6	Hose End	1
33	FAR-6	Fose End	1
34	MR2-8	Hose End	1
35	FR2-8	Hose End	1

NOTE: AR - Amount Required

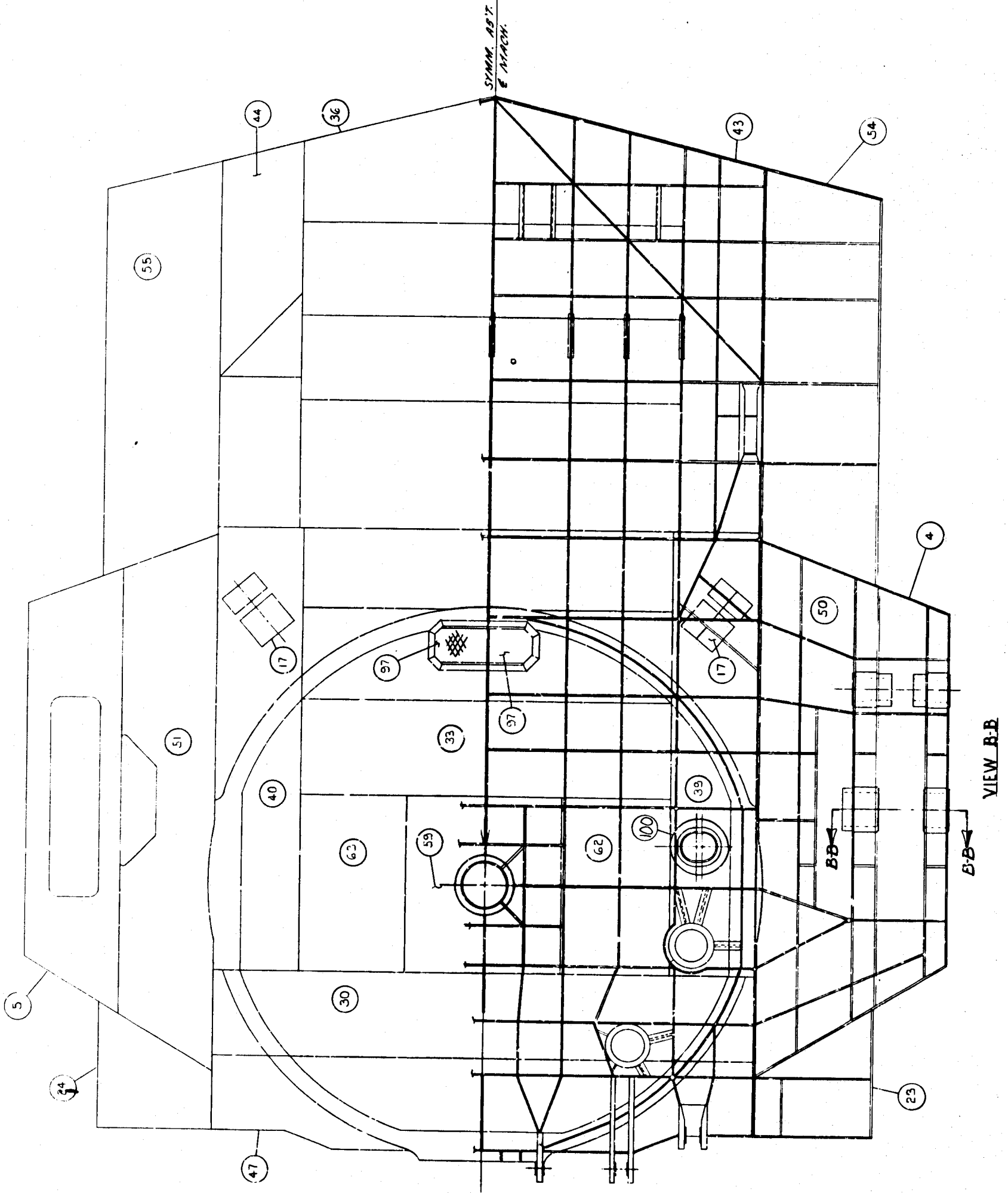
GROUP NO 124 G 126 C

NAME: SHAFT - MAIN PROPEL PINION



NAME: UPPER FRAME ASSEMBLY

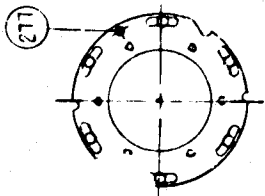
GROUP NO 142 G 167



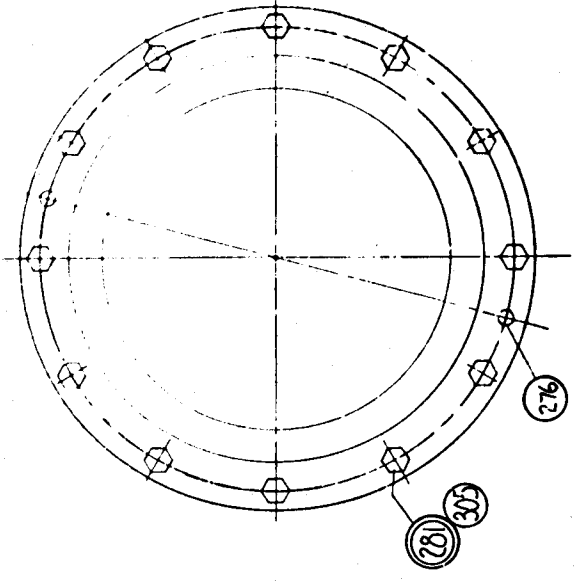
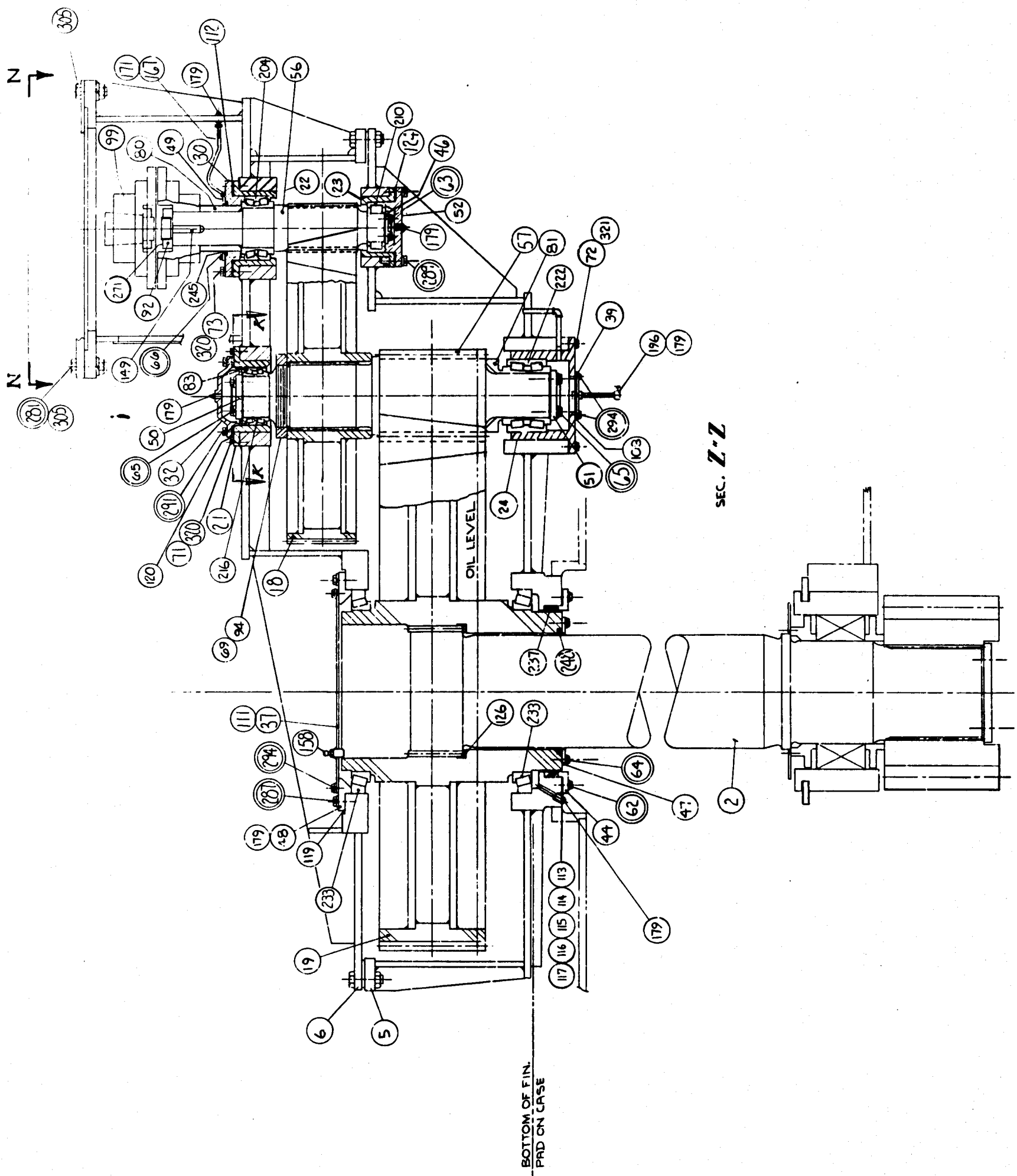
COLLECTOR RING ASSEMBLY

149G88A

ITEM NO.	PART NO.	NAME OF PART	QUAN. REQ.
104	1/2 x 1-1/4	Cap Screw	4
105	1/2 x 3/4	Cap Screw	12
106	1/2 x 1-3/4	Cap Screw	6
112	3/4 x 3-1/4	Cap Screw	3
113	3/4 x 1-3/4	Cap Screw	3
117	8-32	Nut	48
118	10-32	Nut	28
119	1/4	Nut	3
120	3/8	Nut	22
121	1/2	Nut	4
123	3/4 x 4	Stud	3
124	1/2 x 4	Stud	6
126	1/4	Flat Washer	2
127	3/8	Flat Washer	4
132	8	Lock Washer	14
133	1/4	Lock Washer	9
134	3/8	Lock Washer	62
135	1/2	Lock Washer	26
136	3/4	Lock Washer	6
141	1/4	Street-Ell	1
143	1610-B	Grease Fitting	1
145	1/4 x 1/8	Reducing Coupling	1



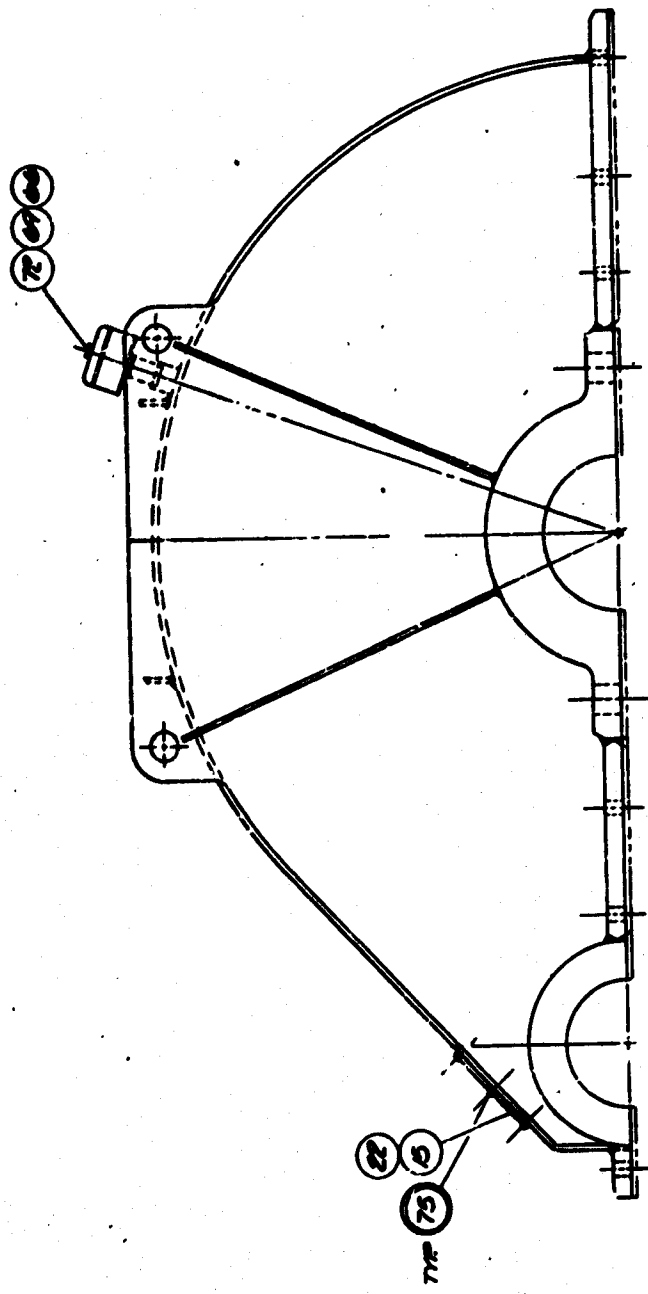
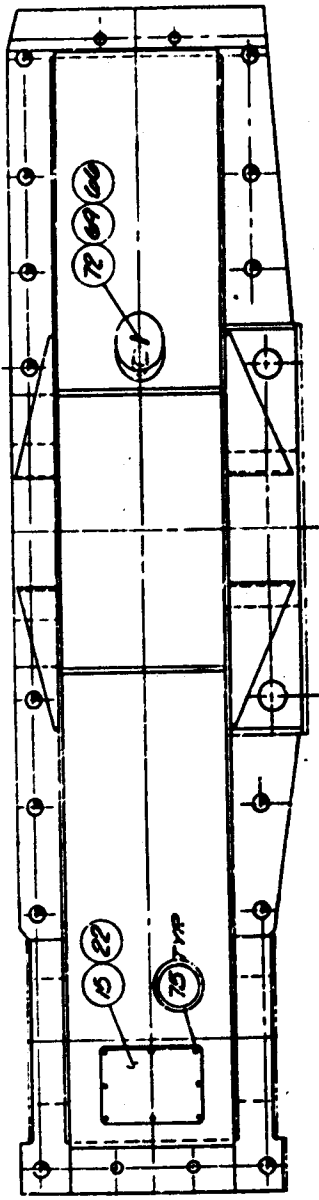
VIEW K-K



VIEW N-N

SEC. Z-Z

NAME: BASE COVER - HOIST MACHINERY
GROUP NO.: 154 G 323 C





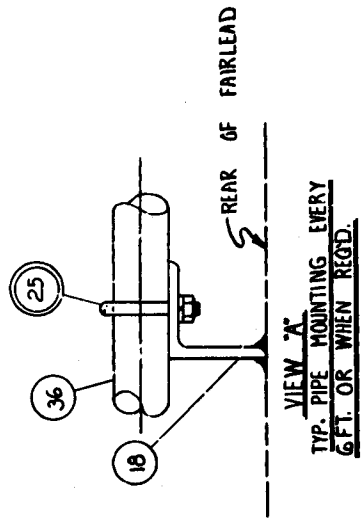
LUBE SYSTEM - BOOM

155G180E

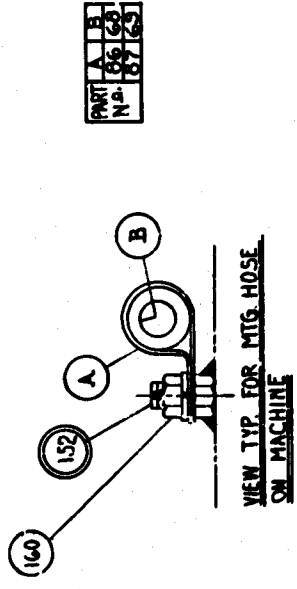
ITEM NO.	PART NO.	NAME OF PART	QUAN. REQ.
19	041-221	Hydraulic Gauge	1
24	81770-5	Injector (SL1-5)	4
25	81770-4	Injector (SL1-4)	2
26	81770-3	Injector (SL1-3)	2
28	81646	Injector Connector Tube	6
30	43706	Elbow Body (1/8 x 1/8)	12
36	ADW-27	Pressure Switch	1
47	8-12 FTX-S	Male Connector	1
48	8-8 FTX -S	Male Connector	2
49	8 FTX-S	Male Connector	2
50	8 CTX-S	Male Elbow	6
52	16 HTX-S	Union	2
53	8 KTX-S	Union Cross	1
54	16 FTX-S	Male Connector	9
55	16-12 FTX-S	Male Connector	1
56	8 JBTX-S	Union Tee	1
58	3/8 FF-S	Nipple	3
59	5-4 CTX-S	Male Elbow	22
60	5 CTX-S	Male Elbow	28
61	5-4 FTX-S	Male Connector	6
66	R2-16	Hose	AR
67	FR2-16	Hose End	12
69	R2-8	Hose	AR
70	FR2-8	Hose End	24
75	R5-5	Hose	AR
76	FR5-5	Hose End	56
80	-6	Hose Clip	20
81	-10	Hose Clip	20
82	-2	Hose Clip	56
85	PIX-PO x 1-1/2	Pipe	AR
100	PFH-CPLG.-3T-1-1/2	Coupling	20
101	PFH-TEE-3T-1-1/2	Tee	5
104	PFH-RB-1-1/2 x 1/2	Reducing Bushing	3
105	PFH-RB-1-1/2 x 3/8	Reducing Bushing	1
106	PFH-RB-1-1/2 x 1/4	Reducing Bushing	1
107	PFH-RB-1-1/2 x 1	Reducing Bushing	8
108	PFH-PLUG-3/8	Plug	10
111	PFH-RB-1-1/4 x 1	Reducing Bushing	1
116	PFM-CPLG-3/4	Coupling	1
118	PFM-TEE-3/8	Tee	1



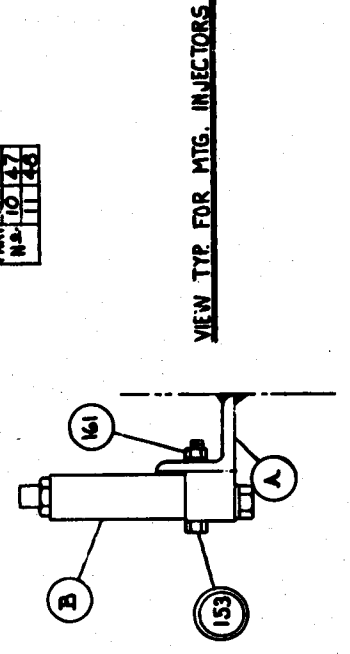
NAME: AUTO LUBE - FAIRLEAD GROUP NO 155G359



VIEW 'A'
TYP. PIPE MOUNTING EVERY
6 FT. OR WHEN REQD.



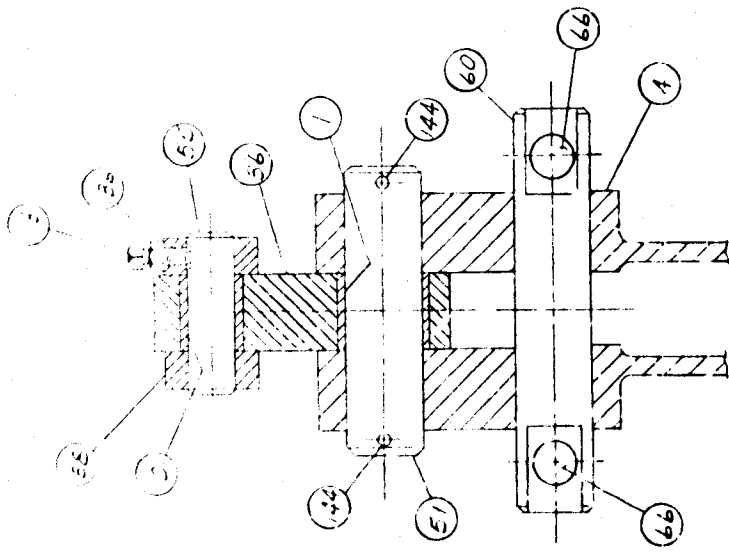
VIEW TYP. FOR MTG. HOSE
ON MACHINE



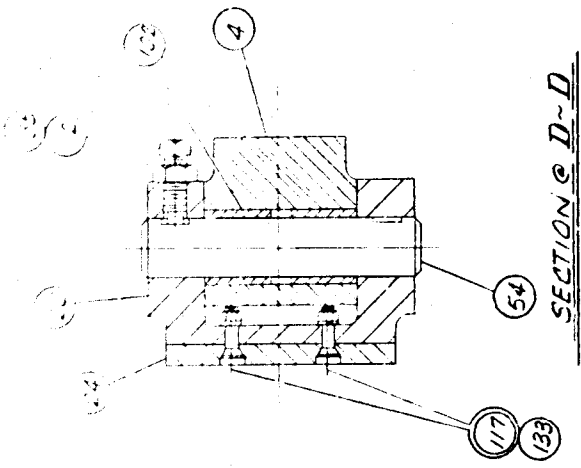
VIEW TYP. FOR MTG. INJECTORS

NAVE BRAKE ASSEMBLY

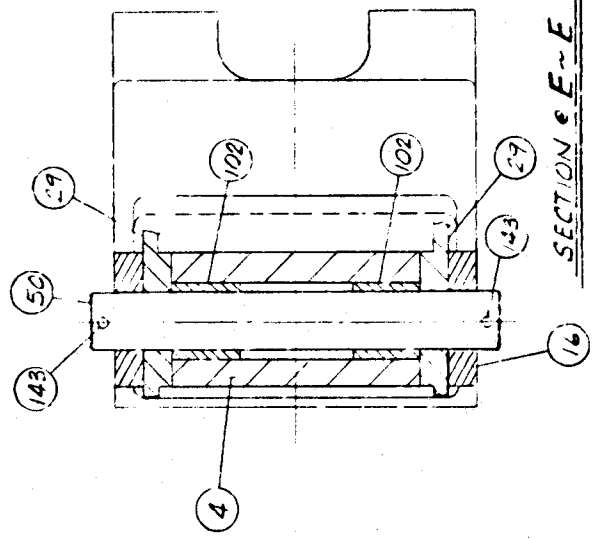
FIG. 1 100 G 00 B



SECTION C-C



SECTION D-D



SECTION E-E





AIR PIPING FOR OPERATOR'S CAB

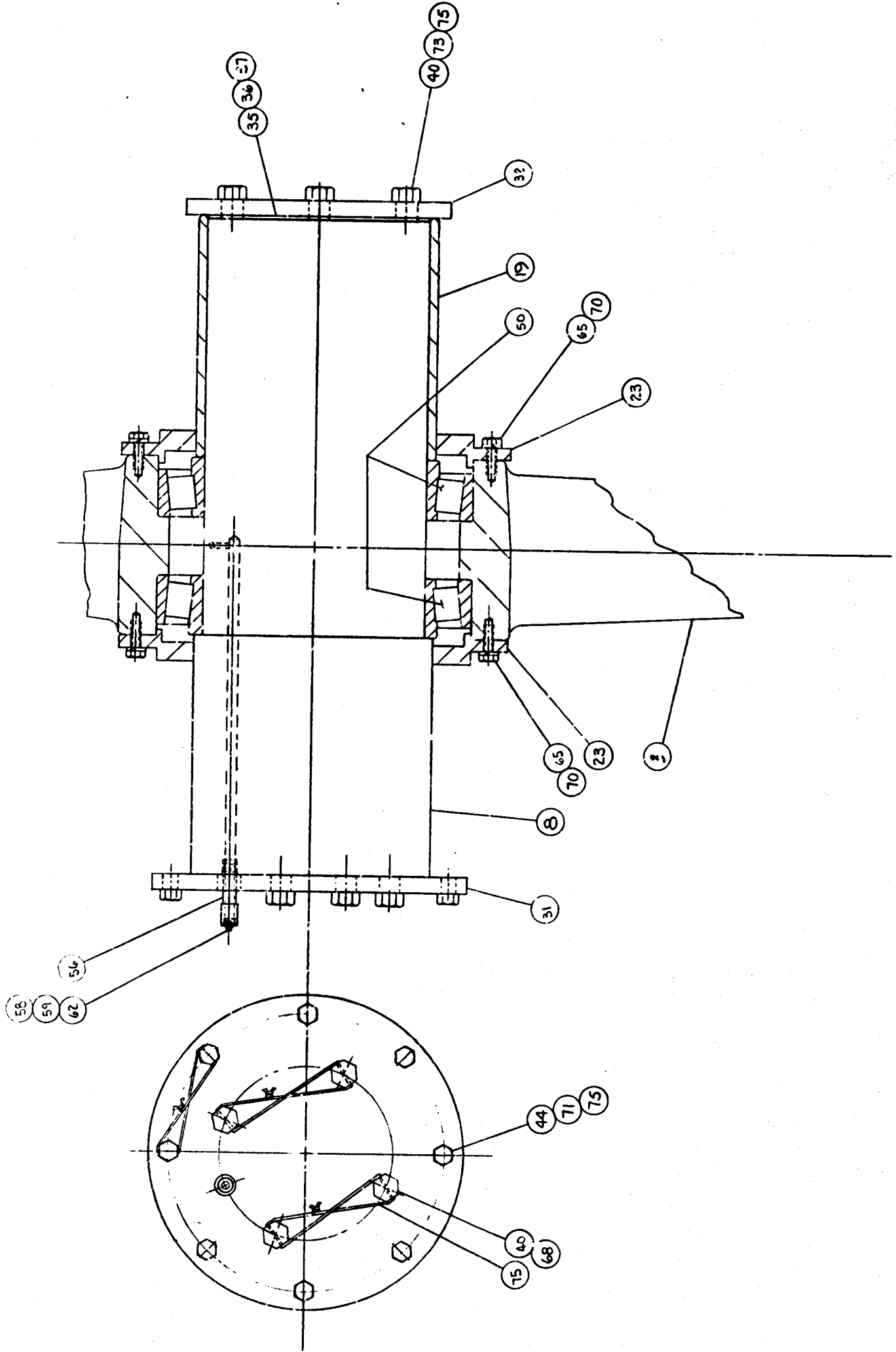
189G123

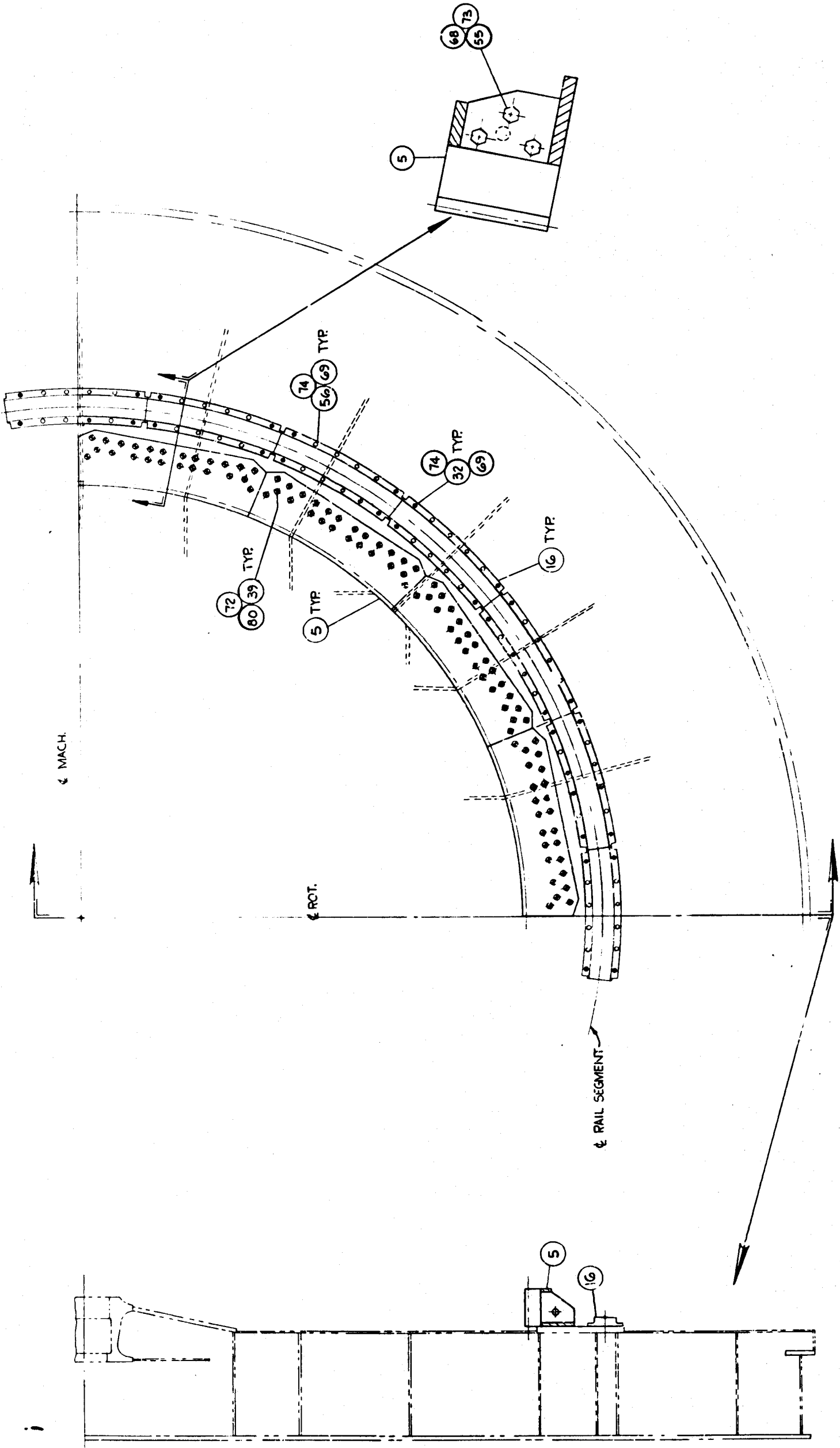
QUAN.
REQ.

ITEM NO.	PART NO.	REFERENCE	DESCRIPTION	QUAN. REQ.
3	094417-3	70F120A	PIPE SUPPORT	2
8	094593-5	806H67A	U-BOLT	4
16	521050-0		BAR 1/4 X 4 X 4	1
25			PLATE	1
37	547250-4		PIPE P1-FO 3/4 X 25 FT	1
40	547245-8		PIPE P1-FO 1/2 X 15 FT	1
44	103460-0		HOSE AR-4 X 4 FT	1
48	410499-4		1/4 OD X .030 WALL COPPER TUBING X 4 FT	1
51	044122-8		1/2 OD X .032 WALL COPPER TUBING X 10 FT	1
57	462503-0		1/2 GOPE VALVE	1
60	041163-9		PFL-CAP-3/4	1
62	037154-8		PFL-PLUG-1/2	1
64	038676-6		PFL-PLUG-1/4	1
66	162218-8		PIPE NIPPLE P1-1/8 X 1 1/2	1
68	036990-0		PIPE NIPPLE P1-1/4 X 2	3
70	151932-9		PIPE NIPPLE P1-1/2 X 1 1/2	2
76	043644-5		PFL-90EL-3/4	1
77	043629-1		PFL-90EL-1/2	1
80	043641-1		PFL-45EL-1/4	4
83	084877-8		PFL-RB-2/3 X 1/4	3
88	037440-7		PFL-RB-3/4 X 1/2	2
94	038774-6		PFL-TEE-3/4	1
96	043802-2		PFL-TEE-1/4	1
98	103464-2		HOSE END MAR-4	1
99	103475-0		HOSE END FAR-4	1
101	088017-5		HOSE CLIP-6	2
110	115069-3		2-1/2 FLUSH MTC GAUGE 0 TO 200 PSI 1/4 BACK CONN.	1
116	400593-7		AIR HORN #995-396-R91	1
122	009936-8		VALVE LC2DB4150	1
129	036419-3		MALE CONN 8-8 FBIX-S	1
130	036402-9		MALE CONN 4-4 FBIX-S	1
131	027829-7		MALE CONN 5-4 FBIX-S	1
133	098089-7		FEMALE CONN 4GBIX-S	1
135	036426-6		MALE CONN 1068 X 6	2
137	088197-0		FEMALE ELBOW C 5455 X 8 X 4	1



NAME: UPPER FAIRLEAD SHEAVE GROUP NO 227G46A





VIEW FOR ASSY. OF ROT. GEAR SEGMENTS
 † RAIL SEGMENTS ON TUB

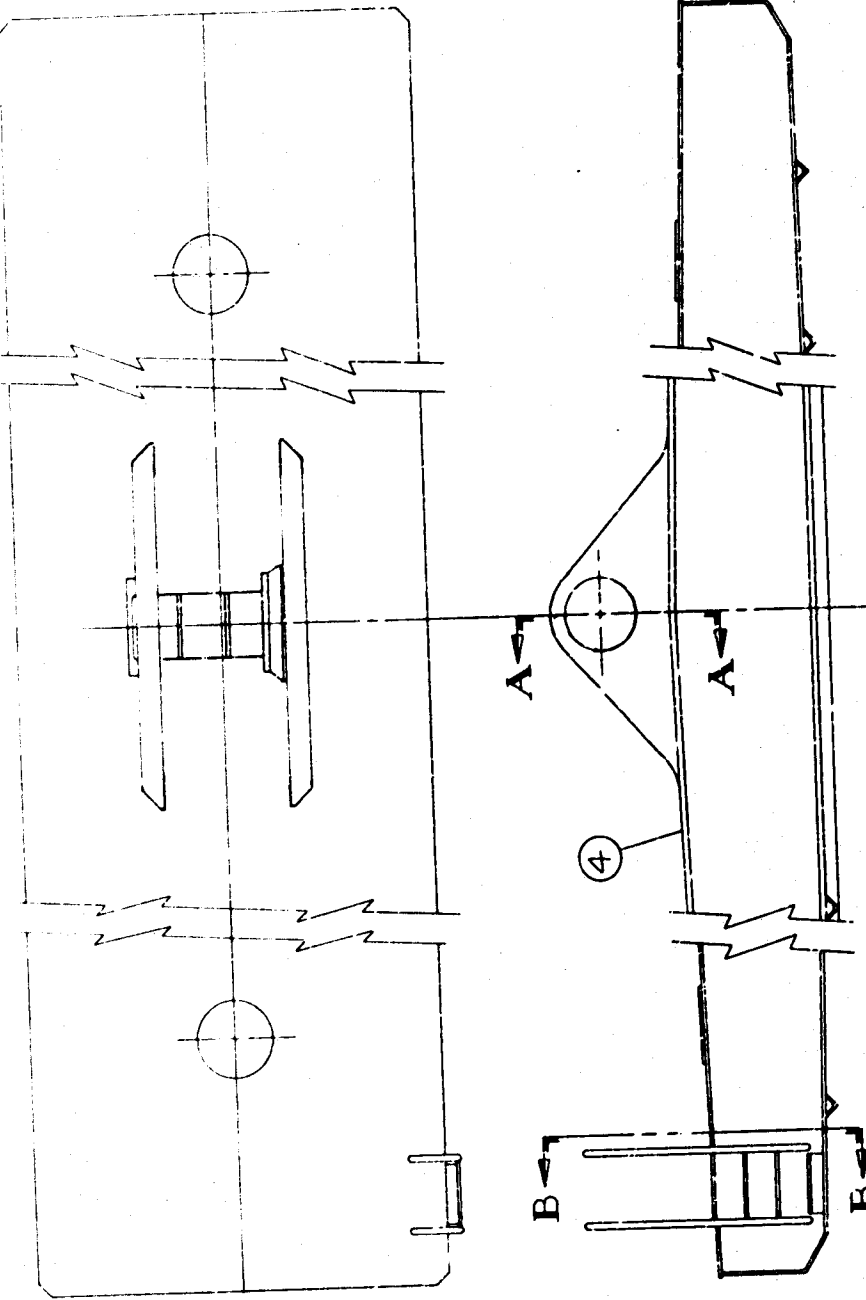


277G11D

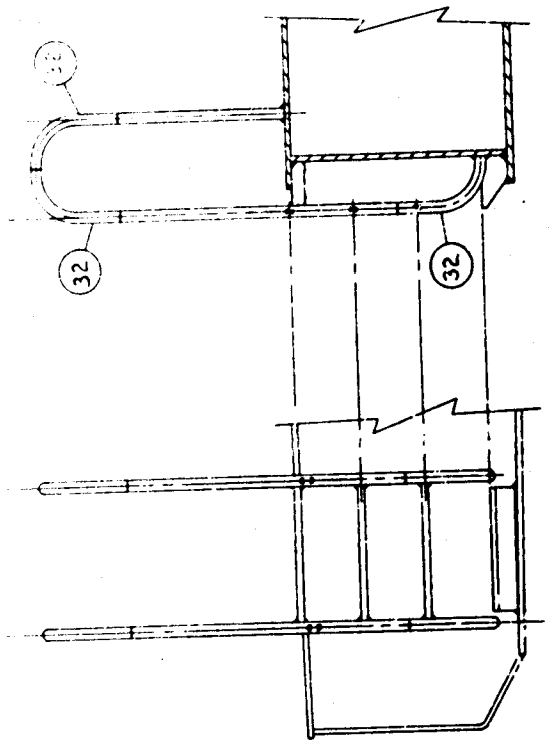
MAIN PROPEL SHAFT (146356-8)

ITEM NO.	PART NO.	REFERENCE	DESCRIPTION	QUAN. REQ.
10	096976-1	593B462	WASHER, THRUST	1
11	102103-6	593B468	THRUST WASHER	1
17	131282-1	287C36A	WALKING ECCENTRIC	1
25	142937-0	429CF90AP1	GEAR HUE ASSEMBLY	1
26	094104-2	237D303	COLLAR	1
27	174863-7	365CF87AP1	PROPEL GEAR ASSY	1
30	097377-7	70F120E	SUPPORT, PIPE	1
32	142790-3	95F252B	PROPEL SHAFT	1
34	095698-8	121F177A	CAPSCREW, SPECIAL	8
35	097310-6	135F255PA1	COLLAR	1
36	097311-4	135F255A	SPLIT COLLAR	1
37	103739-1	648H25PA1	COLLAR, ASSY	24
39	082617-1	806H67E	BOLT, SPECIAL	1
41	097969-4		U-BOLT	1
46	043628-3		ELBOW PFL .38 90DEG	1
47	040317-2		COUPLING .38 PFL	1
48	041786-6		RB .38X.25 PFL	1
50	103695-5		PIN, DOWEL	16
54	058717-6		DOWEL KEY	16
57		921P45C	KEY	2
60		5K170B	BOLT A 2 X 15	2
62	039063-1	277G11-57	FITTING A-1186	2
64	104812-1	277G11-60	DOWEL, BRAS ^c	8
67		277G11-64	SCREW A 1 X 5.5	2
73		277G11-67	NUT A 2	2
74			NUT A 1	2
79	037504-7		WASHER, LOCK 3	24
80	045717-5		WASHER, LOCK 2	8
81			WASHER, LOCK 1	2
82	037498-9		WASHER, LOCK .25	2

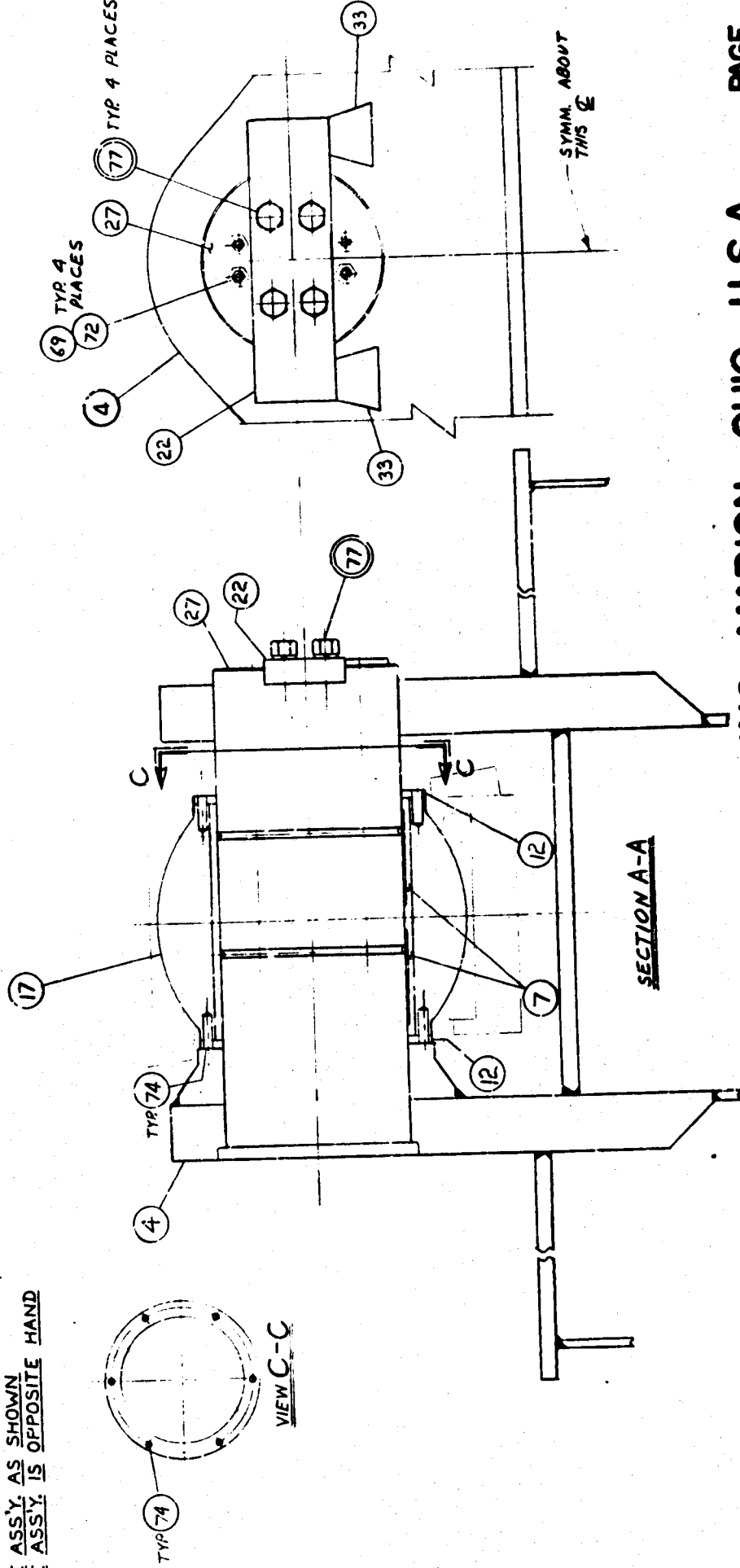
NAME: WALKING SHOE ASSEMBLY
GROUP NO.: 325 G 19



L.H. SHOE ASSY. AS SHOWN
R.H. SHOE ASSY. IS OPPOSITE HAND



SECTION B-B



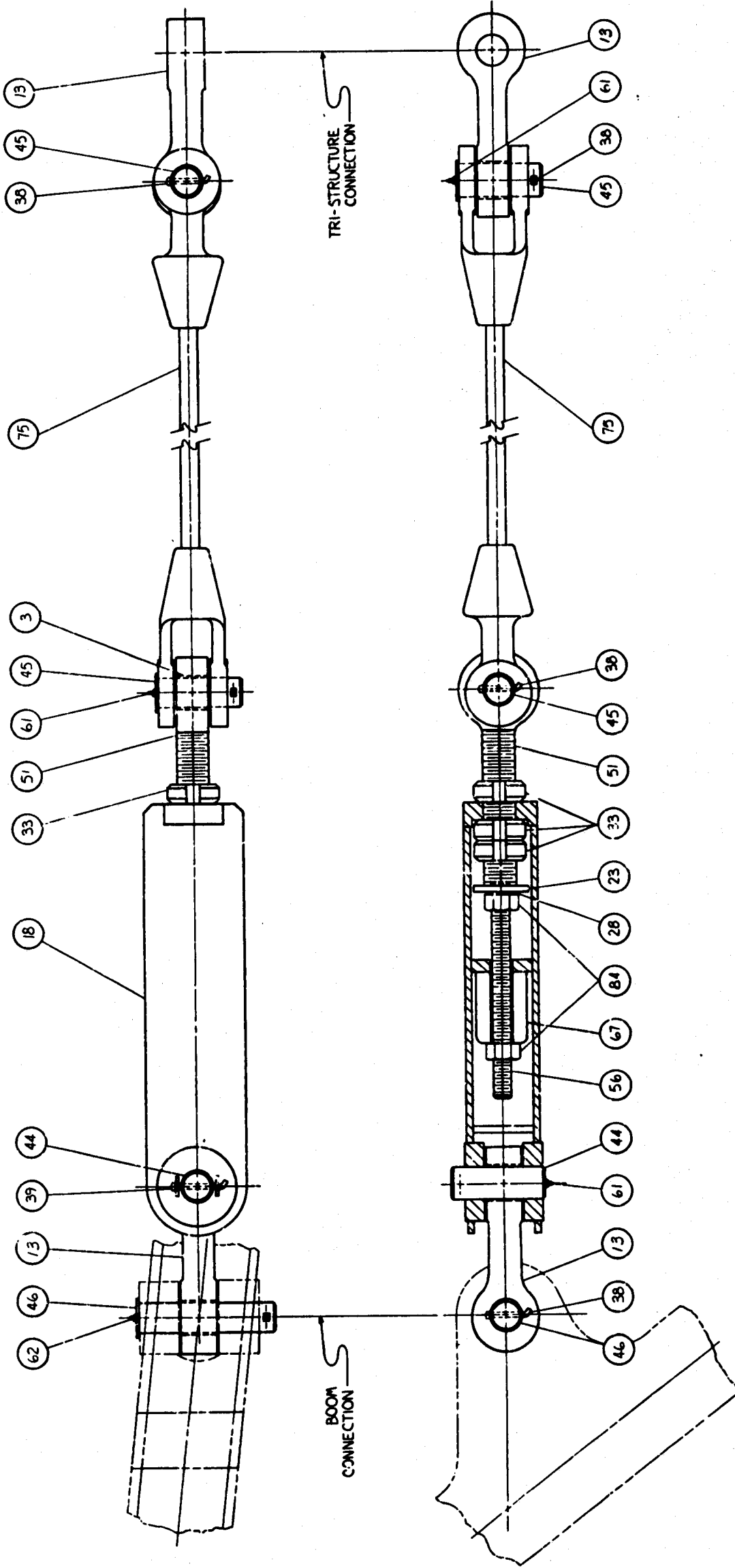
SECTION A-A

GROUP NO 343 G 29

NAME: BOOM SUSPENSION & PENDANT SUPPORT



SYM. ABT. ↺



CLICK HERE TO **DOWNLOAD** THE COMPLETE MANUAL

- Thank you very much for reading the preview of the manual.
- You can download the complete manual from: www.heydownloads.com by clicking the link below



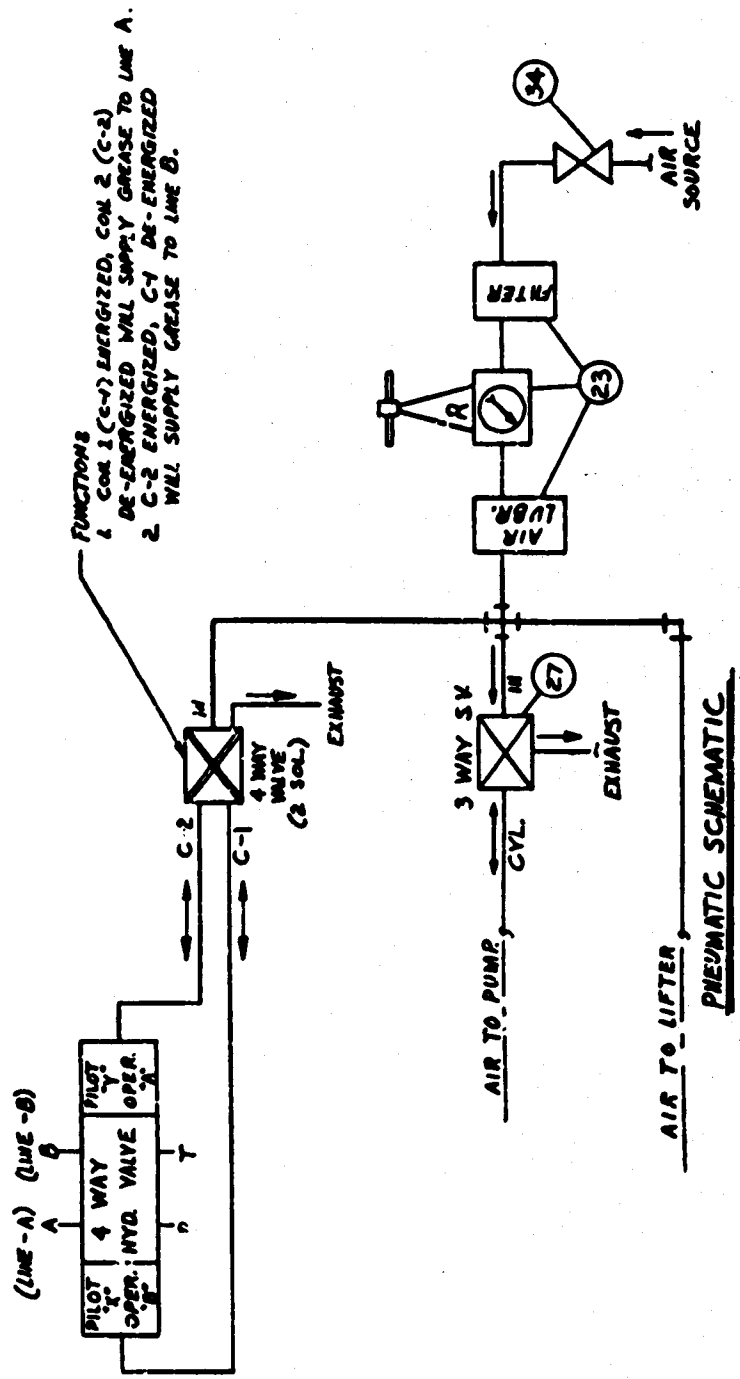
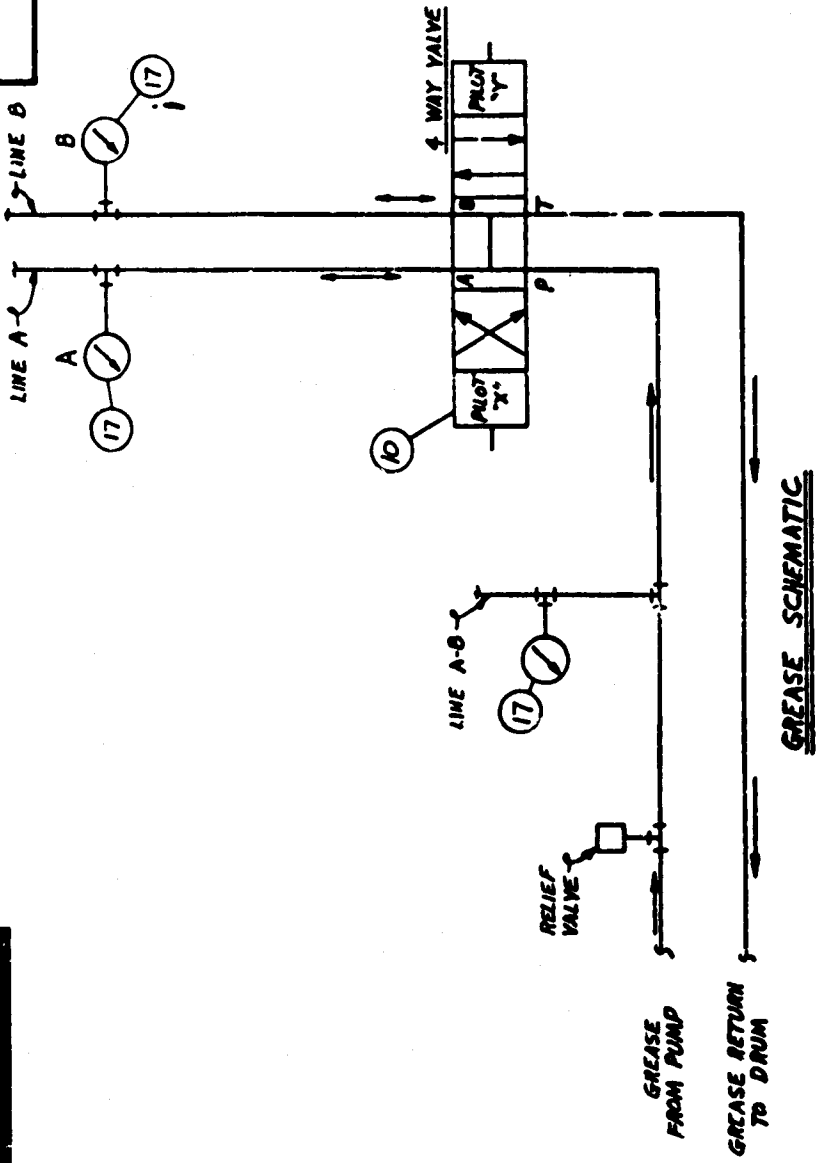
- Please note: If there is no response to CLICKING the link, please download this PDF first and then click on it.

CLICK HERE TO **DOWNLOAD** THE COMPLETE MANUAL



NAME: CONTROL PANEL - LUBE SYSTEM

GROUP NO 359 G 23



MACHINERY ASSEMBLY - PROPEL

360G27 C

ITEM NO.	PART NO.	NAME OF PART	QUAN. REQ.
99	11QM68	Shim	4
106	11QM100	Shim	4
107	11QM101	Shim	8
108	11QM102	Shim	4
109	11QM103	Shim	4
116	11QL87	Shim	8
117	11QL88	Shim	16
118	11QL89	Shim	8
119	11QL90	Shim	8
120	360G27-120	Motor (See Electrical Spec.)	2
134	2-1/4 x 3	Bolt (A)	12
136	2 x 9	Bolt (A)	78
138	2 x 6-1/2	Bolt (A)	8
141	3/4 x 2-1/4	Screw (A)	24
148	2	Nut (A)	86
152	2-1/2	Washer (A)	8
154	2	Washer (A)	86
157	2	Lock Washer	8
159	3/4	Lock Washer	24



AIR CONDITIONER AND DUCTS (324263-3)

391G30

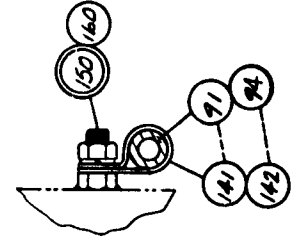
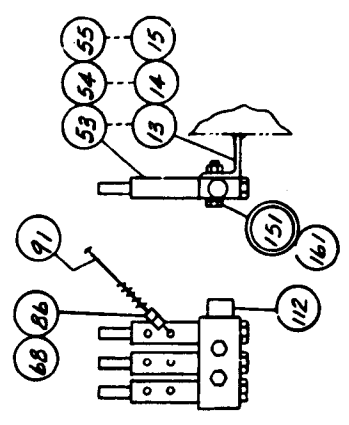
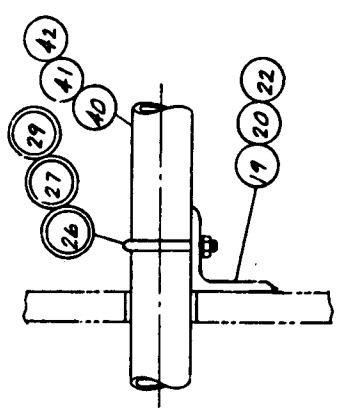
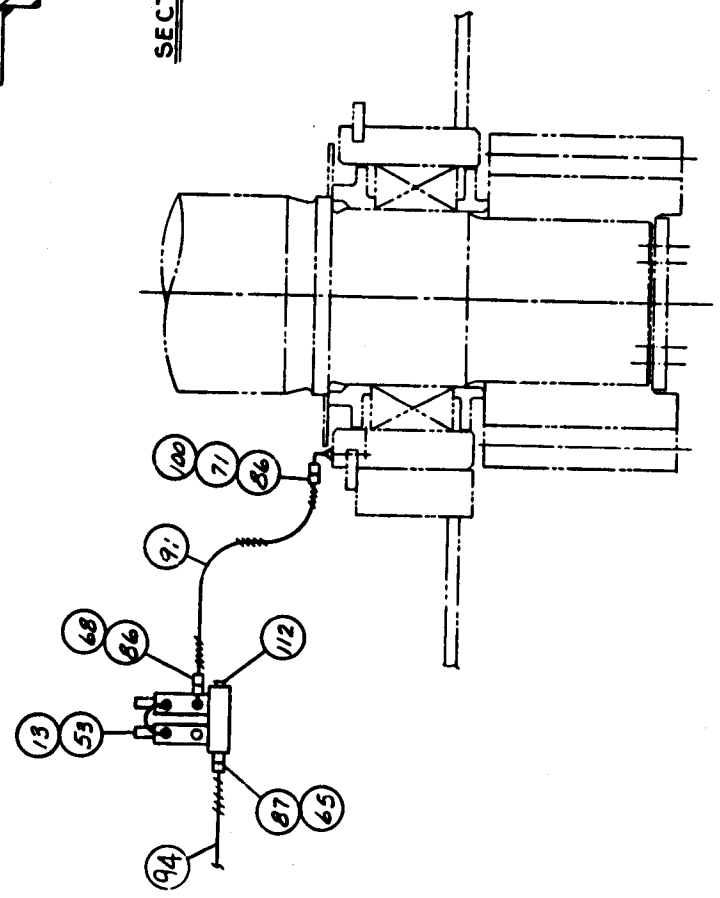
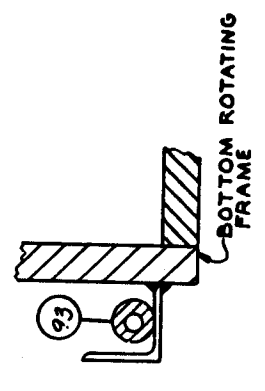
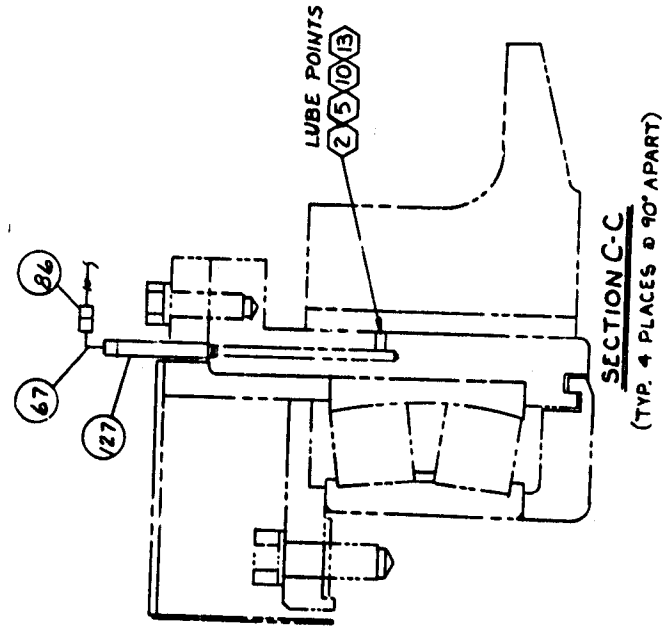
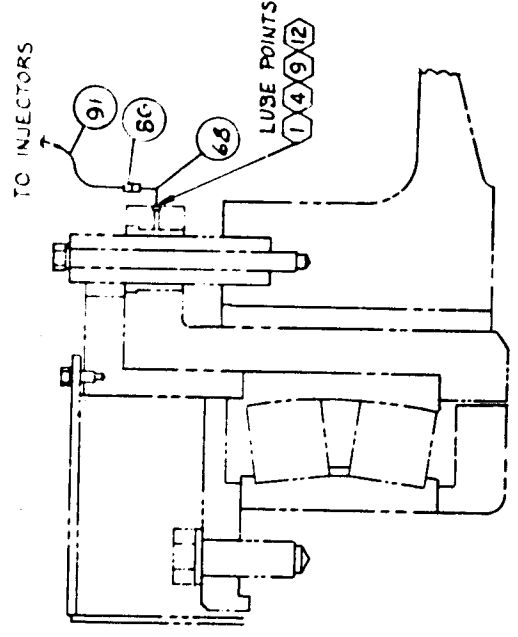
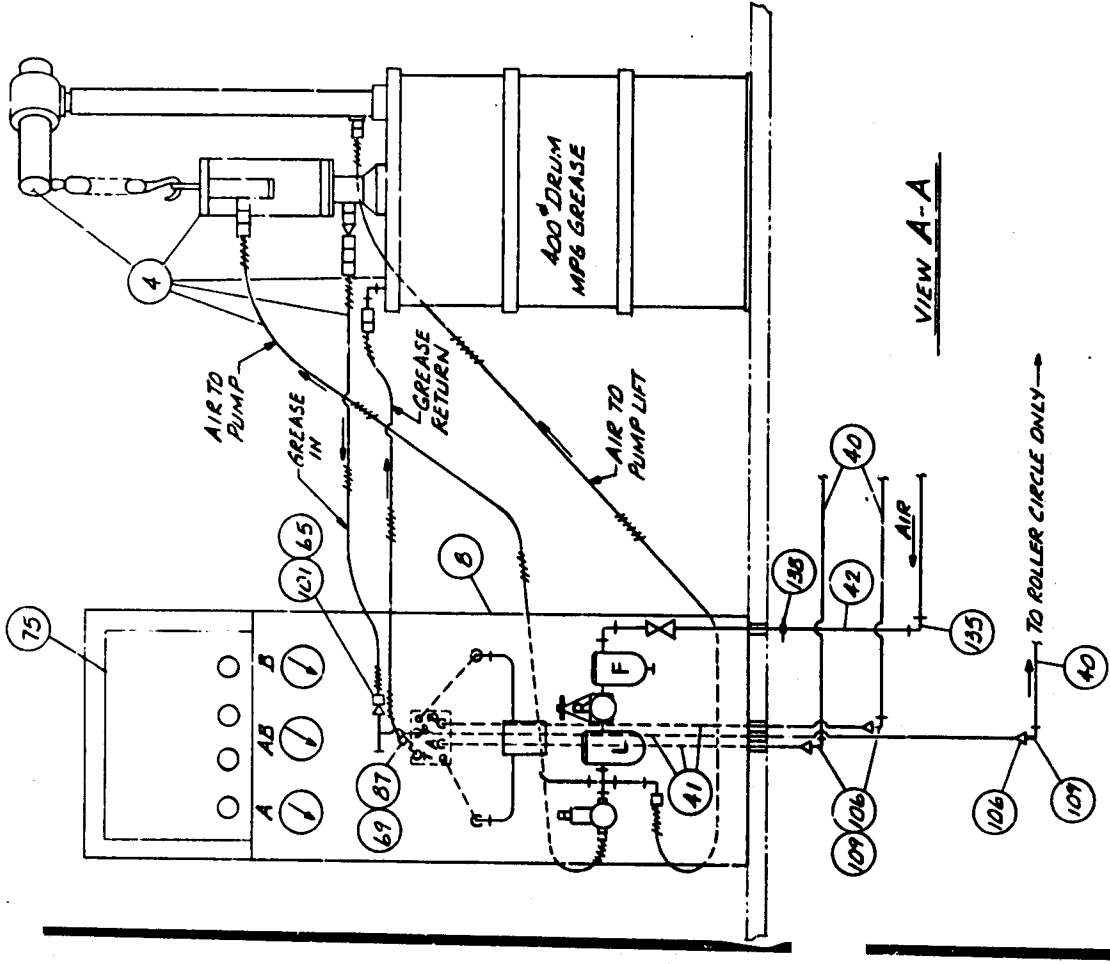
ITEM NO.	PART NO.	REFERENCE	DESCRIPTION	QUAN. REQ.
10	484843-8		AIR CONDITIONER SYSTEM	1
20	147526-6		SPRING FLEX DUCT 8 IN X 20 FT	1
21	392859-4		SPRING FLEX DUCT 10 IN X 10 FT	1
22	392860-8		SPRING FLEX DUCT 14 IN X 5 FT	1
40	139849-1		CLAMP SIZE 8	8
41	392861-6		CLAMP SIZE 10	4
42	410653-9		CLAMP SIZE 1A	2
52	467107-4		DUCT	1
60	324260-9	231F53	AIR DUCT	1
61	324259-5	231F54	AIR DUCT	1
62	324258-7	231F55	AIR DUCT	1
63	324257-9	231F56	AIR DUCT	1
64	440472-6		AIR DUCT	1
65	440473-4		AIR DUCT	1
66	324254-4	231F58	AIR DUCT	2
67	324253-6	231F59	AIR DUCT	1
68	324250-1	231F61	AIR DUCT	1
69		231F4	AIR DUCT	4
72	333902-5	231F71	AIR DUCT	1
73	333908-4	231F73	AIR DUCT	1
74	333907-6	231F73A	AIR DUCT	1
75	440474-2		AIR DUCT	1
76	440475-1		AIR DUCT	2
77	440702-4		AIR DUCT	1
78	295039-1		DUCT	1
80			HANGER IRON - ROLL 1/2 WIDE	1
86	129524-8		ANGLE	6
96	467111-2		BAR	4
106	498943-1		PIPE	2
110	103526-6		GRILLE	6
118	467108-2		ISOLATOR, VIBRATION	4
125			FILTER GRILLEFS	2
136	393050-5		LOWRE GRILLE	1

TYPE 8200 S/N 23212
 SUPPLEMENTAL SECTION

<u>DESCRIPTION</u>	<u>ASSEMBLY</u>	<u>QUAN/ASSY</u>
BUCKET ASSEMBLY - 74 CUBIC YARD	210054-1	1
● BUCKET STRUCTURE	210055-0	1
●● TOOTH ADAPTER - CENTER	210117-3	4
●● TOOTH ADAPTER - LEFT	210118-1	1
●● TOOTH ADAPTER - RIGHT	210119-0	1
BUCKET TOOTH (SIZE B)	210062-2	6
WEAR PACKAGE - PLATES	210394-8	1
WEAR PACKAGE - SHROUDS	210058-4	1
BUCKET RIGGING	210059-2	1
● DUMP BLOCK	210061-4	2
BUCKET ASSEMBLY - 79CY/60CM	211412-7	1
● BUCKET STRUCTURE	211413-5	1
●● TOOTH ADAPTER - CENTER	210117-3	4
●● TOOTH ADAPTER - LEFT	210118-1	1
●● TOOTH ADAPTER - RIGHT	210119-0	1
BUCKET TOOTH (SIZE B)	210062-2	6
WEAR PACKAGE - PLATES	210394-8	1
WEAR PACKAGE - SHROUDS	210058-4	1
BUCKET RIGGING	210059-2	1
● DUMP BLOCK	210061-4	2
MARION TO ESCO RIGGING ADAPTER	211009-1	2

SYSTEM SETTINGS

1. SET FAST CYCLE (PROPEL) TIMER FOR 1 CYCLE EVERY 3 1/4 MIN. (INSIDE PINS). SET REG. CYCLE (DIG) TIMER FOR 1 CYCLE EVERY 15 MIN. (INSIDE PINS)
 2. SET OUTSIDE PIN ON CYCLE TIMERS. (4 PIN SPACES BEHIND INSIDE PINS)
 3. SET ALARM TIMER FOR 100 SEC.
 4. SET AIR PRESSURE REGULATOR AT 80 P.S.I.
 5. SET END OF LINE PRESS. SWITCHES (AT ROT. BEARING & CENTER JOURNAL) AT 2500 P.S.I.
- NOTE: SETTINGS 1, 2 & 3 INSIDE ITEM 75.
LINE "A" FUNCTIONS DURING "DIG" MODE.
LINE "B" FUNCTIONS DURING "PROPEL" MODE.



LUBE SYSTEM - PROPEL BEARINGS

155G353

ITEM NO.	PART NO.	NAME OF PART	QUAN. REQ.
80	-9	Hose Clip	30
81	-6	Hose Clip	60
82	-4	Hose Clip	75
83	-2	Hose Clip	AR
85	PIX-PO x .75 x 60	Pipe	1
86	PIX-PO x 1 x 330	Pipe	1
90	P1-PO x .38 x 20 FT.	Pipe	1
91	PIX-PO x .38 x 8.00	Pipe	32
100	PIX x .38 x 2.00	Pipe Nipple	2
114	PFH-RB-.50 x .25	Reducing Bushing	12
115	PFM-CPLG-38	Coupling	32
116	PFH-CPLG-3T-1	Coupling	28
117	PFH-RB-1 x .75	Reducing Bushing	2
118	PFH-RB-.38 x .25	Reducing Bushing	28
119	PFH-CROS-3T-.75	Reducing Bushing	2
120	PFH-TEE-3T-.75	Cross	4
121	PFH-UNION-3T-.75	Tee	12
122	PFH-UNION-3T-1	Union	2
123	PFH-90EL-3T-1	Union	24
124	PFH-TEE-3T-1	Elbow	27
125	PFH-CPLG-3T-.75	Tee	16
126	PFH-RB-1 x .50	Coupling	4
127	PFH-RB-.75 x .50	Reducing Bushing	8
128	PFH-RB-1 x .38	Reducing Bushing	2
129	PFH-RB-1 x .25	Reducing Bushing	2
130	PFM-CPLG-.50	Reducing Bushing	2
131	PFH-PLUG-.38	Coupling	8
132	PFH-RB-.50 x .38	Plug	32
136	PFH-RB-.75 x .25	Reducing Bushing	1
137	PFH-RB-.75 x .38	Reducing Bushing	8
138	PFL-UNION-.38	Reducing Bushing	1
139	PFL-90EL-.38	Union	2
140	PFL-RB-1 x .38	Elbow	3
155	.31 x 2.75	Reducing Bushing	1
156	.31 x 2.25	Screw (A)	16
157	.31 x .50	Screw (A)	20
158	.31	Screw (A)	AR
159	.31	Nut (A)	AR
160	.25	Lock Washer	AR
		Lock Washer (For U-Bolts)	AR

NOTE: AR-Amount Required



AIR COMPRESSOR PIPING

189G142A

ITEM NO.	PART NO.	NAME OF PART	QUAN. REQ.
7	70F120	Pipe Support	1
12	70F120C	Pipe Support	41
17	70F120J	Pipe Support	3
28	114F51	Mounting Bracket	14
39	197F146	Bracket	1
58	806H67	U-Bolt	15
62	806H67C	U-Bolt	44
66	806H67J	U-Bolt	3
107	P1 1.25 x 270 Ft.	Pipe	1
111	P1 .75 x 15 Ft.	Pipe	1
115	P1 .5 x 12 Ft.	Pipe	1
131	P1 x 1.25 x 2.5	Pipe	2
132	P1 x 1 x 2	Pipe Nipple	4
133	P1 x .75 x 3	Pipe Nipple	15
134	P1 x .5 x 4	Pipe Nipple	14
135	P1 x .5 x 2.5	Pipe Nipple	29
136	P1 x .5 x 1.5	Pipe Nipple	16
137	P1 x .12 x 1.5	Pipe Nipple	4
146	PFL-CAP-1.25	Cap	4
152	PFL-CPLG-1.25	Ccoupling	14
153	PFL-CPLG-.75	Coupling	14
154	PFM-CPLG-.5	Coupling	1
160	PFL-CROSS-1.25	Cross	1
166	PFL-45 EL-1.25	Elbow	5
172	PFL-90 EL-1.25	Elbow	19
173	PFL-90 EL-.75	Elbow	4
174	PFL-90 EL .5	Elbow	14
180	PFL-RB- 1.5 - 1.25	Reducing Bushing	2
181	PFL-RB- 1.5 - 1	Reducing Bushing	2
182	PFL-RB- 1.25 - 1	Reducing Bushing	2
183	PFL-RB- 1.25 -.75	Reducing Bushing	15
184	PFL-RB- 1.25 - .5	Reducing Bushing	3
186	PFL-RB-.5 -.12	Reducing Bushing	1
187	PFL-RB-.38 -.12	Reducing Bushing	3
193	PFL-TEE 1.25	Tee	20
194	PFL-TEE .75	Tee	1
200	PFL-UNION 1.25	Union	29
201	PFL-UNION-.75	Union	1
202	PFL-UNION-.5	Union	15

LEVERS - SWING CONTROL

061339-8

ITEM NO.	PART NO.	PART DESCRIPTION	QUAN. REQ.
5	020818-3	FOOT LEVER L.H.	1
6	020819-1	FOOT LEVER R.H.	1
9	029255-9	BELL CRANK	1
12	027587-5	FOOT PEDAL	2
15	005683-9	BRACKET FOR FOOT LEVERS	1
16	049733-9	CONNECTING ARM WITH BEARINGS	2
16A	043566-0	BEARING	4
18	011595-9	SPECIAL PIPE CAP PFL 2	1
19	038195-1	SPRING	1
23	053706-3	SPACER	2
24	045191-6	SPACER	2
28	047091-1	SHAFT	1
29	029071-8	SHAFT	1
32	035660-3	SHAFT, SPRING GUIDE	1
33	049810-6	BOLT, SPECIAL WITH SLOTTED NUT .62 GR A	2
34	002326-4	BOLT, SPECIAL WITH SLOTTED NUT .62 GR A	2
35	165970-7	BEARING, INNER RACE	8
36	165971-5	BEARING, NEEDLE	8
37	053707-1	STOP ANGLE	2
40	045193-2	BAR, SHAFT LOCK	1
48	024426-1	BEARING, PILLOW BLOCK	2
49	164824-1	BRACKET	1

061339-8



VALVE SOLENOID .25

092206-4

<u>ITEM NO.</u>	<u>PART NO.</u>	<u>PART DESCRIPTION</u>	<u>QUAN. REQ.</u>
1	289411-4	NUT, HOUSING	1
5	275309-0	HOUSING, .5 NPT CONDUIT	1
6	474463-2	COIL 120VAC-60HZ	1
9	284454-1	PLUNGER ASSEMBLY	1
10	284453-2	SPRING	1
24	474469-1	SEAL, FLANGE	1

092206-4



CYLINDER, AIR 6 X 6

112249-5

<u>ITEM NO.</u>	<u>PART NO.</u>	<u>PART DESCRIPTION</u>	<u>QUAN. REQ.</u>
-----------------	-----------------	-------------------------	-------------------

PARKER CYLINDER

1	377603-4	KIT, GLAND CARTRIDGE	1
2	165801-8	KIT, ROD SEAL	1
3	377609-3	KIT, PISTON SEAL	1
4		KNUCKLE #69093	1
5		PIN WITH COTTERS #82027	1

SHEFFER CYLINDER

4		ROD EYE #REF-201116	1
5		PIN WITH COTTERS #PC-A824	1
16	415438-0	SEAL	2
18	414546-1	PACKING	2
21	414541-1	BUSHING, CARTRIDGE	1
22	414547-0	SEAL, CARTRIDGE BUSHING	1
24	414550-0	WIPER, ROD	1
25	414544-5	PACKING, ROD	1

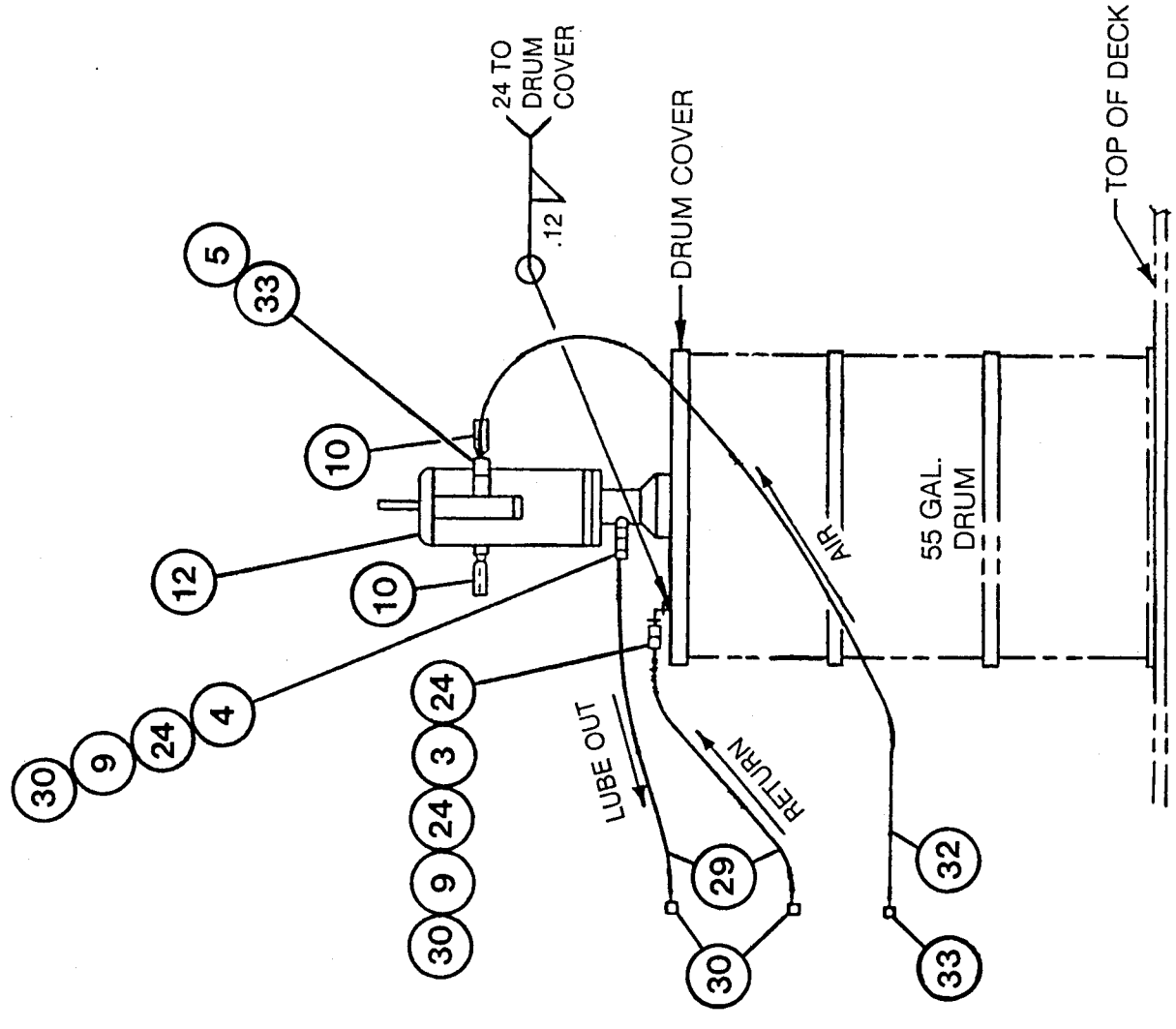
112249-5

NAME: **LUBE PUMP ASSEMBLY**

PART NO: **127365-5**

DWG. NO: **116G55A**

REV: **A**

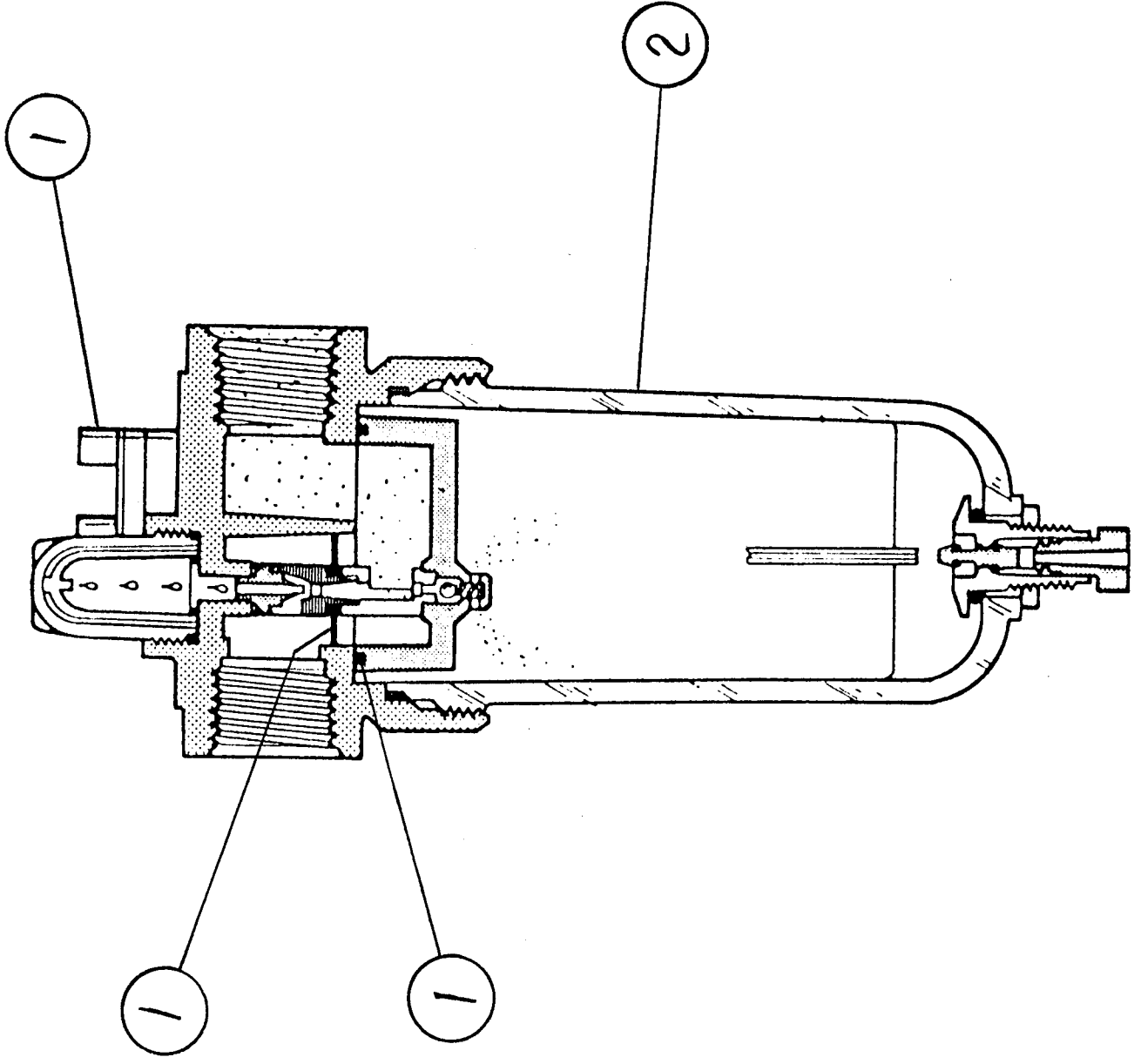




NAME: LUBRICATOR

PART NO: 139716-8
DWG. NO:

REV:



139716-8

CONTROL PANEL-AUTO LUBE**171391-4**

<u>ITEM NO.</u>	<u>PART NO.</u>	<u>PART DESCRIPTION</u>	<u>QUAN. REQ.</u>
52	162186-6	NIPPLE, P1X .75 X 4	2
53	162200-5	NIPPLE, P1 .38 X 1.5	4
54	162199-8	NIPPLE, P1 .38 X 4	2
55	043628-3	ELBOW PFL .38	2
56	078129-1	CROSS PFL .38	1
57	038676-6	PLUG PFL .25	2
58	039015-1	PLUG PFL .38	3
61	171392-2	ANGLE 3 X 2 X .25	2
63	154831-0	ELBOW 6-6VBTXS	1
65	036426-6	CONNECTOR 6FBTX-3	8
66	341650-0	UNION, BULKHEAD 6WBTXS	2
68	084571-0	NIPPLE, .75 FF-S	1
69	057589-5	CONNECTOR, 6GBTXS	3
70	101721-7	SCREW, SELF-TAPPING #10-24 X .5	9
71	038255-8	NUT, HX .38 GR A	4
72	037554-3	NUT, HX .25 GR A	4
77	037506-3	WASHER, LOCK .38	4
78	037498-9	WASHER, LOCK .25	4
79	023041-3	SCREW, HSH .38 X 2.25	4
82	055127-9	SCREW, HSH .25 X 2.5	4

171391-4



BUCKET ASSEMBLY - 74 CUBIC YARD

210054-1

<u>ITEM NO.</u>	<u>PART NO.</u>	<u>PART DESCRIPTION</u>	<u>QUAN. REQ.</u>
5	> 210055-0	BUCKET STRUCTURE	1
5A	466133-8	GUARD, TRUNNION	2
5B	466131-1	PLATE 1	2
5C	466129-0	PLATE 1	2
5D	466130-3	PLATE 1	2
9	210216-1	DUMP BRACKET WITH BUSHINGS	2
9A	209646-3	BUSHING, SPLIT (MANG STEEL)	4
13	210213-7	TRUNNION LINK WITH BUSHINGS	2
13A	427666-3	BUSHING, SPLIT (MANG STEEL)	4
13B	322803-7	BUSHING, SPLIT (MANG STEEL)	2
15	401599-1	HOIST TRUNNION WITH BUSHINGS	2
15A	323017-1	BUSHING, SPLIT (MANG STEEL)	4
21	210218-8	PIN	2
24	466132-0	PLATE 1.5	4
33	039348-7	FITTING, GREASE	2
37	210369-9	BUSHING, SPLIT (MANG STEEL)	2
39	210090-8	WELD ROD E90XX	190 LBS
40	210309-5	WELD ROD E309LXX	10 LBS

210054-1



WEAR PACKAGE - SHROUDS

210058-4

<u>ITEM NO.</u>	<u>PART NO.</u>	<u>PART DESCRIPTION</u>	<u>QUAN. REQ.</u>
5	218578-4	WEDGE, TOOTH	14
6	210398-2	CHEEK SHROUD	2
7	210396-6	LIP SHROUD-LEFT	5
8	210397-4	LIP SHROUD-RIGHT	5



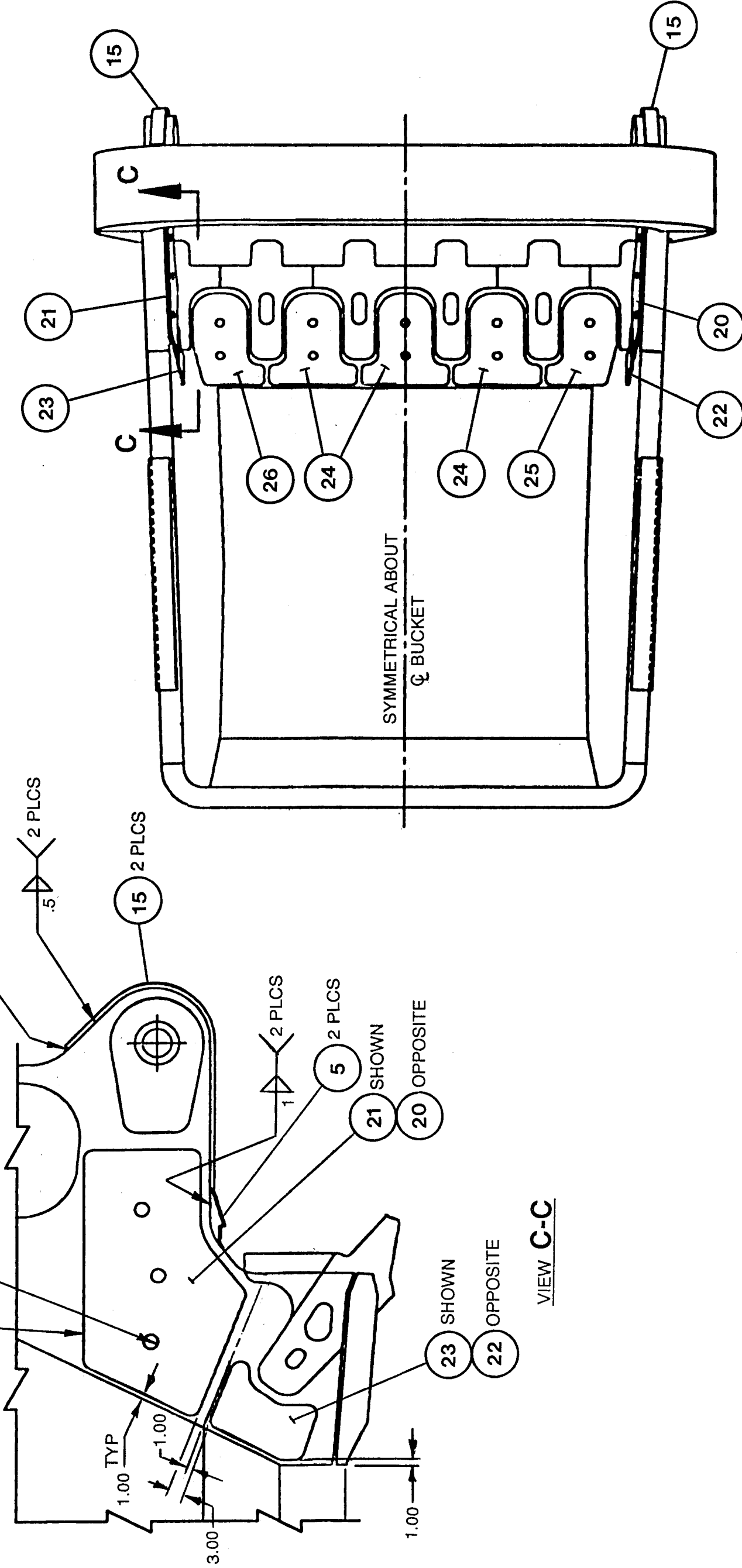
NAME: WEAR PACKAGE - PLATES

PART NO: 210394-8

DWG. NO:

REV:

NO WELD (BOTH ENDS)



VIEW B-B

VIEW C-C

210394-0

PAGE 2 OF 3 PAGES

Marion Division of INDRESCO Inc.



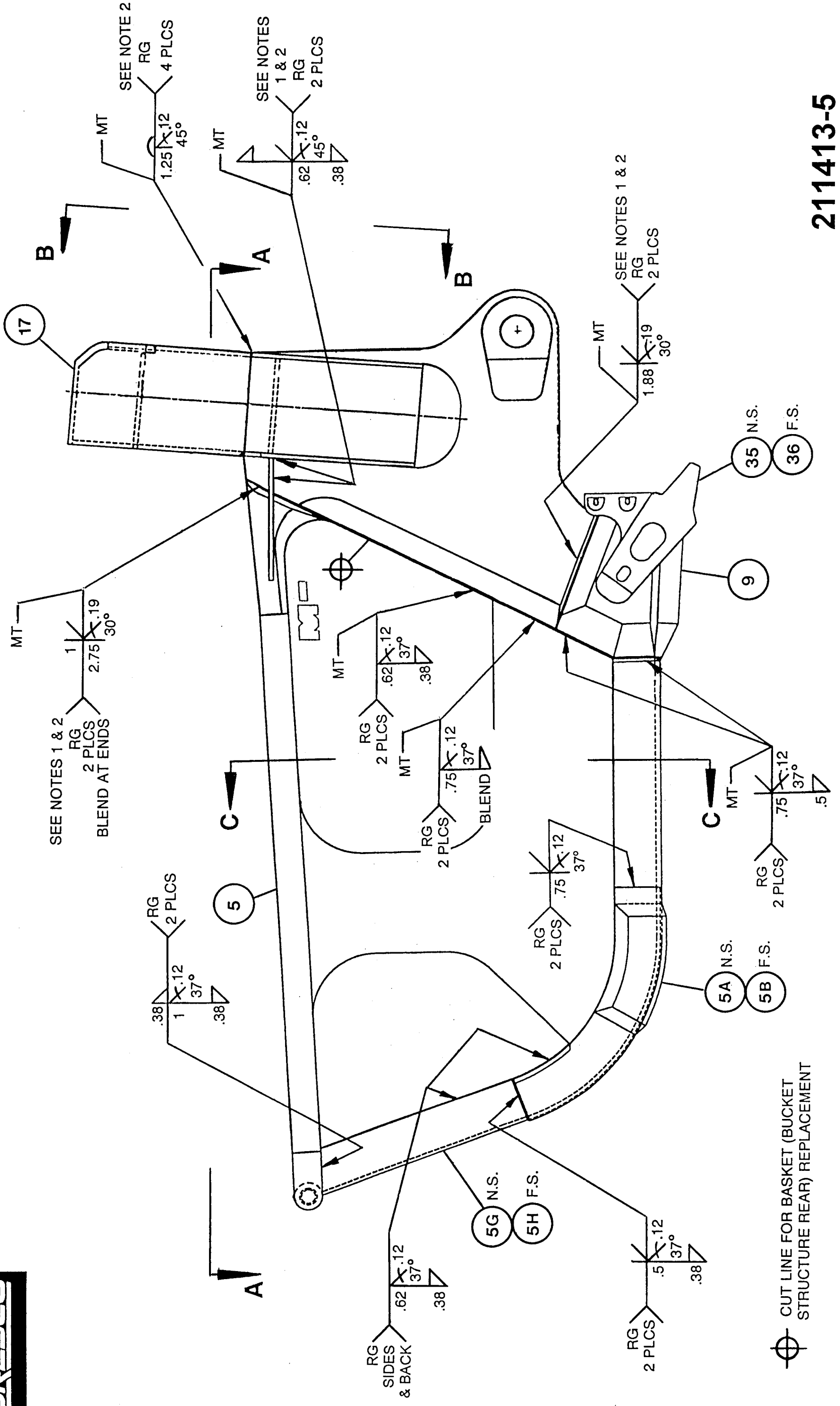
NAME:

BUCKET STRUCTURE - 79 CY/60 CM

PART NO: **211413-5**

DWG. NO:

REV:



 CUT LINE FOR BASKET (BUCKET STRUCTURE REAR) REPLACEMENT

REMIC 8-10-94

Marion Division of INDRESCO Inc.

211413-5

PAGE 1 OF 4 PAGES

MARION**INDRESCO****PUMP TUBE 75:1****294815-0**

<u>ITEM NO.</u>	<u>PART NO.</u>	<u>PART DESCRIPTION</u>	<u>QUAN. REQ.</u>
1	294816-8	NUT, GLAND	1
2	294817-6	PACKING, U-CUP	1
3	294818-4	RING, RETAINING	1
4	399223-3	ADAPTOR, COUPLING	2
5	470144-5	TUBE, PUMP	1
6	294819-2	ROD, PLUNGER	1
7	473840-3	ADAPTOR, COUPLING	1
8	415105-4	ROD, PUMP	1
9	294824-9	ADAPTER ASSEMBLY	1
10	415172-1	BALL, STEEL	1
11	294873-7	PIN	1
12	470141-1	BALL, STEEL	1
13	294874-5	BUSHING & PLUNGER ASSEMBLY	1
14	471263-3	TUBE, ADAPTOR	1
15	387858-9	PRIMING PLUNGER NUT	1
16	387857-1	BUSHING & PLUNGER ASSEMBLY	1
17	387859-7	RETAINER	1
18	294875-3	WASHER	1
19	415118-6	SEAT, OUTLET CHECK	1
20	415114-3	BODY, OUTLET PRIMER	2
21	473838-1	REDUCER	1
22	387860-1	SEAT, CHECK	1
23	387861-9	SEAT, CHECK	1

294815-0

Marion Division of INDRESCO Inc.

PAGE 2 OF 3 PAGES

BI006337

REV:

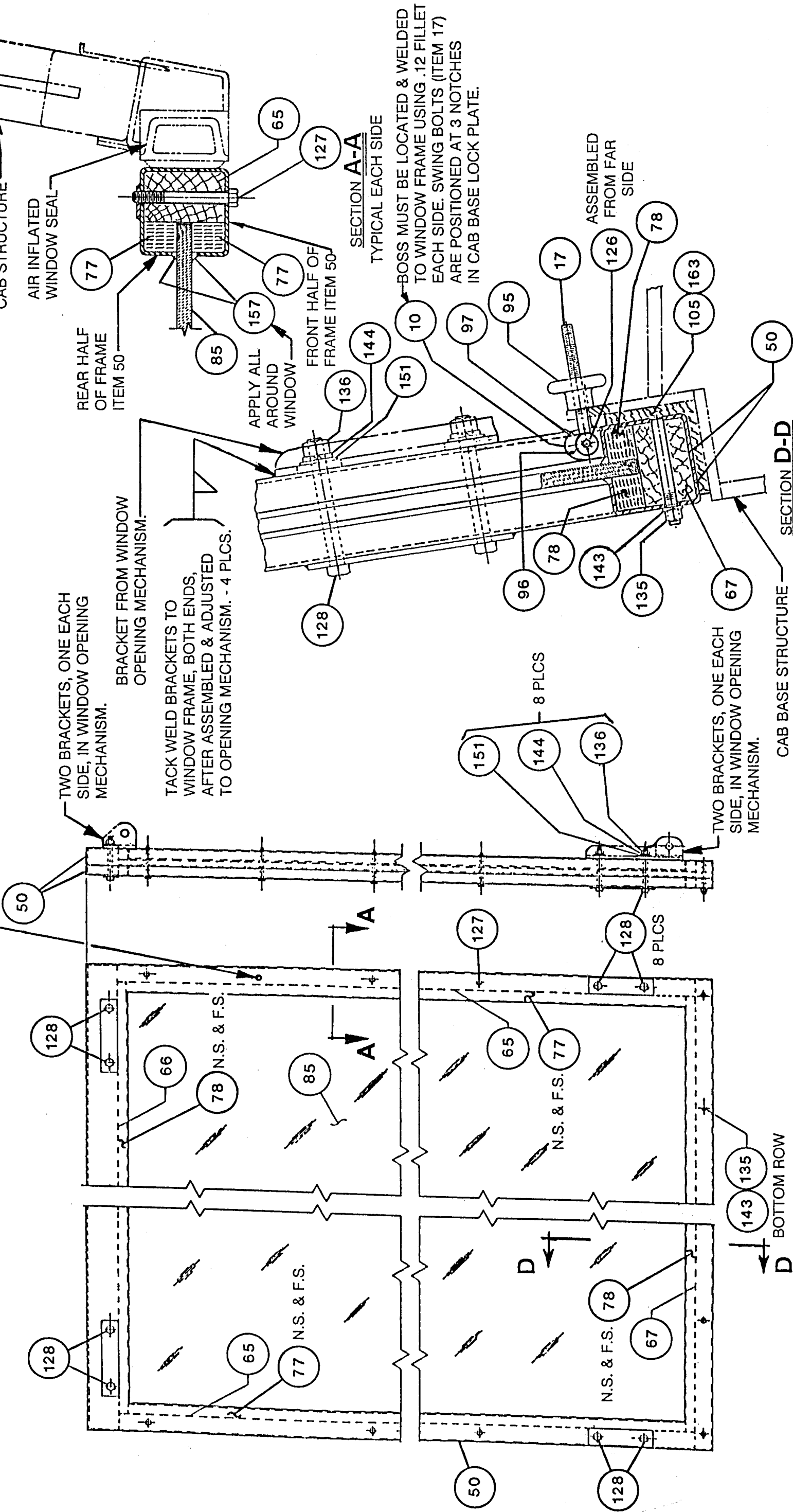
PART NO. 323950-1

DWG. NO. 133G39

FRONT CAB WINDOW & MOUNTING

NAME:

FOR HANDLING FRONT WINDOW, REMOVE THIS CAPSCREW AT EACH SIDE OF FRAME AND REPLACE IT WITH EYEBOLT ITEM 98. USE HEX JAM NUT (ITEM 134) WITH EYEBOLT.



323950-1

Marion Division of INDRESCO Inc.

FRONT WINDOW OPENING MECHANISM**324268-4**

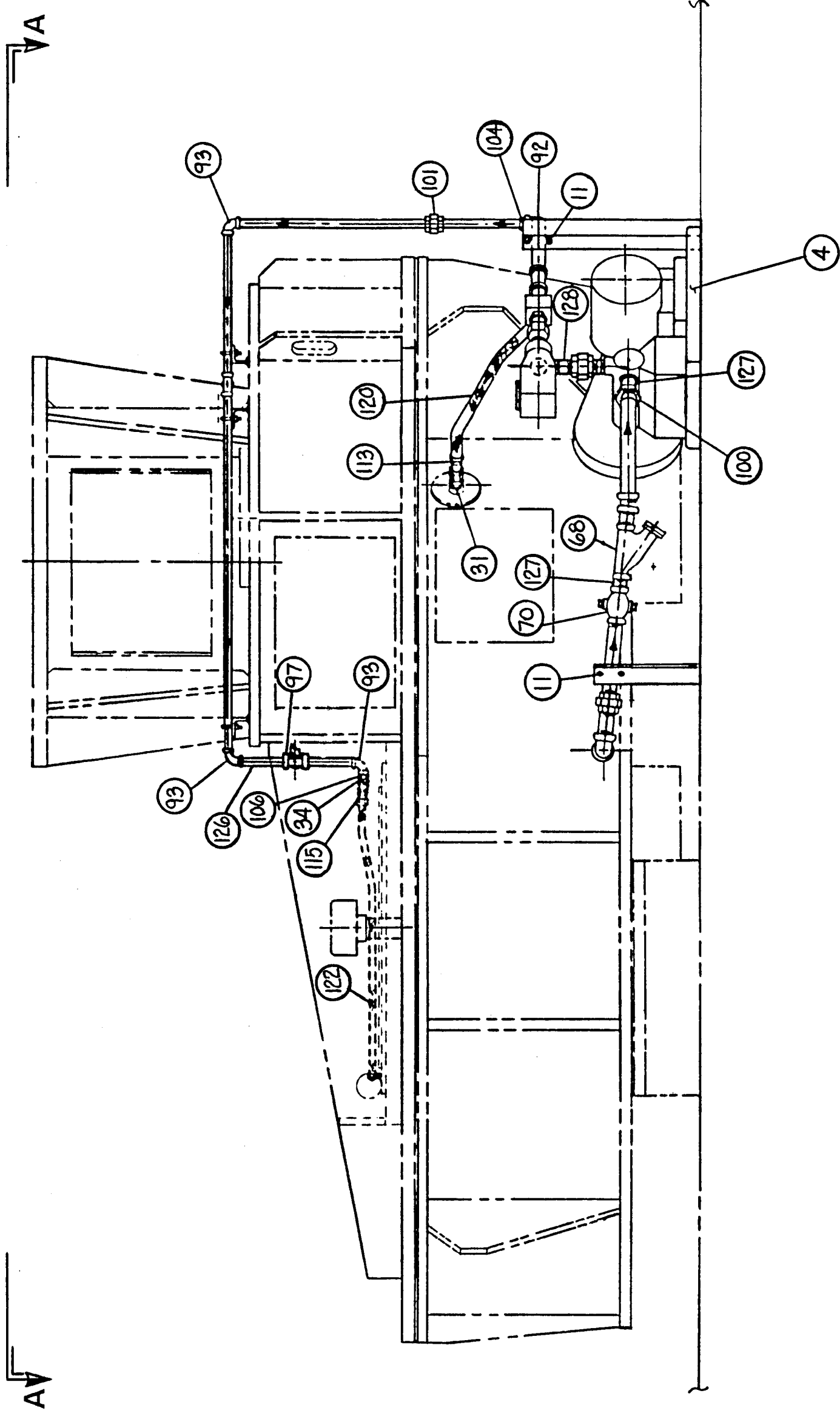
<u>ITEM NO.</u>	<u>PART NO.</u>	<u>PART DESCRIPTION</u>	<u>QUAN. REQ.</u>
112	186446-7	JAM NUT, HX .5UNF GR 2	8
113	037557-8	NUT, HX .62 GR 2	6
114	037554-3	NUT, HX .25 GR 2	2
119	133432-8	WASHER HARDENED .75	10
120	090143-1	WASHER, PLAIN ZP, .38 GR 2	14
121	074729-7	WASHER, HARDENED .5	4
122	059824-1	WASHER, HARDENED .62	4
124	165810-7	WASHER, PLAIN ZP .25 GR 2	2
127	037494-6	WASHER, LOCK .75	4
128	037506-3	WASHER, LOCK .38	18
129	037496-2	WASHER, LOCK .5	8
130	037498-9	WASHER, LOCK .25	4
132	041600-2	PIN, COTTER .19 X 1.5	2
134	384892-2	BUSH, BRONZE	2
136	384893-1	BRONZE BUSHING	6
138	384894-9	BRG., SPHERICAL	2
143	099620-3	SCREW ST .25-20 X .5	4
144	140267-6	SCREW ST .38 X 16 X 1	6
147	127102-4	SCREW MSF .25-20 X .5	2
153	392738-5	RING, RETAINING	2

324268-4

NAME:
LUBE SYSTEM - SWING GEAR CASE

PART NO: **404752-4**
DWG. NO: **116G54C**

REV: **6**



VALVE, 4-WAY

410671-7

<u>ITEM NO.</u>	<u>PART NO.</u>	<u>PART DESCRIPTION</u>	<u>QUAN. REQ.</u>
2		COVER PLATE #A133-114	1
3		SCREW #H100-14	4
7	289097-6	PIPE PLUG	1
8	289098-4	PIPE PLUG	3
10	289100-0	BODY	2
12	289102-6	END CAP	2
13	289103-4	GASKET	2
14	289104-2	PISTON	2
15	289105-1	DOWEL PIN (PISTON ROD)	2
21	289108-5	ROLL PIN	2
22	470000-7	SPOOL	1
24	289112-3	SCREW	6
25	471804-6	BODY	1
27	289113-1	CENTERING PISTON	2
29	289124-7	SCREW	6
30	289114-0	SCREW	8
33		SET SCREW #H121-14	1
34	165678-3	PLUG 4P5ONS	2
A	474432-2 **	SEAL KIT, VITON	1
B	289117-4 ***	ACTUATOR ASSEMBLY	2

**THIS KIT CONTAINS VITON O-RINGS. FOR A BUNA-N O-RINGS KIT ORDER P/N

389036-8.

***INCLUDES 1 EACH OF ITEMS 10, 12, 13, 14, 15 & 27 AND 3 OF ITEM 29
ALONG WITH THE VITON O-RINGS IN THE ASSEMBLY.

410671-7

CLICK HERE TO **DOWNLOAD** THE COMPLETE MANUAL

- Thank you very much for reading the preview of the manual.
- You can download the complete manual from: www.heydownloads.com by clicking the link below



- Please note: If there is no response to CLICKING the link, please download this PDF first and then click on it.

CLICK HERE TO **DOWNLOAD** THE COMPLETE MANUAL