

All rights reserved by **CNHi**.

The information contained in this catalogue is intended to be of a general nature only. **CNHi** may at any time and from time to time, for technical or other necessary reasons, modify any of the details or specifications of the product described in this catalogue.

To be sure of getting accurate, detailed and up-to-date information, an intending buyer should consult his nearest **CNHi** dealer or distributor.

Single item numeration method used in this catalogue may not be used without written consent from **CNHi**.

CLICK HERE TO **DOWNLOAD** THE COMPLETE MANUAL

- Thank you very much for reading the preview of the manual.
- You can download the complete manual from: [www.heydownloads.com](http://www.heydownloads.com) by clicking the link below



- Please note: If there is no response to CLICKING the link, please download this PDF first and then click on it.

CLICK HERE TO **DOWNLOAD** THE COMPLETE MANUAL

---

## TABLE OF CONTENTS

---

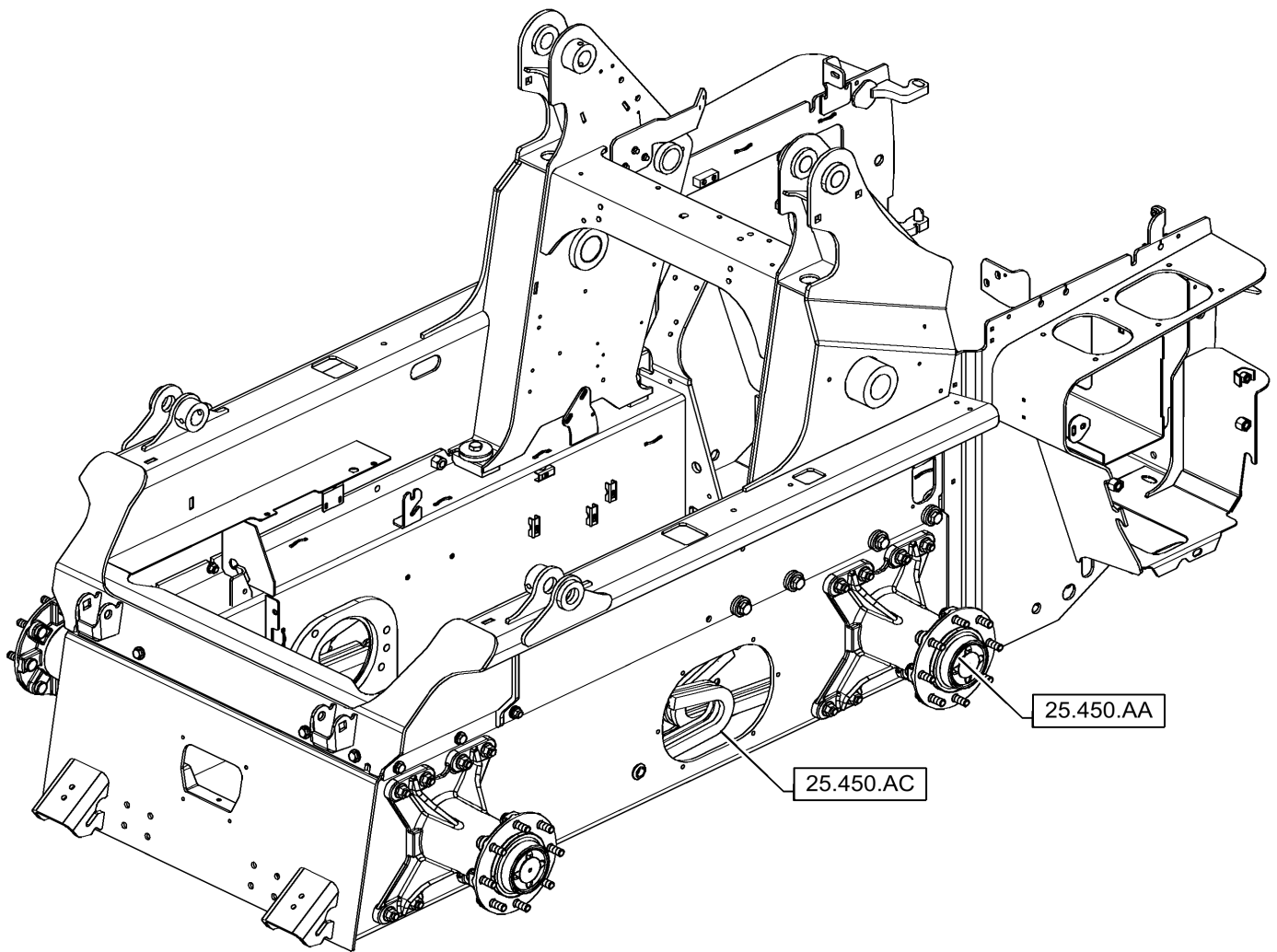
88.100.55	18	DIA KIT, HANDLE - 350 LH - NO 2ND AUX - EH
88.100.55	19	DIA KIT, HANDLE - 350 RH - EH
88.100.55	21	DIA KIT, BLOCK HEATER 220V
88.100.55	22	DIA KIT, BLOCK HEATER 120V
88.100.55	35	DIA KIT, SIDE LAMP ASSY
88.100.55	36	DIA KIT, STROBE LIGHT
88.100.55	37	DIA KIT, BEACON
88.100.55	40	DIA KIT, TELEMATIC SYSTEM
88.100.55	44	DIA KIT, LH HANDLE GRIP UPGRADE
88.100.55	45	DIA KIT, RH HANDLE GRIP UPGRADE
88.100.55	46	DIA KIT, LH GRIP MOUNTING UPGRADE
88.100.55	47	DIA KIT, RH GRIP MOUNTING UPGRADE
88.100.55	50	DIA KIT, ITALY SPECIFIC PARTS
88.100.82	01	DIA KIT, COUPLER CROSS TUBE, REINFORCEMENT
88.100.82	02	DIA KIT, LH, BOOM LINK
88.100.82	03	DIA KIT, RH, BOOM LINK
88.100.82	04	DIA KIT, BOOM
88.100.82	05	DIA KIT, BOLT ON TOOTH, BUCKET
88.100.82	06	DIA KIT, BUCKET SPILL GUARD, 78"
88.100.82	07	DIA KIT, SPILL GUARD BUCKET, 84"
88.100.82	09	DIA KIT, BOLT ON CUTTING EDGE BUCKET, 84"
88.100.82	10	DIA KIT, BOLT ON CUTTING EDGE BUCKET, 78"
88.100.82	12	DIA KIT, PALLET FORKS, 48" TINES
88.100.82	20	DIA KIT, HEAVY DUTY DIRT BUCKET, 84"
88.100.82	21	DIA KIT, HEAVY DUTY DIRT BUCKET, 78"
88.100.82	23	DIA KIT, SLURRY BUCKET, 84"
88.100.82	25	DIA KIT, LIGHT MATERIAL BUCKET, 84"
88.100.82	27	DIA KIT, LOW PROFILE EXTENDED BUCKET, 84"
88.100.82	28	DIA KIT, LOW PROFILE EXTENDED BUCKET, 78"
88.100.82	30	KIT, SSL QUICK ATTACH LATCHES
88.100.82	31	DIA KIT, DIRT & FOUNDRY BUCKET, 78"
88.100.90	01	DIA KIT, LH, SIDE SCREEN
88.100.90	02	DIA KIT, RH, SIDE SCREEN
88.100.90	03	DIA, KIT, CAB SEAL, SIDES

00.000.25

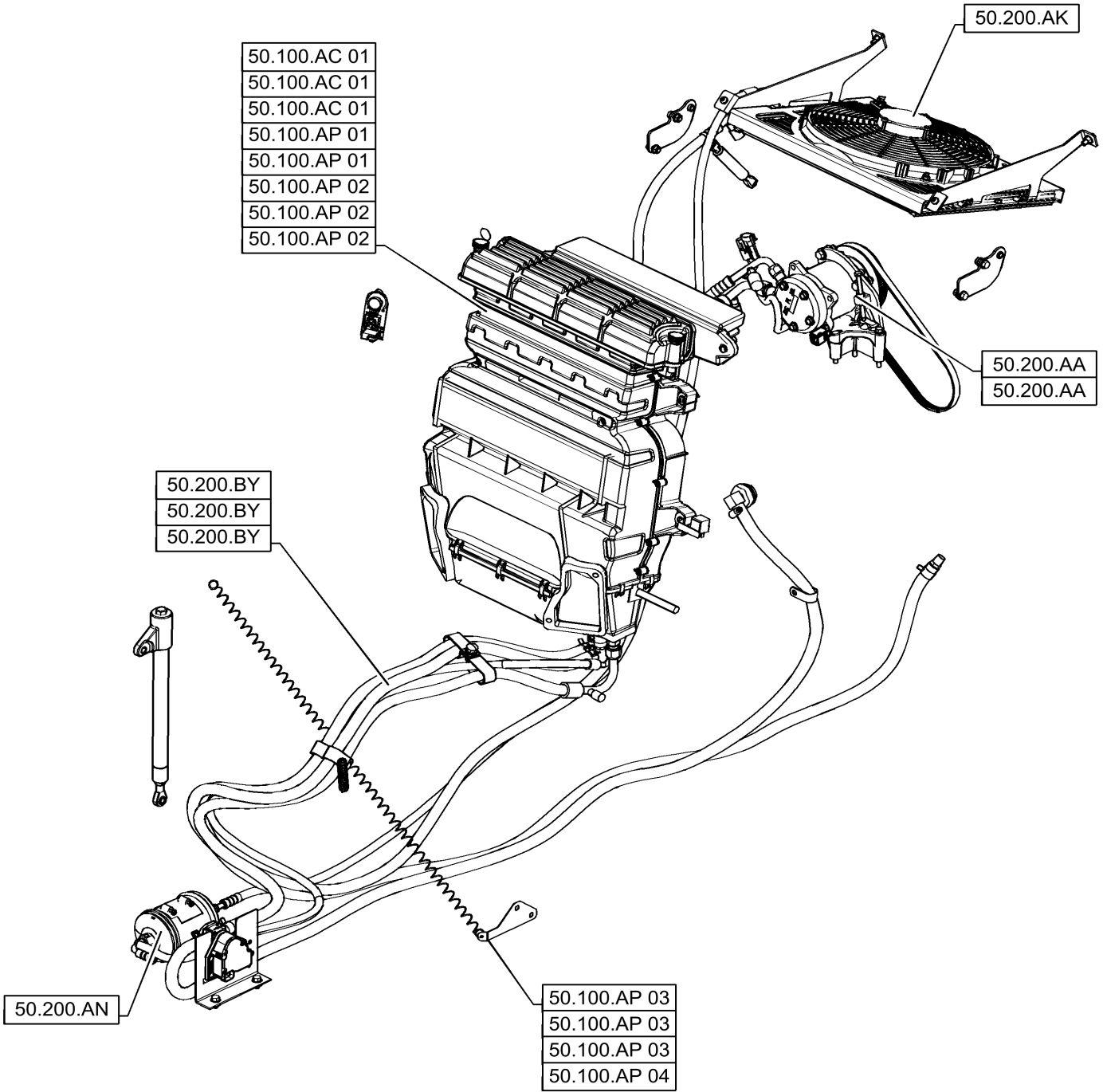
p1

12/201  
8

PICTORIAL INDEX - FRONT AXLE SYSTEM



PICTORIAL INDEX - CAB CLIMATE CONTROL



---

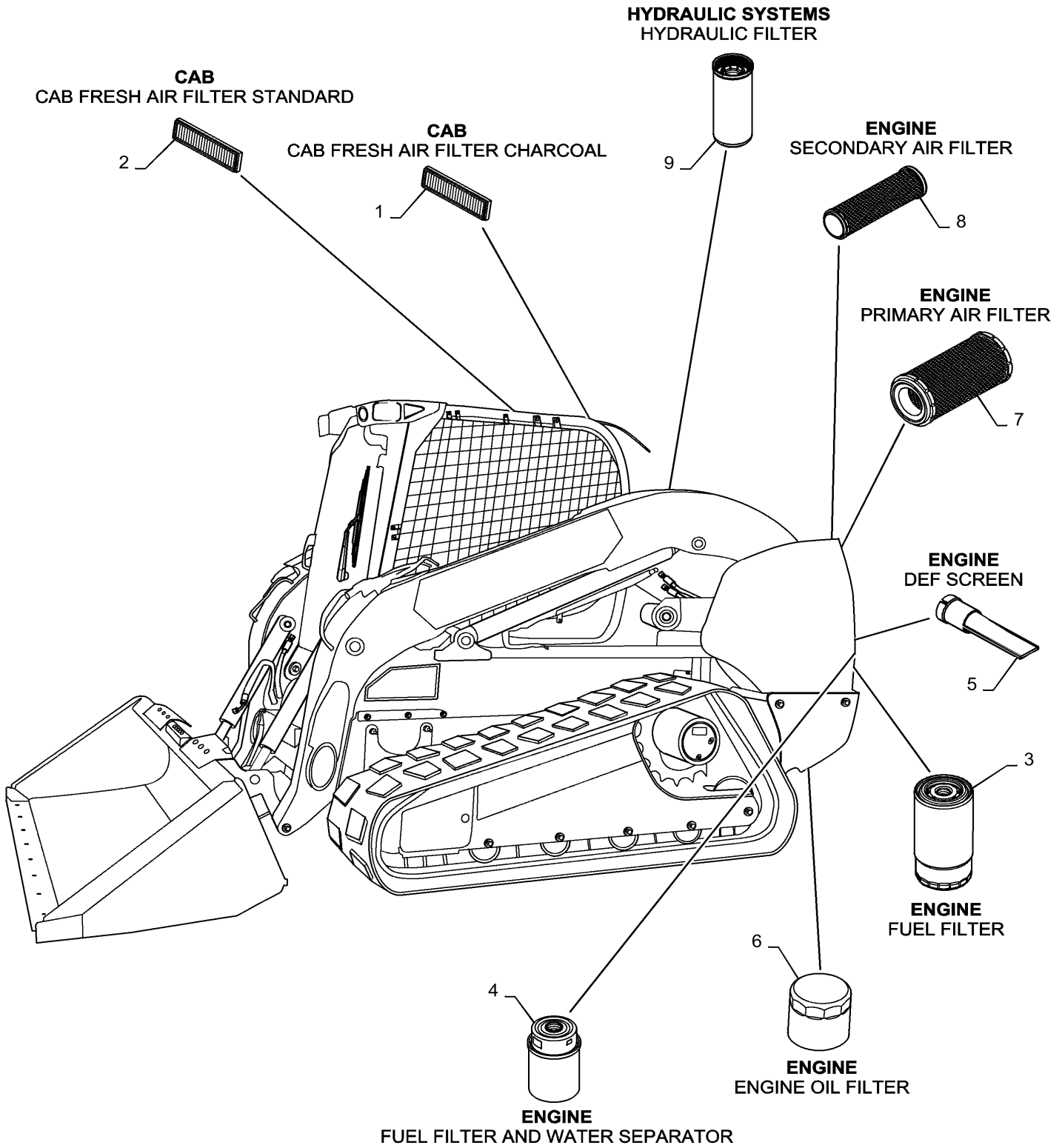
## SECTION INDEX

### SERVICE & MAINTENANCE

---

05.000.00		PICTORIAL INDEX - MACHINE COMPLETION AND EQUIPMENT
05.100.01		INITIAL STOCKING LIST (LIST A)
05.100.02		INITIAL STOCKING LIST (LIST B)
05.100.03	01	FILTERS
05.100.03	02	CAPACITIES
05.100.99		INITIAL STOCKING LIST (LIST C)

FILTERS



Verified by Engineering ✓

---

## SECTION INDEX

### ENGINE

---

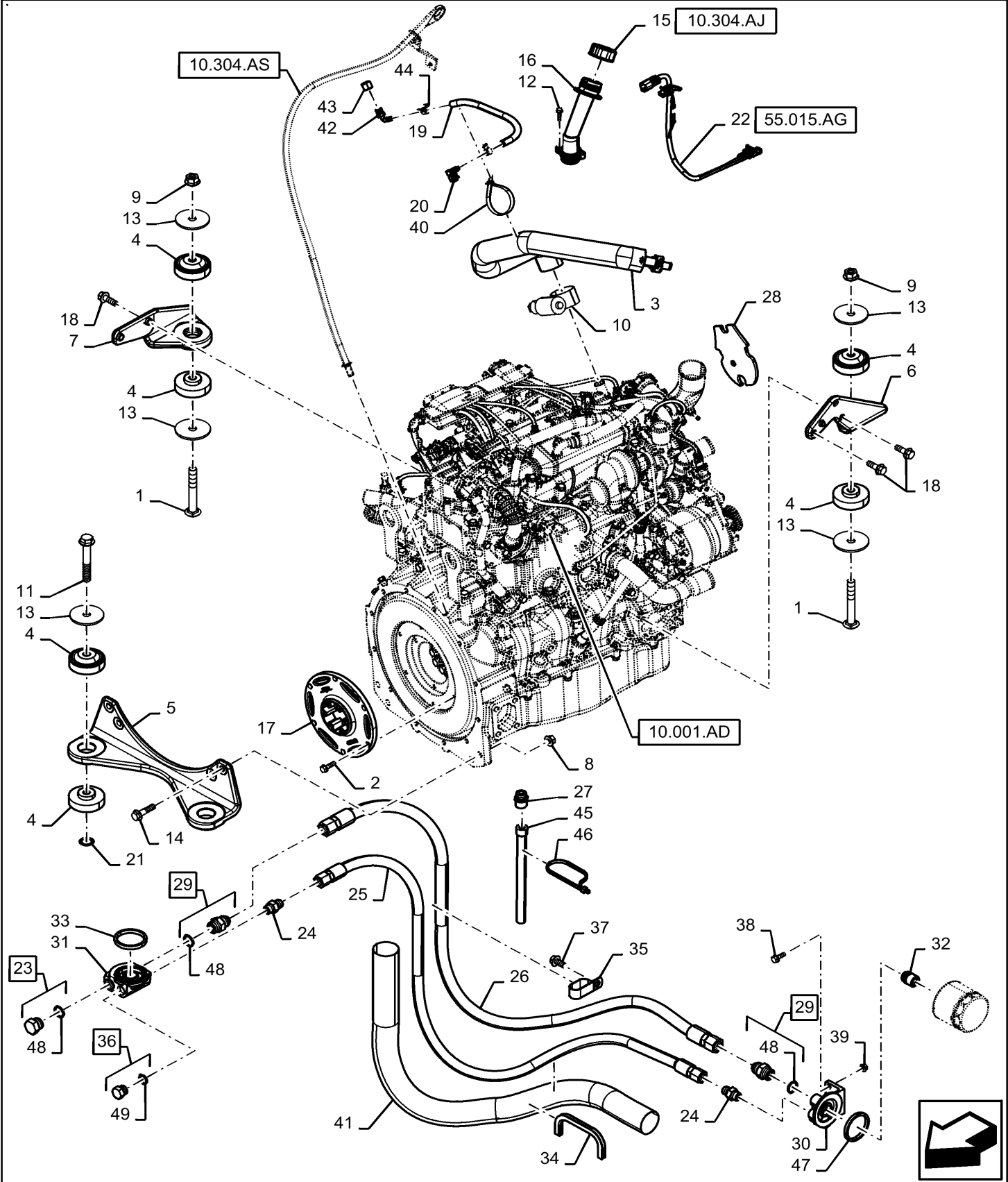
10.000.00		PICTORIAL INDEX - ENGINE
10.001.AD		ENGINE
10.001.AK		ENGINE MOUNT
10.001.AK		ENGINE MOUNT, ASN NHM434071
10.102.AW		ENGINE OIL DRAIN LINE
10.102.AW		ENGINE OIL DRAIN LINE (29-MAR-2017 & NEWER)
10.202.AB		AIR CLEANER & INTAKE PARTS
10.206.AG		FUEL FILTER, WATER SEPARATOR
10.216.010		FUEL SYSTEM
10.216.AI		FUEL TANK
10.216.BA		FUEL LINES
10.220.AA	01	THROTTLE, FOOT
10.220.AA	02	THROTTLE, ELECTRONIC
10.254.AD		INTAKE & EXHAUST, MOUNTING
10.304.AF		OIL FILTER, CONNECTORS & LINES
10.304.AJ		OIL FILLER
10.304.AS		ENGINE OIL DIPSTICK
10.310.AA		AFTERCOOLER
10.400.BB		WATER PUMP
10.400.BE	01	RADIATOR & COOLER
10.414.AC		FAN SHROUD MOUNTING PARTS
10.414.BE		FAN BELT
10.500.AA		DEF/ADBLUE™ TANK
10.500.AD		DEF LINES
10.500.AD	05	DEF/ADBLUE LINES SERVICE REPAIR PARTS, TIER 4B
10.500.AD	06	DEF/ADBLUE COOLANT LINE SERVICE PARTS T4B
10.500.AO		SCR MUFFLER
10.500.AS		DOC MUFFLER

10.001.AK

p2

12/201  
8

ENGINE MOUNT, ASN NHM434071

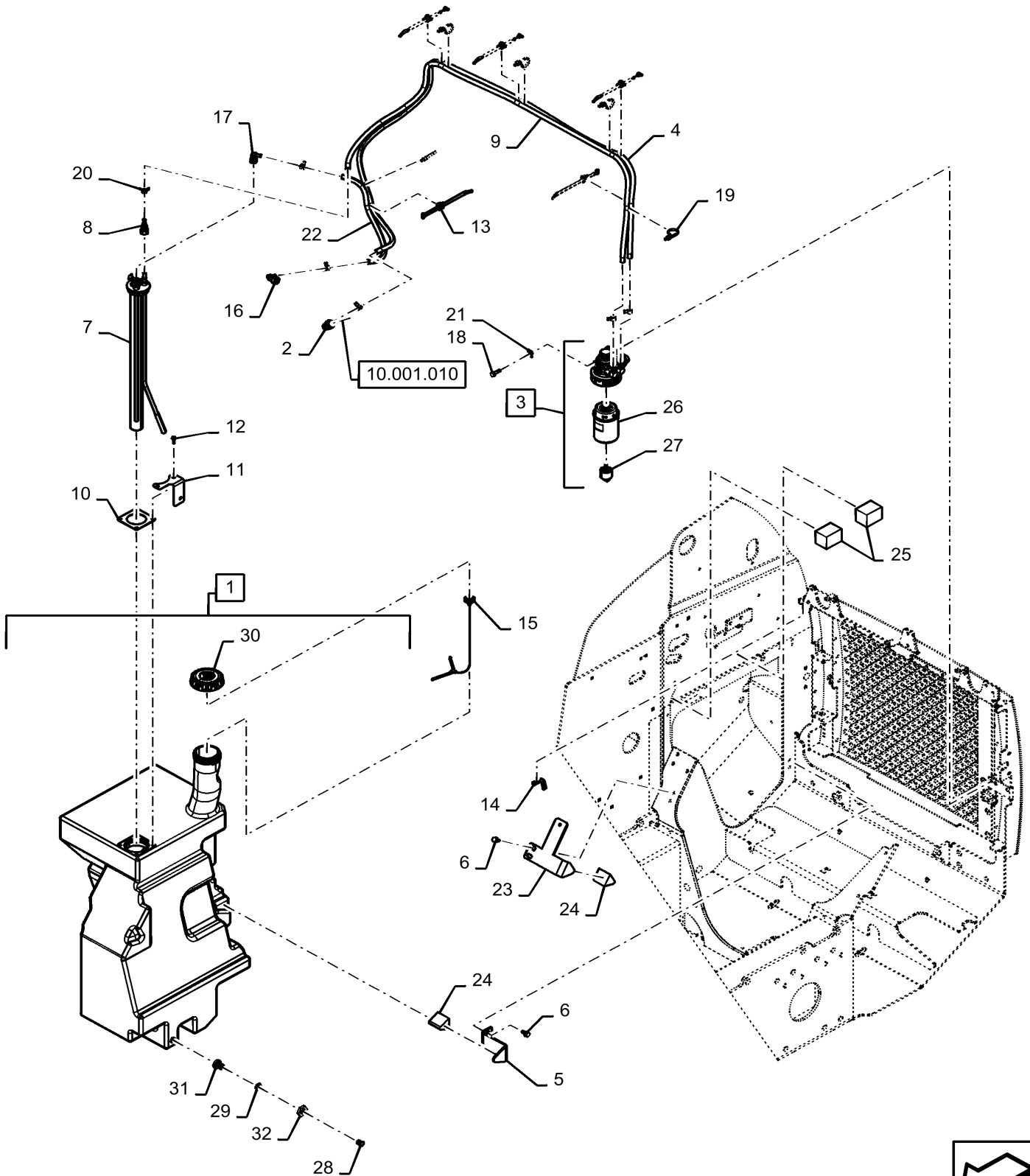


10.216.010

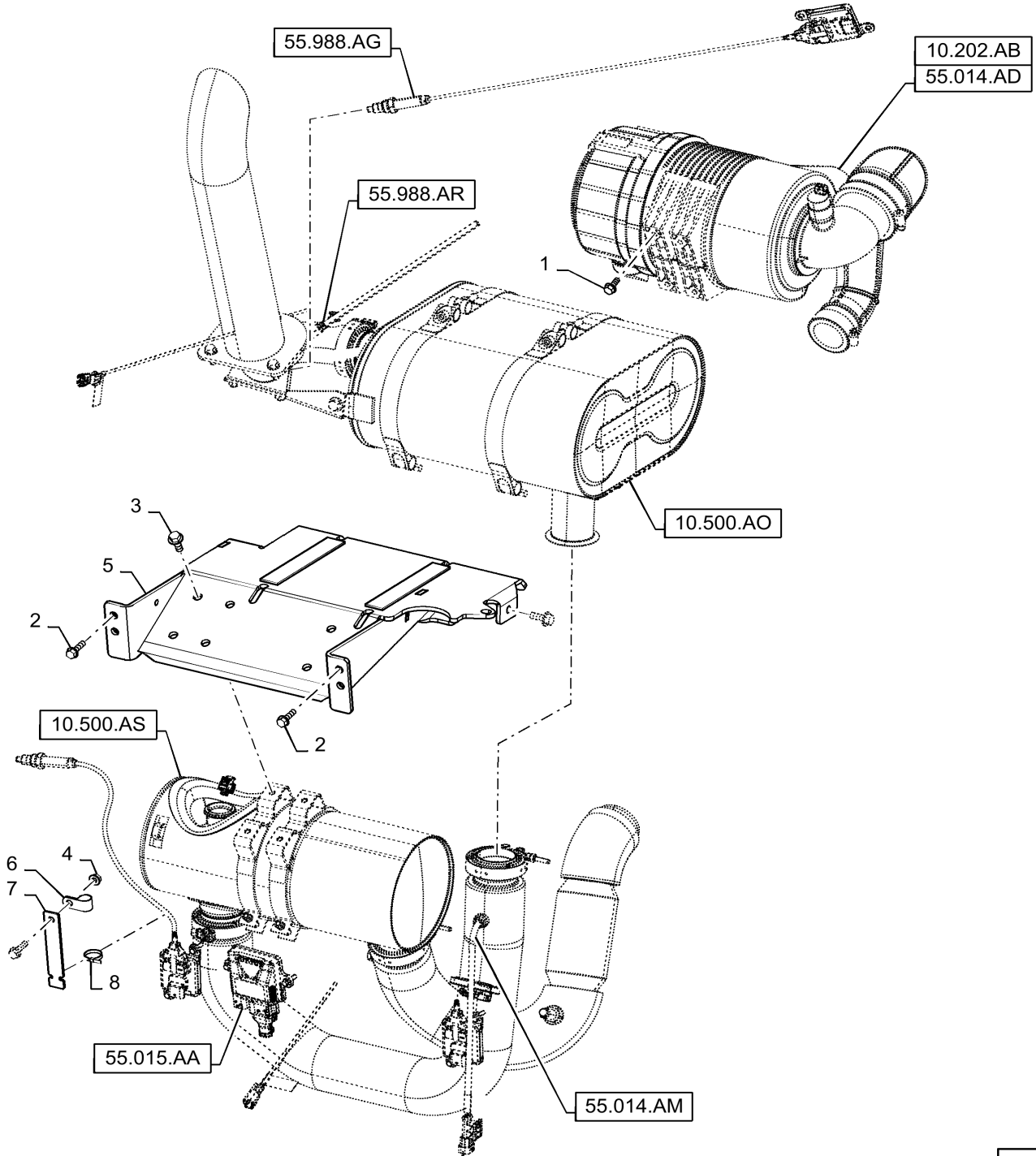
p2

12/201  
8

FUEL SYSTEM



INTAKE & EXHAUST, MOUNTING



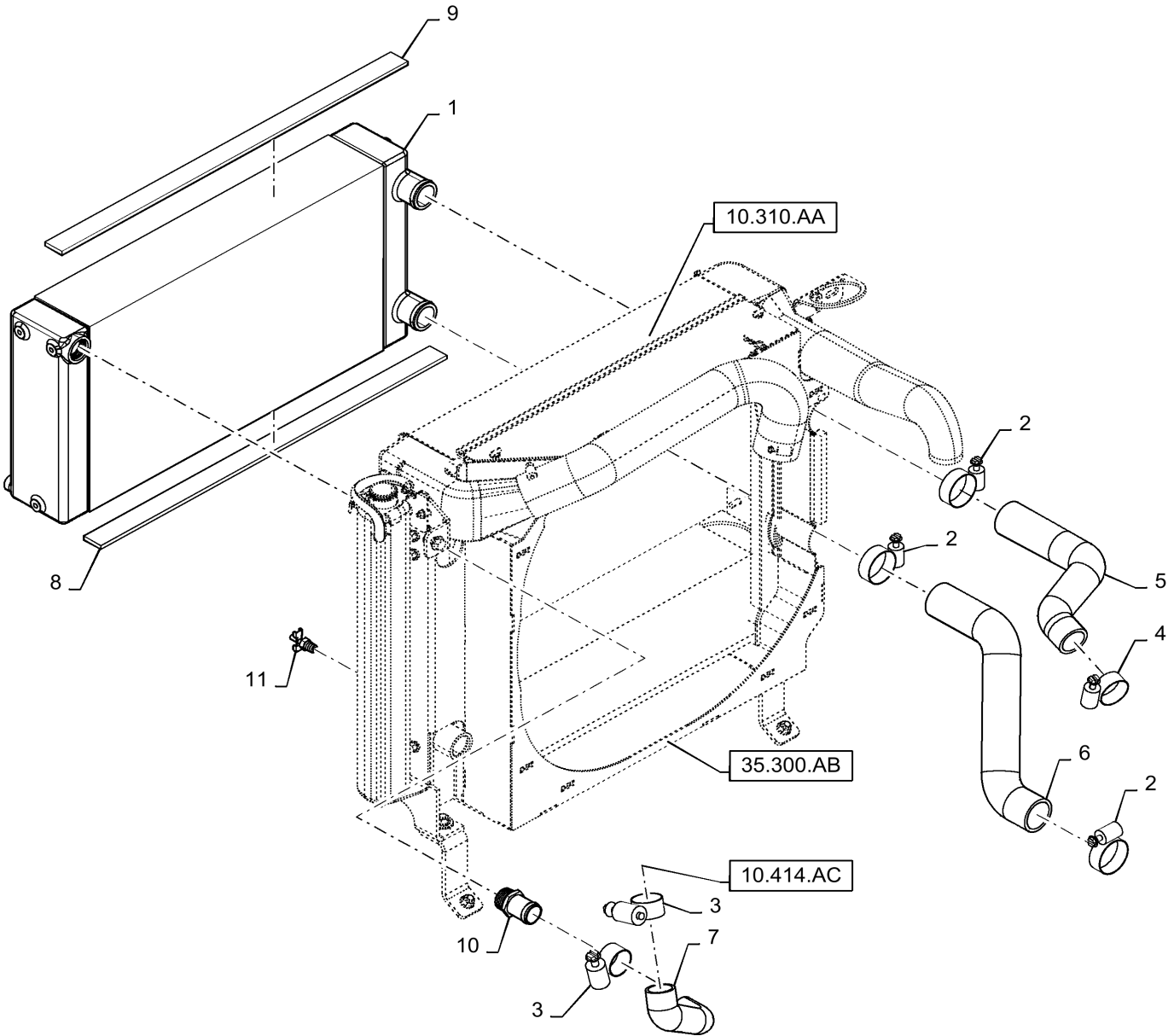
10.400.BE

01

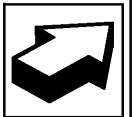
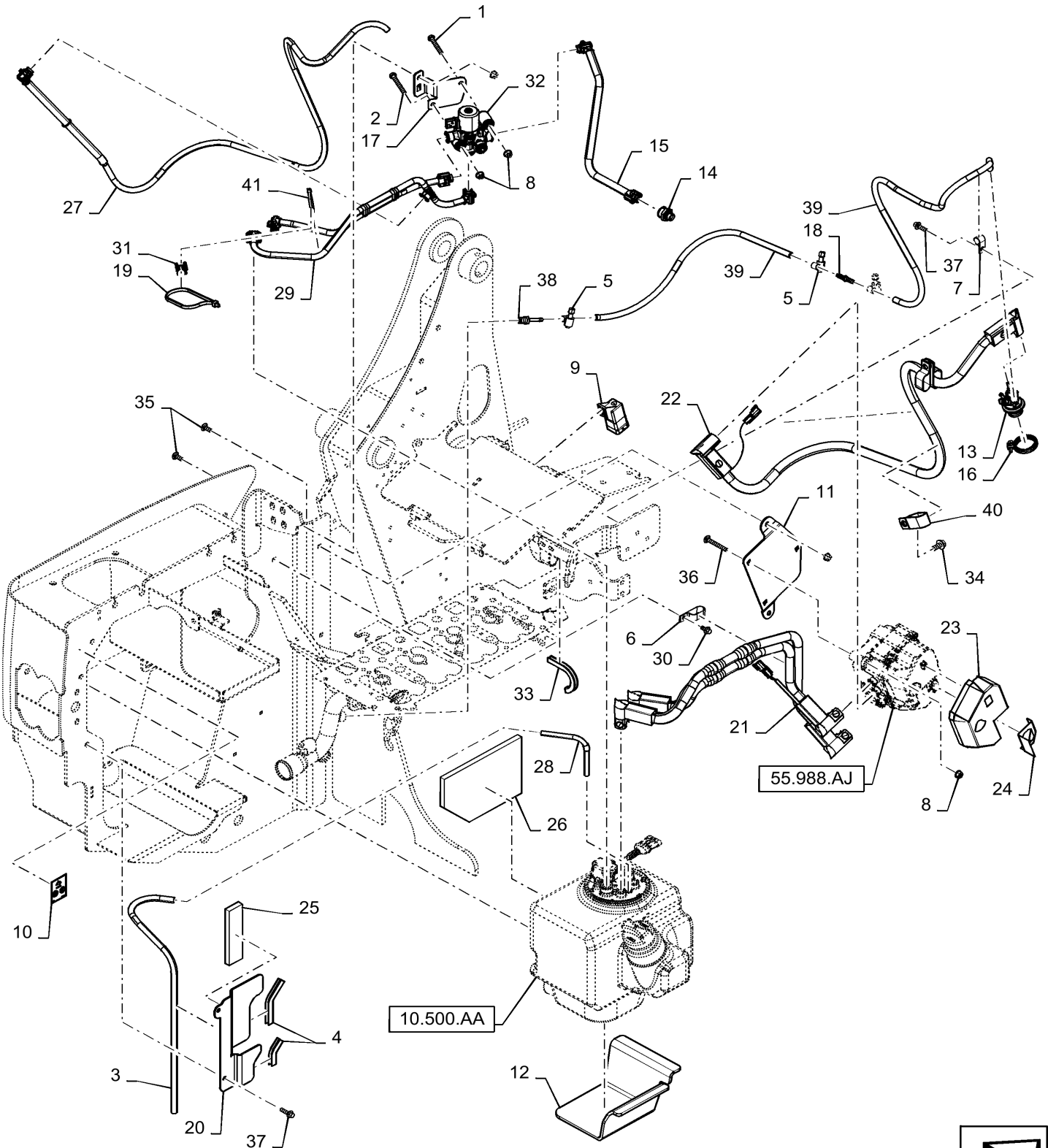
p1

12/2018

RADIATOR & COOLER



DEF LINES

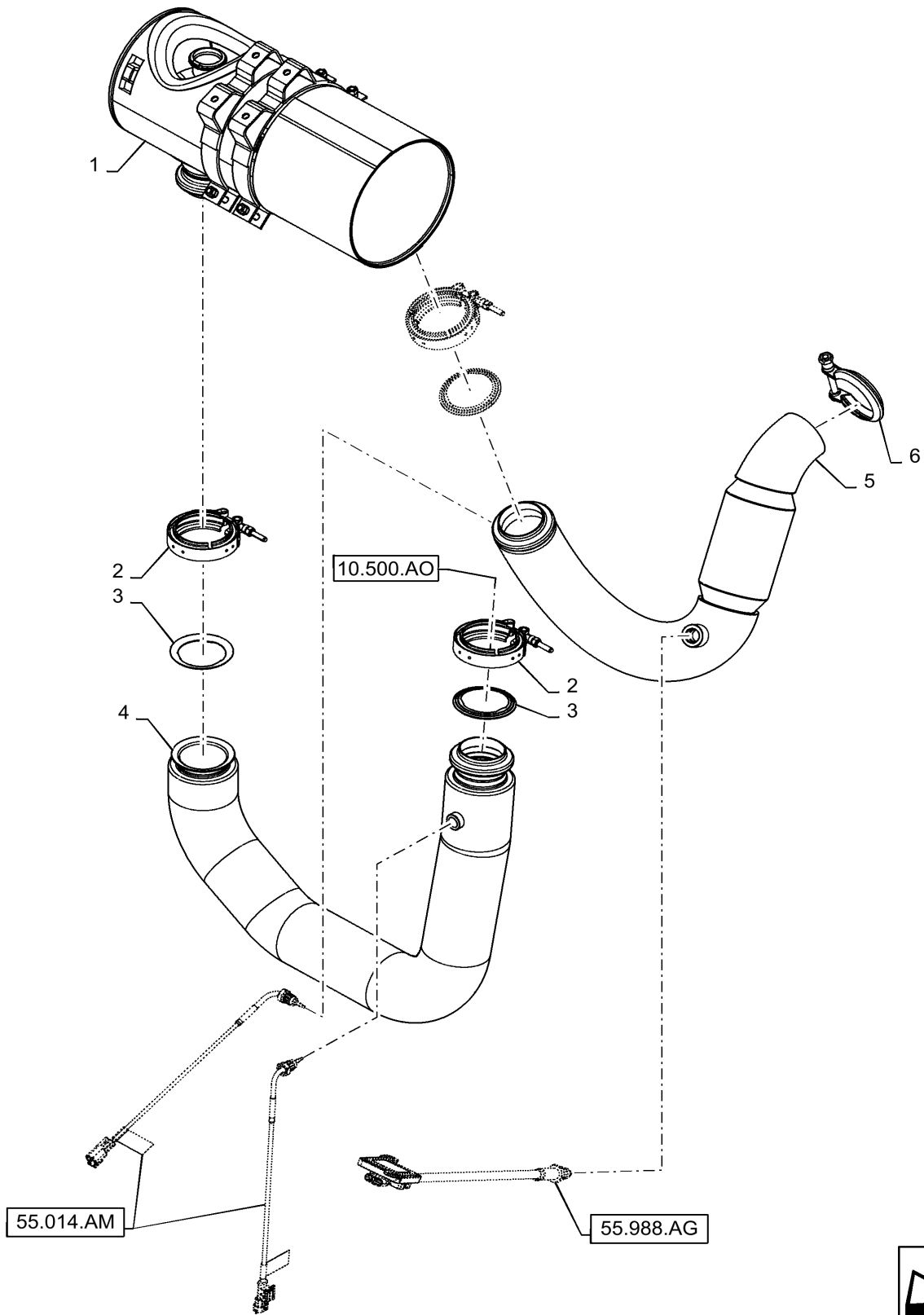


10.500.AS

p1

12/201  
8

DOC MUFFLER





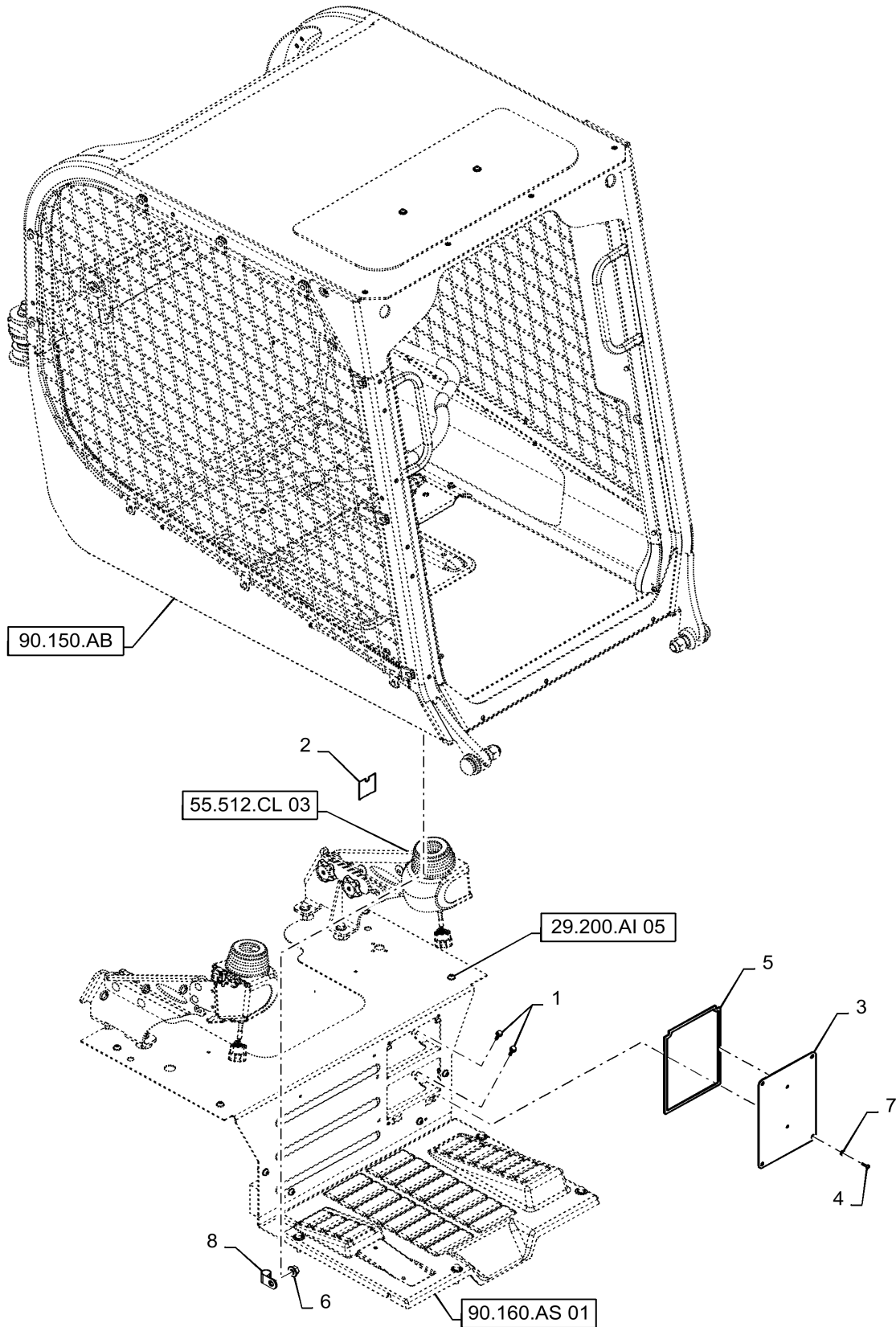
29.200.AI

04

p1

12/201  
8

ELECTRONIC CONTROLS, HANDLE MOUNTING



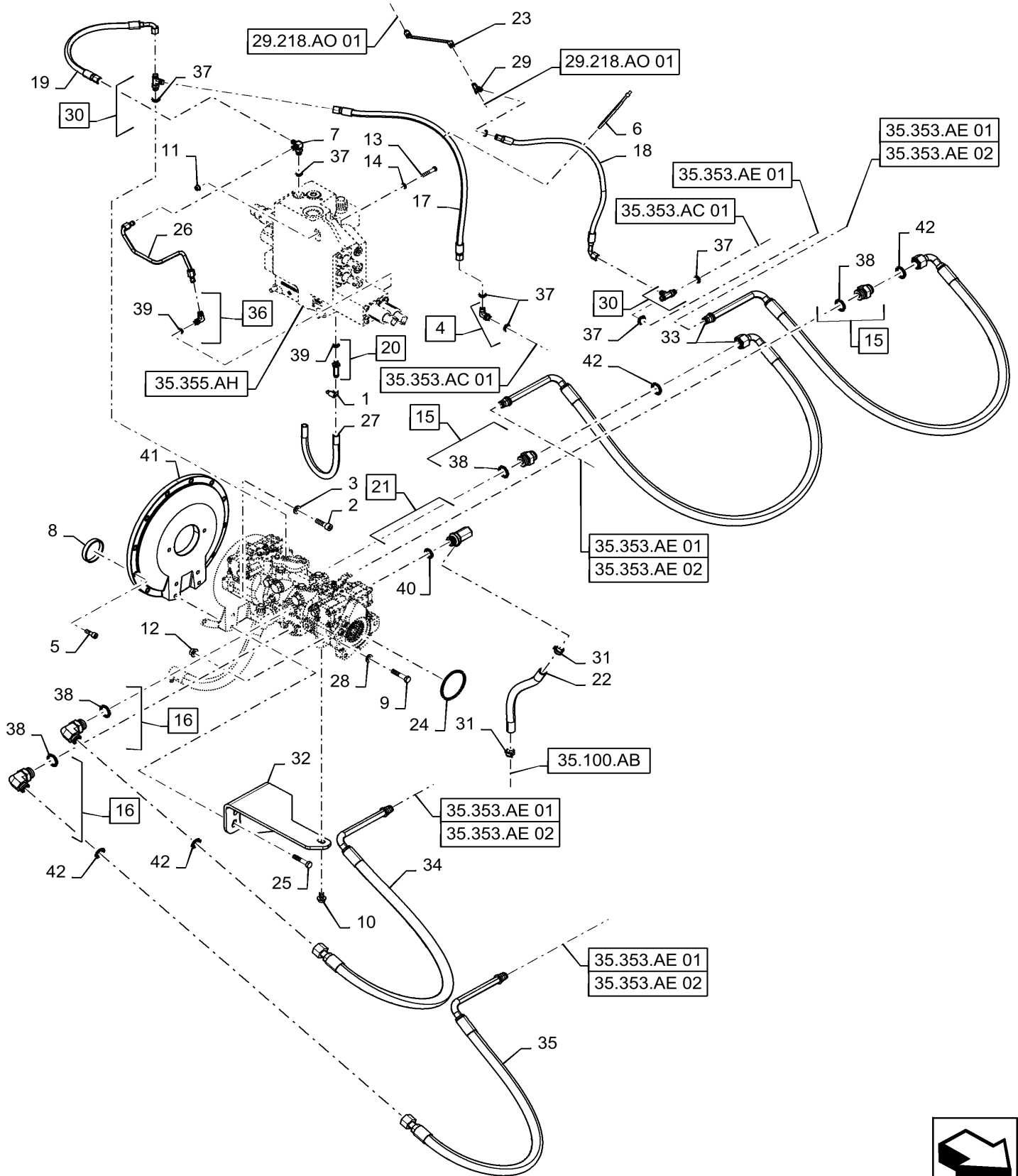
29.204.AB

01

p1

12/201  
8

HYDROSTATIC PUMP DRIVE LINES, MECHANICAL CONTROLS





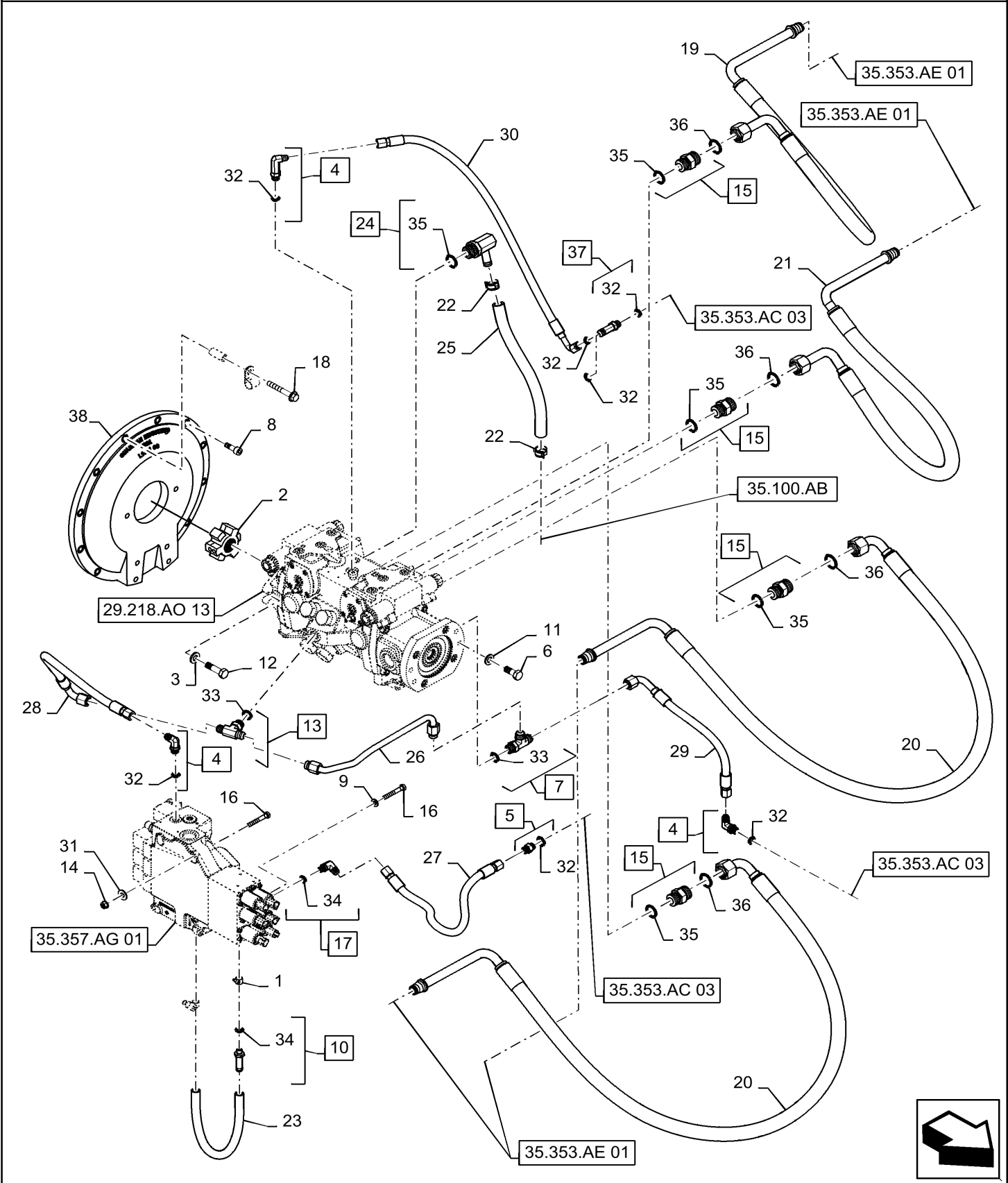
29.204.AB

03

p1

12/2011  
8

HYDROSTATIC PUMP, DRIVE LINES, E-H CONTROLS (19-NOV-2015 & PRIOR)



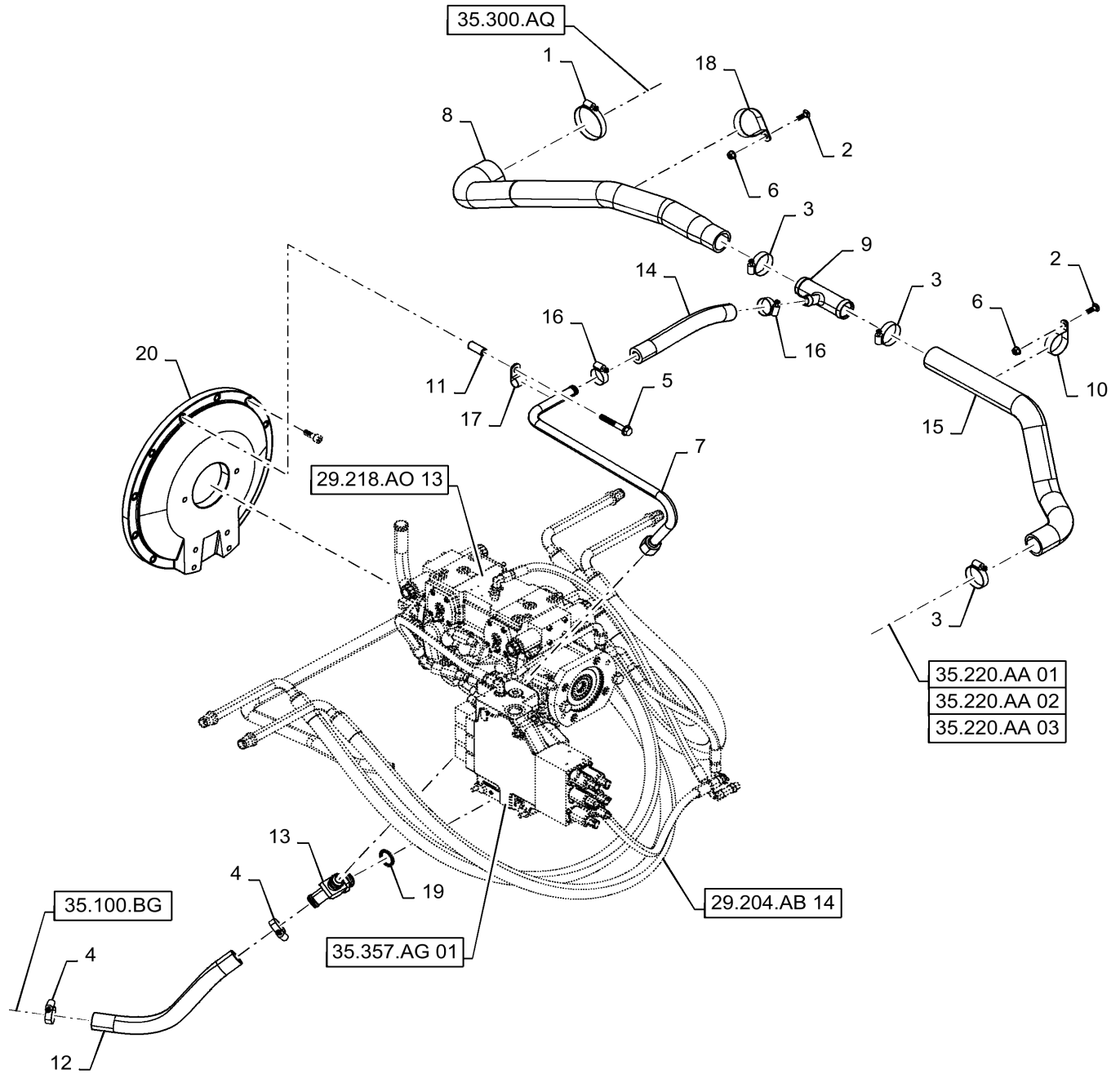
29.204.AB

04

p1

12/201  
8

HYDROSTATIC PUMP, SUPPLY LINES, E-H CONTROLS



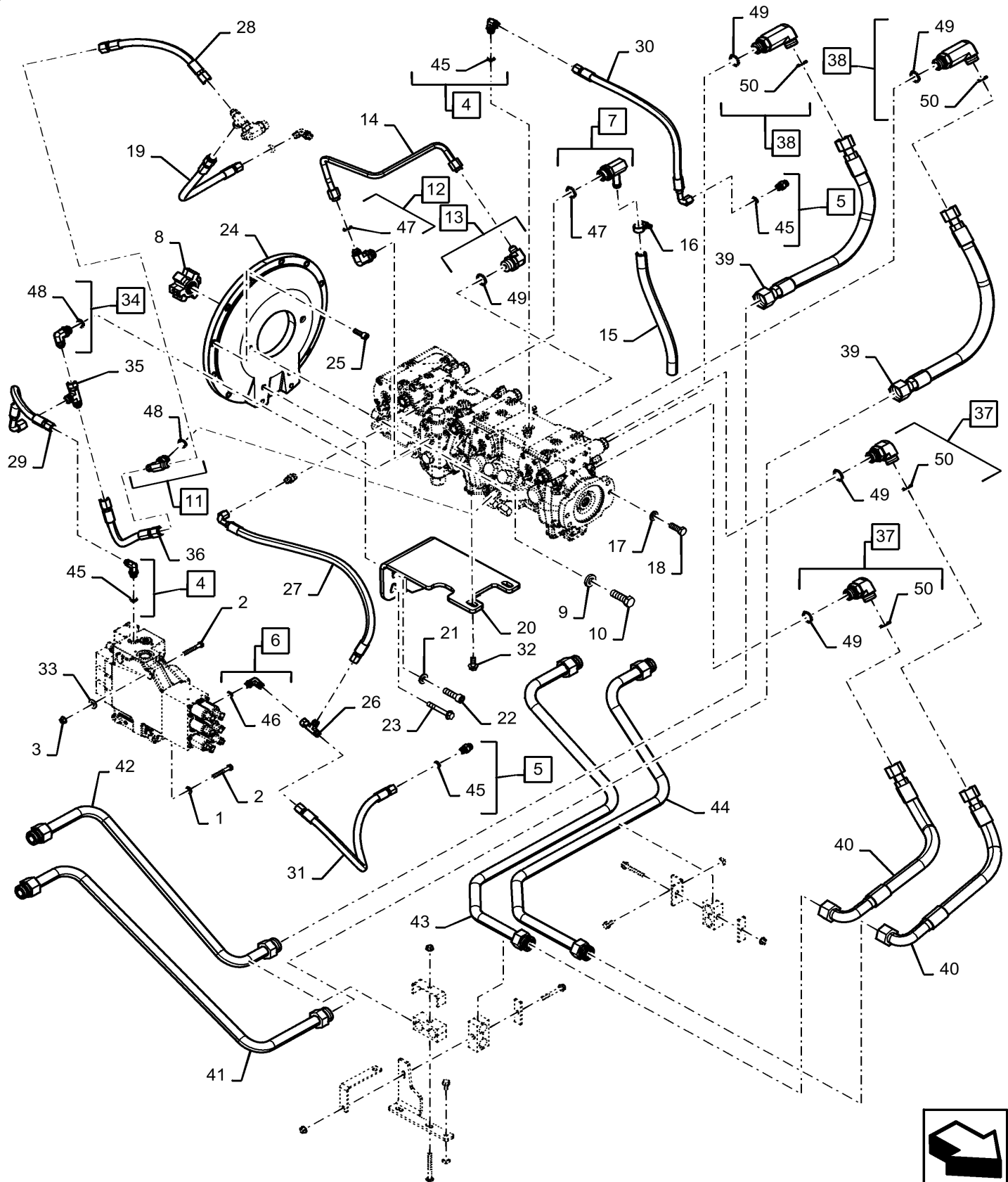
29.204.AB

05

p3

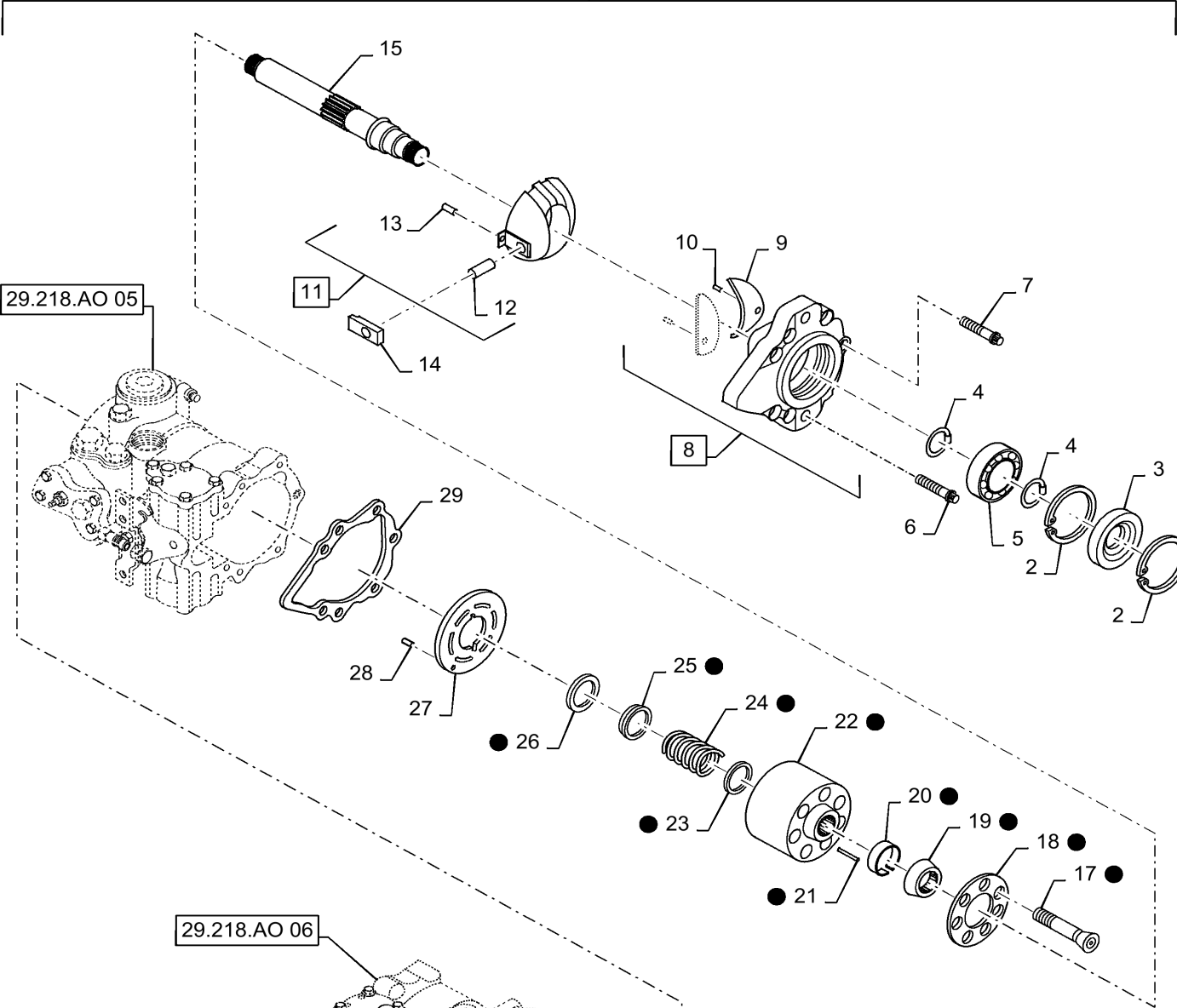
12/201  
8

HYDROSTATIC PUMP, DRIVE LINES, EHF



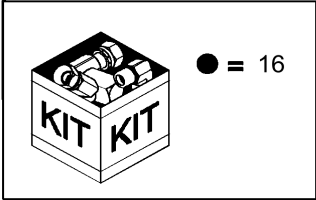
HYDROSTATIC PUMP, FRONT 46CC MDC BUSHED

1



29.218.AO 05

29.218.AO 06



29.218.AO

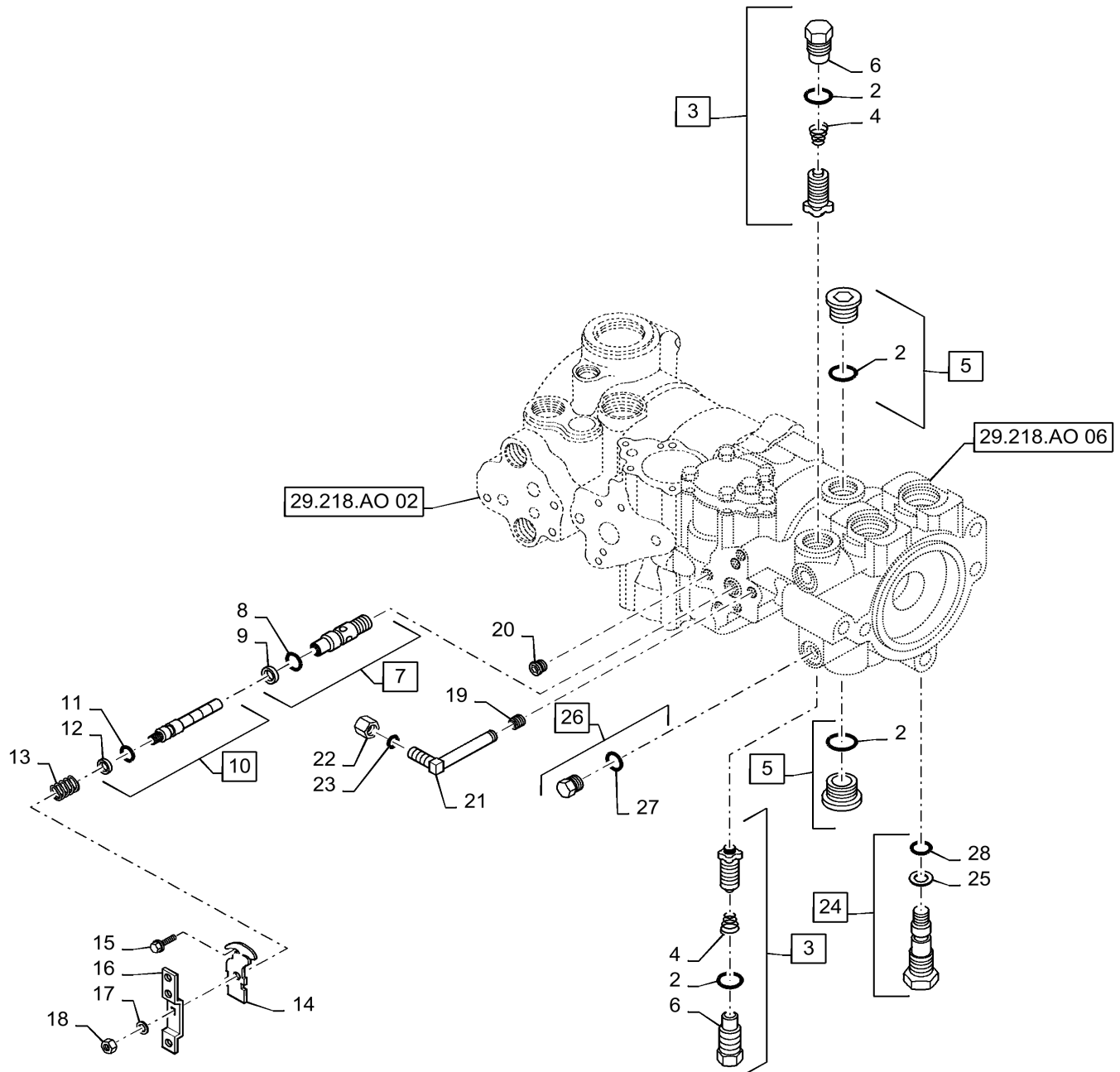
05

p2

12/201  
8

HYDROSTATIC PUMP, REAR 46CC MDC BUSHED

1



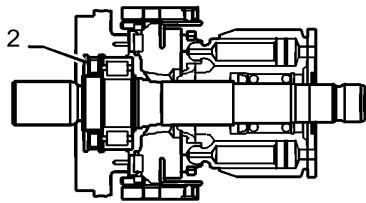
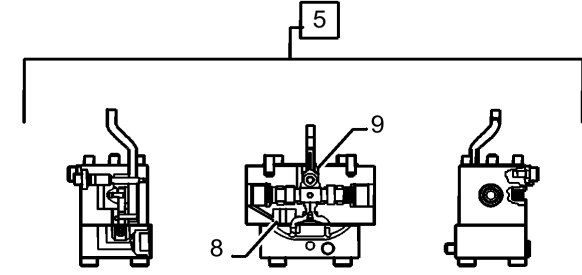
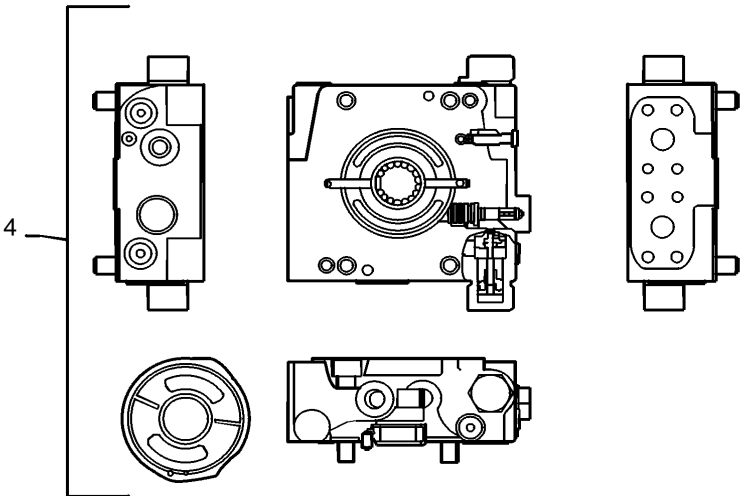
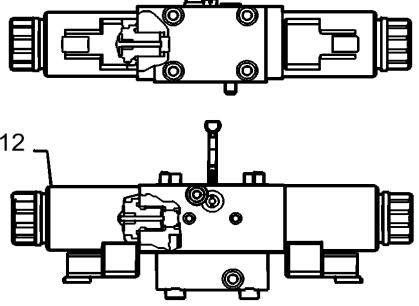
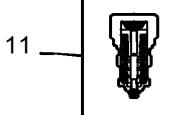
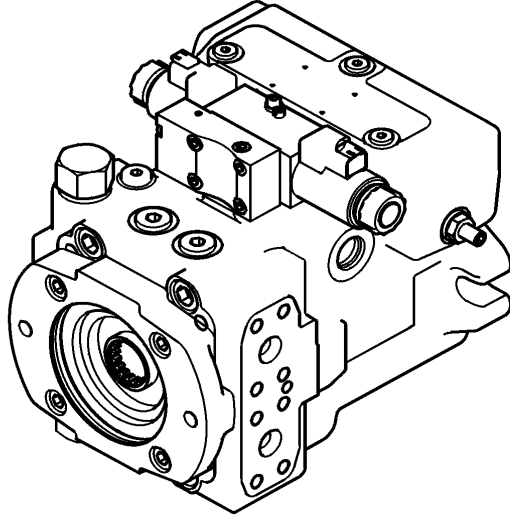
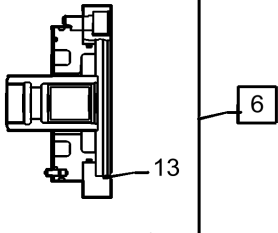
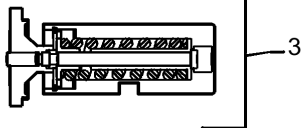
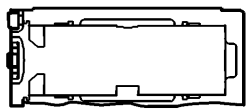
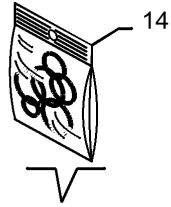
29.218.AO

15

p1

12/201  
8

HYDROSTATIC PUMP, 53CC, EHF



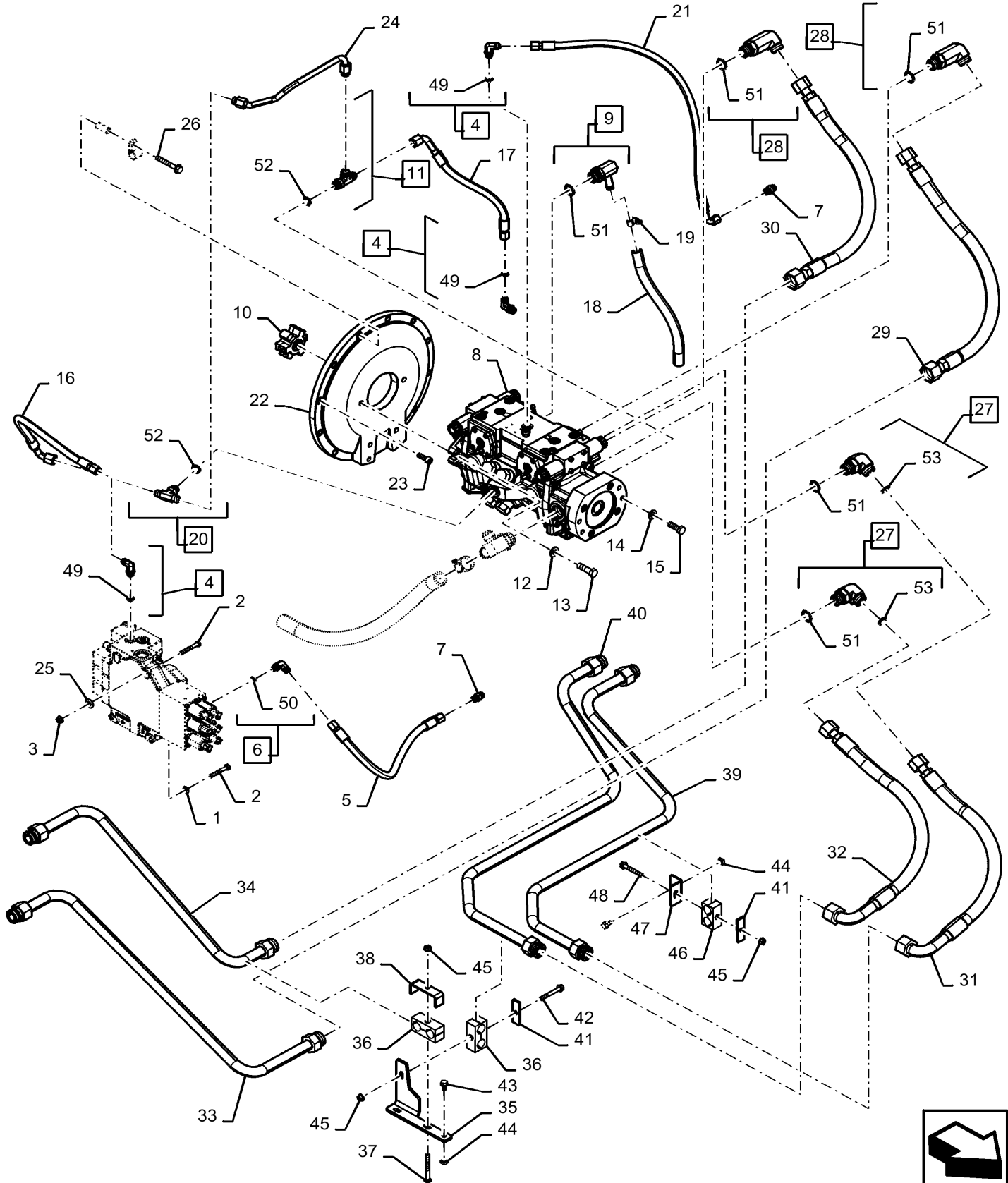
35.220.010

01

p1

12/201  
8

HYDRAULIC PUMP



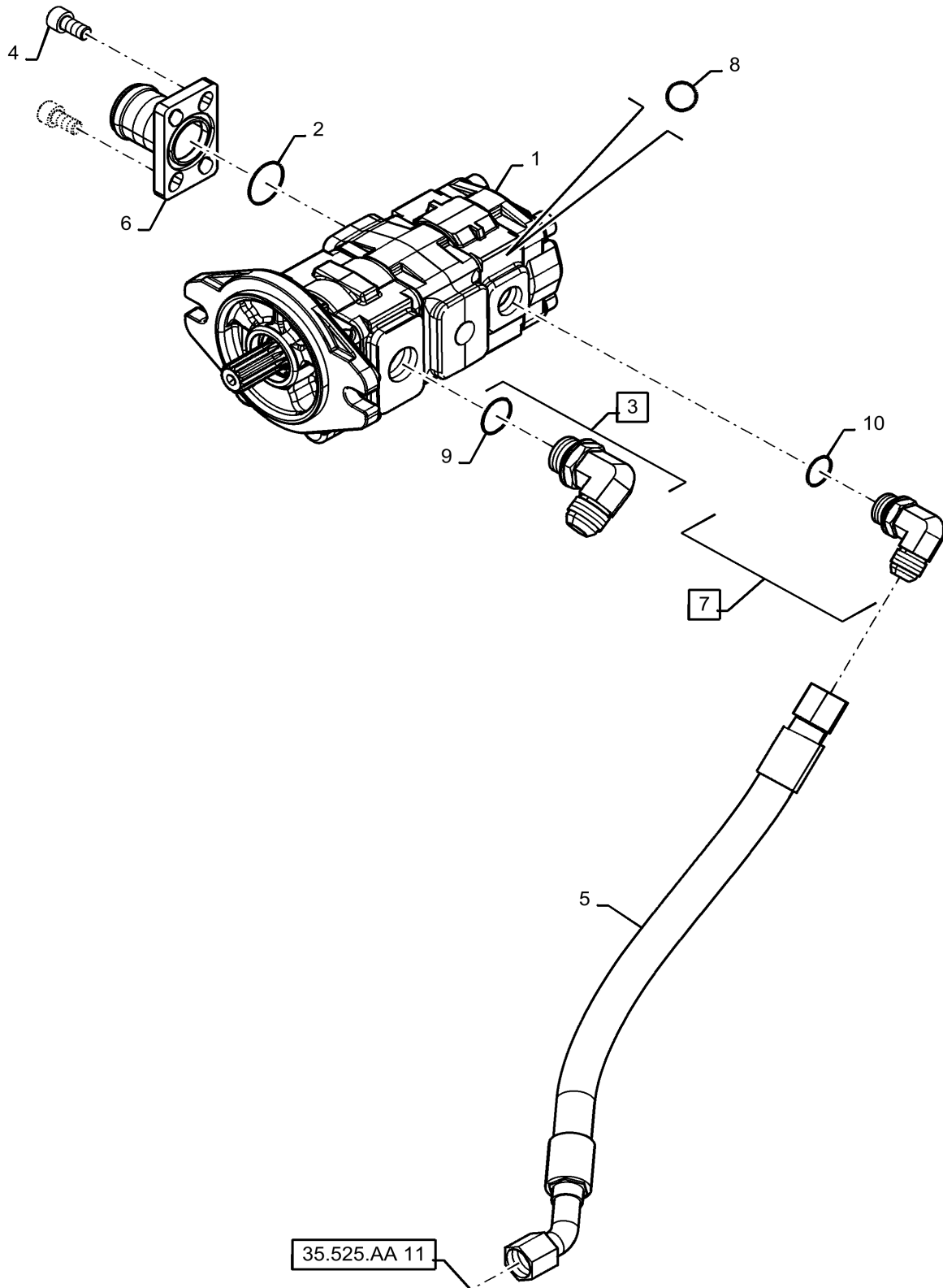
**35.220.AA**

02

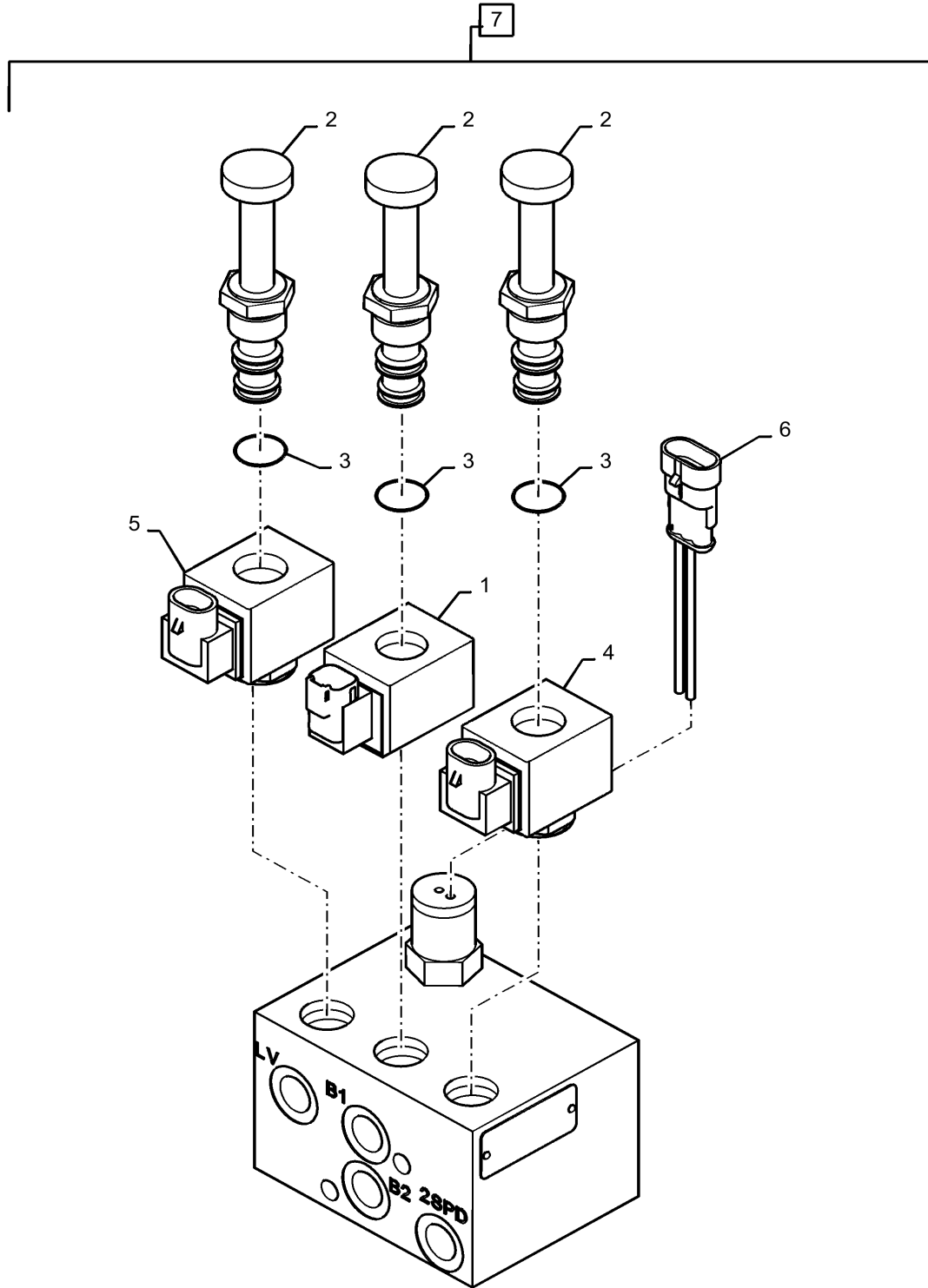
p1

12/201  
8

HYDRAULIC PUMP, HIGH FLOW 36/20CC



BRAKE VALVE, ELECTRONIC CONTROLS



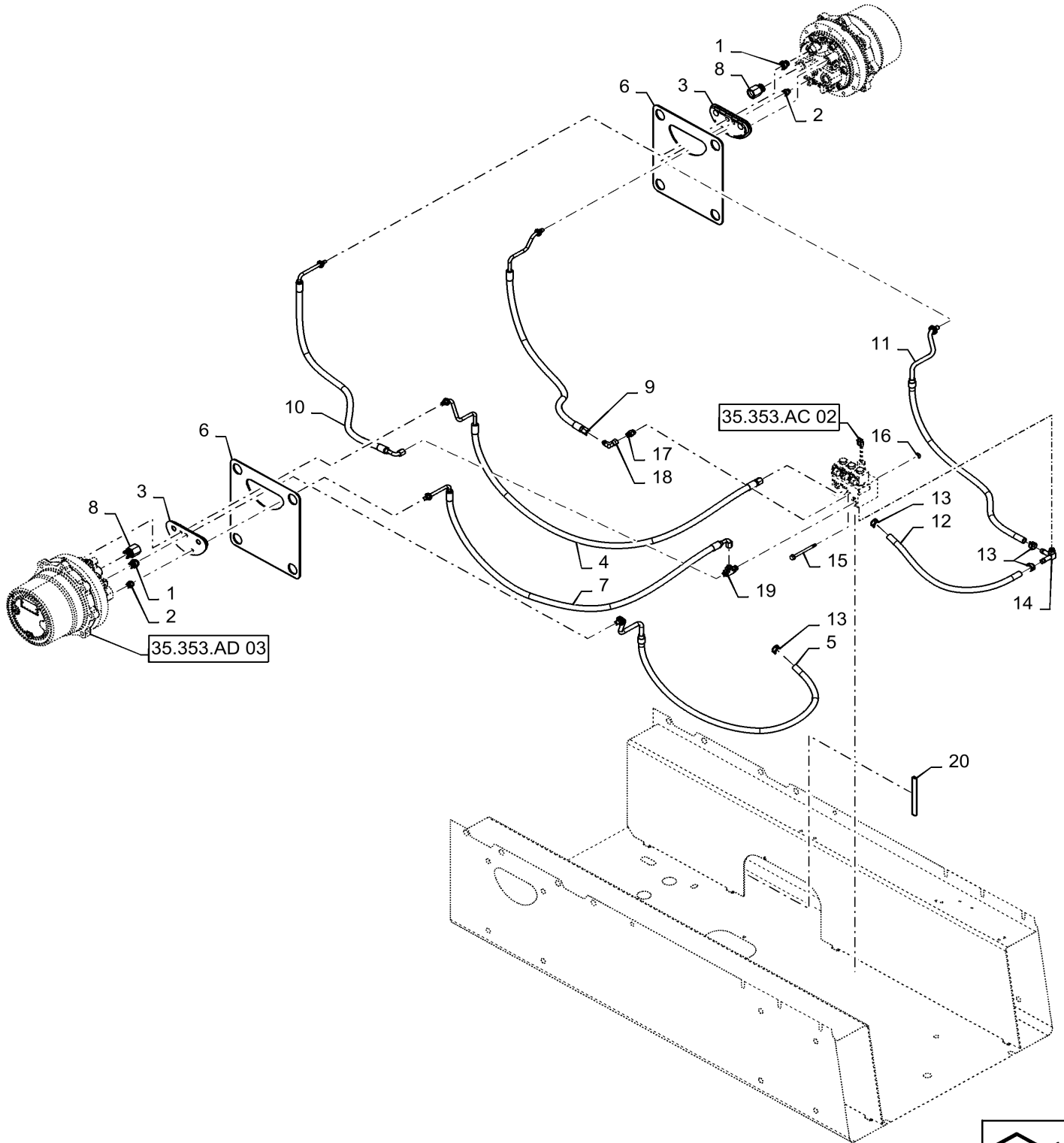
35.353.AE

01

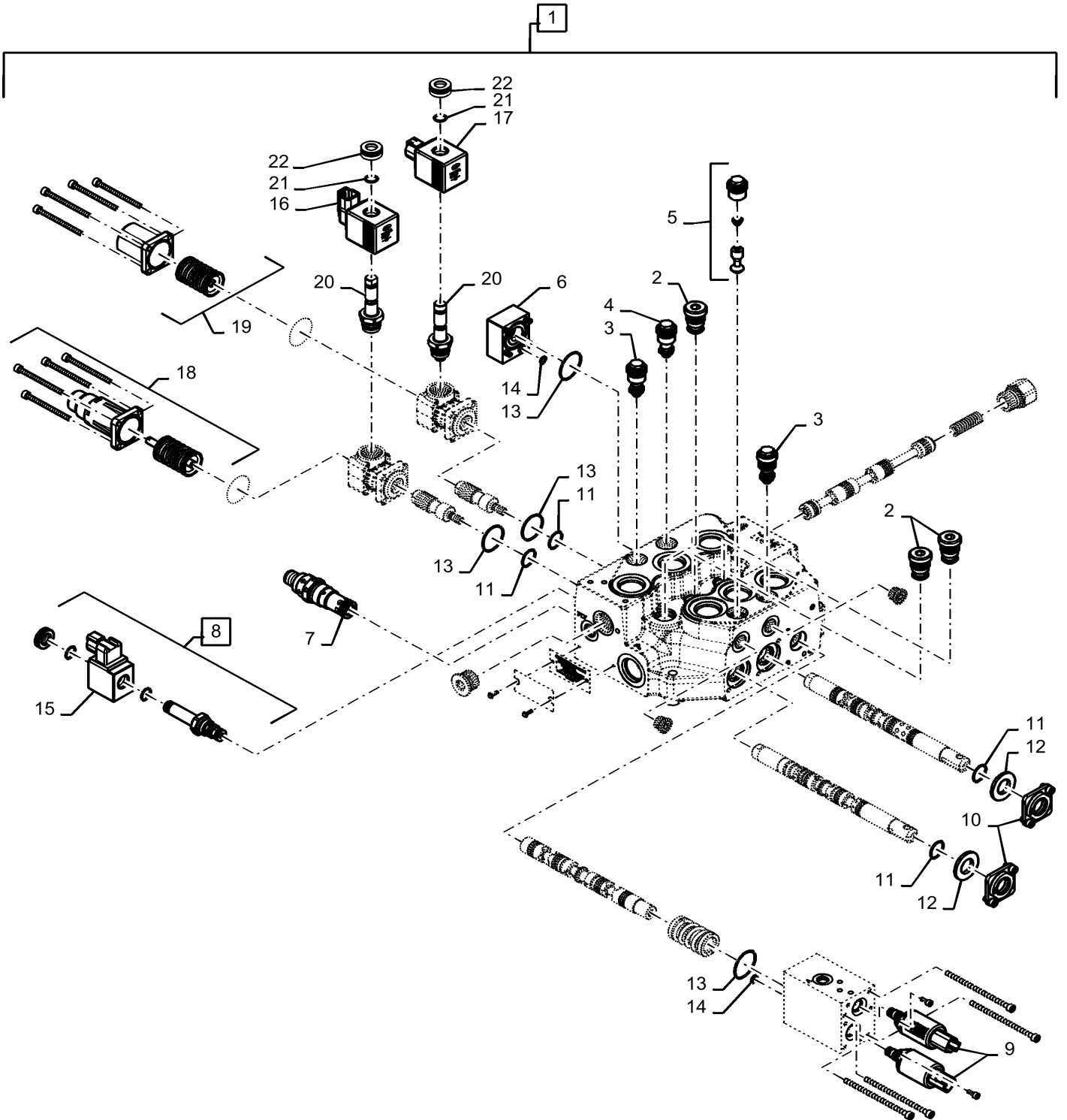
p2

12/2018

HYDROSTATIC MOTOR LINES, 2-SPEED MECHANICAL CONTROLS (21-NOV-2015 & PRIOR)



HAND CONTROL VALVE, MECHANICAL (25-AUG-2015 AND AFTER)





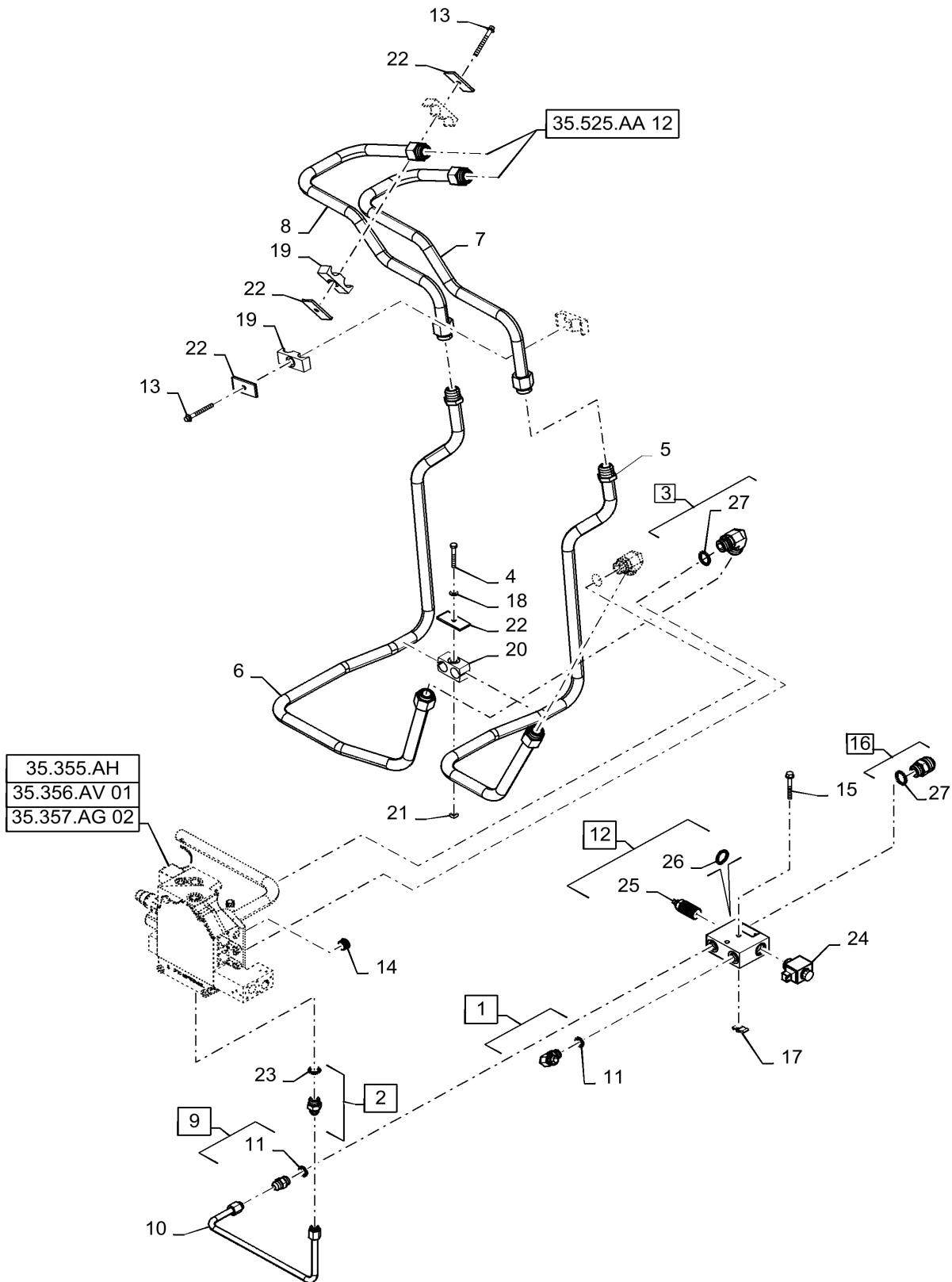
**35.525.AA**

11

p1

12/201  
8

**AUXILIARY HYDRAULIC, HIGH FLOW, CHASSIS MOUNTED**



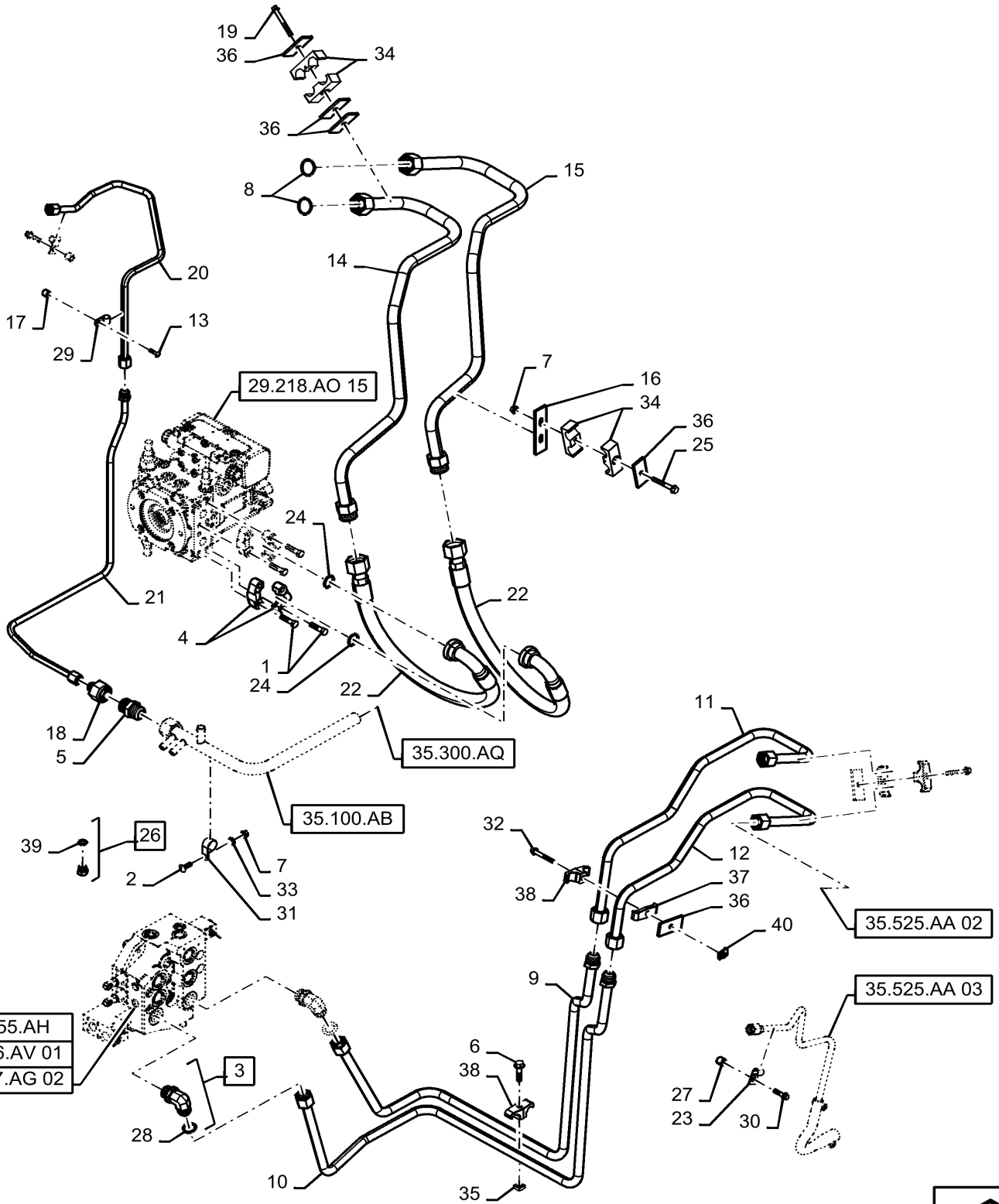
35.525.AA

21

p2

12/201  
8

DUAL AUXILIARY HYDRAULIC, CHASSIS MOUNTED



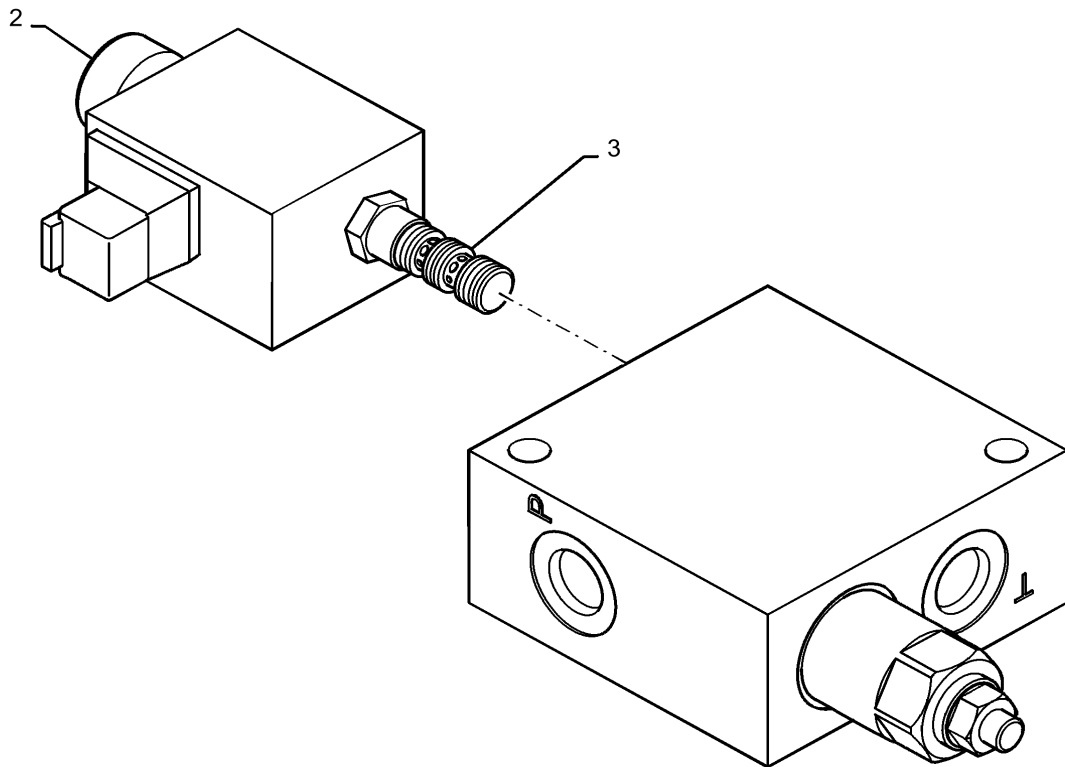
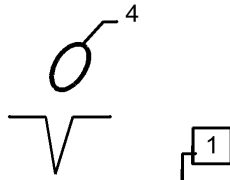
**35.525.AH**

03

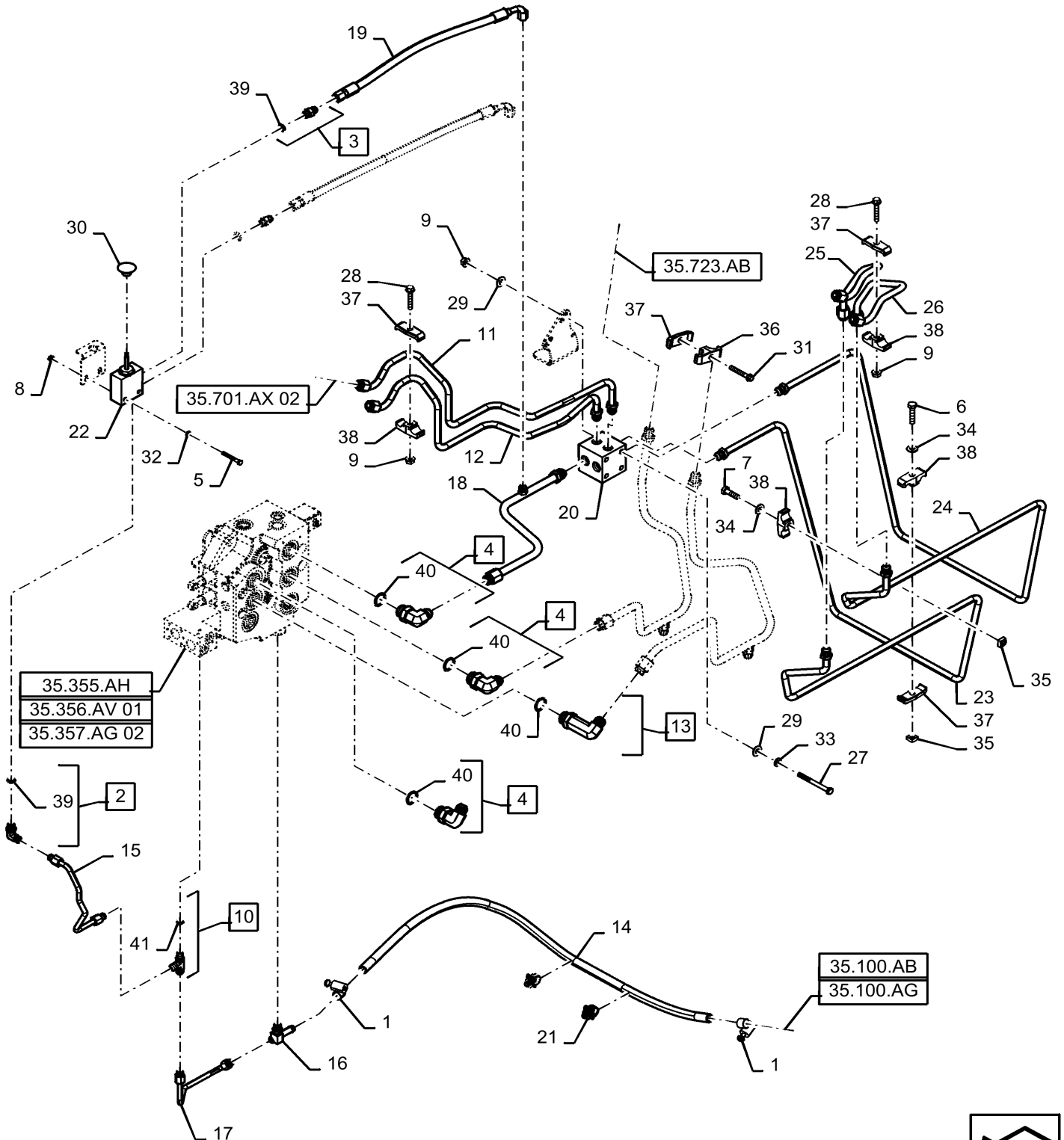
p1

12/201  
8

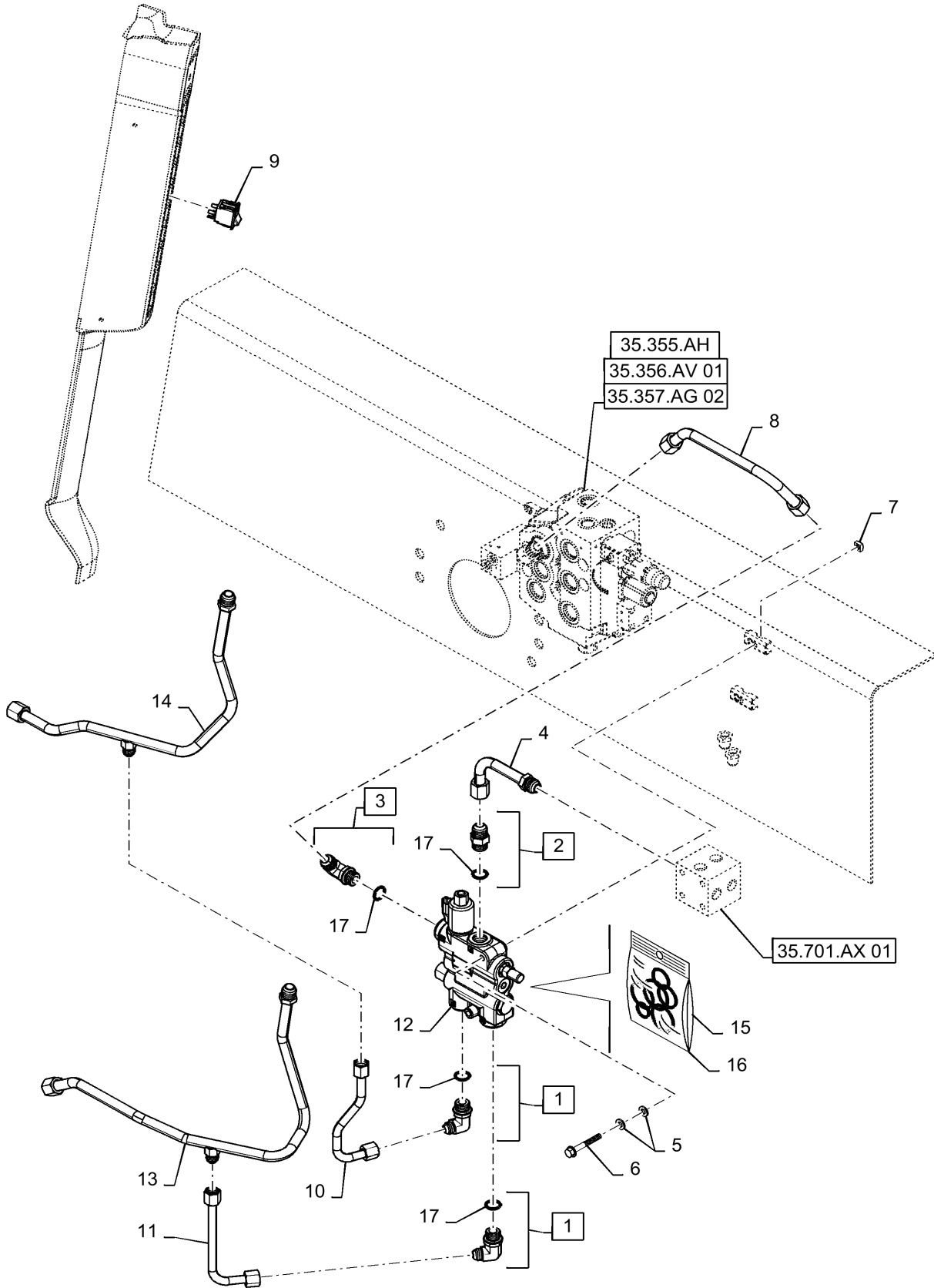
HYDRAULIC COUPLER VALVE



LOADER VALVE LINES



SELF LEVEL, ELECTRONIC CONTROLS



35.701.CB

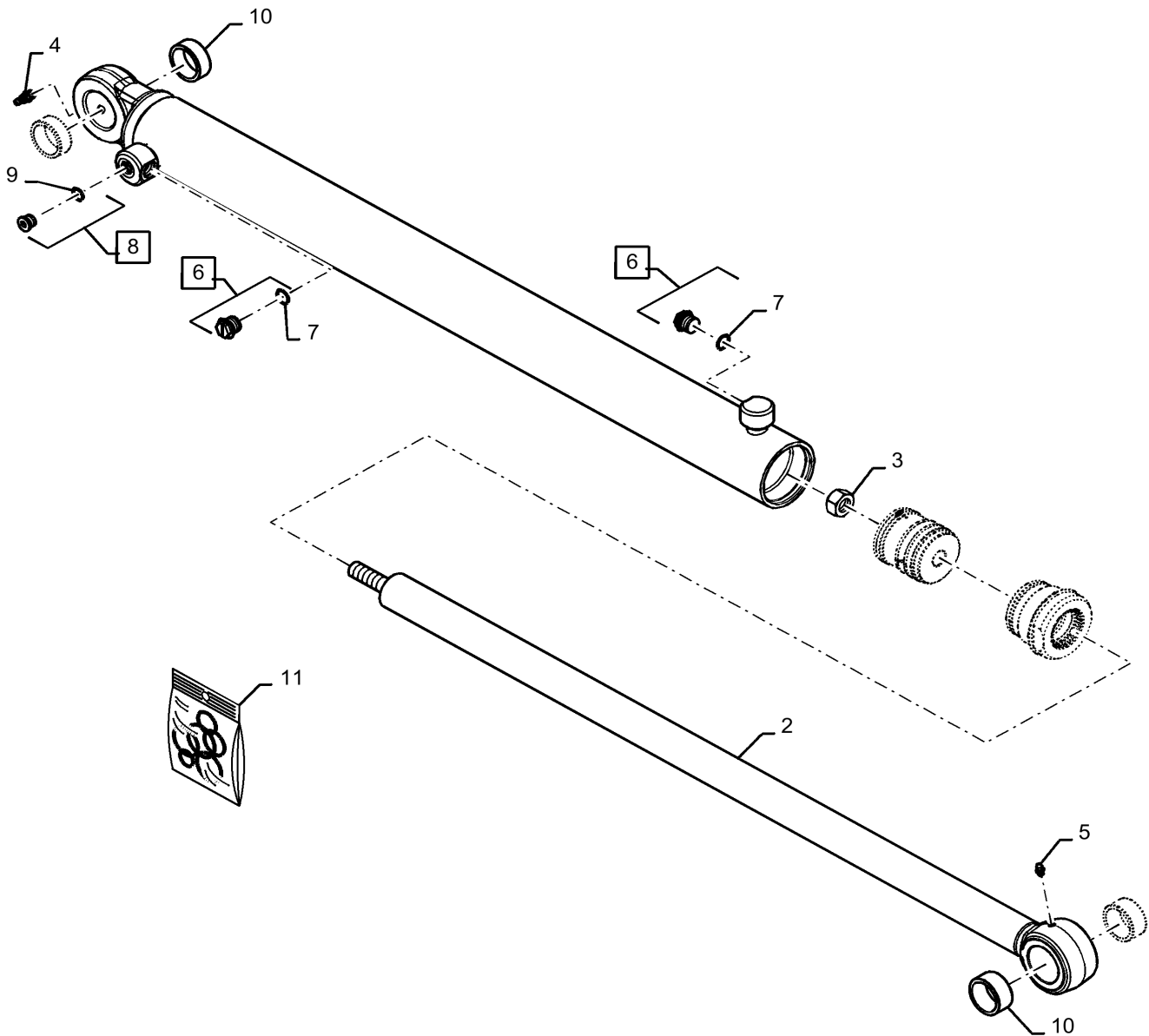
02

p1

12/2018

LIFT CYLINDER, RH

1

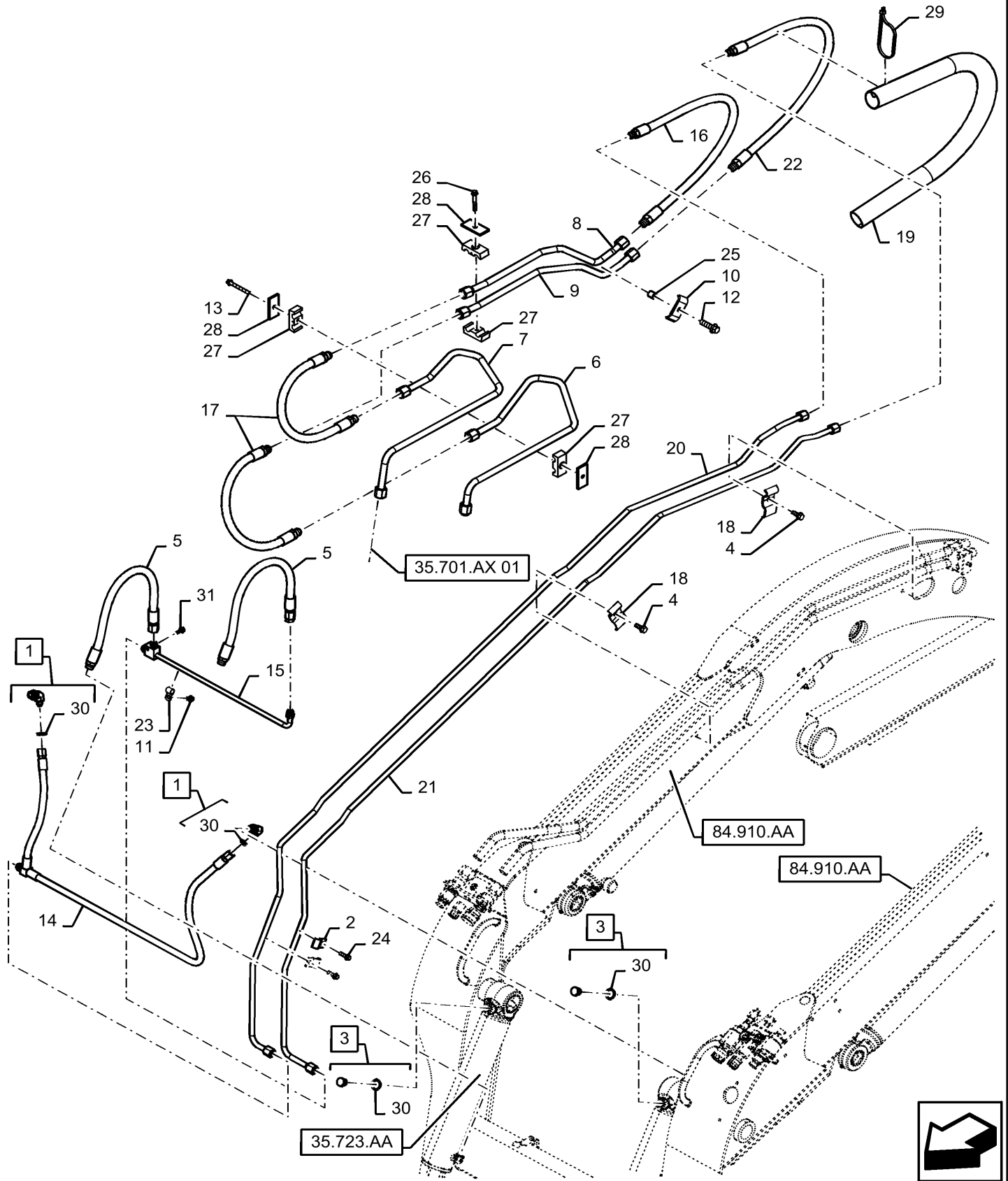


35.723.AB

p1

12/201  
8

BUCKET CYLINDER LINES, EHF



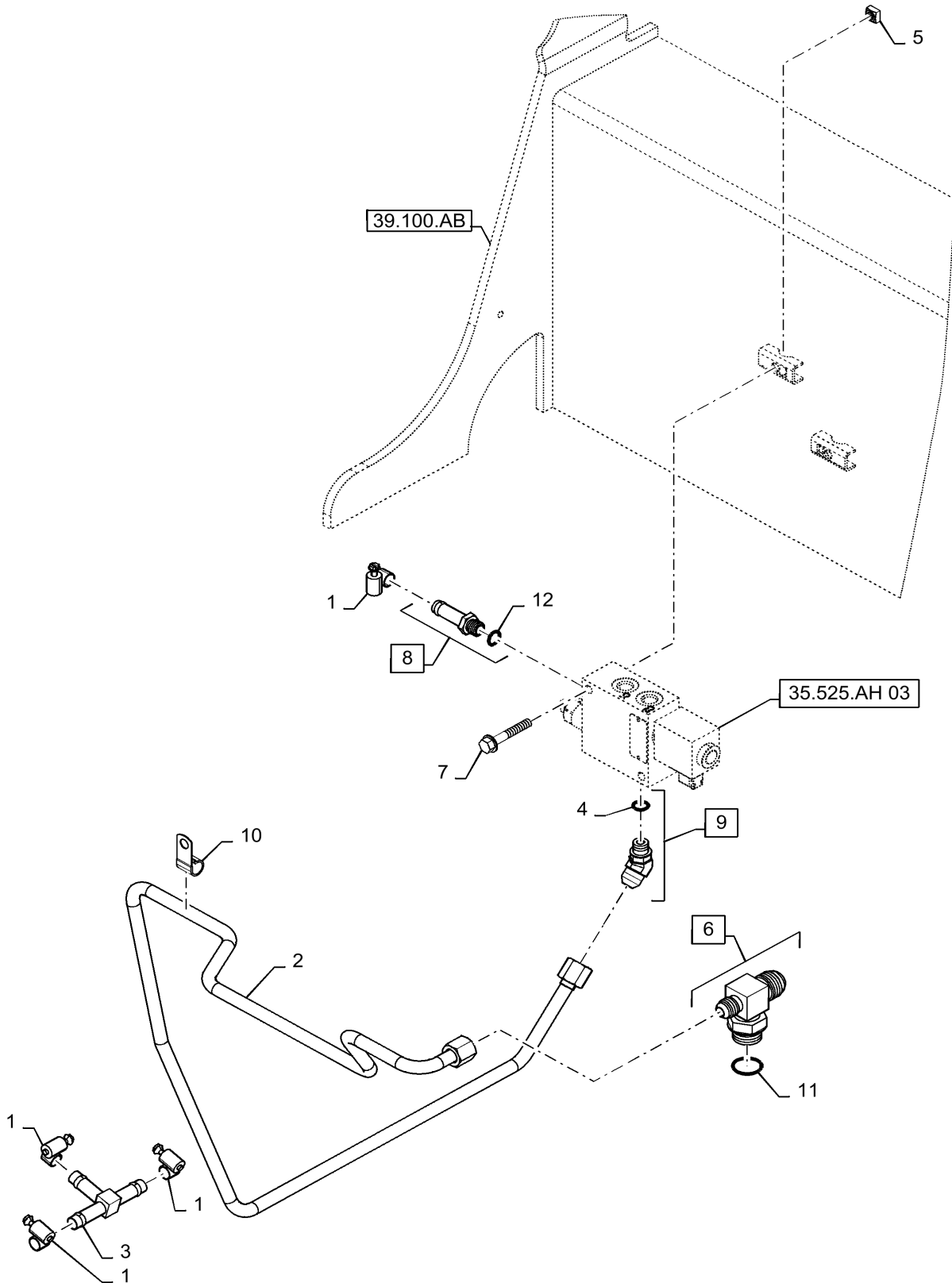
35.734.AH

03

p1

12/2018

HYDRAULIC COUPLER, CHASSIS PLUMBING



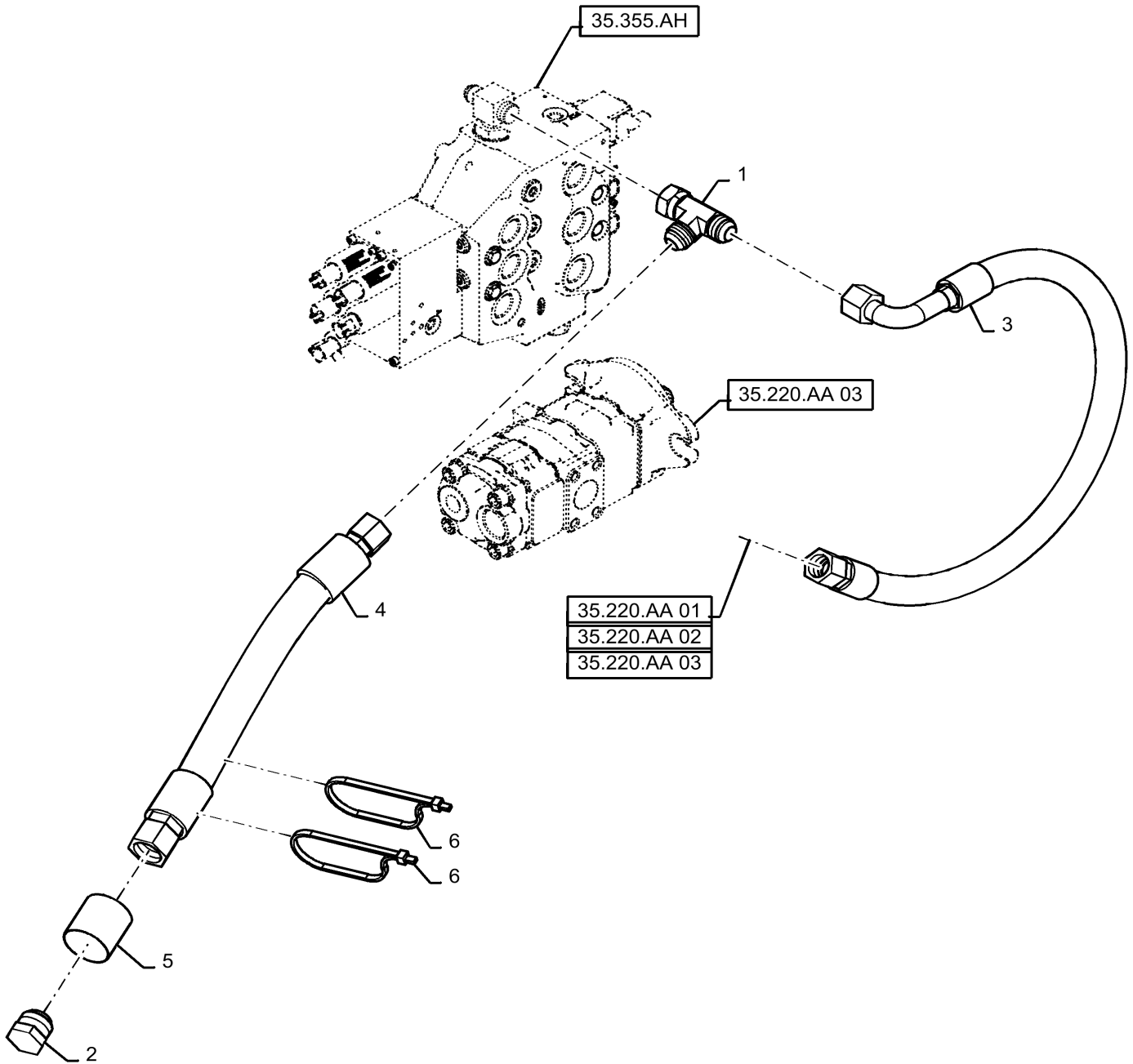
**35.734.AH**

19

p1

12/201  
8

HYDRAULIC VALVE, SUPPLY LINES, EU ONLY, EHF



---

## SECTION INDEX

### TRACKS & TRACK SUSPENSION

---

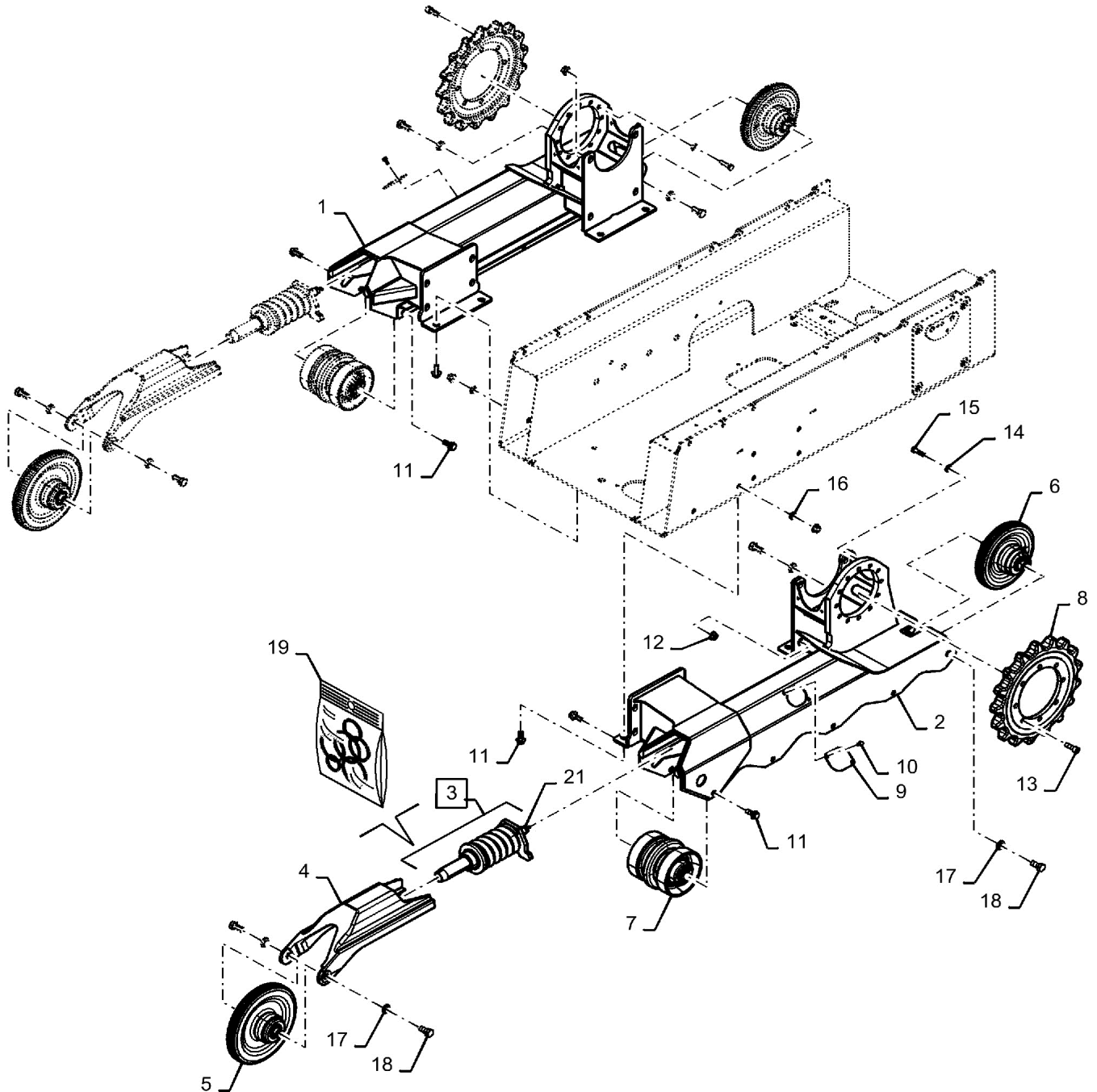
48.000.00	PICTORIAL INDEX - SUSPENSION AND TRACKS
48.100.AE	TRACK ASSY, BELT
48.100.AW	TRACK COVERS
48.138.AB	TRACK ASSY, UNDERCARRIAGE (19-NOV-2015 & PRIOR)
48.138.AB	TRACK ASSY, UNDERCARRIAGE (20-NOV-2015 & NEWER)

48.138.AB


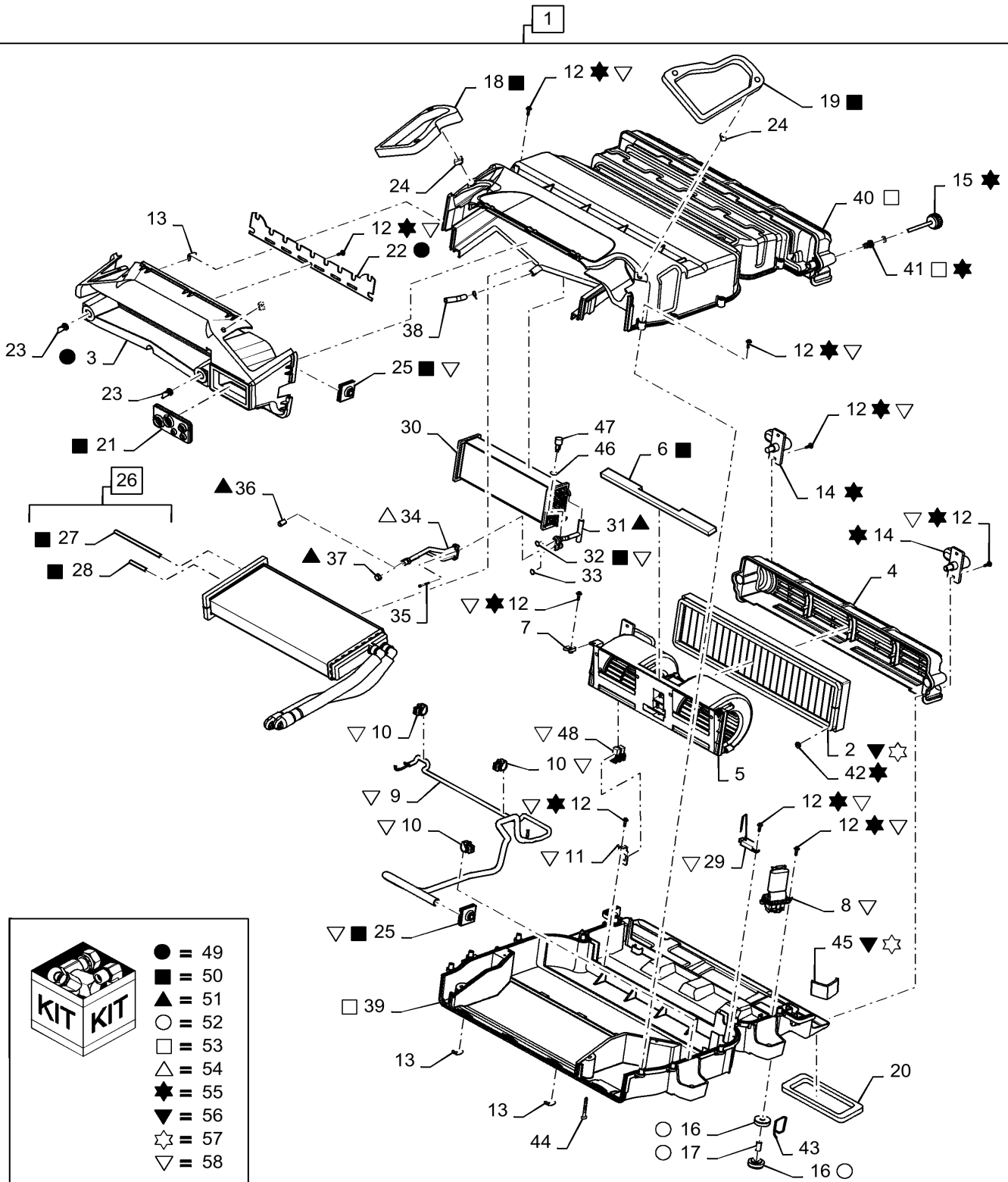
p1

12/201  
8

TRACK ASSY, UNDERCARRIAGE (20-NOV-2015 & NEWER)



HVAC SYSTEM DUCT ASSY



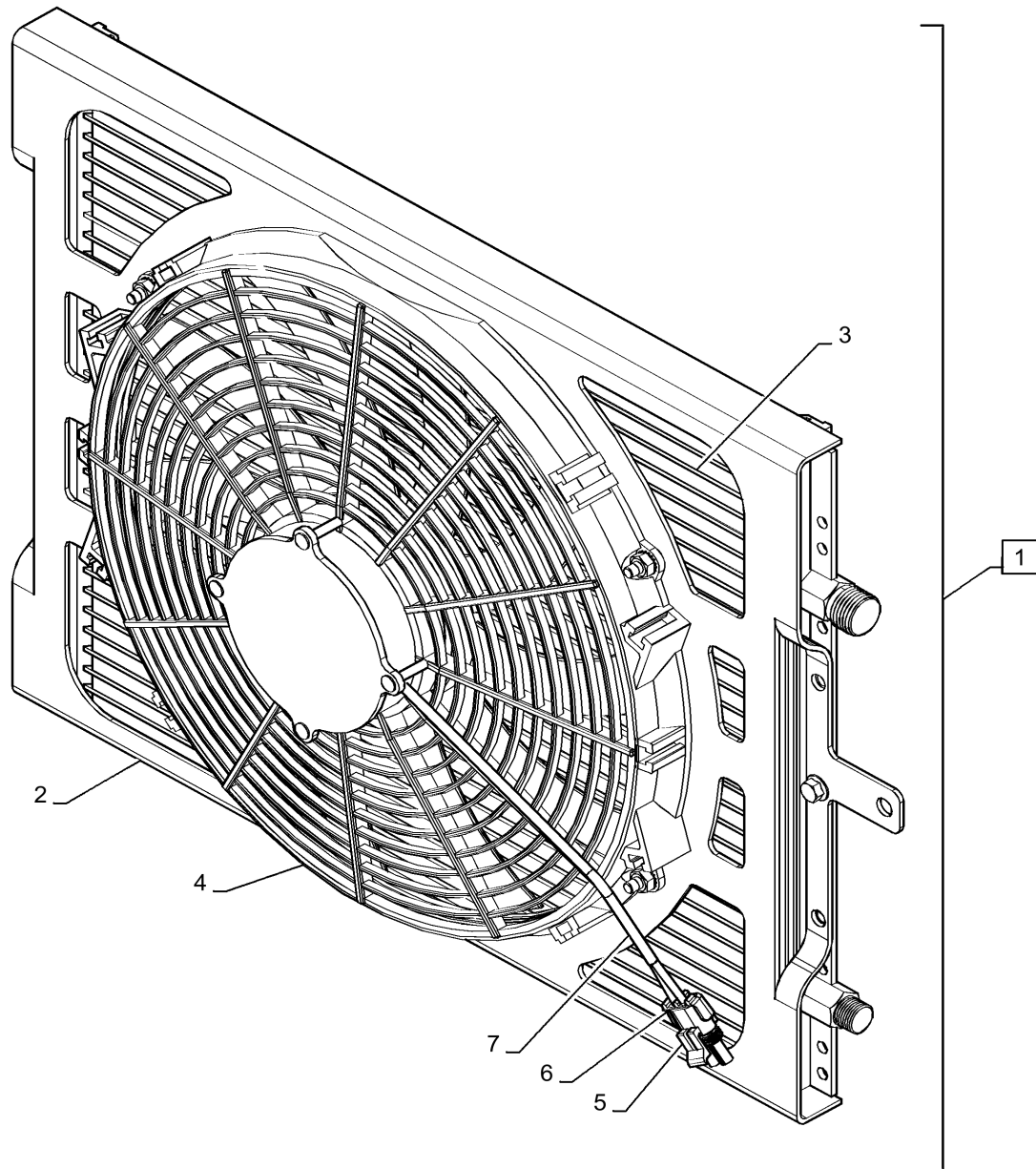
- = 49
- = 50
- ▲ = 51
- = 52
- = 53
- △ = 54
- ★ = 55
- ▽ = 56
- ☆ = 57
- ▽ = 58

50.200.AK

p1

12/201  
8

CONDENSER ASSY



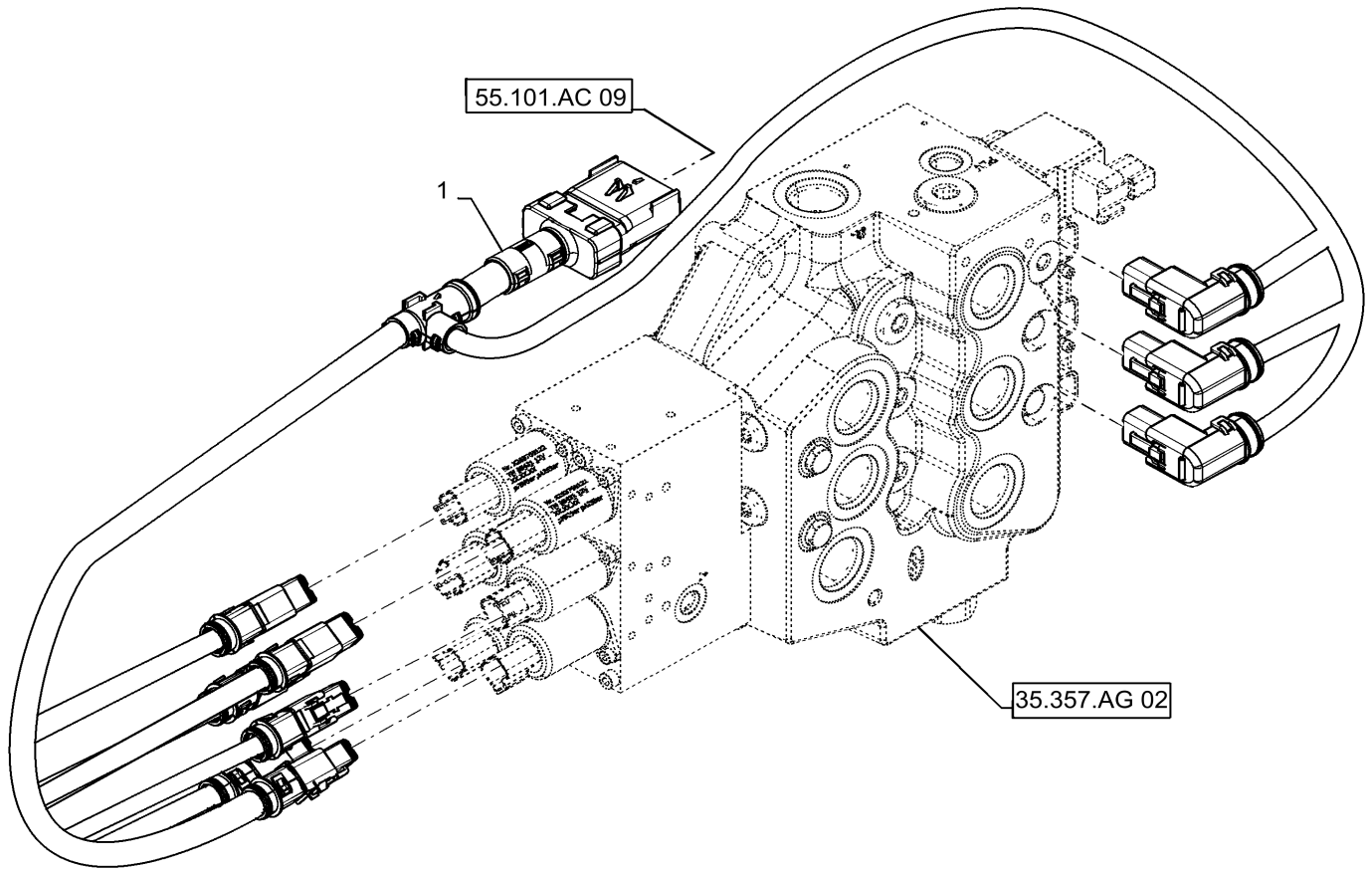


55.036.AO

p1

12/201  
8

LOADER CONTROL VALVE, E-H CONTROLS



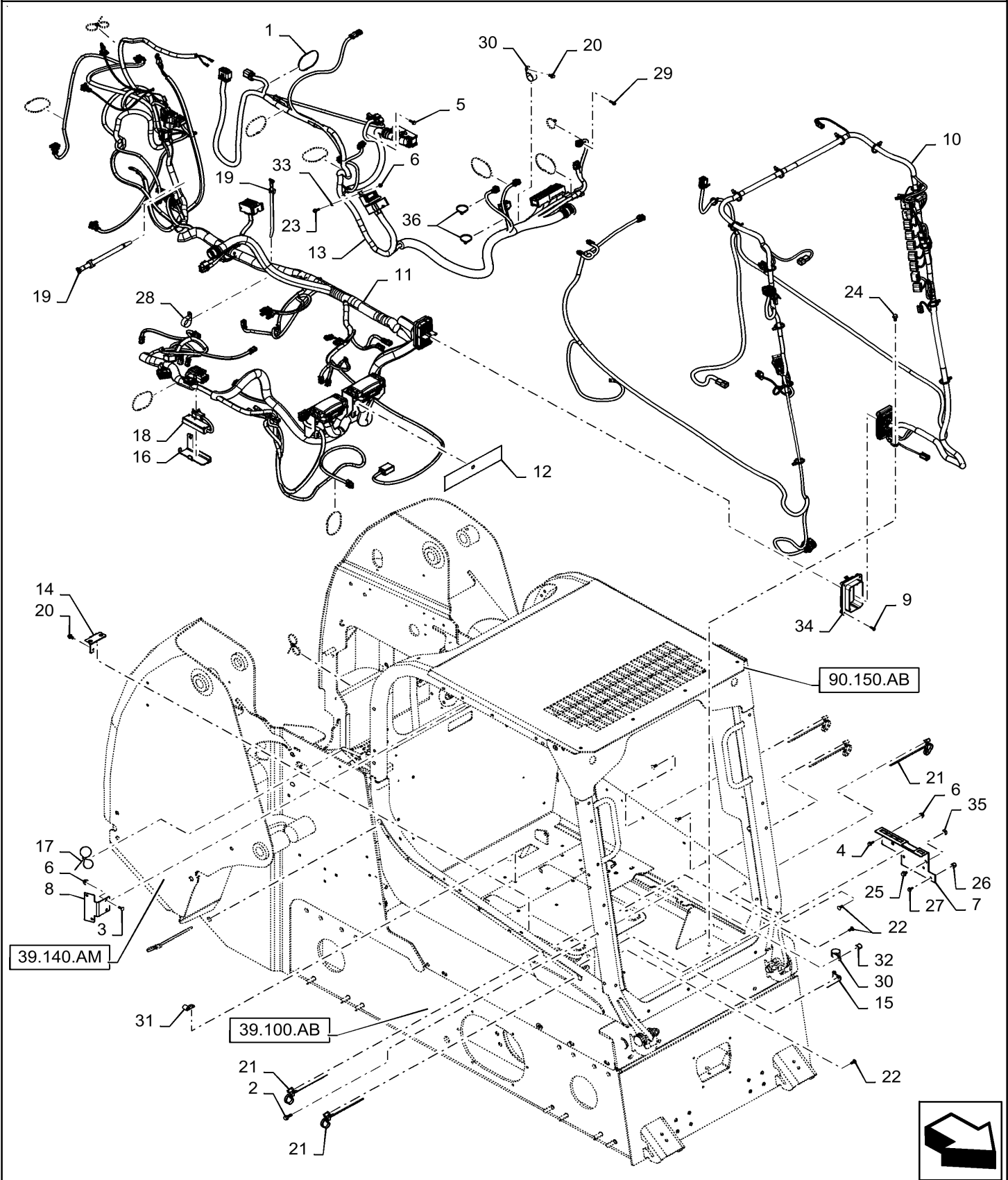
55.101.AC

02

p1

12/2018

WIRE HARNESS & CONNECTOR, MECHANICAL CONTROLS, OPEN CAB



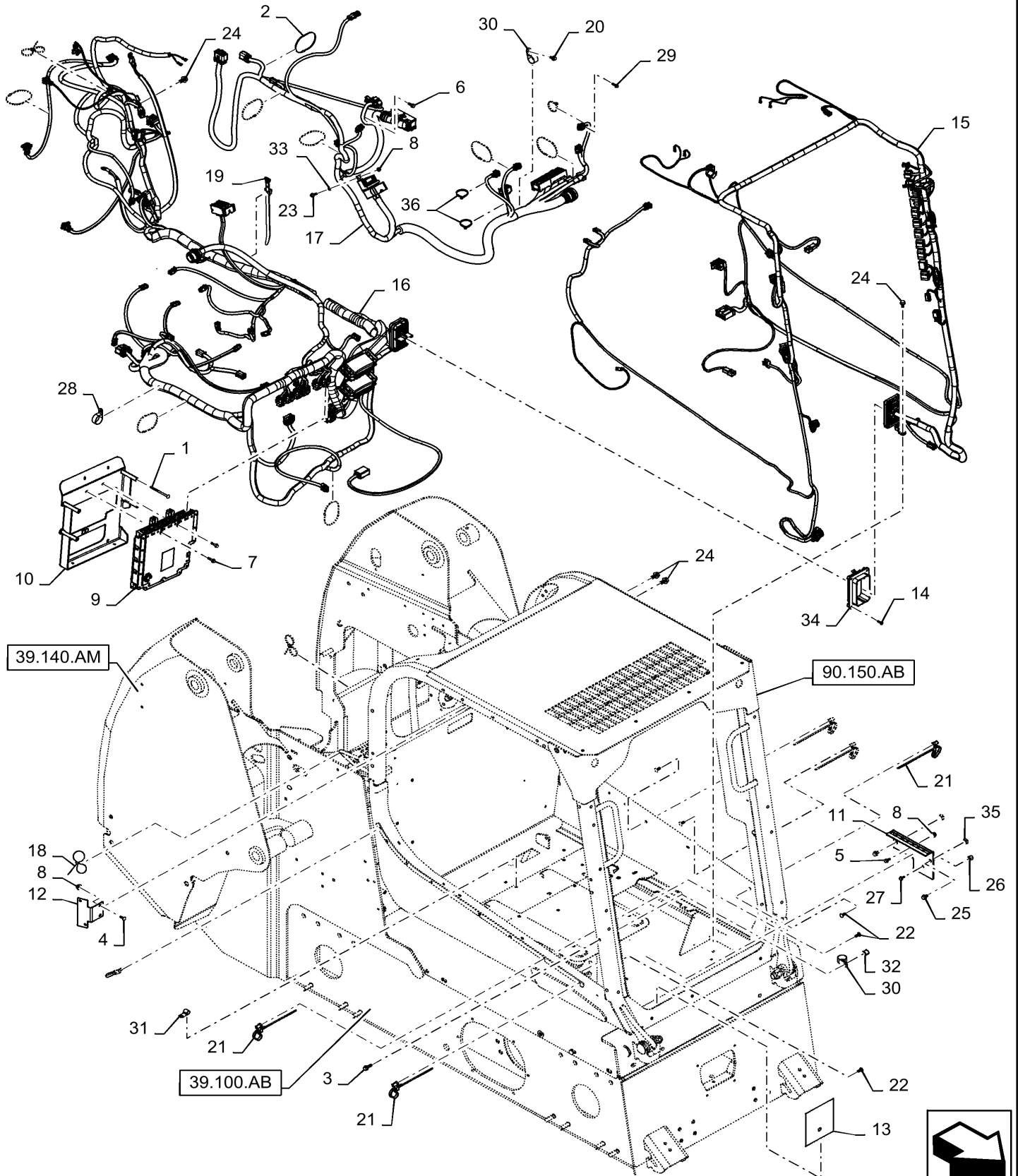
55.101.AC

05

p1

12/2018

WIRE HARNESS & CONNECTOR, ELECTRONIC CONTROLS, W/ EHF



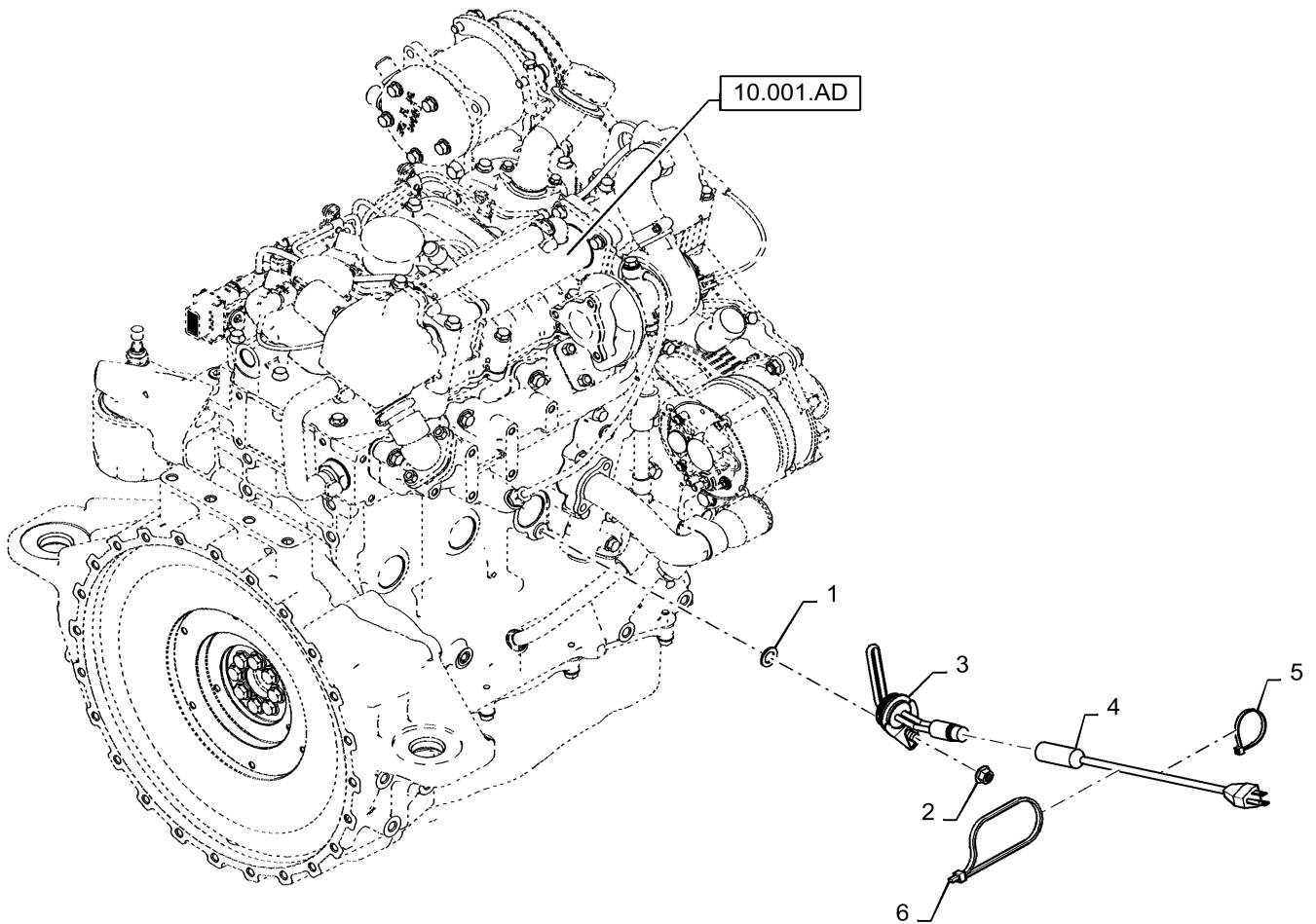
55.202.AE

02

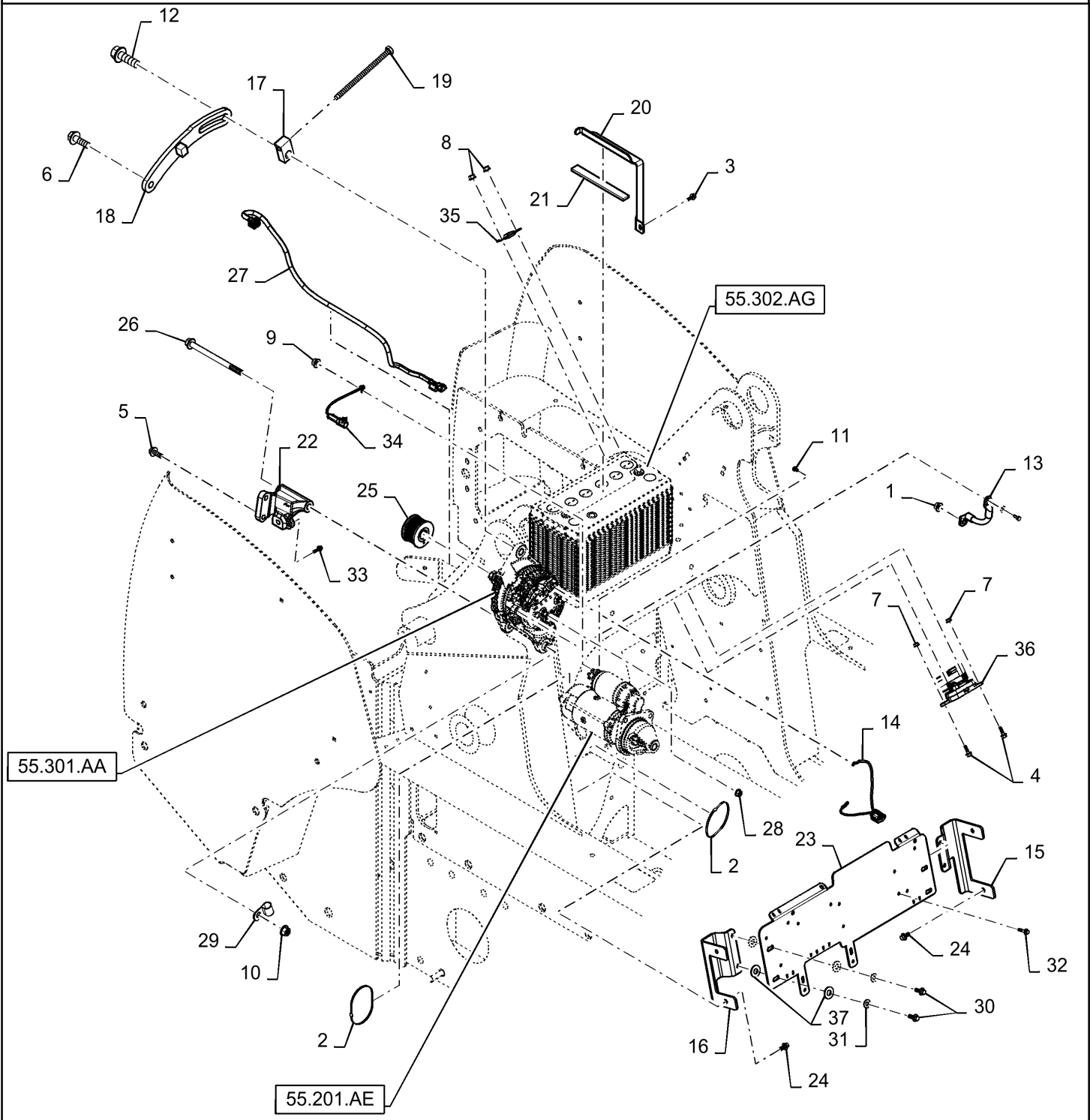
p1

12/201  
8

220V BLOCK HEATER



VERTICAL, ENGINE ELECTRICAL



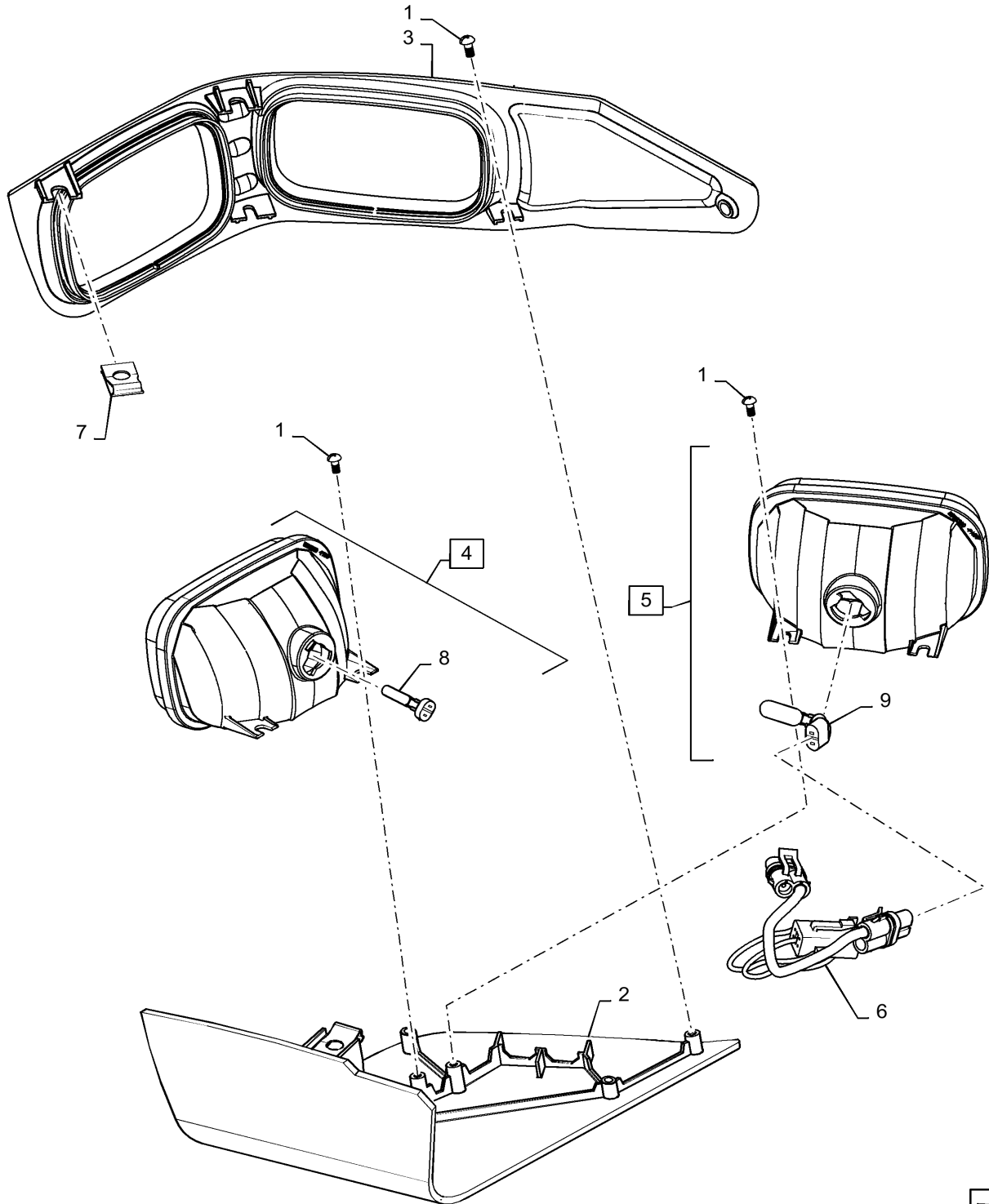
55.404.AL

02

p1

12/201  
8

RH LIGHT ASSY, CORNER LIGHT



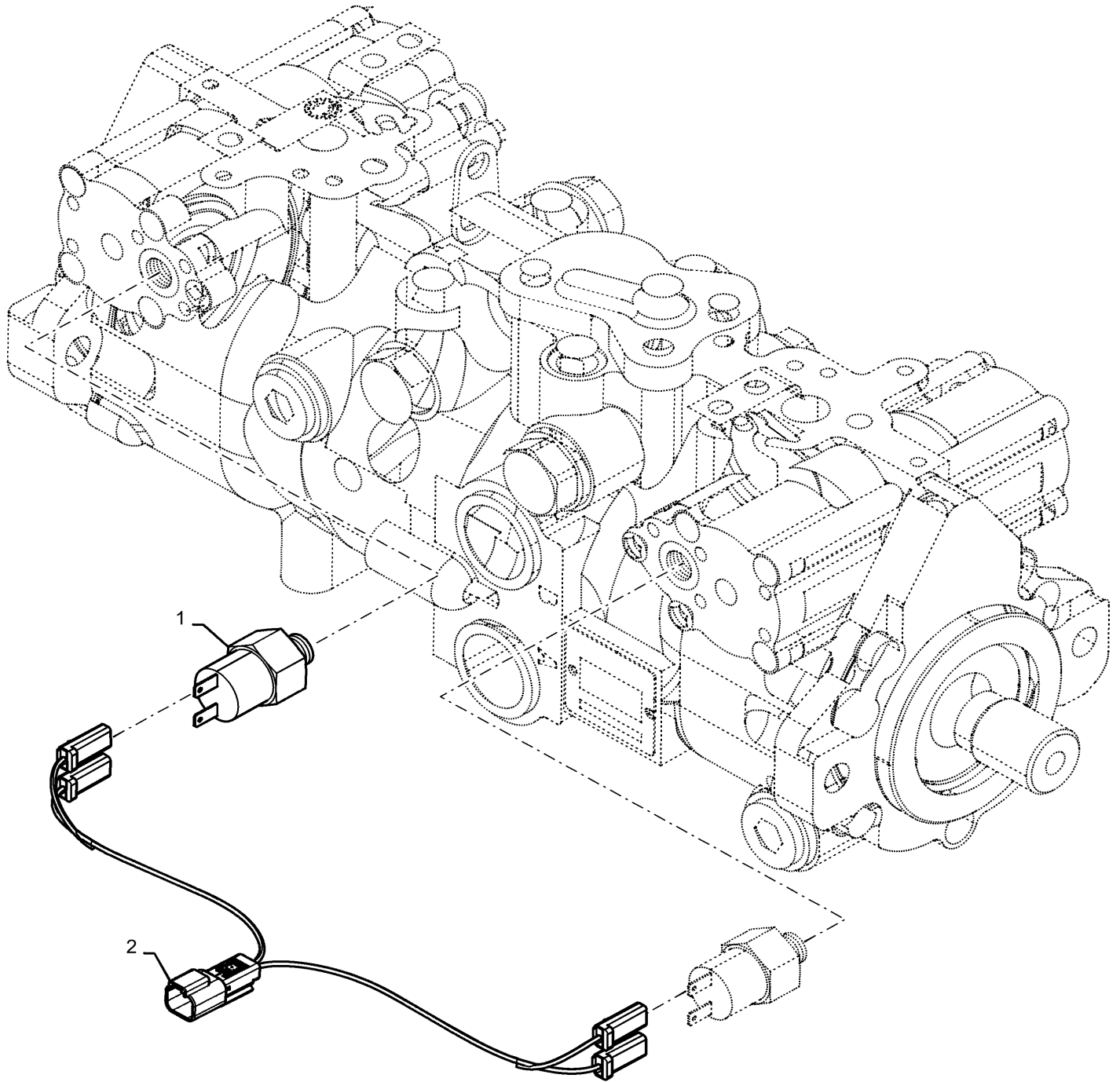
**55.404.CY**

01

p1

12/201  
8

ROAD LIGHTS, W/ MECHANICAL CONTROLS



CLICK HERE TO **DOWNLOAD** THE COMPLETE MANUAL

- Thank you very much for reading the preview of the manual.
- You can download the complete manual from: [www.heydownloads.com](http://www.heydownloads.com) by clicking the link below



- Please note: If there is no response to CLICKING the link, please download this PDF first and then click on it.

CLICK HERE TO **DOWNLOAD** THE COMPLETE MANUAL

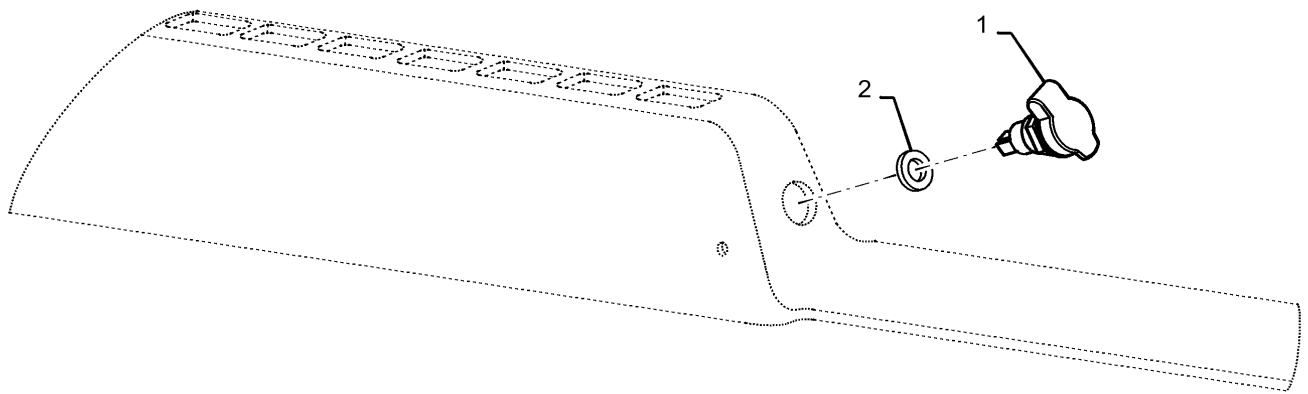
**55.510.BM**

01

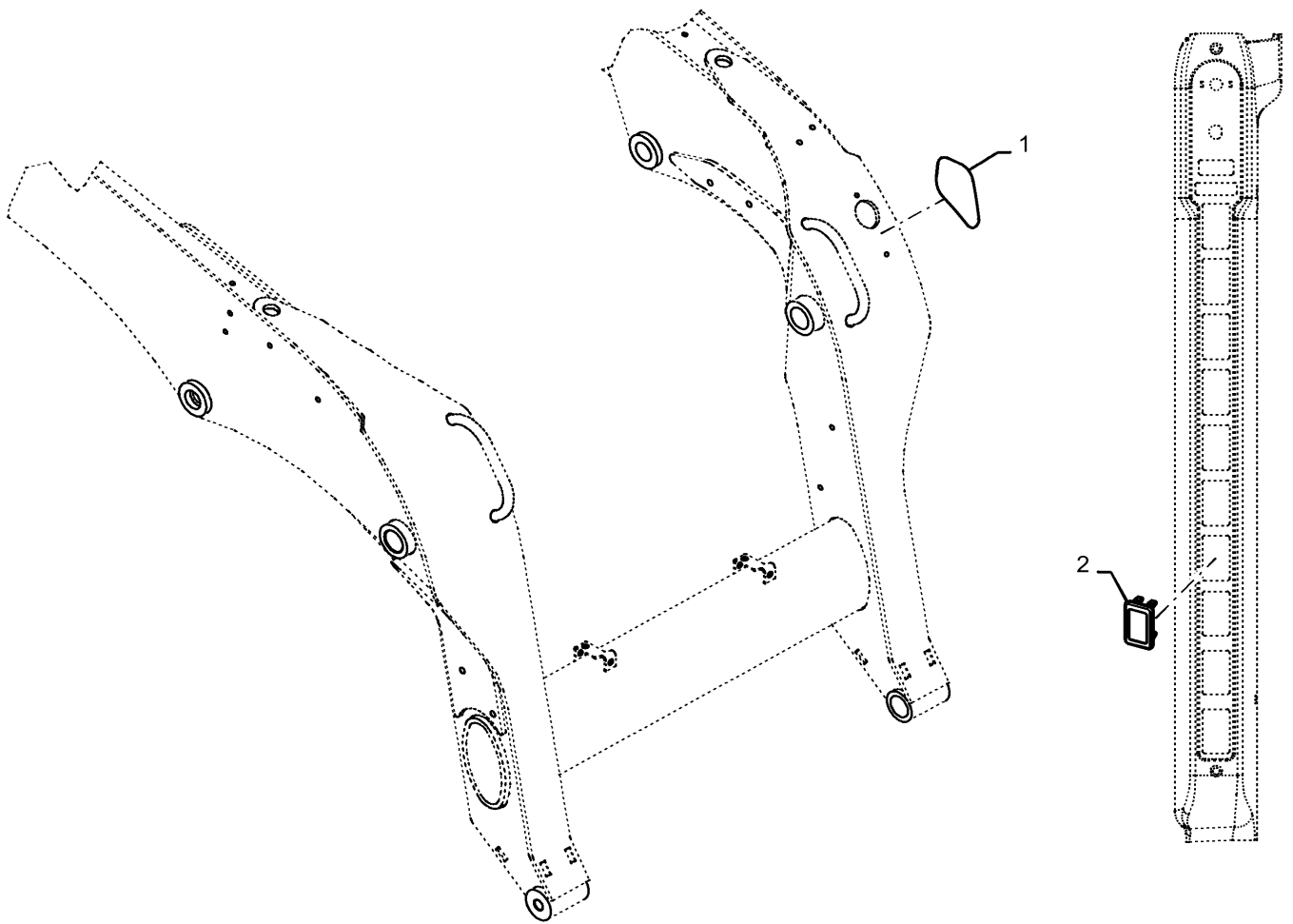
p1

12/201  
8

ACCESSORIES SOCKET



NO MULTIFUNCTION ELECTRICAL



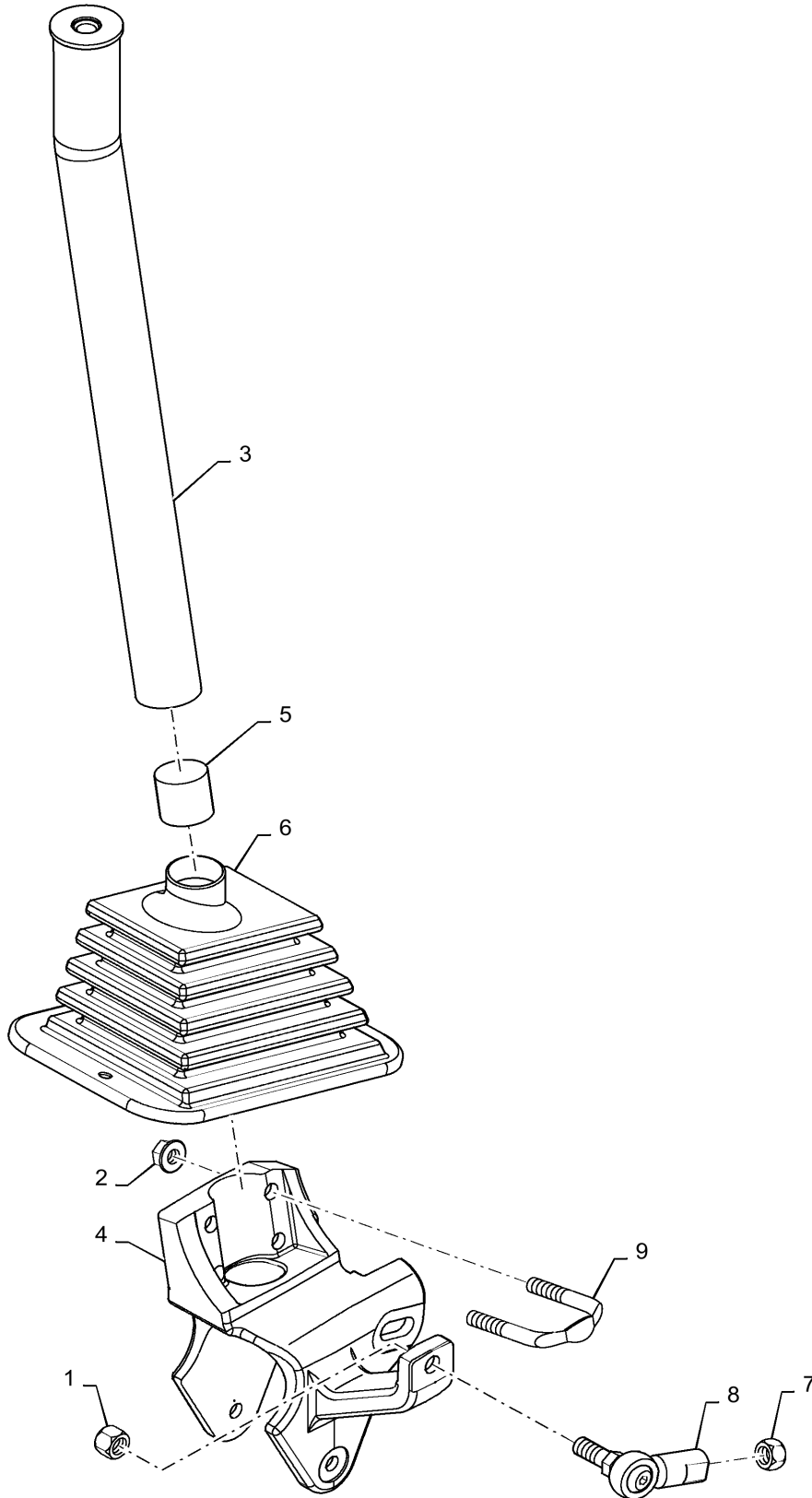
55.512.CL

02

p1

12/2018

CONTROL LEVER, RH, W/ FOOT CONTROLS



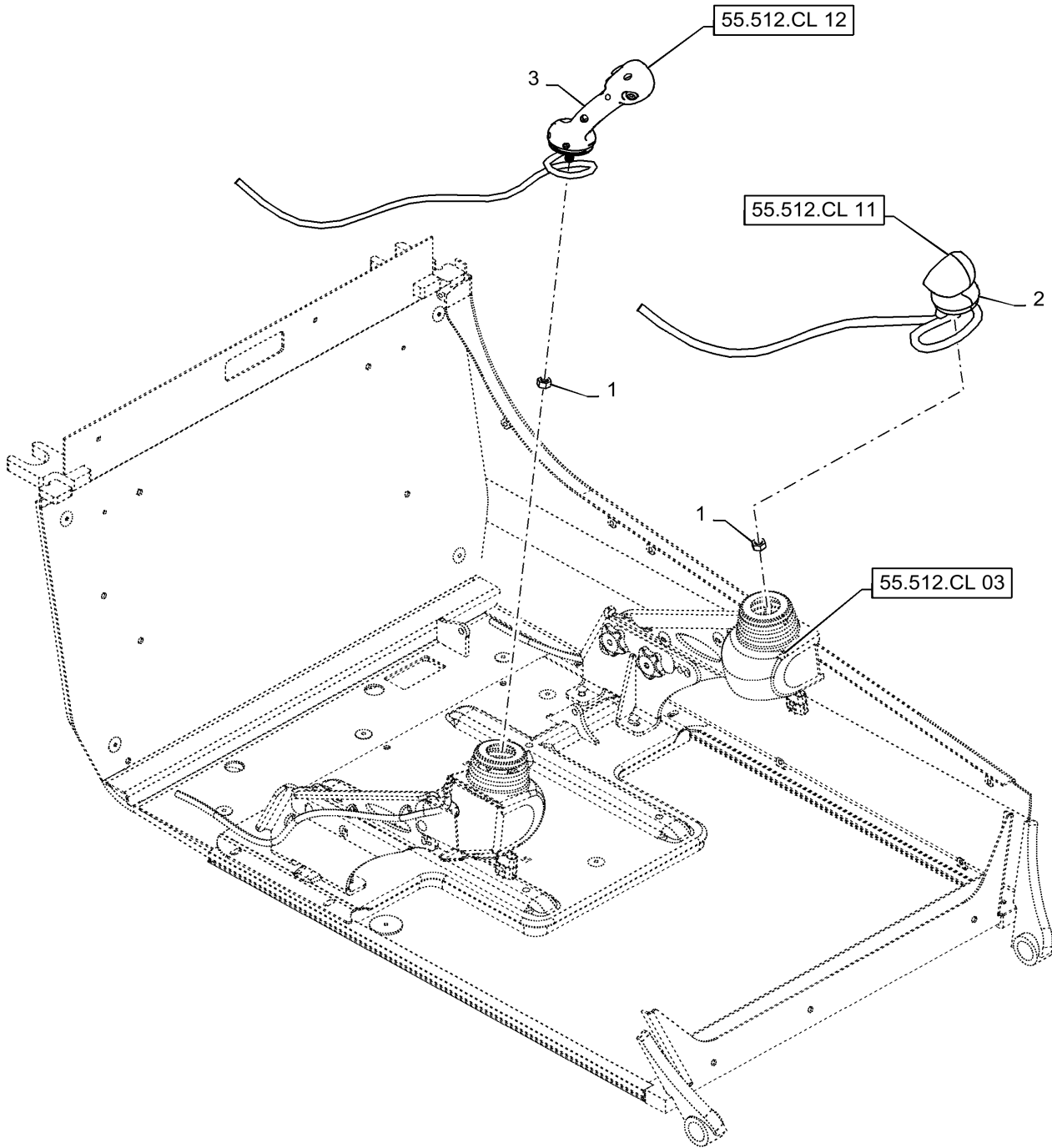
**55.512.CL**

10

p1

12/201  
8

LEVEL 250 HANDLE GRIPS, E-H CONTROLS, W/O MULTI-FUNCTION ELECTRICAL CONTROL



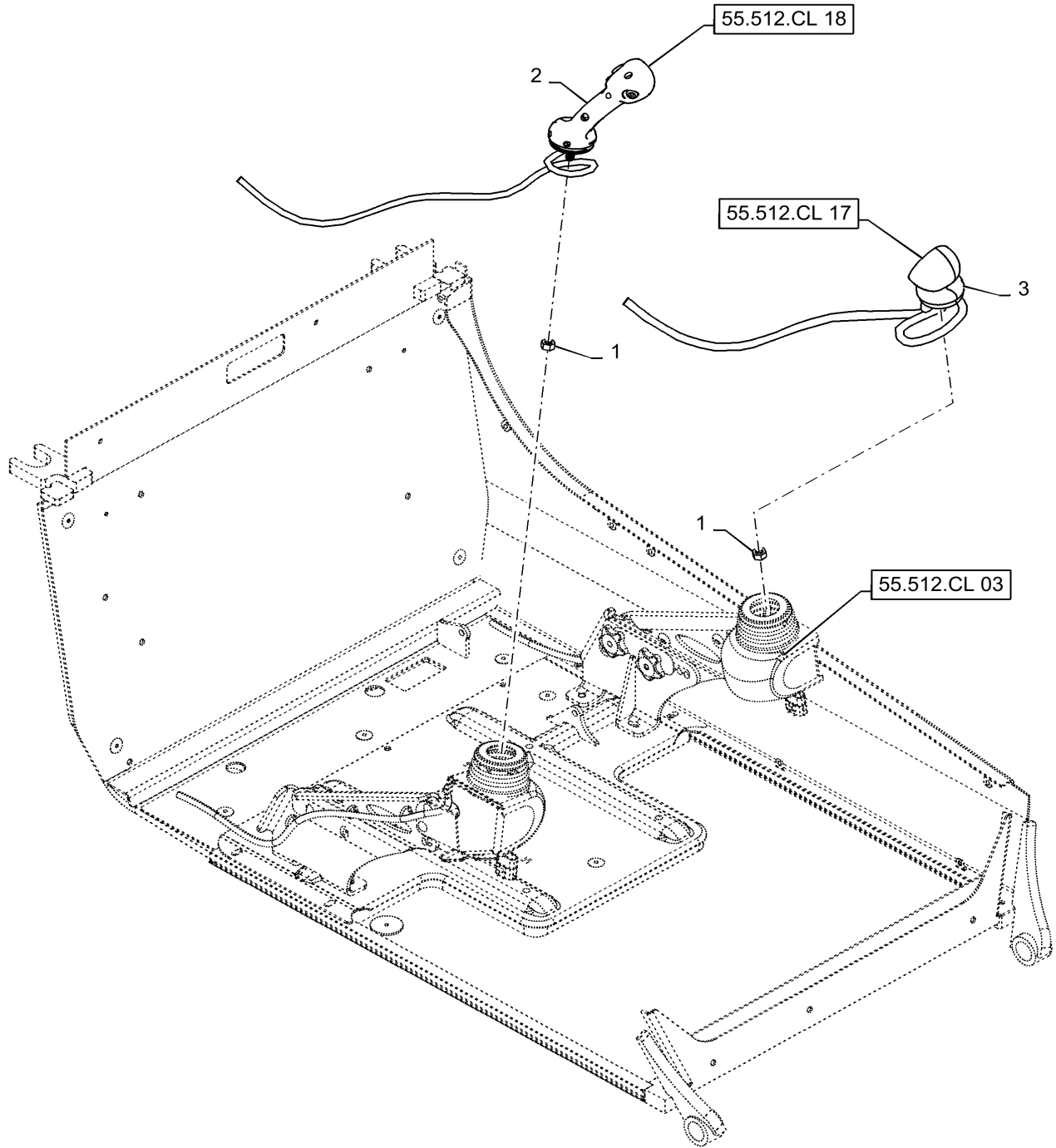
**55.512.CL**

16

p1

12/2018

**LEVEL 350 HANDLE GRIPS, E-H CONTROLS, W/ MULTI-FUNCTION ELECTRICAL CONTROL**



55.518.AT

02

p1

12/2018

WASHER RESERVOIR ASSY

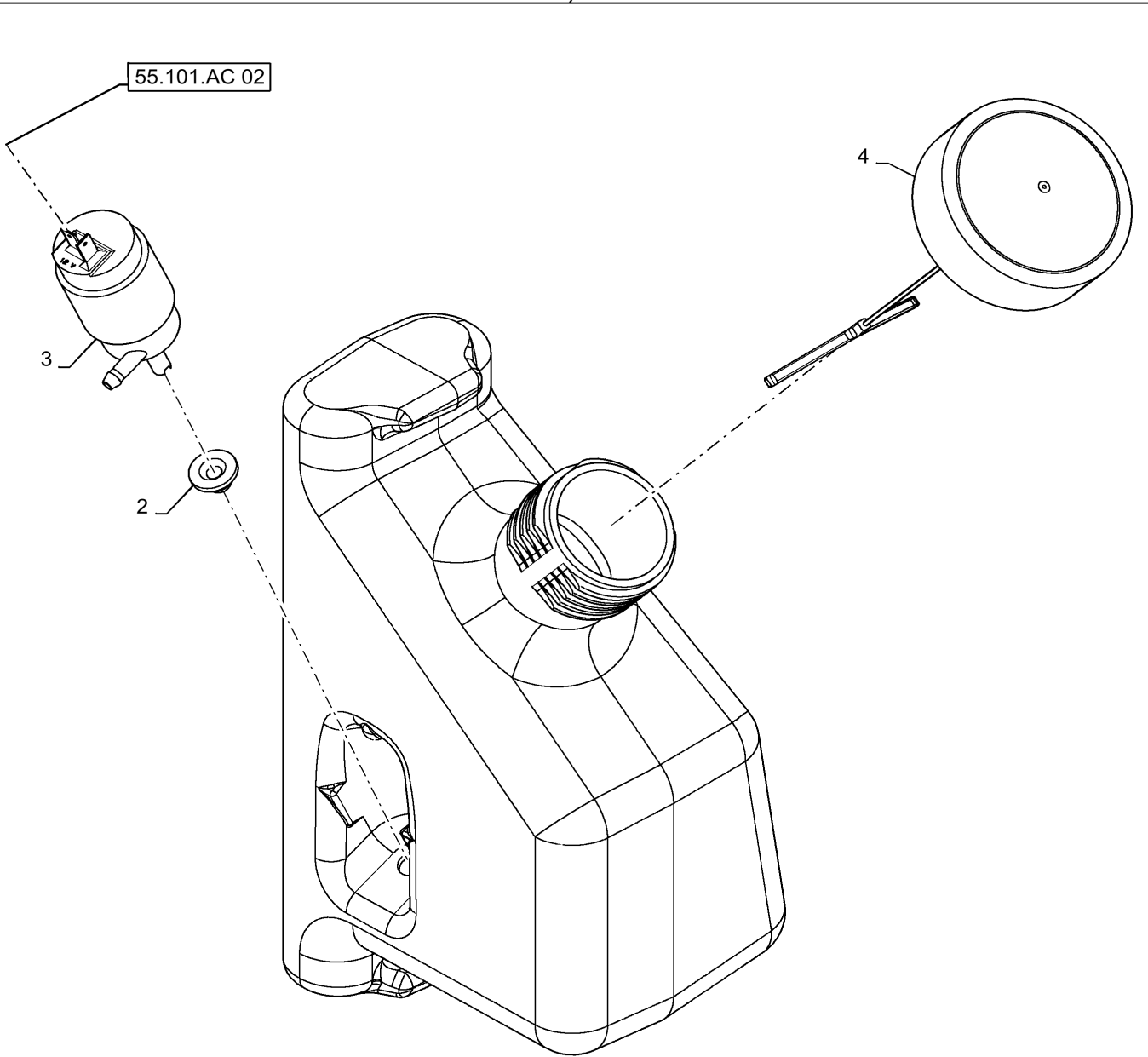
1

55.101.AC 02

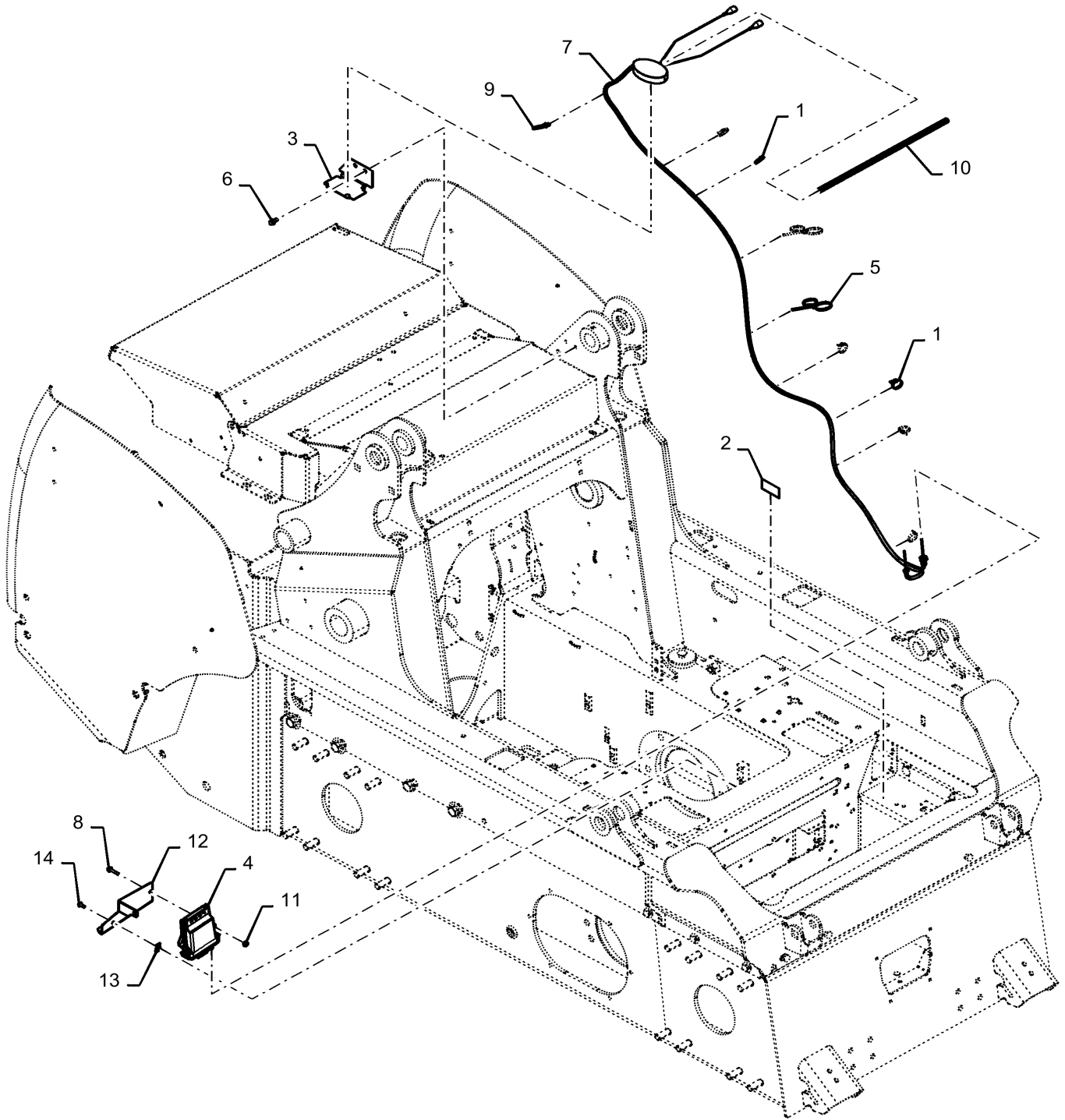
3

2

4



TELEMATIC SYSTEM, VERTICAL



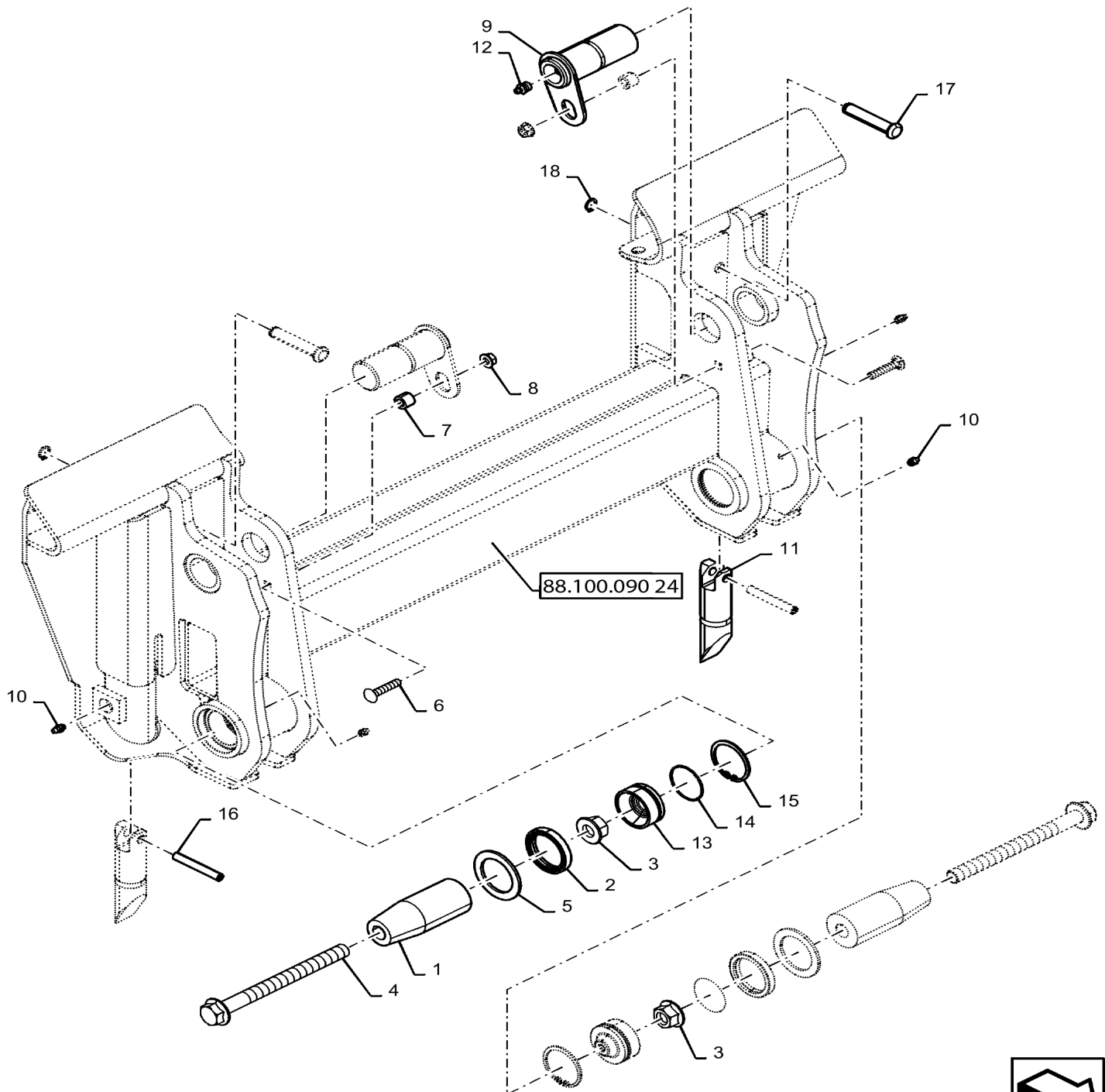
**82.100.AG**

01

p1

12/2018

**MOUNTING PARTS, COUPLER (APRIL 20, 2015 AND NEWER)**



See section 35 for hydraulic coupler parts.

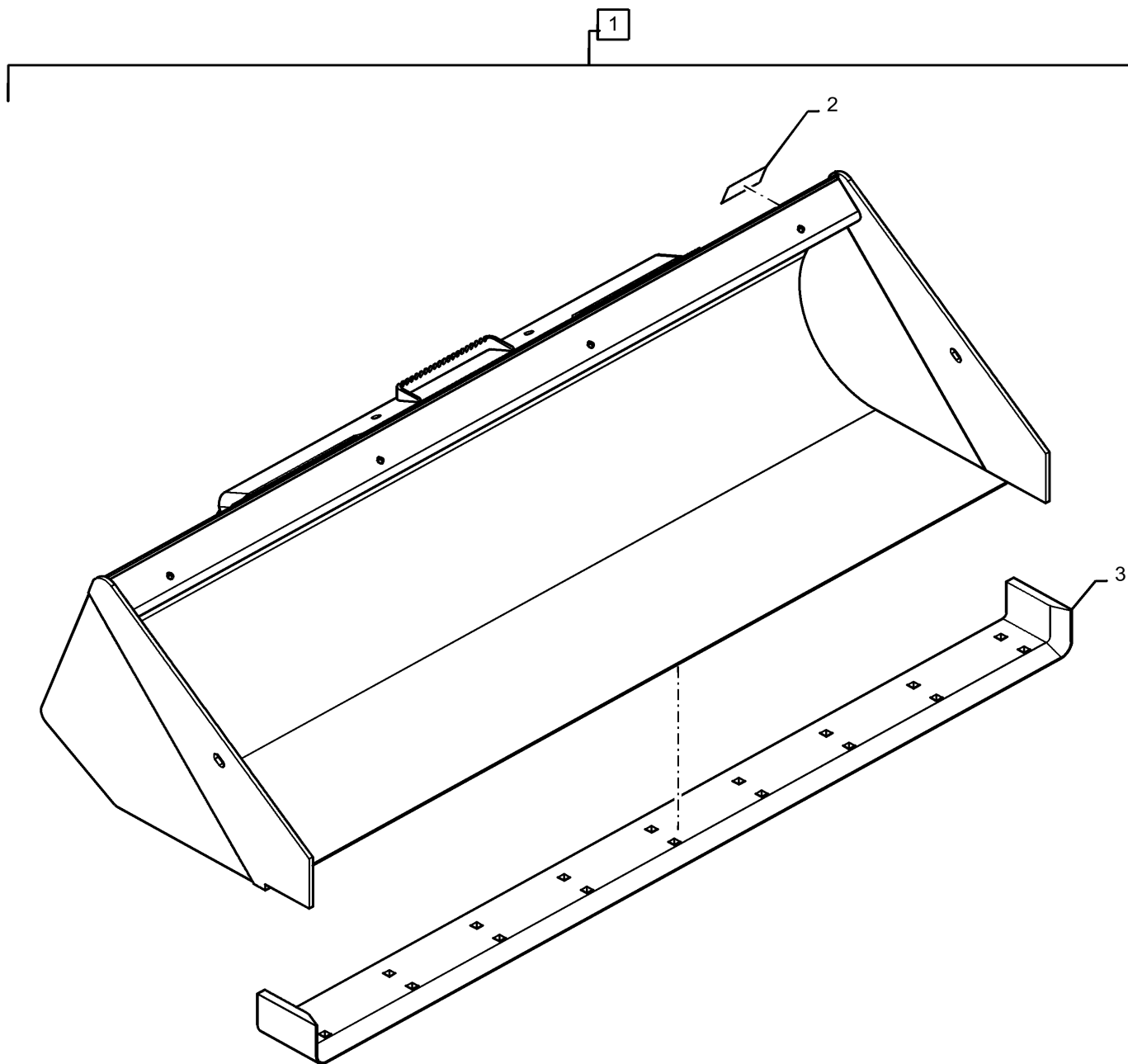
**82.300.AN**

16

p1

12/201  
8

BUCKET, 78", HEAVY DUTY DIRT, GRAY



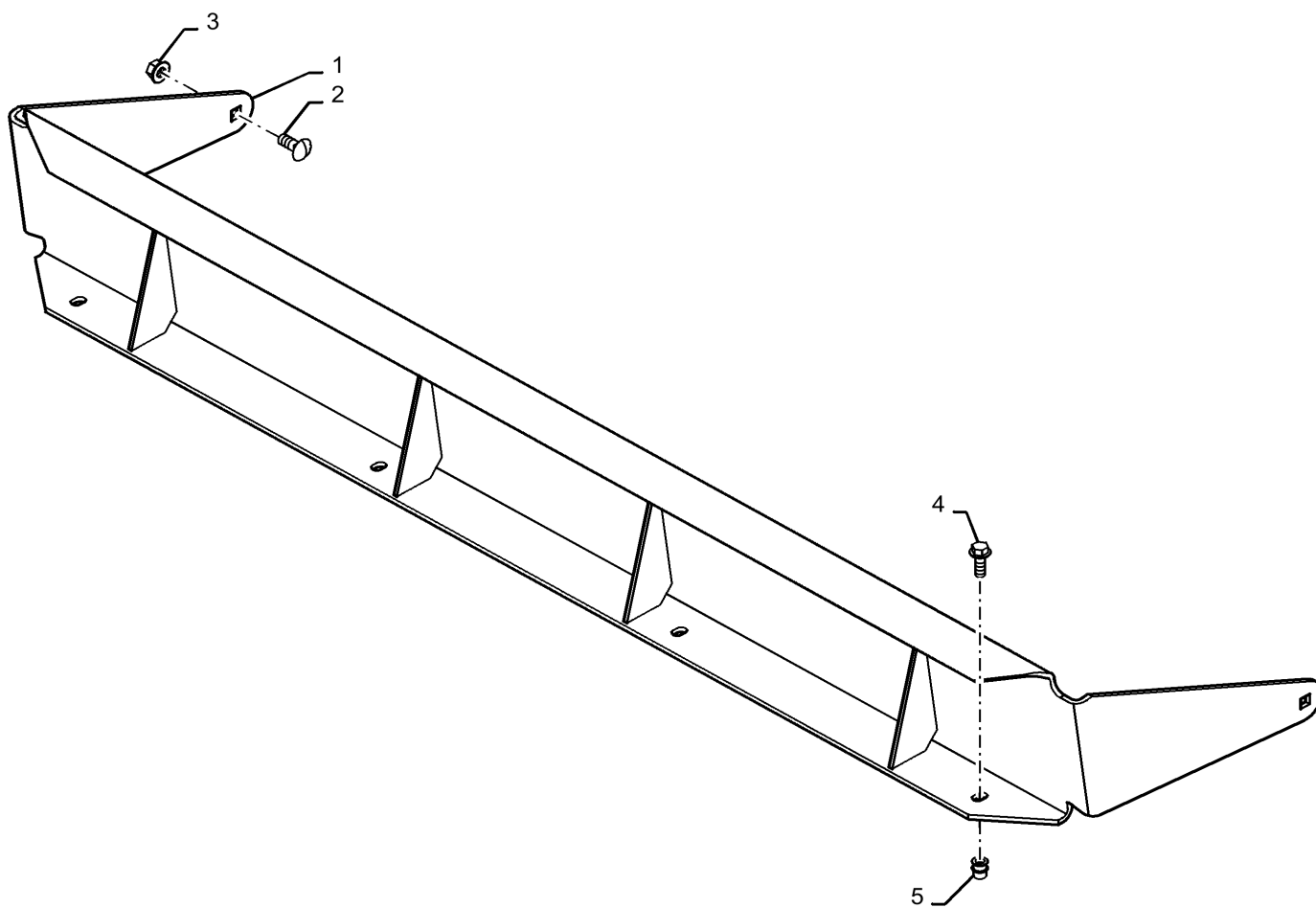
82.300.AN

24

p1

12/2018

BUCKET, 84", SPILL GUARD



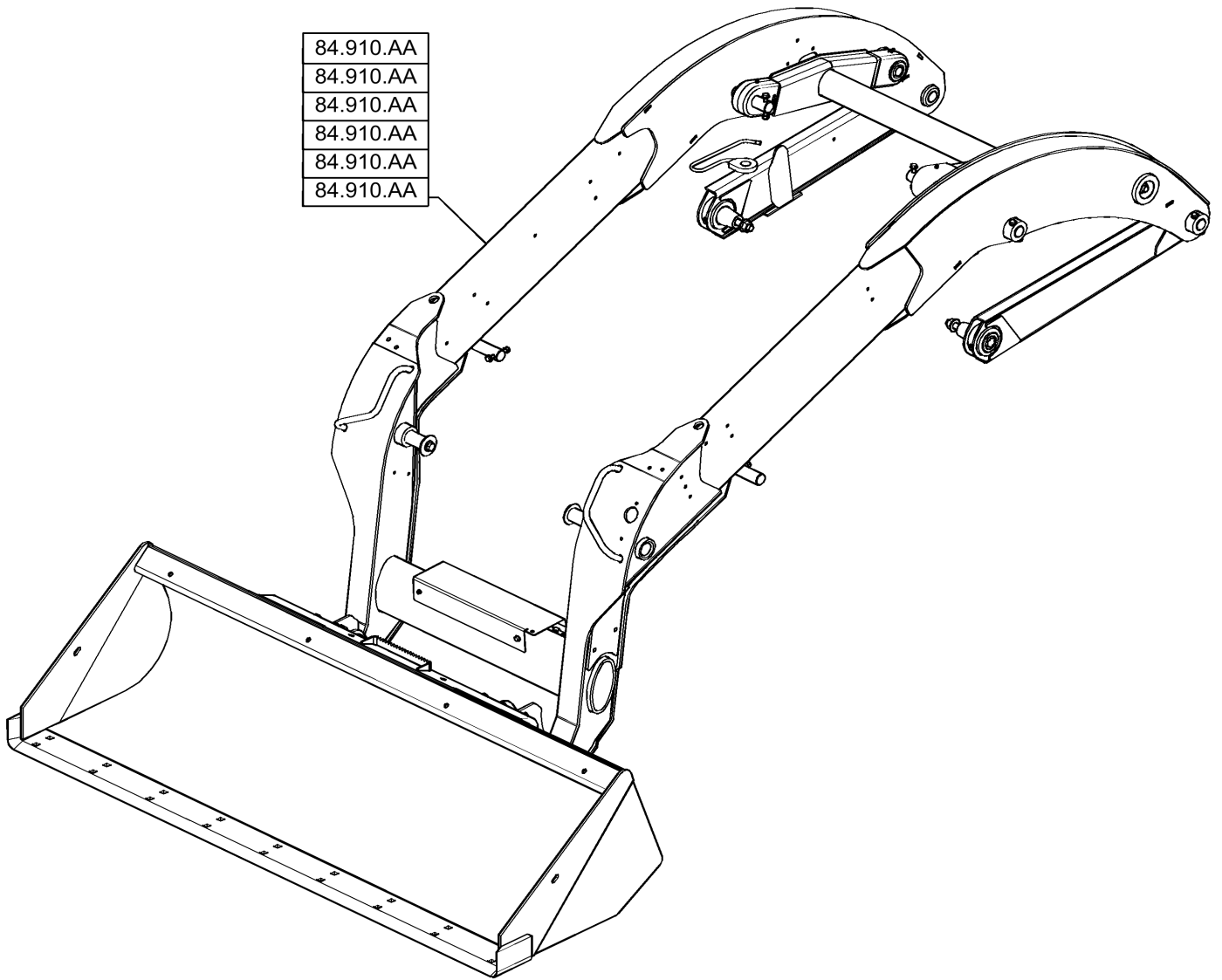
84.000.00

p1

12/201  
8

PICTORIAL INDEX - BOOMS, DIPPERS & BUCKET

- 84.910.AA
- 84.910.AA
- 84.910.AA
- 84.910.AA
- 84.910.AA
- 84.910.AA



---

## SECTION INDEX

### ACCESSORIES

---

88.100.82	21	DIA KIT, HEAVY DUTY DIRT BUCKET, 78"
88.100.82	23	DIA KIT, SLURRY BUCKET, 84"
88.100.82	25	DIA KIT, LIGHT MATERIAL BUCKET, 84"
88.100.82	27	DIA KIT, LOW PROFILE EXTENDED BUCKET, 84"
88.100.82	28	DIA KIT, LOW PROFILE EXTENDED BUCKET, 78"
88.100.82	30	KIT, SSL QUICK ATTACH LATCHES
88.100.82	31	DIA KIT, DIRT & FOUNDRY BUCKET, 78"
88.100.90	01	DIA KIT, LH, SIDE SCREEN
88.100.90	02	DIA KIT, RH, SIDE SCREEN
88.100.90	03	DIA, KIT, CAB SEAL, SIDES
88.100.90	05	DIA KIT, REMOVABLE TOP WINDOW
88.100.90	08	DIA KIT, GLASS FRONT DOOR
88.100.90	09	DIA KIT, DEMO FRONT DOOR
88.100.90	14	DIA KIT, 3 POINT SEAT BELT
88.100.90	15	DIA KIT, MIRROR
88.100.90	16	DIA KIT, CAB SIDE WINDOWS
88.100.90	17	DIA KIT, INTERIOR TRIM, EU
88.100.90	18	DIA KIT, INTERIOR TRIM
88.100.90	19	DIA KIT, REAR EXTERIOR ACCESS WINDOW
88.100.90	20	DIA KIT, 3" SEAT BELT
88.100.90	21	DIA KIT, CAB SIDE WINDOW
88.100.90	25	DIA KIT, FOPS, LEVEL 2 MODIFICATIONS
88.100.90	26	DIA KIT, CAB LOCK

88.100.29

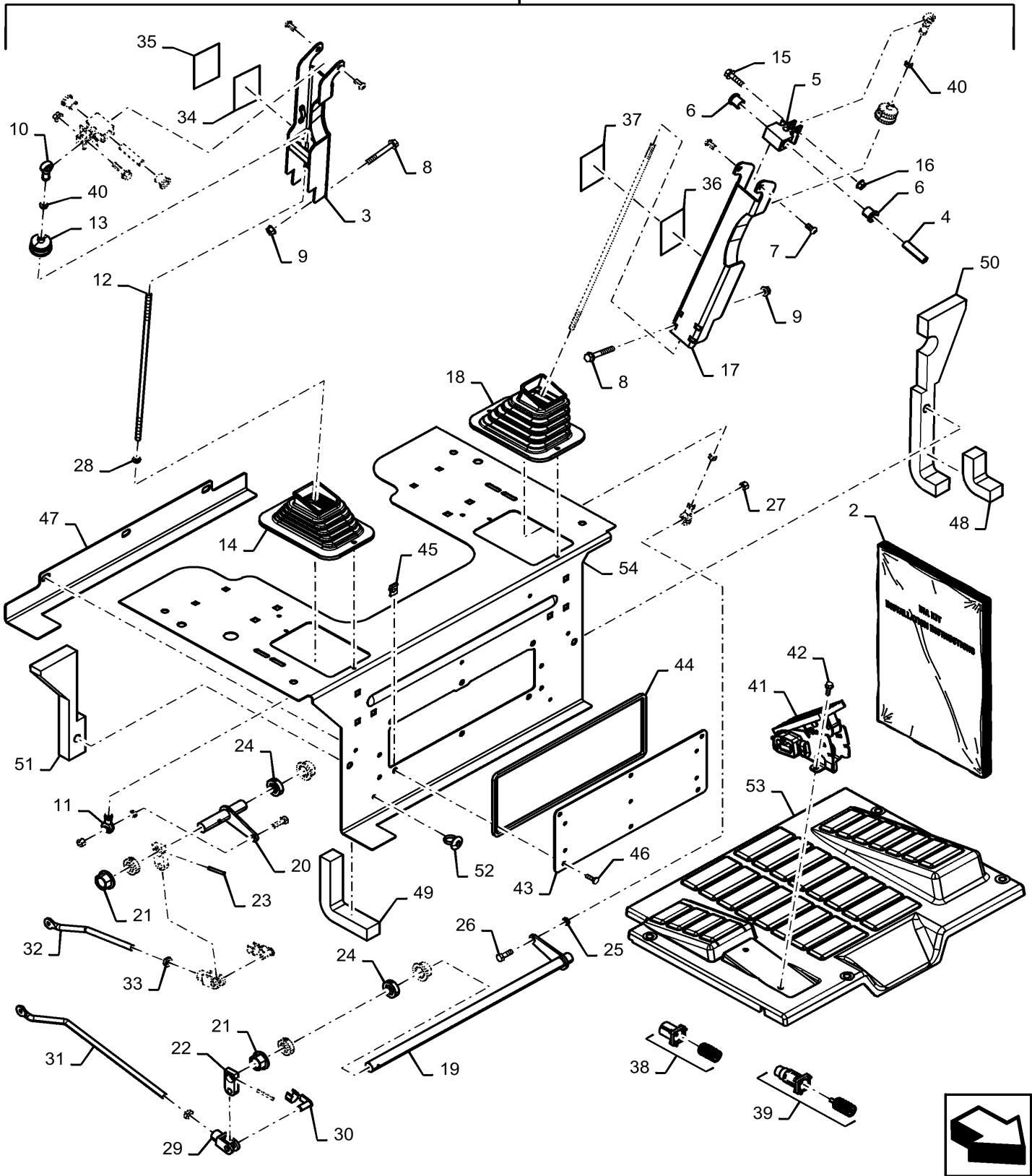
01

p2

12/2018

DIA KIT, HAND CONTROL

1



88.100.29

04

p2

12/2018

DIA KIT, E-H HYDROSTATIC PUMP DRIVE LINES UPGRADE (12-JAN-2017 & NEWER)



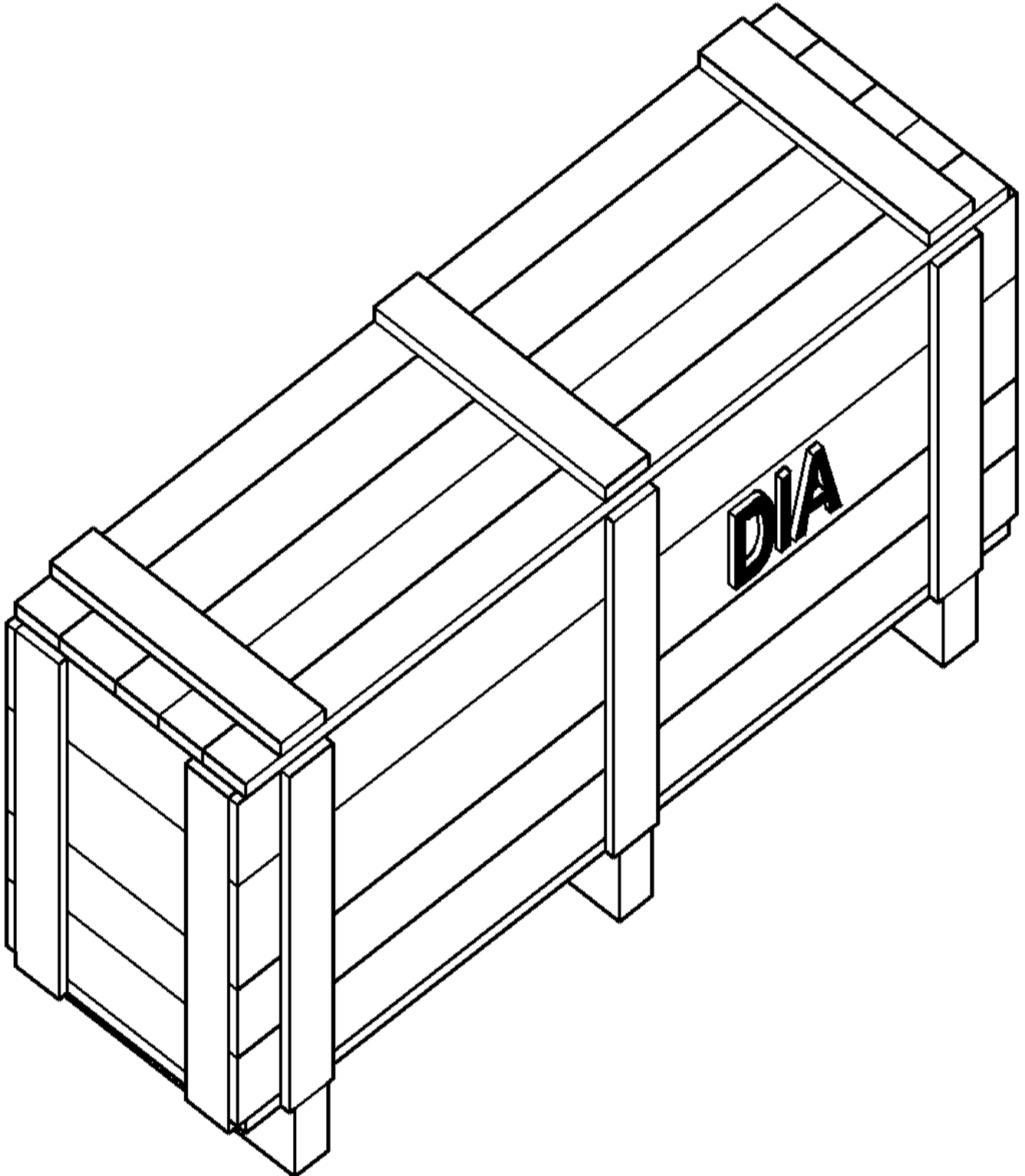
**88.100.29**

04

p2

12/201  
8

DIA KIT, E-H W/EHF HYDROSTATIC PUMP DRIVE LINES UPGRADE (12-JAN-2017 & NEWER)



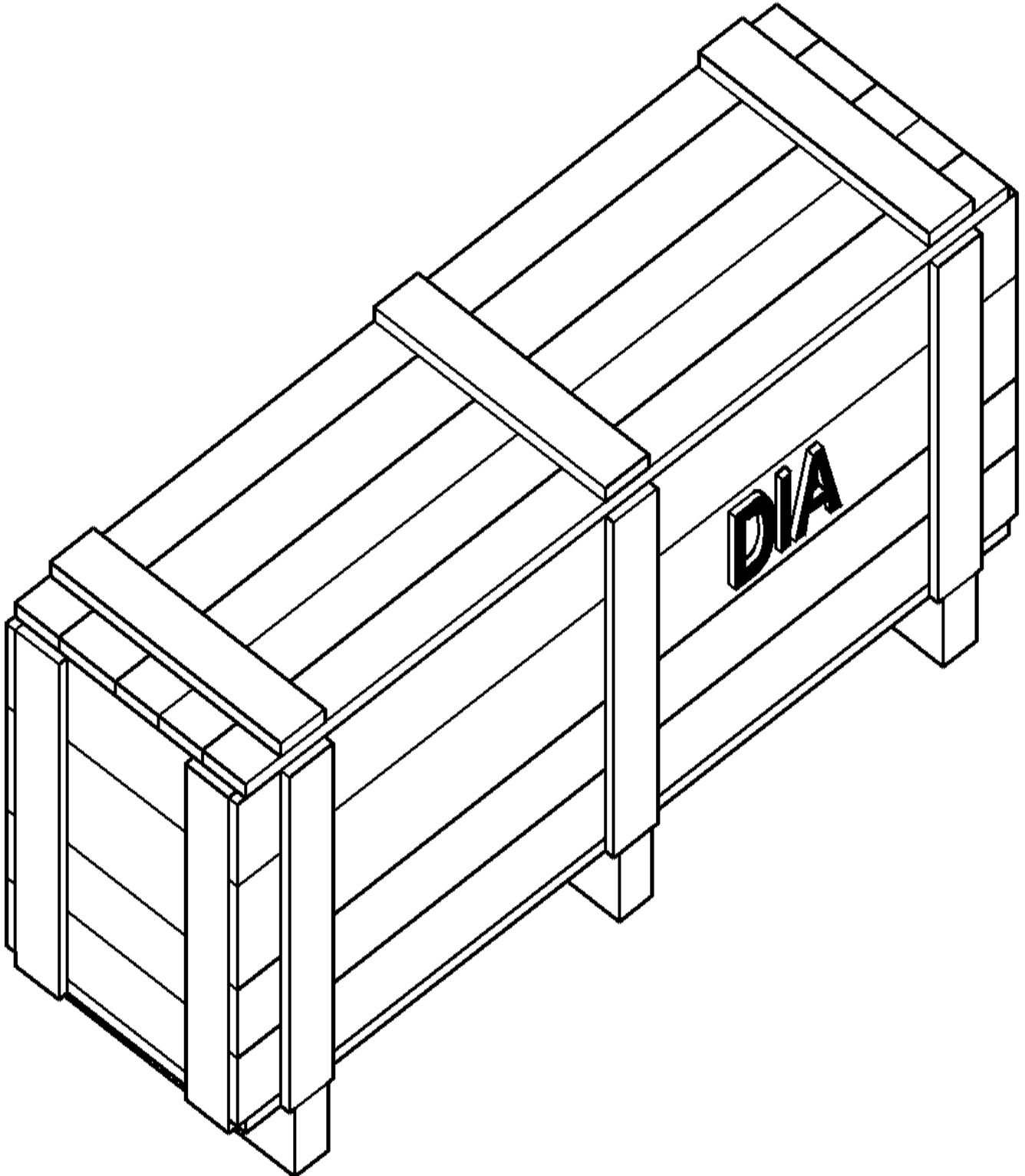
**88.100.35**

05

p1

12/201  
8

DIA KIT, HIGH FLOW AUX 36.6/20.4CC



88.100.35

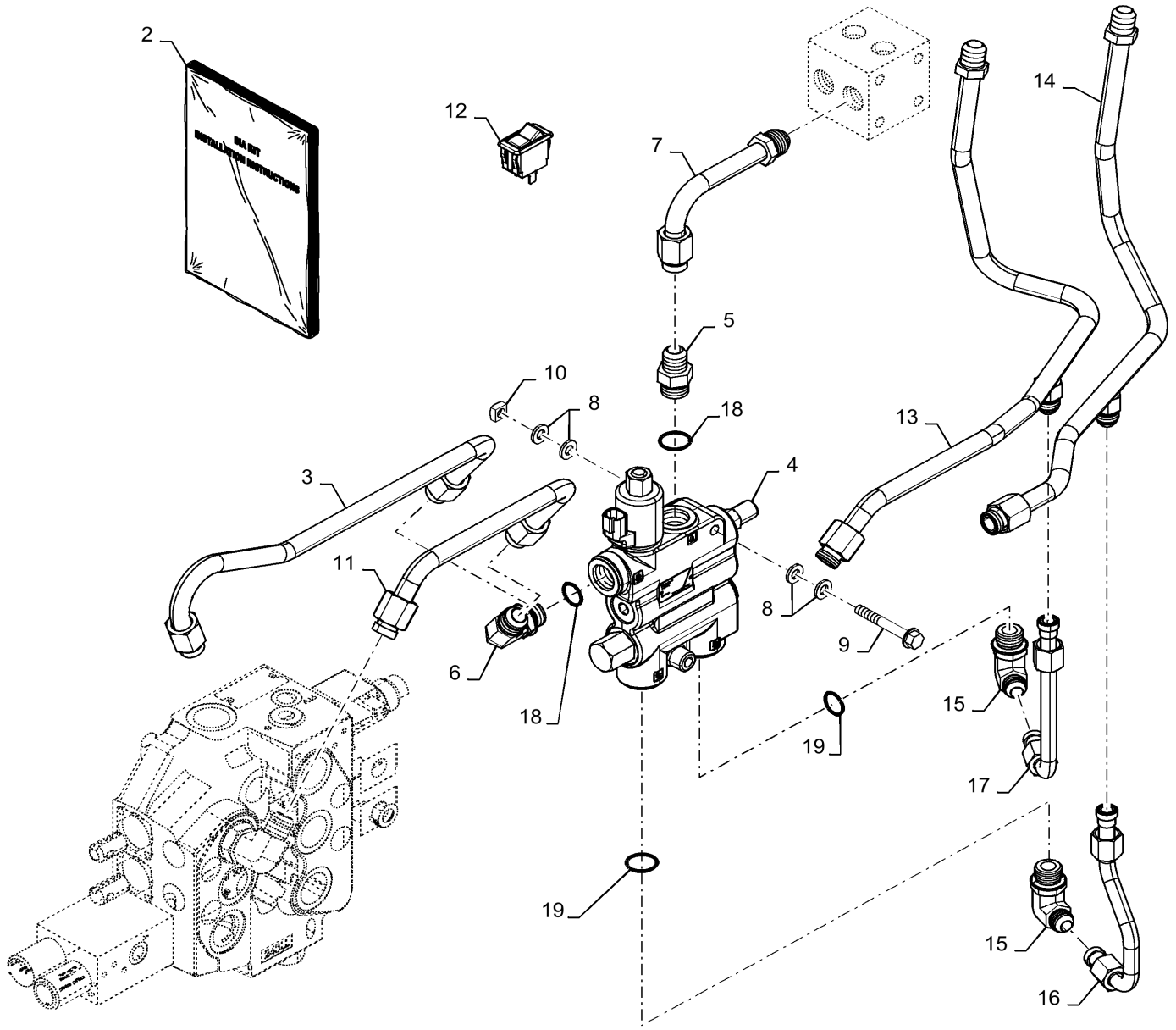
07

p1

12/201  
8

DIA KIT, SELF LEVEL

1



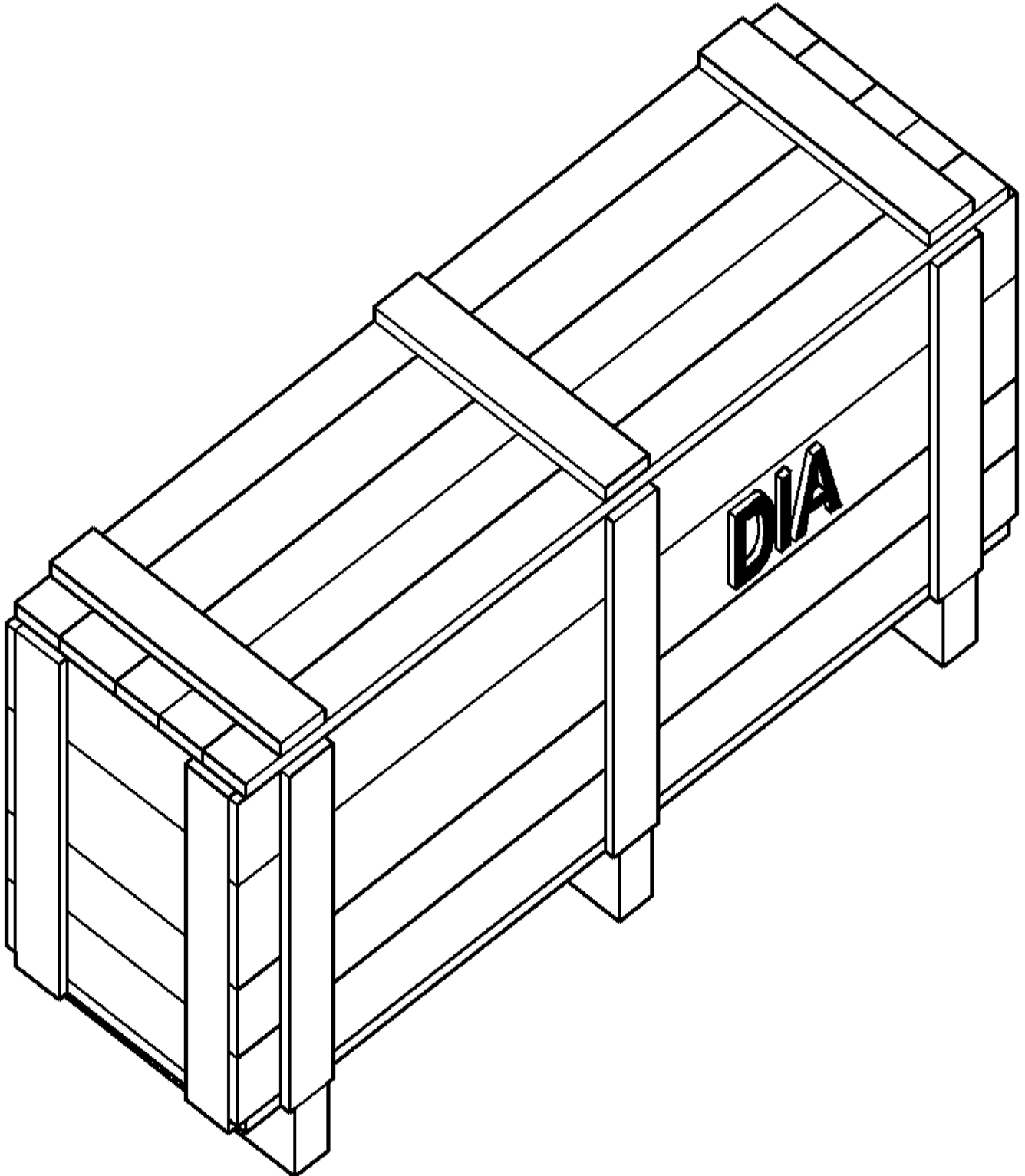
**88.100.35**

60

p1

12/201  
8

DIA KIT, LARGE FRAME HAND CONTROLS



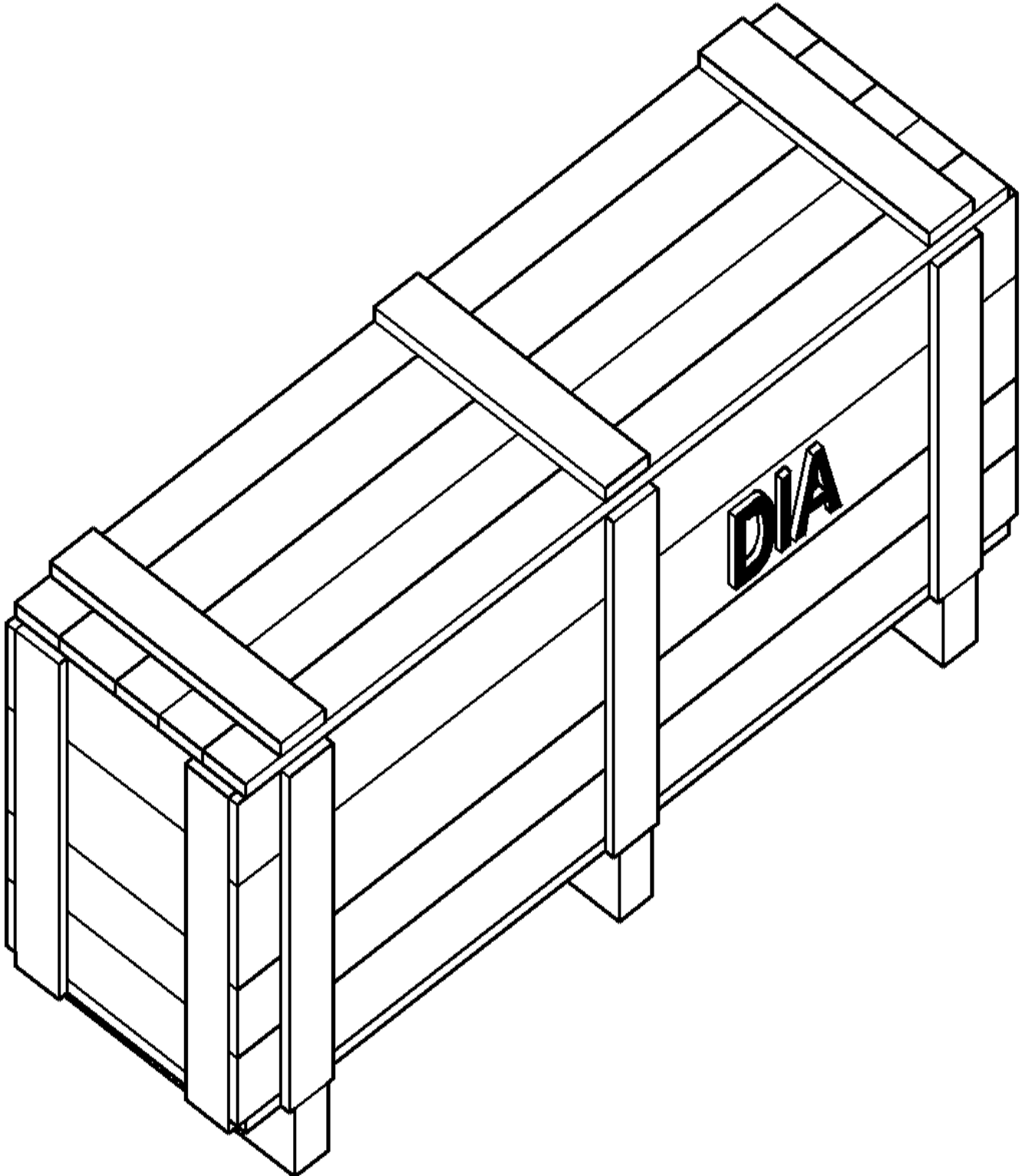
**88.100.39**

08

p1

12/201  
8

DIA KIT, ROPS SERVICE FRAME



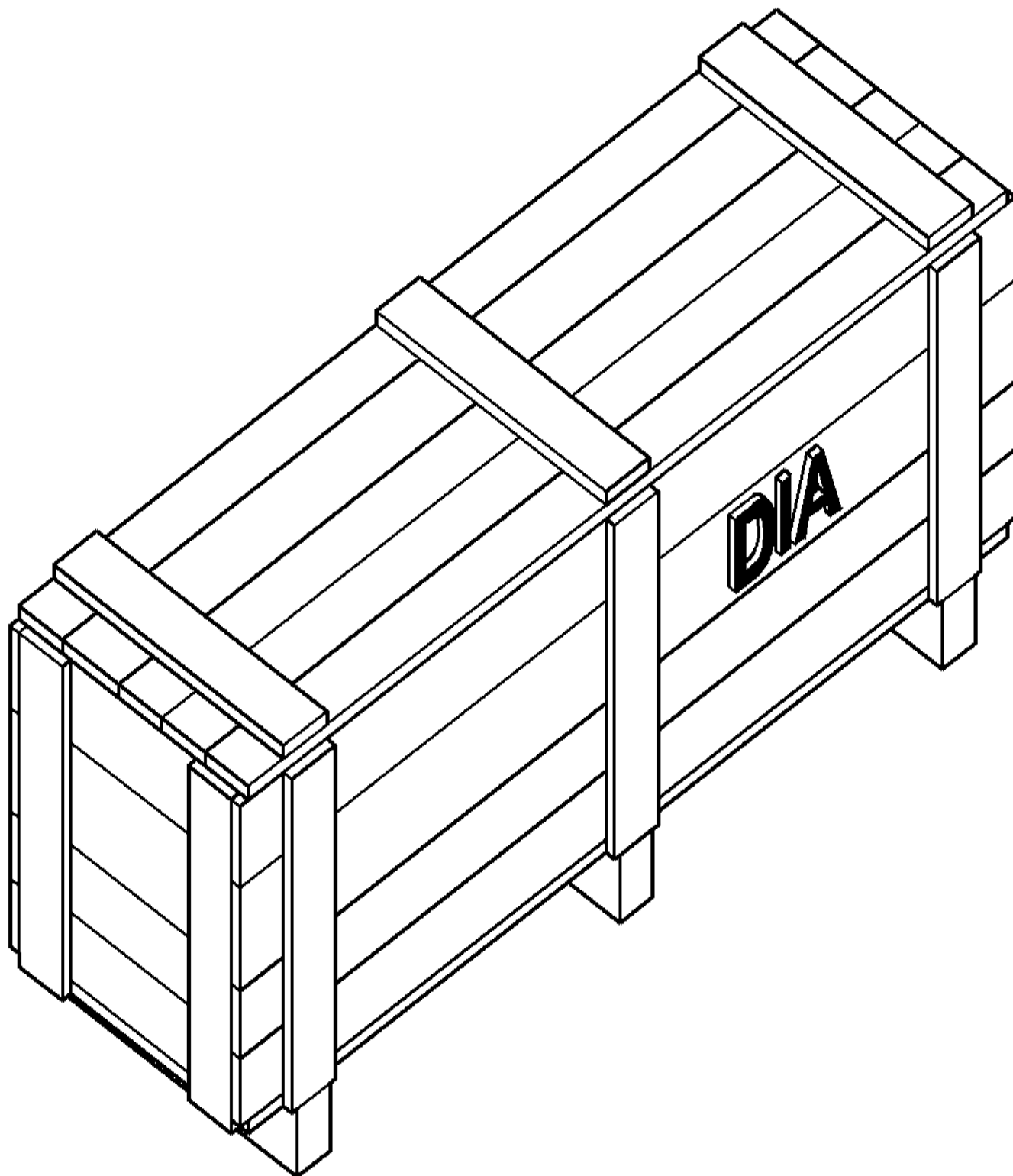
**88.100.50**

01

p3

12/201  
8

DIA KIT, COMPLETE HEAT



88.100.55

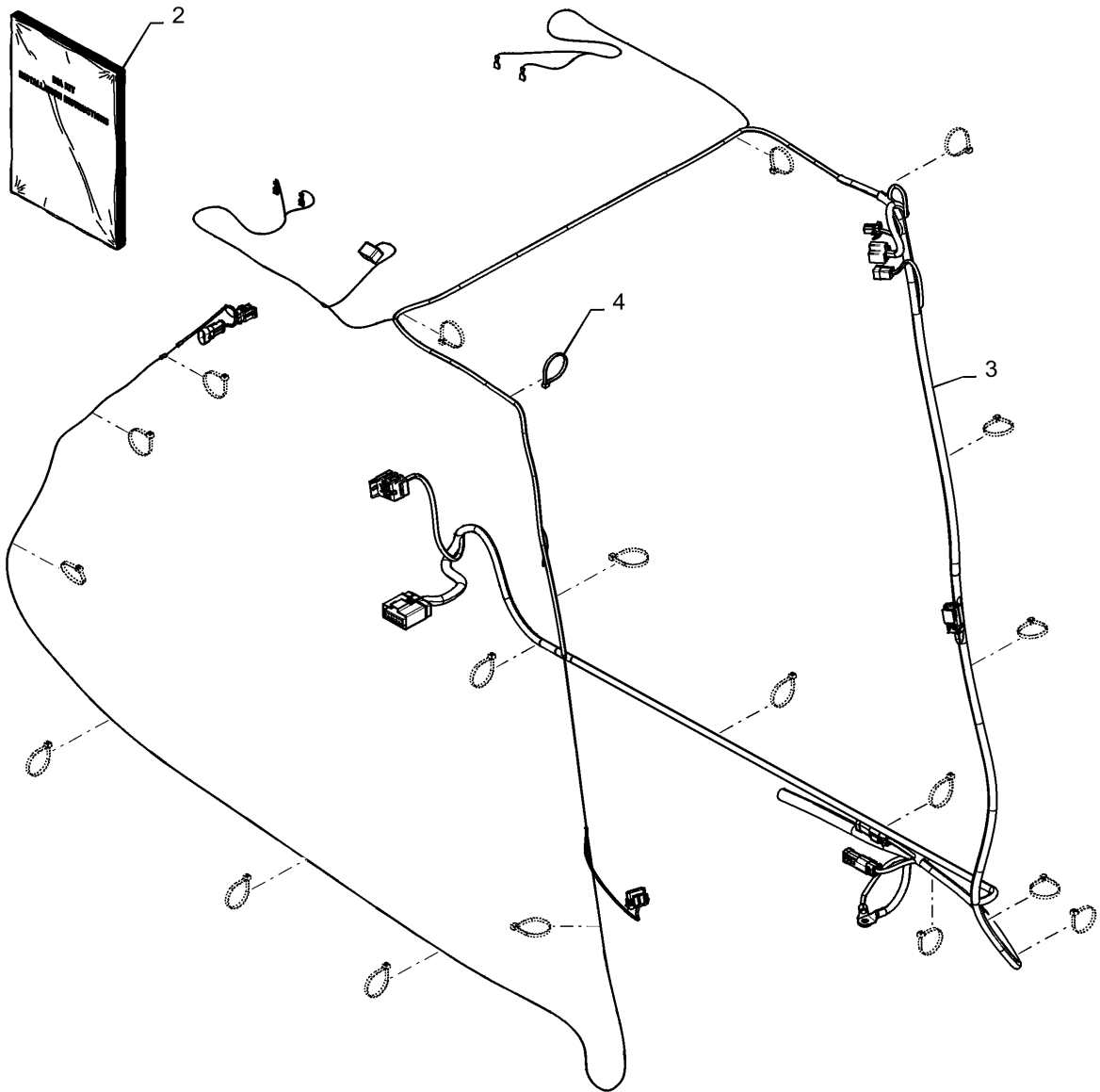
02

p1

12/2018

DIA KIT, EH JUMPER HARNESS

1



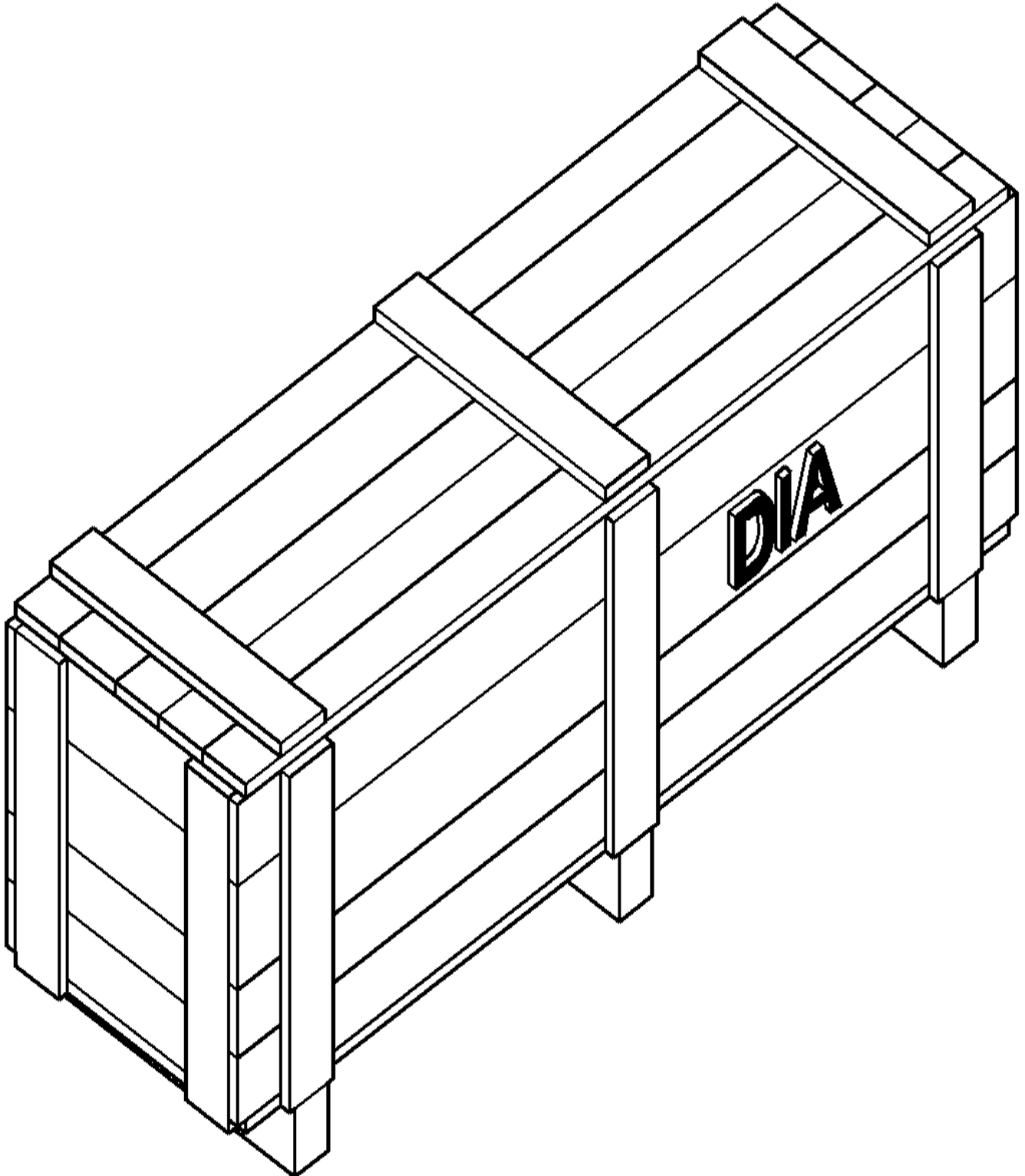
**88.100.55**

11

p2

12/201  
8

DIA KIT, ROAD LIGHTS



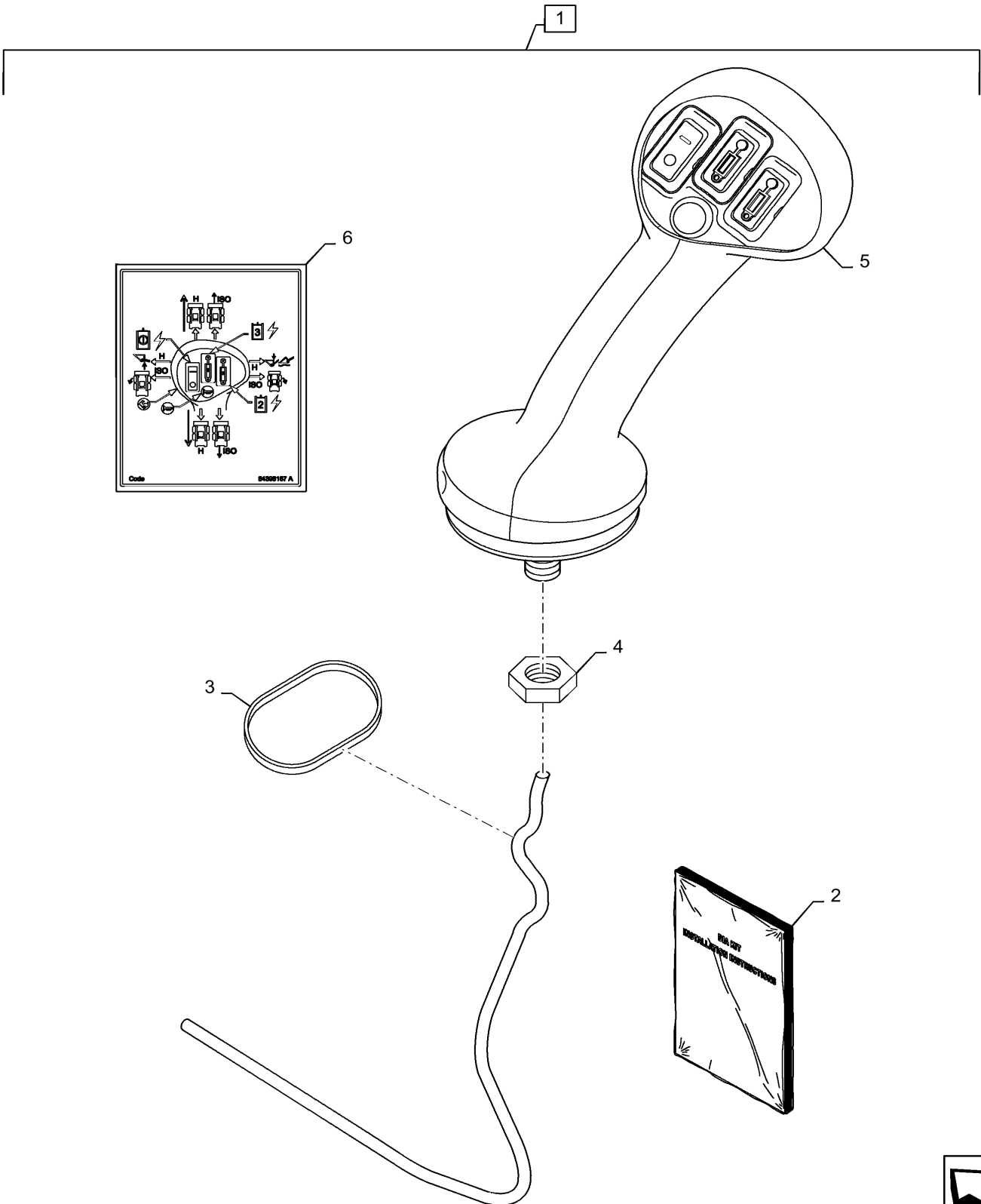
88.100.55

18

p1

12/2018

DIA KIT, HANDLE - 350 LH - NO 2ND AUX - EH



88.100.55

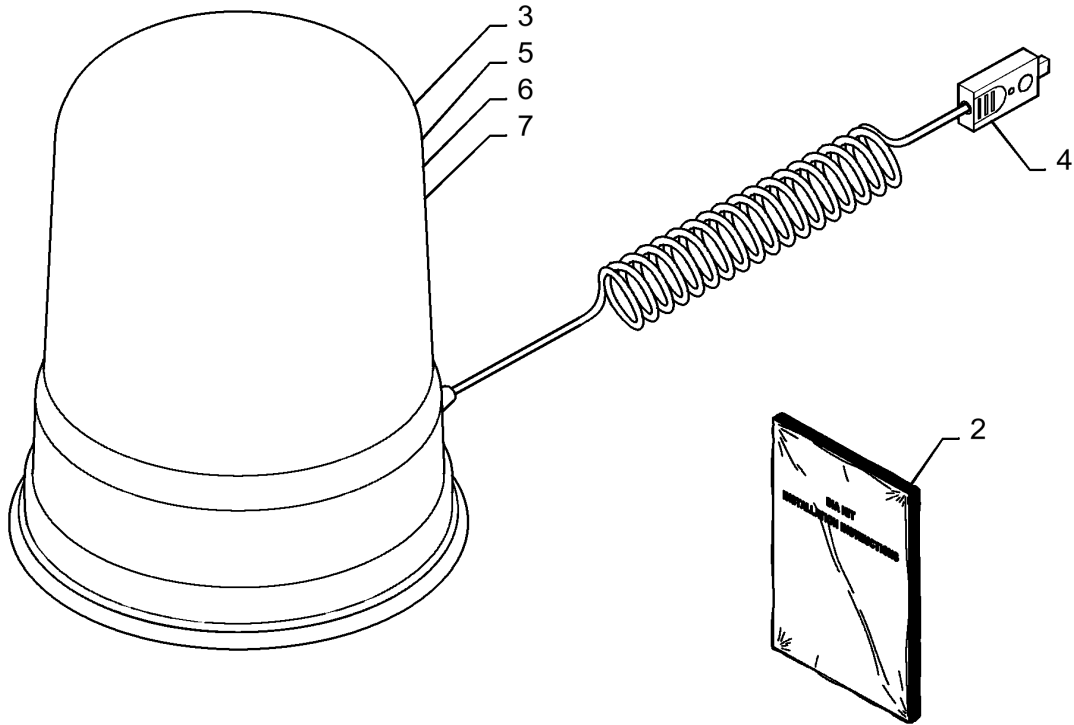
37

p1

12/201  
8

DIA KIT, BEACON

1



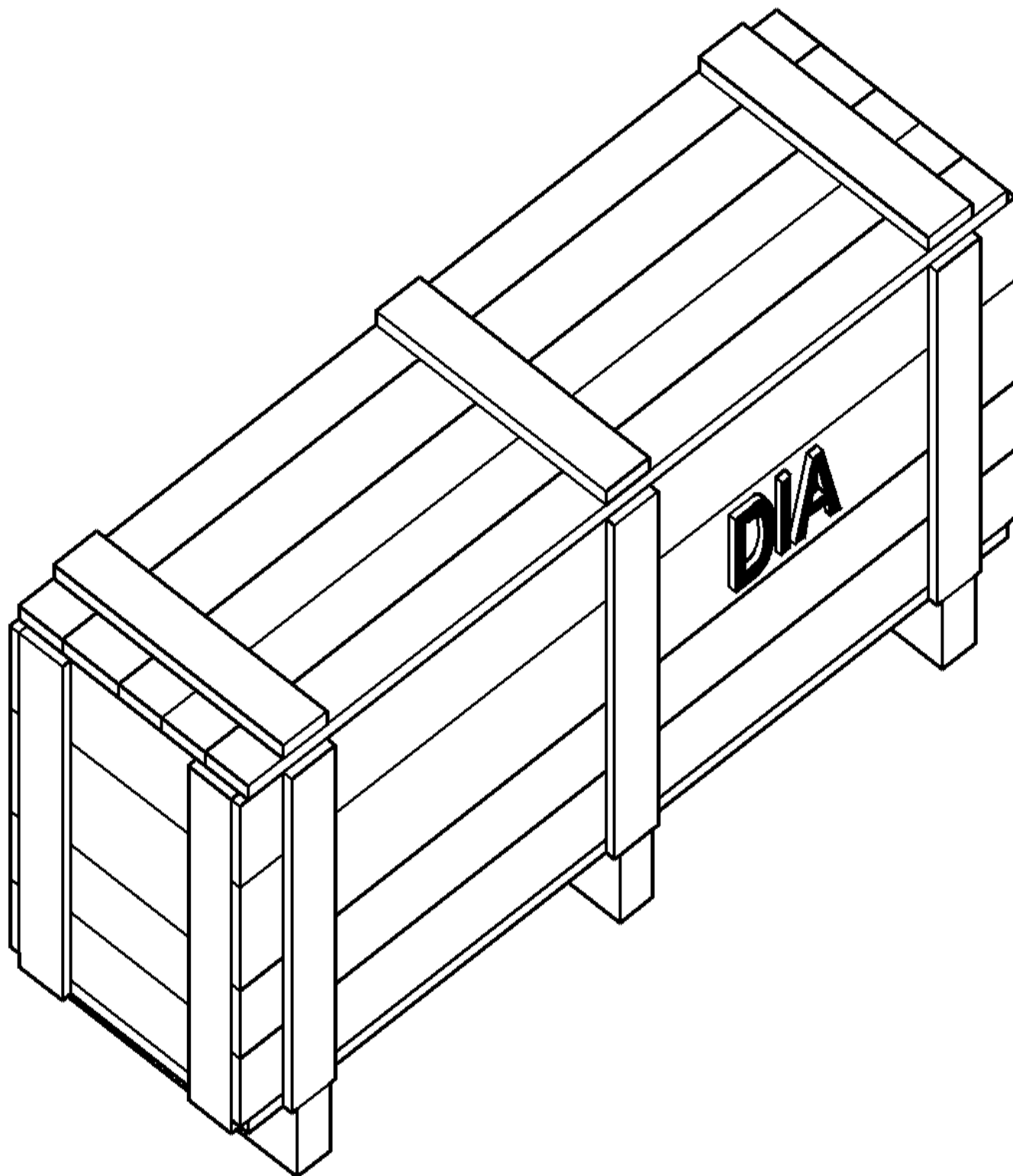
**88.100.55**

50

p1

12/201  
8

DIA KIT, ITALY SPECIFIC PARTS



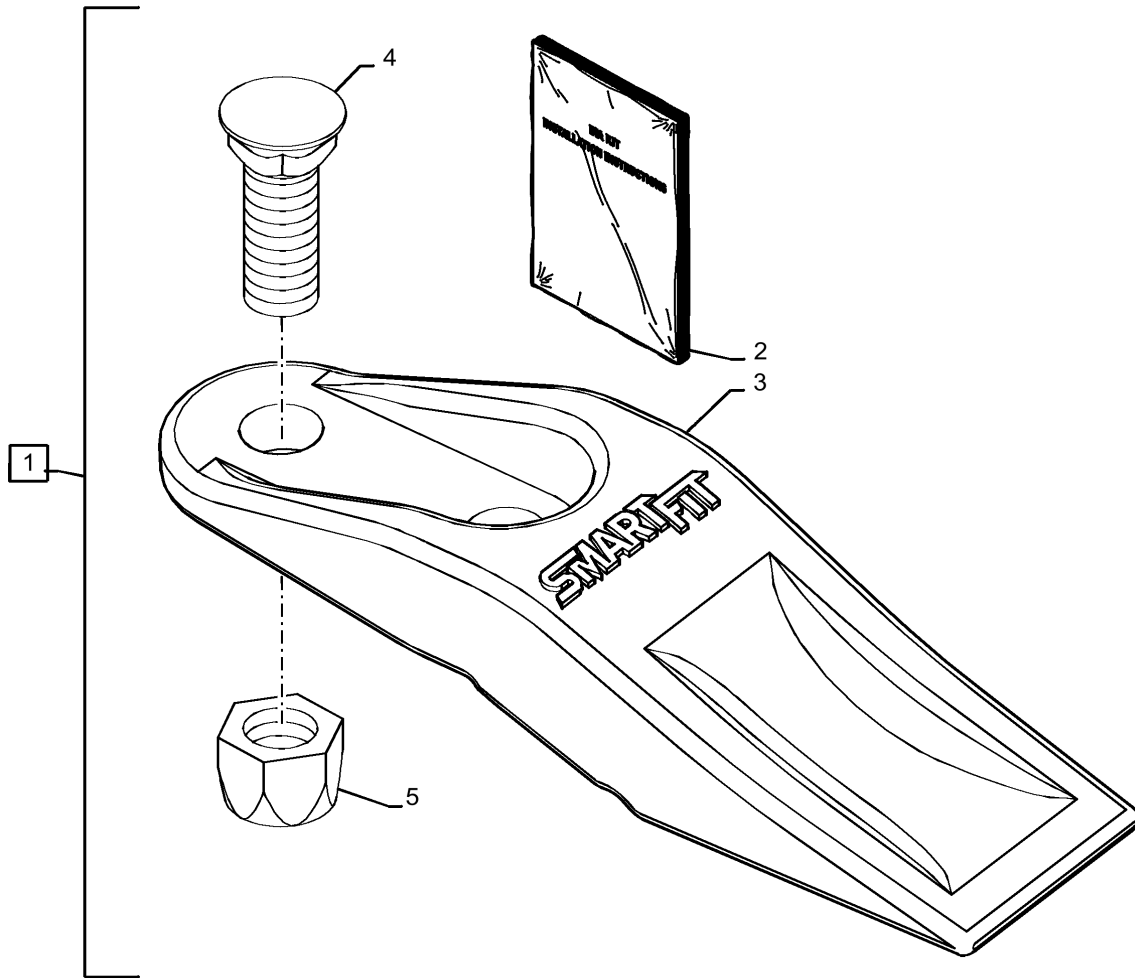
88.100.82

05

p1

12/2018

DIA KIT, BOLT ON TOOTH, BUCKET



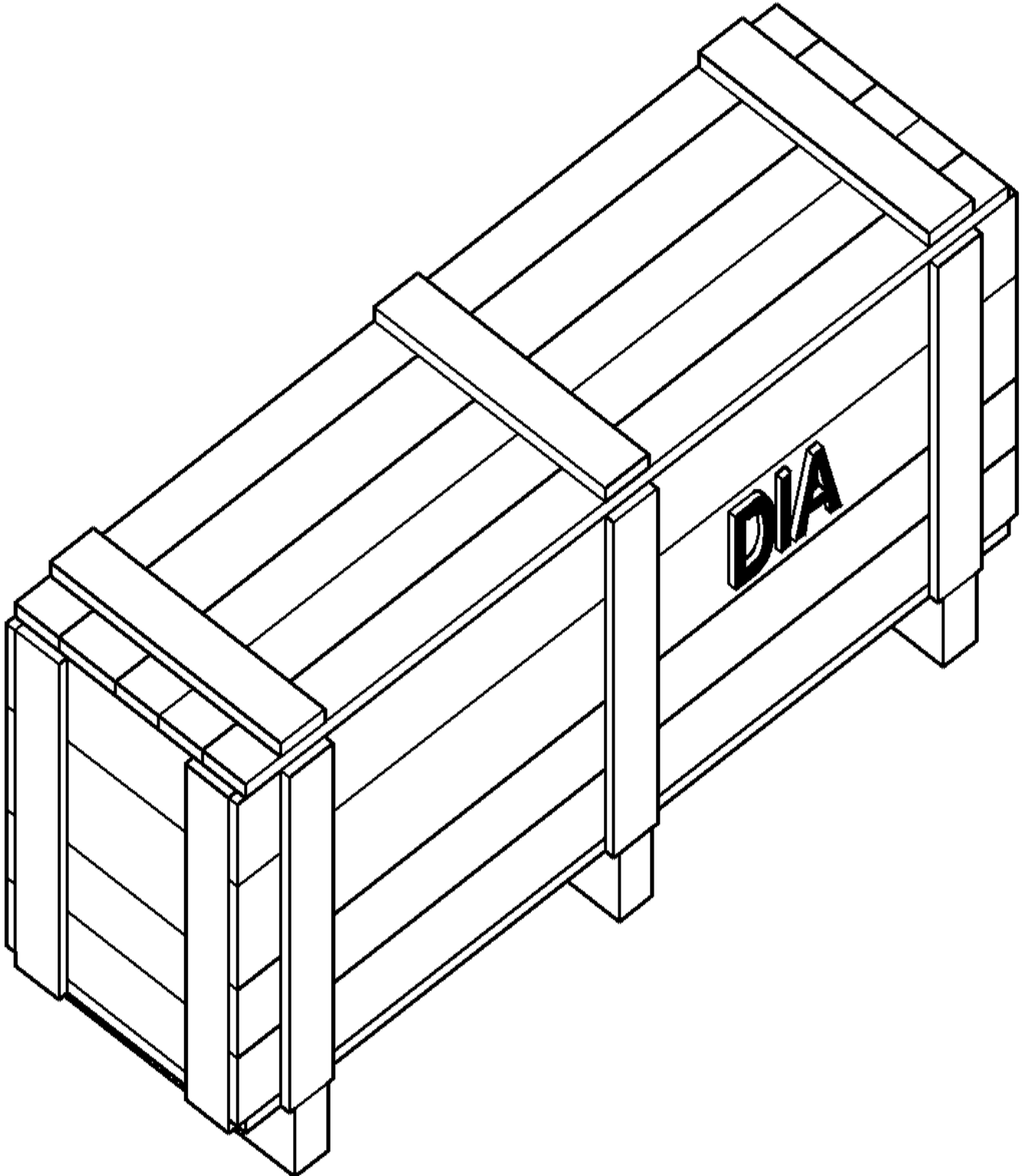
**88.100.82**

20

p1

12/2018

DIA KIT, HEAVY DUTY DIRT BUCKET, 84"



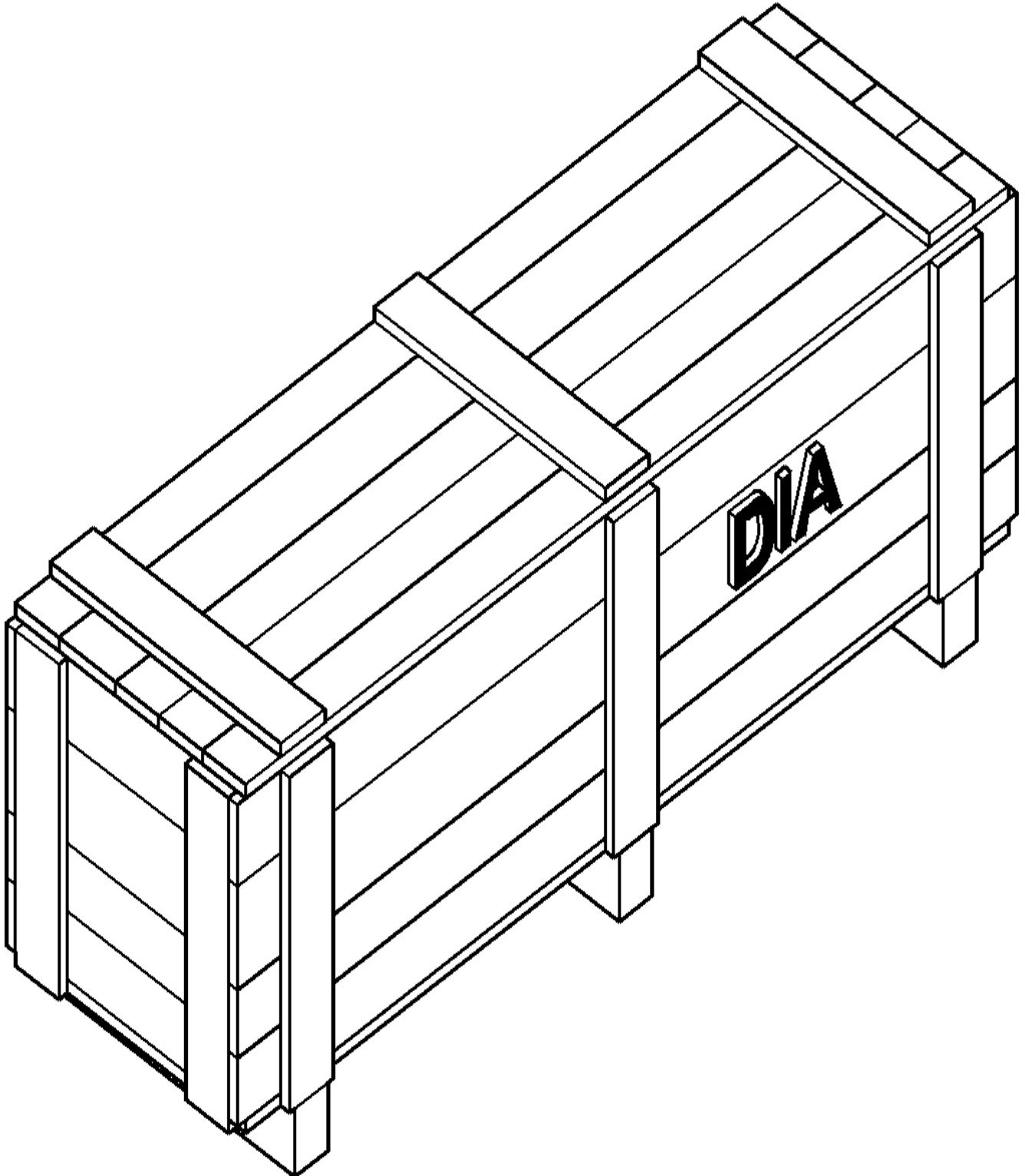
**88.100.82**

30

p1

12/201  
8

KIT, SSL QUICK ATTACH LATCHES



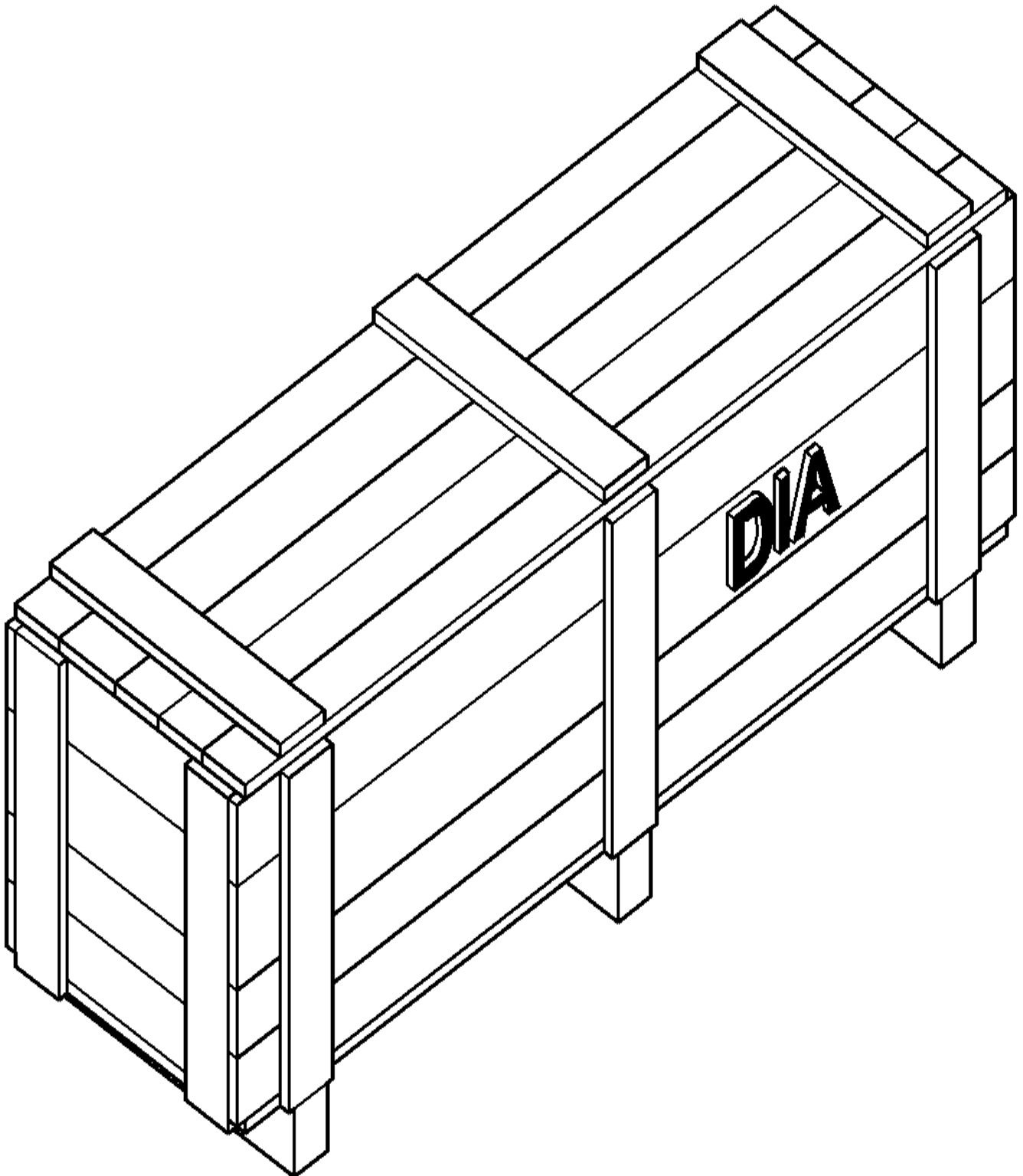
**88.100.90**

08

p1

12/201  
8

DIA KIT, GLASS FRONT DOOR



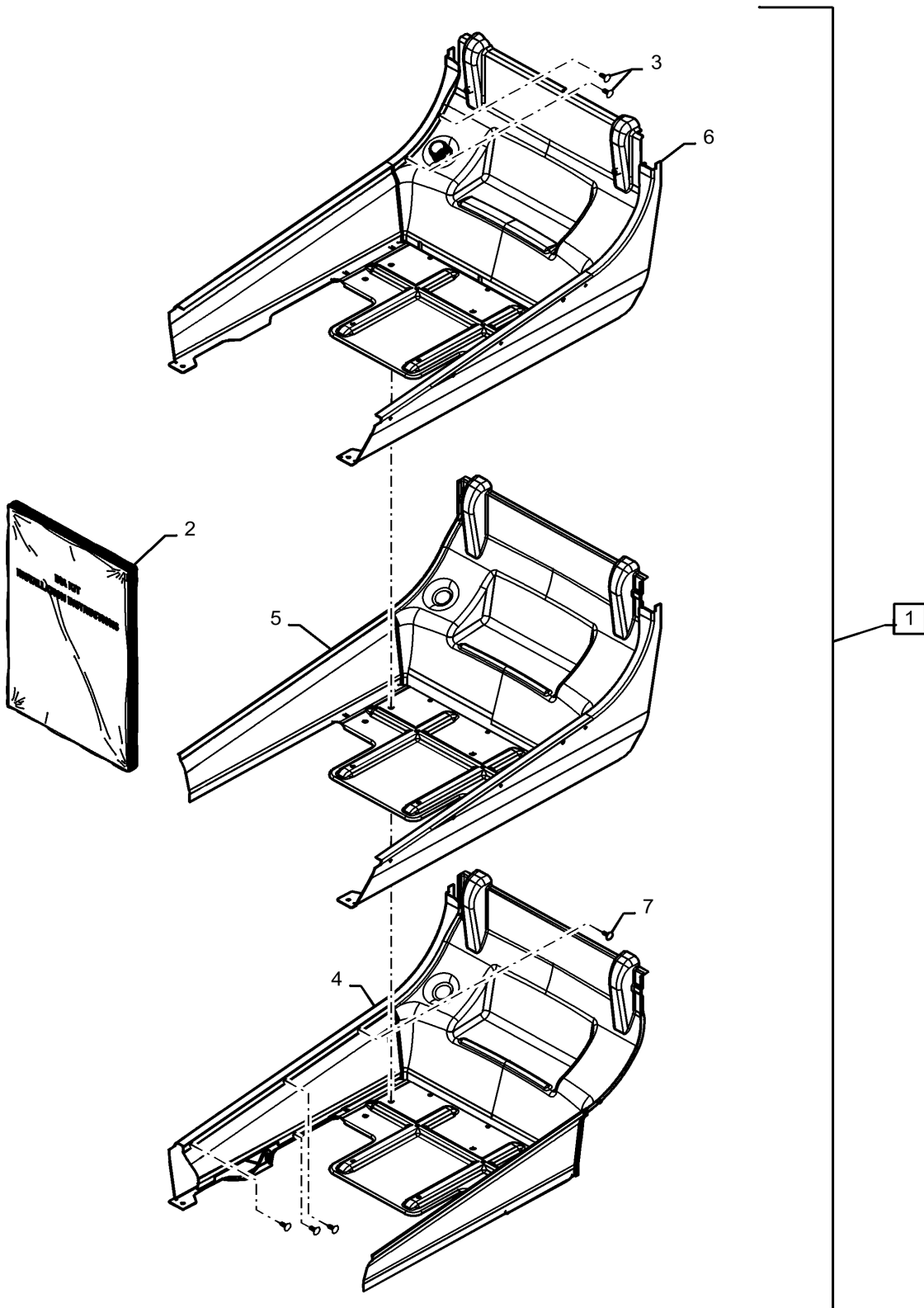
88.100.90

18

p1

12/2018

DIA KIT, INTERIOR TRIM



---

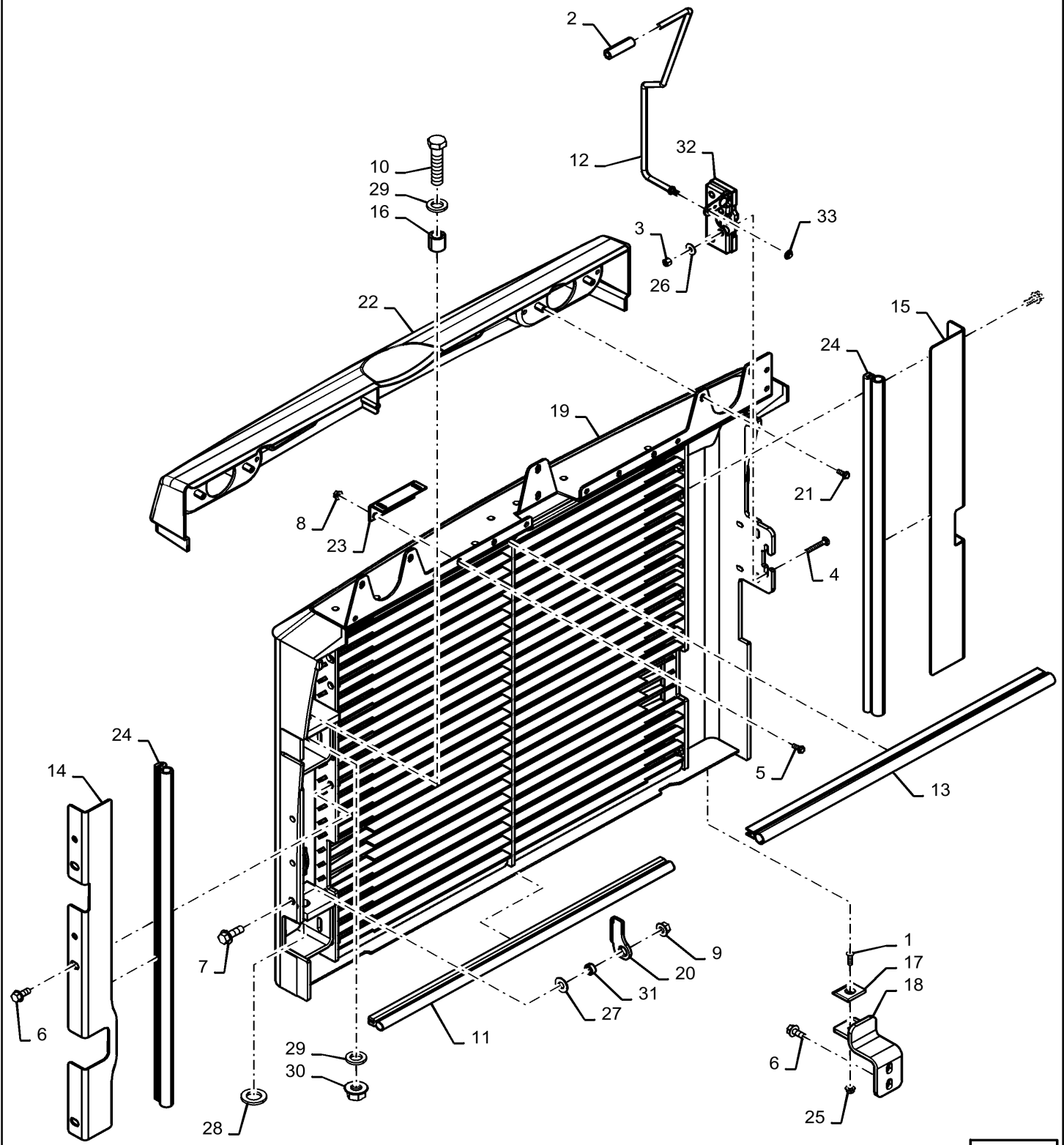
## SECTION INDEX

### PLATFORM, CAB, BODYWORK AND DECALS

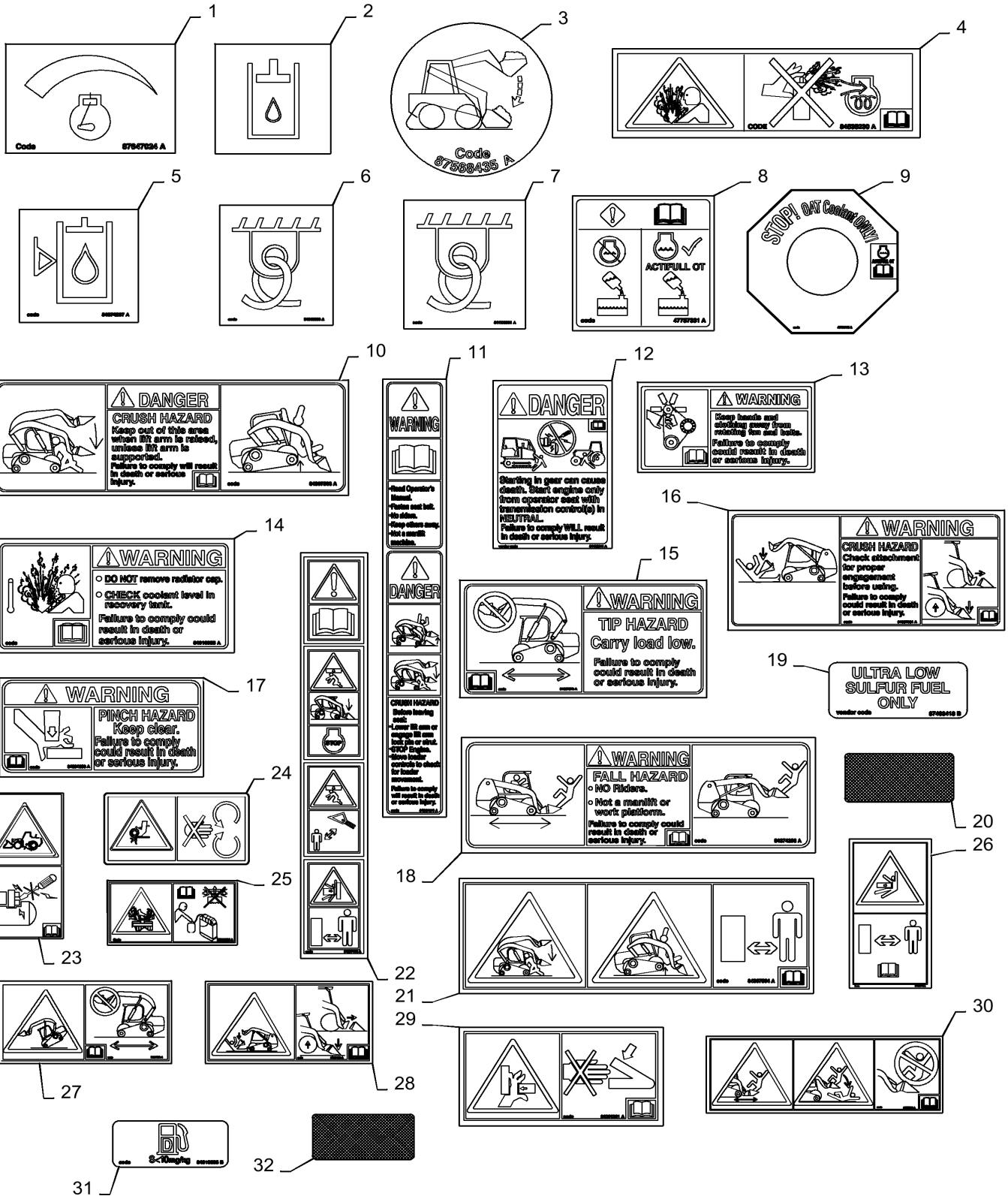
---

90.000.00		PICTORIAL INDEX - PLATFORM, CAB, BODYWORK AND DECALS
90.100.AG		HOODS & COVERS
90.100.AU	01	HOOD & STRUT, AIR CONDITIONED
90.100.BE	01	HD REAR DOOR
90.100.BI		HOOD STRUT
90.105.CU		COVERS & INSULATION
90.105.CU	01	FOAM INSULATION
90.105.CU	03	ENGINE FOAM INSULATION
90.108.AA	01	DECALS
90.108.AA	03	TRACK DECALS
90.108.AA	03	VERTICAL UNIT DECALS
90.108.AA	06	DECAL, CANADA SPECIFIC
90.108.AA	07	DECALS, FOOT, CONTROLS
90.108.AA	08	DECALS, JOYSTICK CONTROLS
90.108.AB	01	CASE DECALS
90.108.AB	02	MODEL DECALS
90.108.AB	02	USA DECAL
90.116.AO	02	LOADER ARM STOP, 40MM STOP, 14" TIRE
90.120.AC	01	NON SUSPENDEED SEAT
90.120.AC	01	NON SUSPENDEED SEAT (03-OCT-2016 & NEWER)
90.120.AC	02	NON SUSPENDEED SEAT
90.120.AC	02	NON SUSPENDEED SEAT (03-OCT-2016 & NEWER)
90.120.AD	01	SUSPENSION SEAT
90.120.AD	01	SUSPENSION SEAT (03-OCT-2016 & NEWER)
90.120.AD	02	SUSPENSION SEAT
90.120.AD	02	SUSPENSION SEAT (03-OCT-2016 & NEWER)
90.120.AE	01	AIR SUSPENSION SEAT
90.120.AE	01	AIR SUSPENSION SEAT (03-OCT-2016 & BEFORE)
90.120.AE	02	AIR SUSPENSION SEAT
90.120.AE	02	AIR SUSPENSION SEAT (03-OCT-2016 & BEFORE)
90.150.AB		CAB PLATFORM
90.150.AB		CAB PLATFORM (03-OCT-2016 & NEWER)
90.150.AB	01	CAB RADIO AND REAR VIEW MIRROR, ASN NHM435433

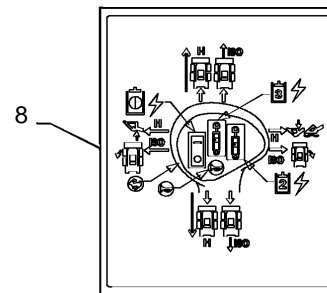
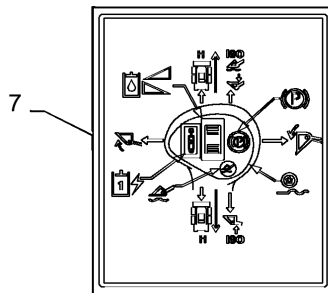
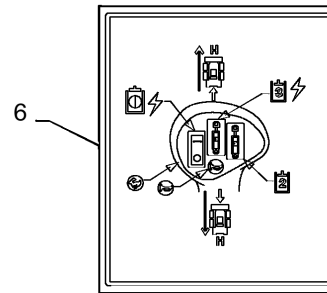
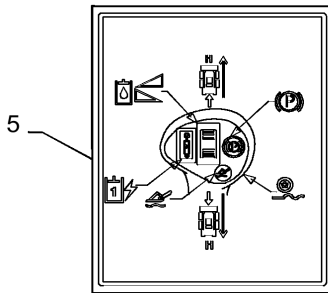
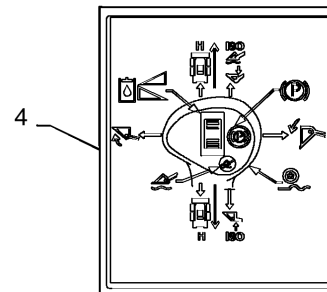
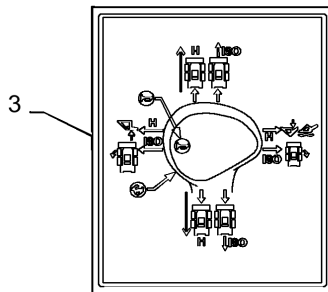
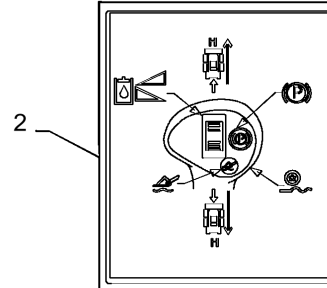
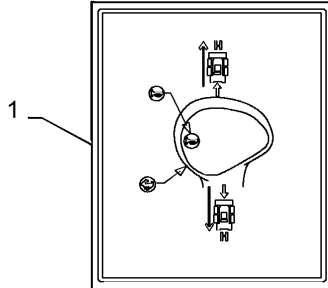
HD REAR DOOR



DECALS



DECALS, JOYSTICK CONTROLS



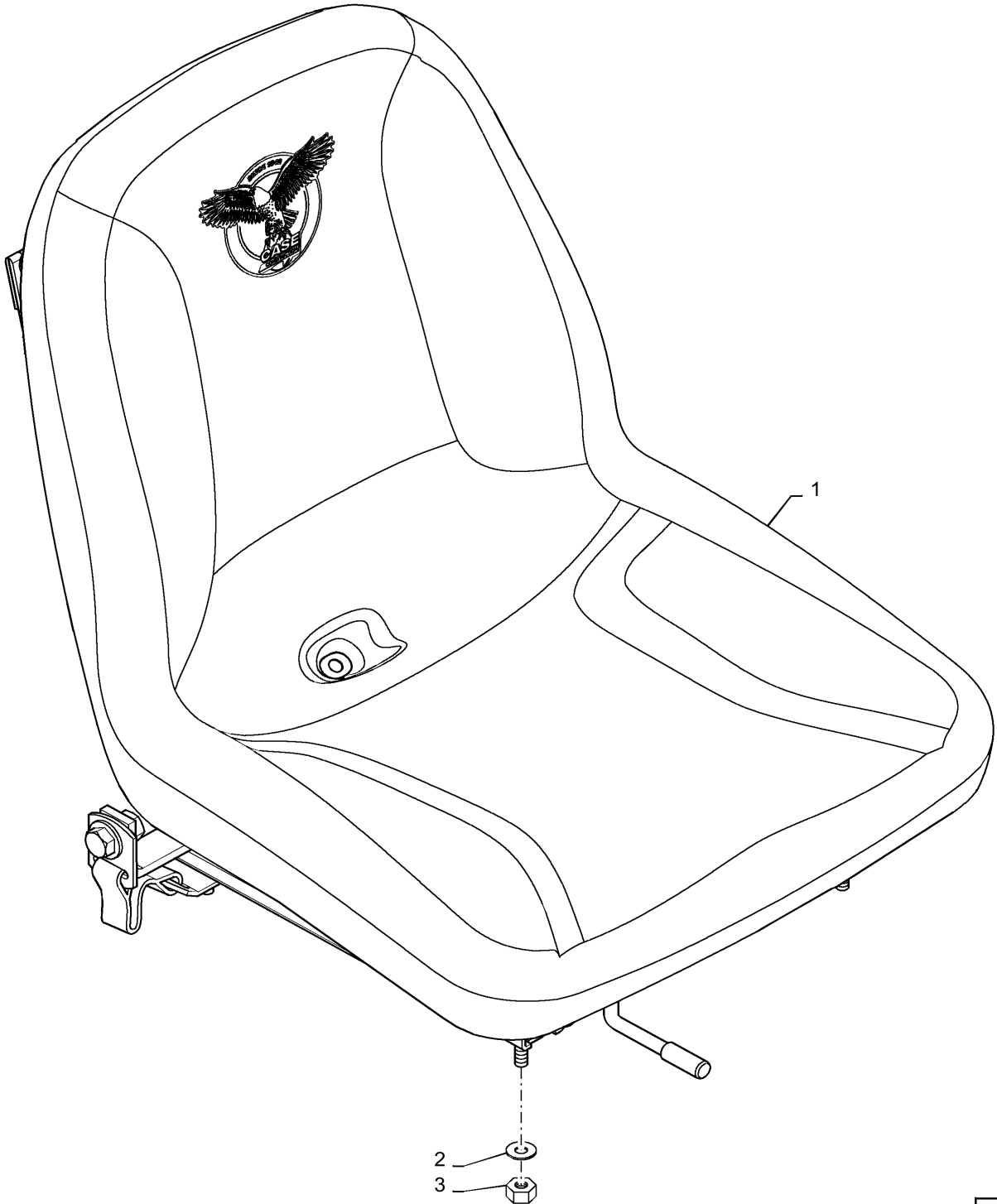
**90.120.AC**

01

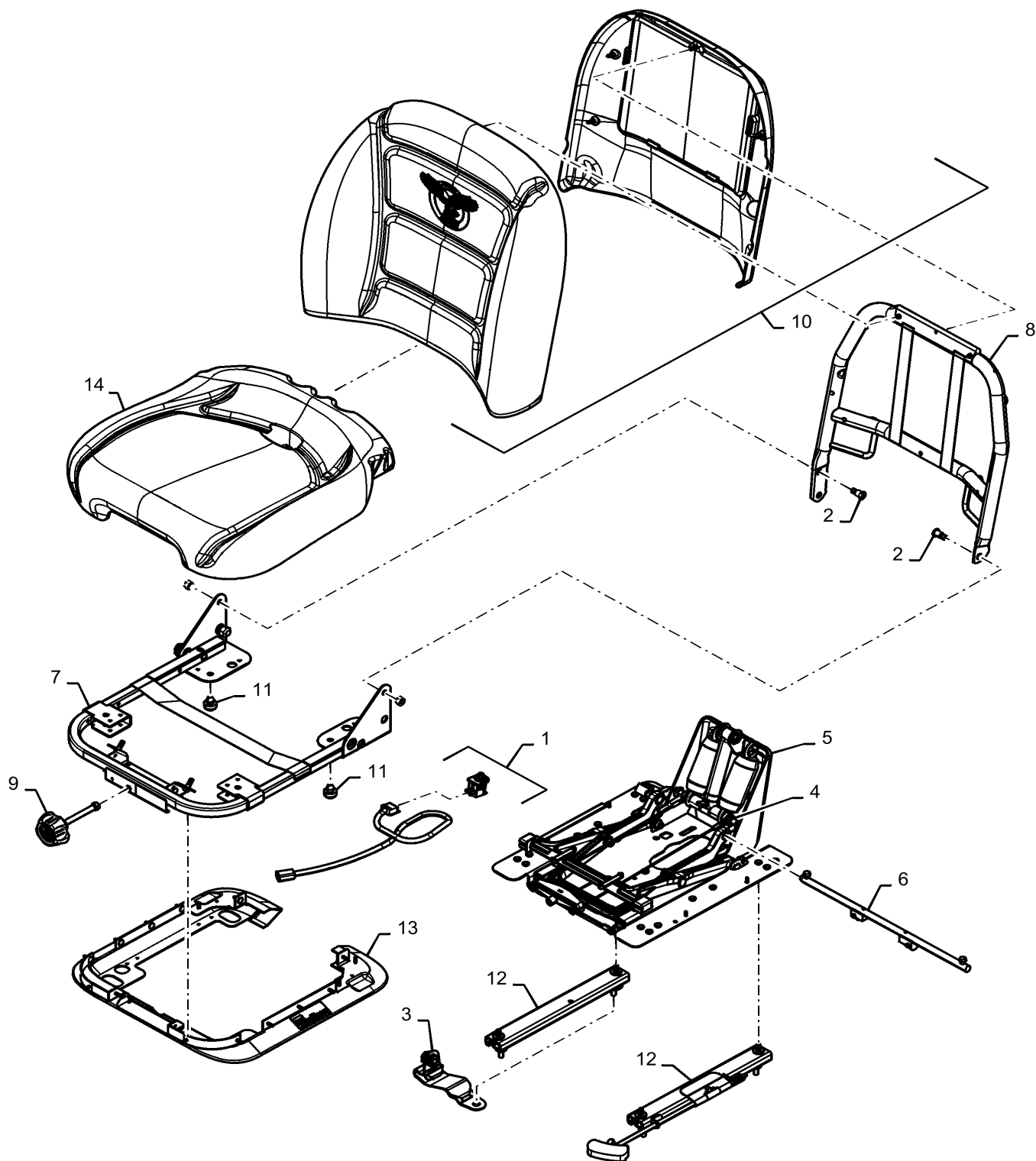
p1

12/2018

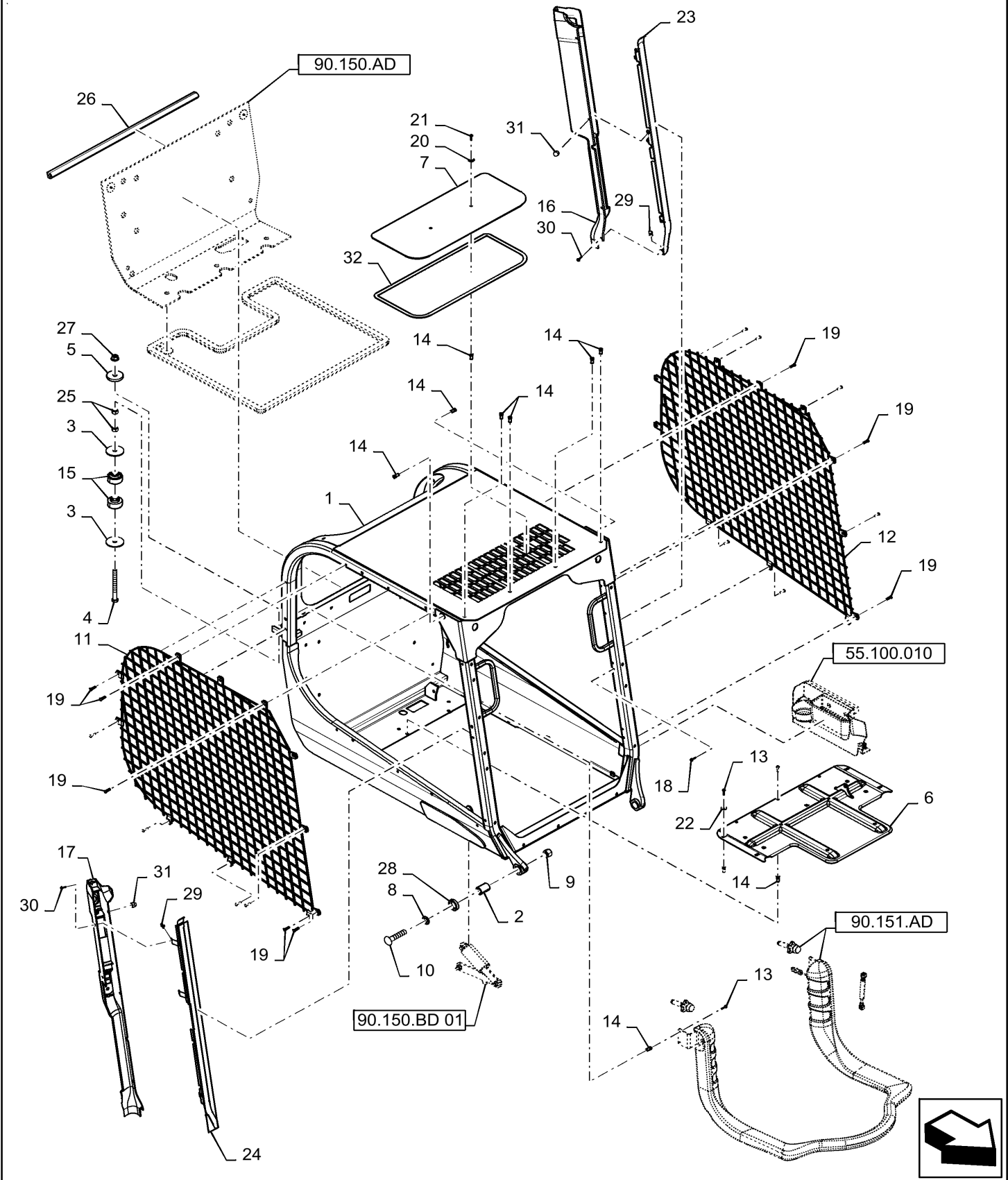
NON SUSPENDED SEAT (03-OCT-2016 & NEWER)



SUSPENSION SEAT (03-OCT-2016 & NEWER)



CAB PLATFORM



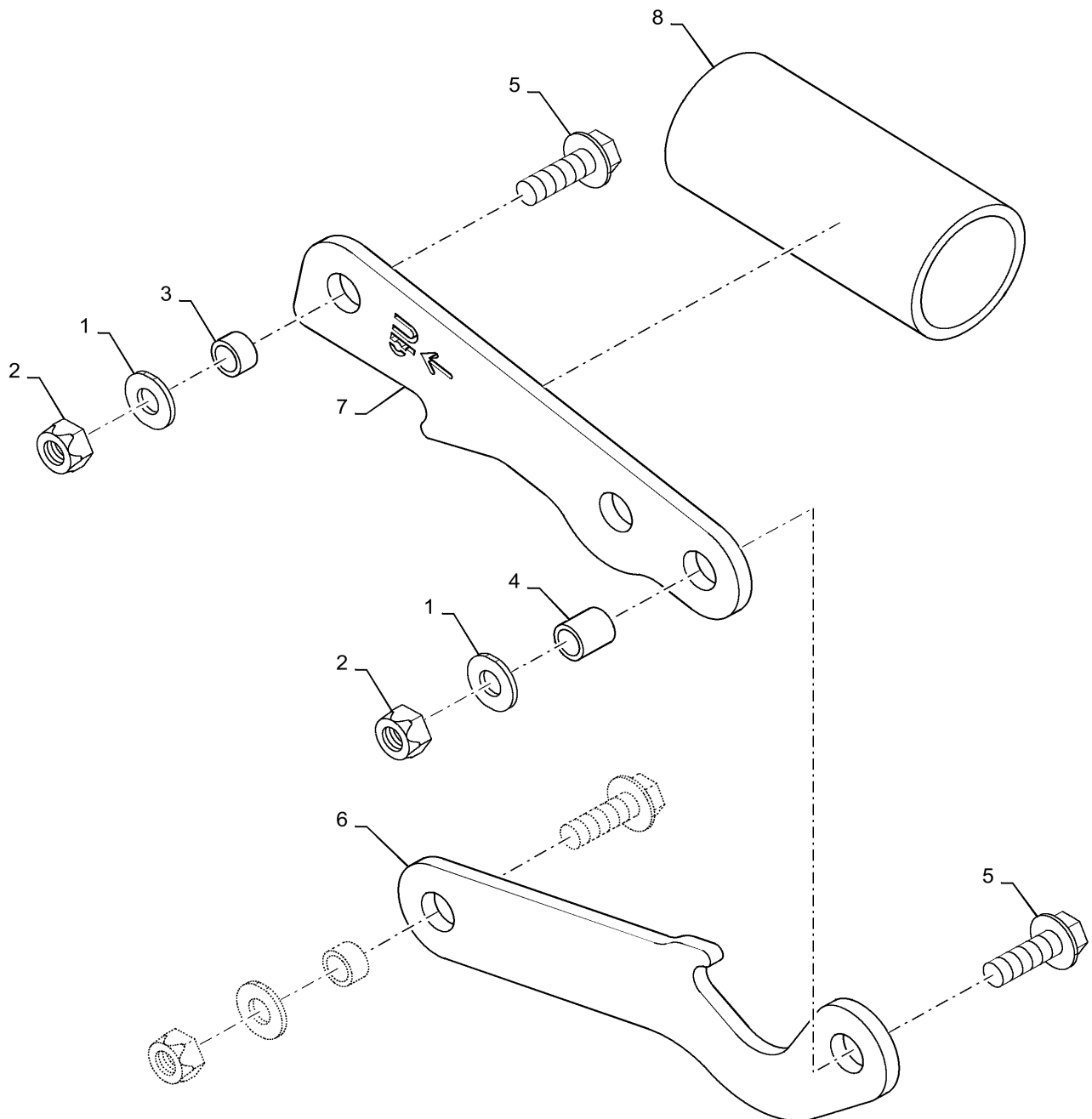
90.150.BD

01

p1

12/201  
8

TILTABLE CAB LOCK



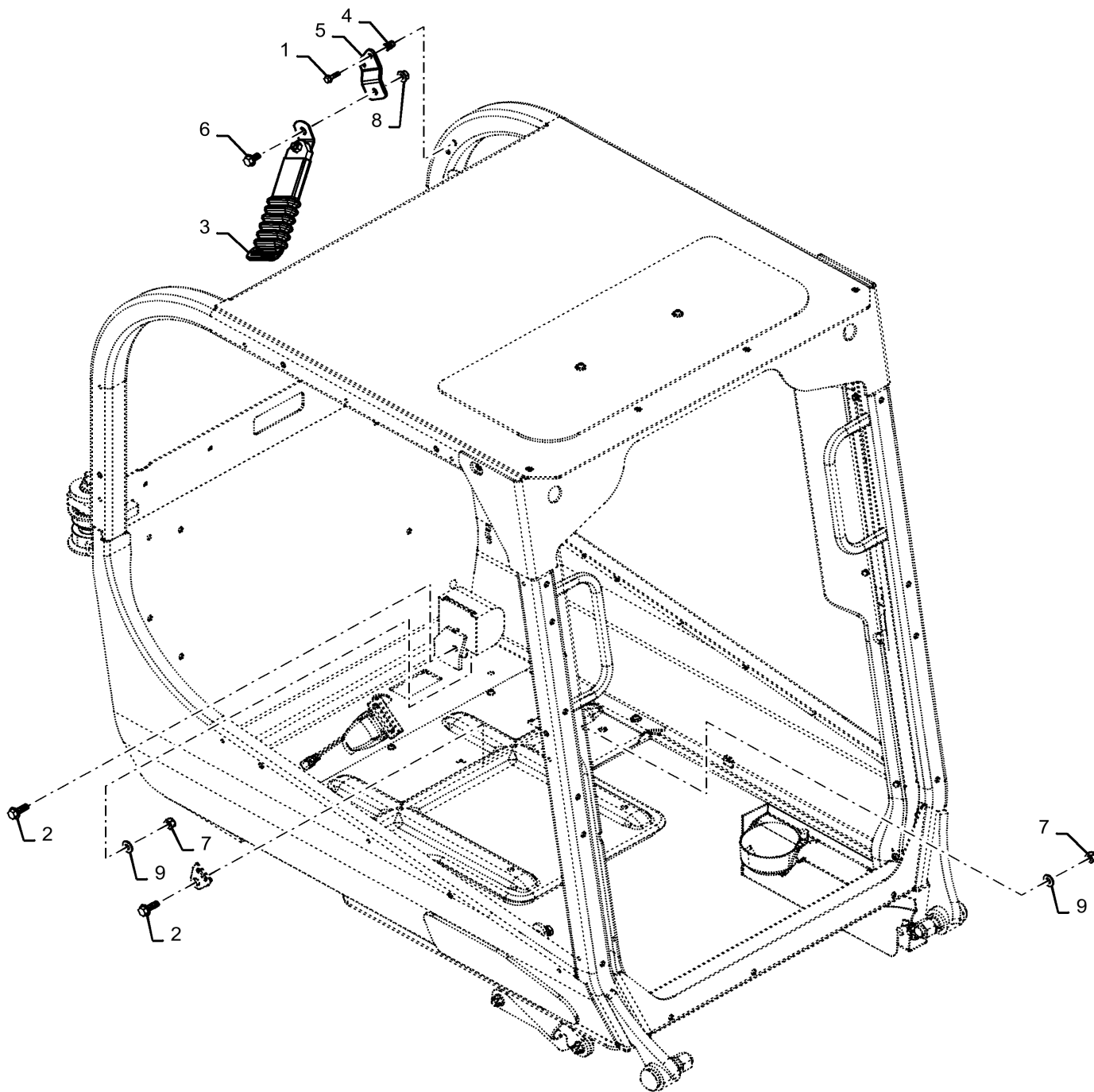
90.151.AD

02

p1

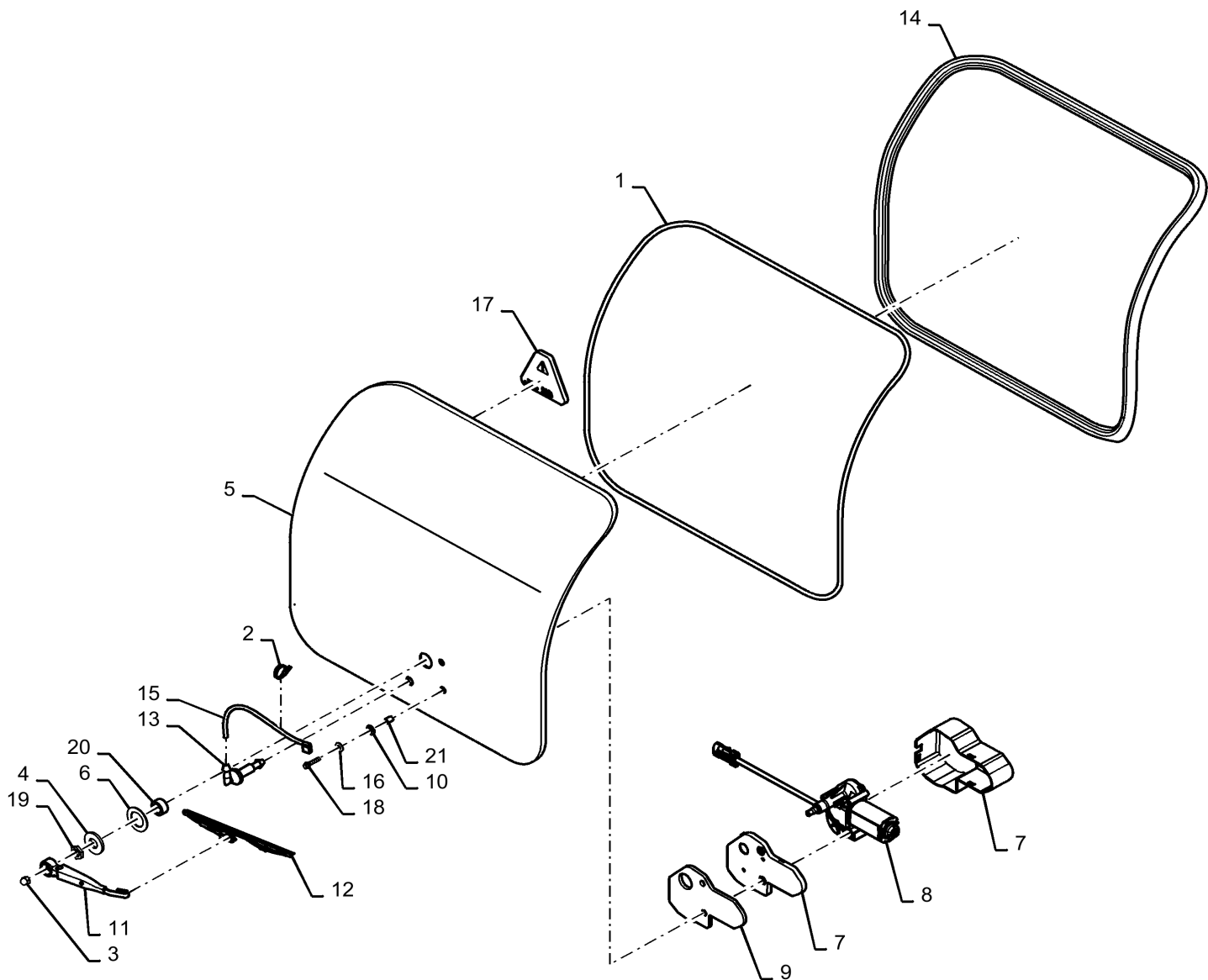
12/201  
8

3 POINT, SEAT BELT





REAR WINDOW, WIPER AND WASHER



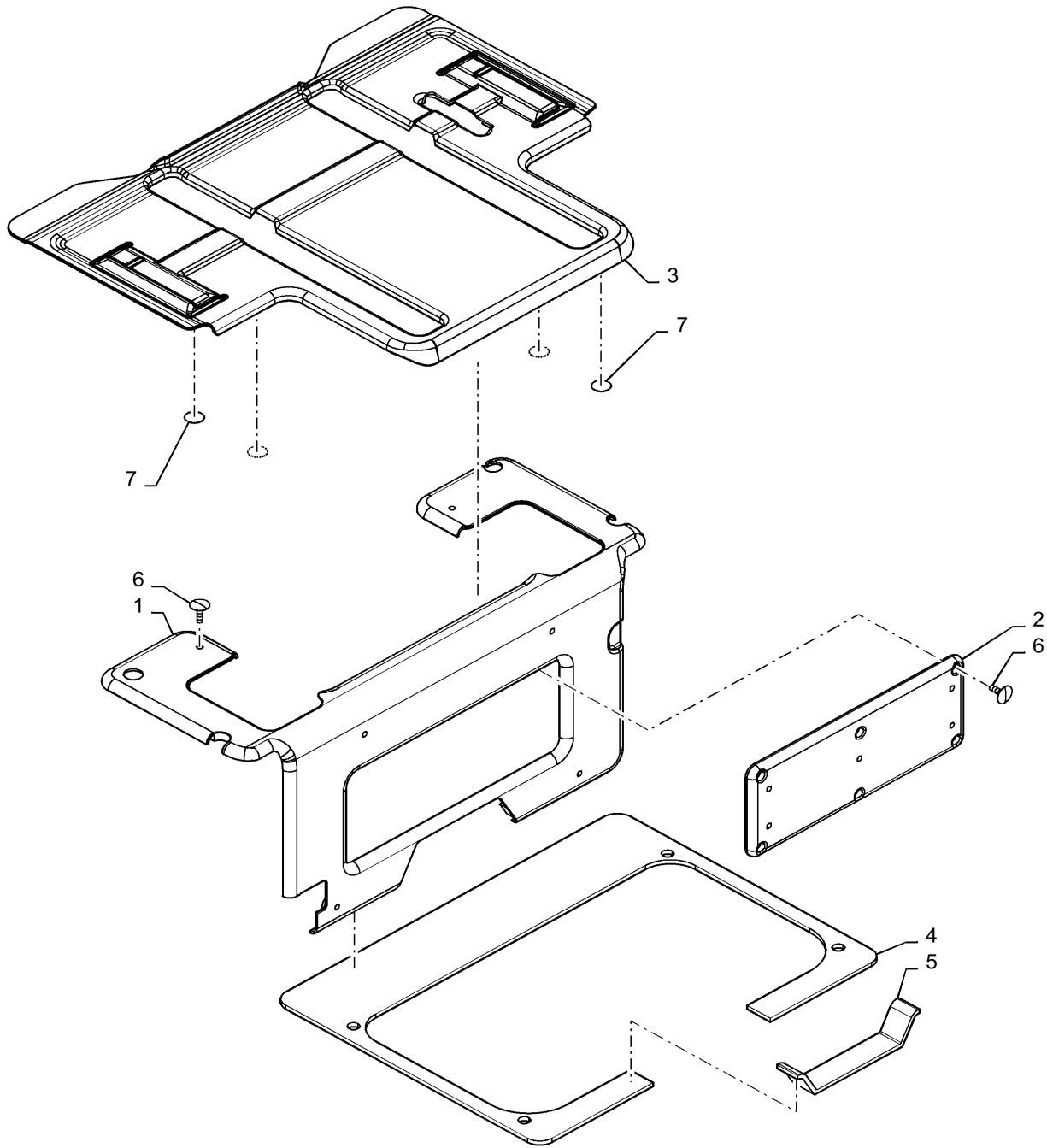
90.160.AR

02

p1

12/201  
8

FLOOR MAT, MECHANICAL FOOT CONTROLS



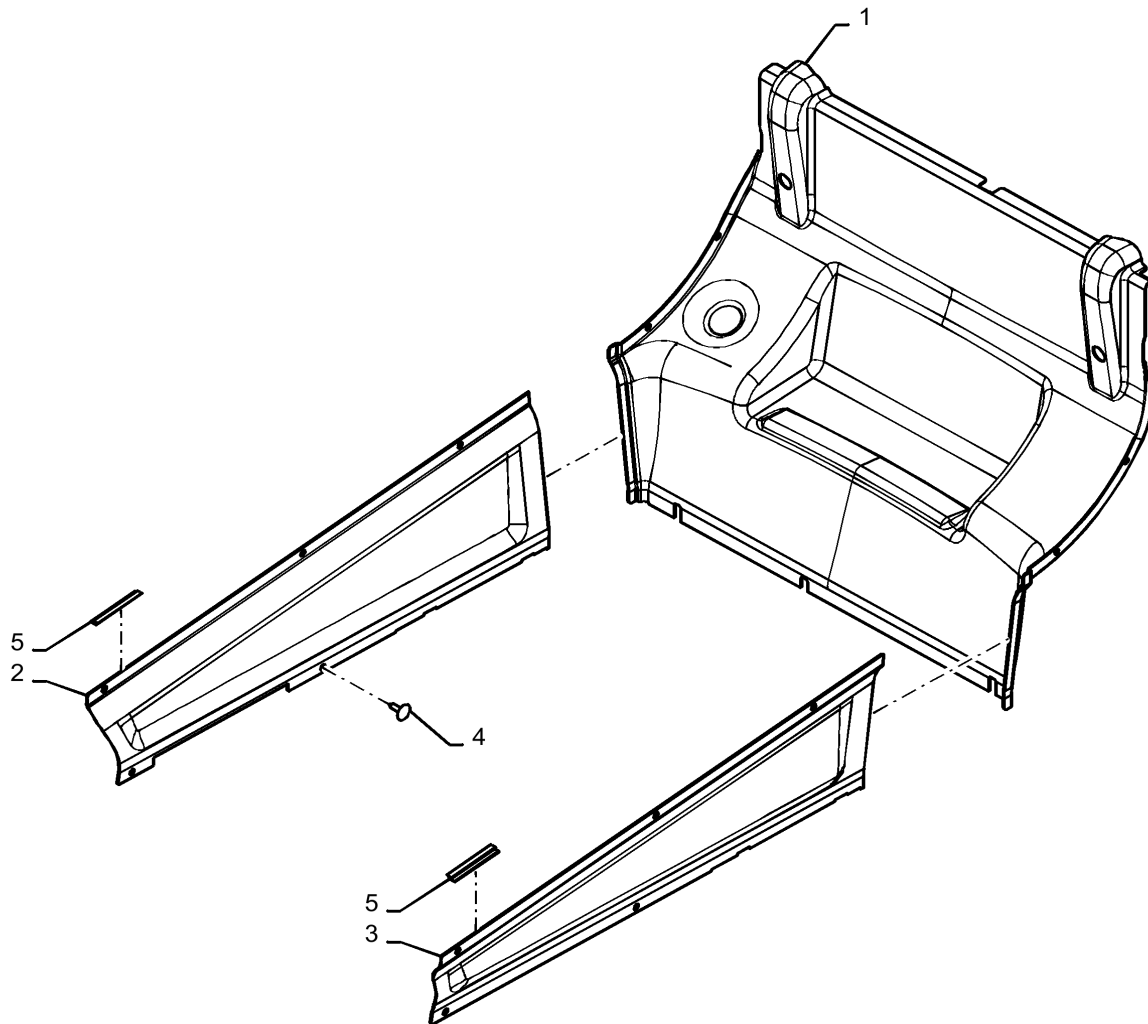
90.160.CK

01

p1

12/201  
8

TRIM, OPEN CAB



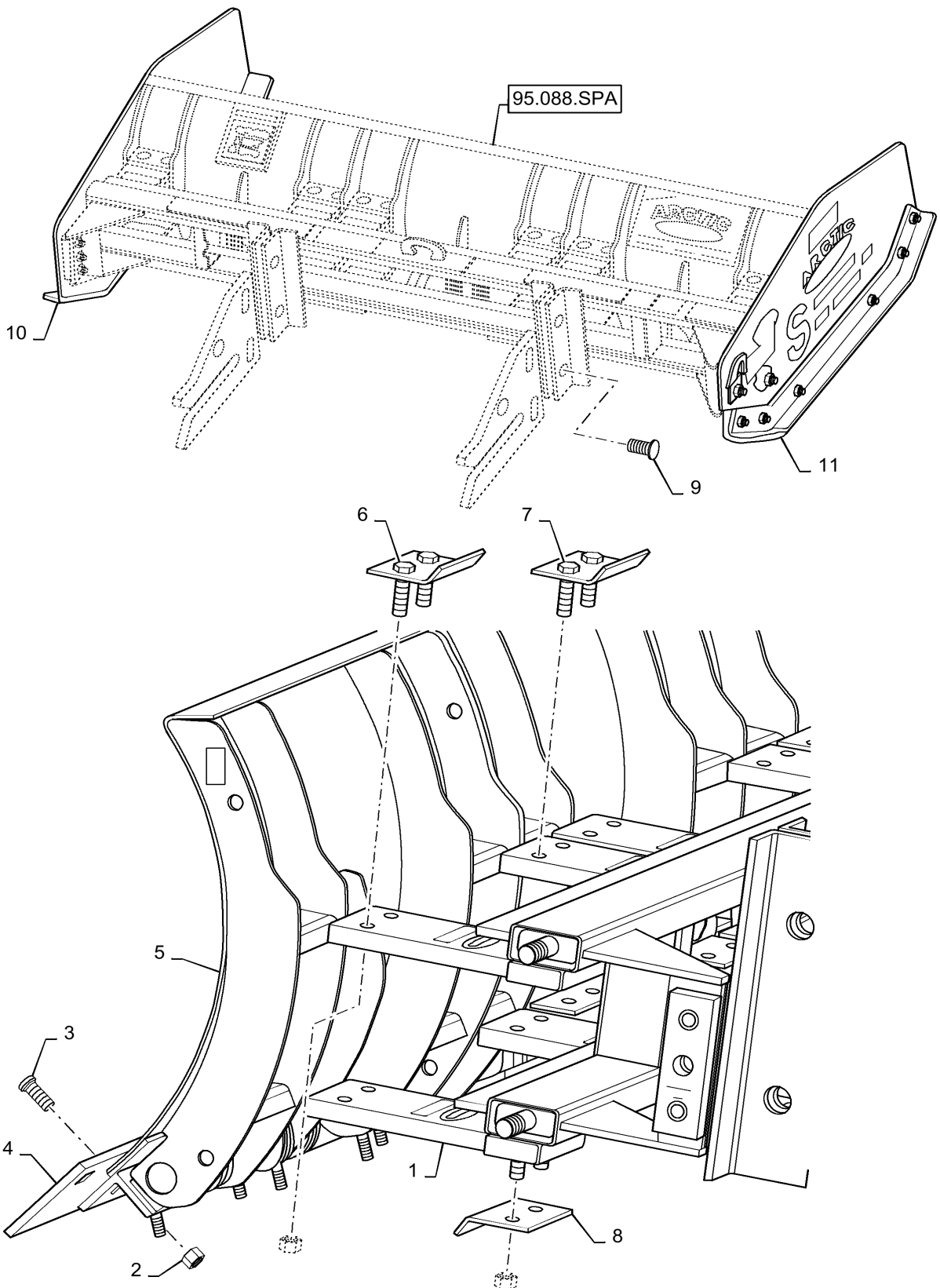
95.088.SPA

02

p1

12/2018

SNOW PUSHER ATTACHMENT, SIDE PANEL & MOLDBOARD ATTACHING HARDWARE

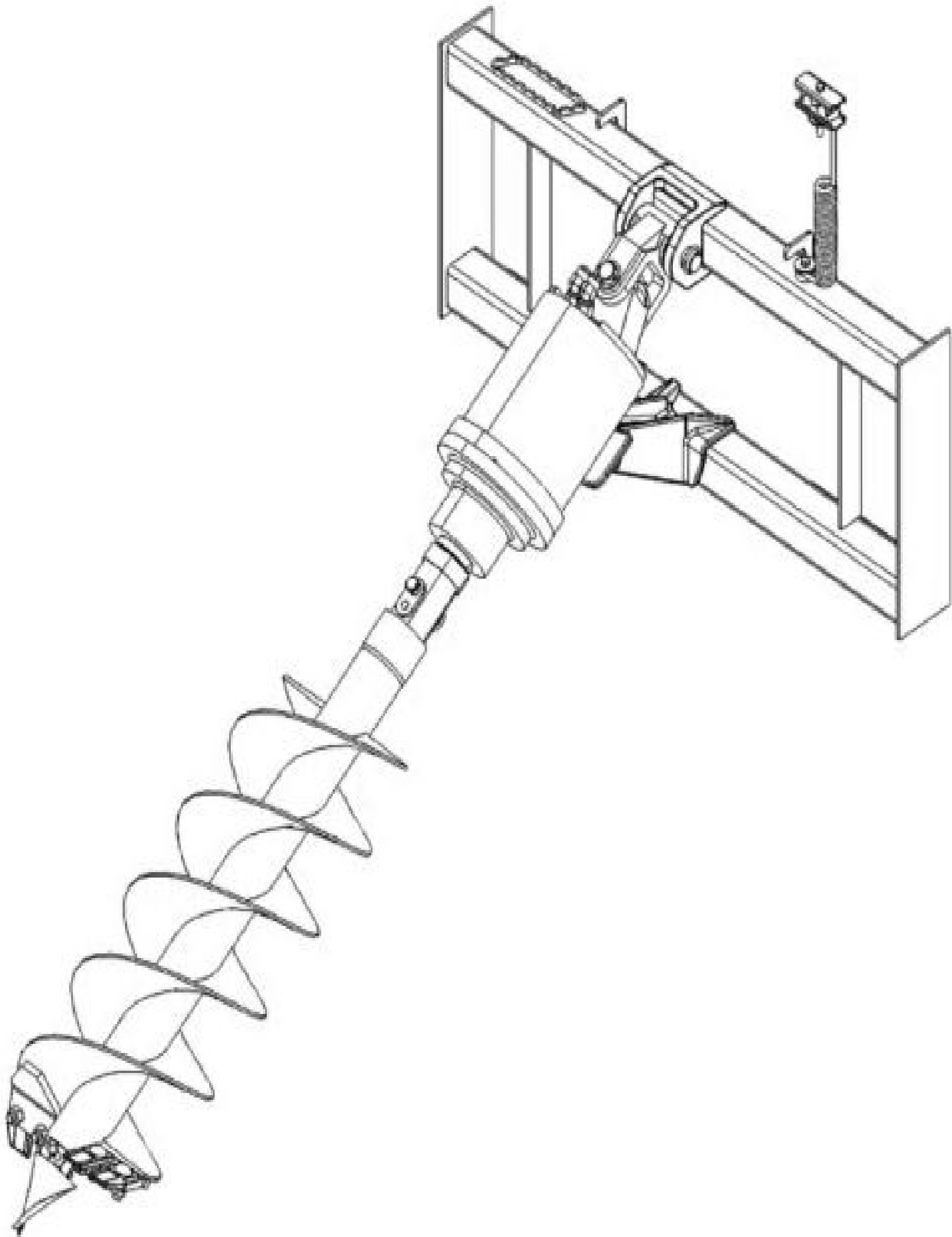


95.125.000

p4

12/201  
8

AUGER DRIVE

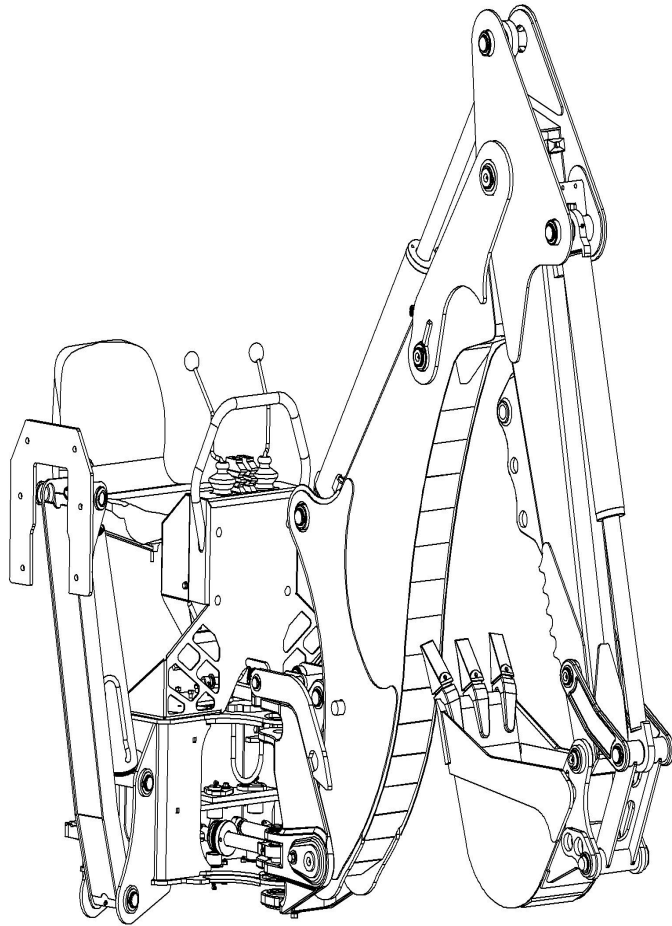


**95.127.000**

p5

12/201  
8

**BACKHOE**



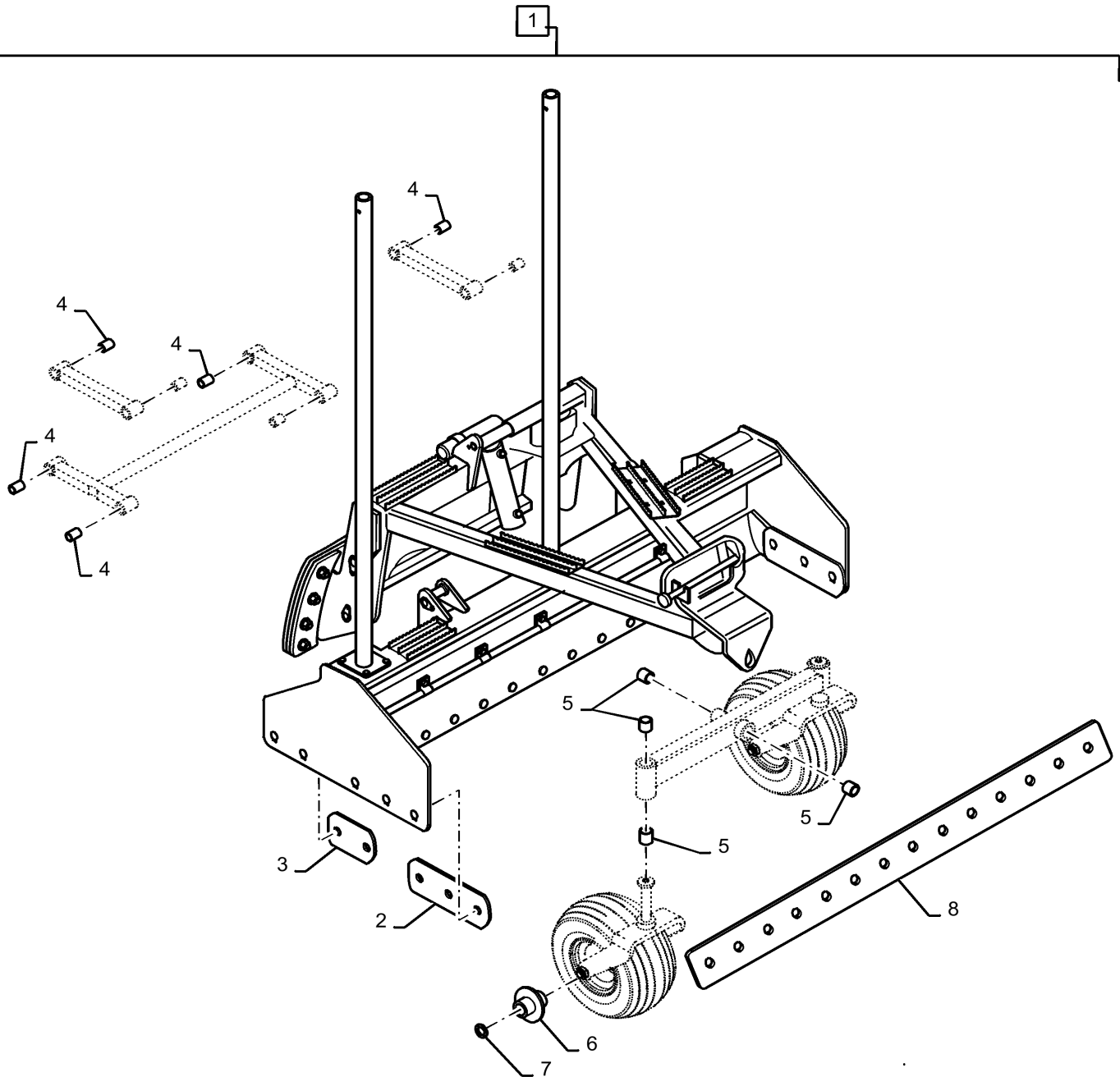
**Must Order Mounting Kit, Stabilizer Pad Option as Indicated and Bucket for Complete Unit, Backhoes are Not Compatible W/ Cab or Demolition Doors, Doors Must be Removed for Backhoe Operation**

95.133.000

p1

12/201  
8

DUAL MAST GRADER



INDEX - INDICE - INDEX - ZAHLENVERZEICHNIS - INDICE - INDICE - INDHOLD - INHOUD

Number	Figure	Sequence	Ref.	Number	Figure	Sequence	Ref.
47532577	05.100.02		2	47551496	88.100.29	02	12
47532577	55.404.AL	01	9	47551499	55.512.CL	01	3
47532577	55.404.AL	01	8	47551499	88.100.29	02	13
47532577	55.404.AL	02	9	47551979	10.500.AA		6
47532577	55.404.AL	02	8	47551982	10.500.AA		2
47535433	55.512.CL	02	10	47553738	05.100.02		28
47535433	88.100.29	01	3	47553738	29.200.AI	02	6
47535433	88.100.35	60	4	47553738	29.200.AI	02	5
47535435	55.512.CL	01	10	47553738	29.200.AI	02	20
47535435	88.100.29	01	17	47553741	29.200.AI	02	7
47535435	88.100.35	60	18	47553741	29.200.AI	02	19
47535939	05.100.01		7	47553746	29.200.AI	02	8
47535939	05.100.03	01	6	47553746	29.200.AI	02	7
47535939	10.304.AF		19	47553746	29.200.AI	02	18
47536466	55.100.DO	01	11	47558626	55.512.BQ	02	1
47536466	55.100.DO	01	11	47558635	55.512.BQ	01	3
47537888	90.150.BD	02	1	47560138	90.150.AB	01	8
47537889	88.100.50	01	20	47560138	90.160.AX	02	8
47537889	88.100.50	02	89	47560301	35.100.AB		12
47537889	90.150.BD	03	1	47560315	35.723.AB		6
47538522	10.500.AD		10	47560315	35.723.AB		7
47539004	35.734.AH	03	2	47560318	35.723.AB		7
47539004	88.100.35	06	6	47560318	35.723.AB		8
47539987	35.100.AB		11	47560321	35.723.AB		11
47541188	10.500.AO		3	47560323	35.723.AB		12
47541203	10.500.AS		4	47560328	35.525.AA	01	6
47542204	88.100.55	16	2	47560328	35.525.AA	21	9
47542206	88.100.55	16	1	47560330	35.525.AA	01	7
47542208	88.100.55	17	1	47560330	35.525.AA	21	10
47542210	88.100.55	15	1	47560332	35.525.AA	01	8
47542213	88.100.55	18	2	47560332	35.525.AA	21	11
47542217	88.100.55	18	1	47560334	35.525.AA	01	9
47542915	10.206.AG		3	47560334	35.525.AA	21	12
47542915	10.216.010		3	47560344	35.525.AA	11	5
47543128	88.100.55	17	2	47560344	88.100.35	05	10
47543136	88.100.55	19	1	47560346	35.525.AA	11	6
47543827	88.100.55	19	2	47560346	88.100.35	05	11
47544388	88.100.55	15	2	47560349	35.525.AA	11	7
47544570	29.200.AI	04	2	47560349	88.100.35	05	12
47550001	82.100.AG		1	47560352	35.525.AA	11	8
47550003	82.100.AG		1	47560352	88.100.35	05	13
47550912	55.404.AL	02	2	47564258	90.160.CK	02	4
47550915	55.404.AL	01	2	47564261	90.160.CK	02	3
47550919	05.100.99		3	47564848	10.500.AD		11
47550921	05.100.99		4	47566177	10.304.AS		3
47551496	55.512.CL	02	3	47566816	05.100.99		5

INDEX - INDICE - INDEX - ZAHLENVERZEICHNIS - INDICE - INDICE - INDHOLD - INHOUD

Number	Figure	Sequence	Ref.	Number	Figure	Sequence	Ref.
48031668	95.088.SPA		4	48035952	29.200.AI	02	19
48031668	95.088.SPA	02	4	48040488	29.204.AB	03	47
48031673	95.088.SPA		5	48040488	29.204.AB	05	3
48031673	95.088.SPA		5	48040488	35.220.010	01	47
48031673	95.088.SPA	02	9	48040488	88.100.29	04	14
48031680	95.088.SPA		6	48040488	88.100.29	04	13
48031680	95.088.SPA		6	48040517	29.204.AB	03	35
48031680	95.088.SPA	02	11	48040517	29.204.AB	05	8
48031682	95.088.SPA		7	48040517	35.220.010	01	35
48031682	95.088.SPA		7	48040517	88.100.29	04	13
48031682	95.088.SPA	02	10	48040517	88.100.29	04	12
48031683	95.088.SPA		8	48043033	35.300.AQ		11
48031683	95.088.SPA		8	48043575	88.100.50	02	4
48031683	95.088.SPA	01	1	48043924	88.100.90	18	1
48031685	95.088.SPA		9	48043925	88.100.90	17	1
48031685	95.088.SPA		9	48043930	88.100.90	17	2
48031685	95.088.SPA	01	9	48043930	88.100.90	18	2
48031690	95.088.SPA		10	48047905	35.723.AB		16
48031690	95.088.SPA		10	48048748	29.204.AB	01	41
48031690	95.088.SPA	01	5	48048748	88.100.29	04	15
48031694	95.088.SPA		11	48048749	29.204.AB	03	41
48031694	95.088.SPA		11	48048749	29.204.AB	05	2
48031694	95.088.SPA	01	6	48048749	35.220.010	01	41
48031696	95.088.SPA		12	48048749	88.100.29	04	26
48031696	95.088.SPA		12	48048749	88.100.29	04	25
48031696	95.088.SPA	01	4	48048752	29.204.AB	01	44
48031702	95.088.SPA		13	48048752	29.204.AB	03	36
48031702	95.088.SPA		13	48048752	29.204.AB	05	9
48031702	95.088.SPA	01	7	48048752	35.220.010	01	36
48031705	95.088.SPA		14	48048752	88.100.29	04	25
48031705	95.088.SPA		14	48048752	88.100.29	04	19
48031705	95.088.SPA	01	3	48048752	88.100.29	04	17
48033458	55.404.AL	01	1	48048753	29.204.AB	03	46
48033458	55.404.AL	02	1	48048753	29.204.AB	05	1
48033462	88.100.50	01	64	48048753	35.220.010	01	46
48033462	88.100.50	02	66	48048753	88.100.29	04	18
48035234	95.131.000		1	48048753	88.100.29	04	16
48035235	95.131.000		1	48049791	29.204.AB	01	45
48035236	95.131.000		1	48049791	29.204.AB	03	38
48035237	95.131.000		1	48049791	29.204.AB	05	10
48035238	95.131.000		1	48049791	35.220.010	01	38
48035239	95.131.000		1	48049791	88.100.29	04	27
48035240	95.131.000		1	48049791	88.100.29	04	26
48035569	10.001.AK		43	48049791	88.100.29	04	16
48035569	55.015.AG		9	48051309	90.120.AD	02	14
48035952	29.200.AI	02	6	48051323	90.120.AE	02	14

INDEX - INDICE - INDEX - ZAHLENVERZEICHNIS - INDICE - INDICE - INDHOLD - INHOUD

Number	Figure	Sequence	Ref.	Number	Figure	Sequence	Ref.
84322901	88.100.50	01	63	84332184	95.089.00		6
84322901	88.100.50	02	60	84332184	95.129.000		6
84323115	05.100.02		37	84332288	88.100.35	14	33
84323115	90.156.AB	02	11	84332300	88.100.39	04	3
84323116	05.100.02		36	84336571	88.100.90	05	3
84323116	90.156.AB	02	12	84336571	90.150.AB		7
84323417	90.154.020	01	14	84336571	90.150.AB		7
84323488	35.525.AA	11	13	84336571	90.156.AK		1
84323488	35.525.AA	21	19	84338049	10.216.010		10
84323488	35.723.AB		13	84338049	10.216.BA		19
84323488	35.723.AB		20	84338448	55.404.AL		3
84323488	88.100.35	05	32	84338448	55.404.AL		3
84323488	88.100.35	14	29	84338477	29.200.AI	01	19
84324365	88.100.05	01	7	84338534	88.100.50	01	49
84325006	90.154.020	02	41	84338534	88.100.50	02	59
84325028	88.100.05	01	2	84338534	90.150.AB		26
84325375	82.100.AH		17	84338534	90.150.AB		26
84326892	55.518.AT	02	2	84338534	90.150.AD		3
84326893	55.518.AT	02	3	84338963	29.218.AO	15	1
84326923	55.518.AT	01	3	84339565	55.512.CL	02	9
84326923	55.518.AT	03	4	84339565	88.100.29	01	14
84326923	55.518.AT	04	4	84339565	88.100.35	60	15
84326923	88.100.90	08	9	84339566	55.512.CL	01	9
84326923	88.100.90	09	9	84339566	88.100.29	01	18
84330252	88.100.35	14	30	84339566	88.100.35	60	19
84330253	88.100.35	14	31	84342690	90.105.CU	01	6
84331280	35.701.BR		8	84344562	90.154.010	02	40
84331280	88.100.29	03	9	84344562	90.154.020	02	39
84331287	35.525.AA	02	14	84344924	35.220.010	02	2
84331287	35.525.AA	12	17	84344925	29.204.AB	04	13
84331287	88.100.35	05	33	84344942	29.204.AB	02	10
84331287	88.100.35	14	32	84344942	29.204.AB	04	14
84331404	88.100.90	08	18	84344942	35.220.010	02	6
84331404	88.100.90	09	18	84345494	29.200.AI	02	16
84331404	90.154.010	01	6	84345494	29.200.AI	02	15
84331404	90.154.020	01	6	84345494	29.200.AI	02	14
84331670	35.353.AE	01	3	84345554	90.154.010	02	26
84331670	35.353.AE	02	3	84345554	90.154.020	02	24
84331873	35.353.AE	01	9	84345556	90.154.010	02	32
84331873	35.353.AE	02	6	84345556	90.154.020	02	31
84331873	35.353.AE	02	9	84346682	35.723.AB		14
84331874	35.353.AE	01	6	84346785	35.723.AB		15
84331883	82.100.AH		18	84346910	35.525.AA	21	40
84331884	82.100.AH		19	84347258	50.100.AP	03	7
84332183	95.089.00		5	84347258	88.100.50	02	58
84332183	95.129.000		5	84347261	55.512.BQ	03	5

CLICK HERE TO **DOWNLOAD** THE COMPLETE MANUAL

- Thank you very much for reading the preview of the manual.
- You can download the complete manual from: [www.heydownloads.com](http://www.heydownloads.com) by clicking the link below



- Please note: If there is no response to CLICKING the link, please download this PDF first and then click on it.

CLICK HERE TO **DOWNLOAD** THE COMPLETE MANUAL